

## L1458

LEAD SCREWS & NUTS

### Material

Aluminium mould casting. Handle duroplast DF 31 black.  
Hub machined; rim turned and mirror-finished on all sides, non-machined surfaces cleanly blasted.  
For corresponding handle details see no. rotating handle.

### Technical Notes

There are gripping indentations on the rear sides.  
The non-machined, raw surfaces are blasted; together with the mirror-polished rim these handwheels are therefore showing a finish which in most cases does not require additional lacquering.

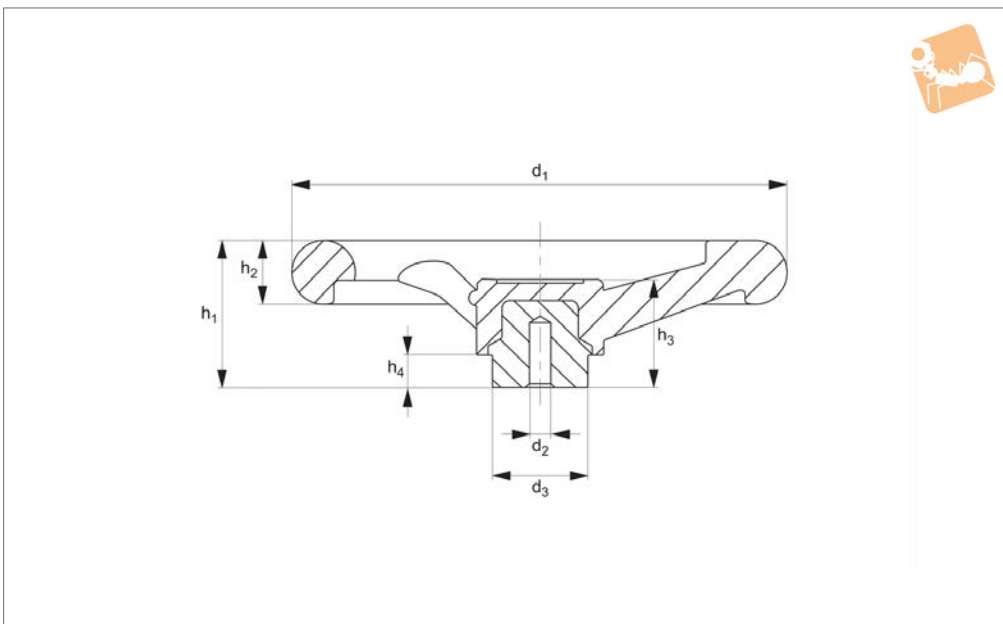
Temperature range up to 110°C. Also available in black plastic coated - on request.

**For keyways information (dim.  $t_1$  and  $b_3$ ) to DIN 6885.**

Order No.	Finish	Bore dia.	$d_1$	$d_2$ tol. H7 Small	$d_2$ tol. H7 Large	$d_3$	$d_4$	$l_1$	$l_2$ ≈	$l_3$	$w_1$	Weight g
L1458.080-C	W/o Keyway, With Handle	d2 Large	80	10	12	26	M 6	16	26	13.0	18	160
L1458.100-C	W/o Keyway, With Handle	d2 Large	100	10	12	28	M 6	17	30	14.0	21	255
L1458.125-C	W/o Keyway, With Handle	d2 Large	125	12	14	31	M 8	18	33	15.0	23	390
L1458.140-C	W/o Keyway, With Handle	d2 Large	140	14	16	36	M 8	19	36	16.5	23	510
L1458.160-C	W/o Keyway, With Handle	d2 Large	160	14	16	36	M10	20	39	18.0	26	675
L1458.200-C	W/o Keyway, With Handle	d2 Large	200	18	20	42	M10	24	45	20.5	26	995
L1458.250-C	W/o Keyway, With Handle	d2 Large	250	22	26	48	M10	28	51	23.0	28	1625
L1458.080-D	With Keyway, With Handle	d2 Large	80	10	12	26	M 6	16	26	13.0	18	160
L1458.100-D	With Keyway, With Handle	d2 Large	100	10	12	28	M 6	17	30	14.0	21	255
L1458.125-D	With Keyway, With Handle	d2 Large	125	12	14	31	M 8	18	33	15.0	23	390
L1458.140-D	With Keyway, With Handle	d2 Large	140	14	16	36	M 8	19	36	16.5	23	510
L1458.160-D	With Keyway, With Handle	d2 Large	160	14	16	36	M10	20	39	18.0	26	675
L1458.200-D	With Keyway, With Handle	d2 Large	200	18	20	42	M10	24	45	20.5	26	995
L1458.250-D	With Keyway, With Handle	d2 Large	250	22	26	48	M10	28	51	23.0	28	1625



L1459



**Material**

**Standard:** Duroplast, black. Zinc plated steel hub.

**Reinforced:** Duroplast with glass fibre

beads of increased strength, black zinc plated steel hub.

**Technical Notes**

The pilot hole allows various sizes of holes, keyways etc. to be machined into the boss.

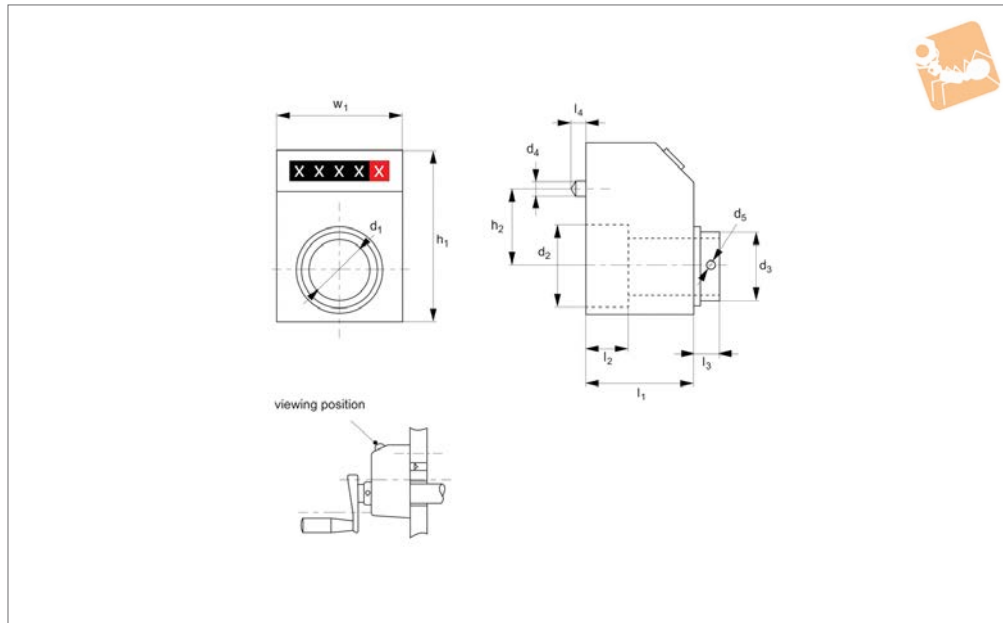
Order No.	d <sub>1</sub>	d <sub>3</sub>	Weight g
L1459.100-A	100	24	159
L1459.125-A	125	24	240
L1459.150-A	150	32	380
L1459.175-A	175	40	603
L1459.200-A	200	40	736
L1459.250-A	250	48	1200
L1459.300-A	300	58	2032
L1459.100-B	100	24	162
L1459.125-B	125	24	260
L1459.175-B	175	40	611
L1459.200-B	200	40	761



# Position Counters

4 digit display

## Lead Screws & Nuts



**L1470**

LEAD SCREWS & NUTS

**Material**

Black thermoplastic, burnished steel bushing.

**Technical Notes**

Max. temperature +70°C.

Other ratios and spacers available on request. Different location of position indicator on counter available on request. Four digit readout, red indicates decimals.

**Tips**

Clockwise rotation: part numbers end with -C.  
Anti-Clockwise rotation: part numbers end with -A.

Order No.	Ratio	Pitch	Counter after one revolution	d <sub>1</sub> tol. H7	d <sub>2</sub>	d <sub>3</sub>	d <sub>4</sub>	d <sub>5</sub>	l <sub>1</sub>
L1470.005-C	1:05	0.5	0005	14	26	20	6	M4	24
L1470.010-C	1:10	1.0	0010	14	26	20	6	M4	24
L1470.015-C	1:15	1.5	0015	14	26	20	6	M4	24
L1470.020-C	1:20	2.0	0020	14	26	20	6	M4	24
L1470.025-C	1:25	2.5	0025	14	26	20	6	M4	24
L1470.030-C	1:30	3.0	0030	14	26	20	6	M4	24
L1470.040-C	1:40	4.0	0040	14	26	20	6	M4	24
L1470.050-C	1:50	5.0	0050	14	26	20	6	M4	24
L1470.060-C	1:60	6.0	0060	14	26	20	6	M4	24
L1470.100-C	1:100	10.0	0100	14	26	20	6	M4	24
L1470.005-A	1:05	0.5	0005	14	26	20	6	M4	24
L1470.010-A	1:10	1.0	0010	14	26	20	6	M4	24
L1470.015-A	1:15	1.5	0015	14	26	20	6	M4	24
L1470.020-A	1:20	2.0	0020	14	26	20	6	M4	24
L1470.025-A	1:25	2.5	0025	14	26	20	6	M4	24
L1470.030-A	1:30	3.0	0030	14	26	20	6	M4	24
L1470.040-A	1:40	4.0	0040	14	26	20	6	M4	24
L1470.050-A	1:50	5.0	0050	14	26	20	6	M4	24
L1470.060-A	1:60	6.0	0060	14	26	20	6	M4	24
L1470.100-A	1:100	10.0	0100	14	26	20	6	M4	24

Order No.	l <sub>2</sub>	l <sub>3</sub>	w <sub>1</sub>	h <sub>1</sub>	h <sub>2</sub>	h <sub>3</sub>	Speed rpm max.	Revolution
L1470.005-C	7.5	6.5	33	45	16.5	22	500	Clockwise
L1470.010-C	7.5	6.5	33	45	16.5	22	300	Clockwise
L1470.015-C	7.5	6.5	33	45	16.5	22	300	Clockwise
L1470.020-C	7.5	6.5	33	45	16.5	22	300	Clockwise
L1470.025-C	7.5	6.5	33	45	16.5	22	300	Clockwise
L1470.030-C	7.5	6.5	33	45	16.5	22	300	Clockwise
L1470.040-C	7.5	6.5	33	45	16.5	22	200	Clockwise
L1470.050-C	7.5	6.5	33	45	16.5	22	200	Clockwise



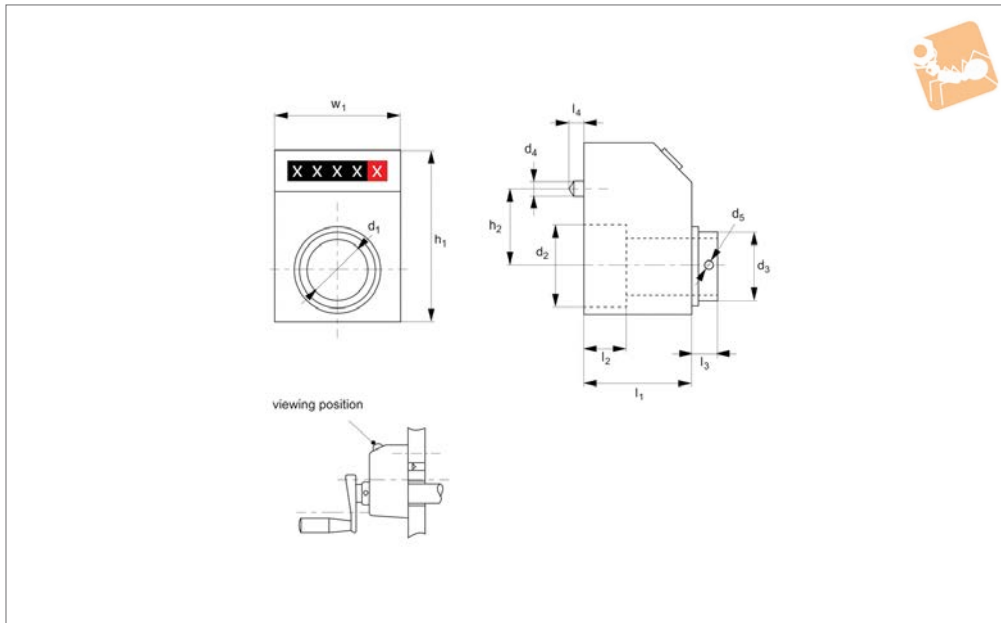
Order No.	l <sub>2</sub>	l <sub>3</sub>	w <sub>1</sub>	h <sub>1</sub>	h <sub>2</sub>	h <sub>3</sub>	Speed rpm max.	Revolution
L1470.060-C	7.5	6.5	33	45	16.5	22	200	Clockwise
L1470.100-C	7.5	6.5	33	45	16.5	22	150	Clockwise
L1470.005-A	7.5	6.5	33	45	16.5	22	500	Anti-clockwise
L1470.010-A	7.5	6.5	33	45	16.5	22	300	Anti-clockwise
L1470.015-A	7.5	6.5	33	45	16.5	22	300	Anti-clockwise
L1470.020-A	7.5	6.5	33	45	16.5	22	300	Anti-clockwise
L1470.025-A	7.5	6.5	33	45	16.5	22	300	Anti-clockwise
L1470.030-A	7.5	6.5	33	45	16.5	22	300	Anti-clockwise
L1470.040-A	7.5	6.5	33	45	16.5	22	200	Anti-clockwise
L1470.050-A	7.5	6.5	33	45	16.5	22	200	Anti-clockwise
L1470.060-A	7.5	6.5	33	45	16.5	22	200	Anti-clockwise
L1470.100-A	7.5	6.5	33	45	16.5	22	150	Anti-clockwise



# Position Counters

5 digit display

# Lead Screws & Nuts



**L1472**

LEAD SCREWS & NUTS

**Material**

Black thermoplastic, burnished steel bushing.

**Technical Notes**

Max. temperature +70°C.

Other ratios and spacers available on request. Different location of position indicator on counter available on request. Five digit readout, red indicates decimals.

**Tips**

Clockwise rotation: part numbers end with -C.  
Anti-Clockwise rotation: part numbers end with -A.

Order No.	Ratio	Pitch	Counter after one revolution	d <sub>1</sub> tol. H7	d <sub>2</sub>	d <sub>3</sub>	d <sub>4</sub>	d <sub>5</sub>	l <sub>1</sub>
L1472.005-C	1:05	0.5	00005	20	40	27	6	M5	42
L1472.015-C	1:15	1.5	00015	20	40	27	6	M5	42
L1472.020-C	1:20	2.0	00020	20	40	27	6	M5	42
L1472.025-C	1:25	2.5	00025	20	40	27	6	M5	42
L1472.030-C	1:30	3.0	00030	20	40	27	6	M5	42
L1472.040-C	1:40	4.0	00040	20	40	27	6	M5	42
L1472.100-C	1:100	10.0	00100	20	40	27	6	M5	42
L1472.120-C	1:120	12.0	00120	20	40	27	6	M5	42
L1472.005-A	1:05	0.5	00005	20	40	27	6	M5	42
L1472.010-A	1:10	1.0	00010	20	40	27	6	M5	42
L1472.015-A	1:15	1.5	00015	20	40	27	6	M5	42
L1472.020-A	1:20	2.0	00020	20	40	27	6	M5	42
L1472.025-A	1:25	2.5	00025	20	40	27	6	M5	42
L1472.030-A	1:30	3.0	00030	20	40	27	6	M5	42
L1472.040-A	1:40	4.0	00040	20	40	27	6	M5	42
L1472.050-A	1:50	5.0	00050	20	40	27	6	M5	42
L1472.060-A	1:60	6.0	00060	20	40	27	6	M5	42
L1472.100-A	1:100	10.0	00100	20	40	27	6	M5	42
L1472.120-A	1:120	12.0	00120	20	40	27	6	M5	42

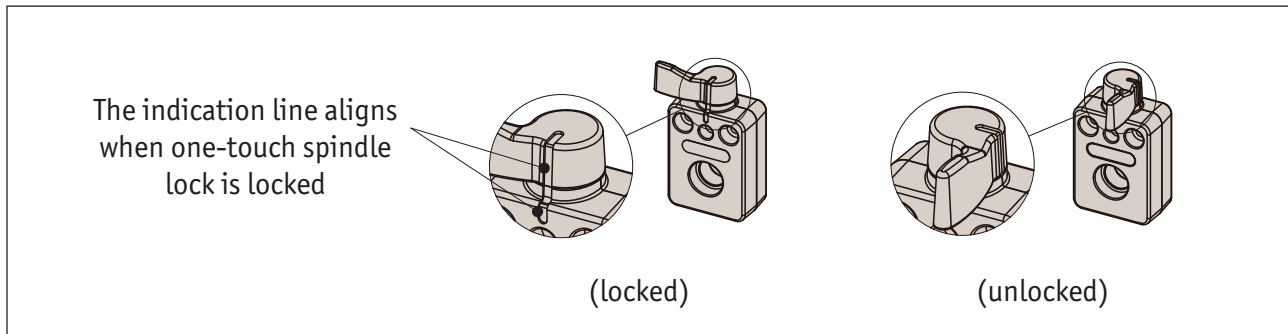
Order No.	l <sub>2</sub>	l <sub>3</sub>	l <sub>4</sub>	w <sub>1</sub>	h <sub>1</sub>	h <sub>2</sub>	Speed rpm max.	Revolution
L1472.005-C	16.5	10	6	49	67	30	500	Clockwise
L1472.015-C	16.5	10	6	49	67	30	300	Clockwise
L1472.020-C	16.5	10	6	49	67	30	300	Clockwise
L1472.025-C	16.5	10	6	49	67	30	300	Clockwise
L1472.030-C	16.5	10	6	49	67	30	300	Clockwise
L1472.040-C	16.5	10	6	49	67	30	200	Clockwise
L1472.100-C	16.5	10	6	49	67	30	150	Clockwise
L1472.120-C	16.5	10	6	49	67	30	150	Clockwise
L1472.005-A	16.5	10	6	49	67	30	500	Anti-clockwise



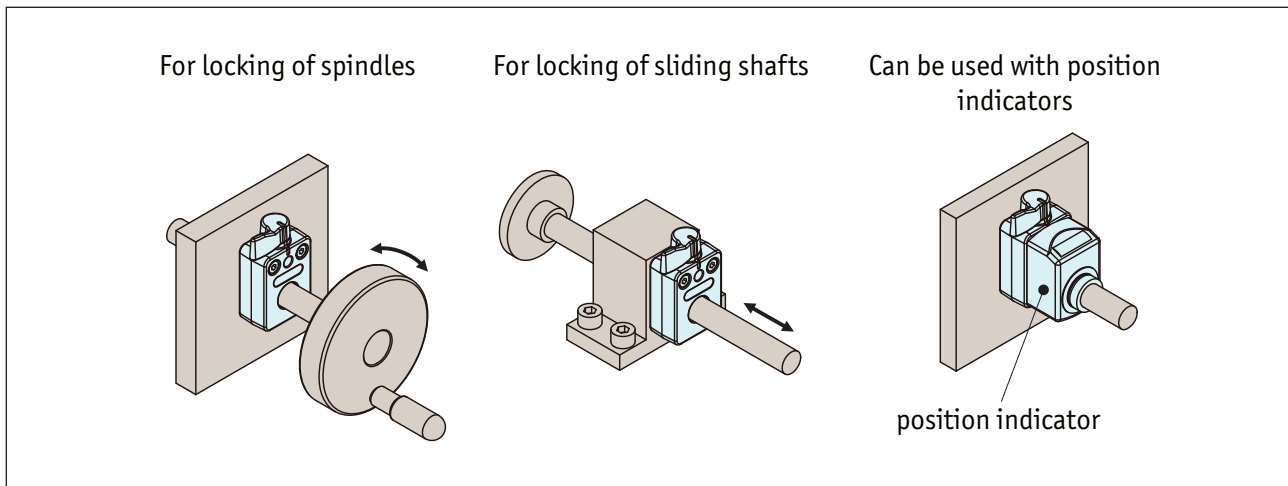
Order No.	l <sub>2</sub>	l <sub>3</sub>	l <sub>4</sub>	w <sub>1</sub>	h <sub>1</sub>	h <sub>2</sub>	Speed rpm max.	Revolution
L1472.010-A	16.5	10	6	49	67	30	300	Anti-clockwise
L1472.015-A	16.5	10	6	49	67	30	300	Anti-clockwise
L1472.020-A	16.5	10	6	49	67	30	300	Anti-clock wise
L1472.025-A	16.5	10	6	49	67	30	300	Anti-clockwise
L1472.030-A	16.5	10	6	49	67	30	300	Anti-clockwise
L1472.040-A	16.5	10	6	49	67	30	200	Anti-clockwise
L1472.050-A	16.5	10	6	49	67	30	200	Anti-clockwise
L1472.060-A	16.5	10	6	49	67	30	200	Anti-clockwise
L1472.100-A	16.5	10	6	49	67	30	150	Anti-clockwise
L1472.120-A	16.5	10	6	49	67	30	150	Anti-clockwise

### Features

- One-touch spindle locks enable quick and secure locking of shafts with one click of the knob.
- When the one-touch spindle lock is operated, the knob clicks and the shaft is locked with a steady force. This provides reliable locking of shafts.
- The knob position and the indication line clearly indicate lock/unlock position.



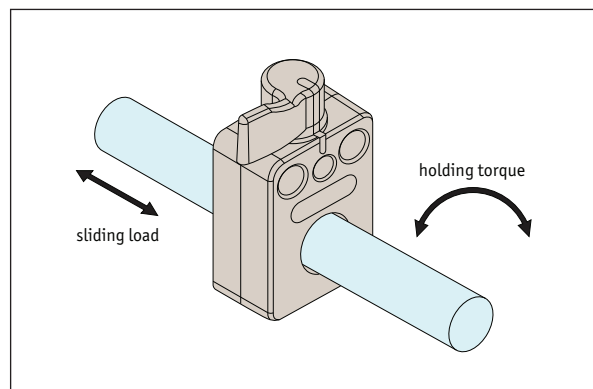
### How to use



### Technical Information

One-touch spindle locks can fix both revolving and sliding of shafts.

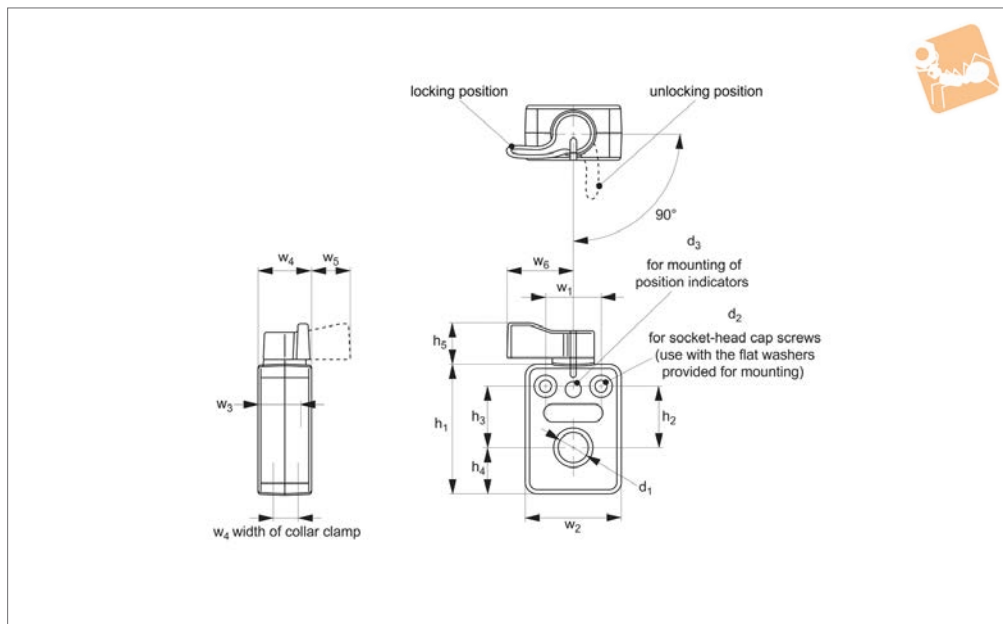
Part Numbers	Max. holding torque (N•m)	Max. sliding load (N)
L1480.008-040	3	400
L1480.010-040		
L1480.012-040	4	400
L1480.014-040		
L1480.012-050	5	500
L1480.015-050		
L1480.016-050	6	500
L1480.020-050		



Note: The above information is for cold finished hardened steel shafts with a h7 tolerance.



## L1480



### Material

Housing: Polyamide (glass-fibre reinforced)

Boss: Polyamide (glass-fibre reinforced)

Base: Polyamide (glass-fibre reinforced)

Insert: Stainless steel

### Technical Notes

It has teeth inside and it engages at every 7.2° (=360°/ 50).

pulls the spindle by the inner spring with 70N force to prevent chattering of the spindle. Note: The spindle should be fully inserted into the knob for 25mm.

Order No.	Handle	d <sub>1</sub> for shaft dia. tol. h7	d <sub>2</sub>	d <sub>3</sub>	h <sub>1</sub>	h <sub>2</sub>	h <sub>3</sub>	h <sub>4</sub>	Weight g
L1480.008-040	Orange	8	M 4	6	48.5	23.5	22	17	50
L1480.010-040	Orange	10	M 4	6	48.5	23.5	22	17	50
L1480.012-040	Orange	12	M 4	6	48.5	23.5	22	17	50
L1480.014-040	Orange	14	M 4	6	48.5	23.5	22	17	50
L1480.012-050	Orange	12	M 5	6	69.0	17.0	30	26	100
L1480.015-050	Orange	15	M 5	6	69.0	17.0	30	26	100
L1480.016-050	Orange	16	M 5	6	69.0	17.0	30	26	100
L1480.020-050	Orange	20	M 5	6	69.0	17.0	30	26	100

Order No.	h <sub>5</sub>	w <sub>1</sub>	w <sub>2</sub>	w <sub>3</sub>	w <sub>4</sub>	w <sub>5</sub>	w <sub>6</sub>	Allowable holding torque	Allowable sliding torque
								Nm max.	Nm max.
L1480.008-040	15.5	21	36	14.0	20	15	25	3	400
L1480.010-040	15.5	21	36	14.0	20	15	25	3	400
L1480.012-040	15.5	21	36	14.0	20	15	25	4	400
L1480.014-040	15.5	21	36	14.0	20	15	25	4	400
L1480.012-050	15.5	34	51	12.5	20	15	25	5	500
L1480.015-050	15.5	34	51	12.5	20	15	25	5	500
L1480.016-050	15.5	34	51	12.5	20	15	25	6	500
L1480.020-050	15.5	34	51	12.5	20	15	25	6	500