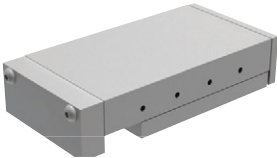




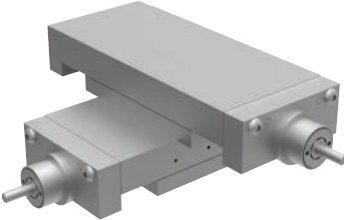


Heavy duty linear stages

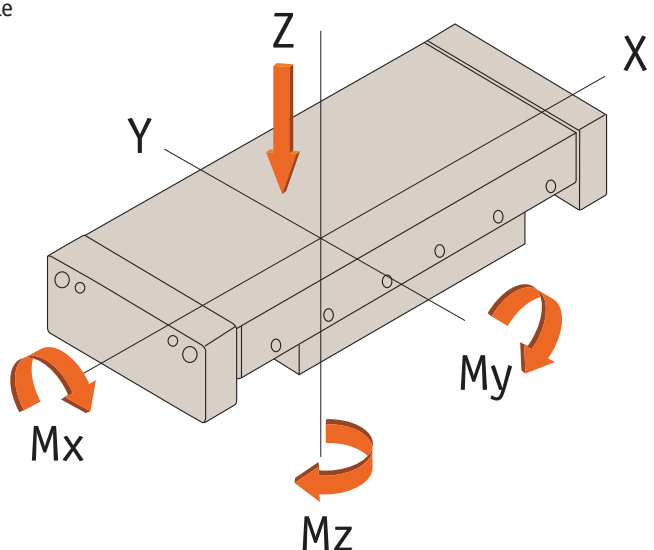
| | | |
|--|--|---|
| <p>Plain stages</p>  | <p>Lead screw & handle</p>  | <p>Lead screw & knob</p>  |
| <p>XYθ stage</p>  | <p>Motorised stage</p>  | <p>XY stage</p>  |

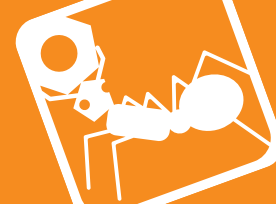
Available with the following sliding elements:

- Cross roller: For medium loads, low friction.
- Dovetail: Less expensive, higher friction, higher loads.
- Needle roller: Highest loads, low friction, more expensive.

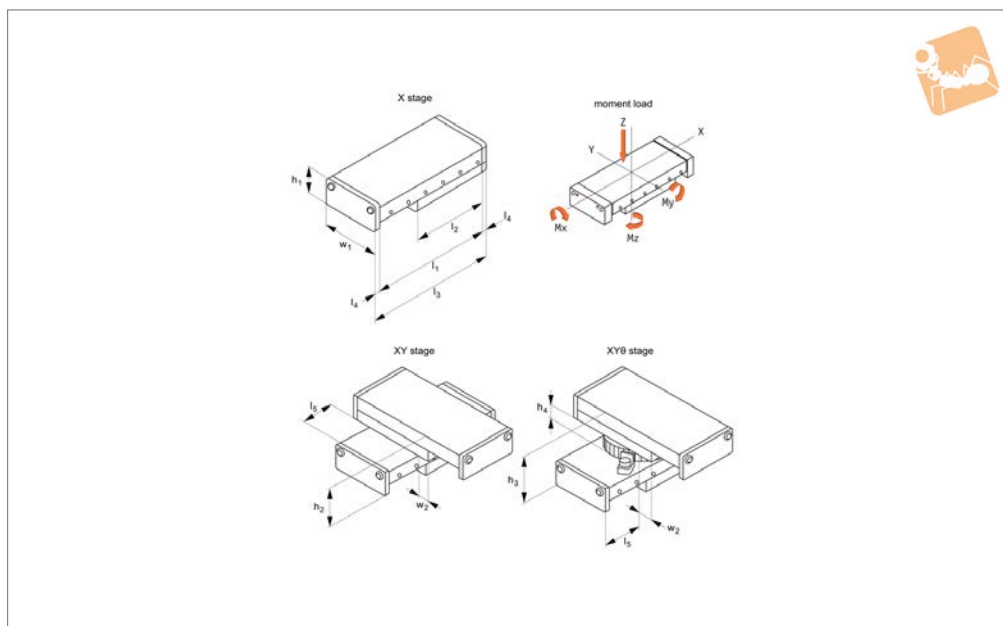
Moment loads

All loads shown in tables are based upon an evenly distributed load with slide in centre position. All loads apply to a single slide.





L3170



Material

Cast iron body (ENGJL-250), with hardened cross roller linear rail set.

Can also be supplied with an aluminium body when lighter weight stages are required (approx. 50% of weight of standard slides and have 50% of the load capacity).

Technical Notes

Suitable for horizontal and vertical applications requiring smooth movement, long life and high load capacity. Other versions

are also available - dovetail slides (L3480) for vibration damping, and needle roller slides (L3490) for even higher load ratings. Load ratings are based on even surface loading with the slide in the centre position, and apply to a single slide. Coefficient of friction 0,003.

Tips

With no lead screw drive.

Replace - * with

-X for X axis stage

-XY for X,Y axes stage

-XYT for X,Y,. stage

Centre mounting of compound slides is standard. Please advise dimensions w_2 and l_5 when off-centre mounting is required.

Important Notes

See technical pages for straightness and parallelism accuracy and standard carriage and base fixing holes - other fixing holes can be machined on request. 3D CAD models available.

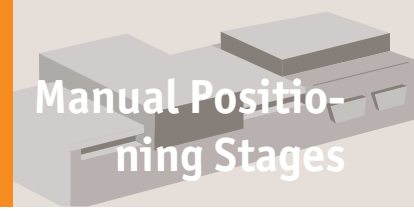
| Order No. | w_1 | Stroke | l_1 | h_1 | h_2 | h_3 | h_4 | l_2 | l_3 | Weight kg |
|-----------------|-------|--------|-------|-------|-------|-------|-------|-------|-------|-----------|
| L3170.050-022-* | 50 | 22 | 76 | 25 | 50 | - | - | 50 | 88 | 0.6 |
| L3170.050-025-* | 50 | 25 | 102 | 25 | 50 | - | - | 76 | 114 | 0.8 |
| L3170.050-050-* | 50 | 50 | 152 | 25 | 50 | - | - | 101 | 164 | 1.1 |
| L3170.075-025-* | 75 | 25 | 102 | 32 | 64 | 82 | 18 | 76 | 114 | 1.8 |
| L3170.075-026-* | 75 | 25 | 127 | 32 | 64 | 82 | 18 | 101 | 139 | 2.0 |
| L3170.075-050-* | 75 | 50 | 152 | 32 | 64 | 82 | 18 | 101 | 164 | 2.5 |
| L3170.100-025-* | 100 | 25 | 152 | 37 | 74 | 92 | 18 | 126 | 164 | 4.0 |
| L3170.100-050-* | 100 | 50 | 203 | 37 | 74 | 92 | 18 | 152 | 215 | 4.7 |
| L3170.100-051-* | 100 | 50 | 254 | 37 | 74 | 92 | 18 | 203 | 266 | 6.1 |
| L3170.100-075-* | 100 | 75 | 305 | 37 | 74 | 92 | 18 | 228 | 317 | 7.0 |
| L3170.150-050-* | 150 | 50 | 203 | 50 | 100 | 120 | 20 | 152 | 219 | 10.0 |
| L3170.150-100-* | 150 | 100 | 305 | 50 | 100 | 120 | 20 | 203 | 321 | 13.2 |
| L3170.150-101-* | 150 | 100 | 406 | 50 | 100 | 120 | 20 | 304 | 422 | 18.0 |
| L3170.150-150-* | 150 | 150 | 406 | 50 | 100 | 120 | 20 | 253 | 422 | 16.5 |
| L3170.200-150-* | 200 | 150 | 457 | 58 | 116 | 136 | 20 | 304 | 473 | 30.0 |
| L3170.200-200-* | 200 | 200 | 610 | 58 | 116 | 136 | 20 | 406 | 626 | 40.0 |
| L3170.300-100-* | 300 | 100 | 410 | 75 | 150 | 180 | 30 | 308 | 430 | 59.0 |
| L3170.300-200-* | 300 | 200 | 610 | 75 | 150 | 180 | 30 | 408 | 630 | 80.0 |
| L3170.300-300-* | 300 | 300 | 710 | 75 | 150 | 180 | 30 | 408 | 730 | 91.5 |
| L3170.300-400-* | 300 | 400 | 910 | 75 | 150 | 180 | 30 | 508 | 930 | 110 |
| L3170.300-500-* | 300 | 500 | 1010 | 75 | 150 | 180 | 30 | 508 | 1030 | 125 |
| L3170.300-600-* | 300 | 600 | 1210 | 75 | 150 | 180 | 30 | 608 | 1230 | 145 |



Plain Positioning Stages

cross roller

Manual Positioning Stages

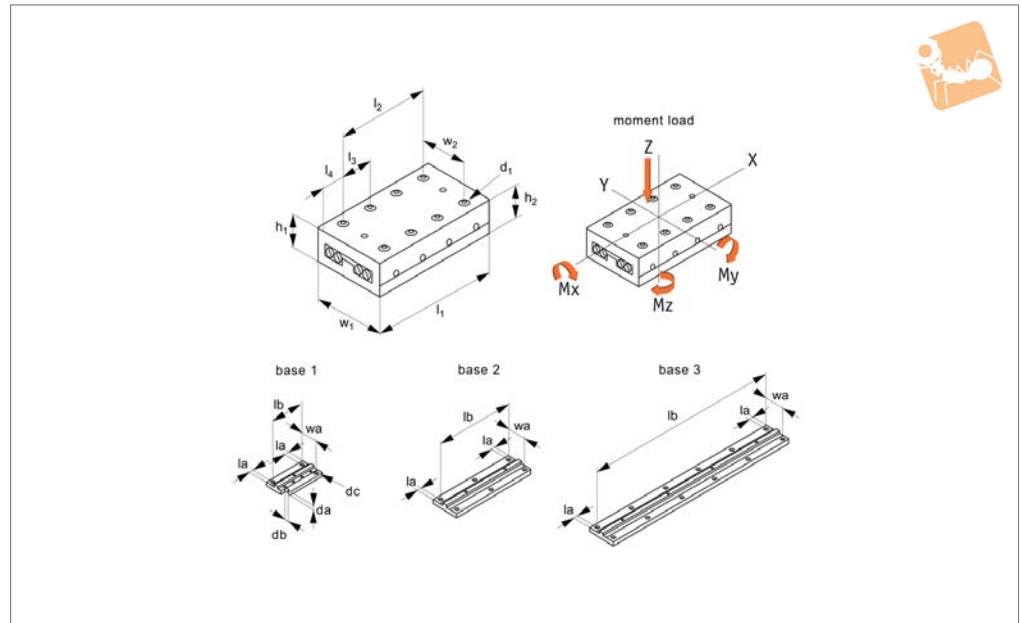


| Order No. | l_4 | l_5 | w_2 | Load kN max. | Moment M_x Nm max. | Moment M_y Nm max. | Moment M_z Nm max. |
|-----------------|-------|-------|-------|--------------------|----------------------------|----------------------------|----------------------------|
| L3170.050-022-* | 6 | 13.0 | 0.0 | 0.34 | 12 | 5.7 | 6.4 |
| L3170.050-025-* | 6 | 26.0 | 13.0 | 0.59 | 20 | 17 | 19 |
| L3170.050-050-* | 6 | 51.0 | 25.5 | 0.74 | 25 | 26 | 29 |
| L3170.075-025-* | 6 | 13.5 | 0.5 | 0.59 | 32 | 18 | 19 |
| L3170.075-026-* | 6 | 26.0 | 13.0 | 0.84 | 45 | 37 | 39 |
| L3170.075-050-* | 6 | 38.5 | 13.0 | 0.74 | 40 | 27 | 29 |
| L3170.100-025-* | 6 | 26.0 | 13.0 | 1.08 | 67 | 41 | 48 |
| L3170.100-050-* | 6 | 51.5 | 26.0 | 1.23 | 76 | 52 | 62 |
| L3170.100-051-* | 6 | 77.0 | 51.5 | 1.72 | 106 | 104 | 124 |
| L3170.100-075-* | 6 | 102.5 | 64.0 | 1.82 | 112 | 118 | 141 |
| L3170.150-050-* | 8 | 26.5 | 1.0 | 2.60 | 220 | 104 | 123 |
| L3170.150-100-* | 8 | 77.5 | 26.5 | 3.20 | 270 | 157 | 186 |
| L3170.150-101-* | 8 | 128.0 | 77.0 | 5.43 | 460 | 460 | 545 |
| L3170.150-150-* | 8 | 128.0 | 51.5 | 3.82 | 324 | 220 | 260 |
| L3170.200-150-* | 8 | 128.5 | 52.0 | 5.03 | 705 | 445 | 455 |
| L3170.200-200-* | 8 | 205.0 | 103.0 | 6.64 | 935 | 798 | 815 |
| L3170.300-100-* | 10 | 55.0 | 4.0 | 8.38 | 3190 | 800 | 825 |
| L3170.300-200-* | 10 | 155.0 | 54.0 | 10.4 | 3950 | 1205 | 1245 |
| L3170.300-300-* | 10 | 205.0 | 54.0 | 8.38 | 3190 | 800 | 825 |
| L3170.300-400-* | 10 | 305.0 | 104.0 | 10.4 | 3950 | 1205 | 1245 |
| L3170.300-500-* | 10 | 355.0 | 104.0 | 8.38 | 3190 | 800 | 825 |
| L3170.300-600-* | 10 | 455.0 | 154.0 | 10.4 | 3950 | 1205 | 1245 |

MANUAL POSITIONING STAGES



L3171



Material

Cast iron body (ENGJL-250), with hardened cross roller linear rail set.

Can also be supplied with an aluminium body when lighter weight stages are required (approx. 50% of weight of standard slides and have 50% of the load capacity).

Technical Notes

Other versions are also available - dovetail slides (L3480) for vibration damping, and needle roller slides (L3490) for even higher load ratings. Load ratings are based on even surface loading with the slide in the centre position. Coefficient of friction 0,003.

Important Notes

See technical pages for straightness and parallelism accuracy and standard carriage and base fixing holes - other fixing holes can be machined on request. 3D CAD models available.

| Order No. | w ₁ | Stroke | d ₁ | d _a | d _b | d _c | l ₁ | h ₁ | h ₂ | Hole pattern | l ₂ | Weight kg |
|---------------|----------------|--------|----------------|----------------|----------------|----------------|----------------|----------------|----------------|--------------|-----------------|-----------|
| L3171.030-012 | 30 | 12 | 4.3 | 2.3 | 2.4 | 4.3 | 25 | 17 | 9.0 | 1 | 1x ₃ | 0.1 |
| L3171.030-018 | 30 | 18 | 4.3 | 2.3 | 2.4 | 4.3 | 35 | 17 | 9.0 | 1 | 2x ₃ | 0.1 |
| L3171.030-025 | 30 | 25 | 4.3 | 2.3 | 2.4 | 4.3 | 45 | 17 | 9.0 | 1 | 3x ₃ | 0.1 |
| L3171.030-032 | 30 | 32 | 4.3 | 2.3 | 2.4 | 4.3 | 55 | 17 | 9.0 | 2 | 4x ₃ | 0.2 |
| L3171.030-040 | 30 | 40 | 4.3 | 2.3 | 2.4 | 4.3 | 65 | 17 | 9.0 | 2 | 5x ₃ | 0.2 |
| L3171.030-045 | 30 | 45 | 4.3 | 2.3 | 2.4 | 4.3 | 75 | 17 | 9.0 | 2 | 6x ₃ | 0.2 |
| L3171.030-050 | 30 | 50 | 4.3 | 2.3 | 2.4 | 4.3 | 85 | 17 | 9.0 | 2 | 7x ₃ | 0.3 |
| L3171.040-018 | 40 | 18 | 6.0 | 3.5 | 3.4 | 6.0 | 35 | 21 | 11.0 | 1 | 1x ₃ | 0.2 |
| L3171.040-030 | 40 | 30 | 6.0 | 3.5 | 3.4 | 6.0 | 50 | 21 | 11.0 | 1 | 2x ₃ | 0.3 |
| L3171.040-040 | 40 | 40 | 6.0 | 3.5 | 3.4 | 6.0 | 65 | 21 | 11.0 | 1 | 3x ₃ | 0.3 |
| L3171.040-050 | 40 | 50 | 6.0 | 3.5 | 3.4 | 6.0 | 80 | 21 | 11.0 | 2 | 4x ₃ | 0.4 |
| L3171.040-060 | 40 | 60 | 6.0 | 3.5 | 3.4 | 6.0 | 95 | 21 | 11.0 | 2 | 5x ₃ | 0.5 |
| L3171.040-070 | 40 | 70 | 6.0 | 3.5 | 3.4 | 6.0 | 110 | 21 | 11.0 | 2 | 6x ₃ | 0.6 |
| L3171.040-080 | 40 | 80 | 6.0 | 3.5 | 3.4 | 6.0 | 125 | 21 | 11.0 | 2 | 7x ₃ | 0.7 |
| L3171.060-030 | 60 | 30 | 8.0 | 4.5 | 4.5 | 8.0 | 55 | 28 | 14.5 | 1 | 1x ₃ | 0.6 |
| L3171.060-045 | 60 | 45 | 8.0 | 4.5 | 4.5 | 8.0 | 80 | 28 | 14.5 | 1 | 2x ₃ | 0.8 |
| L3171.060-060 | 60 | 60 | 8.0 | 4.5 | 4.5 | 8.0 | 105 | 28 | 14.5 | 1 | 3x ₃ | 1.0 |
| L3171.060-075 | 60 | 75 | 8.0 | 4.5 | 4.5 | 8.0 | 130 | 28 | 14.5 | 1 | 4x ₃ | 1.3 |
| L3171.060-090 | 60 | 90 | 8.0 | 4.5 | 4.5 | 8.0 | 155 | 28 | 14.5 | 2 | 5x ₃ | 1.5 |
| L3171.060-105 | 60 | 105 | 8.0 | 4.5 | 4.5 | 8.0 | 180 | 28 | 14.5 | 2 | 6x ₃ | 1.7 |
| L3171.060-130 | 60 | 130 | 8.0 | 4.5 | 4.5 | 8.0 | 205 | 28 | 14.5 | 3 | 7x ₃ | 2.0 |
| L3171.100-060 | 100 | 60 | 11.0 | 6.5 | 6.6 | 11.0 | 110 | 45 | 23.5 | 1 | 1x ₃ | 3.1 |
| L3171.100-095 | 100 | 95 | 11.0 | 6.5 | 6.6 | 11.0 | 160 | 45 | 23.5 | 1 | 2x ₃ | 4.5 |
| L3171.100-130 | 100 | 130 | 11.0 | 6.5 | 6.6 | 11.0 | 210 | 45 | 23.5 | 2 | 3x ₃ | 5.9 |
| L3171.100-165 | 100 | 165 | 11.0 | 6.5 | 6.6 | 11.0 | 260 | 45 | 23.5 | 2 | 4x ₃ | 7.2 |
| L3171.100-200 | 100 | 200 | 11.0 | 6.5 | 6.6 | 11.0 | 310 | 45 | 23.5 | 2 | 5x ₃ | 8.6 |
| L3171.100-235 | 100 | 235 | 11.0 | 6.5 | 6.6 | 11.0 | 360 | 45 | 23.5 | 3 | 6x ₃ | 10.0 |
| L3171.100-265 | 100 | 265 | 11.0 | 6.5 | 6.6 | 11.0 | 410 | 45 | 23.5 | 3 | 7x ₃ | 11.4 |
| L3171.145-130 | 145 | 130 | 15.0 | 8.5 | 9.0 | 15.0 | 210 | 60 | 32.0 | 1 | 1x ₃ | 11.8 |



Plain Compact Positioning Stages

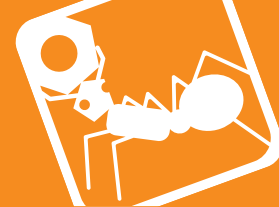
cross roller

Manual Positioning Stages

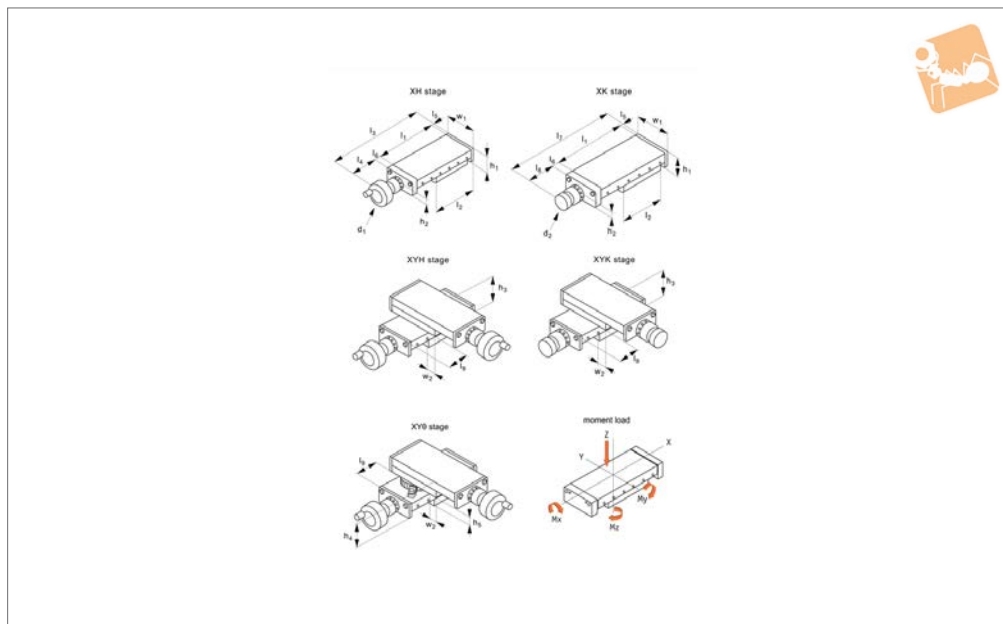
| Order No. | w ₁ | Stroke | d ₁ | d _a | d _b | d _c | l ₁ | h ₁ | h ₂ | Hole pattern | l ₂ | Weight kg |
|---------------|----------------|--------|----------------|----------------|----------------|----------------|----------------|----------------|----------------|--------------|-----------------------------|-----------|
| L3171.145-180 | 145 | 180 | 15.0 | 8.5 | 9.0 | 15.0 | 310 | 60 | 32.0 | 1 | 2x _{l₃} | 17.3 |
| L3171.145-350 | 145 | 350 | 15.0 | 8.5 | 9.0 | 15.0 | 410 | 60 | 32.0 | 2 | 3x _{l₃} | 22.8 |
| L3171.145-450 | 145 | 450 | 15.0 | 8.5 | 9.0 | 15.0 | 510 | 60 | 32.0 | 2 | 4x _{l₃} | 28.3 |
| L3171.145-550 | 145 | 550 | 15.0 | 8.5 | 9.0 | 15.0 | 610 | 60 | 32.0 | 2 | 5x _{l₃} | 33.8 |
| L3171.145-650 | 145 | 650 | 15.0 | 8.5 | 9.0 | 15.0 | 710 | 60 | 32.0 | 3 | 6x _{l₃} | 39.3 |
| L3171.145-750 | 145 | 750 | 15.0 | 8.5 | 9.0 | 15.0 | 810 | 60 | 32.0 | 2 | 7x _{l₃} | 44.8 |
| L3171.145-850 | 145 | 850 | 15.0 | 8.5 | 9.0 | 15.0 | 910 | 60 | 32.0 | 3 | 8x _{l₃} | 50.3 |
| L3171.145-950 | 145 | 950 | 15.0 | 8.5 | 9.0 | 15.0 | 1010 | 60 | 32.0 | 2 | 9x _{l₃} | 55.8 |

| Order No. | l ₃ | l ₄ | l _a | l _b | w ₂ | w _a | Load kN max. | Moment M _x Nm max. | Moment M _y Nm max. | Moment M _z Nm max. |
|---------------|----------------|----------------|----------------|---------------------|----------------|----------------|--------------|-------------------------------|-------------------------------|-------------------------------|
| L3171.030-012 | 10 | 7.5 | 3.5 | 1x18 | 18.4 | 22 | 0.16 | 1.4 | 0.4 | 0.4 |
| L3171.030-018 | 10 | 7.5 | 3.5 | 1x18 | 18.4 | 22 | 0.28 | 2.4 | 1.2 | 1.3 |
| L3171.030-025 | 10 | 7.5 | 3.5 | 1x38 | 18.5 | 22 | 0.36 | 3.0 | 2.1 | 2.4 |
| L3171.030-032 | 10 | 7.5 | 3.5 | 1x10 / 1x28 / 1x10 | 18.6 | 22 | 0.44 | 3.7 | 3.3 | 3.7 |
| L3171.030-040 | 10 | 7.5 | 3.5 | 1x10 / 1x38 / 1x10 | 18.7 | 22 | 0.52 | 4.4 | 4.7 | 5.2 |
| L3171.030-045 | 10 | 7.5 | 3.5 | 1x10 / 1x48 / 1x10 | 18.8 | 22 | 0.60 | 5.1 | 6.6 | 7.3 |
| L3171.030-050 | 10 | 7.5 | 3.5 | 1x10 / 1x58 / 1x10 | 18.9 | 22 | 0.72 | 6.1 | 9.3 | 10 |
| L3171.040-018 | 15 | 10 | 5.0 | 1x25 | 25.0 | 30 | 0.29 | 3.8 | 1.3 | 1.5 |
| L3171.040-030 | 15 | 10 | 5.0 | 1x40 | 25.0 | 30 | 0.41 | 5.4 | 2.9 | 3.2 |
| L3171.040-040 | 15 | 10 | 5.0 | 1x55 | 25.0 | 30 | 0.59 | 7.7 | 5.9 | 6.6 |
| L3171.040-050 | 15 | 10 | 5.0 | 1x15 / 1x40 / 1x15 | 25.0 | 30 | 0.71 | 9.2 | 9.1 | 10 |
| L3171.040-060 | 15 | 10 | 5.0 | 1x15 / 1x55 / 1x15 | 25.0 | 30 | 0.89 | 11 | 14 | 15 |
| L3171.040-070 | 15 | 10 | 5.0 | 1x15 / 1x70 / 1x15 | 25.0 | 30 | 1.01 | 13 | 18 | 21 |
| L3171.040-080 | 15 | 10 | 5.0 | 1x15 / 1x85 / 1x15 | 25.0 | 30 | 1.19 | 15 | 25 | 28 |
| L3171.060-030 | 25 | 15 | 10.0 | 1x35 | 39.0 | 40 | 0.70 | 12 | 5.1 | 5.6 |
| L3171.060-045 | 25 | 15 | 10.0 | 1x60 | 39.0 | 40 | 1.0 | 18 | 11 | 13 |
| L3171.060-060 | 25 | 15 | 10.0 | 1x85 | 39.0 | 40 | 1.40 | 25 | 23 | 25 |
| L3171.060-075 | 25 | 15 | 10.0 | 1x110 | 39.0 | 40 | 1.70 | 30 | 36 | 40 |
| L3171.060-090 | 25 | 15 | 10.0 | 1x25 / 1x85 / 1x25 | 39.0 | 40 | 2.10 | 38 | 54 | 60 |
| L3171.060-105 | 25 | 15 | 10.0 | 1x25 / 1x110 / 1x25 | 39.0 | 40 | 2.40 | 43 | 73 | 81 |
| L3171.060-130 | 25 | 15 | 10.0 | 2x25 / 1x85 / 2x22 | 39.0 | 40 | 2.70 | 49 | 91 | 101 |
| L3171.100-060 | 50 | 30 | 10.0 | 1x90 | 64.0 | 60 | 2.05 | 59 | 28 | 33 |
| L3171.100-095 | 50 | 30 | 10.0 | 1x140 | 64.0 | 60 | 3.20 | 93 | 70 | 83 |
| L3171.100-130 | 50 | 30 | 10.0 | 1x50 / 1x85 / 1x50 | 64.0 | 60 | 4.37 | 127 | 131 | 156 |
| L3171.100-165 | 50 | 30 | 10.0 | 1x50 / 1x140 / 1x50 | 64.0 | 60 | 5.20 | 152 | 200 | 235 |
| L3171.100-200 | 50 | 30 | 10.0 | 1x50 / 1x190 / 1x50 | 64.0 | 60 | 6.40 | 186 | 295 | 350 |
| L3171.100-235 | 50 | 30 | 10.0 | 2x50 / 1x140 / 1x50 | 64.0 | 60 | 7.28 | 210 | 395 | 470 |
| L3171.100-265 | 50 | 30 | 10.0 | 2x50 / 1x190 / 1x50 | 64.0 | 60 | 8.45 | 245 | 530 | 635 |
| L3171.145-130 | 100 | 55 | 55.0 | 1x100 | 98.0 | 90 | 6.90 | 270 | 180 | 210 |
| L3171.145-180 | 100 | 55 | 55.0 | 1x200 | 98.0 | 90 | 11.5 | 455 | 500 | 590 |
| L3171.145-350 | 100 | 55 | 55.0 | 3x100 | 98.0 | 90 | 12.2 | 485 | 575 | 680 |
| L3171.145-450 | 100 | 55 | 55.0 | 1x100/1x200/1x100 | 98.0 | 90 | 14.5 | 575 | 855 | 1010 |
| L3171.145-550 | 100 | 55 | 55.0 | 5x100 | 98.0 | 90 | 17.6 | 695 | 1240 | 1465 |
| L3171.145-650 | 100 | 55 | 55.0 | 2x10/1x200/2x100 | 98.0 | 90 | 19.9 | 790 | 1635 | 1930 |
| L3171.145-750 | 100 | 55 | 55.0 | 7x100 | 98.0 | 90 | 23.0 | 910 | 2155 | 2545 |
| L3171.145-850 | 100 | 55 | 55.0 | 3x100/1x200/3x100 | 98.0 | 90 | 25.3 | 1000 | 2665 | 3150 |
| L3171.145-950 | 100 | 55 | 55.0 | 9x100 | 98.0 | 90 | 28.3 | 1125 | 3320 | 3920 |

MANUAL POSITIONING STAGES



L3172



Material

Cast iron body (ENGJL-250), with hardened cross roller linear rail set. Hardened and ground lead screw, pitch accuracy $\pm 0.02\text{mm}/300\text{mm}$.

Can also be supplied with an aluminium body when lighter weight stages are required (approx. 50% of weight of standard slides and have 50% of the load capacity).

Technical Notes

Suitable for horizontal and vertical applications requiring smooth movement, long life and high load capacity. Other versions are also available - dovetail slides (L3480) for vibration damping, and needle roller slides (L3490) for even higher load ratings. Load ratings are based on even surface loading with the slide in the centre position, and apply to a single slide. Coefficient of friction 0,003.

Can also be supplied with an aluminium body when lighter weight stages are required (approx. 50% of weight of standard slides and have 50% of the load capacity).

Tips

Replace -* with

-XH for X axis stage with handle

-XK for X axis stage with knob

-XYH for X,Y axes stage with handle

-XYK for X,Y axes stage with knob

-XYTH for X,Y,. stage with handle

-XYTK for X,Y,. stage with knob

Important Notes

See technical pages for straightness and parallelism accuracy and standard carriage and base fixing holes - other fixing holes can be machined on request.

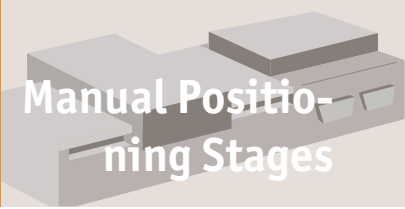
3D CAD models available.

| Order No. | w_1 | Stroke | d_1 | d_2 | l_1 | h_1 | h_2 | h_3 | h_4 | h_5 | l_2 | l_3 | Weight kg |
|-----------------|-------|--------|-------|-------|-------|-------|-------|-------|-------|-------|-------|-------|-----------|
| L3172.050-022-* | 50 | 22 | 50 | 23.9 | 76 | 25 | 12.5 | 50 | - | - | 50 | 156 | 0.6 |
| L3172.050-025-* | 50 | 25 | 50 | 23.9 | 102 | 25 | 12.5 | 50 | - | - | 76 | 182 | 0.8 |
| L3172.050-050-* | 50 | 50 | 50 | 23.9 | 152 | 25 | 12.5 | 50 | - | - | 101 | 232 | 1.1 |
| L3172.075-025-* | 75 | 25 | 56 | 31 | 102 | 32 | 16.0 | 64 | 82 | 18 | 76 | 193 | 1.8 |
| L3172.075-026-* | 75 | 25 | 56 | 31 | 127 | 32 | 16.0 | 64 | 82 | 18 | 101 | 218 | 2.0 |
| L3172.075-050-* | 75 | 50 | 56 | 31 | 152 | 32 | 16.0 | 64 | 82 | 18 | 101 | 243 | 2.5 |
| L3172.100-025-* | 100 | 25 | 56 | 35 | 152 | 37 | 18.0 | 74 | 92 | 18 | 126 | 243 | 4.0 |
| L3172.100-050-* | 100 | 50 | 56 | 35 | 203 | 37 | 18.0 | 74 | 92 | 18 | 152 | 294 | 4.7 |
| L3172.100-051-* | 100 | 50 | 56 | 35 | 254 | 37 | 18.0 | 74 | 92 | 18 | 203 | 345 | 6.1 |
| L3172.100-075-* | 100 | 75 | 56 | 35 | 305 | 37 | 18.0 | 74 | 92 | 18 | 228 | 396 | 7.0 |
| L3172.150-050-* | 150 | 50 | 106 | 48 | 203 | 50 | 24.3 | 100 | 120 | 20 | 152 | 334 | 10.0 |
| L3172.150-100-* | 150 | 100 | 106 | 48 | 305 | 50 | 24.3 | 100 | 120 | 20 | 203 | 436 | 13.2 |
| L3172.150-101-* | 150 | 100 | 106 | 48 | 406 | 50 | 24.3 | 100 | 120 | 20 | 304 | 537 | 18.0 |
| L3172.150-150-* | 150 | 150 | 106 | 48 | 406 | 50 | 24.3 | 100 | 120 | 20 | 253 | 537 | 16.5 |
| L3172.200-150-* | 200 | 150 | 106 | 48 | 457 | 58 | 28.3 | 116 | 136 | 20 | 304 | 588 | 30.0 |
| L3172.200-200-* | 200 | 200 | 106 | 48 | 610 | 58 | 28.3 | 116 | 136 | 20 | 406 | 741 | 40.0 |
| L3172.300-100-* | 300 | 100 | 125 | 68 | 410 | 75 | 35.0 | 150 | 180 | 30 | 308 | 607 | 59.0 |
| L3172.300-200-* | 300 | 200 | 125 | 68 | 610 | 75 | 35.0 | 150 | 180 | 30 | 408 | 807 | 80.0 |
| L3172.300-300-* | 300 | 300 | 125 | 68 | 408 | 75 | 35.0 | 150 | 180 | 30 | 408 | 907 | 91.5 |
| L3172.300-400-* | 300 | 400 | 125 | 68 | 910 | 75 | 35.0 | 150 | 180 | 30 | 508 | 1107 | 110.0 |
| L3172.300-500-* | 300 | 500 | 125 | 68 | 1010 | 75 | 35.0 | 150 | 180 | 30 | 508 | 1207 | 125.0 |
| L3172.300-600-* | 300 | 600 | 125 | 68 | 1210 | 75 | 35.0 | 150 | 180 | 30 | 608 | 1407 | 145.0 |



Manual Lead Screw Stages

cross roller



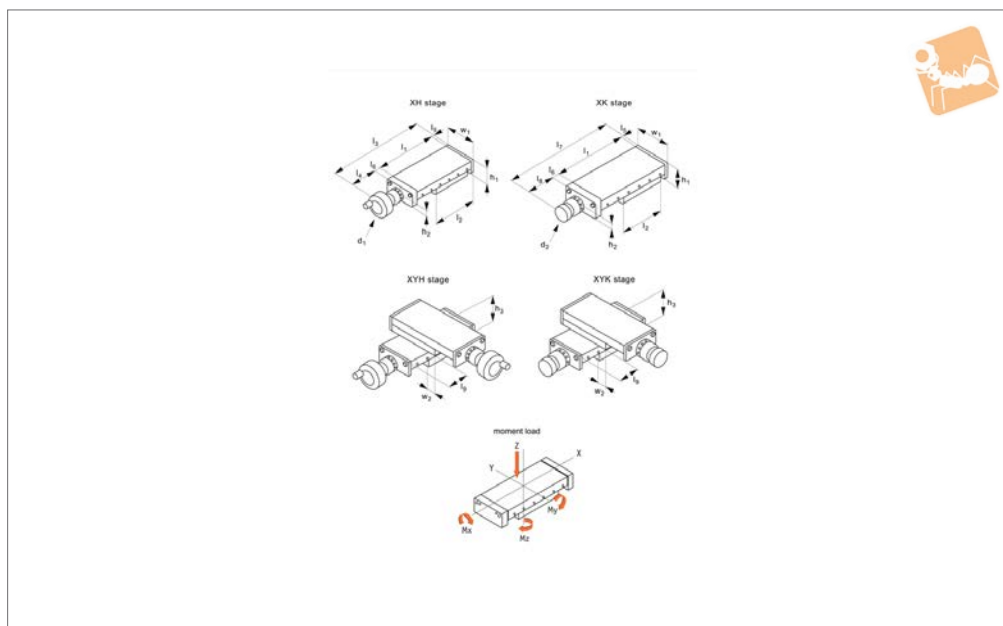
Manual Positioning Stages

| Order No. | l_4 | l_5 | l_6 | l_7 | l_8 | l_9 | w_2 | Lead screw | Load kN max. | Moment M_x Nm max. | Moment M_y Nm max. | Moment M_z Nm max. |
|-----------------|-------|-------|-------|-------|-------|-------|-------|------------|--------------------|----------------------------|----------------------------|----------------------------|
| L3172.050-022-* | 60 | 6 | 14 | 138 | 42 | 13.0 | 0.0 | M 6x1 | 0.3 | 12 | 5.7 | 6.4 |
| L3172.050-025-* | 60 | 6 | 14 | 164 | 42 | 26.0 | 13.0 | M 6x1 | 0.6 | 20 | 17 | 19 |
| L3172.050-050-* | 60 | 6 | 14 | 214 | 42 | 51.0 | 25.5 | M 6x1 | 0.7 | 25 | 26 | 29 |
| L3172.075-025-* | 70 | 6 | 15 | 170 | 47 | 13.5 | 0.5 | M 6x1 | 0.6 | 32 | 18 | 19 |
| L3172.075-026-* | 70 | 6 | 15 | 195 | 47 | 26.0 | 13.0 | M 8x1 | 0.8 | 45 | 37 | 39 |
| L3172.075-050-* | 70 | 6 | 15 | 220 | 47 | 38.5 | 13.0 | M 8x1 | 0.7 | 40 | 27 | 29 |
| L3172.100-025-* | 70 | 6 | 15 | 222 | 49 | 26.0 | 13.0 | M 8x1 | 1.1 | 67 | 41 | 48 |
| L3172.100-050-* | 70 | 6 | 15 | 273 | 49 | 51.5 | 26.0 | M12x1 | 1.2 | 76 | 52 | 62 |
| L3172.100-051-* | 70 | 6 | 15 | 324 | 49 | 77.0 | 51.5 | M12x1 | 1.7 | 106 | 104 | 124 |
| L3172.100-075-* | 70 | 6 | 15 | 375 | 49 | 102.5 | 64.0 | M12x1 | 1.8 | 112 | 118 | 141 |
| L3172.150-050-* | 107 | 8 | 16 | 297 | 70 | 26.5 | 1.0 | M12x1 | 2.6 | 220 | 104 | 123 |
| L3172.150-100-* | 107 | 8 | 16 | 399 | 70 | 77.5 | 26.5 | M20x1 | 3.2 | 270 | 157 | 186 |
| L3172.150-101-* | 107 | 8 | 16 | 500 | 70 | 128.0 | 77.0 | M20x1 | 5.4 | 460 | 460 | 545 |
| L3172.150-150-* | 107 | 8 | 16 | 500 | 70 | 128.0 | 51.5 | M20x1 | 3.8 | 324 | 220 | 260 |
| L3172.200-150-* | 107 | 8 | 16 | 551 | 70 | 128.5 | 52.0 | M20x1 | 5.0 | 705 | 445 | 455 |
| L3172.200-200-* | 107 | 8 | 16 | 704 | 70 | 205.0 | 103.0 | M20x1 | 6.6 | 935 | 795 | 815 |
| L3172.300-100-* | 166.5 | 8 | 20 | 538 | 97.5 | 55.0 | 4.0 | Tr26x4 | 8.4 | 3190 | 800 | 825 |
| L3172.300-200-* | 166.5 | 10 | 20 | 738 | 97.5 | 155.0 | 54.0 | Tr26x4 | 10.4 | 3950 | 1205 | 1245 |
| L3172.300-300-* | 166.5 | 10 | 20 | 838 | 97.5 | 54.0 | 54.0 | Tr26x4 | 8.4 | 3190 | 800 | 825 |
| L3172.300-400-* | 166.5 | 10 | 20 | 1038 | 97.5 | 305.0 | 104.0 | Tr26x4 | 10.4 | 3950 | 1205 | 1245 |
| L3172.300-500-* | 166.5 | 10 | 20 | 1138 | 97.5 | 355.0 | 104.0 | Tr26x4 | 8.4 | 3190 | 800 | 825 |
| L3172.300-600-* | 166.5 | 10 | 20 | 1338 | 97.5 | 455.0 | 154.0 | Tr26x4 | 10.4 | 3950 | 1205 | 1245 |

MANUAL POSITIONING STAGES



L3173



Material

Cast iron body (ENGJL-250), with hardened cross roller linear rail set. Hardened and ground lead screw, pitch accuracy $\pm 0.02\text{mm}/300\text{mm}$.

Can also be supplied with an aluminium body when lighter weight stages are required (approx. 50% of weight of standard slides and have 50% of the load capacity).

Technical Notes

Suitable for horizontal and vertical appli-

cations requiring smooth movement, long life and high load capacity. Other versions are also available - dovetail slides (L3480) for vibration damping, and needle roller slides (L3490) for even higher load ratings. Load ratings are based on even surface loading with the slide in the centre position, and apply to a single slide. Coefficient of friction 0,003.

Tips

Replace -* with
-XH for X axis stage with handle

- XK for X axis stage with knob
- XYH for X,Y axes stage with handle
- XYK for X,Y axes stage with knob

Important Notes

See technical pages for straightness and parallelism accuracy and standard carriage and base fixing holes - other fixing holes can be machined on request. 3D CAD models available.

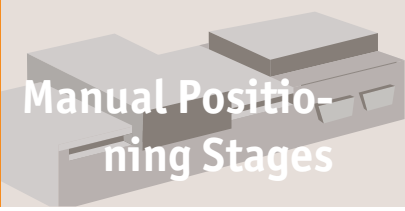
| Order No. | w_1 | Stroke | d_1 | d_2 | l_1 | h_1 | h_2 | h_3 | l_2 | l_3 | Weight kg |
|-----------------|-------|--------|-------|-------|-------|-------|-------|-------|-------|-------|-----------|
| L3173.060-025-* | 60 | 25 | 50 | 23.9 | 80 | 28 | 14 | 56 | 55 | 160 | 0.8 |
| L3173.060-050-* | 60 | 50 | 50 | 23.9 | 130 | 28 | 14 | 56 | 80 | 210 | 1.2 |
| L3173.060-075-* | 60 | 75 | 50 | 23.9 | 205 | 28 | 14 | 56 | 130 | 285 | 1.9 |
| L3173.060-100-* | 60 | 100 | 50 | 23.9 | 255 | 28 | 14 | 56 | 155 | 335 | 2.3 |
| L3173.100-025-* | 100 | 25 | 50 | 35.0 | 135 | 45 | 21 | 90 | 110 | 226 | 3.3 |
| L3173.100-050-* | 100 | 50 | 56 | 35.0 | 210 | 45 | 21 | 90 | 160 | 301 | 5.9 |
| L3173.100-075-* | 100 | 75 | 56 | 35.0 | 285 | 45 | 21 | 90 | 210 | 376 | 7.5 |
| L3173.100-100-* | 100 | 100 | 56 | 35.0 | 360 | 45 | 21 | 90 | 260 | 451 | 9.5 |
| L3173.100-150-* | 100 | 150 | 56 | 35.0 | 460 | 45 | 21 | 90 | 310 | 551 | 11.4 |
| L3173.100-175-* | 100 | 175 | 56 | 35.0 | 535 | 45 | 21 | 90 | 360 | 626 | 13.8 |
| L3173.100-200-* | 100 | 200 | 56 | 35.0 | 610 | 45 | 21 | 90 | 410 | 701 | 14.5 |
| L3173.145-050-* | 145 | 50 | 106 | 48.0 | 260 | 60 | 26 | 120 | 210 | 391 | 13.0 |
| L3173.145-100-* | 145 | 100 | 106 | 48.0 | 310 | 60 | 26 | 120 | 210 | 441 | 14.2 |
| L3173.145-150-* | 145 | 150 | 106 | 48.0 | 460 | 60 | 26 | 120 | 310 | 591 | 19.3 |
| L3173.145-200-* | 145 | 200 | 106 | 48.0 | 510 | 60 | 26 | 120 | 310 | 641 | 23.0 |
| L3173.145-250-* | 145 | 250 | 106 | 48.0 | 660 | 60 | 26 | 120 | 410 | 791 | 26.8 |
| L3173.145-300-* | 145 | 300 | 106 | 48.0 | 710 | 60 | 26 | 120 | 410 | 841 | 30.0 |

| Order No. | l_4 | l_5 | l_6 | l_7 | l_8 | l_9 | w_2 | Lead screw | Load kN max. | Moment M_x Nm max. | Moment M_y Nm max. | Moment M_z Nm max. |
|-----------------|-------|-------|-------|-------|-------|-------|-------|------------|--------------|----------------------|----------------------|----------------------|
| L3173.060-025-* | 142 | 6 | 14 | 142 | 42 | 10.0 | 0.0 | M 6x1 | 0.4 | 12 | 5.5 | 6.1 |
| L3173.060-050-* | 192 | 6 | 14 | 192 | 42 | 35.0 | 10.0 | M 6x1 | 0.6 | 18 | 11 | 12 |
| L3173.060-075-* | 267 | 6 | 14 | 267 | 42 | 72.5 | 35.0 | M 6x1 | 1.0 | 30 | 36 | 40 |



Manual Lead Screw Stages

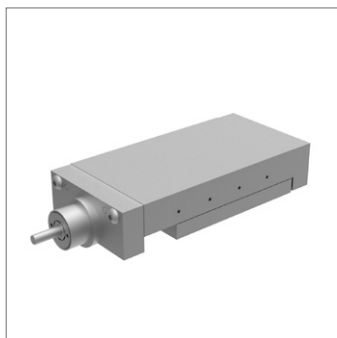
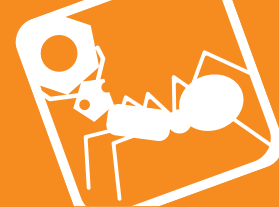
compact, cross roller



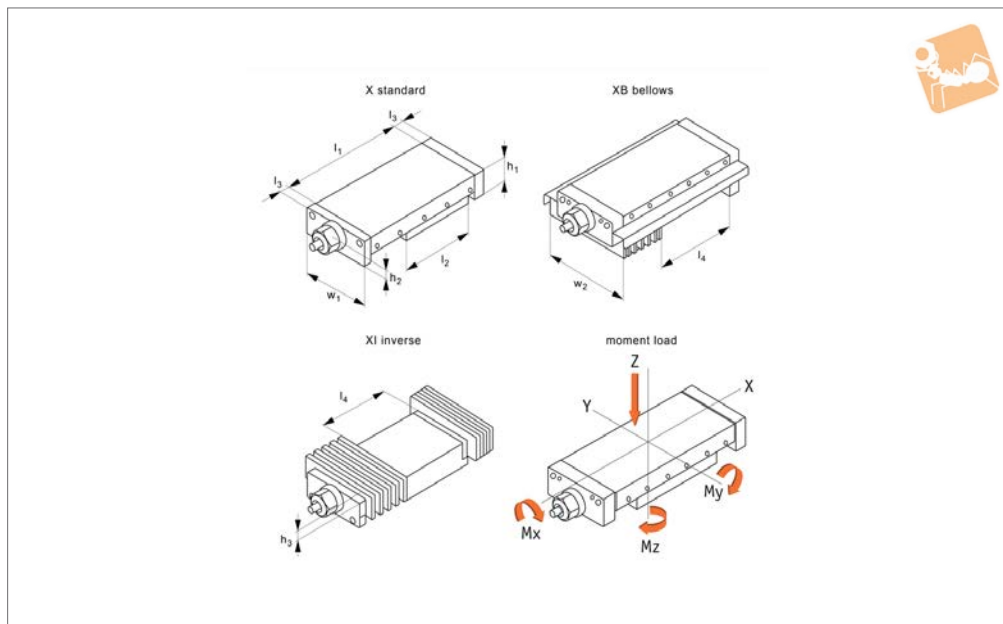
Manual Positioning Stages

| Order No. | l_4 | l_5 | l_6 | l_7 | l_8 | l_9 | w_2 | Lead screw | Load kN max. | Moment M_x Nm max. | Moment M_y Nm max. | Moment M_z Nm max. |
|-----------------|-------|-------|-------|-------|-------|-------|-------|------------|--------------------|----------------------------|----------------------------|----------------------------|
| L3173.060-100-* | 317 | 6 | 14 | 317 | 42 | 97.5 | 47.5 | M 8x1 | 1.2 | 36 | 49 | 54 |
| L3173.100-025-* | 205 | 6 | 15 | 205 | 49 | 17.5 | 5.0 | M 8x1 | 1.6 | 76 | 47 | 56 |
| L3173.100-050-* | 280 | 6 | 15 | 280 | 49 | 55.0 | 30.0 | M 8x1 | 2.3 | 110 | 104 | 124 |
| L3173.100-075-* | 355 | 6 | 15 | 355 | 49 | 92.5 | 55.0 | M12x1 | 3.1 | 152 | 193 | 230 |
| L3173.100-100-* | 430 | 6 | 15 | 430 | 49 | 130.0 | 80.0 | M12x1 | 3.8 | 186 | 295 | 350 |
| L3173.100-150-* | 530 | 6 | 15 | 530 | 49 | 180.0 | 105.0 | M12x1 | 4.3 | 210 | 380 | 455 |
| L3173.100-175-* | 605 | 6 | 15 | 605 | 49 | 217.5 | 130.0 | M12x1 | 5.1 | 245 | 520 | 620 |
| L3173.100-200-* | 680 | 6 | 15 | 680 | 49 | 255.0 | 155.0 | M20x1 | 5.8 | 275 | 685 | 815 |
| L3173.145-050-* | 354 | 8 | 16 | 354 | 70 | 57.5 | 32.5 | M20x1 | 6.4 | 365 | 325 | 385 |
| L3173.145-100-* | 404 | 8 | 16 | 404 | 70 | 82.5 | 32.5 | M20x1 | 5.3 | 300 | 225 | 265 |
| L3173.145-150-* | 554 | 8 | 16 | 554 | 70 | 157.5 | 82.5 | M20x1 | 8.5 | 485 | 575 | 680 |
| L3173.145-200-* | 604 | 8 | 16 | 604 | 70 | 182.5 | 82.5 | TR26x4 | 7.5 | 425 | 440 | 520 |
| L3173.145-250-* | 754 | 8 | 16 | 754 | 70 | 257.5 | 132.5 | TR26x4 | 10.1 | 575 | 855 | 1010 |
| L3173.145-300-* | 804 | 8 | 16 | 804 | 70 | 282.5 | 132.5 | TR26x4 | 9.1 | 515 | 685 | 815 |

MANUAL POSITIONING STAGES



L3174



Material

Cast iron body (ENGJL-250), with hardened cross roller linear rail set. Hardened and ground lead screw, pitch accuracy $\pm 0.02\text{mm}/300\text{mm}$.

Can also be supplied with an aluminium body when lighter weight stages are required (approx. 50% of weight of standard slides and have 50% of the load capacity).

Technical Notes

Suitable for horizontal and vertical applications requiring smooth movement, long

life and high load capacity. Other versions are also available - dovetail slides (L3480) for vibration damping, and needle roller slides (L3490) for even higher load ratings. Load ratings are based on even surface loading with the slide in the centre position, and apply to a single slide. Coefficient of friction 0,003. Speeds up to 3000 rpm, max. 20 m/min. Positioning accuracy max. 0.001mm.

Tips

Replace -* with -X for X axis stage

-XB for X axis stage with bellows

-XI for inverse X axis stage with bellows.

Optionally with ball screw not lead screw. When limit switches are installed the stroke is reduced by approx. 20mm.

Important Notes

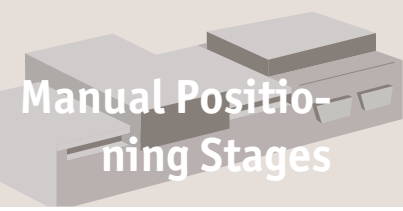
See technical pages for straightness and parallelism accuracy and standard carriage and base fixing holes - other fixing holes can be machined on request. 3D CAD models available.

| Order No. | w ₁ | Stroke | l ₁ | h ₁ | h ₂ | h ₃ | l ₂ | l ₃ | Weight kg |
|-----------------|----------------|--------|----------------|----------------|----------------|----------------|----------------|----------------|-----------|
| L3174.075-025-* | 75 | 25 | 102 | 32 | 11.5 | 14 | 76 | 15 | 1.8 |
| L3174.075-026-* | 75 | 25 | 127 | 32 | 11.5 | 14 | 101 | 15 | 2.0 |
| L3174.075-050-* | 75 | 50 | 152 | 32 | 11.5 | 14 | 101 | 15 | 2.5 |
| L3174.100-025-* | 100 | 25 | 152 | 37 | 13.5 | 14 | 126 | 15 | 4.0 |
| L3174.100-050-* | 100 | 50 | 203 | 37 | 13.5 | 14 | 152 | 15 | 4.7 |
| L3174.100-051-* | 100 | 50 | 254 | 37 | 13.5 | 14 | 203 | 15 | 6.1 |
| L3174.100-075-* | 100 | 75 | 305 | 37 | 13.5 | 14 | 228 | 15 | 7.0 |
| L3174.150-050-* | 150 | 50 | 203 | 50 | 19.0 | 24 | 152 | 16 | 10.0 |
| L3174.150-100-* | 150 | 100 | 305 | 50 | 19.0 | 24 | 203 | 16 | 13.2 |
| L3174.150-101-* | 150 | 100 | 406 | 50 | 19.0 | 24 | 406 | 16 | 18.0 |
| L3174.150-150-* | 150 | 150 | 406 | 50 | 19.0 | 24 | 253 | 16 | 16.5 |
| L3174.200-150-* | 200 | 150 | 457 | 58 | 21.5 | 24 | 304 | 16 | 30.0 |
| L3174.200-200-* | 200 | 200 | 610 | 58 | 21.5 | 24 | 406 | 16 | 40.0 |
| L3174.300-100-* | 300 | 100 | 410 | 75 | 26.0 | 32 | 308 | 20 | 59.0 |
| L3174.300-200-* | 300 | 200 | 610 | 75 | 26.0 | 32 | 408 | 20 | 80.0 |
| L3174.300-300-* | 300 | 300 | 710 | 75 | 26.0 | 32 | 408 | 20 | 92.0 |
| L3174.300-400-* | 300 | 400 | 910 | 75 | 26.0 | 32 | 508 | 20 | 110.0 |
| L3174.300-500-* | 300 | 500 | 1010 | 75 | 26.0 | 32 | 508 | 20 | 125.0 |
| L3174.300-600-* | 300 | 600 | 1210 | 75 | 26.0 | 32 | 608 | 20 | 145.0 |



Motor Lead Screw X Stages

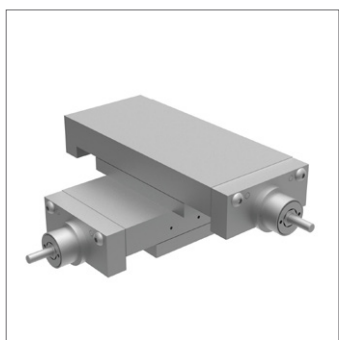
cross roller



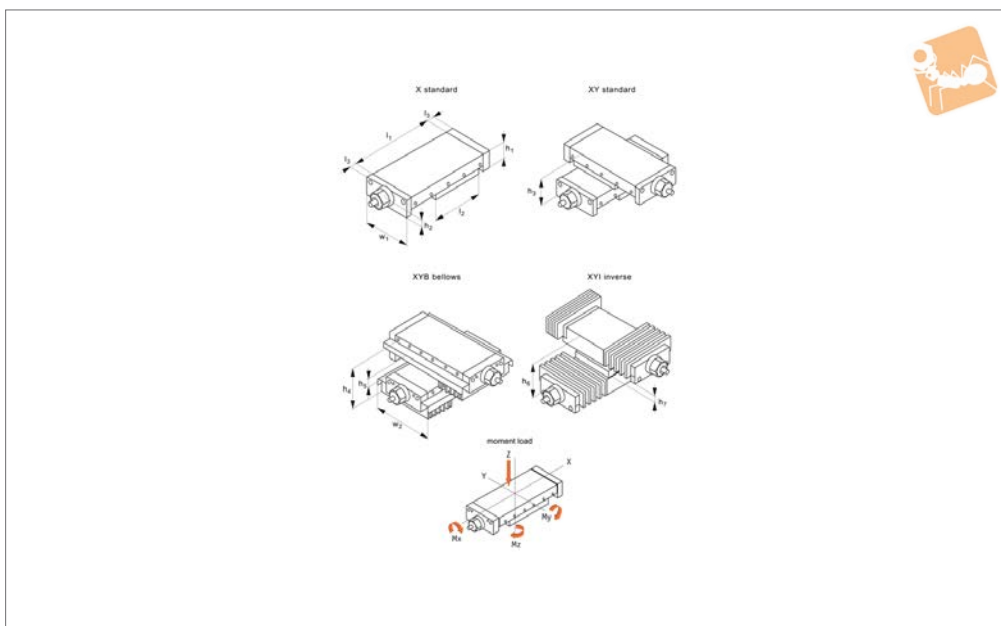
Manual Positioning Stages

| Order No. | l_4 | l_5 | w_2 | Lead screw | Load kN max. | Moment M_x Nm max. | Moment M_y Nm max. | Moment M_z Nm max. |
|-----------------|-------|-------|-------|------------|--------------------|----------------------------|----------------------------|----------------------------|
| L3174.075-025-* | 50 | 13.5 | 0.5 | 8x1 | 0.6 | 32 | 18 | 19 |
| L3174.075-026-* | 65 | 26.0 | 13.0 | 8x1 | 0.8 | 45 | 37 | 40 |
| L3174.075-050-* | 55 | 38.5 | 13.0 | 8x1 | 0.7 | 40 | 27 | 29 |
| L3174.100-025-* | 100 | 26.0 | 13.0 | 8x1 | 1.2 | 67 | 41 | 48 |
| L3174.100-050-* | 115 | 51.5 | 26.0 | 8x1 | 1.2 | 76 | 52 | 62 |
| L3174.100-051-* | 160 | 77.0 | 51.5 | 8x1 | 1.7 | 106 | 104 | 124 |
| L3174.100-075-* | 180 | 102.5 | 64.0 | 8x1 | 1.8 | 112 | 118 | 141 |
| L3174.150-050-* | 120 | 26.5 | 1.0 | 15x2 | 2.6 | 220 | 104 | 123 |
| L3174.150-100-* | 150 | 77.5 | 26.5 | 15x2 | 3.2 | 270 | 157 | 186 |
| L3174.150-101-* | 250 | 128.0 | 128.0 | 15x2 | 5.4 | 460 | 460 | 545 |
| L3174.150-150-* | 190 | 128.0 | 51.5 | 15x2 | 3.8 | 320 | 220 | 260 |
| L3174.200-150-* | 250 | 128.5 | 52.0 | 15x2 | 5.0 | 705 | 445 | 455 |
| L3174.200-200-* | 340 | 205.0 | 103.0 | 15x2 | 6.6 | 935 | 795 | 815 |
| L3174.300-100-* | 280 | 55.0 | 4.0 | 23x4 | 8.4 | 3190 | 800 | 825 |
| L3174.300-200-* | 380 | 155.0 | 54.0 | 23x4 | 10.4 | 3950 | 1205 | 1245 |
| L3174.300-300-* | 380 | 205.0 | 54.0 | 23x4 | 8.4 | 3190 | 800 | 825 |
| L3174.300-400-* | 480 | 305.0 | 104.0 | 23x4 | 10.4 | 3950 | 1205 | 1245 |
| L3174.300-500-* | 480 | 355.0 | 104.0 | 23x4 | 8.4 | 3190 | 800 | 825 |
| L3174.300-600-* | 580 | 455.0 | 154.0 | 23x4 | 10.4 | 3950 | 1205 | 1245 |

MANUAL POSITIONING STAGES



L3175



Material

Cast iron body (ENGJL-250), with hardened cross roller linear rail set. Hardened and ground lead screw, pitch accuracy $\pm 0.02\text{mm}/300\text{mm}$.

Can also be supplied with an aluminium body when lighter weight stages are required (approx. 50% of weight of standard slides and have 50% of the load capacity).

Technical Notes

Suitable for horizontal and vertical applications requiring smooth movement, long

life and high load capacity. Other versions are also available - dovetail slides (L3480) for vibration damping, and needle roller slides (L3490) for even higher load ratings. Load ratings are based on even surface loading with the slide in the centre position, and apply to a single slide. Coefficient of friction 0,003. Speeds up to 3000 rpm, max. 20 m/min. Positioning accuracy up to $\pm 0.015\text{mm}$.

Tips

Replace -* with -XY for XY axis stage

-XYB for XY axis stage with bellows
-XYI for inverse X axis stage with bellows.

Optionally with ball screw not lead screw. When limit switches are installed the stroke is reduced by approx. 20mm.

Important Notes

See technical pages for straightness and parallelism accuracy and standard carriage and base fixing holes - other fixing holes can be machined on request. 3D CAD models available.

| Order No. | w ₁ | Stroke | l ₁ | h ₁ | h ₂ | h ₃ | h ₄ | h ₅ | h ₆ | h ₇ | Weight kg |
|-----------------|----------------|--------|----------------|----------------|----------------|----------------|----------------|----------------|----------------|----------------|-----------|
| L3175.075-025-* | 75 | 25 | 102 | 32 | 11.5 | 64 | 79 | 15 | 79 | 15 | 1.8 |
| L3175.075-026-* | 75 | 25 | 127 | 32 | 11.5 | 64 | 79 | 15 | 79 | 15 | 2.0 |
| L3175.075-050-* | 75 | 50 | 152 | 32 | 11.5 | 64 | 79 | 15 | 79 | 15 | 2.5 |
| L3175.100-025-* | 100 | 25 | 152 | 37 | 13.5 | 74 | 89 | 15 | 89 | 15 | 4.0 |
| L3175.100-050-* | 100 | 50 | 203 | 37 | 13.5 | 74 | 89 | 15 | 89 | 15 | 4.7 |
| L3175.100-051-* | 100 | 50 | 254 | 37 | 13.5 | 74 | 89 | 15 | 89 | 15 | 6.1 |
| L3175.100-075-* | 100 | 75 | 305 | 37 | 13.5 | 74 | 89 | 15 | 89 | 15 | 7.0 |
| L3175.150-050-* | 150 | 50 | 203 | 50 | 19.0 | 100 | 125 | 25 | 125 | 25 | 10.0 |
| L3175.150-100-* | 150 | 100 | 305 | 50 | 19.0 | 100 | 125 | 25 | 125 | 25 | 13.2 |
| L3175.150-101-* | 150 | 100 | 406 | 50 | 19.0 | 100 | 125 | 25 | 125 | 25 | 18.0 |
| L3175.150-150-* | 150 | 150 | 406 | 50 | 19.0 | 100 | 125 | 25 | 125 | 25 | 16.5 |
| L3175.200-150-* | 200 | 150 | 457 | 58 | 21.5 | 116 | 141 | 25 | 141 | 25 | 30.0 |
| L3175.200-200-* | 200 | 200 | 610 | 58 | 21.5 | 116 | 141 | 25 | 141 | 25 | 40.0 |
| L3175.300-100-* | 300 | 100 | 410 | 75 | 26.0 | 150 | 185 | 35 | 185 | 35 | 59.0 |
| L3175.300-200-* | 300 | 200 | 610 | 75 | 26.0 | 150 | 150 | - | 185 | - | 80.0 |
| L3175.300-300-* | 300 | 300 | 710 | 75 | 26.0 | 150 | 150 | - | 150 | - | 92.0 |
| L3175.300-400-* | 300 | 400 | 910 | 75 | 26.0 | 150 | 150 | - | 150 | - | 110.0 |
| L3175.300-500-* | 300 | 500 | 1010 | 75 | 26.0 | 150 | 150 | - | 150 | - | 125.0 |
| L3175.300-600-* | 300 | 600 | 1210 | 75 | 26.0 | 150 | 150 | - | 150 | - | 145.0 |



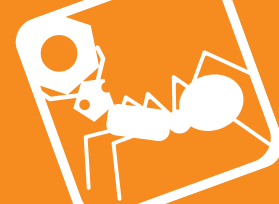
Motor Lead Screw XY Stages

cross roller

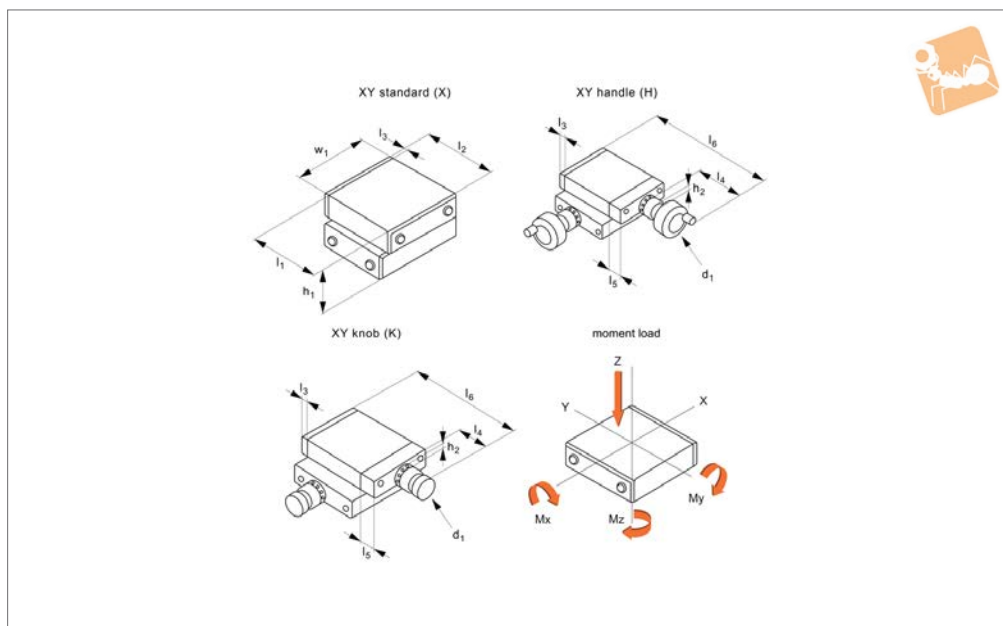
Manual Positioning Stages

| Order No. | l_2 | l_3 | w_2 | Lead screw | Load kN max. | Moment M_x Nm max. | Moment M_y Nm max. | Moment M_z Nm max. |
|-----------------|-------|-------|-------|------------|--------------------|----------------------------|----------------------------|----------------------------|
| L3175.075-025-* | 76 | 15 | 110 | 8x1 | 0.6 | 32 | 18 | 19 |
| L3175.075-026-* | 101 | 15 | 110 | 8x1 | 0.8 | 45 | 37 | 40 |
| L3175.075-050-* | 101 | 15 | 110 | 8x1 | 0.7 | 40 | 27 | 29 |
| L3175.100-025-* | 126 | 15 | 135 | 8x1 | 1.1 | 67 | 41 | 48 |
| L3175.100-050-* | 152 | 15 | 135 | 8x1 | 1.2 | 76 | 52 | 62 |
| L3175.100-051-* | 203 | 15 | 135 | 8x1 | 1.7 | 106 | 104 | 124 |
| L3175.100-075-* | 228 | 15 | 135 | 8x1 | 1.8 | 112 | 118 | 141 |
| L3175.150-050-* | 152 | 16 | 205 | 15x2 | 2.6 | 220 | 104 | 123 |
| L3175.150-100-* | 203 | 16 | 205 | 15x2 | 3.2 | 270 | 157 | 186 |
| L3175.150-101-* | 406 | 16 | 205 | 15x2 | 5.4 | 460 | 460 | 545 |
| L3175.150-150-* | 253 | 16 | 205 | 15x2 | 3.8 | 320 | 220 | 260 |
| L3175.200-150-* | 304 | 16 | 255 | 15x2 | 5.0 | 705 | 445 | 455 |
| L3175.200-200-* | 406 | 16 | 255 | 15x2 | 6.6 | 935 | 795 | 815 |
| L3175.300-100-* | 308 | 20 | 375 | 23x4 | 8.4 | 3190 | 800 | 825 |
| L3175.300-200-* | 408 | 20 | 375 | 23x4 | 10.4 | 3950 | 1205 | 1245 |
| L3175.300-300-* | 408 | 20 | 375 | 23x4 | 8.4 | 3190 | 800 | 825 |
| L3175.300-400-* | 508 | 20 | 375 | 23x4 | 10.4 | 3950 | 1205 | 1245 |
| L3175.300-500-* | 508 | 20 | 375 | 23x4 | 8.4 | 3190 | 800 | 825 |
| L3175.300-600-* | 608 | 20 | 375 | 23x4 | 10.4 | 3950 | 1205 | 1245 |

MANUAL POSITIONING STAGES



L3177



Material

Cast iron body (ENGJL-250), with hardened cross roller linear rail set. Hardened and ground lead screw M6x1, pitch accuracy $\pm 0,02\text{mm}/300\text{mm}$.

Technical Notes

Suitable for horizontal applications requi-

ring smooth movement, long life and high load capacity. Other versions are also available - cross roller slides (L3470), and needle roller slides (L3490) for even higher load ratings. Load ratings are based on even surface loading with the slide in the centre position, and apply to a single

slide.

Coefficient of friction 0,003.

Tips

Lead screw pitch M6x1, apart from size 300 = M8x1.

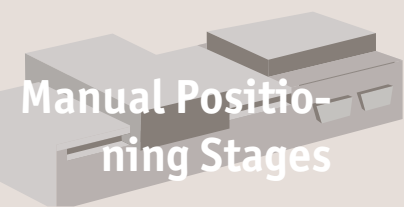
| Order No. | w_1 | Stroke | d_1 | l_1 | h_1 | h_2 | l_2 | l_3 | l_4 | Weight kg |
|-----------------|-------|--------|-------|-------|-------|-------|-------|-------|-------|-----------|
| L3177.075-025-X | 75 | 25 | - | 75 | 50 | - | 87 | 6 | - | 1.6 |
| L3177.100-025-X | 100 | 25 | - | 100 | 50 | - | 112 | 6 | - | 2.5 |
| L3177.150-050-X | 150 | 50 | - | 150 | 58 | - | 166 | 8 | - | 7.0 |
| L3177.200-050-X | 200 | 50 | - | 200 | 58 | - | 216 | 8 | - | 14.0 |
| L3177.300-100-X | 300 | 100 | - | 300 | 80 | - | 316 | 8 | - | 34.0 |
| L3177.075-025-H | 75 | 25 | 50.0 | 75 | 50 | 12.5 | - | 6 | 60 | 1.6 |
| L3177.100-025-H | 100 | 25 | 50.0 | 100 | 50 | 12.5 | - | 6 | 60 | 2.5 |
| L3177.150-050-H | 150 | 50 | 50.0 | 150 | 58 | 16.0 | - | 8 | 60 | 7.0 |
| L3177.200-050-H | 200 | 50 | 50.0 | 200 | 58 | 16.0 | - | 8 | 60 | 14.0 |
| L3177.075-025-K | 75 | 25 | 23.9 | 75 | 50 | 12.5 | - | 6 | 42 | 1.6 |
| L3177.100-025-K | 100 | 25 | 23.9 | 100 | 50 | 12.5 | - | 6 | 42 | 2.5 |
| L3177.150-050-K | 150 | 50 | 23.9 | 150 | 58 | 16.0 | - | 8 | 42 | 7.0 |
| L3177.200-050-K | 200 | 50 | 23.9 | 200 | 58 | 16.0 | - | 8 | 42 | 14.0 |
| L3177.300-100-K | 300 | 100 | 31.0 | 300 | 80 | 23.0 | - | 8 | 47 | 34.0 |

| Order No. | l_5 | l_6 | Lead screw | Load kN max. | Moment M_x Nm max. | Moment M_y Nm max. | Moment M_z Nm max. |
|-----------------|-------|-------|------------|--------------|----------------------|----------------------|----------------------|
| L3177.075-025-X | 14 | - | M6x1 | 0.3 | 18 | 5.7 | 6.1 |
| L3177.100-025-X | 14 | - | M6x1 | 0.6 | 36 | 11 | 14 |
| L3177.150-050-X | 14 | - | M6x1 | 0.7 | 64 | 18 | 21 |
| L3177.200-050-X | 14 | - | M6x1 | 1.2 | 190 | 60 | 62 |
| L3177.300-100-X | 15 | - | M8x1 | 3.2 | 1140 | 183 | 188 |
| L3177.075-025-H | 14 | 155 | M6x1 | 0.3 | 18 | 5.7 | 6.1 |
| L3177.100-025-H | 14 | 180 | M6x1 | 0.6 | 36 | 11 | 14 |
| L3177.150-050-H | 14 | 232 | M6x1 | 0.7 | 64 | 18 | 21 |
| L3177.200-050-H | 14 | 282 | M6x1 | 1.2 | 190 | 60 | 62 |
| L3177.075-025-K | 14 | 137 | M6x1 | 0.3 | 18 | 5.7 | 6.1 |
| L3177.100-025-K | 14 | 162 | M6x1 | 0.6 | 36 | 11 | 14 |
| L3177.150-050-K | 14 | 214 | M6x1 | 0.7 | 64 | 18 | 21 |



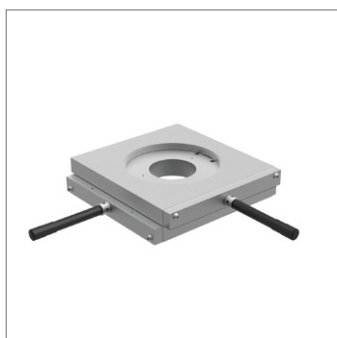
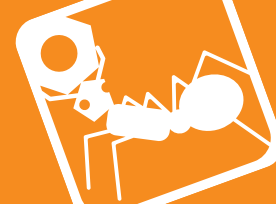
Miniature XY stages

cross roller

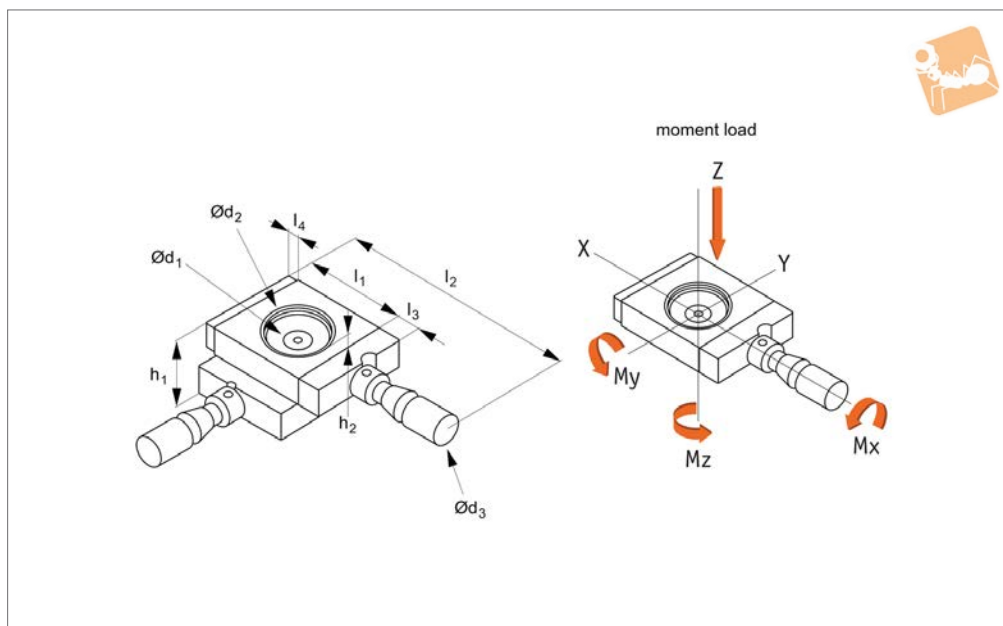


Manual Positioning Stages

| Order No. | l_5 | l_6 | Lead screw | Load kN max. | Moment M_x Nm max. | Moment M_y Nm max. | Moment M_z Nm max. |
|-----------------|-------|-------|------------|--------------------|----------------------------|----------------------------|----------------------------|
| L3177.200-050-K | 14 | 264 | M6x1 | 1.2 | 190 | 60 | 62 |
| L3177.300-100-K | 15 | 370 | M8x1 | 3.2 | 1140 | 183 | 188 |



L3179



Material

Cast iron body (ENGJL-250), with hardened cross roller linear rail set.

Technical Notes

Suitable for horizontal applications requiring smooth movement, long life and high load capacity. Low height profile. The

stage has a through hole.

No backlash due to pull back spring, each micrometer has a locking device.

Coefficient of friction 0,003.

Micrometer pitch = 1,0 apart from 20mm stroke = 0,5.

Tips

Micrometer pitch 1,0mm except first two sizes = 0,5mm.

For scientific and medical applications.

Important Notes

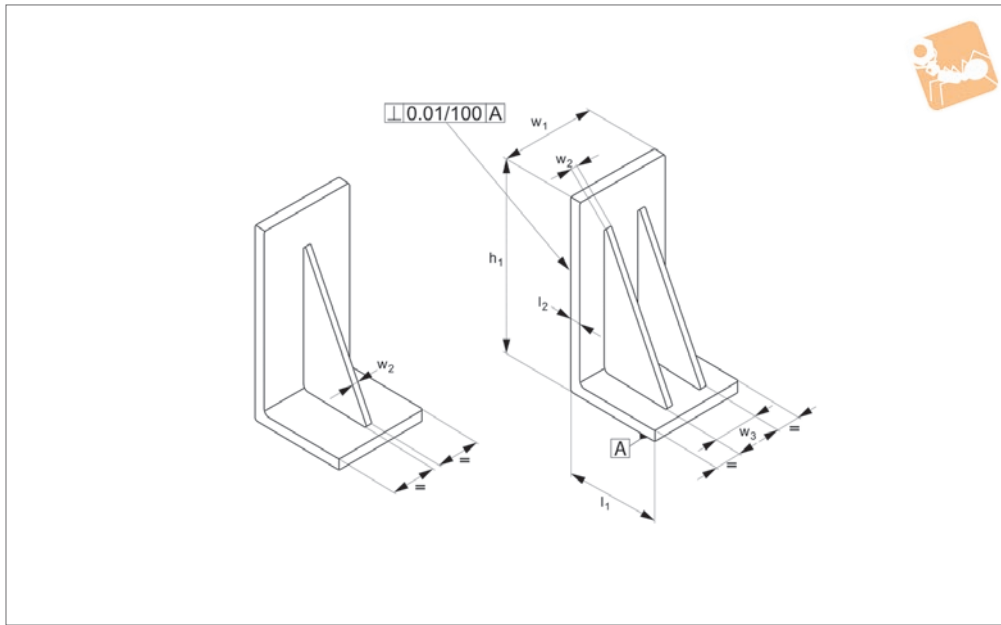
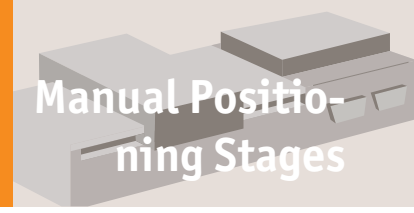
3D CAD models available.

| Order No. | Stroke | d ₁ | d ₂ | d ₃ | l ₁ | h ₁ | h ₂ | l ₂ | l ₃ | l ₄ | Load kN max. | Moment M _x Nm max. | Moment M _y Nm max. | Moment M _z Nm max. | Weight kg |
|---------------|--------|----------------|----------------|----------------|----------------|----------------|----------------|----------------|----------------|----------------|--------------|-------------------------------|-------------------------------|-------------------------------|-----------|
| L3179.075-020 | 20 | 20 | 55 | 20 | 75 | 40 | 3 | 186 | 14 | 6 | 0.37 | 26 | 7.1 | 7.5 | 1.3 |
| L3179.100-020 | 20 | 50 | 80 | 20 | 100 | 40 | 3 | 211 | 14 | 6 | 0.64 | 44 | 13 | 15 | 2.0 |
| L3179.150-045 | 45 | 50 | 105 | 20 | 150 | 50 | 3 | 303 | 16 | 8 | 0.74 | 64 | 18 | 22 | 6.3 |
| L3179.200-045 | 45 | 75 | 130 | 20 | 200 | 50 | 3 | 355 | 16 | 8 | 1.23 | 190 | 62 | 63 | 13.0 |
| L3179.300-095 | 95 | 100 | 205 | 24 | 300 | 70 | 3 | 543 | 20 | 10 | 3.22 | 1140 | 186 | 192 | 32.0 |



Angle Brackets for linear stages

Manual Positioning Stages



L3199

MANUAL POSITIONING STAGES

Material

Cast iron, ground. Aluminium alternative on request.

| Order No. | w ₁ | l ₁ | h ₁ | l ₂ | w ₂ | w ₃ | No. of ribs |
|---------------|----------------|----------------|----------------|----------------|----------------|----------------|-------------|
| L3199.050-050 | 50 | 50 | 50 | 8 | 8 | - | 1 |
| L3199.050-100 | 50 | 50 | 100 | 8 | 8 | - | 1 |
| L3199.075-075 | 75 | 75 | 75 | 10 | 8 | - | 1 |
| L3199.075-150 | 75 | 75 | 150 | 10 | 8 | - | 1 |
| L3199.100-100 | 100 | 100 | 100 | 15 | 12 | - | 1 |
| L3199.100-200 | 100 | 100 | 200 | 15 | 12 | - | 1 |
| L3199.150-150 | 150 | 150 | 150 | 18 | 10 | 50 | 2 |
| L3199.150-300 | 150 | 150 | 300 | 18 | 10 | 45 | 2 |
| L3199.200-200 | 200 | 200 | 200 | 22 | 10 | 75 | 2 |
| L3199.200-350 | 200 | 200 | 350 | 22 | 10 | 70 | 2 |
| L3199.300-400 | 300 | 300 | 400 | 30 | 15 | 145 | 2 |
| L3199.400-500 | 400 | 400 | 500 | 35 | 20 | 210 | 2 |