



<p><b>L1706</b></p>  <p>Closed, open + adjustable</p>	<p><b>L1712</b></p>  <p>Double compliment versions</p>	<p><b>L1715</b></p>  <p>Compact versions</p>
<p><b>L1718</b></p>  <p>Front flanged standard</p>	<p><b>L1723</b></p>  <p>Front flanged double compliment</p>	<p><b>L1731</b></p>  <p>Centre flanged double compliment</p>
<p><b>L1740</b></p>  <p>Superball bushings</p>	<p><b>L1750</b></p>  <p>Closed linear carriage</p>	<p><b>L1753</b></p>  <p>Open linear carriage</p>

**For full technical information,  
see end of product section.**

**Linear Ball Bushings from Automation Components**

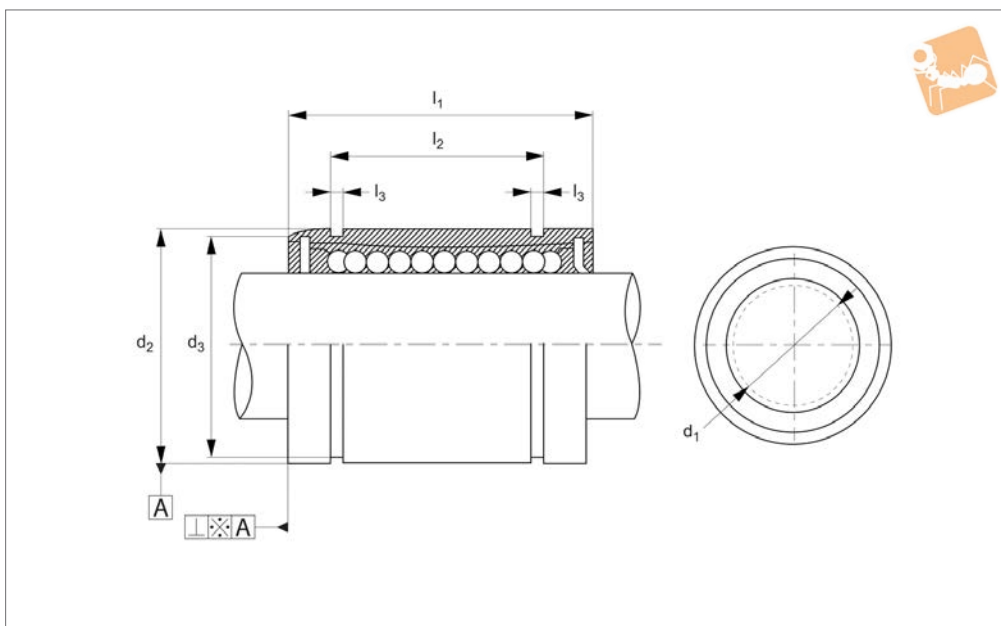
LINEAR BEARINGS



LINEAR BEARINGS



L1709



**Material**

Stainless steel body (440C) with a resin (POM) retainer.  
Stainless steel balls (440C).  
Supplied with nitrile rubber (NBR) end

seals.

**Technical Notes**

For use with corrosion resistant hardened shafts (see part no. L1772) - tolerance h6.

Perpendicularity A is better than 15µ.

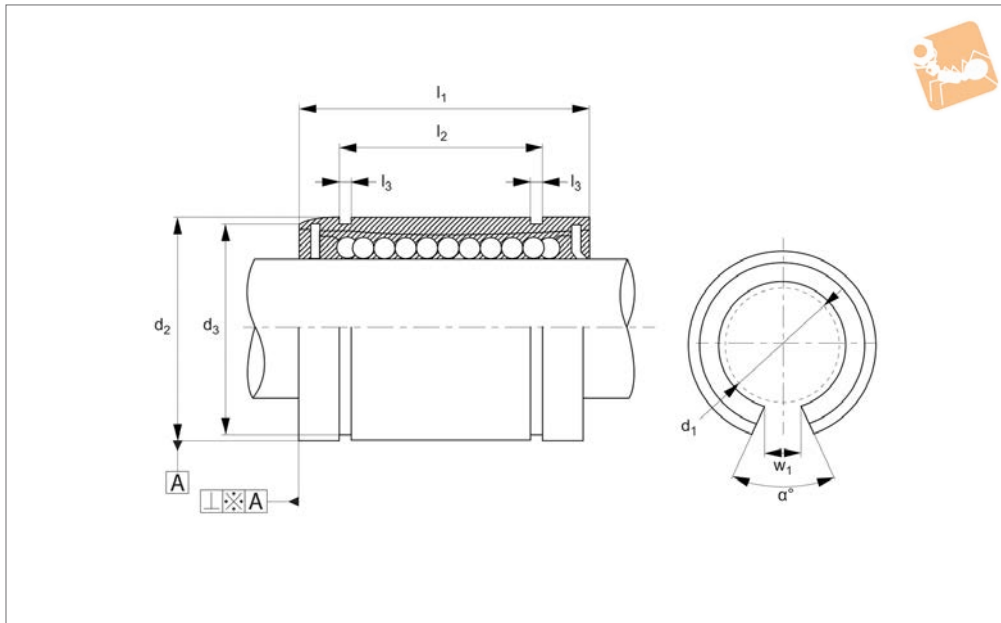
For part numbers with <sup>-1</sup> shaft tolerance required is g6. Temperature range: For resin ball cage -20°C to +80°C.

Order No.	Ball cage	d <sub>1</sub> tol. h6	d <sub>2</sub> tol. h6	l <sub>1</sub>	l <sub>2</sub>	l <sub>3</sub>	d <sub>3</sub>	Dyn. load C N max.	No. of ball circuits	Static load C <sub>0</sub> N max.	Weight g
L1709.005-RS	Resin	5	12	22	14.5	1.10	11.5	200	4	260	12
L1709.006-RS-1	Resin	6	12	19	13.5	1.10	11.5	200	4	260	8
L1709.008-RS	Resin	8	16	25	16.5	1.10	15.2	260	4	400	20
L1709.010-RS-1	Resin	10	19	29	22.0	1.30	18.0	370	4	540	30
L1709.012-RS	Resin	12	22	32	22.9	1.30	21.0	410	4	590	41
L1709.016-RS	Resin	16	26	36	24.9	1.30	24.9	770	5	1170	57
L1709.020-RS	Resin	20	32	45	31.5	1.60	30.3	860	5	1370	91
L1709.025-RS	Resin	25	40	58	44.1	1.85	37.5	980	6	1560	215
L1709.030-RS	Resin	30	47	68	52.1	1.85	44.5	1584	6	2740	360
L1709.040-RS	Resin	40	62	80	60.6	2.15	59	2357	6	4020	770
L1709.050-RS	Resin	50	75	100	77.6	2.65	72	4702	6	7940	1250
L1709.060-RS	Resin	60	90	125	101.7	3.15	86.5	6085	6	9800	2220



# Stainless Ball Bushings open

## Linear Bearings



**L1710**

LINEAR BEARINGS

### Material

Stainless steel body (440C) with either a resin (POM) or stainless steel (316) retainer.  
Stainless steel balls (440C).

Supplied with nitrile rubber (NBR) end seals.

### Technical Notes

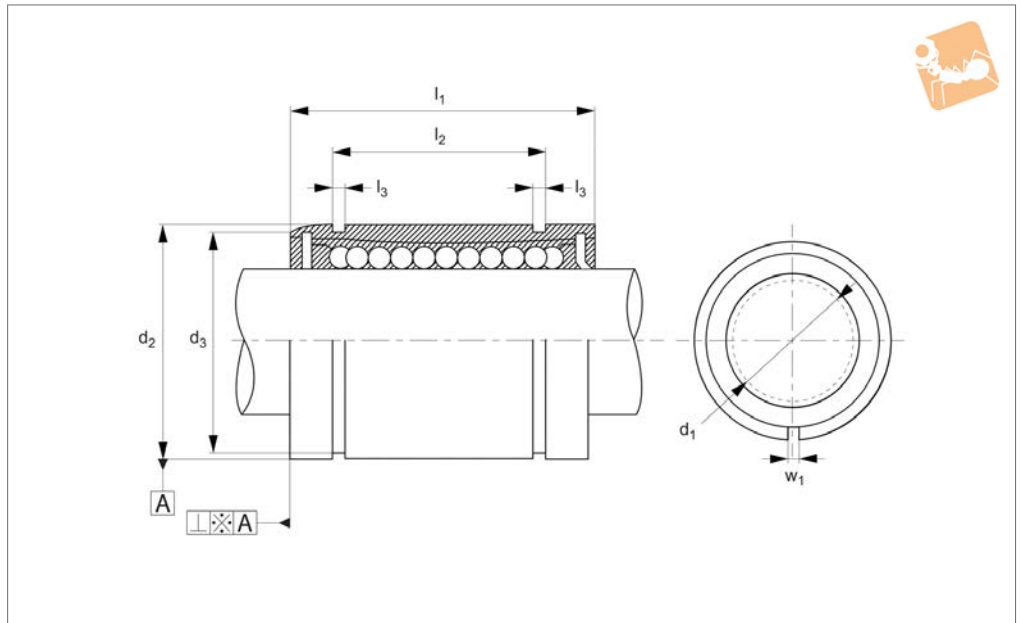
For use with corrosion resistant hardened

shafts (see part no. L1772) - tolerance h6.  
Perpendicularity A is better than 15μ.  
Temperature range: For resin ball cage -20°C to +80°C.  
For stainless ball cage -20°C to +120°C.

Order No.	Ball cage	d <sub>1</sub> tol. h6	d <sub>2</sub> tol. h6	l <sub>1</sub>	l <sub>2</sub>	l <sub>3</sub>	d <sub>3</sub>	w <sub>1</sub>	Dyn. load C N max.	α °	No. of ball circuits	Static load C <sub>0</sub> N max.	Weight g
L1710.012-RS	Resin	12	22	32	22.9	1.30	21.0	7.5	510	78	3	784	35
L1710.016-RS	Resin	16	26	36	24.9	1.30	24.9	10.0	578	78	3	892	48
L1710.020-RS	Resin	20	32	45	31.5	1.60	30.3	10.0	862	60	4	1370	84
L1710.025-RS	Resin	25	40	58	44.1	1.85	37.5	12.5	980	60	5	1570	195
L1710.012-SS	St. Steel	12	22	32	22.9	1.30	21.0	7.5	510	78	3	784	35
L1710.016-SS	St. Steel	16	26	36	24.9	1.30	24.9	10.0	578	78	3	892	48
L1710.020-SS	St. Steel	20	32	45	31.5	1.60	30.3	10.0	862	60	4	1370	84
L1710.025-SS	St. Steel	25	40	58	44.1	1.85	37.5	12.5	980	60	5	1570	195



### L1711



#### Material

Stainless steel body (440C) with either a resin (POM) or stainless steel (316) retainer.  
Stainless steel balls (440C).  
Supplied with nitrile rubber (NBR) end seals.

#### Technical Notes

For use with corrosion resistant hardened shafts (see part no. L1772) - tolerance h6. Perpendicularity A is better than 15µ.  
For part numbers with <sup>-1</sup> shaft tolerance required is g6. Temperature range: For resin ball cage -20°C to +80°C.

For stainless ball cage -20°C to +120°C.

#### Tips

$d_2$  is the dimension before the bush has been slotted.

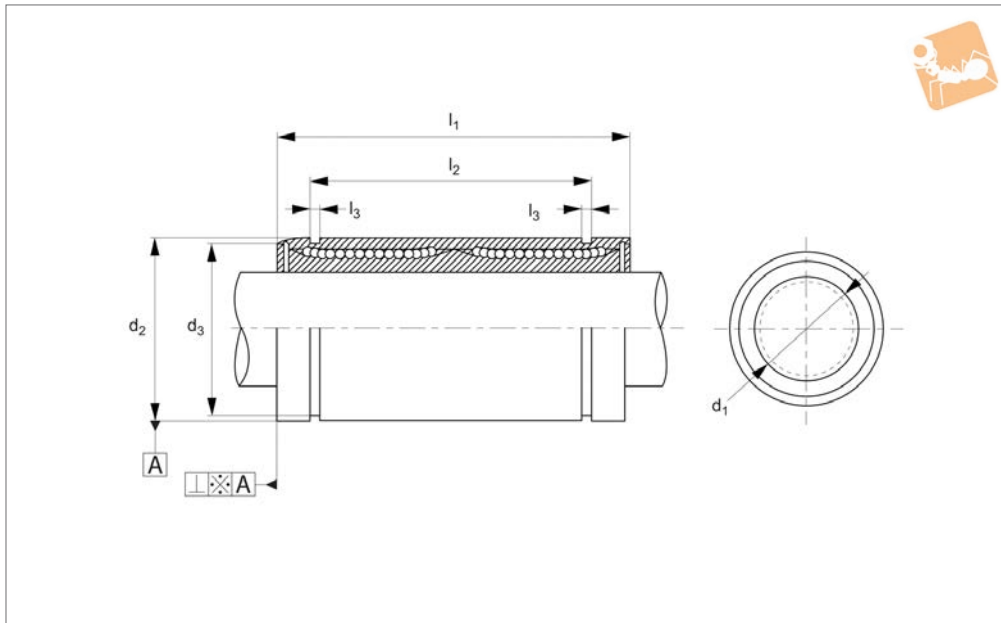
Order No.	Ball cage	$d_1$ tol. h6	$d_2$ tol. h6	$l_1$	$l_2$	$l_3$	$d_3$	$w_1$	Dyn. load C N max.	No. of ball circuits	Static load $C_0$ N max.	Weight g
L1711.005-RS	Resin	5	12	22	14.5	1.10	11.5	1.0	200	4	260	12
L1711.006-RS-1	Resin	6	12	19	13.5	1.10	11.5	1.0	200	4	260	8
L1711.008-RS	Resin	8	16	25	16.5	1.10	15.2	1.0	260	4	400	20
L1711.010-RS-1	Resin	10	19	29	22.0	1.30	18.0	1.0	370	4	540	30
L1711.012-RS	Resin	12	22	32	22.9	1.30	21.0	1.5	410	4	590	41
L1711.016-RS	Resin	16	26	36	24.9	1.30	24.9	1.5	770	5	1170	57
L1711.020-RS	Resin	20	32	45	31.5	1.60	30.3	2.0	860	5	1370	91
L1711.025-RS	Resin	25	40	58	44.1	1.85	37.5	2.0	980	6	1560	215
L1711.006-SS-1	Stainless	6	12	19	13.5	1.10	11.5	1.0	200	4	260	8
L1711.008-SS	Stainless	8	16	25	16.5	1.10	15.2	1.0	260	4	400	20
L1711.010-SS-1	Stainless	10	19	29	22.0	1.30	18.0	1.0	370	4	540	30
L1711.012-SS	Stainless	12	22	32	22.9	1.30	21.0	1.5	410	4	590	41
L1711.016-SS	Stainless	16	26	36	24.9	1.30	24.9	1.5	770	5	1170	57
L1711.020-SS	Stainless	20	32	45	31.5	1.60	30.3	2.0	860	5	1370	91
L1711.025-SS	Stainless	25	40	58	44.1	1.85	37.5	2.0	980	6	1560	215



# Stainless Ball Bushings

long version

## Linear Bearings



**L1713**

LINEAR BEARINGS

### Material

Stainless steel body (440C) with either a resin (POM) or stainless steel (316) retainer.  
Stainless steel balls (440C).

Supplied with nitrile rubber (NBR) end seals.

### Technical Notes

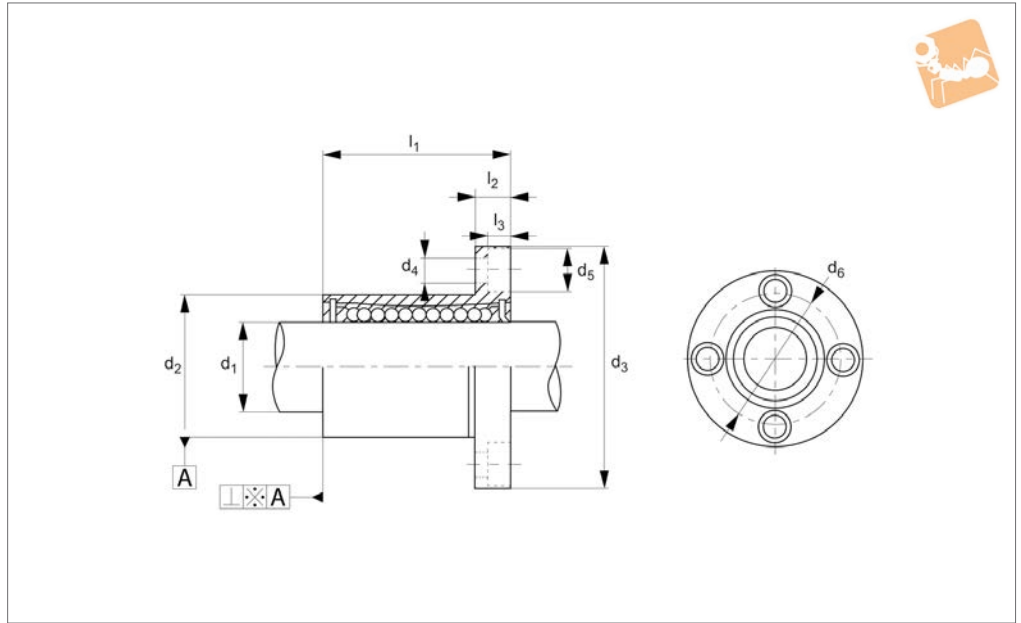
For use with corrosion resistant hardened

shafts (see part no. L1772) - tolerance h6.  
Perpendicularity A is better than 15μ.  
Temperature range: For resin ball cage -20°C to +80°C.  
For stainless ball cage -20°C to +120°C.

Order No.	Ball cage	d <sub>1</sub> tol. h6	d <sub>2</sub> tol. h6	l <sub>1</sub>	l <sub>2</sub>	l <sub>3</sub>	d <sub>3</sub>	Dyn. load C N max.	No. of ball circuits	Static load C <sub>0</sub> N max.	Weight g
L1713.008-RS	Resin	8	16	45	33.0	1.10	15.2	430	4	780	31
L1713.012-RS	Resin	12	22	57	45.8	1.30	21.0	650	4	1200	80
L1713.016-RS	Resin	16	26	70	49.8	1.30	24.9	1230	5	2350	145
L1713.020-RS	Resin	20	32	80	61.0	1.60	30.3	1400	5	2750	180
L1713.025-RS	Resin	25	40	112	82.0	1.85	38.0	1560	6	3140	440
L1713.008-SS	Stainless	8	16	45	33.0	1.10	15.2	430	4	780	31
L1713.012-SS	Stainless	12	22	57	45.8	1.30	21.0	650	4	1200	80
L1713.016-SS	Stainless	16	26	70	49.8	1.30	24.9	1230	5	2350	145
L1713.020-SS	Stainless	20	32	80	61.0	1.60	30.3	1400	5	2750	180
L1713.025-SS	Stainless	25	40	112	82.0	1.85	38.0	1560	6	3140	440



### L1720



#### Material

Stainless steel body (440C) with either a resin (POM) or stainless steel (316) retainer.  
Stainless steel balls (440C).

Supplied with nitrile rubber (NBR) end seals.

#### Technical Notes

For use with corrosion resistant hardened

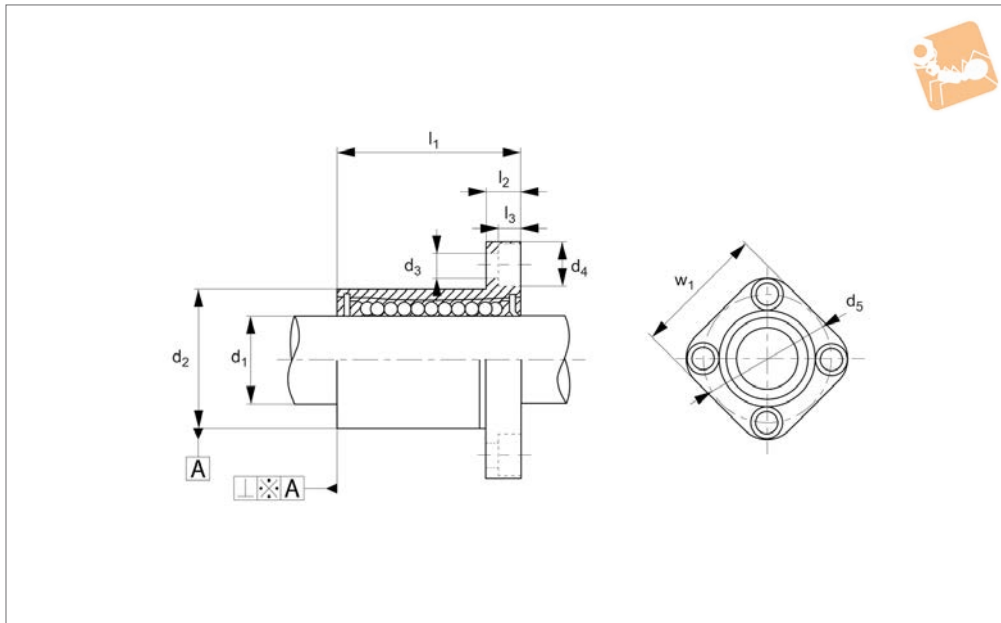
shafts (see part no. L1772) - tolerance h6.  
For part numbers with <sup>-1</sup> shaft tolerance required is g6. Temperature range: For resin ball cage -20°C to +80°C.  
For stainless ball cage -20°C to +120°C.

Order No.	Ball cage	d <sub>1</sub> tol. h6	d <sub>2</sub> tol. h6	l <sub>1</sub>	l <sub>2</sub>	l <sub>3</sub>	d <sub>3</sub> tol. h4	d <sub>4</sub>	d <sub>5</sub>	d <sub>6</sub>	Dyn. load C N max.	No. of ball circuits	Static load C <sub>0</sub> N max.	Squareness A µm	Weight g
L1720.006-RS-1	Resin	6	12	19	5	3,3	28	3,4	6,5	20	200	4	260	12	26,5
L1720.008-RS	Resin	8	16	25	5	3,3	32	3,4	6,5	24	260	4	400	12	44,0
L1720.010-RS-1	Resin	10	19	29	6	4,4	40	4,5	8,0	29	370	4	540	12	78,0
L1720.012-RS	Resin	12	22	32	6	4,4	42	4,5	8,0	32	410	4	590	12	86,0
L1720.016-RS	Resin	16	26	36	6	4,4	46	4,5	8,0	36	770	5	1170	12	120,0
L1720.020-RS	Resin	20	32	45	8	5,4	54	5,5	9,5	43	860	5	1370	15	184,0
L1720.025-RS	Resin	25	40	58	8	5,4	62	5,5	9,5	51	980	6	1560	15	335,0
L1720.006-SS-1	Stainless	6	12	19	5	3,3	28	3,4	6,5	20	200	4	260	12	26,5
L1720.008-SS	Stainless	8	16	25	5	3,3	32	3,4	6,5	24	260	4	400	12	44,0
L1720.010-SS-1	Stainless	10	19	29	6	4,4	40	4,5	8,0	29	370	4	540	12	78,0
L1720.012-SS	Stainless	12	22	32	6	4,4	42	4,5	8,0	32	410	4	590	12	86,0
L1720.016-SS	Stainless	16	26	36	6	4,4	46	4,5	8,0	36	770	5	1170	12	120,0
L1720.020-SS	Stainless	20	32	45	8	5,4	54	5,5	9,5	43	860	5	1370	15	184,0
L1720.025-SS	Stainless	25	40	58	8	5,4	62	5,5	9,5	51	980	6	1560	15	335,0



# Stainless Ball Bushings square flange

## Linear Bearings



**L1721**

LINEAR BEARINGS

### Material

Stainless steel body (440C) with either a resin (POM) or stainless steel (316) retainer.  
Stainless steel balls (440C).

Supplied with nitrile rubber (NBR) end seals.

### Technical Notes

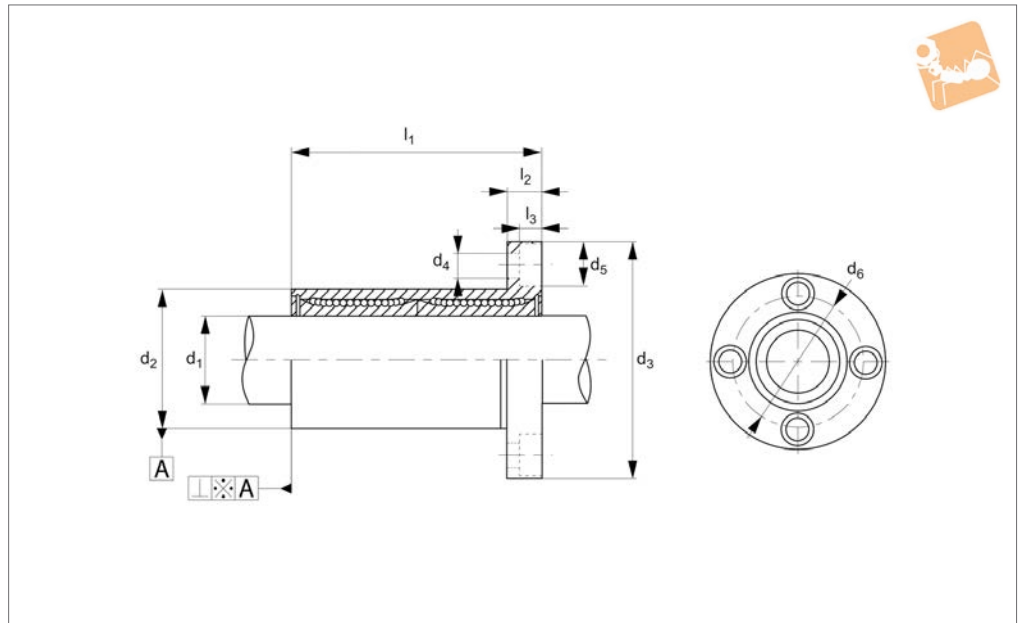
For use with corrosion resistant hardened

shafts (see part no. L1772) - tolerance h6.  
For part numbers with <sup>-1</sup> shaft tolerance required is g6. Temperature range: For resin ball cage -20°C to +80°C.  
For stainless ball cage -20°C to +120°C.

Order No.	Ball cage	d <sub>1</sub> tol. h6	d <sub>2</sub> tol. h6	l <sub>1</sub>	l <sub>2</sub>	l <sub>3</sub>	d <sub>3</sub>	d <sub>4</sub>	d <sub>5</sub>	w <sub>1</sub>	Dyn. load C N max.	No. of ball circuits	Static load C <sub>0</sub> N max.	Squareness A µm	Weight g
L1721.006-RS-1	Resin	6	12	19	5	3,3	3,4	6,5	20	22	200	4	260	12	26,5
L1721.008-RS	Resin	8	16	25	5	3,3	3,4	6,5	24	25	260	4	400	12	44,0
L1721.010-RS-1	Resin	10	19	29	6	4,4	4,5	8,0	29	30	370	4	540	12	78,0
L1721.012-RS	Resin	12	22	32	6	4,4	4,5	8,0	32	32	410	4	590	12	86,0
L1721.016-RS	Resin	16	26	36	6	4,4	4,5	8,0	36	35	770	5	1170	12	120,0
L1721.020-RS	Resin	20	32	45	8	5,4	5,5	9,5	43	42	860	5	1370	15	184,0
L1721.025-RS	Resin	25	40	58	8	5,4	5,5	9,5	51	50	980	6	1560	15	335,0
L1721.006-SS-1	Stainless	6	12	19	5	3,3	3,4	6,5	20	22	200	4	260	12	26,5
L1721.008-SS	Stainless	8	16	25	5	3,3	3,4	6,5	24	25	260	4	400	12	44,0
L1721.010-SS-1	Stainless	10	19	29	6	4,4	4,5	8,0	29	30	370	4	540	12	78,0
L1721.012-SS	Stainless	12	22	32	6	4,4	4,5	8,0	32	32	410	4	590	12	86,0
L1721.016-SS	Stainless	16	26	36	6	4,4	4,5	8,0	36	35	770	5	1170	12	120,0
L1721.020-SS	Stainless	20	32	45	8	5,4	5,5	9,5	43	42	860	5	1370	15	184,0
L1721.025-SS	Stainless	25	40	58	8	5,4	5,5	9,5	51	50	980	6	1560	15	335,0



### L1724



#### Material

Stainless steel body (440C) with either a resin (POM) or stainless steel (316) retainer.  
Stainless steel balls (440C).  
Supplied with nitrile rubber (NBR) end

seals.

#### Technical Notes

For use with corrosion resistant hardened shafts (see part no. L1772).  
Tolerance h6. For part numbers with<sup>-1</sup> shaft

tolerance required for these is g6.

Temperature range: For resin ball cage -20°C to +80°C.

For stainless ball cage -20°C to +120°C.

Order No.	Ball cage	d <sub>1</sub> tol. h6	d <sub>2</sub> tol. h6	l <sub>1</sub>	l <sub>2</sub>	l <sub>3</sub>	d <sub>3</sub> tol. h4	d <sub>4</sub>	d <sub>5</sub>	d <sub>6</sub>	Dyn. load C N max.	No. of ball circuits	Static load C <sub>0</sub> N max.	Squareness A µm	Weight g
L1724.006-RS-1	Resin	6	12	35	5	3,3	28	3,4	6,5	20	320	4	520	15	31
L1724.008-RS	Resin	8	16	45	5	3,3	32	3,4	6,5	24	430	4	780	15	53
L1724.010-RS-1	Resin	10	19	55	6	4,4	40	4,5	8,0	29	580	4	1100	15	105
L1724.012-RS	Resin	12	22	57	6	4,4	42	4,5	8,0	32	650	4	1200	15	100
L1724.016-RS	Resin	16	26	70	6	4,4	46	4,5	8,0	36	1230	5	2350	15	187
L1724.020-RS	Resin	20	32	80	8	5,4	54	5,5	9,5	43	1400	5	2750	17	260
L1724.025-RS	Resin	25	40	112	8	5,4	62	5,5	9,5	51	1560	6	3140	17	515
L1724.006-SS-1	Stainless	6	12	35	5	3,3	28	3,4	6,5	20	320	4	520	15	31
L1724.008-SS	Stainless	8	16	45	5	3,3	32	3,4	6,5	24	430	4	780	15	53
L1724.010-SS-1	Stainless	10	19	55	6	4,4	40	4,5	8,0	29	580	4	1100	15	105
L1724.012-SS	Stainless	12	22	57	6	4,4	42	4,5	8,0	32	650	4	1200	15	100
L1724.016-SS	Stainless	16	26	70	6	4,4	46	4,5	8,0	36	1230	5	2350	15	187
L1724.020-SS	Stainless	20	32	80	8	5,4	54	5,5	9,5	43	1400	5	2750	17	260
L1724.025-SS	Stainless	25	40	112	8	5,4	62	5,5	9,5	51	1560	6	3140	17	515

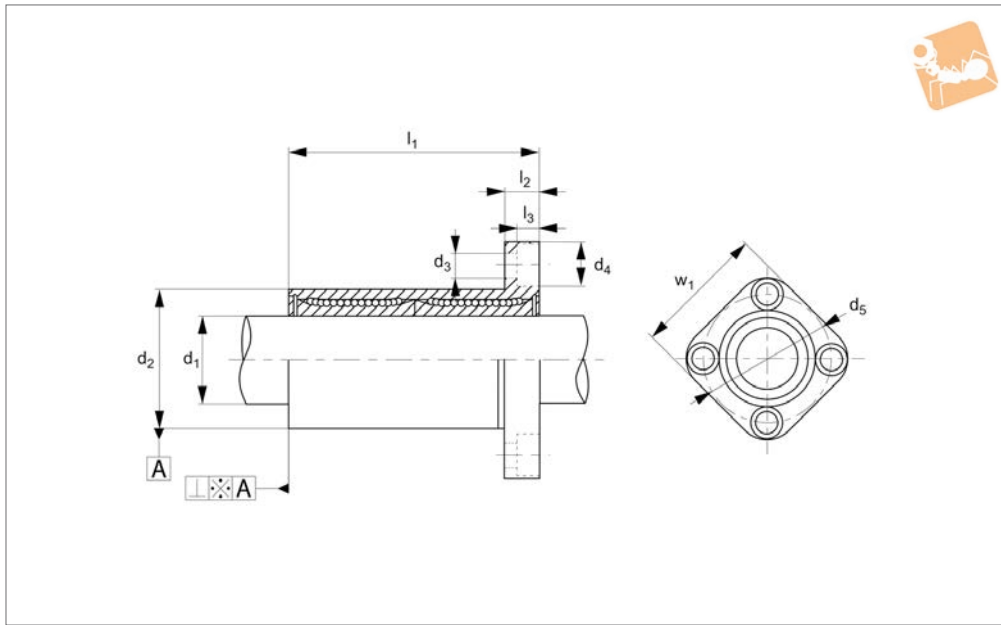




# Stainless Ball Bushings

double compliment

# Linear Bearings



## L1725

LINEAR BEARINGS

### Material

Stainless steel body (440C) with either a resin (POM) or stainless steel (316) retainer.  
Stainless steel balls (440C).

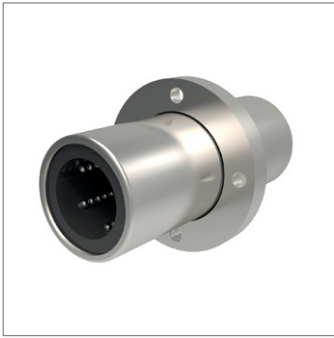
Supplied with nitrile rubber (NBR) end seals.

### Technical Notes

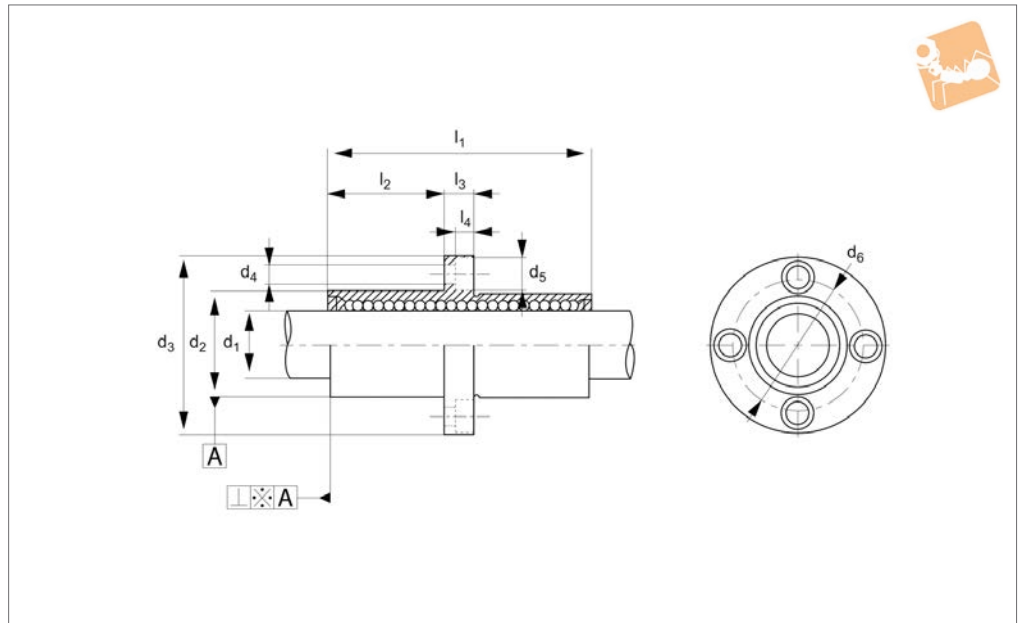
For use with corrosion resistant hardened

shafts (see part no. L1772) - tolerance h6.  
For part numbers with <sup>-1</sup> shaft tolerance required is g6. Temperature range: For resin ball cage -20°C to +80°C.  
For stainless ball cage -20°C to +120°C.

Order No.	Ball cage	d <sub>1</sub> tol. h6	d <sub>2</sub> tol. h6	l <sub>1</sub>	l <sub>2</sub>	l <sub>3</sub>	d <sub>3</sub>	d <sub>4</sub>	d <sub>5</sub>	w <sub>1</sub>	Dyn. load C N max.	No. of ball circuits	Static load C <sub>0</sub> N max.	Squareness A µm	Weight g
L1725.006-RS-1	Resin	6	12	35	5	3,3	3,4	6,5	20	22	320	4	520	15	31
L1725.008-RS	Resin	8	16	45	5	3,3	3,4	6,5	24	25	430	4	780	15	53
L1725.010-RS-1	Resin	10	19	55	6	4,4	4,5	8,0	29	30	580	4	1100	15	105
L1725.012-RS	Resin	12	22	57	6	4,4	4,5	8,0	32	32	650	4	1200	15	100
L1725.016-RS	Resin	16	26	70	6	4,4	4,5	8,0	36	35	1230	5	2350	15	187
L1725.020-RS	Resin	20	32	80	8	5,4	5,5	9,5	43	42	1400	5	2750	17	260
L1725.025-RS	Resin	25	40	112	8	5,4	5,5	9,5	51	50	1560	6	3140	17	515
L1725.006-SS-1	Stainless	6	12	35	5	3,3	3,4	6,5	20	22	320	4	520	15	31
L1725.008-SS	Stainless	8	16	45	5	3,3	3,4	6,5	24	25	430	4	780	15	53
L1725.010-SS-1	Stainless	10	19	55	6	4,4	4,5	8,0	29	30	580	4	1100	15	105
L1725.012-SS	Stainless	12	22	57	6	4,4	4,5	8,0	32	32	650	4	1200	15	100
L1725.016-SS	Stainless	16	26	70	6	4,4	4,5	8,0	36	35	1230	5	2350	15	187
L1725.020-SS	Stainless	20	32	80	8	5,4	5,5	9,5	43	42	1400	5	2750	17	260
L1725.025-SS	Stainless	25	40	112	8	5,4	5,5	9,5	51	50	1560	6	3140	17	515



### L1732



#### Material

Stainless steel body (440C) with either a resin (POM) or stainless steel (316) retainer.  
Stainless steel balls (440C).

Supplied with nitrile rubber (NBR) end seals.

#### Technical Notes

For use with hardened shafts only (see part

nos. L1770 - L1772) - tolerance h6. For part numbers with <sup>-1</sup> shaft tolerance required is g6. Temperature range: For resin ball cage -20°C to +80°C. For stainless ball cage -20°C to +120°C.

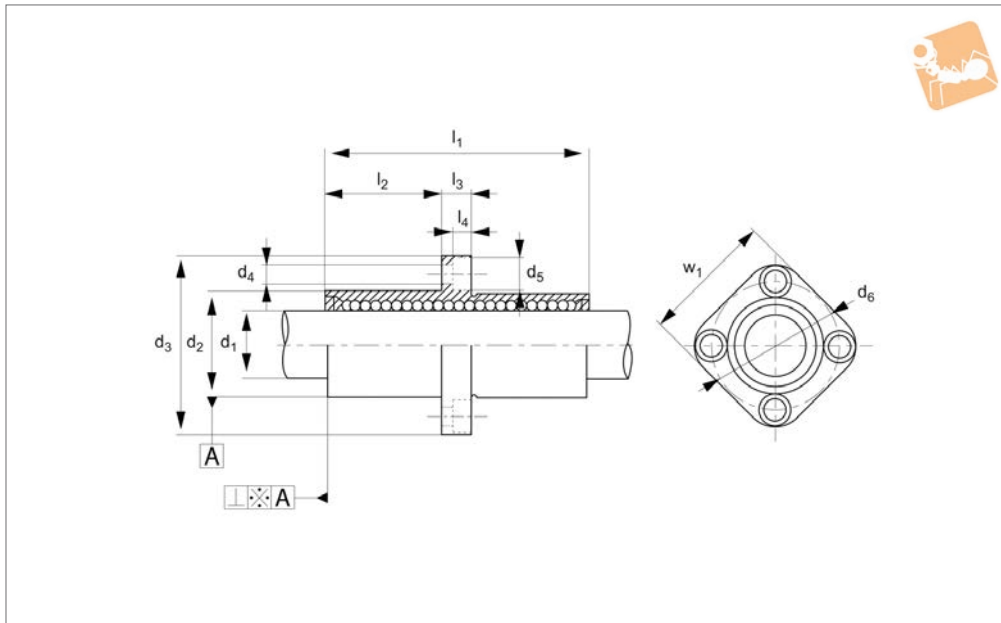
Order No.	Ball cage	$d_1$ tol. h6	$d_2$ tol. h6	$l_1$	$l_2$	$l_3$	$l_4$	$d_3$ tol. h4	$d_4$	$d_5$	$d_6$	Dyn. load C N max.	No. of ball circuits	Static load $C_0$ N max.	Squareness A $\mu\text{m}$	Weight g
L1732.006-RS-1	Resin	6	12	35	15,0	5	3,3	28	3,4	6,5	20	320	4	520	15	31
L1732.008-RS	Resin	8	15	45	20,0	5	3,3	32	3,4	6,5	24	430	4	780	15	53
L1732.010-RS-1	Resin	10	19	55	24,5	6	4,4	40	4,5	8,0	29	580	4	1100	15	105
L1732.012-RS	Resin	12	21	57	25,5	6	4,4	42	4,5	8,0	32	650	4	1200	15	100
L1732.016-RS	Resin	16	26	70	32,0	6	4,4	46	4,5	8,0	36	1230	5	2350	15	187
L1732.020-RS	Resin	20	32	80	36,0	8	5,4	54	5,5	9,5	43	1400	5	2750	17	260
L1732.025-RS	Resin	25	40	112	52,0	8	5,4	62	5,5	9,5	51	1560	6	3140	17	515
L1732.006-SS-1	Stainless	6	12	35	15,0	5	3,3	28	3,4	6,5	20	320	4	520	15	31
L1732.008-SS	Stainless	8	15	45	20,0	5	3,3	32	3,4	6,5	24	430	4	780	15	53
L1732.010-SS-1	Stainless	10	19	55	24,5	6	4,4	40	4,5	8,0	29	580	4	1100	15	105
L1732.012-SS	Stainless	12	21	57	25,5	6	4,4	42	4,5	8,0	32	650	4	1200	15	100
L1732.016-SS	Stainless	16	26	70	32,0	6	4,4	46	4,5	8,0	36	1230	5	2350	15	187
L1732.020-SS	Stainless	20	32	80	36,0	8	5,4	54	5,5	9,5	43	1400	5	2750	17	260
L1732.025-SS	Stainless	25	40	112	52,0	8	5,4	62	5,5	9,5	51	3140	6	3140	17	515



# Stainless Ball Bushings

long version, square centre flange

## Linear Bearings



**L1733**

LINEAR BEARINGS

**Material**

Stainless steel body (440C) with either a resin (POM) or stainless steel (316) retainer.  
Stainless steel balls (440C).

Supplied with nitrile rubber (NBR) end seals.

**Technical Notes**

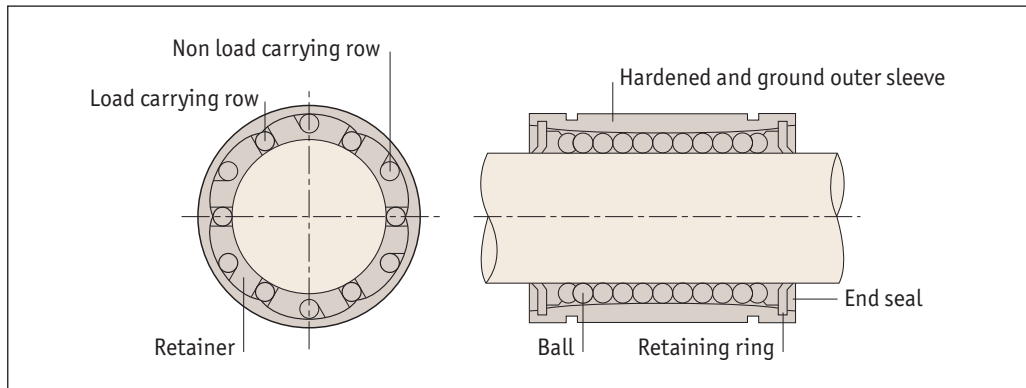
For use with corrosion resistant hardened

shafts (see part no. L1772) - tolerance h6.  
For part numbers with <sup>-1</sup> shaft tolerance required is g6. Temperature range: For resin ball cage -20°C to +80°C.  
For stainless ball cage -20°C to +120°C.

Order No.	Ball cage	d <sub>1</sub> tol. h6	d <sub>2</sub> tol. h6	l <sub>1</sub>	l <sub>2</sub>	l <sub>3</sub>	l <sub>4</sub>	d <sub>3</sub>	d <sub>4</sub>	d <sub>5</sub>	d <sub>6</sub>	w <sub>1</sub>	Dyn. load N max.	C No. of ball circuits	Static load C <sub>0</sub> N max.	Squareness A µm	Weight g
L1733.006-RS-1	Resin	6	12	35	15,0	5	3,3	20	3,4	6,5	20	22	320	4	520	15	31
L1733.008-RS	Resin	8	15	45	20,0	5	3,3	24	3,4	6,5	24	25	430	4	780	15	53
L1733.010-RS-1	Resin	10	19	55	24,5	6	4,4	29	4,5	8,0	29	30	580	4	1100	15	105
L1733.012-RS	Resin	12	21	57	25,5	6	4,4	32	4,5	8,0	32	32	650	4	1200	15	100
L1733.016-RS	Resin	16	26	70	32,0	6	4,4	36	4,5	8,0	35	35	1230	5	2350	15	187
L1733.020-RS	Resin	20	32	80	36,0	8	5,4	43	5,5	9,5	42	42	1400	5	2750	20	260
L1733.025-RS	Resin	25	40	112	52,0	8	5,4	51	5,5	9,5	50	51	1560	6	3140	20	515
L1733.006-SS-1	Stainless	6	12	35	15,0	5	3,3	20	3,4	6,5	20	22	320	4	520	15	31
L1733.008-SS	Stainless	8	15	45	20,0	5	3,3	24	3,4	6,5	24	25	430	4	780	15	53
L1733.010-SS-1	Stainless	10	19	55	24,5	6	4,4	29	4,5	8,0	29	30	580	4	1100	15	105
L1733.012-SS	Stainless	12	21	57	25,5	6	4,4	32	4,5	8,0	32	32	650	4	1200	15	100
L1733.016-SS	Stainless	16	26	70	32,0	6	4,4	36	4,5	8,0	35	35	1230	5	2350	15	187
L1733.020-SS	Stainless	20	32	80	36,0	8	5,4	43	5,5	9,5	42	42	1400	5	2750	20	260
L1733.025-SS	Stainless	25	40	112	52,0	8	5,4	51	5,5	9,5	50	51	1560	6	3140	20	515



### Linear ball bushings



#### Applications

- Computers and peripheral equipment.
- Recording equipment.
- Linear motion systems.
- Multi-axis drilling machine.
- Printing machines.
- Food packaging machines.
- Punching presses.
- Tool grinders.
- Assembly systems.
- Card selectors.

#### Interchangeability

Our linear bushing systems are designed to have full interchangeability, with other manufacturers' parts. **For shafting see part numbers L1770 to L1785.**

#### High precision retainer

The single body retainer guides 4-6 ball circuits. It precisely guides the balls with a smooth motion.

#### Tolerance of housing bore

Normal fit is standard, pressed fit is for without clearance.

Type	Case	
	Normal fit	Pressed fit
Part no.		
L1706 to L1733	H7	K6, J6
L1706... <sup>-1</sup> to L1733... <sup>-1</sup>	H7	J7

#### Rigid outer sleeve

The hardened and precisely ground outer sleeve is made of bearing steel.

#### L1750 bushing carriages

Consists of light aluminium case and L1706 type linear bushing, so the installation can be finished simply by bolting. Longer life can be obtained by adjusting the orientation of the ball circuits in the linear carriage element against the direction of load.

#### Tolerance of shaft

Type	Shaft	
	Normal fit	Tight fit
Part no.		
L1706 to L1733	h6	k6
L1706... <sup>-1</sup> to L1733... <sup>-1</sup>	f6, g6	h6



# Technical Information

## Load rating important information



### Basic dynamic load rating C

The basic dynamic load rating is defined as the constant load both in direction and magnitude under which a group of identical linear bushings are individually operated. 90% of the units can travel 50Km without failing due to rolling contact fatigue.

### Basic static load rating C<sub>0</sub>

If a linear bushing is subject to an excessive load or impact, a permanent deformation occurs between the raceway and the rolling element. The basic static load rating is defined as the static load that gives a prescribed constant contact stress at the centre of the contact area between the rolling element and raceway receiving the maximum load.

### Relationships between load ratings and the position of ball circuits

Load ratings of linear bushing are affected by the position of the ball circuits as shown below.

Load ratings and orientation of balls.

No of ball rows	Orientation of balls	
	Maximum load rating	Minimum load rating
4		
	$F = 1.41 \times C$	$F = C$
5		
	$F = 1.46 \times C$	$F = C$
6		
	$F = 1.26 \times C$	$F = C$



When designing a linear motion system it is necessary to consider how the application will affect performance. The following examples demonstrate how the position of the load and the centre of gravity can influence product selection. When evaluating your application, review each of the forces acting on your system and determine the product that best suits your needs.

#### Horizontal application

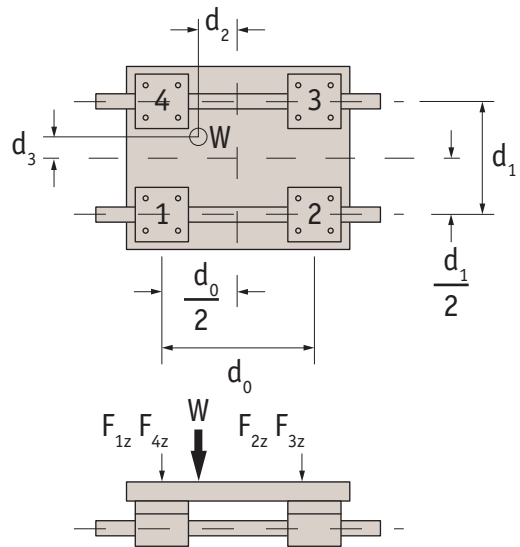
For uniform speed or when stopped.

$$F_{1z} = \frac{W}{4} + \left( \frac{W}{2} \cdot \frac{d_2}{d_0} \right) - \left( \frac{W}{2} \cdot \frac{d_3}{d_1} \right)$$

$$F_{2z} = \frac{W}{4} - \left( \frac{W}{2} \cdot \frac{d_2}{d_0} \right) - \left( \frac{W}{2} \cdot \frac{d_3}{d_1} \right)$$

$$F_{3z} = \frac{W}{4} - \left( \frac{W}{2} \cdot \frac{d_2}{d_0} \right) + \left( \frac{W}{2} \cdot \frac{d_3}{d_1} \right)$$

$$F_{4z} = \frac{W}{4} + \left( \frac{W}{2} \cdot \frac{d_2}{d_0} \right) + \left( \frac{W}{2} \cdot \frac{d_3}{d_1} \right)$$



#### Horizontal application

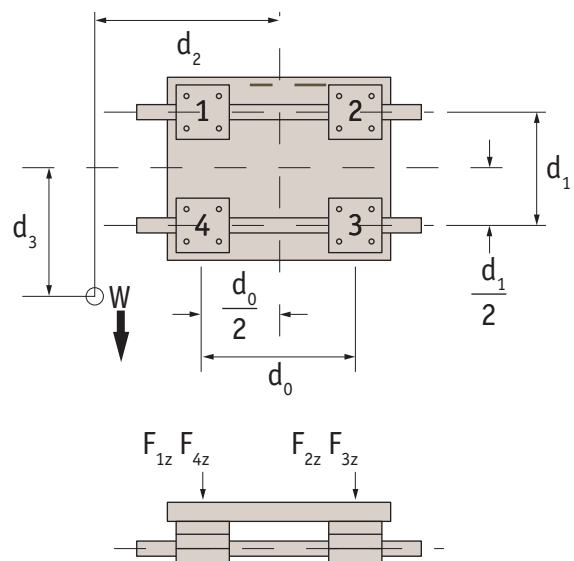
For uniform speed or when stopped.

$$F_{1z} = \frac{W}{4} + \left( \frac{W}{2} \cdot \frac{d_2}{d_0} \right) - \left( \frac{W}{2} \cdot \frac{d_3}{d_1} \right)$$

$$F_{2z} = \frac{W}{4} - \left( \frac{W}{2} \cdot \frac{d_2}{d_0} \right) - \left( \frac{W}{2} \cdot \frac{d_3}{d_1} \right)$$

$$F_{3z} = \frac{W}{4} - \left( \frac{W}{2} \cdot \frac{d_2}{d_0} \right) + \left( \frac{W}{2} \cdot \frac{d_3}{d_1} \right)$$

$$F_{4z} = \frac{W}{4} + \left( \frac{W}{2} \cdot \frac{d_2}{d_0} \right) + \left( \frac{W}{2} \cdot \frac{d_3}{d_1} \right)$$





**Side mounted application**

For uniform speed or when stopped.

$$F_{1Y} \sim F_{4Y} = \left( \frac{W}{2} \cdot \frac{d_3}{d_0} \right)$$

$$F_{1Z} = F_{4Z} = \frac{W}{4} + \left( \frac{W}{2} \cdot \frac{d_2}{d_0} \right)$$

$$F_{2Z} = F_{3Z} = \frac{W}{4} + \left( \frac{W}{2} \cdot \frac{d_2}{d_0} \right)$$

**Vertical application**

For uniform speed or when stopped. On start up/stop the load varies due to inertia in the system.

$$F_{1X} \sim F_{4X} = \left( \frac{W}{2} \cdot \frac{d_2}{d_0} \right)$$

$$F_{1Y} \sim F_{4Y} = \left( \frac{W}{2} \cdot \frac{d_3}{d_0} \right)$$

$$F_{1X} + F_{4X} \sim F_{2X} + F_{3X}$$

$$F_{1Y} + F_{4Y} \sim F_{2Y} + F_{3Y}$$

ov-linear-ball-bushings-load-rating-c-rmh - Updated - 22-02-2023



#### Friction

The coefficient of friction ( $\mu$ ) of Automotion Components ball bushings without seals is very low at approximately 0.001 to 0.003. When seals are used to retain lubricant or to prevent entry of foreign particles, friction resistance must be taken into account for determining total frictional drag. This protection measure adds to the frictional drag of the bearing system. There is a fine line between minimizing frictional drag and maximizing containment protection which is controlled by the addition or removal of seals, wipers or scrapers.

Linear bushings are used with grease or oil lubrication but in some cases can be used without any lubrication.

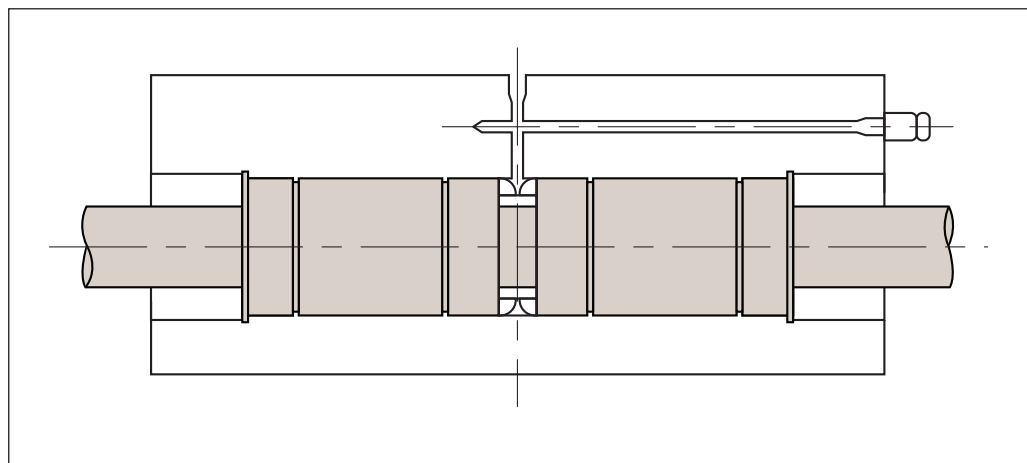
#### Grease lubrication

Before applying the grease, the anti-corrosive oil must be removed with kerosene or an organic solvent. The grease must be applied when the bushing is dry. Grease must be applied directly on the balls for linear bushing with seals. Lithium soap of viscosity mark (JIS No.2) is recommended for use.

#### Oil lubrication

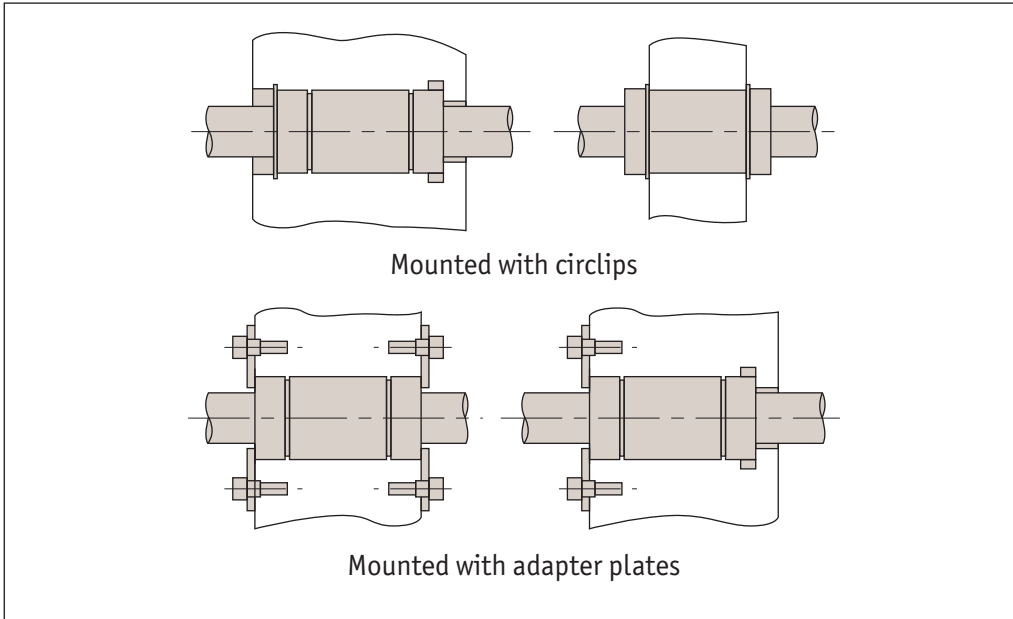
There is no need to to remove the anti-corrosive oil when oil is used for lubrication. ISO viscosity grade VG15~100 oil is usually used according to the temperature ranges below. Drop the oil onto the shaft for lubrication, or supply it through an oil hole provided on the housing (see illustration below). However, dropping lubrication cannot be used on linear bushings with seals as the seals remove the oil.

Operating temperature	Viscosity
-30°C to +50°C	VG 15 to 46
+50°C to +80°C	VG 46 to 100



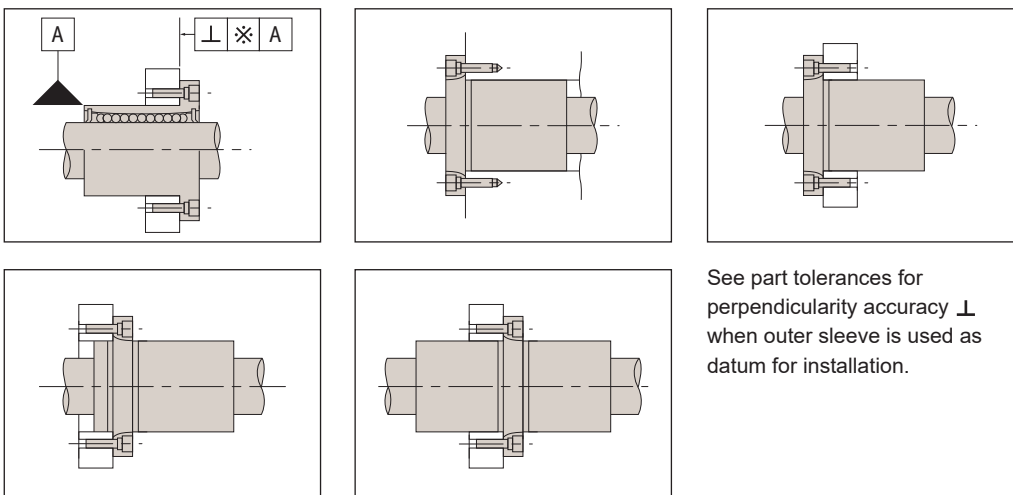


### Standard type



For shaft Ø	Circlip	
	External (for Shaft)	Internal (for Bore)
5	P0380.012-A2	P0381.012-A2
6	P0380.012-A2	P0381.012-A2
8	P0380.016-A2	P0381.016-A2
10	P0380.019-A2	P0381.019-A2
12	P0380.022-A2	P0381.022-A2
16	P0380.026-A2	P0381.026-A2
20	P0380.032-A2	P0381.032-A2
25	P0380.040-A2	P0381.040-A2
30	P0380.048-A2	P0381.047-A2
40	P0380.065-A2	P0381.062-A2
50	P0380.075-A2	P0381.075-A2
60	P0380.090-A2	P0381.090-A2

### Flanged type





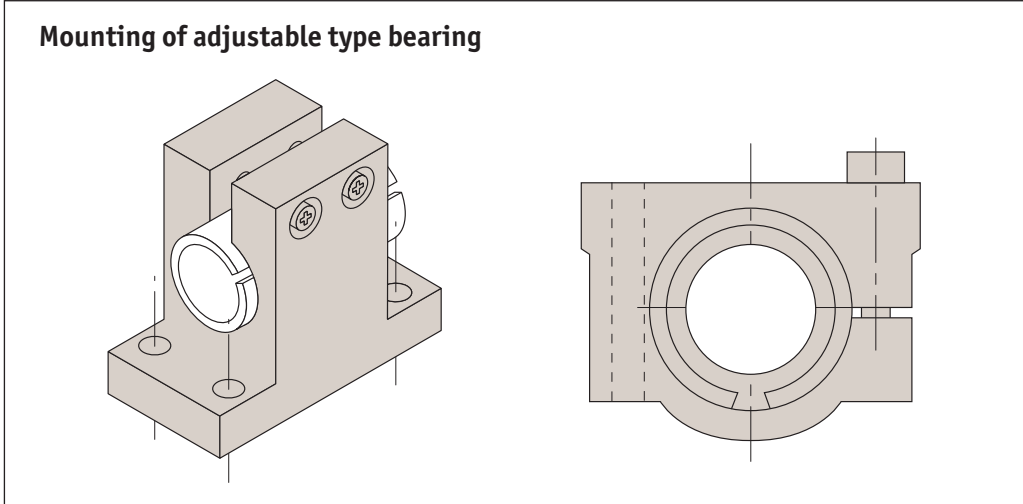
#### Adjustable type bearings

Adjustment of clearance (for adjustable type bearings and shafts), is achieved with an adjustable housing assembly (as shown below). In this case, the slotted side of linear bushing should be located at 90° to the open side of housing for equal radial deformation.

#### When moment load applies

External loads should be distributed uniformly on a linear bushing. When moment loads are applied, two or more linear bushings should be used on one shaft, and the distance between the two linear bushings should have adequate spacing. Calculate the equivalent load when the moment loads are applied and choose the correct linear bushing.

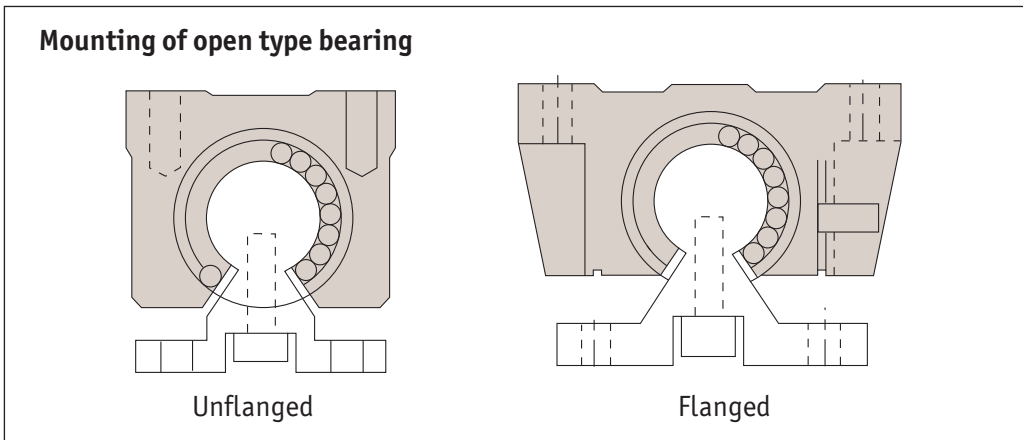
#### Mounting of adjustable type bearing



#### Open type bearings

Open type bearings can be used with a clearance adjustable housing as shown below. Light preload is applied for normal use, heavy preload should be avoided.

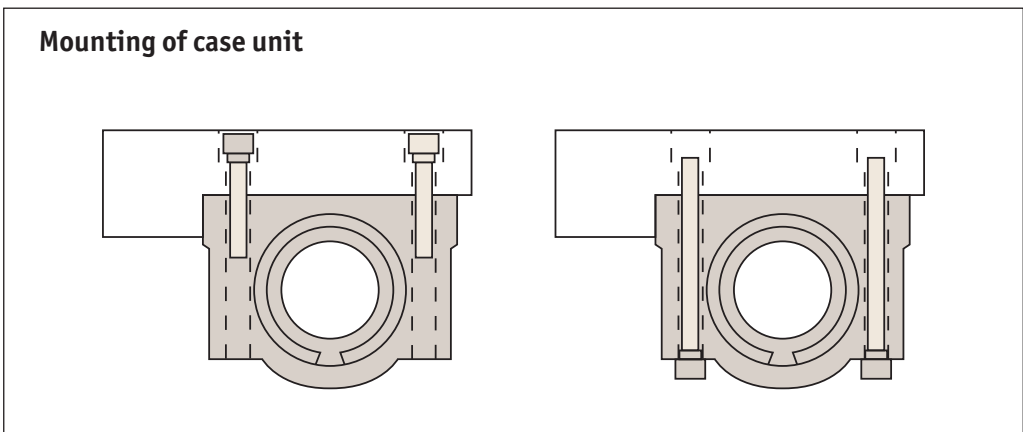
#### Mounting of open type bearing



#### L1750 Bushing carriages

L1750 carriages can be mounted from both the top or the bottom, minimising assembly time.

#### Mounting of case unit

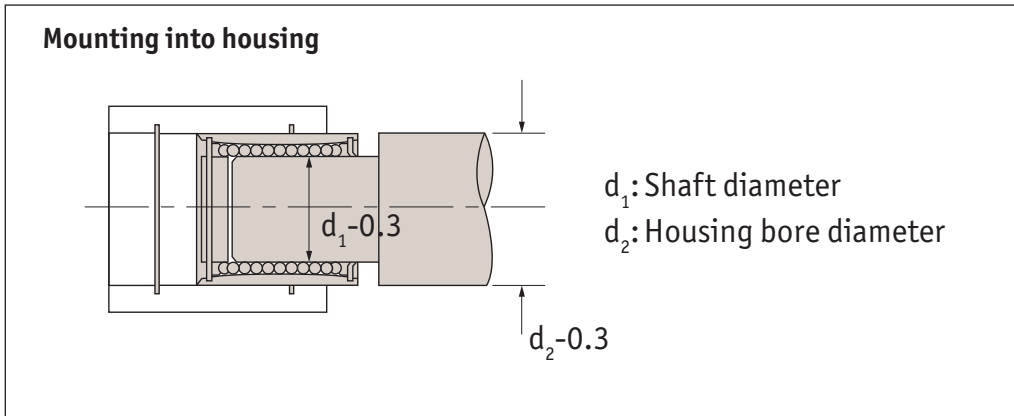


#### Fixing holes

Carriage fixing holes are threaded from the top a certain distance down. Fixing holes from the bottom are through holes so the screw size when mounting from below needs to be smaller than the thread size if you were mounting from the top.

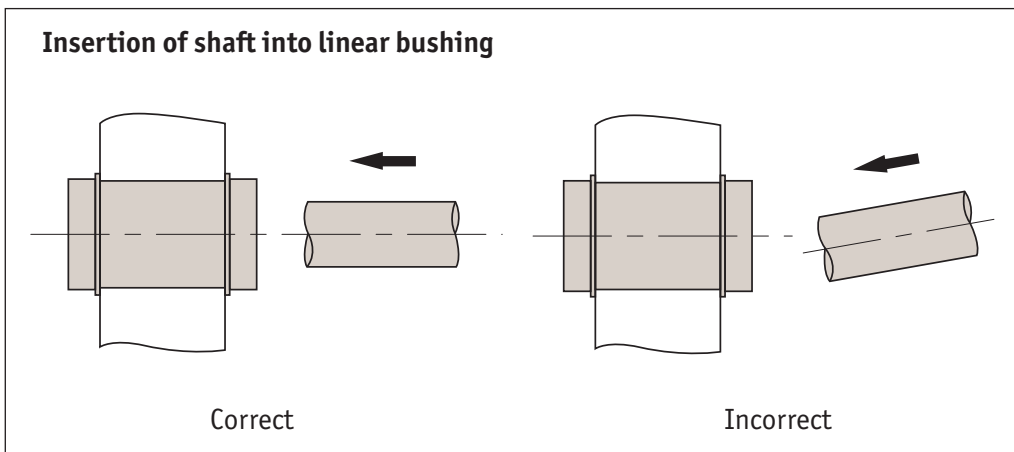
### Application tips

For mounting a standard type linear bushing into a housing, a jig should be used to avoid directly striking the outer sleeve or seal during installation.



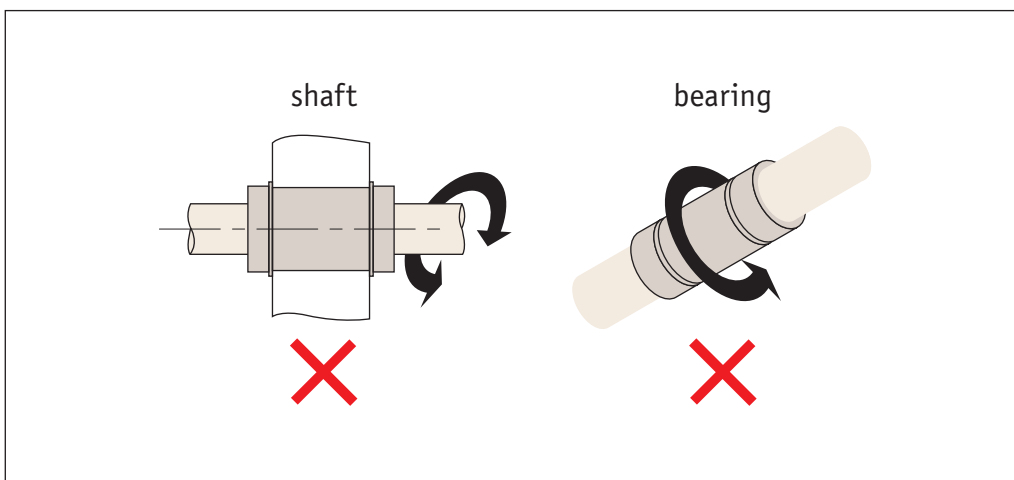
### Insertion of shaft

Care must be taken when inserting a shaft into a linear bushing. If the shaft is inserted incorrectly, the ball retaining cage may be damaged and the balls loosened from position.



### Rotational motion prohibited

Linear bushing are not suitable for rotational motion. If the linear bushing is exposed to rotational motion it may lead to unexpected accidents.





**Static safety factor  $f_s$**

A linear motion system may receive an unpredictable external force due to vibration or impact while it is at rest or in motion, or inertia as a result of starting and stopping. It is, therefore, necessary to consider the static safety factor against operating loads. The static safety factor ( $f_s$ ) indicates the ratio of a linear motion system load carrying capacity (basic static load rating,  $C_0$ ) to the load exerted thereon.

$$f_s = \frac{C_0}{P} \quad \text{or} \quad f_s = \frac{M_0}{M}$$

- $f_s$  = Static safety factor
- $C_0$  = Basic static load rating (N)
- $M_0$  = Static permissible moment (Nmm)
- $P$  = Calculated load (N)
- $M$  = Calculated moment (Nmm)

To calculate a load exerted on the linear motion system, the mean load for calculating the service life and the maximum load for calculating the static safety factor must be obtained in advance. A system can receive unexpected excessive load when it is subject to frequent starts and stops, placed under machining loads, or when a severe moment is applied by overhanging loads. When selecting the correct type of a linear motion system for your application, be sure that the type you are considering can bear the maximum possible load when stopped and in operation. Both tables below specify the standard values for the static safety factors.

Machine used	Loading conditions	$f_s$ Lower limit
Ordinary industrial machine	No vibration or impact	1,0 ~ 1,3
	Vibration and/or impact	2,0 ~ 3,0
Machine tool	No vibration or impact	1,0 ~ 1,5
	Vibration and/or impact	2,5 ~ 7,0

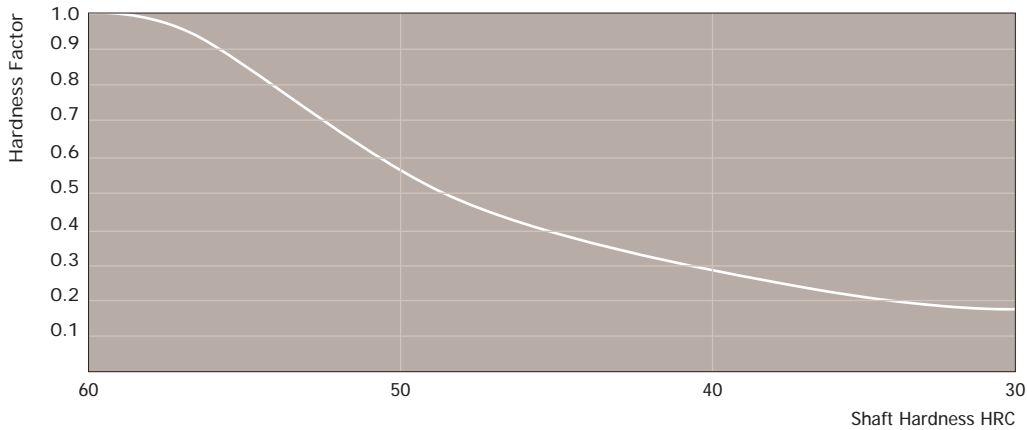
**For large radial loads**

$$\frac{f_h \cdot f_t \cdot f_c \cdot C_0}{P} \geq f_s$$

- $C_0$  = Basic static load rating (N)
- $f_h$  = Hardness factor
- $f_c$  = Contact factor
- $P$  = Calculated load (N)
- $f_t$  = Temperature factor

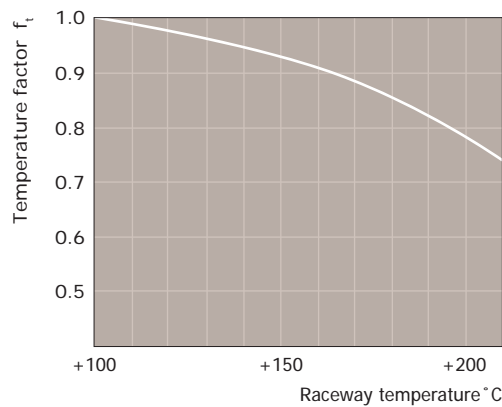
### Hardness factor $f_h$

To achieve the optimum load rating of the linear ball bushings, the shaft hardness must be 58 to 64 HRC. At a hardness below this range, the basic dynamic and static load ratings decrease. The ratings must therefore be multiplied by the respective hardness factors ( $f_h$ ).



### Temperature factor $f_t$

For linear bushings used at ambient temperatures of over 100 °C, a temperature factor must be taken into consideration. For higher than 80 °C applications, the seals, end plates, and retainer must be changed for high temperature specifications. (Temperature range: -20 °C - +80 °C). Please note that the selected linear bushing in this case must be a model with high temperature specifications.



### Contact factor $f_c$

When multiple linear bushings are used moments and mounting surface precision will affect operation, making it difficult to achieve uniform load distribution. In this case, multiply the basic load rating ( $C$  or  $C_0$ ) by a contact factor selected from the table.

Number of linear bushing on a shaft	Contact factor $f_c$
2	0.81
3	0.72
4	0.66
5	0.61
Over 6	0.60
In normal use	1.00

### Operating conditions $f_w$

Some machines may cause vibration. It is particularly difficult to determine the magnitude of vibration that develops during high-speed operation, as well as that of impact during repeated starting and stopping and stopping in normal use. Therefore, where the effects of speed and vibration are estimated to be significant, divide the basic dynamic load rating ( $C$ ) by a load factor selected from the table.

Operating conditions		Load factor $f_w$
Load conditions	Speed	
No impact and vibration	Under 15m/min	1.0~1.5
Slight impact and vibration	Under 60m/min	1.5~2.0
Considerable impact and vibration	Over 60m/min	2.0~4.0



Linear bushings load ratings and travel life are influenced by load direction, ball circuit orientation, and hardness of the shaft.

**Basic dynamic load rating (C) and travel life**

The travel life of a linear bushing is determined largely by the quality of the shaft. The basic dynamic load rating is the maximum continuous load that can be applied to the linear bushing with 90% of reliability and achieving over 50km of operation under normal conditions. When calculating the nominal life for 100km, please divide the dynamic load rating C in the data tables by 1.26.

The nominal travel life can be calculated by the following equation.

$$L = \left( \frac{C}{P} \right)^3 \times 50 \qquad L_{100} = \left( \frac{C_{100}}{P} \right)^3 \times 100$$

L = Nominal life in km (standard 50)  
 L<sub>100</sub> = Nominal life in km (100)  
 C = Basic dynamic load rating (at 50km) in Newtons  
 C<sub>100</sub> = Dynamic load rating (at 100km) in Newtons  $\left( = \frac{C}{1.26} \right)$   
 P = Applied load (Newtons)

Other factors will affect the life as follows.

$$L = \left( \frac{f_h \times f_t \times f_c \times C}{f_w \times P} \right)^3 \times 50 \qquad L_{100} = \left( \frac{f_h \times f_t \times f_c \times C_{100}}{f_w \times P} \right)^3 \times 100$$

f<sub>h</sub> = Hardness factor  
 f<sub>w</sub> = Load factor  
 f<sub>t</sub> = Temperature factor  
 f<sub>c</sub> = Contact factor

From the above equations, when the stroke and frequency are constant, the travel life can be calculated by the following equation.

**Travel life**

$$L_n = \frac{L \times 10^6}{2 \times L_s \times n_o \times 60}$$

L<sub>s</sub> = Stroke (km)  
 n<sub>o</sub> = Number of strokes per minute  
 L<sub>n</sub> = Travel life  
 L = Nominal life (km)

### Calculation example

The maximum applied load and the travel life are the most important factors for choosing the correct size of linear ball bushings. Below are sample calculations for expected travel life and selection of the correctly sized linear ball bushing.

### Working conditions

Applied load (P):	250N
Stroke ( $L_s$ ):	0,25 m
Number of strokes per minute ( $n_0$ ):	60
Shaft hardness:	HRC 60 ( $f_h = 1,0$ )
Operating speed (V):	$2 \times L_s \times n_0$ $2 \times 0,25 \times 60$ 30,000 mm/min ( $f_w = 1,6$ )

other factors ( $f_c, f_v$ ) are considered as 1,0

### Calculation of expected travel life

Assuming the basic dynamic load rating is based on travel life of 50km and all other factors are 1,0, you choose the linear bushing size for the life required.

Let's try Superball bushing L1740.020 with the above working conditions.

$$L = \left( \frac{1,0 \times 1,0 \times 1,0}{1,6} \times \frac{2,580}{250} \right)^3 \times 50 \quad L_n = \frac{13,417 \times 10^6}{2 \times 0,25 \times 60 \times 60}$$

$$= 13,417 \text{ km} \quad = 7,454 \text{ hours}$$

### Choosing the correct linear ball bushing

Let's assume our design travel life is 15,000 hours.

$$L = 15,000 \times 2 \times 0,250 \times 10^{-6} \times 60 \times 60$$

$$= 27,000 \text{ km; and therefore}$$

$$C = \frac{250 \times 1,6}{1,0 \times 1,0 \times 1,0} \times \sqrt[3]{\frac{27,000}{50}}$$

$$= 3,257 \text{ N}$$

Choosing type L1740 and referring to the table, the correct Superball bushing for the above condition is L1740.025 which has 3,800N as the basic dynamic load rating.



**Superball linear ball bushings**

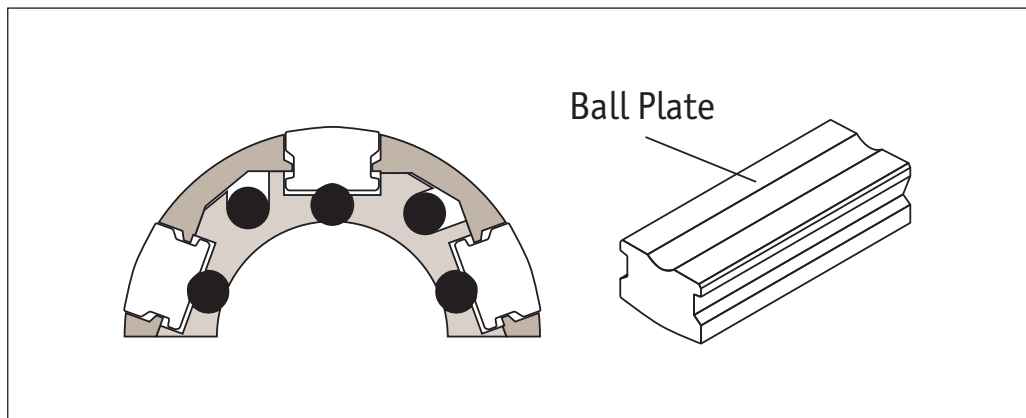
- 3 x the load rating and 27 x the travel life of conventional linear bushings
- Self-aligning feature



**Features**

**Higher load ratings**

The uniquely designed ball plate (in the outside diameter of the bushing), is made of hardened steel. The precision ground groove is slightly larger than the ball size, which provides greater contact area between the balls and the ball plate, and as a result, provides 3 x higher load ratings of conventional linear bushings.



**Self-alignment**

The ball plate has a convex shape to provide a pivot point at the centre which allows self-alignment up to  $\pm 0.5^\circ$ . This self-alignment capability eliminates any possibility of edge pressure caused by inaccurate machining, errors on mounting, or shaft deflection.

**Tolerance of shaft and housing bore**

Part no.	Shaft		Housing	
	Shaft $\varnothing d_1$	Tol. h6 $\mu$	Housing bore $\varnothing d_2$	Tol. H7 $\mu$
L1740.010	10	+0 to -9	19	+21 to -0
L1740.012	12	+0 to -11	22	
L1740.016	16		26	
L1740.020	20	+0 to -13	32	+25 to -0
L1740.025	25		40	
L1740.030	30		47	
L1740.040	40	+0 to -16	62	+30 to -0
L1740.050	50		75	