

P2024

ANTI-VIBRATION COMPONENTS

Material

Rubber on silver zinc plated steel (rubber hardness - 65 Shore A).

Tips

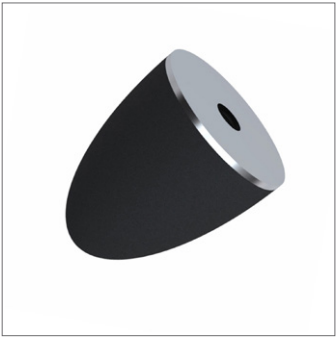
These anti-vibration cones or bumpers are

used to reduce vibration and shock. Their conical shape ensures that, when used in a row, the buffers spread loads over a number of cones - reducing the chances of possible overloading.

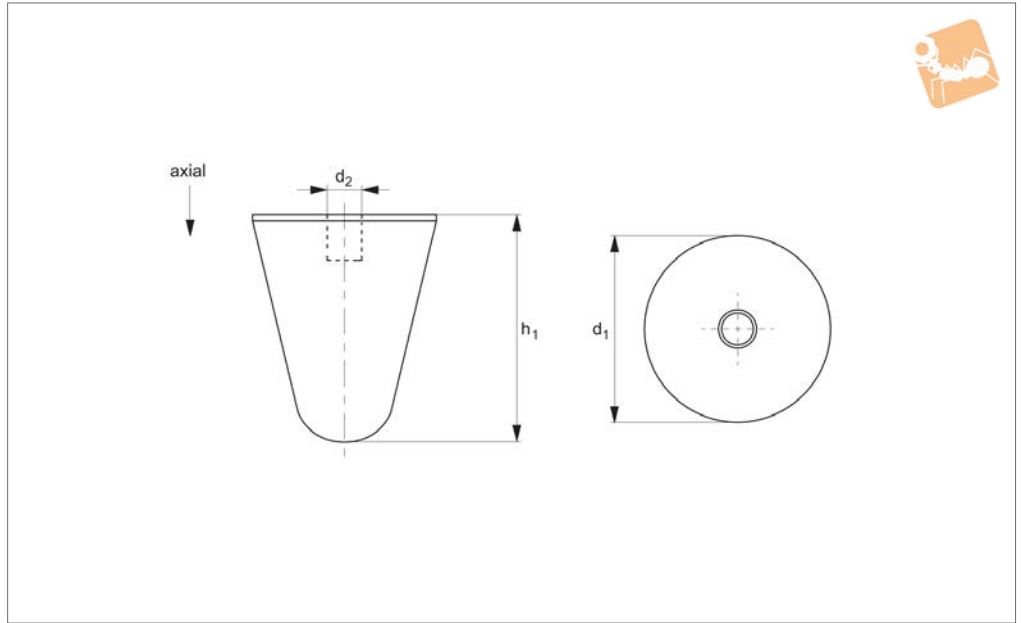
Important Notes

The working load should not exceed 65% of the maximum load.

Order No.	d ₁	h ₁	d ₂	l ₁	Axial load kgf max.
P2024.020-020	20	20	M 6	18	70
P2024.025-020	25	20	M 8	20	100
P2024.030-030	30	30	M 6	17	150
P2024.030-031	30	30	M 8	20	150
P2024.040-030	40	30	M 8	23	240
P2024.040-050	40	50	M 8	23	200
P2024.050-048	50	48	M10	25	380
P2024.050-058	50	58	M 8	20	400
P2024.050-064	50	64	M 8	35	370
P2024.063-060	63	60	M12	37	440
P2024.075-090	75	90	M12	37	520
P2024.090-074	90	74	M16	45	1100
P2024.095-082	95	82	M16	45	1100



P2025



Material

Rubber on silver zinc plated steel (rubber hardness - 65 Shore A).

Tips

These anti-vibration cones or bumpers are

used to reduce vibration and shock. Their conical shape ensures that when used in a row, the buffers spread loads over a number of cones - reducing the chances of possible overloading.

Important Notes

The working load should not exceed 65% of the maximum load.

Order No.	d ₁	h ₁	d ₂	Axial load kgf max.
P2025.020-020	20	20	M 6	70
P2025.025-020	25	20	M 8	100
P2025.030-030	30	30	M 6	150
P2025.050-048	50	48	M10	380
P2025.070-060	70	60	M12	550
P2025.090-074	90	74	M16	1100
P2025.095-082	95	82	M16	1100