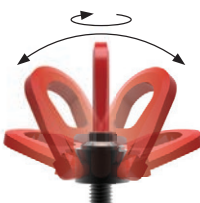

 <p>Single swivel Threads M8 – M48 Loads 0,3 tons to 15 tons</p>	 <p>Double swivel Threads M4 – M100 Loads 0,05 tons to 50 tons</p>	 <p>Triple swivel Threads M8 – M56 Loads 0,3 tons to 22 tons</p>
--	--	--

Introduction to swivel lifting rings and Lifting Bolts (P4002-P4055)

Our swivel lifting rings fully comply with the EC directive 2006/42/EC. They are CE marked and are supplied with a Certificate of Conformity. There is a 100% check on anti-cracking, a proof load test of 2.5 x load limit and a safety factor of 5 on most parts. Each ring is individually marked to ensure full product traceability.

The Swivel Lifting Rings come in three main forms – depending on the number of axis required to swivel. The most popular type is the double swivel rings.

Other Standard Lifting Bolts



Standard lifting bolts (to DIN 580 and DIN 582) (P4040-P4048)

These are CE marked and are available with male or female threads in either steel or stainless steel (A4 AISI 316). They are meant only for linear loading of the bolts at a maximum angle of 45° from the thread. They are not meant for loads that might swivel.

These are supplied with a generic CE Certificate of Conformity stating that the parts have been manufactured to the relevant DIN standard and therefore suitable for lifting.

High-tensile lifting bolts (P4054-P4055)

The High-tensile lifting bolts are similar to the standard lifting bolts but are rated at higher loads and can lift loads at up to 90° from the thread. They are not meant for loads that might swivel.

 <p>45° Do not lift</p> <p>Standard lifting bolts DIN 580 & DIN 582 P4040-P4048</p>	 <p>90° Do not lift</p> <p>Hi-tensile lifting bolts P4054-P4055</p>
---	--

Swivel lifting rings operating instructions.

Please follow these instructions carefully.

- Ensure all lifting bolts are CE marked.
- Ensure they are handled by qualified personnel.
- Refer to the operating instructions particularly with regards to product selection, any possibility of the load swivelling, the effect of lifting angles on the load capacity (see relevant tables), etc.
- Never allow any personnel underneath a suspended load.
- Always heed the load rating of the lifting bolt.
- Always perform a visual inspection of the lifting rings prior to use. Checking for any damage to thread and/or swivelling system. Check for wear or corrosion, signs of stress or bending. Check CE mark and load rating.
- Ensure a yearly full service inspection is performed.
- Always ensure the full bottom face of the lifting bolts is in contact with a smooth, square surface.
- Ensure bolt is tightened to the correct torque.
- Ensure full and unrestricted movement of the lifting ring in all directions.
- Before each lift ensure the correct orientation of the shackle in the lift direction.
- Avoid using our standard steel lifting rings in corrosive environments eg sandy, chemical, acid, moisture etc. In this case consider using our stainless steel lifting rings.

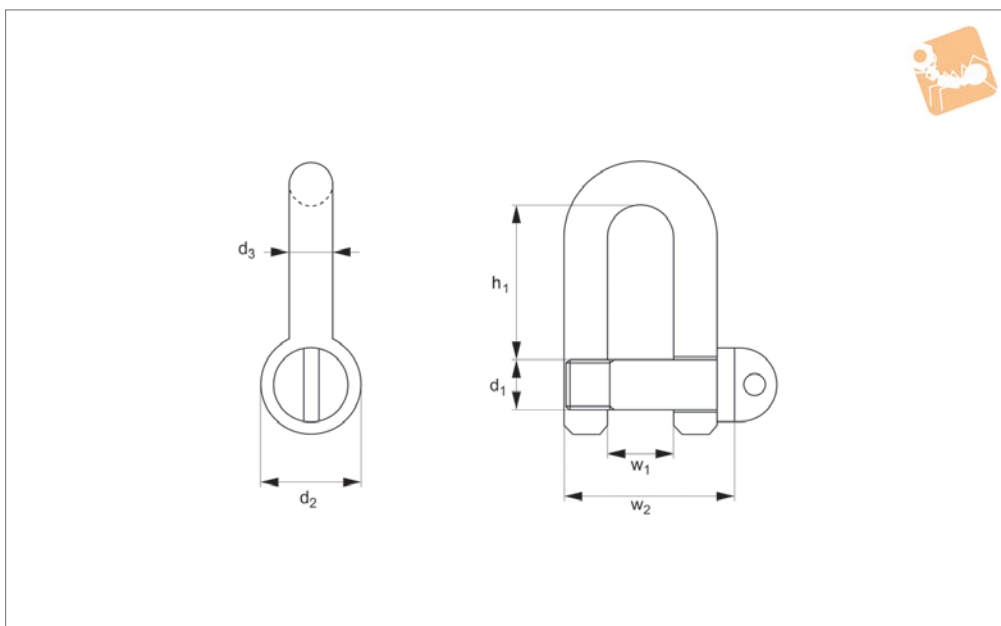
- Note the thread length requirements:
 - 1 x thread diameter for steel (ST37 min.).
 - 1.25 x thread diameter for cast iron.
 - 2 x thread diameter for aluminium.
 - 2.5 x thread diameter for other light metals.
 - If fixing into low resistance material it is better to allow for a bigger diameter thread to compensate for the lower material resistance.

Note: The full thread must be engaged. Longer thread lengths can be supplied on request or a bolt and washer/nut combination can be used.





P4081



Material
Steel, zinc plated.

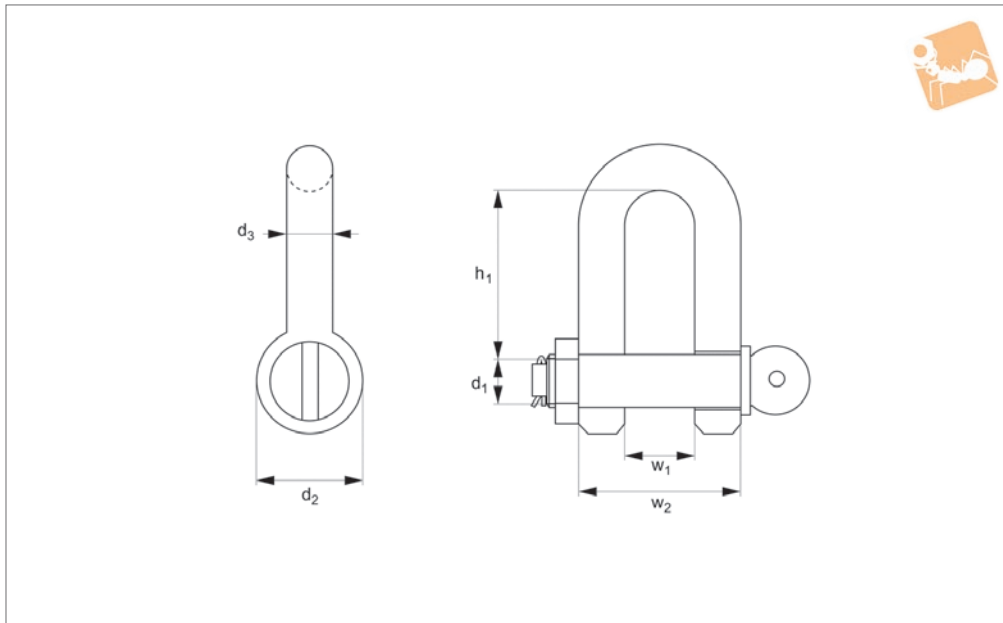
Technical Notes
To DIN 82101 Form A.

Order No.	d ₁	d ₂	d ₃	h ₁	w ₁	w ₂	Load kg max.	Weight kg
P4081.05	5	10	4	15.5	7	15	100	0.01
P4081.06	6	12	5	18.0	8	18	160	0.02
P4081.08	8	16	7	24.0	11	25	225	0.04
P4081.10	10	20	8	30.0	14	30	400	0.08
P4081.12	12	25	10	36.0	17	37	630	0.17
P4081.16	16	32	13	49.0	21	47	1000	0.36
P4081.20	20	40	17	61.0	27	61	1600	0.75
P4081.22	22	44	19	67.0	30	68	2000	1.00
P4081.24	24	48	21	73.0	33	75	2500	1.32
P4081.27	27	54	24	83.5	38	86	3150	1.85
P4081.30	30	60	27	91.0	42	96	4000	2.50
P4081.36	36	72	30	111.0	47	107	5000	4.00
P4081.39	39	78	34	119.5	53	121	6300	5.40



Steel Shackles with split pin

Lifting Pins, Lifting Bolts &



P4082

LIFTING PINS, LIFTING BOLTS & SWING BOLTS

Material

Steel, zinc plated.

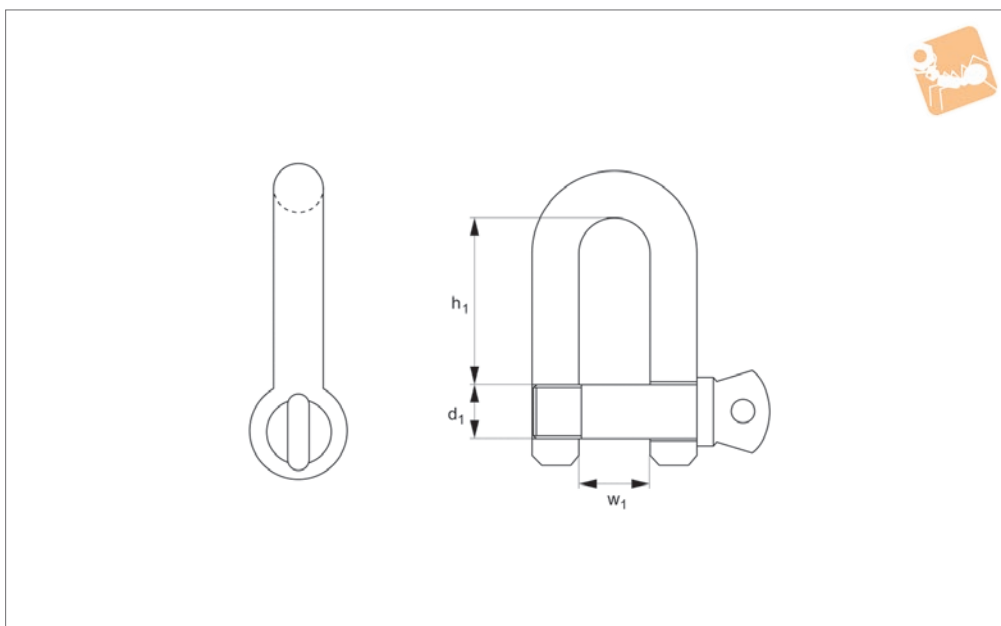
Technical Notes

To DIN 82101 Form C.

Order No.	Material	d ₁	d ₂	d ₃	h ₁	w ₁	w ₂	Load kg max.	Weight kg
P4082.10	Steel	10	20	8	30.0	14	30	400	0.10
P4082.12	Steel	12	24	10	36.0	17	37	630	0.18
P4082.16	Steel	16	32	13	49.0	21	47	1000	0.39
P4082.20	Steel	20	40	17	61.0	27	61	1600	0.80
P4082.22	Steel	22	44	19	67.0	30	68	2000	1.08
P4082.24	Steel	24	48	21	73.0	33	75	2500	1.40
P4082.27	Steel	27	54	24	85.5	38	86	3150	2.00
P4082.30	Steel	30	60	27	91.0	42	96	4000	2.70
P4082.36	Steel	36	72	30	111.0	47	107	5000	4.30
P4082.39	Steel	39	78	34	119.5	53	121	6300	5.80
P4082.45	Steel	45	90	38	139.5	60	136	8000	8.50
P4082.48	Steel	48	96	42	147.0	66	150	10000	10.8
P4082.52	Steel	52	104	47	158.0	73	167	12500	14.4
P4082.60	Steel	60	120	52	185.0	81	185	16000	20.5
P4082.68	Steel	68	136	58	211.0	90	206	20000	29.5
P4082.72	Steel	72	144	63	221.0	100	226	25000	36.0
P4082.80	Steel	80	160	70	246.0	110	250	31500	49.5
P4082.90	Steel	90	180	79	276.0	125	283	40000	69.0



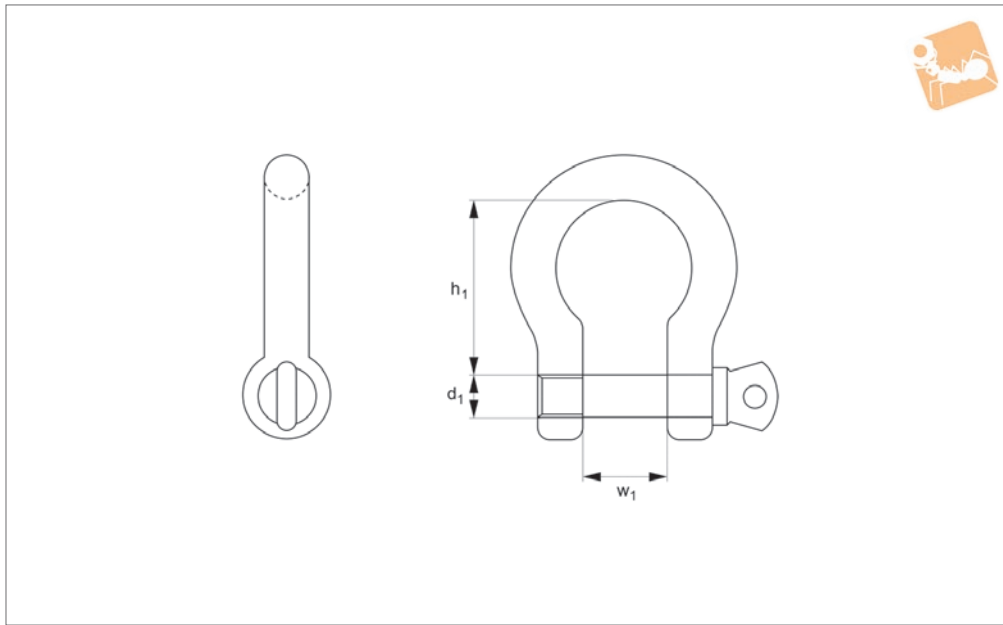
P4084



Material

Steel, zinc plated or stainless steel (A4, AISI 316).

Order No.	Material	d ₁	h ₁	w ₁	Load kg max.	Weight kg
P4084.05	Steel	5	80	-	0.02	10
P4084.06	Steel	6	100	24	0.03	12
P4084.08	Steel	8	200	32	0.07	16
P4084.10	Steel	10	320	40	0.13	20
P4084.11	Steel	11	400	44	0.17	22
P4084.13	Steel	13	500	48	0.24	24
P4084.14	Steel	14	600	56	0.35	28
P4084.16	Steel	16	800	64	0.50	32
P4084.19	Steel	19	1100	74	0.80	38
P4084.22	Steel	22	1500	88	1.32	44
P4084.24	Steel	4	2000	96	2.00	48
P4084.28	Steel	8	3000	112	3.00	56
P4084.32	Steel	32	4000	128	4.30	64
P4084.36	Steel	36	4500	144	5.40	72
P4084.38	Steel	38	5000	152	6.75	76
P4084.05-A4	Stainless	5	80	20	0.02	10
P4084.06-A4	Stainless	6	100	4	0.03	12
P4084.08-A4	Stainless	8	200	32	0.07	16
P4084.10-A4	Stainless	10	320	40	0.13	20
P4084.11-A4	Stainless	11	400	44	0.17	22
P4084.13-A4	Stainless	13	500	48	0.24	24
P4084.14-A4	Stainless	4	600	56	0.35	28
P4084.16-A4	Stainless	16	800	64	0.50	32
P4084.19-A4	Stainless	9	1100	74	0.80	38
P4084.22-A4	Stainless	22	1500	88	1.32	44
P4084.24-A4	Stainless	24	2000	96	2.00	48
P4084.28-A4	Stainless	28	3000	112	3.00	56
P4084.32-A4	Stainless	32	4000	128	4.30	64
P4084.36-A4	Stainless	36	4500	144	5.40	72
P4084.38-A4	Stainless	38	5000	152	6.75	76



P4086

LIFTING PINS, LIFTING BOLTS & SWING BOLTS

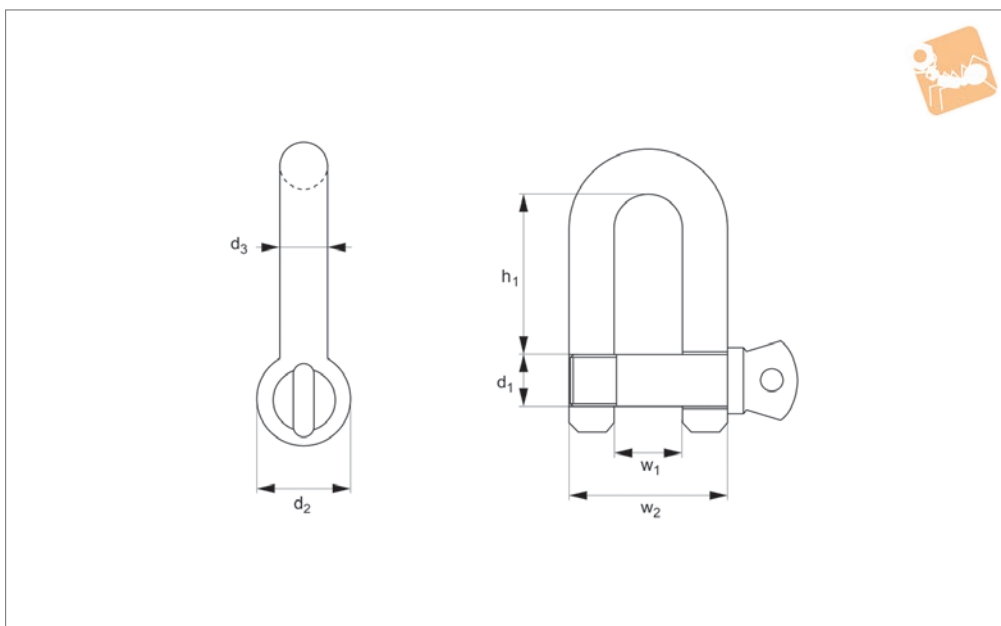
Material

Steel, zinc plated or stainless steel (A4, AISI 316).

Order No.	Material	d ₁	h ₁	w ₁	Load kg max.	Weight kg
P4086.05	Steel	5	80	20	0.02	10
P4086.06	Steel	6	100	24	0.03	12
P4086.08	Steel	8	200	32	0.07	16
P4086.10	Steel	10	320	40	0.13	20
P4086.11	Steel	11	400	44	0.18	22
P4086.13	Steel	13	500	48	0.26	24
P4086.14	Steel	14	600	56	0.35	28
P4086.16	Steel	16	800	64	0.50	32
P4086.19	Steel	19	1100	74	0.80	38
P4086.22	Steel	22	1500	88	1.30	44
P4086.24	Steel	24	2000	96	2.00	48
P4086.28	Steel	28	3000	112	3.10	56
P4086.32	Steel	32	4000	128	4.30	64
P4086.36	Steel	36	4500	144	5.40	72
P4086.38	Steel	38	5000	152	7.00	76
P4086.05-A4	Stainless	5	80	20	0.02	10
P4086.06-A4	Stainless	6	100	24	0.03	12
P4086.08-A4	Stainless	8	200	32	0.07	16
P4086.10-A4	Stainless	10	320	40	0.13	20
P4086.11-A4	Stainless	11	400	44	0.18	22
P4086.13-A4	Stainless	13	500	48	0.26	24
P4086.14-A4	Stainless	14	600	56	0.35	28
P4086.16-A4	Stainless	16	800	64	0.50	32
P4086.19-A4	Stainless	19	1100	74	0.80	38
P4086.22-A4	Stainless	22	1500	88	1.30	44
P4086.24-A4	Stainless	24	2000	96	2.00	48
P4086.28-A4	Stainless	28	3000	112	3.10	56
P4086.32-A4	Stainless	32	4000	128	4.30	64
P4086.36-A4	Stainless	36	4500	144	5.40	72
P4086.38-A4	Stainless	38	5000	152	7.00	76



P4096



Material

High-tensile steel.

Pin: hot-dip galvanized and lacquered;

shackle: hot-dip galvanized.

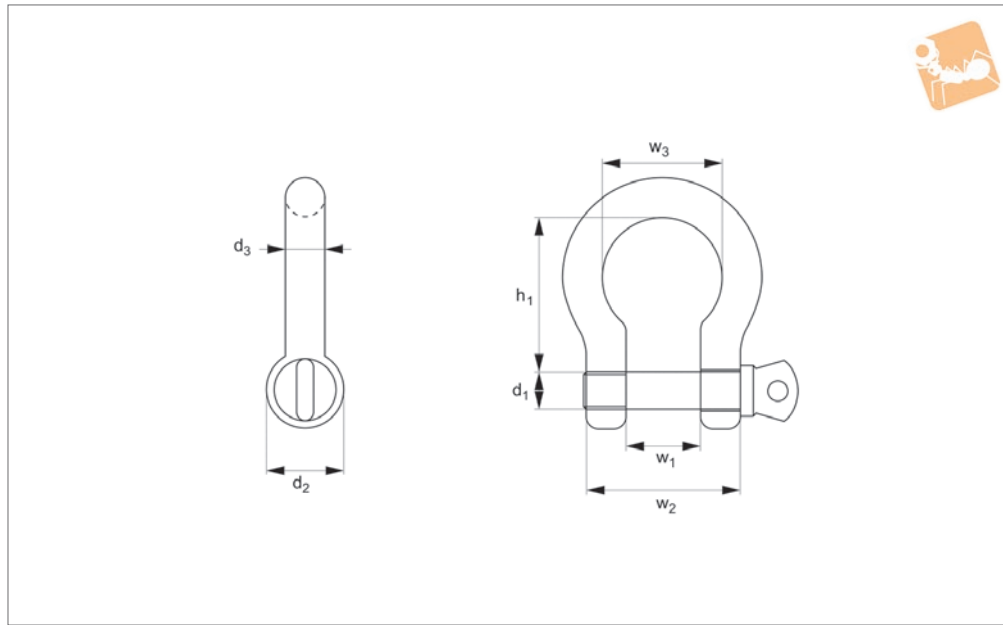
CE marked.

Order No.	d ₁	d ₂	d ₃	h ₁	w ₁	w ₂	Load kg max.	Weight kg
P4096.06	6	12	5	20	9	24	330	0.02
P4096.08	8	17	6	22	12	26	500	0.05
P4096.10	10	21	8	26	13	29	750	0.08
P4096.12	12	26	10	31	16	36	1000	0.13
P4096.14	14	28	11	36	18	40	1500	0.19
P4096.16	16	30	13	41	21	47	2000	0.31
P4096.20	20	42	16	51	27	59	3250	0.55
P4096.22	22	48	19	60	32	70	4750	0.96
P4096.27	27	57	22	71	36	80	6500	1.41
P4096.28	28	62	25	81	43	93	8500	2.03
P4096.33	33	69	29	90	46	104	9500	2.97
P4096.36	36	78	32	100	52	116	12000	4.01
P4096.39	39	86	35	113	57	127	13500	5.40
P4096.42	42	94	38	124	60	136	17000	7.29
P4096.52	52	112	44	146	73	161	25000	11.25
P4096.60	60	135	51	171	83	185	35000	16.20
P4096.72	72	158	63	203	106	232	55000	33.30



High-tensile Steel Bow Shackles

Lifting Pins,
Lifting Bolts &



P4097

LIFTING PINS, LIFTING BOLTS & SWING BOLTS

Material

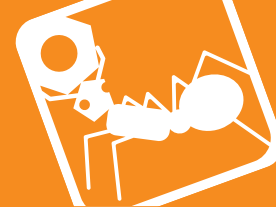
High-tensile steel.

Pin: hot-dip galvanized and lacquered;

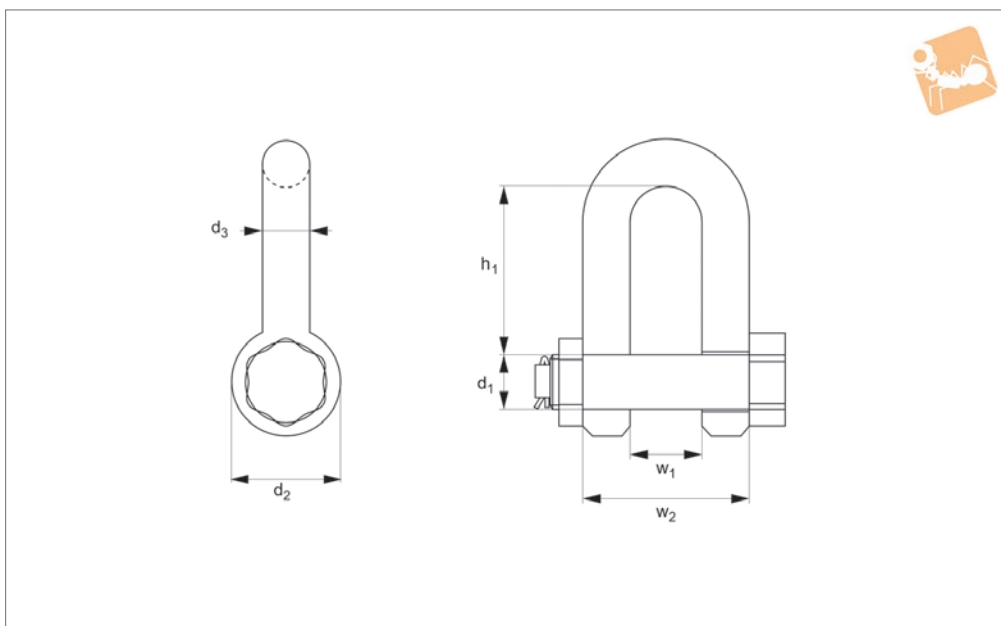
shackle: hot-dip galvanized.

CE marked.

Order No.	d ₁	d ₂	d ₃	h ₁	w ₁	w ₂	w ₃	Load kg max.	Weight kg
P4097.06	6	12	5	22	9	20	16	330	0.02
P4097.08	8	17	6	28	12	25	19	500	0.05
P4097.10	10	21	8	31	13	29	21	750	0.08
P4097.12	12	26	10	36	16	36	26	1000	0.14
P4097.14	14	28	11	42	18	40	29	1500	0.22
P4097.16	16	30	13	48	21	47	33	2000	0.33
P4097.20	20	42	16	60	27	59	43	3250	0.65
P4097.22	22	48	19	71	32	70	51	4750	0.97
P4097.27	27	57	22	84	36	80	58	6500	1.46
P4097.28	28	62	25	95	43	93	68	8500	2.39
P4097.33	33	69	29	103	46	104	74	9500	3.15
P4097.36	36	78	32	119	52	116	82	12000	4.32
P4097.39	39	86	35	133	57	127	92	13500	5.67
P4097.42	42	94	38	146	60	136	98	17000	7.79
P4097.52	52	112	44	178	73	161	127	25000	12.51
P4097.60	60	135	51	197	83	185	146	35000	18.50
P4097.72	72	158	63	267	106	232	184	55000	37.58



P4098



Material

High-tensile steel.

Pin: hot-dip galvanized and lacquered;

shackle: hot-dip galvanized.

CE marked.

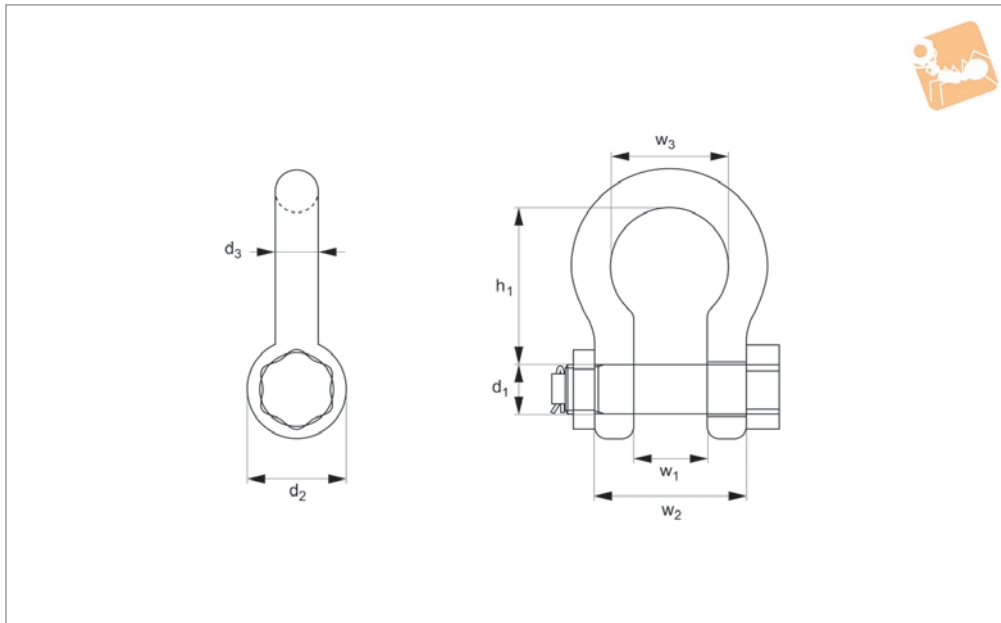
Order No.	d ₁	d ₂	d ₃	h ₁	w ₁	w ₂	Load kg max.	Weight kg
P4098.16	16	30	13	41	21	47	1000	0.34
P4098.19	19	42	16	51	27	59	3250	0.70
P4098.22	22	48	19	60	32	70	4750	1.18
P4098.25	25	57	22	71	36	80	6500	1.64
P4098.28	28	62	25	81	43	93	8500	2.41
P4098.32	32	69	29	90	46	104	9500	3.27
P4098.35	35	78	32	100	52	116	12000	4.59
P4098.38	38	86	35	113	57	127	13500	6.00
P4098.42	42	94	38	124	60	136	17000	8.33
P4098.50	50	112	44	146	73	161	25000	12.83
P4098.55	55	127	51	171	83	185	35000	19.30
P4098.70	70	152	64	203	105	232	55000	34.50
P4098.82	82	165	75	230	127	279	85000	60.00
P4098.95	95	203	89	253	133	317	120000	93.00



High-tensile Steel Bow Shackles

with pin, nut and cotter

Lifting Pins,
Lifting Bolts &



P4099

LIFTING PINS, LIFTING BOLTS & SWING BOLTS

Material

High-tensile steel.

Pin: hot-dip galvanized and lacquered;

shackle: hot-dip galvanized.

CE marked.

Order No.	d ₁	d ₂	d ₃	h ₁	w ₁	w ₂	w ₃	Load kg max.	Weight kg
P4099.008	8	17	6	28	12	25	19	500	0.07
P4099.010	10	21	8	31	13	29	21	750	0.10
P4099.012	12	26	10	36	16	36	26	1000	0.18
P4099.014	14	28	11	42	18	40	29	1500	0.25
P4099.016	16	30	13	48	21	47	33	2000	0.37
P4099.020	20	42	16	60	27	59	43	3250	0.71
P4099.022	22	48	19	71	32	70	51	4750	1.27
P4099.027	27	57	22	84	36	80	58	6500	1.78
P4099.028	28	62	25	95	43	93	68	8500	2.52
P4099.033	33	69	29	109	46	104	74	9500	3.53
P4099.036	36	78	32	119	52	116	82	12000	5.04
P4099.039	39	86	35	133	57	127	92	13500	6.84
P4099.042	42	94	38	146	60	136	98	17000	8.78
P4099.052	52	112	44	178	73	161	127	25000	14.1
P4099.055	55	127	51	197	83	185	146	35000	20.9
P4099.070	70	152	64	267	105	232	184	55000	39.9
P4099.082	82	200	76	330	127	279	200	85000	62.0
P4099.095	95	220	92	374	137	321	232	120000	109.0
P4099.108	108	240	104	372	145	353	250	150000	130.0



Temperature extremes

- 40°C to -20°C Load rating reduces by 20%.
- +200°C to +300°C Load rating reduces by 10%.
- +300°C to +400°C Load rating reduces by 25%.

Rugged

For harsh environments we recommend the use of our stainless steel lifting rings.

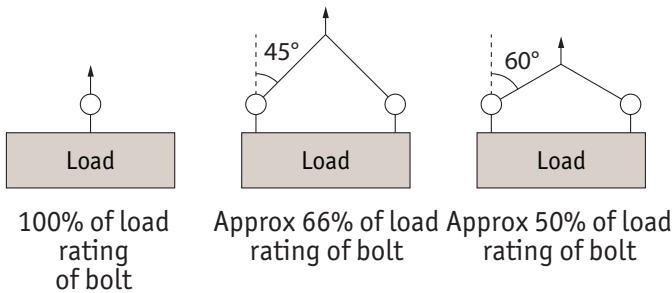
Product marking

Compliant with 2006/42/EC, and with individual date of manufacture and batch number.

Complies with 2006/42/CE



Lifting angles



For full information on lifting arrangements see technical pages

Steel and Stainless steel (316) versions



Steel



Stainless (316L)

P4020

Threads M8 – M30
Loads 0,3 tons to 3 tons.

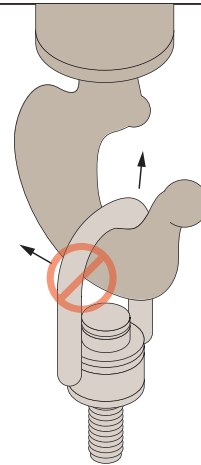


P4022

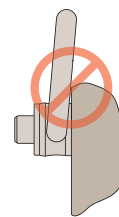
Threads M30 – M45
Loads 3,5 tons to 6 tons.



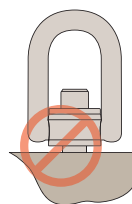
Installation Information



Never use an oversized hook or other lifting device which will pry or tend to open the “U” shaped bar on center pull hoist rings.



After installation, check the hoist ring to be sure it swivels and pivots freely in all directions. **The side of the ring must not contact anything.**



Always ensure full thread engagement when installing hoist rings. Also ensure face is flush.

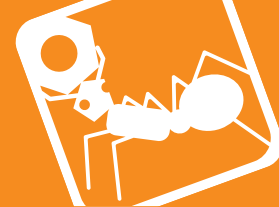
P4002 Male



P4004 Female



Lifting type	0°		90°		α max. = 60°		α max. = 60°			
	1	2	1	2	2	2	4	4		
No. of rings	1	2	1	2	2	2	4	4		
Lifting angle	0°	0°	90°	90°	45°	60°	45°	60°		
Part no.	Thread									
P4002.M008 & P4004.M008	M 8		0,30 tons	0,60 tons	0,30 tons	0,60 tons	0,40 tons	0,30 tons	0,60 tons	0,30 tons
P4002.M010 & P4004.M010	M10		0,60 tons	1,20 tons	0,60 tons	1,20 tons	0,80 tons	0,60 tons	1,30 tons	0,60 tons
P4002.M012 & P4004.M012	M12		1,00 tons	2,00 tons	1,00 tons	2,00 tons	1,40 tons	1,00 tons	2,10 tons	1,00 tons
P4002.M016 & P4004.M016	M16		1,60 tons	3,20 tons	1,60 tons	3,20 tons	2,20 tons	1,60 tons	3,40 tons	1,60 tons
P4002.M020 & P4004.M020	M20		2,50 tons	5,00 tons	2,50 tons	5,00 tons	3,50 tons	2,50 tons	5,30 tons	2,50 tons
P4002.M024 & P4004.M024	M24		4,00 tons	8,00 tons	4,00 tons	8,00 tons	5,60 tons	4,00 tons	8,40 tons	4,00 tons
P4002.M030 & P4004.M030	M30		6,30 tons	12,60 tons	6,30 tons	12,60 tons	8,80 tons	6,30 tons	13,20 tons	6,30 tons
P4002.M036 & P4004.M036	M36		10,00 tons	20,00 tons	10,00 tons	20,00 tons	14,00 tons	10,00 tons	21,00 tons	10,00 tons
P4002.M042	M42		12,50 tons	25,00 tons	12,50 tons	25,00 tons	17,50 tons	12,50 tons	26,30 tons	12,50 tons
P4002.M048	M48		15,00 tons	30,00 tons	15,00 tons	30,00 tons	21,00 tons	15,00 tons	31,50 tons	15,00 tons



P4005 Male



P4006 Female



Lifting type	0°		90°		α max. = 60°		α max. = 60°		
	1	2	1	2	2	2	4	4	
No. of rings	1	2	1	2	2	2	4	4	
Lifting angle	0°	0°	90°	90°	45°	60°	45°	60°	
Part no.	Thread								
P4005.M004	M 4	0,050 tons	0,100 tons	0,050 tons	0,100 tons	0,070 tons	0,050 tons	0,100 tons	0,050 tons
P4005.M005	M 5	0,075 tons	0,150 tons	0,075 tons	0,150 tons	0,100 tons	0,075 tons	0,150 tons	0,075 tons
P4005.M006	M 6	0,100 tons	0,200 tons	0,100 tons	0,200 tons	0,140 tons	0,100 tons	0,200 tons	0,100 tons
P4005.M008 & P4006.M008	M 8	0,30 tons	0,60 tons	0,30 tons	0,60 tons	0,40 tons	0,30 tons	0,60 tons	0,30 tons
P4005.M010 & P4006.M010	M10	0,60 tons	1,20 tons	0,60 tons	1,20 tons	0,80 tons	0,60 tons	1,30 tons	0,60 tons
P4005.M012 & P4006.M012	M12	1,00 tons	2,00 tons	1,00 tons	2,00 tons	1,40 tons	1,00 tons	2,10 tons	1,00 tons
P4005.M014 & P4006.M014	M14	1,30 tons	2,60 tons	1,30 tons	2,60 tons	1,80 tons	1,30 tons	2,70 tons	1,30 tons
P4005.M016 & P4006.M016	M16	1,60 tons	3,20 tons	1,60 tons	3,20 tons	2,20 tons	1,60 tons	3,40 tons	1,60 tons
P4005.M018 & P4006.M018	M18	2,00 tons	4,00 tons	2,00 tons	4,00 tons	2,80 tons	2,00 tons	4,20 tons	2,00 tons
P4005.M020 & P4006.M020	M20	2,50 tons	5,00 tons	2,50 tons	5,00 tons	3,50 tons	2,50 tons	5,30 tons	2,50 tons
P4005.M022 & P4006.M022	M22	3,00 tons	6,00 tons	3,00 tons	6,00 tons	4,20 tons	3,00 tons	6,30 tons	3,00 tons
P4005.M024	M24	4,00 tons	8,00 tons	4,00 tons	8,00 tons	5,60 tons	4,00 tons	8,40 tons	4,00 tons
P4005.M027	M27	5,00 tons	10,00 tons	5,00 tons	10,00 tons	7,00 tons	5,00 tons	10,50 tons	5,00 tons
P4005.M030	M30	6,30 tons	12,60 tons	6,30 tons	12,60 tons	8,8 tons	6,30 tons	13,20 tons	6,30 tons
P4005.I031 & P4006.I031	(UNC 5/16"-18)	650 lbs	1,300 lbs	650 lbs	1,300 lbs	910 lbs	650 lbs	1,365 lbs	650 lbs
P4005.I037 & P4006.I037	(UNC 3/8"-16)	1,200 lbs	2,400 lbs	1,200 lbs	2,400 lbs	1,680 lbs	1,200 lbs	2,520 lbs	1,200 lbs
P4005.I050 & P4006.I050	(UNC 1/2"-13)	2,200 lbs	4,400 lbs	2,200 lbs	4,400 lbs	3,080 lbs	2,200 lbs	4,620 lbs	2,200 lbs
P4005.I063 & P4006.I063	(UNC 5/8"-11)	3,800 lbs	7,600 lbs	3,800 lbs	7,600 lbs	5,320 lbs	3,800 lbs	7,980 lbs	3,800 lbs
P4005.I075 & P4006.I075	(UNC 3/4"-10)	5,500 lbs	11,000 lbs	5,500 lbs	11,000 lbs	7,700 lbs	5,500 lbs	11,550 lbs	5,500 lbs
P4005.I088 & P4006.I088	(UNC 7/8"-9)	6,600 lbs	13,200 lbs	6,600 lbs	13,200 lbs	9,240 lbs	6,600 lbs	13,860 lbs	6,600 lbs
P4005.I100	(UNC 1"-8)	10,000 lbs	20,000 lbs	10,000 lbs	20,000 lbs	14,000 lbs	10,000 lbs	21,000 lbs	10,000 lbs



Technical Information

Stainless Steel Double Swivel Lifting Rings



P4020 Male



P4021 Female



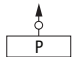
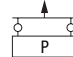
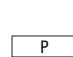
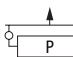
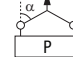
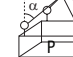
Lifting type									α max. = 60° 		α max. = 60° 	
	1	2	1	2	2	2	4	4				
No. of rings	1	2	1	2	2	2	4	4				
Lifting angle	0°	0°	90°	90°	45°	60°	45°	60°				
Part no.	Thread											
P4020.M008 & P4021.M008	M 8	0,30 tons	0,60 tons	0,30 tons	0,60 tons	0,40 tons	0,30 tons	0,60 tons	0,30 tons			
P4020.M009	M 8	0,30 tons	0,60 tons	0,30 tons	0,60 tons	0,40 tons	0,30 tons	0,60 tons	0,30 tons			
P4020.M010 & P4021.M008	M10	0,50 tons	1,00 tons	0,50 tons	1,00 tons	0,70 tons	0,50 tons	1,10 tons	0,50 tons			
P4020.M011	M10	0,50 tons	1,00 tons	0,50 tons	1,00 tons	0,70 tons	0,50 tons	1,10 tons	0,50 tons			
P4020.M012 & P4021.M008	M12	0,80 tons	1,60 tons	0,80 tons	1,60 tons	1,10 tons	0,80 tons	1,70 tons	0,80 tons			
P4020.M013	M12	0,80 tons	1,60 tons	0,80 tons	1,60 tons	1,10 tons	0,80 tons	1,70 tons	0,80 tons			
P4020.M014 & P4021.M008	M14	1,00 tons	2,00 tons	1,00 tons	2,00 tons	1,40 tons	1,00 tons	2,10 tons	1,00 tons			
P4020.M016 & P4021.M008	M16	1,50 tons	3,00 tons	1,50 tons	3,00 tons	2,10 tons	1,50 tons	3,20 tons	1,50 tons			
P4020.M018 & P4021.M008	M18	1,50 tons	3,00 tons	1,50 tons	3,00 tons	2,10 tons	1,50 tons	3,20 tons	1,50 tons			
P4020.M020 & P4021.M008	M20	1,60 tons	3,20 tons	1,60 tons	3,20 tons	2,20 tons	1,60 tons	3,40 tons	1,60 tons			
P4020.M022 & P4021.M008	M22	2,00 tons	4,00 tons	2,00 tons	4,00 tons	2,80 tons	2,00 tons	4,20 tons	2,00 tons			
P4020.M024	M24	2,70 tons	5,40 tons	2,70 tons	5,40 tons	3,80 tons	2,70 tons	5,70 tons	2,70 tons			
P4020.M027	M27	2,80 tons	5,60 tons	2,80 tons	5,60 tons	3,90 tons	2,80 tons	5,90 tons	2,80 tons			
P4020.M030	M30	3,00 tons	6,00 tons	3,00 tons	6,00 tons	4,20 tons	3,00 tons	6,30 tons	3,00 tons			



P4008 Male

P4010 Female



Lifting type	 		 						
	No. of rings	1	2	1	2	2	2	4	4
Lifting angle	0°	0°	90°	90°	45°	60°	45°	60°	
Part no.	Thread								
P4008.M024 & P4010.M024	M24	4,50 tons	9,00 tons	4,50 tons	9,00 tons	6,30 tons	4,50 tons	9,50 tons	4,50 tons
P4010.M027	M27	5,00 tons	10,00 tons	5,00 tons	10,00 tons	7,00 tons	5,00 tons	10,50 tons	5,00 tons
P4008.M030 & P4010.M030	M30	7,30 tons	14,60 tons	7,30 tons	14,60 tons	10,20 tons	7,30 tons	15,30 tons	7,30 tons
P4008.M033 & P4010.M033	M33	8,00 tons	16,00 tons	8,00 tons	16,00 tons	11,20 tons	8,00 tons	16,80 tons	8,00 tons
P4008.M036 & P4010.M036	M36	10,00 tons	20,00 tons	10,00 tons	20,00 tons	14,00 tons	10,00 tons	21,00 tons	10,00 tons
P4008.M037	M36	10,00 tons	20,00 tons	10,00 tons	20,00 tons	14,00 tons	10,00 tons	21,00 tons	10,00 tons
P4008.M039 & P4010.M039	M39	10,00 tons	20,00 tons	10,00 tons	20,00 tons	14,00 tons	10,00 tons	21,00 tons	10,00 tons
P4008.M042 & P4010.M042	M42	12,50 tons	25,00 tons	12,50 tons	25,00 tons	17,50 tons	12,50 tons	26,30 tons	12,50 tons
P4008.M043	M42	12,50 tons	25,00 tons	12,50 tons	25,00 tons	17,50 tons	12,50 tons	26,30 tons	12,50 tons
P4008.M045 & P4010.M045	M45	15,00 tons	30,00 tons	15,00 tons	30,00 tons	21,00 tons	15,00 tons	31,50 tons	15,00 tons
P4008.M048 & P4010.M048	M48	20,00 tons	40,00 tons	20,00 tons	40,00 tons	28,00 tons	20,00 tons	42,00 tons	20,00 tons
P4008.M049	M48	20,00 tons	40,00 tons	20,00 tons	40,00 tons	28,00 tons	20,00 tons	42,00 tons	20,00 tons
P4008.M050	M50	20,00 tons	40,00 tons	20,00 tons	40,00 tons	28,00 tons	20,00 tons	42,00 tons	20,00 tons
P4008.M052 & P4010.M052	M52	20,00 tons	40,00 tons	20,00 tons	40,00 tons	28,00 tons	20,00 tons	42,00 tons	20,00 tons
P4008.M056	M56	25,00 tons	50,00 tons	25,00 tons	50,00 tons	35,00 tons	25,00 tons	52,50 tons	25,00 tons
P4008.M057	M56	25,00 tons	50,00 tons	25,00 tons	50,00 tons	35,00 tons	25,00 tons	52,50 tons	25,00 tons
P4008.M064	M64	32,10 tons	64,20 tons	32,10 tons	64,20 tons	44,90 tons	32,10 tons	67,40 tons	32,10 tons
P4008.M065	M65	32,10 tons	64,20 tons	32,10 tons	64,20 tons	44,90 tons	32,10 tons	67,40 tons	32,10 tons
P4008.M072	M72	25,00 tons	50,00 tons	25,00 tons	50,00 tons	35,00 tons	25,00 tons	52,50 tons	25,00 tons
P4008.M073	M72	25,00 tons	50,00 tons	25,00 tons	50,00 tons	35,00 tons	25,00 tons	52,50 tons	25,00 tons
P4008.M080	M80	32,10 tons	64,20 tons	32,10 tons	64,20 tons	44,90 tons	32,10 tons	67,40 tons	32,10 tons
P4008.M090	M90	32,10 tons	64,20 tons	32,10 tons	64,20 tons	44,90 tons	32,10 tons	67,40 tons	32,10 tons
P4008.M100	M100	32,10 tons	64,20 tons	32,10 tons	64,20 tons	44,90 tons	32,10 tons	67,40 tons	32,10 tons
P4010.I100	(UNC 1"-8)	10,000 lbs	20,000 lbs	10,000 lbs	20,000 lbs	14,000 lbs	10,000 lbs	21,000 lbs	10,000 lbs
P4008.I125 & P4010.I125	(UNC 1 1/4"-7)	14,000 lbs	28,000 lbs	14,000 lbs	28,000 lbs	19,600 lbs	14,000 lbs	29,400 lbs	14,000 lbs
P4008.I137 & P4010.I137	(UNC 1 3/8"-6*)	20,000 lbs	40,000 lbs	20,000 lbs	40,000 lbs	28,000 lbs	20,000 lbs	42,000 lbs	20,000 lbs
P4008.I150 & P4010.I150	(UNC 1 1/2"-6)	20,000 lbs	40,000 lbs	20,000 lbs	40,000 lbs	28,000 lbs	20,000 lbs	42,000 lbs	20,000 lbs
P4008.I200 & P4010.I200	(UNC 2"-4 1/2)	50,000 lbs	100,000 lbs	50,000 lbs	100,000 lbs	70,000 lbs	50,000 lbs	105,000 lbs	50,000 lbs



Technical Information

Heavy Duty (Mega) Double Swivel Lifting Rings



P4011 Male



Lifting type									α max. = 60°		α max. = 60°	
	No. of rings	1	2	1	2	2	2	4	4			
Lifting angle	0°	0°	90°	90°	45°	60°	45°	60°				
Part no.	Thread											
P4011.M064	M64	33,00 tons	66,00 tons	33,00 tons	66,00 tons	46,00 tons	33,00 tons	69,00 tons	33,00 tons			
P4011.M072	M72	35,00 tons	70,00 tons	35,00 tons	70,00 tons	49,00 tons	35,00 tons	74,00 tons	35,00 tons			
P4011.M073	M72	35,00 tons	70,00 tons	35,00 tons	70,00 tons	49,00 tons	35,00 tons	74,00 tons	35,00 tons			
P4011.M080	M80	40,00 tons	80,00 tons	40,00 tons	80,00 tons	56,00 tons	40,00 tons	84,00 tons	40,00 tons			
P4011.M090	M90	45,00 tons	90,00 tons	45,00 tons	90,00 tons	63,00 tons	45,00 tons	95,00 tons	45,00 tons			
P4011.M100	M100	50,00 tons	100,00 tons	50,00 tons	100,00 tons	70,00 tons	50,00 tons	105,00 tons	50,00 tons			
P4011.I225	(UNC 2"1/4-4)	55,000 lbs	110,000 lbs	55,000 lbs	110,000 lbs	77,000 lbs	55,000 lbs	115,500 lbs	55,000 lbs			
P4011.I250	(UNC 2"1/2-4)	70,000 lbs	140,000 lbs	70,000 lbs	140,000 lbs	98,000 lbs	70,000 lbs	147,000 lbs	70,000 lbs			
P4011.I275	(UNC 2"3/4-4)	75,000 lbs	150,000 lbs	75,000 lbs	150,000 lbs	105,000 lbs	75,000 lbs	157,500 lbs	75,000 lbs			
P4011.I300	(UNC 3"-4)	80,000 lbs	160,000 lbs	80,000 lbs	160,000 lbs	112,000 lbs	80,000 lbs	168,000 lbs	80,000 lbs			
P4011.I325	(UNC 3"1/4-4)	90,000 lbs	180,000 lbs	90,000 lbs	180,000 lbs	126,000 lbs	90,000 lbs	189,000 lbs	90,000 lbs			
P4011.I350	(UNC 3"1/2-4)	95,000 lbs	190,000 lbs	95,000 lbs	190,000 lbs	133,000 lbs	95,000 lbs	199,500 lbs	95,000 lbs			
P4011.I375	(UNC 3"3/4-4)	100,000 lbs	200,000 lbs	100,000 lbs	200,000 lbs	140,000 lbs	100,000 lbs	210,000 lbs	100,000 lbs			
P4011.I400	(UNC 4"-4)	110,000 lbs	220,000 lbs	110,000 lbs	220,000 lbs	154,000 lbs	110,000 lbs	231,000 lbs	110,000 lbs			

LIFTING PINS, LIFTING BOLTS & SWIVEL BOLTS

0-V-W63080-2-AP4011-1-Lifting-bolts-mega-double-lifting-rings-lift- Updated 19.01.2023



P4022 Male

P4023 Female

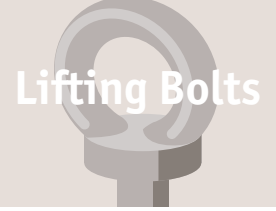


Lifting type	0°		90°		α max. = 60°		α max. = 60°			
	1	2	1	2	2	2	4	4		
No. of rings	1	2	1	2	2	2	4	4		
Lifting angle	0°	0°	90°	90°	45°	60°	45°	60°		
Part no.	Thread									
P4023.M024	M24		2,70 tons	5,40 tons	2,70 tons	5,40 tons	3,80 tons	2,70 tons	5,70 tons	2,70 tons
P4023.M027	M27		2,80 tons	5,60 tons	2,80 tons	5,60 tons	3,90 tons	2,80 tons	5,90 tons	2,80 tons
P4022.M030 & P4023.M30	M30		3,50 tons	7,00 tons	3,50 tons	7,00 tons	4,90 tons	3,50 tons	7,30 tons	3,50 tons
P4022.M033 & P4023.M33	M33		3,50 tons	7,00 tons	3,50 tons	7,00 tons	4,90 tons	3,50 tons	7,30 tons	3,50 tons
P4022.M036 & P4023.M36	M36		5,00 tons	10,00 tons	5,00 tons	10,00 tons	7,00 tons	5,00 tons	10,50 tons	5,00 tons
P4022.M037	M36		5,00 tons	10,00 tons	5,00 tons	10,00 tons	7,00 tons	5,00 tons	10,50 tons	5,00 tons
P4022.M039	M39		5,00 tons	10,00 tons	5,00 tons	10,00 tons	7,00 tons	5,00 tons	10,50 tons	5,00 tons
P4022.M042	M42		6,00 tons	12,00 tons	6,00 tons	12,00 tons	8,40 tons	6,00 tons	12,60 tons	6,00 tons
P4022.M043	M42		6,00 tons	12,00 tons	6,00 tons	12,00 tons	8,40 tons	6,00 tons	12,60 tons	6,00 tons
P4022.M045	M45		6,00 tons	12,00 tons	6,00 tons	12,00 tons	8,40 tons	6,00 tons	12,60 tons	6,00 tons
P4022.I100 & P4023.I100	(UNC 1"-8)		6,000 lbs	12,000 lbs	6,000 lbs	12,000 lbs	8,400 lbs	6,000 lbs	12,600 lbs	6,000 lbs
P4022.I125 & P4023.I125	(UNC 1 1/4"-7)		7,500 lbs	15,000 lbs	7,500 lbs	15,000 lbs	10,500 lbs	7,500 lbs	15,750 lbs	7,500 lbs
P4022.I137 & P4023.I137	(UNC 1 3/8"-6)		7,500 lbs	15,000 lbs	7,500 lbs	15,000 lbs	10,500 lbs	7,500 lbs	15,750 lbs	7,500 lbs
P4022.I150	(UNC 1 1/2"-6)		11,000 lbs	22,000 lbs	11,000 lbs	22,000 lbs	15,400 lbs	11,000 lbs	23,100 lbs	11,000 lbs



Technical Information

Double Swivel Lifting Rings for Wire Rope



P4012 Male



Lifting type	0°		90°		α max. = 60°		α max. = 60°		
	1	2	1	2	2	2	4	4	
No. of rings	1	2	1	2	2	2	4	4	
Lifting angle	0°	0°	90°	90°	45°	60°	45°	60°	
Part no.	Thread								
P4012.M008	M 8	0,30 tons	0,60 tons	0,30 tons	0,60 tons	0,40 tons	0,30 tons	0,60 tons	0,30 tons
P4012.M010	M10	0,60 tons	1,20 tons	0,60 tons	1,20 tons	0,80 tons	0,60 tons	1,30 tons	0,60 tons
P4012.M012	M12	1,00 tons	2,00 tons	1,00 tons	2,00 tons	1,40 tons	1,00 tons	2,10 tons	1,00 tons
P4012.M014	M14	1,30 tons	2,60 tons	1,30 tons	2,60 tons	1,80 tons	1,30 tons	2,70 tons	1,30 tons
P4012.M016	M16	1,60 tons	3,20 tons	1,60 tons	3,20 tons	2,20 tons	1,60 tons	3,40 tons	1,60 tons
P4012.M018	M18	2,00 tons	4,00 tons	2,00 tons	4,00 tons	2,80 tons	2,00 tons	4,20 tons	2,00 tons
P4012.M020	M20	2,50 tons	5,00 tons	2,50 tons	5,00 tons	3,50 tons	2,50 tons	5,30 tons	2,50 tons
P4012.I031	(UNC 5/16"-18)	650 lbs	1,300 lbs	650 lbs	1,300 lbs	910 lbs	650 lbs	1,365 lbs	650 lbs
P4012.I037	(UNC 3/8"-16)	1,200 lbs	2,400 lbs	1,200 lbs	2,400 lbs	1,680 lbs	1,200 lbs	2,520 lbs	1,200 lbs
P4012.I050	(UNC 1/2"-13)	2,200 lbs	4,400 lbs	2,200 lbs	4,400 lbs	3,080 lbs	2,200 lbs	4,620 lbs	2,200 lbs
P4012.I063	(UNC 5/8"-11)	3,800 lbs	7,600 lbs	3,800 lbs	7,600 lbs	5,320 lbs	3,800 lbs	7,980 lbs	3,800 lbs
P4012.I075	(UNC 3/4"-10)	5,500 lbs	11,000 lbs	5,500 lbs	11,000 lbs	7,700 lbs	5,500 lbs	11,550 lbs	5,500 lbs



P4017 Male



Lifting type									α max. = 60° 		α max. = 60° 	
	No. of rings	1	2	1	2	2	2	4	4			
Lifting angle	0°	0°	90°	90°	45°	60°	45°	60°				
Part no.	Thread											
P4017.M008	M 8	0,30 tons	0,60 tons	0,30 tons	0,60 tons	0,40 tons	0,30 tons	0,60 tons	0,30 tons			
P4017.M010	M10	0,60 tons	1,20 tons	0,60 tons	1,20 tons	0,80 tons	0,60 tons	1,30 tons	0,60 tons			
P4017.M012	M12	1,00 tons	2,00 tons	1,00 tons	2,00 tons	1,40 tons	1,00 tons	2,10 tons	1,00 tons			
P4017.M014	M14	1,30 tons	2,60 tons	1,30 tons	2,60 tons	1,80 tons	1,30 tons	2,70 tons	1,30 tons			
P4017.M016	M16	1,60 tons	3,20 tons	1,60 tons	3,20 tons	2,20 tons	1,60 tons	3,40 tons	1,60 tons			
P4017.M018	M18	2,00 tons	4,00 tons	2,00 tons	4,00 tons	2,80 tons	2,00 tons	4,20 tons	2,00 tons			
P4017.M020	M20	2,50 tons	5,00 tons	2,50 tons	5,00 tons	3,50 tons	2,50 tons	5,30 tons	2,50 tons			
P4017.I031	(UNC 5/16"-18)	650 lbs	1,300 lbs	650 lbs	1,300 lbs	910 lbs	650 lbs	1,365 lbs	650 lbs			
P4017.I038	(UNC 3/8"-16)	1,200 lbs	2,400 lbs	1,200 lbs	2,400 lbs	1,680 lbs	1,200 lbs	2,520 lbs	1,200 lbs			
P4017.I050	(UNC 1/2"-13)	2,200 lbs	4,400 lbs	2,200 lbs	4,400 lbs	3,080 lbs	2,200 lbs	4,620 lbs	2,200 lbs			
P4017.I063	(UNC 5/8"-11)	3,800 lbs	7,600 lbs	3,800 lbs	7,600 lbs	5,320 lbs	3,800 lbs	7,980 lbs	3,800 lbs			
P4017.I075	(UNC 3/4"-10)	5,500 lbs	11,000 lbs	5,500 lbs	11,000 lbs	7,700 lbs	5,500 lbs	11,550 lbs	5,500 lbs			