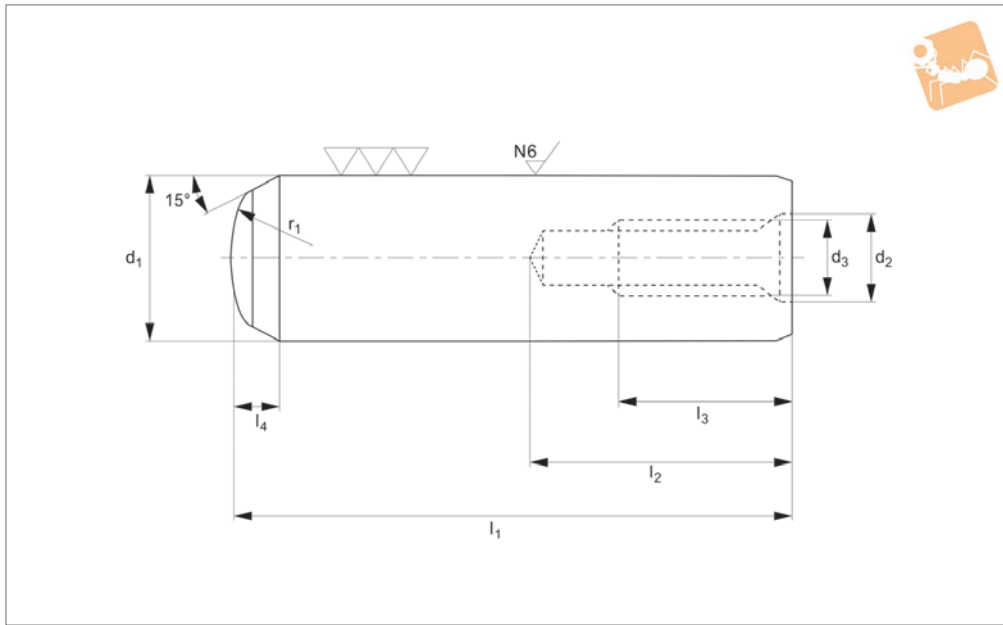


Extractable Dowel Pins with air release

Dowel Pins



P1212

DOWEL PINS

Material

Steel (100Cr6), hardened and tempered to HV 550-650, HRC 60 ±2.

Technical Notes

To DIN 7979D. Ground flat along length for air release.

Order No.	d ₁ m6	l ₁ js15	l ₂ min.	l ₃	l ₄	d ₂
P1212.040-010	4	10	7	4.5	1.3	M 2,5
P1212.040-012	4	12	7	4.5	1.3	M 2,5
P1212.040-014	4	14	7	4.5	1.3	M 2,5
P1212.040-016	4	16	7	4.5	1.3	M 2,5
P1212.040-018	4	18	7	4.5	1.3	M 2,5
P1212.040-020	4	20	7	4.5	1.3	M 2,5
P1212.040-024	4	24	7	4.5	1.3	M 2,5
P1212.040-028	4	28	7	4.5	1.3	M 2,5
P1212.040-030	4	30	7	4.5	1.3	M 2,5
P1212.040-032	4	32	7	4.5	1.3	M 2,5
P1212.040-036	4	36	7	4.5	1.3	M 2,5
P1212.040-040	4	40	7	4.5	1.3	M 2,5
P1212.040-045	4	45	7	4.5	1.3	M 2,5
P1212.040-050	4	50	7	4.5	1.3	M 2,5
P1212.050-010	5	10	7	4.5	1.7	M 3
P1212.050-012	5	12	7	4.5	1.7	M 3
P1212.050-014	5	14	7	4.5	1.7	M 3
P1212.050-016	5	16	7	4.5	1.7	M 3
P1212.050-018	5	18	7	4.5	1.7	M 3
P1212.050-020	5	20	7	4.5	1.7	M 3
P1212.050-024	5	24	7	4.5	1.7	M 3
P1212.050-028	5	28	7	4.5	1.7	M 3
P1212.050-030	5	30	7	4.5	1.7	M 3
P1212.050-032	5	32	7	4.5	1.7	M 3
P1212.050-036	5	36	7	4.5	1.7	M 3
P1212.050-040	5	40	7	4.5	1.7	M 3
P1212.050-045	5	45	7	4.5	1.7	M 3
P1212.050-050	5	50	7	4.5	1.7	M 3
P1212.060-012	6	12	10	6	2.1	M 4
P1212.060-014	6	14	10	6	2.1	M 4
P1212.060-016	6	16	10	6	2.1	M 4
P1212.060-018	6	18	10	6	2.1	M 4
P1212.060-020	6	20	10	6	2.1	M 4
P1212.060-024	6	24	10	6	2.1	M 4

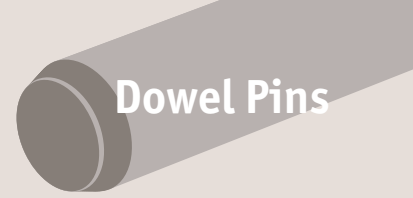


Order No.	d ₁ m6	l ₁ js15	l ₂ min.	l ₃	l ₄	d ₂
P1212.060-028	6	28	10	6	2.1	M 4
P1212.060-030	6	30	10	6	2.1	M 4
P1212.060-032	6	32	10	6	2.1	M 4
P1212.060-036	6	36	10	6	2.1	M 4
P1212.060-040	6	40	10	6	2.1	M 4
P1212.060-045	6	45	10	6	2.1	M 4
P1212.060-050	6	50	10	6	2.1	M 4
P1212.060-055	6	55	10	6	2.1	M 4
P1212.060-060	6	60	10	6	2.1	M 4
P1212.060-070	6	70	10	6	2.1	M 4
P1212.060-080	6	80	10	6	2.1	M 4
P1212.060-090	6	90	10	6	2.1	M 4
P1212.080-016	8	16	12	8	2.6	M 5
P1212.080-020	8	20	12	8	2.6	M 5
P1212.080-024	8	24	12	8	2.6	M 5
P1212.080-028	8	28	12	8	2.6	M 5
P1212.080-030	8	30	12	8	2.6	M 5
P1212.080-032	8	32	12	8	2.6	M 5
P1212.080-036	8	36	12	8	2.6	M 5
P1212.080-040	8	40	12	8	2.6	M 5
P1212.080-045	8	45	12	8	2.6	M 5
P1212.080-050	8	50	12	8	2.6	M 5
P1212.080-055	8	55	12	8	2.6	M 5
P1212.080-060	8	60	12	8	2.6	M 5
P1212.080-070	8	70	12	8	2.6	M 5
P1212.080-080	8	80	12	8	2.6	M 5
P1212.080-090	8	90	12	8	2.6	M 5
P1212.080-100	8	100	12	8	2.6	M 5
P1212.100-016	10	16	16	10	3.0	M 6
P1212.100-018	10	18	16	10	3.0	M 6
P1212.100-020	10	20	16	10	3.0	M 6
P1212.100-024	10	24	16	10	3.0	M 6
P1212.100-028	10	28	16	10	3.0	M 6
P1212.100-030	10	30	16	10	3.0	M 6
P1212.100-032	10	32	16	10	3.0	M 6
P1212.100-036	10	36	16	10	3.0	M 6
P1212.100-040	10	40	16	10	3.0	M 6
P1212.100-045	10	45	16	10	3.0	M 6
P1212.100-050	10	50	16	10	3.0	M 6
P1212.100-055	10	55	16	10	3.0	M 6
P1212.100-060	10	60	16	10	3.0	M 6
P1212.100-070	10	70	16	10	3.0	M 6
P1212.100-080	10	80	16	10	3.0	M 6
P1212.100-090	10	90	16	10	3.0	M 6
P1212.100-100	10	100	16	10	3.0	M 6
P1212.100-120	10	120	16	10	3.0	M 6
P1212.120-020	12	20	16	10	3.8	M 6
P1212.120-024	12	24	16	10	3.8	M 6
P1212.120-028	12	28	16	10	3.8	M 6
P1212.120-030	12	30	16	10	3.8	M 6
P1212.120-032	12	32	16	10	3.8	M 6
P1212.120-036	12	36	16	10	3.8	M 6
P1212.120-040	12	40	16	10	3.8	M 6
P1212.120-045	12	45	16	10	3.8	M 6
P1212.120-050	12	50	16	10	3.8	M 6
P1212.120-055	12	55	16	10	3.8	M 6
P1212.120-060	12	60	16	10	3.8	M 6
P1212.120-070	12	70	16	10	3.8	M 6
P1212.120-080	12	80	16	10	3.8	M 6
P1212.120-090	12	90	16	10	3.8	M 6
P1212.120-100	12	100	16	10	3.8	M 6
P1212.120-120	12	120	16	10	3.8	M 6
P1212.140-028	14	28	20	12	4.0	M 8
P1212.140-030	14	30	20	12	4.0	M 8
P1212.140-032	14	32	20	12	4.0	M 8
P1212.140-036	14	36	20	12	4.0	M 8
P1212.140-040	14	40	20	12	4.0	M 8
P1212.140-045	14	45	20	12	4.0	M 8



Extractable Dowel Pins

with air release



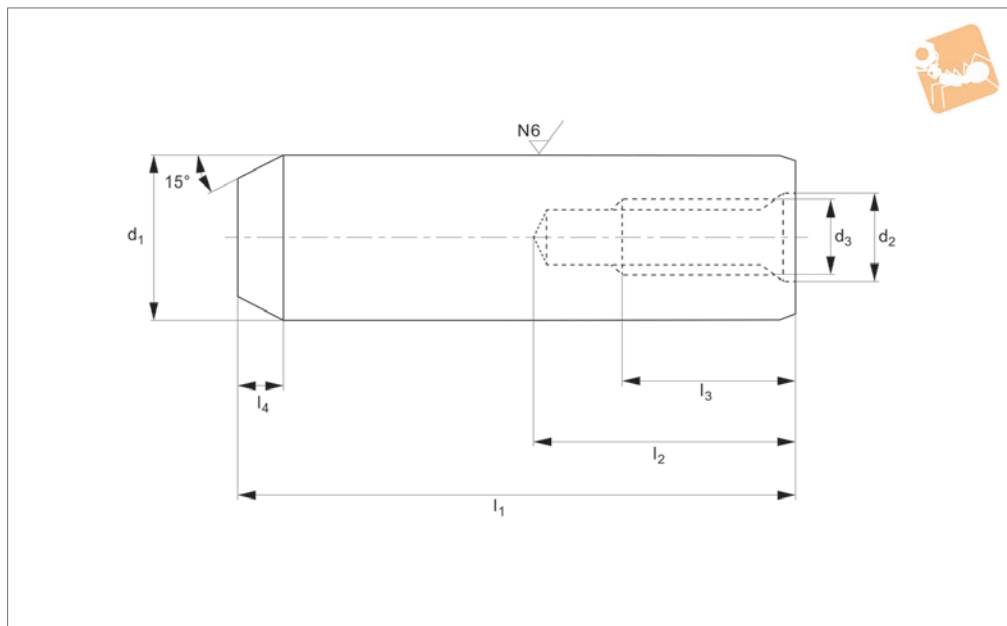
Dowel Pins

Order No.	d ₁ m6	l ₁ js15	l ₂ min.	l ₃	l ₄	d ₂
P1212.140-050	14	50	20	12	4.0	M 8
P1212.140-055	14	55	20	12	4.0	M 8
P1212.140-060	14	60	20	12	4.0	M 8
P1212.140-070	14	70	20	12	4.0	M 8
P1212.140-080	14	80	20	12	4.0	M 8
P1212.140-090	14	90	20	12	4.0	M 8
P1212.140-100	14	100	20	12	4.0	M 8
P1212.140-120	14	120	20	12	4	M 8
P1212.160-032	16	32	20	12	4.7	M 8
P1212.160-036	16	36	20	12	4.7	M 8
P1212.160-040	16	40	20	12	4.7	M 8
P1212.160-045	16	45	20	12	4.7	M 8
P1212.160-050	16	50	20	12	4.7	M 8
P1212.160-055	16	55	20	12	4.7	M 8
P1212.160-060	16	60	20	12	4.7	M 8
P1212.160-070	16	70	20	12	4.7	M 8
P1212.160-080	16	80	20	12	4.7	M 8
P1212.160-090	16	90	20	12	4.7	M 8
P1212.160-100	16	100	20	12	4.7	M 8
P1212.160-120	16	120	20	12	4.7	M 8
P1212.200-032	20	32	25	16	6.0	M10
P1212.200-036	20	36	25	16	6.0	M10
P1212.200-040	20	40	25	16	6.0	M10
P1212.200-045	20	45	25	16	6.0	M10
P1212.200-050	20	50	25	16	6.0	M10
P1212.200-055	20	55	25	16	6.0	M10
P1212.200-060	20	60	25	16	6.0	M10
P1212.200-070	20	70	25	16	6.0	M10
P1212.200-080	20	80	25	16	6.0	M10
P1212.200-090	20	90	25	16	6.0	M10
P1212.200-100	20	100	25	16	6.0	M10
P1212.200-120	20	120	25	16	6.0	M10

DOWEL PINS



P1213



Material

Stainless steel 1.4305

Technical Notes

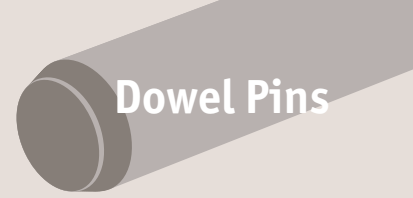
To DIN 7979C. Ground flat along length for air release.

Order No.	d ₁ tol. m6	l ₁ tol. js15	l ₂ min.	l ₃	l ₄	d ₂
P1213.040-010	4	10	7	4.5	1.3	M 2,5
P1213.040-012	4	12	7	4.5	1.3	M 2,5
P1213.040-014	4	14	7	4.5	1.3	M 2,5
P1213.040-016	4	16	7	4.5	1.3	M 2,5
P1213.040-018	4	18	7	4.5	1.3	M 2,5
P1213.040-020	4	20	7	4.5	1.3	M 2,5
P1213.040-024	4	24	7	4.5	1.3	M 2,5
P1213.040-028	4	28	7	4.5	1.3	M 2,5
P1213.040-030	4	30	7	4.5	1.3	M 2,5
P1213.040-032	4	32	7	4.5	1.3	M 2,5
P1213.040-036	4	36	7	4.5	1.3	M 2,5
P1213.040-040	4	40	7	4.5	1.3	M 2,5
P1213.040-045	4	45	7	4.5	1.3	M 2,5
P1213.040-050	4	50	7	4.5	1.3	M 2,5
P1213.050-010	5	10	7	4.5	1.7	M 3
P1213.050-012	5	12	7	4.5	1.7	M 3
P1213.050-014	5	14	7	4.5	1.7	M 3
P1213.050-016	5	16	7	4.5	1.7	M 3
P1213.050-018	5	18	7	4.5	1.7	M 3
P1213.050-020	5	20	7	4.5	1.7	M 3
P1213.050-024	5	24	7	4.5	1.7	M 3
P1213.050-028	5	28	7	4.5	1.7	M 3
P1213.050-030	5	30	7	4.5	1.7	M 3
P1213.050-032	5	32	7	4.5	1.7	M 3
P1213.050-036	5	36	7	4.5	1.7	M 3
P1213.050-040	5	40	7	4.5	1.7	M 3
P1213.050-045	5	45	7	4.5	1.7	M 3
P1213.050-050	5	50	7	4.5	1.7	M 3
P1213.060-012	6	12	10	6	2.1	M 4
P1213.060-014	6	14	10	6	2.1	M 4
P1213.060-016	6	16	10	6	2.1	M 4
P1213.060-018	6	18	10	6	2.1	M 4
P1213.060-020	6	20	10	6	2.1	M 4
P1213.060-024	6	24	10	6	2.1	M 4



Stainless Extractable Dowel Pins

with air release



Order No.	d ₁ tol. m6	l ₁ tol. js15	l ₂ min.	l ₃	l ₄	d ₂
P1213.060-028	6	28	10	6	2.1	M 4
P1213.060-030	6	30	10	6	2.1	M 4
P1213.060-032	6	32	10	6	2.1	M 4
P1213.060-036	6	36	10	6	2.1	M 4
P1213.060-040	6	40	10	6	2.1	M 4
P1213.060-045	6	45	10	6	2.1	M 4
P1213.060-050	6	50	10	6	2.1	M 4
P1213.060-055	6	55	10	6	2.1	M 4
P1213.060-060	6	60	10	6	2.1	M 4
P1213.060-070	6	70	10	6	2.1	M 4
P1213.060-080	6	80	10	6	2.1	M 4
P1213.060-090	6	90	10	6	2.1	M 4
P1213.080-016	8	16	12	8	2.6	M 5
P1213.080-020	8	20	12	8	2.6	M 5
P1213.080-024	8	24	12	8	2.6	M 5
P1213.080-028	8	28	12	8	2.6	M 5
P1213.080-030	8	30	12	8	2.6	M 5
P1213.080-032	8	32	12	8	2.6	M 5
P1213.080-036	8	36	12	8	2.6	M 5
P1213.080-040	8	40	12	8	2.6	M 5
P1213.080-045	8	45	12	8	2.6	M 5
P1213.080-050	8	50	12	8	2.6	M 5
P1213.080-055	8	55	12	8	2.6	M 5
P1213.080-060	8	60	12	8	2.6	M 5
P1213.080-070	8	70	12	8	2.6	M 5
P1213.080-080	8	80	12	8	2.6	M 5
P1213.080-090	8	90	12	8	2.6	M 5
P1213.080-100	8	100	12	8	2.6	M 5
P1213.100-016	10	16	16	10	3.0	M 6
P1213.100-018	10	18	16	10	3.0	M 6
P1213.100-020	10	20	16	10	3.0	M 6
P1213.100-024	10	24	16	10	3.0	M 6
P1213.100-028	10	28	16	10	3.0	M 6
P1213.100-030	10	30	16	10	3.0	M 6
P1213.100-032	10	32	16	10	3.0	M 6
P1213.100-036	10	36	16	10	3.0	M 6
P1213.100-040	10	40	16	10	3.0	M 6
P1213.100-045	10	45	16	10	3.0	M 6
P1213.100-050	10	50	16	10	3.0	M 6
P1213.100-055	10	55	16	10	3.0	M 6
P1213.100-060	10	60	16	10	3.0	M 6
P1213.100-070	10	70	16	10	3.0	M 6
P1213.100-080	10	80	16	10	3.0	M 6
P1213.100-090	10	90	16	10	3.0	M 6
P1213.100-100	10	100	16	10	3.0	M 6
P1213.100-120	10	120	16	10	3.0	M 6
P1213.120-020	12	20	16	10	3.8	M 6
P1213.120-024	12	24	16	10	3.8	M 6
P1213.120-028	12	28	16	10	3.8	M 6
P1213.120-030	12	30	16	10	3.8	M 6
P1213.120-032	12	32	16	10	3.8	M 6
P1213.120-036	12	36	16	10	3.8	M 6
P1213.120-040	12	40	16	10	3.8	M 6
P1213.120-045	12	45	16	10	3.8	M 6
P1213.120-050	12	50	16	10	3.8	M 6
P1213.120-055	12	55	16	10	3.8	M 6
P1213.120-060	12	60	16	10	3.8	M 6
P1213.120-070	12	70	16	10	3.8	M 6
P1213.120-080	12	80	16	10	3.8	M 6
P1213.120-090	12	90	16	10	3.8	M 6
P1213.120-100	12	100	16	10	3.8	M 6
P1213.120-120	12	120	16	10	3.8	M 6
P1213.140-028	14	28	20	12	4.0	M 8
P1213.140-030	14	30	20	12	4.0	M 8
P1213.140-032	14	32	20	12	4.0	M 8
P1213.140-036	14	36	20	12	4.0	M 8
P1213.140-040	14	40	20	12	4.0	M 8
P1213.140-045	14	45	20	12	4.0	M 8

DOWEL PINS

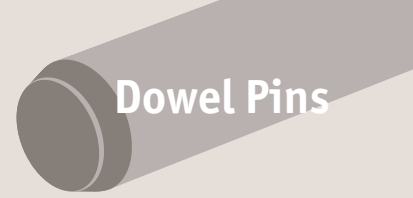


Order No.	d ₁ tol. m6	l ₁ tol. js15	l ₂ min.	l ₃	l ₄	d ₂
P1213.140-050	14	50	20	12	4.0	M 8
P1213.140-055	14	55	20	12	4.0	M 8
P1213.140-060	14	60	20	12	4.0	M 8
P1213.140-070	14	70	20	12	4.0	M 8
P1213.140-080	14	80	20	12	4.0	M 8
P1213.140-090	14	90	20	12	4.0	M 8
P1213.140-100	14	100	20	12	4.0	M 8
P1213.140-120	14	120	20	12	4	M 8
P1213.160-032	16	32	20	12	4.7	M 8
P1213.160-036	16	36	20	12	4.7	M 8
P1213.160-040	16	40	20	12	4.7	M 8
P1213.160-045	16	45	20	12	4.7	M 8
P1213.160-050	16	50	20	12	4.7	M 8
P1213.160-055	16	55	20	12	4.7	M 8
P1213.160-060	16	60	20	12	4.7	M 8
P1213.160-070	16	70	20	12	4.7	M 8
P1213.160-080	16	80	20	12	4.7	M 8
P1213.160-090	16	90	20	12	4.7	M 8
P1213.160-100	16	100	20	12	4.7	M 8
P1213.160-120	16	120	20	12	4.7	M 8
P1213.200-032	20	32	25	16	6.0	M10
P1213.200-036	20	36	25	16	6.0	M10
P1213.200-040	20	40	25	16	6.0	M10
P1213.200-045	20	45	25	16	6.0	M10
P1213.200-050	20	50	25	16	6.0	M10
P1213.200-055	20	55	25	16	6.0	M10
P1213.200-060	20	60	25	16	6.0	M10
P1213.200-070	20	70	25	16	6.0	M10
P1213.200-080	20	80	25	16	6.0	M10
P1213.200-090	20	90	25	16	6.0	M10
P1213.200-100	20	100	25	16	6.0	M10
P1213.200-120	20	120	25	16	6.0	M10

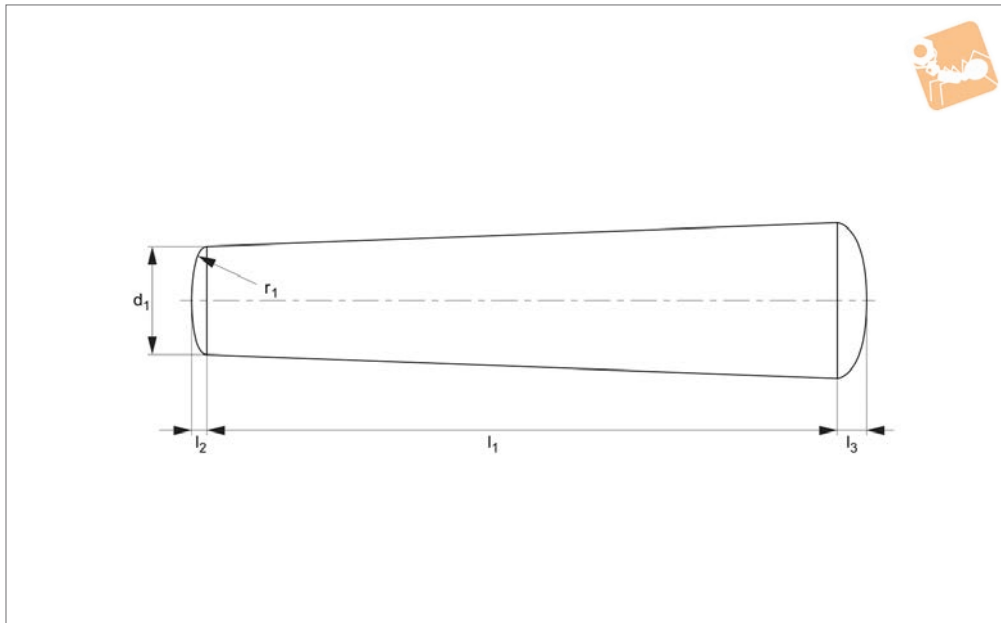


Taper Pins

Steel



Dowel Pins



P1216

DOWEL PINS

Material

Mild steel (WS 1,0718 9SMnPb28K), ground finish.

Technical Notes

To DIN 1B. The nominal diameter is always the smaller end d and the taper is 2%.

Order No.	d_1 tol. h10	l_1 js15	l_2 max.	l_3
P1216.015-006	1.5	6	0.23	1.5
P1216.015-008	1.5	8	0.23	1.5
P1216.015-010	1.5	10	0.23	1.5
P1216.015-012	1.5	12	0.23	1.5
P1216.015-014	1.5	14	0.23	1.5
P1216.015-016	1.5	16	0.23	1.5
P1216.015-018	1.5	18	0.23	1.5
P1216.015-020	1.5	20	0.23	1.5
P1216.015-024	1.5	24	0.23	1.5
P1216.015-028	1.5	28	0.23	1.5
P1216.015-030	1.5	30	0.23	1.5
P1216.020-006	2.0	6	0.3	2
P1216.020-008	2.0	8	0.3	2
P1216.020-010	2.0	10	0.3	2
P1216.020-012	2.0	12	0.3	2
P1216.020-014	2.0	14	0.3	2
P1216.020-016	2.0	16	0.3	2
P1216.020-018	2.0	18	0.3	2
P1216.020-020	2.0	20	0.3	2
P1216.020-024	2.0	24	0.3	2
P1216.020-028	2.0	28	0.3	2
P1216.020-030	2.0	30	0.3	2
P1216.020-032	2.0	32	0.3	2
P1216.020-036	2.0	36	0.3	2
P1216.020-040	2.0	40	0.3	2
P1216.020-045	2.0	45	0.3	2
P1216.020-050	2.0	50	0.3	2
P1216.025-006	2.5	6	0.4	2.5
P1216.025-008	2.5	8	0.4	2.5
P1216.025-010	2.5	10	0.4	2.5
P1216.025-012	2.5	12	0.4	2.5
P1216.025-014	2.5	14	0.4	2.5
P1216.025-016	2.5	16	0.4	2.5
P1216.025-018	2.5	18	0.4	2.5

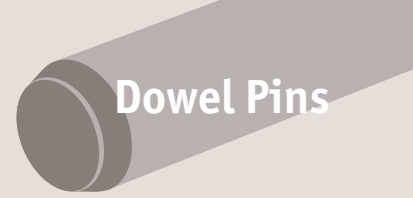


Order No.	d ₁ tol. h10	l ₁ js15	l ₂ max.	l ₃
P1216.025-020	2.5	20	0.4	2.5
P1216.025-024	2.5	24	0.4	2.5
P1216.025-028	2.5	28	0.4	2.5
P1216.025-030	2.5	30	0.4	2.5
P1216.025-032	2.5	32	0.4	2.5
P1216.025-036	2.5	36	0.4	2.5
P1216.025-040	2.5	40	0.4	2.5
P1216.025-045	2.5	45	0.4	2.5
P1216.025-050	2.5	50	0.4	2.5
P1216.030-006	3.0	6	0.45	3
P1216.030-008	3.0	8	0.45	3
P1216.030-010	3.0	10	0.45	3
P1216.030-012	3.0	12	0.45	3
P1216.030-014	3.0	14	0.45	3
P1216.030-016	3.0	16	0.45	3
P1216.030-018	3.0	18	0.45	3
P1216.030-020	3.0	20	0.45	3
P1216.030-024	3.0	24	0.45	3
P1216.030-028	3.0	28	0.45	3
P1216.030-030	3.0	30	0.45	3
P1216.030-032	3.0	32	0.45	3
P1216.030-036	3.0	36	0.45	3
P1216.030-040	3.0	40	0.45	3
P1216.030-045	3.0	45	0.45	3
P1216.030-050	3.0	50	0.45	3
P1216.030-055	3.0	55	0.45	3
P1216.030-060	3.0	60	0.45	3
P1216.030-065	3.0	65	0.45	3
P1216.030-070	3.0	70	0.45	3
P1216.030-080	3.0	80	0.45	3
P1216.030-090	3.0	90	0.45	3
P1216.030-100	3.0	100	0.45	3
P1216.040-006	4.0	6	0.6	4
P1216.040-008	4.0	8	0.6	4
P1216.040-010	4.0	10	0.6	4
P1216.040-012	4.0	12	0.6	4
P1216.040-014	4.0	14	0.6	4
P1216.040-016	4.0	16	0.6	4
P1216.040-018	4.0	18	0.6	4
P1216.040-020	4.0	20	0.6	4
P1216.040-024	4.0	24	0.6	4
P1216.040-028	4.0	28	0.6	4
P1216.040-030	4.0	30	0.6	4
P1216.040-032	4.0	32	0.6	4
P1216.040-036	4.0	36	0.6	4
P1216.040-040	4.0	40	0.6	4
P1216.040-045	4.0	45	0.6	4
P1216.040-050	4.0	50	0.6	4
P1216.040-055	4.0	55	0.6	4
P1216.040-060	4.0	60	0.6	4
P1216.040-065	4.0	65	0.6	4
P1216.040-070	4.0	70	0.6	4
P1216.040-080	4.0	80	0.6	4
P1216.040-090	4.0	90	0.6	4
P1216.040-100	4.0	100	0.6	4
P1216.050-010	5.0	10	0.75	5
P1216.050-012	5.0	12	0.75	5
P1216.050-014	5.0	14	0.75	5
P1216.050-016	5.0	16	0.75	5
P1216.050-018	5.0	18	0.75	5
P1216.050-020	5.0	20	0.75	5
P1216.050-024	5.0	24	0.75	5
P1216.050-028	5.0	28	0.75	5
P1216.050-030	5.0	30	0.75	5
P1216.050-032	5.0	32	0.75	5
P1216.050-036	5.0	36	0.75	5
P1216.050-040	5.0	40	0.75	5
P1216.050-045	5.0	45	0.75	5



Taper Pins

Steel



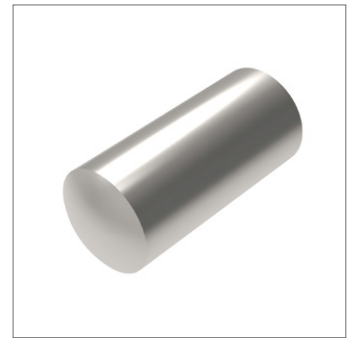
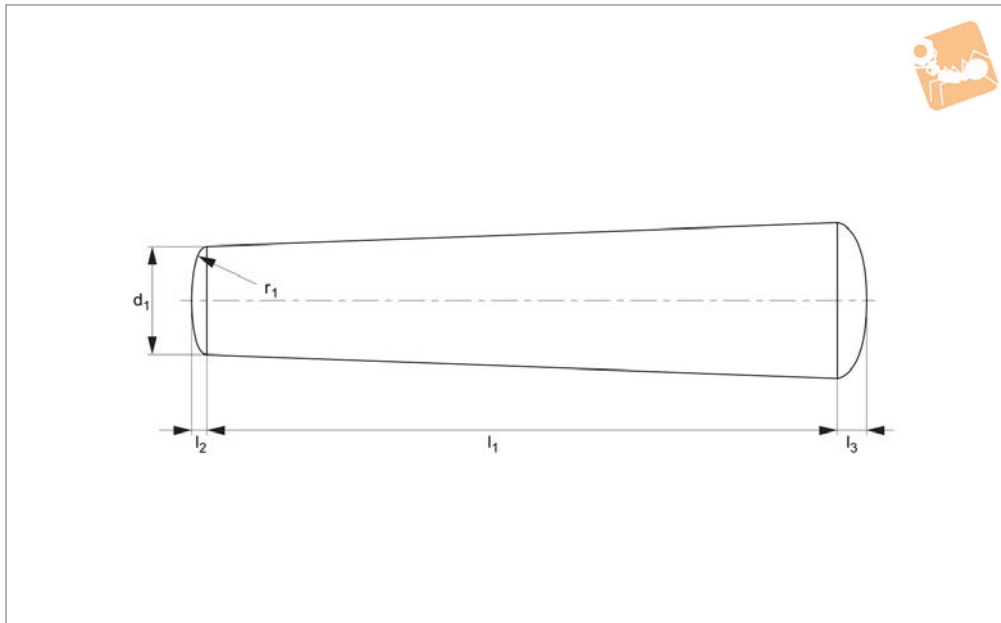
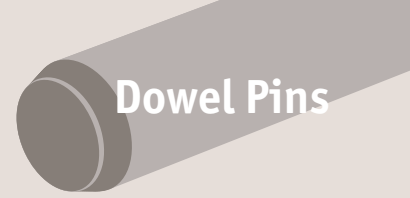
Dowel Pins

Order No.	d ₁ tol. h10	l ₁ js15	l ₂ max.	l ₃
P1216.050-050	5.0	50	0.75	5
P1216.050-055	5.0	55	0.75	5
P1216.050-060	5.0	60	0.75	5
P1216.050-065	5.0	65	0.75	5
P1216.050-070	5.0	70	0.75	5
P1216.050-080	5.0	80	0.75	5
P1216.050-090	5.0	90	0.75	5
P1216.050-100	5.0	100	0.75	5
P1216.060-010	6.0	10	0.9	6
P1216.060-012	6.0	12	0.9	6
P1216.060-014	6.0	14	0.9	6
P1216.060-016	6.0	16	0.9	6
P1216.060-018	6.0	18	0.9	6
P1216.060-020	6.0	20	0.9	6
P1216.060-024	6.0	24	0.9	6
P1216.060-028	6.0	28	0.9	6
P1216.060-030	6.0	30	0.9	6
P1216.060-032	6.0	32	0.9	6
P1216.060-036	6.0	36	0.9	6
P1216.060-040	6.0	40	0.9	6
P1216.060-045	6.0	45	0.9	6
P1216.060-050	6.0	50	0.9	6
P1216.060-055	6.0	55	0.9	6
P1216.060-060	6.0	60	0.9	6
P1216.060-065	6.0	65	0.9	6
P1216.060-070	6.0	70	0.9	6
P1216.060-080	6.0	80	0.9	6
P1216.060-090	6.0	90	0.9	6
P1216.060-100	6.0	100	0.9	6
P1216.080-020	8.0	20	1.0	8
P1216.080-024	8.0	24	1.0	8
P1216.080-028	8.0	28	1.0	8
P1216.080-030	8.0	30	1.0	8
P1216.080-032	8.0	32	1.0	8
P1216.080-036	8.0	36	1.0	8
P1216.080-040	8.0	40	1.0	8
P1216.080-045	8.0	45	1.0	8
P1216.080-050	8.0	50	1.0	8
P1216.080-055	8.0	55	1.0	8
P1216.080-060	8.0	60	1.0	8
P1216.080-065	8.0	65	1.0	8
P1216.080-070	8.0	70	1.0	8
P1216.080-080	8.0	80	1.0	8
P1216.080-090	8.0	90	1.0	8
P1216.080-100	8.0	100	1.0	8
P1216.100-028	10.0	28	1.2	10
P1216.100-030	10.0	30	1.2	10
P1216.100-032	10.0	32	1.2	10
P1216.100-036	10.0	36	1.2	10
P1216.100-040	10.0	40	1.2	10
P1216.100-045	10.0	45	1.2	10
P1216.100-050	10.0	50	1.2	10
P1216.100-055	10.0	55	1.2	10
P1216.100-060	10.0	60	1.2	10
P1216.100-065	10.0	65	1.2	10
P1216.100-070	10.0	70	1.2	10
P1216.100-080	10.0	80	1.2	10
P1216.100-090	10.0	90	1.2	10
P1216.100-100	10.0	100	1.2	10
P1216.100-110	10.0	110	1.2	10
P1216.100-120	10.0	120	1.2	10
P1216.100-130	10.0	130	1.2	10
P1216.120-030	12.0	30	1.6	12
P1216.120-032	12.0	32	1.6	12
P1216.120-036	12.0	36	1.6	12
P1216.120-040	12.0	40	1.6	12
P1216.120-045	12.0	45	1.6	12
P1216.120-050	12.0	50	1.6	12

DOWEL PINS



Order No.	d ₁ tol. h10	l ₁ js15	l ₂ max.	l ₃
P1216.120-055	12.0	55	1.6	12
P1216.120-060	12.0	60	1.6	12
P1216.120-065	12.0	65	1.6	12
P1216.120-070	12.0	70	1.6	12
P1216.120-080	12.0	80	1.6	12
P1216.120-090	12.0	90	1.6	12
P1216.120-100	12.0	100	1.6	12
P1216.120-110	12.0	110	1.6	12
P1216.120-120	12.0	120	1.6	12
P1216.120-130	12.0	130	1.6	12
P1216.140-036	14.0	36	1.6	14
P1216.140-040	14.0	40	1.6	14
P1216.140-045	14.0	45	1.6	14
P1216.140-050	14.0	50	1.6	14
P1216.140-055	14.0	55	1.6	14
P1216.140-060	14.0	60	1.6	14
P1216.140-065	14.0	65	1.6	14
P1216.140-070	14.0	70	1.6	14
P1216.140-080	14.0	80	1.6	14
P1216.140-090	14.0	90	1.6	14
P1216.140-100	14.0	100	1.6	14
P1216.140-110	14.0	110	1.6	14
P1216.140-120	14.0	120	1.6	14
P1216.140-130	14.0	130	1.6	14
P1216.140-140	14.0	140	1.6	14
P1216.140-150	14.0	150	1.6	14
P1216.160-036	16.0	36	2.0	16
P1216.160-040	16.0	40	2.0	16
P1216.160-045	16.0	45	2.0	16
P1216.160-050	16.0	50	2.0	16
P1216.160-055	16.0	55	2.0	16
P1216.160-060	16.0	60	2.0	16
P1216.160-065	16.0	65	2.0	16
P1216.160-070	16.0	70	2.0	16
P1216.160-080	16.0	80	2.0	16
P1216.160-090	16.0	90	2.0	16
P1216.160-100	16.0	100	2.0	16
P1216.160-110	16.0	110	2.0	16
P1216.160-120	16.0	120	2.0	16
P1216.160-130	16.0	130	2.0	16
P1216.160-140	16.0	140	2.0	16
P1216.160-150	16.0	150	2.0	16
P1216.200-040	20.0	40	2.5	20
P1216.200-045	20.0	45	2.5	20
P1216.200-050	20.0	50	2.5	20
P1216.200-055	20.0	55	2.5	20
P1216.200-060	20.0	60	2.5	20
P1216.200-065	20.0	65	2.5	20
P1216.200-070	20.0	70	2.5	20
P1216.200-080	20.0	80	2.5	20
P1216.200-090	20.0	90	2.5	20
P1216.200-100	20.0	100	2.5	20
P1216.200-110	20.0	110	2.5	20
P1216.200-120	20.0	120	2.5	20
P1216.200-130	20.0	130	2.5	20
P1216.200-140	20.0	140	2.5	20
P1216.200-150	20.0	150	2.5	20



P1216.A2

DOWEL PINS

Material

Stainless steel (A2, AISI 303).

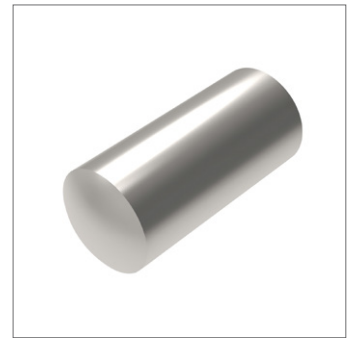
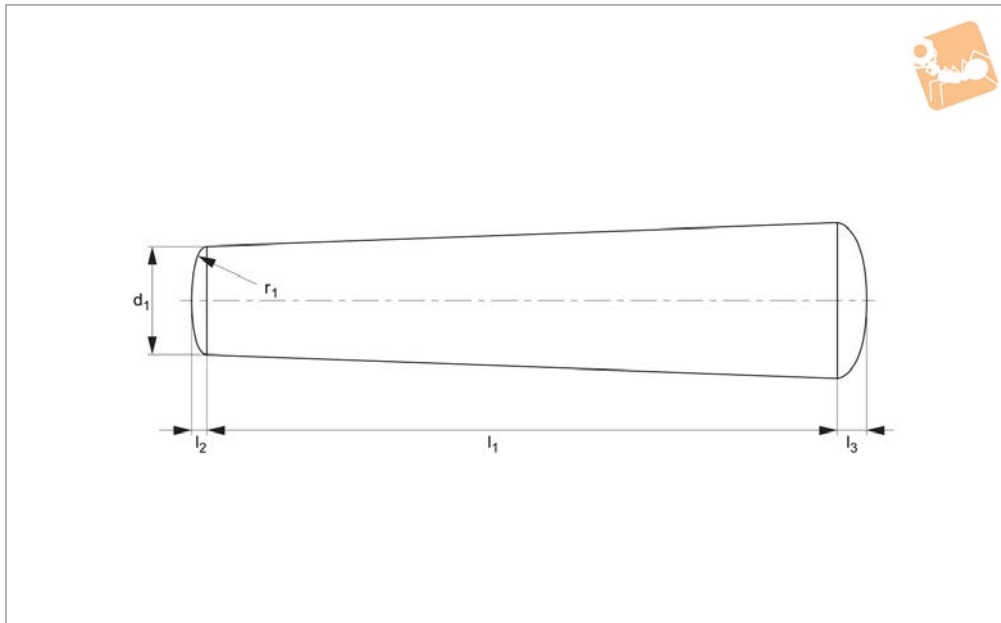
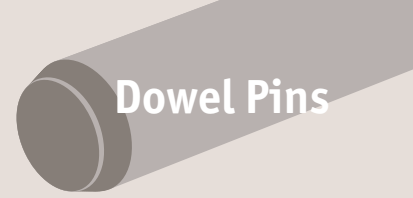
Technical Notes

To DIN 1B. The nominal diameter is always the smaller end d and the taper is 2%.

Order No.	d_1 tol. h10	l_1 js15	l_2 max.	r_1
P1216.020-010-A2	2.0	10	0.3	2
P1216.020-012-A2	2.0	12	0.3	2
P1216.020-016-A2	2.0	16	0.3	2
P1216.020-020-A2	2.0	20	0.3	2
P1216.025-014-A2	2.5	14	0.4	2.5
P1216.025-016-A2	2.5	16	0.4	2.5
P1216.025-020-A2	2.5	20	0.4	2.5
P1216.025-024-A2	2.5	24	0.4	2.5
P1216.030-014-A2	3.0	14	0.45	3
P1216.030-016-A2	3.0	16	0.45	3
P1216.030-018-A2	3.0	18	0.45	3
P1216.030-020-A2	3.0	20	0.45	3
P1216.030-022-A2	3.0	22	0.45	3
P1216.030-024-A2	3.0	24	0.45	3
P1216.030-026-A2	3.0	26	0.45	3
P1216.030-028-A2	3.0	28	0.45	3
P1216.030-030-A2	3.0	30	0.45	3
P1216.030-036-A2	3.0	36	0.45	3
P1216.030-040-A2	3.0	40	0.45	3
P1216.030-050-A2	3.0	50	0.45	3
P1216.040-016-A2	4.0	16	0.6	4
P1216.040-018-A2	4.0	18	0.6	4
P1216.040-020-A2	4.0	20	0.6	4
P1216.040-022-A2	4.0	22	0.6	4
P1216.040-024-A2	4.0	24	0.6	4
P1216.040-026-A2	4.0	26	0.6	4
P1216.040-028-A2	4.0	28	0.6	4
P1216.040-030-A2	4.0	30	0.6	4
P1216.040-032-A2	4.0	32	0.6	4
P1216.040-036-A2	4.0	36	0.6	4
P1216.040-040-A2	4.0	40	0.6	4
P1216.040-045-A2	4.0	45	0.6	4
P1216.040-050-A2	4.0	50	0.6	4
P1216.040-060-A2	4.0	60	0.6	4



Order No.	d_1 tol. h10	l_1 js15	l_2 max.	r_1
P1216.050-016-A2	5.0	16	0.75	5
P1216.050-020-A2	5.0	20	0.75	5
P1216.050-024-A2	5.0	24	0.75	5
P1216.050-026-A2	5.0	26	0.75	5
P1216.050-030-A2	5.0	30	0.75	5
P1216.050-032-A2	5.0	32	0.75	5
P1216.050-036-A2	5.0	36	0.75	5
P1216.050-040-A2	5.0	40	0.75	5
P1216.050-045-A2	5.0	45	0.75	5
P1216.050-050-A2	5.0	50	0.75	5
P1216.050-055-A2	5.0	55	0.75	5
P1216.050-060-A2	5.0	60	0.75	5
P1216.050-070-A2	5.0	70	0.75	5
P1216.060-024-A2	6.0	24	0.9	6
P1216.060-026-A2	6.0	26	0.9	6
P1216.060-030-A2	6.0	30	0.9	6
P1216.060-032-A2	6.0	32	0.9	6
P1216.060-036-A2	6.0	36	0.9	6
P1216.060-040-A2	6.0	40	0.9	6
P1216.060-045-A2	6.0	45	0.9	6
P1216.060-050-A2	6.0	50	0.9	6
P1216.060-055-A2	6.0	55	0.9	6
P1216.060-060-A2	6.0	60	0.9	6
P1216.060-070-A2	6.0	70	0.9	6
P1216.060-080-A2	6.0	80	0.9	6
P1216.080-040-A2	8.0	40	1.2	8
P1216.080-045-A2	8.0	45	1.2	8
P1216.080-050-A2	8.0	50	1.2	8
P1216.080-055-A2	8.0	55	1.2	8
P1216.080-060-A2	8.0	60	1.2	8
P1216.080-070-A2	8.0	70	1.2	8
P1216.080-080-A2	8.0	80	1.2	8
P1216.080-090-A2	8.0	90	1.2	8
P1216.080-100-A2	8.0	100	1.2	8
P1216.100-032-A2	10.0	32	1.5	10
P1216.100-036-A2	10.0	36	1.5	10
P1216.100-040-A2	10.0	40	1.5	10
P1216.100-045-A2	10.0	45	1.5	10
P1216.100-050-A2	10.0	50	1.5	10
P1216.100-060-A2	10.0	60	1.5	10
P1216.100-070-A2	10.0	70	1.5	10
P1216.100-080-A2	10.0	80	1.5	10
P1216.100-090-A2	10.0	90	1.5	10
P1216.100-100-A2	10.0	100	1.5	10



P1216.A4

DOWEL PINS

Material

Stainless steel (A4, AISI 316).

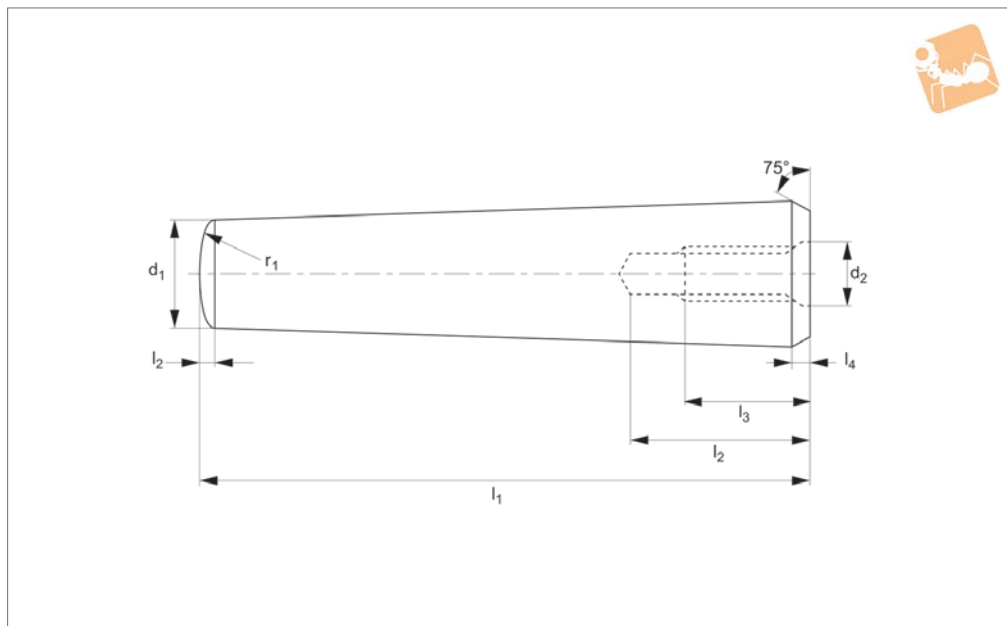
Technical Notes

To DIN 1B. The nominal diameter is always the smaller end d and the taper is 2%.

Order No.	d_1 tol. h10	l_1 js15	l_2 max.	r_1
P1216.040-030-A4	4.0	30	0.6	4
P1216.040-036-A4	4.0	36	0.6	4
P1216.040-040-A4	4.0	40	0.6	4
P1216.040-050-A4	4.0	50	0.6	4
P1216.040-060-A4	4.0	60	0.6	4
P1216.050-030-A4	5.0	30	0.75	5
P1216.050-032-A4	5.0	32	0.75	5
P1216.050-036-A4	5.0	36	0.75	5
P1216.050-040-A4	5.0	40	0.75	5
P1216.050-045-A4	5.0	45	0.75	5
P1216.050-050-A4	5.0	50	0.75	5
P1216.050-060-A4	5.0	60	0.75	5
P1216.050-070-A4	5.0	70	0.75	5
P1216.060-030-A4	6.0	30	0.9	6
P1216.060-032-A4	6.0	32	0.9	6
P1216.060-036-A4	6.0	36	0.9	6
P1216.060-040-A4	6.0	40	0.9	6
P1216.060-050-A4	6.0	50	0.9	6
P1216.060-060-A4	6.0	60	0.9	6
P1216.060-070-A4	6.0	70	0.9	6
P1216.060-080-A4	6.0	80	0.9	6
P1216.080-040-A4	8.0	40	1.2	8
P1216.080-045-A4	8.0	45	1.2	8
P1216.080-050-A4	8.0	50	1.2	8
P1216.080-060-A4	8.0	60	1.2	8
P1216.080-070-A4	8.0	70	1.2	8
P1216.080-080-A4	8.0	80	1.2	8
P1216.080-090-A4	8.0	90	1.2	8
P1216.100-050-A4	10.0	50	1.5	10
P1216.100-060-A4	10.0	60	1.5	10
P1216.100-070-A4	10.0	70	1.5	10
P1216.100-080-A4	10.0	80	1.5	10
P1216.100-090-A4	10.0	90	1.5	10



P1218



Material

Mild steel (WS 1.0718, 9SMnPB28K), ground finish.

Technical Notes

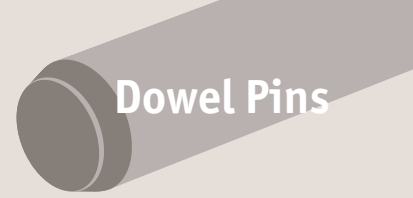
To DIN 7978 (ISO 8736). The nominal diameter is always the smaller end d_1 and

the taper is 2%.

Order No.	d_1	l_1 js15	l_2	l_3	l_4	d_2
P1218.060-016	6	16	10	6	0.8	M 4
P1218.060-018	6	18	10	6	0.8	M 4
P1218.060-020	6	20	10	6	0.8	M 4
P1218.060-024	6	24	10	6	0.8	M 4
P1218.060-026	6	26	10	6	0.8	M 4
P1218.060-028	6	28	10	6	0.8	M 4
P1218.060-030	6	30	10	6	0.8	M 4
P1218.060-032	6	32	10	6	0.8	M 4
P1218.060-036	6	36	10	6	0.8	M 4
P1218.060-040	6	40	10	6	0.8	M 4
P1218.060-045	6	45	10	6	0.8	M 4
P1218.060-050	6	50	10	6	0.8	M 4
P1218.060-055	6	55	10	6	0.8	M 4
P1218.060-060	6	60	10	6	0.8	M 4
P1218.060-070	6	70	10	6	0.8	M 4
P1218.060-090	6	90	10	6	0.8	M 4
P1218.080-020	8	20	12	8	1	M 5
P1218.080-024	8	24	12	8	1	M 5
P1218.080-026	8	26	12	8	1	M 5
P1218.080-028	8	28	12	8	1	M 5
P1218.080-030	8	30	12	8	1	M 5
P1218.080-032	8	32	12	8	1	M 5
P1218.080-036	8	36	12	8	1	M 5
P1218.080-040	8	40	12	8	1	M 5
P1218.080-045	8	45	12	8	1	M 5
P1218.080-050	8	50	12	8	1	M 5
P1218.080-055	8	55	12	8	1	M 5
P1218.080-060	8	60	12	8	1	M 5
P1218.080-070	8	70	12	8	1	M 5
P1218.080-090	8	90	12	8	1	M 5
P1218.080-100	8	100	12	8	1	M 5
P1218.080-110	8	110	12	8	1	M 5
P1218.080-120	8	120	12	8	1	M 5
P1218.100-024	10	24	16	10	1.2	M 6



Extractable Taper Pins



Dowel Pins

Order No.	d ₁	l ₁ js15	l ₂	l ₃	l ₄	d ₂
P1218.100-026	10	26	16	10	1.2	M 6
P1218.100-028	10	28	16	10	1.2	M 6
P1218.100-030	10	30	16	10	1.2	M 6
P1218.100-032	10	32	16	10	1.2	M 6
P1218.100-036	10	36	16	10	1.2	M 6
P1218.100-040	10	40	16	10	1.2	M 6
P1218.100-045	10	45	16	10	1.2	M 6
P1218.100-050	10	50	16	10	1.2	M 6
P1218.100-055	10	55	16	10	1.2	M 6
P1218.100-060	10	60	16	10	1.2	M 6
P1218.100-070	10	70	16	10	1.2	M 6
P1218.100-090	10	90	16	10	1.2	M 6
P1218.100-100	10	100	16	10	1.2	M 6
P1218.100-110	10	110	16	10	1.2	M 6
P1218.100-120	10	120	16	10	1.2	M 6
P1218.120-032	12	32	20	12	1.6	M 8
P1218.120-036	12	36	20	12	1.6	M 8
P1218.120-040	12	40	20	12	1.6	M 8
P1218.120-045	12	45	20	12	1.6	M 8
P1218.120-050	12	50	20	12	1.6	M 8
P1218.120-055	12	55	20	12	1.6	M 8
P1218.120-060	12	60	20	12	1.6	M 8
P1218.120-070	12	70	20	12	1.6	M 8
P1218.120-090	12	90	20	12	1.6	M 8
P1218.120-100	12	100	20	12	1.6	M 8
P1218.120-110	12	110	20	12	1.6	M 8
P1218.120-120	12	120	20	12	1.6	M 8
P1218.140-040	14	40	20	12	1.6	M 8
P1218.140-045	14	45	20	12	1.6	M 8
P1218.140-050	14	50	20	12	1.6	M 8
P1218.140-055	14	55	20	12	1.6	M 8
P1218.140-060	14	60	20	12	1.6	M 8
P1218.140-070	14	70	20	12	1.6	M 8
P1218.140-090	14	90	20	12	1.6	M 8
P1218.140-100	14	100	20	12	1.6	M 8
P1218.140-110	14	110	20	12	1.6	M 8
P1218.140-120	14	120	20	12	1.6	M 8
P1218.160-040	16	40	25	16	2	M10
P1218.160-045	16	45	25	16	2	M10
P1218.160-050	16	50	25	16	2	M10
P1218.160-055	16	55	25	16	2	M10
P1218.160-060	16	60	25	16	2	M10
P1218.160-070	16	70	25	16	2	M10
P1218.160-090	16	90	25	16	2	M10
P1218.160-100	16	100	25	16	2	M10
P1218.160-110	16	110	25	16	2	M10
P1218.160-120	16	120	25	16	2	M10
P1218.200-040	20	40	27	18	2.5	M12
P1218.200-045	20	45	27	18	2.5	M12
P1218.200-050	20	50	27	18	2.5	M12
P1218.200-055	20	55	27	18	2.5	M12
P1218.200-060	20	60	27	18	2.5	M12
P1218.200-070	20	70	27	18	2.5	M12
P1218.200-090	20	90	27	18	2.5	M12
P1218.200-100	20	100	27	18	2.5	M12
P1218.200-110	20	110	27	18	2.5	M12
P1218.200-120	20	120	27	18	2.5	M12

DOWEL PINS