

### P1232

SPRING PINS

#### Material

Carbon steel (CS70) hardened and tempered to HV420-545. Plain oiled finish.

#### Technical Notes

To DIN 7343 (ISO 8750). These units have an expanded diameter slightly larger, than the hole for which they are designed,

holding themselves in by radial tension on the hole.

Recommended hole tolerance H12.

$l_1$  tolerances:-

1-10mm long  $\pm 0,25$

12-50mm long  $\pm 0,50$

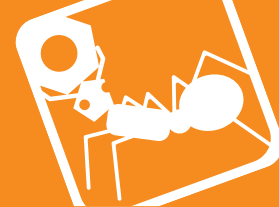
over 50mm long  $\pm 0,75$ .

#### Tips

Consists of 2.25 coils of steel and has swaged chamfers at each end.

Improves shock absorption, easy assembly. They are designed for plain drilled holes, but countersinking the holes makes insertion easier.

Order No.	$d_1$ nom.	$d_1$ min.	$d_1$ max.	Hole min.	Hole max.	$l_1$	$l_2$	$w_1$	Double shear kN
P1232.015-005	1.5	1.62	1.73	1.50	1.60	5	0.5	0.13	1.45
P1232.015-006	1.5	1.62	1.73	1.50	1.60	6	0.5	0.13	1.45
P1232.015-008	1.5	1.62	1.73	1.50	1.60	8	0.5	0.13	1.45
P1232.015-010	1.5	1.62	1.73	1.50	1.60	10	0.5	0.13	1.45
P1232.015-012	1.5	1.62	1.73	1.50	1.60	12	0.5	0.13	1.45
P1232.015-014	1.5	1.62	1.73	1.50	1.60	14	0.5	0.13	1.45
P1232.015-016	1.5	1.62	1.73	1.50	1.60	16	0.5	0.13	1.45
P1232.020-006	2.0	2.13	2.25	1.99	2.10	6	0.7	0.17	2.5
P1232.020-008	2.0	2.13	2.25	1.99	2.10	8	0.7	0.17	2.5
P1232.020-010	2.0	2.13	2.25	1.99	2.10	10	0.7	0.17	2.5
P1232.020-012	2.0	2.13	2.25	1.99	2.10	12	0.7	0.17	2.5
P1232.020-014	2.0	2.13	2.25	1.99	2.10	14	0.7	0.17	2.5
P1232.020-016	2.0	2.13	2.25	1.99	2.10	16	0.7	0.17	2.5
P1232.020-018	2.0	2.13	2.25	1.99	2.10	18	0.7	0.17	2.5
P1232.020-020	2.0	2.13	2.25	1.99	2.10	20	0.7	0.17	2.5
P1232.025-008	2.5	2.65	2.78	2.49	2.60	8	0.8	0.21	3.9
P1232.025-010	2.5	2.65	2.78	2.49	2.60	10	0.8	0.21	3.9
P1232.025-012	2.5	2.65	2.78	2.49	2.60	12	0.8	0.21	3.9
P1232.025-014	2.5	2.65	2.78	2.49	2.60	14	0.8	0.21	3.9
P1232.025-016	2.5	2.65	2.78	2.49	2.60	16	0.8	0.21	3.9
P1232.025-018	2.5	2.65	2.78	2.49	2.60	18	0.8	0.21	3.9
P1232.025-020	2.5	2.65	2.78	2.49	2.60	20	0.8	0.21	3.9
P1232.025-022	2.5	2.65	2.78	2.49	2.60	22	0.8	0.21	3.9
P1232.025-024	2.5	2.65	2.78	2.49	2.60	24	0.8	0.21	3.9
P1232.030-008	3.0	3.15	3.30	2.99	3.10	8	0.9	0.25	5.5
P1232.030-010	3.0	3.15	3.30	2.99	3.10	10	0.9	0.25	5.5
P1232.030-012	3.0	3.15	3.30	2.99	3.10	12	0.9	0.25	5.5
P1232.030-014	3.0	3.15	3.30	2.99	3.10	14	0.9	0.25	5.5
P1232.030-016	3.0	3.15	3.30	2.99	3.10	16	0.9	0.25	5.5
P1232.030-018	3.0	3.15	3.30	2.99	3.10	18	0.9	0.25	5.5



SPRING PINS

Order No.	d <sub>1</sub> nom.	d <sub>1</sub> min.	d <sub>1</sub> max.	Hole min.	Hole max.	l <sub>1</sub>	l <sub>2</sub>	w <sub>1</sub>	Double shear kN
P1232.030-020	3.0	3.15	3.30	2.99	3.10	20	0.9	0.25	5.5
P1232.030-022	3.0	3.15	3.30	2.99	3.10	22	0.9	0.25	5.5
P1232.030-024	3.0	3.15	3.30	2.99	3.10	24	0.9	0.25	5.5
P1232.030-026	3.0	3.15	3.30	2.99	3.10	26	0.9	0.25	5.5
P1232.030-028	3.0	3.15	3.30	2.99	3.10	28	0.9	0.25	5.5
P1232.030-030	3.0	3.15	3.30	2.99	3.10	30	0.9	0.25	5.5
P1232.035-012	3.5	3.67	3.84	3.48	3.50	12	1.2	0.29	7.5
P1232.035-014	3.5	3.67	3.84	3.48	3.50	14	1.2	0.29	7.5
P1232.035-016	3.5	3.67	3.84	3.48	3.50	16	1.2	0.29	7.5
P1232.035-018	3.5	3.67	3.84	3.48	3.50	18	1.2	0.29	7.5
P1232.035-020	3.5	3.67	3.84	3.48	3.50	20	1.2	0.29	7.5
P1232.035-022	3.5	3.67	3.84	3.48	3.50	22	1.2	0.29	7.5
P1232.035-024	3.5	3.67	3.84	3.48	3.50	24	1.2	0.29	7.5
P1232.035-026	3.5	3.67	3.84	3.48	3.50	26	1.2	0.29	7.5
P1232.035-028	3.5	3.67	3.84	3.48	3.50	28	1.2	0.29	7.5
P1232.035-030	3.5	3.67	3.84	3.48	3.50	30	1.2	0.29	7.5
P1232.035-035	3.5	3.67	3.84	3.48	3.50	35	1.2	0.29	7.5
P1232.045-012	4.0	4.20	4.40	3.98	4.00	12	1.1	0.33	9.6
P1232.045-014	4.0	4.20	4.40	3.98	4.00	14	1.1	0.33	9.6
P1232.045-016	4.0	4.20	4.40	3.98	4.00	16	1.1	0.33	9.6
P1232.045-018	4.0	4.20	4.40	3.98	4.00	18	1.1	0.33	9.6
P1232.045-020	4.0	4.20	4.40	3.98	4.00	20	1.1	0.33	9.6
P1232.045-022	4.0	4.20	4.40	3.98	4.00	22	1.1	0.33	9.6
P1232.045-024	4.0	4.20	4.40	3.98	4.00	24	1.1	0.33	9.6
P1232.045-026	4.0	4.20	4.40	3.98	4.00	26	1.1	0.33	9.6
P1232.045-028	4.0	4.20	4.40	3.98	4.00	28	1.1	0.33	9.6
P1232.045-030	4.0	4.20	4.40	3.98	4.00	30	1.1	0.33	9.6
P1232.045-035	4.0	4.20	4.40	3.98	4.00	35	1.1	0.33	9.6
P1232.045-040	4.0	4.20	4.40	3.98	4.00	40	1.1	0.33	9.6
P1232.050-014	5.0	5.25	5.50	4.95	5.00	14	1.3	0.42	15.0
P1232.050-016	5.0	5.25	5.50	4.95	5.00	16	1.3	0.42	15.0
P1232.050-018	5.0	5.25	5.50	4.95	5.00	18	1.3	0.42	15.0
P1232.050-020	5.0	5.25	5.50	4.95	5.00	20	1.3	0.42	15.0
P1232.050-022	5.0	5.25	5.50	4.95	5.00	22	1.3	0.42	15.0
P1232.050-024	5.0	5.25	5.50	4.95	5.00	24	1.3	0.42	15.0
P1232.050-026	5.0	5.25	5.50	4.95	5.00	26	1.3	0.42	15.0
P1232.050-028	5.0	5.25	5.50	4.95	5.00	28	1.3	0.42	15.0
P1232.050-030	5.0	5.25	5.50	4.95	5.00	30	1.3	0.42	15.0
P1232.050-035	5.0	5.25	5.50	4.95	5.00	35	1.3	0.42	15.0
P1232.050-040	5.0	5.25	5.50	4.95	5.00	40	1.3	0.42	15.0
P1232.050-045	5.0	5.25	5.50	4.95	5.00	45	1.3	0.42	15.0
P1232.060-016	6.0	6.25	5.60	5.95	6.00	16	1.5	0.5	22.0
P1232.060-018	6.0	6.25	5.60	5.95	6.00	18	1.5	0.5	22.0
P1232.060-020	6.0	6.25	5.60	5.95	6.00	20	1.5	0.5	22.0
P1232.060-022	6.0	6.25	5.60	5.95	6.00	22	1.5	0.5	22.0
P1232.060-024	6.0	6.25	5.60	5.95	6.00	24	1.5	0.5	22.0
P1232.060-026	6.0	6.25	5.60	5.95	6.00	26	1.5	0.5	22.0
P1232.060-028	6.0	6.25	5.60	5.95	6.00	28	1.5	0.5	22.0
P1232.060-030	6.0	6.25	5.60	5.95	6.00	30	1.5	0.5	22.0
P1232.060-035	6.0	6.25	5.60	5.95	6.00	35	1.5	0.5	22.0
P1232.060-040	6.0	6.25	5.60	5.95	6.00	40	1.5	0.5	22.0
P1232.060-045	6.0	6.25	5.60	5.95	6.00	45	1.5	0.5	22.0
P1232.060-050	6.0	6.25	5.60	5.95	6.00	50	1.5	0.5	22.0
P1232.080-020	8.0	8.30	8.60	7.93	8.00	20	2.0	0.67	39.0
P1232.080-022	8.0	8.30	8.60	7.93	8.00	22	2.0	0.67	39.0
P1232.080-024	8.0	8.30	8.60	7.93	8.00	24	2.0	0.67	39.0
P1232.080-026	8.0	8.30	8.60	7.93	8.00	26	2.0	0.67	39.0
P1232.080-028	8.0	8.30	8.60	7.93	8.00	28	2.0	0.67	39.0
P1232.080-030	8.0	8.30	8.60	7.93	8.00	30	2.0	0.67	39.0
P1232.080-035	8.0	8.30	8.60	7.93	8.00	35	2.0	0.67	39.0
P1232.080-040	8.0	8.30	8.60	7.93	8.00	40	2.0	0.67	39.0
P1232.080-045	8.0	8.30	8.60	7.93	8.00	45	2.0	0.67	39.0
P1232.080-050	8.0	8.30	8.60	7.93	8.00	50	2.0	0.67	39.0
P1232.080-055	8.0	8.30	8.60	7.93	8.00	55	2.0	0.67	39.0
P1232.080-060	8.0	8.30	8.60	7.93	8.00	60	2.0	0.67	39.0
P1232.080-065	8.0	8.30	8.60	7.93	8.00	65	2.0	0.67	39.0
P1232.080-070	8.0	8.30	8.60	7.93	8.00	70	2.0	0.67	39.0
P1232.080-075	8.0	8.30	8.60	7.93	8.00	75	2.0	0.67	39.0



# Steel Spiral Spring Pins



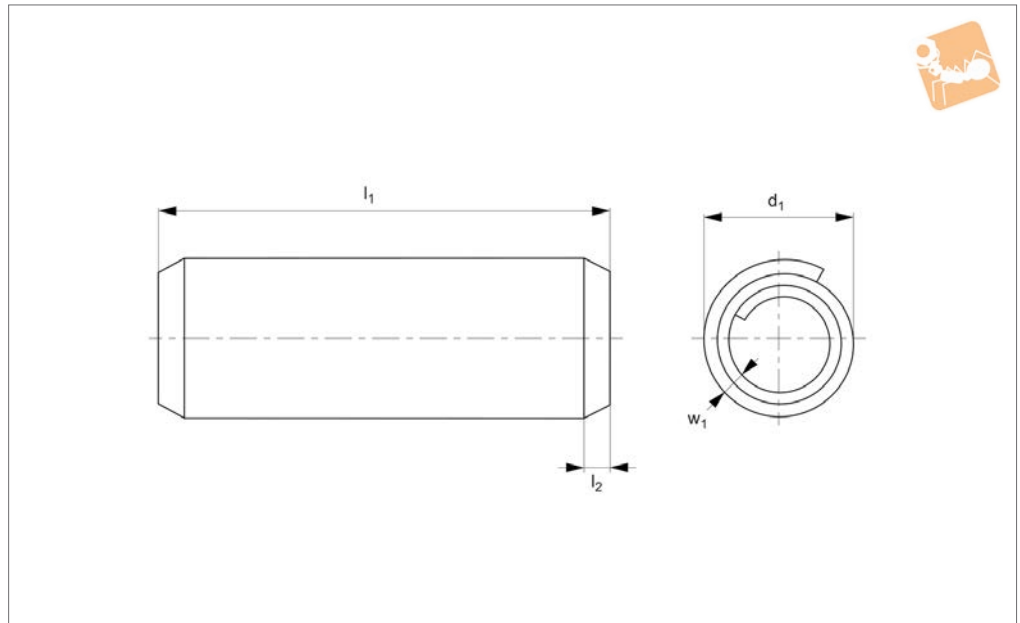
## Spring Pins

Order No.	d <sub>1</sub> nom.	d <sub>1</sub> min.	d <sub>1</sub> max.	Hole min.	Hole max.	l <sub>1</sub>	l <sub>2</sub>	w <sub>1</sub>	Double shear kN
P1232.100-024	10.0	10.35	10.80	9.93	10.00	24	2.5	0.84	62.0
P1232.100-026	10.0	10.35	10.80	9.93	10.00	26	2.5	0.84	62.0
P1232.100-028	10.0	10.35	10.80	9.93	10.00	28	2.5	0.84	62.0
P1232.100-030	10.0	10.35	10.80	9.93	10.00	30	2.5	0.84	62.0
P1232.100-035	10.0	10.35	10.80	9.93	10.00	35	2.5	0.84	62.0
P1232.100-040	10.0	10.35	10.80	9.93	10.00	40	2.5	0.84	62.0
P1232.100-045	10.0	10.35	10.80	9.93	10.00	45	2.5	0.84	62.0
P1232.100-050	10.0	10.35	10.80	9.93	10.00	50	2.5	0.84	62.0
P1232.100-055	10.0	10.35	10.80	9.93	10.00	55	2.5	0.84	62.0
P1232.100-060	10.0	10.35	10.80	9.93	10.00	60	2.5	0.84	62.0
P1232.100-065	10.0	10.35	10.80	9.93	10.00	65	2.5	0.84	62.0
P1232.100-070	10.0	10.35	10.80	9.93	10.00	70	2.5	0.84	62.0
P1232.100-075	10.0	10.35	10.80	9.93	10.00	75	2.5	0.84	62.0
P1232.100-080	10.0	10.35	10.80	9.93	10.00	80	2.5	0.84	62.0
P1232.100-085	10.0	10.35	10.80	9.93	10.00	85	2.5	0.84	62.0
P1232.120-028	12.0	12.40	12.85	11.90	12.00	28	3.0	1.0	89.0
P1232.120-030	12.0	12.40	12.85	11.90	12.00	30	3.0	1.0	89.0
P1232.120-035	12.0	12.40	12.85	11.90	12.00	35	3.0	1.0	89.0
P1232.120-040	12.0	12.40	12.85	11.90	12.00	40	3.0	1.0	89.0
P1232.120-045	12.0	12.40	12.85	11.90	12.00	45	3.0	1.0	89.0
P1232.120-050	12.0	12.40	12.85	11.90	12.00	50	3.0	1.0	89.0
P1232.120-055	12.0	12.40	12.85	11.90	12.00	55	3.0	1.0	89.0
P1232.120-060	12.0	12.40	12.85	11.90	12.00	60	3.0	1.0	89.0
P1232.120-065	12.0	12.40	12.85	11.90	12.00	65	3.0	1.0	89.0
P1232.120-070	12.0	12.40	12.85	11.90	12.00	70	3.0	1.0	89.0
P1232.120-075	12.0	12.40	12.85	11.90	12.00	75	3.0	1.0	89.0
P1232.120-080	12.0	12.40	12.85	11.90	12.00	80	3.0	1.0	89.0
P1232.120-085	12.0	12.40	12.85	11.90	12.00	85	3.0	1.0	89.0
P1232.120-090	12.0	12.40	12.85	11.90	12.00	90	3.0	1.0	89.0
P1232.120-095	12.0	12.40	12.85	11.90	12.00	95	3.0	1.0	89.0
P1232.120-100	12.0	12.40	12.85	11.90	12.00	100	3.0	1.0	89.0

SPRING PINS



## P1234



### Material

Stainless steel (A2).

### Technical Notes

To DIN 7343 (ISO 8750). These units have an expanded diameter slightly larger, than the hole for which they are designed, holding themselves in by radial tension on

the hole.

$l_1$  tolerances:-

1-10mm long  $\pm 0,25$

12-50mm long  $\pm 0,50$

over 50mm long  $\pm 0,75$ .

### Tips

Consists of 2.25 coils of steel and have

swaged chamfers at each end.

Improves shock absorption, easy assembly.

They are designed for plain drilled holes, but countersinking the holes makes insertion easier.

Order No.	$d_1$ nom.	$d_1$ min.	$d_1$ max.	Hole min.	Hole max.	$l_1$	$l_2$	$w_1$	Double shear kN
P1234.015-005	1.5	1.62	1.73	1.50	1.60	5	0.5	0.13	1.05
P1234.015-006	1.5	1.62	1.73	1.50	1.60	6	0.5	0.13	1.05
P1234.015-008	1.5	1.62	1.73	1.50	1.60	8	0.5	0.13	1.05
P1234.015-010	1.5	1.62	1.73	1.50	1.60	10	0.5	0.13	1.05
P1234.015-012	1.5	1.62	1.73	1.50	1.60	12	0.5	0.13	1.05
P1234.015-014	1.5	1.62	1.73	1.50	1.60	14	0.5	0.13	1.05
P1234.015-016	1.5	1.62	1.73	1.50	1.60	16	0.5	0.13	1.05
P1234.020-006	2.0	2.13	2.25	1.99	2.10	6	0.7	0.17	1.9
P1234.020-008	2.0	2.13	2.25	1.99	2.10	8	0.7	0.17	1.9
P1234.020-010	2.0	2.13	2.25	1.99	2.10	10	0.7	0.17	1.9
P1234.020-012	2.0	2.13	2.25	1.99	2.10	12	0.7	0.17	1.9
P1234.020-014	2.0	2.13	2.25	1.99	2.10	14	0.7	0.17	1.9
P1234.020-016	2.0	2.13	2.25	1.99	2.10	16	0.7	0.17	1.9
P1234.020-018	2.0	2.13	2.25	1.99	2.10	18	0.7	0.17	1.9
P1234.020-020	2.0	2.13	2.25	1.99	2.10	20	0.7	0.17	1.9
P1234.025-008	2.5	2.65	2.78	2.49	2.60	8	0.8	0.21	2.9
P1234.025-010	2.5	2.65	2.78	2.49	2.60	10	0.8	0.21	2.9
P1234.025-012	2.5	2.65	2.78	2.49	2.60	12	0.8	0.21	2.9
P1234.025-014	2.5	2.65	2.78	2.49	2.60	14	0.8	0.21	2.9
P1234.025-016	2.5	2.65	2.78	2.49	2.60	16	0.8	0.21	2.9
P1234.025-018	2.5	2.65	2.78	2.49	2.60	18	0.8	0.21	2.9
P1234.025-020	2.5	2.65	2.78	2.49	2.60	20	0.8	0.21	2.9
P1234.025-022	2.5	2.65	2.78	2.49	2.60	22	0.8	0.21	2.9
P1234.025-024	2.5	2.65	2.78	2.49	2.60	24	0.8	0.21	2.9
P1234.030-008	3.0	3.15	3.30	2.99	3.10	8	0.9	0.25	4.2
P1234.030-010	3.0	3.15	3.30	2.99	3.10	10	0.9	0.25	4.2
P1234.030-012	3.0	3.15	3.30	2.99	3.10	12	0.9	0.25	4.2
P1234.030-014	3.0	3.15	3.30	2.99	3.10	14	0.9	0.25	4.2
P1234.030-016	3.0	3.15	3.30	2.99	3.10	16	0.9	0.25	4.2
P1234.030-018	3.0	3.15	3.30	2.99	3.10	18	0.9	0.25	4.2



# Stainless Spiral Spring Pins



## Spring Pins

Order No.	d <sub>1</sub> nom.	d <sub>1</sub> min.	d <sub>1</sub> max.	Hole min.	Hole max.	l <sub>1</sub>	l <sub>2</sub>	w <sub>1</sub>	Double shear kN
P1234.030-020	3.0	3.15	3.30	2.99	3.10	20	0.9	0.25	4.2
P1234.030-022	3.0	3.15	3.30	2.99	3.10	22	0.9	0.25	4.2
P1234.030-024	3.0	3.15	3.30	2.99	3.10	24	0.9	0.25	4.2
P1234.030-026	3.0	3.15	3.30	2.99	3.10	26	0.9	0.25	4.2
P1234.030-028	3.0	3.15	3.30	2.99	3.10	28	0.9	0.25	4.2
P1234.030-030	3.0	3.15	3.30	2.99	3.10	30	0.9	0.25	4.2
P1234.040-012	4.0	4.20	4.40	3.98	4.12	12	1.1	0.33	7.6
P1234.040-014	4.0	4.20	4.40	3.98	4.12	14	1.1	0.33	7.6
P1234.040-016	4.0	4.20	4.40	3.98	4.12	16	1.1	0.33	7.6
P1234.040-018	4.0	4.20	4.40	3.98	4.12	18	1.1	0.33	7.6
P1234.040-020	4.0	4.20	4.40	3.98	4.12	20	1.1	0.33	7.6
P1234.040-022	4.0	4.20	4.40	3.98	4.12	22	1.1	0.33	7.6
P1234.040-024	4.0	4.20	4.40	3.98	4.12	24	1.1	0.33	7.6
P1234.040-026	4.0	4.20	4.40	3.98	4.12	26	1.1	0.33	7.6
P1234.040-028	4.0	4.20	4.40	3.98	4.12	28	1.1	0.33	7.6
P1234.040-030	4.0	4.20	4.40	3.98	4.12	30	1.1	0.33	7.6
P1234.040-035	4.0	4.20	4.40	3.98	4.12	35	1.1	0.33	7.6
P1234.040-040	4.0	4.20	4.40	3.98	4.12	40	1.1	0.33	7.6
P1234.050-014	5.0	5.25	5.50	4.95	5.12	14	1.3	0.42	11.5
P1234.050-016	5.0	5.25	5.50	4.95	5.12	16	1.3	0.42	11.5
P1234.050-018	5.0	5.25	5.50	4.95	5.12	18	1.3	0.42	11.5
P1234.050-020	5.0	5.25	5.50	4.95	5.12	20	1.3	0.42	11.5
P1234.050-022	5.0	5.25	5.50	4.95	5.12	22	1.3	0.42	11.5
P1234.050-024	5.0	5.25	5.50	4.95	5.12	24	1.3	0.42	11.5
P1234.050-026	5.0	5.25	5.50	4.95	5.12	26	1.3	0.42	11.5
P1234.050-028	5.0	5.25	5.50	4.95	5.12	28	1.3	0.42	11.5
P1234.050-030	5.0	5.25	5.50	4.95	5.12	30	1.3	0.42	11.5
P1234.050-035	5.0	5.25	5.50	4.95	5.12	35	1.3	0.42	11.5
P1234.050-040	5.0	5.25	5.50	4.95	5.12	40	1.3	0.42	11.5
P1234.050-045	5.0	5.25	5.50	4.95	5.12	45	1.3	0.42	11.5
P1234.060-016	6.0	6.25	6.60	5.95	6.13	16	1.5	0.5	16.8
P1234.060-018	6.0	6.25	6.60	5.95	6.13	18	1.5	0.5	16.8
P1234.060-020	6.0	6.25	6.60	5.95	6.13	20	1.5	0.5	16.8
P1234.060-022	6.0	6.25	6.60	5.95	6.13	22	1.5	0.5	16.8
P1234.060-024	6.0	6.25	6.60	5.95	6.13	24	1.5	0.5	16.8
P1234.060-026	6.0	6.25	6.60	5.95	6.13	26	1.5	0.5	16.8
P1234.060-028	6.0	6.25	6.60	5.95	6.13	28	1.5	0.5	16.8
P1234.060-030	6.0	6.25	6.60	5.95	6.13	30	1.5	0.5	16.8
P1234.060-035	6.0	6.25	6.60	5.95	6.13	35	1.5	0.5	16.8
P1234.060-040	6.0	6.25	6.60	5.95	6.13	40	1.5	0.5	16.8
P1234.060-045	6.0	6.25	6.60	5.95	6.13	45	1.5	0.5	16.8
P1234.060-050	6.0	6.25	6.60	5.95	6.13	50	1.5	0.5	16.8
P1234.080-020	8.0	8.30	8.60	7.93	8.17	20	2	0.67	30.0
P1234.080-022	8.0	8.30	8.60	7.93	8.17	22	2	0.67	30.0
P1234.080-024	8.0	8.30	8.60	7.93	8.17	24	2	0.67	30.0
P1234.080-026	8.0	8.30	8.60	7.93	8.17	26	2	0.67	30.0
P1234.080-028	8.0	8.30	8.60	7.93	8.17	28	2	0.67	30.0
P1234.080-030	8.0	8.30	8.60	7.93	8.17	30	2	0.67	30.0
P1234.080-035	8.0	8.30	8.60	7.93	8.17	35	2	0.67	30.0
P1234.080-040	8.0	8.30	8.60	7.93	8.17	40	2	0.67	30.0
P1234.080-045	8.0	8.30	8.60	7.93	8.17	45	2	0.67	30.0
P1234.080-050	8.0	8.30	8.60	7.93	8.17	50	2	0.67	30.0
P1234.080-055	8.0	8.30	8.60	7.93	8.17	55	2	0.67	30.0
P1234.080-060	8.0	8.30	8.60	7.93	8.17	60	2	0.67	30.0
P1234.080-065	8.0	8.30	8.60	7.93	8.17	65	2	0.67	30.0
P1234.080-070	8.0	8.30	8.60	7.93	8.17	70	2	0.67	30.0
P1234.080-075	8.0	8.30	8.60	7.93	8.17	75	2	0.67	30.0

SPRING PINS