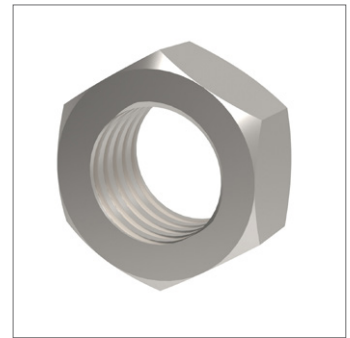
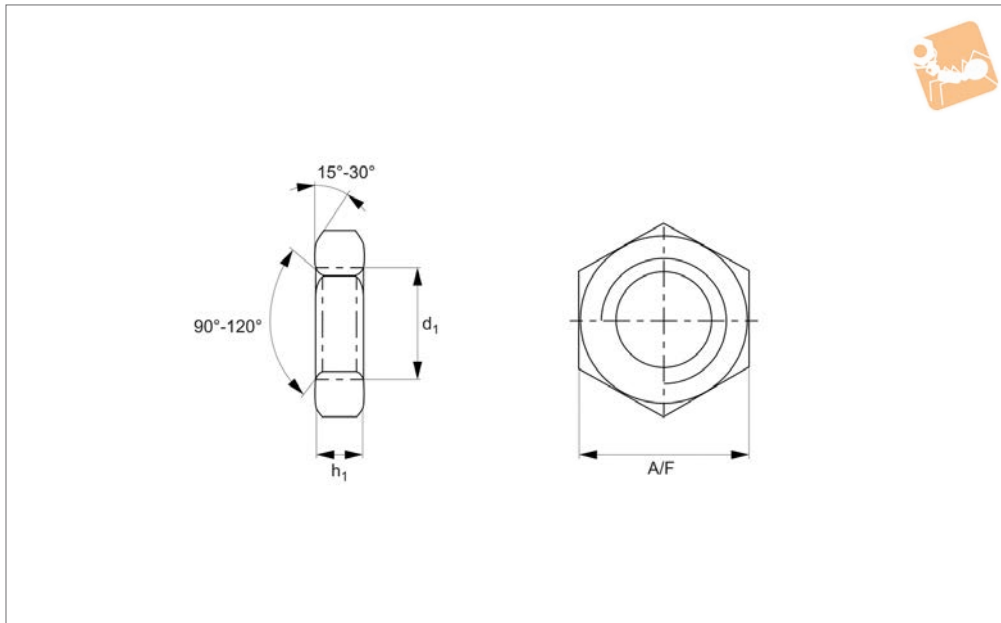


# Lock Nuts Fine Thread

## 303 series stainless



**P0306.A2**

NUTS

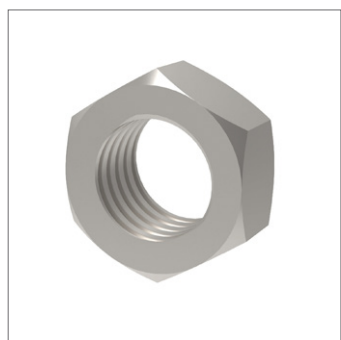
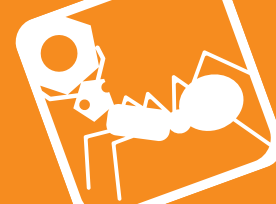
### Material

Stainless steel (AISI 303, 1.4305).

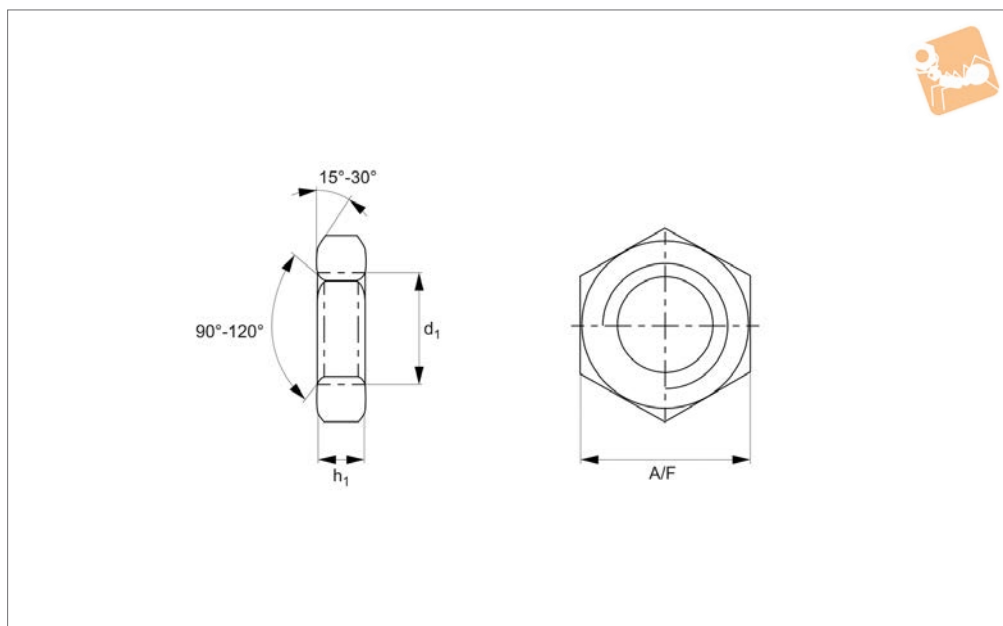
### Technical Notes

To DIN 439. Fine pitch threads.  
For coarse thread lock nuts see P0305.

Order No.	d <sub>1</sub>	h <sub>1</sub> min.	A/F	Material
P0306.080-100-A2	M 8x1,0	3.7	13	A2 s/s
P0306.100-100-A2	M10x1,0	4.7	17	A2 s/s
P0306.100-125-A2	M10x1,25	4.7	17	A2 s/s
P0306.120-125-A2	M12x1,25	5.7	19	A2 s/s
P0306.120-150-A2	M12x1,5	5.7	19	A2 s/s
P0306.140-150-A2	M14x1,5	6.42	22	A2 s/s
P0306.160-150-A2	M16x1,5	7.42	24	A2 s/s
P0306.180-150-A2	M18x1,5	8.42	27	A2 s/s
P0306.200-150-A2	M20x1,5	9.1	30	A2 s/s
P0306.220-150-A2	M22x1,5	9.9	34	A2 s/s
P0306.240-150-A2	M24x1,5	10.9	36	A2 s/s
P0306.240-200-A2	M24x2,0	10.9	36	A2 s/s
P0306.270-150-A2	M27x1,5	12.4	41	A2 s/s
P0306.270-200-A2	M27x2,0	12.4	41	A2 s/s
P0306.300-150-A2	M30x1,5	13.9	46	A2 s/s
P0306.300-200-A2	M30x2,0	13.9	46	A2 s/s
P0306.330-200-A2	M33x2,0	15.4	49	A2 s/s
P0306.360-150-A2	M36x1,5	16.9	55	A2 s/s



### P0306.A4



#### Material

Stainless steel (A4).

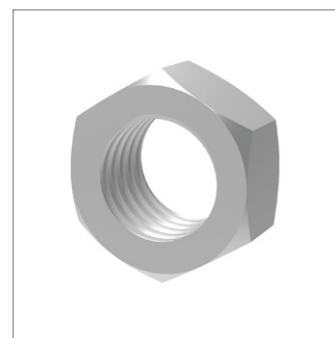
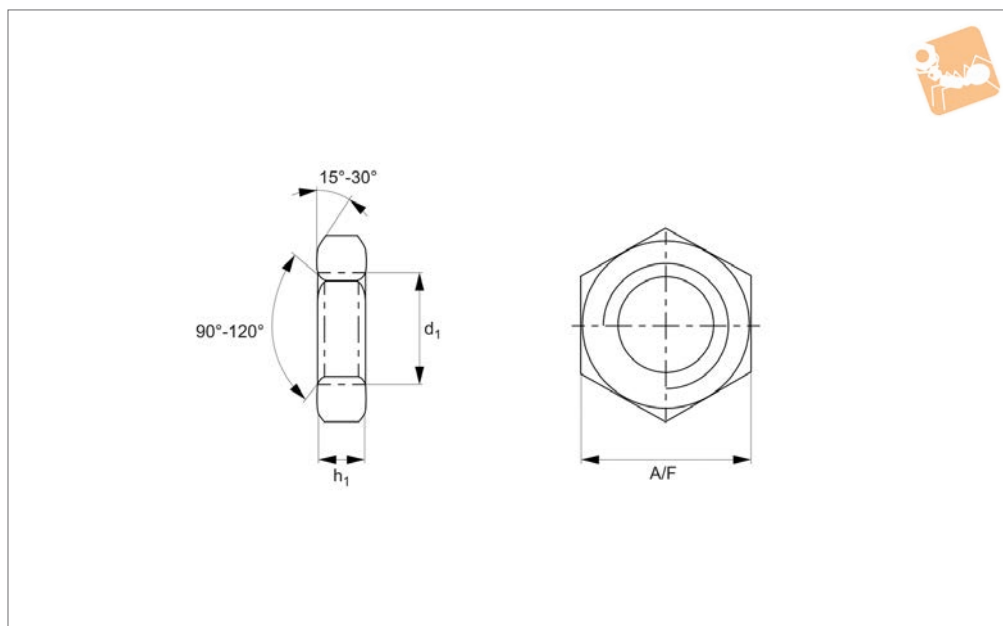
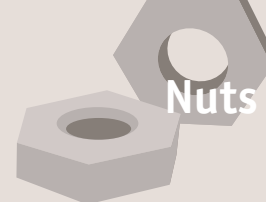
#### Technical Notes

To DIN 439. Fine pitch threads.  
For coarse thread lock nuts see P0305.

Order No.	$d_1$	$h_1$	A/F	Material
P0306.080-100-A4	M 8x1,0	3.7	13	A4 s/s
P0306.100-100-A4	M10x1,0	4.7	17	A4 s/s
P0306.100-125-A4	M10x1,25	4.7	17	A4 s/s
P0306.120-125-A4	M12x1,25	5.7	19	A4 s/s
P0306.120-150-A4	M12x1,5	5.7	19	A4 s/s
P0306.140-150-A4	M14x1,5	6.42	22	A4 s/s
P0306.160-150-A4	M16x1,5	7.42	24	A4 s/s
P0306.180-150-A4	M18x1,5	8.42	27	A4 s/s
P0306.200-150-A4	M20x1,5	9.1	30	A4 s/s
P0306.220-150-A4	M22x1,5	9.9	34	A4 s/s
P0306.240-150-A4	M24x1,5	10.9	36	A4 s/s
P0306.240-200-A4	M24x2,0	10.9	36	A4 s/s
P0306.270-150-A4	M27x1,5	12.4	41	A4 s/s
P0306.270-200-A4	M27x2,0	12.4	41	A4 s/s
P0306.300-150-A4	M30x1,5	13.9	46	A4 s/s
P0306.300-200-A4	M30x2,0	13.9	46	A4 s/s
P0306.330-200-A4	M33x2,0	15.4	49	A4 s/s
P0306.360-150-A4	M36x1,5	16.9	55	A4 s/s

# Lock Nuts Fine Thread

Steel, zinc-plated



**P0306.ZP**

NUTS

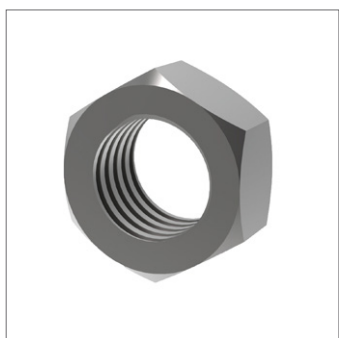
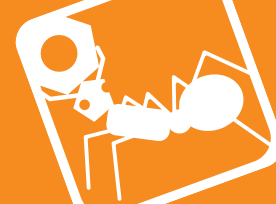
### Material

Steel (class 4), zinc-plated.

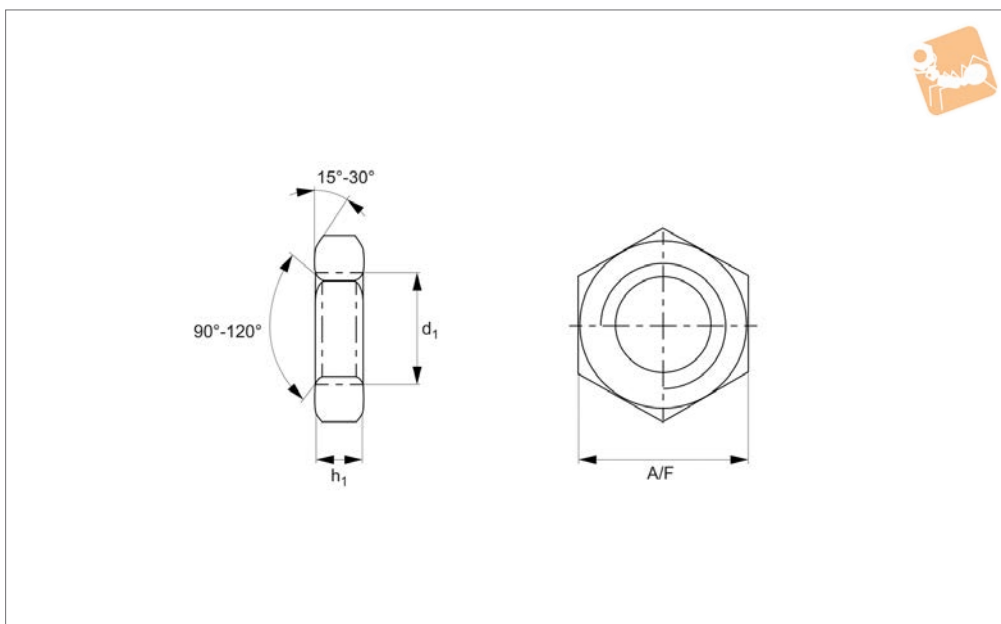
### Technical Notes

To DIN 439. Fine pitch threads.  
For coarse thread lock nuts see P0305.

Order No.	d <sub>1</sub>	h <sub>1</sub>	A/F	Material
P0306.080-100-ZP	M 8x1,0	3.7	13	Steel ZP
P0306.100-100-ZP	M10x1,0	4.7	17	Steel ZP
P0306.100-125-ZP	M10x1,25	4.7	17	Steel ZP
P0306.120-125-ZP	M12x1,25	5.7	19	Steel ZP
P0306.120-150-ZP	M12x1,5	5.7	19	Steel ZP
P0306.140-150-ZP	M14x1,5	6.42	22	Steel ZP
P0306.160-150-ZP	M16x1,5	7.42	24	Steel ZP
P0306.180-150-ZP	M18x1,5	8.42	27	Steel ZP
P0306.200-150-ZP	M20x1,5	9.1	30	Steel ZP
P0306.200-200-ZP	M20x2,0	9.1	30	Steel ZP
P0306.220-150-ZP	M22x1,5	9.9	34	Steel ZP
P0306.240-150-ZP	M24x1,5	10.9	36	Steel ZP
P0306.240-200-ZP	M24x2,0	10.9	36	Steel ZP
P0306.270-150-ZP	M27x1,5	12.4	41	Steel ZP
P0306.270-200-ZP	M27x2,0	12.4	41	Steel ZP
P0306.300-150-ZP	M30x1,5	13.9	46	Steel ZP
P0306.300-200-ZP	M30x2,0	13.9	46	Steel ZP
P0306.330-200-ZP	M33x2,0	15.4	49	Steel ZP
P0306.360-150-ZP	M36x1,5	16.9	55	Steel ZP
P0306.360-200-ZP	M36x2,0	16.9	55	Steel ZP
P0306.360-300-ZP	M36x3,0	16.9	55	Steel ZP



## P0306.SC



### Material

Steel (class 4), self-colour.

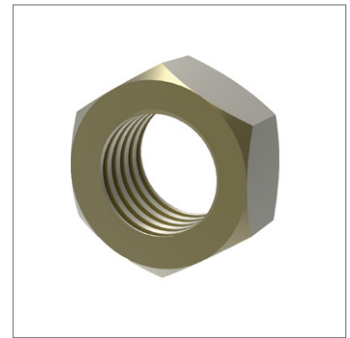
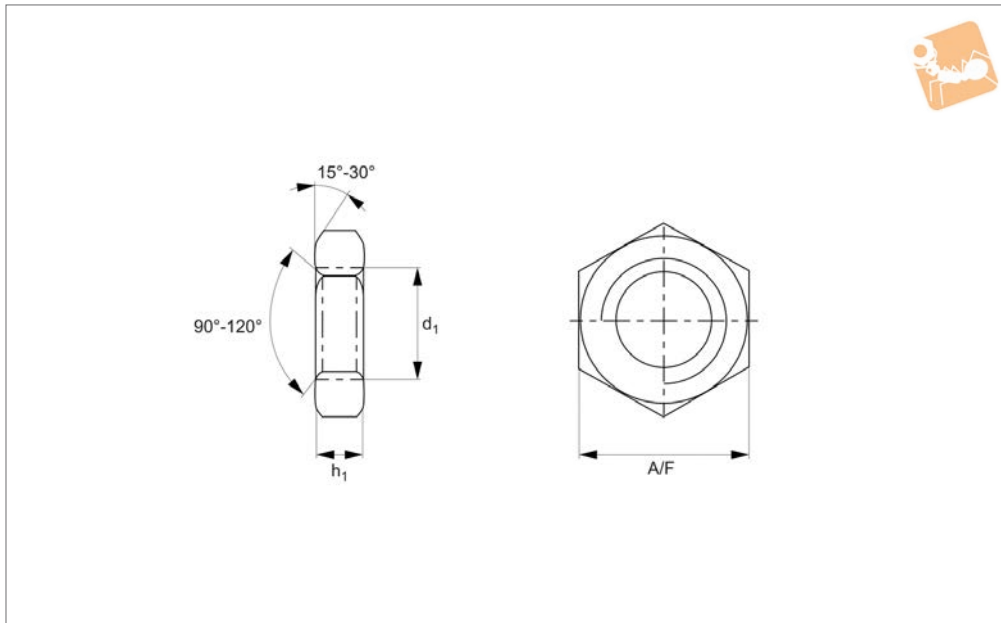
### Technical Notes

To DIN 439. Fine pitch threads.  
For coarse thread lock nuts see P0305.

Order No.	$d_1$	$h_1$	A/F	Material
P0306.080-100-SC	M 8x1,0	3.7	13	Steel SC
P0306.100-100-SC	M10x1,0	4.7	17	Steel SC
P0306.100-125-SC	M10x1,25	4.7	17	Steel SC
P0306.120-125-SC	M12x1,25	5.7	19	Steel SC
P0306.120-150-SC	M12x1,5	5.7	19	Steel SC
P0306.140-150-SC	M14x1,5	6.42	22	Steel SC
P0306.160-150-SC	M16x1,5	7.42	24	Steel SC
P0306.180-150-SC	M18x1,5	8.42	27	Steel SC
P0306.200-150-SC	M20x1,5	9.1	30	Steel SC
P0306.220-150-SC	M22x1,5	9.9	34	Steel SC
P0306.240-150-SC	M24x1,5	10.9	36	Steel SC
P0306.240-200-SC	M24x2,0	10.9	36	Steel SC
P0306.270-150-SC	M27x1,5	12.4	41	Steel SC
P0306.270-200-SC	M27x2,0	12.4	41	Steel SC
P0306.300-150-SC	M30x1,5	13.9	46	Steel SC
P0306.300-200-SC	M30x2,0	13.9	46	Steel SC
P0306.330-200-SC	M33x2,0	15.4	49	Steel SC
P0306.360-150-SC	M36x1,5	16.9	55	Steel SC
P0306.360-300-SC	M36x1,5	16.9	55	Steel SC
P0306.390-150-SC	M39x1,5	19.5	60	Steel SC
P0306.420-150-SC	M42x1,5	21	65	Steel SC
P0306.450-300-SC	M45x3,0	22.5	70	Steel SC
P0306.480-150-SC	M48x1,5	24	75	Steel SC
P0306.520-150-SC	M52x1,5	26	80	Steel SC
P0306.560-200-SC	M56x2,0	28	85	Steel SC

# Lock Nuts Fine Thread

Brass



**P0306.BR**

NUTS

## Material

Brass.

## Technical Notes

To DIN 439. Fine pitch threads.

For coarse thread lock nuts see P0305.

Order No.	d	h	A/F	Material
P0306.080-100-BR	M 8x1,0	3.7	13	Brass
P0306.100-100-BR	M10x1,0	4.7	17	Brass
P0306.120-150-BR	M12x1,5	5.7	19	Brass
P0306.140-150-BR	M14x1,5	6.42	22	Brass
P0306.160-150-BR	M16x1,5	7.42	24	Brass
P0306.180-150-BR	M18x1,5	8.42	27	Brass
P0306.200-150-BR	M20x1,5	9.1	30	Brass
P0306.220-150-BR	M22x1,5	9.9	34	Brass
P0306.240-150-BR	M24x1,5	10.9	36	Brass
P0306.270-150-BR	M27x1,5	12.4	41	Brass
P0306.300-150-BR	M30x1,5	13.9	46	Brass