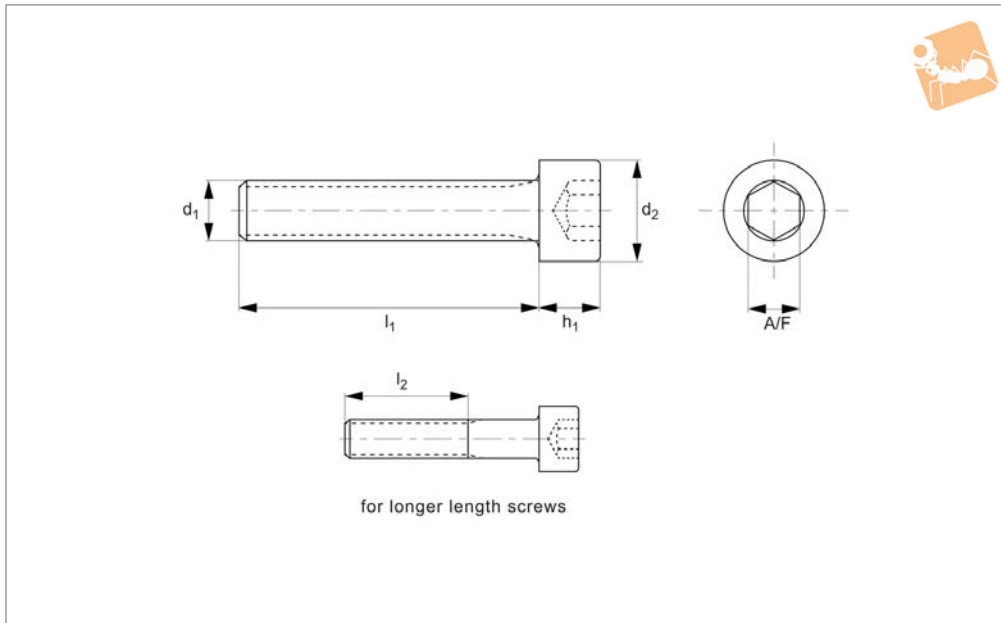




Socket Cap Screws

Steel - zinc-plated

Standard Screws



P0200.ZP

STANDARD SCREWS

Material

Steel, zinc-plated (grade 12.9).
Tensile strength 1200 N/mm².

screw lengths the threads goes all the way to the head of the screw (i.e. $l_1 = l_2$) less 2.5 thread pitches.

Technical Notes

To DIN 912, ISO 4762. For the majority of

For longer length screws the threaded portion $l_2 < l_1$.

| Order No. | d ₁ | d ₂ | h ₁ | l ₁ | l ₂ | A/F | Material |
|------------------|----------------|----------------|----------------|----------------|----------------|-----|----------|
| P0200.020-003-ZP | M 2 | 3.8 | 2 | 3 | - | 1.5 | Steel ZP |
| P0200.020-004-ZP | M 2 | 3.8 | 2 | 4 | - | 1.5 | Steel ZP |
| P0200.020-005-ZP | M 2 | 3.8 | 2 | 5 | - | 1.5 | Steel ZP |
| P0200.020-006-ZP | M 2 | 3.8 | 2 | 6 | - | 1.5 | Steel ZP |
| P0200.020-008-ZP | M 2 | 3.8 | 2 | 8 | - | 1.5 | Steel ZP |
| P0200.020-010-ZP | M 2 | 3.8 | 2 | 10 | - | 1.5 | Steel ZP |
| P0200.020-012-ZP | M 2 | 3.8 | 2 | 12 | - | 1.5 | Steel ZP |
| P0200.020-014-ZP | M 2 | 3.8 | 2 | 14 | - | 1.5 | Steel ZP |
| P0200.020-016-ZP | M 2 | 3.8 | 2 | 16 | - | 1.5 | Steel ZP |
| P0200.020-018-ZP | M 2 | 3.8 | 2 | 18 | - | 1.5 | Steel ZP |
| P0200.020-020-ZP | M 2 | 3.8 | 2 | 20 | - | 1.5 | Steel ZP |
| P0200.025-004-ZP | M2,5 | 4.5 | 2.5 | 4 | - | 2 | Steel ZP |
| P0200.025-005-ZP | M2,5 | 4.5 | 2.5 | 5 | - | 2 | Steel ZP |
| P0200.025-006-ZP | M2,5 | 4.5 | 2.5 | 6 | - | 2 | Steel ZP |
| P0200.025-008-ZP | M2,5 | 4.5 | 2.5 | 8 | - | 2 | Steel ZP |
| P0200.025-010-ZP | M2,5 | 4.5 | 2.5 | 10 | - | 2 | Steel ZP |
| P0200.025-012-ZP | M2,5 | 4.5 | 2.5 | 12 | - | 2 | Steel ZP |
| P0200.025-014-ZP | M2,5 | 4.5 | 2.5 | 14 | - | 2 | Steel ZP |
| P0200.025-016-ZP | M2,5 | 4.5 | 2.5 | 16 | - | 2 | Steel ZP |
| P0200.025-018-ZP | M2,5 | 4.5 | 2.5 | 18 | - | 2 | Steel ZP |
| P0200.025-020-ZP | M2,5 | 4.5 | 2.5 | 20 | - | 2 | Steel ZP |
| P0200.025-022-ZP | M2,5 | 4.5 | 2.5 | 22 | - | 2 | Steel ZP |
| P0200.025-025-ZP | M2,5 | 4.5 | 2.5 | 25 | - | 2 | Steel ZP |
| P0200.030-004-ZP | M 3 | 5.5 | 3 | 4 | - | 2.5 | Steel ZP |
| P0200.030-005-ZP | M 3 | 5.5 | 3 | 5 | - | 2.5 | Steel ZP |
| P0200.030-006-ZP | M 3 | 5.5 | 3 | 6 | - | 2.5 | Steel ZP |
| P0200.030-008-ZP | M 3 | 5.5 | 3 | 8 | - | 2.5 | Steel ZP |
| P0200.030-010-ZP | M 3 | 5.5 | 3 | 10 | - | 2.5 | Steel ZP |
| P0200.030-012-ZP | M 3 | 5.5 | 3 | 12 | - | 2.5 | Steel ZP |
| P0200.030-014-ZP | M 3 | 5.5 | 3 | 14 | - | 2.5 | Steel ZP |
| P0200.030-016-ZP | M 3 | 5.5 | 3 | 16 | - | 2.5 | Steel ZP |
| P0200.030-018-ZP | M 3 | 5.5 | 3 | 18 | - | 2.5 | Steel ZP |
| P0200.030-020-ZP | M 3 | 5.5 | 3 | 20 | 18 | 2.5 | Steel ZP |



STANDARD SCREWS

| Order No. | d ₁ | d ₂ | h ₁ | l ₁ | l ₂ | A/F | Material |
|------------------|----------------|----------------|----------------|----------------|----------------|-----|----------|
| P0200.030-025-ZP | M 3 | 5.5 | 3 | 25 | 18 | 2.5 | Steel ZP |
| P0200.030-030-ZP | M 3 | 5.5 | 3 | 30 | 18 | 2.5 | Steel ZP |
| P0200.030-035-ZP | M 3 | 5.5 | 3 | 35 | 18 | 2.5 | Steel ZP |
| P0200.030-040-ZP | M 3 | 5.5 | 3 | 40 | 18 | 2.5 | Steel ZP |
| P0200.030-045-ZP | M 3 | 5.5 | 3 | 45 | 18 | 2.5 | Steel ZP |
| P0200.030-050-ZP | M 3 | 5.5 | 3 | 50 | 18 | 2.5 | Steel ZP |
| P0200.040-005-ZP | M 4 | 7 | 4 | 5 | - | 3 | Steel ZP |
| P0200.040-006-ZP | M 4 | 7 | 4 | 6 | - | 3 | Steel ZP |
| P0200.040-008-ZP | M 4 | 7 | 4 | 8 | - | 3 | Steel ZP |
| P0200.040-010-ZP | M 4 | 7 | 4 | 10 | - | 3 | Steel ZP |
| P0200.040-012-ZP | M 4 | 7 | 4 | 12 | - | 3 | Steel ZP |
| P0200.040-014-ZP | M 4 | 7 | 4 | 14 | - | 3 | Steel ZP |
| P0200.040-016-ZP | M 4 | 7 | 4 | 16 | - | 3 | Steel ZP |
| P0200.040-018-ZP | M 4 | 7 | 4 | 18 | - | 3 | Steel ZP |
| P0200.040-020-ZP | M 4 | 7 | 4 | 20 | 20 | 3 | Steel ZP |
| P0200.040-025-ZP | M 4 | 7 | 4 | 25 | 20 | 3 | Steel ZP |
| P0200.040-030-ZP | M 4 | 7 | 4 | 30 | 20 | 3 | Steel ZP |
| P0200.040-035-ZP | M 4 | 7 | 4 | 35 | 20 | 3 | Steel ZP |
| P0200.040-040-ZP | M 4 | 7 | 4 | 40 | 20 | 3 | Steel ZP |
| P0200.040-045-ZP | M 4 | 7 | 4 | 45 | 20 | 3 | Steel ZP |
| P0200.040-050-ZP | M 4 | 7 | 4 | 50 | 20 | 3 | Steel ZP |
| P0200.040-055-ZP | M 4 | 7 | 4 | 55 | 20 | 3 | Steel ZP |
| P0200.040-060-ZP | M 4 | 7 | 4 | 60 | 20 | 3 | Steel ZP |
| P0200.040-070-ZP | M 4 | 7 | 4 | 70 | 20 | 3 | Steel ZP |
| P0200.040-075-ZP | M 4 | 7 | 4 | 75 | 20 | 3 | Steel ZP |
| P0200.050-006-ZP | M 5 | 8.5 | 5 | 6 | - | 4 | Steel ZP |
| P0200.050-008-ZP | M 5 | 8.5 | 5 | 8 | - | 4 | Steel ZP |
| P0200.050-010-ZP | M 5 | 8.5 | 5 | 10 | - | 4 | Steel ZP |
| P0200.050-012-ZP | M 5 | 8.5 | 5 | 12 | - | 4 | Steel ZP |
| P0200.050-014-ZP | M 5 | 8.5 | 5 | 14 | - | 4 | Steel ZP |
| P0200.050-016-ZP | M 5 | 8.5 | 5 | 16 | - | 4 | Steel ZP |
| P0200.050-018-ZP | M 5 | 8.5 | 5 | 18 | - | 4 | Steel ZP |
| P0200.050-020-ZP | M 5 | 8.5 | 5 | 20 | - | 4 | Steel ZP |
| P0200.050-025-ZP | M 5 | 8.5 | 5 | 25 | 22 | 4 | Steel ZP |
| P0200.050-030-ZP | M 5 | 8.5 | 5 | 30 | 22 | 4 | Steel ZP |
| P0200.050-035-ZP | M 5 | 8.5 | 5 | 35 | 22 | 4 | Steel ZP |
| P0200.050-040-ZP | M 5 | 8.5 | 5 | 40 | 22 | 4 | Steel ZP |
| P0200.050-045-ZP | M 5 | 8.5 | 5 | 45 | 22 | 4 | Steel ZP |
| P0200.050-050-ZP | M 5 | 8.5 | 5 | 50 | 22 | 4 | Steel ZP |
| P0200.050-055-ZP | M 5 | 8.5 | 5 | 55 | 22 | 4 | Steel ZP |
| P0200.050-060-ZP | M 5 | 8.5 | 5 | 60 | 22 | 4 | Steel ZP |
| P0200.050-065-ZP | M 5 | 8.5 | 5 | 65 | 22 | 4 | Steel ZP |
| P0200.050-070-ZP | M 5 | 8.5 | 5 | 70 | 22 | 4 | Steel ZP |
| P0200.050-080-ZP | M 5 | 8.5 | 5 | 80 | 22 | 4 | Steel ZP |
| P0200.050-090-ZP | M 5 | 8.5 | 5 | 90 | 22 | 4 | Steel ZP |
| P0200.050-100-ZP | M 5 | 8.5 | 5 | 100 | 22 | 4 | Steel ZP |
| P0200.060-006-ZP | M 6 | 10 | 6 | 6 | - | 5 | Steel ZP |
| P0200.060-008-ZP | M 6 | 10 | 6 | 8 | - | 5 | Steel ZP |
| P0200.060-010-ZP | M 6 | 10 | 6 | 10 | - | 5 | Steel ZP |
| P0200.060-012-ZP | M 6 | 10 | 6 | 12 | - | 5 | Steel ZP |
| P0200.060-014-ZP | M 6 | 10 | 6 | 14 | - | 5 | Steel ZP |
| P0200.060-016-ZP | M 6 | 10 | 6 | 16 | - | 5 | Steel ZP |
| P0200.060-018-ZP | M 6 | 10 | 6 | 18 | - | 5 | Steel ZP |
| P0200.060-020-ZP | M 6 | 10 | 6 | 20 | - | 5 | Steel ZP |
| P0200.060-025-ZP | M 6 | 10 | 6 | 25 | 24 | 5 | Steel ZP |
| P0200.060-030-ZP | M 6 | 10 | 6 | 30 | 24 | 5 | Steel ZP |
| P0200.060-035-ZP | M 6 | 10 | 6 | 35 | 24 | 5 | Steel ZP |
| P0200.060-040-ZP | M 6 | 10 | 6 | 40 | 24 | 5 | Steel ZP |
| P0200.060-045-ZP | M 6 | 10 | 6 | 45 | 24 | 5 | Steel ZP |
| P0200.060-050-ZP | M 6 | 10 | 6 | 50 | 24 | 5 | Steel ZP |
| P0200.060-055-ZP | M 6 | 10 | 6 | 55 | 24 | 5 | Steel ZP |
| P0200.060-060-ZP | M 6 | 10 | 6 | 60 | 24 | 5 | Steel ZP |
| P0200.060-065-ZP | M 6 | 10 | 6 | 65 | 24 | 5 | Steel ZP |
| P0200.060-070-ZP | M 6 | 10 | 6 | 70 | 24 | 5 | Steel ZP |
| P0200.060-080-ZP | M 6 | 10 | 6 | 80 | 24 | 5 | Steel ZP |
| P0200.060-090-ZP | M 6 | 10 | 6 | 90 | 24 | 5 | Steel ZP |
| P0200.060-100-ZP | M 6 | 10 | 6 | 100 | 24 | 5 | Steel ZP |
| P0200.060-110-ZP | M 6 | 10 | 6 | 110 | 24 | 5 | Steel ZP |
| P0200.060-120-ZP | M 6 | 10 | 6 | 120 | 24 | 5 | Steel ZP |



Socket Cap Screws

Steel - zinc-plated

Standard Screws



| Order No. | d ₁ | d ₂ | h ₁ | l ₁ | l ₂ | A/F | Material |
|------------------|----------------|----------------|----------------|----------------|----------------|-----|----------|
| P0200.060-130-ZP | M 6 | 10 | 6 | 130 | 24 | 5 | Steel ZP |
| P0200.060-140-ZP | M 6 | 10 | 6 | 140 | 24 | 5 | Steel ZP |
| P0200.060-150-ZP | M 6 | 10 | 6 | 150 | 24 | 5 | Steel ZP |
| P0200.080-010-ZP | M 8 | 13 | 8 | 10 | - | 6 | Steel ZP |
| P0200.080-012-ZP | M 8 | 13 | 8 | 12 | - | 6 | Steel ZP |
| P0200.080-014-ZP | M 8 | 13 | 8 | 14 | - | 6 | Steel ZP |
| P0200.080-016-ZP | M 8 | 13 | 8 | 16 | - | 6 | Steel ZP |
| P0200.080-018-ZP | M 8 | 13 | 8 | 18 | - | 6 | Steel ZP |
| P0200.080-020-ZP | M 8 | 13 | 8 | 20 | - | 6 | Steel ZP |
| P0200.080-025-ZP | M 8 | 13 | 8 | 25 | - | 6 | Steel ZP |
| P0200.080-030-ZP | M 8 | 13 | 8 | 30 | 28 | 6 | Steel ZP |
| P0200.080-035-ZP | M 8 | 13 | 8 | 35 | 28 | 6 | Steel ZP |
| P0200.080-040-ZP | M 8 | 13 | 8 | 40 | 28 | 6 | Steel ZP |
| P0200.080-045-ZP | M 8 | 13 | 8 | 45 | 28 | 6 | Steel ZP |
| P0200.080-050-ZP | M 8 | 13 | 8 | 50 | 28 | 6 | Steel ZP |
| P0200.080-055-ZP | M 8 | 13 | 8 | 55 | 28 | 6 | Steel ZP |
| P0200.080-060-ZP | M 8 | 13 | 8 | 60 | 28 | 6 | Steel ZP |
| P0200.080-065-ZP | M 8 | 13 | 8 | 65 | 28 | 6 | Steel ZP |
| P0200.080-070-ZP | M 8 | 13 | 8 | 70 | 28 | 6 | Steel ZP |
| P0200.080-080-ZP | M 8 | 13 | 8 | 80 | 28 | 6 | Steel ZP |
| P0200.080-090-ZP | M 8 | 13 | 8 | 90 | 28 | 6 | Steel ZP |
| P0200.080-100-ZP | M 8 | 13 | 8 | 100 | 28 | 6 | Steel ZP |
| P0200.080-110-ZP | M 8 | 13 | 8 | 110 | 28 | 6 | Steel ZP |
| P0200.080-120-ZP | M 8 | 13 | 8 | 120 | 28 | 6 | Steel ZP |
| P0200.080-130-ZP | M 8 | 13 | 8 | 130 | 28 | 6 | Steel ZP |
| P0200.080-140-ZP | M 8 | 13 | 8 | 140 | 28 | 6 | Steel ZP |
| P0200.080-150-ZP | M 8 | 13 | 8 | 150 | 28 | 6 | Steel ZP |
| P0200.080-160-ZP | M 8 | 13 | 8 | 160 | 28 | 6 | Steel ZP |
| P0200.080-170-ZP | M 8 | 13 | 8 | 170 | 28 | 6 | Steel ZP |
| P0200.080-180-ZP | M 8 | 13 | 8 | 180 | 28 | 6 | Steel ZP |
| P0200.080-190-ZP | M 8 | 13 | 8 | 190 | 28 | 6 | Steel ZP |
| P0200.080-200-ZP | M 8 | 13 | 8 | 200 | 28 | 6 | Steel ZP |
| P0200.100-012-ZP | M10 | 16 | 10 | 12 | - | 8 | Steel ZP |
| P0200.100-016-ZP | M10 | 16 | 10 | 16 | - | 8 | Steel ZP |
| P0200.100-018-ZP | M10 | 16 | 10 | 18 | - | 8 | Steel ZP |
| P0200.100-020-ZP | M10 | 16 | 10 | 20 | - | 8 | Steel ZP |
| P0200.100-025-ZP | M10 | 16 | 10 | 25 | - | 8 | Steel ZP |
| P0200.100-030-ZP | M10 | 16 | 10 | 30 | - | 8 | Steel ZP |
| P0200.100-035-ZP | M10 | 16 | 10 | 35 | 32 | 8 | Steel ZP |
| P0200.100-040-ZP | M10 | 16 | 10 | 40 | 32 | 8 | Steel ZP |
| P0200.100-045-ZP | M10 | 16 | 10 | 45 | 32 | 8 | Steel ZP |
| P0200.100-050-ZP | M10 | 16 | 10 | 50 | 32 | 8 | Steel ZP |
| P0200.100-055-ZP | M10 | 16 | 10 | 55 | 32 | 8 | Steel ZP |
| P0200.100-060-ZP | M10 | 16 | 10 | 60 | 32 | 8 | Steel ZP |
| P0200.100-065-ZP | M10 | 16 | 10 | 65 | 32 | 8 | Steel ZP |
| P0200.100-070-ZP | M10 | 16 | 10 | 70 | 32 | 8 | Steel ZP |
| P0200.100-075-ZP | M10 | 16 | 10 | 75 | 32 | 8 | Steel ZP |
| P0200.100-080-ZP | M10 | 16 | 10 | 80 | 32 | 8 | Steel ZP |
| P0200.100-090-ZP | M10 | 16 | 10 | 90 | 32 | 8 | Steel ZP |
| P0200.100-100-ZP | M10 | 16 | 10 | 100 | 32 | 8 | Steel ZP |
| P0200.100-110-ZP | M10 | 16 | 10 | 110 | 32 | 8 | Steel ZP |
| P0200.100-120-ZP | M10 | 16 | 10 | 120 | 32 | 8 | Steel ZP |
| P0200.100-130-ZP | M10 | 16 | 10 | 130 | 32 | 8 | Steel ZP |
| P0200.100-140-ZP | M10 | 16 | 10 | 140 | 32 | 8 | Steel ZP |
| P0200.100-150-ZP | M10 | 16 | 10 | 150 | 32 | 8 | Steel ZP |
| P0200.100-160-ZP | M10 | 16 | 10 | 160 | 32 | 8 | Steel ZP |
| P0200.100-170-ZP | M10 | 16 | 10 | 170 | 32 | 8 | Steel ZP |
| P0200.100-180-ZP | M10 | 16 | 10 | 180 | 32 | 8 | Steel ZP |
| P0200.100-190-ZP | M10 | 16 | 10 | 190 | 32 | 8 | Steel ZP |
| P0200.100-200-ZP | M10 | 16 | 10 | 200 | 32 | 8 | Steel ZP |
| P0200.120-016-ZP | M12 | 18 | 12 | 16 | - | 10 | Steel ZP |
| P0200.120-020-ZP | M12 | 18 | 12 | 20 | - | 10 | Steel ZP |
| P0200.120-025-ZP | M12 | 18 | 12 | 25 | - | 10 | Steel ZP |
| P0200.120-030-ZP | M12 | 18 | 12 | 30 | - | 10 | Steel ZP |
| P0200.120-035-ZP | M12 | 18 | 12 | 35 | - | 10 | Steel ZP |
| P0200.120-040-ZP | M12 | 18 | 12 | 40 | 36 | 10 | Steel ZP |
| P0200.120-045-ZP | M12 | 18 | 12 | 45 | 36 | 10 | Steel ZP |
| P0200.120-050-ZP | M12 | 18 | 12 | 50 | 36 | 10 | Steel ZP |
| P0200.120-055-ZP | M12 | 18 | 12 | 55 | 36 | 10 | Steel ZP |

STANDARD SCREWS



STANDARD SCREWS

| Order No. | d ₁ | d ₂ | h ₁ | l ₁ | l ₂ | A/F | Material |
|------------------|----------------|----------------|----------------|----------------|----------------|-----|----------|
| P0200.120-060-ZP | M12 | 18 | 12 | 60 | 36 | 10 | Steel ZP |
| P0200.120-065-ZP | M12 | 18 | 12 | 65 | 36 | 10 | Steel ZP |
| P0200.120-070-ZP | M12 | 18 | 12 | 70 | 36 | 10 | Steel ZP |
| P0200.120-080-ZP | M12 | 18 | 12 | 80 | 36 | 10 | Steel ZP |
| P0200.120-090-ZP | M12 | 18 | 12 | 90 | 36 | 10 | Steel ZP |
| P0200.120-100-ZP | M12 | 18 | 12 | 100 | 36 | 10 | Steel ZP |
| P0200.120-110-ZP | M12 | 18 | 12 | 110 | 36 | 10 | Steel ZP |
| P0200.120-120-ZP | M12 | 18 | 12 | 120 | 36 | 10 | Steel ZP |
| P0200.120-130-ZP | M12 | 18 | 12 | 130 | 36 | 10 | Steel ZP |
| P0200.120-140-ZP | M12 | 18 | 12 | 140 | 36 | 10 | Steel ZP |
| P0200.120-150-ZP | M12 | 18 | 12 | 150 | 36 | 10 | Steel ZP |
| P0200.120-160-ZP | M12 | 18 | 12 | 160 | 36 | 10 | Steel ZP |
| P0200.120-170-ZP | M12 | 18 | 12 | 170 | 36 | 10 | Steel ZP |
| P0200.120-180-ZP | M12 | 18 | 12 | 180 | 36 | 10 | Steel ZP |
| P0200.120-190-ZP | M12 | 18 | 12 | 190 | 36 | 10 | Steel ZP |
| P0200.120-200-ZP | M12 | 18 | 12 | 200 | 36 | 10 | Steel ZP |
| P0200.140-020-ZP | M14 | 21 | 14 | 20 | - | 12 | Steel ZP |
| P0200.140-025-ZP | M14 | 21 | 14 | 25 | - | 12 | Steel ZP |
| P0200.140-030-ZP | M14 | 21 | 14 | 30 | - | 12 | Steel ZP |
| P0200.140-035-ZP | M14 | 21 | 14 | 35 | - | 12 | Steel ZP |
| P0200.140-040-ZP | M14 | 21 | 14 | 40 | - | 12 | Steel ZP |
| P0200.140-045-ZP | M14 | 21 | 14 | 45 | 40 | 12 | Steel ZP |
| P0200.140-050-ZP | M14 | 21 | 14 | 50 | 40 | 12 | Steel ZP |
| P0200.140-055-ZP | M14 | 21 | 14 | 55 | 40 | 12 | Steel ZP |
| P0200.140-060-ZP | M14 | 21 | 14 | 60 | 40 | 12 | Steel ZP |
| P0200.140-065-ZP | M14 | 21 | 14 | 65 | 40 | 12 | Steel ZP |
| P0200.140-070-ZP | M14 | 21 | 14 | 70 | 40 | 12 | Steel ZP |
| P0200.140-080-ZP | M14 | 21 | 14 | 80 | 40 | 12 | Steel ZP |
| P0200.140-090-ZP | M14 | 21 | 14 | 90 | 40 | 12 | Steel ZP |
| P0200.140-100-ZP | M14 | 21 | 14 | 100 | 40 | 12 | Steel ZP |
| P0200.140-110-ZP | M14 | 21 | 14 | 110 | 40 | 12 | Steel ZP |
| P0200.140-120-ZP | M14 | 21 | 14 | 120 | 40 | 12 | Steel ZP |
| P0200.140-130-ZP | M14 | 21 | 14 | 130 | 40 | 12 | Steel ZP |
| P0200.140-140-ZP | M14 | 21 | 14 | 140 | 40 | 12 | Steel ZP |
| P0200.140-150-ZP | M14 | 21 | 14 | 150 | 40 | 12 | Steel ZP |
| P0200.140-160-ZP | M14 | 21 | 14 | 160 | 40 | 12 | Steel ZP |
| P0200.140-170-ZP | M14 | 21 | 14 | 170 | 40 | 12 | Steel ZP |
| P0200.140-180-ZP | M14 | 21 | 14 | 180 | 40 | 12 | Steel ZP |
| P0200.140-190-ZP | M14 | 21 | 14 | 190 | 40 | 12 | Steel ZP |
| P0200.140-200-ZP | M14 | 21 | 14 | 200 | 40 | 12 | Steel ZP |
| P0200.160-020-ZP | M16 | 24 | 16 | 20 | - | 14 | Steel ZP |
| P0200.160-025-ZP | M16 | 24 | 16 | 25 | - | 14 | Steel ZP |
| P0200.160-030-ZP | M16 | 24 | 16 | 30 | - | 14 | Steel ZP |
| P0200.160-035-ZP | M16 | 24 | 16 | 35 | - | 14 | Steel ZP |
| P0200.160-040-ZP | M16 | 24 | 16 | 40 | - | 14 | Steel ZP |
| P0200.160-045-ZP | M16 | 24 | 16 | 45 | - | 14 | Steel ZP |
| P0200.160-050-ZP | M16 | 24 | 16 | 50 | 44 | 14 | Steel ZP |
| P0200.160-055-ZP | M16 | 24 | 16 | 55 | 44 | 14 | Steel ZP |
| P0200.160-060-ZP | M16 | 24 | 16 | 60 | 44 | 14 | Steel ZP |
| P0200.160-065-ZP | M16 | 24 | 16 | 65 | 44 | 14 | Steel ZP |
| P0200.160-070-ZP | M16 | 24 | 16 | 70 | 44 | 14 | Steel ZP |
| P0200.160-080-ZP | M16 | 24 | 16 | 80 | 44 | 14 | Steel ZP |
| P0200.160-090-ZP | M16 | 24 | 16 | 90 | 44 | 14 | Steel ZP |
| P0200.160-100-ZP | M16 | 24 | 16 | 100 | 44 | 14 | Steel ZP |
| P0200.160-110-ZP | M16 | 24 | 16 | 110 | 44 | 14 | Steel ZP |
| P0200.160-120-ZP | M16 | 24 | 16 | 120 | 44 | 14 | Steel ZP |
| P0200.160-130-ZP | M16 | 24 | 16 | 130 | 44 | 14 | Steel ZP |
| P0200.160-140-ZP | M16 | 24 | 16 | 140 | 44 | 14 | Steel ZP |
| P0200.160-150-ZP | M16 | 24 | 16 | 150 | 44 | 14 | Steel ZP |
| P0200.160-160-ZP | M16 | 24 | 16 | 160 | 44 | 14 | Steel ZP |
| P0200.160-170-ZP | M16 | 24 | 16 | 170 | 44 | 14 | Steel ZP |
| P0200.160-180-ZP | M16 | 24 | 16 | 180 | 44 | 14 | Steel ZP |
| P0200.160-190-ZP | M16 | 24 | 16 | 190 | 44 | 14 | Steel ZP |
| P0200.160-200-ZP | M16 | 24 | 16 | 200 | 44 | 14 | Steel ZP |
| P0200.180-030-ZP | M18 | 27 | 18 | 30 | - | 14 | Steel ZP |
| P0200.180-035-ZP | M18 | 27 | 18 | 35 | - | 14 | Steel ZP |
| P0200.180-040-ZP | M18 | 27 | 18 | 40 | - | 14 | Steel ZP |
| P0200.180-045-ZP | M18 | 27 | 18 | 45 | - | 14 | Steel ZP |
| P0200.180-050-ZP | M18 | 27 | 18 | 50 | 48 | 14 | Steel ZP |



Socket Cap Screws

Steel - zinc-plated

Standard Screws



| Order No. | d ₁ | d ₂ | h ₁ | l ₁ | l ₂ | A/F | Material |
|------------------|----------------|----------------|----------------|----------------|----------------|-----|----------|
| P0200.180-055-ZP | M18 | 27 | 18 | 55 | 48 | 14 | Steel ZP |
| P0200.180-060-ZP | M18 | 27 | 18 | 60 | 48 | 14 | Steel ZP |
| P0200.180-065-ZP | M18 | 27 | 18 | 65 | 48 | 14 | Steel ZP |
| P0200.180-070-ZP | M18 | 27 | 18 | 70 | 48 | 14 | Steel ZP |
| P0200.180-075-ZP | M18 | 27 | 18 | 75 | 48 | 14 | Steel ZP |
| P0200.180-080-ZP | M18 | 27 | 18 | 80 | 48 | 14 | Steel ZP |
| P0200.180-090-ZP | M18 | 27 | 18 | 90 | 48 | 14 | Steel ZP |
| P0200.180-100-ZP | M18 | 27 | 18 | 100 | 48 | 14 | Steel ZP |
| P0200.180-110-ZP | M18 | 27 | 18 | 110 | 48 | 14 | Steel ZP |
| P0200.180-120-ZP | M18 | 27 | 18 | 120 | 48 | 14 | Steel ZP |
| P0200.180-130-ZP | M18 | 27 | 18 | 130 | 48 | 14 | Steel ZP |
| P0200.180-140-ZP | M18 | 27 | 18 | 140 | 48 | 14 | Steel ZP |
| P0200.180-150-ZP | M18 | 27 | 18 | 150 | 48 | 14 | Steel ZP |
| P0200.180-160-ZP | M18 | 27 | 18 | 160 | 48 | 14 | Steel ZP |
| P0200.180-170-ZP | M18 | 27 | 18 | 170 | 48 | 14 | Steel ZP |
| P0200.180-180-ZP | M18 | 27 | 18 | 180 | 48 | 14 | Steel ZP |
| P0200.180-190-ZP | M18 | 27 | 18 | 190 | 48 | 14 | Steel ZP |
| P0200.180-200-ZP | M18 | 27 | 18 | 200 | 48 | 14 | Steel ZP |
| P0200.200-030-ZP | M20 | 30 | 20 | 30 | - | 17 | Steel ZP |
| P0200.200-035-ZP | M20 | 30 | 20 | 35 | - | 17 | Steel ZP |
| P0200.200-040-ZP | M20 | 30 | 20 | 40 | - | 17 | Steel ZP |
| P0200.200-045-ZP | M20 | 30 | 20 | 45 | - | 17 | Steel ZP |
| P0200.200-050-ZP | M20 | 30 | 20 | 50 | - | 17 | Steel ZP |
| P0200.200-055-ZP | M20 | 30 | 20 | 55 | 52 | 17 | Steel ZP |
| P0200.200-060-ZP | M20 | 30 | 20 | 60 | 52 | 17 | Steel ZP |
| P0200.200-065-ZP | M20 | 30 | 20 | 65 | 52 | 17 | Steel ZP |
| P0200.200-070-ZP | M20 | 30 | 20 | 70 | 52 | 17 | Steel ZP |
| P0200.200-080-ZP | M20 | 30 | 20 | 80 | 52 | 17 | Steel ZP |
| P0200.200-090-ZP | M20 | 30 | 20 | 90 | 52 | 17 | Steel ZP |
| P0200.200-100-ZP | M20 | 30 | 20 | 100 | 52 | 17 | Steel ZP |
| P0200.200-110-ZP | M20 | 30 | 20 | 110 | 52 | 17 | Steel ZP |
| P0200.200-120-ZP | M20 | 30 | 20 | 120 | 52 | 17 | Steel ZP |
| P0200.200-130-ZP | M20 | 30 | 20 | 130 | 52 | 17 | Steel ZP |
| P0200.200-140-ZP | M20 | 30 | 20 | 140 | 52 | 17 | Steel ZP |
| P0200.200-150-ZP | M20 | 30 | 20 | 150 | 52 | 17 | Steel ZP |
| P0200.200-160-ZP | M20 | 30 | 20 | 160 | 52 | 17 | Steel ZP |
| P0200.200-170-ZP | M20 | 30 | 20 | 170 | 52 | 17 | Steel ZP |
| P0200.200-180-ZP | M20 | 30 | 20 | 180 | 52 | 17 | Steel ZP |
| P0200.200-190-ZP | M20 | 30 | 20 | 190 | 52 | 17 | Steel ZP |
| P0200.200-200-ZP | M20 | 30 | 20 | 200 | 52 | 17 | Steel ZP |
| P0200.270-050-ZP | M27 | 40 | 27 | 50 | - | 19 | Steel ZP |
| P0200.270-055-ZP | M27 | 40 | 27 | 55 | - | 19 | Steel ZP |
| P0200.270-060-ZP | M27 | 40 | 27 | 60 | - | 19 | Steel ZP |
| P0200.270-065-ZP | M27 | 40 | 27 | 65 | - | 19 | Steel ZP |
| P0200.270-070-ZP | M27 | 40 | 27 | 70 | 66 | 19 | Steel ZP |
| P0200.270-080-ZP | M27 | 40 | 27 | 80 | 66 | 19 | Steel ZP |
| P0200.270-090-ZP | M27 | 40 | 27 | 90 | 66 | 19 | Steel ZP |
| P0200.270-100-ZP | M27 | 40 | 27 | 100 | 66 | 19 | Steel ZP |
| P0200.270-110-ZP | M27 | 40 | 27 | 110 | 66 | 19 | Steel ZP |
| P0200.270-120-ZP | M27 | 40 | 27 | 120 | 66 | 19 | Steel ZP |
| P0200.270-130-ZP | M27 | 40 | 27 | 130 | 66 | 19 | Steel ZP |
| P0200.270-140-ZP | M27 | 40 | 27 | 140 | 66 | 19 | Steel ZP |
| P0200.270-150-ZP | M27 | 40 | 27 | 150 | 66 | 19 | Steel ZP |
| P0200.270-160-ZP | M27 | 40 | 27 | 160 | 66 | 19 | Steel ZP |
| P0200.270-170-ZP | M24 | 40 | 27 | 170 | 66 | 19 | Steel ZP |
| P0200.270-180-ZP | M27 | 40 | 27 | 180 | 66 | 19 | Steel ZP |
| P0200.270-190-ZP | M27 | 40 | 27 | 190 | 66 | 19 | Steel ZP |
| P0200.270-200-ZP | M27 | 40 | 27 | 200 | 66 | 19 | Steel ZP |
| P0200.240-040-ZP | M24 | 36 | 24 | 40 | - | 19 | Steel ZP |
| P0200.240-045-ZP | M24 | 36 | 24 | 45 | - | 19 | Steel ZP |
| P0200.240-050-ZP | M24 | 36 | 24 | 50 | - | 19 | Steel ZP |
| P0200.240-055-ZP | M24 | 36 | 24 | 55 | - | 19 | Steel ZP |
| P0200.240-060-ZP | M24 | 36 | 24 | 60 | - | 19 | Steel ZP |
| P0200.240-065-ZP | M24 | 36 | 24 | 65 | 60 | 19 | Steel ZP |
| P0200.240-070-ZP | M24 | 36 | 24 | 70 | 60 | 19 | Steel ZP |
| P0200.240-080-ZP | M24 | 36 | 24 | 80 | 60 | 19 | Steel ZP |
| P0200.240-090-ZP | M24 | 36 | 24 | 90 | 60 | 19 | Steel ZP |
| P0200.240-100-ZP | M24 | 36 | 24 | 100 | 60 | 19 | Steel ZP |
| P0200.240-110-ZP | M24 | 36 | 24 | 110 | 60 | 19 | Steel ZP |

STANDARD SCREWS



STANDARD SCREWS

| Order No. | d ₁ | d ₂ | h ₁ | l ₁ | l ₂ | A/F | Material |
|------------------|----------------|----------------|----------------|----------------|----------------|-----|----------|
| P0200.240-120-ZP | M24 | 36 | 24 | 120 | 60 | 19 | Steel ZP |
| P0200.240-130-ZP | M24 | 36 | 24 | 130 | 60 | 19 | Steel ZP |
| P0200.240-140-ZP | M24 | 36 | 24 | 140 | 60 | 19 | Steel ZP |
| P0200.240-150-ZP | M24 | 36 | 24 | 150 | 60 | 19 | Steel ZP |
| P0200.240-160-ZP | M24 | 36 | 24 | 160 | 60 | 19 | Steel ZP |
| P0200.240-170-ZP | M24 | 36 | 24 | 170 | 60 | 19 | Steel ZP |
| P0200.240-180-ZP | M24 | 36 | 24 | 180 | 60 | 19 | Steel ZP |
| P0200.240-190-ZP | M24 | 36 | 24 | 190 | 60 | 19 | Steel ZP |
| P0200.240-200-ZP | M24 | 36 | 24 | 200 | 60 | 19 | Steel ZP |
| P0200.300-050-ZP | M30 | 45 | 30 | 50 | - | 22 | Steel ZP |
| P0200.300-055-ZP | M30 | 45 | 30 | 55 | - | 22 | Steel ZP |
| P0200.300-060-ZP | M30 | 45 | 30 | 60 | - | 22 | Steel ZP |
| P0200.300-065-ZP | M30 | 45 | 30 | 65 | - | 22 | Steel ZP |
| P0200.300-070-ZP | M30 | 45 | 30 | 70 | - | 22 | Steel ZP |
| P0200.300-080-ZP | M30 | 45 | 30 | 80 | 72 | 22 | Steel ZP |
| P0200.300-090-ZP | M30 | 45 | 30 | 90 | 72 | 22 | Steel ZP |
| P0200.300-100-ZP | M30 | 45 | 30 | 100 | 72 | 22 | Steel ZP |
| P0200.300-110-ZP | M30 | 45 | 30 | 110 | 72 | 22 | Steel ZP |
| P0200.300-120-ZP | M30 | 45 | 30 | 120 | 72 | 22 | Steel ZP |
| P0200.300-130-ZP | M30 | 45 | 30 | 130 | 72 | 22 | Steel ZP |
| P0200.300-140-ZP | M30 | 45 | 30 | 140 | 72 | 22 | Steel ZP |
| P0200.300-150-ZP | M30 | 45 | 30 | 150 | 72 | 22 | Steel ZP |
| P0200.300-160-ZP | M30 | 45 | 30 | 160 | 72 | 22 | Steel ZP |
| P0200.300-170-ZP | M30 | 45 | 30 | 170 | 72 | 22 | Steel ZP |
| P0200.300-180-ZP | M30 | 45 | 30 | 180 | 72 | 22 | Steel ZP |
| P0200.300-190-ZP | M30 | 45 | 30 | 190 | 72 | 22 | Steel ZP |
| P0200.300-200-ZP | M30 | 45 | 30 | 200 | 72 | 22 | Steel ZP |

Socket Cap Screws

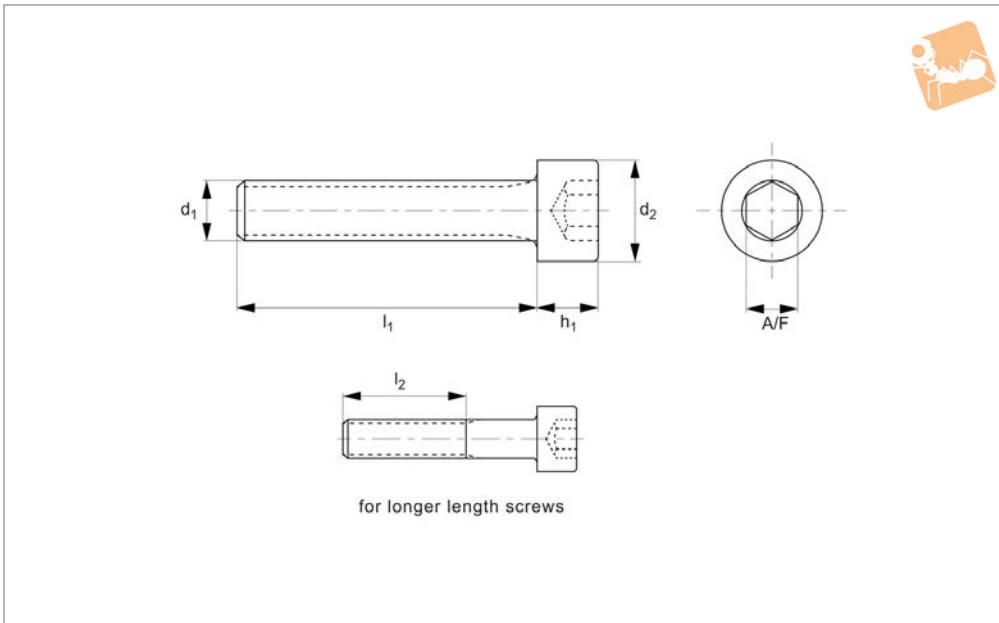
A2 stainless

Standard Screws



P0200.A2

STANDARD SCREWS



Material

Stainless steel A2.

Technical Notes

To DIN 912, ISO 4762. For the majority of

screw lengths the threads goes all the way to the head of the screw (i.e. $l_2 = l_1$) less 2.5 thread pitches.

For longer length screws the threaded

portion $l_2 < l_1$.

See technical page for tightening torques.

| Order No. | d ₁ | d ₂ | h ₁ | l ₁ | l ₂ | A/F | Material |
|------------------|----------------|----------------|----------------|----------------|----------------|-----|----------|
| P0200.016-003-A2 | M1,6 | 3.0 | 1.6 | 3 | - | 1.5 | A2 s/s |
| P0200.016-004-A2 | M1,6 | 3.0 | 1.6 | 4 | - | 1.5 | A2 s/s |
| P0200.016-005-A2 | M1,6 | 3.0 | 1.6 | 5 | - | 1.5 | A2 s/s |
| P0200.016-006-A2 | M1,6 | 3.0 | 1.6 | 6 | - | 1.5 | A2 s/s |
| P0200.016-008-A2 | M1,6 | 3.0 | 1.6 | 8 | - | 1.5 | A2 s/s |
| P0200.016-010-A2 | M1,6 | 3.0 | 1.6 | 10 | - | 1.5 | A2 s/s |
| P0200.016-012-A2 | M1,6 | 3.0 | 1.6 | 12 | - | 1.5 | A2 s/s |
| P0200.016-014-A2 | M1,6 | 3.0 | 1.6 | 14 | - | 1.5 | A2 s/s |
| P0200.016-016-A2 | M1,6 | 3.0 | 1.6 | 16 | - | 1.5 | A2 s/s |
| P0200.020-003-A2 | M 2 | 3.8 | 2 | 3 | - | 1.5 | A2 s/s |
| P0200.020-004-A2 | M 2 | 3.8 | 2 | 4 | - | 1.5 | A2 s/s |
| P0200.020-005-A2 | M 2 | 3.8 | 2 | 5 | - | 1.5 | A2 s/s |
| P0200.020-006-A2 | M 2 | 3.8 | 2 | 6 | - | 1.5 | A2 s/s |
| P0200.020-008-A2 | M 2 | 3.8 | 2 | 8 | - | 1.5 | A2 s/s |
| P0200.020-010-A2 | M 2 | 3.8 | 2 | 10 | - | 1.5 | A2 s/s |
| P0200.020-012-A2 | M 2 | 3.8 | 2 | 12 | - | 1.5 | A2 s/s |
| P0200.020-014-A2 | M 2 | 3.8 | 2 | 14 | - | 1.5 | A2 s/s |
| P0200.020-016-A2 | M 2 | 3.8 | 2 | 16 | - | 1.5 | A2 s/s |
| P0200.020-018-A2 | M 2 | 3.8 | 2 | 18 | - | 1.5 | A2 s/s |
| P0200.020-020-A2 | M 2 | 3.8 | 2 | 20 | - | 1.5 | A2 s/s |
| P0200.025-004-A2 | M2,5 | 4.5 | 2.5 | 4 | - | 2 | A2 s/s |
| P0200.025-005-A2 | M2,5 | 4.5 | 2.5 | 5 | - | 2 | A2 s/s |
| P0200.025-006-A2 | M2,5 | 4.5 | 2.5 | 6 | - | 2 | A2 s/s |
| P0200.025-008-A2 | M2,5 | 4.5 | 2.5 | 8 | - | 2 | A2 s/s |
| P0200.025-010-A2 | M2,5 | 4.5 | 2.5 | 10 | - | 2 | A2 s/s |
| P0200.025-012-A2 | M2,5 | 4.5 | 2.5 | 12 | - | 2 | A2 s/s |
| P0200.025-014-A2 | M2,5 | 4.5 | 2.5 | 14 | - | 2 | A2 s/s |
| P0200.025-016-A2 | M2,5 | 4.5 | 2.5 | 16 | - | 2 | A2 s/s |
| P0200.025-018-A2 | M2,5 | 4.5 | 2.5 | 18 | - | 2 | A2 s/s |
| P0200.025-020-A2 | M2,5 | 4.5 | 2.5 | 20 | - | 2 | A2 s/s |
| P0200.025-022-A2 | M2,5 | 4.5 | 2.5 | 22 | - | 2 | A2 s/s |
| P0200.025-025-A2 | M2,5 | 4.5 | 2.5 | 25 | - | 2 | A2 s/s |
| P0200.030-004-A2 | M 3 | 5.5 | 3 | 4 | - | 2.5 | A2 s/s |
| P0200.030-005-A2 | M 3 | 5.5 | 3 | 5 | - | 2.5 | A2 s/s |



STANDARD SCREWS

| Order No. | d ₁ | d ₂ | h ₁ | l ₁ | l ₂ | A/F | Material |
|------------------|----------------|----------------|----------------|----------------|----------------|-----|----------|
| P0200.030-006-A2 | M 3 | 5.5 | 3 | 6 | - | 2.5 | A2 s/s |
| P0200.030-008-A2 | M 3 | 5.5 | 3 | 8 | - | 2.5 | A2 s/s |
| P0200.030-010-A2 | M 3 | 5.5 | 3 | 10 | - | 2.5 | A2 s/s |
| P0200.030-012-A2 | M 3 | 5.5 | 3 | 12 | - | 2.5 | A2 s/s |
| P0200.030-014-A2 | M 3 | 5.5 | 3 | 14 | - | 2.5 | A2 s/s |
| P0200.030-016-A2 | M 3 | 5.5 | 3 | 16 | - | 2.5 | A2 s/s |
| P0200.030-018-A2 | M 3 | 5.5 | 3 | 18 | - | 2.5 | A2 s/s |
| P0200.030-020-A2 | M 3 | 5.5 | 3 | 20 | 18 | 2.5 | A2 s/s |
| P0200.030-025-A2 | M 3 | 5.5 | 3 | 25 | 18 | 2.5 | A2 s/s |
| P0200.030-030-A2 | M 3 | 5.5 | 3 | 30 | 18 | 2.5 | A2 s/s |
| P0200.030-035-A2 | M 3 | 5.5 | 3 | 35 | 18 | 2.5 | A2 s/s |
| P0200.030-040-A2 | M 3 | 5.5 | 3 | 40 | 18 | 2.5 | A2 s/s |
| P0200.030-045-A2 | M 3 | 5.5 | 3 | 45 | 18 | 2.5 | A2 s/s |
| P0200.030-050-A2 | M 3 | 5.5 | 3 | 50 | 18 | 2.5 | A2 s/s |
| P0200.040-005-A2 | M 4 | 7 | 4 | 5 | - | 3 | A2 s/s |
| P0200.040-006-A2 | M 4 | 7 | 4 | 6 | - | 3 | A2 s/s |
| P0200.040-008-A2 | M 4 | 7 | 4 | 8 | - | 3 | A2 s/s |
| P0200.040-010-A2 | M 4 | 7 | 4 | 10 | - | 3 | A2 s/s |
| P0200.040-012-A2 | M 4 | 7 | 4 | 12 | - | 3 | A2 s/s |
| P0200.040-014-A2 | M 4 | 7 | 4 | 14 | - | 3 | A2 s/s |
| P0200.040-016-A2 | M 4 | 7 | 4 | 16 | - | 3 | A2 s/s |
| P0200.040-018-A2 | M 4 | 7 | 4 | 18 | - | 3 | A2 s/s |
| P0200.040-020-A2 | M 4 | 7 | 4 | 20 | 20 | 3 | A2 s/s |
| P0200.040-025-A2 | M 4 | 7 | 4 | 25 | 20 | 3 | A2 s/s |
| P0200.040-030-A2 | M 4 | 7 | 4 | 30 | 20 | 3 | A2 s/s |
| P0200.040-035-A2 | M 4 | 7 | 4 | 35 | 20 | 3 | A2 s/s |
| P0200.040-040-A2 | M 4 | 7 | 4 | 40 | 20 | 3 | A2 s/s |
| P0200.040-045-A2 | M 4 | 7 | 4 | 45 | 20 | 3 | A2 s/s |
| P0200.040-050-A2 | M 4 | 7 | 4 | 50 | 20 | 3 | A2 s/s |
| P0200.040-055-A2 | M 4 | 7 | 4 | 55 | 20 | 3 | A2 s/s |
| P0200.040-060-A2 | M 4 | 7 | 4 | 60 | 20 | 3 | A2 s/s |
| P0200.040-070-A2 | M 4 | 7 | 4 | 70 | 20 | 3 | A2 s/s |
| P0200.040-075-A2 | M 4 | 7 | 4 | 75 | 20 | 3 | A2 s/s |
| P0200.050-006-A2 | M 5 | 8.5 | 5 | 6 | - | 4 | A2 s/s |
| P0200.050-008-A2 | M 5 | 8.5 | 5 | 8 | - | 4 | A2 s/s |
| P0200.050-010-A2 | M 5 | 8.5 | 5 | 10 | - | 4 | A2 s/s |
| P0200.050-012-A2 | M 5 | 8.5 | 5 | 12 | - | 4 | A2 s/s |
| P0200.050-014-A2 | M 5 | 8.5 | 5 | 14 | - | 4 | A2 s/s |
| P0200.050-016-A2 | M 5 | 8.5 | 5 | 16 | - | 4 | A2 s/s |
| P0200.050-018-A2 | M 5 | 8.5 | 5 | 18 | - | 4 | A2 s/s |
| P0200.050-020-A2 | M 5 | 8.5 | 5 | 20 | - | 4 | A2 s/s |
| P0200.050-025-A2 | M 5 | 8.5 | 5 | 25 | 22 | 4 | A2 s/s |
| P0200.050-030-A2 | M 5 | 8.5 | 5 | 30 | 22 | 4 | A2 s/s |
| P0200.050-035-A2 | M 5 | 8.5 | 5 | 35 | 22 | 4 | A2 s/s |
| P0200.050-040-A2 | M 5 | 8.5 | 5 | 40 | 22 | 4 | A2 s/s |
| P0200.050-045-A2 | M 5 | 8.5 | 5 | 45 | 22 | 4 | A2 s/s |
| P0200.050-050-A2 | M 5 | 8.5 | 5 | 50 | 22 | 4 | A2 s/s |
| P0200.050-055-A2 | M 5 | 8.5 | 5 | 55 | 22 | 4 | A2 s/s |
| P0200.050-060-A2 | M 5 | 8.5 | 5 | 60 | 22 | 4 | A2 s/s |
| P0200.050-065-A2 | M 5 | 8.5 | 5 | 65 | 22 | 4 | A2 s/s |
| P0200.050-070-A2 | M 5 | 8.5 | 5 | 70 | 22 | 4 | A2 s/s |
| P0200.050-080-A2 | M 5 | 8.5 | 5 | 80 | 22 | 4 | A2 s/s |
| P0200.050-090-A2 | M 5 | 8.5 | 5 | 90 | 22 | 4 | A2 s/s |
| P0200.050-100-A2 | M 5 | 8.5 | 5 | 100 | 22 | 4 | A2 s/s |
| P0200.060-006-A2 | M 6 | 10 | 6 | 6 | - | 5 | A2 s/s |
| P0200.060-008-A2 | M 6 | 10 | 6 | 8 | - | 5 | A2 s/s |
| P0200.060-010-A2 | M 6 | 10 | 6 | 10 | - | 5 | A2 s/s |
| P0200.060-012-A2 | M 6 | 10 | 6 | 12 | - | 5 | A2 s/s |
| P0200.060-014-A2 | M 6 | 10 | 6 | 14 | - | 5 | A2 s/s |
| P0200.060-016-A2 | M 6 | 10 | 6 | 16 | - | 5 | A2 s/s |
| P0200.060-018-A2 | M 6 | 10 | 6 | 18 | - | 5 | A2 s/s |
| P0200.060-020-A2 | M 6 | 10 | 6 | 20 | - | 5 | A2 s/s |
| P0200.060-025-A2 | M 6 | 10 | 6 | 25 | 24 | 5 | A2 s/s |
| P0200.060-030-A2 | M 6 | 10 | 6 | 30 | 24 | 5 | A2 s/s |
| P0200.060-035-A2 | M 6 | 10 | 6 | 35 | 24 | 5 | A2 s/s |
| P0200.060-040-A2 | M 6 | 10 | 6 | 40 | 24 | 5 | A2 s/s |
| P0200.060-045-A2 | M 6 | 10 | 6 | 45 | 24 | 5 | A2 s/s |
| P0200.060-050-A2 | M 6 | 10 | 6 | 50 | 24 | 5 | A2 s/s |
| P0200.060-055-A2 | M 6 | 10 | 6 | 55 | 24 | 5 | A2 s/s |



Socket Cap Screws

A2 stainless

Standard Screws



| Order No. | d ₁ | d ₂ | h ₁ | l ₁ | l ₂ | A/F | Material |
|------------------|----------------|----------------|----------------|----------------|----------------|-----|----------|
| P0200.060-060-A2 | M 6 | 10 | 6 | 60 | 24 | 5 | A2 s/s |
| P0200.060-065-A2 | M 6 | 10 | 6 | 65 | 24 | 5 | A2 s/s |
| P0200.060-070-A2 | M 6 | 10 | 6 | 70 | 24 | 5 | A2 s/s |
| P0200.060-080-A2 | M 6 | 10 | 6 | 80 | 24 | 5 | A2 s/s |
| P0200.060-090-A2 | M 6 | 10 | 6 | 90 | 24 | 5 | A2 s/s |
| P0200.060-100-A2 | M 6 | 10 | 6 | 100 | 24 | 5 | A2 s/s |
| P0200.060-110-A2 | M 6 | 10 | 6 | 110 | 24 | 5 | A2 s/s |
| P0200.060-120-A2 | M 6 | 10 | 6 | 120 | 24 | 5 | A2 s/s |
| P0200.060-130-A2 | M 6 | 10 | 6 | 130 | 24 | 5 | A2 s/s |
| P0200.060-140-A2 | M 6 | 10 | 6 | 140 | 24 | 5 | A2 s/s |
| P0200.060-150-A2 | M 6 | 10 | 6 | 150 | 24 | 5 | A2 s/s |
| P0200.080-010-A2 | M 8 | 13 | 8 | 10 | - | 6 | A2 s/s |
| P0200.080-012-A2 | M 8 | 13 | 8 | 12 | - | 6 | A2 s/s |
| P0200.080-014-A2 | M 8 | 13 | 8 | 14 | - | 6 | A2 s/s |
| P0200.080-016-A2 | M 8 | 13 | 8 | 16 | - | 6 | A2 s/s |
| P0200.080-018-A2 | M 8 | 13 | 8 | 18 | - | 6 | A2 s/s |
| P0200.080-020-A2 | M 8 | 13 | 8 | 20 | - | 6 | A2 s/s |
| P0200.080-025-A2 | M 8 | 13 | 8 | 25 | - | 6 | A2 s/s |
| P0200.080-030-A2 | M 8 | 13 | 8 | 30 | 28 | 6 | A2 s/s |
| P0200.080-035-A2 | M 8 | 13 | 8 | 35 | 28 | 6 | A2 s/s |
| P0200.080-040-A2 | M 8 | 13 | 8 | 40 | 28 | 6 | A2 s/s |
| P0200.080-045-A2 | M 8 | 13 | 8 | 45 | 28 | 6 | A2 s/s |
| P0200.080-050-A2 | M 8 | 13 | 8 | 50 | 28 | 6 | A2 s/s |
| P0200.080-055-A2 | M 8 | 13 | 8 | 55 | 28 | 6 | A2 s/s |
| P0200.080-060-A2 | M 8 | 13 | 8 | 60 | 28 | 6 | A2 s/s |
| P0200.080-065-A2 | M 8 | 13 | 8 | 65 | 28 | 6 | A2 s/s |
| P0200.080-070-A2 | M 8 | 13 | 8 | 70 | 28 | 6 | A2 s/s |
| P0200.080-080-A2 | M 8 | 13 | 8 | 80 | 28 | 6 | A2 s/s |
| P0200.080-090-A2 | M 8 | 13 | 8 | 90 | 28 | 6 | A2 s/s |
| P0200.080-100-A2 | M 8 | 13 | 8 | 100 | 28 | 6 | A2 s/s |
| P0200.080-110-A2 | M 8 | 13 | 8 | 110 | 28 | 6 | A2 s/s |
| P0200.080-120-A2 | M 8 | 13 | 8 | 120 | 28 | 6 | A2 s/s |
| P0200.080-130-A2 | M 8 | 13 | 8 | 130 | 28 | 6 | A2 s/s |
| P0200.080-140-A2 | M 8 | 13 | 8 | 140 | 28 | 6 | A2 s/s |
| P0200.080-150-A2 | M 8 | 13 | 8 | 150 | 28 | 6 | A2 s/s |
| P0200.080-160-A2 | M 8 | 13 | 8 | 160 | 28 | 6 | A2 s/s |
| P0200.080-170-A2 | M 8 | 13 | 8 | 170 | 28 | 6 | A2 s/s |
| P0200.080-180-A2 | M 8 | 13 | 8 | 180 | 28 | 6 | A2 s/s |
| P0200.080-190-A2 | M 8 | 13 | 8 | 190 | 28 | 6 | A2 s/s |
| P0200.080-200-A2 | M 8 | 13 | 8 | 200 | 28 | 6 | A2 s/s |
| P0200.100-012-A2 | M10 | 16 | 10 | 12 | - | 8 | A2 s/s |
| P0200.100-016-A2 | M10 | 16 | 10 | 16 | - | 8 | A2 s/s |
| P0200.100-018-A2 | M10 | 16 | 10 | 18 | - | 8 | A2 s/s |
| P0200.100-020-A2 | M10 | 16 | 10 | 20 | - | 8 | A2 s/s |
| P0200.100-025-A2 | M10 | 16 | 10 | 25 | - | 8 | A2 s/s |
| P0200.100-030-A2 | M10 | 16 | 10 | 30 | - | 8 | A2 s/s |
| P0200.100-035-A2 | M10 | 16 | 10 | 35 | 32 | 8 | A2 s/s |
| P0200.100-040-A2 | M10 | 16 | 10 | 40 | 32 | 8 | A2 s/s |
| P0200.100-045-A2 | M10 | 16 | 10 | 45 | 32 | 8 | A2 s/s |
| P0200.100-050-A2 | M10 | 16 | 10 | 50 | 32 | 8 | A2 s/s |
| P0200.100-055-A2 | M10 | 16 | 10 | 55 | 32 | 8 | A2 s/s |
| P0200.100-060-A2 | M10 | 16 | 10 | 60 | 32 | 8 | A2 s/s |
| P0200.100-065-A2 | M10 | 16 | 10 | 65 | 32 | 8 | A2 s/s |
| P0200.100-070-A2 | M10 | 16 | 10 | 70 | 32 | 8 | A2 s/s |
| P0200.100-075-A2 | M10 | 16 | 10 | 75 | 32 | 8 | A2 s/s |
| P0200.100-080-A2 | M10 | 16 | 10 | 80 | 32 | 8 | A2 s/s |
| P0200.100-090-A2 | M10 | 16 | 10 | 90 | 32 | 8 | A2 s/s |
| P0200.100-100-A2 | M10 | 16 | 10 | 100 | 32 | 8 | A2 s/s |
| P0200.100-110-A2 | M10 | 16 | 10 | 110 | 32 | 8 | A2 s/s |
| P0200.100-120-A2 | M10 | 16 | 10 | 120 | 32 | 8 | A2 s/s |
| P0200.100-130-A2 | M10 | 16 | 10 | 130 | 32 | 8 | A2 s/s |
| P0200.100-140-A2 | M10 | 16 | 10 | 140 | 32 | 8 | A2 s/s |
| P0200.100-150-A2 | M10 | 16 | 10 | 150 | 32 | 8 | A2 s/s |
| P0200.100-160-A2 | M10 | 16 | 10 | 160 | 32 | 8 | A2 s/s |
| P0200.100-170-A2 | M10 | 16 | 10 | 170 | 32 | 8 | A2 s/s |
| P0200.100-180-A2 | M10 | 16 | 10 | 180 | 32 | 8 | A2 s/s |
| P0200.100-190-A2 | M10 | 16 | 10 | 190 | 32 | 8 | A2 s/s |
| P0200.100-200-A2 | M10 | 16 | 10 | 200 | 32 | 8 | A2 s/s |
| P0200.120-016-A2 | M12 | 18 | 12 | 16 | - | 10 | A2 s/s |

STANDARD SCREWS



STANDARD SCREWS

| Order No. | d ₁ | d ₂ | h ₁ | l ₁ | l ₂ | A/F | Material |
|------------------|----------------|----------------|----------------|----------------|----------------|-----|----------|
| P0200.120-020-A2 | M12 | 18 | 12 | 20 | - | 10 | A2 s/s |
| P0200.120-025-A2 | M12 | 18 | 12 | 25 | - | 10 | A2 s/s |
| P0200.120-030-A2 | M12 | 18 | 12 | 30 | - | 10 | A2 s/s |
| P0200.120-035-A2 | M12 | 18 | 12 | 35 | - | 10 | A2 s/s |
| P0200.120-040-A2 | M12 | 18 | 12 | 40 | 36 | 10 | A2 s/s |
| P0200.120-045-A2 | M12 | 18 | 12 | 45 | 36 | 10 | A2 s/s |
| P0200.120-050-A2 | M12 | 18 | 12 | 50 | 36 | 10 | A2 s/s |
| P0200.120-055-A2 | M12 | 18 | 12 | 55 | 36 | 10 | A2 s/s |
| P0200.120-060-A2 | M12 | 18 | 12 | 60 | 36 | 10 | A2 s/s |
| P0200.120-065-A2 | M12 | 18 | 12 | 65 | 36 | 10 | A2 s/s |
| P0200.120-070-A2 | M12 | 18 | 12 | 70 | 36 | 10 | A2 s/s |
| P0200.120-080-A2 | M12 | 18 | 12 | 80 | 36 | 10 | A2 s/s |
| P0200.120-090-A2 | M12 | 18 | 12 | 90 | 36 | 10 | A2 s/s |
| P0200.120-100-A2 | M12 | 18 | 12 | 100 | 36 | 10 | A2 s/s |
| P0200.120-110-A2 | M12 | 18 | 12 | 110 | 36 | 10 | A2 s/s |
| P0200.120-120-A2 | M12 | 18 | 12 | 120 | 36 | 10 | A2 s/s |
| P0200.120-130-A2 | M12 | 18 | 12 | 130 | 36 | 10 | A2 s/s |
| P0200.120-140-A2 | M12 | 18 | 12 | 140 | 36 | 10 | A2 s/s |
| P0200.120-150-A2 | M12 | 18 | 12 | 150 | 36 | 10 | A2 s/s |
| P0200.120-160-A2 | M12 | 18 | 12 | 160 | 36 | 10 | A2 s/s |
| P0200.120-170-A2 | M12 | 18 | 12 | 170 | 36 | 10 | A2 s/s |
| P0200.120-180-A2 | M12 | 18 | 12 | 180 | 36 | 10 | A2 s/s |
| P0200.120-190-A2 | M12 | 18 | 12 | 190 | 36 | 10 | A2 s/s |
| P0200.120-200-A2 | M12 | 18 | 12 | 200 | 36 | 10 | A2 s/s |
| P0200.140-020-A2 | M14 | 21 | 14 | 20 | - | 12 | A2 s/s |
| P0200.140-025-A2 | M14 | 21 | 14 | 25 | - | 12 | A2 s/s |
| P0200.140-030-A2 | M14 | 21 | 14 | 30 | - | 12 | A2 s/s |
| P0200.140-035-A2 | M14 | 21 | 14 | 35 | - | 12 | A2 s/s |
| P0200.140-040-A2 | M14 | 21 | 14 | 40 | - | 12 | A2 s/s |
| P0200.140-045-A2 | M14 | 21 | 14 | 45 | 40 | 12 | A2 s/s |
| P0200.140-050-A2 | M14 | 21 | 14 | 50 | 40 | 12 | A2 s/s |
| P0200.140-055-A2 | M14 | 21 | 14 | 55 | 40 | 12 | A2 s/s |
| P0200.140-060-A2 | M14 | 21 | 14 | 60 | 40 | 12 | A2 s/s |
| P0200.140-065-A2 | M14 | 21 | 14 | 65 | 40 | 12 | A2 s/s |
| P0200.140-070-A2 | M14 | 21 | 14 | 70 | 40 | 12 | A2 s/s |
| P0200.140-080-A2 | M14 | 21 | 14 | 80 | 40 | 12 | A2 s/s |
| P0200.140-090-A2 | M14 | 21 | 14 | 90 | 40 | 12 | A2 s/s |
| P0200.140-100-A2 | M14 | 21 | 14 | 100 | 40 | 12 | A2 s/s |
| P0200.140-110-A2 | M14 | 21 | 14 | 110 | 40 | 12 | A2 s/s |
| P0200.140-120-A2 | M14 | 21 | 14 | 120 | 40 | 12 | A2 s/s |
| P0200.140-130-A2 | M14 | 21 | 14 | 130 | 40 | 12 | A2 s/s |
| P0200.140-140-A2 | M14 | 21 | 14 | 140 | 40 | 12 | A2 s/s |
| P0200.140-150-A2 | M14 | 21 | 14 | 150 | 40 | 12 | A2 s/s |
| P0200.140-160-A2 | M14 | 21 | 14 | 160 | 40 | 12 | A2 s/s |
| P0200.140-170-A2 | M14 | 21 | 14 | 170 | 40 | 12 | A2 s/s |
| P0200.140-180-A2 | M14 | 21 | 14 | 180 | 40 | 12 | A2 s/s |
| P0200.140-190-A2 | M14 | 21 | 14 | 190 | 40 | 12 | A2 s/s |
| P0200.140-200-A2 | M14 | 21 | 14 | 200 | 40 | 12 | A2 s/s |
| P0200.160-020-A2 | M16 | 24 | 16 | 20 | - | 14 | A2 s/s |
| P0200.160-025-A2 | M16 | 24 | 16 | 25 | - | 14 | A2 s/s |
| P0200.160-030-A2 | M16 | 24 | 16 | 30 | - | 14 | A2 s/s |
| P0200.160-035-A2 | M16 | 24 | 16 | 35 | - | 14 | A2 s/s |
| P0200.160-040-A2 | M16 | 24 | 16 | 40 | - | 14 | A2 s/s |
| P0200.160-045-A2 | M16 | 24 | 16 | 45 | - | 14 | A2 s/s |
| P0200.160-050-A2 | M16 | 24 | 16 | 50 | 44 | 14 | A2 s/s |
| P0200.160-055-A2 | M16 | 24 | 16 | 55 | 44 | 14 | A2 s/s |
| P0200.160-060-A2 | M16 | 24 | 16 | 60 | 44 | 14 | A2 s/s |
| P0200.160-065-A2 | M16 | 24 | 16 | 65 | 44 | 14 | A2 s/s |
| P0200.160-070-A2 | M16 | 24 | 16 | 70 | 44 | 14 | A2 s/s |
| P0200.016-080-A2 | M16 | 24 | 16 | 80 | 44 | 14 | A2 s/s |
| P0200.160-090-A2 | M16 | 24 | 16 | 90 | 44 | 14 | A2 s/s |
| P0200.160-100-A2 | M16 | 24 | 16 | 100 | 44 | 14 | A2 s/s |
| P0200.160-110-A2 | M16 | 24 | 16 | 110 | 44 | 14 | A2 s/s |
| P0200.160-120-A2 | M16 | 24 | 16 | 120 | 44 | 14 | A2 s/s |
| P0200.160-130-A2 | M16 | 24 | 16 | 130 | 44 | 14 | A2 s/s |
| P0200.160-140-A2 | M16 | 24 | 16 | 140 | 44 | 14 | A2 s/s |
| P0200.160-150-A2 | M16 | 24 | 16 | 150 | 44 | 14 | A2 s/s |
| P0200.160-160-A2 | M16 | 24 | 16 | 160 | 44 | 14 | A2 s/s |
| P0200.160-170-A2 | M16 | 24 | 16 | 170 | 44 | 14 | A2 s/s |



Socket Cap Screws

A2 stainless

Standard Screws



| Order No. | d ₁ | d ₂ | h ₁ | l ₁ | l ₂ | A/F | Material |
|------------------|----------------|----------------|----------------|----------------|----------------|-----|----------|
| P0200.160-180-A2 | M16 | 24 | 16 | 180 | 44 | 14 | A2 s/s |
| P0200.160-190-A2 | M16 | 24 | 16 | 190 | 44 | 14 | A2 s/s |
| P0200.160-200-A2 | M16 | 24 | 16 | 200 | 44 | 14 | A2 s/s |
| P0200.180-030-A2 | M18 | 27 | 18 | 30 | - | 14 | A2 s/s |
| P0200.180-035-A2 | M18 | 27 | 18 | 35 | - | 14 | A2 s/s |
| P0200.180-040-A2 | M18 | 27 | 18 | 40 | - | 14 | A2 s/s |
| P0200.180-045-A2 | M18 | 27 | 18 | 45 | - | 14 | A2 s/s |
| P0200.180-050-A2 | M18 | 27 | 18 | 50 | 48 | 14 | A2 s/s |
| P0200.180-055-A2 | M18 | 27 | 18 | 55 | 48 | 14 | A2 s/s |
| P0200.180-060-A2 | M18 | 27 | 18 | 60 | 48 | 14 | A2 s/s |
| P0200.180-065-A2 | M18 | 27 | 18 | 65 | 48 | 14 | A2 s/s |
| P0200.180-070-A2 | M18 | 27 | 18 | 70 | 48 | 14 | A2 s/s |
| P0200.180-075-A2 | M18 | 27 | 18 | 75 | 48 | 14 | A2 s/s |
| P0200.180-080-A2 | M18 | 27 | 18 | 80 | 48 | 14 | A2 s/s |
| P0200.180-090-A2 | M18 | 27 | 18 | 90 | 48 | 14 | A2 s/s |
| P0200.180-100-A2 | M18 | 27 | 18 | 100 | 48 | 14 | A2 s/s |
| P0200.180-110-A2 | M18 | 27 | 18 | 110 | 48 | 14 | A2 s/s |
| P0200.180-120-A2 | M18 | 27 | 18 | 120 | 48 | 14 | A2 s/s |
| P0200.180-130-A2 | M18 | 27 | 18 | 130 | 48 | 14 | A2 s/s |
| P0200.180-140-A2 | M18 | 27 | 18 | 140 | 48 | 14 | A2 s/s |
| P0200.180-150-A2 | M18 | 27 | 18 | 150 | 48 | 14 | A2 s/s |
| P0200.180-160-A2 | M18 | 27 | 18 | 160 | 48 | 14 | A2 s/s |
| P0200.180-170-A2 | M18 | 27 | 18 | 170 | 48 | 14 | A2 s/s |
| P0200.180-180-A2 | M18 | 27 | 18 | 180 | 48 | 14 | A2 s/s |
| P0200.180-190-A2 | M18 | 27 | 18 | 190 | 48 | 14 | A2 s/s |
| P0200.180-200-A2 | M18 | 27 | 18 | 200 | 48 | 14 | A2 s/s |
| P0200.200-030-A2 | M20 | 30 | 20 | 30 | - | 17 | A2 s/s |
| P0200.200-035-A2 | M20 | 30 | 20 | 35 | - | 17 | A2 s/s |
| P0200.200-040-A2 | M20 | 30 | 20 | 40 | - | 17 | A2 s/s |
| P0200.200-045-A2 | M20 | 30 | 20 | 45 | - | 17 | A2 s/s |
| P0200.200-050-A2 | M20 | 30 | 20 | 50 | - | 17 | A2 s/s |
| P0200.200-055-A2 | M20 | 30 | 20 | 55 | 52 | 17 | A2 s/s |
| P0200.200-060-A2 | M20 | 30 | 20 | 60 | 52 | 17 | A2 s/s |
| P0200.200-065-A2 | M20 | 30 | 20 | 65 | 52 | 17 | A2 s/s |
| P0200.200-070-A2 | M20 | 30 | 20 | 70 | 52 | 17 | A2 s/s |
| P0200.200-080-A2 | M20 | 30 | 20 | 80 | 52 | 17 | A2 s/s |
| P0200.200-090-A2 | M20 | 30 | 20 | 90 | 52 | 17 | A2 s/s |
| P0200.200-100-A2 | M20 | 30 | 20 | 100 | 52 | 17 | A2 s/s |
| P0200.200-110-A2 | M20 | 30 | 20 | 110 | 52 | 17 | A2 s/s |
| P0200.200-120-A2 | M20 | 30 | 20 | 120 | 52 | 17 | A2 s/s |
| P0200.200-130-A2 | M20 | 30 | 20 | 130 | 52 | 17 | A2 s/s |
| P0200.200-140-A2 | M20 | 30 | 20 | 140 | 52 | 17 | A2 s/s |
| P0200.200-150-A2 | M20 | 30 | 20 | 150 | 52 | 17 | A2 s/s |
| P0200.200-160-A2 | M20 | 30 | 20 | 160 | 52 | 17 | A2 s/s |
| P0200.200-170-A2 | M20 | 30 | 20 | 170 | 52 | 17 | A2 s/s |
| P0200.200-180-A2 | M20 | 30 | 20 | 180 | 52 | 17 | A2 s/s |
| P0200.200-190-A2 | M20 | 30 | 20 | 190 | 52 | 17 | A2 s/s |
| P0200.200-200-A2 | M20 | 30 | 20 | 200 | 52 | 17 | A2 s/s |
| P0200.240-040-A2 | M24 | 36 | 24 | 40 | - | 19 | A2 s/s |
| P0200.240-045-A2 | M24 | 36 | 24 | 45 | - | 19 | A2 s/s |
| P0200.240-050-A2 | M24 | 36 | 24 | 50 | - | 19 | A2 s/s |
| P0200.240-055-A2 | M24 | 36 | 24 | 55 | - | 19 | A2 s/s |
| P0200.240-060-A2 | M24 | 36 | 24 | 60 | - | 19 | A2 s/s |
| P0200.240-065-A2 | M24 | 36 | 24 | 65 | 60 | 19 | A2 s/s |
| P0200.240-070-A2 | M24 | 36 | 24 | 70 | 60 | 19 | A2 s/s |
| P0200.240-080-A2 | M24 | 36 | 24 | 80 | 60 | 19 | A2 s/s |
| P0200.240-090-A2 | M24 | 36 | 24 | 90 | 60 | 19 | A2 s/s |
| P0200.240-100-A2 | M24 | 36 | 24 | 100 | 60 | 19 | A2 s/s |
| P0200.240-110-A2 | M24 | 36 | 24 | 110 | 60 | 19 | A2 s/s |
| P0200.240-120-A2 | M24 | 36 | 24 | 120 | 60 | 19 | A2 s/s |
| P0200.240-130-A2 | M24 | 36 | 24 | 130 | 60 | 19 | A2 s/s |
| P0200.240-140-A2 | M24 | 36 | 24 | 140 | 60 | 19 | A2 s/s |
| P0200.240-150-A2 | M24 | 36 | 24 | 150 | 60 | 19 | A2 s/s |
| P0200.240-160-A2 | M24 | 36 | 24 | 160 | 60 | 19 | A2 s/s |
| P0200.240-170-A2 | M24 | 36 | 24 | 170 | 60 | 19 | A2 s/s |
| P0200.240-180-A2 | M24 | 36 | 24 | 180 | 60 | 19 | A2 s/s |
| P0200.240-190-A2 | M24 | 36 | 24 | 190 | 60 | 19 | A2 s/s |
| P0200.240-200-A2 | M24 | 36 | 24 | 200 | 60 | 19 | A2 s/s |
| P0200.270-050-A2 | M27 | 40 | 27 | 50 | - | 19 | A2 s/s |

STANDARD SCREWS



STANDARD SCREWS

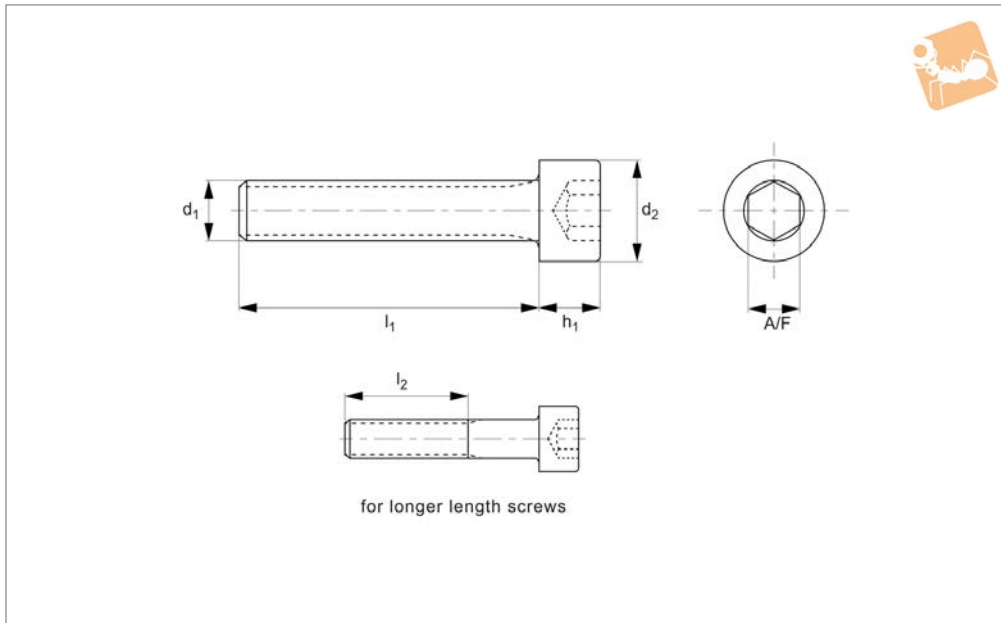
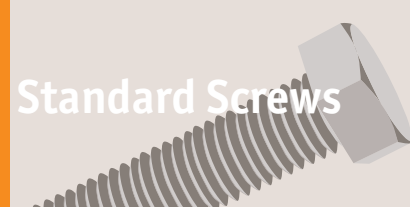
| Order No. | d ₁ | d ₂ | h ₁ | l ₁ | l ₂ | A/F | Material |
|------------------|----------------|----------------|----------------|----------------|----------------|-----|----------|
| P0200.270-055-A2 | M27 | 40 | 27 | 55 | - | 19 | A2 s/s |
| P0200.270-060-A2 | M27 | 40 | 27 | 60 | - | 19 | A2 s/s |
| P0200.270-065-A2 | M27 | 40 | 27 | 65 | - | 19 | A2 s/s |
| P0200.270-070-A2 | M27 | 40 | 27 | 70 | 66 | 19 | A2 s/s |
| P0200.270-080-A2 | M27 | 40 | 27 | 80 | 66 | 19 | A2 s/s |
| P0200.270-090-A2 | M27 | 40 | 27 | 90 | 66 | 19 | A2 s/s |
| P0200.270-100-A2 | M27 | 40 | 27 | 100 | 66 | 19 | A2 s/s |
| P0200.270-110-A2 | M27 | 40 | 27 | 110 | 66 | 19 | A2 s/s |
| P0200.270-120-A2 | M27 | 40 | 27 | 120 | 66 | 19 | A2 s/s |
| P0200.270-130-A2 | M27 | 40 | 27 | 130 | 66 | 19 | A2 s/s |
| P0200.270-140-A2 | M27 | 40 | 27 | 140 | 66 | 19 | A2 s/s |
| P0200.270-150-A2 | M27 | 40 | 27 | 150 | 66 | 19 | A2 s/s |
| P0200.270-160-A2 | M27 | 40 | 27 | 160 | 66 | 19 | A2 s/s |
| P0200.270-170-A2 | M27 | 40 | 27 | 170 | 66 | 19 | A2 s/s |
| P0200.270-180-A2 | M27 | 40 | 27 | 180 | 66 | 19 | A2 s/s |
| P0200.270-190-A2 | M27 | 40 | 27 | 190 | 66 | 19 | A2 s/s |
| P0200.270-200-A2 | M27 | 40 | 27 | 200 | 66 | 19 | A2 s/s |
| P0200.300-050-A2 | M30 | 45 | 30 | 50 | - | 22 | A2 s/s |
| P0200.300-055-A2 | M30 | 45 | 30 | 55 | - | 22 | A2 s/s |
| P0200.300-060-A2 | M30 | 45 | 30 | 60 | - | 22 | A2 s/s |
| P0200.300-065-A2 | M30 | 45 | 30 | 65 | - | 22 | A2 s/s |
| P0200.300-070-A2 | M30 | 45 | 30 | 70 | - | 22 | A2 s/s |
| P0200.300-080-A2 | M30 | 45 | 30 | 80 | 72 | 22 | A2 s/s |
| P0200.300-090-A2 | M30 | 45 | 30 | 90 | 72 | 22 | A2 s/s |
| P0200.300-100-A2 | M30 | 45 | 30 | 100 | 72 | 22 | A2 s/s |
| P0200.300-110-A2 | M30 | 45 | 30 | 110 | 72 | 22 | A2 s/s |
| P0200.300-120-A2 | M30 | 45 | 30 | 120 | 72 | 22 | A2 s/s |
| P0200.300-130-A2 | M30 | 45 | 30 | 130 | 72 | 22 | A2 s/s |
| P0200.300-140-A2 | M30 | 45 | 30 | 140 | 72 | 22 | A2 s/s |
| P0200.300-150-A2 | M30 | 45 | 30 | 150 | 72 | 22 | A2 s/s |
| P0200.300-160-A2 | M30 | 45 | 30 | 160 | 72 | 22 | A2 s/s |
| P0200.300-170-A2 | M30 | 45 | 30 | 170 | 72 | 22 | A2 s/s |
| P0200.300-180-A2 | M30 | 45 | 30 | 180 | 72 | 22 | A2 s/s |
| P0200.300-190-A2 | M30 | 45 | 30 | 190 | 72 | 22 | A2 s/s |
| P0200.300-200-A2 | M30 | 45 | 30 | 200 | 72 | 22 | A2 s/s |



Socket Cap Screws

316 series, stainless steel

Standard Screws



P0200.A4

STANDARD SCREWS

Material

Stainless steel (AISI 316, 1.440, class 70).

Technical Notes

To DIN 912, ISO 4762. For the majority of

screw lengths the threads goes all the way to the head of the screw (i.e. $l_1 = l_2$) less 2.5 thread pitches.

For longer length screws the threaded

portion l_2 is shown.

See technical page for tightening torques.

| Order No. | d_1 | d_2 | h_1 | l_1 | l_2 | A/F | Material |
|------------------|-------|-------|-------|-------|-------|-----|----------|
| P0200.016-003-A4 | M1,6 | 3.0 | 1.6 | 3 | - | 1.5 | A4 s/s |
| P0200.016-004-A4 | M1,6 | 3.0 | 1.6 | 4 | - | 1.5 | A4 s/s |
| P0200.016-005-A4 | M1,6 | 3.0 | 1.6 | 5 | - | 1.5 | A4 s/s |
| P0200.016-006-A4 | M1,6 | 3.0 | 1.6 | 6 | - | 1.5 | A4 s/s |
| P0200.016-008-A4 | M1,6 | 3.0 | 1.6 | 8 | - | 1.5 | A4 s/s |
| P0200.016-010-A4 | M1,6 | 3.0 | 1.6 | 10 | - | 1.5 | A4 s/s |
| P0200.016-012-A4 | M1,6 | 3.0 | 1.6 | 12 | - | 1.5 | A4 s/s |
| P0200.016-014-A4 | M1,6 | 3.0 | 1.6 | 14 | - | 1.5 | A4 s/s |
| P0200.016-016-A4 | M1,6 | 3.0 | 1.6 | 16 | - | 1.5 | A4 s/s |
| P0200.020-003-A4 | M 2 | 3.8 | 2 | 3 | - | 1.5 | A2 s/s |
| P0200.020-004-A4 | M 2 | 3.8 | 2 | 4 | - | 1.5 | A4 s/s |
| P0200.020-005-A4 | M 2 | 3.8 | 2 | 5 | - | 1.5 | A4 s/s |
| P0200.020-006-A4 | M 2 | 3.8 | 2 | 6 | - | 1.5 | A4 s/s |
| P0200.020-008-A4 | M 2 | 3.8 | 2 | 8 | - | 1.5 | A4 s/s |
| P0200.020-010-A4 | M 2 | 3.8 | 2 | 10 | - | 1.5 | A4 s/s |
| P0200.020-012-A4 | M 2 | 3.8 | 2 | 12 | - | 1.5 | A4 s/s |
| P0200.020-014-A4 | M 2 | 3.8 | 2 | 14 | - | 1.5 | A4 s/s |
| P0200.020-016-A4 | M 2 | 3.8 | 2 | 16 | - | 1.5 | A4 s/s |
| P0200.020-018-A4 | M 2 | 3.8 | 2 | 18 | - | 1.5 | A4 s/s |
| P0200.020-020-A4 | M 2 | 3.8 | 2 | 20 | - | 1.5 | A4 s/s |
| P0200.025-004-A4 | M2,5 | 4.5 | 2.5 | 4 | - | 2 | A4 s/s |
| P0200.025-005-A4 | M2,5 | 4.5 | 2.5 | 5 | - | 2 | A4 s/s |
| P0200.025-006-A4 | M2,5 | 4.5 | 2.5 | 6 | - | 2 | A4 s/s |
| P0200.025-008-A4 | M2,5 | 4.5 | 2.5 | 8 | - | 2 | A4 s/s |
| P0200.025-010-A4 | M2,5 | 4.5 | 2.5 | 10 | - | 2 | A4 s/s |
| P0200.025-012-A4 | M2,5 | 4.5 | 2.5 | 12 | - | 2 | A4 s/s |
| P0200.025-014-A4 | M2,5 | 4.5 | 2.5 | 14 | - | 2 | A4 s/s |
| P0200.025-016-A4 | M2,5 | 4.5 | 2.5 | 16 | - | 2 | A4 s/s |
| P0200.025-018-A4 | M2,5 | 4.5 | 2.5 | 18 | - | 2 | A4 s/s |
| P0200.025-020-A4 | M2,5 | 4.5 | 2.5 | 20 | - | 2 | A4 s/s |
| P0200.025-022-A4 | M2,5 | 4.5 | 2.5 | 22 | - | 2 | A4 s/s |
| P0200.025-025-A4 | M2,5 | 4.5 | 2.5 | 25 | - | 2 | A4 s/s |
| P0200.030-004-A4 | M 3 | 5.5 | 3 | 4 | - | 2.5 | A4 s/s |
| P0200.030-005-A4 | M 3 | 5.5 | 3 | 5 | - | 2.5 | A4 s/s |



STANDARD SCREWS

| Order No. | d ₁ | d ₂ | h ₁ | l ₁ | l ₂ | A/F | Material |
|------------------|----------------|----------------|----------------|----------------|----------------|-----|----------|
| P0200.030-006-A4 | M 3 | 5.5 | 3 | 6 | - | 2.5 | A4 s/s |
| P0200.030-008-A4 | M 3 | 5.5 | 3 | 8 | - | 2.5 | A4 s/s |
| P0200.030-010-A4 | M 3 | 5.5 | 3 | 10 | - | 2.5 | A4 s/s |
| P0200.030-012-A4 | M 3 | 5.5 | 3 | 12 | - | 2.5 | A4 s/s |
| P0200.030-014-A4 | M 3 | 5.5 | 3 | 14 | - | 2.5 | A4 s/s |
| P0200.030-016-A4 | M 3 | 5.5 | 3 | 16 | - | 2.5 | A4 s/s |
| P0200.030-018-A4 | M 3 | 5.5 | 3 | 18 | - | 2.5 | A4 s/s |
| P0200.030-020-A4 | M 3 | 5.5 | 3 | 20 | 18 | 2.5 | A4 s/s |
| P0200.030-025-A4 | M 3 | 5.5 | 3 | 25 | 18 | 2.5 | A4 s/s |
| P0200.030-030-A4 | M 3 | 5.5 | 3 | 30 | 18 | 2.5 | A4 s/s |
| P0200.030-035-A4 | M 3 | 5.5 | 3 | 35 | 18 | 2.5 | A4 s/s |
| P0200.030-040-A4 | M 3 | 5.5 | 3 | 40 | 18 | 2.5 | A4 s/s |
| P0200.030-045-A4 | M 3 | 5.5 | 3 | 45 | 18 | 2.5 | A4 s/s |
| P0200.030-050-A4 | M 3 | 5.5 | 3 | 50 | 18 | 2.5 | A4 s/s |
| P0200.040-005-A4 | M 4 | 7 | 4 | 5 | - | 3 | A4 s/s |
| P0200.040-006-A4 | M 4 | 7 | 4 | 6 | - | 3 | A4 s/s |
| P0200.040-008-A4 | M 4 | 7 | 4 | 8 | - | 3 | A4 s/s |
| P0200.040-010-A4 | M 4 | 7 | 4 | 10 | - | 3 | A4 s/s |
| P0200.040-012-A4 | M 4 | 7 | 4 | 12 | - | 3 | A4 s/s |
| P0200.040-014-A4 | M 4 | 7 | 4 | 14 | - | 3 | A4 s/s |
| P0200.040-016-A4 | M 4 | 7 | 4 | 16 | - | 3 | A4 s/s |
| P0200.040-018-A4 | M 4 | 7 | 4 | 18 | - | 3 | A4 s/s |
| P0200.040-020-A4 | M 4 | 7 | 4 | 20 | 20 | 3 | A4 s/s |
| P0200.040-025-A4 | M 4 | 7 | 4 | 25 | 20 | 3 | A4 s/s |
| P0200.040-030-A4 | M 4 | 7 | 4 | 30 | 20 | 3 | A4 s/s |
| P0200.040-035-A4 | M 4 | 7 | 4 | 35 | 20 | 3 | A4 s/s |
| P0200.040-040-A4 | M 4 | 7 | 4 | 40 | 20 | 3 | A4 s/s |
| P0200.040-045-A4 | M 4 | 7 | 4 | 45 | 20 | 3 | A4 s/s |
| P0200.040-050-A4 | M 4 | 7 | 4 | 50 | 20 | 3 | A4 s/s |
| P0200.040-055-A4 | M 4 | 7 | 4 | 55 | 20 | 3 | A4 s/s |
| P0200.040-060-A4 | M 4 | 7 | 4 | 60 | 20 | 3 | A4 s/s |
| P0200.040-070-A4 | M 4 | 7 | 4 | 70 | 20 | 3 | A4 s/s |
| P0200.040-075-A4 | M 4 | 7 | 4 | 75 | 20 | 3 | A4 s/s |
| P0200.050-006-A4 | M 5 | 8.5 | 5 | 6 | - | 4 | A4 s/s |
| P0200.050-008-A4 | M 5 | 8.5 | 5 | 8 | - | 4 | A4 s/s |
| P0200.050-010-A4 | M 5 | 8.5 | 5 | 10 | - | 4 | A4 s/s |
| P0200.050-012-A4 | M 5 | 8.5 | 5 | 12 | - | 4 | A4 s/s |
| P0200.050-014-A4 | M 5 | 8.5 | 5 | 14 | - | 4 | A4 s/s |
| P0200.050-016-A4 | M 5 | 8.5 | 5 | 16 | - | 4 | A4 s/s |
| P0200.050-018-A4 | M 5 | 8.5 | 5 | 18 | - | 4 | A4 s/s |
| P0200.050-020-A4 | M 5 | 8.5 | 5 | 20 | - | 4 | A4 s/s |
| P0200.050-025-A4 | M 5 | 8.5 | 5 | 25 | 22 | 4 | A4 s/s |
| P0200.050-030-A4 | M 5 | 8.5 | 5 | 30 | 22 | 4 | A4 s/s |
| P0200.050-035-A4 | M 5 | 8.5 | 5 | 35 | 22 | 4 | A4 s/s |
| P0200.050-040-A4 | M 5 | 8.5 | 5 | 40 | 22 | 4 | A4 s/s |
| P0200.050-045-A4 | M 5 | 8.5 | 5 | 45 | 22 | 4 | A4 s/s |
| P0200.050-050-A4 | M 5 | 8.5 | 5 | 50 | 22 | 4 | A4 s/s |
| P0200.050-055-A4 | M 5 | 8.5 | 5 | 55 | 22 | 4 | A4 s/s |
| P0200.050-060-A4 | M 5 | 8.5 | 5 | 60 | 22 | 4 | A4 s/s |
| P0200.050-065-A4 | M 5 | 8.5 | 5 | 65 | 22 | 4 | A4 s/s |
| P0200.050-070-A4 | M 5 | 8.5 | 5 | 70 | 22 | 4 | A4 s/s |
| P0200.050-080-A4 | M 5 | 8.5 | 5 | 80 | 22 | 4 | A4 s/s |
| P0200.050-090-A4 | M 5 | 8.5 | 5 | 90 | 22 | 4 | A4 s/s |
| P0200.050-100-A4 | M 5 | 8.5 | 5 | 100 | 22 | 4 | A4 s/s |
| P0200.060-006-A4 | M 6 | 10 | 6 | 6 | - | 5 | A4 s/s |
| P0200.060-008-A4 | M 6 | 10 | 6 | 8 | - | 5 | A4 s/s |
| P0200.060-010-A4 | M 6 | 10 | 6 | 10 | - | 5 | A4 s/s |
| P0200.060-012-A4 | M 6 | 10 | 6 | 12 | - | 5 | A4 s/s |
| P0200.060-014-A4 | M 6 | 10 | 6 | 14 | - | 5 | A4 s/s |
| P0200.060-016-A4 | M 6 | 10 | 6 | 16 | - | 5 | A4 s/s |
| P0200.060-018-A4 | M 6 | 10 | 6 | 18 | - | 5 | A4 s/s |
| P0200.060-020-A4 | M 6 | 10 | 6 | 20 | - | 5 | A4 s/s |
| P0200.060-025-A4 | M 6 | 10 | 6 | 25 | 24 | 5 | A4 s/s |
| P0200.060-030-A4 | M 6 | 10 | 6 | 30 | 24 | 5 | A4 s/s |
| P0200.060-035-A4 | M 6 | 10 | 6 | 35 | 24 | 5 | A4 s/s |
| P0200.060-040-A4 | M 6 | 10 | 6 | 40 | 24 | 5 | A4 s/s |
| P0200.060-045-A4 | M 6 | 10 | 6 | 45 | 24 | 5 | A4 s/s |
| P0200.060-050-A4 | M 6 | 10 | 6 | 50 | 24 | 5 | A4 s/s |
| P0200.060-055-A4 | M 6 | 10 | 6 | 55 | 24 | 5 | A4 s/s |



Socket Cap Screws

316 series, stainless steel

Standard Screws



| Order No. | d ₁ | d ₂ | h ₁ | l ₁ | l ₂ | A/F | Material |
|------------------|----------------|----------------|----------------|----------------|----------------|-----|----------|
| P0200.060-060-A4 | M 6 | 10 | 6 | 60 | 24 | 5 | A4 s/s |
| P0200.060-065-A4 | M 6 | 10 | 6 | 65 | 24 | 5 | A4 s/s |
| P0200.060-070-A4 | M 6 | 10 | 6 | 70 | 24 | 5 | A4 s/s |
| P0200.060-080-A4 | M 6 | 10 | 6 | 80 | 24 | 5 | A4 s/s |
| P0200.060-090-A4 | M 6 | 10 | 6 | 90 | 24 | 5 | A4 s/s |
| P0200.060-100-A4 | M 6 | 10 | 6 | 100 | 24 | 5 | A4 s/s |
| P0200.060-110-A4 | M 6 | 10 | 6 | 110 | 24 | 5 | A4 s/s |
| P0200.060-120-A4 | M 6 | 10 | 6 | 120 | 24 | 5 | A4s/s |
| P0200.060-130-A4 | M 6 | 10 | 6 | 130 | 24 | 5 | A4 s/s |
| P0200.060-140-A4 | M 6 | 10 | 6 | 140 | 24 | 5 | A4 s/s |
| P0200.060-150-A4 | M 6 | 10 | 6 | 150 | 24 | 5 | A4 s/s |
| P0200.080-010-A4 | M 8 | 13 | 8 | 10 | - | 6 | A4 s/s |
| P0200.080-012-A4 | M 8 | 13 | 8 | 12 | - | 6 | A4 s/s |
| P0200.080-014-A4 | M 8 | 13 | 8 | 14 | - | 6 | A4 s/s |
| P0200.080-016-A4 | M 8 | 13 | 8 | 16 | - | 6 | A4 s/s |
| P0200.080-018-A4 | M 8 | 13 | 8 | 18 | - | 6 | A4 s/s |
| P0200.080-020-A4 | M 8 | 13 | 8 | 20 | - | 6 | A4 s/s |
| P0200.080-025-A4 | M 8 | 13 | 8 | 25 | - | 6 | A4 s/s |
| P0200.080-030-A4 | M 8 | 13 | 8 | 30 | 28 | 6 | A4 s/s |
| P0200.080-035-A4 | M 8 | 13 | 8 | 35 | 28 | 6 | A4 s/s |
| P0200.080-040-A4 | M 8 | 13 | 8 | 40 | 28 | 6 | A4 s/s |
| P0200.080-045-A4 | M 8 | 13 | 8 | 45 | 28 | 6 | A4 s/s |
| P0200.080-050-A4 | M 8 | 13 | 8 | 50 | 28 | 6 | A4 s/s |
| P0200.080-055-A4 | M 8 | 13 | 8 | 55 | 28 | 6 | A4 s/s |
| P0200.080-060-A4 | M 8 | 13 | 8 | 60 | 28 | 6 | A4 s/s |
| P0200.080-065-A4 | M 8 | 13 | 8 | 65 | 28 | 6 | A4 s/s |
| P0200.080-070-A4 | M 8 | 13 | 8 | 70 | 28 | 6 | A4 s/s |
| P0200.080-080-A4 | M 8 | 13 | 8 | 80 | 28 | 6 | A4 s/s |
| P0200.080-090-A4 | M 8 | 13 | 8 | 90 | 28 | 6 | A4 s/s |
| P0200.080-100-A4 | M 8 | 13 | 8 | 100 | 28 | 6 | A4 s/s |
| P0200.080-110-A4 | M 8 | 13 | 8 | 110 | 28 | 6 | A4 s/s |
| P0200.080-120-A4 | M 8 | 13 | 8 | 120 | 28 | 6 | A4 s/s |
| P0200.080-130-A4 | M 8 | 13 | 8 | 130 | 28 | 6 | A4 s/s |
| P0200.080-140-A4 | M 8 | 13 | 8 | 140 | 28 | 6 | A4 s/s |
| P0200.080-150-A4 | M 8 | 13 | 8 | 150 | 28 | 6 | A4 s/s |
| P0200.080-160-A4 | M 8 | 13 | 8 | 160 | 28 | 6 | A4 s/s |
| P0200.080-170-A4 | M 8 | 13 | 8 | 170 | 28 | 6 | A4 s/s |
| P0200.080-180-A4 | M 8 | 13 | 8 | 180 | 28 | 6 | A4 s/s |
| P0200.080-190-A4 | M 8 | 13 | 8 | 190 | 28 | 6 | A4 s/s |
| P0200.080-200-A4 | M 8 | 13 | 8 | 200 | 28 | 6 | A4 s/s |
| P0200.100-012-A4 | M10 | 16 | 10 | 12 | - | 8 | A4 s/s |
| P0200.100-016-A4 | M10 | 16 | 10 | 16 | - | 8 | A4 s/s |
| P0200.100-018-A4 | M10 | 16 | 10 | 18 | - | 8 | A4 s/s |
| P0200.100-020-A4 | M10 | 16 | 10 | 20 | - | 8 | A4 s/s |
| P0200.100-025-A4 | M10 | 16 | 10 | 25 | - | 8 | A4 s/s |
| P0200.100-030-A4 | M10 | 16 | 10 | 30 | - | 8 | A4 s/s |
| P0200.100-035-A4 | M10 | 16 | 10 | 35 | 32 | 8 | A4 s/s |
| P0200.100-040-A4 | M10 | 16 | 10 | 40 | 32 | 8 | A4 s/s |
| P0200.100-045-A4 | M10 | 16 | 10 | 45 | 32 | 8 | A4 s/s |
| P0200.100-050-A4 | M10 | 16 | 10 | 50 | 32 | 8 | A4 s/s |
| P0200.100-055-A4 | M10 | 16 | 10 | 55 | 32 | 8 | A4 s/s |
| P0200.100-060-A4 | M10 | 16 | 10 | 60 | 32 | 8 | A4 s/s |
| P0200.100-065-A4 | M10 | 16 | 10 | 65 | 32 | 8 | A4 s/s |
| P0200.100-070-A4 | M10 | 16 | 10 | 70 | 32 | 8 | A4 s/s |
| P0200.100-075-A4 | M10 | 16 | 10 | 75 | 32 | 8 | A4 s/s |
| P0200.100-080-A4 | M10 | 16 | 10 | 80 | 32 | 8 | A4 s/s |
| P0200.100-090-A4 | M10 | 16 | 10 | 90 | 32 | 8 | A4 s/s |
| P0200.100-100-A4 | M10 | 16 | 10 | 100 | 32 | 8 | A4 s/s |
| P0200.100-110-A4 | M10 | 16 | 10 | 110 | 32 | 8 | A4 s/s |
| P0200.100-120-A4 | M10 | 16 | 10 | 120 | 32 | 8 | A4 s/s |
| P0200.100-130-A4 | M10 | 16 | 10 | 130 | 32 | 8 | A4 s/s |
| P0200.100-140-A4 | M10 | 16 | 10 | 140 | 32 | 8 | A4 s/s |
| P0200.100-150-A4 | M10 | 16 | 10 | 150 | 32 | 8 | A4 s/s |
| P0200.100-160-A4 | M10 | 16 | 10 | 160 | 32 | 8 | A4 s/s |
| P0200.100-170-A4 | M10 | 16 | 10 | 170 | 32 | 8 | A4 s/s |
| P0200.100-180-A4 | M10 | 16 | 10 | 180 | 32 | 8 | A4 s/s |
| P0200.100-190-A4 | M10 | 16 | 10 | 190 | 32 | 8 | A4 s/s |
| P0200.100-200-A4 | M10 | 16 | 10 | 200 | 32 | 8 | A4 s/s |
| P0200.120-016-A4 | M12 | 18 | 12 | 16 | - | 10 | A4 s/s |

STANDARD SCREWS



STANDARD SCREWS

| Order No. | d ₁ | d ₂ | h ₁ | l ₁ | l ₂ | A/F | Material |
|------------------|----------------|----------------|----------------|----------------|----------------|-----|----------|
| P0200.120-020-A4 | M12 | 18 | 12 | 20 | - | 10 | A4 s/s |
| P0200.120-025-A4 | M12 | 18 | 12 | 25 | - | 10 | A4 s/s |
| P0200.120-030-A4 | M12 | 18 | 12 | 30 | - | 10 | A4 s/s |
| P0200.120-035-A4 | M12 | 18 | 12 | 35 | - | 10 | A4 s/s |
| P0200.120-040-A4 | M12 | 18 | 12 | 40 | 36 | 10 | A4 s/s |
| P0200.120-045-A4 | M12 | 18 | 12 | 45 | 36 | 10 | A4 s/s |
| P0200.120-050-A4 | M12 | 18 | 12 | 50 | 36 | 10 | A4 s/s |
| P0200.120-055-A4 | M12 | 18 | 12 | 55 | 36 | 10 | A4 s/s |
| P0200.120-060-A4 | M12 | 18 | 12 | 60 | 36 | 10 | A4 s/s |
| P0200.120-065-A4 | M12 | 18 | 12 | 65 | 36 | 10 | A4 s/s |
| P0200.120-070-A4 | M12 | 18 | 12 | 70 | 36 | 10 | A4 s/s |
| P0200.120-080-A4 | M12 | 18 | 12 | 80 | 36 | 10 | A4 s/s |
| P0200.120-090-A4 | M12 | 18 | 12 | 90 | 36 | 10 | A4 s/s |
| P0200.120-100-A4 | M12 | 18 | 12 | 100 | 36 | 10 | A4 s/s |
| P0200.120-110-A4 | M12 | 18 | 12 | 110 | 36 | 10 | A4 s/s |
| P0200.120-120-A4 | M12 | 18 | 12 | 120 | 36 | 10 | A4 s/s |
| P0200.120-130-A4 | M12 | 18 | 12 | 130 | 36 | 10 | A4 s/s |
| P0200.120-140-A4 | M12 | 18 | 12 | 140 | 36 | 10 | A4 s/s |
| P0200.120-150-A4 | M12 | 18 | 12 | 150 | 36 | 10 | A4 s/s |
| P0200.120-160-A4 | M12 | 18 | 12 | 160 | 36 | 10 | A4 s/s |
| P0200.120-170-A4 | M12 | 18 | 12 | 170 | 36 | 10 | A4 s/s |
| P0200.120-180-A4 | M12 | 18 | 12 | 180 | 36 | 10 | A4 s/s |
| P0200.120-190-A4 | M12 | 18 | 12 | 190 | 36 | 10 | A4 s/s |
| P0200.120-200-A4 | M12 | 18 | 12 | 200 | 36 | 10 | A4 s/s |
| P0200.140-020-A4 | M14 | 21 | 14 | 20 | - | 12 | A4 s/s |
| P0200.140-025-A4 | M14 | 21 | 14 | 25 | - | 12 | A4 s/s |
| P0200.140-030-A4 | M14 | 21 | 14 | 30 | - | 12 | A4 s/s |
| P0200.140-035-A4 | M14 | 21 | 14 | 35 | - | 12 | A4 s/s |
| P0200.140-040-A4 | M14 | 21 | 14 | 40 | - | 12 | A4 s/s |
| P0200.140-045-A4 | M14 | 21 | 14 | 45 | 40 | 12 | A4 s/s |
| P0200.140-050-A4 | M14 | 21 | 14 | 50 | 40 | 12 | A4 s/s |
| P0200.140-055-A4 | M14 | 21 | 14 | 55 | 40 | 12 | A4 s/s |
| P0200.140-060-A4 | M14 | 21 | 14 | 60 | 40 | 12 | A4 s/s |
| P0200.140-065-A4 | M14 | 21 | 14 | 65 | 40 | 12 | A4 s/s |
| P0200.140-070-A4 | M14 | 21 | 14 | 70 | 40 | 12 | A4 s/s |
| P0200.140-080-A4 | M14 | 21 | 14 | 80 | 40 | 12 | A4 s/s |
| P0200.140-090-A4 | M14 | 21 | 14 | 90 | 40 | 12 | A4 s/s |
| P0200.140-100-A4 | M14 | 21 | 14 | 100 | 40 | 12 | A4 s/s |
| P0200.140-110-A4 | M14 | 21 | 14 | 110 | 40 | 12 | A4 s/s |
| P0200.140-120-A4 | M14 | 21 | 14 | 120 | 40 | 12 | A4 s/s |
| P0200.140-130-A4 | M14 | 21 | 14 | 130 | 40 | 12 | A4 s/s |
| P0200.140-140-A4 | M14 | 21 | 14 | 140 | 40 | 12 | A4 s/s |
| P0200.140-150-A4 | M14 | 21 | 14 | 150 | 40 | 12 | A4 s/s |
| P0200.140-160-A4 | M14 | 21 | 14 | 160 | 40 | 12 | A4 s/s |
| P0200.140-170-A4 | M14 | 21 | 14 | 170 | 40 | 12 | A4 s/s |
| P0200.140-180-A4 | M14 | 21 | 14 | 180 | 40 | 12 | A4 s/s |
| P0200.140-190-A4 | M14 | 21 | 14 | 190 | 40 | 12 | A4 s/s |
| P0200.140-200-A4 | M14 | 21 | 14 | 200 | 40 | 12 | A4 s/s |
| P0200.160-020-A4 | M16 | 24 | 16 | 20 | - | 14 | A4 s/s |
| P0200.160-025-A4 | M16 | 24 | 16 | 25 | - | 14 | A4 s/s |
| P0200.160-030-A4 | M16 | 24 | 16 | 30 | - | 14 | A4 s/s |
| P0200.160-035-A4 | M16 | 24 | 16 | 35 | - | 14 | A4 s/s |
| P0200.160-040-A4 | M16 | 24 | 16 | 40 | - | 14 | A4 s/s |
| P0200.160-045-A4 | M16 | 24 | 16 | 45 | - | 14 | A4 s/s |
| P0200.160-050-A4 | M16 | 24 | 16 | 50 | 44 | 14 | A4 s/s |
| P0200.160-055-A4 | M16 | 24 | 16 | 55 | 44 | 14 | A4 s/s |
| P0200.160-060-A4 | M16 | 24 | 16 | 60 | 44 | 14 | A4 s/s |
| P0200.160-065-A4 | M16 | 24 | 16 | 65 | 44 | 14 | A4 s/s |
| P0200.160-070-A4 | M16 | 24 | 16 | 70 | 44 | 14 | A4 s/s |
| P0200.016-080-A4 | M16 | 24 | 16 | 80 | 44 | 14 | A4 s/s |
| P0200.160-090-A4 | M16 | 24 | 16 | 90 | 44 | 14 | A4 s/s |
| P0200.160-100-A4 | M16 | 24 | 16 | 100 | 44 | 14 | A4 s/s |
| P0200.160-110-A4 | M16 | 24 | 16 | 110 | 44 | 14 | A4 s/s |
| P0200.160-120-A4 | M16 | 24 | 16 | 120 | 44 | 14 | A4 s/s |
| P0200.160-130-A4 | M16 | 24 | 16 | 130 | 44 | 14 | A4 s/s |
| P0200.160-140-A4 | M16 | 24 | 16 | 140 | 44 | 14 | A4 s/s |
| P0200.160-150-A4 | M16 | 24 | 16 | 150 | 44 | 14 | A4 s/s |
| P0200.160-160-A4 | M16 | 24 | 16 | 160 | 44 | 14 | A4 s/s |
| P0200.160-170-A4 | M16 | 24 | 16 | 170 | 44 | 14 | A4 s/s |



Socket Cap Screws

316 series, stainless steel

Standard Screws



| Order No. | d ₁ | d ₂ | h ₁ | l ₁ | l ₂ | A/F | Material |
|------------------|----------------|----------------|----------------|----------------|----------------|-----|----------|
| P0200.160-180-A4 | M16 | 24 | 16 | 180 | 44 | 14 | A4 s/s |
| P0200.160-190-A4 | M16 | 24 | 16 | 190 | 44 | 14 | A4 s/s |
| P0200.160-200-A4 | M16 | 24 | 16 | 200 | 44 | 14 | A4 s/s |
| P0200.180-030-A4 | M18 | 27 | 18 | 30 | - | 14 | A4 s/s |
| P0200.180-035-A4 | M18 | 27 | 18 | 35 | - | 14 | A4 s/s |
| P0200.180-040-A4 | M18 | 27 | 18 | 40 | - | 14 | A4 s/s |
| P0200.180-045-A4 | M18 | 27 | 18 | 45 | - | 14 | A4 s/s |
| P0200.180-050-A4 | M18 | 27 | 18 | 50 | 48 | 14 | A4 s/s |
| P0200.180-055-A4 | M18 | 27 | 18 | 55 | 48 | 14 | A4 s/s |
| P0200.180-060-A4 | M18 | 27 | 18 | 60 | 48 | 14 | A4 s/s |
| P0200.180-065-A4 | M18 | 27 | 18 | 65 | 48 | 14 | A4 s/s |
| P0200.180-070-A4 | M18 | 27 | 18 | 70 | 48 | 14 | A4 s/s |
| P0200.180-075-A4 | M18 | 27 | 18 | 75 | 48 | 14 | A4 s/s |
| P0200.180-080-A4 | M18 | 27 | 18 | 80 | 48 | 14 | A4 s/s |
| P0200.180-090-A4 | M18 | 27 | 18 | 90 | 48 | 14 | A4 s/s |
| P0200.180-100-A4 | M18 | 27 | 18 | 100 | 48 | 14 | A4 s/s |
| P0200.180-110-A4 | M18 | 27 | 18 | 110 | 48 | 14 | A4 s/s |
| P0200.180-120-A4 | M18 | 27 | 18 | 120 | 48 | 14 | A4 s/s |
| P0200.180-130-A4 | M18 | 27 | 18 | 130 | 48 | 14 | A4 s/s |
| P0200.180-140-A4 | M18 | 27 | 18 | 140 | 48 | 14 | A4 s/s |
| P0200.180-150-A4 | M18 | 27 | 18 | 150 | 48 | 14 | A4 s/s |
| P0200.180-160-A4 | M18 | 27 | 18 | 160 | 48 | 14 | A4 s/s |
| P0200.180-170-A4 | M18 | 27 | 18 | 170 | 48 | 14 | A4 s/s |
| P0200.180-180-A4 | M18 | 27 | 18 | 180 | 48 | 14 | A4 s/s |
| P0200.180-190-A4 | M18 | 27 | 18 | 190 | 48 | 14 | A4 s/s |
| P0200.180-200-A4 | M18 | 27 | 18 | 200 | 48 | 14 | A4 s/s |
| P0200.200-030-A4 | M20 | 30 | 20 | 30 | - | 17 | A4 s/s |
| P0200.200-035-A4 | M20 | 30 | 20 | 35 | - | 17 | A4 s/s |
| P0200.200-040-A4 | M20 | 30 | 20 | 40 | - | 17 | A4 s/s |
| P0200.200-045-A4 | M20 | 30 | 20 | 45 | - | 17 | A4 s/s |
| P0200.200-050-A4 | M20 | 30 | 20 | 50 | - | 17 | A4 s/s |
| P0200.200-055-A4 | M20 | 30 | 20 | 55 | 52 | 17 | A4 s/s |
| P0200.200-060-A4 | M20 | 30 | 20 | 60 | 52 | 17 | A4 s/s |
| P0200.200-065-A4 | M20 | 30 | 20 | 65 | 52 | 17 | A4 s/s |
| P0200.200-070-A4 | M20 | 30 | 20 | 70 | 52 | 17 | A4 s/s |
| P0200.200-080-A4 | M20 | 30 | 20 | 80 | 52 | 17 | A4 s/s |
| P0200.200-090-A4 | M20 | 30 | 20 | 90 | 52 | 17 | A4 s/s |
| P0200.200-100-A4 | M20 | 30 | 20 | 100 | 52 | 17 | A4 s/s |
| P0200.200-110-A4 | M20 | 30 | 20 | 110 | 52 | 17 | A4 s/s |
| P0200.200-120-A4 | M20 | 30 | 20 | 120 | 52 | 17 | A4 s/s |
| P0200.200-130-A4 | M20 | 30 | 20 | 130 | 52 | 17 | A4 s/s |
| P0200.200-140-A4 | M20 | 30 | 20 | 140 | 52 | 17 | A4 s/s |
| P0200.200-150-A4 | M20 | 30 | 20 | 150 | 52 | 17 | A4 s/s |
| P0200.200-160-A4 | M20 | 30 | 20 | 160 | 52 | 17 | A4 s/s |
| P0200.200-170-A4 | M20 | 30 | 20 | 170 | 52 | 17 | A4 s/s |
| P0200.200-180-A4 | M20 | 30 | 20 | 180 | 52 | 17 | A4 s/s |
| P0200.200-190-A4 | M20 | 30 | 20 | 190 | 52 | 17 | A4 s/s |
| P0200.200-200-A4 | M20 | 30 | 20 | 200 | 52 | 17 | A4 s/s |
| P0200.240-040-A4 | M24 | 36 | 24 | 40 | - | 19 | A4 s/s |
| P0200.240-045-A4 | M24 | 36 | 24 | 45 | - | 19 | A4 s/s |
| P0200.240-050-A4 | M24 | 36 | 24 | 50 | - | 19 | A4 s/s |
| P0200.240-055-A4 | M24 | 36 | 24 | 55 | - | 19 | A4 s/s |
| P0200.240-060-A4 | M24 | 36 | 24 | 60 | - | 19 | A4 s/s |
| P0200.240-065-A4 | M24 | 36 | 24 | 65 | 60 | 19 | A4 s/s |
| P0200.240-070-A4 | M24 | 36 | 24 | 70 | 60 | 19 | A4 s/s |
| P0200.240-080-A4 | M24 | 36 | 24 | 80 | 60 | 19 | A2 s/s |
| P0200.240-090-A4 | M24 | 36 | 24 | 90 | 60 | 19 | A4 s/s |
| P0200.240-100-A4 | M24 | 36 | 24 | 100 | 60 | 19 | A4 s/s |
| P0200.240-110-A4 | M24 | 36 | 24 | 110 | 60 | 19 | A4 s/s |
| P0200.240-120-A4 | M24 | 36 | 24 | 120 | 60 | 19 | A4 s/s |
| P0200.240-130-A4 | M24 | 36 | 24 | 130 | 60 | 19 | A4 s/s |
| P0200.240-140-A4 | M24 | 36 | 24 | 140 | 60 | 19 | A4 s/s |
| P0200.240-150-A4 | M24 | 36 | 24 | 150 | 60 | 19 | A4 s/s |
| P0200.240-160-A4 | M24 | 36 | 24 | 160 | 60 | 19 | A4 s/s |
| P0200.240-170-A4 | M24 | 36 | 24 | 170 | 60 | 19 | A4 s/s |
| P0200.240-180-A4 | M24 | 36 | 24 | 180 | 60 | 19 | A4 s/s |
| P0200.240-190-A4 | M24 | 36 | 24 | 190 | 60 | 19 | A4 s/s |
| P0200.240-200-A4 | M24 | 36 | 24 | 200 | 60 | 19 | A4 s/s |
| P0200.270-050-A4 | M27 | 40 | 27 | 50 | - | 19 | A4 s/s |

STANDARD SCREWS



STANDARD SCREWS

| Order No. | d ₁ | d ₂ | h ₁ | l ₁ | l ₂ | A/F | Material |
|------------------|----------------|----------------|----------------|----------------|----------------|-----|----------|
| P0200.270-055-A4 | M27 | 40 | 27 | 55 | - | 19 | A4 s/s |
| P0200.270-060-A4 | M27 | 40 | 27 | 60 | - | 19 | A4 s/s |
| P0200.270-065-A4 | M27 | 40 | 27 | 65 | - | 19 | A4 s/s |
| P0200.270-070-A4 | M27 | 40 | 27 | 70 | 66 | 19 | A4 s/s |
| P0200.270-080-A4 | M27 | 40 | 27 | 80 | 66 | 19 | A4 s/s |
| P0200.270-090-A4 | M27 | 40 | 27 | 90 | 66 | 19 | A4 s/s |
| P0200.270-100-A4 | M27 | 40 | 27 | 100 | 66 | 19 | A4 s/s |
| P0200.270-110-A4 | M27 | 40 | 27 | 110 | 66 | 19 | A4 s/s |
| P0200.270-120-A4 | M27 | 40 | 27 | 120 | 66 | 19 | A4 s/s |
| P0200.270-130-A4 | M27 | 40 | 27 | 130 | 66 | 19 | A4 s/s |
| P0200.270-140-A4 | M27 | 40 | 27 | 140 | 66 | 19 | A4 s/s |
| P0200.270-150-A4 | M27 | 40 | 27 | 150 | 66 | 19 | A4 s/s |
| P0200.270-160-A4 | M27 | 40 | 27 | 160 | 66 | 19 | A4 s/s |
| P0200.270-170-A4 | M24 | 40 | 27 | 170 | 66 | 19 | A4 s/s |
| P0200.270-180-A4 | M27 | 40 | 27 | 180 | 66 | 19 | A4 s/s |
| P0200.270-190-A4 | M27 | 40 | 27 | 190 | 66 | 19 | A4 s/s |
| P0200.270-200-A4 | M27 | 40 | 27 | 200 | 66 | 19 | A4 s/s |
| P0200.300-050-A4 | M30 | 45 | 30 | 50 | - | 22 | A4 s/s |
| P0200.300-055-A4 | M30 | 45 | 30 | 55 | - | 22 | A4 s/s |
| P0200.300-060-A4 | M30 | 45 | 30 | 60 | - | 22 | A4 s/s |
| P0200.300-065-A4 | M30 | 45 | 30 | 65 | - | 22 | A4 s/s |
| P0200.300-070-A4 | M30 | 45 | 30 | 70 | - | 22 | A4 s/s |
| P0200.300-080-A4 | M30 | 45 | 30 | 80 | 72 | 22 | A4 s/s |
| P0200.300-090-A4 | M30 | 45 | 30 | 90 | 72 | 22 | A4 s/s |
| P0200.300-100-A4 | M30 | 45 | 30 | 100 | 72 | 22 | A4 s/s |
| P0200.300-110-A4 | M30 | 45 | 30 | 110 | 72 | 22 | A4 s/s |
| P0200.300-120-A4 | M30 | 45 | 30 | 120 | 72 | 22 | A4 s/s |
| P0200.300-130-A4 | M30 | 45 | 30 | 130 | 72 | 22 | A4 s/s |
| P0200.300-140-A4 | M30 | 45 | 30 | 140 | 72 | 22 | A4 s/s |
| P0200.300-150-A4 | M30 | 45 | 30 | 150 | 72 | 22 | A4 s/s |
| P0200.300-160-A4 | M30 | 45 | 30 | 160 | 72 | 22 | A4 s/s |
| P0200.300-170-A4 | M30 | 45 | 30 | 170 | 72 | 22 | A4 s/s |
| P0200.300-180-A4 | M30 | 45 | 30 | 180 | 72 | 22 | A4 s/s |
| P0200.300-190-A4 | M30 | 45 | 30 | 190 | 72 | 22 | A4 s/s |
| P0200.300-200-A4 | M30 | 45 | 30 | 200 | 72 | 22 | A4 s/s |



Socket Cap Screws

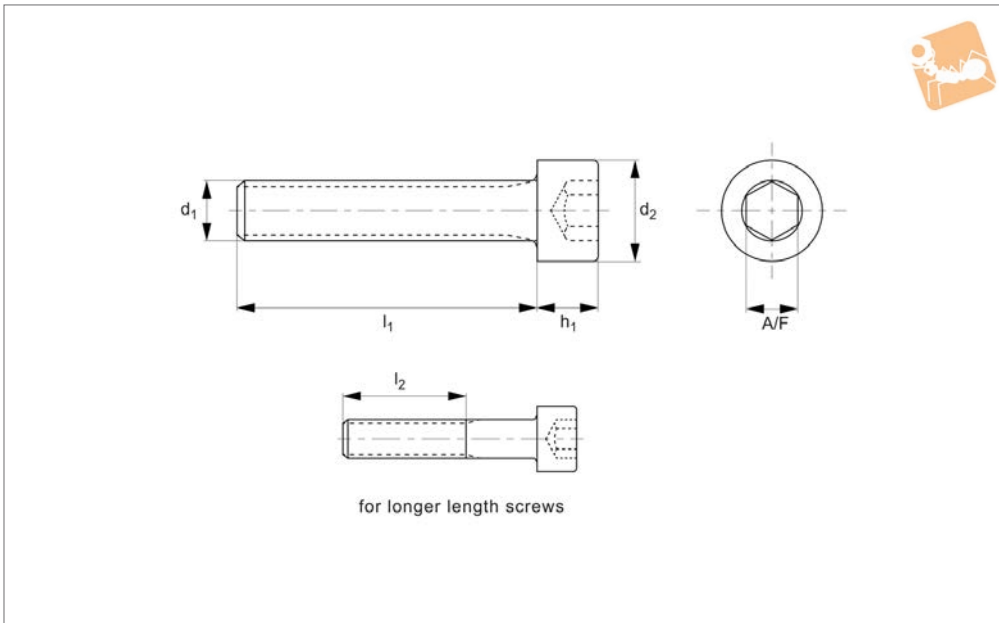
Steel - self-colour

Standard Screws



P0200.SC

STANDARD SCREWS



Material

Steel, self-colour (grade 12.9).
Tensile strength 1200 N/mm².

screw lengths the threads goes all the way to the head of the screw (i.e. $l_1 = l_2$) less 2.5 thread pitches.

Technical Notes

To DIN 912, ISO 4762. For the majority of

For longer length screws the threaded portion $l_2 < l_1$.

| Order No. | d ₁ | d ₂ | h ₁ | l ₁ | l ₂ | A/F | Material |
|------------------|----------------|----------------|----------------|----------------|----------------|-----|----------|
| P0200.016-003-SC | M1,6 | 3.0 | 1.6 | 3 | - | 1.5 | Steel SC |
| P0200.016-004-SC | M1,6 | 3.0 | 1.6 | 4 | - | 1.5 | Steel SC |
| P0200.016-005-SC | M1,6 | 3.0 | 1.6 | 5 | - | 1.5 | Steel SC |
| P0200.016-006-SC | M1,6 | 3.0 | 1.6 | 6 | - | 1.5 | Steel SC |
| P0200.016-008-SC | M1,6 | 3.0 | 1.6 | 8 | - | 1.5 | Steel SC |
| P0200.016-010-SC | M1,6 | 3.0 | 1.6 | 10 | - | 1.5 | Steel SC |
| P0200.016-012-SC | M1,6 | 3.0 | 1.6 | 12 | - | 1.5 | Steel SC |
| P0200.016-014-SC | M1,6 | 3.0 | 1.6 | 14 | - | 1.5 | Steel SC |
| P0200.016-016-SC | M1,6 | 3.0 | 1.6 | 16 | - | 1.5 | Steel SC |
| P0200.020-003-SC | M 2 | 3.8 | 2 | 3 | - | 1.5 | Steel SC |
| P0200.020-004-SC | M 2 | 3.8 | 2 | 4 | - | 1.5 | Steel SC |
| P0200.020-005-SC | M 2 | 3.8 | 2 | 5 | - | 1.5 | Steel SC |
| P0200.020-006-SC | M 2 | 3.8 | 2 | 6 | - | 1.5 | Steel SC |
| P0200.020-008-SC | M 2 | 3.8 | 2 | 8 | - | 1.5 | Steel SC |
| P0200.020-010-SC | M 2 | 3.8 | 2 | 10 | - | 1.5 | Steel SC |
| P0200.020-012-SC | M 2 | 3.8 | 2 | 12 | - | 1.5 | Steel SC |
| P0200.020-014-SC | M 2 | 3.8 | 2 | 14 | - | 1.5 | Steel SC |
| P0200.020-016-SC | M 2 | 3.8 | 2 | 16 | - | 1.5 | Steel SC |
| P0200.020-018-SC | M 2 | 3.8 | 2 | 18 | - | 1.5 | Steel SC |
| P0200.020-020-SC | M 2 | 3.8 | 2 | 20 | - | 1.5 | Steel SC |
| P0200.025-004-SC | M2,5 | 4.5 | 2.5 | 4 | - | 2 | Steel SC |
| P0200.025-005-SC | M2,5 | 4.5 | 2.5 | 5 | - | 2 | Steel SC |
| P0200.025-006-SC | M2,5 | 4.5 | 2.5 | 6 | - | 2 | Steel SC |
| P0200.025-008-SC | M2,5 | 4.5 | 2.5 | 8 | - | 2 | Steel SC |
| P0200.025-010-SC | M2,5 | 4.5 | 2.5 | 10 | - | 2 | Steel SC |
| P0200.025-012-SC | M2,5 | 4.5 | 2.5 | 12 | - | 2 | Steel SC |
| P0200.025-014-SC | M2,5 | 4.5 | 2.5 | 14 | - | 2 | Steel SC |
| P0200.025-016-SC | M2,5 | 4.5 | 2.5 | 16 | - | 2 | Steel SC |
| P0200.025-018-SC | M2,5 | 4.5 | 2.5 | 18 | - | 2 | Steel SC |
| P0200.025-020-SC | M2,5 | 4.5 | 2.5 | 20 | - | 2 | Steel SC |
| P0200.025-022-SC | M2,5 | 4.5 | 2.5 | 22 | - | 2 | Steel SC |
| P0200.025-025-SC | M2,5 | 4.5 | 2.5 | 25 | - | 2 | Steel SC |
| P0200.030-004-SC | M 3 | 5.5 | 3 | 4 | - | 2.5 | Steel SC |



STANDARD SCREWS

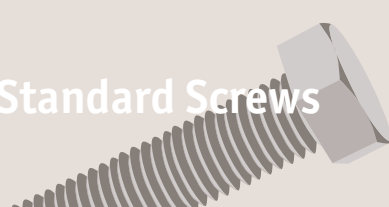
| Order No. | d ₁ | d ₂ | h ₁ | l ₁ | l ₂ | A/F | Material |
|------------------|----------------|----------------|----------------|----------------|----------------|-----|----------|
| P0200.030-005-SC | M 3 | 5.5 | 3 | 5 | - | 2.5 | Steel SC |
| P0200.030-006-SC | M 3 | 5.5 | 3 | 6 | - | 2.5 | Steel SC |
| P0200.030-008-SC | M 3 | 5.5 | 3 | 8 | - | 2.5 | Steel SC |
| P0200.030-010-SC | M 3 | 5.5 | 3 | 10 | - | 2.5 | Steel SC |
| P0200.030-012-SC | M 3 | 5.5 | 3 | 12 | - | 2.5 | Steel SC |
| P0200.030-014-SC | M 3 | 5.5 | 3 | 14 | - | 2.5 | Steel SC |
| P0200.030-016-SC | M 3 | 5.5 | 3 | 16 | - | 2.5 | Steel SC |
| P0200.030-018-SC | M 3 | 5.5 | 3 | 18 | - | 2.5 | Steel SC |
| P0200.030-020-SC | M 3 | 5.5 | 3 | 20 | 18 | 2.5 | Steel SC |
| P0200.030-025-SC | M 3 | 5.5 | 3 | 25 | 18 | 2.5 | Steel SC |
| P0200.030-030-SC | M 3 | 5.5 | 3 | 30 | 18 | 2.5 | Steel SC |
| P0200.030-035-SC | M 3 | 5.5 | 3 | 35 | 18 | 2.5 | Steel SC |
| P0200.030-040-SC | M 3 | 5.5 | 3 | 40 | 18 | 2.5 | Steel SC |
| P0200.030-045-SC | M 3 | 5.5 | 3 | 45 | 18 | 2.5 | Steel SC |
| P0200.030-050-SC | M 3 | 5.5 | 3 | 50 | 18 | 2.5 | Steel SC |
| P0200.040-005-SC | M 4 | 7 | 4 | 5 | - | 3 | Steel SC |
| P0200.040-006-SC | M 4 | 7 | 4 | 6 | - | 3 | Steel SC |
| P0200.040-008-SC | M 4 | 7 | 4 | 8 | - | 3 | Steel SC |
| P0200.040-010-SC | M 4 | 7 | 4 | 10 | - | 3 | Steel SC |
| P0200.040-012-SC | M 4 | 7 | 4 | 12 | - | 3 | Steel SC |
| P0200.040-014-SC | M 4 | 7 | 4 | 14 | - | 3 | Steel SC |
| P0200.040-016-SC | M 4 | 7 | 4 | 16 | - | 3 | Steel SC |
| P0200.040-018-SC | M 4 | 7 | 4 | 18 | - | 3 | Steel SC |
| P0200.040-020-SC | M 4 | 7 | 4 | 20 | 20 | 3 | Steel SC |
| P0200.040-025-SC | M 4 | 7 | 4 | 25 | 20 | 3 | Steel SC |
| P0200.040-030-SC | M 4 | 7 | 4 | 30 | 20 | 3 | Steel SC |
| P0200.040-035-SC | M 4 | 7 | 4 | 35 | 20 | 3 | Steel SC |
| P0200.040-040-SC | M 4 | 7 | 4 | 40 | 20 | 3 | Steel SC |
| P0200.040-045-SC | M 4 | 7 | 4 | 45 | 20 | 3 | Steel SC |
| P0200.040-050-SC | M 4 | 7 | 4 | 50 | 20 | 3 | Steel SC |
| P0200.040-055-SC | M 4 | 7 | 4 | 55 | 20 | 3 | Steel SC |
| P0200.040-060-SC | M 4 | 7 | 4 | 60 | 20 | 3 | Steel SC |
| P0200.040-070-SC | M 4 | 7 | 4 | 70 | 20 | 3 | Steel SC |
| P0200.040-075-SC | M 4 | 7 | 4 | 75 | 20 | 3 | Steel SC |
| P0200.050-006-SC | M 5 | 8.5 | 5 | 6 | - | 4 | Steel SC |
| P0200.050-008-SC | M 5 | 8.5 | 5 | 8 | - | 4 | Steel SC |
| P0200.050-010-SC | M 5 | 8.5 | 5 | 10 | - | 4 | Steel SC |
| P0200.050-012-SC | M 5 | 8.5 | 5 | 12 | - | 4 | Steel SC |
| P0200.050-014-SC | M 5 | 8.5 | 5 | 14 | - | 4 | Steel SC |
| P0200.050-016-SC | M 5 | 8.5 | 5 | 16 | - | 4 | Steel SC |
| P0200.050-018-SC | M 5 | 8.5 | 5 | 18 | - | 4 | Steel SC |
| P0200.050-020-SC | M 5 | 8.5 | 5 | 20 | - | 4 | Steel SC |
| P0200.050-025-SC | M 5 | 8.5 | 5 | 25 | 22 | 4 | Steel SC |
| P0200.050-030-SC | M 5 | 8.5 | 5 | 30 | 22 | 4 | Steel SC |
| P0200.050-035-SC | M 5 | 8.5 | 5 | 35 | 22 | 4 | Steel SC |
| P0200.050-040-SC | M 5 | 8.5 | 5 | 40 | 22 | 4 | Steel SC |
| P0200.050-045-SC | M 5 | 8.5 | 5 | 45 | 22 | 4 | Steel SC |
| P0200.050-050-SC | M 5 | 8.5 | 5 | 50 | 22 | 4 | Steel SC |
| P0200.050-055-SC | M 5 | 8.5 | 5 | 55 | 22 | 4 | Steel SC |
| P0200.050-060-SC | M 5 | 8.5 | 5 | 60 | 22 | 4 | Steel SC |
| P0200.050-065-SC | M 5 | 8.5 | 5 | 65 | 22 | 4 | Steel SC |
| P0200.050-070-SC | M 5 | 8.5 | 5 | 70 | 22 | 4 | Steel SC |
| P0200.050-080-SC | M 5 | 8.5 | 5 | 80 | 22 | 4 | Steel SC |
| P0200.050-090-SC | M 5 | 8.5 | 5 | 90 | 22 | 4 | Steel SC |
| P0200.050-100-SC | M 5 | 8.5 | 5 | 100 | 22 | 4 | Steel SC |
| P0200.060-006-SC | M 6 | 10 | 6 | 6 | - | 5 | Steel SC |
| P0200.060-008-SC | M 6 | 10 | 6 | 8 | - | 5 | Steel SC |
| P0200.060-010-SC | M 6 | 10 | 6 | 10 | - | 5 | Steel SC |
| P0200.060-012-SC | M 6 | 10 | 6 | 12 | - | 5 | Steel SC |
| P0200.060-014-SC | M 6 | 10 | 6 | 14 | - | 5 | Steel SC |
| P0200.060-016-SC | M 6 | 10 | 6 | 16 | - | 5 | Steel SC |
| P0200.060-018-SC | M 6 | 10 | 6 | 18 | - | 5 | Steel SC |
| P0200.060-020-SC | M 6 | 10 | 6 | 20 | - | 5 | Steel SC |
| P0200.060-025-SC | M 6 | 10 | 6 | 25 | 24 | 5 | Steel SC |
| P0200.060-030-SC | M 6 | 10 | 6 | 30 | 24 | 5 | Steel SC |
| P0200.060-035-SC | M 6 | 10 | 6 | 35 | 24 | 5 | Steel SC |
| P0200.060-040-SC | M 6 | 10 | 6 | 40 | 24 | 5 | Steel SC |
| P0200.060-045-SC | M 6 | 10 | 6 | 45 | 24 | 5 | Steel SC |
| P0200.060-050-SC | M 6 | 10 | 6 | 50 | 24 | 5 | Steel SC |



Socket Cap Screws

Steel - self-colour

Standard Screws



| Order No. | d ₁ | d ₂ | h ₁ | l ₁ | l ₂ | A/F | Material |
|------------------|----------------|----------------|----------------|----------------|----------------|-----|----------|
| P0200.060-055-SC | M 6 | 10 | 6 | 55 | 24 | 5 | Steel SC |
| P0200.060-060-SC | M 6 | 10 | 6 | 60 | 24 | 5 | Steel SC |
| P0200.060-065-SC | M 6 | 10 | 6 | 65 | 24 | 5 | Steel SC |
| P0200.060-070-SC | M 6 | 10 | 6 | 70 | 24 | 5 | Steel SC |
| P0200.060-080-SC | M 6 | 10 | 6 | 80 | 24 | 5 | Steel SC |
| P0200.060-090-SC | M 6 | 10 | 6 | 90 | 24 | 5 | Steel SC |
| P0200.060-100-SC | M 6 | 10 | 6 | 100 | 24 | 5 | Steel SC |
| P0200.060-110-SC | M 6 | 10 | 6 | 110 | 24 | 5 | Steel SC |
| P0200.060-120-SC | M 6 | 10 | 6 | 120 | 24 | 5 | Steel SC |
| P0200.060-130-SC | M 6 | 10 | 6 | 130 | 24 | 5 | Steel SC |
| P0200.060-140-SC | M 6 | 10 | 6 | 140 | 24 | 5 | Steel SC |
| P0200.060-150-SC | M 6 | 10 | 6 | 150 | 24 | 5 | Steel SC |
| P0200.080-010-SC | M 8 | 13 | 8 | 10 | - | 6 | Steel SC |
| P0200.080-012-SC | M 8 | 13 | 8 | 12 | - | 6 | Steel SC |
| P0200.080-014-SC | M 8 | 13 | 8 | 14 | - | 6 | Steel SC |
| P0200.080-016-SC | M 8 | 13 | 8 | 16 | - | 6 | Steel SC |
| P0200.080-018-SC | M 8 | 13 | 8 | 18 | - | 6 | Steel SC |
| P0200.080-020-SC | M 8 | 13 | 8 | 20 | - | 6 | Steel SC |
| P0200.080-025-SC | M 8 | 13 | 8 | 25 | - | 6 | Steel SC |
| P0200.080-030-SC | M 8 | 13 | 8 | 30 | 28 | 6 | Steel SC |
| P0200.080-035-SC | M 8 | 13 | 8 | 35 | 28 | 6 | Steel SC |
| P0200.080-040-SC | M 8 | 13 | 8 | 40 | 28 | 6 | Steel SC |
| P0200.080-045-SC | M 8 | 13 | 8 | 45 | 28 | 6 | Steel SC |
| P0200.080-050-SC | M 8 | 13 | 8 | 50 | 28 | 6 | Steel SC |
| P0200.080-055-SC | M 8 | 13 | 8 | 55 | 28 | 6 | Steel SC |
| P0200.080-060-SC | M 8 | 13 | 8 | 60 | 28 | 6 | Steel SC |
| P0200.080-065-SC | M 8 | 13 | 8 | 65 | 28 | 6 | Steel SC |
| P0200.080-070-SC | M 8 | 13 | 8 | 70 | 28 | 6 | Steel SC |
| P0200.080-080-SC | M 8 | 13 | 8 | 80 | 28 | 6 | Steel SC |
| P0200.080-090-SC | M 8 | 13 | 8 | 90 | 28 | 6 | Steel SC |
| P0200.080-100-SC | M 8 | 13 | 8 | 100 | 28 | 6 | Steel SC |
| P0200.080-110-SC | M 8 | 13 | 8 | 110 | 28 | 6 | Steel SC |
| P0200.080-120-SC | M 8 | 13 | 8 | 120 | 28 | 6 | Steel SC |
| P0200.080-130-SC | M 8 | 13 | 8 | 130 | 28 | 6 | Steel SC |
| P0200.080-140-SC | M 8 | 13 | 8 | 140 | 28 | 6 | Steel SC |
| P0200.080-150-SC | M 8 | 13 | 8 | 150 | 28 | 6 | Steel SC |
| P0200.080-160-SC | M 8 | 13 | 8 | 160 | 28 | 6 | Steel SC |
| P0200.080-170-SC | M 8 | 13 | 8 | 170 | 28 | 6 | Steel SC |
| P0200.080-180-SC | M 8 | 13 | 8 | 180 | 28 | 6 | Steel SC |
| P0200.080-190-SC | M 8 | 13 | 8 | 190 | 28 | 6 | Steel SC |
| P0200.080-200-SC | M 8 | 13 | 8 | 200 | 28 | 6 | Steel SC |
| P0200.100-012-SC | M10 | 16 | 10 | 12 | - | 8 | Steel SC |
| P0200.100-016-SC | M10 | 16 | 10 | 16 | - | 8 | Steel SC |
| P0200.100-018-SC | M10 | 16 | 10 | 18 | - | 8 | Steel SC |
| P0200.100-020-SC | M10 | 16 | 10 | 20 | - | 8 | Steel SC |
| P0200.100-025-SC | M10 | 16 | 10 | 25 | - | 8 | Steel SC |
| P0200.100-030-SC | M10 | 16 | 10 | 30 | - | 8 | Steel SC |
| P0200.100-035-SC | M10 | 16 | 10 | 35 | 32 | 8 | Steel SC |
| P0200.100-040-SC | M10 | 16 | 10 | 40 | 32 | 8 | Steel SC |
| P0200.100-045-SC | M10 | 16 | 10 | 45 | 32 | 8 | Steel SC |
| P0200.100-050-SC | M10 | 16 | 10 | 50 | 32 | 8 | Steel SC |
| P0200.100-055-SC | M10 | 16 | 10 | 55 | 32 | 8 | Steel SC |
| P0200.100-060-SC | M10 | 16 | 10 | 60 | 32 | 8 | Steel SC |
| P0200.100-065-SC | M10 | 16 | 10 | 65 | 32 | 8 | Steel SC |
| P0200.100-070-SC | M10 | 16 | 10 | 70 | 32 | 8 | Steel SC |
| P0200.100-075-SC | M10 | 16 | 10 | 75 | 32 | 8 | Steel SC |
| P0200.100-080-SC | M10 | 16 | 10 | 80 | 32 | 8 | Steel SC |
| P0200.100-090-SC | M10 | 16 | 10 | 90 | 32 | 8 | Steel SC |
| P0200.100-100-SC | M10 | 16 | 10 | 100 | 32 | 8 | Steel SC |
| P0200.100-110-SC | M10 | 16 | 10 | 110 | 32 | 8 | Steel SC |
| P0200.100-120-SC | M10 | 16 | 10 | 120 | 32 | 8 | Steel SC |
| P0200.100-130-SC | M10 | 16 | 10 | 130 | 32 | 8 | Steel SC |
| P0200.100-140-SC | M10 | 16 | 10 | 140 | 32 | 8 | Steel SC |
| P0200.100-150-SC | M10 | 16 | 10 | 150 | 32 | 8 | Steel SC |
| P0200.100-160-SC | M10 | 16 | 10 | 160 | 32 | 8 | Steel SC |
| P0200.100-170-SC | M10 | 16 | 10 | 170 | 32 | 8 | Steel SC |
| P0200.100-180-SC | M10 | 16 | 10 | 180 | 32 | 8 | Steel SC |
| P0200.100-190-SC | M10 | 16 | 10 | 190 | 32 | 8 | Steel SC |
| P0200.100-200-SC | M10 | 16 | 10 | 200 | 32 | 8 | Steel SC |

STANDARD SCREWS



STANDARD SCREWS

| Order No. | d ₁ | d ₂ | h ₁ | l ₁ | l ₂ | A/F | Material |
|------------------|----------------|----------------|----------------|----------------|----------------|-----|----------|
| P0200.120-016-SC | M12 | 18 | 12 | 16 | - | 10 | Steel SC |
| P0200.120-020-SC | M12 | 18 | 12 | 20 | - | 10 | Steel SC |
| P0200.120-025-SC | M12 | 18 | 12 | 25 | - | 10 | Steel SC |
| P0200.120-030-SC | M12 | 18 | 12 | 30 | - | 10 | Steel SC |
| P0200.120-035-SC | M12 | 18 | 12 | 35 | - | 10 | Steel SC |
| P0200.120-040-SC | M12 | 18 | 12 | 40 | 36 | 10 | Steel SC |
| P0200.120-045-SC | M12 | 18 | 12 | 45 | 36 | 10 | Steel SC |
| P0200.120-050-SC | M12 | 18 | 12 | 50 | 36 | 10 | Steel SC |
| P0200.120-055-SC | M12 | 18 | 12 | 55 | 36 | 10 | Steel SC |
| P0200.120-060-SC | M12 | 18 | 12 | 60 | 36 | 10 | Steel SC |
| P0200.120-065-SC | M12 | 18 | 12 | 65 | 36 | 10 | Steel SC |
| P0200.120-070-SC | M12 | 18 | 12 | 70 | 36 | 10 | Steel SC |
| P0200.120-080-SC | M12 | 18 | 12 | 80 | 36 | 10 | Steel SC |
| P0200.120-090-SC | M12 | 18 | 12 | 90 | 36 | 10 | Steel SC |
| P0200.120-100-SC | M12 | 18 | 12 | 100 | 36 | 10 | Steel SC |
| P0200.120-110-SC | M12 | 18 | 12 | 110 | 36 | 10 | Steel SC |
| P0200.120-120-SC | M12 | 18 | 12 | 120 | 36 | 10 | Steel SC |
| P0200.120-130-SC | M12 | 18 | 12 | 130 | 36 | 10 | Steel SC |
| P0200.120-140-SC | M12 | 18 | 12 | 140 | 36 | 10 | Steel SC |
| P0200.120-150-SC | M12 | 18 | 12 | 150 | 36 | 10 | Steel SC |
| P0200.120-160-SC | M12 | 18 | 12 | 160 | 36 | 10 | Steel SC |
| P0200.120-170-SC | M12 | 18 | 12 | 170 | 36 | 10 | Steel SC |
| P0200.120-180-SC | M12 | 18 | 12 | 180 | 36 | 10 | Steel SC |
| P0200.120-190-SC | M12 | 18 | 12 | 190 | 36 | 10 | Steel SC |
| P0200.120-200-SC | M12 | 18 | 12 | 200 | 36 | 10 | Steel SC |
| P0200.140-020-SC | M14 | 21 | 14 | 20 | - | 12 | Steel SC |
| P0200.140-025-SC | M14 | 21 | 14 | 25 | - | 12 | Steel SC |
| P0200.140-030-SC | M14 | 21 | 14 | 30 | - | 12 | Steel SC |
| P0200.140-035-SC | M14 | 21 | 14 | 35 | - | 12 | Steel SC |
| P0200.140-040-SC | M14 | 21 | 14 | 40 | - | 12 | Steel SC |
| P0200.140-045-SC | M14 | 21 | 14 | 45 | 40 | 12 | Steel SC |
| P0200.140-050-SC | M14 | 21 | 14 | 50 | 40 | 12 | Steel SC |
| P0200.140-055-SC | M14 | 21 | 14 | 55 | 40 | 12 | Steel SC |
| P0200.140-060-SC | M14 | 21 | 14 | 60 | 40 | 12 | Steel SC |
| P0200.140-065-SC | M14 | 21 | 14 | 65 | 40 | 12 | Steel SC |
| P0200.140-070-SC | M14 | 21 | 14 | 70 | 40 | 12 | Steel SC |
| P0200.140-080-SC | M14 | 21 | 14 | 80 | 40 | 12 | Steel SC |
| P0200.140-090-SC | M14 | 21 | 14 | 90 | 40 | 12 | Steel SC |
| P0200.140-100-SC | M14 | 21 | 14 | 100 | 40 | 12 | Steel SC |
| P0200.140-110-SC | M14 | 21 | 14 | 110 | 40 | 12 | Steel SC |
| P0200.140-120-SC | M14 | 21 | 14 | 120 | 40 | 12 | Steel SC |
| P0200.140-130-SC | M14 | 21 | 14 | 130 | 40 | 12 | Steel SC |
| P0200.140-140-SC | M14 | 21 | 14 | 140 | 40 | 12 | Steel SC |
| P0200.140-150-SC | M14 | 21 | 14 | 150 | 40 | 12 | Steel SC |
| P0200.140-160-SC | M14 | 21 | 14 | 160 | 40 | 12 | Steel SC |
| P0200.140-170-SC | M14 | 21 | 14 | 170 | 40 | 12 | Steel SC |
| P0200.140-180-SC | M14 | 21 | 14 | 180 | 40 | 12 | Steel SC |
| P0200.140-190-SC | M14 | 21 | 14 | 190 | 40 | 12 | Steel SC |
| P0200.140-200-SC | M14 | 21 | 14 | 200 | 40 | 12 | Steel SC |
| P0200.160-020-SC | M16 | 24 | 16 | 20 | - | 14 | Steel SC |
| P0200.160-025-SC | M16 | 24 | 16 | 25 | - | 14 | Steel SC |
| P0200.160-030-SC | M16 | 24 | 16 | 30 | - | 14 | Steel SC |
| P0200.160-035-SC | M16 | 24 | 16 | 35 | - | 14 | Steel SC |
| P0200.160-040-SC | M16 | 24 | 16 | 40 | - | 14 | Steel SC |
| P0200.160-045-SC | M16 | 24 | 16 | 45 | - | 14 | Steel SC |
| P0200.160-050-SC | M16 | 24 | 16 | 50 | 44 | 14 | Steel SC |
| P0200.160-055-SC | M16 | 24 | 16 | 55 | 44 | 14 | Steel SC |
| P0200.160-060-SC | M16 | 24 | 16 | 60 | 44 | 14 | Steel SC |
| P0200.160-065-SC | M16 | 24 | 16 | 65 | 44 | 14 | Steel SC |
| P0200.160-070-SC | M16 | 24 | 16 | 70 | 44 | 14 | Steel SC |
| P0200.016-080-SC | M16 | 24 | 16 | 80 | 44 | 14 | Steel SC |
| P0200.160-090-SC | M16 | 24 | 16 | 90 | 44 | 14 | Steel SC |
| P0200.160-100-SC | M16 | 24 | 16 | 100 | 44 | 14 | Steel SC |
| P0200.160-110-SC | M16 | 24 | 16 | 110 | 44 | 14 | Steel SC |
| P0200.160-120-SC | M16 | 24 | 16 | 120 | 44 | 14 | Steel SC |
| P0200.160-130-SC | M16 | 24 | 16 | 130 | 44 | 14 | Steel SC |
| P0200.160-140-SC | M16 | 24 | 16 | 140 | 44 | 14 | Steel SC |
| P0200.160-150-SC | M16 | 24 | 16 | 150 | 44 | 14 | Steel SC |
| P0200.160-160-SC | M16 | 24 | 16 | 160 | 44 | 14 | Steel SC |



Socket Cap Screws

Steel - self-colour

Standard Screws



| Order No. | d ₁ | d ₂ | h ₁ | l ₁ | l ₂ | A/F | Material |
|------------------|----------------|----------------|----------------|----------------|----------------|-----|----------|
| P0200.160-170-SC | M16 | 24 | 16 | 170 | 44 | 14 | Steel SC |
| P0200.160-180-SC | M16 | 24 | 16 | 180 | 44 | 14 | Steel SC |
| P0200.160-190-SC | M16 | 24 | 16 | 190 | 44 | 14 | Steel SC |
| P0200.160-200-SC | M16 | 24 | 16 | 200 | 44 | 14 | Steel SC |
| P0200.180-030-SC | M18 | 27 | 18 | 30 | - | 14 | Steel SC |
| P0200.180-035-SC | M18 | 27 | 18 | 35 | - | 14 | Steel SC |
| P0200.180-040-SC | M18 | 27 | 18 | 40 | - | 14 | Steel SC |
| P0200.180-045-SC | M18 | 27 | 18 | 45 | - | 14 | Steel SC |
| P0200.180-050-SC | M18 | 27 | 18 | 50 | 48 | 14 | Steel SC |
| P0200.180-055-SC | M18 | 27 | 18 | 55 | 48 | 14 | Steel SC |
| P0200.180-060-SC | M18 | 27 | 18 | 60 | 48 | 14 | Steel SC |
| P0200.180-065-SC | M18 | 27 | 18 | 65 | 48 | 14 | Steel SC |
| P0200.180-070-SC | M18 | 27 | 18 | 70 | 48 | 14 | Steel SC |
| P0200.180-075-SC | M18 | 27 | 18 | 75 | 48 | 14 | Steel SC |
| P0200.180-080-SC | M18 | 27 | 18 | 80 | 48 | 14 | Steel SC |
| P0200.180-090-SC | M18 | 27 | 18 | 90 | 48 | 14 | Steel SC |
| P0200.180-100-SC | M18 | 27 | 18 | 100 | 48 | 14 | Steel SC |
| P0200.180-110-SC | M18 | 27 | 18 | 110 | 48 | 14 | Steel SC |
| P0200.180-120-SC | M18 | 27 | 18 | 120 | 48 | 14 | Steel SC |
| P0200.180-130-SC | M18 | 27 | 18 | 130 | 48 | 14 | Steel SC |
| P0200.180-140-SC | M18 | 27 | 18 | 140 | 48 | 14 | Steel SC |
| P0200.180-150-SC | M18 | 27 | 18 | 150 | 48 | 14 | Steel SC |
| P0200.180-160-SC | M18 | 27 | 18 | 160 | 48 | 14 | Steel SC |
| P0200.180-170-SC | M18 | 27 | 18 | 170 | 48 | 14 | Steel SC |
| P0200.180-180-SC | M18 | 27 | 18 | 180 | 48 | 14 | Steel SC |
| P0200.180-190-SC | M18 | 27 | 18 | 190 | 48 | 14 | Steel SC |
| P0200.180-200-SC | M18 | 27 | 18 | 200 | 48 | 14 | Steel SC |
| P0200.200-030-SC | M20 | 30 | 20 | 30 | - | 17 | Steel SC |
| P0200.200-035-SC | M20 | 30 | 20 | 35 | - | 17 | Steel SC |
| P0200.200-040-SC | M20 | 30 | 20 | 40 | - | 17 | Steel SC |
| P0200.200-045-SC | M20 | 30 | 20 | 45 | - | 17 | Steel SC |
| P0200.200-050-SC | M20 | 30 | 20 | 50 | - | 17 | Steel SC |
| P0200.200-055-SC | M20 | 30 | 20 | 55 | 52 | 17 | Steel SC |
| P0200.200-060-SC | M20 | 30 | 20 | 60 | 52 | 17 | Steel SC |
| P0200.200-065-SC | M20 | 30 | 20 | 65 | 52 | 17 | Steel SC |
| P0200.200-070-SC | M20 | 30 | 20 | 70 | 52 | 17 | Steel SC |
| P0200.200-080-SC | M20 | 30 | 20 | 80 | 52 | 17 | Steel SC |
| P0200.200-090-SC | M20 | 30 | 20 | 90 | 52 | 17 | Steel SC |
| P0200.200-100-SC | M20 | 30 | 20 | 100 | 52 | 17 | Steel SC |
| P0200.200-110-SC | M20 | 30 | 20 | 110 | 52 | 17 | Steel SC |
| P0200.200-120-SC | M20 | 30 | 20 | 120 | 52 | 17 | Steel SC |
| P0200.200-130-SC | M20 | 30 | 20 | 130 | 52 | 17 | Steel SC |
| P0200.200-140-SC | M20 | 30 | 20 | 140 | 52 | 17 | Steel SC |
| P0200.200-150-SC | M20 | 30 | 20 | 150 | 52 | 17 | Steel SC |
| P0200.200-160-SC | M20 | 30 | 20 | 160 | 52 | 17 | Steel SC |
| P0200.200-170-SC | M20 | 30 | 20 | 170 | 52 | 17 | Steel SC |
| P0200.200-180-SC | M20 | 30 | 20 | 180 | 52 | 17 | Steel SC |
| P0200.200-190-SC | M20 | 30 | 20 | 190 | 52 | 17 | Steel SC |
| P0200.200-200-SC | M20 | 30 | 20 | 200 | 52 | 17 | Steel SC |
| P0200.270-050-SC | M27 | 40 | 27 | 50 | - | 19 | Steel SC |
| P0200.270-055-SC | M27 | 40 | 27 | 55 | - | 19 | Steel SC |
| P0200.270-060-SC | M27 | 40 | 27 | 60 | - | 19 | Steel SC |
| P0200.270-065-SC | M27 | 40 | 27 | 65 | - | 19 | Steel SC |
| P0200.270-070-SC | M27 | 40 | 27 | 70 | 66 | 19 | Steel SC |
| P0200.270-080-SC | M27 | 40 | 27 | 80 | 66 | 19 | Steel SC |
| P0200.270-090-SC | M27 | 40 | 27 | 90 | 66 | 19 | Steel SC |
| P0200.270-100-SC | M27 | 40 | 27 | 100 | 66 | 19 | Steel SC |
| P0200.270-110-SC | M27 | 40 | 27 | 110 | 66 | 19 | Steel SC |
| P0200.270-120-SC | M27 | 40 | 27 | 120 | 66 | 19 | Steel SC |
| P0200.270-130-SC | M27 | 40 | 27 | 130 | 66 | 19 | Steel SC |
| P0200.270-140-SC | M27 | 40 | 27 | 140 | 66 | 19 | Steel SC |
| P0200.270-150-SC | M27 | 40 | 27 | 150 | 66 | 19 | Steel SC |
| P0200.270-160-SC | M27 | 40 | 27 | 160 | 66 | 19 | Steel SC |
| P0200.270-170-SC | M27 | 40 | 27 | 170 | 66 | 19 | Steel SC |
| P0200.270-180-SC | M27 | 40 | 27 | 180 | 66 | 19 | Steel SC |
| P0200.270-190-SC | M27 | 40 | 27 | 190 | 66 | 19 | Steel SC |
| P0200.270-200-SC | M27 | 40 | 27 | 200 | 66 | 19 | Steel SC |
| P0200.240-040-SC | M24 | 36 | 24 | 40 | - | 19 | Steel SC |
| P0200.240-045-SC | M24 | 36 | 24 | 45 | - | 19 | Steel SC |

STANDARD SCREWS



STANDARD SCREWS

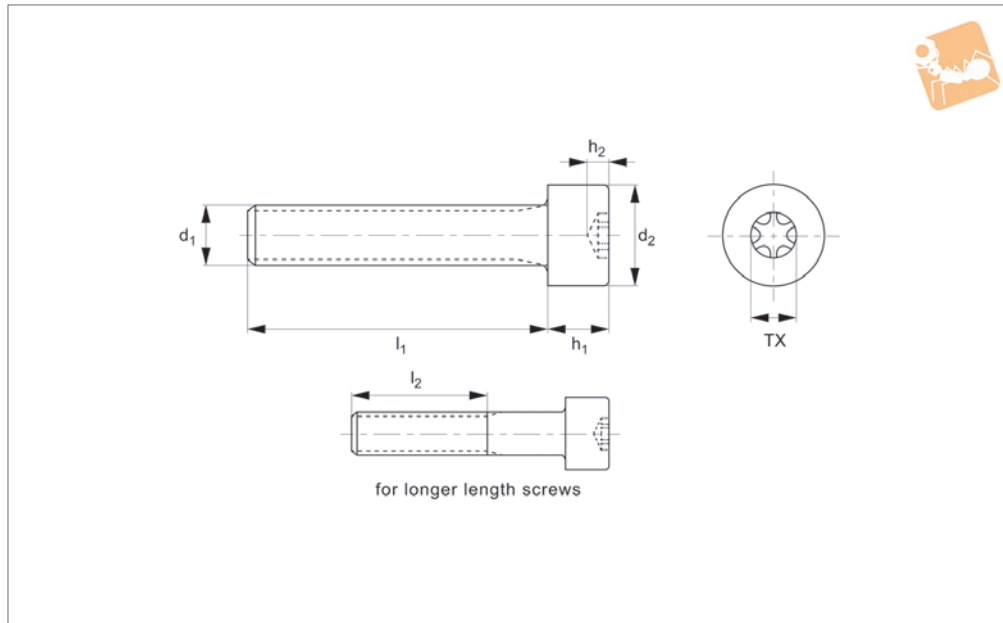
| Order No. | d ₁ | d ₂ | h ₁ | l ₁ | l ₂ | A/F | Material |
|------------------|----------------|----------------|----------------|----------------|----------------|-----|----------|
| P0200.240-050-SC | M24 | 36 | 24 | 50 | - | 19 | Steel SC |
| P0200.240-055-SC | M24 | 36 | 24 | 55 | - | 19 | Steel SC |
| P0200.240-060-SC | M24 | 36 | 24 | 60 | - | 19 | Steel SC |
| P0200.240-065-SC | M24 | 36 | 24 | 65 | 60 | 19 | Steel SC |
| P0200.240-070-SC | M24 | 36 | 24 | 70 | 60 | 19 | Steel SC |
| P0200.240-080-SC | M24 | 36 | 24 | 80 | 60 | 19 | Steel SC |
| P0200.240-090-SC | M24 | 36 | 24 | 90 | 60 | 19 | Steel SC |
| P0200.240-100-SC | M24 | 36 | 24 | 100 | 60 | 19 | Steel SC |
| P0200.240-110-SC | M24 | 36 | 24 | 110 | 60 | 19 | Steel SC |
| P0200.240-120-SC | M24 | 36 | 24 | 120 | 60 | 19 | Steel SC |
| P0200.240-130-SC | M24 | 36 | 24 | 130 | 60 | 19 | Steel SC |
| P0200.240-140-SC | M24 | 36 | 24 | 140 | 60 | 19 | Steel SC |
| P0200.240-150-SC | M24 | 36 | 24 | 150 | 60 | 19 | Steel SC |
| P0200.240-160-SC | M24 | 36 | 24 | 160 | 60 | 19 | Steel SC |
| P0200.240-170-SC | M24 | 36 | 24 | 170 | 60 | 19 | Steel SC |
| P0200.240-180-SC | M24 | 36 | 24 | 180 | 60 | 19 | Steel SC |
| P0200.240-190-SC | M24 | 36 | 24 | 190 | 60 | 19 | Steel SC |
| P0200.240-200-SC | M24 | 36 | 24 | 200 | 60 | 19 | Steel SC |
| P0200.300-050-SC | M30 | 45 | 30 | 50 | - | 22 | Steel SC |
| P0200.300-055-SC | M30 | 45 | 30 | 55 | - | 22 | Steel SC |
| P0200.300-060-SC | M30 | 45 | 30 | 60 | - | 22 | Steel SC |
| P0200.300-065-SC | M30 | 45 | 30 | 65 | - | 22 | Steel SC |
| P0200.300-070-SC | M30 | 45 | 30 | 70 | - | 22 | Steel SC |
| P0200.300-080-SC | M30 | 45 | 30 | 80 | 72 | 22 | Steel SC |
| P0200.300-090-SC | M30 | 45 | 30 | 90 | 72 | 22 | Steel SC |
| P0200.300-100-SC | M30 | 45 | 30 | 100 | 72 | 22 | Steel SC |
| P0200.300-110-SC | M30 | 45 | 30 | 110 | 72 | 22 | Steel SC |
| P0200.300-120-SC | M30 | 45 | 30 | 120 | 72 | 22 | Steel SC |
| P0200.300-130-SC | M30 | 45 | 30 | 130 | 72 | 22 | Steel SC |
| P0200.300-140-SC | M30 | 45 | 30 | 140 | 72 | 22 | Steel SC |
| P0200.300-150-SC | M30 | 45 | 30 | 150 | 72 | 22 | Steel SC |
| P0200.300-160-SC | M30 | 45 | 30 | 160 | 72 | 22 | Steel SC |
| P0200.300-170-SC | M30 | 45 | 30 | 170 | 72 | 22 | Steel SC |
| P0200.300-180-SC | M30 | 45 | 30 | 180 | 72 | 22 | Steel SC |
| P0200.300-190-SC | M30 | 45 | 30 | 190 | 72 | 22 | Steel SC |
| P0200.300-200-SC | M30 | 45 | 30 | 200 | 72 | 22 | Steel SC |



TX Cap Screws- hexalobular drive

A2 stainless

Standard Screws



P0202.A2

STANDARD SCREWS

Material

Stainless steel (A2 class 70, class 80 on request).

Technical Notes

To ISO 14579. For the majority of screw

lengths the threads goes all the way to the head of the screw (i.e. $l_1 = l_2$) less 2.5 thread pitches.

For longer length screws the threaded portion $l_2 < l_1$.

| Order No. | d ₁ | d ₂ | h ₁ | h ₂ | l ₁ | l ₂ | TX |
|------------------|----------------|----------------|----------------|----------------|----------------|----------------|--------|
| P0202.020-003-A2 | M 2 | 3.8 | 2.0 | 1.0 | 3 | - | TX- 6 |
| P0202.020-004-A2 | M 2 | 3.8 | 2.0 | 1.0 | 4 | - | TX- 6 |
| P0202.020-005-A2 | M 2 | 3.8 | 2.0 | 1.0 | 5 | - | TX- 6 |
| P0202.020-006-A2 | M 2 | 3.8 | 2.0 | 1.0 | 6 | - | TX- 6 |
| P0202.020-008-A2 | M 2 | 3.8 | 2.0 | 1.0 | 8 | - | TX- 6 |
| P0202.020-010-A2 | M 2 | 3.8 | 2.0 | 1.0 | 10 | - | TX- 6 |
| P0202.020-012-A2 | M 2 | 3.8 | 2.0 | 1.0 | 12 | - | TX- 6 |
| P0202.020-014-A2 | M 2 | 3.8 | 2.0 | 1.0 | 14 | - | TX- 6 |
| P0202.020-016-A2 | M 2 | 3.8 | 2.0 | 1.0 | 16 | - | TX- 6 |
| P0202.020-018-A2 | M 2 | 3.8 | 2.0 | 1.0 | 18 | 16 | TX- 6 |
| P0202.020-020-A2 | M 2 | 3.8 | 2.0 | 1.0 | 20 | 16 | TX- 6 |
| P0202.025-003-A2 | M2,5 | 4.5 | 2.5 | 1.1 | 3 | - | TX- 8 |
| P0202.025-004-A2 | M2,5 | 4.5 | 2.5 | 1.1 | 4 | - | TX- 8 |
| P0202.025-005-A2 | M2,5 | 4.5 | 2.5 | 1.1 | 5 | - | TX- 8 |
| P0202.025-006-A2 | M2,5 | 4.5 | 2.5 | 1.1 | 6 | - | TX- 8 |
| P0202.025-008-A2 | M2,5 | 4.5 | 2.5 | 1.1 | 8 | - | TX- 8 |
| P0202.025-010-A2 | M2,5 | 4.5 | 2.5 | 1.1 | 10 | - | TX- 8 |
| P0202.025-012-A2 | M2,5 | 4.5 | 2.5 | 1.1 | 12 | - | TX- 8 |
| P0202.025-014-A2 | M2,5 | 4.5 | 2.5 | 1.1 | 14 | - | TX- 8 |
| P0202.025-016-A2 | M2,5 | 4.5 | 2.5 | 1.1 | 16 | - | TX- 8 |
| P0202.025-018-A2 | M2,5 | 4.5 | 2.5 | 1.1 | 18 | 17 | TX- 8 |
| P0202.025-020-A2 | M2,5 | 4.5 | 2.5 | 1.1 | 20 | 17 | TX- 8 |
| P0202.030-004-A2 | M 3 | 5.5 | 3 | 1.3 | 4 | - | TX- 10 |
| P0202.030-005-A2 | M 3 | 5.5 | 3 | 1.3 | 5 | - | TX- 10 |
| P0202.030-006-A2 | M 3 | 5.5 | 3 | 1.3 | 6 | - | TX- 10 |
| P0202.030-008-A2 | M 3 | 5.5 | 3 | 1.3 | 8 | - | TX- 10 |
| P0202.030-010-A2 | M 3 | 5.5 | 3 | 1.3 | 10 | - | TX- 10 |
| P0202.030-012-A2 | M 3 | 5.5 | 3 | 1.3 | 12 | - | TX- 10 |
| P0202.030-014-A2 | M 3 | 5.5 | 3 | 1.3 | 14 | - | TX- 10 |
| P0202.030-016-A2 | M 3 | 5.5 | 3 | 1.3 | 16 | - | TX- 10 |
| P0202.030-018-A2 | M 3 | 5.5 | 3 | 1.3 | 18 | - | TX- 10 |
| P0202.030-020-A2 | M 3 | 5.5 | 3 | 1.3 | 20 | 18 | TX- 10 |
| P0202.030-022-A2 | M 3 | 5.5 | 3 | 1.3 | 22 | 18 | TX- 10 |



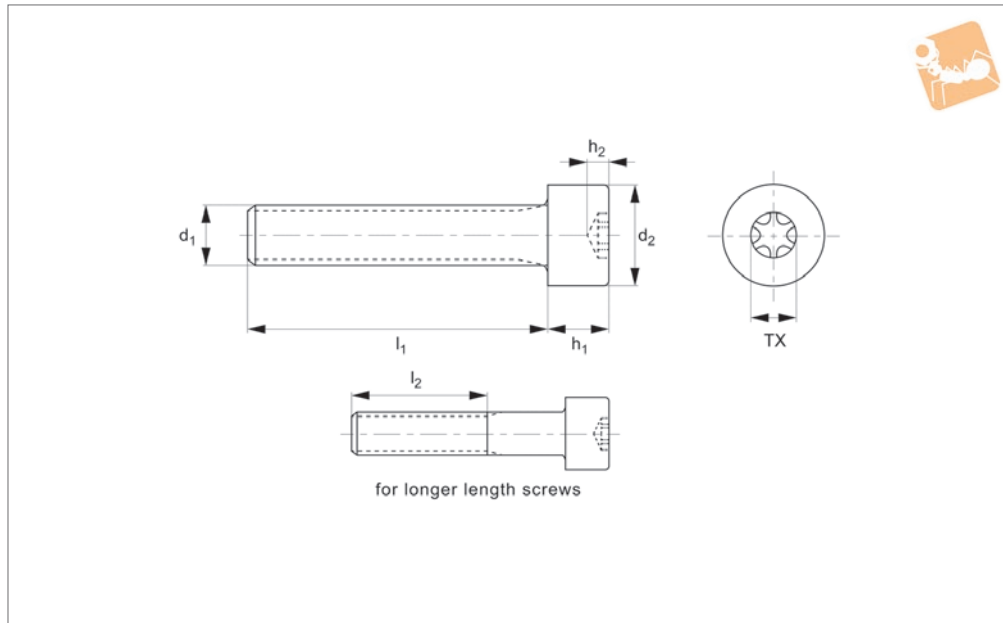
| Order No. | d ₁ | d ₂ | h ₁ | h ₂ | l ₁ | l ₂ | TX |
|------------------|----------------|----------------|----------------|----------------|----------------|----------------|--------|
| P0202.030-025-A2 | M 3 | 5.5 | 3 | 1.3 | 25 | 18 | TX- 10 |
| P0202.030-030-A2 | M 3 | 5.5 | 3 | 1.3 | 30 | 18 | TX- 10 |
| P0202.040-005-A2 | M 4 | 7.0 | 4 | 2.0 | 5 | - | TX- 20 |
| P0202.040-006-A2 | M 4 | 7.0 | 4 | 2.0 | 6 | - | TX- 20 |
| P0202.040-008-A2 | M 4 | 7.0 | 4 | 2.0 | 8 | - | TX- 20 |
| P0202.040-010-A2 | M 4 | 7.0 | 4 | 2.0 | 10 | - | TX- 20 |
| P0202.040-012-A2 | M 4 | 7.0 | 4 | 2.0 | 12 | - | TX- 20 |
| P0202.040-014-A2 | M 4 | 7.0 | 4 | 2.0 | 14 | - | TX- 20 |
| P0202.040-016-A2 | M 4 | 7.0 | 4 | 2.0 | 16 | - | TX- 20 |
| P0202.040-018-A2 | M 4 | 7.0 | 4 | 2.0 | 18 | - | TX- 20 |
| P0202.040-020-A2 | M 4 | 7.0 | 4 | 2.0 | 20 | - | TX- 20 |
| P0202.040-022-A2 | M 4 | 7.0 | 4 | 2.0 | 22 | 20 | TX- 20 |
| P0202.040-025-A2 | M 4 | 7.0 | 4 | 2.0 | 25 | 20 | TX- 20 |
| P0202.040-030-A2 | M 4 | 7.0 | 4 | 2.0 | 30 | 20 | TX- 20 |
| P0202.040-035-A2 | M 4 | 7.0 | 4 | 2.0 | 35 | 20 | TX- 20 |
| P0202.040-040-A2 | M 4 | 7.0 | 4 | 2.0 | 40 | 20 | TX- 20 |
| P0202.040-045-A2 | M 4 | 7.0 | 4 | 2.0 | 45 | 20 | TX- 20 |
| P0202.040-050-A2 | M 4 | 7.0 | 4 | 2.0 | 50 | 20 | TX- 20 |
| P0202.040-060-A2 | M 4 | 7.0 | 4 | 2.0 | 60 | 20 | TX- 20 |
| P0202.050-006-A2 | M 5 | 8.5 | 5 | 2.5 | 6 | - | TX- 25 |
| P0202.050-008-A2 | M 5 | 8.5 | 5 | 2.5 | 8 | - | TX- 25 |
| P0202.050-010-A2 | M 5 | 8.5 | 5 | 2.5 | 10 | - | TX- 25 |
| P0202.050-012-A2 | M 5 | 8.5 | 5 | 2.5 | 12 | - | TX- 25 |
| P0202.050-014-A2 | M 5 | 8.5 | 5 | 2.5 | 30 | - | TX- 25 |
| P0202.050-016-A2 | M 5 | 8.5 | 5 | 2.5 | 35 | - | TX- 25 |
| P0202.050-018-A2 | M 5 | 8.5 | 5 | 2.5 | 40 | - | TX- 25 |
| P0202.050-020-A2 | M 5 | 8.5 | 5 | 2.5 | 45 | - | TX- 25 |
| P0202.050-022-A2 | M 5 | 8.5 | 5 | 2.5 | 50 | - | TX- 25 |
| P0202.050-025-A2 | M 5 | 8.5 | 5 | 2.5 | 60 | 22 | TX- 25 |
| P0202.050-030-A2 | M 5 | 8.5 | 5 | 2.5 | 30 | 22 | TX- 25 |
| P0202.050-035-A2 | M 5 | 8.5 | 5 | 2.5 | 35 | 22 | TX- 25 |
| P0202.050-040-A2 | M 5 | 8.5 | 5 | 2.5 | 40 | 22 | TX- 25 |
| P0202.050-045-A2 | M 5 | 8.5 | 5 | 2.5 | 45 | 22 | TX- 25 |
| P0202.050-050-A2 | M 5 | 8.5 | 5 | 2.5 | 50 | 22 | TX- 25 |
| P0202.050-060-A2 | M 5 | 8.5 | 5 | 2.5 | 60 | 22 | TX- 25 |
| P0202.060-006-A2 | M 6 | 10 | 6 | 3.0 | 6 | - | TX- 30 |
| P0202.060-008-A2 | M 6 | 10 | 6 | 3.0 | 8 | - | TX- 30 |
| P0202.060-010-A2 | M 6 | 10 | 6 | 3.0 | 10 | - | TX- 30 |
| P0202.060-012-A2 | M 6 | 10 | 6 | 3.0 | 12 | - | TX- 30 |
| P0202.060-014-A2 | M 6 | 10 | 6 | 3.0 | 30 | - | TX- 30 |
| P0202.060-016-A2 | M 6 | 10 | 6 | 3.0 | 35 | - | TX- 30 |
| P0202.060-018-A2 | M 6 | 10 | 6 | 3.0 | 40 | - | TX- 30 |
| P0202.060-020-A2 | M 6 | 10 | 6 | 3.0 | 45 | - | TX- 30 |
| P0202.060-022-A2 | M 6 | 10 | 6 | 3.0 | 50 | - | TX- 30 |
| P0202.060-025-A2 | M 6 | 10 | 6 | 3.0 | 60 | 24 | TX- 30 |
| P0202.060-030-A2 | M 6 | 10 | 6 | 3.0 | 30 | 24 | TX- 30 |
| P0202.060-035-A2 | M 6 | 10 | 6 | 3.0 | 35 | 24 | TX- 30 |
| P0202.060-040-A2 | M 6 | 10 | 6 | 3.0 | 40 | 24 | TX- 30 |
| P0202.060-045-A2 | M 6 | 10 | 6 | 3.0 | 45 | 24 | TX- 30 |
| P0202.060-050-A2 | M 6 | 10 | 6 | 3.0 | 50 | 24 | TX- 30 |
| P0202.060-060-A2 | M 6 | 10 | 6 | 3.0 | 60 | 24 | TX- 30 |
| P0202.080-016-A2 | M 8 | 13 | 8 | 4.0 | 16 | - | TX- 45 |
| P0202.080-018-A2 | M 8 | 13 | 8 | 4.0 | 18 | - | TX- 45 |
| P0202.080-020-A2 | M 8 | 13 | 8 | 4.0 | 20 | - | TX- 45 |
| P0202.080-022-A2 | M 8 | 13 | 8 | 4.0 | 22 | - | TX- 45 |
| P0202.080-025-A2 | M 8 | 13 | 8 | 4.0 | 25 | - | TX- 45 |
| P0202.080-030-A2 | M 8 | 13 | 8 | 4.0 | 30 | 28 | TX- 45 |
| P0202.080-035-A2 | M 8 | 13 | 8 | 4.0 | 35 | 28 | TX- 45 |
| P0202.080-040-A2 | M 8 | 13 | 8 | 4.0 | 40 | 28 | TX- 45 |
| P0202.080-045-A2 | M 8 | 13 | 8 | 4.0 | 45 | 28 | TX- 45 |
| P0202.080-050-A2 | M 8 | 13 | 8 | 4.0 | 50 | 28 | TX- 45 |
| P0202.080-060-A2 | M 8 | 13 | 8 | 4.0 | 60 | 28 | TX- 45 |



TX Cap Screws- hexalobular drive

A4 stainless

Standard Screws



P0202.A4

STANDARD SCREWS

Material

Stainless steel (A4 class 70, class 80 on request).

Technical Notes

To ISO 14579. For the majority of screw

lengths the threads goes all the way to the head of the screw (i.e. $l_1 = l_2$) less 2.5 thread pitches.

For longer length screws the threaded portion $l_2 < l_1$.

| Order No. | d ₁ | d ₂ | h ₁ | h ₂ | l ₁ | l ₂ | TX |
|------------------|----------------|----------------|----------------|----------------|----------------|----------------|--------|
| P0202.020-003-A4 | M 2 | 3.8 | 2.0 | 1.0 | 3 | - | TX- 6 |
| P0202.020-004-A4 | M 2 | 3.8 | 2.0 | 1.0 | 4 | - | TX- 6 |
| P0202.020-005-A4 | M 2 | 3.8 | 2.0 | 1.0 | 5 | - | TX- 6 |
| P0202.020-006-A4 | M 2 | 3.8 | 2.0 | 1.0 | 6 | - | TX- 6 |
| P0202.020-008-A4 | M 2 | 3.8 | 2.0 | 1.0 | 8 | - | TX- 6 |
| P0202.020-010-A4 | M 2 | 3.8 | 2.0 | 1.0 | 10 | - | TX- 6 |
| P0202.020-012-A4 | M 2 | 3.8 | 2.0 | 1.0 | 12 | - | TX- 6 |
| P0202.020-014-A4 | M 2 | 3.8 | 2.0 | 1.0 | 14 | - | TX- 6 |
| P0202.020-016-A4 | M 2 | 3.8 | 2.0 | 1.0 | 16 | - | TX- 6 |
| P0202.020-018-A4 | M 2 | 3.8 | 2.0 | 1.0 | 18 | 16 | TX- 6 |
| P0202.020-020-A4 | M 2 | 3.8 | 2.0 | 1.0 | 20 | 16 | TX- 6 |
| P0202.025-003-A4 | M2,5 | 4.5 | 2.5 | 1.1 | 3 | - | TX- 8 |
| P0202.025-004-A4 | M2,5 | 4.5 | 2.5 | 1.1 | 4 | - | TX- 8 |
| P0202.025-005-A4 | M2,5 | 4.5 | 2.5 | 1.1 | 5 | - | TX- 8 |
| P0202.025-006-A4 | M2,5 | 4.5 | 2.5 | 1.1 | 6 | - | TX- 8 |
| P0202.025-008-A4 | M2,5 | 4.5 | 2.5 | 1.1 | 8 | - | TX- 8 |
| P0202.025-010-A4 | M2,5 | 4.5 | 2.5 | 1.1 | 10 | - | TX- 8 |
| P0202.025-012-A4 | M2,5 | 4.5 | 2.5 | 1.1 | 12 | - | TX- 8 |
| P0202.025-014-A4 | M2,5 | 4.5 | 2.5 | 1.1 | 14 | - | TX- 8 |
| P0202.025-016-A4 | M2,5 | 4.5 | 2.5 | 1.1 | 16 | - | TX- 8 |
| P0202.025-018-A4 | M2,5 | 4.5 | 2.5 | 1.1 | 18 | 17 | TX- 8 |
| P0202.025-020-A4 | M2,5 | 4.5 | 2.5 | 1.1 | 20 | 17 | TX- 8 |
| P0202.030-004-A4 | M 3 | 5.5 | 3 | 1.3 | 4 | - | TX- 10 |
| P0202.030-005-A4 | M 3 | 5.5 | 3 | 1.3 | 5 | - | TX- 10 |
| P0202.030-006-A4 | M 3 | 5.5 | 3 | 1.3 | 6 | - | TX- 10 |
| P0202.030-008-A4 | M 3 | 5.5 | 3 | 1.3 | 8 | - | TX- 10 |
| P0202.030-010-A4 | M 3 | 5.5 | 3 | 1.3 | 10 | - | TX- 10 |
| P0202.030-012-A4 | M 3 | 5.5 | 3 | 1.3 | 12 | - | TX- 10 |
| P0202.030-014-A4 | M 3 | 5.5 | 3 | 1.3 | 14 | - | TX- 10 |
| P0202.030-016-A4 | M 3 | 5.5 | 3 | 1.3 | 16 | - | TX- 10 |
| P0202.030-018-A4 | M 3 | 5.5 | 3 | 1.3 | 18 | - | TX- 10 |
| P0202.030-020-A4 | M 3 | 5.5 | 3 | 1.3 | 20 | 18 | TX- 10 |
| P0202.030-022-A4 | M 3 | 5.5 | 3 | 1.3 | 22 | 18 | TX- 10 |

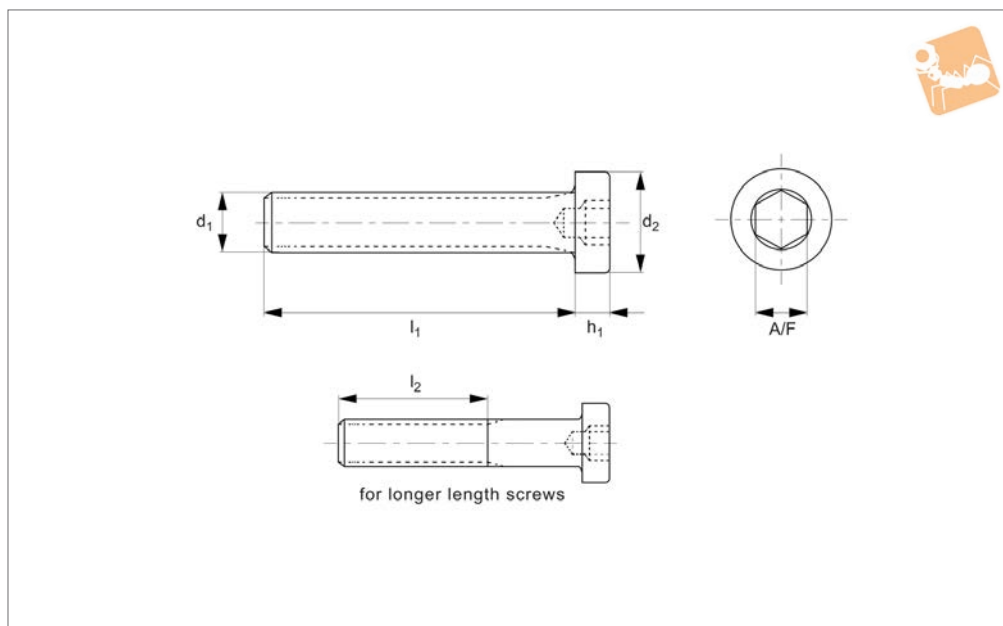


| Order No. | d ₁ | d ₂ | h ₁ | h ₂ | l ₁ | l ₂ | TX |
|------------------|----------------|----------------|----------------|----------------|----------------|----------------|--------|
| P0202.030-025-A4 | M 3 | 5.5 | 3 | 1.3 | 25 | 18 | TX- 10 |
| P0202.030-030-A4 | M 3 | 5.5 | 3 | 1.3 | 30 | 18 | TX- 10 |
| P0202.040-005-A4 | M 4 | 7.0 | 4 | 2.0 | 5 | - | TX- 20 |
| P0202.040-006-A4 | M 4 | 7.0 | 4 | 2.0 | 6 | - | TX- 20 |
| P0202.040-008-A4 | M 4 | 7.0 | 4 | 2.0 | 8 | - | TX- 20 |
| P0202.040-010-A4 | M 4 | 7.0 | 4 | 2.0 | 10 | - | TX- 20 |
| P0202.040-012-A4 | M 4 | 7.0 | 4 | 2.0 | 12 | - | TX- 20 |
| P0202.040-014-A4 | M 4 | 7.0 | 4 | 2.0 | 14 | - | TX- 20 |
| P0202.040-016-A4 | M 4 | 7.0 | 4 | 2.0 | 16 | - | TX- 20 |
| P0202.040-018-A4 | M 4 | 7.0 | 4 | 2.0 | 18 | - | TX- 20 |
| P0202.040-020-A4 | M 4 | 7.0 | 4 | 2.0 | 20 | - | TX- 20 |
| P0202.040-022-A4 | M 4 | 7.0 | 4 | 2.0 | 22 | 20 | TX- 20 |
| P0202.040-025-A4 | M 4 | 7.0 | 4 | 2.0 | 25 | 20 | TX- 20 |
| P0202.040-030-A4 | M 4 | 7.0 | 4 | 2.0 | 30 | 20 | TX- 20 |
| P0202.040-035-A4 | M 4 | 7.0 | 4 | 2.0 | 35 | 20 | TX- 20 |
| P0202.040-040-A4 | M 4 | 7.0 | 4 | 2.0 | 40 | 20 | TX- 20 |
| P0202.040-045-A4 | M 4 | 7.0 | 4 | 2.0 | 45 | 20 | TX- 20 |
| P0202.040-050-A4 | M 4 | 7.0 | 4 | 2.0 | 50 | 20 | TX- 20 |
| P0202.040-060-A4 | M 4 | 7.0 | 4 | 2.0 | 60 | 20 | TX- 20 |
| P0202.050-006-A4 | M 5 | 8.5 | 5 | 2.5 | 6 | - | TX- 25 |
| P0202.050-008-A4 | M 5 | 8.5 | 5 | 2.5 | 8 | - | TX- 25 |
| P0202.050-010-A4 | M 5 | 8.5 | 5 | 2.5 | 10 | - | TX- 25 |
| P0202.050-012-A4 | M 5 | 8.5 | 5 | 2.5 | 12 | - | TX- 25 |
| P0202.050-014-A4 | M 5 | 8.5 | 5 | 2.5 | 30 | - | TX- 25 |
| P0202.050-016-A4 | M 5 | 8.5 | 5 | 2.5 | 35 | - | TX- 25 |
| P0202.050-018-A4 | M 5 | 8.5 | 5 | 2.5 | 40 | - | TX- 25 |
| P0202.050-020-A4 | M 5 | 8.5 | 5 | 2.5 | 45 | - | TX- 25 |
| P0202.050-022-A4 | M 5 | 8.5 | 5 | 2.5 | 50 | - | TX- 25 |
| P0202.050-025-A4 | M 5 | 8.5 | 5 | 2.5 | 60 | 22 | TX- 25 |
| P0202.050-030-A4 | M 5 | 8.5 | 5 | 2.5 | 30 | 22 | TX- 25 |
| P0202.050-035-A4 | M 5 | 8.5 | 5 | 2.5 | 35 | 22 | TX- 25 |
| P0202.050-040-A4 | M 5 | 8.5 | 5 | 2.5 | 40 | 22 | TX- 25 |
| P0202.050-045-A4 | M 5 | 8.5 | 5 | 2.5 | 45 | 22 | TX- 25 |
| P0202.050-050-A4 | M 5 | 8.5 | 5 | 2.5 | 50 | 22 | TX- 25 |
| P0202.050-060-A4 | M 5 | 8.5 | 5 | 2.5 | 60 | 22 | TX- 25 |
| P0202.060-006-A4 | M 6 | 10 | 6 | 3.0 | 6 | - | TX- 30 |
| P0202.060-008-A4 | M 6 | 10 | 6 | 3.0 | 8 | - | TX- 30 |
| P0202.060-010-A4 | M 6 | 10 | 6 | 3.0 | 10 | - | TX- 30 |
| P0202.060-012-A4 | M 6 | 10 | 6 | 3.0 | 12 | - | TX- 30 |
| P0202.060-014-A4 | M 6 | 10 | 6 | 3.0 | 30 | - | TX- 30 |
| P0202.060-016-A4 | M 6 | 10 | 6 | 3.0 | 35 | - | TX- 30 |
| P0202.060-018-A4 | M 6 | 10 | 6 | 3.0 | 40 | - | TX- 30 |
| P0202.060-020-A4 | M 6 | 10 | 6 | 3.0 | 45 | - | TX- 30 |
| P0202.060-022-A4 | M 6 | 10 | 6 | 3.0 | 50 | - | TX- 30 |
| P0202.060-025-A4 | M 6 | 10 | 6 | 3.0 | 60 | 24 | TX- 30 |
| P0202.060-030-A4 | M 6 | 10 | 6 | 3.0 | 30 | 24 | TX- 30 |
| P0202.060-035-A4 | M 6 | 10 | 6 | 3.0 | 35 | 24 | TX- 30 |
| P0202.060-040-A4 | M 6 | 10 | 6 | 3.0 | 40 | 24 | TX- 30 |
| P0202.060-045-A4 | M 6 | 10 | 6 | 3.0 | 45 | 24 | TX- 30 |
| P0202.060-050-A4 | M 6 | 10 | 6 | 3.0 | 50 | 24 | TX- 30 |
| P0202.060-060-A4 | M 6 | 10 | 6 | 3.0 | 60 | 24 | TX- 30 |
| P0202.080-016-A4 | M 8 | 13 | 8 | 4.0 | 16 | - | TX- 45 |
| P0202.080-018-A4 | M 8 | 13 | 8 | 4.0 | 18 | - | TX- 45 |
| P0202.080-020-A4 | M 8 | 13 | 8 | 4.0 | 20 | - | TX- 45 |
| P0202.080-022-A4 | M 8 | 13 | 8 | 4.0 | 22 | - | TX- 45 |
| P0202.080-025-A4 | M 8 | 13 | 8 | 4.0 | 25 | - | TX- 45 |
| P0202.080-030-A4 | M 8 | 13 | 8 | 4.0 | 30 | 28 | TX- 45 |
| P0202.080-035-A4 | M 8 | 13 | 8 | 4.0 | 35 | 28 | TX- 45 |
| P0202.080-040-A4 | M 8 | 13 | 8 | 4.0 | 40 | 28 | TX- 45 |
| P0202.080-045-A4 | M 8 | 13 | 8 | 4.0 | 45 | 28 | TX- 45 |
| P0202.080-050-A4 | M 8 | 13 | 8 | 4.0 | 50 | 28 | TX- 45 |
| P0202.080-060-A4 | M 8 | 13 | 8 | 4.0 | 60 | 28 | TX- 45 |

Low Head Cap Screws

Low head - A2 stainless

Standard Screws



P0205.A2

STANDARD SCREWS

Material

Stainless steel A2.

lengths the threads goes all the way to the head of the screw (i.e. $l_1 = l_2$).

See technical page for tightening torques.

Technical Notes

To DIN 7984. For the majority of screw

For longer length screws the threaded portion $l_2 < l_1$.

| Order No. | d_1 | d_2 | h_1 | l_1 | l_2 | A/F | Material |
|------------------|-------|-------|-------|-------|-------|-----|----------|
| P0205.030-005-A2 | M 3 | 5.5 | 2 | 5 | - | 2 | A2 s/s |
| P0205.030-006-A2 | M 3 | 5.5 | 2 | 6 | - | 2 | A2 s/s |
| P0205.030-008-A2 | M 3 | 5.5 | 2 | 8 | - | 2 | A2 s/s |
| P0205.030-010-A2 | M 3 | 5.5 | 2 | 10 | - | 2 | A2 s/s |
| P0205.030-012-A2 | M 3 | 5.5 | 2 | 12 | 12 | 2 | A2 s/s |
| P0205.030-016-A2 | M 3 | 5.5 | 2 | 16 | 12 | 2 | A2 s/s |
| P0205.030-020-A2 | M 3 | 5.5 | 2 | 20 | 12 | 2 | A2 s/s |
| P0205.030-025-A2 | M 3 | 5.5 | 2 | 25 | 12 | 2 | A2 s/s |
| P0205.030-030-A2 | M 3 | 5.5 | 2 | 30 | 12 | 2 | A2 s/s |
| P0205.030-035-A2 | M 3 | 5.5 | 2 | 35 | 12 | 2 | A2 s/s |
| P0205.030-040-A2 | M 3 | 5.5 | 2 | 40 | 12 | 2 | A2 s/s |
| P0205.040-006-A2 | M 4 | 7 | 2.8 | 6 | - | 2.5 | A2 s/s |
| P0205.040-008-A2 | M 4 | 7 | 2.8 | 8 | - | 2.5 | A2 s/s |
| P0205.040-010-A2 | M 4 | 7 | 2.8 | 10 | - | 2.5 | A2 s/s |
| P0205.040-012-A2 | M 4 | 7 | 2.8 | 12 | - | 2.5 | A2 s/s |
| P0205.040-014-A2 | M 4 | 7 | 2.8 | 14 | 14 | 2.5 | A2 s/s |
| P0205.040-016-A2 | M 4 | 7 | 2.8 | 16 | 14 | 2.5 | A2 s/s |
| P0205.040-020-A2 | M 4 | 7 | 2.8 | 20 | 14 | 2.5 | A2 s/s |
| P0205.040-025-A2 | M 4 | 7 | 2.8 | 25 | 14 | 2.5 | A2 s/s |
| P0205.040-030-A2 | M 4 | 7 | 2.8 | 30 | 14 | 2.5 | A2 s/s |
| P0205.040-035-A2 | M 4 | 7 | 2.8 | 35 | 14 | 2.5 | A2 s/s |
| P0205.040-040-A2 | M 4 | 7 | 2.8 | 40 | 14 | 2.5 | A2 s/s |
| P0205.050-006-A2 | M 5 | 8.5 | 3.5 | 6 | - | 3 | A2 s/s |
| P0205.050-008-A2 | M 5 | 8.5 | 3.5 | 8 | - | 3 | A2 s/s |
| P0205.050-010-A2 | M 5 | 8.5 | 3.5 | 10 | - | 3 | A2 s/s |
| P0205.050-012-A2 | M 5 | 8.5 | 3.5 | 12 | - | 3 | A2 s/s |
| P0205.050-014-A2 | M 5 | 8.5 | 3.5 | 14 | - | 3 | A2 s/s |
| P0205.050-016-A2 | M 5 | 8.5 | 3.5 | 16 | 16 | 3 | A2 s/s |
| P0205.050-018-A2 | M 5 | 8.5 | 3.5 | 18 | 16 | 3 | A2 s/s |
| P0205.050-020-A2 | M 5 | 8.5 | 3.5 | 20 | 16 | 3 | A2 s/s |
| P0205.050-025-A2 | M 5 | 8.5 | 3.5 | 25 | 16 | 3 | A2 s/s |
| P0205.050-030-A2 | M 5 | 8.5 | 3.5 | 30 | 16 | 3 | A2 s/s |
| P0205.050-035-A2 | M 5 | 8.5 | 3.5 | 35 | 16 | 3 | A2 s/s |
| P0205.050-040-A2 | M 5 | 8.5 | 3.5 | 40 | 16 | 3 | A2 s/s |



STANDARD SCREWS

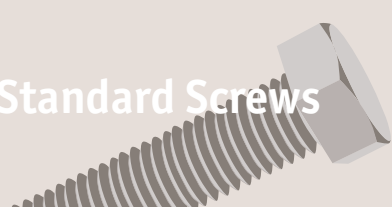
| Order No. | d ₁ | d ₂ | h ₁ | l ₁ | l ₂ | A/F | Material |
|------------------|----------------|----------------|----------------|----------------|----------------|-----|----------|
| P0205.050-045-A2 | M 5 | 8.5 | 3.5 | 45 | 16 | 3 | A2 s/s |
| P0205.050-050-A2 | M 5 | 8.5 | 3.5 | 50 | 16 | 3 | A2 s/s |
| P0205.050-060-A2 | M 5 | 8.5 | 3.5 | 60 | 16 | 3 | A2 s/s |
| P0205.050-070-A2 | M 5 | 8.5 | 3.5 | 70 | 16 | 3 | A2 s/s |
| P0205.060-008-A2 | M 6 | 10 | 4 | 8 | - | 4 | A2 s/s |
| P0205.060-010-A2 | M 6 | 10 | 4 | 10 | - | 4 | A2 s/s |
| P0205.060-012-A2 | M 6 | 10 | 4 | 12 | - | 4 | A2 s/s |
| P0205.060-016-A2 | M 6 | 10 | 4 | 16 | - | 4 | A2 s/s |
| P0205.060-020-A2 | M 6 | 10 | 4 | 20 | 18 | 4 | A2 s/s |
| P0205.060-025-A2 | M 6 | 10 | 4 | 25 | 18 | 4 | A2 s/s |
| P0205.060-030-A2 | M 6 | 10 | 4 | 30 | 18 | 4 | A2 s/s |
| P0205.060-035-A2 | M 6 | 10 | 4 | 35 | 18 | 4 | A2 s/s |
| P0205.060-040-A2 | M 6 | 10 | 4 | 40 | 18 | 4 | A2 s/s |
| P0205.060-045-A2 | M 6 | 10 | 4 | 45 | 18 | 4 | A2 s/s |
| P0205.060-050-A2 | M 6 | 10 | 4 | 50 | 18 | 4 | A2 s/s |
| P0205.060-055-A2 | M 6 | 10 | 4 | 55 | 18 | 4 | A2 s/s |
| P0205.060-060-A2 | M 6 | 10 | 4 | 60 | 18 | 4 | A2 s/s |
| P0205.060-070-A2 | M 6 | 10 | 4 | 70 | 18 | 4 | A2 s/s |
| P0205.080-010-A2 | M 8 | 13 | 5 | 10 | - | 5 | A2 s/s |
| P0205.080-012-A2 | M 8 | 13 | 5 | 12 | - | 5 | A2 s/s |
| P0205.080-016-A2 | M 8 | 13 | 5 | 16 | - | 5 | A2 s/s |
| P0205.080-020-A2 | M 8 | 13 | 5 | 20 | - | 5 | A2 s/s |
| P0205.080-025-A2 | M 8 | 13 | 5 | 25 | 22 | 5 | A2 s/s |
| P0205.080-030-A2 | M 8 | 13 | 5 | 30 | 22 | 5 | A2 s/s |
| P0205.080-035-A2 | M 8 | 13 | 5 | 35 | 22 | 5 | A2 s/s |
| P0205.080-040-A2 | M 8 | 13 | 5 | 40 | 22 | 5 | A2 s/s |
| P0205.080-045-A2 | M 8 | 13 | 5 | 45 | 22 | 5 | A2 s/s |
| P0205.080-050-A2 | M 8 | 13 | 5 | 50 | 22 | 5 | A2 s/s |
| P0205.080-055-A2 | M 8 | 13 | 5 | 55 | 22 | 5 | A2 s/s |
| P0205.080-060-A2 | M 8 | 13 | 5 | 60 | 22 | 5 | A2 s/s |
| P0205.080-070-A2 | M 8 | 13 | 5 | 70 | 22 | 5 | A2 s/s |
| P0205.080-080-A2 | M 8 | 13 | 5 | 80 | 22 | 5 | A2 s/s |
| P0205.080-090-A2 | M 8 | 13 | 5 | 90 | 22 | 5 | A2 s/s |
| P0205.080-100-A2 | M 8 | 13 | 5 | 1000 | 22 | 5 | A2 s/s |
| P0205.100-016-A2 | M10 | 16 | 6 | 16 | - | 7 | A2 s/s |
| P0205.100-020-A2 | M10 | 16 | 6 | 20 | - | 7 | A2 s/s |
| P0205.100-025-A2 | M10 | 16 | 6 | 25 | - | 7 | A2 s/s |
| P0205.100-030-A2 | M10 | 16 | 6 | 30 | 26 | 7 | A2 s/s |
| P0205.100-035-A2 | M10 | 16 | 6 | 35 | 26 | 7 | A2 s/s |
| P0205.100-040-A2 | M10 | 16 | 6 | 40 | 26 | 7 | A2 s/s |
| P0205.100-045-A2 | M10 | 16 | 6 | 45 | 26 | 7 | A2 s/s |
| P0205.100-050-A2 | M10 | 16 | 6 | 50 | 26 | 7 | A2 s/s |
| P0205.100-055-A2 | M10 | 16 | 6 | 55 | 26 | 7 | A2 s/s |
| P0205.100-060-A2 | M10 | 16 | 6 | 60 | 26 | 7 | A2 s/s |
| P0205.100-070-A2 | M10 | 16 | 6 | 70 | 26 | 7 | A2 s/s |
| P0205.100-080-A2 | M10 | 16 | 6 | 80 | 26 | 7 | A2 s/s |
| P0205.100-090-A2 | M10 | 16 | 6 | 90 | 26 | 7 | A2 s/s |
| P0205.100-100-A2 | M10 | 16 | 6 | 100 | 26 | 7 | A2 s/s |
| P0205.120-020-A2 | M12 | 18 | 7 | 20 | - | 8 | A2 s/s |
| P0205.120-025-A2 | M12 | 18 | 7 | 25 | - | 8 | A2 s/s |
| P0205.120-030-A2 | M12 | 18 | 7 | 30 | - | 8 | A2 s/s |
| P0205.120-035-A2 | M12 | 18 | 7 | 35 | 30 | 8 | A2 s/s |
| P0205.120-040-A2 | M12 | 18 | 7 | 40 | 30 | 8 | A2 s/s |
| P0205.120-045-A2 | M12 | 18 | 7 | 45 | 30 | 8 | A2 s/s |
| P0205.120-050-A2 | M12 | 18 | 7 | 50 | 30 | 8 | A2 s/s |
| P0205.120-055-A2 | M12 | 18 | 7 | 55 | 30 | 8 | A2 s/s |
| P0205.120-060-A2 | M12 | 18 | 7 | 60 | 30 | 8 | A2 s/s |
| P0205.120-070-A2 | M12 | 18 | 7 | 70 | 30 | 8 | A2 s/s |
| P0205.120-080-A2 | M12 | 18 | 7 | 80 | 30 | 8 | A2 s/s |
| P0205.120-090-A2 | M12 | 18 | 7 | 90 | 30 | 8 | A2 s/s |
| P0205.120-100-A2 | M12 | 18 | 7 | 100 | 30 | 8 | A2 s/s |
| P0205.160-025-A2 | M16 | 24 | 9 | 25 | - | 12 | A2 s/s |
| P0205.160-030-A2 | M16 | 24 | 9 | 30 | - | 12 | A2 s/s |
| P0205.160-035-A2 | M16 | 24 | 9 | 35 | - | 12 | A2 s/s |
| P0205.160-040-A2 | M16 | 24 | 9 | 40 | 38 | 12 | A2 s/s |
| P0205.160-045-A2 | M16 | 24 | 9 | 45 | 38 | 12 | A2 s/s |
| P0205.160-050-A2 | M16 | 24 | 9 | 50 | 38 | 12 | A2 s/s |
| P0205.160-055-A2 | M16 | 24 | 9 | 55 | 38 | 12 | A2 s/s |
| P0205.160-060-A2 | M16 | 24 | 9 | 60 | 38 | 12 | A2 s/s |



Low Head Cap Screws

Low head - A2 stainless

Standard Screws



| Order No. | d ₁ | d ₂ | h ₁ | l ₁ | l ₂ | A/F | Material |
|------------------|----------------|----------------|----------------|----------------|----------------|-----|----------|
| P0205.160-070-A2 | M16 | 24 | 9 | 70 | 38 | 12 | A2 s/s |
| P0205.160-080-A2 | M16 | 24 | 9 | 80 | 38 | 12 | A2 s/s |
| P0205.160-100-A2 | M16 | 24 | 9 | 100 | 38 | 12 | A2 s/s |
| P0205.160-120-A2 | M16 | 24 | 9 | 120 | 38 | 12 | A2 s/s |
| P0205.160-150-A2 | M16 | 24 | 9 | 150 | 38 | 12 | A2 s/s |
| P0205.200-035-A2 | M20 | 30 | 11 | 35 | - | 14 | A2 s/s |
| P0205.200-040-A2 | M20 | 30 | 11 | 40 | - | 14 | A2 s/s |
| P0205.200-045-A2 | M20 | 30 | 11 | 45 | - | 14 | A2 s/s |
| P0205.200-050-A2 | M20 | 30 | 11 | 50 | 46 | 14 | A2 s/s |
| P0205.200-055-A2 | M20 | 30 | 11 | 55 | 46 | 14 | A2 s/s |
| P0205.200-060-A2 | M20 | 30 | 11 | 60 | 46 | 14 | A2 s/s |
| P0205.200-070-A2 | M20 | 30 | 11 | 70 | 46 | 14 | A2 s/s |
| P0205.200-080-A2 | M20 | 30 | 11 | 80 | 46 | 14 | A2 s/s |
| P0205.200-100-A2 | M20 | 30 | 11 | 100 | 46 | 14 | A2 s/s |
| P0205.200-120-A2 | M20 | 30 | 11 | 120 | 46 | 14 | A2 s/s |
| P0205.200-150-A2 | M20 | 30 | 11 | 150 | 46 | 14 | A2 s/s |
| P0205.240-050-A2 | M24 | 36 | 14 | 50 | - | 19 | A2 s/s |
| P0205.240-055-A2 | M24 | 36 | 14 | 55 | 54 | 19 | A2 s/s |
| P0205.240-060-A2 | M24 | 36 | 14 | 60 | 54 | 19 | A2 s/s |
| P0205.240-065-A2 | M24 | 36 | 14 | 65 | 54 | 19 | A2 s/s |
| P0205.240-070-A2 | M24 | 36 | 14 | 70 | 54 | 19 | A2 s/s |
| P0205.240-080-A2 | M24 | 36 | 14 | 80 | 54 | 19 | A2 s/s |
| P0205.240-090-A2 | M24 | 36 | 14 | 90 | 54 | 19 | A2 s/s |
| P0205.240-100-A2 | M24 | 36 | 14 | 100 | 54 | 19 | A2 s/s |
| P0205.240-110-A2 | M24 | 36 | 14 | 110 | 54 | 19 | A2 s/s |
| P0205.240-120-A2 | M24 | 36 | 14 | 120 | 54 | 19 | A2 s/s |
| P0205.240-130-A2 | M24 | 36 | 14 | 130 | 54 | 19 | A2 s/s |
| P0205.240-140-A2 | M24 | 36 | 14 | 140 | 54 | 19 | A2 s/s |
| P0205.240-150-A2 | M24 | 36 | 14 | 150 | 54 | 19 | A2 s/s |

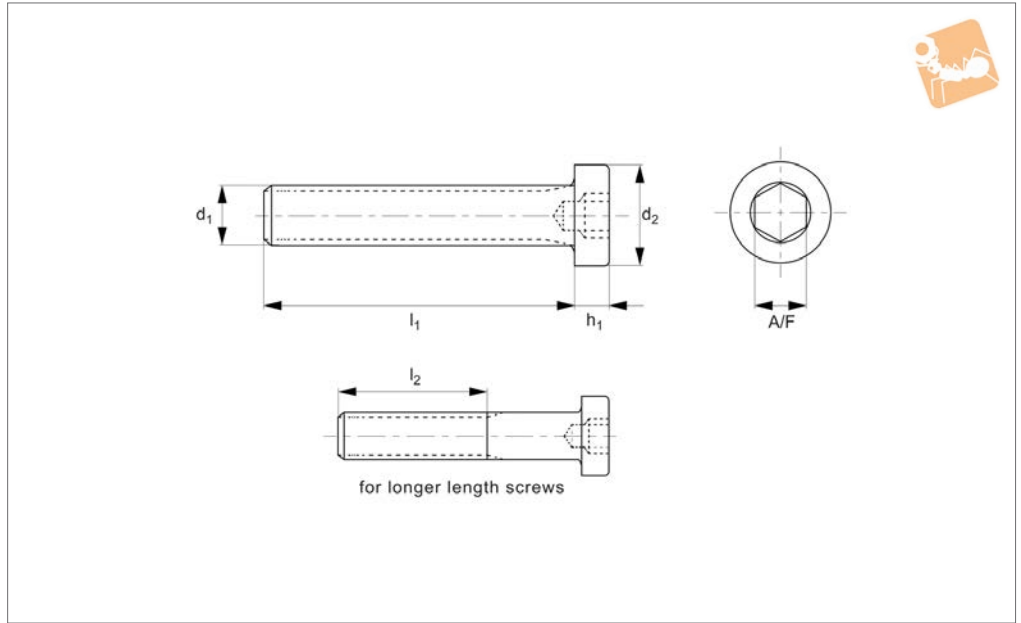
STANDARD SCREWS



STANDARD SCREWS



P0205.A4



Material

Stainless steel A4.

lengths the threads goes all the way to the head of the screw (i.e. $l_1 = l_2$).

See technical page for tightening torques.

Technical Notes

To DIN 7984. For the majority of screw

For longer length screws the threaded portion $l_2 < l_1$.

| Order No. | d ₁ | d ₂ | h ₁ | l ₁ | l ₂ | A/F | Material |
|------------------|----------------|----------------|----------------|----------------|----------------|-----|----------|
| P0205.030-005-A4 | M 3 | 5.5 | 2 | 5 | - | 2 | A4 s/s |
| P0205.030-006-A4 | M 3 | 5.5 | 2 | 6 | - | 2 | A4 s/s |
| P0205.030-008-A4 | M 3 | 5.5 | 2 | 8 | - | 2 | A4 s/s |
| P0205.030-010-A4 | M 3 | 5.5 | 2 | 10 | - | 2 | A4 s/s |
| P0205.030-012-A4 | M 3 | 5.5 | 2 | 12 | - | 2 | A4 s/s |
| P0205.030-014-A4 | M 3 | 5.5 | 2 | 14 | 12 | 2 | A4 s/s |
| P0205.030-016-A4 | M 3 | 5.5 | 2 | 16 | 12 | 2 | A4 s/s |
| P0205.030-020-A4 | M 3 | 5.5 | 2 | 20 | 12 | 2 | A4 s/s |
| P0205.030-025-A4 | M 3 | 5.5 | 2 | 25 | 12 | 2 | A4 s/s |
| P0205.030-030-A4 | M 3 | 5.5 | 2 | 30 | 12 | 2 | A4 s/s |
| P0205.030-035-A4 | M 3 | 5.5 | 2 | 35 | 12 | 2 | A4 s/s |
| P0205.030-040-A4 | M 3 | 5.5 | 2 | 40 | 12 | 2 | A4 s/s |
| P0205.040-060-A4 | M 4 | 7 | 2.8 | 6 | - | 2.5 | A4 s/s |
| P0205.040-080-A4 | M 4 | 7 | 2.8 | 8 | - | 2.5 | A4 s/s |
| P0205.040-010-A4 | M 4 | 7 | 2.8 | 10 | - | 2.5 | A4 s/s |
| P0205.040-012-A4 | M 4 | 7 | 2.8 | 12 | - | 2.5 | A4 s/s |
| P0205.040-014-A4 | M 4 | 7 | 2.8 | 14 | 14 | 2.5 | A4 s/s |
| P0205.040-016-A4 | M 4 | 7 | 2.8 | 16 | 14 | 2.5 | A4 s/s |
| P0205.040-020-A4 | M 4 | 7 | 2.8 | 20 | 14 | 2.5 | A4 s/s |
| P0205.040-025-A4 | M 4 | 7 | 2.8 | 25 | 14 | 2.5 | A4 s/s |
| P0205.040-030-A4 | M 4 | 7 | 2.8 | 30 | 14 | 2.5 | A4 s/s |
| P0205.040-035-A4 | M 4 | 7 | 2.8 | 35 | 14 | 2.5 | A4 s/s |
| P0205.040-040-A4 | M 4 | 7 | 2.8 | 40 | 14 | 2.5 | A4 s/s |
| P0205.050-006-A4 | M 5 | 8.5 | 3.5 | 6 | - | 3 | A4 s/s |
| P0205.050-008-A4 | M 5 | 8.5 | 3.5 | 8 | - | 3 | A4 s/s |
| P0205.050-010-A4 | M 5 | 8.5 | 3.5 | 10 | - | 3 | A4 s/s |
| P0205.050-012-A4 | M 5 | 8.5 | 3.5 | 12 | - | 3 | A4 s/s |
| P0205.050-014-A4 | M 5 | 8.5 | 3.5 | 14 | - | 3 | A4 s/s |
| P0205.050-016-A4 | M 5 | 8.5 | 3.5 | 16 | 16 | 3 | A4 s/s |
| P0205.050-020-A4 | M 5 | 8.5 | 3.5 | 20 | 16 | 3 | A4 s/s |
| P0205.050-025-A4 | M 5 | 8.5 | 3.5 | 25 | 16 | 3 | A4 s/s |
| P0205.050-030-A4 | M 5 | 8.5 | 3.5 | 30 | 16 | 3 | A4 s/s |
| P0205.050-035-A4 | M 5 | 8.5 | 3.5 | 35 | 16 | 3 | A4 s/s |
| P0205.050-040-A4 | M 5 | 8.5 | 3.5 | 40 | 16 | 3 | A4 s/s |



Low Head Cap Screws

Low head - A4 stainless

Standard Screws



| Order No. | d ₁ | d ₂ | h ₁ | l ₁ | l ₂ | A/F | Material |
|------------------|----------------|----------------|----------------|----------------|----------------|-----|----------|
| P0205.050-045-A4 | M 5 | 8,5 | 3,5 | 45 | 16 | 3 | A4 s/s |
| P0205.050-050-A4 | M 5 | 8,5 | 3,5 | 50 | 16 | 3 | A4 s/s |
| P0205.050-055-A4 | M 5 | 8,5 | 3,5 | 55 | 16 | 3 | A4 s/s |
| P0205.050-060-A4 | M 5 | 8,5 | 3,5 | 60 | 16 | 3 | A4 s/s |
| P0205.050-070-A4 | M 5 | 8,5 | 3,5 | 70 | 16 | 3 | A4 s/s |
| P0205.060-008-A4 | M 6 | 10 | 4 | 8 | - | 4 | A4 s/s |
| P0205.060-010-A4 | M 6 | 10 | 4 | 10 | - | 4 | A4 s/s |
| P0205.060-012-A4 | M 6 | 10 | 4 | 12 | - | 4 | A4 s/s |
| P0205.060-016-A4 | M 6 | 10 | 4 | 16 | - | 4 | A4 s/s |
| P0205.060-018-A4 | M 6 | 10 | 4 | 18 | 18 | 4 | A4 s/s |
| P0205.060-020-A4 | M 6 | 10 | 4 | 20 | 18 | 4 | A4 s/s |
| P0205.060-025-A4 | M 6 | 10 | 4 | 25 | 18 | 4 | A4 s/s |
| P0205.060-030-A4 | M 6 | 10 | 4 | 30 | 18 | 4 | A4 s/s |
| P0205.060-035-A4 | M 6 | 10 | 4 | 35 | 18 | 4 | A4 s/s |
| P0205.060-040-A4 | M 6 | 10 | 4 | 40 | 18 | 4 | A4 s/s |
| P0205.060-045-A4 | M 6 | 10 | 4 | 45 | 18 | 4 | A4 s/s |
| P0205.060-050-A4 | M 6 | 10 | 4 | 50 | 18 | 4 | A4 s/s |
| P0205.060-055-A4 | M 6 | 10 | 4 | 55 | 18 | 4 | A4 s/s |
| P0205.060-060-A4 | M 6 | 10 | 4 | 60 | 18 | 4 | A4 s/s |
| P0205.060-070-A4 | M 6 | 10 | 4 | 70 | 18 | 4 | A4 s/s |
| P0205.080-010-A4 | M 8 | 13 | 5 | 10 | - | 5 | A4 s/s |
| P0205.080-012-A4 | M 8 | 13 | 5 | 12 | - | 5 | A4 s/s |
| P0205.080-016-A4 | M 8 | 13 | 5 | 16 | - | 5 | A4 s/s |
| P0205.080-020-A4 | M 8 | 13 | 5 | 20 | - | 5 | A4 s/s |
| P0205.080-025-A4 | M 8 | 13 | 5 | 25 | 22 | 5 | A4 s/s |
| P0205.080-030-A4 | M 8 | 13 | 5 | 30 | 22 | 5 | A4 s/s |
| P0205.080-035-A4 | M 8 | 13 | 5 | 35 | 22 | 5 | A4 s/s |
| P0205.080-040-A4 | M 8 | 13 | 5 | 40 | 22 | 5 | A4 s/s |
| P0205.080-045-A4 | M 8 | 13 | 5 | 45 | 22 | 5 | A4 s/s |
| P0205.080-050-A4 | M 8 | 13 | 5 | 50 | 22 | 5 | A4 s/s |
| P0205.080-055-A4 | M 8 | 13 | 5 | 55 | 22 | 5 | A4 s/s |
| P0205.080-060-A4 | M 8 | 13 | 5 | 60 | 22 | 5 | A4 s/s |
| P0205.080-070-A4 | M 8 | 13 | 5 | 70 | 22 | 5 | A4 s/s |
| P0205.080-080-A4 | M 8 | 13 | 5 | 80 | 22 | 5 | A4 s/s |
| P0205.080-090-A4 | M 8 | 13 | 5 | 90 | 22 | 5 | A4 s/s |
| P0205.080-100-A4 | M 8 | 13 | 5 | 100 | 22 | 5 | A4 s/s |
| P0205.100-016-A4 | M10 | 16 | 6 | 16 | - | 7 | A4 s/s |
| P0205.100-020-A4 | M10 | 16 | 6 | 20 | - | 7 | A4 s/s |
| P0205.100-025-A4 | M10 | 16 | 6 | 25 | - | 7 | A4 s/s |
| P0205.100-030-A4 | M10 | 16 | 6 | 30 | 26 | 7 | A4 s/s |
| P0205.100-035-A4 | M10 | 16 | 6 | 35 | 26 | 7 | A4 s/s |
| P0205.100-040-A4 | M10 | 16 | 6 | 40 | 26 | 7 | A4 s/s |
| P0205.100-045-A4 | M10 | 16 | 6 | 45 | 26 | 7 | A4 s/s |
| P0205.100-050-A4 | M10 | 16 | 6 | 50 | 26 | 7 | A4 s/s |
| P0205.100-055-A4 | M10 | 16 | 6 | 55 | 26 | 7 | A4 s/s |
| P0205.100-060-A4 | M10 | 16 | 6 | 60 | 26 | 7 | A4 s/s |
| P0205.100-070-A4 | M10 | 16 | 6 | 70 | 26 | 7 | A4 s/s |
| P0205.100-080-A4 | M10 | 16 | 6 | 80 | 26 | 7 | A4 s/s |
| P0205.100-090-A4 | M10 | 16 | 6 | 90 | 26 | 7 | A4 s/s |
| P0205.100-100-A4 | M10 | 16 | 6 | 100 | 26 | 7 | A4 s/s |
| P0205.120-020-A4 | M12 | 18 | 7 | 20 | - | 8 | A4 s/s |
| P0205.120-025-A4 | M12 | 18 | 7 | 25 | - | 8 | A4 s/s |
| P0205.120-030-A4 | M12 | 18 | 7 | 30 | - | 8 | A4 s/s |
| P0205.120-035-A4 | M12 | 18 | 7 | 35 | 30 | 8 | A4 s/s |
| P0205.120-040-A4 | M12 | 18 | 7 | 40 | 30 | 8 | A4 s/s |
| P0205.120-045-A4 | M12 | 18 | 7 | 45 | 30 | 8 | A4 s/s |
| P0205.120-050-A4 | M12 | 18 | 7 | 50 | 30 | 8 | A4 s/s |
| P0205.120-055-A4 | M12 | 18 | 7 | 55 | 30 | 8 | A4 s/s |
| P0205.120-060-A4 | M12 | 18 | 7 | 60 | 30 | 8 | A4 s/s |
| P0205.120-070-A4 | M12 | 18 | 7 | 70 | 30 | 8 | A4 s/s |
| P0205.120-080-A4 | M12 | 18 | 7 | 80 | 30 | 8 | A4 s/s |
| P0205.120-090-A4 | M12 | 18 | 7 | 90 | 30 | 8 | A4 s/s |
| P0205.120-100-A4 | M12 | 18 | 7 | 100 | 30 | 8 | A4 s/s |
| P0205.160-025-A4 | M16 | 24 | 9 | 25 | - | 12 | A4 s/s |
| P0205.160-030-A4 | M16 | 24 | 9 | 30 | - | 12 | A4 s/s |
| P0205.160-035-A4 | M16 | 24 | 9 | 35 | - | 12 | A4 s/s |
| P0205.160-040-A4 | M16 | 24 | 9 | 40 | 38 | 12 | A4 s/s |
| P0205.160-045-A4 | M16 | 24 | 9 | 45 | 38 | 12 | A4 s/s |
| P0205.160-050-A4 | M16 | 24 | 9 | 50 | 38 | 12 | A4 s/s |

STANDARD SCREWS



STANDARD SCREWS

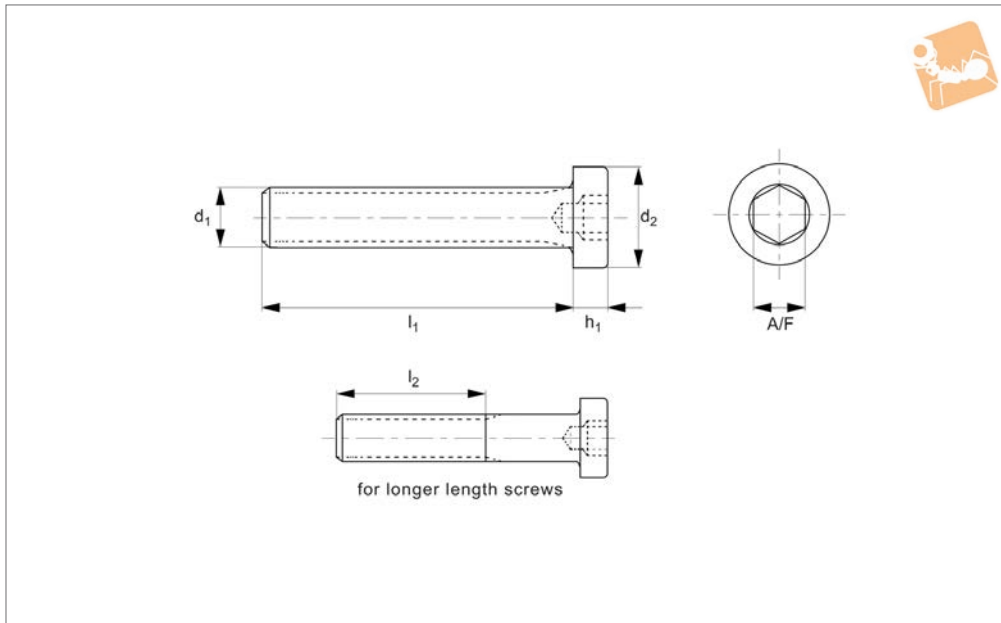
| Order No. | d ₁ | d ₂ | h ₁ | l ₁ | l ₂ | A/F | Material |
|------------------|----------------|----------------|----------------|----------------|----------------|-----|----------|
| P0205.160-055-A4 | M16 | 24 | 9 | 55 | 38 | 12 | A4 s/s |
| P0205.160-060-A4 | M16 | 24 | 9 | 60 | 38 | 12 | A4 s/s |
| P0205.160-070-A4 | M16 | 24 | 9 | 70 | 38 | 12 | A4 s/s |
| P0205.160-080-A4 | M16 | 24 | 9 | 80 | 38 | 12 | A4 s/s |
| P0205.160-090-A4 | M16 | 24 | 9 | 90 | 38 | 12 | A4 s/s |
| P0205.160-100-A4 | M16 | 24 | 9 | 100 | 38 | 12 | A4 s/s |
| P0205.160-110-A4 | M16 | 24 | 9 | 110 | 38 | 12 | A4 s/s |
| P0205.160-120-A4 | M16 | 24 | 9 | 120 | 38 | 12 | A4 s/s |
| P0205.160-130-A4 | M16 | 24 | 9 | 130 | 38 | 12 | A4 s/s |
| P0205.160-140-A4 | M16 | 24 | 9 | 140 | 38 | 12 | A4 s/s |
| P0205.160-150-A4 | M16 | 24 | 9 | 150 | 38 | 12 | A4 s/s |
| P0205.200-035-A4 | M20 | 30 | 11 | 35 | - | 14 | A4 s/s |
| P0205.200-040-A4 | M20 | 30 | 11 | 40 | - | 14 | A4 s/s |
| P0205.200-045-A4 | M20 | 30 | 11 | 45 | 46 | 14 | A4 s/s |
| P0205.200-050-A4 | M20 | 30 | 11 | 50 | 46 | 14 | A4 s/s |
| P0205.200-055-A4 | M20 | 30 | 11 | 55 | 46 | 14 | A4 s/s |
| P0205.200-060-A4 | M20 | 30 | 11 | 60 | 46 | 14 | A4 s/s |
| P0205.200-070-A4 | M20 | 30 | 11 | 70 | 46 | 14 | A4 s/s |
| P0205.200-080-A4 | M20 | 30 | 11 | 80 | 46 | 14 | A4 s/s |
| P0205.200-100-A4 | M20 | 30 | 11 | 100 | 46 | 14 | A4 s/s |
| P0205.200-110-A4 | M20 | 30 | 11 | 110 | 46 | 14 | A4 s/s |
| P0205.200-120-A4 | M20 | 30 | 11 | 120 | 46 | 14 | A4 s/s |
| P0205.200-130-A4 | M20 | 30 | 11 | 130 | 46 | 14 | A4 s/s |
| P0205.200-140-A4 | M20 | 30 | 11 | 140 | 46 | 14 | A4 s/s |
| P0205.200-150-A4 | M20 | 30 | 11 | 150 | 46 | 14 | A4 s/s |



Low Head Cap Screws

Low head - steel, zinc-plated

Standard Screws



P0205.ZP

STANDARD SCREWS

Material

Steel, zinc-plated (grade 8.8, (08.8)).

Technical Notes

To DIN 7984. For the majority of screw

lengths the threads goes all the way to the head of the screw (i.e. $l_1 = l_2$).

For longer length screws the threaded portion $l_2 < l_1$.

| Order No. | d_1 | d_2 | h_1 | l_1 | l_2 | A/F | Material |
|------------------|-------|-------|-------|-------|-------|-----|----------|
| P0205.030-005-ZP | M 3 | 5.5 | 2 | 5 | - | 2 | Steel ZP |
| P0205.030-006-ZP | M 3 | 5.5 | 2 | 6 | - | 2 | Steel ZP |
| P0205.030-008-ZP | M 3 | 5.5 | 2 | 8 | - | 2 | Steel ZP |
| P0205.030-010-ZP | M 3 | 5.5 | 2 | 10 | - | 2 | Steel ZP |
| P0205.030-012-ZP | M 3 | 5.5 | 2 | 12 | 12 | 2 | Steel ZP |
| P0205.030-016-ZP | M 3 | 5.5 | 2 | 16 | 12 | 2 | Steel ZP |
| P0205.030-020-ZP | M 3 | 5.5 | 2 | 20 | 12 | 2 | Steel ZP |
| P0205.030-025-ZP | M 3 | 5.5 | 2 | 25 | 12 | 2 | Steel ZP |
| P0205.040-006-ZP | M 4 | 7 | 2.8 | 6 | - | 2.5 | Steel ZP |
| P0205.040-008-ZP | M 4 | 7 | 2.8 | 8 | - | 2.5 | Steel ZP |
| P0205.040-010-ZP | M 4 | 7 | 2.8 | 10 | - | 2.5 | Steel ZP |
| P0205.040-012-ZP | M 4 | 7 | 2.8 | 12 | - | 2.5 | Steel ZP |
| P0205.040-016-ZP | M 4 | 7 | 2.8 | 16 | 14 | 2.5 | Steel ZP |
| P0205.040-020-ZP | M 4 | 7 | 2.8 | 20 | 14 | 2.5 | Steel ZP |
| P0205.040-025-ZP | M 4 | 7 | 2.8 | 25 | 14 | 2.5 | Steel ZP |
| P0205.040-030-ZP | M 4 | 7 | 2.8 | 30 | 14 | 2.5 | Steel ZP |
| P0205.040-035-ZP | M 4 | 7 | 2.8 | 35 | 14 | 2.5 | Steel ZP |
| P0205.040-040-ZP | M 4 | 7 | 2.8 | 40 | 14 | 2.5 | Steel ZP |
| P0205.050-006-ZP | M 5 | 8.5 | 3.5 | 6 | - | 3 | Steel ZP |
| P0205.050-008-ZP | M 5 | 8.5 | 3.5 | 8 | - | 3 | Steel ZP |
| P0205.050-010-ZP | M 5 | 8.5 | 3.5 | 10 | - | 3 | Steel ZP |
| P0205.050-012-ZP | M 5 | 8.5 | 3.5 | 12 | - | 3 | Steel ZP |
| P0205.050-014-ZP | M 5 | 8.5 | 3.5 | 14 | - | 3 | Steel ZP |
| P0205.050-016-ZP | M 5 | 8.5 | 3.5 | 16 | 16 | 3 | Steel ZP |
| P0205.050-020-ZP | M 5 | 8.5 | 3.5 | 20 | 16 | 3 | Steel ZP |
| P0205.050-025-ZP | M 5 | 8.5 | 3.5 | 25 | 16 | 3 | Steel ZP |
| P0205.050-030-ZP | M 5 | 8.5 | 3.5 | 30 | 16 | 3 | Steel ZP |
| P0205.050-035-ZP | M 5 | 8.5 | 3.5 | 35 | 16 | 3 | Steel ZP |
| P0205.050-040-ZP | M 5 | 8.5 | 3.5 | 40 | 16 | 3 | Steel ZP |
| P0205.050-045-ZP | M 5 | 8.5 | 3.5 | 45 | 16 | 3 | Steel ZP |
| P0205.050-050-ZP | M 5 | 8.5 | 3.5 | 50 | 16 | 3 | Steel ZP |
| P0205.050-060-ZP | M 5 | 8.5 | 3.5 | 60 | 16 | 3 | Steel ZP |
| P0205.060-008-ZP | M 6 | 10 | 4 | 8 | - | 4 | Steel ZP |
| P0205.060-010-ZP | M 6 | 10 | 4 | 10 | - | 4 | Steel ZP |



STANDARD SCREWS

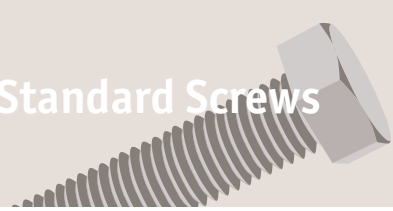
| Order No. | d ₁ | d ₂ | h ₁ | l ₁ | l ₂ | A/F | Material |
|------------------|----------------|----------------|----------------|----------------|----------------|-----|----------|
| P0205.060-012-ZP | M 6 | 10 | 4 | 12 | - | 4 | Steel ZP |
| P0205.060-016-ZP | M 6 | 10 | 4 | 16 | - | 4 | Steel ZP |
| P0205.060-020-ZP | M 6 | 10 | 4 | 20 | 18 | 4 | Steel ZP |
| P0205.060-025-ZP | M 6 | 10 | 4 | 25 | 18 | 4 | Steel ZP |
| P0205.060-030-ZP | M 6 | 10 | 4 | 30 | 18 | 4 | Steel ZP |
| P0205.060-035-ZP | M 6 | 10 | 4 | 35 | 18 | 4 | Steel ZP |
| P0205.060-040-ZP | M 6 | 10 | 4 | 40 | 18 | 4 | Steel ZP |
| P0205.060-045-ZP | M 6 | 10 | 4 | 45 | 18 | 4 | Steel ZP |
| P0205.060-050-ZP | M 6 | 10 | 4 | 50 | 18 | 4 | Steel ZP |
| P0205.060-055-ZP | M 6 | 10 | 4 | 55 | 18 | 4 | Steel ZP |
| P0205.060-060-ZP | M 6 | 10 | 4 | 60 | 18 | 4 | Steel ZP |
| P0205.060-070-ZP | M 6 | 10 | 4 | 60 | 18 | 4 | Steel ZP |
| P0205.080-010-ZP | M 8 | 13 | 5 | 10 | - | 5 | Steel ZP |
| P0205.080-012-ZP | M 8 | 13 | 5 | 12 | - | 5 | Steel ZP |
| P0205.080-016-ZP | M 8 | 13 | 5 | 16 | - | 5 | Steel ZP |
| P0205.080-020-ZP | M 8 | 13 | 5 | 20 | - | 5 | Steel ZP |
| P0205.080-025-ZP | M 8 | 13 | 5 | 25 | 22 | 5 | Steel ZP |
| P0205.080-030-ZP | M 8 | 13 | 5 | 30 | 22 | 5 | Steel ZP |
| P0205.080-035-ZP | M 8 | 13 | 5 | 35 | 22 | 5 | Steel ZP |
| P0205.080-040-ZP | M 8 | 13 | 5 | 40 | 22 | 5 | Steel ZP |
| P0205.080-045-ZP | M 8 | 13 | 5 | 45 | 22 | 5 | Steel ZP |
| P0205.080-050-ZP | M 8 | 13 | 5 | 50 | 22 | 5 | Steel ZP |
| P0205.080-055-ZP | M 8 | 13 | 5 | 55 | 22 | 5 | Steel ZP |
| P0205.080-060-ZP | M 8 | 13 | 5 | 60 | 22 | 5 | Steel ZP |
| P0205.080-070-ZP | M 8 | 13 | 5 | 70 | 22 | 5 | Steel ZP |
| P0205.080-090-ZP | M 8 | 13 | 5 | 90 | 22 | 5 | Steel ZP |
| P0205.080-100-ZP | M 8 | 13 | 5 | 1000 | 22 | 5 | Steel ZP |
| P0205.100-016-ZP | M10 | 16 | 6.5 | 16 | - | 7 | Steel ZP |
| P0205.100-020-ZP | M10 | 16 | 6.5 | 20 | - | 7 | Steel ZP |
| P0205.100-025-ZP | M10 | 16 | 6.5 | 25 | - | 7 | Steel ZP |
| P0205.100-030-ZP | M10 | 16 | 6.5 | 30 | 26 | 7 | Steel ZP |
| P0205.100-035-ZP | M10 | 16 | 6.5 | 35 | 26 | 7 | Steel ZP |
| P0205.100-040-ZP | M10 | 16 | 6.5 | 40 | 26 | 7 | Steel ZP |
| P0205.100-045-ZP | M10 | 16 | 6.5 | 45 | 26 | 7 | Steel ZP |
| P0205.100-050-ZP | M10 | 16 | 6.5 | 50 | 26 | 7 | Steel ZP |
| P0205.100-055-ZP | M10 | 16 | 6.5 | 55 | 26 | 7 | Steel ZP |
| P0205.100-060-ZP | M10 | 16 | 6.5 | 60 | 26 | 7 | Steel ZP |
| P0205.100-070-ZP | M10 | 16 | 6.5 | 70 | 26 | 7 | Steel ZP |
| P0205.100-080-ZP | M10 | 16 | 6.5 | 80 | 26 | 7 | Steel ZP |
| P0205.100-090-ZP | M10 | 16 | 6.5 | 90 | 26 | 7 | Steel ZP |
| P0205.100-100-ZP | M10 | 16 | 6.5 | 100 | 26 | 7 | Steel ZP |
| P0205.120-020-ZP | M12 | 18 | 7.5 | 20 | - | 8 | Steel ZP |
| P0205.120-025-ZP | M12 | 18 | 7.5 | 25 | - | 8 | Steel ZP |
| P0205.120-030-ZP | M12 | 18 | 7.5 | 30 | - | 8 | Steel ZP |
| P0205.120-035-ZP | M12 | 18 | 7.5 | 35 | 30 | 8 | Steel ZP |
| P0205.120-040-ZP | M12 | 18 | 7.5 | 40 | 30 | 8 | Steel ZP |
| P0205.120-045-ZP | M12 | 18 | 7.5 | 45 | 30 | 8 | Steel ZP |
| P0205.120-050-ZP | M12 | 18 | 7.5 | 50 | 30 | 8 | Steel ZP |
| P0205.120-055-ZP | M12 | 18 | 7.5 | 55 | 30 | 8 | Steel ZP |
| P0205.120-060-ZP | M12 | 18 | 7.5 | 60 | 30 | 8 | Steel ZP |
| P0205.120-070-ZP | M12 | 18 | 7.5 | 70 | 30 | 8 | Steel ZP |
| P0205.120-080-ZP | M12 | 18 | 7.5 | 80 | 30 | 8 | Steel ZP |
| P0205.160-025-ZP | M16 | 24 | 10 | 25 | - | 12 | Steel ZP |
| P0205.160-030-ZP | M16 | 24 | 10 | 30 | - | 12 | Steel ZP |
| P0205.160-035-ZP | M16 | 24 | 10 | 35 | - | 12 | Steel ZP |
| P0205.160-040-ZP | M16 | 24 | 10 | 40 | 38 | 12 | Steel ZP |
| P0205.160-045-ZP | M16 | 24 | 10 | 45 | 38 | 12 | Steel ZP |
| P0205.160-050-ZP | M16 | 24 | 10 | 50 | 38 | 12 | Steel ZP |
| P0205.160-055-ZP | M16 | 24 | 10 | 55 | 38 | 12 | Steel ZP |
| P0205.160-060-ZP | M16 | 24 | 10 | 60 | 38 | 12 | Steel ZP |
| P0205.160-070-ZP | M16 | 24 | 10 | 70 | 38 | 12 | Steel ZP |
| P0205.160-080-ZP | M16 | 24 | 10 | 80 | 38 | 12 | Steel ZP |
| P0205.160-100-ZP | M16 | 24 | 10 | 100 | 38 | 12 | Steel ZP |
| P0205.200-035-ZP | M20 | 30 | 12 | 35 | - | 14 | Steel ZP |
| P0205.200-040-ZP | M20 | 30 | 12 | 40 | - | 14 | Steel ZP |
| P0205.200-045-ZP | M20 | 30 | 12 | 45 | - | 14 | Steel ZP |
| P0205.200-050-ZP | M20 | 30 | 12 | 50 | 46 | 14 | Steel ZP |
| P0205.200-060-ZP | M20 | 30 | 12 | 60 | 46 | 14 | Steel ZP |
| P0205.200-070-ZP | M20 | 30 | 12 | 70 | 46 | 14 | Steel ZP |



Low Head Cap Screws

Low head - steel, zinc-plated

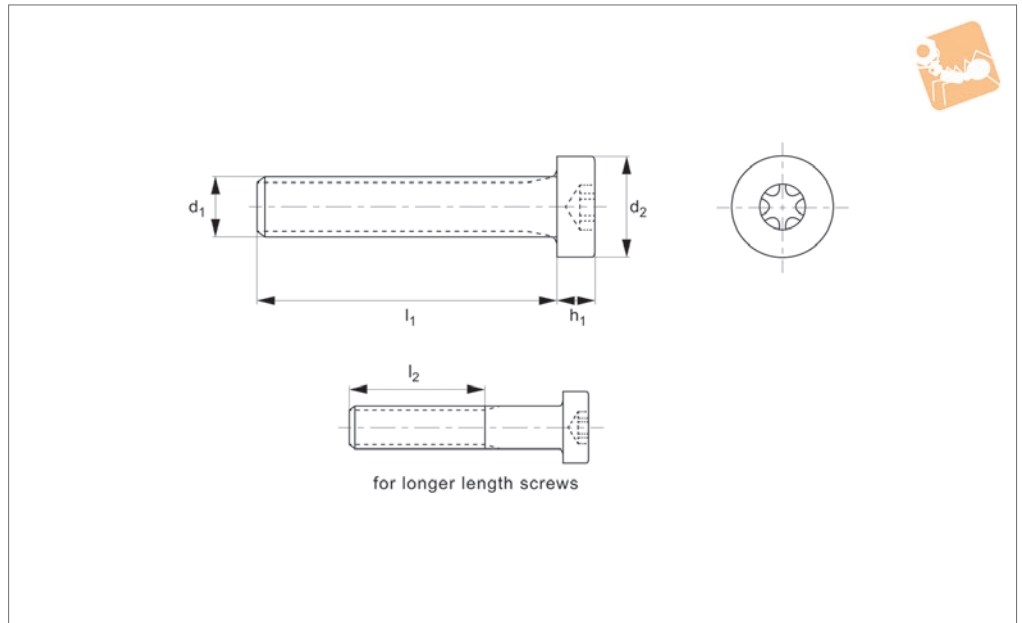
Standard Screws



| Order No. | d ₁ | d ₂ | h ₁ | l ₁ | l ₂ | A/F | Material |
|------------------|----------------|----------------|----------------|----------------|----------------|-----|----------|
| P0205.200-080-ZP | M20 | 30 | 12 | 80 | 46 | 14 | Steel ZP |
| P0205.240-050-ZP | M24 | 36 | 14 | 50 | - | 19 | Steel ZP |
| P0205.240-070-ZP | M24 | 36 | 14 | 70 | 54 | 19 | Steel ZP |
| P0205.240-080-ZP | M24 | 36 | 14 | 80 | 54 | 19 | Steel ZP |
| P0205.240-100-ZP | M24 | 36 | 14 | 100 | 54 | 19 | Steel ZP |



P0206.A2



Material

Stainless steel A2.

Technical Notes

To DIN 14580. For the majority of

screw lengths the threads goes all the way to the head of the screw (i.e. $l_1 = l_2$).
For longer length screws the

threaded portion l_2 1.

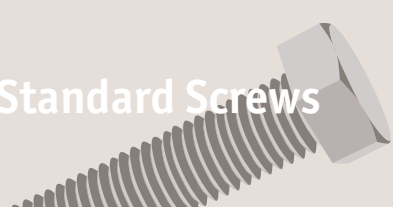
See technical page for tightening torques.

| Order No. | Size | d ₁ | d ₂ | h ₁ | l ₁ | l ₂ |
|------------------|-------|----------------|----------------|----------------|----------------|----------------|
| P0206.050-008-A2 | TX 25 | M5 | 8.5 | 3.65 | 8 | - |
| P0206.050-010-A2 | TX 25 | M5 | 8.5 | 3.65 | 10 | - |
| P0206.050-012-A2 | TX 25 | M5 | 8.5 | 3.65 | 12 | - |
| P0206.050-014-A2 | TX 25 | M5 | 8.5 | 3.65 | 14 | - |
| P0206.050-016-A2 | TX 25 | M5 | 8.5 | 3.65 | 16 | - |
| P0206.050-020-A2 | TX 25 | M5 | 8.5 | 3.65 | 20 | 16 |
| P0206.050-025-A2 | TX 25 | M5 | 8.5 | 3.65 | 25 | 16 |
| P0206.050-030-A2 | TX 25 | M5 | 8.5 | 3.65 | 30 | 16 |
| P0206.050-035-A2 | TX 25 | M5 | 8.5 | 3.65 | 35 | 16 |
| P0206.050-040-A2 | TX 25 | M5 | 8.5 | 3.65 | 40 | 16 |
| P0206.050-045-A2 | TX 25 | M5 | 8.5 | 3.65 | 45 | 16 |
| P0206.050-050-A2 | TX 25 | M5 | 8.5 | 3.65 | 50 | 16 |
| P0206.050-055-A2 | TX 25 | M5 | 8.5 | 3.65 | 55 | 16 |
| P0206.050-060-A2 | TX 25 | M5 | 8.5 | 3.65 | 60 | 16 |
| P0206.050-065-A2 | TX 25 | M5 | 8.5 | 3.65 | 65 | 16 |
| P0206.050-070-A2 | TX 25 | M5 | 8.5 | 3.65 | 70 | 16 |
| P0206.060-008-A2 | TX 30 | M6 | 10 | 4.40 | 8 | - |
| P0206.060-010-A2 | TX 30 | M6 | 10 | 4.40 | 10 | - |
| P0206.060-012-A2 | TX 30 | M6 | 10 | 4.40 | 12 | - |
| P0206.060-016-A2 | TX 30 | M6 | 10 | 4.40 | 16 | - |
| P0206.060-020-A2 | TX 30 | M6 | 10 | 4.40 | 20 | 18 |
| P0206.060-025-A2 | TX 30 | M6 | 10 | 4.40 | 25 | 18 |
| P0206.060-030-A2 | TX 30 | M6 | 10 | 4.40 | 30 | 18 |
| P0206.060-035-A2 | TX 30 | M6 | 10 | 4.40 | 35 | 18 |
| P0206.060-040-A2 | TX 30 | M6 | 10 | 4.40 | 40 | 18 |
| P0206.060-045-A2 | TX 30 | M6 | 10 | 4.40 | 45 | 18 |
| P0206.060-050-A2 | TX 30 | M6 | 10 | 4.40 | 50 | 18 |
| P0206.060-055-A2 | TX 30 | M6 | 10 | 4.40 | 55 | 18 |
| P0206.060-060-A2 | TX 30 | M6 | 10 | 4.40 | 60 | 18 |
| P0206.060-065-A2 | TX 30 | M6 | 10 | 4.40 | 65 | 18 |
| P0206.060-070-A2 | TX 30 | M6 | 10 | 4.40 | 70 | 18 |
| P0206.080-010-A2 | TX 45 | M8 | 13 | 5.80 | 10 | - |
| P0206.080-012-A2 | TX 45 | M8 | 13 | 5.80 | 12 | - |
| P0206.080-016-A2 | TX 45 | M8 | 13 | 5.80 | 16 | - |



TX Cap Screws low head

Standard Screws

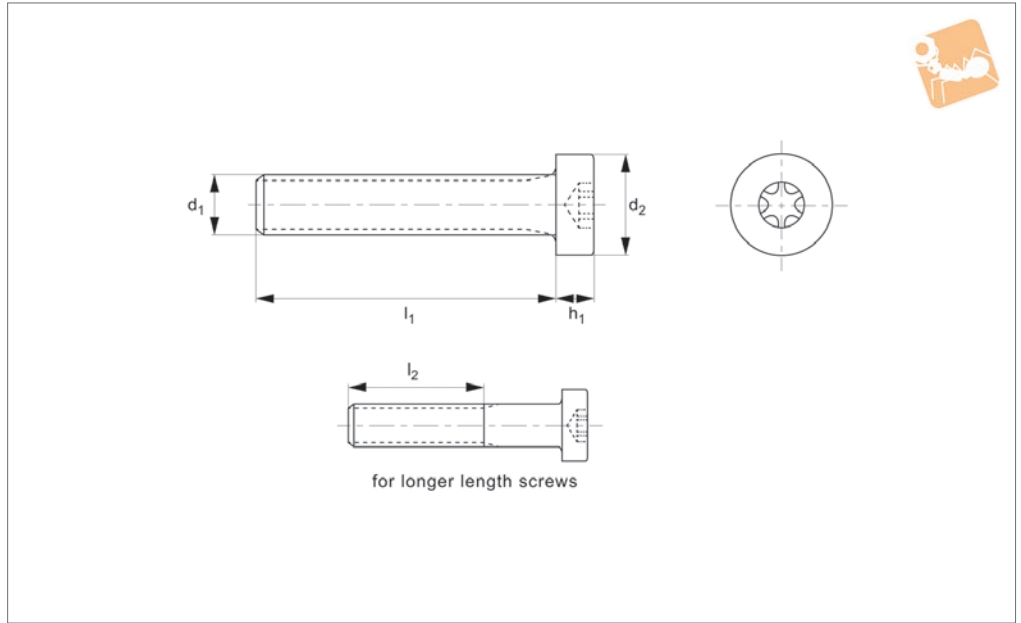


| Order No. | Size | d ₁ | d ₂ | h ₁ | l ₁ | l ₂ |
|------------------|-------|----------------|----------------|----------------|----------------|----------------|
| P0206.080-020-A2 | TX 45 | M8 | 13 | 5.80 | 20 | - |
| P0206.080-025-A2 | TX 45 | M8 | 13 | 5.80 | 25 | 22 |
| P0206.080-030-A2 | TX 45 | M8 | 13 | 5.80 | 30 | 22 |
| P0206.080-035-A2 | TX 45 | M8 | 13 | 5.80 | 35 | 22 |
| P0206.080-040-A2 | TX 45 | M8 | 13 | 5.80 | 40 | 22 |
| P0206.080-045-A2 | TX 45 | M8 | 13 | 5.80 | 45 | 22 |
| P0206.080-050-A2 | TX 45 | M8 | 13 | 5.80 | 50 | 22 |
| P0206.080-055-A2 | TX 45 | M8 | 13 | 5.80 | 55 | 22 |
| P0206.080-060-A2 | TX 45 | M8 | 13 | 5.80 | 60 | 22 |
| P0206.080-065-A2 | TX 45 | M8 | 13 | 5.80 | 65 | 22 |
| P0206.080-070-A2 | TX 45 | M8 | 13 | 5.80 | 70 | 22 |
| P0206.080-075-A2 | TX 45 | M8 | 13 | 5.80 | 75 | 22 |
| P0206.080-080-A2 | TX 45 | M8 | 13 | 5.80 | 80 | 22 |

STANDARD SCREWS



P0206.A4



Material

Stainless steel A4.

Technical Notes

To DIN 14580. For the majority of

screw lengths the threads goes all the way to the head of the screw (i.e. $l_1 = l_2$).
For longer length screws the

threaded portion l_2 1.

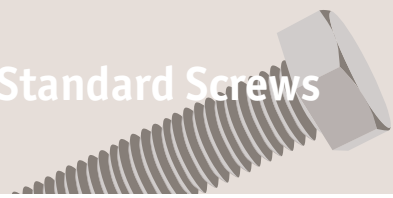
See technical page for tightening torques.

| Order No. | Size | d ₁ | d ₂ | h ₁ | l ₁ | l ₂ |
|------------------|-------|----------------|----------------|----------------|----------------|----------------|
| P0206.050-008-A4 | TX 25 | M5 | 8.5 | 3.65 | 8 | - |
| P0206.050-010-A4 | TX 25 | M5 | 8.5 | 3.65 | 10 | - |
| P0206.050-012-A4 | TX 25 | M5 | 8.5 | 3.65 | 12 | - |
| P0206.050-014-A4 | TX 25 | M5 | 8.5 | 3.65 | 14 | - |
| P0206.050-016-A4 | TX 25 | M5 | 8.5 | 3.65 | 16 | - |
| P0206.050-020-A4 | TX 25 | M5 | 8.5 | 3.65 | 20 | 16 |
| P0206.050-025-A4 | TX 25 | M5 | 8.5 | 3.65 | 25 | 16 |
| P0206.050-030-A4 | TX 25 | M5 | 8.5 | 3.65 | 30 | 16 |
| P0206.050-035-A4 | TX 25 | M5 | 8.5 | 3.65 | 35 | 16 |
| P0206.050-040-A4 | TX 25 | M5 | 8.5 | 3.65 | 40 | 16 |
| P0206.050-045-A4 | TX 25 | M5 | 8.5 | 3.65 | 45 | 16 |
| P0206.050-050-A4 | TX 25 | M5 | 8.5 | 3.65 | 50 | 16 |
| P0206.050-055-A4 | TX 25 | M5 | 8.5 | 3.65 | 55 | 16 |
| P0206.050-060-A4 | TX 25 | M5 | 8.5 | 3.65 | 60 | 16 |
| P0206.050-065-A4 | TX 25 | M5 | 8.5 | 3.65 | 65 | 16 |
| P0206.050-070-A4 | TX 25 | M5 | 8.5 | 3.65 | 70 | 16 |
| P0206.060-008-A4 | TX 30 | M6 | 10 | 4.40 | 8 | - |
| P0206.060-012-A4 | TX 30 | M6 | 10 | 4.40 | 12 | - |
| P0206.060-016-A4 | TX 30 | M6 | 10 | 4.40 | 16 | - |
| P0206.060-020-A4 | TX 30 | M6 | 10 | 4.40 | 20 | 18 |
| P0206.060-025-A4 | TX 30 | M6 | 10 | 4.40 | 25 | 18 |
| P0206.060-030-A4 | TX 30 | M6 | 10 | 4.40 | 30 | 18 |
| P0206.060-035-A4 | TX 30 | M6 | 10 | 4.40 | 35 | 18 |
| P0206.060-040-A4 | TX 30 | M6 | 10 | 4.40 | 40 | 18 |
| P0206.060-045-A4 | TX 30 | M6 | 10 | 4.40 | 45 | 18 |
| P0206.060-050-A4 | TX 30 | M6 | 10 | 4.40 | 50 | 18 |
| P0206.060-055-A4 | TX 30 | M6 | 10 | 4.40 | 55 | 18 |
| P0206.060-060-A4 | TX 30 | M6 | 10 | 4.40 | 60 | 18 |
| P0206.060-065-A4 | TX 30 | M6 | 10 | 4.40 | 65 | 18 |
| P0206.060-070-A4 | TX 30 | M6 | 10 | 4.40 | 70 | 18 |
| P0206.080-010-A4 | TX 45 | M8 | 13 | 5.80 | 10 | - |
| P0206.080-012-A4 | TX 45 | M8 | 13 | 5.80 | 12 | - |
| P0206.080-016-A4 | TX 45 | M8 | 13 | 5.80 | 16 | - |
| P0206.080-020-A4 | TX 45 | M8 | 13 | 5.80 | 20 | - |



TX Cap Screws low head

Standard Screws

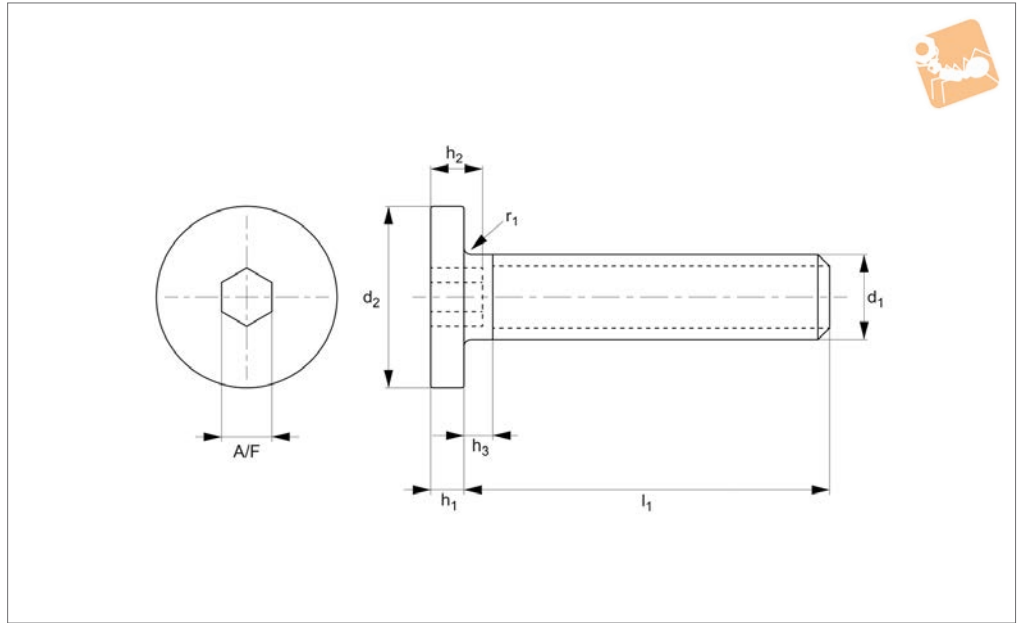


| Order No. | Size | d ₁ | d ₂ | h ₁ | l ₁ | l ₂ |
|------------------|-------|----------------|----------------|----------------|----------------|----------------|
| P0206.080-025-A4 | TX 45 | M8 | 13 | 5.80 | 25 | 22 |
| P0206.080-030-A4 | TX 45 | M8 | 13 | 5.80 | 30 | 22 |
| P0206.080-035-A4 | TX 45 | M8 | 13 | 5.80 | 35 | 22 |
| P0206.080-040-A4 | TX 45 | M8 | 13 | 5.80 | 40 | 22 |
| P0206.080-045-A4 | TX 45 | M8 | 13 | 5.80 | 45 | 22 |
| P0206.080-050-A4 | TX 45 | M8 | 13 | 5.80 | 50 | 22 |
| P0206.080-055-A4 | TX 45 | M8 | 13 | 5.80 | 55 | 22 |
| P0206.080-060-A4 | TX 45 | M8 | 13 | 5.80 | 60 | 22 |
| P0206.080-065-A4 | TX 45 | M8 | 13 | 5.80 | 65 | 22 |
| P0206.080-070-A4 | TX 45 | M8 | 13 | 5.80 | 70 | 22 |
| P0206.080-075-A4 | TX 45 | M8 | 13 | 5.80 | 75 | 22 |
| P0206.080-080-A4 | TX 45 | M8 | 13 | 5.80 | 80 | 22 |

STANDARD SCREWS



P0207.A2



Material

Stainless steel (AISI 303, 1.4305).
Tensile strength ~ 400N/mm²

(except for M2 ~ 220N/mm²).

Technical Notes

Extra low head cap screws reduce the screw

head height space. They require no countersinking unlike flat head screws.

| Order No. | d ₁ | d ₂ | h ₁ | h ₂ max. | h ₃ max. | l ₁ | r ₁ | A/F | Torque to Nm max. |
|------------------|----------------|----------------|----------------|------------------------|------------------------|----------------|----------------|-----|-------------------------|
| P0207.020-003-A2 | M 2 | 4 | 1.5 | 1.2 | 1.2 | 3 | 0.10 | 1.3 | 0.16 |
| P0207.020-004-A2 | M 2 | 4 | 1.5 | 1.2 | 1.2 | 4 | 0.10 | 1.3 | 0.16 |
| P0207.020-005-A2 | M 2 | 4 | 1.5 | 1.2 | 1.2 | 5 | 0.10 | 1.3 | 0.16 |
| P0207.020-006-A2 | M 2 | 4 | 1.5 | 1.2 | 1.2 | 6 | 0.10 | 1.3 | 0.16 |
| P0207.020-008-A2 | M 2 | 4 | 1.5 | 1.2 | 1.2 | 8 | 0.10 | 1.3 | 0.16 |
| P0207.020-010-A2 | M 2 | 4 | 1.5 | 1.2 | 1.2 | 10 | 0.10 | 1.3 | 0.16 |
| P0207.020-012-A2 | M 2 | 4 | 1.5 | 1.2 | 1.2 | 12 | 0.10 | 1.3 | 0.16 |
| P0207.025-003-A2 | M 2,5 | 5 | 1.5 | 1.5 | 1.5 | 3 | 0.10 | 1.3 | 0.35 |
| P0207.025-004-A2 | M 2,5 | 5 | 1.5 | 1.5 | 1.5 | 4 | 0.10 | 1.3 | 0.35 |
| P0207.025-005-A2 | M 2,5 | 5 | 1.5 | 1.5 | 1.5 | 5 | 0.10 | 1.3 | 0.35 |
| P0207.025-006-A2 | M 2,5 | 5 | 1.5 | 1.5 | 1.5 | 6 | 0.10 | 1.3 | 0.35 |
| P0207.025-008-A2 | M 2,5 | 5 | 1.5 | 1.5 | 1.5 | 8 | 0.10 | 1.3 | 0.35 |
| P0207.025-010-A2 | M 2,5 | 5 | 1.5 | 1.5 | 1.5 | 10 | 0.10 | 1.3 | 0.35 |
| P0207.025-012-A2 | M 2,5 | 5 | 1.5 | 1.5 | 1.5 | 12 | 0.10 | 1.3 | 0.35 |
| P0207.030-004-A2 | M 3 | 6 | 1.5 | 2.0 | 1.6 | 4 | 0.10 | 1.5 | 0.60 |
| P0207.030-005-A2 | M 3 | 6 | 1.5 | 2.0 | 1.6 | 5 | 0.10 | 1.5 | 0.60 |
| P0207.030-006-A2 | M 3 | 6 | 1.5 | 2.0 | 1.6 | 6 | 0.10 | 1.5 | 0.60 |
| P0207.030-008-A2 | M 3 | 6 | 1.5 | 2.0 | 1.6 | 8 | 0.10 | 1.5 | 0.60 |
| P0207.030-010-A2 | M 3 | 6 | 1.5 | 2.0 | 1.6 | 10 | 0.10 | 1.5 | 0.60 |
| P0207.030-012-A2 | M 3 | 6 | 1.5 | 2.0 | 1.6 | 12 | 0.10 | 1.5 | 0.60 |
| P0207.030-014-A2 | M 3 | 6 | 1.5 | 2.0 | 1.6 | 14 | 0.10 | 1.5 | 0.60 |
| P0207.030-016-A2 | M 3 | 6 | 1.5 | 2.0 | 1.6 | 16 | 0.10 | 1.5 | 0.60 |
| P0207.040-005-A2 | M 4 | 8 | 1.5 | 2.5 | 1.6 | 5 | 0.20 | 2.0 | 1.10 |
| P0207.040-006-A2 | M 4 | 8 | 1.5 | 2.5 | 1.6 | 6 | 0.20 | 2.0 | 1.10 |
| P0207.040-008-A2 | M 4 | 8 | 1.5 | 2.5 | 1.6 | 8 | 0.20 | 2.0 | 1.10 |
| P0207.040-010-A2 | M 4 | 8 | 1.5 | 2.5 | 1.6 | 10 | 0.20 | 2.0 | 1.10 |
| P0207.040-012-A2 | M 4 | 8 | 1.5 | 2.5 | 1.6 | 12 | 0.20 | 2.0 | 1.10 |
| P0207.040-014-A2 | M 4 | 8 | 1.5 | 2.5 | 1.6 | 14 | 0.20 | 2.0 | 1.10 |
| P0207.040-016-A2 | M 4 | 8 | 1.5 | 2.5 | 1.6 | 16 | 0.20 | 2.0 | 1.10 |
| P0207.040-018-A2 | M 4 | 8 | 1.5 | 2.5 | 1.6 | 18 | 0.20 | 2.0 | 1.10 |
| P0207.040-020-A2 | M 4 | 8 | 1.5 | 2.5 | 1.6 | 20 | 0.20 | 2.0 | 1.10 |
| P0207.050-006-A2 | M 5 | 9 | 1.5 | 3.0 | 2.0 | 6 | 0.20 | 3.0 | 2.20 |
| P0207.050-008-A2 | M 5 | 9 | 1.5 | 3.0 | 2.0 | 8 | 0.20 | 3.0 | 2.20 |
| P0207.050-010-A2 | M 5 | 9 | 1.5 | 3.0 | 2.0 | 10 | 0.20 | 3.0 | 2.20 |



Extra Low Head Cap Screws

hex. drive - 303 stainless

Standard Screws

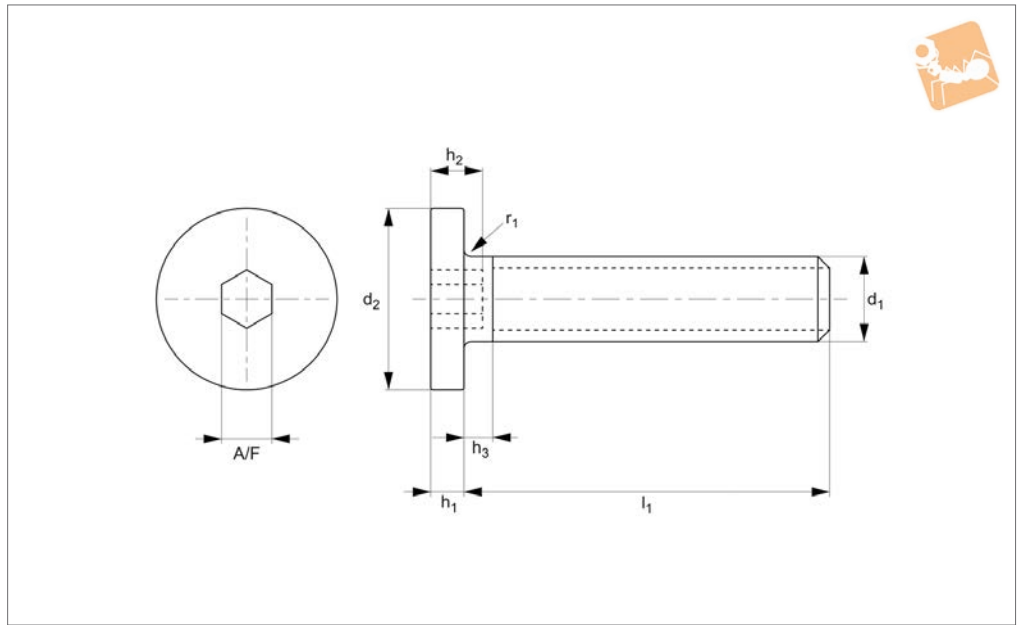


| Order No. | d ₁ | d ₂ | h ₁ | h ₂ max. | h ₃ max. | l ₁ | r ₁ | A/F | Torque to Nm max. |
|------------------|----------------|----------------|----------------|------------------------|------------------------|----------------|----------------|-----|-------------------------|
| P0207.050-012-A2 | M 5 | 9 | 1.5 | 3.0 | 2.0 | 12 | 0.20 | 3.0 | 2.20 |
| P0207.050-014-A2 | M 5 | 9 | 1.5 | 3.0 | 2.0 | 14 | 0.20 | 3.0 | 2.20 |
| P0207.050-016-A2 | M 5 | 9 | 1.5 | 3.0 | 2.0 | 16 | 0.20 | 3.0 | 2.20 |
| P0207.050-018-A2 | M 5 | 9 | 1.5 | 3.0 | 2.0 | 18 | 0.20 | 3.0 | 2.20 |
| P0207.050-020-A2 | M 5 | 9 | 1.5 | 3.0 | 2.0 | 20 | 0.20 | 3.0 | 2.20 |
| P0207.050-025-A2 | M 5 | 9 | 1.5 | 3.0 | 2.0 | 25 | 0.20 | 3.0 | 2.20 |
| P0207.060-006-A2 | M 6 | 10 | 1.5 | 4.0 | 2.5 | 6 | 0.25 | 3.0 | 5.00 |
| P0207.060-008-A2 | M 6 | 10 | 1.5 | 4.0 | 2.5 | 8 | 0.25 | 3.0 | 5.00 |
| P0207.060-010-A2 | M 6 | 10 | 1.5 | 4.0 | 2.5 | 10 | 0.25 | 3.0 | 5.00 |
| P0207.060-012-A2 | M 6 | 10 | 1.5 | 4.0 | 2.5 | 12 | 0.25 | 3.0 | 5.00 |
| P0207.060-014-A2 | M 6 | 10 | 1.5 | 4.0 | 2.5 | 14 | 0.25 | 3.0 | 5.00 |
| P0207.060-016-A2 | M 6 | 10 | 1.5 | 4.0 | 2.5 | 16 | 0.25 | 3.0 | 5.00 |
| P0207.060-018-A2 | M 6 | 10 | 1.5 | 4.0 | 2.5 | 18 | 0.25 | 3.0 | 5.00 |
| P0207.060-020-A2 | M 6 | 10 | 1.5 | 4.0 | 2.5 | 20 | 0.25 | 3.0 | 5.00 |
| P0207.060-025-A2 | M 6 | 10 | 1.5 | 4.0 | 2.5 | 25 | 0.25 | 3.0 | 5.00 |
| P0207.060-030-A2 | M 6 | 10 | 1.5 | 4.0 | 2.5 | 30 | 0.25 | 3.0 | 5.00 |
| P0207.080-006-A2 | M 8 | 13 | 1.5 | 5.0 | 3.0 | 6 | 0.40 | 4.0 | 10.1 |
| P0207.080-008-A2 | M 8 | 13 | 1.5 | 5.0 | 3.0 | 8 | 0.40 | 4.0 | 10.1 |
| P0207.080-010-A2 | M 8 | 13 | 1.5 | 5.0 | 3.0 | 10 | 0.40 | 4.0 | 10.1 |
| P0207.080-012-A2 | M 8 | 13 | 1.5 | 5.0 | 3.0 | 12 | 0.40 | 4.0 | 10.1 |
| P0207.080-014-A2 | M 8 | 13 | 1.5 | 5.0 | 3.0 | 14 | 0.40 | 4.0 | 10.1 |
| P0207.080-016-A2 | M 8 | 13 | 1.5 | 5.0 | 3.0 | 16 | 0.40 | 4.0 | 10.1 |
| P0207.080-018-A2 | M 8 | 13 | 1.5 | 5.0 | 3.0 | 18 | 0.40 | 4.0 | 10.1 |
| P0207.080-020-A2 | M 8 | 13 | 1.5 | 5.0 | 3.0 | 20 | 0.40 | 4.0 | 10.1 |
| P0207.080-025-A2 | M 8 | 13 | 1.5 | 5.0 | 3.0 | 25 | 0.40 | 4.0 | 10.1 |
| P0207.080-030-A2 | M 8 | 13 | 1.5 | 5.0 | 3.0 | 30 | 0.40 | 4.0 | 10.1 |
| P0207.100-010-A2 | M10 | 16 | 1.5 | 6.0 | 3.5 | 10 | 0.40 | 5.0 | 17.5 |
| P0207.100-012-A2 | M10 | 16 | 1.5 | 6.0 | 3.5 | 12 | 0.40 | 5.0 | 17.5 |
| P0207.100-014-A2 | M10 | 16 | 1.5 | 6.0 | 3.5 | 14 | 0.40 | 5.0 | 17.5 |
| P0207.100-016-A2 | M10 | 16 | 1.5 | 6.0 | 3.5 | 16 | 0.40 | 5.0 | 17.5 |
| P0207.100-018-A2 | M10 | 16 | 1.5 | 6.0 | 3.5 | 18 | 0.40 | 5.0 | 17.5 |
| P0207.100-020-A2 | M10 | 16 | 1.5 | 6.0 | 3.5 | 20 | 0.40 | 5.0 | 17.5 |
| P0207.100-025-A2 | M10 | 16 | 1.5 | 6.0 | 3.5 | 25 | 0.40 | 5.0 | 17.5 |
| P0207.100-030-A2 | M10 | 16 | 1.5 | 6.0 | 3.5 | 30 | 0.40 | 5.0 | 17.5 |

STANDARD SCREWS



P0207.A4



Material

Stainless steel (AISI 316, 1.4401). This grade has a higher resistance to corrosion than 303 series stainless and is suitable for

outdoor use and marine environments.
Tensile strength ~500N/mm² minimum.

Technical Notes

Extra low head cap screws reduce the screw head height space. They require no countersinking unlike flat head screws.

| Order No. | d ₁ | d ₂ | h ₁ | h ₂ max. | h ₃ max. | l ₁ | r ₁ | A/F | Torque to Nm max. |
|------------------|----------------|----------------|----------------|------------------------|------------------------|----------------|----------------|-----|-------------------------|
| P0207.020-003-A4 | M 2 | 4 | 1.5 | 1.2 | 1.2 | 3 | 0.10 | 1.3 | 0.16 |
| P0207.020-004-A4 | M 2 | 4 | 1.5 | 1.2 | 1.2 | 4 | 0.10 | 1.3 | 0.16 |
| P0207.020-005-A4 | M 2 | 4 | 1.5 | 1.2 | 1.2 | 5 | 0.10 | 1.3 | 0.16 |
| P0207.020-006-A4 | M 2 | 4 | 1.5 | 1.2 | 1.2 | 6 | 0.10 | 1.3 | 0.16 |
| P0207.020-008-A4 | M 2 | 4 | 1.5 | 1.2 | 1.2 | 8 | 0.10 | 1.3 | 0.16 |
| P0207.020-010-A4 | M 2 | 4 | 1.5 | 1.2 | 1.2 | 10 | 0.10 | 1.3 | 0.16 |
| P0207.020-012-A4 | M 2 | 4 | 1.5 | 1.2 | 1.2 | 12 | 0.10 | 1.3 | 0.16 |
| P0207.025-003-A4 | M 2,5 | 5 | 1.5 | 1.5 | 1.5 | 3 | 0.10 | 1.3 | 0.35 |
| P0207.025-004-A4 | M 2,5 | 5 | 1.5 | 1.5 | 1.5 | 4 | 0.10 | 1.3 | 0.35 |
| P0207.025-005-A4 | M 2,5 | 5 | 1.5 | 1.5 | 1.5 | 5 | 0.10 | 1.3 | 0.35 |
| P0207.025-006-A4 | M 2,5 | 5 | 1.5 | 1.5 | 1.5 | 6 | 0.10 | 1.3 | 0.35 |
| P0207.025-008-A4 | M 2,5 | 5 | 1.5 | 1.5 | 1.5 | 8 | 0.10 | 1.3 | 0.35 |
| P0207.025-010-A4 | M 2,5 | 5 | 1.5 | 1.5 | 1.5 | 10 | 0.10 | 1.3 | 0.35 |
| P0207.025-012-A4 | M 2,5 | 5 | 1.5 | 1.5 | 1.5 | 12 | 0.10 | 1.3 | 0.35 |
| P0207.030-004-A4 | M 3 | 6 | 1.5 | 2.0 | 1.6 | 4 | 0.10 | 1.5 | 0.60 |
| P0207.030-005-A4 | M 3 | 6 | 1.5 | 2.0 | 1.6 | 5 | 0.10 | 1.5 | 0.60 |
| P0207.030-006-A4 | M 3 | 6 | 1.5 | 2.0 | 1.6 | 6 | 0.10 | 1.5 | 0.60 |
| P0207.030-008-A4 | M 3 | 6 | 1.5 | 2.0 | 1.6 | 8 | 0.10 | 1.5 | 0.60 |
| P0207.030-010-A4 | M 3 | 6 | 1.5 | 2.0 | 1.6 | 10 | 0.10 | 1.5 | 0.60 |
| P0207.030-012-A4 | M 3 | 6 | 1.5 | 2.0 | 1.6 | 12 | 0.10 | 1.5 | 0.60 |
| P0207.030-014-A4 | M 3 | 6 | 1.5 | 2.0 | 1.6 | 14 | 0.10 | 1.5 | 0.60 |
| P0207.030-016-A4 | M 3 | 6 | 1.5 | 2.0 | 1.6 | 16 | 0.10 | 1.5 | 0.60 |
| P0207.040-005-A4 | M 4 | 8 | 1.5 | 2.5 | 1.6 | 5 | 0.20 | 2.0 | 1.10 |
| P0207.040-006-A4 | M 4 | 8 | 1.5 | 2.5 | 1.6 | 6 | 0.20 | 2.0 | 1.10 |
| P0207.040-008-A4 | M 4 | 8 | 1.5 | 2.5 | 1.6 | 8 | 0.20 | 2.0 | 1.10 |
| P0207.040-010-A4 | M 4 | 8 | 1.5 | 2.5 | 1.6 | 10 | 0.20 | 2.0 | 1.10 |
| P0207.040-012-A4 | M 4 | 8 | 1.5 | 2.5 | 1.6 | 12 | 0.20 | 2.0 | 1.10 |
| P0207.040-014-A4 | M 4 | 8 | 1.5 | 2.5 | 1.6 | 14 | 0.20 | 2.0 | 1.10 |
| P0207.040-016-A4 | M 4 | 8 | 1.5 | 2.5 | 1.6 | 16 | 0.20 | 2.0 | 1.10 |
| P0207.040-018-A4 | M 4 | 8 | 1.5 | 2.5 | 1.6 | 18 | 0.20 | 2.0 | 1.10 |
| P0207.040-020-A4 | M 4 | 8 | 1.5 | 2.5 | 1.6 | 20 | 0.20 | 2.0 | 1.10 |
| P0207.050-006-A4 | M 5 | 9 | 1.5 | 3.0 | 2.0 | 6 | 0.20 | 3.0 | 2.20 |
| P0207.050-008-A4 | M 5 | 9 | 1.5 | 3.0 | 2.0 | 8 | 0.20 | 3.0 | 2.20 |



Extra Low Head Cap Screws

hex. drive - 316 series stainless

Standard Screws



| Order No. | d ₁ | d ₂ | h ₁ | h ₂ max. | h ₃ max. | l ₁ | r ₁ | A/F | Torque to Nm max. |
|------------------|----------------|----------------|----------------|------------------------|------------------------|----------------|----------------|-----|-------------------------|
| P0207.050-010-A4 | M 5 | 9 | 1.5 | 3.0 | 2.0 | 10 | 0.20 | 3.0 | 2.20 |
| P0207.050-012-A4 | M 5 | 9 | 1.5 | 3.0 | 2.0 | 12 | 0.20 | 3.0 | 2.20 |
| P0207.050-014-A4 | M 5 | 9 | 1.5 | 3.0 | 2.0 | 14 | 0.20 | 3.0 | 2.20 |
| P0207.050-016-A4 | M 5 | 9 | 1.5 | 3.0 | 2.0 | 16 | 0.20 | 3.0 | 2.20 |
| P0207.050-018-A4 | M 5 | 9 | 1.5 | 3.0 | 2.0 | 18 | 0.20 | 3.0 | 2.20 |
| P0207.050-020-A4 | M 5 | 9 | 1.5 | 3.0 | 2.0 | 20 | 0.20 | 3.0 | 2.20 |
| P0207.050-025-A4 | M 5 | 9 | 1.5 | 3.0 | 2.0 | 25 | 0.20 | 3.0 | 2.20 |
| P0207.060-006-A4 | M 6 | 10 | 1.5 | 4.0 | 2.5 | 6 | 0.25 | 3.0 | 5.00 |
| P0207.060-008-A4 | M 6 | 10 | 1.5 | 4.0 | 2.5 | 8 | 0.25 | 3.0 | 5.00 |
| P0207.060-010-A4 | M 6 | 10 | 1.5 | 4.0 | 2.5 | 10 | 0.25 | 3.0 | 5.00 |
| P0207.060-012-A4 | M 6 | 10 | 1.5 | 4.0 | 2.5 | 12 | 0.25 | 3.0 | 5.00 |
| P0207.060-014-A4 | M 6 | 10 | 1.5 | 4.0 | 2.5 | 14 | 0.25 | 3.0 | 5.00 |
| P0207.060-016-A4 | M 6 | 10 | 1.5 | 4.0 | 2.5 | 16 | 0.25 | 3.0 | 5.00 |
| P0207.060-018-A4 | M 6 | 10 | 1.5 | 4.0 | 2.5 | 18 | 0.25 | 3.0 | 5.00 |
| P0207.060-020-A4 | M 6 | 10 | 1.5 | 4.0 | 2.5 | 20 | 0.25 | 3.0 | 5.00 |
| P0207.060-025-A4 | M 6 | 10 | 1.5 | 4.0 | 2.5 | 25 | 0.25 | 3.0 | 5.00 |
| P0207.060-030-A4 | M 6 | 10 | 1.5 | 4.0 | 2.5 | 30 | 0.25 | 3.0 | 5.00 |
| P0207.080-006-A4 | M 8 | 13 | 1.5 | 5.0 | 3.0 | 6 | 0.40 | 4.0 | 10.1 |
| P0207.080-008-A4 | M 8 | 13 | 1.5 | 5.0 | 3.0 | 8 | 0.40 | 4.0 | 10.1 |
| P0207.080-010-A4 | M 8 | 13 | 1.5 | 5.0 | 3.0 | 10 | 0.40 | 4.0 | 10.1 |
| P0207.080-012-A4 | M 8 | 13 | 1.5 | 5.0 | 3.0 | 12 | 0.40 | 4.0 | 10.1 |
| P0207.080-014-A4 | M 8 | 13 | 1.5 | 5.0 | 3.0 | 14 | 0.40 | 4.0 | 10.1 |
| P0207.080-016-A4 | M 8 | 13 | 1.5 | 5.0 | 3.0 | 16 | 0.40 | 4.0 | 10.1 |
| P0207.080-018-A4 | M 8 | 13 | 1.5 | 5.0 | 3.0 | 18 | 0.40 | 4.0 | 10.1 |
| P0207.080-020-A4 | M 8 | 13 | 1.5 | 5.0 | 3.0 | 20 | 0.40 | 4.0 | 10.1 |
| P0207.080-025-A4 | M 8 | 13 | 1.5 | 5.0 | 3.0 | 25 | 0.40 | 4.0 | 10.1 |
| P0207.080-030-A4 | M 8 | 13 | 1.5 | 5.0 | 3.0 | 30 | 0.40 | 4.0 | 10.1 |
| P0207.100-010-A4 | M10 | 16 | 1.5 | 6.0 | 3.5 | 10 | 0.40 | 5.0 | 17.5 |
| P0207.100-012-A4 | M10 | 16 | 1.5 | 6.0 | 3.5 | 12 | 0.40 | 5.0 | 17.5 |
| P0207.100-014-A4 | M10 | 16 | 1.5 | 6.0 | 3.5 | 14 | 0.40 | 5.0 | 17.5 |
| P0207.100-016-A4 | M10 | 16 | 1.5 | 6.0 | 3.5 | 16 | 0.40 | 5.0 | 17.5 |
| P0207.100-018-A4 | M10 | 16 | 1.5 | 6.0 | 3.5 | 18 | 0.40 | 5.0 | 17.5 |
| P0207.100-020-A4 | M10 | 16 | 1.5 | 6.0 | 3.5 | 20 | 0.40 | 5.0 | 17.5 |
| P0207.100-025-A4 | M10 | 16 | 1.5 | 6.0 | 3.5 | 25 | 0.40 | 5.0 | 17.5 |
| P0207.100-030-A4 | M10 | 16 | 1.5 | 6.0 | 3.5 | 30 | 0.40 | 5.0 | 17.5 |

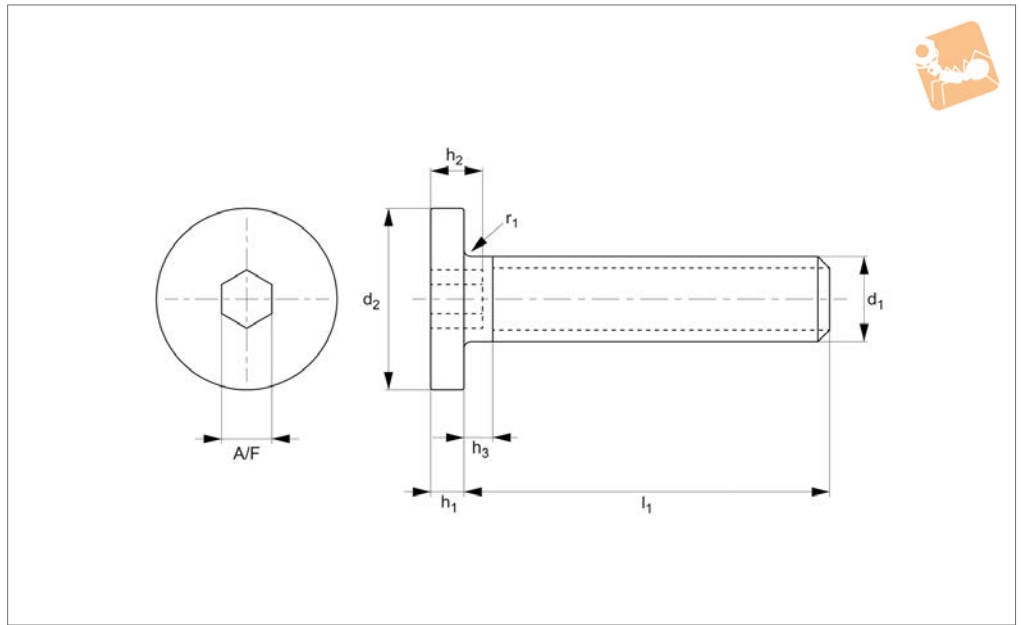
STANDARD SCREWS



STANDARD SCREWS



P0207.B2



Material

Stainless steel (AISI 303, 1.4305) with black oxide coating.
Tensile strength ~400N/mm²

(except for M2 ~220N/mm²).

Technical Notes

Extra low head cap screws reduce the screw

head height space. They require no countersinking unlike flat head screws.

| Order No. | d ₁ | d ₂ | h ₁ | h ₂ max. | h ₃ max. | l ₁ | r ₁ | A/F | Torque to Nm max. |
|------------------|----------------|----------------|----------------|------------------------|------------------------|----------------|----------------|-----|-------------------------|
| P0207.020-003-B2 | M 2 | 4 | 1.5 | 1.2 | 1.2 | 3 | 0.10 | 1.3 | 0.16 |
| P0207.020-004-B2 | M 2 | 4 | 1.5 | 1.2 | 1.2 | 4 | 0.10 | 1.3 | 0.16 |
| P0207.020-005-B2 | M 2 | 4 | 1.5 | 1.2 | 1.2 | 5 | 0.10 | 1.3 | 0.16 |
| P0207.020-006-B2 | M 2 | 4 | 1.5 | 1.2 | 1.2 | 6 | 0.10 | 1.3 | 0.16 |
| P0207.020-008-B2 | M 2 | 4 | 1.5 | 1.2 | 1.2 | 8 | 0.10 | 1.3 | 0.16 |
| P0207.020-010-B2 | M 2 | 4 | 1.5 | 1.2 | 1.2 | 10 | 0.10 | 1.3 | 0.16 |
| P0207.020-012-B2 | M 2 | 4 | 1.5 | 1.2 | 1.2 | 12 | 0.10 | 1.3 | 0.16 |
| P0207.025-003-B2 | M 2,5 | 5 | 1.5 | 1.5 | 1.5 | 3 | 0.10 | 1.3 | 0.35 |
| P0207.025-004-B2 | M 2,5 | 5 | 1.5 | 1.5 | 1.5 | 4 | 0.10 | 1.3 | 0.35 |
| P0207.025-005-B2 | M 2,5 | 5 | 1.5 | 1.5 | 1.5 | 5 | 0.10 | 1.3 | 0.35 |
| P0207.025-006-B2 | M 2,5 | 5 | 1.5 | 1.5 | 1.5 | 6 | 0.10 | 1.3 | 0.35 |
| P0207.025-008-B2 | M 2,5 | 5 | 1.5 | 1.5 | 1.5 | 8 | 0.10 | 1.3 | 0.35 |
| P0207.025-010-B2 | M 2,5 | 5 | 1.5 | 1.5 | 1.5 | 10 | 0.10 | 1.3 | 0.35 |
| P0207.025-012-B2 | M 2,5 | 5 | 1.5 | 1.5 | 1.5 | 12 | 0.10 | 1.3 | 0.35 |
| P0207.030-004-B2 | M 3 | 6 | 1.5 | 2.0 | 1.6 | 4 | 0.10 | 1.5 | 0.60 |
| P0207.030-005-B2 | M 3 | 6 | 1.5 | 2.0 | 1.6 | 5 | 0.10 | 1.5 | 0.60 |
| P0207.030-006-B2 | M 3 | 6 | 1.5 | 2.0 | 1.6 | 6 | 0.10 | 1.5 | 0.60 |
| P0207.030-008-B2 | M 3 | 6 | 1.5 | 2.0 | 1.6 | 8 | 0.10 | 1.5 | 0.60 |
| P0207.030-010-B2 | M 3 | 6 | 1.5 | 2.0 | 1.6 | 10 | 0.10 | 1.5 | 0.60 |
| P0207.030-012-B2 | M 3 | 6 | 1.5 | 2.0 | 1.6 | 12 | 0.10 | 1.5 | 0.60 |
| P0207.030-014-B2 | M 3 | 6 | 1.5 | 2.0 | 1.6 | 14 | 0.10 | 1.5 | 0.60 |
| P0207.030-016-B2 | M 3 | 6 | 1.5 | 2.0 | 1.6 | 16 | 0.10 | 1.5 | 0.60 |
| P0207.040-005-B2 | M 4 | 8 | 1.5 | 2.5 | 1.6 | 5 | 0.20 | 2.0 | 1.10 |
| P0207.040-006-B2 | M 4 | 8 | 1.5 | 2.5 | 1.6 | 6 | 0.20 | 2.0 | 1.10 |
| P0207.040-008-B2 | M 4 | 8 | 1.5 | 2.5 | 1.6 | 8 | 0.20 | 2.0 | 1.10 |
| P0207.040-010-B2 | M 4 | 8 | 1.5 | 2.5 | 1.6 | 10 | 0.20 | 2.0 | 1.10 |
| P0207.040-012-B2 | M 4 | 8 | 1.5 | 2.5 | 1.6 | 12 | 0.20 | 2.0 | 1.10 |
| P0207.040-014-B2 | M 4 | 8 | 1.5 | 2.5 | 1.6 | 14 | 0.20 | 2.0 | 1.10 |
| P0207.040-016-B2 | M 4 | 8 | 1.5 | 2.5 | 1.6 | 16 | 0.20 | 2.0 | 1.10 |
| P0207.040-018-B2 | M 4 | 8 | 1.5 | 2.5 | 1.6 | 18 | 0.20 | 2.0 | 1.10 |
| P0207.040-020-B2 | M 4 | 8 | 1.5 | 2.5 | 1.6 | 20 | 0.20 | 2.0 | 1.10 |
| P0207.050-006-B2 | M 5 | 9 | 1.5 | 3.0 | 2.0 | 6 | 0.20 | 3.0 | 2.20 |
| P0207.050-008-B2 | M 5 | 9 | 1.5 | 3.0 | 2.0 | 8 | 0.20 | 3.0 | 2.20 |



Extra Low Head Cap Screws

hex. drive - 303 series stainless - blackened

Standard Screws

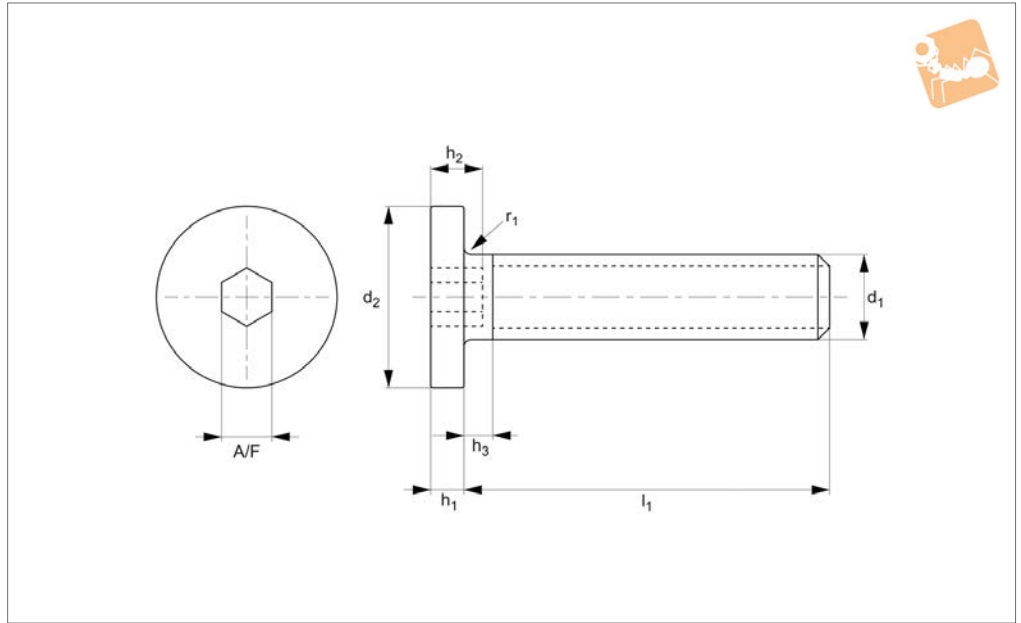


| Order No. | d ₁ | d ₂ | h ₁ | h ₂ max. | h ₃ max. | l ₁ | r ₁ | A/F | Torque to Nm max. |
|------------------|----------------|----------------|----------------|------------------------|------------------------|----------------|----------------|-----|-------------------------|
| P0207.050-010-B2 | M 5 | 9 | 1.5 | 3.0 | 2.0 | 10 | 0.20 | 3.0 | 2.20 |
| P0207.050-012-B2 | M 5 | 9 | 1.5 | 3.0 | 2.0 | 12 | 0.20 | 3.0 | 2.20 |
| P0207.050-014-B2 | M 5 | 9 | 1.5 | 3.0 | 2.0 | 14 | 0.20 | 3.0 | 2.20 |
| P0207.050-016-B2 | M 5 | 9 | 1.5 | 3.0 | 2.0 | 16 | 0.20 | 3.0 | 2.20 |
| P0207.050-018-B2 | M 5 | 9 | 1.5 | 3.0 | 2.0 | 18 | 0.20 | 3.0 | 2.20 |
| P0207.050-020-B2 | M 5 | 9 | 1.5 | 3.0 | 2.0 | 20 | 0.20 | 3.0 | 2.20 |
| P0207.050-025-B2 | M 5 | 9 | 1.5 | 3.0 | 2.0 | 25 | 0.20 | 3.0 | 2.20 |
| P0207.060-006-B2 | M 6 | 10 | 1.5 | 4.0 | 2.5 | 6 | 0.25 | 3.0 | 5.00 |
| P0207.060-008-B2 | M 6 | 10 | 1.5 | 4.0 | 2.5 | 8 | 0.25 | 3.0 | 5.00 |
| P0207.060-010-B2 | M 6 | 10 | 1.5 | 4.0 | 2.5 | 10 | 0.25 | 3.0 | 5.00 |
| P0207.060-012-B2 | M 6 | 10 | 1.5 | 4.0 | 2.5 | 12 | 0.25 | 3.0 | 5.00 |
| P0207.060-014-B2 | M 6 | 10 | 1.5 | 4.0 | 2.5 | 14 | 0.25 | 3.0 | 5.00 |
| P0207.060-016-B2 | M 6 | 10 | 1.5 | 4.0 | 2.5 | 16 | 0.25 | 3.0 | 5.00 |
| P0207.060-018-B2 | M 6 | 10 | 1.5 | 4.0 | 2.5 | 18 | 0.25 | 3.0 | 5.00 |
| P0207.060-020-B2 | M 6 | 10 | 1.5 | 4.0 | 2.5 | 20 | 0.25 | 3.0 | 5.00 |
| P0207.060-025-B2 | M 6 | 10 | 1.5 | 4.0 | 2.5 | 25 | 0.25 | 3.0 | 5.00 |
| P0207.060-030-B2 | M 6 | 10 | 1.5 | 4.0 | 2.5 | 30 | 0.25 | 3.0 | 5.00 |
| P0207.080-006-B2 | M 8 | 13 | 1.5 | 5.0 | 3.0 | 6 | 0.40 | 4.0 | 10.1 |
| P0207.080-008-B2 | M 8 | 13 | 1.5 | 5.0 | 3.0 | 8 | 0.40 | 4.0 | 10.1 |
| P0207.080-010-B2 | M 8 | 13 | 1.5 | 5.0 | 3.0 | 10 | 0.40 | 4.0 | 10.1 |
| P0207.080-012-B2 | M 8 | 13 | 1.5 | 5.0 | 3.0 | 12 | 0.40 | 4.0 | 10.1 |
| P0207.080-014-B2 | M 8 | 13 | 1.5 | 5.0 | 3.0 | 14 | 0.40 | 4.0 | 10.1 |
| P0207.080-016-B2 | M 8 | 13 | 1.5 | 5.0 | 3.0 | 16 | 0.40 | 4.0 | 10.1 |
| P0207.080-018-B2 | M 8 | 13 | 1.5 | 5.0 | 3.0 | 18 | 0.40 | 4.0 | 10.1 |
| P0207.080-020-B2 | M 8 | 13 | 1.5 | 5.0 | 3.0 | 20 | 0.40 | 4.0 | 10.1 |
| P0207.080-025-B2 | M 8 | 13 | 1.5 | 5.0 | 3.0 | 25 | 0.40 | 4.0 | 10.1 |
| P0207.080-030-B2 | M 8 | 13 | 1.5 | 5.0 | 3.0 | 30 | 0.40 | 4.0 | 10.1 |
| P0207.100-010-B2 | M10 | 16 | 1.5 | 6.0 | 3.5 | 10 | 0.40 | 5.0 | 17.5 |
| P0207.100-012-B2 | M10 | 16 | 1.5 | 6.0 | 3.5 | 12 | 0.40 | 5.0 | 17.5 |
| P0207.100-014-B2 | M10 | 16 | 1.5 | 6.0 | 3.5 | 14 | 0.40 | 5.0 | 17.5 |
| P0207.100-016-B2 | M10 | 16 | 1.5 | 6.0 | 3.5 | 16 | 0.40 | 5.0 | 17.5 |
| P0207.100-018-B2 | M10 | 16 | 1.5 | 6.0 | 3.5 | 18 | 0.40 | 5.0 | 17.5 |
| P0207.100-020-B2 | M10 | 16 | 1.5 | 6.0 | 3.5 | 20 | 0.40 | 5.0 | 17.5 |
| P0207.100-025-B2 | M10 | 16 | 1.5 | 6.0 | 3.5 | 25 | 0.40 | 5.0 | 17.5 |
| P0207.100-030-B2 | M10 | 16 | 1.5 | 6.0 | 3.5 | 30 | 0.40 | 5.0 | 17.5 |

STANDARD SCREWS



P0207.B4



Material

Stainless steel (AISI 316, 1.4401), blackened. This grade has a higher resistance to corrosion than 303 series stainless and is suitable for outdoor use and

marine environments.

Tensile strength ~500N/mm² minimum.

head height space. They require no countersinking unlike flat head screws.

Technical Notes

Extra low head cap screws reduce the screw

| Order No. | d ₁ | d ₂ | h ₁ | h ₂ max. | h ₃ max. | l ₁ | r ₁ | A/F | Torque to Nm max. |
|------------------|----------------|----------------|----------------|---------------------|---------------------|----------------|----------------|-----|-------------------|
| P0207.020-003-B4 | M 2 | 4 | 1.5 | 1.2 | 1.2 | 3 | 0.10 | 1.3 | 0.16 |
| P0207.020-004-B4 | M 2 | 4 | 1.5 | 1.2 | 1.2 | 4 | 0.10 | 1.3 | 0.16 |
| P0207.020-005-B4 | M 2 | 4 | 1.5 | 1.2 | 1.2 | 5 | 0.10 | 1.3 | 0.16 |
| P0207.020-006-B4 | M 2 | 4 | 1.5 | 1.2 | 1.2 | 6 | 0.10 | 1.3 | 0.16 |
| P0207.020-008-B4 | M 2 | 4 | 1.5 | 1.2 | 1.2 | 8 | 0.10 | 1.3 | 0.16 |
| P0207.020-010-B4 | M 2 | 4 | 1.5 | 1.2 | 1.2 | 10 | 0.10 | 1.3 | 0.16 |
| P0207.020-012-B4 | M 2 | 4 | 1.5 | 1.2 | 1.2 | 12 | 0.10 | 1.3 | 0.16 |
| P0207.025-003-B4 | M 2,5 | 5 | 1.5 | 1.5 | 1.5 | 3 | 0.10 | 1.3 | 0.35 |
| P0207.025-004-B4 | M 2,5 | 5 | 1.5 | 1.5 | 1.5 | 4 | 0.10 | 1.3 | 0.35 |
| P0207.025-005-B4 | M 2,5 | 5 | 1.5 | 1.5 | 1.5 | 5 | 0.10 | 1.3 | 0.35 |
| P0207.025-006-B4 | M 2,5 | 5 | 1.5 | 1.5 | 1.5 | 6 | 0.10 | 1.3 | 0.35 |
| P0207.025-008-B4 | M 2,5 | 5 | 1.5 | 1.5 | 1.5 | 8 | 0.10 | 1.3 | 0.35 |
| P0207.025-010-B4 | M 2,5 | 5 | 1.5 | 1.5 | 1.5 | 10 | 0.10 | 1.3 | 0.35 |
| P0207.025-012-B4 | M 2,5 | 5 | 1.5 | 1.5 | 1.5 | 12 | 0.10 | 1.3 | 0.35 |
| P0207.030-004-B4 | M 3 | 6 | 1.5 | 2.0 | 1.6 | 4 | 0.10 | 1.5 | 0.60 |
| P0207.030-005-B4 | M 3 | 6 | 1.5 | 2.0 | 1.6 | 5 | 0.10 | 1.5 | 0.60 |
| P0207.030-006-B4 | M 3 | 6 | 1.5 | 2.0 | 1.6 | 6 | 0.10 | 1.5 | 0.60 |
| P0207.030-008-B4 | M 3 | 6 | 1.5 | 2.0 | 1.6 | 8 | 0.10 | 1.5 | 0.60 |
| P0207.030-010-B4 | M 3 | 6 | 1.5 | 2.0 | 1.6 | 10 | 0.10 | 1.5 | 0.60 |
| P0207.030-012-B4 | M 3 | 6 | 1.5 | 2.0 | 1.6 | 12 | 0.10 | 1.5 | 0.60 |
| P0207.030-014-B4 | M 3 | 6 | 1.5 | 2.0 | 1.6 | 14 | 0.10 | 1.5 | 0.60 |
| P0207.030-016-B4 | M 3 | 6 | 1.5 | 2.0 | 1.6 | 16 | 0.10 | 1.5 | 0.60 |
| P0207.040-005-B4 | M 4 | 8 | 1.5 | 2.5 | 1.6 | 5 | 0.20 | 2.0 | 1.10 |
| P0207.040-006-B4 | M 4 | 8 | 1.5 | 2.5 | 1.6 | 6 | 0.20 | 2.0 | 1.10 |
| P0207.040-008-B4 | M 4 | 8 | 1.5 | 2.5 | 1.6 | 8 | 0.20 | 2.0 | 1.10 |
| P0207.040-010-B4 | M 4 | 8 | 1.5 | 2.5 | 1.6 | 10 | 0.20 | 2.0 | 1.10 |
| P0207.040-012-B4 | M 4 | 8 | 1.5 | 2.5 | 1.6 | 12 | 0.20 | 2.0 | 1.10 |
| P0207.040-014-B4 | M 4 | 8 | 1.5 | 2.5 | 1.6 | 14 | 0.20 | 2.0 | 1.10 |
| P0207.040-016-B4 | M 4 | 8 | 1.5 | 2.5 | 1.6 | 16 | 0.20 | 2.0 | 1.10 |
| P0207.040-018-B4 | M 4 | 8 | 1.5 | 2.5 | 1.6 | 18 | 0.20 | 2.0 | 1.10 |
| P0207.040-020-B4 | M 4 | 8 | 1.5 | 2.5 | 1.6 | 20 | 0.20 | 2.0 | 1.10 |
| P0207.050-006-B4 | M 5 | 9 | 1.5 | 3.0 | 2.0 | 6 | 0.20 | 3.0 | 2.20 |



Extra Low Head Cap Screws

hex. drive - 316 series stainless - blackened

Standard Screws

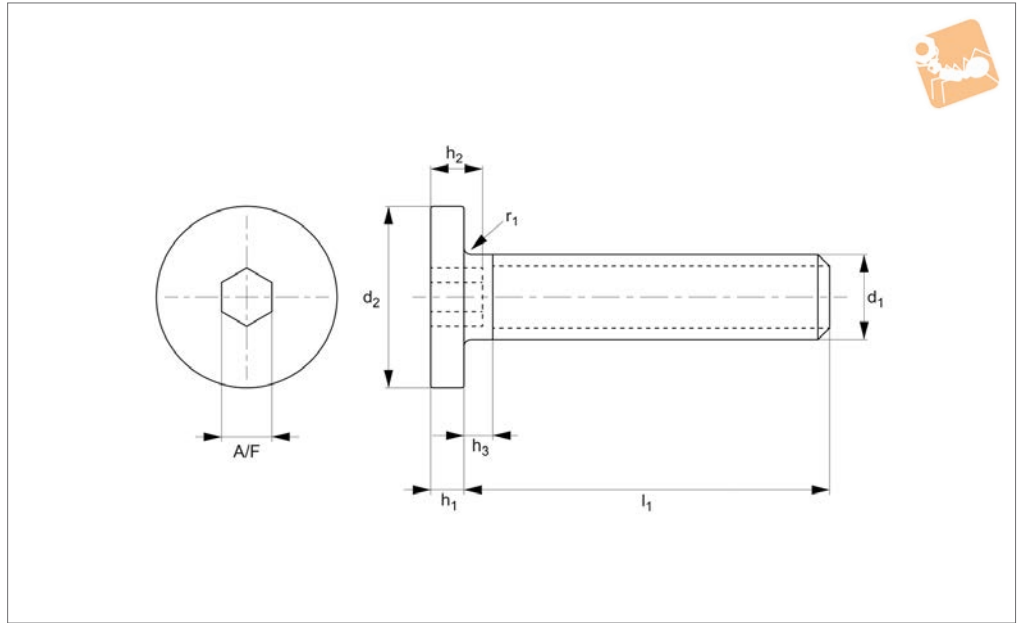


| Order No. | d ₁ | d ₂ | h ₁ | h ₂ max. | h ₃ max. | l ₁ | r ₁ | A/F | Torque to Nm max. |
|------------------|----------------|----------------|----------------|------------------------|------------------------|----------------|----------------|-----|-------------------------|
| P0207.050-008-B4 | M 5 | 9 | 1.5 | 3.0 | 2.0 | 8 | 0.20 | 3.0 | 2.20 |
| P0207.050-010-B4 | M 5 | 9 | 1.5 | 3.0 | 2.0 | 10 | 0.20 | 3.0 | 2.20 |
| P0207.050-012-B4 | M 5 | 9 | 1.5 | 3.0 | 2.0 | 12 | 0.20 | 3.0 | 2.20 |
| P0207.050-014-B4 | M 5 | 9 | 1.5 | 3.0 | 2.0 | 14 | 0.20 | 3.0 | 2.20 |
| P0207.050-016-B4 | M 5 | 9 | 1.5 | 3.0 | 2.0 | 16 | 0.20 | 3.0 | 2.20 |
| P0207.050-018-B4 | M 5 | 9 | 1.5 | 3.0 | 2.0 | 18 | 0.20 | 3.0 | 2.20 |
| P0207.050-020-B4 | M 5 | 9 | 1.5 | 3.0 | 2.0 | 20 | 0.20 | 3.0 | 2.20 |
| P0207.050-025-B4 | M 5 | 9 | 1.5 | 3.0 | 2.0 | 25 | 0.20 | 3.0 | 2.20 |
| P0207.060-006-B4 | M 6 | 10 | 1.5 | 4.0 | 2.5 | 6 | 0.25 | 3.0 | 5.0 |
| P0207.060-008-B4 | M 6 | 10 | 1.5 | 4.0 | 2.5 | 8 | 0.25 | 3.0 | 5.0 |
| P0207.060-010-B4 | M 6 | 10 | 1.5 | 4.0 | 2.5 | 10 | 0.25 | 3.0 | 5.0 |
| P0207.060-012-B4 | M 6 | 10 | 1.5 | 4.0 | 2.5 | 12 | 0.25 | 3.0 | 5.0 |
| P0207.060-014-B4 | M 6 | 10 | 1.5 | 4.0 | 2.5 | 14 | 0.25 | 3.0 | 5.0 |
| P0207.060-016-B4 | M 6 | 10 | 1.5 | 4.0 | 2.5 | 16 | 0.25 | 3.0 | 5.0 |
| P0207.060-018-B4 | M 6 | 10 | 1.5 | 4.0 | 2.5 | 18 | 0.25 | 3.0 | 5.0 |
| P0207.060-020-B4 | M 6 | 10 | 1.5 | 4.0 | 2.5 | 20 | 0.25 | 3.0 | 5.0 |
| P0207.060-025-B4 | M 6 | 10 | 1.5 | 4.0 | 2.5 | 25 | 0.25 | 3.0 | 5.0 |
| P0207.060-030-B4 | M 6 | 10 | 1.5 | 4.0 | 2.5 | 30 | 0.25 | 3.0 | 5.0 |
| P0207.080-006-B4 | M 8 | 13 | 1.5 | 5.0 | 3.0 | 6 | 0.40 | 4.0 | 10.1 |
| P0207.080-008-B4 | M 8 | 13 | 1.5 | 5.0 | 3.0 | 8 | 0.40 | 4.0 | 10.1 |
| P0207.080-010-B4 | M 8 | 13 | 1.5 | 5.0 | 3.0 | 10 | 0.40 | 4.0 | 10.1 |
| P0207.080-012-B4 | M 8 | 13 | 1.5 | 5.0 | 3.0 | 12 | 0.40 | 4.0 | 10.1 |
| P0207.080-014-B4 | M 8 | 13 | 1.5 | 5.0 | 3.0 | 14 | 0.40 | 4.0 | 10.1 |
| P0207.080-016-B4 | M 8 | 13 | 1.5 | 5.0 | 3.0 | 16 | 0.40 | 4.0 | 10.1 |
| P0207.080-018-B4 | M 8 | 13 | 1.5 | 5.0 | 3.0 | 18 | 0.40 | 4.0 | 10.1 |
| P0207.080-020-B4 | M 8 | 13 | 1.5 | 5.0 | 3.0 | 20 | 0.40 | 4.0 | 10.1 |
| P0207.080-025-B4 | M 8 | 13 | 1.5 | 5.0 | 3.0 | 25 | 0.40 | 4.0 | 10.1 |
| P0207.080-030-B4 | M 8 | 13 | 1.5 | 5.0 | 3.0 | 30 | 0.40 | 4.0 | 10.1 |
| P0207.100-010-B4 | M10 | 16 | 1.5 | 6.0 | 3.5 | 10 | 0.40 | 5.0 | 17.5 |
| P0207.100-012-B4 | M10 | 16 | 1.5 | 6.0 | 3.5 | 12 | 0.40 | 5.0 | 17.5 |
| P0207.100-014-B4 | M10 | 16 | 1.5 | 6.0 | 3.5 | 14 | 0.40 | 5.0 | 17.5 |
| P0207.100-016-B4 | M10 | 16 | 1.5 | 6.0 | 3.5 | 16 | 0.40 | 5.0 | 17.5 |
| P0207.100-018-B4 | M10 | 16 | 1.5 | 6.0 | 3.5 | 18 | 0.40 | 5.0 | 17.5 |
| P0207.100-020-B4 | M10 | 16 | 1.5 | 6.0 | 3.5 | 20 | 0.40 | 5.0 | 17.5 |
| P0207.100-025-B4 | M10 | 16 | 1.5 | 6.0 | 3.5 | 25 | 0.40 | 5.0 | 17.5 |
| P0207.100-030-B4 | M10 | 16 | 1.5 | 6.0 | 3.5 | 30 | 0.40 | 5.0 | 17.5 |

STANDARD SCREWS



P0207.Ti



Material

Titanium (ASTM B348 grades 2 and 5). Titanium has outstanding corrosion resistance and a very high strength-to-weight ratio.

Grade 2 titanium is pure titanium and grade 5 titanium is the alloy Ti6Al4V.

Technical Notes

Extra low head cap screws reduce the screw head height space. They require no countersinking unlike flat head screws.

| Order No. | d ₁ | d ₂ | h ₁ | h ₂ max. | h ₃ max. | l ₁ | r ₁ | A/F | Torque to Nm max. | Material grade |
|------------------|----------------|----------------|----------------|------------------------|------------------------|----------------|----------------|-----|-------------------|------------------|
| P0207.020-003-T2 | M 2 | 4 | 1.5 | 1.2 | 1.2 | 3 | 0.10 | 1.3 | 0.16 | titanium grade 2 |
| P0207.020-004-T2 | M 2 | 4 | 1.5 | 1.2 | 1.2 | 4 | 0.10 | 1.3 | 0.16 | titanium grade 2 |
| P0207.020-005-T2 | M 2 | 4 | 1.5 | 1.2 | 1.2 | 5 | 0.10 | 1.3 | 0.16 | titanium grade 2 |
| P0207.020-006-T2 | M 2 | 4 | 1.5 | 1.2 | 1.2 | 6 | 0.10 | 1.3 | 0.16 | titanium grade 2 |
| P0207.020-008-T2 | M 2 | 4 | 1.5 | 1.2 | 1.2 | 8 | 0.10 | 1.3 | 0.16 | titanium grade 2 |
| P0207.020-010-T2 | M 2 | 4 | 1.5 | 1.2 | 1.2 | 10 | 0.10 | 1.3 | 0.16 | titanium grade 2 |
| P0207.020-012-T2 | M 2 | 4 | 1.5 | 1.2 | 1.2 | 12 | 0.10 | 1.3 | 0.16 | titanium grade 2 |
| P0207.025-003-T2 | M 2,5 | 5 | 1.5 | 1.5 | 1.5 | 3 | 0.10 | 1.3 | 0.35 | titanium grade 2 |
| P0207.025-004-T2 | M 2,5 | 5 | 1.5 | 1.5 | 1.5 | 4 | 0.10 | 1.3 | 0.35 | titanium grade 2 |
| P0207.025-005-T2 | M 2,5 | 5 | 1.5 | 1.5 | 1.5 | 5 | 0.10 | 1.3 | 0.35 | titanium grade 2 |
| P0207.025-006-T2 | M 2,5 | 5 | 1.5 | 1.5 | 1.5 | 6 | 0.10 | 1.3 | 0.35 | titanium grade 2 |
| P0207.025-008-T2 | M 2,5 | 5 | 1.5 | 1.5 | 1.5 | 8 | 0.10 | 1.3 | 0.35 | titanium grade 2 |
| P0207.025-010-T2 | M 2,5 | 5 | 1.5 | 1.5 | 1.5 | 10 | 0.10 | 1.3 | 0.35 | titanium grade 2 |
| P0207.025-012-T2 | M 2,5 | 5 | 1.5 | 1.5 | 1.5 | 12 | 0.10 | 1.3 | 0.35 | titanium grade 2 |
| P0207.030-004-T2 | M 3 | 6 | 1.5 | 2.0 | 1.6 | 4 | 0.10 | 1.5 | 0.6 | titanium grade 2 |
| P0207.030-005-T2 | M 3 | 6 | 1.5 | 2.0 | 1.6 | 5 | 0.10 | 1.5 | 0.6 | titanium grade 2 |
| P0207.030-006-T2 | M 3 | 6 | 1.5 | 2.0 | 1.6 | 6 | 0.10 | 1.5 | 0.6 | titanium grade 2 |
| P0207.030-008-T2 | M 3 | 6 | 1.5 | 2.0 | 1.6 | 8 | 0.10 | 1.5 | 0.6 | titanium grade 2 |
| P0207.030-010-T2 | M 3 | 6 | 1.5 | 2.0 | 1.6 | 10 | 0.10 | 1.5 | 0.6 | titanium grade 2 |
| P0207.030-012-T2 | M 3 | 6 | 1.5 | 2.0 | 1.6 | 12 | 0.10 | 1.5 | 0.6 | titanium grade 2 |
| P0207.030-014-T2 | M 3 | 6 | 1.5 | 2.0 | 1.6 | 14 | 0.10 | 1.5 | 0.6 | titanium grade 2 |
| P0207.030-016-T2 | M 3 | 6 | 1.5 | 2.0 | 1.6 | 16 | 0.10 | 1.5 | 0.6 | titanium grade 2 |
| P0207.040-005-T2 | M 4 | 8 | 1.5 | 2.5 | 1.6 | 5 | 0.20 | 2.0 | 1.1 | titanium grade 2 |
| P0207.040-006-T2 | M 4 | 8 | 1.5 | 2.5 | 1.6 | 6 | 0.20 | 2.0 | 1.1 | titanium grade 2 |
| P0207.040-008-T2 | M 4 | 8 | 1.5 | 2.5 | 1.6 | 8 | 0.20 | 2.0 | 1.1 | titanium grade 2 |
| P0207.040-010-T2 | M 4 | 8 | 1.5 | 2.5 | 1.6 | 10 | 0.20 | 2.0 | 1.1 | titanium grade 2 |
| P0207.040-012-T2 | M 4 | 8 | 1.5 | 2.5 | 1.6 | 12 | 0.20 | 2.0 | 1.1 | titanium grade 2 |
| P0207.040-014-T2 | M 4 | 8 | 1.5 | 2.5 | 1.6 | 14 | 0.20 | 2.0 | 1.1 | titanium grade 2 |
| P0207.040-016-T2 | M 4 | 8 | 1.5 | 2.5 | 1.6 | 16 | 0.20 | 2.0 | 1.1 | titanium grade 2 |
| P0207.040-018-T2 | M 4 | 8 | 1.5 | 2.5 | 1.6 | 18 | 0.20 | 2.0 | 1.1 | titanium grade 2 |
| P0207.040-020-T2 | M 4 | 8 | 1.5 | 2.5 | 1.6 | 20 | 0.20 | 2.0 | 1.1 | titanium grade 2 |
| P0207.050-006-T2 | M 5 | 9 | 1.5 | 3.0 | 2.0 | 6 | 0.20 | 3.0 | 2.2 | titanium grade 2 |
| P0207.050-008-T2 | M 5 | 9 | 1.5 | 3.0 | 2.0 | 8 | 0.20 | 3.0 | 2.2 | titanium grade 2 |



STANDARD SCREWS

| Order No. | d ₁ | d ₂ | h ₁ | h ₂ max. | h ₃ max. | l ₁ | r ₁ | A/F | Torque to Nm max. | Material grade |
|------------------|----------------|----------------|----------------|------------------------|------------------------|----------------|----------------|-----|-------------------------|------------------|
| P0207.050-008-T5 | M 5 | 9 | 1.5 | 3.0 | 2.0 | 8 | 0.20 | 3.0 | 2.2 | titanium grade 5 |
| P0207.050-010-T5 | M 5 | 9 | 1.5 | 3.0 | 2.0 | 10 | 0.20 | 3.0 | 2.2 | titanium grade 5 |
| P0207.050-012-T5 | M 5 | 9 | 1.5 | 3.0 | 2.0 | 12 | 0.20 | 3.0 | 2.2 | titanium grade 5 |
| P0207.050-014-T5 | M 5 | 9 | 1.5 | 3.0 | 2.0 | 14 | 0.20 | 3.0 | 2.2 | titanium grade 5 |
| P0207.050-016-T5 | M 5 | 9 | 1.5 | 3.0 | 2.0 | 16 | 0.20 | 3.0 | 2.2 | titanium grade 5 |
| P0207.050-018-T5 | M 5 | 9 | 1.5 | 3.0 | 2.0 | 18 | 0.20 | 3.0 | 2.2 | titanium grade 5 |
| P0207.050-020-T5 | M 5 | 9 | 1.5 | 3.0 | 2.0 | 20 | 0.20 | 3.0 | 2.2 | titanium grade 5 |
| P0207.050-025-T5 | M 5 | 9 | 1.5 | 3.0 | 2.0 | 25 | 0.20 | 3.0 | 2.2 | titanium grade 5 |
| P0207.060-006-T5 | M 6 | 10 | 1.5 | 4.0 | 2.5 | 6 | 0.25 | 3.0 | 5.0 | titanium grade 5 |
| P0207.060-008-T5 | M 6 | 10 | 1.5 | 4.0 | 2.5 | 8 | 0.25 | 3.0 | 5.0 | titanium grade 5 |
| P0207.060-010-T5 | M 6 | 10 | 1.5 | 4.0 | 2.5 | 10 | 0.25 | 3.0 | 5.0 | titanium grade 5 |
| P0207.060-012-T5 | M 6 | 10 | 1.5 | 4.0 | 2.5 | 12 | 0.25 | 3.0 | 5.0 | titanium grade 5 |
| P0207.060-014-T5 | M 6 | 10 | 1.5 | 4.0 | 2.5 | 14 | 0.25 | 3.0 | 5.0 | titanium grade 5 |
| P0207.060-016-T5 | M 6 | 10 | 1.5 | 4.0 | 2.5 | 16 | 0.25 | 3.0 | 5.0 | titanium grade 5 |
| P0207.060-018-T5 | M 6 | 10 | 1.5 | 4.0 | 2.5 | 18 | 0.25 | 3.0 | 5.0 | titanium grade 5 |
| P0207.060-020-T5 | M 6 | 10 | 1.5 | 4.0 | 2.5 | 20 | 0.25 | 3.0 | 5.0 | titanium grade 5 |
| P0207.060-025-T5 | M 6 | 10 | 1.5 | 4.0 | 2.5 | 25 | 0.25 | 3.0 | 5.0 | titanium grade 5 |
| P0207.060-030-T5 | M 6 | 10 | 1.5 | 4.0 | 2.5 | 30 | 0.25 | 3.0 | 5.0 | titanium grade 5 |
| P0207.080-006-T5 | M 8 | 13 | 1.5 | 5.0 | 3.0 | 6 | 0.40 | 4.0 | 10.1 | titanium grade 5 |
| P0207.080-008-T5 | M 8 | 13 | 1.5 | 5.0 | 3.0 | 8 | 0.40 | 4.0 | 10.1 | titanium grade 5 |
| P0207.080-010-T5 | M 8 | 13 | 1.5 | 5.0 | 3.0 | 10 | 0.40 | 4.0 | 10.1 | titanium grade 5 |
| P0207.080-012-T5 | M 8 | 13 | 1.5 | 5.0 | 3.0 | 12 | 0.40 | 4.0 | 10.1 | titanium grade 5 |
| P0207.080-014-T5 | M 8 | 13 | 1.5 | 5.0 | 3.0 | 14 | 0.40 | 4.0 | 10.1 | titanium grade 5 |
| P0207.080-016-T5 | M 8 | 13 | 1.5 | 5.0 | 3.0 | 16 | 0.40 | 4.0 | 10.1 | titanium grade 5 |
| P0207.080-018-T5 | M 8 | 13 | 1.5 | 5.0 | 3.0 | 18 | 0.40 | 4.0 | 10.1 | titanium grade 5 |
| P0207.080-020-T5 | M 8 | 13 | 1.5 | 5.0 | 3.0 | 20 | 0.40 | 4.0 | 10.1 | titanium grade 5 |
| P0207.080-025-T5 | M 8 | 13 | 1.5 | 5.0 | 3.0 | 25 | 0.40 | 4.0 | 10.1 | titanium grade 5 |
| P0207.080-030-T5 | M 8 | 13 | 1.5 | 5.0 | 3.0 | 30 | 0.40 | 4.0 | 10.1 | titanium grade 5 |
| P0207.100-010-T5 | M10 | 16 | 1.5 | 6.0 | 3.5 | 10 | 0.40 | 5.0 | 17.5 | titanium grade 5 |
| P0207.100-012-T5 | M10 | 16 | 1.5 | 6.0 | 3.5 | 12 | 0.40 | 5.0 | 17.5 | titanium grade 5 |
| P0207.100-014-T5 | M10 | 16 | 1.5 | 6.0 | 3.5 | 14 | 0.40 | 5.0 | 17.5 | titanium grade 5 |
| P0207.100-016-T5 | M10 | 16 | 1.5 | 6.0 | 3.5 | 16 | 0.40 | 5.0 | 17.5 | titanium grade 5 |
| P0207.100-018-T5 | M10 | 16 | 1.5 | 6.0 | 3.5 | 18 | 0.40 | 5.0 | 17.5 | titanium grade 5 |
| P0207.100-020-T5 | M10 | 16 | 1.5 | 6.0 | 3.5 | 20 | 0.40 | 5.0 | 17.5 | titanium grade 5 |
| P0207.100-025-T5 | M10 | 16 | 1.5 | 6.0 | 3.5 | 25 | 0.40 | 5.0 | 17.5 | titanium grade 5 |
| P0207.100-030-T5 | M10 | 16 | 1.5 | 6.0 | 3.5 | 30 | 0.40 | 5.0 | 17.5 | titanium grade 5 |



Ultra Low Head Cap Screws

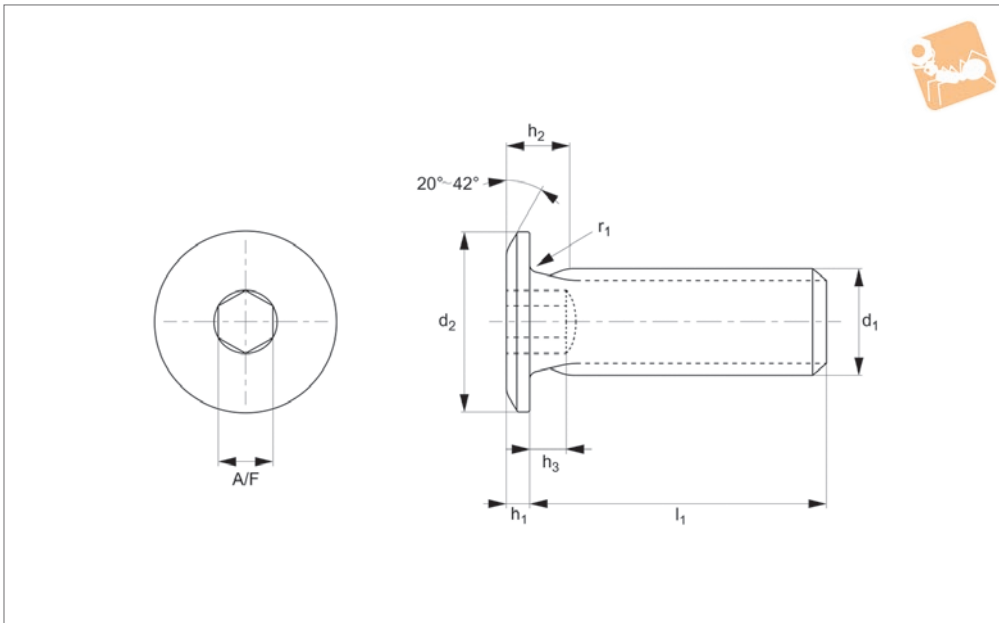
hex. drive - 303 series stainless

Standard Screws



P0208.A2

STANDARD SCREWS



Material

Stainless steel (AISI 303, 1.4305).
Tensile strength ~350N/mm²
(except for M2 ~200N/mm²).

Technical Notes

The ultra low head is extremely low profile.
These screws do not require a countersunk
location hole. Most suitable for machine

and equipment applications with minimal
clearance.

| Order No. | d ₁ | d ₂ | h ₁ | h ₂ max. | h ₃ max. | l ₁ | r ₁ min. | A/F | Torque to Nm max. |
|------------------|----------------|----------------|----------------|------------------------|------------------------|----------------|------------------------|-----|-------------------------|
| P0208.020-003-A2 | M 2 | 4 | 0.5 | 1.2 | 1.2 | 3 | 0.10 | 1.3 | 0.16 |
| P0208.020-004-A2 | M 2 | 4 | 0.5 | 1.2 | 1.2 | 4 | 0.10 | 1.3 | 0.16 |
| P0208.020-005-A2 | M 2 | 4 | 0.5 | 1.2 | 1.2 | 5 | 0.10 | 1.3 | 0.16 |
| P0208.020-006-A2 | M 2 | 4 | 0.5 | 1.2 | 1.2 | 6 | 0.10 | 1.3 | 0.16 |
| P0208.020-008-A2 | M 2 | 4 | 0.5 | 1.2 | 1.2 | 8 | 0.10 | 1.3 | 0.16 |
| P0208.020-010-A2 | M 2 | 4 | 0.5 | 1.2 | 1.2 | 10 | 0.10 | 1.3 | 0.16 |
| P0208.025-003-A2 | M 2,5 | 5 | 0.6 | 1.5 | 1.2 | 3 | 0.10 | 1.3 | 0.35 |
| P0208.025-004-A2 | M 2,5 | 5 | 0.6 | 1.5 | 1.2 | 4 | 0.10 | 1.3 | 0.35 |
| P0208.025-005-A2 | M 2,5 | 5 | 0.6 | 1.5 | 1.2 | 5 | 0.10 | 1.3 | 0.35 |
| P0208.025-006-A2 | M 2,5 | 5 | 0.6 | 1.5 | 1.2 | 6 | 0.10 | 1.3 | 0.35 |
| P0208.030-005-A2 | M 3 | 6 | 0.8 | 2.0 | 1.4 | 5 | 0.10 | 1.5 | 0.60 |
| P0208.030-006-A2 | M 3 | 6 | 0.8 | 2.0 | 1.4 | 6 | 0.10 | 1.5 | 0.60 |
| P0208.030-008-A2 | M 3 | 6 | 0.8 | 2.0 | 1.4 | 8 | 0.10 | 1.5 | 0.60 |
| P0208.030-010-A2 | M 3 | 6 | 0.8 | 2.0 | 1.4 | 10 | 0.10 | 1.5 | 0.60 |
| P0208.030-012-A2 | M 3 | 6 | 0.8 | 2.0 | 1.4 | 12 | 0.10 | 1.5 | 0.60 |
| P0208.030-016-A2 | M 3 | 6 | 0.8 | 2.0 | 1.4 | 16 | 0.10 | 1.5 | 0.60 |
| P0208.040-005-A2 | M 4 | 8 | 0.9 | 2.5 | 1.5 | 5 | 0.20 | 2.0 | 1.10 |
| P0208.040-006-A2 | M 4 | 8 | 0.9 | 2.5 | 1.5 | 6 | 0.20 | 2.0 | 1.10 |
| P0208.040-008-A2 | M 4 | 8 | 0.9 | 2.5 | 1.5 | 8 | 0.20 | 2.0 | 1.10 |
| P0208.040-010-A2 | M 4 | 8 | 0.9 | 2.5 | 1.5 | 10 | 0.20 | 2.0 | 1.10 |
| P0208.040-012-A2 | M 4 | 8 | 0.9 | 2.5 | 1.5 | 12 | 0.20 | 2.0 | 1.10 |
| P0208.040-016-A2 | M 4 | 8 | 0.9 | 2.5 | 1.5 | 16 | 0.20 | 2.0 | 1.10 |
| P0208.040-020-A2 | M 4 | 8 | 0.9 | 2.5 | 1.5 | 20 | 0.20 | 2.0 | 1.10 |
| P0208.040-025-A2 | M 4 | 8 | 0.9 | 2.5 | 1.5 | 25 | 0.20 | 2.0 | 1.10 |
| P0208.050-006-A2 | M 5 | 9 | 1.0 | 3.0 | 1.8 | 6 | 0.20 | 2.5 | 2.20 |
| P0208.050-008-A2 | M 5 | 9 | 1.0 | 3.0 | 1.8 | 8 | 0.20 | 2.5 | 2.20 |
| P0208.050-010-A2 | M 5 | 9 | 1.0 | 3.0 | 1.8 | 10 | 0.20 | 2.5 | 2.20 |
| P0208.050-012-A2 | M 5 | 9 | 1.0 | 3.0 | 1.8 | 12 | 0.20 | 2.5 | 2.20 |
| P0208.050-016-A2 | M 5 | 9 | 1.0 | 3.0 | 1.8 | 16 | 0.20 | 2.5 | 2.20 |
| P0208.050-020-A2 | M 5 | 9 | 1.0 | 3.0 | 1.8 | 20 | 0.20 | 2.5 | 2.20 |
| P0208.050-025-A2 | M 5 | 9 | 1.0 | 3.0 | 1.8 | 25 | 0.20 | 2.5 | 2.20 |
| P0208.060-008-A2 | M 6 | 10 | 1.2 | 4.0 | 2.2 | 8 | 0.25 | 3.0 | 5.00 |
| P0208.060-010-A2 | M 6 | 10 | 1.2 | 4.0 | 2.2 | 10 | 0.25 | 3.0 | 5.00 |



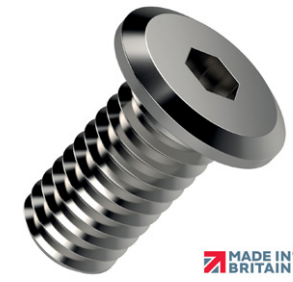
| Order No. | d ₁ | d ₂ | h ₁ | h ₂ max. | h ₃ max. | l ₁ | r ₁ min. | A/F | Torque to Nm max. |
|-------------------------|----------------|----------------|----------------|------------------------|------------------------|----------------|------------------------|-----|-------------------------|
| P0208.060-012-A2 | M 6 | 10 | 1.2 | 4.0 | 2.2 | 12 | 0.25 | 3.0 | 5.00 |
| P0208.060-016-A2 | M 6 | 10 | 1.2 | 4.0 | 2.2 | 16 | 0.25 | 3.0 | 5.00 |
| P0208.060-020-A2 | M 6 | 10 | 1.2 | 4.0 | 2.2 | 20 | 0.25 | 3.0 | 5.00 |
| P0208.060-025-A2 | M 6 | 10 | 1.2 | 4.0 | 2.2 | 25 | 0.25 | 3.0 | 5.00 |



Ultra Low Head Cap Screws

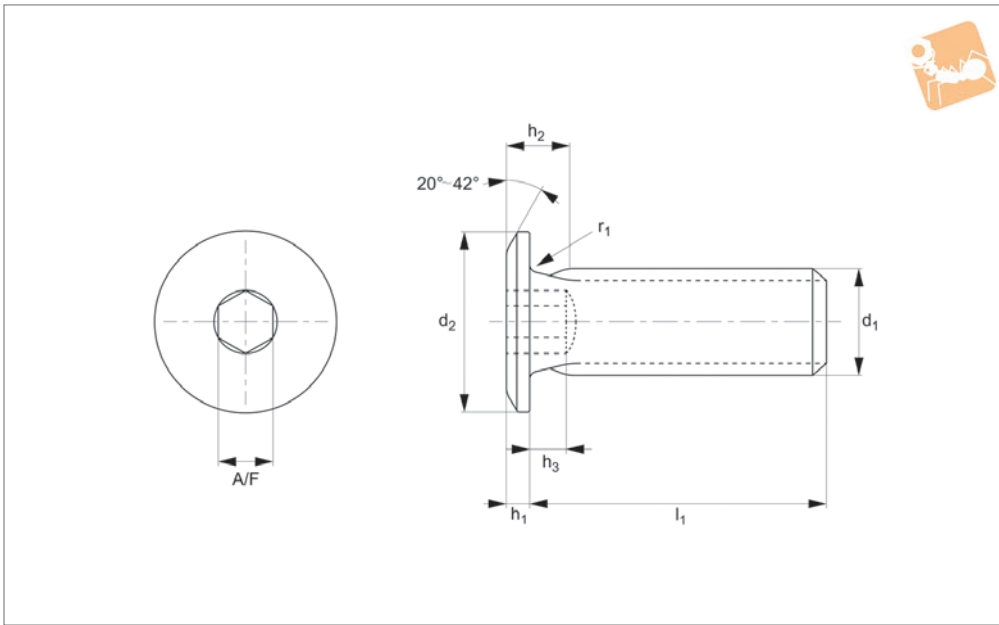
hex. drive - 316 series stainless

Standard Screws



P0208.A4

STANDARD SCREWS



Material

Stainless steel (AISI 316, 1.4401). This grade has a higher resistance to corrosion than 303 series stainless and is suitable for outdoor use and marine environments.

Tensile strength ~500N/mm² minimum.

Technical Notes

The ultra low head is extremely low profile. These screws do not require a countersunk

location hole. Most suitable for machine and equipment applications with minimal clearance.

| Order No. | d ₁ | d ₂ | h ₁ | h ₂ max. | h ₃ max. | l ₁ | r ₁ min. | A/F | Torque to Nm max. |
|------------------|----------------|----------------|----------------|------------------------|------------------------|----------------|------------------------|-----|-------------------------|
| P0208.020-003-A4 | M 2 | 4 | 0.5 | 1.2 | 1.2 | 3 | 0.10 | 1.3 | 0.16 |
| P0208.020-004-A4 | M 2 | 4 | 0.5 | 1.2 | 1.2 | 4 | 0.10 | 1.3 | 0.16 |
| P0208.020-005-A4 | M 2 | 4 | 0.5 | 1.2 | 1.2 | 5 | 0.10 | 1.3 | 0.16 |
| P0208.020-006-A4 | M 2 | 4 | 0.5 | 1.2 | 1.2 | 6 | 0.10 | 1.3 | 0.16 |
| P0208.020-008-A4 | M 2 | 4 | 0.5 | 1.2 | 1.2 | 8 | 0.10 | 1.3 | 0.16 |
| P0208.020-010-A4 | M 2 | 4 | 0.5 | 1.2 | 1.2 | 10 | 0.10 | 1.3 | 0.16 |
| P0208.025-003-A4 | M 2,5 | 5 | 0.6 | 1.5 | 1.2 | 3 | 0.10 | 1.3 | 0.35 |
| P0208.025-004-A4 | M 2,5 | 5 | 0.6 | 1.5 | 1.2 | 4 | 0.10 | 1.3 | 0.35 |
| P0208.025-005-A4 | M 2,5 | 5 | 0.6 | 1.5 | 1.2 | 5 | 0.10 | 1.3 | 0.35 |
| P0208.025-006-A4 | M 2,5 | 5 | 0.6 | 1.5 | 1.2 | 6 | 0.10 | 1.3 | 0.35 |
| P0208.030-005-A4 | M 3 | 6 | 0.8 | 2.0 | 1.4 | 5 | 0.10 | 1.5 | 0.60 |
| P0208.030-006-A4 | M 3 | 6 | 0.8 | 2.0 | 1.4 | 6 | 0.10 | 1.5 | 0.60 |
| P0208.030-008-A4 | M 3 | 6 | 0.8 | 2.0 | 1.4 | 8 | 0.10 | 1.5 | 0.60 |
| P0208.030-010-A4 | M 3 | 6 | 0.8 | 2.0 | 1.4 | 10 | 0.10 | 1.5 | 0.60 |
| P0208.030-012-A4 | M 3 | 6 | 0.8 | 2.0 | 1.4 | 12 | 0.10 | 1.5 | 0.60 |
| P0208.030-016-A4 | M 3 | 6 | 0.8 | 2.0 | 1.4 | 16 | 0.10 | 1.5 | 0.60 |
| P0208.040-005-A4 | M 4 | 8 | 0.9 | 2.5 | 1.5 | 5 | 0.20 | 2.0 | 1.10 |
| P0208.040-006-A4 | M 4 | 8 | 0.9 | 2.5 | 1.5 | 6 | 0.20 | 2.0 | 1.10 |
| P0208.040-008-A4 | M 4 | 8 | 0.9 | 2.5 | 1.5 | 8 | 0.20 | 2.0 | 1.10 |
| P0208.040-010-A4 | M 4 | 8 | 0.9 | 2.5 | 1.5 | 10 | 0.20 | 2.0 | 1.10 |
| P0208.040-012-A4 | M 4 | 8 | 0.9 | 2.5 | 1.5 | 12 | 0.20 | 2.0 | 1.10 |
| P0208.040-016-A4 | M 4 | 8 | 0.9 | 2.5 | 1.5 | 16 | 0.20 | 2.0 | 1.10 |
| P0208.040-020-A4 | M 4 | 8 | 0.9 | 2.5 | 1.5 | 20 | 0.20 | 2.0 | 1.10 |
| P0208.040-025-A4 | M 4 | 8 | 0.9 | 2.5 | 1.5 | 25 | 0.20 | 2.0 | 1.10 |
| P0208.050-006-A4 | M 5 | 9 | 1.0 | 3.0 | 1.8 | 6 | 0.20 | 2.5 | 2.20 |
| P0208.050-008-A4 | M 5 | 9 | 1.0 | 3.0 | 1.8 | 8 | 0.20 | 2.5 | 2.20 |
| P0208.050-010-A4 | M 5 | 9 | 1.0 | 3.0 | 1.8 | 10 | 0.20 | 2.5 | 2.20 |
| P0208.050-012-A4 | M 5 | 9 | 1.0 | 3.0 | 1.8 | 12 | 0.20 | 2.5 | 2.20 |
| P0208.050-016-A4 | M 5 | 9 | 1.0 | 3.0 | 1.8 | 16 | 0.20 | 2.5 | 2.20 |
| P0208.050-020-A4 | M 5 | 9 | 1.0 | 3.0 | 1.8 | 20 | 0.20 | 2.5 | 2.20 |
| P0208.050-025-A4 | M 5 | 9 | 1.0 | 3.0 | 1.8 | 25 | 0.20 | 2.5 | 2.20 |
| P0208.060-008-A4 | M 6 | 10 | 1.2 | 4.0 | 2.2 | 8 | 0.25 | 3.0 | 5.00 |



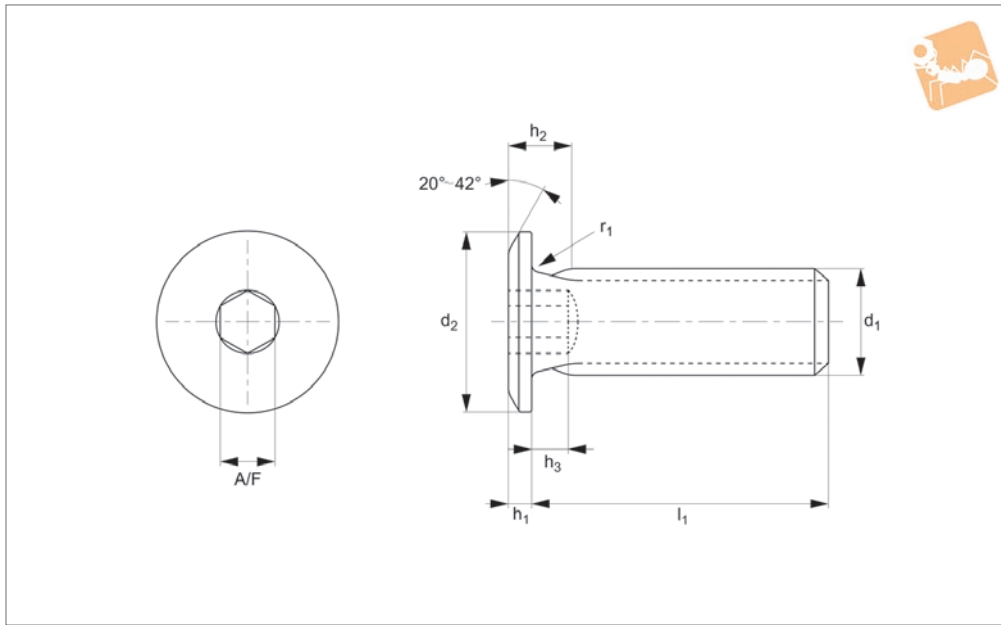
| Order No. | d ₁ | d ₂ | h ₁ | h ₂ max. | h ₃ max. | l ₁ | r ₁ min. | A/F | Torque to Nm max. |
|------------------|----------------|----------------|----------------|------------------------|------------------------|----------------|------------------------|-----|-------------------------|
| P0208.060-010-A4 | M 6 | 10 | 1.2 | 4.0 | 2.2 | 10 | 0.25 | 3.0 | 5.00 |
| P0208.060-012-A4 | M 6 | 10 | 1.2 | 4.0 | 2.2 | 12 | 0.25 | 3.0 | 5.00 |
| P0208.060-016-A4 | M 6 | 10 | 1.2 | 4.0 | 2.2 | 16 | 0.25 | 3.0 | 5.00 |
| P0208.060-020-A4 | M 6 | 10 | 1.2 | 4.0 | 2.2 | 20 | 0.25 | 3.0 | 5.00 |
| P0208.060-025-A4 | M 6 | 10 | 1.2 | 4.0 | 2.2 | 25 | 0.25 | 3.0 | 5.00 |



Ultra Low Head Cap Screws

hex. drive - 303 stainless - blackened

Standard Screws



P0208.B2

STANDARD SCREWS

Material

Stainless steel (AISI 303, 1.4305), with black oxide coating.
Tensile strength ~350N/mm²

(except for M2 ~200N/mm²).

Technical Notes

The ultra low head is extremely low profile.

These screws do not require a countersunk location hole. Most suitable for machine and equipment applications with minimal clearance.

| Order No. | d ₁ | d ₂ | h ₁ | h ₂ max. | h ₃ max. | l ₁ | r ₁ min. | A/F | Torque to Nm max. |
|------------------|----------------|----------------|----------------|------------------------|------------------------|----------------|------------------------|-----|-------------------------|
| P0208.020-003-B2 | M 2 | 4 | 0.5 | 1.2 | 1.2 | 3 | 0.10 | 1.3 | 0.16 |
| P0208.020-004-B2 | M 2 | 4 | 0.5 | 1.2 | 1.2 | 4 | 0.10 | 1.3 | 0.16 |
| P0208.020-005-B2 | M 2 | 4 | 0.5 | 1.2 | 1.2 | 5 | 0.10 | 1.3 | 0.16 |
| P0208.020-006-B2 | M 2 | 4 | 0.5 | 1.2 | 1.2 | 6 | 0.10 | 1.3 | 0.16 |
| P0208.020-008-B2 | M 2 | 4 | 0.5 | 1.2 | 1.2 | 8 | 0.10 | 1.3 | 0.16 |
| P0208.020-010-B2 | M 2 | 4 | 0.5 | 1.2 | 1.2 | 10 | 0.10 | 1.3 | 0.16 |
| P0208.025-003-B2 | M 2,5 | 5 | 0.6 | 1.5 | 1.2 | 3 | 0.10 | 1.3 | 0.35 |
| P0208.025-004-B2 | M 2,5 | 5 | 0.6 | 1.5 | 1.2 | 4 | 0.10 | 1.3 | 0.35 |
| P0208.025-005-B2 | M 2,5 | 5 | 0.6 | 1.5 | 1.2 | 5 | 0.10 | 1.3 | 0.35 |
| P0208.025-006-B2 | M 2,5 | 5 | 0.6 | 1.5 | 1.2 | 6 | 0.10 | 1.3 | 0.35 |
| P0208.030-005-B2 | M 3 | 6 | 0.8 | 2.0 | 1.4 | 5 | 0.10 | 1.5 | 0.60 |
| P0208.030-006-B2 | M 3 | 6 | 0.8 | 2.0 | 1.4 | 6 | 0.10 | 1.5 | 0.60 |
| P0208.030-008-B2 | M 3 | 6 | 0.8 | 2.0 | 1.4 | 8 | 0.10 | 1.5 | 0.60 |
| P0208.030-010-B2 | M 3 | 6 | 0.8 | 2.0 | 1.4 | 10 | 0.10 | 1.5 | 0.60 |
| P0208.030-012-B2 | M 3 | 6 | 0.8 | 2.0 | 1.4 | 12 | 0.10 | 1.5 | 0.60 |
| P0208.030-016-B2 | M 3 | 6 | 0.8 | 2.0 | 1.4 | 16 | 0.10 | 1.5 | 0.60 |
| P0208.040-005-B2 | M 4 | 8 | 0.9 | 2.5 | 1.5 | 5 | 0.20 | 2.0 | 1.10 |
| P0208.040-006-B2 | M 4 | 8 | 0.9 | 2.5 | 1.5 | 6 | 0.20 | 2.0 | 1.10 |
| P0208.040-008-B2 | M 4 | 8 | 0.9 | 2.5 | 1.5 | 8 | 0.20 | 2.0 | 1.10 |
| P0208.040-010-B2 | M 4 | 8 | 0.9 | 2.5 | 1.5 | 10 | 0.20 | 2.0 | 1.10 |
| P0208.040-012-B2 | M 4 | 8 | 0.9 | 2.5 | 1.5 | 12 | 0.20 | 2.0 | 1.10 |
| P0208.040-016-B2 | M 4 | 8 | 0.9 | 2.5 | 1.5 | 16 | 0.20 | 2.0 | 1.10 |
| P0208.040-020-B2 | M 4 | 8 | 0.9 | 2.5 | 1.5 | 20 | 0.20 | 2.0 | 1.10 |
| P0208.040-025-B2 | M 4 | 8 | 0.9 | 2.5 | 1.5 | 25 | 0.20 | 2.0 | 1.10 |
| P0208.050-006-B2 | M 5 | 9 | 1.0 | 3.0 | 1.8 | 6 | 0.20 | 2.5 | 2.20 |
| P0208.050-008-B2 | M 5 | 9 | 1.0 | 3.0 | 1.8 | 8 | 0.20 | 2.5 | 2.20 |
| P0208.050-010-B2 | M 5 | 9 | 1.0 | 3.0 | 1.8 | 10 | 0.20 | 2.5 | 2.20 |
| P0208.050-012-B2 | M 5 | 9 | 1.0 | 3.0 | 1.8 | 12 | 0.20 | 2.5 | 2.20 |
| P0208.050-016-B2 | M 5 | 9 | 1.0 | 3.0 | 1.8 | 16 | 0.20 | 2.5 | 2.20 |
| P0208.050-020-B2 | M 5 | 9 | 1.0 | 3.0 | 1.8 | 20 | 0.20 | 2.5 | 2.20 |
| P0208.050-025-B2 | M 5 | 9 | 1.0 | 3.0 | 1.8 | 25 | 0.20 | 2.5 | 2.20 |
| P0208.060-008-B2 | M 6 | 10 | 1.2 | 4.0 | 2.2 | 8 | 0.25 | 3.0 | 5.00 |
| P0208.060-010-B2 | M 6 | 10 | 1.2 | 4.0 | 2.2 | 10 | 0.25 | 3.0 | 5.00 |



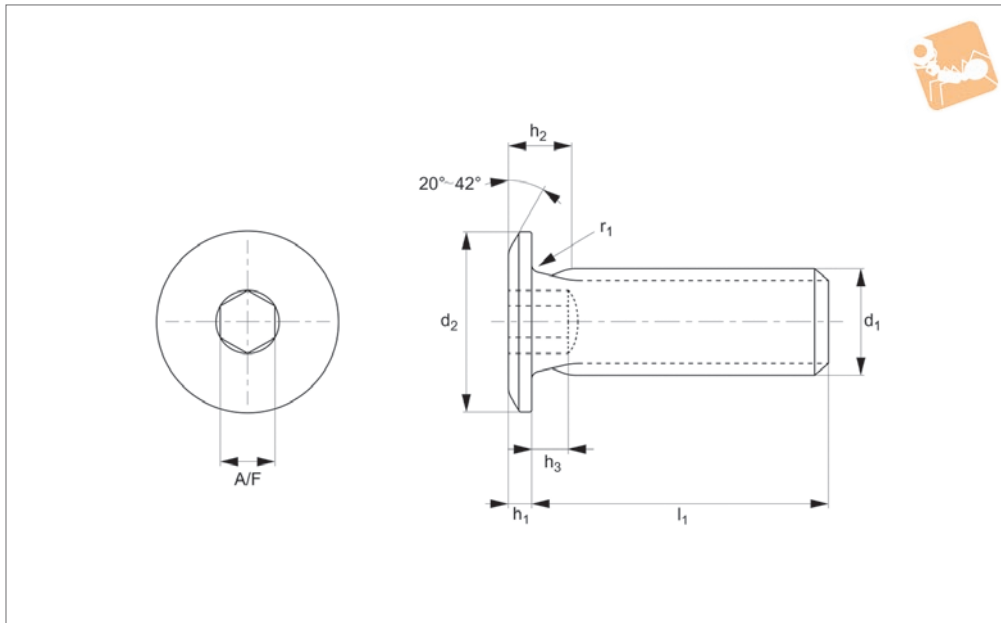
| Order No. | d ₁ | d ₂ | h ₁ | h ₂ max. | h ₃ max. | l ₁ | r ₁ min. | A/F | Torque to Nm max. |
|-------------------------|----------------|----------------|----------------|------------------------|------------------------|----------------|------------------------|-----|-------------------------|
| P0208.060-012-B2 | M 6 | 10 | 1.2 | 4.0 | 2.2 | 12 | 0.25 | 3.0 | 5.00 |
| P0208.060-016-B2 | M 6 | 10 | 1.2 | 4.0 | 2.2 | 16 | 0.25 | 3.0 | 5.00 |
| P0208.060-020-B2 | M 6 | 10 | 1.2 | 4.0 | 2.2 | 20 | 0.25 | 3.0 | 5.00 |
| P0208.060-025-B2 | M 6 | 10 | 1.2 | 4.0 | 2.2 | 25 | 0.25 | 3.0 | 5.00 |



Ultra Low Head Cap Screws

hex. drive - 316 series stainless - blackened

Standard Screws



P0208.B4

STANDARD SCREWS

Material

Stainless steel (AISI 316, 1.4401), with black oxide coating. This grade has a higher resistance to corrosion than 303 series stainless and is suitable for outdoor

use and marine environments.
Tensile strength ~500N/mm² minimum.

Technical Notes

The ultra low head is extremely low profile.

These screws do not require a countersunk location hole. Most suitable for machine and equipment applications with minimal clearance.

| Order No. | d ₁ | d ₂ | h ₁ | h ₂ max. | h ₃ max. | l ₁ | r ₁ min. | A/F | Torque to Nm max. |
|------------------|----------------|----------------|----------------|------------------------|------------------------|----------------|------------------------|-----|-------------------------|
| P0208.020-003-B4 | M 2 | 4 | 0.5 | 1.2 | 1.2 | 3 | 0.10 | 1.3 | 0.16 |
| P0208.020-004-B4 | M 2 | 4 | 0.5 | 1.2 | 1.2 | 4 | 0.10 | 1.3 | 0.16 |
| P0208.020-005-B4 | M 2 | 4 | 0.5 | 1.2 | 1.2 | 5 | 0.10 | 1.3 | 0.16 |
| P0208.020-006-B4 | M 2 | 4 | 0.5 | 1.2 | 1.2 | 6 | 0.10 | 1.3 | 0.16 |
| P0208.020-008-B4 | M 2 | 4 | 0.5 | 1.2 | 1.2 | 8 | 0.10 | 1.3 | 0.16 |
| P0208.020-010-B4 | M 2 | 4 | 0.5 | 1.2 | 1.2 | 10 | 0.10 | 1.3 | 0.16 |
| P0208.025-003-B4 | M 2,5 | 5 | 0.6 | 1.5 | 1.2 | 3 | 0.10 | 1.3 | 0.35 |
| P0208.025-004-B4 | M 2,5 | 5 | 0.6 | 1.5 | 1.2 | 4 | 0.10 | 1.3 | 0.35 |
| P0208.025-005-B4 | M 2,5 | 5 | 0.6 | 1.5 | 1.2 | 5 | 0.10 | 1.3 | 0.35 |
| P0208.025-006-B4 | M 2,5 | 5 | 0.6 | 1.5 | 1.2 | 6 | 0.10 | 1.3 | 0.35 |
| P0208.030-005-B4 | M 3 | 6 | 0.8 | 2.0 | 1.4 | 5 | 0.10 | 1.5 | 0.60 |
| P0208.030-006-B4 | M 3 | 6 | 0.8 | 2.0 | 1.4 | 6 | 0.10 | 1.5 | 0.60 |
| P0208.030-008-B4 | M 3 | 6 | 0.8 | 2.0 | 1.4 | 8 | 0.10 | 1.5 | 0.60 |
| P0208.030-010-B4 | M 3 | 6 | 0.8 | 2.0 | 1.4 | 10 | 0.10 | 1.5 | 0.60 |
| P0208.030-012-B4 | M 3 | 6 | 0.8 | 2.0 | 1.4 | 12 | 0.10 | 1.5 | 0.60 |
| P0208.030-016-B4 | M 3 | 6 | 0.8 | 2.0 | 1.4 | 16 | 0.10 | 1.5 | 0.60 |
| P0208.040-005-B4 | M 4 | 8 | 0.9 | 2.5 | 1.5 | 5 | 0.20 | 2.0 | 1.10 |
| P0208.040-006-B4 | M 4 | 8 | 0.9 | 2.5 | 1.5 | 6 | 0.20 | 2.0 | 1.10 |
| P0208.040-008-B4 | M 4 | 8 | 0.9 | 2.5 | 1.5 | 8 | 0.20 | 2.0 | 1.10 |
| P0208.040-010-B4 | M 4 | 8 | 0.9 | 2.5 | 1.5 | 10 | 0.20 | 2.0 | 1.10 |
| P0208.040-012-B4 | M 4 | 8 | 0.9 | 2.5 | 1.5 | 12 | 0.20 | 2.0 | 1.10 |
| P0208.040-016-B4 | M 4 | 8 | 0.9 | 2.5 | 1.5 | 16 | 0.20 | 2.0 | 1.10 |
| P0208.040-020-B4 | M 4 | 8 | 0.9 | 2.5 | 1.5 | 20 | 0.20 | 2.0 | 1.10 |
| P0208.040-025-B4 | M 4 | 8 | 0.9 | 2.5 | 1.5 | 25 | 0.20 | 2.0 | 1.10 |
| P0208.050-006-B4 | M 5 | 9 | 1.0 | 3.0 | 1.8 | 6 | 0.20 | 2.5 | 2.20 |
| P0208.050-008-B4 | M 5 | 9 | 1.0 | 3.0 | 1.8 | 8 | 0.20 | 2.5 | 2.20 |
| P0208.050-010-B4 | M 5 | 9 | 1.0 | 3.0 | 1.8 | 10 | 0.20 | 2.5 | 2.20 |
| P0208.050-012-B4 | M 5 | 9 | 1.0 | 3.0 | 1.8 | 12 | 0.20 | 2.5 | 2.20 |
| P0208.050-016-B4 | M 5 | 9 | 1.0 | 3.0 | 1.8 | 16 | 0.20 | 2.5 | 2.20 |
| P0208.050-020-B4 | M 5 | 9 | 1.0 | 3.0 | 1.8 | 20 | 0.20 | 2.5 | 2.20 |
| P0208.050-025-B4 | M 5 | 9 | 1.0 | 3.0 | 1.8 | 25 | 0.20 | 2.5 | 2.20 |
| P0208.060-008-B4 | M 6 | 10 | 1.2 | 4.0 | 2.2 | 8 | 0.25 | 3.0 | 5.00 |



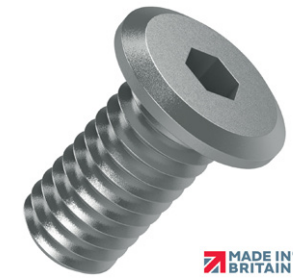
| Order No. | d ₁ | d ₂ | h ₁ | h ₂ max. | h ₃ max. | l ₁ | r ₁ min. | A/F | Torque to Nm max. |
|------------------|----------------|----------------|----------------|------------------------|------------------------|----------------|------------------------|-----|-------------------------|
| P0208.060-010-B4 | M 6 | 10 | 1.2 | 4.0 | 2.2 | 10 | 0.25 | 3.0 | 5.00 |
| P0208.060-012-B4 | M 6 | 10 | 1.2 | 4.0 | 2.2 | 12 | 0.25 | 3.0 | 5.00 |
| P0208.060-016-B4 | M 6 | 10 | 1.2 | 4.0 | 2.2 | 16 | 0.25 | 3.0 | 5.00 |
| P0208.060-020-B4 | M 6 | 10 | 1.2 | 4.0 | 2.2 | 20 | 0.25 | 3.0 | 5.00 |
| P0208.060-025-B4 | M 6 | 10 | 1.2 | 4.0 | 2.2 | 25 | 0.25 | 3.0 | 5.00 |



Ultra Low Head Cap Screws

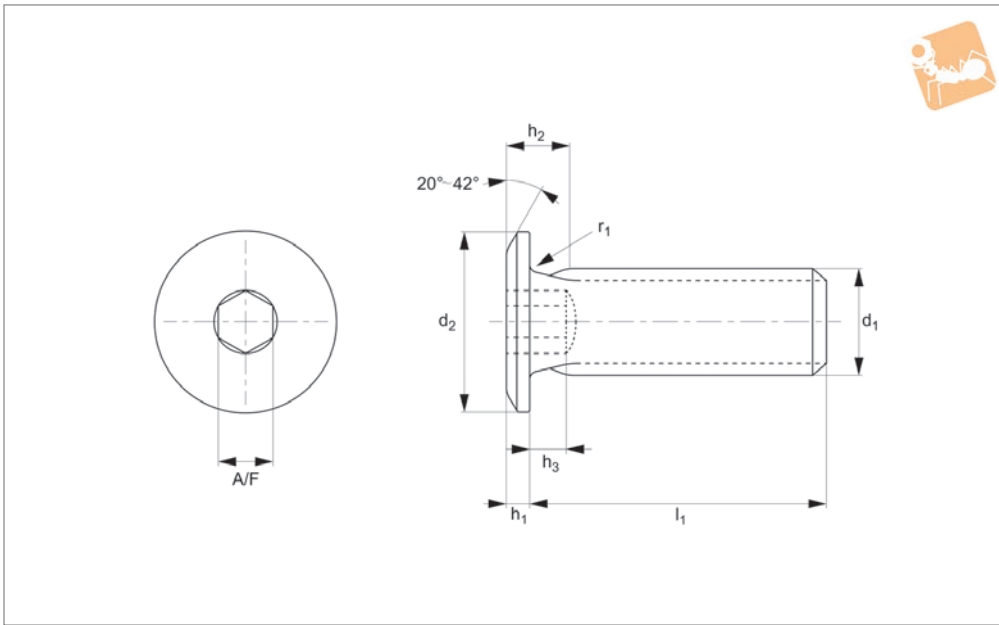
hex. drive - titanium

Standard Screws



P0208.Ti

STANDARD SCREWS



Material

Titanium (ASTM B348 grades 2 and 5). Titanium has outstanding corrosion resistance and a very high strength-to-weight ratio. Grade 2 titanium is pure titanium and

grade 5 titanium is the alloy Ti6Al4V.

Technical Notes

The ultra low head is extremely low profile. These screws do not require a countersunk

location hole. Most suitable for machine and equipment applications with minimal clearance.

| Order No. | d ₁ | d ₂ | h ₁ | h ₂ max. | h ₃ max. | l ₁ | r ₁ min. | A/F | Torque to Nm max. | Material grade |
|------------------|----------------|----------------|----------------|------------------------|------------------------|----------------|------------------------|-----|-------------------------|------------------|
| P0208.020-003-T2 | M 2 | 4 | 0.5 | 1.2 | 1.2 | 3 | 0.10 | 1.3 | 0.16 | titanium grade 2 |
| P0208.020-004-T2 | M 2 | 4 | 0.5 | 1.2 | 1.2 | 4 | 0.10 | 1.3 | 0.16 | titanium grade 2 |
| P0208.020-005-T2 | M 2 | 4 | 0.5 | 1.2 | 1.2 | 5 | 0.10 | 1.3 | 0.16 | titanium grade 2 |
| P0208.020-006-T2 | M 2 | 4 | 0.5 | 1.2 | 1.2 | 6 | 0.10 | 1.3 | 0.16 | titanium grade 2 |
| P0208.020-008-T2 | M 2 | 4 | 0.5 | 1.2 | 1.2 | 8 | 0.10 | 1.3 | 0.16 | titanium grade 2 |
| P0208.020-010-T2 | M 2 | 4 | 0.5 | 1.2 | 1.2 | 10 | 0.10 | 1.3 | 0.16 | titanium grade 2 |
| P0208.025-003-T2 | M 2,5 | 5 | 0.6 | 1.5 | 1.2 | 3 | 0.10 | 1.3 | 0.35 | titanium grade 2 |
| P0208.025-004-T2 | M 2,5 | 5 | 0.6 | 1.5 | 1.2 | 4 | 0.10 | 1.3 | 0.35 | titanium grade 2 |
| P0208.025-005-T2 | M 2,5 | 5 | 0.6 | 1.5 | 1.2 | 5 | 0.10 | 1.3 | 0.35 | titanium grade 2 |
| P0208.025-006-T2 | M 2,5 | 5 | 0.6 | 1.5 | 1.2 | 6 | 0.10 | 1.3 | 0.35 | titanium grade 2 |
| P0208.030-005-T2 | M 3 | 6 | 0.8 | 2.0 | 1.4 | 5 | 0.10 | 1.5 | 0.60 | titanium grade 2 |
| P0208.030-006-T2 | M 3 | 6 | 0.8 | 2.0 | 1.4 | 6 | 0.10 | 1.5 | 0.60 | titanium grade 2 |
| P0208.030-008-T2 | M 3 | 6 | 0.8 | 2.0 | 1.4 | 8 | 0.10 | 1.5 | 0.60 | titanium grade 2 |
| P0208.030-010-T2 | M 3 | 6 | 0.8 | 2.0 | 1.4 | 10 | 0.10 | 1.5 | 0.60 | titanium grade 2 |
| P0208.030-012-T2 | M 3 | 6 | 0.8 | 2.0 | 1.4 | 12 | 0.10 | 1.5 | 0.60 | titanium grade 2 |
| P0208.030-016-T2 | M 3 | 6 | 0.8 | 2.0 | 1.4 | 16 | 0.10 | 1.5 | 0.60 | titanium grade 2 |
| P0208.040-005-T2 | M 4 | 8 | 0.9 | 2.5 | 1.5 | 5 | 0.20 | 2.0 | 1.10 | titanium grade 2 |
| P0208.040-006-T2 | M 4 | 8 | 0.9 | 2.5 | 1.5 | 6 | 0.20 | 2.0 | 1.10 | titanium grade 2 |
| P0208.040-008-T2 | M 4 | 8 | 0.9 | 2.5 | 1.5 | 8 | 0.20 | 2.0 | 1.10 | titanium grade 2 |
| P0208.040-010-T2 | M 4 | 8 | 0.9 | 2.5 | 1.5 | 10 | 0.20 | 2.0 | 1.10 | titanium grade 2 |
| P0208.040-012-T2 | M 4 | 8 | 0.9 | 2.5 | 1.5 | 12 | 0.20 | 2.0 | 1.10 | titanium grade 2 |
| P0208.040-016-T2 | M 4 | 8 | 0.9 | 2.5 | 1.5 | 16 | 0.20 | 2.0 | 1.10 | titanium grade 2 |
| P0208.040-020-T2 | M 4 | 8 | 0.9 | 2.5 | 1.5 | 20 | 0.20 | 2.0 | 1.10 | titanium grade 2 |
| P0208.040-025-T2 | M 4 | 8 | 0.9 | 2.5 | 1.5 | 25 | 0.20 | 2.0 | 1.10 | titanium grade 2 |
| P0208.050-006-T2 | M 5 | 9 | 1.0 | 3.0 | 1.8 | 6 | 0.20 | 2.5 | 2.20 | titanium grade 2 |
| P0208.050-008-T2 | M 5 | 9 | 1.0 | 3.0 | 1.8 | 8 | 0.20 | 2.5 | 2.20 | titanium grade 2 |
| P0208.050-010-T2 | M 5 | 9 | 1.0 | 3.0 | 1.8 | 10 | 0.20 | 2.5 | 2.20 | titanium grade 2 |
| P0208.050-012-T2 | M 5 | 9 | 1.0 | 3.0 | 1.8 | 12 | 0.20 | 2.5 | 2.20 | titanium grade 2 |
| P0208.050-016-T2 | M 5 | 9 | 1.0 | 3.0 | 1.8 | 16 | 0.20 | 2.5 | 2.20 | titanium grade 2 |
| P0208.050-020-T2 | M 5 | 9 | 1.0 | 3.0 | 1.8 | 20 | 0.20 | 2.5 | 2.20 | titanium grade 2 |
| P0208.050-025-T2 | M 5 | 9 | 1.0 | 3.0 | 1.8 | 25 | 0.20 | 2.5 | 2.20 | titanium grade 2 |
| P0208.060-008-T2 | M 6 | 10 | 1.2 | 4.0 | 2.2 | 8 | 0.25 | 3.0 | 5.00 | titanium grade 2 |



STANDARD SCREWS

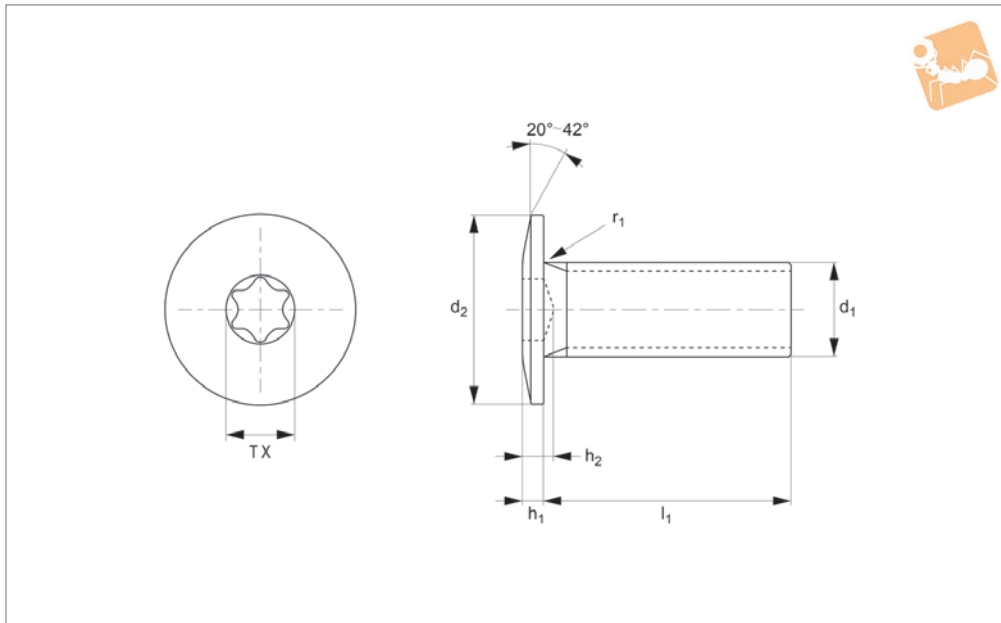
| Order No. | d ₁ | d ₂ | h ₁ | h ₂ max. | h ₃ max. | l ₁ | r ₁ min. | A/F | Torque to Nm max. | Material grade |
|------------------|----------------|----------------|----------------|------------------------|------------------------|----------------|------------------------|-----|-------------------------|------------------|
| P0208.060-010-T2 | M 6 | 10 | 1.2 | 4.0 | 2.2 | 10 | 0.25 | 3.0 | 5.00 | titanium grade 2 |
| P0208.060-012-T2 | M 6 | 10 | 1.2 | 4.0 | 2.2 | 12 | 0.25 | 3.0 | 5.00 | titanium grade 2 |
| P0208.060-016-T2 | M 6 | 10 | 1.2 | 4.0 | 2.2 | 16 | 0.25 | 3.0 | 5.00 | titanium grade 2 |
| P0208.060-020-T2 | M 6 | 10 | 1.2 | 4.0 | 2.2 | 20 | 0.25 | 3.0 | 5.00 | titanium grade 2 |
| P0208.060-025-T2 | M 6 | 10 | 1.2 | 4.0 | 2.2 | 25 | 0.25 | 3.0 | 5.00 | titanium grade 2 |
| P0208.020-003-T5 | M 2 | 4 | 0.5 | 1.2 | 1.2 | 3 | 0.10 | 1.3 | 0.16 | titanium grade 5 |
| P0208.020-004-T5 | M 2 | 4 | 0.5 | 1.2 | 1.2 | 4 | 0.10 | 1.3 | 0.16 | titanium grade 5 |
| P0208.020-005-T5 | M 2 | 4 | 0.5 | 1.2 | 1.2 | 5 | 0.10 | 1.3 | 0.16 | titanium grade 5 |
| P0208.020-006-T5 | M 2 | 4 | 0.5 | 1.2 | 1.2 | 6 | 0.10 | 1.3 | 0.16 | titanium grade 5 |
| P0208.020-008-T5 | M 2 | 4 | 0.5 | 1.2 | 1.2 | 8 | 0.10 | 1.3 | 0.16 | titanium grade 5 |
| P0208.020-010-T5 | M 2 | 4 | 0.5 | 1.2 | 1.2 | 10 | 0.10 | 1.3 | 0.16 | titanium grade 5 |
| P0208.025-003-T5 | M 2,5 | 5 | 0.6 | 1.5 | 1.2 | 3 | 0.10 | 1.3 | 0.35 | titanium grade 5 |
| P0208.025-004-T5 | M 2,5 | 5 | 0.6 | 1.5 | 1.2 | 4 | 0.10 | 1.3 | 0.35 | titanium grade 5 |
| P0208.025-005-T5 | M 2,5 | 5 | 0.6 | 1.5 | 1.2 | 5 | 0.10 | 1.3 | 0.35 | titanium grade 5 |
| P0208.025-006-T5 | M 2,5 | 5 | 0.6 | 1.5 | 1.2 | 6 | 0.10 | 1.3 | 0.35 | titanium grade 5 |
| P0208.030-005-T5 | M 3 | 6 | 0.8 | 2.0 | 1.4 | 5 | 0.10 | 1.5 | 0.60 | titanium grade 5 |
| P0208.030-006-T5 | M 3 | 6 | 0.8 | 2.0 | 1.4 | 6 | 0.10 | 1.5 | 0.60 | titanium grade 5 |
| P0208.030-008-T5 | M 3 | 6 | 0.8 | 2.0 | 1.4 | 8 | 0.10 | 1.5 | 0.60 | titanium grade 5 |
| P0208.030-010-T5 | M 3 | 6 | 0.8 | 2.0 | 1.4 | 10 | 0.10 | 1.5 | 0.60 | titanium grade 5 |
| P0208.030-012-T5 | M 3 | 6 | 0.8 | 2.0 | 1.4 | 12 | 0.10 | 1.5 | 0.60 | titanium grade 5 |
| P0208.030-016-T5 | M 3 | 6 | 0.8 | 2.0 | 1.4 | 16 | 0.10 | 1.5 | 0.60 | titanium grade 5 |
| P0208.040-005-T5 | M 4 | 8 | 0.9 | 2.5 | 1.5 | 5 | 0.20 | 2.0 | 1.10 | titanium grade 5 |
| P0208.040-006-T5 | M 4 | 8 | 0.9 | 2.5 | 1.5 | 6 | 0.20 | 2.0 | 1.10 | titanium grade 5 |
| P0208.040-008-T5 | M 4 | 8 | 0.9 | 2.5 | 1.5 | 8 | 0.20 | 2.0 | 1.10 | titanium grade 5 |
| P0208.040-010-T5 | M 4 | 8 | 0.9 | 2.5 | 1.5 | 10 | 0.20 | 2.0 | 1.10 | titanium grade 5 |
| P0208.040-012-T5 | M 4 | 8 | 0.9 | 2.5 | 1.5 | 12 | 0.20 | 2.0 | 1.10 | titanium grade 5 |
| P0208.040-016-T5 | M 4 | 8 | 0.9 | 2.5 | 1.5 | 16 | 0.20 | 2.0 | 1.10 | titanium grade 5 |
| P0208.040-020-T5 | M 4 | 8 | 0.9 | 2.5 | 1.5 | 20 | 0.20 | 2.0 | 1.10 | titanium grade 5 |
| P0208.040-025-T5 | M 4 | 8 | 0.9 | 2.5 | 1.5 | 25 | 0.20 | 2.0 | 1.10 | titanium grade 5 |
| P0208.050-006-T5 | M 5 | 9 | 1.0 | 3.0 | 1.8 | 6 | 0.20 | 2.5 | 2.20 | titanium grade 5 |
| P0208.050-008-T5 | M 5 | 9 | 1.0 | 3.0 | 1.8 | 8 | 0.20 | 2.5 | 2.20 | titanium grade 5 |
| P0208.050-010-T5 | M 5 | 9 | 1.0 | 3.0 | 1.8 | 10 | 0.20 | 2.5 | 2.20 | titanium grade 5 |
| P0208.050-012-T5 | M 5 | 9 | 1.0 | 3.0 | 1.8 | 12 | 0.20 | 2.5 | 2.20 | titanium grade 5 |
| P0208.050-016-T5 | M 5 | 9 | 1.0 | 3.0 | 1.8 | 16 | 0.20 | 2.5 | 2.20 | titanium grade 5 |
| P0208.050-020-T5 | M 5 | 9 | 1.0 | 3.0 | 1.8 | 20 | 0.20 | 2.5 | 2.20 | titanium grade 5 |
| P0208.050-025-T5 | M 5 | 9 | 1.0 | 3.0 | 1.8 | 25 | 0.20 | 2.5 | 2.20 | titanium grade 5 |
| P0208.060-008-T5 | M 6 | 10 | 1.2 | 4.0 | 2.2 | 8 | 0.25 | 3.0 | 5.00 | titanium grade 5 |
| P0208.060-010-T5 | M 6 | 10 | 1.2 | 4.0 | 2.2 | 10 | 0.25 | 3.0 | 5.00 | titanium grade 5 |
| P0208.060-012-T5 | M 6 | 10 | 1.2 | 4.0 | 2.2 | 12 | 0.25 | 3.0 | 5.00 | titanium grade 5 |
| P0208.060-016-T5 | M 6 | 10 | 1.2 | 4.0 | 2.2 | 16 | 0.25 | 3.0 | 5.00 | titanium grade 5 |
| P0208.060-020-T5 | M 6 | 10 | 1.2 | 4.0 | 2.2 | 20 | 0.25 | 3.0 | 5.00 | titanium grade 5 |
| P0208.060-025-T5 | M 6 | 10 | 1.2 | 4.0 | 2.2 | 25 | 0.25 | 3.0 | 5.00 | titanium grade 5 |



Ultra Low Head Cap Screws

TX drive - 303 stainless

Standard Screws



P0209.A2

STANDARD SCREWS

Material

Stainless steel (AISI 303, 1.4305).
Tensile strength ~ 350N/mm²
(except for M2 ~ 200Nmm²).

Technical Notes

Ultra low head is extremely low profile.
They do not require a countersunk location
hole.

Most suitable for machine and equipment
applications with minimal clearance.

| Order No. | d ₁ | d ₂ | h ₁ | h ₂ max. | l ₁ | r ₁ max. | TX size | Torque Nm max. |
|------------------|----------------|----------------|----------------|------------------------|----------------|------------------------|---------|----------------------|
| P0209.020-003-A2 | M 2 | 4 | 0.5 | 1.5 | 3 | 0.3 | TX-4 | 0.18 |
| P0209.020-004-A2 | M 2 | 4 | 0.5 | 1.5 | 4 | 0.3 | TX-4 | 0.18 |
| P0209.020-005-A2 | M 2 | 4 | 0.5 | 1.5 | 5 | 0.3 | TX-4 | 0.18 |
| P0209.020-006-A2 | M 2 | 4 | 0.5 | 1.5 | 6 | 0.3 | TX-4 | 0.18 |
| P0209.020-008-A2 | M 2 | 4 | 0.5 | 1.5 | 8 | 0.3 | TX-4 | 0.18 |
| P0209.020-010-A2 | M 2 | 4 | 0.5 | 1.5 | 10 | 0.3 | TX-4 | 0.18 |
| P0209.020-012-A2 | M 2 | 4 | 0.5 | 1.5 | 12 | 0.3 | TX-4 | 0.18 |
| P0209.025-003-A2 | M 2,5 | 6 | 0.6 | 1.6 | 3 | 0.3 | TX-5 | 0.36 |
| P0209.025-004-A2 | M 2,5 | 6 | 0.6 | 1.6 | 4 | 0.3 | TX-5 | 0.36 |
| P0209.025-005-A2 | M 2,5 | 6 | 0.6 | 1.6 | 5 | 0.3 | TX-5 | 0.36 |
| P0209.025-006-A2 | M 2,5 | 6 | 0.6 | 1.6 | 6 | 0.3 | TX-5 | 0.36 |
| P0209.025-008-A2 | M 2,5 | 6 | 0.6 | 1.6 | 8 | 0.3 | TX-5 | 0.36 |
| P0209.025-010-A2 | M 2,5 | 6 | 0.6 | 1.6 | 10 | 0.3 | TX-5 | 0.36 |
| P0209.025-012-A2 | M 2,5 | 6 | 0.6 | 1.6 | 12 | 0.3 | TX-5 | 0.36 |
| P0209.030-005-A2 | M 3 | 7 | 0.8 | 2.0 | 5 | 0.4 | TX-6 | 0.63 |
| P0209.030-006-A2 | M 3 | 7 | 0.8 | 2.0 | 6 | 0.4 | TX-6 | 0.63 |
| P0209.030-008-A2 | M 3 | 7 | 0.8 | 2.0 | 8 | 0.4 | TX-6 | 0.63 |
| P0209.030-010-A2 | M 3 | 7 | 0.8 | 2.0 | 10 | 0.4 | TX-6 | 0.63 |
| P0209.030-012-A2 | M 3 | 7 | 0.8 | 2.0 | 12 | 0.4 | TX-6 | 0.63 |
| P0209.030-016-A2 | M 3 | 7 | 0.8 | 2.0 | 16 | 0.4 | TX-6 | 0.63 |
| P0209.040-006-A2 | M 4 | 8 | 0.9 | 2.5 | 6 | 0.5 | TX-8 | 1.50 |
| P0209.040-008-A2 | M 4 | 8 | 0.9 | 2.5 | 8 | 0.5 | TX-8 | 1.50 |
| P0209.040-010-A2 | M 4 | 8 | 0.9 | 2.5 | 10 | 0.5 | TX-8 | 1.50 |
| P0209.040-012-A2 | M 4 | 8 | 0.9 | 2.5 | 12 | 0.5 | TX-8 | 1.50 |
| P0209.040-016-A2 | M 4 | 8 | 0.9 | 2.5 | 16 | 0.5 | TX-8 | 1.50 |
| P0209.040-020-A2 | M 4 | 8 | 0.9 | 2.5 | 20 | 0.5 | TX-8 | 1.50 |
| P0209.040-025-A2 | M 4 | 8 | 0.9 | 2.5 | 25 | 0.5 | TX-8 | 1.50 |
| P0209.050-008-A2 | M 5 | 9 | 1.0 | 3.0 | 8 | 0.6 | TX-10 | 3.00 |
| P0209.050-010-A2 | M 5 | 9 | 1.0 | 3.0 | 10 | 0.6 | TX-10 | 3.00 |
| P0209.050-012-A2 | M 5 | 9 | 1.0 | 3.0 | 12 | 0.6 | TX-10 | 3.00 |
| P0209.050-016-A2 | M 5 | 9 | 1.0 | 3.0 | 16 | 0.6 | TX-10 | 3.00 |
| P0209.050-020-A2 | M 5 | 9 | 1.0 | 3.0 | 20 | 0.6 | TX-10 | 3.00 |
| P0209.050-025-A2 | M 5 | 9 | 1.0 | 3.0 | 25 | 0.6 | TX-10 | 3.00 |



| Order No. | d ₁ | d ₂ | h ₁ | h ₂ max. | l ₁ | r ₁ max. | TX size | Torque Nm max. |
|------------------|----------------|----------------|----------------|------------------------|----------------|------------------------|---------|----------------------|
| P0209.050-030-A2 | M 5 | 9 | 1.0 | 3.0 | 30 | 0.6 | TX-10 | 3.00 |
| P0209.050-035-A2 | M 5 | 9 | 1.0 | 3.0 | 35 | 0.6 | TX-10 | 3.00 |
| P0209.060-008-A2 | M 6 | 12 | 1.2 | 3.5 | 8 | 0.7 | TX-20 | 5.20 |
| P0209.060-010-A2 | M 6 | 12 | 1.2 | 3.5 | 10 | 0.7 | TX-20 | 5.20 |
| P0209.060-012-A2 | M 6 | 12 | 1.2 | 3.5 | 12 | 0.7 | TX-20 | 5.20 |
| P0209.060-016-A2 | M 6 | 12 | 1.2 | 3.5 | 16 | 0.7 | TX-20 | 5.20 |
| P0209.060-020-A2 | M 6 | 12 | 1.2 | 3.5 | 20 | 0.7 | TX-20 | 5.20 |
| P0209.060-025-A2 | M 6 | 12 | 1.2 | 3.5 | 25 | 0.7 | TX-20 | 5.20 |
| P0209.060-030-A2 | M 6 | 12 | 1.2 | 3.5 | 30 | 0.7 | TX-20 | 5.20 |
| P0209.060-035-A2 | M 6 | 12 | 1.2 | 3.5 | 35 | 0.7 | TX-20 | 5.20 |
| P0209.060-040-A2 | M 6 | 12 | 1.2 | 3.5 | 40 | 0.7 | TX-20 | 5.20 |



Ultra Low Head Cap Screws

TX drive - 316 stainless

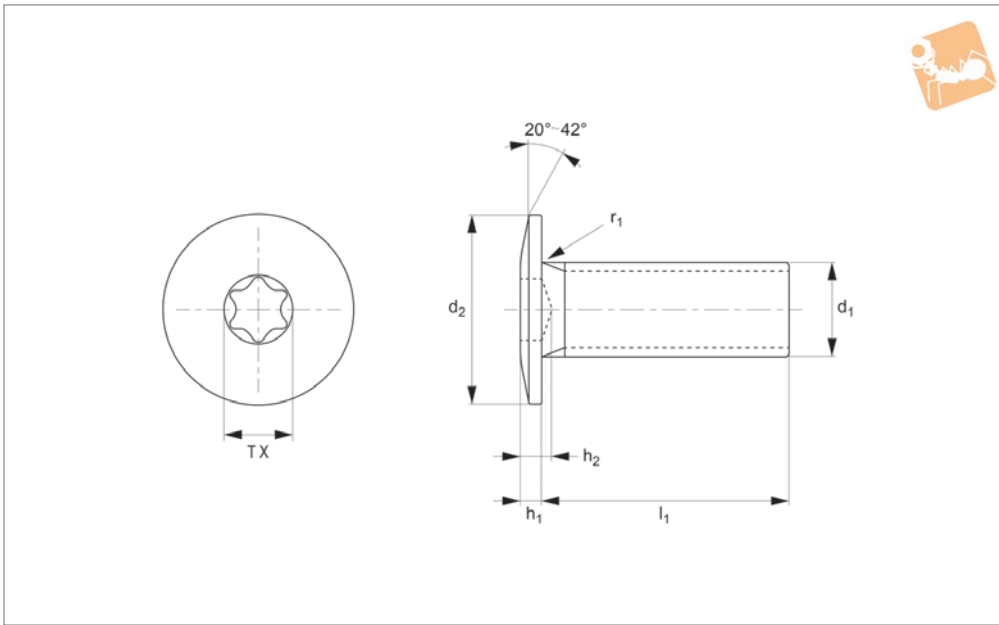
Standard Screws



P0209.A4

MADE IN BRITAIN

STANDARD SCREWS



Material

Stainless steel (AISI 303, 1.4305).
Tensile strength ~ 350N/mm²
(except for M2 ~ 200Nmm²).

Technical Notes

Ultra low head is extremely low profile.
They do not require a countersunk location
hole.

Most suitable for machine and equipment
applications with minimal clearance.

| Order No. | d ₁ | d ₂ | h ₁ | h ₂ max. | l ₁ | r ₁ max. | TX size | Torque to Nm max. |
|------------------|----------------|----------------|----------------|------------------------|----------------|------------------------|---------|-------------------------|
| P0209.020-003-A4 | M 2 | 4 | 0.5 | 1.5 | 3 | 0.3 | TX-4 | 0.18 |
| P0209.020-004-A4 | M 2 | 4 | 0.5 | 1.5 | 4 | 0.3 | TX-4 | 0.18 |
| P0209.020-005-A4 | M 2 | 4 | 0.5 | 1.5 | 5 | 0.3 | TX-4 | 0.18 |
| P0209.020-006-A4 | M 2 | 4 | 0.5 | 1.5 | 6 | 0.3 | TX-4 | 0.18 |
| P0209.020-008-A4 | M 2 | 4 | 0.5 | 1.5 | 8 | 0.3 | TX-4 | 0.18 |
| P0209.020-010-A4 | M 2 | 4 | 0.5 | 1.5 | 10 | 0.3 | TX-4 | 0.18 |
| P0209.020-012-A4 | M 2 | 4 | 0.5 | 1.5 | 12 | 0.3 | TX-4 | 0.18 |
| P0209.025-003-A4 | M 2,5 | 6 | 0.6 | 1.6 | 3 | 0.3 | TX-5 | 0.36 |
| P0209.025-004-A4 | M 2,5 | 6 | 0.6 | 1.6 | 4 | 0.3 | TX-5 | 0.36 |
| P0209.025-005-A4 | M 2,5 | 6 | 0.6 | 1.6 | 5 | 0.3 | TX-5 | 0.36 |
| P0209.025-006-A4 | M 2,5 | 6 | 0.6 | 1.6 | 6 | 0.3 | TX-5 | 0.36 |
| P0209.025-008-A4 | M 2,5 | 6 | 0.6 | 1.6 | 8 | 0.3 | TX-5 | 0.36 |
| P0209.025-010-A4 | M 2,5 | 6 | 0.6 | 1.6 | 10 | 0.3 | TX-5 | 0.36 |
| P0209.025-012-A4 | M 2,5 | 6 | 0.6 | 1.6 | 12 | 0.3 | TX-5 | 0.36 |
| P0209.030-005-A4 | M 3 | 7 | 0.8 | 2.0 | 5 | 0.4 | TX-6 | 0.63 |
| P0209.030-006-A4 | M 3 | 7 | 0.8 | 2.0 | 6 | 0.4 | TX-6 | 0.63 |
| P0209.030-008-A4 | M 3 | 7 | 0.8 | 2.0 | 8 | 0.4 | TX-6 | 0.63 |
| P0209.030-010-A4 | M 3 | 7 | 0.8 | 2.0 | 10 | 0.4 | TX-6 | 0.63 |
| P0209.030-012-A4 | M 3 | 7 | 0.8 | 2.0 | 12 | 0.4 | TX-6 | 0.63 |
| P0209.030-016-A4 | M 3 | 7 | 0.8 | 2.0 | 16 | 0.4 | TX-6 | 0.63 |
| P0209.040-006-A4 | M 4 | 8 | 0.9 | 2.5 | 6 | 0.5 | TX-8 | 1.50 |
| P0209.040-008-A4 | M 4 | 8 | 0.9 | 2.5 | 8 | 0.5 | TX-8 | 1.50 |
| P0209.040-010-A4 | M 4 | 8 | 0.9 | 2.5 | 10 | 0.5 | TX-8 | 1.50 |
| P0209.040-012-A4 | M 4 | 8 | 0.9 | 2.5 | 12 | 0.5 | TX-8 | 1.50 |
| P0209.040-016-A4 | M 4 | 8 | 0.9 | 2.5 | 16 | 0.5 | TX-8 | 1.50 |
| P0209.040-020-A4 | M 4 | 8 | 0.9 | 2.5 | 20 | 0.5 | TX-8 | 1.50 |
| P0209.040-025-A4 | M 4 | 8 | 0.9 | 2.5 | 25 | 0.5 | TX-8 | 1.50 |
| P0209.050-008-A4 | M 5 | 9 | 1.0 | 3.0 | 8 | 0.6 | TX-10 | 3.00 |
| P0209.050-010-A4 | M 5 | 9 | 1.0 | 3.0 | 10 | 0.6 | TX-10 | 3.00 |
| P0209.050-012-A4 | M 5 | 9 | 1.0 | 3.0 | 12 | 0.6 | TX-10 | 3.00 |
| P0209.050-016-A4 | M 5 | 9 | 1.0 | 3.0 | 16 | 0.6 | TX-10 | 3.00 |
| P0209.050-020-A4 | M 5 | 9 | 1.0 | 3.0 | 20 | 0.6 | TX-10 | 3.00 |
| P0209.050-025-A4 | M 5 | 9 | 1.0 | 3.0 | 25 | 0.6 | TX-10 | 3.00 |



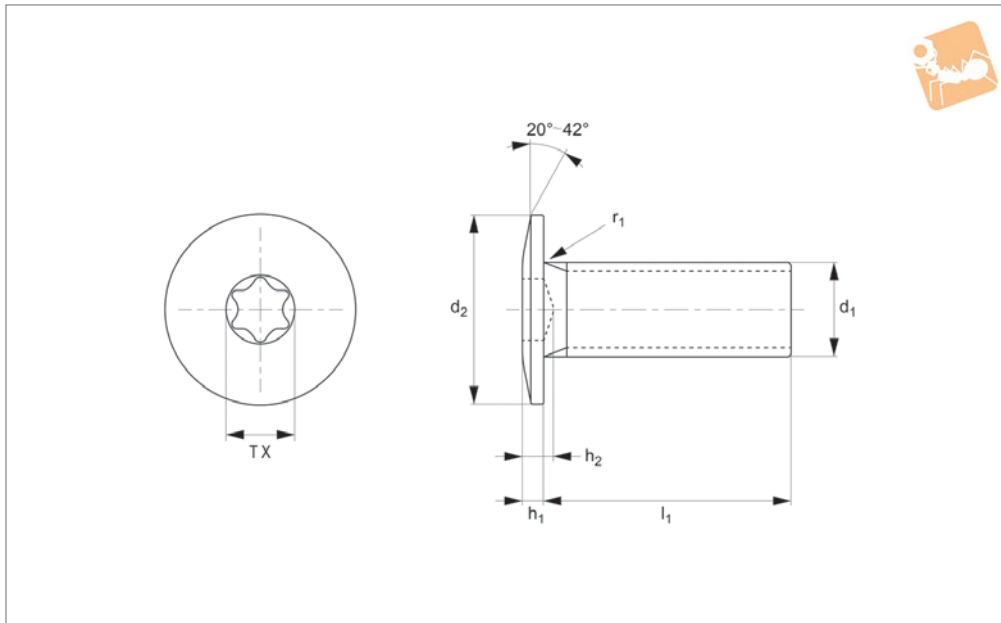
| Order No. | d ₁ | d ₂ | h ₁ | h ₂ max. | l ₁ | r ₁ max. | TX size | Torque to Nm max. |
|------------------|----------------|----------------|----------------|------------------------|----------------|------------------------|---------|-------------------------|
| P0209.050-030-A4 | M 5 | 9 | 1.0 | 3.0 | 30 | 0.6 | TX-10 | 3.00 |
| P0209.050-035-A4 | M 5 | 9 | 1.0 | 3.0 | 35 | 0.6 | TX-10 | 3.00 |
| P0209.060-008-A4 | M 6 | 12 | 1.2 | 3.5 | 8 | 0.7 | TX-20 | 5.20 |
| P0209.060-010-A4 | M 6 | 12 | 1.2 | 3.5 | 10 | 0.7 | TX-20 | 5.20 |
| P0209.060-012-A4 | M 6 | 12 | 1.2 | 3.5 | 12 | 0.7 | TX-20 | 5.20 |
| P0209.060-016-A4 | M 6 | 12 | 1.2 | 3.5 | 16 | 0.7 | TX-20 | 5.20 |
| P0209.060-020-A4 | M 6 | 12 | 1.2 | 3.5 | 20 | 0.7 | TX-20 | 5.20 |
| P0209.060-025-A4 | M 6 | 12 | 1.2 | 3.5 | 25 | 0.7 | TX-20 | 5.20 |
| P0209.060-030-A4 | M 6 | 12 | 1.2 | 3.5 | 30 | 0.7 | TX-20 | 5.20 |
| P0209.060-035-A4 | M 6 | 12 | 1.2 | 3.5 | 35 | 0.7 | TX-20 | 5.20 |
| P0209.060-040-A4 | M 6 | 12 | 1.2 | 3.5 | 40 | 0.7 | TX-20 | 5.20 |



Ultra Low Head Cap Screws

TX drive - 303 stainless - blackened

Standard Screws



P0209.B2

STANDARD SCREWS

Material

Stainless steel (AISI 303, 1.4305), with black oxide coating. Tensile strength ~ 350N/mm²

(except for M2 ~ 200Nmm²).

Technical Notes

Ultra low head is extremely low profile.

They do not require a countersunk location hole.

Most suitable for machine and equipment applications with minimal clearance.

| Order No. | d ₁ | d ₂ | h ₁ | h ₂ max. | l ₁ | r ₁ max. | TX size | Torque to Nm max. |
|------------------|----------------|----------------|----------------|---------------------|----------------|---------------------|---------|-------------------|
| P0209.020-003-B2 | M 2 | 4 | 0.5 | 1.5 | 3 | 0.3 | TX-4 | 0.18 |
| P0209.020-004-B2 | M 2 | 4 | 0.5 | 1.5 | 4 | 0.3 | TX-4 | 0.18 |
| P0209.020-005-B2 | M 2 | 4 | 0.5 | 1.5 | 5 | 0.3 | TX-4 | 0.18 |
| P0209.020-006-B2 | M 2 | 4 | 0.5 | 1.5 | 6 | 0.3 | TX-4 | 0.18 |
| P0209.020-008-B2 | M 2 | 4 | 0.5 | 1.5 | 8 | 0.3 | TX-4 | 0.18 |
| P0209.020-010-B2 | M 2 | 4 | 0.5 | 1.5 | 10 | 0.3 | TX-4 | 0.18 |
| P0209.020-012-B2 | M 2 | 4 | 0.5 | 1.5 | 12 | 0.3 | TX-4 | 0.18 |
| P0209.025-003-B2 | M 2,5 | 6 | 0.6 | 1.6 | 3 | 0.3 | TX-5 | 0.36 |
| P0209.025-004-B2 | M 2,5 | 6 | 0.6 | 1.6 | 4 | 0.3 | TX-5 | 0.36 |
| P0209.025-005-B2 | M 2,5 | 6 | 0.6 | 1.6 | 5 | 0.3 | TX-5 | 0.36 |
| P0209.025-006-B2 | M 2,5 | 6 | 0.6 | 1.6 | 6 | 0.3 | TX-5 | 0.36 |
| P0209.025-008-B2 | M 2,5 | 6 | 0.6 | 1.6 | 8 | 0.3 | TX-5 | 0.36 |
| P0209.025-010-B2 | M 2,5 | 6 | 0.6 | 1.6 | 10 | 0.3 | TX-5 | 0.36 |
| P0209.025-012-B2 | M 2,5 | 6 | 0.6 | 1.6 | 12 | 0.3 | TX-5 | 0.36 |
| P0209.030-005-B2 | M 3 | 7 | 0.8 | 2.0 | 5 | 0.4 | TX-6 | 0.63 |
| P0209.030-006-B2 | M 3 | 7 | 0.8 | 2.0 | 6 | 0.4 | TX-6 | 0.63 |
| P0209.030-008-B2 | M 3 | 7 | 0.8 | 2.0 | 8 | 0.4 | TX-6 | 0.63 |
| P0209.030-010-B2 | M 3 | 7 | 0.8 | 2.0 | 10 | 0.4 | TX-6 | 0.63 |
| P0209.030-012-B2 | M 3 | 7 | 0.8 | 2.0 | 12 | 0.4 | TX-6 | 0.63 |
| P0209.030-016-B2 | M 3 | 7 | 0.8 | 2.0 | 16 | 0.4 | TX-6 | 0.63 |
| P0209.040-006-B2 | M 4 | 8 | 0.9 | 2.5 | 6 | 0.5 | TX-8 | 1.50 |
| P0209.040-008-B2 | M 4 | 8 | 0.9 | 2.5 | 8 | 0.5 | TX-8 | 1.50 |
| P0209.040-010-B2 | M 4 | 8 | 0.9 | 2.5 | 10 | 0.5 | TX-8 | 1.50 |
| P0209.040-012-B2 | M 4 | 8 | 0.9 | 2.5 | 12 | 0.5 | TX-8 | 1.50 |
| P0209.040-016-B2 | M 4 | 8 | 0.9 | 2.5 | 16 | 0.5 | TX-8 | 1.50 |
| P0209.040-020-B2 | M 4 | 8 | 0.9 | 2.5 | 20 | 0.5 | TX-8 | 1.50 |
| P0209.040-025-B2 | M 4 | 8 | 0.9 | 2.5 | 25 | 0.5 | TX-8 | 1.50 |
| P0209.050-008-B2 | M 5 | 9 | 1.0 | 3.0 | 8 | 0.6 | TX-10 | 3.00 |
| P0209.050-010-B2 | M 5 | 9 | 1.0 | 3.0 | 10 | 0.6 | TX-10 | 3.00 |
| P0209.050-012-B2 | M 5 | 9 | 1.0 | 3.0 | 12 | 0.6 | TX-10 | 3.00 |
| P0209.050-016-B2 | M 5 | 9 | 1.0 | 3.0 | 16 | 0.6 | TX-10 | 3.00 |
| P0209.050-020-B2 | M 5 | 9 | 1.0 | 3.0 | 20 | 0.6 | TX-10 | 3.00 |
| P0209.050-025-B2 | M 5 | 9 | 1.0 | 3.0 | 25 | 0.6 | TX-10 | 3.00 |



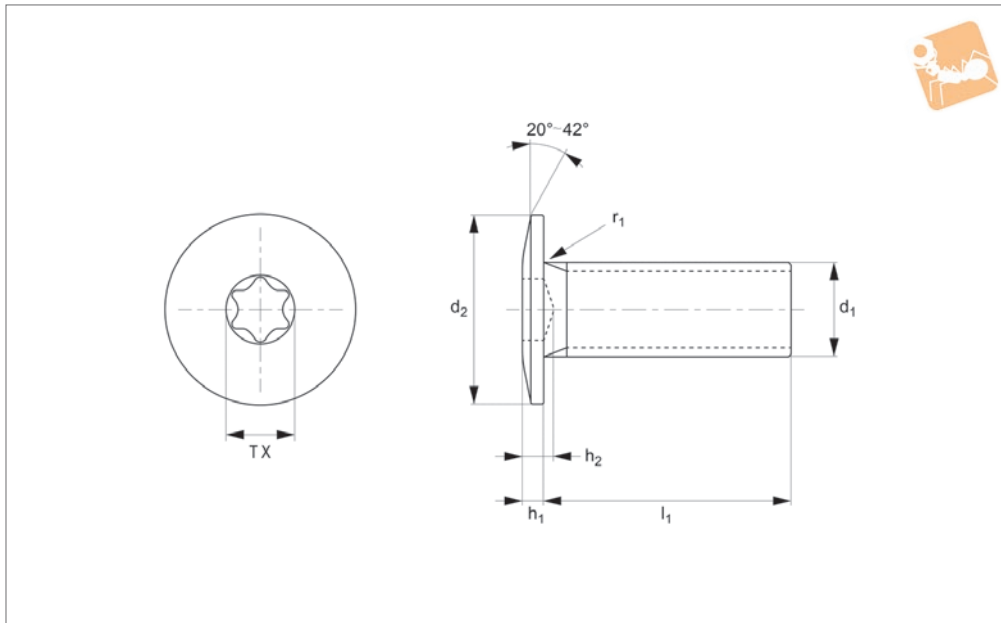
| Order No. | d ₁ | d ₂ | h ₁ | h ₂ max. | l ₁ | r ₁ max. | TX size | Torque to Nm max. |
|------------------|----------------|----------------|----------------|------------------------|----------------|------------------------|---------|-------------------------|
| P0209.050-030-B2 | M 5 | 9 | 1.0 | 3.0 | 30 | 0.6 | TX-10 | 3.00 |
| P0209.050-035-B2 | M 5 | 9 | 1.0 | 3.0 | 35 | 0.6 | TX-10 | 3.00 |
| P0209.060-008-B2 | M 6 | 12 | 1.2 | 3.5 | 8 | 0.7 | TX-20 | 5.20 |
| P0209.060-010-B2 | M 6 | 12 | 1.2 | 3.5 | 10 | 0.7 | TX-20 | 5.20 |
| P0209.060-012-B2 | M 6 | 12 | 1.2 | 3.5 | 12 | 0.7 | TX-20 | 5.20 |
| P0209.060-016-B2 | M 6 | 12 | 1.2 | 3.5 | 16 | 0.7 | TX-20 | 5.20 |
| P0209.060-020-B2 | M 6 | 12 | 1.2 | 3.5 | 20 | 0.7 | TX-20 | 5.20 |
| P0209.060-025-B2 | M 6 | 12 | 1.2 | 3.5 | 25 | 0.7 | TX-20 | 5.20 |
| P0209.060-030-B2 | M 6 | 12 | 1.2 | 3.5 | 30 | 0.7 | TX-20 | 5.20 |
| P0209.060-035-B2 | M 6 | 12 | 1.2 | 3.5 | 35 | 0.7 | TX-20 | 5.20 |
| P0209.060-040-B2 | M 6 | 12 | 1.2 | 3.5 | 40 | 0.7 | TX-20 | 5.20 |



Ultra Low Head Cap Screws

TX head - 316 stainless - blackened

Standard Screws



P0209.B4

STANDARD SCREWS

Material

Stainless steel (AISI 316, 1.440), with black oxide coating. Tensile strength ~ 350N/mm²

(except for M2 ~ 200Nmm²).

Technical Notes

Ultra low head is extremely low profile.

They do not require a countersunk location hole.

Most suitable for machine and equipment applications with minimal clearance.

| Order No. | d ₁ | d ₂ | h ₁ | h ₂ max. | l ₁ | r ₁ max. | TX size | Torque to Nm max. |
|------------------|----------------|----------------|----------------|------------------------|----------------|------------------------|---------|-------------------------|
| P0209.020-003-B4 | M 2 | 4 | 0.5 | 1.5 | 3 | 0.3 | TX-4 | 0.18 |
| P0209.020-004-B4 | M 2 | 4 | 0.5 | 1.5 | 4 | 0.3 | TX-4 | 0.18 |
| P0209.020-005-B4 | M 2 | 4 | 0.5 | 1.5 | 5 | 0.3 | TX-4 | 0.18 |
| P0209.020-006-B4 | M 2 | 4 | 0.5 | 1.5 | 6 | 0.3 | TX-4 | 0.18 |
| P0209.020-008-B4 | M 2 | 4 | 0.5 | 1.5 | 8 | 0.3 | TX-4 | 0.18 |
| P0209.020-010-B4 | M 2 | 4 | 0.5 | 1.5 | 10 | 0.3 | TX-4 | 0.18 |
| P0209.020-012-B4 | M 2 | 4 | 0.5 | 1.5 | 12 | 0.3 | TX-4 | 0.18 |
| P0209.025-003-B4 | M 2,5 | 6 | 0.6 | 1.6 | 3 | 0.3 | TX-5 | 0.36 |
| P0209.025-004-B4 | M 2,5 | 6 | 0.6 | 1.6 | 4 | 0.3 | TX-5 | 0.36 |
| P0209.025-005-B4 | M 2,5 | 6 | 0.6 | 1.6 | 5 | 0.3 | TX-5 | 0.36 |
| P0209.025-006-B4 | M 2,5 | 6 | 0.6 | 1.6 | 6 | 0.3 | TX-5 | 0.36 |
| P0209.025-008-B4 | M 2,5 | 6 | 0.6 | 1.6 | 8 | 0.3 | TX-5 | 0.36 |
| P0209.025-010-B4 | M 2,5 | 6 | 0.6 | 1.6 | 10 | 0.3 | TX-5 | 0.36 |
| P0209.025-012-B4 | M 2,5 | 6 | 0.6 | 1.6 | 12 | 0.3 | TX-5 | 0.36 |
| P0209.030-005-B4 | M 3 | 7 | 0.8 | 2.0 | 5 | 0.4 | TX-6 | 0.63 |
| P0209.030-006-B4 | M 3 | 7 | 0.8 | 2.0 | 6 | 0.4 | TX-6 | 0.63 |
| P0209.030-008-B4 | M 3 | 7 | 0.8 | 2.0 | 8 | 0.4 | TX-6 | 0.63 |
| P0209.030-010-B4 | M 3 | 7 | 0.8 | 2.0 | 10 | 0.4 | TX-6 | 0.63 |
| P0209.030-012-B4 | M 3 | 7 | 0.8 | 2.0 | 12 | 0.4 | TX-6 | 0.63 |
| P0209.030-016-B4 | M 3 | 7 | 0.8 | 2.0 | 16 | 0.4 | TX-6 | 0.63 |
| P0209.040-006-B4 | M 4 | 8 | 0.9 | 2.5 | 6 | 0.5 | TX-8 | 1.50 |
| P0209.040-008-B4 | M 4 | 8 | 0.9 | 2.5 | 8 | 0.5 | TX-8 | 1.50 |
| P0209.040-010-B4 | M 4 | 8 | 0.9 | 2.5 | 10 | 0.5 | TX-8 | 1.50 |
| P0209.040-012-B4 | M 4 | 8 | 0.9 | 2.5 | 12 | 0.5 | TX-8 | 1.50 |
| P0209.040-016-B4 | M 4 | 8 | 0.9 | 2.5 | 16 | 0.5 | TX-8 | 1.50 |
| P0209.040-020-B4 | M 4 | 8 | 0.9 | 2.5 | 20 | 0.5 | TX-8 | 1.50 |
| P0209.040-025-B4 | M 4 | 8 | 0.9 | 2.5 | 25 | 0.5 | TX-8 | 1.50 |
| P0209.050-008-B4 | M 5 | 9 | 1.0 | 3.0 | 8 | 0.6 | TX-10 | 3.00 |
| P0209.050-010-B4 | M 5 | 9 | 1.0 | 3.0 | 10 | 0.6 | TX-10 | 3.00 |
| P0209.050-012-B4 | M 5 | 9 | 1.0 | 3.0 | 12 | 0.6 | TX-10 | 3.00 |
| P0209.050-016-B4 | M 5 | 9 | 1.0 | 3.0 | 16 | 0.6 | TX-10 | 3.00 |
| P0209.050-020-B4 | M 5 | 9 | 1.0 | 3.0 | 20 | 0.6 | TX-10 | 3.00 |
| P0209.050-025-B4 | M 5 | 9 | 1.0 | 3.0 | 25 | 0.6 | TX-10 | 3.00 |



| Order No. | d ₁ | d ₂ | h ₁ | h ₂ max. | l ₁ | r ₁ max. | TX size | Torque to Nm max. |
|------------------|----------------|----------------|----------------|------------------------|----------------|------------------------|---------|-------------------------|
| P0209.050-030-B4 | M 5 | 9 | 1.0 | 3.0 | 30 | 0.6 | TX-10 | 3.00 |
| P0209.050-035-B4 | M 5 | 9 | 1.0 | 3.0 | 35 | 0.6 | TX-10 | 3.00 |
| P0209.060-008-B4 | M 6 | 12 | 1.2 | 3.5 | 8 | 0.7 | TX-20 | 5.20 |
| P0209.060-010-B4 | M 6 | 12 | 1.2 | 3.5 | 10 | 0.7 | TX-20 | 5.20 |
| P0209.060-012-B4 | M 6 | 12 | 1.2 | 3.5 | 12 | 0.7 | TX-20 | 5.20 |
| P0209.060-016-B4 | M 6 | 12 | 1.2 | 3.5 | 16 | 0.7 | TX-20 | 5.20 |
| P0209.060-020-B4 | M 6 | 12 | 1.2 | 3.5 | 20 | 0.7 | TX-20 | 5.20 |
| P0209.060-025-B4 | M 6 | 12 | 1.2 | 3.5 | 25 | 0.7 | TX-20 | 5.20 |
| P0209.060-030-B4 | M 6 | 12 | 1.2 | 3.5 | 30 | 0.7 | TX-20 | 5.20 |
| P0209.060-035-B4 | M 6 | 12 | 1.2 | 3.5 | 35 | 0.7 | TX-20 | 5.20 |
| P0209.060-040-B4 | M 6 | 12 | 1.2 | 3.5 | 40 | 0.7 | TX-20 | 5.20 |

Socket Button Screws

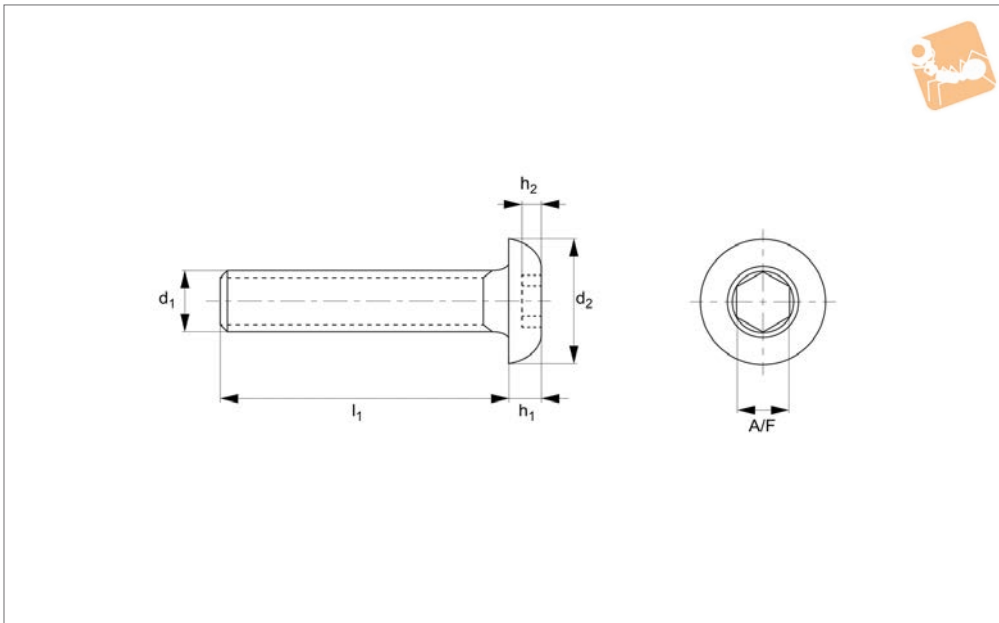
A2 stainless

Standard Screws



P0210.A2

STANDARD SCREWS



Material

Stainless steel A2.

head.

Technical Notes

To ISO 7380. Threaded within 2,5 x pitch of

See technical page for tightening torques.

| Order No. | d ₁ | l ₁ | d ₂ | h ₁ | h ₂ | A/F |
|------------------|----------------|----------------|----------------|----------------|----------------|-----|
| P0210.030-004-A2 | M 3 | 4 | 5.7 | 1.65 | 1.04 | 2 |
| P0210.030-005-A2 | M 3 | 5 | 5.7 | 1.65 | 1.04 | 2 |
| P0210.030-006-A2 | M 3 | 6 | 5.7 | 1.65 | 1.04 | 2 |
| P0210.030-008-A2 | M 3 | 8 | 5.7 | 1.65 | 1.04 | 2 |
| P0210.030-010-A2 | M 3 | 10 | 5.7 | 1.65 | 1.04 | 2 |
| P0210.030-012-A2 | M 3 | 12 | 5.7 | 1.65 | 1.04 | 2 |
| P0210.030-014-A2 | M 3 | 14 | 5.7 | 1.65 | 1.04 | 2 |
| P0210.030-016-A2 | M 3 | 16 | 5.7 | 1.65 | 1.04 | 2 |
| P0210.030-020-A2 | M 3 | 20 | 5.7 | 1.65 | 1.04 | 2 |
| P0210.030-025-A2 | M 3 | 25 | 5.7 | 1.65 | 1.04 | 2 |
| P0210.030-030-A2 | M 3 | 30 | 5.7 | 1.65 | 1.04 | 2 |
| P0210.030-035-A2 | M 3 | 35 | 5.7 | 1.65 | 1.04 | 2 |
| P0210.030-040-A2 | M 3 | 40 | 5.7 | 1.65 | 1.04 | 2 |
| P0210.040-004-A2 | M 4 | 4 | 7.6 | 2.2 | 1.3 | 2.5 |
| P0210.040-005-A2 | M 4 | 5 | 7.6 | 2.2 | 1.3 | 2.5 |
| P0210.040-006-A2 | M 4 | 6 | 7.6 | 2.2 | 1.3 | 2.5 |
| P0210.040-008-A2 | M 4 | 8 | 7.6 | 2.2 | 1.3 | 2.5 |
| P0210.040-010-A2 | M 4 | 10 | 7.6 | 2.2 | 1.3 | 2.5 |
| P0210.040-012-A2 | M 4 | 12 | 7.6 | 2.2 | 1.3 | 2.5 |
| P0210.040-014-A2 | M 4 | 14 | 7.6 | 2.2 | 1.3 | 2.5 |
| P0210.040-016-A2 | M 4 | 16 | 7.6 | 2.2 | 1.3 | 2.5 |
| P0210.040-020-A2 | M 4 | 20 | 7.6 | 2.2 | 1.3 | 2.5 |
| P0210.040-025-A2 | M 4 | 25 | 7.6 | 2.2 | 1.3 | 2.5 |
| P0210.040-030-A2 | M 4 | 30 | 7.6 | 2.2 | 1.3 | 2.5 |
| P0210.040-035-A2 | M 4 | 35 | 7.6 | 2.2 | 1.3 | 2.5 |
| P0210.040-040-A2 | M 4 | 40 | 7.6 | 2.2 | 1.3 | 2.5 |
| P0210.040-045-A2 | M 4 | 45 | 7.6 | 2.2 | 1.3 | 2.5 |
| P0210.040-050-A2 | M 4 | 50 | 7.6 | 2.2 | 1.3 | 2.5 |
| P0210.050-006-A2 | M 5 | 6 | 9.5 | 2.75 | 1.56 | 3 |
| P0210.050-008-A2 | M 5 | 8 | 9.5 | 2.75 | 1.56 | 3 |
| P0210.050-010-A2 | M 5 | 10 | 9.5 | 2.75 | 1.56 | 3 |
| P0210.050-012-A2 | M 5 | 12 | 9.5 | 2.75 | 1.56 | 3 |
| P0210.050-014-A2 | M 5 | 14 | 9.5 | 2.75 | 1.56 | 3 |
| P0210.050-016-A2 | M 5 | 16 | 9.5 | 2.75 | 1.56 | 3 |

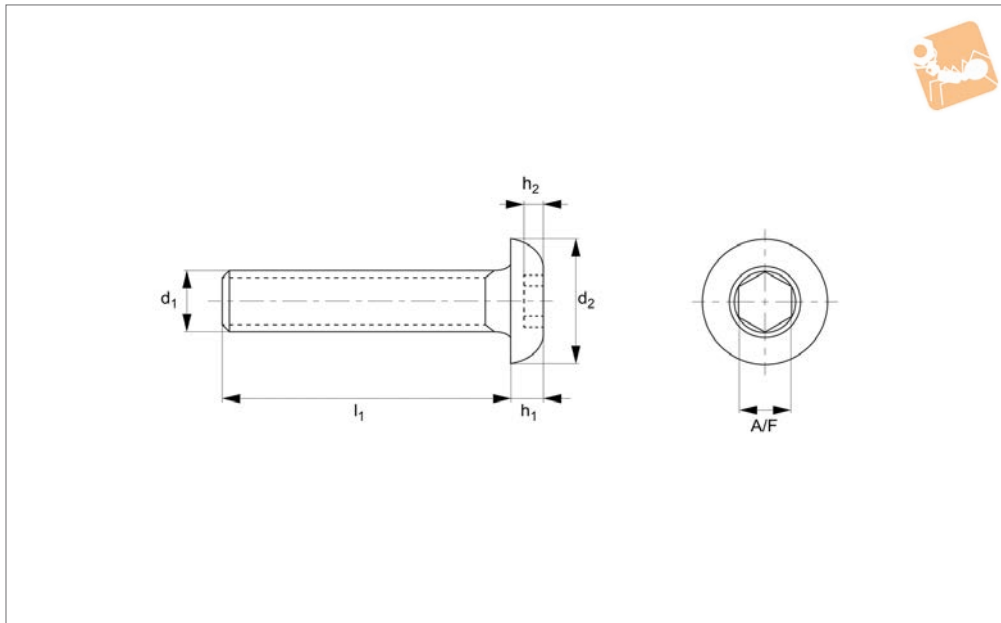


| Order No. | d ₁ | l ₁ | d ₂ | h ₁ | h ₂ | A/F |
|------------------|----------------|----------------|----------------|----------------|----------------|-----|
| P0210.050-020-A2 | M 5 | 20 | 9.5 | 2.75 | 1.56 | 3 |
| P0210.050-025-A2 | M 5 | 25 | 9.5 | 2.75 | 1.56 | 3 |
| P0210.050-030-A2 | M 5 | 30 | 9.5 | 2.75 | 1.56 | 3 |
| P0210.050-035-A2 | M 5 | 35 | 9.5 | 2.75 | 1.56 | 3 |
| P0210.050-040-A2 | M 5 | 40 | 9.5 | 2.75 | 1.56 | 3 |
| P0210.050-045-A2 | M 5 | 45 | 9.5 | 2.75 | 1.56 | 3 |
| P0210.050-050-A2 | M 5 | 50 | 9.5 | 2.75 | 1.56 | 3 |
| P0210.050-055-A2 | M 5 | 55 | 9.5 | 2.75 | 1.56 | 3 |
| P0210.050-060-A2 | M 5 | 60 | 9.5 | 2.75 | 1.56 | 3 |
| P0210.060-008-A2 | M 6 | 8 | 10.5 | 3.3 | 2.08 | 4 |
| P0210.060-010-A2 | M 6 | 10 | 10.5 | 3.3 | 2.08 | 4 |
| P0210.060-012-A2 | M 6 | 12 | 10.5 | 3.3 | 2.08 | 4 |
| P0210.060-014-A2 | M 6 | 14 | 10.5 | 3.3 | 2.08 | 4 |
| P0210.060-016-A2 | M 6 | 16 | 10.5 | 3.3 | 2.08 | 4 |
| P0210.060-020-A2 | M 6 | 20 | 10.5 | 3.3 | 2.08 | 4 |
| P0210.060-025-A2 | M 6 | 25 | 10.5 | 3.3 | 2.08 | 4 |
| P0210.060-030-A2 | M 6 | 30 | 10.5 | 3.3 | 2.08 | 4 |
| P0210.060-035-A2 | M 6 | 35 | 10.5 | 3.3 | 2.08 | 4 |
| P0210.060-040-A2 | M 6 | 40 | 10.5 | 3.3 | 2.08 | 4 |
| P0210.060-045-A2 | M 6 | 45 | 10.5 | 3.3 | 2.08 | 4 |
| P0210.060-050-A2 | M 6 | 50 | 10.5 | 3.3 | 2.08 | 4 |
| P0210.060-055-A2 | M 6 | 55 | 10.5 | 3.3 | 2.08 | 4 |
| P0210.060-060-A2 | M 6 | 60 | 10.5 | 3.3 | 2.08 | 4 |
| P0210.060-070-A2 | M 6 | 70 | 10.5 | 3.3 | 2.08 | 4 |
| P0210.060-080-A2 | M 6 | 80 | 10.5 | 3.3 | 2.08 | 4 |
| P0210.080-010-A2 | M 8 | 10 | 14 | 4.4 | 2.6 | 5 |
| P0210.080-012-A2 | M 8 | 12 | 14 | 4.4 | 2.6 | 5 |
| P0210.080-014-A2 | M 8 | 14 | 14 | 4.4 | 2.6 | 5 |
| P0210.080-016-A2 | M 8 | 16 | 14 | 4.4 | 2.6 | 5 |
| P0210.080-020-A2 | M 8 | 20 | 14 | 4.4 | 2.6 | 5 |
| P0210.080-025-A2 | M 8 | 25 | 14 | 4.4 | 2.6 | 5 |
| P0210.080-030-A2 | M 8 | 30 | 14 | 4.4 | 2.6 | 5 |
| P0210.080-035-A2 | M 8 | 35 | 14 | 4.4 | 2.6 | 5 |
| P0210.080-040-A2 | M 8 | 40 | 14 | 4.4 | 2.6 | 5 |
| P0210.080-045-A2 | M 8 | 45 | 14 | 4.4 | 2.6 | 5 |
| P0210.080-050-A2 | M 8 | 50 | 14 | 4.4 | 2.6 | 5 |
| P0210.080-055-A2 | M 8 | 55 | 14 | 4.4 | 2.6 | 5 |
| P0210.080-060-A2 | M 8 | 60 | 14 | 4.4 | 2.6 | 5 |
| P0210.080-070-A2 | M 8 | 70 | 14 | 4.4 | 2.6 | 5 |
| P0210.080-080-A2 | M 8 | 80 | 14 | 4.4 | 2.6 | 5 |
| P0210.100-012-A2 | M10 | 12 | 17.5 | 5.5 | 3.12 | 6 |
| P0210.100-016-A2 | M10 | 16 | 17.5 | 5.5 | 3.12 | 6 |
| P0210.100-020-A2 | M10 | 20 | 17.5 | 5.5 | 3.12 | 6 |
| P0210.100-025-A2 | M10 | 25 | 17.5 | 5.5 | 3.12 | 6 |
| P0210.100-030-A2 | M10 | 30 | 17.5 | 5.5 | 3.12 | 6 |
| P0210.100-035-A2 | M10 | 35 | 17.5 | 5.5 | 3.12 | 6 |
| P0210.100-040-A2 | M10 | 40 | 17.5 | 5.5 | 3.12 | 6 |
| P0210.100-045-A2 | M10 | 45 | 17.5 | 5.5 | 3.12 | 6 |
| P0210.100-050-A2 | M10 | 50 | 17.5 | 5.5 | 3.12 | 6 |
| P0210.100-055-A2 | M10 | 55 | 17.5 | 5.5 | 3.12 | 6 |
| P0210.100-060-A2 | M10 | 60 | 17.5 | 5.5 | 3.12 | 6 |
| P0210.100-070-A2 | M10 | 70 | 17.5 | 5.5 | 3.12 | 6 |
| P0210.100-080-A2 | M10 | 80 | 17.5 | 5.5 | 3.12 | 6 |
| P0210.120-020-A2 | M12 | 20 | 21 | 6.6 | 4.16 | 8 |
| P0210.120-025-A2 | M12 | 25 | 21 | 6.6 | 4.16 | 8 |
| P0210.120-030-A2 | M12 | 30 | 21 | 6.6 | 4.16 | 8 |
| P0210.120-035-A2 | M12 | 35 | 21 | 6.6 | 4.16 | 8 |
| P0210.120-040-A2 | M12 | 40 | 21 | 6.6 | 4.16 | 8 |
| P0210.120-045-A2 | M12 | 45 | 21 | 6.6 | 4.16 | 8 |
| P0210.120-050-A2 | M12 | 50 | 21 | 6.6 | 4.16 | 8 |
| P0210.120-055-A2 | M12 | 55 | 21 | 6.6 | 4.16 | 8 |
| P0210.120-060-A2 | M12 | 60 | 21 | 6.6 | 4.16 | 8 |
| P0210.120-070-A2 | M12 | 70 | 21 | 6.6 | 4.16 | 8 |
| P0210.120-080-A2 | M12 | 80 | 21 | 6.6 | 4.16 | 8 |

Socket Button Screws

A4 stainless

Standard Screws



P0210.A4

STANDARD SCREWS

Material

Stainless steel A4.

head.

Technical Notes

To ISO 7380. Threaded within 2,5 x pitch of

See technical page for tightening torques.

| Order No. | d ₁ | l ₁ | d ₂ | h ₁ | h ₂ | A/F |
|------------------|----------------|----------------|----------------|----------------|----------------|-----|
| P0210.030-005-A4 | M 3 | 5 | 5.7 | 1.65 | 1.04 | 2 |
| P0210.030-006-A4 | M 3 | 6 | 5.7 | 1.65 | 1.04 | 2 |
| P0210.030-008-A4 | M 3 | 8 | 5.7 | 1.65 | 1.04 | 2 |
| P0210.030-010-A4 | M 3 | 10 | 5.7 | 1.65 | 1.04 | 2 |
| P0210.030-012-A4 | M 3 | 12 | 5.7 | 1.65 | 1.04 | 2 |
| P0210.030-016-A4 | M 3 | 16 | 5.7 | 1.65 | 1.04 | 2 |
| P0210.030-020-A4 | M 3 | 20 | 5.7 | 1.65 | 1.04 | 2 |
| P0210.030-025-A4 | M 3 | 25 | 5.7 | 1.65 | 1.04 | 2 |
| P0210.030-030-A4 | M 3 | 30 | 5.7 | 1.65 | 1.04 | 2 |
| P0210.030-035-A4 | M 3 | 35 | 5.7 | 1.65 | 1.04 | 2 |
| P0210.030-040-A4 | M 3 | 40 | 5.7 | 1.65 | 1.04 | 2 |
| P0210.040-050-A4 | M 4 | 5 | 7.6 | 2.2 | 1.3 | 2.5 |
| P0210.040-060-A4 | M 4 | 6 | 7.6 | 2.2 | 1.3 | 2.5 |
| P0210.040-080-A4 | M 4 | 8 | 7.6 | 2.2 | 1.3 | 2.5 |
| P0210.040-010-A4 | M 4 | 10 | 7.6 | 2.2 | 1.3 | 2.5 |
| P0210.040-012-A4 | M 4 | 12 | 7.6 | 2.2 | 1.3 | 2.5 |
| P0210.040-016-A4 | M 4 | 16 | 7.6 | 2.2 | 1.3 | 2.5 |
| P0210.040-020-A4 | M 4 | 20 | 7.6 | 2.2 | 1.3 | 2.5 |
| P0210.040-025-A4 | M 4 | 25 | 7.6 | 2.2 | 1.3 | 2.5 |
| P0210.040-030-A4 | M 4 | 30 | 7.6 | 2.2 | 1.3 | 2.5 |
| P0210.040-035-A4 | M 4 | 35 | 7.6 | 2.2 | 1.3 | 2.5 |
| P0210.040-040-A4 | M 4 | 40 | 7.6 | 2.2 | 1.3 | 2.5 |
| P0210.050-006-A4 | M 5 | 6 | 9.5 | 2.75 | 1.56 | 3 |
| P0210.050-008-A4 | M 5 | 8 | 9.5 | 2.75 | 1.56 | 3 |
| P0210.050-010-A4 | M 5 | 10 | 9.5 | 2.75 | 1.56 | 3 |
| P0210.050-012-A4 | M 5 | 12 | 9.5 | 2.75 | 1.56 | 3 |
| P0210.050-016-A4 | M 5 | 16 | 9.5 | 2.75 | 1.56 | 3 |
| P0210.050-020-A4 | M 5 | 20 | 9.5 | 2.75 | 1.56 | 3 |
| P0210.050-025-A4 | M 5 | 25 | 9.5 | 2.75 | 1.56 | 3 |
| P0210.050-030-A4 | M 5 | 30 | 9.5 | 2.75 | 1.56 | 3 |
| P0210.050-035-A4 | M 5 | 35 | 9.5 | 2.75 | 1.56 | 3 |
| P0210.050-040-A4 | M 5 | 40 | 9.5 | 2.75 | 1.56 | 3 |
| P0210.050-045-A4 | M 5 | 45 | 9.5 | 2.75 | 1.56 | 3 |
| P0210.050-060-A4 | M 5 | 60 | 9.5 | 2.75 | 1.56 | 3 |



STANDARD SCREWS

| Order No. | d ₁ | l ₁ | d ₂ | h ₁ | h ₂ | A/F |
|------------------|----------------|----------------|----------------|----------------|----------------|-----|
| P0210.060-008-A4 | M 6 | 8 | 10.5 | 3.3 | 2.08 | 4 |
| P0210.060-010-A4 | M 6 | 10 | 10.5 | 3.3 | 2.08 | 4 |
| P0210.060-012-A4 | M 6 | 12 | 10.5 | 3.3 | 2.08 | 4 |
| P0210.060-016-A4 | M 6 | 16 | 10.5 | 3.3 | 2.08 | 4 |
| P0210.060-020-A4 | M 6 | 20 | 10.5 | 3.3 | 2.08 | 4 |
| P0210.060-025-A4 | M 6 | 25 | 10.5 | 3.3 | 2.08 | 4 |
| P0210.060-030-A4 | M 6 | 30 | 10.5 | 3.3 | 2.08 | 4 |
| P0210.060-035-A4 | M 6 | 35 | 10.5 | 3.3 | 2.08 | 4 |
| P0210.060-040-A4 | M 6 | 40 | 10.5 | 3.3 | 2.08 | 4 |
| P0210.060-045-A4 | M 6 | 45 | 10.5 | 3.3 | 2.08 | 4 |
| P0210.060-050-A4 | M 6 | 50 | 10.5 | 3.3 | 2.08 | 4 |
| P0210.080-010-A4 | M 8 | 10 | 14 | 4.4 | 2.60 | 5 |
| P0210.080-012-A4 | M 8 | 12 | 14 | 4.4 | 2.60 | 5 |
| P0210.080-016-A4 | M 8 | 16 | 14 | 4.4 | 2.60 | 5 |
| P0210.080-020-A4 | M 8 | 20 | 14 | 4.4 | 2.60 | 5 |
| P0210.080-025-A4 | M 8 | 25 | 14 | 4.4 | 2.60 | 5 |
| P0210.080-030-A4 | M 8 | 30 | 14 | 4.4 | 2.60 | 5 |
| P0210.080-035-A4 | M 8 | 35 | 14 | 4.4 | 2.60 | 5 |
| P0210.080-040-A4 | M 8 | 40 | 14 | 4.4 | 2.60 | 5 |
| P0210.080-045-A4 | M 8 | 45 | 14 | 4.4 | 2.60 | 5 |
| P0210.080-050-A4 | M 8 | 50 | 14 | 4.4 | 2.60 | 5 |
| P0210.080-055-A4 | M 8 | 55 | 14 | 4.4 | 2.60 | 5 |
| P0210.080-060-A4 | M 8 | 60 | 14 | 4.4 | 2.60 | 5 |
| P0210.100-016-A4 | M10 | 16 | 17.5 | 5.5 | 3.12 | 6 |
| P0210.100-020-A4 | M10 | 20 | 17.5 | 5.5 | 3.12 | 6 |
| P0210.100-025-A4 | M10 | 25 | 17.5 | 5.5 | 3.12 | 6 |
| P0210.100-030-A4 | M10 | 30 | 17.5 | 5.5 | 3.12 | 6 |
| P0210.100-035-A4 | M10 | 35 | 17.5 | 5.5 | 3.12 | 6 |
| P0210.100-040-A4 | M10 | 40 | 17.5 | 5.5 | 3.12 | 6 |
| P0210.100-045-A4 | M10 | 45 | 17.5 | 5.5 | 3.12 | 6 |
| P0210.100-050-A4 | M10 | 50 | 17.5 | 5.5 | 3.12 | 6 |
| P0210.100-055-A4 | M10 | 55 | 17.5 | 5.5 | 3.12 | 6 |
| P0210.100-060-A4 | M10 | 60 | 17.5 | 5.5 | 3.12 | 6 |
| P0210.120-020-A4 | M12 | 20 | 21 | 6.6 | 4.16 | 8 |
| P0210.120-025-A4 | M12 | 25 | 21 | 6.6 | 4.16 | 8 |
| P0210.120-030-A4 | M12 | 30 | 21 | 6.6 | 4.16 | 8 |
| P0210.120-035-A4 | M12 | 35 | 21 | 6.6 | 4.16 | 8 |
| P0210.120-040-A4 | M12 | 40 | 21 | 6.6 | 4.16 | 8 |
| P0210.120-045-A4 | M12 | 45 | 21 | 6.6 | 4.16 | 8 |
| P0210.120-050-A4 | M12 | 50 | 21 | 6.6 | 4.16 | 8 |
| P0210.120-055-A4 | M12 | 55 | 21 | 6.6 | 4.16 | 8 |
| P0210.120-060-A4 | M12 | 60 | 21 | 6.6 | 4.16 | 8 |

Socket Button Screws

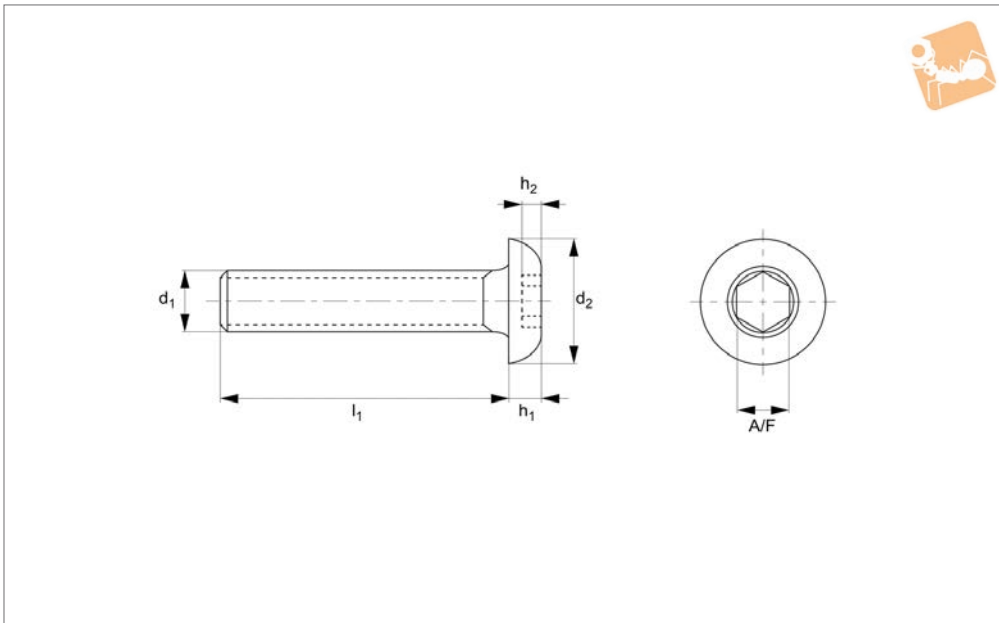
Steel - zinc-plated

Standard Screws



P0210.ZP

STANDARD SCREWS



Material

Steel, zinc-plated (grade 10.9).

Technical Notes

To ISO 7380. Threaded within 2,5 x pitch of head.

| Order No. | d ₁ | l ₁ | d ₂ | h ₁ | h ₂ | A/F |
|------------------|----------------|----------------|----------------|----------------|----------------|-----|
| P0210.030-004-ZP | M 3 | 4 | 5.7 | 1.65 | 1.04 | 2 |
| P0210.030-005-ZP | M 3 | 5 | 5.7 | 1.65 | 1.04 | 2 |
| P0210.030-006-ZP | M 3 | 6 | 5.7 | 1.65 | 1.04 | 2 |
| P0210.030-008-ZP | M 3 | 8 | 5.7 | 1.65 | 1.04 | 2 |
| P0210.030-010-ZP | M 3 | 10 | 5.7 | 1.65 | 1.04 | 2 |
| P0210.030-012-ZP | M 3 | 12 | 5.7 | 1.65 | 1.04 | 2 |
| P0210.030-016-ZP | M 3 | 16 | 5.7 | 1.65 | 1.04 | 2 |
| P0210.030-020-ZP | M 3 | 20 | 5.7 | 1.65 | 1.04 | 2 |
| P0210.030-025-ZP | M 3 | 25 | 5.7 | 1.65 | 1.04 | 2 |
| P0210.030-030-ZP | M 3 | 30 | 5.7 | 1.65 | 1.04 | 2 |
| P0210.030-035-ZP | M 3 | 35 | 5.7 | 1.65 | 1.04 | 2 |
| P0210.030-040-ZP | M 3 | 40 | 5.7 | 1.65 | 1.04 | 2 |
| P0210.040-005-ZP | M 4 | 5 | 7.6 | 2.2 | 1.3 | 2.5 |
| P0210.040-006-ZP | M 4 | 6 | 7.6 | 2.2 | 1.3 | 2.5 |
| P0210.040-008-ZP | M 4 | 8 | 7.6 | 2.2 | 1.3 | 2.5 |
| P0210.040-010-ZP | M 4 | 10 | 7.6 | 2.2 | 1.3 | 2.5 |
| P0210.040-012-ZP | M 4 | 12 | 7.6 | 2.2 | 1.3 | 2.5 |
| P0210.040-014-ZP | M 4 | 14 | 7.6 | 2.2 | 1.3 | 2.5 |
| P0210.040-016-ZP | M 4 | 16 | 7.6 | 2.2 | 1.3 | 2.5 |
| P0210.040-020-ZP | M 4 | 20 | 7.6 | 2.2 | 1.3 | 2.5 |
| P0210.040-025-ZP | M 4 | 25 | 7.6 | 2.2 | 1.3 | 2.5 |
| P0210.040-030-ZP | M 4 | 30 | 7.6 | 2.2 | 1.3 | 2.5 |
| P0210.040-035-ZP | M 4 | 35 | 7.6 | 2.2 | 1.3 | 2.5 |
| P0210.040-040-ZP | M 4 | 40 | 7.6 | 2.2 | 1.3 | 2.5 |
| P0210.040-045-ZP | M 4 | 45 | 7.6 | 2.2 | 1.3 | 2.5 |
| P0210.040-050-ZP | M 4 | 40 | 7.6 | 2.2 | 1.3 | 2.5 |
| P0210.050-006-ZP | M 5 | 6 | 9.5 | 2.75 | 1.56 | 3 |
| P0210.050-008-ZP | M 5 | 8 | 9.5 | 2.75 | 1.56 | 3 |
| P0210.050-010-ZP | M 5 | 10 | 9.5 | 2.75 | 1.56 | 3 |
| P0210.050-012-ZP | M 5 | 12 | 9.5 | 2.75 | 1.56 | 3 |
| P0210.050-014-ZP | M 5 | 14 | 9.5 | 2.75 | 1.56 | 3 |
| P0210.050-016-ZP | M 5 | 16 | 9.5 | 2.75 | 1.56 | 3 |
| P0210.050-020-ZP | M 5 | 20 | 9.5 | 2.75 | 1.56 | 3 |
| P0210.050-025-ZP | M 5 | 25 | 9.5 | 2.75 | 1.56 | 3 |
| P0210.050-030-ZP | M 5 | 30 | 9.5 | 2.75 | 1.56 | 3 |



STANDARD SCREWS

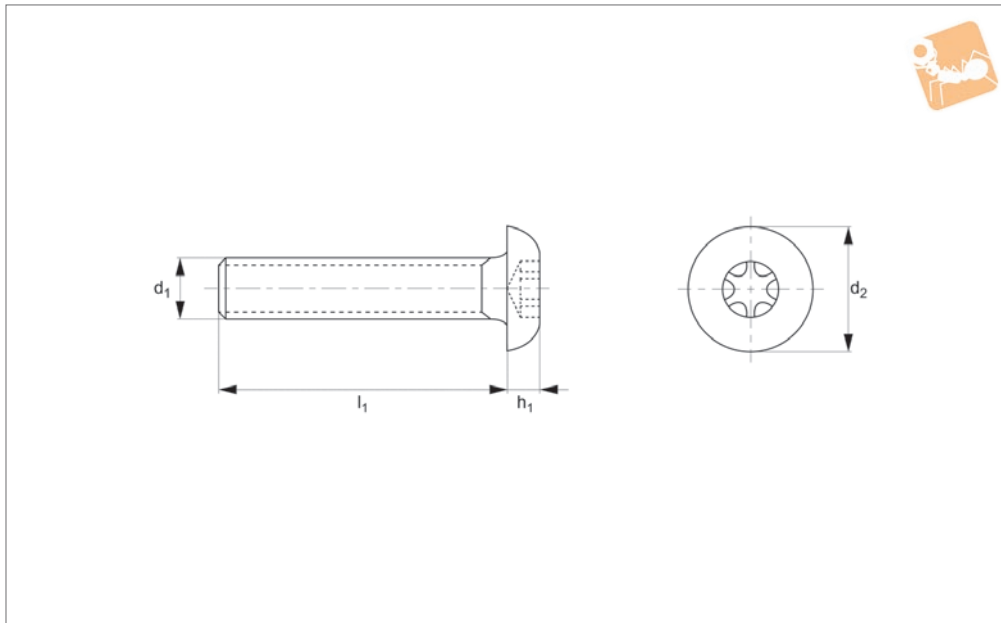
| Order No. | d ₁ | l ₁ | d ₂ | h ₁ | h ₂ | A/F |
|------------------|----------------|----------------|----------------|----------------|----------------|-----|
| P0210.050-035-ZP | M 5 | 35 | 9.5 | 2.75 | 1.56 | 3 |
| P0210.050-040-ZP | M 5 | 40 | 9.5 | 2.75 | 1.56 | 3 |
| P0210.050-045-ZP | M 5 | 45 | 9.5 | 2.75 | 1.56 | 3 |
| P0210.050-050-ZP | M 5 | 50 | 9.5 | 2.75 | 1.56 | 3 |
| P0210.050-055-ZP | M 5 | 55 | 9.5 | 2.75 | 1.56 | 3 |
| P0210.050-060-ZP | M 5 | 60 | 9.5 | 2.75 | 1.56 | 3 |
| P0210.060-008-ZP | M 6 | 8 | 10.5 | 3.3 | 2.08 | 4 |
| P0210.060-010-ZP | M 6 | 10 | 10.5 | 3.3 | 2.08 | 4 |
| P0210.060-012-ZP | M 6 | 12 | 10.5 | 3.3 | 2.08 | 4 |
| P0210.060-014-ZP | M 6 | 14 | 10.5 | 3.3 | 2.08 | 4 |
| P0210.060-016-ZP | M 6 | 16 | 10.5 | 3.3 | 2.08 | 4 |
| P0210.060-020-ZP | M 6 | 20 | 10.5 | 3.3 | 2.08 | 4 |
| P0210.060-025-ZP | M 6 | 25 | 10.5 | 3.3 | 2.08 | 4 |
| P0210.060-030-ZP | M 6 | 30 | 10.5 | 3.3 | 2.08 | 4 |
| P0210.060-035-ZP | M 6 | 35 | 10.5 | 3.3 | 2.08 | 4 |
| P0210.060-040-ZP | M 6 | 40 | 10.5 | 3.3 | 2.08 | 4 |
| P0210.060-045-ZP | M 6 | 45 | 10.5 | 3.3 | 2.08 | 4 |
| P0210.060-050-ZP | M 6 | 50 | 10.5 | 3.3 | 2.08 | 4 |
| P0210.060-055-ZP | M 6 | 55 | 10.5 | 3.3 | 2.08 | 4 |
| P0210.060-060-ZP | M 6 | 60 | 10.5 | 3.3 | 2.08 | 4 |
| P0210.060-070-ZP | M 6 | 70 | 10.5 | 3.3 | 2.08 | 4 |
| P0210.080-010-ZP | M 8 | 10 | 14 | 4.4 | 2.6 | 5 |
| P0210.080-012-ZP | M 8 | 12 | 14 | 4.4 | 2.6 | 5 |
| P0210.080-014-ZP | M 8 | 14 | 14 | 4.4 | 2.6 | 5 |
| P0210.080-016-ZP | M 8 | 16 | 14 | 4.4 | 2.6 | 5 |
| P0210.080-020-ZP | M 8 | 20 | 14 | 4.4 | 2.6 | 5 |
| P0210.080-025-ZP | M 8 | 25 | 14 | 4.4 | 2.6 | 5 |
| P0210.080-030-ZP | M 8 | 30 | 14 | 4.4 | 2.6 | 5 |
| P0210.080-035-ZP | M 8 | 35 | 14 | 4.4 | 2.6 | 5 |
| P0210.080-040-ZP | M 8 | 40 | 14 | 4.4 | 2.6 | 5 |
| P0210.080-045-ZP | M 8 | 45 | 14 | 4.4 | 2.6 | 5 |
| P0210.080-050-ZP | M 8 | 50 | 14 | 4.4 | 2.6 | 5 |
| P0210.080-055-ZP | M 8 | 55 | 14 | 4.4 | 2.6 | 5 |
| P0210.080-060-ZP | M 8 | 60 | 14 | 4.4 | 2.6 | 5 |
| P0210.080-070-ZP | M 8 | 70 | 14 | 4.4 | 2.6 | 5 |
| P0210.080-080-ZP | M 8 | 80 | 14 | 4.4 | 2.6 | 5 |
| P0210.100-012-ZP | M10 | 12 | 17.5 | 5.5 | 3.12 | 6 |
| P0210.100-016-ZP | M10 | 16 | 17.5 | 5.5 | 3.12 | 6 |
| P0210.100-020-ZP | M10 | 20 | 17.5 | 5.5 | 3.12 | 6 |
| P0210.100-025-ZP | M10 | 25 | 17.5 | 5.5 | 3.12 | 6 |
| P0210.100-030-ZP | M10 | 30 | 17.5 | 5.5 | 3.12 | 6 |
| P0210.100-035-ZP | M10 | 35 | 17.5 | 5.5 | 3.12 | 6 |
| P0210.100-040-ZP | M10 | 40 | 17.5 | 5.5 | 3.12 | 6 |
| P0210.100-045-ZP | M10 | 45 | 17.5 | 5.5 | 3.12 | 6 |
| P0210.100-050-ZP | M10 | 50 | 17.5 | 5.5 | 3.12 | 6 |
| P0210.100-055-ZP | M10 | 55 | 17.5 | 5.5 | 3.12 | 6 |
| P0210.100-060-ZP | M10 | 60 | 17.5 | 5.5 | 3.12 | 6 |
| P0210.100-070-ZP | M10 | 70 | 17.5 | 5.5 | 3.12 | 6 |
| P0210.100-080-ZP | M10 | 80 | 17.5 | 5.5 | 3.12 | 6 |
| P0210.120-020-ZP | M12 | 20 | 21 | 6.6 | 4.16 | 8 |
| P0210.120-025-ZP | M12 | 25 | 21 | 6.6 | 4.16 | 8 |
| P0210.120-030-ZP | M12 | 30 | 21 | 6.6 | 4.16 | 8 |
| P0210.120-035-ZP | M12 | 35 | 21 | 6.6 | 4.16 | 8 |
| P0210.120-040-ZP | M12 | 40 | 21 | 6.6 | 4.16 | 8 |
| P0210.120-045-ZP | M12 | 45 | 21 | 6.6 | 4.16 | 8 |
| P0210.120-050-ZP | M12 | 50 | 21 | 6.6 | 4.16 | 8 |
| P0210.120-055-ZP | M12 | 55 | 21 | 6.6 | 4.16 | 8 |
| P0210.120-060-ZP | M12 | 60 | 21 | 6.6 | 4.16 | 8 |
| P0210.120-070-ZP | M12 | 70 | 21 | 6.6 | 4.16 | 8 |
| P0210.120-080-ZP | M12 | 80 | 21 | 6.6 | 4.16 | 8 |



TX Button Screws

TX - A2 stainless

Standard Screws



P0212.A2

STANDARD SCREWS

Material

Stainless steel A2.

head.

Technical Notes

To ISO 7380. Threaded within 2,5 x pitch of

See technical page for tightening torques.

| Order No. | d ₁ | l ₁ | d ₂ | h ₁ | Size |
|------------------|----------------|----------------|----------------|----------------|-------|
| P0212.030-003-A2 | M 3 | 3 | 5.7 | 1.65 | TX-10 |
| P0212.030-004-A2 | M 3 | 4 | 5.7 | 1.65 | TX-10 |
| P0212.030-005-A2 | M 3 | 5 | 5.7 | 1.65 | TX-10 |
| P0212.030-006-A2 | M 3 | 6 | 5.7 | 1.65 | TX-10 |
| P0212.030-008-A2 | M 3 | 8 | 5.7 | 1.65 | TX-10 |
| P0212.030-010-A2 | M 3 | 10 | 5.7 | 1.65 | TX-10 |
| P0212.030-012-A2 | M 3 | 12 | 5.7 | 1.65 | TX-10 |
| P0212.030-014-A2 | M 3 | 14 | 5.7 | 1.65 | TX-10 |
| P0212.030-016-A2 | M 3 | 16 | 5.7 | 1.65 | TX-10 |
| P0212.030-020-A2 | M 3 | 20 | 5.7 | 1.65 | TX-10 |
| P0212.030-022-A2 | M 3 | 22 | 5.7 | 1.65 | TX-10 |
| P0212.030-025-A2 | M 3 | 25 | 5.7 | 1.65 | TX-10 |
| P0212.030-030-A2 | M 3 | 30 | 5.7 | 1.65 | TX-10 |
| P0212.030-035-A2 | M 3 | 35 | 5.7 | 1.65 | TX-10 |
| P0212.030-040-A2 | M 3 | 40 | 5.7 | 1.65 | TX-10 |
| P0212.030-045-A2 | M 3 | 45 | 5.7 | 1.65 | TX-10 |
| P0212.030-050-A2 | M 3 | 50 | 5.7 | 1.65 | TX-10 |
| P0212.040-004-A2 | M 4 | 4 | 7.6 | 2.2 | TX-20 |
| P0212.040-005-A2 | M 4 | 5 | 7.6 | 2.2 | TX-20 |
| P0212.040-006-A2 | M 4 | 6 | 7.6 | 2.2 | TX-20 |
| P0212.040-008-A2 | M 4 | 8 | 7.6 | 2.2 | TX-20 |
| P0212.040-010-A2 | M 4 | 10 | 7.6 | 2.2 | TX-20 |
| P0212.040-012-A2 | M 4 | 12 | 7.6 | 2.2 | TX-20 |
| P0212.040-014-A2 | M 4 | 14 | 7.6 | 2.2 | TX-20 |
| P0212.040-016-A2 | M 4 | 16 | 7.6 | 2.2 | TX-20 |
| P0212.040-018-A2 | M 4 | 18 | 7.6 | 2.2 | TX-20 |
| P0212.040-020-A2 | M 4 | 20 | 7.6 | 2.2 | TX-20 |
| P0212.040-022-A2 | M 4 | 22 | 7.6 | 2.2 | TX-20 |
| P0212.040-025-A2 | M 4 | 25 | 7.6 | 2.2 | TX-20 |
| P0212.040-030-A2 | M 4 | 30 | 7.6 | 2.2 | TX-20 |
| P0212.040-035-A2 | M 4 | 35 | 7.6 | 2.2 | TX-20 |
| P0212.040-040-A2 | M 4 | 40 | 7.6 | 2.2 | TX-20 |
| P0212.040-045-A2 | M 4 | 45 | 7.6 | 2.2 | TX-20 |
| P0212.040-050-A2 | M 4 | 50 | 7.6 | 2.2 | TX-20 |



STANDARD SCREWS

| Order No. | d ₁ | l ₁ | d ₂ | h ₁ | Size |
|------------------|----------------|----------------|----------------|----------------|-------|
| P0212.040-055-A2 | M 4 | 55 | 7.6 | 2.2 | TX-20 |
| P0212.040-060-A2 | M 4 | 60 | 7.6 | 2.2 | TX-20 |
| P0212.050-005-A2 | M 5 | 5 | 9.5 | 2.75 | TX-25 |
| P0212.050-006-A2 | M 5 | 6 | 9.5 | 2.75 | TX-25 |
| P0212.050-008-A2 | M 5 | 8 | 9.5 | 2.75 | TX-25 |
| P0212.050-010-A2 | M 5 | 10 | 9.5 | 2.75 | TX-25 |
| P0212.050-012-A2 | M 5 | 12 | 9.5 | 2.75 | TX-25 |
| P0212.050-014-A2 | M 5 | 14 | 9.5 | 2.75 | TX-25 |
| P0212.050-016-A2 | M 5 | 16 | 9.5 | 2.75 | TX-25 |
| P0212.050-018-A2 | M 5 | 18 | 9.5 | 2.75 | TX-25 |
| P0212.050-020-A2 | M 5 | 20 | 9.5 | 2.75 | TX-25 |
| P0212.050-022-A2 | M 5 | 22 | 9.5 | 2.75 | TX-25 |
| P0212.050-025-A2 | M 5 | 25 | 9.5 | 2.75 | TX-25 |
| P0212.050-030-A2 | M 5 | 30 | 9.5 | 2.75 | TX-25 |
| P0212.050-035-A2 | M 5 | 35 | 9.5 | 2.75 | TX-25 |
| P0212.050-040-A2 | M 5 | 40 | 9.5 | 2.75 | TX-25 |
| P0212.050-045-A2 | M 5 | 45 | 9.5 | 2.75 | TX-25 |
| P0212.050-050-A2 | M 5 | 50 | 9.5 | 2.75 | TX-25 |
| P0212.050-055-A2 | M 5 | 55 | 9.5 | 2.75 | TX-25 |
| P0212.050-060-A2 | M 5 | 60 | 9.5 | 2.75 | TX-25 |
| P0212.050-065-A2 | M 5 | 65 | 9.5 | 2.75 | TX-25 |
| P0212.050-070-A2 | M 5 | 70 | 9.5 | 2.75 | TX-25 |
| P0212.050-075-A2 | M 5 | 75 | 9.5 | 2.75 | TX-25 |
| P0212.050-080-A2 | M 5 | 80 | 9.5 | 2.75 | TX-25 |
| P0212.060-006-A2 | M 6 | 6 | 10.5 | 3.3 | TX-30 |
| P0212.060-008-A2 | M 6 | 8 | 10.5 | 3.3 | TX-30 |
| P0212.060-010-A2 | M 6 | 10 | 10.5 | 3.3 | TX-30 |
| P0212.060-012-A2 | M 6 | 12 | 10.5 | 3.3 | TX-30 |
| P0212.060-014-A2 | M 6 | 14 | 10.5 | 3.3 | TX-30 |
| P0212.060-016-A2 | M 6 | 16 | 10.5 | 3.3 | TX-30 |
| P0212.060-018-A2 | M 6 | 18 | 10.5 | 3.3 | TX-30 |
| P0212.060-020-A2 | M 6 | 20 | 10.5 | 3.3 | TX-30 |
| P0212.060-022-A2 | M 6 | 22 | 10.5 | 3.3 | TX-30 |
| P0212.060-025-A2 | M 6 | 25 | 10.5 | 3.3 | TX-30 |
| P0212.060-030-A2 | M 6 | 30 | 10.5 | 3.3 | TX-30 |
| P0212.060-035-A2 | M 6 | 35 | 10.5 | 3.3 | TX-30 |
| P0212.060-040-A2 | M 6 | 40 | 10.5 | 3.3 | TX-30 |
| P0212.060-045-A2 | M 6 | 45 | 10.5 | 3.3 | TX-30 |
| P0212.060-050-A2 | M 6 | 50 | 10.5 | 3.3 | TX-30 |
| P0212.060-055-A2 | M 6 | 55 | 10.5 | 3.3 | TX-30 |
| P0212.060-060-A2 | M 6 | 60 | 10.5 | 3.3 | TX-30 |
| P0212.060-065-A2 | M 6 | 65 | 10.5 | 3.3 | TX-30 |
| P0212.060-070-A2 | M 6 | 70 | 10.5 | 3.3 | TX-30 |
| P0212.060-075-A2 | M 6 | 75 | 10.5 | 3.3 | TX-30 |
| P0212.060-080-A2 | M 6 | 80 | 10.5 | 3.3 | TX-30 |
| P0212.060-090-A2 | M 6 | 90 | 10.5 | 3.3 | TX-30 |
| P0212.060-100-A2 | M 6 | 100 | 10.5 | 3.3 | TX-30 |
| P0212.080-008-A2 | M 8 | 8 | 14 | 4.4 | TX-40 |
| P0212.080-010-A2 | M 8 | 10 | 14 | 4.4 | TX-40 |
| P0212.080-012-A2 | M 8 | 12 | 14 | 4.4 | TX-40 |
| P0212.080-014-A2 | M 8 | 14 | 14 | 4.4 | TX-40 |
| P0212.080-016-A2 | M 8 | 16 | 14 | 4.4 | TX-40 |
| P0212.080-018-A2 | M 8 | 18 | 14 | 4.4 | TX-40 |
| P0212.080-020-A2 | M 8 | 20 | 14 | 4.4 | TX-40 |
| P0212.080-022-A2 | M 8 | 22 | 14 | 4.4 | TX-40 |
| P0212.080-025-A2 | M 8 | 25 | 14 | 4.4 | TX-40 |
| P0212.080-030-A2 | M 8 | 30 | 14 | 4.4 | TX-40 |
| P0212.080-035-A2 | M 8 | 35 | 14 | 4.4 | TX-40 |
| P0212.080-040-A2 | M 8 | 40 | 14 | 4.4 | TX-40 |
| P0212.080-045-A2 | M 8 | 45 | 14 | 4.4 | TX-40 |
| P0212.080-050-A2 | M 8 | 50 | 14 | 4.4 | TX-40 |
| P0212.080-055-A2 | M 8 | 55 | 14 | 4.4 | TX-40 |
| P0212.080-060-A2 | M 8 | 60 | 14 | 4.4 | TX-40 |
| P0212.080-065-A2 | M 8 | 65 | 14 | 4.4 | TX-40 |
| P0212.080-070-A2 | M 8 | 70 | 14 | 4.4 | TX-40 |
| P0212.080-075-A2 | M 8 | 75 | 14 | 4.4 | TX-40 |
| P0212.080-080-A2 | M 8 | 80 | 14 | 4.4 | TX-40 |
| P0212.080-090-A2 | M 8 | 90 | 14 | 4.4 | TX-40 |
| P0212.080-100-A2 | M 8 | 100 | 14 | 4.4 | TX-40 |



TX Button Screws

TX - A2 stainless

Standard Screws



| Order No. | d ₁ | l ₁ | d ₂ | h ₁ | Size |
|------------------|----------------|----------------|----------------|----------------|-------|
| P0212.080-110-A2 | M 8 | 110 | 14 | 4.4 | TX-40 |
| P0212.080-120-A2 | M 8 | 120 | 14 | 4.4 | TX-40 |
| P0212.100-012-A2 | M10 | 12 | 17.5 | 5.5 | TX-50 |
| P0212.100-014-A2 | M10 | 14 | 17.5 | 5.5 | TX-50 |
| P0212.100-016-A2 | M10 | 16 | 17.5 | 5.5 | TX-50 |
| P0212.100-018-A2 | M10 | 18 | 17.5 | 5.5 | TX-50 |
| P0212.100-020-A2 | M10 | 20 | 17.5 | 5.5 | TX-50 |
| P0212.100-022-A2 | M10 | 22 | 17.5 | 5.5 | TX-50 |
| P0212.100-025-A2 | M10 | 25 | 17.5 | 5.5 | TX-50 |
| P0212.100-030-A2 | M10 | 30 | 17.5 | 5.5 | TX-50 |
| P0212.100-035-A2 | M10 | 35 | 17.5 | 5.5 | TX-50 |
| P0212.100-040-A2 | M10 | 40 | 17.5 | 5.5 | TX-50 |
| P0212.100-045-A2 | M10 | 45 | 17.5 | 5.5 | TX-50 |
| P0212.100-050-A2 | M10 | 50 | 17.5 | 5.5 | TX-50 |
| P0212.100-055-A2 | M10 | 55 | 17.5 | 5.5 | TX-50 |
| P0212.100-060-A2 | M10 | 60 | 17.5 | 5.5 | TX-50 |
| P0212.100-065-A2 | M10 | 65 | 17.5 | 5.5 | TX-50 |
| P0212.100-070-A2 | M10 | 70 | 17.5 | 5.5 | TX-50 |
| P0212.100-075-A2 | M10 | 75 | 17.5 | 5.5 | TX-50 |
| P0212.100-080-A2 | M10 | 80 | 17.5 | 5.5 | TX-50 |
| P0212.100-090-A2 | M10 | 90 | 17.5 | 5.5 | TX-50 |
| P0212.100-100-A2 | M10 | 100 | 17.5 | 5.5 | TX-50 |
| P0212.100-110-A2 | M10 | 110 | 17.5 | 5.5 | TX-50 |
| P0212.100-120-A2 | M10 | 120 | 17.5 | 5.5 | TX-50 |
| P0212.120-016-A2 | M12 | 16 | 21.0 | 6.6 | TX-55 |
| P0212.120-018-A2 | M12 | 18 | 21.0 | 6.6 | TX-55 |
| P0212.120-020-A2 | M12 | 20 | 21.0 | 6.6 | TX-55 |
| P0212.120-022-A2 | M12 | 22 | 21.0 | 6.6 | TX-55 |
| P0212.120-025-A2 | M12 | 25 | 21.0 | 6.6 | TX-55 |
| P0212.120-030-A2 | M12 | 30 | 21.0 | 6.6 | TX-55 |
| P0212.120-035-A2 | M12 | 35 | 21.0 | 6.6 | TX-55 |
| P0212.120-040-A2 | M12 | 40 | 21.0 | 6.6 | TX-55 |
| P0212.120-045-A2 | M12 | 45 | 21.0 | 6.6 | TX-55 |
| P0212.120-050-A2 | M12 | 50 | 21.0 | 6.6 | TX-55 |
| P0212.120-055-A2 | M12 | 55 | 21.0 | 6.6 | TX-55 |
| P0212.120-060-A2 | M12 | 60 | 21.0 | 6.6 | TX-55 |
| P0212.120-065-A2 | M12 | 65 | 21.0 | 6.6 | TX-55 |
| P0212.120-070-A2 | M12 | 70 | 21.0 | 6.6 | TX-55 |
| P0212.120-075-A2 | M12 | 75 | 21.0 | 6.6 | TX-55 |
| P0212.120-080-A2 | M12 | 80 | 21.0 | 6.6 | TX-55 |
| P0212.120-085-A2 | M12 | 85 | 21.0 | 6.6 | TX-55 |
| P0212.120-090-A2 | M12 | 90 | 21.0 | 6.6 | TX-55 |
| P0212.120-095-A2 | M12 | 95 | 21.0 | 6.6 | TX-55 |
| P0212.120-100-A2 | M12 | 100 | 21.0 | 6.6 | TX-55 |
| P0212.120-110-A2 | M12 | 110 | 21.0 | 6.6 | TX-55 |
| P0212.120-120-A2 | M12 | 120 | 21.0 | 6.6 | TX-55 |

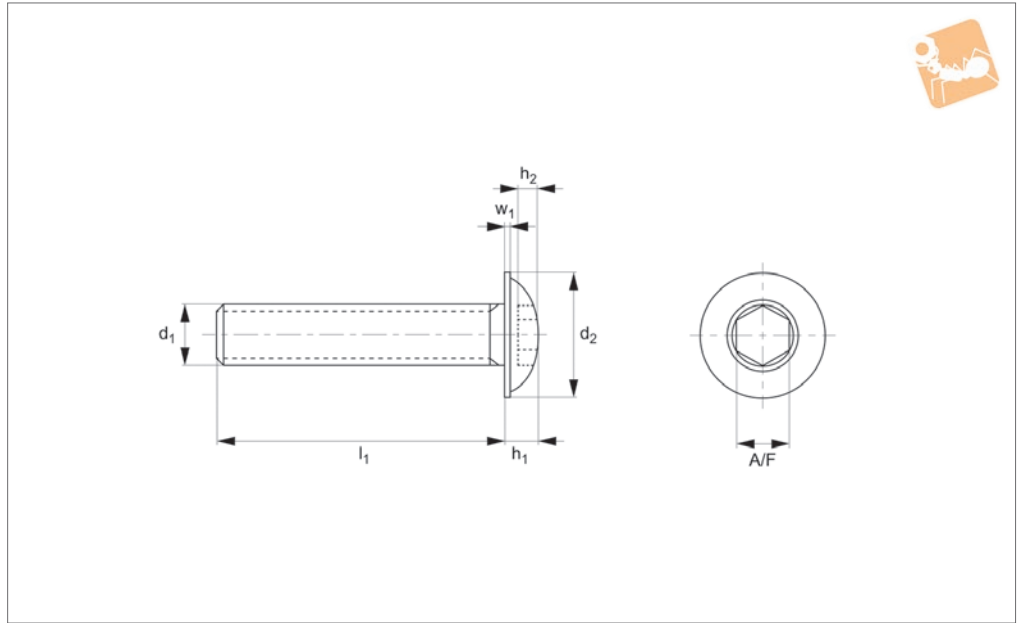
STANDARD SCREWS



STANDARD SCREWS



P0214.A2



Material

Stainless steel A2.

Standard as the non-flanged variant.

See technical page for tightening torques.

Technical Notes

Manufactured to ISO 7380, the same stan-

Threaded within 2,5 x pitch of head.

| Order No. | d ₁ | l ₁ | d ₂ | h ₁ | h ₂ | w ₁ | A/F |
|------------------|----------------|----------------|----------------|----------------|----------------|----------------|-----|
| P0214.030-003-A2 | M 3 | 3 | 6.9 | 1.65 | 1.4 | 0.7 | 2.0 |
| P0214.030-004-A2 | M 3 | 4 | 6.9 | 1.65 | 1.4 | 0.7 | 2.0 |
| P0214.030-005-A2 | M 3 | 5 | 6.9 | 1.65 | 1.4 | 0.7 | 2.0 |
| P0214.030-006-A2 | M 3 | 6 | 6.9 | 1.65 | 1.4 | 0.7 | 2.0 |
| P0214.030-008-A2 | M 3 | 8 | 6.9 | 1.65 | 1.4 | 0.7 | 2.0 |
| P0214.030-010-A2 | M 3 | 10 | 6.9 | 1.65 | 1.4 | 0.7 | 2.0 |
| P0214.030-012-A2 | M 3 | 12 | 6.9 | 1.65 | 1.4 | 0.7 | 2.0 |
| P0214.030-014-A2 | M 3 | 14 | 6.9 | 1.65 | 1.4 | 0.7 | 2.0 |
| P0214.030-016-A2 | M 3 | 16 | 6.9 | 1.65 | 1.4 | 0.7 | 2.0 |
| P0214.030-018-A2 | M 3 | 18 | 6.9 | 1.65 | 1.4 | 0.7 | 2.0 |
| P0214.030-020-A2 | M 3 | 20 | 6.9 | 1.65 | 1.4 | 0.7 | 2.0 |
| P0214.030-022-A2 | M 3 | 22 | 6.9 | 1.65 | 1.4 | 0.7 | 2.0 |
| P0214.030-025-A2 | M 3 | 25 | 6.9 | 1.65 | 1.4 | 0.7 | 2.0 |
| P0214.030-030-A2 | M 3 | 30 | 6.9 | 1.65 | 1.4 | 0.7 | 2.0 |
| P0214.030-035-A2 | M 3 | 35 | 6.9 | 1.65 | 1.4 | 0.7 | 2.0 |
| P0214.030-040-A2 | M 3 | 40 | 6.9 | 1.65 | 1.4 | 0.7 | 2.0 |
| P0214.030-045-A2 | M 3 | 45 | 6.9 | 1.65 | 1.4 | 0.7 | 2.0 |
| P0214.030-050-A2 | M 3 | 50 | 6.9 | 1.65 | 1.4 | 0.7 | 2.0 |
| P0214.040-004-A2 | M 4 | 4 | 9.4 | 2.20 | 1.7 | 0.8 | 2.5 |
| P0214.040-005-A2 | M 4 | 5 | 9.4 | 2.20 | 1.7 | 0.8 | 2.5 |
| P0214.040-006-A2 | M 4 | 6 | 9.4 | 2.20 | 1.7 | 0.8 | 2.5 |
| P0214.040-008-A2 | M 4 | 8 | 9.4 | 2.20 | 1.7 | 0.8 | 2.5 |
| P0214.040-010-A2 | M 4 | 10 | 9.4 | 2.20 | 1.7 | 0.8 | 2.5 |
| P0214.040-012-A2 | M 4 | 12 | 9.4 | 2.20 | 1.7 | 0.8 | 2.5 |
| P0214.040-014-A2 | M 4 | 14 | 9.4 | 2.20 | 1.7 | 0.8 | 2.5 |
| P0214.040-016-A2 | M 4 | 16 | 9.4 | 2.20 | 1.7 | 0.8 | 2.5 |
| P0214.040-018-A2 | M 4 | 18 | 9.4 | 2.20 | 1.7 | 0.8 | 2.5 |
| P0214.040-020-A2 | M 4 | 20 | 9.4 | 2.20 | 1.7 | 0.8 | 2.5 |
| P0214.040-022-A2 | M 4 | 22 | 9.4 | 2.20 | 1.7 | 0.8 | 2.5 |
| P0214.040-025-A2 | M 4 | 25 | 9.4 | 2.20 | 1.7 | 0.8 | 2.5 |
| P0214.040-030-A2 | M 4 | 30 | 9.4 | 2.20 | 1.7 | 0.8 | 2.5 |
| P0214.040-035-A2 | M 4 | 35 | 9.4 | 2.20 | 1.7 | 0.8 | 2.5 |
| P0214.040-040-A2 | M 4 | 40 | 9.4 | 2.20 | 1.7 | 0.8 | 2.5 |
| P0214.040-045-A2 | M 4 | 45 | 9.4 | 2.20 | 1.7 | 0.8 | 2.5 |



Flanged Button Screws

Flanged - A2 stainless

Standard Screws



| Order No. | d ₁ | l ₁ | d ₂ | h ₁ | h ₂ | w ₁ | A/F |
|------------------|----------------|----------------|----------------|----------------|----------------|----------------|-----|
| P0214.040-050-A2 | M 4 | 50 | 9.4 | 2.20 | 1.7 | 0.8 | 2.5 |
| P0214.040-055-A2 | M 4 | 55 | 9.4 | 2.20 | 1.7 | 0.8 | 2.5 |
| P0214.040-060-A2 | M 4 | 60 | 9.4 | 2.20 | 1.7 | 0.8 | 2.5 |
| P0214.050-005-A2 | M 5 | 5 | 11.8 | 2.75 | 2.2 | 0.9 | 3.0 |
| P0214.050-006-A2 | M 5 | 6 | 11.8 | 2.75 | 2.2 | 0.9 | 3.0 |
| P0214.050-008-A2 | M 5 | 8 | 11.8 | 2.75 | 2.2 | 0.9 | 3.0 |
| P0214.050-010-A2 | M 5 | 10 | 11.8 | 2.75 | 2.2 | 0.9 | 3.0 |
| P0214.050-012-A2 | M 5 | 12 | 11.8 | 2.75 | 2.2 | 0.9 | 3.0 |
| P0214.050-014-A2 | M 5 | 14 | 11.8 | 2.75 | 2.2 | 0.9 | 3.0 |
| P0214.050-016-A2 | M 5 | 16 | 11.8 | 2.75 | 2.2 | 0.9 | 3.0 |
| P0214.050-018-A2 | M 5 | 18 | 11.8 | 2.75 | 2.2 | 0.9 | 3.0 |
| P0214.050-020-A2 | M 5 | 20 | 11.8 | 2.75 | 2.2 | 0.9 | 3.0 |
| P0214.050-022-A2 | M 5 | 22 | 11.8 | 2.75 | 2.2 | 0.9 | 3.0 |
| P0214.050-025-A2 | M 5 | 25 | 11.8 | 2.75 | 2.2 | 0.9 | 3.0 |
| P0214.050-030-A2 | M 5 | 30 | 11.8 | 2.75 | 2.2 | 0.9 | 3.0 |
| P0214.050-035-A2 | M 5 | 35 | 11.8 | 2.75 | 2.2 | 0.9 | 3.0 |
| P0214.050-040-A2 | M 5 | 40 | 11.8 | 2.75 | 2.2 | 0.9 | 3.0 |
| P0214.050-045-A2 | M 5 | 45 | 11.8 | 2.75 | 2.2 | 0.9 | 3.0 |
| P0214.050-050-A2 | M 5 | 50 | 11.8 | 2.75 | 2.2 | 0.9 | 3.0 |
| P0214.050-055-A2 | M 5 | 55 | 11.8 | 2.75 | 2.2 | 0.9 | 3.0 |
| P0214.050-060-A2 | M 5 | 60 | 11.8 | 2.75 | 2.2 | 0.9 | 3.0 |
| P0214.050-065-A2 | M 5 | 65 | 11.8 | 2.75 | 2.2 | 0.9 | 3.0 |
| P0214.050-070-A2 | M 5 | 70 | 11.8 | 2.75 | 2.2 | 0.9 | 3.0 |
| P0214.050-075-A2 | M 5 | 75 | 11.8 | 2.75 | 2.2 | 0.9 | 3.0 |
| P0214.050-080-A2 | M 5 | 80 | 11.8 | 2.75 | 2.2 | 0.9 | 3.0 |
| P0214.060-006-A2 | M 6 | 6 | 13.6 | 3.30 | 2.4 | 1.2 | 4.0 |
| P0214.060-008-A2 | M 6 | 8 | 13.6 | 3.30 | 2.4 | 1.2 | 4.0 |
| P0214.060-010-A2 | M 6 | 10 | 13.6 | 3.30 | 2.4 | 1.2 | 4.0 |
| P0214.060-012-A2 | M 6 | 12 | 13.6 | 3.30 | 2.4 | 1.2 | 4.0 |
| P0214.060-014-A2 | M 6 | 14 | 13.6 | 3.30 | 2.4 | 1.2 | 4.0 |
| P0214.060-016-A2 | M 6 | 16 | 13.6 | 3.30 | 2.4 | 1.2 | 4.0 |
| P0214.060-018-A2 | M 6 | 18 | 13.6 | 3.30 | 2.4 | 1.2 | 4.0 |
| P0214.060-020-A2 | M 6 | 20 | 13.6 | 3.30 | 2.4 | 1.2 | 4.0 |
| P0214.060-022-A2 | M 6 | 22 | 13.6 | 3.30 | 2.4 | 1.2 | 4.0 |
| P0214.060-025-A2 | M 6 | 25 | 13.6 | 3.30 | 2.4 | 1.2 | 4.0 |
| P0214.060-030-A2 | M 6 | 30 | 13.6 | 3.30 | 2.4 | 1.2 | 4.0 |
| P0214.060-035-A2 | M 6 | 35 | 13.6 | 3.30 | 2.4 | 1.2 | 4.0 |
| P0214.060-040-A2 | M 6 | 40 | 13.6 | 3.30 | 2.4 | 1.2 | 4.0 |
| P0214.060-045-A2 | M 6 | 45 | 13.6 | 3.30 | 2.4 | 1.2 | 4.0 |
| P0214.060-050-A2 | M 6 | 50 | 13.6 | 3.30 | 2.4 | 1.2 | 4.0 |
| P0214.060-055-A2 | M 6 | 55 | 13.6 | 3.30 | 2.4 | 1.2 | 4.0 |
| P0214.060-060-A2 | M 6 | 60 | 13.6 | 3.30 | 2.4 | 1.2 | 4.0 |
| P0214.060-065-A2 | M 6 | 65 | 13.6 | 3.30 | 2.4 | 1.2 | 4.0 |
| P0214.060-070-A2 | M 6 | 70 | 13.6 | 3.30 | 2.4 | 1.2 | 4.0 |
| P0214.060-075-A2 | M 6 | 75 | 13.6 | 3.30 | 2.4 | 1.2 | 4.0 |
| P0214.060-080-A2 | M 6 | 80 | 13.6 | 3.30 | 2.4 | 1.2 | 4.0 |
| P0214.060-090-A2 | M 6 | 90 | 13.6 | 3.30 | 2.4 | 1.2 | 4.0 |
| P0214.060-100-A2 | M 6 | 100 | 13.6 | 3.30 | 2.4 | 1.2 | 4.0 |
| P0214.060-120-A2 | M 6 | 120 | 13.6 | 3.30 | 2.4 | 1.2 | 4.0 |
| P0214.080-008-A2 | M 8 | 8 | 17.8 | 4.40 | 3.2 | 1.5 | 5.0 |
| P0214.080-010-A2 | M 8 | 10 | 17.8 | 4.40 | 3.2 | 1.5 | 5.0 |
| P0214.080-012-A2 | M 8 | 12 | 17.8 | 4.40 | 3.2 | 1.5 | 5.0 |
| P0214.080-014-A2 | M 8 | 14 | 17.8 | 4.40 | 3.2 | 1.5 | 5.0 |
| P0214.080-016-A2 | M 8 | 16 | 17.8 | 4.40 | 3.2 | 1.5 | 5.0 |
| P0214.080-018-A2 | M 8 | 18 | 17.8 | 4.40 | 3.2 | 1.5 | 5.0 |
| P0214.080-020-A2 | M 8 | 20 | 17.8 | 4.40 | 3.2 | 1.5 | 5.0 |
| P0214.080-022-A2 | M 8 | 22 | 17.8 | 4.40 | 3.2 | 1.5 | 5.0 |
| P0214.080-025-A2 | M 8 | 25 | 17.8 | 4.40 | 3.2 | 1.5 | 5.0 |
| P0214.080-030-A2 | M 8 | 30 | 17.8 | 4.40 | 3.2 | 1.5 | 5.0 |
| P0214.080-035-A2 | M 8 | 35 | 17.8 | 4.40 | 3.2 | 1.5 | 5.0 |
| P0214.080-040-A2 | M 8 | 40 | 17.8 | 4.40 | 3.2 | 1.5 | 5.0 |
| P0214.080-045-A2 | M 8 | 45 | 17.8 | 4.40 | 3.2 | 1.5 | 5.0 |
| P0214.080-050-A2 | M 8 | 50 | 17.8 | 4.40 | 3.2 | 1.5 | 5.0 |
| P0214.080-055-A2 | M 8 | 55 | 17.8 | 4.40 | 3.2 | 1.5 | 5.0 |
| P0214.080-060-A2 | M 8 | 60 | 17.8 | 4.40 | 3.2 | 1.5 | 5.0 |
| P0214.080-065-A2 | M 8 | 65 | 17.8 | 4.40 | 3.2 | 1.5 | 5.0 |
| P0214.080-070-A2 | M 8 | 70 | 17.8 | 4.40 | 3.2 | 1.5 | 5.0 |
| P0214.080-075-A2 | M 8 | 75 | 17.8 | 4.40 | 3.2 | 1.5 | 5.0 |
| P0214.080-080-A2 | M 8 | 80 | 17.8 | 4.40 | 3.2 | 1.5 | 5.0 |

STANDARD SCREWS



STANDARD SCREWS

| Order No. | d ₁ | l ₁ | d ₂ | h ₁ | h ₂ | w ₁ | A/F |
|------------------|----------------|----------------|----------------|----------------|----------------|----------------|-----|
| P0214.080-090-A2 | M 8 | 90 | 17.8 | 4.40 | 3.2 | 1.5 | 5.0 |
| P0214.080-100-A2 | M 8 | 100 | 17.8 | 4.40 | 3.2 | 1.5 | 5.0 |
| P0214.080-120-A2 | M 8 | 120 | 17.8 | 4.40 | 3.2 | 1.5 | 5.0 |
| P0214.100-012-A2 | M10 | 12 | 21.9 | 5.50 | 3.8 | 1 | 6.0 |
| P0214.100-014-A2 | M10 | 14 | 21.9 | 5.50 | 3.8 | 1 | 6.0 |
| P0214.100-016-A2 | M10 | 16 | 21.9 | 5.50 | 3.8 | 1 | 6.0 |
| P0214.100-018-A2 | M10 | 18 | 21.9 | 5.50 | 3.8 | 1 | 6.0 |
| P0214.100-020-A2 | M10 | 20 | 21.9 | 5.50 | 3.8 | 1 | 6.0 |
| P0214.100-022-A2 | M10 | 22 | 21.9 | 5.50 | 3.8 | 1 | 6.0 |
| P0214.100-025-A2 | M10 | 25 | 21.9 | 5.50 | 3.8 | 1 | 6.0 |
| P0214.100-030-A2 | M10 | 30 | 21.9 | 5.50 | 3.8 | 1 | 6.0 |
| P0214.100-035-A2 | M10 | 35 | 21.9 | 5.50 | 3.8 | 1 | 6.0 |
| P0214.100-040-A2 | M10 | 40 | 21.9 | 5.50 | 3.8 | 1 | 6.0 |
| P0214.100-045-A2 | M10 | 45 | 21.9 | 5.50 | 3.8 | 1 | 6.0 |
| P0214.100-050-A2 | M10 | 50 | 21.9 | 5.50 | 3.8 | 1 | 6.0 |
| P0214.100-055-A2 | M10 | 55 | 21.9 | 5.50 | 3.8 | 1 | 6.0 |
| P0214.100-060-A2 | M10 | 60 | 21.9 | 5.50 | 3.8 | 1 | 6.0 |
| P0214.100-065-A2 | M10 | 65 | 21.9 | 5.50 | 3.8 | 1 | 6.0 |
| P0214.100-070-A2 | M10 | 70 | 21.9 | 5.50 | 3.8 | 1 | 6.0 |
| P0214.100-075-A2 | M10 | 75 | 21.9 | 5.50 | 3.8 | 1 | 6.0 |
| P0214.100-080-A2 | M10 | 80 | 21.9 | 5.50 | 3.8 | 1 | 6.0 |
| P0214.100-090-A2 | M10 | 90 | 21.9 | 5.50 | 3.8 | 1 | 6.0 |
| P0214.100-100-A2 | M10 | 100 | 21.9 | 5.50 | 3.8 | 1 | 6.0 |
| P0214.100-110-A2 | M10 | 110 | 21.9 | 5.50 | 3.8 | 1 | 6.0 |
| P0214.100-120-A2 | M10 | 120 | 21.9 | 5.50 | 3.8 | 1 | 6.0 |



Flanged Button Screws

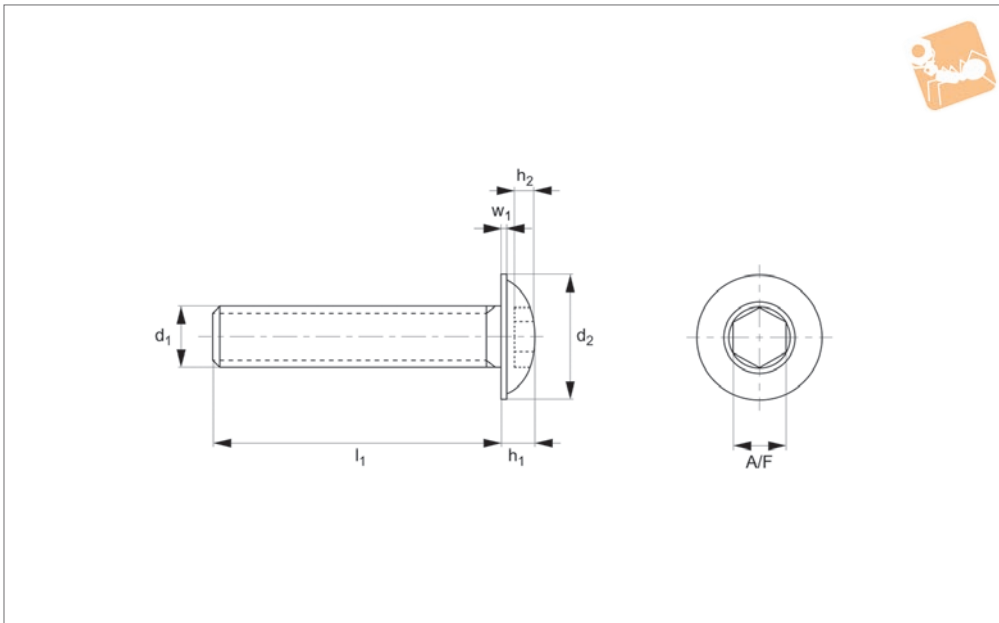
Flanged - A4 stainless

Standard Screws



P0214.A4

STANDARD SCREWS



Material

Stainless steel A4.

as the non-flanged variant.

See technical page for tightening torques.

Technical Notes

Manufactured to ISO 7380, the same stan-

Threaded within 2,5 x pitch of head.

| Order No. | d ₁ | l ₁ | d ₂ | h ₁ | h ₂ | w ₁ | A/F |
|------------------|----------------|----------------|----------------|----------------|----------------|----------------|-----|
| P0214.030-003-A4 | M 3 | 3 | 6.9 | 1.65 | 1.4 | 0.7 | 2.0 |
| P0214.030-004-A4 | M 3 | 4 | 6.9 | 1.65 | 1.4 | 0.7 | 2.0 |
| P0214.030-005-A4 | M 3 | 5 | 6.9 | 1.65 | 1.4 | 0.7 | 2.0 |
| P0214.030-006-A4 | M 3 | 6 | 6.9 | 1.65 | 1.4 | 0.7 | 2.0 |
| P0214.030-008-A4 | M 3 | 8 | 6.9 | 1.65 | 1.4 | 0.7 | 2.0 |
| P0214.030-010-A4 | M 3 | 10 | 6.9 | 1.65 | 1.4 | 0.7 | 2.0 |
| P0214.030-012-A4 | M 3 | 12 | 6.9 | 1.65 | 1.4 | 0.7 | 2.0 |
| P0214.030-014-A4 | M 3 | 14 | 6.9 | 1.65 | 1.4 | 0.7 | 2.0 |
| P0214.030-016-A4 | M 3 | 16 | 6.9 | 1.65 | 1.4 | 0.7 | 2.0 |
| P0214.030-018-A4 | M 3 | 18 | 6.9 | 1.65 | 1.4 | 0.7 | 2.0 |
| P0214.030-020-A4 | M 3 | 20 | 6.9 | 1.65 | 1.4 | 0.7 | 2.0 |
| P0214.030-022-A4 | M 3 | 22 | 6.9 | 1.65 | 1.4 | 0.7 | 2.0 |
| P0214.030-025-A4 | M 3 | 25 | 6.9 | 1.65 | 1.4 | 0.7 | 2.0 |
| P0214.030-030-A4 | M 3 | 30 | 6.9 | 1.65 | 1.4 | 0.7 | 2.0 |
| P0214.030-035-A4 | M 3 | 35 | 6.9 | 1.65 | 1.4 | 0.7 | 2.0 |
| P0214.030-040-A4 | M 3 | 40 | 6.9 | 1.65 | 1.4 | 0.7 | 2.0 |
| P0214.030-045-A4 | M 3 | 45 | 6.9 | 1.65 | 1.4 | 0.7 | 2.0 |
| P0214.030-050-A4 | M 3 | 50 | 6.9 | 1.65 | 1.4 | 0.7 | 2.0 |
| P0214.040-004-A4 | M 4 | 4 | 9.4 | 2.20 | 1.7 | 0.8 | 2.5 |
| P0214.040-005-A4 | M 4 | 5 | 9.4 | 2.20 | 1.7 | 0.8 | 2.5 |
| P0214.040-006-A4 | M 4 | 6 | 9.4 | 2.20 | 1.7 | 0.8 | 2.5 |
| P0214.040-008-A4 | M 4 | 8 | 9.4 | 2.20 | 1.7 | 0.8 | 2.5 |
| P0214.040-010-A4 | M 4 | 10 | 9.4 | 2.20 | 1.7 | 0.8 | 2.5 |
| P0214.040-012-A4 | M 4 | 12 | 9.4 | 2.20 | 1.7 | 0.8 | 2.5 |
| P0214.040-014-A4 | M 4 | 14 | 9.4 | 2.20 | 1.7 | 0.8 | 2.5 |
| P0214.040-016-A4 | M 4 | 16 | 9.4 | 2.20 | 1.7 | 0.8 | 2.5 |
| P0214.040-018-A4 | M 4 | 18 | 9.4 | 2.20 | 1.7 | 0.8 | 2.5 |
| P0214.040-020-A4 | M 4 | 20 | 9.4 | 2.20 | 1.7 | 0.8 | 2.5 |
| P0214.040-022-A4 | M 4 | 22 | 9.4 | 2.20 | 1.7 | 0.8 | 2.5 |
| P0214.040-025-A4 | M 4 | 25 | 9.4 | 2.20 | 1.7 | 0.8 | 2.5 |
| P0214.040-030-A4 | M 4 | 30 | 9.4 | 2.20 | 1.7 | 0.8 | 2.5 |
| P0214.040-035-A4 | M 4 | 35 | 9.4 | 2.20 | 1.7 | 0.8 | 2.5 |
| P0214.040-040-A4 | M 4 | 40 | 9.4 | 2.20 | 1.7 | 0.8 | 2.5 |
| P0214.040-045-A4 | M 4 | 45 | 9.4 | 2.20 | 1.7 | 0.8 | 2.5 |



STANDARD SCREWS

| Order No. | d ₁ | l ₁ | d ₂ | h ₁ | h ₂ | w ₁ | A/F |
|------------------|----------------|----------------|----------------|----------------|----------------|----------------|-----|
| P0214.040-050-A4 | M 4 | 50 | 9.4 | 2.20 | 1.7 | 0.8 | 2.5 |
| P0214.040-055-A4 | M 4 | 55 | 9.4 | 2.20 | 1.7 | 0.8 | 2.5 |
| P0214.040-060-A4 | M 4 | 60 | 9.4 | 2.20 | 1.7 | 0.8 | 2.5 |
| P0214.050-005-A4 | M 5 | 5 | 11.8 | 2.75 | 2.2 | 0.9 | 3.0 |
| P0214.050-006-A4 | M 5 | 6 | 11.8 | 2.75 | 2.2 | 0.9 | 3.0 |
| P0214.050-008-A4 | M 5 | 8 | 11.8 | 2.75 | 2.2 | 0.9 | 3.0 |
| P0214.050-010-A4 | M 5 | 10 | 11.8 | 2.75 | 2.2 | 0.9 | 3.0 |
| P0214.050-012-A4 | M 5 | 12 | 11.8 | 2.75 | 2.2 | 0.9 | 3.0 |
| P0214.050-014-A4 | M 5 | 14 | 11.8 | 2.75 | 2.2 | 0.9 | 3.0 |
| P0214.050-016-A4 | M 5 | 16 | 11.8 | 2.75 | 2.2 | 0.9 | 3.0 |
| P0214.050-018-A4 | M 5 | 18 | 11.8 | 2.75 | 2.2 | 0.9 | 3.0 |
| P0214.050-020-A4 | M 5 | 20 | 11.8 | 2.75 | 2.2 | 0.9 | 3.0 |
| P0214.050-022-A4 | M 5 | 22 | 11.8 | 2.75 | 2.2 | 0.9 | 3.0 |
| P0214.050-025-A4 | M 5 | 25 | 11.8 | 2.75 | 2.2 | 0.9 | 3.0 |
| P0214.050-030-A4 | M 5 | 30 | 11.8 | 2.75 | 2.2 | 0.9 | 3.0 |
| P0214.050-035-A4 | M 5 | 35 | 11.8 | 2.75 | 2.2 | 0.9 | 3.0 |
| P0214.050-040-A4 | M 5 | 40 | 11.8 | 2.75 | 2.2 | 0.9 | 3.0 |
| P0214.050-045-A4 | M 5 | 45 | 11.8 | 2.75 | 2.2 | 0.9 | 3.0 |
| P0214.050-050-A4 | M 5 | 50 | 11.8 | 2.75 | 2.2 | 0.9 | 3.0 |
| P0214.050-055-A4 | M 5 | 55 | 11.8 | 2.75 | 2.2 | 0.9 | 3.0 |
| P0214.050-060-A4 | M 5 | 60 | 11.8 | 2.75 | 2.2 | 0.9 | 3.0 |
| P0214.050-065-A4 | M 5 | 65 | 11.8 | 2.75 | 2.2 | 0.9 | 3.0 |
| P0214.050-070-A4 | M 5 | 70 | 11.8 | 2.75 | 2.2 | 0.9 | 3.0 |
| P0214.050-075-A4 | M 5 | 75 | 11.8 | 2.75 | 2.2 | 0.9 | 3.0 |
| P0214.050-080-A4 | M 5 | 80 | 11.8 | 2.75 | 2.2 | 0.9 | 3.0 |
| P0214.060-006-A4 | M 6 | 6 | 13.6 | 3.30 | 2.4 | 1.2 | 4.0 |
| P0214.060-008-A4 | M 6 | 8 | 13.6 | 3.30 | 2.4 | 1.2 | 4.0 |
| P0214.060-010-A4 | M 6 | 10 | 13.6 | 3.30 | 2.4 | 1.2 | 4.0 |
| P0214.060-012-A4 | M 6 | 12 | 13.6 | 3.30 | 2.4 | 1.2 | 4.0 |
| P0214.060-014-A4 | M 6 | 14 | 13.6 | 3.30 | 2.4 | 1.2 | 4.0 |
| P0214.060-016-A4 | M 6 | 16 | 13.6 | 3.30 | 2.4 | 1.2 | 4.0 |
| P0214.060-018-A4 | M 6 | 18 | 13.6 | 3.30 | 2.4 | 1.2 | 4.0 |
| P0214.060-020-A4 | M 6 | 20 | 13.6 | 3.30 | 2.4 | 1.2 | 4.0 |
| P0214.060-022-A4 | M 6 | 22 | 13.6 | 3.30 | 2.4 | 1.2 | 4.0 |
| P0214.060-025-A4 | M 6 | 25 | 13.6 | 3.30 | 2.4 | 1.2 | 4.0 |
| P0214.060-030-A4 | M 6 | 30 | 13.6 | 3.30 | 2.4 | 1.2 | 4.0 |
| P0214.060-035-A4 | M 6 | 35 | 13.6 | 3.30 | 2.4 | 1.2 | 4.0 |
| P0214.060-040-A4 | M 6 | 40 | 13.6 | 3.30 | 2.4 | 1.2 | 4.0 |
| P0214.060-045-A4 | M 6 | 45 | 13.6 | 3.30 | 2.4 | 1.2 | 4.0 |
| P0214.060-050-A4 | M 6 | 50 | 13.6 | 3.30 | 2.4 | 1.2 | 4.0 |
| P0214.060-055-A4 | M 6 | 55 | 13.6 | 3.30 | 2.4 | 1.2 | 4.0 |
| P0214.060-060-A4 | M 6 | 60 | 13.6 | 3.30 | 2.4 | 1.2 | 4.0 |
| P0214.060-065-A4 | M 6 | 65 | 13.6 | 3.30 | 2.4 | 1.2 | 4.0 |
| P0214.060-070-A4 | M 6 | 70 | 13.6 | 3.30 | 2.4 | 1.2 | 4.0 |
| P0214.060-075-A4 | M 6 | 75 | 13.6 | 3.30 | 2.4 | 1.2 | 4.0 |
| P0214.060-080-A4 | M 6 | 80 | 13.6 | 3.30 | 2.4 | 1.2 | 4.0 |
| P0214.060-090-A4 | M 6 | 90 | 13.6 | 3.30 | 2.4 | 1.2 | 4.0 |
| P0214.060-100-A4 | M 6 | 100 | 13.6 | 3.30 | 2.4 | 1.2 | 4.0 |
| P0214.060-120-A4 | M 6 | 120 | 13.6 | 3.30 | 2.4 | 1.2 | 4.0 |
| P0214.080-008-A4 | M 8 | 8 | 17.8 | 4.40 | 3.2 | 1.5 | 5.0 |
| P0214.080-010-A4 | M 8 | 10 | 17.8 | 4.40 | 3.2 | 1.5 | 5.0 |
| P0214.080-012-A4 | M 8 | 12 | 17.8 | 4.40 | 3.2 | 1.5 | 5.0 |
| P0214.080-014-A4 | M 8 | 14 | 17.8 | 4.40 | 3.2 | 1.5 | 5.0 |
| P0214.080-016-A4 | M 8 | 16 | 17.8 | 4.40 | 3.2 | 1.5 | 5.0 |
| P0214.080-018-A4 | M 8 | 18 | 17.8 | 4.40 | 3.2 | 1.5 | 5.0 |
| P0214.080-020-A4 | M 8 | 20 | 17.8 | 4.40 | 3.2 | 1.5 | 5.0 |
| P0214.080-022-A4 | M 8 | 22 | 17.8 | 4.40 | 3.2 | 1.5 | 5.0 |
| P0214.080-025-A4 | M 8 | 25 | 17.8 | 4.40 | 3.2 | 1.5 | 5.0 |
| P0214.080-030-A4 | M 8 | 30 | 17.8 | 4.40 | 3.2 | 1.5 | 5.0 |
| P0214.080-035-A4 | M 8 | 35 | 17.8 | 4.40 | 3.2 | 1.5 | 5.0 |
| P0214.080-040-A4 | M 8 | 40 | 17.8 | 4.40 | 3.2 | 1.5 | 5.0 |
| P0214.080-045-A4 | M 8 | 45 | 17.8 | 4.40 | 3.2 | 1.5 | 5.0 |
| P0214.080-050-A4 | M 8 | 50 | 17.8 | 4.40 | 3.2 | 1.5 | 5.0 |
| P0214.080-055-A4 | M 8 | 55 | 17.8 | 4.40 | 3.2 | 1.5 | 5.0 |
| P0214.080-060-A4 | M 8 | 60 | 17.8 | 4.40 | 3.2 | 1.5 | 5.0 |
| P0214.080-065-A4 | M 8 | 65 | 17.8 | 4.40 | 3.2 | 1.5 | 5.0 |
| P0214.080-070-A4 | M 8 | 70 | 17.8 | 4.40 | 3.2 | 1.5 | 5.0 |
| P0214.080-075-A4 | M 8 | 75 | 17.8 | 4.40 | 3.2 | 1.5 | 5.0 |
| P0214.080-080-A4 | M 8 | 80 | 17.8 | 4.40 | 3.2 | 1.5 | 5.0 |



Flanged Button Screws

Flanged - A4 stainless

Standard Screws



| Order No. | d ₁ | l ₁ | d ₂ | h ₁ | h ₂ | w ₁ | A/F |
|------------------|----------------|----------------|----------------|----------------|----------------|----------------|-----|
| P0214.080-090-A4 | M 8 | 90 | 17.8 | 4.40 | 3.2 | 1.5 | 5.0 |
| P0214.080-100-A4 | M 8 | 100 | 17.8 | 4.40 | 3.2 | 1.5 | 5.0 |
| P0214.080-120-A4 | M 8 | 120 | 17.8 | 4.40 | 3.2 | 1.5 | 5.0 |
| P0214.100-012-A4 | M10 | 12 | 21.9 | 5.50 | 3.8 | 1 | 6.0 |
| P0214.100-014-A4 | M10 | 14 | 21.9 | 5.50 | 3.8 | 1 | 6.0 |
| P0214.100-016-A4 | M10 | 16 | 21.9 | 5.50 | 3.8 | 1 | 6.0 |
| P0214.100-018-A4 | M10 | 18 | 21.9 | 5.50 | 3.8 | 1 | 6.0 |
| P0214.100-020-A4 | M10 | 20 | 21.9 | 5.50 | 3.8 | 1 | 6.0 |
| P0214.100-022-A4 | M10 | 22 | 21.9 | 5.50 | 3.8 | 1 | 6.0 |
| P0214.100-025-A4 | M10 | 25 | 21.9 | 5.50 | 3.8 | 1 | 6.0 |
| P0214.100-030-A4 | M10 | 30 | 21.9 | 5.50 | 3.8 | 1 | 6.0 |
| P0214.100-035-A4 | M10 | 35 | 21.9 | 5.50 | 3.8 | 1 | 6.0 |
| P0214.100-040-A4 | M10 | 40 | 21.9 | 5.50 | 3.8 | 1 | 6.0 |
| P0214.100-045-A4 | M10 | 45 | 21.9 | 5.50 | 3.8 | 1 | 6.0 |
| P0214.100-050-A4 | M10 | 50 | 21.9 | 5.50 | 3.8 | 1 | 6.0 |
| P0214.100-055-A4 | M10 | 55 | 21.9 | 5.50 | 3.8 | 1 | 6.0 |
| P0214.100-060-A4 | M10 | 60 | 21.9 | 5.50 | 3.8 | 1 | 6.0 |
| P0214.100-065-A4 | M10 | 65 | 21.9 | 5.50 | 3.8 | 1 | 6.0 |
| P0214.100-070-A4 | M10 | 70 | 21.9 | 5.50 | 3.8 | 1 | 6.0 |
| P0214.100-075-A4 | M10 | 75 | 21.9 | 5.50 | 3.8 | 1 | 6.0 |
| P0214.100-080-A4 | M10 | 80 | 21.9 | 5.50 | 3.8 | 1 | 6.0 |
| P0214.100-090-A4 | M10 | 90 | 21.9 | 5.50 | 3.8 | 1 | 6.0 |
| P0214.100-100-A4 | M10 | 100 | 21.9 | 5.50 | 3.8 | 1 | 6.0 |
| P0214.100-110-A4 | M10 | 110 | 21.9 | 5.50 | 3.8 | 1 | 6.0 |
| P0214.100-120-A4 | M10 | 120 | 21.9 | 5.50 | 3.8 | 1 | 6.0 |

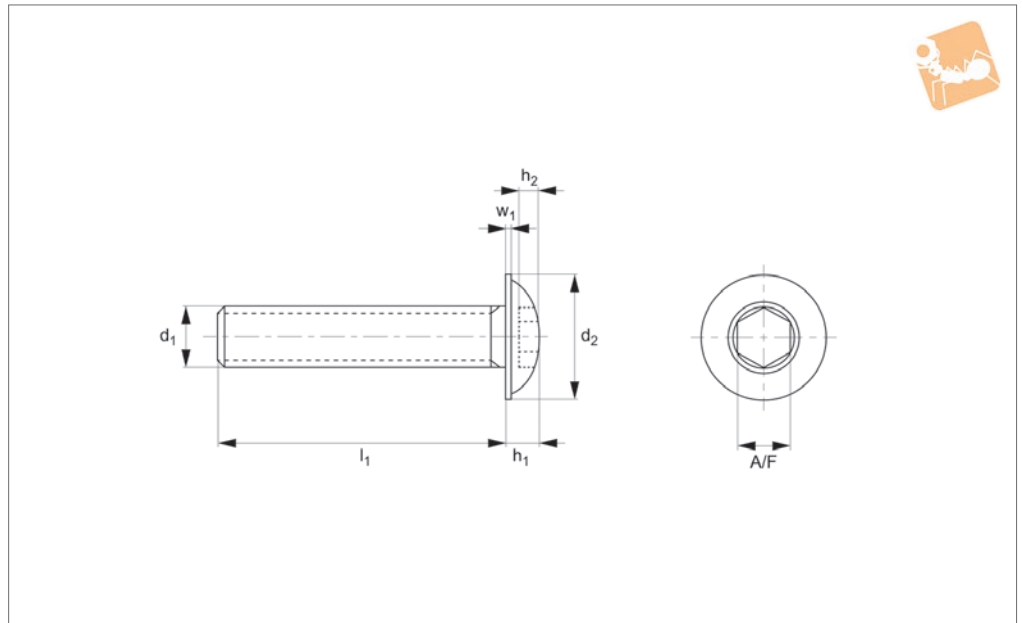
STANDARD SCREWS



STANDARD SCREWS



P0214.ZP



Material

Steel, zinc-plated (grade 10.9 (010.9)).

Technical Notes

Threaded within 2,5 x pitch of head.

| Order No. | d ₁ | l ₁ | d ₂ | h ₁ | h ₂ | w ₁ | A/F |
|------------------|----------------|----------------|----------------|----------------|----------------|----------------|-----|
| P0214.030-003-ZP | M 3 | 3 | 6.9 | 1.65 | 1.4 | 0.7 | 2.0 |
| P0214.030-004-ZP | M 3 | 4 | 6.9 | 1.65 | 1.4 | 0.7 | 2.0 |
| P0214.030-005-ZP | M 3 | 5 | 6.9 | 1.65 | 1.4 | 0.7 | 2.0 |
| P0214.030-006-ZP | M 3 | 6 | 6.9 | 1.65 | 1.4 | 0.7 | 2.0 |
| P0214.030-008-ZP | M 3 | 8 | 6.9 | 1.65 | 1.4 | 0.7 | 2.0 |
| P0214.030-010-ZP | M 3 | 10 | 6.9 | 1.65 | 1.4 | 0.7 | 2.0 |
| P0214.030-012-ZP | M 3 | 12 | 6.9 | 1.65 | 1.4 | 0.7 | 2.0 |
| P0214.030-014-ZP | M 3 | 14 | 6.9 | 1.65 | 1.4 | 0.7 | 2.0 |
| P0214.030-016-ZP | M 3 | 16 | 6.9 | 1.65 | 1.4 | 0.7 | 2.0 |
| P0214.030-018-ZP | M 3 | 18 | 6.9 | 1.65 | 1.4 | 0.7 | 2.0 |
| P0214.030-020-ZP | M 3 | 20 | 6.9 | 1.65 | 1.4 | 0.7 | 2.0 |
| P0214.030-022-ZP | M 3 | 22 | 6.9 | 1.65 | 1.4 | 0.7 | 2.0 |
| P0214.030-025-ZP | M 3 | 25 | 6.9 | 1.65 | 1.4 | 0.7 | 2.0 |
| P0214.030-030-ZP | M 3 | 30 | 6.9 | 1.65 | 1.4 | 0.7 | 2.0 |
| P0214.030-035-ZP | M 3 | 35 | 6.9 | 1.65 | 1.4 | 0.7 | 2.0 |
| P0214.030-040-ZP | M 3 | 40 | 6.9 | 1.65 | 1.4 | 0.7 | 2.0 |
| P0214.030-045-ZP | M 3 | 45 | 6.9 | 1.65 | 1.4 | 0.7 | 2.0 |
| P0214.030-050-ZP | M 3 | 50 | 6.9 | 1.65 | 1.4 | 0.7 | 2.0 |
| P0214.040-004-ZP | M 4 | 4 | 9.4 | 2.20 | 1.7 | 0.8 | 2.5 |
| P0214.040-005-ZP | M 4 | 5 | 9.4 | 2.20 | 1.7 | 0.8 | 2.5 |
| P0214.040-006-ZP | M 4 | 6 | 9.4 | 2.20 | 1.7 | 0.8 | 2.5 |
| P0214.040-008-ZP | M 4 | 8 | 9.4 | 2.20 | 1.7 | 0.8 | 2.5 |
| P0214.040-010-ZP | M 4 | 10 | 9.4 | 2.20 | 1.7 | 0.8 | 2.5 |
| P0214.040-012-ZP | M 4 | 12 | 9.4 | 2.20 | 1.7 | 0.8 | 2.5 |
| P0214.040-014-ZP | M 4 | 14 | 9.4 | 2.20 | 1.7 | 0.8 | 2.5 |
| P0214.040-016-ZP | M 4 | 16 | 9.4 | 2.20 | 1.7 | 0.8 | 2.5 |
| P0214.040-018-ZP | M 4 | 18 | 9.4 | 2.20 | 1.7 | 0.8 | 2.5 |
| P0214.040-020-ZP | M 4 | 20 | 9.4 | 2.20 | 1.7 | 0.8 | 2.5 |
| P0214.040-022-ZP | M 4 | 22 | 9.4 | 2.20 | 1.7 | 0.8 | 2.5 |
| P0214.040-025-ZP | M 4 | 25 | 9.4 | 2.20 | 1.7 | 0.8 | 2.5 |
| P0214.040-030-ZP | M 4 | 30 | 9.4 | 2.20 | 1.7 | 0.8 | 2.5 |
| P0214.040-035-ZP | M 4 | 35 | 9.4 | 2.20 | 1.7 | 0.8 | 2.5 |
| P0214.040-040-ZP | M 4 | 40 | 9.4 | 2.20 | 1.7 | 0.8 | 2.5 |
| P0214.040-045-ZP | M 4 | 45 | 9.4 | 2.20 | 1.7 | 0.8 | 2.5 |
| P0214.040-050-ZP | M 4 | 50 | 9.4 | 2.20 | 1.7 | 0.8 | 2.5 |



Flanged Button Screws

Flanged - Steel - zinc-plated

Standard Screws



| Order No. | d ₁ | l ₁ | d ₂ | h ₁ | h ₂ | w ₁ | A/F |
|------------------|----------------|----------------|----------------|----------------|----------------|----------------|-----|
| P0214.040-055-ZP | M 4 | 55 | 9.4 | 2.20 | 1.7 | 0.8 | 2.5 |
| P0214.040-060-ZP | M 4 | 60 | 9.4 | 2.20 | 1.7 | 0.8 | 2.5 |
| P0214.050-005-ZP | M 5 | 5 | 11.8 | 2.75 | 2.2 | 0.9 | 3.0 |
| P0214.050-006-ZP | M 5 | 6 | 11.8 | 2.75 | 2.2 | 0.9 | 3.0 |
| P0214.050-008-ZP | M 5 | 8 | 11.8 | 2.75 | 2.2 | 0.9 | 3.0 |
| P0214.050-010-ZP | M 5 | 10 | 11.8 | 2.75 | 2.2 | 0.9 | 3.0 |
| P0214.050-012-ZP | M 5 | 12 | 11.8 | 2.75 | 2.2 | 0.9 | 3.0 |
| P0214.050-014-ZP | M 5 | 14 | 11.8 | 2.75 | 2.2 | 0.9 | 3.0 |
| P0214.050-016-ZP | M 5 | 16 | 11.8 | 2.75 | 2.2 | 0.9 | 3.0 |
| P0214.050-018-ZP | M 5 | 18 | 11.8 | 2.75 | 2.2 | 0.9 | 3.0 |
| P0214.050-020-ZP | M 5 | 20 | 11.8 | 2.75 | 2.2 | 0.9 | 3.0 |
| P0214.050-022-ZP | M 5 | 22 | 11.8 | 2.75 | 2.2 | 0.9 | 3.0 |
| P0214.050-025-ZP | M 5 | 25 | 11.8 | 2.75 | 2.2 | 0.9 | 3.0 |
| P0214.050-030-ZP | M 5 | 30 | 11.8 | 2.75 | 2.2 | 0.9 | 3.0 |
| P0214.050-035-ZP | M 5 | 35 | 11.8 | 2.75 | 2.2 | 0.9 | 3.0 |
| P0214.050-040-ZP | M 5 | 40 | 11.8 | 2.75 | 2.2 | 0.9 | 3.0 |
| P0214.050-045-ZP | M 5 | 45 | 11.8 | 2.75 | 2.2 | 0.9 | 3.0 |
| P0214.050-050-ZP | M 5 | 50 | 11.8 | 2.75 | 2.2 | 0.9 | 3.0 |
| P0214.050-055-ZP | M 5 | 55 | 11.8 | 2.75 | 2.2 | 0.9 | 3.0 |
| P0214.050-060-ZP | M 5 | 60 | 11.8 | 2.75 | 2.2 | 0.9 | 3.0 |
| P0214.050-065-ZP | M 5 | 65 | 11.8 | 2.75 | 2.2 | 0.9 | 3.0 |
| P0214.050-070-ZP | M 5 | 70 | 11.8 | 2.75 | 2.2 | 0.9 | 3.0 |
| P0214.050-075-ZP | M 5 | 75 | 11.8 | 2.75 | 2.2 | 0.9 | 3.0 |
| P0214.050-080-ZP | M 5 | 80 | 11.8 | 2.75 | 2.2 | 0.9 | 3.0 |
| P0214.060-006-ZP | M 6 | 6 | 13.6 | 3.30 | 2.4 | 1.2 | 4.0 |
| P0214.060-008-ZP | M 6 | 8 | 13.6 | 3.30 | 2.4 | 1.2 | 4.0 |
| P0214.060-010-ZP | M 6 | 10 | 13.6 | 3.30 | 2.4 | 1.2 | 4.0 |
| P0214.060-012-ZP | M 6 | 12 | 13.6 | 3.30 | 2.4 | 1.2 | 4.0 |
| P0214.060-014-ZP | M 6 | 14 | 13.6 | 3.30 | 2.4 | 1.2 | 4.0 |
| P0214.060-016-ZP | M 6 | 16 | 13.6 | 3.30 | 2.4 | 1.2 | 4.0 |
| P0214.060-018-ZP | M 6 | 18 | 13.6 | 3.30 | 2.4 | 1.2 | 4.0 |
| P0214.060-020-ZP | M 6 | 20 | 13.6 | 3.30 | 2.4 | 1.2 | 4.0 |
| P0214.060-022-ZP | M 6 | 22 | 13.6 | 3.30 | 2.4 | 1.2 | 4.0 |
| P0214.060-025-ZP | M 6 | 25 | 13.6 | 3.30 | 2.4 | 1.2 | 4.0 |
| P0214.060-030-ZP | M 6 | 30 | 13.6 | 3.30 | 2.4 | 1.2 | 4.0 |
| P0214.060-035-ZP | M 6 | 35 | 13.6 | 3.30 | 2.4 | 1.2 | 4.0 |
| P0214.060-040-ZP | M 6 | 40 | 13.6 | 3.30 | 2.4 | 1.2 | 4.0 |
| P0214.060-045-ZP | M 6 | 45 | 13.6 | 3.30 | 2.4 | 1.2 | 4.0 |
| P0214.060-050-ZP | M 6 | 50 | 13.6 | 3.30 | 2.4 | 1.2 | 4.0 |
| P0214.060-055-ZP | M 6 | 55 | 13.6 | 3.30 | 2.4 | 1.2 | 4.0 |
| P0214.060-060-ZP | M 6 | 60 | 13.6 | 3.30 | 2.4 | 1.2 | 4.0 |
| P0214.060-065-ZP | M 6 | 65 | 13.6 | 3.30 | 2.4 | 1.2 | 4.0 |
| P0214.060-070-ZP | M 6 | 70 | 13.6 | 3.30 | 2.4 | 1.2 | 4.0 |
| P0214.060-075-ZP | M 6 | 75 | 13.6 | 3.30 | 2.4 | 1.2 | 4.0 |
| P0214.060-080-ZP | M 6 | 80 | 13.6 | 3.30 | 2.4 | 1.2 | 4.0 |
| P0214.060-090-ZP | M 6 | 90 | 13.6 | 3.30 | 2.4 | 1.2 | 4.0 |
| P0214.060-100-ZP | M 6 | 100 | 13.6 | 3.30 | 2.4 | 1.2 | 4.0 |
| P0214.060-120-ZP | M 6 | 120 | 13.6 | 3.30 | 2.4 | 1.2 | 4.0 |
| P0214.080-008-ZP | M 8 | 8 | 17.8 | 4.40 | 3.2 | 1.5 | 5.0 |
| P0214.080-010-ZP | M 8 | 10 | 17.8 | 4.40 | 3.2 | 1.5 | 5.0 |
| P0214.080-012-ZP | M 8 | 12 | 17.8 | 4.40 | 3.2 | 1.5 | 5.0 |
| P0214.080-014-ZP | M 8 | 14 | 17.8 | 4.40 | 3.2 | 1.5 | 5.0 |
| P0214.080-016-ZP | M 8 | 16 | 17.8 | 4.40 | 3.2 | 1.5 | 5.0 |
| P0214.080-018-ZP | M 8 | 18 | 17.8 | 4.40 | 3.2 | 1.5 | 5.0 |
| P0214.080-020-ZP | M 8 | 20 | 17.8 | 4.40 | 3.2 | 1.5 | 5.0 |
| P0214.080-022-ZP | M 8 | 22 | 17.8 | 4.40 | 3.2 | 1.5 | 5.0 |
| P0214.080-025-ZP | M 8 | 25 | 17.8 | 4.40 | 3.2 | 1.5 | 5.0 |
| P0214.080-030-ZP | M 8 | 30 | 17.8 | 4.40 | 3.2 | 1.5 | 5.0 |
| P0214.080-035-ZP | M 8 | 35 | 17.8 | 4.40 | 3.2 | 1.5 | 5.0 |
| P0214.080-040-ZP | M 8 | 40 | 17.8 | 4.40 | 3.2 | 1.5 | 5.0 |
| P0214.080-045-ZP | M 8 | 45 | 17.8 | 4.40 | 3.2 | 1.5 | 5.0 |
| P0214.080-050-ZP | M 8 | 50 | 17.8 | 4.40 | 3.2 | 1.5 | 5.0 |
| P0214.080-055-ZP | M 8 | 55 | 17.8 | 4.40 | 3.2 | 1.5 | 5.0 |
| P0214.080-060-ZP | M 8 | 60 | 17.8 | 4.40 | 3.2 | 1.5 | 5.0 |
| P0214.080-065-ZP | M 8 | 65 | 17.8 | 4.40 | 3.2 | 1.5 | 5.0 |
| P0214.080-070-ZP | M 8 | 70 | 17.8 | 4.40 | 3.2 | 1.5 | 5.0 |
| P0214.080-075-ZP | M 8 | 75 | 17.8 | 4.40 | 3.2 | 1.5 | 5.0 |
| P0214.080-080-ZP | M 8 | 80 | 17.8 | 4.40 | 3.2 | 1.5 | 5.0 |
| P0214.080-090-ZP | M 8 | 90 | 17.8 | 4.40 | 3.2 | 1.5 | 5.0 |

STANDARD SCREWS



STANDARD SCREWS

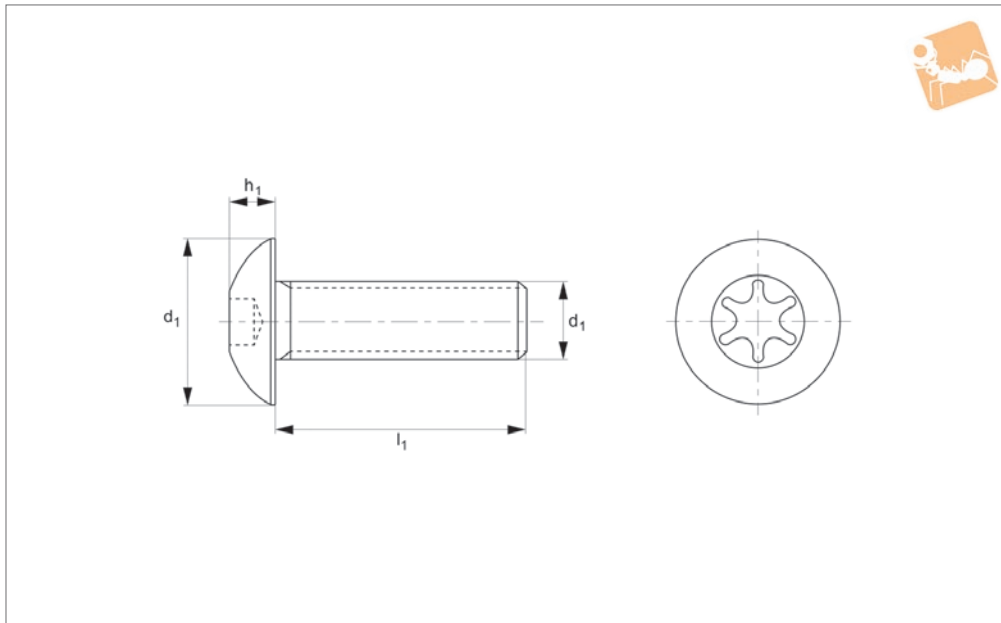
| Order No. | d ₁ | l ₁ | d ₂ | h ₁ | h ₂ | w ₁ | A/F |
|------------------|----------------|----------------|----------------|----------------|----------------|----------------|-----|
| P0214.080-100-ZP | M 8 | 100 | 17.8 | 4.40 | 3.2 | 1.5 | 5.0 |
| P0214.080-120-ZP | M 8 | 120 | 17.8 | 4.40 | 3.2 | 1.5 | 5.0 |
| P0214.100-012-ZP | M10 | 12 | 21.9 | 5.50 | 3.8 | 1 | 6.0 |
| P0214.100-015-ZP | M10 | 14 | 21.9 | 5.50 | 3.8 | 1 | 6.0 |
| P0214.100-016-ZP | M10 | 16 | 21.9 | 5.50 | 3.8 | 1 | 6.0 |
| P0214.100-018-ZP | M10 | 18 | 21.9 | 5.50 | 3.8 | 1 | 6.0 |
| P0214.100-020-ZP | M10 | 20 | 21.9 | 5.50 | 3.8 | 1 | 6.0 |
| P0214.100-022-ZP | M10 | 22 | 21.9 | 5.50 | 3.8 | 1 | 6.0 |
| P0214.100-025-ZP | M10 | 25 | 21.9 | 5.50 | 3.8 | 1 | 6.0 |
| P0214.100-030-ZP | M10 | 30 | 21.9 | 5.50 | 3.8 | 1 | 6.0 |
| P0214.100-035-ZP | M10 | 35 | 21.9 | 5.50 | 3.8 | 1 | 6.0 |
| P0214.100-040-ZP | M10 | 40 | 21.9 | 5.50 | 3.8 | 1 | 6.0 |
| P0214.100-045-ZP | M10 | 45 | 21.9 | 5.50 | 3.8 | 1 | 6.0 |
| P0214.100-050-ZP | M10 | 50 | 21.9 | 5.50 | 3.8 | 1 | 6.0 |
| P0214.100-055-ZP | M10 | 55 | 21.9 | 5.50 | 3.8 | 1 | 6.0 |
| P0214.100-060-ZP | M10 | 60 | 21.9 | 5.50 | 3.8 | 1 | 6.0 |
| P0214.100-065-ZP | M10 | 65 | 21.9 | 5.50 | 3.8 | 1 | 6.0 |
| P0214.100-070-ZP | M10 | 70 | 21.9 | 5.50 | 3.8 | 1 | 6.0 |
| P0214.100-075-ZP | M10 | 75 | 21.9 | 5.50 | 3.8 | 1 | 6.0 |
| P0214.100-080-ZP | M10 | 80 | 21.9 | 5.50 | 3.8 | 1 | 6.0 |
| P0214.100-090-ZP | M10 | 90 | 21.9 | 5.50 | 3.8 | 1 | 6.0 |
| P0214.100-100-ZP | M10 | 100 | 21.9 | 5.50 | 3.8 | 1 | 6.0 |
| P0214.100-110-ZP | M10 | 110 | 21.9 | 5.50 | 3.8 | 1 | 6.0 |
| P0214.100-120-ZP | M10 | 120 | 21.9 | 5.50 | 3.8 | 1 | 6.0 |



Pin TX Security Screws

Security - A2 stainless

Standard Screws



P0217.A2

STANDARD SCREWS

Material

Stainless steel A2.

Technical Notes

To ISO 7380, but with pin TX feature.

These are security screw. The TX head has a special pin, preventing tampering with the screw.

A special security TX head key is needed to

tighten or loosen the screw.

See technical page for tightening torques.

| Order No. | d ₁ | l ₁ | d ₂ | h ₁ | Size |
|------------------|----------------|----------------|----------------|----------------|-------|
| P0217.030-006-A2 | M 3 | 6 | 5.5 | 1.6 | TX-10 |
| P0217.030-008-A2 | M 3 | 8 | 5.5 | 1.6 | TX-10 |
| P0217.030-010-A2 | M 3 | 10 | 5.5 | 1.6 | TX-10 |
| P0217.030-012-A2 | M 3 | 12 | 5.5 | 1.6 | TX-10 |
| P0217.030-016-A2 | M 3 | 16 | 5.5 | 1.6 | TX-10 |
| P0217.030-020-A2 | M 3 | 20 | 5.5 | 1.6 | TX-10 |
| P0217.030-025-A2 | M 3 | 25 | 5.5 | 1.6 | TX-10 |
| P0217.030-030-A2 | M 3 | 30 | 5.5 | 1.6 | TX10 |
| P0217.040-006-A2 | M 4 | 6 | 7.4 | 2.1 | TX-20 |
| P0217.040-008-A2 | M 4 | 8 | 7.4 | 2.1 | TX-20 |
| P0217.040-010-A2 | M 4 | 10 | 7.4 | 2.1 | TX-20 |
| P0217.040-012-A2 | M 4 | 12 | 7.4 | 2.1 | TX-20 |
| P0217.040-016-A2 | M 4 | 16 | 7.4 | 2.1 | TX-20 |
| P0217.040-020-A2 | M 4 | 20 | 7.4 | 2.1 | TX-20 |
| P0217.040-025-A2 | M 4 | 25 | 7.4 | 2.1 | TX-20 |
| P0217.040-030-A2 | M 4 | 30 | 7.4 | 2.1 | TX-20 |
| P0217.040-035-A2 | M 4 | 35 | 7.4 | 2.1 | TX-20 |
| P0217.040-040-A2 | M 4 | 40 | 7.4 | 2.1 | TX-20 |
| P0217.040-045-A2 | M 4 | 45 | 7.4 | 2.1 | TX-20 |
| P0217.040-050-A2 | M 4 | 50 | 7.4 | 2.1 | TX-20 |
| P0217.040-060-A2 | M 4 | 60 | 7.4 | 2.1 | TX-20 |
| P0217.050-008-A2 | M 5 | 8 | 9.3 | 2.7 | TX-25 |
| P0217.050-010-A2 | M 5 | 10 | 9.3 | 2.7 | TX-25 |
| P0217.050-012-A2 | M 5 | 12 | 9.3 | 2.7 | TX-25 |
| P0217.050-016-A2 | M 5 | 16 | 9.3 | 2.7 | TX-25 |
| P0217.050-020-A2 | M 5 | 20 | 9.3 | 2.7 | TX-25 |
| P0217.050-025-A2 | M 5 | 25 | 9.3 | 2.7 | TX-25 |
| P0217.050-030-A2 | M 5 | 30 | 9.3 | 2.7 | TX25 |
| P0217.050-035-A2 | M 5 | 35 | 9.3 | 2.7 | TX-25 |
| P0217.050-040-A2 | M 5 | 40 | 9.3 | 2.7 | TX-25 |
| P0217.050-045-A2 | M 5 | 45 | 9.3 | 2.7 | TX-25 |
| P0217.050-050-A2 | M 5 | 50 | 9.3 | 2.7 | TX-25 |
| P0217.050-060-A2 | M 5 | 60 | 9.3 | 2.7 | TX-25 |
| P0217.060-008-A2 | M 6 | 8 | 10.4 | 3.2 | TX-30 |



STANDARD SCREWS

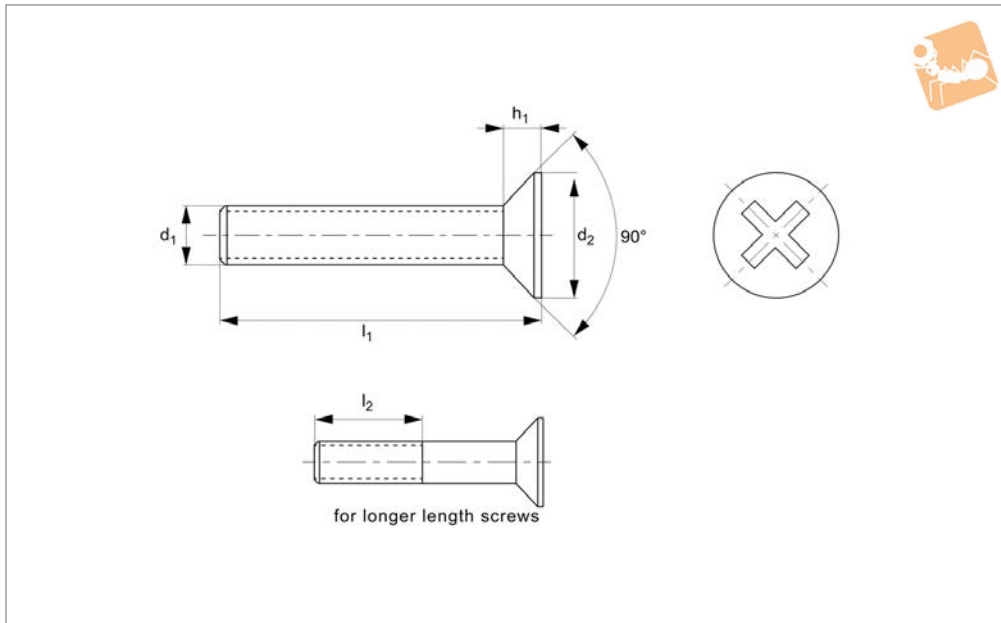
| Order No. | d ₁ | l ₁ | d ₂ | h ₁ | Size |
|------------------|----------------|----------------|----------------|----------------|-------|
| P0217.060-010-A2 | M 6 | 10 | 10.4 | 3.2 | TX-30 |
| P0217.060-012-A2 | M 6 | 12 | 10.4 | 3.2 | TX-30 |
| P0217.060-016-A2 | M 6 | 16 | 10.4 | 3.2 | TX-30 |
| P0217.060-020-A2 | M 6 | 20 | 10.4 | 3.2 | TX-30 |
| P0217.060-025-A2 | M 6 | 25 | 10.4 | 3.2 | TX-30 |
| P0217.060-030-A2 | M 6 | 30 | 10.4 | 3.2 | TX-30 |
| P0217.060-040-A2 | M 6 | 40 | 10.4 | 3.2 | TX-30 |
| P0217.060-050-A2 | M 6 | 50 | 10.4 | 3.2 | TX-30 |
| P0217.060-060-A2 | M 6 | 60 | 10.4 | 3.2 | TX-30 |
| P0217.060-080-A2 | M 6 | 80 | 10.4 | 3.2 | TX-30 |
| P0217.080-010-A2 | M 8 | 10 | 13.7 | 4.3 | TX-40 |
| P0217.080-012-A2 | M 8 | 12 | 13.7 | 4.3 | TX-40 |
| P0217.080-016-A2 | M 8 | 16 | 13.7 | 4.3 | TX-40 |
| P0217.080-020-A2 | M 8 | 20 | 13.7 | 4.3 | TX-40 |
| P0217.080-025-A2 | M 8 | 25 | 13.7 | 4.3 | TX-40 |
| P0217.080-030-A2 | M 8 | 30 | 13.7 | 4.3 | TX-40 |
| P0217.080-035-A2 | M 8 | 35 | 13.7 | 4.3 | TX-40 |
| P0217.080-040-A2 | M 8 | 40 | 13.7 | 4.3 | TX-40 |
| P0217.080-050-A2 | M 8 | 50 | 13.7 | 4.3 | TX-40 |
| P0217.080-060-A2 | M 8 | 60 | 13.7 | 4.3 | TX-40 |
| P0217.080-070-A2 | M 8 | 70 | 13.7 | 4.3 | TX-40 |
| P0217.080-080-A2 | M 8 | 80 | 13.7 | 4.3 | TX-40 |
| P0217.080-100-A2 | M 8 | 100 | 13.7 | 4.3 | TX-40 |
| P0217.100-016-A2 | M10 | 16 | 17.0 | 5.8 | TX-45 |
| P0217.100-020-A2 | M10 | 20 | 17.0 | 5.8 | TX-45 |
| P0217.100-025-A2 | M10 | 25 | 17.0 | 5.8 | TX-45 |
| P0217.100-030-A2 | M10 | 30 | 17.0 | 5.8 | TX-45 |
| P0217.100-035-A2 | M10 | 35 | 17.0 | 5.8 | TX-45 |
| P0217.100-040-A2 | M10 | 40 | 17.0 | 5.8 | TX-45 |
| P0217.100-050-A2 | M10 | 50 | 17.0 | 5.8 | TX-45 |
| P0217.100-060-A2 | M10 | 60 | 17.0 | 5.8 | TX-45 |
| P0217.100-065-A2 | M10 | 65 | 17.0 | 5.8 | TX-45 |
| P0217.100-070-A2 | M10 | 70 | 17.0 | 5.8 | TX-45 |
| P0217.100-080-A2 | M10 | 80 | 17.0 | 5.8 | TX-45 |



Phillips Countersunk Machine Screws

Phillips - A2 stainless

Standard Screws



P0220.A2

STANDARD SCREWS

Material

Stainless steel A2.

Technical Notes

To DIN 965 H, ISO 7046. For the majority of

screw lengths the threads goes all the way to the head of the screw (i.e. $l_1 = l_2$) less 2.5 thread pitches.

For longer length screws the threaded

portion $l_2 < l_1$.

See technical page for tightening torques.

| Order No. | d ₁ | l ₁ | d ₂ | l ₂ | h ₁ | Size |
|------------------|----------------|----------------|----------------|----------------|----------------|------|
| P0220.016-003-A2 | M1,6 | 3 | 3.0 | - | 0.96 | PH-0 |
| P0220.016-004-A2 | M1,6 | 4 | 3.0 | - | 0.96 | PH-0 |
| P0220.016-005-A2 | M1,6 | 5 | 3.0 | - | 0.96 | PH-0 |
| P0220.016-006-A2 | M1,6 | 6 | 3.0 | - | 0.96 | PH-0 |
| P0220.016-008-A2 | M1,6 | 8 | 3.0 | - | 0.96 | PH-0 |
| P0220.016-010-A2 | M1,6 | 10 | 3.0 | - | 0.96 | PH-0 |
| P0220.016-012-A2 | M1,6 | 12 | 3.0 | - | 0.96 | PH-0 |
| P0220.016-014-A2 | M1,6 | 14 | 3.0 | - | 0.96 | PH-0 |
| P0220.016-016-A2 | M1,6 | 16 | 3.0 | - | 0.96 | PH-0 |
| P0220.020-003-A2 | M 2 | 3 | 3.8 | - | 1.20 | PH-1 |
| P0220.020-004-A2 | M 2 | 4 | 3.8 | - | 1.20 | PH-1 |
| P0220.020-005-A2 | M 2 | 5 | 3.8 | - | 1.20 | PH-1 |
| P0220.020-006-A2 | M 2 | 6 | 3.8 | - | 1.20 | PH-1 |
| P0220.020-008-A2 | M 2 | 8 | 3.8 | - | 1.20 | PH-1 |
| P0220.020-010-A2 | M 2 | 10 | 3.8 | - | 1.20 | PH-1 |
| P0220.020-012-A2 | M 2 | 12 | 3.8 | - | 1.20 | PH-1 |
| P0220.020-014-A2 | M 2 | 14 | 3.8 | - | 1.20 | PH-1 |
| P0220.020-016-A2 | M 2 | 16 | 3.8 | - | 1.20 | PH-1 |
| P0220.020-018-A2 | M 2 | 18 | 3.8 | - | 1.20 | PH-1 |
| P0220.020-020-A2 | M 2 | 20 | 3.8 | - | 1.20 | PH-1 |
| P0220.025-004-A2 | M2,5 | 4 | 4.7 | - | 1.50 | PH-1 |
| P0220.025-005-A2 | M2,5 | 5 | 4.7 | - | 1.50 | PH-1 |
| P0220.025-006-A2 | M2,5 | 6 | 4.7 | - | 1.50 | PH-1 |
| P0220.025-008-A2 | M2,5 | 8 | 4.7 | - | 1.50 | PH-1 |
| P0220.025-010-A2 | M2,5 | 10 | 4.7 | - | 1.50 | PH-1 |
| P0220.025-012-A2 | M2,5 | 12 | 4.7 | - | 1.50 | PH-1 |
| P0220.025-014-A2 | M2,5 | 14 | 4.7 | - | 1.50 | PH-1 |
| P0220.025-016-A2 | M2,5 | 16 | 4.7 | - | 1.50 | PH-1 |
| P0220.025-018-A2 | M2,5 | 18 | 4.7 | - | 1.50 | PH-1 |
| P0220.025-020-A2 | M2,5 | 20 | 4.7 | - | 1.50 | PH-1 |
| P0220.030-004-A2 | M 3 | 4 | 5.6 | - | 1.65 | PH-1 |
| P0220.030-005-A2 | M 3 | 5 | 5.6 | - | 1.65 | PH-1 |
| P0220.030-006-A2 | M 3 | 6 | 5.6 | - | 1.65 | PH-1 |
| P0220.030-008-A2 | M 3 | 8 | 5.6 | - | 1.65 | PH-1 |



STANDARD SCREWS

| Order No. | d ₁ | l ₁ | d ₂ | l ₂ | h ₁ | Size |
|------------------|----------------|----------------|----------------|----------------|----------------|------|
| P0220.030-010-A2 | M 3 | 10 | 5.6 | - | 1.65 | PH-1 |
| P0220.030-012-A2 | M 3 | 12 | 5.6 | - | 1.65 | PH-1 |
| P0220.030-014-A2 | M 3 | 14 | 5.6 | - | 1.65 | PH-1 |
| P0220.030-016-A2 | M 3 | 16 | 5.6 | - | 1.65 | PH-1 |
| P0220.030-018-A2 | M 3 | 18 | 5.6 | - | 1.65 | PH-1 |
| P0220.030-020-A2 | M 3 | 20 | 5.6 | - | 1.65 | PH-1 |
| P0220.030-022-A2 | M 3 | 22 | 5.6 | 19 | 1.65 | PH-1 |
| P0220.030-025-A2 | M 3 | 25 | 5.6 | 19 | 1.65 | PH-1 |
| P0220.030-030-A2 | M 3 | 30 | 5.6 | 19 | 1.65 | PH-1 |
| P0220.030-035-A2 | M 3 | 35 | 5.6 | 19 | 1.65 | PH-1 |
| P0220.030-040-A2 | M 3 | 40 | 5.6 | 19 | 1.65 | PH-1 |
| P0220.030-045-A2 | M 3 | 45 | 5.6 | 19 | 1.65 | PH-1 |
| P0220.030-050-A2 | M 3 | 50 | 5.6 | 19 | 1.65 | PH-1 |
| P0220.030-055-A2 | M 3 | 55 | 5.6 | 19 | 1.65 | PH-1 |
| P0220.030-060-A2 | M 3 | 60 | 5.6 | 19 | 1.65 | PH-1 |
| P0220.040-005-A2 | M 4 | 5 | 7.5 | - | 2.2 | PH-2 |
| P0220.040-006-A2 | M 4 | 6 | 7.5 | - | 2.2 | PH-2 |
| P0220.040-008-A2 | M 4 | 8 | 7.5 | - | 2.2 | PH-2 |
| P0220.040-010-A2 | M 4 | 10 | 7.5 | - | 2.2 | PH-2 |
| P0220.040-012-A2 | M 4 | 12 | 7.5 | - | 2.2 | PH-2 |
| P0220.040-014-A2 | M 4 | 14 | 7.5 | - | 2.2 | PH-2 |
| P0220.040-016-A2 | M 4 | 16 | 7.5 | - | 2.2 | PH-2 |
| P0220.040-018-A2 | M 4 | 18 | 7.5 | - | 2.2 | PH-2 |
| P0220.040-020-A2 | M 4 | 20 | 7.5 | - | 2.2 | PH-2 |
| P0220.040-025-A2 | M 4 | 25 | 7.5 | - | 2.2 | PH-2 |
| P0220.040-030-A2 | M 4 | 30 | 7.5 | 22 | 2.2 | PH-2 |
| P0220.040-035-A2 | M 4 | 35 | 7.5 | 22 | 2.2 | PH-2 |
| P0220.040-040-A2 | M 4 | 40 | 7.5 | 22 | 2.2 | PH-2 |
| P0220.040-045-A2 | M 4 | 45 | 7.5 | 22 | 2.2 | PH-2 |
| P0220.040-050-A2 | M 4 | 50 | 7.5 | 22 | 2.2 | PH-2 |
| P0220.040-060-A2 | M 4 | 60 | 7.5 | 22 | 2.2 | PH-2 |
| P0220.040-065-A2 | M 4 | 65 | 7.5 | 22 | 2.2 | PH-2 |
| P0220.040-070-A2 | M 4 | 70 | 7.5 | 22 | 2.2 | PH-2 |
| P0220.040-075-A2 | M 4 | 75 | 7.5 | 22 | 2.2 | PH-2 |
| P0220.040-080-A2 | M 4 | 80 | 7.5 | 22 | 2.2 | PH-2 |
| P0220.040-085-A2 | M 4 | 85 | 7.5 | 22 | 2.2 | PH-2 |
| P0220.040-090-A2 | M 4 | 90 | 7.5 | 22 | 2.2 | PH-2 |
| P0220.040-095-A2 | M 4 | 95 | 7.5 | 22 | 2.2 | PH-2 |
| P0220.040-100-A2 | M 4 | 100 | 7.5 | 22 | 2.2 | PH-2 |
| P0220.050-006-A2 | M 5 | 6 | 9.2 | - | 2.5 | PH-2 |
| P0220.050-008-A2 | M 5 | 8 | 9.2 | - | 2.5 | PH-2 |
| P0220.050-010-A2 | M 5 | 10 | 9.2 | - | 2.5 | PH-2 |
| P0220.050-012-A2 | M 5 | 12 | 9.2 | - | 2.5 | PH-2 |
| P0220.050-014-A2 | M 5 | 14 | 9.2 | - | 2.5 | PH-2 |
| P0220.050-016-A2 | M 5 | 16 | 9.2 | - | 2.5 | PH-2 |
| P0220.050-018-A2 | M 5 | 18 | 9.2 | - | 2.5 | PH-2 |
| P0220.050-020-A2 | M 5 | 20 | 9.2 | - | 2.5 | PH-2 |
| P0220.050-022-A2 | M 5 | 22 | 9.2 | - | 2.5 | PH-2 |
| P0220.050-025-A2 | M 5 | 25 | 9.2 | - | 2.5 | PH-2 |
| P0220.050-030-A2 | M 5 | 30 | 9.2 | - | 2.5 | PH-2 |
| P0220.050-035-A2 | M 5 | 35 | 9.2 | 25 | 2.5 | PH-2 |
| P0220.050-040-A2 | M 5 | 40 | 9.2 | 25 | 2.5 | PH-2 |
| P0220.050-045-A2 | M 5 | 45 | 9.2 | 25 | 2.5 | PH-2 |
| P0220.050-050-A2 | M 5 | 50 | 9.2 | 25 | 2.5 | PH-2 |
| P0220.050-055-A2 | M 4 | 55 | 9.2 | 25 | 2.5 | PH-2 |
| P0220.050-060-A2 | M 5 | 60 | 9.2 | 25 | 2.5 | PH-2 |
| P0220.050-065-A2 | M 5 | 65 | 9.2 | 25 | 2.5 | PH-2 |
| P0220.050-070-A2 | M 5 | 70 | 9.2 | 25 | 2.5 | PH-2 |
| P0220.050-075-A2 | M 5 | 75 | 9.2 | 25 | 2.5 | PH-2 |
| P0220.050-080-A2 | M 5 | 80 | 9.2 | 25 | 2.5 | PH-2 |
| P0220.050-085-A2 | M 5 | 85 | 9.2 | 25 | 2.5 | PH-2 |
| P0220.050-090-A2 | M 5 | 90 | 9.2 | 25 | 2.5 | PH-2 |
| P0220.050-095-A2 | M 5 | 95 | 9.2 | 25 | 2.5 | PH-2 |
| P0220.050-100-A2 | M 5 | 100 | 9.2 | 25 | 2.5 | PH-2 |
| P0220.060-008-A2 | M 6 | 8 | 11 | - | 3.0 | PH-3 |
| P0220.060-010-A2 | M 6 | 10 | 11 | - | 3.0 | PH-3 |
| P0220.060-012-A2 | M 6 | 12 | 11 | - | 3.0 | PH-3 |
| P0220.060-014-A2 | M 6 | 14 | 11 | - | 3.0 | PH-3 |
| P0220.060-016-A2 | M 6 | 16 | 11 | - | 3.0 | PH-3 |



Phillips Countersunk Machine Screws

Phillips - A2 stainless

Standard Screws



| Order No. | d ₁ | l ₁ | d ₂ | l ₂ | h ₁ | Size |
|------------------|----------------|----------------|----------------|----------------|----------------|------|
| P0220.060-018-A2 | M 6 | 18 | 11 | - | 3.0 | PH-3 |
| P0220.060-020-A2 | M 6 | 20 | 11 | - | 3.0 | PH-3 |
| P0220.060-022-A2 | M 6 | 22 | 11 | - | 3.0 | PH-3 |
| P0220.060-025-A2 | M 6 | 25 | 11 | - | 3.0 | PH-3 |
| P0220.060-030-A2 | M 6 | 30 | 11 | - | 3.0 | PH-3 |
| P0220.060-035-A2 | M 6 | 35 | 11 | - | 3.0 | PH-3 |
| P0220.060-040-A2 | M 6 | 40 | 12 | 28 | 3.0 | PH-3 |
| P0220.060-045-A2 | M 6 | 45 | 11 | 28 | 3.0 | PH-3 |
| P0220.060-050-A2 | M 6 | 50 | 11 | 28 | 3.0 | PH-3 |
| P0220.060-055-A2 | M 6 | 55 | 11 | 28 | 3.0 | PH-3 |
| P0220.060-060-A2 | M 6 | 60 | 11 | 28 | 3.0 | PH-3 |
| P0220.060-065-A2 | M 6 | 65 | 11 | 28 | 3.0 | PH-3 |
| P0220.060-070-A2 | M 6 | 70 | 11 | 28 | 3.0 | PH-3 |
| P0220.060-075-A2 | M 6 | 75 | 11 | 28 | 3.0 | PH-3 |
| P0220.060-080-A2 | M 6 | 80 | 11 | 28 | 3.0 | PH-3 |
| P0220.060-085-A2 | M 6 | 85 | 11 | 28 | 3.0 | PH-3 |
| P0220.060-090-A2 | M 6 | 90 | 11 | 28 | 3.0 | PH-3 |
| P0220.060-095-A2 | M 6 | 95 | 11 | 28 | 3.0 | PH-3 |
| P0220.060-100-A2 | M 6 | 100 | 11 | 28 | 3.0 | PH-3 |
| P0220.080-010-A2 | M 8 | 10 | 14.5 | - | 4.0 | PH-4 |
| P0220.080-012-A2 | M 8 | 12 | 14.5 | - | 4.0 | PH-4 |
| P0220.080-014-A2 | M 8 | 14 | 14.5 | - | 4.0 | PH-4 |
| P0220.080-016-A2 | M 8 | 16 | 14.5 | - | 4.0 | PH-4 |
| P0220.080-018-A2 | M 8 | 18 | 14.5 | - | 4.0 | PH-4 |
| P0220.080-020-A2 | M 8 | 20 | 14.5 | - | 4.0 | PH-4 |
| P0220.080-022-A2 | M 8 | 22 | 14.5 | - | 4.0 | PH-4 |
| P0220.080-025-A2 | M 8 | 25 | 14.5 | - | 4.0 | PH-4 |
| P0220.080-030-A2 | M 8 | 30 | 14.5 | - | 4.0 | PH-4 |
| P0220.080-035-A2 | M 8 | 35 | 14.5 | - | 4.0 | PH-4 |
| P0220.080-040-A2 | M 8 | 40 | 14.5 | 34 | 4.0 | PH-4 |
| P0220.080-045-A2 | M 8 | 45 | 14.5 | 34 | 4.0 | PH-4 |
| P0220.080-050-A2 | M 8 | 50 | 14.5 | 34 | 4.0 | PH-4 |
| P0220.080-055-A2 | M 8 | 55 | 14.5 | 34 | 4.0 | PH-4 |
| P0220.080-060-A2 | M 8 | 60 | 14.5 | 34 | 4.0 | PH-4 |
| P0220.080-065-A2 | M 8 | 65 | 14.5 | 34 | 4.0 | PH-4 |
| P0220.080-070-A2 | M 8 | 70 | 14.5 | 34 | 4.0 | PH-4 |
| P0220.080-075-A2 | M 8 | 75 | 14.5 | 34 | 4.0 | PH-4 |
| P0220.080-080-A2 | M 8 | 80 | 14.5 | 34 | 4.0 | PH-4 |
| P0220.080-085-A2 | M 8 | 85 | 14.5 | 34 | 4.0 | PH-4 |
| P0220.080-090-A2 | M 8 | 90 | 14.5 | 34 | 4.0 | PH-4 |
| P0220.080-095-A2 | M 8 | 95 | 14.5 | 34 | 4.0 | PH-4 |
| P0220.080-100-A2 | M 8 | 100 | 14.5 | 34 | 4.0 | PH-4 |
| P0220.100-016-A2 | M10 | 16 | 18 | - | 5.0 | PH-4 |
| P0220.100-020-A2 | M10 | 20 | 18 | - | 5.0 | PH-4 |
| P0220.100-025-A2 | M10 | 25 | 18 | - | 5.0 | PH-4 |
| P0220.100-030-A2 | M10 | 30 | 18 | - | 5.0 | PH-4 |
| P0220.100-035-A2 | M10 | 35 | 18 | - | 5.0 | PH-4 |
| P0220.100-040-A2 | M10 | 40 | 18 | - | 5.0 | PH-4 |
| P0220.100-045-A2 | M10 | 45 | 18 | - | 5.0 | PH-4 |
| P0220.100-050-A2 | M10 | 50 | 18 | 40 | 5.0 | PH-4 |
| P0220.100-055-A2 | M10 | 55 | 18 | 40 | 5.0 | PH-4 |
| P0220.100-060-A2 | M10 | 60 | 18 | 40 | 5.0 | PH-4 |
| P0220.100-065-A2 | M10 | 65 | 18 | 40 | 5.0 | PH-4 |
| P0220.100-070-A2 | M10 | 70 | 18 | 40 | 5.0 | PH-4 |
| P0220.100-075-A2 | M10 | 75 | 18 | 40 | 5.0 | PH-4 |
| P0220.100-080-A2 | M10 | 80 | 18 | 40 | 5.0 | PH-4 |
| P0220.100-085-A2 | M10 | 85 | 18 | 40 | 5.0 | PH-4 |
| P0220.100-090-A2 | M10 | 90 | 18 | 40 | 5.0 | PH-4 |
| P0220.100-095-A2 | M10 | 95 | 18 | 40 | 5.0 | PH-4 |
| P0220.100-100-A2 | M10 | 100 | 18 | 40 | 5.0 | PH-4 |

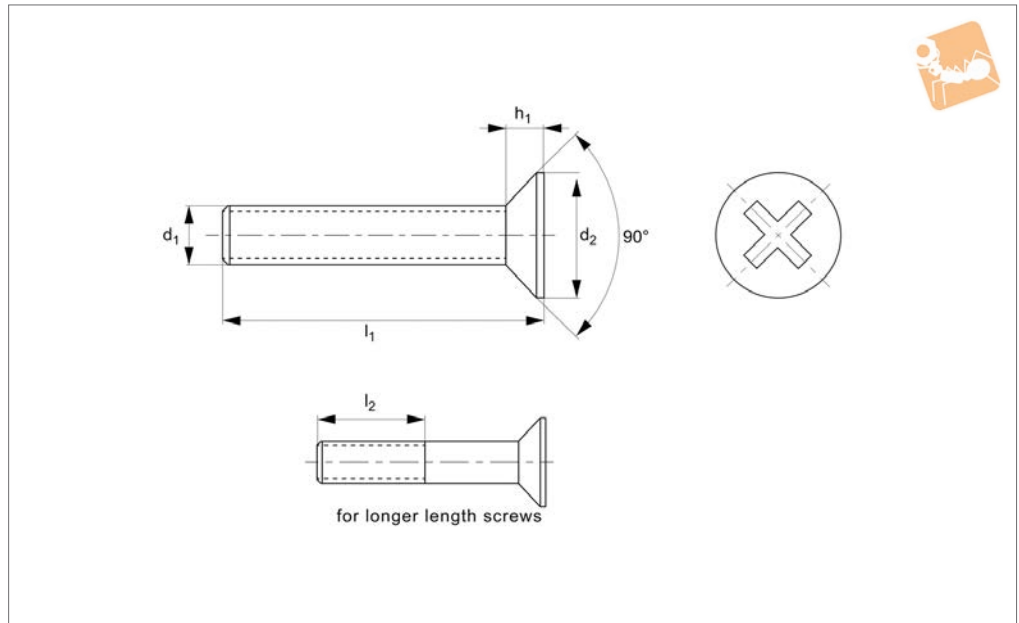
STANDARD SCREWS



STANDARD SCREWS



P0220.A4



Material

Stainless steel A4.

Technical Notes

To DIN 965 H, ISO 7046. For the majority of

screw lengths the threads goes all the way to the head of the screw (i.e. $l_1 = l_2$) less 2.5 thread pitches.
For longer length screws the threaded

portion $l_2 < l_1$.

See technical page for tightening torques.

| Order No. | d ₁ | l ₁ | d ₂ | l ₂ | h ₁ | Size |
|------------------|----------------|----------------|----------------|----------------|----------------|------|
| P0220.016-003-A4 | M1,6 | 3 | 3.0 | - | 0.96 | PH-0 |
| P0220.016-004-A4 | M1,6 | 4 | 3.0 | - | 0.96 | PH-0 |
| P0220.016-005-A4 | M1,6 | 5 | 3.0 | - | 0.96 | PH-0 |
| P0220.016-006-A4 | M1,6 | 6 | 3.0 | - | 0.96 | PH-0 |
| P0220.016-008-A4 | M1,6 | 8 | 3.0 | - | 0.96 | PH-0 |
| P0220.016-010-A4 | M1,6 | 10 | 3.0 | - | 0.96 | PH-0 |
| P0220.016-012-A4 | M1,6 | 12 | 3.0 | - | 0.96 | PH-0 |
| P0220.016-014-A4 | M1,6 | 14 | 3.0 | - | 0.96 | PH-0 |
| P0220.016-016-A4 | M1,6 | 16 | 3.0 | - | 0.96 | PH-0 |
| P0220.020-003-A4 | M 2 | 3 | 3.8 | - | 1.20 | PH-1 |
| P0220.020-004-A4 | M 2 | 4 | 3.8 | - | 1.20 | PH-1 |
| P0220.020-005-A4 | M 2 | 5 | 3.8 | - | 1.20 | PH-1 |
| P0220.020-006-A4 | M 2 | 6 | 3.8 | - | 1.20 | PH-1 |
| P0220.020-008-A4 | M 2 | 8 | 3.8 | - | 1.20 | PH-1 |
| P0220.020-010-A4 | M 2 | 10 | 3.8 | - | 1.20 | PH-1 |
| P0220.020-012-A4 | M 2 | 12 | 3.8 | - | 1.20 | PH-1 |
| P0220.020-014-A4 | M 2 | 14 | 3.8 | - | 1.20 | PH-1 |
| P0220.020-016-A4 | M 2 | 16 | 3.8 | - | 1.20 | PH-1 |
| P0220.020-018-A4 | M 2 | 18 | 3.8 | - | 1.20 | PH-1 |
| P0220.020-020-A4 | M 2 | 20 | 3.8 | - | 1.20 | PH-1 |
| P0220.025-004-A4 | M2,5 | 4 | 4.7 | - | 1.50 | PH-1 |
| P0220.025-005-A4 | M2,5 | 5 | 4.7 | - | 1.50 | PH-1 |
| P0220.025-006-A4 | M2,5 | 6 | 4.7 | - | 1.50 | PH-1 |
| P0220.025-008-A4 | M2,5 | 8 | 4.7 | - | 1.50 | PH-1 |
| P0220.025-010-A4 | M2,5 | 10 | 4.7 | - | 1.50 | PH-1 |
| P0220.025-012-A4 | M2,5 | 12 | 4.7 | - | 1.50 | PH-1 |
| P0220.025-014-A4 | M2,5 | 14 | 4.7 | - | 1.50 | PH-1 |
| P0220.025-016-A4 | M2,5 | 16 | 4.7 | - | 1.50 | PH-1 |
| P0220.025-018-A4 | M2,5 | 18 | 4.7 | - | 1.50 | PH-1 |
| P0220.025-020-A4 | M2,5 | 20 | 4.7 | - | 1.50 | PH-1 |
| P0220.030-004-A4 | M 3 | 4 | 5.6 | - | 1.65 | PH-1 |
| P0220.030-005-A4 | M 3 | 5 | 5.6 | - | 1.65 | PH-1 |
| P0220.030-006-A4 | M 3 | 6 | 5.6 | - | 1.65 | PH-1 |
| P0220.030-008-A4 | M 3 | 8 | 5.6 | - | 1.65 | PH-1 |



Phillips Countersunk Machine Screws

Phillips - A4 stainless

Standard Screws



| Order No. | d ₁ | l ₁ | d ₂ | l ₂ | h ₁ | Size |
|------------------|----------------|----------------|----------------|----------------|----------------|------|
| P0220.030-010-A4 | M 3 | 10 | 5.6 | - | 1.65 | PH-1 |
| P0220.030-012-A4 | M 3 | 12 | 5.6 | - | 1.65 | PH-1 |
| P0220.030-014-A4 | M 3 | 14 | 5.6 | - | 1.65 | PH-1 |
| P0220.030-016-A4 | M 3 | 16 | 5.6 | - | 1.65 | PH-1 |
| P0220.030-018-A4 | M 3 | 18 | 5.6 | - | 1.65 | PH-1 |
| P0220.030-020-A4 | M 3 | 20 | 5.6 | - | 1.65 | PH-1 |
| P0220.030-022-A4 | M 3 | 22 | 5.6 | 19 | 1.65 | PH-1 |
| P0220.030-025-A4 | M 3 | 25 | 5.6 | 19 | 1.65 | PH-1 |
| P0220.030-030-A4 | M 3 | 30 | 5.6 | 19 | 1.65 | PH-1 |
| P0220.030-035-A4 | M 3 | 35 | 5.6 | 19 | 1.65 | PH-1 |
| P0220.030-040-A4 | M 3 | 40 | 5.6 | 19 | 1.65 | PH-1 |
| P0220.030-045-A4 | M 3 | 45 | 5.6 | 19 | 1.65 | PH-1 |
| P0220.030-050-A4 | M 3 | 50 | 5.6 | 19 | 1.65 | PH-1 |
| P0220.030-055-A4 | M 3 | 55 | 5.6 | 19 | 1.65 | PH-1 |
| P0220.030-060-A4 | M 3 | 60 | 5.6 | 19 | 1.65 | PH-1 |
| P0220.040-005-A4 | M 4 | 5 | 7.5 | - | 2.2 | PH-2 |
| P0220.040-006-A4 | M 4 | 6 | 7.5 | - | 2.2 | PH-2 |
| P0220.040-008-A4 | M 4 | 8 | 7.5 | - | 2.2 | PH-2 |
| P0220.040-010-A4 | M 4 | 10 | 7.5 | - | 2.2 | PH-2 |
| P0220.040-012-A4 | M 4 | 12 | 7.5 | - | 2.2 | PH-2 |
| P0220.040-014-A4 | M 4 | 14 | 7.5 | - | 2.2 | PH-2 |
| P0220.040-016-A4 | M 4 | 16 | 7.5 | - | 2.2 | PH-2 |
| P0220.040-018-A4 | M 4 | 18 | 7.5 | - | 2.2 | PH-2 |
| P0220.040-020-A4 | M 4 | 20 | 7.5 | - | 2.2 | PH-2 |
| P0220.040-025-A4 | M 4 | 25 | 7.5 | - | 2.2 | PH-2 |
| P0220.040-030-A4 | M 4 | 30 | 7.5 | 22 | 2.2 | PH-2 |
| P0220.040-035-A4 | M 4 | 35 | 7.5 | 22 | 2.2 | PH-2 |
| P0220.040-040-A4 | M 4 | 40 | 7.5 | 22 | 2.2 | PH-2 |
| P0220.040-045-A4 | M 4 | 45 | 7.5 | 22 | 2.2 | PH-2 |
| P0220.040-050-A4 | M 4 | 50 | 7.5 | 22 | 2.2 | PH-2 |
| P0220.040-060-A4 | M 4 | 60 | 7.5 | 22 | 2.2 | PH-2 |
| P0220.040-065-A4 | M 4 | 65 | 7.5 | 22 | 2.2 | PH-2 |
| P0220.040-070-A4 | M 4 | 70 | 7.5 | 22 | 2.2 | PH-2 |
| P0220.040-075-A4 | M 4 | 75 | 7.5 | 22 | 2.2 | PH-2 |
| P0220.040-080-A4 | M 4 | 80 | 7.5 | 22 | 2.2 | PH-2 |
| P0220.040-085-A4 | M 4 | 85 | 7.5 | 22 | 2.2 | PH-2 |
| P0220.040-090-A4 | M 4 | 90 | 7.5 | 22 | 2.2 | PH-2 |
| P0220.040-095-A4 | M 4 | 95 | 7.5 | 22 | 2.2 | PH-2 |
| P0220.040-100-A4 | M 4 | 100 | 7.5 | 22 | 2.2 | PH-2 |
| P0220.050-006-A4 | M 5 | 6 | 9.2 | - | 2.5 | PH-2 |
| P0220.050-008-A4 | M 5 | 8 | 9.2 | - | 2.5 | PH-2 |
| P0220.050-010-A4 | M 5 | 10 | 9.2 | - | 2.5 | PH-2 |
| P0220.050-012-A4 | M 5 | 12 | 9.2 | - | 2.5 | PH-2 |
| P0220.050-014-A4 | M 5 | 14 | 9.2 | - | 2.5 | PH-2 |
| P0220.050-016-A4 | M 5 | 16 | 9.2 | - | 2.5 | PH-2 |
| P0220.050-018-A4 | M 5 | 18 | 9.2 | - | 2.5 | PH-2 |
| P0220.050-020-A4 | M 5 | 20 | 9.2 | - | 2.5 | PH-2 |
| P0220.050-022-A4 | M 5 | 22 | 9.2 | - | 2.5 | PH-2 |
| P0220.050-025-A4 | M 5 | 25 | 9.2 | - | 2.5 | PH-2 |
| P0220.050-030-A4 | M 5 | 30 | 9.2 | - | 2.5 | PH-2 |
| P0220.050-035-A4 | M 5 | 35 | 9.2 | 25 | 2.5 | PH-2 |
| P0220.050-040-A4 | M 5 | 40 | 9.2 | 25 | 2.5 | PH-2 |
| P0220.050-045-A4 | M 5 | 45 | 9.2 | 25 | 2.5 | PH-2 |
| P0220.050-050-A4 | M 5 | 50 | 9.2 | 25 | 2.5 | PH-2 |
| P0220.050-055-A4 | M 4 | 55 | 9.2 | 25 | 2.5 | PH-2 |
| P0220.050-060-A4 | M 5 | 60 | 9.2 | 25 | 2.5 | PH-2 |
| P0220.050-065-A4 | M 5 | 65 | 9.2 | 25 | 2.5 | PH-2 |
| P0220.050-070-A4 | M 5 | 70 | 9.2 | 25 | 2.5 | PH-2 |
| P0220.050-075-A4 | M 5 | 75 | 9.2 | 25 | 2.5 | PH-2 |
| P0220.050-080-A4 | M 5 | 80 | 9.2 | 25 | 2.5 | PH-2 |
| P0220.050-085-A4 | M 5 | 85 | 9.2 | 25 | 2.5 | PH-2 |
| P0220.050-090-A4 | M 5 | 90 | 9.2 | 25 | 2.5 | PH-2 |
| P0220.050-095-A4 | M 5 | 95 | 9.2 | 25 | 2.5 | PH-2 |
| P0220.050-100-A4 | M 5 | 100 | 9.2 | 25 | 2.5 | PH-2 |
| P0220.060-008-A4 | M 6 | 8 | 11 | - | 3.0 | PH-3 |
| P0220.060-010-A4 | M 6 | 10 | 11 | - | 3.0 | PH-3 |
| P0220.060-012-A4 | M 6 | 12 | 11 | - | 3.0 | PH-3 |
| P0220.060-014-A4 | M 6 | 14 | 11 | - | 3.0 | PH-3 |
| P0220.060-016-A4 | M 6 | 16 | 11 | - | 3.0 | PH-3 |

STANDARD SCREWS



STANDARD SCREWS

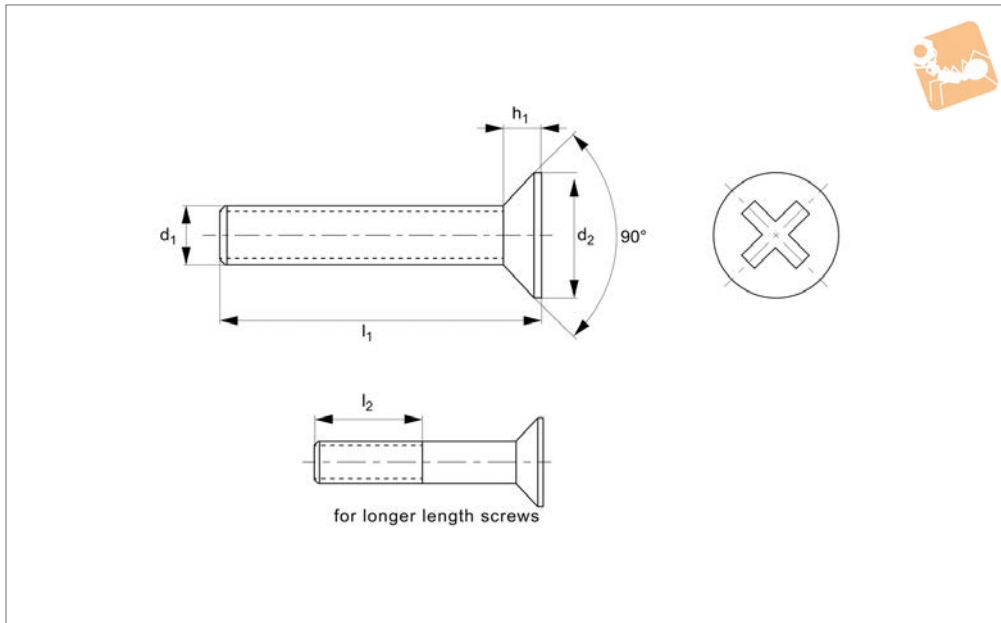
| Order No. | d ₁ | l ₁ | d ₂ | l ₂ | h ₁ | Size |
|------------------|----------------|----------------|----------------|----------------|----------------|------|
| P0220.060-018-A4 | M 6 | 18 | 11 | - | 3.0 | PH-3 |
| P0220.060-020-A4 | M 6 | 20 | 11 | - | 3.0 | PH-3 |
| P0220.060-022-A4 | M 6 | 22 | 11 | - | 3.0 | PH-3 |
| P0220.060-025-A4 | M 6 | 25 | 11 | - | 3.0 | PH-3 |
| P0220.060-030-A4 | M 6 | 30 | 11 | - | 3.0 | PH-3 |
| P0220.060-035-A4 | M 6 | 35 | 11 | - | 3.0 | PH-3 |
| P0220.060-040-A4 | M 6 | 40 | 12 | 28 | 3.0 | PH-3 |
| P0220.060-045-A4 | M 6 | 45 | 11 | 28 | 3.0 | PH-3 |
| P0220.060-050-A4 | M 6 | 50 | 11 | 28 | 3.0 | PH-3 |
| P0220.060-055-A4 | M 6 | 55 | 11 | 28 | 3.0 | PH-3 |
| P0220.060-060-A4 | M 6 | 60 | 11 | 28 | 3.0 | PH-3 |
| P0220.060-065-A4 | M 6 | 65 | 11 | 28 | 3.0 | PH-3 |
| P0220.060-070-A4 | M 6 | 70 | 11 | 28 | 3.0 | PH-3 |
| P0220.060-075-A4 | M 6 | 75 | 11 | 28 | 3.0 | PH-3 |
| P0220.060-080-A4 | M 6 | 80 | 11 | 28 | 3.0 | PH-3 |
| P0220.060-085-A4 | M 6 | 85 | 11 | 28 | 3.0 | PH-3 |
| P0220.060-090-A4 | M 6 | 90 | 11 | 28 | 3.0 | PH-3 |
| P0220.060-095-A4 | M 6 | 95 | 11 | 28 | 3.0 | PH-3 |
| P0220.060-100-A4 | M 6 | 100 | 11 | 28 | 3.0 | PH-3 |
| P0220.080-010-A4 | M 8 | 10 | 14.5 | - | 4.0 | PH-4 |
| P0220.080-012-A4 | M 8 | 12 | 14.5 | - | 4.0 | PH-4 |
| P0220.080-014-A4 | M 8 | 14 | 14.5 | - | 4.0 | PH-4 |
| P0220.080-016-A4 | M 8 | 16 | 14.5 | - | 4.0 | PH-4 |
| P0220.080-018-A4 | M 8 | 18 | 14.5 | - | 4.0 | PH-4 |
| P0220.080-020-A4 | M 8 | 20 | 14.5 | - | 4.0 | PH-4 |
| P0220.080-022-A4 | M 8 | 22 | 14.5 | - | 4.0 | PH-4 |
| P0220.080-025-A4 | M 8 | 25 | 14.5 | - | 4.0 | PH-4 |
| P0220.080-030-A4 | M 8 | 30 | 14.5 | - | 4.0 | PH-4 |
| P0220.080-035-A4 | M 8 | 35 | 14.5 | - | 4.0 | PH-4 |
| P0220.080-040-A4 | M 8 | 40 | 14.5 | 34 | 4.0 | PH-4 |
| P0220.080-045-A4 | M 8 | 45 | 14.5 | 34 | 4.0 | PH-4 |
| P0220.080-050-A4 | M 8 | 50 | 14.5 | 34 | 4.0 | PH-4 |
| P0220.080-055-A4 | M 8 | 55 | 14.5 | 34 | 4.0 | PH-4 |
| P0220.080-060-A4 | M 8 | 60 | 14.5 | 34 | 4.0 | PH-4 |
| P0220.080-065-A4 | M 8 | 65 | 14.5 | 34 | 4.0 | PH-4 |
| P0220.080-070-A4 | M 8 | 70 | 14.5 | 34 | 4.0 | PH-4 |
| P0220.080-075-A4 | M 8 | 75 | 14.5 | 34 | 4.0 | PH-4 |
| P0220.080-080-A4 | M 8 | 80 | 14.5 | 34 | 4.0 | PH-4 |
| P0220.080-085-A4 | M 8 | 85 | 14.5 | 34 | 4.0 | PH-4 |
| P0220.080-090-A4 | M 8 | 90 | 14.5 | 34 | 4.0 | PH-4 |
| P0220.080-095-A4 | M 8 | 95 | 14.5 | 34 | 4.0 | PH-4 |
| P0220.080-100-A4 | M 8 | 100 | 14.5 | 34 | 4.0 | PH-4 |
| P0220.100-016-A4 | M10 | 16 | 18 | - | 5.0 | PH-4 |
| P0220.100-020-A4 | M10 | 20 | 18 | - | 5.0 | PH-4 |
| P0220.100-025-A4 | M10 | 25 | 18 | - | 5.0 | PH-4 |
| P0220.100-030-A4 | M10 | 30 | 18 | - | 5.0 | PH-4 |
| P0220.100-035-A4 | M10 | 35 | 18 | - | 5.0 | PH-4 |
| P0220.100-040-A4 | M10 | 40 | 18 | - | 5.0 | PH-4 |
| P0220.100-045-A4 | M10 | 45 | 18 | - | 5.0 | PH-4 |
| P0220.100-050-A4 | M10 | 50 | 18 | 40 | 5.0 | PH-4 |
| P0220.100-055-A4 | M10 | 55 | 18 | 40 | 5.0 | PH-4 |
| P0220.100-060-A4 | M10 | 60 | 18 | 40 | 5.0 | PH-4 |
| P0220.100-065-A4 | M10 | 65 | 18 | 40 | 5.0 | PH-4 |
| P0220.100-070-A4 | M10 | 70 | 18 | 40 | 5.0 | PH-4 |
| P0220.100-075-A4 | M10 | 75 | 18 | 40 | 5.0 | PH-4 |
| P0220.100-080-A4 | M10 | 80 | 18 | 40 | 5.0 | PH-4 |
| P0220.100-085-A4 | M10 | 85 | 18 | 40 | 5.0 | PH-4 |
| P0220.100-090-A4 | M10 | 90 | 18 | 40 | 5.0 | PH-4 |
| P0220.100-095-A4 | M10 | 95 | 18 | 40 | 5.0 | PH-4 |
| P0220.100-100-A4 | M10 | 100 | 18 | 40 | 5.0 | PH-4 |



Phillips Countersunk Machine Screws

Phillips - Steel, zinc-plated

Standard Screws



P0220.ZP

STANDARD SCREWS

Material

Steel, zinc-plated (grade 4.8).

Technical Notes

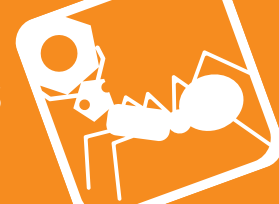
To DIN 965 H, ISO 7046. For the majority of

screw lengths the threads goes all the way to the head of the screw (i.e. $l_1 = l_2$) less 2.5 thread pitches.

For longer length screws the threaded

portion $l_2 < l_1$.

| Order No. | d ₁ | l ₁ | d ₂ | l ₂ | h ₁ | Size |
|------------------|----------------|----------------|----------------|----------------|----------------|------|
| P0220.016-003-ZP | M 1,6 | 3 | 3.0 | - | 0.96 | PH-0 |
| P0220.016-004-ZP | M 1,6 | 4 | 3.0 | - | 0.96 | PH-0 |
| P0220.016-005-ZP | M 1,6 | 5 | 3.0 | - | 0.96 | PH-0 |
| P0220.016-006-ZP | M 1,6 | 6 | 3.0 | - | 0.96 | PH-0 |
| P0220.016-008-ZP | M 1,6 | 8 | 3.0 | - | 0.96 | PH-0 |
| P0220.016-010-ZP | M 1,6 | 10 | 3.0 | - | 0.96 | PH-0 |
| P0220.016-012-ZP | M 1,6 | 12 | 3.0 | - | 0.96 | PH-0 |
| P0220.016-014-ZP | M 1,6 | 14 | 3.0 | - | 0.96 | PH-0 |
| P0220.016-016-ZP | M 1,6 | 16 | 3.0 | - | 0.96 | PH-0 |
| P0220.020-003-ZP | M 2 | 3 | 3.8 | - | 1.20 | PH-1 |
| P0220.020-004-ZP | M 2 | 4 | 3.8 | - | 1.20 | PH-1 |
| P0220.020-005-ZP | M 2 | 5 | 3.8 | - | 1.20 | PH-1 |
| P0220.020-006-ZP | M 2 | 6 | 3.8 | - | 1.20 | PH-1 |
| P0220.020-008-ZP | M 2 | 8 | 3.8 | - | 1.20 | PH-1 |
| P0220.020-010-ZP | M 2 | 10 | 3.8 | - | 1.20 | PH-1 |
| P0220.020-012-ZP | M 2 | 12 | 3.8 | - | 1.20 | PH-1 |
| P0220.020-014-ZP | M 2 | 14 | 3.8 | - | 1.20 | PH-1 |
| P0220.020-016-ZP | M 2 | 16 | 3.8 | - | 1.20 | PH-1 |
| P0220.020-018-ZP | M 2 | 18 | 3.8 | - | 1.20 | PH-1 |
| P0220.020-020-ZP | M 2 | 20 | 3.8 | - | 1.20 | PH-1 |
| P0220.025-004-ZP | M 2,5 | 4 | 4.7 | - | 1.50 | PH-1 |
| P0220.025-005-ZP | M 2,5 | 5 | 4.7 | - | 1.50 | PH-1 |
| P0220.025-006-ZP | M 2,5 | 6 | 4.7 | - | 1.50 | PH-1 |
| P0220.025-008-ZP | M 2,5 | 8 | 4.7 | - | 1.50 | PH-1 |
| P0220.025-010-ZP | M 2,5 | 10 | 4.7 | - | 1.50 | PH-1 |
| P0220.025-012-ZP | M 2,5 | 12 | 4.7 | - | 1.50 | PH-1 |
| P0220.025-014-ZP | M 2,5 | 14 | 4.7 | - | 1.50 | PH-1 |
| P0220.025-016-ZP | M 2,5 | 16 | 4.7 | - | 1.50 | PH-1 |
| P0220.025-018-ZP | M 2,5 | 18 | 4.7 | - | 1.50 | PH-1 |
| P0220.025-020-ZP | M 2,5 | 20 | 4.7 | - | 1.50 | PH-1 |
| P0220.030-004-ZP | M 3 | 4 | 5.6 | - | 1.65 | PH-1 |
| P0220.030-005-ZP | M 3 | 5 | 5.6 | - | 1.65 | PH-1 |
| P0220.030-006-ZP | M 3 | 6 | 5.6 | - | 1.65 | PH-1 |
| P0220.030-008-ZP | M 3 | 8 | 5.6 | - | 1.65 | PH-1 |



STANDARD SCREWS

| Order No. | d ₁ | l ₁ | d ₂ | l ₂ | h ₁ | Size |
|------------------|----------------|----------------|----------------|----------------|----------------|------|
| P0220.030-010-ZP | M 3 | 10 | 5.6 | - | 1.65 | PH-1 |
| P0220.030-012-ZP | M 3 | 12 | 5.6 | - | 1.65 | PH-1 |
| P0220.030-014-ZP | M 3 | 14 | 5.6 | - | 1.65 | PH-1 |
| P0220.030-016-ZP | M 3 | 16 | 5.6 | - | 1.65 | PH-1 |
| P0220.030-018-ZP | M 3 | 18 | 5.6 | - | 1.65 | PH-1 |
| P0220.030-020-ZP | M 3 | 20 | 5.6 | - | 1.65 | PH-1 |
| P0220.030-022-ZP | M 3 | 22 | 5.6 | 19 | 1.65 | PH-1 |
| P0220.030-025-ZP | M 3 | 25 | 5.6 | 19 | 1.65 | PH-1 |
| P0220.030-030-ZP | M 3 | 30 | 5.6 | 19 | 1.65 | PH-1 |
| P0220.030-035-ZP | M 3 | 35 | 5.6 | 19 | 1.65 | PH-1 |
| P0220.030-040-ZP | M 3 | 40 | 5.6 | 19 | 1.65 | PH-1 |
| P0220.030-045-ZP | M 3 | 45 | 5.6 | 19 | 1.65 | PH-1 |
| P0220.030-050-ZP | M 3 | 50 | 5.6 | 19 | 1.65 | PH-1 |
| P0220.030-055-ZP | M 3 | 55 | 5.6 | 19 | 1.65 | PH-1 |
| P0220.030-060-ZP | M 3 | 60 | 5.6 | 19 | 1.65 | PH-1 |
| P0220.040-005-ZP | M 4 | 5 | 7.5 | - | 2.2 | PH-2 |
| P0220.040-006-ZP | M 4 | 6 | 7.5 | - | 2.2 | PH-2 |
| P0220.040-008-ZP | M 4 | 8 | 7.5 | - | 2.2 | PH-2 |
| P0220.040-010-ZP | M 4 | 10 | 7.5 | - | 2.2 | PH-2 |
| P0220.040-012-ZP | M 4 | 12 | 7.5 | - | 2.2 | PH-2 |
| P0220.040-014-ZP | M 4 | 14 | 7.5 | - | 2.2 | PH-2 |
| P0220.040-016-ZP | M 4 | 16 | 7.5 | - | 2.2 | PH-2 |
| P0220.040-018-ZP | M 4 | 18 | 7.5 | - | 2.2 | PH-2 |
| P0220.040-020-ZP | M 4 | 20 | 7.5 | - | 2.2 | PH-2 |
| P0220.040-025-ZP | M 4 | 25 | 7.5 | - | 2.2 | PH-2 |
| P0220.040-030-ZP | M 4 | 30 | 7.5 | 22 | 2.2 | PH-2 |
| P0220.040-035-ZP | M 4 | 35 | 7.5 | 22 | 2.2 | PH-2 |
| P0220.040-040-ZP | M 4 | 40 | 7.5 | 22 | 2.2 | PH-2 |
| P0220.040-045-ZP | M 4 | 45 | 7.5 | 22 | 2.2 | PH-2 |
| P0220.040-050-ZP | M 4 | 50 | 7.5 | 22 | 2.2 | PH-2 |
| P0220.040-060-ZP | M 4 | 60 | 7.5 | 22 | 2.2 | PH-2 |
| P0220.040-065-ZP | M 4 | 65 | 7.5 | 22 | 2.2 | PH-2 |
| P0220.040-070-ZP | M 4 | 70 | 7.5 | 22 | 2.2 | PH-2 |
| P0220.040-075-ZP | M 4 | 75 | 7.5 | 22 | 2.2 | PH-2 |
| P0220.040-080-ZP | M 4 | 80 | 7.5 | 22 | 2.2 | PH-2 |
| P0220.040-085-ZP | M 4 | 85 | 7.5 | 22 | 2.2 | PH-2 |
| P0220.040-090-ZP | M 4 | 90 | 7.5 | 22 | 2.2 | P2 |
| P0220.040-095-ZP | M 4 | 95 | 7.5 | 22 | 2.2 | PH-2 |
| P0220.040-100-ZP | M 4 | 100 | 7.5 | 22 | 2.2 | PH-2 |
| P0220.050-006-ZP | M 5 | 6 | 9.2 | - | 2.5 | PH-2 |
| P0220.050-008-ZP | M 5 | 8 | 9.2 | - | 2.5 | PH-2 |
| P0220.050-010-ZP | M 5 | 10 | 9.2 | - | 2.5 | PH-2 |
| P0220.050-012-ZP | M 5 | 12 | 9.2 | - | 2.5 | PH-2 |
| P0220.050-014-ZP | M 5 | 14 | 9.2 | - | 2.5 | PH-2 |
| P0220.050-016-ZP | M 5 | 16 | 9.2 | - | 2.5 | PH-2 |
| P0220.050-018-ZP | M 5 | 18 | 9.2 | - | 2.5 | PH-2 |
| P0220.050-020-ZP | M 5 | 20 | 9.2 | - | 2.5 | PH-2 |
| P0220.050-022-ZP | M 5 | 22 | 9.2 | - | 2.5 | PH-2 |
| P0220.050-025-ZP | M 5 | 25 | 9.2 | - | 2.5 | PH-2 |
| P0220.050-030-ZP | M 5 | 30 | 9.2 | - | 2.5 | PH-2 |
| P0220.050-035-ZP | M 5 | 35 | 9.2 | 25 | 2.5 | PH-2 |
| P0220.050-040-ZP | M 5 | 40 | 9.2 | 25 | 2.5 | PH-2 |
| P0220.050-045-ZP | M 5 | 45 | 9.2 | 25 | 2.5 | PH-2 |
| P0220.050-050-ZP | M 5 | 50 | 9.2 | 25 | 2.5 | PH-2 |
| P0220.050-055-ZP | M 4 | 55 | 9.2 | 25 | 2.5 | PH-2 |
| P0220.050-060-ZP | M 5 | 60 | 9.2 | 25 | 2.5 | PH-2 |
| P0220.050-065-ZP | M 5 | 65 | 9.2 | 25 | 2.5 | PH-2 |
| P0220.050-070-ZP | M 5 | 70 | 9.2 | 25 | 2.5 | PH-2 |
| P0220.050-075-ZP | M 5 | 75 | 9.2 | 25 | 2.5 | PH-2 |
| P0220.050-080-ZP | M 5 | 80 | 9.2 | 25 | 2.5 | PH-2 |
| P0220.050-085-ZP | M 5 | 85 | 9.2 | 25 | 2.5 | PH-2 |
| P0220.050-090-ZP | M 5 | 90 | 9.2 | 25 | 2.5 | PH-2 |
| P0220.050-095-ZP | M 5 | 95 | 9.2 | 25 | 2.5 | PH-2 |
| P0220.050-100-ZP | M 5 | 100 | 9.2 | 25 | 2.5 | PH-2 |
| P0220.060-008-ZP | M 6 | 8 | 11 | - | 3.0 | PH-3 |
| P0220.060-010-ZP | M 6 | 10 | 11 | - | 3.0 | PH-3 |
| P0220.060-012-ZP | M 6 | 12 | 11 | - | 3.0 | PH-3 |
| P0220.060-014-ZP | M 6 | 14 | 11 | - | 3.0 | PH-3 |
| P0220.060-016-ZP | M 6 | 16 | 11 | - | 3.0 | PH-3 |



Phillips Countersunk Machine Screws

Phillips - Steel, zinc-plated

Standard Screws

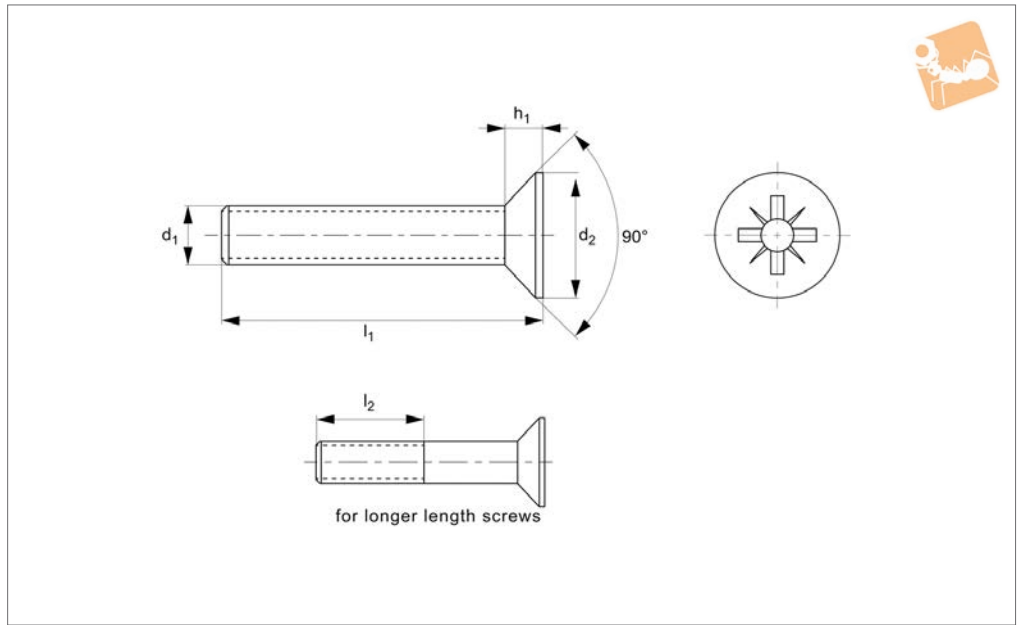


| Order No. | d ₁ | l ₁ | d ₂ | l ₂ | h ₁ | Size |
|------------------|----------------|----------------|----------------|----------------|----------------|------|
| P0220.060-018-ZP | M 6 | 18 | 11 | - | 3.0 | PH-3 |
| P0220.060-020-ZP | M 6 | 20 | 11 | - | 3.0 | PH-3 |
| P0220.060-022-ZP | M 6 | 22 | 11 | - | 3.0 | PH-3 |
| P0220.060-025-ZP | M 6 | 25 | 11 | - | 3.0 | PH-3 |
| P0220.060-030-ZP | M 6 | 30 | 11 | - | 3.0 | PH-3 |
| P0220.060-035-ZP | M 6 | 35 | 11 | - | 3.0 | PH-3 |
| P0220.060-040-ZP | M 6 | 40 | 12 | 28 | 3.0 | PH-3 |
| P0220.060-045-ZP | M 6 | 45 | 11 | 28 | 3.0 | PH-3 |
| P0220.060-050-ZP | M 6 | 50 | 11 | 28 | 3.0 | PH-3 |
| P0220.060-055-ZP | M 6 | 55 | 11 | 28 | 3.0 | PH-3 |
| P0220.060-060-ZP | M 6 | 60 | 11 | 28 | 3.0 | PH-3 |
| P0220.060-065-ZP | M 6 | 65 | 11 | 28 | 3.0 | PH-3 |
| P0220.060-070-ZP | M 6 | 70 | 11 | 28 | 3.0 | PH-3 |
| P0220.060-075-ZP | M 6 | 75 | 11 | 28 | 3.0 | PH-3 |
| P0220.060-080-ZP | M 6 | 80 | 11 | 28 | 3.0 | PH-3 |
| P0220.060-085-ZP | M 6 | 85 | 11 | 28 | 3.0 | PH-3 |
| P0220.060-090-ZP | M 6 | 90 | 11 | 28 | 3.0 | PH-3 |
| P0220.060-095-ZP | M 6 | 95 | 11 | 28 | 3.0 | PH-3 |
| P0220.060-100-ZP | M 6 | 100 | 11 | 28 | 3.0 | PH-3 |
| P0220.080-010-ZP | M 8 | 10 | 14.5 | - | 4.0 | PH-4 |
| P0220.080-012-ZP | M 8 | 12 | 14.5 | - | 4.0 | PH-4 |
| P0220.080-014-ZP | M 8 | 14 | 14.5 | - | 4.0 | PH-4 |
| P0220.080-016-ZP | M 8 | 16 | 14.5 | - | 4.0 | PH-4 |
| P0220.080-018-ZP | M 8 | 18 | 14.5 | - | 4.0 | PH-4 |
| P0220.080-020-ZP | M 8 | 20 | 14.5 | - | 4.0 | PH-4 |
| P0220.080-022-ZP | M 8 | 22 | 14.5 | - | 4.0 | PH-4 |
| P0220.080-025-ZP | M 8 | 25 | 14.5 | - | 4.0 | PH-4 |
| P0220.080-030-ZP | M 8 | 30 | 14.5 | - | 4.0 | PH-4 |
| P0220.080-035-ZP | M 8 | 35 | 14.5 | - | 4.0 | PH-4 |
| P0220.080-040-ZP | M 8 | 40 | 14.5 | 34 | 4.0 | PH-4 |
| P0220.080-045-ZP | M 8 | 45 | 14.5 | 34 | 4.0 | PH-4 |
| P0220.080-050-ZP | M 8 | 50 | 14.5 | 34 | 4.0 | PH-4 |
| P0220.080-055-ZP | M 8 | 55 | 14.5 | 34 | 4.0 | PH-4 |
| P0220.080-060-ZP | M 8 | 60 | 14.5 | 34 | 4.0 | PH-4 |
| P0220.080-065-ZP | M 8 | 65 | 14.5 | 34 | 4.0 | PH-4 |
| P0220.080-070-ZP | M 8 | 70 | 14.5 | 34 | 4.0 | PH-4 |
| P0220.080-075-ZP | M 8 | 75 | 14.5 | 34 | 4.0 | PH-4 |
| P0220.080-080-ZP | M 8 | 80 | 14.5 | 34 | 4.0 | PH-4 |
| P0220.080-085-ZP | M 8 | 85 | 14.5 | 34 | 4.0 | PH-4 |
| P0220.080-090-ZP | M 8 | 90 | 14.5 | 34 | 4.0 | PH-4 |
| P0220.080-095-ZP | M 8 | 95 | 14.5 | 34 | 4.0 | PH-4 |
| P0220.080-100-ZP | M 8 | 100 | 14.5 | 34 | 4.0 | PH-4 |
| P0220.100-016-ZP | M10 | 16 | 18 | - | 5.0 | PH-4 |
| P0220.100-020-ZP | M10 | 20 | 18 | - | 5.0 | PH-4 |
| P0220.100-025-ZP | M10 | 25 | 18 | - | 5.0 | PH-4 |
| P0220.100-030-ZP | M10 | 30 | 18 | - | 5.0 | PH-4 |
| P0220.100-035-ZP | M10 | 35 | 18 | - | 5.0 | PH-4 |
| P0220.100-040-ZP | M10 | 40 | 18 | - | 5.0 | PH-4 |
| P0220.100-045-ZP | M10 | 45 | 18 | - | 5.0 | PH-4 |
| P0220.100-050-ZP | M10 | 50 | 18 | 40 | 5.0 | PH-4 |
| P0220.100-055-ZP | M10 | 55 | 18 | 40 | 5.0 | PH-4 |
| P0220.100-060-ZP | M10 | 60 | 18 | 40 | 5.0 | PH-4 |
| P0220.100-065-ZP | M10 | 65 | 18 | 40 | 5.0 | PH-4 |
| P0220.100-070-ZP | M10 | 70 | 18 | 40 | 5.0 | PH-4 |
| P0220.100-075-ZP | M10 | 75 | 18 | 40 | 5.0 | PH-4 |
| P0220.100-080-ZP | M10 | 80 | 18 | 40 | 5.0 | PH-4 |
| P0220.100-085-ZP | M10 | 85 | 18 | 40 | 5.0 | PH-4 |
| P0220.100-090-ZP | M10 | 90 | 18 | 40 | 5.0 | PH-4 |
| P0220.100-095-ZP | M10 | 95 | 18 | 40 | 5.0 | PH-4 |
| P0220.100-100-ZP | M10 | 100 | 18 | 40 | 5.0 | PH-4 |

STANDARD SCREWS



P0221.A2



Material

Stainless steel A2.

Technical Notes

To DIN 965 H, ISO 7046. For the majority of

screw lengths the threads goes all the way to the head of the screw (i.e. $l_1 = l_2$) less 2.5 thread pitches.
For longer length screws the threaded

portion $l_2 < l_1$.

See technical page for tightening torques.

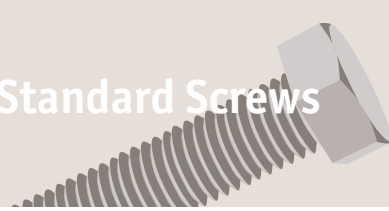
| Order No. | d ₁ | l ₁ | d ₂ | l ₂ | h ₁ | Size |
|------------------|----------------|----------------|----------------|----------------|----------------|------|
| P0221.016-003-A2 | M1,6 | 3 | 3.0 | - | 0.96 | PZ-0 |
| P0221.016-004-A2 | M1,6 | 4 | 3.0 | - | 0.96 | PZ-0 |
| P0221.016-005-A2 | M1,6 | 5 | 3.0 | - | 0.96 | PZ-0 |
| P0221.016-006-A2 | M1,6 | 6 | 3.0 | - | 0.96 | PZ-0 |
| P0221.016-008-A2 | M1,6 | 8 | 3.0 | - | 0.96 | PZ-0 |
| P0221.016-010-A2 | M1,6 | 10 | 3.0 | - | 0.96 | PZ-0 |
| P0221.016-012-A2 | M1,6 | 12 | 3.0 | - | 0.96 | PZ-0 |
| P0221.016-014-A2 | M1,6 | 14 | 3.0 | - | 0.96 | PZ-0 |
| P0221.016-016-A2 | M1,6 | 16 | 3.0 | - | 0.96 | PZ-0 |
| P0221.020-003-A2 | M 2 | 3 | 3.8 | - | 1.20 | PZ-1 |
| P0221.020-004-A2 | M 2 | 4 | 3.8 | - | 1.20 | PZ-1 |
| P0221.020-005-A2 | M 2 | 5 | 3.8 | - | 1.20 | PZ-1 |
| P0221.020-006-A2 | M 2 | 6 | 3.8 | - | 1.20 | PZ-1 |
| P0221.020-008-A2 | M 2 | 8 | 3.8 | - | 1.20 | PZ-1 |
| P0221.020-010-A2 | M 2 | 10 | 3.8 | - | 1.20 | PZ-1 |
| P0221.020-012-A2 | M 2 | 12 | 3.8 | - | 1.20 | PZ-1 |
| P0221.020-014-A2 | M 2 | 14 | 3.8 | - | 1.20 | PZ-1 |
| P0221.020-016-A2 | M 2 | 16 | 3.8 | - | 1.20 | PZ-1 |
| P0221.020-018-A2 | M 2 | 18 | 3.8 | 16 | 1.20 | PZ-1 |
| P0221.020-020-A2 | M 2 | 20 | 3.8 | 16 | 1.20 | PZ-1 |
| P0221.025-004-A2 | M2,5 | 4 | 4.7 | - | 1.50 | PZ-1 |
| P0221.025-005-A2 | M2,5 | 5 | 4.7 | - | 1.50 | PZ-1 |
| P0221.025-006-A2 | M2,5 | 6 | 4.7 | - | 1.50 | PZ-1 |
| P0221.025-008-A2 | M2,5 | 8 | 4.7 | - | 1.50 | PZ-1 |
| P0221.025-010-A2 | M2,5 | 10 | 4.7 | - | 1.50 | PZ-1 |
| P0221.025-012-A2 | M2,5 | 12 | 4.7 | - | 1.50 | PZ-1 |
| P0221.025-014-A2 | M2,5 | 14 | 4.7 | - | 1.50 | PZ-1 |
| P0221.025-016-A2 | M2,5 | 16 | 4.7 | - | 1.50 | PZ-1 |
| P0221.025-018-A2 | M2,5 | 18 | 4.7 | - | 1.50 | PZ-1 |
| P0221.025-020-A2 | M2,5 | 20 | 4.7 | 18 | 1.50 | PZ-1 |
| P0221.025-022-A2 | M2,5 | 20 | 4.7 | 18 | 1.50 | PZ-1 |
| P0221.025-025-A2 | M2,5 | 25 | 4.7 | 18 | 1.50 | PZ-1 |
| P0221.030-004-A2 | M 3 | 4 | 5.6 | - | 1.65 | PZ-1 |
| P0221.030-005-A2 | M 3 | 5 | 5.6 | - | 1.65 | PZ-1 |



Pozi Countersunk Machine Screws

Pozi - A2 stainless

Standard Screws



| Order No. | d ₁ | l ₁ | d ₂ | l ₂ | h ₁ | Size |
|------------------|----------------|----------------|----------------|----------------|----------------|------|
| P0221.030-006-A2 | M 3 | 6 | 5.6 | - | 1.65 | PZ-1 |
| P0221.030-008-A2 | M 3 | 8 | 5.6 | - | 1.65 | PZ-1 |
| P0221.030-010-A2 | M 3 | 10 | 5.6 | - | 1.65 | PZ-1 |
| P0221.030-012-A2 | M 3 | 12 | 5.6 | - | 1.65 | PZ-1 |
| P0221.030-014-A2 | M 3 | 14 | 5.6 | - | 1.65 | PZ-1 |
| P0221.030-016-A2 | M 3 | 16 | 5.6 | - | 1.65 | PZ-1 |
| P0221.030-018-A2 | M 3 | 18 | 5.6 | - | 1.65 | PZ-1 |
| P0221.030-020-A2 | M 3 | 20 | 5.6 | - | 1.65 | PZ-1 |
| P0221.030-022-A2 | M 3 | 22 | 5.6 | - | 1.65 | PZ-1 |
| P0221.030-025-A2 | M 3 | 25 | 5.6 | 22 | 1.65 | PZ-1 |
| P0221.030-030-A2 | M 3 | 30 | 5.6 | 22 | 1.65 | PZ-1 |
| P0221.030-035-A2 | M 3 | 35 | 5.6 | 22 | 1.65 | PZ-1 |
| P0221.030-040-A2 | M 3 | 40 | 5.6 | 22 | 1.65 | PZ-1 |
| P0221.030-045-A2 | M 3 | 45 | 5.6 | 22 | 1.65 | PZ-1 |
| P0221.030-050-A2 | M 3 | 50 | 5.6 | 22 | 1.65 | PZ-1 |
| P0221.030-055-A2 | M 3 | 55 | 5.6 | 22 | 1.65 | PZ-1 |
| P0221.030-060-A2 | M 3 | 60 | 5.6 | 22 | 1.65 | PZ-1 |
| P0221.040-005-A2 | M 4 | 5 | 7.5 | - | 2.20 | PZ-2 |
| P0221.040-006-A2 | M 4 | 6 | 7.5 | - | 2.20 | PZ-2 |
| P0221.040-008-A2 | M 4 | 8 | 7.5 | - | 2.20 | PZ-2 |
| P0221.040-010-A2 | M 4 | 10 | 7.5 | - | 2.20 | PZ-2 |
| P0221.040-012-A2 | M 4 | 12 | 7.5 | - | 2.20 | PZ-2 |
| P0221.040-014-A2 | M 4 | 14 | 7.5 | - | 2.20 | PZ-2 |
| P0221.040-016-A2 | M 4 | 16 | 7.5 | - | 2.20 | PZ-2 |
| P0221.040-018-A2 | M 4 | 18 | 7.5 | - | 2.20 | PZ-2 |
| P0221.040-020-A2 | M 4 | 20 | 7.5 | - | 2.20 | PZ-2 |
| P0221.040-022-A2 | M 4 | 22 | 7.5 | - | 2.20 | PZ-2 |
| P0221.040-025-A2 | M 4 | 25 | 7.5 | - | 2.20 | PZ-2 |
| P0221.040-030-A2 | M 4 | 30 | 7.5 | - | 2.20 | PZ-2 |
| P0221.040-035-A2 | M 4 | 35 | 7.5 | 28 | 2.20 | PZ-2 |
| P0221.040-040-A2 | M 4 | 40 | 7.5 | 28 | 2.20 | PZ-2 |
| P0221.040-045-A2 | M 4 | 45 | 7.5 | 28 | 2.20 | PZ-2 |
| P0221.040-050-A2 | M 4 | 50 | 7.5 | 28 | 2.20 | PZ-2 |
| P0221.040-055-A2 | M 4 | 55 | 7.5 | 28 | 2.20 | PZ-2 |
| P0221.040-060-A2 | M 4 | 60 | 7.5 | 28 | 2.20 | PZ-2 |
| P0221.040-065-A2 | M 4 | 65 | 7.5 | 28 | 2.20 | PZ-2 |
| P0221.040-070-A2 | M 4 | 70 | 7.5 | 28 | 2.20 | PZ-2 |
| P0221.040-075-A2 | M 4 | 75 | 7.5 | 28 | 2.20 | PZ-2 |
| P0221.040-080-A2 | M 4 | 80 | 7.5 | 28 | 2.20 | PZ-2 |
| P0221.040-085-A2 | M 4 | 85 | 7.5 | 28 | 2.20 | PZ-2 |
| P0221.040-090-A2 | M 4 | 90 | 7.5 | 28 | 2.20 | PZ-2 |
| P0221.040-100-A2 | M 4 | 100 | 7.5 | 28 | 2.20 | PZ-2 |
| P0221.040-110-A2 | M 4 | 110 | 7.5 | 28 | 2.20 | PZ-2 |
| P0221.050-006-A2 | M 5 | 6 | 9.2 | - | 2.50 | PZ-2 |
| P0221.050-008-A2 | M 5 | 8 | 9.2 | - | 2.50 | PZ-2 |
| P0221.050-010-A2 | M 5 | 10 | 9.2 | - | 2.50 | PZ-2 |
| P0221.050-012-A2 | M 5 | 12 | 9.2 | - | 2.50 | PZ-2 |
| P0221.050-014-A2 | M 5 | 14 | 9.2 | - | 2.50 | PZ-2 |
| P0221.050-016-A2 | M 5 | 16 | 9.2 | - | 2.50 | PZ-2 |
| P0221.050-018-A2 | M 5 | 18 | 9.2 | - | 2.50 | PZ-2 |
| P0221.050-020-A2 | M 5 | 20 | 9.2 | - | 2.50 | PZ-2 |
| P0221.050-022-A2 | M 5 | 22 | 9.2 | 25 | 2.50 | PZ-2 |
| P0221.050-025-A2 | M 5 | 25 | 9.2 | 25 | 2.50 | PZ-2 |
| P0221.050-030-A2 | M 5 | 30 | 9.2 | 25 | 2.50 | PZ-2 |
| P0221.050-035-A2 | M 5 | 35 | 9.2 | 25 | 2.50 | PZ-2 |
| P0221.050-040-A2 | M 5 | 40 | 9.2 | 25 | 2.50 | PZ-2 |
| P0221.050-045-A2 | M 5 | 45 | 9.2 | 25 | 2.50 | PZ-2 |
| P0221.050-050-A2 | M 5 | 50 | 9.2 | 25 | 2.50 | PZ-2 |
| P0221.050-055-A2 | M 5 | 55 | 9.2 | 25 | 2.50 | PZ-2 |
| P0221.050-060-A2 | M 5 | 60 | 9.2 | 25 | 2.50 | PZ-2 |
| P0221.050-065-A2 | M 5 | 65 | 9.2 | 25 | 2.50 | PZ-2 |
| P0221.050-070-A2 | M 5 | 70 | 9.2 | 25 | 2.50 | PZ-2 |
| P0221.050-075-A2 | M 5 | 75 | 9.2 | 25 | 2.50 | PZ-2 |
| P0221.050-080-A2 | M 5 | 80 | 9.2 | 25 | 2.50 | PZ-2 |
| P0221.050-085-A2 | M 5 | 85 | 9.2 | 25 | 2.50 | PZ-2 |
| P0221.050-090-A2 | M 5 | 90 | 9.2 | 25 | 2.50 | PZ-2 |
| P0221.050-095-A2 | M 5 | 95 | 9.2 | 25 | 2.50 | PZ-2 |
| P0221.050-100-A2 | M 5 | 100 | 9.2 | 25 | 2.50 | PZ-2 |
| P0221.060-008-A2 | M 6 | 8 | 11.0 | - | 3.00 | PZ-3 |

STANDARD SCREWS



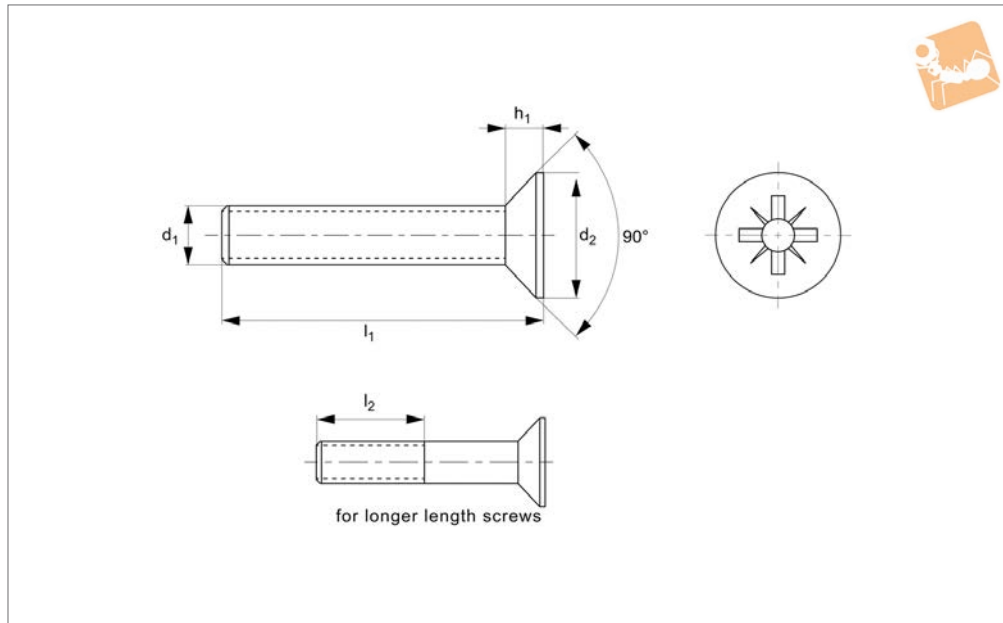
| Order No. | d ₁ | l ₁ | d ₂ | l ₂ | h ₁ | Size |
|------------------|----------------|----------------|----------------|----------------|----------------|------|
| P0221.060-010-A2 | M 6 | 10 | 11.0 | - | 3.00 | PZ-3 |
| P0221.060-012-A2 | M 6 | 12 | 11.0 | - | 3.00 | PZ-3 |
| P0221.060-014-A2 | M 6 | 14 | 11.0 | - | 3.00 | PZ-3 |
| P0221.060-016-A2 | M 6 | 16 | 11.0 | - | 3.00 | PZ-3 |
| P0221.060-018-A2 | M 6 | 18 | 11.0 | - | 3.00 | PZ-3 |
| P0221.060-020-A2 | M 6 | 20 | 11.0 | - | 3.00 | PZ-3 |
| P0221.060-022-A2 | M 6 | 22 | 11.0 | - | 3.00 | PZ-3 |
| P0221.060-025-A2 | M 6 | 25 | 11.0 | - | 3.00 | PZ-3 |
| P0221.060-030-A2 | M 6 | 30 | 11.0 | - | 3.00 | PZ-3 |
| P0221.060-035-A2 | M 6 | 35 | 11.0 | 28 | 3.00 | PZ-3 |
| P0221.060-040-A2 | M 6 | 40 | 11.0 | 28 | 3.00 | PZ-3 |
| P0221.060-045-A2 | M 6 | 45 | 11.0 | 28 | 3.00 | PZ-3 |
| P0221.060-050-A2 | M 6 | 50 | 11.0 | 28 | 3.00 | PZ-3 |
| P0221.060-055-A2 | M 6 | 55 | 11.0 | 28 | 3.00 | PZ-3 |
| P0221.060-060-A2 | M 6 | 60 | 11.0 | 28 | 3.00 | PZ-3 |
| P0221.060-065-A2 | M 6 | 65 | 11.0 | 28 | 3.00 | PZ-3 |
| P0221.060-070-A2 | M 6 | 70 | 11.0 | 28 | 3.00 | PZ-3 |
| P0221.060-075-A2 | M 6 | 75 | 11.0 | 28 | 3.00 | PZ-3 |
| P0221.060-080-A2 | M 6 | 80 | 11.0 | 28 | 3.00 | PZ-3 |
| P0221.060-085-A2 | M 6 | 85 | 11.0 | 28 | 3.00 | PZ-3 |
| P0221.060-090-A2 | M 6 | 90 | 11.0 | 28 | 3.00 | PZ-3 |
| P0221.060-095-A2 | M 6 | 95 | 11.0 | 28 | 3.00 | PZ-3 |
| P0221.060-100-A2 | M 6 | 100 | 11.0 | 28 | 3.00 | PZ-3 |
| P0221.080-012-A2 | M 8 | 12 | 14.5 | - | 4.00 | PZ-4 |
| P0221.080-014-A2 | M 8 | 14 | 14.5 | - | 4.00 | PZ-4 |
| P0221.080-016-A2 | M 8 | 16 | 14.5 | - | 4.00 | PZ-4 |
| P0221.080-018-A2 | M 8 | 18 | 14.5 | - | 4.00 | PZ-4 |
| P0221.080-020-A2 | M 8 | 20 | 14.5 | - | 4.00 | PZ-4 |
| P0221.080-022-A2 | M 8 | 22 | 14.5 | - | 4.00 | PZ-4 |
| P0221.080-025-A2 | M 8 | 25 | 14.5 | - | 4.00 | PZ-4 |
| P0221.080-030-A2 | M 8 | 30 | 14.5 | - | 4.00 | PZ-4 |
| P0221.080-035-A2 | M 8 | 35 | 14.5 | - | 4.00 | PZ-4 |
| P0221.080-040-A2 | M 8 | 40 | 14.5 | 34 | 4.00 | PZ-4 |
| P0221.080-045-A2 | M 8 | 45 | 14.5 | 34 | 4.00 | PZ-4 |
| P0221.080-050-A2 | M 8 | 50 | 14.5 | 34 | 4.00 | PZ-4 |
| P0221.080-055-A2 | M 8 | 55 | 14.5 | 34 | 4.00 | PZ-4 |
| P0221.080-060-A2 | M 8 | 60 | 14.5 | 34 | 4.00 | PZ-4 |
| P0221.080-065-A2 | M 8 | 65 | 14.5 | 34 | 4.00 | PZ-4 |
| P0221.080-070-A2 | M 8 | 70 | 14.5 | 34 | 4.00 | PZ-4 |
| P0221.080-075-A2 | M 8 | 75 | 14.5 | 34 | 4.00 | PZ-4 |
| P0221.080-080-A2 | M 8 | 80 | 14.5 | 34 | 4.00 | PZ-4 |
| P0221.080-085-A2 | M 8 | 85 | 14.5 | 34 | 4.00 | PZ-4 |
| P0221.080-090-A2 | M 8 | 90 | 14.5 | 34 | 4.00 | PZ-4 |
| P0221.080-095-A2 | M 8 | 95 | 14.5 | 34 | 4.00 | PZ-4 |
| P0221.080-100-A2 | M 8 | 100 | 14.5 | 34 | 4.00 | PZ-4 |
| P0221.100-020-A2 | M10 | 20 | 18.0 | - | 5.00 | PZ-4 |
| P0221.100-022-A2 | M10 | 22 | 18.0 | - | 5.00 | PZ-4 |
| P0221.100-025-A2 | M10 | 25 | 18.0 | - | 5.00 | PZ-4 |
| P0221.100-030-A2 | M10 | 30 | 18.0 | - | 5.00 | PZ-4 |
| P0221.100-035-A2 | M10 | 35 | 18.0 | - | 5.00 | PZ-4 |
| P0221.100-040-A2 | M10 | 40 | 18.0 | - | 5.00 | PZ-4 |
| P0221.100-045-A2 | M10 | 45 | 18.0 | - | 5.00 | PZ-4 |
| P0221.100-050-A2 | M10 | 50 | 18.0 | 40 | 5.00 | PZ-4 |
| P0221.100-055-A2 | M10 | 55 | 18.0 | 40 | 5.00 | PZ-4 |
| P0221.100-060-A2 | M10 | 60 | 18.0 | 40 | 5.00 | PZ-4 |
| P0221.100-065-A2 | M10 | 65 | 18.0 | 40 | 5.00 | PZ-4 |
| P0221.100-070-A2 | M10 | 70 | 18.0 | 40 | 5.00 | PZ-4 |
| P0221.100-075-A2 | M10 | 75 | 18.0 | 40 | 5.00 | PZ-4 |
| P0221.100-080-A2 | M10 | 80 | 18.0 | 40 | 5.00 | PZ-4 |
| P0221.100-085-A2 | M10 | 85 | 18.0 | 40 | 5.00 | PZ-4 |
| P0221.100-090-A2 | M10 | 90 | 18.0 | 40 | 5.00 | PZ-4 |
| P0221.100-095-A2 | M10 | 95 | 18.0 | 40 | 5.00 | PZ-4 |
| P0221.100-100-A2 | M10 | 100 | 18.0 | 40 | 5.00 | PZ-4 |



Pozi Countersunk Machine Screws

Pozi - A4 stainless

Standard Screws



P0221.A4

STANDARD SCREWS

Material

Stainless steel A4.

Technical Notes

To DIN 965 H, ISO 7046. For the majority of

screw lengths the threads goes all the way to the head of the screw (i.e. $l_2 = l_1$) less 2.5 thread pitches.

For longer length screws the threaded

portion $l_2 < l_1$.

See technical page for tightening torques.

| Order No. | d ₁ | l ₁ | d ₂ | l ₂ | h ₁ | Drive |
|------------------|----------------|----------------|----------------|----------------|----------------|-------|
| P0221.016-003-A4 | M1,6 | 3 | 3.0 | - | 0.96 | PZ-0 |
| P0221.016-004-A4 | M1,6 | 4 | 3.0 | - | 0.96 | PZ-0 |
| P0221.016-005-A4 | M1,6 | 5 | 3.0 | - | 0.96 | PZ-0 |
| P0221.016-006-A4 | M1,6 | 6 | 3.0 | - | 0.96 | PZ-0 |
| P0221.016-008-A4 | M1,6 | 8 | 3.0 | - | 0.96 | PZ-0 |
| P0221.016-010-A4 | M1,6 | 10 | 3.0 | - | 0.96 | PZ-0 |
| P0221.016-012-A4 | M1,6 | 12 | 3.0 | - | 0.96 | PZ-0 |
| P0221.016-014-A4 | M1,6 | 14 | 3.0 | - | 0.96 | PZ-0 |
| P0221.016-016-A4 | M1,6 | 16 | 3.0 | - | 0.96 | PZ-0 |
| P0221.020-003-A4 | M 2 | 3 | 3.8 | - | 1.20 | PZ-1 |
| P0221.020-004-A4 | M 2 | 4 | 3.8 | - | 1.20 | PZ-1 |
| P0221.020-005-A4 | M 2 | 5 | 3.8 | - | 1.20 | PZ-1 |
| P0221.020-006-A4 | M 2 | 6 | 3.8 | - | 1.20 | PZ-1 |
| P0221.020-008-A4 | M 2 | 8 | 3.8 | - | 1.20 | PZ-1 |
| P0221.020-010-A4 | M 2 | 10 | 3.8 | - | 1.20 | PZ-1 |
| P0221.020-012-A4 | M 2 | 12 | 3.8 | - | 1.20 | PZ-1 |
| P0221.020-014-A4 | M 2 | 14 | 3.8 | - | 1.20 | PZ-1 |
| P0221.020-016-A4 | M 2 | 16 | 3.8 | - | 1.20 | PZ-1 |
| P0221.020-018-A4 | M 2 | 18 | 3.8 | 16 | 1.20 | PZ-1 |
| P0221.020-020-A4 | M 2 | 20 | 3.8 | 16 | 1.20 | PZ-1 |
| P0221.025-004-A4 | M2,5 | 4 | 4.7 | - | 1.50 | PZ-1 |
| P0221.025-005-A4 | M2,5 | 5 | 4.7 | - | 1.50 | PZ-1 |
| P0221.025-006-A4 | M2,5 | 6 | 4.7 | - | 1.50 | PZ-1 |
| P0221.025-008-A4 | M2,5 | 8 | 4.7 | - | 1.50 | PZ-1 |
| P0221.025-010-A4 | M2,5 | 10 | 4.7 | - | 1.50 | PZ-1 |
| P0221.025-012-A4 | M2,5 | 12 | 4.7 | - | 1.50 | PZ-1 |
| P0221.025-014-A4 | M2,5 | 14 | 4.7 | - | 1.50 | PZ-1 |
| P0221.025-016-A4 | M2,5 | 16 | 4.7 | - | 1.50 | PZ-1 |
| P0221.025-018-A4 | M2,5 | 18 | 4.7 | - | 1.50 | PZ-1 |
| P0221.025-020-A4 | M2,5 | 20 | 4.7 | 18 | 1.50 | PZ-1 |
| P0221.025-025-A4 | M2,5 | 25 | 4.7 | 18 | 1.50 | PZ-1 |
| P0221.030-004-A4 | M 3 | 4 | 5.6 | - | 1.65 | PZ-1 |
| P0221.030-005-A4 | M 3 | 5 | 5.6 | - | 1.65 | PZ-1 |
| P0221.030-006-A4 | M 3 | 6 | 5.6 | - | 1.65 | PZ-1 |



STANDARD SCREWS

| Order No. | d ₁ | l ₁ | d ₂ | l ₂ | h ₁ | Drive |
|------------------|----------------|----------------|----------------|----------------|----------------|-------|
| P0221.030-008-A4 | M 3 | 8 | 5.6 | - | 1.65 | PZ-1 |
| P0221.030-010-A4 | M 3 | 10 | 5.6 | - | 1.65 | PZ-1 |
| P0221.030-012-A4 | M 3 | 12 | 5.6 | - | 1.65 | PZ-1 |
| P0221.030-014-A4 | M 3 | 14 | 5.6 | - | 1.65 | PZ-1 |
| P0221.030-016-A4 | M 3 | 16 | 5.6 | - | 1.65 | PZ-1 |
| P0221.030-018-A4 | M 3 | 18 | 5.6 | - | 1.65 | PZ-1 |
| P0221.030-020-A4 | M 3 | 20 | 5.6 | - | 1.65 | PZ-1 |
| P0221.030-022-A4 | M 3 | 22 | 5.6 | 19 | 1.65 | PZ-1 |
| P0221.030-025-A4 | M 3 | 25 | 5.6 | 19 | 1.65 | PZ-1 |
| P0221.030-030-A4 | M 3 | 30 | 5.6 | 19 | 1.65 | PZ-1 |
| P0221.030-035-A4 | M 3 | 35 | 5.6 | 19 | 1.65 | PZ-1 |
| P0221.030-040-A4 | M 3 | 40 | 5.6 | 19 | 1.65 | PZ-1 |
| P0221.030-045-A4 | M 3 | 45 | 5.6 | 19 | 1.65 | PZ-1 |
| P0221.030-050-A4 | M 3 | 50 | 5.6 | 19 | 1.65 | PZ-1 |
| P0221.030-055-A4 | M 3 | 55 | 5.6 | 19 | 1.65 | PZ-1 |
| P0221.030-060-A4 | M 3 | 60 | 5.6 | 19 | 1.65 | PZ-1 |
| P0221.040-005-A4 | M 4 | 5 | 7.5 | - | 2.20 | PZ-2 |
| P0221.040-006-A4 | M 4 | 6 | 7.5 | - | 2.20 | PZ-2 |
| P0221.040-008-A4 | M 4 | 8 | 7.5 | - | 2.20 | PZ-2 |
| P0221.040-010-A4 | M 4 | 10 | 7.5 | - | 2.20 | PZ-2 |
| P0221.040-012-A4 | M 4 | 12 | 7.5 | - | 2.20 | PZ-2 |
| P0221.040-014-A4 | M 4 | 14 | 7.5 | - | 2.20 | PZ-2 |
| P0221.040-016-A4 | M 4 | 16 | 7.5 | - | 2.20 | PZ-2 |
| P0221.040-018-A4 | M 4 | 18 | 7.5 | - | 2.20 | PZ-2 |
| P0221.040-020-A4 | M 4 | 20 | 7.5 | - | 2.20 | PZ-2 |
| P0221.040-022-A4 | M 4 | 22 | 7.5 | - | 2.20 | PZ-2 |
| P0221.040-025-A4 | M 4 | 25 | 7.5 | - | 2.20 | PZ-2 |
| P0221.040-030-A4 | M 4 | 30 | 7.5 | 22 | 2.20 | PZ-2 |
| P0221.040-035-A4 | M 4 | 35 | 7.5 | 22 | 2.20 | PZ-2 |
| P0221.040-040-A4 | M 4 | 40 | 7.5 | 22 | 2.20 | PZ-2 |
| P0221.040-045-A4 | M 4 | 45 | 7.5 | 22 | 2.20 | PZ-2 |
| P0221.040-050-A4 | M 4 | 50 | 7.5 | 22 | 2.20 | PZ-2 |
| P0221.040-055-A4 | M 4 | 55 | 7.5 | 22 | 2.20 | PZ-2 |
| P0221.040-060-A4 | M 4 | 60 | 7.5 | 22 | 2.20 | PZ-2 |
| P0221.040-065-A4 | M 4 | 65 | 7.5 | 22 | 2.20 | PZ-2 |
| P0221.040-070-A4 | M 4 | 70 | 7.5 | 22 | 2.20 | PZ-2 |
| P0221.040-075-A4 | M 4 | 75 | 7.5 | 22 | 2.20 | PZ-2 |
| P0221.040-080-A4 | M 4 | 80 | 7.5 | 22 | 2.20 | PZ-2 |
| P0221.040-085-A4 | M 4 | 85 | 7.5 | 22 | 2.20 | PZ-2 |
| P0221.040-090-A4 | M 4 | 90 | 7.5 | 22 | 2.20 | PZ-2 |
| P0221.040-095-A4 | M 4 | 95 | 7.5 | 22 | 2.20 | PZ-2 |
| P0221.040-100-A4 | M 4 | 100 | 7.5 | 22 | 2.20 | PZ-2 |
| P0221.050-006-A4 | M 5 | 6 | 9.2 | - | 2.50 | PZ-2 |
| P0221.050-008-A4 | M 5 | 8 | 9.2 | - | 2.50 | PZ-2 |
| P0221.050-010-A4 | M 5 | 10 | 9.2 | - | 2.50 | PZ-2 |
| P0221.050-012-A4 | M 5 | 12 | 9.2 | - | 2.50 | PZ-2 |
| P0221.050-014-A4 | M 5 | 14 | 9.2 | - | 2.50 | PZ-2 |
| P0221.050-016-A4 | M 5 | 16 | 9.2 | - | 2.50 | PZ-2 |
| P0221.050-018-A4 | M 5 | 18 | 9.2 | - | 2.50 | PZ-2 |
| P0221.050-020-A4 | M 5 | 20 | 9.2 | - | 2.50 | PZ-2 |
| P0221.050-022-A4 | M 5 | 22 | 9.2 | - | 2.50 | PZ-2 |
| P0221.050-025-A4 | M 5 | 25 | 9.2 | - | 2.50 | PZ-2 |
| P0221.050-030-A4 | M 5 | 30 | 9.2 | 25 | 2.50 | PZ-2 |
| P0221.050-035-A4 | M 5 | 35 | 9.2 | 25 | 2.50 | PZ-2 |
| P0221.050-040-A4 | M 5 | 40 | 9.2 | 25 | 2.50 | PZ-2 |
| P0221.050-045-A4 | M 5 | 45 | 9.2 | 25 | 2.50 | PZ-2 |
| P0221.050-050-A4 | M 5 | 50 | 9.2 | 25 | 2.50 | PZ-2 |
| P0221.050-055-A4 | M 5 | 55 | 9.2 | 25 | 2.50 | PZ-2 |
| P0221.050-060-A4 | M 5 | 60 | 9.2 | 25 | 2.50 | PZ-2 |
| P0221.050-065-A4 | M 5 | 65 | 9.2 | 25 | 2.50 | PZ-2 |
| P0221.050-070-A4 | M 5 | 70 | 9.2 | 25 | 2.50 | PZ-2 |
| P0221.050-075-A4 | M 5 | 75 | 9.2 | 25 | 2.50 | PZ-2 |
| P0221.050-080-A4 | M 5 | 80 | 9.2 | 25 | 2.50 | PZ-2 |
| P0221.050-085-A4 | M 5 | 85 | 9.2 | 25 | 2.50 | PZ-2 |
| P0221.050-090-A4 | M 5 | 90 | 9.2 | 25 | 2.50 | PZ-2 |
| P0221.050-095-A4 | M 5 | 95 | 9.2 | 25 | 2.50 | PZ-2 |
| P0221.050-100-A4 | M 5 | 100 | 9.2 | 25 | 2.50 | PZ-2 |
| P0221.060-008-A4 | M 6 | 8 | 11.0 | - | 3.00 | PZ-3 |
| P0221.060-010-A4 | M 6 | 10 | 11.0 | - | 3.00 | PZ-3 |



Pozi Countersunk Machine Screws

Pozi - A4 stainless

Standard Screws

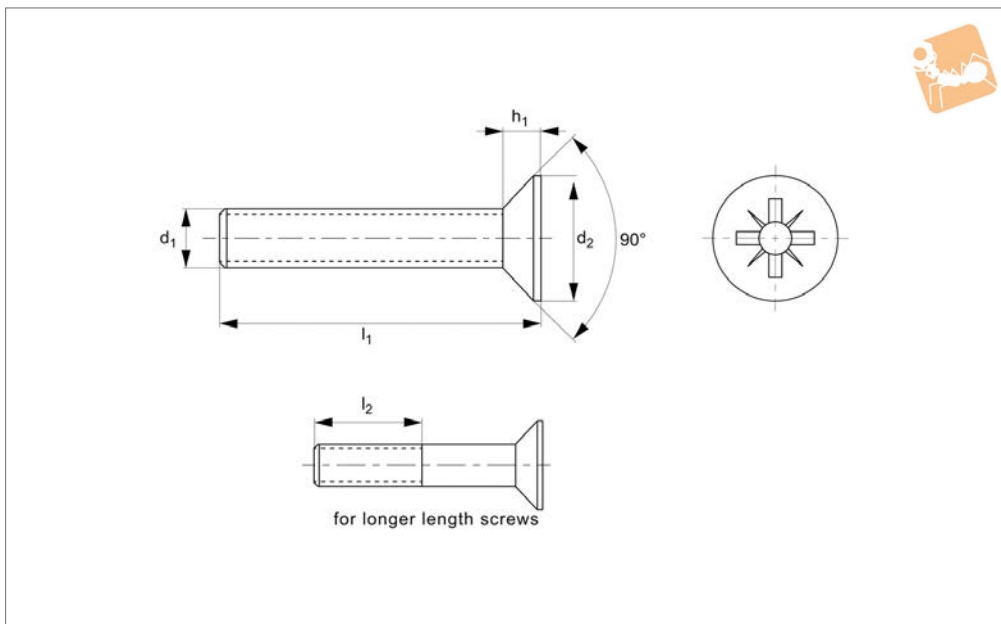


| Order No. | d ₁ | l ₁ | d ₂ | l ₂ | h ₁ | Drive |
|------------------|----------------|----------------|----------------|----------------|----------------|-------|
| P0221.060-012-A4 | M 6 | 12 | 11.0 | - | 3.00 | PZ-3 |
| P0221.060-014-A4 | M 6 | 14 | 11.0 | - | 3.00 | PZ-3 |
| P0221.060-016-A4 | M 6 | 16 | 11.0 | - | 3.00 | PZ-3 |
| P0221.060-018-A4 | M 6 | 18 | 11.0 | - | 3.00 | PZ-3 |
| P0221.060-020-A4 | M 6 | 20 | 11.0 | - | 3.00 | PZ-3 |
| P0221.060-022-A4 | M 6 | 22 | 11.0 | - | 3.00 | PZ-3 |
| P0221.060-025-A4 | M 6 | 25 | 11.0 | - | 3.00 | PZ-3 |
| P0221.060-030-A4 | M 6 | 30 | 11.0 | - | 3.00 | PZ-3 |
| P0221.060-035-A4 | M 6 | 35 | 11.0 | 28 | 3.00 | PZ-3 |
| P0221.060-040-A4 | M 6 | 40 | 11.0 | 28 | 3.00 | PZ-3 |
| P0221.060-045-A4 | M 6 | 45 | 11.0 | 28 | 3.00 | PZ-3 |
| P0221.060-050-A4 | M 6 | 50 | 11.0 | 28 | 3.00 | PZ-3 |
| P0221.060-055-A4 | M 6 | 55 | 11.0 | 28 | 3.00 | PZ-3 |
| P0221.060-060-A4 | M 6 | 60 | 11.0 | 28 | 3.00 | PZ-3 |
| P0221.060-065-A4 | M 6 | 65 | 11.0 | 28 | 3.00 | PZ-3 |
| P0221.060-070-A4 | M 6 | 70 | 11.0 | 28 | 3.00 | PZ-3 |
| P0221.060-075-A4 | M 6 | 75 | 11.0 | 28 | 3.00 | PZ-3 |
| P0221.060-080-A4 | M 6 | 80 | 11.0 | 28 | 3.00 | PZ-3 |
| P0221.060-085-A4 | M 6 | 85 | 11.0 | 28 | 3.00 | PZ-3 |
| P0221.060-090-A4 | M 6 | 90 | 11.0 | 28 | 3.00 | PZ-3 |
| P0221.060-095-A4 | M 6 | 95 | 11.0 | 28 | 3.00 | PZ-3 |
| P0221.060-100-A4 | M 6 | 100 | 11.0 | 28 | 3.00 | PZ-3 |
| P0221.080-012-A4 | M 8 | 12 | 14.5 | - | 4.00 | PZ-4 |
| P0221.080-014-A4 | M 8 | 14 | 14.5 | - | 4.00 | PZ-4 |
| P0221.080-016-A4 | M 8 | 16 | 14.5 | - | 4.00 | PZ-4 |
| P0221.080-018-A4 | M 8 | 18 | 14.5 | - | 4.00 | PZ-4 |
| P0221.080-020-A4 | M 8 | 20 | 14.5 | - | 4.00 | PZ-4 |
| P0221.080-022-A4 | M 8 | 22 | 14.5 | - | 4.00 | PZ-4 |
| P0221.080-025-A4 | M 8 | 25 | 14.5 | - | 4.00 | PZ-4 |
| P0221.080-030-A4 | M 8 | 30 | 14.5 | - | 4.00 | PZ-4 |
| P0221.080-035-A4 | M 8 | 35 | 14.5 | - | 4.00 | PZ-4 |
| P0221.080-040-A4 | M 8 | 40 | 14.5 | 34 | 4.00 | PZ-4 |
| P0221.080-045-A4 | M 8 | 45 | 14.5 | 34 | 4.00 | PZ-4 |
| P0221.080-050-A4 | M 8 | 50 | 14.5 | 34 | 4.00 | PZ-4 |
| P0221.080-055-A4 | M 8 | 55 | 14.5 | 34 | 4.00 | PZ-4 |
| P0221.080-060-A4 | M 8 | 60 | 14.5 | 34 | 4.00 | PZ-4 |
| P0221.080-065-A4 | M 8 | 65 | 14.5 | 34 | 4.00 | PZ-4 |
| P0221.080-070-A4 | M 8 | 70 | 14.5 | 34 | 4.00 | PZ-4 |
| P0221.080-075-A4 | M 8 | 75 | 14.5 | 34 | 4.00 | PZ-4 |
| P0221.080-080-A4 | M 8 | 80 | 14.5 | 34 | 4.00 | PZ-4 |
| P0221.080-085-A4 | M 8 | 85 | 14.5 | 34 | 4.00 | PZ-4 |
| P0221.080-090-A4 | M 8 | 90 | 14.5 | 34 | 4.00 | PZ-4 |
| P0221.080-095-A4 | M 8 | 95 | 14.5 | 34 | 4.00 | PZ-4 |
| P0221.080-100-A4 | M 8 | 100 | 14.5 | 34 | 4.00 | PZ-4 |
| P0221.100-020-A4 | M10 | 20 | 18.0 | - | 5.00 | PZ-4 |
| P0221.100-022-A4 | M10 | 22 | 18.0 | - | 5.00 | PZ-4 |
| P0221.100-025-A4 | M10 | 25 | 18.0 | - | 5.00 | PZ-4 |
| P0221.100-030-A4 | M10 | 30 | 18.0 | - | 5.00 | PZ-4 |
| P0221.100-035-A4 | M10 | 35 | 18.0 | - | 5.00 | PZ-4 |
| P0221.100-040-A4 | M10 | 40 | 18.0 | - | 5.00 | PZ-4 |
| P0221.100-045-A4 | M10 | 45 | 18.0 | - | 5.00 | PZ-4 |
| P0221.100-050-A4 | M10 | 50 | 18.0 | 40 | 5.00 | PZ-4 |
| P0221.100-055-A4 | M10 | 55 | 18.0 | 40 | 5.00 | PZ-4 |
| P0221.100-060-A4 | M10 | 60 | 18.0 | 40 | 5.00 | PZ-4 |
| P0221.100-065-A4 | M10 | 65 | 18.0 | 40 | 5.00 | PZ-4 |
| P0221.100-070-A4 | M10 | 70 | 18.0 | 40 | 5.00 | PZ-4 |
| P0221.100-075-A4 | M10 | 75 | 18.0 | 40 | 5.00 | PZ-4 |
| P0221.100-080-A4 | M10 | 80 | 18.0 | 40 | 5.00 | PZ-4 |
| P0221.100-085-A4 | M10 | 85 | 18.0 | 40 | 5.00 | PZ-4 |
| P0221.100-090-A4 | M10 | 90 | 18.0 | 40 | 5.00 | PZ-4 |
| P0221.100-095-A4 | M10 | 95 | 18.0 | 40 | 5.00 | PZ-4 |
| P0221.100-100-A4 | M10 | 100 | 18.0 | 40 | 5.00 | PZ-4 |

STANDARD SCREWS



P0221.ZP



Material

Steel, zinc-plated (grade 4.8).

Technical Notes

To DIN 965 H, ISO 7046. For the majority of

screw lengths the threads goes all the way to the head of the screw (i.e. $l_1 = l_2$) less 2.5 thread pitches.

For longer length screws the threaded

portion $l_2 < l_1$.

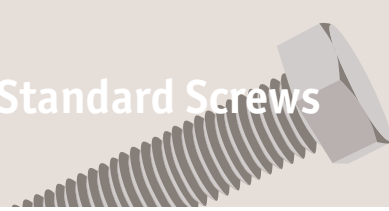
| Order No. | d ₁ | l ₁ | d ₂ | l ₂ | h ₁ | Drive |
|------------------|----------------|----------------|----------------|----------------|----------------|-------|
| P0221.016-003-ZP | M1,6 | 3 | 3.0 | - | 0.96 | PZ-0 |
| P0221.016-004-ZP | M1,6 | 4 | 3.0 | - | 0.96 | PZ-0 |
| P0221.016-005-ZP | M1,6 | 5 | 3.0 | - | 0.96 | PZ-0 |
| P0221.016-006-ZP | M1,6 | 6 | 3.0 | - | 0.96 | PZ-0 |
| P0221.016-008-ZP | M1,6 | 8 | 3.0 | - | 0.96 | PZ-0 |
| P0221.016-010-ZP | M1,6 | 10 | 3.0 | - | 0.96 | PZ-0 |
| P0221.016-012-ZP | M1,6 | 12 | 3.0 | - | 0.96 | PZ-0 |
| P0221.016-014-ZP | M1,6 | 14 | 3.0 | - | 0.96 | PZ-0 |
| P0221.016-016-ZP | M1,6 | 16 | 3.0 | - | 0.96 | PZ-0 |
| P0221.020-003-ZP | M 2 | 3 | 3.8 | - | 1.20 | PZ-1 |
| P0221.020-004-ZP | M 2 | 4 | 3.8 | - | 1.20 | PZ-1 |
| P0221.020-005-ZP | M 2 | 5 | 3.8 | - | 1.20 | PZ-1 |
| P0221.020-006-ZP | M 2 | 6 | 3.8 | - | 1.20 | PZ-1 |
| P0221.020-008-ZP | M 2 | 8 | 3.8 | - | 1.20 | PZ-1 |
| P0221.020-010-ZP | M 2 | 10 | 3.8 | - | 1.20 | PZ-1 |
| P0221.020-012-ZP | M 2 | 12 | 3.8 | - | 1.20 | PZ-1 |
| P0221.020-014-ZP | M 2 | 14 | 3.8 | - | 1.20 | PZ-1 |
| P0221.020-016-ZP | M 2 | 16 | 3.8 | - | 1.20 | PZ-1 |
| P0221.020-018-ZP | M 2 | 18 | 3.8 | 16 | 1.20 | PZ-1 |
| P0221.020-020-ZP | M 2 | 20 | 3.8 | 16 | 1.20 | PZ-1 |
| P0221.025-006-ZP | M2,5 | 6 | 4.7 | - | 1.50 | PZ-1 |
| P0221.025-008-ZP | M2,5 | 8 | 4.7 | - | 1.50 | PZ-1 |
| P0221.025-010-ZP | M2,5 | 10 | 4.7 | - | 1.50 | PZ-1 |
| P0221.025-012-ZP | M2,5 | 12 | 4.7 | - | 1.50 | PZ-1 |
| P0221.025-014-ZP | M2,5 | 14 | 4.7 | - | 1.50 | PZ-1 |
| P0221.025-016-ZP | M2,5 | 16 | 4.7 | - | 1.50 | PZ-1 |
| P0221.025-018-ZP | M2,5 | 18 | 4.7 | - | 1.50 | PZ-1 |
| P0221.025-020-ZP | M2,5 | 20 | 4.7 | - | 1.50 | PZ-1 |
| P0221.025-022-ZP | M2,5 | 22 | 4.7 | - | 1.50 | PZ-1 |
| P0221.030-004-ZP | M 3 | 4 | 5.6 | - | 1.65 | PZ-1 |
| P0221.030-005-ZP | M 3 | 5 | 5.6 | - | 1.65 | PZ-1 |
| P0221.030-006-ZP | M 3 | 6 | 5.6 | - | 1.65 | PZ-1 |
| P0221.030-008-ZP | M 3 | 8 | 5.6 | - | 1.65 | PZ-1 |
| P0221.030-010-ZP | M 3 | 10 | 5.6 | - | 1.65 | PZ-1 |



Pozi Countersunk Machine Screws

Pozi - Steel, zinc-plated

Standard Screws



| Order No. | d ₁ | l ₁ | d ₂ | l ₂ | h ₁ | Drive |
|------------------|----------------|----------------|----------------|----------------|----------------|-------|
| P0221.030-012-ZP | M 3 | 12 | 5.6 | - | 1.65 | PZ-1 |
| P0221.030-014-ZP | M 3 | 14 | 5.6 | - | 1.65 | PZ-1 |
| P0221.030-016-ZP | M 3 | 16 | 5.6 | - | 1.65 | PZ-1 |
| P0221.030-018-ZP | M 3 | 18 | 5.6 | - | 1.65 | PZ-1 |
| P0221.030-020-ZP | M 3 | 20 | 5.6 | - | 1.65 | PZ-1 |
| P0221.030-022-ZP | M 3 | 22 | 5.6 | - | 1.65 | PZ-1 |
| P0221.030-025-ZP | M 3 | 25 | 5.6 | 19 | 1.65 | PZ-1 |
| P0221.030-030-ZP | M 3 | 30 | 5.6 | 19 | 1.65 | PZ-1 |
| P0221.030-035-ZP | M 3 | 35 | 5.6 | 19 | 1.65 | PZ-1 |
| P0221.030-040-ZP | M 3 | 40 | 5.6 | 19 | 1.65 | PZ-1 |
| P0221.030-045-ZP | M 3 | 45 | 5.6 | 19 | 1.65 | PZ-1 |
| P0221.030-050-ZP | M 3 | 50 | 5.6 | 19 | 1.65 | PZ-1 |
| P0221.030-055-ZP | M 3 | 55 | 5.6 | 19 | 1.65 | PZ-1 |
| P0221.030-060-ZP | M 3 | 60 | 5.6 | 19 | 1.65 | PZ-1 |
| P0221.040-010-ZP | M 4 | 10 | 7.5 | - | 2.20 | PZ-2 |
| P0221.040-012-ZP | M 4 | 12 | 7.5 | - | 2.20 | PZ-2 |
| P0221.040-014-ZP | M 4 | 14 | 7.5 | - | 2.20 | PZ-2 |
| P0221.040-016-ZP | M 4 | 16 | 7.5 | - | 2.20 | PZ-2 |
| P0221.040-018-ZP | M 4 | 18 | 7.5 | - | 2.20 | PZ-2 |
| P0221.040-020-ZP | M 4 | 20 | 7.5 | - | 2.20 | PZ-2 |
| P0221.040-022-ZP | M 4 | 22 | 7.5 | - | 2.20 | PZ-2 |
| P0221.040-025-ZP | M 4 | 25 | 7.5 | - | 2.20 | PZ-2 |
| P0221.040-030-ZP | M 4 | 30 | 7.5 | 22 | 2.20 | PZ-2 |
| P0221.040-035-ZP | M 4 | 35 | 7.5 | 22 | 2.20 | PZ-2 |
| P0221.040-040-ZP | M 4 | 40 | 7.5 | 22 | 2.20 | PZ-2 |
| P0221.040-045-ZP | M 4 | 45 | 7.5 | 22 | 2.20 | PZ-2 |
| P0221.040-050-ZP | M 4 | 50 | 7.5 | 22 | 2.20 | PZ-2 |
| P0221.040-055-ZP | M 4 | 55 | 7.5 | 22 | 2.20 | PZ-2 |
| P0221.040-060-ZP | M 4 | 60 | 7.5 | 22 | 2.20 | PZ-2 |
| P0221.040-065-ZP | M 4 | 65 | 7.5 | 22 | 2.20 | PZ-2 |
| P0221.040-070-ZP | M 4 | 70 | 7.5 | 22 | 2.20 | PZ-2 |
| P0221.040-075-ZP | M 4 | 75 | 7.5 | 22 | 2.20 | PZ-2 |
| P0221.040-080-ZP | M 4 | 80 | 7.5 | 22 | 2.20 | PZ-2 |
| P0221.040-090-ZP | M 4 | 90 | 7.5 | 22 | 2.20 | PZ-2 |
| P0221.040-100-ZP | M 4 | 100 | 7.5 | 22 | 2.20 | PZ-2 |
| P0221.050-006-ZP | M 5 | 6 | 9.2 | - | 2.50 | PZ-2 |
| P0221.050-008-ZP | M 5 | 8 | 9.2 | - | 2.50 | PZ-2 |
| P0221.050-010-ZP | M 5 | 10 | 9.2 | - | 2.50 | PZ-2 |
| P0221.050-012-ZP | M 5 | 12 | 9.2 | - | 2.50 | PZ-2 |
| P0221.050-014-ZP | M 5 | 14 | 9.2 | - | 2.50 | PZ-2 |
| P0221.050-016-ZP | M 5 | 16 | 9.2 | - | 2.50 | PZ-2 |
| P0221.050-018-ZP | M 5 | 18 | 9.2 | - | 2.50 | PZ-2 |
| P0221.050-020-ZP | M 5 | 20 | 9.2 | - | 2.50 | PZ-2 |
| P0221.050-022-ZP | M 5 | 22 | 9.2 | - | 2.50 | PZ-2 |
| P0221.050-025-ZP | M 5 | 25 | 9.2 | - | 2.50 | PZ-2 |
| P0221.050-030-ZP | M 5 | 30 | 9.2 | 25 | 2.50 | PZ-2 |
| P0221.050-035-ZP | M 5 | 35 | 9.2 | 25 | 2.50 | PZ-2 |
| P0221.050-040-ZP | M 5 | 40 | 9.2 | 25 | 2.50 | PZ-2 |
| P0221.050-045-ZP | M 5 | 45 | 9.2 | 25 | 2.50 | PZ-2 |
| P0221.050-050-ZP | M 5 | 50 | 9.2 | 25 | 2.50 | PZ-2 |
| P0221.050-055-ZP | M 5 | 55 | 9.2 | 25 | 2.50 | PZ-2 |
| P0221.050-060-ZP | M 5 | 60 | 9.2 | 25 | 2.50 | PZ-2 |
| P0221.050-065-ZP | M 5 | 65 | 9.2 | 25 | 2.50 | PZ-2 |
| P0221.050-070-ZP | M 5 | 70 | 9.2 | 25 | 2.50 | PZ-2 |
| P0221.050-075-ZP | M 5 | 75 | 9.2 | 25 | 2.50 | PZ-2 |
| P0221.050-080-ZP | M 5 | 80 | 9.2 | 25 | 2.50 | PZ-2 |
| P0221.050-085-ZP | M 5 | 85 | 9.2 | 25 | 2.50 | PZ-2 |
| P0221.050-090-ZP | M 5 | 90 | 9.2 | 25 | 2.50 | PZ-2 |
| P0221.050-095-ZP | M 5 | 95 | 9.2 | 25 | 2.50 | PZ-2 |
| P0221.050-100-ZP | M 5 | 100 | 9.2 | 25 | 2.50 | PZ-2 |
| P0221.060-008-ZP | M 6 | 8 | 11.0 | - | 3.00 | PZ-3 |
| P0221.060-010-ZP | M 6 | 10 | 11.0 | - | 3.00 | PZ-3 |
| P0221.060-012-ZP | M 6 | 12 | 11.0 | - | 3.00 | PZ-3 |
| P0221.060-014-ZP | M 6 | 14 | 11.0 | - | 3.00 | PZ-3 |
| P0221.060-016-ZP | M 6 | 16 | 11.0 | - | 3.00 | PZ-3 |
| P0221.060-018-ZP | M 6 | 18 | 11.0 | - | 3.00 | PZ-3 |
| P0221.060-020-ZP | M 6 | 20 | 11.0 | - | 3.00 | PZ-3 |
| P0221.060-022-ZP | M 6 | 22 | 11.0 | - | 3.00 | PZ-3 |
| P0221.060-025-ZP | M 6 | 25 | 11.0 | - | 3.00 | PZ-3 |

STANDARD SCREWS



STANDARD SCREWS

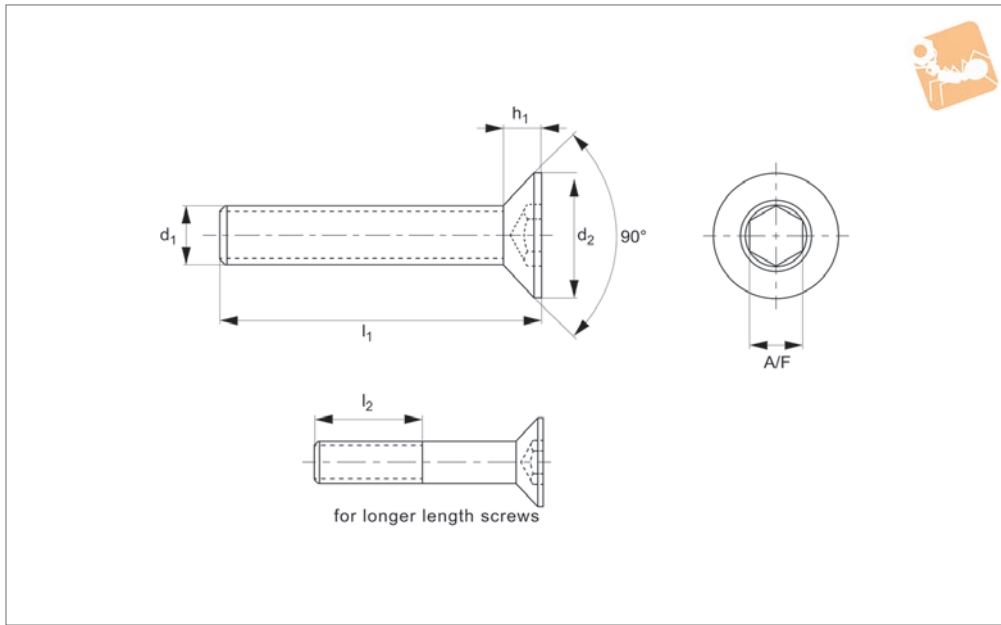
| Order No. | d ₁ | l ₁ | d ₂ | l ₂ | h ₁ | Drive |
|------------------|----------------|----------------|----------------|----------------|----------------|-------|
| P0221.060-030-ZP | M 6 | 30 | 11.0 | - | 3.00 | PZ-3 |
| P0221.060-035-ZP | M 6 | 35 | 11.0 | 28 | 3.00 | PZ-3 |
| P0221.060-040-ZP | M 6 | 40 | 11.0 | 28 | 3.00 | PZ-3 |
| P0221.060-045-ZP | M 6 | 45 | 11.0 | 28 | 3.00 | PZ-3 |
| P0221.060-050-ZP | M 6 | 50 | 11.0 | 28 | 3.00 | PZ-3 |
| P0221.060-055-ZP | M 6 | 55 | 11.0 | 28 | 3.00 | PZ-3 |
| P0221.060-060-ZP | M 6 | 60 | 11.0 | 28 | 3.00 | PZ-3 |
| P0221.060-065-ZP | M 6 | 65 | 11.0 | 28 | 3.00 | PZ-3 |
| P0221.060-070-ZP | M 6 | 70 | 11.0 | 28 | 3.00 | PZ-3 |
| P0221.060-075-ZP | M 6 | 75 | 11.0 | 28 | 3.00 | PZ-3 |
| P0221.060-080-ZP | M 6 | 80 | 11.0 | 28 | 3.00 | PZ-3 |
| P0221.060-085-ZP | M 6 | 85 | 11.0 | 28 | 3.00 | PZ-3 |
| P0221.060-090-ZP | M 6 | 90 | 11.0 | 28 | 3.00 | PZ-3 |
| P0221.060-095-ZP | M 6 | 95 | 11.0 | 28 | 3.00 | PZ-3 |
| P0221.060-100-ZP | M 6 | 100 | 11.0 | 28 | 3.00 | PZ-3 |
| P0221.080-012-ZP | M 8 | 12 | 14.5 | - | 4.00 | PZ-4 |
| P0221.080-014-ZP | M 8 | 14 | 14.5 | - | 4.00 | PZ-4 |
| P0221.080-016-ZP | M 8 | 16 | 14.5 | - | 4.00 | PZ-4 |
| P0221.080-018-ZP | M 8 | 18 | 14.5 | - | 4.00 | PZ-4 |
| P0221.080-020-ZP | M 8 | 20 | 14.5 | - | 4.00 | PZ-4 |
| P0221.080-022-ZP | M 8 | 22 | 14.5 | - | 4.00 | PZ-4 |
| P0221.080-025-ZP | M 8 | 25 | 14.5 | - | 4.00 | PZ-4 |
| P0221.080-030-ZP | M 8 | 30 | 14.5 | - | 4.00 | PZ-4 |
| P0221.080-035-ZP | M 8 | 35 | 14.5 | - | 4.00 | PZ-4 |
| P0221.080-040-ZP | M 8 | 40 | 14.5 | 34 | 4.00 | PZ-4 |
| P0221.080-045-ZP | M 8 | 45 | 14.5 | 34 | 4.00 | PZ-4 |
| P0221.080-050-ZP | M 8 | 50 | 14.5 | 34 | 4.00 | PZ-4 |
| P0221.080-055-ZP | M 8 | 55 | 14.5 | 34 | 4.00 | PZ-4 |
| P0221.080-060-ZP | M 8 | 60 | 14.5 | 34 | 4.00 | PZ-4 |
| P0221.080-065-ZP | M 8 | 65 | 14.5 | 34 | 4.00 | PZ-4 |
| P0221.080-070-ZP | M 8 | 70 | 14.5 | 34 | 4.00 | PZ-4 |
| P0221.080-075-ZP | M 8 | 75 | 14.5 | 34 | 4.00 | PZ-4 |
| P0221.080-080-ZP | M 8 | 80 | 14.5 | 34 | 4.00 | PZ-4 |
| P0221.080-085-ZP | M 8 | 85 | 14.5 | 34 | 4.00 | PZ-4 |
| P0221.080-090-ZP | M 8 | 90 | 14.5 | 34 | 4.00 | PZ-4 |
| P0221.080-095-ZP | M 8 | 95 | 14.5 | 34 | 4.00 | PZ-4 |
| P0221.080-100-ZP | M 8 | 100 | 14.5 | 34 | 4.00 | PZ-4 |
| P0221.100-020-ZP | M10 | 20 | 18.0 | - | 5.00 | PZ-4 |
| P0221.100-022-ZP | M10 | 22 | 18.0 | - | 5.00 | PZ-4 |
| P0221.100-025-ZP | M10 | 25 | 18.0 | - | 5.00 | PZ-4 |
| P0221.100-030-ZP | M10 | 30 | 18.0 | - | 5.00 | PZ-4 |
| P0221.100-035-ZP | M10 | 35 | 18.0 | - | 5.00 | PZ-4 |
| P0221.100-040-ZP | M10 | 40 | 18.0 | - | 5.00 | PZ-4 |
| P0221.100-045-ZP | M10 | 45 | 18.0 | - | 5.00 | PZ-4 |
| P0221.100-050-ZP | M10 | 50 | 18.0 | 40 | 5.00 | PZ-4 |
| P0221.100-055-ZP | M10 | 55 | 18.0 | 40 | 5.00 | PZ-4 |
| P0221.100-060-ZP | M10 | 60 | 18.0 | 40 | 5.00 | PZ-4 |
| P0221.100-065-ZP | M10 | 65 | 18.0 | 40 | 5.00 | PZ-4 |
| P0221.100-070-ZP | M10 | 70 | 18.0 | 40 | 5.00 | PZ-4 |
| P0221.100-075-ZP | M10 | 75 | 18.0 | 40 | 5.00 | PZ-4 |
| P0221.100-080-ZP | M10 | 80 | 18.0 | 40 | 5.00 | PZ-4 |
| P0221.100-085-ZP | M10 | 85 | 18.0 | 40 | 5.00 | PZ-4 |
| P0221.100-090-ZP | M10 | 90 | 18.0 | 40 | 5.00 | PZ-4 |
| P0221.100-095-ZP | M10 | 95 | 18.0 | 40 | 5.00 | PZ-4 |
| P0221.100-100-ZP | M10 | 100 | 18.0 | 40 | 5.00 | PZ-4 |



Socket Countersunk Machine Screws

Socket - A2 stainless

Standard Screws



P0222.A2

STANDARD SCREWS

Material

Stainless steel A2.

Technical Notes

To DIN 7991, ISO 10642. For the majority

of screw lengths the threads goes all the way to the head of the screw (i.e. $l_1 = l_2$) less 2.5 thread pitches.

For longer length screws the threaded

portion $l_2 < l_1$.

See technical page for tightening torques.

| Order No. | d_1 | l_1 | d_2 | l_2 | h_1 | A/F |
|------------------|-------|-------|-------|-------|-------|-----|
| P0222.030-006-A2 | M 3 | 6 | 6 | - | 1.7 | 2.0 |
| P0222.030-008-A2 | M 3 | 8 | 6 | - | 1.7 | 2.0 |
| P0222.030-010-A2 | M 3 | 10 | 6 | - | 1.7 | 2.0 |
| P0222.030-012-A2 | M 3 | 12 | 6 | - | 1.7 | 2.0 |
| P0222.030-014-A2 | M 3 | 14 | 6 | 12 | 1.7 | 2.0 |
| P0222.030-016-A2 | M 3 | 16 | 6 | 12 | 1.7 | 2.0 |
| P0222.030-018-A2 | M 3 | 18 | 6 | 12 | 1.7 | 2.0 |
| P0222.030-020-A2 | M 3 | 20 | 6 | 12 | 1.7 | 2.0 |
| P0222.030-022-A2 | M 3 | 22 | 6 | 12 | 1.7 | 2.0 |
| P0222.030-025-A2 | M 3 | 25 | 6 | 12 | 1.7 | 2.0 |
| P0222.030-030-A2 | M 3 | 30 | 6 | 12 | 1.7 | 2.0 |
| P0222.030-035-A2 | M 3 | 35 | 6 | 12 | 1.7 | 2.0 |
| P0222.030-040-A2 | M 3 | 40 | 6 | 12 | 1.7 | 2.0 |
| P0222.040-006-A2 | M 4 | 6 | 8 | - | 2.3 | 2.5 |
| P0222.040-008-A2 | M 4 | 8 | 8 | - | 2.3 | 2.5 |
| P0222.040-010-A2 | M 4 | 10 | 8 | - | 2.3 | 2.5 |
| P0222.040-012-A2 | M 4 | 12 | 8 | - | 2.3 | 2.5 |
| P0222.040-014-A2 | M 4 | 14 | 8 | - | 2.3 | 2.5 |
| P0222.040-016-A2 | M 4 | 16 | 8 | 14 | 2.3 | 2.5 |
| P0222.040-018-A2 | M 4 | 18 | 8 | 14 | 2.3 | 2.5 |
| P0222.040-020-A2 | M 4 | 20 | 8 | 14 | 2.3 | 2.5 |
| P0222.040-022-A2 | M 4 | 22 | 8 | 14 | 2.3 | 2.5 |
| P0222.040-025-A2 | M 4 | 25 | 8 | 14 | 2.3 | 2.5 |
| P0222.040-030-A2 | M 4 | 30 | 8 | 14 | 2.3 | 2.5 |
| P0222.040-035-A2 | M 4 | 35 | 8 | 14 | 2.3 | 2.5 |
| P0222.040-040-A2 | M 4 | 40 | 8 | 14 | 2.3 | 2.5 |
| P0222.040-045-A2 | M 4 | 45 | 8 | 14 | 2.3 | 2.5 |
| P0222.040-050-A2 | M 4 | 50 | 8 | 14 | 2.3 | 2.5 |
| P0222.040-055-A2 | M 4 | 55 | 8 | 14 | 2.3 | 2.5 |
| P0222.040-060-A2 | M 4 | 60 | 8 | 14 | 2.3 | 2.5 |
| P0222.040-065-A2 | M 4 | 65 | 8 | 14 | 2.3 | 2.5 |
| P0222.040-070-A2 | M 4 | 70 | 8 | 14 | 2.3 | 2.5 |
| P0222.050-006-A2 | M 5 | 6 | 10 | - | 2.8 | 3.0 |
| P0222.050-008-A2 | M 5 | 8 | 10 | - | 2.8 | 3.0 |



STANDARD SCREWS

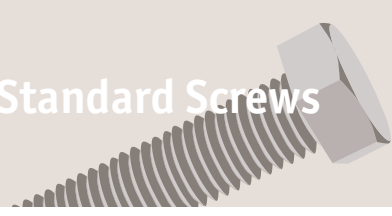
| Order No. | d ₁ | l ₁ | d ₂ | l ₂ | h ₁ | A/F |
|------------------|----------------|----------------|----------------|----------------|----------------|-----|
| P0222.050-010-A2 | M 5 | 10 | 10 | - | 2.8 | 3.0 |
| P0222.050-012-A2 | M 5 | 12 | 10 | - | 2.8 | 3.0 |
| P0222.050-014-A2 | M 5 | 14 | 10 | - | 2.8 | 3.0 |
| P0222.050-016-A2 | M 5 | 16 | 10 | - | 2.8 | 3.0 |
| P0222.050-018-A2 | M 5 | 18 | 10 | 16 | 2.8 | 3.0 |
| P0222.050-020-A2 | M 5 | 20 | 10 | 16 | 2.8 | 3.0 |
| P0222.050-022-A2 | M 5 | 22 | 10 | 16 | 2.8 | 3.0 |
| P0222.050-025-A2 | M 5 | 25 | 10 | 16 | 2.8 | 3.0 |
| P0222.050-030-A2 | M 5 | 30 | 10 | 16 | 2.8 | 3.0 |
| P0222.050-035-A2 | M 5 | 35 | 10 | 16 | 2.8 | 3.0 |
| P0222.050-040-A2 | M 5 | 40 | 10 | 16 | 2.8 | 3.0 |
| P0222.050-045-A2 | M 5 | 45 | 10 | 16 | 2.8 | 3.0 |
| P0222.050-050-A2 | M 5 | 50 | 10 | 16 | 2.8 | 3.0 |
| P0222.050-055-A2 | M 5 | 55 | 10 | 16 | 2.8 | 3.0 |
| P0222.050-060-A2 | M 5 | 60 | 10 | 16 | 2.8 | 3.0 |
| P0222.050-065-A2 | M 5 | 65 | 10 | 16 | 2.8 | 3.0 |
| P0222.050-070-A2 | M 5 | 70 | 10 | 16 | 2.8 | 3.0 |
| P0222.050-075-A2 | M 5 | 75 | 10 | 16 | 2.8 | 3.0 |
| P0222.050-080-A2 | M 5 | 80 | 10 | 16 | 2.8 | 3.0 |
| P0222.050-085-A2 | M 5 | 85 | 10 | 16 | 2.8 | 3.0 |
| P0222.050-090-A2 | M 5 | 90 | 10 | 16 | 2.8 | 3.0 |
| P0222.050-095-A2 | M 5 | 95 | 10 | 16 | 2.8 | 3.0 |
| P0222.050-100-A2 | M 5 | 100 | 10 | 16 | 2.8 | 3.0 |
| P0222.060-008-A2 | M 6 | 8 | 12.0 | - | 3.30 | 4.0 |
| P0222.060-010-A2 | M 6 | 10 | 12.0 | - | 3.30 | 4.0 |
| P0222.060-012-A2 | M 6 | 12 | 12.0 | - | 3.30 | 4.0 |
| P0222.060-014-A2 | M 6 | 14 | 12.0 | - | 3.30 | 4.0 |
| P0222.060-016-A2 | M 6 | 16 | 12.0 | - | 3.30 | 4.0 |
| P0222.060-018-A2 | M 6 | 18 | 12.0 | - | 3.30 | 4.0 |
| P0222.060-020-A2 | M 6 | 20 | 12.0 | 18 | 3.30 | 4.0 |
| P0222.060-022-A2 | M 6 | 22 | 12.0 | 18 | 3.30 | 4.0 |
| P0222.060-025-A2 | M 6 | 25 | 12.0 | 18 | 3.30 | 4.0 |
| P0222.060-030-A2 | M 6 | 30 | 12.0 | 18 | 3.30 | 4.0 |
| P0222.060-035-A2 | M 6 | 35 | 12.0 | 18 | 3.30 | 4.0 |
| P0222.060-040-A2 | M 6 | 40 | 12.0 | 18 | 3.30 | 4.0 |
| P0222.060-045-A2 | M 6 | 45 | 12.0 | 18 | 3.30 | 4.0 |
| P0222.060-050-A2 | M 6 | 50 | 12.0 | 18 | 3.30 | 4.0 |
| P0222.060-055-A2 | M 6 | 55 | 12.0 | 18 | 3.30 | 4.0 |
| P0222.060-060-A2 | M 6 | 60 | 12.0 | 18 | 3.30 | 4.0 |
| P0222.060-065-A2 | M 6 | 65 | 12.0 | 18 | 3.30 | 4.0 |
| P0222.060-070-A2 | M 6 | 70 | 12.0 | 18 | 3.30 | 4.0 |
| P0222.060-075-A2 | M 6 | 75 | 12.0 | 18 | 3.30 | 4.0 |
| P0222.060-080-A2 | M 6 | 80 | 12.0 | 18 | 3.30 | 4.0 |
| P0222.060-085-A2 | M 6 | 85 | 12.0 | 18 | 3.30 | 4.0 |
| P0222.060-090-A2 | M 6 | 90 | 12.0 | 18 | 3.30 | 4.0 |
| P0222.060-095-A2 | M 6 | 95 | 12.0 | 18 | 3.30 | 4.0 |
| P0222.060-100-A2 | M 6 | 100 | 12.0 | 18 | 3.30 | 4.0 |
| P0222.080-010-A2 | M 8 | 10 | 16.0 | - | 4.40 | 5.0 |
| P0222.080-012-A2 | M 8 | 12 | 16.0 | - | 4.40 | 5.0 |
| P0222.080-014-A2 | M 8 | 14 | 16.0 | - | 4.40 | 5.0 |
| P0222.080-016-A2 | M 8 | 16 | 16.0 | - | 4.40 | 5.0 |
| P0222.080-018-A2 | M 8 | 18 | 16.0 | - | 4.40 | 5.0 |
| P0222.080-020-A2 | M 8 | 20 | 16.0 | - | 4.40 | 5.0 |
| P0222.080-022-A2 | M 8 | 22 | 16.0 | - | 4.40 | 5.0 |
| P0222.080-025-A2 | M 8 | 25 | 16.0 | 22 | 4.40 | 5.0 |
| P0222.080-030-A2 | M 8 | 30 | 16.0 | 22 | 4.40 | 5.0 |
| P0222.080-035-A2 | M 8 | 35 | 16.0 | 22 | 4.40 | 5.0 |
| P0222.080-040-A2 | M 8 | 40 | 16.0 | 22 | 4.40 | 5.0 |
| P0222.080-045-A2 | M 8 | 45 | 16.0 | 22 | 4.40 | 5.0 |
| P0222.080-050-A2 | M 8 | 50 | 16.0 | 22 | 4.40 | 5.0 |
| P0222.080-055-A2 | M 8 | 55 | 16.0 | 22 | 4.40 | 5.0 |
| P0222.080-060-A2 | M 8 | 60 | 16.0 | 22 | 4.40 | 5.0 |
| P0222.080-065-A2 | M 8 | 65 | 16.0 | 22 | 4.40 | 5.0 |
| P0222.080-070-A2 | M 8 | 70 | 16.0 | 22 | 4.40 | 5.0 |
| P0222.080-075-A2 | M 8 | 75 | 16.0 | 22 | 4.40 | 5.0 |
| P0222.080-080-A2 | M 8 | 80 | 16.0 | 22 | 4.40 | 5.0 |
| P0222.080-085-A2 | M 8 | 85 | 16.0 | 22 | 4.40 | 5.0 |
| P0222.080-090-A2 | M 8 | 90 | 16.0 | 22 | 4.40 | 5.0 |
| P0222.080-095-A2 | M 8 | 95 | 16.0 | 22 | 4.40 | 5.0 |



Socket Countersunk Machine Screws

Socket - A2 stainless

Standard Screws



| Order No. | d ₁ | l ₁ | d ₂ | l ₂ | h ₁ | A/F |
|------------------|----------------|----------------|----------------|----------------|----------------|------|
| P0222.080-100-A2 | M 8 | 100 | 16.0 | 22 | 4.40 | 5.0 |
| P0222.080-110-A2 | M 8 | 110 | 16.0 | 22 | 4.40 | 5.0 |
| P0222.080-120-A2 | M 8 | 120 | 16.0 | 22 | 4.40 | 5.0 |
| P0222.080-130-A2 | M 8 | 130 | 16.0 | 22 | 4.40 | 5.0 |
| P0222.080-140-A2 | M 8 | 140 | 16.0 | 22 | 4.40 | 5.0 |
| P0222.080-150-A2 | M 8 | 150 | 16.0 | 22 | 4.40 | 5.0 |
| P0222.080-160-A2 | M 8 | 160 | 16.0 | 22 | 4.40 | 5.0 |
| P0222.100-016-A2 | M10 | 16 | 20.0 | - | 5.50 | 6.0 |
| P0222.100-018-A2 | M10 | 18 | 20.0 | - | 5.50 | 6.0 |
| P0222.100-020-A2 | M10 | 20 | 20.0 | - | 5.50 | 6.0 |
| P0222.100-022-A2 | M10 | 22 | 20.0 | - | 5.50 | 6.0 |
| P0222.100-025-A2 | M10 | 25 | 20.0 | - | 5.50 | 6.0 |
| P0222.100-030-A2 | M10 | 30 | 20.0 | 26 | 5.50 | 6.0 |
| P0222.100-035-A2 | M10 | 35 | 20.0 | 26 | 5.50 | 6.0 |
| P0222.100-040-A2 | M10 | 40 | 20.0 | 26 | 5.50 | 6.0 |
| P0222.100-045-A2 | M10 | 45 | 20.0 | 26 | 5.50 | 6.0 |
| P0222.100-050-A2 | M10 | 50 | 20.0 | 26 | 5.50 | 6.0 |
| P0222.100-055-A2 | M10 | 55 | 20.0 | 26 | 5.50 | 6.0 |
| P0222.100-060-A2 | M10 | 60 | 20.0 | 26 | 5.50 | 6.0 |
| P0222.100-065-A2 | M10 | 65 | 20.0 | 26 | 5.50 | 6.0 |
| P0222.100-070-A2 | M10 | 70 | 20.0 | 26 | 5.50 | 6.0 |
| P0222.100-075-A2 | M10 | 75 | 20.0 | 26 | 5.50 | 6.0 |
| P0222.100-080-A2 | M10 | 80 | 20.0 | 26 | 5.50 | 6.0 |
| P0222.100-085-A2 | M10 | 85 | 20.0 | 26 | 5.50 | 6.0 |
| P0222.100-090-A2 | M10 | 90 | 20.0 | 26 | 5.50 | 6.0 |
| P0222.100-095-A2 | M10 | 95 | 20.0 | 26 | 5.50 | 6.0 |
| P0222.100-100-A2 | M10 | 100 | 20.0 | 26 | 5.50 | 6.0 |
| P0222.100-110-A2 | M10 | 110 | 20.0 | 26 | 5.50 | 6.0 |
| P0222.100-120-A2 | M10 | 120 | 20.0 | 26 | 5.50 | 6.0 |
| P0222.100-130-A2 | M10 | 130 | 20.0 | 26 | 5.50 | 6.0 |
| P0222.100-140-A2 | M10 | 140 | 20.0 | 26 | 5.50 | 6.0 |
| P0222.100-150-A2 | M10 | 150 | 20.0 | 26 | 5.50 | 6.0 |
| P0222.100-160-A2 | M10 | 160 | 20.0 | 26 | 5.50 | 6.0 |
| P0222.120-016-A2 | M12 | 16 | 24.0 | - | 6.50 | 8.0 |
| P0222.120-018-A2 | M12 | 18 | 24.0 | - | 6.50 | 8.0 |
| P0222.120-020-A2 | M12 | 20 | 24.0 | - | 6.50 | 8.0 |
| P0222.120-022-A2 | M12 | 22 | 24.0 | - | 6.50 | 8.0 |
| P0222.120-025-A2 | M12 | 25 | 24.0 | - | 6.50 | 8.0 |
| P0222.120-030-A2 | M12 | 30 | 24.0 | - | 6.50 | 8.0 |
| P0222.120-035-A2 | M12 | 35 | 24.0 | 30 | 6.50 | 8.0 |
| P0222.120-040-A2 | M12 | 40 | 24.0 | 30 | 6.50 | 8.0 |
| P0222.120-045-A2 | M12 | 45 | 24.0 | 30 | 6.50 | 8.0 |
| P0222.120-050-A2 | M12 | 50 | 24.0 | 30 | 6.50 | 8.0 |
| P0222.120-055-A2 | M12 | 55 | 24.0 | 30 | 6.50 | 8.0 |
| P0222.120-060-A2 | M12 | 60 | 24.0 | 30 | 6.50 | 8.0 |
| P0222.120-065-A2 | M12 | 65 | 24.0 | 30 | 6.50 | 8.0 |
| P0222.120-070-A2 | M12 | 70 | 24.0 | 30 | 6.50 | 8.0 |
| P0222.120-075-A2 | M12 | 75 | 24.0 | 30 | 6.50 | 8.0 |
| P0222.120-080-A2 | M12 | 80 | 24.0 | 30 | 6.50 | 8.0 |
| P0222.120-085-A2 | M12 | 85 | 24.0 | 30 | 6.50 | 8.0 |
| P0222.120-090-A2 | M12 | 90 | 24.0 | 30 | 6.50 | 8.0 |
| P0222.120-095-A2 | M12 | 95 | 24.0 | 30 | 6.50 | 8.0 |
| P0222.120-100-A2 | M12 | 100 | 24.0 | 30 | 6.50 | 8.0 |
| P0222.120-110-A2 | M12 | 110 | 24.0 | 30 | 6.50 | 8.0 |
| P0222.120-120-A2 | M12 | 120 | 24.0 | 30 | 6.50 | 8.0 |
| P0222.120-130-A2 | M12 | 130 | 24.0 | 30 | 6.50 | 8.0 |
| P0222.120-140-A2 | M12 | 140 | 24.0 | 30 | 6.50 | 8.0 |
| P0222.120-150-A2 | M12 | 150 | 24.0 | 30 | 6.50 | 8.0 |
| P0222.120-160-A2 | M12 | 160 | 24.0 | 30 | 6.50 | 8.0 |
| P0222.160-025-A2 | M16 | 25 | 30.0 | - | 7.50 | 10.0 |
| P0222.160-030-A2 | M16 | 30 | 30.0 | - | 7.50 | 10.0 |
| P0222.160-035-A2 | M16 | 35 | 30.0 | - | 7.50 | 10.0 |
| P0222.160-040-A2 | M16 | 40 | 30.0 | 38 | 7.50 | 10.0 |
| P0222.160-045-A2 | M16 | 45 | 30.0 | 38 | 7.50 | 10.0 |
| P0222.160-050-A2 | M16 | 50 | 30.0 | 38 | 7.50 | 10.0 |
| P0222.160-055-A2 | M16 | 55 | 30.0 | 38 | 7.50 | 10.0 |
| P0222.160-060-A2 | M16 | 60 | 30.0 | 38 | 7.50 | 10.0 |
| P0222.160-065-A2 | M16 | 65 | 30.0 | 38 | 7.50 | 10.0 |
| P0222.160-070-A2 | M16 | 70 | 30.0 | 38 | 7.50 | 10.0 |

STANDARD SCREWS



STANDARD SCREWS

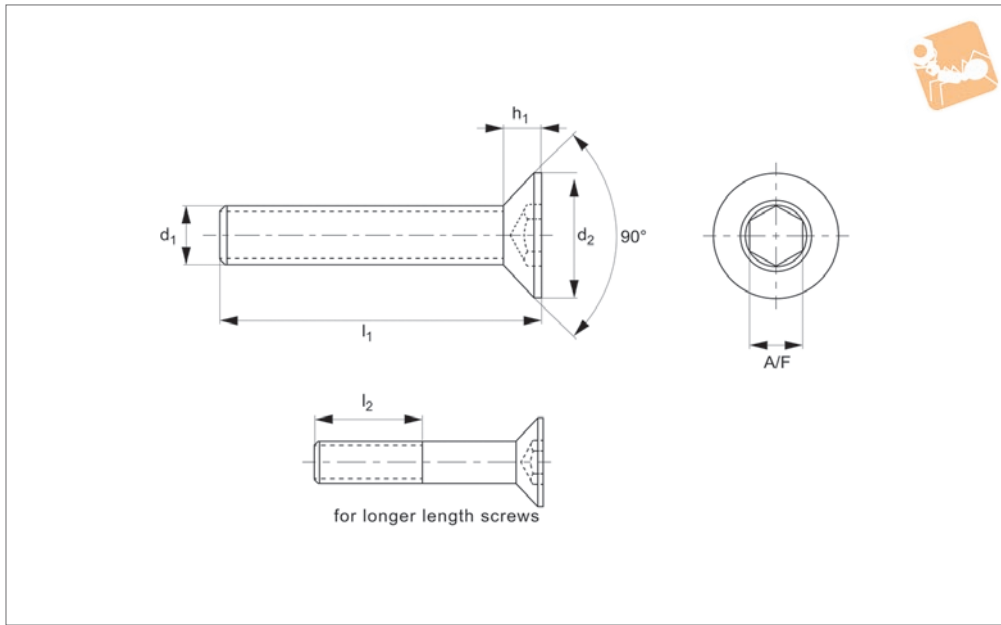
| Order No. | d ₁ | l ₁ | d ₂ | l ₂ | h ₁ | A/F |
|------------------|----------------|----------------|----------------|----------------|----------------|------|
| P0222.160-075-A2 | M16 | 75 | 30.0 | 38 | 7.50 | 10.0 |
| P0222.160-080-A2 | M16 | 80 | 30.0 | 38 | 7.50 | 10.0 |
| P0222.160-085-A2 | M16 | 85 | 30.0 | 38 | 7.50 | 10.0 |
| P0222.160-090-A2 | M16 | 90 | 30.0 | 38 | 7.50 | 10.0 |
| P0222.160-095-A2 | M16 | 95 | 30.0 | 38 | 7.50 | 10.0 |
| P0222.160-100-A2 | M16 | 100 | 30.0 | 38 | 7.50 | 10.0 |
| P0222.160-110-A2 | M16 | 110 | 30.0 | 38 | 7.50 | 10.0 |
| P0222.160-120-A2 | M16 | 120 | 30.0 | 38 | 7.50 | 10.0 |
| P0222.160-130-A2 | M16 | 130 | 30.0 | 38 | 7.50 | 10.0 |
| P0222.160-140-A2 | M16 | 140 | 30.0 | 38 | 7.50 | 10.0 |
| P0222.160-150-A2 | M16 | 150 | 30.0 | 38 | 7.50 | 10.0 |
| P0222.160-160-A2 | M16 | 160 | 30.0 | 38 | 7.50 | 10.0 |
| P0222.200-035-A2 | M20 | 35 | 36.0 | - | 8.50 | 12.0 |
| P0222.200-040-A2 | M20 | 40 | 36.0 | - | 8.50 | 12.0 |
| P0222.200-045-A2 | M20 | 45 | 36.0 | - | 8.50 | 12.0 |
| P0222.200-050-A2 | M20 | 50 | 36.0 | 46 | 8.50 | 12.0 |
| P0222.200-055-A2 | M20 | 55 | 36.0 | 46 | 8.50 | 12.0 |
| P0222.200-060-A2 | M20 | 60 | 36.0 | 46 | 8.50 | 12.0 |
| P0222.200-065-A2 | M20 | 65 | 36.0 | 46 | 8.50 | 12.0 |
| P0222.200-070-A2 | M20 | 70 | 36.0 | 46 | 8.50 | 12.0 |
| P0222.200-075-A2 | M20 | 75 | 36.0 | 46 | 8.50 | 12.0 |
| P0222.200-080-A2 | M20 | 80 | 36.0 | 46 | 8.50 | 12.0 |
| P0222.200-085-A2 | M20 | 85 | 36.0 | 46 | 8.50 | 12.0 |
| P0222.200-090-A2 | M20 | 90 | 36.0 | 46 | 8.50 | 12.0 |
| P0222.200-095-A2 | M20 | 95 | 36.0 | 46 | 8.50 | 12.0 |
| P0222.200-100-A2 | M20 | 100 | 36.0 | 46 | 8.50 | 12.0 |
| P0222.200-110-A2 | M20 | 110 | 36.0 | 46 | 8.50 | 12.0 |
| P0222.200-120-A2 | M20 | 120 | 36.0 | 46 | 8.50 | 12.0 |
| P0222.200-130-A2 | M20 | 130 | 36.0 | 46 | 8.50 | 12.0 |
| P0222.200-140-A2 | M20 | 140 | 36.0 | 46 | 8.50 | 12.0 |
| P0222.200-150-A2 | M20 | 150 | 36.0 | 46 | 8.50 | 12.0 |
| P0222.200-160-A2 | M20 | 160 | 36.0 | 46 | 8.50 | 12.0 |
| P0222.240-050-A2 | M24 | 50 | 39.0 | - | 14.0 | 14.0 |
| P0222.240-055-A2 | M24 | 55 | 39.0 | - | 14.0 | 14.0 |
| P0222.240-060-A2 | M24 | 60 | 39.0 | 54 | 14.0 | 14.0 |
| P0222.240-065-A2 | M24 | 65 | 39.0 | 54 | 14.0 | 14.0 |
| P0222.240-070-A2 | M24 | 70 | 39.0 | 54 | 14.0 | 14.0 |
| P0222.240-075-A2 | M24 | 75 | 39.0 | 54 | 14.0 | 14.0 |
| P0222.240-080-A2 | M24 | 80 | 39.0 | 54 | 14.0 | 14.0 |
| P0222.240-085-A2 | M24 | 85 | 39.0 | 54 | 14.0 | 14.0 |
| P0222.240-090-A2 | M24 | 90 | 39.0 | 54 | 14.0 | 14.0 |
| P0222.240-095-A2 | M24 | 95 | 39.0 | 54 | 14.0 | 14.0 |
| P0222.240-100-A2 | M24 | 100 | 39.0 | 54 | 14.0 | 14.0 |
| P0222.240-110-A2 | M24 | 110 | 39.0 | 54 | 14.0 | 14.0 |
| P0222.240-120-A2 | M24 | 120 | 39.0 | 54 | 14.0 | 14.0 |
| P0222.240-130-A2 | M24 | 130 | 39.0 | 54 | 14.0 | 14.0 |
| P0222.240-140-A2 | M24 | 140 | 39.0 | 54 | 14.0 | 14.0 |
| P0222.240-150-A2 | M24 | 150 | 39.0 | 54 | 14.0 | 14.0 |
| P0222.240-160-A2 | M24 | 160 | 39.0 | 54 | 14.0 | 14.0 |



Socket Countersunk Machine Screws

Socket - A4 stainless

Standard Screws



P0222.A4

STANDARD SCREWS

Material

Stainless steel A4.

Technical Notes

To DIN 7991, ISO 10642. For the majority

of screw lengths the threads goes all the way to the head of the screw (i.e. $l_1 = l_2$) less 2.5 thread pitches.

For longer length screws the threaded

portion $l_2 < l_1$.

See technical page for tightening torques.

| Order No. | d_1 | l_1 | d_2 | l_2 | h_1 | A/F |
|------------------|-------|-------|-------|-------|-------|-----|
| P0222.030-006-A4 | M 3 | 6 | 6 | - | 1.7 | 2.0 |
| P0222.030-008-A4 | M 3 | 8 | 6 | - | 1.7 | 2.0 |
| P0222.030-010-A4 | M 3 | 10 | 6 | - | 1.7 | 2.0 |
| P0222.030-012-A4 | M 3 | 12 | 6 | - | 1.7 | 2.0 |
| P0222.030-014-A4 | M 3 | 14 | 6 | 12 | 1.7 | 2.0 |
| P0222.030-016-A4 | M 3 | 16 | 6 | 12 | 1.7 | 2.0 |
| P0222.030-018-A4 | M 3 | 18 | 6 | 12 | 1.7 | 2.0 |
| P0222.030-020-A4 | M 3 | 20 | 6 | 12 | 1.7 | 2.0 |
| P0222.030-022-A4 | M 3 | 22 | 6 | 12 | 1.7 | 2.0 |
| P0222.030-025-A4 | M 3 | 25 | 6 | 12 | 1.7 | 2.0 |
| P0222.030-030-A4 | M 3 | 30 | 6 | 12 | 1.7 | 2.0 |
| P0222.030-035-A4 | M 3 | 35 | 6 | 12 | 1.7 | 2.0 |
| P0222.030-040-A4 | M 3 | 40 | 6 | 12 | 1.7 | 2.0 |
| P0222.040-006-A4 | M 4 | 6 | 8 | - | 2.3 | 2.5 |
| P0222.040-008-A4 | M 4 | 8 | 8 | - | 2.3 | 2.5 |
| P0222.040-010-A4 | M 4 | 10 | 8 | - | 2.3 | 2.5 |
| P0222.040-012-A4 | M 4 | 12 | 8 | - | 2.3 | 2.5 |
| P0222.040-014-A4 | M 4 | 14 | 8 | - | 2.3 | 2.5 |
| P0222.040-016-A4 | M 4 | 16 | 8 | 14 | 2.3 | 2.5 |
| P0222.040-018-A4 | M 4 | 18 | 8 | 14 | 2.3 | 2.5 |
| P0222.040-020-A4 | M 4 | 20 | 8 | 14 | 2.3 | 2.5 |
| P0222.040-022-A4 | M 4 | 22 | 8 | 14 | 2.3 | 2.5 |
| P0222.040-025-A4 | M 4 | 25 | 8 | 14 | 2.3 | 2.5 |
| P0222.040-030-A4 | M 4 | 30 | 8 | 14 | 2.3 | 2.5 |
| P0222.040-035-A4 | M 4 | 35 | 8 | 14 | 2.3 | 2.5 |
| P0222.040-040-A4 | M 4 | 40 | 8 | 14 | 2.3 | 2.5 |
| P0222.040-045-A4 | M 4 | 45 | 8 | 14 | 2.3 | 2.5 |
| P0222.040-050-A4 | M 4 | 50 | 8 | 14 | 2.3 | 2.5 |
| P0222.040-055-A4 | M 4 | 55 | 8 | 14 | 2.3 | 2.5 |
| P0222.040-060-A4 | M 4 | 60 | 8 | 14 | 2.3 | 2.5 |
| P0222.040-065-A4 | M 4 | 65 | 8 | 14 | 2.3 | 2.5 |
| P0222.040-070-A4 | M 4 | 70 | 8 | 14 | 2.3 | 2.5 |
| P0222.050-006-A4 | M 5 | 6 | 10 | - | 2.8 | 3.0 |
| P0222.050-008-A4 | M 5 | 8 | 10 | - | 2.8 | 3.0 |



STANDARD SCREWS

| Order No. | d ₁ | l ₁ | d ₂ | l ₂ | h ₁ | A/F |
|------------------|----------------|----------------|----------------|----------------|----------------|-----|
| P0222.050-010-A4 | M 5 | 10 | 10 | - | 2.8 | 3.0 |
| P0222.050-012-A4 | M 5 | 12 | 10 | - | 2.8 | 3.0 |
| P0222.050-014-A4 | M 5 | 14 | 10 | - | 2.8 | 3.0 |
| P0222.050-016-A4 | M 5 | 16 | 10 | - | 2.8 | 3.0 |
| P0222.050-018-A4 | M 5 | 18 | 10 | 16 | 2.8 | 3.0 |
| P0222.050-020-A4 | M 5 | 20 | 10 | 16 | 2.8 | 3.0 |
| P0222.050-022-A4 | M 5 | 22 | 10 | 16 | 2.8 | 3.0 |
| P0222.050-025-A4 | M 5 | 25 | 10 | 16 | 2.8 | 3.0 |
| P0222.050-030-A4 | M 5 | 30 | 10 | 16 | 2.8 | 3.0 |
| P0222.050-035-A4 | M 5 | 35 | 10 | 16 | 2.8 | 3.0 |
| P0222.050-040-A4 | M 5 | 40 | 10 | 16 | 2.8 | 3.0 |
| P0222.050-045-A4 | M 5 | 45 | 10 | 16 | 2.8 | 3.0 |
| P0222.050-050-A4 | M 5 | 50 | 10 | 16 | 2.8 | 3.0 |
| P0222.050-055-A4 | M 5 | 55 | 10 | 16 | 2.8 | 3.0 |
| P0222.050-060-A4 | M 5 | 60 | 10 | 16 | 2.8 | 3.0 |
| P0222.050-065-A4 | M 5 | 65 | 10 | 16 | 2.8 | 3.0 |
| P0222.050-070-A4 | M 5 | 70 | 10 | 16 | 2.8 | 3.0 |
| P0222.050-075-A4 | M 5 | 75 | 10 | 16 | 2.8 | 3.0 |
| P0222.050-080-A4 | M 5 | 80 | 10 | 16 | 2.8 | 3.0 |
| P0222.050-085-A4 | M 5 | 85 | 10 | 16 | 2.8 | 3.0 |
| P0222.050-090-A4 | M 5 | 90 | 10 | 16 | 2.8 | 3.0 |
| P0222.050-095-A4 | M 5 | 95 | 10 | 16 | 2.8 | 3.0 |
| P0222.050-100-A4 | M 5 | 100 | 10 | 16 | 2.8 | 3.0 |
| P0222.060-008-A4 | M 6 | 8 | 12.0 | - | 3.30 | 4.0 |
| P0222.060-010-A4 | M 6 | 10 | 12.0 | - | 3.30 | 4.0 |
| P0222.060-012-A4 | M 6 | 12 | 12.0 | - | 3.30 | 4.0 |
| P0222.060-014-A4 | M 6 | 14 | 12.0 | - | 3.30 | 4.0 |
| P0222.060-016-A4 | M 6 | 16 | 12.0 | - | 3.30 | 4.0 |
| P0222.060-018-A4 | M 6 | 18 | 12.0 | - | 3.30 | 4.0 |
| P0222.060-020-A4 | M 6 | 20 | 12.0 | 18 | 3.30 | 4.0 |
| P0222.060-022-A4 | M 6 | 22 | 12.0 | 18 | 3.30 | 4.0 |
| P0222.060-025-A4 | M 6 | 25 | 12.0 | 18 | 3.30 | 4.0 |
| P0222.060-030-A4 | M 6 | 30 | 12.0 | 18 | 3.30 | 4.0 |
| P0222.060-035-A4 | M 6 | 35 | 12.0 | 18 | 3.30 | 4.0 |
| P0222.060-040-A4 | M 6 | 40 | 12.0 | 18 | 3.30 | 4.0 |
| P0222.060-045-A4 | M 6 | 45 | 12.0 | 18 | 3.30 | 4.0 |
| P0222.060-050-A4 | M 6 | 50 | 12.0 | 18 | 3.30 | 4.0 |
| P0222.060-055-A4 | M 6 | 55 | 12.0 | 18 | 3.30 | 4.0 |
| P0222.060-060-A4 | M 6 | 60 | 12.0 | 18 | 3.30 | 4.0 |
| P0222.060-065-A4 | M 6 | 65 | 12.0 | 18 | 3.30 | 4.0 |
| P0222.060-070-A4 | M 6 | 70 | 12.0 | 18 | 3.30 | 4.0 |
| P0222.060-075-A4 | M 6 | 75 | 12.0 | 18 | 3.30 | 4.0 |
| P0222.060-080-A4 | M 6 | 80 | 12.0 | 18 | 3.30 | 4.0 |
| P0222.060-085-A4 | M 6 | 85 | 12.0 | 18 | 3.30 | 4.0 |
| P0222.060-090-A4 | M 6 | 90 | 12.0 | 18 | 3.30 | 4.0 |
| P0222.060-095-A4 | M 6 | 95 | 12.0 | 18 | 3.30 | 4.0 |
| P0222.060-100-A4 | M 6 | 100 | 12.0 | 18 | 3.30 | 4.0 |
| P0222.080-010-A4 | M 8 | 10 | 16.0 | - | 4.40 | 5.0 |
| P0222.080-012-A4 | M 8 | 12 | 16.0 | - | 4.40 | 5.0 |
| P0222.080-014-A4 | M 8 | 14 | 16.0 | - | 4.40 | 5.0 |
| P0222.080-016-A4 | M 8 | 16 | 16.0 | - | 4.40 | 5.0 |
| P0222.080-018-A4 | M 8 | 18 | 16.0 | - | 4.40 | 5.0 |
| P0222.080-020-A4 | M 8 | 20 | 16.0 | - | 4.40 | 5.0 |
| P0222.080-022-A4 | M 8 | 22 | 16.0 | - | 4.40 | 5.0 |
| P0222.080-025-A4 | M 8 | 25 | 16.0 | 22 | 4.40 | 5.0 |
| P0222.080-030-A4 | M 8 | 30 | 16.0 | 22 | 4.40 | 5.0 |
| P0222.080-035-A4 | M 8 | 35 | 16.0 | 22 | 4.40 | 5.0 |
| P0222.080-040-A4 | M 8 | 40 | 16.0 | 22 | 4.40 | 5.0 |
| P0222.080-045-A4 | M 8 | 45 | 16.0 | 22 | 4.40 | 5.0 |
| P0222.080-050-A4 | M 8 | 50 | 16.0 | 22 | 4.40 | 5.0 |
| P0222.080-055-A4 | M 8 | 55 | 16.0 | 22 | 4.40 | 5.0 |
| P0222.080-060-A4 | M 8 | 60 | 16.0 | 22 | 4.40 | 5.0 |
| P0222.080-065-A4 | M 8 | 65 | 16.0 | 22 | 4.40 | 5.0 |
| P0222.080-070-A4 | M 8 | 70 | 16.0 | 22 | 4.40 | 5.0 |
| P0222.080-075-A4 | M 8 | 75 | 16.0 | 22 | 4.40 | 5.0 |
| P0222.080-080-A4 | M 8 | 80 | 16.0 | 22 | 4.40 | 5.0 |
| P0222.080-085-A4 | M 8 | 85 | 16.0 | 22 | 4.40 | 5.0 |
| P0222.080-090-A4 | M 8 | 90 | 16.0 | 22 | 4.40 | 5.0 |
| P0222.080-095-A4 | M 8 | 95 | 16.0 | 22 | 4.40 | 5.0 |



Socket Countersunk Machine Screws

Socket - A4 stainless

Standard Screws



| Order No. | d ₁ | l ₁ | d ₂ | l ₂ | h ₁ | A/F |
|------------------|----------------|----------------|----------------|----------------|----------------|------|
| P0222.080-100-A4 | M 8 | 100 | 16.0 | 22 | 4.40 | 5.0 |
| P0222.080-110-A4 | M 8 | 110 | 16.0 | 22 | 4.40 | 5.0 |
| P0222.080-120-A4 | M 8 | 120 | 16.0 | 22 | 4.40 | 5.0 |
| P0222.080-130-A4 | M 8 | 130 | 16.0 | 22 | 4.40 | 5.0 |
| P0222.080-140-A4 | M 8 | 140 | 16.0 | 22 | 4.40 | 5.0 |
| P0222.080-150-A4 | M 8 | 150 | 16.0 | 22 | 4.40 | 5.0 |
| P0222.080-160-A4 | M 8 | 160 | 16.0 | 22 | 4.40 | 5.0 |
| P0222.100-016-A4 | M10 | 16 | 20.0 | - | 5.50 | 6.0 |
| P0222.100-018-A4 | M10 | 18 | 20.0 | - | 5.50 | 6.0 |
| P0222.100-020-A4 | M10 | 20 | 20.0 | - | 5.50 | 6.0 |
| P0222.100-022-A4 | M10 | 22 | 20.0 | - | 5.50 | 6.0 |
| P0222.100-025-A4 | M10 | 25 | 20.0 | - | 5.50 | 6.0 |
| P0222.100-030-A4 | M10 | 30 | 20.0 | 26 | 5.50 | 6.0 |
| P0222.100-035-A4 | M10 | 35 | 20.0 | 26 | 5.50 | 6.0 |
| P0222.100-040-A4 | M10 | 40 | 20.0 | 26 | 5.50 | 6.0 |
| P0222.100-045-A4 | M10 | 45 | 20.0 | 26 | 5.50 | 6.0 |
| P0222.100-050-A4 | M10 | 50 | 20.0 | 26 | 5.50 | 6.0 |
| P0222.100-055-A4 | M10 | 55 | 20.0 | 26 | 5.50 | 6.0 |
| P0222.100-060-A4 | M10 | 60 | 20.0 | 26 | 5.50 | 6.0 |
| P0222.100-065-A4 | M10 | 65 | 20.0 | 26 | 5.50 | 6.0 |
| P0222.100-070-A4 | M10 | 70 | 20.0 | 26 | 5.50 | 6.0 |
| P0222.100-075-A4 | M10 | 75 | 20.0 | 26 | 5.50 | 6.0 |
| P0222.100-080-A4 | M10 | 80 | 20.0 | 26 | 5.50 | 6.0 |
| P0222.100-085-A4 | M10 | 85 | 20.0 | 26 | 5.50 | 6.0 |
| P0222.100-090-A4 | M10 | 90 | 20.0 | 26 | 5.50 | 6.0 |
| P0222.100-095-A4 | M10 | 95 | 20.0 | 26 | 5.50 | 6.0 |
| P0222.100-100-A4 | M10 | 100 | 20.0 | 26 | 5.50 | 6.0 |
| P0222.100-110-A4 | M10 | 110 | 20.0 | 26 | 5.50 | 6.0 |
| P0222.100-120-A4 | M10 | 120 | 20.0 | 26 | 5.50 | 6.0 |
| P0222.100-130-A4 | M10 | 130 | 20.0 | 26 | 5.50 | 6.0 |
| P0222.100-140-A4 | M10 | 140 | 20.0 | 26 | 5.50 | 6.0 |
| P0222.100-150-A4 | M10 | 150 | 20.0 | 26 | 5.50 | 6.0 |
| P0222.100-160-A4 | M10 | 160 | 20.0 | 26 | 5.50 | 6.0 |
| P0222.120-016-A4 | M12 | 16 | 24.0 | - | 6.50 | 8.0 |
| P0222.120-018-A4 | M12 | 18 | 24.0 | - | 6.50 | 8.0 |
| P0222.120-020-A4 | M12 | 20 | 24.0 | - | 6.50 | 8.0 |
| P0222.120-022-A4 | M12 | 22 | 24.0 | - | 6.50 | 8.0 |
| P0222.120-025-A4 | M12 | 25 | 24.0 | - | 6.50 | 8.0 |
| P0222.120-030-A4 | M12 | 30 | 24.0 | - | 6.50 | 8.0 |
| P0222.120-035-A4 | M12 | 35 | 24.0 | 30 | 6.50 | 8.0 |
| P0222.120-040-A4 | M12 | 40 | 24.0 | 30 | 6.50 | 8.0 |
| P0222.120-045-A4 | M12 | 45 | 24.0 | 30 | 6.50 | 8.0 |
| P0222.120-050-A4 | M12 | 50 | 24.0 | 30 | 6.50 | 8.0 |
| P0222.120-055-A4 | M12 | 55 | 24.0 | 30 | 6.50 | 8.0 |
| P0222.120-060-A4 | M12 | 60 | 24.0 | 30 | 6.50 | 8.0 |
| P0222.120-065-A4 | M12 | 65 | 24.0 | 30 | 6.50 | 8.0 |
| P0222.120-070-A4 | M12 | 70 | 24.0 | 30 | 6.50 | 8.0 |
| P0222.120-075-A4 | M12 | 75 | 24.0 | 30 | 6.50 | 8.0 |
| P0222.120-080-A4 | M12 | 80 | 24.0 | 30 | 6.50 | 8.0 |
| P0222.120-085-A4 | M12 | 85 | 24.0 | 30 | 6.50 | 8.0 |
| P0222.120-090-A4 | M12 | 90 | 24.0 | 30 | 6.50 | 8.0 |
| P0222.120-095-A4 | M12 | 95 | 24.0 | 30 | 6.50 | 8.0 |
| P0222.120-100-A4 | M12 | 100 | 24.0 | 30 | 6.50 | 8.0 |
| P0222.120-110-A4 | M12 | 110 | 24.0 | 30 | 6.50 | 8.0 |
| P0222.120-120-A4 | M12 | 120 | 24.0 | 30 | 6.50 | 8.0 |
| P0222.120-130-A4 | M12 | 130 | 24.0 | 30 | 6.50 | 8.0 |
| P0222.120-140-A4 | M12 | 140 | 24.0 | 30 | 6.50 | 8.0 |
| P0222.120-150-A4 | M12 | 150 | 24.0 | 30 | 6.50 | 8.0 |
| P0222.120-160-A4 | M12 | 160 | 24.0 | 30 | 6.50 | 8.0 |
| P0222.160-025-A4 | M16 | 25 | 30.0 | - | 7.50 | 10.0 |
| P0222.160-030-A4 | M16 | 30 | 30.0 | - | 7.50 | 10.0 |
| P0222.160-035-A4 | M16 | 35 | 30.0 | - | 7.50 | 10.0 |
| P0222.160-040-A4 | M16 | 40 | 30.0 | 38 | 7.50 | 10.0 |
| P0222.160-045-A4 | M16 | 45 | 30.0 | 38 | 7.50 | 10.0 |
| P0222.160-050-A4 | M16 | 50 | 30.0 | 38 | 7.50 | 10.0 |
| P0222.160-055-A4 | M16 | 55 | 30.0 | 38 | 7.50 | 10.0 |
| P0222.160-060-A4 | M16 | 60 | 30.0 | 38 | 7.50 | 10.0 |
| P0222.160-065-A4 | M16 | 65 | 30.0 | 38 | 7.50 | 10.0 |
| P0222.160-070-A4 | M16 | 70 | 30.0 | 38 | 7.50 | 10.0 |

STANDARD SCREWS



STANDARD SCREWS

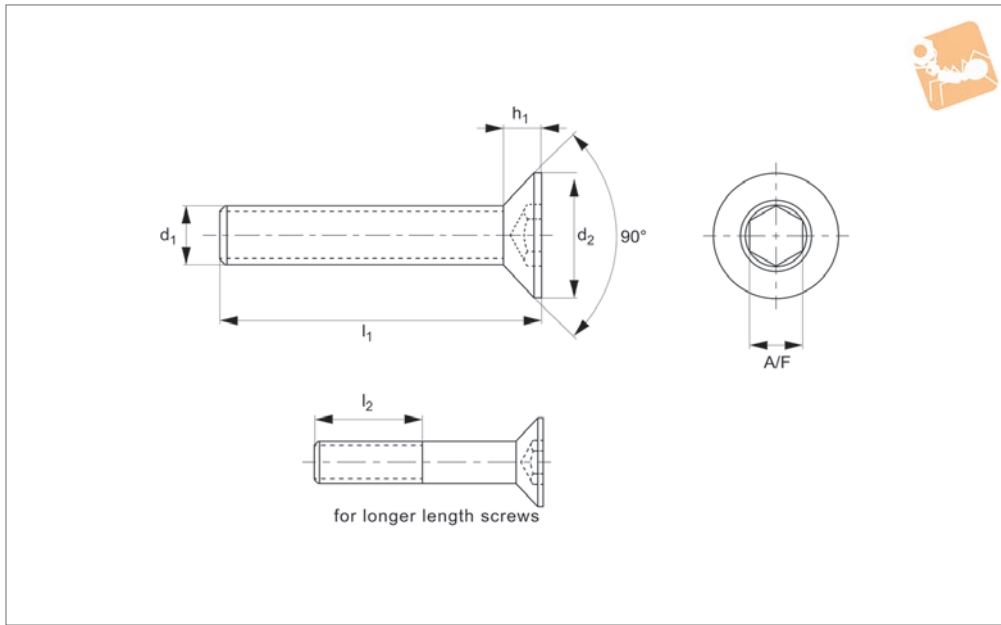
| Order No. | d ₁ | l ₁ | d ₂ | l ₂ | h ₁ | A/F |
|------------------|----------------|----------------|----------------|----------------|----------------|------|
| P0222.160-075-A4 | M16 | 75 | 30.0 | 38 | 7.50 | 10.0 |
| P0222.160-080-A4 | M16 | 80 | 30.0 | 38 | 7.50 | 10.0 |
| P0222.160-085-A4 | M16 | 85 | 30.0 | 38 | 7.50 | 10.0 |
| P0222.160-090-A4 | M16 | 90 | 30.0 | 38 | 7.50 | 10.0 |
| P0222.160-095-A4 | M16 | 95 | 30.0 | 38 | 7.50 | 10.0 |
| P0222.160-100-A4 | M16 | 100 | 30.0 | 38 | 7.50 | 10.0 |
| P0222.160-110-A4 | M16 | 110 | 30.0 | 38 | 7.50 | 10.0 |
| P0222.160-120-A4 | M16 | 120 | 30.0 | 38 | 7.50 | 10.0 |
| P0222.160-130-A4 | M16 | 130 | 30.0 | 38 | 7.50 | 10.0 |
| P0222.160-140-A4 | M16 | 140 | 30.0 | 38 | 7.50 | 10.0 |
| P0222.160-150-A4 | M16 | 150 | 30.0 | 38 | 7.50 | 10.0 |
| P0222.160-160-A4 | M16 | 160 | 30.0 | 38 | 7.50 | 10.0 |
| P0222.200-035-A4 | M20 | 35 | 36.0 | - | 8.50 | 12.0 |
| P0222.200-040-A4 | M20 | 40 | 36.0 | - | 8.50 | 12.0 |
| P0222.200-045-A4 | M20 | 45 | 36.0 | - | 8.50 | 12.0 |
| P0222.200-050-A4 | M20 | 50 | 36.0 | 46 | 8.50 | 12.0 |
| P0222.200-055-A4 | M20 | 55 | 36.0 | 46 | 8.50 | 12.0 |
| P0222.200-060-A4 | M20 | 60 | 36.0 | 46 | 8.50 | 12.0 |
| P0222.200-065-A4 | M20 | 65 | 36.0 | 46 | 8.50 | 12.0 |
| P0222.200-070-A4 | M20 | 70 | 36.0 | 46 | 8.50 | 12.0 |
| P0222.200-075-A4 | M20 | 75 | 36.0 | 46 | 8.50 | 12.0 |
| P0222.200-080-A4 | M20 | 80 | 36.0 | 46 | 8.50 | 12.0 |
| P0222.200-085-A4 | M20 | 85 | 36.0 | 46 | 8.50 | 12.0 |
| P0222.200-090-A4 | M20 | 90 | 36.0 | 46 | 8.50 | 12.0 |
| P0222.200-095-A4 | M20 | 95 | 36.0 | 46 | 8.50 | 12.0 |
| P0222.200-100-A4 | M20 | 100 | 36.0 | 46 | 8.50 | 12.0 |
| P0222.200-110-A4 | M20 | 110 | 36.0 | 46 | 8.50 | 12.0 |
| P0222.200-120-A4 | M20 | 120 | 36.0 | 46 | 8.50 | 12.0 |
| P0222.200-130-A4 | M20 | 130 | 36.0 | 46 | 8.50 | 12.0 |
| P0222.200-140-A4 | M20 | 140 | 36.0 | 46 | 8.50 | 12.0 |
| P0222.200-150-A4 | M20 | 150 | 36.0 | 46 | 8.50 | 12.0 |
| P0222.200-160-A4 | M20 | 160 | 36.0 | 46 | 8.50 | 12.0 |
| P0222.240-050-A4 | M24 | 50 | 39.0 | - | 14.0 | 14.0 |
| P0222.240-055-A4 | M24 | 55 | 39.0 | - | 14.0 | 14.0 |
| P0222.240-060-A4 | M24 | 60 | 39.0 | 54 | 14.0 | 14.0 |
| P0222.240-065-A4 | M24 | 65 | 39.0 | 54 | 14.0 | 14.0 |
| P0222.240-070-A4 | M24 | 70 | 39.0 | 54 | 14.0 | 14.0 |
| P0222.240-075-A4 | M24 | 75 | 39.0 | 54 | 14.0 | 14.0 |
| P0222.240-080-A4 | M24 | 80 | 39.0 | 54 | 14.0 | 14.0 |
| P0222.240-085-A4 | M24 | 85 | 39.0 | 54 | 14.0 | 14.0 |
| P0222.240-090-A4 | M24 | 90 | 39.0 | 54 | 14.0 | 14.0 |
| P0222.240-095-A4 | M24 | 95 | 39.0 | 54 | 14.0 | 14.0 |
| P0222.240-100-A4 | M24 | 100 | 39.0 | 54 | 14.0 | 14.0 |
| P0222.240-110-A4 | M24 | 110 | 39.0 | 54 | 14.0 | 14.0 |
| P0222.240-120-A4 | M24 | 120 | 39.0 | 54 | 14.0 | 14.0 |
| P0222.240-130-A4 | M24 | 130 | 39.0 | 54 | 14.0 | 14.0 |
| P0222.240-140-A4 | M24 | 140 | 39.0 | 54 | 14.0 | 14.0 |
| P0222.240-150-A4 | M24 | 150 | 39.0 | 54 | 14.0 | 14.0 |
| P0222.240-160-A4 | M24 | 160 | 39.0 | 54 | 14.0 | 14.0 |



Socket Countersunk Machine Screws

Socket - Steel, zinc-plated

Standard Screws



P0222.ZP

STANDARD SCREWS

Material

Steel, zinc-plated (grade 10.9).

Technical Notes

To DIN 7991, ISO 10642. For the majority

of screw lengths the threads goes all the way to the head of the screw (i.e. $l_1 = l_2$) less 2.5 thread pitches.

For longer length screws the threaded

portion $l_2 < l_1$.

| Order No. | d ₁ | l ₁ | d ₂ | l ₂ | h ₁ | A/F |
|------------------|----------------|----------------|----------------|----------------|----------------|-----|
| P0222.030-006-ZP | M 3 | 6 | 6 | - | 1.7 | 2.0 |
| P0222.030-008-ZP | M 3 | 8 | 6 | - | 1.7 | 2.0 |
| P0222.030-010-ZP | M 3 | 10 | 6 | - | 1.7 | 2.0 |
| P0222.030-012-ZP | M 3 | 12 | 6 | - | 1.7 | 2.0 |
| P0222.030-014-ZP | M 3 | 14 | 6 | 12 | 1.7 | 2.0 |
| P0222.030-016-ZP | M 3 | 16 | 6 | 12 | 1.7 | 2.0 |
| P0222.030-018-ZP | M 3 | 18 | 6 | 12 | 1.7 | 2.0 |
| P0222.030-020-ZP | M 3 | 20 | 6 | 12 | 1.7 | 2.0 |
| P0222.030-022-ZP | M 3 | 22 | 6 | 12 | 1.7 | 2.0 |
| P0222.030-025-ZP | M 3 | 25 | 6 | 12 | 1.7 | 2.0 |
| P0222.030-030-ZP | M 3 | 30 | 6 | 12 | 1.7 | 2.0 |
| P0222.030-035-ZP | M 3 | 35 | 6 | 12 | 1.7 | 2.0 |
| P0222.030-040-ZP | M 3 | 40 | 6 | 12 | 1.7 | 2.0 |
| P0222.040-006-ZP | M 4 | 6 | 8 | - | 2.3 | 2.5 |
| P0222.040-008-ZP | M 4 | 8 | 8 | - | 2.3 | 2.5 |
| P0222.040-010-ZP | M 4 | 10 | 8 | - | 2.3 | 2.5 |
| P0222.040-012-ZP | M 4 | 12 | 8 | - | 2.3 | 2.5 |
| P0222.040-014-ZP | M 4 | 14 | 8 | - | 2.3 | 2.5 |
| P0222.040-016-ZP | M 4 | 16 | 8 | 14 | 2.3 | 2.5 |
| P0222.040-020-ZP | M 4 | 20 | 8 | 14 | 2.3 | 2.5 |
| P0222.040-022-ZP | M 4 | 22 | 8 | 14 | 2.3 | 2.5 |
| P0222.040-025-ZP | M 4 | 25 | 8 | 14 | 2.3 | 2.5 |
| P0222.040-030-ZP | M 4 | 30 | 8 | 14 | 2.3 | 2.5 |
| P0222.040-035-ZP | M 4 | 35 | 8 | 14 | 2.3 | 2.5 |
| P0222.040-040-ZP | M 4 | 40 | 8 | 14 | 2.3 | 2.5 |
| P0222.040-045-ZP | M 4 | 45 | 8 | 14 | 2.3 | 2.5 |
| P0222.040-050-ZP | M 4 | 50 | 8 | 14 | 2.3 | 2.5 |
| P0222.040-055-ZP | M 4 | 55 | 8 | 14 | 2.3 | 2.5 |
| P0222.040-060-ZP | M 4 | 60 | 8 | 14 | 2.3 | 2.5 |
| P0222.040-065-ZP | M 4 | 65 | 8 | 14 | 2.3 | 2.5 |
| P0222.040-070-ZP | M 4 | 70 | 8 | 14 | 2.3 | 2.5 |
| P0222.050-006-ZP | M 5 | 6 | 10 | - | 2.8 | 3.0 |
| P0222.050-008-ZP | M 5 | 8 | 10 | - | 2.8 | 3.0 |
| P0222.050-010-ZP | M 5 | 10 | 10 | - | 2.8 | 3.0 |



STANDARD SCREWS

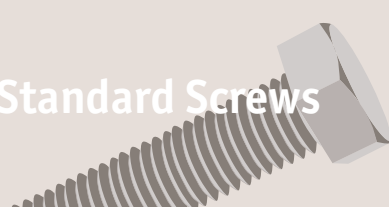
| Order No. | d ₁ | l ₁ | d ₂ | l ₂ | h ₁ | A/F |
|------------------|----------------|----------------|----------------|----------------|----------------|-----|
| P0222.050-012-ZP | M 5 | 12 | 10 | - | 2.8 | 3.0 |
| P0222.050-014-ZP | M 5 | 14 | 10 | - | 2.8 | 3.0 |
| P0222.050-016-ZP | M 5 | 16 | 10 | - | 2.8 | 3.0 |
| P0222.050-018-ZP | M 5 | 18 | 10 | 16 | 2.8 | 3.0 |
| P0222.050-020-ZP | M 5 | 20 | 10 | 16 | 2.8 | 3.0 |
| P0222.050-022-ZP | M 5 | 22 | 10 | 16 | 2.8 | 3.0 |
| P0222.050-025-ZP | M 5 | 25 | 10 | 16 | 2.8 | 3.0 |
| P0222.050-030-ZP | M 5 | 30 | 10 | 16 | 2.8 | 3.0 |
| P0222.050-035-ZP | M 5 | 35 | 10 | 16 | 2.8 | 3.0 |
| P0222.050-040-ZP | M 5 | 40 | 10 | 16 | 2.8 | 3.0 |
| P0222.050-045-ZP | M 5 | 45 | 10 | 16 | 2.8 | 3.0 |
| P0222.050-050-ZP | M 5 | 50 | 10 | 16 | 2.8 | 3.0 |
| P0222.050-055-ZP | M 5 | 55 | 10 | 16 | 2.8 | 3.0 |
| P0222.050-060-ZP | M 5 | 60 | 10 | 16 | 2.8 | 3.0 |
| P0222.050-065-ZP | M 5 | 65 | 10 | 16 | 2.8 | 3.0 |
| P0222.050-070-ZP | M 5 | 70 | 10 | 16 | 2.8 | 3.0 |
| P0222.050-075-ZP | M 5 | 75 | 10 | 16 | 2.8 | 3.0 |
| P0222.050-080-ZP | M 5 | 80 | 10 | 16 | 2.8 | 3.0 |
| P0222.050-085-ZP | M 5 | 85 | 10 | 16 | 2.8 | 3.0 |
| P0222.050-090-ZP | M 5 | 90 | 10 | 16 | 2.8 | 3.0 |
| P0222.050-095-ZP | M 5 | 95 | 10 | 16 | 2.8 | 3.0 |
| P0222.050-100-ZP | M 5 | 100 | 10 | 16 | 2.8 | 3.0 |
| P0222.060-008-ZP | M 6 | 8 | 12.0 | - | 3.30 | 4.0 |
| P0222.060-010-ZP | M 6 | 10 | 12.0 | - | 3.30 | 4.0 |
| P0222.060-012-ZP | M 6 | 12 | 12.0 | - | 3.30 | 4.0 |
| P0222.060-014-ZP | M 6 | 14 | 12.0 | - | 3.30 | 4.0 |
| P0222.060-016-ZP | M 6 | 16 | 12.0 | - | 3.30 | 4.0 |
| P0222.060-018-ZP | M 6 | 18 | 12.0 | - | 3.30 | 4.0 |
| P0222.060-020-ZP | M 6 | 20 | 12.0 | 18 | 3.30 | 4.0 |
| P0222.060-022-ZP | M 6 | 22 | 12.0 | 18 | 3.30 | 4.0 |
| P0222.060-025-ZP | M 6 | 25 | 12.0 | 18 | 3.30 | 4.0 |
| P0222.060-030-ZP | M 6 | 30 | 12.0 | 18 | 3.30 | 4.0 |
| P0222.060-035-ZP | M 6 | 35 | 12.0 | 18 | 3.30 | 4.0 |
| P0222.060-040-ZP | M 6 | 40 | 12.0 | 18 | 3.30 | 4.0 |
| P0222.060-045-ZP | M 6 | 45 | 12.0 | 18 | 3.30 | 4.0 |
| P0222.060-050-ZP | M 6 | 50 | 12.0 | 18 | 3.30 | 4.0 |
| P0222.060-055-ZP | M 6 | 55 | 12.0 | 18 | 3.30 | 4.0 |
| P0222.060-060-ZP | M 6 | 60 | 12.0 | 18 | 3.30 | 4.0 |
| P0222.060-065-ZP | M 6 | 65 | 12.0 | 18 | 3.30 | 4.0 |
| P0222.060-070-ZP | M 6 | 70 | 12.0 | 18 | 3.30 | 4.0 |
| P0222.060-075-ZP | M 6 | 75 | 12.0 | 18 | 3.30 | 4.0 |
| P0222.060-080-ZP | M 6 | 80 | 12.0 | 18 | 3.30 | 4.0 |
| P0222.060-085-ZP | M 6 | 85 | 12.0 | 18 | 3.30 | 4.0 |
| P0222.060-090-ZP | M 6 | 90 | 12.0 | 18 | 3.30 | 4.0 |
| P0222.060-095-ZP | M 6 | 95 | 12.0 | 18 | 3.30 | 4.0 |
| P0222.060-100-ZP | M 6 | 100 | 12.0 | 18 | 3.30 | 4.0 |
| P0222.080-010-ZP | M 8 | 10 | 16.0 | - | 4.40 | 5.0 |
| P0222.080-012-ZP | M 8 | 12 | 16.0 | - | 4.40 | 5.0 |
| P0222.080-014-ZP | M 8 | 14 | 16.0 | - | 4.40 | 5.0 |
| P0222.080-016-ZP | M 8 | 16 | 16.0 | - | 4.40 | 5.0 |
| P0222.080-018-ZP | M 8 | 18 | 16.0 | - | 4.40 | 5.0 |
| P0222.080-020-ZP | M 8 | 20 | 16.0 | - | 4.40 | 5.0 |
| P0222.080-022-ZP | M 8 | 22 | 16.0 | - | 4.40 | 5.0 |
| P0222.080-025-ZP | M 8 | 25 | 16.0 | 22 | 4.40 | 5.0 |
| P0222.080-030-ZP | M 8 | 30 | 16.0 | 22 | 4.40 | 5.0 |
| P0222.080-035-ZP | M 8 | 35 | 16.0 | 22 | 4.40 | 5.0 |
| P0222.080-040-ZP | M 8 | 40 | 16.0 | 22 | 4.40 | 5.0 |
| P0222.080-045-ZP | M 8 | 45 | 16.0 | 22 | 4.40 | 5.0 |
| P0222.080-050-ZP | M 8 | 50 | 16.0 | 22 | 4.40 | 5.0 |
| P0222.080-055-ZP | M 8 | 55 | 16.0 | 22 | 4.40 | 5.0 |
| P0222.080-060-ZP | M 8 | 60 | 16.0 | 22 | 4.40 | 5.0 |
| P0222.080-065-ZP | M 8 | 65 | 16.0 | 22 | 4.40 | 5.0 |
| P0222.080-070-ZP | M 8 | 70 | 16.0 | 22 | 4.40 | 5.0 |
| P0222.080-075-ZP | M 8 | 75 | 16.0 | 22 | 4.40 | 5.0 |
| P0222.080-080-ZP | M 8 | 80 | 16.0 | 22 | 4.40 | 5.0 |
| P0222.080-085-ZP | M 8 | 85 | 16.0 | 22 | 4.40 | 5.0 |
| P0222.080-090-ZP | M 8 | 90 | 16.0 | 22 | 4.40 | 5.0 |
| P0222.080-095-ZP | M 8 | 95 | 16.0 | 22 | 4.40 | 5.0 |
| P0222.080-100-ZP | M 8 | 100 | 16.0 | 22 | 4.40 | 5.0 |



Socket Countersunk Machine Screws

Socket - Steel, zinc-plated

Standard Screws



| Order No. | d ₁ | l ₁ | d ₂ | l ₂ | h ₁ | A/F |
|------------------|----------------|----------------|----------------|----------------|----------------|------|
| P0222.080-110-ZP | M 8 | 110 | 16.0 | 22 | 4.40 | 5.0 |
| P0222.080-120-ZP | M 8 | 120 | 16.0 | 22 | 4.40 | 5.0 |
| P0222.080-130-ZP | M 8 | 130 | 16.0 | 22 | 4.40 | 5.0 |
| P0222.080-140-ZP | M 8 | 140 | 16.0 | 22 | 4.40 | 5.0 |
| P0222.080-150-ZP | M 8 | 150 | 16.0 | 22 | 4.40 | 5.0 |
| P0222.080-160-ZP | M 8 | 160 | 16.0 | 22 | 4.40 | 5.0 |
| P0222.100-016-ZP | M10 | 16 | 20.0 | - | 5.50 | 6.0 |
| P0222.100-018-ZP | M10 | 18 | 20.0 | - | 5.50 | 6.0 |
| P0222.100-020-ZP | M10 | 20 | 20.0 | - | 5.50 | 6.0 |
| P0222.100-022-ZP | M10 | 22 | 20.0 | - | 5.50 | 6.0 |
| P0222.100-025-ZP | M10 | 25 | 20.0 | - | 5.50 | 6.0 |
| P0222.100-030-ZP | M10 | 30 | 20.0 | 26 | 5.50 | 6.0 |
| P0222.100-035-ZP | M10 | 35 | 20.0 | 26 | 5.50 | 6.0 |
| P0222.100-040-ZP | M10 | 40 | 20.0 | 26 | 5.50 | 6.0 |
| P0222.100-045-ZP | M10 | 45 | 20.0 | 26 | 5.50 | 6.0 |
| P0222.100-050-ZP | M10 | 50 | 20.0 | 26 | 5.50 | 6.0 |
| P0222.100-055-ZP | M10 | 55 | 20.0 | 26 | 5.50 | 6.0 |
| P0222.100-060-ZP | M10 | 60 | 20.0 | 26 | 5.50 | 6.0 |
| P0222.100-065-ZP | M10 | 65 | 20.0 | 26 | 5.50 | 6.0 |
| P0222.100-070-ZP | M10 | 70 | 20.0 | 26 | 5.50 | 6.0 |
| P0222.100-075-ZP | M10 | 75 | 20.0 | 26 | 5.50 | 6.0 |
| P0222.100-080-ZP | M10 | 80 | 20.0 | 26 | 5.50 | 6.0 |
| P0222.100-085-ZP | M10 | 85 | 20.0 | 26 | 5.50 | 6.0 |
| P0222.100-090-ZP | M10 | 90 | 20.0 | 26 | 5.50 | 6.0 |
| P0222.100-095-ZP | M10 | 95 | 20.0 | 26 | 5.50 | 6.0 |
| P0222.100-100-ZP | M10 | 100 | 20.0 | 26 | 5.50 | 6.0 |
| P0222.100-110-ZP | M10 | 110 | 20.0 | 26 | 5.50 | 6.0 |
| P0222.100-120-ZP | M10 | 120 | 20.0 | 26 | 5.50 | 6.0 |
| P0222.100-130-ZP | M10 | 130 | 20.0 | 26 | 5.50 | 6.0 |
| P0222.100-140-ZP | M10 | 140 | 20.0 | 26 | 5.50 | 6.0 |
| P0222.100-150-ZP | M10 | 150 | 20.0 | 26 | 5.50 | 6.0 |
| P0222.100-160-ZP | M10 | 160 | 20.0 | 26 | 5.50 | 6.0 |
| P0222.120-016-ZP | M12 | 16 | 24.0 | - | 6.50 | 8.0 |
| P0222.120-018-ZP | M12 | 18 | 24.0 | - | 6.50 | 8.0 |
| P0222.120-020-ZP | M12 | 20 | 24.0 | - | 6.50 | 8.0 |
| P0222.120-022-ZP | M12 | 22 | 24.0 | - | 6.50 | 8.0 |
| P0222.120-025-ZP | M12 | 25 | 24.0 | - | 6.50 | 8.0 |
| P0222.120-030-ZP | M12 | 30 | 24.0 | - | 6.50 | 8.0 |
| P0222.120-035-ZP | M12 | 35 | 24.0 | 30 | 6.50 | 8.0 |
| P0222.120-040-ZP | M12 | 40 | 24.0 | 30 | 6.50 | 8.0 |
| P0222.120-045-ZP | M12 | 45 | 24.0 | 30 | 6.50 | 8.0 |
| P0222.120-050-ZP | M12 | 50 | 24.0 | 30 | 6.50 | 8.0 |
| P0222.120-055-ZP | M12 | 55 | 24.0 | 30 | 6.50 | 8.0 |
| P0222.120-060-ZP | M12 | 60 | 24.0 | 30 | 6.50 | 8.0 |
| P0222.120-065-ZP | M12 | 65 | 24.0 | 30 | 6.50 | 8.0 |
| P0222.120-070-ZP | M12 | 70 | 24.0 | 30 | 6.50 | 8.0 |
| P0222.120-075-ZP | M12 | 75 | 24.0 | 30 | 6.50 | 8.0 |
| P0222.120-080-ZP | M12 | 80 | 24.0 | 30 | 6.50 | 8.0 |
| P0222.120-085-ZP | M12 | 85 | 24.0 | 30 | 6.50 | 8.0 |
| P0222.120-090-ZP | M12 | 90 | 24.0 | 30 | 6.50 | 8.0 |
| P0222.120-095-ZP | M12 | 95 | 24.0 | 30 | 6.50 | 8.0 |
| P0222.120-100-ZP | M12 | 100 | 24.0 | 30 | 6.50 | 8.0 |
| P0222.120-110-ZP | M12 | 110 | 24.0 | 30 | 6.50 | 8.0 |
| P0222.120-120-ZP | M12 | 120 | 24.0 | 30 | 6.50 | 8.0 |
| P0222.120-130-ZP | M12 | 130 | 24.0 | 30 | 6.50 | 8.0 |
| P0222.120-140-ZP | M12 | 140 | 24.0 | 30 | 6.50 | 8.0 |
| P0222.120-150-ZP | M12 | 150 | 24.0 | 30 | 6.50 | 8.0 |
| P0222.120-160-ZP | M12 | 160 | 24.0 | 30 | 6.50 | 8.0 |
| P0222.160-025-ZP | M16 | 25 | 30.0 | - | 7.50 | 10.0 |
| P0222.160-030-ZP | M16 | 30 | 30.0 | - | 7.50 | 10.0 |
| P0222.160-035-ZP | M16 | 35 | 30.0 | - | 7.50 | 10.0 |
| P0222.160-040-ZP | M16 | 40 | 30.0 | 38 | 7.50 | 10.0 |
| P0222.160-045-ZP | M16 | 45 | 30.0 | 38 | 7.50 | 10.0 |
| P0222.160-050-ZP | M16 | 50 | 30.0 | 38 | 7.50 | 10.0 |
| P0222.160-055-ZP | M16 | 55 | 30.0 | 38 | 7.50 | 10.0 |
| P0222.160-060-ZP | M16 | 60 | 30.0 | 38 | 7.50 | 10.0 |
| P0222.160-065-ZP | M16 | 65 | 30.0 | 38 | 7.50 | 10.0 |
| P0222.160-070-ZP | M16 | 70 | 30.0 | 38 | 7.50 | 10.0 |
| P0222.160-075-ZP | M16 | 75 | 30.0 | 38 | 7.50 | 10.0 |

STANDARD SCREWS



STANDARD SCREWS

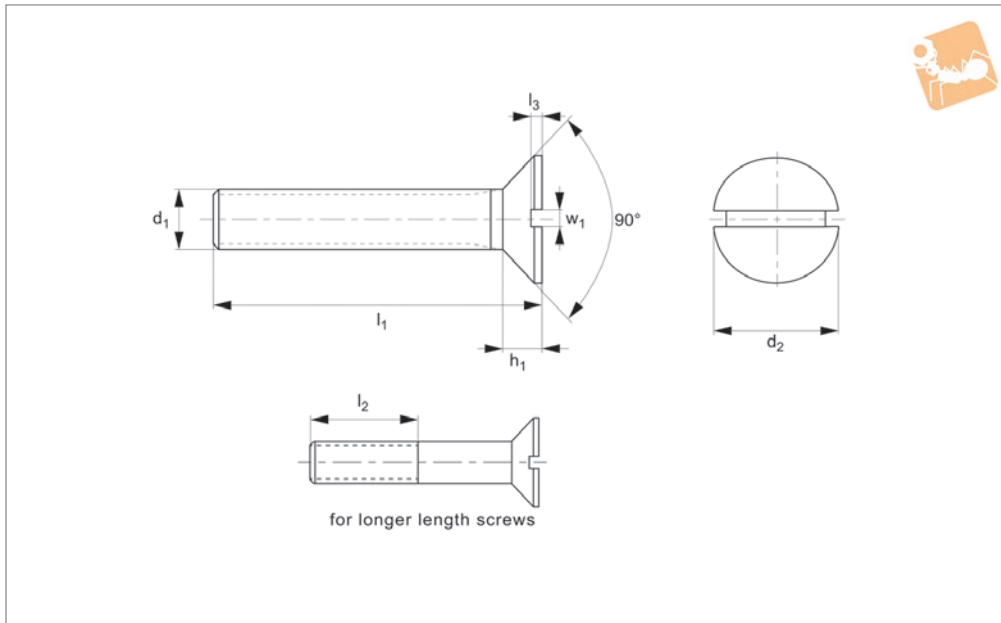
| Order No. | d ₁ | l ₁ | d ₂ | l ₂ | h ₁ | A/F |
|------------------|----------------|----------------|----------------|----------------|----------------|------|
| P0222.160-080-ZP | M16 | 80 | 30.0 | 38 | 7.50 | 10.0 |
| P0222.160-085-ZP | M16 | 85 | 30.0 | 38 | 7.50 | 10.0 |
| P0222.160-090-ZP | M16 | 90 | 30.0 | 38 | 7.50 | 10.0 |
| P0222.160-095-ZP | M16 | 95 | 30.0 | 38 | 7.50 | 10.0 |
| P0222.160-100-ZP | M16 | 100 | 30.0 | 38 | 7.50 | 10.0 |
| P0222.160-110-ZP | M16 | 110 | 30.0 | 38 | 7.50 | 10.0 |
| P0222.160-120-ZP | M16 | 120 | 30.0 | 38 | 7.50 | 10.0 |
| P0222.160-130-ZP | M16 | 130 | 30.0 | 38 | 7.50 | 10.0 |
| P0222.160-140-ZP | M16 | 140 | 30.0 | 38 | 7.50 | 10.0 |
| P0222.160-150-ZP | M16 | 150 | 30.0 | 38 | 7.50 | 10.0 |
| P0222.160-160-ZP | M16 | 160 | 30.0 | 38 | 7.50 | 10.0 |
| P0222.200-035-ZP | M20 | 35 | 36.0 | - | 8.50 | 12.0 |
| P0222.200-040-ZP | M20 | 40 | 36.0 | - | 8.50 | 12.0 |
| P0222.200-045-ZP | M20 | 45 | 36.0 | - | 8.50 | 12.0 |
| P0222.200-050-ZP | M20 | 50 | 36.0 | 46 | 8.50 | 12.0 |
| P0222.200-055-ZP | M20 | 55 | 36.0 | 46 | 8.50 | 12.0 |
| P0222.200-060-ZP | M20 | 60 | 36.0 | 46 | 8.50 | 12.0 |
| P0222.200-065-ZP | M20 | 65 | 36.0 | 46 | 8.50 | 12.0 |
| P0222.200-070-ZP | M20 | 70 | 36.0 | 46 | 8.50 | 12.0 |
| P0222.200-075-ZP | M20 | 75 | 36.0 | 46 | 8.50 | 12.0 |
| P0222.200-080-ZP | M20 | 80 | 36.0 | 46 | 8.50 | 12.0 |
| P0222.200-085-ZP | M20 | 85 | 36.0 | 46 | 8.50 | 12.0 |
| P0222.200-090-ZP | M20 | 90 | 36.0 | 46 | 8.50 | 12.0 |
| P0222.200-095-ZP | M20 | 95 | 36.0 | 46 | 8.50 | 12.0 |
| P0222.200-100-ZP | M20 | 100 | 36.0 | 46 | 8.50 | 12.0 |
| P0222.200-110-ZP | M20 | 110 | 36.0 | 46 | 8.50 | 12.0 |
| P0222.200-120-ZP | M20 | 120 | 36.0 | 46 | 8.50 | 12.0 |
| P0222.200-130-ZP | M20 | 130 | 36.0 | 46 | 8.50 | 12.0 |
| P0222.200-140-ZP | M20 | 140 | 36.0 | 46 | 8.50 | 12.0 |
| P0222.200-150-ZP | M20 | 150 | 36.0 | 46 | 8.50 | 12.0 |
| P0222.200-160-ZP | M20 | 160 | 36.0 | 46 | 8.50 | 12.0 |
| P0222.240-050-ZP | M24 | 50 | 39.0 | - | 14.0 | 14.0 |
| P0222.240-055-ZP | M24 | 55 | 39.0 | - | 14.0 | 14.0 |
| P0222.240-060-ZP | M24 | 60 | 39.0 | 54 | 14.0 | 14.0 |
| P0222.240-065-ZP | M24 | 65 | 39.0 | 54 | 14.0 | 14.0 |
| P0222.240-070-ZP | M24 | 70 | 39.0 | 54 | 14.0 | 14.0 |
| P0222.240-075-ZP | M24 | 75 | 39.0 | 54 | 14.0 | 14.0 |
| P0222.240-080-ZP | M24 | 80 | 39.0 | 54 | 14.0 | 14.0 |
| P0222.240-085-ZP | M24 | 85 | 39.0 | 54 | 14.0 | 14.0 |
| P0222.240-090-ZP | M24 | 90 | 39.0 | 54 | 14.0 | 14.0 |
| P0222.240-095-ZP | M24 | 95 | 39.0 | 54 | 14.0 | 14.0 |
| P0222.240-100-ZP | M24 | 100 | 39.0 | 54 | 14.0 | 14.0 |
| P0222.240-110-ZP | M24 | 110 | 39.0 | 54 | 14.0 | 14.0 |
| P0222.240-120-ZP | M24 | 120 | 39.0 | 54 | 14.0 | 14.0 |
| P0222.240-130-ZP | M24 | 130 | 39.0 | 54 | 14.0 | 14.0 |
| P0222.240-140-ZP | M24 | 140 | 39.0 | 54 | 14.0 | 14.0 |
| P0222.240-150-ZP | M24 | 150 | 39.0 | 54 | 14.0 | 14.0 |
| P0222.240-160-ZP | M24 | 160 | 39.0 | 54 | 14.0 | 14.0 |



Slot Countersunk Machine Screws

Slot - A2 stainless

Standard Screws



P0224.A2

STANDARD SCREWS

Material

Stainless steel A2.

Technical Notes

To DIN 963, ISO 2009. For the majority of

screw lengths the threads goes all the way to the head of the screw (i.e. $l_2 = l_1$) less 2.5 thread pitches.

For longer length screws the threaded

portion $l_2 < l_1$.

See technical page for tightening torques.

| Order No. | d_1 | l_1 | d_2 | l_2 | l_3 | h_1 | w_1 |
|------------------|-------|-------|-------|-------|-------|-------|-------|
| P0224.016-003-A2 | M1,6 | 3 | 3 | - | 0.32 | 0.96 | 0.4 |
| P0224.016-004-A2 | M1,6 | 4 | 3 | - | 0.32 | 0.96 | 0.4 |
| P0224.016-005-A2 | M1,6 | 5 | 3 | - | 0.32 | 0.96 | 0.4 |
| P0224.016-006-A2 | M1,6 | 6 | 3 | - | 0.32 | 0.96 | 0.4 |
| P0224.016-008-A2 | M1,6 | 8 | 3 | - | 0.32 | 0.96 | 0.4 |
| P0224.016-010-A2 | M1,6 | 10 | 3 | - | 0.32 | 0.96 | 0.4 |
| P0224.016-012-A2 | M1,6 | 12 | 3 | - | 0.32 | 0.96 | 0.4 |
| P0224.016-014-A2 | M1,6 | 14 | 3 | - | 0.32 | 0.96 | 0.4 |
| P0224.016-016-A2 | M1,6 | 16 | 3 | - | 0.32 | 0.96 | 0.4 |
| P0224.020-004-A2 | M 2 | 4 | 3.8 | - | 0.40 | 1.20 | 0.5 |
| P0224.020-005-A2 | M 2 | 5 | 3.8 | - | 0.40 | 1.20 | 0.5 |
| P0224.020-006-A2 | M 2 | 6 | 3.8 | - | 0.40 | 1.20 | 0.5 |
| P0224.020-008-A2 | M 2 | 8 | 3.8 | - | 0.40 | 1.20 | 0.5 |
| P0224.020-010-A2 | M 2 | 10 | 3.8 | - | 0.40 | 1.20 | 0.5 |
| P0224.020-012-A2 | M 2 | 12 | 3.8 | - | 0.40 | 1.20 | 0.5 |
| P0224.020-014-A2 | M 2 | 14 | 3.8 | - | 0.40 | 1.20 | 0.5 |
| P0224.020-016-A2 | M 2 | 16 | 3.8 | 16 | 0.40 | 1.20 | 0.5 |
| P0224.020-018-A2 | M 2 | 18 | 3.8 | 16 | 0.40 | 1.20 | 0.5 |
| P0224.020-020-A2 | M 2 | 20 | 3.8 | 16 | 0.40 | 1.20 | 0.5 |
| P0224.020-022-A2 | M 2 | 22 | 3.8 | 16 | 0.40 | 1.20 | 0.5 |
| P0224.020-025-A2 | M 2 | 25 | 3.8 | 16 | 0.40 | 1.20 | 0.5 |
| P0224.020-030-A2 | M 2 | 30 | 3.8 | 16 | 0.40 | 1.20 | 0.5 |
| P0224.025-004-A2 | M2,5 | 4 | 4.7 | - | 0.50 | 1.50 | 0.6 |
| P0224.025-005-A2 | M2,5 | 5 | 4.7 | - | 0.50 | 1.50 | 0.6 |
| P0224.025-006-A2 | M2,5 | 5 | 4.7 | - | 0.50 | 1.50 | 0.6 |
| P0224.025-008-A2 | M2,5 | 8 | 4.7 | - | 0.50 | 1.50 | 0.6 |
| P0224.025-010-A2 | M2,5 | 10 | 4.7 | - | 0.50 | 1.50 | 0.6 |
| P0224.025-012-A2 | M2,5 | 12 | 4.7 | - | 0.50 | 1.50 | 0.6 |
| P0224.025-014-A2 | M2,5 | 14 | 4.7 | - | 0.50 | 1.50 | 0.6 |
| P0224.025-016-A2 | M2,5 | 16 | 4.7 | - | 0.50 | 1.50 | 0.6 |
| P0224.025-018-A2 | M2,5 | 18 | 4.7 | 18 | 0.50 | 1.50 | 0.6 |
| P0224.025-020-A2 | M2,5 | 20 | 4.7 | 18 | 0.50 | 1.50 | 0.6 |
| P0224.025-022-A2 | M2,5 | 22 | 4.7 | 18 | 0.50 | 1.50 | 0.6 |
| P0224.025-025-A2 | M2,5 | 25 | 4.7 | 18 | 0.50 | 1.50 | 0.6 |



STANDARD SCREWS

| Order No. | d ₁ | l ₁ | d ₂ | l ₂ | l ₃ | h ₁ | w ₁ |
|------------------|----------------|----------------|----------------|----------------|----------------|----------------|----------------|
| P0224.025-030-A2 | M2,5 | 30 | 4.7 | 18 | 0.50 | 1.50 | 0.6 |
| P0224.030-004-A2 | M 3 | 4 | 5.6 | - | 0.60 | 1.65 | 0.8 |
| P0224.030-005-A2 | M 3 | 5 | 5.6 | - | 0.60 | 1.65 | 0.8 |
| P0224.030-006-A2 | M 3 | 6 | 5.6 | - | 0.60 | 1.65 | 0.8 |
| P0224.030-008-A2 | M 3 | 8 | 5.6 | - | 0.60 | 1.65 | 0.8 |
| P0224.030-010-A2 | M 3 | 10 | 5.6 | - | 0.60 | 1.65 | 0.8 |
| P0224.030-012-A2 | M 3 | 12 | 5.6 | - | 0.60 | 1.65 | 0.8 |
| P0224.030-014-A2 | M 3 | 14 | 5.6 | - | 0.60 | 1.65 | 0.8 |
| P0224.030-016-A2 | M 3 | 16 | 5.6 | - | 0.60 | 1.65 | 0.8 |
| P0224.030-018-A2 | M 3 | 18 | 5.6 | - | 0.60 | 1.65 | 0.8 |
| P0224.030-020-A2 | M 3 | 20 | 5.6 | 19 | 0.60 | 1.65 | 0.8 |
| P0224.030-022-A2 | M 3 | 22 | 5.6 | 19 | 0.60 | 1.65 | 0.8 |
| P0224.030-025-A2 | M 3 | 25 | 5.6 | 19 | 0.60 | 1.65 | 0.8 |
| P0224.030-030-A2 | M 3 | 30 | 5.6 | 19 | 0.60 | 1.65 | 0.8 |
| P0224.030-035-A2 | M 3 | 35 | 5.6 | 19 | 0.60 | 1.65 | 0.8 |
| P0224.030-040-A2 | M 3 | 40 | 5.6 | 19 | 0.60 | 1.65 | 0.8 |
| P0224.030-045-A2 | M 3 | 45 | 5.6 | 19 | 0.60 | 1.65 | 0.8 |
| P0224.030-050-A2 | M 3 | 50 | 5.6 | 19 | 0.60 | 1.65 | 0.8 |
| P0224.030-055-A2 | M 3 | 55 | 5.6 | 19 | 0.60 | 1.65 | 0.8 |
| P0224.030-060-A2 | M 3 | 60 | 5.6 | 19 | 0.60 | 1.65 | 0.8 |
| P0224.035-005-A2 | M3,5 | 5 | 6.5 | - | 0.70 | 1.93 | 0.8 |
| P0224.035-006-A2 | M3,5 | 6 | 6.5 | - | 0.70 | 1.93 | 0.8 |
| P0224.035-008-A2 | M3,5 | 8 | 6.5 | - | 0.70 | 1.93 | 0.8 |
| P0224.035-010-A2 | M3,5 | 10 | 6.5 | - | 0.70 | 1.93 | 0.8 |
| P0224.035-012-A2 | M3,5 | 12 | 6.5 | - | 0.70 | 1.93 | 0.8 |
| P0224.035-014-A2 | M3,5 | 14 | 6.5 | - | 0.70 | 1.93 | 0.8 |
| P0224.035-016-A2 | M3,5 | 16 | 6.5 | - | 0.70 | 1.93 | 0.8 |
| P0224.035-018-A2 | M3,5 | 18 | 6.5 | - | 0.70 | 1.93 | 0.8 |
| P0224.035-020-A2 | M3,5 | 20 | 6.5 | 20 | 0.70 | 1.93 | 0.8 |
| P0224.035-022-A2 | M3,5 | 22 | 6.5 | 20 | 0.70 | 1.93 | 0.8 |
| P0224.035-025-A2 | M3,5 | 25 | 6.5 | 20 | 0.70 | 1.93 | 0.8 |
| P0224.035-030-A2 | M3,5 | 30 | 6.5 | 20 | 0.70 | 1.93 | 0.8 |
| P0224.035-035-A2 | M3,5 | 35 | 6.5 | 20 | 0.70 | 1.93 | 0.8 |
| P0224.040-005-A2 | M 4 | 5 | 7.5 | - | 0.80 | 2.20 | 1.0 |
| P0224.040-006-A2 | M 4 | 6 | 7.5 | - | 0.80 | 2.20 | 1.0 |
| P0224.040-008-A2 | M 4 | 8 | 7.5 | - | 0.80 | 2.20 | 1.0 |
| P0224.040-010-A2 | M 4 | 10 | 7.5 | - | 0.80 | 2.20 | 1.0 |
| P0224.040-012-A2 | M 4 | 12 | 7.5 | - | 0.80 | 2.20 | 1.0 |
| P0224.040-014-A2 | M 4 | 14 | 7.5 | - | 0.80 | 2.20 | 1.0 |
| P0224.040-016-A2 | M 4 | 16 | 7.5 | - | 0.80 | 2.20 | 1.0 |
| P0224.040-018-A2 | M 4 | 18 | 7.5 | - | 0.80 | 2.20 | 1.0 |
| P0224.040-020-A2 | M 4 | 20 | 7.5 | - | 0.80 | 2.20 | 1.0 |
| P0224.040-022-A2 | M 4 | 22 | 7.5 | 22 | 0.80 | 2.20 | 1.0 |
| P0224.040-025-A2 | M 4 | 25 | 7.5 | 22 | 0.80 | 2.20 | 1.0 |
| P0224.040-030-A2 | M 4 | 30 | 7.5 | 22 | 0.80 | 2.20 | 1.0 |
| P0224.040-035-A2 | M 4 | 35 | 7.5 | 22 | 0.80 | 2.20 | 1.0 |
| P0224.040-040-A2 | M 4 | 40 | 7.5 | 22 | 0.80 | 2.20 | 1.0 |
| P0224.040-045-A2 | M 4 | 45 | 7.5 | 22 | 0.80 | 2.20 | 1.0 |
| P0224.040-050-A2 | M 4 | 50 | 7.5 | 22 | 0.80 | 2.20 | 1.0 |
| P0224.040-055-A2 | M 4 | 55 | 7.5 | 22 | 0.80 | 2.20 | 1.0 |
| P0224.040-060-A2 | M 4 | 60 | 7.5 | 22 | 0.80 | 2.20 | 1.0 |
| P0224.040-065-A2 | M 4 | 85 | 7.5 | 22 | 0.80 | 2.20 | 1.0 |
| P0224.040-070-A2 | M 4 | 80 | 7.5 | 22 | 0.80 | 2.20 | 1.0 |
| P0224.040-075-A2 | M 4 | 85 | 7.5 | 22 | 0.80 | 2.20 | 1.0 |
| P0224.040-080-A2 | M 4 | 80 | 7.5 | 22 | 0.80 | 2.20 | 1.0 |
| P0224.050-006-A2 | M 5 | 6 | 9.2 | - | 1.00 | 2.50 | 1.2 |
| P0224.050-008-A2 | M 5 | 8 | 9.2 | - | 1.00 | 2.50 | 1.2 |
| P0224.050-010-A2 | M 5 | 10 | 9.2 | - | 1.00 | 2.50 | 1.2 |
| P0224.050-012-A2 | M 5 | 12 | 9.2 | - | 1.00 | 2.50 | 1.2 |
| P0224.050-014-A2 | M 5 | 14 | 9.2 | - | 1.00 | 2.50 | 1.2 |
| P0224.050-016-A2 | M 5 | 16 | 9.2 | - | 1.00 | 2.50 | 1.2 |
| P0224.050-018-A2 | M 5 | 18 | 9.2 | - | 1.00 | 2.50 | 1.2 |
| P0224.050-020-A2 | M 5 | 20 | 9.2 | - | 1.00 | 2.50 | 1.2 |
| P0224.050-022-A2 | M 5 | 22 | 9.2 | - | 1.00 | 2.50 | 1.2 |
| P0224.050-025-A2 | M 5 | 25 | 9.2 | 25 | 1.00 | 2.50 | 1.2 |
| P0224.050-030-A2 | M 5 | 30 | 9.2 | 25 | 1.00 | 2.50 | 1.2 |
| P0224.050-035-A2 | M 5 | 35 | 9.2 | 25 | 1.00 | 2.50 | 1.2 |
| P0224.050-040-A2 | M 5 | 40 | 9.2 | 25 | 1.00 | 2.50 | 1.2 |
| P0224.050-045-A2 | M 5 | 45 | 9.2 | 25 | 1.00 | 2.50 | 1.2 |



Slot Countersunk Machine Screws

Slot - A2 stainless

Standard Screws



| Order No. | d ₁ | l ₁ | d ₂ | l ₂ | l ₃ | h ₁ | w ₁ |
|------------------|----------------|----------------|----------------|----------------|----------------|----------------|----------------|
| P0224.050-050-A2 | M 5 | 50 | 9.2 | 25 | 1.00 | 2.50 | 1.2 |
| P0224.050-055-A2 | M 5 | 55 | 9.2 | 25 | 1.00 | 2.50 | 1.2 |
| P0224.050-060-A2 | M 5 | 60 | 9.2 | 25 | 1.00 | 2.50 | 1.2 |
| P0224.050-065-A2 | M 5 | 65 | 9.2 | 25 | 1.00 | 2.50 | 1.2 |
| P0224.050-070-A2 | M 5 | 70 | 9.2 | 25 | 1.00 | 2.50 | 1.2 |
| P0224.050-075-A2 | M 5 | 75 | 9.2 | 25 | 1.00 | 2.50 | 1.2 |
| P0224.050-080-A2 | M 5 | 80 | 9.2 | 25 | 1.00 | 2.50 | 1.2 |
| P0224.050-090-A2 | M 5 | 90 | 9.2 | 25 | 1.00 | 2.50 | 1.2 |
| P0224.050-100-A2 | M 5 | 100 | 9.2 | 25 | 1.00 | 2.50 | 1.2 |
| P0224.060-008-A2 | M 6 | 8 | 11.0 | - | 1.20 | 3.00 | 1.6 |
| P0224.060-010-A2 | M 6 | 10 | 11.0 | - | 1.20 | 3.00 | 1.6 |
| P0224.060-012-A2 | M 6 | 12 | 11.0 | - | 1.20 | 3.00 | 1.6 |
| P0224.060-014-A2 | M 6 | 14 | 11.0 | - | 1.20 | 3.00 | 1.6 |
| P0224.060-016-A2 | M 6 | 16 | 11.0 | - | 1.20 | 3.00 | 1.6 |
| P0224.060-018-A2 | M 6 | 18 | 11.0 | - | 1.20 | 3.00 | 1.6 |
| P0224.060-020-A2 | M 6 | 20 | 11.0 | - | 1.20 | 3.00 | 1.6 |
| P0224.060-022-A2 | M 6 | 22 | 11.0 | - | 1.20 | 3.00 | 1.6 |
| P0224.060-025-A2 | M 6 | 25 | 11.0 | - | 1.20 | 3.00 | 1.6 |
| P0224.060-030-A2 | M 6 | 30 | 11.0 | 28 | 1.20 | 3.00 | 1.6 |
| P0224.060-035-A2 | M 6 | 35 | 11.0 | 28 | 1.20 | 3.00 | 1.6 |
| P0224.060-040-A2 | M 6 | 40 | 11.0 | 28 | 1.20 | 3.00 | 1.6 |
| P0224.060-045-A2 | M 6 | 45 | 11.0 | 28 | 1.20 | 3.00 | 1.6 |
| P0224.060-050-A2 | M 6 | 50 | 11.0 | 28 | 1.20 | 3.00 | 1.6 |
| P0224.060-055-A2 | M 6 | 55 | 11.0 | 28 | 1.20 | 3.00 | 1.6 |
| P0224.060-060-A2 | M 6 | 60 | 11.0 | 28 | 1.20 | 3.00 | 1.6 |
| P0224.060-065-A2 | M 6 | 65 | 11.0 | 28 | 1.20 | 3.00 | 1.6 |
| P0224.060-070-A2 | M 6 | 70 | 11.0 | 28 | 1.20 | 3.00 | 1.6 |
| P0224.060-075-A2 | M 6 | 75 | 11.0 | 28 | 1.20 | 3.00 | 1.6 |
| P0224.060-080-A2 | M 6 | 80 | 11.0 | 28 | 1.20 | 3.00 | 1.6 |
| P0224.060-090-A2 | M 6 | 90 | 11.0 | 28 | 1.20 | 3.00 | 1.6 |
| P0224.060-100-A2 | M 6 | 100 | 11.0 | 28 | 1.20 | 3.00 | 1.6 |
| P0224.060-110-A2 | M 6 | 110 | 11.0 | 28 | 1.20 | 3.00 | 1.6 |
| P0224.060-120-A2 | M 6 | 120 | 11.0 | 28 | 1.20 | 3.00 | 1.6 |
| P0224.080-010-A2 | M 8 | 10 | 14.5 | - | 1.60 | 4.00 | 2.0 |
| P0224.080-012-A2 | M 8 | 12 | 14.5 | - | 1.60 | 4.00 | 2.0 |
| P0224.080-014-A2 | M 8 | 14 | 14.5 | - | 1.60 | 4.00 | 2.0 |
| P0224.080-016-A2 | M 8 | 16 | 14.5 | - | 1.60 | 4.00 | 2.0 |
| P0224.080-018-A2 | M 8 | 18 | 14.5 | - | 1.60 | 4.00 | 2.0 |
| P0224.080-020-A2 | M 8 | 20 | 14.5 | - | 1.60 | 4.00 | 2.0 |
| P0224.080-022-A2 | M 8 | 22 | 14.5 | - | 1.60 | 4.00 | 2.0 |
| P0224.080-025-A2 | M 8 | 25 | 14.5 | - | 1.60 | 4.00 | 2.0 |
| P0224.080-030-A2 | M 8 | 30 | 14.5 | - | 1.60 | 4.00 | 2.0 |
| P0224.080-035-A2 | M 8 | 35 | 14.5 | 34 | 1.60 | 4.00 | 2.0 |
| P0224.080-040-A2 | M 8 | 40 | 14.5 | 34 | 1.60 | 4.00 | 2.0 |
| P0224.080-045-A2 | M 8 | 45 | 14.5 | 34 | 1.60 | 4.00 | 2.0 |
| P0224.080-050-A2 | M 8 | 50 | 14.5 | 34 | 1.60 | 4.00 | 2.0 |
| P0224.080-055-A2 | M 8 | 55 | 14.5 | 34 | 1.60 | 4.00 | 2.0 |
| P0224.080-060-A2 | M 8 | 60 | 14.5 | 34 | 1.60 | 4.00 | 2.0 |
| P0224.080-065-A2 | M 8 | 65 | 14.5 | 34 | 1.60 | 4.00 | 2.0 |
| P0224.080-070-A2 | M 8 | 70 | 14.5 | 34 | 1.60 | 4.00 | 2.0 |
| P0224.080-075-A2 | M 8 | 75 | 14.5 | 34 | 1.60 | 4.00 | 2.0 |
| P0224.080-080-A2 | M 8 | 80 | 14.5 | 34 | 1.60 | 4.00 | 2.0 |
| P0224.080-090-A2 | M 8 | 90 | 14.5 | 34 | 1.60 | 4.00 | 2.0 |
| P0224.080-100-A2 | M 8 | 100 | 14.5 | 34 | 1.60 | 4.00 | 2.0 |
| P0224.080-110-A2 | M 8 | 110 | 14.5 | 34 | 1.60 | 4.00 | 2.0 |
| P0224.080-120-A2 | M 8 | 120 | 14.5 | 34 | 1.60 | 4.00 | 2.0 |
| P0224.100-016-A2 | M10 | 16 | 18.0 | - | 2.00 | 5.00 | 2.5 |
| P0224.100-018-A2 | M10 | 18 | 18.0 | - | 2.00 | 5.00 | 2.5 |
| P0224.100-020-A2 | M10 | 20 | 18.0 | - | 2.00 | 5.00 | 2.5 |
| P0224.100-022-A2 | M10 | 22 | 18.0 | - | 2.00 | 5.00 | 2.5 |
| P0224.100-025-A2 | M10 | 25 | 18.0 | - | 2.00 | 5.00 | 2.5 |
| P0224.100-030-A2 | M10 | 30 | 18.0 | - | 2.00 | 5.00 | 2.5 |
| P0224.100-035-A2 | M10 | 35 | 18.0 | - | 2.00 | 5.00 | 2.5 |
| P0224.100-040-A2 | M10 | 40 | 18.0 | 40 | 2.00 | 5.00 | 2.5 |
| P0224.100-045-A2 | M10 | 45 | 18.0 | 40 | 2.00 | 5.00 | 2.5 |
| P0224.100-050-A2 | M10 | 50 | 18.0 | 40 | 2.00 | 5.00 | 2.5 |
| P0224.100-055-A2 | M10 | 55 | 18.0 | 40 | 2.00 | 5.00 | 2.5 |
| P0224.100-060-A2 | M10 | 60 | 18.0 | 40 | 2.00 | 5.00 | 2.5 |
| P0224.100-065-A2 | M10 | 65 | 18.0 | 40 | 2.00 | 5.00 | 2.5 |

STANDARD SCREWS



STANDARD SCREWS

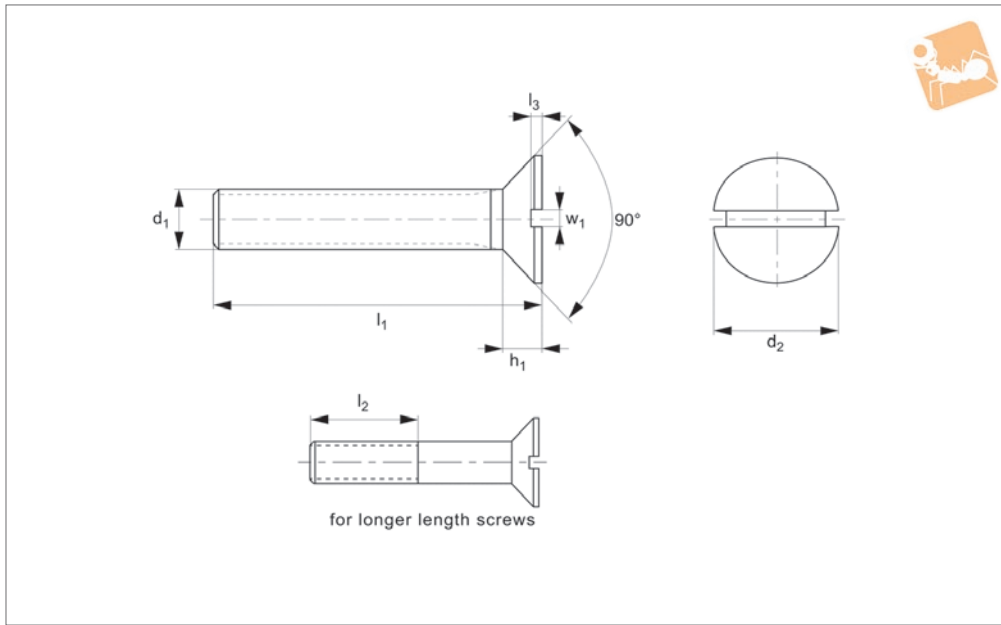
| Order No. | d ₁ | l ₁ | d ₂ | l ₂ | l ₃ | h ₁ | w ₁ |
|------------------|----------------|----------------|----------------|----------------|----------------|----------------|----------------|
| P0224.100-070-A2 | M10 | 70 | 18.0 | 40 | 2.00 | 5.00 | 2.5 |
| P0224.100-075-A2 | M10 | 75 | 18.0 | 40 | 2.00 | 5.00 | 2.5 |
| P0224.100-080-A2 | M10 | 80 | 18.0 | 40 | 2.00 | 5.00 | 2.5 |
| P0224.100-090-A2 | M10 | 90 | 18.0 | 40 | 2.00 | 5.00 | 2.5 |
| P0224.100-100-A2 | M10 | 100 | 18.0 | 40 | 2.00 | 5.00 | 2.5 |
| P0224.100-110-A2 | M10 | 110 | 18.0 | 40 | 2.00 | 5.00 | 2.5 |
| P0224.100-120-A2 | M10 | 120 | 18.0 | 40 | 2.00 | 5.00 | 2.5 |
| P0224.120-020-A2 | M12 | 20 | 22.0 | - | 2.40 | 6.00 | 3.0 |
| P0224.120-022-A2 | M12 | 22 | 22.0 | - | 2.40 | 6.00 | 3.0 |
| P0224.120-025-A2 | M12 | 25 | 22.0 | - | 2.40 | 6.00 | 3.0 |
| P0224.120-030-A2 | M12 | 30 | 22.0 | - | 2.40 | 6.00 | 3.0 |
| P0224.120-035-A2 | M12 | 35 | 22.0 | - | 2.40 | 6.00 | 3.0 |
| P0224.120-040-A2 | M12 | 40 | 22.0 | - | 2.40 | 6.00 | 3.0 |
| P0224.120-045-A2 | M12 | 45 | 22.0 | - | 2.40 | 6.00 | 3.0 |
| P0224.120-050-A2 | M12 | 50 | 22.0 | 46 | 2.40 | 6.00 | 3.0 |
| P0224.120-055-A2 | M12 | 55 | 22.0 | 46 | 2.40 | 6.00 | 3.0 |
| P0224.120-060-A2 | M12 | 60 | 22.0 | 46 | 2.40 | 6.00 | 3.0 |
| P0224.120-065-A2 | M12 | 65 | 22.0 | 46 | 2.40 | 6.00 | 3.0 |
| P0224.120-070-A2 | M12 | 70 | 22.0 | 46 | 2.40 | 6.00 | 3.0 |
| P0224.120-075-A2 | M12 | 75 | 22.0 | 46 | 2.40 | 6.00 | 3.0 |
| P0224.120-080-A2 | M12 | 80 | 22.0 | 46 | 2.40 | 6.00 | 3.0 |
| P0224.120-090-A2 | M12 | 90 | 22.0 | 46 | 2.40 | 6.00 | 3.0 |
| P0224.120-100-A2 | M12 | 100 | 22.0 | 46 | 2.40 | 6.00 | 3.0 |
| P0224.120-110-A2 | M12 | 110 | 22.0 | 46 | 2.40 | 6.00 | 3.0 |
| P0224.120-120-A2 | M12 | 120 | 22.0 | 46 | 2.40 | 6.00 | 3.0 |



Slot Countersunk Machine Screws

Slot - A4 stainless

Standard Screws



P0224.A4

STANDARD SCREWS

Material

Stainless steel A4.

Technical Notes

To DIN 963, ISO 2009. For the majority of

screw lengths the threads goes all the way to the head of the screw (i.e. $l_2 = l_1$) less 2.5 thread pitches.

For longer length screws the threaded

portion $l_2 < l_1$.

See technical page for tightening torques.

| Order No. | d_1 | l_1 | d_2 | l_2 | l_3 | h_1 | w_1 |
|------------------|-------|-------|-------|-------|-------|-------|-------|
| P0224.016-003-A4 | M1,6 | 3 | 3 | - | 0.32 | 0.96 | 0.4 |
| P0224.016-004-A4 | M1,6 | 4 | 3 | - | 0.32 | 0.96 | 0.4 |
| P0224.016-005-A4 | M1,6 | 5 | 3 | - | 0.32 | 0.96 | 0.4 |
| P0224.016-006-A4 | M1,6 | 6 | 3 | - | 0.32 | 0.96 | 0.4 |
| P0224.016-008-A4 | M1,6 | 8 | 3 | - | 0.32 | 0.96 | 0.4 |
| P0224.016-010-A4 | M1,6 | 10 | 3 | - | 0.32 | 0.96 | 0.4 |
| P0224.016-012-A4 | M1,6 | 12 | 3 | - | 0.32 | 0.96 | 0.4 |
| P0224.016-014-A4 | M1,6 | 14 | 3 | - | 0.32 | 0.96 | 0.4 |
| P0224.016-016-A4 | M1,6 | 16 | 3 | - | 0.32 | 0.96 | 0.4 |
| P0224.020-004-A4 | M 2 | 4 | 3.8 | - | 0.40 | 1.20 | 0.5 |
| P0224.020-005-A4 | M 2 | 5 | 3.8 | - | 0.40 | 1.20 | 0.5 |
| P0224.020-006-A4 | M 2 | 6 | 3.8 | - | 0.40 | 1.20 | 0.5 |
| P0224.020-008-A4 | M 2 | 8 | 3.8 | - | 0.40 | 1.20 | 0.5 |
| P0224.020-010-A4 | M 2 | 10 | 3.8 | - | 0.40 | 1.20 | 0.5 |
| P0224.020-012-A4 | M 2 | 12 | 3.8 | - | 0.40 | 1.20 | 0.5 |
| P0224.020-014-A4 | M 2 | 14 | 3.8 | - | 0.40 | 1.20 | 0.5 |
| P0224.020-016-A4 | M 2 | 16 | 3.8 | 16 | 0.40 | 1.20 | 0.5 |
| P0224.020-018-A4 | M 2 | 18 | 3.8 | 16 | 0.40 | 1.20 | 0.5 |
| P0224.020-020-A4 | M 2 | 20 | 3.8 | 16 | 0.40 | 1.20 | 0.5 |
| P0224.020-022-A4 | M 2 | 22 | 3.8 | 16 | 0.40 | 1.20 | 0.5 |
| P0224.020-025-A4 | M 2 | 25 | 3.8 | 16 | 0.40 | 1.20 | 0.5 |
| P0224.020-030-A4 | M 2 | 30 | 3.8 | 16 | 0.40 | 1.20 | 0.5 |
| P0224.025-004-A4 | M2,5 | 4 | 4.7 | - | 0.50 | 1.50 | 0.6 |
| P0224.025-005-A4 | M2,5 | 5 | 4.7 | - | 0.50 | 1.50 | 0.6 |
| P0224.025-006-A4 | M2,5 | 5 | 4.7 | - | 0.50 | 1.50 | 0.6 |
| P0224.025-008-A4 | M2,5 | 8 | 4.7 | - | 0.50 | 1.50 | 0.6 |
| P0224.025-010-A4 | M2,5 | 10 | 4.7 | - | 0.50 | 1.50 | 0.6 |
| P0224.025-012-A4 | M2,5 | 12 | 4.7 | - | 0.50 | 1.50 | 0.6 |
| P0224.025-014-A4 | M2,5 | 14 | 4.7 | - | 0.50 | 1.50 | 0.6 |
| P0224.025-016-A4 | M2,5 | 16 | 4.7 | - | 0.50 | 1.50 | 0.6 |
| P0224.025-018-A4 | M2,5 | 18 | 4.7 | 18 | 0.50 | 1.50 | 0.6 |
| P0224.025-020-A4 | M2,5 | 20 | 4.7 | 18 | 0.50 | 1.50 | 0.6 |
| P0224.025-022-A4 | M2,5 | 22 | 4.7 | 18 | 0.50 | 1.50 | 0.6 |
| P0224.025-025-A4 | M2,5 | 25 | 4.7 | 18 | 0.50 | 1.50 | 0.6 |



STANDARD SCREWS

| Order No. | d ₁ | l ₁ | d ₂ | l ₂ | l ₃ | h ₁ | w ₁ |
|------------------|----------------|----------------|----------------|----------------|----------------|----------------|----------------|
| P0224.025-030-A4 | M2,5 | 30 | 4.7 | 18 | 0.50 | 1.50 | 0.6 |
| P0224.030-004-A4 | M 3 | 4 | 5.6 | - | 0.60 | 1.65 | 0.8 |
| P0224.030-005-A4 | M 3 | 5 | 5.6 | - | 0.60 | 1.65 | 0.8 |
| P0224.030-006-A4 | M 3 | 6 | 5.6 | - | 0.60 | 1.65 | 0.8 |
| P0224.030-008-A4 | M 3 | 8 | 5.6 | - | 0.60 | 1.65 | 0.8 |
| P0224.030-010-A4 | M 3 | 10 | 5.6 | - | 0.60 | 1.65 | 0.8 |
| P0224.030-012-A4 | M 3 | 12 | 5.6 | - | 0.60 | 1.65 | 0.8 |
| P0224.030-014-A4 | M 3 | 14 | 5.6 | - | 0.60 | 1.65 | 0.8 |
| P0224.030-016-A4 | M 3 | 16 | 5.6 | - | 0.60 | 1.65 | 0.8 |
| P0224.030-018-A4 | M 3 | 18 | 5.6 | - | 0.60 | 1.65 | 0.8 |
| P0224.030-020-A4 | M 3 | 20 | 5.6 | 19 | 0.60 | 1.65 | 0.8 |
| P0224.030-022-A4 | M 3 | 22 | 5.6 | 19 | 0.60 | 1.65 | 0.8 |
| P0224.030-025-A4 | M 3 | 25 | 5.6 | 19 | 0.60 | 1.65 | 0.8 |
| P0224.030-030-A4 | M 3 | 30 | 5.6 | 19 | 0.60 | 1.65 | 0.8 |
| P0224.030-035-A4 | M 3 | 35 | 5.6 | 19 | 0.60 | 1.65 | 0.8 |
| P0224.030-040-A4 | M 3 | 40 | 5.6 | 19 | 0.60 | 1.65 | 0.8 |
| P0224.030-045-A4 | M 3 | 45 | 5.6 | 19 | 0.60 | 1.65 | 0.8 |
| P0224.030-050-A4 | M 3 | 50 | 5.6 | 19 | 0.60 | 1.65 | 0.8 |
| P0224.030-055-A4 | M 3 | 55 | 5.6 | 19 | 0.60 | 1.65 | 0.8 |
| P0224.030-060-A4 | M 3 | 60 | 5.6 | 19 | 0.60 | 1.65 | 0.8 |
| P0224.035-005-A4 | M3,5 | 5 | 6.5 | - | 0.70 | 1.93 | 0.8 |
| P0224.035-006-A4 | M3,5 | 6 | 6.5 | - | 0.70 | 1.93 | 0.8 |
| P0224.035-008-A4 | M3,5 | 8 | 6.5 | - | 0.70 | 1.93 | 0.8 |
| P0224.035-010-A4 | M3,5 | 10 | 6.5 | - | 0.70 | 1.93 | 0.8 |
| P0224.035-012-A4 | M3,5 | 12 | 6.5 | - | 0.70 | 1.93 | 0.8 |
| P0224.035-014-A4 | M3,5 | 14 | 6.5 | - | 0.70 | 1.93 | 0.8 |
| P0224.035-016-A4 | M3,5 | 16 | 6.5 | - | 0.70 | 1.93 | 0.8 |
| P0224.035-018-A4 | M3,5 | 18 | 6.5 | - | 0.70 | 1.93 | 0.8 |
| P0224.035-020-A4 | M3,5 | 20 | 6.5 | 20 | 0.70 | 1.93 | 0.8 |
| P0224.035-022-A4 | M3,5 | 22 | 6.5 | 20 | 0.70 | 1.93 | 0.8 |
| P0224.035-025-A4 | M3,5 | 25 | 6.5 | 20 | 0.70 | 1.93 | 0.8 |
| P0224.035-030-A4 | M3,5 | 30 | 6.5 | 20 | 0.70 | 1.93 | 0.8 |
| P0224.035-035-A4 | M3,5 | 35 | 6.5 | 20 | 0.70 | 1.93 | 0.8 |
| P0224.040-005-A4 | M 4 | 5 | 7.5 | - | 0.80 | 2.20 | 1.0 |
| P0224.040-006-A4 | M 4 | 6 | 7.5 | - | 0.80 | 2.20 | 1.0 |
| P0224.040-008-A4 | M 4 | 8 | 7.5 | - | 0.80 | 2.20 | 1.0 |
| P0224.040-010-A4 | M 4 | 10 | 7.5 | - | 0.80 | 2.20 | 1.0 |
| P0224.040-012-A4 | M 4 | 12 | 7.5 | - | 0.80 | 2.20 | 1.0 |
| P0224.040-014-A4 | M 4 | 14 | 7.5 | - | 0.80 | 2.20 | 1.0 |
| P0224.040-016-A4 | M 4 | 16 | 7.5 | - | 0.80 | 2.20 | 1.0 |
| P0224.040-018-A4 | M 4 | 18 | 7.5 | - | 0.80 | 2.20 | 1.0 |
| P0224.040-020-A4 | M 4 | 20 | 7.5 | - | 0.80 | 2.20 | 1.0 |
| P0224.040-022-A4 | M 4 | 22 | 7.5 | 22 | 0.80 | 2.20 | 1.0 |
| P0224.040-025-A4 | M 4 | 25 | 7.5 | 22 | 0.80 | 2.20 | 1.0 |
| P0224.040-030-A4 | M 4 | 30 | 7.5 | 22 | 0.80 | 2.20 | 1.0 |
| P0224.040-035-A4 | M 4 | 35 | 7.5 | 22 | 0.80 | 2.20 | 1.0 |
| P0224.040-040-A4 | M 4 | 40 | 7.5 | 22 | 0.80 | 2.20 | 1.0 |
| P0224.040-045-A4 | M 4 | 45 | 7.5 | 22 | 0.80 | 2.20 | 1.0 |
| P0224.040-050-A4 | M 4 | 50 | 7.5 | 22 | 0.80 | 2.20 | 1.0 |
| P0224.040-055-A4 | M 4 | 55 | 7.5 | 22 | 0.80 | 2.20 | 1.0 |
| P0224.040-060-A4 | M 4 | 60 | 7.5 | 22 | 0.80 | 2.20 | 1.0 |
| P0224.040-065-A4 | M 4 | 85 | 7.5 | 22 | 0.80 | 2.20 | 1.0 |
| P0224.040-070-A4 | M 4 | 80 | 7.5 | 22 | 0.80 | 2.20 | 1.0 |
| P0224.040-075-A4 | M 4 | 85 | 7.5 | 22 | 0.80 | 2.20 | 1.0 |
| P0224.040-080-A4 | M 4 | 80 | 7.5 | 22 | 0.80 | 2.20 | 1.0 |
| P0224.050-006-A4 | M 5 | 6 | 9.2 | - | 1.00 | 2.50 | 1.2 |
| P0224.050-008-A4 | M 5 | 8 | 9.2 | - | 1.00 | 2.50 | 1.2 |
| P0224.050-010-A4 | M 5 | 10 | 9.2 | - | 1.00 | 2.50 | 1.2 |
| P0224.050-012-A4 | M 5 | 12 | 9.2 | - | 1.00 | 2.50 | 1.2 |
| P0224.050-014-A4 | M 5 | 14 | 9.2 | - | 1.00 | 2.50 | 1.2 |
| P0224.050-016-A4 | M 5 | 16 | 9.2 | - | 1.00 | 2.50 | 1.2 |
| P0224.050-018-A4 | M 5 | 18 | 9.2 | - | 1.00 | 2.50 | 1.2 |
| P0224.050-020-A4 | M 5 | 20 | 9.2 | - | 1.00 | 2.50 | 1.2 |
| P0224.050-022-A4 | M 5 | 22 | 9.2 | - | 1.00 | 2.50 | 1.2 |
| P0224.050-025-A4 | M 5 | 25 | 9.2 | 25 | 1.00 | 2.50 | 1.2 |
| P0224.050-030-A4 | M 5 | 30 | 9.2 | 25 | 1.00 | 2.50 | 1.2 |
| P0224.050-035-A4 | M 5 | 35 | 9.2 | 25 | 1.00 | 2.50 | 1.2 |
| P0224.050-040-A4 | M 5 | 40 | 9.2 | 25 | 1.00 | 2.50 | 1.2 |
| P0224.050-045-A4 | M 5 | 45 | 9.2 | 25 | 1.00 | 2.50 | 1.2 |



Slot Countersunk Machine Screws

Slot - A4 stainless

Standard Screws



| Order No. | d ₁ | l ₁ | d ₂ | l ₂ | l ₃ | h ₁ | w ₁ |
|------------------|----------------|----------------|----------------|----------------|----------------|----------------|----------------|
| P0224.050-050-A4 | M 5 | 50 | 9.2 | 25 | 1.00 | 2.50 | 1.2 |
| P0224.050-055-A4 | M 5 | 55 | 9.2 | 25 | 1.00 | 2.50 | 1.2 |
| P0224.050-060-A4 | M 5 | 60 | 9.2 | 25 | 1.00 | 2.50 | 1.2 |
| P0224.050-065-A4 | M 5 | 65 | 9.2 | 25 | 1.00 | 2.50 | 1.2 |
| P0224.050-070-A4 | M 5 | 70 | 9.2 | 25 | 1.00 | 2.50 | 1.2 |
| P0224.050-075-A4 | M 5 | 75 | 9.2 | 25 | 1.00 | 2.50 | 1.2 |
| P0224.050-080-A4 | M 5 | 80 | 9.2 | 25 | 1.00 | 2.50 | 1.2 |
| P0224.050-090-A4 | M 5 | 90 | 9.2 | 25 | 1.00 | 2.50 | 1.2 |
| P0224.050-100-A4 | M 5 | 100 | 9.2 | 25 | 1.00 | 2.50 | 1.2 |
| P0224.060-008-A4 | M 6 | 8 | 11.0 | - | 1.20 | 3.00 | 1.6 |
| P0224.060-010-A4 | M 6 | 10 | 11.0 | - | 1.20 | 3.00 | 1.6 |
| P0224.060-012-A4 | M 6 | 12 | 11.0 | - | 1.20 | 3.00 | 1.6 |
| P0224.060-014-A4 | M 6 | 14 | 11.0 | - | 1.20 | 3.00 | 1.6 |
| P0224.060-016-A4 | M 6 | 16 | 11.0 | - | 1.20 | 3.00 | 1.6 |
| P0224.060-018-A4 | M 6 | 18 | 11.0 | - | 1.20 | 3.00 | 1.6 |
| P0224.060-020-A4 | M 6 | 20 | 11.0 | - | 1.20 | 3.00 | 1.6 |
| P0224.060-022-A4 | M 6 | 22 | 11.0 | - | 1.20 | 3.00 | 1.6 |
| P0224.060-025-A4 | M 6 | 25 | 11.0 | - | 1.20 | 3.00 | 1.6 |
| P0224.060-030-A4 | M 6 | 30 | 11.0 | 28 | 1.20 | 3.00 | 1.6 |
| P0224.060-035-A4 | M 6 | 35 | 11.0 | 28 | 1.20 | 3.00 | 1.6 |
| P0224.060-040-A4 | M 6 | 40 | 11.0 | 28 | 1.20 | 3.00 | 1.6 |
| P0224.060-045-A4 | M 6 | 45 | 11.0 | 28 | 1.20 | 3.00 | 1.6 |
| P0224.060-050-A4 | M 6 | 50 | 11.0 | 28 | 1.20 | 3.00 | 1.6 |
| P0224.060-055-A4 | M 6 | 55 | 11.0 | 28 | 1.20 | 3.00 | 1.6 |
| P0224.060-060-A4 | M 6 | 60 | 11.0 | 28 | 1.20 | 3.00 | 1.6 |
| P0224.060-065-A4 | M 6 | 65 | 11.0 | 28 | 1.20 | 3.00 | 1.6 |
| P0224.060-070-A4 | M 6 | 70 | 11.0 | 28 | 1.20 | 3.00 | 1.6 |
| P0224.060-075-A4 | M 6 | 75 | 11.0 | 28 | 1.20 | 3.00 | 1.6 |
| P0224.060-080-A4 | M 6 | 80 | 11.0 | 28 | 1.20 | 3.00 | 1.6 |
| P0224.060-090-A4 | M 6 | 90 | 11.0 | 28 | 1.20 | 3.00 | 1.6 |
| P0224.060-100-A4 | M 6 | 100 | 11.0 | 28 | 1.20 | 3.00 | 1.6 |
| P0224.060-110-A4 | M 6 | 110 | 11.0 | 28 | 1.20 | 3.00 | 1.6 |
| P0224.060-120-A4 | M 6 | 120 | 11.0 | 28 | 1.20 | 3.00 | 1.6 |
| P0224.080-010-A4 | M 8 | 10 | 14.5 | - | 1.60 | 4.00 | 2.0 |
| P0224.080-012-A4 | M 8 | 12 | 14.5 | - | 1.60 | 4.00 | 2.0 |
| P0224.080-014-A4 | M 8 | 14 | 14.5 | - | 1.60 | 4.00 | 2.0 |
| P0224.080-016-A4 | M 8 | 16 | 14.5 | - | 1.60 | 4.00 | 2.0 |
| P0224.080-018-A4 | M 8 | 18 | 14.5 | - | 1.60 | 4.00 | 2.0 |
| P0224.080-020-A4 | M 8 | 20 | 14.5 | - | 1.60 | 4.00 | 2.0 |
| P0224.080-022-A4 | M 8 | 22 | 14.5 | - | 1.60 | 4.00 | 2.0 |
| P0224.080-025-A4 | M 8 | 25 | 14.5 | - | 1.60 | 4.00 | 2.0 |
| P0224.080-030-A4 | M 8 | 30 | 14.5 | - | 1.60 | 4.00 | 2.0 |
| P0224.080-035-A4 | M 8 | 35 | 14.5 | 34 | 1.60 | 4.00 | 2.0 |
| P0224.080-040-A4 | M 8 | 40 | 14.5 | 34 | 1.60 | 4.00 | 2.0 |
| P0224.080-045-A4 | M 8 | 45 | 14.5 | 34 | 1.60 | 4.00 | 2.0 |
| P0224.080-050-A4 | M 8 | 50 | 14.5 | 34 | 1.60 | 4.00 | 2.0 |
| P0224.080-055-A4 | M 8 | 55 | 14.5 | 34 | 1.60 | 4.00 | 2.0 |
| P0224.080-060-A4 | M 8 | 60 | 14.5 | 34 | 1.60 | 4.00 | 2.0 |
| P0224.080-065-A4 | M 8 | 65 | 14.5 | 34 | 1.60 | 4.00 | 2.0 |
| P0224.080-070-A4 | M 8 | 70 | 14.5 | 34 | 1.60 | 4.00 | 2.0 |
| P0224.080-075-A4 | M 8 | 75 | 14.5 | 34 | 1.60 | 4.00 | 2.0 |
| P0224.080-080-A4 | M 8 | 80 | 14.5 | 34 | 1.60 | 4.00 | 2.0 |
| P0224.080-090-A4 | M 8 | 90 | 14.5 | 34 | 1.60 | 4.00 | 2.0 |
| P0224.080-100-A4 | M 8 | 100 | 14.5 | 34 | 1.60 | 4.00 | 2.0 |
| P0224.080-110-A4 | M 8 | 110 | 14.5 | 34 | 1.60 | 4.00 | 2.0 |
| P0224.080-120-A4 | M 8 | 120 | 14.5 | 34 | 1.60 | 4.00 | 2.0 |
| P0224.100-016-A4 | M10 | 16 | 18.0 | - | 2.00 | 5.00 | 2.5 |
| P0224.100-018-A4 | M10 | 18 | 18.0 | - | 2.00 | 5.00 | 2.5 |
| P0224.100-020-A4 | M10 | 20 | 18.0 | - | 2.00 | 5.00 | 2.5 |
| P0224.100-022-A4 | M10 | 22 | 18.0 | - | 2.00 | 5.00 | 2.5 |
| P0224.100-025-A4 | M10 | 25 | 18.0 | - | 2.00 | 5.00 | 2.5 |
| P0224.100-030-A4 | M10 | 30 | 18.0 | - | 2.00 | 5.00 | 2.5 |
| P0224.100-035-A4 | M10 | 35 | 18.0 | - | 2.00 | 5.00 | 2.5 |
| P0224.100-040-A4 | M10 | 40 | 18.0 | 40 | 2.00 | 5.00 | 2.5 |
| P0224.100-045-A4 | M10 | 45 | 18.0 | 40 | 2.00 | 5.00 | 2.5 |
| P0224.100-050-A4 | M10 | 50 | 18.0 | 40 | 2.00 | 5.00 | 2.5 |
| P0224.100-055-A4 | M10 | 55 | 18.0 | 40 | 2.00 | 5.00 | 2.5 |
| P0224.100-060-A4 | M10 | 60 | 18.0 | 40 | 2.00 | 5.00 | 2.5 |
| P0224.100-065-A4 | M10 | 65 | 18.0 | 40 | 2.00 | 5.00 | 2.5 |

STANDARD SCREWS



STANDARD SCREWS

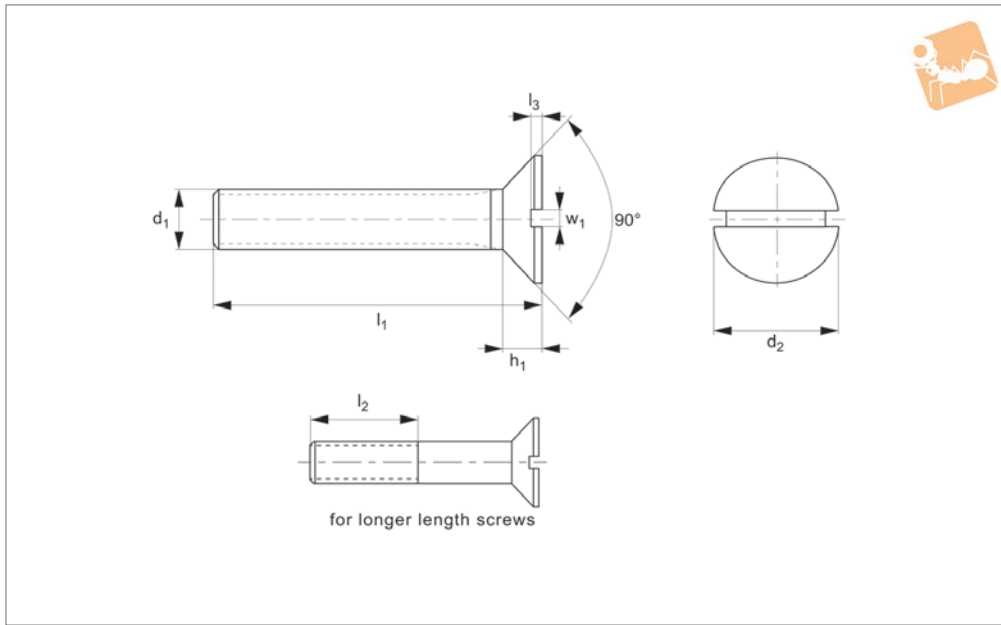
| Order No. | d ₁ | l ₁ | d ₂ | l ₂ | l ₃ | h ₁ | w ₁ |
|------------------|----------------|----------------|----------------|----------------|----------------|----------------|----------------|
| P0224.100-070-A4 | M10 | 70 | 18.0 | 40 | 2.00 | 5.00 | 2.5 |
| P0224.100-075-A4 | M10 | 75 | 18.0 | 40 | 2.00 | 5.00 | 2.5 |
| P0224.100-080-A4 | M10 | 80 | 18.0 | 40 | 2.00 | 5.00 | 2.5 |
| P0224.100-090-A4 | M10 | 90 | 18.0 | 40 | 2.00 | 5.00 | 2.5 |
| P0224.100-100-A4 | M10 | 100 | 18.0 | 40 | 2.00 | 5.00 | 2.5 |
| P0224.100-110-A4 | M10 | 110 | 18.0 | 40 | 2.00 | 5.00 | 2.5 |
| P0224.100-120-A4 | M10 | 120 | 18.0 | 40 | 2.00 | 5.00 | 2.5 |
| P0224.120-020-A4 | M12 | 20 | 22.0 | - | 2.40 | 6.00 | 3.0 |
| P0224.120-022-A4 | M12 | 22 | 22.0 | - | 2.40 | 6.00 | 3.0 |
| P0224.120-025-A4 | M12 | 25 | 22.0 | - | 2.40 | 6.00 | 3.0 |
| P0224.120-030-A4 | M12 | 30 | 22.0 | - | 2.40 | 6.00 | 3.0 |
| P0224.120-035-A4 | M12 | 35 | 22.0 | - | 2.40 | 6.00 | 3.0 |
| P0224.120-040-A4 | M12 | 40 | 22.0 | - | 2.40 | 6.00 | 3.0 |
| P0224.120-045-A4 | M12 | 45 | 22.0 | 46 | 2.40 | 6.00 | 3.0 |
| P0224.120-050-A4 | M12 | 50 | 22.0 | 46 | 2.40 | 6.00 | 3.0 |
| P0224.120-055-A4 | M12 | 55 | 22.0 | 46 | 2.40 | 6.00 | 3.0 |
| P0224.120-060-A4 | M12 | 60 | 22.0 | 46 | 2.40 | 6.00 | 3.0 |
| P0224.120-065-A4 | M12 | 65 | 22.0 | 46 | 2.40 | 6.00 | 3.0 |
| P0224.120-070-A4 | M12 | 70 | 22.0 | 46 | 2.40 | 6.00 | 3.0 |
| P0224.120-075-A4 | M12 | 75 | 22.0 | 46 | 2.40 | 6.00 | 3.0 |
| P0224.120-080-A4 | M12 | 80 | 22.0 | 46 | 2.40 | 6.00 | 3.0 |
| P0224.120-090-A4 | M12 | 90 | 22.0 | 46 | 2.40 | 6.00 | 3.0 |
| P0224.120-100-A4 | M12 | 100 | 22.0 | 46 | 2.40 | 6.00 | 3.0 |
| P0224.120-110-A4 | M12 | 110 | 22.0 | 46 | 2.40 | 6.00 | 3.0 |
| P0224.120-120-A4 | M12 | 120 | 22.0 | 46 | 2.40 | 6.00 | 3.0 |



Slot Countersunk Machine Screws

Slot - steel, zinc-plated

Standard Screws



P0224.ZP

STANDARD SCREWS

Material

Steel, zinc-plated (grade 4.8).

screw lengths the threads goes all the way to the head of the screw (i.e. $l_1 = l_2$) less 2.5 thread pitches.

portion $l_2 < l_1$.

Technical Notes

To DIN 963, ISO 2009. For the majority of

For longer length screws the threaded

| Order No. | d_1 | l_1 | d_2 | l_2 | l_3 | h_1 | w_1 |
|------------------|-------|-------|-------|-------|-------|-------|-------|
| P0224.016-003-ZP | M1,6 | 3 | 3 | - | 0.32 | 0.96 | 0.4 |
| P0224.016-004-ZP | M1,6 | 4 | 3 | - | 0.32 | 0.96 | 0.4 |
| P0224.016-005-ZP | M1,6 | 5 | 3 | - | 0.32 | 0.96 | 0.4 |
| P0224.016-006-ZP | M1,6 | 6 | 3 | - | 0.32 | 0.96 | 0.4 |
| P0224.016-008-ZP | M1,6 | 8 | 3 | - | 0.32 | 0.96 | 0.4 |
| P0224.016-010-ZP | M1,6 | 10 | 3 | - | 0.32 | 0.96 | 0.4 |
| P0224.016-012-ZP | M1,6 | 12 | 3 | - | 0.32 | 0.96 | 0.4 |
| P0224.016-014-ZP | M1,6 | 14 | 3 | - | 0.32 | 0.96 | 0.4 |
| P0224.016-016-ZP | M1,6 | 16 | 3 | - | 0.32 | 0.96 | 0.4 |
| P0224.020-004-ZP | M 2 | 4 | 3.8 | - | 0.40 | 1.20 | 0.5 |
| P0224.020-005-ZP | M 2 | 5 | 3.8 | - | 0.40 | 1.20 | 0.5 |
| P0224.020-006-ZP | M 2 | 6 | 3.8 | - | 0.40 | 1.20 | 0.5 |
| P0224.020-008-ZP | M 2 | 8 | 3.8 | - | 0.40 | 1.20 | 0.5 |
| P0224.020-010-ZP | M 2 | 10 | 3.8 | - | 0.40 | 1.20 | 0.5 |
| P0224.020-012-ZP | M 2 | 12 | 3.8 | - | 0.40 | 1.20 | 0.5 |
| P0224.020-014-ZP | M 2 | 14 | 3.8 | - | 0.40 | 1.20 | 0.5 |
| P0224.020-016-ZP | M 2 | 16 | 3.8 | 16 | 0.40 | 1.20 | 0.5 |
| P0224.020-018-ZP | M 2 | 18 | 3.8 | 16 | 0.40 | 1.20 | 0.5 |
| P0224.020-020-ZP | M 2 | 20 | 3.8 | 16 | 0.40 | 1.20 | 0.5 |
| P0224.020-022-ZP | M 2 | 22 | 3.8 | 16 | 0.40 | 1.20 | 0.5 |
| P0224.020-025-ZP | M 2 | 25 | 3.8 | 16 | 0.40 | 1.20 | 0.5 |
| P0224.020-030-ZP | M 2 | 30 | 3.8 | 16 | 0.40 | 1.20 | 0.5 |
| P0224.025-004-ZP | M2,5 | 4 | 4.7 | - | 0.50 | 1.50 | 0.6 |
| P0224.025-005-ZP | M2,5 | 5 | 4.7 | - | 0.50 | 1.50 | 0.6 |
| P0224.025-006-ZP | M2,5 | 5 | 4.7 | - | 0.50 | 1.50 | 0.6 |
| P0224.025-008-ZP | M2,5 | 8 | 4.7 | - | 0.50 | 1.50 | 0.6 |
| P0224.025-010-ZP | M2,5 | 10 | 4.7 | - | 0.50 | 1.50 | 0.6 |
| P0224.025-012-ZP | M2,5 | 12 | 4.7 | - | 0.50 | 1.50 | 0.6 |
| P0224.025-014-ZP | M2,5 | 14 | 4.7 | - | 0.50 | 1.50 | 0.6 |
| P0224.025-016-ZP | M2,5 | 16 | 4.7 | - | 0.50 | 1.50 | 0.6 |
| P0224.025-018-ZP | M2,5 | 18 | 4.7 | 18 | 0.50 | 1.50 | 0.6 |
| P0224.025-020-ZP | M2,5 | 20 | 4.7 | 18 | 0.50 | 1.50 | 0.6 |
| P0224.025-022-ZP | M2,5 | 22 | 4.7 | 18 | 0.50 | 1.50 | 0.6 |
| P0224.025-025-ZP | M2,5 | 25 | 4.7 | 18 | 0.50 | 1.50 | 0.6 |



STANDARD SCREWS

| Order No. | d ₁ | l ₁ | d ₂ | l ₂ | l ₃ | h ₁ | w ₁ |
|------------------|----------------|----------------|----------------|----------------|----------------|----------------|----------------|
| P0224.025-030-ZP | M2,5 | 30 | 4.7 | 18 | 0.50 | 1.50 | 0.6 |
| P0224.030-004-ZP | M 3 | 4 | 5.6 | - | 0.60 | 1.65 | 0.8 |
| P0224.030-005-ZP | M 3 | 5 | 5.6 | - | 0.60 | 1.65 | 0.8 |
| P0224.030-006-ZP | M 3 | 6 | 5.6 | - | 0.60 | 1.65 | 0.8 |
| P0224.030-008-ZP | M 3 | 8 | 5.6 | - | 0.60 | 1.65 | 0.8 |
| P0224.030-010-ZP | M 3 | 10 | 5.6 | - | 0.60 | 1.65 | 0.8 |
| P0224.030-012-ZP | M 3 | 12 | 5.6 | - | 0.60 | 1.65 | 0.8 |
| P0224.030-014-ZP | M 3 | 14 | 5.6 | - | 0.60 | 1.65 | 0.8 |
| P0224.030-016-ZP | M 3 | 16 | 5.6 | - | 0.60 | 1.65 | 0.8 |
| P0224.030-018-ZP | M 3 | 18 | 5.6 | - | 0.60 | 1.65 | 0.8 |
| P0224.030-020-ZP | M 3 | 20 | 5.6 | 19 | 0.60 | 1.65 | 0.8 |
| P0224.030-022-ZP | M 3 | 22 | 5.6 | 19 | 0.60 | 1.65 | 0.8 |
| P0224.030-025-ZP | M 3 | 25 | 5.6 | 19 | 0.60 | 1.65 | 0.8 |
| P0224.030-030-ZP | M 3 | 30 | 5.6 | 19 | 0.60 | 1.65 | 0.8 |
| P0224.030-035-ZP | M 3 | 35 | 5.6 | 19 | 0.60 | 1.65 | 0.8 |
| P0224.030-040-ZP | M 3 | 40 | 5.6 | 19 | 0.60 | 1.65 | 0.8 |
| P0224.030-045-ZP | M 3 | 45 | 5.6 | 19 | 0.60 | 1.65 | 0.8 |
| P0224.030-050-ZP | M 3 | 50 | 5.6 | 19 | 0.60 | 1.65 | 0.8 |
| P0224.030-055-ZP | M 3 | 55 | 5.6 | 19 | 0.60 | 1.65 | 0.8 |
| P0224.030-060-ZP | M 3 | 60 | 5.6 | 19 | 0.60 | 1.65 | 0.8 |
| P0224.035-005-ZP | M3,5 | 5 | 6.5 | - | 0.70 | 1.93 | 0.8 |
| P0224.035-006-ZP | M3,5 | 6 | 6.5 | - | 0.70 | 1.93 | 0.8 |
| P0224.035-008-ZP | M3,5 | 8 | 6.5 | - | 0.70 | 1.93 | 0.8 |
| P0224.035-010-ZP | M3,5 | 10 | 6.5 | - | 0.70 | 1.93 | 0.8 |
| P0224.035-012-ZP | M3,5 | 12 | 6.5 | - | 0.70 | 1.93 | 0.8 |
| P0224.035-014-ZP | M3,5 | 14 | 6.5 | - | 0.70 | 1.93 | 0.8 |
| P0224.035-016-ZP | M3,5 | 16 | 6.5 | - | 0.70 | 1.93 | 0.8 |
| P0224.035-018-ZP | M3,5 | 18 | 6.5 | - | 0.70 | 1.93 | 0.8 |
| P0224.035-020-ZP | M3,5 | 20 | 6.5 | 20 | 0.70 | 1.93 | 0.8 |
| P0224.035-022-ZP | M3,5 | 22 | 6.5 | 20 | 0.70 | 1.93 | 0.8 |
| P0224.035-025-ZP | M3,5 | 25 | 6.5 | 20 | 0.70 | 1.93 | 0.8 |
| P0224.035-030-ZP | M3,5 | 30 | 6.5 | 20 | 0.70 | 1.93 | 0.8 |
| P0224.035-035-ZP | M3,5 | 35 | 6.5 | 20 | 0.70 | 1.93 | 0.8 |
| P0224.040-005-ZP | M 4 | 5 | 7.5 | - | 0.80 | 2.20 | 1.0 |
| P0224.040-006-ZP | M 4 | 6 | 7.5 | - | 0.80 | 2.20 | 1.0 |
| P0224.040-008-ZP | M 4 | 8 | 7.5 | - | 0.80 | 2.20 | 1.0 |
| P0224.040-010-ZP | M 4 | 10 | 7.5 | - | 0.80 | 2.20 | 1.0 |
| P0224.040-012-ZP | M 4 | 12 | 7.5 | - | 0.80 | 2.20 | 1.0 |
| P0224.040-014-ZP | M 4 | 14 | 7.5 | - | 0.80 | 2.20 | 1.0 |
| P0224.040-016-ZP | M 4 | 16 | 7.5 | - | 0.80 | 2.20 | 1.0 |
| P0224.040-018-ZP | M 4 | 18 | 7.5 | - | 0.80 | 2.20 | 1.0 |
| P0224.040-020-ZP | M 4 | 20 | 7.5 | - | 0.80 | 2.20 | 1.0 |
| P0224.040-022-ZP | M 4 | 22 | 7.5 | 22 | 0.80 | 2.20 | 1.0 |
| P0224.040-025-ZP | M 4 | 25 | 7.5 | 22 | 0.80 | 2.20 | 1.0 |
| P0224.040-030-ZP | M 4 | 30 | 7.5 | 22 | 0.80 | 2.20 | 1.0 |
| P0224.040-035-ZP | M 4 | 35 | 7.5 | 22 | 0.80 | 2.20 | 1.0 |
| P0224.040-040-ZP | M 4 | 40 | 7.5 | 22 | 0.80 | 2.20 | 1.0 |
| P0224.040-045-ZP | M 4 | 45 | 7.5 | 22 | 0.80 | 2.20 | 1.0 |
| P0224.040-050-ZP | M 4 | 50 | 7.5 | 22 | 0.80 | 2.20 | 1.0 |
| P0224.040-055-ZP | M 4 | 55 | 7.5 | 22 | 0.80 | 2.20 | 1.0 |
| P0224.040-060-ZP | M 4 | 60 | 7.5 | 22 | 0.80 | 2.20 | 1.0 |
| P0224.040-065-ZP | M 4 | 65 | 7.5 | 22 | 0.80 | 2.20 | 1.0 |
| P0224.040-070-ZP | M 4 | 70 | 7.5 | 22 | 0.80 | 2.20 | 1.0 |
| P0224.040-075-ZP | M 4 | 75 | 7.5 | 22 | 0.80 | 2.20 | 1.0 |
| P0224.040-080-ZP | M 4 | 80 | 7.5 | 22 | 0.80 | 2.20 | 1.0 |
| P0224.050-006-ZP | M 5 | 6 | 9.2 | - | 1.00 | 2.50 | 1.2 |
| P0224.050-008-ZP | M 5 | 8 | 9.2 | - | 1.00 | 2.50 | 1.2 |
| P0224.050-010-ZP | M 5 | 10 | 9.2 | - | 1.00 | 2.50 | 1.2 |
| P0224.050-012-ZP | M 5 | 12 | 9.2 | - | 1.00 | 2.50 | 1.2 |
| P0224.050-014-ZP | M 5 | 14 | 9.2 | - | 1.00 | 2.50 | 1.2 |
| P0224.050-016-ZP | M 5 | 16 | 9.2 | - | 1.00 | 2.50 | 1.2 |
| P0224.050-018-ZP | M 5 | 18 | 9.2 | - | 1.00 | 2.50 | 1.2 |
| P0224.050-020-ZP | M 5 | 20 | 9.2 | - | 1.00 | 2.50 | 1.2 |
| P0224.050-022-ZP | M 5 | 22 | 9.2 | - | 1.00 | 2.50 | 1.2 |
| P0224.050-025-ZP | M 5 | 25 | 9.2 | 25 | 1.00 | 2.50 | 1.2 |
| P0224.050-030-ZP | M 5 | 30 | 9.2 | 25 | 1.00 | 2.50 | 1.2 |
| P0224.050-035-ZP | M 5 | 35 | 9.2 | 25 | 1.00 | 2.50 | 1.2 |
| P0224.050-040-ZP | M 5 | 40 | 9.2 | 25 | 1.00 | 2.50 | 1.2 |
| P0224.050-045-ZP | M 5 | 45 | 9.2 | 25 | 1.00 | 2.50 | 1.2 |



Slot Countersunk Machine Screws

Slot - steel, zinc-plated

Standard Screws



| Order No. | d ₁ | l ₁ | d ₂ | l ₂ | l ₃ | h ₁ | w ₁ |
|------------------|----------------|----------------|----------------|----------------|----------------|----------------|----------------|
| P0224.050-050-ZP | M 5 | 50 | 9.2 | 25 | 1.00 | 2.50 | 1.2 |
| P0224.050-055-ZP | M 5 | 55 | 9.2 | 25 | 1.00 | 2.50 | 1.2 |
| P0224.050-060-ZP | M 5 | 60 | 9.2 | 25 | 1.00 | 2.50 | 1.2 |
| P0224.050-065-ZP | M 5 | 65 | 9.2 | 25 | 1.00 | 2.50 | 1.2 |
| P0224.050-070-ZP | M 5 | 70 | 9.2 | 25 | 1.00 | 2.50 | 1.2 |
| P0224.050-075-ZP | M 5 | 75 | 9.2 | 25 | 1.00 | 2.50 | 1.2 |
| P0224.050-080-ZP | M 5 | 80 | 9.2 | 25 | 1.00 | 2.50 | 1.2 |
| P0224.050-090-ZP | M 5 | 90 | 9.2 | 25 | 1.00 | 2.50 | 1.2 |
| P0224.050-100-ZP | M 5 | 100 | 9.2 | 25 | 1.00 | 2.50 | 1.2 |
| P0224.060-008-ZP | M 6 | 8 | 11.0 | - | 1.20 | 3.00 | 1.6 |
| P0224.060-010-ZP | M 6 | 10 | 11.0 | - | 1.20 | 3.00 | 1.6 |
| P0224.060-012-ZP | M 6 | 12 | 11.0 | - | 1.20 | 3.00 | 1.6 |
| P0224.060-014-ZP | M 6 | 14 | 11.0 | - | 1.20 | 3.00 | 1.6 |
| P0224.060-016-ZP | M 6 | 16 | 11.0 | - | 1.20 | 3.00 | 1.6 |
| P0224.060-018-ZP | M 6 | 18 | 11.0 | - | 1.20 | 3.00 | 1.6 |
| P0224.060-020-ZP | M 6 | 20 | 11.0 | - | 1.20 | 3.00 | 1.6 |
| P0224.060-022-ZP | M 6 | 22 | 11.0 | - | 1.20 | 3.00 | 1.6 |
| P0224.060-025-ZP | M 6 | 25 | 11.0 | - | 1.20 | 3.00 | 1.6 |
| P0224.060-030-ZP | M 6 | 30 | 11.0 | 28 | 1.20 | 3.00 | 1.6 |
| P0224.060-035-ZP | M 6 | 35 | 11.0 | 28 | 1.20 | 3.00 | 1.6 |
| P0224.060-040-ZP | M 6 | 40 | 11.0 | 28 | 1.20 | 3.00 | 1.6 |
| P0224.060-045-ZP | M 6 | 45 | 11.0 | 28 | 1.20 | 3.00 | 1.6 |
| P0224.060-050-ZP | M 6 | 50 | 11.0 | 28 | 1.20 | 3.00 | 1.6 |
| P0224.060-055-ZP | M 6 | 55 | 11.0 | 28 | 1.20 | 3.00 | 1.6 |
| P0224.060-060-ZP | M 6 | 60 | 11.0 | 28 | 1.20 | 3.00 | 1.6 |
| P0224.060-065-ZP | M 6 | 65 | 11.0 | 28 | 1.20 | 3.00 | 1.6 |
| P0224.060-070-ZP | M 6 | 70 | 11.0 | 28 | 1.20 | 3.00 | 1.6 |
| P0224.060-075-ZP | M 6 | 75 | 11.0 | 28 | 1.20 | 3.00 | 1.6 |
| P0224.060-080-ZP | M 6 | 80 | 11.0 | 28 | 1.20 | 3.00 | 1.6 |
| P0224.060-090-ZP | M 6 | 90 | 11.0 | 28 | 1.20 | 3.00 | 1.6 |
| P0224.060-100-ZP | M 6 | 100 | 11.0 | 28 | 1.20 | 3.00 | 1.6 |
| P0224.060-110-ZP | M 6 | 110 | 11.0 | 28 | 1.20 | 3.00 | 1.6 |
| P0224.060-120-ZP | M 6 | 120 | 11.0 | 28 | 1.20 | 3.00 | 1.6 |
| P0224.080-010-ZP | M 8 | 10 | 14.5 | - | 1.60 | 4.00 | 2.0 |
| P0224.080-012-ZP | M 8 | 12 | 14.5 | - | 1.60 | 4.00 | 2.0 |
| P0224.080-014-ZP | M 8 | 14 | 14.5 | - | 1.60 | 4.00 | 2.0 |
| P0224.080-016-ZP | M 8 | 16 | 14.5 | - | 1.60 | 4.00 | 2.0 |
| P0224.080-018-ZP | M 8 | 18 | 14.5 | - | 1.60 | 4.00 | 2.0 |
| P0224.080-020-ZP | M 8 | 20 | 14.5 | - | 1.60 | 4.00 | 2.0 |
| P0224.080-022-ZP | M 8 | 22 | 14.5 | - | 1.60 | 4.00 | 2.0 |
| P0224.080-025-ZP | M 8 | 25 | 14.5 | - | 1.60 | 4.00 | 2.0 |
| P0224.080-030-ZP | M 8 | 30 | 14.5 | - | 1.60 | 4.00 | 2.0 |
| P0224.080-035-ZP | M 8 | 35 | 14.5 | 34 | 1.60 | 4.00 | 2.0 |
| P0224.080-040-ZP | M 8 | 40 | 14.5 | 34 | 1.60 | 4.00 | 2.0 |
| P0224.080-045-ZP | M 8 | 45 | 14.5 | 34 | 1.60 | 4.00 | 2.0 |
| P0224.080-050-ZP | M 8 | 50 | 14.5 | 34 | 1.60 | 4.00 | 2.0 |
| P0224.080-055-ZP | M 8 | 55 | 14.5 | 34 | 1.60 | 4.00 | 2.0 |
| P0224.080-060-ZP | M 8 | 60 | 14.5 | 34 | 1.60 | 4.00 | 2.0 |
| P0224.080-065-ZP | M 8 | 65 | 14.5 | 34 | 1.60 | 4.00 | 2.0 |
| P0224.080-070-ZP | M 8 | 70 | 14.5 | 34 | 1.60 | 4.00 | 2.0 |
| P0224.080-075-ZP | M 8 | 75 | 14.5 | 34 | 1.60 | 4.00 | 2.0 |
| P0224.080-080-ZP | M 8 | 80 | 14.5 | 34 | 1.60 | 4.00 | 2.0 |
| P0224.080-090-ZP | M 8 | 90 | 14.5 | 34 | 1.60 | 4.00 | 2.0 |
| P0224.080-100-ZP | M 8 | 100 | 14.5 | 34 | 1.60 | 4.00 | 2.0 |
| P0224.080-110-ZP | M 8 | 110 | 14.5 | 34 | 1.60 | 4.00 | 2.0 |
| P0224.080-120-ZP | M 8 | 120 | 14.5 | 34 | 1.60 | 4.00 | 2.0 |
| P0224.100-016-ZP | M10 | 16 | 18.0 | - | 2.00 | 5.00 | 2.5 |
| P0224.100-018-ZP | M10 | 18 | 18.0 | - | 2.00 | 5.00 | 2.5 |
| P0224.100-020-ZP | M10 | 20 | 18.0 | - | 2.00 | 5.00 | 2.5 |
| P0224.100-022-ZP | M10 | 22 | 18.0 | - | 2.00 | 5.00 | 2.5 |
| P0224.100-025-ZP | M10 | 25 | 18.0 | - | 2.00 | 5.00 | 2.5 |
| P0224.100-030-ZP | M10 | 30 | 18.0 | - | 2.00 | 5.00 | 2.5 |
| P0224.100-035-ZP | M10 | 35 | 18.0 | - | 2.00 | 5.00 | 2.5 |
| P0224.100-040-ZP | M10 | 40 | 18.0 | 40 | 2.00 | 5.00 | 2.5 |
| P0224.100-045-ZP | M10 | 45 | 18.0 | 40 | 2.00 | 5.00 | 2.5 |
| P0224.100-050-ZP | M10 | 50 | 18.0 | 40 | 2.00 | 5.00 | 2.5 |
| P0224.100-055-ZP | M10 | 55 | 18.0 | 40 | 2.00 | 5.00 | 2.5 |
| P0224.100-060-ZP | M10 | 60 | 18.0 | 40 | 2.00 | 5.00 | 2.5 |
| P0224.100-065-ZP | M10 | 65 | 18.0 | 40 | 2.00 | 5.00 | 2.5 |

STANDARD SCREWS



STANDARD SCREWS

| Order No. | d ₁ | l ₁ | d ₂ | l ₂ | l ₃ | h ₁ | w ₁ |
|------------------|----------------|----------------|----------------|----------------|----------------|----------------|----------------|
| P0224.100-070-ZP | M10 | 70 | 18.0 | 40 | 2.00 | 5.00 | 2.5 |
| P0224.100-075-ZP | M10 | 75 | 18.0 | 40 | 2.00 | 5.00 | 2.5 |
| P0224.100-080-ZP | M10 | 80 | 18.0 | 40 | 2.00 | 5.00 | 2.5 |
| P0224.100-090-ZP | M10 | 90 | 18.0 | 40 | 2.00 | 5.00 | 2.5 |
| P0224.100-100-ZP | M10 | 100 | 18.0 | 40 | 2.00 | 5.00 | 2.5 |
| P0224.100-110-ZP | M10 | 110 | 18.0 | 40 | 2.00 | 5.00 | 2.5 |
| P0224.100-120-ZP | M10 | 120 | 18.0 | 40 | 2.00 | 5.00 | 2.5 |
| P0224.120-020-ZP | M12 | 20 | 22.0 | - | 2.40 | 6.00 | 3.0 |
| P0224.120-022-ZP | M12 | 22 | 22.0 | - | 2.40 | 6.00 | 3.0 |
| P0224.120-025-ZP | M12 | 25 | 22.0 | - | 2.40 | 6.00 | 3.0 |
| P0224.120-030-ZP | M12 | 30 | 22.0 | - | 2.40 | 6.00 | 3.0 |
| P0224.120-035-ZP | M12 | 35 | 22.0 | - | 2.40 | 6.00 | 3.0 |
| P0224.120-040-ZP | M12 | 40 | 22.0 | - | 2.40 | 6.00 | 3.0 |
| P0224.120-045-ZP | M12 | 45 | 22.0 | 46 | 2.40 | 6.00 | 3.0 |
| P0224.120-050-ZP | M12 | 50 | 22.0 | 46 | 2.40 | 6.00 | 3.0 |
| P0224.120-055-ZP | M12 | 55 | 22.0 | 46 | 2.40 | 6.00 | 3.0 |
| P0224.120-060-ZP | M12 | 60 | 22.0 | 46 | 2.40 | 6.00 | 3.0 |
| P0224.120-065-ZP | M12 | 65 | 22.0 | 46 | 2.40 | 6.00 | 3.0 |
| P0224.120-070-ZP | M12 | 70 | 22.0 | 46 | 2.40 | 6.00 | 3.0 |
| P0224.120-075-ZP | M12 | 75 | 22.0 | 46 | 2.40 | 6.00 | 3.0 |
| P0224.120-080-ZP | M12 | 80 | 22.0 | 46 | 2.40 | 6.00 | 3.0 |
| P0224.120-090-ZP | M12 | 90 | 22.0 | 46 | 2.40 | 6.00 | 3.0 |
| P0224.120-100-ZP | M12 | 100 | 22.0 | 46 | 2.40 | 6.00 | 3.0 |
| P0224.120-110-ZP | M12 | 110 | 22.0 | 46 | 2.40 | 6.00 | 3.0 |
| P0224.120-120-ZP | M12 | 120 | 22.0 | 46 | 2.40 | 6.00 | 3.0 |



TX Countersunk Machine Screws

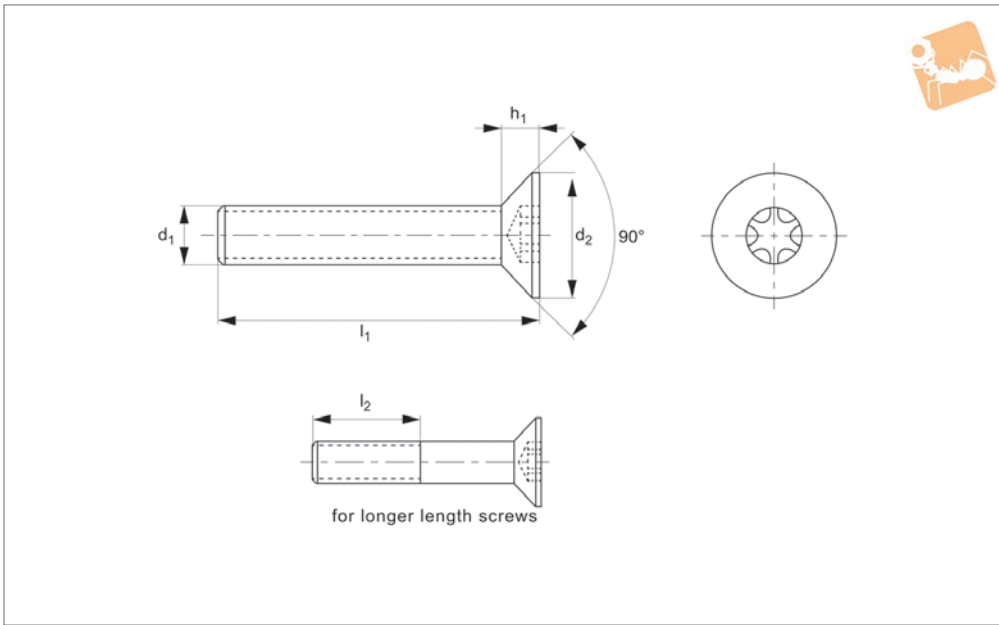
TX - A2 stainless

Standard Screws



P0225.A2

STANDARD SCREWS



Material

Stainless steel A2.

Technical Notes

To DIN 965. For the majority of screw

lengths the threads goes all the way to the head of the screw (i.e. $l_1 = l_2$) less 2.5 thread pitches.
For longer length screws the threaded

portion $l_2 < l_1$.

See technical page for tightening torques.

| Order No. | d_1 | l_1 | d_2 | l_2 | h_1 | Size |
|------------------|-------|-------|-------|-------|-------|------|
| P0225.016-002-A2 | M1,6 | 2 | 3.0 | - | 0.96 | TX-5 |
| P0225.016-003-A2 | M1,6 | 3 | 3.0 | - | 0.96 | TX-5 |
| P0225.016-004-A2 | M1,6 | 4 | 3.0 | - | 0.96 | TX-5 |
| P0225.016-005-A2 | M1,6 | 5 | 3.0 | - | 0.96 | TX-5 |
| P0225.016-006-A2 | M1,6 | 6 | 3.0 | - | 0.96 | TX-5 |
| P0225.016-008-A2 | M1,6 | 8 | 3.0 | - | 0.96 | TX-5 |
| P0225.016-010-A2 | M1,6 | 10 | 3.0 | - | 0.96 | TX-5 |
| P0225.016-012-A2 | M1,6 | 12 | 3.0 | - | 0.96 | TX-5 |
| P0225.016-014-A2 | M1,6 | 14 | 3.0 | - | 0.96 | TX-5 |
| P0225.016-016-A2 | M1,6 | 16 | 3.0 | 15 | 0.96 | TX-5 |
| P0225.016-020-A2 | M1,6 | 20 | 3.0 | 15 | 0.96 | TX-5 |
| P0225.016-018-A2 | M1,6 | 18 | 3.0 | 15 | 0.96 | TX-5 |
| P0225.020-003-A2 | M2 | 3 | 3.8 | - | 1.20 | TX-6 |
| P0225.020-004-A2 | M2 | 4 | 3.8 | - | 1.20 | TX-6 |
| P0225.020-005-A2 | M2 | 5 | 3.8 | - | 1.20 | TX-6 |
| P0225.020-006-A2 | M2 | 6 | 3.8 | - | 1.20 | TX-6 |
| P0225.020-008-A2 | M2 | 8 | 3.8 | - | 1.20 | TX-6 |
| P0225.020-010-A2 | M2 | 10 | 3.8 | - | 1.20 | TX-6 |
| P0225.020-012-A2 | M2 | 12 | 3.8 | - | 1.20 | TX-6 |
| P0225.020-014-A2 | M2 | 14 | 3.8 | - | 1.20 | TX-6 |
| P0225.020-016-A2 | M2 | 16 | 3.8 | 16 | 1.20 | TX-6 |
| P0225.020-018-A2 | M2 | 18 | 3.8 | 16 | 1.20 | TX-6 |
| P0225.020-020-A2 | M2 | 20 | 3.8 | 16 | 1.20 | TX-6 |
| P0225.025-003-A2 | M2,5 | 3 | 4.7 | - | 1.50 | TX-8 |
| P0225.025-004-A2 | M2,5 | 4 | 4.7 | - | 1.50 | TX-8 |
| P0225.025-005-A2 | M2,5 | 5 | 4.7 | - | 1.50 | TX-8 |
| P0225.025-006-A2 | M2,5 | 6 | 4.7 | - | 1.50 | TX-8 |
| P0225.025-008-A2 | M2,5 | 8 | 4.7 | - | 1.50 | TX-8 |
| P0225.025-010-A2 | M2,5 | 10 | 4.7 | - | 1.50 | TX-8 |
| P0225.025-012-A2 | M2,5 | 12 | 4.7 | - | 1.50 | TX-8 |
| P0225.025-014-A2 | M2,5 | 14 | 4.7 | - | 1.50 | TX-8 |
| P0225.025-016-A2 | M2,5 | 16 | 4.7 | - | 1.50 | TX-8 |
| P0225.025-018-A2 | M2,5 | 18 | 4.7 | 18 | 1.50 | TX-8 |
| P0225.025-020-A2 | M2,5 | 20 | 4.7 | 18 | 1.50 | TX-8 |



STANDARD SCREWS

| Order No. | d ₁ | l ₁ | d ₂ | l ₂ | h ₁ | Size |
|------------------|----------------|----------------|----------------|----------------|----------------|-------|
| P0225.025-022-A2 | M2,5 | 22 | 4.7 | 18 | 1.50 | TX-8 |
| P0225.025-025-A2 | M2,5 | 25 | 4.7 | 18 | 1.50 | TX-8 |
| P0225.030-004-A2 | M3 | 4 | 5.6 | - | 1.65 | TX-10 |
| P0225.030-005-A2 | M3 | 5 | 5.6 | - | 1.65 | TX-10 |
| P0225.030-006-A2 | M3 | 6 | 5.6 | - | 1.65 | TX-10 |
| P0225.030-008-A2 | M3 | 8 | 5.6 | - | 1.65 | TX-10 |
| P0225.030-010-A2 | M3 | 10 | 5.6 | - | 1.65 | TX-10 |
| P0225.030-012-A2 | M3 | 12 | 5.6 | - | 1.65 | TX-10 |
| P0225.030-014-A2 | M3 | 14 | 5.6 | - | 1.65 | TX-10 |
| P0225.030-016-A2 | M3 | 16 | 5.6 | - | 1.65 | TX-10 |
| P0225.030-018-A2 | M3 | 18 | 5.6 | - | 1.65 | TX-10 |
| P0225.030-020-A2 | M3 | 20 | 5.6 | 19 | 1.65 | TX-10 |
| P0225.030-022-A2 | M3 | 22 | 5.6 | 19 | 1.65 | TX-10 |
| P0225.030-025-A2 | M3 | 25 | 5.6 | 19 | 1.65 | TX-10 |
| P0225.030-030-A2 | M3 | 30 | 5.6 | 19 | 1.65 | TX-10 |
| P0225.030-035-A2 | M3 | 35 | 5.6 | 19 | 1.65 | TX-10 |
| P0225.030-040-A2 | M3 | 40 | 5.6 | 19 | 1.65 | TX-10 |
| P0225.030-045-A2 | M3 | 45 | 5.6 | 19 | 1.65 | TX-10 |
| P0225.030-050-A2 | M3 | 50 | 5.6 | 19 | 1.65 | TX-10 |
| P0225.030-055-A2 | M3 | 55 | 5.6 | 19 | 1.65 | TX-10 |
| P0225.030-060-A2 | M3 | 60 | 5.6 | 19 | 1.65 | TX-10 |
| P0225.040-005-A2 | M4 | 5 | 7.5 | - | 2.20 | TX-20 |
| P0225.040-006-A2 | M4 | 6 | 7.5 | - | 2.20 | TX-20 |
| P0225.040-008-A2 | M4 | 8 | 7.5 | - | 2.20 | TX-20 |
| P0225.040-010-A2 | M4 | 10 | 7.5 | - | 2.20 | TX-20 |
| P0225.040-012-A2 | M4 | 12 | 7.5 | - | 2.20 | TX-20 |
| P0225.040-014-A2 | M4 | 14 | 7.5 | - | 2.20 | TX-20 |
| P0225.040-016-A2 | M4 | 16 | 7.5 | - | 2.20 | TX-20 |
| P0225.040-018-A2 | M4 | 18 | 7.5 | - | 2.20 | TX-20 |
| P0225.040-020-A2 | M4 | 20 | 7.5 | - | 2.20 | TX-20 |
| P0225.040-022-A2 | M4 | 22 | 7.5 | 22 | 2.20 | TX-20 |
| P0225.040-025-A2 | M4 | 25 | 7.5 | 22 | 2.20 | TX-20 |
| P0225.040-030-A2 | M4 | 30 | 7.5 | 22 | 2.20 | TX-20 |
| P0225.040-035-A2 | M4 | 35 | 7.5 | 22 | 2.20 | TX-20 |
| P0225.040-040-A2 | M4 | 40 | 7.5 | 22 | 2.20 | TX-20 |
| P0225.040-045-A2 | M4 | 45 | 7.5 | 22 | 2.20 | TX-20 |
| P0225.040-050-A2 | M4 | 50 | 7.5 | 22 | 2.20 | TX-20 |
| P0225.040-055-A2 | M4 | 55 | 7.5 | 22 | 2.20 | TX-20 |
| P0225.040-060-A2 | M4 | 60 | 7.5 | 22 | 2.20 | TX-20 |
| P0225.040-065-A2 | M4 | 65 | 7.5 | 22 | 2.20 | TX-20 |
| P0225.040-070-A2 | M4 | 70 | 7.5 | 22 | 2.20 | TX-20 |
| P0225.040-075-A2 | M4 | 75 | 7.5 | 22 | 2.20 | TX-20 |
| P0225.040-080-A2 | M4 | 80 | 7.5 | 22 | 2.20 | TX-20 |
| P0225.040-085-A2 | M4 | 85 | 7.5 | 22 | 2.20 | TX-20 |
| P0225.040-090-A2 | M4 | 90 | 7.5 | 22 | 2.20 | TX-20 |
| P0225.040-095-A2 | M4 | 95 | 7.5 | 22 | 2.20 | TX-20 |
| P0225.040-100-A2 | M4 | 100 | 7.5 | 22 | 2.20 | TX-20 |
| P0225.050-006-A2 | M5 | 6 | 9.2 | - | 2.50 | TX-25 |
| P0225.050-008-A2 | M5 | 8 | 9.2 | - | 2.50 | TX-25 |
| P0225.050-010-A2 | M5 | 10 | 9.2 | - | 2.50 | TX-25 |
| P0225.050-012-A2 | M5 | 12 | 9.2 | - | 2.50 | TX-25 |
| P0225.050-014-A2 | M5 | 14 | 9.2 | - | 2.50 | TX-25 |
| P0225.050-016-A2 | M5 | 16 | 9.2 | - | 2.50 | TX-25 |
| P0225.050-018-A2 | M5 | 18 | 9.2 | - | 2.50 | TX-25 |
| P0225.050-020-A2 | M5 | 20 | 9.2 | - | 2.50 | TX-25 |
| P0225.050-022-A2 | M5 | 22 | 9.2 | - | 2.50 | TX-25 |
| P0225.050-025-A2 | M5 | 25 | 9.2 | 25 | 2.50 | TX-25 |
| P0225.050-030-A2 | M5 | 30 | 9.2 | 25 | 2.50 | TX-25 |
| P0225.050-035-A2 | M5 | 35 | 9.2 | 25 | 2.50 | TX-25 |
| P0225.050-040-A2 | M5 | 40 | 9.2 | 25 | 2.50 | TX-25 |
| P0225.050-045-A2 | M5 | 45 | 9.2 | 25 | 2.50 | TX-25 |
| P0225.050-050-A2 | M5 | 50 | 9.2 | 25 | 2.50 | TX-25 |
| P0225.050-055-A2 | M5 | 55 | 9.2 | 25 | 2.50 | TX-25 |
| P0225.050-060-A2 | M5 | 60 | 9.2 | 25 | 2.50 | TX-25 |
| P0225.050-065-A2 | M5 | 65 | 9.2 | 25 | 2.50 | TX-25 |
| P0225.050-070-A2 | M5 | 70 | 9.2 | 25 | 2.50 | TX-25 |
| P0225.050-075-A2 | M5 | 75 | 9.2 | 25 | 2.50 | TX-25 |
| P0225.050-080-A2 | M5 | 80 | 9.2 | 25 | 2.50 | TX-25 |
| P0225.050-085-A2 | M5 | 85 | 9.2 | 25 | 2.50 | TX-25 |



TX Countersunk Machine Screws

TX - A2 stainless

Standard Screws

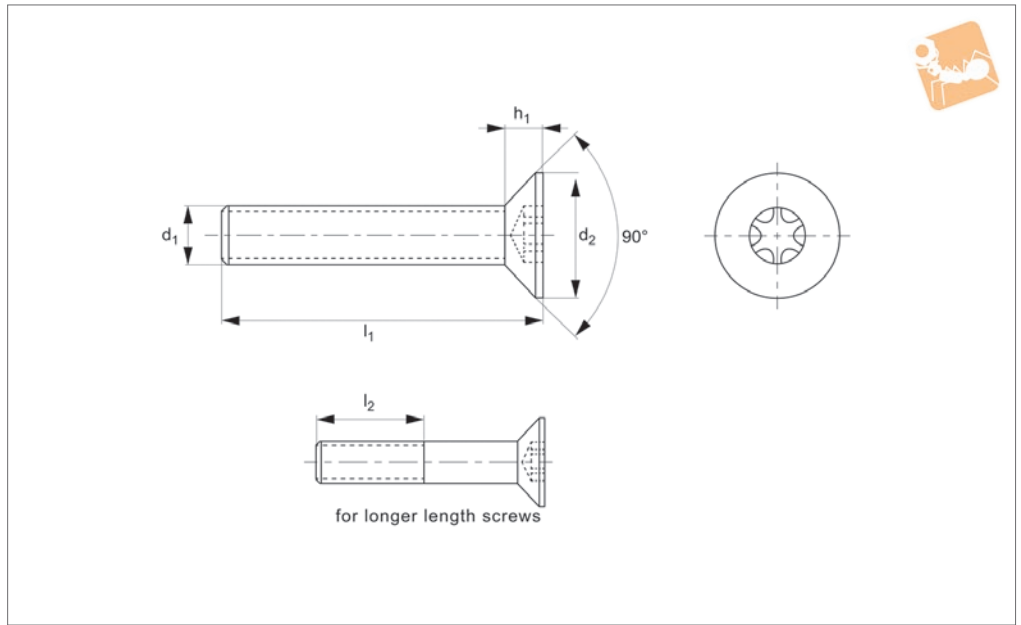


| Order No. | d ₁ | l ₁ | d ₂ | l ₂ | h ₁ | Size |
|------------------|----------------|----------------|----------------|----------------|----------------|-------|
| P0225.050-090-A2 | M5 | 90 | 9.2 | 25 | 2.50 | TX-25 |
| P0225.050-095-A2 | M5 | 95 | 9.2 | 25 | 2.50 | TX-25 |
| P0225.050-100-A2 | M5 | 100 | 9.2 | 25 | 2.50 | TX-25 |
| P0225.060-008-A2 | M6 | 8 | 11.0 | - | 3.00 | TX-30 |
| P0225.060-010-A2 | M6 | 10 | 11.0 | - | 3.00 | TX-30 |
| P0225.060-012-A2 | M6 | 12 | 11.0 | - | 3.00 | TX-30 |
| P0225.060-014-A2 | M6 | 14 | 11.0 | - | 3.00 | TX-30 |
| P0225.060-016-A2 | M6 | 16 | 11.0 | - | 3.00 | TX-30 |
| P0225.060-018-A2 | M6 | 18 | 11.0 | - | 3.00 | TX-30 |
| P0225.060-020-A2 | M6 | 20 | 11.0 | - | 3.00 | TX-30 |
| P0225.060-022-A2 | M6 | 22 | 11.0 | - | 3.00 | TX-30 |
| P0225.060-025-A2 | M6 | 25 | 11.0 | - | 3.00 | TX-30 |
| P0225.060-030-A2 | M6 | 30 | 11.0 | 28 | 3.00 | TX-30 |
| P0225.060-035-A2 | M6 | 35 | 11.0 | 28 | 3.00 | TX-30 |
| P0225.060-040-A2 | M6 | 40 | 11.0 | 28 | 3.00 | TX-30 |
| P0225.060-045-A2 | M6 | 45 | 11.0 | 28 | 3.00 | TX-30 |
| P0225.060-050-A2 | M6 | 50 | 11.0 | 28 | 3.00 | TX-30 |
| P0225.060-055-A2 | M6 | 55 | 11.0 | 28 | 3.00 | TX-30 |
| P0225.060-060-A2 | M6 | 60 | 11.0 | 28 | 3.00 | TX-30 |
| P0225.060-065-A2 | M6 | 65 | 11.0 | 28 | 3.00 | TX-30 |
| P0225.060-070-A2 | M6 | 70 | 11.0 | 28 | 3.00 | TX-30 |
| P0225.060-075-A2 | M6 | 75 | 11.0 | 28 | 3.00 | TX-30 |
| P0225.060-080-A2 | M6 | 80 | 11.0 | 28 | 3.00 | TX-30 |
| P0225.060-085-A2 | M6 | 85 | 11.0 | 28 | 3.00 | TX-30 |
| P0225.060-090-A2 | M6 | 90 | 11.0 | 28 | 3.00 | TX-30 |
| P0225.060-095-A2 | M6 | 95 | 11.0 | 28 | 3.00 | TX-30 |
| P0225.060-100-A2 | M6 | 100 | 11.0 | 28 | 3.00 | TX-30 |
| P0225.060-110-A2 | M6 | 110 | 11.0 | 28 | 3.00 | TX-30 |
| P0225.060-120-A2 | M6 | 120 | 11.0 | 28 | 3.00 | TX-30 |
| P0225.060-130-A2 | M6 | 130 | 11.0 | 28 | 3.00 | TX-30 |
| P0225.060-140-A2 | M6 | 140 | 11.0 | 28 | 3.00 | TX-30 |
| P0225.080-010-A2 | M8 | 10 | 14.5 | - | 4.00 | TX-35 |
| P0225.080-012-A2 | M8 | 12 | 14.5 | - | 4.00 | TX-35 |
| P0225.080-014-A2 | M8 | 14 | 14.5 | - | 4.00 | TX-35 |
| P0225.080-016-A2 | M8 | 16 | 14.5 | - | 4.00 | TX-35 |
| P0225.080-018-A2 | M8 | 18 | 14.5 | - | 4.00 | TX-35 |
| P0225.080-020-A2 | M8 | 20 | 14.5 | - | 4.00 | TX-35 |
| P0225.080-022-A2 | M8 | 22 | 14.5 | - | 4.00 | TX-35 |
| P0225.080-025-A2 | M8 | 25 | 14.5 | - | 4.00 | TX-35 |
| P0225.080-030-A2 | M8 | 30 | 14.5 | - | 4.00 | TX-35 |
| P0225.080-035-A2 | M8 | 35 | 14.5 | 34 | 4.00 | TX-35 |
| P0225.080-040-A2 | M8 | 40 | 14.5 | 34 | 4.00 | TX-35 |
| P0225.080-045-A2 | M8 | 45 | 14.5 | 34 | 4.00 | TX-35 |
| P0225.080-050-A2 | M8 | 50 | 14.5 | 34 | 4.00 | TX-35 |
| P0225.080-055-A2 | M8 | 55 | 14.5 | 34 | 4.00 | TX-35 |
| P0225.080-060-A2 | M8 | 60 | 14.5 | 34 | 4.00 | TX-35 |
| P0225.080-065-A2 | M8 | 65 | 14.5 | 34 | 4.00 | TX-35 |
| P0225.080-070-A2 | M8 | 70 | 14.5 | 34 | 4.00 | TX-35 |
| P0225.080-075-A2 | M8 | 75 | 14.5 | 34 | 4.00 | TX-35 |
| P0225.080-080-A2 | M8 | 80 | 14.5 | 34 | 4.00 | TX-35 |

STANDARD SCREWS



P0225.A4



Material

Stainless steel A4.

Technical Notes

To DIN 965. For the majority of screw

lengths the threads goes all the way to the head of the screw (i.e. $l_1 = l_2$) less 2.5 thread pitches. For longer length screws the threaded

portion $l_2 < l_1$.

See technical page for tightening torques.

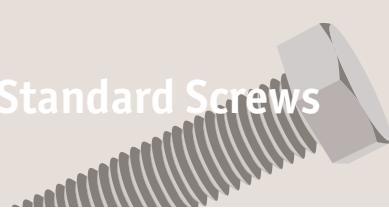
| Order No. | d_1 | l_1 | d_2 | l_2 | h_1 | Size |
|------------------|-------|-------|-------|-------|-------|------|
| P0225.016-002-A4 | M1,6 | 2 | 3.0 | - | 0.96 | TX-5 |
| P0225.016-003-A4 | M1,6 | 3 | 3.0 | - | 0.96 | TX-5 |
| P0225.016-004-A4 | M1,6 | 4 | 3.0 | - | 0.96 | TX-5 |
| P0225.016-005-A4 | M1,6 | 5 | 3.0 | - | 0.96 | TX-5 |
| P0225.016-006-A4 | M1,6 | 6 | 3.0 | - | 0.96 | TX-5 |
| P0225.016-008-A4 | M1,6 | 8 | 3.0 | - | 0.96 | TX-5 |
| P0225.016-010-A4 | M1,6 | 10 | 3.0 | - | 0.96 | TX-5 |
| P0225.016-012-A4 | M1,6 | 12 | 3.0 | - | 0.96 | TX-5 |
| P0225.016-014-A4 | M1,6 | 14 | 3.0 | - | 0.96 | TX-5 |
| P0225.016-016-A4 | M1,6 | 16 | 3.0 | 15 | 0.96 | TX-5 |
| P0225.016-018-A4 | M1,6 | 18 | 3.0 | 15 | 0.96 | TX-5 |
| P0225.016-020-A4 | M1,6 | 20 | 3.0 | 15 | 0.96 | TX-5 |
| P0225.020-003-A4 | M2 | 3 | 3.8 | - | 1.20 | TX-6 |
| P0225.020-004-A4 | M2 | 4 | 3.8 | - | 1.20 | TX-6 |
| P0225.020-005-A4 | M2 | 5 | 3.8 | - | 1.20 | TX-6 |
| P0225.020-006-A4 | M2 | 6 | 3.8 | - | 1.20 | TX-6 |
| P0225.020-008-A4 | M2 | 8 | 3.8 | - | 1.20 | TX-6 |
| P0225.020-010-A4 | M2 | 10 | 3.8 | - | 1.20 | TX-6 |
| P0225.020-012-A4 | M2 | 12 | 3.8 | - | 1.20 | TX-6 |
| P0225.020-014-A4 | M2 | 14 | 3.8 | - | 1.20 | TX-6 |
| P0225.020-016-A4 | M2 | 16 | 3.8 | 16 | 1.20 | TX-6 |
| P0225.020-018-A4 | M2 | 18 | 3.8 | 16 | 1.20 | TX-6 |
| P0225.020-020-A4 | M2 | 20 | 3.8 | 16 | 1.20 | TX-6 |
| P0225.025-003-A4 | M2,5 | 3 | 4.7 | - | 1.50 | TX-8 |
| P0225.025-004-A4 | M2,5 | 4 | 4.7 | - | 1.50 | TX-8 |
| P0225.025-005-A4 | M2,5 | 5 | 4.7 | - | 1.50 | TX-8 |
| P0225.025-006-A4 | M2,5 | 6 | 4.7 | - | 1.50 | TX-8 |
| P0225.025-008-A4 | M2,5 | 8 | 4.7 | - | 1.50 | TX-8 |
| P0225.025-010-A4 | M2,5 | 10 | 4.7 | - | 1.50 | TX-8 |
| P0225.025-012-A4 | M2,5 | 12 | 4.7 | - | 1.50 | TX-8 |
| P0225.025-014-A4 | M2,5 | 14 | 4.7 | - | 1.50 | TX-8 |
| P0225.025-016-A4 | M2,5 | 16 | 4.7 | - | 1.50 | TX-8 |
| P0225.025-018-A4 | M2,5 | 18 | 4.7 | 18 | 1.50 | TX-8 |
| P0225.025-020-A4 | M2,5 | 20 | 4.7 | 18 | 1.50 | TX-8 |



TX Countersunk Machine Screws

TX - A4 stainless

Standard Screws



| Order No. | d ₁ | l ₁ | d ₂ | l ₂ | h ₁ | Size |
|------------------|----------------|----------------|----------------|----------------|----------------|-------|
| P0225.025-022-A4 | M2,5 | 22 | 4.7 | 18 | 1.50 | TX-8 |
| P0225.025-025-A4 | M2,5 | 25 | 4.7 | 18 | 1.50 | TX-8 |
| P0225.030-004-A4 | M3 | 4 | 5.6 | - | 1.65 | TX-10 |
| P0225.030-005-A4 | M3 | 5 | 5.6 | - | 1.65 | TX-10 |
| P0225.030-006-A4 | M3 | 6 | 5.6 | - | 1.65 | TX-10 |
| P0225.030-008-A4 | M3 | 8 | 5.6 | - | 1.65 | TX-10 |
| P0225.030-010-A4 | M3 | 10 | 5.6 | - | 1.65 | TX-10 |
| P0225.030-012-A4 | M3 | 12 | 5.6 | - | 1.65 | TX-10 |
| P0225.030-014-A4 | M3 | 14 | 5.6 | - | 1.65 | TX-10 |
| P0225.030-016-A4 | M3 | 16 | 5.6 | - | 1.65 | TX-10 |
| P0225.030-018-A4 | M3 | 18 | 5.6 | - | 1.65 | TX-10 |
| P0225.030-020-A4 | M3 | 20 | 5.6 | 19 | 1.65 | TX-10 |
| P0225.030-022-A4 | M3 | 22 | 5.6 | 19 | 1.65 | TX-10 |
| P0225.030-025-A4 | M3 | 25 | 5.6 | 19 | 1.65 | TX-10 |
| P0225.030-030-A4 | M3 | 30 | 5.6 | 19 | 1.65 | TX-10 |
| P0225.030-035-A4 | M3 | 35 | 5.6 | 19 | 1.65 | TX-10 |
| P0225.030-040-A4 | M3 | 40 | 5.6 | 19 | 1.65 | TX-10 |
| P0225.030-045-A4 | M3 | 45 | 5.6 | 19 | 1.65 | TX-10 |
| P0225.030-050-A4 | M3 | 50 | 5.6 | 19 | 1.65 | TX-10 |
| P0225.030-055-A4 | M3 | 55 | 5.6 | 19 | 1.65 | TX-10 |
| P0225.030-060-A4 | M3 | 60 | 5.6 | 19 | 1.65 | TX-10 |
| P0225.040-005-A4 | M4 | 5 | 7.5 | - | 2.20 | TX-20 |
| P0225.040-006-A4 | M4 | 6 | 7.5 | - | 2.20 | TX-20 |
| P0225.040-008-A4 | M4 | 8 | 7.5 | - | 2.20 | TX-20 |
| P0225.040-010-A4 | M4 | 10 | 7.5 | - | 2.20 | TX-20 |
| P0225.040-012-A4 | M4 | 12 | 7.5 | - | 2.20 | TX-20 |
| P0225.040-014-A4 | M4 | 14 | 7.5 | - | 2.20 | TX-20 |
| P0225.040-016-A4 | M4 | 16 | 7.5 | - | 2.20 | TX-20 |
| P0225.040-018-A4 | M4 | 18 | 7.5 | - | 2.20 | TX-20 |
| P0225.040-020-A4 | M4 | 20 | 7.5 | - | 2.20 | TX-20 |
| P0225.040-022-A4 | M4 | 22 | 7.5 | 22 | 2.20 | TX-20 |
| P0225.040-025-A4 | M4 | 25 | 7.5 | 22 | 2.20 | TX-20 |
| P0225.040-030-A4 | M4 | 30 | 7.5 | 22 | 2.20 | TX-20 |
| P0225.040-035-A4 | M4 | 35 | 7.5 | 22 | 2.20 | TX-20 |
| P0225.040-040-A4 | M4 | 40 | 7.5 | 22 | 2.20 | TX-20 |
| P0225.040-045-A4 | M4 | 45 | 7.5 | 22 | 2.20 | TX-20 |
| P0225.040-050-A4 | M4 | 50 | 7.5 | 22 | 2.20 | TX-20 |
| P0225.040-055-A4 | M4 | 55 | 7.5 | 22 | 2.20 | TX-20 |
| P0225.040-060-A4 | M4 | 60 | 7.5 | 22 | 2.20 | TX-20 |
| P0225.040-065-A4 | M4 | 65 | 7.5 | 22 | 2.20 | TX-20 |
| P0225.040-070-A4 | M4 | 70 | 7.5 | 22 | 2.20 | TX-20 |
| P0225.040-075-A4 | M4 | 75 | 7.5 | 22 | 2.20 | TX-20 |
| P0225.040-080-A4 | M4 | 80 | 7.5 | 22 | 2.20 | TX-20 |
| P0225.040-085-A4 | M4 | 85 | 7.5 | 22 | 2.20 | TX-20 |
| P0225.040-090-A4 | M4 | 90 | 7.5 | 22 | 2.20 | TX-20 |
| P0225.040-095-A4 | M4 | 95 | 7.5 | 22 | 2.20 | TX-20 |
| P0225.040-100-A4 | M4 | 100 | 7.5 | 22 | 2.20 | TX-20 |
| P0225.050-006-A4 | M5 | 6 | 9.2 | - | 2.50 | TX-25 |
| P0225.050-008-A4 | M5 | 8 | 9.2 | - | 2.50 | TX-25 |
| P0225.050-010-A4 | M5 | 10 | 9.2 | - | 2.50 | TX-25 |
| P0225.050-012-A4 | M5 | 12 | 9.2 | - | 2.50 | TX-25 |
| P0225.050-014-A4 | M5 | 14 | 9.2 | - | 2.50 | TX-25 |
| P0225.050-016-A4 | M5 | 16 | 9.2 | - | 2.50 | TX-25 |
| P0225.050-018-A4 | M5 | 18 | 9.2 | - | 2.50 | TX-25 |
| P0225.050-020-A4 | M5 | 20 | 9.2 | - | 2.50 | TX-25 |
| P0225.050-022-A4 | M5 | 22 | 9.2 | - | 2.50 | TX-25 |
| P0225.050-025-A4 | M5 | 25 | 9.2 | 25 | 2.50 | TX-25 |
| P0225.050-030-A4 | M5 | 30 | 9.2 | 25 | 2.50 | TX-25 |
| P0225.050-035-A4 | M5 | 35 | 9.2 | 25 | 2.50 | TX-25 |
| P0225.050-040-A4 | M5 | 40 | 9.2 | 25 | 2.50 | TX-25 |
| P0225.050-045-A4 | M5 | 45 | 9.2 | 25 | 2.50 | TX-25 |
| P0225.050-050-A4 | M5 | 50 | 9.2 | 25 | 2.50 | TX-25 |
| P0225.050-055-A4 | M5 | 55 | 9.2 | 25 | 2.50 | TX-25 |
| P0225.050-060-A4 | M5 | 60 | 9.2 | 25 | 2.50 | TX-25 |
| P0225.050-065-A4 | M5 | 65 | 9.2 | 25 | 2.50 | TX-25 |
| P0225.050-070-A4 | M5 | 70 | 9.2 | 25 | 2.50 | TX-25 |
| P0225.050-075-A4 | M5 | 75 | 9.2 | 25 | 2.50 | TX-25 |
| P0225.050-080-A4 | M5 | 80 | 9.2 | 25 | 2.50 | TX-25 |
| P0225.050-085-A4 | M5 | 85 | 9.2 | 25 | 2.50 | TX-25 |

STANDARD SCREWS



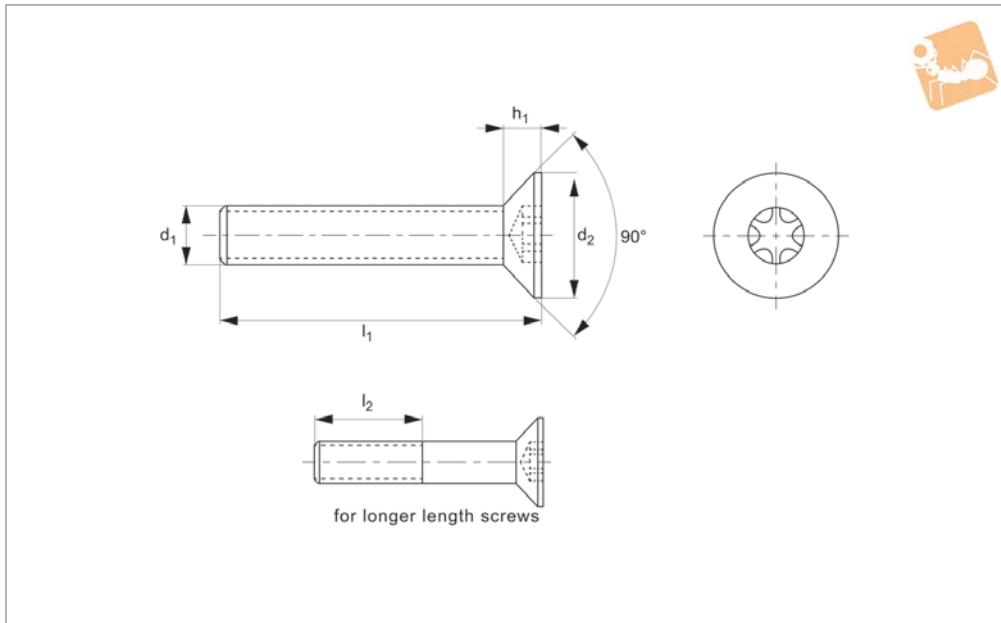
| Order No. | d ₁ | l ₁ | d ₂ | l ₂ | h ₁ | Size |
|------------------|----------------|----------------|----------------|----------------|----------------|-------|
| P0225.050-090-A4 | M5 | 90 | 9.2 | 25 | 2.50 | TX-25 |
| P0225.050-095-A4 | M5 | 95 | 9.2 | 25 | 2.50 | TX-25 |
| P0225.050-100-A4 | M5 | 100 | 9.2 | 25 | 2.50 | TX25 |
| P0225.060-008-A4 | M6 | 8 | 11.0 | - | 3.00 | TX-30 |
| P0225.060-010-A4 | M6 | 10 | 11.0 | - | 3.00 | TX-30 |
| P0225.060-012-A4 | M6 | 12 | 11.0 | - | 3.00 | TX-30 |
| P0225.060-014-A4 | M6 | 14 | 11.0 | - | 3.00 | TX-30 |
| P0225.060-016-A4 | M6 | 16 | 11.0 | - | 3.00 | TX-30 |
| P0225.060-018-A4 | M6 | 18 | 11.0 | - | 3.00 | TX-30 |
| P0225.060-020-A4 | M6 | 20 | 11.0 | - | 3.00 | TX-30 |
| P0225.060-022-A4 | M6 | 22 | 11.0 | - | 3.00 | TX-30 |
| P0225.060-025-A4 | M6 | 25 | 11.0 | - | 3.00 | TX-30 |
| P0225.060-030-A4 | M6 | 30 | 11.0 | 28 | 3.00 | TX-30 |
| P0225.060-035-A4 | M6 | 35 | 11.0 | 28 | 3.00 | TX-30 |
| P0225.060-040-A4 | M6 | 40 | 11.0 | 28 | 3.00 | TX-30 |
| P0225.060-045-A4 | M6 | 45 | 11.0 | 28 | 3.00 | TX-30 |
| P0225.060-050-A4 | M6 | 50 | 11.0 | 28 | 3.00 | TX-30 |
| P0225.060-055-A4 | M6 | 55 | 11.0 | 28 | 3.00 | TX-30 |
| P0225.060-060-A4 | M6 | 60 | 11.0 | 28 | 3.00 | TX-30 |
| P0225.060-065-A4 | M6 | 65 | 11.0 | 28 | 3.00 | TX-30 |
| P0225.060-070-A4 | M6 | 70 | 11.0 | 28 | 3.00 | TX-30 |
| P0225.060-075-A4 | M6 | 75 | 11.0 | 28 | 3.00 | TX-30 |
| P0225.060-080-A4 | M6 | 80 | 11.0 | 28 | 3.00 | TX-30 |
| P0225.060-085-A4 | M6 | 85 | 11.0 | 28 | 3.00 | TX-30 |
| P0225.060-090-A4 | M6 | 90 | 11.0 | 28 | 3.00 | TX-30 |
| P0225.060-095-A4 | M6 | 95 | 11.0 | 28 | 3.00 | TX-30 |
| P0225.060-100-A4 | M6 | 100 | 11.0 | 28 | 3.00 | TX30 |
| P0225.060-110-A4 | M6 | 110 | 11.0 | 28 | 3.00 | TX-30 |
| P0225.060-120-A4 | M6 | 120 | 11.0 | 28 | 3.00 | TX-30 |
| P0225.060-130-A4 | M6 | 130 | 11.0 | 28 | 3.00 | TX-30 |
| P0225.060-140-A4 | M6 | 140 | 11.0 | 28 | 3.00 | TX-30 |
| P0225.080-010-A4 | M8 | 12 | 14.5 | - | 4.00 | TX-40 |
| P0225.080-012-A4 | M8 | 12 | 14.5 | - | 4.00 | TX-40 |
| P0225.080-016-A4 | M8 | 16 | 14.5 | - | 4.00 | TX-40 |
| P0225.080-020-A4 | M8 | 20 | 14.5 | - | 4.00 | TX-40 |
| P0225.080-025-A4 | M8 | 25 | 14.5 | - | 4.00 | TX-40 |
| P0225.080-030-A4 | M8 | 30 | 14.5 | - | 4.00 | TX-40 |
| P0225.080-035-A4 | M8 | 35 | 14.5 | 34 | 4.00 | TX-40 |
| P0225.080-040-A4 | M8 | 40 | 14.5 | 34 | 4.00 | TX-40 |
| P0225.080-045-A4 | M8 | 45 | 14.5 | 34 | 4.00 | TX-40 |
| P0225.080-050-A4 | M8 | 50 | 14.5 | 34 | 4.00 | TX-40 |
| P0225.080-055-A4 | M8 | 55 | 14.5 | 34 | 4.00 | TX-40 |
| P0225.080-060-A4 | M8 | 60 | 14.5 | 34 | 4.00 | TX-40 |
| P0225.080-065-A4 | M8 | 65 | 14.5 | 34 | 4.00 | TX-40 |
| P0225.080-070-A4 | M8 | 70 | 14.5 | 34 | 4.00 | TX-40 |
| P0225.080-075-A4 | M8 | 75 | 14.5 | 34 | 4.00 | TX-40 |
| P0225.080-080-A4 | M8 | 80 | 14.5 | 34 | 4.00 | TX-40 |



TX Countersunk Machine Screws

TX - steel, zinc-plated

Standard Screws



P0225.ZP

STANDARD SCREWS

Material

Steel, zinc-plated (grade 4.8).

Technical Notes

To DIN 965. For the majority of screw

lengths the threads goes all the way to the head of the screw (i.e. $l_1 = l_2$) less 2.5 thread pitches.

For longer length screws the threaded

portion $l_2 < l_1$.

| Order No. | d ₁ | l ₁ | d ₂ | l ₂ | h ₁ | Size |
|------------------|----------------|----------------|----------------|----------------|----------------|------|
| P0225.016-002-ZP | M1,6 | 2 | 3.0 | - | 0.96 | TX-5 |
| P0225.016-003-ZP | M1,6 | 3 | 3.0 | - | 0.96 | TX-5 |
| P0225.016-004-ZP | M1,6 | 4 | 3.0 | - | 0.96 | TX-5 |
| P0225.016-005-ZP | M1,6 | 5 | 3.0 | - | 0.96 | TX-5 |
| P0225.016-006-ZP | M1,6 | 6 | 3.0 | - | 0.96 | TX-5 |
| P0225.016-008-ZP | M1,6 | 8 | 3.0 | - | 0.96 | TX-5 |
| P0225.016-010-ZP | M1,6 | 10 | 3.0 | - | 0.96 | TX-5 |
| P0225.016-012-ZP | M1,6 | 12 | 3.0 | - | 0.96 | TX-5 |
| P0225.016-014-ZP | M1,6 | 14 | 3.0 | - | 0.96 | TX-5 |
| P0225.016-016-ZP | M1,6 | 16 | 3.0 | 15 | 0.96 | TX-5 |
| P0225.016-018-ZP | M1,6 | 18 | 3.0 | 15 | 0.96 | TX-5 |
| P0225.016-020-ZP | M1,6 | 20 | 3.0 | 15 | 0.96 | TX-5 |
| P0225.020-003-ZP | M2 | 3 | 3.8 | - | 1.20 | TX-6 |
| P0225.020-004-ZP | M2 | 4 | 3.8 | - | 1.20 | TX-6 |
| P0225.020-005-ZP | M2 | 5 | 3.8 | - | 1.20 | TX-6 |
| P0225.020-006-ZP | M2 | 6 | 3.8 | - | 1.20 | TX-6 |
| P0225.020-008-ZP | M2 | 8 | 3.8 | - | 1.20 | TX-6 |
| P0225.020-010-ZP | M2 | 10 | 3.8 | - | 1.20 | TX-6 |
| P0225.020-012-ZP | M2 | 12 | 3.8 | - | 1.20 | TX-6 |
| P0225.020-014-ZP | M2 | 14 | 3.8 | - | 1.20 | TX-6 |
| P0225.020-016-ZP | M2 | 16 | 3.8 | 16 | 1.20 | TX-6 |
| P0225.020-018-ZP | M2 | 18 | 3.8 | 16 | 1.20 | TX-6 |
| P0225.020-020-ZP | M2 | 20 | 3.8 | 16 | 1.20 | TX-6 |
| P0225.025-003-ZP | M2,5 | 3 | 4.7 | - | 1.50 | TX-8 |
| P0225.025-004-ZP | M2,5 | 4 | 4.7 | - | 1.50 | TX-8 |
| P0225.025-005-ZP | M2,5 | 5 | 4.7 | - | 1.50 | TX-8 |
| P0225.025-006-ZP | M2,5 | 6 | 4.7 | - | 1.50 | TX-8 |
| P0225.025-008-ZP | M2,5 | 8 | 4.7 | - | 1.50 | TX-8 |
| P0225.025-010-ZP | M2,5 | 10 | 4.7 | - | 1.50 | TX-8 |
| P0225.025-012-ZP | M2,5 | 12 | 4.7 | - | 1.50 | TX-8 |
| P0225.025-014-ZP | M2,5 | 14 | 4.7 | - | 1.50 | TX-8 |
| P0225.025-016-ZP | M2,5 | 16 | 4.7 | - | 1.50 | TX-8 |
| P0225.025-018-ZP | M2,5 | 18 | 4.7 | 18 | 1.50 | TX-8 |
| P0225.025-020-ZP | M2,5 | 20 | 4.7 | 18 | 1.50 | TX-8 |



STANDARD SCREWS

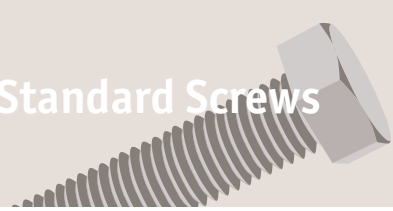
| Order No. | d ₁ | l ₁ | d ₂ | l ₂ | h ₁ | Size |
|------------------|----------------|----------------|----------------|----------------|----------------|-------|
| P0225.025-022-ZP | M2,5 | 22 | 4.7 | 18 | 1.50 | TX-8 |
| P0225.025-025-ZP | M2,5 | 25 | 4.7 | 18 | 1.50 | TX-8 |
| P0225.030-004-ZP | M 3 | 4 | 5.6 | - | 1.65 | TX-10 |
| P0225.030-005-ZP | M3 | 5 | 5.6 | - | 1.65 | TX-10 |
| P0225.030-006-ZP | M3 | 6 | 5.6 | - | 1.65 | TX-10 |
| P0225.030-008-ZP | M3 | 8 | 5.6 | - | 1.65 | TX-10 |
| P0225.030-010-ZP | M3 | 10 | 5.6 | - | 1.65 | TX-10 |
| P0225.030-012-ZP | M3 | 12 | 5.6 | - | 1.65 | TX-10 |
| P0225.030-014-ZP | M3 | 14 | 5.6 | - | 1.65 | TX-10 |
| P0225.030-016-ZP | M3 | 16 | 5.6 | - | 1.65 | TX-10 |
| P0225.030-018-ZP | M3 | 18 | 5.6 | - | 1.65 | TX-10 |
| P0225.030-020-ZP | M3 | 20 | 5.6 | 19 | 1.65 | TX-10 |
| P0225.030-022-ZP | M3 | 22 | 5.6 | 19 | 1.65 | TX-10 |
| P0225.030-025-ZP | M3 | 25 | 5.6 | 19 | 1.65 | TX-10 |
| P0225.030-030-ZP | M3 | 30 | 5.6 | 19 | 1.65 | TX-10 |
| P0225.030-035-ZP | M3 | 35 | 5.6 | 19 | 1.65 | TX-10 |
| P0225.030-040-ZP | M3 | 40 | 5.6 | 19 | 1.65 | TX-10 |
| P0225.030-045-ZP | M3 | 45 | 5.6 | 19 | 1.65 | TX-10 |
| P0225.030-050-ZP | M3 | 50 | 5.6 | 19 | 1.65 | TX-10 |
| P0225.030-055-ZP | M3 | 55 | 5.6 | 19 | 1.65 | TX-10 |
| P0225.030-060-ZP | M3 | 60 | 5.6 | 19 | 1.65 | TX-10 |
| P0225.040-005-ZP | M4 | 5 | 7.5 | - | 2.20 | TX-20 |
| P0225.040-006-ZP | M4 | 6 | 7.5 | - | 2.20 | TX-20 |
| P0225.040-008-ZP | M4 | 8 | 7.5 | - | 2.20 | TX-20 |
| P0225.040-010-ZP | M4 | 10 | 7.5 | - | 2.20 | TX-20 |
| P0225.040-012-ZP | M4 | 12 | 7.5 | - | 2.20 | TX-20 |
| P0225.040-014-ZP | M4 | 14 | 7.5 | - | 2.20 | TX-20 |
| P0225.040-016-ZP | M4 | 16 | 7.5 | - | 2.20 | TX-20 |
| P0225.040-018-ZP | M4 | 18 | 7.5 | - | 2.20 | TX-20 |
| P0225.040-020-ZP | M4 | 20 | 7.5 | - | 2.20 | TX-20 |
| P0225.040-022-ZP | M4 | 22 | 7.5 | 22 | 2.20 | TX-20 |
| P0225.040-025-ZP | M4 | 25 | 7.5 | 22 | 2.20 | TX-20 |
| P0225.040-030-ZP | M4 | 30 | 7.5 | 22 | 2.20 | TX-20 |
| P0225.040-035-ZP | M4 | 35 | 7.5 | 22 | 2.20 | TX-20 |
| P0225.040-040-ZP | M4 | 40 | 7.5 | 22 | 2.20 | TX-20 |
| P0225.040-045-ZP | M4 | 45 | 7.5 | 22 | 2.20 | TX-20 |
| P0225.040-050-ZP | M4 | 50 | 7.5 | 22 | 2.20 | TX-20 |
| P0225.040-055-ZP | M4 | 55 | 7.5 | 22 | 2.20 | TX-20 |
| P0225.040-060-ZP | M4 | 60 | 7.5 | 22 | 2.20 | TX-20 |
| P0225.040-065-ZP | M4 | 65 | 7.5 | 22 | 2.20 | TX-20 |
| P0225.040-070-ZP | M4 | 70 | 7.5 | 22 | 2.20 | TX-20 |
| P0225.040-075-ZP | M4 | 75 | 7.5 | 22 | 2.20 | TX-20 |
| P0225.040-080-ZP | M4 | 80 | 7.5 | 22 | 2.20 | TX-20 |
| P0225.040-085-ZP | M4 | 85 | 7.5 | 22 | 2.20 | TX-20 |
| P0225.040-090-ZP | M4 | 90 | 7.5 | 22 | 2.20 | TX-20 |
| P0225.040-095-ZP | M4 | 95 | 7.5 | 22 | 2.20 | TX-20 |
| P0225.040-100-ZP | M4 | 100 | 7.5 | 22 | 2.20 | TX-20 |
| P0225.050-006-ZP | M5 | 6 | 9.2 | - | 2.50 | TX-25 |
| P0225.050-008-ZP | M5 | 8 | 9.2 | - | 2.50 | TX-25 |
| P0225.050-010-ZP | M5 | 10 | 9.2 | - | 2.50 | TX-25 |
| P0225.050-012-ZP | M5 | 12 | 9.2 | - | 2.50 | TX-25 |
| P0225.050-014-ZP | M5 | 14 | 9.2 | - | 2.50 | TX-25 |
| P0225.050-016-ZP | M5 | 16 | 9.2 | - | 2.50 | TX-25 |
| P0225.050-018-ZP | M5 | 18 | 9.2 | - | 2.50 | TX-25 |
| P0225.050-020-ZP | M5 | 20 | 9.2 | - | 2.50 | TX-25 |
| P0225.050-022-ZP | M5 | 22 | 9.2 | - | 2.50 | TX-25 |
| P0225.050-025-ZP | M5 | 25 | 9.2 | 25 | 2.50 | TX-25 |
| P0225.050-030-ZP | M5 | 30 | 9.2 | 25 | 2.50 | TX-25 |
| P0225.050-035-ZP | M5 | 35 | 9.2 | 25 | 2.50 | TX-25 |
| P0225.050-040-ZP | M5 | 40 | 9.2 | 25 | 2.50 | TX-25 |
| P0225.050-045-ZP | M5 | 45 | 9.2 | 25 | 2.50 | TX-25 |
| P0225.050-050-ZP | M5 | 50 | 9.2 | 25 | 2.50 | TX-25 |
| P0225.050-055-ZP | M5 | 55 | 9.2 | 25 | 2.50 | TX-25 |
| P0225.050-060-ZP | M5 | 60 | 9.2 | 25 | 2.50 | TX-25 |
| P0225.050-065-ZP | M5 | 65 | 9.2 | 25 | 2.50 | TX-25 |
| P0225.050-070-ZP | M5 | 70 | 9.2 | 25 | 2.50 | TX-25 |
| P0225.050-075-ZP | M5 | 75 | 9.2 | 25 | 2.50 | TX-25 |
| P0225.050-080-ZP | M5 | 80 | 9.2 | 25 | 2.50 | TX-25 |
| P0225.050-085-ZP | M5 | 85 | 9.2 | 25 | 2.50 | TX-25 |



TX Countersunk Machine Screws

TX - steel, zinc-plated

Standard Screws



| Order No. | d ₁ | l ₁ | d ₂ | l ₂ | h ₁ | Size |
|------------------|----------------|----------------|----------------|----------------|----------------|-------|
| P0225.050-090-ZP | M5 | 90 | 9.2 | 25 | 2.50 | TX-25 |
| P0225.050-095-ZP | M5 | 95 | 9.2 | 25 | 2.50 | TX-25 |
| P0225.050-100-ZP | M5 | 100 | 9.2 | 25 | 2.50 | TX-25 |
| P0225.060-008-ZP | M6 | 8 | 11.0 | - | 3.00 | TX-30 |
| P0225.060-010-ZP | M6 | 10 | 11.0 | - | 3.00 | TX-30 |
| P0225.060-012-ZP | M6 | 12 | 11.0 | - | 3.00 | TX-30 |
| P0225.060-014-ZP | M6 | 14 | 11.0 | - | 3.00 | TX-30 |
| P0225.060-016-ZP | M6 | 16 | 11.0 | - | 3.00 | TX-30 |
| P0225.060-018-ZP | M6 | 18 | 11.0 | - | 3.00 | TX-30 |
| P0225.060-020-ZP | M6 | 20 | 11.0 | - | 3.00 | TX-30 |
| P0225.060-022-ZP | M6 | 22 | 11.0 | - | 3.00 | TX-30 |
| P0225.060-025-ZP | M6 | 25 | 11.0 | - | 3.00 | TX-30 |
| P0225.060-030-ZP | M6 | 30 | 11.0 | 28 | 3.00 | TX-30 |
| P0225.060-035-ZP | M6 | 35 | 11.0 | 28 | 3.00 | TX-30 |
| P0225.060-040-ZP | M6 | 40 | 11.0 | 28 | 3.00 | TX-30 |
| P0225.060-045-ZP | M6 | 45 | 11.0 | 28 | 3.00 | TX-30 |
| P0225.060-050-ZP | M6 | 50 | 11.0 | 28 | 3.00 | TX-30 |
| P0225.060-055-ZP | M6 | 55 | 11.0 | 28 | 3.00 | TX-30 |
| P0225.060-060-ZP | M6 | 60 | 11.0 | 28 | 3.00 | TX-30 |
| P0225.060-065-ZP | M6 | 65 | 11.0 | 28 | 3.00 | TX-30 |
| P0225.060-070-ZP | M6 | 70 | 11.0 | 28 | 3.00 | TX-30 |
| P0225.060-075-ZP | M6 | 75 | 11.0 | 28 | 3.00 | TX-30 |
| P0225.060-080-ZP | M6 | 80 | 11.0 | 28 | 3.00 | TX-30 |
| P0225.060-085-ZP | M6 | 85 | 11.0 | 28 | 3.00 | TX-30 |
| P0225.060-090-ZP | M6 | 90 | 11.0 | 28 | 3.00 | TX-30 |
| P0225.060-095-ZP | M6 | 95 | 11.0 | 28 | 3.00 | TX-30 |
| P0225.060-100-ZP | M6 | 100 | 11.0 | 28 | 3.00 | TX-30 |
| P0225.060-110-ZP | M6 | 110 | 11.0 | 28 | 3.00 | TX-30 |
| P0225.060-120-ZP | M6 | 120 | 11.0 | 28 | 3.00 | TX-30 |
| P0225.060-130-ZP | M6 | 130 | 11.0 | 28 | 3.00 | TX-30 |
| P0225.060-140-ZP | M6 | 140 | 11.0 | 28 | 3.00 | TX-30 |
| P0225.080-010-ZP | M8 | 12 | 14.5 | - | 4.00 | TX-40 |
| P0225.080-012-ZP | M8 | 12 | 14.5 | - | 4.00 | TX-40 |
| P0225.080-016-ZP | M8 | 16 | 14.5 | - | 4.00 | TX-40 |
| P0225.080-020-ZP | M8 | 20 | 14.5 | - | 4.00 | TX-40 |
| P0225.080-025-ZP | M8 | 25 | 14.5 | - | 4.00 | TX-40 |
| P0225.080-030-ZP | M8 | 30 | 14.5 | - | 4.00 | TX-40 |
| P0225.080-035-ZP | M8 | 35 | 14.5 | 34 | 4.00 | TX-40 |
| P0225.080-040-ZP | M8 | 40 | 14.5 | 34 | 4.00 | TX-40 |
| P0225.080-045-ZP | M8 | 45 | 14.5 | 34 | 4.00 | TX-40 |
| P0225.080-050-ZP | M8 | 50 | 14.5 | 34 | 4.00 | TX-40 |
| P0225.080-055-ZP | M8 | 55 | 14.5 | 34 | 4.00 | TX-40 |
| P0225.080-060-ZP | M8 | 60 | 14.5 | 34 | 4.00 | TX-40 |
| P0225.080-065-ZP | M8 | 65 | 14.5 | 34 | 4.00 | TX-40 |
| P0225.080-070-ZP | M8 | 70 | 14.5 | 34 | 4.00 | TX-40 |
| P0225.080-075-ZP | M8 | 75 | 14.5 | 34 | 4.00 | TX-40 |
| P0225.080-080-ZP | M8 | 80 | 14.5 | 34 | 4.00 | TX-40 |

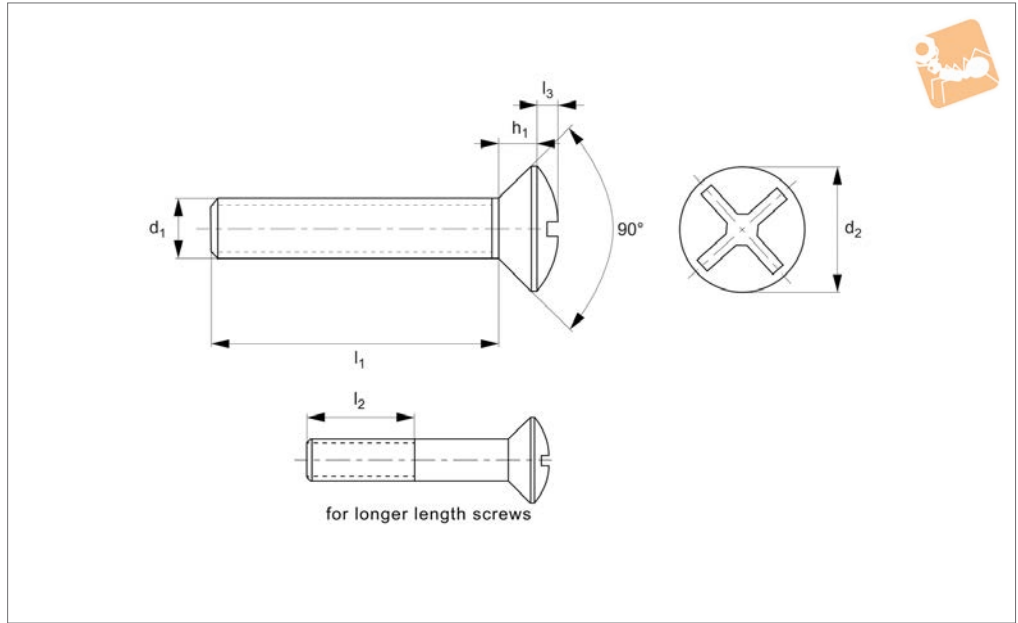
STANDARD SCREWS



STANDARD SCREWS



P0226.A2



Material

Stainless steel A2.

Technical Notes

To DIN 966. For the majority of screw

lengths the threads goes all the way to the head of the screw (i.e. $l_1 = l_2$) less 2.5 thread pitches.

For longer length screws the threaded

portion $l_2 < l_1$.

See technical page for tightening torques.

| Order No. | d ₁ | l ₁ | d ₂ | l ₂ | l ₃ | h ₁ | Size |
|------------------|----------------|----------------|----------------|----------------|----------------|----------------|------|
| P0226.025-004-A2 | M2,5 | 4 | 4.7 | - | 0.6 | 1.5 | PH-1 |
| P0226.025-005-A2 | M2,5 | 5 | 4.7 | - | 0.6 | 1.5 | PH-1 |
| P0226.025-006-A2 | M2,5 | 6 | 4.7 | - | 0.6 | 1.5 | PH-1 |
| P0226.025-008-A2 | M2,5 | 8 | 4.7 | - | 0.6 | 1.5 | PH-1 |
| P0226.025-010-A2 | M2,5 | 10 | 4.7 | - | 0.6 | 1.5 | PH-1 |
| P0226.025-012-A2 | M2,5 | 12 | 4.7 | - | 0.6 | 1.5 | PH-1 |
| P0226.025-014-A2 | M2,5 | 14 | 4.7 | - | 0.6 | 1.5 | PH-1 |
| P0226.025-016-A2 | M2,5 | 16 | 4.7 | - | 0.6 | 1.5 | PH-1 |
| P0226.025-018-A2 | M2,5 | 18 | 4.7 | 18 | 0.6 | 1.5 | PH-1 |
| P0226.025-020-A2 | M2,5 | 20 | 4.7 | 18 | 0.6 | 1.5 | PH-1 |
| P0226.030-004-A2 | M 3 | 4 | 5.6 | - | 0.75 | 1.65 | PH-1 |
| P0226.030-005-A2 | M 3 | 5 | 5.6 | - | 0.75 | 1.65 | PH-1 |
| P0226.030-006-A2 | M 3 | 6 | 5.6 | - | 0.75 | 1.65 | PH-1 |
| P0226.030-008-A2 | M 3 | 8 | 5.6 | - | 0.75 | 1.65 | PH-1 |
| P0226.030-010-A2 | M 3 | 10 | 5.6 | - | 0.75 | 1.65 | PH-1 |
| P0226.030-012-A2 | M 3 | 12 | 5.6 | - | 0.75 | 1.65 | PH-1 |
| P0226.030-014-A2 | M 3 | 14 | 5.6 | - | 0.75 | 1.65 | PH-1 |
| P0226.030-016-A2 | M 3 | 16 | 5.6 | - | 0.75 | 1.65 | PH-1 |
| P0226.030-018-A2 | M 3 | 18 | 5.6 | - | 0.75 | 1.65 | PH-1 |
| P0226.030-020-A2 | M 3 | 20 | 5.6 | 19 | 0.75 | 1.65 | PH-1 |
| P0226.030-022-A2 | M 3 | 22 | 5.6 | 19 | 0.75 | 1.65 | PH-1 |
| P0226.030-025-A2 | M 3 | 25 | 5.6 | 19 | 0.75 | 1.65 | PH-1 |
| P0226.030-028-A2 | M 3 | 28 | 5.6 | 19 | 0.75 | 1.65 | PH-1 |
| P0226.030-030-A2 | M 3 | 30 | 5.6 | 19 | 0.75 | 1.65 | PH-1 |
| P0226.030-035-A2 | M 3 | 35 | 5.6 | 19 | 0.75 | 1.65 | PH-1 |
| P0226.030-040-A2 | M 3 | 40 | 5.6 | 19 | 0.75 | 1.65 | PH-1 |
| P0226.030-045-A2 | M 3 | 45 | 5.6 | 19 | 0.75 | 1.65 | PH-1 |
| P0226.030-050-A2 | M 3 | 50 | 5.6 | 19 | 0.75 | 1.65 | PH-1 |
| P0226.040-005-A2 | M 4 | 5 | 7.5 | - | 1.0 | 2.2 | PH-2 |
| P0226.040-006-A2 | M 4 | 6 | 7.5 | - | 1.0 | 2.2 | PH-2 |
| P0226.040-008-A2 | M 4 | 8 | 7.5 | - | 1.0 | 2.2 | PH-2 |
| P0226.040-010-A2 | M 4 | 10 | 7.5 | - | 1.0 | 2.2 | PH-2 |
| P0226.040-012-A2 | M 4 | 12 | 7.5 | - | 1.0 | 2.2 | PH-2 |
| P0226.040-014-A2 | M 4 | 14 | 7.5 | - | 1.0 | 2.2 | PH-2 |



Phillips Raised C'sunk Machine Screws

Phillips raised - A2 stainless

Standard Screws



| Order No. | d ₁ | l ₁ | d ₂ | l ₂ | l ₃ | h ₁ | Size |
|------------------|----------------|----------------|----------------|----------------|----------------|----------------|------|
| P0226.040-016-A2 | M 4 | 16 | 7.5 | - | 1.0 | 2.2 | PH-2 |
| P0226.040-018-A2 | M 4 | 18 | 7.5 | - | 1.0 | 2.2 | PH-2 |
| P0226.040-020-A2 | M 4 | 20 | 7.5 | - | 1.0 | 2.2 | PH-2 |
| P0226.040-022-A2 | M 4 | 22 | 7.5 | 22 | 1.0 | 2.2 | PH-2 |
| P0226.040-025-A2 | M 4 | 25 | 7.5 | 22 | 1.0 | 2.2 | PH-2 |
| P0226.040-028-A2 | M 4 | 28 | 7.5 | 22 | 1.0 | 2.2 | PH-2 |
| P0226.040-030-A2 | M 4 | 30 | 7.5 | 22 | 1.0 | 2.2 | PH-2 |
| P0226.040-035-A2 | M 4 | 35 | 7.5 | 22 | 1.0 | 2.2 | PH-2 |
| P0226.040-040-A2 | M 4 | 40 | 7.5 | 22 | 1.0 | 2.2 | PH-2 |
| P0226.040-045-A2 | M 4 | 45 | 7.5 | 22 | 1.0 | 2.2 | PH-2 |
| P0226.040-050-A2 | M 4 | 50 | 7.5 | 22 | 1.0 | 2.2 | PH-2 |
| P0226.040-055-A2 | M 4 | 55 | 7.5 | 22 | 1.0 | 2.2 | PH-2 |
| P0226.040-060-A2 | M 4 | 60 | 7.5 | 22 | 1.0 | 2.2 | PH-2 |
| P0226.040-065-A2 | M 4 | 65 | 7.5 | 22 | 1.0 | 2.2 | PH-2 |
| P0226.040-070-A2 | M 4 | 70 | 7.5 | 22 | 1.0 | 2.2 | PH-2 |
| P0226.050-006-A2 | M 5 | 6 | 9.2 | - | 1.25 | 2.5 | PH-2 |
| P0226.050-008-A2 | M 5 | 8 | 9.2 | - | 1.25 | 2.5 | PH-2 |
| P0226.050-010-A2 | M 5 | 10 | 9.2 | - | 1.25 | 2.5 | PH-2 |
| P0226.050-012-A2 | M 5 | 12 | 9.2 | - | 1.25 | 2.5 | PH-2 |
| P0226.050-014-A2 | M 5 | 14 | 9.2 | - | 1.25 | 2.5 | PH-2 |
| P0226.050-016-A2 | M 5 | 16 | 9.2 | - | 1.25 | 2.5 | PH-2 |
| P0226.050-018-A2 | M 5 | 18 | 9.2 | - | 1.25 | 2.5 | PH-2 |
| P0226.050-020-A2 | M 5 | 20 | 9.2 | - | 1.25 | 2.5 | PH-2 |
| P0226.050-022-A2 | M 5 | 22 | 9.2 | - | 1.25 | 2.5 | PH-2 |
| P0226.050-025-A2 | M 5 | 25 | 9.2 | 25 | 1.25 | 2.5 | PH-2 |
| P0226.050-028-A2 | M 5 | 28 | 9.2 | 25 | 1.25 | 2.5 | PH-2 |
| P0226.050-030-A2 | M 5 | 30 | 9.2 | 25 | 1.25 | 2.5 | PH-2 |
| P0226.050-035-A2 | M 5 | 35 | 9.2 | 25 | 1.25 | 2.5 | PH-2 |
| P0226.050-040-A2 | M 5 | 40 | 9.2 | 25 | 1.25 | 2.5 | PH-2 |
| P0226.050-045-A2 | M 5 | 45 | 9.2 | 25 | 1.25 | 2.5 | PH-2 |
| P0226.050-050-A2 | M 5 | 50 | 9.2 | 25 | 1.25 | 2.5 | PH-2 |
| P0226.050-055-A2 | M 5 | 55 | 9.2 | 25 | 1.25 | 2.5 | PH-2 |
| P0226.050-060-A2 | M 5 | 60 | 9.2 | 25 | 1.25 | 2.5 | PH-2 |
| P0226.050-065-A2 | M 5 | 65 | 9.2 | 25 | 1.25 | 2.5 | PH-2 |
| P0226.050-070-A2 | M 5 | 70 | 9.2 | 25 | 1.25 | 2.5 | PH-2 |
| P0226.050-075-A2 | M 5 | 75 | 9.2 | 25 | 1.25 | 2.5 | PH-2 |
| P0226.050-080-A2 | M 5 | 80 | 9.2 | 25 | 1.25 | 2.5 | PH-2 |
| P0226.050-085-A2 | M 5 | 85 | 9.2 | 25 | 1.25 | 2.5 | PH-2 |
| P0226.050-090-A2 | M 5 | 90 | 9.2 | 25 | 1.25 | 2.5 | PH-2 |
| P0226.050-095-A2 | M 5 | 95 | 9.2 | 25 | 1.25 | 2.5 | PH-2 |
| P0226.050-100-A2 | M 5 | 100 | 9.2 | 25 | 1.25 | 2.5 | PH-2 |
| P0226.060-008-A2 | M 6 | 8 | 11.0 | - | 1.5 | 3.0 | PH-3 |
| P0226.060-010-A2 | M 6 | 10 | 11.0 | - | 1.5 | 3.0 | PH-3 |
| P0226.060-012-A2 | M 6 | 12 | 11.0 | - | 1.5 | 3.0 | PH-3 |
| P0226.060-014-A2 | M 6 | 14 | 11.0 | - | 1.5 | 3.0 | PH-3 |
| P0226.060-016-A2 | M 6 | 16 | 11.0 | - | 1.5 | 3.0 | PH-3 |
| P0226.060-018-A2 | M 6 | 18 | 11.0 | - | 1.5 | 3.0 | PH-3 |
| P0226.060-020-A2 | M 6 | 20 | 11.0 | - | 1.5 | 3.0 | PH-3 |
| P0226.060-022-A2 | M 6 | 22 | 11.0 | - | 1.5 | 3.0 | PH-3 |
| P0226.060-025-A2 | M 6 | 25 | 11.0 | - | 1.5 | 3.0 | PH-3 |
| P0226.060-028-A2 | M 6 | 28 | 11.0 | 28 | 1.5 | 3.0 | PH-3 |
| P0226.060-030-A2 | M 6 | 30 | 11.0 | 28 | 1.5 | 3.0 | PH-3 |
| P0226.060-035-A2 | M 6 | 35 | 11.0 | 28 | 1.5 | 3.0 | PH-3 |
| P0226.060-040-A2 | M 6 | 40 | 11.0 | 28 | 1.5 | 3.0 | PH-3 |
| P0226.060-045-A2 | M 6 | 45 | 11.0 | 28 | 1.5 | 3.0 | PH-3 |
| P0226.060-050-A2 | M 6 | 50 | 11.0 | 28 | 1.5 | 3.0 | PH-3 |
| P0226.060-055-A2 | M 6 | 55 | 11.0 | 28 | 1.5 | 3.0 | PH-3 |
| P0226.060-060-A2 | M 6 | 60 | 11.0 | 28 | 1.5 | 3.0 | PH-3 |
| P0226.060-065-A2 | M 6 | 65 | 11.0 | 28 | 1.5 | 3.0 | PH-3 |
| P0226.060-070-A2 | M 6 | 70 | 11.0 | 28 | 1.5 | 3.0 | PH-3 |
| P0226.060-075-A2 | M 6 | 75 | 11.0 | 28 | 1.5 | 3.0 | PH-3 |
| P0226.060-080-A2 | M 6 | 80 | 11.0 | 28 | 1.5 | 3.0 | PH-3 |
| P0226.060-085-A2 | M 6 | 85 | 11.0 | 28 | 1.5 | 3.0 | PH-3 |
| P0226.060-090-A2 | M 6 | 90 | 11.0 | 28 | 1.5 | 3.0 | PH-3 |
| P0226.060-095-A2 | M 6 | 95 | 11.0 | 28 | 1.5 | 3.0 | PH-3 |
| P0226.060-100-A2 | M 6 | 100 | 11.0 | 28 | 1.5 | 3.0 | PH-3 |
| P0226.080-010-A2 | M 8 | 10 | 14.5 | - | 2.0 | 4.0 | PH-4 |
| P0226.080-012-A2 | M 8 | 12 | 14.5 | - | 2.0 | 4.0 | PH-4 |
| P0226.080-014-A2 | M 8 | 14 | 14.5 | - | 2.0 | 4.0 | PH-4 |

STANDARD SCREWS



STANDARD SCREWS

| Order No. | d ₁ | l ₁ | d ₂ | l ₂ | l ₃ | h ₁ | Size |
|------------------|----------------|----------------|----------------|----------------|----------------|----------------|------|
| P0226.080-016-A2 | M 8 | 16 | 14.5 | - | 2.0 | 4.0 | PH-4 |
| P0226.080-018-A2 | M 8 | 18 | 14.5 | - | 2.0 | 4.0 | PH-4 |
| P0226.080-020-A2 | M 8 | 20 | 14.5 | - | 2.0 | 4.0 | PH-4 |
| P0226.080-022-A2 | M 8 | 22 | 14.5 | - | 2.0 | 4.0 | PH-4 |
| P0226.080-025-A2 | M 8 | 25 | 14.5 | - | 2.0 | 4.0 | PH-4 |
| P0226.080-028-A2 | M 8 | 28 | 14.5 | - | 2.0 | 4.0 | PH-4 |
| P0226.080-030-A2 | M 8 | 30 | 14.5 | - | 2.0 | 4.0 | PH-4 |
| P0226.080-035-A2 | M 8 | 35 | 14.5 | 34 | 2.0 | 4.0 | PH-4 |
| P0226.080-040-A2 | M 8 | 40 | 14.5 | 34 | 2.0 | 4.0 | PH-4 |
| P0226.080-045-A2 | M 8 | 45 | 14.5 | 34 | 2.0 | 4.0 | PH-4 |
| P0226.080-050-A2 | M 8 | 50 | 14.5 | 34 | 2.0 | 4.0 | PH-4 |
| P0226.080-055-A2 | M 8 | 55 | 14.5 | 34 | 2.0 | 4.0 | PH-4 |
| P0226.080-060-A2 | M 8 | 60 | 14.5 | 34 | 2.0 | 4.0 | PH-4 |
| P0226.080-065-A2 | M 8 | 65 | 14.5 | 34 | 2.0 | 4.0 | PH-4 |
| P0226.080-070-A2 | M 8 | 70 | 14.5 | 34 | 2.0 | 4.0 | PH-4 |
| P0226.080-075-A2 | M 8 | 75 | 14.5 | 34 | 2.0 | 4.0 | PH-4 |
| P0226.080-080-A2 | M 8 | 80 | 14.5 | 34 | 2.0 | 4.0 | PH-4 |
| P0226.080-085-A2 | M 8 | 85 | 14.5 | 34 | 2.0 | 4.0 | PH-4 |
| P0226.080-090-A2 | M 8 | 90 | 14.5 | 34 | 2.0 | 4.0 | PH-4 |
| P0226.080-095-A2 | M 8 | 95 | 14.5 | 34 | 2.0 | 4.0 | PH-4 |
| P0226.080-100-A2 | M 8 | 100 | 14.5 | 34 | 2.0 | 4.0 | PH-4 |
| P0226.100-020-A2 | M10 | 20 | 18.0 | - | 2.5 | 5.0 | PH-4 |
| P0226.100-022-A2 | M10 | 22 | 18.0 | - | 2.5 | 5.0 | PH-4 |
| P0226.100-025-A2 | M10 | 25 | 18.0 | - | 2.5 | 5.0 | PH-4 |
| P0226.100-028-A2 | M10 | 28 | 18.0 | - | 2.5 | 5.0 | PH-4 |
| P0226.100-030-A2 | M10 | 30 | 18.0 | - | 2.5 | 5.0 | PH-4 |
| P0226.100-035-A2 | M10 | 35 | 18.0 | - | 2.5 | 5.0 | PH-4 |
| P0226.100-040-A2 | M10 | 40 | 18.0 | 40 | 2.5 | 5.0 | PH-4 |
| P0226.100-045-A2 | M10 | 45 | 18.0 | 40 | 2.5 | 5.0 | PH-4 |
| P0226.100-050-A2 | M10 | 50 | 18.0 | 40 | 2.5 | 5.0 | PH-4 |
| P0226.100-055-A2 | M10 | 55 | 18.0 | 40 | 2.5 | 5.0 | PH-4 |
| P0226.100-060-A2 | M10 | 60 | 18.0 | 40 | 2.5 | 5.0 | PH-4 |



Raised C'sunk Phillips Machine Screws

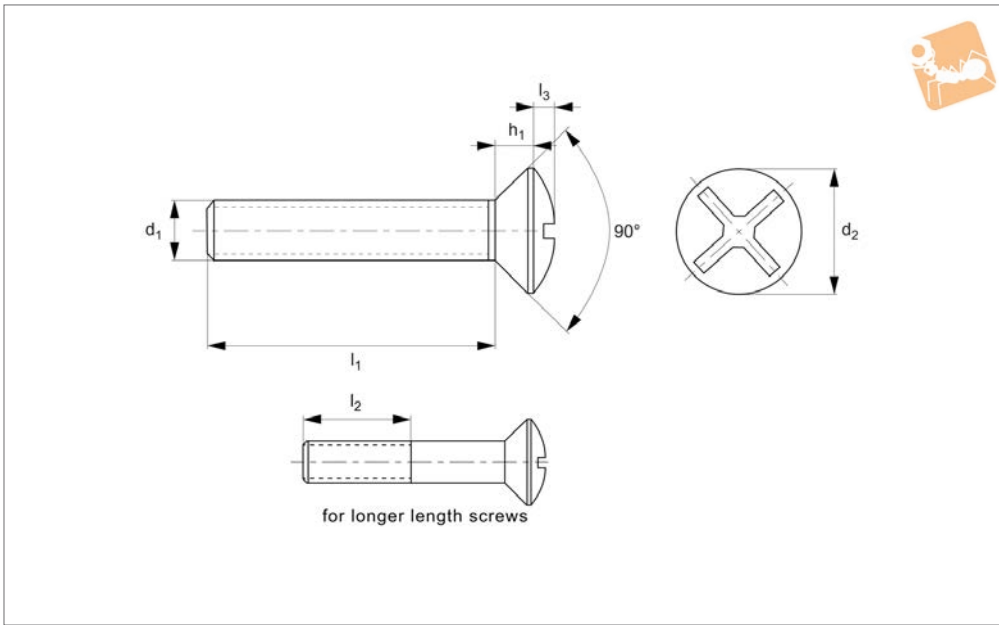
Phillips raised - A4 stainless

Standard Screws



P0226.A4

STANDARD SCREWS



Material

Stainless steel A4.

Technical Notes

To DIN 966. For the majority of screw

lengths the threads goes all the way to the head of the screw (i.e. $l_1 = l_2$) less 2.5 thread pitches.
For longer length screws the threaded

portion $l_2 < l_1$.

See technical page for tightening torques.

| Order No. | d ₁ | l ₁ | d ₂ | l ₂ | l ₃ | h ₁ | Size |
|------------------|----------------|----------------|----------------|----------------|----------------|----------------|------|
| P0226.025-004-A4 | M2,5 | 4 | 4.7 | - | 0.6 | 1.5 | PH-1 |
| P0226.025-005-A4 | M2,5 | 5 | 4.7 | - | 0.6 | 1.5 | PH-1 |
| P0226.025-006-A4 | M2,5 | 6 | 4.7 | - | 0.6 | 1.5 | PH-1 |
| P0226.025-008-A4 | M2,5 | 8 | 4.7 | - | 0.6 | 1.5 | PH-1 |
| P0226.025-010-A4 | M2,5 | 10 | 4.7 | - | 0.6 | 1.5 | PH-1 |
| P0226.025-012-A4 | M2,5 | 12 | 4.7 | - | 0.6 | 1.5 | PH-1 |
| P0226.025-014-A4 | M2,5 | 14 | 4.7 | - | 0.6 | 1.5 | PH-1 |
| P0226.025-016-A4 | M2,5 | 16 | 4.7 | - | 0.6 | 1.5 | PH-1 |
| P0226.025-018-A4 | M2,5 | 18 | 4.7 | 18 | 0.6 | 1.5 | PH-1 |
| P0226.025-020-A4 | M2,5 | 20 | 4.7 | 18 | 0.6 | 1.5 | PH-1 |
| P0226.030-004-A4 | M 3 | 4 | 5.6 | - | 0.75 | 1.65 | PH-1 |
| P0226.030-005-A4 | M 3 | 5 | 5.6 | - | 0.75 | 1.65 | PH-1 |
| P0226.030-006-A4 | M 3 | 6 | 5.6 | - | 0.75 | 1.65 | PH-1 |
| P0226.030-008-A4 | M 3 | 8 | 5.6 | - | 0.75 | 1.65 | PH-1 |
| P0226.030-010-A4 | M 3 | 10 | 5.6 | - | 0.75 | 1.65 | PH-1 |
| P0226.030-012-A4 | M 3 | 12 | 5.6 | - | 0.75 | 1.65 | PH-1 |
| P0226.030-014-A4 | M 3 | 14 | 5.6 | - | 0.75 | 1.65 | PH-1 |
| P0226.030-016-A4 | M 3 | 16 | 5.6 | - | 0.75 | 1.65 | PH-1 |
| P0226.030-018-A4 | M 3 | 18 | 5.6 | - | 0.75 | 1.65 | PH-1 |
| P0226.030-020-A4 | M 3 | 20 | 5.6 | 19 | 0.75 | 1.65 | PH-1 |
| P0226.030-022-A4 | M 3 | 22 | 5.6 | 19 | 0.75 | 1.65 | PH-1 |
| P0226.030-025-A4 | M 3 | 25 | 5.6 | 19 | 0.75 | 1.65 | PH-1 |
| P0226.030-028-A4 | M 3 | 28 | 5.6 | 19 | 0.75 | 1.65 | PH-1 |
| P0226.030-030-A4 | M 3 | 30 | 5.6 | 19 | 0.75 | 1.65 | PH-1 |
| P0226.030-035-A4 | M 3 | 35 | 5.6 | 19 | 0.75 | 1.65 | PH-1 |
| P0226.030-040-A4 | M 3 | 40 | 5.6 | 19 | 0.75 | 1.65 | PH-1 |
| P0226.030-045-A4 | M 3 | 45 | 5.6 | 19 | 0.75 | 1.65 | PH-1 |
| P0226.030-050-A4 | M 3 | 50 | 5.6 | 19 | 0.75 | 1.65 | PH-1 |
| P0226.040-005-A4 | M 4 | 5 | 7.5 | - | 1.0 | 2.2 | PH-2 |
| P0226.040-006-A4 | M 4 | 6 | 7.5 | - | 1.0 | 2.2 | PH-2 |
| P0226.040-008-A4 | M 4 | 8 | 7.5 | - | 1.0 | 2.2 | PH-2 |
| P0226.040-010-A4 | M 4 | 10 | 7.5 | - | 1.0 | 2.2 | PH-2 |
| P0226.040-012-A4 | M 4 | 12 | 7.5 | - | 1.0 | 2.2 | PH-2 |
| P0226.040-014-A4 | M 4 | 14 | 7.5 | - | 1.0 | 2.2 | PH-2 |



STANDARD SCREWS

| Order No. | d ₁ | l ₁ | d ₂ | l ₂ | l ₃ | h ₁ | Size |
|------------------|----------------|----------------|----------------|----------------|----------------|----------------|------|
| P0226.040-016-A4 | M 4 | 16 | 7.5 | - | 1.0 | 2.2 | PH-2 |
| P0226.040-018-A4 | M 4 | 18 | 7.5 | - | 1.0 | 2.2 | PH-2 |
| P0226.040-020-A4 | M 4 | 20 | 7.5 | - | 1.0 | 2.2 | PH-2 |
| P0226.040-022-A4 | M 4 | 22 | 7.5 | 22 | 1.0 | 2.2 | PH-2 |
| P0226.040-025-A4 | M 4 | 25 | 7.5 | 22 | 1.0 | 2.2 | PH-2 |
| P0226.040-028-A4 | M 4 | 28 | 7.5 | 22 | 1.0 | 2.2 | PH-2 |
| P0226.040-030-A4 | M 4 | 30 | 7.5 | 22 | 1.0 | 2.2 | PH-2 |
| P0226.040-035-A4 | M 4 | 35 | 7.5 | 22 | 1.0 | 2.2 | PH-2 |
| P0226.040-040-A4 | M 4 | 40 | 7.5 | 22 | 1.0 | 2.2 | PH-2 |
| P0226.040-045-A4 | M 4 | 45 | 7.5 | 22 | 1.0 | 2.2 | PH-2 |
| P0226.040-050-A4 | M 4 | 50 | 7.5 | 22 | 1.0 | 2.2 | PH-2 |
| P0226.040-055-A4 | M 4 | 55 | 7.5 | 22 | 1.0 | 2.2 | PH-2 |
| P0226.040-060-A4 | M 4 | 60 | 7.5 | 22 | 1.0 | 2.2 | PH-2 |
| P0226.040-065-A4 | M 4 | 65 | 7.5 | 22 | 1.0 | 2.2 | PH-2 |
| P0226.040-070-A4 | M 4 | 70 | 7.5 | 22 | 1.0 | 2.2 | PH-2 |
| P0226.050-006-A4 | M 5 | 6 | 9.2 | - | 1.25 | 2.5 | PH-2 |
| P0226.050-008-A4 | M 5 | 8 | 9.2 | - | 1.25 | 2.5 | PH-2 |
| P0226.050-010-A4 | M 5 | 10 | 9.2 | - | 1.25 | 2.5 | PH-2 |
| P0226.050-012-A4 | M 5 | 12 | 9.2 | - | 1.25 | 2.5 | PH-2 |
| P0226.050-014-A4 | M 5 | 14 | 9.2 | - | 1.25 | 2.5 | PH-2 |
| P0226.050-016-A4 | M 5 | 16 | 9.2 | - | 1.25 | 2.5 | PH-2 |
| P0226.050-018-A4 | M 5 | 18 | 9.2 | - | 1.25 | 2.5 | PH-2 |
| P0226.050-020-A4 | M 5 | 20 | 9.2 | - | 1.25 | 2.5 | PH-2 |
| P0226.050-022-A4 | M 5 | 22 | 9.2 | - | 1.25 | 2.5 | PH-2 |
| P0226.050-025-A4 | M 5 | 25 | 9.2 | 25 | 1.25 | 2.5 | PH-2 |
| P0226.050-028-A4 | M 5 | 28 | 9.2 | 25 | 1.25 | 2.5 | PH-2 |
| P0226.050-030-A4 | M 5 | 30 | 9.2 | 25 | 1.25 | 2.5 | PH-2 |
| P0226.050-035-A4 | M 5 | 35 | 9.2 | 25 | 1.25 | 2.5 | PH-2 |
| P0226.050-040-A4 | M 5 | 40 | 9.2 | 25 | 1.25 | 2.5 | PH-2 |
| P0226.050-045-A4 | M 5 | 45 | 9.2 | 25 | 1.25 | 2.5 | PH-2 |
| P0226.050-050-A4 | M 5 | 50 | 9.2 | 25 | 1.25 | 2.5 | PH-2 |
| P0226.050-055-A4 | M 5 | 55 | 9.2 | 25 | 1.25 | 2.5 | PH-2 |
| P0226.050-060-A4 | M 5 | 60 | 9.2 | 25 | 1.25 | 2.5 | PH-2 |
| P0226.050-065-A4 | M 5 | 65 | 9.2 | 25 | 1.25 | 2.5 | PH-2 |
| P0226.050-070-A4 | M 5 | 70 | 9.2 | 25 | 1.25 | 2.5 | PH-2 |
| P0226.050-075-A4 | M 5 | 75 | 9.2 | 25 | 1.25 | 2.5 | PH-2 |
| P0226.050-080-A4 | M 5 | 80 | 9.2 | 25 | 1.25 | 2.5 | PH-2 |
| P0226.050-085-A4 | M 5 | 85 | 9.2 | 25 | 1.25 | 2.5 | PH-2 |
| P0226.050-090-A4 | M 5 | 90 | 9.2 | 25 | 1.25 | 2.5 | PH-2 |
| P0226.050-095-A4 | M 5 | 95 | 9.2 | 25 | 1.25 | 2.5 | PH-2 |
| P0226.050-100-A4 | M 5 | 100 | 9.2 | 25 | 1.25 | 2.5 | PH-2 |
| P0226.060-008-A4 | M 6 | 8 | 11.0 | - | 1.5 | 3.0 | PH-3 |
| P0226.060-010-A4 | M 6 | 10 | 11.0 | - | 1.5 | 3.0 | PH-3 |
| P0226.060-012-A4 | M 6 | 12 | 11.0 | - | 1.5 | 3.0 | PH-3 |
| P0226.060-014-A4 | M 6 | 14 | 11.0 | - | 1.5 | 3.0 | PH-3 |
| P0226.060-016-A4 | M 6 | 16 | 11.0 | - | 1.5 | 3.0 | PH-3 |
| P0226.060-018-A4 | M 6 | 18 | 11.0 | - | 1.5 | 3.0 | PH-3 |
| P0226.060-020-A4 | M 6 | 20 | 11.0 | - | 1.5 | 3.0 | PH-3 |
| P0226.060-022-A4 | M 6 | 22 | 11.0 | - | 1.5 | 3.0 | PH-3 |
| P0226.060-025-A4 | M 6 | 25 | 11.0 | - | 1.5 | 3.0 | PH-3 |
| P0226.060-028-A4 | M 6 | 28 | 11.0 | 28 | 1.5 | 3.0 | PH-3 |
| P0226.060-030-A4 | M 6 | 30 | 11.0 | 28 | 1.5 | 3.0 | PH-3 |
| P0226.060-035-A4 | M 6 | 35 | 11.0 | 28 | 1.5 | 3.0 | PH-3 |
| P0226.060-040-A4 | M 6 | 40 | 11.0 | 28 | 1.5 | 3.0 | PH-3 |
| P0226.060-045-A4 | M 6 | 45 | 11.0 | 28 | 1.5 | 3.0 | PH-3 |
| P0226.060-050-A4 | M 6 | 50 | 11.0 | 28 | 1.5 | 3.0 | PH-3 |
| P0226.060-055-A4 | M 6 | 55 | 11.0 | 28 | 1.5 | 3.0 | PH-3 |
| P0226.060-060-A4 | M 6 | 60 | 11.0 | 28 | 1.5 | 3.0 | PH-3 |
| P0226.060-065-A4 | M 6 | 65 | 11.0 | 28 | 1.5 | 3.0 | PH-3 |
| P0226.060-070-A4 | M 6 | 70 | 11.0 | 28 | 1.5 | 3.0 | PH-3 |
| P0226.060-075-A4 | M 6 | 75 | 11.0 | 28 | 1.5 | 3.0 | PH-3 |
| P0226.060-080-A4 | M 6 | 80 | 11.0 | 28 | 1.5 | 3.0 | PH-3 |
| P0226.060-085-A4 | M 6 | 85 | 11.0 | 28 | 1.5 | 3.0 | PH-3 |
| P0226.060-090-A4 | M 6 | 90 | 11.0 | 28 | 1.5 | 3.0 | PH-3 |
| P0226.060-095-A4 | M 6 | 95 | 11.0 | 28 | 1.5 | 3.0 | PH-3 |
| P0226.060-100-A4 | M 6 | 100 | 11.0 | 28 | 1.5 | 3.0 | PH-3 |
| P0226.080-010-A4 | M 8 | 10 | 14.5 | - | 2.0 | 4.0 | PH-4 |
| P0226.080-012-A4 | M 8 | 12 | 14.5 | - | 2.0 | 4.0 | PH-4 |
| P0226.080-014-A4 | M 8 | 14 | 14.5 | - | 2.0 | 4.0 | PH-4 |



Raised C'sunk Phillips Machine Screws

Phillips raised - A4 stainless

Standard Screws



| Order No. | d ₁ | l ₁ | d ₂ | l ₂ | l ₃ | h ₁ | Size |
|------------------|----------------|----------------|----------------|----------------|----------------|----------------|------|
| P0226.080-016-A4 | M 8 | 16 | 14.5 | - | 2.0 | 4.0 | PH-4 |
| P0226.080-018-A4 | M 8 | 18 | 14.5 | - | 2.0 | 4.0 | PH-4 |
| P0226.080-020-A4 | M 8 | 20 | 14.5 | - | 2.0 | 4.0 | PH-4 |
| P0226.080-022-A4 | M 8 | 22 | 14.5 | - | 2.0 | 4.0 | PH-4 |
| P0226.080-025-A4 | M 8 | 25 | 14.5 | - | 2.0 | 4.0 | PH-4 |
| P0226.080-028-A4 | M 8 | 28 | 14.5 | - | 2.0 | 4.0 | PH-4 |
| P0226.080-030-A4 | M 8 | 30 | 14.5 | - | 2.0 | 4.0 | PH-4 |
| P0226.080-035-A4 | M 8 | 35 | 14.5 | 34 | 2.0 | 4.0 | PH-4 |
| P0226.080-040-A4 | M 8 | 40 | 14.5 | 34 | 2.0 | 4.0 | PH-4 |
| P0226.080-045-A4 | M 8 | 45 | 14.5 | 34 | 2.0 | 4.0 | PH-4 |
| P0226.080-050-A4 | M 8 | 50 | 14.5 | 34 | 2.0 | 4.0 | PH-4 |
| P0226.080-055-A4 | M 8 | 55 | 14.5 | 34 | 2.0 | 4.0 | PH-4 |
| P0226.080-060-A4 | M 8 | 60 | 14.5 | 34 | 2.0 | 4.0 | PH-4 |
| P0226.080-065-A4 | M 8 | 65 | 14.5 | 34 | 2.0 | 4.0 | PH-4 |
| P0226.080-070-A4 | M 8 | 70 | 14.5 | 34 | 2.0 | 4.0 | PH-4 |
| P0226.080-075-A4 | M 8 | 75 | 14.5 | 34 | 2.0 | 4.0 | PH-4 |
| P0226.080-080-A4 | M 8 | 80 | 14.5 | 34 | 2.0 | 4.0 | PH-4 |
| P0226.080-085-A4 | M 8 | 85 | 14.5 | 34 | 2.0 | 4.0 | PH-4 |
| P0226.080-090-A4 | M 8 | 90 | 14.5 | 34 | 2.0 | 4.0 | PH-4 |
| P0226.080-095-A4 | M 8 | 95 | 14.5 | 34 | 2.0 | 4.0 | PH-4 |
| P0226.080-100-A4 | M 8 | 100 | 14.5 | 34 | 2.0 | 4.0 | PH-4 |
| P0226.100-020-A4 | M10 | 20 | 18.0 | - | 2.5 | 5.0 | PH-4 |
| P0226.100-022-A4 | M10 | 22 | 18.0 | - | 2.5 | 5.0 | PH-4 |
| P0226.100-025-A4 | M10 | 25 | 18.0 | - | 2.5 | 5.0 | PH-4 |
| P0226.100-028-A4 | M10 | 28 | 18.0 | - | 2.5 | 5.0 | PH-4 |
| P0226.100-030-A4 | M10 | 30 | 18.0 | - | 2.5 | 5.0 | PH-4 |
| P0226.100-035-A4 | M10 | 35 | 18.0 | - | 2.5 | 5.0 | PH-4 |
| P0226.100-040-A4 | M10 | 40 | 18.0 | 40 | 2.5 | 5.0 | PH-4 |
| P0226.100-045-A4 | M10 | 45 | 18.0 | 40 | 2.5 | 5.0 | PH-4 |
| P0226.100-050-A4 | M10 | 50 | 18.0 | 40 | 2.5 | 5.0 | PH-4 |
| P0226.100-055-A4 | M10 | 55 | 18.0 | 40 | 2.5 | 5.0 | PH-4 |
| P0226.100-060-A4 | M10 | 60 | 18.0 | 40 | 2.5 | 5.0 | PH-4 |

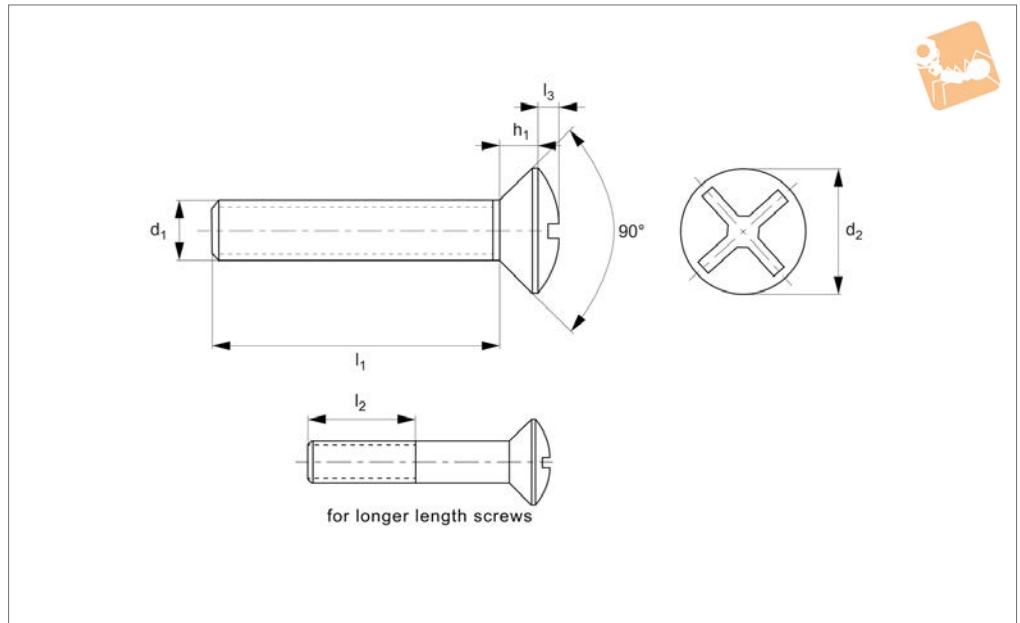
STANDARD SCREWS



STANDARD SCREWS



P0226.ZP



Material

Steel, zinc-plated (grade 4.8).

lengths the threads goes all the way to the head of the screw (i.e. $l_1 = l_2$) less 2.5 thread pitches.

portion $l_2 < l_1$.

Technical Notes

To DIN 966. For the majority of screw

For longer length screws the threaded

| Order No. | d ₁ | l ₁ | d ₂ | l ₂ | l ₃ | h ₁ | Size |
|------------------|----------------|----------------|----------------|----------------|----------------|----------------|------|
| P0226.025-004-ZP | M2,5 | 4 | 4.7 | - | 0.6 | 1.5 | PH-1 |
| P0226.025-005-ZP | M2,5 | 5 | 4.7 | - | 0.6 | 1.5 | PH-1 |
| P0226.025-006-ZP | M2,5 | 6 | 4.7 | - | 0.6 | 1.5 | PH-1 |
| P0226.025-008-ZP | M2,5 | 8 | 4.7 | - | 0.6 | 1.5 | PH-1 |
| P0226.025-010-ZP | M2,5 | 10 | 4.7 | - | 0.6 | 1.5 | PH-1 |
| P0226.025-012-ZP | M2,5 | 12 | 4.7 | - | 0.6 | 1.5 | PH-1 |
| P0226.025-014-ZP | M2,5 | 14 | 4.7 | - | 0.6 | 1.5 | PH-1 |
| P0226.025-016-ZP | M2,5 | 16 | 4.7 | - | 0.6 | 1.5 | PH-1 |
| P0226.025-018-ZP | M2,5 | 18 | 4.7 | 18 | 0.6 | 1.5 | PH-1 |
| P0226.025-020-ZP | M2,5 | 20 | 4.7 | 18 | 0.6 | 1.5 | PH-1 |
| P0226.030-004-ZP | M 3 | 4 | 5.6 | - | 0.75 | 1.65 | PH-1 |
| P0226.030-005-ZP | M 3 | 5 | 5.6 | - | 0.75 | 1.65 | PH-1 |
| P0226.030-006-ZP | M 3 | 6 | 5.6 | - | 0.75 | 1.65 | PH-1 |
| P0226.030-008-ZP | M 3 | 8 | 5.6 | - | 0.75 | 1.65 | PH-1 |
| P0226.030-010-ZP | M 3 | 10 | 5.6 | - | 0.75 | 1.65 | PH-1 |
| P0226.030-012-ZP | M 3 | 12 | 5.6 | - | 0.75 | 1.65 | PH-1 |
| P0226.030-014-ZP | M 3 | 14 | 5.6 | - | 0.75 | 1.65 | PH-1 |
| P0226.030-016-ZP | M 3 | 16 | 5.6 | - | 0.75 | 1.65 | PH-1 |
| P0226.030-018-ZP | M 3 | 18 | 5.6 | - | 0.75 | 1.65 | PH-1 |
| P0226.030-020-ZP | M 3 | 20 | 5.6 | 19 | 0.75 | 1.65 | PH-1 |
| P0226.030-022-ZP | M 3 | 22 | 5.6 | 19 | 0.75 | 1.65 | PH-1 |
| P0226.030-025-ZP | M 3 | 25 | 5.6 | 19 | 0.75 | 1.65 | PH-1 |
| P0226.030-028-ZP | M 3 | 28 | 5.6 | 19 | 0.75 | 1.65 | PH-1 |
| P0226.030-030-ZP | M 3 | 30 | 5.6 | 19 | 0.75 | 1.65 | PH-1 |
| P0226.030-035-ZP | M 3 | 35 | 5.6 | 19 | 0.75 | 1.65 | PH-1 |
| P0226.030-040-ZP | M 3 | 40 | 5.6 | 19 | 0.75 | 1.65 | PH-1 |
| P0226.030-045-ZP | M 3 | 45 | 5.6 | 19 | 0.75 | 1.65 | PH-1 |
| P0226.030-050-ZP | M 3 | 50 | 5.6 | 19 | 0.75 | 1.65 | PH-1 |
| P0226.040-005-ZP | M 4 | 5 | 7.5 | - | 1.0 | 2.2 | PH-2 |
| P0226.040-006-ZP | M 4 | 6 | 7.5 | - | 1.0 | 2.2 | PH-2 |
| P0226.040-008-ZP | M 4 | 8 | 7.5 | - | 1.0 | 2.2 | PH-2 |
| P0226.040-010-ZP | M 4 | 10 | 7.5 | - | 1.0 | 2.2 | PH-2 |
| P0226.040-012-ZP | M 4 | 12 | 7.5 | - | 1.0 | 2.2 | PH-2 |
| P0226.040-014-ZP | M 4 | 14 | 7.5 | - | 1.0 | 2.2 | PH-2 |



Raised C'sunk Phillips Machine Screws

Phillips raised - steel, zinc-plated

Standard Screws



| Order No. | d ₁ | l ₁ | d ₂ | l ₂ | l ₃ | h ₁ | Size |
|------------------|----------------|----------------|----------------|----------------|----------------|----------------|------|
| P0226.040-016-ZP | M 4 | 16 | 7.5 | - | 1.0 | 2.2 | PH-2 |
| P0226.040-018-ZP | M 4 | 18 | 7.5 | - | 1.0 | 2.2 | PH-2 |
| P0226.040-020-ZP | M 4 | 20 | 7.5 | - | 1.0 | 2.2 | PH-2 |
| P0226.040-022-ZP | M 4 | 22 | 7.5 | 22 | 1.0 | 2.2 | PH-2 |
| P0226.040-025-ZP | M 4 | 25 | 7.5 | 22 | 1.0 | 2.2 | PH-2 |
| P0226.040-028-ZP | M 4 | 28 | 7.5 | 22 | 1.0 | 2.2 | PH-2 |
| P0226.040-030-ZP | M 4 | 30 | 7.5 | 22 | 1.0 | 2.2 | PH-2 |
| P0226.040-035-ZP | M 4 | 35 | 7.5 | 22 | 1.0 | 2.2 | PH-2 |
| P0226.040-040-ZP | M 4 | 40 | 7.5 | 22 | 1.0 | 2.2 | PH-2 |
| P0226.040-045-ZP | M 4 | 45 | 7.5 | 22 | 1.0 | 2.2 | PH-2 |
| P0226.040-050-ZP | M 4 | 50 | 7.5 | 22 | 1.0 | 2.2 | PH-2 |
| P0226.040-055-ZP | M 4 | 55 | 7.5 | 22 | 1.0 | 2.2 | PH-2 |
| P0226.040-060-ZP | M 4 | 60 | 7.5 | 22 | 1.0 | 2.2 | PH-2 |
| P0226.040-065-ZP | M 4 | 65 | 7.5 | 22 | 1.0 | 2.2 | PH-2 |
| P0226.040-070-ZP | M 4 | 70 | 7.5 | 22 | 1.0 | 2.2 | PH-2 |
| P0226.050-006-ZP | M 5 | 6 | 9.2 | - | 1.25 | 2.5 | PH-2 |
| P0226.050-008-ZP | M 5 | 8 | 9.2 | - | 1.25 | 2.5 | PH-2 |
| P0226.050-010-ZP | M 5 | 10 | 9.2 | - | 1.25 | 2.5 | PH-2 |
| P0226.050-012-ZP | M 5 | 12 | 9.2 | - | 1.25 | 2.5 | PH-2 |
| P0226.050-014-ZP | M 5 | 14 | 9.2 | - | 1.25 | 2.5 | PH-2 |
| P0226.050-016-ZP | M 5 | 16 | 9.2 | - | 1.25 | 2.5 | PH-2 |
| P0226.050-018-ZP | M 5 | 18 | 9.2 | - | 1.25 | 2.5 | PH-2 |
| P0226.050-020-ZP | M 5 | 20 | 9.2 | - | 1.25 | 2.5 | PH-2 |
| P0226.050-022-ZP | M 5 | 22 | 9.2 | - | 1.25 | 2.5 | PH-2 |
| P0226.050-025-ZP | M 5 | 25 | 9.2 | 25 | 1.25 | 2.5 | PH-2 |
| P0226.050-028-ZP | M 5 | 28 | 9.2 | 25 | 1.25 | 2.5 | PH-2 |
| P0226.050-030-ZP | M 5 | 30 | 9.2 | 25 | 1.25 | 2.5 | PH-2 |
| P0226.050-035-ZP | M 5 | 35 | 9.2 | 25 | 1.25 | 2.5 | PH-2 |
| P0226.050-040-ZP | M 5 | 40 | 9.2 | 25 | 1.25 | 2.5 | PH-2 |
| P0226.050-045-ZP | M 5 | 45 | 9.2 | 25 | 1.25 | 2.5 | PH-2 |
| P0226.050-050-ZP | M 5 | 50 | 9.2 | 25 | 1.25 | 2.5 | PH-2 |
| P0226.050-055-ZP | M 5 | 55 | 9.2 | 25 | 1.25 | 2.5 | PH-2 |
| P0226.050-060-ZP | M 5 | 60 | 9.2 | 25 | 1.25 | 2.5 | PH-2 |
| P0226.050-065-ZP | M 5 | 65 | 9.2 | 25 | 1.25 | 2.5 | PH-2 |
| P0226.050-070-ZP | M 5 | 70 | 9.2 | 25 | 1.25 | 2.5 | PH-2 |
| P0226.050-075-ZP | M 5 | 75 | 9.2 | 25 | 1.25 | 2.5 | PH-2 |
| P0226.050-080-ZP | M 5 | 80 | 9.2 | 25 | 1.25 | 2.5 | PH-2 |
| P0226.050-085-ZP | M 5 | 85 | 9.2 | 25 | 1.25 | 2.5 | PH-2 |
| P0226.050-090-ZP | M 5 | 90 | 9.2 | 25 | 1.25 | 2.5 | PH-2 |
| P0226.050-095-ZP | M 5 | 95 | 9.2 | 25 | 1.25 | 2.5 | PH-2 |
| P0226.050-100-ZP | M 5 | 100 | 9.2 | 25 | 1.25 | 2.5 | PH-2 |
| P0226.060-008-ZP | M 6 | 8 | 11.0 | - | 1.5 | 3.0 | PH-3 |
| P0226.060-010-ZP | M 6 | 10 | 11.0 | - | 1.5 | 3.0 | PH-3 |
| P0226.060-012-ZP | M 6 | 12 | 11.0 | - | 1.5 | 3.0 | PH-3 |
| P0226.060-014-ZP | M 6 | 14 | 11.0 | - | 1.5 | 3.0 | PH-3 |
| P0226.060-016-ZP | M 6 | 16 | 11.0 | - | 1.5 | 3.0 | PH-3 |
| P0226.060-018-ZP | M 6 | 18 | 11.0 | - | 1.5 | 3.0 | PH-3 |
| P0226.060-020-ZP | M 6 | 20 | 11.0 | - | 1.5 | 3.0 | PH-3 |
| P0226.060-022-ZP | M 6 | 22 | 11.0 | - | 1.5 | 3.0 | PH-3 |
| P0226.060-025-ZP | M 6 | 25 | 11.0 | - | 1.5 | 3.0 | PH-3 |
| P0226.060-028-ZP | M 6 | 28 | 11.0 | 28 | 1.5 | 3.0 | PH-3 |
| P0226.060-030-ZP | M 6 | 30 | 11.0 | 28 | 1.5 | 3.0 | PH-3 |
| P0226.060-035-ZP | M 6 | 35 | 11.0 | 28 | 1.5 | 3.0 | PH-3 |
| P0226.060-040-ZP | M 6 | 40 | 11.0 | 28 | 1.5 | 3.0 | PH-3 |
| P0226.060-045-ZP | M 6 | 45 | 11.0 | 28 | 1.5 | 3.0 | PH-3 |
| P0226.060-050-ZP | M 6 | 50 | 11.0 | 28 | 1.5 | 3.0 | PH-3 |
| P0226.060-055-ZP | M 6 | 55 | 11.0 | 28 | 1.5 | 3.0 | PH-3 |
| P0226.060-060-ZP | M 6 | 60 | 11.0 | 28 | 1.5 | 3.0 | PH-3 |
| P0226.060-065-ZP | M 6 | 65 | 11.0 | 28 | 1.5 | 3.0 | PH-3 |
| P0226.060-070-ZP | M 6 | 70 | 11.0 | 28 | 1.5 | 3.0 | PH-3 |
| P0226.060-075-ZP | M 6 | 75 | 11.0 | 28 | 1.5 | 3.0 | PH-3 |
| P0226.060-080-ZP | M 6 | 80 | 11.0 | 28 | 1.5 | 3.0 | PH-3 |
| P0226.060-085-ZP | M 6 | 85 | 11.0 | 28 | 1.5 | 3.0 | PH-3 |
| P0226.060-090-ZP | M 6 | 90 | 11.0 | 28 | 1.5 | 3.0 | PH-3 |
| P0226.060-095-ZP | M 6 | 95 | 11.0 | 28 | 1.5 | 3.0 | PH-3 |
| P0226.060-100-ZP | M 6 | 100 | 11.0 | 28 | 1.5 | 3.0 | PH-3 |
| P0226.080-010-ZP | M 8 | 10 | 14.5 | - | 2.0 | 4.0 | PH-4 |
| P0226.080-012-ZP | M 8 | 12 | 14.5 | - | 2.0 | 4.0 | PH-4 |
| P0226.080-014-ZP | M 8 | 14 | 14.5 | - | 2.0 | 4.0 | PH-4 |

STANDARD SCREWS



STANDARD SCREWS

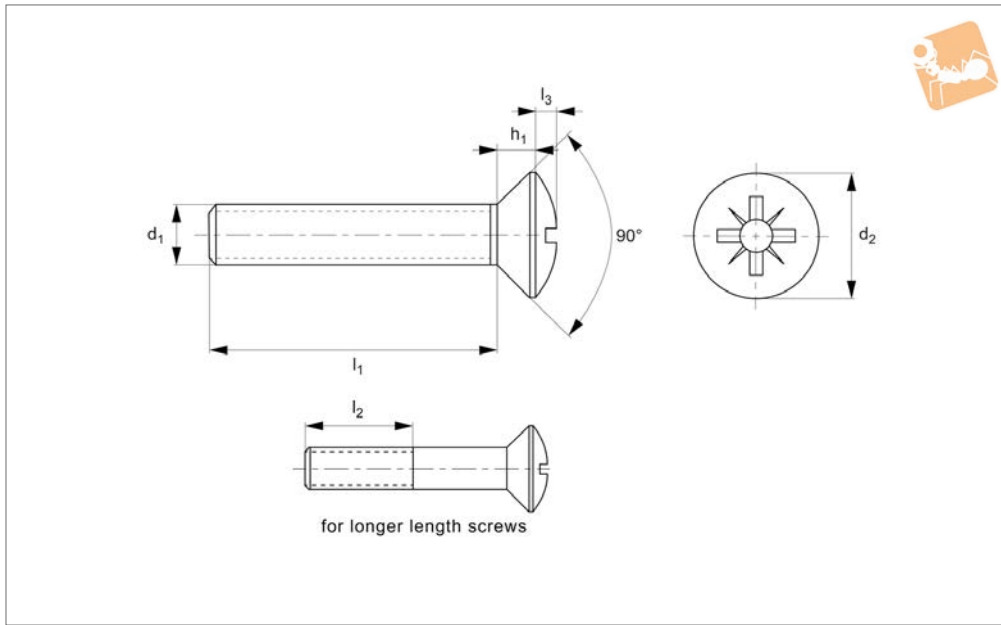
| Order No. | d ₁ | l ₁ | d ₂ | l ₂ | l ₃ | h ₁ | Size |
|------------------|----------------|----------------|----------------|----------------|----------------|----------------|------|
| P0226.080-016-ZP | M 8 | 16 | 14.5 | - | 2.0 | 4.0 | PH-4 |
| P0226.080-018-ZP | M 8 | 18 | 14.5 | - | 2.0 | 4.0 | PH-4 |
| P0226.080-020-ZP | M 8 | 20 | 14.5 | - | 2.0 | 4.0 | PH-4 |
| P0226.080-022-ZP | M 8 | 22 | 14.5 | - | 2.0 | 4.0 | PH-4 |
| P0226.080-025-ZP | M 8 | 25 | 14.5 | - | 2.0 | 4.0 | PH-4 |
| P0226.080-028-ZP | M 8 | 28 | 14.5 | - | 2.0 | 4.0 | PH-4 |
| P0226.080-030-ZP | M 8 | 30 | 14.5 | - | 2.0 | 4.0 | PH-4 |
| P0226.080-035-ZP | M 8 | 35 | 14.5 | 34 | 2.0 | 4.0 | PH-4 |
| P0226.080-040-ZP | M 8 | 40 | 14.5 | 34 | 2.0 | 4.0 | PH-4 |
| P0226.080-045-ZP | M 8 | 45 | 14.5 | 34 | 2.0 | 4.0 | PH-4 |
| P0226.080-050-ZP | M 8 | 50 | 14.5 | 34 | 2.0 | 4.0 | PH-4 |
| P0226.080-055-ZP | M 8 | 55 | 14.5 | 34 | 2.0 | 4.0 | PH-4 |
| P0226.080-060-ZP | M 8 | 60 | 14.5 | 34 | 2.0 | 4.0 | PH-4 |
| P0226.080-065-ZP | M 8 | 65 | 14.5 | 34 | 2.0 | 4.0 | PH-4 |
| P0226.080-070-ZP | M 8 | 70 | 14.5 | 34 | 2.0 | 4.0 | PH-4 |
| P0226.080-075-ZP | M 8 | 75 | 14.5 | 34 | 2.0 | 4.0 | PH-4 |
| P0226.080-080-ZP | M 8 | 80 | 14.5 | 34 | 2.0 | 4.0 | PH-4 |
| P0226.080-085-ZP | M 8 | 85 | 14.5 | 34 | 2.0 | 4.0 | PH-4 |
| P0226.080-090-ZP | M 8 | 90 | 14.5 | 34 | 2.0 | 4.0 | PH-4 |
| P0226.080-095-ZP | M 8 | 95 | 14.5 | 34 | 2.0 | 4.0 | PH-4 |
| P0226.080-100-ZP | M 8 | 100 | 14.5 | 34 | 2.0 | 4.0 | PH-4 |
| P0226.100-020-ZP | M10 | 20 | 18.0 | - | 2.5 | 5.0 | PH-4 |
| P0226.100-022-ZP | M10 | 22 | 18.0 | - | 2.5 | 5.0 | PH-4 |
| P0226.100-025-ZP | M10 | 25 | 18.0 | - | 2.5 | 5.0 | PH-4 |
| P0226.100-028-ZP | M10 | 28 | 18.0 | - | 2.5 | 5.0 | PH-4 |
| P0226.100-030-ZP | M10 | 30 | 18.0 | - | 2.5 | 5.0 | PH-4 |
| P0226.100-035-ZP | M10 | 35 | 18.0 | - | 2.5 | 5.0 | PH-4 |
| P0226.100-040-ZP | M10 | 40 | 18.0 | 40 | 2.5 | 5.0 | PH-4 |
| P0226.100-045-ZP | M10 | 45 | 18.0 | 40 | 2.5 | 5.0 | PH-4 |
| P0226.100-050-ZP | M10 | 50 | 18.0 | 40 | 2.5 | 5.0 | PH-4 |
| P0226.100-055-ZP | M10 | 55 | 18.0 | 40 | 2.5 | 5.0 | PH-4 |
| P0226.100-060-ZP | M10 | 60 | 18.0 | 40 | 2.5 | 5.0 | PH-4 |



Pozi Raised C'sunk Machine Screws

Pozi raised - A2 stainless

Standard Screws



P0227.A2

STANDARD SCREWS

Material

Stainless steel A2.

lengths the threads goes all the way to the head of the screw (i.e. $l_1 = l_2$) less 2.5 thread pitches.

portion $l_2 < l_1$.

Technical Notes

To DIN 966. For the majority of screw

For longer length screws the threaded

See technical page for tightening torques.

| Order No. | d ₁ | l ₁ | d ₂ | l ₂ | l ₃ | h ₁ | Size |
|------------------|----------------|----------------|----------------|----------------|----------------|----------------|------|
| P0227.020-004-A2 | M2 | 4 | 3.8 | - | 0.4 | 1.2 | PZ-1 |
| P0227.020-005-A2 | M2 | 5 | 3.8 | - | 0.4 | 1.2 | PZ-1 |
| P0227.020-006-A2 | M2 | 6 | 3.8 | - | 0.4 | 1.2 | PZ-1 |
| P0227.020-008-A2 | M2 | 8 | 3.8 | - | 0.4 | 1.2 | PZ-1 |
| P0227.020-010-A2 | M2 | 10 | 3.8 | - | 0.4 | 1.2 | PZ-1 |
| P0227.020-012-A2 | M2 | 12 | 3.8 | - | 0.4 | 1.2 | PZ-1 |
| P0227.025-004-A2 | M2,5 | 4 | 4.7 | - | 0.5 | 1.5 | PZ-1 |
| P0227.025-005-A2 | M2,5 | 5 | 4.7 | - | 0.5 | 1.5 | PZ-1 |
| P0227.025-006-A2 | M2,5 | 6 | 4.7 | - | 0.5 | 1.5 | PZ-1 |
| P0227.025-008-A2 | M2,5 | 8 | 4.7 | - | 0.5 | 1.5 | PZ-1 |
| P0227.025-010-A2 | M2,5 | 10 | 4.7 | - | 0.5 | 1.5 | PZ-1 |
| P0227.025-012-A2 | M2,5 | 12 | 4.7 | - | 0.5 | 1.5 | PZ-1 |
| P0227.025-014-A2 | M2,5 | 14 | 4.7 | - | 0.5 | 1.5 | PZ-1 |
| P0227.025-016-A2 | M2,5 | 16 | 4.7 | - | 0.5 | 1.5 | PZ-1 |
| P0227.025-018-A2 | M2,5 | 18 | 4.7 | - | 0.5 | 1.5 | PZ-1 |
| P0227.025-020-A2 | M2,5 | 20 | 4.7 | - | 0.5 | 1.5 | PZ-1 |
| P0227.030-004-A2 | M3 | 4 | 5.6 | - | 0.6 | 1.65 | PZ-1 |
| P0227.030-005-A2 | M3 | 5 | 5.6 | - | 0.6 | 1.65 | PZ-1 |
| P0227.030-006-A2 | M3 | 6 | 5.6 | - | 0.6 | 1.65 | PZ-1 |
| P0227.030-008-A2 | M3 | 8 | 5.6 | - | 0.6 | 1.65 | PZ-1 |
| P0227.030-010-A2 | M3 | 10 | 5.6 | - | 0.6 | 1.65 | PZ-1 |
| P0227.030-012-A2 | M3 | 12 | 5.6 | - | 0.6 | 1.65 | PZ-1 |
| P0227.030-014-A2 | M3 | 14 | 5.6 | - | 0.6 | 1.65 | PZ-1 |
| P0227.030-016-A2 | M3 | 16 | 5.6 | - | 0.6 | 1.65 | PZ-1 |
| P0227.030-018-A2 | M3 | 18 | 5.6 | - | 0.6 | 1.65 | PZ-1 |
| P0227.030-020-A2 | M3 | 20 | 5.6 | 19 | 0.6 | 1.65 | PZ-1 |
| P0227.030-025-A2 | M3 | 25 | 5.6 | 19 | 0.6 | 1.65 | PZ-1 |
| P0227.030-028-A2 | M3 | 28 | 5.6 | 19 | 0.6 | 1.65 | PZ-1 |
| P0227.030-030-A2 | M3 | 30 | 5.6 | 19 | 0.6 | 1.65 | PZ-1 |
| P0227.030-035-A2 | M3 | 35 | 5.6 | 19 | 0.6 | 1.65 | PZ-1 |
| P0227.030-040-A2 | M3 | 40 | 5.6 | 19 | 0.6 | 1.65 | PZ-1 |
| P0227.030-045-A2 | M3 | 45 | 5.6 | 19 | 0.6 | 1.65 | PZ-1 |
| P0227.030-050-A2 | M3 | 50 | 5.6 | 19 | 0.6 | 1.65 | PZ-1 |
| P0227.040-005-A2 | M4 | 5 | 7.5 | - | 0.8 | 2.2 | PZ-2 |



STANDARD SCREWS

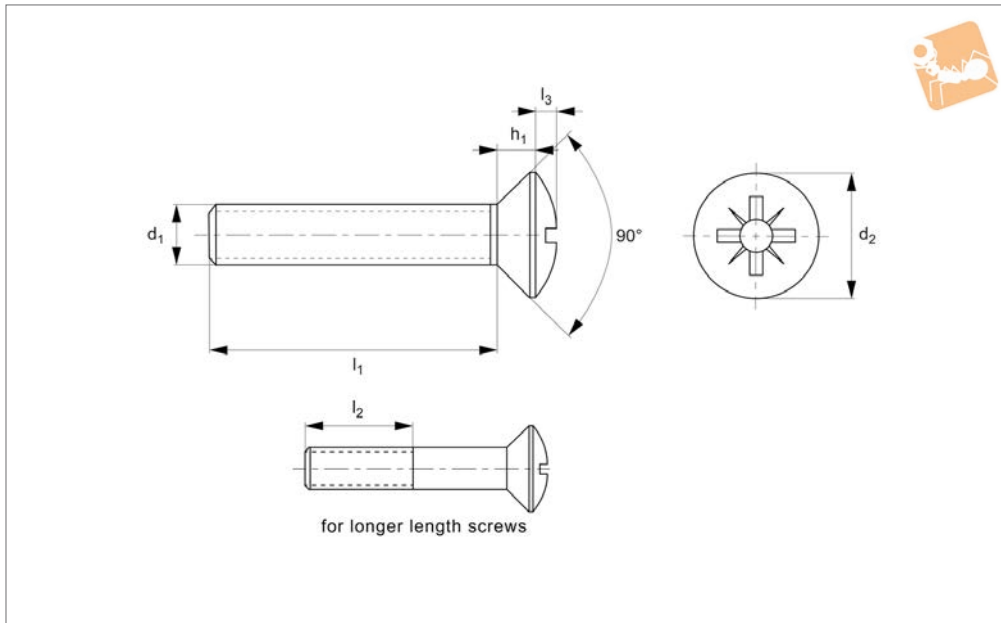
| Order No. | d ₁ | l ₁ | d ₂ | l ₂ | l ₃ | h ₁ | Size |
|------------------|----------------|----------------|----------------|----------------|----------------|----------------|------|
| P0227.040-006-A2 | M4 | 6 | 7.5 | - | 0.8 | 2.2 | PZ-2 |
| P0227.040-008-A2 | M4 | 8 | 7.5 | - | 0.8 | 2.2 | PZ-2 |
| P0227.040-010-A2 | M4 | 10 | 7.5 | - | 0.8 | 2.2 | PZ-2 |
| P0227.040-012-A2 | M4 | 12 | 7.5 | - | 0.8 | 2.2 | PZ-2 |
| P0227.040-014-A2 | M4 | 14 | 7.5 | - | 0.8 | 2.2 | PZ-2 |
| P0227.040-016-A2 | M4 | 16 | 7.5 | - | 0.8 | 2.2 | PZ-2 |
| P0227.040-018-A2 | M4 | 18 | 7.5 | - | 0.8 | 2.2 | PZ-2 |
| P0227.040-020-A2 | M4 | 20 | 7.5 | - | 0.8 | 2.2 | PZ-2 |
| P0227.040-025-A2 | M4 | 25 | 7.5 | - | 0.8 | 2.2 | PZ-2 |
| P0227.040-028-A2 | M4 | 28 | 7.5 | 22 | 0.8 | 2.2 | PZ-2 |
| P0227.040-030-A2 | M4 | 30 | 7.5 | 22 | 0.8 | 2.2 | PZ-2 |
| P0227.040-035-A2 | M4 | 35 | 7.5 | 22 | 0.8 | 2.2 | PZ-2 |
| P0227.040-040-A2 | M4 | 40 | 7.5 | 22 | 0.8 | 2.2 | PZ-2 |
| P0227.040-045-A2 | M4 | 45 | 7.5 | 22 | 0.8 | 2.2 | PZ-2 |
| P0227.040-050-A2 | M4 | 50 | 7.5 | 22 | 0.8 | 2.2 | PZ-2 |
| P0227.040-055-A2 | M4 | 55 | 7.5 | 22 | 0.8 | 2.2 | PZ-2 |
| P0227.040-060-A2 | M4 | 60 | 7.5 | 22 | 0.8 | 2.2 | PZ-2 |
| P0227.040-065-A2 | M4 | 65 | 7.5 | 22 | 0.8 | 2.2 | PZ-2 |
| P0227.040-070-A2 | M4 | 70 | 7.5 | 22 | 0.8 | 2.2 | Z 2 |
| P0227.050-006-A2 | M5 | 6 | 9.2 | - | 1.0 | 2.5 | PZ-2 |
| P0227.050-008-A2 | M5 | 8 | 9.2 | - | 1.0 | 2.5 | PZ-2 |
| P0227.050-010-A2 | M5 | 10 | 9.2 | - | 1.0 | 2.5 | PZ-2 |
| P0227.050-012-A2 | M5 | 12 | 9.2 | - | 1.0 | 2.5 | PZ-2 |
| P0227.050-014-A2 | M5 | 14 | 9.2 | - | 1.0 | 2.5 | PZ-2 |
| P0227.050-016-A2 | M5 | 16 | 9.2 | - | 1.0 | 2.5 | PZ-2 |
| P0227.050-018-A2 | M5 | 18 | 9.2 | - | 1.0 | 2.5 | PZ-2 |
| P0227.050-020-A2 | M5 | 20 | 9.2 | - | 1.0 | 2.5 | PZ-2 |
| P0227.050-025-A2 | M5 | 25 | 9.2 | - | 1.0 | 2.5 | PZ-2 |
| P0227.050-028-A2 | M5 | 28 | 9.2 | - | 1.0 | 2.5 | PZ-2 |
| P0227.050-030-A2 | M5 | 30 | 9.2 | - | 1.0 | 2.5 | PZ-2 |
| P0227.050-035-A2 | M5 | 35 | 9.2 | 25 | 1.0 | 2.5 | PZ-2 |
| P0227.050-040-A2 | M5 | 40 | 9.2 | 25 | 1.0 | 2.5 | PZ-2 |
| P0227.050-045-A2 | M5 | 45 | 9.2 | 25 | 1.0 | 2.5 | PZ-2 |
| P0227.050-050-A2 | M5 | 50 | 9.2 | 25 | 1.0 | 2.5 | PZ-2 |
| P0227.050-055-A2 | M5 | 55 | 9.2 | 25 | 1.0 | 2.5 | PZ-2 |
| P0227.050-060-A2 | M5 | 60 | 9.2 | 25 | 1.0 | 2.5 | PZ-2 |
| P0227.050-065-A2 | M5 | 65 | 9.2 | 25 | 1.0 | 2.5 | PZ-2 |
| P0227.050-070-A2 | M5 | 70 | 9.2 | 25 | 1.0 | 2.5 | PZ-2 |
| P0227.050-075-A2 | M5 | 75 | 9.2 | 25 | 1.0 | 2.5 | PZ-2 |
| P0227.050-080-A2 | M5 | 80 | 9.2 | 25 | 1.0 | 2.5 | PZ-2 |
| P0227.050-085-A2 | M5 | 85 | 9.2 | 25 | 1.0 | 2.5 | PZ-2 |
| P0227.050-090-A2 | M5 | 90 | 9.2 | 25 | 1.0 | 2.5 | PZ-2 |
| P0227.050-095-A2 | M5 | 95 | 9.2 | 25 | 1.0 | 2.5 | PZ-2 |
| P0227.050-100-A2 | M5 | 100 | 9.2 | 25 | 1.0 | 2.5 | PZ-2 |
| P0227.060-008-A2 | M6 | 8 | 11 | - | 1.2 | 3.0 | PZ-3 |
| P0227.060-010-A2 | M6 | 10 | 11 | - | 1.2 | 3.0 | PZ-3 |
| P0227.060-012-A2 | M6 | 12 | 11 | - | 1.2 | 3.0 | PZ-3 |
| P0227.060-014-A2 | M6 | 14 | 11 | - | 1.2 | 3.0 | PZ-3 |
| P0227.060-016-A2 | M6 | 16 | 11 | - | 1.2 | 3.0 | PZ-3 |
| P0227.060-018-A2 | M6 | 18 | 11 | - | 1.2 | 3.0 | PZ-3 |
| P0227.060-020-A2 | M6 | 20 | 11 | - | 1.2 | 3.0 | PZ-3 |
| P0227.060-022-A2 | M6 | 22 | 11 | - | 1.2 | 3.0 | PZ-3 |
| P0227.060-025-A2 | M6 | 25 | 11 | - | 1.2 | 3.0 | PZ-3 |
| P0227.060-030-A2 | M6 | 30 | 11 | 28 | 1.2 | 3.0 | PZ-3 |
| P0227.060-035-A2 | M6 | 35 | 11 | 28 | 1.2 | 3.0 | PZ-3 |
| P0227.060-040-A2 | M6 | 40 | 11 | 28 | 1.2 | 3.0 | PZ-3 |
| P0227.060-045-A2 | M6 | 45 | 11 | 28 | 1.2 | 3.0 | PZ-3 |
| P0227.060-050-A2 | M6 | 50 | 11 | 28 | 1.2 | 3.0 | PZ-3 |
| P0227.060-055-A2 | M6 | 55 | 11 | 28 | 1.2 | 3.0 | PZ-3 |
| P0227.060-060-A2 | M6 | 60 | 11 | 28 | 1.2 | 3.0 | PZ-3 |
| P0227.060-065-A2 | M6 | 65 | 11 | 28 | 1.2 | 3.0 | PZ-3 |
| P0227.060-070-A2 | M6 | 70 | 11 | 28 | 1.2 | 3.0 | PZ-3 |
| P0227.060-075-A2 | M6 | 75 | 11 | 28 | 1.2 | 3.0 | PZ-3 |
| P0227.060-080-A2 | M6 | 80 | 11 | 28 | 1.2 | 3.0 | PZ-3 |
| P0227.060-090-A2 | M6 | 90 | 11 | 28 | 1.2 | 3.0 | PZ-3 |
| P0227.060-100-A2 | M6 | 100 | 11 | 28 | 1.2 | 3.0 | PZ-3 |



Pozi Raised C'sunk Machine Screws

Pozi raised - A4 stainless

Standard Screws



P0227.A4

STANDARD SCREWS

Material

Stainless steel A4.

lengths the threads goes all the way to the head of the screw (i.e. $l_1 = l_2$) less 2.5 thread pitches.

portion $l_2 < l_1$.

Technical Notes

To DIN 966. For the majority of screw

For longer length screws the threaded

See technical page for tightening torques.

| Order No. | d ₁ | l ₁ | d ₂ | l ₂ | l ₃ | h ₁ | Size |
|------------------|----------------|----------------|----------------|----------------|----------------|----------------|------|
| P0227.020-004-A4 | M2 | 4 | 3.8 | - | 0.4 | 1.2 | PZ-1 |
| P0227.020-005-A4 | M2 | 5 | 3.8 | - | 0.4 | 1.2 | PZ-1 |
| P0227.020-006-A4 | M2 | 6 | 3.8 | - | 0.4 | 1.2 | PZ-1 |
| P0227.020-008-A4 | M2 | 8 | 3.8 | - | 0.4 | 1.2 | PZ-1 |
| P0227.020-010-A4 | M2 | 10 | 3.8 | - | 0.4 | 1.2 | PZ-1 |
| P0227.020-012-A4 | M2 | 12 | 3.8 | - | 0.4 | 1.2 | PZ-1 |
| P0227.025-004-A4 | M2,5 | 4 | 4.7 | - | 0.5 | 1.5 | PZ-1 |
| P0227.025-005-A4 | M2,5 | 5 | 4.7 | - | 0.5 | 1.5 | PZ-1 |
| P0227.025-006-A4 | M2,5 | 6 | 4.7 | - | 0.5 | 1.5 | PZ-1 |
| P0227.025-008-A4 | M2,5 | 8 | 4.7 | - | 0.5 | 1.5 | PZ-1 |
| P0227.025-010-A4 | M2,5 | 10 | 4.7 | - | 0.5 | 1.5 | PZ-1 |
| P0227.025-012-A4 | M2,5 | 12 | 4.7 | - | 0.5 | 1.5 | PZ-1 |
| P0227.025-014-A4 | M2,5 | 14 | 4.7 | - | 0.5 | 1.5 | PZ-1 |
| P0227.025-016-A4 | M2,5 | 16 | 4.7 | - | 0.5 | 1.5 | PZ-1 |
| P0227.025-018-A4 | M2,5 | 18 | 4.7 | - | 0.5 | 1.5 | PZ-1 |
| P0227.025-020-A4 | M2,5 | 20 | 4.7 | - | 0.5 | 1.5 | PZ-1 |
| P0227.030-004-A4 | M3 | 4 | 5.6 | - | 0.6 | 1.65 | PZ-1 |
| P0227.030-005-A4 | M3 | 5 | 5.6 | - | 0.6 | 1.65 | PZ-1 |
| P0227.030-006-A4 | M3 | 6 | 5.6 | - | 0.6 | 1.65 | PZ-1 |
| P0227.030-008-A4 | M3 | 8 | 5.6 | - | 0.6 | 1.65 | PZ-1 |
| P0227.030-010-A4 | M3 | 10 | 5.6 | - | 0.6 | 1.65 | PZ-1 |
| P0227.030-012-A4 | M3 | 12 | 5.6 | - | 0.6 | 1.65 | PZ-1 |
| P0227.030-014-A4 | M3 | 14 | 5.6 | - | 0.6 | 1.65 | PZ-1 |
| P0227.030-016-A4 | M3 | 16 | 5.6 | - | 0.6 | 1.65 | PZ-1 |
| P0227.030-018-A4 | M3 | 18 | 5.6 | - | 0.6 | 1.65 | PZ-1 |
| P0227.030-020-A4 | M3 | 20 | 5.6 | 19 | 0.6 | 1.65 | PZ-1 |
| P0227.030-025-A4 | M3 | 25 | 5.6 | 19 | 0.6 | 1.65 | PZ-1 |
| P0227.030-028-A4 | M3 | 28 | 5.6 | 19 | 0.6 | 1.65 | PZ-1 |
| P0227.030-030-A4 | M3 | 30 | 5.6 | 19 | 0.6 | 1.65 | PZ-1 |
| P0227.030-035-A4 | M3 | 35 | 5.6 | 19 | 0.6 | 1.65 | PZ-1 |
| P0227.030-040-A4 | M3 | 40 | 5.6 | 19 | 0.6 | 1.65 | PZ-1 |
| P0227.030-045-A4 | M3 | 45 | 5.6 | 19 | 0.6 | 1.65 | PZ-1 |
| P0227.030-050-A4 | M3 | 50 | 5.6 | 19 | 0.6 | 1.65 | PZ-1 |
| P0227.040-005-A4 | M4 | 5 | 7.5 | - | 0.8 | 2.2 | PZ-2 |



STANDARD SCREWS

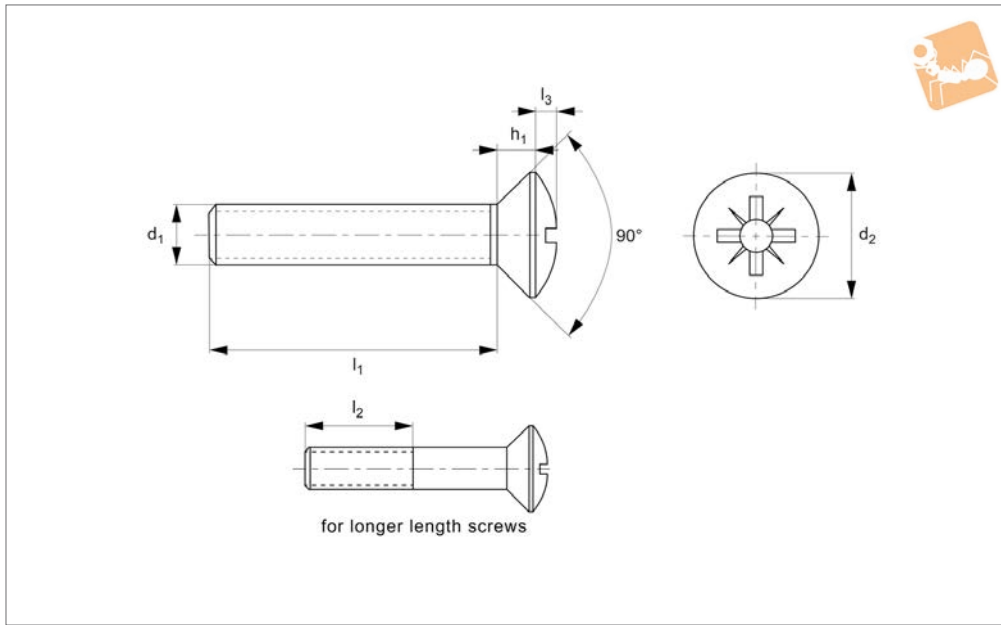
| Order No. | d ₁ | l ₁ | d ₂ | l ₂ | l ₃ | h ₁ | Size |
|------------------|----------------|----------------|----------------|----------------|----------------|----------------|------|
| P0227.040-006-A4 | M4 | 6 | 7.5 | - | 0.8 | 2.2 | PZ-2 |
| P0227.040-008-A4 | M4 | 8 | 7.5 | - | 0.8 | 2.2 | PZ-2 |
| P0227.040-010-A4 | M4 | 10 | 7.5 | - | 0.8 | 2.2 | PZ-2 |
| P0227.040-012-A4 | M4 | 12 | 7.5 | - | 0.8 | 2.2 | PZ-2 |
| P0227.040-014-A4 | M4 | 14 | 7.5 | - | 0.8 | 2.2 | PZ-2 |
| P0227.040-016-A4 | M4 | 16 | 7.5 | - | 0.8 | 2.2 | PZ-2 |
| P0227.040-018-A4 | M4 | 18 | 7.5 | - | 0.8 | 2.2 | PZ-2 |
| P0227.040-020-A4 | M4 | 20 | 7.5 | - | 0.8 | 2.2 | PZ-2 |
| P0227.040-025-A4 | M4 | 25 | 7.5 | - | 0.8 | 2.2 | PZ-2 |
| P0227.040-028-A4 | M4 | 28 | 7.5 | 22 | 0.8 | 2.2 | PZ-2 |
| P0227.040-030-A4 | M4 | 30 | 7.5 | 22 | 0.8 | 2.2 | PZ-2 |
| P0227.040-035-A4 | M4 | 35 | 7.5 | 22 | 0.8 | 2.2 | PZ-2 |
| P0227.040-040-A4 | M4 | 40 | 7.5 | 22 | 0.8 | 2.2 | PZ-2 |
| P0227.040-045-A4 | M4 | 45 | 7.5 | 22 | 0.8 | 2.2 | PZ-2 |
| P0227.040-050-A4 | M4 | 50 | 7.5 | 22 | 0.8 | 2.2 | PZ-2 |
| P0227.040-055-A4 | M4 | 55 | 7.5 | 22 | 0.8 | 2.2 | PZ-2 |
| P0227.040-060-A4 | M4 | 60 | 7.5 | 22 | 0.8 | 2.2 | PZ-2 |
| P0227.040-065-A4 | M4 | 65 | 7.5 | 22 | 0.8 | 2.2 | PZ-2 |
| P0227.040-070-A4 | M4 | 70 | 7.5 | 22 | 0.8 | 2.2 | PZ-2 |
| P0227.050-006-A4 | M5 | 6 | 9.2 | - | 1.0 | 2.5 | PZ-2 |
| P0227.050-008-A4 | M5 | 8 | 9.2 | - | 1.0 | 2.5 | PZ-2 |
| P0227.050-010-A4 | M5 | 10 | 9.2 | - | 1.0 | 2.5 | PZ-2 |
| P0227.050-012-A4 | M5 | 12 | 9.2 | - | 1.0 | 2.5 | PZ-2 |
| P0227.050-014-A4 | M5 | 14 | 9.2 | - | 1.0 | 2.5 | PZ-2 |
| P0227.050-016-A4 | M5 | 16 | 9.2 | - | 1.0 | 2.5 | PZ-2 |
| P0227.050-018-A4 | M5 | 18 | 9.2 | - | 1.0 | 2.5 | PZ-2 |
| P0227.050-020-A4 | M5 | 20 | 9.2 | - | 1.0 | 2.5 | PZ-2 |
| P0227.050-025-A4 | M5 | 25 | 9.2 | - | 1.0 | 2.5 | PZ-2 |
| P0227.050-028-A4 | M5 | 28 | 9.2 | - | 1.0 | 2.5 | PZ-2 |
| P0227.050-030-A4 | M5 | 30 | 9.2 | - | 1.0 | 2.5 | PZ-2 |
| P0227.050-035-A4 | M5 | 35 | 9.2 | 25 | 1.0 | 2.5 | PZ-2 |
| P0227.050-040-A4 | M5 | 40 | 9.2 | 25 | 1.0 | 2.5 | PZ-2 |
| P0227.050-045-A4 | M5 | 45 | 9.2 | 25 | 1.0 | 2.5 | PZ-2 |
| P0227.050-050-A4 | M5 | 50 | 9.2 | 25 | 1.0 | 2.5 | PZ-2 |
| P0227.050-055-A4 | M5 | 55 | 9.2 | 25 | 1.0 | 2.5 | PZ-2 |
| P0227.050-060-A4 | M5 | 60 | 9.2 | 25 | 1.0 | 2.5 | PZ-2 |
| P0227.050-065-A4 | M5 | 65 | 9.2 | 25 | 1.0 | 2.5 | PZ-2 |
| P0227.050-070-A4 | M5 | 70 | 9.2 | 25 | 1.0 | 2.5 | PZ-2 |
| P0227.050-075-A4 | M5 | 75 | 9.2 | 25 | 1.0 | 2.5 | PZ-2 |
| P0227.050-080-A4 | M5 | 80 | 9.2 | 25 | 1.0 | 2.5 | PZ-2 |
| P0227.050-085-A4 | M5 | 85 | 9.2 | 25 | 1.0 | 2.5 | PZ-2 |
| P0227.050-090-A4 | M5 | 90 | 9.2 | 25 | 1.0 | 2.5 | PZ-2 |
| P0227.050-095-A4 | M5 | 90 | 9.2 | 25 | 1.0 | 2.5 | PZ-2 |
| P0227.050-100-A4 | M5 | 100 | 9.2 | 25 | 1.0 | 2.5 | PZ-2 |
| P0227.060-008-A4 | M6 | 8 | 11 | - | 1.2 | 3.0 | PZ-3 |
| P0227.060-010-A4 | M6 | 10 | 11 | - | 1.2 | 3.0 | PZ-3 |
| P0227.060-012-A4 | M6 | 12 | 11 | - | 1.2 | 3.0 | PZ-3 |
| P0227.060-014-A4 | M6 | 14 | 11 | - | 1.2 | 3.0 | PZ-3 |
| P0227.060-016-A4 | M6 | 16 | 11 | - | 1.2 | 3.0 | PZ-3 |
| P0227.060-018-A4 | M6 | 18 | 11 | - | 1.2 | 3.0 | PZ-3 |
| P0227.060-020-A4 | M6 | 20 | 11 | - | 1.2 | 3.0 | PZ-3 |
| P0227.060-022-A4 | M6 | 22 | 11 | - | 1.2 | 3.0 | PZ-3 |
| P0227.060-025-A4 | M6 | 25 | 11 | - | 1.2 | 3.0 | PZ-3 |
| P0227.060-030-A4 | M6 | 30 | 11 | 28 | 1.2 | 3.0 | PZ-3 |
| P0227.060-035-A4 | M6 | 35 | 11 | 28 | 1.2 | 3.0 | PZ-3 |
| P0227.060-040-A4 | M6 | 40 | 11 | 28 | 1.2 | 3.0 | PZ-3 |
| P0227.060-045-A4 | M6 | 45 | 11 | 28 | 1.2 | 3.0 | PZ-3 |
| P0227.060-050-A4 | M6 | 50 | 11 | 28 | 1.2 | 3.0 | PZ-3 |
| P0227.060-055-A4 | M6 | 55 | 11 | 28 | 1.2 | 3.0 | PZ-3 |
| P0227.060-060-A4 | M6 | 60 | 11 | 28 | 1.2 | 3.0 | PZ-3 |
| P0227.060-065-A4 | M6 | 65 | 11 | 28 | 1.2 | 3.0 | PZ-3 |
| P0227.060-070-A4 | M6 | 70 | 11 | 28 | 1.2 | 3.0 | PZ-3 |
| P0227.060-075-A4 | M6 | 75 | 11 | 28 | 1.2 | 3.0 | PZ-3 |
| P0227.060-080-A4 | M6 | 80 | 11 | 28 | 1.2 | 3.0 | PZ-3 |
| P0227.060-090-A4 | M6 | 90 | 11 | 28 | 1.2 | 3.0 | PZ-3 |
| P0227.060-100-A4 | M6 | 100 | 11 | 28 | 1.2 | 3.0 | PZ-3 |



Pozi Raised C'sunk Machine Screws

Pozi raised - steel, zinc-plated

Standard Screws



P0227.ZP

STANDARD SCREWS

Material

Steel, zinc-plated (grade 4.8).

Technical Notes

To DIN 966. For the majority of screw

lengths the threads goes all the way to the head of the screw (i.e. $l_1 = l_2$) less 2.5 thread pitches.

For longer length screws the threaded

portion $l_2 < l_1$.

| Order No. | d_1 | l_1 | d_2 | l_2 | l_3 | h_1 | Size |
|------------------|-------|-------|-------|-------|-------|-------|------|
| P0227.020-004-ZP | M2 | 4 | 3.8 | - | 0.4 | 1.2 | PZ-1 |
| P0227.020-005-ZP | M2 | 5 | 3.8 | - | 0.4 | 1.2 | PZ-1 |
| P0227.020-006-ZP | M2 | 6 | 3.8 | - | 0.4 | 1.2 | PZ-1 |
| P0227.020-008-ZP | M2 | 8 | 3.8 | - | 0.4 | 1.2 | PZ-1 |
| P0227.020-010-ZP | M2 | 10 | 3.8 | - | 0.4 | 1.2 | PZ-1 |
| P0227.020-012-ZP | M2 | 12 | 3.8 | - | 0.4 | 1.2 | PZ-1 |
| P0227.025-004-ZP | M2,5 | 4 | 4.7 | - | 0.5 | 1.5 | PZ-1 |
| P0227.025-005-ZP | M2,5 | 5 | 4.7 | - | 0.5 | 1.5 | PZ-1 |
| P0227.025-006-ZP | M2,5 | 6 | 4.7 | - | 0.5 | 1.5 | PZ-1 |
| P0227.025-008-ZP | M2,5 | 8 | 4.7 | - | 0.5 | 1.5 | PZ-1 |
| P0227.025-010-ZP | M2,5 | 10 | 4.7 | - | 0.5 | 1.5 | PZ-1 |
| P0227.025-012-ZP | M2,5 | 12 | 4.7 | - | 0.5 | 1.5 | PZ-1 |
| P0227.025-014-ZP | M2,5 | 14 | 4.7 | - | 0.5 | 1.5 | PZ-1 |
| P0227.025-016-ZP | M2,5 | 16 | 4.7 | - | 0.5 | 1.5 | PZ-1 |
| P0227.025-018-ZP | M2,5 | 18 | 4.7 | - | 0.5 | 1.5 | PZ-1 |
| P0227.025-020-ZP | M2,5 | 20 | 4.7 | - | 0.5 | 1.5 | PZ-1 |
| P0227.030-004-ZP | M3 | 4 | 5.6 | - | 0.6 | 1.65 | PZ-1 |
| P0227.030-005-ZP | M3 | 5 | 5.6 | - | 0.6 | 1.65 | PZ-1 |
| P0227.030-006-ZP | M3 | 6 | 5.6 | - | 0.6 | 1.65 | PZ-1 |
| P0227.030-008-ZP | M3 | 8 | 5.6 | - | 0.6 | 1.65 | PZ-1 |
| P0227.030-010-ZP | M3 | 10 | 5.6 | - | 0.6 | 1.65 | PZ-1 |
| P0227.030-012-ZP | M3 | 12 | 5.6 | - | 0.6 | 1.65 | PZ-1 |
| P0227.030-014-ZP | M3 | 14 | 5.6 | - | 0.6 | 1.65 | PZ-1 |
| P0227.030-016-ZP | M3 | 16 | 5.6 | - | 0.6 | 1.65 | PZ-1 |
| P0227.030-018-ZP | M3 | 18 | 5.6 | - | 0.6 | 1.65 | PZ-1 |
| P0227.030-020-ZP | M3 | 20 | 5.6 | 19 | 0.6 | 1.65 | PZ-1 |
| P0227.030-025-ZP | M3 | 25 | 5.6 | 19 | 0.6 | 1.65 | PZ-1 |
| P0227.030-028-ZP | M3 | 28 | 5.6 | 19 | 0.6 | 1.65 | PZ-1 |
| P0227.030-030-ZP | M3 | 30 | 5.6 | 19 | 0.6 | 1.65 | PZ-1 |
| P0227.030-035-ZP | M3 | 35 | 5.6 | 19 | 0.6 | 1.65 | PZ-1 |
| P0227.030-040-ZP | M3 | 40 | 5.6 | 19 | 0.6 | 1.65 | PZ-1 |
| P0227.030-045-ZP | M3 | 45 | 5.6 | 19 | 0.6 | 1.65 | PZ-1 |
| P0227.030-050-ZP | M3 | 50 | 5.6 | 19 | 0.6 | 1.65 | PZ-1 |
| P0227.040-005-ZP | M4 | 5 | 7.5 | - | 0.8 | 2.2 | PZ-2 |



STANDARD SCREWS

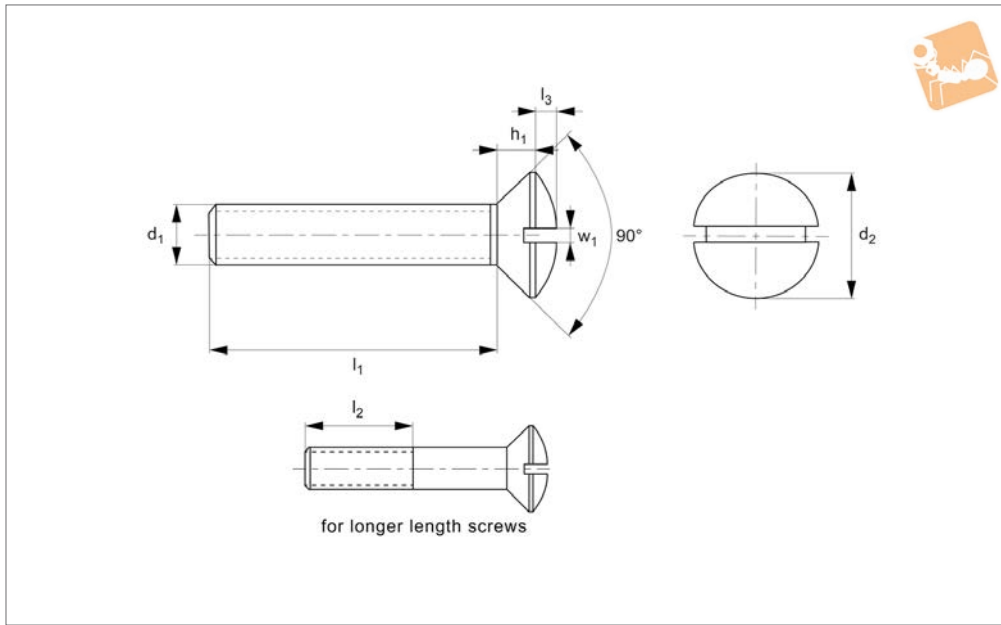
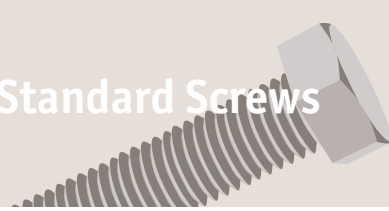
| Order No. | d ₁ | l ₁ | d ₂ | l ₂ | l ₃ | h ₁ | Size |
|------------------|----------------|----------------|----------------|----------------|----------------|----------------|------|
| P0227.040-006-ZP | M4 | 6 | 7.5 | - | 0.8 | 2.2 | PZ-2 |
| P0227.040-008-ZP | M4 | 8 | 7.5 | - | 0.8 | 2.2 | PZ-2 |
| P0227.040-010-ZP | M4 | 10 | 7.5 | - | 0.8 | 2.2 | PZ-2 |
| P0227.040-012-ZP | M4 | 12 | 7.5 | - | 0.8 | 2.2 | PZ-2 |
| P0227.040-014-ZP | M4 | 14 | 7.5 | - | 0.8 | 2.2 | PZ-2 |
| P0227.040-016-ZP | M4 | 16 | 7.5 | - | 0.8 | 2.2 | PZ-2 |
| P0227.040-018-ZP | M4 | 18 | 7.5 | - | 0.8 | 2.2 | PZ-2 |
| P0227.040-020-ZP | M4 | 20 | 7.5 | - | 0.8 | 2.2 | PZ-2 |
| P0227.040-025-ZP | M4 | 25 | 7.5 | - | 0.8 | 2.2 | PZ-2 |
| P0227.040-028-ZP | M4 | 28 | 7.5 | 22 | 0.8 | 2.2 | PZ-2 |
| P0227.040-030-ZP | M4 | 30 | 7.5 | 22 | 0.8 | 2.2 | PZ-2 |
| P0227.040-035-ZP | M4 | 35 | 7.5 | 22 | 0.8 | 2.2 | PZ-2 |
| P0227.040-040-ZP | M4 | 40 | 7.5 | 22 | 0.8 | 2.2 | PZ-2 |
| P0227.040-045-ZP | M4 | 45 | 7.5 | 22 | 0.8 | 2.2 | PZ-2 |
| P0227.040-050-ZP | M4 | 50 | 7.5 | 22 | 0.8 | 2.2 | PZ-2 |
| P0227.040-055-ZP | M4 | 55 | 7.5 | 22 | 0.8 | 2.2 | PZ-2 |
| P0227.040-060-ZP | M4 | 60 | 7.5 | 22 | 0.8 | 2.2 | PZ-2 |
| P0227.040-065-ZP | M4 | 65 | 7.5 | 22 | 0.8 | 2.2 | PZ-2 |
| P0227.040-070-ZP | M4 | 70 | 7.5 | 22 | 0.8 | 2.2 | PZ-2 |
| P0227.050-006-ZP | M5 | 6 | 9.2 | - | 1.0 | 2.5 | PZ-2 |
| P0227.050-008-ZP | M5 | 8 | 9.2 | - | 1.0 | 2.5 | PZ-2 |
| P0227.050-010-ZP | M5 | 10 | 9.2 | - | 1.0 | 2.5 | PZ-2 |
| P0227.050-012-ZP | M5 | 12 | 9.2 | - | 1.0 | 2.5 | PZ-2 |
| P0227.050-014-ZP | M5 | 14 | 9.2 | - | 1.0 | 2.5 | PZ-2 |
| P0227.050-016-ZP | M5 | 16 | 9.2 | - | 1.0 | 2.5 | PZ-2 |
| P0227.050-018-ZP | M5 | 18 | 9.2 | - | 1.0 | 2.5 | PZ-2 |
| P0227.050-020-ZP | M5 | 20 | 9.2 | - | 1.0 | 2.5 | PZ-2 |
| P0227.050-025-ZP | M5 | 25 | 9.2 | - | 1.0 | 2.5 | PZ-2 |
| P0227.050-028-ZP | M5 | 28 | 9.2 | - | 1.0 | 2.5 | PZ-2 |
| P0227.050-030-ZP | M5 | 30 | 9.2 | - | 1.0 | 2.5 | PZ-2 |
| P0227.050-035-ZP | M5 | 35 | 9.2 | 25 | 1.0 | 2.5 | PZ-2 |
| P0227.050-040-ZP | M5 | 40 | 9.2 | 25 | 1.0 | 2.5 | PZ-2 |
| P0227.050-045-ZP | M5 | 45 | 9.2 | 25 | 1.0 | 2.5 | PZ-2 |
| P0227.050-050-ZP | M5 | 50 | 9.2 | 25 | 1.0 | 2.5 | PZ-2 |
| P0227.050-055-ZP | M5 | 55 | 9.2 | 25 | 1.0 | 2.5 | PZ-2 |
| P0227.050-060-ZP | M5 | 60 | 9.2 | 25 | 1.0 | 2.5 | PZ-2 |
| P0227.050-065-ZP | M5 | 65 | 9.2 | 25 | 1.0 | 2.5 | PZ-2 |
| P0227.050-070-ZP | M5 | 70 | 9.2 | 25 | 1.0 | 2.5 | PZ-2 |
| P0227.050-075-ZP | M5 | 75 | 9.2 | 25 | 1.0 | 2.5 | PZ-2 |
| P0227.050-080-ZP | M5 | 80 | 9.2 | 25 | 1.0 | 2.5 | PZ-2 |
| P0227.050-085-ZP | M5 | 85 | 9.2 | 25 | 1.0 | 2.5 | PZ-2 |
| P0227.050-090-ZP | M5 | 90 | 9.2 | 25 | 1.0 | 2.5 | PZ-2 |
| P0227.050-095-ZP | M5 | 90 | 9.2 | 25 | 1.0 | 2.5 | PZ-2 |
| P0227.050-100-ZP | M5 | 100 | 9.2 | 25 | 1.0 | 2.5 | PZ-2 |
| P0227.060-008-ZP | M6 | 8 | 11 | - | 1.2 | 3.0 | PZ-3 |
| P0227.060-010-ZP | M6 | 10 | 11 | - | 1.2 | 3.0 | PZ-3 |
| P0227.060-012-ZP | M6 | 12 | 11 | - | 1.2 | 3.0 | PZ-3 |
| P0227.060-014-ZP | M6 | 14 | 11 | - | 1.2 | 3.0 | PZ-3 |
| P0227.060-016-ZP | M6 | 16 | 11 | - | 1.2 | 3.0 | PZ-3 |
| P0227.060-018-ZP | M6 | 18 | 11 | - | 1.2 | 3.0 | PZ-3 |
| P0227.060-020-ZP | M6 | 20 | 11 | - | 1.2 | 3.0 | PZ-3 |
| P0227.060-022-ZP | M6 | 22 | 11 | - | 1.2 | 3.0 | PZ-3 |
| P0227.060-025-ZP | M6 | 25 | 11 | - | 1.2 | 3.0 | PZ-3 |
| P0227.060-030-ZP | M6 | 30 | 11 | 28 | 1.2 | 3.0 | PZ-3 |
| P0227.060-035-ZP | M6 | 35 | 11 | 28 | 1.2 | 3.0 | PZ-3 |
| P0227.060-040-ZP | M6 | 40 | 11 | 28 | 1.2 | 3.0 | PZ-3 |
| P0227.060-045-ZP | M6 | 45 | 11 | 28 | 1.2 | 3.0 | PZ-3 |
| P0227.060-050-ZP | M6 | 50 | 11 | 28 | 1.2 | 3.0 | PZ-3 |
| P0227.060-055-ZP | M6 | 55 | 11 | 28 | 1.2 | 3.0 | PZ-3 |
| P0227.060-060-ZP | M6 | 60 | 11 | 28 | 1.2 | 3.0 | PZ-3 |
| P0227.060-065-ZP | M6 | 65 | 11 | 28 | 1.2 | 3.0 | PZ-3 |
| P0227.060-070-ZP | M6 | 70 | 11 | 28 | 1.2 | 3.0 | PZ-3 |
| P0227.060-075-ZP | M6 | 75 | 11 | 28 | 1.2 | 3.0 | PZ-3 |
| P0227.060-080-ZP | M6 | 80 | 11 | 28 | 1.2 | 3.0 | PZ-3 |
| P0227.060-090-ZP | M6 | 90 | 11 | 28 | 1.2 | 3.0 | PZ-3 |
| P0227.060-100-ZP | M6 | 100 | 11 | 28 | 1.2 | 3.0 | PZ-3 |



Slot Raised Countersunk Screws

Slot raised - A2 stainless

Standard Screws



P0228.A2

STANDARD SCREWS

Material

Stainless steel A2.

lengths the threads goes all the way to the head of the screw (i.e. $l_1 = l_2$) less 2.5 thread pitches.

portion $l_2 < l_1$.

Technical Notes

To DIN 964. For the majority of screw

For longer length screws the threaded

See technical page for tightening torques.

| Order No. | d ₁ | l ₁ | d ₂ | l ₂ | l ₃ | h ₁ | w ₁ |
|------------------|----------------|----------------|----------------|----------------|----------------|----------------|----------------|
| P0228.020-004-A2 | M 2 | 4 | 3 | - | 0.32 | 1.20 | 0.4 |
| P0228.020-005-A2 | M 2 | 5 | 3 | - | 0.32 | 1.20 | 0.4 |
| P0228.020-006-A2 | M 2 | 6 | 3 | - | 0.32 | 1.20 | 0.4 |
| P0228.020-008-A2 | M 2 | 8 | 3 | - | 0.32 | 1.20 | 0.4 |
| P0228.020-010-A2 | M 2 | 10 | 3 | - | 0.32 | 1.20 | 0.4 |
| P0228.020-012-A2 | M 2 | 12 | 3 | - | 0.32 | 1.20 | 0.4 |
| P0228.020-014-A2 | M 2 | 14 | 3 | - | 0.32 | 1.20 | 0.4 |
| P0228.020-016-A2 | M 2 | 16 | 3 | 15 | 0.32 | 1.20 | 0.4 |
| P0228.020-018-A2 | M 2 | 18 | 3 | 15 | 0.32 | 1.20 | 0.4 |
| P0228.020-020-A2 | M 2 | 20 | 3 | 15 | 0.32 | 1.20 | 0.4 |
| P0228.025-004-A2 | M2,5 | 5 | 3.8 | - | 0.4 | 1.2 | 0.5 |
| P0228.025-005-A2 | M2,5 | 6 | 3.8 | - | 0.4 | 1.2 | 0.5 |
| P0228.025-006-A2 | M2,5 | 8 | 3.8 | - | 0.4 | 1.2 | 0.5 |
| P0228.025-008-A2 | M2,5 | 10 | 3.8 | - | 0.4 | 1.2 | 0.5 |
| P0228.025-010-A2 | M2,5 | 12 | 3.8 | - | 0.4 | 1.2 | 0.5 |
| P0228.025-012-A2 | M2,5 | 14 | 3.8 | - | 0.4 | 1.2 | 0.5 |
| P0228.025-014-A2 | M2,5 | 16 | 3.8 | 16 | 0.4 | 1.2 | 0.5 |
| P0228.025-016-A2 | M2,5 | 18 | 3.8 | 16 | 0.4 | 1.2 | 0.5 |
| P0228.025-018-A2 | M2,5 | 20 | 3.8 | 16 | 0.4 | 1.2 | 0.5 |
| P0228.030-005-A2 | M 3 | 5 | 4.7 | - | 0.5 | 1.5 | 0.6 |
| P0228.030-006-A2 | M 3 | 6 | 4.7 | - | 0.5 | 1.5 | 0.6 |
| P0228.030-008-A2 | M 3 | 8 | 4.7 | - | 0.5 | 1.5 | 0.6 |
| P0228.030-010-A2 | M 3 | 10 | 4.7 | - | 0.5 | 1.5 | 0.6 |
| P0228.030-012-A2 | M 3 | 12 | 4.7 | - | 0.5 | 1.5 | 0.6 |
| P0228.030-014-A2 | M 3 | 14 | 4.7 | - | 0.5 | 1.5 | 0.6 |
| P0228.030-016-A2 | M 3 | 16 | 4.7 | - | 0.5 | 1.5 | 0.6 |
| P0228.030-018-A2 | M 3 | 18 | 4.7 | - | 0.5 | 1.5 | 0.6 |
| P0228.030-020-A2 | M 3 | 20 | 4.7 | 18 | 0.5 | 1.5 | 0.6 |
| P0228.030-022-A2 | M 3 | 22 | 4.7 | 18 | 0.5 | 1.5 | 0.6 |
| P0228.030-025-A2 | M 3 | 25 | 4.7 | 18 | 0.5 | 1.5 | 0.6 |
| P0228.030-030-A2 | M 3 | 30 | 4.7 | 18 | 0.5 | 1.5 | 0.6 |
| P0228.030-035-A2 | M 3 | 35 | 4.7 | 18 | 0.5 | 1.5 | 0.6 |
| P0228.030-040-A2 | M 3 | 40 | 4.7 | 18 | 0.5 | 1.5 | 0.6 |
| P0228.030-045-A2 | M 3 | 45 | 4.7 | 18 | 0.5 | 1.5 | 0.6 |



STANDARD SCREWS

| Order No. | d ₁ | l ₁ | d ₂ | l ₂ | l ₃ | h ₁ | w ₁ |
|------------------|----------------|----------------|----------------|----------------|----------------|----------------|----------------|
| P0228.030-050-A2 | M 3 | 50 | 4.7 | 18 | 0.5 | 1.5 | 0.6 |
| P0228.040-005-A2 | M 4 | 5 | 7.5 | - | 0.8 | 2.2 | 1.0 |
| P0228.040-006-A2 | M 4 | 6 | 7.5 | - | 0.8 | 2.2 | 1.0 |
| P0228.040-008-A2 | M 4 | 8 | 7.5 | - | 0.8 | 2.2 | 1.0 |
| P0228.040-010-A2 | M 4 | 10 | 7.5 | - | 0.8 | 2.2 | 1.0 |
| P0228.040-012-A2 | M 4 | 12 | 7.5 | - | 0.8 | 2.2 | 1.0 |
| P0228.040-014-A2 | M 4 | 14 | 7.5 | - | 0.8 | 2.2 | 1.0 |
| P0228.040-016-A2 | M 4 | 16 | 7.5 | - | 0.8 | 2.2 | 1.0 |
| P0228.040-018-A2 | M 4 | 18 | 7.5 | - | 0.8 | 2.2 | 1.0 |
| P0228.040-020-A2 | M 4 | 20 | 7.5 | - | 0.8 | 2.2 | 1.0 |
| P0228.040-022-A2 | M 4 | 22 | 7.5 | 22 | 0.8 | 2.2 | 1.0 |
| P0228.040-025-A2 | M 4 | 25 | 7.5 | 22 | 0.8 | 2.2 | 1.0 |
| P0228.040-030-A2 | M 4 | 30 | 7.5 | 22 | 0.8 | 2.2 | 1.0 |
| P0228.040-035-A2 | M 4 | 35 | 7.5 | 22 | 0.8 | 2.2 | 1.0 |
| P0228.040-040-A2 | M 4 | 40 | 7.5 | 22 | 0.8 | 2.2 | 1.0 |
| P0228.040-045-A2 | M 4 | 45 | 7.5 | 22 | 0.8 | 2.2 | 1.0 |
| P0228.040-050-A2 | M 4 | 50 | 7.5 | 22 | 0.8 | 2.2 | 1.0 |
| P0228.040-055-A2 | M 4 | 55 | 7.5 | 22 | 0.8 | 2.2 | 1.0 |
| P0228.040-060-A2 | M 4 | 60 | 7.5 | 22 | 0.8 | 2.2 | 1.0 |
| P0228.040-065-A2 | M 4 | 65 | 7.5 | 22 | 0.8 | 2.2 | 1.0 |
| P0228.040-070-A2 | M 4 | 70 | 7.5 | 22 | 0.8 | 2.2 | 1.0 |
| P0228.040-075-A2 | M 4 | 75 | 7.5 | 22 | 0.8 | 2.2 | 1.0 |
| P0228.040-080-A2 | M 4 | 80 | 7.5 | 22 | 0.8 | 2.2 | 1.0 |
| P0228.050-006-A2 | M 5 | 6 | 9.2 | - | 1.0 | 2.5 | 1.2 |
| P0228.050-008-A2 | M 5 | 8 | 9.2 | - | 1.0 | 2.5 | 1.2 |
| P0228.050-010-A2 | M 5 | 10 | 9.2 | - | 1.0 | 2.5 | 1.2 |
| P0228.050-012-A2 | M 5 | 12 | 9.2 | - | 1.0 | 2.5 | 1.2 |
| P0228.050-014-A2 | M 5 | 14 | 9.2 | - | 1.0 | 2.5 | 1.2 |
| P0228.050-016-A2 | M 5 | 16 | 9.2 | - | 1.0 | 2.5 | 1.2 |
| P0228.050-018-A2 | M 5 | 18 | 9.2 | - | 1.0 | 2.5 | 1.2 |
| P0228.050-020-A2 | M 5 | 20 | 9.2 | - | 1.0 | 2.5 | 1.2 |
| P0228.050-022-A2 | M 5 | 22 | 9.2 | - | 1.0 | 2.5 | 1.2 |
| P0228.050-025-A2 | M 5 | 25 | 9.2 | 25 | 1.0 | 2.5 | 1.2 |
| P0228.050-030-A2 | M 5 | 30 | 9.2 | 25 | 1.0 | 2.5 | 1.2 |
| P0228.050-035-A2 | M 5 | 35 | 9.2 | 25 | 1.0 | 2.5 | 1.2 |
| P0228.050-040-A2 | M 5 | 40 | 9.2 | 25 | 1.0 | 2.5 | 1.2 |
| P0228.050-045-A2 | M 5 | 45 | 9.2 | 25 | 1.0 | 2.5 | 1.2 |
| P0228.050-050-A2 | M 5 | 50 | 9.2 | 25 | 1.0 | 2.5 | 1.2 |
| P0228.050-055-A2 | M 5 | 55 | 9.2 | 25 | 1.0 | 2.5 | 1.2 |
| P0228.050-060-A2 | M 5 | 60 | 9.2 | 25 | 1.0 | 2.5 | 1.2 |
| P0228.050-065-A2 | M 5 | 65 | 9.2 | 25 | 1.0 | 2.5 | 1.2 |
| P0228.050-070-A2 | M 5 | 70 | 9.2 | 25 | 1.0 | 2.5 | 1.2 |
| P0228.050-075-A2 | M 5 | 75 | 9.2 | 25 | 1.0 | 2.5 | 1.2 |
| P0228.050-080-A2 | M 5 | 80 | 9.2 | 25 | 1.0 | 2.5 | 1.2 |
| P0228.050-090-A2 | M 5 | 90 | 9.2 | 25 | 1.0 | 2.5 | 1.2 |
| P0228.050-095-A2 | M 5 | 95 | 9.2 | 25 | 1.0 | 2.5 | 1.2 |
| P0228.050-100-A2 | M 5 | 100 | 9.2 | 25 | 1.0 | 2.5 | 1.2 |
| P0228.060-008-A2 | M 6 | 8 | 11 | - | 1.2 | 3.0 | 1.6 |
| P0228.060-010-A2 | M 6 | 10 | 11 | - | 1.2 | 3.0 | 1.6 |
| P0228.060-012-A2 | M 6 | 12 | 11 | - | 1.2 | 3.0 | 1.6 |
| P0228.060-014-A2 | M 6 | 14 | 11 | - | 1.2 | 3.0 | 1.6 |
| P0228.060-016-A2 | M 6 | 16 | 11 | - | 1.2 | 3.0 | 1.6 |
| P0228.060-018-A2 | M 6 | 18 | 11 | - | 1.2 | 3.0 | 1.6 |
| P0228.060-020-A2 | M 6 | 20 | 11 | - | 1.2 | 3.0 | 1.6 |
| P0228.060-022-A2 | M 6 | 22 | 11 | - | 1.2 | 3.0 | 1.6 |
| P0228.060-025-A2 | M 6 | 25 | 11 | - | 1.2 | 3.0 | 1.6 |
| P0228.060-030-A2 | M 6 | 30 | 11 | 28 | 1.2 | 3.0 | 1.6 |
| P0228.060-035-A2 | M 6 | 35 | 11 | 28 | 1.2 | 3.0 | 1.6 |
| P0228.060-040-A2 | M 6 | 40 | 11 | 28 | 1.2 | 3.0 | 1.6 |
| P0228.060-045-A2 | M 6 | 45 | 11 | 28 | 1.2 | 3.0 | 1.6 |
| P0228.060-050-A2 | M 6 | 50 | 11 | 28 | 1.2 | 3.0 | 1.6 |
| P0228.060-055-A2 | M 6 | 55 | 11 | 28 | 1.2 | 3.0 | 1.6 |
| P0228.060-060-A2 | M 6 | 60 | 11 | 28 | 1.2 | 3.0 | 1.6 |
| P0228.060-065-A2 | M 6 | 65 | 11 | 28 | 1.2 | 3.0 | 1.6 |
| P0228.060-070-A2 | M 6 | 70 | 11 | 28 | 1.2 | 3.0 | 1.6 |
| P0228.060-075-A2 | M 6 | 75 | 11 | 28 | 1.2 | 3.0 | 1.6 |
| P0228.060-080-A2 | M 6 | 80 | 11 | 28 | 1.2 | 3.0 | 1.6 |
| P0228.060-090-A2 | M 6 | 90 | 11 | 28 | 1.2 | 3.0 | 1.6 |
| P0228.060-095-A2 | M 6 | 95 | 11 | 28 | 1.2 | 3.0 | 1.6 |



Slot Raised Countersunk Screws

Slot raised - A2 stainless

Standard Screws



| Order No. | d ₁ | l ₁ | d ₂ | l ₂ | l ₃ | h ₁ | w ₁ |
|------------------|----------------|----------------|----------------|----------------|----------------|----------------|----------------|
| P0228.060-100-A2 | M 6 | 100 | 11 | 28 | 1.2 | 3.0 | 1.6 |
| P0228.080-010-A2 | M 8 | 10 | 14.5 | - | 1.6 | 4.0 | 2.0 |
| P0228.080-012-A2 | M 8 | 12 | 14.5 | - | 1.6 | 4.0 | 2.0 |
| P0228.080-014-A2 | M 8 | 14 | 14.5 | - | 1.6 | 4.0 | 2.0 |
| P0228.080-016-A2 | M 8 | 16 | 14.5 | - | 1.6 | 4.0 | 2.0 |
| P0228.080-018-A2 | M 8 | 18 | 14.5 | - | 1.6 | 4.0 | 2.0 |
| P0228.080-020-A2 | M 8 | 20 | 14.5 | - | 1.6 | 4.0 | 2.0 |
| P0228.080-022-A2 | M 8 | 22 | 14.5 | - | 1.6 | 4.0 | 2.0 |
| P0228.080-025-A2 | M 8 | 25 | 14.5 | - | 1.6 | 4.0 | 2.0 |
| P0228.080-030-A2 | M 8 | 30 | 14.5 | - | 1.6 | 4.0 | 2.0 |
| P0228.080-035-A2 | M 8 | 35 | 14.5 | 34 | 1.6 | 4.0 | 2.0 |
| P0228.080-040-A2 | M 8 | 40 | 14.5 | 34 | 1.6 | 4.0 | 2.0 |
| P0228.080-045-A2 | M 8 | 45 | 14.5 | 34 | 1.6 | 4.0 | 2.0 |
| P0228.080-050-A2 | M 8 | 50 | 14.5 | 34 | 1.6 | 4.0 | 2.0 |
| P0228.080-055-A2 | M 8 | 55 | 14.5 | 34 | 1.6 | 4.0 | 2.0 |
| P0228.080-060-A2 | M 8 | 60 | 14.5 | 34 | 1.6 | 4.0 | 2.0 |
| P0228.080-065-A2 | M 8 | 65 | 14.5 | 34 | 1.6 | 4.0 | 2.0 |
| P0228.080-070-A2 | M 8 | 70 | 14.5 | 34 | 1.6 | 4.0 | 2.0 |
| P0228.080-075-A2 | M 8 | 75 | 14.5 | 34 | 1.6 | 4.0 | 2.0 |
| P0228.080-080-A2 | M 8 | 80 | 14.5 | 34 | 1.6 | 4.0 | 2.0 |
| P0228.080-090-A2 | M 8 | 90 | 14.5 | 34 | 1.6 | 4.0 | 2.0 |
| P0228.080-095-A2 | M 8 | 95 | 14.5 | 34 | 1.6 | 4.0 | 2.0 |
| P0228.080-100-A2 | M 8 | 100 | 14.5 | 34 | 1.6 | 4.0 | 2.0 |
| P0228.100-020-A2 | M10 | 20 | 18.0 | - | 2.0 | 5.0 | 2.5 |
| P0228.100-022-A2 | M10 | 22 | 18.0 | - | 2.0 | 5.0 | 2.5 |
| P0228.100-025-A2 | M10 | 25 | 18.0 | - | 2.0 | 5.0 | 2.5 |
| P0228.100-030-A2 | M10 | 30 | 18.0 | - | 2.0 | 5.0 | 2.5 |
| P0228.100-035-A2 | M10 | 35 | 18.0 | - | 2.0 | 5.0 | 2.5 |
| P0228.100-040-A2 | M10 | 40 | 18.0 | 40 | 2.0 | 5.0 | 2.5 |
| P0228.100-045-A2 | M10 | 45 | 18.0 | 40 | 2.0 | 5.0 | 2.5 |
| P0228.100-050-A2 | M10 | 50 | 18.0 | 40 | 2.0 | 5.0 | 2.5 |
| P0228.100-055-A2 | M10 | 55 | 18.0 | 40 | 2.0 | 5.0 | 2.5 |
| P0228.100-060-A2 | M10 | 60 | 18.0 | 40 | 2.0 | 5.0 | 2.5 |
| P0228.100-065-A2 | M10 | 65 | 18.0 | 40 | 2.0 | 5.0 | 2.5 |
| P0228.100-070-A2 | M10 | 70 | 18.0 | 40 | 2.0 | 5.0 | 2.5 |
| P0228.100-075-A2 | M10 | 75 | 18.0 | 40 | 2.0 | 5.0 | 2.5 |
| P0228.100-080-A2 | M10 | 80 | 18.0 | 40 | 2.0 | 5.0 | 2.5 |
| P0228.100-090-A2 | M10 | 90 | 18.0 | 40 | 2.0 | 5.0 | 2.5 |
| P0228.100-095-A2 | M10 | 95 | 18.0 | 40 | 2.0 | 5.0 | 2.5 |
| P0228.100-100-A2 | M10 | 100 | 18.0 | 40 | 2.0 | 5.0 | 2.5 |

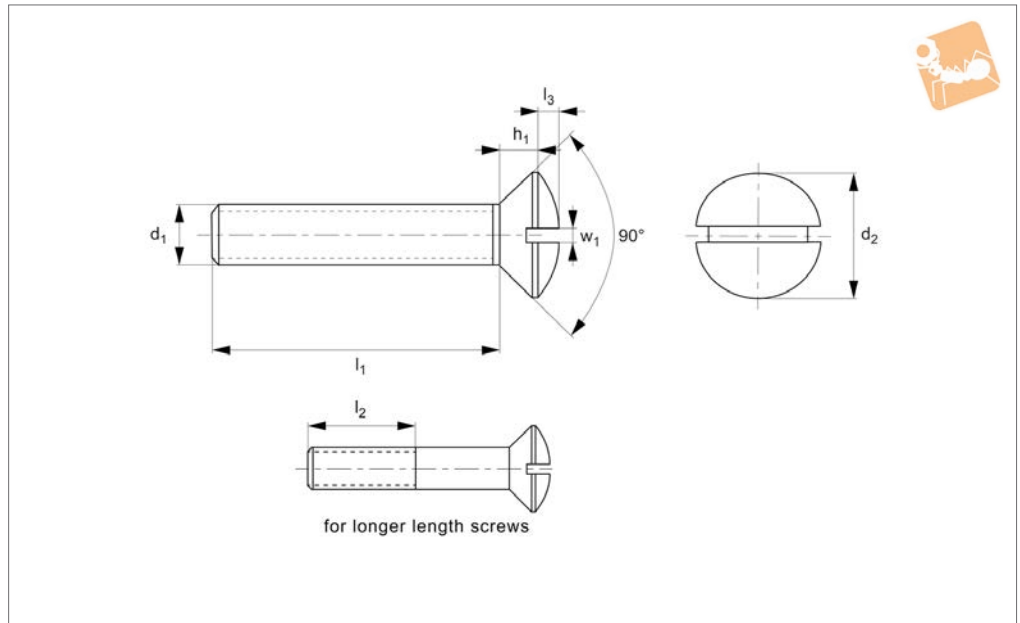
STANDARD SCREWS



STANDARD SCREWS



P0228.A4



Material
Stainless steel (A4).

lengths the threads goes all the way to the head of the screw (i.e. $l_1 = l_2$) less 2.5 thread pitches.
For longer length screws the threaded

portion $l_2 < l_1$.

See technical page for tightening torques.

Technical Notes
To DIN 964. For the majority of screw

| Order No. | d ₁ | l ₁ | d ₂ | l ₂ | l ₃ | h ₁ | w ₁ |
|------------------|----------------|----------------|----------------|----------------|----------------|----------------|----------------|
| P0228.020-004-A4 | M 2 | 4 | 3 | - | 0.32 | 1.20 | 0.4 |
| P0228.020-005-A4 | M 2 | 5 | 3 | - | 0.32 | 1.20 | 0.4 |
| P0228.020-006-A4 | M 2 | 6 | 3 | - | 0.32 | 1.20 | 0.4 |
| P0228.020-008-A4 | M 2 | 8 | 3 | - | 0.32 | 1.20 | 0.4 |
| P0228.020-010-A4 | M 2 | 10 | 3 | - | 0.32 | 1.20 | 0.4 |
| P0228.020-012-A4 | M 2 | 12 | 3 | - | 0.32 | 1.20 | 0.4 |
| P0228.020-014-A4 | M 2 | 14 | 3 | - | 0.32 | 1.20 | 0.4 |
| P0228.020-016-A4 | M 2 | 16 | 3 | 15 | 0.32 | 1.20 | 0.4 |
| P0228.020-018-A4 | M 2 | 18 | 3 | 15 | 0.32 | 1.20 | 0.4 |
| P0228.020-020-A4 | M 2 | 20 | 3 | 15 | 0.32 | 1.20 | 0.4 |
| P0228.025-004-A4 | M2,5 | 5 | 3.8 | - | 0.4 | 1.2 | 0.5 |
| P0228.025-005-A4 | M2,5 | 6 | 3.8 | - | 0.4 | 1.2 | 0.5 |
| P0228.025-006-A4 | M2,5 | 8 | 3.8 | - | 0.4 | 1.2 | 0.5 |
| P0228.025-008-A4 | M2,5 | 10 | 3.8 | - | 0.4 | 1.2 | 0.5 |
| P0228.025-010-A4 | M2,5 | 12 | 3.8 | - | 0.4 | 1.2 | 0.5 |
| P0228.025-012-A4 | M2,5 | 14 | 3.8 | - | 0.4 | 1.2 | 0.5 |
| P0228.025-014-A4 | M2,5 | 16 | 3.8 | 16 | 0.4 | 1.2 | 0.5 |
| P0228.025-016-A4 | M2,5 | 18 | 3.8 | 16 | 0.4 | 1.2 | 0.5 |
| P0228.025-018-A4 | M2,5 | 20 | 3.8 | 16 | 0.4 | 1.2 | 0.5 |
| P0228.030-005-A4 | M 3 | 5 | 4.7 | - | 0.5 | 1.5 | 0.6 |
| P0228.030-006-A4 | M 3 | 6 | 4.7 | - | 0.5 | 1.5 | 0.6 |
| P0228.030-008-A4 | M 3 | 8 | 4.7 | - | 0.5 | 1.5 | 0.6 |
| P0228.030-010-A4 | M 3 | 10 | 4.7 | - | 0.5 | 1.5 | 0.6 |
| P0228.030-012-A4 | M 3 | 12 | 4.7 | - | 0.5 | 1.5 | 0.6 |
| P0228.030-014-A4 | M 3 | 14 | 4.7 | - | 0.5 | 1.5 | 0.6 |
| P0228.030-016-A4 | M 3 | 16 | 4.7 | - | 0.5 | 1.5 | 0.6 |
| P0228.030-018-A4 | M 3 | 18 | 4.7 | - | 0.5 | 1.5 | 0.6 |
| P0228.030-020-A4 | M 3 | 20 | 4.7 | 18 | 0.5 | 1.5 | 0.6 |
| P0228.030-022-A4 | M 3 | 22 | 4.7 | 18 | 0.5 | 1.5 | 0.6 |
| P0228.030-025-A4 | M 3 | 25 | 4.7 | 18 | 0.5 | 1.5 | 0.6 |
| P0228.030-030-A4 | M 3 | 30 | 4.7 | 18 | 0.5 | 1.5 | 0.6 |
| P0228.030-035-A4 | M 3 | 35 | 4.7 | 18 | 0.5 | 1.5 | 0.6 |
| P0228.030-040-A4 | M 3 | 40 | 4.7 | 18 | 0.5 | 1.5 | 0.6 |
| P0228.030-045-A4 | M 3 | 45 | 4.7 | 18 | 0.5 | 1.5 | 0.6 |



Slot Raised Countersunk Screws

Slot raised - A4 stainless

Standard Screws



| Order No. | d ₁ | l ₁ | d ₂ | l ₂ | l ₃ | h ₁ | w ₁ |
|------------------|----------------|----------------|----------------|----------------|----------------|----------------|----------------|
| P0228.030-050-A4 | M 3 | 50 | 4.7 | 18 | 0.5 | 1.5 | 0.6 |
| P0228.040-005-A4 | M 4 | 5 | 7.5 | - | 0.8 | 2.2 | 1.0 |
| P0228.040-006-A4 | M 4 | 6 | 7.5 | - | 0.8 | 2.2 | 1.0 |
| P0228.040-008-A4 | M 4 | 8 | 7.5 | - | 0.8 | 2.2 | 1.0 |
| P0228.040-010-A4 | M 4 | 10 | 7.5 | - | 0.8 | 2.2 | 1.0 |
| P0228.040-012-A4 | M 4 | 12 | 7.5 | - | 0.8 | 2.2 | 1.0 |
| P0228.040-014-A4 | M 4 | 14 | 7.5 | - | 0.8 | 2.2 | 1.0 |
| P0228.040-016-A4 | M 4 | 16 | 7.5 | - | 0.8 | 2.2 | 1.0 |
| P0228.040-018-A4 | M 4 | 18 | 7.5 | - | 0.8 | 2.2 | 1.0 |
| P0228.040-020-A4 | M 4 | 20 | 7.5 | - | 0.8 | 2.2 | 1.0 |
| P0228.040-022-A4 | M 4 | 22 | 7.5 | - | 0.8 | 2.2 | 1.0 |
| P0228.040-025-A4 | M 4 | 25 | 7.5 | 22 | 0.8 | 2.2 | 1.0 |
| P0228.040-030-A4 | M 4 | 30 | 7.5 | 22 | 0.8 | 2.2 | 1.0 |
| P0228.040-035-A4 | M 4 | 35 | 7.5 | 22 | 0.8 | 2.2 | 1.0 |
| P0228.040-040-A4 | M 4 | 40 | 7.5 | 22 | 0.8 | 2.2 | 1.0 |
| P0228.040-045-A4 | M 4 | 45 | 7.5 | 22 | 0.8 | 2.2 | 1.0 |
| P0228.040-050-A4 | M 4 | 50 | 7.5 | 22 | 0.8 | 2.2 | 1.0 |
| P0228.040-055-A4 | M 4 | 55 | 7.5 | 22 | 0.8 | 2.2 | 1.0 |
| P0228.040-060-A4 | M 4 | 60 | 7.5 | 22 | 0.8 | 2.2 | 1.0 |
| P0228.040-065-A4 | M 4 | 65 | 7.5 | 22 | 0.8 | 2.2 | 1.0 |
| P0228.040-070-A4 | M 4 | 70 | 7.5 | 22 | 0.8 | 2.2 | 1.0 |
| P0228.040-075-A4 | M 4 | 75 | 7.5 | 22 | 0.8 | 2.2 | 1.0 |
| P0228.040-080-A4 | M 4 | 80 | 7.5 | 22 | 0.8 | 2.2 | 1.0 |
| P0228.050-006-A4 | M 5 | 6 | 9.2 | - | 1.0 | 2.5 | 1.2 |
| P0228.050-008-A4 | M 5 | 8 | 9.2 | - | 1.0 | 2.5 | 1.2 |
| P0228.050-010-A4 | M 5 | 10 | 9.2 | - | 1.0 | 2.5 | 1.2 |
| P0228.050-012-A4 | M 5 | 12 | 9.2 | - | 1.0 | 2.5 | 1.2 |
| P0228.050-014-A4 | M 5 | 14 | 9.2 | - | 1.0 | 2.5 | 1.2 |
| P0228.050-016-A4 | M 5 | 16 | 9.2 | - | 1.0 | 2.5 | 1.2 |
| P0228.050-018-A4 | M 5 | 18 | 9.2 | - | 1.0 | 2.5 | 1.2 |
| P0228.050-020-A4 | M 5 | 20 | 9.2 | - | 1.0 | 2.5 | 1.2 |
| P0228.050-022-A4 | M 5 | 22 | 9.2 | - | 1.0 | 2.5 | 1.2 |
| P0228.050-025-A4 | M 5 | 25 | 9.2 | 25 | 1.0 | 2.5 | 1.2 |
| P0228.050-030-A4 | M 5 | 30 | 9.2 | 25 | 1.0 | 2.5 | 1.2 |
| P0228.050-035-A4 | M 5 | 35 | 9.2 | 25 | 1.0 | 2.5 | 1.2 |
| P0228.050-040-A4 | M 5 | 40 | 9.2 | 25 | 1.0 | 2.5 | 1.2 |
| P0228.050-045-A4 | M 5 | 45 | 9.2 | 25 | 1.0 | 2.5 | 1.2 |
| P0228.050-050-A4 | M 5 | 50 | 9.2 | 25 | 1.0 | 2.5 | 1.2 |
| P0228.050-055-A4 | M 5 | 55 | 9.2 | 25 | 1.0 | 2.5 | 1.2 |
| P0228.050-060-A4 | M 5 | 60 | 9.2 | 25 | 1.0 | 2.5 | 1.2 |
| P0228.050-065-A4 | M 5 | 65 | 9.2 | 25 | 1.0 | 2.5 | 1.2 |
| P0228.050-070-A4 | M 5 | 70 | 9.2 | 25 | 1.0 | 2.5 | 1.2 |
| P0228.050-075-A4 | M 5 | 75 | 9.2 | 25 | 1.0 | 2.5 | 1.2 |
| P0228.050-080-A4 | M 5 | 80 | 9.2 | 25 | 1.0 | 2.5 | 1.2 |
| P0228.050-090-A4 | M 5 | 90 | 9.2 | 25 | 1.0 | 2.5 | 1.2 |
| P0228.050-095-A4 | M 5 | 95 | 9.2 | 25 | 1.0 | 2.5 | 1.2 |
| P0228.050-100-A4 | M 5 | 100 | 9.2 | 25 | 1.0 | 2.5 | 1.2 |
| P0228.060-008-A4 | M 6 | 8 | 11 | - | 1.2 | 3.0 | 1.6 |
| P0228.060-010-A4 | M 6 | 10 | 11 | - | 1.2 | 3.0 | 1.6 |
| P0228.060-012-A4 | M 6 | 12 | 11 | - | 1.2 | 3.0 | 1.6 |
| P0228.060-014-A4 | M 6 | 14 | 11 | - | 1.2 | 3.0 | 1.6 |
| P0228.060-016-A4 | M 6 | 16 | 11 | - | 1.2 | 3.0 | 1.6 |
| P0228.060-018-A4 | M 6 | 18 | 11 | - | 1.2 | 3.0 | 1.6 |
| P0228.060-020-A4 | M 6 | 20 | 11 | - | 1.2 | 3.0 | 1.6 |
| P0228.060-022-A4 | M 6 | 22 | 11 | - | 1.2 | 3.0 | 1.6 |
| P0228.060-025-A4 | M 6 | 25 | 11 | - | 1.2 | 3.0 | 1.6 |
| P0228.060-030-A4 | M 6 | 30 | 11 | 28 | 1.2 | 3.0 | 1.6 |
| P0228.060-035-A4 | M 6 | 35 | 11 | 28 | 1.2 | 3.0 | 1.6 |
| P0228.060-040-A4 | M 6 | 40 | 11 | 28 | 1.2 | 3.0 | 1.6 |
| P0228.060-045-A4 | M 6 | 45 | 11 | 28 | 1.2 | 3.0 | 1.6 |
| P0228.060-050-A4 | M 6 | 50 | 11 | 28 | 1.2 | 3.0 | 1.6 |
| P0228.060-055-A4 | M 6 | 55 | 11 | 28 | 1.2 | 3.0 | 1.6 |
| P0228.060-060-A4 | M 6 | 60 | 11 | 28 | 1.2 | 3.0 | 1.6 |
| P0228.060-065-A4 | M 6 | 65 | 11 | 28 | 1.2 | 3.0 | 1.6 |
| P0228.060-070-A4 | M 6 | 70 | 11 | 28 | 1.2 | 3.0 | 1.6 |
| P0228.060-075-A4 | M 6 | 75 | 11 | 28 | 1.2 | 3.0 | 1.6 |
| P0228.060-080-A4 | M 6 | 80 | 11 | 28 | 1.2 | 3.0 | 1.6 |
| P0228.060-090-A4 | M 6 | 90 | 11 | 28 | 1.2 | 3.0 | 1.6 |
| P0228.060-095-A4 | M 6 | 95 | 11 | 28 | 1.2 | 3.0 | 1.6 |

STANDARD SCREWS



STANDARD SCREWS

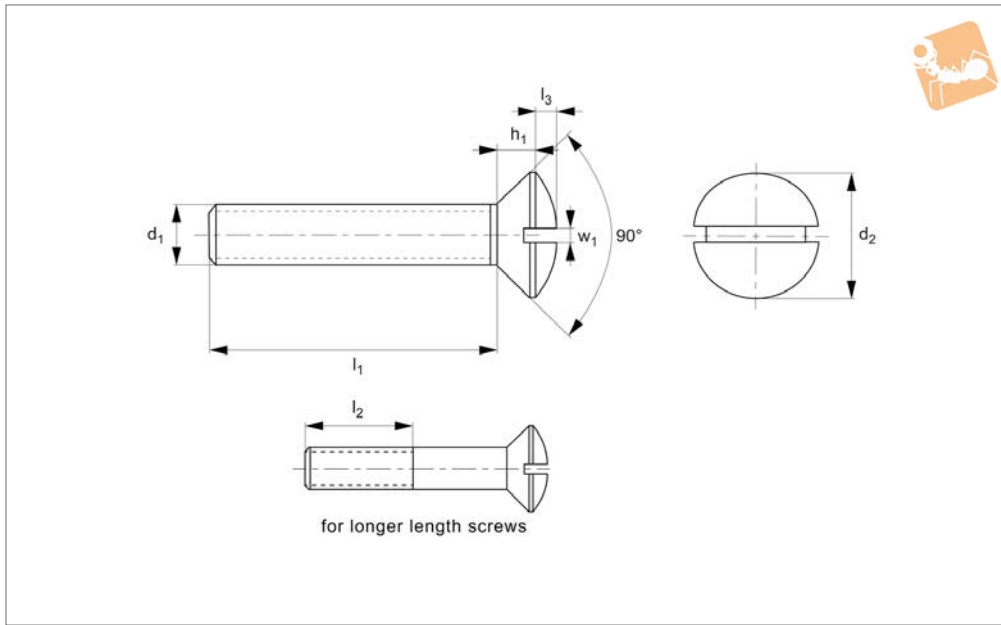
| Order No. | d ₁ | l ₁ | d ₂ | l ₂ | l ₃ | h ₁ | w ₁ |
|------------------|----------------|----------------|----------------|----------------|----------------|----------------|----------------|
| P0228.060-100-A4 | M 6 | 100 | 11 | 28 | 1.2 | 3.0 | 1.6 |
| P0228.080-010-A4 | M 8 | 10 | 14.5 | - | 1.6 | 4.0 | 2.0 |
| P0228.080-012-A4 | M 8 | 12 | 14.5 | - | 1.6 | 4.0 | 2.0 |
| P0228.080-014-A4 | M 8 | 14 | 14.5 | - | 1.6 | 4.0 | 2.0 |
| P0228.080-016-A4 | M 8 | 16 | 14.5 | - | 1.6 | 4.0 | 2.0 |
| P0228.080-018-A4 | M 8 | 18 | 14.5 | - | 1.6 | 4.0 | 2.0 |
| P0228.080-020-A4 | M 8 | 20 | 14.5 | - | 1.6 | 4.0 | 2.0 |
| P0228.080-022-A4 | M 8 | 22 | 14.5 | - | 1.6 | 4.0 | 2.0 |
| P0228.080-025-A4 | M 8 | 25 | 14.5 | - | 1.6 | 4.0 | 2.0 |
| P0228.080-030-A4 | M 8 | 30 | 14.5 | - | 1.6 | 4.0 | 2.0 |
| P0228.080-035-A4 | M 8 | 35 | 14.5 | 34 | 1.6 | 4.0 | 2.0 |
| P0228.080-040-A4 | M 8 | 40 | 14.5 | 34 | 1.6 | 4.0 | 2.0 |
| P0228.080-045-A4 | M 8 | 45 | 14.5 | 34 | 1.6 | 4.0 | 2.0 |
| P0228.080-050-A4 | M 8 | 50 | 14.5 | 34 | 1.6 | 4.0 | 2.0 |
| P0228.080-055-A4 | M 8 | 55 | 14.5 | 34 | 1.6 | 4.0 | 2.0 |
| P0228.080-060-A4 | M 8 | 60 | 14.5 | 34 | 1.6 | 4.0 | 2.0 |
| P0228.080-065-A4 | M 8 | 65 | 14.5 | 34 | 1.6 | 4.0 | 2.0 |
| P0228.080-070-A4 | M 8 | 70 | 14.5 | 34 | 1.6 | 4.0 | 2.0 |
| P0228.080-075-A4 | M 8 | 75 | 14.5 | 34 | 1.6 | 4.0 | 2.0 |
| P0228.080-080-A4 | M 8 | 80 | 14.5 | 34 | 1.6 | 4.0 | 2.0 |
| P0228.080-090-A4 | M 8 | 90 | 14.5 | 34 | 1.6 | 4.0 | 2.0 |
| P0228.080-095-A4 | M 8 | 95 | 14.5 | 34 | 1.6 | 4.0 | 2.0 |
| P0228.080-100-A4 | M 8 | 100 | 14.5 | 34 | 1.6 | 4.0 | 2.0 |
| P0228.100-020-A4 | M10 | 20 | 18.0 | - | 2.0 | 5.0 | 2.5 |
| P0228.100-022-A4 | M10 | 22 | 18.0 | - | 2.0 | 5.0 | 2.5 |
| P0228.100-025-A4 | M10 | 25 | 18.0 | - | 2.0 | 5.0 | 2.5 |
| P0228.100-030-A4 | M10 | 30 | 18.0 | - | 2.0 | 5.0 | 2.5 |
| P0228.100-035-A4 | M10 | 35 | 18.0 | - | 2.0 | 5.0 | 2.5 |
| P0228.100-040-A4 | M10 | 40 | 18.0 | 40 | 2.0 | 5.0 | 2.5 |
| P0228.100-045-A4 | M10 | 45 | 18.0 | 40 | 2.0 | 5.0 | 2.5 |
| P0228.100-050-A4 | M10 | 50 | 18.0 | 40 | 2.0 | 5.0 | 2.5 |
| P0228.100-055-A4 | M10 | 55 | 18.0 | 40 | 2.0 | 5.0 | 2.5 |
| P0228.100-060-A4 | M10 | 60 | 18.0 | 40 | 2.0 | 5.0 | 2.5 |
| P0228.100-065-A4 | M10 | 65 | 18.0 | 40 | 2.0 | 5.0 | 2.5 |
| P0228.100-070-A4 | M10 | 70 | 18.0 | 40 | 2.0 | 5.0 | 2.5 |
| P0228.100-075-A4 | M10 | 75 | 18.0 | 40 | 2.0 | 5.0 | 2.5 |
| P0228.100-080-A4 | M10 | 80 | 18.0 | 40 | 2.0 | 5.0 | 2.5 |
| P0228.100-090-A4 | M10 | 90 | 18.0 | 40 | 2.0 | 5.0 | 2.5 |
| P0228.100-095-A4 | M10 | 95 | 18.0 | 40 | 2.0 | 5.0 | 2.5 |
| P0228.100-100-A4 | M10 | 100 | 18.0 | 40 | 2.0 | 5.0 | 2.5 |



Slot Raised Countersunk Screws

Slot raised - steel, zinc-plated

Standard Screws



P0228.ZP

STANDARD SCREWS

Material

Steel, zinc-plated (grade 4.8).

Technical Notes

To DIN 964. For the majority of screw

lengths the threads goes all the way to the head of the screw (i.e. $l_1 = l_2$) less 2.5 thread pitches.

For longer length screws the threaded

portion $l_2 < l_1$.

| Order No. | d ₁ | l ₁ | d ₂ | l ₂ | l ₃ | h ₁ | w ₁ |
|------------------|----------------|----------------|----------------|----------------|----------------|----------------|----------------|
| P0228.020-004-ZP | M 2 | 4 | 3 | - | 0.32 | 1.20 | 0.4 |
| P0228.020-005-ZP | M 2 | 5 | 3 | - | 0.32 | 1.20 | 0.4 |
| P0228.020-006-ZP | M 2 | 6 | 3 | - | 0.32 | 1.20 | 0.4 |
| P0228.020-008-ZP | M 2 | 8 | 3 | - | 0.32 | 1.20 | 0.4 |
| P0228.020-010-ZP | M 2 | 10 | 3 | - | 0.32 | 1.20 | 0.4 |
| P0228.020-012-ZP | M 2 | 12 | 3 | - | 0.32 | 1.20 | 0.4 |
| P0228.020-014-ZP | M 2 | 14 | 3 | - | 0.32 | 1.20 | 0.4 |
| P0228.020-016-ZP | M 2 | 16 | 3 | 15 | 0.32 | 1.20 | 0.4 |
| P0228.020-018-ZP | M 2 | 18 | 3 | 15 | 0.32 | 1.20 | 0.4 |
| P0228.020-020-ZP | M 2 | 20 | 3 | 15 | 0.32 | 1.20 | 0.4 |
| P0228.025-004-ZP | M2,5 | 5 | 3.8 | - | 0.4 | 1.2 | 0.5 |
| P0228.025-005-ZP | M2,5 | 6 | 3.8 | - | 0.4 | 1.2 | 0.5 |
| P0228.025-006-ZP | M2,5 | 8 | 3.8 | - | 0.4 | 1.2 | 0.5 |
| P0228.025-008-ZP | M2,5 | 10 | 3.8 | - | 0.4 | 1.2 | 0.5 |
| P0228.025-010-ZP | M2,5 | 12 | 3.8 | - | 0.4 | 1.2 | 0.5 |
| P0228.025-012-ZP | M2,5 | 14 | 3.8 | - | 0.4 | 1.2 | 0.5 |
| P0228.025-014-ZP | M2,5 | 16 | 3.8 | 16 | 0.4 | 1.2 | 0.5 |
| P0228.025-016-ZP | M2,5 | 18 | 3.8 | 16 | 0.4 | 1.2 | 0.5 |
| P0228.025-018-ZP | M2,5 | 20 | 3.8 | 16 | 0.4 | 1.2 | 0.5 |
| P0228.030-005-ZP | M 3 | 5 | 4.7 | - | 0.5 | 1.5 | 0.6 |
| P0228.030-006-ZP | M 3 | 6 | 4.7 | - | 0.5 | 1.5 | 0.6 |
| P0228.030-008-ZP | M 3 | 8 | 4.7 | - | 0.5 | 1.5 | 0.6 |
| P0228.030-010-ZP | M 3 | 10 | 4.7 | - | 0.5 | 1.5 | 0.6 |
| P0228.030-012-ZP | M 3 | 12 | 4.7 | - | 0.5 | 1.5 | 0.6 |
| P0228.030-014-ZP | M 3 | 14 | 4.7 | - | 0.5 | 1.5 | 0.6 |
| P0228.030-016-ZP | M 3 | 16 | 4.7 | - | 0.5 | 1.5 | 0.6 |
| P0228.030-018-ZP | M 3 | 18 | 4.7 | 18 | 0.5 | 1.5 | 0.6 |
| P0228.030-020-ZP | M 3 | 20 | 4.7 | 18 | 0.5 | 1.5 | 0.6 |
| P0228.030-022-ZP | M 3 | 22 | 4.7 | 18 | 0.5 | 1.5 | 0.6 |
| P0228.030-025-ZP | M 3 | 25 | 4.7 | 18 | 0.5 | 1.5 | 0.6 |
| P0228.030-030-ZP | M 3 | 30 | 4.7 | 18 | 0.5 | 1.5 | 0.6 |
| P0228.030-035-ZP | M 3 | 35 | 4.7 | 18 | 0.5 | 1.5 | 0.6 |
| P0228.030-040-ZP | M 3 | 40 | 4.7 | 18 | 0.5 | 1.5 | 0.6 |
| P0228.030-045-ZP | M 3 | 45 | 4.7 | 18 | 0.5 | 1.5 | 0.6 |



STANDARD SCREWS

| Order No. | d ₁ | l ₁ | d ₂ | l ₂ | l ₃ | h ₁ | w ₁ |
|------------------|----------------|----------------|----------------|----------------|----------------|----------------|----------------|
| P0228.030-050-ZP | M 3 | 50 | 4.7 | 18 | 0.5 | 1.5 | 0.6 |
| P0228.040-005-ZP | M 4 | 5 | 7.5 | - | 0.8 | 2.2 | 1.0 |
| P0228.040-006-ZP | M 4 | 6 | 7.5 | - | 0.8 | 2.2 | 1.0 |
| P0228.040-008-ZP | M 4 | 8 | 7.5 | - | 0.8 | 2.2 | 1.0 |
| P0228.040-010-ZP | M 4 | 10 | 7.5 | - | 0.8 | 2.2 | 1.0 |
| P0228.040-012-ZP | M 4 | 12 | 7.5 | - | 0.8 | 2.2 | 1.0 |
| P0228.040-014-ZP | M 4 | 14 | 7.5 | - | 0.8 | 2.2 | 1.0 |
| P0228.040-016-ZP | M 4 | 16 | 7.5 | - | 0.8 | 2.2 | 1.0 |
| P0228.040-018-ZP | M 4 | 18 | 7.5 | - | 0.8 | 2.2 | 1.0 |
| P0228.040-020-ZP | M 4 | 20 | 7.5 | - | 0.8 | 2.2 | 1.0 |
| P0228.040-022-ZP | M 4 | 22 | 7.5 | 22 | 0.8 | 2.2 | 1.0 |
| P0228.040-025-ZP | M 4 | 25 | 7.5 | 22 | 0.8 | 2.2 | 1.0 |
| P0228.040-030-ZP | M 4 | 30 | 7.5 | 22 | 0.8 | 2.2 | 1.0 |
| P0228.040-035-ZP | M 4 | 35 | 7.5 | 22 | 0.8 | 2.2 | 1.0 |
| P0228.040-040-ZP | M 4 | 40 | 7.5 | 22 | 0.8 | 2.2 | 1.0 |
| P0228.040-045-ZP | M 4 | 45 | 7.5 | 22 | 0.8 | 2.2 | 1.0 |
| P0228.040-050-ZP | M 4 | 50 | 7.5 | 22 | 0.8 | 2.2 | 1.0 |
| P0228.040-055-ZP | M 4 | 55 | 7.5 | 22 | 0.8 | 2.2 | 1.0 |
| P0228.040-060-ZP | M 4 | 60 | 7.5 | 22 | 0.8 | 2.2 | 1.0 |
| P0228.040-065-ZP | M 4 | 65 | 7.5 | 22 | 0.8 | 2.2 | 1.0 |
| P0228.040-070-ZP | M 4 | 70 | 7.5 | 22 | 0.8 | 2.2 | 1.0 |
| P0228.040-075-ZP | M 4 | 75 | 7.5 | 22 | 0.8 | 2.2 | 1.0 |
| P0228.040-080-ZP | M 4 | 80 | 7.5 | 22 | 0.8 | 2.2 | 1.0 |
| P0228.050-006-ZP | M 5 | 6 | 9.2 | - | 1.0 | 2.5 | 1.2 |
| P0228.050-008-ZP | M 5 | 8 | 9.2 | - | 1.0 | 2.5 | 1.2 |
| P0228.050-010-ZP | M 5 | 10 | 9.2 | - | 1.0 | 2.5 | 1.2 |
| P0228.050-012-ZP | M 5 | 12 | 9.2 | - | 1.0 | 2.5 | 1.2 |
| P0228.050-014-ZP | M 5 | 14 | 9.2 | - | 1.0 | 2.5 | 1.2 |
| P0228.050-016-ZP | M 5 | 16 | 9.2 | - | 1.0 | 2.5 | 1.2 |
| P0228.050-018-ZP | M 5 | 18 | 9.2 | - | 1.0 | 2.5 | 1.2 |
| P0228.050-020-ZP | M 5 | 20 | 9.2 | - | 1.0 | 2.5 | 1.2 |
| P0228.050-022-ZP | M 5 | 22 | 9.2 | - | 1.0 | 2.5 | 1.2 |
| P0228.050-025-ZP | M 5 | 25 | 9.2 | 25 | 1.0 | 2.5 | 1.2 |
| P0228.050-030-ZP | M 5 | 30 | 9.2 | 25 | 1.0 | 2.5 | 1.2 |
| P0228.050-035-ZP | M 5 | 35 | 9.2 | 25 | 1.0 | 2.5 | 1.2 |
| P0228.050-040-ZP | M 5 | 40 | 9.2 | 25 | 1.0 | 2.5 | 1.2 |
| P0228.050-045-ZP | M 5 | 45 | 9.2 | 25 | 1.0 | 2.5 | 1.2 |
| P0228.050-050-ZP | M 5 | 50 | 9.2 | 25 | 1.0 | 2.5 | 1.2 |
| P0228.050-055-ZP | M 5 | 55 | 9.2 | 25 | 1.0 | 2.5 | 1.2 |
| P0228.050-060-ZP | M 5 | 60 | 9.2 | 25 | 1.0 | 2.5 | 1.2 |
| P0228.050-065-ZP | M 5 | 65 | 9.2 | 25 | 1.0 | 2.5 | 1.2 |
| P0228.050-070-ZP | M 5 | 70 | 9.2 | 25 | 1.0 | 2.5 | 1.2 |
| P0228.050-075-ZP | M 5 | 75 | 9.2 | 25 | 1.0 | 2.5 | 1.2 |
| P0228.050-080-ZP | M 5 | 80 | 9.2 | 25 | 1.0 | 2.5 | 1.2 |
| P0228.050-090-ZP | M 5 | 90 | 9.2 | 25 | 1.0 | 2.5 | 1.2 |
| P0228.050-095-ZP | M 5 | 95 | 9.2 | 25 | 1.0 | 2.5 | 1.2 |
| P0228.050-100-ZP | M 5 | 100 | 9.2 | 25 | 1.0 | 2.5 | 1.2 |
| P0228.060-008-ZP | M 6 | 8 | 11 | - | 1.2 | 3.0 | 1.6 |
| P0228.060-010-ZP | M 6 | 10 | 11 | - | 1.2 | 3.0 | 1.6 |
| P0228.060-012-ZP | M 6 | 12 | 11 | - | 1.2 | 3.0 | 1.6 |
| P0228.060-014-ZP | M 6 | 14 | 11 | - | 1.2 | 3.0 | 1.6 |
| P0228.060-016-ZP | M 6 | 16 | 11 | - | 1.2 | 3.0 | 1.6 |
| P0228.060-018-ZP | M 6 | 18 | 11 | - | 1.2 | 3.0 | 1.6 |
| P0228.060-020-ZP | M 6 | 20 | 11 | - | 1.2 | 3.0 | 1.6 |
| P0228.060-022-ZP | M 6 | 22 | 11 | - | 1.2 | 3.0 | 1.6 |
| P0228.060-025-ZP | M 6 | 25 | 11 | - | 1.2 | 3.0 | 1.6 |
| P0228.060-030-ZP | M 6 | 30 | 11 | 28 | 1.2 | 3.0 | 1.6 |
| P0228.060-035-ZP | M 6 | 35 | 11 | 28 | 1.2 | 3.0 | 1.6 |
| P0228.060-040-ZP | M 6 | 40 | 11 | 28 | 1.2 | 3.0 | 1.6 |
| P0228.060-045-ZP | M 6 | 45 | 11 | 28 | 1.2 | 3.0 | 1.6 |
| P0228.060-050-ZP | M 6 | 50 | 11 | 28 | 1.2 | 3.0 | 1.6 |
| P0228.060-055-ZP | M 6 | 55 | 11 | 28 | 1.2 | 3.0 | 1.6 |
| P0228.060-060-ZP | M 6 | 60 | 11 | 28 | 1.2 | 3.0 | 1.6 |
| P0228.060-065-ZP | M 6 | 65 | 11 | 28 | 1.2 | 3.0 | 1.6 |
| P0228.060-070-ZP | M 6 | 70 | 11 | 28 | 1.2 | 3.0 | 1.6 |
| P0228.060-075-ZP | M 6 | 75 | 11 | 28 | 1.2 | 3.0 | 1.6 |
| P0228.060-080-ZP | M 6 | 80 | 11 | 28 | 1.2 | 3.0 | 1.6 |
| P0228.060-090-ZP | M 6 | 90 | 11 | 28 | 1.2 | 3.0 | 1.6 |
| P0228.060-095-ZP | M 6 | 95 | 11 | 28 | 1.2 | 3.0 | 1.6 |



Slot Raised Countersunk Screws

Slot raised - steel, zinc-plated

Standard Screws

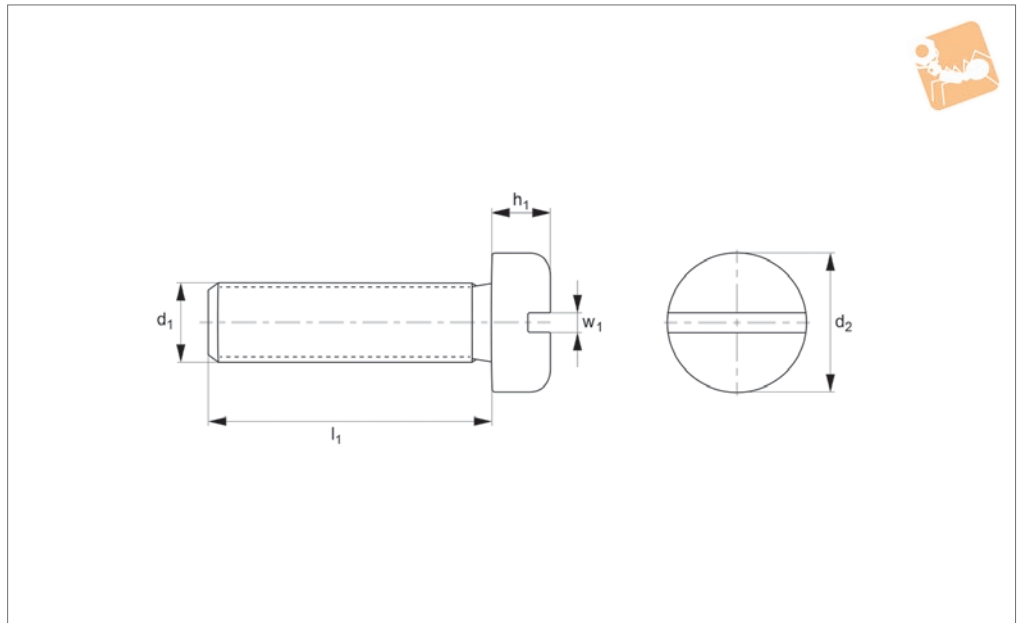


| Order No. | d ₁ | l ₁ | d ₂ | l ₂ | l ₃ | h ₁ | w ₁ |
|------------------|----------------|----------------|----------------|----------------|----------------|----------------|----------------|
| P0228.060-100-ZP | M 6 | 100 | 11 | 28 | 1.2 | 3.0 | 1.6 |
| P0228.080-010-ZP | M 8 | 10 | 14.5 | - | 1.6 | 4.0 | 2.0 |
| P0228.080-012-ZP | M 8 | 12 | 14.5 | - | 1.6 | 4.0 | 2.0 |
| P0228.080-014-ZP | M 8 | 14 | 14.5 | - | 1.6 | 4.0 | 2.0 |
| P0228.080-016-ZP | M 8 | 16 | 14.5 | - | 1.6 | 4.0 | 2.0 |
| P0228.080-018-ZP | M 8 | 18 | 14.5 | - | 1.6 | 4.0 | 2.0 |
| P0228.080-020-ZP | M 8 | 20 | 14.5 | - | 1.6 | 4.0 | 2.0 |
| P0228.080-022-ZP | M 8 | 22 | 14.5 | - | 1.6 | 4.0 | 2.0 |
| P0228.080-025-ZP | M 8 | 25 | 14.5 | - | 1.6 | 4.0 | 2.0 |
| P0228.080-030-ZP | M 8 | 30 | 14.5 | - | 1.6 | 4.0 | 2.0 |
| P0228.080-035-ZP | M 8 | 35 | 14.5 | 34 | 1.6 | 4.0 | 2.0 |
| P0228.080-040-ZP | M 8 | 40 | 14.5 | 34 | 1.6 | 4.0 | 2.0 |
| P0228.080-045-ZP | M 8 | 45 | 14.5 | 34 | 1.6 | 4.0 | 2.0 |
| P0228.080-050-ZP | M 8 | 50 | 14.5 | 34 | 1.6 | 4.0 | 2.0 |
| P0228.080-055-ZP | M 8 | 55 | 14.5 | 34 | 1.6 | 4.0 | 2.0 |
| P0228.080-060-ZP | M 8 | 60 | 14.5 | 34 | 1.6 | 4.0 | 2.0 |
| P0228.080-065-ZP | M 8 | 65 | 14.5 | 34 | 1.6 | 4.0 | 2.0 |
| P0228.080-070-ZP | M 8 | 70 | 14.5 | 34 | 1.6 | 4.0 | 2.0 |
| P0228.080-075-ZP | M 8 | 75 | 14.5 | 34 | 1.6 | 4.0 | 2.0 |
| P0228.080-080-ZP | M 8 | 80 | 14.5 | 34 | 1.6 | 4.0 | 2.0 |
| P0228.080-090-ZP | M 8 | 90 | 14.5 | 34 | 1.6 | 4.0 | 2.0 |
| P0228.080-095-ZP | M 8 | 95 | 14.5 | 34 | 1.6 | 4.0 | 2.0 |
| P0228.080-100-ZP | M 8 | 100 | 14.5 | 34 | 1.6 | 4.0 | 2.0 |
| P0228.100-020-ZP | M10 | 20 | 18.0 | - | 2.0 | 5.0 | 2.5 |
| P0228.100-022-ZP | M10 | 22 | 18.0 | - | 2.0 | 5.0 | 2.5 |
| P0228.100-025-ZP | M10 | 25 | 18.0 | - | 2.0 | 5.0 | 2.5 |
| P0228.100-030-ZP | M10 | 30 | 18.0 | - | 2.0 | 5.0 | 2.5 |
| P0228.100-035-ZP | M10 | 35 | 18.0 | - | 2.0 | 5.0 | 2.5 |
| P0228.100-040-ZP | M10 | 40 | 18.0 | 40 | 2.0 | 5.0 | 2.5 |
| P0228.100-045-ZP | M10 | 45 | 18.0 | 40 | 2.0 | 5.0 | 2.5 |
| P0228.100-050-ZP | M10 | 50 | 18.0 | 40 | 2.0 | 5.0 | 2.5 |
| P0228.100-055-ZP | M10 | 55 | 18.0 | 40 | 2.0 | 5.0 | 2.5 |
| P0228.100-060-ZP | M10 | 60 | 18.0 | 40 | 2.0 | 5.0 | 2.5 |
| P0228.100-065-ZP | M10 | 65 | 18.0 | 40 | 2.0 | 5.0 | 2.5 |
| P0228.100-070-ZP | M10 | 70 | 18.0 | 40 | 2.0 | 5.0 | 2.5 |
| P0228.100-075-ZP | M10 | 75 | 18.0 | 40 | 2.0 | 5.0 | 2.5 |
| P0228.100-080-ZP | M10 | 80 | 18.0 | 40 | 2.0 | 5.0 | 2.5 |
| P0228.100-090-ZP | M10 | 90 | 18.0 | 40 | 2.0 | 5.0 | 2.5 |
| P0228.100-095-ZP | M10 | 95 | 18.0 | 40 | 2.0 | 5.0 | 2.5 |
| P0228.100-100-ZP | M10 | 100 | 18.0 | 40 | 2.0 | 5.0 | 2.5 |

STANDARD SCREWS



P0230.A2



Material

Stainless steel (A2).

pitch of head.

Technical Notes

To DIN 85, ISO 1580. Threaded within 2,5 x

See technical page for tightening torques.

| Order No. | d ₁ | l ₁ | d ₂ | h ₁ | w ₁ |
|------------------|----------------|----------------|----------------|----------------|----------------|
| P0230.016-005-A2 | M1,6 | 5 | 3,2 | 1,0 | 0,4 |
| P0230.016-006-A2 | M1,6 | 6 | 3,2 | 1,0 | 0,4 |
| P0230.016-008-A2 | M1,6 | 8 | 3,2 | 1,0 | 0,4 |
| P0230.016-010-A2 | M1,6 | 10 | 3,2 | 1,0 | 0,4 |
| P0230.020-003-A2 | M 2 | 3 | 4 | 1,3 | 0,5 |
| P0230.020-004-A2 | M 2 | 4 | 4 | 1,3 | 0,5 |
| P0230.020-005-A2 | M 2 | 5 | 4 | 1,3 | 0,5 |
| P0230.020-006-A2 | M 2 | 6 | 4 | 1,3 | 0,5 |
| P0230.020-008-A2 | M 2 | 8 | 4 | 1,3 | 0,5 |
| P0230.020-010-A2 | M 2 | 10 | 4 | 1,3 | 0,5 |
| P0230.020-012-A2 | M 2 | 12 | 4 | 1,3 | 0,5 |
| P0230.020-016-A2 | M 2 | 16 | 4 | 1,3 | 0,5 |
| P0230.020-020-A2 | M 2 | 20 | 4 | 1,3 | 0,5 |
| P0230.025-003-A2 | M2,5 | 3 | 5 | 1,5 | 0,6 |
| P0230.025-004-A2 | M2,5 | 4 | 5 | 1,5 | 0,6 |
| P0230.025-005-A2 | M2,5 | 5 | 5 | 1,5 | 0,6 |
| P0230.025-006-A2 | M2,5 | 6 | 5 | 1,5 | 0,6 |
| P0230.025-008-A2 | M2,5 | 8 | 5 | 1,5 | 0,6 |
| P0230.025-010-A2 | M2,5 | 10 | 5 | 1,5 | 0,6 |
| P0230.025-012-A2 | M2,5 | 12 | 5 | 1,5 | 0,6 |
| P0230.025-016-A2 | M2,5 | 16 | 5 | 1,5 | 0,6 |
| P0230.025-020-A2 | M2,5 | 20 | 5 | 1,5 | 0,6 |
| P0230.025-025-A2 | M2,5 | 25 | 5 | 1,5 | 0,6 |
| P0230.030-003-A2 | M 3 | 3 | 6 | 1,8 | 0,8 |
| P0230.030-004-A2 | M 3 | 4 | 6 | 1,8 | 0,8 |
| P0230.030-005-A2 | M 3 | 5 | 6 | 1,8 | 0,8 |
| P0230.030-006-A2 | M 3 | 6 | 6 | 1,8 | 0,8 |
| P0230.030-008-A2 | M 3 | 8 | 6 | 1,8 | 0,8 |
| P0230.030-010-A2 | M 3 | 10 | 6 | 1,8 | 0,8 |
| P0230.030-012-A2 | M 3 | 12 | 6 | 1,8 | 0,8 |
| P0230.030-014-A2 | M 3 | 14 | 6 | 1,8 | 0,8 |
| P0230.030-016-A2 | M 3 | 16 | 6 | 1,8 | 0,8 |
| P0230.030-018-A2 | M 3 | 18 | 6 | 1,8 | 0,8 |
| P0230.030-020-A2 | M 3 | 20 | 6 | 1,8 | 0,8 |



Slot Pan Head Screws

Slot - A2 stainless

Standard Screws



| Order No. | d ₁ | l ₁ | d ₂ | h ₁ | w ₁ |
|------------------|----------------|----------------|----------------|----------------|----------------|
| P0230.030-022-A2 | M 3 | 22 | 6 | 1.8 | 0.8 |
| P0230.030-025-A2 | M 3 | 25 | 6 | 1.8 | 0.8 |
| P0230.030-028-A2 | M 3 | 28 | 6 | 1.8 | 0.8 |
| P0230.030-030-A2 | M 3 | 30 | 6 | 1.8 | 0.8 |
| P0230.030-035-A2 | M 3 | 35 | 6 | 1.8 | 0.8 |
| P0230.030-040-A2 | M 3 | 40 | 6 | 1.8 | 0.8 |
| P0230.030-045-A2 | M 3 | 45 | 6 | 1.8 | 0.8 |
| P0230.030-050-A2 | M 3 | 50 | 6 | 1.8 | 0.8 |
| P0230.035-005-A2 | M3,5 | 5 | 7 | 2.1 | 1.0 |
| P0230.035-006-A2 | M3,5 | 6 | 7 | 2.1 | 1.0 |
| P0230.035-008-A2 | M3,5 | 8 | 7 | 2.1 | 1.0 |
| P0230.035-010-A2 | M3,5 | 10 | 7 | 2.1 | 1.0 |
| P0230.035-012-A2 | M3,5 | 12 | 7 | 2.1 | 1.0 |
| P0230.035-016-A2 | M3,5 | 16 | 7 | 2.1 | 1.0 |
| P0230.035-020-A2 | M3,5 | 20 | 7 | 2.1 | 1.0 |
| P0230.035-025-A2 | M3,5 | 25 | 7 | 2.1 | 1.0 |
| P0230.035-030-A2 | M3,5 | 30 | 7 | 2.1 | 1.0 |
| P0230.035-035-A2 | M3,5 | 35 | 7 | 2.1 | 1.0 |
| P0230.035-040-A2 | M3,5 | 40 | 7 | 2.1 | 1.0 |
| P0230.035-050-A2 | M3,5 | 50 | 7 | 2.1 | 1.0 |
| P0230.040-005-A2 | M 4 | 5 | 8 | 2.4 | 1.2 |
| P0230.040-006-A2 | M 4 | 6 | 8 | 2.4 | 1.2 |
| P0230.040-008-A2 | M 4 | 8 | 8 | 2.4 | 1.2 |
| P0230.040-010-A2 | M 4 | 10 | 8 | 2.4 | 1.2 |
| P0230.040-012-A2 | M 4 | 12 | 8 | 2.4 | 1.2 |
| P0230.040-014-A2 | M 4 | 14 | 8 | 2.4 | 1.2 |
| P0230.040-016-A2 | M 4 | 16 | 8 | 2.4 | 1.2 |
| P0230.040-018-A2 | M 4 | 18 | 8 | 2.4 | 1.2 |
| P0230.040-020-A2 | M 4 | 20 | 8 | 2.4 | 1.2 |
| P0230.040-022-A2 | M 4 | 22 | 8 | 2.4 | 1.2 |
| P0230.040-025-A2 | M 4 | 25 | 8 | 2.4 | 1.2 |
| P0230.040-028-A2 | M 4 | 28 | 8 | 2.4 | 1.2 |
| P0230.040-030-A2 | M 4 | 30 | 8 | 2.4 | 1.2 |
| P0230.040-035-A2 | M 4 | 35 | 8 | 2.4 | 1.2 |
| P0230.040-040-A2 | M 4 | 40 | 8 | 2.4 | 1.2 |
| P0230.040-045-A2 | M 4 | 45 | 8 | 2.4 | 1.2 |
| P0230.040-050-A2 | M 4 | 50 | 8 | 2.4 | 1.2 |
| P0230.040-055-A2 | M 4 | 55 | 8 | 2.4 | 1.2 |
| P0230.040-060-A2 | M 4 | 60 | 8 | 2.4 | 1.2 |
| P0230.050-006-A2 | M 5 | 6 | 10 | 3.0 | 1.2 |
| P0230.050-008-A2 | M 5 | 8 | 10 | 3.0 | 1.2 |
| P0230.050-010-A2 | M 5 | 10 | 10 | 3.0 | 1.2 |
| P0230.050-012-A2 | M 5 | 12 | 10 | 3.0 | 1.2 |
| P0230.050-014-A2 | M 5 | 14 | 10 | 3.0 | 1.2 |
| P0230.050-016-A2 | M 5 | 16 | 10 | 3.0 | 1.2 |
| P0230.050-018-A2 | M 5 | 18 | 10 | 3.0 | 1.2 |
| P0230.050-020-A2 | M 5 | 20 | 10 | 3.0 | 1.2 |
| P0230.050-022-A2 | M 5 | 22 | 10 | 3.0 | 1.2 |
| P0230.050-025-A2 | M 5 | 25 | 10 | 3.0 | 1.2 |
| P0230.050-030-A2 | M 5 | 30 | 10 | 3.0 | 1.2 |
| P0230.050-035-A2 | M 5 | 35 | 10 | 3.0 | 1.2 |
| P0230.050-040-A2 | M 5 | 40 | 10 | 3.0 | 1.2 |
| P0230.050-045-A2 | M 5 | 45 | 10 | 3.0 | 1.2 |
| P0230.050-050-A2 | M 5 | 50 | 10 | 3.0 | 1.2 |
| P0230.050-055-A2 | M 5 | 55 | 10 | 3.0 | 1.2 |
| P0230.050-060-A2 | M 5 | 60 | 10 | 3.0 | 1.2 |
| P0230.050-065-A2 | M 5 | 65 | 10 | 3.0 | 1.2 |
| P0230.050-070-A2 | M 5 | 70 | 10 | 3.0 | 1.2 |
| P0230.050-075-A2 | M 5 | 75 | 10 | 3.0 | 1.2 |
| P0230.050-080-A2 | M 5 | 80 | 10 | 3.0 | 1.2 |
| P0230.050-090-A2 | M 5 | 90 | 10 | 3.0 | 1.2 |
| P0230.050-100-A2 | M 5 | 100 | 10 | 3.0 | 1.2 |
| P0230.060-008-A2 | M 6 | 8 | 12 | 3.6 | 1.6 |
| P0230.060-010-A2 | M 6 | 10 | 12 | 3.6 | 1.6 |
| P0230.060-012-A2 | M 6 | 12 | 12 | 3.6 | 1.6 |
| P0230.060-014-A2 | M 6 | 14 | 12 | 3.6 | 1.6 |
| P0230.060-016-A2 | M 6 | 16 | 12 | 3.6 | 1.6 |
| P0230.060-018-A2 | M 6 | 18 | 12 | 3.6 | 1.6 |
| P0230.060-020-A2 | M 6 | 20 | 12 | 3.6 | 1.6 |

STANDARD SCREWS



STANDARD SCREWS

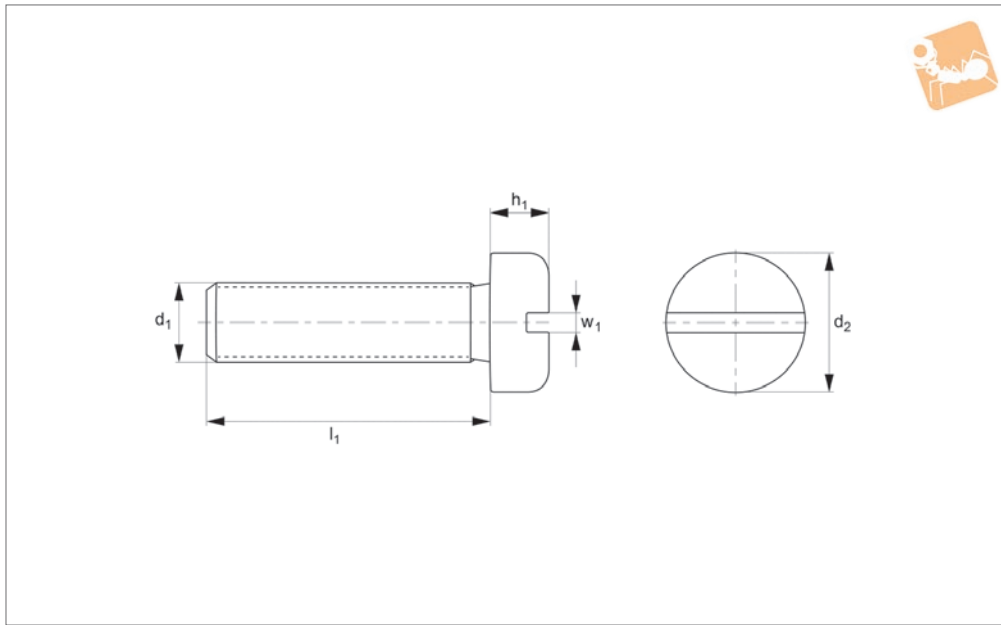
| Order No. | d ₁ | l ₁ | d ₂ | h ₁ | w ₁ |
|------------------|----------------|----------------|----------------|----------------|----------------|
| P0230.060-022-A2 | M 6 | 22 | 12 | 3.6 | 1.6 |
| P0230.060-025-A2 | M 6 | 25 | 12 | 3.6 | 1.6 |
| P0230.060-028-A2 | M 6 | 28 | 12 | 3.6 | 1.6 |
| P0230.060-030-A2 | M 6 | 30 | 12 | 3.6 | 1.6 |
| P0230.060-035-A2 | M 6 | 35 | 12 | 3.6 | 1.6 |
| P0230.060-040-A2 | M 6 | 40 | 12 | 3.6 | 1.6 |
| P0230.060-045-A2 | M 6 | 45 | 12 | 3.6 | 1.6 |
| P0230.060-050-A2 | M 6 | 50 | 12 | 3.6 | 1.6 |
| P0230.060-055-A2 | M 6 | 55 | 12 | 3.6 | 1.6 |
| P0230.060-060-A2 | M 6 | 60 | 12 | 3.6 | 1.6 |
| P0230.060-065-A2 | M 6 | 65 | 12 | 3.6 | 1.6 |
| P0230.060-070-A2 | M 6 | 70 | 12 | 3.6 | 1.6 |
| P0230.060-075-A2 | M 6 | 75 | 12 | 3.6 | 1.6 |
| P0230.060-080-A2 | M 6 | 80 | 12 | 3.6 | 1.6 |
| P0230.060-090-A2 | M 6 | 90 | 12 | 3.6 | 1.6 |
| P0230.060-100-A2 | M 6 | 100 | 12 | 3.6 | 1.6 |
| P0230.080-008-A2 | M 8 | 8 | 16 | 4.8 | 2.0 |
| P0230.080-010-A2 | M 8 | 10 | 16 | 4.8 | 2.0 |
| P0230.080-012-A2 | M 8 | 12 | 16 | 4.8 | 2.0 |
| P0230.080-016-A2 | M 8 | 16 | 16 | 4.8 | 2.0 |
| P0230.080-020-A2 | M 8 | 20 | 16 | 4.8 | 2.0 |
| P0230.080-025-A2 | M 8 | 25 | 16 | 4.8 | 2.0 |
| P0230.080-030-A2 | M 8 | 30 | 16 | 4.8 | 2.0 |
| P0230.080-035-A2 | M 8 | 35 | 16 | 4.8 | 2.0 |
| P0230.080-040-A2 | M 8 | 40 | 16 | 4.8 | 2.0 |
| P0230.080-045-A2 | M 8 | 45 | 16 | 4.8 | 2.0 |
| P0230.080-050-A2 | M 8 | 50 | 16 | 4.8 | 2.0 |
| P0230.080-055-A2 | M 8 | 55 | 16 | 4.8 | 2.0 |
| P0230.080-060-A2 | M 8 | 60 | 16 | 4.8 | 2.0 |
| P0230.080-065-A2 | M 8 | 65 | 16 | 4.8 | 2.0 |
| P0230.080-070-A2 | M 8 | 70 | 16 | 4.8 | 2.0 |
| P0230.080-075-A2 | M 8 | 75 | 16 | 4.8 | 2.0 |
| P0230.080-080-A2 | M 8 | 80 | 16 | 4.8 | 2.0 |
| P0230.080-090-A2 | M 8 | 90 | 16 | 4.8 | 2.0 |
| P0230.080-100-A2 | M 8 | 100 | 16 | 4.8 | 2.0 |
| P0230.100-016-A2 | M10 | 16 | 20 | 6 | 2.5 |
| P0230.100-020-A2 | M10 | 20 | 20 | 6 | 2.5 |
| P0230.100-025-A2 | M10 | 25 | 20 | 6 | 2.5 |
| P0230.100-030-A2 | M10 | 30 | 20 | 6 | 2.5 |
| P0230.100-035-A2 | M10 | 35 | 20 | 6 | 2.5 |
| P0230.100-040-A2 | M10 | 40 | 20 | 6 | 2.5 |
| P0230.100-045-A2 | M10 | 45 | 20 | 6 | 2.5 |
| P0230.100-050-A2 | M10 | 50 | 20 | 6 | 2.5 |
| P0230.100-055-A2 | M10 | 55 | 20 | 6 | 2.5 |
| P0230.100-060-A2 | M10 | 60 | 20 | 6 | 2.5 |
| P0230.100-065-A2 | M10 | 65 | 20 | 6 | 2.5 |
| P0230.100-070-A2 | M10 | 70 | 20 | 6 | 2.5 |
| P0230.100-080-A2 | M10 | 80 | 20 | 6 | 2.5 |
| P0230.100-090-A2 | M10 | 90 | 20 | 6 | 2.5 |
| P0230.100-100-A2 | M10 | 100 | 20 | 6 | 2.5 |



Slot Pan Head Screws

Slot - A4 stainless

Standard Screws



P0230.A4

STANDARD SCREWS

Material

Stainless steel (A4).

pitch of head.

Technical Notes

To DIN 85, ISO 1580. Threaded within 2,5 x

See technical page for tightening torques.

| Order No. | d_1 | l_1 | d_2 | h_1 | w_1 |
|------------------|-------|-------|-------|-------|-------|
| P0230.016-005-A4 | M1,6 | 5 | 3.2 | 1.0 | 0.4 |
| P0230.016-006-A4 | M1,6 | 6 | 3.2 | 1.0 | 0.4 |
| P0230.016-008-A4 | M1,6 | 8 | 3.2 | 1.0 | 0.4 |
| P0230.016-010-A4 | M1,6 | 10 | 3.2 | 1.0 | 0.4 |
| P0230.020-003-A4 | M 2 | 3 | 4 | 1.3 | 0.5 |
| P0230.020-004-A4 | M 2 | 4 | 4 | 1.3 | 0.5 |
| P0230.020-005-A4 | M 2 | 5 | 4 | 1.3 | 0.5 |
| P0230.020-006-A4 | M 2 | 6 | 4 | 1.3 | 0.5 |
| P0230.020-008-A4 | M 2 | 8 | 4 | 1.3 | 0.5 |
| P0230.020-010-A4 | M 2 | 10 | 4 | 1.3 | 0.5 |
| P0230.020-012-A4 | M 2 | 12 | 4 | 1.3 | 0.5 |
| P0230.020-016-A4 | M 2 | 16 | 4 | 1.3 | 0.5 |
| P0230.020-020-A4 | M 2 | 20 | 4 | 1.3 | 0.5 |
| P0230.025-003-A4 | M2,5 | 3 | 5 | 1.5 | 0.6 |
| P0230.025-004-A4 | M2,5 | 4 | 5 | 1.5 | 0.6 |
| P0230.025-005-A4 | M2,5 | 5 | 5 | 1.5 | 0.6 |
| P0230.025-006-A4 | M2,5 | 6 | 5 | 1.5 | 0.6 |
| P0230.025-008-A4 | M2,5 | 8 | 5 | 1.5 | 0.6 |
| P0230.025-010-A4 | M2,5 | 10 | 5 | 1.5 | 0.6 |
| P0230.025-012-A4 | M2,5 | 12 | 5 | 1.5 | 0.6 |
| P0230.025-016-A4 | M2,5 | 16 | 5 | 1.5 | 0.6 |
| P0230.025-020-A4 | M2,5 | 20 | 5 | 1.5 | 0.6 |
| P0230.025-025-A4 | M2,5 | 25 | 5 | 1.5 | 0.6 |
| P0230.030-003-A4 | M 3 | 3 | 6 | 1.8 | 0.8 |
| P0230.030-004-A4 | M 3 | 4 | 6 | 1.8 | 0.8 |
| P0230.030-005-A4 | M 3 | 5 | 6 | 1.8 | 0.8 |
| P0230.030-006-A4 | M 3 | 6 | 6 | 1.8 | 0.8 |
| P0230.030-008-A4 | M 3 | 8 | 6 | 1.8 | 0.8 |
| P0230.030-010-A4 | M 3 | 10 | 6 | 1.8 | 0.8 |
| P0230.030-012-A4 | M 3 | 12 | 6 | 1.8 | 0.8 |
| P0230.030-014-A4 | M 3 | 14 | 6 | 1.8 | 0.8 |
| P0230.030-016-A4 | M 3 | 16 | 6 | 1.8 | 0.8 |
| P0230.030-018-A4 | M 3 | 18 | 6 | 1.8 | 0.8 |
| P0230.030-020-A4 | M 3 | 20 | 6 | 1.8 | 0.8 |



STANDARD SCREWS

| Order No. | d ₁ | l ₁ | d ₂ | h ₁ | w ₁ |
|------------------|----------------|----------------|----------------|----------------|----------------|
| P0230.030-022-A4 | M 3 | 22 | 6 | 1.8 | 0.8 |
| P0230.030-025-A4 | M 3 | 25 | 6 | 1.8 | 0.8 |
| P0230.030-028-A4 | M 3 | 28 | 6 | 1.8 | 0.8 |
| P0230.030-030-A4 | M 3 | 30 | 6 | 1.8 | 0.8 |
| P0230.030-035-A4 | M 3 | 35 | 6 | 1.8 | 0.8 |
| P0230.030-040-A4 | M 3 | 40 | 6 | 1.8 | 0.8 |
| P0230.030-045-A4 | M 3 | 45 | 6 | 1.8 | 0.8 |
| P0230.030-050-A4 | M 3 | 50 | 6 | 1.8 | 0.8 |
| P0230.035-005-A4 | M3,5 | 5 | 7 | 2.1 | 1.0 |
| P0230.035-006-A4 | M3,5 | 6 | 7 | 2.1 | 1.0 |
| P0230.035-008-A4 | M3,5 | 8 | 7 | 2.1 | 1.0 |
| P0230.035-010-A4 | M3,5 | 10 | 7 | 2.1 | 1.0 |
| P0230.035-012-A4 | M3,5 | 12 | 7 | 2.1 | 1.0 |
| P0230.035-016-A4 | M3,5 | 16 | 7 | 2.1 | 1.0 |
| P0230.035-020-A4 | M3,5 | 20 | 7 | 2.1 | 1.0 |
| P0230.035-025-A4 | M3,5 | 25 | 7 | 2.1 | 1.0 |
| P0230.035-030-A4 | M3,5 | 30 | 7 | 2.1 | 1.0 |
| P0230.035-035-A4 | M3,5 | 35 | 7 | 2.1 | 1.0 |
| P0230.035-040-A4 | M3,5 | 40 | 7 | 2.1 | 1.0 |
| P0230.035-050-A4 | M3,5 | 50 | 7 | 2.1 | 1.0 |
| P0230.040-005-A4 | M 4 | 5 | 8 | 2.4 | 1.2 |
| P0230.040-006-A4 | M 4 | 6 | 8 | 2.4 | 1.2 |
| P0230.040-008-A4 | M 4 | 8 | 8 | 2.4 | 1.2 |
| P0230.040-010-A4 | M 4 | 10 | 8 | 2.4 | 1.2 |
| P0230.040-012-A4 | M 4 | 12 | 8 | 2.4 | 1.2 |
| P0230.040-014-A4 | M 4 | 14 | 8 | 2.4 | 1.2 |
| P0230.040-016-A4 | M 4 | 16 | 8 | 2.4 | 1.2 |
| P0230.040-018-A4 | M 4 | 18 | 8 | 2.4 | 1.2 |
| P0230.040-020-A4 | M 4 | 20 | 8 | 2.4 | 1.2 |
| P0230.040-022-A4 | M 4 | 22 | 8 | 2.4 | 1.2 |
| P0230.040-025-A4 | M 4 | 25 | 8 | 2.4 | 1.2 |
| P0230.040-028-A4 | M 4 | 28 | 8 | 2.4 | 1.2 |
| P0230.040-030-A4 | M 4 | 30 | 8 | 2.4 | 1.2 |
| P0230.040-035-A4 | M 4 | 35 | 8 | 2.4 | 1.2 |
| P0230.040-040-A4 | M 4 | 40 | 8 | 2.4 | 1.2 |
| P0230.040-045-A4 | M 4 | 45 | 8 | 2.4 | 1.2 |
| P0230.040-050-A4 | M 4 | 50 | 8 | 2.4 | 1.2 |
| P0230.040-055-A4 | M 4 | 55 | 8 | 2.4 | 1.2 |
| P0230.040-060-A4 | M 4 | 60 | 8 | 2.4 | 1.2 |
| P0230.050-006-A4 | M 5 | 6 | 10 | 3.0 | 1.2 |
| P0230.050-008-A4 | M 5 | 8 | 10 | 3.0 | 1.2 |
| P0230.050-010-A4 | M 5 | 10 | 10 | 3.0 | 1.2 |
| P0230.050-012-A4 | M 5 | 12 | 10 | 3.0 | 1.2 |
| P0230.050-014-A4 | M 5 | 14 | 10 | 3.0 | 1.2 |
| P0230.050-016-A4 | M 5 | 16 | 10 | 3.0 | 1.2 |
| P0230.050-018-A4 | M 5 | 18 | 10 | 3.0 | 1.2 |
| P0230.050-020-A4 | M 5 | 20 | 10 | 3.0 | 1.2 |
| P0230.050-022-A4 | M 5 | 22 | 10 | 3.0 | 1.2 |
| P0230.050-025-A4 | M 5 | 25 | 10 | 3.0 | 1.2 |
| P0230.050-030-A4 | M 5 | 30 | 10 | 3.0 | 1.2 |
| P0230.050-035-A4 | M 5 | 35 | 10 | 3.0 | 1.2 |
| P0230.050-040-A4 | M 5 | 40 | 10 | 3.0 | 1.2 |
| P0230.050-045-A4 | M 5 | 45 | 10 | 3.0 | 1.2 |
| P0230.050-050-A4 | M 5 | 50 | 10 | 3.0 | 1.2 |
| P0230.050-055-A4 | M 5 | 55 | 10 | 3.0 | 1.2 |
| P0230.050-060-A4 | M 5 | 60 | 10 | 3.0 | 1.2 |
| P0230.050-065-A4 | M 5 | 65 | 10 | 3.0 | 1.2 |
| P0230.050-070-A4 | M 5 | 70 | 10 | 3.0 | 1.2 |
| P0230.050-075-A4 | M 5 | 75 | 10 | 3.0 | 1.2 |
| P0230.050-080-A4 | M 5 | 80 | 10 | 3.0 | 1.2 |
| P0230.050-090-A4 | M 5 | 90 | 10 | 3.0 | 1.2 |
| P0230.050-100-A4 | M 5 | 100 | 10 | 3.0 | 1.2 |
| P0230.060-008-A4 | M 6 | 8 | 12 | 3.6 | 1.6 |
| P0230.060-010-A4 | M 6 | 10 | 12 | 3.6 | 1.6 |
| P0230.060-012-A4 | M 6 | 12 | 12 | 3.6 | 1.6 |
| P0230.060-014-A4 | M 6 | 14 | 12 | 3.6 | 1.6 |
| P0230.060-016-A4 | M 6 | 16 | 12 | 3.6 | 1.6 |
| P0230.060-018-A4 | M 6 | 18 | 12 | 3.6 | 1.6 |
| P0230.060-020-A4 | M 6 | 20 | 12 | 3.6 | 1.6 |



Slot Pan Head Screws

Slot - A4 stainless

Standard Screws

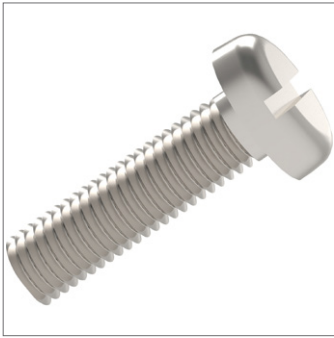


| Order No. | d ₁ | l ₁ | d ₂ | h ₁ | w ₁ |
|------------------|----------------|----------------|----------------|----------------|----------------|
| P0230.060-022-A4 | M 6 | 22 | 12 | 3.6 | 1.6 |
| P0230.060-025-A4 | M 6 | 25 | 12 | 3.6 | 1.6 |
| P0230.060-028-A4 | M 6 | 28 | 12 | 3.6 | 1.6 |
| P0230.060-030-A4 | M 6 | 30 | 12 | 3.6 | 1.6 |
| P0230.060-035-A4 | M 6 | 35 | 12 | 3.6 | 1.6 |
| P0230.060-040-A4 | M 6 | 40 | 12 | 3.6 | 1.6 |
| P0230.060-045-A4 | M 6 | 45 | 12 | 3.6 | 1.6 |
| P0230.060-050-A4 | M 6 | 50 | 12 | 3.6 | 1.6 |
| P0230.060-055-A4 | M 6 | 55 | 12 | 3.6 | 1.6 |
| P0230.060-060-A4 | M 6 | 60 | 12 | 3.6 | 1.6 |
| P0230.060-065-A4 | M 6 | 65 | 12 | 3.6 | 1.6 |
| P0230.060-070-A4 | M 6 | 70 | 12 | 3.6 | 1.6 |
| P0230.060-075-A4 | M 6 | 75 | 12 | 3.6 | 1.6 |
| P0230.060-080-A4 | M 6 | 80 | 12 | 3.6 | 1.6 |
| P0230.060-090-A4 | M 6 | 90 | 12 | 3.6 | 1.6 |
| P0230.060-100-A4 | M 6 | 100 | 12 | 3.6 | 1.6 |
| P0230.080-008-A4 | M 8 | 8 | 16 | 4.8 | 2.0 |
| P0230.080-010-A4 | M 8 | 10 | 16 | 4.8 | 2.0 |
| P0230.080-012-A4 | M 8 | 12 | 16 | 4.8 | 2.0 |
| P0230.080-016-A4 | M 8 | 16 | 16 | 4.8 | 2.0 |
| P0230.080-020-A4 | M 8 | 20 | 16 | 4.8 | 2.0 |
| P0230.080-025-A4 | M 8 | 25 | 16 | 4.8 | 2.0 |
| P0230.080-030-A4 | M 8 | 30 | 16 | 4.8 | 2.0 |
| P0230.080-035-A4 | M 8 | 35 | 16 | 4.8 | 2.0 |
| P0230.080-040-A4 | M 8 | 40 | 16 | 4.8 | 2.0 |
| P0230.080-045-A4 | M 8 | 45 | 16 | 4.8 | 2.0 |
| P0230.080-050-A4 | M 8 | 50 | 16 | 4.8 | 2.0 |
| P0230.080-055-A4 | M 8 | 55 | 16 | 4.8 | 2.0 |
| P0230.080-060-A4 | M 8 | 60 | 16 | 4.8 | 2.0 |
| P0230.080-065-A4 | M 8 | 65 | 16 | 4.8 | 2.0 |
| P0230.080-070-A4 | M 8 | 70 | 16 | 4.8 | 2.0 |
| P0230.080-075-A4 | M 8 | 75 | 16 | 4.8 | 2.0 |
| P0230.080-080-A4 | M 8 | 80 | 16 | 4.8 | 2.0 |
| P0230.080-090-A4 | M 8 | 90 | 16 | 4.8 | 2.0 |
| P0230.080-100-A4 | M 8 | 100 | 16 | 4.8 | 2.0 |
| P0230.100-016-A4 | M10 | 16 | 20 | 6 | 2.5 |
| P0230.100-020-A4 | M10 | 20 | 20 | 6 | 2.5 |
| P0230.100-025-A4 | M10 | 25 | 20 | 6 | 2.5 |
| P0230.100-030-A4 | M10 | 30 | 20 | 6 | 2.5 |
| P0230.100-035-A4 | M10 | 35 | 20 | 6 | 2.5 |
| P0230.100-040-A4 | M10 | 40 | 20 | 6 | 2.5 |
| P0230.100-045-A4 | M10 | 45 | 20 | 6 | 2.5 |
| P0230.100-050-A4 | M10 | 50 | 20 | 6 | 2.5 |
| P0230.100-055-A4 | M10 | 55 | 20 | 6 | 2.5 |
| P0230.100-060-A4 | M10 | 60 | 20 | 6 | 2.5 |
| P0230.100-065-A4 | M10 | 65 | 20 | 6 | 2.5 |
| P0230.100-070-A4 | M10 | 70 | 20 | 6 | 2.5 |
| P0230.100-080-A4 | M10 | 80 | 20 | 6 | 2.5 |
| P0230.100-090-A4 | M10 | 90 | 20 | 6 | 2.5 |
| P0230.100-100-A4 | M10 | 100 | 20 | 6 | 2.5 |

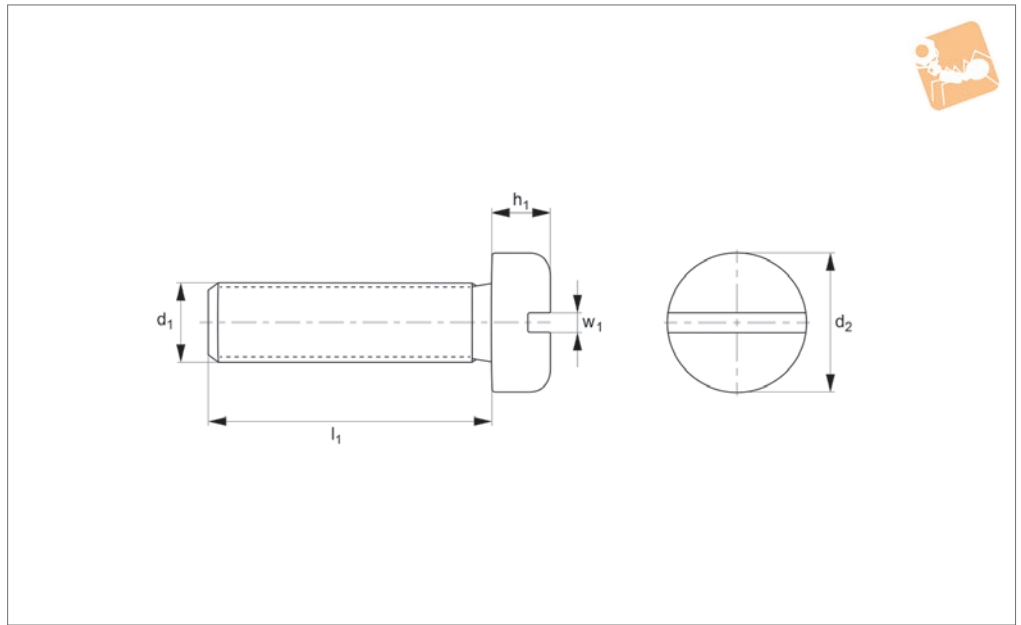
STANDARD SCREWS



STANDARD SCREWS



P0230.ZP



Material

Steel, zinc-plated (grade 4.8).

Technical Notes

To DIN 85, ISO 1580. Threaded within 2,5 x pitch of head.

| Order No. | d ₁ | l ₁ | d ₂ | h ₁ | w ₁ |
|------------------|----------------|----------------|----------------|----------------|----------------|
| P0230.016-005-ZP | M1,6 | 5 | 3.2 | 1.0 | 0.4 |
| P0230.016-006-ZP | M1,6 | 6 | 3.2 | 1.0 | 0.4 |
| P0230.016-008-ZP | M1,6 | 8 | 3.2 | 1.0 | 0.4 |
| P0230.016-010-ZP | M1,6 | 10 | 3.2 | 1.0 | 0.4 |
| P0230.020-003-ZP | M 2 | 3 | 4 | 1.3 | 0.5 |
| P0230.020-004-ZP | M 2 | 4 | 4 | 1.3 | 0.5 |
| P0230.020-005-ZP | M 2 | 5 | 4 | 1.3 | 0.5 |
| P0230.020-006-ZP | M 2 | 6 | 4 | 1.3 | 0.5 |
| P0230.020-008-ZP | M 2 | 8 | 4 | 1.3 | 0.5 |
| P0230.020-010-ZP | M 2 | 10 | 4 | 1.3 | 0.5 |
| P0230.020-012-ZP | M 2 | 12 | 4 | 1.3 | 0.5 |
| P0230.020-016-ZP | M 2 | 16 | 4 | 1.3 | 0.5 |
| P0230.020-020-ZP | M 2 | 20 | 4 | 1.3 | 0.5 |
| P0230.025-003-ZP | M2,5 | 3 | 5 | 1.5 | 0.6 |
| P0230.025-004-ZP | M2,5 | 4 | 5 | 1.5 | 0.6 |
| P0230.025-005-ZP | M2,5 | 5 | 5 | 1.5 | 0.6 |
| P0230.025-006-ZP | M2,5 | 6 | 5 | 1.5 | 0.6 |
| P0230.025-008-ZP | M2,5 | 8 | 5 | 1.5 | 0.6 |
| P0230.025-010-ZP | M2,5 | 10 | 5 | 1.5 | 0.6 |
| P0230.025-012-ZP | M2,5 | 12 | 5 | 1.5 | 0.6 |
| P0230.025-016-ZP | M2,5 | 16 | 5 | 1.5 | 0.6 |
| P0230.025-020-ZP | M2,5 | 20 | 5 | 1.5 | 0.6 |
| P0230.025-025-ZP | M2,5 | 25 | 5 | 1.5 | 0.6 |
| P0230.030-003-ZP | M 3 | 3 | 6 | 1.8 | 0.8 |
| P0230.030-004-ZP | M 3 | 4 | 6 | 1.8 | 0.8 |
| P0230.030-005-ZP | M 3 | 5 | 6 | 1.8 | 0.8 |
| P0230.030-006-ZP | M 3 | 6 | 6 | 1.8 | 0.8 |
| P0230.030-008-ZP | M 3 | 8 | 6 | 1.8 | 0.8 |
| P0230.030-010-ZP | M 3 | 10 | 6 | 1.8 | 0.8 |
| P0230.030-012-ZP | M 3 | 12 | 6 | 1.8 | 0.8 |
| P0230.030-014-ZP | M 3 | 14 | 6 | 1.8 | 0.8 |
| P0230.030-016-ZP | M 3 | 16 | 6 | 1.8 | 0.8 |
| P0230.030-018-ZP | M 3 | 18 | 6 | 1.8 | 0.8 |
| P0230.030-020-ZP | M 3 | 20 | 6 | 1.8 | 0.8 |
| P0230.030-022-ZP | M 3 | 22 | 6 | 1.8 | 0.8 |



Slot Pan Head Screws

Slot - steel, zinc-plated

Standard Screws



| Order No. | d ₁ | l ₁ | d ₂ | h ₁ | w ₁ |
|------------------|----------------|----------------|----------------|----------------|----------------|
| P0230.030-025-ZP | M 3 | 25 | 6 | 1.8 | 0.8 |
| P0230.030-028-ZP | M 3 | 28 | 6 | 1.8 | 0.8 |
| P0230.030-030-ZP | M 3 | 30 | 6 | 1.8 | 0.8 |
| P0230.030-035-ZP | M 3 | 35 | 6 | 1.8 | 0.8 |
| P0230.030-040-ZP | M 3 | 40 | 6 | 1.8 | 0.8 |
| P0230.030-045-ZP | M 3 | 45 | 6 | 1.8 | 0.8 |
| P0230.030-050-ZP | M 3 | 50 | 6 | 1.8 | 0.8 |
| P0230.035-005-ZP | M3,5 | 5 | 7 | 2.1 | 1.0 |
| P0230.035-006-ZP | M3,5 | 6 | 7 | 2.1 | 1.0 |
| P0230.035-008-ZP | M3,5 | 8 | 7 | 2.1 | 1.0 |
| P0230.035-010-ZP | M3,5 | 10 | 7 | 2.1 | 1.0 |
| P0230.035-012-ZP | M3,5 | 12 | 7 | 2.1 | 1.0 |
| P0230.035-016-ZP | M3,5 | 16 | 7 | 2.1 | 1.0 |
| P0230.035-020-ZP | M3,5 | 20 | 7 | 2.1 | 1.0 |
| P0230.035-025-ZP | M3,5 | 25 | 7 | 2.1 | 1.0 |
| P0230.035-030-ZP | M3,5 | 30 | 7 | 2.1 | 1.0 |
| P0230.035-035-ZP | M3,5 | 35 | 7 | 2.1 | 1.0 |
| P0230.035-040-ZP | M3,5 | 40 | 7 | 2.1 | 1.0 |
| P0230.035-050-ZP | M3,5 | 50 | 7 | 2.1 | 1.0 |
| P0230.040-005-ZP | M 4 | 5 | 8 | 2.4 | 1.2 |
| P0230.040-006-ZP | M 4 | 6 | 8 | 2.4 | 1.2 |
| P0230.040-008-ZP | M 4 | 8 | 8 | 2.4 | 1.2 |
| P0230.040-010-ZP | M 4 | 10 | 8 | 2.4 | 1.2 |
| P0230.040-012-ZP | M 4 | 12 | 8 | 2.4 | 1.2 |
| P0230.040-014-ZP | M 4 | 14 | 8 | 2.4 | 1.2 |
| P0230.040-016-ZP | M 4 | 16 | 8 | 2.4 | 1.2 |
| P0230.040-018-ZP | M 4 | 18 | 8 | 2.4 | 1.2 |
| P0230.040-020-ZP | M 4 | 20 | 8 | 2.4 | 1.2 |
| P0230.040-022-ZP | M 4 | 22 | 8 | 2.4 | 1.2 |
| P0230.040-025-ZP | M 4 | 25 | 8 | 2.4 | 1.2 |
| P0230.040-028-ZP | M 4 | 28 | 8 | 2.4 | 1.2 |
| P0230.040-030-ZP | M 4 | 30 | 8 | 2.4 | 1.2 |
| P0230.040-035-ZP | M 4 | 35 | 8 | 2.4 | 1.2 |
| P0230.040-040-ZP | M 4 | 40 | 8 | 2.4 | 1.2 |
| P0230.040-045-ZP | M 4 | 45 | 8 | 2.4 | 1.2 |
| P0230.040-050-ZP | M 4 | 50 | 8 | 2.4 | 1.2 |
| P0230.040-055-ZP | M 4 | 55 | 8 | 2.4 | 1.2 |
| P0230.040-060-ZP | M 4 | 60 | 8 | 2.4 | 1.2 |
| P0230.050-006-ZP | M 5 | 6 | 10 | 3.0 | 1.2 |
| P0230.050-008-ZP | M 5 | 8 | 10 | 3.0 | 1.2 |
| P0230.050-010-ZP | M 5 | 10 | 10 | 3.0 | 1.2 |
| P0230.050-012-ZP | M 5 | 12 | 10 | 3.0 | 1.2 |
| P0230.050-014-ZP | M 5 | 14 | 10 | 3.0 | 1.2 |
| P0230.050-016-ZP | M 5 | 16 | 10 | 3.0 | 1.2 |
| P0230.050-018-ZP | M 5 | 18 | 10 | 3.0 | 1.2 |
| P0230.050-020-ZP | M 5 | 20 | 10 | 3.0 | 1.2 |
| P0230.050-022-ZP | M 5 | 22 | 10 | 3.0 | 1.2 |
| P0230.050-025-ZP | M 5 | 25 | 10 | 3.0 | 1.2 |
| P0230.050-030-ZP | M 5 | 30 | 10 | 3.0 | 1.2 |
| P0230.050-035-ZP | M 5 | 35 | 10 | 3.0 | 1.2 |
| P0230.050-040-ZP | M 5 | 40 | 10 | 3.0 | 1.2 |
| P0230.050-045-ZP | M 5 | 45 | 10 | 3.0 | 1.2 |
| P0230.050-050-ZP | M 5 | 50 | 10 | 3.0 | 1.2 |
| P0230.050-055-ZP | M 5 | 55 | 10 | 3.0 | 1.2 |
| P0230.050-060-ZP | M 5 | 60 | 10 | 3.0 | 1.2 |
| P0230.050-065-ZP | M 5 | 65 | 10 | 3.0 | 1.2 |
| P0230.050-070-ZP | M 5 | 70 | 10 | 3.0 | 1.2 |
| P0230.050-075-ZP | M 5 | 75 | 10 | 3.0 | 1.2 |
| P0230.050-080-ZP | M 5 | 80 | 10 | 3.0 | 1.2 |
| P0230.050-090-ZP | M 5 | 90 | 10 | 3.0 | 1.2 |
| P0230.050-100-ZP | M 5 | 100 | 10 | 3.0 | 1.2 |
| P0230.060-008-ZP | M 6 | 8 | 12 | 3.6 | 1.6 |
| P0230.060-010-ZP | M 6 | 10 | 12 | 3.6 | 1.6 |
| P0230.060-012-ZP | M 6 | 12 | 12 | 3.6 | 1.6 |
| P0230.060-014-ZP | M 6 | 14 | 12 | 3.6 | 1.6 |
| P0230.060-016-ZP | M 6 | 16 | 12 | 3.6 | 1.6 |
| P0230.060-018-ZP | M 6 | 18 | 12 | 3.6 | 1.6 |
| P0230.060-020-ZP | M 6 | 20 | 12 | 3.6 | 1.6 |
| P0230.060-022-ZP | M 6 | 22 | 12 | 3.6 | 1.6 |

STANDARD SCREWS



STANDARD SCREWS

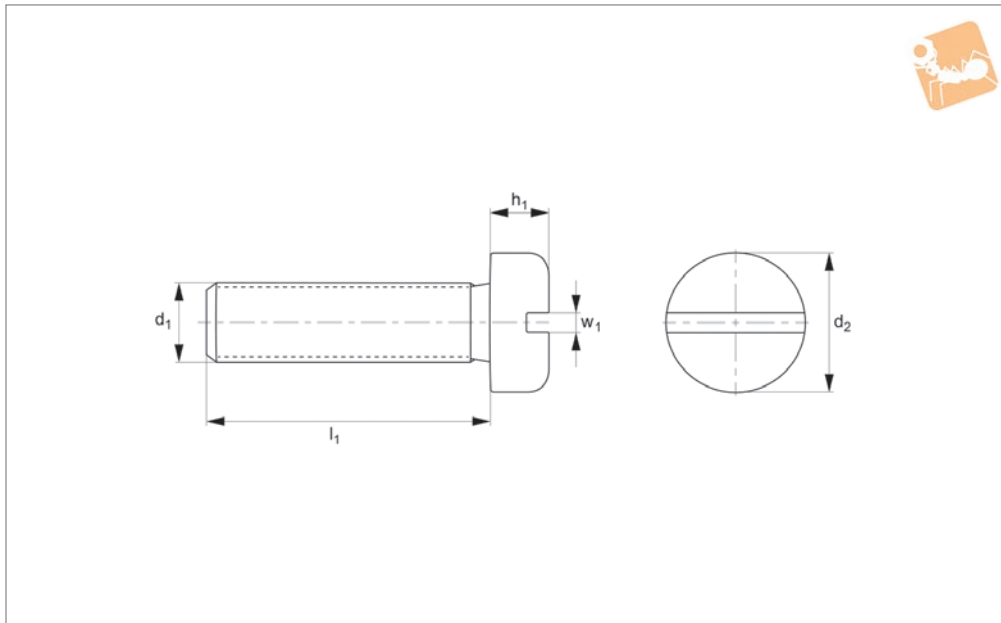
| Order No. | d ₁ | l ₁ | d ₂ | h ₁ | w ₁ |
|------------------|----------------|----------------|----------------|----------------|----------------|
| P0230.060-025-ZP | M 6 | 25 | 12 | 3.6 | 1.6 |
| P0230.060-028-ZP | M 6 | 28 | 12 | 3.6 | 1.6 |
| P0230.060-030-ZP | M 6 | 30 | 12 | 3.6 | 1.6 |
| P0230.060-035-ZP | M 6 | 35 | 12 | 3.6 | 1.6 |
| P0230.060-040-ZP | M 6 | 40 | 12 | 3.6 | 1.6 |
| P0230.060-045-ZP | M 6 | 45 | 12 | 3.6 | 1.6 |
| P0230.060-050-ZP | M 6 | 50 | 12 | 3.6 | 1.6 |
| P0230.060-055-ZP | M 6 | 55 | 12 | 3.6 | 1.6 |
| P0230.060-060-ZP | M 6 | 60 | 12 | 3.6 | 1.6 |
| P0230.060-065-ZP | M 6 | 65 | 12 | 3.6 | 1.6 |
| P0230.060-070-ZP | M 6 | 70 | 12 | 3.6 | 1.6 |
| P0230.060-075-ZP | M 6 | 75 | 12 | 3.6 | 1.6 |
| P0230.060-080-ZP | M 6 | 80 | 12 | 3.6 | 1.6 |
| P0230.060-090-ZP | M 6 | 90 | 12 | 3.6 | 1.6 |
| P0230.060-100-ZP | M 6 | 100 | 12 | 3.6 | 1.6 |
| P0230.080-008-ZP | M 8 | 8 | 16 | 4.8 | 2.0 |
| P0230.080-010-ZP | M 8 | 10 | 16 | 4.8 | 2.0 |
| P0230.080-012-ZP | M 8 | 12 | 16 | 4.8 | 2.0 |
| P0230.080-016-ZP | M 8 | 16 | 16 | 4.8 | 2.0 |
| P0230.080-020-ZP | M 8 | 20 | 16 | 4.8 | 2.0 |
| P0230.080-025-ZP | M 8 | 25 | 16 | 4.8 | 2.0 |
| P0230.080-030-ZP | M 8 | 30 | 16 | 4.8 | 2.0 |
| P0230.080-035-ZP | M 8 | 35 | 16 | 4.8 | 2.0 |
| P0230.080-040-ZP | M 8 | 40 | 16 | 4.8 | 2.0 |
| P0230.080-045-ZP | M 8 | 45 | 16 | 4.8 | 2.0 |
| P0230.080-050-ZP | M 8 | 50 | 16 | 4.8 | 2.0 |
| P0230.080-055-ZP | M 8 | 55 | 16 | 4.8 | 2.0 |
| P0230.080-060-ZP | M 8 | 60 | 16 | 4.8 | 2.0 |
| P0230.080-065-ZP | M 8 | 65 | 16 | 4.8 | 2.0 |
| P0230.080-070-ZP | M 8 | 70 | 16 | 4.8 | 2.0 |
| P0230.080-075-ZP | M 8 | 75 | 16 | 4.8 | 2.0 |
| P0230.080-080-ZP | M 8 | 80 | 16 | 4.8 | 2.0 |
| P0230.080-090-ZP | M 8 | 90 | 16 | 4.8 | 2.0 |
| P0230.080-100-ZP | M 8 | 100 | 16 | 4.8 | 2.0 |
| P0230.100-016-ZP | M10 | 16 | 20 | 6 | 2.5 |
| P0230.100-020-ZP | M10 | 20 | 20 | 6 | 2.5 |
| P0230.100-025-ZP | M10 | 25 | 20 | 6 | 2.5 |
| P0230.100-030-ZP | M10 | 30 | 20 | 6 | 2.5 |
| P0230.100-035-ZP | M10 | 35 | 20 | 6 | 2.5 |
| P0230.100-040-ZP | M10 | 40 | 20 | 6 | 2.5 |
| P0230.100-045-ZP | M10 | 45 | 20 | 6 | 2.5 |
| P0230.100-050-ZP | M10 | 50 | 20 | 6 | 2.5 |
| P0230.100-055-ZP | M10 | 55 | 20 | 6 | 2.5 |
| P0230.100-060-ZP | M10 | 60 | 20 | 6 | 2.5 |
| P0230.100-065-ZP | M10 | 65 | 20 | 6 | 2.5 |
| P0230.100-070-ZP | M10 | 70 | 20 | 6 | 2.5 |
| P0230.100-080-ZP | M10 | 80 | 20 | 6 | 2.5 |
| P0230.100-090-ZP | M10 | 90 | 20 | 6 | 2.5 |
| P0230.100-100-ZP | M10 | 100 | 20 | 6 | 2.5 |



Nylon Slot Pan Head Screws

Nylon Slot

Standard Screws



P0232.NL

STANDARD SCREWS

Material
Nylon.

Technical Notes
To DIN 85, ISO 1580. Threaded within 2,5 x pitch of head.

| Order No. | d ₁ | l ₁ | d ₂ | h ₁ | w ₁ |
|------------------|----------------|----------------|----------------|----------------|----------------|
| P0232.020-003-NL | M2 | 3 | 4 | 1.2 | 0.6 |
| P0232.020-004-NL | M2 | 4 | 4 | 1.2 | 0.6 |
| P0232.020-005-NL | M2 | 5 | 4 | 1.2 | 0.6 |
| P0232.020-006-NL | M2 | 6 | 4 | 1.2 | 0.6 |
| P0232.020-008-NL | M2 | 8 | 4 | 1.2 | 0.6 |
| P0232.020-010-NL | M2 | 10 | 4 | 1.2 | 0.6 |
| P0232.020-012-NL | M2 | 12 | 4 | 1.2 | 0.6 |
| P0232.020-014-NL | M2 | 14 | 4 | 1.2 | 0.6 |
| P0232.020-016-NL | M2 | 16 | 4 | 1.2 | 0.6 |
| P0232.020-018-NL | M2 | 18 | 4 | 1.2 | 0.6 |
| P0232.020-020-NL | M2 | 20 | 4 | 1.2 | 0.6 |
| P0232.025-005-NL | M2,5 | 5 | 5 | 1.5 | 0.6 |
| P0232.025-006-NL | M2,5 | 6 | 5 | 1.5 | 0.6 |
| P0232.025-008-NL | M2,5 | 8 | 5 | 1.5 | 0.6 |
| P0232.025-010-NL | M2,5 | 10 | 5 | 1.5 | 0.6 |
| P0232.025-012-NL | M2,5 | 12 | 5 | 1.5 | 0.6 |
| P0232.025-016-NL | M2,5 | 16 | 5 | 1.5 | 0.6 |
| P0232.030-005-NL | M3 | 5 | 6 | 1.8 | 0.8 |
| P0232.030-006-NL | M3 | 6 | 6 | 1.8 | 0.8 |
| P0232.030-008-NL | M3 | 8 | 6 | 1.8 | 0.8 |
| P0232.030-010-NL | M3 | 10 | 6 | 1.8 | 0.8 |
| P0232.030-012-NL | M3 | 12 | 6 | 1.8 | 0.8 |
| P0232.030-016-NL | M3 | 16 | 6 | 1.8 | 0.8 |
| P0232.030-020-NL | M3 | 20 | 6 | 1.8 | 0.8 |
| P0232.030-025-NL | M3 | 25 | 6 | 1.8 | 0.8 |
| P0232.040-006-NL | M4 | 6 | 8 | 2.4 | 1.0 |
| P0232.040-008-NL | M4 | 8 | 8 | 2.4 | 1.0 |
| P0232.040-010-NL | M4 | 10 | 8 | 2.4 | 1.0 |
| P0232.040-012-NL | M4 | 12 | 8 | 2.4 | 1.0 |
| P0232.040-016-NL | M4 | 16 | 8 | 2.4 | 1.0 |
| P0232.040-020-NL | M4 | 20 | 8 | 2.4 | 1.0 |
| P0232.040-025-NL | M4 | 25 | 8 | 2.4 | 1.0 |
| P0232.040-030-NL | M4 | 30 | 8 | 2.4 | 1.0 |
| P0232.040-035-NL | M4 | 35 | 8 | 2.4 | 1.0 |
| P0232.040-040-NL | M4 | 40 | 8 | 2.4 | 1.0 |



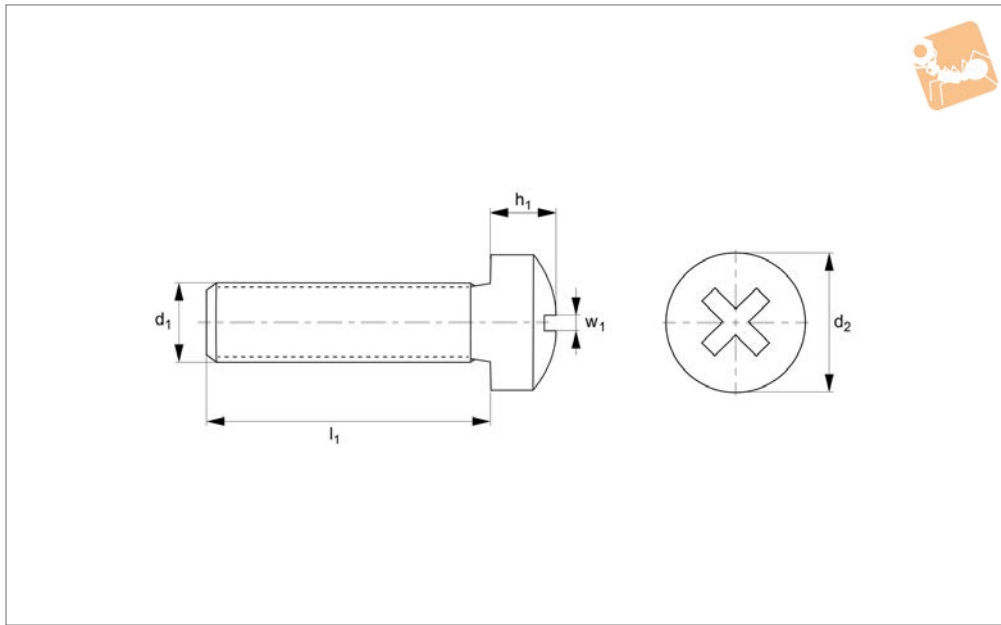
| Order No. | d ₁ | l ₁ | d ₂ | h ₁ | w ₁ |
|------------------|----------------|----------------|----------------|----------------|----------------|
| P0232.050-008-NL | M5 | 8 | 10 | 3.0 | 1.2 |
| P0232.050-010-NL | M5 | 10 | 10 | 3.0 | 1.2 |
| P0232.050-012-NL | M5 | 12 | 10 | 3.0 | 1.2 |
| P0232.050-016-NL | M5 | 16 | 10 | 3.0 | 1.2 |
| P0232.050-020-NL | M5 | 20 | 10 | 3.0 | 1.2 |
| P0032.050-025-NL | M5 | 25 | 10 | 3.0 | 1.2 |
| P0232.050-030-NL | M5 | 30 | 10 | 3.0 | 1.2 |
| P0232.050-035-NL | M5 | 35 | 10 | 3.0 | 1.2 |
| P0232.050-040-NL | M5 | 40 | 10 | 3.0 | 1.2 |
| P0232.060-010-NL | M6 | 10 | 12 | 3.6 | 1.5 |
| P0232.060-012-NL | M6 | 12 | 12 | 3.6 | 1.5 |
| P0232.060-016-NL | M6 | 16 | 12 | 3.6 | 1.5 |
| P0232.060-020-NL | M6 | 20 | 12 | 3.6 | 1.5 |
| P0232.060-025-NL | M6 | 25 | 12 | 3.6 | 1.5 |
| P0232.060-030-NL | M6 | 30 | 12 | 3.6 | 1.5 |
| P0232.060-035-NL | M6 | 35 | 12 | 3.6 | 1.5 |
| P0232.060-040-NL | M6 | 40 | 12 | 3.6 | 1.5 |
| P0232.080-016-NL | M8 | 16 | 16 | 4.8 | 1.9 |



Phillips Pan Head Screws

Phillips - A2 stainless

Standard Screws



P0234.A2

STANDARD SCREWS

Material

Stainless steel (A2).

Technical Notes

To DIN 7985 H, ISO 7045. Threaded within 2,5 x pitch of head.

| Order No. | d ₁ | l ₁ | d ₂ | h ₁ | Size |
|------------------|----------------|----------------|----------------|----------------|------|
| P0234.016-003-A2 | M1,6 | 3 | 3.2 | 1.3 | PH-0 |
| P0234.016-004-A2 | M1,6 | 4 | 3.2 | 1.3 | PH-0 |
| P0234.016-005-A2 | M1,6 | 5 | 3.2 | 1.3 | PH-0 |
| P0234.016-006-A2 | M1,6 | 6 | 3.2 | 1.3 | PH-0 |
| P0234.016-008-A2 | M1,6 | 8 | 3.2 | 1.3 | PH-0 |
| P0234.016-010-A2 | M1,6 | 10 | 3.2 | 1.3 | PH-0 |
| P0234.016-012-A2 | M1,6 | 12 | 3.2 | 1.3 | PH-0 |
| P0234.016-014-A2 | M1,6 | 14 | 3.2 | 1.3 | PH-0 |
| P0234.016-016-A2 | M1,6 | 16 | 3.2 | 1.3 | PH-0 |
| P0234.016-018-A2 | M1,6 | 18 | 3.2 | 1.3 | PH-0 |
| P0234.020-003-A2 | M 2 | 3 | 4 | 1.6 | PH-1 |
| P0234.020-004-A2 | M 2 | 4 | 4 | 1.6 | PH-1 |
| P0234.020-005-A2 | M 2 | 5 | 4 | 1.6 | PH-1 |
| P0234.020-006-A2 | M 2 | 6 | 4 | 1.6 | PH-1 |
| P0234.020-008-A2 | M 2 | 8 | 4 | 1.6 | PH-1 |
| P0234.020-010-A2 | M 2 | 10 | 4 | 1.6 | PH-1 |
| P0234.020-012-A2 | M 2 | 12 | 4 | 1.6 | PH-1 |
| P0234.020-014-A2 | M 2 | 14 | 4 | 1.6 | PH-1 |
| P0234.020-016-A2 | M 2 | 16 | 4 | 1.6 | PH-1 |
| P0234.020-018-A2 | M 2 | 18 | 4 | 1.6 | PH-1 |
| P0234.020-020-A2 | M 2 | 20 | 4 | 1.6 | PH-1 |
| P0234.025-003-A2 | M2,5 | 3 | 5 | 2.0 | PH-1 |
| P0234.025-004-A2 | M2,5 | 4 | 5 | 2.0 | PH-1 |
| P0234.025-005-A2 | M2,5 | 5 | 5 | 2.0 | PH-1 |
| P0234.025-006-A2 | M2,5 | 6 | 5 | 2.0 | PH-1 |
| P0234.025-008-A2 | M2,5 | 8 | 5 | 2.0 | PH-1 |
| P0234.025-010-A2 | M2,5 | 10 | 5 | 2.0 | PH-1 |
| P0234.025-012-A2 | M2,5 | 12 | 5 | 2.0 | PH-1 |
| P0234.025-016-A2 | M2,5 | 16 | 5 | 2.0 | PH-1 |
| P0234.025-020-A2 | M2,5 | 20 | 5 | 2.0 | PH-1 |
| P0234.025-025-A2 | M2,5 | 25 | 5 | 2.0 | PH-1 |
| P0234.030-004-A2 | M 3 | 4 | 6 | 2.4 | PH-1 |
| P0234.030-005-A2 | M 3 | 5 | 6 | 2.4 | PH-1 |
| P0234.030-006-A2 | M 3 | 6 | 6 | 2.4 | PH-1 |
| P0234.030-008-A2 | M 3 | 8 | 6 | 2.4 | PH-1 |



STANDARD SCREWS

| Order No. | d ₁ | l ₁ | d ₂ | h ₁ | Size |
|------------------|----------------|----------------|----------------|----------------|------|
| P0234.030-010-A2 | M 3 | 10 | 6 | 2.4 | PH-1 |
| P0234.030-012-A2 | M 3 | 12 | 6 | 2.4 | PH-1 |
| P0234.030-014-A2 | M 3 | 14 | 6 | 2.4 | PH-1 |
| P0234.030-016-A2 | M 3 | 16 | 6 | 2.4 | PH-1 |
| P0234.030-018-A2 | M 3 | 18 | 6 | 2.4 | PH-1 |
| P0234.030-020-A2 | M 3 | 20 | 6 | 2.4 | PH-1 |
| P0234.030-022-A2 | M 3 | 22 | 6 | 2.4 | PH-1 |
| P0234.030-025-A2 | M 3 | 25 | 6 | 2.4 | PH-1 |
| P0234.030-028-A2 | M 3 | 28 | 6 | 2.4 | PH-1 |
| P0234.030-030-A2 | M 3 | 30 | 6 | 2.4 | PH-1 |
| P0234.030-035-A2 | M 3 | 35 | 6 | 2.4 | PH-1 |
| P0234.030-040-A2 | M 3 | 40 | 6 | 2.4 | PH-1 |
| P0234.030-045-A2 | M 3 | 45 | 6 | 2.4 | PH-1 |
| P0234.030-050-A2 | M 3 | 50 | 6 | 2.4 | PH-1 |
| P0234.030-055-A2 | M 3 | 55 | 6 | 2.4 | PH-1 |
| P0234.030-060-A2 | M 3 | 60 | 6 | 2.4 | PH-1 |
| P0234.040-004-A2 | M 4 | 4 | 6 | 3.1 | PH-2 |
| P0234.040-005-A2 | M 4 | 5 | 6 | 3.1 | PH-2 |
| P0234.040-006-A2 | M 4 | 6 | 6 | 3.1 | PH-2 |
| P0234.040-008-A2 | M 4 | 8 | 6 | 3.1 | PH-2 |
| P0234.040-010-A2 | M 4 | 10 | 6 | 3.1 | PH-2 |
| P0234.040-012-A2 | M 4 | 12 | 6 | 3.1 | PH-2 |
| P0234.040-014-A2 | M 4 | 14 | 6 | 3.1 | PH-2 |
| P0234.040-016-A2 | M 4 | 16 | 6 | 3.1 | PH-2 |
| P0234.040-018-A2 | M 4 | 18 | 6 | 3.1 | PH-2 |
| P0234.040-020-A2 | M 4 | 20 | 6 | 3.1 | PH-2 |
| P0234.040-022-A2 | M 4 | 22 | 6 | 3.1 | PH-2 |
| P0234.040-025-A2 | M 4 | 25 | 6 | 3.1 | PH-2 |
| P0234.040-028-A2 | M 4 | 28 | 6 | 3.1 | PH-2 |
| P0234.040-030-A2 | M 4 | 30 | 6 | 3.1 | PH-2 |
| P0234.040-035-A2 | M 4 | 35 | 6 | 3.1 | PH-2 |
| P0234.040-040-A2 | M 4 | 40 | 6 | 3.1 | PH-2 |
| P0234.040-045-A2 | M 4 | 45 | 6 | 3.1 | PH-2 |
| P0234.040-050-A2 | M 4 | 50 | 6 | 3.1 | PH-2 |
| P0234.040-055-A2 | M 4 | 55 | 6 | 3.1 | PH-2 |
| P0234.040-060-A2 | M 4 | 60 | 6 | 3.1 | PH-2 |
| P0234.040-065-A2 | M 4 | 65 | 6 | 3.1 | PH-2 |
| P0234.040-070-A2 | M 4 | 70 | 6 | 3.1 | PH-2 |
| P0234.040-080-A2 | M 4 | 80 | 6 | 3.1 | PH-2 |
| P0234.040-090-A2 | M 4 | 90 | 6 | 3.1 | PH-2 |
| P0234.040-100-A2 | M 4 | 100 | 6 | 3.1 | PH-2 |
| P0234.050-006-A2 | M 5 | 6 | 6 | 3.8 | PH-2 |
| P0234.050-008-A2 | M 5 | 8 | 6 | 3.8 | PH-2 |
| P0234.050-010-A2 | M 5 | 10 | 6 | 3.8 | PH-2 |
| P0234.050-012-A2 | M 5 | 12 | 6 | 3.8 | PH-2 |
| P0234.050-014-A2 | M 5 | 14 | 6 | 3.8 | PH-2 |
| P0234.050-016-A2 | M 5 | 16 | 6 | 3.8 | PH-2 |
| P0234.050-018-A2 | M 5 | 18 | 6 | 3.8 | PH-2 |
| P0234.050-020-A2 | M 5 | 20 | 6 | 3.8 | PH-2 |
| P0234.050-022-A2 | M 5 | 22 | 6 | 3.8 | PH-2 |
| P0234.050-025-A2 | M 5 | 25 | 6 | 3.8 | PH-2 |
| P0234.050-028-A2 | M 5 | 28 | 6 | 3.8 | PH-2 |
| P0234.050-030-A2 | M 5 | 30 | 6 | 3.8 | PH-2 |
| P0234.050-035-A2 | M 5 | 35 | 6 | 3.8 | PH-2 |
| P0234.050-040-A2 | M 5 | 40 | 6 | 3.8 | PH-2 |
| P0234.050-045-A2 | M 5 | 45 | 6 | 3.8 | PH-2 |
| P0234.050-050-A2 | M 5 | 50 | 6 | 3.8 | PH-2 |
| P0234.050-055-A2 | M 5 | 55 | 6 | 3.8 | PH-2 |
| P0234.050-060-A2 | M 5 | 60 | 6 | 3.8 | PH-2 |
| P0234.050-065-A2 | M 5 | 65 | 6 | 3.8 | PH-2 |
| P0234.050-070-A2 | M 5 | 70 | 6 | 3.8 | PH-2 |
| P0234.050-080-A2 | M 5 | 80 | 6 | 3.8 | PH-2 |
| P0234.050-090-A2 | M 5 | 90 | 6 | 3.8 | PH-2 |
| P0234.050-100-A2 | M 5 | 100 | 6 | 3.8 | PH-2 |
| P0234.060-008-A2 | M 6 | 8 | 6 | 4.6 | PH-3 |
| P0234.060-010-A2 | M 6 | 10 | 6 | 4.6 | PH-3 |
| P0234.060-012-A2 | M 6 | 12 | 6 | 4.6 | PH-3 |
| P0234.060-014-A2 | M 6 | 14 | 6 | 4.6 | PH-3 |
| P0234.060-016-A2 | M 6 | 16 | 6 | 4.6 | PH-3 |



Phillips Pan Head Screws

Phillips - A2 stainless

Standard Screws

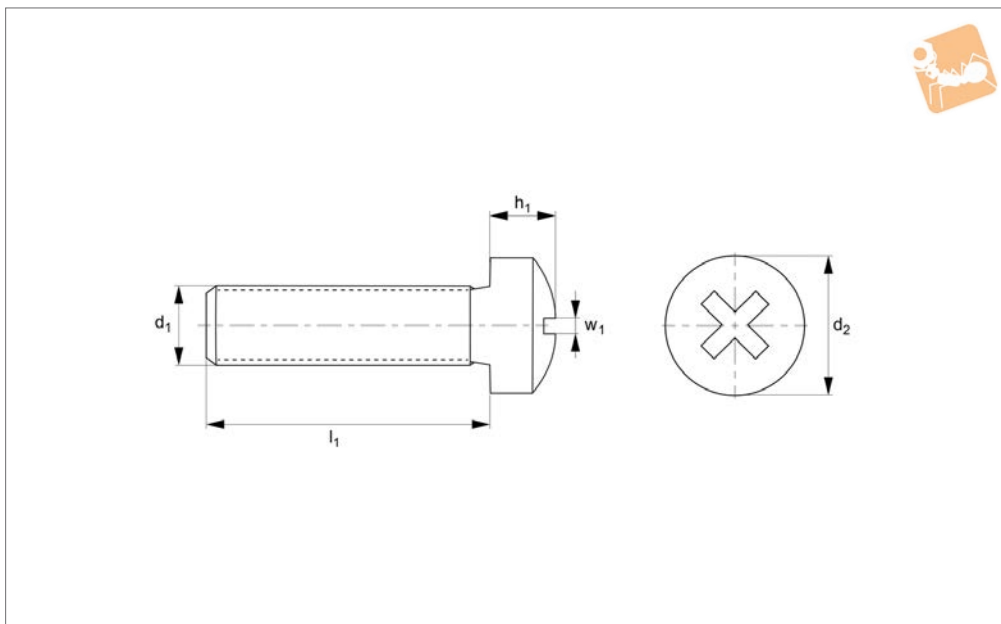


| Order No. | d ₁ | l ₁ | d ₂ | h ₁ | Size |
|------------------|----------------|----------------|----------------|----------------|------|
| P0234.060-018-A2 | M 6 | 18 | 6 | 4.6 | PH-3 |
| P0234.060-020-A2 | M 6 | 20 | 6 | 4.6 | PH-3 |
| P0234.060-022-A2 | M 6 | 22 | 6 | 4.6 | PH-3 |
| P0234.060-025-A2 | M 6 | 25 | 6 | 4.6 | PH-3 |
| P0234.060-028-A2 | M 6 | 28 | 6 | 4.6 | PH-3 |
| P0234.060-030-A2 | M 6 | 30 | 6 | 4.6 | PH-3 |
| P0234.060-035-A2 | M 6 | 35 | 6 | 4.6 | PH-3 |
| P0234.060-040-A2 | M 6 | 40 | 6 | 4.6 | PH-3 |
| P0234.060-045-A2 | M 6 | 45 | 6 | 4.6 | PH-3 |
| P0234.060-050-A2 | M 6 | 50 | 6 | 4.6 | PH-3 |
| P0234.060-055-A2 | M 6 | 55 | 6 | 4.6 | PH-3 |
| P0234.060-060-A2 | M 6 | 60 | 6 | 4.6 | PH-3 |
| P0234.060-065-A2 | M 6 | 65 | 6 | 4.6 | PH-3 |
| P0234.060-070-A2 | M 6 | 70 | 6 | 4.6 | PH-3 |
| P0234.060-080-A2 | M 6 | 80 | 6 | 4.6 | PH-3 |
| P0234.060-090-A2 | M 6 | 90 | 6 | 4.6 | PH-3 |
| P0234.060-100-A2 | M 6 | 100 | 6 | 4.6 | PH-3 |
| P0234.080-010-A2 | M 8 | 10 | 6 | 6.0 | PH-4 |
| P0234.080-012-A2 | M 8 | 12 | 6 | 6.0 | PH-4 |
| P0234.080-014-A2 | M 8 | 14 | 6 | 6.0 | PH-4 |
| P0234.080-016-A2 | M 8 | 16 | 6 | 6.0 | PH-4 |
| P0234.080-018-A2 | M 8 | 18 | 6 | 6.0 | PH-4 |
| P0234.080-020-A2 | M 8 | 20 | 6 | 6.0 | PH-4 |
| P0234.080-022-A2 | M 8 | 22 | 6 | 6.0 | PH-4 |
| P0234.080-025-A2 | M 8 | 25 | 6 | 6.0 | PH-4 |
| P0234.080-028-A2 | M 8 | 28 | 6 | 6.0 | PH-4 |
| P0234.080-030-A2 | M 8 | 30 | 6 | 6.0 | PH-4 |
| P0234.080-035-A2 | M 8 | 35 | 6 | 6.0 | PH-4 |
| P0234.080-040-A2 | M 8 | 40 | 6 | 6.0 | PH-4 |
| P0234.080-045-A2 | M 8 | 45 | 6 | 6.0 | PH-4 |
| P0234.080-050-A2 | M 8 | 50 | 6 | 6.0 | PH-4 |
| P0234.080-055-A2 | M 8 | 55 | 6 | 6.0 | PH-4 |
| P0234.080-060-A2 | M 8 | 60 | 6 | 6.0 | PH-4 |
| P0234.080-065-A2 | M 8 | 65 | 6 | 6.0 | PH-4 |
| P0234.080-070-A2 | M 8 | 70 | 6 | 6.0 | PH-4 |
| P0234.080-080-A2 | M 8 | 80 | 6 | 6.0 | PH-4 |
| P0234.080-090-A2 | M 8 | 90 | 6 | 6.0 | PH-4 |
| P0234.080-100-A2 | M 8 | 100 | 6 | 6.0 | PH-4 |

STANDARD SCREWS



P0234.A4



Material

Stainless steel (A4).

2,5 x pitch of head.

Technical Notes

To DIN 7985 H, ISO 7045. Threaded within

See technical page for tightening torques.

| Order No. | d ₁ | l ₁ | d ₂ | h ₁ | Size |
|------------------|----------------|----------------|----------------|----------------|------|
| P0234.016-003-A4 | M1,6 | 3 | 3,2 | 1,3 | PH-0 |
| P0234.016-004-A4 | M1,6 | 4 | 3,2 | 1,3 | PH-0 |
| P0234.016-005-A4 | M1,6 | 5 | 3,2 | 1,3 | PH-0 |
| P0234.016-006-A4 | M1,6 | 6 | 3,2 | 1,3 | PH-0 |
| P0234.016-008-A4 | M1,6 | 8 | 3,2 | 1,3 | PH-0 |
| P0234.016-010-A4 | M1,6 | 10 | 3,2 | 1,3 | PH-0 |
| P0234.016-012-A4 | M1,6 | 12 | 3,2 | 1,3 | PH-0 |
| P0234.016-014-A4 | M1,6 | 14 | 3,2 | 1,3 | PH-0 |
| P0234.016-016-A4 | M1,6 | 16 | 3,2 | 1,3 | PH-0 |
| P0234.016-018-A4 | M1,6 | 18 | 3,2 | 1,3 | PH-0 |
| P0234.020-003-A4 | M 2 | 3 | 4 | 1,6 | PH-1 |
| P0234.020-004-A4 | M 2 | 4 | 4 | 1,6 | PH-1 |
| P0234.020-005-A4 | M 2 | 5 | 4 | 1,6 | PH-1 |
| P0234.020-006-A4 | M 2 | 6 | 4 | 1,6 | PH-1 |
| P0234.020-008-A4 | M 2 | 8 | 4 | 1,6 | PH-1 |
| P0234.020-010-A4 | M 2 | 10 | 4 | 1,6 | PH-1 |
| P0234.020-012-A4 | M 2 | 12 | 4 | 1,6 | PH-1 |
| P0234.020-014-A4 | M 2 | 14 | 4 | 1,6 | PH-1 |
| P0234.020-016-A4 | M 2 | 16 | 4 | 1,6 | PH-1 |
| P0234.020-018-A4 | M 2 | 18 | 4 | 1,6 | PH-1 |
| P0234.020-020-A4 | M2 | 20 | 4 | 1,6 | PH-1 |
| P0234.025-003-A4 | M2,5 | 3 | 5 | 2,0 | PH-1 |
| P0234.025-004-A4 | M2,5 | 4 | 5 | 2,0 | PH-1 |
| P0234.025-005-A4 | M2,5 | 5 | 5 | 2,0 | PH-1 |
| P0234.025-006-A4 | M2,5 | 6 | 5 | 2,0 | PH-1 |
| P0234.025-008-A4 | M2,5 | 8 | 5 | 2,0 | PH-1 |
| P0234.025-010-A4 | M2,5 | 10 | 5 | 2,0 | PH-1 |
| P0234.025-012-A4 | M2,5 | 12 | 5 | 2,0 | PH-1 |
| P0234.025-016-A4 | M2,5 | 16 | 5 | 2,0 | PH-1 |
| P0234.025-020-A4 | M2,5 | 20 | 5 | 2,0 | PH-1 |
| P0234.025-025-A4 | M2,5 | 25 | 5 | 2,0 | PH-1 |
| P0234.030-004-A4 | M 3 | 4 | 6 | 2,4 | PH-1 |
| P0234.030-005-A4 | M 3 | 5 | 6 | 2,4 | PH-1 |
| P0234.030-006-A4 | M 3 | 6 | 6 | 2,4 | PH-1 |



Phillips Pan Head Screws

Phillips - A4 stainless

Standard Screws



| Order No. | d ₁ | l ₁ | d ₂ | h ₁ | Size |
|------------------|----------------|----------------|----------------|----------------|------|
| P0234.030-008-A4 | M 3 | 8 | 6 | 2.4 | PH-1 |
| P0234.030-010-A4 | M 3 | 10 | 6 | 2.4 | PH-1 |
| P0234.030-012-A4 | M 3 | 12 | 6 | 2.4 | PH-1 |
| P0234.030-014-A4 | M 3 | 14 | 6 | 2.4 | PH-1 |
| P0234.030-016-A4 | M 3 | 16 | 6 | 2.4 | PH-1 |
| P0234.030-018-A4 | M 3 | 18 | 6 | 2.4 | PH-1 |
| P0234.030-020-A4 | M 3 | 20 | 6 | 2.4 | PH-1 |
| P0234.030-022-A4 | M 3 | 22 | 6 | 2.4 | PH-1 |
| P0234.030-025-A4 | M 3 | 25 | 6 | 2.4 | PH-1 |
| P0234.030-028-A4 | M 3 | 28 | 6 | 2.4 | PH-1 |
| P0234.030-030-A4 | M 3 | 30 | 6 | 2.4 | PH-1 |
| P0234.030-035-A4 | M 3 | 35 | 6 | 2.4 | PH-1 |
| P0234.030-040-A4 | M 3 | 40 | 6 | 2.4 | PH-1 |
| P0234.030-045-A4 | M 3 | 45 | 6 | 2.4 | PH-1 |
| P0234.030-050-A4 | M 3 | 50 | 6 | 2.4 | PH-1 |
| P0234.030-055-A4 | M 3 | 55 | 6 | 2.4 | PH-1 |
| P0234.030-060-A4 | M 3 | 60 | 6 | 2.4 | PH-1 |
| P0234.040-004-A4 | M 4 | 4 | 8 | 3.1 | PH-2 |
| P0234.040-005-A4 | M 4 | 5 | 8 | 3.1 | PH-2 |
| P0234.040-006-A4 | M 4 | 6 | 8 | 3.1 | PH-2 |
| P0234.040-008-A4 | M 4 | 8 | 8 | 3.1 | PH-2 |
| P0234.040-010-A4 | M 4 | 10 | 8 | 3.1 | PH-2 |
| P0234.040-012-A4 | M 4 | 12 | 8 | 3.1 | PH-2 |
| P0234.040-014-A4 | M 4 | 14 | 8 | 3.1 | PH-2 |
| P0234.040-016-A4 | M 4 | 16 | 8 | 3.1 | PH-2 |
| P0234.040-018-A4 | M 4 | 18 | 8 | 3.1 | PH-2 |
| P0234.040-020-A4 | M 4 | 20 | 8 | 3.1 | PH-2 |
| P0234.040-022-A4 | M 4 | 22 | 8 | 3.1 | PH-2 |
| P0234.040-025-A4 | M 4 | 25 | 8 | 3.1 | PH-2 |
| P0234.040-028-A4 | M 4 | 28 | 8 | 3.1 | PH-2 |
| P0234.040-030-A4 | M 4 | 30 | 8 | 3.1 | PH-2 |
| P0234.040-035-A4 | M 4 | 35 | 8 | 3.1 | PH-2 |
| P0234.040-040-A4 | M 4 | 40 | 8 | 3.1 | PH-2 |
| P0234.040-045-A4 | M 4 | 45 | 8 | 3.1 | PH-2 |
| P0234.040-050-A4 | M 4 | 50 | 8 | 3.1 | PH-2 |
| P0234.040-055-A4 | M 4 | 55 | 8 | 3.1 | PH-2 |
| P0234.040-060-A4 | M 4 | 60 | 8 | 3.1 | PH-2 |
| P0234.040-065-A4 | M 4 | 65 | 8 | 3.1 | PH-2 |
| P0234.040-070-A4 | M 4 | 70 | 8 | 3.1 | PH-2 |
| P0234.040-080-A4 | M 4 | 80 | 8 | 3.1 | PH-2 |
| P0234.040-090-A4 | M 4 | 90 | 8 | 3.1 | PH-2 |
| P0234.040-100-A4 | M 4 | 100 | 8 | 3.1 | PH-2 |
| P0234.050-006-A4 | M 5 | 6 | 10 | 3.8 | PH-2 |
| P0234.050-008-A4 | M 5 | 8 | 10 | 3.8 | PH-2 |
| P0234.050-010-A4 | M 5 | 10 | 10 | 3.8 | PH-2 |
| P0234.050-012-A4 | M 5 | 12 | 10 | 3.8 | PH-2 |
| P0234.050-014-A4 | M 5 | 14 | 10 | 3.8 | PH-2 |
| P0234.050-016-A4 | M 5 | 16 | 10 | 3.8 | PH-2 |
| P0234.050-018-A4 | M 5 | 18 | 10 | 3.8 | PH-2 |
| P0234.050-020-A4 | M 5 | 20 | 10 | 3.8 | PH-2 |
| P0234.050-022-A4 | M 5 | 22 | 10 | 3.8 | PH-2 |
| P0234.050-025-A4 | M 5 | 25 | 10 | 3.8 | PH-2 |
| P0234.050-028-A4 | M 5 | 28 | 10 | 3.8 | PH-2 |
| P0234.050-030-A4 | M 5 | 30 | 10 | 3.8 | PH-2 |
| P0234.050-035-A4 | M 5 | 35 | 10 | 3.8 | PH-2 |
| P0234.050-040-A4 | M 5 | 40 | 10 | 3.8 | PH-2 |
| P0234.050-045-A4 | M 5 | 45 | 10 | 3.8 | PH-2 |
| P0234.050-050-A4 | M 5 | 50 | 10 | 3.8 | PH-2 |
| P0234.050-055-A4 | M 5 | 55 | 10 | 3.8 | PH-2 |
| P0234.050-060-A4 | M 5 | 60 | 10 | 3.8 | PH-2 |
| P0234.050-065-A4 | M 5 | 65 | 10 | 3.8 | PH-2 |
| P0234.050-070-A4 | M 5 | 70 | 10 | 3.8 | PH-2 |
| P0234.050-080-A4 | M 5 | 80 | 10 | 3.8 | PH-2 |
| P0234.050-090-A4 | M 5 | 90 | 10 | 3.8 | PH-2 |
| P0234.050-100-A4 | M 5 | 100 | 10 | 3.8 | PH-2 |
| P0234.060-008-A4 | M 6 | 8 | 12 | 4.6 | PH-3 |
| P0234.060-010-A4 | M 6 | 10 | 12 | 4.6 | PH-3 |
| P0234.060-012-A4 | M 6 | 12 | 12 | 4.6 | PH-3 |
| P0234.060-014-A4 | M 6 | 14 | 12 | 4.6 | PH-3 |

STANDARD SCREWS



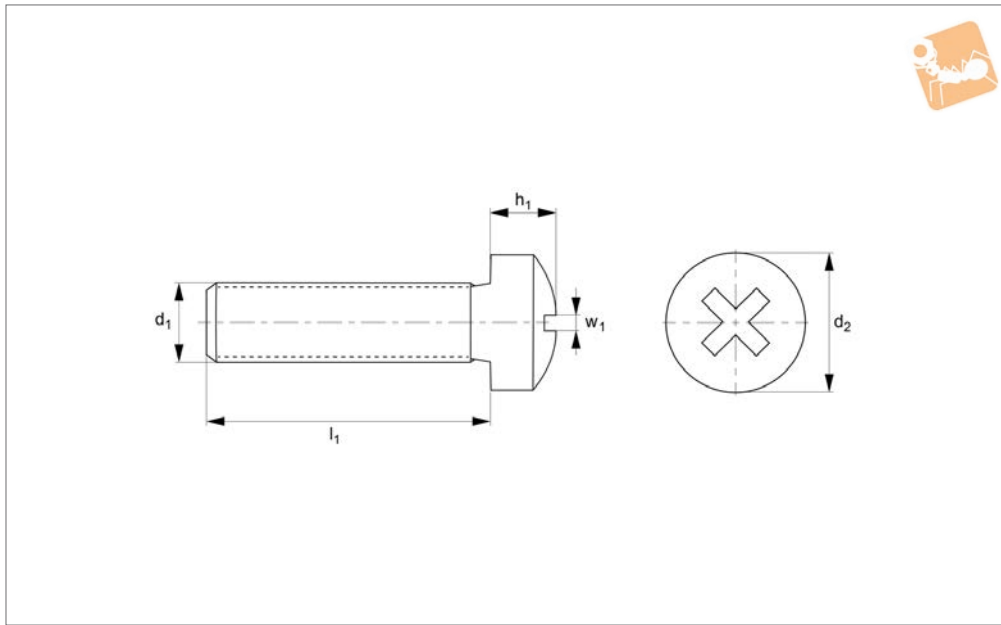
| Order No. | d ₁ | l ₁ | d ₂ | h ₁ | Size |
|------------------|----------------|----------------|----------------|----------------|------|
| P0234.060-016-A4 | M 6 | 16 | 12 | 4.6 | PH-3 |
| P0234.060-018-A4 | M 6 | 18 | 12 | 4.6 | PH-3 |
| P0234.060-020-A4 | M 6 | 20 | 12 | 4.6 | PH-3 |
| P0234.060-022-A4 | M 6 | 22 | 12 | 4.6 | PH-3 |
| P0234.060-025-A4 | M 6 | 25 | 12 | 4.6 | PH-3 |
| P0234.060-028-A4 | M 6 | 28 | 12 | 4.6 | PH-3 |
| P0234.060-030-A4 | M 6 | 30 | 12 | 4.6 | PH-3 |
| P0234.060-035-A4 | M 6 | 35 | 12 | 4.6 | PH-3 |
| P0234.060-040-A4 | M 6 | 40 | 12 | 4.6 | PH-3 |
| P0234.060-045-A4 | M 6 | 45 | 12 | 4.6 | PH-3 |
| P0234.060-050-A4 | M 6 | 50 | 12 | 4.6 | PH-3 |
| P0234.060-055-A4 | M 6 | 55 | 12 | 4.6 | PH-3 |
| P0234.060-060-A4 | M 6 | 60 | 12 | 4.6 | PH-3 |
| P0234.060-065-A4 | M 6 | 65 | 12 | 4.6 | PH-3 |
| P0234.060-070-A4 | M 6 | 70 | 12 | 4.6 | PH-3 |
| P0234.060-080-A4 | M 6 | 80 | 12 | 4.6 | PH-3 |
| P0234.060-090-A4 | M 6 | 90 | 12 | 4.6 | PH-3 |
| P0234.060-100-A4 | M 6 | 100 | 12 | 4.6 | PH-3 |
| P0234.080-010-A4 | M 8 | 10 | 16 | 6.0 | PH-4 |
| P0234.080-012-A4 | M 8 | 12 | 16 | 6.0 | PH-4 |
| P0234.080-014-A4 | M 8 | 14 | 16 | 6.0 | PH-4 |
| P0234.080-016-A4 | M 8 | 16 | 16 | 6.0 | PH-4 |
| P0234.080-018-A4 | M 8 | 18 | 16 | 6.0 | PH-4 |
| P0234.080-020-A4 | M 8 | 20 | 16 | 6.0 | PH-4 |
| P0234.080-022-A4 | M 8 | 22 | 16 | 6.0 | PH-4 |
| P0234.080-025-A4 | M 8 | 25 | 16 | 6.0 | PH-4 |
| P0234.080-028-A4 | M 8 | 28 | 16 | 6.0 | PH-4 |
| P0234.080-030-A4 | M 8 | 30 | 16 | 6.0 | PH-4 |
| P0234.080-035-A4 | M 8 | 35 | 16 | 6.0 | PH-4 |
| P0234.080-040-A4 | M 8 | 40 | 16 | 6.0 | PH-4 |
| P0234.080-045-A4 | M 8 | 45 | 16 | 6.0 | PH-4 |
| P0234.080-050-A4 | M 8 | 50 | 16 | 6.0 | PH-4 |
| P0234.080-055-A4 | M 8 | 55 | 16 | 6.0 | PH-4 |
| P0234.080-060-A4 | M 8 | 60 | 16 | 6.0 | PH-4 |
| P0234.080-065-A4 | M 8 | 65 | 16 | 6.0 | PH-4 |
| P0234.080-070-A4 | M 8 | 70 | 16 | 6.0 | PH-4 |
| P0234.080-080-A4 | M 8 | 80 | 16 | 6.0 | PH-4 |
| P0234.080-090-A4 | M 8 | 90 | 16 | 6.0 | PH-4 |
| P0234.080-100-A4 | M 8 | 100 | 16 | 6.0 | PH-4 |



Phillips Pan Head Screws

Phillips - steel, zinc-plated

Standard Screws



P0234.ZP

STANDARD SCREWS

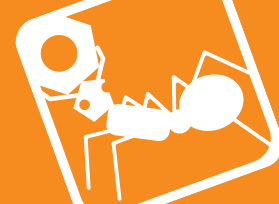
Material

Steel, zinc-plated (grade 4.8).

Technical Notes

To DIN 7985 H, ISO 7045. Threaded within 2,5 x pitch of head.

| Order No. | d ₁ | l ₁ | d ₂ | h ₁ | Size |
|------------------|----------------|----------------|----------------|----------------|------|
| P0234.016-003-ZP | M1,6 | 3 | 3.2 | 1.3 | PH-0 |
| P0234.016-004-ZP | M1,6 | 4 | 3.2 | 1.3 | PH-0 |
| P0234.016-005-ZP | M1,6 | 5 | 3.2 | 1.3 | PH-0 |
| P0234.016-006-ZP | M1,6 | 6 | 3.2 | 1.3 | PH-0 |
| P0234.016-008-ZP | M1,6 | 8 | 3.2 | 1.3 | PH-0 |
| P0234.016-010-ZP | M1,6 | 10 | 3.2 | 1.3 | PH-0 |
| P0234.016-012-ZP | M1,6 | 12 | 3.2 | 1.3 | PH-0 |
| P0234.016-014-ZP | M1,6 | 14 | 3.2 | 1.3 | PH-0 |
| P0234.016-016-ZP | M1,6 | 16 | 3.2 | 1.3 | PH-0 |
| P0234.016-018-ZP | M1,6 | 18 | 3.2 | 1.3 | PH-0 |
| P0234.020-003-ZP | M 2 | 3 | 4 | 1.6 | PH-1 |
| P0234.020-004-ZP | M 2 | 4 | 4 | 1.6 | PH-1 |
| P0234.020-005-ZP | M 2 | 5 | 4 | 1.6 | PH-1 |
| P0234.020-006-ZP | M 2 | 6 | 4 | 1.6 | PH-1 |
| P0234.020-008-ZP | M 2 | 8 | 4 | 1.6 | PH-1 |
| P0234.020-010-ZP | M 2 | 10 | 4 | 1.6 | PH-1 |
| P0234.020-012-ZP | M 2 | 12 | 4 | 1.6 | PH-1 |
| P0234.020-014-ZP | M 2 | 14 | 4 | 1.6 | PH-1 |
| P0234.020-016-ZP | M 2 | 16 | 4 | 1.6 | PH-1 |
| P0234.020-018-ZP | M 2 | 18 | 4 | 1.6 | PH-1 |
| P0234.020-020-ZP | M 2 | 20 | 4 | 1.6 | PH-1 |
| P0234.025-003-ZP | M2,5 | 3 | 5 | 2.0 | PH-1 |
| P0234.025-004-ZP | M2,5 | 4 | 5 | 2.0 | PH-1 |
| P0234.025-005-ZP | M2,5 | 5 | 5 | 2.0 | PH-1 |
| P0234.025-006-ZP | M2,5 | 6 | 5 | 2.0 | PH-1 |
| P0234.025-008-ZP | M2,5 | 8 | 5 | 2.0 | PH-1 |
| P0234.025-010-ZP | M2,5 | 10 | 5 | 2.0 | PH-1 |
| P0234.025-012-ZP | M2,5 | 12 | 5 | 2.0 | PH-1 |
| P0234.025-016-ZP | M2,5 | 16 | 5 | 2.0 | PH-1 |
| P0234.025-020-ZP | M2,5 | 20 | 5 | 2.0 | PH-1 |
| P0234.025-025-ZP | M2,5 | 25 | 5 | 2.0 | PH-1 |
| P0234.030-004-ZP | M 3 | 4 | 6 | 2.4 | PH-1 |
| P0234.030-005-ZP | M 3 | 5 | 6 | 2.4 | PH-1 |
| P0234.030-006-ZP | M 3 | 6 | 6 | 2.4 | PH-1 |
| P0234.030-008-ZP | M 3 | 8 | 6 | 2.4 | PH-1 |



STANDARD SCREWS

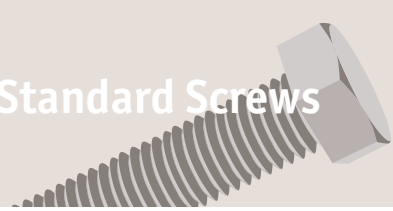
| Order No. | d ₁ | l ₁ | d ₂ | h ₁ | Size |
|------------------|----------------|----------------|----------------|----------------|------|
| P0234.030-010-ZP | M 3 | 10 | 6 | 2.4 | PH-1 |
| P0234.030-012-ZP | M 3 | 12 | 6 | 2.4 | PH-1 |
| P0234.030-014-ZP | M 3 | 14 | 6 | 2.4 | PH-1 |
| P0234.030-016-ZP | M 3 | 16 | 6 | 2.4 | PH-1 |
| P0234.030-018-ZP | M 3 | 18 | 6 | 2.4 | PH-1 |
| P0234.030-020-ZP | M 3 | 20 | 6 | 2.4 | PH-1 |
| P0234.030-022-ZP | M 3 | 22 | 6 | 2.4 | PH-1 |
| P0234.030-025-ZP | M 3 | 25 | 6 | 2.4 | PH-1 |
| P0234.030-028-ZP | M 3 | 28 | 6 | 2.4 | PH-1 |
| P0234.030-030-ZP | M 3 | 30 | 6 | 2.4 | PH-1 |
| P0234.030-035-ZP | M 3 | 35 | 6 | 2.4 | PH-1 |
| P0234.030-040-ZP | M 3 | 40 | 6 | 2.4 | PH-1 |
| P0234.040-004-ZP | M 4 | 4 | 6 | 3.1 | PH-2 |
| P0234.040-005-ZP | M 4 | 5 | 6 | 3.1 | PH-2 |
| P0234.040-006-ZP | M 4 | 6 | 6 | 3.1 | PH-2 |
| P0234.040-008-ZP | M 4 | 8 | 6 | 3.1 | PH-2 |
| P0234.040-010-ZP | M 4 | 10 | 6 | 3.1 | PH-2 |
| P0234.040-012-ZP | M 4 | 12 | 6 | 3.1 | PH-2 |
| P0234.040-014-ZP | M 4 | 14 | 6 | 3.1 | PH-2 |
| P0234.040-016-ZP | M 4 | 16 | 6 | 3.1 | PH-2 |
| P0234.040-018-ZP | M 4 | 18 | 6 | 3.1 | PH-2 |
| P0234.040-020-ZP | M 4 | 20 | 6 | 3.1 | PH-2 |
| P0234.040-022-ZP | M 4 | 22 | 6 | 3.1 | PH-2 |
| P0234.040-025-ZP | M 4 | 25 | 6 | 3.1 | PH-2 |
| P0234.040-028-ZP | M 4 | 28 | 6 | 3.1 | PH-2 |
| P0234.040-030-ZP | M 4 | 30 | 6 | 3.1 | PH-2 |
| P0234.040-035-ZP | M 4 | 35 | 6 | 3.1 | PH-2 |
| P0234.040-040-ZP | M 4 | 40 | 6 | 3.1 | PH-2 |
| P0234.040-045-ZP | M 4 | 45 | 6 | 3.1 | PH-2 |
| P0234.040-050-ZP | M 4 | 50 | 6 | 3.1 | PH-2 |
| P0234.040-055-ZP | M 4 | 55 | 6 | 3.1 | PH-2 |
| P0234.040-060-ZP | M 4 | 60 | 6 | 3.1 | PH-2 |
| P0234.040-065-ZP | M 4 | 65 | 6 | 3.1 | PH-2 |
| P0234.040-070-ZP | M 4 | 70 | 6 | 3.1 | PH-2 |
| P0234.040-080-ZP | M 4 | 80 | 6 | 3.1 | PH-2 |
| P0234.040-090-ZP | M 4 | 90 | 6 | 3.1 | PH-2 |
| P0234.040-100-ZP | M 4 | 100 | 6 | 3.1 | PH-2 |
| P0234.050-006-ZP | M 5 | 6 | 6 | 3.8 | PH-2 |
| P0234.050-008-ZP | M 5 | 8 | 6 | 3.8 | PH-2 |
| P0234.050-010-ZP | M 5 | 10 | 6 | 3.8 | PH-2 |
| P0234.050-012-ZP | M 5 | 12 | 6 | 3.8 | PH-2 |
| P0234.050-014-ZP | M 5 | 14 | 6 | 3.8 | PH-2 |
| P0234.050-016-ZP | M 5 | 16 | 6 | 3.8 | PH-2 |
| P0234.050-018-ZP | M 5 | 18 | 6 | 3.8 | PH-2 |
| P0234.050-020-ZP | M 5 | 20 | 6 | 3.8 | PH-2 |
| P0234.050-022-ZP | M 5 | 22 | 6 | 3.8 | PH-2 |
| P0234.050-025-ZP | M 5 | 25 | 6 | 3.8 | PH-2 |
| P0234.050-028-ZP | M 5 | 28 | 6 | 3.8 | PH-2 |
| P0234.050-030-ZP | M 5 | 30 | 6 | 3.8 | PH-2 |
| P0234.050-035-ZP | M 5 | 35 | 6 | 3.8 | PH-2 |
| P0234.050-040-ZP | M 5 | 40 | 6 | 3.8 | PH-2 |
| P0234.050-045-ZP | M 5 | 45 | 6 | 3.8 | PH-2 |
| P0234.050-050-ZP | M 5 | 50 | 6 | 3.8 | PH-2 |
| P0234.050-055-ZP | M 5 | 55 | 6 | 3.8 | PH-2 |
| P0234.050-060-ZP | M 5 | 60 | 6 | 3.8 | PH-2 |
| P0234.050-065-ZP | M 5 | 65 | 6 | 3.8 | PH-2 |
| P0234.050-070-ZP | M 5 | 70 | 6 | 3.8 | PH-2 |
| P0234.050-080-ZP | M 5 | 80 | 6 | 3.8 | PH-2 |
| P0234.050-090-ZP | M 5 | 90 | 6 | 3.8 | PH-2 |
| P0234.050-100-ZP | M 5 | 100 | 6 | 3.8 | PH-2 |
| P0234.060-008-ZP | M 6 | 8 | 6 | 4.6 | PH-3 |
| P0234.060-010-ZP | M 6 | 10 | 6 | 4.6 | PH-3 |
| P0234.060-012-ZP | M 6 | 12 | 6 | 4.6 | PH-3 |
| P0234.060-014-ZP | M 6 | 14 | 6 | 4.6 | PH-3 |
| P0234.060-016-ZP | M 6 | 16 | 6 | 4.6 | PH-3 |
| P0234.060-018-ZP | M 6 | 18 | 6 | 4.6 | PH-3 |
| P0234.060-020-ZP | M 6 | 20 | 6 | 4.6 | PH-3 |
| P0234.060-022-ZP | M 6 | 22 | 6 | 4.6 | PH-3 |
| P0234.060-025-ZP | M 6 | 25 | 6 | 4.6 | PH-3 |



Phillips Pan Head Screws

Phillips - steel, zinc-plated

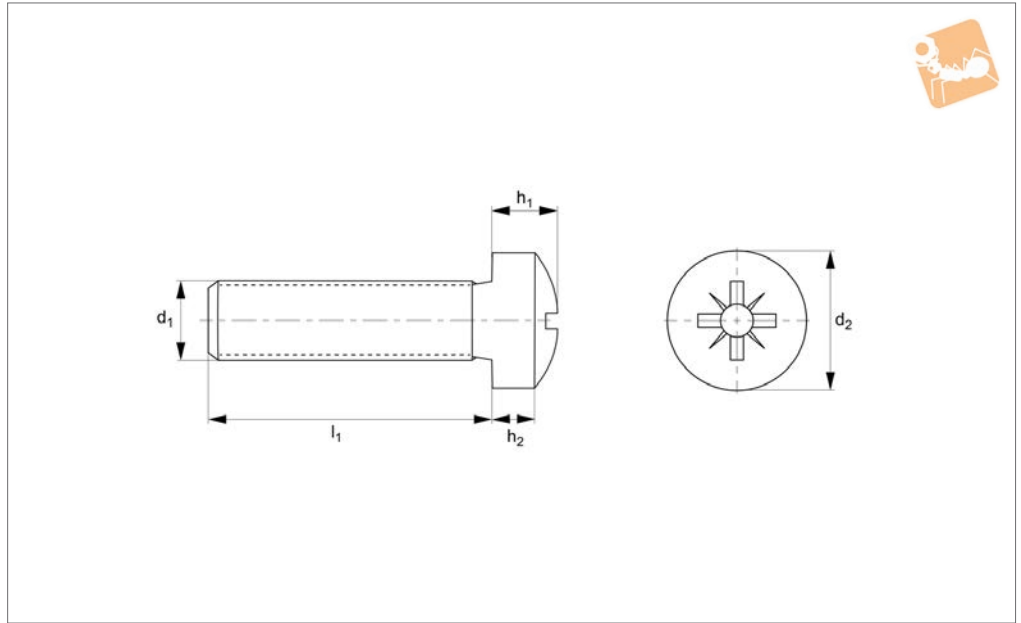
Standard Screws



| Order No. | d ₁ | l ₁ | d ₂ | h ₁ | Size |
|------------------|----------------|----------------|----------------|----------------|------|
| P0234.060-028-ZP | M 6 | 28 | 6 | 4.6 | PH-3 |
| P0234.060-030-ZP | M 6 | 30 | 6 | 4.6 | PH-3 |
| P0234.060-035-ZP | M 6 | 35 | 6 | 4.6 | PH-3 |
| P0234.060-040-ZP | M 6 | 40 | 6 | 4.6 | PH-3 |
| P0234.060-045-ZP | M 6 | 45 | 6 | 4.6 | PH-3 |
| P0234.060-050-ZP | M 6 | 50 | 6 | 4.6 | PH-3 |
| P0234.060-055-ZP | M 6 | 55 | 6 | 4.6 | PH-3 |
| P0234.060-060-ZP | M 6 | 60 | 6 | 4.6 | PH-3 |
| P0234.060-065-ZP | M 6 | 65 | 6 | 4.6 | PH-3 |
| P0234.060-070-ZP | M 6 | 70 | 6 | 4.6 | PH-3 |
| P0234.060-080-ZP | M 6 | 80 | 6 | 4.6 | PH-3 |
| P0234.060-090-ZP | M 6 | 90 | 6 | 4.6 | PH-3 |
| P0234.060-100-ZP | M 6 | 100 | 6 | 4.6 | PH-3 |
| P0234.080-010-ZP | M 8 | 10 | 6 | 6.0 | PH-4 |
| P0234.080-012-ZP | M 8 | 12 | 6 | 6.0 | PH-4 |
| P0234.080-014-ZP | M 8 | 14 | 6 | 6.0 | PH-4 |
| P0234.080-016-ZP | M 8 | 16 | 6 | 6.0 | PH-4 |
| P0234.080-018-ZP | M 8 | 18 | 6 | 6.0 | PH-4 |
| P0234.080-020-ZP | M 8 | 20 | 6 | 6.0 | PH-4 |
| P0234.080-022-ZP | M 8 | 22 | 6 | 6.0 | PH-4 |
| P0234.080-025-ZP | M 8 | 25 | 6 | 6.0 | PH-4 |
| P0234.080-028-ZP | M 8 | 28 | 6 | 6.0 | PH-4 |
| P0234.080-030-ZP | M 8 | 30 | 6 | 6.0 | PH-4 |
| P0234.080-035-ZP | M 8 | 35 | 6 | 6.0 | PH-4 |
| P0234.080-040-ZP | M 8 | 40 | 6 | 6.0 | PH-4 |
| P0234.080-045-ZP | M 8 | 45 | 6 | 6.0 | PH-4 |
| P0234.080-050-ZP | M 8 | 50 | 6 | 6.0 | PH-4 |
| P0234.080-055-ZP | M 8 | 55 | 6 | 6.0 | PH-4 |
| P0234.080-060-ZP | M 8 | 60 | 6 | 6.0 | PH-4 |
| P0234.080-065-ZP | M 8 | 65 | 6 | 6.0 | PH-4 |
| P0234.080-070-ZP | M 8 | 70 | 6 | 6.0 | PH-4 |
| P0234.080-080-ZP | M 8 | 80 | 6 | 6.0 | PH-4 |
| P0234.080-090-ZP | M 8 | 90 | 6 | 6.0 | PH-4 |
| P0234.080-100-ZP | M 8 | 100 | 6 | 6.0 | PH-4 |



P0235.A2



Material

Stainless steel (A2).

2,5 x pitch of head.

Technical Notes

To DIN 7985 Z, ISO 7045. Threaded within

See technical page for tightening torques.

| Order No. | d ₁ | l ₁ | d ₂ | h ₁ | Size | h ₂ |
|------------------|----------------|----------------|----------------|----------------|------|----------------|
| P0235.016-003-A2 | M1,6 | 3 | 3.2 | 1.3 | PZ-0 | 0.8 |
| P0235.016-004-A2 | M1,6 | 4 | 3.2 | 1.3 | PZ-0 | 0.8 |
| P0235.016-005-A2 | M1,6 | 5 | 3.2 | 1.3 | PZ-0 | 0.8 |
| P0235.016-006-A2 | M1,6 | 6 | 3.2 | 1.3 | PZ-0 | 0.8 |
| P0235.016-008-A2 | M1,6 | 8 | 3.2 | 1.3 | PZ-0 | 0.8 |
| P0235.016-010-A2 | M1,6 | 10 | 3.2 | 1.3 | PZ-0 | 0.8 |
| P0235.016-012-A2 | M1,6 | 12 | 3.2 | 1.3 | PZ-0 | 0.8 |
| P0235.016-014-A2 | M1,6 | 14 | 3.2 | 1.3 | PZ-0 | 0.8 |
| P0235.016-016-A2 | M1,6 | 16 | 3.2 | 1.3 | PZ-0 | 0.8 |
| P0235.016-018-A2 | M1,6 | 18 | 3.2 | 1.3 | PZ-0 | 0.8 |
| P0235.020-003-A2 | M 2 | 3 | 4 | 1.6 | PZ-1 | 1.1 |
| P0235.020-004-A2 | M 2 | 4 | 4 | 1.6 | PZ-1 | 1.1 |
| P0235.020-005-A2 | M 2 | 5 | 4 | 1.6 | PZ-1 | 1.1 |
| P0235.020-006-A2 | M 2 | 6 | 4 | 1.6 | PZ-1 | 1.1 |
| P0235.020-008-A2 | M 2 | 8 | 4 | 1.6 | PZ-1 | 1.1 |
| P0235.020-010-A2 | M 2 | 10 | 4 | 1.6 | PZ-1 | 1.1 |
| P0235.020-012-A2 | M 2 | 12 | 4 | 1.6 | PZ-1 | 1.1 |
| P0235.020-014-A2 | M 2 | 14 | 4 | 1.6 | PZ-1 | 1.1 |
| P0235.020-016-A2 | M 2 | 16 | 4 | 1.6 | PZ-1 | 1.1 |
| P0235.020-018-A2 | M 2 | 18 | 4 | 1.6 | PZ-1 | 1.1 |
| P0235.020-020-A2 | M 2 | 20 | 4 | 1.6 | PZ-1 | 1.1 |
| P0235.025-003-A2 | M2,5 | 3 | 5 | 2.0 | PZ-1 | 1.3 |
| P0235.025-004-A2 | M2,5 | 4 | 5 | 2.0 | PZ-1 | 1.3 |
| P0235.025-005-A2 | M2,5 | 5 | 5 | 2.0 | PZ-1 | 1.3 |
| P0235.025-006-A2 | M2,5 | 6 | 5 | 2.0 | PZ-1 | 1.3 |
| P0235.025-008-A2 | M2,5 | 8 | 5 | 2.0 | PZ-1 | 1.3 |
| P0235.025-010-A2 | M2,5 | 10 | 5 | 2.0 | PZ-1 | 1.3 |
| P0235.025-012-A2 | M2,5 | 12 | 5 | 2.0 | PZ-1 | 1.3 |
| P0235.025-016-A2 | M2,5 | 16 | 5 | 2.0 | PZ-1 | 1.3 |
| P0235.025-020-A2 | M2,5 | 20 | 5 | 2.0 | PZ-1 | 1.3 |
| P0235.025-025-A2 | M2,5 | 25 | 5 | 2.0 | PZ-1 | 1.3 |
| P0235.025-030-A2 | M2,5 | 30 | 5 | 2.0 | PZ-1 | 1.3 |
| P0235.030-004-A2 | M 3 | 4 | 6 | 2.4 | PZ-1 | 1.6 |
| P0235.030-005-A2 | M 3 | 5 | 6 | 2.4 | PZ-1 | 1.6 |



Pozi Pan Head Screws

Pozi - A2 stainless

Standard Screws



| Order No. | d ₁ | l ₁ | d ₂ | h ₁ | Size | h ₂ |
|------------------|----------------|----------------|----------------|----------------|------|----------------|
| P0235.030-006-A2 | M 3 | 6 | 6 | 2.4 | PZ-1 | 1.6 |
| P0235.030-008-A2 | M 3 | 8 | 6 | 2.4 | PZ-1 | 1.6 |
| P0235.030-010-A2 | M 3 | 10 | 6 | 2.4 | PZ-1 | 1.6 |
| P0235.030-012-A2 | M 3 | 12 | 6 | 2.4 | PZ-1 | 1.6 |
| P0235.030-014-A2 | M 3 | 14 | 6 | 2.4 | PZ-1 | 1.6 |
| P0235.030-016-A2 | M 3 | 16 | 6 | 2.4 | PZ-1 | 1.6 |
| P0235.030-018-A2 | M 3 | 18 | 6 | 2.4 | PZ-1 | 1.6 |
| P0235.030-020-A2 | M 3 | 20 | 6 | 2.4 | PZ-1 | 1.6 |
| P0235.030-022-A2 | M 3 | 22 | 6 | 2.4 | PZ-1 | 1.6 |
| P0235.030-025-A2 | M 3 | 25 | 6 | 2.4 | PZ-1 | 1.6 |
| P0235.030-028-A2 | M 3 | 28 | 6 | 2.4 | PZ-1 | 1.6 |
| P0235.030-030-A2 | M 3 | 30 | 6 | 2.4 | PZ-1 | 1.6 |
| P0235.030-035-A2 | M 3 | 35 | 6 | 2.4 | PZ-1 | 1.6 |
| P0235.030-040-A2 | M 3 | 40 | 6 | 2.4 | PZ-1 | 1.6 |
| P0235.030-045-A2 | M 3 | 45 | 6 | 2.4 | PZ-1 | 1.6 |
| P0235.030-050-A2 | M 3 | 50 | 6 | 2.4 | PZ-1 | 1.6 |
| P0235.030-055-A2 | M 3 | 55 | 6 | 2.4 | PZ-1 | 1.6 |
| P0235.030-060-A2 | M 3 | 60 | 6 | 2.4 | PZ-1 | 1.6 |
| P0235.040-004-A2 | M 4 | 4 | 8 | 3.1 | PZ-2 | 2.0 |
| P0235.040-005-A2 | M 4 | 5 | 8 | 3.1 | PZ-2 | 2.0 |
| P0235.040-006-A2 | M 4 | 6 | 8 | 3.1 | PZ-2 | 2.0 |
| P0235.040-008-A2 | M 4 | 8 | 8 | 3.1 | PZ-2 | 2.0 |
| P0235.040-010-A2 | M 4 | 10 | 8 | 3.1 | PZ-2 | 2.0 |
| P0235.040-012-A2 | M 4 | 12 | 8 | 3.1 | PZ-2 | 2.0 |
| P0235.040-014-A2 | M 4 | 14 | 8 | 3.1 | PZ-2 | 2.0 |
| P0235.040-016-A2 | M 4 | 16 | 8 | 3.1 | PZ-2 | 2.0 |
| P0235.040-018-A2 | M 4 | 18 | 8 | 3.1 | PZ-2 | 2.0 |
| P0235.040-020-A2 | M 4 | 20 | 8 | 3.1 | PZ-2 | 2.0 |
| P0235.040-022-A2 | M 4 | 22 | 8 | 3.1 | PZ-2 | 0.8 |
| P0235.040-025-A2 | M 4 | 25 | 8 | 3.1 | PZ-2 | 2.0 |
| P0235.040-028-A2 | M 4 | 28 | 8 | 3.1 | PZ-2 | 2.0 |
| P0235.040-030-A2 | M 4 | 30 | 8 | 3.1 | PZ-2 | 2.0 |
| P0235.040-035-A2 | M 4 | 35 | 8 | 3.1 | PZ-2 | 2.0 |
| P0235.040-040-A2 | M 4 | 40 | 8 | 3.1 | PZ-2 | 2.0 |
| P0235.040-045-A2 | M 4 | 45 | 8 | 3.1 | PZ-2 | 2.0 |
| P0235.040-050-A2 | M 4 | 50 | 8 | 3.1 | PZ-2 | 2.0 |
| P0235.040-055-A2 | M 4 | 55 | 8 | 3.1 | PZ-2 | 2.0 |
| P0235.040-060-A2 | M 4 | 60 | 8 | 3.1 | PZ-2 | 2.0 |
| P0235.040-065-A2 | M 4 | 65 | 8 | 3.1 | PZ-2 | 2.0 |
| P0235.040-070-A2 | M 4 | 70 | 8 | 3.1 | PZ-2 | 2.0 |
| P0235.040-080-A2 | M 4 | 80 | 8 | 3.1 | PZ-2 | 2.0 |
| P0235.040-090-A2 | M 4 | 90 | 8 | 3.1 | PZ-2 | 2.0 |
| P0235.040-100-A2 | M 4 | 100 | 8 | 3.1 | PZ-2 | 2.0 |
| P0235.050-006-A2 | M 5 | 6 | 10 | 3.8 | PZ-2 | 2.5 |
| P0235.050-008-A2 | M 5 | 8 | 10 | 3.8 | PZ-2 | 2.5 |
| P0235.050-010-A2 | M 5 | 10 | 10 | 3.8 | PZ-2 | 2.5 |
| P0235.050-012-A2 | M 5 | 12 | 10 | 3.8 | PZ-2 | 2.5 |
| P0235.050-014-A2 | M 5 | 14 | 10 | 3.8 | PZ-2 | 2.5 |
| P0235.050-016-A2 | M 5 | 16 | 10 | 3.8 | PZ-2 | 2.5 |
| P0235.050-018-A2 | M 5 | 18 | 10 | 3.8 | PZ-2 | 2.5 |
| P0235.050-020-A2 | M 5 | 20 | 10 | 3.8 | PZ-2 | 2.5 |
| P0235.050-022-A2 | M 5 | 22 | 10 | 3.8 | PZ-2 | 2.5 |
| P0235.050-025-A2 | M 5 | 25 | 10 | 3.8 | PZ-2 | 2.5 |
| P0235.050-028-A2 | M 5 | 28 | 10 | 3.8 | PZ-2 | 2.5 |
| P0235.050-030-A2 | M 5 | 30 | 10 | 3.8 | PZ-2 | 2.5 |
| P0235.050-035-A2 | M 5 | 35 | 10 | 3.8 | PZ-2 | 2.5 |
| P0235.050-040-A2 | M 5 | 40 | 10 | 3.8 | PZ-2 | 2.5 |
| P0235.050-045-A2 | M 5 | 45 | 10 | 3.8 | PZ-2 | 2.5 |
| P0235.050-050-A2 | M 5 | 50 | 10 | 3.8 | PZ-2 | 2.5 |
| P0235.050-055-A2 | M 5 | 55 | 10 | 3.8 | PZ-2 | 2.5 |
| P0235.050-060-A2 | M 5 | 60 | 10 | 3.8 | PZ-2 | 2.5 |
| P0235.050-065-A2 | M 5 | 65 | 10 | 3.8 | PZ-2 | 2.5 |
| P0235.050-070-A2 | M 5 | 70 | 10 | 3.8 | PZ-2 | 2.5 |
| P0235.050-080-A2 | M 5 | 80 | 10 | 3.8 | PZ-2 | 2.5 |
| P0235.050-090-A2 | M 5 | 90 | 10 | 3.8 | PZ-2 | 2.5 |
| P0235.050-100-A2 | M 5 | 100 | 10 | 3.8 | PZ-2 | 2.5 |
| P0235.060-008-A2 | M 6 | 8 | 12 | 4.6 | PZ-3 | 3.0 |
| P0235.060-010-A2 | M 6 | 10 | 12 | 4.6 | PZ-3 | 3.0 |
| P0235.060-012-A2 | M 6 | 12 | 12 | 4.6 | PZ-3 | 3.0 |

STANDARD SCREWS



| Order No. | d ₁ | l ₁ | d ₂ | h ₁ | Size | h ₂ |
|------------------|----------------|----------------|----------------|----------------|------|----------------|
| P0235.060-014-A2 | M 6 | 14 | 12 | 4.6 | PZ-3 | 3.0 |
| P0235.060-016-A2 | M 6 | 16 | 12 | 4.6 | PZ-3 | 3.0 |
| P0235.060-018-A2 | M 6 | 18 | 12 | 4.6 | PZ-3 | 3.0 |
| P0235.060-020-A2 | M 6 | 20 | 12 | 4.6 | PZ-3 | 3.0 |
| P0235.060-022-A2 | M 6 | 22 | 12 | 4.6 | PZ-3 | 3.0 |
| P0235.060-025-A2 | M 6 | 25 | 12 | 4.6 | PZ-3 | 3.0 |
| P0235.060-028-A2 | M 6 | 28 | 12 | 4.6 | PZ-3 | 3.0 |
| P0235.060-030-A2 | M 6 | 30 | 12 | 4.6 | PZ-3 | 3.0 |
| P0235.060-035-A2 | M 6 | 35 | 12 | 4.6 | PZ-3 | 3.0 |
| P0235.060-040-A2 | M 6 | 40 | 12 | 4.6 | PZ-3 | 3.0 |
| P0235.060-045-A2 | M 6 | 45 | 12 | 4.6 | PZ-3 | 3.0 |
| P0235.060-050-A2 | M 6 | 50 | 12 | 4.6 | PZ-3 | 3.0 |
| P0235.060-055-A2 | M 6 | 55 | 12 | 4.6 | PZ-3 | 3.0 |
| P0235.060-060-A2 | M 6 | 60 | 12 | 4.6 | PZ-3 | 3.0 |
| P0235.060-065-A2 | M 6 | 65 | 12 | 4.6 | PZ-3 | 3.0 |
| P0235.060-070-A2 | M 6 | 70 | 12 | 4.6 | PZ-3 | 3.0 |
| P0235.060-080-A2 | M 6 | 80 | 12 | 4.6 | PZ-3 | 3.0 |
| P0235.060-090-A2 | M 6 | 90 | 12 | 4.6 | PZ-3 | 3.0 |
| P0235.060-100-A2 | M 6 | 100 | 12 | 4.6 | Z 3 | 3.0 |
| P0235.080-010-A2 | M 8 | 10 | 16 | 6.0 | PZ-4 | 3.7 |
| P0235.080-012-A2 | M 8 | 12 | 16 | 6.0 | PZ-4 | 3.7 |
| P0235.080-014-A2 | M 8 | 14 | 16 | 6.0 | PZ-4 | 3.7 |
| P0235.080-016-A2 | M 8 | 16 | 16 | 6.0 | PZ-4 | 3.7 |
| P0235.080-018-A2 | M 8 | 18 | 16 | 6.0 | PZ-4 | 3.7 |
| P0235.080-020-A2 | M 8 | 20 | 16 | 6.0 | PZ-4 | 3.7 |
| P0235.080-022-A2 | M 8 | 22 | 16 | 6.0 | PZ-4 | 3.7 |
| P0235.080-025-A2 | M 8 | 25 | 16 | 6.0 | PZ-4 | 3.7 |
| P0235.080-028-A2 | M 8 | 28 | 16 | 6.0 | PZ-4 | 3.7 |
| P0235.080-030-A2 | M 8 | 30 | 16 | 6.0 | PZ-4 | 3.7 |
| P0235.080-035-A2 | M 8 | 35 | 16 | 6.0 | PZ-4 | 3.7 |
| P0235.080-040-A2 | M 8 | 40 | 16 | 6.0 | PZ-4 | 3.7 |
| P0235.080-045-A2 | M 8 | 45 | 16 | 6.0 | PZ-4 | 3.7 |
| P0235.080-050-A2 | M 8 | 50 | 16 | 6.0 | PZ-4 | 3.7 |
| P0235.080-055-A2 | M 8 | 55 | 16 | 6.0 | PZ-4 | 3.7 |
| P0235.080-060-A2 | M 8 | 60 | 16 | 6.0 | PZ-4 | 3.7 |
| P0235.080-065-A2 | M 8 | 65 | 16 | 6.0 | PZ-4 | 3.7 |
| P0235.080-070-A2 | M 8 | 70 | 16 | 6.0 | PZ-4 | 3.7 |
| P0235.080-080-A2 | M 8 | 80 | 16 | 6.0 | PZ-4 | 3.7 |
| P0235.080-090-A2 | M 8 | 90 | 16 | 6.0 | PZ-4 | 3.7 |
| P0235.080-100-A2 | M 8 | 100 | 16 | 6.0 | PZ-4 | 3.7 |



Pozi Pan Head Screws

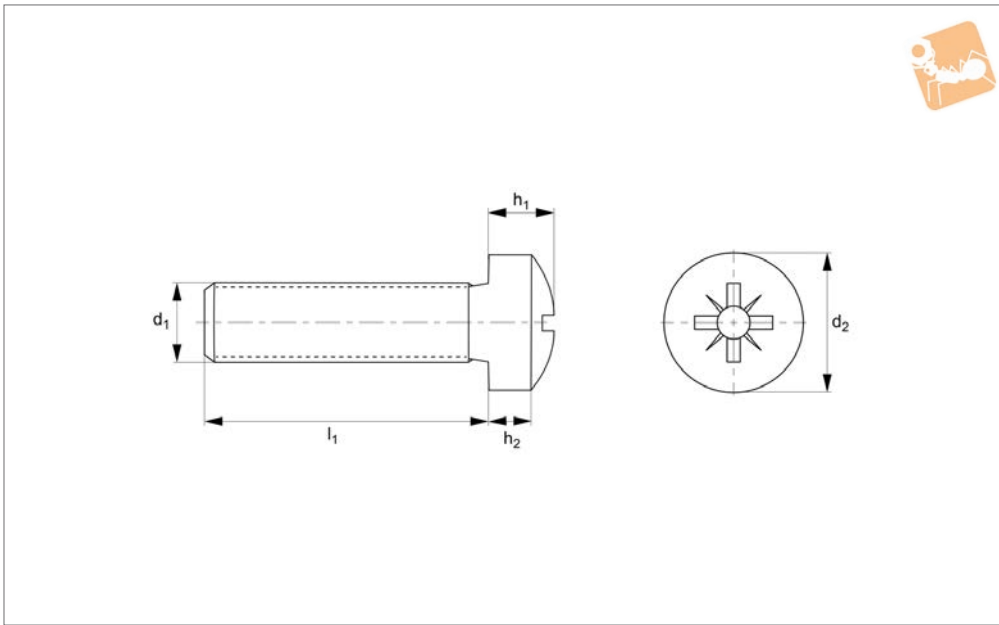
Pozi - A4 stainless

Standard Screws



P0235.A4

STANDARD SCREWS



Material
Stainless steel (A4).

2,5 x pitch of head.

Technical Notes
To DIN 7985 Z, ISO 7045. Threaded within

See technical page for tightening torques.

| Order No. | d ₁ | l ₁ | d ₂ | h ₁ | Size | h ₂ |
|------------------|----------------|----------------|----------------|----------------|------|----------------|
| P0235.016-003-A4 | M1,6 | 3 | 3,2 | 1,3 | PZ-0 | 0,8 |
| P0235.016-004-A4 | M1,6 | 4 | 3,2 | 1,3 | PZ-0 | 0,8 |
| P0235.016-005-A4 | M1,6 | 5 | 3,2 | 1,3 | PZ-0 | 0,8 |
| P0235.016-006-A4 | M1,6 | 6 | 3,2 | 1,3 | PZ-0 | 0,8 |
| P0235.016-008-A4 | M1,6 | 8 | 3,2 | 1,3 | PZ-0 | 0,8 |
| P0235.016-010-A4 | M1,6 | 10 | 3,2 | 1,3 | PZ-0 | 0,8 |
| P0235.016-012-A4 | M1,6 | 12 | 3,2 | 1,3 | PZ-0 | 0,8 |
| P0235.016-014-A4 | M1,6 | 14 | 3,2 | 1,3 | PZ-0 | 0,8 |
| P0235.016-016-A4 | M1,6 | 16 | 3,2 | 1,3 | PZ-0 | 0,8 |
| P0235.016-018-A4 | M1,6 | 18 | 3,2 | 1,3 | PZ-0 | 0,8 |
| P0235.020-003-A4 | M 2 | 3 | 4 | 1,6 | PZ-1 | 1,1 |
| P0235.020-004-A4 | M 2 | 4 | 4 | 1,6 | PZ-1 | 1,1 |
| P0235.020-005-A4 | M 2 | 5 | 4 | 1,6 | PZ-1 | 1,1 |
| P0235.020-006-A4 | M 2 | 6 | 4 | 1,6 | PZ-1 | 1,1 |
| P0235.020-008-A4 | M 2 | 8 | 4 | 1,6 | PZ-1 | 1,1 |
| P0235.020-010-A4 | M 2 | 10 | 4 | 1,6 | PZ-1 | 1,1 |
| P0235.020-012-A4 | M 2 | 12 | 4 | 1,6 | PZ-1 | 1,1 |
| P0235.020-014-A4 | M 2 | 14 | 4 | 1,6 | PZ-1 | 1,1 |
| P0235.020-016-A4 | M 2 | 16 | 4 | 1,6 | PZ-1 | 1,1 |
| P0235.020-018-A4 | M 2 | 18 | 4 | 1,6 | PZ-1 | 1,1 |
| P0235.020-020-A4 | M 2 | 20 | 4 | 1,6 | PZ-1 | 1,1 |
| P0235.025-003-A4 | M2,5 | 3 | 5 | 2,0 | PZ-1 | 1,3 |
| P0235.025-004-A4 | M2,5 | 4 | 5 | 2,0 | PZ-1 | 1,3 |
| P0235.025-005-A4 | M2,5 | 5 | 5 | 2,0 | PZ-1 | 1,3 |
| P0235.025-006-A4 | M2,5 | 6 | 5 | 2,0 | PZ-1 | 1,3 |
| P0235.025-008-A4 | M2,5 | 8 | 5 | 2,0 | PZ-1 | 1,3 |
| P0235.025-010-A4 | M2,5 | 10 | 5 | 2,0 | PZ-1 | 1,3 |
| P0235.025-012-A4 | M2,5 | 12 | 5 | 2,0 | PZ-1 | 1,3 |
| P0235.025-016-A4 | M2,5 | 16 | 5 | 2,0 | PZ-1 | 1,3 |
| P0235.025-020-A4 | M2,5 | 20 | 5 | 2,0 | PZ-1 | 1,3 |
| P0235.025-025-A4 | M2,5 | 25 | 5 | 2,0 | PZ-1 | 1,3 |
| P0235.025-030-A4 | M2,5 | 30 | 5 | 2,0 | PZ-1 | 1,3 |
| P0235.030-004-A4 | M 3 | 4 | 6 | 2,4 | PZ-1 | 1,6 |
| P0235.030-005-A4 | M 3 | 5 | 6 | 2,4 | PZ-1 | 1,6 |



STANDARD SCREWS

| Order No. | d ₁ | l ₁ | d ₂ | h ₁ | Size | h ₂ |
|------------------|----------------|----------------|----------------|----------------|------|----------------|
| P0235.030-006-A4 | M 3 | 6 | 6 | 2.4 | PZ-1 | 1.6 |
| P0235.030-008-A4 | M 3 | 8 | 6 | 2.4 | PZ-1 | 1.6 |
| P0235.030-010-A4 | M 3 | 10 | 6 | 2.4 | PZ-1 | 1.6 |
| P0235.030-012-A4 | M 3 | 12 | 6 | 2.4 | PZ-1 | 1.6 |
| P0235.030-014-A4 | M 3 | 14 | 6 | 2.4 | PZ-1 | 1.6 |
| P0235.030-016-A4 | M 3 | 16 | 6 | 2.4 | PZ-1 | 1.6 |
| P0235.030-018-A4 | M 3 | 18 | 6 | 2.4 | PZ-1 | 1.6 |
| P0235.030-020-A4 | M 3 | 20 | 6 | 2.4 | PZ-1 | 1.6 |
| P0235.030-022-A4 | M 3 | 22 | 6 | 2.4 | PZ-1 | 1.6 |
| P0235.030-025-A4 | M 3 | 25 | 6 | 2.4 | PZ-1 | 1.6 |
| P0235.030-028-A4 | M 3 | 28 | 6 | 2.4 | PZ-1 | 1.6 |
| P0235.030-030-A4 | M 3 | 30 | 6 | 2.4 | PZ-1 | 1.6 |
| P0235.030-035-A4 | M 3 | 35 | 6 | 2.4 | PZ-1 | 1.6 |
| P0235.030-040-A4 | M 3 | 40 | 6 | 2.4 | PZ-1 | 1.6 |
| P0235.030-045-A4 | M 3 | 45 | 6 | 2.4 | PZ-1 | 1.6 |
| P0235.030-050-A4 | M 3 | 50 | 6 | 2.4 | PZ-1 | 1.6 |
| P0235.030-055-A4 | M 3 | 55 | 6 | 2.4 | PZ-1 | 1.6 |
| P0235.030-060-A4 | M 3 | 60 | 6 | 2.4 | PZ-1 | 1.6 |
| P0235.040-004-A4 | M 4 | 4 | 8 | 3.1 | PZ-2 | 2.0 |
| P0235.040-005-A4 | M 4 | 5 | 8 | 3.1 | PZ-2 | 2.0 |
| P0235.040-006-A4 | M 4 | 6 | 8 | 3.1 | PZ-2 | 2.0 |
| P0235.040-008-A4 | M 4 | 8 | 8 | 3.1 | PZ-2 | 2.0 |
| P0235.040-010-A4 | M 4 | 10 | 8 | 3.1 | PZ-2 | 2.0 |
| P0235.040-012-A4 | M 4 | 12 | 8 | 3.1 | PZ-2 | 2.0 |
| P0235.040-014-A4 | M 4 | 14 | 8 | 3.1 | PZ-2 | 2.0 |
| P0235.040-016-A4 | M 4 | 16 | 8 | 3.1 | PZ-2 | 2.0 |
| P0235.040-018-A4 | M 4 | 18 | 8 | 3.1 | PZ-2 | 2.0 |
| P0235.040-020-A4 | M 4 | 20 | 8 | 3.1 | PZ-2 | 2.0 |
| P0235.040-022-A4 | M 4 | 22 | 8 | 3.1 | PZ-2 | 0.8 |
| P0235.040-025-A4 | M 4 | 25 | 8 | 3.1 | PZ-2 | 2.0 |
| P0235.040-028-A4 | M 4 | 28 | 8 | 3.1 | PZ-2 | 2.0 |
| P0235.040-030-A4 | M 4 | 30 | 8 | 3.1 | PZ-2 | 2.0 |
| P0235.040-035-A4 | M 4 | 35 | 8 | 3.1 | PZ-2 | 2.0 |
| P0235.040-040-A4 | M 4 | 40 | 8 | 3.1 | PZ-2 | 2.0 |
| P0235.040-045-A4 | M 4 | 45 | 8 | 3.1 | PZ-2 | 2.0 |
| P0235.040-050-A4 | M 4 | 50 | 8 | 3.1 | PZ-2 | 2.0 |
| P0235.040-055-A4 | M 4 | 55 | 8 | 3.1 | PZ-2 | 2.0 |
| P0235.040-060-A4 | M 4 | 60 | 8 | 3.1 | PZ-2 | 2.0 |
| P0235.040-065-A4 | M 4 | 65 | 8 | 3.1 | PZ-2 | 2.0 |
| P0235.040-070-A4 | M 4 | 70 | 8 | 3.1 | PZ-2 | 2.0 |
| P0235.040-080-A4 | M 4 | 80 | 8 | 3.1 | PZ-2 | 2.0 |
| P0235.040-090-A4 | M 4 | 90 | 8 | 3.1 | PZ-2 | 2.0 |
| P0235.040-100-A4 | M 4 | 100 | 8 | 3.1 | PZ-2 | 2.0 |
| P0235.050-006-A4 | M 5 | 6 | 10 | 3.8 | PZ-2 | 2.5 |
| P0235.050-008-A4 | M 5 | 8 | 10 | 3.8 | PZ-2 | 2.5 |
| P0235.050-010-A4 | M 5 | 10 | 10 | 3.8 | PZ-2 | 2.5 |
| P0235.050-012-A4 | M 5 | 12 | 10 | 3.8 | PZ-2 | 2.5 |
| P0235.050-014-A4 | M 5 | 14 | 10 | 3.8 | PZ-2 | 2.5 |
| P0235.050-016-A4 | M 5 | 16 | 10 | 3.8 | PZ-2 | 2.5 |
| P0235.050-018-A4 | M 5 | 18 | 10 | 3.8 | PZ-2 | 2.5 |
| P0235.050-020-A4 | M 5 | 20 | 10 | 3.8 | PZ-2 | 2.5 |
| P0235.050-022-A4 | M 5 | 22 | 10 | 3.8 | PZ-2 | 2.5 |
| P0235.050-025-A4 | M 5 | 25 | 10 | 3.8 | PZ-2 | 2.5 |
| P0235.050-028-A4 | M 5 | 28 | 10 | 3.8 | PZ-2 | 2.5 |
| P0235.050-030-A4 | M 5 | 30 | 10 | 3.8 | PZ-2 | 2.5 |
| P0235.050-035-A4 | M 5 | 35 | 10 | 3.8 | PZ-2 | 2.5 |
| P0235.050-040-A4 | M 5 | 40 | 10 | 3.8 | PZ-2 | 2.5 |
| P0235.050-045-A4 | M 5 | 45 | 10 | 3.8 | PZ-2 | 2.5 |
| P0235.050-050-A4 | M 5 | 50 | 10 | 3.8 | PZ-2 | 2.5 |
| P0235.050-055-A4 | M 5 | 55 | 10 | 3.8 | PZ-2 | 2.5 |
| P0235.050-060-A4 | M 5 | 60 | 10 | 3.8 | PZ-2 | 2.5 |
| P0235.050-065-A4 | M 5 | 65 | 10 | 3.8 | PZ-2 | 2.5 |
| P0235.050-070-A4 | M 5 | 70 | 10 | 3.8 | PZ-2 | 2.5 |
| P0235.050-080-A4 | M 5 | 80 | 10 | 3.8 | PZ-2 | 2.5 |
| P0235.050-090-A4 | M 5 | 90 | 10 | 3.8 | PZ-2 | 2.5 |
| P0235.050-100-A4 | M 5 | 100 | 10 | 3.8 | PZ-2 | 2.5 |
| P0235.060-008-A4 | M 6 | 8 | 12 | 4.6 | PZ-3 | 3.0 |
| P0235.060-010-A4 | M 6 | 10 | 12 | 4.6 | PZ-3 | 3.0 |
| P0235.060-012-A4 | M 6 | 12 | 12 | 4.6 | PZ-3 | 3.0 |



Pozi Pan Head Screws

Pozi - A4 stainless

Standard Screws

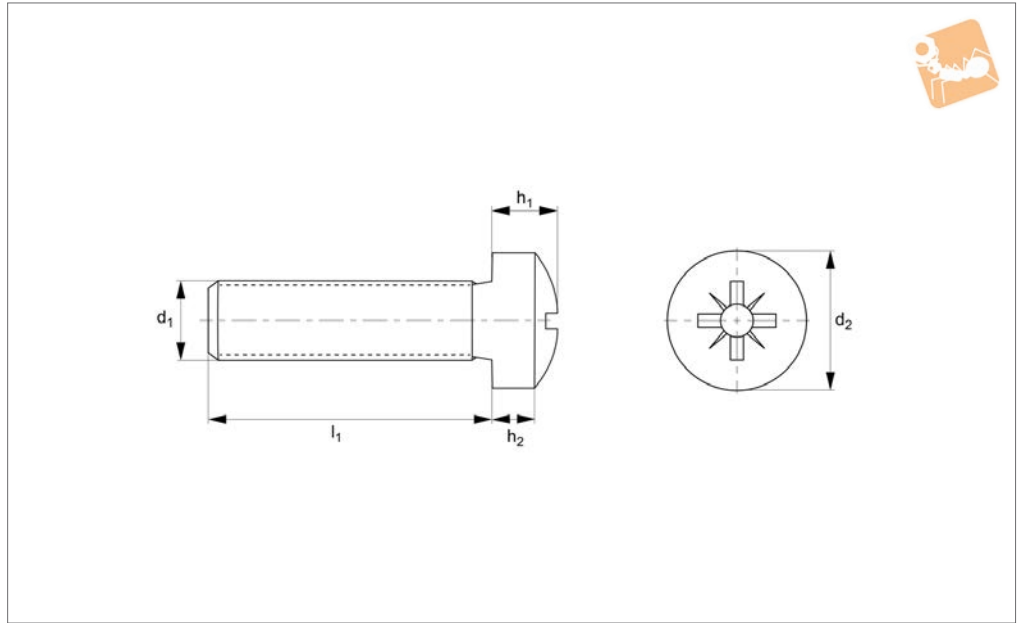


| Order No. | d ₁ | l ₁ | d ₂ | h ₁ | Size | h ₂ |
|------------------|----------------|----------------|----------------|----------------|------|----------------|
| P0235.060-014-A4 | M 6 | 14 | 12 | 4.6 | PZ-3 | 3.0 |
| P0235.060-016-A4 | M 6 | 16 | 12 | 4.6 | PZ-3 | 3.0 |
| P0235.060-018-A4 | M 6 | 18 | 12 | 4.6 | PZ-3 | 3.0 |
| P0235.060-020-A4 | M 6 | 20 | 12 | 4.6 | PZ-3 | 3.0 |
| P0235.060-022-A4 | M 6 | 22 | 12 | 4.6 | PZ-3 | 3.0 |
| P0235.060-025-A4 | M 6 | 25 | 12 | 4.6 | PZ-3 | 3.0 |
| P0235.060-028-A4 | M 6 | 28 | 12 | 4.6 | PZ-3 | 3.0 |
| P0235.060-030-A4 | M 6 | 30 | 12 | 4.6 | PZ-3 | 3.0 |
| P0235.060-035-A4 | M 6 | 35 | 12 | 4.6 | PZ-3 | 3.0 |
| P0235.060-040-A4 | M 6 | 40 | 12 | 4.6 | PZ-3 | 3.0 |
| P0235.060-045-A4 | M 6 | 45 | 12 | 4.6 | PZ-3 | 3.0 |
| P0235.060-050-A4 | M 6 | 50 | 12 | 4.6 | PZ-3 | 3.0 |
| P0235.060-055-A4 | M 6 | 55 | 12 | 4.6 | PZ-3 | 3.0 |
| P0235.060-060-A4 | M 6 | 60 | 12 | 4.6 | PZ-3 | 3.0 |
| P0235.060-065-A4 | M 6 | 65 | 12 | 4.6 | PZ-3 | 3.0 |
| P0235.060-070-A4 | M 6 | 70 | 12 | 4.6 | PZ-3 | 3.0 |
| P0235.060-080-A4 | M 6 | 80 | 12 | 4.6 | PZ-3 | 3.0 |
| P0235.060-090-A4 | M 6 | 90 | 12 | 4.6 | PZ-3 | 3.0 |
| P0235.060-100-A4 | M 6 | 100 | 12 | 4.6 | PZ-3 | 3.0 |
| P0235.080-010-A4 | M 8 | 10 | 16 | 6.0 | PZ-4 | 3.7 |
| P0235.080-012-A4 | M 8 | 12 | 16 | 6.0 | PZ-4 | 3.7 |
| P0235.080-014-A4 | M 8 | 14 | 16 | 6.0 | PZ-4 | 3.7 |
| P0235.080-016-A4 | M 8 | 16 | 16 | 6.0 | PZ-4 | 3.7 |
| P0235.080-018-A4 | M 8 | 18 | 16 | 6.0 | PZ-4 | 3.7 |
| P0235.080-020-A4 | M 8 | 20 | 16 | 6.0 | PZ-4 | 3.7 |
| P0235.080-022-A4 | M 8 | 22 | 16 | 6.0 | PZ-4 | 3.7 |
| P0235.080-025-A4 | M 8 | 25 | 16 | 6.0 | PZ-4 | 3.7 |
| P0235.080-028-A4 | M 8 | 28 | 16 | 6.0 | PZ-4 | 3.7 |
| P0235.080-030-A4 | M 8 | 30 | 16 | 6.0 | PZ-4 | 3.7 |
| P0235.080-035-A4 | M 8 | 35 | 16 | 6.0 | PZ-4 | 3.7 |
| P0235.080-040-A4 | M 8 | 40 | 16 | 6.0 | PZ-4 | 3.7 |
| P0235.080-045-A4 | M 8 | 45 | 16 | 6.0 | PZ-4 | 3.7 |
| P0235.080-050-A4 | M 8 | 50 | 16 | 6.0 | PZ-4 | 3.7 |
| P0235.080-055-A4 | M 8 | 55 | 16 | 6.0 | PZ-4 | 3.7 |
| P0235.080-060-A4 | M 8 | 60 | 16 | 6.0 | PZ-4 | 3.7 |
| P0235.080-065-A4 | M 8 | 65 | 16 | 6.0 | PZ-4 | 3.7 |
| P0235.080-070-A4 | M 8 | 70 | 16 | 6.0 | PZ-4 | 3.7 |
| P0235.080-080-A4 | M 8 | 80 | 16 | 6.0 | PZ-4 | 3.7 |
| P0235.080-090-A4 | M 8 | 90 | 16 | 6.0 | PZ-4 | 3.7 |
| P0235.080-100-A4 | M 8 | 100 | 16 | 6.0 | PZ-4 | 3.7 |

STANDARD SCREWS



P0235.ZP



Material

Steel, zinc-plated (grade 4.8).

Technical Notes

To DIN 7985 Z, ISO 7045. Threaded within 2,5 x pitch of head.

| Order No. | d ₁ | l ₁ | d ₂ | h ₁ | Size | h ₂ |
|------------------|----------------|----------------|----------------|----------------|------|----------------|
| P0235.016-003-ZP | M1,6 | 3 | 3.2 | 1.3 | PZ-0 | 0.8 |
| P0235.016-004-ZP | M1,6 | 4 | 3.2 | 1.3 | PZ-0 | 0.8 |
| P0235.016-005-ZP | M1,6 | 5 | 3.2 | 1.3 | PZ-0 | 0.8 |
| P0235.016-006-ZP | M1,6 | 6 | 3.2 | 1.3 | PZ-0 | 0.8 |
| P0235.016-008-ZP | M1,6 | 8 | 3.2 | 1.3 | PZ-0 | 0.8 |
| P0235.016-010-ZP | M1,6 | 10 | 3.2 | 1.3 | PZ-0 | 0.8 |
| P0235.016-012-ZP | M1,6 | 12 | 3.2 | 1.3 | PZ-0 | 0.8 |
| P0235.016-014-ZP | M1,6 | 14 | 3.2 | 1.3 | PZ-0 | 0.8 |
| P0235.016-016-ZP | M1,6 | 16 | 3.2 | 1.3 | PZ-0 | 0.8 |
| P0235.016-018-ZP | M1,6 | 18 | 3.2 | 1.3 | PZ-0 | 0.8 |
| P0235.020-003-ZP | M 2 | 3 | 4 | 1.6 | PZ-1 | 1.1 |
| P0235.020-004-ZP | M 2 | 4 | 4 | 1.6 | PZ-1 | 1.1 |
| P0235.020-005-ZP | M 2 | 5 | 4 | 1.6 | PZ-1 | 1.1 |
| P0235.020-006-ZP | M 2 | 6 | 4 | 1.6 | PZ-1 | 1.1 |
| P0235.020-008-ZP | M 2 | 8 | 4 | 1.6 | PZ-1 | 1.1 |
| P0235.020-010-ZP | M 2 | 10 | 4 | 1.6 | PZ-1 | 1.1 |
| P0235.020-012-ZP | M 2 | 12 | 4 | 1.6 | PZ-1 | 1.1 |
| P0235.020-014-ZP | M 2 | 14 | 4 | 1.6 | PZ-1 | 1.1 |
| P0235.020-016-ZP | M 2 | 16 | 4 | 1.6 | PZ-1 | 1.1 |
| P0235.020-018-ZP | M 2 | 18 | 4 | 1.6 | PZ-1 | 1.1 |
| P0235.020-020-ZP | M 2 | 20 | 4 | 1.6 | PZ-1 | 1.1 |
| P0235.025-003-ZP | M2,5 | 3 | 5 | 2.0 | PZ-1 | 1.3 |
| P0235.025-004-ZP | M2,5 | 4 | 5 | 2.0 | PZ-1 | 1.3 |
| P0235.025-005-ZP | M2,5 | 5 | 5 | 2.0 | PZ-1 | 1.3 |
| P0235.025-006-ZP | M2,5 | 6 | 5 | 2.0 | PZ-1 | 1.3 |
| P0235.025-008-ZP | M2,5 | 8 | 5 | 2.0 | PZ-1 | 1.3 |
| P0235.025-010-ZP | M2,5 | 10 | 5 | 2.0 | PZ-1 | 1.3 |
| P0235.025-012-ZP | M2,5 | 12 | 5 | 2.0 | PZ-1 | 1.3 |
| P0235.025-016-ZP | M2,5 | 16 | 5 | 2.0 | PZ-1 | 1.3 |
| P0235.025-020-ZP | M2,5 | 20 | 5 | 2.0 | PZ-1 | 1.3 |
| P0235.025-025-ZP | M2,5 | 25 | 5 | 2.0 | PZ-1 | 1.3 |
| P0235.025-030-ZP | M2,5 | 30 | 5 | 2.0 | PZ-1 | 1.3 |
| P0235.030-004-ZP | M 3 | 4 | 6 | 2.4 | PZ-1 | 1.6 |
| P0235.030-005-ZP | M 3 | 5 | 6 | 2.4 | PZ-1 | 1.6 |
| P0235.030-006-ZP | M 3 | 6 | 6 | 2.4 | PZ-1 | 1.6 |



Pozi Pan Head Screws

Pozi - steel, zinc-plated

Standard Screws



| Order No. | d ₁ | l ₁ | d ₂ | h ₁ | Size | h ₂ |
|------------------|----------------|----------------|----------------|----------------|------|----------------|
| P0235.030-008-ZP | M 3 | 8 | 6 | 2.4 | PZ-1 | 1.6 |
| P0235.030-010-ZP | M 3 | 10 | 6 | 2.4 | PZ-1 | 1.6 |
| P0235.030-012-ZP | M 3 | 12 | 6 | 2.4 | PZ-1 | 1.6 |
| P0235.030-014-ZP | M 3 | 14 | 6 | 2.4 | PZ-1 | 1.6 |
| P0235.030-016-ZP | M 3 | 16 | 6 | 2.4 | PZ-1 | 1.6 |
| P0235.030-018-ZP | M 3 | 18 | 6 | 2.4 | PZ-1 | 1.6 |
| P0235.030-020-ZP | M 3 | 20 | 6 | 2.4 | PZ-1 | 1.6 |
| P0235.030-022-ZP | M 3 | 22 | 6 | 2.4 | PZ-1 | 1.6 |
| P0235.030-025-ZP | M 3 | 25 | 6 | 2.4 | PZ-1 | 1.6 |
| P0235.030-028-ZP | M 3 | 28 | 6 | 2.4 | PZ-1 | 1.6 |
| P0235.030-030-ZP | M 3 | 30 | 6 | 2.4 | PZ-1 | 1.6 |
| P0235.030-035-ZP | M 3 | 35 | 6 | 2.4 | PZ-1 | 1.6 |
| P0235.030-040-ZP | M 3 | 40 | 6 | 2.4 | PZ-1 | 1.6 |
| P0235.040-004-ZP | M 4 | 4 | 8 | 3.1 | PZ-2 | 2.0 |
| P0235.040-005-ZP | M 4 | 5 | 8 | 3.1 | PZ-2 | 2.0 |
| P0235.040-006-ZP | M 4 | 6 | 8 | 3.1 | PZ-2 | 2.0 |
| P0235.040-008-ZP | M 4 | 8 | 8 | 3.1 | PZ-2 | 2.0 |
| P0235.040-010-ZP | M 4 | 10 | 8 | 3.1 | PZ-2 | 2.0 |
| P0235.040-012-ZP | M 4 | 12 | 8 | 3.1 | PZ-2 | 2.0 |
| P0235.040-014-ZP | M 4 | 14 | 8 | 3.1 | PZ-2 | 2.0 |
| P0235.040-016-ZP | M 4 | 16 | 8 | 3.1 | PZ-2 | 2.0 |
| P0235.040-018-ZP | M 4 | 18 | 8 | 3.1 | PZ-2 | 2.0 |
| P0235.040-020-ZP | M 4 | 20 | 8 | 3.1 | PZ-2 | 2.0 |
| P0235.040-022-ZP | M 4 | 22 | 8 | 3.1 | PZ-2 | 0.8 |
| P0235.040-025-ZP | M 4 | 25 | 8 | 3.1 | PZ-2 | 2.0 |
| P0235.040-028-ZP | M 4 | 28 | 8 | 3.1 | PZ-2 | 2.0 |
| P0235.040-030-ZP | M 4 | 30 | 8 | 3.1 | PZ-2 | 2.0 |
| P0235.040-035-ZP | M 4 | 35 | 8 | 3.1 | PZ-2 | 2.0 |
| P0235.040-040-ZP | M 4 | 40 | 8 | 3.1 | PZ-2 | 2.0 |
| P0235.040-045-ZP | M 4 | 45 | 8 | 3.1 | PZ-2 | 2.0 |
| P0235.040-050-ZP | M 4 | 50 | 8 | 3.1 | PZ-2 | 2.0 |
| P0235.040-055-ZP | M 4 | 55 | 8 | 3.1 | PZ-2 | 2.0 |
| P0235.040-060-ZP | M 4 | 60 | 8 | 3.1 | PZ-2 | 2.0 |
| P0235.040-065-ZP | M 4 | 65 | 8 | 3.1 | PZ-2 | 2.0 |
| P0235.040-070-ZP | M 4 | 70 | 8 | 3.1 | PZ-2 | 2.0 |
| P0235.040-080-ZP | M 4 | 80 | 8 | 3.1 | PZ-2 | 2.0 |
| P0235.040-090-ZP | M 4 | 90 | 8 | 3.1 | PZ-2 | 2.0 |
| P0235.040-100-ZP | M 4 | 100 | 8 | 3.1 | PZ-2 | 2.0 |
| P0235.050-006-ZP | M 5 | 6 | 10 | 3.8 | PZ-2 | 2.5 |
| P0235.050-008-ZP | M 5 | 8 | 10 | 3.8 | PZ-2 | 2.5 |
| P0235.050-010-ZP | M 5 | 10 | 10 | 3.8 | PZ-2 | 2.5 |
| P0235.050-012-ZP | M 5 | 12 | 10 | 3.8 | PZ-2 | 2.5 |
| P0235.050-014-ZP | M 5 | 14 | 10 | 3.8 | PZ-2 | 2.5 |
| P0235.050-016-ZP | M 5 | 16 | 10 | 3.8 | PZ-2 | 2.5 |
| P0235.050-018-ZP | M 5 | 18 | 10 | 3.8 | PZ-2 | 2.5 |
| P0235.050-020-ZP | M 5 | 20 | 10 | 3.8 | PZ-2 | 2.5 |
| P0235.050-022-ZP | M 5 | 22 | 10 | 3.8 | PZ-2 | 2.5 |
| P0235.050-025-ZP | M 5 | 25 | 10 | 3.8 | PZ-2 | 2.5 |
| P0235.050-028-ZP | M 5 | 28 | 10 | 3.8 | PZ-2 | 2.5 |
| P0235.050-030-ZP | M 5 | 30 | 10 | 3.8 | PZ-2 | 2.5 |
| P0235.050-035-ZP | M 5 | 35 | 10 | 3.8 | PZ-2 | 2.5 |
| P0235.050-040-ZP | M 5 | 40 | 10 | 3.8 | PZ-2 | 2.5 |
| P0235.050-045-ZP | M 5 | 45 | 10 | 3.8 | PZ-2 | 2.5 |
| P0235.050-050-ZP | M 5 | 50 | 10 | 3.8 | PZ-2 | 2.5 |
| P0235.050-055-ZP | M 5 | 55 | 10 | 3.8 | PZ-2 | 2.5 |
| P0235.050-060-ZP | M 5 | 60 | 10 | 3.8 | PZ-2 | 2.5 |
| P0235.050-065-ZP | M 5 | 65 | 10 | 3.8 | PZ-2 | 2.5 |
| P0235.050-070-ZP | M 5 | 70 | 10 | 3.8 | PZ-2 | 2.5 |
| P0235.050-080-ZP | M 5 | 80 | 10 | 3.8 | PZ-2 | 2.5 |
| P0235.050-090-ZP | M 5 | 90 | 10 | 3.8 | PZ-2 | 2.5 |
| P0235.050-100-ZP | M 5 | 100 | 10 | 3.8 | PZ-2 | 2.5 |
| P0235.060-008-ZP | M 6 | 8 | 12 | 4.6 | PZ-3 | 3.0 |
| P0235.060-010-ZP | M 6 | 10 | 12 | 4.6 | PZ-3 | 3.0 |
| P0235.060-012-ZP | M 6 | 12 | 12 | 4.6 | PZ-3 | 3.0 |
| P0235.060-014-ZP | M 6 | 14 | 12 | 4.6 | PZ-3 | 3.0 |
| P0235.060-016-ZP | M 6 | 16 | 12 | 4.6 | PZ-3 | 3.0 |
| P0235.060-018-ZP | M 6 | 18 | 12 | 4.6 | PZ-3 | 3.0 |
| P0235.060-020-ZP | M 6 | 20 | 12 | 4.6 | PZ-3 | 3.0 |
| P0235.060-022-ZP | M 6 | 22 | 12 | 4.6 | PZ-3 | 3.0 |

STANDARD SCREWS



STANDARD SCREWS

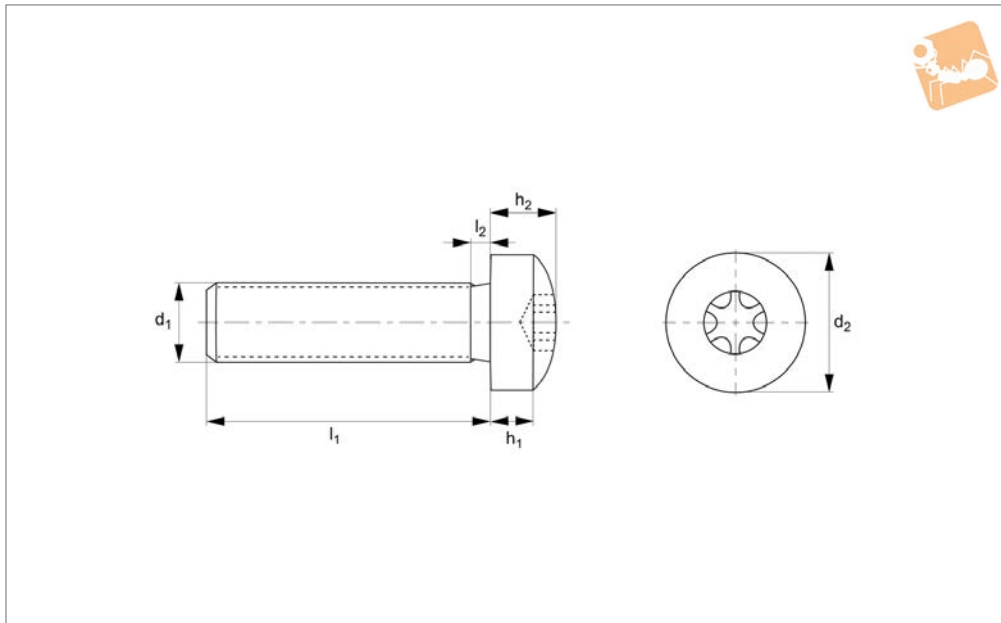
| Order No. | d ₁ | l ₁ | d ₂ | h ₁ | Size | h ₂ |
|------------------|----------------|----------------|----------------|----------------|------|----------------|
| P0235.060-025-ZP | M 6 | 25 | 12 | 4.6 | PZ-3 | 3.0 |
| P0235.060-028-ZP | M 6 | 28 | 12 | 4.6 | PZ-3 | 3.0 |
| P0235.060-030-ZP | M 6 | 30 | 12 | 4.6 | PZ-3 | 3.0 |
| P0235.060-035-ZP | M 6 | 35 | 12 | 4.6 | PZ-3 | 3.0 |
| P0235.060-040-ZP | M 6 | 40 | 12 | 4.6 | PZ-3 | 3.0 |
| P0235.060-045-ZP | M 6 | 45 | 12 | 4.6 | PZ-3 | 3.0 |
| P0235.060-050-ZP | M 6 | 50 | 12 | 4.6 | PZ-3 | 3.0 |
| P0235.060-055-ZP | M 6 | 55 | 12 | 4.6 | PZ-3 | 3.0 |
| P0235.060-060-ZP | M 6 | 60 | 12 | 4.6 | PZ-3 | 3.0 |
| P0235.060-065-ZP | M 6 | 65 | 12 | 4.6 | PZ-3 | 3.0 |
| P0235.060-070-ZP | M 6 | 70 | 12 | 4.6 | PZ-3 | 3.0 |
| P0235.060-075-ZP | M 6 | 75 | 12 | 4.6 | PZ-3 | 3.0 |
| P0235.060-080-ZP | M 6 | 80 | 12 | 4.6 | PZ-3 | 3.0 |
| P0235.060-090-ZP | M 6 | 90 | 12 | 4.6 | PZ-3 | 3.0 |
| P0235.060-100-ZP | M 6 | 100 | 12 | 4.6 | PZ-3 | 3.0 |
| P0235.080-010-ZP | M 8 | 10 | 16 | 6.0 | PZ-4 | 3.7 |
| P0235.080-012-ZP | M 8 | 12 | 16 | 6.0 | PZ-4 | 3.7 |
| P0235.080-014-ZP | M 8 | 14 | 16 | 6.0 | PZ-4 | 3.7 |
| P0235.080-016-ZP | M 8 | 16 | 16 | 6.0 | PZ-4 | 3.7 |
| P0235.080-018-ZP | M 8 | 18 | 16 | 6.0 | PZ-4 | 3.7 |
| P0235.080-020-ZP | M 8 | 20 | 16 | 6.0 | PZ-4 | 3.7 |
| P0235.080-022-ZP | M 8 | 22 | 16 | 6.0 | PZ-4 | 3.7 |
| P0235.080-025-ZP | M 8 | 25 | 16 | 6.0 | PZ-4 | 3.7 |
| P0235.080-028-ZP | M 8 | 28 | 16 | 6.0 | PZ-4 | 3.7 |
| P0235.080-030-ZP | M 8 | 30 | 16 | 6.0 | PZ-4 | 3.7 |
| P0235.080-035-ZP | M 8 | 35 | 16 | 6.0 | PZ-4 | 3.7 |
| P0235.080-040-ZP | M 8 | 40 | 16 | 6.0 | PZ-4 | 3.7 |
| P0235.080-045-ZP | M 8 | 45 | 16 | 6.0 | PZ-4 | 3.7 |
| P0235.080-050-ZP | M 8 | 50 | 16 | 6.0 | PZ-4 | 3.7 |
| P0235.080-055-ZP | M 8 | 55 | 16 | 6.0 | PZ-4 | 3.7 |
| P0235.080-060-ZP | M 8 | 60 | 16 | 6.0 | PZ-4 | 3.7 |
| P0235.080-065-ZP | M 8 | 65 | 16 | 6.0 | PZ-4 | 3.7 |
| P0235.080-070-ZP | M 8 | 70 | 16 | 6.0 | PZ-4 | 3.7 |
| P0235.080-080-ZP | M 8 | 80 | 16 | 6.0 | PZ-4 | 3.7 |
| P0235.080-090-ZP | M 8 | 90 | 16 | 6.0 | PZ-4 | 3.7 |
| P0235.080-100-ZP | M 8 | 100 | 16 | 6.0 | PZ-4 | 3.7 |



TX Pan Head Screws

TX - A2 stainless

Standard Screws



P0236.A2

STANDARD SCREWS

Material
Stainless steel (A2).

2,5 x pitch of head.

Technical Notes
To DIN 7985, ISO 7045. Threaded within

See technical page for tightening torques.

| Order No. | d ₁ | l ₁ | d ₂ | h ₁ | Size | h ₂ | l ₂ |
|------------------|----------------|----------------|----------------|----------------|------|----------------|----------------|
| P0236.016-003-A2 | M1,6 | 3 | 3.2 | 1.3 | TX-5 | 0.8 | 0.7 |
| P0236.016-004-A2 | M1,6 | 4 | 3.2 | 1.3 | TX-5 | 0.8 | 0.7 |
| P0236.016-005-A2 | M1,6 | 5 | 3.2 | 1.3 | TX-5 | 0.8 | 0.7 |
| P0236.016-006-A2 | M1,6 | 6 | 3.2 | 1.3 | TX-5 | 0.8 | 0.7 |
| P0236.016-008-A2 | M1,6 | 8 | 3.2 | 1.3 | TX-5 | 0.8 | 0.7 |
| P0236.016-010-A2 | M1,6 | 10 | 3.2 | 1.3 | TX-5 | 0.8 | 0.7 |
| P0236.016-012-A2 | M1,6 | 12 | 3.2 | 1.3 | TX-5 | 0.8 | 0.7 |
| P0236.016-014-A2 | M1,6 | 14 | 3.2 | 1.3 | TX-5 | 0.8 | 0.7 |
| P0236.016-016-A2 | M1,6 | 16 | 3.2 | 1.3 | TX-5 | 0.8 | 0.7 |
| P0236.016-018-A2 | M1,6 | 18 | 3.2 | 1.3 | TX-5 | 0.8 | 0.7 |
| P0236.020-003-A2 | M 2 | 3 | 4.0 | 1.6 | TX-6 | 1.1 | 0.8 |
| P0236.020-004-A2 | M 2 | 4 | 4.0 | 1.6 | TX-6 | 1.1 | 0.8 |
| P0236.020-005-A2 | M 2 | 5 | 4.0 | 1.6 | TX-6 | 1.1 | 0.8 |
| P0236.020-006-A2 | M 2 | 6 | 4.0 | 1.6 | TX-6 | 1.1 | 0.8 |
| P0236.020-008-A2 | M 2 | 8 | 4.0 | 1.6 | TX-6 | 1.1 | 0.8 |
| P0236.020-010-A2 | M 2 | 10 | 4.0 | 1.6 | TX-6 | 1.1 | 0.8 |
| P0236.020-012-A2 | M 2 | 12 | 4.0 | 1.6 | TX-6 | 1.1 | 0.8 |
| P0236.020-014-A2 | M 2 | 14 | 4.0 | 1.6 | TX-6 | 1.1 | 0.8 |
| P0236.020-016-A2 | M 2 | 16 | 4.0 | 1.6 | TX-6 | 1.1 | 0.8 |
| P0236.020-018-A2 | M 2 | 18 | 4.0 | 1.6 | TX-6 | 1.1 | 0.8 |
| P0236.020-020-A2 | M 2 | 20 | 4.0 | 1.6 | TX-6 | 1.1 | 0.8 |
| P0236.025-003-A2 | M2,5 | 3 | 5.0 | 2.0 | TX-8 | 1.3 | 0.9 |
| P0236.025-004-A2 | M2,5 | 4 | 5.0 | 2.0 | TX-8 | 1.3 | 0.9 |
| P0236.025-005-A2 | M2,5 | 5 | 5.0 | 2.0 | TX-8 | 1.3 | 0.9 |
| P0236.025-006-A2 | M2,5 | 6 | 5.0 | 2.0 | TX-8 | 1.3 | 0.9 |
| P0236.025-008-A2 | M2,5 | 8 | 5.0 | 2.0 | TX-8 | 1.3 | 0.9 |
| P0236.025-010-A2 | M2,5 | 10 | 5.0 | 2.0 | TX-8 | 1.3 | 0.9 |
| P0236.025-012-A2 | M2,5 | 12 | 5.0 | 2.0 | TX-8 | 1.3 | 0.9 |
| P0236.025-014-A2 | M2,5 | 14 | 5.0 | 2.0 | TX-8 | 1.3 | 0.9 |
| P0236.025-016-A2 | M2,5 | 16 | 5.0 | 2.0 | TX-8 | 1.3 | 0.9 |
| P0236.025-018-A2 | M2,5 | 18 | 5.0 | 2.0 | TX-8 | 1.3 | 0.9 |
| P0236.025-020-A2 | M2,5 | 20 | 5.0 | 2.0 | TX-8 | 1.3 | 0.9 |
| P0236.025-022-A2 | M2,5 | 22 | 5.0 | 2.0 | TX-8 | 1.3 | 0.9 |
| P0236.025-025-A2 | M2,5 | 25 | 5.0 | 2.0 | TX-8 | 1.3 | 0.9 |



STANDARD SCREWS

| Order No. | d ₁ | l ₁ | d ₂ | h ₁ | Size | h ₂ | l ₂ |
|------------------|----------------|----------------|----------------|----------------|-------|----------------|----------------|
| P0236.025-028-A2 | M2,5 | 28 | 5.0 | 2.0 | TX-8 | 1.3 | 0.9 |
| P0236.025-030-A2 | M2,5 | 30 | 5.0 | 2.0 | TX-8 | 1.3 | 0.9 |
| P0236.030-004-A2 | M 3 | 4 | 6.0 | 2.4 | TX-10 | 1.6 | 1.0 |
| P0236.030-005-A2 | M 3 | 5 | 6.0 | 2.4 | TX-10 | 1.6 | 1.0 |
| P0236.030-006-A2 | M 3 | 6 | 6.0 | 2.4 | TX-10 | 1.6 | 1.0 |
| P0236.030-008-A2 | M 3 | 8 | 6.0 | 2.4 | TX-10 | 1.6 | 1.0 |
| P0236.030-010-A2 | M 3 | 10 | 6.0 | 2.4 | TX-10 | 1.6 | 1.0 |
| P0236.030-012-A2 | M 3 | 12 | 6.0 | 2.4 | TX-10 | 1.6 | 1.0 |
| P0236.030-014-A2 | M 3 | 14 | 6.0 | 2.4 | TX-10 | 1.6 | 1.0 |
| P0236.030-016-A2 | M 3 | 16 | 6.0 | 2.4 | TX-10 | 1.6 | 1.0 |
| P0236.030-018-A2 | M 3 | 18 | 6.0 | 2.4 | TX-10 | 1.6 | 1.0 |
| P0236.030-020-A2 | M 3 | 20 | 6.0 | 2.4 | TX-10 | 1.6 | 1.0 |
| P0236.030-022-A2 | M 3 | 22 | 6.0 | 2.4 | TX-10 | 1.6 | 1.0 |
| P0236.030-025-A2 | M 3 | 25 | 6.0 | 2.4 | TX-10 | 1.6 | 1.0 |
| P0236.030-028-A2 | M 3 | 28 | 6.0 | 2.4 | TX-10 | 1.6 | 1.0 |
| P0236.030-030-A2 | M 3 | 30 | 6.0 | 2.4 | TX-10 | 1.6 | 1.0 |
| P0236.030-035-A2 | M 3 | 35 | 6.0 | 2.4 | TX-10 | 1.6 | 1.0 |
| P0236.030-040-A2 | M 3 | 40 | 6.0 | 2.4 | TX-10 | 1.6 | 1.0 |
| P0236.030-045-A2 | M 3 | 45 | 6.0 | 2.4 | TX-10 | 1.6 | 1.0 |
| P0236.030-050-A2 | M 3 | 50 | 6.0 | 2.4 | TX-10 | 1.6 | 1.0 |
| P0236.030-055-A2 | M 3 | 55 | 6.0 | 2.4 | TX-10 | 1.6 | 1.0 |
| P0236.030-060-A2 | M 3 | 60 | 6.0 | 2.4 | TX-10 | 1.6 | 1.0 |
| P0236.040-004-A2 | M 4 | 4 | 8.0 | 3.1 | TX-20 | 2.0 | 1.4 |
| P0236.040-005-A2 | M 4 | 5 | 8.0 | 3.1 | TX-20 | 2.0 | 1.4 |
| P0236.040-006-A2 | M 4 | 6 | 8.0 | 3.1 | TX-20 | 2.0 | 1.4 |
| P0236.040-008-A2 | M 4 | 8 | 8.0 | 3.1 | TX-20 | 2.0 | 1.4 |
| P0236.040-010-A2 | M 4 | 10 | 8.0 | 3.1 | TX-20 | 2.0 | 1.4 |
| P0236.040-012-A2 | M 4 | 12 | 8.0 | 3.1 | TX-20 | 2.0 | 1.4 |
| P0236.040-014-A2 | M 4 | 14 | 8.0 | 3.1 | TX-20 | 2.0 | 1.4 |
| P0236.040-016-A2 | M 4 | 16 | 8.0 | 3.1 | TX-20 | 2.0 | 1.4 |
| P0236.040-018-A2 | M 4 | 18 | 8.0 | 3.1 | TX-20 | 2.0 | 1.4 |
| P0236.040-020-A2 | M 4 | 20 | 8.0 | 3.1 | TX-20 | 2.0 | 1.4 |
| P0236.040-022-A2 | M 4 | 22 | 8.0 | 3.1 | TX-20 | 2.0 | 1.4 |
| P0236.040-025-A2 | M 4 | 25 | 8.0 | 3.1 | TX-20 | 2.0 | 1.4 |
| P0236.040-028-A2 | M 4 | 28 | 8.0 | 3.1 | TX-20 | 2.0 | 1.4 |
| P0236.040-030-A2 | M 4 | 30 | 8.0 | 3.1 | TX-20 | 2.0 | 1.4 |
| P0236.040-035-A2 | M 4 | 35 | 8.0 | 3.1 | TX-20 | 2.0 | 1.4 |
| P0236.040-040-A2 | M 4 | 40 | 8.0 | 3.1 | TX-20 | 2.0 | 1.4 |
| P0236.040-045-A2 | M 4 | 45 | 8.0 | 3.1 | TX-20 | 2.0 | 1.4 |
| P0236.040-050-A2 | M 4 | 50 | 8.0 | 3.1 | TX-20 | 2.0 | 1.4 |
| P0236.040-055-A2 | M 4 | 55 | 8.0 | 3.1 | TX-20 | 2.0 | 1.4 |
| P0236.040-060-A2 | M 4 | 60 | 8.0 | 3.1 | TX-20 | 2.0 | 1.4 |
| P0236.040-065-A2 | M 4 | 65 | 8.0 | 3.1 | TX-20 | 2.0 | 1.4 |
| P0236.040-070-A2 | M 4 | 70 | 8.0 | 3.1 | TX-20 | 2.0 | 1.4 |
| P0236.040-075-A2 | M 4 | 75 | 8.0 | 3.1 | TX-20 | 2.0 | 1.4 |
| P0236.040-080-A2 | M 4 | 80 | 8.0 | 3.1 | TX-20 | 2.0 | 1.4 |
| P0236.040-090-A2 | M 4 | 90 | 8.0 | 3.1 | TX-20 | 2.0 | 1.4 |
| P0236.040-100-A2 | M 4 | 100 | 8.0 | 3.1 | TX-20 | 2.0 | 1.4 |
| P0236.050-006-A2 | M 5 | 6 | 10.0 | 3.8 | TX-25 | 2.5 | 1.6 |
| P0236.050-008-A2 | M 5 | 8 | 10.0 | 3.8 | TX-25 | 2.5 | 1.6 |
| P0236.050-012-A2 | M 5 | 12 | 10.0 | 3.8 | TX-25 | 2.5 | 1.6 |
| P0236.050-014-A2 | M 5 | 14 | 10.0 | 3.8 | TX-25 | 2.5 | 1.6 |
| P0236.050-016-A2 | M 5 | 16 | 10.0 | 3.8 | TX-25 | 2.5 | 1.6 |
| P0236.050-018-A2 | M 5 | 18 | 10.0 | 3.8 | TX-25 | 2.5 | 1.6 |
| P0236.050-020-A2 | M 5 | 20 | 10.0 | 3.8 | TX-25 | 2.5 | 1.6 |
| P0236.050-022-A2 | M 5 | 22 | 10.0 | 3.8 | TX-25 | 2.5 | 1.6 |
| P0236.050-025-A2 | M 5 | 25 | 10.0 | 3.8 | TX-25 | 2.5 | 1.6 |
| P0236.050-028-A2 | M 5 | 28 | 10.0 | 3.8 | TX-25 | 2.5 | 1.6 |
| P0236.050-030-A2 | M 5 | 30 | 10.0 | 3.8 | TX-25 | 2.5 | 1.6 |
| P0236.050-035-A2 | M 5 | 35 | 10.0 | 3.8 | TX-25 | 2.5 | 1.6 |
| P0236.050-040-A2 | M 5 | 40 | 10.0 | 3.8 | TX-25 | 2.5 | 1.6 |
| P0236.050-045-A2 | M 5 | 45 | 10.0 | 3.8 | TX-25 | 2.5 | 1.6 |
| P0236.050-050-A2 | M 5 | 50 | 10.0 | 3.8 | TX-25 | 2.5 | 1.6 |
| P0236.050-055-A2 | M 5 | 55 | 10.0 | 3.8 | TX-25 | 2.5 | 1.6 |
| P0236.050-060-A2 | M 5 | 60 | 10.0 | 3.8 | TX-25 | 2.5 | 1.6 |
| P0236.050-065-A2 | M 5 | 65 | 10.0 | 3.8 | TX-25 | 2.5 | 1.6 |
| P0236.050-070-A2 | M 5 | 70 | 10.0 | 3.8 | TX-25 | 2.5 | 1.6 |
| P0236.050-075-A2 | M 5 | 75 | 10.0 | 3.8 | TX-25 | 2.5 | 1.6 |
| P0236.050-080-A2 | M 5 | 80 | 10.0 | 3.8 | TX-25 | 2.5 | 1.6 |



TX Pan Head Screws

TX - A2 stainless

Standard Screws



| Order No. | d ₁ | l ₁ | d ₂ | h ₁ | Size | h ₂ | l ₂ |
|------------------|----------------|----------------|----------------|----------------|-------|----------------|----------------|
| P0236.050-090-A2 | M 5 | 90 | 10.0 | 3.8 | TX-25 | 2.5 | 1.6 |
| P0236.050-100-A2 | M 5 | 100 | 10.0 | 3.8 | TX-25 | 2.5 | 1.6 |
| P0236.060-008-A2 | M 6 | 8 | 12.0 | 4.6 | TX-30 | 3.0 | 2.0 |
| P0236.060-010-A2 | M 6 | 10 | 12.0 | 4.6 | TX-30 | 3.0 | 2.0 |
| P0236.060-012-A2 | M 6 | 12 | 12.0 | 4.6 | TX-30 | 3.0 | 2.0 |
| P0236.060-014-A2 | M 6 | 14 | 12.0 | 4.6 | TX-30 | 3.0 | 2.0 |
| P0236.060-016-A2 | M 6 | 16 | 12.0 | 4.6 | TX-30 | 3.0 | 2.0 |
| P0236.060-018-A2 | M 6 | 18 | 12.0 | 4.6 | TX-30 | 3.0 | 2.0 |
| P0236.060-020-A2 | M 6 | 20 | 12.0 | 4.6 | TX-30 | 3.0 | 2.0 |
| P0236.060-022-A2 | M 6 | 22 | 12.0 | 4.6 | TX-30 | 3.0 | 2.0 |
| P0236.060-025-A2 | M 6 | 25 | 12.0 | 4.6 | TX-30 | 3.0 | 2.0 |
| P0236.060-028-A2 | M 6 | 28 | 12.0 | 4.6 | TX-30 | 3.0 | 2.0 |
| P0236.060-030-A2 | M 6 | 30 | 12.0 | 4.6 | TX-30 | 3.0 | 2.0 |
| P0236.060-035-A2 | M 6 | 35 | 12.0 | 4.6 | TX-30 | 3.0 | 2.0 |
| P0236.060-040-A2 | M 6 | 40 | 12.0 | 4.6 | TX-30 | 3.0 | 2.0 |
| P0236.060-045-A2 | M 6 | 45 | 12.0 | 4.6 | TX-30 | 3.0 | 2.0 |
| P0236.060-050-A2 | M 6 | 50 | 12.0 | 4.6 | TX-30 | 3.0 | 2.0 |
| P0236.060-055-A2 | M 6 | 55 | 12.0 | 4.6 | TX-30 | 3.0 | 2.0 |
| P0236.060-060-A2 | M 6 | 60 | 12.0 | 4.6 | TX-30 | 3.0 | 2.0 |
| P0236.060-065-A2 | M 6 | 65 | 12.0 | 4.6 | TX-30 | 3.0 | 2.0 |
| P0236.060-070-A2 | M 6 | 70 | 12.0 | 4.6 | TX-30 | 3.0 | 2.0 |
| P0236.060-075-A2 | M 6 | 75 | 12.0 | 4.6 | TX-30 | 3.0 | 2.0 |
| P0236.060-080-A2 | M 6 | 80 | 12.0 | 4.6 | TX-30 | 3.0 | 2.0 |
| P0236.060-090-A2 | M 6 | 90 | 12.0 | 4.6 | TX-30 | 3.0 | 2.0 |
| P0236.060-100-A2 | M 6 | 100 | 12.0 | 4.6 | TX-30 | 3.0 | 2.0 |
| P0236.080-010-A2 | M 8 | 10 | 16.0 | 6.0 | TX-40 | 3.7 | 2.5 |
| P0236.080-012-A2 | M 8 | 12 | 16.0 | 6.0 | TX-40 | 3.7 | 2.5 |
| P0236.080-014-A2 | M 8 | 14 | 16.0 | 6.0 | TX-40 | 3.7 | 2.5 |
| P0236.080-016-A2 | M 8 | 16 | 16.0 | 6.0 | TX-40 | 3.7 | 2.5 |
| P0236.080-018-A2 | M 8 | 18 | 16.0 | 6.0 | TX-40 | 3.7 | 2.5 |
| P0236.080-020-A2 | M 8 | 20 | 16.0 | 6.0 | TX-40 | 3.7 | 2.5 |
| P0236.080-022-A2 | M 8 | 22 | 16.0 | 6.0 | TX-40 | 3.7 | 2.5 |
| P0236.080-025-A2 | M 8 | 25 | 16.0 | 6.0 | TX-40 | 3.7 | 2.5 |
| P0236.080-028-A2 | M 8 | 28 | 16.0 | 6.0 | TX-40 | 3.7 | 2.5 |
| P0236.080-030-A2 | M 8 | 30 | 16.0 | 6.0 | TX-40 | 3.7 | 2.5 |
| P0236.080-035-A2 | M 8 | 35 | 16.0 | 6.0 | TX-40 | 3.7 | 2.5 |
| P0236.080-040-A2 | M 8 | 40 | 16.0 | 6.0 | TX-40 | 3.7 | 2.5 |
| P0236.080-045-A2 | M 8 | 45 | 16.0 | 6.0 | TX-40 | 3.7 | 2.5 |
| P0236.080-050-A2 | M 8 | 50 | 16.0 | 6.0 | TX-40 | 3.7 | 2.5 |
| P0236.080-055-A2 | M 8 | 55 | 16.0 | 6.0 | TX-40 | 3.7 | 2.5 |
| P0236.080-060-A2 | M 8 | 60 | 16.0 | 6.0 | TX-40 | 3.7 | 2.5 |
| P0236.080-065-A2 | M 8 | 65 | 16.0 | 6.0 | TX-40 | 3.7 | 2.5 |
| P0236.080-070-A2 | M 8 | 70 | 16.0 | 6.0 | TX-40 | 3.7 | 2.5 |
| P0236.080-075-A2 | M 8 | 75 | 16.0 | 6.0 | TX-40 | 3.7 | 2.5 |
| P0236.080-080-A2 | M 8 | 80 | 16.0 | 6.0 | TX-40 | 3.7 | 2.5 |
| P0236.080-090-A2 | M 8 | 90 | 16.0 | 6.0 | TX-40 | 3.7 | 2.5 |
| P0236.080-100-A2 | M 8 | 100 | 16.0 | 6.0 | TX-40 | 3.7 | 2.5 |

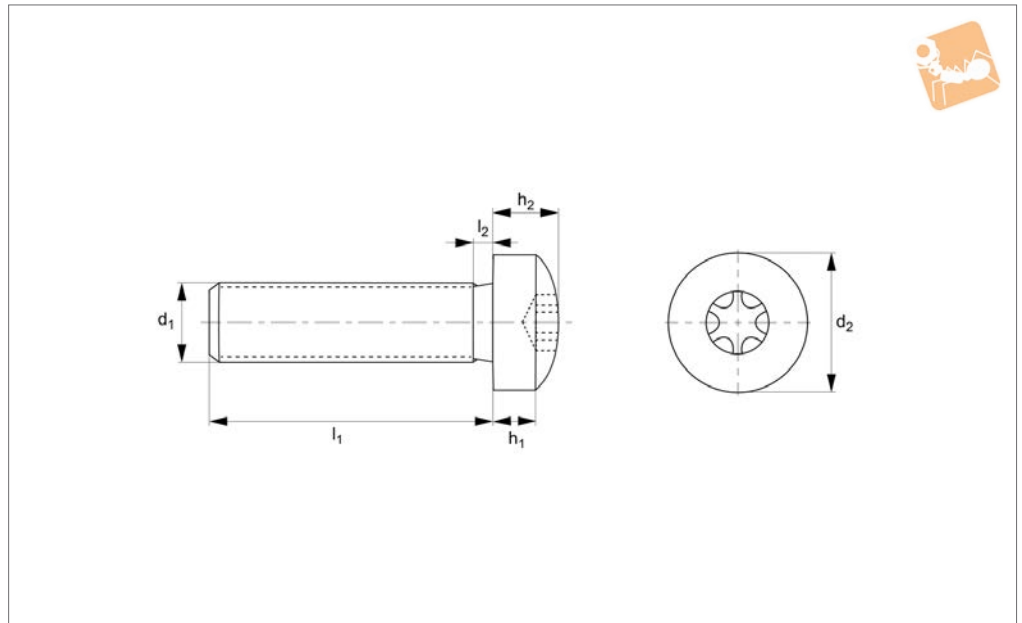
STANDARD SCREWS



STANDARD SCREWS



P0236.A4



Material
Stainless steel (A4).

2,5 x pitch of head.

Technical Notes
To DIN 7985, ISO 7045. Threaded within

See technical page for tightening torques.

| Order No. | d ₁ | l ₁ | d ₂ | h ₁ | Size | h ₂ | l ₂ |
|------------------|----------------|----------------|----------------|----------------|------|----------------|----------------|
| P0236.016-003-A4 | M1,6 | 3 | 3.2 | 1.3 | TX-5 | 0.8 | 0.7 |
| P0236.016-004-A4 | M1,6 | 4 | 3.2 | 1.3 | TX-5 | 0.8 | 0.7 |
| P0236.016-005-A4 | M1,6 | 5 | 3.2 | 1.3 | TX-5 | 0.8 | 0.7 |
| P0236.016-006-A4 | M1,6 | 6 | 3.2 | 1.3 | TX-5 | 0.8 | 0.7 |
| P0236.016-008-A4 | M1,6 | 8 | 3.2 | 1.3 | TX-5 | 0.8 | 0.7 |
| P0236.016-010-A4 | M1,6 | 10 | 3.2 | 1.3 | TX-5 | 0.8 | 0.7 |
| P0236.016-012-A4 | M1,6 | 12 | 3.2 | 1.3 | TX-5 | 0.8 | 0.7 |
| P0236.016-014-A4 | M1,6 | 14 | 3.2 | 1.3 | TX-5 | 0.8 | 0.7 |
| P0236.016-016-A4 | M1,6 | 16 | 3.2 | 1.3 | TX-5 | 0.8 | 0.7 |
| P0236.016-018-A4 | M1,6 | 18 | 3.2 | 1.3 | TX-5 | 0.8 | 0.7 |
| P0236.020-003-A4 | M 2 | 3 | 4.0 | 1.6 | TX-6 | 1.1 | 0.8 |
| P0236.020-004-A4 | M 2 | 4 | 4.0 | 1.6 | TX-6 | 1.1 | 0.8 |
| P0236.020-005-A4 | M 2 | 5 | 4.0 | 1.6 | TX-6 | 1.1 | 0.8 |
| P0236.020-006-A4 | M 2 | 6 | 4.0 | 1.6 | TX-6 | 1.1 | 0.8 |
| P0236.020-008-A4 | M 2 | 8 | 4.0 | 1.6 | TX-6 | 1.1 | 0.8 |
| P0236.020-010-A4 | M 2 | 10 | 4.0 | 1.6 | TX-6 | 1.1 | 0.8 |
| P0236.020-012-A4 | M 2 | 12 | 4.0 | 1.6 | TX-6 | 1.1 | 0.8 |
| P0236.020-014-A4 | M 2 | 14 | 4.0 | 1.6 | TX-6 | 1.1 | 0.8 |
| P0236.020-016-A4 | M 2 | 16 | 4.0 | 1.6 | TX-6 | 1.1 | 0.8 |
| P0236.020-018-A4 | M 2 | 18 | 4.0 | 1.6 | TX-6 | 1.1 | 0.8 |
| P0236.020-020-A4 | M 2 | 20 | 4.0 | 1.6 | TX-6 | 1.1 | 0.8 |
| P0236.025-003-A4 | M2,5 | 3 | 5.0 | 2.0 | TX-8 | 1.3 | 0.9 |
| P0236.025-004-A4 | M2,5 | 4 | 5.0 | 2.0 | TX-8 | 1.3 | 0.9 |
| P0236.025-005-A4 | M2,5 | 5 | 5.0 | 2.0 | TX-8 | 1.3 | 0.9 |
| P0236.025-006-A4 | M2,5 | 6 | 5.0 | 2.0 | TX-8 | 1.3 | 0.9 |
| P0236.025-008-A4 | M2,5 | 8 | 5.0 | 2.0 | TX-8 | 1.3 | 0.9 |
| P0236.025-010-A4 | M2,5 | 10 | 5.0 | 2.0 | TX-8 | 1.3 | 0.9 |
| P0236.025-012-A4 | M2,5 | 12 | 5.0 | 2.0 | TX-8 | 1.3 | 0.9 |
| P0236.025-014-A4 | M2,5 | 14 | 5.0 | 2.0 | TX-8 | 1.3 | 0.9 |
| P0236.025-016-A4 | M2,5 | 16 | 5.0 | 2.0 | TX-8 | 1.3 | 0.9 |
| P0236.025-018-A4 | M2,5 | 18 | 5.0 | 2.0 | TX-8 | 1.3 | 0.9 |
| P0236.025-020-A4 | M2,5 | 20 | 5.0 | 2.0 | TX-8 | 1.3 | 0.9 |
| P0236.025-022-A4 | M2,5 | 22 | 5.0 | 2.0 | TX-8 | 1.3 | 0.9 |
| P0236.025-025-A4 | M2,5 | 25 | 5.0 | 2.0 | TX-8 | 1.3 | 0.9 |



TX Pan Head Screws

TX - A4 stainless

Standard Screws



| Order No. | d ₁ | l ₁ | d ₂ | h ₁ | Size | h ₂ | l ₂ |
|------------------|----------------|----------------|----------------|----------------|-------|----------------|----------------|
| P0236.025-028-A4 | M2,5 | 28 | 5.0 | 2.0 | TX-8 | 1.3 | 0.9 |
| P0236.025-030-A4 | M2,5 | 30 | 5.0 | 2.0 | TX-8 | 1.3 | 0.9 |
| P0236.030-004-A4 | M 3 | 4 | 6.0 | 2.4 | TX-10 | 1.6 | 1.0 |
| P0236.030-005-A4 | M 3 | 5 | 6.0 | 2.4 | TX-10 | 1.6 | 1.0 |
| P0236.030-006-A4 | M 3 | 6 | 6.0 | 2.4 | TX-10 | 1.6 | 1.0 |
| P0236.030-008-A4 | M 3 | 8 | 6.0 | 2.4 | TX-10 | 1.6 | 1.0 |
| P0236.030-010-A4 | M 3 | 10 | 6.0 | 2.4 | TX-10 | 1.6 | 1.0 |
| P0236.030-012-A4 | M 3 | 12 | 6.0 | 2.4 | TX-10 | 1.6 | 1.0 |
| P0236.030-014-A4 | M 3 | 14 | 6.0 | 2.4 | TX-10 | 1.6 | 1.0 |
| P0236.030-016-A4 | M 3 | 16 | 6.0 | 2.4 | TX-10 | 1.6 | 1.0 |
| P0236.030-018-A4 | M 3 | 18 | 6.0 | 2.4 | TX-10 | 1.6 | 1.0 |
| P0236.030-020-A4 | M 3 | 20 | 6.0 | 2.4 | TX-10 | 1.6 | 1.0 |
| P0236.030-022-A4 | M 3 | 22 | 6.0 | 2.4 | TX-10 | 1.6 | 1.0 |
| P0236.030-025-A4 | M 3 | 25 | 6.0 | 2.4 | TX-10 | 1.6 | 1.0 |
| P0236.030-028-A4 | M 3 | 28 | 6.0 | 2.4 | TX-10 | 1.6 | 1.0 |
| P0236.030-030-A4 | M 3 | 30 | 6.0 | 2.4 | TX-10 | 1.6 | 1.0 |
| P0236.030-035-A4 | M 3 | 35 | 6.0 | 2.4 | TX-10 | 1.6 | 1.0 |
| P0236.030-040-A4 | M 3 | 40 | 6.0 | 2.4 | TX-10 | 1.6 | 1.0 |
| P0236.030-045-A4 | M 3 | 45 | 6.0 | 2.4 | TX-10 | 1.6 | 1.0 |
| P0236.030-050-A4 | M 3 | 50 | 6.0 | 2.4 | TX-10 | 1.6 | 1.0 |
| P0236.030-055-A4 | M 3 | 55 | 6.0 | 2.4 | TX-10 | 1.6 | 1.0 |
| P0236.030-060-A4 | M 3 | 60 | 6.0 | 2.4 | TX-10 | 1.6 | 1.0 |
| P0236.040-004-A4 | M 4 | 4 | 8.0 | 3.1 | TX-20 | 2.0 | 1.4 |
| P0236.040-005-A4 | M 4 | 5 | 8.0 | 3.1 | TX-20 | 2.0 | 1.4 |
| P0236.040-006-A4 | M 4 | 6 | 8.0 | 3.1 | TX-20 | 2.0 | 1.4 |
| P0236.040-008-A4 | M 4 | 8 | 8.0 | 3.1 | TX-20 | 2.0 | 1.4 |
| P0236.040-010-A4 | M 4 | 10 | 8.0 | 3.1 | TX-20 | 2.0 | 1.4 |
| P0236.040-012-A4 | M 4 | 12 | 8.0 | 3.1 | TX-20 | 2.0 | 1.4 |
| P0236.040-014-A4 | M 4 | 14 | 8.0 | 3.1 | TX-20 | 2.0 | 1.4 |
| P0236.040-016-A4 | M 4 | 16 | 8.0 | 3.1 | TX-20 | 2.0 | 1.4 |
| P0236.040-018-A4 | M 4 | 18 | 8.0 | 3.1 | TX-20 | 2.0 | 1.4 |
| P0236.040-020-A4 | M 4 | 20 | 8.0 | 3.1 | TX-20 | 2.0 | 1.4 |
| P0236.040-022-A4 | M 4 | 22 | 8.0 | 3.1 | TX-20 | 2.0 | 1.4 |
| P0236.040-025-A4 | M 4 | 25 | 8.0 | 3.1 | TX-20 | 2.0 | 1.4 |
| P0236.040-028-A4 | M 4 | 28 | 8.0 | 3.1 | TX-20 | 2.0 | 1.4 |
| P0236.040-030-A4 | M 4 | 30 | 8.0 | 3.1 | TX-20 | 2.0 | 1.4 |
| P0236.040-035-A4 | M 4 | 35 | 8.0 | 3.1 | TX-20 | 2.0 | 1.4 |
| P0236.040-040-A4 | M 4 | 40 | 8.0 | 3.1 | TX-20 | 2.0 | 1.4 |
| P0236.040-045-A4 | M 4 | 45 | 8.0 | 3.1 | TX-20 | 2.0 | 1.4 |
| P0236.040-050-A4 | M 4 | 50 | 8.0 | 3.1 | TX-20 | 2.0 | 1.4 |
| P0236.040-055-A4 | M 4 | 55 | 8.0 | 3.1 | TX-20 | 2.0 | 1.4 |
| P0236.040-060-A4 | M 4 | 60 | 8.0 | 3.1 | TX-20 | 2.0 | 1.4 |
| P0236.040-065-A4 | M 4 | 65 | 8.0 | 3.1 | TX-20 | 2.0 | 1.4 |
| P0236.040-070-A4 | M 4 | 70 | 8.0 | 3.1 | TX-20 | 2.0 | 1.4 |
| P0236.040-075-A4 | M 4 | 75 | 8.0 | 3.1 | TX-20 | 2.0 | 1.4 |
| P0236.040-080-A4 | M 4 | 80 | 8.0 | 3.1 | TX-20 | 2.0 | 1.4 |
| P0236.040-090-A4 | M 4 | 90 | 8.0 | 3.1 | TX-20 | 2.0 | 1.4 |
| P0236.040-100-A4 | M 4 | 100 | 8.0 | 3.1 | TX-20 | 2.0 | 1.4 |
| P0236.050-006-A4 | M 5 | 6 | 10.0 | 3.8 | TX-25 | 2.5 | 1.6 |
| P0236.050-008-A4 | M 5 | 8 | 10.0 | 3.8 | TX-25 | 2.5 | 1.6 |
| P0236.050-012-A4 | M 5 | 12 | 10.0 | 3.8 | TX-25 | 2.5 | 1.6 |
| P0236.050-014-A4 | M 5 | 14 | 10.0 | 3.8 | TX-25 | 2.5 | 1.6 |
| P0236.050-016-A4 | M 5 | 16 | 10.0 | 3.8 | TX-25 | 2.5 | 1.6 |
| P0236.050-018-A4 | M 5 | 18 | 10.0 | 3.8 | TX-25 | 2.5 | 1.6 |
| P0236.050-020-A4 | M 5 | 20 | 10.0 | 3.8 | TX-25 | 2.5 | 1.6 |
| P0236.050-022-A4 | M 5 | 22 | 10.0 | 3.8 | TX-25 | 2.5 | 1.6 |
| P0236.050-025-A4 | M 5 | 25 | 10.0 | 3.8 | TX-25 | 2.5 | 1.6 |
| P0236.050-028-A4 | M 5 | 28 | 10.0 | 3.8 | TX-25 | 2.5 | 1.6 |
| P0236.050-030-A4 | M 5 | 30 | 10.0 | 3.8 | TX-25 | 2.5 | 1.6 |
| P0236.050-035-A4 | M 5 | 35 | 10.0 | 3.8 | TX-25 | 2.5 | 1.6 |
| P0236.050-040-A4 | M 5 | 40 | 10.0 | 3.8 | TX-25 | 2.5 | 1.6 |
| P0236.050-045-A4 | M 5 | 45 | 10.0 | 3.8 | TX-25 | 2.5 | 1.6 |
| P0236.050-050-A4 | M 5 | 50 | 10.0 | 3.8 | TX-25 | 2.5 | 1.6 |
| P0236.050-055-A4 | M 5 | 55 | 10.0 | 3.8 | TX-25 | 2.5 | 1.6 |
| P0236.050-060-A4 | M 5 | 60 | 10.0 | 3.8 | TX-25 | 2.5 | 1.6 |
| P0236.050-065-A4 | M 5 | 65 | 10.0 | 3.8 | TX-25 | 2.5 | 1.6 |
| P0236.050-070-A4 | M 5 | 70 | 10.0 | 3.8 | TX-25 | 2.5 | 1.6 |
| P0236.050-075-A4 | M 5 | 75 | 10.0 | 3.8 | TX-25 | 2.5 | 1.6 |
| P0236.050-080-A4 | M 5 | 80 | 10.0 | 3.8 | TX-25 | 2.5 | 1.6 |

STANDARD SCREWS



STANDARD SCREWS

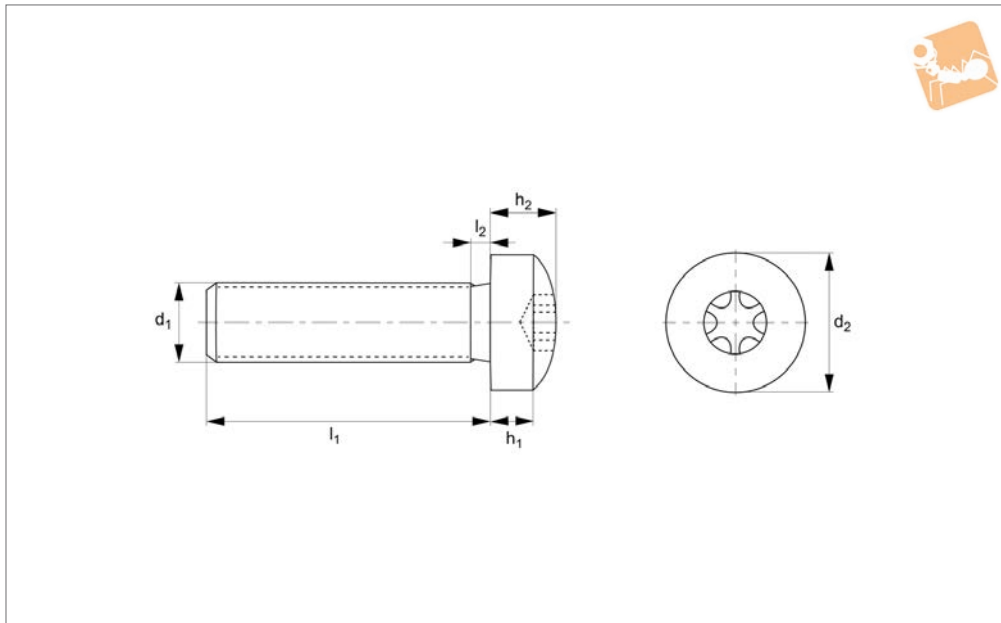
| Order No. | d ₁ | l ₁ | d ₂ | h ₁ | Size | h ₂ | l ₂ |
|------------------|----------------|----------------|----------------|----------------|-------|----------------|----------------|
| P0236.050-090-A4 | M 5 | 90 | 10.0 | 3.8 | TX-25 | 2.5 | 1.6 |
| P0236.050-100-A4 | M 5 | 100 | 10.0 | 3.8 | TX-25 | 2.5 | 1.6 |
| P0236.060-008-A4 | M 6 | 8 | 12.0 | 4.6 | TX-30 | 3.0 | 2.0 |
| P0236.060-010-A4 | M 6 | 10 | 12.0 | 4.6 | TX-30 | 3.0 | 2.0 |
| P0236.060-012-A4 | M 6 | 12 | 12.0 | 4.6 | TX-30 | 3.0 | 2.0 |
| P0236.060-014-A4 | M 6 | 14 | 12.0 | 4.6 | TX-30 | 3.0 | 2.0 |
| P0236.060-016-A4 | M 6 | 16 | 12.0 | 4.6 | TX-30 | 3.0 | 2.0 |
| P0236.060-018-A4 | M 6 | 18 | 12.0 | 4.6 | TX-30 | 3.0 | 2.0 |
| P0236.060-020-A4 | M 6 | 20 | 12.0 | 4.6 | TX-30 | 3.0 | 2.0 |
| P0236.060-022-A4 | M 6 | 22 | 12.0 | 4.6 | TX-30 | 3.0 | 2.0 |
| P0236.060-025-A4 | M 6 | 25 | 12.0 | 4.6 | TX-30 | 3.0 | 2.0 |
| P0236.060-028-A4 | M 6 | 28 | 12.0 | 4.6 | TX-30 | 3.0 | 2.0 |
| P0236.060-030-A4 | M 6 | 30 | 12.0 | 4.6 | TX-30 | 3.0 | 2.0 |
| P0236.060-035-A4 | M 6 | 35 | 12.0 | 4.6 | TX-30 | 3.0 | 2.0 |
| P0236.060-040-A4 | M 6 | 40 | 12.0 | 4.6 | TX-30 | 3.0 | 2.0 |
| P0236.060-045-A4 | M 6 | 45 | 12.0 | 4.6 | TX-30 | 3.0 | 2.0 |
| P0236.060-050-A4 | M 6 | 50 | 12.0 | 4.6 | TX-30 | 3.0 | 2.0 |
| P0236.060-055-A4 | M 6 | 55 | 12.0 | 4.6 | TX-30 | 3.0 | 2.0 |
| P0236.060-060-A4 | M 6 | 60 | 12.0 | 4.6 | TX-30 | 3.0 | 2.0 |
| P0236.060-065-A4 | M 6 | 65 | 12.0 | 4.6 | TX-30 | 3.0 | 2.0 |
| P0236.060-070-A4 | M 6 | 70 | 12.0 | 4.6 | TX-30 | 3.0 | 2.0 |
| P0236.060-075-A4 | M 6 | 75 | 12.0 | 4.6 | TX-30 | 3.0 | 2.0 |
| P0236.060-080-A4 | M 6 | 80 | 12.0 | 4.6 | TX-30 | 3.0 | 2.0 |
| P0236.060-090-A4 | M 6 | 90 | 12.0 | 4.6 | TX-30 | 3.0 | 2.0 |
| P0236.060-100-A4 | M 6 | 100 | 12.0 | 4.6 | TX-30 | 3.0 | 2.0 |
| P0236.080-010-A4 | M 8 | 10 | 16.0 | 6.0 | TX-40 | 3.7 | 2.5 |
| P0236.080-012-A4 | M 8 | 12 | 16.0 | 6.0 | TX-40 | 3.7 | 2.5 |
| P0236.080-014-A4 | M 8 | 14 | 16.0 | 6.0 | TX-40 | 3.7 | 2.5 |
| P0236.080-016-A4 | M 8 | 16 | 16.0 | 6.0 | TX-40 | 3.7 | 2.5 |
| P0236.080-018-A4 | M 8 | 18 | 16.0 | 6.0 | TX-40 | 3.7 | 2.5 |
| P0236.080-020-A4 | M 8 | 20 | 16.0 | 6.0 | TX-40 | 3.7 | 2.5 |
| P0236.080-022-A4 | M 8 | 22 | 16.0 | 6.0 | TX-40 | 3.7 | 2.5 |
| P0236.080-025-A4 | M 8 | 25 | 16.0 | 6.0 | TX-40 | 3.7 | 2.5 |
| P0236.080-028-A4 | M 8 | 28 | 16.0 | 6.0 | TX-40 | 3.7 | 2.5 |
| P0236.080-030-A4 | M 8 | 30 | 16.0 | 6.0 | TX-40 | 3.7 | 2.5 |
| P0236.080-035-A4 | M 8 | 35 | 16.0 | 6.0 | TX-40 | 3.7 | 2.5 |
| P0236.080-040-A4 | M 8 | 40 | 16.0 | 6.0 | TX-40 | 3.7 | 2.5 |
| P0236.080-045-A4 | M 8 | 45 | 16.0 | 6.0 | TX-40 | 3.7 | 2.5 |
| P0236.080-050-A4 | M 8 | 50 | 16.0 | 6.0 | TX-40 | 3.7 | 2.5 |
| P0236.080-055-A4 | M 8 | 55 | 16.0 | 6.0 | TX-40 | 3.7 | 2.5 |
| P0236.080-060-A4 | M 8 | 60 | 16.0 | 6.0 | TX-40 | 3.7 | 2.5 |
| P0236.080-065-A4 | M 8 | 65 | 16.0 | 6.0 | TX-40 | 3.7 | 2.5 |
| P0236.080-070-A4 | M 8 | 70 | 16.0 | 6.0 | TX-40 | 3.7 | 2.5 |
| P0236.080-075-A4 | M 8 | 75 | 16.0 | 6.0 | TX-40 | 3.7 | 2.5 |
| P0236.080-080-A4 | M 8 | 80 | 16.0 | 6.0 | TX-40 | 3.7 | 2.5 |
| P0236.080-090-A4 | M 8 | 90 | 16.0 | 6.0 | TX-40 | 3.7 | 2.5 |
| P0236.080-100-A4 | M 8 | 100 | 16.0 | 6.0 | TX-40 | 3.7 | 2.5 |



TX Pan Head Screws

TX - steel, zinc-plated

Standard Screws



P0236.ZP

STANDARD SCREWS

Material

Steel, zinc-plated (grade 4.8).

Technical Notes

To DIN 7985, ISO 7045. Threaded within 2,5 x pitch of head.

| Order No. | d ₁ | l ₁ | d ₂ | h ₁ | Size | h ₂ | l ₂ |
|------------------|----------------|----------------|----------------|----------------|------|----------------|----------------|
| P0236.016-003-ZP | M1,6 | 3 | 3.2 | 1.3 | TX-5 | 0.8 | 0.7 |
| P0236.016-004-ZP | M1,6 | 4 | 3.2 | 1.3 | TX-5 | 0.8 | 0.7 |
| P0236.016-005-ZP | M1,6 | 5 | 3.2 | 1.3 | TX-5 | 0.8 | 0.7 |
| P0236.016-006-ZP | M1,6 | 6 | 3.2 | 1.3 | TX-5 | 0.8 | 0.7 |
| P0236.016-008-ZP | M1,6 | 8 | 3.2 | 1.3 | TX-5 | 0.8 | 0.7 |
| P0236.016-010-ZP | M1,6 | 10 | 3.2 | 1.3 | TX-5 | 0.8 | 0.7 |
| P0236.016-012-ZP | M1,6 | 12 | 3.2 | 1.3 | TX-5 | 0.8 | 0.7 |
| P0236.016-014-ZP | M1,6 | 14 | 3.2 | 1.3 | TX-5 | 0.8 | 0.7 |
| P0236.016-016-ZP | M1,6 | 16 | 3.2 | 1.3 | TX-5 | 0.8 | 0.7 |
| P0236.016-018-ZP | M1,6 | 18 | 3.2 | 1.3 | TX-5 | 0.8 | 0.7 |
| P0236.020-003-ZP | M 2 | 3 | 4.0 | 1.6 | TX-6 | 1.1 | 0.8 |
| P0236.020-004-ZP | M 2 | 4 | 4.0 | 1.6 | TX-6 | 1.1 | 0.8 |
| P0236.020-005-ZP | M 2 | 5 | 4.0 | 1.6 | TX-6 | 1.1 | 0.8 |
| P0236.020-006-ZP | M 2 | 6 | 4.0 | 1.6 | TX-6 | 1.1 | 0.8 |
| P0236.020-008-ZP | M 2 | 8 | 4.0 | 1.6 | TX-6 | 1.1 | 0.8 |
| P0236.020-010-ZP | M 2 | 10 | 4.0 | 1.6 | TX-6 | 1.1 | 0.8 |
| P0236.020-012-ZP | M 2 | 12 | 4.0 | 1.6 | TX-6 | 1.1 | 0.8 |
| P0236.020-014-ZP | M 2 | 14 | 4.0 | 1.6 | TX-6 | 1.1 | 0.8 |
| P0236.020-016-ZP | M 2 | 16 | 4.0 | 1.6 | TX-6 | 1.1 | 0.8 |
| P0236.020-018-ZP | M 2 | 18 | 4.0 | 1.6 | TX-6 | 1.1 | 0.8 |
| P0236.020-020-ZP | M 2 | 20 | 4.0 | 1.6 | TX-6 | 1.1 | 0.8 |
| P0236.025-003-ZP | M2,5 | 3 | 5.0 | 2.0 | TX-8 | 1.3 | 0.9 |
| P0236.025-004-ZP | M2,5 | 4 | 5.0 | 2.0 | TX-8 | 1.3 | 0.9 |
| P0236.025-005-ZP | M2,5 | 5 | 5.0 | 2.0 | TX-8 | 1.3 | 0.9 |
| P0236.025-006-ZP | M2,5 | 6 | 5.0 | 2.0 | TX-8 | 1.3 | 0.9 |
| P0236.025-008-ZP | M2,5 | 8 | 5.0 | 2.0 | TX-8 | 1.3 | 0.9 |
| P0236.025-010-ZP | M2,5 | 10 | 5.0 | 2.0 | TX-8 | 1.3 | 0.9 |
| P0236.025-012-ZP | M2,5 | 12 | 5.0 | 2.0 | TX-8 | 1.3 | 0.9 |
| P0236.025-014-ZP | M2,5 | 14 | 5.0 | 2.0 | TX-8 | 1.3 | 0.9 |
| P0236.025-016-ZP | M2,5 | 16 | 5.0 | 2.0 | TX-8 | 1.3 | 0.9 |
| P0236.025-018-ZP | M2,5 | 18 | 5.0 | 2.0 | TX-8 | 1.3 | 0.9 |
| P0236.025-020-ZP | M2,5 | 20 | 5.0 | 2.0 | TX-8 | 1.3 | 0.9 |
| P0236.025-022-ZP | M2,5 | 22 | 5.0 | 2.0 | TX-8 | 1.3 | 0.9 |
| P0236.025-025-ZP | M2,5 | 25 | 5.0 | 2.0 | TX-8 | 1.3 | 0.9 |
| P0236.025-028-ZP | M2,5 | 28 | 5.0 | 2.0 | TX-8 | 1.3 | 0.9 |



STANDARD SCREWS

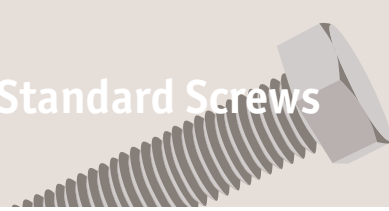
| Order No. | d ₁ | l ₁ | d ₂ | h ₁ | Size | h ₂ | l ₂ |
|------------------|----------------|----------------|----------------|----------------|-------|----------------|----------------|
| P0236.025-030-ZP | M2,5 | 30 | 5.0 | 2.0 | TX-8 | 1.3 | 0.9 |
| P0236.030-004-ZP | M 3 | 4 | 6.0 | 2.4 | TX-10 | 1.6 | 1.0 |
| P0236.030-005-ZP | M 3 | 5 | 6.0 | 2.4 | TX-10 | 1.6 | 1.0 |
| P0236.030-006-ZP | M 3 | 6 | 6.0 | 2.4 | TX-10 | 1.6 | 1.0 |
| P0236.030-008-ZP | M 3 | 8 | 6.0 | 2.4 | TX-10 | 1.6 | 1.0 |
| P0236.030-010-ZP | M 3 | 10 | 6.0 | 2.4 | TX-10 | 1.6 | 1.0 |
| P0236.030-012-ZP | M 3 | 12 | 6.0 | 2.4 | TX-10 | 1.6 | 1.0 |
| P0236.030-014-ZP | M 3 | 14 | 6.0 | 2.4 | TX-10 | 1.6 | 1.0 |
| P0236.030-016-ZP | M 3 | 16 | 6.0 | 2.4 | TX-10 | 1.6 | 1.0 |
| P0236.030-018-ZP | M 3 | 18 | 6.0 | 2.4 | TX-10 | 1.6 | 1.0 |
| P0236.030-020-ZP | M 3 | 20 | 6.0 | 2.4 | TX-10 | 1.6 | 1.0 |
| P0236.030-022-ZP | M 3 | 22 | 6.0 | 2.4 | TX-10 | 1.6 | 1.0 |
| P0236.030-025-ZP | M 3 | 25 | 6.0 | 2.4 | TX-10 | 1.6 | 1.0 |
| P0236.030-028-ZP | M 3 | 28 | 6.0 | 2.4 | TX-10 | 1.6 | 1.0 |
| P0236.030-030-ZP | M 3 | 30 | 6.0 | 2.4 | TX-10 | 1.6 | 1.0 |
| P0236.030-035-ZP | M 3 | 35 | 6.0 | 2.4 | TX-10 | 1.6 | 1.0 |
| P0236.030-040-ZP | M 3 | 40 | 6.0 | 2.4 | TX-10 | 1.6 | 1.0 |
| P0236.030-045-ZP | M 3 | 45 | 6.0 | 2.4 | TX-10 | 1.6 | 1.0 |
| P0236.030-050-ZP | M 3 | 50 | 6.0 | 2.4 | TX-10 | 1.6 | 1.0 |
| P0236.030-055-ZP | M 3 | 55 | 6.0 | 2.4 | TX-10 | 1.6 | 1.0 |
| P0236.030-060-ZP | M 3 | 60 | 6.0 | 2.4 | TX-10 | 1.6 | 1.0 |
| P0236.040-005-ZP | M 4 | 4 | 8.0 | 3.1 | TX-20 | 2.0 | 1.4 |
| P0236.040-006-ZP | M 4 | 4 | 8.0 | 3.1 | TX-20 | 2.0 | 1.4 |
| P0236.040-008-ZP | M 4 | 4 | 8.0 | 3.1 | TX-20 | 2.0 | 1.4 |
| P0236.040-010-ZP | M 4 | 4 | 8.0 | 3.1 | TX-20 | 2.0 | 1.4 |
| P0236.040-012-ZP | M 4 | 4 | 8.0 | 3.1 | TX-20 | 2.0 | 1.4 |
| P0236.040-014-ZP | M 4 | 4 | 8.0 | 3.1 | TX-20 | 2.0 | 1.4 |
| P0236.040-016-ZP | M 4 | 4 | 8.0 | 3.1 | TX-20 | 2.0 | 1.4 |
| P0236.040-018-ZP | M 4 | 4 | 8.0 | 3.1 | TX-20 | 2.0 | 1.4 |
| P0236.040-020-ZP | M 4 | 4 | 8.0 | 3.1 | TX-20 | 2.0 | 1.4 |
| P0236.040-022-ZP | M 4 | 4 | 8.0 | 3.1 | TX-20 | 2.0 | 1.4 |
| P0236.040-025-ZP | M 4 | 4 | 8.0 | 3.1 | TX-20 | 2.0 | 1.4 |
| P0236.040-028-ZP | M 4 | 4 | 8.0 | 3.1 | TX-20 | 2.0 | 1.4 |
| P0236.040-030-ZP | M 4 | 4 | 8.0 | 3.1 | TX-20 | 2.0 | 1.4 |
| P0236.040-035-ZP | M 4 | 4 | 8.0 | 3.1 | TX-20 | 2.0 | 1.4 |
| P0236.040-040-ZP | M 4 | 4 | 8.0 | 3.1 | TX-20 | 2.0 | 1.4 |
| P0236.040-045-ZP | M 4 | 4 | 8.0 | 3.1 | TX-20 | 2.0 | 1.4 |
| P0236.040-050-ZP | M 4 | 4 | 8.0 | 3.1 | TX-20 | 2.0 | 1.4 |
| P0236.040-055-ZP | M 4 | 4 | 8.0 | 3.1 | TX-20 | 2.0 | 1.4 |
| P0236.040-060-ZP | M 4 | 4 | 8.0 | 3.1 | TX-20 | 2.0 | 1.4 |
| P0236.040-065-ZP | M 4 | 4 | 8.0 | 3.1 | TX-20 | 2.0 | 1.4 |
| P0236.040-070-ZP | M 4 | 4 | 8.0 | 3.1 | TX-20 | 2.0 | 1.4 |
| P0236.040-075-ZP | M 4 | 4 | 8.0 | 3.1 | TX-20 | 2.0 | 1.4 |
| P0236.040-080-ZP | M 4 | 4 | 8.0 | 3.1 | TX-20 | 2.0 | 1.4 |
| P0236.040-090-ZP | M 4 | 4 | 8.0 | 3.1 | TX-20 | 2.0 | 1.4 |
| P0236.040-100-ZP | M 4 | 4 | 8.0 | 3.1 | TX-20 | 2.0 | 1.4 |
| P0236.050-012-ZP | M 5 | 12 | 10.0 | 3.8 | TX-25 | 2.5 | 1.6 |
| P0236.050-014-ZP | M 5 | 14 | 10.0 | 3.8 | TX-25 | 2.5 | 1.6 |
| P0236.050-016-ZP | M 5 | 16 | 10.0 | 3.8 | TX-25 | 2.5 | 1.6 |
| P0236.050-018-ZP | M 5 | 18 | 10.0 | 3.8 | TX-25 | 2.5 | 1.6 |
| P0236.050-020-ZP | M 5 | 20 | 10.0 | 3.8 | TX-25 | 2.5 | 1.6 |
| P0236.050-022-ZP | M 5 | 22 | 10.0 | 3.8 | TX-25 | 2.5 | 1.6 |
| P0236.050-025-ZP | M 5 | 25 | 10.0 | 3.8 | TX-25 | 2.5 | 1.6 |
| P0236.050-028-ZP | M 5 | 28 | 10.0 | 3.8 | TX-25 | 2.5 | 1.6 |
| P0236.050-030-ZP | M 5 | 30 | 10.0 | 3.8 | TX-25 | 2.5 | 1.6 |
| P0236.050-035-ZP | M 5 | 35 | 10.0 | 3.8 | TX-25 | 2.5 | 1.6 |
| P0236.050-040-ZP | M 5 | 40 | 10.0 | 3.8 | TX-25 | 2.5 | 1.6 |
| P0236.050-045-ZP | M 5 | 45 | 10.0 | 3.8 | TX-25 | 2.5 | 1.6 |
| P0236.050-050-ZP | M 5 | 50 | 10.0 | 3.8 | TX-25 | 2.5 | 1.6 |
| P0236.050-055-ZP | M 5 | 55 | 10.0 | 3.8 | TX-25 | 2.5 | 1.6 |
| P0236.050-060-ZP | M 5 | 60 | 10.0 | 3.8 | TX-25 | 2.5 | 1.6 |
| P0236.050-065-ZP | M 5 | 65 | 10.0 | 3.8 | TX-25 | 2.5 | 1.6 |
| P0236.050-070-ZP | M 5 | 70 | 10.0 | 3.8 | TX-25 | 2.5 | 1.6 |
| P0236.050-075-ZP | M 5 | 75 | 10.0 | 3.8 | TX-25 | 2.5 | 1.6 |
| P0236.050-080-ZP | M 5 | 80 | 10.0 | 3.8 | TX-25 | 2.5 | 1.6 |
| P0236.050-090-ZP | M 5 | 90 | 10.0 | 3.8 | TX-25 | 2.5 | 1.6 |
| P0236.050-100-ZP | M 5 | 100 | 10.0 | 3.8 | TX-25 | 2.5 | 1.6 |
| P0236.060-008-ZP | M 6 | 8 | 12.0 | 4.6 | TX-30 | 3.0 | 2.0 |
| P0236.060-010-ZP | M 6 | 10 | 12.0 | 4.6 | TX-30 | 3.0 | 2.0 |



TX Pan Head Screws

TX - steel, zinc-plated

Standard Screws



| Order No. | d ₁ | l ₁ | d ₂ | h ₁ | Size | h ₂ | l ₂ |
|------------------|----------------|----------------|----------------|----------------|-------|----------------|----------------|
| P0236.060-012-ZP | M 6 | 12 | 12.0 | 4.6 | TX-30 | 3.0 | 2.0 |
| P0236.060-014-ZP | M 6 | 14 | 12.0 | 4.6 | TX-30 | 3.0 | 2.0 |
| P0236.060-016-ZP | M 6 | 16 | 12.0 | 4.6 | TX-30 | 3.0 | 2.0 |
| P0236.060-018-ZP | M 6 | 18 | 12.0 | 4.6 | TX-30 | 3.0 | 2.0 |
| P0236.060-020-ZP | M 6 | 20 | 12.0 | 4.6 | TX-30 | 3.0 | 2.0 |
| P0236.060-022-ZP | M 6 | 22 | 12.0 | 4.6 | TX-30 | 3.0 | 2.0 |
| P0236.060-025-ZP | M 6 | 25 | 12.0 | 4.6 | TX-30 | 3.0 | 2.0 |
| P0236.060-028-ZP | M 6 | 28 | 12.0 | 4.6 | TX-30 | 3.0 | 2.0 |
| P0236.060-030-ZP | M 6 | 30 | 12.0 | 4.6 | TX-30 | 3.0 | 2.0 |
| P0236.060-035-ZP | M 6 | 35 | 12.0 | 4.6 | TX-30 | 3.0 | 2.0 |
| P0236.060-040-ZP | M 6 | 40 | 12.0 | 4.6 | TX-30 | 3.0 | 2.0 |
| P0236.060-045-ZP | M 6 | 45 | 12.0 | 4.6 | TX-30 | 3.0 | 2.0 |
| P0236.060-050-ZP | M 6 | 50 | 12.0 | 4.6 | TX-30 | 3.0 | 2.0 |
| P0236.060-055-ZP | M 6 | 55 | 12.0 | 4.6 | TX-30 | 3.0 | 2.0 |
| P0236.060-060-ZP | M 6 | 60 | 12.0 | 4.6 | TX-30 | 3.0 | 2.0 |
| P0236.060-065-ZP | M 6 | 65 | 12.0 | 4.6 | TX-30 | 3.0 | 2.0 |
| P0236.060-070-ZP | M 6 | 70 | 12.0 | 4.6 | TX-30 | 3.0 | 2.0 |
| P0236.060-075-ZP | M 6 | 75 | 12.0 | 4.6 | TX-30 | 3.0 | 2.0 |
| P0236.060-080-ZP | M 6 | 80 | 12.0 | 4.6 | TX-30 | 3.0 | 2.0 |
| P0236.060-090-ZP | M 6 | 90 | 12.0 | 4.6 | TX-30 | 3.0 | 2.0 |
| P0236.060-100-ZP | M 6 | 100 | 12.0 | 4.6 | TX-30 | 3.0 | 2.0 |
| P0236.080-010-ZP | M 8 | 10 | 16.0 | 6.0 | TX-40 | 3.7 | 2.5 |
| P0236.080-012-ZP | M 8 | 12 | 16.0 | 6.0 | TX-40 | 3.7 | 2.5 |
| P0236.080-014-ZP | M 8 | 14 | 16.0 | 6.0 | TX-40 | 3.7 | 2.5 |
| P0236.080-016-ZP | M 8 | 16 | 16.0 | 6.0 | TX-40 | 3.7 | 2.5 |
| P0236.080-018-ZP | M 8 | 18 | 16.0 | 6.0 | TX-40 | 3.7 | 2.5 |
| P0236.080-020-ZP | M 8 | 20 | 16.0 | 6.0 | TX-40 | 3.7 | 2.5 |
| P0236.080-022-ZP | M 8 | 22 | 16.0 | 6.0 | TX-40 | 3.7 | 2.5 |
| P0236.080-025-ZP | M 8 | 25 | 16.0 | 6.0 | TX-40 | 3.7 | 2.5 |
| P0236.080-028-ZP | M 8 | 28 | 16.0 | 6.0 | TX-40 | 3.7 | 2.5 |
| P0236.080-030-ZP | M 8 | 30 | 16.0 | 6.0 | TX-40 | 3.7 | 2.5 |
| P0236.080-035-ZP | M 8 | 35 | 16.0 | 6.0 | TX-40 | 3.7 | 2.5 |
| P0236.080-040-ZP | M 8 | 40 | 16.0 | 6.0 | TX-40 | 3.7 | 2.5 |
| P0236.080-045-ZP | M 8 | 45 | 16.0 | 6.0 | TX-40 | 3.7 | 2.5 |
| P0236.080-050-ZP | M 8 | 50 | 16.0 | 6.0 | TX-40 | 3.7 | 2.5 |
| P0236.080-055-ZP | M 8 | 55 | 16.0 | 6.0 | TX-40 | 3.7 | 2.5 |
| P0236.080-060-ZP | M 8 | 60 | 16.0 | 6.0 | TX-40 | 3.7 | 2.5 |
| P0236.080-065-ZP | M 8 | 65 | 16.0 | 6.0 | TX-40 | 3.7 | 2.5 |
| P0236.080-070-ZP | M 8 | 70 | 16.0 | 6.0 | TX-40 | 3.7 | 2.5 |
| P0236.080-075-ZP | M 8 | 75 | 16.0 | 6.0 | TX-40 | 3.7 | 2.5 |
| P0236.080-080-ZP | M 8 | 80 | 16.0 | 6.0 | TX-40 | 3.7 | 2.5 |
| P0236.080-090-ZP | M 8 | 90 | 16.0 | 6.0 | TX-40 | 3.7 | 2.5 |
| P0236.080-100-ZP | M 8 | 100 | 16.0 | 6.0 | TX-40 | 3.7 | 2.5 |

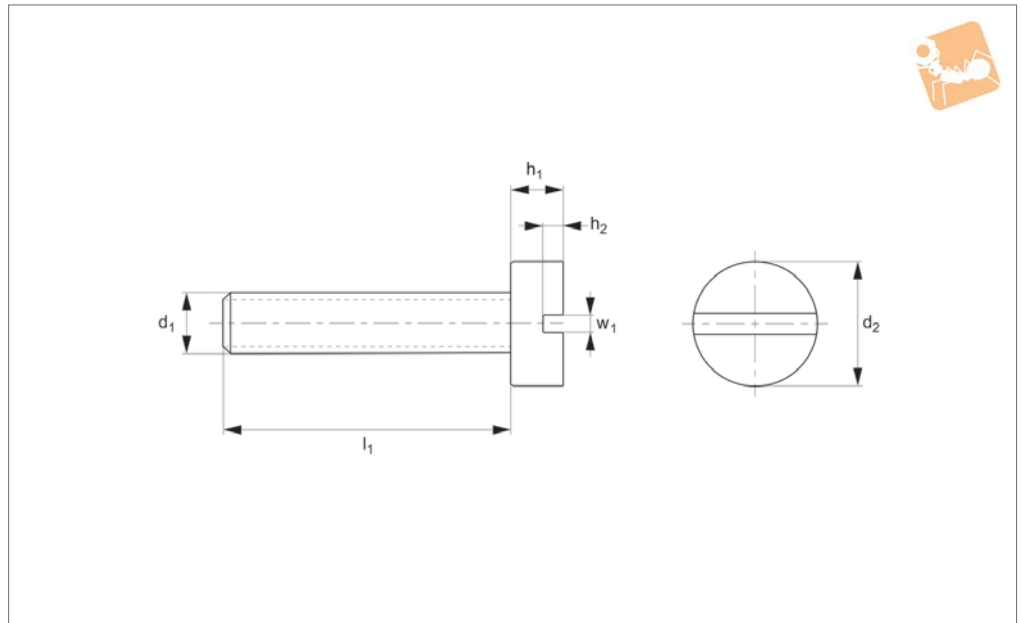
STANDARD SCREWS



STANDARD SCREWS



P0239.A2



Material

Stainless steel (A2).

See technical page for tightening torques.

Technical Notes

To DIN 84.

| Order No. | d ₁ | l ₁ | w ₁ | h ₁ | h ₂ | d ₂ | Material |
|------------------|----------------|----------------|----------------|----------------|----------------|----------------|----------|
| P0239.016-003-A2 | M1,6 | 3 | 0.40 | 1.0 | 0.45 | 3.0 | A2 s/s |
| P0239.016-004-A2 | M1,6 | 4 | 0.40 | 1.0 | 0.45 | 3.0 | A2 s/s |
| P0239.016-005-A2 | M1,6 | 5 | 0.40 | 1.0 | 0.45 | 3.0 | A2 s/s |
| P0239.016-006-A2 | M1,6 | 6 | 0.40 | 1.0 | 0.45 | 3.0 | A2 s/s |
| P0239.016-008-A2 | M1,6 | 8 | 0.40 | 1.0 | 0.45 | 3.0 | A2 s/s |
| P0239.016-010-A2 | M1,6 | 10 | 0.40 | 1.0 | 0.45 | 3.0 | A2 s/s |
| P0239.016-012-A2 | M1,6 | 12 | 0.40 | 1.0 | 0.45 | 3.0 | A2 s/s |
| P0239.016-014-A2 | M1,6 | 14 | 0.40 | 1.0 | 0.45 | 3.0 | A2 s/s |
| P0239.016-016-A2 | M1,6 | 16 | 0.40 | 1.0 | 0.45 | 3.0 | A2 s/s |
| P0239.016-018-A2 | M1,6 | 18 | 0.40 | 1.0 | 0.45 | 3.0 | A2 s/s |
| P0239.020-003-A2 | M 2 | 3 | 0.50 | 1.3 | 0.60 | 3.8 | A2 s/s |
| P0239.020-004-A2 | M 2 | 4 | 0.50 | 1.3 | 0.60 | 3.8 | A2 s/s |
| P0239.020-005-A2 | M 2 | 5 | 0.50 | 1.3 | 0.60 | 3.8 | A2 s/s |
| P0239.020-006-A2 | M 2 | 6 | 0.50 | 1.3 | 0.60 | 3.8 | A2 s/s |
| P0239.020-008-A2 | M 2 | 8 | 0.50 | 1.3 | 0.60 | 3.8 | A2 s/s |
| P0239.020-010-A2 | M 2 | 10 | 0.50 | 1.3 | 0.60 | 3.8 | A2 s/s |
| P0239.020-012-A2 | M 2 | 12 | 0.50 | 1.3 | 0.60 | 3.8 | A2 s/s |
| P0239.020-014-A2 | M 2 | 14 | 0.50 | 1.3 | 0.60 | 3.8 | A2 s/s |
| P0239.020-016-A2 | M 2 | 16 | 0.50 | 1.3 | 0.60 | 3.8 | A2 s/s |
| P0239.020-018-A2 | M 2 | 18 | 0.50 | 1.3 | 0.60 | 3.8 | A2 s/s |
| P0239.020-020-A2 | M 2 | 20 | 0.50 | 1.3 | 0.60 | 3.8 | A2 s/s |
| P0239.020-022-A2 | M 2 | 22 | 0.50 | 1.3 | 0.60 | 3.8 | A2 s/s |
| P0239.020-025-A2 | M 2 | 25 | 0.50 | 1.3 | 0.60 | 3.8 | A2 s/s |
| P0239.020-028-A2 | M 2 | 28 | 0.50 | 1.3 | 0.60 | 3.8 | A2 s/s |
| P0239.020-030-A2 | M 2 | 30 | 0.50 | 1.3 | 0.60 | 3.8 | A2 s/s |
| P0239.025-003-A2 | M2,5 | 3 | 0.60 | 1.6 | 0.70 | 4.5 | A2 s/s |
| P0239.025-004-A2 | M2,5 | 4 | 0.60 | 1.6 | 0.70 | 4.5 | A2 s/s |
| P0239.025-005-A2 | M2,5 | 5 | 0.60 | 1.6 | 0.70 | 4.5 | A2 s/s |
| P0239.025-006-A2 | M2,5 | 6 | 0.60 | 1.6 | 0.70 | 4.5 | A2 s/s |
| P0239.025-008-A2 | M2,5 | 8 | 0.60 | 1.6 | 0.70 | 4.5 | A2 s/s |
| P0239.025-010-A2 | M2,5 | 10 | 0.60 | 1.6 | 0.70 | 4.5 | A2 s/s |
| P0239.025-012-A2 | M2,5 | 12 | 0.60 | 1.6 | 0.70 | 4.5 | A2 s/s |
| P0239.025-014-A2 | M2,5 | 14 | 0.60 | 1.6 | 0.70 | 4.5 | A2 s/s |
| P0239.025-016-A2 | M2,5 | 16 | 0.60 | 1.6 | 0.70 | 4.5 | A2 s/s |



Slot Cheese Head Screws

Slot - A2 stainless

Standard Screws



| Order No. | d ₁ | l ₁ | w ₁ | h ₁ | h ₂ | d ₂ | Material |
|------------------|----------------|----------------|----------------|----------------|----------------|----------------|----------|
| P0239.025-018-A2 | M2,5 | 18 | 0.60 | 1.6 | 0.70 | 4.5 | A2 s/s |
| P0239.025-020-A2 | M2,5 | 20 | 0.60 | 1.6 | 0.70 | 4.5 | A2 s/s |
| P0239.025-022-A2 | M2,5 | 22 | 0.60 | 1.6 | 0.70 | 4.5 | A2 s/s |
| P0239.025-025-A2 | M2,5 | 25 | 0.60 | 1.6 | 0.70 | 4.5 | A2 s/s |
| P0239.025-028-A2 | M2,5 | 28 | 0.60 | 1.6 | 0.70 | 4.5 | A2 s/s |
| P0239.025-030-A2 | M2,5 | 30 | 0.60 | 1.6 | 0.70 | 4.5 | A2 s/s |
| P0239.030-003-A2 | M 3 | 3 | 0.80 | 2.0 | 0.85 | 5.5 | Steel |
| P0239.030-004-A2 | M 3 | 4 | 0.80 | 2.0 | 0.85 | 5.5 | Steel |
| P0239.030-005-A2 | M 3 | 5 | 0.80 | 2.0 | 0.85 | 5.5 | Steel |
| P0239.030-006-A2 | M 3 | 6 | 0.80 | 2.0 | 0.85 | 5.5 | Steel |
| P0239.030-008-A2 | M 3 | 8 | 0.80 | 2.0 | 0.85 | 5.5 | Steel |
| P0239.030-010-A2 | M 3 | 10 | 0.80 | 2.0 | 0.85 | 5.5 | Steel |
| P0239.030-012-A2 | M 3 | 12 | 0.80 | 2.0 | 0.85 | 5.5 | Steel |
| P0239.030-014-A2 | M 3 | 14 | 0.80 | 2.0 | 0.85 | 5.5 | Steel |
| P0239.030-016-A2 | M 3 | 16 | 0.80 | 2.0 | 0.85 | 5.5 | Steel |
| P0239.030-018-A2 | M 3 | 18 | 0.80 | 2.0 | 0.85 | 5.5 | Steel |
| P0239.030-020-A2 | M 3 | 20 | 0.80 | 2.0 | 0.85 | 5.5 | Steel |
| P0239.030-022-A2 | M 3 | 22 | 0.80 | 2.0 | 0.85 | 5.5 | Steel |
| P0239.030-025-A2 | M 3 | 25 | 0.80 | 2.0 | 0.85 | 5.5 | Steel |
| P0239.030-028-A2 | M 3 | 28 | 0.80 | 2.0 | 0.85 | 5.5 | Steel |
| P0239.030-030-A2 | M 3 | 30 | 0.80 | 2.0 | 0.85 | 5.5 | A2 s/s |
| P0239.030-035-A2 | M 3 | 35 | 0.80 | 2.0 | 0.85 | 5.5 | A2 s/s |
| P0239.030-040-A2 | M 3 | 40 | 0.80 | 2.0 | 0.85 | 5.5 | A2 s/s |
| P0239.030-045-A2 | M 3 | 45 | 0.80 | 2.0 | 0.85 | 5.5 | A2 s/s |
| P0239.030-050-A2 | M 3 | 50 | 0.80 | 2.0 | 0.85 | 5.5 | A2 s/s |
| P0239.030-055-A2 | M 3 | 55 | 0.80 | 2.0 | 0.85 | 5.5 | A2 s/s |
| P0239.030-060-A2 | M 3 | 60 | 0.80 | 2.0 | 0.85 | 5.5 | A2 s/s |
| P0239.035-004-A2 | M3,5 | 4 | 1.00 | 2.4 | 1.00 | 6.0 | A2 s/s |
| P0239.035-005-A2 | M3,5 | 5 | 1.00 | 2.4 | 1.00 | 6.0 | A2 s/s |
| P0239.035-006-A2 | M3,5 | 6 | 1.00 | 2.4 | 1.00 | 6.0 | A2 s/s |
| P0239.035-008-A2 | M3,5 | 8 | 1.00 | 2.4 | 1.00 | 6.0 | A2 s/s |
| P0239.035-010-A2 | M3,5 | 10 | 1.00 | 2.4 | 1.00 | 6.0 | A2 s/s |
| P0239.035-012-A2 | M3,5 | 12 | 1.00 | 2.4 | 1.00 | 6.0 | A2 s/s |
| P0239.035-014-A2 | M3,5 | 14 | 1.00 | 2.4 | 1.00 | 6.0 | A2 s/s |
| P0239.035-016-A2 | M3,5 | 16 | 1.00 | 2.4 | 1.00 | 6.0 | A2 s/s |
| P0239.035-018-A2 | M3,5 | 18 | 1.00 | 2.4 | 1.00 | 6.0 | A2 s/s |
| P0239.035-020-A2 | M3,5 | 20 | 1.00 | 2.4 | 1.00 | 6.0 | A2 s/s |
| P0239.035-022-A2 | M3,5 | 22 | 1.00 | 2.4 | 1.00 | 6.0 | A2 s/s |
| P0239.035-025-A2 | M3,5 | 25 | 1.00 | 2.4 | 1.00 | 6.0 | A2 s/s |
| P0239.035-028-A2 | M3,5 | 28 | 1.00 | 2.4 | 1.00 | 6.0 | A2 s/s |
| P0239.035-030-A2 | M3,5 | 30 | 1.00 | 2.4 | 1.00 | 6.0 | A2 s/s |
| P0239.035-035-A2 | M3,5 | 35 | 1.00 | 2.4 | 1.00 | 6.0 | A2 s/s |
| P0239.035-040-A2 | M3,5 | 40 | 1.00 | 2.4 | 1.00 | 6.0 | A2 s/s |
| P0239.035-045-A2 | M3,5 | 45 | 1.00 | 2.4 | 1.00 | 6.0 | A2 s/s |
| P0239.035-050-A2 | M3,5 | 50 | 1.00 | 2.4 | 1.00 | 6.0 | A2 s/s |
| P0239.035-055-A2 | M3,5 | 55 | 1.00 | 2.4 | 1.00 | 6.0 | A2 s/s |
| P0239.035-060-A2 | M3,5 | 60 | 1.00 | 2.4 | 1.00 | 6.0 | A2 s/s |
| P0239.040-004-A2 | M 4 | 4 | 1.20 | 2.6 | 1.10 | 7.0 | A2 s/s |
| P0239.040-005-A2 | M 4 | 5 | 1.20 | 2.6 | 1.10 | 7.0 | A2 s/s |
| P0239.040-006-A2 | M 4 | 6 | 1.20 | 2.6 | 1.10 | 7.0 | A2 s/s |
| P0239.040-008-A2 | M 4 | 8 | 1.20 | 2.6 | 1.10 | 7.0 | A2 s/s |
| P0239.040-010-A2 | M 4 | 10 | 1.20 | 2.6 | 1.10 | 7.0 | A2 s/s |
| P0239.040-012-A2 | M 4 | 12 | 1.20 | 2.6 | 1.10 | 7.0 | A2 s/s |
| P0239.040-014-A2 | M 4 | 14 | 1.20 | 2.6 | 1.10 | 7.0 | A2 s/s |
| P0239.040-016-A2 | M 4 | 16 | 1.20 | 2.6 | 1.10 | 7.0 | A2 s/s |
| P0239.040-018-A2 | M 4 | 18 | 1.20 | 2.6 | 1.10 | 7.0 | A2 s/s |
| P0239.040-020-A2 | M 4 | 20 | 1.20 | 2.6 | 1.10 | 7.0 | A2 s/s |
| P0239.040-022-A2 | M 4 | 22 | 1.20 | 2.6 | 1.10 | 7.0 | A2 s/s |
| P0239.040-025-A2 | M 4 | 25 | 1.20 | 2.6 | 1.10 | 7.0 | A2 s/s |
| P0239.040-028-A2 | M 4 | 28 | 1.20 | 2.6 | 1.10 | 7.0 | A2 s/s |
| P0239.040-030-A2 | M 4 | 30 | 1.20 | 2.6 | 1.10 | 7.0 | A2 s/s |
| P0239.040-035-A2 | M 4 | 35 | 1.20 | 2.6 | 1.10 | 7.0 | A2 s/s |
| P0239.040-040-A2 | M 4 | 40 | 1.20 | 2.6 | 1.10 | 7.0 | A2 s/s |
| P0239.040-045-A2 | M 4 | 45 | 1.20 | 2.6 | 1.10 | 7.0 | A2 s/s |
| P0239.040-050-A2 | M 4 | 50 | 1.20 | 2.6 | 1.10 | 7.0 | A2 s/s |
| P0239.040-055-A2 | M 4 | 55 | 1.20 | 2.6 | 1.10 | 7.0 | A2 s/s |
| P0239.040-060-A2 | M 4 | 60 | 1.20 | 2.6 | 1.10 | 7.0 | A2 s/s |
| P0239.040-065-A2 | M 4 | 65 | 1.20 | 2.6 | 1.10 | 7.0 | A2 s/s |
| P0239.040-070-A2 | M 4 | 70 | 1.20 | 2.6 | 1.10 | 7.0 | A2 s/s |

STANDARD SCREWS



STANDARD SCREWS

| Order No. | d ₁ | l ₁ | w ₁ | h ₁ | h ₂ | d ₂ | Material |
|------------------|----------------|----------------|----------------|----------------|----------------|----------------|----------|
| P0239.040-075-A2 | M 4 | 75 | 1.20 | 2.6 | 1.10 | 7.0 | A2 s/s |
| P0239.040-080-A2 | M 4 | 80 | 1.20 | 2.6 | 1.10 | 7.0 | A2 s/s |
| P0239.040-085-A2 | M 4 | 85 | 1.20 | 2.6 | 1.10 | 7.0 | A2 s/s |
| P0239.040-090-A2 | M 4 | 90 | 1.20 | 2.6 | 1.10 | 7.0 | A2 s/s |
| P0239.040-100-A2 | M 4 | 100 | 1.20 | 2.6 | 1.10 | 7.0 | A2 s/s |
| P0239.050-006-A2 | M 5 | 6 | 1.20 | 3.3 | 1.30 | 8.5 | A2 s/s |
| P0239.050-008-A2 | M 5 | 8 | 1.20 | 3.3 | 1.30 | 8.5 | A2 s/s |
| P0239.050-010-A2 | M 5 | 10 | 1.20 | 3.3 | 1.30 | 8.5 | A2 s/s |
| P0239.050-012-A2 | M 5 | 12 | 1.20 | 3.3 | 1.30 | 8.5 | A2 s/s |
| P0239.050-014-A2 | M 5 | 14 | 1.20 | 3.3 | 1.30 | 8.5 | A2 s/s |
| P0239.050-016-A2 | M 5 | 16 | 1.20 | 3.3 | 1.30 | 8.5 | A2 s/s |
| P0239.050-018-A2 | M 5 | 18 | 1.20 | 3.3 | 1.30 | 8.5 | A2 s/s |
| P0239.050-020-A2 | M 5 | 20 | 1.20 | 3.3 | 1.30 | 8.5 | A2 s/s |
| P0239.050-022-A2 | M 5 | 22 | 1.20 | 3.3 | 1.30 | 8.5 | A2 s/s |
| P0239.050-025-A2 | M 5 | 25 | 1.20 | 3.3 | 1.30 | 8.5 | A2 s/s |
| P0239.050-028-A2 | M 5 | 28 | 1.20 | 3.3 | 1.30 | 8.5 | A2 s/s |
| P0239.050-030-A2 | M 5 | 30 | 1.20 | 3.3 | 1.30 | 8.5 | A2 s/s |
| P0239.050-035-A2 | M 5 | 35 | 1.20 | 3.3 | 1.30 | 8.5 | A2 s/s |
| P0239.050-040-A2 | M 5 | 40 | 1.20 | 3.3 | 1.30 | 8.5 | A2 s/s |
| P0239.050-045-A2 | M 5 | 45 | 1.20 | 3.3 | 1.30 | 8.5 | A2 s/s |
| P0239.050-050-A2 | M 5 | 50 | 1.20 | 3.3 | 1.30 | 8.5 | A2 s/s |
| P0239.050-055-A2 | M 5 | 55 | 1.20 | 3.3 | 1.30 | 8.5 | A2 s/s |
| P0239.050-060-A2 | M 5 | 60 | 1.20 | 3.3 | 1.30 | 8.5 | A2 s/s |
| P0239.050-065-A2 | M 5 | 65 | 1.20 | 3.3 | 1.30 | 8.5 | A2 s/s |
| P0239.050-070-A2 | M 5 | 70 | 1.20 | 3.3 | 1.30 | 8.5 | A2 s/s |
| P0239.050-075-A2 | M 5 | 75 | 1.20 | 3.3 | 1.30 | 8.5 | A2 s/s |
| P0239.050-080-A2 | M 5 | 80 | 1.20 | 3.3 | 1.30 | 8.5 | A2 s/s |
| P0239.050-085-A2 | M 5 | 85 | 1.20 | 3.3 | 1.30 | 8.5 | A2 s/s |
| P0239.050-090-A2 | M 5 | 90 | 1.20 | 3.3 | 1.30 | 8.5 | A2 s/s |
| P0239.050-100-A2 | M 5 | 100 | 1.20 | 3.3 | 1.30 | 8.5 | A2 s/s |
| P0239.060-006-A2 | M 6 | 6 | 1.60 | 3.9 | 1.60 | 10.0 | A2 s/s |
| P0239.060-008-A2 | M 6 | 8 | 1.60 | 3.9 | 1.60 | 10.0 | A2 s/s |
| P0239.060-010-A2 | M 6 | 10 | 1.60 | 3.9 | 1.60 | 10.0 | A2 s/s |
| P0239.060-012-A2 | M 6 | 12 | 1.60 | 3.9 | 1.60 | 10.0 | A2 s/s |
| P0239.060-014-A2 | M 6 | 14 | 1.60 | 3.9 | 1.60 | 10.0 | A2 s/s |
| P0239.060-016-A2 | M 6 | 16 | 1.60 | 3.9 | 1.60 | 10.0 | A2 s/s |
| P0239.060-018-A2 | M 6 | 18 | 1.60 | 3.9 | 1.60 | 10.0 | A2 s/s |
| P0239.060-020-A2 | M 6 | 20 | 1.60 | 3.9 | 1.60 | 10.0 | A2 s/s |
| P0239.060-022-A2 | M 6 | 22 | 1.60 | 3.9 | 1.60 | 10.0 | A2 s/s |
| P0239.060-025-A2 | M 6 | 25 | 1.60 | 3.9 | 1.60 | 10.0 | A2 s/s |
| P0239.060-028-A2 | M 6 | 28 | 1.60 | 3.9 | 1.60 | 10.0 | A2 s/s |
| P0239.060-030-A2 | M 6 | 30 | 1.60 | 3.9 | 1.60 | 10.0 | A2 s/s |
| P0239.060-035-A2 | M 6 | 35 | 1.60 | 3.9 | 1.60 | 10.0 | A2 s/s |
| P0239.060-040-A2 | M 6 | 40 | 1.60 | 3.9 | 1.60 | 10.0 | A2 s/s |
| P0239.060-045-A2 | M 6 | 45 | 1.60 | 3.9 | 1.60 | 10.0 | A2 s/s |
| P0239.060-050-A2 | M 6 | 50 | 1.60 | 3.9 | 1.60 | 10.0 | A2 s/s |
| P0239.060-055-A2 | M 6 | 55 | 1.60 | 3.9 | 1.60 | 10.0 | A2 s/s |
| P0239.060-060-A2 | M 6 | 60 | 1.60 | 3.9 | 1.60 | 10.0 | A2 s/s |
| P0239.060-065-A2 | M 6 | 65 | 1.60 | 3.9 | 1.60 | 10.0 | A2 s/s |
| P0239.060-070-A2 | M 6 | 70 | 1.60 | 3.9 | 1.60 | 10.0 | A2 s/s |
| P0239.060-075-A2 | M 6 | 75 | 1.60 | 3.9 | 1.60 | 10.0 | A2 s/s |
| P0239.060-080-A2 | M 6 | 80 | 1.60 | 3.9 | 1.60 | 10.0 | A2 s/s |
| P0239.060-085-A2 | M 6 | 85 | 1.60 | 3.9 | 1.60 | 10.0 | A2 s/s |
| P0239.060-090-A2 | M 6 | 90 | 1.60 | 3.9 | 1.60 | 10.0 | A2 s/s |
| P0239.060-100-A2 | M 6 | 100 | 1.60 | 3.9 | 1.60 | 10.0 | A2 s/s |
| P0239.080-010-A2 | M 8 | 10 | 2.00 | 5.0 | 2.00 | 13.0 | A2 s/s |
| P0239.080-012-A2 | M 8 | 12 | 2.00 | 5.0 | 2.00 | 13.0 | A2 s/s |
| P0239.080-014-A2 | M 8 | 14 | 2.00 | 5.0 | 2.00 | 13.0 | A2 s/s |
| P0239.080-016-A2 | M 8 | 16 | 2.00 | 5.0 | 2.00 | 13.0 | A2 s/s |
| P0239.080-018-A2 | M 8 | 18 | 2.00 | 5.0 | 2.00 | 13.0 | A2 s/s |
| P0239.080-020-A2 | M 8 | 20 | 2.00 | 5.0 | 2.00 | 13.0 | A2 s/s |
| P0239.080-022-A2 | M 8 | 22 | 2.00 | 5.0 | 2.00 | 13.0 | A2 s/s |
| P0239.080-025-A2 | M 8 | 25 | 2.00 | 5.0 | 2.00 | 13.0 | A2 s/s |
| P0239.080-028-A2 | M 8 | 28 | 2.00 | 5.0 | 2.00 | 13.0 | A2 s/s |
| P0239.080-030-A2 | M 8 | 30 | 2.00 | 5.0 | 2.00 | 13.0 | A2 s/s |
| P0239.080-035-A2 | M 8 | 35 | 2.00 | 5.0 | 2.00 | 13.0 | A2 s/s |
| P0239.080-040-A2 | M 8 | 40 | 2.00 | 5.0 | 2.00 | 13.0 | A2 s/s |
| P0239.080-045-A2 | M 8 | 45 | 2.00 | 5.0 | 2.00 | 13.0 | A2 s/s |
| P0239.080-050-A2 | M 8 | 50 | 2.00 | 5.0 | 2.00 | 13.0 | A2 s/s |



Slot Cheese Head Screws

Slot - A2 stainless

Standard Screws

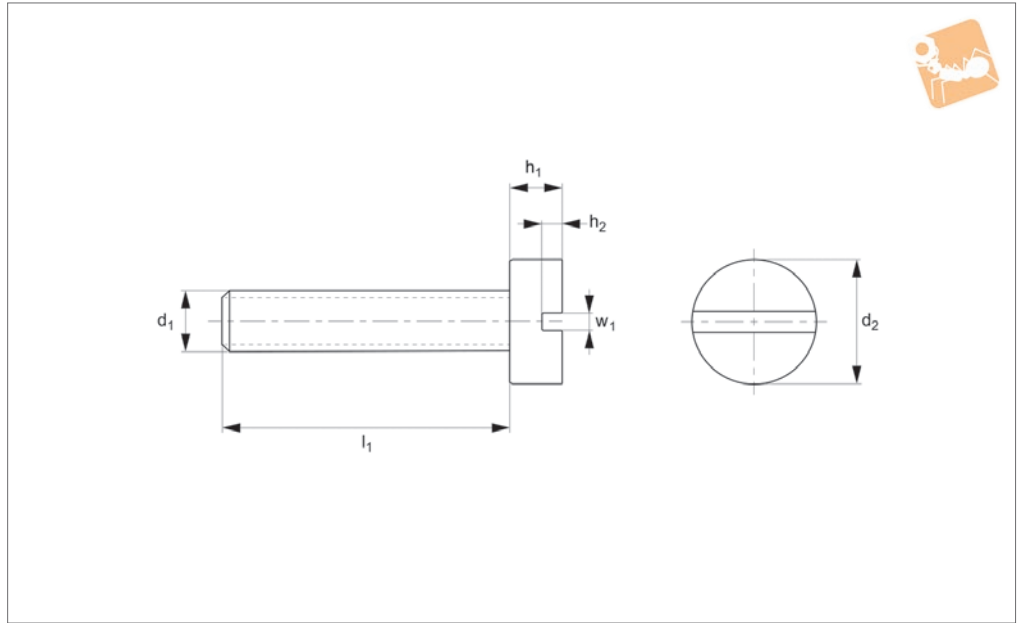


| Order No. | d ₁ | l ₁ | w ₁ | h ₁ | h ₂ | d ₂ | Material |
|------------------|----------------|----------------|----------------|----------------|----------------|----------------|----------|
| P0239.080-055-A2 | M 8 | 55 | 2.00 | 5.0 | 2.00 | 13.0 | A2 s/s |
| P0239.080-060-A2 | M 8 | 60 | 2.00 | 5.0 | 2.00 | 13.0 | A2 s/s |
| P0239.080-065-A2 | M 8 | 65 | 2.00 | 5.0 | 2.00 | 13.0 | A2 s/s |
| P0239.080-070-A2 | M 8 | 70 | 2.00 | 5.0 | 2.00 | 13.0 | A2 s/s |
| P0239.080-075-A2 | M 8 | 75 | 2.00 | 5.0 | 2.00 | 13.0 | A2 s/s |
| P0239.080-080-A2 | M 8 | 80 | 2.00 | 5.0 | 2.00 | 13.0 | A2 s/s |
| P0239.080-085-A2 | M 8 | 85 | 2.00 | 5.0 | 2.00 | 13.0 | A2 s/s |
| P0239.080-090-A2 | M 8 | 90 | 2.00 | 5.0 | 2.00 | 13.0 | A2 s/s |
| P0239.080-100-A2 | M 8 | 100 | 2.00 | 5.0 | 2.00 | 13.0 | A2 s/s |
| P0239.100-016-A2 | M10 | 16 | 2.50 | 6.0 | 2.40 | 16.0 | A2 s/s |
| P0239.100-018-A2 | M10 | 18 | 2.50 | 6.0 | 2.40 | 16.0 | A2 s/s |
| P0239.100-020-A2 | M10 | 20 | 2.50 | 6.0 | 2.40 | 16.0 | A2 s/s |
| P0239.100-022-A2 | M10 | 22 | 2.50 | 6.0 | 2.40 | 16.0 | A2 s/s |
| P0239.100-025-A2 | M10 | 25 | 2.50 | 6.0 | 2.40 | 16.0 | A2 s/s |
| P0239.100-028-A2 | M10 | 28 | 2.50 | 6.0 | 2.40 | 16.0 | A2 s/s |
| P0239.100-030-A2 | M10 | 30 | 2.50 | 6.0 | 2.40 | 16.0 | A2 s/s |
| P0239.100-035-A2 | M10 | 35 | 2.50 | 6.0 | 2.40 | 16.0 | A2 s/s |
| P0239.100-040-A2 | M10 | 40 | 2.50 | 6.0 | 2.40 | 16.0 | A2 s/s |
| P0239.100-045-A2 | M10 | 45 | 2.50 | 6.0 | 2.40 | 16.0 | A2 s/s |
| P0239.100-050-A2 | M10 | 50 | 2.50 | 6.0 | 2.40 | 16.0 | A2 s/s |
| P0239.100-055-A2 | M10 | 55 | 2.50 | 6.0 | 2.40 | 16.0 | A2 s/s |
| P0239.100-060-A2 | M10 | 60 | 2.50 | 6.0 | 2.40 | 16.0 | A2 s/s |
| P0239.100-065-A2 | M10 | 65 | 2.50 | 6.0 | 2.40 | 16.0 | A2 s/s |
| P0239.100-070-A2 | M10 | 70 | 2.50 | 6.0 | 2.40 | 16.0 | A2 s/s |
| P0239.100-075-A2 | M10 | 75 | 2.50 | 6.0 | 2.40 | 16.0 | A2 s/s |
| P0239.100-080-A2 | M10 | 80 | 2.50 | 6.0 | 2.40 | 16.0 | A2 s/s |
| P0239.100-085-A2 | M10 | 85 | 2.50 | 6.0 | 2.40 | 16.0 | A2 s/s |
| P0239.100-090-A2 | M10 | 90 | 2.50 | 6.0 | 2.40 | 16.0 | A2 s/s |
| P0239.100-100-A2 | M10 | 100 | 2.50 | 6.0 | 2.40 | 16.0 | A2 s/s |

STANDARD SCREWS



P0239.A4



Material

Stainless steel (A4).

See technical page for tightening torques.

Technical Notes

To DIN 84.

| Order No. | d ₁ | l ₁ | w ₁ | h ₁ | h ₂ | d ₂ | Material |
|------------------|----------------|----------------|----------------|----------------|----------------|----------------|----------|
| P0239.016-003-A4 | M1,6 | 3 | 0.40 | 1.0 | 0.45 | 3.0 | A4 s/s |
| P0239.016-004-A4 | M1,6 | 4 | 0.40 | 1.0 | 0.45 | 3.0 | A4 s/s |
| P0239.016-005-A4 | M1,6 | 5 | 0.40 | 1.0 | 0.45 | 3.0 | A4 s/s |
| P0239.016-006-A4 | M1,6 | 6 | 0.40 | 1.0 | 0.45 | 3.0 | A4 s/s |
| P0239.016-008-A4 | M1,6 | 8 | 0.40 | 1.0 | 0.45 | 3.0 | A4 s/s |
| P0239.016-010-A4 | M1,6 | 10 | 0.40 | 1.0 | 0.45 | 3.0 | A4 s/s |
| P0239.016-012-A4 | M1,6 | 12 | 0.40 | 1.0 | 0.45 | 3.0 | A4 s/s |
| P0239.016-014-A4 | M1,6 | 14 | 0.40 | 1.0 | 0.45 | 3.0 | A4 s/s |
| P0239.016-016-A4 | M1,6 | 16 | 0.40 | 1.0 | 0.45 | 3.0 | A4 s/s |
| P0239.016-018-A4 | M1,6 | 18 | 0.40 | 1.0 | 0.45 | 3.0 | A4 s/s |
| P0239.020-003-A4 | M 2 | 3 | 0.50 | 1.3 | 0.60 | 3.8 | A4 s/s |
| P0239.020-004-A4 | M 2 | 4 | 0.50 | 1.3 | 0.60 | 3.8 | A4 s/s |
| P0239.020-005-A4 | M 2 | 5 | 0.50 | 1.3 | 0.60 | 3.8 | A4 s/s |
| P0239.020-006-A4 | M 2 | 6 | 0.50 | 1.3 | 0.60 | 3.8 | A4 s/s |
| P0239.020-008-A4 | M 2 | 8 | 0.50 | 1.3 | 0.60 | 3.8 | A4 s/s |
| P0239.020-010-A4 | M 2 | 10 | 0.50 | 1.3 | 0.60 | 3.8 | A4 s/s |
| P0239.020-012-A4 | M 2 | 12 | 0.50 | 1.3 | 0.60 | 3.8 | A4 s/s |
| P0239.020-014-A4 | M 2 | 14 | 0.50 | 1.3 | 0.60 | 3.8 | A4 s/s |
| P0239.020-016-A4 | M 2 | 16 | 0.50 | 1.3 | 0.60 | 3.8 | A4 s/s |
| P0239.020-018-A4 | M 2 | 18 | 0.50 | 1.3 | 0.60 | 3.8 | A4 s/s |
| P0239.020-020-A4 | M 2 | 20 | 0.50 | 1.3 | 0.60 | 3.8 | A4 s/s |
| P0239.020-022-A4 | M 2 | 22 | 0.50 | 1.3 | 0.60 | 3.8 | A4 s/s |
| P0239.020-025-A4 | M 2 | 25 | 0.50 | 1.3 | 0.60 | 3.8 | A4 s/s |
| P0239.020-028-A4 | M 2 | 28 | 0.50 | 1.3 | 0.60 | 3.8 | A4 s/s |
| P0239.020-030-A4 | M 2 | 30 | 0.50 | 1.3 | 0.60 | 3.8 | A4 s/s |
| P0239.025-003-A4 | M2,5 | 3 | 0.60 | 1.6 | 0.70 | 4.5 | A4 s/s |
| P0239.025-004-A4 | M2,5 | 4 | 0.60 | 1.6 | 0.70 | 4.5 | A4 s/s |
| P0239.025-005-A4 | M2,5 | 5 | 0.60 | 1.6 | 0.70 | 4.5 | A4 s/s |
| P0239.025-006-A4 | M2,5 | 6 | 0.60 | 1.6 | 0.70 | 4.5 | A4 s/s |
| P0239.025-008-A4 | M2,5 | 8 | 0.60 | 1.6 | 0.70 | 4.5 | A4 s/s |
| P0239.025-010-A4 | M2,5 | 10 | 0.60 | 1.6 | 0.70 | 4.5 | A4 s/s |
| P0239.025-012-A4 | M2,5 | 12 | 0.60 | 1.6 | 0.70 | 4.5 | A4 s/s |
| P0239.025-014-A4 | M2,5 | 14 | 0.60 | 1.6 | 0.70 | 4.5 | A4 s/s |
| P0239.025-016-A4 | M2,5 | 16 | 0.60 | 1.6 | 0.70 | 4.5 | A4 s/s |



Slot Cheese Head Screws

Slot - A4 stainless

Standard Screws



| Order No. | d ₁ | l ₁ | w ₁ | h ₁ | h ₂ | d ₂ | Material |
|------------------|----------------|----------------|----------------|----------------|----------------|----------------|----------|
| P0239.025-018-A4 | M2,5 | 18 | 0.60 | 1.6 | 0.70 | 4.5 | A4 s/s |
| P0239.025-020-A4 | M2,5 | 20 | 0.60 | 1.6 | 0.70 | 4.5 | A4 s/s |
| P0239.025-022-A4 | M2,5 | 22 | 0.60 | 1.6 | 0.70 | 4.5 | A4 s/s |
| P0239.025-025-A4 | M2,5 | 25 | 0.60 | 1.6 | 0.70 | 4.5 | A4 s/s |
| P0239.025-028-A4 | M2,5 | 28 | 0.60 | 1.6 | 0.70 | 4.5 | A4 s/s |
| P0239.025-030-A4 | M2,5 | 30 | 0.60 | 1.6 | 0.70 | 4.5 | A4 s/s |
| P0239.030-003-A4 | M 3 | 3 | 0.80 | 2.0 | 0.85 | 5.5 | A4 s/s |
| P0239.030-004-A4 | M 3 | 4 | 0.80 | 2.0 | 0.85 | 5.5 | A4 s/s |
| P0239.030-005-A4 | M 3 | 5 | 0.80 | 2.0 | 0.85 | 5.5 | A4 s/s |
| P0239.030-006-A4 | M 3 | 6 | 0.80 | 2.0 | 0.85 | 5.5 | A4 s/s |
| P0239.030-008-A4 | M 3 | 8 | 0.80 | 2.0 | 0.85 | 5.5 | A4 s/s |
| P0239.030-010-A4 | M 3 | 10 | 0.80 | 2.0 | 0.85 | 5.5 | A4 s/s |
| P0239.030-012-A4 | M 3 | 12 | 0.80 | 2.0 | 0.85 | 5.5 | A4 s/s |
| P0239.030-014-A4 | M 3 | 14 | 0.80 | 2.0 | 0.85 | 5.5 | A4 s/s |
| P0239.030-016-A4 | M 3 | 16 | 0.80 | 2.0 | 0.85 | 5.5 | A4 s/s |
| P0239.030-018-A4 | M 3 | 18 | 0.80 | 2.0 | 0.85 | 5.5 | A4 s/s |
| P0239.030-020-A4 | M 3 | 20 | 0.80 | 2.0 | 0.85 | 5.5 | A4 s/s |
| P0239.030-022-A4 | M 3 | 22 | 0.80 | 2.0 | 0.85 | 5.5 | A4 s/s |
| P0239.030-025-A4 | M 3 | 25 | 0.80 | 2.0 | 0.85 | 5.5 | A4 s/s |
| P0239.030-028-A4 | M 3 | 28 | 0.80 | 2.0 | 0.85 | 5.5 | A4 s/s |
| P0239.030-030-A4 | M 3 | 30 | 0.80 | 2.0 | 0.85 | 5.5 | A4 s/s |
| P0239.030-035-A4 | M 3 | 35 | 0.80 | 2.0 | 0.85 | 5.5 | A4 s/s |
| P0239.030-040-A4 | M 3 | 40 | 0.80 | 2.0 | 0.85 | 5.5 | A4 s/s |
| P0239.030-045-A4 | M 3 | 45 | 0.80 | 2.0 | 0.85 | 5.5 | A4 s/s |
| P0239.030-050-A4 | M 3 | 50 | 0.80 | 2.0 | 0.85 | 5.5 | A4 s/s |
| P0239.030-055-A4 | M 3 | 55 | 0.80 | 2.0 | 0.85 | 5.5 | A4 s/s |
| P0239.030-060-A4 | M 3 | 60 | 0.80 | 2.0 | 0.85 | 5.5 | A4 s/s |
| P0239.035-004-A4 | M3,5 | 4 | 1.00 | 2.4 | 1.00 | 6.0 | A4 s/s |
| P0239.035-005-A4 | M3,5 | 5 | 1.00 | 2.4 | 1.00 | 6.0 | A4 s/s |
| P0239.035-006-A4 | M3,5 | 6 | 1.00 | 2.4 | 1.00 | 6.0 | A4 s/s |
| P0239.035-008-A4 | M3,5 | 8 | 1.00 | 2.4 | 1.00 | 6.0 | A4 s/s |
| P0239.035-010-A4 | M3,5 | 10 | 1.00 | 2.4 | 1.00 | 6.0 | A4 s/s |
| P0239.035-012-A4 | M3,5 | 12 | 1.00 | 2.4 | 1.00 | 6.0 | A4 s/s |
| P0239.035-014-A4 | M3,5 | 14 | 1.00 | 2.4 | 1.00 | 6.0 | A4 s/s |
| P0239.035-016-A4 | M3,5 | 16 | 1.00 | 2.4 | 1.00 | 6.0 | A4 s/s |
| P0239.035-018-A4 | M3,5 | 18 | 1.00 | 2.4 | 1.00 | 6.0 | A4 s/s |
| P0239.035-020-A4 | M3,5 | 20 | 1.00 | 2.4 | 1.00 | 6.0 | A4 s/s |
| P0239.035-022-A4 | M3,5 | 22 | 1.00 | 2.4 | 1.00 | 6.0 | A4 s/s |
| P0239.035-025-A4 | M3,5 | 25 | 1.00 | 2.4 | 1.00 | 6.0 | A4 s/s |
| P0239.035-028-A4 | M3,5 | 28 | 1.00 | 2.4 | 1.00 | 6.0 | A4 s/s |
| P0239.035-030-A4 | M3,5 | 30 | 1.00 | 2.4 | 1.00 | 6.0 | A4 s/s |
| P0239.035-035-A4 | M3,5 | 35 | 1.00 | 2.4 | 1.00 | 6.0 | A4 s/s |
| P0239.035-040-A4 | M3,5 | 40 | 1.00 | 2.4 | 1.00 | 6.0 | A4 s/s |
| P0239.035-045-A4 | M3,5 | 45 | 1.00 | 2.4 | 1.00 | 6.0 | A4 s/s |
| P0239.035-050-A4 | M3,5 | 50 | 1.00 | 2.4 | 1.00 | 6.0 | A4 s/s |
| P0239.035-055-A4 | M3,5 | 55 | 1.00 | 2.4 | 1.00 | 6.0 | A4 s/s |
| P0239.035-060-A4 | M3,5 | 60 | 1.00 | 2.4 | 1.00 | 6.0 | A4 s/s |
| P0239.040-004-A4 | M 4 | 4 | 1.20 | 2.6 | 1.10 | 7.0 | A4 s/s |
| P0239.040-005-A4 | M 4 | 5 | 1.20 | 2.6 | 1.10 | 7.0 | A4 s/s |
| P0239.040-006-A4 | M 4 | 6 | 1.20 | 2.6 | 1.10 | 7.0 | A4 s/s |
| P0239.040-008-A4 | M 4 | 8 | 1.20 | 2.6 | 1.10 | 7.0 | A4 s/s |
| P0239.040-010-A4 | M 4 | 10 | 1.20 | 2.6 | 1.10 | 7.0 | A4 s/s |
| P0239.040-012-A4 | M 4 | 12 | 1.20 | 2.6 | 1.10 | 7.0 | A4 s/s |
| P0239.040-014-A4 | M 4 | 14 | 1.20 | 2.6 | 1.10 | 7.0 | A4 s/s |
| P0239.040-016-A4 | M 4 | 16 | 1.20 | 2.6 | 1.10 | 7.0 | A4 s/s |
| P0239.040-018-A4 | M 4 | 18 | 1.20 | 2.6 | 1.10 | 7.0 | A4 s/s |
| P0239.040-020-A4 | M 4 | 20 | 1.20 | 2.6 | 1.10 | 7.0 | A4 s/s |
| P0239.040-022-A4 | M 4 | 22 | 1.20 | 2.6 | 1.10 | 7.0 | A4 s/s |
| P0239.040-025-A4 | M 4 | 25 | 1.20 | 2.6 | 1.10 | 7.0 | A4 s/s |
| P0239.040-028-A4 | M 4 | 28 | 1.20 | 2.6 | 1.10 | 7.0 | A4 s/s |
| P0239.040-030-A4 | M 4 | 30 | 1.20 | 2.6 | 1.10 | 7.0 | A4 s/s |
| P0239.040-035-A4 | M 4 | 35 | 1.20 | 2.6 | 1.10 | 7.0 | A4 s/s |
| P0239.040-040-A4 | M 4 | 40 | 1.20 | 2.6 | 1.10 | 7.0 | A4 s/s |
| P0239.040-045-A4 | M 4 | 45 | 1.20 | 2.6 | 1.10 | 7.0 | A4 s/s |
| P0239.040-050-A4 | M 4 | 50 | 1.20 | 2.6 | 1.10 | 7.0 | A4 s/s |
| P0239.040-055-A4 | M 4 | 55 | 1.20 | 2.6 | 1.10 | 7.0 | A4 s/s |
| P0239.040-060-A4 | M 4 | 60 | 1.20 | 2.6 | 1.10 | 7.0 | A4 s/s |
| P0239.040-065-A4 | M 4 | 65 | 1.20 | 2.6 | 1.10 | 7.0 | A4 s/s |
| P0239.040-070-A4 | M 4 | 70 | 1.20 | 2.6 | 1.10 | 7.0 | A4 s/s |

STANDARD SCREWS



STANDARD SCREWS

| Order No. | d ₁ | l ₁ | w ₁ | h ₁ | h ₂ | d ₂ | Material |
|------------------|----------------|----------------|----------------|----------------|----------------|----------------|----------|
| P0239.040-075-A4 | M 4 | 75 | 1.20 | 2.6 | 1.10 | 7.0 | A4 s/s |
| P0239.040-080-A4 | M 4 | 80 | 1.20 | 2.6 | 1.10 | 7.0 | A4 s/s |
| P0239.040-085-A4 | M 4 | 85 | 1.20 | 2.6 | 1.10 | 7.0 | A4 s/s |
| P0239.040-090-A4 | M 4 | 90 | 1.20 | 2.6 | 1.10 | 7.0 | A4 s/s |
| P0239.040-100-A4 | M 4 | 100 | 1.20 | 2.6 | 1.10 | 7.0 | A4 s/s |
| P0239.050-006-A4 | M 5 | 6 | 1.20 | 3.3 | 1.30 | 8.5 | A4 s/s |
| P0239.050-008-A4 | M 5 | 8 | 1.20 | 3.3 | 1.30 | 8.5 | A4 s/s |
| P0239.050-010-A4 | M 5 | 10 | 1.20 | 3.3 | 1.30 | 8.5 | A4 s/s |
| P0239.050-012-A4 | M 5 | 12 | 1.20 | 3.3 | 1.30 | 8.5 | A4 s/s |
| P0239.050-014-A4 | M 5 | 14 | 1.20 | 3.3 | 1.30 | 8.5 | A4 s/s |
| P0239.050-016-A4 | M 5 | 16 | 1.20 | 3.3 | 1.30 | 8.5 | A4 s/s |
| P0239.050-018-A4 | M 5 | 18 | 1.20 | 3.3 | 1.30 | 8.5 | A4 s/s |
| P0239.050-020-A4 | M 5 | 20 | 1.20 | 3.3 | 1.30 | 8.5 | A4 s/s |
| P0239.050-022-A4 | M 5 | 22 | 1.20 | 3.3 | 1.30 | 8.5 | A4 s/s |
| P0239.050-025-A4 | M 5 | 25 | 1.20 | 3.3 | 1.30 | 8.5 | A4 s/s |
| P0239.050-028-A4 | M 5 | 28 | 1.20 | 3.3 | 1.30 | 8.5 | A4 s/s |
| P0239.050-030-A4 | M 5 | 30 | 1.20 | 3.3 | 1.30 | 8.5 | A4 s/s |
| P0239.050-035-A4 | M 5 | 35 | 1.20 | 3.3 | 1.30 | 8.5 | A4 s/s |
| P0239.050-040-A4 | M 5 | 40 | 1.20 | 3.3 | 1.30 | 8.5 | A4 s/s |
| P0239.050-045-A4 | M 5 | 45 | 1.20 | 3.3 | 1.30 | 8.5 | A4 s/s |
| P0239.050-050-A4 | M 5 | 50 | 1.20 | 3.3 | 1.30 | 8.5 | A4 s/s |
| P0239.050-055-A4 | M 5 | 55 | 1.20 | 3.3 | 1.30 | 8.5 | A4 s/s |
| P0239.050-060-A4 | M 5 | 60 | 1.20 | 3.3 | 1.30 | 8.5 | A4 s/s |
| P0239.050-065-A4 | M 5 | 65 | 1.20 | 3.3 | 1.30 | 8.5 | A4 s/s |
| P0239.050-070-A4 | M 5 | 70 | 1.20 | 3.3 | 1.30 | 8.5 | A4 s/s |
| P0239.050-075-A4 | M 5 | 75 | 1.20 | 3.3 | 1.30 | 8.5 | A4 s/s |
| P0239.050-080-A4 | M 5 | 80 | 1.20 | 3.3 | 1.30 | 8.5 | A4 s/s |
| P0239.050-085-A4 | M 5 | 85 | 1.20 | 3.3 | 1.30 | 8.5 | A4 s/s |
| P0239.050-090-A4 | M 5 | 90 | 1.20 | 3.3 | 1.30 | 8.5 | A4 s/s |
| P0239.050-100-A4 | M 5 | 100 | 1.20 | 3.3 | 1.30 | 8.5 | A4 s/s |
| P0239.060-006-A4 | M 6 | 6 | 1.60 | 3.9 | 1.60 | 10.0 | A4 s/s |
| P0239.060-008-A4 | M 6 | 8 | 1.60 | 3.9 | 1.60 | 10.0 | A4 s/s |
| P0239.060-010-A4 | M 6 | 10 | 1.60 | 3.9 | 1.60 | 10.0 | A4 s/s |
| P0239.060-012-A4 | M 6 | 12 | 1.60 | 3.9 | 1.60 | 10.0 | A4 s/s |
| P0239.060-014-A4 | M 6 | 14 | 1.60 | 3.9 | 1.60 | 10.0 | A4 s/s |
| P0239.060-016-A4 | M 6 | 16 | 1.60 | 3.9 | 1.60 | 10.0 | A4 s/s |
| P0239.060-018-A4 | M 6 | 18 | 1.60 | 3.9 | 1.60 | 10.0 | A4 s/s |
| P0239.060-020-A4 | M 6 | 20 | 1.60 | 3.9 | 1.60 | 10.0 | A4 s/s |
| P0239.060-022-A4 | M 6 | 22 | 1.60 | 3.9 | 1.60 | 10.0 | A4 s/s |
| P0239.060-025-A4 | M 6 | 25 | 1.60 | 3.9 | 1.60 | 10.0 | A4 s/s |
| P0239.060-028-A4 | M 6 | 28 | 1.60 | 3.9 | 1.60 | 10.0 | A4 s/s |
| P0239.060-030-A4 | M 6 | 30 | 1.60 | 3.9 | 1.60 | 10.0 | A4 s/s |
| P0239.060-035-A4 | M 6 | 35 | 1.60 | 3.9 | 1.60 | 10.0 | A4 s/s |
| P0239.060-040-A4 | M 6 | 40 | 1.60 | 3.9 | 1.60 | 10.0 | A4 s/s |
| P0239.060-045-A4 | M 6 | 45 | 1.60 | 3.9 | 1.60 | 10.0 | A4 s/s |
| P0239.060-050-A4 | M 6 | 50 | 1.60 | 3.9 | 1.60 | 10.0 | A4 s/s |
| P0239.060-055-A4 | M 6 | 55 | 1.60 | 3.9 | 1.60 | 10.0 | A4 s/s |
| P0239.060-060-A4 | M 6 | 60 | 1.60 | 3.9 | 1.60 | 10.0 | A4 s/s |
| P0239.060-065-A4 | M 6 | 65 | 1.60 | 3.9 | 1.60 | 10.0 | A4 s/s |
| P0239.060-070-A4 | M 6 | 70 | 1.60 | 3.9 | 1.60 | 10.0 | A4 s/s |
| P0239.060-075-A4 | M 6 | 75 | 1.60 | 3.9 | 1.60 | 10.0 | A4 s/s |
| P0239.060-080-A4 | M 6 | 80 | 1.60 | 3.9 | 1.60 | 10.0 | A4 s/s |
| P0239.060-085-A4 | M 6 | 85 | 1.60 | 3.9 | 1.60 | 10.0 | A4 s/s |
| P0239.060-090-A4 | M 6 | 90 | 1.60 | 3.9 | 1.60 | 10.0 | A4 s/s |
| P0239.060-100-A4 | M 6 | 100 | 1.60 | 3.9 | 1.60 | 10.0 | A4 s/s |
| P0239.080-010-A4 | M 8 | 10 | 2.00 | 5.0 | 2.00 | 13.0 | A4 s/s |
| P0239.080-012-A4 | M 8 | 12 | 2.00 | 5.0 | 2.00 | 13.0 | A4 s/s |
| P0239.080-014-A4 | M 8 | 14 | 2.00 | 5.0 | 2.00 | 13.0 | A4 s/s |
| P0239.080-016-A4 | M 8 | 16 | 2.00 | 5.0 | 2.00 | 13.0 | A4 s/s |
| P0239.080-018-A4 | M 8 | 18 | 2.00 | 5.0 | 2.00 | 13.0 | A4 s/s |
| P0239.080-020-A4 | M 8 | 20 | 2.00 | 5.0 | 2.00 | 13.0 | A4 s/s |
| P0239.080-022-A4 | M 8 | 22 | 2.00 | 5.0 | 2.00 | 13.0 | A4 s/s |
| P0239.080-025-A4 | M 8 | 25 | 2.00 | 5.0 | 2.00 | 13.0 | A4 s/s |
| P0239.080-028-A4 | M 8 | 28 | 2.00 | 5.0 | 2.00 | 13.0 | A4 s/s |
| P0239.080-030-A4 | M 8 | 30 | 2.00 | 5.0 | 2.00 | 13.0 | A4 s/s |
| P0239.080-035-A4 | M 8 | 35 | 2.00 | 5.0 | 2.00 | 13.0 | A4 s/s |
| P0239.080-040-A4 | M 8 | 40 | 2.00 | 5.0 | 2.00 | 13.0 | A4 s/s |
| P0239.080-045-A4 | M 8 | 45 | 2.00 | 5.0 | 2.00 | 13.0 | A4 s/s |
| P0239.080-050-A4 | M 8 | 50 | 2.00 | 5.0 | 2.00 | 13.0 | A4 s/s |



Slot Cheese Head Screws

Slot - A4 stainless

Standard Screws



| Order No. | d ₁ | l ₁ | w ₁ | h ₁ | h ₂ | d ₂ | Material |
|------------------|----------------|----------------|----------------|----------------|----------------|----------------|----------|
| P0239.080-055-A4 | M 8 | 55 | 2.00 | 5.0 | 2.00 | 13.0 | A4 s/s |
| P0239.080-060-A4 | M 8 | 60 | 2.00 | 5.0 | 2.00 | 13.0 | A4 s/s |
| P0239.080-065-A4 | M 8 | 65 | 2.00 | 5.0 | 2.00 | 13.0 | A4 s/s |
| P0239.080-070-A4 | M 8 | 70 | 2.00 | 5.0 | 2.00 | 13.0 | A4 s/s |
| P0239.080-075-A4 | M 8 | 75 | 2.00 | 5.0 | 2.00 | 13.0 | A4 s/s |
| P0239.080-080-A4 | M 8 | 80 | 2.00 | 5.0 | 2.00 | 13.0 | A4 s/s |
| P0239.080-085-A4 | M 8 | 85 | 2.00 | 5.0 | 2.00 | 13.0 | A4 s/s |
| P0239.080-090-A4 | M 8 | 90 | 2.00 | 5.0 | 2.00 | 13.0 | A4 s/s |
| P0239.080-100-A4 | M 8 | 100 | 2.00 | 5.0 | 2.00 | - | A4 s/s |
| P0239.100-016-A4 | M10 | 16 | 2.50 | 6.0 | 2.40 | 16.0 | A4 s/s |
| P0239.100-018-A4 | M10 | 18 | 2.50 | 6.0 | 2.40 | 16.0 | A4 s/s |
| P0239.100-020-A4 | M10 | 20 | 2.50 | 6.0 | 2.40 | 16.0 | A4 s/s |
| P0239.100-022-A4 | M10 | 22 | 2.50 | 6.0 | 2.40 | 16.0 | A4 s/s |
| P0239.100-025-A4 | M10 | 25 | 2.50 | 6.0 | 2.40 | 16.0 | A4 s/s |
| P0239.100-028-A4 | M10 | 28 | 2.50 | 6.0 | 2.40 | 16.0 | A4 s/s |
| P0239.100-030-A4 | M10 | 30 | 2.50 | 6.0 | 2.40 | 16.0 | A4 s/s |
| P0239.100-035-A4 | M10 | 35 | 2.50 | 6.0 | 2.40 | 16.0 | A4 s/s |
| P0239.100-040-A4 | M10 | 40 | 2.50 | 6.0 | 2.40 | 16.0 | A4 s/s |
| P0239.100-045-A4 | M10 | 45 | 2.50 | 6.0 | 2.40 | 16.0 | A4 s/s |
| P0239.100-050-A4 | M10 | 50 | 2.50 | 6.0 | 2.40 | 16.0 | A4 s/s |
| P0239.100-055-A4 | M10 | 55 | 2.50 | 6.0 | 2.40 | 16.0 | A4 s/s |
| P0239.100-060-A4 | M10 | 60 | 2.50 | 6.0 | 2.40 | 16.0 | A4 s/s |
| P0239.100-065-A4 | M10 | 65 | 2.50 | 6.0 | 2.40 | 16.0 | A4 s/s |
| P0239.100-070-A4 | M10 | 70 | 2.50 | 6.0 | 2.40 | 16.0 | A4 s/s |
| P0239.100-075-A4 | M10 | 75 | 2.50 | 6.0 | 2.40 | 16.0 | A4 s/s |
| P0239.100-080-A4 | M10 | 80 | 2.50 | 6.0 | 2.40 | 16.0 | A4 s/s |
| P0239.100-085-A4 | M10 | 85 | 2.50 | 6.0 | 2.40 | 16.0 | A4 s/s |
| P0239.100-090-A4 | M10 | 90 | 2.50 | 6.0 | 2.40 | 16.0 | A4 s/s |
| P0239.100-100-A4 | M10 | 100 | 2.50 | 6.0 | 2.40 | 16.0 | A4 s/s |

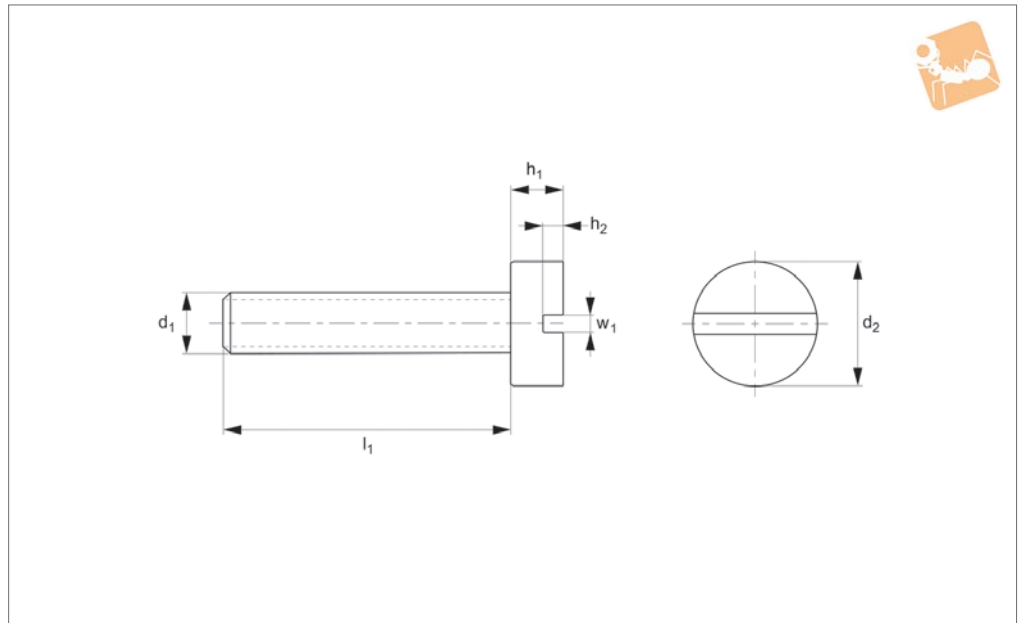
STANDARD SCREWS



STANDARD SCREWS



P0239.ZP



Material

Steel, zinc-plated (grade 4.8).

Technical Notes

To DIN 84.

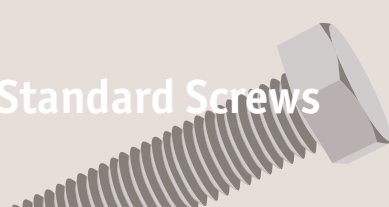
| Order No. | d ₁ | l ₁ | w ₁ | h ₁ | h ₂ | d ₂ | Material |
|------------------|----------------|----------------|----------------|----------------|----------------|----------------|----------|
| P0239.016-003-ZP | M1,6 | 3 | 0.40 | 1.0 | 0.45 | 3.0 | Steel |
| P0239.016-004-ZP | M1,6 | 4 | 0.40 | 1.0 | 0.45 | 3.0 | Steel |
| P0239.016-005-ZP | M1,6 | 5 | 0.40 | 1.0 | 0.45 | 3.0 | Steel |
| P0239.016-006-ZP | M1,6 | 6 | 0.40 | 1.0 | 0.45 | 3.0 | Steel |
| P0239.016-008-ZP | M1,6 | 8 | 0.40 | 1.0 | 0.45 | 3.0 | Steel |
| P0239.016-010-ZP | M1,6 | 10 | 0.40 | 1.0 | 0.45 | 3.0 | Steel |
| P0239.016-012-ZP | M1,6 | 12 | 0.40 | 1.0 | 0.45 | 3.0 | Steel |
| P0239.016-014-ZP | M1,6 | 14 | 0.40 | 1.0 | 0.45 | 3.0 | Steel |
| P0239.016-016-ZP | M1,6 | 16 | 0.40 | 1.0 | 0.45 | 3.0 | Steel |
| P0239.016-018-ZP | M1,6 | 18 | 0.40 | 1.0 | 0.45 | 3.0 | Steel |
| P0239.020-003-ZP | M 2 | 3 | 0.50 | 1.3 | 0.60 | 3.8 | Steel |
| P0239.020-004-ZP | M 2 | 4 | 0.50 | 1.3 | 0.60 | 3.8 | Steel |
| P0239.020-005-ZP | M 2 | 5 | 0.50 | 1.3 | 0.60 | 3.8 | Steel |
| P0239.020-006-ZP | M 2 | 6 | 0.50 | 1.3 | 0.60 | 3.8 | Steel |
| P0239.020-008-ZP | M 2 | 8 | 0.50 | 1.3 | 0.60 | 3.8 | Steel |
| P0239.020-010-ZP | M 2 | 10 | 0.50 | 1.3 | 0.60 | 3.8 | Steel |
| P0239.020-012-ZP | M 2 | 12 | 0.50 | 1.3 | 0.60 | 3.8 | Steel |
| P0239.020-014-ZP | M 2 | 14 | 0.50 | 1.3 | 0.60 | 3.8 | Steel |
| P0239.020-016-ZP | M 2 | 16 | 0.50 | 1.3 | 0.60 | 3.8 | Steel |
| P0239.020-018-ZP | M 2 | 18 | 0.50 | 1.3 | 0.60 | 3.8 | Steel |
| P0239.020-020-ZP | M 2 | 20 | 0.50 | 1.3 | 0.60 | 3.8 | Steel |
| P0239.020-022-ZP | M 2 | 22 | 0.50 | 1.3 | 0.60 | 3.8 | Steel |
| P0239.020-025-ZP | M 2 | 25 | 0.50 | 1.3 | 0.60 | 3.8 | Steel |
| P0239.020-028-ZP | M 2 | 28 | 0.50 | 1.3 | 0.60 | 3.8 | Steel |
| P0239.020-030-ZP | M 2 | 30 | 0.50 | 1.3 | 0.60 | 3.8 | Steel |
| P0239.025-003-ZP | M2,5 | 3 | 0.60 | 1.6 | 0.70 | 4.5 | Steel |
| P0239.025-004-ZP | M2,5 | 4 | 0.60 | 1.6 | 0.70 | 4.5 | Steel |
| P0239.025-005-ZP | M2,5 | 5 | 0.60 | 1.6 | 0.70 | 4.5 | Steel |
| P0239.025-006-ZP | M2,5 | 6 | 0.60 | 1.6 | 0.70 | 4.5 | Steel |
| P0239.025-008-ZP | M2,5 | 8 | 0.60 | 1.6 | 0.70 | 4.5 | Steel |
| P0239.025-010-ZP | M2,5 | 10 | 0.60 | 1.6 | 0.70 | 4.5 | Steel |
| P0239.025-012-ZP | M2,5 | 12 | 0.60 | 1.6 | 0.70 | 4.5 | Steel |
| P0239.025-014-ZP | M2,5 | 14 | 0.60 | 1.6 | 0.70 | 4.5 | Steel |
| P0239.025-016-ZP | M2,5 | 16 | 0.60 | 1.6 | 0.70 | 4.5 | Steel |
| P0239.025-018-ZP | M2,5 | 18 | 0.60 | 1.6 | 0.70 | 4.5 | Steel |



Slot Cheese Head Screws

Slot - steel, zinc-plated

Standard Screws



| Order No. | d ₁ | l ₁ | w ₁ | h ₁ | h ₂ | d ₂ | Material |
|------------------|----------------|----------------|----------------|----------------|----------------|----------------|----------|
| P0239.025-020-ZP | M2,5 | 20 | 0.60 | 1.6 | 0.70 | 4.5 | Steel |
| P0239.025-022-ZP | M2,5 | 22 | 0.60 | 1.6 | 0.70 | 4.5 | Steel |
| P0239.025-025-ZP | M2,5 | 25 | 0.60 | 1.6 | 0.70 | 4.5 | Steel |
| P0239.025-028-ZP | M2,5 | 28 | 0.60 | 1.6 | 0.70 | 4.5 | Steel |
| P0239.025-030-ZP | M2,5 | 30 | 0.60 | 1.6 | 0.70 | 4.5 | Steel |
| P0239.030-003-ZP | M 3 | 3 | 0.80 | 2.0 | 0.85 | 5.5 | Steel |
| P0239.030-004-ZP | M 3 | 4 | 0.80 | 2.0 | 0.85 | 5.5 | Steel |
| P0239.030-005-ZP | M 3 | 5 | 0.80 | 2.0 | 0.85 | 5.5 | Steel |
| P0239.030-006-ZP | M 3 | 6 | 0.80 | 2.0 | 0.85 | 5.5 | Steel |
| P0239.030-008-ZP | M 3 | 8 | 0.80 | 2.0 | 0.85 | 5.5 | Steel |
| P0239.030-010-ZP | M 3 | 10 | 0.80 | 2.0 | 0.85 | 5.5 | Steel |
| P0239.030-012-ZP | M 3 | 12 | 0.80 | 2.0 | 0.85 | 5.5 | Steel |
| P0239.030-014-ZP | M 3 | 14 | 0.80 | 2.0 | 0.85 | 5.5 | Steel |
| P0239.030-016-ZP | M 3 | 16 | 0.80 | 2.0 | 0.85 | 5.5 | Steel |
| P0239.030-018-ZP | M 3 | 18 | 0.80 | 2.0 | 0.85 | 5.5 | Steel |
| P0239.030-020-ZP | M 3 | 20 | 0.80 | 2.0 | 0.85 | 5.5 | Steel |
| P0239.030-022-ZP | M 3 | 22 | 0.80 | 2.0 | 0.85 | 5.5 | Steel |
| P0239.030-025-ZP | M 3 | 25 | 0.80 | 2.0 | 0.85 | 5.5 | Steel |
| P0239.030-028-ZP | M 3 | 28 | 0.80 | 2.0 | 0.85 | 5.5 | Steel |
| P0239.030-030-ZP | M 3 | 30 | 0.80 | 2.0 | 0.85 | 5.5 | Steel |
| P0239.030-035-ZP | M 3 | 35 | 0.80 | 2.0 | 0.85 | 5.5 | Steel |
| P0239.030-040-ZP | M 3 | 40 | 0.80 | 2.0 | 0.85 | 5.5 | Steel |
| P0239.030-045-ZP | M 3 | 45 | 0.80 | 2.0 | 0.85 | 5.5 | Steel |
| P0239.030-050-ZP | M 3 | 50 | 0.80 | 2.0 | 0.85 | 5.5 | Steel |
| P0239.030-055-ZP | M 3 | 55 | 0.80 | 2.0 | 0.85 | 5.5 | Steel |
| P0239.030-060-ZP | M 3 | 60 | 0.80 | 2.0 | 0.85 | 5.5 | Steel |
| P0239.035-004-ZP | M3,5 | 4 | 1.00 | 2.4 | 1.00 | 6.0 | Steel |
| P0239.035-005-ZP | M3,5 | 5 | 1.00 | 2.4 | 1.00 | 6.0 | Steel |
| P0239.035-006-ZP | M3,5 | 6 | 1.00 | 2.4 | 1.00 | 6.0 | Steel |
| P0239.035-008-ZP | M3,5 | 8 | 1.00 | 2.4 | 1.00 | 6.0 | Steel |
| P0239.035-010-ZP | M3,5 | 10 | 1.00 | 2.4 | 1.00 | 6.0 | Steel |
| P0239.035-012-ZP | M3,5 | 12 | 1.00 | 2.4 | 1.00 | 6.0 | Steel |
| P0239.035-014-ZP | M3,5 | 14 | 1.00 | 2.4 | 1.00 | 6.0 | Steel |
| P0239.035-016-ZP | M3,5 | 16 | 1.00 | 2.4 | 1.00 | 6.0 | Steel |
| P0239.035-018-ZP | M3,5 | 18 | 1.00 | 2.4 | 1.00 | 6.0 | Steel |
| P0239.035-020-ZP | M3,5 | 20 | 1.00 | 2.4 | 1.00 | 6.0 | Steel |
| P0239.035-022-ZP | M3,5 | 22 | 1.00 | 2.4 | 1.00 | 6.0 | Steel |
| P0239.035-025-ZP | M3,5 | 25 | 1.00 | 2.4 | 1.00 | 6.0 | Steel |
| P0239.035-028-ZP | M3,5 | 28 | 1.00 | 2.4 | 1.00 | 6.0 | Steel |
| P0239.035-030-ZP | M3,5 | 30 | 1.00 | 2.4 | 1.00 | 6.0 | Steel |
| P0239.035-035-ZP | M3,5 | 35 | 1.00 | 2.4 | 1.00 | 6.0 | Steel |
| P0239.035-040-ZP | M3,5 | 40 | 1.00 | 2.4 | 1.00 | 6.0 | Steel |
| P0239.035-045-ZP | M3,5 | 45 | 1.00 | 2.4 | 1.00 | 6.0 | Steel |
| P0239.035-050-ZP | M3,5 | 50 | 1.00 | 2.4 | 1.00 | 6.0 | Steel |
| P0239.035-055-ZP | M3,5 | 55 | 1.00 | 2.4 | 1.00 | 6.0 | Steel |
| P0239.035-060-ZP | M3,5 | 60 | 1.00 | 2.4 | 1.00 | 6.0 | Steel |
| P0239.040-004-ZP | M 4 | 4 | 1.20 | 2.6 | 1.10 | 7.0 | Steel |
| P0239.040-005-ZP | M 4 | 5 | 1.20 | 2.6 | 1.10 | 7.0 | Steel |
| P0239.040-006-ZP | M 4 | 6 | 1.20 | 2.6 | 1.10 | 7.0 | Steel |
| P0239.040-008-ZP | M 4 | 8 | 1.20 | 2.6 | 1.10 | 7.0 | Steel |
| P0239.040-010-ZP | M 4 | 10 | 1.20 | 2.6 | 1.10 | 7.0 | Steel |
| P0239.040-012-ZP | M 4 | 12 | 1.20 | 2.6 | 1.10 | 7.0 | Steel |
| P0239.040-014-ZP | M 4 | 14 | 1.20 | 2.6 | 1.10 | 7.0 | Steel |
| P0239.040-016-ZP | M 4 | 16 | 1.20 | 2.6 | 1.10 | 7.0 | Steel |
| P0239.040-018-ZP | M 4 | 18 | 1.20 | 2.6 | 1.10 | 7.0 | Steel |
| P0239.040-020-ZP | M 4 | 20 | 1.20 | 2.6 | 1.10 | 7.0 | Steel |
| P0239.040-022-ZP | M 4 | 22 | 1.20 | 2.6 | 1.10 | 7.0 | Steel |
| P0239.040-025-ZP | M 4 | 25 | 1.20 | 2.6 | 1.10 | 7.0 | Steel |
| P0239.040-028-ZP | M 4 | 28 | 1.20 | 2.6 | 1.10 | 7.0 | Steel |
| P0239.040-030-ZP | M 4 | 30 | 1.20 | 2.6 | 1.10 | 7.0 | Steel |
| P0239.040-035-ZP | M 4 | 35 | 1.20 | 2.6 | 1.10 | 7.0 | Steel |
| P0239.040-040-ZP | M 4 | 40 | 1.20 | 2.6 | 1.10 | 7.0 | Steel |
| P0239.040-045-ZP | M 4 | 45 | 1.20 | 2.6 | 1.10 | 7.0 | Steel |
| P0239.040-050-ZP | M 4 | 50 | 1.20 | 2.6 | 1.10 | 7.0 | Steel |
| P0239.040-055-ZP | M 4 | 55 | 1.20 | 2.6 | 1.10 | 7.0 | Steel |
| P0239.040-060-ZP | M 4 | 60 | 1.20 | 2.6 | 1.10 | 7.0 | Steel |
| P0239.040-065-ZP | M 4 | 65 | 1.20 | 2.6 | 1.10 | 7.0 | Steel |
| P0239.040-070-ZP | M 4 | 70 | 1.20 | 2.6 | 1.10 | 7.0 | Steel |
| P0239.040-075-ZP | M 4 | 75 | 1.20 | 2.6 | 1.10 | 7.0 | Steel |

STANDARD SCREWS



STANDARD SCREWS

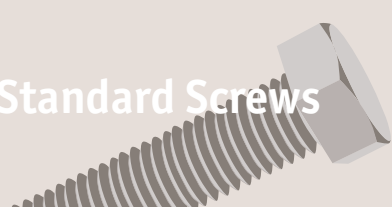
| Order No. | d ₁ | l ₁ | w ₁ | h ₁ | h ₂ | d ₂ | Material |
|------------------|----------------|----------------|----------------|----------------|----------------|----------------|----------|
| P0239.040-080-ZP | M 4 | 80 | 1.20 | 2.6 | 1.10 | 7.0 | Steel |
| P0239.040-085-ZP | M 4 | 85 | 1.20 | 2.6 | 1.10 | 7.0 | Steel |
| P0239.040-090-ZP | M 4 | 90 | 1.20 | 2.6 | 1.10 | 7.0 | Steel |
| P0239.040-100-ZP | M 4 | 100 | 1.20 | 2.6 | 1.10 | 7.0 | Steel |
| P0239.050-006-ZP | M 5 | 6 | 1.20 | 3.3 | 1.30 | 8.5 | Steel |
| P0239.050-008-ZP | M 5 | 8 | 1.20 | 3.3 | 1.30 | 8.5 | Steel |
| P0239.050-010-ZP | M 5 | 10 | 1.20 | 3.3 | 1.30 | 8.5 | Steel |
| P0239.050-012-ZP | M 5 | 12 | 1.20 | 3.3 | 1.30 | 8.5 | Steel |
| P0239.050-014-ZP | M 5 | 14 | 1.20 | 3.3 | 1.30 | 8.5 | Steel |
| P0239.050-016-ZP | M 5 | 16 | 1.20 | 3.3 | 1.30 | 8.5 | Steel |
| P0239.050-018-ZP | M 5 | 18 | 1.20 | 3.3 | 1.30 | 8.5 | Steel |
| P0239.050-020-ZP | M 5 | 20 | 1.20 | 3.3 | 1.30 | 8.5 | Steel |
| P0239.050-022-ZP | M 5 | 22 | 1.20 | 3.3 | 1.30 | 8.5 | Steel |
| P0239.050-025-ZP | M 5 | 25 | 1.20 | 3.3 | 1.30 | 8.5 | Steel |
| P0239.050-028-ZP | M 5 | 28 | 1.20 | 3.3 | 1.30 | 8.5 | Steel |
| P0239.050-030-ZP | M 5 | 30 | 1.20 | 3.3 | 1.30 | 8.5 | Steel |
| P0239.050-035-ZP | M 5 | 35 | 1.20 | 3.3 | 1.30 | 8.5 | Steel |
| P0239.050-040-ZP | M 5 | 40 | 1.20 | 3.3 | 1.30 | 8.5 | Steel |
| P0239.050-045-ZP | M 5 | 45 | 1.20 | 3.3 | 1.30 | 8.5 | Steel |
| P0239.050-050-ZP | M 5 | 50 | 1.20 | 3.3 | 1.30 | 8.5 | Steel |
| P0239.050-055-ZP | M 5 | 55 | 1.20 | 3.3 | 1.30 | 8.5 | Steel |
| P0239.050-060-ZP | M 5 | 60 | 1.20 | 3.3 | 1.30 | 8.5 | Steel |
| P0239.050-065-ZP | M 5 | 65 | 1.20 | 3.3 | 1.30 | 8.5 | Steel |
| P0239.050-070-ZP | M 5 | 70 | 1.20 | 3.3 | 1.30 | 8.5 | Steel |
| P0239.050-075-ZP | M 5 | 75 | 1.20 | 3.3 | 1.30 | 8.5 | Steel |
| P0239.050-080-ZP | M 5 | 80 | 1.20 | 3.3 | 1.30 | 8.5 | Steel |
| P0239.050-085-ZP | M 5 | 85 | 1.20 | 3.3 | 1.30 | 8.5 | Steel |
| P0239.050-090-ZP | M 5 | 90 | 1.20 | 3.3 | 1.30 | 8.5 | Steel |
| P0239.050-100-ZP | M 5 | 100 | 1.20 | 3.3 | 1.30 | 8.5 | Steel |
| P0239.060-006-ZP | M 6 | 6 | 1.60 | 3.9 | 1.60 | 10.0 | Steel |
| P0239.060-008-ZP | M 6 | 8 | 1.60 | 3.9 | 1.60 | 10.0 | Steel |
| P0239.060-010-ZP | M 6 | 10 | 1.60 | 3.9 | 1.60 | 10.0 | Steel |
| P0239.060-012-ZP | M 6 | 12 | 1.60 | 3.9 | 1.60 | 10.0 | Steel |
| P0239.060-014-ZP | M 6 | 14 | 1.60 | 3.9 | 1.60 | 10.0 | Steel |
| P0239.060-016-ZP | M 6 | 16 | 1.60 | 3.9 | 1.60 | 10.0 | Steel |
| P0239.060-018-ZP | M 6 | 18 | 1.60 | 3.9 | 1.60 | 10.0 | Steel |
| P0239.060-020-ZP | M 6 | 20 | 1.60 | 3.9 | 1.60 | 10.0 | Steel |
| P0239.060-022-ZP | M 6 | 22 | 1.60 | 3.9 | 1.60 | 10.0 | Steel |
| P0390.060-025-ZP | M 6 | 25 | 1.60 | 3.9 | 1.60 | 10.0 | Steel |
| P0239.060-028-ZP | M 6 | 28 | 1.60 | 3.9 | 1.60 | 10.0 | Steel |
| P0239.060-030-ZP | M 6 | 30 | 1.60 | 3.9 | 1.60 | 10.0 | Steel |
| P0239.060-035-ZP | M 6 | 35 | 1.60 | 3.9 | 1.60 | 10.0 | Steel |
| P0239.060-040-ZP | M 6 | 40 | 1.60 | 3.9 | 1.60 | 10.0 | Steel |
| P0239.060-045-ZP | M 6 | 45 | 1.60 | 3.9 | 1.60 | 10.0 | Steel |
| P0239.060-050-ZP | M 6 | 50 | 1.60 | 3.9 | 1.60 | 10.0 | Steel |
| P0239.060-055-ZP | M 6 | 55 | 1.60 | 3.9 | 1.60 | 10.0 | Steel |
| P0239.060-060-ZP | M 6 | 60 | 1.60 | 3.9 | 1.60 | 10.0 | Steel |
| P0239.060-065-ZP | M 6 | 65 | 1.60 | 3.9 | 1.60 | 10.0 | Steel |
| P0239.060-070-ZP | M 6 | 70 | 1.60 | 3.9 | 1.60 | 10.0 | Steel |
| P0239.060-075-ZP | M 6 | 75 | 1.60 | 3.9 | 1.60 | 10.0 | Steel |
| P0239.060-080-ZP | M 6 | 80 | 1.60 | 3.9 | 1.60 | 10.0 | Steel |
| P0239.060-085-ZP | M 6 | 85 | 1.60 | 3.9 | 1.60 | 10.0 | Steel |
| P0239.060-090-ZP | M 6 | 90 | 1.60 | 3.9 | 1.60 | 10.0 | Steel |
| P0239.060-100-ZP | M 6 | 100 | 1.60 | 3.9 | 1.60 | 10.0 | Steel |
| P0239.080-010-ZP | M 8 | 10 | 2.00 | 5.0 | 2.00 | 13.0 | Steel |
| P0239.080-012-ZP | M 8 | 12 | 2.00 | 5.0 | 2.00 | 13.0 | Steel |
| P0239.080-014-ZP | M 8 | 14 | 2.00 | 5.0 | 2.00 | 13.0 | Steel |
| P0239.080-016-ZP | M 8 | 16 | 2.00 | 5.0 | 2.00 | 13.0 | Steel |
| P0239.080-018-ZP | M 8 | 18 | 2.00 | 5.0 | 2.00 | 13.0 | Steel |
| P0239.080-020-ZP | M 8 | 20 | 2.00 | 5.0 | 2.00 | 13.0 | Steel |
| P0239.080-022-ZP | M 8 | 22 | 2.00 | 5.0 | 2.00 | 13.0 | Steel |
| P0239.080-025-ZP | M 8 | 25 | 2.00 | 5.0 | 2.00 | 13.0 | Steel |
| P0239.080-028-ZP | M 8 | 28 | 2.00 | 5.0 | 2.00 | 13.0 | Steel |
| P0239.080-030-ZP | M 8 | 30 | 2.00 | 5.0 | 2.00 | 13.0 | Steel |
| P0239.080-035-ZP | M 8 | 35 | 2.00 | 5.0 | 2.00 | 13.0 | Steel |
| P0239.080-040-ZP | M 8 | 40 | 2.00 | 5.0 | 2.00 | 13.0 | Steel |
| P0239.080-045-ZP | M 8 | 45 | 2.00 | 5.0 | 2.00 | 13.0 | Steel |
| P0239.080-050-ZP | M 8 | 50 | 2.00 | 5.0 | 2.00 | 13.0 | Steel |
| P0239.080-055-ZP | M 8 | 55 | 2.00 | 5.0 | 2.00 | 13.0 | Steel |



Slot Cheese Head Screws

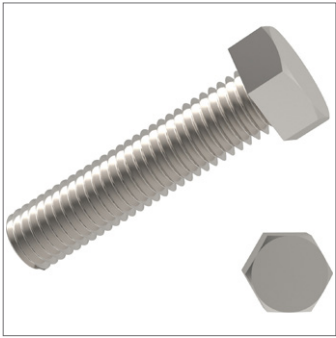
Slot - steel, zinc-plated

Standard Screws

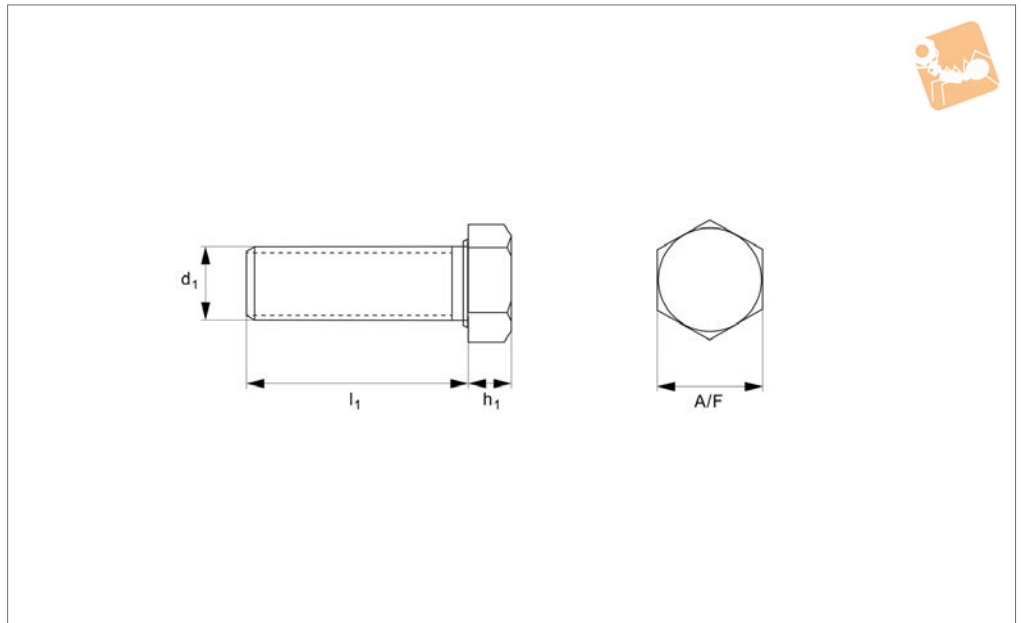


| Order No. | d ₁ | l ₁ | w ₁ | h ₁ | h ₂ | d ₂ | Material |
|------------------|----------------|----------------|----------------|----------------|----------------|----------------|----------|
| P0239.080-060-ZP | M 8 | 60 | 2.00 | 5.0 | 2.00 | 13.0 | Steel |
| P0239.080-065-ZP | M 8 | 65 | 2.00 | 5.0 | 2.00 | 13.0 | Steel |
| P0239.080-070-ZP | M 8 | 70 | 2.00 | 5.0 | 2.00 | 13.0 | Steel |
| P0239.080-075-ZP | M 8 | 75 | 2.00 | 5.0 | 2.00 | 13.0 | Steel |
| P0239.080-080-ZP | M 8 | 80 | 2.00 | 5.0 | 2.00 | 13.0 | Steel |
| P0239.080-085-ZP | M 8 | 85 | 2.00 | 5.0 | 2.00 | 13.0 | Steel |
| P0239.080-090-ZP | M 8 | 90 | 2.00 | 5.0 | 2.00 | 13.0 | Steel |
| P0239.080-100-ZP | M 8 | 100 | 2.00 | 5.0 | 2.00 | 13.0 | Steel |
| P0239.100-016-ZP | M10 | 16 | 2.50 | 6.0 | 2.40 | 16.0 | Steel |
| P0239.100-018-ZP | M10 | 18 | 2.50 | 6.0 | 2.40 | 16.0 | Steel |
| P0239.100-020-ZP | M10 | 20 | 2.50 | 6.0 | 2.40 | 16.0 | Steel |
| P0239.100-022-ZP | M10 | 22 | 2.50 | 6.0 | 2.40 | 16.0 | Steel |
| P0239.100-025-ZP | M10 | 25 | 2.50 | 6.0 | 2.40 | 16.0 | Steel |
| P0239.100-028-ZP | M10 | 28 | 2.50 | 6.0 | 2.40 | 16.0 | Steel |
| P0239.100-030-ZP | M10 | 30 | 2.50 | 6.0 | 2.40 | 16.0 | Steel |
| P0239.100-035-ZP | M10 | 35 | 2.50 | 6.0 | 2.40 | 16.0 | Steel |
| P0239.100-040-ZP | M10 | 40 | 2.50 | 6.0 | 2.40 | 16.0 | Steel |
| P0239.100-045-ZP | M10 | 45 | 2.50 | 6.0 | 2.40 | 16.0 | Steel |
| P0239.100-050-ZP | M10 | 50 | 2.50 | 6.0 | 2.40 | 16.0 | Steel |
| P0239.100-055-ZP | M10 | 55 | 2.50 | 6.0 | 2.40 | 16.0 | Steel |
| P0239.100-060-ZP | M10 | 60 | 2.50 | 6.0 | 2.40 | 16.0 | Steel |
| P0239.100-065-ZP | M10 | 65 | 2.50 | 6.0 | 2.40 | 16.0 | Steel |
| P0239.100-070-ZP | M10 | 70 | 2.50 | 6.0 | 2.40 | 16.0 | Steel |
| P0239.100-075-ZP | M10 | 75 | 2.50 | 6.0 | 2.40 | 16.0 | Steel |
| P0239.100-080-ZP | M10 | 80 | 2.50 | 6.0 | 2.40 | 16.0 | Steel |
| P0239.100-085-ZP | M10 | 85 | 2.50 | 6.0 | 2.40 | 16.0 | Steel |
| P0239.100-090-ZP | M10 | 90 | 2.50 | 6.0 | 2.40 | 16.0 | Steel |
| P0239.100-100-ZP | M10 | 100 | 2.50 | 6.0 | 2.40 | 16.0 | Steel |

STANDARD SCREWS



P0260.A2



Material

Stainless steel (A2, class 70, class 80 on request).

Technical Notes

To DIN 933, ISO 4017.

| Order No. | d ₁ | l ₁ | h ₁ | A/F |
|------------------|----------------|----------------|----------------|-----|
| P0260.020-003-A2 | M 2 | 3 | 1.4 | 4 |
| P0260.020-004-A2 | M 2 | 4 | 1.4 | 4 |
| P0260.020-005-A2 | M 2 | 5 | 1.4 | 4 |
| P0260.020-006-A2 | M 2 | 6 | 1.4 | 4 |
| P0260.020-008-A2 | M 2 | 8 | 1.4 | 4 |
| P0260.020-010-A2 | M 2 | 10 | 1.4 | 4 |
| P0260.020-012-A2 | M 2 | 12 | 1.4 | 4 |
| P0260.020-014-A2 | M 2 | 14 | 1.4 | 4 |
| P0260.020-016-A2 | M 2 | 16 | 1.4 | 4 |
| P0260.020-018-A2 | M 2 | 18 | 1.4 | 4 |
| P0260.020-020-A2 | M 2 | 20 | 1.4 | 4 |
| P0260.025-003-A2 | M2,5 | 3 | 1.7 | 5 |
| P0260.025-004-A2 | M2,5 | 4 | 1.7 | 5 |
| P0260.025-005-A2 | M2,5 | 5 | 1.7 | 5 |
| P0260.025-006-A2 | M2,5 | 6 | 1.7 | 5 |
| P0260.025-008-A2 | M2,5 | 8 | 1.7 | 5 |
| P0260.025-010-A2 | M2,5 | 10 | 1.7 | 5 |
| P0260.025-012-A2 | M2,5 | 12 | 1.7 | 5 |
| P0260.025-014-A2 | M2,5 | 14 | 1.7 | 5 |
| P0260.025-016-A2 | M2,5 | 16 | 1.7 | 5 |
| P0260.025-018-A2 | M2,5 | 18 | 1.7 | 5 |
| P0260.025-020-A2 | M2,5 | 20 | 1.7 | 5 |
| P0260.030-005-A2 | M 3 | 5 | 2.0 | 5.5 |
| P0260.030-006-A2 | M 3 | 6 | 2.0 | 5.5 |
| P0260.030-008-A2 | M 3 | 8 | 2.0 | 5.5 |
| P0260.030-010-A2 | M 3 | 10 | 2.0 | 5.5 |
| P0260.030-012-A2 | M 3 | 12 | 2.0 | 5.5 |
| P0260.030-014-A2 | M 3 | 14 | 2.0 | 5.5 |
| P0260.030-016-A2 | M 3 | 16 | 2.0 | 5.5 |
| P0260.030-018-A2 | M 3 | 18 | 2.0 | 5.5 |
| P0260.030-020-A2 | M 3 | 20 | 2.0 | 5.5 |
| P0260.030-022-A2 | M 3 | 22 | 2.0 | 5.5 |
| P0260.030-025-A2 | M 3 | 25 | 2.0 | 5.5 |
| P0260.030-030-A2 | M 3 | 30 | 2.0 | 5.5 |
| P0260.030-035-A2 | M 3 | 35 | 2.0 | 5.5 |



Hexagon Head Set Screws

A2 stainless

Standard Screws



| Order No. | d ₁ | l ₁ | h ₁ | A/F |
|------------------|----------------|----------------|----------------|-----|
| P0260.030-040-A2 | M 3 | 40 | 2.0 | 5.5 |
| P0260.030-045-A2 | M 3 | 45 | 2.0 | 5.5 |
| P0260.030-050-A2 | M 3 | 50 | 2.0 | 5.5 |
| P0260.040-005-A2 | M 4 | 5 | 2.8 | 7 |
| P0260.040-006-A2 | M 4 | 6 | 2.8 | 7 |
| P0260.040-008-A2 | M 4 | 8 | 2.8 | 7 |
| P0260.040-010-A2 | M 4 | 10 | 2.8 | 7 |
| P0260.040-012-A2 | M 4 | 12 | 2.8 | 7 |
| P0260.040-014-A2 | M 4 | 14 | 2.8 | 7 |
| P0260.040-016-A2 | M 4 | 16 | 2.8 | 7 |
| P0260.040-018-A2 | M 4 | 18 | 2.8 | 7 |
| P0260.040-020-A2 | M 4 | 20 | 2.8 | 7 |
| P0260.040-022-A2 | M 4 | 22 | 2.8 | 7 |
| P0260.040-025-A2 | M 4 | 25 | 2.8 | 7 |
| P0260.040-030-A2 | M 4 | 30 | 2.8 | 7 |
| P0260.040-035-A2 | M 4 | 35 | 2.8 | 7 |
| P0260.040-040-A2 | M 4 | 40 | 2.8 | 7 |
| P0260.040-045-A2 | M 4 | 45 | 2.8 | 7 |
| P0260.040-050-A2 | M 4 | 50 | 2.8 | 7 |
| P0260.040-055-A2 | M 4 | 55 | 2.8 | 7 |
| P0260.040-060-A2 | M 4 | 60 | 2.8 | 7 |
| P0260.040-065-A2 | M 4 | 65 | 2.8 | 7 |
| P0260.040-070-A2 | M 4 | 70 | 2.8 | 7 |
| P0260.050-006-A2 | M 5 | 6 | 3.5 | 8 |
| P0260.050-008-A2 | M 5 | 8 | 3.5 | 8 |
| P0260.050-010-A2 | M 5 | 10 | 3.5 | 8 |
| P0260.050-012-A2 | M 5 | 12 | 3.5 | 8 |
| P0260.050-014-A2 | M 5 | 14 | 3.5 | 8 |
| P0260.050-016-A2 | M 5 | 16 | 3.5 | 8 |
| P0260.050-018-A2 | M 5 | 18 | 3.5 | 8 |
| P0260.050-020-A2 | M 5 | 20 | 3.5 | 8 |
| P0260.050-022-A2 | M 5 | 22 | 3.5 | 8 |
| P0260.050-025-A2 | M 5 | 25 | 3.5 | 8 |
| P0260.050-030-A2 | M 5 | 30 | 3.5 | 8 |
| P0260.050-035-A2 | M 5 | 35 | 3.5 | 8 |
| P0260.050-040-A2 | M 5 | 40 | 3.5 | 8 |
| P0260.050-045-A2 | M 5 | 45 | 3.5 | 8 |
| P0260.050-050-A2 | M 5 | 50 | 3.5 | 8 |
| P0260.050-055-A2 | M 5 | 55 | 3.5 | 8 |
| P0260.050-060-A2 | M 5 | 60 | 3.5 | 8 |
| P0260.050-065-A2 | M 5 | 65 | 3.5 | 8 |
| P0260.050-070-A2 | M 5 | 70 | 3.5 | 8 |
| P0260.050-075-A2 | M 5 | 75 | 3.5 | 8 |
| P0260.050-080-A2 | M 5 | 80 | 3.5 | 8 |
| P0260.060-006-A2 | M 6 | 6 | 4.0 | 10 |
| P0260.060-008-A2 | M 6 | 8 | 4.0 | 10 |
| P0260.060-010-A2 | M 6 | 10 | 4.0 | 10 |
| P0260.060-012-A2 | M 6 | 12 | 4.0 | 10 |
| P0260.060-014-A2 | M 6 | 14 | 4.0 | 10 |
| P0260.060-016-A2 | M 6 | 16 | 4.0 | 10 |
| P0260.060-018-A2 | M 6 | 18 | 4.0 | 10 |
| P0260.060-020-A2 | M 6 | 20 | 4.0 | 10 |
| P0260.060-022-A2 | M 6 | 22 | 4.0 | 10 |
| P0260.060-025-A2 | M 6 | 25 | 4.0 | 10 |
| P0260.060-030-A2 | M 6 | 30 | 4.0 | 10 |
| P0260.060-035-A2 | M 6 | 35 | 4.0 | 10 |
| P0260.060-040-A2 | M 6 | 40 | 4.0 | 10 |
| P0260.060-045-A2 | M 6 | 45 | 4.0 | 10 |
| P0260.060-050-A2 | M 6 | 50 | 4.0 | 10 |
| P0260.060-055-A2 | M 6 | 55 | 4.0 | 10 |
| P0260.060-060-A2 | M 6 | 60 | 4.0 | 10 |
| P0260.060-065-A2 | M 6 | 65 | 4.0 | 10 |
| P0260.060-070-A2 | M 6 | 70 | 4.0 | 10 |
| P0260.060-075-A2 | M 6 | 75 | 4.0 | 10 |
| P0260.060-080-A2 | M 6 | 80 | 4.0 | 10 |
| P0260.060-085-A2 | M 6 | 85 | 4.0 | 10 |
| P0260.060-090-A2 | M 6 | 90 | 4.0 | 10 |
| P0260.060-095-A2 | M 6 | 95 | 4.0 | 10 |
| P0260.060-100-A2 | M 6 | 100 | 4.0 | 10 |

STANDARD SCREWS



STANDARD SCREWS

| Order No. | d ₁ | l ₁ | h ₁ | A/F |
|------------------|----------------|----------------|----------------|-----|
| P0260.060-110-A2 | M 6 | 110 | 4.0 | 10 |
| P0260.060-120-A2 | M 6 | 120 | 4.0 | 10 |
| P0260.080-008-A2 | M 8 | 8 | 5.3 | 13 |
| P0260.080-010-A2 | M 8 | 10 | 5.3 | 13 |
| P0260.080-012-A2 | M 8 | 12 | 5.3 | 13 |
| P0260.080-014-A2 | M 8 | 14 | 5.3 | 13 |
| P0260.080-016-A2 | M 8 | 16 | 5.3 | 13 |
| P0260.080-018-A2 | M 8 | 18 | 5.3 | 13 |
| P0260.080-020-A2 | M 8 | 20 | 5.3 | 13 |
| P0260.080-022-A2 | M 8 | 22 | 5.3 | 13 |
| P0260.080-025-A2 | M 8 | 25 | 5.3 | 13 |
| P0260.080-030-A2 | M 8 | 30 | 5.3 | 13 |
| P0260.080-035-A2 | M 8 | 35 | 5.3 | 13 |
| P0260.080-040-A2 | M 8 | 40 | 5.3 | 13 |
| P0260.080-045-A2 | M 8 | 45 | 5.3 | 13 |
| P0260.080-050-A2 | M 8 | 50 | 5.3 | 13 |
| P0260.080-055-A2 | M 8 | 55 | 5.3 | 13 |
| P0260.080-060-A2 | M 8 | 60 | 5.3 | 13 |
| P0260.080-065-A2 | M 8 | 65 | 5.3 | 13 |
| P0260.080-070-A2 | M 8 | 70 | 5.3 | 13 |
| P0260.080-075-A2 | M 8 | 75 | 5.3 | 13 |
| P0260.080-080-A2 | M 8 | 80 | 5.3 | 13 |
| P0260.080-085-A2 | M 8 | 85 | 5.3 | 13 |
| P0260.080-090-A2 | M 8 | 90 | 5.3 | 13 |
| P0260.080-095-A2 | M 8 | 95 | 5.3 | 13 |
| P0260.080-100-A2 | M 8 | 100 | 5.3 | 13 |
| P0260.080-110-A2 | M 8 | 110 | 5.3 | 13 |
| P0260.080-120-A2 | M 8 | 120 | 5.3 | 13 |
| P0260.080-130-A2 | M 8 | 130 | 5.3 | 13 |
| P0260.080-140-A2 | M 8 | 140 | 5.3 | 13 |
| P0260.080-150-A2 | M 8 | 150 | 5.3 | 13 |
| P0260.080-160-A2 | M 8 | 160 | 5.3 | 13 |
| P0260.080-170-A2 | M 8 | 170 | 5.3 | 13 |
| P0260.080-180-A2 | M 8 | 180 | 5.3 | 13 |
| P0260.080-190-A2 | M 8 | 190 | 5.3 | 13 |
| P0260.080-200-A2 | M 8 | 200 | 5.3 | 13 |
| P0260.100-010-A2 | M10 | 10 | 6.4 | 17 |
| P0260.100-012-A2 | M10 | 12 | 6.4 | 17 |
| P0260.100-014-A2 | M10 | 14 | 6.4 | 17 |
| P0260.100-016-A2 | M10 | 16 | 6.4 | 17 |
| P0260.100-018-A2 | M10 | 18 | 6.4 | 17 |
| P0260.100-020-A2 | M10 | 20 | 6.4 | 17 |
| P0260.100-025-A2 | M10 | 25 | 6.4 | 17 |
| P0260.100-030-A2 | M10 | 30 | 6.4 | 17 |
| P0260.100-035-A2 | M10 | 35 | 6.4 | 17 |
| P0260.100-040-A2 | M10 | 40 | 6.4 | 17 |
| P0260.100-045-A2 | M10 | 45 | 6.4 | 17 |
| P0260.100-050-A2 | M10 | 50 | 6.4 | 17 |
| P0260.100-055-A2 | M10 | 55 | 6.4 | 17 |
| P0260.100-060-A2 | M10 | 60 | 6.4 | 17 |
| P0260.100-065-A2 | M10 | 65 | 6.4 | 17 |
| P0260.100-070-A2 | M10 | 70 | 6.4 | 17 |
| P0260.100-075-A2 | M10 | 75 | 6.4 | 17 |
| P0260.100-080-A2 | M10 | 80 | 6.4 | 17 |
| P0260.100-085-A2 | M10 | 85 | 6.4 | 17 |
| P0260.100-090-A2 | M10 | 90 | 6.4 | 17 |
| P0260.100-095-A2 | M10 | 95 | 6.4 | 17 |
| P0260.100-100-A2 | M10 | 100 | 6.4 | 17 |
| P0260.100-110-A2 | M10 | 110 | 6.4 | 17 |
| P0260.100-120-A2 | M10 | 120 | 6.4 | 17 |
| P0260.100-130-A2 | M10 | 130 | 6.4 | 17 |
| P0260.100-140-A2 | M10 | 140 | 6.4 | 17 |
| P0260.100-150-A2 | M10 | 150 | 6.4 | 17 |
| P0260.100-160-A2 | M10 | 160 | 6.4 | 17 |
| P0260.100-170-A2 | M10 | 170 | 6.4 | 17 |
| P0260.100-180-A2 | M10 | 180 | 6.4 | 17 |
| P0260.100-190-A2 | M10 | 190 | 6.4 | 17 |
| P0260.100-200-A2 | M10 | 200 | 6.4 | 17 |
| P0260.120-016-A2 | M12 | 16 | 7.5 | 19 |



Hexagon Head Set Screws

A2 stainless

Standard Screws



| Order No. | d ₁ | l ₁ | h ₁ | A/F |
|------------------|----------------|----------------|----------------|-----|
| P0260.120-018-A2 | M12 | 18 | 7.5 | 19 |
| P0260.120-020-A2 | M12 | 20 | 7.5 | 19 |
| P0260.120-022-A2 | M12 | 22 | 7.5 | 19 |
| P0260.120-025-A2 | M12 | 25 | 7.5 | 19 |
| P0260.120-030-A2 | M12 | 30 | 7.5 | 19 |
| P0260.120-035-A2 | M12 | 35 | 7.5 | 19 |
| P0260.120-040-A2 | M12 | 40 | 7.5 | 19 |
| P0260.120-045-A2 | M12 | 45 | 7.5 | 19 |
| P0260.120-050-A2 | M12 | 50 | 7.5 | 19 |
| P0260.120-055-A2 | M12 | 55 | 7.5 | 19 |
| P0260.120-060-A2 | M12 | 60 | 7.5 | 19 |
| P0260.120-065-A2 | M12 | 65 | 7.5 | 19 |
| P0260.120-070-A2 | M12 | 70 | 7.5 | 19 |
| P0260.120-075-A2 | M12 | 75 | 7.5 | 19 |
| P0260.120-080-A2 | M12 | 80 | 7.5 | 19 |
| P0260.120-085-A2 | M12 | 85 | 7.5 | 19 |
| P0260.120-090-A2 | M12 | 90 | 7.5 | 19 |
| P0260.120-095-A2 | M12 | 95 | 7.5 | 19 |
| P0260.120-100-A2 | M12 | 100 | 7.5 | 19 |
| P0260.120-110-A2 | M12 | 110 | 7.5 | 19 |
| P0260.120-120-A2 | M12 | 120 | 7.5 | 19 |
| P0260.120-130-A2 | M12 | 130 | 7.5 | 19 |
| P0260.120-140-A2 | M12 | 140 | 7.5 | 19 |
| P0260.120-150-A2 | M12 | 150 | 7.5 | 19 |
| P0260.120-160-A2 | M12 | 160 | 7.5 | 19 |
| P0260.120-170-A2 | M12 | 170 | 7.5 | 19 |
| P0260.120-180-A2 | M12 | 180 | 7.5 | 19 |
| P0260.120-190-A2 | M12 | 190 | 7.5 | 19 |
| P0260.120-200-A2 | M12 | 200 | 7.5 | 19 |
| P0260.120-250-A2 | M12 | 250 | 7.5 | 19 |
| P0260.140-020-A2 | M14 | 20 | 8.8 | 22 |
| P0260.140-022-A2 | M14 | 22 | 8.8 | 22 |
| P0260.140-025-A2 | M14 | 25 | 8.8 | 22 |
| P0260.140-030-A2 | M14 | 30 | 8.8 | 22 |
| P0260.140-035-A2 | M14 | 35 | 8.8 | 22 |
| P0260.140-040-A2 | M14 | 40 | 8.8 | 22 |
| P0260.140-045-A2 | M14 | 45 | 8.8 | 22 |
| P0260.140-050-A2 | M14 | 50 | 8.8 | 22 |
| P0260.140-055-A2 | M14 | 55 | 8.8 | 22 |
| P0260.140-060-A2 | M14 | 60 | 8.8 | 22 |
| P0260.140-065-A2 | M14 | 65 | 8.8 | 22 |
| P0260.140-070-A2 | M14 | 70 | 8.8 | 22 |
| P0260.140-075-A2 | M14 | 75 | 8.8 | 22 |
| P0260.140-080-A2 | M14 | 80 | 8.8 | 22 |
| P0260.140-085-A2 | M14 | 85 | 8.8 | 22 |
| P0260.140-090-A2 | M14 | 90 | 8.8 | 22 |
| P0260.140-095-A2 | M14 | 95 | 8.8 | 22 |
| P0260.140-100-A2 | M14 | 100 | 8.8 | 22 |
| P0260.140-110-A2 | M14 | 110 | 8.8 | 22 |
| P0260.140-120-A2 | M14 | 120 | 8.8 | 22 |
| P0260.140-130-A2 | M14 | 130 | 8.8 | 22 |
| P0260.140-140-A2 | M14 | 140 | 8.8 | 22 |
| P0260.140-150-A2 | M14 | 150 | 8.8 | 22 |
| P0260.160-020-A2 | M16 | 20 | 10 | 24 |
| P0260.160-022-A2 | M16 | 22 | 10 | 24 |
| P0260.160-025-A2 | M16 | 25 | 10 | 24 |
| P0260.160-030-A2 | M16 | 30 | 10 | 24 |
| P0260.160-035-A2 | M16 | 35 | 10 | 24 |
| P0260.160-040-A2 | M16 | 40 | 10 | 24 |
| P0260.160-045-A2 | M16 | 45 | 10 | 24 |
| P0260.160-050-A2 | M16 | 50 | 10 | 24 |
| P0260.160-055-A2 | M16 | 55 | 10 | 24 |
| P0260.160-060-A2 | M16 | 60 | 10 | 24 |
| P0260.160-065-A2 | M16 | 65 | 10 | 24 |
| P0260.160-070-A2 | M16 | 70 | 10 | 24 |
| P0260.160-075-A2 | M16 | 75 | 10 | 24 |
| P0260.160-080-A2 | M16 | 80 | 10 | 24 |
| P0260.160-085-A2 | M16 | 85 | 10 | 24 |
| P0260.160-090-A2 | M16 | 90 | 10 | 24 |

STANDARD SCREWS



STANDARD SCREWS

| Order No. | d ₁ | l ₁ | h ₁ | A/F |
|------------------|----------------|----------------|----------------|-----|
| P0260.160-095-A2 | M16 | 95 | 10 | 24 |
| P0260.160-100-A2 | M16 | 100 | 10 | 24 |
| P0260.160-110-A2 | M16 | 110 | 10 | 24 |
| P0260.160-120-A2 | M16 | 120 | 10 | 24 |
| P0260.160-130-A2 | M16 | 130 | 10 | 24 |
| P0260.160-140-A2 | M16 | 140 | 10 | 24 |
| P0260.160-150-A2 | M16 | 150 | 10 | 24 |
| P0260.160-160-A2 | M16 | 160 | 10 | 24 |
| P0260.160-170-A2 | M16 | 170 | 10 | 24 |
| P0260.160-180-A2 | M16 | 180 | 10 | 24 |
| P0260.160-190-A2 | M16 | 190 | 10 | 24 |
| P0260.160-200-A2 | M16 | 200 | 10 | 24 |
| P0260.160-250-A2 | M16 | 250 | 10 | 24 |
| P0260.180-025-A2 | M18 | 25 | 11.5 | 27 |
| P0260.180-030-A2 | M18 | 30 | 11.5 | 27 |
| P0260.180-035-A2 | M18 | 35 | 11.5 | 27 |
| P0260.180-040-A2 | M18 | 40 | 11.5 | 27 |
| P0260.180-045-A2 | M18 | 45 | 11.5 | 27 |
| P0260.180-050-A2 | M18 | 50 | 11.5 | 27 |
| P0260.180-055-A2 | M18 | 55 | 11.5 | 27 |
| P0260.180-060-A2 | M18 | 60 | 11.5 | 27 |
| P0260.180-065-A2 | M18 | 65 | 11.5 | 27 |
| P0260.180-070-A2 | M18 | 70 | 11.5 | 27 |
| P0260.180-075-A2 | M18 | 75 | 11.5 | 27 |
| P0260.180-080-A2 | M18 | 80 | 11.5 | 27 |
| P0260.180-085-A2 | M18 | 85 | 11.5 | 27 |
| P0260.180-090-A2 | M18 | 90 | 11.5 | 27 |
| P0260.180-095-A2 | M18 | 95 | 11.5 | 27 |
| P0260.180-100-A2 | M18 | 100 | 11.5 | 27 |
| P0260.180-110-A2 | M18 | 110 | 11.5 | 27 |
| P0260.180-120-A2 | M18 | 120 | 11.5 | 27 |
| P0260.180-130-A2 | M18 | 130 | 11.5 | 27 |
| P0260.180-140-A2 | M18 | 140 | 11.5 | 27 |
| P0260.180-150-A2 | M18 | 150 | 11.5 | 27 |
| P0260.200-030-A2 | M20 | 30 | 12.5 | 30 |
| P0260.200-035-A2 | M20 | 35 | 12.5 | 30 |
| P0260.200-040-A2 | M20 | 40 | 12.5 | 30 |
| P0260.200-045-A2 | M20 | 45 | 12.5 | 30 |
| P0260.200-050-A2 | M20 | 50 | 12.5 | 30 |
| P0260.200-055-A2 | M20 | 55 | 12.5 | 30 |
| P0260.200-060-A2 | M20 | 60 | 12.5 | 30 |
| P0260.200-065-A2 | M20 | 65 | 12.5 | 30 |
| P0260.200-070-A2 | M20 | 70 | 12.5 | 30 |
| P0260.200-075-A2 | M20 | 75 | 12.5 | 30 |
| P0260.200-080-A2 | M20 | 80 | 12.5 | 30 |
| P0260.200-085-A2 | M20 | 85 | 12.5 | 30 |
| P0260.200-090-A2 | M20 | 90 | 12.5 | 30 |
| P0260.200-095-A2 | M20 | 95 | 12.5 | 30 |
| P0260.200-100-A2 | M20 | 100 | 12.5 | 30 |
| P0260.200-110-A2 | M20 | 110 | 12.5 | 30 |
| P0260.200-120-A2 | M20 | 120 | 12.5 | 30 |
| P0260.200-130-A2 | M20 | 130 | 12.5 | 30 |
| P0260.200-140-A2 | M20 | 140 | 12.5 | 30 |
| P0260.200-150-A2 | M20 | 150 | 12.5 | 30 |
| P0260.200-160-A2 | M20 | 160 | 12.5 | 30 |
| P0260.200-170-A2 | M20 | 170 | 12.5 | 30 |
| P0260.200-180-A2 | M20 | 180 | 12.5 | 30 |
| P0260.200-190-A2 | M20 | 190 | 12.5 | 30 |
| P0260.200-200-A2 | M20 | 200 | 12.5 | 30 |
| P0260.200-250-A2 | M20 | 250 | 12.5 | 30 |
| P0260.220-030-A2 | M22 | 30 | 14.0 | 32 |
| P0260.220-035-A2 | M22 | 35 | 14.0 | 32 |
| P0260.220-040-A2 | M22 | 40 | 14.0 | 32 |
| P0260.220-045-A2 | M22 | 45 | 14.0 | 32 |
| P0260.220-050-A2 | M22 | 50 | 14.0 | 32 |
| P0260.220-060-A2 | M22 | 60 | 14.0 | 32 |
| P0260.220-065-A2 | M22 | 65 | 14.0 | 32 |
| P0260.220-070-A2 | M22 | 70 | 14.0 | 32 |
| P0260.220-075-A2 | M22 | 75 | 14.0 | 32 |



Hexagon Head Set Screws

A2 stainless

Standard Screws



| Order No. | d ₁ | l ₁ | h ₁ | A/F |
|------------------|----------------|----------------|----------------|-----|
| P0260.220-080-A2 | M22 | 80 | 14.0 | 32 |
| P0260.220-085-A2 | M22 | 85 | 14.0 | 32 |
| P0260.220-090-A2 | M22 | 90 | 14.0 | 32 |
| P0260.220-095-A2 | M22 | 95 | 14.0 | 32 |
| P0260.220-100-A2 | M22 | 100 | 14.0 | 32 |
| P0260.220-110-A2 | M22 | 110 | 14.0 | 32 |
| P0260.220-120-A2 | M22 | 120 | 14.0 | 32 |
| P0260.220-130-A2 | M22 | 130 | 14.0 | 32 |
| P0260.220-140-A2 | M22 | 140 | 14.0 | 32 |
| P0260.220-150-A2 | M22 | 150 | 14.0 | 32 |
| P0260.240-030-A2 | M24 | 30 | 15.0 | 36 |
| P0260.240-035-A2 | M24 | 35 | 15.0 | 36 |
| P0260.240-040-A2 | M24 | 40 | 15.0 | 36 |
| P0260.240-045-A2 | M24 | 45 | 15.0 | 36 |
| P0260.240-050-A2 | M24 | 50 | 15.0 | 36 |
| P0260.240-055-A2 | M24 | 55 | 15.0 | 36 |
| P0260.240-060-A2 | M24 | 60 | 15.0 | 36 |
| P0260.240-065-A2 | M24 | 65 | 15.0 | 36 |
| P0260.240-070-A2 | M24 | 70 | 15.0 | 36 |
| P0260.240-075-A2 | M24 | 75 | 15.0 | 36 |
| P0260.240-080-A2 | M24 | 80 | 15.0 | 36 |
| P0260.240-085-A2 | M24 | 85 | 15.0 | 36 |
| P0260.240-090-A2 | M24 | 90 | 15.0 | 36 |
| P0260.240-095-A2 | M24 | 95 | 15.0 | 36 |
| P0260.240-100-A2 | M24 | 100 | 15.0 | 36 |
| P0260.240-110-A2 | M24 | 110 | 15.0 | 36 |
| P0260.240-120-A2 | M24 | 120 | 15.0 | 36 |
| P0260.240-130-A2 | M24 | 130 | 15.0 | 36 |
| P0260.240-140-A2 | M24 | 140 | 15.0 | 36 |
| P0260.240-150-A2 | M24 | 150 | 15.0 | 36 |
| P0260.240-160-A2 | M24 | 160 | 15.0 | 36 |
| P0260.240-170-A2 | M24 | 170 | 15.0 | 36 |
| P0260.240-190-A2 | M24 | 190 | 15.0 | 36 |
| P0260.240-200-A2 | M24 | 200 | 15.0 | 36 |
| P0260.240-250-A2 | M24 | 250 | 15.0 | 36 |
| P0260.270-050-A2 | M27 | 50 | 17.0 | 41 |
| P0260.270-055-A2 | M27 | 55 | 17.0 | 41 |
| P0260.270-060-A2 | M27 | 60 | 17.0 | 41 |
| P0260.270-065-A2 | M27 | 65 | 17.0 | 41 |
| P0260.270-070-A2 | M27 | 70 | 17.0 | 41 |
| P0260.270-075-A2 | M27 | 75 | 17.0 | 41 |
| P0260.270-080-A2 | M27 | 80 | 17.0 | 41 |
| P0260.270-085-A2 | M27 | 85 | 17.0 | 41 |
| P0260.270-090-A2 | M27 | 90 | 17.0 | 41 |
| P0260.270-095-A2 | M27 | 95 | 17.0 | 41 |
| P0260.270-100-A2 | M27 | 100 | 17.0 | 41 |
| P0260.270-110-A2 | M27 | 110 | 17.0 | 41 |
| P0260.270-120-A2 | M27 | 120 | 17.0 | 41 |
| P0260.270-130-A2 | M27 | 130 | 17.0 | 41 |
| P0260.270-140-A2 | M27 | 140 | 17.0 | 41 |
| P0260.270-150-A2 | M27 | 150 | 17.0 | 41 |
| P0260.300-050-A2 | M30 | 50 | 18.7 | 46 |
| P0260.300-055-A2 | M30 | 55 | 18.7 | 46 |
| P0260.300-060-A2 | M30 | 60 | 18.7 | 46 |
| P0260.300-065-A2 | M30 | 65 | 18.7 | 46 |
| P0260.300-070-A2 | M30 | 70 | 18.7 | 46 |
| P0260.300-075-A2 | M30 | 75 | 18.7 | 46 |
| P0260.300-080-A2 | M30 | 80 | 18.7 | 46 |
| P0260.300-085-A2 | M30 | 85 | 18.7 | 46 |
| P0260.300-090-A2 | M30 | 90 | 18.7 | 46 |
| P0260.300-095-A2 | M30 | 95 | 18.7 | 46 |
| P0260.300-100-A2 | M30 | 100 | 18.7 | 46 |
| P0260.300-110-A2 | M30 | 110 | 18.7 | 46 |
| P0260.300-120-A2 | M30 | 120 | 18.7 | 46 |
| P0260.300-130-A2 | M30 | 130 | 18.7 | 46 |
| P0260.300-140-A2 | M30 | 140 | 18.7 | 46 |
| P0260.300-150-A2 | M30 | 150 | 18.7 | 46 |
| P0260.330-050-A2 | M33 | 50 | 21.0 | 50 |
| P0260.330-055-A2 | M33 | 55 | 21.0 | 50 |

STANDARD SCREWS



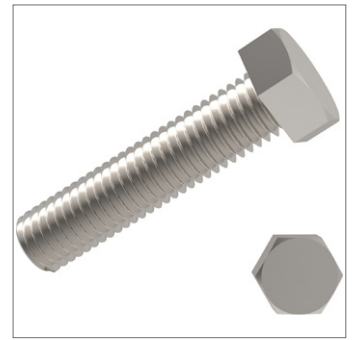
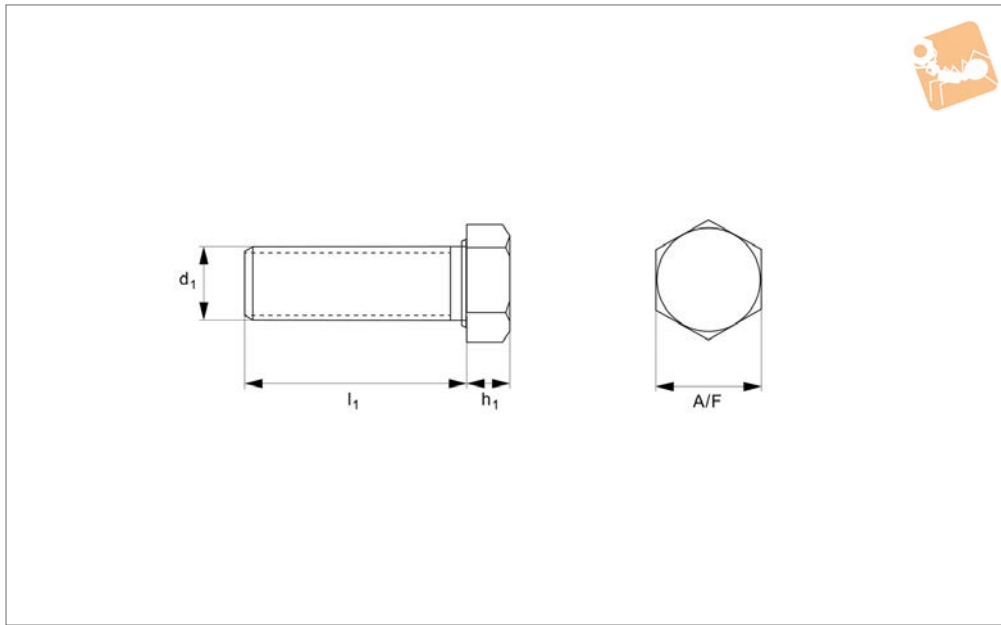
| Order No. | d ₁ | l ₁ | h ₁ | A/F |
|------------------|----------------|----------------|----------------|-----|
| P0260.330-060-A2 | M33 | 60 | 21.0 | 50 |
| P0260.330-065-A2 | M33 | 65 | 21.0 | 50 |
| P0260.330-070-A2 | M33 | 70 | 21.0 | 50 |
| P0260.330-075-A2 | M33 | 75 | 21.0 | 50 |
| P0260.330-080-A2 | M33 | 80 | 21.0 | 50 |
| P0260.330-085-A2 | M33 | 85 | 21.0 | 50 |
| P0260.330-090-A2 | M33 | 90 | 21.0 | 50 |
| P0260.330-095-A2 | M33 | 95 | 21.0 | 50 |
| P0260.330-100-A2 | M33 | 100 | 21.0 | 50 |
| P0260.330-110-A2 | M33 | 110 | 21.0 | 50 |
| P0260.330-120-A2 | M33 | 120 | 21.0 | 50 |
| P0260.330-130-A2 | M33 | 130 | 21.0 | 50 |
| P0260.330-140-A2 | M33 | 140 | 21.0 | 50 |
| P0260.330-150-A2 | M33 | 150 | 12.5 | 50 |
| P0260.360-050-A2 | M36 | 50 | 22.5 | 55 |
| P0260.360-055-A2 | M36 | 55 | 22.5 | 55 |
| P0260.360-060-A2 | M36 | 60 | 22.5 | 55 |
| P0260.360-065-A2 | M36 | 65 | 22.5 | 55 |
| P0260.360-070-A2 | M36 | 70 | 22.5 | 55 |
| P0260.360-075-A2 | M36 | 75 | 22.5 | 55 |
| P0260.360-080-A2 | M36 | 80 | 22.5 | 55 |
| P0260.360-085-A2 | M36 | 85 | 22.5 | 55 |
| P0260.360-090-A2 | M36 | 90 | 22.5 | 55 |
| P0260.360-095-A2 | M36 | 95 | 22.5 | 55 |
| P0260.360-100-A2 | M36 | 100 | 22.5 | 55 |
| P0260.360-110-A2 | M36 | 110 | 22.5 | 55 |
| P0260.360-120-A2 | M36 | 120 | 22.5 | 55 |
| P0260.360-130-A2 | M36 | 130 | 22.5 | 55 |
| P0260.360-140-A2 | M36 | 140 | 22.5 | 55 |
| P0260.360-150-A2 | M36 | 150 | 12.5 | 55 |
| P0260.360-160-A2 | M36 | 160 | 22.5 | 55 |
| P0260.360-170-A2 | M36 | 170 | 22.5 | 55 |
| P0260.360-180-A2 | M36 | 180 | 22.5 | 55 |



Hexagon Head Set Screws

A4 stainless

Standard Screws



P0260.A4

STANDARD SCREWS

Material

Stainless steel (A4, class 70, class 80 on request).

Technical Notes

To DIN 933, ISO 4017.

| Order No. | d ₁ | l ₁ | h ₁ | A/F |
|------------------|----------------|----------------|----------------|-----|
| P0260.020-003-A4 | M 2 | 3 | 1.4 | 4 |
| P0260.020-004-A4 | M 2 | 4 | 1.4 | 4 |
| P0260.020-005-A4 | M 2 | 5 | 1.4 | 4 |
| P0260.020-006-A4 | M 2 | 6 | 1.4 | 4 |
| P0260.020-008-A4 | M 2 | 8 | 1.4 | 4 |
| P0260.020-010-A4 | M 2 | 10 | 1.4 | 4 |
| P0260.020-012-A4 | M 2 | 12 | 1.4 | 4 |
| P0260.020-014-A4 | M 2 | 14 | 1.4 | 4 |
| P0260.020-016-A4 | M 2 | 16 | 1.4 | 4 |
| P0260.020-018-A4 | M 2 | 18 | 1.4 | 4 |
| P0260.020-020-A4 | M 2 | 20 | 1.4 | 4 |
| P0260.025-003-A4 | M2,5 | 3 | 1.7 | 5 |
| P0260.025-004-A4 | M2,5 | 4 | 1.7 | 5 |
| P0260.025-005-A4 | M2,5 | 5 | 1.7 | 5 |
| P0260.025-006-A4 | M2,5 | 6 | 1.7 | 5 |
| P0260.025-008-A4 | M2,5 | 8 | 1.7 | 5 |
| P0260.025-010-A4 | M2,5 | 10 | 1.7 | 5 |
| P0260.025-012-A4 | M2,5 | 12 | 1.7 | 5 |
| P0260.025-014-A4 | M2,5 | 14 | 1.7 | 5 |
| P0260.025-016-A4 | M2,5 | 16 | 1.7 | 5 |
| P0260.025-018-A4 | M2,5 | 18 | 1.7 | 5 |
| P0260.025-020-A4 | M2,5 | 20 | 1.7 | 5 |
| P0260.030-005-A4 | M 3 | 5 | 2.0 | 5.5 |
| P0260.030-006-A4 | M 3 | 6 | 2.0 | 5.5 |
| P0260.030-008-A4 | M 3 | 8 | 2.0 | 5.5 |
| P0260.030-010-A4 | M 3 | 10 | 2.0 | 5.5 |
| P0260.030-012-A4 | M 3 | 12 | 2.0 | 5.5 |
| P0260.030-014-A4 | M 3 | 14 | 2.0 | 5.5 |
| P0260.030-016-A4 | M 3 | 16 | 2.0 | 5.5 |
| P0260.030-018-A4 | M 3 | 18 | 2.0 | 5.5 |
| P0260.030-020-A4 | M 3 | 20 | 2.0 | 5.5 |
| P0260.030-022-A4 | M 3 | 22 | 2.0 | 5.5 |
| P0260.030-025-A4 | M 3 | 25 | 2.0 | 5.5 |
| P0260.030-030-A4 | M 3 | 30 | 2.0 | 5.5 |
| P0260.030-035-A4 | M 3 | 35 | 2.0 | 5.5 |



STANDARD SCREWS

| Order No. | d ₁ | l ₁ | h ₁ | A/F |
|------------------|----------------|----------------|----------------|-----|
| P0260.030-040-A4 | M 3 | 40 | 2.0 | 5.5 |
| P0260.030-045-A4 | M 3 | 45 | 2.0 | 5.5 |
| P0260.030-050-A4 | M 3 | 50 | 2.0 | 5.5 |
| P0260.040-005-A4 | M 4 | 5 | 2.8 | 7 |
| P0260.040-006-A4 | M 4 | 6 | 2.8 | 7 |
| P0260.040-008-A4 | M 4 | 8 | 2.8 | 7 |
| P0260.040-010-A4 | M 4 | 10 | 2.8 | 7 |
| P0260.040-012-A4 | M 4 | 12 | 2.8 | 7 |
| P0260.040-014-A4 | M 4 | 14 | 2.8 | 7 |
| P0260.040-016-A4 | M 4 | 16 | 2.8 | 7 |
| P0260.040-018-A4 | M 4 | 18 | 2.8 | 7 |
| P0260.040-020-A4 | M 4 | 20 | 2.8 | 7 |
| P0260.040-022-A4 | M 4 | 22 | 2.8 | 7 |
| P0260.040-025-A4 | M 4 | 25 | 2.8 | 7 |
| P0260.040-030-A4 | M 4 | 30 | 2.8 | 7 |
| P0260.040-035-A4 | M 4 | 35 | 2.8 | 7 |
| P0260.040-040-A4 | M 4 | 40 | 2.8 | 7 |
| P0260.040-045-A4 | M 4 | 45 | 2.8 | 7 |
| P0260.040-050-A4 | M 4 | 50 | 2.8 | 7 |
| P0260.040-055-A4 | M 4 | 55 | 2.8 | 7 |
| P0260.040-060-A4 | M 4 | 60 | 2.8 | 7 |
| P0260.040-065-A4 | M 4 | 65 | 2.8 | 7 |
| P0260.040-070-A4 | M 4 | 70 | 2.8 | 7 |
| P0260.050-006-A4 | M 5 | 6 | 3.5 | 8 |
| P0260.050-008-A4 | M 5 | 8 | 3.5 | 8 |
| P0260.050-010-A4 | M 5 | 10 | 3.5 | 8 |
| P0260.050-012-A4 | M 5 | 12 | 3.5 | 8 |
| P0260.050-014-A4 | M 5 | 14 | 3.5 | 8 |
| P0260.050-016-A4 | M 5 | 16 | 3.5 | 8 |
| P0260.050-018-A4 | M 5 | 18 | 3.5 | 8 |
| P0260.050-020-A4 | M 5 | 20 | 3.5 | 8 |
| P0260.050-022-A4 | M 5 | 22 | 3.5 | 8 |
| P0260.050-025-A4 | M 5 | 25 | 3.5 | 8 |
| P0260.050-030-A4 | M 5 | 30 | 3.5 | 8 |
| P0260.050-035-A4 | M 5 | 35 | 3.5 | 8 |
| P0260.050-040-A4 | M 5 | 40 | 3.5 | 8 |
| P0260.050-045-A4 | M 5 | 45 | 3.5 | 8 |
| P0260.050-050-A4 | M 5 | 50 | 3.5 | 8 |
| P0260.050-055-A4 | M 5 | 55 | 3.5 | 8 |
| P0260.050-060-A4 | M 5 | 60 | 3.5 | 8 |
| P0260.050-065-A4 | M 5 | 65 | 3.5 | 8 |
| P0260.050-070-A4 | M 5 | 70 | 3.5 | 8 |
| P0260.050-075-A4 | M 5 | 75 | 3.5 | 8 |
| P0260.050-080-A4 | M 5 | 80 | 3.5 | 8 |
| P0260.060-006-A4 | M 6 | 6 | 4.0 | 10 |
| P0260.060-008-A4 | M 6 | 8 | 4.0 | 10 |
| P0260.060-010-A4 | M 6 | 10 | 4.0 | 10 |
| P0260.060-012-A4 | M 6 | 12 | 4.0 | 10 |
| P0260.060-014-A4 | M 6 | 14 | 4.0 | 10 |
| P0260.060-016-A4 | M 6 | 16 | 4.0 | 10 |
| P0260.060-018-A4 | M 6 | 18 | 4.0 | 10 |
| P0260.060-020-A4 | M 6 | 20 | 4.0 | 10 |
| P0260.060-022-A4 | M 6 | 22 | 4.0 | 10 |
| P0260.060-025-A4 | M 6 | 25 | 4.0 | 10 |
| P0260.060-030-A4 | M 6 | 30 | 4.0 | 10 |
| P0260.060-035-A4 | M 6 | 35 | 4.0 | 10 |
| P0260.060-040-A4 | M 6 | 40 | 4.0 | 10 |
| P0260.060-045-A4 | M 6 | 45 | 4.0 | 10 |
| P0260.060-050-A4 | M 6 | 50 | 4.0 | 10 |
| P0260.060-055-A4 | M 6 | 55 | 4.0 | 10 |
| P0260.060-060-A4 | M 6 | 60 | 4.0 | 10 |
| P0260.060-065-A4 | M 6 | 65 | 4.0 | 10 |
| P0260.060-070-A4 | M 6 | 70 | 4.0 | 10 |
| P0260.060-075-A4 | M 6 | 75 | 4.0 | 10 |
| P0260.060-080-A4 | M 6 | 80 | 4.0 | 10 |
| P0260.060-085-A4 | M 6 | 85 | 4.0 | 10 |
| P0260.060-090-A4 | M 6 | 90 | 4.0 | 10 |
| P0260.060-095-A4 | M 6 | 95 | 4.0 | 10 |
| P0260.060-100-A4 | M 6 | 100 | 4.0 | 10 |



Hexagon Head Set Screws

A4 stainless

Standard Screws



| Order No. | d ₁ | l ₁ | h ₁ | A/F |
|------------------|----------------|----------------|----------------|-----|
| P0260.060-110-A4 | M 6 | 110 | 4.0 | 10 |
| P0260.060-120-A4 | M 6 | 120 | 4.0 | 10 |
| P0260.080-008-A4 | M 8 | 8 | 5.3 | 13 |
| P0260.080-010-A4 | M 8 | 10 | 5.3 | 13 |
| P0260.080-012-A4 | M 8 | 12 | 5.3 | 13 |
| P0260.080-014-A4 | M 8 | 14 | 5.3 | 13 |
| P0260.080-016-A4 | M 8 | 16 | 5.3 | 13 |
| P0260.080-018-A4 | M 8 | 18 | 5.3 | 13 |
| P0260.080-020-A4 | M 8 | 20 | 5.3 | 13 |
| P0260.080-022-A4 | M 8 | 22 | 5.3 | 13 |
| P0260.080-025-A4 | M 8 | 25 | 5.3 | 13 |
| P0260.080-030-A4 | M 8 | 30 | 5.3 | 13 |
| P0260.080-035-A4 | M 8 | 35 | 5.3 | 13 |
| P0260.080-040-A4 | M 8 | 40 | 5.3 | 13 |
| P0260.080-045-A4 | M 8 | 45 | 5.3 | 13 |
| P0260.080-050-A4 | M 8 | 50 | 5.3 | 13 |
| P0260.080-055-A4 | M 8 | 55 | 5.3 | 13 |
| P0260.080-060-A4 | M 8 | 60 | 5.3 | 13 |
| P0260.080-065-A4 | M 8 | 65 | 5.3 | 13 |
| P0260.080-070-A4 | M 8 | 70 | 5.3 | 13 |
| P0260.080-075-A4 | M 8 | 75 | 5.3 | 13 |
| P0260.080-080-A4 | M 8 | 80 | 5.3 | 13 |
| P0260.080-085-A4 | M 8 | 85 | 5.3 | 13 |
| P0260.080-090-A4 | M 8 | 90 | 5.3 | 13 |
| P0260.080-095-A4 | M 8 | 95 | 5.3 | 13 |
| P0260.080-100-A4 | M 8 | 100 | 5.3 | 13 |
| P0260.080-110-A4 | M 8 | 110 | 5.3 | 13 |
| P0260.080-120-A4 | M 8 | 120 | 5.3 | 13 |
| P0260.080-130-A4 | M 8 | 130 | 5.3 | 13 |
| P0260.080-140-A4 | M 8 | 140 | 5.3 | 13 |
| P0260.080-150-A4 | M 8 | 150 | 5.3 | 13 |
| P0260.080-160-A4 | M 8 | 160 | 5.3 | 13 |
| P0260.080-170-A4 | M 8 | 170 | 5.3 | 13 |
| P0260.080-180-A4 | M 8 | 180 | 5.3 | 13 |
| P0260.080-190-A4 | M 8 | 190 | 5.3 | 13 |
| P0260.080-200-A4 | M 8 | 200 | 5.3 | 13 |
| P0260.100-010-A4 | M10 | 10 | 6.4 | 17 |
| P0260.100-012-A4 | M10 | 12 | 6.4 | 17 |
| P0260.100-014-A4 | M10 | 14 | 6.4 | 17 |
| P0260.100-016-A4 | M10 | 16 | 6.4 | 17 |
| P0260.100-018-A4 | M10 | 18 | 6.4 | 17 |
| P0260.100-020-A4 | M10 | 20 | 6.4 | 17 |
| P0260.100-025-A4 | M10 | 25 | 6.4 | 17 |
| P0260.100-030-A4 | M10 | 30 | 6.4 | 17 |
| P0260.100-035-A4 | M10 | 35 | 6.4 | 17 |
| P0260.100-040-A4 | M10 | 40 | 6.4 | 17 |
| P0260.100-045-A4 | M10 | 45 | 6.4 | 17 |
| P0260.100-050-A4 | M10 | 50 | 6.4 | 17 |
| P0260.100-055-A4 | M10 | 55 | 6.4 | 17 |
| P0260.100-060-A4 | M10 | 60 | 6.4 | 17 |
| P0260.100-065-A4 | M10 | 65 | 6.4 | 17 |
| P0260.100-070-A4 | M10 | 70 | 6.4 | 17 |
| P0260.100-075-A4 | M10 | 75 | 6.4 | 17 |
| P0260.100-080-A4 | M10 | 80 | 6.4 | 17 |
| P0260.100-085-A4 | M10 | 85 | 6.4 | 17 |
| P0260.100-090-A4 | M10 | 90 | 6.4 | 17 |
| P0260.100-095-A4 | M10 | 95 | 6.4 | 17 |
| P0260.100-100-A4 | M10 | 100 | 6.4 | 17 |
| P0260.100-110-A4 | M10 | 110 | 6.4 | 17 |
| P0260.100-120-A4 | M10 | 120 | 6.4 | 17 |
| P0260.100-130-A4 | M10 | 130 | 6.4 | 17 |
| P0260.100-140-A4 | M10 | 140 | 6.4 | 17 |
| P0260.100-150-A4 | M10 | 150 | 6.4 | 17 |
| P0260.100-160-A4 | M10 | 160 | 6.4 | 17 |
| P0260.100-170-A4 | M10 | 170 | 6.4 | 17 |
| P0260.100-180-A4 | M10 | 180 | 6.4 | 17 |
| P0260.100-190-A4 | M10 | 190 | 6.4 | 17 |
| P0260.100-200-A4 | M10 | 200 | 6.4 | 17 |
| P0260.120-016-A4 | M12 | 16 | 7.5 | 19 |

STANDARD SCREWS



STANDARD SCREWS

| Order No. | d ₁ | l ₁ | h ₁ | A/F |
|------------------|----------------|----------------|----------------|-----|
| P0260.120-018-A4 | M12 | 18 | 7.5 | 19 |
| P0260.120-020-A4 | M12 | 20 | 7.5 | 19 |
| P0260.120-022-A4 | M12 | 22 | 7.5 | 19 |
| P0260.120-025-A4 | M12 | 25 | 7.5 | 19 |
| P0260.120-030-A4 | M12 | 30 | 7.5 | 19 |
| P0260.120-035-A4 | M12 | 35 | 7.5 | 19 |
| P0260.120-040-A4 | M12 | 40 | 7.5 | 19 |
| P0260.120-045-A4 | M12 | 45 | 7.5 | 19 |
| P0260.120-050-A4 | M12 | 50 | 7.5 | 19 |
| P0260.120-055-A4 | M12 | 55 | 7.5 | 19 |
| P0260.120-060-A4 | M12 | 60 | 7.5 | 19 |
| P0260.120-065-A4 | M12 | 65 | 7.5 | 19 |
| P0260.120-070-A4 | M12 | 70 | 7.5 | 19 |
| P0260.120-075-A4 | M12 | 75 | 7.5 | 19 |
| P0260.120-080-A4 | M12 | 80 | 7.5 | 19 |
| P0260.120-085-A4 | M12 | 85 | 7.5 | 19 |
| P0260.120-090-A4 | M12 | 90 | 7.5 | 19 |
| P0260.120-095-A4 | M12 | 95 | 7.5 | 19 |
| P0260.120-100-A4 | M12 | 100 | 7.5 | 19 |
| P0260.120-110-A4 | M12 | 110 | 7.5 | 19 |
| P0260.120-120-A4 | M12 | 120 | 7.5 | 19 |
| P0260.120-130-A4 | M12 | 130 | 7.5 | 19 |
| P0260.120-140-A4 | M12 | 140 | 7.5 | 19 |
| P0260.120-150-A4 | M12 | 150 | 7.5 | 19 |
| P0260.120-160-A4 | M12 | 160 | 7.5 | 19 |
| P0260.120-170-A4 | M12 | 170 | 7.5 | 19 |
| P0260.120-180-A4 | M12 | 180 | 7.5 | 19 |
| P0260.120-190-A4 | M12 | 190 | 7.5 | 19 |
| P0260.120-200-A4 | M12 | 200 | 7.5 | 19 |
| P0260.120-250-A4 | M12 | 250 | 7.5 | 19 |
| P0260.140-020-A4 | M14 | 20 | 8.8 | 22 |
| P0260.140-022-A4 | M14 | 22 | 8.8 | 22 |
| P0260.140-025-A4 | M14 | 25 | 8.8 | 22 |
| P0260.140-030-A4 | M14 | 30 | 8.8 | 22 |
| P0260.140-035-A4 | M14 | 35 | 8.8 | 22 |
| P0260.140-040-A4 | M14 | 40 | 8.8 | 22 |
| P0260.140-045-A4 | M14 | 45 | 8.8 | 22 |
| P0260.140-050-A4 | M14 | 50 | 8.8 | 22 |
| P0260.140-055-A4 | M14 | 55 | 8.8 | 22 |
| P0260.140-060-A4 | M14 | 60 | 8.8 | 22 |
| P0260.140-065-A4 | M14 | 65 | 8.8 | 22 |
| P0260.140-070-A4 | M14 | 70 | 8.8 | 22 |
| P0260.140-075-A4 | M14 | 75 | 8.8 | 22 |
| P0260.140-080-A4 | M14 | 80 | 8.8 | 22 |
| P0260.140-085-A4 | M14 | 85 | 8.8 | 22 |
| P0260.140-090-A4 | M14 | 90 | 8.8 | 22 |
| P0260.140-095-A4 | M14 | 95 | 8.8 | 22 |
| P0260.140-100-A4 | M14 | 100 | 8.8 | 22 |
| P0260.140-110-A4 | M14 | 110 | 8.8 | 22 |
| P0260.140-120-A4 | M14 | 120 | 8.8 | 22 |
| P0260.140-130-A4 | M14 | 130 | 8.8 | 22 |
| P0260.140-140-A4 | M14 | 140 | 8.8 | 22 |
| P0260.140-150-A4 | M14 | 150 | 8.8 | 22 |
| P0260.160-020-A4 | M16 | 20 | 10 | 24 |
| P0260.160-022-A4 | M16 | 22 | 10 | 24 |
| P0260.160-025-A4 | M16 | 25 | 10 | 24 |
| P0260.160-030-A4 | M16 | 30 | 10 | 24 |
| P0260.160-035-A4 | M16 | 35 | 10 | 24 |
| P0260.160-040-A4 | M16 | 40 | 10 | 24 |
| P0260.160-045-A4 | M16 | 45 | 10 | 24 |
| P0260.160-050-A4 | M16 | 50 | 10 | 24 |
| P0260.160-055-A4 | M16 | 55 | 10 | 24 |
| P0260.160-060-A4 | M16 | 60 | 10 | 24 |
| P0260.160-065-A4 | M16 | 65 | 10 | 24 |
| P0260.160-070-A4 | M16 | 70 | 10 | 24 |
| P0260.160-075-A4 | M16 | 75 | 10 | 24 |
| P0260.160-080-A4 | M16 | 80 | 10 | 24 |
| P0260.160-085-A4 | M16 | 85 | 10 | 24 |
| P0260.160-090-A4 | M16 | 90 | 10 | 24 |



Hexagon Head Set Screws

A4 stainless

Standard Screws



| Order No. | d ₁ | l ₁ | h ₁ | A/F |
|------------------|----------------|----------------|----------------|-----|
| P0260.160-095-A4 | M16 | 95 | 10 | 24 |
| P0260.160-100-A4 | M16 | 100 | 10 | 24 |
| P0260.160-110-A4 | M16 | 110 | 10 | 24 |
| P0260.160-120-A4 | M16 | 120 | 10 | 24 |
| P0260.160-130-A4 | M16 | 130 | 10 | 24 |
| P0260.160-140-A4 | M16 | 140 | 10 | 24 |
| P0260.160-150-A4 | M16 | 150 | 10 | 24 |
| P0260.160-160-A4 | M16 | 160 | 10 | 24 |
| P0260.160-170-A4 | M16 | 170 | 10 | 24 |
| P0260.160-180-A4 | M16 | 180 | 10 | 24 |
| P0260.160-190-A4 | M16 | 190 | 10 | 24 |
| P0260.160-200-A4 | M16 | 200 | 10 | 24 |
| P0260.160-250-A4 | M16 | 250 | 10 | 24 |
| P0260.180-025-A4 | M18 | 25 | 11.5 | 27 |
| P0260.180-030-A4 | M18 | 30 | 11.5 | 27 |
| P0260.180-035-A4 | M18 | 35 | 11.5 | 27 |
| P0260.180-040-A4 | M18 | 40 | 11.5 | 27 |
| P0260.180-045-A4 | M18 | 45 | 11.5 | 27 |
| P0260.180-050-A4 | M18 | 50 | 11.5 | 27 |
| P0260.180-055-A4 | M18 | 55 | 11.5 | 27 |
| P0260.180-060-A4 | M18 | 60 | 11.5 | 27 |
| P0260.180-065-A4 | M18 | 65 | 11.5 | 27 |
| P0260.180-070-A4 | M18 | 70 | 11.5 | 27 |
| P0260.180-075-A4 | M18 | 75 | 11.5 | 27 |
| P0260.180-080-A4 | M18 | 80 | 11.5 | 27 |
| P0260.180-085-A4 | M18 | 85 | 11.5 | 27 |
| P0260.180-090-A4 | M18 | 90 | 11.5 | 27 |
| P0260.180-095-A4 | M18 | 95 | 11.5 | 27 |
| P0260.180-100-A4 | M18 | 100 | 11.5 | 27 |
| P0260.180-110-A4 | M18 | 110 | 11.5 | 27 |
| P0260.180-120-A4 | M18 | 120 | 11.5 | 27 |
| P0260.180-130-A4 | M18 | 130 | 11.5 | 27 |
| P0260.180-140-A4 | M18 | 120 | 11.5 | 27 |
| P0260.180-150-A4 | M18 | 150 | 11.5 | 27 |
| P0260.200-030-A4 | M20 | 30 | 12.5 | 30 |
| P0260.200-035-A4 | M20 | 35 | 12.5 | 30 |
| P0260.200-040-A4 | M20 | 40 | 12.5 | 30 |
| P0260.200-045-A4 | M20 | 45 | 12.5 | 30 |
| P0260.200-050-A4 | M20 | 50 | 12.5 | 30 |
| P0260.200-055-A4 | M20 | 55 | 12.5 | 30 |
| P0260.200-060-A4 | M20 | 60 | 12.5 | 30 |
| P0260.200-065-A4 | M20 | 65 | 12.5 | 30 |
| P0260.200-070-A4 | M20 | 70 | 12.5 | 30 |
| P0260.200-075-A4 | M20 | 75 | 12.5 | 30 |
| P0260.200-080-A4 | M20 | 80 | 12.5 | 30 |
| P0260.200-085-A4 | M20 | 85 | 12.5 | 30 |
| P0260.200-090-A4 | M20 | 90 | 12.5 | 30 |
| P0260.200-095-A4 | M20 | 95 | 12.5 | 30 |
| P0260.200-100-A4 | M20 | 100 | 12.5 | 30 |
| P0260.200-110-A4 | M20 | 110 | 12.5 | 30 |
| P0260.200-120-A4 | M20 | 120 | 12.5 | 30 |
| P0260.200-130-A4 | M20 | 130 | 12.5 | 30 |
| P0260.200-140-A4 | M20 | 140 | 12.5 | 30 |
| P0260.200-150-A4 | M20 | 150 | 12.5 | 30 |
| P0260.200-160-A4 | M20 | 160 | 12.5 | 30 |
| P0260.200-170-A4 | M20 | 170 | 12.5 | 30 |
| P0260.200-180-A4 | M20 | 180 | 12.5 | 30 |
| P0260.200-190-A4 | M20 | 190 | 12.5 | 30 |
| P0260.200-200-A4 | M20 | 200 | 12.5 | 30 |
| P0260.200-250-A4 | M20 | 250 | 12.5 | 30 |
| P0260.220-030-A4 | M22 | 30 | 14.0 | 32 |
| P0260.220-035-A4 | M22 | 35 | 14.0 | 32 |
| P0260.220-040-A4 | M22 | 40 | 14.0 | 32 |
| P0260.220-045-A4 | M22 | 45 | 14.0 | 32 |
| P0260.220-050-A4 | M22 | 50 | 14.0 | 32 |
| P0260.220-055-A4 | M22 | 55 | 14.0 | 32 |
| P0260.220-060-A4 | M22 | 60 | 14.0 | 32 |
| P0260.220-065-A4 | M22 | 65 | 14.0 | 32 |
| P0260.220-070-A4 | M22 | 70 | 14.0 | 32 |

STANDARD SCREWS



STANDARD SCREWS

| Order No. | d ₁ | l ₁ | h ₁ | A/F |
|------------------|----------------|----------------|----------------|-----|
| P0260.220-075-A4 | M22 | 75 | 14.0 | 32 |
| P0260.220-080-A4 | M22 | 80 | 14.0 | 32 |
| P0260.220-085-A4 | M22 | 85 | 14.0 | 32 |
| P0260.220-090-A4 | M22 | 90 | 14.0 | 32 |
| P0260.220-095-A4 | M22 | 95 | 14.0 | 32 |
| P0260.220-100-A4 | M22 | 100 | 14.0 | 32 |
| P0260.220-110-A4 | M22 | 110 | 14.0 | 32 |
| P0260.220-120-A4 | M22 | 120 | 14.0 | 32 |
| P0260.220-130-A4 | M22 | 130 | 14.0 | 32 |
| P0260.220-140-A4 | M22 | 140 | 14.0 | 32 |
| P0260.220-150-A4 | M22 | 150 | 14.0 | 32 |
| P0260.240-030-A4 | M24 | 30 | 15.0 | 36 |
| P0260.240-035-A4 | M24 | 35 | 15.0 | 36 |
| P0260.240-040-A4 | M24 | 40 | 15.0 | 36 |
| P0260.240-045-A4 | M24 | 45 | 15.0 | 36 |
| P0260.240-050-A4 | M24 | 50 | 15.0 | 36 |
| P0260.240-055-A4 | M24 | 55 | 15.0 | 36 |
| P0260.240-060-A4 | M24 | 60 | 15.0 | 36 |
| P0260.240-065-A4 | M24 | 65 | 15.0 | 36 |
| P0260.240-070-A4 | M24 | 70 | 15.0 | 36 |
| P0260.240-075-A4 | M24 | 75 | 15.0 | 36 |
| P0260.240-080-A4 | M24 | 80 | 15.0 | 36 |
| P0260.240-085-A4 | M24 | 85 | 15.0 | 36 |
| P0260.240-090-A4 | M24 | 90 | 15.0 | 36 |
| P0260.240-095-A4 | M24 | 95 | 15.0 | 36 |
| P0260.240-100-A4 | M24 | 100 | 15.0 | 36 |
| P0260.240-110-A4 | M24 | 110 | 15.0 | 36 |
| P0260.240-120-A4 | M24 | 120 | 15.0 | 36 |
| P0260.240-130-A4 | M24 | 130 | 15.0 | 36 |
| P0260.240-140-A4 | M24 | 140 | 15.0 | 36 |
| P0260.240-150-A4 | M24 | 150 | 15.0 | 36 |
| P0260.240-160-A4 | M24 | 160 | 15.0 | 36 |
| P0260.240-170-A4 | M24 | 170 | 15.0 | 36 |
| P0260.240-180-A4 | M24 | 180 | 15.0 | 36 |
| P0260.240-190-A4 | M24 | 190 | 15.0 | 36 |
| P0260.240-200-A4 | M24 | 200 | 15.0 | 36 |
| P0260.240-250-A4 | M24 | 250 | 15.0 | 36 |
| P0260.270-050-A4 | M27 | 50 | 17.0 | 41 |
| P0260.270-055-A4 | M27 | 55 | 17.0 | 41 |
| P0260.270-060-A4 | M27 | 60 | 17.0 | 41 |
| P0260.270-065-A4 | M27 | 65 | 17.0 | 41 |
| P0260.270-070-A4 | M27 | 70 | 17.0 | 41 |
| P0260.270-075-A4 | M27 | 75 | 17.0 | 41 |
| P0260.270-080-A4 | M27 | 80 | 17.0 | 41 |
| P0260.270-085-A4 | M27 | 85 | 17.0 | 41 |
| P0260.270-090-A4 | M27 | 90 | 17.0 | 41 |
| P0260.270-095-A4 | M27 | 95 | 17.0 | 41 |
| P0260.270-100-A4 | M27 | 100 | 17.0 | 41 |
| P0260.270-110-A4 | M27 | 110 | 17.0 | 41 |
| P0260.270-120-A4 | M27 | 120 | 17.0 | 41 |
| P0260.270-130-A4 | M27 | 130 | 17.0 | 41 |
| P0260.270-140-A4 | M27 | 140 | 17.0 | 41 |
| P0260.270-150-A4 | M27 | 150 | 17.0 | 41 |
| P0260.300-050-A4 | M30 | 50 | 18.7 | 46 |
| P0260.300-055-A4 | M30 | 55 | 18.7 | 46 |
| P0260.300-060-A4 | M30 | 60 | 18.7 | 46 |
| P0260.300-065-A4 | M30 | 65 | 18.7 | 46 |
| P0260.300-070-A4 | M30 | 70 | 18.7 | 46 |
| P0260.300-075-A4 | M30 | 75 | 18.7 | 46 |
| P0260.300-080-A4 | M30 | 80 | 18.7 | 46 |
| P0260.300-085-A4 | M30 | 85 | 18.7 | 46 |
| P0260.300-090-A4 | M30 | 90 | 18.7 | 46 |
| P0260.300-095-A4 | M30 | 95 | 18.7 | 46 |
| P0260.300-100-A4 | M30 | 100 | 18.7 | 46 |
| P0260.300-110-A4 | M30 | 110 | 18.7 | 46 |
| P0260.300-120-A4 | M30 | 120 | 18.7 | 46 |
| P0260.300-130-A4 | M30 | 130 | 18.7 | 46 |
| P0260.300-140-A4 | M30 | 140 | 18.7 | 46 |
| P0260.300-150-A4 | M20 | 150 | 18.7 | 46 |



Hexagon Head Set Screws

A4 stainless

Standard Screws

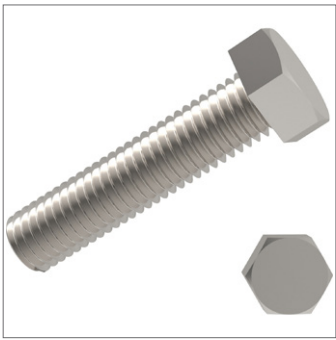


| Order No. | d ₁ | l ₁ | h ₁ | A/F |
|------------------|----------------|----------------|----------------|-----|
| P0260.330-050-A4 | M33 | 50 | 21.0 | 50 |
| P0260.330-055-A4 | M33 | 55 | 21.0 | 50 |
| P0260.330-060-A4 | M33 | 60 | 21.0 | 50 |
| P0260.330-065-A4 | M33 | 65 | 21.0 | 50 |
| P0260.330-070-A4 | M33 | 70 | 21.0 | 50 |
| P0260.330-075-A4 | M33 | 75 | 21.0 | 50 |
| P0260.330-080-A4 | M33 | 80 | 21.0 | 50 |
| P0260.330-085-A4 | M33 | 85 | 21.0 | 50 |
| P0260.330-090-A4 | M33 | 90 | 21.0 | 50 |
| P0260.330-095-A4 | M33 | 95 | 21.0 | 50 |
| P0260.330-100-A4 | M33 | 100 | 21.0 | 50 |
| P0260.330-110-A4 | M33 | 110 | 21.0 | 50 |
| P0260.330-120-A4 | M33 | 120 | 21.0 | 50 |
| P0260.330-130-A4 | M33 | 130 | 21.0 | 50 |
| P0260.330-140-A4 | M33 | 140 | 21.0 | 50 |
| P0260.330-150-A4 | M33 | 150 | 12.5 | 50 |
| P0260.360-050-A4 | M36 | 50 | 22.5 | 55 |
| P0260.360-055-A4 | M36 | 55 | 22.5 | 55 |
| P0260.360-060-A4 | M36 | 60 | 22.5 | 55 |
| P0260.360-065-A4 | M36 | 65 | 22.5 | 55 |
| P0260.360-070-A4 | M36 | 70 | 22.5 | 55 |
| P0260.360-075-A4 | M36 | 75 | 22.5 | 55 |
| P0260.360-080-A4 | M36 | 80 | 22.5 | 55 |
| P0260.360-085-A4 | M36 | 85 | 22.5 | 55 |
| P0260.360-090-A4 | M36 | 90 | 22.5 | 55 |
| P0260.360-095-A4 | M36 | 95 | 22.5 | 55 |
| P0260.360-100-A4 | M36 | 100 | 22.5 | 55 |
| P0260.360-110-A4 | M36 | 110 | 22.5 | 55 |
| P0260.360-120-A4 | M36 | 120 | 22.5 | 55 |
| P0260.360-130-A4 | M36 | 130 | 22.5 | 55 |
| P0260.360-140-A4 | M36 | 140 | 22.5 | 55 |
| P0260.360-150-A4 | M36 | 150 | 12.5 | 55 |
| P0260.360-160-A4 | M36 | 160 | 22.5 | 55 |
| P0260.360-170-A4 | M36 | 170 | 22.5 | 55 |
| P0260.360-180-A4 | M36 | 180 | 22.5 | 55 |

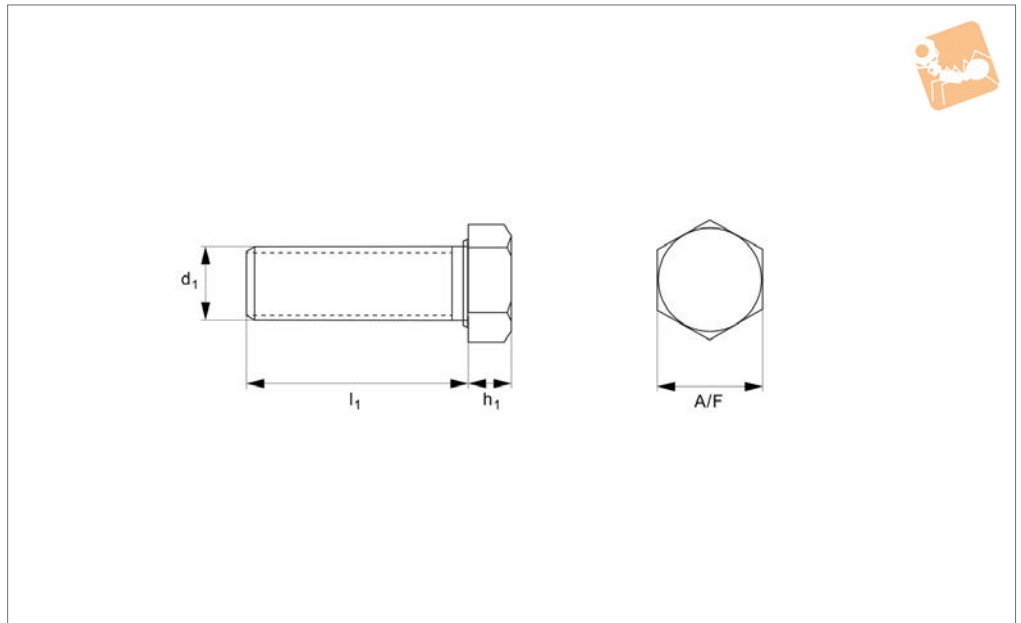
STANDARD SCREWS



STANDARD SCREWS



P0260.ZP



Material

Steel, zinc-plated (grade 8.8).

Technical Notes

To DIN 933, ISO 4017.

| Order No. | d ₁ | l ₁ | h ₁ | A/F | Material |
|------------------|----------------|----------------|----------------|-----|----------|
| P0260.020-003-ZP | M 2 | 3 | 1.4 | 4 | Steel ZP |
| P0260.020-004-ZP | M 2 | 4 | 1.4 | 4 | Steel ZP |
| P0260.020-005-ZP | M 2 | 5 | 1.4 | 4 | Steel ZP |
| P0260.020-006-ZP | M 2 | 6 | 1.4 | 4 | Steel ZP |
| P0260.020-008-ZP | M 2 | 8 | 1.4 | 4 | Steel ZP |
| P0260.020-010-ZP | M 2 | 10 | 1.4 | 4 | Steel ZP |
| P0260.020-012-ZP | M 2 | 12 | 1.4 | 4 | Steel ZP |
| P0260.020-014-ZP | M 2 | 14 | 1.4 | 4 | Steel ZP |
| P0260.020-016-ZP | M 2 | 16 | 1.4 | 4 | Steel ZP |
| P0260.020-018-ZP | M 2 | 18 | 1.4 | 4 | Steel ZP |
| P0260.020-020-ZP | M 2 | 20 | 1.4 | 4 | Steel ZP |
| P0260.025-003-ZP | M2,5 | 3 | 1.7 | 5 | Steel ZP |
| P0260.025-004-ZP | M2,5 | 4 | 1.7 | 5 | Steel ZP |
| P0260.025-005-ZP | M2,5 | 5 | 1.7 | 5 | Steel ZP |
| P0260.025-006-ZP | M2,5 | 6 | 1.7 | 5 | Steel ZP |
| P0260.025-008-ZP | M2,5 | 8 | 1.7 | 5 | Steel ZP |
| P0260.025-010-ZP | M2,5 | 10 | 1.7 | 5 | Steel ZP |
| P0260.025-012-ZP | M2,5 | 12 | 1.7 | 5 | Steel ZP |
| P0260.025-014-ZP | M2,5 | 14 | 1.7 | 5 | Steel ZP |
| P0260.025-016-ZP | M2,5 | 16 | 1.7 | 5 | Steel ZP |
| P0260.025-018-ZP | M2,5 | 18 | 1.7 | 5 | Steel ZP |
| P0260.025-020-ZP | M2,5 | 20 | 1.7 | 5 | Steel ZP |
| P0260.030-005-ZP | M 3 | 5 | 2.0 | 5.5 | Steel ZP |
| P0260.030-006-ZP | M 3 | 6 | 2.0 | 5.5 | Steel ZP |
| P0260.030-008-ZP | M 3 | 8 | 2.0 | 5.5 | Steel ZP |
| P0260.030-010-ZP | M 3 | 10 | 2.0 | 5.5 | Steel ZP |
| P0260.030-012-ZP | M 3 | 12 | 2.0 | 5.5 | Steel ZP |
| P0260.030-014-ZP | M 3 | 14 | 2.0 | 5.5 | Steel ZP |
| P0260.030-016-ZP | M 3 | 16 | 2.0 | 5.5 | Steel ZP |
| P0260.030-018-ZP | M 3 | 18 | 2.0 | 5.5 | Steel ZP |
| P0260.030-020-ZP | M 3 | 20 | 2.0 | 5.5 | Steel ZP |
| P0260.030-022-ZP | M 3 | 22 | 2.0 | 5.5 | Steel ZP |
| P0260.030-025-ZP | M 3 | 25 | 2.0 | 5.5 | Steel ZP |
| P0260.030-030-ZP | M 3 | 30 | 2.0 | 5.5 | Steel ZP |
| P0260.030-035-ZP | M 3 | 35 | 2.0 | 5.5 | Steel ZP |



Hexagon Head Set Screws

Steel, zinc-plated

Standard Screws



| Order No. | d ₁ | l ₁ | h ₁ | A/F | Material |
|------------------|----------------|----------------|----------------|-----|----------|
| P0260.030-040-ZP | M 3 | 40 | 2.0 | 5.5 | Steel ZP |
| P0260.030-045-ZP | M 3 | 45 | 2.0 | 5.5 | Steel ZP |
| P0260.030-050-ZP | M 3 | 50 | 2.0 | 5.5 | Steel ZP |
| P0260.040-005-ZP | M 4 | 5 | 2.8 | 7 | Steel ZP |
| P0260.040-006-ZP | M 4 | 6 | 2.8 | 7 | Steel ZP |
| P0260.040-008-ZP | M 4 | 8 | 2.8 | 7 | Steel ZP |
| P0260.040-010-ZP | M 4 | 10 | 2.8 | 7 | Steel ZP |
| P0260.040-012-ZP | M 4 | 12 | 2.8 | 7 | Steel ZP |
| P0260.040-014-ZP | M 4 | 14 | 2.8 | 7 | Steel ZP |
| P0260.040-016-ZP | M 4 | 16 | 2.8 | 7 | Steel ZP |
| P0260.040-018-ZP | M 4 | 18 | 2.8 | 7 | Steel ZP |
| P0260.040-020-ZP | M 4 | 20 | 2.8 | 7 | Steel ZP |
| P0260.040-022-ZP | M 4 | 22 | 2.8 | 7 | Steel ZP |
| P0260.040-025-ZP | M 4 | 25 | 2.8 | 7 | Steel ZP |
| P0260.040-030-ZP | M 4 | 30 | 2.8 | 7 | Steel ZP |
| P0260.040-035-ZP | M 4 | 35 | 2.8 | 7 | Steel ZP |
| P0260.040-040-ZP | M 4 | 40 | 2.8 | 7 | Steel ZP |
| P0260.040-045-ZP | M 4 | 45 | 2.8 | 7 | Steel ZP |
| P0260.040-050-ZP | M 4 | 50 | 2.8 | 7 | Steel ZP |
| P0260.040-055-ZP | M 4 | 55 | 2.8 | 7 | Steel ZP |
| P0260.040-060-ZP | M 4 | 60 | 2.8 | 7 | Steel ZP |
| P0260.040-065-ZP | M 4 | 65 | 2.8 | 7 | Steel ZP |
| P0260.040-070-ZP | M 4 | 70 | 2.8 | 7 | Steel ZP |
| P0260.050-006-ZP | M 5 | 6 | 3.5 | 8 | Steel ZP |
| P0260.050-008-ZP | M 5 | 8 | 3.5 | 8 | Steel ZP |
| P0260.050-010-ZP | M 5 | 10 | 3.5 | 8 | Steel ZP |
| P0260.050-012-ZP | M 5 | 12 | 3.5 | 8 | Steel ZP |
| P0260.050-014-ZP | M 5 | 14 | 3.5 | 8 | Steel ZP |
| P0260.050-016-ZP | M 5 | 16 | 3.5 | 8 | Steel ZP |
| P0260.050-018-ZP | M 5 | 18 | 3.5 | 8 | Steel ZP |
| P0260.050-020-ZP | M 5 | 20 | 3.5 | 8 | Steel ZP |
| P0260.050-022-ZP | M 5 | 22 | 3.5 | 8 | Steel ZP |
| P0260.050-025-ZP | M 5 | 25 | 3.5 | 8 | Steel ZP |
| P0260.050-030-ZP | M 5 | 30 | 3.5 | 8 | Steel ZP |
| P0260.050-035-ZP | M 5 | 35 | 3.5 | 8 | Steel ZP |
| P0260.050-040-ZP | M 5 | 40 | 3.5 | 8 | Steel ZP |
| P0260.050-045-ZP | M 5 | 45 | 3.5 | 8 | Steel ZP |
| P0260.050-050-ZP | M 5 | 50 | 3.5 | 8 | Steel ZP |
| P0260.050-055-ZP | M 5 | 55 | 3.5 | 8 | Steel ZP |
| P0260.050-060-ZP | M 5 | 60 | 3.5 | 8 | Steel ZP |
| P0260.050-065-ZP | M 5 | 65 | 3.5 | 8 | Steel ZP |
| P0260.050-070-ZP | M 5 | 70 | 3.5 | 8 | Steel ZP |
| P0260.050-075-ZP | M 5 | 75 | 3.5 | 8 | Steel ZP |
| P0260.050-080-ZP | M 5 | 80 | 3.5 | 8 | Steel ZP |
| P0260.060-006-ZP | M 6 | 6 | 4.0 | 10 | Steel ZP |
| P0260.060-008-ZP | M 6 | 8 | 4.0 | 10 | Steel ZP |
| P0260.060-010-ZP | M 6 | 10 | 4.0 | 10 | Steel ZP |
| P0260.060-012-ZP | M 6 | 12 | 4.0 | 10 | Steel ZP |
| P0260.060-014-ZP | M 6 | 14 | 4.0 | 10 | Steel ZP |
| P0260.060-016-ZP | M 6 | 16 | 4.0 | 10 | Steel ZP |
| P0260.060-018-ZP | M 6 | 18 | 4.0 | 10 | Steel ZP |
| P0260.060-020-ZP | M 6 | 20 | 4.0 | 10 | Steel ZP |
| P0260.060-022-ZP | M 6 | 22 | 4.0 | 10 | Steel ZP |
| P0260.060-025-ZP | M 6 | 25 | 4.0 | 10 | Steel ZP |
| P0260.060-030-ZP | M 6 | 30 | 4.0 | 10 | Steel ZP |
| P0260.060-035-ZP | M 6 | 35 | 4.0 | 10 | Steel ZP |
| P0260.060-040-ZP | M 6 | 40 | 4.0 | 10 | Steel ZP |
| P0260.060-045-ZP | M 6 | 45 | 4.0 | 10 | Steel ZP |
| P0260.060-050-ZP | M 6 | 50 | 4.0 | 10 | Steel ZP |
| P0260.060-055-ZP | M 6 | 55 | 4.0 | 10 | Steel ZP |
| P0260.060-060-ZP | M 6 | 60 | 4.0 | 10 | Steel ZP |
| P0260.060-065-ZP | M 6 | 65 | 4.0 | 10 | Steel ZP |
| P0260.060-070-ZP | M 6 | 70 | 4.0 | 10 | Steel ZP |
| P0260.060-075-ZP | M 6 | 75 | 4.0 | 10 | Steel ZP |
| P0260.060-080-ZP | M 6 | 80 | 4.0 | 10 | Steel ZP |
| P0260.060-085-ZP | M 6 | 85 | 4.0 | 10 | Steel ZP |
| P0260.060-090-ZP | M 6 | 90 | 4.0 | 10 | Steel ZP |
| P0260.060-095-ZP | M 6 | 95 | 4.0 | 10 | Steel ZP |
| P0260.060-100-ZP | M 6 | 100 | 4.0 | 10 | Steel ZP |

STANDARD SCREWS



| Order No. | d ₁ | l ₁ | h ₁ | A/F | Material |
|------------------|----------------|----------------|----------------|-----|----------|
| P0260.060-110-ZP | M 6 | 110 | 4.0 | 10 | Steel ZP |
| P0260.060-120-ZP | M 6 | 120 | 4.0 | 10 | Steel ZP |
| P0260.080-008-ZP | M 8 | 8 | 5.3 | 13 | Steel ZP |
| P0260.080-010-ZP | M 8 | 10 | 5.3 | 13 | Steel ZP |
| P0260.080-012-ZP | M 8 | 12 | 5.3 | 13 | Steel ZP |
| P0260.080-014-ZP | M 8 | 14 | 5.3 | 13 | Steel ZP |
| P0260.080-016-ZP | M 8 | 16 | 5.3 | 13 | Steel ZP |
| P0260.080-018-ZP | M 8 | 18 | 5.3 | 13 | Steel ZP |
| P0260.080-020-ZP | M 8 | 20 | 5.3 | 13 | Steel ZP |
| P0260.080-022-ZP | M 8 | 22 | 5.3 | 13 | Steel ZP |
| P0260.080-025-ZP | M 8 | 25 | 5.3 | 13 | Steel ZP |
| P0260.080-030-ZP | M 8 | 30 | 5.3 | 13 | Steel ZP |
| P0260.080-035-ZP | M 8 | 35 | 5.3 | 13 | Steel ZP |
| P0260.080-040-ZP | M 8 | 40 | 5.3 | 13 | Steel ZP |
| P0260.080-045-ZP | M 8 | 45 | 5.3 | 13 | Steel ZP |
| P0260.080-050-ZP | M 8 | 50 | 5.3 | 13 | Steel ZP |
| P0260.080-055-ZP | M 8 | 55 | 5.3 | 13 | Steel ZP |
| P0260.080-060-ZP | M 8 | 60 | 5.3 | 13 | Steel ZP |
| P0260.080-065-ZP | M 8 | 65 | 5.3 | 13 | Steel ZP |
| P0260.080-070-ZP | M 8 | 70 | 5.3 | 13 | Steel ZP |
| P0260.080-075-ZP | M 8 | 75 | 5.3 | 13 | Steel ZP |
| P0260.080-080-ZP | M 8 | 80 | 5.3 | 13 | Steel ZP |
| P0260.080-085-ZP | M 8 | 85 | 5.3 | 13 | Steel ZP |
| P0260.080-090-ZP | M 8 | 90 | 5.3 | 13 | Steel ZP |
| P0260.080-095-ZP | M 8 | 95 | 5.3 | 13 | Steel ZP |
| P0260.080-100-ZP | M 8 | 100 | 5.3 | 13 | Steel ZP |
| P0260.080-110-ZP | M 8 | 110 | 5.3 | 13 | Steel ZP |
| P0260.080-120-ZP | M 8 | 120 | 5.3 | 13 | Steel ZP |
| P0260.080-130-ZP | M 8 | 130 | 5.3 | 13 | Steel ZP |
| P0260.080-140-ZP | M 8 | 140 | 5.3 | 13 | Steel ZP |
| P0260.100-010-ZP | M10 | 10 | 6.4 | 17 | Steel ZP |
| P0260.100-012-ZP | M10 | 12 | 6.4 | 17 | Steel ZP |
| P0260.100-014-ZP | M10 | 14 | 6.4 | 17 | Steel ZP |
| P0260.100-016-ZP | M10 | 16 | 6.4 | 17 | Steel ZP |
| P0260.100-018-ZP | M10 | 18 | 6.4 | 17 | Steel ZP |
| P0260.100-020-ZP | M10 | 20 | 6.4 | 17 | Steel ZP |
| P0260.100-025-ZP | M10 | 25 | 6.4 | 17 | Steel ZP |
| P0260.100-030-ZP | M10 | 30 | 6.4 | 17 | Steel ZP |
| P0260.100-035-ZP | M10 | 35 | 6.4 | 17 | Steel ZP |
| P0260.100-040-ZP | M10 | 40 | 6.4 | 17 | Steel ZP |
| P0260.100-045-ZP | M10 | 45 | 6.4 | 17 | Steel ZP |
| P0260.100-050-ZP | M10 | 50 | 6.4 | 17 | Steel ZP |
| P0260.100-055-ZP | M10 | 55 | 6.4 | 17 | Steel ZP |
| P0260.100-060-ZP | M10 | 60 | 6.4 | 17 | Steel ZP |
| P0260.100-065-ZP | M10 | 65 | 6.4 | 17 | Steel ZP |
| P0260.100-070-ZP | M10 | 70 | 6.4 | 17 | Steel ZP |
| P0260.100-075-ZP | M10 | 75 | 6.4 | 17 | Steel ZP |
| P0260.100-080-ZP | M10 | 80 | 6.4 | 17 | Steel ZP |
| P0260.100-085-ZP | M10 | 85 | 6.4 | 17 | Steel ZP |
| P0260.100-090-ZP | M10 | 90 | 6.4 | 17 | Steel ZP |
| P0260.100-095-ZP | M10 | 95 | 6.4 | 17 | Steel ZP |
| P0260.100-100-ZP | M10 | 100 | 6.4 | 17 | Steel ZP |
| P0260.100-110-ZP | M10 | 110 | 6.4 | 17 | Steel ZP |
| P0260.100-120-ZP | M10 | 120 | 6.4 | 17 | Steel ZP |
| P0260.100-130-ZP | M10 | 130 | 6.4 | 17 | Steel ZP |
| P0260.100-140-ZP | M10 | 140 | 6.4 | 17 | Steel ZP |
| P0260.100-150-ZP | M10 | 150 | 6.4 | 17 | Steel ZP |
| P0260.100-160-ZP | M10 | 160 | 6.4 | 17 | Steel ZP |
| P0260.100-170-ZP | M10 | 170 | 6.4 | 17 | Steel ZP |
| P0260.100-180-ZP | M10 | 180 | 6.4 | 17 | Steel ZP |
| P0260.100-190-ZP | M10 | 190 | 6.4 | 17 | Steel ZP |
| P0260.100-200-ZP | M10 | 200 | 6.4 | 17 | Steel ZP |
| P0260.120-016-ZP | M12 | 16 | 7.5 | 19 | Steel ZP |
| P0260.120-018-ZP | M12 | 18 | 7.5 | 19 | Steel ZP |
| P0260.120-020-ZP | M12 | 20 | 7.5 | 19 | Steel ZP |
| P0260.120-022-ZP | M12 | 22 | 7.5 | 19 | Steel ZP |
| P0260.120-025-ZP | M12 | 25 | 7.5 | 19 | Steel ZP |
| P0260.120-030-ZP | M12 | 30 | 7.5 | 19 | Steel ZP |
| P0260.120-035-ZP | M12 | 35 | 7.5 | 19 | Steel ZP |



Hexagon Head Set Screws

Steel, zinc-plated

Standard Screws



| Order No. | d ₁ | l ₁ | h ₁ | A/F | Material |
|------------------|----------------|----------------|----------------|-----|----------|
| P0260.120-040-ZP | M12 | 40 | 7.5 | 19 | Steel ZP |
| P0260.120-045-ZP | M12 | 45 | 7.5 | 19 | Steel ZP |
| P0260.120-050-ZP | M12 | 50 | 7.5 | 19 | Steel ZP |
| P0260.120-055-ZP | M12 | 55 | 7.5 | 19 | Steel ZP |
| P0260.120-060-ZP | M12 | 60 | 7.5 | 19 | Steel ZP |
| P0260.120-065-ZP | M12 | 65 | 7.5 | 19 | Steel ZP |
| P0260.120-070-ZP | M12 | 70 | 7.5 | 19 | Steel ZP |
| P0260.120-075-ZP | M12 | 75 | 7.5 | 19 | Steel ZP |
| P0260.120-080-ZP | M12 | 80 | 7.5 | 19 | Steel ZP |
| P0260.120-085-ZP | M12 | 85 | 7.5 | 19 | Steel ZP |
| P0260.120-090-ZP | M12 | 90 | 7.5 | 19 | Steel ZP |
| P0260.120-095-ZP | M12 | 95 | 7.5 | 19 | Steel ZP |
| P0260.120-100-ZP | M12 | 100 | 7.5 | 19 | Steel ZP |
| P0260.120-110-ZP | M12 | 110 | 7.5 | 19 | Steel ZP |
| P0260.120-120-ZP | M12 | 120 | 7.5 | 19 | Steel ZP |
| P0260.120-130-ZP | M12 | 130 | 7.5 | 19 | Steel ZP |
| P0260.120-140-ZP | M12 | 140 | 7.5 | 19 | Steel ZP |
| P0260.120-150-ZP | M12 | 150 | 7.5 | 19 | Steel ZP |
| P0260.120-160-ZP | M12 | 160 | 7.5 | 19 | Steel ZP |
| P0260.120-170-ZP | M12 | 170 | 7.5 | 19 | Steel ZP |
| P0260.120-180-ZP | M12 | 180 | 7.5 | 19 | Steel ZP |
| P0260.120-190-ZP | M12 | 190 | 7.5 | 19 | Steel ZP |
| P0260.120-200-ZP | M12 | 200 | 7.5 | 19 | Steel ZP |
| P0260.120-250-ZP | M12 | 250 | 7.5 | 19 | Steel ZP |
| P0260.140-020-ZP | M14 | 20 | 8.8 | 22 | Steel ZP |
| P0260.140-022-ZP | M14 | 22 | 8.8 | 22 | Steel ZP |
| P0260.140-025-ZP | M14 | 25 | 8.8 | 22 | Steel ZP |
| P0260.140-030-ZP | M14 | 30 | 8.8 | 22 | Steel ZP |
| P0260.140-035-ZP | M14 | 35 | 8.8 | 22 | Steel ZP |
| P0260.140-040-ZP | M14 | 40 | 8.8 | 22 | Steel ZP |
| P0260.140-045-ZP | M14 | 45 | 8.8 | 22 | Steel ZP |
| P0260.140-050-ZP | M14 | 50 | 8.8 | 22 | Steel ZP |
| P0260.140-055-ZP | M14 | 55 | 8.8 | 22 | Steel ZP |
| P0260.140-060-ZP | M14 | 60 | 8.8 | 22 | Steel ZP |
| P0260.140-065-ZP | M14 | 65 | 8.8 | 22 | Steel ZP |
| P0260.140-070-ZP | M14 | 70 | 8.8 | 22 | Steel ZP |
| P0260.140-075-ZP | M14 | 75 | 8.8 | 22 | Steel ZP |
| P0260.140-080-ZP | M14 | 80 | 8.8 | 22 | Steel ZP |
| P0260.140-085-ZP | M14 | 85 | 8.8 | 22 | Steel ZP |
| P0260.140-090-ZP | M14 | 90 | 8.8 | 22 | Steel ZP |
| P0260.140-095-ZP | M14 | 95 | 8.8 | 22 | Steel ZP |
| P0260.140-100-ZP | M14 | 100 | 8.8 | 22 | Steel ZP |
| P0260.140-110-ZP | M14 | 110 | 8.8 | 22 | Steel ZP |
| P0260.140-120-ZP | M14 | 120 | 8.8 | 22 | Steel ZP |
| P0260.140-130-ZP | M14 | 130 | 8.8 | 22 | Steel ZP |
| P0260.140-140-ZP | M14 | 140 | 8.8 | 22 | Steel ZP |
| P0260.140-150-ZP | M14 | 150 | 8.8 | 22 | Steel ZP |
| P0260.160-020-ZP | M16 | 20 | 10 | 24 | Steel ZP |
| P0260.160-022-ZP | M16 | 22 | 10 | 24 | Steel ZP |
| P0260.160-025-ZP | M16 | 25 | 10 | 24 | Steel ZP |
| P0260.160-030-ZP | M16 | 30 | 10 | 24 | Steel ZP |
| P0260.160-035-ZP | M16 | 35 | 10 | 24 | Steel ZP |
| P0260.160-040-ZP | M16 | 40 | 10 | 24 | Steel ZP |
| P0260.160-045-ZP | M16 | 45 | 10 | 24 | Steel ZP |
| P0260.160-050-ZP | M16 | 50 | 10 | 24 | Steel ZP |
| P0260.160-055-ZP | M16 | 55 | 10 | 24 | Steel ZP |
| P0260.160-060-ZP | M16 | 60 | 10 | 24 | Steel ZP |
| P0260.160-065-ZP | M16 | 65 | 10 | 24 | Steel ZP |
| P0260.160-070-ZP | M16 | 70 | 10 | 24 | Steel ZP |
| P0260.160-075-ZP | M16 | 75 | 10 | 24 | Steel ZP |
| P0260.160-080-ZP | M16 | 80 | 10 | 24 | Steel ZP |
| P0260.160-085-ZP | M16 | 85 | 10 | 24 | Steel ZP |
| P0260.160-090-ZP | M16 | 90 | 10 | 24 | Steel ZP |
| P0260.160-095-ZP | M16 | 95 | 10 | 24 | Steel ZP |
| P0260.160-100-ZP | M16 | 100 | 10 | 24 | Steel ZP |
| P0260.160-110-ZP | M16 | 110 | 10 | 24 | Steel ZP |
| P0260.160-120-ZP | M16 | 120 | 10 | 24 | Steel ZP |
| P0260.160-130-ZP | M16 | 130 | 10 | 24 | Steel ZP |
| P0260.160-140-ZP | M16 | 140 | 10 | 24 | Steel ZP |

STANDARD SCREWS



| Order No. | d ₁ | l ₁ | h ₁ | A/F | Material |
|------------------|----------------|----------------|----------------|-----|----------|
| P0260.160-150-ZP | M16 | 150 | 10 | 24 | Steel ZP |
| P0260.160-160-ZP | M16 | 160 | 10 | 24 | Steel ZP |
| P0260.160-170-ZP | M16 | 170 | 10 | 24 | Steel ZP |
| P0260.160-180-ZP | M16 | 180 | 10 | 24 | Steel ZP |
| P0260.160-190-ZP | M16 | 190 | 10 | 24 | Steel ZP |
| P0260.160-200-ZP | M16 | 200 | 10 | 24 | Steel ZP |
| P0260.160-250-ZP | M16 | 250 | 10 | 24 | Steel ZP |
| P0260.180-025-ZP | M18 | 25 | 11.5 | 27 | Steel ZP |
| P0260.180-030-ZP | M18 | 30 | 11.5 | 27 | Steel ZP |
| P0260.180-035-ZP | M18 | 35 | 11.5 | 27 | Steel ZP |
| P0260.180-040-ZP | M18 | 40 | 11.5 | 27 | Steel ZP |
| P0260.180-045-ZP | M18 | 45 | 11.5 | 27 | Steel ZP |
| P0260.180-050-ZP | M18 | 50 | 11.5 | 27 | Steel ZP |
| P0260.180-055-ZP | M18 | 55 | 11.5 | 27 | Steel ZP |
| P0260.180-060-ZP | M18 | 60 | 11.5 | 27 | Steel ZP |
| P0260.180-065-ZP | M18 | 65 | 11.5 | 27 | Steel ZP |
| P0260.180-070-ZP | M18 | 70 | 11.5 | 27 | Steel ZP |
| P0260.180-075-ZP | M18 | 75 | 11.5 | 27 | Steel ZP |
| P0260.180-080-ZP | M18 | 80 | 11.5 | 27 | Steel ZP |
| P0260.180-085-ZP | M18 | 85 | 11.5 | 27 | Steel ZP |
| P0260.180-090-ZP | M18 | 90 | 11.5 | 27 | Steel ZP |
| P0260.180-095-ZP | M18 | 95 | 11.5 | 27 | Steel ZP |
| P0260.180-100-ZP | M18 | 100 | 11.5 | 27 | Steel ZP |
| P0260.180-110-ZP | M18 | 110 | 11.5 | 27 | Steel ZP |
| P0260.180-120-ZP | M18 | 120 | 11.5 | 27 | Steel ZP |
| P0260.180-130-ZP | M18 | 130 | 11.5 | 27 | Steel ZP |
| P0260.180-140-ZP | M18 | 120 | 11.5 | 27 | Steel ZP |
| P0260.180-150-ZP | M18 | 150 | 11.5 | 27 | Steel ZP |
| P0260.200-030-ZP | M20 | 30 | 12.5 | 30 | Steel ZP |
| P0260.200-035-ZP | M20 | 35 | 12.5 | 30 | Steel ZP |
| P0260.200-040-ZP | M20 | 40 | 12.5 | 30 | Steel ZP |
| P0260.200-045-ZP | M20 | 45 | 12.5 | 30 | Steel ZP |
| P0260.200-050-ZP | M20 | 50 | 12.5 | 30 | Steel ZP |
| P0260.200-055-ZP | M20 | 55 | 12.5 | 30 | Steel ZP |
| P0260.200-060-ZP | M20 | 60 | 12.5 | 30 | Steel ZP |
| P0260.200-065-ZP | M20 | 65 | 12.5 | 30 | Steel ZP |
| P0260.200-070-ZP | M20 | 70 | 12.5 | 30 | Steel ZP |
| P0260.200-075-ZP | M20 | 75 | 12.5 | 30 | Steel ZP |
| P0260.200-080-ZP | M20 | 80 | 12.5 | 30 | Steel ZP |
| P0260.200-085-ZP | M20 | 85 | 12.5 | 30 | Steel ZP |
| P0260.200-090-ZP | M20 | 90 | 12.5 | 30 | Steel ZP |
| P0260.200-095-ZP | M20 | 95 | 12.5 | 30 | Steel ZP |
| P0260.200-100-ZP | M20 | 100 | 12.5 | 30 | Steel ZP |
| P0260.200-110-ZP | M20 | 110 | 12.5 | 30 | Steel ZP |
| P0260.200-120-ZP | M20 | 120 | 12.5 | 30 | Steel ZP |
| P0260.200-130-ZP | M20 | 130 | 12.5 | 30 | Steel ZP |
| P0260.200-140-ZP | M20 | 140 | 12.5 | 30 | Steel ZP |
| P0260.200-150-ZP | M20 | 150 | 12.5 | 30 | Steel ZP |
| P0260.200-160-ZP | M20 | 160 | 12.5 | 30 | Steel ZP |
| P0260.200-170-ZP | M20 | 170 | 12.5 | 30 | Steel ZP |
| P0260.200-180-ZP | M20 | 180 | 12.5 | 30 | Steel ZP |
| P0260.200-190-ZP | M20 | 190 | 12.5 | 30 | Steel ZP |
| P0260.200-200-ZP | M20 | 200 | 12.5 | 30 | Steel ZP |
| P0260.200-250-ZP | M20 | 250 | 12.5 | 30 | Steel ZP |
| P0260.220-030-ZP | M22 | 30 | 14.0 | 32 | Steel ZP |
| P0260.220-035-ZP | M22 | 35 | 14.0 | 32 | Steel ZP |
| P0260.220-040-ZP | M22 | 40 | 14.0 | 32 | Steel ZP |
| P0260.220-045-ZP | M22 | 45 | 14.0 | 32 | Steel ZP |
| P0260.220-050-ZP | M22 | 50 | 14.0 | 32 | Steel ZP |
| P0260.220-060-ZP | M22 | 60 | 14.0 | 32 | Steel ZP |
| P0260.220-065-ZP | M22 | 65 | 14.0 | 32 | Steel ZP |
| P0260.220-070-ZP | M22 | 70 | 14.0 | 32 | Steel ZP |
| P0260.220-075-ZP | M22 | 75 | 14.0 | 32 | Steel ZP |
| P0260.220-080-ZP | M22 | 80 | 14.0 | 32 | Steel ZP |
| P0260.220-085-ZP | M22 | 85 | 14.0 | 32 | Steel ZP |
| P0260.220-090-ZP | M22 | 90 | 14.0 | 32 | Steel ZP |
| P0260.220-095-ZP | M22 | 95 | 14.0 | 32 | Steel ZP |
| P0260.220-100-ZP | M22 | 100 | 14.0 | 32 | Steel ZP |
| P0260.220-110-ZP | M22 | 110 | 14.0 | 32 | Steel ZP |



Hexagon Head Set Screws

Steel, zinc-plated

Standard Screws



| Order No. | d ₁ | l ₁ | h ₁ | A/F | Material |
|------------------|----------------|----------------|----------------|-----|----------|
| P0260.220-120-ZP | M22 | 120 | 14.0 | 32 | Steel ZP |
| P0260.220-130-ZP | M22 | 130 | 14.0 | 32 | Steel ZP |
| P0260.220-140-ZP | M22 | 140 | 14.0 | 32 | Steel ZP |
| P0260.220-150-ZP | M22 | 150 | 14.0 | 32 | Steel ZP |
| P0260.240-030-ZP | M24 | 30 | 15.0 | 36 | Steel ZP |
| P0260.240-035-ZP | M24 | 35 | 15.0 | 36 | Steel ZP |
| P0260.240-040-ZP | M24 | 40 | 15.0 | 36 | Steel ZP |
| P0260.240-045-ZP | M24 | 45 | 15.0 | 36 | Steel ZP |
| P0260.240-050-ZP | M24 | 50 | 15.0 | 36 | Steel ZP |
| P0260.240-055-ZP | M24 | 55 | 15.0 | 36 | Steel ZP |
| P0260.240-060-ZP | M24 | 60 | 15.0 | 36 | Steel ZP |
| P0260.240-065-ZP | M24 | 65 | 15.0 | 36 | Steel ZP |
| P0260.240-070-ZP | M24 | 70 | 15.0 | 36 | Steel ZP |
| P0260.240-075-ZP | M24 | 75 | 15.0 | 36 | Steel ZP |
| P0260.240-080-ZP | M24 | 80 | 15.0 | 36 | Steel ZP |
| P0260.240-085-ZP | M24 | 85 | 15.0 | 36 | Steel ZP |
| P0260.240-090-ZP | M24 | 90 | 15.0 | 36 | Steel ZP |
| P0260.240-095-ZP | M24 | 95 | 15.0 | 36 | Steel ZP |
| P0260.240-100-ZP | M24 | 100 | 15.0 | 36 | Steel ZP |
| P0260.240-110-ZP | M24 | 110 | 15.0 | 36 | Steel ZP |
| P0260.240-120-ZP | M24 | 120 | 15.0 | 36 | Steel ZP |
| P0260.240-130-ZP | M24 | 130 | 15.0 | 36 | Steel ZP |
| P0260.240-140-ZP | M24 | 140 | 15.0 | 36 | Steel ZP |
| P0260.240-150-ZP | M24 | 150 | 15.0 | 36 | Steel ZP |
| P0260.240-160-ZP | M24 | 160 | 15.0 | 36 | Steel ZP |
| P0260.240-170-ZP | M24 | 170 | 15.0 | 36 | Steel ZP |
| P0260.240-190-ZP | M24 | 190 | 15.0 | 36 | Steel ZP |
| P0260.240-200-ZP | M24 | 200 | 15.0 | 36 | Steel ZP |
| P0260.240-250-ZP | M24 | 250 | 15.0 | 36 | Steel ZP |
| P0260.270-050-ZP | M27 | 50 | 17.0 | 41 | Steel ZP |
| P0260.270-055-ZP | M27 | 55 | 17.0 | 41 | Steel ZP |
| P0260.270-060-ZP | M27 | 60 | 17.0 | 41 | Steel ZP |
| P0260.270-065-ZP | M27 | 65 | 17.0 | 41 | Steel ZP |
| P0260.270-070-ZP | M27 | 70 | 17.0 | 41 | Steel ZP |
| P0260.270-075-ZP | M27 | 75 | 17.0 | 41 | Steel ZP |
| P0260.270-080-ZP | M27 | 80 | 17.0 | 41 | Steel ZP |
| P0260.270-085-ZP | M27 | 85 | 17.0 | 41 | Steel ZP |
| P0260.270-090-ZP | M27 | 90 | 17.0 | 41 | Steel ZP |
| P0260.270-095-ZP | M27 | 95 | 17.0 | 41 | Steel ZP |
| P0260.270-100-ZP | M27 | 100 | 17.0 | 41 | Steel ZP |
| P0260.270-110-ZP | M27 | 110 | 17.0 | 41 | Steel ZP |
| P0260.270-120-ZP | M27 | 120 | 17.0 | 41 | Steel ZP |
| P0260.270-130-ZP | M27 | 130 | 17.0 | 41 | Steel ZP |
| P0260.270-140-ZP | M27 | 140 | 17.0 | 41 | Steel ZP |
| P0260.300-050-ZP | M30 | 50 | 18.7 | 46 | Steel ZP |
| P0260.300-055-ZP | M30 | 55 | 18.7 | 46 | Steel ZP |
| P0260.300-060-ZP | M30 | 60 | 18.7 | 46 | Steel ZP |
| P0260.300-065-ZP | M30 | 65 | 18.7 | 46 | Steel ZP |
| P0260.300-070-ZP | M30 | 70 | 18.7 | 46 | Steel ZP |
| P0260.300-075-ZP | M30 | 75 | 18.7 | 46 | Steel ZP |
| P0260.300-080-ZP | M30 | 80 | 18.7 | 46 | Steel ZP |
| P0260.300-085-ZP | M30 | 85 | 18.7 | 46 | Steel ZP |
| P0260.300-090-ZP | M30 | 90 | 18.7 | 46 | Steel ZP |
| P0260.300-095-ZP | M30 | 95 | 18.7 | 46 | Steel ZP |
| P0260.300-100-ZP | M30 | 100 | 18.7 | 46 | Steel ZP |
| P0260.300-110-ZP | M30 | 110 | 18.7 | 46 | Steel ZP |
| P0260.300-120-ZP | M30 | 120 | 18.7 | 46 | Steel ZP |
| P0260.300-130-ZP | M30 | 130 | 18.7 | 46 | Steel ZP |
| P0260.300-140-ZP | M30 | 140 | 18.7 | 46 | Steel ZP |
| P0260.300-150-ZP | M20 | 150 | 18.7 | 46 | Steel ZP |
| P0260.330-050-ZP | M33 | 50 | 21.0 | 50 | Steel ZP |
| P0260.330-055-ZP | M33 | 55 | 21.0 | 50 | Steel ZP |
| P0260.330-060-ZP | M33 | 60 | 21.0 | 50 | Steel ZP |
| P0260.330-065-ZP | M33 | 65 | 21.0 | 50 | Steel ZP |
| P0260.330-070-ZP | M33 | 70 | 21.0 | 50 | Steel ZP |
| P0260.330-075-ZP | M33 | 75 | 21.0 | 50 | Steel ZP |
| P0260.330-080-ZP | M33 | 80 | 21.0 | 50 | Steel ZP |
| P0260.330-085-ZP | M33 | 85 | 21.0 | 50 | Steel ZP |
| P0260.330-090-ZP | M33 | 90 | 21.0 | 50 | Steel ZP |



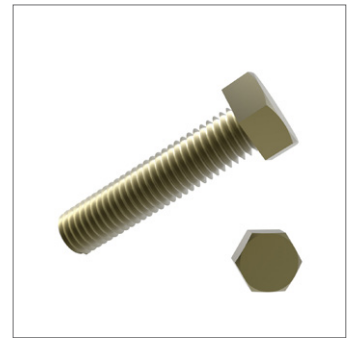
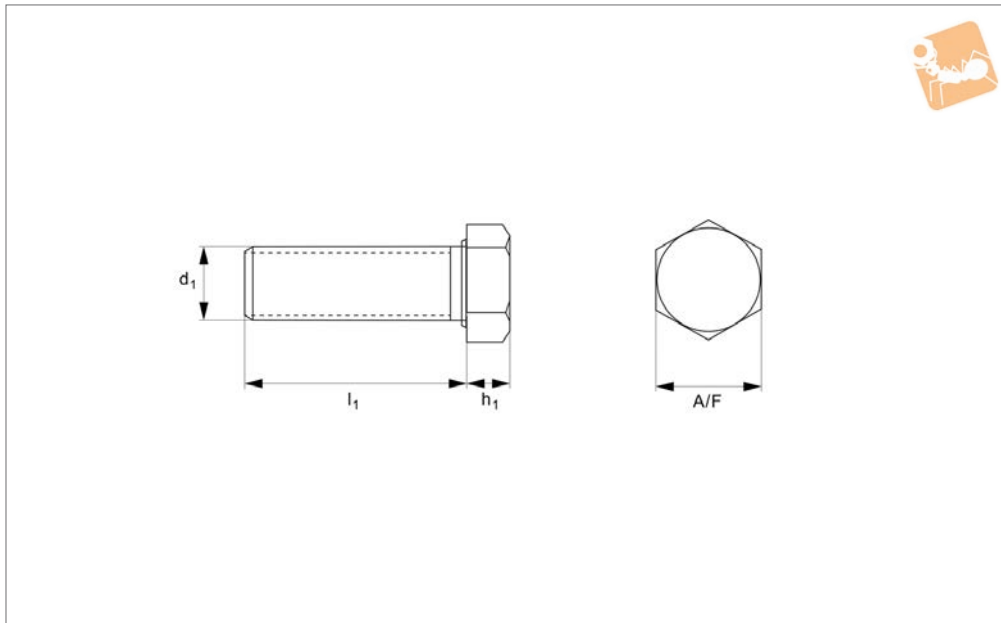
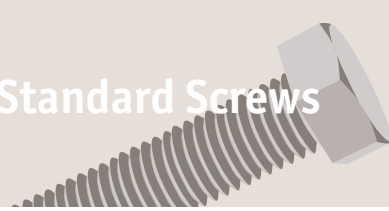
| Order No. | d ₁ | l ₁ | h ₁ | A/F | Material |
|------------------|----------------|----------------|----------------|-----|----------|
| P0260.330-095-ZP | M33 | 95 | 21.0 | 50 | Steel ZP |
| P0260.330-100-ZP | M33 | 100 | 21.0 | 50 | Steel ZP |
| P0260.330-110-ZP | M33 | 110 | 21.0 | 50 | Steel ZP |
| P0260.330-120-ZP | M33 | 120 | 21.0 | 50 | Steel ZP |
| P0260.330-130-ZP | M33 | 130 | 21.0 | 50 | Steel ZP |
| P0260.330-140-ZP | M33 | 140 | 21.0 | 50 | Steel ZP |
| P0260.330-150-ZP | M33 | 150 | 12.5 | 50 | Steel ZP |
| P0260.360-050-ZP | M36 | 50 | 22.5 | 55 | Steel ZP |
| P0260.360-055-ZP | M36 | 55 | 22.5 | 55 | Steel ZP |
| P0260.360-060-ZP | M36 | 60 | 22.5 | 55 | Steel ZP |
| P0260.360-065-ZP | M36 | 65 | 22.5 | 55 | Steel ZP |
| P0260.360-070-ZP | M36 | 70 | 22.5 | 55 | Steel ZP |
| P0260.360-075-ZP | M36 | 75 | 22.5 | 55 | Steel ZP |
| P0260.360-080-ZP | M36 | 80 | 22.5 | 55 | Steel ZP |
| P0260.360-090-ZP | M36 | 90 | 22.5 | 55 | Steel ZP |
| P0260.360-095-ZP | M36 | 95 | 22.5 | 55 | Steel ZP |
| P0260.360-100-ZP | M36 | 100 | 22.5 | 55 | Steel ZP |
| P0260.360-110-ZP | M36 | 110 | 22.5 | 55 | Steel ZP |
| P0260.360-120-ZP | M36 | 120 | 22.5 | 55 | Steel ZP |
| P0260.360-130-ZP | M36 | 130 | 22.5 | 55 | Steel ZP |
| P0260.360-140-ZP | M36 | 140 | 22.5 | 55 | Steel ZP |
| P0260.360-150-ZP | M36 | 150 | 12.5 | 55 | Steel ZP |
| P0260.360-160-ZP | M36 | 160 | 22.5 | 55 | Steel ZP |
| P0260.360-170-ZP | M36 | 170 | 22.5 | 55 | Steel ZP |
| P0260.360-180-ZP | M36 | 180 | 22.5 | 55 | Steel ZP |



Hexagon Head Set Screws

Brass

Standard Screws



P0260.BR

STANDARD SCREWS

Material

Brass.

Technical Notes

To DIN 933, ISO 4017.

| Order No. | d ₁ | l ₁ | h ₁ | A/F | Material |
|------------------|----------------|----------------|----------------|-----|----------|
| P0260.030-005-BR | M 3 | 5 | 2.0 | 5.5 | Brass |
| P0260.030-006-BR | M 3 | 6 | 2.0 | 5.5 | Brass |
| P0260.030-008-BR | M 3 | 8 | 2.0 | 5.5 | Brass |
| P0260.030-010-BR | M 3 | 10 | 2.0 | 5.5 | Brass |
| P0260.030-012-BR | M 3 | 12 | 2.0 | 5.5 | Brass |
| P0260.030-014-BR | M 3 | 14 | 2.0 | 5.5 | Brass |
| P0260.030-016-BR | M 3 | 16 | 2.0 | 5.5 | Brass |
| P0260.030-018-BR | M 3 | 18 | 2.0 | 5.5 | Brass |
| P0260.030-020-BR | M 3 | 20 | 2.0 | 5.5 | Brass |
| P0260.030-022-BR | M 3 | 22 | 2.0 | 5.5 | Brass |
| P0260.030-025-BR | M 3 | 25 | 2.0 | 5.5 | Brass |
| P0260.030-030-BR | M 3 | 30 | 2.0 | 5.5 | Brass |
| P0260.040-006-BR | M 4 | 6 | 2.8 | 7 | Brass |
| P0260.040-008-BR | M 4 | 8 | 2.8 | 7 | Brass |
| P0260.040-010-BR | M 4 | 10 | 2.8 | 7 | Brass |
| P0260.040-012-BR | M 4 | 12 | 2.8 | 7 | Brass |
| P0260.040-014-BR | M 4 | 14 | 2.8 | 7 | Brass |
| P0260.040-016-BR | M 4 | 16 | 2.8 | 7 | Brass |
| P0260.040-018-BR | M 4 | 18 | 2.8 | 7 | Brass |
| P0260.040-020-BR | M 4 | 20 | 2.8 | 7 | Brass |
| P0260.040-022-BR | M 4 | 22 | 2.8 | 7 | Brass |
| P0260.040-025-BR | M 4 | 25 | 2.8 | 7 | Brass |
| P0260.040-030-BR | M 4 | 30 | 2.8 | 7 | Brass |
| P0260.040-035-BR | M 4 | 35 | 2.8 | 7 | Brass |
| P0260.040-040-BR | M 4 | 40 | 2.8 | 7 | Brass |
| P0260.040-045-BR | M 4 | 45 | 2.8 | 7 | Brass |
| P0260.040-050-BR | M 4 | 50 | 2.8 | 7 | Brass |
| P0260.040-060-BR | M 4 | 60 | 2.8 | 7 | Brass |
| P0260.050-006-BR | M 5 | 6 | 3.5 | 8 | Brass |
| P0260.050-008-BR | M 5 | 8 | 3.5 | 8 | Brass |
| P0260.050-010-BR | M 5 | 10 | 3.5 | 8 | Brass |
| P0260.050-012-BR | M 5 | 12 | 3.5 | 8 | Brass |
| P0260.050-014-BR | M 5 | 14 | 3.5 | 8 | Brass |
| P0260.050-016-BR | M 5 | 16 | 3.5 | 8 | Brass |
| P0260.050-018-BR | M 5 | 18 | 3.5 | 8 | Brass |



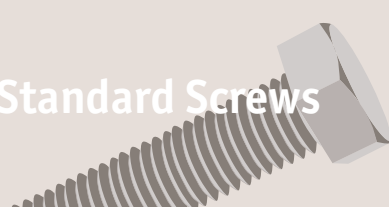
| Order No. | d ₁ | l ₁ | h ₁ | A/F | Material |
|------------------|----------------|----------------|----------------|-----|----------|
| P0260.050-020-BR | M 5 | 20 | 3.5 | 8 | Brass |
| P0260.050-022-BR | M 5 | 22 | 3.5 | 8 | Brass |
| P0260.050-025-BR | M 5 | 25 | 3.5 | 8 | Brass |
| P0260.050-030-BR | M 5 | 30 | 3.5 | 8 | Brass |
| P0260.050-035-BR | M 5 | 35 | 3.5 | 8 | Brass |
| P0260.050-040-BR | M 5 | 40 | 3.5 | 8 | Brass |
| P0260.050-045-BR | M 5 | 45 | 3.5 | 8 | Brass |
| P0260.050-050-BR | M 5 | 50 | 3.5 | 8 | Brass |
| P0260.050-060-BR | M 5 | 60 | 3.5 | 8 | Brass |
| P0260.060-008-BR | M 6 | 8 | 4.0 | 10 | Brass |
| P0260.060-010-BR | M 6 | 10 | 4.0 | 10 | Brass |
| P0260.060-012-BR | M 6 | 12 | 4.0 | 10 | Brass |
| P0260.060-014-BR | M 6 | 14 | 4.0 | 10 | Brass |
| P0260.060-016-BR | M 6 | 16 | 4.0 | 10 | Brass |
| P0260.060-018-BR | M 6 | 18 | 4.0 | 10 | Brass |
| P0260.060-020-BR | M 6 | 20 | 4.0 | 10 | Brass |
| P0260.060-022-BR | M 6 | 22 | 4.0 | 10 | Brass |
| P0260.060-025-BR | M 6 | 25 | 4.0 | 10 | Brass |
| P0260.060-030-BR | M 6 | 30 | 4.0 | 10 | Brass |
| P0260.060-035-BR | M 6 | 35 | 4.0 | 10 | Brass |
| P0260.060-040-BR | M 6 | 40 | 4.0 | 10 | Brass |
| P0260.060-045-BR | M 6 | 45 | 4.0 | 10 | Brass |
| P0260.060-050-BR | M 6 | 50 | 4.0 | 10 | Brass |
| P0260.060-060-BR | M 6 | 60 | 4.0 | 10 | Brass |
| P0260.060-065-BR | M 6 | 65 | 4.0 | 10 | Brass |
| P0260.060-070-BR | M 6 | 70 | 4.0 | 10 | Brass |
| P0260.060-075-BR | M 6 | 75 | 4.0 | 10 | Brass |
| P0260.060-080-BR | M 6 | 80 | 4.0 | 10 | Brass |
| P0260.060-090-BR | M 6 | 90 | 4.0 | 10 | Brass |
| P0260.060-100-BR | M 6 | 100 | 4.0 | 10 | Brass |
| P0260.080-010-BR | M 8 | 10 | 5.3 | 13 | Brass |
| P0260.080-012-BR | M 8 | 12 | 5.3 | 13 | Brass |
| P0260.080-014-BR | M 8 | 14 | 5.3 | 13 | Brass |
| P0260.080-016-BR | M 8 | 16 | 5.3 | 13 | Brass |
| P0260.080-018-BR | M 8 | 18 | 5.3 | 13 | Brass |
| P0260.080-020-BR | M 8 | 20 | 5.3 | 13 | Brass |
| P0260.080-022-BR | M 8 | 22 | 5.3 | 13 | Brass |
| P0260.080-025-BR | M 8 | 25 | 5.3 | 13 | Brass |
| P0260.080-030-BR | M 8 | 30 | 5.3 | 13 | Brass |
| P0260.080-035-BR | M 8 | 35 | 5.3 | 13 | Brass |
| P0260.080-040-BR | M 8 | 40 | 5.3 | 13 | Brass |
| P0260.080-045-BR | M 8 | 45 | 5.3 | 13 | Brass |
| P0260.080-050-BR | M 8 | 50 | 5.3 | 13 | Brass |
| P0260.080-055-BR | M 8 | 55 | 5.3 | 13 | Brass |
| P0260.080-060-BR | M 8 | 60 | 5.3 | 13 | Brass |
| P0260.080-065-BR | M 8 | 65 | 5.3 | 13 | Brass |
| P0260.080-070-BR | M 8 | 70 | 5.3 | 13 | Brass |
| P0260.080-075-BR | M 8 | 75 | 5.3 | 13 | Brass |
| P0260.080-080-BR | M 8 | 80 | 5.3 | 13 | Brass |
| P0260.080-090-BR | M 8 | 90 | 5.3 | 13 | Brass |
| P0260.080-100-BR | M 8 | 100 | 5.3 | 13 | Brass |
| P0260.100-012-BR | M10 | 12 | 6.4 | 17 | Brass |
| P0260.100-014-BR | M10 | 14 | 6.4 | 17 | Brass |
| P0260.100-016-BR | M10 | 16 | 6.4 | 17 | Brass |
| P0260.100-018-BR | M10 | 18 | 6.4 | 17 | Brass |
| P0260.100-020-BR | M10 | 20 | 6.4 | 17 | Brass |
| P0260.100-025-BR | M10 | 25 | 6.4 | 17 | Brass |
| P0260.100-030-BR | M10 | 30 | 6.4 | 17 | Brass |
| P0260.100-035-BR | M10 | 35 | 6.4 | 17 | Brass |
| P0260.100-040-BR | M10 | 40 | 6.4 | 17 | Brass |
| P0260.100-045-BR | M10 | 45 | 6.4 | 17 | Brass |
| P0260.100-050-BR | M10 | 50 | 6.4 | 17 | Brass |
| P0260.100-055-BR | M10 | 55 | 6.4 | 17 | Brass |
| P0260.100-060-BR | M10 | 60 | 6.4 | 17 | Brass |
| P0260.100-065-BR | M10 | 65 | 6.4 | 17 | Brass |
| P0260.100-070-BR | M10 | 70 | 6.4 | 17 | Brass |
| P0260.100-075-BR | M10 | 75 | 6.4 | 17 | Brass |
| P0260.100-080-BR | M10 | 80 | 6.4 | 17 | Brass |
| P0260.100-090-BR | M10 | 90 | 6.4 | 17 | Brass |



Hexagon Head Set Screws

Brass

Standard Screws



| Order No. | d ₁ | l ₁ | h ₁ | A/F | Material |
|------------------|----------------|----------------|----------------|-----|----------|
| P0260.100-100-BR | M10 | 100 | 6.4 | 17 | Brass |
| P0260.120-016-BR | M12 | 16 | 7.5 | 19 | Brass |
| P0260.120-018-BR | M12 | 18 | 7.5 | 19 | Brass |
| P0260.120-020-BR | M12 | 20 | 7.5 | 19 | Brass |
| P0260.120-022-BR | M12 | 22 | 7.5 | 19 | Brass |
| P0260.120-025-BR | M12 | 25 | 7.5 | 19 | Brass |
| P0260.120-030-BR | M12 | 30 | 7.5 | 19 | Brass |
| P0260.120-035-BR | M12 | 35 | 7.5 | 19 | Brass |
| P0260.120-040-BR | M12 | 40 | 7.5 | 19 | Brass |
| P0260.120-045-BR | M12 | 45 | 7.5 | 19 | Brass |
| P0260.120-050-BR | M12 | 50 | 7.5 | 19 | Brass |
| P0260.120-055-BR | M12 | 55 | 7.5 | 19 | Brass |
| P0260.120-060-BR | M12 | 60 | 7.5 | 19 | Brass |
| P0260.120-065-BR | M12 | 65 | 7.5 | 19 | Brass |
| P0260.120-070-BR | M12 | 70 | 7.5 | 19 | Brass |
| P0260.120-075-BR | M12 | 75 | 7.5 | 19 | Brass |
| P0260.120-080-BR | M12 | 80 | 7.5 | 19 | Brass |
| P0260.120-090-BR | M12 | 90 | 7.5 | 19 | Brass |
| P0260.120-100-BR | M12 | 100 | 7.5 | 19 | Brass |
| P0260.140-020-BR | M14 | 20 | 8.8 | 22 | Brass |
| P0260.140-022-BR | M14 | 22 | 8.8 | 22 | Brass |
| P0260.140-025-BR | M14 | 25 | 8.8 | 22 | Brass |
| P0260.140-030-BR | M14 | 30 | 8.8 | 22 | Brass |
| P0260.140-035-BR | M14 | 35 | 8.8 | 22 | Brass |
| P0260.140-040-BR | M14 | 40 | 8.8 | 22 | Brass |
| P0260.140-045-BR | M14 | 45 | 8.8 | 22 | Brass |
| P0260.140-050-BR | M14 | 50 | 8.8 | 22 | Brass |
| P0260.140-060-BR | M14 | 60 | 8.8 | 22 | Brass |
| P0260.140-065-BR | M14 | 65 | 8.8 | 22 | Brass |
| P0260.140-070-BR | M14 | 70 | 8.8 | 22 | Brass |
| P0260.140-080-BR | M14 | 80 | 8.8 | 22 | Brass |
| P0260.140-090-BR | M14 | 90 | 8.8 | 22 | Brass |
| P0260.140-100-BR | M14 | 100 | 8.8 | 22 | Brass |
| P0260.160-020-BR | M16 | 20 | 10 | 24 | Brass |
| P0260.160-022-BR | M16 | 22 | 10 | 24 | Brass |
| P0260.160-025-BR | M16 | 25 | 10 | 24 | Brass |
| P0260.160-030-BR | M16 | 30 | 10 | 24 | Brass |
| P0260.160-035-BR | M16 | 35 | 10 | 24 | Brass |
| P0260.160-040-BR | M16 | 40 | 10 | 24 | Brass |
| P0260.160-045-BR | M16 | 45 | 10 | 24 | Brass |
| P0260.160-050-BR | M16 | 50 | 10 | 24 | Brass |
| P0260.160-055-BR | M16 | 55 | 10 | 24 | Brass |
| P0260.160-060-BR | M16 | 60 | 10 | 24 | Brass |
| P0260.160-065-BR | M16 | 65 | 10 | 24 | Brass |
| P0260.160-070-BR | M16 | 70 | 10 | 24 | Brass |
| P0260.160-075-BR | M16 | 75 | 10 | 24 | Brass |
| P0260.160-080-BR | M16 | 80 | 10 | 24 | Brass |
| P0260.160-090-BR | M16 | 90 | 10 | 24 | Brass |
| P0260.160-100-BR | M16 | 100 | 10 | 24 | Brass |
| P0260.160-110-BR | M16 | 110 | 10 | 24 | Brass |
| P0260.160-120-BR | M16 | 120 | 10 | 24 | Brass |
| P0260.200-030-BR | M20 | 30 | 12.5 | 30 | Brass |
| P0260.200-035-BR | M20 | 35 | 12.5 | 30 | Brass |
| P0260.200-040-BR | M20 | 40 | 12.5 | 30 | Brass |
| P0260.200-045-BR | M20 | 45 | 12.5 | 30 | Brass |
| P0260.200-050-BR | M20 | 50 | 12.5 | 30 | Brass |
| P0260.200-055-BR | M20 | 55 | 12.5 | 30 | Brass |
| P0260.200-060-BR | M20 | 60 | 12.5 | 30 | Brass |
| P0260.200-065-BR | M20 | 65 | 12.5 | 30 | Brass |
| P0260.200-070-BR | M20 | 70 | 12.5 | 30 | Brass |
| P0260.200-075-BR | M20 | 75 | 12.5 | 30 | Brass |
| P0260.200-080-BR | M20 | 80 | 12.5 | 30 | Brass |
| P0260.200-090-BR | M20 | 90 | 12.5 | 30 | Brass |
| P0260.200-100-BR | M20 | 100 | 12.5 | 30 | Brass |
| P0260.200-110-BR | M20 | 110 | 12.5 | 30 | Brass |
| P0260.200-120-BR | M20 | 120 | 12.5 | 30 | Brass |

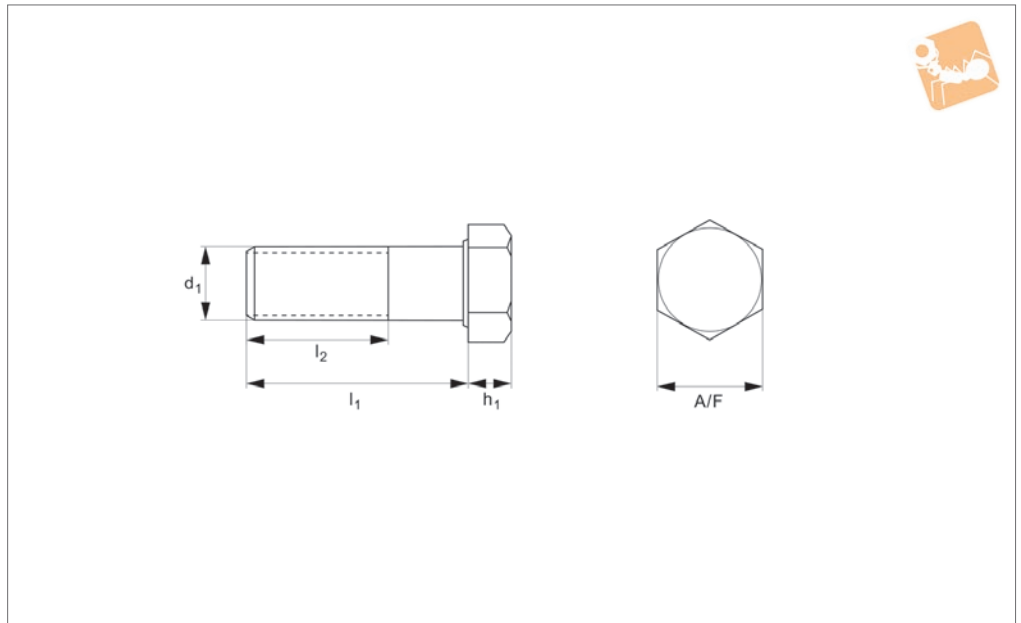
STANDARD SCREWS



STANDARD SCREWS



P0262.A2



Material

Stainless steel (A2 class 70, class 80 on request).

Technical Notes

To DIN 931, ISO 4014.

| Order No. | d ₁ | l ₁ | h ₁ | l ₂ | A/F | Material |
|------------------|----------------|----------------|----------------|----------------|-----|----------|
| P0262.050-025-A2 | M 5 | 25 | 3.35 | 16 | 8 | A2 s/s |
| P0262.050-030-A2 | M 5 | 30 | 3.35 | 16 | 8 | A2 s/s |
| P0262.050-035-A2 | M 5 | 35 | 3.35 | 16 | 8 | A2 s/s |
| P0262.050-040-A2 | M 5 | 40 | 3.35 | 16 | 8 | A2 s/s |
| P0262.050-045-A2 | M 5 | 45 | 3.35 | 16 | 8 | A2 s/s |
| P0262.050-050-A2 | M 5 | 50 | 3.35 | 16 | 8 | A2 s/s |
| P0262.050-055-A2 | M 5 | 55 | 3.35 | 16 | 8 | A2 s/s |
| P0262.050-060-A2 | M 5 | 60 | 3.35 | 16 | 8 | A2 s/s |
| P0262.050-065-A2 | M 5 | 65 | 3.35 | 16 | 8 | A2 s/s |
| P0262.050-070-A2 | M 5 | 70 | 3.35 | 16 | 8 | A2 s/s |
| P0262.050-075-A2 | M 5 | 75 | 3.35 | 16 | 8 | A2 s/s |
| P0262.050-080-A2 | M 5 | 80 | 3.35 | 16 | 8 | A2 s/s |
| P0262.050-085-A2 | M 5 | 85 | 3.35 | 16 | 8 | A2 s/s |
| P0262.050-090-A2 | M 5 | 90 | 3.35 | 16 | 8 | A2 s/s |
| P0262.050-095-A2 | M 5 | 95 | 3.35 | 16 | 8 | A2 s/s |
| P0262.050-100-A2 | M 5 | 100 | 3.35 | 16 | 8 | A2 s/s |
| P0262.060-025-A2 | M 6 | 25 | 3.85 | 18 | 10 | A2 s/s |
| P0262.060-030-A2 | M 6 | 30 | 3.85 | 18 | 10 | A2 s/s |
| P0262.060-035-A2 | M 6 | 35 | 3.85 | 18 | 10 | A2 s/s |
| P0262.060-040-A2 | M 6 | 40 | 3.85 | 18 | 10 | A2 s/s |
| P0262.060-045-A2 | M 6 | 45 | 3.85 | 18 | 10 | A2 s/s |
| P0262.060-050-A2 | M 6 | 50 | 3.85 | 18 | 10 | A2 s/s |
| P0262.060-055-A2 | M 6 | 55 | 3.85 | 18 | 10 | A2 s/s |
| P0262.060-060-A2 | M 6 | 60 | 3.85 | 18 | 10 | A2 s/s |
| P0262.060-065-A2 | M 6 | 65 | 3.85 | 18 | 10 | A2 s/s |
| P0262.060-070-A2 | M 6 | 70 | 3.85 | 18 | 10 | A2 s/s |
| P0262.060-075-A2 | M 6 | 75 | 3.85 | 18 | 10 | A2 s/s |
| P0262.060-080-A2 | M 6 | 80 | 3.85 | 18 | 10 | A2 s/s |
| P0262.060-085-A2 | M 6 | 85 | 3.85 | 18 | 10 | A2 s/s |
| P0262.060-090-A2 | M 6 | 90 | 3.85 | 18 | 10 | A2 s/s |
| P0262.060-100-A2 | M 6 | 100 | 3.85 | 18 | 10 | A2 s/s |
| P0262.060-110-A2 | M 6 | 110 | 3.85 | 18 | 10 | A2 s/s |
| P0262.060-120-A2 | M 6 | 120 | 3.85 | 18 | 10 | A2 s/s |
| P0262.060-130-A2 | M 6 | 130 | 3.85 | 24 | 10 | A2 s/s |
| P0262.060-140-A2 | M 6 | 140 | 3.85 | 24 | 10 | A2 s/s |



Hexagon Head Bolts

A2 stainless

Standard Screws



| Order No. | d ₁ | l ₁ | h ₁ | l ₂ | A/F | Material |
|------------------|----------------|----------------|----------------|----------------|-----|----------|
| P0262.060-150-A2 | M 6 | 150 | 3.85 | 24 | 10 | A2 s/s |
| P0262.060-160-A2 | M 6 | 160 | 3.85 | 24 | 10 | A2 s/s |
| P0262.060-170-A2 | M 6 | 170 | 3.85 | 24 | 10 | A2 s/s |
| P0262.060-180-A2 | M 6 | 180 | 3.85 | 24 | 10 | A2 s/s |
| P0262.060-190-A2 | M 6 | 190 | 3.85 | 24 | 10 | A2 s/s |
| P0262.060-200-A2 | M 6 | 200 | 3.85 | 24 | 10 | A2 s/s |
| P0262.080-030-A2 | M 8 | 30 | 5.15 | 22 | 13 | A2 s/s |
| P0262.080-035-A2 | M 8 | 35 | 5.15 | 22 | 13 | A2 s/s |
| P0262.080-040-A2 | M 8 | 40 | 5.15 | 22 | 13 | A2 s/s |
| P0262.080-045-A2 | M 8 | 45 | 5.15 | 22 | 13 | A2 s/s |
| P0262.080-050-A2 | M 8 | 50 | 5.15 | 22 | 13 | A2 s/s |
| P0262.080-055-A2 | M 8 | 55 | 5.15 | 22 | 13 | A2 s/s |
| P0262.080-060-A2 | M 8 | 60 | 5.15 | 22 | 13 | A2 s/s |
| P0262.080-065-A2 | M 8 | 65 | 5.15 | 22 | 13 | A2 s/s |
| P0262.080-070-A2 | M 8 | 70 | 5.15 | 22 | 13 | A2 s/s |
| P0262.080-075-A2 | M 8 | 75 | 5.15 | 22 | 13 | A2 s/s |
| P0262.080-080-A2 | M 8 | 80 | 5.15 | 22 | 13 | A2 s/s |
| P0262.080-085-A2 | M 8 | 85 | 5.15 | 22 | 13 | A2 s/s |
| P0262.080-090-A2 | M 8 | 90 | 5.15 | 22 | 13 | A2 s/s |
| P0262.080-095-A2 | M 8 | 95 | 5.15 | 22 | 13 | A2 s/s |
| P0262.080-100-A2 | M 8 | 100 | 5.15 | 22 | 13 | A2 s/s |
| P0262.080-110-A2 | M 8 | 110 | 5.15 | 22 | 13 | A2 s/s |
| P0262.080-120-A2 | M 8 | 120 | 5.15 | 22 | 13 | A2 s/s |
| P0262.080-130-A2 | M 8 | 130 | 5.15 | 28 | 13 | A2 s/s |
| P0262.080-140-A2 | M 8 | 140 | 5.15 | 28 | 13 | A2 s/s |
| P0262.080-150-A2 | M 8 | 150 | 5.15 | 28 | 13 | A2 s/s |
| P0262.080-160-A2 | M 8 | 160 | 5.15 | 28 | 13 | A2 s/s |
| P0262.080-170-A2 | M 8 | 170 | 5.15 | 28 | 13 | A2 s/s |
| P0262.080-180-A2 | M 8 | 180 | 5.15 | 28 | 13 | A2 s/s |
| P0262.080-190-A2 | M 8 | 190 | 5.15 | 28 | 13 | A2 s/s |
| P0262.080-200-A2 | M 8 | 200 | 5.15 | 28 | 13 | A2 s/s |
| P0262.080-210-A2 | M 8 | 210 | 5.15 | 41 | 13 | A2 s/s |
| P0262.080-220-A2 | M 8 | 220 | 5.15 | 41 | 13 | A2 s/s |
| P0262.080-230-A2 | M 8 | 230 | 5.15 | 41 | 13 | A2 s/s |
| P0262.080-240-A2 | M 8 | 240 | 5.15 | 41 | 13 | A2 s/s |
| P0262.100-035-A2 | M10 | 35 | 6.22 | 26 | 17 | A2 s/s |
| P0262.100-040-A2 | M10 | 40 | 6.22 | 26 | 17 | A2 s/s |
| P0262.100-045-A2 | M10 | 45 | 6.22 | 26 | 17 | A2 s/s |
| P0262.100-050-A2 | M10 | 50 | 6.22 | 26 | 17 | A2 s/s |
| P0262.100-055-A2 | M10 | 55 | 6.22 | 26 | 17 | A2 s/s |
| P0262.100-060-A2 | M10 | 60 | 6.22 | 26 | 17 | A2 s/s |
| P0262.100-065-A2 | M10 | 65 | 6.22 | 26 | 17 | A2 s/s |
| P0262.100-070-A2 | M10 | 70 | 6.22 | 26 | 17 | A2 s/s |
| P0262.100-075-A2 | M10 | 75 | 6.22 | 26 | 17 | A2 s/s |
| P0262.100-080-A2 | M10 | 80 | 6.22 | 26 | 17 | A2 s/s |
| P0262.100-085-A2 | M10 | 85 | 6.22 | 26 | 17 | A2 s/s |
| P0262.100-090-A2 | M10 | 90 | 6.22 | 26 | 17 | A2 s/s |
| P0262.100-095-A2 | M10 | 95 | 6.22 | 26 | 17 | A2 s/s |
| P0262.100-100-A2 | M10 | 100 | 6.22 | 26 | 17 | A2 s/s |
| P0262.100-110-A2 | M10 | 110 | 6.22 | 26 | 17 | A2 s/s |
| P0262.100-120-A2 | M10 | 120 | 6.22 | 26 | 17 | A2 s/s |
| P0262.100-130-A2 | M10 | 130 | 6.22 | 32 | 17 | A2 s/s |
| P0262.100-140-A2 | M10 | 140 | 6.22 | 32 | 17 | A2 s/s |
| P0262.100-150-A2 | M10 | 150 | 6.22 | 32 | 17 | A2 s/s |
| P0262.100-160-A2 | M10 | 160 | 6.22 | 32 | 17 | A2 s/s |
| P0262.100-170-A2 | M10 | 170 | 6.22 | 32 | 17 | A2 s/s |
| P0262.100-180-A2 | M10 | 180 | 6.22 | 32 | 17 | A2 s/s |
| P0262.100-190-A2 | M10 | 190 | 6.22 | 32 | 17 | A2 s/s |
| P0262.100-200-A2 | M10 | 200 | 6.22 | 32 | 17 | A2 s/s |
| P0262.100-210-A2 | M10 | 210 | 6.22 | 45 | 17 | A2 s/s |
| P0262.100-220-A2 | M10 | 220 | 6.22 | 45 | 17 | A2 s/s |
| P0262.100-230-A2 | M10 | 230 | 6.22 | 45 | 17 | A2 s/s |
| P0262.100-240-A2 | M10 | 240 | 6.22 | 45 | 17 | A2 s/s |
| P0262.100-250-A2 | M10 | 250 | 6.22 | 45 | 17 | A2 s/s |
| P0262.100-260-A2 | M10 | 260 | 6.22 | 45 | 17 | A2 s/s |
| P0262.100-270-A2 | M10 | 270 | 6.22 | 45 | 17 | A2 s/s |
| P0262.100-280-A2 | M10 | 280 | 6.22 | 45 | 17 | A2 s/s |
| P0262.100-290-A2 | M10 | 290 | 6.22 | 45 | 17 | A2 s/s |
| P0262.100-300-A2 | M10 | 300 | 6.22 | 45 | 17 | A2 s/s |

STANDARD SCREWS



STANDARD SCREWS

| Order No. | d ₁ | l ₁ | h ₁ | l ₂ | A/F | Material |
|------------------|----------------|----------------|----------------|----------------|-----|----------|
| P0262.100-320-A2 | M10 | 320 | 6.22 | 45 | 17 | A2 s/s |
| P0262.100-340-A2 | M10 | 340 | 6.22 | 45 | 17 | A2 s/s |
| P0262.100-360-A2 | M10 | 360 | 6.22 | 45 | 17 | A2 s/s |
| P0262.100-380-A2 | M10 | 380 | 6.22 | 45 | 17 | A2 s/s |
| P0262.100-400-A2 | M10 | 400 | 6.22 | 45 | 17 | A2 s/s |
| P0262.100-420-A2 | M10 | 420 | 6.22 | 45 | 17 | A2 s/s |
| P0262.100-440-A2 | M10 | 440 | 6.22 | 45 | 17 | A2 s/s |
| P0262.100-460-A2 | M10 | 460 | 6.22 | 45 | 17 | A2 s/s |
| P0262.100-480-A2 | M10 | 480 | 6.22 | 45 | 17 | A2 s/s |
| P0262.100-500-A2 | M10 | 500 | 6.22 | 45 | 17 | A2 s/s |
| P0262.120-040-A2 | M12 | 40 | 7.32 | 30 | 19 | A2 s/s |
| P0262.120-045-A2 | M12 | 45 | 7.32 | 30 | 19 | A2 s/s |
| P0262.120-050-A2 | M12 | 50 | 7.32 | 30 | 19 | A2 s/s |
| P0262.120-055-A2 | M12 | 55 | 7.32 | 30 | 19 | A2 s/s |
| P0262.120-060-A2 | M12 | 60 | 7.32 | 30 | 19 | A2 s/s |
| P0262.120-065-A2 | M12 | 65 | 7.32 | 30 | 19 | A2 s/s |
| P0262.120-070-A2 | M12 | 70 | 7.32 | 30 | 19 | A2 s/s |
| P0262.120-075-A2 | M12 | 75 | 7.32 | 30 | 19 | A2 s/s |
| P0262.120-080-A2 | M12 | 80 | 7.32 | 30 | 19 | A2 s/s |
| P0262.120-085-A2 | M12 | 85 | 7.32 | 30 | 19 | A2 s/s |
| P0262.120-090-A2 | M12 | 90 | 7.32 | 30 | 19 | A2 s/s |
| P0262.120-100-A2 | M12 | 100 | 7.32 | 30 | 19 | A2 s/s |
| P0262.120-110-A2 | M12 | 110 | 7.32 | 30 | 19 | A2 s/s |
| P0262.120-120-A2 | M12 | 120 | 7.32 | 30 | 19 | A2 s/s |
| P0262.120-130-A2 | M12 | 130 | 7.32 | 36 | 19 | A2 s/s |
| P0262.120-140-A2 | M12 | 140 | 7.32 | 36 | 19 | A2 s/s |
| P0262.120-150-A2 | M12 | 150 | 7.32 | 36 | 19 | A2 s/s |
| P0262.120-160-A2 | M12 | 160 | 7.32 | 36 | 19 | A2 s/s |
| P0262.120-170-A2 | M12 | 170 | 7.32 | 36 | 19 | A2 s/s |
| P0262.120-180-A2 | M12 | 180 | 7.32 | 36 | 19 | A2 s/s |
| P0262.120-190-A2 | M12 | 190 | 7.32 | 36 | 19 | A2 s/s |
| P0262.120-200-A2 | M12 | 200 | 7.32 | 36 | 19 | A2 s/s |
| P0262.120-210-A2 | M12 | 210 | 7.32 | 49 | 19 | A2 s/s |
| P0262.120-220-A2 | M12 | 220 | 7.32 | 49 | 19 | A2 s/s |
| P0262.120-230-A2 | M12 | 230 | 7.32 | 49 | 19 | A2 s/s |
| P0262.120-240-A2 | M12 | 240 | 7.32 | 49 | 19 | A2 s/s |
| P0262.120-250-A2 | M12 | 250 | 7.32 | 49 | 19 | A2 s/s |
| P0262.120-260-A2 | M12 | 260 | 7.32 | 49 | 19 | A2 s/s |
| P0262.120-270-A2 | M12 | 270 | 7.32 | 49 | 19 | A2 s/s |
| P0262.120-280-A2 | M12 | 280 | 7.32 | 49 | 19 | A2 s/s |
| P0262.120-290-A2 | M12 | 290 | 7.32 | 49 | 19 | A2 s/s |
| P0262.120-300-A2 | M12 | 300 | 7.32 | 49 | 19 | A2 s/s |
| P0262.120-320-A2 | M12 | 320 | 7.32 | 49 | 19 | A2 s/s |
| P0262.120-340-A2 | M12 | 340 | 7.32 | 49 | 19 | A2 s/s |
| P0262.120-360-A2 | M12 | 360 | 7.32 | 49 | 19 | A2 s/s |
| P0262.120-380-A2 | M12 | 380 | 7.32 | 49 | 19 | A2 s/s |
| P0262.120-400-A2 | M12 | 400 | 7.32 | 49 | 19 | A2 s/s |
| P0262.120-420-A2 | M12 | 420 | 7.32 | 49 | 19 | A2 s/s |
| P0262.120-440-A2 | M12 | 440 | 7.32 | 49 | 19 | A2 s/s |
| P0262.120-460-A2 | M12 | 460 | 7.32 | 49 | 19 | A2 s/s |
| P0262.120-480-A2 | M12 | 480 | 7.32 | 49 | 19 | A2 s/s |
| P0262.120-500-A2 | M12 | 500 | 7.32 | 49 | 19 | A2 s/s |
| P0262.140-050-A2 | M14 | 50 | 8.62 | 34 | 22 | A2 s/s |
| P0262.140-055-A2 | M14 | 55 | 8.62 | 34 | 22 | A2 s/s |
| P0262.140-060-A2 | M14 | 60 | 8.62 | 34 | 22 | A2 s/s |
| P0262.140-065-A2 | M14 | 65 | 8.62 | 34 | 22 | A2 s/s |
| P0262.140-070-A2 | M14 | 70 | 8.62 | 34 | 22 | A2 s/s |
| P0262.140-075-A2 | M14 | 75 | 8.62 | 34 | 22 | A2 s/s |
| P0262.140-080-A2 | M14 | 80 | 8.62 | 34 | 22 | A2 s/s |
| P0262.140-085-A2 | M14 | 85 | 8.62 | 34 | 22 | A2 s/s |
| P0262.140-090-A2 | M14 | 90 | 8.62 | 34 | 22 | A2 s/s |
| P0262.140-095-A2 | M14 | 95 | 8.62 | 34 | 22 | A2 s/s |
| P0262.140-100-A2 | M14 | 100 | 8.62 | 34 | 22 | A2 s/s |
| P0262.140-110-A2 | M14 | 110 | 8.62 | 34 | 22 | A2 s/s |
| P0262.140-120-A2 | M14 | 120 | 8.62 | 34 | 22 | A2 s/s |
| P0262.140-130-A2 | M14 | 130 | 8.62 | 40 | 22 | A2 s/s |
| P0262.140-140-A2 | M14 | 140 | 8.62 | 40 | 22 | A2 s/s |
| P0262.140-150-A2 | M14 | 150 | 8.62 | 40 | 22 | A2 s/s |
| P0262.140-160-A2 | M14 | 160 | 8.62 | 40 | 22 | A2 s/s |



Hexagon Head Bolts

A2 stainless

Standard Screws



| Order No. | d ₁ | l ₁ | h ₁ | l ₂ | A/F | Material |
|------------------|----------------|----------------|----------------|----------------|-----|----------|
| P0262.140-170-A2 | M14 | 170 | 8.62 | 40 | 22 | A2 s/s |
| P0262.140-180-A2 | M14 | 180 | 8.62 | 40 | 22 | A2 s/s |
| P0262.140-190-A2 | M14 | 190 | 8.62 | 40 | 22 | A2 s/s |
| P0262.140-200-A2 | M14 | 200 | 8.62 | 40 | 22 | A2 s/s |
| P0262.140-210-A2 | M14 | 210 | 8.62 | 53 | 22 | A2 s/s |
| P0262.140-220-A2 | M14 | 220 | 8.62 | 53 | 22 | A2 s/s |
| P0262.140-230-A2 | M14 | 230 | 8.62 | 53 | 22 | A2 s/s |
| P0262.140-240-A2 | M14 | 240 | 8.62 | 53 | 22 | A2 s/s |
| P0262.140-250-A2 | M14 | 250 | 8.62 | 53 | 22 | A2 s/s |
| P0262.140-260-A2 | M14 | 260 | 8.62 | 53 | 22 | A2 s/s |
| P0262.140-270-A2 | M14 | 270 | 8.62 | 53 | 22 | A2 s/s |
| P0262.140-280-A2 | M14 | 280 | 8.62 | 53 | 22 | A2 s/s |
| P0262.160-050-A2 | M16 | 50 | 9.82 | 38 | 24 | A2 s/s |
| P0262.160-055-A2 | M16 | 55 | 9.82 | 38 | 24 | A2 s/s |
| P0262.160-060-A2 | M16 | 60 | 9.82 | 38 | 24 | A2 s/s |
| P0262.160-065-A2 | M16 | 65 | 9.82 | 38 | 24 | A2 s/s |
| P0262.160-070-A2 | M16 | 70 | 9.82 | 38 | 24 | A2 s/s |
| P0262.160-075-A2 | M16 | 75 | 9.82 | 38 | 24 | A2 s/s |
| P0262.160-080-A2 | M16 | 80 | 9.82 | 38 | 24 | A2 s/s |
| P0262.160-085-A2 | M16 | 85 | 9.82 | 38 | 24 | A2 s/s |
| P0262.160-090-A2 | M16 | 90 | 9.82 | 38 | 24 | A2 s/s |
| P0262.160-095-A2 | M16 | 95 | 9.82 | 38 | 24 | A2 s/s |
| P0262.160-100-A2 | M16 | 100 | 9.82 | 38 | 24 | A2 s/s |
| P0262.160-110-A2 | M16 | 110 | 9.82 | 38 | 24 | A2 s/s |
| P0262.160-120-A2 | M16 | 120 | 9.82 | 38 | 24 | A2 s/s |
| P0262.160-130-A2 | M16 | 130 | 9.82 | 44 | 24 | A2 s/s |
| P0262.160-140-A2 | M16 | 140 | 9.82 | 44 | 24 | A2 s/s |
| P0262.160-150-A2 | M16 | 150 | 9.82 | 44 | 24 | A2 s/s |
| P0262.160-160-A2 | M16 | 160 | 9.82 | 44 | 24 | A2 s/s |
| P0262.160-170-A2 | M16 | 170 | 9.82 | 44 | 24 | A2 s/s |
| P0262.160-180-A2 | M16 | 180 | 9.82 | 44 | 24 | A2 s/s |
| P0262.160-190-A2 | M16 | 190 | 9.82 | 44 | 24 | A2 s/s |
| P0262.160-200-A2 | M16 | 200 | 9.82 | 44 | 24 | A2 s/s |
| P0262.160-210-A2 | M16 | 210 | 9.82 | 57 | 24 | A2 s/s |
| P0262.160-220-A2 | M16 | 220 | 9.82 | 57 | 24 | A2 s/s |
| P0262.160-230-A2 | M16 | 230 | 9.82 | 57 | 24 | A2 s/s |
| P0262.160-240-A2 | M16 | 240 | 9.82 | 57 | 24 | A2 s/s |
| P0262.160-250-A2 | M16 | 250 | 9.82 | 57 | 24 | A2 s/s |
| P0262.160-260-A2 | M16 | 260 | 9.82 | 57 | 24 | A2 s/s |
| P0262.160-270-A2 | M16 | 270 | 9.82 | 57 | 24 | A2 s/s |
| P0262.160-280-A2 | M16 | 280 | 9.82 | 57 | 24 | A2 s/s |
| P0262.160-290-A2 | M16 | 290 | 9.82 | 57 | 24 | A2 s/s |
| P0262.160-300-A2 | M16 | 300 | 9.82 | 57 | 24 | A2 s/s |
| P0262.160-320-A2 | M16 | 320 | 9.82 | 57 | 24 | A2 s/s |
| P0262.160-340-A2 | M16 | 340 | 9.82 | 57 | 24 | A2 s/s |
| P0262.160-360-A2 | M16 | 360 | 9.82 | 57 | 24 | A2 s/s |
| P0262.160-380-A2 | M16 | 380 | 9.82 | 57 | 24 | A2 s/s |
| P0262.160-400-A2 | M16 | 400 | 9.82 | 57 | 24 | A2 s/s |
| P0262.160-420-A2 | M16 | 420 | 9.82 | 57 | 24 | A2 s/s |
| P0262.160-440-A2 | M16 | 440 | 9.82 | 57 | 24 | A2 s/s |
| P0262.160-460-A2 | M16 | 460 | 9.82 | 57 | 24 | A2 s/s |
| P0262.160-480-A2 | M16 | 480 | 9.82 | 57 | 24 | A2 s/s |
| P0262.160-500-A2 | M16 | 500 | 9.82 | 57 | 24 | A2 s/s |
| P0262.180-060-A2 | M18 | 60 | 11.28 | 42 | 27 | A2 s/s |
| P0262.180-065-A2 | M18 | 65 | 11.28 | 42 | 27 | A2 s/s |
| P0262.180-070-A2 | M18 | 70 | 11.28 | 42 | 27 | A2 s/s |
| P0262.180-075-A2 | M18 | 75 | 11.28 | 42 | 27 | A2 s/s |
| P0262.180-080-A2 | M18 | 80 | 11.28 | 42 | 27 | A2 s/s |
| P0262.180-085-A2 | M18 | 85 | 11.28 | 42 | 27 | A2 s/s |
| P0262.180-090-A2 | M18 | 90 | 11.28 | 42 | 27 | A2 s/s |
| P0262.180-095-A2 | M18 | 95 | 11.28 | 42 | 27 | A2 s/s |
| P0262.180-100-A2 | M18 | 100 | 11.28 | 42 | 27 | A2 s/s |
| P0262.180-110-A2 | M18 | 110 | 11.28 | 42 | 27 | A2 s/s |
| P0262.180-120-A2 | M18 | 120 | 11.28 | 42 | 27 | A2 s/s |
| P0262.180-130-A2 | M18 | 130 | 11.28 | 48 | 27 | A2 s/s |
| P0262.180-140-A2 | M18 | 140 | 11.28 | 48 | 27 | A2 s/s |
| P0262.180-150-A2 | M18 | 150 | 11.28 | 48 | 27 | A2 s/s |
| P0262.180-160-A2 | M18 | 160 | 11.28 | 48 | 27 | A2 s/s |
| P0262.180-170-A2 | M18 | 170 | 11.28 | 48 | 27 | A2 s/s |

STANDARD SCREWS



STANDARD SCREWS

| Order No. | d ₁ | l ₁ | h ₁ | l ₂ | A/F | Material |
|------------------|----------------|----------------|----------------|----------------|-----|----------|
| P0262.180-180-A2 | M18 | 180 | 11.28 | 48 | 27 | A2 s/s |
| P0262.180-190-A2 | M18 | 190 | 11.28 | 48 | 27 | A2 s/s |
| P0262.180-200-A2 | M18 | 200 | 11.28 | 48 | 27 | A2 s/s |
| P0262.180-210-A2 | M18 | 210 | 11.28 | 61 | 27 | A2 s/s |
| P0262.180-220-A2 | M18 | 220 | 11.28 | 61 | 27 | A2 s/s |
| P0262.180-230-A2 | M18 | 230 | 11.28 | 61 | 27 | A2 s/s |
| P0262.180-240-A2 | M18 | 240 | 11.28 | 61 | 27 | A2 s/s |
| P0262.180-250-A2 | M18 | 250 | 11.28 | 61 | 27 | A2 s/s |
| P0262.180-260-A2 | M18 | 260 | 11.28 | 61 | 27 | A2 s/s |
| P0262.180-270-A2 | M18 | 270 | 11.28 | 61 | 27 | A2 s/s |
| P0262.180-280-A2 | M18 | 280 | 11.28 | 61 | 27 | A2 s/s |
| P0262.200-060-A2 | M20 | 60 | 12.28 | 52 | 30 | A2 s/s |
| P0262.200-065-A2 | M20 | 65 | 12.28 | 52 | 30 | A2 s/s |
| P0262.200-070-A2 | M20 | 70 | 12.28 | 52 | 30 | A2 s/s |
| P0262.200-075-A2 | M20 | 75 | 12.28 | 52 | 30 | A2 s/s |
| P0262.200-080-A2 | M20 | 80 | 12.28 | 52 | 30 | A2 s/s |
| P0262.200-085-A2 | M20 | 85 | 12.28 | 52 | 30 | A2 s/s |
| P0262.200-090-A2 | M20 | 90 | 12.28 | 52 | 30 | A2 s/s |
| P0262.200-095-A2 | M20 | 95 | 12.28 | 52 | 30 | A2 s/s |
| P0262.200-100-A2 | M20 | 100 | 12.28 | 52 | 30 | A2 s/s |
| P0262.200-110-A2 | M20 | 110 | 12.28 | 52 | 30 | A2 s/s |
| P0262.200-120-A2 | M20 | 120 | 12.28 | 52 | 30 | A2 s/s |
| P0262.200-130-A2 | M20 | 130 | 12.28 | 52 | 30 | A2 s/s |
| P0262.200-140-A2 | M20 | 140 | 12.28 | 52 | 30 | A2 s/s |
| P0262.200-150-A2 | M20 | 150 | 12.28 | 52 | 30 | A2 s/s |
| P0262.200-160-A2 | M20 | 160 | 12.28 | 52 | 30 | A2 s/s |
| P0262.200-170-A2 | M20 | 170 | 12.28 | 52 | 30 | A2 s/s |
| P0262.200-180-A2 | M20 | 180 | 12.28 | 52 | 30 | A2 s/s |
| P0262.200-190-A2 | M20 | 190 | 12.28 | 52 | 30 | A2 s/s |
| P0262.200-200-A2 | M20 | 200 | 12.28 | 52 | 30 | A2 s/s |
| P0262.200-210-A2 | M20 | 210 | 12.28 | 65 | 30 | A2 s/s |
| P0262.200-220-A2 | M20 | 22 | 12.28 | 65 | 30 | A2 s/s |
| P0262.200-230-A2 | M20 | 230 | 12.28 | 65 | 30 | A2 s/s |
| P0262.200-240-A2 | M20 | 240 | 12.28 | 65 | 30 | A2 s/s |
| P0262.200-250-A2 | M20 | 250 | 12.28 | 65 | 30 | A2 s/s |
| P0262.200-260-A2 | M20 | 260 | 12.28 | 65 | 30 | A2 s/s |
| P0262.200-270-A2 | M20 | 270 | 12.28 | 65 | 30 | A2 s/s |
| P0262.200-280-A2 | M20 | 280 | 12.28 | 65 | 30 | A2 s/s |
| P0262.200-290-A2 | M20 | 290 | 12.28 | 65 | 30 | A2 s/s |
| P0262.200-300-A2 | M20 | 300 | 12.28 | 65 | 30 | A2 s/s |
| P0262.200-320-A2 | M20 | 320 | 12.28 | 65 | 30 | A2 s/s |
| P0262.200-340-A2 | M20 | 340 | 12.28 | 65 | 30 | A2 s/s |
| P0262.200-360-A2 | M20 | 360 | 12.28 | 65 | 30 | A2 s/s |
| P0262.200-380-A2 | M20 | 380 | 12.28 | 65 | 30 | A2 s/s |
| P0262.200-400-A2 | M20 | 400 | 12.28 | 65 | 30 | A2 s/s |
| P0262.200-420-A2 | M20 | 420 | 12.28 | 65 | 30 | A2 s/s |
| P0262.200-440-A2 | M20 | 440 | 12.28 | 65 | 30 | A2 s/s |
| P0262.200-460-A2 | M20 | 460 | 12.28 | 65 | 30 | A2 s/s |
| P0262.200-480-A2 | M20 | 480 | 12.28 | 65 | 30 | A2 s/s |
| P0262.200-500-A2 | M20 | 500 | 12.28 | 65 | 30 | A2 s/s |
| P0262.220-070-A2 | M22 | 70 | 13.78 | 50 | 32 | A2 s/s |
| P0262.220-075-A2 | M22 | 75 | 13.78 | 50 | 32 | A2 s/s |
| P0262.220-080-A2 | M22 | 80 | 13.78 | 50 | 32 | A2 s/s |
| P0262.220-085-A2 | M22 | 85 | 13.78 | 50 | 32 | A2 s/s |
| P0262.220-090-A2 | M22 | 90 | 13.78 | 50 | 32 | A2 s/s |
| P0262.220-095-A2 | M22 | 95 | 13.78 | 50 | 32 | A2 s/s |
| P0262.220-100-A2 | M22 | 100 | 13.78 | 50 | 32 | A2 s/s |
| P0262.220-110-A2 | M22 | 110 | 13.78 | 50 | 32 | A2 s/s |
| P0262.220-120-A2 | M22 | 120 | 13.78 | 50 | 32 | A2 s/s |
| P0262.220-130-A2 | M22 | 130 | 13.78 | 56 | 32 | A2 s/s |
| P0262.220-140-A2 | M22 | 140 | 13.78 | 56 | 32 | A2 s/s |
| P0262.220-150-A2 | M22 | 150 | 13.78 | 56 | 32 | A2 s/s |
| P0262.220-160-A2 | M22 | 160 | 13.78 | 56 | 32 | A2 s/s |
| P0262.220-170-A2 | M22 | 170 | 13.78 | 56 | 32 | A2 s/s |
| P0262.220-180-A2 | M22 | 180 | 13.78 | 56 | 32 | A2 s/s |
| P0262.220-190-A2 | M22 | 190 | 13.78 | 56 | 32 | A2 s/s |
| P0262.220-200-A2 | M22 | 200 | 13.78 | 56 | 32 | A2 s/s |
| P0262.220-210-A2 | M22 | 210 | 13.78 | 69 | 32 | A2 s/s |
| P0262.220-220-A2 | M22 | 220 | 13.78 | 69 | 32 | A2 s/s |



Hexagon Head Bolts

A2 stainless

Standard Screws



| Order No. | d ₁ | l ₁ | h ₁ | l ₂ | A/F | Material |
|------------------|----------------|----------------|----------------|----------------|-----|----------|
| P0262.220-230-A2 | M22 | 230 | 13.78 | 69 | 32 | A2 s/s |
| P0262.220-240-A2 | M22 | 240 | 13.78 | 69 | 32 | A2 s/s |
| P0262.220-250-A2 | M22 | 250 | 13.78 | 69 | 32 | A2 s/s |
| P0262.220-260-A2 | M22 | 260 | 13.78 | 69 | 32 | A2 s/s |
| P0262.220-270-A2 | M22 | 270 | 13.78 | 69 | 32 | A2 s/s |
| P0262.220-280-A2 | M22 | 280 | 13.78 | 69 | 32 | A2 s/s |
| P0262.240-070-A2 | M24 | 70 | 14.78 | 54 | 36 | A2 s/s |
| P0262.240-075-A2 | M24 | 75 | 14.78 | 54 | 36 | A2 s/s |
| P0262.240-080-A2 | M24 | 80 | 14.78 | 54 | 36 | A2 s/s |
| P0262.240-085-A2 | M24 | 85 | 14.78 | 54 | 36 | A2 s/s |
| P0262.240-090-A2 | M24 | 90 | 14.78 | 54 | 36 | A2 s/s |
| P0262.240-100-A2 | M24 | 100 | 14.78 | 54 | 36 | A2 s/s |
| P0262.240-110-A2 | M24 | 110 | 14.78 | 54 | 36 | A2 s/s |
| P0262.240-120-A2 | M24 | 120 | 14.78 | 54 | 36 | A2 s/s |
| P0262.240-130-A2 | M24 | 130 | 14.78 | 60 | 36 | A2 s/s |
| P0262.240-140-A2 | M24 | 140 | 14.78 | 60 | 36 | A2 s/s |
| P0262.240-150-A2 | M24 | 150 | 14.78 | 60 | 36 | A2 s/s |
| P0262.240-160-A2 | M24 | 160 | 14.78 | 60 | 36 | A2 s/s |
| P0262.240-170-A2 | M24 | 170 | 14.78 | 60 | 36 | A2 s/s |
| P0262.240-180-A2 | M24 | 180 | 14.78 | 60 | 36 | A2 s/s |
| P0262.240-190-A2 | M24 | 190 | 14.78 | 60 | 36 | A2 s/s |
| P0262.240-200-A2 | M24 | 200 | 14.78 | 60 | 36 | A2 s/s |
| P0262.240-210-A2 | M24 | 210 | 14.78 | 73 | 36 | A2 s/s |
| P0262.240-220-A2 | M24 | 220 | 14.78 | 73 | 36 | A2 s/s |
| P0262.240-230-A2 | M24 | 230 | 14.78 | 73 | 36 | A2 s/s |
| P0262.240-240-A2 | M24 | 240 | 14.78 | 73 | 36 | A2 s/s |
| P0262.240-250-A2 | M24 | 250 | 14.78 | 73 | 36 | A2 s/s |
| P0262.240-260-A2 | M24 | 260 | 14.78 | 73 | 36 | A2 s/s |
| P0262.240-270-A2 | M24 | 270 | 14.78 | 73 | 36 | A2 s/s |
| P0262.240-280-A2 | M24 | 280 | 14.78 | 73 | 36 | A2 s/s |
| P0262.240-290-A2 | M24 | 290 | 14.78 | 73 | 36 | A2 s/s |
| P0262.240-300-A2 | M24 | 300 | 14.78 | 73 | 36 | A2 s/s |
| P0262.240-320-A2 | M24 | 320 | 14.78 | 73 | 36 | A2 s/s |
| P0262.240-340-A2 | M24 | 340 | 14.78 | 73 | 36 | A2 s/s |
| P0262.240-360-A2 | M24 | 360 | 14.78 | 73 | 36 | A2 s/s |
| P0262.240-380-A2 | M24 | 380 | 14.78 | 73 | 36 | A2 s/s |
| P0262.240-400-A2 | M24 | 400 | 14.78 | 73 | 36 | A2 s/s |
| P0262.240-420-A2 | M24 | 420 | 14.78 | 73 | 36 | A2 s/s |
| P0262.240-440-A2 | M24 | 440 | 14.78 | 73 | 36 | A2 s/s |
| P0262.240-460-A2 | M24 | 460 | 14.78 | 73 | 36 | A2 s/s |
| P0262.240-480-A2 | M24 | 480 | 14.78 | 73 | 36 | A2 s/s |
| P0262.240-500-A2 | M24 | 500 | 14.78 | 73 | 36 | A2 s/s |
| P0262.270-080-A2 | M27 | 80 | 16.65 | 60 | 41 | A2 s/s |
| P0262.270-085-A2 | M27 | 85 | 16.65 | 60 | 41 | A2 s/s |
| P0262.270-090-A2 | M27 | 90 | 16.65 | 60 | 41 | A2 s/s |
| P0262.270-095-A2 | M27 | 95 | 16.65 | 60 | 41 | A2 s/s |
| P0262.270-100-A2 | M27 | 100 | 16.65 | 60 | 41 | A2 s/s |
| P0262.270-110-A2 | M27 | 110 | 16.65 | 60 | 41 | A2 s/s |
| P0262.270-120-A2 | M27 | 120 | 16.65 | 60 | 41 | A2 s/s |
| P0262.270-130-A2 | M27 | 130 | 16.65 | 66 | 41 | A2 s/s |
| P0262.270-140-A2 | M27 | 140 | 16.65 | 66 | 41 | A2 s/s |
| P0262.270-150-A2 | M27 | 150 | 16.65 | 66 | 41 | A2 s/s |
| P0262.270-160-A2 | M27 | 160 | 16.65 | 66 | 41 | A2 s/s |
| P0262.270-170-A2 | M27 | 170 | 16.65 | 66 | 41 | A2 s/s |
| P0262.270-180-A2 | M27 | 180 | 16.65 | 66 | 41 | A2 s/s |
| P0262.270-190-A2 | M27 | 190 | 16.65 | 66 | 41 | A2 s/s |
| P0262.270-200-A2 | M27 | 200 | 16.65 | 66 | 41 | A2 s/s |
| P0262.270-210-A2 | M27 | 210 | 16.65 | 79 | 41 | A2 s/s |
| P0262.270-220-A2 | M27 | 220 | 16.65 | 79 | 41 | A2 s/s |
| P0262.270-230-A2 | M27 | 230 | 16.65 | 79 | 41 | A2 s/s |
| P0262.270-240-A2 | M27 | 240 | 16.65 | 79 | 41 | A2 s/s |
| P0262.270-250-A2 | M27 | 250 | 16.65 | 79 | 41 | A2 s/s |
| P0262.270-260-A2 | M27 | 260 | 16.65 | 79 | 41 | A2 s/s |
| P0262.270-270-A2 | M27 | 270 | 16.65 | 79 | 41 | A2 s/s |
| P0262.270-280-A2 | M27 | 280 | 16.65 | 79 | 41 | A2 s/s |
| P0262.270-290-A2 | M27 | 290 | 16.65 | 79 | 41 | A2 s/s |
| P0262.270-300-A2 | M27 | 300 | 16.65 | 79 | 41 | A2 s/s |
| P0262.270-320-A2 | M27 | 320 | 16.65 | 79 | 41 | A2 s/s |
| P0262.270-340-A2 | M27 | 340 | 16.65 | 79 | 41 | A2 s/s |

STANDARD SCREWS



STANDARD SCREWS

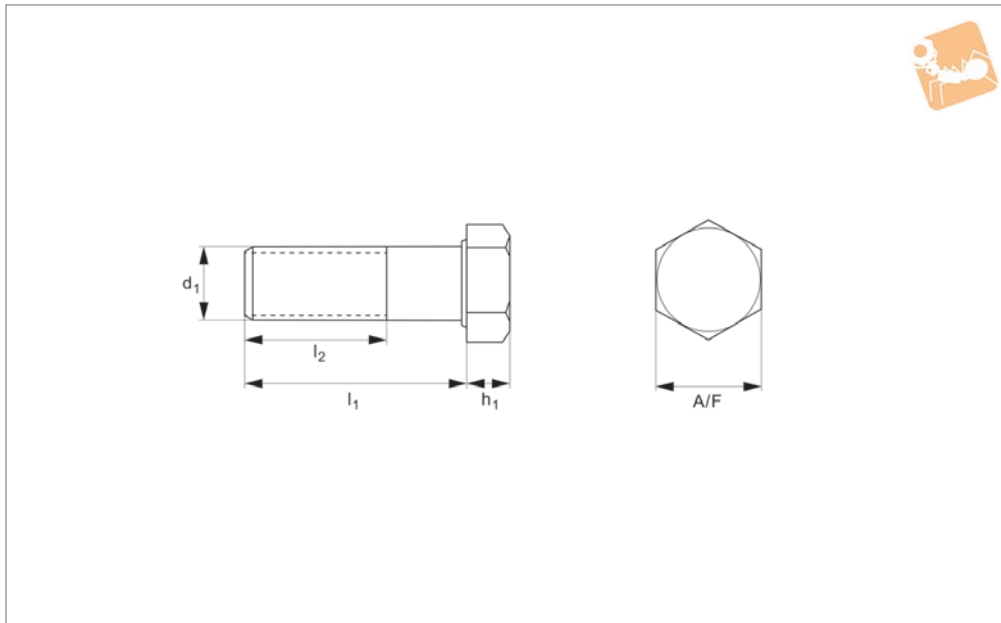
| Order No. | d ₁ | l ₁ | h ₁ | l ₂ | A/F | Material |
|------------------|----------------|----------------|----------------|----------------|-----|----------|
| P0262.300-080-A2 | M30 | 80 | 18.28 | 66 | 46 | A2 s/s |
| P0262.300-085-A2 | M30 | 85 | 18.28 | 66 | 46 | A2 s/s |
| P0262.300-090-A2 | M30 | 90 | 18.28 | 66 | 46 | A2 s/s |
| P0262.300-095-A2 | M30 | 95 | 18.28 | 66 | 46 | A2 s/s |
| P0262.300-100-A2 | M30 | 100 | 18.28 | 66 | 46 | A2 s/s |
| P0262.300-110-A2 | M30 | 110 | 18.28 | 66 | 46 | A2 s/s |
| P0262.300-120-A2 | M30 | 120 | 18.28 | 66 | 46 | A2 s/s |
| P0262.300-130-A2 | M30 | 130 | 18.28 | 72 | 46 | A2 s/s |
| P0262.300-140-A2 | M30 | 140 | 18.28 | 72 | 46 | A2 s/s |
| P0262.300-150-A2 | M30 | 150 | 18.28 | 72 | 46 | A2 s/s |
| P0262.300-160-A2 | M30 | 160 | 18.28 | 72 | 46 | A2 s/s |
| P0262.300-170-A2 | M30 | 170 | 18.28 | 72 | 46 | A2 s/s |
| P0262.300-180-A2 | M30 | 180 | 18.28 | 72 | 46 | A2 s/s |
| P0262.300-190-A2 | M30 | 190 | 18.28 | 72 | 46 | A2 s/s |
| P0262.300-200-A2 | M30 | 200 | 18.28 | 72 | 46 | A2 s/s |
| P0262.300-210-A2 | M30 | 210 | 18.28 | 85 | 46 | A2 s/s |
| P0262.300-220-A2 | M30 | 220 | 18.28 | 85 | 46 | A2 s/s |
| P0262.300-230-A2 | M30 | 230 | 18.28 | 85 | 46 | A2 s/s |
| P0262.300-240-A2 | M30 | 240 | 18.28 | 85 | 46 | A2 s/s |
| P0262.300-250-A2 | M30 | 250 | 18.28 | 85 | 46 | A2 s/s |
| P0262.300-260-A2 | M30 | 260 | 18.28 | 85 | 46 | A2 s/s |
| P0262.300-270-A2 | M30 | 270 | 18.28 | 85 | 46 | A2 s/s |
| P0262.300-280-A2 | M30 | 280 | 18.28 | 85 | 46 | A2 s/s |
| P0262.300-290-A2 | M30 | 290 | 18.28 | 85 | 46 | A2 s/s |
| P0262.300-300-A2 | M30 | 300 | 18.28 | 85 | 46 | A2 s/s |
| P0262.330-090-A2 | M33 | 90 | 20.58 | 72 | 50 | A2 s/s |
| P0262.330-095-A2 | M33 | 95 | 20.58 | 72 | 50 | A2 s/s |
| P0262.330-100-A2 | M33 | 100 | 20.58 | 72 | 50 | A2 s/s |
| P0262.330-110-A2 | M33 | 110 | 20.58 | 72 | 50 | A2 s/s |
| P0262.330-120-A2 | M33 | 120 | 20.58 | 72 | 50 | A2 s/s |
| P0262.330-130-A2 | M33 | 130 | 20.58 | 78 | 50 | A2 s/s |
| P0262.330-140-A2 | M33 | 140 | 20.58 | 78 | 50 | A2 s/s |
| P0262.330-150-A2 | M33 | 150 | 20.58 | 78 | 50 | A2 s/s |
| P0262.330-160-A2 | M33 | 160 | 20.58 | 78 | 50 | A2 s/s |
| P0262.330-170-A2 | M33 | 170 | 20.58 | 78 | 50 | A2 s/s |
| P0262.330-180-A2 | M33 | 180 | 20.58 | 78 | 50 | A2 s/s |
| P0262.330-190-A2 | M33 | 190 | 20.58 | 78 | 50 | A2 s/s |
| P0262.330-200-A2 | M33 | 200 | 20.58 | 78 | 50 | A2 s/s |
| P0262.330-210-A2 | M33 | 210 | 20.58 | 91 | 50 | A2 s/s |
| P0262.330-220-A2 | M33 | 220 | 20.58 | 91 | 50 | A2 s/s |
| P0262.330-230-A2 | M33 | 230 | 20.58 | 91 | 50 | A2 s/s |
| P0262.330-240-A2 | M33 | 240 | 20.58 | 91 | 50 | A2 s/s |
| P0262.330-250-A2 | M33 | 250 | 20.58 | 91 | 50 | A2 s/s |
| P0262.330-260-A2 | M33 | 260 | 20.58 | 91 | 50 | A2 s/s |
| P0262.330-270-A2 | M33 | 270 | 20.58 | 91 | 50 | A2 s/s |
| P0262.330-280-A2 | M33 | 280 | 20.58 | 91 | 50 | A2 s/s |
| P0262.360-100-A2 | M36 | 100 | 22.08 | 78 | 55 | A2 s/s |
| P0262.360-110-A2 | M36 | 110 | 22.08 | 78 | 55 | A2 s/s |
| P0262.360-120-A2 | M36 | 120 | 22.08 | 78 | 55 | A2 s/s |
| P0262.360-130-A2 | M36 | 130 | 22.08 | 84 | 55 | A2 s/s |
| P0262.360-140-A2 | M36 | 140 | 22.08 | 84 | 55 | A2 s/s |
| P0262.360-150-A2 | M36 | 150 | 22.08 | 84 | 55 | A2 s/s |
| P0262.360-160-A2 | M36 | 160 | 22.08 | 84 | 55 | A2 s/s |
| P0262.360-170-A2 | M36 | 170 | 22.08 | 84 | 55 | A2 s/s |
| P0262.360-180-A2 | M36 | 180 | 22.08 | 84 | 55 | A2 s/s |
| P0262.360-190-A2 | M36 | 190 | 22.08 | 84 | 55 | A2 s/s |
| P0262.360-200-A2 | M36 | 200 | 22.08 | 84 | 55 | A2 s/s |
| P0262.360-210-A2 | M36 | 210 | 22.08 | 97 | 55 | A2 s/s |
| P0262.360-220-A2 | M36 | 220 | 22.08 | 97 | 55 | A2 s/s |
| P0262.360-230-A2 | M36 | 230 | 22.08 | 97 | 55 | A2 s/s |
| P0262.360-240-A2 | M36 | 240 | 22.08 | 97 | 55 | A2 s/s |
| P0262.360-250-A2 | M36 | 250 | 22.08 | 97 | 55 | A2 s/s |
| P0262.360-260-A2 | M36 | 260 | 22.08 | 97 | 55 | A2 s/s |
| P0262.360-270-A2 | M36 | 270 | 22.08 | 97 | 55 | A2 s/s |
| P0262.360-280-A2 | M36 | 280 | 22.08 | 97 | 55 | A2 s/s |



Hexagon Head Bolts

A4 stainless

Standard Screws



P0262.A4

STANDARD SCREWS

Material

Stainless steel (A4 class 70, class 80 on request).

Technical Notes

To DIN 931, ISO 4014.

| Order No. | d ₁ | l ₁ | h ₁ | l ₂ | A/F | Material |
|------------------|----------------|----------------|----------------|----------------|-----|----------|
| P0262.050-025-A4 | M 5 | 25 | 3.35 | 16 | 8 | A4 s/s |
| P0262.050-030-A4 | M 5 | 30 | 3.35 | 16 | 8 | A4 s/s |
| P0262.050-035-A4 | M 5 | 35 | 3.35 | 16 | 8 | A4 s/s |
| P0262.050-040-A4 | M 5 | 40 | 3.35 | 16 | 8 | A4 s/s |
| P0262.050-045-A4 | M 5 | 45 | 3.35 | 16 | 8 | A4 s/s |
| P0262.050-050-A4 | M 5 | 50 | 3.35 | 16 | 8 | A4 s/s |
| P0262.050-055-A4 | M 5 | 55 | 3.35 | 16 | 8 | A4 s/s |
| P0262.050-060-A4 | M 5 | 60 | 3.35 | 16 | 8 | A4 s/s |
| P0262.050-065-A4 | M 5 | 65 | 3.35 | 16 | 8 | A4 s/s |
| P0262.050-070-A4 | M 5 | 70 | 3.35 | 16 | 8 | A4 s/s |
| P0262.050-075-A4 | M 5 | 75 | 3.35 | 16 | 8 | A4 s/s |
| P0262.050-080-A4 | M 5 | 80 | 3.35 | 16 | 8 | A4 s/s |
| P0262.050-085-A4 | M 5 | 85 | 3.35 | 16 | 8 | A4 s/s |
| P0262.050-090-A4 | M 5 | 90 | 3.35 | 16 | 8 | A4 s/s |
| P0262.050-095-A4 | M 5 | 95 | 3.35 | 16 | 8 | A4 s/s |
| P0262.050-100-A4 | M 5 | 100 | 3.35 | 16 | 8 | A4 s/s |
| P0262.060-025-A4 | M 6 | 25 | 3.85 | 18 | 10 | A4 s/s |
| P0262.060-030-A4 | M 6 | 30 | 3.85 | 18 | 10 | A4 s/s |
| P0262.060-035-A4 | M 6 | 35 | 3.85 | 18 | 10 | A4 s/s |
| P0262.060-040-A4 | M 6 | 40 | 3.85 | 18 | 10 | A4 s/s |
| P0262.060-045-A4 | M 6 | 45 | 3.85 | 18 | 10 | A4 s/s |
| P0262.060-050-A4 | M 6 | 50 | 3.85 | 18 | 10 | A4 s/s |
| P0262.060-055-A4 | M 6 | 55 | 3.85 | 18 | 10 | A4 s/s |
| P0262.060-060-A4 | M 6 | 60 | 3.85 | 18 | 10 | A4 s/s |
| P0262.060-065-A4 | M 6 | 65 | 3.85 | 18 | 10 | A4 s/s |
| P0262.060-070-A4 | M 6 | 70 | 3.85 | 18 | 10 | A4 s/s |
| P0262.060-075-A4 | M 6 | 75 | 3.85 | 18 | 10 | A4 s/s |
| P0262.060-080-A4 | M 6 | 80 | 3.85 | 18 | 10 | A4 s/s |
| P0262.060-085-A4 | M 6 | 85 | 3.85 | 18 | 10 | A4 s/s |
| P0262.060-090-A4 | M 6 | 90 | 3.85 | 18 | 10 | A4 s/s |
| P0262.060-100-A4 | M 6 | 100 | 3.85 | 18 | 10 | A4 s/s |
| P0262.060-110-A4 | M 6 | 110 | 3.85 | 18 | 10 | A4 s/s |
| P0262.060-120-A4 | M 6 | 120 | 3.85 | 18 | 10 | A4 s/s |
| P0262.060-130-A4 | M 6 | 130 | 3.85 | 24 | 10 | A4 s/s |
| P0262.060-140-A4 | M 6 | 140 | 3.85 | 24 | 10 | A4 s/s |



STANDARD SCREWS

| Order No. | d ₁ | l ₁ | h ₁ | l ₂ | A/F | Material |
|------------------|----------------|----------------|----------------|----------------|-----|----------|
| P0262.060-150-A4 | M 6 | 150 | 3.85 | 24 | 10 | A4 s/s |
| P0262.060-160-A4 | M 6 | 160 | 3.85 | 24 | 10 | A4 s/s |
| P0262.060-170-A4 | M 6 | 170 | 3.85 | 24 | 10 | A4 s/s |
| P0262.060-180-A4 | M 6 | 180 | 3.85 | 24 | 10 | A4 s/s |
| P0262.060-190-A4 | M 6 | 190 | 3.85 | 24 | 10 | A4 s/s |
| P0262.060-200-A4 | M 6 | 200 | 3.85 | 24 | 10 | A4 s/s |
| P0262.080-030-A4 | M 8 | 30 | 5.15 | 22 | 13 | A4 s/s |
| P0262.080-035-A4 | M 8 | 35 | 5.15 | 22 | 13 | A4 s/s |
| P0262.080-040-A4 | M 8 | 40 | 5.15 | 22 | 13 | A4 s/s |
| P0262.080-045-A4 | M 8 | 45 | 5.15 | 22 | 13 | A4 s/s |
| P0262.080-050-A4 | M 8 | 50 | 5.15 | 22 | 13 | A4 s/s |
| P0262.080-055-A4 | M 8 | 55 | 5.15 | 22 | 13 | A4 s/s |
| P0262.080-060-A4 | M 8 | 60 | 5.15 | 22 | 13 | A4 s/s |
| P0262.080-065-A4 | M 8 | 65 | 5.15 | 22 | 13 | A4 s/s |
| P0262.080-070-A4 | M 8 | 70 | 5.15 | 22 | 13 | A4 s/s |
| P0262.080-075-A4 | M 8 | 75 | 5.15 | 22 | 13 | A4 s/s |
| P0262.080-080-A4 | M 8 | 80 | 5.15 | 22 | 13 | A4 s/s |
| P0262.080-085-A4 | M 8 | 85 | 5.15 | 22 | 13 | A4 s/s |
| P0262.080-090-A4 | M 8 | 90 | 5.15 | 22 | 13 | A4 s/s |
| P0262.080-095-A4 | M 8 | 95 | 5.15 | 22 | 13 | A4 s/s |
| P0262.080-100-A4 | M 8 | 100 | 5.15 | 22 | 13 | A4 s/s |
| P0262.080-110-A4 | M 8 | 110 | 5.15 | 22 | 13 | A4 s/s |
| P0262.080-120-A4 | M 8 | 120 | 5.15 | 22 | 13 | A4 s/s |
| P0262.080-130-A4 | M 8 | 130 | 5.15 | 28 | 13 | A4 s/s |
| P0262.080-140-A4 | M 8 | 140 | 5.15 | 28 | 13 | A4 s/s |
| P0262.080-150-A4 | M 8 | 150 | 5.15 | 28 | 13 | A4 s/s |
| P0262.080-160-A4 | M 8 | 160 | 5.15 | 28 | 13 | A4 s/s |
| P0262.080-170-A4 | M 8 | 170 | 5.15 | 28 | 13 | A4 s/s |
| P0262.080-180-A4 | M 8 | 180 | 5.15 | 28 | 13 | A4 s/s |
| P0262.080-190-A4 | M 8 | 190 | 5.15 | 28 | 13 | A4 s/s |
| P0262.080-200-A4 | M 8 | 200 | 5.15 | 28 | 13 | A4 s/s |
| P0262.080-210-A4 | M 8 | 210 | 5.15 | 41 | 13 | A4 s/s |
| P0262.080-220-A4 | M 8 | 220 | 5.15 | 41 | 13 | A4 s/s |
| P0262.080-230-A4 | M 8 | 230 | 5.15 | 41 | 13 | A4 s/s |
| P0262.080-240-A4 | M 8 | 240 | 5.15 | 41 | 13 | A4 s/s |
| P0262.100-035-A4 | M10 | 35 | 6.22 | 26 | 17 | A4 s/s |
| P0262.100-040-A4 | M10 | 40 | 6.22 | 26 | 17 | A4 s/s |
| P0262.100-045-A4 | M10 | 45 | 6.22 | 26 | 17 | A4 s/s |
| P0262.100-050-A4 | M10 | 50 | 6.22 | 26 | 17 | A4 s/s |
| P0262.100-055-A4 | M10 | 55 | 6.22 | 26 | 17 | A4 s/s |
| P0262.100-060-A4 | M10 | 60 | 6.22 | 26 | 17 | A4 s/s |
| P0262.100-065-A4 | M10 | 65 | 6.22 | 26 | 17 | A4 s/s |
| P0262.100-070-A4 | M10 | 70 | 6.22 | 26 | 17 | A4 s/s |
| P0262.100-075-A4 | M10 | 75 | 6.22 | 26 | 17 | A4 s/s |
| P0262.100-080-A4 | M10 | 80 | 6.22 | 26 | 17 | A4 s/s |
| P0262.100-085-A4 | M10 | 85 | 6.22 | 26 | 17 | A4 s/s |
| P0262.100-090-A4 | M10 | 90 | 6.22 | 26 | 17 | A4 s/s |
| P0262.100-095-A4 | M10 | 95 | 6.22 | 26 | 17 | A4 s/s |
| P0262.100-100-A4 | M10 | 100 | 6.22 | 26 | 17 | A4 s/s |
| P0262.100-110-A4 | M10 | 110 | 6.22 | 26 | 17 | A4 s/s |
| P0262.100-120-A4 | M10 | 120 | 6.22 | 26 | 17 | A4 s/s |
| P0262.100-130-A4 | M10 | 130 | 6.22 | 32 | 17 | A4 s/s |
| P0262.100-140-A4 | M10 | 140 | 6.22 | 32 | 17 | A4 s/s |
| P0262.100-150-A4 | M10 | 150 | 6.22 | 32 | 17 | A4 s/s |
| P0262.100-160-A4 | M10 | 160 | 6.22 | 32 | 17 | A4 s/s |
| P0262.100-170-A4 | M10 | 170 | 6.22 | 32 | 17 | A4 s/s |
| P0262.100-180-A4 | M10 | 180 | 6.22 | 32 | 17 | A4 s/s |
| P0262.100-190-A4 | M10 | 190 | 6.22 | 32 | 17 | A4 s/s |
| P0262.100-200-A4 | M10 | 200 | 6.22 | 32 | 17 | A4 s/s |
| P0262.100-210-A4 | M10 | 210 | 6.22 | 45 | 17 | A4 s/s |
| P0262.100-220-A4 | M10 | 220 | 6.22 | 45 | 17 | A4 s/s |
| P0262.100-230-A4 | M10 | 230 | 6.22 | 45 | 17 | A4 s/s |
| P0262.100-240-A4 | M10 | 240 | 6.22 | 45 | 17 | A4 s/s |
| P0262.100-250-A4 | M10 | 250 | 6.22 | 45 | 17 | A4 s/s |
| P0262.100-260-A4 | M10 | 260 | 6.22 | 45 | 17 | A4 s/s |
| P0262.100-270-A4 | M10 | 270 | 6.22 | 45 | 17 | A4 s/s |
| P0262.100-280-A4 | M10 | 280 | 6.22 | 45 | 17 | A4 s/s |
| P0262.100-290-A4 | M10 | 290 | 6.22 | 45 | 17 | A4 s/s |
| P0262.100-300-A4 | M10 | 300 | 6.22 | 45 | 17 | A4 s/s |



Hexagon Head Bolts

A4 stainless

Standard Screws



| Order No. | d ₁ | l ₁ | h ₁ | l ₂ | A/F | Material |
|------------------|----------------|----------------|----------------|----------------|-----|----------|
| P0262.100-320-A4 | M10 | 320 | 6.22 | 45 | 17 | A4 s/s |
| P0262.100-340-A4 | M10 | 340 | 6.22 | 45 | 17 | A4 s/s |
| P0262.100-360-A4 | M10 | 360 | 6.22 | 45 | 17 | A4 s/s |
| P0262.100-380-A4 | M10 | 380 | 6.22 | 45 | 17 | A4 s/s |
| P0262.100-400-A4 | M10 | 400 | 6.22 | 45 | 17 | A4 s/s |
| P0262.100-430-A4 | M10 | 420 | 6.22 | 45 | 17 | A4 s/s |
| P0262.100-440-A4 | M10 | 440 | 6.22 | 45 | 17 | A4 s/s |
| P0262.100-460-A4 | M10 | 460 | 6.22 | 45 | 17 | A4 s/s |
| P0262.100-480-A4 | M10 | 480 | 6.22 | 45 | 17 | A4 s/s |
| P0262.100-500-A4 | M10 | 500 | 6.22 | 45 | 17 | A4 s/s |
| P0262.120-040-A4 | M12 | 40 | 7.32 | 30 | 19 | A4 s/s |
| P0262.120-045-A4 | M12 | 45 | 7.32 | 30 | 19 | A4 s/s |
| P0262.120-050-A4 | M12 | 50 | 7.32 | 30 | 19 | A4 s/s |
| P0262.120-055-A4 | M12 | 55 | 7.32 | 30 | 19 | A4 s/s |
| P0262.120-060-A4 | M12 | 60 | 7.32 | 30 | 19 | A4 s/s |
| P0262.120-065-A4 | M12 | 65 | 7.32 | 30 | 19 | A4 s/s |
| P0262.120-070-A4 | M12 | 70 | 7.32 | 30 | 19 | A4 s/s |
| P0262.120-075-A4 | M12 | 75 | 7.32 | 30 | 19 | A4 s/s |
| P0262.120-080-A4 | M12 | 80 | 7.32 | 30 | 19 | A4 s/s |
| P0262.120-085-A4 | M12 | 85 | 7.32 | 30 | 19 | A4 s/s |
| P0262.120-090-A4 | M12 | 90 | 7.32 | 30 | 19 | A4 s/s |
| P0262.120-100-A4 | M12 | 100 | 7.32 | 30 | 19 | A4 s/s |
| P0262.120-110-A4 | M12 | 110 | 7.32 | 30 | 19 | A4 s/s |
| P0262.120-120-A4 | M12 | 120 | 7.32 | 30 | 19 | A4 s/s |
| P0262.120-130-A4 | M12 | 130 | 7.32 | 36 | 19 | A4 s/s |
| P0262.120-140-A4 | M12 | 140 | 7.32 | 36 | 19 | A4 s/s |
| P0262.120-150-A4 | M12 | 150 | 7.32 | 36 | 19 | A4 s/s |
| P0262.120-160-A4 | M12 | 160 | 7.32 | 36 | 19 | A4 s/s |
| P0262.120-170-A4 | M12 | 170 | 7.32 | 36 | 19 | A4 s/s |
| P0262.120-180-A4 | M12 | 180 | 7.32 | 36 | 19 | A4 s/s |
| P0262.120-190-A4 | M12 | 190 | 7.32 | 36 | 19 | A4 s/s |
| P0262.120-200-A4 | M12 | 200 | 7.32 | 36 | 19 | A4 s/s |
| P0262.120-210-A4 | M12 | 210 | 7.32 | 49 | 19 | A4 s/s |
| P0262.120-220-A4 | M12 | 220 | 7.32 | 49 | 19 | A4 s/s |
| P0262.120-230-A4 | M12 | 230 | 7.32 | 49 | 19 | A4 s/s |
| P0262.120-240-A4 | M12 | 240 | 7.32 | 49 | 19 | A4 s/s |
| P0262.120-250-A4 | M12 | 250 | 7.32 | 49 | 19 | A4 s/s |
| P0262.120-260-A4 | M12 | 260 | 7.32 | 49 | 19 | A4 s/s |
| P0262.120-270-A4 | M12 | 270 | 7.32 | 49 | 19 | A4 s/s |
| P0262.120-280-A4 | M12 | 280 | 7.32 | 49 | 19 | A4 s/s |
| P0262.120-290-A4 | M12 | 290 | 7.32 | 49 | 19 | A4 s/s |
| P0262.120-300-A4 | M12 | 300 | 7.32 | 49 | 19 | A4 s/s |
| P0262.120-320-A4 | M12 | 320 | 7.32 | 49 | 19 | A4 s/s |
| P0262.120-330-A4 | M12 | 330 | 7.32 | 49 | 19 | A4 s/s |
| P0262.120-340-A4 | M12 | 340 | 7.32 | 49 | 19 | A4 s/s |
| P0262.120-360-A4 | M12 | 360 | 7.32 | 49 | 19 | A4 s/s |
| P0262.120-380-A4 | M12 | 380 | 7.32 | 49 | 19 | A4 s/s |
| P0262.120-400-A4 | M12 | 400 | 7.32 | 49 | 19 | A4 s/s |
| P0262.120-420-A4 | M12 | 420 | 7.32 | 49 | 19 | A4 s/s |
| P0262.120-440-A4 | M12 | 440 | 7.32 | 49 | 19 | A4 s/s |
| P0262.120-460-A4 | M12 | 460 | 7.32 | 49 | 19 | A4 s/s |
| P0262.120-480-A4 | M12 | 480 | 7.32 | 49 | 19 | A4 s/s |
| P0262.120-500-A4 | M12 | 500 | 7.32 | 49 | 19 | A4 s/s |
| P0262.140-050-A4 | M14 | 50 | 8.62 | 34 | 22 | A4 s/s |
| P0262.140-055-A4 | M14 | 55 | 8.62 | 34 | 22 | A4 s/s |
| P0262.140-060-A4 | M14 | 60 | 8.62 | 34 | 22 | A4 s/s |
| P0262.140-065-A4 | M14 | 65 | 8.62 | 34 | 22 | A4 s/s |
| P0262.140-070-A4 | M14 | 70 | 8.62 | 34 | 22 | A4 s/s |
| P0262.140-075-A4 | M14 | 75 | 8.62 | 34 | 22 | A4 s/s |
| P0262.140-080-A4 | M14 | 80 | 8.62 | 34 | 22 | A4 s/s |
| P0262.140-085-A4 | M14 | 85 | 8.62 | 34 | 22 | A4 s/s |
| P0262.140-090-A4 | M14 | 90 | 8.62 | 34 | 22 | A4 s/s |
| P0262.140-095-A4 | M14 | 95 | 8.62 | 34 | 22 | A4 s/s |
| P0262.140-100-A4 | M14 | 100 | 8.62 | 34 | 22 | A4 s/s |
| P0262.140-110-A4 | M14 | 110 | 8.62 | 34 | 22 | A4 s/s |
| P0262.140-120-A4 | M14 | 120 | 8.62 | 34 | 22 | A4 s/s |
| P0262.140-130-A4 | M14 | 130 | 8.62 | 40 | 22 | A4 s/s |
| P0262.140-140-A4 | M14 | 140 | 8.62 | 40 | 22 | A4 s/s |
| P0262.140-150-A4 | M14 | 150 | 8.62 | 40 | 22 | A4 s/s |

STANDARD SCREWS



STANDARD SCREWS

| Order No. | d ₁ | l ₁ | h ₁ | l ₂ | A/F | Material |
|------------------|----------------|----------------|----------------|----------------|-----|----------|
| P0262.140-160-A4 | M14 | 160 | 8.62 | 40 | 22 | A4 s/s |
| P0262.140-170-A4 | M14 | 170 | 8.62 | 40 | 22 | - |
| P0262.140-180-A4 | M14 | 180 | 8.62 | 40 | 22 | A4 s/s |
| P0262.140-190-A4 | M14 | 190 | 8.62 | 40 | 22 | A4 s/s |
| P0262.140-200-A4 | M14 | 200 | 8.62 | 40 | 22 | A4 s/s |
| P0262.140-210-A4 | M14 | 210 | 8.62 | 53 | 22 | A4 s/s |
| P0262.140-220-A4 | M14 | 220 | 8.62 | 53 | 22 | - |
| P0262.140-230-A4 | M14 | 230 | 8.62 | 53 | 22 | - |
| P0262.140-240-A4 | M14 | 240 | 8.62 | 53 | 22 | A4 s/s |
| P0262.140-250-A4 | M14 | 250 | 8.62 | 53 | 22 | A4 s/s |
| P0262.140-260-A4 | M14 | 260 | 8.62 | 53 | 22 | A4 s/s |
| P0262.140-270-A4 | M14 | 270 | 8.62 | 53 | 22 | A4 s/s |
| P0262.140-280-A4 | M14 | 280 | 8.62 | 53 | 22 | - |
| P0262.160-050-A4 | M16 | 50 | 9.82 | 38 | 24 | A4 s/s |
| P0262.160-055-A4 | M16 | 55 | 9.82 | 38 | 24 | A4 s/s |
| P0262.160-060-A4 | M16 | 60 | 9.82 | 38 | 24 | A4 s/s |
| P0262.160-065-A4 | M16 | 65 | 9.82 | 38 | 24 | A4 s/s |
| P0262.160-070-A4 | M16 | 70 | 9.82 | 38 | 24 | A4 s/s |
| P0262.160-075-A4 | M16 | 75 | 9.82 | 38 | 24 | A4 s/s |
| P0262.160-080-A4 | M16 | 80 | 9.82 | 38 | 24 | A4 s/s |
| P0262.160-085-A4 | M16 | 85 | 9.82 | 38 | 24 | A4 s/s |
| P0262.160-090-A4 | M16 | 90 | 9.82 | 38 | 24 | A4 s/s |
| P0262.160-095-A4 | M16 | 95 | 9.82 | 38 | 24 | A4 s/s |
| P0262.160-100-A4 | M16 | 100 | 9.82 | 38 | 24 | A4 s/s |
| P0262.160-110-A4 | M16 | 110 | 9.82 | 38 | 24 | A4 s/s |
| P0262.160-120-A4 | M16 | 120 | 9.82 | 38 | 24 | A4 s/s |
| P0262.160-130-A4 | M16 | 130 | 9.82 | 44 | 24 | A4 s/s |
| P0262.160-140-A4 | M16 | 140 | 9.82 | 44 | 24 | A4 s/s |
| P0262.160-150-A4 | M16 | 150 | 9.82 | 44 | 24 | A4 s/s |
| P0262.160-160-A4 | M16 | 160 | 9.82 | 44 | 24 | A4 s/s |
| P0262.160-170-A4 | M16 | 170 | 9.82 | 44 | 24 | A4 s/s |
| P0262.160-180-A4 | M16 | 180 | 9.82 | 44 | 24 | A4 s/s |
| P0262.160-190-A4 | M16 | 190 | 9.82 | 44 | 24 | A4 s/s |
| P0262.160-200-A4 | M16 | 200 | 9.82 | 44 | 24 | A4 s/s |
| P0262.160-210-A4 | M16 | 210 | 9.82 | 57 | 24 | A4 s/s |
| P0262.160-220-A4 | M16 | 220 | 9.82 | 57 | 24 | A4 s/s |
| P0262.160-230-A4 | M16 | 230 | 9.82 | 57 | 24 | A4 s/s |
| P0262.160-240-A4 | M16 | 240 | 9.82 | 57 | 24 | A4 s/s |
| P0262.160-250-A4 | M16 | 250 | 9.82 | 57 | 24 | A4 s/s |
| P0262.160-260-A4 | M16 | 260 | 9.82 | 57 | 24 | A4 s/s |
| P0262.160-270-A4 | M16 | 270 | 9.82 | 57 | 24 | A4 s/s |
| P0262.160-280-A4 | M16 | 280 | 9.82 | 57 | 24 | A4 s/s |
| P0262.160-290-A4 | M16 | 290 | 9.82 | 57 | 24 | A4 s/s |
| P0262.160-300-A4 | M16 | 300 | 9.82 | 57 | 24 | A4 s/s |
| P0262.160-320-A4 | M16 | 320 | 9.82 | 57 | 24 | A4 s/s |
| P0262.160-340-A4 | M16 | 340 | 9.82 | 57 | 24 | A4 s/s |
| P0262.160-360-A4 | M16 | 360 | 9.82 | 57 | 24 | A4 s/s |
| P0262.160-380-A4 | M16 | 380 | 9.82 | 57 | 24 | A4 s/s |
| P0262.160-400-A4 | M16 | 400 | 9.82 | 57 | 24 | A4 s/s |
| P0262.160-420-A4 | M16 | 420 | 9.82 | 57 | 24 | A4 s/s |
| P0262.160-440-A4 | M16 | 440 | 9.82 | 57 | 24 | A4 s/s |
| P0262.160-460-A4 | M16 | 460 | 9.82 | 57 | 24 | A4 s/s |
| P0262.160-480-A4 | M16 | 480 | 9.82 | 57 | 24 | A4 s/s |
| P0262.160-500-A4 | M16 | 500 | 9.82 | 57 | 24 | A4 s/s |
| P0262.180-060-A4 | M18 | 60 | 11.28 | 42 | 27 | A4 s/s |
| P0262.180-065-A4 | M18 | 65 | 11.28 | 42 | 27 | A4 s/s |
| P0262.180-070-A4 | M18 | 70 | 11.28 | 42 | 27 | A4 s/s |
| P0262.180-075-A4 | M18 | 75 | 11.28 | 42 | 27 | A4 s/s |
| P0262.180-080-A4 | M18 | 80 | 11.28 | 42 | 27 | A4 s/s |
| P0262.180-085-A4 | M18 | 85 | 11.28 | 42 | 27 | A4 s/s |
| P0262.180-090-A4 | M18 | 90 | 11.28 | 42 | 27 | A4 s/s |
| P0262.180-095-A4 | M18 | 95 | 11.28 | 42 | 27 | A4 s/s |
| P0262.180-100-A4 | M18 | 100 | 11.28 | 42 | 27 | A4 s/s |
| P0262.180-110-A4 | M18 | 110 | 11.28 | 42 | 27 | A4 s/s |
| P0262.180-120-A4 | M18 | 120 | 11.28 | 42 | 27 | A4 s/s |
| P0262.180-130-A4 | M18 | 130 | 11.28 | 48 | 27 | A4 s/s |
| P0262.180-140-A4 | M18 | 140 | 11.28 | 48 | 27 | A4 s/s |
| P0262.180-150-A4 | M18 | 150 | 11.28 | 48 | 27 | A4 s/s |
| P0262.180-160-A4 | M18 | 160 | 11.28 | 48 | 27 | A4 s/s |



Hexagon Head Bolts

A4 stainless

Standard Screws



| Order No. | d ₁ | l ₁ | h ₁ | l ₂ | A/F | Material |
|------------------|----------------|----------------|----------------|----------------|-----|----------|
| P0262.180-170-A4 | M18 | 170 | 11.28 | 48 | 27 | A4 s/s |
| P0262.180-180-A4 | M18 | 180 | 11.28 | 48 | 27 | A4 s/s |
| P0262.180-190-A4 | M18 | 190 | 11.28 | 48 | 27 | A4 s/s |
| P0262.180-200-A4 | M18 | 200 | 11.28 | 48 | 27 | A4 s/s |
| P0262.180-210-A4 | M18 | 210 | 11.28 | 61 | 27 | A4 s/s |
| P0262.180-220-A4 | M18 | 220 | 11.28 | 61 | 27 | A4 s/s |
| P0262.180-230-A4 | M18 | 230 | 11.28 | 61 | 27 | A4 s/s |
| P0262.180-240-A4 | M18 | 240 | 11.28 | 61 | 27 | A4 s/s |
| P0262.180-250-A4 | M18 | 250 | 11.28 | 61 | 27 | A4 s/s |
| P0262.180-260-A4 | M18 | 260 | 11.28 | 61 | 27 | A4 s/s |
| P0262.180-270-A4 | M18 | 270 | 11.28 | 61 | 27 | A4 s/s |
| P0262.180-280-A4 | M18 | 280 | 11.28 | 61 | 27 | A4 s/s |
| P0262.200-060-A4 | M20 | 60 | 12.28 | 52 | 30 | A4 s/s |
| P0262.200-065-A4 | M20 | 65 | 12.28 | 52 | 30 | A4 s/s |
| P0262.200-070-A4 | M20 | 70 | 12.28 | 52 | 30 | A4 s/s |
| P0262.200-075-A4 | M20 | 75 | 12.28 | 52 | 30 | A4 s/s |
| P0262.200-080-A4 | M20 | 80 | 12.28 | 52 | 30 | A4 s/s |
| P0262.200-085-A4 | M20 | 85 | 12.28 | 52 | 30 | A4 s/s |
| P0262.200-090-A4 | M20 | 90 | 12.28 | 52 | 30 | A4 s/s |
| P0262.200-095-A4 | M20 | 95 | 12.28 | 52 | 30 | A4 s/s |
| P0262.200-100-A4 | M20 | 100 | 12.28 | 52 | 30 | A4 s/s |
| P0262.200-110-A4 | M20 | 110 | 12.28 | 52 | 30 | A4 s/s |
| P0262.200-120-A4 | M20 | 120 | 12.28 | 52 | 30 | A4 s/s |
| P0262.200-130-A4 | M20 | 130 | 12.28 | 52 | 30 | A4 s/s |
| P0262.200-140-A4 | M20 | 140 | 12.28 | 52 | 30 | A4 s/s |
| P0262.200-150-A4 | M20 | 150 | 12.28 | 52 | 30 | A4 s/s |
| P0262.200-160-A4 | M20 | 160 | 12.28 | 52 | 30 | A4 s/s |
| P0262.200-170-A4 | M20 | 170 | 12.28 | 52 | 30 | A4 s/s |
| P0262.200-180-A4 | M20 | 180 | 12.28 | 52 | 30 | A4 s/s |
| P0262.200-190-A4 | M20 | 190 | 12.28 | 52 | 30 | A4 s/s |
| P0262.200-200-A4 | M20 | 200 | 12.28 | 52 | 30 | A4 s/s |
| P0262.200-210-A4 | M20 | 210 | 12.28 | 65 | 30 | A4 s/s |
| P0262.200-220-A4 | M20 | 220 | 12.28 | 65 | 30 | A4 s/s |
| P0262.200-230-A4 | M20 | 230 | 12.28 | 65 | 30 | A4 s/s |
| P0262.200-240-A4 | M20 | 240 | 12.28 | 65 | 30 | A4 s/s |
| P0262.200-250-A4 | M20 | 250 | 12.28 | 65 | 30 | A4 s/s |
| P0262.200-260-A4 | M20 | 260 | 12.28 | 65 | 30 | A4 s/s |
| P0262.200-270-A4 | M20 | 270 | 12.28 | 65 | 30 | A4 s/s |
| P0262.200-280-A4 | M20 | 280 | 12.28 | 65 | 30 | A4 s/s |
| P0262.200-290-A4 | M20 | 290 | 12.28 | 65 | 30 | A4 s/s |
| P0262.200-300-A4 | M20 | 300 | 12.28 | 65 | 30 | A4 s/s |
| P0262.200-320-A4 | M20 | 320 | 12.28 | 65 | 30 | A4 s/s |
| P0262.200-340-A4 | M20 | 340 | 12.28 | 65 | 30 | A4 s/s |
| P0262.200-360-A4 | M20 | 360 | 12.28 | 65 | 30 | A4 s/s |
| P0262.200-380-A4 | M20 | 300 | 12.28 | 65 | 30 | A4 s/s |
| P0262.200-400-A4 | M20 | 400 | 12.28 | 65 | 30 | A4 s/s |
| P0262.200-420-A4 | M20 | 420 | 12.28 | 65 | 30 | A4 s/s |
| P0262.200-440-A4 | M20 | 440 | 12.28 | 65 | 30 | A4 s/s |
| P0262.200-460-A4 | M20 | 460 | 12.28 | 65 | 30 | A4 s/s |
| P0262.200-480-A4 | M20 | 480 | 12.28 | 65 | 30 | A4 s/s |
| P0262.200-500-A4 | M20 | 500 | 12.28 | 65 | 30 | A4 s/s |
| P0262.220-070-A4 | M22 | 70 | 13.78 | 50 | 32 | A4 s/s |
| P0262.220-075-A4 | M22 | 75 | 13.78 | 50 | 32 | A4 s/s |
| P0262.220-080-A4 | M22 | 80 | 13.78 | 50 | 32 | A4 s/s |
| P0262.220-085-A4 | M22 | 85 | 13.78 | 50 | 32 | A4 s/s |
| P0262.220-090-A4 | M22 | 90 | 13.78 | 50 | 32 | A4 s/s |
| P0262.220-095-A4 | M22 | 95 | 13.78 | 50 | 32 | A4 s/s |
| P0262.220-100-A4 | M22 | 100 | 13.78 | 50 | 32 | A4 s/s |
| P0262.220-110-A4 | M22 | 110 | 13.78 | 50 | 32 | A4 s/s |
| P0262.220-120-A4 | M22 | 120 | 13.78 | 50 | 32 | A4 s/s |
| P0262.220-130-A4 | M22 | 130 | 13.78 | 56 | 32 | A4 s/s |
| P0262.220-140-A4 | M22 | 140 | 13.78 | 56 | 32 | A4 s/s |
| P0262.220-150-A4 | M22 | 150 | 13.78 | 56 | 32 | A4 s/s |
| P0262.220-160-A4 | M22 | 160 | 13.78 | 56 | 32 | A4 s/s |
| P0262.220-170-A4 | M22 | 170 | 13.78 | 56 | 32 | A4 s/s |
| P0262.220-180-A4 | M22 | 180 | 13.78 | 56 | 32 | A4 s/s |
| P0262.220-190-A4 | M22 | 190 | 13.78 | 56 | 32 | A4 s/s |
| P0262.220-200-A4 | M22 | 200 | 13.78 | 56 | 32 | A4 s/s |
| P0262.220-210-A4 | M22 | 210 | 13.78 | 69 | 32 | A4 s/s |

STANDARD SCREWS



STANDARD SCREWS

| Order No. | d ₁ | l ₁ | h ₁ | l ₂ | A/F | Material |
|------------------|----------------|----------------|----------------|----------------|-----|----------|
| P0262.220-220-A4 | M22 | 220 | 13.78 | 69 | 32 | A4 s/s |
| P0262.220-230-A4 | M22 | 230 | 13.78 | 69 | 32 | A4 s/s |
| P0262.220-240-A4 | M22 | 240 | 13.78 | 69 | 32 | A4 s/s |
| P0262.220-250-A4 | M22 | 250 | 13.78 | 69 | 32 | A4 s/s |
| P0262.220-260-A4 | M22 | 260 | 13.78 | 69 | 32 | A4 s/s |
| P0262.220-270-A4 | M22 | 270 | 13.78 | 69 | 32 | A4 s/s |
| P0262.220-280-A4 | M22 | 280 | 13.78 | 69 | 32 | A4 s/s |
| P0262.240-070-A4 | M24 | 70 | 14.78 | 54 | 36 | A4 s/s |
| P0262.240-075-A4 | M24 | 75 | 14.78 | 54 | 36 | A4 s/s |
| P0262.240-080-A4 | M24 | 80 | 14.78 | 54 | 36 | A4 s/s |
| P0262.240-085-A4 | M24 | 85 | 14.78 | 54 | 36 | A4 s/s |
| P0262.240-090-A4 | M24 | 90 | 14.78 | 54 | 36 | A4 s/s |
| P0262.240-100-A4 | M24 | 100 | 14.78 | 54 | 36 | A4 s/s |
| P0262.240-110-A4 | M24 | 110 | 14.78 | 54 | 36 | A4 s/s |
| P0262.240-120-A4 | M24 | 120 | 14.78 | 54 | 36 | A4 s/s |
| P0262.240-130-A4 | M24 | 130 | 14.78 | 60 | 36 | A4 s/s |
| P0262.240-140-A4 | M24 | 140 | 14.78 | 60 | 36 | A4 s/s |
| P0262.240-150-A4 | M24 | 150 | 14.78 | 60 | 36 | A4 s/s |
| P0262.240-160-A4 | M24 | 160 | 14.78 | 60 | 36 | A4 s/s |
| P0262.240-170-A4 | M24 | 170 | 14.78 | 60 | 36 | A4 s/s |
| P0262.240-180-A4 | M24 | 180 | 14.78 | 60 | 36 | A4 s/s |
| P0262.240-200-A4 | M24 | 200 | 14.78 | 60 | 36 | A4 s/s |
| P0262.240-210-A4 | M24 | 210 | 14.78 | 73 | 36 | A4 s/s |
| P0262.240-220-A4 | M24 | 220 | 14.78 | 73 | 36 | A4 s/s |
| P0262.240-230-A4 | M24 | 230 | 14.78 | 73 | 36 | A4 s/s |
| P0262.240-240-A4 | M24 | 240 | 14.78 | 73 | 36 | A4 s/s |
| P0262.240-250-A4 | M24 | 250 | 14.78 | 73 | 36 | A4 s/s |
| P0262.240-260-A4 | M24 | 260 | 14.78 | 73 | 36 | A4 s/s |
| P0262.240-270-A4 | M24 | 270 | 14.78 | 73 | 36 | A4 s/s |
| P0262.240-280-A4 | M24 | 280 | 14.78 | 73 | 36 | A4 s/s |
| P0262.240-290-A4 | M24 | 290 | 14.78 | 73 | 36 | A4 s/s |
| P0262.240-300-A4 | M24 | 300 | 14.78 | 73 | 36 | A4 s/s |
| P0262.240-320-A4 | M24 | 320 | 14.78 | 73 | 36 | A4 s/s |
| P0262.240-340-A4 | M24 | 340 | 14.78 | 73 | 36 | A4 s/s |
| P0262.240-360-A4 | M24 | 360 | 14.78 | 73 | 36 | A4 s/s |
| P0262.240-380-A4 | M24 | 380 | 14.78 | 73 | 36 | A4 s/s |
| P0262.240-400-A4 | M24 | 400 | 14.78 | 73 | 36 | A4 s/s |
| P0262.240-420-A4 | M24 | 420 | 14.78 | 73 | 36 | A4 s/s |
| P0262.240-440-A4 | M24 | 440 | 14.78 | 73 | 36 | A4 s/s |
| P0262.240-460-A4 | M24 | 460 | 14.78 | 73 | 36 | A4 s/s |
| P0262.240-480-A4 | M24 | 480 | 14.78 | 73 | 36 | A4 s/s |
| P0262.240-500-A4 | M24 | 500 | 14.78 | 73 | 36 | A4 s/s |
| P0262.270-075-A4 | M27 | 75 | 16.65 | 60 | 41 | A4 s/s |
| P0262.270-080-A4 | M27 | 80 | 16.65 | 60 | 41 | A4 s/s |
| P0262.270-085-A4 | M27 | 85 | 16.65 | 60 | 41 | A4 s/s |
| P0262.270-090-A4 | M27 | 90 | 16.65 | 60 | 41 | A4 s/s |
| P0262.270-095-A4 | M27 | 95 | 16.65 | 60 | 41 | A4 s/s |
| P0262.270-100-A4 | M27 | 100 | 16.65 | 60 | 41 | A4 s/s |
| P0262.270-110-A4 | M27 | 110 | 16.65 | 60 | 41 | A4 s/s |
| P0262.270-120-A4 | M27 | 120 | 16.65 | 60 | 41 | A4 s/s |
| P0262.270-130-A4 | M27 | 130 | 16.65 | 66 | 41 | A4 s/s |
| P0262.270-140-A4 | M27 | 140 | 16.65 | 66 | 41 | A4 s/s |
| P0262.270-150-A4 | M27 | 150 | 16.65 | 66 | 41 | A4 s/s |
| P0262.270-160-A4 | M27 | 160 | 16.65 | 66 | 41 | A4 s/s |
| P0262.270-170-A4 | M27 | 170 | 16.65 | 66 | 41 | A4 s/s |
| P0262.270-180-A4 | M27 | 180 | 16.65 | 66 | 41 | A4 s/s |
| P0262.270-190-A4 | M27 | 190 | 16.65 | 66 | 41 | A4 s/s |
| P0262.270-200-A4 | M27 | 200 | 16.65 | 66 | 41 | A4 s/s |
| P0262.270-210-A4 | M27 | 210 | 16.65 | 79 | 41 | A4 s/s |
| P0262.270-220-A4 | M27 | 220 | 16.65 | 79 | 41 | A4 s/s |
| P0262.270-230-A4 | M27 | 230 | 16.65 | 79 | 41 | A4 s/s |
| P0262.270-240-A4 | M27 | 240 | 16.65 | 79 | 41 | A4 s/s |
| P0262.270-250-A4 | M27 | 250 | 16.65 | 79 | 41 | A4 s/s |
| P0262.270-260-A4 | M27 | 260 | 16.65 | 79 | 41 | A4 s/s |
| P0262.270-270-A4 | M27 | 270 | 16.65 | 79 | 41 | A4 s/s |
| P0262.270-280-A4 | M27 | 280 | 16.65 | 79 | 41 | A4 s/s |
| P0262.270-290-A4 | M27 | 290 | 16.65 | 79 | 41 | A4 s/s |
| P0262.270-300-A4 | M27 | 300 | 16.65 | 79 | 41 | A4 s/s |
| P0262.270-320-A4 | M27 | 320 | 16.65 | 79 | 41 | A4 s/s |



Hexagon Head Bolts

A4 stainless

Standard Screws

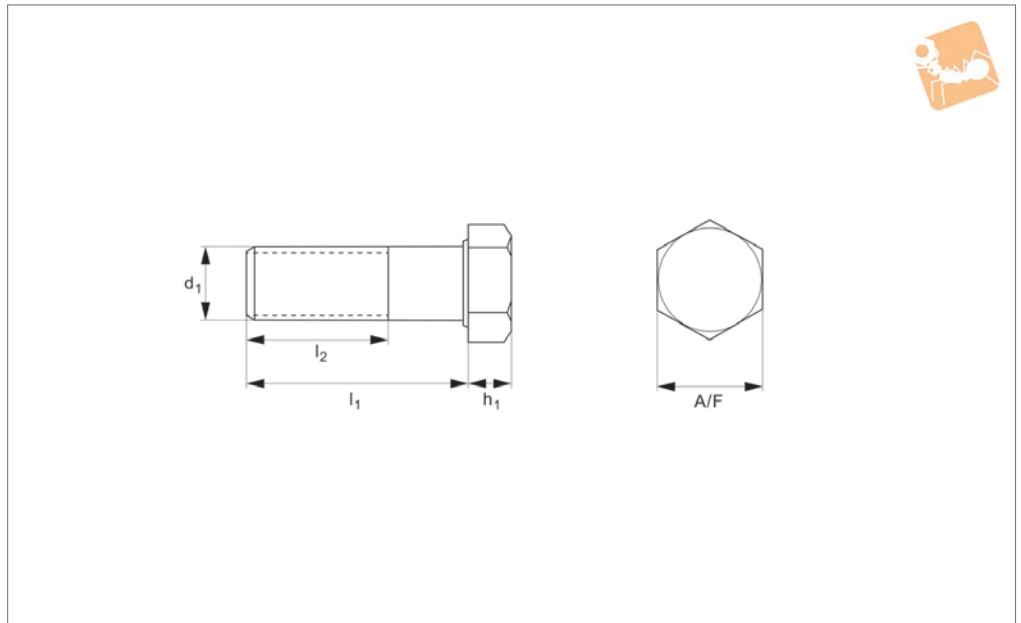


| Order No. | d ₁ | l ₁ | h ₁ | l ₂ | A/F | Material |
|------------------|----------------|----------------|----------------|----------------|-----|----------|
| P0262.270-340-A4 | M27 | 340 | 16.65 | 79 | 41 | A4 s/s |
| P0262.300-080-A4 | M30 | 80 | 18.28 | 66 | 46 | A4 s/s |
| P0262.300-085-A4 | M30 | 85 | 18.28 | 66 | 46 | A4 s/s |
| P0262.300-090-A4 | M30 | 90 | 18.28 | 66 | 46 | A4 s/s |
| P0262.300-095-A4 | M30 | 95 | 18.28 | 66 | 46 | A4 s/s |
| P0262.300-100-A4 | M30 | 100 | 18.28 | 66 | 46 | A4 s/s |
| P0262.300-110-A4 | M30 | 110 | 18.28 | 66 | 46 | A4 s/s |
| P0262.300-120-A4 | M30 | 120 | 18.28 | 66 | 46 | A4 s/s |
| P0262.300-130-A4 | M30 | 130 | 18.28 | 72 | 46 | A4 s/s |
| P0262.300-140-A4 | M30 | 140 | 18.28 | 72 | 46 | A4 s/s |
| P0262.300-150-A4 | M30 | 150 | 18.28 | 72 | 46 | A4 s/s |
| P0262.300-160-A4 | M30 | 160 | 18.28 | 72 | 46 | A4 s/s |
| P0262.300-170-A4 | M30 | 170 | 18.28 | 72 | 46 | - |
| P0262.300-180-A4 | M30 | 180 | 18.28 | 72 | 46 | A4 s/s |
| P0262.300-190-A4 | M30 | 190 | 18.28 | 72 | 46 | A4 s/s |
| P0262.300-200-A4 | M30 | 200 | 18.28 | 72 | 46 | A4 s/s |
| P0262.300-210-A4 | M30 | 210 | 18.28 | 85 | 46 | A4 s/s |
| P0262.300-220-A4 | M30 | 220 | 18.28 | 85 | 46 | - |
| P0262.300-230-A4 | M30 | 230 | 18.28 | 85 | 46 | A4 s/s |
| P0262.300-240-A4 | M30 | 240 | 18.28 | 85 | 46 | A4 s/s |
| P0262.300-250-A4 | M30 | 250 | 18.28 | 85 | 46 | - |
| P0262.300-260-A4 | M30 | 260 | 18.28 | 85 | 46 | A4 s/s |
| P0262.300-270-A4 | M30 | 270 | 18.28 | 85 | 46 | A4 s/s |
| P0262.300-280-A4 | M30 | 280 | 18.28 | 85 | 46 | A4 s/s |
| P0262.300-290-A4 | M30 | 290 | 18.28 | 85 | 46 | A4 s/s |
| P0262.300-300-A4 | M30 | 300 | 18.28 | 85 | 46 | - |
| P0262.330-090-A4 | M33 | 90 | 20.58 | 72 | 50 | A4 s/s |
| P0262.330-095-A4 | M33 | 95 | 20.58 | 72 | 50 | A4 s/s |
| P0262.330-100-A4 | M33 | 100 | 20.58 | 72 | 50 | A4 s/s |
| P0262.330-110-A4 | M33 | 110 | 20.58 | 72 | 50 | A4 s/s |
| P0262.330-120-A4 | M33 | 120 | 20.58 | 72 | 50 | A4 s/s |
| P0262.330-130-A4 | M33 | 130 | 20.58 | 78 | 50 | A4 s/s |
| P0262.330-140-A4 | M33 | 140 | 20.58 | 78 | 50 | A4 s/s |
| P0262.330-150-A4 | M33 | 150 | 20.58 | 78 | 50 | A4 s/s |
| P0262.330-160-A4 | M33 | 160 | 20.58 | 78 | 50 | A4 s/s |
| P0262.330-170-A4 | M33 | 170 | 20.58 | 78 | 50 | A4 s/s |
| P0262.330-180-A4 | M33 | 180 | 20.58 | 78 | 50 | A4 s/s |
| P0262.330-190-A4 | M33 | 190 | 20.58 | 78 | 50 | A4 s/s |
| P0262.330-200-A4 | M33 | 200 | 20.58 | 78 | 50 | A4 s/s |
| P0262.330-210-A4 | M33 | 210 | 20.58 | 91 | 50 | A4 s/s |
| P0262.330-220-A4 | M33 | 220 | 20.58 | 91 | 50 | A4 s/s |
| P0262.330-230-A4 | M33 | 230 | 20.58 | 91 | 50 | A4 s/s |
| P0262.330-240-A4 | M33 | 240 | 20.58 | 91 | 50 | A4 s/s |
| P0262.330-250-A4 | M33 | 250 | 20.58 | 91 | 50 | A4 s/s |
| P0262.330-260-A4 | M33 | 260 | 20.58 | 91 | 50 | A4 s/s |
| P0262.330-270-A4 | M33 | 270 | 20.58 | 91 | 50 | A4 s/s |
| P0262.330-280-A4 | M33 | 280 | 20.58 | 91 | 50 | A4 s/s |
| P0262.360-100-A4 | M36 | 100 | 22.08 | 78 | 55 | A4 s/s |
| P0262.360-110-A4 | M36 | 110 | 22.08 | 78 | 55 | A4 s/s |
| P0262.360-120-A4 | M36 | 120 | 22.08 | 78 | 55 | A4 s/s |
| P0262.360-130-A4 | M36 | 130 | 22.08 | 84 | 55 | A4 s/s |
| P0262.360-140-A4 | M36 | 140 | 22.08 | 84 | 55 | A4 s/s |
| P0262.360-150-A4 | M36 | 150 | 22.08 | 84 | 55 | A4 s/s |
| P0262.360-160-A4 | M36 | 160 | 22.08 | 84 | 55 | A4 s/s |
| P0262.360-170-A4 | M36 | 170 | 22.08 | 84 | 55 | A4 s/s |
| P0262.360-180-A4 | M36 | 180 | 22.08 | 84 | 55 | A4 s/s |
| P0262.360-190-A4 | M36 | 190 | 22.08 | 84 | 55 | A4 s/s |
| P0262.360-200-A4 | M36 | 200 | 22.08 | 84 | 55 | A4 s/s |
| P0262.360-210-A4 | M36 | 210 | 22.08 | 97 | 55 | A4 s/s |
| P0262.360-220-A4 | M36 | 220 | 22.08 | 97 | 55 | A4 s/s |
| P0262.360-230-A4 | M36 | 230 | 22.08 | 97 | 55 | A4 s/s |
| P0262.360-240-A4 | M36 | 240 | 22.08 | 97 | 55 | A4 s/s |
| P0262.360-250-A4 | M36 | 250 | 22.08 | 97 | 55 | A4 s/s |
| P0262.360-280-A4 | M36 | 280 | 22.08 | 97 | 55 | A4 s/s |

STANDARD SCREWS



P0262.ZP



Material

Steel, zinc-plated (grade 8.8).

Technical Notes

To DIN 931, ISO 4014.

| Order No. | d ₁ | l ₁ | h ₁ | l ₂ | A/F |
|------------------|----------------|----------------|----------------|----------------|-----|
| P0262.050-025-ZP | M 5 | 25 | 3.35 | 16 | 8 |
| P0262.050-030-ZP | M 5 | 30 | 3.35 | 16 | 8 |
| P0262.050-035-ZP | M 5 | 35 | 3.35 | 16 | 8 |
| P0262.050-040-ZP | M 5 | 40 | 3.35 | 16 | 8 |
| P0262.050-045-ZP | M 5 | 45 | 3.35 | 16 | 8 |
| P0262.050-050-ZP | M 5 | 50 | 3.35 | 16 | 8 |
| P0262.050-055-ZP | M 5 | 55 | 3.35 | 16 | 8 |
| P0262.050-060-ZP | M 5 | 60 | 3.35 | 16 | 8 |
| P0262.050-065-ZP | M 5 | 65 | 3.35 | 16 | 8 |
| P0262.050-070-ZP | M 5 | 70 | 3.35 | 16 | 8 |
| P0262.050-075-ZP | M 5 | 75 | 3.35 | 16 | 8 |
| P0262.050-080-ZP | M 5 | 80 | 3.35 | 16 | 8 |
| P0262.050-085-ZP | M 5 | 85 | 3.35 | 16 | 8 |
| P0262.050-090-ZP | M 5 | 90 | 3.35 | 16 | 8 |
| P0262.050-095-ZP | M 5 | 95 | 3.35 | 16 | 8 |
| P0262.050-100-ZP | M 5 | 100 | 3.35 | 16 | 8 |
| P0262.060-025-ZP | M 6 | 25 | 3.85 | 18 | 10 |
| P0262.060-030-ZP | M 6 | 30 | 3.85 | 18 | 10 |
| P0262.060-035-ZP | M 6 | 35 | 3.85 | 18 | 10 |
| P0262.060-040-ZP | M 6 | 40 | 3.85 | 18 | 10 |
| P0262.060-045-ZP | M 6 | 45 | 3.85 | 18 | 10 |
| P0262.060-050-ZP | M 6 | 50 | 3.85 | 18 | 10 |
| P0262.060-055-ZP | M 6 | 55 | 3.85 | 18 | 10 |
| P0262.060-060-ZP | M 6 | 60 | 3.85 | 18 | 10 |
| P0262.060-065-ZP | M 6 | 65 | 3.85 | 18 | 10 |
| P0262.060-070-ZP | M 6 | 70 | 3.85 | 18 | 10 |
| P0262.060-075-ZP | M 6 | 75 | 3.85 | 18 | 10 |
| P0262.060-080-ZP | M 6 | 80 | 3.85 | 18 | 10 |
| P0262.060-085-ZP | M 6 | 85 | 3.85 | 18 | 10 |
| P0262.060-090-ZP | M 6 | 90 | 3.85 | 18 | 10 |
| P0262.060-100-ZP | M 6 | 100 | 3.85 | 18 | 10 |
| P0262.060-110-ZP | M 6 | 110 | 3.85 | 18 | 10 |
| P0262.060-120-ZP | M 6 | 120 | 3.85 | 18 | 10 |
| P0262.060-130-ZP | M 6 | 130 | 3.85 | 24 | 10 |
| P0262.060-140-ZP | M 6 | 140 | 3.85 | 24 | 10 |



Hexagon Head Bolts

Steel, zinc-plated

Standard Screws



| Order No. | d ₁ | l ₁ | h ₁ | l ₂ | A/F |
|------------------|----------------|----------------|----------------|----------------|-----|
| P0262.060-150-ZP | M 6 | 150 | 3.85 | 24 | 10 |
| P0262.060-160-ZP | M 6 | 160 | 3.85 | 24 | 10 |
| P0262.060-170-ZP | M 6 | 170 | 3.85 | 24 | 10 |
| P0262.060-180-ZP | M 6 | 180 | 3.85 | 24 | 10 |
| P0262.060-190-ZP | M 6 | 190 | 3.85 | 24 | 10 |
| P0262.060-200-ZP | M 6 | 200 | 3.85 | 24 | 10 |
| P0262.080-030-ZP | M 8 | 30 | 5.15 | 22 | 13 |
| P0262.080-035-ZP | M 8 | 35 | 5.15 | 22 | 13 |
| P0262.080-040-ZP | M 8 | 40 | 5.15 | 22 | 13 |
| P0262.080-045-ZP | M 8 | 45 | 5.15 | 22 | 13 |
| P0262.080-050-ZP | M 8 | 50 | 5.15 | 22 | 13 |
| P0262.080-055-ZP | M 8 | 55 | 5.15 | 22 | 13 |
| P0262.080-060-ZP | M 8 | 60 | 5.15 | 22 | 13 |
| P0262.080-065-ZP | M 8 | 65 | 5.15 | 22 | 13 |
| P0262.080-070-ZP | M 8 | 70 | 5.15 | 22 | 13 |
| P0262.080-075-ZP | M 8 | 75 | 5.15 | 22 | 13 |
| P0262.080-080-ZP | M 8 | 80 | 5.15 | 22 | 13 |
| P0262.080-085-ZP | M 8 | 85 | 5.15 | 22 | 13 |
| P0262.080-090-ZP | M 8 | 90 | 5.15 | 22 | 13 |
| P0262.080-095-ZP | M 8 | 95 | 5.15 | 22 | 13 |
| P0262.080-100-ZP | M 8 | 100 | 5.15 | 22 | 13 |
| P0262.080-110-ZP | M 8 | 110 | 5.15 | 22 | 13 |
| P0262.080-120-ZP | M 8 | 120 | 5.15 | 22 | 13 |
| P0262.080-130-ZP | M 8 | 130 | 5.15 | 28 | 13 |
| P0262.080-140-ZP | M 8 | 140 | 5.15 | 28 | 13 |
| P0262.080-150-ZP | M 8 | 150 | 5.15 | 28 | 13 |
| P0262.080-160-ZP | M 8 | 160 | 5.15 | 28 | 13 |
| P0262.080-170-ZP | M 8 | 170 | 5.15 | 28 | 13 |
| P0262.080-180-ZP | M 8 | 180 | 5.15 | 28 | 13 |
| P0262.080-190-ZP | M 8 | 190 | 5.15 | 28 | 13 |
| P0262.080-200-ZP | M 8 | 200 | 5.15 | 28 | 13 |
| P0262.080-210-ZP | M 8 | 210 | 5.15 | 41 | 13 |
| P0262.080-220-ZP | M 8 | 220 | 5.15 | 41 | 13 |
| P0262.080-230-ZP | M 8 | 230 | 5.15 | 41 | 13 |
| P0262.080-240-ZP | M 8 | 240 | 5.15 | 41 | 13 |
| P0262.100-035-ZP | M10 | 35 | 6.22 | 26 | 17 |
| P0262.100-040-ZP | M10 | 40 | 6.22 | 26 | 17 |
| P0262.100-045-ZP | M10 | 45 | 6.22 | 26 | 17 |
| P0262.100-050-ZP | M10 | 50 | 6.22 | 26 | 17 |
| P0262.100-055-ZP | M10 | 55 | 6.22 | 26 | 17 |
| P0262.100-060-ZP | M10 | 60 | 6.22 | 26 | 17 |
| P0262.100-065-ZP | M10 | 65 | 6.22 | 26 | 17 |
| P0262.100-070-ZP | M10 | 70 | 6.22 | 26 | 17 |
| P0262.100-075-ZP | M10 | 75 | 6.22 | 26 | 17 |
| P0262.100-080-ZP | M10 | 80 | 6.22 | 26 | 17 |
| P0262.100-085-ZP | M10 | 85 | 6.22 | 26 | 17 |
| P0262.100-090-ZP | M10 | 90 | 6.22 | 26 | 17 |
| P0262.100-095-ZP | M10 | 95 | 6.22 | 26 | 17 |
| P0262.100-100-ZP | M10 | 100 | 6.22 | 26 | 17 |
| P0262.100-110-ZP | M10 | 110 | 6.22 | 26 | 17 |
| P0262.100-120-ZP | M10 | 120 | 6.22 | 26 | 17 |
| P0262.100-130-ZP | M10 | 130 | 6.22 | 32 | 17 |
| P0262.100-140-ZP | M10 | 140 | 6.22 | 32 | 17 |
| P0262.100-150-ZP | M10 | 150 | 6.22 | 32 | 17 |
| P0262.100-160-ZP | M10 | 160 | 6.22 | 32 | 17 |
| P0262.100-170-ZP | M10 | 170 | 6.22 | 32 | 17 |
| P0262.100-180-ZP | M10 | 180 | 6.22 | 32 | 17 |
| P0262.100-190-ZP | M10 | 190 | 6.22 | 32 | 17 |
| P0262.100-200-ZP | M10 | 200 | 6.22 | 32 | 17 |
| P0262.100-210-ZP | M10 | 210 | 6.22 | 45 | 17 |
| P0262.100-220-ZP | M10 | 220 | 6.22 | 45 | 17 |
| P0262.100-230-ZP | M10 | 230 | 6.22 | 45 | 17 |
| P0262.100-240-ZP | M10 | 240 | 6.22 | 45 | 17 |
| P0262.100-250-ZP | M10 | 250 | 6.22 | 45 | 17 |
| P0262.100-260-ZP | M10 | 260 | 6.22 | 45 | 17 |
| P0262.100-270-ZP | M10 | 270 | 6.22 | 45 | 17 |
| P0262.100-280-ZP | M10 | 280 | 6.22 | 45 | 17 |
| P0262.100-290-ZP | M10 | 290 | 6.22 | 45 | 17 |
| P0262.100-300-ZP | M10 | 300 | 6.22 | 45 | 17 |

STANDARD SCREWS



STANDARD SCREWS

| Order No. | d ₁ | l ₁ | h ₁ | l ₂ | A/F |
|------------------|----------------|----------------|----------------|----------------|-----|
| P0262.100-320-ZP | M10 | 320 | 6.22 | 45 | 17 |
| P0262.100-340-ZP | M10 | 340 | 6.22 | 45 | 17 |
| P0262.100-360-ZP | M10 | 360 | 6.22 | 45 | 17 |
| P0262.100-380-ZP | M10 | 380 | 6.22 | 45 | 17 |
| P0262.100-400-ZP | M10 | 400 | 6.22 | 45 | 17 |
| P0262.100-430-ZP | M10 | 420 | 6.22 | 45 | 17 |
| P0262.100-440-ZP | M10 | 440 | 6.22 | 45 | 17 |
| P0262.100-460-ZP | M10 | 460 | 6.22 | 45 | 17 |
| P0262.100-480-ZP | M10 | 480 | 6.22 | 45 | 17 |
| P0262.100-500-ZP | M10 | 500 | 6.22 | 45 | 17 |
| P0262.120-040-ZP | M12 | 40 | 7.32 | 30 | 19 |
| P0262.120-045-ZP | M12 | 45 | 7.32 | 30 | 19 |
| P0262.120-050-ZP | M12 | 50 | 7.32 | 30 | 19 |
| P0262.120-055-ZP | M12 | 55 | 7.32 | 30 | 19 |
| P0262.120-060-ZP | M12 | 60 | 7.32 | 30 | 19 |
| P0262.120-065-ZP | M12 | 65 | 7.32 | 30 | 19 |
| P0262.120-070-ZP | M12 | 70 | 7.32 | 30 | 19 |
| P0262.120-075-ZP | M12 | 75 | 7.32 | 30 | 19 |
| P0262.120-080-ZP | M12 | 80 | 7.32 | 30 | 19 |
| P0262.120-085-ZP | M12 | 85 | 7.32 | 30 | 19 |
| P0262.120-090-ZP | M12 | 90 | 7.32 | 30 | 19 |
| P0262.120-100-ZP | M12 | 100 | 7.32 | 30 | 19 |
| P0262.120-110-ZP | M12 | 110 | 7.32 | 30 | 19 |
| P0262.120-120-ZP | M12 | 120 | 7.32 | 30 | 19 |
| P0262.120-130-ZP | M12 | 130 | 7.32 | 36 | 19 |
| P0262.120-140-ZP | M12 | 140 | 7.32 | 36 | 19 |
| P0262.120-150-ZP | M12 | 150 | 7.32 | 36 | 19 |
| P0262.120-160-ZP | M12 | 160 | 7.32 | 36 | 19 |
| P0262.120-170-ZP | M12 | 170 | 7.32 | 36 | 19 |
| P0262.120-180-ZP | M12 | 180 | 7.32 | 36 | 19 |
| P0262.120-190-ZP | M12 | 190 | 7.32 | 36 | 19 |
| P0262.120-200-ZP | M12 | 200 | 7.32 | 36 | 19 |
| P0262.120-210-ZP | M12 | 210 | 7.32 | 49 | 19 |
| P0262.120-220-ZP | M12 | 220 | 7.32 | 49 | 19 |
| P0262.120-230-ZP | M12 | 230 | 7.32 | 49 | 19 |
| P0262.120-240-ZP | M12 | 240 | 7.32 | 49 | 19 |
| P0262.120-250-ZP | M12 | 250 | 7.32 | 49 | 19 |
| P0262.120-260-ZP | M12 | 260 | 7.32 | 49 | 19 |
| P0262.120-270-ZP | M12 | 270 | 7.32 | 49 | 19 |
| P0262.120-280-ZP | M12 | 280 | 7.32 | 49 | 19 |
| P0262.120-290-ZP | M12 | 290 | 7.32 | 49 | 19 |
| P0262.120-300-ZP | M12 | 300 | 7.32 | 49 | 19 |
| P0262.120-320-ZP | M12 | 320 | 7.32 | 49 | 19 |
| P0262.120-330-ZP | M12 | 330 | 7.32 | 49 | 19 |
| P0262.120-340-ZP | M12 | 340 | 7.32 | 49 | 19 |
| P0262.120-360-ZP | M12 | 360 | 7.32 | 49 | 19 |
| P0262.120-380-ZP | M12 | 380 | 7.32 | 49 | 19 |
| P0262.120-400-ZP | M12 | 400 | 7.32 | 49 | 19 |
| P0262.120-420-ZP | M12 | 420 | 7.32 | 49 | 19 |
| P0262.120-440-ZP | M12 | 440 | 7.32 | 49 | 19 |
| P0262.120-460-ZP | M12 | 460 | 7.32 | 49 | 19 |
| P0262.120-480-ZP | M12 | 480 | 7.32 | 49 | 19 |
| P0262.120-500-ZP | M12 | 500 | 7.32 | 49 | 19 |
| P0262.140-050-ZP | M14 | 50 | 8.62 | 34 | 22 |
| P0262.140-055-ZP | M14 | 55 | 8.62 | 34 | 22 |
| P0262.140-060-ZP | M14 | 60 | 8.62 | 34 | 22 |
| P0262.140-065-ZP | M14 | 65 | 8.62 | 34 | 22 |
| P0262.140-070-ZP | M14 | 70 | 8.62 | 34 | 22 |
| P0262.140-075-ZP | M14 | 75 | 8.62 | 34 | 22 |
| P0262.140-080-ZP | M14 | 80 | 8.62 | 34 | 22 |
| P0262.140-085-ZP | M14 | 85 | 8.62 | 34 | 22 |
| P0262.140-090-ZP | M14 | 90 | 8.62 | 34 | 22 |
| P0262.140-095-ZP | M14 | 95 | 8.62 | 34 | 22 |
| P0262.140-100-ZP | M14 | 100 | 8.62 | 34 | 22 |
| P0262.140-110-ZP | M14 | 110 | 8.62 | 34 | 22 |
| P0262.140-120-ZP | M14 | 120 | 8.62 | 34 | 22 |
| P0262.140-130-ZP | M14 | 130 | 8.62 | 40 | 22 |
| P0262.140-140-ZP | M14 | 140 | 8.62 | 40 | 22 |
| P0262.140-150-ZP | M14 | 150 | 8.62 | 40 | 22 |



Hexagon Head Bolts

Steel, zinc-plated

Standard Screws



| Order No. | d ₁ | l ₁ | h ₁ | l ₂ | A/F |
|------------------|----------------|----------------|----------------|----------------|-----|
| P0262.140-160-ZP | M14 | 160 | 8.62 | 40 | 22 |
| P0262.140-170-ZP | M14 | 170 | 8.62 | 40 | 22 |
| P0262.140-180-ZP | M14 | 180 | 8.62 | 40 | 22 |
| P0262.140-190-ZP | M14 | 190 | 8.62 | 40 | 22 |
| P0262.140-200-ZP | M14 | 200 | 8.62 | 40 | 22 |
| P0262.140-210-ZP | M14 | 210 | 8.62 | 53 | 22 |
| P0262.140-220-ZP | M14 | 220 | 8.62 | 53 | 22 |
| P0262.140-230-ZP | M14 | 230 | 8.62 | 53 | 22 |
| P0262.140-240-ZP | M14 | 240 | 8.62 | 53 | 22 |
| P0262.140-250-ZP | M14 | 250 | 8.62 | 53 | 22 |
| P0262.140-260-ZP | M14 | 260 | 8.62 | 53 | 22 |
| P0262.140-270-ZP | M14 | 270 | 8.62 | 53 | 22 |
| P0262.140-280-ZP | M14 | 280 | 8.62 | 53 | 22 |
| P0262.160-050-ZP | M16 | 50 | 9.82 | 38 | 24 |
| P0262.160-055-ZP | M16 | 55 | 9.82 | 38 | 24 |
| P0262.160-060-ZP | M16 | 60 | 9.82 | 38 | 24 |
| P0262.160-065-ZP | M16 | 65 | 9.82 | 38 | 24 |
| P0262.160-070-ZP | M16 | 70 | 9.82 | 38 | 24 |
| P0262.160-075-ZP | M16 | 75 | 9.82 | 38 | 24 |
| P0262.160-080-ZP | M16 | 80 | 9.82 | 38 | 24 |
| P0262.160-085-ZP | M16 | 85 | 9.82 | 38 | 24 |
| P0262.160-090-ZP | M16 | 90 | 9.82 | 38 | 24 |
| P0262.160-095-ZP | M16 | 95 | 9.82 | 38 | 24 |
| P0262.160-100-ZP | M16 | 100 | 9.82 | 38 | 24 |
| P0262.160-110-ZP | M16 | 110 | 9.82 | 38 | 24 |
| P0262.160-120-ZP | M16 | 120 | 9.82 | 38 | 24 |
| P0262.160-130-ZP | M16 | 130 | 9.82 | 44 | 24 |
| P0262.160-140-ZP | M16 | 140 | 9.82 | 44 | 24 |
| P0262.160-150-ZP | M16 | 150 | 9.82 | 44 | 24 |
| P0262.160-160-ZP | M16 | 160 | 9.82 | 44 | 24 |
| P0262.160-170-ZP | M16 | 170 | 9.82 | 44 | 24 |
| P0262.160-180-ZP | M16 | 180 | 9.82 | 44 | 24 |
| P0262.160-190-ZP | M16 | 190 | 9.82 | 44 | 24 |
| P0262.160-200-ZP | M16 | 200 | 9.82 | 44 | 24 |
| P0262.160-210-ZP | M16 | 210 | 9.82 | 57 | 24 |
| P0262.160-220-ZP | M16 | 220 | 9.82 | 57 | 24 |
| P0262.160-230-ZP | M16 | 230 | 9.82 | 57 | 24 |
| P0262.160-240-ZP | M16 | 240 | 9.82 | 57 | 24 |
| P0262.160-250-ZP | M16 | 250 | 9.82 | 57 | 24 |
| P0262.160-260-ZP | M16 | 260 | 9.82 | 57 | 24 |
| P0262.160-270-ZP | M16 | 270 | 9.82 | 57 | 24 |
| P0262.160-280-ZP | M16 | 280 | 9.82 | 57 | 24 |
| P0262.160-290-ZP | M16 | 290 | 9.82 | 57 | 24 |
| P0262.160-300-ZP | M16 | 300 | 9.82 | 57 | 24 |
| P0262.160-320-ZP | M16 | 320 | 9.82 | 57 | 24 |
| P0262.160-340-ZP | M16 | 340 | 9.82 | 57 | 24 |
| P0262.160-360-ZP | M16 | 360 | 9.82 | 57 | 24 |
| P0262.160-380-ZP | M16 | 380 | 9.82 | 57 | 24 |
| P0262.160-400-ZP | M16 | 400 | 9.82 | 57 | 24 |
| P0262.160-420-ZP | M16 | 420 | 9.82 | 57 | 24 |
| P0262.160-440-ZP | M16 | 440 | 9.82 | 57 | 24 |
| P0262.160-460-ZP | M16 | 460 | 9.82 | 57 | 24 |
| P0262.160-480-ZP | M16 | 480 | 9.82 | 57 | 24 |
| P0262.160-500-ZP | M16 | 500 | 9.82 | 57 | 24 |
| P0262.180-060-ZP | M18 | 60 | 11.28 | 42 | 27 |
| P0262.180-065-ZP | M18 | 65 | 11.28 | 42 | 27 |
| P0262.180-070-ZP | M18 | 70 | 11.28 | 42 | 27 |
| P0262.180-075-ZP | M18 | 75 | 11.28 | 42 | 27 |
| P0262.180-080-ZP | M18 | 80 | 11.28 | 42 | 27 |
| P0262.180-085-ZP | M18 | 85 | 11.28 | 42 | 27 |
| P0262.180-090-ZP | M18 | 90 | 11.28 | 42 | 27 |
| P0262.180-095-ZP | M18 | 95 | 11.28 | 42 | 27 |
| P0262.180-100-ZP | M18 | 100 | 11.28 | 42 | 27 |
| P0262.180-110-ZP | M18 | 110 | 11.28 | 42 | 27 |
| P0262.180-120-ZP | M18 | 120 | 11.28 | 42 | 27 |
| P0262.180-130-ZP | M18 | 130 | 11.28 | 48 | 27 |
| P0262.180-140-ZP | M18 | 140 | 11.28 | 48 | 27 |
| P0262.180-150-ZP | M18 | 150 | 11.28 | 48 | 27 |
| P0262.180-160-ZP | M18 | 160 | 11.28 | 48 | 27 |

STANDARD SCREWS



| Order No. | d ₁ | l ₁ | h ₁ | l ₂ | A/F |
|------------------|----------------|----------------|----------------|----------------|-----|
| P0262.180-170-ZP | M18 | 170 | 11.28 | 48 | 27 |
| P0262.180-180-ZP | M18 | 180 | 11.28 | 48 | 27 |
| P0262.180-190-ZP | M18 | 190 | 11.28 | 48 | 27 |
| P0262.180-200-ZP | M18 | 200 | 11.28 | 48 | 27 |
| P0262.180-210-ZP | M18 | 210 | 11.28 | 61 | 27 |
| P0262.180-220-ZP | M18 | 220 | 11.28 | 61 | 27 |
| P0262.180-230-ZP | M18 | 230 | 11.28 | 61 | 27 |
| P0262.180-240-ZP | M18 | 240 | 11.28 | 61 | 27 |
| P0262.180-250-ZP | M18 | 250 | 11.28 | 61 | 27 |
| P0262.180-260-ZP | M18 | 260 | 11.28 | 61 | 27 |
| P0262.180-270-ZP | M18 | 270 | 11.28 | 61 | 27 |
| P0262.180-280-ZP | M18 | 280 | 11.28 | 61 | 27 |
| P0262.200-060-ZP | M20 | 60 | 12.28 | 52 | 30 |
| P0262.200-065-ZP | M20 | 65 | 12.28 | 52 | 30 |
| P0262.200-070-ZP | M20 | 70 | 12.28 | 52 | 30 |
| P0262.200-075-ZP | M20 | 75 | 12.28 | 52 | 30 |
| P0262.200-080-ZP | M20 | 80 | 12.28 | 52 | 30 |
| P0262.200-085-ZP | M20 | 85 | 12.28 | 52 | 30 |
| P0262.200-090-ZP | M20 | 90 | 12.28 | 52 | 30 |
| P0262.200-095-ZP | M20 | 95 | 12.28 | 52 | 30 |
| P0262.200-100-ZP | M20 | 100 | 12.28 | 52 | 30 |
| P0262.200-110-ZP | M20 | 110 | 12.28 | 52 | 30 |
| P0262.200-120-ZP | M20 | 120 | 12.28 | 52 | 30 |
| P0262.200-130-ZP | M20 | 130 | 12.28 | 52 | 30 |
| P0262.200-140-ZP | M20 | 140 | 12.28 | 52 | 30 |
| P0262.200-150-ZP | M20 | 150 | 12.28 | 52 | 30 |
| P0262.200-160-ZP | M20 | 160 | 12.28 | 52 | 30 |
| P0262.200-170-ZP | M20 | 170 | 12.28 | 52 | 30 |
| P0262.200-180-ZP | M20 | 180 | 12.28 | 52 | 30 |
| P0262.200-190-ZP | M20 | 190 | 12.28 | 52 | 30 |
| P0262.200-200-ZP | M20 | 200 | 12.28 | 52 | 30 |
| P0262.200-210-ZP | M20 | 210 | 12.28 | 65 | 30 |
| P0262.200-220-ZP | M20 | 220 | 12.28 | 65 | 30 |
| P0262.200-230-ZP | M20 | 230 | 12.28 | 65 | 30 |
| P0262.200-240-ZP | M20 | 240 | 12.28 | 65 | 30 |
| P0262.200-250-ZP | M20 | 250 | 12.28 | 65 | 30 |
| P0262.200-260-ZP | M20 | 260 | 12.28 | 65 | 30 |
| P0262.200-270-ZP | M20 | 270 | 12.28 | 65 | 30 |
| P0262.200-280-ZP | M20 | 280 | 12.28 | 65 | 30 |
| P0262.200-290-ZP | M20 | 290 | 12.28 | 65 | 30 |
| P0262.200-300-ZP | M20 | 300 | 12.28 | 65 | 30 |
| P0262.200-320-ZP | M20 | 320 | 12.28 | 65 | 30 |
| P0262.200-340-ZP | M20 | 340 | 12.28 | 65 | 30 |
| P0262.200-360-ZP | M20 | 360 | 12.28 | 65 | 30 |
| P0262.200-380-ZP | M20 | 300 | 12.28 | 65 | 30 |
| P0262.200-400-ZP | M20 | 400 | 12.28 | 65 | 30 |
| P0262.200-420-ZP | M20 | 420 | 12.28 | 65 | 30 |
| P0262.200-440-ZP | M20 | 440 | 12.28 | 65 | 30 |
| P0262.200-460-ZP | M20 | 460 | 12.28 | 65 | 30 |
| P0262.200-480-ZP | M20 | 480 | 12.28 | 65 | 30 |
| P0262.200-500-ZP | M20 | 500 | 12.28 | 65 | 30 |
| P0262.220-070-ZP | M22 | 70 | 13.78 | 50 | 32 |
| P0262.220-075-ZP | M22 | 75 | 13.78 | 50 | 32 |
| P0262.220-080-ZP | M22 | 80 | 13.78 | 50 | 32 |
| P0262.220-085-ZP | M22 | 85 | 13.78 | 50 | 32 |
| P0262.220-090-ZP | M22 | 90 | 13.78 | 50 | 32 |
| P0262.220-095-ZP | M22 | 95 | 13.78 | 50 | 32 |
| P0262.220-100-ZP | M22 | 100 | 13.78 | 50 | 32 |
| P0262.220-110-ZP | M22 | 110 | 13.78 | 50 | 32 |
| P0262.220-120-ZP | M22 | 120 | 13.78 | 50 | 32 |
| P0262.220-130-ZP | M22 | 130 | 13.78 | 56 | 32 |
| P0262.220-140-ZP | M22 | 140 | 13.78 | 56 | 32 |
| P0262.220-150-ZP | M22 | 150 | 13.78 | 56 | 32 |
| P0262.220-160-ZP | M22 | 160 | 13.78 | 56 | 32 |
| P0262.220-170-ZP | M22 | 170 | 13.78 | 56 | 32 |
| P0262.220-180-ZP | M22 | 180 | 13.78 | 56 | 32 |
| P0262.220-190-ZP | M22 | 190 | 13.78 | 56 | 32 |
| P0262.220-200-ZP | M22 | 200 | 13.78 | 56 | 32 |
| P0262.220-210-ZP | M22 | 210 | 13.78 | 69 | 32 |



Hexagon Head Bolts

Steel, zinc-plated

Standard Screws



| Order No. | d ₁ | l ₁ | h ₁ | l ₂ | A/F |
|------------------|----------------|----------------|----------------|----------------|-----|
| P0262.220-220-ZP | M22 | 220 | 13.78 | 69 | 32 |
| P0262.220-230-ZP | M22 | 230 | 13.78 | 69 | 32 |
| P0262.220-240-ZP | M22 | 240 | 13.78 | 69 | 32 |
| P0262.220-250-ZP | M22 | 250 | 13.78 | 69 | 32 |
| P0262.220-260-ZP | M22 | 260 | 13.78 | 69 | 32 |
| P0262.220-270-ZP | M22 | 270 | 13.78 | 69 | 32 |
| P0262.220-280-ZP | M22 | 280 | 13.78 | 69 | 32 |
| P0262.240-070-ZP | M24 | 70 | 14.78 | 54 | 36 |
| P0262.240-075-ZP | M24 | 75 | 14.78 | 54 | 36 |
| P0262.240-080-ZP | M24 | 80 | 14.78 | 54 | 36 |
| P0262.240-085-ZP | M24 | 85 | 14.78 | 54 | 36 |
| P0262.240-090-ZP | M24 | 90 | 14.78 | 54 | 36 |
| P0262.240-100-ZP | M24 | 100 | 14.78 | 54 | 36 |
| P0262.240-110-ZP | M24 | 110 | 14.78 | 54 | 36 |
| P0262.240-120-ZP | M24 | 120 | 14.78 | 54 | 36 |
| P0262.240-130-ZP | M24 | 130 | 14.78 | 60 | 36 |
| P0262.240-140-ZP | M24 | 140 | 14.78 | 60 | 36 |
| P0262.240-150-ZP | M24 | 150 | 14.78 | 60 | 36 |
| P0262.240-160-ZP | M24 | 160 | 14.78 | 60 | 36 |
| P0262.240-170-ZP | M24 | 170 | 14.78 | 60 | 36 |
| P0262.240-180-ZP | M24 | 180 | 14.78 | 60 | 36 |
| P0262.240-200-ZP | M24 | 200 | 14.78 | 60 | 36 |
| P0262.240-210-ZP | M24 | 210 | 14.78 | 73 | 36 |
| P0262.240-220-ZP | M24 | 220 | 14.78 | 73 | 36 |
| P0262.240-230-ZP | M24 | 230 | 14.78 | 73 | 36 |
| P0262.240-240-ZP | M24 | 240 | 14.78 | 73 | 36 |
| P0262.240-250-ZP | M24 | 250 | 14.78 | 73 | 36 |
| P0262.240-260-ZP | M24 | 260 | 14.78 | 73 | 36 |
| P0262.240-270-ZP | M24 | 270 | 14.78 | 73 | 36 |
| P0262.240-280-ZP | M24 | 280 | 14.78 | 73 | 36 |
| P0262.240-290-ZP | M24 | 290 | 14.78 | 73 | 36 |
| P0262.240-300-ZP | M24 | 300 | 14.78 | 73 | 36 |
| P0262.240-320-ZP | M24 | 320 | 14.78 | 73 | 36 |
| P0262.240-340-ZP | M24 | 340 | 14.78 | 73 | 36 |
| P0262.240-360-ZP | M24 | 360 | 14.78 | 73 | 36 |
| P0262.240-380-ZP | M24 | 380 | 14.78 | 73 | 36 |
| P0262.240-400-ZP | M24 | 400 | 14.78 | 73 | 36 |
| P0262.240-420-ZP | M24 | 420 | 14.78 | 73 | 36 |
| P0262.240-440-ZP | M24 | 440 | 14.78 | 73 | 36 |
| P0262.240-460-ZP | M24 | 460 | 14.78 | 73 | 36 |
| P0262.240-480-ZP | M24 | 480 | 14.78 | 73 | 36 |
| P0262.240-500-ZP | M24 | 500 | 14.78 | 73 | 36 |
| P0262.270-075-ZP | M27 | 75 | 16.65 | 60 | 41 |
| P0262.270-080-ZP | M27 | 80 | 16.65 | 60 | 41 |
| P0262.270-085-ZP | M27 | 85 | 16.65 | 60 | 41 |
| P0262.270-090-ZP | M27 | 90 | 16.65 | 60 | 41 |
| P0262.270-095-ZP | M27 | 95 | 16.65 | 60 | 41 |
| P0262.270-100-ZP | M27 | 100 | 16.65 | 60 | 41 |
| P0262.270-110-ZP | M27 | 110 | 16.65 | 60 | 41 |
| P0262.270-120-ZP | M27 | 120 | 16.65 | 60 | 41 |
| P0262.270-130-ZP | M27 | 130 | 16.65 | 66 | 41 |
| P0262.270-140-ZP | M27 | 140 | 16.65 | 66 | 41 |
| P0262.270-150-ZP | M27 | 150 | 16.65 | 66 | 41 |
| P0262.270-160-ZP | M27 | 160 | 16.65 | 66 | 41 |
| P0262.270-170-ZP | M27 | 170 | 16.65 | 66 | 41 |
| P0262.270-180-ZP | M27 | 180 | 16.65 | 66 | 41 |
| P0262.270-190-ZP | M27 | 190 | 16.65 | 66 | 41 |
| P0262.270-200-ZP | M27 | 200 | 16.65 | 66 | 41 |
| P0262.270-210-ZP | M27 | 210 | 16.65 | 79 | 41 |
| P0262.270-220-ZP | M27 | 220 | 16.65 | 79 | 41 |
| P0262.270-230-ZP | M27 | 230 | 16.65 | 79 | 41 |
| P0262.270-240-ZP | M27 | 240 | 16.65 | 79 | 41 |
| P0262.270-250-ZP | M27 | 250 | 16.65 | 79 | 41 |
| P0262.270-260-ZP | M27 | 260 | 16.65 | 79 | 41 |
| P0262.270-270-ZP | M27 | 270 | 16.65 | 79 | 41 |
| P0262.270-280-ZP | M27 | 280 | 16.65 | 79 | 41 |
| P0262.270-290-ZP | M27 | 290 | 16.65 | 79 | 41 |
| P0262.270-300-ZP | M27 | 300 | 16.65 | 79 | 41 |
| P0262.270-320-ZP | M27 | 320 | 16.65 | 79 | 41 |

STANDARD SCREWS



STANDARD SCREWS

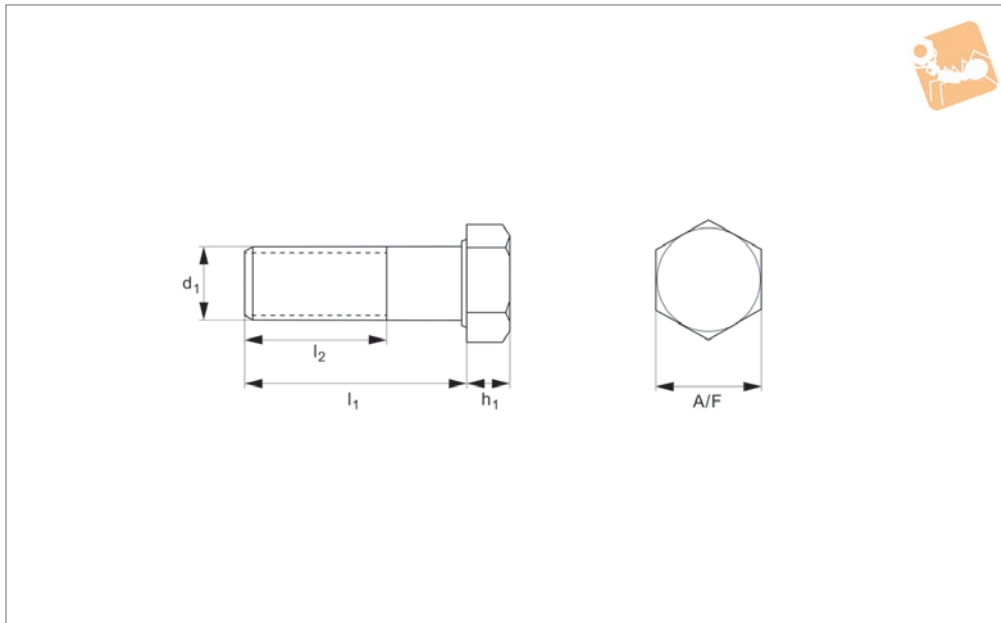
| Order No. | d ₁ | l ₁ | h ₁ | l ₂ | A/F |
|------------------|----------------|----------------|----------------|----------------|-----|
| P0262.270-340-ZP | M27 | 340 | 16.65 | 79 | 41 |
| P0262.300-080-ZP | M30 | 80 | 18.28 | 66 | 46 |
| P0262.300-085-ZP | M30 | 85 | 18.28 | 66 | 46 |
| P0262.300-090-ZP | M30 | 90 | 18.28 | 66 | 46 |
| P0262.300-095-ZP | M30 | 95 | 18.28 | 66 | 46 |
| P0262.300-100-ZP | M30 | 100 | 18.28 | 66 | 46 |
| P0262.300-110-ZP | M30 | 110 | 18.28 | 66 | 46 |
| P0262.300-120-ZP | M30 | 120 | 18.28 | 66 | 46 |
| P0262.300-130-ZP | M30 | 130 | 18.28 | 72 | 46 |
| P0262.300-140-ZP | M30 | 140 | 18.28 | 72 | 46 |
| P0262.300-150-ZP | M30 | 150 | 18.28 | 72 | 46 |
| P0262.300-160-ZP | M30 | 160 | 18.28 | 72 | 46 |
| P0262.300-170-ZP | M30 | 170 | 18.28 | 72 | 46 |
| P0262.300-180-ZP | M30 | 180 | 18.28 | 72 | 46 |
| P0262.300-190-ZP | M30 | 190 | 18.28 | 72 | 46 |
| P0262.300-200-ZP | M30 | 200 | 18.28 | 72 | 46 |
| P0262.300-210-ZP | M30 | 210 | 18.28 | 85 | 46 |
| P0262.300-220-ZP | M30 | 220 | 18.28 | 85 | 46 |
| P0262.300-230-ZP | M30 | 230 | 18.28 | 85 | 46 |
| P0262.300-240-ZP | M30 | 240 | 18.28 | 85 | 46 |
| P0262.300-250-ZP | M30 | 250 | 18.28 | 85 | 46 |
| P0262.300-260-ZP | M30 | 260 | 18.28 | 85 | 46 |
| P0262.300-270-ZP | M30 | 270 | 18.28 | 85 | 46 |
| P0262.300-280-ZP | M30 | 280 | 18.28 | 85 | 46 |
| P0262.300-290-ZP | M30 | 290 | 18.28 | 85 | 46 |
| P0262.300-300-ZP | M30 | 300 | 18.28 | 85 | 46 |
| P0262.330-090-ZP | M33 | 90 | 20.58 | 72 | 50 |
| P0262.330-095-ZP | M33 | 95 | 20.58 | 72 | 50 |
| P0262.330-100-ZP | M33 | 100 | 20.58 | 72 | 50 |
| P0262.330-110-ZP | M33 | 110 | 20.58 | 72 | 50 |
| P0262.330-120-ZP | M33 | 120 | 20.58 | 72 | 50 |
| P0262.330-130-ZP | M33 | 130 | 20.58 | 78 | 50 |
| P0262.330-140-ZP | M33 | 140 | 20.58 | 78 | 50 |
| P0262.330-150-ZP | M33 | 150 | 20.58 | 78 | 50 |
| P0262.330-160-ZP | M33 | 160 | 20.58 | 78 | 50 |
| P0262.330-170-ZP | M33 | 170 | 20.58 | 78 | 50 |
| P0262.330-180-ZP | M33 | 180 | 20.58 | 78 | 50 |
| P0262.330-190-ZP | M33 | 190 | 20.58 | 78 | 50 |
| P0262.330-200-ZP | M33 | 200 | 20.58 | 78 | 50 |
| P0262.330-210-ZP | M33 | 210 | 20.58 | 91 | 50 |
| P0262.330-220-ZP | M33 | 220 | 20.58 | 91 | 50 |
| P0262.330-230-ZP | M33 | 230 | 20.58 | 91 | 50 |
| P0262.330-240-ZP | M33 | 240 | 20.58 | 91 | 50 |
| P0262.330-250-ZP | M33 | 250 | 20.58 | 91 | 50 |
| P0262.330-260-ZP | M33 | 260 | 20.58 | 91 | 50 |
| P0262.330-270-ZP | M33 | 270 | 20.58 | 91 | 50 |
| P0262.330-280-ZP | M33 | 280 | 20.58 | 91 | 50 |
| P0262.360-100-ZP | M36 | 100 | 22.08 | 78 | 55 |
| P0262.360-110-ZP | M36 | 110 | 22.08 | 78 | 55 |
| P0262.360-120-ZP | M36 | 120 | 22.08 | 78 | 55 |
| P0262.360-130-ZP | M36 | 130 | 22.08 | 84 | 55 |
| P0262.360-140-ZP | M36 | 140 | 22.08 | 84 | 55 |
| P0262.360-150-ZP | M36 | 150 | 22.08 | 84 | 55 |
| P0262.360-160-ZP | M36 | 160 | 22.08 | 84 | 55 |
| P0262.360-170-ZP | M36 | 170 | 22.08 | 84 | 55 |
| P0262.360-180-ZP | M36 | 180 | 22.08 | 84 | 55 |
| P0262.360-190-ZP | M36 | 190 | 22.08 | 84 | 55 |
| P0262.360-200-ZP | M36 | 200 | 22.08 | 84 | 55 |
| P0262.360-210-ZP | M36 | 210 | 22.08 | 97 | 55 |
| P0262.360-220-ZP | M36 | 220 | 22.08 | 97 | 55 |
| P0262.360-230-ZP | M36 | 230 | 22.08 | 97 | 55 |
| P0262.360-240-ZP | M36 | 240 | 22.08 | 97 | 55 |
| P0262.360-250-ZP | M36 | 250 | 22.08 | 97 | 55 |
| P0262.360-280-ZP | M36 | 280 | 22.08 | 97 | 55 |



Hexagon Head Bolts

Steel, self-colour

Standard Screws



P0262.SC

STANDARD SCREWS

Material

Steel, self-colour (grade 8.8).

Technical Notes

To DIN 931, ISO 4014.

| Order No. | d ₁ | l ₁ | h ₁ | l ₂ | A/F | Material |
|------------------|----------------|----------------|----------------|----------------|-----|----------|
| P0262.050-025-SC | M 5 | 25 | 3.35 | 16 | 8 | Steel SC |
| P0262.050-030-SC | M 5 | 30 | 3.35 | 16 | 8 | Steel SC |
| P0262.050-035-SC | M 5 | 35 | 3.35 | 16 | 8 | Steel SC |
| P0262.050-040-SC | M 5 | 40 | 3.35 | 16 | 8 | Steel SC |
| P0262.050-045-SC | M 5 | 45 | 3.35 | 16 | 8 | Steel SC |
| P0262.050-050-SC | M 5 | 50 | 3.35 | 16 | 8 | Steel SC |
| P0262.050-055-SC | M 5 | 55 | 3.35 | 16 | 8 | Steel SC |
| P0262.050-060-SC | M 5 | 60 | 3.35 | 16 | 8 | Steel SC |
| P0262.050-065-SC | M 5 | 65 | 3.35 | 16 | 8 | Steel SC |
| P0262.050-070-SC | M 5 | 70 | 3.35 | 16 | 8 | Steel SC |
| P0262.050-075-SC | M 5 | 75 | 3.35 | 16 | 8 | Steel SC |
| P0262.050-080-SC | M 5 | 80 | 3.35 | 16 | 8 | Steel SC |
| P0262.050-085-SC | M 5 | 85 | 3.35 | 16 | 8 | Steel SC |
| P0262.050-090-SC | M 5 | 90 | 3.35 | 16 | 8 | Steel SC |
| P0262.050-095-SC | M 5 | 95 | 3.35 | 16 | 8 | Steel SC |
| P0262.050-100-SC | M 5 | 100 | 3.35 | 16 | 8 | Steel SC |
| P0262.060-025-SC | M 6 | 25 | 3.85 | 18 | 10 | Steel SC |
| P0262.060-030-SC | M 6 | 30 | 3.85 | 18 | 10 | Steel SC |
| P0262.060-035-SC | M 6 | 35 | 3.85 | 18 | 10 | Steel SC |
| P0262.060-040-SC | M 6 | 40 | 3.85 | 18 | 10 | Steel SC |
| P0262.060-045-SC | M 6 | 45 | 3.85 | 18 | 10 | Steel SC |
| P0262.060-050-SC | M 6 | 50 | 3.85 | 18 | 10 | Steel SC |
| P0262.060-055-SC | M 6 | 55 | 3.85 | 18 | 10 | Steel SC |
| P0262.060-060-SC | M 6 | 60 | 3.85 | 18 | 10 | Steel SC |
| P0262.060-065-SC | M 6 | 65 | 3.85 | 18 | 10 | Steel SC |
| P0262.060-070-SC | M 6 | 70 | 3.85 | 18 | 10 | Steel SC |
| P0262.060-075-SC | M 6 | 75 | 3.85 | 18 | 10 | Steel SC |
| P0262.060-080-SC | M 6 | 80 | 3.85 | 18 | 10 | Steel SC |
| P0262.060-085-SC | M 6 | 85 | 3.85 | 18 | 10 | Steel SC |
| P0262.060-090-SC | M 6 | 90 | 3.85 | 18 | 10 | Steel SC |
| P0262.060-100-SC | M 6 | 100 | 3.85 | 18 | 10 | Steel SC |
| P0262.060-110-SC | M 6 | 110 | 3.85 | 18 | 10 | Steel SC |
| P0262.060-120-SC | M 6 | 120 | 3.85 | 18 | 10 | Steel SC |
| P0262.060-130-SC | M 6 | 130 | 3.85 | 24 | 10 | Steel SC |
| P0262.060-140-SC | M 6 | 140 | 3.85 | 24 | 10 | Steel SC |



STANDARD SCREWS

| Order No. | d ₁ | l ₁ | h ₁ | l ₂ | A/F | Material |
|------------------|----------------|----------------|----------------|----------------|-----|----------|
| P0262.060-150-SC | M 6 | 150 | 3.85 | 24 | 10 | Steel SC |
| P0262.060-160-SC | M 6 | 160 | 3.85 | 24 | 10 | Steel SC |
| P0262.060-170-SC | M 6 | 170 | 3.85 | 24 | 10 | Steel SC |
| P0262.060-180-SC | M 6 | 180 | 3.85 | 24 | 10 | Steel SC |
| P0262.060-190-SC | M 6 | 190 | 3.85 | 24 | 10 | Steel SC |
| P0262.060-200-SC | M 6 | 200 | 3.85 | 24 | 10 | Steel SC |
| P0262.080-030-SC | M 8 | 30 | 5.15 | 22 | 13 | Steel SC |
| P0262.080-035-SC | M 8 | 35 | 5.15 | 22 | 13 | Steel SC |
| P0262.080-040-SC | M 8 | 40 | 5.15 | 22 | 13 | Steel SC |
| P0262.080-045-SC | M 8 | 45 | 5.15 | 22 | 13 | Steel SC |
| P0262.080-050-SC | M 8 | 50 | 5.15 | 22 | 13 | Steel SC |
| P0262.080-055-SC | M 8 | 55 | 5.15 | 22 | 13 | Steel SC |
| P0262.080-060-SC | M 8 | 60 | 5.15 | 22 | 13 | Steel SC |
| P0262.080-065-SC | M 8 | 65 | 5.15 | 22 | 13 | Steel SC |
| P0262.080-070-SC | M 8 | 70 | 5.15 | 22 | 13 | Steel SC |
| P0262.080-075-SC | M 8 | 75 | 5.15 | 22 | 13 | Steel SC |
| P0262.080-080-SC | M 8 | 80 | 5.15 | 22 | 13 | Steel SC |
| P0262.080-085-SC | M 8 | 85 | 5.15 | 22 | 13 | Steel SC |
| P0262.080-090-SC | M 8 | 90 | 5.15 | 22 | 13 | Steel SC |
| P0262.080-095-SC | M 8 | 95 | 5.15 | 22 | 13 | Steel SC |
| P0262.080-100-SC | M 8 | 100 | 5.15 | 22 | 13 | Steel SC |
| P0262.080-110-SC | M 8 | 110 | 5.15 | 22 | 13 | Steel SC |
| P0262.080-120-SC | M 8 | 120 | 5.15 | 22 | 13 | Steel SC |
| P0262.080-130-SC | M 8 | 130 | 5.15 | 28 | 13 | Steel SC |
| P0262.080-140-SC | M 8 | 140 | 5.15 | 28 | 13 | Steel SC |
| P0262.080-150-SC | M 8 | 150 | 5.15 | 28 | 13 | Steel SC |
| P0262.080-160-SC | M 8 | 160 | 5.15 | 28 | 13 | Steel SC |
| P0262.080-170-SC | M 8 | 170 | 5.15 | 28 | 13 | Steel SC |
| P0262.080-180-SC | M 8 | 180 | 5.15 | 22 | 13 | Steel SC |
| P0262.080-190-SC | M 8 | 190 | 5.15 | 22 | 13 | Steel SC |
| P0262.080-200-SC | M 8 | 200 | 5.15 | 28 | 13 | Steel SC |
| P0262.080-210-SC | M 8 | 210 | 5.15 | 41 | 13 | Steel SC |
| P0262.080-220-SC | M 8 | 220 | 5.15 | 41 | 13 | Steel SC |
| P0262.080-230-SC | M 8 | 230 | 5.15 | 41 | 13 | Steel SC |
| P0262.080-240-SC | M 8 | 240 | 5.15 | 41 | 13 | Steel SC |
| P0262.100-035-SC | M10 | 35 | 6.22 | 26 | 17 | Steel SC |
| P0262.100-040-SC | M10 | 40 | 6.22 | 26 | 17 | Steel SC |
| P0262.100-045-SC | M10 | 45 | 6.22 | 26 | 17 | Steel SC |
| P0262.100-050-SC | M10 | 50 | 6.22 | 26 | 17 | Steel SC |
| P0262.100-055-SC | M10 | 55 | 6.22 | 26 | 17 | Steel SC |
| P0262.100-060-SC | M10 | 60 | 6.22 | 26 | 17 | Steel SC |
| P0262.100-065-SC | M10 | 65 | 6.22 | 26 | 17 | Steel SC |
| P0262.100-070-SC | M10 | 70 | 6.22 | 26 | 17 | Steel SC |
| P0262.100-075-SC | M10 | 75 | 6.22 | 26 | 17 | Steel SC |
| P0262.100-080-SC | M10 | 80 | 6.22 | 26 | 17 | Steel SC |
| P0262.100-085-SC | M10 | 85 | 6.22 | 26 | 17 | Steel SC |
| P0262.100-090-SC | M10 | 90 | 6.22 | 26 | 17 | Steel SC |
| P0262.100-095-SC | M10 | 95 | 6.22 | 26 | 17 | Steel SC |
| P0262.100-100-SC | M10 | 100 | 6.22 | 26 | 17 | Steel SC |
| P0262.100-110-SC | M10 | 110 | 6.22 | 26 | 17 | Steel SC |
| P0262.100-120-SC | M10 | 120 | 6.22 | 26 | 17 | Steel SC |
| P0262.100-130-SC | M10 | 130 | 6.22 | 32 | 17 | Steel SC |
| P0262.100-140-SC | M10 | 140 | 6.22 | 32 | 17 | Steel SC |
| P0262.100-150-SC | M10 | 150 | 6.22 | 32 | 17 | Steel SC |
| P0262.100-160-SC | M10 | 160 | 6.22 | 32 | 17 | Steel SC |
| P0262.100-170-SC | M10 | 170 | 6.22 | 32 | 17 | Steel SC |
| P0262.100-180-SC | M10 | 180 | 6.22 | 32 | 17 | Steel SC |
| P0262.100-200-SC | M10 | 200 | 6.22 | 32 | 17 | Steel SC |
| P0262.100-210-SC | M10 | 210 | 6.22 | 45 | 17 | Steel SC |
| P0262.100-220-SC | M10 | 220 | 6.22 | 45 | 17 | Steel SC |
| P0262.100-230-SC | M10 | 230 | 6.22 | 45 | 17 | Steel SC |
| P0262.100-240-SC | M10 | 240 | 6.22 | 45 | 17 | Steel SC |
| P0262.100-250-SC | M10 | 250 | 6.22 | 45 | 17 | Steel SC |
| P0262.100-260-SC | M10 | 260 | 6.22 | 45 | 17 | Steel SC |
| P0262.100-270-SC | M10 | 270 | 6.22 | 45 | 17 | Steel SC |
| P0262.100-280-SC | M10 | 280 | 6.22 | 45 | 17 | Steel SC |
| P0262.100-290-SC | M10 | 290 | 6.22 | 45 | 17 | Steel SC |
| P0262.100-300-SC | M10 | 300 | 6.22 | 45 | 17 | Steel SC |
| P0262.100-320-SC | M10 | 320 | 6.22 | 45 | 17 | Steel SC |



Hexagon Head Bolts

Steel, self-colour

Standard Screws



| Order No. | d ₁ | l ₁ | h ₁ | l ₂ | A/F | Material |
|------------------|----------------|----------------|----------------|----------------|-----|----------|
| P0262.100-340-SC | M10 | 340 | 6.22 | 45 | 17 | Steel SC |
| P0262.100-360-SC | M10 | 360 | 6.22 | 45 | 17 | Steel SC |
| P0262.100-380-SC | M10 | 380 | 6.22 | 45 | 17 | Steel SC |
| P0262.100-400-SC | M10 | 400 | 6.22 | 45 | 17 | Steel SC |
| P0262.100-420-SC | M10 | 420 | 6.22 | 45 | 17 | Steel SC |
| P0262.100-440-SC | M10 | 440 | 6.22 | 45 | 17 | Steel SC |
| P0262.100-460-SC | M10 | 460 | 6.22 | 45 | 17 | Steel SC |
| P0262.100-480-SC | M10 | 480 | 6.22 | 45 | 17 | Steel SC |
| P0262.100-500-SC | M10 | 500 | 6.22 | 45 | 17 | Steel SC |
| P0262.120-040-SC | M12 | 40 | 7.32 | 30 | 19 | Steel SC |
| P0262.120-045-SC | M12 | 45 | 7.32 | 30 | 19 | Steel SC |
| P0262.120-050-SC | M12 | 50 | 7.32 | 30 | 19 | Steel SC |
| P0262.120-055-SC | M12 | 55 | 7.32 | 30 | 19 | Steel SC |
| P0262.120-060-SC | M12 | 60 | 7.32 | 30 | 19 | Steel SC |
| P0262.120-065-SC | M12 | 65 | 7.32 | 30 | 19 | Steel SC |
| P0262.120-070-SC | M12 | 70 | 7.32 | 30 | 19 | Steel SC |
| P0262.120-075-SC | M12 | 75 | 7.32 | 30 | 19 | Steel SC |
| P0262.120-080-SC | M12 | 80 | 7.32 | 30 | 19 | Steel SC |
| P0262.120-085-SC | M12 | 85 | 7.32 | 30 | 19 | Steel SC |
| P0262.120-090-SC | M12 | 90 | 7.32 | 30 | 19 | Steel SC |
| P0262.120-100-SC | M12 | 100 | 7.32 | 30 | 19 | Steel SC |
| P0262.120-110-SC | M12 | 110 | 7.32 | 30 | 19 | Steel SC |
| P0262.120-120-SC | M12 | 120 | 7.32 | 30 | 19 | Steel SC |
| P0262.120-130-SC | M12 | 130 | 7.32 | 36 | 19 | Steel SC |
| P0262.120-140-SC | M12 | 140 | 7.32 | 36 | 19 | Steel SC |
| P0262.120-150-SC | M12 | 150 | 7.32 | 36 | 19 | Steel SC |
| P0262.120-160-SC | M12 | 160 | 7.32 | 36 | 19 | Steel SC |
| P0262.120-170-SC | M12 | 170 | 7.32 | 36 | 19 | Steel SC |
| P0262.120-180-SC | M12 | 180 | 7.32 | 36 | 19 | Steel SC |
| P0262.120-190-SC | M12 | 190 | 7.32 | 36 | 19 | Steel SC |
| P0262.120-200-SC | M12 | 200 | 7.32 | 36 | 19 | Steel SC |
| P0262.120-210-SC | M12 | 210 | 7.32 | 49 | 19 | Steel SC |
| P0262.120-220-SC | M12 | 220 | 7.32 | 49 | 19 | Steel SC |
| P0262.120-230-SC | M12 | 230 | 7.32 | 49 | 19 | Steel SC |
| P0262.120-240-SC | M12 | 240 | 7.32 | 49 | 19 | Steel SC |
| P0262.120-250-SC | M12 | 250 | 7.32 | 49 | 19 | Steel SC |
| P0262.120-260-SC | M12 | 260 | 7.32 | 49 | 19 | Steel SC |
| P0262.120-270-SC | M12 | 270 | 7.32 | 49 | 19 | Steel SC |
| P0262.120-280-SC | M12 | 280 | 7.32 | 49 | 19 | Steel SC |
| P0262.120-290-SC | M12 | 290 | 7.32 | 49 | 19 | Steel SC |
| P0262.120-300-SC | M12 | 300 | 7.32 | 49 | 19 | Steel SC |
| P0262.120-320-SC | M12 | 320 | 7.32 | 49 | 19 | Steel SC |
| P0262.120-340-SC | M12 | 340 | 7.32 | 49 | 19 | Steel SC |
| P0262.120-360-SC | M12 | 360 | 7.32 | 49 | 19 | Steel SC |
| P0262.120-380-SC | M12 | 380 | 7.32 | 49 | 19 | Steel SC |
| P0262.120-400-SC | M12 | 400 | 7.32 | 49 | 19 | Steel SC |
| P0262.120-420-SC | M12 | 420 | 7.32 | 49 | 19 | Steel SC |
| P0262.120-440-SC | M12 | 440 | 7.32 | 49 | 19 | Steel SC |
| P0262.120-460-SC | M12 | 460 | 7.32 | 49 | 19 | Steel SC |
| P0262.120-480-SC | M12 | 480 | 7.32 | 49 | 19 | Steel SC |
| P0262.120-500-SC | M12 | 500 | 7.32 | 49 | 19 | Steel SC |
| P0262.140-050-SC | M14 | 50 | 8.62 | 34 | 22 | Steel SC |
| P0262.140-055-SC | M14 | 55 | 8.62 | 34 | 22 | Steel SC |
| P0262.140-060-SC | M14 | 60 | 8.62 | 34 | 22 | Steel SC |
| P0262.140-065-SC | M14 | 65 | 8.62 | 34 | 22 | Steel SC |
| P0262.140-070-SC | M14 | 70 | 8.62 | 34 | 22 | Steel SC |
| P0262.140-075-SC | M14 | 75 | 8.62 | 34 | 22 | Steel SC |
| P0262.140-080-SC | M14 | 80 | 8.62 | 34 | 22 | Steel SC |
| P0262.140-085-SC | M14 | 85 | 8.62 | 34 | 22 | Steel SC |
| P0262.140-090-SC | M14 | 90 | 8.62 | 34 | 22 | Steel SC |
| P0262.140-095-SC | M14 | 95 | 8.62 | 34 | 22 | Steel SC |
| P0262.140-100-SC | M14 | 100 | 8.62 | 34 | 22 | Steel SC |
| P0262.140-110-SC | M14 | 110 | 8.62 | 34 | 22 | Steel SC |
| P0262.140-120-SC | M14 | 120 | 8.62 | 34 | 22 | Steel SC |
| P0262.140-130-SC | M14 | 130 | 8.62 | 40 | 22 | Steel SC |
| P0262.140-140-SC | M14 | 140 | 8.62 | 40 | 22 | Steel SC |
| P0262.140-150-SC | M14 | 150 | 8.62 | 40 | 22 | Steel SC |
| P0262.140-160-SC | M14 | 160 | 8.62 | 40 | 22 | Steel SC |
| P0262.140-170-SC | M14 | 170 | 8.62 | 40 | 22 | Steel SC |

STANDARD SCREWS



STANDARD SCREWS

| Order No. | d ₁ | l ₁ | h ₁ | l ₂ | A/F | Material |
|------------------|----------------|----------------|----------------|----------------|-----|----------|
| P0262.140-180-SC | M14 | 180 | 8.62 | 40 | 22 | Steel SC |
| P0262.140-190-SC | M14 | 190 | 8.62 | 40 | 22 | Steel SC |
| P0262.140-200-SC | M14 | 200 | 8.62 | 40 | 22 | Steel SC |
| P0262.140-210-SC | M14 | 210 | 8.62 | 53 | 22 | Steel SC |
| P0262.140-220-SC | M14 | 220 | 8.62 | 53 | 22 | Steel SC |
| P0262.140-230-SC | M14 | 230 | 8.62 | 53 | 22 | Steel SC |
| P0262.140-240-SC | M14 | 240 | 8.62 | 53 | 22 | Steel SC |
| P0262.140-250-SC | M14 | 250 | 8.62 | 53 | 22 | Steel SC |
| P0262.140-260-SC | M14 | 260 | 8.62 | 53 | 22 | Steel SC |
| P0262.140-270-SC | M14 | 270 | 8.62 | 53 | 22 | Steel SC |
| P0262.140-280-SC | M14 | 280 | 8.62 | 53 | 22 | Steel SC |
| P0262.160-050-SC | M16 | 50 | 9.82 | 38 | 24 | Steel SC |
| P0262.160-055-SC | M16 | 55 | 9.82 | 38 | 24 | Steel SC |
| P0262.160-060-SC | M16 | 60 | 9.82 | 38 | 24 | Steel SC |
| P0262.160-065-SC | M16 | 65 | 9.82 | 38 | 24 | Steel SC |
| P0262.160-070-SC | M16 | 70 | 9.82 | 38 | 24 | Steel SC |
| P0262.160-075-SC | M16 | 75 | 9.82 | 38 | 24 | Steel SC |
| P0262.160-080-SC | M16 | 80 | 9.82 | 38 | 24 | Steel SC |
| P0262.160-085-SC | M16 | 85 | 9.82 | 38 | 24 | Steel SC |
| P0262.160-090-SC | M16 | 90 | 9.82 | 38 | 24 | Steel SC |
| P0262.160-095-SC | M16 | 95 | 9.82 | 38 | 24 | Steel SC |
| P0262.160-100-SC | M16 | 100 | 9.82 | 38 | 24 | Steel SC |
| P0262.160-110-SC | M16 | 110 | 9.82 | 38 | 24 | Steel SC |
| P0262.160-120-SC | M16 | 120 | 9.82 | 38 | 24 | Steel SC |
| P0262.160-130-SC | M16 | 130 | 9.82 | 44 | 24 | Steel SC |
| P0262.160-140-SC | M16 | 140 | 9.82 | 44 | 24 | Steel SC |
| P0262.160-150-SC | M16 | 150 | 9.82 | 44 | 24 | Steel SC |
| P0262.160-160-SC | M16 | 160 | 9.82 | 44 | 24 | Steel SC |
| P0262.160-170-SC | M16 | 170 | 9.82 | 44 | 24 | Steel SC |
| P0262.160-180-SC | M16 | 180 | 9.82 | 44 | 24 | Steel SC |
| P0262.160-190-SC | M16 | 190 | 9.82 | 44 | 24 | Steel SC |
| P0262.160-200-SC | M16 | 200 | 9.82 | 44 | 24 | Steel SC |
| P0262.160-210-SC | M16 | 210 | 9.82 | 57 | 24 | Steel SC |
| P0262.160-220-SC | M16 | 220 | 9.82 | 57 | 24 | Steel SC |
| P0262.160-230-SC | M16 | 230 | 9.82 | 57 | 24 | Steel SC |
| P0262.160-240-SC | M16 | 240 | 9.82 | 57 | 24 | Steel SC |
| P0262.160-250-SC | M16 | 250 | 9.82 | 57 | 24 | Steel SC |
| P0262.160-260-SC | M16 | 260 | 9.82 | 57 | 24 | Steel SC |
| P0262.160-270-SC | M16 | 270 | 9.82 | 57 | 24 | Steel SC |
| P0262.160-280-SC | M16 | 280 | 9.82 | 57 | 24 | Steel SC |
| P0262.160-290-SC | M16 | 290 | 9.82 | 57 | 24 | Steel SC |
| P0262.160-300-SC | M16 | 300 | 9.82 | 57 | 24 | Steel SC |
| P0262.160-320-SC | M16 | 320 | 9.82 | 57 | 24 | Steel SC |
| P0262.160-340-SC | M16 | 340 | 9.82 | 57 | 24 | Steel SC |
| P0262.160-360-SC | M16 | 360 | 9.82 | 57 | 24 | Steel SC |
| P0262.160-380-SC | M16 | 380 | 9.82 | 57 | 24 | Steel SC |
| P0262.160-400-SC | M16 | 400 | 9.82 | 57 | 24 | Steel SC |
| P0262.160-420-SC | M16 | 420 | 9.82 | 57 | 24 | Steel SC |
| P0262.160-440-SC | M16 | 440 | 9.82 | 57 | 24 | Steel SC |
| P0262.160-460-SC | M16 | 460 | 9.82 | 57 | 24 | Steel SC |
| P0262.160-480-SC | M16 | 480 | 9.82 | 57 | 24 | Steel SC |
| P0262.160-500-SC | M16 | 500 | 9.82 | 57 | 24 | Steel SC |
| P0262.180-060-SC | M18 | 60 | 11.28 | 42 | 27 | Steel SC |
| P0262.180-065-SC | M18 | 65 | 11.28 | 42 | 27 | Steel SC |
| P0262.180-070-SC | M18 | 70 | 11.28 | 42 | 27 | Steel SC |
| P0262.180-075-SC | M18 | 75 | 11.28 | 42 | 27 | Steel SC |
| P0262.180-080-SC | M18 | 80 | 11.28 | 42 | 27 | Steel SC |
| P0262.180-085-SC | M18 | 85 | 11.28 | 42 | 27 | Steel SC |
| P0262.180-090-SC | M18 | 90 | 11.28 | 42 | 27 | Steel SC |
| P0262.180-095-SC | M18 | 95 | 11.28 | 42 | 27 | Steel SC |
| P0262.180-100-SC | M18 | 100 | 11.28 | 42 | 27 | Steel SC |
| P0262.180-110-SC | M18 | 110 | 11.28 | 42 | 27 | Steel SC |
| P0262.180-120-SC | M18 | 120 | 11.28 | 42 | 27 | Steel SC |
| P0262.180-130-SC | M18 | 130 | 11.28 | 48 | 27 | Steel SC |
| P0262.180-140-SC | M18 | 140 | 11.28 | 48 | 27 | Steel SC |
| P0262.180-150-SC | M18 | 150 | 11.28 | 48 | 27 | Steel SC |
| P0262.180-160-SC | M18 | 160 | 11.28 | 48 | 27 | Steel SC |
| P0262.180-170-SC | M18 | 170 | 11.28 | 48 | 27 | Steel SC |
| P0262.180-180-SC | M18 | 180 | 11.28 | 48 | 27 | Steel SC |



Hexagon Head Bolts

Steel, self-colour

Standard Screws



| Order No. | d ₁ | l ₁ | h ₁ | l ₂ | A/F | Material |
|------------------|----------------|----------------|----------------|----------------|-----|----------|
| P0262.180-190-SC | M18 | 190 | 11.28 | 48 | 27 | Steel SC |
| P0262.180-200-SC | M18 | 200 | 11.28 | 48 | 27 | Steel SC |
| P0262.180-210-SC | M18 | 210 | 11.28 | 61 | 27 | Steel SC |
| P0262.180-220-SC | M18 | 220 | 11.28 | 61 | 27 | Steel SC |
| P0262.180-230-SC | M18 | 230 | 11.28 | 61 | 27 | Steel SC |
| P0262.180-240-SC | M18 | 240 | 11.28 | 61 | 27 | Steel SC |
| P0262.180-250-SC | M18 | 250 | 11.28 | 61 | 27 | Steel SC |
| P0262.180-260-SC | M18 | 260 | 11.28 | 61 | 27 | Steel SC |
| P0262.180-270-SC | M18 | 270 | 11.28 | 61 | 27 | Steel SC |
| P0262.180-280-SC | M18 | 280 | 11.28 | 61 | 27 | Steel SC |
| P0262.200-060-SC | M20 | 60 | 12.28 | 52 | 30 | Steel SC |
| P0262.200-065-SC | M20 | 65 | 12.28 | 52 | 30 | Steel SC |
| P0262.200-070-SC | M20 | 70 | 12.28 | 52 | 30 | Steel SC |
| P0262.200-075-SC | M20 | 75 | 12.28 | 52 | 30 | Steel SC |
| P0262.200-080-SC | M20 | 80 | 12.28 | 52 | 30 | Steel SC |
| P0262.200-085-SC | M20 | 85 | 12.28 | 52 | 30 | Steel SC |
| P0262.200-090-SC | M20 | 90 | 12.28 | 52 | 30 | Steel SC |
| P0262.200-095-SC | M20 | 95 | 12.28 | 52 | 30 | Steel SC |
| P0262.200-100-SC | M20 | 100 | 12.28 | 52 | 30 | Steel SC |
| P0262.200-110-SC | M20 | 110 | 12.28 | 52 | 30 | Steel SC |
| P0262.200-120-SC | M20 | 120 | 12.28 | 52 | 30 | Steel SC |
| P0262.200-130-SC | M20 | 130 | 12.28 | 52 | 30 | Steel SC |
| P0262.200-140-SC | M20 | 140 | 12.28 | 52 | 30 | Steel SC |
| P0262.200-150-SC | M20 | 150 | 12.28 | 52 | 30 | Steel SC |
| P0262.200-160-SC | M20 | 160 | 12.28 | 52 | 30 | Steel SC |
| P0262.200-170-SC | M20 | 170 | 12.28 | 52 | 30 | Steel SC |
| P0262.200-180-SC | M20 | 180 | 12.28 | 52 | 30 | Steel SC |
| P0262.200-200-SC | M20 | 200 | 12.28 | 52 | 30 | Steel SC |
| P0262.200-210-SC | M20 | 210 | 12.28 | 65 | 30 | Steel SC |
| P0262.200-220-SC | M20 | 220 | 12.28 | 65 | 30 | Steel SC |
| P0262.200-230-SC | M20 | 230 | 12.28 | 65 | 30 | Steel SC |
| P0262.200-240-SC | M20 | 240 | 12.28 | 65 | 30 | Steel SC |
| P0262.200-250-SC | M20 | 250 | 12.28 | 65 | 30 | Steel SC |
| P0262.200-260-SC | M20 | 260 | 12.28 | 65 | 30 | Steel SC |
| P0262.200-270-SC | M20 | 270 | 12.28 | 65 | 30 | Steel SC |
| P0262.200-280-SC | M20 | 280 | 12.28 | 65 | 30 | Steel SC |
| P0262.200-290-SC | M20 | 290 | 12.28 | 65 | 30 | Steel SC |
| P0262.200-300-SC | M20 | 300 | 12.28 | 65 | 30 | Steel SC |
| P0262.200-320-SC | M20 | 320 | 12.28 | 65 | 30 | Steel SC |
| P0262.200-340-SC | M20 | 340 | 12.28 | 65 | 30 | Steel SC |
| P0262.200-360-SC | M20 | 360 | 12.28 | 65 | 30 | Steel SC |
| P0262.200-380-SC | M20 | 380 | 12.28 | 65 | 30 | Steel SC |
| P0262.200-400-SC | M20 | 400 | 12.28 | 65 | 30 | Steel SC |
| P0262.200-420-SC | M20 | 420 | 12.28 | 65 | 30 | Steel SC |
| P0262.200-440-SC | M20 | 440 | 12.28 | 65 | 30 | Steel SC |
| P0262.200-460-SC | M20 | 460 | 12.28 | 65 | 30 | Steel SC |
| P0262.200-480-SC | M20 | 480 | 12.28 | 65 | 30 | Steel SC |
| P0262.200-500-SC | M20 | 500 | 12.28 | 65 | 30 | Steel SC |
| P0262.220-070-SC | M22 | 70 | 13.78 | 50 | 32 | Steel SC |
| P0262.220-075-SC | M22 | 75 | 13.78 | 50 | 32 | Steel SC |
| P0262.220-080-SC | M22 | 80 | 13.78 | 50 | 32 | Steel SC |
| P0262.220-085-SC | M22 | 85 | 13.78 | 50 | 32 | Steel SC |
| P0262.220-090-SC | M22 | 90 | 13.78 | 50 | 32 | Steel SC |
| P0262.220-095-SC | M22 | 95 | 13.78 | 50 | 32 | Steel SC |
| P0262.220-100-SC | M22 | 100 | 13.78 | 50 | 32 | Steel SC |
| P0262.220-110-SC | M22 | 110 | 13.78 | 50 | 32 | Steel SC |
| P0262.220-120-SC | M22 | 120 | 13.78 | 50 | 32 | Steel SC |
| P0262.220-130-SC | M22 | 130 | 13.78 | 56 | 32 | Steel SC |
| P0262.220-140-SC | M22 | 140 | 13.78 | 56 | 32 | Steel SC |
| P0262.220-150-SC | M22 | 150 | 13.78 | 56 | 32 | Steel SC |
| P0262.220-160-SC | M22 | 160 | 13.78 | 56 | 32 | Steel SC |
| P0224.220-170-SC | M22 | 170 | 13.78 | 56 | 32 | Steel SC |
| P0262.220-180-SC | M22 | 180 | 13.78 | 56 | 32 | Steel SC |
| P0262.220-190-SC | M22 | 190 | 13.78 | 56 | 32 | Steel SC |
| P0262.220-200-SC | M22 | 200 | 13.78 | 56 | 32 | Steel SC |
| P0262.220-210-SC | M22 | 210 | 13.78 | 69 | 32 | Steel SC |
| P0224.220-220-SC | M22 | 220 | 13.78 | 69 | 32 | Steel SC |
| P0224.220-230-SC | M22 | 230 | 13.78 | 69 | 32 | Steel SC |
| P0262.220-240-SC | M22 | 240 | 13.78 | 69 | 32 | Steel SC |

STANDARD SCREWS



STANDARD SCREWS

| Order No. | d ₁ | l ₁ | h ₁ | l ₂ | A/F | Material |
|------------------|----------------|----------------|----------------|----------------|-----|----------|
| P0262.220-250-SC | M22 | 250 | 13.78 | 69 | 32 | Steel SC |
| P0262.220-260-SC | M22 | 260 | 13.78 | 69 | 32 | Steel SC |
| P0262.220-270-SC | M22 | 270 | 13.78 | 69 | 32 | Steel SC |
| P0224.220-280-SC | M22 | 280 | 13.78 | 69 | 32 | Steel SC |
| P0262.240-070-SC | M24 | 70 | 14.78 | 54 | 36 | Steel SC |
| P0262.240-075-SC | M24 | 75 | 14.78 | 54 | 36 | Steel SC |
| P0262.240-080-SC | M24 | 80 | 14.78 | 54 | 36 | Steel SC |
| P0262.240-085-SC | M24 | 85 | 14.78 | 54 | 36 | Steel SC |
| P0262.240-090-SC | M24 | 90 | 14.78 | 54 | 36 | Steel SC |
| P0262.240-100-SC | M24 | 100 | 14.78 | 54 | 36 | Steel SC |
| P0262.240-110-SC | M24 | 110 | 14.78 | 54 | 36 | Steel SC |
| P0262.240-120-SC | M24 | 120 | 14.78 | 54 | 36 | Steel SC |
| P0262.240-130-SC | M24 | 130 | 14.78 | 60 | 36 | Steel SC |
| P0262.240-140-SC | M24 | 140 | 14.78 | 60 | 36 | Steel SC |
| P0262.240-150-SC | M24 | 150 | 14.78 | 60 | 36 | Steel SC |
| P0262.240-160-SC | M24 | 160 | 14.78 | 60 | 36 | Steel SC |
| P0262.240-170-SC | M24 | 170 | 14.78 | 60 | 36 | Steel SC |
| P0262.240-180-SC | M24 | 180 | 14.78 | 60 | 36 | Steel SC |
| P0262.240-200-SC | M24 | 200 | 14.78 | 60 | 36 | Steel SC |
| P0262.240-210-SC | M24 | 210 | 14.78 | 73 | 36 | Steel SC |
| P0262.240-220-SC | M24 | 220 | 14.78 | 73 | 36 | Steel SC |
| P0262.240-230-SC | M24 | 230 | 14.78 | 73 | 36 | Steel SC |
| P0262.240-240-SC | M24 | 240 | 14.78 | 73 | 36 | Steel SC |
| P0262.240-250-SC | M24 | 250 | 14.78 | 73 | 36 | Steel SC |
| P0262.240-260-SC | M24 | 260 | 14.78 | 73 | 36 | Steel SC |
| P0262.240-270-SC | M24 | 270 | 14.78 | 73 | 36 | Steel SC |
| P0262.240-280-SC | M24 | 280 | 14.78 | 73 | 36 | Steel SC |
| P0262.240-290-SC | M24 | 290 | 14.78 | 73 | 36 | Steel SC |
| P0262.240-300-SC | M24 | 300 | 14.78 | 73 | 36 | Steel SC |
| P0262.240-320-SC | M24 | 320 | 14.78 | 73 | 36 | Steel SC |
| P0262.240-340-SC | M24 | 340 | 14.78 | 73 | 36 | Steel SC |
| P0262.240-360-SC | M24 | 360 | 14.78 | 73 | 36 | Steel SC |
| P0262.240-380-SC | M24 | 380 | 14.78 | 73 | 36 | Steel SC |
| P0262.240-400-SC | M24 | 400 | 14.78 | 73 | 36 | Steel SC |
| P0262.240-420-SC | M24 | 420 | 14.78 | 73 | 36 | Steel SC |
| P0262.240-440-SC | M24 | 440 | 14.78 | 73 | 36 | Steel SC |
| P0262.240-460-SC | M24 | 460 | 14.78 | 73 | 36 | Steel SC |
| P0262.240-480-SC | M24 | 480 | 14.78 | 73 | 36 | Steel SC |
| P0262.240-500-SC | M24 | 500 | 14.78 | 73 | 36 | Steel SC |
| P0262.270-080-SC | M27 | 80 | 16.65 | 60 | 41 | Steel SC |
| P0262.270-085-SC | M27 | 85 | 16.65 | 60 | 41 | Steel SC |
| P0262.270-090-SC | M27 | 90 | 16.65 | 60 | 41 | Steel SC |
| P0262.270-095-SC | M27 | 95 | 16.65 | 60 | 41 | Steel SC |
| P0262.270-100-SC | M27 | 100 | 16.65 | 60 | 41 | Steel SC |
| P0262.270-110-SC | M27 | 110 | 16.65 | 60 | 41 | Steel SC |
| P0262.270-120-SC | M27 | 120 | 16.65 | 60 | 41 | Steel SC |
| P0262.270-130-SC | M27 | 130 | 16.65 | 66 | 41 | Steel SC |
| P0262.270-140-SC | M27 | 140 | 16.65 | 66 | 41 | Steel SC |
| P0262.270-150-SC | M27 | 150 | 16.65 | 66 | 41 | Steel SC |
| P0262.270-160-SC | M27 | 160 | 16.65 | 66 | 41 | Steel SC |
| P0262.270-170-SC | M27 | 170 | 16.65 | 66 | 41 | Steel SC |
| P0262.270-180-SC | M27 | 180 | 16.65 | 66 | 41 | Steel SC |
| P0262.270-190-SC | M27 | 190 | 16.65 | 66 | 41 | Steel SC |
| P0262.270-200-SC | M27 | 200 | 16.65 | 66 | 41 | Steel SC |
| P0262.270-210-SC | M27 | 210 | 16.65 | 79 | 41 | Steel SC |
| P0262.270-220-SC | M27 | 220 | 16.65 | 79 | 41 | Steel SC |
| P0262.270-230-SC | M27 | 230 | 16.65 | 79 | 41 | Steel SC |
| P0262.270-240-SC | M27 | 240 | 16.65 | 79 | 41 | Steel SC |
| P0262.270-250-SC | M27 | 250 | 16.65 | 79 | 41 | Steel SC |
| P0262.270-260-SC | M27 | 260 | 16.65 | 79 | 41 | Steel SC |
| P0262.270-270-SC | M27 | 270 | 16.65 | 79 | 41 | Steel SC |
| P0262.270-280-SC | M27 | 280 | 16.65 | 79 | 41 | Steel SC |
| P0262.270-290-SC | M27 | 290 | 16.65 | 79 | 41 | Steel SC |
| P0262.270-300-SC | M27 | 300 | 16.65 | 79 | 41 | Steel SC |
| P0262.270-320-SC | M27 | 320 | 16.65 | 79 | 41 | Steel SC |
| P0262.270-340-SC | M27 | 340 | 16.65 | 79 | 41 | Steel SC |
| P0262.300-080-SC | M30 | 80 | 18.28 | 66 | 46 | Steel SC |
| P0262.300-085-SC | M30 | 85 | 18.28 | 66 | 46 | Steel SC |
| P0262.300-090-SC | M30 | 90 | 18.28 | 66 | 46 | Steel SC |



Hexagon Head Bolts

Steel, self-colour

Standard Screws

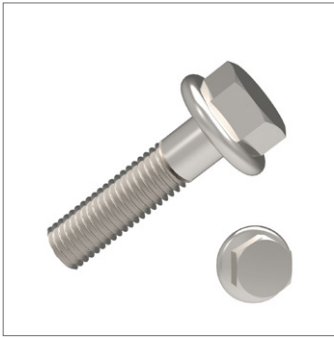


| Order No. | d ₁ | l ₁ | h ₁ | l ₂ | A/F | Material |
|------------------|----------------|----------------|----------------|----------------|-----|----------|
| P0262.300-095-SC | M30 | 95 | 18.28 | 66 | 46 | Steel SC |
| P0262.300-100-SC | M30 | 100 | 18.28 | 66 | 46 | Steel SC |
| P0262.300-110-SC | M30 | 110 | 18.28 | 66 | 46 | Steel SC |
| P0262.300-120-SC | M30 | 120 | 18.28 | 66 | 46 | Steel SC |
| P0262.300-130-SC | M30 | 130 | 18.28 | 72 | 46 | Steel SC |
| P0262.300-140-SC | M30 | 140 | 18.28 | 72 | 46 | Steel SC |
| P0262.300-150-SC | M30 | 150 | 18.28 | 72 | 46 | Steel SC |
| P0262.300-160-SC | M30 | 160 | 18.28 | 72 | 46 | Steel SC |
| P0262.300-170-SC | M30 | 170 | 18.28 | 72 | 46 | Steel SC |
| P0262.300-180-SC | M30 | 180 | 18.28 | 72 | 46 | Steel SC |
| P0262.300-190-SC | M30 | 190 | 18.28 | 72 | 46 | Steel SC |
| P0262.300-200-SC | M30 | 200 | 18.28 | 72 | 46 | Steel SC |
| P0262.300-210-SC | M30 | 210 | 18.28 | 85 | 46 | Steel SC |
| P0262.300-220-SC | M30 | 220 | 18.28 | 85 | 46 | Steel SC |
| P0262.300-230-SC | M30 | 230 | 18.28 | 85 | 46 | Steel SC |
| P0262.300-240-SC | M30 | 240 | 18.28 | 85 | 46 | Steel SC |
| P0262.300-250-SC | M30 | 250 | 18.28 | 85 | 46 | Steel SC |
| P0262.300-260-SC | M30 | 260 | 18.28 | 85 | 46 | Steel SC |
| P0262.300-270-SC | M30 | 270 | 18.28 | 85 | 46 | Steel SC |
| P0262.300-280-SC | M30 | 280 | 18.28 | 85 | 46 | Steel SC |
| P0262.300-290-SC | M30 | 290 | 18.28 | 85 | 46 | Steel SC |
| P0262.300-300-SC | M30 | 300 | 18.28 | 85 | 46 | Steel SC |
| P0262.330-090-SC | M33 | 90 | 20.58 | 72 | 50 | Steel SC |
| P0262.330-095-SC | M33 | 95 | 20.58 | 72 | 50 | Steel SC |
| P0262.330-100-SC | M33 | 100 | 20.58 | 72 | 50 | Steel SC |
| P0262.330-110-SC | M33 | 110 | 20.58 | 72 | 50 | Steel SC |
| P0262.330-120-SC | M33 | 120 | 20.58 | 72 | 50 | Steel SC |
| P0262.330-130-SC | M33 | 130 | 20.58 | 78 | 50 | Steel SC |
| P0262.330-140-SC | M33 | 140 | 20.58 | 78 | 50 | Steel SC |
| P0262.330-150-SC | M33 | 150 | 20.58 | 78 | 50 | Steel SC |
| P0262.330-160-SC | M33 | 160 | 20.58 | 78 | 50 | Steel SC |
| P0262.330-170-SC | M33 | 170 | 20.58 | 78 | 50 | Steel SC |
| P0262.330-180-SC | M33 | 180 | 20.58 | 78 | 50 | Steel SC |
| P0262.330-190-SC | M33 | 190 | 20.58 | 78 | 50 | Steel SC |
| P0262.330-200-SC | M33 | 200 | 20.58 | 78 | 50 | Steel SC |
| P0262.330-210-SC | M33 | 210 | 20.58 | 91 | 50 | Steel SC |
| P0262.330-220-SC | M33 | 220 | 20.58 | 91 | 50 | Steel SC |
| P0262.330-230-SC | M33 | 230 | 20.58 | 91 | 50 | Steel SC |
| P0262.330-240-SC | M33 | 240 | 20.58 | 91 | 50 | Steel SC |
| P0262.330-250-SC | M33 | 250 | 20.58 | 91 | 50 | Steel SC |
| P0262.330-260-SC | M33 | 260 | 20.58 | 91 | 50 | Steel SC |
| P0262.330-270-SC | M33 | 270 | 20.58 | 91 | 50 | Steel SC |
| P0262.330-280-SC | M33 | 280 | 20.58 | 91 | 50 | Steel SC |
| P0262.360-100-SC | M36 | 100 | 22.08 | 78 | 55 | Steel SC |
| P0262.360-110-SC | M36 | 110 | 22.08 | 78 | 55 | Steel SC |
| P0262.360-120-SC | M36 | 120 | 22.08 | 78 | 55 | Steel SC |
| P0262.360-130-SC | M36 | 130 | 22.08 | 84 | 55 | Steel SC |
| P0262.360-140-SC | M36 | 140 | 22.08 | 84 | 55 | Steel SC |
| P0262.360-150-SC | M36 | 150 | 22.08 | 84 | 55 | Steel SC |
| P0262.360-160-SC | M36 | 160 | 22.08 | 84 | 55 | Steel SC |
| P0262.360-170-SC | M36 | 170 | 22.08 | 84 | 55 | Steel SC |
| P0262.360-180-SC | M36 | 180 | 22.08 | 84 | 55 | Steel SC |
| P0262.360-190-SC | M36 | 190 | 22.08 | 84 | 55 | Steel SC |
| P0262.360-200-SC | M36 | 200 | 22.08 | 84 | 55 | Steel SC |
| P0262.360-210-SC | M36 | 210 | 22.08 | 97 | 55 | Steel SC |
| P0262.360-220-SC | M36 | 220 | 22.08 | 97 | 55 | Steel SC |
| P0262.360-230-SC | M36 | 230 | 22.08 | 97 | 55 | Steel SC |
| P0262.360-240-SC | M36 | 240 | 22.08 | 97 | 55 | Steel SC |
| P0262.360-250-SC | M36 | 1425 | 22.08 | 97 | 55 | Steel SC |
| P0262.360-260-SC | M36 | 260 | 22.08 | 97 | 55 | Steel SC |
| P0262.360-270-SC | M36 | 270 | 22.08 | 97 | 55 | Steel SC |
| P0262.360-280-SC | M36 | 280 | 22.08 | 97 | 55 | Steel SC |

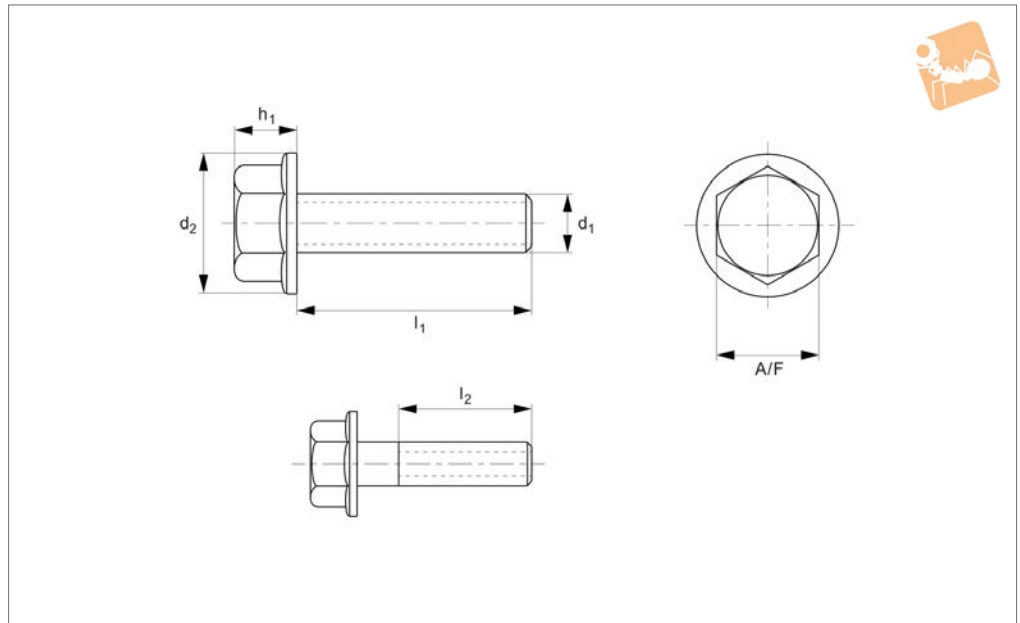
STANDARD SCREWS



STANDARD SCREWS



P0266.A2



Material

Stainless steel (A2).

See technical page for tightening torques.

Technical Notes

To DIN 6921.

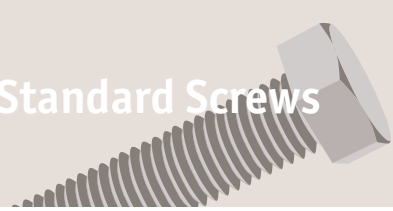
| Order No. | d ₁ | l ₁ | h ₁ | l ₂ | d ₂ | A/F |
|------------------|----------------|----------------|----------------|----------------|----------------|-----|
| P0266.050-010-A2 | M 5 | 10 | 5.4 | - | 11.8 | 8 |
| P0266.050-012-A2 | M 5 | 12 | 5.4 | - | 11.8 | 8 |
| P0266.050-016-A2 | M 5 | 16 | 5.4 | 16 | 11.8 | 8 |
| P0266.050-020-A2 | M 5 | 20 | 5.4 | 16 | 11.8 | 8 |
| P0266.050-025-A2 | M 5 | 25 | 5.4 | 16 | 11.8 | 8 |
| P0266.050-030-A2 | M 5 | 30 | 5.4 | 16 | 11.8 | 8 |
| P0266.050-035-A2 | M 5 | 35 | 5.4 | 16 | 11.8 | 8 |
| P0266.050-040-A2 | M 5 | 40 | 5.4 | 16 | 11.8 | 8 |
| P0266.060-010-A2 | M 6 | 10 | 6.6 | - | 14.2 | 10 |
| P0266.060-012-A2 | M 6 | 12 | 6.6 | - | 14.2 | 10 |
| P0266.060-016-A2 | M 6 | 16 | 6.6 | - | 14.2 | 10 |
| P0266.060-020-A2 | M 6 | 20 | 6.6 | 18 | 14.2 | 10 |
| P0266.060-025-A2 | M 6 | 25 | 6.6 | 18 | 14.2 | 10 |
| P0266.060-030-A2 | M 6 | 30 | 6.6 | 18 | 14.2 | 10 |
| P0266.060-035-A2 | M 6 | 35 | 6.6 | 18 | 14.2 | 10 |
| P0266.060-040-A2 | M 6 | 40 | 6.6 | 18 | 14.2 | 10 |
| P0266.060-045-A2 | M 6 | 45 | 6.6 | 18 | 14.2 | 10 |
| P0266.060-050-A2 | M 6 | 50 | 6.6 | 18 | 14.2 | 10 |
| P0266.060-060-A2 | M 6 | 60 | 6.6 | 18 | 14.2 | 10 |
| P0266.080-030-A2 | M 8 | 30 | 8.1 | - | 18.0 | 13 |
| P0266.080-035-A2 | M 8 | 35 | 8.1 | - | 18.0 | 13 |
| P0266.080-040-A2 | M 8 | 40 | 8.1 | 22 | 18.0 | 13 |
| P0266.080-045-A2 | M 8 | 45 | 8.1 | 22 | 18.0 | 13 |
| P0266.080-050-A2 | M 8 | 50 | 8.1 | 22 | 18.0 | 13 |
| P0266.080-055-A2 | M 8 | 55 | 8.1 | 22 | 18.0 | 13 |
| P0266.080-060-A2 | M 8 | 60 | 8.1 | 22 | 18.0 | 13 |
| P0266.080-065-A2 | M 8 | 65 | 8.1 | 22 | 18.0 | 13 |
| P0266.080-070-A2 | M 8 | 70 | 8.1 | 22 | 18.0 | 13 |
| P0266.100.016-A2 | M 10 | 16 | 9.2 | - | 22.3 | 15 |
| P0266.100.020-A2 | M 10 | 20 | 9.2 | - | 22.3 | 15 |
| P0266.100.025-A2 | M 10 | 25 | 9.2 | - | 22.3 | 15 |
| P0266.100.030-A2 | M 10 | 30 | 9.2 | 26 | 22.3 | 15 |
| P0266.100.035-A2 | M 10 | 35 | 9.2 | 26 | 22.3 | 15 |
| P0266.100.040-A2 | M 10 | 40 | 9.2 | 26 | 22.3 | 15 |



Flanged Hexagon Bolts

Flanged - A2 stainless

Standard Screws



| Order No. | d ₁ | l ₁ | h ₁ | l ₂ | d ₂ | A/F |
|------------------|----------------|----------------|----------------|----------------|----------------|-----|
| P0266.100.045-A2 | M 10 | 45 | 9.2 | 26 | 22.3 | 15 |
| P0266.100.050-A2 | M 10 | 50 | 9.2 | 26 | 22.3 | 15 |
| P0266.010.060-A2 | M 10 | 60 | 9.2 | 26 | 22.3 | 15 |
| P0266.120.025-A2 | M12 | 25 | 11.5 | - | 26.6 | 16 |
| P0266.120.030-A2 | M12 | 30 | 11.5 | 30 | 26.6 | 16 |
| P0266.120.035-A2 | M 12 | 35 | 11.5 | 30 | 26.6 | 16 |
| P0266.120.040-A2 | M 12 | 40 | 11.5 | 30 | 26.6 | 16 |
| P0266.120.045-A2 | M 12 | 45 | 11.5 | 30 | 26.6 | 16 |
| P0266.120.050-A2 | M 12 | 50 | 11.5 | 30 | 26.6 | 16 |
| P0266.120.060-A2 | M12 | 60 | 11.5 | 30 | 26.6 | 16 |
| P0266.160.030-A2 | M16 | 30 | 14.4 | - | 35.0 | 21 |
| P0266.160.035-A2 | M16 | 35 | 14.4 | - | 35.0 | 21 |
| P0266.160.040-A2 | M16 | 40 | 14.4 | 38 | 35.0 | 21 |
| P0266.160.045-A2 | M16 | 45 | 14.4 | 38 | 35.0 | 21 |
| P0266.160.050-A2 | M16 | 50 | 14.4 | 38 | 35.0 | 21 |
| P0266.160.060-A2 | M16 | 60 | 14.4 | 38 | 35.0 | 21 |
| P0266.160.070-A2 | M16 | 70 | 14.4 | 38 | 35.0 | 21 |

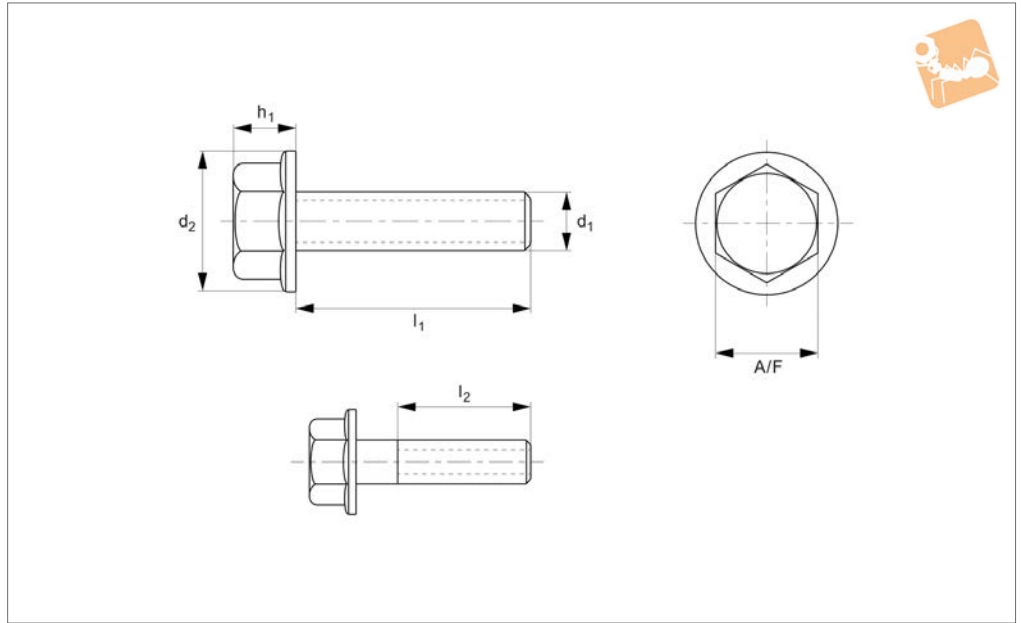
STANDARD SCREWS



STANDARD SCREWS



P0266.ZP



Material

Steel, zinc-plated (grade 8.8).

Technical Notes

To DIN 6921.

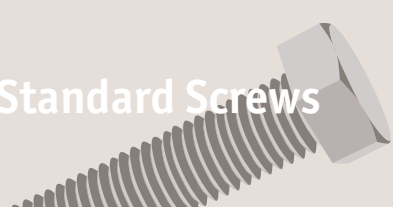
| Order No. | d ₁ | l ₁ | h ₁ | l ₂ | d ₂ | A/F |
|------------------|----------------|----------------|----------------|----------------|----------------|-----|
| P0266.050-010-ZP | M 5 | 10 | 5.4 | - | 11.8 | 8 |
| P0266.050-012-ZP | M 5 | 12 | 5.4 | - | 11.8 | 8 |
| P0266.050-016-ZP | M 5 | 16 | 5.4 | 16 | 11.8 | 8 |
| P0266.050-020-ZP | M 5 | 20 | 5.4 | 16 | 11.8 | 8 |
| P0266.050-025-ZP | M 5 | 25 | 5.4 | 16 | 11.8 | 8 |
| P0266.050-030-ZP | M 5 | 30 | 5.4 | 16 | 11.8 | 8 |
| P0266.050-035-ZP | M 5 | 35 | 5.4 | 16 | 11.8 | 8 |
| P0266.050-040-ZP | M 5 | 40 | 5.4 | 16 | 11.8 | 8 |
| P0266.060-010-ZP | M 6 | 10 | 6.6 | - | 14.2 | 10 |
| P0266.060-012-ZP | M 6 | 12 | 6.6 | - | 14.2 | 10 |
| P0266.060-016-ZP | M 6 | 16 | 6.6 | - | 14.2 | 10 |
| P0266.060-020-ZP | M 6 | 20 | 6.6 | 18 | 14.2 | 10 |
| P0266.060-025-ZP | M 6 | 25 | 6.6 | 18 | 14.2 | 10 |
| P0266.060-030-ZP | M 6 | 30 | 6.6 | 18 | 14.2 | 10 |
| P0266.060-035-ZP | M 6 | 35 | 6.6 | 18 | 14.2 | 10 |
| P0266.060-040-ZP | M 6 | 40 | 6.6 | 18 | 14.2 | 10 |
| P0266.060-045-ZP | M 6 | 45 | 6.6 | 18 | 14.2 | 10 |
| P0266.060-050-ZP | M 6 | 50 | 6.6 | 18 | 14.2 | 10 |
| P0266.060-060-ZP | M 6 | 60 | 6.6 | 18 | 14.2 | 10 |
| P0266.080-016-ZP | M 8 | 16 | 8.1 | - | 18.0 | 13 |
| P0266.080-020-ZP | M 8 | 20 | 8.1 | - | 18.0 | 13 |
| P0266.080-025-ZP | M 8 | 25 | 8.1 | 22 | 18.0 | 13 |
| P0266.080-030-ZP | M 8 | 30 | 8.1 | 22 | 18.0 | 13 |
| P0266.080-035-ZP | M 8 | 35 | 8.1 | 22 | 18.0 | 13 |
| P0266.080-040-ZP | M 8 | 40 | 8.1 | 22 | 18.0 | 13 |
| P0266.080-045-ZP | M 8 | 45 | 8.1 | 22 | 18.0 | 13 |
| P0266.080-050-ZP | M 8 | 50 | 8.1 | 22 | 18.0 | 13 |
| P0266.080-060-ZP | M 8 | 60 | 8.1 | 22 | 18.0 | 13 |
| P0266.100-016-ZP | M10 | 16 | 9.2 | - | 22.3 | 15 |
| P0266.100-020-ZP | M10 | 20 | 9.2 | - | 22.3 | 15 |
| P0266.100-025-ZP | M10 | 25 | 9.2 | - | 22.3 | 15 |
| P0266.100-030-ZP | M10 | 30 | 9.2 | 26 | 22.3 | 15 |
| P0266.100-035-ZP | M10 | 35 | 9.2 | 26 | 22.3 | 15 |
| P0266.100-040-ZP | M10 | 40 | 9.2 | 26 | 22.3 | 15 |
| P0266.100-045-ZP | M10 | 45 | 9.2 | 26 | 22.3 | 15 |



Flanged Hexagon Bolts

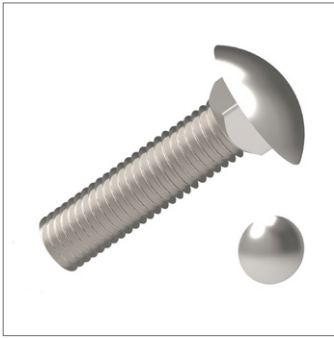
Flanged - steel, zinc-plated

Standard Screws

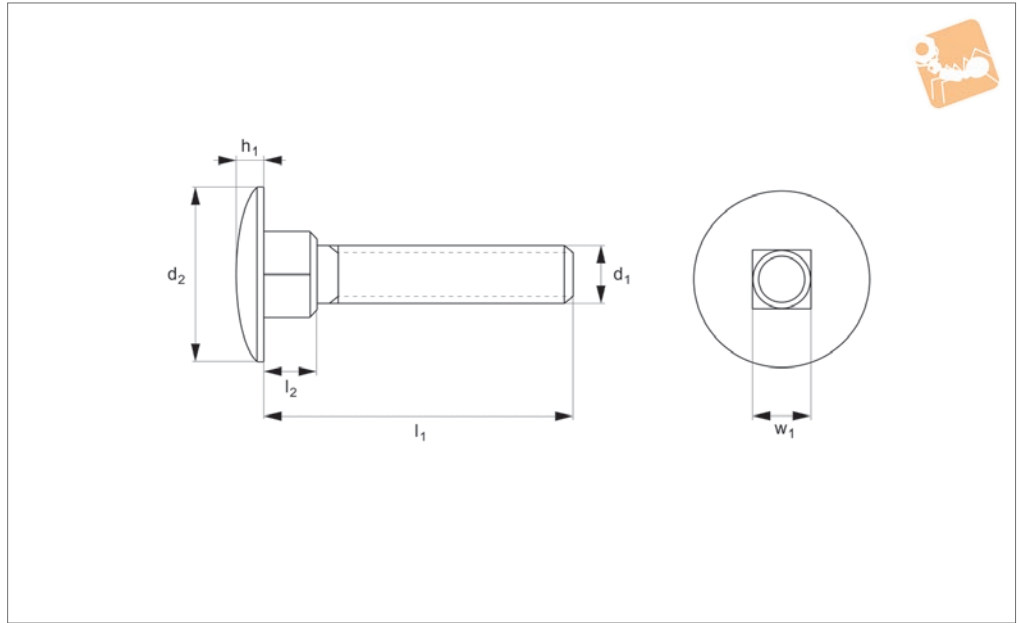


| Order No. | d ₁ | l ₁ | h ₁ | l ₂ | d ₂ | A/F |
|------------------|----------------|----------------|----------------|----------------|----------------|-----|
| P0266.100-050-ZP | M10 | 50 | 9.2 | 26 | 22.3 | 15 |
| P0266.100-060-ZP | M10 | 60 | 9.2 | 26 | 22.3 | 15 |
| P0266.120-025-ZP | M12 | 25 | 11.5 | - | 26.6 | 16 |
| P0266.120-030-ZP | M12 | 30 | 11.5 | 30 | 26.6 | 16 |
| P0266.120-035-ZP | M12 | 35 | 11.5 | 30 | 26.6 | 16 |
| P0266.120-040-ZP | M12 | 40 | 11.5 | 30 | 26.6 | 16 |
| P0266.120-045-ZP | M12 | 45 | 11.5 | 30 | 26.6 | 16 |
| P0266.120-050-ZP | M12 | 50 | 11.5 | 30 | 26.6 | 16 |
| P0266.120-055-ZP | M12 | 55 | 11.5 | 30 | 26.6 | 16 |
| P0266.120-060-ZP | M12 | 60 | 11.5 | 30 | 26.6 | 16 |
| P0266.160-030-ZP | M16 | 30 | 14.4 | - | 35.0 | 21 |
| P0266.160-035-ZP | M16 | 35 | 14.4 | - | 35.0 | 21 |
| P0266.160-040-ZP | M16 | 40 | 14.4 | 38 | 35.0 | 21 |
| P0266.160-045-ZP | M16 | 45 | 14.4 | 38 | 35.0 | 21 |
| P0266.160-050-ZP | M16 | 50 | 14.4 | 38 | 35.0 | 21 |
| P0266.160-055-ZP | M16 | 55 | 14.4 | 38 | 35.0 | 21 |
| P0266.160-060-ZP | M16 | 60 | 14.4 | 38 | 35.0 | 21 |
| P0266.160-070-ZP | M16 | 70 | 14.4 | 38 | 35.0 | 21 |

STANDARD SCREWS



P0264.A2



Material

Stainless steel (A2).

See technical page for tightening torques.

Technical Notes

To DIN 603.

| Order No. | d ₁ | l ₁ | h ₁ min. | d ₂ | l ₂ | w ₁ max. |
|------------------|----------------|----------------|------------------------|----------------|----------------|------------------------|
| P0264.050-016-A2 | M 5 | 16 | 2.7 | 12.45 | 2.9 | 5.48 |
| P0264.050-020-A2 | M 5 | 20 | 2.7 | 12.45 | 2.9 | 5.48 |
| P0264.050-025-A2 | M 5 | 25 | 2.7 | 12.45 | 2.9 | 5.48 |
| P0264.050-030-A2 | M 5 | 30 | 2.7 | 12.45 | 2.9 | 5.48 |
| P0264.050-035-A2 | M 5 | 35 | 2.7 | 12.45 | 2.9 | 5.48 |
| P0264.050-040-A2 | M 5 | 40 | 2.7 | 12.45 | 2.9 | 5.48 |
| P0264.050-045-A2 | M 5 | 45 | 2.7 | 12.45 | 2.9 | 5.48 |
| P0264.050-050-A2 | M 5 | 50 | 2.7 | 12.45 | 2.9 | 5.48 |
| P0264.050-055-A2 | M 5 | 55 | 2.7 | 12.45 | 2.9 | 5.48 |
| P0264.050-060-A2 | M 5 | 60 | 2.7 | 12.45 | 2.9 | 5.48 |
| P0264.050-065-A2 | M 5 | 65 | 2.7 | 12.45 | 2.9 | 5.48 |
| P0264.050-070-A2 | M 5 | 70 | 2.7 | 12.45 | 2.9 | 5.48 |
| P0264.050-075-A2 | M 5 | 75 | 2.7 | 12.45 | 2.9 | 5.48 |
| P0264.050-080-A2 | M 5 | 80 | 2.7 | 12.45 | 2.9 | 5.48 |
| P0264.060-012-A2 | M 6 | 12 | 3.12 | 15.45 | 3.4 | 6.48 |
| P0264.060-016-A2 | M 6 | 16 | 3.12 | 15.45 | 3.4 | 6.48 |
| P0264.060-020-A2 | M 6 | 20 | 3.12 | 15.45 | 3.4 | 6.48 |
| P0264.060-025-A2 | M 6 | 25 | 3.12 | 15.45 | 3.4 | 6.48 |
| P0264.060-030-A2 | M 6 | 30 | 3.12 | 15.45 | 3.4 | 6.48 |
| P0264.060-035-A2 | M 6 | 35 | 3.12 | 15.45 | 3.4 | 6.48 |
| P0264.060-040-A2 | M 6 | 40 | 3.12 | 15.45 | 3.4 | 6.48 |
| P0264.060-045-A2 | M 6 | 45 | 3.12 | 15.45 | 3.4 | 6.48 |
| P0264.060-050-A2 | M 6 | 50 | 3.12 | 15.45 | 3.4 | 6.48 |
| P0264.060-055-A2 | M 6 | 55 | 3.12 | 15.45 | 3.4 | 6.48 |
| P0264.060-060-A2 | M 6 | 60 | 3.12 | 15.45 | 3.4 | 6.48 |
| P0264.060-065-A2 | M 6 | 65 | 3.12 | 15.45 | 3.4 | 6.48 |
| P0264.060-070-A2 | M 6 | 70 | 3.12 | 15.45 | 3.4 | 6.48 |
| P0264.060-075-A2 | M 6 | 75 | 3.12 | 15.45 | 3.4 | 6.48 |
| P0264.060-080-A2 | M 6 | 80 | 3.12 | 15.45 | 3.4 | 6.48 |
| P0264.060-090-A2 | M 6 | 90 | 3.12 | 15.45 | 3.4 | 6.48 |
| P0264.060-100-A2 | M 6 | 100 | 3.12 | 15.45 | 3.4 | 6.48 |
| P0264.060-110-A2 | M 6 | 110 | 3.12 | 15.45 | 3.4 | 6.48 |
| P0264.060-120-A2 | M 6 | 120 | 3.12 | 15.45 | 3.4 | 6.48 |
| P0264.060-130-A2 | M 6 | 130 | 3.12 | 15.45 | 3.4 | 6.48 |



Carriage Bolts - Full Thread

Full thread - A2 stainless

Standard Screws



| Order No. | d ₁ | l ₁ | h ₁ min. | d ₂ | l ₂ | w ₁ max. |
|------------------|----------------|----------------|------------------------|----------------|----------------|------------------------|
| P0264.060-140-A2 | M 6 | 140 | 3.12 | 15.45 | 3.4 | 6.48 |
| P0264.080-016-A2 | M 8 | 16 | 4.12 | 19.35 | 4.4 | 8.58 |
| P0264.080-020-A2 | M 8 | 20 | 4.12 | 19.35 | 4.4 | 8.58 |
| P0264.080-025-A2 | M 8 | 25 | 4.12 | 19.35 | 4.4 | 8.58 |
| P0264.080-030-A2 | M 8 | 30 | 4.12 | 19.35 | 4.4 | 8.58 |
| P0264.080-035-A2 | M 8 | 35 | 4.12 | 19.35 | 4.4 | 8.58 |
| P0264.080-040-A2 | M 8 | 40 | 4.12 | 19.35 | 4.4 | 8.58 |
| P0264.080-045-A2 | M 8 | 45 | 4.12 | 19.35 | 4.4 | 8.58 |
| P0264.080-050-A2 | M 8 | 50 | 4.12 | 19.35 | 4.4 | 8.58 |
| P0264.080-055-A2 | M 8 | 55 | 4.12 | 19.35 | 4.4 | 8.58 |
| P0264.080-060-A2 | M 8 | 60 | 4.12 | 19.35 | 4.4 | 8.58 |
| P0264.080-065-A2 | M 8 | 65 | 4.12 | 19.35 | 4.4 | 8.58 |
| P0264.080-070-A2 | M 8 | 70 | 4.12 | 19.35 | 4.4 | 8.58 |
| P0264.080-075-A2 | M 8 | 75 | 4.12 | 19.35 | 4.4 | 8.58 |
| P0264.080-080-A2 | M 8 | 80 | 4.12 | 19.35 | 4.4 | 8.58 |
| P0264.080-090-A2 | M 8 | 90 | 4.12 | 19.35 | 4.4 | 8.58 |
| P0264.080-100-A2 | M 8 | 100 | 4.12 | 19.35 | 4.4 | 8.58 |
| P0264.080-110-A2 | M 8 | 110 | 4.12 | 19.35 | 4.4 | 8.58 |
| P0264.080-120-A2 | M 8 | 120 | 4.12 | 19.35 | 4.4 | 8.58 |
| P0264.080-130-A2 | M 8 | 130 | 4.12 | 19.35 | 4.4 | 8.58 |
| P0264.080-140-A2 | M 8 | 140 | 4.12 | 19.35 | 4.4 | 8.58 |
| P0264.080-150-A2 | M 8 | 150 | 4.12 | 19.35 | 4.4 | 8.58 |
| P0264.080-160-A2 | M 8 | 160 | 4.12 | 19.35 | 4.4 | 8.58 |
| P0264.080-170-A2 | M 8 | 170 | 4.12 | 19.35 | 4.4 | 8.58 |
| P0264.080-180-A2 | M 8 | 180 | 4.12 | 19.35 | 4.4 | 8.58 |
| P0264.080-200-A2 | M 8 | 200 | 4.12 | 19.35 | 4.4 | 8.58 |
| P0264.100-016-A2 | M10 | 16 | 4.62 | 23.25 | 5.4 | 10.58 |
| P0264.100-020-A2 | M10 | 20 | 4.62 | 23.25 | 5.4 | 10.58 |
| P0264.100-025-A2 | M10 | 25 | 4.62 | 23.25 | 5.4 | 10.58 |
| P0264.100-030-A2 | M10 | 30 | 4.62 | 23.25 | 5.4 | 10.58 |
| P0264.100-035-A2 | M10 | 35 | 4.62 | 23.25 | 5.4 | 10.58 |
| P0264.100-040-A2 | M10 | 40 | 4.62 | 23.25 | 5.4 | 10.58 |
| P0264.100-045-A2 | M10 | 45 | 4.62 | 23.25 | 5.4 | 10.58 |
| P0264.100-050-A2 | M10 | 50 | 4.62 | 23.25 | 5.4 | 10.58 |
| P0264.100-055-A2 | M10 | 55 | 4.62 | 23.25 | 5.4 | 10.58 |
| P0264.100-060-A2 | M10 | 60 | 4.62 | 23.25 | 5.4 | 10.58 |
| P0264.100-065-A2 | M10 | 65 | 4.62 | 23.25 | 5.4 | 10.58 |
| P0264.100-070-A2 | M10 | 70 | 4.62 | 23.25 | 5.4 | 10.58 |
| P0264.100-075-A2 | M10 | 75 | 4.62 | 23.25 | 5.4 | 10.58 |
| P0264.100-080-A2 | M10 | 80 | 4.62 | 23.25 | 5.4 | 10.58 |
| P0264.100-090-A2 | M10 | 90 | 4.62 | 23.25 | 5.4 | 10.58 |
| P0264.100-100-A2 | M10 | 100 | 4.62 | 23.25 | 5.4 | 10.58 |
| P0264.100-110-A2 | M10 | 110 | 4.62 | 23.25 | 5.4 | 10.58 |
| P0264.100-120-A2 | M10 | 120 | 4.62 | 23.25 | 5.4 | 10.58 |
| P0264.100-130-A2 | M10 | 130 | 4.62 | 23.25 | 5.4 | 10.58 |
| P0264.100-140-A2 | M10 | 140 | 4.62 | 23.25 | 5.4 | 10.58 |
| P0264.100-150-A2 | M10 | 150 | 4.62 | 23.25 | 5.4 | 10.58 |
| P0264.100-160-A2 | M10 | 160 | 4.62 | 23.25 | 5.4 | 10.58 |
| P0264.100-170-A2 | M10 | 170 | 4.62 | 23.25 | 5.4 | 10.58 |
| P0264.100-180-A2 | M10 | 180 | 4.62 | 23.25 | 5.4 | 10.58 |
| P0264.100-200-A2 | M10 | 200 | 4.62 | 23.25 | 5.4 | 10.58 |
| P0264.120-025-A2 | M12 | 25 | 6.05 | 29.25 | 7.25 | 12.7 |
| P0264.120-030-A2 | M12 | 30 | 6.05 | 29.25 | 7.25 | 12.7 |
| P0264.120-035-A2 | M12 | 35 | 6.05 | 29.25 | 7.25 | 12.7 |
| P0264.120-040-A2 | M12 | 40 | 6.05 | 29.25 | 7.25 | 12.7 |
| P0264.120-045-A2 | M12 | 45 | 6.05 | 29.25 | 7.25 | 12.7 |
| P0264.120-050-A2 | M12 | 50 | 6.05 | 29.25 | 7.25 | 12.7 |
| P0264.120-055-A2 | M12 | 55 | 6.05 | 29.25 | 7.25 | 12.7 |
| P0264.120-060-A2 | M12 | 60 | 6.05 | 29.25 | 7.25 | 12.7 |
| P0264.120-065-A2 | M12 | 65 | 6.05 | 29.25 | 7.25 | 12.7 |
| P0264.120-070-A2 | M12 | 70 | 6.05 | 29.25 | 7.25 | 12.7 |
| P0264.120-075-A2 | M12 | 75 | 6.05 | 29.25 | 7.25 | 12.7 |
| P0264.120-080-A2 | M12 | 80 | 6.05 | 29.25 | 7.25 | 12.7 |
| P0264.120-090-A2 | M12 | 90 | 6.05 | 29.25 | 7.25 | 12.7 |
| P0264.120-100-A2 | M12 | 100 | 6.05 | 29.25 | 7.25 | 12.7 |
| P0264.120-110-A2 | M12 | 110 | 6.05 | 29.25 | 7.25 | 12.7 |
| P0264.120-120-A2 | M12 | 120 | 6.05 | 29.25 | 7.25 | 12.7 |
| P0264.120-130-A2 | M12 | 130 | 6.05 | 29.25 | 7.25 | 12.7 |

STANDARD SCREWS



STANDARD SCREWS

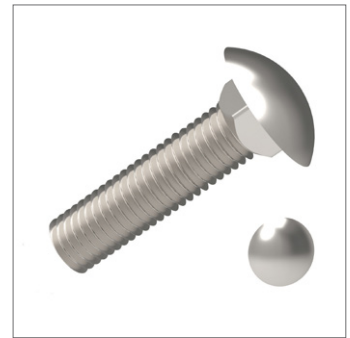
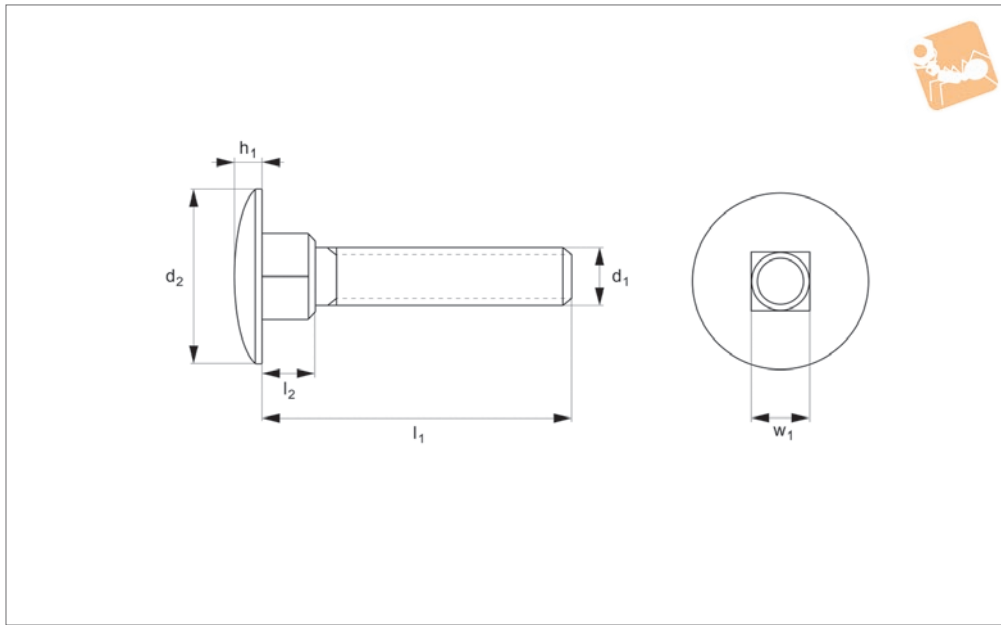
| Order No. | d ₁ | l ₁ | h ₁ min. | d ₂ | l ₂ | w ₁ max. |
|------------------|----------------|----------------|------------------------|----------------|----------------|------------------------|
| P0264.120-140-A2 | M12 | 140 | 6.05 | 29.25 | 7.25 | 12.7 |
| P0264.120-150-A2 | M12 | 150 | 6.05 | 29.25 | 7.25 | 12.7 |
| P0264.120-160-A2 | M12 | 160 | 6.05 | 29.25 | 7.25 | 12.7 |
| P0264.120-170-A2 | M12 | 170 | 6.05 | 29.25 | 7.25 | 12.7 |
| P0264.120-180-A2 | M12 | 180 | 6.05 | 29.25 | 7.25 | 12.7 |
| P0264.120-200-A2 | M12 | 200 | 6.05 | 29.25 | 7.25 | 12.7 |
| P0264.160-040-A2 | M16 | 40 | 8.05 | 37.20 | 11.10 | 15.3 |
| P0264.160-045-A2 | M16 | 45 | 8.05 | 37.20 | 11.10 | 15.3 |
| P0264.160-050-A2 | M16 | 50 | 8.05 | 37.20 | 11.10 | 15.3 |
| P0264.160-055-A2 | M16 | 55 | 8.05 | 37.20 | 11.10 | 15.3 |
| P0264.160-060-A2 | M16 | 60 | 8.05 | 37.20 | 11.10 | 15.3 |
| P0264.160-065-A2 | M16 | 65 | 8.05 | 37.20 | 11.10 | 15.3 |
| P0264.160-070-A2 | M16 | 70 | 8.05 | 37.20 | 11.10 | 15.3 |
| P0264.160-075-A2 | M16 | 75 | 8.05 | 37.20 | 11.10 | 15.3 |
| P0264.160-080-A2 | M16 | 80 | 8.05 | 37.20 | 11.10 | 15.3 |
| P0264.160-090-A2 | M16 | 90 | 8.05 | 37.20 | 11.10 | 15.3 |
| P0264.160-100-A2 | M16 | 100 | 8.05 | 37.20 | 11.10 | 15.3 |
| P0264.160-110-A2 | M16 | 110 | 8.05 | 37.20 | 11.10 | 15.3 |
| P0264.160-120-A2 | M16 | 120 | 8.05 | 37.20 | 11.10 | 15.3 |
| P0264.160-130-A2 | M16 | 130 | 8.05 | 37.20 | 11.10 | 15.3 |
| P0264.160-140-A2 | M16 | 140 | 8.05 | 37.20 | 11.10 | 15.3 |
| P0264.160-150-A2 | M16 | 150 | 8.05 | 37.20 | 11.10 | 15.3 |
| P0264.160-160-A2 | M16 | 160 | 8.05 | 37.20 | 11.10 | 15.3 |
| P0264.160-170-A2 | M16 | 170 | 8.05 | 37.20 | 11.10 | 15.3 |
| P0264.160-180-A2 | M16 | 180 | 8.05 | 37.20 | 11.10 | 15.3 |
| P0264.160-200-A2 | M16 | 200 | 8.05 | 37.20 | 11.10 | 15.3 |



Carriage Bolts - Full Thread

Full Thread - A4 stainless

Standard Screws



P0264.A4

STANDARD SCREWS

Material

Stainless steel (A4).

See technical page for tightening torques.

Technical Notes

To DIN 603.

| Order No. | d ₁ | l ₁ | h ₁ | d ₂ | l ₂ | h ₁ | w ₁ |
|------------------|----------------|----------------|----------------|----------------|----------------|----------------|----------------|
| P0264.050-016-A4 | M 5 | 16 | 2.7 | 12.45 | 2.9 | 4.52 | 4.52 |
| P0264.050-020-A4 | M 5 | 20 | 2.7 | 12.45 | 2.9 | 4.52 | 4.52 |
| P0264.050-025-A4 | M 5 | 25 | 2.7 | 12.45 | 2.9 | 4.52 | 4.52 |
| P0264.050-030-A4 | M 5 | 30 | 2.7 | 12.45 | 2.9 | 4.52 | 4.52 |
| P0264.050-035-A4 | M 5 | 35 | 2.7 | 12.45 | 2.9 | 4.52 | 4.52 |
| P0264.050-040-A4 | M 5 | 40 | 2.7 | 12.45 | 2.9 | 4.52 | 4.52 |
| P0264.050-045-A4 | M 5 | 45 | 2.7 | 12.45 | 2.9 | 4.52 | 4.52 |
| P0264.050-050-A4 | M 5 | 50 | 2.7 | 12.45 | 2.9 | 4.52 | 4.52 |
| P0264.050-055-A4 | M 5 | 55 | 2.7 | 12.45 | 2.9 | 4.52 | 4.52 |
| P0264.050-060-A4 | M 5 | 60 | 2.7 | 12.45 | 2.9 | 4.52 | 4.52 |
| P0264.050-065-A4 | M 5 | 65 | 2.7 | 12.45 | 2.9 | 4.52 | 4.52 |
| P0264.050-070-A4 | M 5 | 70 | 2.7 | 12.45 | 2.9 | 4.52 | 4.52 |
| P0264.050-075-A4 | M 5 | 75 | 2.7 | 12.45 | 2.9 | 4.52 | 4.52 |
| P0264.050-080-A4 | M 5 | 80 | 2.7 | 12.45 | 2.9 | 4.52 | 4.52 |
| P0264.060-012-A4 | M 6 | 12 | 3.12 | 15.45 | 3.4 | 5.52 | 5.52 |
| P0264.060-016-A4 | M 6 | 16 | 3.12 | 15.45 | 3.4 | 5.52 | 5.52 |
| P0264.060-020-A4 | M 6 | 20 | 3.12 | 15.45 | 3.4 | 5.52 | 5.52 |
| P0264.060-025-A4 | M 6 | 25 | 3.12 | 15.45 | 3.4 | 5.52 | 5.52 |
| P0264.060-030-A4 | M 6 | 30 | 3.12 | 15.45 | 3.4 | 5.52 | 5.52 |
| P0264.060-035-A4 | M 6 | 35 | 3.12 | 15.45 | 3.4 | 5.52 | 5.52 |
| P0264.060-040-A4 | M 6 | 40 | 3.12 | 15.45 | 3.4 | 5.52 | 5.52 |
| P0264.060-045-A4 | M 6 | 45 | 3.12 | 15.45 | 3.4 | 5.52 | 5.52 |
| P0264.060-050-A4 | M 6 | 50 | 3.12 | 15.45 | 3.4 | 5.52 | 5.52 |
| P0264.060-055-A4 | M 6 | 55 | 3.12 | 15.45 | 3.4 | 5.52 | 5.52 |
| P0264.060-060-A4 | M 6 | 60 | 3.12 | 15.45 | 3.4 | 5.52 | 5.52 |
| P0264.060-065-A4 | M 6 | 65 | 3.12 | 15.45 | 3.4 | 5.52 | 5.52 |
| P0264.060-070-A4 | M 6 | 70 | 3.12 | 15.45 | 3.4 | 5.52 | 5.52 |
| P0264.060-075-A4 | M 6 | 75 | 3.12 | 15.45 | 3.4 | 5.52 | 5.52 |
| P0264.060-080-A4 | M 6 | 80 | 3.12 | 15.45 | 3.4 | 5.52 | 5.52 |
| P0264.060-090-A4 | M 6 | 90 | 3.12 | 15.45 | 3.4 | 5.52 | 5.52 |
| P0264.060-100-A4 | M 6 | 100 | 3.12 | 15.45 | 3.4 | 5.52 | 5.52 |
| P0264.060-110-A4 | M 6 | 110 | 3.12 | 15.45 | 3.4 | 5.52 | 5.52 |
| P0264.060-120-A4 | M 6 | 120 | 3.12 | 15.45 | 3.4 | 5.52 | 5.52 |
| P0264.060-130-A4 | M 6 | 130 | 3.12 | 15.45 | 3.4 | 5.52 | 5.52 |



STANDARD SCREWS

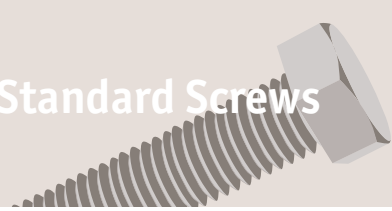
| Order No. | d ₁ | l ₁ | h ₁ | d ₂ | l ₂ | w ₁ |
|------------------|----------------|----------------|----------------|----------------|----------------|----------------|
| P0264.060-140-A4 | M 6 | 140 | 3.12 | 15.45 | 3.4 | 5.52 |
| P0264.080-016-A4 | M 8 | 16 | 4.12 | 19.35 | 4.4 | 7.42 |
| P0264.080-020-A4 | M 8 | 20 | 4.12 | 19.35 | 4.4 | 7.42 |
| P0264.080-025-A4 | M 8 | 25 | 4.12 | 19.35 | 4.4 | 7.42 |
| P0264.080-030-A4 | M 8 | 30 | 4.12 | 19.35 | 4.4 | 7.42 |
| P0264.080-035-A4 | M 8 | 35 | 4.12 | 19.35 | 4.4 | 7.42 |
| P0264.080-040-A4 | M 8 | 40 | 4.12 | 19.35 | 4.4 | 7.42 |
| P0264.080-045-A4 | M 8 | 45 | 4.12 | 19.35 | 4.4 | 7.42 |
| P0264.080-050-A4 | M 8 | 50 | 4.12 | 19.35 | 4.4 | 7.42 |
| P0264.080-055-A4 | M 8 | 55 | 4.12 | 19.35 | 4.4 | 7.42 |
| P0264.080-060-A4 | M 8 | 60 | 4.12 | 19.35 | 4.4 | 7.42 |
| P0264.080-065-A4 | M 8 | 65 | 4.12 | 19.35 | 4.4 | 7.42 |
| P0264.080-070-A4 | M 8 | 70 | 4.12 | 19.35 | 4.4 | 7.42 |
| P0264.080-075-A4 | M 8 | 75 | 4.12 | 19.35 | 4.4 | 7.42 |
| P0264.080-080-A4 | M 8 | 80 | 4.12 | 19.35 | 4.4 | 7.42 |
| P0264.080-090-A4 | M 8 | 90 | 4.12 | 19.35 | 4.4 | 7.42 |
| P0264.080-100-A4 | M 8 | 100 | 4.12 | 19.35 | 4.4 | 7.42 |
| P0264.080-110-A4 | M 8 | 110 | 4.12 | 19.35 | 4.4 | 7.42 |
| P0264.080-120-A4 | M 8 | 120 | 4.12 | 19.35 | 4.4 | 7.42 |
| P0264.080-130-A4 | M 8 | 130 | 4.12 | 19.35 | 4.4 | 7.42 |
| P0264.080-140-A4 | M 8 | 140 | 4.12 | 19.35 | 4.4 | 7.42 |
| P0264.080-150-A4 | M 8 | 150 | 4.12 | 19.35 | 4.4 | 7.42 |
| P0264.080-160-A4 | M 8 | 160 | 4.12 | 19.35 | 4.4 | 7.42 |
| P0264.080-170-A4 | M 8 | 170 | 4.12 | 19.35 | 4.4 | 7.42 |
| P0264.080-180-A4 | M 8 | 180 | 4.12 | 19.35 | 4.4 | 7.42 |
| P0264.080-200-A4 | M 8 | 200 | 4.12 | 19.35 | 4.4 | 7.42 |
| P0264.100-016-A4 | M10 | 16 | 4.62 | 23.25 | 5.4 | 9.42 |
| P0264.100-020-A4 | M10 | 20 | 4.62 | 23.25 | 5.4 | 9.42 |
| P0264.100-025-A4 | M10 | 25 | 4.62 | 23.25 | 5.4 | 9.42 |
| P0264.100-030-A4 | M10 | 30 | 4.62 | 23.25 | 5.4 | 9.42 |
| P0264.100-035-A4 | M10 | 35 | 4.62 | 23.25 | 5.4 | 9.42 |
| P0264.100-040-A4 | M10 | 40 | 4.62 | 23.25 | 5.4 | 9.42 |
| P0264.100-045-A4 | M10 | 45 | 4.62 | 23.25 | 5.4 | 9.42 |
| P0264.100-050-A4 | M10 | 50 | 4.62 | 23.25 | 5.4 | 9.42 |
| P0264.100-055-A4 | M10 | 55 | 4.62 | 23.25 | 5.4 | 9.42 |
| P0264.100-060-A4 | M10 | 60 | 4.62 | 23.25 | 5.4 | 9.42 |
| P0264.100-065-A4 | M10 | 65 | 4.62 | 23.25 | 5.4 | 9.42 |
| P0264.100-070-A4 | M10 | 70 | 4.62 | 23.25 | 5.4 | 9.42 |
| P0264.100-075-A4 | M10 | 75 | 4.62 | 23.25 | 5.4 | 9.42 |
| P0264.100-080-A4 | M10 | 80 | 4.62 | 23.25 | 5.4 | 9.42 |
| P0264.100-090-A4 | M10 | 90 | 4.62 | 23.25 | 5.4 | 9.42 |
| P0264.100-100-A4 | M10 | 100 | 4.62 | 23.25 | 5.4 | 9.42 |
| P0264.100-110-A4 | M10 | 110 | 4.62 | 23.25 | 5.4 | 9.42 |
| P0264.100-120-A4 | M10 | 120 | 4.62 | 23.25 | 5.4 | 9.42 |
| P0264.100-130-A4 | M10 | 130 | 4.62 | 23.25 | 5.4 | 9.42 |
| P0264.100-140-A4 | M10 | 140 | 4.62 | 23.25 | 5.4 | 9.42 |
| P0264.100-150-A4 | M10 | 150 | 4.62 | 23.25 | 5.4 | 9.42 |
| P0264.100-160-A4 | M10 | 160 | 4.62 | 23.25 | 5.4 | 9.42 |
| P0264.100-170-A4 | M10 | 170 | 4.62 | 23.25 | 5.4 | 9.42 |
| P0264.100-180-A4 | M10 | 180 | 4.62 | 23.25 | 5.4 | 9.42 |
| P0264.100-200-A4 | M10 | 200 | 4.62 | 23.25 | 5.4 | 9.42 |
| P0264.120-025-A4 | M12 | 25 | 6.05 | 29.25 | 7.25 | 11.3 |
| P0264.120-030-A4 | M12 | 30 | 6.05 | 29.25 | 7.25 | 11.3 |
| P0264.120-035-A4 | M12 | 35 | 6.05 | 29.25 | 7.25 | 11.3 |
| P0264.120-040-A4 | M12 | 40 | 6.05 | 29.25 | 7.25 | 11.3 |
| P0264.120-045-A4 | M12 | 45 | 6.05 | 29.25 | 7.25 | 11.3 |
| P0264.120-050-A4 | M12 | 50 | 6.05 | 29.25 | 7.25 | 11.3 |
| P0264.120-055-A4 | M12 | 55 | 6.05 | 29.25 | 7.25 | 11.3 |
| P0264.120-060-A4 | M12 | 60 | 6.05 | 29.25 | 7.25 | 11.3 |
| P0264.120-065-A4 | M12 | 65 | 6.05 | 29.25 | 7.25 | 11.3 |
| P0264.120-070-A4 | M12 | 70 | 6.05 | 29.25 | 7.25 | 11.3 |
| P0264.120-075-A4 | M12 | 75 | 6.05 | 29.25 | 7.25 | 11.3 |
| P0264.120-080-A4 | M12 | 80 | 6.05 | 29.25 | 7.25 | 11.3 |
| P0264.120-090-A4 | M12 | 90 | 6.05 | 29.25 | 7.25 | 11.3 |
| P0264.120-100-A4 | M12 | 100 | 6.05 | 29.25 | 7.25 | 11.3 |
| P0264.120-110-A4 | M12 | 110 | 6.05 | 29.25 | 7.25 | 11.3 |
| P0264.120-120-A4 | M12 | 120 | 6.05 | 29.25 | 7.25 | 11.3 |
| P0264.120-130-A4 | M12 | 130 | 6.05 | 29.25 | 7.25 | 11.3 |
| P0264.120-140-A4 | M12 | 140 | 6.05 | 29.25 | 7.25 | 11.3 |



Carriage Bolts - Full Thread

Full Thread - A4 stainless

Standard Screws

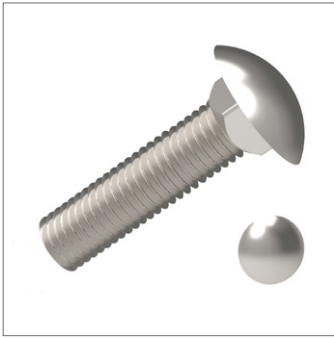


| Order No. | d ₁ | l ₁ | h ₁ | d ₂ | l ₂ | w ₁ |
|------------------|----------------|----------------|----------------|----------------|----------------|----------------|
| P0264.120-150-A4 | M12 | 150 | 6.05 | 29.25 | 7.25 | 11.3 |
| P0264.120-160-A4 | M12 | 160 | 6.05 | 29.25 | 7.25 | 11.3 |
| P0264.120-170-A4 | M12 | 170 | 6.05 | 29.25 | 7.25 | 11.3 |
| P0264.120-180-A4 | M12 | 180 | 6.05 | 29.25 | 7.25 | 11.3 |
| P0264.120-200-A4 | M12 | 200 | 6.05 | 29.25 | 7.25 | 11.3 |
| P0264.160-040-A4 | M16 | 40 | 8.05 | 37.20 | 11.10 | 15.3 |
| P0264.160-045-A4 | M16 | 45 | 8.05 | 37.20 | 11.10 | 15.3 |
| P0264.160-050-A4 | M16 | 50 | 8.05 | 37.20 | 11.10 | 15.3 |
| P0264.160-055-A4 | M16 | 55 | 8.05 | 37.20 | 11.10 | 15.3 |
| P0264.160-060-A4 | M16 | 60 | 8.05 | 37.20 | 11.10 | 15.3 |
| P0264.160-065-A4 | M16 | 65 | 8.05 | 37.20 | 11.10 | 15.3 |
| P0264.160-070-A4 | M16 | 70 | 8.05 | 37.20 | 11.10 | 15.3 |
| P0264.160-075-A4 | M16 | 75 | 8.05 | 37.20 | 11.10 | 15.3 |
| P0264.160-080-A4 | M16 | 80 | 8.05 | 37.20 | 11.10 | 15.3 |
| P0264.160-090-A4 | M16 | 90 | 8.05 | 37.20 | 11.10 | 15.3 |
| P0264.160-100-A4 | M16 | 100 | 8.05 | 37.20 | 11.10 | 15.3 |
| P0264.160-110-A4 | M16 | 110 | 8.05 | 37.20 | 11.10 | 15.3 |
| P0264.160-120-A4 | M16 | 120 | 8.05 | 37.20 | 11.10 | 15.3 |
| P0264.160-130-A4 | M16 | 130 | 8.05 | 37.20 | 11.10 | 15.3 |
| P0264.160-140-A4 | M16 | 140 | 8.05 | 37.20 | 11.10 | 15.3 |
| P0264.160-150-A4 | M16 | 150 | 8.05 | 37.20 | 11.10 | 15.3 |
| P0264.160-160-A4 | M16 | 160 | 8.05 | 37.20 | 11.10 | 15.3 |
| P0264.160-170-A4 | M16 | 170 | 8.05 | 37.20 | 11.10 | 15.3 |
| P0264.160-180-A4 | M16 | 180 | 8.05 | 37.20 | 11.10 | 15.3 |
| P0264.160-200-A4 | M16 | 200 | 8.05 | 37.20 | 11.10 | 15.3 |

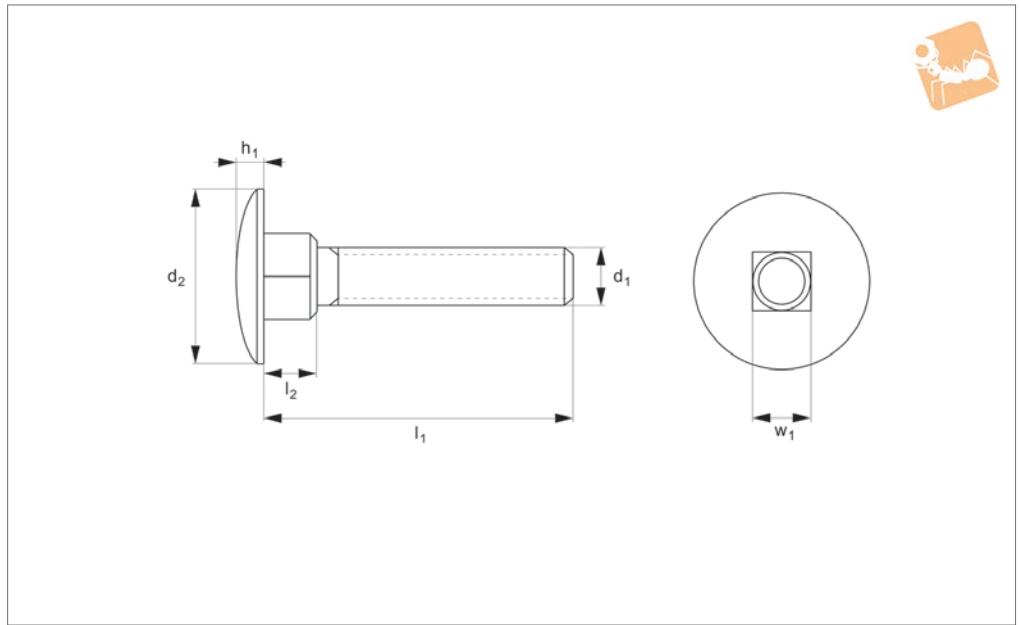
STANDARD SCREWS



STANDARD SCREWS



P0264.ZP



Material
Steel, zinc-plated (grade 8.8).

Technical Notes
To DIN 603.

| Order No. | d ₁ | l ₁ | h ₁ | d ₂ | l ₂ | w ₁ |
|------------------|----------------|----------------|----------------|----------------|----------------|----------------|
| P0264.050-016-ZP | M 5 | 16 | 2.7 | 12.45 | 2.9 | 4.52 |
| P0264.050-020-ZP | M 5 | 20 | 2.7 | 12.45 | 2.9 | 4.52 |
| P0264.050-025-ZP | M 5 | 25 | 2.7 | 12.45 | 2.9 | 4.52 |
| P0264.050-030-ZP | M 5 | 30 | 2.7 | 12.45 | 2.9 | 4.52 |
| P0264.050-035-ZP | M 5 | 35 | 2.7 | 12.45 | 2.9 | 4.52 |
| P0264.050-040-ZP | M 5 | 40 | 2.7 | 12.45 | 2.9 | 4.52 |
| P0264.050-045-ZP | M 5 | 45 | 2.7 | 12.45 | 2.9 | 4.52 |
| P0264.050-050-ZP | M 5 | 50 | 2.7 | 12.45 | 2.9 | 4.52 |
| P0264.050-055-ZP | M 5 | 55 | 2.7 | 12.45 | 2.9 | 4.52 |
| P0264.050-060-ZP | M 5 | 60 | 2.7 | 12.45 | 2.9 | 4.52 |
| P0264.050-065-ZP | M 5 | 65 | 2.7 | 12.45 | 2.9 | 4.52 |
| P0264.050-070-ZP | M 5 | 70 | 2.7 | 12.45 | 2.9 | 4.52 |
| P0264.050-075-ZP | M 5 | 75 | 2.7 | 12.45 | 2.9 | 4.52 |
| P0264.050-080-ZP | M 5 | 80 | 2.7 | 12.45 | 2.9 | 4.52 |
| P0264.060-012-ZP | M 6 | 12 | 3.12 | 15.45 | 3.4 | 5.52 |
| P0264.060-016-ZP | M 6 | 16 | 3.12 | 15.45 | 3.4 | 5.52 |
| P0264.060-020-ZP | M 6 | 20 | 3.12 | 15.45 | 3.4 | 5.52 |
| P0264.060-025-ZP | M 6 | 25 | 3.12 | 15.45 | 3.4 | 5.52 |
| P0264.060-030-ZP | M 6 | 30 | 3.12 | 15.45 | 3.4 | 5.52 |
| P0264.060-035-ZP | M 6 | 35 | 3.12 | 15.45 | 3.4 | 5.52 |
| P0264.060-040-ZP | M 6 | 40 | 3.12 | 15.45 | 3.4 | 5.52 |
| P0264.060-045-ZP | M 6 | 45 | 3.12 | 15.45 | 3.4 | 5.52 |
| P0264.060-050-ZP | M 6 | 50 | 3.12 | 15.45 | 3.4 | 5.52 |
| P0264.060-055-ZP | M 6 | 55 | 3.12 | 15.45 | 3.4 | 5.52 |
| P0264.060-060-ZP | M 6 | 60 | 3.12 | 15.45 | 3.4 | 5.52 |
| P0264.060-065-ZP | M 6 | 65 | 3.12 | 15.45 | 3.4 | 5.52 |
| P0264.060-070-ZP | M 6 | 70 | 3.12 | 15.45 | 3.4 | 5.52 |
| P0264.060-075-ZP | M 6 | 75 | 3.12 | 15.45 | 3.4 | 5.52 |
| P0264.060-080-ZP | M 6 | 80 | 3.12 | 15.45 | 3.4 | 5.52 |
| P0264.060-090-ZP | M 6 | 90 | 3.12 | 15.45 | 3.4 | 5.52 |
| P0264.060-100-ZP | M 6 | 100 | 3.12 | 15.45 | 3.4 | 5.52 |
| P0264.080-016-ZP | M 8 | 16 | 4.12 | 19.35 | 4.4 | 7.42 |
| P0264.080-020-ZP | M 8 | 20 | 4.12 | 19.35 | 4.4 | 7.42 |
| P0264.080-025-ZP | M 8 | 25 | 4.12 | 19.35 | 4.4 | 7.42 |
| P0264.080-030-ZP | M 8 | 30 | 4.12 | 19.35 | 4.4 | 7.42 |



Carriage Bolts - Full Thread

Full Thread - steel, zinc-plated

Standard Screws



| Order No. | d ₁ | l ₁ | h ₁ | d ₂ | l ₂ | w ₁ |
|------------------|----------------|----------------|----------------|----------------|----------------|----------------|
| P0264.080-035-ZP | M 8 | 35 | 4.12 | 19.35 | 4.4 | 7.42 |
| P0264.080-040-ZP | M 8 | 40 | 4.12 | 19.35 | 4.4 | 7.42 |
| P0264.080-045-ZP | M 8 | 45 | 4.12 | 19.35 | 4.4 | 7.42 |
| P0264.080-050-ZP | M 8 | 50 | 4.12 | 19.35 | 4.4 | 7.42 |
| P0264.080-055-ZP | M 8 | 55 | 4.12 | 19.35 | 4.4 | 7.42 |
| P0264.080-060-ZP | M 8 | 60 | 4.12 | 19.35 | 4.4 | 7.42 |
| P0264.080-065-ZP | M 8 | 65 | 4.12 | 19.35 | 4.4 | 7.42 |
| P0264.080-070-ZP | M 8 | 70 | 4.12 | 19.35 | 4.4 | 7.42 |
| P0264.080-075-ZP | M 8 | 75 | 4.12 | 19.35 | 4.4 | 7.42 |
| P0264.080-080-ZP | M 8 | 80 | 4.12 | 19.35 | 4.4 | 7.42 |
| P0264.080-090-ZP | M 8 | 90 | 4.12 | 19.35 | 4.4 | 7.42 |
| P0264.080-100-ZP | M 8 | 100 | 4.12 | 19.35 | 4.4 | 7.42 |
| P0264.100-016-ZP | M10 | 16 | 4.62 | 23.25 | 5.4 | 9.42 |
| P0264.100-020-ZP | M10 | 20 | 4.62 | 23.25 | 5.4 | 9.42 |
| P0264.100-025-ZP | M10 | 25 | 4.62 | 23.25 | 5.4 | 9.42 |
| P0264.100-030-ZP | M10 | 30 | 4.62 | 23.25 | 5.4 | 9.42 |
| P0264.100-035-ZP | M10 | 35 | 4.62 | 23.25 | 5.4 | 9.42 |
| P0264.100-040-ZP | M10 | 40 | 4.62 | 23.25 | 5.4 | 9.42 |
| P0264.100-045-ZP | M10 | 45 | 4.62 | 23.25 | 5.4 | 9.42 |
| P0264.100-050-ZP | M10 | 50 | 4.62 | 23.25 | 5.4 | 9.42 |
| P0264.100-055-ZP | M10 | 55 | 4.62 | 23.25 | 5.4 | 9.42 |
| P0264.100-060-ZP | M10 | 60 | 4.62 | 23.25 | 5.4 | 9.42 |
| P0264.100-065-ZP | M10 | 65 | 4.62 | 23.25 | 5.4 | 9.42 |
| P0264.100-070-ZP | M10 | 70 | 4.62 | 23.25 | 5.4 | 9.42 |
| P0264.100-075-ZP | M10 | 75 | 4.62 | 23.25 | 5.4 | 9.42 |
| P0264.100-080-ZP | M10 | 80 | 4.62 | 23.25 | 5.4 | 9.42 |
| P0264.100-090-ZP | M10 | 90 | 4.62 | 23.25 | 5.4 | 9.42 |
| P0264.100-100-ZP | M10 | 100 | 4.62 | 23.25 | 5.4 | 9.42 |
| P0264.120-025-ZP | M12 | 25 | 6.05 | 29.25 | 7.25 | 11.3 |
| P0264.120-030-ZP | M12 | 30 | 6.05 | 29.25 | 7.25 | 11.3 |
| P0264.120-035-ZP | M12 | 35 | 6.05 | 29.25 | 7.25 | 11.3 |
| P0264.120-040-ZP | M12 | 40 | 6.05 | 29.25 | 7.25 | 11.3 |
| P0264.120-045-ZP | M12 | 45 | 6.05 | 29.25 | 7.25 | 11.3 |
| P0264.120-050-ZP | M12 | 50 | 6.05 | 29.25 | 7.25 | 11.3 |
| P0264.120-055-ZP | M12 | 55 | 6.05 | 29.25 | 7.25 | 11.3 |
| P0264.120-060-ZP | M12 | 60 | 6.05 | 29.25 | 7.25 | 11.3 |
| P0264.120-065-ZP | M12 | 65 | 6.05 | 29.25 | 7.25 | 11.3 |
| P0264.120-070-ZP | M12 | 70 | 6.05 | 29.25 | 7.25 | 11.3 |
| P0264.120-075-ZP | M12 | 75 | 6.05 | 29.25 | 7.25 | 11.3 |
| P0264.120-080-ZP | M12 | 80 | 6.05 | 29.25 | 7.25 | 11.3 |
| P0264.120-090-ZP | M12 | 90 | 6.05 | 29.25 | 7.25 | 11.3 |
| P0264.120-100-ZP | M12 | 100 | 6.05 | 29.25 | 7.25 | 11.3 |
| P0264.160-040-ZP | M16 | 40 | 8.05 | 37.20 | 11.10 | 15.3 |
| P0264.160-045-ZP | M16 | 45 | 8.05 | 37.20 | 11.10 | 15.3 |
| P0264.160-050-ZP | M16 | 50 | 8.05 | 37.20 | 11.10 | 15.3 |
| P0264.160-055-ZP | M16 | 55 | 8.05 | 37.20 | 11.10 | 15.3 |
| P0264.160-060-ZP | M16 | 60 | 8.05 | 37.20 | 11.10 | 15.3 |
| P0264.160-065-ZP | M16 | 65 | 8.05 | 37.20 | 11.10 | 15.3 |
| P0264.160-070-ZP | M16 | 70 | 8.05 | 37.20 | 11.10 | 15.3 |
| P0264.160-075-ZP | M16 | 75 | 8.05 | 37.20 | 11.10 | 15.3 |
| P0264.160-080-ZP | M16 | 80 | 8.05 | 37.20 | 11.10 | 15.3 |
| P0264.160-090-ZP | M16 | 90 | 8.05 | 37.20 | 11.10 | 15.3 |
| P0264.160-100-ZP | M16 | 100 | 8.05 | 37.20 | 11.10 | 15.3 |

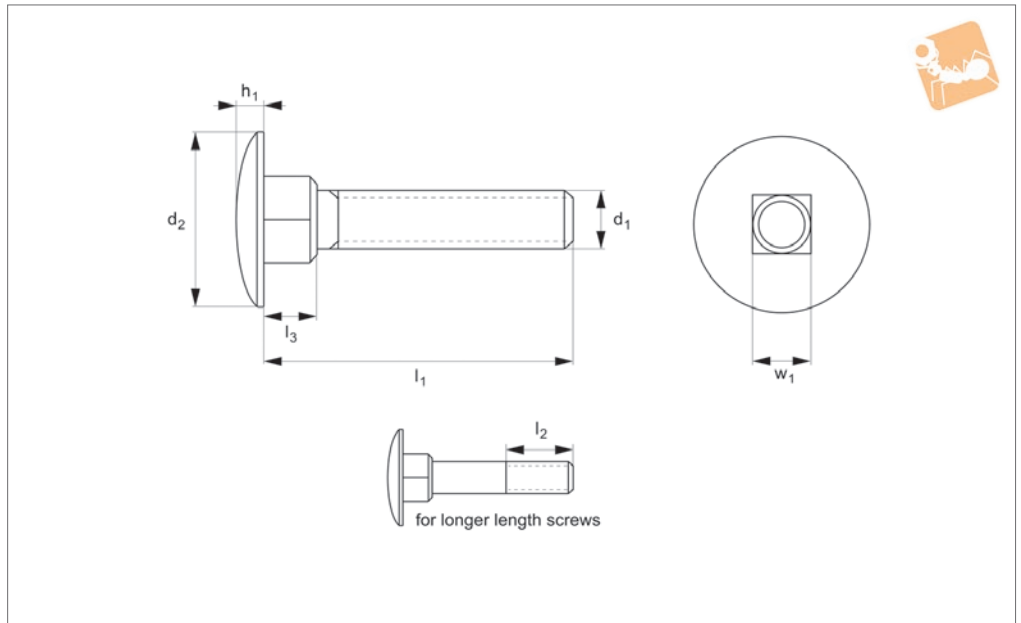
STANDARD SCREWS



STANDARD SCREWS



P0265.A2



Material

Stainless steel (A2).

See technical page for tightening torques.

Technical Notes

To DIN 603.

| Order No. | d ₁ | l ₁ | h ₁ | d ₂ | l ₂ | w ₁ |
|------------------|----------------|----------------|----------------|----------------|----------------|----------------|
| P0265.050-016-A2 | M5 | 16 | 2.7 | 12.45 | 16 | 4.52 |
| P0265.050-020-A2 | M5 | 20 | 2.7 | 12.45 | 16 | 4.52 |
| P0265.050-025-A2 | M5 | 25 | 2.7 | 12.45 | 16 | 4.52 |
| P0265.050-030-A2 | M5 | 30 | 2.7 | 12.45 | 16 | 4.52 |
| P0265.050-035-A2 | M5 | 35 | 2.7 | 12.45 | 16 | 4.52 |
| P0265.050-040-A2 | M5 | 40 | 2.7 | 12.45 | 16 | 4.52 |
| P0265.050-045-A2 | M5 | 45 | 2.7 | 12.45 | 16 | 4.52 |
| P0265.050-050-A2 | M5 | 50 | 2.7 | 12.45 | 16 | 4.52 |
| P0265.050-055-A2 | M5 | 55 | 2.7 | 12.45 | 16 | 4.52 |
| P0265.050-060-A2 | M5 | 60 | 2.7 | 12.45 | 16 | 4.52 |
| P0265.050-065-A2 | M5 | 65 | 2.7 | 12.45 | 16 | 4.52 |
| P0265.050-070-A2 | M5 | 70 | 2.7 | 12.45 | 16 | 4.52 |
| P0265.050-075-A2 | M5 | 75 | 2.7 | 12.45 | 16 | 4.52 |
| P0265.050-080-A2 | M5 | 80 | 2.7 | 12.45 | 16 | 4.52 |
| P0265.060-012-A2 | M6 | 12 | 3.12 | 15.45 | 18 | 5.52 |
| P0265.060-016-A2 | M6 | 16 | 3.12 | 15.45 | 18 | 5.52 |
| P0265.060-020-A2 | M6 | 20 | 3.12 | 15.45 | 18 | 5.52 |
| P0265.060-025-A2 | M6 | 25 | 3.12 | 15.45 | 18 | 5.52 |
| P0265.060-030-A2 | M6 | 30 | 3.12 | 15.45 | 18 | 5.52 |
| P0265.060-035-A2 | M6 | 35 | 3.12 | 15.45 | 18 | 5.52 |
| P0265.060-040-A2 | M6 | 40 | 3.12 | 15.45 | 18 | 5.52 |
| P0265.060-045-A2 | M6 | 45 | 3.12 | 15.45 | 18 | 5.52 |
| P0265.060-050-A2 | M6 | 50 | 3.12 | 15.45 | 18 | 5.52 |
| P0265.060-055-A2 | M6 | 55 | 3.12 | 15.45 | 18 | 5.52 |
| P0265.060-060-A2 | M6 | 60 | 3.12 | 15.45 | 18 | 5.52 |
| P0265.060-065-A2 | M6 | 65 | 3.12 | 15.45 | 18 | 5.52 |
| P0265.060-070-A2 | M6 | 70 | 3.12 | 15.45 | 18 | 5.52 |
| P0265.060-075-A2 | M6 | 75 | 3.12 | 15.45 | 18 | 5.52 |
| P0265.060-080-A2 | M6 | 80 | 3.12 | 15.45 | 18 | 5.52 |
| P0265.060-090-A2 | M6 | 90 | 3.12 | 15.45 | 18 | 5.52 |
| P0265.060-100-A2 | M6 | 100 | 3.12 | 15.45 | 18 | 5.52 |
| P0265.060-110-A2 | M6 | 110 | 3.12 | 15.45 | 18 | 5.52 |
| P0265.060-120-A2 | M6 | 120 | 3.12 | 15.45 | 18 | 5.52 |
| P0265.060-130-A2 | M6 | 130 | 3.12 | 15.45 | 24 | 5.52 |



Carriage Bolts - Partial Thread

Part thread - A2 stainless

Standard Screws



| Order No. | d ₁ | l ₁ | h ₁ | d ₂ | l ₂ | w ₁ |
|------------------|----------------|----------------|----------------|----------------|----------------|----------------|
| P0265.060-140-A2 | M6 | 140 | 3.12 | 15.45 | 24 | 5.52 |
| P0265.080-016-A2 | M8 | 16 | 4.12 | 19.35 | 22 | 7.42 |
| P0265.080-020-A2 | M8 | 20 | 4.12 | 19.35 | 22 | 7.42 |
| P0265.080-025-A2 | M8 | 25 | 4.12 | 19.35 | 22 | 7.42 |
| P0265.080-030-A2 | M8 | 30 | 4.12 | 19.35 | 22 | 7.42 |
| P0265.080-035-A2 | M8 | 35 | 4.12 | 19.35 | 22 | 7.42 |
| P0265.080-040-A2 | M8 | 40 | 4.12 | 19.35 | 22 | 7.42 |
| P0265.080-045-A2 | M8 | 45 | 4.12 | 19.35 | 22 | 7.42 |
| P0265.080-050-A2 | M8 | 50 | 4.12 | 19.35 | 22 | 7.42 |
| P0265.080-055-A2 | M8 | 55 | 4.12 | 19.35 | 22 | 7.42 |
| P0265.080-060-A2 | M8 | 60 | 4.12 | 19.35 | 22 | 7.42 |
| P0265.080-065-A2 | M8 | 65 | 4.12 | 19.35 | 22 | 7.42 |
| P0265.080-070-A2 | M8 | 70 | 4.12 | 19.35 | 22 | 7.42 |
| P0265.080-075-A2 | M8 | 75 | 4.12 | 19.35 | 22 | 7.42 |
| P0265.080-080-A2 | M8 | 80 | 4.12 | 19.35 | 22 | 7.42 |
| P0265.080-090-A2 | M8 | 90 | 4.12 | 19.35 | 22 | 7.42 |
| P0265.080-100-A2 | M8 | 100 | 4.12 | 19.35 | 22 | 7.42 |
| P0265.080-110-A2 | M8 | 110 | 4.12 | 19.35 | 22 | 7.42 |
| P0265.080-120-A2 | M8 | 120 | 4.12 | 19.35 | 22 | 7.42 |
| P0265.080-130-A2 | M8 | 130 | 4.12 | 19.35 | 28 | 7.42 |
| P0265.080-140-A2 | M8 | 140 | 4.12 | 19.35 | 28 | 7.42 |
| P0265.080-150-A2 | M8 | 150 | 4.12 | 19.35 | 28 | 7.42 |
| P0265.080-160-A2 | M8 | 160 | 4.12 | 19.35 | 28 | 7.42 |
| P0265.080-170-A2 | M8 | 170 | 4.12 | 19.35 | 28 | 7.42 |
| P0265.080-180-A2 | M8 | 180 | 4.12 | 19.35 | 28 | 7.42 |
| P0265.080-200-A2 | M8 | 200 | 4.12 | 19.35 | 28 | 7.42 |
| P0265.100-016-A2 | M10 | 16 | 4.62 | 23.25 | 26 | 9.42 |
| P0265.100-020-A2 | M10 | 20 | 4.62 | 23.25 | 26 | 9.42 |
| P0265.100-025-A2 | M10 | 25 | 4.62 | 23.25 | 26 | 9.42 |
| P0265.100-030-A2 | M10 | 30 | 4.62 | 23.25 | 26 | 9.42 |
| P0265.100-035-A2 | M10 | 35 | 4.62 | 23.25 | 26 | 9.42 |
| P0265.100-040-A2 | M10 | 40 | 4.62 | 23.25 | 26 | 9.42 |
| P0265.100-045-A2 | M10 | 45 | 4.62 | 23.25 | 26 | 9.42 |
| P0265.100-050-A2 | M10 | 50 | 4.62 | 23.25 | 26 | 9.42 |
| P0265.100-055-A2 | M10 | 55 | 4.62 | 23.25 | 26 | 9.42 |
| P0265.100-060-A2 | M10 | 60 | 4.62 | 23.25 | 26 | 9.42 |
| P0265.100-065-A2 | M10 | 65 | 4.62 | 23.25 | 26 | 9.42 |
| P0265.100-070-A2 | M10 | 70 | 4.62 | 23.25 | 26 | 9.42 |
| P0265.100-075-A2 | M10 | 75 | 4.62 | 23.25 | 26 | 9.42 |
| P0265.100-080-A2 | M10 | 80 | 4.62 | 23.25 | 26 | 9.42 |
| P0265.100-090-A2 | M10 | 90 | 4.62 | 23.25 | 26 | 9.42 |
| P0265.100-100-A2 | M10 | 100 | 4.62 | 23.25 | 26 | 9.42 |
| P0265.100-110-A2 | M10 | 110 | 4.62 | 23.25 | 26 | 9.42 |
| P0265.100-120-A2 | M10 | 120 | 4.62 | 23.25 | 26 | 9.42 |
| P0265.100-130-A2 | M10 | 130 | 4.62 | 23.25 | 32 | 9.42 |
| P0265.100-140-A2 | M10 | 140 | 4.62 | 23.25 | 32 | 9.42 |
| P0265.100-150-A2 | M10 | 150 | 4.62 | 23.25 | 32 | 9.42 |
| P0265.100-160-A2 | M10 | 160 | 4.62 | 23.25 | 32 | 9.42 |
| P0265.100-170-A2 | M10 | 170 | 4.62 | 23.25 | 32 | 9.42 |
| P0265.100-180-A2 | M10 | 180 | 4.62 | 23.25 | 32 | 9.42 |
| P0265.100-200-A2 | M10 | 200 | 4.62 | 23.25 | 32 | 9.42 |
| P0265.120-025-A2 | M12 | 25 | 6.05 | 29.25 | 30 | 11.3 |
| P0265.120-030-A2 | M12 | 30 | 6.05 | 29.25 | 30 | 11.3 |
| P0265.120-035-A2 | M12 | 35 | 6.05 | 29.25 | 30 | 11.3 |
| P0265.120-040-A2 | M12 | 40 | 6.05 | 29.25 | 30 | 11.3 |
| P0265.120-045-A2 | M12 | 45 | 6.05 | 29.25 | 30 | 11.3 |
| P0265.120-050-A2 | M12 | 50 | 6.05 | 29.25 | 30 | 11.3 |
| P0265.120-055-A2 | M12 | 55 | 6.05 | 29.25 | 30 | 11.3 |
| P0265.120-060-A2 | M12 | 60 | 6.05 | 29.25 | 30 | 11.3 |
| P0265.120-065-A2 | M12 | 65 | 6.05 | 29.25 | 30 | 11.3 |
| P0265.120-070-A2 | M12 | 70 | 6.05 | 29.25 | 30 | 11.3 |
| P0265.120-075-A2 | M12 | 75 | 6.05 | 29.25 | 30 | 11.3 |
| P0265.120-080-A2 | M12 | 80 | 6.05 | 29.25 | 30 | 11.3 |
| P0265.120-090-A2 | M12 | 90 | 6.05 | 29.25 | 30 | 11.3 |
| P0265.120-100-A2 | M12 | 100 | 6.05 | 29.25 | 30 | 11.3 |
| P0265.120-110-A2 | M12 | 110 | 6.05 | 29.25 | 30 | 11.3 |
| P0265.120-120-A2 | M12 | 120 | 6.05 | 29.25 | 30 | 11.3 |
| P0265.120-130-A2 | M12 | 130 | 6.05 | 29.25 | 36 | 11.3 |
| P0265.120-140-A2 | M12 | 140 | 6.05 | 29.25 | 36 | 11.3 |

STANDARD SCREWS



STANDARD SCREWS

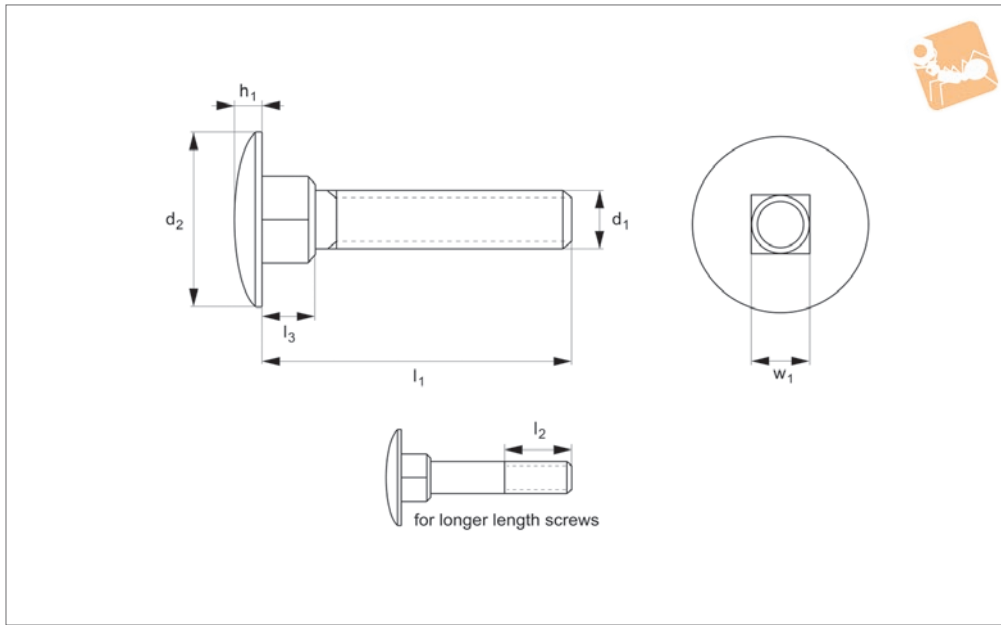
| Order No. | d ₁ | l ₁ | h ₁ | d ₂ | l ₂ | w ₁ |
|------------------|----------------|----------------|----------------|----------------|----------------|----------------|
| P0265.120-150-A2 | M12 | 150 | 6.05 | 29.25 | 36 | 11.3 |
| P0265.120-160-A2 | M12 | 160 | 6.05 | 29.25 | 36 | 11.3 |
| P0265.120-170-A2 | M12 | 170 | 6.05 | 29.25 | 36 | 11.3 |
| P0265.120-180-A2 | M12 | 180 | 6.05 | 29.25 | 36 | 11.3 |
| P0265.120-200-A2 | M12 | 200 | 6.05 | 29.25 | 36 | 11.3 |
| P0265.160-040-A2 | M16 | 40 | 8.05 | 37.20 | 38 | 15.3 |
| P0265.160-045-A2 | M16 | 45 | 8.05 | 37.20 | 38 | 15.3 |
| P0265.160-050-A2 | M16 | 50 | 8.05 | 37.20 | 38 | 15.3 |
| P0265.160-055-A2 | M16 | 55 | 8.05 | 37.20 | 38 | 15.3 |
| P0265.160-060-A2 | M16 | 60 | 8.05 | 37.20 | 38 | 15.3 |
| P0265.160-065-A2 | M16 | 65 | 8.05 | 37.20 | 38 | 15.3 |
| P0265.160-070-A2 | M16 | 70 | 8.05 | 37.20 | 38 | 15.3 |
| P0265.160-075-A2 | M16 | 75 | 8.05 | 37.20 | 38 | 15.3 |
| P0265.160-080-A2 | M16 | 80 | 8.05 | 37.20 | 38 | 15.3 |
| P0265.160-090-A2 | M16 | 90 | 8.05 | 37.20 | 38 | 15.3 |
| P0265.160-100-A2 | M16 | 100 | 8.05 | 37.20 | 38 | 15.3 |
| P0265.160-110-A2 | M16 | 110 | 8.05 | 37.20 | 38 | 15.3 |
| P0265.160-120-A2 | M16 | 120 | 8.05 | 37.20 | 38 | 15.3 |
| P0265.160-130-A2 | M16 | 130 | 8.05 | 37.20 | 44 | 15.3 |
| P0265.160-140-A2 | M16 | 140 | 8.05 | 37.20 | 44 | 15.3 |
| P0265.160-150-A2 | M16 | 150 | 8.05 | 37.20 | 44 | 15.3 |
| P0265.160-160-A2 | M16 | 160 | 8.05 | 37.20 | 44 | 15.3 |
| P0265.160-170-A2 | M16 | 170 | 8.05 | 37.20 | 44 | 15.3 |
| P0265.160-180-A2 | M16 | 180 | 8.05 | 37.20 | 44 | 15.3 |
| P0265.160-200-A2 | M16 | 200 | 8.05 | 37.20 | 44 | 15.3 |



Carriage Bolts - Partial Thread

Part thread - A4 stainless

Standard Screws



P0265.A4

STANDARD SCREWS

Material

Stainless steel (A4).

See technical page for tightening torques.

Technical Notes

To DIN 603.

| Order No. | d ₁ | l ₁ | h ₁ | d ₂ | l ₂ | h ₁ | w ₁ |
|------------------|----------------|----------------|----------------|----------------|----------------|----------------|----------------|
| P0265.050-016-A4 | M5 | 16 | 2.7 | 12.45 | 16 | 4.52 | 4.52 |
| P0265.050-020-A4 | M5 | 20 | 2.7 | 12.45 | 16 | 4.52 | 4.52 |
| P0265.050-025-A4 | M5 | 25 | 2.7 | 12.45 | 16 | 4.52 | 4.52 |
| P0265.050-030-A4 | M5 | 30 | 2.7 | 12.45 | 16 | 4.52 | 4.52 |
| P0265.050-035-A4 | M5 | 35 | 2.7 | 12.45 | 16 | 4.52 | 4.52 |
| P0265.050-040-A4 | M5 | 40 | 2.7 | 12.45 | 16 | 4.52 | 4.52 |
| P0265.050-045-A4 | M5 | 45 | 2.7 | 12.45 | 16 | 4.52 | 4.52 |
| P0265.050-050-A4 | M5 | 50 | 2.7 | 12.45 | 16 | 4.52 | 4.52 |
| P0265.050-055-A4 | M5 | 55 | 2.7 | 12.45 | 16 | 4.52 | 4.52 |
| P0265.050-060-A4 | M5 | 60 | 2.7 | 12.45 | 16 | 4.52 | 4.52 |
| P0265.050-065-A4 | M5 | 65 | 2.7 | 12.45 | 16 | 4.52 | 4.52 |
| P0265.050-070-A4 | M5 | 70 | 2.7 | 12.45 | 16 | 4.52 | 4.52 |
| P0265.050-075-A4 | M5 | 75 | 2.7 | 12.45 | 16 | 4.52 | 4.52 |
| P0265.050-080-A4 | M5 | 80 | 2.7 | 12.45 | 16 | 4.52 | 4.52 |
| P0265.060-012-A4 | M6 | 12 | 3.12 | 15.45 | 18 | 5.52 | 5.52 |
| P0265.060-016-A4 | M6 | 16 | 3.12 | 15.45 | 18 | 5.52 | 5.52 |
| P0265.060-020-A4 | M6 | 20 | 3.12 | 15.45 | 18 | 5.52 | 5.52 |
| P0265.060-025-A4 | M6 | 25 | 3.12 | 15.45 | 18 | 5.52 | 5.52 |
| P0265.060-030-A4 | M6 | 30 | 3.12 | 15.45 | 18 | 5.52 | 5.52 |
| P0265.060-035-A4 | M6 | 35 | 3.12 | 15.45 | 18 | 5.52 | 5.52 |
| P0265.060-040-A4 | M6 | 40 | 3.12 | 15.45 | 18 | 5.52 | 5.52 |
| P0265.060-045-A4 | M6 | 45 | 3.12 | 15.45 | 18 | 5.52 | 5.52 |
| P0265.060-050-A4 | M6 | 50 | 3.12 | 15.45 | 18 | 5.52 | 5.52 |
| P0265.060-055-A4 | M6 | 55 | 3.12 | 15.45 | 18 | 5.52 | 5.52 |
| P0265.060-060-A4 | M6 | 60 | 3.12 | 15.45 | 18 | 5.52 | 5.52 |
| P0265.060-065-A4 | M6 | 65 | 3.12 | 15.45 | 18 | 5.52 | 5.52 |
| P0265.060-070-A4 | M6 | 70 | 3.12 | 15.45 | 18 | 5.52 | 5.52 |
| P0265.060-075-A4 | M6 | 75 | 3.12 | 15.45 | 18 | 5.52 | 5.52 |
| P0265.060-080-A4 | M6 | 80 | 3.12 | 15.45 | 18 | 5.52 | 5.52 |
| P0265.060-090-A4 | M6 | 90 | 3.12 | 15.45 | 18 | 5.52 | 5.52 |
| P0265.060-100-A4 | M6 | 100 | 3.12 | 15.45 | 18 | 5.52 | 5.52 |
| P0265.060-110-A4 | M6 | 110 | 3.12 | 15.45 | 18 | 5.52 | 5.52 |
| P0265.060-120-A4 | M6 | 120 | 3.12 | 15.45 | 18 | 5.52 | 5.52 |
| P0265.060-130-A4 | M6 | 130 | 3.12 | 15.45 | 24 | 5.52 | 5.52 |



STANDARD SCREWS

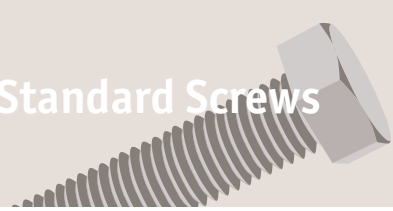
| Order No. | d ₁ | l ₁ | h ₁ | d ₂ | l ₂ | w ₁ |
|------------------|----------------|----------------|----------------|----------------|----------------|----------------|
| P0265.060-140-A4 | M6 | 140 | 3.12 | 15.45 | 24 | 5.52 |
| P0265.080-016-A4 | M8 | 16 | 4.12 | 19.35 | 22 | 7.42 |
| P0265.080-020-A4 | M8 | 20 | 4.12 | 19.35 | 22 | 7.42 |
| P0265.080-025-A4 | M8 | 25 | 4.12 | 19.35 | 22 | 7.42 |
| P0265.080-030-A4 | M8 | 30 | 4.12 | 19.35 | 22 | 7.42 |
| P0265.080-035-A4 | M8 | 35 | 4.12 | 19.35 | 22 | 7.42 |
| P0265.080-040-A4 | M8 | 40 | 4.12 | 19.35 | 22 | 7.42 |
| P0265.080-045-A4 | M8 | 45 | 4.12 | 19.35 | 22 | 7.42 |
| P0265.080-050-A4 | M8 | 50 | 4.12 | 19.35 | 22 | 7.42 |
| P0265.080-055-A4 | M8 | 55 | 4.12 | 19.35 | 22 | 7.42 |
| P0265.080-060-A4 | M8 | 60 | 4.12 | 19.35 | 22 | 7.42 |
| P0265.080-065-A4 | M8 | 65 | 4.12 | 19.35 | 22 | 7.42 |
| P0265.080-070-A4 | M8 | 70 | 4.12 | 19.35 | 22 | 7.42 |
| P0265.080-075-A4 | M8 | 75 | 4.12 | 19.35 | 22 | 7.42 |
| P0265.080-080-A4 | M8 | 80 | 4.12 | 19.35 | 22 | 7.42 |
| P0265.080-090-A4 | M8 | 90 | 4.12 | 19.35 | 22 | 7.42 |
| P0265.080-100-A4 | M8 | 100 | 4.12 | 19.35 | 22 | 7.42 |
| P0265.080-110-A4 | M8 | 110 | 4.12 | 19.35 | 22 | 7.42 |
| P0265.080-120-A4 | M8 | 120 | 4.12 | 19.35 | 22 | 7.42 |
| P0265.080-130-A4 | M8 | 130 | 4.12 | 19.35 | 28 | 7.42 |
| P0265.080-140-A4 | M8 | 140 | 4.12 | 19.35 | 28 | 7.42 |
| P0265.080-150-A4 | M8 | 150 | 4.12 | 19.35 | 28 | 7.42 |
| P0265.080-160-A4 | M8 | 160 | 4.12 | 19.35 | 28 | 7.42 |
| P0265.080-170-A4 | M8 | 170 | 4.12 | 19.35 | 28 | 7.42 |
| P0265.080-180-A4 | M8 | 180 | 4.12 | 19.35 | 28 | 7.42 |
| P0265.080-200-A4 | M8 | 200 | 4.12 | 19.35 | 28 | 7.42 |
| P0265.100-016-A4 | M10 | 16 | 4.62 | 23.25 | 26 | 9.42 |
| P0265.100-020-A4 | M10 | 20 | 4.62 | 23.25 | 26 | 9.42 |
| P0265.100-025-A4 | M10 | 25 | 4.62 | 23.25 | 26 | 9.42 |
| P0265.100-030-A4 | M10 | 30 | 4.62 | 23.25 | 26 | 9.42 |
| P0265.100-035-A4 | M10 | 35 | 4.62 | 23.25 | 26 | 9.42 |
| P0265.100-040-A4 | M10 | 40 | 4.62 | 23.25 | 26 | 9.42 |
| P0265.100-045-A4 | M10 | 45 | 4.62 | 23.25 | 26 | 9.42 |
| P0265.100-050-A4 | M10 | 50 | 4.62 | 23.25 | 26 | 9.42 |
| P0265.100-055-A4 | M10 | 55 | 4.62 | 23.25 | 26 | 9.42 |
| P0265.100-060-A4 | M10 | 60 | 4.62 | 23.25 | 26 | 9.42 |
| P0265.100-065-A4 | M10 | 65 | 4.62 | 23.25 | 26 | 9.42 |
| P0265.100-070-A4 | M10 | 70 | 4.62 | 23.25 | 26 | 9.42 |
| P0265.100-075-A4 | M10 | 75 | 4.62 | 23.25 | 26 | 9.42 |
| P0265.100-080-A4 | M10 | 80 | 4.62 | 23.25 | 26 | 9.42 |
| P0265.100-090-A4 | M10 | 90 | 4.62 | 23.25 | 26 | 9.42 |
| P0265.100-100-A4 | M10 | 100 | 4.62 | 23.25 | 26 | 9.42 |
| P0265.100-110-A4 | M10 | 110 | 4.62 | 23.25 | 26 | 9.42 |
| P0265.100-120-A4 | M10 | 120 | 4.62 | 23.25 | 26 | 9.42 |
| P0265.100-130-A4 | M10 | 130 | 4.62 | 23.25 | 32 | 9.42 |
| P0265.100-140-A4 | M10 | 140 | 4.62 | 23.25 | 32 | 9.42 |
| P0265.100-150-A4 | M10 | 150 | 4.62 | 23.25 | 32 | 9.42 |
| P0265.100-160-A4 | M10 | 160 | 4.62 | 23.25 | 32 | 9.42 |
| P0265.100-170-A4 | M10 | 170 | 4.62 | 23.25 | 32 | 9.42 |
| P0265.100-180-A4 | M10 | 180 | 4.62 | 23.25 | 32 | 9.42 |
| P0265.100-200-A4 | M10 | 200 | 4.62 | 23.25 | 32 | 9.42 |
| P0265.120-025-A4 | M12 | 25 | 6.05 | 29.25 | 30 | 11.3 |
| P0265.120-030-A4 | M12 | 30 | 6.05 | 29.25 | 30 | 11.3 |
| P0265.120-035-A4 | M12 | 35 | 6.05 | 29.25 | 30 | 11.3 |
| P0265.120-040-A4 | M12 | 40 | 6.05 | 29.25 | 30 | 11.3 |
| P0265.120-045-A4 | M12 | 45 | 6.05 | 29.25 | 30 | 11.3 |
| P0265.120-050-A4 | M12 | 50 | 6.05 | 29.25 | 30 | 11.3 |
| P0265.120-055-A4 | M12 | 55 | 6.05 | 29.25 | 30 | 11.3 |
| P0265.120-060-A4 | M12 | 60 | 6.05 | 29.25 | 30 | 11.3 |
| P0265.120-065-A4 | M12 | 65 | 6.05 | 29.25 | 30 | 11.3 |
| P0265.120-070-A4 | M12 | 70 | 6.05 | 29.25 | 30 | 11.3 |
| P0265.120-075-A4 | M12 | 75 | 6.05 | 29.25 | 30 | 11.3 |
| P0265.120-080-A4 | M12 | 80 | 6.05 | 29.25 | 30 | 11.3 |
| P0265.120-090-A4 | M12 | 90 | 6.05 | 29.25 | 30 | 11.3 |
| P0265.120-100-A4 | M12 | 100 | 6.05 | 29.25 | 30 | 11.3 |
| P0265.120-110-A4 | M12 | 110 | 6.05 | 29.25 | 30 | 11.3 |
| P0265.120-120-A4 | M12 | 120 | 6.05 | 29.25 | 30 | 11.3 |
| P0265.120-130-A4 | M12 | 130 | 6.05 | 29.25 | 36 | 11.3 |
| P0265.120-140-A4 | M12 | 140 | 6.05 | 29.25 | 36 | 11.3 |



Carriage Bolts - Partial Thread

Part thread - A4 stainless

Standard Screws



| Order No. | d ₁ | l ₁ | h ₁ | d ₂ | l ₂ | w ₁ |
|------------------|----------------|----------------|----------------|----------------|----------------|----------------|
| P0265.120-150-A4 | M12 | 150 | 6.05 | 29.25 | 36 | 11.3 |
| P0265.120-160-A4 | M12 | 160 | 6.05 | 29.25 | 36 | 11.3 |
| P0265.120-170-A4 | M12 | 170 | 6.05 | 29.25 | 36 | 11.3 |
| P0265.120-180-A4 | M12 | 180 | 6.05 | 29.25 | 36 | 11.3 |
| P0265.120-200-A4 | M12 | 200 | 6.05 | 29.25 | 36 | 11.3 |
| P0265.160-040-A4 | M16 | 40 | 8.05 | 37.20 | 38 | 15.3 |
| P0265.160-045-A4 | M16 | 45 | 8.05 | 37.20 | 38 | 15.3 |
| P0265.160-050-A4 | M16 | 50 | 8.05 | 37.20 | 38 | 15.3 |
| P0265.160-055-A4 | M16 | 55 | 8.05 | 37.20 | 38 | 15.3 |
| P0265.160-060-A4 | M16 | 60 | 8.05 | 37.20 | 38 | 15.3 |
| P0265.160-065-A4 | M16 | 65 | 8.05 | 37.20 | 38 | 15.3 |
| P0265.160-070-A4 | M16 | 70 | 8.05 | 37.20 | 38 | 15.3 |
| P0265.160-075-A4 | M16 | 75 | 8.05 | 37.20 | 38 | 15.3 |
| P0265.160-080-A4 | M16 | 80 | 8.05 | 37.20 | 38 | 15.3 |
| P0265.160-090-A4 | M16 | 90 | 8.05 | 37.20 | 38 | 15.3 |
| P0265.160-100-A4 | M16 | 100 | 8.05 | 37.20 | 38 | 15.3 |
| P0265.160-110-A4 | M16 | 110 | 8.05 | 37.20 | 38 | 15.3 |
| P0265.160-120-A4 | M16 | 120 | 8.05 | 37.20 | 38 | 15.3 |
| P0265.160-130-A4 | M16 | 130 | 8.05 | 37.20 | 44 | 15.3 |
| P0265.160-140-A4 | M16 | 140 | 8.05 | 37.20 | 44 | 15.3 |
| P0265.160-150-A4 | M16 | 150 | 8.05 | 37.20 | 44 | 15.3 |
| P0265.160-160-A4 | M16 | 160 | 8.05 | 37.20 | 44 | 15.3 |
| P0265.160-170-A4 | M16 | 170 | 8.05 | 37.20 | 44 | 15.3 |
| P0265.160-180-A4 | M16 | 180 | 8.05 | 37.20 | 44 | 15.3 |
| P0265.160-200-A4 | M16 | 200 | 8.05 | 37.20 | 44 | 15.3 |

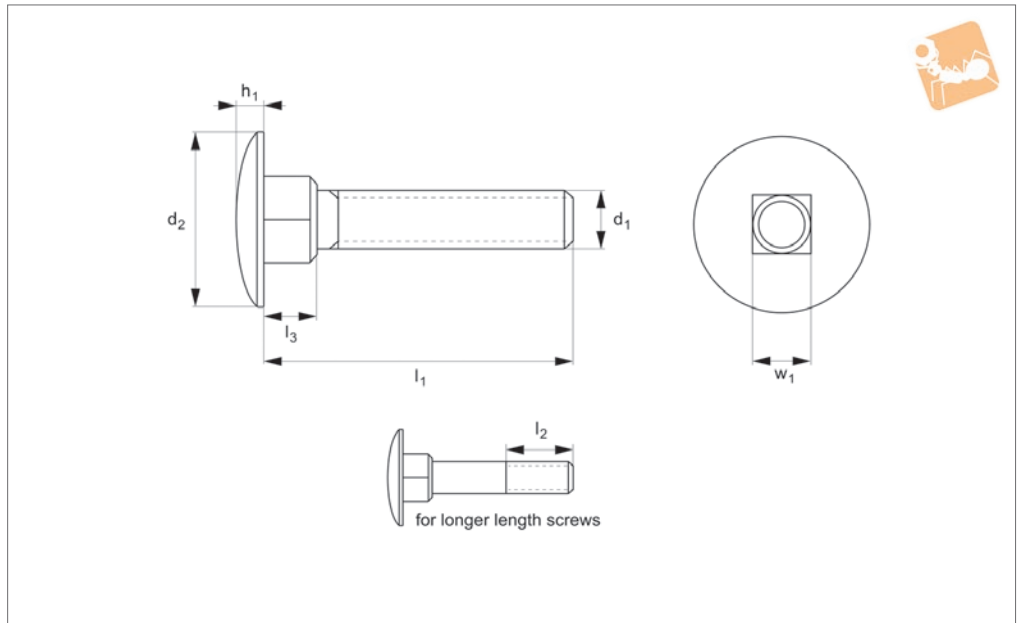
STANDARD SCREWS



STANDARD SCREWS



P0265.ZP



Material

Steel, zinc-plated (grade 8.8).

Technical Notes

To DIN 603.

| Order No. | d ₁ | l ₁ | h ₁ | d ₂ | l ₂ | w ₁ |
|------------------|----------------|----------------|----------------|----------------|----------------|----------------|
| P0265.050-016-ZP | M5 | 16 | 2.7 | 12.45 | 16 | 4.52 |
| P0265.050-020-ZP | M5 | 20 | 2.7 | 12.45 | 16 | 4.52 |
| P0265.050-025-ZP | M5 | 25 | 2.7 | 12.45 | 16 | 4.52 |
| P0265.050-030-ZP | M5 | 30 | 2.7 | 12.45 | 16 | 4.52 |
| P0265.050-035-ZP | M5 | 35 | 2.7 | 12.45 | 16 | 4.52 |
| P0265.050-040-ZP | M5 | 40 | 2.7 | 12.45 | 16 | 4.52 |
| P0265.050-045-ZP | M5 | 45 | 2.7 | 12.45 | 16 | 4.52 |
| P0265.050-050-ZP | M5 | 50 | 2.7 | 12.45 | 16 | 4.52 |
| P0265.050-055-ZP | M5 | 55 | 2.7 | 12.45 | 16 | 4.52 |
| P0265.050-060-ZP | M5 | 60 | 2.7 | 12.45 | 16 | 4.52 |
| P0265.050-065-ZP | M5 | 65 | 2.7 | 12.45 | 16 | 4.52 |
| P0265.050-070-ZP | M5 | 70 | 2.7 | 12.45 | 16 | 4.52 |
| P0265.050-075-ZP | M5 | 75 | 2.7 | 12.45 | 16 | 4.52 |
| P0265.050-080-ZP | M5 | 80 | 2.7 | 12.45 | 16 | 4.52 |
| P0265.060-012-ZP | M6 | 12 | 3.12 | 15.45 | 18 | 5.52 |
| P0265.060-016-ZP | M6 | 16 | 3.12 | 15.45 | 18 | 5.52 |
| P0265.060-020-ZP | M6 | 20 | 3.12 | 15.45 | 18 | 5.52 |
| P0265.060-025-ZP | M6 | 25 | 3.12 | 15.45 | 18 | 5.52 |
| P0265.060-030-ZP | M6 | 30 | 3.12 | 15.45 | 18 | 5.52 |
| P0265.060-035-ZP | M6 | 35 | 3.12 | 15.45 | 18 | 5.52 |
| P0265.060-040-ZP | M6 | 40 | 3.12 | 15.45 | 18 | 5.52 |
| P0265.060-045-ZP | M6 | 45 | 3.12 | 15.45 | 18 | 5.52 |
| P0265.060-050-ZP | M6 | 50 | 3.12 | 15.45 | 18 | 5.52 |
| P0265.060-055-ZP | M6 | 55 | 3.12 | 15.45 | 18 | 5.52 |
| P0265.060-060-ZP | M6 | 60 | 3.12 | 15.45 | 18 | 5.52 |
| P0265.060-065-ZP | M6 | 65 | 3.12 | 15.45 | 18 | 5.52 |
| P0265.060-070-ZP | M6 | 70 | 3.12 | 15.45 | 18 | 5.52 |
| P0265.060-075-ZP | M6 | 75 | 3.12 | 15.45 | 18 | 5.52 |
| P0265.060-080-ZP | M6 | 80 | 3.12 | 15.45 | 18 | 5.52 |
| P0265.060-090-ZP | M6 | 90 | 3.12 | 15.45 | 18 | 5.52 |
| P0265.060-100-ZP | M6 | 100 | 3.12 | 15.45 | 18 | 5.52 |
| P0265.060-110-ZP | M6 | 110 | 3.12 | 15.45 | 18 | 5.52 |
| P0265.060-120-ZP | M6 | 120 | 3.12 | 15.45 | 18 | 5.52 |
| P0265.060-130-ZP | M6 | 130 | 3.12 | 15.45 | 24 | 5.52 |
| P0265.060-140-ZP | M6 | 140 | 3.12 | 15.45 | 24 | 5.52 |



Carriage Bolts - Partial Thread

Part thread - steel, zinc-plated

Standard Screws



| Order No. | d ₁ | l ₁ | h ₁ | d ₂ | l ₂ | w ₁ |
|------------------|----------------|----------------|----------------|----------------|----------------|----------------|
| P0265.080-016-ZP | M8 | 16 | 4.12 | 19.35 | 22 | 7.42 |
| P0265.080-020-ZP | M8 | 20 | 4.12 | 19.35 | 22 | 7.42 |
| P0265.080-025-ZP | M8 | 25 | 4.12 | 19.35 | 22 | 7.42 |
| P0265.080-030-ZP | M8 | 30 | 4.12 | 19.35 | 22 | 7.42 |
| P0265.080-035-ZP | M8 | 35 | 4.12 | 19.35 | 22 | 7.42 |
| P0265.080-040-ZP | M8 | 40 | 4.12 | 19.35 | 22 | 7.42 |
| P0265.080-045-ZP | M8 | 45 | 4.12 | 19.35 | 22 | 7.42 |
| P0265.080-050-ZP | M8 | 50 | 4.12 | 19.35 | 22 | 7.42 |
| P0265.080-055-ZP | M8 | 55 | 4.12 | 19.35 | 22 | 7.42 |
| P0265.080-060-ZP | M8 | 60 | 4.12 | 19.35 | 22 | 7.42 |
| P0265.080-065-ZP | M8 | 65 | 4.12 | 19.35 | 22 | 7.42 |
| P0265.080-070-ZP | M8 | 70 | 4.12 | 19.35 | 22 | 7.42 |
| P0265.080-075-ZP | M8 | 75 | 4.12 | 19.35 | 22 | 7.42 |
| P0265.080-080-ZP | M8 | 80 | 4.12 | 19.35 | 22 | 7.42 |
| P0265.080-090-ZP | M8 | 90 | 4.12 | 19.35 | 22 | 7.42 |
| P0265.080-100-ZP | M8 | 100 | 4.12 | 19.35 | 22 | 7.42 |
| P0265.080-110-ZP | M8 | 110 | 4.12 | 19.35 | 22 | 7.42 |
| P0265.080-120-ZP | M8 | 120 | 4.12 | 19.35 | 22 | 7.42 |
| P0265.080-130-ZP | M8 | 130 | 4.12 | 19.35 | 28 | 7.42 |
| P0265.080-140-ZP | M8 | 140 | 4.12 | 19.35 | 28 | 7.42 |
| P0265.080-150-ZP | M8 | 150 | 4.12 | 19.35 | 28 | 7.42 |
| P0265.080-160-ZP | M8 | 160 | 4.12 | 19.35 | 28 | 7.42 |
| P0265.080-170-ZP | M8 | 170 | 4.12 | 19.35 | 28 | 7.42 |
| P0265.080-180-ZP | M8 | 180 | 4.12 | 19.35 | 28 | 7.42 |
| P0265.080-200-ZP | M8 | 200 | 4.12 | 19.35 | 28 | 7.42 |
| P0265.100-016-ZP | M10 | 16 | 4.62 | 23.25 | 26 | 9.42 |
| P0265.100-020-ZP | M10 | 20 | 4.62 | 23.25 | 26 | 9.42 |
| P0265.100-025-ZP | M10 | 25 | 4.62 | 23.25 | 26 | 9.42 |
| P0265.100-030-ZP | M10 | 30 | 4.62 | 23.25 | 26 | 9.42 |
| P0265.100-035-ZP | M10 | 35 | 4.62 | 23.25 | 26 | 9.42 |
| P0265.100-040-ZP | M10 | 40 | 4.62 | 23.25 | 26 | 9.42 |
| P0265.100-045-ZP | M10 | 45 | 4.62 | 23.25 | 26 | 9.42 |
| P0265.100-050-ZP | M10 | 50 | 4.62 | 23.25 | 26 | 9.42 |
| P0265.100-055-ZP | M10 | 55 | 4.62 | 23.25 | 26 | 9.42 |
| P0265.100-060-ZP | M10 | 60 | 4.62 | 23.25 | 26 | 9.42 |
| P0265.100-065-ZP | M10 | 65 | 4.62 | 23.25 | 26 | 9.42 |
| P0265.100-070-ZP | M10 | 70 | 4.62 | 23.25 | 26 | 9.42 |
| P0265.100-075-ZP | M10 | 75 | 4.62 | 23.25 | 26 | 9.42 |
| P0265.100-080-ZP | M10 | 80 | 4.62 | 23.25 | 26 | 9.42 |
| P0265.100-090-ZP | M10 | 90 | 4.62 | 23.25 | 26 | 9.42 |
| P0265.100-100-ZP | M10 | 100 | 4.62 | 23.25 | 26 | 9.42 |
| P0265.100-110-ZP | M10 | 110 | 4.62 | 23.25 | 26 | 9.42 |
| P0265.100-120-ZP | M10 | 120 | 4.62 | 23.25 | 26 | 9.42 |
| P0265.100-130-ZP | M10 | 130 | 4.62 | 23.25 | 32 | 9.42 |
| P0265.100-140-ZP | M10 | 140 | 4.62 | 23.25 | 32 | 9.42 |
| P0265.100-150-ZP | M10 | 150 | 4.62 | 23.25 | 32 | 9.42 |
| P0265.100-160-ZP | M10 | 160 | 4.62 | 23.25 | 32 | 9.42 |
| P0265.100-170-ZP | M10 | 170 | 4.62 | 23.25 | 32 | 9.42 |
| P0265.100-180-ZP | M10 | 180 | 4.62 | 23.25 | 32 | 9.42 |
| P0265.100-200-ZP | M10 | 200 | 4.62 | 23.25 | 32 | 9.42 |
| P0265.120-025-ZP | M12 | 25 | 6.05 | 29.25 | 30 | 11.3 |
| P0265.120-030-ZP | M12 | 30 | 6.05 | 29.25 | 30 | 11.3 |
| P0265.120-035-ZP | M12 | 35 | 6.05 | 29.25 | 30 | 11.3 |
| P0265.120-040-ZP | M12 | 40 | 6.05 | 29.25 | 30 | 11.3 |
| P0265.120-045-ZP | M12 | 45 | 6.05 | 29.25 | 30 | 11.3 |
| P0265.120-050-ZP | M12 | 50 | 6.05 | 29.25 | 30 | 11.3 |
| P0265.120-055-ZP | M12 | 55 | 6.05 | 29.25 | 30 | 11.3 |
| P0265.120-060-ZP | M12 | 60 | 6.05 | 29.25 | 30 | 11.3 |
| P0265.120-065-ZP | M12 | 65 | 6.05 | 29.25 | 30 | 11.3 |
| P0265.120-070-ZP | M12 | 70 | 6.05 | 29.25 | 30 | 11.3 |
| P0265.120-075-ZP | M12 | 75 | 6.05 | 29.25 | 30 | 11.3 |
| P0265.120-080-ZP | M12 | 80 | 6.05 | 29.25 | 30 | 11.3 |
| P0265.120-090-ZP | M12 | 90 | 6.05 | 29.25 | 30 | 11.3 |
| P0265.120-100-ZP | M12 | 100 | 6.05 | 29.25 | 30 | 11.3 |
| P0265.120-110-ZP | M12 | 110 | 6.05 | 29.25 | 30 | 11.3 |
| P0265.120-120-ZP | M12 | 120 | 6.05 | 29.25 | 30 | 11.3 |
| P0265.120-130-ZP | M12 | 130 | 6.05 | 29.25 | 36 | 11.3 |
| P0265.120-140-ZP | M12 | 140 | 6.05 | 29.25 | 36 | 11.3 |
| P0265.120-150-ZP | M12 | 150 | 6.05 | 29.25 | 36 | 11.3 |

STANDARD SCREWS



STANDARD SCREWS

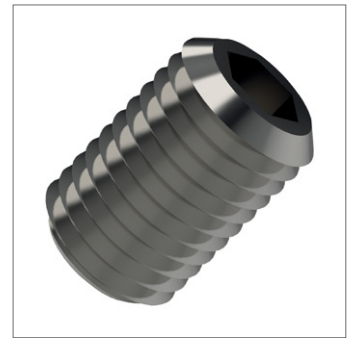
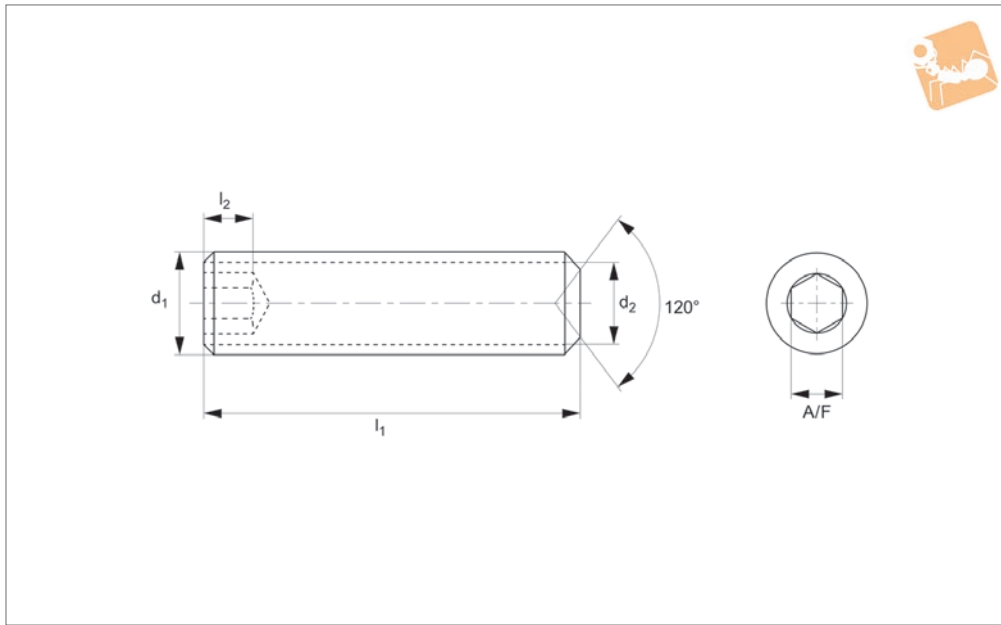
| Order No. | d ₁ | l ₁ | h ₁ | d ₂ | l ₂ | w ₁ |
|------------------|----------------|----------------|----------------|----------------|----------------|----------------|
| P0265.120-160-ZP | M12 | 160 | 6.05 | 29.25 | 36 | 11.3 |
| P0265.120-170-ZP | M12 | 170 | 6.05 | 29.25 | 36 | 11.3 |
| P0265.120-180-ZP | M12 | 180 | 6.05 | 29.25 | 36 | 11.3 |
| P0265.120-200-ZP | M12 | 200 | 6.05 | 29.25 | 36 | 11.3 |
| P0265.160-040-ZP | M16 | 40 | 8.05 | 37.20 | 38 | 15.3 |
| P0265.160-045-ZP | M16 | 45 | 8.05 | 37.20 | 38 | 15.3 |
| P0265.160-050-ZP | M16 | 50 | 8.05 | 37.20 | 38 | 15.3 |
| P0265.160-055-ZP | M16 | 55 | 8.05 | 37.20 | 38 | 15.3 |
| P0265.160-060-ZP | M16 | 60 | 8.05 | 37.20 | 38 | 15.3 |
| P0265.160-065-ZP | M16 | 65 | 8.05 | 37.20 | 38 | 15.3 |
| P0265.160-070-ZP | M16 | 70 | 8.05 | 37.20 | 38 | 15.3 |
| P0265.160-075-ZP | M16 | 75 | 8.05 | 37.20 | 38 | 15.3 |
| P0265.160-080-ZP | M16 | 80 | 8.05 | 37.20 | 38 | 15.3 |
| P0265.160-090-ZP | M16 | 90 | 8.05 | 37.20 | 38 | 15.3 |
| P0265.160-100-ZP | M16 | 100 | 8.05 | 37.20 | 38 | 15.3 |
| P0265.160-110-ZP | M16 | 110 | 8.05 | 37.20 | 38 | 15.3 |
| P0265.160-120-ZP | M16 | 120 | 8.05 | 37.20 | 38 | 15.3 |
| P0265.160-130-ZP | M16 | 130 | 8.05 | 37.20 | 44 | 15.3 |
| P0265.160-140-ZP | M16 | 140 | 8.05 | 37.20 | 44 | 15.3 |
| P0265.160-150-ZP | M16 | 150 | 8.05 | 37.20 | 44 | 15.3 |
| P0265.160-160-ZP | M16 | 160 | 8.05 | 37.20 | 44 | 15.3 |
| P0265.160-170-ZP | M16 | 170 | 8.05 | 37.20 | 44 | 15.3 |
| P0265.160-180-ZP | M16 | 180 | 8.05 | 37.20 | 44 | 15.3 |
| P0265.160-200-ZP | M16 | 200 | 8.05 | 37.20 | 44 | 15.3 |



Socket Set Screws Cup Point

Cup Point - A4 stainless

Standard Screws



P0270.A4

STANDARD SCREWS

Material

Stainless steel (A4).

See technical page for tightening torques.

Technical Notes

To DIN 916, cup point.

| Order No. | d ₁ | l ₁ | d ₂ | l ₂ min. | A/F |
|------------------|----------------|----------------|----------------|------------------------|------|
| P0270.020-003-A4 | M 2 | 3 | 0.75 | 0.8 | 0.9 |
| P0270.020-004-A4 | M 2 | 4 | 0.75 | 0.8 | 0.9 |
| P0270.020-005-A4 | M 2 | 5 | 0.75 | 0.8 | 0.9 |
| P0270.020-006-A4 | M 2 | 6 | 0.75 | 0.8 | 0.9 |
| P0270.020-008-A4 | M 2 | 8 | 0.75 | 0.8 | 0.9 |
| P0270.020-010-A4 | M 2 | 10 | 0.75 | 0.8 | 0.9 |
| P0270.020-012-A4 | M 2 | 12 | 0.75 | 0.8 | 0.9 |
| P0270.020-016-A4 | M 2 | 16 | 0.75 | 0.8 | 0.9 |
| P0270.025-003-A4 | M2,5 | 3 | 1.25 | 1.0 | 1.3 |
| P0270.025-004-A4 | M2,5 | 4 | 1.25 | 1.0 | 1.3 |
| P0270.025-005-A4 | M2,5 | 5 | 1.25 | 1.0 | 1.3 |
| P0270.025-006-A4 | M2,5 | 6 | 1.25 | 1.0 | 1.3 |
| P0270.025-008-A4 | M2,5 | 8 | 1.25 | 1.0 | 1.3 |
| P0270.025-010-A4 | M2,5 | 10 | 1.25 | 1.0 | 1.3 |
| P0270.025-012-A4 | M2,5 | 12 | 1.25 | 1.0 | 1.3 |
| P0270.025-016-A4 | M2,5 | 16 | 1.25 | 1.0 | 1.3 |
| P0270.030-003-A4 | M 3 | 3 | 1.75 | 1.0 | 1.5 |
| P0270.030-004-A4 | M 3 | 4 | 1.75 | 1.0 | 1.5 |
| P0270.030-005-A4 | M 3 | 5 | 1.75 | 1.0 | 1.5 |
| P0270.030-006-A4 | M 3 | 6 | 1.75 | 1.0 | 1.5 |
| P0270.030-008-A4 | M 3 | 8 | 1.75 | 1.0 | 1.5 |
| P0270.030-010-A4 | M 3 | 10 | 1.75 | 1.0 | 1.5 |
| P0270.030-012-A4 | M 3 | 12 | 1.75 | 1.0 | 1.5 |
| P0270.030-016-A4 | M 3 | 16 | 1.75 | 1.0 | 1.5 |
| P0270.030-020-A4 | M 3 | 20 | 1.75 | 1.0 | 1.5 |
| P0270.030-025-A4 | M 3 | 25 | 1.75 | 1.0 | 1.5 |
| P0270.030-030-A4 | M 3 | 30 | 1.75 | 1.0 | 1.5 |
| P0270.040-003-A4 | M 4 | 3 | 2.25 | 1.5 | 2.35 |
| P0270.040-004-A4 | M 4 | 4 | 2.25 | 1.5 | 2.35 |
| P0270.040-005-A4 | M 4 | 5 | 2.25 | 1.5 | 2.35 |
| P0270.040-006-A4 | M 4 | 6 | 2.25 | 1.5 | 2.35 |
| P0270.040-008-A4 | M 4 | 8 | 2.25 | 1.5 | 2.35 |
| P0270.040-010-A4 | M 4 | 10 | 2.25 | 1.5 | 2.35 |
| P0270.040-012-A4 | M 4 | 12 | 2.25 | 1.5 | 2.35 |



STANDARD SCREWS

| Order No. | d ₁ | l ₁ | d ₂ | l ₂ min. | A/F |
|------------------|----------------|----------------|----------------|------------------------|------|
| P0270.040-016-A4 | M 4 | 16 | 2.25 | 1.5 | 2.35 |
| P0270.040-020-A4 | M 4 | 20 | 2.25 | 1.5 | 2.35 |
| P0270.040-025-A4 | M 4 | 25 | 2.25 | 1.5 | 2.35 |
| P0270.040-030-A4 | M 4 | 30 | 2.25 | 1.5 | 2.35 |
| P0270.040-035-A4 | M 4 | 35 | 2.25 | 1.5 | 2.35 |
| P0270.040-040-A4 | M 4 | 40 | 2.25 | 1.5 | 2.35 |
| P0270.050-005-A4 | M 5 | 5 | 3.20 | 2.0 | 2.5 |
| P0270.050-006-A4 | M 5 | 6 | 3.20 | 2.0 | 2.5 |
| P0270.050-008-A4 | M 5 | 8 | 3.20 | 2.0 | 2.5 |
| P0270.050-010-A4 | M 5 | 10 | 3.20 | 2.0 | 2.5 |
| P0270.050-012-A4 | M 5 | 12 | 3.20 | 2.0 | 2.5 |
| P0270.050-016-A4 | M 5 | 16 | 3.20 | 2.0 | 2.5 |
| P0270.050-020-A4 | M 5 | 20 | 3.20 | 2.0 | 2.5 |
| P0270.050-025-A4 | M 5 | 25 | 3.20 | 2.0 | 2.5 |
| P0270.050-030-A4 | M 5 | 30 | 3.20 | 2.0 | 2.5 |
| P0270.050-035-A4 | M 5 | 35 | 3.20 | 2.0 | 2.5 |
| P0270.050-040-A4 | M 5 | 40 | 3.20 | 2.0 | 2.5 |
| P0270.050-050-A4 | M 5 | 50 | 3.20 | 2.0 | 2.5 |
| P0270.060-004-A4 | M 6 | 4 | 3.70 | 2.0 | 3.0 |
| P0270.060-005-A4 | M 6 | 5 | 3.70 | 2.0 | 3.0 |
| P0270.060-006-A4 | M 6 | 6 | 3.70 | 2.0 | 3.0 |
| P0270.060-008-A4 | M 6 | 8 | 3.70 | 2.0 | 3.0 |
| P0270.060-010-A4 | M 6 | 10 | 3.70 | 2.0 | 3.0 |
| P0270.060-012-A4 | M 6 | 12 | 3.70 | 2.0 | 3.0 |
| P0270.060-016-A4 | M 6 | 16 | 3.70 | 2.0 | 3.0 |
| P0270.060-020-A4 | M 6 | 20 | 3.70 | 2.0 | 3.0 |
| P0270.060-025-A4 | M 6 | 25 | 3.70 | 2.0 | 3.0 |
| P0270.060-030-A4 | M 6 | 30 | 3.70 | 2.0 | 3.0 |
| P0270.060-035-A4 | M 6 | 35 | 3.70 | 2.0 | 3.0 |
| P0270.060-040-A4 | M 6 | 40 | 3.70 | 2.0 | 3.0 |
| P0270.060-045-A4 | M 6 | 45 | 3.70 | 2.0 | 3.0 |
| P0270.060-050-A4 | M 6 | 50 | 3.70 | 2.0 | 3.0 |
| P0270.060-055-A4 | M 6 | 55 | 3.70 | 2.0 | 3.0 |
| P0270.060-060-A4 | M 6 | 60 | 3.70 | 2.0 | 3.0 |
| P0270.060-070-A4 | M 6 | 70 | 3.70 | 2.0 | 3.0 |
| P0270.080-006-A4 | M 8 | 6 | 5.20 | 3.0 | 4.0 |
| P0270.080-008-A4 | M 8 | 8 | 5.20 | 3.0 | 4.0 |
| P0270.080-010-A4 | M 8 | 10 | 5.20 | 3.0 | 4.0 |
| P0270.080-012-A4 | M 8 | 12 | 5.20 | 3.0 | 4.0 |
| P0270.080-016-A4 | M 8 | 16 | 5.20 | 3.0 | 4.0 |
| P0270.080-020-A4 | M 8 | 20 | 5.20 | 3.0 | 4.0 |
| P0270.080-025-A4 | M 8 | 25 | 5.20 | 3.0 | 4.0 |
| P0270.080-030-A4 | M 8 | 30 | 5.20 | 3.0 | 4.0 |
| P0270.080-035-A4 | M 8 | 35 | 5.20 | 3.0 | 4.0 |
| P0270.080-040-A4 | M 8 | 40 | 5.20 | 3.0 | 4.0 |
| P0270.080-050-A4 | M 8 | 50 | 5.20 | 3.0 | 4.0 |
| P0270.080-060-A4 | M 8 | 60 | 5.20 | 3.0 | 4.0 |
| P0270.080-070-A4 | M 8 | 70 | 5.20 | 3.0 | 4.0 |
| P0270.080-080-A4 | M 8 | 80 | 5.20 | 3.0 | 4.0 |
| P0270.100-010-A4 | M10 | 10 | 6.64 | 4.0 | 5.0 |
| P0270.100-012-A4 | M10 | 12 | 6.64 | 4.0 | 5.0 |
| P0270.100-016-A4 | M10 | 16 | 6.64 | 4.0 | 5.0 |
| P0270.100-020-A4 | M10 | 20 | 6.64 | 4.0 | 5.0 |
| P0270.100-025-A4 | M10 | 25 | 6.64 | 4.0 | 5.0 |
| P0270.100-030-A4 | M10 | 30 | 6.64 | 4.0 | 5.0 |
| P0270.100-035-A4 | M10 | 35 | 6.64 | 4.0 | 5.0 |
| P0270.100-040-A4 | M10 | 40 | 6.64 | 4.0 | 5.0 |
| P0270.100-045-A4 | M10 | 45 | 6.64 | 4.0 | 5.0 |
| P0270.100-050-A4 | M10 | 50 | 6.64 | 4.0 | 5.0 |
| P0270.100-055-A4 | M10 | 55 | 6.64 | 4.0 | 5.0 |
| P0270.100-060-A4 | M10 | 60 | 6.64 | 4.0 | 5.0 |
| P0270.100-070-A4 | M10 | 70 | 6.64 | 4.0 | 5.0 |
| P0270.100-080-A4 | M10 | 80 | 6.64 | 4.0 | 5.0 |
| P0270.100-090-A4 | M10 | 90 | 6.64 | 4.0 | 5.0 |
| P0270.120-010-A4 | M12 | 10 | 8.14 | 4.8 | 5.0 |
| P0270.120-012-A4 | M12 | 12 | 8.14 | 4.8 | 5.0 |
| P0270.120-016-A4 | M12 | 16 | 8.14 | 4.8 | 5.0 |
| P0270.120-020-A4 | M12 | 20 | 8.14 | 4.8 | 5.0 |



Socket Set Screws Cup Point

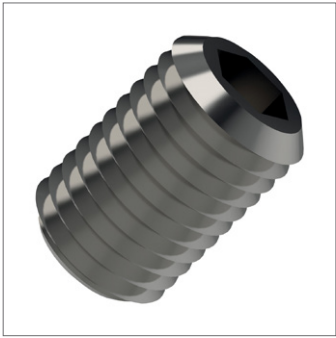
Cup Point - A4 stainless

Standard Screws

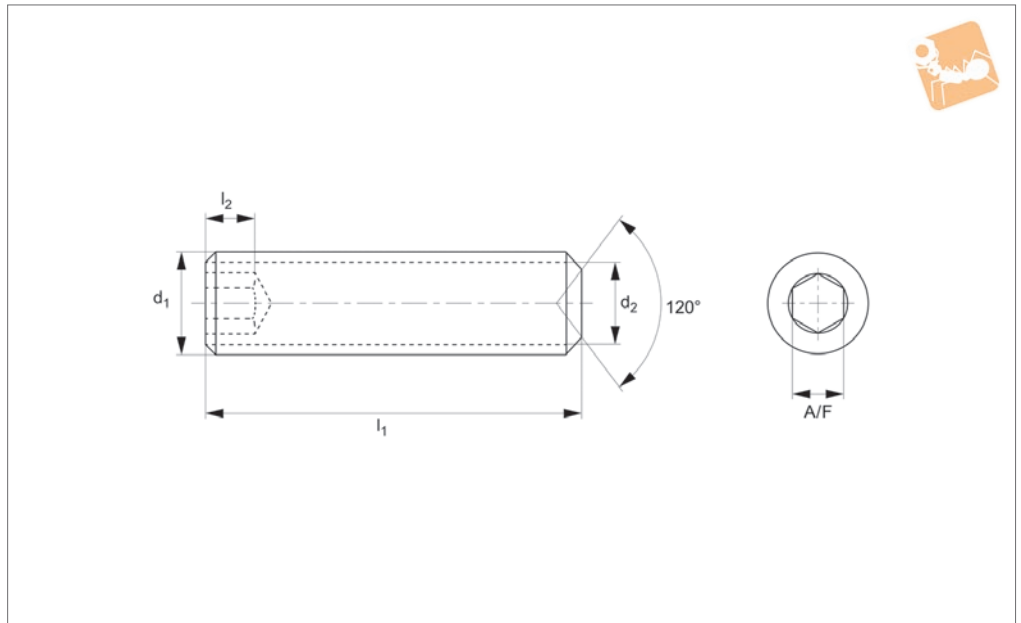


| Order No. | d ₁ | l ₁ | d ₂ | l ₂ min. | A/F |
|------------------|----------------|----------------|----------------|------------------------|-----|
| P0270.120-025-A4 | M12 | 25 | 8.14 | 4.8 | 5.0 |
| P0270.120-030-A4 | M12 | 30 | 8.14 | 4.8 | 5.0 |
| P0270.120-035-A4 | M12 | 35 | 8.14 | 4.8 | 5.0 |
| P0270.120-040-A4 | M12 | 40 | 8.14 | 4.8 | 5.0 |
| P0270.120-045-A4 | M12 | 45 | 8.14 | 4.8 | 5.0 |
| P0270.120-050-A4 | M12 | 50 | 8.14 | 4.8 | 5.0 |
| P0270.120-055-A4 | M12 | 55 | 8.14 | 4.8 | 5.0 |
| P0270.120-060-A4 | M12 | 60 | 8.14 | 4.8 | 5.0 |
| P0270.120-070-A4 | M12 | 70 | 8.14 | 4.8 | 5.0 |
| P0270.120-080-A4 | M12 | 80 | 8.14 | 4.8 | 5.0 |
| P0270.120-090-A4 | M12 | 90 | 8.14 | 4.8 | 5.0 |
| P0270.160-016-A4 | M16 | 16 | 9.64 | 6.4 | 8.0 |
| P0270.160-020-A4 | M16 | 20 | 9.64 | 6.4 | 8.0 |
| P0270.160-025-A4 | M16 | 25 | 9.64 | 6.4 | 8.0 |
| P0270.160-030-A4 | M16 | 30 | 9.64 | 6.4 | 8.0 |
| P0270.160-035-A4 | M16 | 35 | 9.64 | 6.4 | 8.0 |
| P0270.160-040-A4 | M16 | 40 | 9.64 | 6.4 | 8.0 |
| P0270.160-045-A4 | M16 | 45 | 9.64 | 6.4 | 8.0 |
| P0270.160-050-A4 | M16 | 50 | 9.64 | 6.4 | 8.0 |
| P0270.160-055-A4 | M16 | 55 | 9.64 | 6.4 | 8.0 |
| P0270.160-060-A4 | M16 | 60 | 9.64 | 6.4 | 8.0 |
| P0270.160-070-A4 | M16 | 70 | 9.64 | 6.4 | 8.0 |
| P0270.160-080-A4 | M16 | 80 | 9.64 | 6.4 | 8.0 |
| P0270.160-090-A4 | M16 | 90 | 9.64 | 6.4 | 8.0 |
| P0270.160-100-A4 | M16 | 100 | 9.64 | 6.4 | 8.0 |
| P0270.200-020-A4 | M20 | 20 | 13.57 | 8.0 | 10 |
| P0270.200-025-A4 | M20 | 25 | 13.57 | 8.0 | 10 |
| P0270.200-030-A4 | M20 | 30 | 13.57 | 8.0 | 10 |
| P0270.200-035-A4 | M20 | 35 | 13.57 | 8.0 | 10 |
| P0270.200-040-A4 | M20 | 40 | 13.57 | 8.0 | 10 |
| P0270.200-045-A4 | M20 | 45 | 13.57 | 8.0 | 10 |
| P0270.200-050-A4 | M20 | 50 | 13.57 | 8.0 | 10 |
| P0270.200-055-A4 | M20 | 55 | 13.57 | 8.0 | 10 |
| P0270.200-060-A4 | M20 | 60 | 13.57 | 8.0 | 10 |
| P0270.200-070-A4 | M20 | 70 | 13.57 | 8.0 | 10 |
| P0270.200-080-A4 | M20 | 80 | 13.57 | 8.0 | 10 |
| P0270.200-090-A4 | M20 | 90 | 13.57 | 8.0 | 10 |
| P0270.200-100-A4 | M20 | 100 | 13.57 | 8.0 | 10 |

STANDARD SCREWS



P0270.ZP



Material

Steel, zinc-plated (class 45H).

Technical Notes

To DIN 916, cup point.

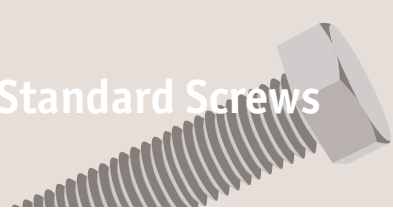
| Order No. | d ₁ | l ₁ | d ₂ | l ₂ min. | A/F |
|------------------|----------------|----------------|----------------|------------------------|------|
| P0270.020-003-ZP | M 2 | 3 | 0.75 | 0.8 | 0.9 |
| P0270.020-004-ZP | M 2 | 4 | 0.75 | 0.8 | 0.9 |
| P0270.020-005-ZP | M 2 | 5 | 0.75 | 0.8 | 0.9 |
| P0270.020-006-ZP | M 2 | 6 | 0.75 | 0.8 | 0.9 |
| P0270.020-008-ZP | M 2 | 8 | 0.75 | 0.8 | 0.9 |
| P0270.020-010-ZP | M 2 | 10 | 0.75 | 0.8 | 0.9 |
| P0270.020-012-ZP | M 2 | 12 | 0.75 | 0.8 | 0.9 |
| P0270.020-016-ZP | M 2 | 16 | 0.75 | 0.8 | 0.9 |
| P0270.025-003-ZP | M2,5 | 3 | 1.25 | 1.0 | 1.3 |
| P0270.025-004-ZP | M2,5 | 4 | 1.25 | 1.0 | 1.3 |
| P0270.025-005-ZP | M2,5 | 5 | 1.25 | 1.0 | 1.3 |
| P0270.025-006-ZP | M2,5 | 6 | 1.25 | 1.0 | 1.3 |
| P0270.025-008-ZP | M2,5 | 8 | 1.25 | 1.0 | 1.3 |
| P0270.025-010-ZP | M2,5 | 10 | 1.25 | 1.0 | 1.3 |
| P0270.025-012-ZP | M2,5 | 12 | 1.25 | 1.0 | 1.3 |
| P0270.025-016-ZP | M2,5 | 16 | 1.25 | 1.0 | 1.3 |
| P0270.030-003-ZP | M 3 | 3 | 1.75 | 1.0 | 1.5 |
| P0270.030-004-ZP | M 3 | 4 | 1.75 | 1.0 | 1.5 |
| P0270.030-005-ZP | M 3 | 5 | 1.75 | 1.0 | 1.5 |
| P0270.030-006-ZP | M 3 | 6 | 1.75 | 1.0 | 1.5 |
| P0270.030-008-ZP | M 3 | 8 | 1.75 | 1.0 | 1.5 |
| P0270.030-010-ZP | M 3 | 10 | 1.75 | 1.0 | 1.5 |
| P0270.030-012-ZP | M 3 | 12 | 1.75 | 1.0 | 1.5 |
| P0270.030-016-ZP | M 3 | 16 | 1.75 | 1.0 | 1.5 |
| P0270.030-020-ZP | M 3 | 20 | 1.75 | 1.0 | 1.5 |
| P0270.030-025-ZP | M 3 | 25 | 1.75 | 1.0 | 1.5 |
| P0270.030-030-ZP | M 3 | 30 | 1.75 | 1.0 | 1.5 |
| P0270.040-003-ZP | M 4 | 3 | 2.25 | 1.5 | 2.35 |
| P0270.040-004-ZP | M 4 | 4 | 2.25 | 1.5 | 2.35 |
| P0270.040-005-ZP | M 4 | 5 | 2.25 | 1.5 | 2.35 |
| P0270.040-006-ZP | M 4 | 6 | 2.25 | 1.5 | 2.35 |
| P0270.040-008-ZP | M 4 | 8 | 2.25 | 1.5 | 2.35 |
| P0270.040-010-ZP | M 4 | 10 | 2.25 | 1.5 | 2.35 |
| P0270.040-012-ZP | M 4 | 12 | 2.25 | 1.5 | 2.35 |



Socket Set Screws Cup Point

Cup Point - steel, zinc-plated

Standard Screws



| Order No. | d ₁ | l ₁ | d ₂ | l ₂ min. | A/F |
|------------------|----------------|----------------|----------------|------------------------|------|
| P0270.040-016-ZP | M 4 | 16 | 2.25 | 1.5 | 2.35 |
| P0270.040-020-ZP | M 4 | 20 | 2.25 | 1.5 | 2.35 |
| P0270.040-025-ZP | M 4 | 25 | 2.25 | 1.5 | 2.35 |
| P0270.040-030-ZP | M 4 | 30 | 2.25 | 1.5 | 2.35 |
| P0270.040-035-ZP | M 4 | 35 | 2.25 | 1.5 | 2.35 |
| P0270.040-040-ZP | M 4 | 40 | 2.25 | 1.5 | 2.35 |
| P0270.050-005-ZP | M 5 | 5 | 3.20 | 2.0 | 2.5 |
| P0270.050-006-ZP | M 5 | 6 | 3.20 | 2.0 | 2.5 |
| P0270.050-008-ZP | M 5 | 8 | 3.20 | 2.0 | 2.5 |
| P0270.050-010-ZP | M 5 | 10 | 3.20 | 2.0 | 2.5 |
| P0270.050-012-ZP | M 5 | 12 | 3.20 | 2.0 | 2.5 |
| P0270.050-016-ZP | M 5 | 16 | 3.20 | 2.0 | 2.5 |
| P0270.050-020-ZP | M 5 | 20 | 3.20 | 2.0 | 2.5 |
| P0270.050-025-ZP | M 5 | 25 | 3.20 | 2.0 | 2.5 |
| P0270.050-030-ZP | M 5 | 30 | 3.20 | 2.0 | 2.5 |
| P0270.050-035-ZP | M 5 | 35 | 3.20 | 2.0 | 2.5 |
| P0270.050-040-ZP | M 5 | 40 | 3.20 | 2.0 | 2.5 |
| P0270.050-050-ZP | M 5 | 50 | 3.20 | 2.0 | 2.5 |
| P0270.060-004-ZP | M 6 | 4 | 3.70 | 2.0 | 3.0 |
| P0270.060-005-ZP | M 6 | 5 | 3.70 | 2.0 | 3.0 |
| P0270.060-006-ZP | M 6 | 6 | 3.70 | 2.0 | 3.0 |
| P0270.060-008-ZP | M 6 | 8 | 3.70 | 2.0 | 3.0 |
| P0270.060-010-ZP | M 6 | 10 | 3.70 | 2.0 | 3.0 |
| P0270.060-012-ZP | M 6 | 12 | 3.70 | 2.0 | 3.0 |
| P0270.060-016-ZP | M 6 | 16 | 3.70 | 2.0 | 3.0 |
| P0270.060-020-ZP | M 6 | 20 | 3.70 | 2.0 | 3.0 |
| P0270.060-025-ZP | M 6 | 25 | 3.70 | 2.0 | 3.0 |
| P0270.060-030-ZP | M 6 | 30 | 3.70 | 2.0 | 3.0 |
| P0270.060-035-ZP | M 6 | 35 | 3.70 | 2.0 | 3.0 |
| P0270.060-040-ZP | M 6 | 40 | 3.70 | 2.0 | 3.0 |
| P0270.060-045-ZP | M 6 | 45 | 3.70 | 2.0 | 3.0 |
| P0270.060-050-ZP | M 6 | 50 | 3.70 | 2.0 | 3.0 |
| P0270.060-055-ZP | M 6 | 55 | 3.70 | 2.0 | 3.0 |
| P0270.060-060-ZP | M 6 | 60 | 3.70 | 2.0 | 3.0 |
| P0270.060-070-ZP | M 6 | 70 | 3.70 | 2.0 | 3.0 |
| P0270.080-006-ZP | M 8 | 6 | 5.20 | 3.0 | 4.0 |
| P0270.080-008-ZP | M 8 | 8 | 5.20 | 3.0 | 4.0 |
| P0270.080-010-ZP | M 8 | 10 | 5.20 | 3.0 | 4.0 |
| P0270.080-012-ZP | M 8 | 12 | 5.20 | 3.0 | 4.0 |
| P0270.080-016-ZP | M 8 | 16 | 5.20 | 3.0 | 4.0 |
| P0270.080-020-ZP | M 8 | 20 | 5.20 | 3.0 | 4.0 |
| P0270.080-025-ZP | M 8 | 25 | 5.20 | 3.0 | 4.0 |
| P0270.080-030-ZP | M 8 | 30 | 5.20 | 3.0 | 4.0 |
| P0270.080-035-ZP | M 8 | 35 | 5.20 | 3.0 | 4.0 |
| P0270.080-040-ZP | M 8 | 40 | 5.20 | 3.0 | 4.0 |
| P0270.080-050-ZP | M 8 | 50 | 5.20 | 3.0 | 4.0 |
| P0270.080-060-ZP | M 8 | 60 | 5.20 | 3.0 | 4.0 |
| P0270.080-070-ZP | M 8 | 70 | 5.20 | 3.0 | 4.0 |
| P0270.080-080-ZP | M 8 | 80 | 5.20 | 3.0 | 4.0 |
| P0270.100-010-ZP | M10 | 10 | 6.64 | 4.0 | 5.0 |
| P0270.100-012-ZP | M10 | 12 | 6.64 | 4.0 | 5.0 |
| P0270.100-016-ZP | M10 | 16 | 6.64 | 4.0 | 5.0 |
| P0270.100-020-ZP | M10 | 20 | 6.64 | 4.0 | 5.0 |
| P0270.100-025-ZP | M10 | 25 | 6.64 | 4.0 | 5.0 |
| P0270.100-030-ZP | M10 | 30 | 6.64 | 4.0 | 5.0 |
| P0270.100-035-ZP | M10 | 35 | 6.64 | 4.0 | 5.0 |
| P0270.100-040-ZP | M10 | 40 | 6.64 | 4.0 | 5.0 |
| P0270.100-045-ZP | M10 | 45 | 6.64 | 4.0 | 5.0 |
| P0270.100-050-ZP | M10 | 50 | 6.64 | 4.0 | 5.0 |
| P0270.100-055-ZP | M10 | 55 | 6.64 | 4.0 | 5.0 |
| P0270.100-060-ZP | M10 | 60 | 6.64 | 4.0 | 5.0 |
| P0270.100-070-ZP | M10 | 70 | 6.64 | 4.0 | 5.0 |
| P0270.100-080-ZP | M10 | 80 | 6.64 | 4.0 | 5.0 |
| P0270.100-090-ZP | M10 | 90 | 6.64 | 4.0 | 5.0 |
| P0270.120-010-ZP | M12 | 10 | 8.14 | 4.8 | 5.0 |
| P0270.120-012-ZP | M12 | 12 | 8.14 | 4.8 | 5.0 |
| P0270.120-016-ZP | M12 | 16 | 8.14 | 4.8 | 5.0 |
| P0270.120-020-ZP | M12 | 20 | 8.14 | 4.8 | 5.0 |

STANDARD SCREWS



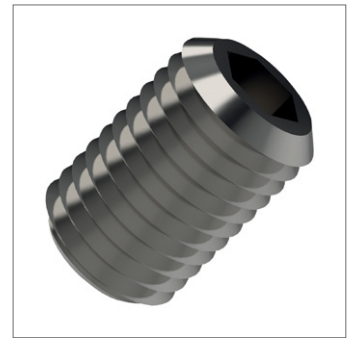
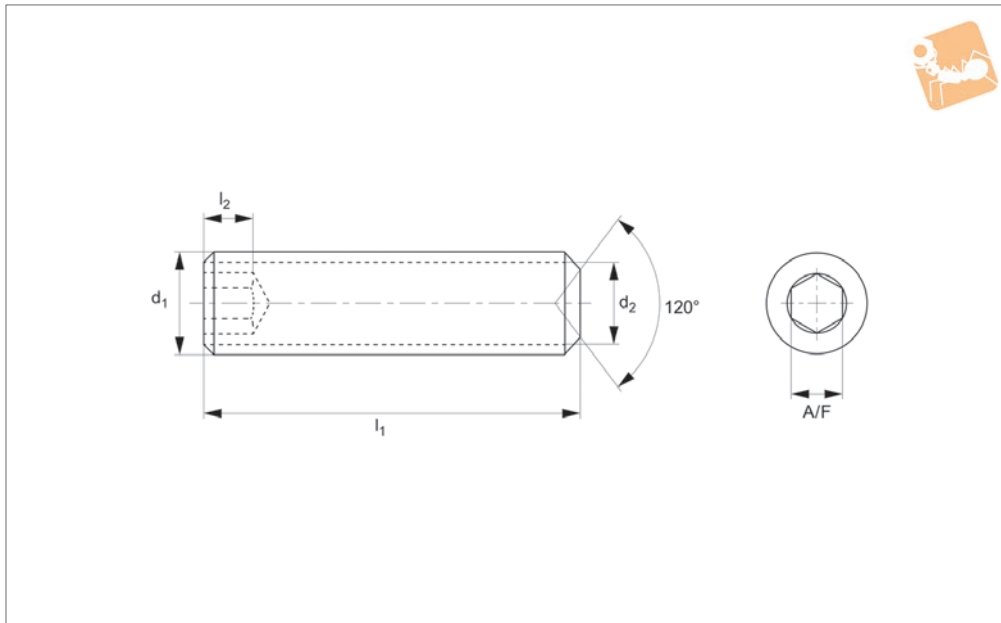
| Order No. | d ₁ | l ₁ | d ₂ | l ₂ min. | A/F |
|------------------|----------------|----------------|----------------|------------------------|-----|
| P0270.120-025-ZP | M12 | 25 | 8.14 | 4.8 | 5.0 |
| P0270.120-030-ZP | M12 | 30 | 8.14 | 4.8 | 5.0 |
| P0270.120-035-ZP | M12 | 35 | 8.14 | 4.8 | 5.0 |
| P0270.120-040-ZP | M12 | 40 | 8.14 | 4.8 | 5.0 |
| P0270.120-045-ZP | M12 | 45 | 8.14 | 4.8 | 5.0 |
| P0270.120-050-ZP | M12 | 50 | 8.14 | 4.8 | 5.0 |
| P0270.120-055-ZP | M12 | 55 | 8.14 | 4.8 | 5.0 |
| P0270.120-060-ZP | M12 | 60 | 8.14 | 4.8 | 5.0 |
| P0270.120-070-ZP | M12 | 70 | 8.14 | 4.8 | 5.0 |
| P0270.120-080-ZP | M12 | 80 | 8.14 | 4.8 | 5.0 |
| P0270.120-090-ZP | M12 | 90 | 8.14 | 4.8 | 5.0 |
| P0270.160-016-ZP | M16 | 16 | 9.64 | 6.4 | 8.0 |
| P0270.160-020-ZP | M16 | 20 | 9.64 | 6.4 | 8.0 |
| P0270.160-025-ZP | M16 | 25 | 9.64 | 6.4 | 8.0 |
| P0270.160-030-ZP | M16 | 30 | 9.64 | 6.4 | 8.0 |
| P0270.160-035-ZP | M16 | 35 | 9.64 | 6.4 | 8.0 |
| P0270.160-040-ZP | M16 | 40 | 9.64 | 6.4 | 8.0 |
| P0270.160-045-ZP | M16 | 45 | 9.64 | 6.4 | 8.0 |
| P0270.160-050-ZP | M16 | 50 | 9.64 | 6.4 | 8.0 |
| P0270.160-055-ZP | M16 | 55 | 9.64 | 6.4 | 8.0 |
| P0270.160-060-ZP | M16 | 60 | 9.64 | 6.4 | 8.0 |
| P0270.160-070-ZP | M16 | 70 | 9.64 | 6.4 | 8.0 |
| P0270.160-080-ZP | M16 | 80 | 9.64 | 6.4 | 8.0 |
| P0270.160-090-ZP | M16 | 90 | 9.64 | 6.4 | 8.0 |
| P0270.160-100-ZP | M16 | 100 | 9.64 | 6.4 | 8.0 |
| P0270.200-020-ZP | M20 | 20 | 13.57 | 8.0 | 10 |
| P0270.200-025-ZP | M20 | 25 | 13.57 | 8.0 | 10 |
| P0270.200-030-ZP | M20 | 30 | 13.57 | 8.0 | 10 |
| P0270.200-035-ZP | M20 | 35 | 13.57 | 8.0 | 10 |
| P0270.200-040-ZP | M20 | 40 | 13.57 | 8.0 | 10 |
| P0270.200-045-ZP | M20 | 45 | 13.57 | 8.0 | 10 |
| P0270.200-050-ZP | M20 | 50 | 13.57 | 8.0 | 10 |
| P0270.200-055-ZP | M20 | 55 | 13.57 | 8.0 | 10 |
| P0270.200-060-ZP | M20 | 60 | 13.57 | 8.0 | 10 |
| P0270.200-070-ZP | M20 | 70 | 13.57 | 8.0 | 10 |
| P0270.200-080-ZP | M20 | 80 | 13.57 | 8.0 | 10 |
| P0270.200-090-ZP | M20 | 90 | 13.57 | 8.0 | 10 |
| P0270.200-100-ZP | M20 | 100 | 13.57 | 8.0 | 10 |



Socket Set Screws Cup Point

Cup Point - A2 stainless

Standard Screws



P0270.A2

STANDARD SCREWS

Material

Stainless steel (A2).

See technical page for tightening torques.

Technical Notes

To DIN 916, cup point.

| Order No. | d ₁ | l ₁ | d ₂ | l ₂ min. | A/F |
|------------------|----------------|----------------|----------------|------------------------|------|
| P0270.020-003-A2 | M 2 | 3 | 0.75 | 0.8 | 0.9 |
| P0270.020-004-A2 | M 2 | 4 | 0.75 | 0.8 | 0.9 |
| P0270.020-005-A2 | M 2 | 5 | 0.75 | 0.8 | 0.9 |
| P0270.020-006-A2 | M 2 | 6 | 0.75 | 0.8 | 0.9 |
| P0270.020-008-A2 | M 2 | 8 | 0.75 | 0.8 | 0.9 |
| P0270.020-010-A2 | M 2 | 10 | 0.75 | 0.8 | 0.9 |
| P0270.020-012-A2 | M 2 | 12 | 0.75 | 0.8 | 0.9 |
| P0270.020-016-A2 | M 2 | 16 | 0.75 | 0.8 | 0.9 |
| P0270.025-003-A2 | M2,5 | 3 | 1.25 | 1.0 | 1.3 |
| P0270.025-004-A2 | M2,5 | 4 | 1.25 | 1.0 | 1.3 |
| P0270.025-005-A2 | M2,5 | 5 | 1.25 | 1.0 | 1.3 |
| P0270.025-006-A2 | M2,5 | 6 | 1.25 | 1.0 | 1.3 |
| P0270.025-008-A2 | M2,5 | 8 | 1.25 | 1.0 | 1.3 |
| P0270.025-010-A2 | M2,5 | 10 | 1.25 | 1.0 | 1.3 |
| P0270.025-012-A2 | M2,5 | 12 | 1.25 | 1.0 | 1.3 |
| P0270.025-016-A2 | M2,5 | 16 | 1.25 | 1.0 | 1.3 |
| P0270.030-003-A2 | M 3 | 3 | 1.75 | 1.0 | 1.5 |
| P0270.030-004-A2 | M 3 | 4 | 1.75 | 1.0 | 1.5 |
| P0270.030-005-A2 | M 3 | 5 | 1.75 | 1.0 | 1.5 |
| P0270.030-006-A2 | M 3 | 6 | 1.75 | 1.0 | 1.5 |
| P0270.030-008-A2 | M 3 | 8 | 1.75 | 1.0 | 1.5 |
| P0270.030-010-A2 | M 3 | 10 | 1.75 | 1.0 | 1.5 |
| P0270.030-012-A2 | M 3 | 12 | 1.75 | 1.0 | 1.5 |
| P0270.030-016-A2 | M 3 | 16 | 1.75 | 1.0 | 1.5 |
| P0270.030-020-A2 | M 3 | 20 | 1.75 | 1.0 | 1.5 |
| P0270.030-025-A2 | M 3 | 25 | 1.75 | 1.0 | 1.5 |
| P0270.030-030-A2 | M 3 | 30 | 1.75 | 1.0 | 1.5 |
| P0270.040-003-A2 | M 4 | 3 | 2.25 | 1.5 | 2.35 |
| P0270.040-004-A2 | M 4 | 4 | 2.25 | 1.5 | 2.35 |
| P0270.040-005-A2 | M 4 | 5 | 2.25 | 1.5 | 2.35 |
| P0270.040-006-A2 | M 4 | 6 | 2.25 | 1.5 | 2.35 |
| P0270.040-008-A2 | M 4 | 8 | 2.25 | 1.5 | 2.35 |
| P0270.040-010-A2 | M 4 | 10 | 2.25 | 1.5 | 2.35 |
| P0270.040-012-A2 | M 4 | 12 | 2.25 | 1.5 | 2.35 |



STANDARD SCREWS

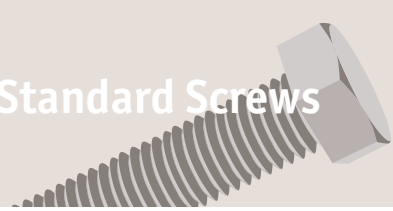
| Order No. | d ₁ | l ₁ | d ₂ | l ₂ min. | A/F |
|------------------|----------------|----------------|----------------|------------------------|------|
| P0270.040-016-A2 | M 4 | 16 | 2.25 | 1.5 | 2.35 |
| P0270.040-020-A2 | M 4 | 20 | 2.25 | 1.5 | 2.35 |
| P0270.040-025-A2 | M 4 | 25 | 2.25 | 1.5 | 2.35 |
| P0270.040-030-A2 | M 4 | 30 | 2.25 | 1.5 | 2.35 |
| P0270.040-035-A2 | M 4 | 35 | 2.25 | 1.5 | 2.35 |
| P0270.040-040-A2 | M 4 | 40 | 2.25 | 1.5 | 2.35 |
| P0270.050-005-A2 | M 5 | 5 | 3.20 | 2.0 | 2.5 |
| P0270.050-006-A2 | M 5 | 6 | 3.20 | 2.0 | 2.5 |
| P0270.050-008-A2 | M 5 | 8 | 3.20 | 2.0 | 2.5 |
| P0270.050-010-A2 | M 5 | 10 | 3.20 | 2.0 | 2.5 |
| P0270.050-012-A2 | M 5 | 12 | 3.20 | 2.0 | 2.5 |
| P0270.050-016-A2 | M 5 | 16 | 3.20 | 2.0 | 2.5 |
| P0270.050-020-A2 | M 5 | 20 | 3.20 | 2.0 | 2.5 |
| P0270.050-025-A2 | M 5 | 25 | 3.20 | 2.0 | 2.5 |
| P0270.050-030-A2 | M 5 | 30 | 3.20 | 2.0 | 2.5 |
| P0270.050-035-A2 | M 5 | 35 | 3.20 | 2.0 | 2.5 |
| P0270.050-040-A2 | M 5 | 40 | 3.20 | 2.0 | 2.5 |
| P0270.050-050-A2 | M 5 | 50 | 3.20 | 2.0 | 2.5 |
| P0270.060-004-A2 | M 6 | 4 | 3.70 | 2.0 | 3.0 |
| P0270.060-005-A2 | M 6 | 5 | 3.70 | 2.0 | 3.0 |
| P0270.060-006-A2 | M 6 | 6 | 3.70 | 2.0 | 3.0 |
| P0270.060-008-A2 | M 6 | 8 | 3.70 | 2.0 | 3.0 |
| P0270.060-010-A2 | M 6 | 10 | 3.70 | 2.0 | 3.0 |
| P0270.060-012-A2 | M 6 | 12 | 3.70 | 2.0 | 3.0 |
| P0270.060-016-A2 | M 6 | 16 | 3.70 | 2.0 | 3.0 |
| P0270.060-020-A2 | M 6 | 20 | 3.70 | 2.0 | 3.0 |
| P0270.060-025-A2 | M 6 | 25 | 3.70 | 2.0 | 3.0 |
| P0270.060-030-A2 | M 6 | 30 | 3.70 | 2.0 | 3.0 |
| P0270.060-035-A2 | M 6 | 35 | 3.70 | 2.0 | 3.0 |
| P0270.060-040-A2 | M 6 | 40 | 3.70 | 2.0 | 3.0 |
| P0270.060-045-A2 | M 6 | 45 | 3.70 | 2.0 | 3.0 |
| P0270.060-050-A2 | M 6 | 50 | 3.70 | 2.0 | 3.0 |
| P0270.060-055-A2 | M 6 | 55 | 3.70 | 2.0 | 3.0 |
| P0270.060-060-A2 | M 6 | 60 | 3.70 | 2.0 | 3.0 |
| P0270.060-070-A2 | M 6 | 70 | 3.70 | 2.0 | 3.0 |
| P0270.080-006-A2 | M 8 | 6 | 5.20 | 3.0 | 4.0 |
| P0270.080-008-A2 | M 8 | 8 | 5.20 | 3.0 | 4.0 |
| P0270.080-010-A2 | M 8 | 10 | 5.20 | 3.0 | 4.0 |
| P0270.080-012-A2 | M 8 | 12 | 5.20 | 3.0 | 4.0 |
| P0270.080-016-A2 | M 8 | 16 | 5.20 | 3.0 | 4.0 |
| P0270.080-020-A2 | M 8 | 20 | 5.20 | 3.0 | 4.0 |
| P0270.080-025-A2 | M 8 | 25 | 5.20 | 3.0 | 4.0 |
| P0270.080-030-A2 | M 8 | 30 | 5.20 | 3.0 | 4.0 |
| P0270.080-035-A2 | M 8 | 35 | 5.20 | 3.0 | 4.0 |
| P0270.080-040-A2 | M 8 | 40 | 5.20 | 3.0 | 4.0 |
| P0270.080-050-A2 | M 8 | 50 | 5.20 | 3.0 | 4.0 |
| P0270.080-060-A2 | M 8 | 60 | 5.20 | 3.0 | 4.0 |
| P0270.080-070-A2 | M 8 | 70 | 5.20 | 3.0 | 4.0 |
| P0270.080-080-A2 | M 8 | 80 | 5.20 | 3.0 | 4.0 |
| P0270.100-010-A2 | M10 | 10 | 6.64 | 4.0 | 5.0 |
| P0270.100-012-A2 | M10 | 12 | 6.64 | 4.0 | 5.0 |
| P0270.100-016-A2 | M10 | 16 | 6.64 | 4.0 | 5.0 |
| P0270.100-020-A2 | M10 | 20 | 6.64 | 4.0 | 5.0 |
| P0270.100-025-A2 | M10 | 25 | 6.64 | 4.0 | 5.0 |
| P0270.100-030-A2 | M10 | 30 | 6.64 | 4.0 | 5.0 |
| P0270.100-035-A2 | M10 | 35 | 6.64 | 4.0 | 5.0 |
| P0270.100-040-A2 | M10 | 40 | 6.64 | 4.0 | 5.0 |
| P0270.100-045-A2 | M10 | 45 | 6.64 | 4.0 | 5.0 |
| P0270.100-050-A2 | M10 | 50 | 6.64 | 4.0 | 5.0 |
| P0270.100-055-A2 | M10 | 55 | 6.64 | 4.0 | 5.0 |
| P0270.100-060-A2 | M10 | 60 | 6.64 | 4.0 | 5.0 |
| P0270.100-070-A2 | M10 | 70 | 6.64 | 4.0 | 5.0 |
| P0270.100-080-A2 | M10 | 80 | 6.64 | 4.0 | 5.0 |
| P0270.100-090-A2 | M10 | 90 | 6.64 | 4.0 | 5.0 |
| P0270.120-010-A2 | M12 | 10 | 8.14 | 4.8 | 5.0 |
| P0270.120-012-A2 | M12 | 12 | 8.14 | 4.8 | 5.0 |
| P0270.120-016-A2 | M12 | 16 | 8.14 | 4.8 | 5.0 |
| P0270.120-020-A2 | M12 | 20 | 8.14 | 4.8 | 5.0 |



Socket Set Screws Cup Point

Cup Point - A2 stainless

Standard Screws

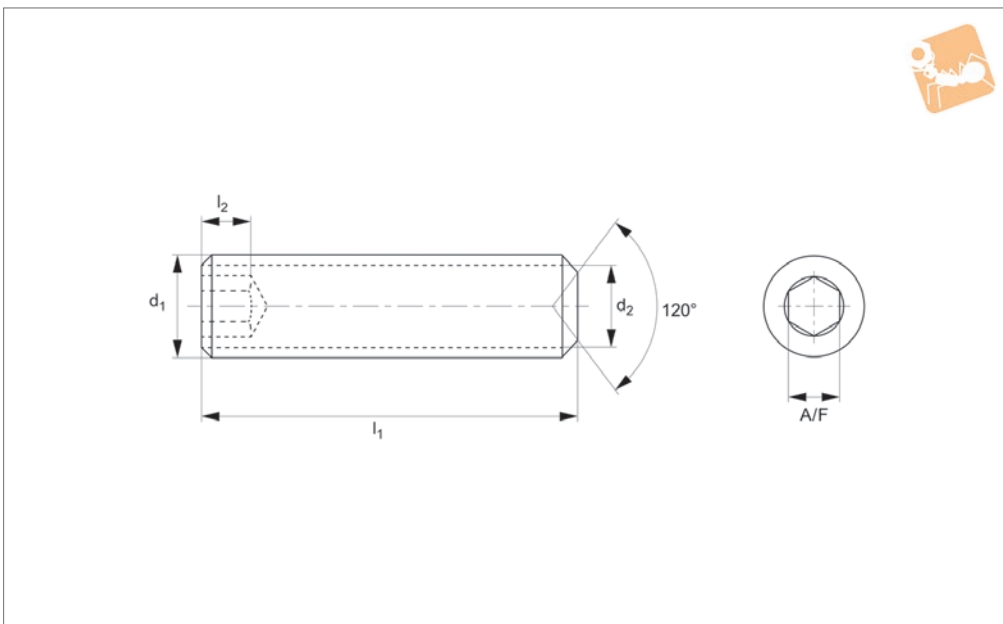


| Order No. | d ₁ | l ₁ | d ₂ | l ₂ min. | A/F |
|------------------|----------------|----------------|----------------|------------------------|-----|
| P0270.120-025-A2 | M12 | 25 | 8.14 | 4.8 | 5.0 |
| P0270.120-030-A2 | M12 | 30 | 8.14 | 4.8 | 5.0 |
| P0270.120-035-A2 | M12 | 35 | 8.14 | 4.8 | 5.0 |
| P0270.120-040-A2 | M12 | 40 | 8.14 | 4.8 | 5.0 |
| P0270.120-045-A2 | M12 | 45 | 8.14 | 4.8 | 5.0 |
| P0270.120-050-A2 | M12 | 50 | 8.14 | 4.8 | 5.0 |
| P0270.120-055-A2 | M12 | 55 | 8.14 | 4.8 | 5.0 |
| P0270.120-060-A2 | M12 | 60 | 8.14 | 4.8 | 5.0 |
| P0270.120-070-A2 | M12 | 70 | 8.14 | 4.8 | 5.0 |
| P0270.120-080-A2 | M12 | 80 | 8.14 | 4.8 | 5.0 |
| P0270.120-090-A2 | M12 | 90 | 8.14 | 4.8 | 5.0 |
| P0270.160-016-A2 | M16 | 16 | 9.64 | 6.4 | 8.0 |
| P0270.160-020-A2 | M16 | 20 | 9.64 | 6.4 | 8.0 |
| P0270.160-025-A2 | M16 | 25 | 9.64 | 6.4 | 8.0 |
| P0270.160-030-A2 | M16 | 30 | 9.64 | 6.4 | 8.0 |
| P0270.160-035-A2 | M16 | 35 | 9.64 | 6.4 | 8.0 |
| P0270.160-040-A2 | M16 | 40 | 9.64 | 6.4 | 8.0 |
| P0270.160-045-A2 | M16 | 45 | 9.64 | 6.4 | 8.0 |
| P0270.160-050-A2 | M16 | 50 | 9.64 | 6.4 | 8.0 |
| P0270.160-055-A2 | M16 | 55 | 9.64 | 6.4 | 8.0 |
| P0270.160-060-A2 | M16 | 60 | 9.64 | 6.4 | 8.0 |
| P0270.160-070-A2 | M16 | 70 | 9.64 | 6.4 | 8.0 |
| P0270.160-080-A2 | M16 | 80 | 9.64 | 6.4 | 8.0 |
| P0270.160-090-A2 | M16 | 90 | 9.64 | 6.4 | 8.0 |
| P0270.160-100-A2 | M16 | 100 | 9.64 | 6.4 | 8.0 |
| P0270.200-020-A2 | M20 | 20 | 13.57 | 8.0 | 10 |
| P0270.200-025-A2 | M20 | 25 | 13.57 | 8.0 | 10 |
| P0270.200-030-A2 | M20 | 30 | 13.57 | 8.0 | 10 |
| P0270.200-035-A2 | M20 | 35 | 13.57 | 8.0 | 10 |
| P0270.200-040-A2 | M20 | 40 | 13.57 | 8.0 | 10 |
| P0270.200-045-A2 | M20 | 45 | 13.57 | 8.0 | 10 |
| P0270.200-050-A2 | M20 | 50 | 13.57 | 8.0 | 10 |
| P0270.200-055-A2 | M20 | 55 | 13.57 | 8.0 | 10 |
| P0270.200-060-A2 | M20 | 60 | 13.57 | 8.0 | 10 |
| P0270.200-070-A2 | M20 | 70 | 13.57 | 8.0 | 10 |
| P0270.200-080-A2 | M20 | 80 | 13.57 | 8.0 | 10 |
| P0270.200-090-A2 | M20 | 90 | 13.57 | 8.0 | 10 |
| P0270.200-100-A2 | M20 | 100 | 13.57 | 8.0 | 10 |

STANDARD SCREWS



P0272.A2



Material

Stainless steel (A2).

See technical page for tightening torques.

Technical Notes

To DIN 913, flat point.

| Order No. | d ₁ | l ₁ | d ₂ | l ₂ min. | A/F |
|------------------|----------------|----------------|----------------|------------------------|-----|
| P0272.020-002-A2 | M 2 | 2 | 0.75 | 0.8 | 0.9 |
| P0272.020-003-A2 | M 2 | 3 | 0.75 | 0.8 | 0.9 |
| P0272.020-004-A2 | M 2 | 4 | 0.75 | 0.8 | 0.9 |
| P0272.020-005-A2 | M 2 | 5 | 0.75 | 0.8 | 0.9 |
| P0272.020-006-A2 | M 2 | 6 | 0.75 | 0.8 | 0.9 |
| P0272.020-008-A2 | M 2 | 8 | 0.75 | 0.8 | 0.9 |
| P0272.020-010-A2 | M 2 | 10 | 0.75 | 0.8 | 0.9 |
| P0272.020-012-A2 | M 2 | 12 | 0.75 | 0.8 | 0.9 |
| P0272.020-014-A2 | M 2 | 14 | 0.75 | 0.8 | 0.9 |
| P0272.020-016-A2 | M 2 | 16 | 0.75 | 0.8 | 0.9 |
| P0272.025-003-A2 | M2,5 | 3 | 1.25 | 1.2 | 1.3 |
| P0272.025-004-A2 | M2,5 | 4 | 1.25 | 1.2 | 1.3 |
| P0272.025-005-A2 | M2,5 | 5 | 1.25 | 1.2 | 1.3 |
| P0272.025-006-A2 | M2,5 | 6 | 1.25 | 1.2 | 1.3 |
| P0272.025-008-A2 | M2,5 | 8 | 1.25 | 1.2 | 1.3 |
| P0272.025-010-A2 | M2,5 | 10 | 1.25 | 1.2 | 1.3 |
| P0272.025-012-A2 | M2,5 | 12 | 1.25 | 1.2 | 1.3 |
| P0272.025-014-A2 | M 2,5 | 14 | 1.25 | 1.2 | 1.3 |
| P0272.025-016-A2 | M2,5 | 16 | 1.25 | 1.2 | 1.3 |
| P0272.030-003-A2 | M 3 | 3 | 1.75 | 1.2 | 1.5 |
| P0272.030-004-A2 | M 3 | 4 | 1.75 | 1.2 | 1.5 |
| P0272.030-005-A2 | M 3 | 5 | 1.75 | 1.2 | 1.5 |
| P0272.030-006-A2 | M 3 | 6 | 1.75 | 1.2 | 1.5 |
| P0272.030-008-A2 | M 3 | 8 | 1.75 | 1.2 | 1.5 |
| P0272.030-010-A2 | M 3 | 10 | 1.75 | 1.2 | 1.5 |
| P0272.030-012-A2 | M 3 | 12 | 1.75 | 1.2 | 1.5 |
| P0272.030-014-A2 | M 3 | 14 | 1.75 | 1.2 | 1.5 |
| P0272.030-016-A2 | M 3 | 16 | 1.75 | 1.2 | 1.5 |
| P0272.030-020-A2 | M 3 | 20 | 1.75 | 1.2 | 1.5 |
| P0272.030-025-A2 | M 3 | 25 | 1.75 | 1.2 | 1.5 |
| P0272.030-030-A2 | M 3 | 30 | 1.75 | 1.2 | 1.5 |
| P0272.040-003-A2 | M 4 | 3 | 2.25 | 1.5 | 2.0 |
| P0272.040-004-A2 | M 4 | 4 | 2.25 | 1.5 | 2.0 |
| P0272.040-005-A2 | M 4 | 5 | 2.25 | 1.5 | 2.0 |



Socket Set Screws Flat Point

Flat Point - A2 stainless

Standard Screws



| Order No. | d ₁ | l ₁ | d ₂ | l ₂ min. | A/F |
|------------------|----------------|----------------|----------------|------------------------|-----|
| P0272.040-006-A2 | M 4 | 6 | 2.25 | 1.5 | 2.0 |
| P0272.040-008-A2 | M 4 | 8 | 2.25 | 1.5 | 2.0 |
| P0272.040-010-A2 | M 4 | 10 | 2.25 | 1.5 | 2.0 |
| P0272.040-012-A2 | M 4 | 12 | 2.25 | 1.5 | 2.0 |
| P0272.040-014-A2 | M 4 | 14 | 2.25 | 1.5 | 2.0 |
| P0272.040-016-A2 | M 4 | 16 | 2.25 | 1.5 | 2.0 |
| P0272.040-020-A2 | M 4 | 20 | 2.25 | 1.5 | 2.0 |
| P0272.040-025-A2 | M 4 | 25 | 2.25 | 1.5 | 2.0 |
| P0272.040-030-A2 | M 4 | 30 | 2.25 | 1.5 | 2.0 |
| P0272.040-035-A2 | M 4 | 35 | 2.25 | 1.5 | 2.0 |
| P0272.040-040-A2 | M 4 | 40 | 2.25 | 1.5 | 2.0 |
| P0272.050-005-A2 | M 5 | 5 | 3.20 | 2.0 | 2.5 |
| P0272.050-006-A2 | M 5 | 6 | 3.20 | 2.0 | 2.5 |
| P0272.050-008-A2 | M 5 | 8 | 3.20 | 2.0 | 2.5 |
| P0272.050-010-A2 | M 5 | 10 | 3.20 | 2.0 | 2.5 |
| P0272.050-012-A2 | M 5 | 12 | 3.20 | 2.0 | 2.5 |
| P0272.050-014-A2 | M 5 | 14 | 3.20 | 2.0 | 2.5 |
| P0272.050-016-A2 | M 5 | 16 | 3.20 | 2.0 | 2.5 |
| P0272.050-020-A2 | M 5 | 20 | 3.20 | 2.0 | 2.5 |
| P0272.050-025-A2 | M 5 | 25 | 3.20 | 2.0 | 2.5 |
| P0272.050-030-A2 | M 5 | 30 | 3.20 | 2.0 | 2.5 |
| P0272.050-035-A2 | M 5 | 35 | 3.20 | 2.0 | 2.5 |
| P0272.050-040-A2 | M 5 | 40 | 3.20 | 2.0 | 2.5 |
| P0272.050-050-A2 | M 5 | 50 | 3.20 | 2.0 | 2.5 |
| P0272.060-004-A2 | M 6 | 4 | 3.70 | 2.0 | 3.0 |
| P0272.060-005-A2 | M 6 | 5 | 3.70 | 2.0 | 3.0 |
| P0272.060-006-A2 | M 6 | 6 | 3.70 | 2.0 | 3.0 |
| P0272.060-008-A2 | M 6 | 8 | 3.70 | 2.0 | 3.0 |
| P0272.060-010-A2 | M 6 | 10 | 3.70 | 2.0 | 3.0 |
| P0272.060-012-A2 | M 6 | 12 | 3.70 | 2.0 | 3.0 |
| P0272.060-014-A2 | M 6 | 14 | 3.70 | 2.0 | 3.0 |
| P0272.060-016-A2 | M 6 | 16 | 3.70 | 2.0 | 3.0 |
| P0272.060-020-A2 | M 6 | 20 | 3.70 | 2.0 | 3.0 |
| P0272.060-025-A2 | M 6 | 25 | 3.70 | 2.0 | 3.0 |
| P0272.060-030-A2 | M 6 | 30 | 3.70 | 2.0 | 3.0 |
| P0272.060-035-A2 | M 6 | 35 | 3.70 | 2.0 | 3.0 |
| P0272.060-040-A2 | M 6 | 40 | 3.70 | 2.0 | 3.0 |
| P0272.060-045-A2 | M 6 | 45 | 3.70 | 2.0 | 3.0 |
| P0272.060-050-A2 | M 6 | 50 | 3.70 | 2.0 | 3.0 |
| P0272.060-055-A2 | M 6 | 55 | 3.70 | 2.0 | 3.0 |
| P0272.060-060-A2 | M 6 | 60 | 3.70 | 2.0 | 3.0 |
| P0272.060-070-A2 | M 6 | 70 | 3.70 | 2.0 | 3.0 |
| P0272.080-006-A2 | M 8 | 6 | 5.20 | 3.0 | 4.0 |
| P0272.080-008-A2 | M 8 | 8 | 5.20 | 3.0 | 4.0 |
| P0272.080-010-A2 | M 8 | 10 | 5.20 | 3.0 | 4.0 |
| P0272.080-012-A2 | M 8 | 12 | 5.20 | 3.0 | 4.0 |
| P0272.080-014-A2 | M 8 | 14 | 5.20 | 3.0 | 4.0 |
| P0272.080-016-A2 | M 8 | 16 | 5.20 | 3.0 | 4.0 |
| P0272.080-020-A2 | M 8 | 20 | 5.20 | 3.0 | 4.0 |
| P0272.080-025-A2 | M 8 | 25 | 5.20 | 3.0 | 4.0 |
| P0272.080-030-A2 | M 8 | 30 | 5.20 | 3.0 | 4.0 |
| P0272.080-035-A2 | M 8 | 35 | 5.20 | 3.0 | 4.0 |
| P0272.080-040-A2 | M 8 | 40 | 5.20 | 3.0 | 4.0 |
| P0272.080-050-A2 | M 8 | 50 | 5.20 | 3.0 | 4.0 |
| P0272.080-060-A2 | M 8 | 60 | 5.20 | 3.0 | 4.0 |
| P0272.080-070-A2 | M 8 | 70 | 5.20 | 3.0 | 4.0 |
| P0272.080-080-A2 | M 8 | 80 | 5.20 | 3.0 | 4.0 |
| P0272.100-010-A2 | M10 | 10 | 6.64 | 4.0 | 5.0 |
| P0272.100-012-A2 | M10 | 12 | 6.64 | 4.0 | 5.0 |
| P0272.100-016-A2 | M10 | 16 | 6.64 | 4.0 | 5.0 |
| P0272.100-020-A2 | M10 | 20 | 6.64 | 4.0 | 5.0 |
| P0272.100-025-A2 | M10 | 25 | 6.64 | 4.0 | 5.0 |
| P0272.100-030-A2 | M10 | 30 | 6.64 | 4.0 | 5.0 |
| P0272.100-035-A2 | M10 | 35 | 6.64 | 4.0 | 5.0 |
| P0272.100-040-A2 | M10 | 40 | 6.64 | 4.0 | 5.0 |
| P0272.100-045-A2 | M10 | 45 | 6.64 | 4.0 | 5.0 |
| P0272.100-050-A2 | M10 | 50 | 6.64 | 4.0 | 5.0 |
| P0272.100-055-A2 | M10 | 55 | 6.64 | 4.0 | 5.0 |

STANDARD SCREWS



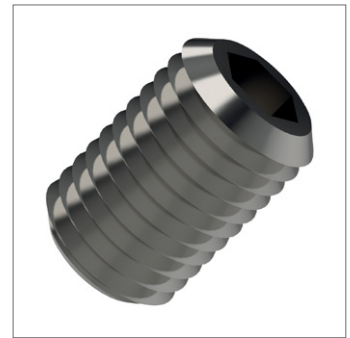
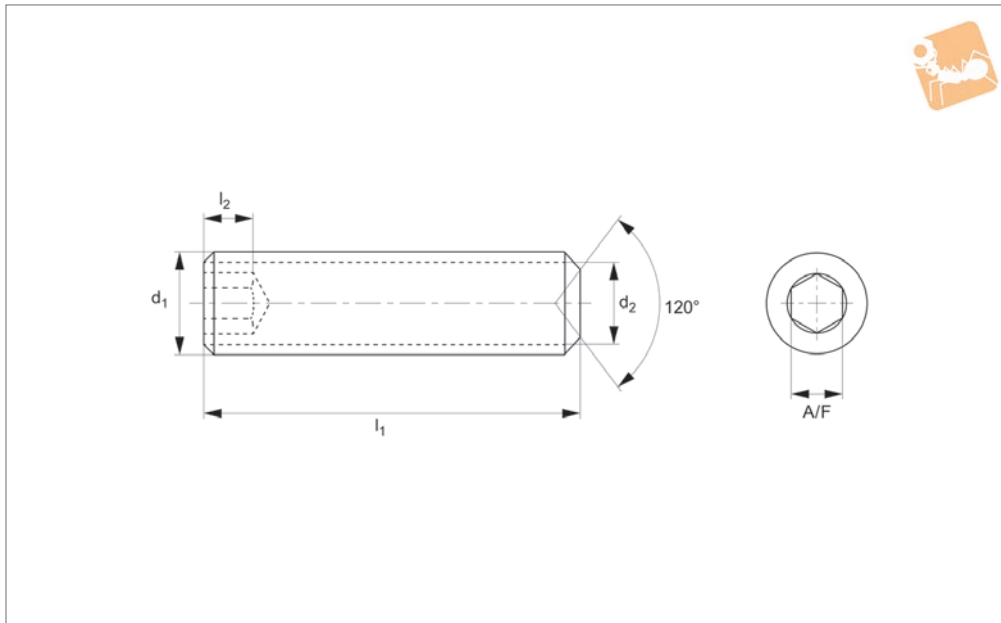
| Order No. | d ₁ | l ₁ | d ₂ | l ₂ min. | A/F |
|------------------|----------------|----------------|----------------|------------------------|-----|
| P0272.100-060-A2 | M10 | 60 | 6.64 | 4.0 | 5.0 |
| P0272.100-070-A2 | M10 | 70 | 6.64 | 4.0 | 5.0 |
| P0272.100-080-A2 | M10 | 80 | 6.64 | 4.0 | 5.0 |
| P0272.100-090-A2 | M10 | 90 | 6.64 | 4.0 | 5.0 |
| P0272.120-012-A2 | M12 | 12 | 8.14 | 4.8 | 6.0 |
| P0272.120-016-A2 | M12 | 16 | 8.14 | 4.8 | 6.0 |
| P0272.120-020-A2 | M12 | 20 | 8.14 | 4.8 | 6.0 |
| P0272.120-025-A2 | M12 | 25 | 8.14 | 4.8 | 6.0 |
| P0272.120-030-A2 | M12 | 30 | 8.14 | 4.8 | 6.0 |
| P0272.120-035-A2 | M12 | 35 | 8.14 | 4.8 | 6.0 |
| P0272.120-040-A2 | M12 | 40 | 8.14 | 4.8 | 6.0 |
| P0272.120-045-A2 | M12 | 45 | 8.14 | 4.8 | 6.0 |
| P0272.120-050-A2 | M12 | 50 | 8.14 | 4.8 | 6.0 |
| P0272.120-055-A2 | M12 | 55 | 8.14 | 4.8 | 6.0 |
| P0272.120-060-A2 | M12 | 60 | 8.14 | 4.8 | 6.0 |
| P0272.120-070-A2 | M12 | 70 | 8.14 | 4.8 | 6.0 |
| P0272.120-080-A2 | M12 | 80 | 8.14 | 4.8 | 6.0 |
| P0272.120-090-A2 | M12 | 90 | 8.14 | 4.8 | 6.0 |
| P0272.120-100-A2 | M12 | 100 | 8.14 | 4.8 | 5.0 |
| P0272.160-016-A2 | M16 | 16 | 11.57 | 6.4 | 8.0 |
| P0272.160-020-A2 | M16 | 20 | 11.57 | 6.4 | 8.0 |
| P0272.160-025-A2 | M16 | 25 | 11.57 | 6.4 | 8.0 |
| P0272.160-030-A2 | M16 | 30 | 11.57 | 6.4 | 8.0 |
| P0272.160-035-A2 | M16 | 35 | 11.57 | 6.4 | 8.0 |
| P0272.160-040-A2 | M16 | 40 | 11.57 | 6.4 | 8.0 |
| P0272.160-045-A2 | M16 | 45 | 11.57 | 6.4 | 8.0 |
| P0272.160-050-A2 | M16 | 50 | 11.57 | 6.4 | 8.0 |
| P0272.160-055-A2 | M16 | 55 | 11.57 | 6.4 | 8.0 |
| P0272.160-060-A2 | M16 | 60 | 11.57 | 6.4 | 8.0 |
| P0272.160-070-A2 | M16 | 70 | 11.57 | 6.4 | 8.0 |
| P0272.160-080-A2 | M16 | 80 | 11.57 | 6.4 | 8.0 |
| P0272.160-090-A2 | M16 | 90 | 11.57 | 6.4 | 8.0 |
| P0272.160-100-A2 | M16 | 100 | 11.57 | 6.4 | 8.0 |
| P0272.200-020-A2 | M20 | 20 | 14.57 | 8.0 | 10 |
| P0272.200-025-A2 | M20 | 25 | 14.57 | 8.0 | 10 |
| P0272.200-030-A2 | M20 | 30 | 14.57 | 8.0 | 10 |
| P0272.200-035-A2 | M20 | 35 | 14.57 | 8.0 | 10 |
| P0272.200-040-A2 | M20 | 40 | 14.57 | 8.0 | 10 |
| P0272.200-045-A2 | M20 | 45 | 14.57 | 8.0 | 10 |
| P0272.200-050-A2 | M20 | 50 | 14.57 | 8.0 | 10 |
| P0272.200-055-A2 | M20 | 55 | 14.57 | 8.0 | 10 |
| P0272.200-060-A2 | M20 | 60 | 14.57 | 8.0 | 10 |
| P0272.200-070-A2 | M20 | 70 | 14.57 | 8.0 | 10 |
| P0272.200-080-A2 | M20 | 80 | 14.57 | 8.0 | 10 |
| P0272.200-090-A2 | M20 | 90 | 14.57 | 8.0 | 10 |
| P0272.200-100-A2 | M20 | 100 | 14.57 | 8.0 | 10 |



Socket Set Screws Flat Point

Flat Point - A4 stainless

Standard Screws



P0272.A4

STANDARD SCREWS

Material

Stainless steel (A4).

See technical page for tightening torques.

Technical Notes

To DIN 913, flat point.

| Order No. | d ₁ | l ₁ | d ₂ | l ₂ min. | A/F |
|------------------|----------------|----------------|----------------|------------------------|-----|
| P0272.020-002-A4 | M 2 | 2 | 0.75 | 0.8 | 0.9 |
| P0272.020-003-A4 | M 2 | 3 | 0.75 | 0.8 | 0.9 |
| P0272.020-004-A4 | M 2 | 4 | 0.75 | 0.8 | 0.9 |
| P0272.020-005-A4 | M 2 | 5 | 0.75 | 0.8 | 0.9 |
| P0272.020-006-A4 | M 2 | 6 | 0.75 | 0.8 | 0.9 |
| P0272.020-008-A4 | M 2 | 8 | 0.75 | 0.8 | 0.9 |
| P0272.020-010-A4 | M 2 | 10 | 0.75 | 0.8 | 0.9 |
| P0272.020-012-A4 | M 2 | 12 | 0.75 | 0.8 | 0.9 |
| P0272.020-014-A4 | M 2 | 14 | 0.75 | 0.8 | 0.9 |
| P0272.020-016-A4 | M 2 | 16 | 0.75 | 0.8 | 0.9 |
| P0272.025-003-A4 | M2,5 | 3 | 1.25 | 1.2 | 1.3 |
| P0272.025-004-A4 | M2,5 | 4 | 1.25 | 1.2 | 1.3 |
| P0272.025-005-A4 | M2,5 | 5 | 1.25 | 1.2 | 1.3 |
| P0272.025-006-A4 | M2,5 | 6 | 1.25 | 1.2 | 1.3 |
| P0272.025-008-A4 | M2,5 | 8 | 1.25 | 1.2 | 1.3 |
| P0272.025-010-A4 | M2,5 | 10 | 1.25 | 1.2 | 1.3 |
| P0272.025-012-A4 | M2,5 | 12 | 1.25 | 1.2 | 1.3 |
| P0272.025-014-A4 | M2,5 | 14 | 1.25 | 1.2 | 1.3 |
| P0272.025-016-A4 | M2,5 | 16 | 1.25 | 1.2 | 1.3 |
| P0272.030-003-A4 | M 3 | 3 | 1.75 | 1.2 | 1.5 |
| P0272.030-004-A4 | M 3 | 4 | 1.75 | 1.2 | 1.5 |
| P0272.030-005-A4 | M 3 | 5 | 1.75 | 1.2 | 1.5 |
| P0272.030-006-A4 | M 3 | 6 | 1.75 | 1.2 | 1.5 |
| P0272.030-008-A4 | M 3 | 8 | 1.75 | 1.2 | 1.5 |
| P0272.030-010-A4 | M 3 | 10 | 1.75 | 1.2 | 1.5 |
| P0272.030-012-A4 | M 3 | 12 | 1.75 | 1.2 | 1.5 |
| P0272.030-014-A4 | M 3 | 14 | 1.75 | 1.2 | 1.5 |
| P0272.030-016-A4 | M 3 | 16 | 1.75 | 1.2 | 1.5 |
| P0272.030-020-A4 | M 3 | 20 | 1.75 | 1.2 | 1.5 |
| P0272.030-025-A4 | M 3 | 25 | 1.75 | 1.2 | 1.5 |
| P0272.030-030-A4 | M 3 | 30 | 1.75 | 1.2 | 1.5 |
| P0272.040-003-A4 | M 4 | 3 | 2.25 | 1.5 | 2.0 |
| P0272.040-004-A4 | M 4 | 4 | 2.25 | 1.5 | 2.0 |
| P0272.040-005-A4 | M 4 | 5 | 2.25 | 1.5 | 2.0 |



STANDARD SCREWS

| Order No. | d ₁ | l ₁ | d ₂ | l ₂ min. | A/F |
|------------------|----------------|----------------|----------------|------------------------|-----|
| P0272.040-006-A4 | M 4 | 6 | 2.25 | 1.5 | 2.0 |
| P0272.040-008-A4 | M 4 | 8 | 2.25 | 1.5 | 2.0 |
| P0272.040-010-A4 | M 4 | 10 | 2.25 | 1.5 | 2.0 |
| P0272.040-012-A4 | M 4 | 12 | 2.25 | 1.5 | 2.0 |
| P0272.040-014-A4 | M 4 | 14 | 2.25 | 1.5 | 2.0 |
| P0272.040-016-A4 | M 4 | 16 | 2.25 | 1.5 | 2.0 |
| P0272.040-020-A4 | M 4 | 20 | 2.25 | 1.5 | 2.0 |
| P0272.040-025-A4 | M 4 | 25 | 2.25 | 1.5 | 2.0 |
| P0272.040-030-A4 | M 4 | 30 | 2.25 | 1.5 | 2.0 |
| P0272.040-035-A4 | M 4 | 35 | 2.25 | 1.5 | 2.0 |
| P0272.040-040-A4 | M 4 | 40 | 2.25 | 1.5 | 2.0 |
| P0272.050-005-A4 | M 5 | 5 | 3.20 | 2.0 | 2.5 |
| P0272.050-006-A4 | M 5 | 6 | 3.20 | 2.0 | 2.5 |
| P0272.050-008-A4 | M 5 | 8 | 3.20 | 2.0 | 2.5 |
| P0272.050-010-A4 | M 5 | 10 | 3.20 | 2.0 | 2.5 |
| P0272.050-012-A4 | M 5 | 12 | 3.20 | 2.0 | 2.5 |
| P0272.050-014-A4 | M 5 | 14 | 3.20 | 2.0 | 2.5 |
| P0272.050-016-A4 | M 5 | 16 | 3.20 | 2.0 | 2.5 |
| P0272.050-020-A4 | M 5 | 20 | 3.20 | 2.0 | 2.5 |
| P0272.050-025-A4 | M 5 | 25 | 3.20 | 2.0 | 2.5 |
| P0272.050-030-A4 | M 5 | 30 | 3.20 | 2.0 | 2.5 |
| P0272.050-035-A4 | M 5 | 35 | 3.20 | 2.0 | 2.5 |
| P0272.050-040-A4 | M 5 | 40 | 3.20 | 2.0 | 2.5 |
| P0272.050-050-A4 | M 5 | 50 | 3.20 | 2.0 | 2.5 |
| P0272.060-004-A4 | M 6 | 4 | 3.70 | 2.0 | 3.0 |
| P0272.060-005-A4 | M 6 | 5 | 3.70 | 2.0 | 3.0 |
| P0272.060-006-A4 | M 6 | 6 | 3.70 | 2.0 | 3.0 |
| P0272.060-008-A4 | M 6 | 8 | 3.70 | 2.0 | 3.0 |
| P0272.060-010-A4 | M 6 | 10 | 3.70 | 2.0 | 3.0 |
| P0272.060-012-A4 | M 6 | 12 | 3.70 | 2.0 | 3.0 |
| P0272.060-014-A4 | M 6 | 14 | 3.70 | 2.0 | 3.0 |
| P0272.060-016-A4 | M 6 | 16 | 3.70 | 2.0 | 3.0 |
| P0272.060-020-A4 | M 6 | 20 | 3.70 | 2.0 | 3.0 |
| P0272.060-025-A4 | M 6 | 25 | 3.70 | 2.0 | 3.0 |
| P0272.060-030-A4 | M 6 | 30 | 3.70 | 2.0 | 3.0 |
| P0272.060-035-A4 | M 6 | 35 | 3.70 | 2.0 | 3.0 |
| P0272.060-040-A4 | M 6 | 40 | 3.70 | 2.0 | 3.0 |
| P0272.060-045-A4 | M 6 | 45 | 3.70 | 2.0 | 3.0 |
| P0272.060-050-A4 | M 6 | 50 | 3.70 | 2.0 | 3.0 |
| P0272.060-055-A4 | M 6 | 55 | 3.70 | 2.0 | 3.0 |
| P0272.060-060-A4 | M 6 | 60 | 3.70 | 2.0 | 3.0 |
| P0272.060-070-A4 | M 6 | 70 | 3.70 | 2.0 | 3.0 |
| P0272.080-006-A4 | M 8 | 6 | 5.20 | 3.0 | 4.0 |
| P0272.080-008-A4 | M 8 | 8 | 5.20 | 3.0 | 4.0 |
| P0272.080-010-A4 | M 8 | 10 | 5.20 | 3.0 | 4.0 |
| P0272.080-012-A4 | M 8 | 12 | 5.20 | 3.0 | 4.0 |
| P0272.080-014-A4 | M 8 | 14 | 5.20 | 3.0 | 4.0 |
| P0272.080-016-A4 | M 8 | 16 | 5.20 | 3.0 | 4.0 |
| P0272.080-020-A4 | M 8 | 20 | 5.20 | 3.0 | 4.0 |
| P0272.080-025-A4 | M 8 | 25 | 5.20 | 3.0 | 4.0 |
| P0272.080-030-A4 | M 8 | 30 | 5.20 | 3.0 | 4.0 |
| P0272.080-035-A4 | M 8 | 35 | 5.20 | 3.0 | 4.0 |
| P0272.080-040-A4 | M 8 | 40 | 5.20 | 3.0 | 4.0 |
| P0272.080-050-A4 | M 8 | 50 | 5.20 | 3.0 | 4.0 |
| P0272.080-060-A4 | M 8 | 60 | 5.20 | 3.0 | 4.0 |
| P0272.080-070-A4 | M 8 | 70 | 5.20 | 3.0 | 4.0 |
| P0272.080-080-A4 | M 8 | 80 | 5.20 | 3.0 | 4.0 |
| P0272.100-008-A4 | M10 | 8 | 6.64 | 4.0 | 5.0 |
| P0272.100-010-A4 | M10 | 10 | 6.64 | 4.0 | 5.0 |
| P0272.100-012-A4 | M10 | 12 | 6.64 | 4.0 | 5.0 |
| P0272.100-014-A4 | M10 | 14 | 6.64 | 4.0 | 5.0 |
| P0272.100-016-A4 | M10 | 16 | 6.64 | 4.0 | 5.0 |
| P0272.100-020-A4 | M10 | 20 | 6.64 | 4.0 | 5.0 |
| P0272.100-025-A4 | M10 | 25 | 6.64 | 4.0 | 5.0 |
| P0272.100-030-A4 | M10 | 30 | 6.64 | 4.0 | 5.0 |
| P0272.100-035-A4 | M10 | 35 | 6.64 | 4.0 | 5.0 |
| P0272.100-040-A4 | M10 | 40 | 6.64 | 4.0 | 5.0 |
| P0272.100-045-A4 | M10 | 45 | 6.64 | 4.0 | 5.0 |



Socket Set Screws Flat Point

Flat Point - A4 stainless

Standard Screws

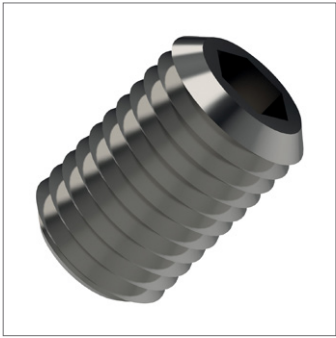


| Order No. | d ₁ | l ₁ | d ₂ | l ₂ min. | A/F |
|------------------|----------------|----------------|----------------|------------------------|-----|
| P0272.100-050-A4 | M10 | 50 | 6.64 | 4.0 | 5.0 |
| P0272.100-055-A4 | M10 | 55 | 6.64 | 4.0 | 5.0 |
| P0272.100-060-A4 | M10 | 60 | 6.64 | 4.0 | 5.0 |
| P0272.100-070-A4 | M10 | 70 | 6.64 | 4.0 | 5.0 |
| P0272.100-080-A4 | M10 | 80 | 6.64 | 4.0 | 5.0 |
| P0272.100-090-A4 | M10 | 90 | 6.64 | 4.0 | 5.0 |
| P0272.100-100-A4 | M10 | 100 | 6.64 | 4.0 | 5.0 |
| P0272.120-012-A4 | M12 | 12 | 8.14 | 4.8 | 6.0 |
| P0272.120-014-A4 | M12 | 14 | 8.14 | 4.8 | 6.0 |
| P0272.120-016-A4 | M12 | 16 | 8.14 | 4.8 | 6.0 |
| P0272.120-020-A4 | M12 | 20 | 8.14 | 4.8 | 6.0 |
| P0272.120-025-A4 | M12 | 25 | 8.14 | 4.8 | 6.0 |
| P0272.120-030-A4 | M12 | 30 | 8.14 | 4.8 | 6.0 |
| P0272.120-035-A4 | M12 | 35 | 8.14 | 4.8 | 6.0 |
| P0272.120-040-A4 | M12 | 40 | 8.14 | 4.8 | 6.0 |
| P0272.120-045-A4 | M12 | 45 | 8.14 | 4.8 | 6.0 |
| P0272.120-050-A4 | M12 | 50 | 8.14 | 4.8 | 6.0 |
| P0272.120-055-A4 | M12 | 55 | 8.14 | 4.8 | 6.0 |
| P0272.120-060-A4 | M12 | 60 | 8.14 | 4.8 | 6.0 |
| P0272.120-070-A4 | M12 | 70 | 8.14 | 4.8 | 6.0 |
| P0272.120-080-A4 | M12 | 80 | 8.14 | 4.8 | 6.0 |
| P0272.120-090-A4 | M12 | 90 | 8.14 | 4.8 | 6.0 |
| P0272.120-100-A4 | M12 | 100 | 8.14 | 4.8 | 6.0 |
| P0272.160-016-A4 | M16 | 16 | 11.57 | 6.4 | 8.0 |
| P0272.160-020-A4 | M16 | 20 | 11.57 | 6.4 | 8.0 |
| P0272.160-025-A4 | M16 | 25 | 11.57 | 6.4 | 8.0 |
| P0272.160-030-A4 | M16 | 30 | 11.57 | 6.4 | 8.0 |
| P0272.160-035-A4 | M16 | 35 | 11.57 | 6.4 | 8.0 |
| P0272.160-040-A4 | M16 | 40 | 11.57 | 6.4 | 8.0 |
| P0272.160-045-A4 | M16 | 45 | 11.57 | 6.4 | 8.0 |
| P0272.160-050-A4 | M16 | 50 | 11.57 | 6.4 | 8.0 |
| P0272.160-055-A4 | M16 | 55 | 11.57 | 6.4 | 8.0 |
| P0272.160-060-A4 | M16 | 60 | 11.57 | 6.4 | 8.0 |
| P0272.160-070-A4 | M16 | 70 | 11.57 | 6.4 | 8.0 |
| P0272.160-080-A4 | M16 | 80 | 11.57 | 6.4 | 8.0 |
| P0272.160-090-A4 | M16 | 90 | 11.57 | 6.4 | 8.0 |
| P0272.160-100-A4 | M16 | 100 | 11.57 | 6.4 | 8.0 |
| P0272.200-020-A4 | M20 | 20 | 14.57 | 8.0 | 10 |
| P0272.200-025-A4 | M20 | 25 | 14.57 | 8.0 | 10 |
| P0272.200-030-A4 | M20 | 30 | 14.57 | 8.0 | 10 |
| P0272.200-035-A4 | M20 | 35 | 14.57 | 8.0 | 10 |
| P0272.200-040-A4 | M20 | 40 | 14.57 | 8.0 | 10 |
| P0272.200-045-A4 | M20 | 45 | 14.57 | 8.0 | 10 |
| P0272.200-050-A4 | M20 | 50 | 14.57 | 8.0 | 10 |
| P0272.200-055-A4 | M20 | 55 | 14.57 | 8.0 | 10 |
| P0272.200-060-A4 | M20 | 60 | 14.57 | 8.0 | 10 |
| P0272.200-070-A4 | M20 | 70 | 14.57 | 8.0 | 10 |
| P0272.200-080-A4 | M20 | 80 | 14.57 | 8.0 | 10 |
| P0272.200-090-A4 | M20 | 90 | 14.57 | 8.0 | 10 |
| P0272.200-100-A4 | M20 | 100 | 14.57 | 8.0 | 10 |

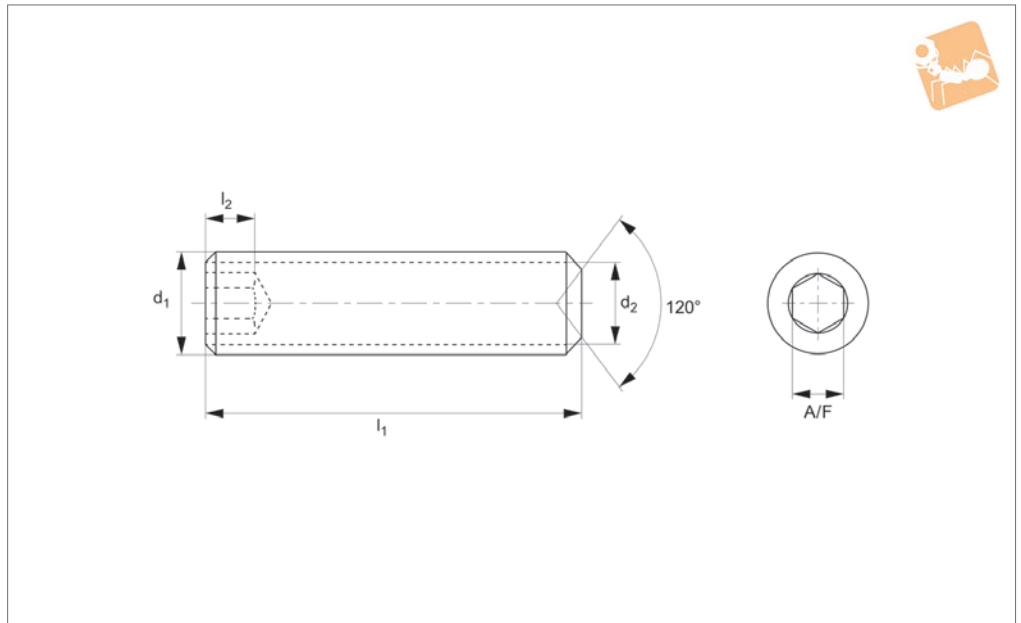
STANDARD SCREWS



STANDARD SCREWS



P0272.ZP



Material

Steel, zinc-plated (class 45H).

Technical Notes

To DIN 913, flat point.

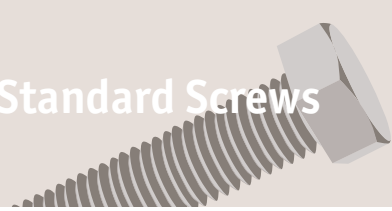
| Order No. | d ₁ | l ₁ | d ₂ | l ₂ min. | A/F |
|------------------|----------------|----------------|----------------|------------------------|-----|
| P0272.020-002-ZP | M 2 | 2 | 0.75 | 0.8 | 0.9 |
| P0272.020-003-ZP | M 2 | 3 | 0.75 | 0.8 | 0.9 |
| P0272.020-004-ZP | M 2 | 4 | 0.75 | 0.8 | 0.9 |
| P0272.020-005-ZP | M 2 | 5 | 0.75 | 0.8 | 0.9 |
| P0272.020-006-ZP | M 2 | 6 | 0.75 | 0.8 | 0.9 |
| P0272.020-008-ZP | M 2 | 8 | 0.75 | 0.8 | 0.9 |
| P0272.020-010-ZP | M 2 | 10 | 0.75 | 0.8 | 0.9 |
| P0272.020-012-ZP | M 2 | 12 | 0.75 | 0.8 | 0.9 |
| P0272.020-014-ZP | M 2 | 14 | 0.75 | 0.8 | 0.9 |
| P0272.020-016-ZP | M 2 | 16 | 0.75 | 0.8 | 0.9 |
| P0272.025-003-ZP | M2,5 | 3 | 1.25 | 1.2 | 1.3 |
| P0272.025-004-ZP | M2,5 | 4 | 1.25 | 1.2 | 1.3 |
| P0272.025-005-ZP | M2,5 | 5 | 1.25 | 1.2 | 1.3 |
| P0272.025-006-ZP | M2,5 | 6 | 1.25 | 1.2 | 1.3 |
| P0272.025-008-ZP | M2,5 | 8 | 1.25 | 1.2 | 1.3 |
| P0272.025-010-ZP | M2,5 | 10 | 1.25 | 1.2 | 1.3 |
| P0272.025-012-ZP | M2,5 | 12 | 1.25 | 1.2 | 1.3 |
| P0272.025-014-ZP | M2,5 | 14 | 1.25 | 1.2 | 1.3 |
| P0272.025-016-ZP | M2,5 | 16 | 1.25 | 1.2 | 1.3 |
| P0272.030-003-ZP | M 3 | 3 | 1.75 | 1.2 | 1.5 |
| P0272.030-004-ZP | M 3 | 4 | 1.75 | 1.2 | 1.5 |
| P0272.030-005-ZP | M 3 | 5 | 1.75 | 1.2 | 1.5 |
| P0272.030-006-ZP | M 3 | 6 | 1.75 | 1.2 | 1.5 |
| P0272.030-008-ZP | M 3 | 8 | 1.75 | 1.2 | 1.5 |
| P0272.030-010-ZP | M 3 | 10 | 1.75 | 1.2 | 1.5 |
| P0272.030-012-ZP | M 3 | 12 | 1.75 | 1.2 | 1.5 |
| P0272.030-014-ZP | M 3 | 14 | 1.75 | 1.2 | 1.5 |
| P0272.030-016-ZP | M 3 | 16 | 1.75 | 1.2 | 1.5 |
| P0272.030-020-ZP | M 3 | 20 | 1.75 | 1.2 | 1.5 |
| P0272.030-025-ZP | M 3 | 25 | 1.75 | 1.2 | 1.5 |
| P0272.030-030-ZP | M 3 | 30 | 1.75 | 1.2 | 1.5 |
| P0272.040-003-ZP | M 4 | 3 | 2.25 | 1.5 | 2.0 |
| P0272.040-004-ZP | M 4 | 4 | 2.25 | 1.5 | 2.0 |
| P0272.040-005-ZP | M 4 | 5 | 2.25 | 1.5 | 2.0 |



Socket Set Screws Flat Point

Flat Point - steel, zinc-plated

Standard Screws



| Order No. | d ₁ | l ₁ | d ₂ | l ₂ min. | A/F |
|------------------|----------------|----------------|----------------|------------------------|-----|
| P0272.040-006-ZP | M 4 | 6 | 2.25 | 1.5 | 2.0 |
| P0272.040-008-ZP | M 4 | 8 | 2.25 | 1.5 | 2.0 |
| P0272.040-010-ZP | M 4 | 10 | 2.25 | 1.5 | 2.0 |
| P0272.040-012-ZP | M 4 | 12 | 2.25 | 1.5 | 2.0 |
| P0272.040-014-ZP | M 4 | 14 | 2.25 | 1.5 | 2.0 |
| P0272.040-016-ZP | M 4 | 16 | 2.25 | 1.5 | 2.0 |
| P0272.040-020-ZP | M 4 | 20 | 2.25 | 1.5 | 2.0 |
| P0272.040-025-ZP | M 4 | 25 | 2.25 | 1.5 | 2.0 |
| P0272.040-030-ZP | M 4 | 30 | 2.25 | 1.5 | 2.0 |
| P0272.040-035-ZP | M 4 | 35 | 2.25 | 1.5 | 2.0 |
| P0272.040-040-ZP | M 4 | 40 | 2.25 | 1.5 | 2.0 |
| P0272.050-005-ZP | M 5 | 5 | 3.20 | 2.0 | 2.5 |
| P0272.050-006-ZP | M 5 | 6 | 3.20 | 2.0 | 2.5 |
| P0272.050-008-ZP | M 5 | 8 | 3.20 | 2.0 | 2.5 |
| P0272.050-010-ZP | M 5 | 10 | 3.20 | 2.0 | 2.5 |
| P0272.050-012-ZP | M 5 | 12 | 3.20 | 2.0 | 2.5 |
| P0272.050-014-ZP | M 5 | 14 | 3.20 | 2.0 | 2.5 |
| P0272.050-016-ZP | M 5 | 16 | 3.20 | 2.0 | 2.5 |
| P0272.050-020-ZP | M 5 | 20 | 3.20 | 2.0 | 2.5 |
| P0272.050-025-ZP | M 5 | 25 | 3.20 | 2.0 | 2.5 |
| P0272.050-030-ZP | M 5 | 30 | 3.20 | 2.0 | 2.5 |
| P0272.050-035-ZP | M 5 | 35 | 3.20 | 2.0 | 2.5 |
| P0272.050-040-ZP | M 5 | 40 | 3.20 | 2.0 | 2.5 |
| P0272.050-050-ZP | M 5 | 50 | 3.20 | 2.0 | 2.5 |
| P0272.060-004-ZP | M 6 | 4 | 3.70 | 2.0 | 3.0 |
| P0272.060-005-ZP | M 6 | 5 | 3.70 | 2.0 | 3.0 |
| P0272.060-006-ZP | M 6 | 6 | 3.70 | 2.0 | 3.0 |
| P0272.060-008-ZP | M 6 | 8 | 3.70 | 2.0 | 3.0 |
| P0272.060-010-ZP | M 6 | 10 | 3.70 | 2.0 | 3.0 |
| P0272.060-012-ZP | M 6 | 12 | 3.70 | 2.0 | 3.0 |
| P0272.060-014-ZP | M 6 | 14 | 3.70 | 2.0 | 3.0 |
| P0272.060-016-ZP | M 6 | 16 | 3.70 | 2.0 | 3.0 |
| P0272.060-020-ZP | M 6 | 20 | 3.70 | 2.0 | 3.0 |
| P0272.060-025-ZP | M 6 | 25 | 3.70 | 2.0 | 3.0 |
| P0272.060-030-ZP | M 6 | 30 | 3.70 | 2.0 | 3.0 |
| P0272.060-035-ZP | M 6 | 35 | 3.70 | 2.0 | 3.0 |
| P0272.060-040-ZP | M 6 | 40 | 3.70 | 2.0 | 3.0 |
| P0272.060-045-ZP | M 6 | 45 | 3.70 | 2.0 | 3.0 |
| P0272.060-050-ZP | M 6 | 50 | 3.70 | 2.0 | 3.0 |
| P0272.060-055-ZP | M 6 | 55 | 3.70 | 2.0 | 3.0 |
| P0272.060-060-ZP | M 6 | 60 | 3.70 | 2.0 | 3.0 |
| P0272.060-070-ZP | M 6 | 70 | 3.70 | 2.0 | 3.0 |
| P0272.080-006-ZP | M 8 | 6 | 5.20 | 3.0 | 4.0 |
| P0272.080-008-ZP | M 8 | 8 | 5.20 | 3.0 | 4.0 |
| P0272.080-010-ZP | M 8 | 10 | 5.20 | 3.0 | 4.0 |
| P0272.080-012-ZP | M 8 | 12 | 5.20 | 3.0 | 4.0 |
| P0272.080-014-ZP | M 8 | 14 | 5.20 | 3.0 | 4.0 |
| P0272.080-016-ZP | M 8 | 16 | 5.20 | 3.0 | 4.0 |
| P0272.080-020-ZP | M 8 | 20 | 5.20 | 3.0 | 4.0 |
| P0272.080-025-ZP | M 8 | 25 | 5.20 | 3.0 | 4.0 |
| P0272.080-030-ZP | M 8 | 30 | 5.20 | 3.0 | 4.0 |
| P0272.080-035-ZP | M 8 | 35 | 5.20 | 3.0 | 4.0 |
| P0272.080-040-ZP | M 8 | 40 | 5.20 | 3.0 | 4.0 |
| P0272.080-050-ZP | M 8 | 50 | 5.20 | 3.0 | 4.0 |
| P0272.080-060-ZP | M 8 | 60 | 5.20 | 3.0 | 4.0 |
| P0272.080-070-ZP | M 8 | 70 | 5.20 | 3.0 | 4.0 |
| P0272.080-080-ZP | M 8 | 80 | 5.20 | 3.0 | 4.0 |
| P0272.100-008-ZP | M10 | 8 | 6.64 | 4.0 | 5.0 |
| P0272.100-010-ZP | M10 | 10 | 6.64 | 4.0 | 5.0 |
| P0272.100-012-ZP | M10 | 12 | 6.64 | 4.0 | 5.0 |
| P0272.100-014-ZP | M10 | 14 | 6.64 | 4.0 | 5.0 |
| P0272.100-016-ZP | M10 | 16 | 6.64 | 4.0 | 5.0 |
| P0272.100-020-ZP | M10 | 20 | 6.64 | 4.0 | 5.0 |
| P0272.100-025-ZP | M10 | 25 | 6.64 | 4.0 | 5.0 |
| P0272.100-030-ZP | M10 | 30 | 6.64 | 4.0 | 5.0 |
| P0272.100-035-ZP | M10 | 35 | 6.64 | 4.0 | 5.0 |
| P0272.100-040-ZP | M10 | 40 | 6.64 | 4.0 | 5.0 |
| P0272.100-045-ZP | M10 | 45 | 6.64 | 4.0 | 5.0 |

STANDARD SCREWS



STANDARD SCREWS

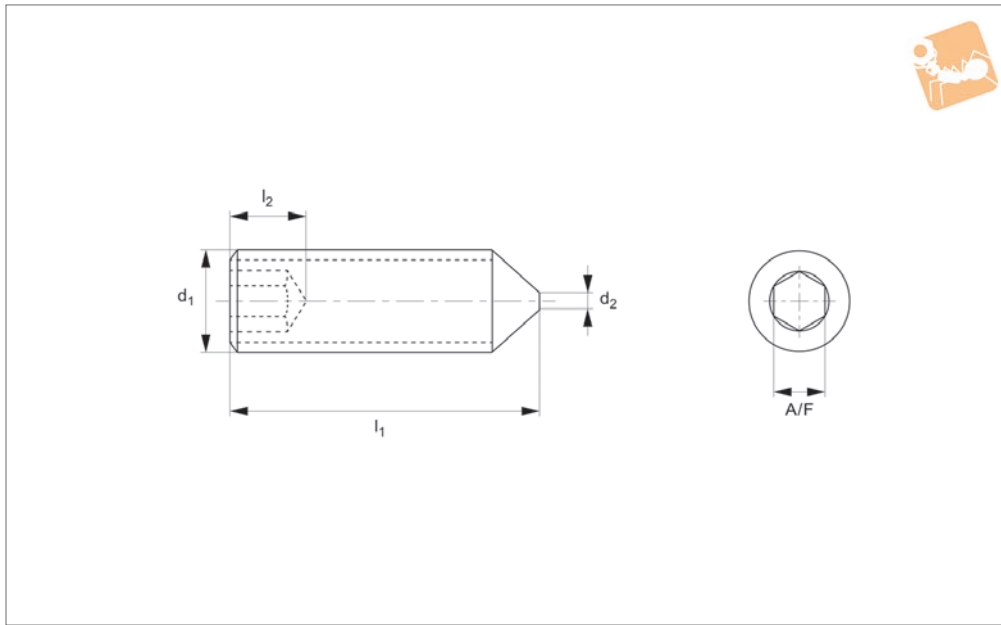
| Order No. | d ₁ | l ₁ | d ₂ | l ₂ min. | A/F |
|------------------|----------------|----------------|----------------|------------------------|-----|
| P0272.100-050-ZP | M10 | 50 | 6.64 | 4.0 | 5.0 |
| P0272.100-055-ZP | M10 | 55 | 6.64 | 4.0 | 5.0 |
| P0272.100-060-ZP | M10 | 60 | 6.64 | 4.0 | 5.0 |
| P0272.100-070-ZP | M10 | 70 | 6.64 | 4.0 | 5.0 |
| P0272.100-080-ZP | M10 | 80 | 6.64 | 4.0 | 5.0 |
| P0272.100-090-ZP | M10 | 90 | 6.64 | 4.0 | 5.0 |
| P0272.100-100-ZP | M10 | 100 | 6.64 | 4.0 | 5.0 |
| P0272.120-012-ZP | M12 | 12 | 8.14 | 4.8 | 6.0 |
| P0272.120-014-ZP | M12 | 14 | 8.14 | 4.8 | 6.0 |
| P0272.120-016-ZP | M12 | 16 | 8.14 | 4.8 | 6.0 |
| P0272.120-020-ZP | M12 | 20 | 8.14 | 4.8 | 6.0 |
| P0272.120-025-ZP | M12 | 25 | 8.14 | 4.8 | 6.0 |
| P0272.120-030-ZP | M12 | 30 | 8.14 | 4.8 | 6.0 |
| P0272.120-035-ZP | M12 | 35 | 8.14 | 4.8 | 6.0 |
| P0272.120-040-ZP | M12 | 40 | 8.14 | 4.8 | 6.0 |
| P0272.120-045-ZP | M12 | 45 | 8.14 | 4.8 | 6.0 |
| P0272.120-050-ZP | M12 | 50 | 8.14 | 4.8 | 6.0 |
| P0272.120-055-ZP | M12 | 55 | 8.14 | 4.8 | 6.0 |
| P0272.120-060-ZP | M12 | 60 | 8.14 | 4.8 | 6.0 |
| P0272.120-070-ZP | M12 | 70 | 8.14 | 4.8 | 6.0 |
| P0272.120-080-ZP | M12 | 80 | 8.14 | 4.8 | 6.0 |
| P0272.120-090-ZP | M12 | 90 | 8.14 | 4.8 | 6.0 |
| P0272.120-100-ZP | M12 | 100 | 8.14 | 4.8 | 6.0 |
| P0272.160-016-ZP | M16 | 16 | 11.57 | 6.4 | 8.0 |
| P0272.160-020-ZP | M16 | 20 | 11.57 | 6.4 | 8.0 |
| P0272.160-025-ZP | M16 | 25 | 11.57 | 6.4 | 8.0 |
| P0272.160-030-ZP | M16 | 30 | 11.57 | 6.4 | 8.0 |
| P0272.160-035-ZP | M16 | 35 | 11.57 | 6.4 | 8.0 |
| P0272.160-040-ZP | M16 | 40 | 11.57 | 6.4 | 8.0 |
| P0272.160-045-ZP | M16 | 45 | 11.57 | 6.4 | 8.0 |
| P0272.160-050-ZP | M16 | 50 | 11.57 | 6.4 | 8.0 |
| P0272.160-055-ZP | M16 | 55 | 11.57 | 6.4 | 8.0 |
| P0272.160-060-ZP | M16 | 60 | 11.57 | 6.4 | 8.0 |
| P0272.160-070-ZP | M16 | 70 | 11.57 | 6.4 | 8.0 |
| P0272.160-080-ZP | M16 | 80 | 11.57 | 6.4 | 8.0 |
| P0272.160-090-ZP | M16 | 90 | 11.57 | 6.4 | 8.0 |
| P0272.160-100-ZP | M16 | 100 | 11.57 | 6.4 | 8.0 |
| P0272.200-020-ZP | M20 | 20 | 14.57 | 8.0 | 10 |
| P0272.200-025-ZP | M20 | 25 | 14.57 | 8.0 | 10 |
| P0272.200-030-ZP | M20 | 30 | 14.57 | 8.0 | 10 |
| P0272.200-035-ZP | M20 | 35 | 14.57 | 8.0 | 10 |
| P0272.200-040-ZP | M20 | 40 | 14.57 | 8.0 | 10 |
| P0272.200-045-ZP | M20 | 45 | 14.57 | 8.0 | 10 |
| P0272.200-050-ZP | M20 | 50 | 14.57 | 8.0 | 10 |
| P0272.200-055-ZP | M20 | 55 | 14.57 | 8.0 | 10 |
| P0272.200-060-ZP | M20 | 60 | 14.57 | 8.0 | 10 |
| P0272.200-070-ZP | M20 | 70 | 14.57 | 8.0 | 10 |
| P0272.200-080-ZP | M20 | 80 | 14.57 | 8.0 | 10 |
| P0272.200-090-ZP | M20 | 90 | 14.57 | 8.0 | 10 |
| P0272.200-100-ZP | M20 | 100 | 14.57 | 8.0 | 10 |



Socket Set Screws Cone Point

Cone Point - A2 stainless

Standard Screws



P0273.A2

STANDARD SCREWS

Material

Stainless steel (A2).

See technical page for tightening torques.

Technical Notes

To DIN 914, cone point.

| Order No. | d ₁ | l ₁ | d ₂ | l ₂ min. | A/F |
|------------------|----------------|----------------|----------------|------------------------|-----|
| P0273.020-002-A2 | M 2 | 2 | - | 0.8 | 0.9 |
| P0273.020-003-A2 | M 2 | 3 | - | 0.8 | 0.9 |
| P0273.020-004-A2 | M 2 | 4 | - | 0.8 | 0.9 |
| P0273.020-005-A2 | M 2 | 5 | - | 0.8 | 0.9 |
| P0273.020-006-A2 | M 2 | 6 | - | 0.8 | 0.9 |
| P0273.020-008-A2 | M 2 | 8 | - | 0.8 | 0.9 |
| P0273.020-010-A2 | M 2 | 10 | - | 0.8 | 0.9 |
| P0273.020-012-A2 | M 2 | 12 | - | 0.8 | 0.9 |
| P0273.020-014-A2 | M 2 | 14 | - | 0.8 | 0.9 |
| P0273.020-016-A2 | M 2 | 16 | - | 0.8 | 0.9 |
| P0273.025-003-A2 | M2,5 | 3 | - | 1.2 | 1.3 |
| P0273.025-004-A2 | M2,5 | 4 | - | 1.2 | 1.3 |
| P0273.025-005-A2 | M2,5 | 5 | - | 1.2 | 1.3 |
| P0273.025-006-A2 | M2,5 | 6 | - | 1.2 | 1.3 |
| P0273.025-008-A2 | M2,5 | 8 | - | 1.2 | 1.3 |
| P0273.025-010-A2 | M2,5 | 10 | - | 1.2 | 1.3 |
| P0273.025-012-A2 | M2,5 | 12 | - | 1.2 | 1.3 |
| P0273.025-014-A2 | M2,5 | 12 | - | 1.2 | 1.3 |
| P0273.025-016-A2 | M2,5 | 16 | - | 1.2 | 1.3 |
| P0273.030-003-A2 | M 3 | 3 | - | 1.2 | 1.5 |
| P0273.030-004-A2 | M 3 | 4 | - | 1.2 | 1.5 |
| P0273.030-005-A2 | M 3 | 5 | - | 1.2 | 1.5 |
| P0273.030-006-A2 | M 3 | 6 | - | 1.2 | 1.5 |
| P0273.030-008-A2 | M 3 | 8 | - | 1.2 | 1.5 |
| P0273.030-010-A2 | M 3 | 10 | - | 1.2 | 1.5 |
| P0273.030-012-A2 | M 3 | 12 | - | 1.2 | 1.5 |
| P0273.030-014-A2 | M 3 | 14 | - | 1.2 | 1.5 |
| P0273.030-016-A2 | M 3 | 16 | - | 1.2 | 1.5 |
| P0273.030-020-A2 | M 3 | 20 | - | 1.2 | 1.5 |
| P0273.030-025-A2 | M 3 | 25 | - | 1.2 | 1.5 |
| P0273.030-030-A2 | M 3 | 30 | - | 1.2 | 1.5 |
| P0273.040-003-A2 | M 4 | 3 | - | 1.5 | 2.0 |
| P0273.040-004-A2 | M 4 | 4 | - | 1.5 | 2.0 |
| P0273.040-005-A2 | M 4 | 5 | - | 1.5 | 2.0 |



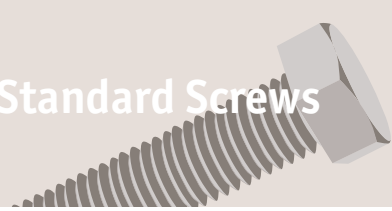
| Order No. | d ₁ | l ₁ | d ₂ | l ₂ min. | A/F |
|------------------|----------------|----------------|----------------|------------------------|-----|
| P0273.040-006-A2 | M 4 | 6 | - | 1.5 | 2.0 |
| P0273.040-008-A2 | M 4 | 8 | - | 1.5 | 2.0 |
| P0273.040-010-A2 | M 4 | 10 | - | 1.5 | 2.0 |
| P0273.040-012-A2 | M 4 | 12 | - | 1.5 | 2.0 |
| P0273.040-014-A2 | M 4 | 14 | - | 1.5 | 2.0 |
| P0273.040-016-A2 | M 4 | 16 | - | 1.5 | 2.0 |
| P0273.040-020-A2 | M 4 | 20 | - | 1.5 | 2.0 |
| P0273.040-025-A2 | M 4 | 25 | - | 1.5 | 2.0 |
| P0273.040-030-A2 | M 4 | 30 | - | 1.5 | 2.0 |
| P0273.040-035-A2 | M 4 | 35 | - | 1.5 | 2.0 |
| P0273.040-040-A2 | M 4 | 40 | - | 1.5 | 2.0 |
| P0273.050-005-A2 | M 5 | 5 | - | 2.0 | 2.5 |
| P0273.050-006-A2 | M 5 | 6 | - | 2.0 | 2.5 |
| P0273.050-008-A2 | M 5 | 8 | - | 2.0 | 2.5 |
| P0273.050-010-A2 | M 5 | 10 | - | 2.0 | 2.5 |
| P0273.050-012-A2 | M 5 | 12 | - | 2.0 | 2.5 |
| P0273.050-014-A2 | M 5 | 14 | - | 2.0 | 2.5 |
| P0273.050-016-A2 | M 5 | 16 | - | 2.0 | 2.5 |
| P0273.050-020-A2 | M 5 | 20 | - | 2.0 | 2.5 |
| P0273.050-025-A2 | M 5 | 25 | - | 2.0 | 2.5 |
| P0273.050-030-A2 | M 5 | 30 | - | 2.0 | 2.5 |
| P0273.050-035-A2 | M 5 | 35 | - | 2.0 | 2.5 |
| P0273.050-040-A2 | M 5 | 40 | - | 2.0 | 2.5 |
| P0273.050-050-A2 | M 5 | 50 | - | 2.0 | 2.5 |
| P0273.060-004-A2 | M 6 | 4 | 1.5 | 2.0 | 3.0 |
| P0273.060-005-A2 | M 6 | 5 | 1.5 | 2.0 | 3.0 |
| P0273.060-006-A2 | M 6 | 6 | 1.5 | 2.0 | 3.0 |
| P0273.060-008-A2 | M 6 | 8 | 1.5 | 2.0 | 3.0 |
| P0273.060-010-A2 | M 6 | 10 | 1.5 | 2.0 | 3.0 |
| P0273.060-012-A2 | M 6 | 12 | 1.5 | 2.0 | 3.0 |
| P0273.060-014-A2 | M 6 | 14 | 1.5 | 2.0 | 3.0 |
| P0273.060-016-A2 | M 6 | 16 | 1.5 | 2.0 | 3.0 |
| P0273.060-018-A2 | M 6 | 18 | 1.5 | 2.0 | 3.0 |
| P0273.060-020-A2 | M 6 | 20 | 1.5 | 2.0 | 3.0 |
| P0273.060-025-A2 | M 6 | 25 | 1.5 | 2.0 | 3.0 |
| P0273.060-030-A2 | M 6 | 30 | 1.5 | 2.0 | 3.0 |
| P0273.060-035-A2 | M 6 | 35 | 1.5 | 2.0 | 3.0 |
| P0273.060-040-A2 | M 6 | 40 | 1.5 | 2.0 | 3.0 |
| P0273.060-045-A2 | M 6 | 45 | 1.5 | 2.0 | 3.0 |
| P0273.060-050-A2 | M 6 | 50 | 1.5 | 2.0 | 3.0 |
| P0273.080-006-A2 | M 8 | 6 | 2.0 | 3.0 | 4.0 |
| P0273.080-008-A2 | M 8 | 8 | 2.0 | 3.0 | 4.0 |
| P0273.080-010-A2 | M 8 | 10 | 2.0 | 3.0 | 4.0 |
| P0273.080-012-A2 | M 8 | 12 | 2.0 | 3.0 | 4.0 |
| P0273.080-014-A2 | M 8 | 14 | 2.0 | 3.0 | 4.0 |
| P0273.080-016-A2 | M 8 | 16 | 2.0 | 3.0 | 4.0 |
| P0273.080-018-A2 | M 8 | 18 | 2.0 | 3.0 | 4.0 |
| P0273.080-020-A2 | M 8 | 20 | 2.0 | 3.0 | 4.0 |
| P0273.080-025-A2 | M 8 | 25 | 2.0 | 3.0 | 4.0 |
| P0273.080-030-A2 | M 8 | 30 | 2.0 | 3.0 | 4.0 |
| P0273.080-035-A2 | M 8 | 35 | 2.0 | 3.0 | 4.0 |
| P0273.080-040-A2 | M 8 | 40 | 2.0 | 3.0 | 4.0 |
| P0273.080-050-A2 | M 8 | 50 | 2.0 | 3.0 | 4.0 |
| P0273.080-060-A2 | M 8 | 60 | 2.0 | 3.0 | 4.0 |
| P0273.100-010-A2 | M10 | 10 | 2.5 | 4.0 | 5.0 |
| P0273.100-012-A2 | M10 | 12 | 2.5 | 4.0 | 5.0 |
| P0273.100-016-A2 | M10 | 16 | 2.5 | 4.0 | 5.0 |
| P0273.100-020-A2 | M10 | 20 | 2.5 | 4.0 | 5.0 |
| P0273.100-025-A2 | M10 | 25 | 2.5 | 4.0 | 5.0 |
| P0273.100-030-A2 | M10 | 30 | 2.5 | 4.0 | 5.0 |
| P0273.100-035-A2 | M10 | 35 | 2.5 | 4.0 | 5.0 |
| P0273.100-040-A2 | M10 | 40 | 2.5 | 4.0 | 5.0 |
| P0273.100-045-A2 | M10 | 45 | 2.5 | 4.0 | 5.0 |
| P0273.100-050-A2 | M10 | 50 | 2.5 | 4.0 | 5.0 |
| P0273.100-055-A2 | M10 | 55 | 2.5 | 4.0 | 5.0 |
| P0273.100-060-A2 | M10 | 60 | 2.5 | 4.0 | 5.0 |
| P0273.100-070-A2 | M10 | 70 | 2.5 | 4.0 | 5.0 |
| P0273.100-080-A2 | M10 | 80 | 2.5 | 4.0 | 5.0 |



Socket Set Screws Cone Point

Cone Point - A2 stainless

Standard Screws



| Order No. | d ₁ | l ₁ | d ₂ | l ₂ min. | A/F |
|------------------|----------------|----------------|----------------|------------------------|------|
| P0273.120-012-A2 | M12 | 12 | 3.0 | 4.8 | 5.0 |
| P0273.120-016-A2 | M12 | 16 | 3.0 | 4.8 | 5.0 |
| P0273.120-020-A2 | M12 | 20 | 3.0 | 4.8 | 5.0 |
| P0273.120-025-A2 | M12 | 25 | 3.0 | 4.8 | 5.0 |
| P0273.120-030-A2 | M12 | 30 | 3.0 | 4.8 | 5.0 |
| P0273.120-035-A2 | M12 | 35 | 3.0 | 4.8 | 5.0 |
| P0273.120-040-A2 | M12 | 40 | 3.0 | 4.8 | 5.0 |
| P0273.120-045-A2 | M12 | 45 | 3.0 | 4.8 | 5.0 |
| P0273.120-050-A2 | M12 | 50 | 3.0 | 4.8 | 5.0 |
| P0273.120-055-A2 | M12 | 55 | 3.0 | 4.8 | 5.0 |
| P0273.120-060-A2 | M12 | 60 | 3.0 | 4.8 | 5.0 |
| P0273.120-070-A2 | M12 | 70 | 3.0 | 4.8 | 5.0 |
| P0273.120-080-A2 | M12 | 80 | 3.0 | 4.8 | 5.0 |
| P0273.120-090-A2 | M12 | 90 | 3.0 | 4.8 | 5.0 |
| P0273.160-016-A2 | M16 | 16 | 4.0 | 6.4 | 8.0 |
| P0273.160-020-A2 | M16 | 20 | 4.0 | 6.4 | 8.0 |
| P0273.160-025-A2 | M16 | 25 | 4.0 | 6.4 | 8.0 |
| P0273.160-030-A2 | M16 | 30 | 4.0 | 6.4 | 8.0 |
| P0273.160-035-A2 | M16 | 35 | 4.0 | 6.4 | 8.0 |
| P0273.160-040-A2 | M16 | 40 | 4.0 | 6.4 | 8.0 |
| P0273.160-045-A2 | M16 | 45 | 4.0 | 6.4 | 8.0 |
| P0273.160-050-A2 | M16 | 50 | 4.0 | 6.4 | 8.0 |
| P0273.160-055-A2 | M16 | 55 | 4.0 | 6.4 | 8.0 |
| P0273.160-060-A2 | M16 | 60 | 4.0 | 6.4 | 8.0 |
| P0273.160-070-A2 | M16 | 70 | 4.0 | 6.4 | 8.0 |
| P0273.160-080-A2 | M16 | 80 | 4.0 | 6.4 | 8.0 |
| P0273.160-090-A2 | M16 | 90 | 4.0 | 6.4 | 8.0 |
| P0273.160-100-A2 | M16 | 100 | 4.0 | 6.4 | 8.0 |
| P0273.200-020-A2 | M20 | 20 | 5.0 | 8.0 | 10.0 |
| P0273.200-025-A2 | M20 | 25 | 5.0 | 8.0 | 10.0 |
| P0273.200-030-A2 | M20 | 30 | 5.0 | 8.0 | 10.0 |
| P0273.200-035-A2 | M20 | 35 | 5.0 | 8.0 | 10.0 |
| P0273.200-040-A2 | M20 | 40 | 5.0 | 8.0 | 10.0 |
| P0273.200-045-A2 | M20 | 45 | 5.0 | 8.0 | 10.0 |
| P0273.200-050-A2 | M20 | 50 | 5.0 | 8.0 | 10.0 |
| P0273.200-055-A2 | M20 | 55 | 5.0 | 8.0 | 10.0 |
| P0273.200-060-A2 | M20 | 60 | 5.0 | 8.0 | 10.0 |
| P0273.200-070-A2 | M20 | 70 | 5.0 | 8.0 | 10.0 |
| P0273.200-080-A2 | M20 | 80 | 5.0 | 8.0 | 10.0 |
| P0273.200-090-A2 | M20 | 90 | 5.0 | 8.0 | 10.0 |
| P0273.200-100-A2 | M20 | 100 | 5.0 | 8.0 | 10.0 |

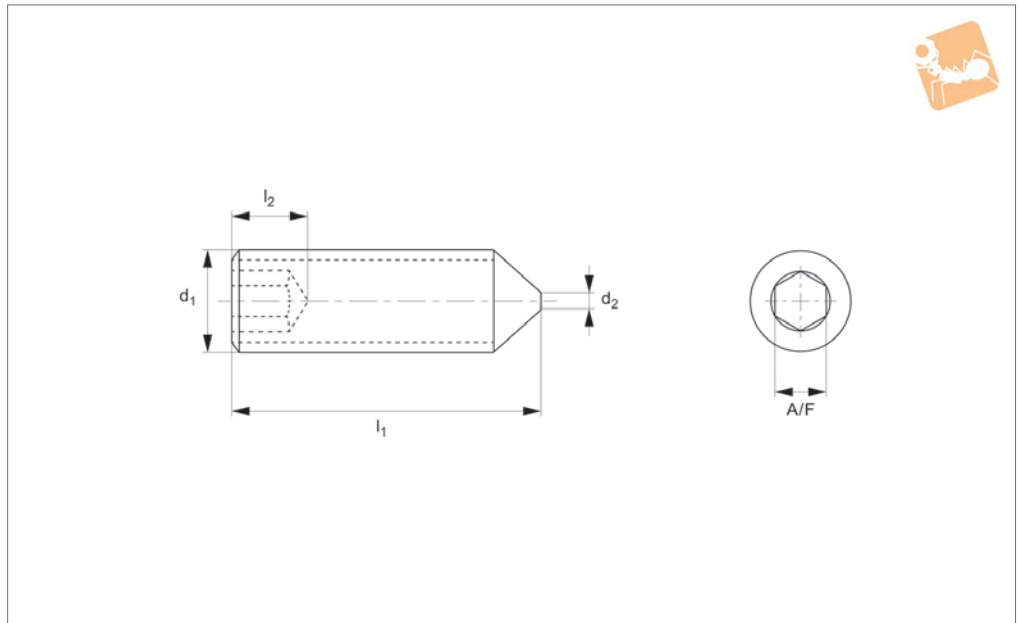
STANDARD SCREWS



STANDARD SCREWS



P0273.A4



Material

Stainless steel (A4).

See technical page for tightening torques.

Technical Notes

To DIN 914, cone point.

| Order No. | d ₁ | l ₁ | d ₂ | l ₂ min. | A/F |
|------------------|----------------|----------------|----------------|------------------------|-----|
| P0273.020-002-A4 | M 2 | 2 | - | 0.8 | 0.9 |
| P0273.020-003-A4 | M 2 | 3 | - | 0.8 | 0.9 |
| P0273.020-004-A4 | M 2 | 4 | - | 0.8 | 0.9 |
| P0273.020-005-A4 | M 2 | 5 | - | 0.8 | 0.9 |
| P0273.020-006-A4 | M 2 | 6 | - | 0.8 | 0.9 |
| P0273.020-008-A4 | M 2 | 8 | - | 0.8 | 0.9 |
| P0273.020-010-A4 | M 2 | 10 | - | 0.8 | 0.9 |
| P0273.020-012-A4 | M 2 | 12 | - | 0.8 | 0.9 |
| P0273.020-014-A4 | M 2 | 14 | - | 0.8 | 0.9 |
| P0273.020-016-A4 | M 2 | 16 | - | 0.8 | 0.9 |
| P0273.025-003-A4 | M2,5 | 3 | - | 1.2 | 1.3 |
| P0273.025-004-A4 | M2,5 | 4 | - | 1.2 | 1.3 |
| P0273.025-005-A4 | M2,5 | 5 | - | 1.2 | 1.3 |
| P0273.025-006-A4 | M2,5 | 6 | - | 1.2 | 1.3 |
| P0273.025-008-A4 | M2,5 | 8 | - | 1.2 | 1.3 |
| P0273.025-010-A4 | M2,5 | 10 | - | 1.2 | 1.3 |
| P0273.025-012-A4 | M2,5 | 12 | - | 1.2 | 1.3 |
| P0273.025-014-A4 | M2,5 | 14 | - | 1.2 | 1.3 |
| P0273.025-016-A4 | M2,5 | 16 | - | 1.2 | 1.3 |
| P0273.030-003-A4 | M 3 | 3 | - | 1.2 | 1.5 |
| P0273.030-004-A4 | M 3 | 4 | - | 1.2 | 1.5 |
| P0273.030-005-A4 | M 3 | 5 | - | 1.2 | 1.5 |
| P0273.030-006-A4 | M 3 | 6 | - | 1.2 | 1.5 |
| P0273.030-008-A4 | M 3 | 8 | - | 1.2 | 1.5 |
| P0273.030-010-A4 | M 3 | 10 | - | 1.2 | 1.5 |
| P0273.030-012-A4 | M 3 | 12 | - | 1.2 | 1.5 |
| P0273.030-014-A4 | M 3 | 14 | - | 1.2 | 1.5 |
| P0273.030-016-A4 | M 3 | 16 | - | 1.2 | 1.5 |
| P0273.030-020-A4 | M 3 | 20 | - | 1.2 | 1.5 |
| P0273.030-025-A4 | M 3 | 25 | - | 1.2 | 1.5 |
| P0273.030-030-A4 | M 3 | 30 | - | 1.2 | 1.5 |
| P0273.040-003-A4 | M 4 | 3 | - | 1.5 | 2.0 |
| P0273.040-004-A4 | M 4 | 4 | - | 1.5 | 2.0 |
| P0273.040-005-A4 | M 4 | 5 | - | 1.5 | 2.0 |



Socket Set Screws Cone Point

Cone Point - A4 stainless

Standard Screws



| Order No. | d ₁ | l ₁ | d ₂ | l ₂ min. | A/F |
|------------------|----------------|----------------|----------------|------------------------|-----|
| P0273.040-006-A4 | M 4 | 6 | - | 1.5 | 2.0 |
| P0273.040-008-A4 | M 4 | 8 | - | 1.5 | 2.0 |
| P0273.040-010-A4 | M 4 | 10 | - | 1.5 | 2.0 |
| P0273.040-012-A4 | M 4 | 12 | - | 1.5 | 2.0 |
| P0273.040-014-A4 | M 4 | 14 | - | 1.5 | 2.0 |
| P0273.040-016-A4 | M 4 | 16 | - | 1.5 | 2.0 |
| P0273.040-020-A4 | M 4 | 20 | - | 1.5 | 2.0 |
| P0273.040-025-A4 | M 4 | 25 | - | 1.5 | 2.0 |
| P0273.040-030-A4 | M 4 | 30 | - | 1.5 | 2.0 |
| P0273.040-035-A4 | M 4 | 35 | - | 1.5 | 2.0 |
| P0273.040-040-A4 | M 4 | 40 | - | 1.5 | 2.0 |
| P0273.050-005-A4 | M 5 | 5 | - | 2.0 | 2.5 |
| P0273.050-006-A4 | M 5 | 6 | - | 2.0 | 2.5 |
| P0273.050-008-A4 | M 5 | 8 | - | 2.0 | 2.5 |
| P0273.050-010-A4 | M 5 | 10 | - | 2.0 | 2.5 |
| P0273.050-012-A4 | M 5 | 12 | - | 2.0 | 2.5 |
| P0273.050-014-A4 | M 5 | 14 | - | 2.0 | 2.5 |
| P0273.050-016-A4 | M 5 | 16 | - | 2.0 | 2.5 |
| P0273.050-020-A4 | M 5 | 20 | - | 2.0 | 2.5 |
| P0273.050-025-A4 | M 5 | 25 | - | 2.0 | 2.5 |
| P0273.050-030-A4 | M 5 | 30 | - | 2.0 | 2.5 |
| P0273.050-035-A4 | M 5 | 35 | - | 2.0 | 2.5 |
| P0273.050-040-A4 | M 5 | 40 | - | 2.0 | 2.5 |
| P0273.050-050-A4 | M 5 | 50 | - | 2.0 | 2.5 |
| P0273.060-004-A4 | M 6 | 4 | 1.5 | 2.0 | 3.0 |
| P0273.060-005-A4 | M 6 | 5 | 1.5 | 2.0 | 3.0 |
| P0273.060-006-A4 | M 6 | 6 | 1.5 | 2.0 | 3.0 |
| P0273.060-008-A4 | M 6 | 8 | 1.5 | 2.0 | 3.0 |
| P0273.060-010-A4 | M 6 | 10 | 1.5 | 2.0 | 3.0 |
| P0273.060-012-A4 | M 6 | 12 | 1.5 | 2.0 | 3.0 |
| P0273.060-014-A4 | M 6 | 14 | 1.5 | 2.0 | 3.0 |
| P0273.060-016-A4 | M 6 | 16 | 1.5 | 2.0 | 3.0 |
| P0273.060-018-A4 | M 6 | 18 | 1.5 | 2.0 | 3.0 |
| P0273.060-020-A4 | M 6 | 20 | 1.5 | 2.0 | 3.0 |
| P0273.060-025-A4 | M 6 | 25 | 1.5 | 2.0 | 3.0 |
| P0273.060-030-A4 | M 6 | 30 | 1.5 | 2.0 | 3.0 |
| P0273.060-035-A4 | M 6 | 35 | 1.5 | 2.0 | 3.0 |
| P0273.060-040-A4 | M 6 | 40 | 1.5 | 2.0 | 3.0 |
| P0273.060-045-A4 | M 6 | 45 | 1.5 | 2.0 | 3.0 |
| P0273.060-050-A4 | M 6 | 50 | 1.5 | 2.0 | 3.0 |
| P0273.080-006-A4 | M 8 | 6 | 2.0 | 3.0 | 4.0 |
| P0273.080-008-A4 | M 8 | 8 | 2.0 | 3.0 | 4.0 |
| P0273.080-010-A4 | M 8 | 10 | 2.0 | 3.0 | 4.0 |
| P0273.080-012-A4 | M 8 | 12 | 2.0 | 3.0 | 4.0 |
| P0273.080-014-A4 | M 8 | 14 | 2.0 | 3.0 | 4.0 |
| P0273.080-016-A4 | M 8 | 16 | 2.0 | 3.0 | 4.0 |
| P0273.080-018-A4 | M 8 | 18 | 2.0 | 3.0 | 4.0 |
| P0273.080-020-A4 | M 8 | 20 | 2.0 | 3.0 | 4.0 |
| P0273.080-025-A4 | M 8 | 25 | 2.0 | 3.0 | 4.0 |
| P0273.080-030-A4 | M 8 | 30 | 2.0 | 3.0 | 4.0 |
| P0273.080-035-A4 | M 8 | 35 | 2.0 | 3.0 | 4.0 |
| P0273.080-040-A4 | M 8 | 40 | 2.0 | 3.0 | 4.0 |
| P0273.080-050-A4 | M 8 | 50 | 2.0 | 3.0 | 4.0 |
| P0273.080-060-A4 | M 8 | 60 | 2.0 | 3.0 | 4.0 |
| P0273.100-010-A4 | M10 | 10 | 2.5 | 4.0 | 5.0 |
| P0273.100-012-A4 | M10 | 12 | 2.5 | 4.0 | 5.0 |
| P0273.100-016-A4 | M10 | 16 | 2.5 | 4.0 | 5.0 |
| P0273.100-020-A4 | M10 | 20 | 2.5 | 4.0 | 5.0 |
| P0273.100-025-A4 | M10 | 25 | 2.5 | 4.0 | 5.0 |
| P0273.100-030-A4 | M10 | 30 | 2.5 | 4.0 | 5.0 |
| P0273.100-035-A4 | M10 | 35 | 2.5 | 4.0 | 5.0 |
| P0273.100-040-A4 | M10 | 40 | 2.5 | 4.0 | 5.0 |
| P0273.100-045-A4 | M10 | 45 | 2.5 | 4.0 | 5.0 |
| P0273.100-050-A4 | M10 | 50 | 2.5 | 4.0 | 5.0 |
| P0273.100-055-A4 | M10 | 55 | 2.5 | 4.0 | 5.0 |
| P0273.100-060-A4 | M10 | 60 | 2.5 | 4.0 | 5.0 |
| P0273.100-070-A4 | M10 | 70 | 2.5 | 4.0 | 5.0 |
| P0273.100-080-A4 | M10 | 80 | 2.5 | 4.0 | 5.0 |

STANDARD SCREWS



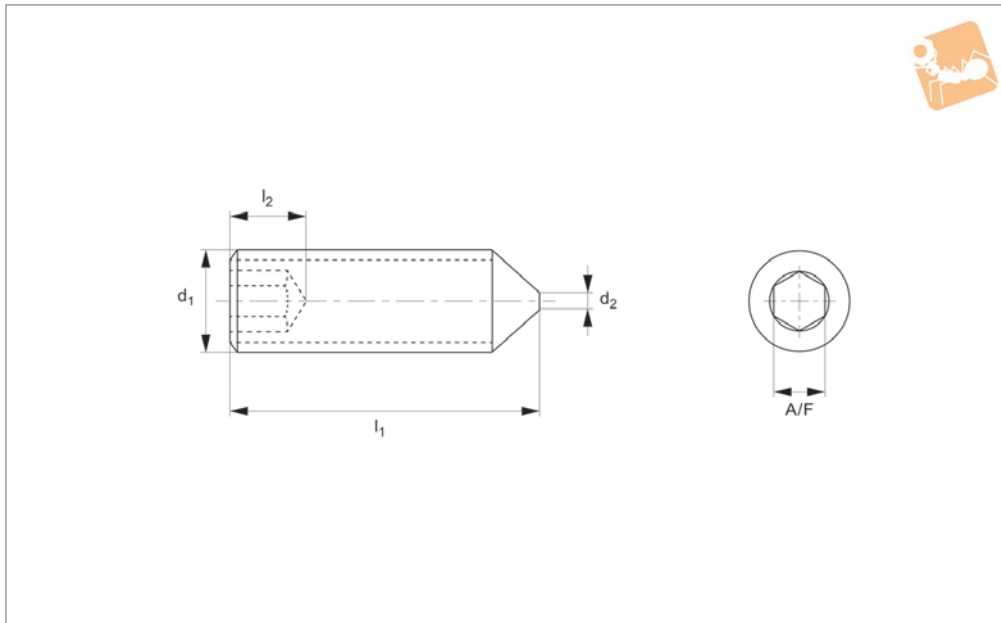
| Order No. | d ₁ | l ₁ | d ₂ | l ₂ min. | A/F |
|------------------|----------------|----------------|----------------|------------------------|------|
| P0273.120-012-A4 | M12 | 12 | 3.0 | 4.8 | 5.0 |
| P0273.120-016-A4 | M12 | 16 | 3.0 | 4.8 | 5.0 |
| P0273.120-020-A4 | M12 | 20 | 3.0 | 4.8 | 5.0 |
| P0273.120-025-A4 | M12 | 25 | 3.0 | 4.8 | 5.0 |
| P0273.120-030-A4 | M12 | 30 | 3.0 | 4.8 | 5.0 |
| P0273.120-035-A4 | M12 | 35 | 3.0 | 4.8 | 5.0 |
| P0273.120-040-A4 | M12 | 40 | 3.0 | 4.8 | 5.0 |
| P0273.120-045-A4 | M12 | 45 | 3.0 | 4.8 | 5.0 |
| P0273.120-050-A4 | M12 | 50 | 3.0 | 4.8 | 5.0 |
| P0273.120-055-A4 | M12 | 55 | 3.0 | 4.8 | 5.0 |
| P0273.120-060-A4 | M12 | 60 | 3.0 | 4.8 | 5.0 |
| P0273.120-070-A4 | M12 | 70 | 3.0 | 4.8 | 5.0 |
| P0273.120-080-A4 | M12 | 80 | 3.0 | 4.8 | 5.0 |
| P0273.120-090-A4 | M12 | 90 | 3.0 | 4.8 | 5.0 |
| P0273.160-016-A4 | M16 | 16 | 4.0 | 6.4 | 8.0 |
| P0273.160-020-A4 | M16 | 20 | 4.0 | 6.4 | 8.0 |
| P0273.160-025-A4 | M16 | 25 | 4.0 | 6.4 | 8.0 |
| P0273.160-030-A4 | M16 | 30 | 4.0 | 6.4 | 8.0 |
| P0273.160-035-A4 | M16 | 35 | 4.0 | 6.4 | 8.0 |
| P0273.160-040-A4 | M16 | 40 | 4.0 | 6.4 | 8.0 |
| P0273.160-045-A4 | M16 | 45 | 4.0 | 6.4 | 8.0 |
| P0273.160-050-A4 | M16 | 50 | 4.0 | 6.4 | 8.0 |
| P0273.160-055-A4 | M16 | 55 | 4.0 | 6.4 | 8.0 |
| P0273.160-060-A4 | M16 | 60 | 4.0 | 6.4 | 8.0 |
| P0273.160-070-A4 | M16 | 70 | 4.0 | 6.4 | 8.0 |
| P0273.160-080-A4 | M16 | 80 | 4.0 | 6.4 | 8.0 |
| P0273.160-090-A4 | M16 | 90 | 4.0 | 6.4 | 8.0 |
| P0273.160-100-A4 | M16 | 100 | 4.0 | 6.4 | 8.0 |
| P0273.200-020-A4 | M20 | 20 | 5.0 | 8.0 | 10.0 |
| P0273.200-025-A4 | M20 | 25 | 5.0 | 8.0 | 10.0 |
| P0273.200-030-A4 | M20 | 30 | 5.0 | 8.0 | 10.0 |
| P0273.200-035-A4 | M20 | 35 | 5.0 | 8.0 | 10.0 |
| P0273.200-040-A4 | M20 | 40 | 5.0 | 8.0 | 10.0 |
| P0273.200-045-A4 | M20 | 45 | 5.0 | 8.0 | 10.0 |
| P0273.200-050-A4 | M20 | 50 | 5.0 | 8.0 | 10.0 |
| P0273.200-055-A4 | M20 | 55 | 5.0 | 8.0 | 10.0 |
| P0273.200-060-A4 | M20 | 60 | 5.0 | 8.0 | 10.0 |
| P0273.200-070-A4 | M20 | 70 | 5.0 | 8.0 | 10.0 |
| P0273.200-080-A4 | M20 | 80 | 5.0 | 8.0 | 10.0 |
| P0273.200-090-A4 | M20 | 90 | 5.0 | 8.0 | 10.0 |
| P0273.200-100-A4 | M20 | 100 | 5.0 | 8.0 | 10.0 |



Socket Set Screws Cone Point

Cone Point - steel, zinc-plated

Standard Screws



P0273.ZP

STANDARD SCREWS

Material

Steel, zinc-plated (class 45H).

Technical Notes

To DIN 914, cone point.

| Order No. | d ₁ | l ₁ | d ₂ | l ₂ min. | A/F |
|------------------|----------------|----------------|----------------|------------------------|-----|
| P0273.020-002-ZP | M 2 | 2 | - | 0.8 | 0.9 |
| P0273.020-003-ZP | M 2 | 3 | - | 0.8 | 0.9 |
| P0273.020-004-ZP | M 2 | 4 | - | 0.8 | 0.9 |
| P0273.020-005-ZP | M 2 | 5 | - | 0.8 | 0.9 |
| P0273.020-006-ZP | M 2 | 6 | - | 0.8 | 0.9 |
| P0273.020-008-ZP | M 2 | 8 | - | 0.8 | 0.9 |
| P0273.020-010-ZP | M 2 | 10 | - | 0.8 | 0.9 |
| P0273.020-012-ZP | M 2 | 12 | - | 0.8 | 0.9 |
| P0273.020-014-ZP | M 2 | 14 | - | 0.8 | 0.9 |
| P0273.020-016-ZP | M 2 | 16 | - | 0.8 | 0.9 |
| P0273.025-003-ZP | M2,5 | 3 | - | 1.2 | 1.3 |
| P0273.025-004-ZP | M2,5 | 4 | - | 1.2 | 1.3 |
| P0273.025-005-ZP | M2,5 | 5 | - | 1.2 | 1.3 |
| P0273.025-006-ZP | M2,5 | 6 | - | 1.2 | 1.3 |
| P0273.025-008-ZP | M2,5 | 8 | - | 1.2 | 1.3 |
| P0273.025-010-ZP | M2,5 | 10 | - | 1.2 | 1.3 |
| P0273.025-012-ZP | M2,5 | 12 | - | 1.2 | 1.3 |
| P0273.025-014-ZP | M2,5 | 14 | - | 1.2 | 1.3 |
| P0273.025-016-ZP | M2,5 | 16 | - | 1.2 | 1.3 |
| P0273.030-003-ZP | M 3 | 3 | - | 1.2 | 1.5 |
| P0273.030-004-ZP | M 3 | 4 | - | 1.2 | 1.5 |
| P0273.030-005-ZP | M 3 | 5 | - | 1.2 | 1.5 |
| P0273.030-006-ZP | M 3 | 6 | - | 1.2 | 1.5 |
| P0273.030-008-ZP | M 3 | 8 | - | 1.2 | 1.5 |
| P0273.030-010-ZP | M 3 | 10 | - | 1.2 | 1.5 |
| P0273.030-012-ZP | M 3 | 12 | - | 1.2 | 1.5 |
| P0273.030-014-ZP | M 3 | 14 | - | 1.2 | 1.5 |
| P0273.030-016-ZP | M 3 | 16 | - | 1.2 | 1.5 |
| P0273.030-020-ZP | M 3 | 20 | - | 1.2 | 1.5 |
| P0273.030-025-ZP | M 3 | 25 | - | 1.2 | 1.5 |
| P0273.030-030-ZP | M 3 | 30 | - | 1.2 | 1.5 |
| P0273.040-003-ZP | M 4 | 3 | - | 1.5 | 2.0 |
| P0273.040-004-ZP | M 4 | 4 | - | 1.5 | 2.0 |
| P0273.040-005-ZP | M 4 | 5 | - | 1.5 | 2.0 |



| Order No. | d ₁ | l ₁ | d ₂ | l ₂ min. | A/F |
|------------------|----------------|----------------|----------------|------------------------|-----|
| P0273.040-006-ZP | M 4 | 6 | - | 1.5 | 2.0 |
| P0273.040-008-ZP | M 4 | 8 | - | 1.5 | 2.0 |
| P0273.040-010-ZP | M 4 | 10 | - | 1.5 | 2.0 |
| P0273.040-012-ZP | M 4 | 12 | - | 1.5 | 2.0 |
| P0273.040-014-ZP | M 4 | 14 | - | 1.5 | 2.0 |
| P0273.040-016-ZP | M 4 | 16 | - | 1.5 | 2.0 |
| P0273.040-020-ZP | M 4 | 20 | - | 1.5 | 2.0 |
| P0273.040-025-ZP | M 4 | 25 | - | 1.5 | 2.0 |
| P0273.040-030-ZP | M 4 | 30 | - | 1.5 | 2.0 |
| P0273.040-035-ZP | M 4 | 35 | - | 1.5 | 2.0 |
| P0273.040-040-ZP | M 4 | 40 | - | 1.5 | 2.0 |
| P0273.050-005-ZP | M 5 | 5 | - | 2.0 | 2.5 |
| P0273.050-006-ZP | M 5 | 6 | - | 2.0 | 2.5 |
| P0273.050-008-ZP | M 5 | 8 | - | 2.0 | 2.5 |
| P0273.050-010-ZP | M 5 | 10 | - | 2.0 | 2.5 |
| P0273.050-012-ZP | M 5 | 12 | - | 2.0 | 2.5 |
| P0273.050-014-ZP | M 5 | 14 | - | 2.0 | 2.5 |
| P0273.050-016-ZP | M 5 | 16 | - | 2.0 | 2.5 |
| P0273.050-020-ZP | M 5 | 20 | - | 2.0 | 2.5 |
| P0273.050-025-ZP | M 5 | 25 | - | 2.0 | 2.5 |
| P0273.050-030-ZP | M 5 | 30 | - | 2.0 | 2.5 |
| P0273.050-035-ZP | M 5 | 35 | - | 2.0 | 2.5 |
| P0273.050-040-ZP | M 5 | 40 | -- | 2.0 | 2.5 |
| P0273.050-050-ZP | M 5 | 50 | - | 2.0 | 2.5 |
| P0273.060-004-ZP | M 6 | 4 | 1.5 | 2.0 | 3.0 |
| P0273.060-005-ZP | M 6 | 5 | 1.5 | 2.0 | 3.0 |
| P0273.060-006-ZP | M 6 | 6 | 1.5 | 2.0 | 3.0 |
| P0273.060-008-ZP | M 6 | 8 | 1.5 | 2.0 | 3.0 |
| P0273.060-010-ZP | M 6 | 10 | 1.5 | 2.0 | 3.0 |
| P0273.060-012-ZP | M 6 | 12 | 1.5 | 2.0 | 3.0 |
| P0273.060-014-ZP | M 6 | 14 | 1.5 | 2.0 | 3.0 |
| P0273.060-016-ZP | M 6 | 16 | 1.5 | 2.0 | 3.0 |
| P0273.060-018-ZP | M 6 | 18 | 1.5 | 2.0 | 3.0 |
| P0273.060-020-ZP | M 6 | 20 | 1.5 | 2.0 | 3.0 |
| P0273.060-025-ZP | M 6 | 25 | 1.5 | 2.0 | 3.0 |
| P0273.060-030-ZP | M 6 | 30 | 1.5 | 2.0 | 3.0 |
| P0273.060-035-ZP | M 6 | 35 | 1.5 | 2.0 | 3.0 |
| P0273.060-040-ZP | M 6 | 40 | 1.5 | 2.0 | 3.0 |
| P0273.060-045-ZP | M 6 | 45 | 1.5 | 2.0 | 3.0 |
| P0273.060-050-ZP | M 6 | 50 | 1.5 | 2.0 | 3.0 |
| P0273.080-006-ZP | M 8 | 6 | 2.0 | 3.0 | 4.0 |
| P0273.080-008-ZP | M 8 | 8 | 2.0 | 3.0 | 4.0 |
| P0273.080-010-ZP | M 8 | 10 | 2.0 | 3.0 | 4.0 |
| P0273.080-012-ZP | M 8 | 12 | 2.0 | 3.0 | 4.0 |
| P0273.080-014-ZP | M 8 | 14 | 2.0 | 3.0 | 4.0 |
| P0273.080-016-ZP | M 8 | 16 | 2.0 | 3.0 | 4.0 |
| P0273.080-018-ZP | M 8 | 18 | 2.0 | 3.0 | 4.0 |
| P0273.080-020-ZP | M 8 | 20 | 2.0 | 3.0 | 4.0 |
| P0273.080-025-ZP | M 8 | 25 | 2.0 | 3.0 | 4.0 |
| P0273.080-030-ZP | M 8 | 30 | 2.0 | 3.0 | 4.0 |
| P0273.080-035-ZP | M 8 | 35 | 2.0 | 3.0 | 4.0 |
| P0273.080-040-ZP | M 8 | 40 | 2.0 | 3.0 | 4.0 |
| P0273.080-050-ZP | M 8 | 50 | 2.0 | 3.0 | 4.0 |
| P0273.080-060-ZP | M 8 | 60 | 2.0 | 3.0 | 4.0 |
| P0273.100-010-ZP | M10 | 10 | 2.5 | 4.0 | 5.0 |
| P0273.100-012-ZP | M10 | 12 | 2.5 | 4.0 | 5.0 |
| P0273.100-016-ZP | M10 | 16 | 2.5 | 4.0 | 5.0 |
| P0273.100-020-ZP | M10 | 20 | 2.5 | 4.0 | 5.0 |
| P0273.100-025-ZP | M10 | 25 | 2.5 | 4.0 | 5.0 |
| P0273.100-030-ZP | M10 | 30 | 2.5 | 4.0 | 5.0 |
| P0273.100-035-ZP | M10 | 35 | 2.5 | 4.0 | 5.0 |
| P0273.100-040-ZP | M10 | 40 | 2.5 | 4.0 | 5.0 |
| P0273.100-045-ZP | M10 | 45 | 2.5 | 4.0 | 5.0 |
| P0273.100-050-ZP | M10 | 50 | 2.5 | 4.0 | 5.0 |
| P0273.100-055-ZP | M10 | 55 | 2.5 | 4.0 | 5.0 |
| P0273.100-060-ZP | M10 | 60 | 2.5 | 4.0 | 5.0 |
| P0273.100-070-ZP | M10 | 70 | 2.5 | 4.0 | 5.0 |
| P0273.100-080-ZP | M10 | 80 | 2.5 | 4.0 | 5.0 |



Socket Set Screws Cone Point

Cone Point - steel, zinc-plated

Standard Screws



| Order No. | d ₁ | l ₁ | d ₂ | l ₂ min. | A/F |
|------------------|----------------|----------------|----------------|------------------------|------|
| P0273.120-012-ZP | M12 | 12 | 3.0 | 4.8 | 5.0 |
| P0273.120-016-ZP | M12 | 16 | 3.0 | 4.8 | 5.0 |
| P0273.120-020-ZP | M12 | 20 | 3.0 | 4.8 | 5.0 |
| P0273.120-025-ZP | M12 | 25 | 3.0 | 4.8 | 5.0 |
| P0273.120-030-ZP | M12 | 30 | 3.0 | 4.8 | 5.0 |
| P0273.120-035-ZP | M12 | 35 | 3.0 | 4.8 | 5.0 |
| P0273.120-040-ZP | M12 | 40 | 3.0 | 4.8 | 5.0 |
| P0273.120-045-ZP | M12 | 45 | 3.0 | 4.8 | 5.0 |
| P0273.120-050-ZP | M12 | 50 | 3.0 | 4.8 | 5.0 |
| P0273.120-055-ZP | M12 | 55 | 3.0 | 4.8 | 5.0 |
| P0273.120-060-ZP | M12 | 60 | 3.0 | 4.8 | 5.0 |
| P0273.120-070-ZP | M12 | 70 | 3.0 | 4.8 | 5.0 |
| P0273.120-080-ZP | M12 | 80 | 3.0 | 4.8 | 5.0 |
| P0273.120-090-ZP | M12 | 90 | 3.0 | 4.8 | 5.0 |
| P0273.160-016-ZP | M16 | 16 | 4.0 | 6.4 | 8.0 |
| P0273.160-020-ZP | M16 | 20 | 4.0 | 6.4 | 8.0 |
| P0273.160-025-ZP | M16 | 25 | 4.0 | 6.4 | 8.0 |
| P0273.160-030-ZP | M16 | 30 | 4.0 | 6.4 | 8.0 |
| P0273.160-035-ZP | M16 | 35 | 4.0 | 6.4 | 8.0 |
| P0273.160-040-ZP | M16 | 40 | 4.0 | 6.4 | 8.0 |
| P0273.160-045-ZP | M16 | 45 | 4.0 | 6.4 | 8.0 |
| P0273.160-050-ZP | M16 | 50 | 4.0 | 6.4 | 8.0 |
| P0273.160-055-ZP | M16 | 55 | 4.0 | 6.4 | 8.0 |
| P0273.160-060-ZP | M16 | 60 | 4.0 | 6.4 | 8.0 |
| P0273.160-070-ZP | M16 | 70 | 4.0 | 6.4 | 8.0 |
| P0273.160-080-ZP | M16 | 80 | 4.0 | 6.4 | 8.0 |
| P0273.160-090-ZP | M16 | 90 | 4.0 | 6.4 | 8.0 |
| P0273.160-100-ZP | M16 | 100 | 4.0 | 6.4 | 8.0 |
| P0273.200-020-ZP | M20 | 20 | 5.0 | 8.0 | 10.0 |
| P0273.200-025-ZP | M20 | 25 | 5.0 | 8.0 | 10.0 |
| P0273.200-030-ZP | M20 | 30 | 5.0 | 8.0 | 10.0 |
| P0273.200-035-ZP | M20 | 35 | 5.0 | 8.0 | 10.0 |
| P0273.200-040-ZP | M20 | 40 | 5.0 | 8.0 | 10.0 |
| P0273.200-045-ZP | M20 | 45 | 5.0 | 8.0 | 10.0 |
| P0273.200-050-ZP | M20 | 50 | 5.0 | 8.0 | 10.0 |
| P0273.200-055-ZP | M20 | 55 | 5.0 | 8.0 | 10.0 |
| P0273.200-060-ZP | M20 | 60 | 5.0 | 8.0 | 10.0 |
| P0273.200-070-ZP | M20 | 70 | 5.0 | 8.0 | 10.0 |
| P0273.200-080-ZP | M20 | 80 | 5.0 | 8.0 | 10.0 |
| P0273.200-090-ZP | M20 | 90 | 5.0 | 8.0 | 10.0 |
| P0273.200-100-ZP | M20 | 100 | 5.0 | 8.0 | 10.0 |

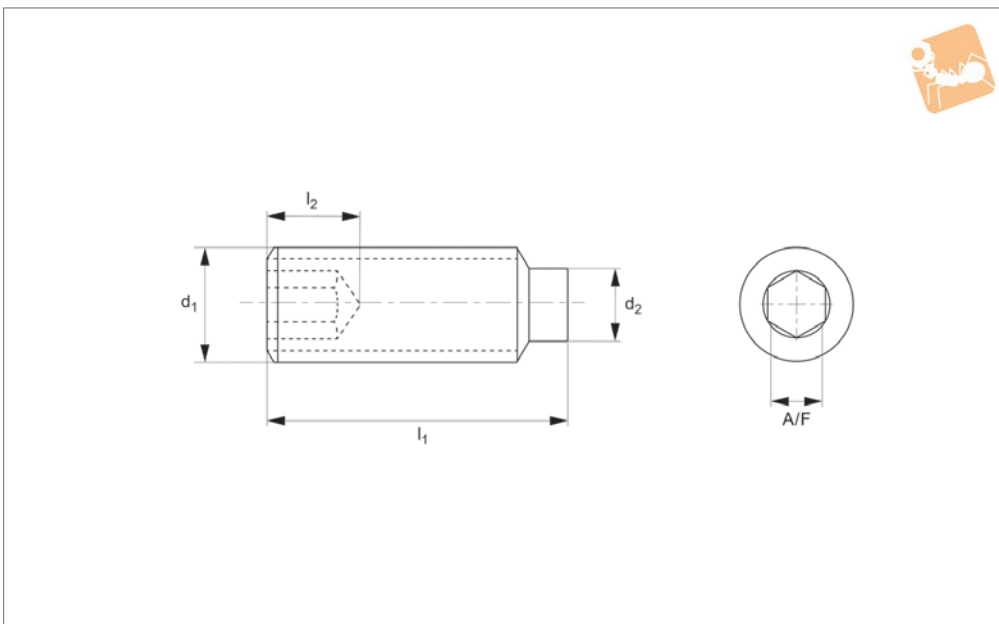
STANDARD SCREWS



STANDARD SCREWS



P0274.A2



Material

Stainless steel (A2).

See technical page for tightening torques.

Technical Notes

To DIN 915, dog point.

| Order No. | d ₁ | l ₁ | d ₂ | l ₂ min. | A/F |
|------------------|----------------|----------------|----------------|------------------------|-----|
| P0274.020-003-A2 | M 2 | 3 | 0.75 | 0.8 | 0.9 |
| P0274.020-004-A2 | M 2 | 4 | 0.75 | 0.8 | 0.9 |
| P0274.020-005-A2 | M 2 | 5 | 0.75 | 0.8 | 0.9 |
| P0274.020-006-A2 | M 2 | 6 | 0.75 | 0.8 | 0.9 |
| P0274.020-008-A2 | M 2 | 8 | 0.75 | 0.8 | 0.9 |
| P0274.020-010-A2 | M 2 | 10 | 0.75 | 0.8 | 0.9 |
| P0274.020-012-A2 | M 2 | 12 | 0.75 | 0.8 | 0.9 |
| P0274.020-014-A2 | M 2 | 12 | 0.75 | 0.8 | 0.9 |
| P0274.020-016-A2 | M 2 | 16 | 0.75 | 0.8 | 0.9 |
| P0274.025-003-A2 | M2,5 | 3 | 1.25 | 1.2 | 1.3 |
| P0274.025-004-A2 | M2,5 | 4 | 1.25 | 1.2 | 1.3 |
| P0274.025-005-A2 | M2,5 | 5 | 1.25 | 1.2 | 1.3 |
| P0274.025-006-A2 | M2,5 | 6 | 1.25 | 1.2 | 1.3 |
| P0274.025-008-A2 | M2,5 | 8 | 1.25 | 1.2 | 1.3 |
| P0274.025-010-A2 | M2,5 | 10 | 1.25 | 1.2 | 1.3 |
| P0274.025-012-A2 | M2,5 | 12 | 1.25 | 1.2 | 1.3 |
| P0274.025-014-A2 | M2,5 | 12 | 1.25 | 1.2 | 1.3 |
| P0274.025-016-A2 | M2,5 | 16 | 1.25 | 1.2 | 1.3 |
| P0274.030-003-A2 | M 3 | 3 | 1.75 | 1.2 | 1.5 |
| P0274.030-004-A2 | M 3 | 4 | 1.75 | 1.2 | 1.5 |
| P0274.030-005-A2 | M 3 | 5 | 1.75 | 1.2 | 1.5 |
| P0274.030-006-A2 | M 3 | 6 | 1.75 | 1.2 | 1.5 |
| P0274.030-008-A2 | M 3 | 8 | 1.75 | 1.2 | 1.5 |
| P0274.030-010-A2 | M 3 | 10 | 1.75 | 1.2 | 1.5 |
| P0274.030-012-A2 | M 3 | 12 | 1.75 | 1.2 | 1.5 |
| P0274.030-014-A2 | M 3 | 14 | 1.75 | 1.2 | 1.5 |
| P0274.030-016-A2 | M 3 | 16 | 1.75 | 1.2 | 1.5 |
| P0274.030-020-A2 | M 3 | 20 | 1.75 | 1.2 | 1.5 |
| P0274.030-025-A2 | M 3 | 25 | 1.75 | 1.2 | 1.5 |
| P0274.030-030-A2 | M 3 | 30 | 1.75 | 1.2 | 1.5 |
| P0274.040-004-A2 | M 4 | 4 | 2.25 | 1.5 | 2.0 |
| P0274.040-005-A2 | M 4 | 5 | 2.25 | 1.5 | 2.0 |
| P0274.040-006-A2 | M 4 | 6 | 2.25 | 1.5 | 2.0 |
| P0274.040-008-A2 | M 4 | 8 | 2.25 | 1.5 | 2.0 |



Socket Set Screws Dog Point

Dog Point - A2 stainless

Standard Screws



| Order No. | d ₁ | l ₁ | d ₂ | l ₂ min. | A/F |
|------------------|----------------|----------------|----------------|------------------------|-----|
| P0274.040-010-A2 | M 4 | 10 | 2.25 | 1.5 | 2.0 |
| P0274.040-012-A2 | M 4 | 12 | 2.25 | 1.5 | 2.0 |
| P0274.040-014-A2 | M 4 | 14 | 2.25 | 1.5 | 2.0 |
| P0274.040-016-A2 | M 4 | 16 | 2.25 | 1.5 | 2.0 |
| P0274.040-020-A2 | M 4 | 20 | 2.25 | 1.5 | 2.0 |
| P0274.040-025-A2 | M 4 | 25 | 2.25 | 1.5 | 2.0 |
| P0274.040-030-A2 | M 4 | 30 | 2.25 | 1.5 | 2.0 |
| P0274.040-035-A2 | M 4 | 35 | 2.25 | 1.5 | 2.0 |
| P0274.040-040-A2 | M 4 | 40 | 2.25 | 1.5 | 2.0 |
| P0274.050-005-A2 | M 5 | 5 | 3.20 | 2.0 | 2.5 |
| P0274.050-006-A2 | M 5 | 6 | 3.20 | 2.0 | 2.5 |
| P0274.050-008-A2 | M 5 | 8 | 3.20 | 2.0 | 2.5 |
| P0274.050-010-A2 | M 5 | 10 | 3.20 | 2.0 | 2.5 |
| P0274.050-012-A2 | M 5 | 12 | 3.20 | 2.0 | 2.5 |
| P0274.050-014-A2 | M 5 | 14 | 3.20 | 2.0 | 2.5 |
| P0274.050-016-A2 | M 5 | 16 | 3.20 | 2.0 | 2.5 |
| P0274.050-020-A2 | M 5 | 20 | 3.20 | 2.0 | 2.5 |
| P0274.050-025-A2 | M 5 | 25 | 3.20 | 2.0 | 2.5 |
| P0274.050-030-A2 | M 5 | 30 | 3.20 | 2.0 | 2.5 |
| P0274.060-006-A2 | M 6 | 6 | 3.70 | 2.0 | 3.0 |
| P0274.060-008-A2 | M 6 | 8 | 3.70 | 2.0 | 3.0 |
| P0274.060-010-A2 | M 6 | 10 | 3.70 | 2.0 | 3.0 |
| P0274.060-012-A2 | M 6 | 12 | 3.70 | 2.0 | 3.0 |
| P0274.060-014-A2 | M 6 | 14 | 3.70 | 2.0 | 3.0 |
| P0274.060-016-A2 | M 6 | 16 | 3.70 | 2.0 | 3.0 |
| P0274.060-018-A2 | M 6 | 18 | 3.70 | 2.0 | 3.0 |
| P0274.060-020-A2 | M 6 | 20 | 3.70 | 2.0 | 3.0 |
| P0274.060-025-A2 | M 6 | 25 | 3.70 | 2.0 | 3.0 |
| P0274.060-030-A2 | M 6 | 30 | 3.70 | 2.0 | 3.0 |
| P0274.060-035-A2 | M 6 | 35 | 3.70 | 2.0 | 3.0 |
| P0274.060-040-A2 | M 6 | 40 | 3.70 | 2.0 | 3.0 |
| P0274.060-045-A2 | M 6 | 45 | 3.70 | 2.0 | 3.0 |
| P0274.060-050-A2 | M 6 | 50 | 3.70 | 2.0 | 3.0 |
| P0274.060-055-A2 | M 6 | 55 | 3.70 | 2.0 | 3.0 |
| P0274.060-060-A2 | M 6 | 60 | 3.70 | 2.0 | 3.0 |
| P0274.080-008-A2 | M 8 | 8 | 5.20 | 3.0 | 4.0 |
| P0274.080-010-A2 | M 8 | 10 | 5.20 | 3.0 | 4.0 |
| P0274.080-012-A2 | M 8 | 12 | 5.20 | 3.0 | 4.0 |
| P0274.080-014-A2 | M 8 | 14 | 5.20 | 3.0 | 4.0 |
| P0274.080-016-A2 | M 8 | 16 | 5.20 | 3.0 | 4.0 |
| P0274.080-018-A2 | M 8 | 18 | 5.20 | 3.0 | 4.0 |
| P0274.080-020-A2 | M 8 | 20 | 5.20 | 3.0 | 4.0 |
| P0274.080-025-A2 | M 8 | 25 | 5.20 | 3.0 | 4.0 |
| P0274.080-030-A2 | M 8 | 30 | 5.20 | 3.0 | 4.0 |
| P0274.080-035-A2 | M 8 | 35 | 5.20 | 3.0 | 4.0 |
| P0274.080-040-A2 | M 8 | 40 | 5.20 | 3.0 | 4.0 |
| P0274.080-050-A2 | M 8 | 50 | 5.20 | 3.0 | 4.0 |
| P0274.080-060-A2 | M 8 | 60 | 5.20 | 3.0 | 4.0 |
| P0274.100-010-A2 | M10 | 10 | 6.64 | 4.0 | 5.0 |
| P0274.100-012-A2 | M10 | 12 | 6.64 | 4.0 | 5.0 |
| P0274.100-016-A2 | M10 | 16 | 6.64 | 4.0 | 5.0 |
| P0274.100-020-A2 | M10 | 20 | 6.64 | 4.0 | 5.0 |
| P0274.100-025-A2 | M10 | 25 | 6.64 | 4.0 | 5.0 |
| P0274.100-030-A2 | M10 | 30 | 6.64 | 4.0 | 5.0 |
| P0274.100-035-A2 | M10 | 35 | 6.64 | 4.0 | 5.0 |
| P0274.100-040-A2 | M10 | 40 | 6.64 | 4.0 | 5.0 |
| P0274.100-045-A2 | M10 | 45 | 6.64 | 4.0 | 5.0 |
| P0274.100-050-A2 | M10 | 50 | 6.64 | 4.0 | 5.0 |
| P0274.100-055-A2 | M10 | 55 | 6.64 | 4.0 | 5.0 |
| P0274.100-060-A2 | M10 | 60 | 6.64 | 4.0 | 5.0 |
| P0274.120-012-A2 | M12 | 12 | 8.14 | 4.8 | 6.0 |
| P0274.120-016-A2 | M12 | 16 | 8.14 | 4.8 | 6.0 |
| P0274.120-020-A2 | M12 | 20 | 8.14 | 4.8 | 6.0 |
| P0274.120-025-A2 | M12 | 25 | 8.14 | 4.8 | 6.0 |
| P0274.120-030-A2 | M12 | 30 | 8.14 | 4.8 | 6.0 |
| P0274.120-035-A2 | M12 | 35 | 8.14 | 4.8 | 6.0 |
| P0274.120-040-A2 | M12 | 40 | 8.14 | 4.8 | 6.0 |
| P0274.120-045-A2 | M12 | 45 | 8.14 | 4.8 | 6.0 |

STANDARD SCREWS



STANDARD SCREWS

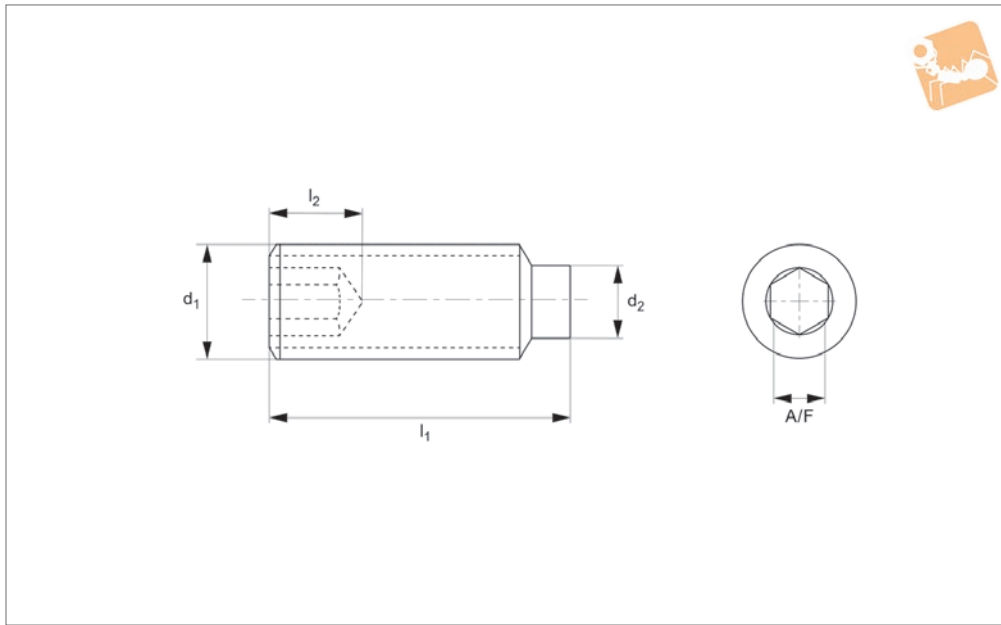
| Order No. | d ₁ | l ₁ | d ₂ | l ₂ min. | A/F |
|------------------|----------------|----------------|----------------|------------------------|-----|
| P0274.120-050-A2 | M12 | 50 | 8.14 | 4.8 | 6.0 |
| P0274.120-055-A2 | M12 | 55 | 8.14 | 4.8 | 6.0 |
| P0274.120-060-A2 | M12 | 60 | 8.14 | 4.8 | 6.0 |
| P0274.120-070-A2 | M12 | 70 | 8.14 | 4.8 | 6.0 |
| P0274.160-016-A2 | M16 | 16 | 11.57 | 6.4 | 8.0 |
| P0274.160-020-A2 | M16 | 20 | 11.57 | 6.4 | 8.0 |
| P0274.160-025-A2 | M16 | 25 | 11.57 | 6.4 | 8.0 |
| P0274.160-030-A2 | M16 | 30 | 11.57 | 6.4 | 8.0 |
| P0274.160-035-A2 | M16 | 35 | 11.57 | 6.4 | 8.0 |
| P0274.160-040-A2 | M16 | 40 | 11.57 | 6.4 | 8.0 |
| P0274.160-045-A2 | M16 | 45 | 11.57 | 6.4 | 8.0 |
| P0274.160-050-A2 | M16 | 50 | 11.57 | 6.4 | 8.0 |
| P0274.160-060-A2 | M16 | 60 | 11.57 | 6.4 | 8.0 |
| P0274.160-070-A2 | M16 | 70 | 11.57 | 6.4 | 8.0 |
| P0274.160-100-A2 | M16 | 100 | 11.57 | 6.4 | 8.0 |
| P0274.200-020-A2 | M20 | 20 | 14.57 | 8.0 | 10 |
| P0274.200-025-A2 | M20 | 25 | 14.57 | 8.0 | 10 |
| P0274.200-030-A2 | M20 | 30 | 14.57 | 8.0 | 10 |
| P0274.200-035-A2 | M20 | 35 | 14.57 | 8.0 | 10 |
| P0274.200-040-A2 | M20 | 40 | 14.57 | 8.0 | 10 |
| P0274.200-045-A2 | M20 | 45 | 14.57 | 8.0 | 10 |
| P0274.200-050-A2 | M20 | 50 | 14.57 | 8.0 | 10 |
| P0274.200-060-A2 | M20 | 60 | 14.57 | 8.0 | 10 |
| P0274.200-070-A2 | M20 | 70 | 14.57 | 8.0 | 10 |
| P0274.200-090-A2 | M20 | 90 | 14.57 | 8.0 | 10 |
| P0274.200-100-A2 | M20 | 100 | 14.57 | 8.0 | 10 |



Socket Set Screws Dog Point

Dog Point - A4 stainless

Standard Screws



P0274.A4

STANDARD SCREWS

Material

Stainless steel (A4).

See technical page for tightening torques.

Technical Notes

To DIN 915, dog point.

| Order No. | d ₁ | l ₁ | d ₂ | l ₂ min. | A/F |
|------------------|----------------|----------------|----------------|------------------------|-----|
| P0274.020-003-A4 | M 2 | 3 | 0.75 | 0.8 | 0.9 |
| P0274.020-004-A4 | M 2 | 4 | 0.75 | 0.8 | 0.9 |
| P0274.020-005-A4 | M 2 | 5 | 0.75 | 0.8 | 0.9 |
| P0274.020-006-A4 | M 2 | 6 | 0.75 | 0.8 | 0.9 |
| P0274.020-008-A4 | M 2 | 8 | 0.75 | 0.8 | 0.9 |
| P0274.020-010-A4 | M 2 | 10 | 0.75 | 0.8 | 0.9 |
| P0274.020-012-A4 | M 2 | 12 | 0.75 | 0.8 | 0.9 |
| P0274.020-014-A4 | M 2 | 12 | 0.75 | 0.8 | 0.9 |
| P0274.020-016-A4 | M 2 | 16 | 0.75 | 0.8 | 0.9 |
| P0274.025-003-A4 | M2,5 | 3 | 1.25 | 1.2 | 1.3 |
| P0274.025-004-A4 | M2,5 | 4 | 1.25 | 1.2 | 1.3 |
| P0274.025-005-A4 | M2,5 | 5 | 1.25 | 1.2 | 1.3 |
| P0274.025-006-A4 | M2,5 | 6 | 1.25 | 1.2 | 1.3 |
| P0274.025-008-A4 | M2,5 | 8 | 1.25 | 1.2 | 1.3 |
| P0274.025-010-A4 | M2,5 | 10 | 1.25 | 1.2 | 1.3 |
| P0274.025-012-A4 | M2,5 | 12 | 1.25 | 1.2 | 1.3 |
| P0274.025-014-A4 | M2,5 | 12 | 1.25 | 1.2 | 1.3 |
| P0274.025-016-A4 | M2,5 | 16 | 1.25 | 1.2 | 1.3 |
| P0274.030-003-A4 | M 3 | 3 | 1.75 | 1.2 | 1.5 |
| P0274.030-004-A4 | M 3 | 4 | 1.75 | 1.2 | 1.5 |
| P0274.030-005-A4 | M 3 | 5 | 1.75 | 1.2 | 1.5 |
| P0274.030-006-A4 | M 3 | 6 | 1.75 | 1.2 | 1.5 |
| P0274.030-008-A4 | M 3 | 8 | 1.75 | 1.2 | 1.5 |
| P0274.030-010-A4 | M 3 | 10 | 1.75 | 1.2 | 1.5 |
| P0274.030-012-A4 | M 3 | 12 | 1.75 | 1.2 | 1.5 |
| P0274.030-014-A4 | M 3 | 14 | 1.75 | 1.2 | 1.5 |
| P0274.030-016-A4 | M 3 | 16 | 1.75 | 1.2 | 1.5 |
| P0274.030-020-A4 | M 3 | 20 | 1.75 | 1.2 | 1.5 |
| P0274.030-025-A4 | M 3 | 25 | 1.75 | 1.2 | 1.5 |
| P0274.030-030-A4 | M 3 | 30 | 1.75 | 1.2 | 1.5 |
| P0274.040-004-A4 | M 4 | 4 | 2.25 | 1.5 | 2.0 |
| P0274.040-005-A4 | M 4 | 5 | 2.25 | 1.5 | 2.0 |
| P0274.040-006-A4 | M 4 | 6 | 2.25 | 1.5 | 2.0 |
| P0274.040-008-A4 | M 4 | 8 | 2.25 | 1.5 | 2.0 |



STANDARD SCREWS

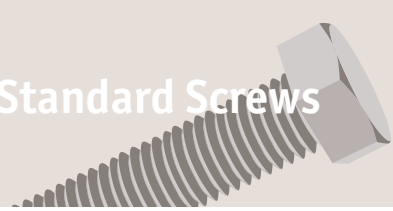
| Order No. | d ₁ | l ₁ | d ₂ | l ₂ min. | A/F |
|------------------|----------------|----------------|----------------|------------------------|-----|
| P0274.040-010-A4 | M 4 | 10 | 2.25 | 1.5 | 2.0 |
| P0274.040-012-A4 | M 4 | 12 | 2.25 | 1.5 | 2.0 |
| P0274.040-014-A4 | M 4 | 14 | 2.25 | 1.5 | 2.0 |
| P0274.040-016-A4 | M 4 | 16 | 2.25 | 1.5 | 2.0 |
| P0274.040-020-A4 | M 4 | 20 | 2.25 | 1.5 | 2.0 |
| P0274.040-025-A4 | M 4 | 25 | 2.25 | 1.5 | 2.0 |
| P0274.040-030-A4 | M 4 | 30 | 2.25 | 1.5 | 2.0 |
| P0274.040-035-A4 | M 4 | 35 | 2.25 | 1.5 | 2.0 |
| P0274.040-040-A4 | M 4 | 40 | 2.25 | 1.5 | 2.0 |
| P0274.050-005-A4 | M 5 | 5 | 3.20 | 2.0 | 2.5 |
| P0274.050-006-A4 | M 5 | 6 | 3.20 | 2.0 | 2.5 |
| P0274.050-008-A4 | M 5 | 8 | 3.20 | 2.0 | 2.5 |
| P0274.050-010-A4 | M 5 | 10 | 3.20 | 2.0 | 2.5 |
| P0274.050-012-A4 | M 5 | 12 | 3.20 | 2.0 | 2.5 |
| P0274.050-014-A4 | M 5 | 14 | 3.20 | 2.0 | 2.5 |
| P0274.050-016-A4 | M 5 | 16 | 3.20 | 2.0 | 2.5 |
| P0274.050-020-A4 | M 5 | 20 | 3.20 | 2.0 | 2.5 |
| P0274.050-025-A4 | M 5 | 25 | 3.20 | 2.0 | 2.5 |
| P0274.050-030-A4 | M 5 | 30 | 3.20 | 2.0 | 2.5 |
| P0274.060-006-A4 | M 6 | 6 | 3.70 | 2.0 | 3.0 |
| P0274.060-008-A4 | M 6 | 8 | 3.70 | 2.0 | 3.0 |
| P0274.060-010-A4 | M 6 | 10 | 3.70 | 2.0 | 3.0 |
| P0274.060-012-A4 | M 6 | 12 | 3.70 | 2.0 | 3.0 |
| P0274.060-014-A4 | M 6 | 14 | 3.70 | 2.0 | 3.0 |
| P0274.060-016-A4 | M 6 | 16 | 3.70 | 2.0 | 3.0 |
| P0274.060-018-A4 | M 6 | 18 | 3.70 | 2.0 | 3.0 |
| P0274.060-020-A4 | M 6 | 20 | 3.70 | 2.0 | 3.0 |
| P0274.060-025-A4 | M 6 | 25 | 3.70 | 2.0 | 3.0 |
| P0274.060-030-A4 | M 6 | 30 | 3.70 | 2.0 | 3.0 |
| P0274.060-035-A4 | M 6 | 35 | 3.70 | 2.0 | 3.0 |
| P0274.060-040-A4 | M 6 | 40 | 3.70 | 2.0 | 3.0 |
| P0274.060-045-A4 | M 6 | 45 | 3.70 | 2.0 | 3.0 |
| P0274.060-050-A4 | M 6 | 50 | 3.70 | 2.0 | 3.0 |
| P0274.060-055-A4 | M 6 | 55 | 3.70 | 2.0 | 3.0 |
| P0274.060-060-A4 | M 6 | 60 | 3.70 | 2.0 | 3.0 |
| P0274.080-008-A4 | M 8 | 8 | 5.20 | 3.0 | 4.0 |
| P0274.080-010-A4 | M 8 | 10 | 5.20 | 3.0 | 4.0 |
| P0274.080-012-A4 | M 8 | 12 | 5.20 | 3.0 | 4.0 |
| P0274.080-014-A4 | M 8 | 14 | 5.20 | 3.0 | 4.0 |
| P0274.080-016-A4 | M 8 | 16 | 5.20 | 3.0 | 4.0 |
| P0274.080-018-A4 | M 8 | 18 | 5.20 | 3.0 | 4.0 |
| P0274.080-020-A4 | M 8 | 20 | 5.20 | 3.0 | 4.0 |
| P0274.080-025-A4 | M 8 | 25 | 5.20 | 3.0 | 4.0 |
| P0274.080-030-A4 | M 8 | 30 | 5.20 | 3.0 | 4.0 |
| P0274.080-035-A4 | M 8 | 35 | 5.20 | 3.0 | 4.0 |
| P0274.080-040-A4 | M 8 | 40 | 5.20 | 3.0 | 4.0 |
| P0274.080-050-A4 | M 8 | 50 | 5.20 | 3.0 | 4.0 |
| P0274.080-060-A4 | M 8 | 60 | 5.20 | 3.0 | 4.0 |
| P0274.100-010-A4 | M10 | 10 | 6.64 | 4.0 | 5.0 |
| P0274.100-012-A4 | M10 | 12 | 6.64 | 4.0 | 5.0 |
| P0274.100-016-A4 | M10 | 16 | 6.64 | 4.0 | 5.0 |
| P0274.100-020-A4 | M10 | 20 | 6.64 | 4.0 | 5.0 |
| P0274.100-025-A4 | M10 | 25 | 6.64 | 4.0 | 5.0 |
| P0274.100-030-A4 | M10 | 30 | 6.64 | 4.0 | 5.0 |
| P0274.100-035-A4 | M10 | 35 | 6.64 | 4.0 | 5.0 |
| P0274.100-040-A4 | M10 | 40 | 6.64 | 4.0 | 5.0 |
| P0274.100-045-A4 | M10 | 45 | 6.64 | 4.0 | 5.0 |
| P0274.100-050-A4 | M10 | 50 | 6.64 | 4.0 | 5.0 |
| P0274.100-055-A4 | M10 | 55 | 6.64 | 4.0 | 5.0 |
| P0274.100-060-A4 | M10 | 60 | 6.64 | 4.0 | 5.0 |
| P0274.120-012-A4 | M12 | 12 | 8.14 | 4.8 | 6.0 |
| P0274.120-016-A4 | M12 | 16 | 8.14 | 4.8 | 6.0 |
| P0274.120-020-A4 | M12 | 20 | 8.14 | 4.8 | 6.0 |
| P0274.120-025-A4 | M12 | 25 | 8.14 | 4.8 | 6.0 |
| P0274.120-030-A4 | M12 | 30 | 8.14 | 4.8 | 6.0 |
| P0274.120-035-A4 | M12 | 35 | 8.14 | 4.8 | 6.0 |
| P0274.120-040-A4 | M12 | 40 | 8.14 | 4.8 | 6.0 |
| P0274.120-045-A4 | M12 | 45 | 8.14 | 4.8 | 6.0 |



Socket Set Screws Dog Point

Dog Point - A4 stainless

Standard Screws

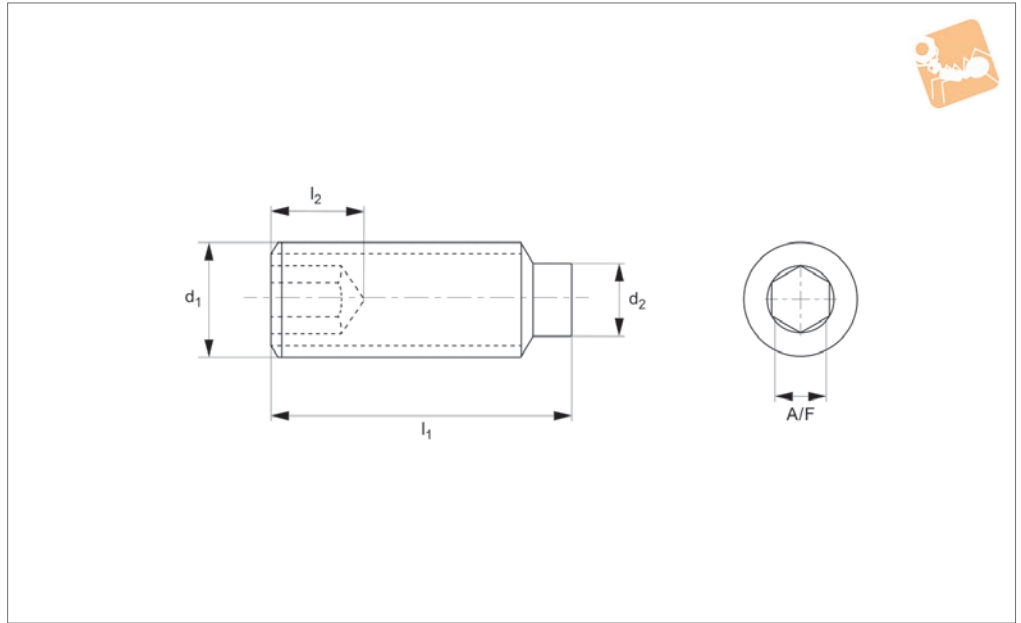


| Order No. | d ₁ | l ₁ | d ₂ | l ₂ min. | A/F |
|------------------|----------------|----------------|----------------|------------------------|-----|
| P0274.120-050-A4 | M12 | 50 | 8.14 | 4.8 | 6.0 |
| P0274.120-055-A4 | M12 | 55 | 8.14 | 4.8 | 6.0 |
| P0274.120-060-A4 | M12 | 60 | 8.14 | 4.8 | 6.0 |
| P0274.120-070-A4 | M12 | 70 | 8.14 | 4.8 | 6.0 |
| P0274.160-016-A4 | M16 | 16 | 11.57 | 6.4 | 8.0 |
| P0274.160-020-A4 | M16 | 20 | 11.57 | 6.4 | 8.0 |
| P0274.160-025-A4 | M16 | 25 | 11.57 | 6.4 | 8.0 |
| P0274.160-030-A4 | M16 | 30 | 11.57 | 6.4 | 8.0 |
| P0274.160-035-A4 | M16 | 35 | 11.57 | 6.4 | 8.0 |
| P0274.160-040-A4 | M16 | 40 | 11.57 | 6.4 | 8.0 |
| P0274.160-045-A4 | M16 | 45 | 11.57 | 6.4 | 8.0 |
| P0274.160-050-A4 | M16 | 50 | 11.57 | 6.4 | 8.0 |
| P0274.160-060-A4 | M16 | 60 | 11.57 | 6.4 | 8.0 |
| P0274.160-070-A4 | M16 | 70 | 11.57 | 6.4 | 8.0 |
| P0274.160-100-A4 | M16 | 100 | 11.57 | 6.4 | 8.0 |
| P0274.200-020-A4 | M20 | 20 | 14.57 | 8.0 | 10 |
| P0274.200-025-A4 | M20 | 25 | 14.57 | 8.0 | 10 |
| P0274.200-030-A4 | M20 | 30 | 14.57 | 8.0 | 10 |
| P0274.200-035-A4 | M20 | 35 | 14.57 | 8.0 | 10 |
| P0274.200-040-A4 | M20 | 40 | 14.57 | 8.0 | 10 |
| P0274.200-045-A4 | M20 | 45 | 14.57 | 8.0 | 10 |
| P0274.200-050-A4 | M20 | 50 | 14.57 | 8.0 | 10 |
| P0274.200-060-A4 | M20 | 60 | 14.57 | 8.0 | 10 |
| P0274.200-070-A4 | M20 | 70 | 14.57 | 8.0 | 10 |
| P0274.200-090-A4 | M20 | 90 | 14.57 | 8.0 | 10 |
| P0274.200-100-A4 | M20 | 100 | 14.57 | 8.0 | 10 |

STANDARD SCREWS



P0274.ZP



Material

Steel, zinc-plated (class 45H).

Technical Notes

To DIN 915, dog point.

| Order No. | d ₁ | l ₁ | d ₂ | l ₂ min. | A/F |
|------------------|----------------|----------------|----------------|------------------------|-----|
| P0274.020-003-ZP | M 2 | 3 | 0.75 | 0.8 | 0.9 |
| P0274.020-004-ZP | M 2 | 4 | 0.75 | 0.8 | 0.9 |
| P0274.020-005-ZP | M 2 | 5 | 0.75 | 0.8 | 0.9 |
| P0274.020-006-ZP | M 2 | 6 | 0.75 | 0.8 | 0.9 |
| P0274.020-008-ZP | M 2 | 8 | 0.75 | 0.8 | 0.9 |
| P0274.020-010-ZP | M 2 | 10 | 0.75 | 0.8 | 0.9 |
| P0274.020-012-ZP | M 2 | 12 | 0.75 | 0.8 | 0.9 |
| P0274.020-014-ZP | M 2 | 14 | 0.75 | 0.8 | 0.9 |
| P0274.020-016-ZP | M 2 | 16 | 0.75 | 0.8 | 0.9 |
| P0274.025-003-ZP | M2,5 | 3 | 1.25 | 1.2 | 1.3 |
| P0274.025-004-ZP | M2,5 | 4 | 1.25 | 1.2 | 1.3 |
| P0274.025-005-ZP | M2,5 | 5 | 1.25 | 1.2 | 1.3 |
| P0274.025-006-ZP | M 2,5 | 6 | 1.25 | 1.2 | 1.3 |
| P0274.025-008-ZP | M 2,5 | 8 | 1.25 | 1.2 | 1.3 |
| P0274.025-010-ZP | M2,5 | 10 | 1.25 | 1.2 | 1.3 |
| P0274.025-012-ZP | M2,5 | 12 | 1.25 | 1.2 | 1.3 |
| P0274.025-014-ZP | M2,5 | 12 | 1.25 | 1.2 | 1.3 |
| P0274.025-016-ZP | M2,5 | 16 | 1.25 | 1.2 | 1.3 |
| P0274.030-003-ZP | M 3 | 3 | 1.75 | 1.2 | 1.5 |
| P0274.030-004-ZP | M 3 | 4 | 1.75 | 1.2 | 1.5 |
| P0274.030-005-ZP | M 3 | 5 | 1.75 | 1.2 | 1.5 |
| P0274.030-006-ZP | M 3 | 6 | 1.75 | 1.2 | 1.5 |
| P0274.030-008-ZP | M 3 | 8 | 1.75 | 1.2 | 1.5 |
| P0274.030-010-ZP | M 3 | 10 | 1.75 | 1.2 | 1.5 |
| P0274.030-012-ZP | M 3 | 12 | 1.75 | 1.2 | 1.5 |
| P0274.030-014-ZP | M 3 | 14 | 1.75 | 1.2 | 1.5 |
| P0274.030-016-ZP | M 3 | 16 | 1.75 | 1.2 | 1.5 |
| P0274.030-020-ZP | M 3 | 20 | 1.75 | 1.2 | 1.5 |
| P0274.030-025-ZP | M 3 | 25 | 1.75 | 1.2 | 1.5 |
| P0274.030-030-ZP | M 3 | 30 | 1.75 | 1.2 | 1.5 |
| P0274.040-004-ZP | M 4 | 4 | 2.25 | 1.5 | 2.0 |
| P0274.040-005-ZP | M 4 | 5 | 2.25 | 1.5 | 2.0 |
| P0274.040-006-ZP | M 4 | 6 | 2.25 | 1.5 | 2.0 |
| P0274.040-008-ZP | M 4 | 8 | 2.25 | 1.5 | 2.0 |



Socket Set Screws Dog Point

Dog Point - steel, zinc-plated

Standard Screws



| Order No. | d ₁ | l ₁ | d ₂ | l ₂ min. | A/F |
|------------------|----------------|----------------|----------------|------------------------|-----|
| P0274.040-010-ZP | M 4 | 10 | 2.25 | 1.5 | 2.0 |
| P0274.040-012-ZP | M 4 | 12 | 2.25 | 1.5 | 2.0 |
| P0274.040-014-ZP | M 4 | 14 | 2.25 | 1.5 | 2.0 |
| P0274.040-016-ZP | M 4 | 16 | 2.25 | 1.5 | 2.0 |
| P0274.040-020-ZP | M 4 | 20 | 2.25 | 1.5 | 2.0 |
| P0274.040-025-ZP | M 4 | 25 | 2.25 | 1.5 | 2.0 |
| P0274.040-030-ZP | M 4 | 30 | 2.25 | 1.5 | 2.0 |
| P0274.040-035-ZP | M 4 | 35 | 2.25 | 1.5 | 2.0 |
| P0274.040-040-ZP | M 4 | 40 | 2.25 | 1.5 | 2.0 |
| P0274.050-005-ZP | M 5 | 5 | 3.20 | 2.0 | 2.5 |
| P0274.050-006-ZP | M 5 | 6 | 3.20 | 2.0 | 2.5 |
| P0274.050-008-ZP | M 5 | 8 | 3.20 | 2.0 | 2.5 |
| P0274.050-010-ZP | M 5 | 10 | 3.20 | 2.0 | 2.5 |
| P0274.050-012-ZP | M 5 | 12 | 3.20 | 2.0 | 2.5 |
| P0274.050-014-ZP | M 5 | 14 | 3.20 | 2.0 | 2.5 |
| P0274.050-016-ZP | M 5 | 16 | 3.20 | 2.0 | 2.5 |
| P0274.050-020-ZP | M 5 | 20 | 3.20 | 2.0 | 2.5 |
| P0274.050-025-ZP | M 5 | 25 | 3.20 | 2.0 | 2.5 |
| P0274.050-030-ZP | M 5 | 30 | 3.20 | 2.0 | 2.5 |
| P0274.060-006-ZP | M 6 | 6 | 3.70 | 2.0 | 3.0 |
| P0274.060-008-ZP | M 6 | 8 | 3.70 | 2.0 | 3.0 |
| P0274.060-010-ZP | M 6 | 10 | 3.70 | 2.0 | 3.0 |
| P0274.060-012-ZP | M 6 | 12 | 3.70 | 2.0 | 3.0 |
| P0274.060-014-ZP | M 6 | 14 | 3.70 | 2.0 | 3.0 |
| P0274.060-016-ZP | M 6 | 16 | 3.70 | 2.0 | 3.0 |
| P0274.060-018-ZP | M 6 | 18 | 3.70 | 2.0 | 3.0 |
| P0274.060-020-ZP | M 6 | 20 | 3.70 | 2.0 | 3.0 |
| P0274.060-025-ZP | M 6 | 25 | 3.70 | 2.0 | 3.0 |
| P0274.060-030-ZP | M 6 | 30 | 3.70 | 2.0 | 3.0 |
| P0274.060-035-ZP | M 6 | 35 | 3.70 | 2.0 | 3.0 |
| P0274.060-040-ZP | M 6 | 40 | 3.70 | 2.0 | 3.0 |
| P0274.060-045-ZP | M 6 | 45 | 3.70 | 2.0 | 3.0 |
| P0274.060-050-ZP | M 6 | 50 | 3.70 | 2.0 | 3.0 |
| P0274.060-055-ZP | M 6 | 55 | 3.70 | 2.0 | 3.0 |
| P0274.060-060-ZP | M 6 | 60 | 3.70 | 2.0 | 3.0 |
| P0274.080-008-ZP | M 8 | 8 | 5.20 | 3.0 | 4.0 |
| P0274.080-010-ZP | M 8 | 10 | 5.20 | 3.0 | 4.0 |
| P0274.080-012-ZP | M 8 | 12 | 5.20 | 3.0 | 4.0 |
| P0274.080-014-ZP | M 8 | 14 | 5.20 | 3.0 | 4.0 |
| P0274.080-016-ZP | M 8 | 16 | 5.20 | 3.0 | 4.0 |
| P0274.080-018-ZP | M 8 | 18 | 5.20 | 3.0 | 4.0 |
| P0274.080-020-ZP | M 8 | 20 | 5.20 | 3.0 | 4.0 |
| P0274.080-025-ZP | M 8 | 25 | 5.20 | 3.0 | 4.0 |
| P0274.080-030-ZP | M 8 | 30 | 5.20 | 3.0 | 4.0 |
| P0274.080-035-ZP | M 8 | 35 | 5.20 | 3.0 | 4.0 |
| P0274.080-040-ZP | M 8 | 40 | 5.20 | 3.0 | 4.0 |
| P0274.080-050-ZP | M 8 | 50 | 5.20 | 3.0 | 4.0 |
| P0274.080-060-ZP | M 8 | 60 | 5.20 | 3.0 | 4.0 |
| P0274.100-010-ZP | M10 | 10 | 6.64 | 4.0 | 5.0 |
| P0274.100-012-ZP | M10 | 12 | 6.64 | 4.0 | 5.0 |
| P0274.100-016-ZP | M10 | 16 | 6.64 | 4.0 | 5.0 |
| P0274.100-020-ZP | M10 | 20 | 6.64 | 4.0 | 5.0 |
| P0274.100-025-ZP | M10 | 25 | 6.64 | 4.0 | 5.0 |
| P0274.100-030-ZP | M10 | 30 | 6.64 | 4.0 | 5.0 |
| P0274.100-035-ZP | M10 | 35 | 6.64 | 4.0 | 5.0 |
| P0274.100-040-ZP | M10 | 40 | 6.64 | 4.0 | 5.0 |
| P0274.100-045-ZP | M10 | 45 | 6.64 | 4.0 | 5.0 |
| P0274.100-050-ZP | M10 | 50 | 6.64 | 4.0 | 5.0 |
| P0274.100-055-ZP | M10 | 55 | 6.64 | 4.0 | 5.0 |
| P0274.100-060-ZP | M10 | 60 | 6.64 | 4.0 | 5.0 |
| P0274.120-012-ZP | M12 | 12 | 8.14 | 4.8 | 6.0 |
| P0274.120-016-ZP | M12 | 16 | 8.14 | 4.8 | 6.0 |
| P0274.120-020-ZP | M12 | 20 | 8.14 | 4.8 | 6.0 |
| P0274.120-025-ZP | M12 | 25 | 8.14 | 4.8 | 6.0 |
| P0274.120-030-ZP | M12 | 30 | 8.14 | 4.8 | 6.0 |
| P0274.120-035-ZP | M12 | 35 | 8.14 | 4.8 | 6.0 |
| P0274.120-040-ZP | M12 | 40 | 8.14 | 4.8 | 6.0 |
| P0274.120-045-ZP | M12 | 45 | 8.14 | 4.8 | 6.0 |

STANDARD SCREWS



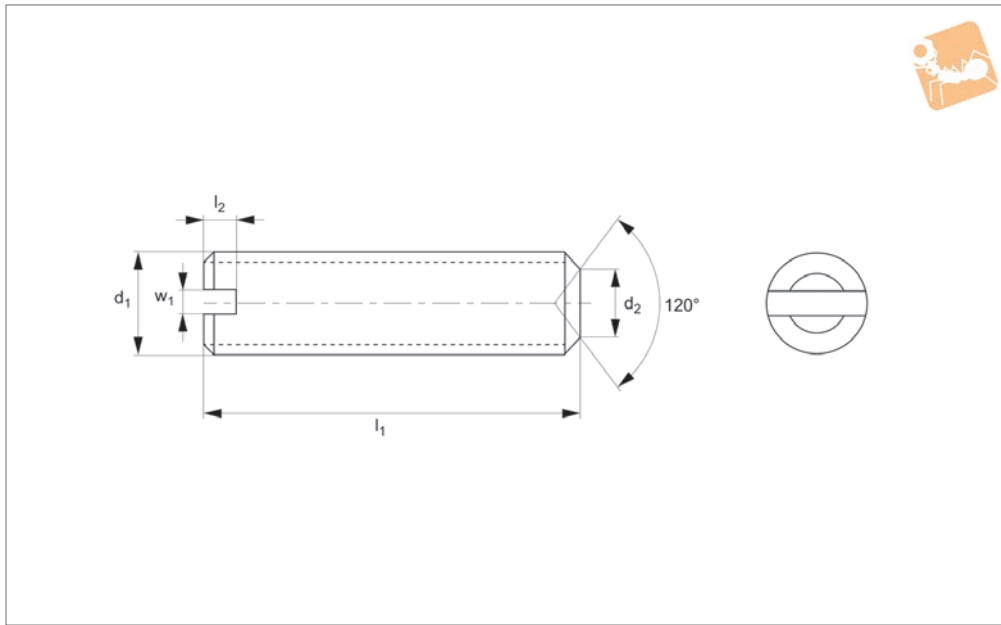
| Order No. | d ₁ | l ₁ | d ₂ | l ₂ min. | A/F |
|------------------|----------------|----------------|----------------|------------------------|-----|
| P0274.120-050-ZP | M12 | 50 | 8.14 | 4.8 | 6.0 |
| P0274.120-055-ZP | M12 | 55 | 8.14 | 4.8 | 6.0 |
| P0274.120-060-ZP | M12 | 60 | 8.14 | 4.8 | 6.0 |
| P0274.120-070-ZP | M12 | 70 | 8.14 | 4.8 | 6.0 |
| P0274.160-016-ZP | M16 | 16 | 11.57 | 6.4 | 8.0 |
| P0274.160-020-ZP | M16 | 20 | 11.57 | 6.4 | 8.0 |
| P0274.160-025-ZP | M16 | 25 | 11.57 | 6.4 | 8.0 |
| P0274.160-030-ZP | M16 | 30 | 11.57 | 6.4 | 8.0 |
| P0274.160-035-ZP | M16 | 35 | 11.57 | 6.4 | 8.0 |
| P0274.160-040-ZP | M16 | 40 | 11.57 | 6.4 | 8.0 |
| P0274.160-045-ZP | M16 | 45 | 11.57 | 6.4 | 8.0 |
| P0274.160-050-ZP | M16 | 50 | 11.57 | 6.4 | 8.0 |
| P0274.160-060-ZP | M16 | 60 | 11.57 | 6.4 | 8.0 |
| P0274.160-070-ZP | M16 | 70 | 11.57 | 6.4 | 8.0 |
| P0274.160-100-ZP | M16 | 100 | 11.57 | 6.4 | 8.0 |
| P0274.200-020-ZP | M20 | 20 | 14.57 | 8.0 | 10 |
| P0274.200-025-ZP | M20 | 25 | 14.57 | 8.0 | 10 |
| P0274.200-030-ZP | M20 | 30 | 14.57 | 8.0 | 10 |
| P0274.200-035-ZP | M20 | 35 | 14.57 | 8.0 | 10 |
| P0274.200-040-ZP | M20 | 40 | 14.57 | 8.0 | 10 |
| P0274.200-045-ZP | M20 | 45 | 14.57 | 8.0 | 10 |
| P0274.200-050-ZP | M20 | 50 | 14.57 | 8.0 | 10 |
| P0274.200-060-ZP | M20 | 60 | 14.57 | 8.0 | 10 |
| P0274.200-070-ZP | M20 | 70 | 14.57 | 8.0 | 10 |
| P0274.200-090-ZP | M20 | 90 | 14.57 | 8.0 | 10 |
| P0274.200-100-ZP | M20 | 100 | 14.57 | 8.0 | 10 |



Slotted Set Screws Cup Point

Cup Point - A2 stainless

Standard Screws



P0276.A2

STANDARD SCREWS

Material

Stainless steel (A2).

See technical page for tightening torques.

Technical Notes

To DIN 438, cup point.

| Order No. | d ₁ | l ₁ | d ₂ | l ₂ min. | w ₁ |
|------------------|----------------|----------------|----------------|------------------------|----------------|
| P0276.020-003-A2 | M 2 | 3 | 0.75 | 0.8 | 0.25 |
| P0276.020-004-A2 | M 2 | 4 | 0.75 | 0.8 | 0.25 |
| P0276.020-005-A2 | M 2 | 5 | 0.75 | 0.8 | 0.25 |
| P0276.020-006-A2 | M 2 | 6 | 0.75 | 0.8 | 0.25 |
| P0276.020-008-A2 | M 2 | 8 | 0.75 | 0.8 | 0.25 |
| P0276.020-010-A2 | M 2 | 10 | 0.75 | 0.8 | 0.25 |
| P0276.020-012-A2 | M 2 | 12 | 0.75 | 0.8 | 0.25 |
| P0276.020-016-A2 | M 2 | 16 | 0.75 | 0.8 | 0.25 |
| P0276.025-003-A2 | M2,5 | 3 | 0.95 | 1.2 | 0.4 |
| P0276.025-004-A2 | M2,5 | 4 | 0.95 | 1.2 | 0.4 |
| P0276.025-005-A2 | M2,5 | 5 | 0.95 | 1.2 | 0.4 |
| P0276.025-006-A2 | M2,5 | 6 | 0.95 | 1.2 | 0.4 |
| P0276.025-008-A2 | M2,5 | 8 | 0.95 | 1.2 | 0.4 |
| P0276.025-010-A2 | M2,5 | 10 | 0.95 | 1.2 | 0.4 |
| P0276.025-012-A2 | M2,5 | 12 | 0.95 | 1.2 | 0.4 |
| P0276.025-016-A2 | M2,5 | 16 | 0.95 | 1.2 | 0.4 |
| P0276.030-003-A2 | M 3 | 3 | 1.15 | 1.2 | 0.4 |
| P0276.030-004-A2 | M 3 | 4 | 1.15 | 1.2 | 0.4 |
| P0276.030-005-A2 | M 3 | 5 | 1.15 | 1.2 | 0.4 |
| P0276.030-006-A2 | M 3 | 6 | 1.15 | 1.2 | 0.4 |
| P0276.030-008-A2 | M 3 | 8 | 1.15 | 1.2 | 0.4 |
| P0276.030-010-A2 | M 3 | 10 | 1.15 | 1.2 | 0.4 |
| P0276.030-012-A2 | M 3 | 12 | 1.15 | 1.2 | 0.4 |
| P0276.030-014-A2 | M 3 | 14 | 1.15 | 1.2 | 0.4 |
| P0276.030-016-A2 | M 3 | 16 | 1.15 | 1.2 | 0.4 |
| P0276.030-020-A2 | M 3 | 20 | 1.15 | 1.2 | 0.4 |
| P0276.030-025-A2 | M 3 | 25 | 1.15 | 1.2 | 0.4 |
| P0276.030-030-A2 | M 3 | 30 | 1.15 | 1.2 | 0.4 |
| P0276.040-003-A2 | M 4 | 3 | 1.75 | 1.5 | 0.6 |
| P0276.040-004-A2 | M 4 | 4 | 1.75 | 1.5 | 0.6 |
| P0276.040-005-A2 | M 4 | 5 | 1.75 | 1.5 | 0.6 |
| P0276.040-006-A2 | M 4 | 6 | 1.75 | 1.5 | 0.6 |
| P0276.040-008-A2 | M 4 | 8 | 1.75 | 1.5 | 0.6 |
| P0276.040-010-A2 | M 4 | 10 | 1.75 | 1.5 | 0.6 |



STANDARD SCREWS

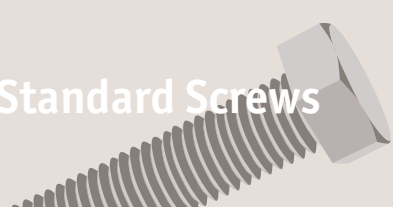
| Order No. | d ₁ | l ₁ | d ₂ | l ₂ min. | w ₁ |
|------------------|----------------|----------------|----------------|------------------------|----------------|
| P0276.040-012-A2 | M 4 | 12 | 1.75 | 1.5 | 0.6 |
| P0276.040-014-A2 | M 4 | 14 | 1.75 | 1.5 | 0.6 |
| P0276.040-016-A2 | M 4 | 16 | 1.75 | 1.5 | 0.6 |
| P0276.040-020-A2 | M 4 | 20 | 1.75 | 1.5 | 0.6 |
| P0276.040-025-A2 | M 4 | 25 | 1.75 | 1.5 | 0.6 |
| P0276.040-030-A2 | M 4 | 30 | 1.75 | 1.5 | 0.6 |
| P0276.040-035-A2 | M 4 | 35 | 1.75 | 1.5 | 0.6 |
| P0276.040-040-A2 | M 4 | 40 | 1.75 | 1.5 | 0.6 |
| P0276.050-004-A2 | M 5 | 4 | 2.25 | 2.0 | 0.8 |
| P0276.050-005-A2 | M 5 | 5 | 2.25 | 2.0 | 0.8 |
| P0276.050-006-A2 | M 5 | 6 | 2.25 | 2.0 | 0.8 |
| P0276.050-008-A2 | M 5 | 8 | 2.25 | 2.0 | 0.8 |
| P0276.050-010-A2 | M 5 | 10 | 2.25 | 2.0 | 0.8 |
| P0276.050-012-A2 | M 5 | 12 | 2.25 | 2.0 | 0.8 |
| P0276.050-014-A2 | M 5 | 14 | 2.25 | 2.0 | 0.8 |
| P0276.050-016-A2 | M 5 | 16 | 2.25 | 2.0 | 0.8 |
| P0276.050-020-A2 | M 5 | 20 | 2.25 | 2.0 | 0.8 |
| P0276.050-025-A2 | M 5 | 25 | 2.25 | 2.0 | 0.8 |
| P0276.050-030-A2 | M 5 | 30 | 2.25 | 2.0 | 0.8 |
| P0276.050-035-A2 | M 5 | 35 | 2.25 | 2.0 | 0.8 |
| P0276.050-040-A2 | M 5 | 40 | 2.25 | 2.0 | 0.8 |
| P0276.060-005-A2 | M 6 | 5 | 2.75 | 2.0 | 1.0 |
| P0276.060-006-A2 | M 6 | 6 | 2.75 | 2.0 | 1.0 |
| P0276.060-008-A2 | M 6 | 8 | 2.75 | 2.0 | 1.0 |
| P0276.060-010-A2 | M 6 | 10 | 2.75 | 2.0 | 1.0 |
| P0276.060-012-A2 | M 6 | 12 | 2.75 | 2.0 | 1.0 |
| P0276.060-014-A2 | M 6 | 14 | 2.75 | 2.0 | 1.0 |
| P0276.060-016-A2 | M 6 | 16 | 2.75 | 2.0 | 1.0 |
| P0276.060-018-A2 | M 6 | 18 | 2.75 | 2.0 | 1.0 |
| P0276.060-020-A2 | M 6 | 20 | 2.75 | 2.0 | 1.0 |
| P0276.060-025-A2 | M 6 | 25 | 2.75 | 2.0 | 1.0 |
| P0276.060-030-A2 | M 6 | 30 | 2.75 | 2.0 | 1.0 |
| P0276.060-035-A2 | M 6 | 35 | 2.75 | 2.0 | 1.0 |
| P0276.060-040-A2 | M 6 | 40 | 2.75 | 2.0 | 1.0 |
| P0276.060-045-A2 | M 6 | 45 | 2.75 | 2.0 | 1.0 |
| P0276.060-050-A2 | M 6 | 50 | 2.75 | 2.0 | 1.0 |
| P0276.060-055-A2 | M 6 | 55 | 2.75 | 2.0 | 1.0 |
| P0276.060-060-A2 | M 6 | 60 | 2.75 | 2.0 | 1.0 |
| P0276.080-006-A2 | M 8 | 6 | 4.70 | 3.0 | 1.2 |
| P0276.080-008-A2 | M 8 | 8 | 4.70 | 3.0 | 1.2 |
| P0276.080-010-A2 | M 8 | 10 | 4.70 | 3.0 | 1.2 |
| P0276.080-012-A2 | M 8 | 12 | 4.70 | 3.0 | 1.2 |
| P0276.080-014-A2 | M 8 | 14 | 4.70 | 3.0 | 1.2 |
| P0276.080-016-A2 | M 8 | 16 | 4.70 | 3.0 | 1.2 |
| P0276.080-018-A2 | M 8 | 18 | 4.70 | 3.0 | 1.2 |
| P0276.080-020-A2 | M 8 | 20 | 4.70 | 3.0 | 1.2 |
| P0276.080-025-A2 | M 8 | 25 | 4.70 | 3.0 | 1.2 |
| P0276.080-030-A2 | M 8 | 30 | 4.70 | 3.0 | 1.2 |
| P0276.080-035-A2 | M 8 | 35 | 4.70 | 3.0 | 1.2 |
| P0276.080-040-A2 | M 8 | 40 | 4.70 | 3.0 | 1.2 |
| P0276.080-050-A2 | M 8 | 50 | 4.70 | 3.0 | 1.2 |
| P0276.080-060-A2 | M 8 | 60 | 4.70 | 3.0 | 1.2 |
| P0276.080-070-A2 | M 8 | 70 | 4.70 | 3.0 | 1.2 |
| P0276.080-080-A2 | M 8 | 80 | 4.70 | 3.0 | 1.2 |
| P0276.100-010-A2 | M10 | 10 | 5.70 | 4.0 | 1.6 |
| P0276.100-012-A2 | M10 | 12 | 5.70 | 4.0 | 1.6 |
| P0276.100-016-A2 | M10 | 16 | 5.70 | 4.0 | 1.6 |
| P0276.100-020-A2 | M10 | 20 | 5.70 | 4.0 | 1.6 |
| P0276.100-025-A2 | M10 | 25 | 5.70 | 4.0 | 1.6 |
| P0276.100-030-A2 | M10 | 30 | 5.70 | 4.0 | 1.6 |
| P0276.100-035-A2 | M10 | 35 | 5.70 | 4.0 | 1.6 |
| P0276.100-040-A2 | M10 | 40 | 5.70 | 4.0 | 1.6 |
| P0276.100-045-A2 | M10 | 45 | 5.70 | 4.0 | 1.6 |
| P0276.100-050-A2 | M10 | 50 | 5.70 | 4.0 | 1.6 |
| P0276.100-055-A2 | M10 | 55 | 5.70 | 4.0 | 1.6 |
| P0276.100-060-A2 | M10 | 60 | 5.70 | 4.0 | 1.6 |
| P0276.100-070-A2 | M10 | 70 | 5.70 | 4.0 | 1.6 |
| P0276.100-080-A2 | M10 | 80 | 5.70 | 4.0 | 1.6 |



Slotted Set Screws Cup Point

Cup Point - A2 stainless

Standard Screws

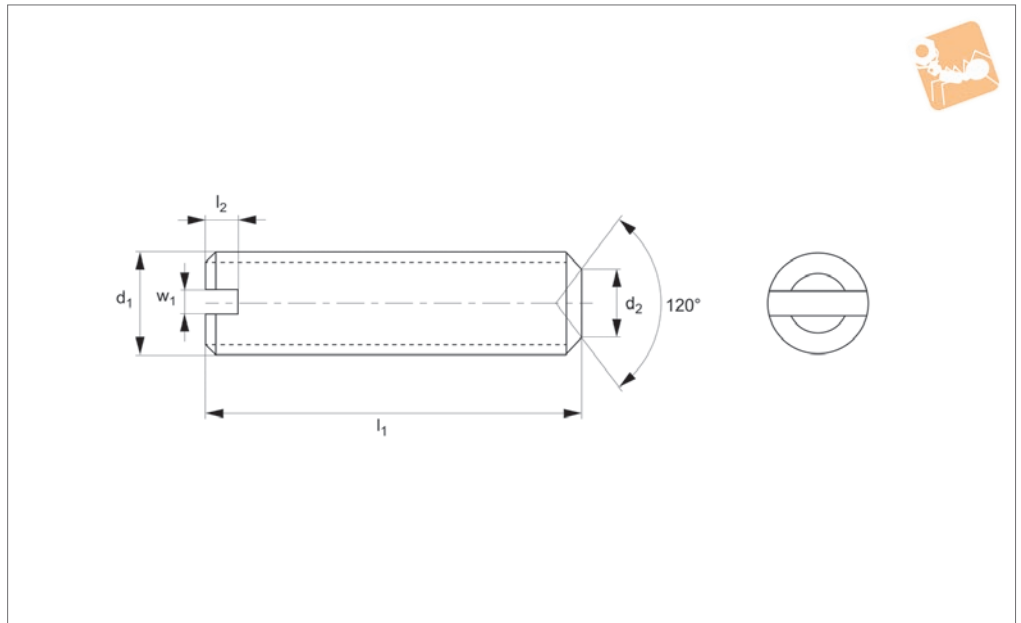


| Order No. | d ₁ | l ₁ | d ₂ | l ₂ min. | w ₁ |
|------------------|----------------|----------------|----------------|------------------------|----------------|
| P0276.120-010-A2 | M12 | 10 | 7.64 | 4.8 | 2.0 |
| P0276.120-012-A2 | M12 | 12 | 7.64 | 4.8 | 2.0 |
| P0276.120-016-A2 | M12 | 16 | 7.64 | 4.8 | 2.0 |
| P0276.120-020-A2 | M12 | 20 | 7.64 | 4.8 | 2.0 |
| P0276.120-025-A2 | M12 | 25 | 7.64 | 4.8 | 2.0 |
| P0276.120-030-A2 | M12 | 30 | 7.64 | 4.8 | 2.0 |
| P0276.120-035-A2 | M12 | 35 | 7.64 | 4.8 | 2.0 |
| P0276.120-040-A2 | M12 | 40 | 7.64 | 4.8 | 2.0 |
| P0276.120-045-A2 | M12 | 45 | 7.64 | 4.8 | 2.0 |
| P0276.120-050-A2 | M12 | 50 | 7.64 | 4.8 | 2.0 |
| P0276.120-055-A2 | M12 | 55 | 7.64 | 4.8 | 2.0 |
| P0276.120-060-A2 | M12 | 60 | 7.64 | 4.8 | 2.0 |
| P0276.120-070-A2 | M12 | 70 | 7.64 | 4.8 | 2.0 |
| P0276.120-080-A2 | M12 | 80 | 7.64 | 4.8 | 2.0 |
| P0276.120-090-A2 | M12 | 90 | 7.64 | 4.8 | 2.0 |
| P0276.120-100-A2 | M12 | 100 | 7.64 | 4.8 | 2.0 |
| P0276.160-016-A2 | M16 | 16 | 9.64 | 6.4 | 2.2 |
| P0276.160-020-A2 | M16 | 20 | 9.64 | 6.4 | 2.2 |
| P0276.160-025-A2 | M16 | 25 | 9.64 | 6.4 | 2.2 |
| P0276.160-030-A2 | M16 | 30 | 9.64 | 6.4 | 2.2 |
| P0276.160-035-A2 | M16 | 35 | 9.64 | 6.4 | 2.2 |
| P0276.160-040-A2 | M16 | 40 | 9.64 | 6.4 | 2.2 |
| P0276.160-045-A2 | M16 | 45 | 9.64 | 6.4 | 2.2 |
| P0276.160-050-A2 | M16 | 50 | 9.64 | 6.4 | 2.2 |
| P0276.160-055-A2 | M16 | 55 | 9.64 | 6.4 | 2.2 |
| P0276.160-060-A2 | M16 | 60 | 9.64 | 6.4 | 2.2 |
| P0276.160-070-A2 | M16 | 70 | 9.64 | 6.4 | 2.2 |
| P0276.160-080-A2 | M16 | 80 | 9.64 | 6.4 | 2.2 |
| P0276.160-090-A2 | M16 | 90 | 9.64 | 6.4 | 2.2 |
| P0276.160-100-A2 | M16 | 100 | 9.64 | 6.4 | 2.2 |
| P0276.200-020-A2 | M20 | 20 | 13.57 | 8.0 | 2.6 |
| P0276.200-025-A2 | M20 | 25 | 13.57 | 8.0 | 2.6 |
| P0276.200-030-A2 | M20 | 30 | 13.57 | 8.0 | 2.6 |
| P0276.200-035-A2 | M20 | 35 | 13.57 | 8.0 | 2.6 |
| P0276.200-040-A2 | M20 | 40 | 13.57 | 8.0 | 2.6 |
| P0276.200-045-A2 | M20 | 45 | 13.57 | 8.0 | 2.6 |
| P0276.200-050-A2 | M20 | 50 | 13.57 | 8.0 | 2.6 |
| P0276.200-055-A2 | M20 | 55 | 13.57 | 8.0 | 2.6 |
| P0276.200-060-A2 | M20 | 60 | 13.57 | 8.0 | 2.6 |
| P0276.200-070-A2 | M20 | 70 | 13.57 | 8.0 | 2.6 |
| P0276.200-080-A2 | M20 | 80 | 13.57 | 8.0 | 2.6 |
| P0276.200-090-A2 | M20 | 90 | 13.57 | 8.0 | 2.6 |
| P0276.200-100-A2 | M20 | 100 | 13.57 | 8.0 | 2.6 |

STANDARD SCREWS



P0276.A4



Material

Stainless steel (A4).

See technical page for tightening torques.

Technical Notes

To DIN 438, cup point.

| Order No. | d ₁ | l ₁ | d ₂ | l ₂ min. | w ₁ |
|------------------|----------------|----------------|----------------|------------------------|----------------|
| P0276.020-003-A4 | M 2 | 3 | 0.75 | 0.8 | 0.25 |
| P0276.020-004-A4 | M 2 | 4 | 0.75 | 0.8 | 0.25 |
| P0276.020-005-A4 | M 2 | 5 | 0.75 | 0.8 | 0.25 |
| P0276.020-006-A4 | M 2 | 6 | 0.75 | 0.8 | 0.25 |
| P0276.020-008-A4 | M 2 | 8 | 0.75 | 0.8 | 0.25 |
| P0276.020-010-A4 | M 2 | 10 | 0.75 | 0.8 | 0.25 |
| P0276.020-012-A4 | M 2 | 12 | 0.75 | 0.8 | 0.25 |
| P0276.020-016-A4 | M 2 | 16 | 0.75 | 0.8 | 0.25 |
| P0276.025-003-A4 | M2,5 | 3 | 0.95 | 1.2 | 0.4 |
| P0276.025-004-A4 | M2,5 | 4 | 0.95 | 1.2 | 0.4 |
| P0276.025-005-A4 | M2,5 | 5 | 0.95 | 1.2 | 0.4 |
| P0276.025-006-A4 | M2,5 | 6 | 0.95 | 1.2 | 0.4 |
| P0276.025-008-A4 | M2,5 | 8 | 0.95 | 1.2 | 0.4 |
| P0276.025-010-A4 | M2,5 | 10 | 0.95 | 1.2 | 0.4 |
| P0276.025-012-A4 | M2,5 | 12 | 0.95 | 1.2 | 0.4 |
| P0276.025-016-A4 | M2,5 | 16 | 0.95 | 1.2 | 0.4 |
| P0276.030-003-A4 | M 3 | 3 | 1.15 | 1.2 | 0.4 |
| P0276.030-004-A4 | M 3 | 4 | 1.15 | 1.2 | 0.4 |
| P0276.030-005-A4 | M 3 | 5 | 1.15 | 1.2 | 0.4 |
| P0276.030-006-A4 | M 3 | 6 | 1.15 | 1.2 | 0.4 |
| P0276.030-008-A4 | M 3 | 8 | 1.15 | 1.2 | 0.4 |
| P0276.030-010-A4 | M 3 | 10 | 1.15 | 1.2 | 0.4 |
| P0276.030-012-A4 | M 3 | 12 | 1.15 | 1.2 | 0.4 |
| P0276.030-014-A4 | M 3 | 14 | 1.15 | 1.2 | 0.4 |
| P0276.030-016-A4 | M 3 | 16 | 1.15 | 1.2 | 0.4 |
| P0276.030-020-A4 | M 3 | 20 | 1.15 | 1.2 | 0.4 |
| P0276.030-025-A4 | M 3 | 25 | 1.15 | 1.2 | 0.4 |
| P0276.030-030-A4 | M 3 | 30 | 1.15 | 1.2 | 0.4 |
| P0276.040-003-A4 | M 4 | 3 | 1.75 | 1.5 | 0.6 |
| P0276.040-004-A4 | M 4 | 4 | 1.75 | 1.5 | 0.6 |
| P0276.040-005-A4 | M 4 | 5 | 1.75 | 1.5 | 0.6 |
| P0276.040-006-A4 | M 4 | 6 | 1.75 | 1.5 | 0.6 |
| P0276.040-008-A4 | M 4 | 8 | 1.75 | 1.5 | 0.6 |
| P0276.040-010-A4 | M 4 | 10 | 1.75 | 1.5 | 0.6 |



Slotted Set Screws Cup Point

Cup Point - A4 stainless

Standard Screws



| Order No. | d ₁ | l ₁ | d ₂ | l ₂ min. | w ₁ |
|------------------|----------------|----------------|----------------|------------------------|----------------|
| P0276.040-012-A4 | M 4 | 12 | 1.75 | 1.5 | 0.6 |
| P0276.040-014-A4 | M 4 | 14 | 1.75 | 1.5 | 0.6 |
| P0276.040-016-A4 | M 4 | 16 | 1.75 | 1.5 | 0.6 |
| P0276.040-020-A4 | M 4 | 20 | 1.75 | 1.5 | 0.6 |
| P0276.040-025-A4 | M 4 | 25 | 1.75 | 1.5 | 0.6 |
| P0276.040-030-A4 | M 4 | 30 | 1.75 | 1.5 | 0.6 |
| P0276.040-035-A4 | M 4 | 35 | 1.75 | 1.5 | 0.6 |
| P0276.040-040-A4 | M 4 | 40 | 1.75 | 1.5 | 0.6 |
| P0276.050-004-A4 | M 5 | 4 | 2.25 | 2.0 | 0.8 |
| P0276.050-005-A4 | M 5 | 5 | 2.25 | 2.0 | 0.8 |
| P0276.050-006-A4 | M 5 | 6 | 2.25 | 2.0 | 0.8 |
| P0276.050-008-A4 | M 5 | 8 | 2.25 | 2.0 | 0.8 |
| P0276.050-010-A4 | M 5 | 10 | 2.25 | 2.0 | 0.8 |
| P0276.050-012-A4 | M 5 | 12 | 2.25 | 2.0 | 0.8 |
| P0276.050-014-A4 | M 5 | 14 | 2.25 | 2.0 | 0.8 |
| P0276.050-016-A4 | M 5 | 16 | 2.25 | 2.0 | 0.8 |
| P0276.050-020-A4 | M 5 | 20 | 2.25 | 2.0 | 0.8 |
| P0276.050-025-A4 | M 5 | 25 | 2.25 | 2.0 | 0.8 |
| P0276.050-030-A4 | M 5 | 30 | 2.25 | 2.0 | 0.8 |
| P0276.050-035-A4 | M 5 | 35 | 2.25 | 2.0 | 0.8 |
| P0276.050-040-A4 | M 5 | 40 | 2.25 | 2.0 | 0.8 |
| P0276.060-005-A4 | M 6 | 5 | 2.75 | 2.0 | 1.0 |
| P0276.060-006-A4 | M 6 | 6 | 2.75 | 2.0 | 1.0 |
| P0276.060-008-A4 | M 6 | 8 | 2.75 | 2.0 | 1.0 |
| P0276.060-010-A4 | M 6 | 10 | 2.75 | 2.0 | 1.0 |
| P0276.060-012-A4 | M 6 | 12 | 2.75 | 2.0 | 1.0 |
| P0276.060-014-A4 | M 6 | 14 | 2.75 | 2.0 | 1.0 |
| P0276.060-016-A4 | M 6 | 16 | 2.75 | 2.0 | 1.0 |
| P0276.060-018-A4 | M 6 | 18 | 2.75 | 2.0 | 1.0 |
| P0276.060-020-A4 | M 6 | 20 | 2.75 | 2.0 | 1.0 |
| P0276.060-025-A4 | M 6 | 25 | 2.75 | 2.0 | 1.0 |
| P0276.060-030-A4 | M 6 | 30 | 2.75 | 2.0 | 1.0 |
| P0276.060-035-A4 | M 6 | 35 | 2.75 | 2.0 | 1.0 |
| P0276.060-040-A4 | M 6 | 40 | 2.75 | 2.0 | 1.0 |
| P0276.060-045-A4 | M 6 | 45 | 2.75 | 2.0 | 1.0 |
| P0276.060-050-A4 | M 6 | 50 | 2.75 | 2.0 | 1.0 |
| P0276.060-055-A4 | M 6 | 55 | 2.75 | 2.0 | 1.0 |
| P0276.060-060-A4 | M 6 | 60 | 2.75 | 2.0 | 1.0 |
| P0276.080-006-A4 | M 8 | 6 | 4.70 | 3.0 | 1.2 |
| P0276.080-008-A4 | M 8 | 8 | 4.70 | 3.0 | 1.2 |
| P0276.080-010-A4 | M 8 | 10 | 4.70 | 3.0 | 1.2 |
| P0276.080-012-A4 | M 8 | 12 | 4.70 | 3.0 | 1.2 |
| P0276.080-014-A4 | M 8 | 14 | 4.70 | 3.0 | 1.2 |
| P0276.080-016-A4 | M 8 | 16 | 4.70 | 3.0 | 1.2 |
| P0276.080-018-A4 | M 8 | 18 | 4.70 | 3.0 | 1.2 |
| P0276.080-020-A4 | M 8 | 20 | 4.70 | 3.0 | 1.2 |
| P0276.080-025-A4 | M 8 | 25 | 4.70 | 3.0 | 1.2 |
| P0276.080-030-A4 | M 8 | 30 | 4.70 | 3.0 | 1.2 |
| P0276.080-035-A4 | M 8 | 35 | 4.70 | 3.0 | 1.2 |
| P0276.080-040-A4 | M 8 | 40 | 4.70 | 3.0 | 1.2 |
| P0276.080-050-A4 | M 8 | 50 | 4.70 | 3.0 | 1.2 |
| P0276.080-060-A4 | M 8 | 60 | 4.70 | 3.0 | 1.2 |
| P0276.080-070-A4 | M 8 | 70 | 4.70 | 3.0 | 1.2 |
| P0276.080-080-A4 | M 8 | 80 | 4.70 | 3.0 | 1.2 |
| P0276.100-010-A4 | M10 | 10 | 5.70 | 4.0 | 1.6 |
| P0276.100-012-A4 | M10 | 12 | 5.70 | 4.0 | 1.6 |
| P0276.100-016-A4 | M10 | 16 | 5.70 | 4.0 | 1.6 |
| P0276.100-020-A4 | M10 | 20 | 5.70 | 4.0 | 1.6 |
| P0276.100-025-A4 | M10 | 25 | 5.70 | 4.0 | 1.6 |
| P0276.100-030-A4 | M10 | 30 | 5.70 | 4.0 | 1.6 |
| P0276.100-035-A4 | M10 | 35 | 5.70 | 4.0 | 1.6 |
| P0276.100-040-A4 | M10 | 40 | 5.70 | 4.0 | 1.6 |
| P0276.100-045-A4 | M10 | 45 | 5.70 | 4.0 | 1.6 |
| P0276.100-050-A4 | M10 | 50 | 5.70 | 4.0 | 1.6 |
| P0276.100-055-A4 | M10 | 55 | 5.70 | 4.0 | 1.6 |
| P0276.100-060-A4 | M10 | 60 | 5.70 | 4.0 | 1.6 |
| P0276.100-070-A4 | M10 | 70 | 5.70 | 4.0 | 1.6 |
| P0276.100-080-A4 | M10 | 80 | 5.70 | 4.0 | 1.6 |

STANDARD SCREWS



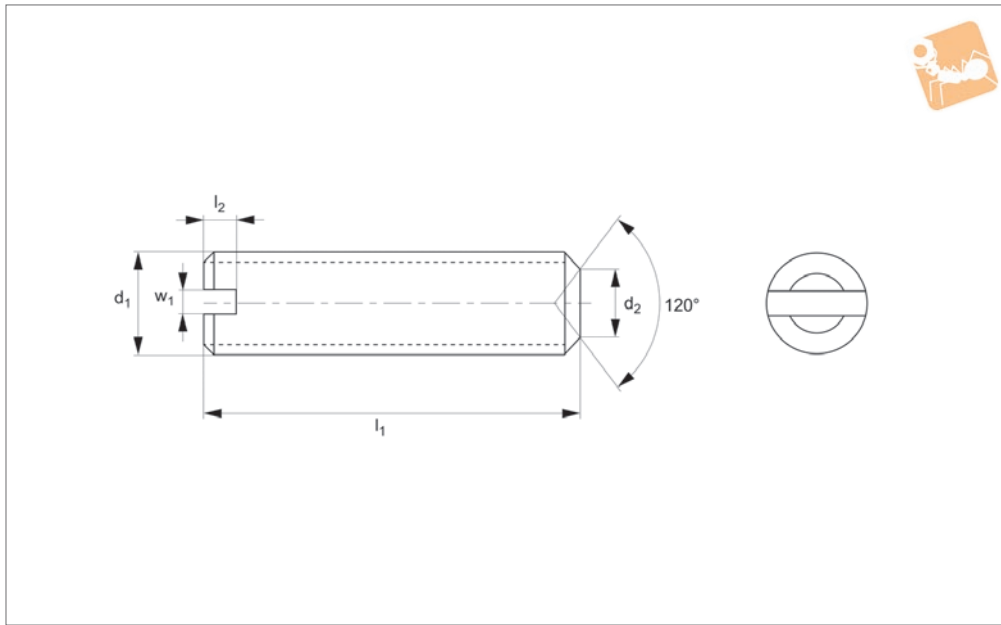
| Order No. | d ₁ | l ₁ | d ₂ | l ₂ min. | w ₁ |
|------------------|----------------|----------------|----------------|------------------------|----------------|
| P0276.120-010-A4 | M12 | 10 | 7.64 | 4.8 | 2.0 |
| P0276.120-012-A4 | M12 | 12 | 7.64 | 4.8 | 2.0 |
| P0276.120-016-A4 | M12 | 16 | 7.64 | 4.8 | 2.0 |
| P0276.120-020-A4 | M12 | 20 | 7.64 | 4.8 | 2.0 |
| P0276.120-025-A4 | M12 | 25 | 7.64 | 4.8 | 2.0 |
| P0276.120-030-A4 | M12 | 30 | 7.64 | 4.8 | 2.0 |
| P0276.120-035-A4 | M12 | 35 | 7.64 | 4.8 | 2.0 |
| P0276.120-040-A4 | M12 | 40 | 7.64 | 4.8 | 2.0 |
| P0276.120-045-A4 | M12 | 45 | 7.64 | 4.8 | 2.0 |
| P0276.120-050-A4 | M12 | 50 | 7.64 | 4.8 | 2.0 |
| P0276.120-055-A4 | M12 | 55 | 7.64 | 4.8 | 2.0 |
| P0276.120-060-A4 | M12 | 60 | 7.64 | 4.8 | 2.0 |
| P0276.120-070-A4 | M12 | 70 | 7.64 | 4.8 | 2.0 |
| P0276.120-080-A4 | M12 | 80 | 7.64 | 4.8 | 2.0 |
| P0276.120-090-A4 | M12 | 90 | 7.64 | 4.8 | 2.0 |
| P0276.120-100-A4 | M12 | 100 | 7.64 | 4.8 | 2.0 |
| P0276.160-016-A4 | M16 | 16 | 9.64 | 6.4 | 2.2 |
| P0276.160-020-A4 | M16 | 20 | 9.64 | 6.4 | 2.2 |
| P0276.160-025-A4 | M16 | 25 | 9.64 | 6.4 | 2.2 |
| P0276.160-030-A4 | M16 | 30 | 9.64 | 6.4 | 2.2 |
| P0276.160-035-A4 | M16 | 35 | 9.64 | 6.4 | 2.2 |
| P0276.160-040-A4 | M16 | 40 | 9.64 | 6.4 | 2.2 |
| P0276.160-045-A4 | M16 | 45 | 9.64 | 6.4 | 2.2 |
| P0276.160-050-A4 | M16 | 50 | 9.64 | 6.4 | 2.2 |
| P0276.160-055-A4 | M16 | 55 | 9.64 | 6.4 | 2.2 |
| P0276.160-060-A4 | M16 | 60 | 9.64 | 6.4 | 2.2 |
| P0276.160-070-A4 | M16 | 70 | 9.64 | 6.4 | 2.2 |
| P0276.160-080-A4 | M16 | 80 | 9.64 | 6.4 | 2.2 |
| P0276.160-090-A4 | M16 | 90 | 9.64 | 6.4 | 2.2 |
| P0276.160-100-A4 | M16 | 100 | 9.64 | 6.4 | 2.2 |
| P0276.200-020-A4 | M20 | 20 | 13.57 | 8.0 | 2.6 |
| P0276.200-025-A4 | M20 | 25 | 13.57 | 8.0 | 2.6 |
| P0276.200-030-A4 | M20 | 30 | 13.57 | 8.0 | 2.6 |
| P0276.200-035-A4 | M20 | 35 | 13.57 | 8.0 | 2.6 |
| P0276.200-040-A4 | M20 | 40 | 13.57 | 8.0 | 2.6 |
| P0276.200-045-A4 | M20 | 45 | 13.57 | 8.0 | 2.6 |
| P0276.200-050-A4 | M20 | 50 | 13.57 | 8.0 | 2.6 |
| P0276.200-055-A4 | M20 | 55 | 13.57 | 8.0 | 2.6 |
| P0276.200-060-A4 | M20 | 60 | 13.57 | 8.0 | 2.6 |
| P0276.200-070-A4 | M20 | 70 | 13.57 | 8.0 | 2.6 |
| P0276.200-080-A4 | M20 | 80 | 13.57 | 8.0 | 2.6 |
| P0276.200-090-A4 | M20 | 90 | 13.57 | 8.0 | 2.6 |
| P0276.200-100-A4 | M20 | 100 | 13.57 | 8.0 | 2.6 |



Slotted Set Screws Cup Point

Cup Point - steel, zinc-plated

Standard Screws



P0276.ZP

STANDARD SCREWS

Material

Steel, zinc-plated (class 14H).

Technical Notes

To DIN 438, cup point.

| Order No. | d ₁ | l ₁ | d ₂ | l ₂ min. | w ₁ |
|------------------|----------------|----------------|----------------|------------------------|----------------|
| P0276.020-003-ZP | M 2 | 3 | 0.75 | 0.8 | 0.25 |
| P0276.020-004-ZP | M 2 | 4 | 0.75 | 0.8 | 0.25 |
| P0276.020-005-ZP | M 2 | 5 | 0.75 | 0.8 | 0.25 |
| P0276.020-006-ZP | M 2 | 6 | 0.75 | 0.8 | 0.25 |
| P0276.020-008-ZP | M 2 | 8 | 0.75 | 0.8 | 0.25 |
| P0276.020-010-ZP | M 2 | 10 | 0.75 | 0.8 | 0.25 |
| P0276.020-012-ZP | M 2 | 12 | 0.75 | 0.8 | 0.25 |
| P0276.020-016-ZP | M 2 | 16 | 0.75 | 0.8 | 0.25 |
| P0276.025-003-ZP | M2,5 | 3 | 0.95 | 1.2 | 0.4 |
| P0276.025-004-ZP | M2,5 | 4 | 0.95 | 1.2 | 0.4 |
| P0276.025-005-ZP | M2,5 | 5 | 0.95 | 1.2 | 0.4 |
| P0276.025-006-ZP | M2,5 | 6 | 0.95 | 1.2 | 0.4 |
| P0276.025-008-ZP | M2,5 | 8 | 0.95 | 1.2 | 0.4 |
| P0276.025-010-ZP | M2,5 | 10 | 0.95 | 1.2 | 0.4 |
| P0276.025-012-ZP | M2,5 | 12 | 0.95 | 1.2 | 0.4 |
| P0276.025-016-ZP | M2,5 | 16 | 0.95 | 1.2 | 0.4 |
| P0276.030-003-ZP | M 3 | 3 | 1.15 | 1.2 | 0.4 |
| P0276.030-004-ZP | M 3 | 4 | 1.15 | 1.2 | 0.4 |
| P0276.030-005-ZP | M 3 | 5 | 1.15 | 1.2 | 0.4 |
| P0276.030-006-ZP | M 3 | 6 | 1.15 | 1.2 | 0.4 |
| P0276.030-008-ZP | M 3 | 8 | 1.15 | 1.2 | 0.4 |
| P0276.030-010-ZP | M 3 | 10 | 1.15 | 1.2 | 0.4 |
| P0276.030-012-ZP | M 3 | 12 | 1.15 | 1.2 | 0.4 |
| P0276.030-014-ZP | M 3 | 14 | 1.15 | 1.2 | 0.4 |
| P0276.030-016-ZP | M 3 | 16 | 1.15 | 1.2 | 0.4 |
| P0276.030-020-ZP | M 3 | 20 | 1.15 | 1.2 | 0.4 |
| P0276.030-025-ZP | M 3 | 25 | 1.15 | 1.2 | 0.4 |
| P0276.030-030-ZP | M 3 | 30 | 1.15 | 1.2 | 0.4 |
| P0276.040-003-ZP | M 4 | 3 | 1.75 | 1.5 | 0.6 |
| P0276.040-004-ZP | M 4 | 4 | 1.75 | 1.5 | 0.6 |
| P0276.040-005-ZP | M 4 | 5 | 1.75 | 1.5 | 0.6 |
| P0276.040-006-ZP | M 4 | 6 | 1.75 | 1.5 | 0.6 |
| P0276.040-008-ZP | M 4 | 8 | 1.75 | 1.5 | 0.6 |
| P0276.040-010-ZP | M 4 | 10 | 1.75 | 1.5 | 0.6 |



STANDARD SCREWS

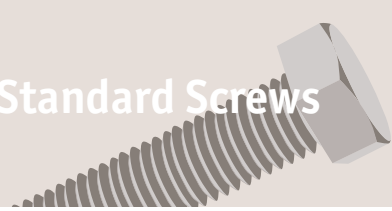
| Order No. | d ₁ | l ₁ | d ₂ | l ₂ min. | w ₁ |
|------------------|----------------|----------------|----------------|------------------------|----------------|
| P0276.040-012-ZP | M 4 | 12 | 1.75 | 1.5 | 0.6 |
| P0276.040-014-ZP | M 4 | 14 | 1.75 | 1.5 | 0.6 |
| P0276.040-016-ZP | M 4 | 16 | 1.75 | 1.5 | 0.6 |
| P0276.040-020-ZP | M 4 | 20 | 1.75 | 1.5 | 0.6 |
| P0276.040-025-ZP | M 4 | 25 | 1.75 | 1.5 | 0.6 |
| P0276.040-030-ZP | M 4 | 30 | 1.75 | 1.5 | 0.6 |
| P0276.040-035-ZP | M 4 | 35 | 1.75 | 1.5 | 0.6 |
| P0276.040-040-ZP | M 4 | 40 | 1.75 | 1.5 | 0.6 |
| P0276.050-004-ZP | M 5 | 4 | 2.25 | 2.0 | 0.8 |
| P0276.050-005-ZP | M 5 | 5 | 2.25 | 2.0 | 0.8 |
| P0276.050-006-ZP | M 5 | 6 | 2.25 | 2.0 | 0.8 |
| P0276.050-008-ZP | M 5 | 8 | 2.25 | 2.0 | 0.8 |
| P0276.050-010-ZP | M 5 | 10 | 2.25 | 2.0 | 0.8 |
| P0276.050-012-ZP | M 5 | 12 | 2.25 | 2.0 | 0.8 |
| P0276.050-014-ZP | M 5 | 14 | 2.25 | 2.0 | 0.8 |
| P0276.050-016-ZP | M 5 | 16 | 2.25 | 2.0 | 0.8 |
| P0276.050-020-ZP | M 5 | 20 | 2.25 | 2.0 | 0.8 |
| P0276.050-025-ZP | M 5 | 25 | 2.25 | 2.0 | 0.8 |
| P0276.050-030-ZP | M 5 | 30 | 2.25 | 2.0 | 0.8 |
| P0276.050-035-ZP | M 5 | 35 | 2.25 | 2.0 | 0.8 |
| P0276.050-040-ZP | M 5 | 40 | 2.25 | 2.0 | 0.8 |
| P0276.060-005-ZP | M 6 | 5 | 2.75 | 2.0 | 1.0 |
| P0276.060-006-ZP | M 6 | 6 | 2.75 | 2.0 | 1.0 |
| P0276.060-008-ZP | M 6 | 8 | 2.75 | 2.0 | 1.0 |
| P0276.060-010-ZP | M 6 | 10 | 2.75 | 2.0 | 1.0 |
| P0276.060-012-ZP | M 6 | 12 | 2.75 | 2.0 | 1.0 |
| P0276.060-014-ZP | M 6 | 14 | 2.75 | 2.0 | 1.0 |
| P0276.060-016-ZP | M 6 | 16 | 2.75 | 2.0 | 1.0 |
| P0276.060-018-ZP | M 6 | 18 | 2.75 | 2.0 | 1.0 |
| P0276.060-020-ZP | M 6 | 20 | 2.75 | 2.0 | 1.0 |
| P0276.060-025-ZP | M 6 | 25 | 2.75 | 2.0 | 1.0 |
| P0276.060-030-ZP | M 6 | 30 | 2.75 | 2.0 | 1.0 |
| P0276.060-035-ZP | M 6 | 35 | 2.75 | 2.0 | 1.0 |
| P0276.060-040-ZP | M 6 | 40 | 2.75 | 2.0 | 1.0 |
| P0276.060-045-ZP | M 6 | 45 | 2.75 | 2.0 | 1.0 |
| P0276.060-050-ZP | M 6 | 50 | 2.75 | 2.0 | 1.0 |
| P0276.060-055-ZP | M 6 | 55 | 2.75 | 2.0 | 1.0 |
| P0276.060-060-ZP | M 6 | 60 | 2.75 | 2.0 | 1.0 |
| P0276.080-006-ZP | M 8 | 6 | 4.70 | 3.0 | 1.2 |
| P0276.080-008-ZP | M 8 | 8 | 4.70 | 3.0 | 1.2 |
| P0276.080-010-ZP | M 8 | 10 | 4.70 | 3.0 | 1.2 |
| P0276.080-012-ZP | M 8 | 12 | 4.70 | 3.0 | 1.2 |
| P0276.080-014-ZP | M 8 | 14 | 4.70 | 3.0 | 1.2 |
| P0276.080-016-ZP | M 8 | 16 | 4.70 | 3.0 | 1.2 |
| P0276.080-018-ZP | M 8 | 18 | 4.70 | 3.0 | 1.2 |
| P0276.080-020-ZP | M 8 | 20 | 4.70 | 3.0 | 1.2 |
| P0276.080-025-ZP | M 8 | 25 | 4.70 | 3.0 | 1.2 |
| P0276.080-030-ZP | M 8 | 30 | 4.70 | 3.0 | 1.2 |
| P0276.080-035-ZP | M 8 | 35 | 4.70 | 3.0 | 1.2 |
| P0276.080-040-ZP | M 8 | 40 | 4.70 | 3.0 | 1.2 |
| P0276.080-050-ZP | M 8 | 50 | 4.70 | 3.0 | 1.2 |
| P0276.080-060-ZP | M 8 | 60 | 4.70 | 3.0 | 1.2 |
| P0276.080-070-ZP | M 8 | 70 | 4.70 | 3.0 | 1.2 |
| P0276.080-080-ZP | M 8 | 80 | 4.70 | 3.0 | 1.2 |
| P0276.100-010-ZP | M10 | 10 | 5.70 | 4.0 | 1.6 |
| P0276.100-012-ZP | M10 | 12 | 5.70 | 4.0 | 1.6 |
| P0276.100-016-ZP | M10 | 16 | 5.70 | 4.0 | 1.6 |
| P0276.100-020-ZP | M10 | 20 | 5.70 | 4.0 | 1.6 |
| P0276.100-025-ZP | M10 | 25 | 5.70 | 4.0 | 1.6 |
| P0276.100-030-ZP | M10 | 30 | 5.70 | 4.0 | 1.6 |
| P0276.100-035-ZP | M10 | 35 | 5.70 | 4.0 | 1.6 |
| P0276.100-040-ZP | M10 | 40 | 5.70 | 4.0 | 1.6 |
| P0276.100-045-ZP | M10 | 45 | 5.70 | 4.0 | 1.6 |
| P0276.100-050-ZP | M10 | 50 | 5.70 | 4.0 | 1.6 |
| P0276.100-055-ZP | M10 | 55 | 5.70 | 4.0 | 1.6 |
| P0276.100-060-ZP | M10 | 60 | 5.70 | 4.0 | 1.6 |
| P0276.100-070-ZP | M10 | 70 | 5.70 | 4.0 | 1.6 |
| P0276.100-080-ZP | M10 | 80 | 5.70 | 4.0 | 1.6 |



Slotted Set Screws Cup Point

Cup Point - steel, zinc-plated

Standard Screws



| Order No. | d ₁ | l ₁ | d ₂ | l ₂ min. | w ₁ |
|------------------|----------------|----------------|----------------|------------------------|----------------|
| P0276.120-010-ZP | M12 | 12 | 7.64 | 4.8 | 2.0 |
| P0276.120-012-ZP | M12 | 12 | 7.64 | 4.8 | 2.0 |
| P0276.120-016-ZP | M12 | 16 | 7.64 | 4.8 | 2.0 |
| P0276.120-020-ZP | M12 | 20 | 7.64 | 4.8 | 2.0 |
| P0276.120-025-ZP | M12 | 25 | 7.64 | 4.8 | 2.0 |
| P0276.120-030-ZP | M12 | 30 | 7.64 | 4.8 | 2.0 |
| P0276.120-035-ZP | M12 | 35 | 7.64 | 4.8 | 2.0 |
| P0276.120-040-ZP | M12 | 40 | 7.64 | 4.8 | 2.0 |
| P0276.120-045-ZP | M12 | 45 | 7.64 | 4.8 | 2.0 |
| P0276.120-050-ZP | M12 | 50 | 7.64 | 4.8 | 2.0 |
| P0276.120-055-ZP | M12 | 55 | 7.64 | 4.8 | 2.0 |
| P0276.120-060-ZP | M12 | 60 | 7.64 | 4.8 | 2.0 |
| P0276.120-070-ZP | M12 | 70 | 7.64 | 4.8 | 2.0 |
| P0276.120-080-ZP | M12 | 80 | 7.64 | 4.8 | 2.0 |
| P0276.120-090-ZP | M12 | 90 | 7.64 | 4.8 | 2.0 |
| P0276.120-100-ZP | M12 | 100 | 7.64 | 4.8 | 2.0 |
| P0276.160-016-ZP | M16 | 16 | 9.64 | 6.4 | 2.2 |
| P0276.160-020-ZP | M16 | 20 | 9.64 | 6.4 | 2.2 |
| P0276.160-025-ZP | M16 | 25 | 9.64 | 6.4 | 2.2 |
| P0276.160-030-ZP | M16 | 30 | 9.64 | 6.4 | 2.2 |
| P0276.160-035-ZP | M16 | 35 | 9.64 | 6.4 | 2.2 |
| P0276.160-040-ZP | M16 | 40 | 9.64 | 6.4 | 2.2 |
| P0276.160-045-ZP | M16 | 45 | 9.64 | 6.4 | 2.2 |
| P0276.160-050-ZP | M16 | 50 | 9.64 | 6.4 | 2.2 |
| P0276.160-055-ZP | M16 | 55 | 9.64 | 6.4 | 2.2 |
| P0276.160-060-ZP | M16 | 60 | 9.64 | 6.4 | 2.2 |
| P0276.160-070-ZP | M16 | 70 | 9.64 | 6.4 | 2.2 |
| P0276.160-080-ZP | M16 | 80 | 9.64 | 6.4 | 2.2 |
| P0276.160-090-ZP | M16 | 90 | 9.64 | 6.4 | 2.2 |
| P0276.160-100-ZP | M16 | 100 | 9.64 | 6.4 | 2.2 |
| P0276.200-020-ZP | M20 | 20 | 13.57 | 8.0 | 2.6 |
| P0276.200-025-ZP | M20 | 25 | 13.57 | 8.0 | 2.6 |
| P0276.200-030-ZP | M20 | 30 | 13.57 | 8.0 | 2.6 |
| P0276.200-035-ZP | M20 | 35 | 13.57 | 8.0 | 2.6 |
| P0276.200-040-ZP | M20 | 40 | 13.57 | 8.0 | 2.6 |
| P0276.200-045-ZP | M20 | 45 | 13.57 | 8.0 | 2.6 |
| P0276.200-050-ZP | M20 | 50 | 13.57 | 8.0 | 2.6 |
| P0276.200-055-ZP | M20 | 55 | 13.57 | 8.0 | 2.6 |
| P0276.200-060-ZP | M20 | 60 | 13.57 | 8.0 | 2.6 |
| P0276.200-070-ZP | M20 | 70 | 13.57 | 8.0 | 2.6 |
| P0276.200-080-ZP | M20 | 80 | 13.57 | 8.0 | 2.6 |
| P0276.200-090-ZP | M20 | 90 | 13.57 | 8.0 | 2.6 |
| P0276.200-100-ZP | M20 | 100 | 13.57 | 8.0 | 2.6 |

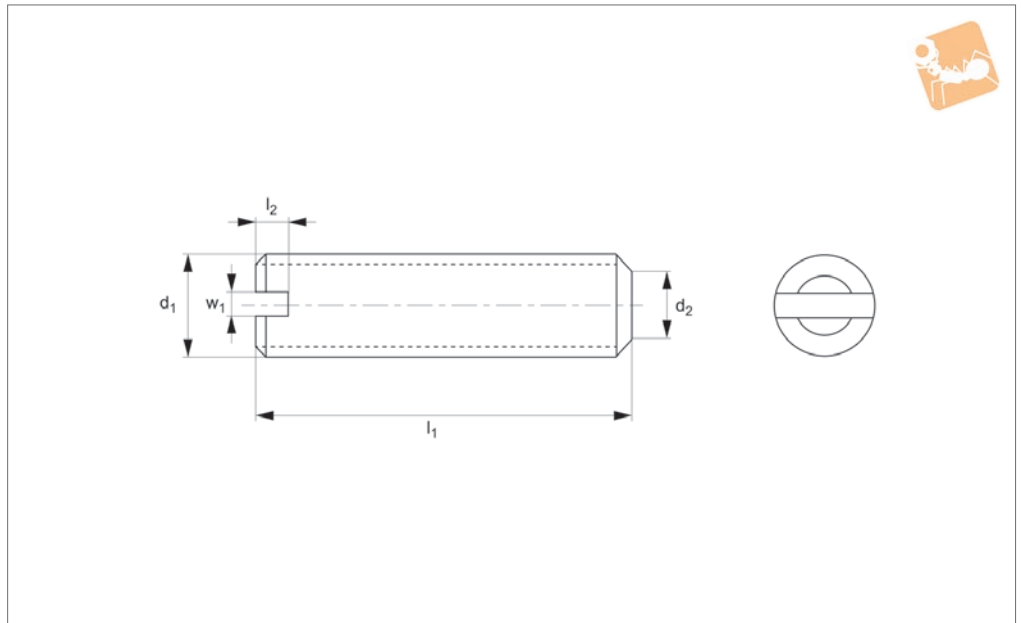
STANDARD SCREWS



STANDARD SCREWS



P0277.A2



Material

Stainless steel (A2).

See technical page for tightening torques.

Technical Notes

To DIN 551, flat point.

| Order No. | d ₁ | l ₁ | d ₂ | l ₂ min. | w ₁ | Size |
|------------------|----------------|----------------|----------------|------------------------|----------------|----------|
| P0277.016-002-A2 | M1,6 | 2 | 0.55 | 0.74 | 0.25 | 0,16X0,8 |
| P0277.016-003-A2 | M1,6 | 3 | 0.55 | 0.74 | 0.25 | 0,16X0,8 |
| P0277.016-004-A2 | M1,6 | 4 | 0.55 | 0.74 | 0.25 | 0,16X0,8 |
| P0277.016-005-A2 | M1,6 | 5 | 0.55 | 0.74 | 0.25 | 0,16X0,8 |
| P0277.016-006-A2 | M1,6 | 6 | 0.55 | 0.74 | 0.25 | 0,16X0,8 |
| P0277.016-008-A2 | M1,6 | 8 | 0.55 | 0.74 | 0.25 | 0,16X0,8 |
| P0277.016-010-A2 | M1,6 | 10 | 0.55 | 0.74 | 0.25 | 0,16X0,8 |
| P0277.020-002-A2 | M 2 | 2 | 0.75 | 0.84 | 0.25 | 0,25X1,2 |
| P0277.020-003-A2 | M 2 | 3 | 0.75 | 0.84 | 0.25 | 0,25X1,2 |
| P0277.020-004-A2 | M 2 | 4 | 0.75 | 0.84 | 0.25 | 0,25X1,2 |
| P0277.020-005-A2 | M 2 | 5 | 0.75 | 0.84 | 0.25 | 0,25X1,2 |
| P0277.020-006-A2 | M 2 | 6 | 0.75 | 0.84 | 0.25 | 0,25X1,2 |
| P0277.020-008-A2 | M 2 | 8 | 0.75 | 0.84 | 0.25 | 0,25X1,2 |
| P0277.020-010-A2 | M 2 | 10 | 0.75 | 0.84 | 0.25 | 0,25X1,2 |
| P0277.025-003-A2 | M2,5 | 3 | 1.25 | 0.95 | 0.40 | 0,4X2,0 |
| P0277.025-004-A2 | M2,5 | 4 | 1.25 | 0.95 | 0.40 | 0,4X2,0 |
| P0277.025-005-A2 | M2,5 | 5 | 1.25 | 0.95 | 0.40 | 0,4X2,0 |
| P0277.025-006-A2 | M2,5 | 6 | 1.25 | 0.95 | 0.40 | 0,4X2,0 |
| P0277.025-008-A2 | M2,5 | 8 | 1.25 | 0.95 | 0.40 | 0,4X2,0 |
| P0277.025-010-A2 | M2,5 | 10 | 1.25 | 0.95 | 0.40 | 0,4X2,0 |
| P0277.030-003-A2 | M 3 | 3 | 1.75 | 1.05 | 0.40 | 0,4X2,0 |
| P0277.030-004-A2 | M 3 | 4 | 1.75 | 1.05 | 0.40 | 0,4X2,0 |
| P0277.030-005-A2 | M 3 | 5 | 1.75 | 1.05 | 0.40 | 0,4X2,0 |
| P0277.030-006-A2 | M 3 | 6 | 1.75 | 1.05 | 0.40 | 0,4X2,0 |
| P0277.030-008-A2 | M 3 | 8 | 1.75 | 1.05 | 0.40 | 0,4X2,0 |
| P0277.030-010-A2 | M 3 | 10 | 1.75 | 1.05 | 0.40 | 0,4X2,0 |
| P0277.030-012-A2 | M 3 | 12 | 1.75 | 1.05 | 0.40 | 0,4X2,0 |
| P0277.030-016-A2 | M 3 | 16 | 1.75 | 1.05 | 0.40 | 0,4X2,0 |
| P0277.030-020-A2 | M 3 | 20 | 1.75 | 1.05 | 0.40 | 0,4X2,0 |
| P0277.040-004-A2 | M 4 | 4 | 2.25 | 1.42 | 0.60 | 0,6X3,5 |
| P0277.040-005-A2 | M 4 | 5 | 2.25 | 1.42 | 0.60 | 0,6X3,5 |
| P0277.040-006-A2 | M 4 | 6 | 2.25 | 1.42 | 0.60 | 0,6X3,5 |
| P0277.040-008-A2 | M 4 | 8 | 2.25 | 1.42 | 0.60 | 0,6X3,5 |
| P0277.040-010-A2 | M 4 | 10 | 2.25 | 1.42 | 0.60 | 0,6X3,5 |



Slotted Set Screws Flat Point

Flat Point - A2 stainless

Standard Screws



| Order No. | d ₁ | l ₁ | d ₂ | l ₂ min. | w ₁ | Size |
|------------------|----------------|----------------|----------------|------------------------|----------------|----------|
| P0277.040-012-A2 | M 4 | 12 | 2.25 | 1.42 | 0.60 | 0,6X3,5 |
| P0277.040-016-A2 | M 4 | 16 | 2.25 | 1.42 | 0.60 | 0,6X3,5 |
| P0277.040-020-A2 | M 4 | 20 | 2.25 | 1.42 | 0.60 | 0,6X3,5 |
| P0277.040-025-A2 | M 4 | 25 | 2.25 | 1.42 | 0.60 | 0,6X3,5 |
| P0277.040-030-A2 | M 4 | 30 | 2.25 | 1.42 | 0.60 | 0,6X3,5 |
| P0277.040-035-A2 | M 4 | 35 | 2.25 | 1.42 | 0.60 | 0,6X3,5 |
| P0277.040-040-A2 | M 4 | 40 | 2.25 | 1.42 | 0.60 | 0,6X3,5 |
| P0277.040-045-A2 | M 4 | 45 | 2.25 | 1.42 | 0.60 | 0,6X3,5 |
| P0277.040-050-A2 | M 4 | 50 | 2.25 | 1.42 | 0.60 | 0,6X3,5 |
| P0277.050-005-A2 | M 5 | 5 | 3.20 | 1.63 | 0.80 | 0,8X4,0 |
| P0277.050-006-A2 | M 5 | 6 | 3.20 | 1.63 | 0.80 | 0,8X4,0 |
| P0277.050-008-A2 | M 5 | 8 | 3.20 | 1.63 | 0.80 | 0,8X4,0 |
| P0277.050-010-A2 | M 5 | 10 | 3.20 | 1.63 | 0.80 | 0,8X4,0 |
| P0277.050-012-A2 | M 5 | 12 | 3.20 | 1.63 | 0.80 | 0,8X4,0 |
| P0277.050-016-A2 | M 5 | 16 | 3.20 | 1.63 | 0.80 | 0,8X4,0 |
| P0277.050-020-A2 | M 5 | 20 | 3.20 | 1.63 | 0.80 | 0,8X4,0 |
| P0277.050-025-A2 | M 5 | 25 | 3.20 | 1.63 | 0.80 | 0,8X4,0 |
| P0277.050-030-A2 | M 5 | 30 | 3.20 | 1.63 | 0.80 | 0,8X4,0 |
| P0277.050-035-A2 | M 5 | 35 | 3.20 | 1.63 | 0.80 | 0,8X4,0 |
| P0277.050-040-A2 | M 5 | 40 | 3.20 | 1.63 | 0.80 | 0,8X4,0 |
| P0277.050-045-A2 | M 5 | 45 | 3.20 | 1.63 | 0.80 | 0,8X4,0 |
| P0277.050-050-A2 | M 5 | 50 | 3.20 | 1.63 | 0.80 | 0,8X4,0 |
| P0277.060-006-A2 | M 6 | 6 | 3.70 | 2.00 | 1.00 | 1,0X5,5 |
| P0277.060-008-A2 | M 6 | 8 | 3.70 | 2.00 | 1.00 | 1,0X5,5 |
| P0277.060-010-A2 | M 6 | 10 | 3.70 | 2.00 | 1.00 | 1,0X5,5 |
| P0277.060-012-A2 | M 6 | 12 | 3.70 | 2.00 | 1.00 | 1,0X5,5 |
| P0277.060-016-A2 | M 6 | 16 | 3.70 | 2.00 | 1.00 | 1,0X5,5 |
| P0277.060-020-A2 | M 6 | 20 | 3.70 | 2.00 | 1.00 | 1,0X5,5 |
| P0277.060-025-A2 | M 6 | 25 | 3.70 | 2.00 | 1.00 | 1,0X5,5 |
| P0277.060-030-A2 | M 6 | 30 | 3.70 | 2.00 | 1.00 | 1,0X5,5 |
| P0277.060-035-A2 | M 6 | 35 | 3.70 | 2.00 | 1.00 | 1,0X5,5 |
| P0277.060-040-A2 | M 6 | 40 | 3.70 | 2.00 | 1.00 | 1,0X5,5 |
| P0277.060-050-A2 | M 6 | 50 | 3.70 | 2.00 | 1.00 | 1,0X5,5 |
| P0277.060-060-A2 | M 6 | 60 | 3.70 | 2.00 | 1.00 | 1,0X5,5 |
| P0277.080-008-A2 | M8 | 8 | 5.20 | 2.50 | 1.20 | 1,2X7,0 |
| P0277.080-010-A2 | M8 | 10 | 5.20 | 2.50 | 1.20 | 1,2X7,0 |
| P0277.080-012-A2 | M8 | 12 | 5.20 | 2.50 | 1.20 | 1,2X7,0 |
| P0277.080-016-A2 | M8 | 16 | 5.20 | 2.50 | 1.20 | 1,2X7,0 |
| P0277.080-020-A2 | M8 | 20 | 5.20 | 2.50 | 1.20 | 1,2X7,0 |
| P0277.080-025-A2 | M8 | 25 | 5.20 | 2.50 | 1.20 | 1,2X7,0 |
| P0277.080-030-A2 | M8 | 30 | 5.20 | 2.50 | 1.20 | 1,2X7,0 |
| P0277.080-035-A2 | M8 | 35 | 5.20 | 2.50 | 1.20 | 1,2X7,0 |
| P0277.080-040-A2 | M8 | 40 | 5.20 | 2.50 | 1.20 | 1,2X7,0 |
| P0277.080-045-A2 | M8 | 45 | 5.20 | 2.50 | 1.20 | 1,2X7,0 |
| P0277.080-050-A2 | M8 | 50 | 5.20 | 2.50 | 1.20 | 1,2X7,0 |
| P0277.080-055-A2 | M8 | 55 | 5.20 | 2.50 | 1.20 | 1,2X7,0 |
| P0277.080-060-A2 | M8 | 60 | 5.20 | 2.50 | 1.20 | 1,2X7,0 |
| P0277.080-070-A2 | M8 | 70 | 5.20 | 2.50 | 1.20 | 1,2X7,0 |
| P0277.100-010-A2 | M10 | 10 | 6.64 | 3.00 | 1.60 | 1,6X9,0 |
| P0277.100-012-A2 | M10 | 12 | 6.64 | 3.00 | 1.60 | 1,6X9,0 |
| P0277.120-012-A2 | M12 | 12 | 8.14 | 3.60 | 2.00 | 2,0X12,0 |
| P0277.120-016-A2 | M12 | 16 | 8.14 | 3.60 | 2.00 | 2,0X12,0 |
| P0277.120-020-A2 | M12 | 20 | 8.14 | 3.60 | 2.00 | 2,0X12,0 |
| P0277.120-025-A2 | M12 | 25 | 8.14 | 3.60 | 2.00 | 2,0X12,0 |
| P0277.120-030-A2 | M12 | 30 | 8.14 | 3.60 | 2.00 | 2,0X12,0 |
| P0277.120-035-A2 | M12 | 35 | 8.14 | 3.60 | 2.00 | 2,0X12,0 |
| P0277.120-040-A2 | M12 | 40 | 8.14 | 3.60 | 2.00 | 2,0X12,0 |
| P0277.120-045-A2 | M12 | 45 | 8.14 | 3.60 | 2.00 | 2,0X12,0 |
| P0277.120-050-A2 | M12 | 50 | 8.14 | 3.60 | 2.00 | 2,0X12,0 |
| P0277.120-055-A2 | M12 | 55 | 8.14 | 3.60 | 2.00 | 2,0X12,0 |
| P0277.120-060-A2 | M12 | 60 | 8.14 | 3.60 | 2.00 | 2,0X12,0 |
| P0277.120-070-A2 | M12 | 70 | 8.14 | 3.60 | 2.00 | 2,0X12,0 |
| P0277.120-080-A2 | M12 | 80 | 8.14 | 3.60 | 2.00 | 2,0X12,0 |
| P0277.100-016-A2 | M10 | 16 | 6.64 | 3.00 | 1.60 | 1,6X9,0 |
| P0277.100-020-A2 | M10 | 20 | 6.64 | 3.00 | 1.60 | 1,6X9,0 |
| P0277.100-025-A2 | M10 | 25 | 6.64 | 3.00 | 1.60 | 1,6X9,0 |
| P0277.100-030-A2 | M10 | 30 | 6.64 | 3.00 | 1.60 | 1,6X9,0 |
| P0277.100-035-A2 | M10 | 35 | 6.64 | 3.00 | 1.60 | 1,6X9,0 |

STANDARD SCREWS



| Order No. | d ₁ | l ₁ | d ₂ | l ₂ min. | w ₁ | Size |
|------------------|----------------|----------------|----------------|------------------------|----------------|---------|
| P0277.100-040-A2 | M10 | 40 | 6.64 | 3.00 | 1.60 | 1,6X9,0 |
| P0277.100-045-A2 | M10 | 45 | 6.64 | 3.00 | 1.60 | 1,6X9,0 |
| P0277.100-050-A2 | M10 | 50 | 6.64 | 3.00 | 1.60 | 1,6X9,0 |
| P0277.100-055-A2 | M10 | 55 | 6.64 | 3.00 | 1.60 | 1,6X9,0 |
| P0277.100-060-A2 | M10 | 60 | 6.64 | 3.00 | 1.60 | 1,6X9,0 |
| P0277.100-070-A2 | M10 | 70 | 6.64 | 3.00 | 1.60 | 1,6X9,0 |
| P0277.100-080-A2 | M10 | 80 | 6.64 | 3.00 | 1.60 | 1,6X9,0 |

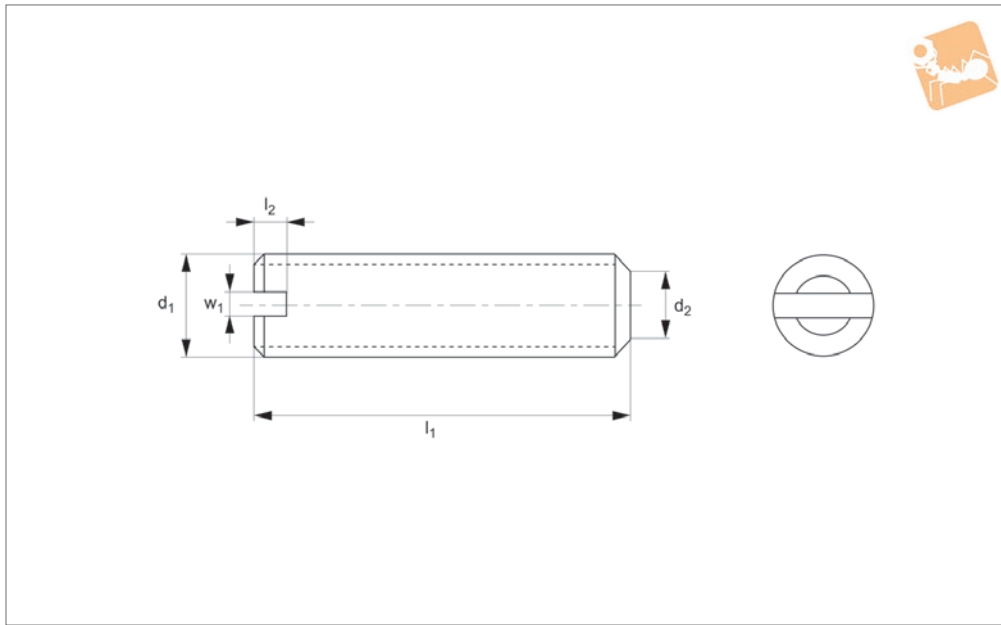
STANDARD SCREWS



Slotted Set Screws Flat Point

Flat Point - A4 stainless

Standard Screws



P0277.A4

STANDARD SCREWS

Material

Stainless steel (A4).

See technical page for tightening torques.

Technical Notes

To DIN 551, flat point.

| Order No. | d ₁ | l ₁ | d ₂ | l ₂ min. | w ₁ | Size |
|------------------|----------------|----------------|----------------|------------------------|----------------|----------|
| P0277.016-002-A4 | M1,6 | 2 | 0.55 | 0.74 | 0.25 | 0,16X0,8 |
| P0277.016-003-A4 | M1,6 | 3 | 0.55 | 0.74 | 0.25 | 0,16X0,8 |
| P0277.016-004-A4 | M1,6 | 4 | 0.55 | 0.74 | 0.25 | 0,16X0,8 |
| P0277.016-005-A4 | M1,6 | 5 | 0.55 | 0.74 | 0.25 | 0,16X0,8 |
| P0277.016-006-A4 | M1,6 | 6 | 0.55 | 0.74 | 0.25 | 0,16X0,8 |
| P0277.016-008-A4 | M1,6 | 8 | 0.55 | 0.74 | 0.25 | 0,16X0,8 |
| P0277.016-010-A4 | M1,6 | 10 | 0.55 | 0.74 | 0.25 | 0,16X0,8 |
| P0277.020-002-A4 | M 2 | 2 | 0.75 | 0.84 | 0.25 | 0,25X1,2 |
| P0277.020-003-A4 | M 2 | 3 | 0.75 | 0.84 | 0.25 | 0,25X1,2 |
| P0277.020-004-A4 | M 2 | 4 | 0.75 | 0.84 | 0.25 | 0,25X1,2 |
| P0277.020-005-A4 | M 2 | 5 | 0.75 | 0.84 | 0.25 | 0,25X1,2 |
| P0277.020-006-A4 | M 2 | 6 | 0.75 | 0.84 | 0.25 | 0,25X1,2 |
| P0277.020-008-A4 | M 2 | 8 | 0.75 | 0.84 | 0.25 | 0,25X1,2 |
| P0277.020-010-A4 | M 2 | 10 | 0.75 | 0.84 | 0.25 | 0,25X1,2 |
| P0277.025-003-A4 | M2,5 | 3 | 1.25 | 0.95 | 0.40 | 0,4X2,0 |
| P0277.025-004-A4 | M2,5 | 4 | 1.25 | 0.95 | 0.40 | 0,4X2,0 |
| P0277.025-005-A4 | M2,5 | 5 | 1.25 | 0.95 | 0.40 | 0,4X2,0 |
| P0277.025-006-A4 | M2,5 | 6 | 1.25 | 0.95 | 0.40 | 0,4X2,0 |
| P0277.025-008-A4 | M2,5 | 8 | 1.25 | 0.95 | 0.40 | 0,4X2,0 |
| P0277.025-010-A4 | M2,5 | 10 | 1.25 | 0.95 | 0.40 | 0,4X2,0 |
| P0277.030-003-A4 | M 3 | 3 | 1.75 | 1.05 | 0.40 | 0,4X2,0 |
| P0277.030-004-A4 | M 3 | 4 | 1.75 | 1.05 | 0.40 | 0,4X2,0 |
| P0277.030-005-A4 | M 3 | 5 | 1.75 | 1.05 | 0.40 | 0,4X2,0 |
| P0277.030-006-A4 | M 3 | 6 | 1.75 | 1.05 | 0.40 | 0,4X2,0 |
| P0277.030-008-A4 | M 3 | 8 | 1.75 | 1.05 | 0.40 | 0,4X2,0 |
| P0277.030-010-A4 | M 3 | 10 | 1.75 | 1.05 | 0.40 | 0,4X2,0 |
| P0277.030-012-A4 | M 3 | 12 | 1.75 | 1.05 | 0.40 | 0,4X2,0 |
| P0277.030-016-A4 | M 3 | 16 | 1.75 | 1.05 | 0.40 | 0,4X2,0 |
| P0277.030-020-A4 | M 3 | 20 | 1.75 | 1.05 | 0.40 | 0,4X2,0 |
| P0277.040-004-A4 | M 4 | 4 | 2.25 | 1.42 | 0.60 | 0,6X3,5 |
| P0277.040-005-A4 | M 4 | 5 | 2.25 | 1.42 | 0.60 | 0,6X3,5 |
| P0277.040-006-A4 | M 4 | 6 | 2.25 | 1.42 | 0.60 | 0,6X3,5 |
| P0277.040-008-A4 | M 4 | 8 | 2.25 | 1.42 | 0.60 | 0,6X3,5 |
| P0277.040-010-A4 | M 4 | 10 | 2.25 | 1.42 | 0.60 | 0,6X3,5 |



| Order No. | d ₁ | l ₁ | d ₂ | l ₂ min. | w ₁ | Size |
|------------------|----------------|----------------|----------------|------------------------|----------------|----------|
| P0277.040-012-A4 | M 4 | 12 | 2.25 | 1.42 | 0.60 | 0,6X3,5 |
| P0277.040-016-A4 | M 4 | 16 | 2.25 | 1.42 | 0.60 | 0,6X3,5 |
| P0277.040-020-A4 | M 4 | 20 | 2.25 | 1.42 | 0.60 | 0,6X3,5 |
| P0277.040-025-A4 | M 4 | 25 | 2.25 | 1.42 | 0.60 | 0,6X3,5 |
| P0277.040-030-A4 | M 4 | 30 | 2.25 | 1.42 | 0.60 | 0,6X3,5 |
| P0277.040-035-A4 | M 4 | 35 | 2.25 | 1.42 | 0.60 | 0,6X3,5 |
| P0277.040-040-A4 | M 4 | 40 | 2.25 | 1.42 | 0.60 | 0,6X3,5 |
| P0277.040-045-A4 | M 4 | 45 | 2.25 | 1.42 | 0.60 | 0,6X3,5 |
| P0277.040-050-A4 | M 4 | 50 | 2.25 | 1.42 | 0.60 | 0,6X3,5 |
| P0277.050-005-A4 | M 5 | 5 | 3.20 | 1.63 | 0.80 | 0,8X4,0 |
| P0277.050-006-A4 | M 5 | 6 | 3.20 | 1.63 | 0.80 | 0,8X4,0 |
| P0277.050-008-A4 | M 5 | 8 | 3.20 | 1.63 | 0.80 | 0,8X4,0 |
| P0277.050-010-A4 | M 5 | 10 | 3.20 | 1.63 | 0.80 | 0,8X4,0 |
| P0277.050-012-A4 | M 5 | 12 | 3.20 | 1.63 | 0.80 | 0,8X4,0 |
| P0277.050-016-A4 | M 5 | 16 | 3.20 | 1.63 | 0.80 | 0,8X4,0 |
| P0277.050-020-A4 | M 5 | 20 | 3.20 | 1.63 | 0.80 | 0,8X4,0 |
| P0277.050-025-A4 | M 5 | 25 | 3.20 | 1.63 | 0.80 | 0,8X4,0 |
| P0277.050-030-A4 | M 5 | 30 | 3.20 | 1.63 | 0.80 | 0,8X4,0 |
| P0277.050-035-A4 | M 5 | 35 | 3.20 | 1.63 | 0.80 | 0,8X4,0 |
| P0277.050-040-A4 | M 5 | 40 | 3.20 | 1.63 | 0.80 | 0,8X4,0 |
| P0277.050-045-A4 | M 5 | 45 | 3.20 | 1.63 | 0.80 | 0,8X4,0 |
| P0277.050-050-A4 | M 5 | 50 | 3.20 | 1.63 | 0.80 | 0,8X4,0 |
| P0277.060-006-A4 | M 6 | 6 | 3.70 | 2.00 | 1.00 | 1,0X5,5 |
| P0277.060-008-A4 | M 6 | 8 | 3.70 | 2.00 | 1.00 | 1,0X5,5 |
| P0277.060-010-A4 | M 6 | 10 | 3.70 | 2.00 | 1.00 | 1,0X5,5 |
| P0277.060-012-A4 | M 6 | 12 | 3.70 | 2.00 | 1.00 | 1,0X5,5 |
| P0277.060-016-A4 | M 6 | 16 | 3.70 | 2.00 | 1.00 | 1,0X5,5 |
| P0277.060-020-A4 | M 6 | 20 | 3.70 | 2.00 | 1.00 | 1,0X5,5 |
| P0277.060-025-A4 | M 6 | 25 | 3.70 | 2.00 | 1.00 | 1,0X5,5 |
| P0277.060-030-A4 | M 6 | 30 | 3.70 | 2.00 | 1.00 | 1,0X5,5 |
| P0277.060-035-A4 | M 6 | 35 | 3.70 | 2.00 | 1.00 | 1,0X5,5 |
| P0277.060-040-A4 | M 6 | 40 | 3.70 | 2.00 | 1.00 | 1,0X5,5 |
| P0277.060-050-A4 | M 6 | 50 | 3.70 | 2.00 | 1.00 | 1,0X5,5 |
| P0277.060-060-A4 | M 6 | 60 | 3.70 | 2.00 | 1.00 | 1,0X5,5 |
| P0277.080-008-A4 | M 8 | 8 | 5.20 | 2.50 | 1.20 | 1,2X7,0 |
| P0277.080-010-A4 | M 8 | 10 | 5.20 | 2.50 | 1.20 | 1,2X7,0 |
| P0277.080-012-A4 | M 8 | 12 | 5.20 | 2.50 | 1.20 | 1,2X7,0 |
| P0277.080-016-A4 | M 8 | 16 | 5.20 | 2.50 | 1.20 | 1,2X7,0 |
| P0277.080-020-A4 | M 8 | 20 | 5.20 | 2.50 | 1.20 | 1,2X7,0 |
| P0277.080-025-A4 | M 8 | 25 | 5.20 | 2.50 | 1.20 | 1,2X7,0 |
| P0277.080-030-A4 | M 8 | 30 | 5.20 | 2.50 | 1.20 | 1,2X7,0 |
| P0277.080-035-A4 | M 8 | 35 | 5.20 | 2.50 | 1.20 | 1,2X7,0 |
| P0277.080-040-A4 | M 8 | 40 | 5.20 | 2.50 | 1.20 | 1,2X7,0 |
| P0277.080-045-A4 | M 8 | 45 | 5.20 | 2.50 | 1.20 | 1,2X7,0 |
| P0277.080-050-A4 | M 8 | 50 | 5.20 | 2.50 | 1.20 | 1,2X7,0 |
| P0277.080-055-A4 | M 8 | 55 | 5.20 | 2.50 | 1.20 | 1,2X7,0 |
| P0277.080-060-A4 | M 8 | 60 | 5.20 | 2.50 | 1.20 | 1,2X7,0 |
| P0277.080-070-A4 | M 8 | 70 | 5.20 | 2.50 | 1.20 | 1,2X7,0 |
| P0277.100-010-A4 | M10 | 10 | 6.64 | 3.00 | 1.60 | 1,6X9,0 |
| P0277.100-012-A4 | M10 | 12 | 6.64 | 3.00 | 1.60 | 1,6X9,0 |
| P0277.120-012-A4 | M12 | 12 | 8.14 | 3.60 | 2.00 | 2,0X12,0 |
| P0277.120-016-A4 | M12 | 16 | 8.14 | 3.60 | 2.00 | 2,0X12,0 |
| P0277.120-020-A4 | M12 | 20 | 8.14 | 3.60 | 2.00 | 2,0X12,0 |
| P0277.120-025-A4 | M12 | 25 | 8.14 | 3.60 | 2.00 | 2,0X12,0 |
| P0277.120-030-A4 | M12 | 30 | 8.14 | 3.60 | 2.00 | 2,0X12,0 |
| P0277.120-035-A4 | M12 | 35 | 8.14 | 3.60 | 2.00 | 2,0X12,0 |
| P0277.120-040-A4 | M12 | 40 | 8.14 | 3.60 | 2.00 | 2,0X12,0 |
| P0277.120-045-A4 | M12 | 45 | 8.14 | 3.60 | 2.00 | 2,0X12,0 |
| P0277.120-050-A4 | M12 | 50 | 8.14 | 3.60 | 2.00 | 2,0X12,0 |
| P0277.120-055-A4 | M12 | 55 | 8.14 | 3.60 | 2.00 | 2,0X12,0 |
| P0277.120-060-A4 | M12 | 60 | 8.14 | 3.60 | 2.00 | 2,0X12,0 |
| P0277.120-070-A4 | M12 | 70 | 8.14 | 3.60 | 2.00 | 2,0X12,0 |
| P0277.120-080-A4 | M12 | 80 | 8.14 | 3.60 | 2.00 | 2,0X12,0 |
| P0277.100-016-A4 | M10 | 16 | 6.64 | 3.00 | 1.60 | 1,6X9,0 |
| P0277.100-020-A4 | M10 | 20 | 6.64 | 3.00 | 1.60 | 1,6X9,0 |
| P0277.100-025-A4 | M10 | 25 | 6.64 | 3.00 | 1.60 | 1,6X9,0 |
| P0277.100-030-A4 | M10 | 30 | 6.64 | 3.00 | 1.60 | 1,6X9,0 |
| P0277.100-035-A4 | M10 | 35 | 6.64 | 3.00 | 1.60 | 1,6X9,0 |



Slotted Set Screws Flat Point

Flat Point - A4 stainless

Standard Screws

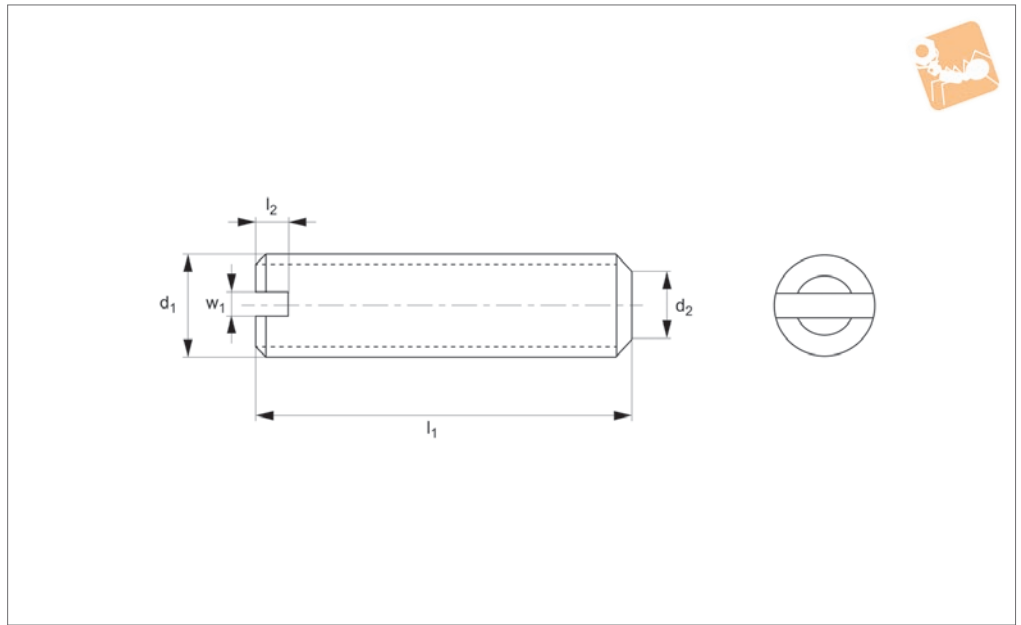


| Order No. | d ₁ | l ₁ | d ₂ | l ₂ min. | w ₁ | Size |
|------------------|----------------|----------------|----------------|------------------------|----------------|---------|
| P0277.100-040-A4 | M10 | 40 | 6.64 | 3.00 | 1.60 | 1,6X9,0 |
| P0277.100-045-A4 | M10 | 45 | 6.64 | 3.00 | 1.60 | 1,6X9,0 |
| P0277.100-050-A4 | M10 | 50 | 6.64 | 3.00 | 1.60 | 1,6X9,0 |
| P0277.100-055-A4 | M10 | 55 | 6.64 | 3.00 | 1.60 | 1,6X9,0 |
| P0277.100-060-A4 | M10 | 60 | 6.64 | 3.00 | 1.60 | 1,6X9,0 |
| P0277.100-070-A4 | M10 | 70 | 6.64 | 3.00 | 1.60 | 1,6X9,0 |
| P0277.100-080-A4 | M10 | 80 | 6.64 | 3.00 | 1.60 | 1,6X9,0 |

STANDARD SCREWS



P0277.ZP



Material

Steel, zinc-plated (class 14H).

Technical Notes

To DIN 551, flat point.

| Order No. | d ₁ | l ₁ | d ₂ | l ₂ min. | w ₁ | Size |
|------------------|----------------|----------------|----------------|------------------------|----------------|----------|
| P0277.016-002-ZP | M1,6 | 2 | 0.55 | 0.74 | 0.25 | 0,16X0,8 |
| P0277.016-003-ZP | M1,6 | 3 | 0.55 | 0.74 | 0.25 | 0,16X0,8 |
| P0277.016-004-ZP | M1,6 | 4 | 0.55 | 0.74 | 0.25 | 0,16X0,8 |
| P0277.016-005-ZP | M1,6 | 5 | 0.55 | 0.74 | 0.25 | 0,16X0,8 |
| P0277.016-006-ZP | M1,6 | 6 | 0.55 | 0.74 | 0.25 | 0,16X0,8 |
| P0277.016-008-ZP | M1,6 | 8 | 0.55 | 0.74 | 0.25 | 0,16X0,8 |
| P0277.016-010-ZP | M1,6 | 10 | 0.55 | 0.74 | 0.25 | 0,16X0,8 |
| P0277.020-002-ZP | M 2 | 2 | 0.75 | 0.84 | 0.25 | 0,25X1,2 |
| P0277.020-003-ZP | M 2 | 3 | 0.75 | 0.84 | 0.25 | 0,25X1,2 |
| P0277.020-004-ZP | M 2 | 4 | 0.75 | 0.84 | 0.25 | 0,25X1,2 |
| P0277.020-005-ZP | M 2 | 5 | 0.75 | 0.84 | 0.25 | 0,25X1,2 |
| P0277.020-006-ZP | M 2 | 6 | 0.75 | 0.84 | 0.25 | 0,25X1,2 |
| P0277.020-008-ZP | M 2 | 8 | 0.75 | 0.84 | 0.25 | 0,25X1,2 |
| P0277.020-010-ZP | M 2 | 10 | 0.75 | 0.84 | 0.25 | 0,25X1,2 |
| P0277.025-003-ZP | M2,5 | 3 | 1.25 | 0.95 | 0.40 | 0,4X2,0 |
| P0277.025-004-ZP | M2,5 | 4 | 1.25 | 0.95 | 0.40 | 0,4X2,0 |
| P0277.025-005-ZP | M2,5 | 5 | 1.25 | 0.95 | 0.40 | 0,4X2,0 |
| P0277.025-006-ZP | M2,5 | 6 | 1.25 | 0.95 | 0.40 | 0,4X2,0 |
| P0277.025-008-ZP | M2,5 | 8 | 1.25 | 0.95 | 0.40 | 0,4X2,0 |
| P0277.025-010-ZP | M2,5 | 10 | 1.25 | 0.95 | 0.40 | 0,4X2,0 |
| P0277.030-003-ZP | M 3 | 3 | 1.75 | 1.05 | 0.40 | 0,4X2,0 |
| P0277.030-004-ZP | M 3 | 4 | 1.75 | 1.05 | 0.40 | 0,4X2,0 |
| P0277.030-005-ZP | M 3 | 5 | 1.75 | 1.05 | 0.40 | 0,4X2,0 |
| P0277.030-006-ZP | M 3 | 6 | 1.75 | 1.05 | 0.40 | 0,4X2,0 |
| P0277.030-008-ZP | M 3 | 8 | 1.75 | 1.05 | 0.40 | 0,4X2,0 |
| P0277.030-010-ZP | M 3 | 10 | 1.75 | 1.05 | 0.40 | 0,4X2,0 |
| P0277.030-012-ZP | M 3 | 12 | 1.75 | 1.05 | 0.40 | 0,4X2,0 |
| P0277.030-016-ZP | M 3 | 16 | 1.75 | 1.05 | 0.40 | 0,4X2,0 |
| P0277.030-020-ZP | M 3 | 20 | 1.75 | 1.05 | 0.40 | 0,4X2,0 |
| P0277.040-004-ZP | M 4 | 4 | 2.25 | 1.42 | 0.60 | 0,6X3,5 |
| P0277.040-005-ZP | M 4 | 5 | 2.25 | 1.42 | 0.60 | 0,6X3,5 |
| P0277.040-006-ZP | M 4 | 6 | 2.25 | 1.42 | 0.60 | 0,6X3,5 |
| P0277.040-008-ZP | M 4 | 8 | 2.25 | 1.42 | 0.60 | 0,6X3,5 |
| P0277.040-010-ZP | M 4 | 10 | 2.25 | 1.42 | 0.60 | 0,6X3,5 |



Slotted Set Screws Flat Point

Flat Point - steel, zinc-plated

Standard Screws



| Order No. | d ₁ | l ₁ | d ₂ | l ₂ min. | w ₁ | Size |
|------------------|----------------|----------------|----------------|------------------------|----------------|----------|
| P0277.040-012-ZP | M 4 | 12 | 2.25 | 1.42 | 0.60 | 0,6X3,5 |
| P0277.040-016-ZP | M 4 | 16 | 2.25 | 1.42 | 0.60 | 0,6X3,5 |
| P0277.040-020-ZP | M 4 | 20 | 2.25 | 1.42 | 0.60 | 0,6X3,5 |
| P0277.040-025-ZP | M 4 | 25 | 2.25 | 1.42 | 0.60 | 0,6X3,5 |
| P0277.040-030-ZP | M 4 | 30 | 2.25 | 1.42 | 0.60 | 0,6X3,5 |
| P0277.040-035-ZP | M 4 | 35 | 2.25 | 1.42 | 0.60 | 0,6X3,5 |
| P0277.040-040-ZP | M 4 | 40 | 2.25 | 1.42 | 0.60 | 0,6X3,5 |
| P0277.040-045-ZP | M 4 | 45 | 2.25 | 1.42 | 0.60 | 0,6X3,5 |
| P0277.040-050-ZP | M 4 | 50 | 2.25 | 1.42 | 0.60 | 0,6X3,5 |
| P0277.050-005-ZP | M 5 | 5 | 3.20 | 1.63 | 0.80 | 0,8X4,0 |
| P0277.050-006-ZP | M 5 | 6 | 3.20 | 1.63 | 0.80 | 0,8X4,0 |
| P0277.050-008-ZP | M 5 | 8 | 3.20 | 1.63 | 0.80 | 0,8X4,0 |
| P0277.050-010-ZP | M 5 | 10 | 3.20 | 1.63 | 0.80 | 0,8X4,0 |
| P0277.050-012-ZP | M 5 | 12 | 3.20 | 1.63 | 0.80 | 0,8X4,0 |
| P0277.050-016-ZP | M 5 | 16 | 3.20 | 1.63 | 0.80 | 0,8X4,0 |
| P0277.050-020-ZP | M 5 | 20 | 3.20 | 1.63 | 0.80 | 0,8X4,0 |
| P0277.050-025-ZP | M 5 | 25 | 3.20 | 1.63 | 0.80 | 0,8X4,0 |
| P0277.050-030-ZP | M 5 | 30 | 3.20 | 1.63 | 0.80 | 0,8X4,0 |
| P0277.050-035-ZP | M 5 | 35 | 3.20 | 1.63 | 0.80 | 0,8X4,0 |
| P0277.050-040-ZP | M 5 | 40 | 3.20 | 1.63 | 0.80 | 0,8X4,0 |
| P0277.050-045-ZP | M 5 | 45 | 3.20 | 1.63 | 0.80 | 0,8X4,0 |
| P0277.050-050-ZP | M 5 | 50 | 3.20 | 1.63 | 0.80 | 0,8X4,0 |
| P0277.060-006-ZP | M 6 | 6 | 3.70 | 2.00 | 1.00 | 1,0X5,5 |
| P0277.060-008-ZP | M 6 | 8 | 3.70 | 2.00 | 1.00 | 1,0X5,5 |
| P0277.060-010-ZP | M 6 | 10 | 3.70 | 2.00 | 1.00 | 1,0X5,5 |
| P0277.060-012-ZP | M 6 | 12 | 3.70 | 2.00 | 1.00 | 1,0X5,5 |
| P0277.060-016-ZP | M 6 | 16 | 3.70 | 2.00 | 1.00 | 1,0X5,5 |
| P0277.060-020-ZP | M 6 | 20 | 3.70 | 2.00 | 1.00 | 1,0X5,5 |
| P0277.060-025-ZP | M 6 | 25 | 3.70 | 2.00 | 1.00 | 1,0X5,5 |
| P0277.060-030-ZP | M 6 | 30 | 3.70 | 2.00 | 1.00 | 1,0X5,5 |
| P0277.060-035-ZP | M 6 | 35 | 3.70 | 2.00 | 1.00 | 1,0X5,5 |
| P0277.060-040-ZP | M 6 | 40 | 3.70 | 2.00 | 1.00 | 1,0X5,5 |
| P0277.060-050-ZP | M 6 | 50 | 3.70 | 2.00 | 1.00 | 1,0X5,5 |
| P0277.060-060-ZP | M 6 | 60 | 3.70 | 2.00 | 1.00 | 1,0X5,5 |
| P0277.080-008-ZP | M8 | 8 | 5.20 | 2.50 | 1.20 | 1,2X7,0 |
| P0277.080-010-ZP | M8 | 10 | 5.20 | 2.50 | 1.20 | 1,2X7,0 |
| P0277.080-012-ZP | M8 | 12 | 5.20 | 2.50 | 1.20 | 1,2X7,0 |
| P0277.080-016-ZP | M8 | 16 | 5.20 | 2.50 | 1.20 | 1,2X7,0 |
| P0277.080-020-ZP | M8 | 20 | 5.20 | 2.50 | 1.20 | 1,2X7,0 |
| P0277.080-025-ZP | M8 | 25 | 5.20 | 2.50 | 1.20 | 1,2X7,0 |
| P0277.080-030-ZP | M8 | 30 | 5.20 | 2.50 | 1.20 | 1,2X7,0 |
| P0277.080-035-ZP | M8 | 35 | 5.20 | 2.50 | 1.20 | 1,2X7,0 |
| P0277.080-040-ZP | M8 | 40 | 5.20 | 2.50 | 1.20 | 1,2X7,0 |
| P0277.080-045-ZP | M8 | 45 | 5.20 | 2.50 | 1.20 | 1,2X7,0 |
| P0277.080-050-ZP | M8 | 50 | 5.20 | 2.50 | 1.20 | 1,2X7,0 |
| P0277.080-055-ZP | M8 | 55 | 5.20 | 2.50 | 1.20 | 1,2X7,0 |
| P0277.080-060-ZP | M8 | 60 | 5.20 | 2.50 | 1.20 | 1,2X7,0 |
| P0277.080-070-ZP | M8 | 70 | 5.20 | 2.50 | 1.20 | 1,2X7,0 |
| P0277.100-010-ZP | M10 | 10 | 6.64 | 3.00 | 1.60 | 1,6X9,0 |
| P0277.100-012-ZP | M10 | 12 | 6.64 | 3.00 | 1.60 | 1,6X9,0 |
| P0277.120-012-ZP | M12 | 12 | 8.14 | 3.60 | 2.00 | 2,0X12,0 |
| P0277.120-016-ZP | M12 | 16 | 8.14 | 3.60 | 2.00 | 2,0X12,0 |
| P0277.120-020-ZP | M12 | 20 | 8.14 | 3.60 | 2.00 | 2,0X12,0 |
| P0277.120-025-ZP | M12 | 25 | 8.14 | 3.60 | 2.00 | 2,0X12,0 |
| P0277.120-030-ZP | M12 | 30 | 8.14 | 3.60 | 2.00 | 2,0X12,0 |
| P0277.120-035-ZP | M12 | 35 | 8.14 | 3.60 | 2.00 | 2,0X12,0 |
| P0277.120-040-ZP | M12 | 40 | 8.14 | 3.60 | 2.00 | 2,0X12,0 |
| P0277.120-045-ZP | M12 | 45 | 8.14 | 3.60 | 2.00 | 2,0X12,0 |
| P0277.120-050-ZP | M12 | 50 | 8.14 | 3.60 | 2.00 | 2,0X12,0 |
| P0277.120-055-ZP | M12 | 55 | 8.14 | 3.60 | 2.00 | 2,0X12,0 |
| P0277.120-060-ZP | M12 | 60 | 8.14 | 3.60 | 2.00 | 2,0X12,0 |
| P0277.120-070-ZP | M12 | 70 | 8.14 | 3.60 | 2.00 | 2,0X12,0 |
| P0277.120-080-ZP | M12 | 80 | 8.14 | 3.60 | 2.00 | 2,0X12,0 |
| P0277.100-016-ZP | M10 | 16 | 6.64 | 3.00 | 1.60 | 1,6X9,0 |
| P0277.100-020-ZP | M10 | 20 | 6.64 | 3.00 | 1.60 | 1,6X9,0 |
| P0277.100-025-ZP | M10 | 25 | 6.64 | 3.00 | 1.60 | 1,6X9,0 |
| P0277.100-030-ZP | M10 | 30 | 6.64 | 3.00 | 1.60 | 1,6X9,0 |
| P0277.100-035-ZP | M10 | 35 | 6.64 | 3.00 | 1.60 | 1,6X9,0 |

STANDARD SCREWS



| Order No. | d ₁ | l ₁ | d ₂ | l ₂ min. | w ₁ | Size |
|------------------|----------------|----------------|----------------|------------------------|----------------|---------|
| P0277.100-040-ZP | M10 | 40 | 6.64 | 3.00 | 1.60 | 1,6X9,0 |
| P0277.100-045-ZP | M10 | 45 | 6.64 | 3.00 | 1.60 | 1,6X9,0 |
| P0277.100-050-ZP | M10 | 50 | 6.64 | 3.00 | 1.60 | 1,6X9,0 |
| P0277.100-055-ZP | M10 | 55 | 6.64 | 3.00 | 1.60 | 1,6X9,0 |
| P0277.100-060-ZP | M10 | 60 | 6.64 | 3.00 | 1.60 | 1,6X9,0 |
| P0277.100-070-ZP | M10 | 70 | 6.64 | 3.00 | 1.60 | 1,6X9,0 |
| P0277.100-080-ZP | M10 | 80 | 6.64 | 3.00 | 1.60 | 1,6X9,0 |

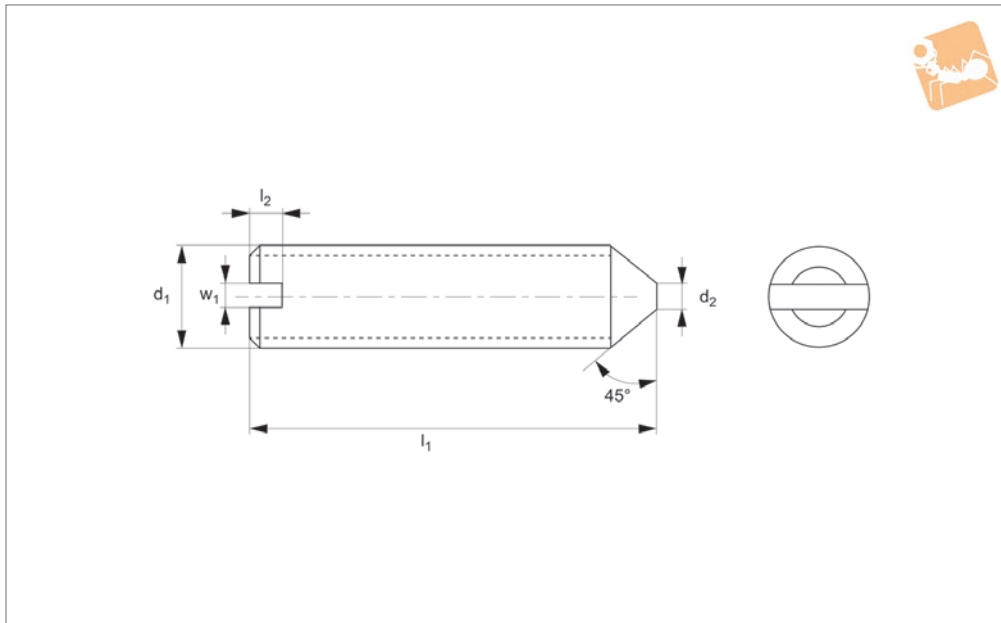
STANDARD SCREWS



Slotted Set Screws Cone Point

Cone Point - steel, zinc-plated

Standard Screws



P0278.ZP

STANDARD SCREWS

Material

Steel, zinc-plated (class 14H).

Technical Notes

To DIN 553, cone point.

| Order No. | d ₁ | l ₁ | d ₂ | l ₂ min. | w ₁ | Size |
|------------------|----------------|----------------|----------------|------------------------|----------------|---------|
| P0278.025-005-ZP | M2,5 | 5 | 0.25 | 0.95 | 0.4 | 0,4X2,0 |
| P0278.025-006-ZP | M2,5 | 6 | 0.25 | 0.95 | 0.4 | 0,4X2,0 |
| P0278.025-008-ZP | M2,5 | 8 | 0.25 | 0.95 | 0.4 | 0,4X2,0 |
| P0278.025-010-ZP | M2,5 | 10 | 0.25 | 0.95 | 0.4 | 0,4X2,0 |
| P0278.025-012-ZP | M2,5 | 12 | 0.25 | 0.95 | 0.4 | 0,4X2,0 |
| P0278.025-016-ZP | M2,5 | 16 | 0.25 | 0.95 | 0.4 | 0,4X2,0 |
| P0278.030-004-ZP | M 3 | 4 | 0.30 | 1.05 | 0.4 | 0,4X2,0 |
| P0278.030-005-ZP | M 3 | 5 | 0.30 | 1.05 | 0.4 | 0,4X2,0 |
| P0278.030-006-ZP | M 3 | 6 | 0.30 | 1.05 | 0.4 | 0,4X2,0 |
| P0278.030-008-ZP | M 3 | 8 | 0.30 | 1.05 | 0.4 | 0,4X2,0 |
| P0278.030-010-ZP | M 3 | 10 | 0.30 | 1.05 | 0.4 | 0,4X2,0 |
| P0278.030-012-ZP | M 3 | 12 | 0.30 | 1.05 | 0.4 | 0,4X2,0 |
| P0278.030-016-ZP | M 3 | 16 | 0.30 | 1.05 | 0.4 | 0,4X2,0 |
| P0278.030-020-ZP | M 3 | 20 | 0.30 | 1.05 | 0.4 | 0,4X2,0 |
| P0278.040-004-ZP | M 4 | 4 | 0.40 | 1.42 | 0.6 | 0,6X3,5 |
| P0278.040-005-ZP | M 4 | 5 | 0.40 | 1.42 | 0.6 | 0,6X3,5 |
| P0278.040-006-ZP | M 4 | 6 | 0.40 | 1.42 | 0.6 | 0,6X3,5 |
| P0278.040-008-ZP | M 4 | 8 | 0.40 | 1.42 | 0.6 | 0,6X3,5 |
| P0278.040-010-ZP | M 4 | 10 | 0.40 | 1.42 | 0.6 | 0,6X3,5 |
| P0278.040-012-ZP | M 4 | 12 | 0.40 | 1.42 | 0.6 | 0,6X3,5 |
| P0278.040-014-ZP | M 4 | 14 | 0.40 | 1.42 | 0.6 | 0,6X3,5 |
| P0278.040-016-ZP | M 4 | 16 | 0.40 | 1.42 | 0.6 | 0,6X3,5 |
| P0278.040-020-ZP | M 4 | 20 | 0.40 | 1.42 | 0.6 | 0,6X3,5 |
| P0278.040-025-ZP | M 4 | 25 | 0.40 | 1.42 | 0.6 | 0,6X3,5 |
| P0278.040-030-ZP | M 4 | 30 | 0.40 | 1.42 | 0.6 | 0,6X3,5 |
| P0278.040-035-ZP | M 4 | 35 | 0.40 | 1.42 | 0.6 | 0,6X3,5 |
| P0278.040-040-ZP | M 4 | 40 | 0.40 | 1.42 | 0.6 | 0,6X3,5 |
| P0278.050-005-ZP | M 5 | 5 | 0.50 | 1.63 | 0.8 | 0,8X4,0 |
| P0278.050-006-ZP | M 5 | 6 | 0.50 | 1.63 | 0.8 | 0,8X4,0 |
| P0278.050-008-ZP | M 5 | 8 | 0.50 | 1.63 | 0.8 | 0,8X4,0 |
| P0278.050-010-ZP | M 5 | 10 | 0.50 | 1.63 | 0.8 | 0,8X4,0 |
| P0278.050-012-ZP | M 5 | 12 | 0.50 | 1.63 | 0.8 | 0,8X4,0 |
| P0278.050-014-ZP | M 5 | 14 | 0.50 | 1.63 | 0.8 | 0,8X4,0 |
| P0278.050-016-ZP | M 5 | 16 | 0.50 | 1.63 | 0.8 | 0,8X4,0 |



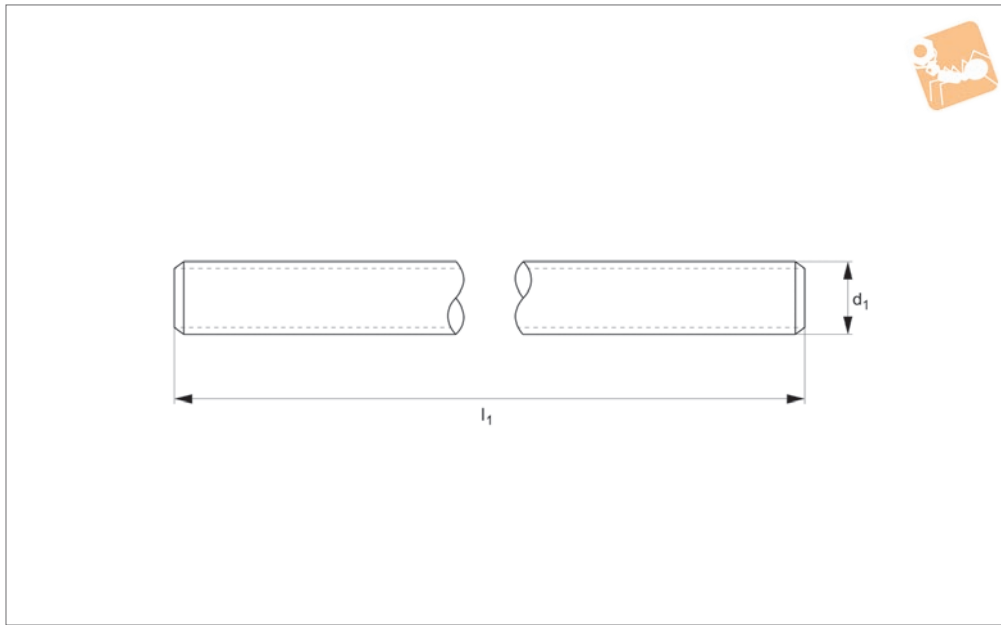
| Order No. | d ₁ | l ₁ | d ₂ | l ₂ min. | w ₁ | Size |
|------------------|----------------|----------------|----------------|------------------------|----------------|----------|
| P0278.050-020-ZP | M 5 | 20 | 0.50 | 1.63 | 0.8 | 0,8X4,0 |
| P0286.050-025-ZP | M 5 | 25 | 0.50 | 1.63 | 0.8 | 0,8X4,0 |
| P0278.050-030-ZP | M 5 | 30 | 0.50 | 1.63 | 0.8 | 0,8X4,0 |
| P0278.050-035-ZP | M 5 | 35 | 0.50 | 1.63 | 0.8 | 0,8X4,0 |
| P0278.050-040-ZP | M 5 | 40 | 0.50 | 1.63 | 0.8 | 0,8X4,0 |
| P0278.060-006-ZP | M 6 | 6 | 1.50 | 2.0 | 1.0 | 1,0X5,5 |
| P0278.060-008-ZP | M 6 | 8 | 1.50 | 2.0 | 1.0 | 1,0X5,5 |
| P0278.060-010-ZP | M 6 | 10 | 1.50 | 2.0 | 1.0 | 1,0X5,5 |
| P0278.060-012-ZP | M 6 | 12 | 1.50 | 2.0 | 1.0 | 1,0X5,5 |
| P0278.060-014-ZP | M 6 | 14 | 1.50 | 2.0 | 1.0 | 1,0X5,5 |
| P0278.060-016-ZP | M 6 | 16 | 1.50 | 2.0 | 1.0 | 1,0X5,5 |
| P0278.060-018-ZP | M 6 | 18 | 1.50 | 2.0 | 1.0 | 1,0X5,5 |
| P0278.060-020-ZP | M 6 | 20 | 1.50 | 2.0 | 1.0 | 1,0X5,5 |
| P0278.060-025-ZP | M 6 | 25 | 1.50 | 2.0 | 1.0 | 1,0X5,5 |
| P0278.060-030-ZP | M 6 | 30 | 1.50 | 2.0 | 1.0 | 1,0X5,5 |
| P0278.060-035-ZP | M 6 | 35 | 1.50 | 2.0 | 1.0 | 1,0X5,5 |
| P0278.060-040-ZP | M 6 | 40 | 1.50 | 2.0 | 1.0 | 1,0X5,5 |
| P0278.060-045-ZP | M 6 | 45 | 1.50 | 2.0 | 1.0 | 1,0X5,5 |
| P0278.060-050-ZP | M 6 | 50 | 1.50 | 2.0 | 1.0 | 1,0X5,5 |
| P0278.080-008-ZP | M 8 | 8 | 2.00 | 2.50 | 1.2 | 1,2X7,0 |
| P0278.080-010-ZP | M 8 | 10 | 2.00 | 2.50 | 1.2 | 1,2X7,0 |
| P0278.080-012-ZP | M 8 | 12 | 2.00 | 2.50 | 1.2 | 1,2X7,0 |
| P0278.080-014-ZP | M 8 | 14 | 2.00 | 2.50 | 1.2 | 1,2X7,0 |
| P0278.080-016-ZP | M 8 | 16 | 2.00 | 2.50 | 1.2 | 1,2X7,0 |
| P0278.080-018-ZP | M 8 | 18 | 2.00 | 2.50 | 1.2 | 1,2X7,0 |
| P0278.080-020-ZP | M 8 | 20 | 2.00 | 2.50 | 1.2 | 1,2X7,0 |
| P0278.080-025-ZP | M 8 | 25 | 2.00 | 2.50 | 1.2 | 1,2X7,0 |
| P0278.080-030-ZP | M 8 | 30 | 2.00 | 2.50 | 1.2 | 1,2X7,0 |
| P0278.080-035-ZP | M 8 | 35 | 2.00 | 2.50 | 1.2 | 1,2X7,0 |
| P0278.080-040-ZP | M 8 | 40 | 2.00 | 2.50 | 1.2 | 1,2X7,0 |
| P0278.080-050-ZP | M 8 | 50 | 2.00 | 2.50 | 1.2 | 1,2X7,0 |
| P0278.100-010-ZP | M10 | 10 | 2.50 | 3.00 | 1.6 | 1,6X9,0 |
| P0278.100-012-ZP | M10 | 12 | 2.50 | 3.00 | 1.6 | 1,6X9,0 |
| P0278.100-016-ZP | M10 | 16 | 2.50 | 3.00 | 1.6 | 1,6X9,0 |
| P0278.100-020-ZP | M10 | 20 | 2.50 | 3.00 | 1.6 | 1,6X9,0 |
| P0278.100-025-ZP | M10 | 25 | 2.50 | 3.00 | 1.6 | 1,6X9,0 |
| P0278.100-030-ZP | M10 | 30 | 2.50 | 3.00 | 1.6 | 1,6X9,0 |
| P0278.100-035-ZP | M10 | 35 | 2.50 | 3.00 | 1.6 | 1,6X9,0 |
| P0278.100-040-ZP | M10 | 40 | 2.50 | 3.00 | 1.6 | 1,6X9,0 |
| P0278.100-045-ZP | M10 | 45 | 2.50 | 3.00 | 1.6 | 1,6X9,0 |
| P0278.100-050-ZP | M10 | 50 | 2.50 | 3.00 | 1.6 | 1,6X9,0 |
| P0278.120-012-ZP | M12 | 12 | 3.00 | 3.60 | 2.0 | 2,0X12,0 |
| P0278.120-016-ZP | M12 | 16 | 3.00 | 3.60 | 2.0 | 2,0X12,0 |
| P0278.120-020-ZP | M12 | 20 | 3.00 | 3.60 | 2.0 | 2,0X12,0 |
| P0278.120-025-ZP | M12 | 25 | 3.00 | 3.60 | 2.0 | 2,0X12,0 |
| P0278.120-030-ZP | M12 | 30 | 3.00 | 3.60 | 2.0 | 2,0X12,0 |
| P0278.120-035-ZP | M12 | 35 | 3.00 | 3.60 | 2.0 | 2,0X12,0 |
| P0278.120-040-ZP | M12 | 40 | 3.00 | 3.60 | 2.0 | 2,0X12,0 |
| P0278.120-045-ZP | M12 | 45 | 3.00 | 3.60 | 2.0 | 2,0X12,0 |
| P0278.120-050-ZP | M12 | 50 | 3.00 | 3.60 | 2.0 | 2,0X12,0 |



Stainless Threaded Rod

Stainless

Standard Screws



P0290.SS

STANDARD SCREWS

Material

Stainless steel (A2 class 70 & A4 class 70).

Technical Notes

To DIN 976-1.

| Order No. | d ₁ | l ₁ ±10 | Material |
|-----------------|----------------|-----------------------|----------|
| P0290.020-01-A2 | M 2 | 1000 | A2 s/s |
| P0290.030-01-A2 | M 3 | 1000 | A2 s/s |
| P0290.040-01-A2 | M 4 | 1000 | A2 s/s |
| P0290.050-01-A2 | M 5 | 1000 | A2 s/s |
| P0290.050-02-A2 | M 5 | 2000 | A2 s/s |
| P0290.050-03-A2 | M 5 | 3000 | A2 s/s |
| P0290.060-01-A2 | M 6 | 1000 | A2 s/s |
| P0290.060-02-A2 | M 6 | 2000 | A2 s/s |
| P0290.060-03-A2 | M 6 | 3000 | A2 s/s |
| P0290.080-01-A2 | M 8 | 1000 | A2 s/s |
| P0290.080-02-A2 | M 8 | 2000 | A2 s/s |
| P0290.080-03-A2 | M 8 | 3000 | A2 s/s |
| P0290.100-01-A2 | M10 | 1000 | A2 s/s |
| P0290.100-02-A2 | M10 | 2000 | A2 s/s |
| P0290.100-03-A2 | M10 | 3000 | A2 s/s |
| P0290.120-01-A2 | M12 | 1000 | A2 s/s |
| P0290.120-02-A2 | M12 | 2000 | A2 s/s |
| P0290.120-03-A2 | M12 | 3000 | A2 s/s |
| P0290.140-01-A2 | M14 | 1000 | A2 s/s |
| P0290.140-02-A2 | M14 | 2000 | A2 s/s |
| P0290.140-03-A2 | M14 | 3000 | A2 s/s |
| P0290.160-01-A2 | M16 | 1000 | A2 s/s |
| P0290.160-02-A2 | M16 | 2000 | A2 s/s |
| P0290.160-03-A2 | M16 | 3000 | A2 s/s |
| P0290.180-01-A2 | M18 | 1000 | A2 s/s |
| P0290.180-02-A2 | M18 | 2000 | A2 s/s |
| P0290.180-03-A2 | M18 | 3000 | A2 s/s |
| P0290.200-01-A2 | M20 | 1000 | A2 s/s |
| P0290.200-02-A2 | M20 | 2000 | A2 s/s |
| P0290.200-03-A2 | M20 | 3000 | A2 s/s |
| P0290.220-01-A2 | M22 | 1000 | A2 s/s |
| P0290.220-02-A2 | M22 | 2000 | A2 s/s |
| P0290.220-03-A2 | M22 | 3000 | A2 s/s |
| P0290.240-01-A2 | M24 | 1000 | A2 s/s |



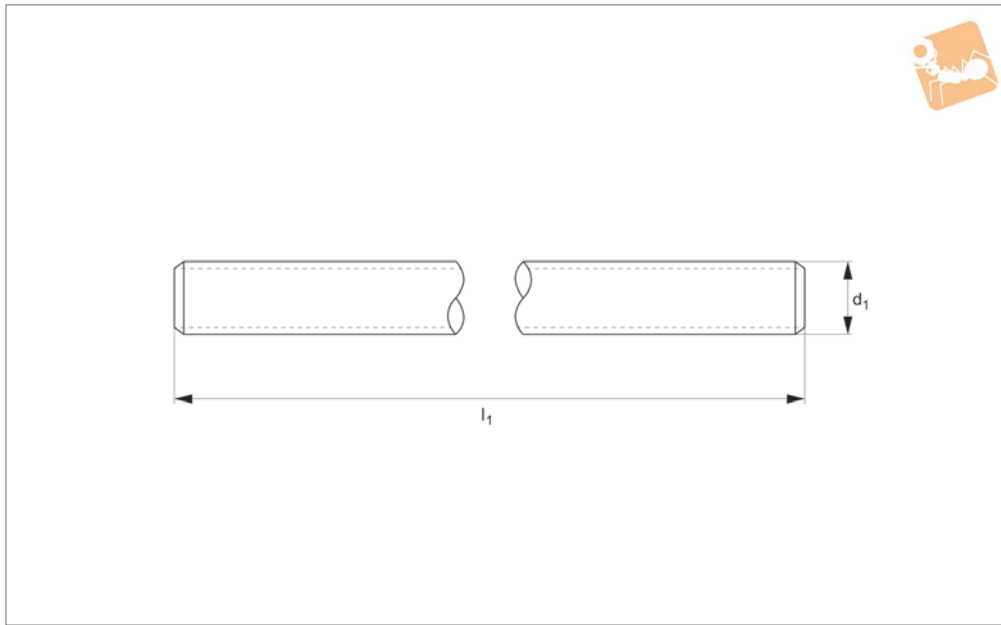
| Order No. | d ₁ | l ₁ ±10 | Material |
|-----------------|----------------|-----------------------|----------|
| P0290.240-02-A2 | M24 | 2000 | A2 s/s |
| P0290.240-03-A2 | M24 | 3000 | A2 s/s |
| P0290.270-01-A2 | M27 | 1000 | A2 s/s |
| P0290.270-02-A2 | M27 | 2000 | A2 s/s |
| P0290.270-03-A2 | M27 | 3000 | A2 s/s |
| P0290.300-01-A2 | M30 | 1000 | A2 s/s |
| P0290.300-02-A2 | M30 | 2000 | A2 s/s |
| P0290.300-03-A2 | M30 | 3000 | A2 s/s |
| P0290.330-01-A2 | M33 | 1000 | A2 s/s |
| P0290.330-02-A2 | M33 | 2000 | A2 s/s |
| P0290.330-03-A2 | M33 | 3000 | A2 s/s |
| P0290.360-01-A2 | M36 | 1000 | A2 s/s |
| P0290.360-02-A2 | M36 | 2000 | A2 s/s |
| P0290.360-03-A2 | M36 | 3000 | A2 s/s |
| P0290.420-01-A2 | M42 | 1000 | A2 s/s |
| P0290.480-01-A2 | M48 | 1000 | A2 s/s |
| P0290.020-01-A4 | M 2 | 1000 | A4 s/s |
| P0290.030-01-A4 | M 3 | 1000 | A4 s/s |
| P0290.040-01-A4 | M 4 | 1000 | A4 s/s |
| P0290.050-01-A4 | M 5 | 1000 | A4 s/s |
| P0290.050-02-A4 | M 5 | 2000 | A4 s/s |
| P0290.050-03-A4 | M 5 | 3000 | A4 s/s |
| P0290.060-01-A4 | M 6 | 1000 | A4 s/s |
| P0290.060-02-A4 | M 6 | 2000 | A4 s/s |
| P0290.060-03-A4 | M 6 | 3000 | A4 s/s |
| P0290.080-01-A4 | M 8 | 1000 | A4 s/s |
| P0290.080-02-A4 | M 8 | 2000 | A4 s/s |
| P0290.080-03-A4 | M 8 | 3000 | A4 s/s |
| P0290.100-01-A4 | M10 | 1000 | A4 s/s |
| P0290.100-02-A4 | M10 | 2000 | A4 s/s |
| P0290.100-03-A4 | M10 | 3000 | A4 s/s |
| P0290.120-01-A4 | M12 | 1000 | A4 s/s |
| P0290.120-02-A4 | M12 | 2000 | A4 s/s |
| P0290.120-03-A4 | M12 | 3000 | A4 s/s |
| P0290.140-01-A4 | M14 | 1000 | A4 s/s |
| P0290.140-02-A4 | M14 | 2000 | A4 s/s |
| P0290.140-03-A4 | M14 | 3000 | A4 s/s |
| P0290.160-01-A4 | M16 | 1000 | A4 s/s |
| P0290.160-02-A4 | M16 | 2000 | A4 s/s |
| P0290.160-03-A4 | M16 | 3000 | A4 s/s |
| P0290.180-01-A4 | M18 | 1000 | A4 s/s |
| P0290.180-02-A4 | M18 | 2000 | A4 s/s |
| P0290.180-03-A4 | M18 | 3000 | A4 s/s |
| P0290.200-01-A4 | M20 | 1000 | A4 s/s |
| P0290.200-02-A4 | M20 | 2000 | A4 s/s |
| P0290.200-03-A4 | M20 | 3000 | A4 s/s |
| P0290.220-01-A4 | M22 | 1000 | A4 s/s |
| P0290.220-02-A4 | M22 | 2000 | A4 s/s |
| P0290.220-03-A4 | M22 | 3000 | A4 s/s |
| P0290.240-01-A4 | M24 | 1000 | A4 s/s |
| P0290.240-02-A4 | M24 | 2000 | A4 s/s |
| P0290.240-03-A4 | M24 | 3000 | A4 s/s |
| P0290.270-01-A4 | M27 | 1000 | A4 s/s |
| P0290.270-02-A4 | M27 | 2000 | A4 s/s |
| P0290.270-03-A4 | M27 | 3000 | A4 s/s |
| P0290.300-01-A4 | M30 | 1000 | A4 s/s |
| P0290.300-03-A4 | M30 | 3000 | A4 s/s |
| P0290.330-01-A4 | M33 | 1000 | A4 s/s |
| P0290.330-02-A4 | M33 | 2000 | A4 s/s |
| P0290.330-03-A4 | M33 | 3000 | A4 s/s |
| P0290.360-01-A4 | M36 | 1000 | A4 s/s |
| P0290.360-02-A4 | M36 | 2000 | A4 s/s |
| P0290.360-03-A4 | M36 | 3000 | A4 s/s |
| P0290.420-01-A4 | M42 | 1000 | A4 s/s |
| P0290.480-01-A4 | M48 | 1000 | A4 s/s |



Threaded Rod Left Hand

Left Hand

Standard Screws



P0290.LH

STANDARD SCREWS

Material

Stainless steel (A2 class 70) or steel, zinc-plated (grade 8.8).

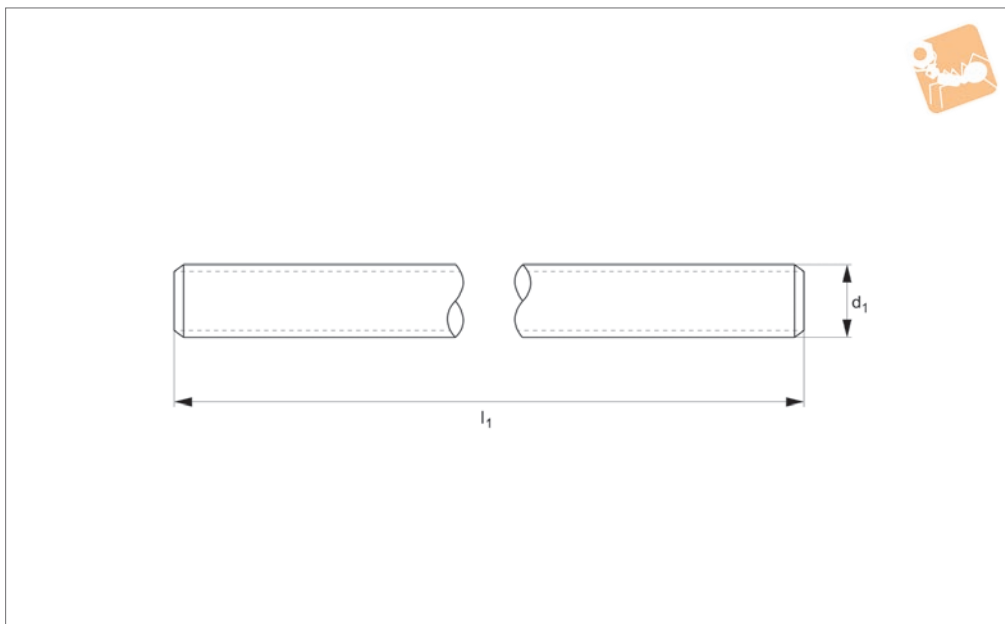
Technical Notes

To DIN 976-1. Please note this is a left hand thread.

| Order No. | d ₁ | l ₁ ±10 | Grade |
|------------------|----------------|-----------------------|----------|
| P0290.L060-01-ZP | M 6 | 1000 | Steel ZP |
| P0290.L080-01-ZP | M 8 | 1000 | Steel ZP |
| P0290.L100-01-ZP | M10 | 1000 | Steel ZP |
| P0290.L120-01-ZP | M12 | 1000 | Steel ZP |
| P0290.L160-01-ZP | M16 | 1000 | Steel ZP |
| P0290.L200-01-ZP | M20 | 1000 | Steel ZP |
| P0290.L240-01-ZP | M24 | 1000 | Steel ZP |
| P0290.L300-01-ZP | M30 | 1000 | Steel ZP |
| P0290.L050-01-A2 | M 5 | 1000 | A2 s/s |
| P0290.L060-01-A2 | M 6 | 1000 | A2 s/s |
| P0290.L080-01-A2 | M 8 | 1000 | A2 s/s |
| P0290.L100-01-A2 | M10 | 1000 | A2 s/s |
| P0290.L120-01-A2 | M12 | 1000 | A2 s/s |
| P0290.L160-01-A2 | M16 | 1000 | A2 s/s |
| P0290.L200-01-A2 | M20 | 1000 | A2 s/s |
| P0290.L240-01-A2 | M24 | 1000 | A2 s/s |



P0290.ST



Material

Steel zinc-plated or self-colour (grade 8.8).

Technical Notes

To DIN 976-1.

| Order No. | d ₁ | l ₁ ±10 | Material |
|-----------------|----------------|-----------------------|----------|
| P0290.020-01-SC | M 2 | 1000 | Steel SC |
| P0290.020-01-ZP | M 2 | 1000 | Steel ZP |
| P0290.030-01-ZP | M 3 | 1000 | Steel ZP |
| P0290.040-01-ZP | M 4 | 1000 | Steel ZP |
| P0290.050-01-ZP | M 5 | 1000 | Steel ZP |
| P0290.050-02-ZP | M 5 | 2000 | Steel ZP |
| P0290.050-03-ZP | M 5 | 3000 | Steel ZP |
| P0290.060-01-ZP | M 6 | 1000 | Steel ZP |
| P0290.060-02-ZP | M 6 | 2000 | Steel ZP |
| P0290.060-03-ZP | M 6 | 3000 | Steel ZP |
| P0290.080-01-ZP | M 8 | 1000 | Steel ZP |
| P0290.080-02-ZP | M 8 | 2000 | Steel ZP |
| P0290.080-03-ZP | M 8 | 3000 | Steel ZP |
| P0290.100-01-ZP | M10 | 1000 | Steel ZP |
| P0290.100-02-ZP | M10 | 2000 | Steel ZP |
| P0290.100-03-ZP | M10 | 3000 | Steel ZP |
| P0290.120-01-ZP | M12 | 1000 | Steel ZP |
| P0290.120-02-ZP | M12 | 2000 | Steel ZP |
| P0290.120-03-ZP | M12 | 3000 | Steel ZP |
| P0290.140-01-ZP | M14 | 1000 | Steel ZP |
| P0290.140-02-ZP | M14 | 2000 | Steel ZP |
| P0290.140-03-ZP | M14 | 3000 | Steel ZP |
| P0290.160-01-ZP | M16 | 1000 | Steel ZP |
| P0290.160-02-ZP | M16 | 2000 | Steel ZP |
| P0290.160-03-ZP | M16 | 3000 | Steel ZP |
| P0290.180-01-ZP | M18 | 1000 | Steel ZP |
| P0290.180-02-ZP | M18 | 2000 | Steel ZP |
| P0290.180-03-ZP | M18 | 3000 | Steel ZP |
| P0290.200-01-ZP | M20 | 1000 | Steel ZP |
| P0290.200-02-ZP | M20 | 2000 | Steel ZP |
| P0290.200-03-ZP | M20 | 3000 | Steel ZP |
| P0290.220-01-ZP | M22 | 1000 | Steel ZP |
| P0290.220-02-ZP | M22 | 2000 | Steel ZP |
| P0290.220-03-ZP | M22 | 3000 | Steel ZP |



Steel Threaded Rod

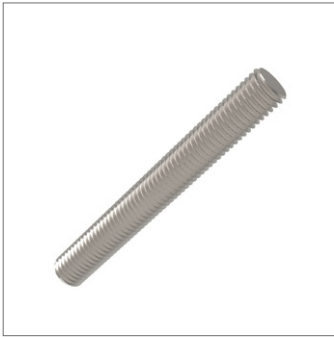
Steel

Standard Screws

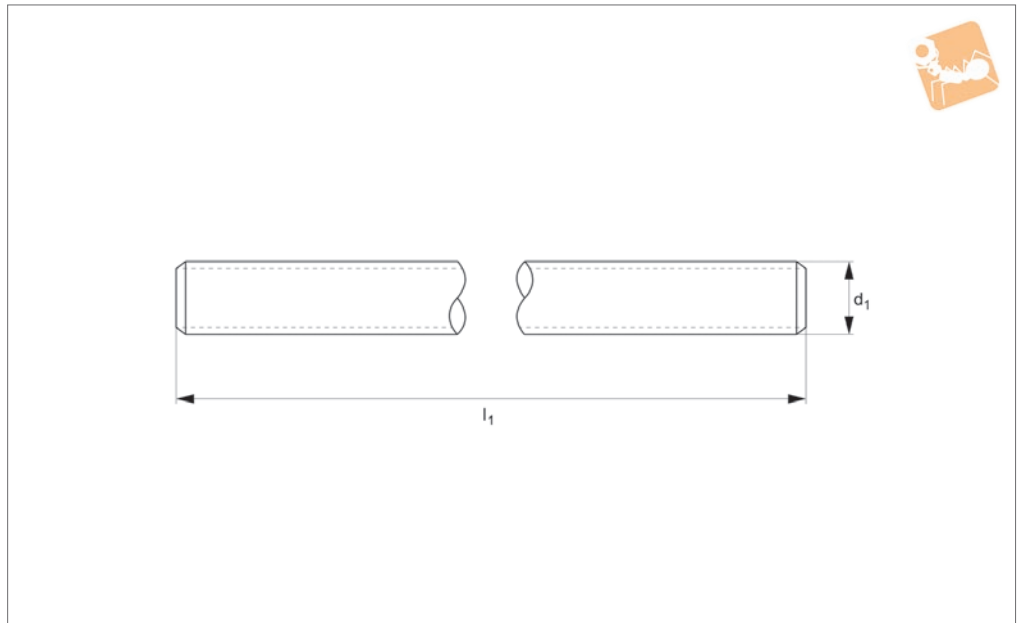


| Order No. | d ₁ | l ₁ ±10 | Material |
|-----------------|----------------|-----------------------|----------|
| P0290.240-01-ZP | M24 | 1000 | Steel ZP |
| P0290.240-02-ZP | M24 | 2000 | Steel ZP |
| P0290.240-03-ZP | M24 | 3000 | Steel ZP |
| P0290.270-01-ZP | M27 | 1000 | Steel ZP |
| P0290.270-02-ZP | M27 | 2000 | Steel ZP |
| P0290.270-03-ZP | M27 | 3000 | Steel ZP |
| P0290.300-01-ZP | M30 | 1000 | Steel ZP |
| P0290.300-02-ZP | M30 | 2000 | Steel ZP |
| P0290.300-03-ZP | M30 | 3000 | Steel ZP |
| P0290.330-01-ZP | M33 | 1000 | Steel ZP |
| P0290.330-02-ZP | M33 | 2000 | Steel ZP |
| P0290.330-03-ZP | M33 | 3000 | Steel ZP |
| P0290.360-01-ZP | M36 | 1000 | Steel ZP |
| P0290.360-02-ZP | M36 | 2000 | Steel ZP |
| P0290.360-03-ZP | M36 | 3000 | Steel ZP |
| P0290.420-01-ZP | M42 | 1000 | Steel ZP |
| P0290.480-01-ZP | M48 | 1000 | Steel ZP |
| P0290.030-01-SC | M 3 | 1000 | Steel SC |
| P0290.040-01-SC | M 4 | 1000 | Steel SC |
| P0290.050-01-SC | M 5 | 1000 | Steel SC |
| P0290.050-02-SC | M 5 | 2000 | Steel SC |
| P0290.050-03-SC | M 5 | 3000 | Steel SC |
| P0290.060-01-SC | M 6 | 1000 | Steel SC |
| P0290.060-02-SC | M 6 | 2000 | Steel SC |
| P0290.060-03-SC | M 6 | 3000 | Steel SC |
| P0290.080-01-SC | M 8 | 1000 | Steel SC |
| P0290.080-02-SC | M 8 | 2000 | Steel SC |
| P0290.080-03-SC | M 8 | 3000 | Steel SC |
| P0290.100-01-SC | M10 | 1000 | Steel SC |
| P0290.100-02-SC | M10 | 2000 | Steel SC |
| P0290.100-03-SC | M10 | 3000 | Steel SC |
| P0290.120-01-SC | M12 | 1000 | Steel SC |
| P0290.120-02-SC | M12 | 2000 | Steel SC |
| P0290.120-03-SC | M12 | 3000 | Steel SC |
| P0290.140-01-SC | M14 | 1000 | Steel SC |
| P0290.140-02-SC | M14 | 2000 | Steel SC |
| P0290.140-03-SC | M14 | 3000 | Steel SC |
| P0290.160-01-SC | M16 | 1000 | Steel SC |
| P0290.160-02-SC | M16 | 2000 | Steel SC |
| P0290.160-03-SC | M16 | 3000 | Steel SC |
| P0290.180-01-SC | M18 | 1000 | Steel SC |
| P0290.180-02-SC | M18 | 2000 | Steel SC |
| P0290.180-03-SC | M18 | 3000 | Steel SC |
| P0290.200-01-SC | M20 | 1000 | Steel SC |
| P0290.200-02-SC | M20 | 2000 | Steel SC |
| P0290.200-03-SC | M20 | 3000 | Steel SC |
| P0290.220-01-SC | M22 | 1000 | Steel SC |
| P0290.220-02-SC | M22 | 2000 | Steel SC |
| P0290.220-03-SC | M22 | 3000 | Steel SC |
| P0290.240-01-SC | M24 | 1000 | Steel SC |
| P0290.240-02-SC | M24 | 2000 | Steel SC |
| P0290.240-03-SC | M24 | 3000 | Steel SC |
| P0290.270-01-SC | M27 | 1000 | Steel SC |
| P0290.270-02-SC | M27 | 2000 | Steel SC |
| P0290.270-03-SC | M27 | 3000 | Steel SC |
| P0290.300-01-SC | M30 | 1000 | Steel SC |
| P0290.300-02-SC | M30 | 2000 | Steel SC |
| P0290.300-03-SC | M30 | 3000 | Steel SC |
| P0290.330-01-SC | M33 | 1000 | Steel SC |
| P0290.330-02-SC | M33 | 2000 | Steel SC |
| P0290.330-03-SC | M33 | 3000 | Steel SC |
| P0290.360-01-SC | M36 | 1000 | Steel SC |
| P0290.360-02-SC | M36 | 2000 | Steel SC |
| P0290.360-03-SC | M36 | 3000 | Steel SC |
| P0290.420-01-SC | M42 | 1000 | Steel SC |
| P0290.480-01-SC | M48 | 1000 | Steel SC |

STANDARD SCREWS



P0291.ZP



Material

Steel, zinc-plated (grade 8.8).

Technical Notes

To DIN 976B.

| Order No. | d ₁ | l ₁ |
|------------------|----------------|----------------|
| P0291.060-012-ZP | M 6 | 12 |
| P0291.060-016-ZP | M 6 | 16 |
| P0291.060-020-ZP | M 6 | 20 |
| P0291.060-025-ZP | M 6 | 25 |
| P0291.060-030-ZP | M 6 | 30 |
| P0291.060-040-ZP | M 6 | 40 |
| P0291.060-050-ZP | M 6 | 50 |
| P0291.060-055-ZP | M 6 | 55 |
| P0291.060-060-ZP | M 6 | 60 |
| P0291.060-080-ZP | M 6 | 80 |
| P0291.060-100-ZP | M 6 | 100 |
| P0291.060-120-ZP | M 6 | 120 |
| P0291.080-020-ZP | M 8 | 20 |
| P0291.080-025-ZP | M 8 | 25 |
| P0291.080-030-ZP | M 8 | 30 |
| P0291.080-040-ZP | M 8 | 40 |
| P0291.080-050-ZP | M 8 | 50 |
| P0291.080-055-ZP | M 8 | 55 |
| P0291.080-060-ZP | M 8 | 60 |
| P0291.080-080-ZP | M 8 | 80 |
| P0291.080-100-ZP | M 8 | 100 |
| P0291.080-120-ZP | M 8 | 120 |
| P0291.080-150-ZP | M 8 | 150 |
| P0291.100-020-ZP | M10 | 20 |
| P0291.100-022-ZP | M10 | 22 |
| P0291.100-025-ZP | M10 | 25 |
| P0291.100-028-ZP | M10 | 28 |
| P0291.100-030-ZP | M10 | 30 |
| P0291.100-035-ZP | M10 | 35 |
| P0291.100-040-ZP | M10 | 40 |
| P0291.100-045-ZP | M10 | 45 |
| P0291.100-050-ZP | M10 | 50 |
| P0291.100-055-ZP | M10 | 55 |
| P0291.100-060-ZP | M10 | 60 |
| P0291.100-065-ZP | M10 | 65 |



Threaded Studs

Steel, zinc-plated

Standard Screws



| Order No. | d _i | l ₁ |
|------------------|----------------|----------------|
| P0291.100-070-ZP | M10 | 70 |
| P0291.100-075-ZP | M10 | 75 |
| P0291.100-080-ZP | M10 | 80 |
| P0291.100-085-ZP | M10 | 85 |
| P0291.100-090-ZP | M10 | 90 |
| P0291.100-095-ZP | M10 | 95 |
| P0291.100-100-ZP | M10 | 100 |
| P0291.100-110-ZP | M10 | 110 |
| P0291.100-120-ZP | M10 | 120 |
| P0291.100-130-ZP | M10 | 130 |
| P0291.100-140-ZP | M10 | 140 |
| P0291.100-150-ZP | M10 | 150 |
| P0291.100-160-ZP | M10 | 160 |
| P0291.100-170-ZP | M10 | 170 |
| P0291.100-180-ZP | M10 | 180 |
| P0291.100-190-ZP | M10 | 190 |
| P0291.100-200-ZP | M10 | 200 |
| P0291.120-025-ZP | M12 | 25 |
| P0291.120-028-ZP | M12 | 28 |
| P0291.120-030-ZP | M12 | 30 |
| P0291.120-035-ZP | M12 | 35 |
| P0291.120-040-ZP | M12 | 40 |
| P0291.120-045-ZP | M12 | 45 |
| P0291.120-050-ZP | M12 | 50 |
| P0291.120-055-ZP | M12 | 55 |
| P0291.120-060-ZP | M12 | 60 |
| P0291.120-065-ZP | M12 | 65 |
| P0291.120-070-ZP | M12 | 70 |
| P0291.120-075-ZP | M12 | 75 |
| P0291.120-080-ZP | M12 | 80 |
| P0291.120-085-ZP | M12 | 85 |
| P0291.120-090-ZP | M12 | 90 |
| P0291.120-095-ZP | M12 | 95 |
| P0291.120-100-ZP | M12 | 100 |
| P0291.120-110-ZP | M12 | 110 |
| P0291.120-120-ZP | M12 | 120 |
| P0291.120-130-ZP | M12 | 130 |
| P0291.120-140-ZP | M12 | 140 |
| P0291.120-150-ZP | M12 | 150 |
| P0291.120-160-ZP | M12 | 160 |
| P0291.120-170-ZP | M12 | 170 |
| P0291.120-180-ZP | M12 | 180 |
| P0291.120-190-ZP | M12 | 190 |
| P0291.120-200-ZP | M12 | 200 |
| P0291.120-220-ZP | M12 | 220 |
| P0291.120-240-ZP | M12 | 240 |
| P0291.140-030-ZP | M14 | 30 |
| P0291.140-035-ZP | M14 | 35 |
| P0291.140-040-ZP | M14 | 40 |
| P0291.140-045-ZP | M14 | 45 |
| P0291.140-050-ZP | M14 | 50 |
| P0291.140-055-ZP | M14 | 55 |
| P0291.140-060-ZP | M14 | 60 |
| P0291.140-065-ZP | M14 | 65 |
| P0291.140-070-ZP | M14 | 70 |
| P0291.140-075-ZP | M14 | 75 |
| P0291.140-080-ZP | M14 | 80 |
| P0291.140-085-ZP | M14 | 85 |
| P0291.140-090-ZP | M14 | 90 |
| P0291.140-095-ZP | M14 | 95 |
| P0291.140-100-ZP | M14 | 100 |
| P0291.140-110-ZP | M14 | 110 |
| P0291.140-120-ZP | M14 | 120 |
| P0291.140-130-ZP | M14 | 130 |
| P0291.140-140-ZP | M14 | 140 |
| P0291.140-150-ZP | M14 | 150 |
| P0291.140-160-ZP | M14 | 160 |
| P0291.140-170-ZP | M14 | 170 |
| P0291.140-180-ZP | M14 | 180 |

STANDARD SCREWS

Standard Screws

Threaded Studs

Steel, zinc-plated



STANDARD SCREWS

| Order No. | d ₁ | l ₁ |
|------------------|----------------|----------------|
| P0291.140-190-ZP | M14 | 190 |
| P0291.140-200-ZP | M14 | 200 |
| P0291.140-220-ZP | M14 | 220 |
| P0291.140-240-ZP | M14 | 240 |
| P0291.140-260-ZP | M14 | 260 |
| P0291.140-280-ZP | M14 | 280 |
| P0291.160-030-ZP | M16 | 30 |
| P0291.160-035-ZP | M16 | 35 |
| P0291.160-040-ZP | M16 | 40 |
| P0291.160-045-ZP | M16 | 45 |
| P0291.160-050-ZP | M16 | 50 |
| P0291.160-055-ZP | M16 | 55 |
| P0291.160-060-ZP | M16 | 60 |
| P0291.160-065-ZP | M16 | 65 |
| P0291.160-070-ZP | M16 | 70 |
| P0291.160-075-ZP | M16 | 75 |
| P0291.160-080-ZP | M16 | 80 |
| P0291.160-085-ZP | M16 | 85 |
| P0291.160-090-ZP | M16 | 90 |
| P0291.160-095-ZP | M16 | 95 |
| P0291.160-100-ZP | M16 | 100 |
| P0291.160-110-ZP | M16 | 110 |
| P0291.160-120-ZP | M16 | 120 |
| P0291.160-130-ZP | M16 | 130 |
| P0291.160-140-ZP | M16 | 140 |
| P0291.160-150-ZP | M16 | 150 |
| P0291.160-160-ZP | M16 | 160 |
| P0291.160-170-ZP | M16 | 170 |
| P0291.160-180-ZP | M16 | 180 |
| P0291.160-190-ZP | M16 | 190 |
| P0291.160-200-ZP | M16 | 200 |
| P0291.160-220-ZP | M16 | 220 |
| P0291.160-240-ZP | M16 | 240 |
| P0291.160-260-ZP | M16 | 260 |
| P0291.160-280-ZP | M16 | 280 |
| P0291.160-300-ZP | M16 | 300 |
| P0291.160-320-ZP | M16 | 320 |
| P0291.180-035-ZP | M18 | 35 |
| P0291.180-040-ZP | M18 | 40 |
| P0291.180-045-ZP | M18 | 45 |
| P0291.180-050-ZP | M18 | 50 |
| P0291.180-055-ZP | M18 | 55 |
| P0291.180-060-ZP | M18 | 60 |
| P0291.180-065-ZP | M18 | 65 |
| P0291.180-070-ZP | M18 | 70 |
| P0291.180-075-ZP | M18 | 75 |
| P0291.180-080-ZP | M18 | 80 |
| P0291.180-085-ZP | M18 | 85 |
| P0291.180-090-ZP | M18 | 90 |
| P0291.180-095-ZP | M18 | 95 |
| P0291.180-100-ZP | M18 | 100 |
| P0291.180-110-ZP | M18 | 110 |
| P0291.180-120-ZP | M18 | 120 |
| P0291.180-130-ZP | M18 | 130 |
| P0291.180-140-ZP | M18 | 140 |
| P0291.180-150-ZP | M18 | 150 |
| P0291.180-160-ZP | M18 | 160 |
| P0291.180-170-ZP | M18 | 170 |
| P0291.180-180-ZP | M18 | 180 |
| P0291.180-190-ZP | M18 | 190 |
| P0291.180-200-ZP | M18 | 200 |
| P0291.180-220-ZP | M18 | 220 |
| P0291.180-240-ZP | M18 | 240 |
| P0291.180-260-ZP | M18 | 260 |
| P0291.180-280-ZP | M18 | 280 |
| P0291.180-300-ZP | M18 | 300 |
| P0291.180-320-ZP | M18 | 320 |
| P0291.180-340-ZP | M18 | 340 |
| P0291.180-360-ZP | M18 | 360 |



Threaded Studs

Steel, zinc-plated

Standard Screws



| Order No. | d _i | l ₁ |
|------------------|----------------|----------------|
| P0291.200-040-ZP | M20 | 40 |
| P0291.200-045-ZP | M20 | 45 |
| P0291.200-050-ZP | M20 | 50 |
| P0291.200-055-ZP | M20 | 55 |
| P0291.200-060-ZP | M20 | 60 |
| P0291.200-065-ZP | M20 | 65 |
| P0291.200-070-ZP | M20 | 70 |
| P0291.200-075-ZP | M20 | 75 |
| P0291.200-080-ZP | M20 | 80 |
| P0291.200-085-ZP | M20 | 85 |
| P0291.200-090-ZP | M20 | 90 |
| P0291.200-095-ZP | M20 | 95 |
| P0291.200-100-ZP | M20 | 100 |
| P0291.200-110-ZP | M20 | 110 |
| P0291.200-120-ZP | M20 | 120 |
| P0291.200-130-ZP | M20 | 130 |
| P0291.200-140-ZP | M20 | 140 |
| P0291.200-150-ZP | M20 | 150 |
| P0291.200-160-ZP | M20 | 160 |
| P0291.200-170-ZP | M20 | 170 |
| P0291.200-180-ZP | M20 | 180 |
| P0291.200-190-ZP | M20 | 190 |
| P0291.200-200-ZP | M20 | 200 |
| P0291.200-220-ZP | M20 | 220 |
| P0291.200-240-ZP | M20 | 240 |
| P0291.200-260-ZP | M20 | 260 |
| P0291.200-280-ZP | M20 | 280 |
| P0291.200-300-ZP | M20 | 300 |
| P0291.200-320-ZP | M20 | 320 |
| P0291.200-340-ZP | M20 | 340 |
| P0291.200-360-ZP | M20 | 360 |
| P0291.200-380-ZP | M20 | 380 |
| P0291.200-400-ZP | M20 | 400 |
| P0291.220-045-ZP | M22 | 45 |
| P0291.220-050-ZP | M22 | 50 |
| P0291.220-055-ZP | M22 | 55 |
| P0291.220-060-ZP | M22 | 60 |
| P0291.220-065-ZP | M22 | 65 |
| P0291.220-070-ZP | M22 | 70 |
| P0291.220-075-ZP | M22 | 75 |
| P0291.220-080-ZP | M22 | 80 |
| P0291.220-085-ZP | M22 | 85 |
| P0291.220-090-ZP | M22 | 90 |
| P0291.220-095-ZP | M22 | 95 |
| P0291.220-100-ZP | M22 | 100 |
| P0291.220-110-ZP | M22 | 110 |
| P0291.220-120-ZP | M22 | 120 |
| P0291.220-130-ZP | M22 | 130 |
| P0291.220-140-ZP | M22 | 140 |
| P0291.220-150-ZP | M22 | 150 |
| P0291.220-160-ZP | M22 | 160 |
| P0291.220-170-ZP | M22 | 170 |
| P0291.220-180-ZP | M22 | 180 |
| P0291.220-190-ZP | M22 | 190 |
| P0291.220-200-ZP | M22 | 200 |
| P0291.220-220-ZP | M22 | 220 |
| P0291.220-240-ZP | M22 | 240 |
| P0291.220-260-ZP | M22 | 260 |
| P0291.220-280-ZP | M22 | 280 |
| P0291.220-300-ZP | M22 | 300 |
| P0291.220-320-ZP | M22 | 320 |
| P0291.220-340-ZP | M22 | 340 |
| P0291.220-360-ZP | M22 | 360 |
| P0291.220-380-ZP | M22 | 380 |
| P0291.220-400-ZP | M22 | 400 |
| P0291.220-420-ZP | M22 | 420 |
| P0291.220-440-ZP | M22 | 440 |
| P0291.240-045-ZP | M24 | 45 |
| P0291.240-050-ZP | M24 | 50 |

STANDARD SCREWS

Standard Screws

Threaded Studs

Steel, zinc-plated



STANDARD SCREWS

| Order No. | d ₁ | l ₁ |
|------------------|----------------|----------------|
| P0291.240-055-ZP | M24 | 55 |
| P0291.240-060-ZP | M24 | 60 |
| P0291.240-065-ZP | M24 | 65 |
| P0291.240-070-ZP | M24 | 70 |
| P0291.240-075-ZP | M24 | 75 |
| P0291.240-080-ZP | M24 | 80 |
| P0291.240-085-ZP | M24 | 85 |
| P0291.240-090-ZP | M24 | 90 |
| P0291.240-095-ZP | M24 | 95 |
| P0291.240-100-ZP | M24 | 100 |
| P0291.240-110-ZP | M24 | 110 |
| P0291.240-120-ZP | M24 | 120 |
| P0291.240-130-ZP | M24 | 130 |
| P0291.240-140-ZP | M24 | 140 |
| P0291.240-150-ZP | M24 | 150 |
| P0291.240-160-ZP | M24 | 160 |
| P0291.240-170-ZP | M24 | 170 |
| P0291.240-180-ZP | M24 | 180 |
| P0291.240-190-ZP | M24 | 190 |
| P0291.240-200-ZP | M24 | 200 |
| P0291.240-220-ZP | M24 | 220 |
| P0291.240-240-ZP | M24 | 240 |
| P0291.240-260-ZP | M24 | 260 |
| P0291.240-280-ZP | M24 | 280 |
| P0291.240-300-ZP | M24 | 300 |
| P0291.240-320-ZP | M24 | 320 |
| P0291.240-340-ZP | M24 | 340 |
| P0291.240-360-ZP | M24 | 360 |
| P0291.240-380-ZP | M24 | 380 |
| P0291.240-400-ZP | M24 | 400 |
| P0291.240-420-ZP | M24 | 420 |
| P0291.240-440-ZP | M24 | 440 |
| P0291.240-460-ZP | M24 | 460 |
| P0291.240-480-ZP | M24 | 480 |
| P0291.270-055-ZP | M27 | 55 |
| P0291.270-060-ZP | M27 | 60 |
| P0291.270-065-ZP | M27 | 65 |
| P0291.270-070-ZP | M27 | 70 |
| P0291.270-075-ZP | M27 | 75 |
| P0291.270-080-ZP | M27 | 80 |
| P0291.270-085-ZP | M27 | 85 |
| P0291.270-090-ZP | M27 | 90 |
| P0291.270-095-ZP | M27 | 95 |
| P0291.270-100-ZP | M27 | 100 |
| P0291.270-110-ZP | M27 | 110 |
| P0291.270-120-ZP | M27 | 120 |
| P0291.270-130-ZP | M27 | 130 |
| P0291.270-140-ZP | M27 | 140 |
| P0291.270-150-ZP | M27 | 150 |
| P0291.270-160-ZP | M27 | 160 |
| P0291.270-170-ZP | M27 | 170 |
| P0291.270-180-ZP | M27 | 180 |
| P0291.270-190-ZP | M27 | 190 |
| P0291.270-200-ZP | M27 | 200 |
| P0291.270-220-ZP | M27 | 220 |
| P0291.270-240-ZP | M27 | 240 |
| P0291.270-260-ZP | M27 | 260 |
| P0291.270-280-ZP | M27 | 280 |
| P0291.270-300-ZP | M27 | 300 |
| P0291.270-320-ZP | M27 | 320 |
| P0291.270-340-ZP | M27 | 340 |
| P0291.270-360-ZP | M27 | 360 |
| P0291.270-380-ZP | M27 | 380 |
| P0291.270-400-ZP | M27 | 400 |
| P0291.270-420-ZP | M27 | 420 |
| P0291.270-440-ZP | M27 | 440 |
| P0291.270-460-ZP | M27 | 460 |
| P0291.270-480-ZP | M27 | 480 |
| P0291.270-500-ZP | M27 | 500 |



Threaded Studs

Steel, zinc-plated

Standard Screws



| Order No. | d _i | l ₁ |
|------------------|----------------|----------------|
| P0291.300-060-ZP | M30 | 60 |
| P0291.300-065-ZP | M30 | 65 |
| P0291.300-070-ZP | M30 | 70 |
| P0291.300-075-ZP | M30 | 75 |
| P0291.300-080-ZP | M30 | 80 |
| P0291.300-085-ZP | M30 | 85 |
| P0291.300-090-ZP | M30 | 90 |
| P0291.300-095-ZP | M30 | 95 |
| P0291.300-100-ZP | M30 | 100 |
| P0291.300-110-ZP | M30 | 110 |
| P0291.300-120-ZP | M30 | 120 |
| P0291.300-130-ZP | M30 | 130 |
| P0291.300-140-ZP | M30 | 140 |
| P0291.300-150-ZP | M30 | 150 |
| P0291.300-160-ZP | M30 | 160 |
| P0291.300-170-ZP | M30 | 170 |
| P0291.300-180-ZP | M30 | 180 |
| P0291.300-190-ZP | M30 | 190 |
| P0291.300-200-ZP | M30 | 200 |
| P0291.300-220-ZP | M30 | 220 |
| P0291.300-240-ZP | M30 | 240 |
| P0291.300-260-ZP | M30 | 260 |
| P0291.300-280-ZP | M30 | 280 |
| P0291.300-300-ZP | M30 | 300 |
| P0291.300-320-ZP | M30 | 320 |
| P0291.300-340-ZP | M30 | 340 |
| P0291.300-360-ZP | M30 | 360 |
| P0291.300-380-ZP | M30 | 380 |
| P0291.300-400-ZP | M30 | 400 |
| P0291.300-420-ZP | M30 | 420 |
| P0291.300-440-ZP | M30 | 440 |
| P0291.300-460-ZP | M30 | 460 |
| P0291.300-480-ZP | M30 | 480 |
| P0291.300-500-ZP | M30 | 500 |

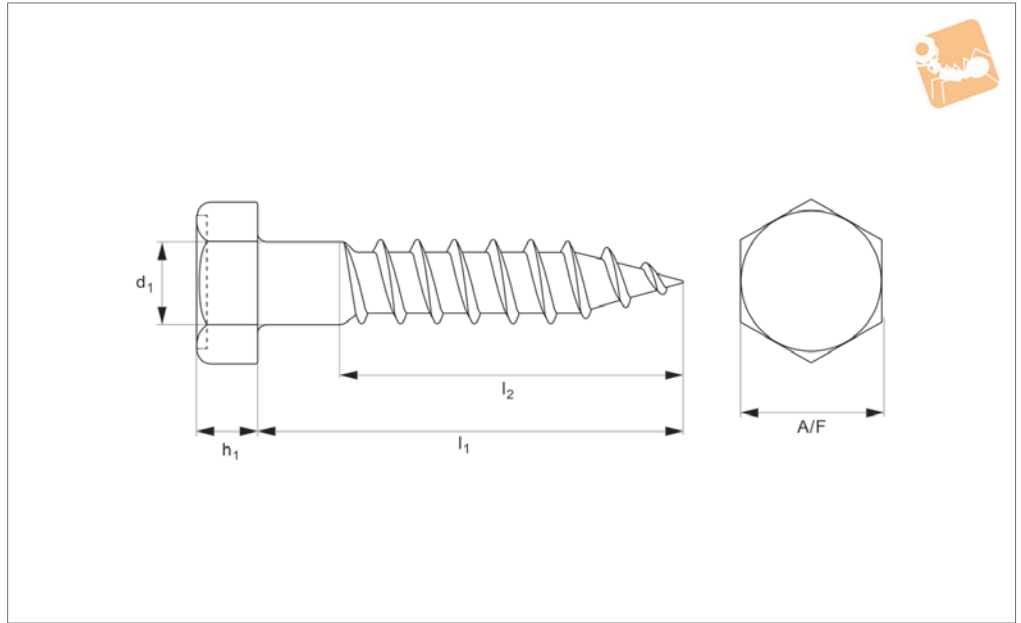
STANDARD SCREWS



STANDARD SCREWS



P0268.A2



Material

Stainless steel (A2).

See technical page for tightening torques.

Technical Notes

To DIN 571. l_2 is $0.6 \times l_1$.

| Order No. | d_1 | l_1 | h_1 | A/F |
|------------------|-------|-------|-------|-----|
| P0268.050-020-A2 | 5 | 20 | 3.5 | 8 |
| P0268.050-025-A2 | 5 | 25 | 3.5 | 8 |
| P0268.050-030-A2 | 5 | 30 | 3.5 | 8 |
| P0268.050-035-A2 | 5 | 35 | 3.5 | 8 |
| P0268.050-040-A2 | 5 | 40 | 3.5 | 8 |
| P0268.050-045-A2 | 5 | 45 | 3.5 | 8 |
| P0268.050-050-A2 | 5 | 50 | 3.5 | 8 |
| P0268.050-055-A2 | 5 | 55 | 3.5 | 8 |
| P0268.050-060-A2 | 5 | 60 | 3.5 | 8 |
| P0268.050-065-A2 | 5 | 65 | 3.5 | 8 |
| P0268.050-070-A2 | 5 | 70 | 3.5 | 8 |
| P0268.050-080-A2 | 5 | 80 | 3.5 | 8 |
| P0268.060-020-A2 | 6 | 20 | 4.0 | 10 |
| P0268.060-025-A2 | 6 | 25 | 4.0 | 10 |
| P0268.060-030-A2 | 6 | 30 | 4.0 | 10 |
| P0268.060-035-A2 | 6 | 35 | 4.0 | 10 |
| P0268.060-040-A2 | 6 | 40 | 4.0 | 10 |
| P0268.060-045-A2 | 6 | 45 | 4.0 | 10 |
| P0268.060-050-A2 | 6 | 50 | 4.0 | 10 |
| P0268.060-055-A2 | 6 | 55 | 4.0 | 10 |
| P0268.060-060-A2 | 6 | 60 | 4.0 | 10 |
| P0268.060-065-A2 | 6 | 65 | 4.0 | 10 |
| P0268.060-070-A2 | 6 | 70 | 4.0 | 10 |
| P0268.060-080-A2 | 6 | 80 | 4.0 | 10 |
| P0268.060-090-A2 | 6 | 90 | 4.0 | 10 |
| P0268.060-100-A2 | 6 | 100 | 4.0 | 10 |
| P0268.060-110-A2 | 6 | 110 | 4.0 | 10 |
| P0268.060-120-A2 | 6 | 120 | 4.0 | 10 |
| P0268.060-130-A2 | 6 | 130 | 4.0 | 10 |
| P0268.060-140-A2 | 6 | 140 | 4.0 | 10 |
| P0268.070-025-A2 | 7 | 25 | 5.0 | 12 |
| P0268.070-030-A2 | 7 | 30 | 5.0 | 12 |
| P0268.070-035-A2 | 7 | 35 | 5.0 | 12 |
| P0268.070-040-A2 | 7 | 40 | 5.0 | 12 |



Hexagon Head Coach Screws

Coach Screws - A2 stainless

Standard Screws



| Order No. | d ₁ | l ₁ | h ₁ | A/F |
|------------------|----------------|----------------|----------------|-----|
| P0268.070-045-A2 | 7 | 45 | 5.0 | 12 |
| P0268.070-050-A2 | 7 | 50 | 5.0 | 12 |
| P0268.070-055-A2 | 7 | 55 | 5.0 | 12 |
| P0268.070-060-A2 | 7 | 60 | 5.0 | 12 |
| P0268.070-065-A2 | 7 | 65 | 5.0 | 12 |
| P0268.070-070-A2 | 7 | 70 | 5.0 | 12 |
| P0268.070-080-A2 | 7 | 80 | 5.0 | 12 |
| P0268.070-090-A2 | 7 | 90 | 5.0 | 12 |
| P0268.070-100-A2 | 7 | 100 | 5.0 | 12 |
| P0268.070-110-A2 | 7 | 110 | 5.0 | 12 |
| P0268.070-120-A2 | 7 | 120 | 5.0 | 12 |
| P0268.070-130-A2 | 7 | 130 | 5.0 | 12 |
| P0268.070-140-A2 | 7 | 140 | 5.0 | 12 |
| P0268.070-150-A2 | 7 | 150 | 5.0 | 12 |
| P0268.070-160-A2 | 7 | 160 | 5.0 | 12 |
| P0268.070-170-A2 | 7 | 170 | 5.0 | 12 |
| P0268.080-025-A2 | 8 | 25 | 5.5 | 13 |
| P0268.080-030-A2 | 8 | 30 | 5.5 | 13 |
| P0268.080-035-A2 | 8 | 35 | 5.5 | 13 |
| P0268.080-040-A2 | 8 | 40 | 5.5 | 13 |
| P0268.080-045-A2 | 8 | 45 | 5.5 | 13 |
| P0268.080-050-A2 | 8 | 50 | 5.5 | 13 |
| P0268.080-055-A2 | 8 | 55 | 5.5 | 13 |
| P0268.080-060-A2 | 8 | 60 | 5.5 | 13 |
| P0268.080-065-A2 | 8 | 65 | 5.5 | 13 |
| P0268.080-070-A2 | 8 | 70 | 5.5 | 13 |
| P0268.080-080-A2 | 8 | 80 | 5.5 | 13 |
| P0268.080-090-A2 | 8 | 90 | 5.5 | 13 |
| P0268.080-100-A2 | 8 | 100 | 5.5 | 13 |
| P0268.080-110-A2 | 8 | 110 | 5.5 | 13 |
| P0268.080-120-A2 | 8 | 120 | 5.5 | 13 |
| P0268.080-130-A2 | 8 | 130 | 5.5 | 13 |
| P0268.080-140-A2 | 8 | 140 | 5.5 | 13 |
| P0268.080-150-A2 | 8 | 150 | 5.5 | 13 |
| P0268.080-160-A2 | 8 | 160 | 5.5 | 13 |
| P0268.080-170-A2 | 8 | 170 | 5.5 | 13 |
| P0268.080-180-A2 | 8 | 180 | 5.5 | 13 |
| P0268.080-200-A2 | 8 | 200 | 5.5 | 13 |
| P0268.100-040-A2 | 10 | 40 | 7.0 | 17 |
| P0268.100-045-A2 | 10 | 45 | 7.0 | 17 |
| P0268.100-050-A2 | 10 | 50 | 7.0 | 17 |
| P0268.100-055-A2 | 10 | 55 | 7.0 | 17 |
| P0268.100-060-A2 | 10 | 60 | 7.0 | 17 |
| P0268.100-065-A2 | 10 | 65 | 7.0 | 17 |
| P0268.100-070-A2 | 10 | 70 | 7.0 | 17 |
| P0268.100-080-A2 | 10 | 80 | 7.0 | 17 |
| P0268.100-090-A2 | 10 | 90 | 7.0 | 17 |
| P0268.100-100-A2 | 10 | 100 | 7.0 | 17 |
| P0268.100-110-A2 | 10 | 110 | 7.0 | 17 |
| P0268.100-120-A2 | 10 | 120 | 7.0 | 17 |
| P0268.100-130-A2 | 10 | 130 | 7.0 | 17 |
| P0268.100-140-A2 | 10 | 140 | 7.0 | 17 |
| P0268.100-150-A2 | 10 | 150 | 7.0 | 17 |
| P0268.100-160-A2 | 10 | 160 | 7.0 | 17 |
| P0268.100-170-A2 | 10 | 170 | 7.0 | 17 |
| P0268.100-180-A2 | 10 | 180 | 7.0 | 17 |
| P0268.100-200-A2 | 10 | 200 | 7.0 | 17 |
| P0268.120-050-A2 | 12 | 50 | 8.0 | 19 |
| P0268.120-055-A2 | 12 | 55 | 8.0 | 19 |
| P0268.120-060-A2 | 12 | 60 | 8.0 | 19 |
| P0268.120-065-A2 | 12 | 65 | 8.0 | 19 |
| P0268.120-070-A2 | 12 | 70 | 8.0 | 19 |
| P0268.120-080-A2 | 12 | 80 | 8.0 | 19 |
| P0268.120-090-A2 | 12 | 90 | 8.0 | 19 |
| P0268.120-100-A2 | 12 | 100 | 8.0 | 19 |
| P0268.120-110-A2 | 12 | 110 | 8.0 | 19 |
| P0268.120-120-A2 | 12 | 120 | 8.0 | 19 |
| P0268.120-130-A2 | 12 | 130 | 8.0 | 19 |
| P0268.120-140-A2 | 12 | 140 | 8.0 | 19 |

STANDARD SCREWS



STANDARD SCREWS

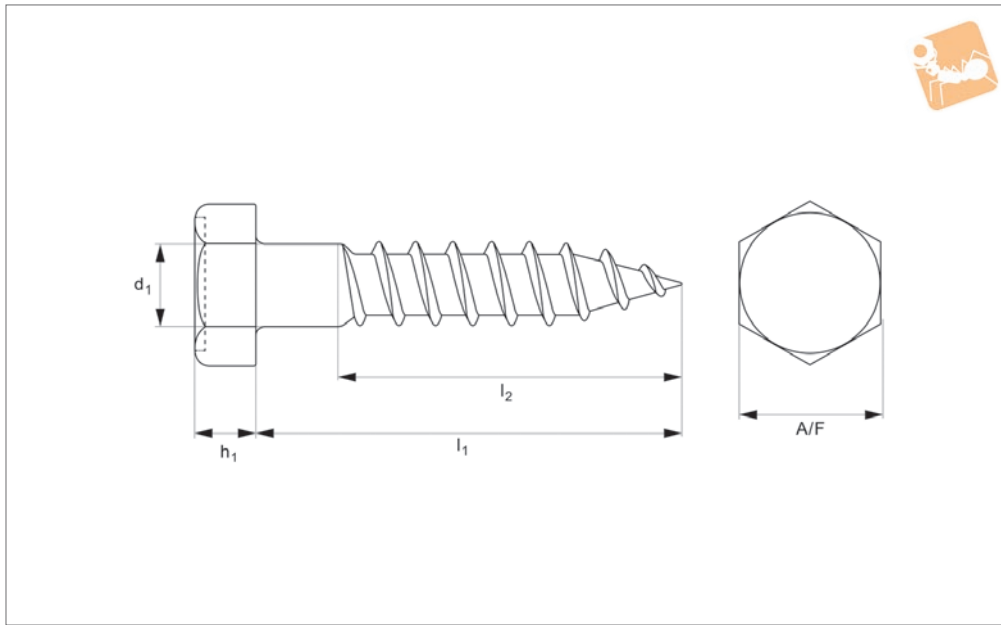
| Order No. | d ₁ | l ₁ | h ₁ | A/F |
|------------------|----------------|----------------|----------------|-----|
| P0268.120-150-A2 | 12 | 150 | 8.0 | 19 |
| P0268.120-160-A2 | 12 | 160 | 8.0 | 19 |
| P0268.120-170-A2 | 12 | 170 | 8.0 | 19 |
| P0268.120-180-A2 | 12 | 180 | 8.0 | 19 |
| P0268.120-200-A2 | 12 | 200 | 8.0 | 19 |
| P0268.120-220-A2 | 12 | 220 | 8.0 | 19 |
| P0268.120-240-A2 | 12 | 240 | 8.0 | 19 |
| P0268.120-250-A2 | 12 | 250 | 8.0 | 19 |
| P0268.120-260-A2 | 12 | 260 | 8.0 | 19 |
| P0268.120-280-A2 | 12 | 280 | 8.0 | 19 |
| P0268.120-300-A2 | 12 | 300 | 8.0 | 19 |
| P0268.160-050-A2 | 16 | 50 | 10.0 | 24 |
| P0268.160-055-A2 | 16 | 55 | 10.0 | 24 |
| P0268.160-060-A2 | 16 | 60 | 10.0 | 24 |
| P0268.160-065-A2 | 16 | 65 | 10.0 | 24 |
| P0268.160-070-A2 | 16 | 70 | 10.0 | 24 |
| P0268.160-080-A2 | 16 | 80 | 10.0 | 24 |
| P0268.160-090-A2 | 16 | 90 | 10.0 | 24 |
| P0268.160-100-A2 | 16 | 100 | 10.0 | 24 |
| P0268.160-110-A2 | 16 | 110 | 10.0 | 24 |
| P0268.160-120-A2 | 16 | 120 | 10.0 | 24 |
| P0268.160-130-A2 | 16 | 130 | 10.0 | 24 |
| P0268.160-140-A2 | 16 | 140 | 10.0 | 24 |
| P0268.160-150-A2 | 16 | 150 | 10.0 | 24 |
| P0268.160-160-A2 | 16 | 160 | 10.0 | 24 |
| P0268.160-170-A2 | 16 | 170 | 10.0 | 24 |
| P0268.160-180-A2 | 16 | 180 | 10.0 | 24 |
| P0268.160-200-A2 | 16 | 200 | 10.0 | 24 |



Hexagon Head Coach Screws

Coach Screws - A4 stainless

Standard Screws



P0268.A4

STANDARD SCREWS

Material

Stainless steel (A4).

See technical page for tightening torques.

Technical Notes

To DIN 571. l_2 is $0.6 \times l_1$.

| Order No. | d_1 | l_1 | h_1 | A/F |
|------------------|-------|-------|-------|-----|
| P0268.050-020-A4 | 5 | 20 | 3.5 | 8 |
| P0268.050-025-A4 | 5 | 25 | 3.5 | 8 |
| P0268.050-030-A4 | 5 | 30 | 3.5 | 8 |
| P0268.050-035-A4 | 5 | 35 | 3.5 | 8 |
| P0268.050-040-A4 | 5 | 40 | 3.5 | 8 |
| P0268.050-045-A4 | 5 | 45 | 3.5 | 8 |
| P0268.050-050-A4 | 5 | 50 | 3.5 | 8 |
| P0268.050-055-A4 | 5 | 55 | 3.5 | 8 |
| P0268.050-060-A4 | 5 | 60 | 3.5 | 8 |
| P0268.050-065-A4 | 5 | 65 | 3.5 | 8 |
| P0268.050-070-A4 | 5 | 70 | 3.5 | 8 |
| P0268.050-080-A4 | 5 | 80 | 3.5 | 8 |
| P0268.060-020-A4 | 6 | 20 | 4.0 | 10 |
| P0268.060-025-A4 | 6 | 25 | 4.0 | 10 |
| P0268.060-030-A4 | 6 | 30 | 4.0 | 10 |
| P0268.060-035-A4 | 6 | 35 | 4.0 | 10 |
| P0268.060-040-A4 | 6 | 40 | 4.0 | 10 |
| P0268.060-045-A4 | 6 | 45 | 4.0 | 10 |
| P0268.060-050-A4 | 6 | 50 | 4.0 | 10 |
| P0268.060-055-A4 | 6 | 55 | 4.0 | 10 |
| P0268.060-060-A4 | 6 | 60 | 4.0 | 10 |
| P0268.060-065-A4 | 6 | 65 | 4.0 | 10 |
| P0268.060-070-A4 | 6 | 70 | 4.0 | 10 |
| P0268.060-080-A4 | 6 | 80 | 4.0 | 10 |
| P0268.060-090-A4 | 6 | 90 | 4.0 | 10 |
| P0268.060-100-A4 | 6 | 100 | 4.0 | 10 |
| P0268.060-110-A4 | 6 | 110 | 4.0 | 10 |
| P0268.060-120-A4 | 6 | 120 | 4.0 | 10 |
| P0268.060-130-A4 | 6 | 130 | 4.0 | 10 |
| P0268.060-140-A4 | 6 | 140 | 4.0 | 10 |
| P0268.070-025-A4 | 7 | 25 | 5.0 | 12 |
| P0268.070-030-A4 | 7 | 30 | 5.0 | 12 |
| P0268.070-035-A4 | 7 | 35 | 5.0 | 12 |
| P0268.070-040-A4 | 7 | 40 | 5.0 | 12 |



STANDARD SCREWS

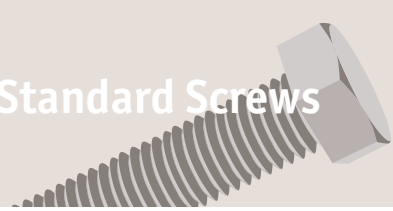
| Order No. | d ₁ | l ₁ | h ₁ | A/F |
|------------------|----------------|----------------|----------------|-----|
| P0268.070-045-A4 | 7 | 45 | 5.0 | 12 |
| P0268.070-050-A4 | 7 | 50 | 5.0 | 12 |
| P0268.070-055-A4 | 7 | 55 | 5.0 | 12 |
| P0268.070-060-A4 | 7 | 60 | 5.0 | 12 |
| P0268.070-065-A4 | 7 | 65 | 5.0 | 12 |
| P0268.070-070-A4 | 7 | 70 | 5.0 | 12 |
| P0268.070-080-A4 | 7 | 80 | 5.0 | 12 |
| P0268.070-090-A4 | 7 | 90 | 5.0 | 12 |
| P0268.070-100-A4 | 7 | 100 | 5.0 | 12 |
| P0268.070-110-A4 | 7 | 110 | 5.0 | 12 |
| P0268.070-120-A4 | 7 | 120 | 5.0 | 12 |
| P0268.070-130-A4 | 7 | 130 | 5.0 | 12 |
| P0268.070-140-A4 | 7 | 140 | 5.0 | 12 |
| P0268.070-150-A4 | 7 | 150 | 5.0 | 12 |
| P0268.070-160-A4 | 7 | 160 | 5.0 | 12 |
| P0268.070-170-A4 | 7 | 170 | 5.0 | 12 |
| P0268.080-025-A4 | 25 | 25 | 5.5 | 13 |
| P0268.080-030-A4 | 30 | 30 | 5.5 | 13 |
| P0268.080-035-A4 | 35 | 35 | 5.5 | 13 |
| P0268.080-040-A4 | 40 | 40 | 5.5 | 13 |
| P0268.080-045-A4 | 45 | 45 | 5.5 | 13 |
| P0268.080-050-A4 | 50 | 50 | 5.5 | 13 |
| P0268.080-055-A4 | 55 | 55 | 5.5 | 13 |
| P0268.080-060-A4 | 60 | 60 | 5.5 | 13 |
| P0268.080-065-A4 | 65 | 65 | 5.5 | 13 |
| P0268.080-070-A4 | 70 | 70 | 5.5 | 13 |
| P0268.080-080-A4 | 80 | 80 | 5.5 | 13 |
| P0268.080-090-A4 | 90 | 90 | 5.5 | 13 |
| P0268.080-100-A4 | 100 | 100 | 5.5 | 13 |
| P0268.080-110-A4 | 110 | 110 | 5.5 | 13 |
| P0268.080-120-A4 | 120 | 120 | 5.5 | 13 |
| P0268.080-130-A4 | 130 | 130 | 5.5 | 13 |
| P0268.080-140-A4 | 140 | 140 | 5.5 | 13 |
| P0268.080-150-A4 | 150 | 150 | 5.5 | 13 |
| P0268.080-160-A4 | 160 | 160 | 5.5 | 13 |
| P0268.080-170-A4 | 170 | 170 | 5.5 | 13 |
| P0268.080-180-A4 | 180 | 180 | 5.5 | 13 |
| P0268.080-200-A4 | 200 | 200 | 5.5 | 13 |
| P0268.100-040-A4 | 10 | 40 | 7.0 | 17 |
| P0268.100-045-A4 | 10 | 45 | 7.0 | 17 |
| P0268.100-050-A4 | 10 | 50 | 7.0 | 17 |
| P0268.100-055-A4 | 10 | 55 | 7.0 | 17 |
| P0268.100-060-A4 | 10 | 60 | 7.0 | 17 |
| P0268.100-065-A4 | 10 | 65 | 7.0 | 17 |
| P0268.100-070-A4 | 10 | 70 | 7.0 | 17 |
| P0268.100-080-A4 | 10 | 80 | 7.0 | 17 |
| P0268.100-090-A4 | 10 | 90 | 7.0 | 17 |
| P0268.100-100-A4 | 10 | 100 | 7.0 | 17 |
| P0268.100-110-A4 | 10 | 110 | 7.0 | 17 |
| P0268.100-120-A4 | 10 | 120 | 7.0 | 17 |
| P0268.100-130-A4 | 10 | 130 | 7.0 | 17 |
| P0268.100-140-A4 | 10 | 140 | 7.0 | 17 |
| P0268.100-150-A4 | 10 | 150 | 7.0 | 17 |
| P0268.100-160-A4 | 10 | 160 | 7.0 | 17 |
| P0268.100-170-A4 | 10 | 170 | 7.0 | 17 |
| P0268.100-180-A4 | 10 | 180 | 7.0 | 17 |
| P0268.100-200-A4 | 10 | 200 | 7.0 | 17 |
| P0268.120-050-A4 | 12 | 50 | 8.0 | 19 |
| P0268.120-055-A4 | 12 | 55 | 8.0 | 19 |
| P0268.120-060-A4 | 12 | 60 | 8.0 | 19 |
| P0268.120-065-A4 | 12 | 65 | 8.0 | 19 |
| P0268.120-070-A4 | 12 | 70 | 8.0 | 19 |
| P0268.120-080-A4 | 12 | 80 | 8.0 | 19 |
| P0268.120-090-A4 | 12 | 90 | 8.0 | 19 |
| P0268.120-100-A4 | 12 | 100 | 8.0 | 19 |
| P0268.120-110-A4 | 12 | 110 | 8.0 | 19 |
| P0268.120-120-A4 | 12 | 120 | 8.0 | 19 |
| P0268.120-130-A4 | 12 | 130 | 8.0 | 19 |
| P0268.120-140-A4 | 12 | 140 | 8.0 | 19 |



Hexagon Head Coach Screws

Coach Screws - A4 stainless

Standard Screws



| Order No. | d ₁ | l ₁ | h ₁ | A/F |
|------------------|----------------|----------------|----------------|-----|
| P0268.120-150-A4 | 12 | 150 | 8.0 | 19 |
| P0268.120-160-A4 | 12 | 160 | 8.0 | 19 |
| P0268.120-170-A4 | 12 | 170 | 8.0 | 19 |
| P0268.120-180-A4 | 12 | 180 | 8.0 | 19 |
| P0268.120-200-A4 | 12 | 200 | 8.0 | 19 |
| P0268.120-220-A4 | 12 | 220 | 8.0 | 19 |
| P0268.120-240-A4 | 12 | 240 | 8.0 | 19 |
| P0268.120-250-A4 | 12 | 250 | 8.0 | 19 |
| P0268.120-260-A4 | 12 | 260 | 8.0 | 19 |
| P0268.120-280-A4 | 12 | 280 | 8.0 | 19 |
| P0268.120-300-A4 | 12 | 300 | 8.0 | 19 |
| P0268.160-050-A4 | 16 | 50 | 10.0 | 24 |
| P0268.160-055-A4 | 16 | 55 | 10.0 | 24 |
| P0268.160-060-A4 | 16 | 60 | 10.0 | 24 |
| P0268.160-065-A4 | 16 | 65 | 10.0 | 24 |
| P0268.160-070-A4 | 16 | 70 | 10.0 | 24 |
| P0268.160-080-A4 | 16 | 80 | 10.0 | 24 |
| P0268.160-090-A4 | 16 | 90 | 10.0 | 24 |
| P0268.160-100-A4 | 16 | 100 | 10.0 | 24 |
| P0268.160-110-A4 | 16 | 110 | 10.0 | 24 |
| P0268.160-120-A4 | 16 | 120 | 10.0 | 24 |
| P0268.160-130-A4 | 16 | 130 | 10.0 | 24 |
| P0268.160-140-A4 | 16 | 140 | 10.0 | 24 |
| P0268.160-150-A4 | 16 | 150 | 10.0 | 24 |
| P0268.160-160-A4 | 16 | 160 | 10.0 | 24 |
| P0268.160-170-A4 | 16 | 170 | 10.0 | 24 |
| P0268.160-180-A4 | 16 | 180 | 10.0 | 24 |
| P0268.160-200-A4 | 16 | 200 | 10.0 | 24 |

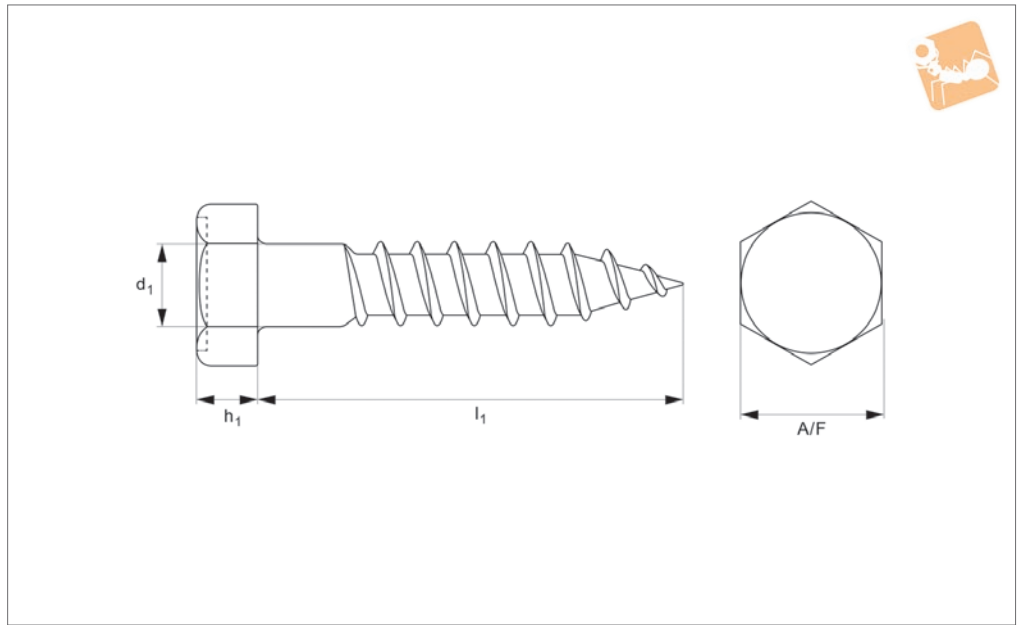
STANDARD SCREWS



STANDARD SCREWS



P0268.ZP



Material

Steel, zinc-plated.

Technical Notes

To DIN 571. l_2 is $0.6 \times l_1$.

| Order No. | d_1 | l_1 | h_1 | A/F |
|------------------|-------|-------|-------|-----|
| P0268.050-020-ZP | 5 | 20 | 3.5 | 8 |
| P0268.050-025-ZP | 5 | 25 | 3.5 | 8 |
| P0268.050-030-ZP | 5 | 30 | 3.5 | 8 |
| P0268.050-035-ZP | 5 | 35 | 3.5 | 8 |
| P0268.050-040-ZP | 5 | 40 | 3.5 | 8 |
| P0268.050-045-ZP | 5 | 45 | 3.5 | 8 |
| P0268.050-050-ZP | 5 | 50 | 3.5 | 8 |
| P0268.050-060-ZP | 5 | 60 | 3.5 | 8 |
| P0268.060-020-ZP | 6 | 20 | 4.0 | 10 |
| P0268.060-025-ZP | 6 | 25 | 4.0 | 10 |
| P0268.060-030-ZP | 6 | 30 | 4.0 | 10 |
| P0268.060-035-ZP | 6 | 35 | 4.0 | 10 |
| P0268.060-040-ZP | 6 | 40 | 4.0 | 10 |
| P0268.060-045-ZP | 6 | 45 | 4.0 | 10 |
| P0268.060-050-ZP | 6 | 50 | 4.0 | 10 |
| P0268.060-055-ZP | 6 | 55 | 4.0 | 10 |
| P0268.060-060-ZP | 6 | 60 | 4.0 | 10 |
| P0268.060-065-ZP | 6 | 65 | 4.0 | 10 |
| P0268.060-070-ZP | 6 | 70 | 4.0 | 10 |
| P0268.060-080-ZP | 6 | 80 | 4.0 | 10 |
| P0268.060-090-ZP | 6 | 90 | 4.0 | 10 |
| P0268.060-100-ZP | 6 | 100 | 4.0 | 10 |
| P0268.060-110-ZP | 6 | 110 | 4.0 | 10 |
| P0268.060-120-ZP | 6 | 120 | 4.0 | 10 |
| P0268.060-130-ZP | 6 | 130 | 4.0 | 10 |
| P0268.060-140-ZP | 6 | 140 | 4.0 | 10 |
| P0268.070-035-ZP | 7 | 35 | 5.0 | 12 |
| P0268.070-040-ZP | 7 | 40 | 5.0 | 12 |
| P0268.070-050-ZP | 7 | 50 | 5.0 | 12 |
| P0268.070-060-ZP | 7 | 60 | 5.0 | 12 |
| P0268.070-070-ZP | 7 | 70 | 5.0 | 12 |
| P0268.070-080-ZP | 7 | 80 | 5.0 | 12 |
| P0268.070-090-ZP | 7 | 90 | 5.0 | 12 |
| P0268.070-100-ZP | 7 | 100 | 5.0 | 12 |
| P0268.070-110-ZP | 7 | 110 | 5.0 | 12 |



Hexagon Head Coach Screws

Coach Screws - steel, zinc-plated

Standard Screws



| Order No. | d ₁ | l ₁ | h ₁ | A/F |
|------------------|----------------|----------------|----------------|-----|
| P0268.070-120-ZP | 7 | 120 | 5.0 | 12 |
| P0268.070-130-ZP | 7 | 130 | 5.0 | 12 |
| P0268.070-140-ZP | 7 | 140 | 5.0 | 12 |
| P0268.070-150-ZP | 7 | 150 | 5.0 | 12 |
| P0268.070-170-ZP | 7 | 170 | 5.0 | 12 |
| P0268.080-025-ZP | 8 | 25 | 5.5 | 13 |
| P0268.080-030-ZP | 8 | 30 | 5.5 | 13 |
| P0268.080-035-ZP | 8 | 35 | 5.5 | 13 |
| P0268.080-040-ZP | 8 | 40 | 5.5 | 13 |
| P0268.080-045-ZP | 8 | 45 | 5.5 | 13 |
| P0268.080-050-ZP | 8 | 50 | 5.5 | 13 |
| P0268.080-055-ZP | 8 | 55 | 5.5 | 13 |
| P0268.080-060-ZP | 8 | 60 | 5.5 | 13 |
| P0268.080-065-ZP | 8 | 65 | 5.5 | 13 |
| P0268.080-070-ZP | 8 | 70 | 5.5 | 13 |
| P0268.080-080-ZP | 8 | 80 | 5.5 | 13 |
| P0268.080-090-ZP | 8 | 90 | 5.5 | 13 |
| P0268.080-100-ZP | 8 | 100 | 5.5 | 13 |
| P0268.080-110-ZP | 8 | 110 | 5.5 | 13 |
| P0268.080-120-ZP | 8 | 120 | 5.5 | 13 |
| P0268.080-130-ZP | 8 | 130 | 5.5 | 13 |
| P0268.080-140-ZP | 8 | 140 | 5.5 | 13 |
| P0268.080-150-ZP | 8 | 150 | 5.5 | 13 |
| P0268.080-160-ZP | 8 | 160 | 5.5 | 13 |
| P0268.080-180-ZP | 8 | 180 | 5.5 | 13 |
| P0268.080-200-ZP | 8 | 200 | 5.5 | 13 |
| P0268.100-040-ZP | 10 | 40 | 7.0 | 17 |
| P0268.100-045-ZP | 10 | 45 | 7.0 | 17 |
| P0268.100-050-ZP | 10 | 50 | 7.0 | 17 |
| P0268.100-055-ZP | 10 | 55 | 7.0 | 17 |
| P0268.100-060-ZP | 10 | 60 | 7.0 | 17 |
| P0268.100-065-ZP | 10 | 65 | 7.0 | 17 |
| P0268.100-070-ZP | 10 | 70 | 7.0 | 17 |
| P0268.100-080-ZP | 10 | 80 | 7.0 | 17 |
| P0268.100-090-ZP | 10 | 90 | 7.0 | 17 |
| P0268.100-100-ZP | 10 | 100 | 7.0 | 17 |
| P0268.100-110-ZP | 10 | 110 | 7.0 | 17 |
| P0268.100-120-ZP | 10 | 120 | 7.0 | 17 |
| P0268.100-130-ZP | 10 | 130 | 7.0 | 17 |
| P0268.100-140-ZP | 10 | 140 | 7.0 | 17 |
| P0268.100-150-ZP | 10 | 150 | 7.0 | 17 |
| P0268.100-160-ZP | 10 | 160 | 7.0 | 17 |
| P0268.100-180-ZP | 10 | 180 | 7.0 | 17 |
| P0268.100-200-ZP | 10 | 200 | 7.0 | 17 |
| P0268.120-050-ZP | 12 | 50 | 8.0 | 19 |
| P0268.120-060-ZP | 12 | 60 | 8.0 | 19 |
| P0268.120-065-ZP | 12 | 65 | 8.0 | 19 |
| P0268.120-070-ZP | 12 | 70 | 8.0 | 19 |
| P0268.120-080-ZP | 12 | 80 | 8.0 | 19 |
| P0268.120-090-ZP | 12 | 90 | 8.0 | 19 |
| P0268.120-100-ZP | 12 | 100 | 8.0 | 19 |
| P0268.120-110-ZP | 12 | 110 | 8.0 | 19 |
| P0268.120-120-ZP | 12 | 120 | 8.0 | 19 |
| P0268.120-130-ZP | 12 | 130 | 8.0 | 19 |
| P0268.120-140-ZP | 12 | 140 | 8.0 | 19 |
| P0268.120-150-ZP | 12 | 150 | 8.0 | 19 |
| P0268.120-160-ZP | 12 | 160 | 8.0 | 19 |
| P0268.120-180-ZP | 12 | 180 | 8.0 | 19 |
| P0268.120-200-ZP | 12 | 200 | 8.0 | 19 |
| P0268.120-220-ZP | 12 | 220 | 8.0 | 19 |
| P0268.120-240-ZP | 12 | 240 | 8.0 | 19 |
| P0268.120-260-ZP | 12 | 260 | 8.0 | 19 |
| P0268.120-280-ZP | 12 | 280 | 8.0 | 19 |
| P0268.120-300-ZP | 12 | 300 | 8.0 | 19 |
| P0268.160-060-ZP | 16 | 60 | 10.0 | 24 |
| P0268.160-070-ZP | 16 | 70 | 10.0 | 24 |
| P0268.160-080-ZP | 16 | 80 | 10.0 | 24 |
| P0268.160-090-ZP | 16 | 90 | 10.0 | 24 |
| P0268.160-100-ZP | 16 | 100 | 10.0 | 24 |

STANDARD SCREWS



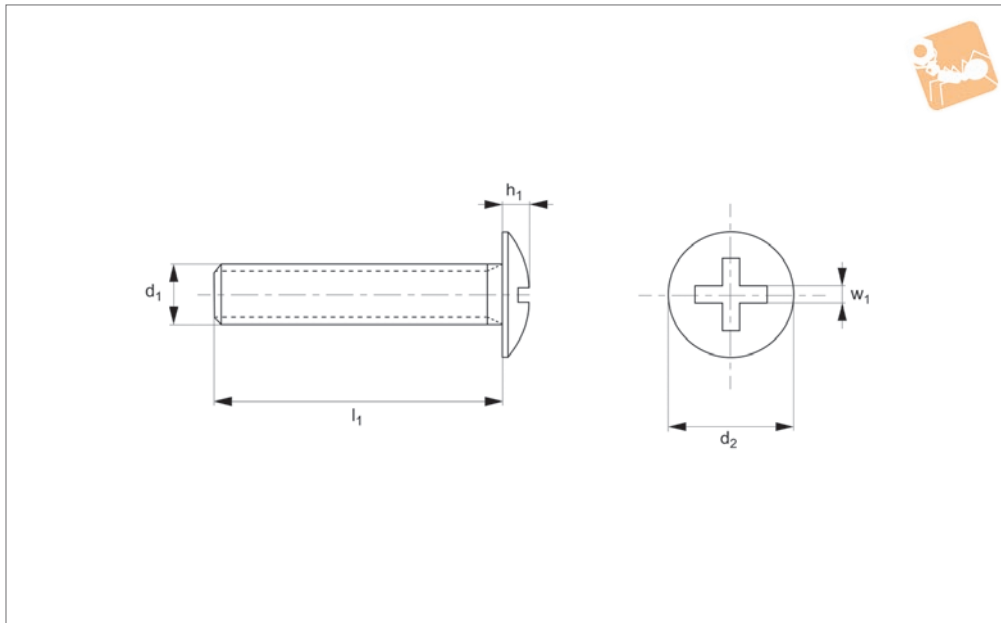
| Order No. | d ₁ | l ₁ | h ₁ | A/F |
|------------------|----------------|----------------|----------------|-----|
| P0268.160-110-ZP | 16 | 110 | 10.0 | 24 |
| P0268.160-120-ZP | 16 | 120 | 10.0 | 24 |
| P0268.160-130-ZP | 16 | 130 | 10.0 | 24 |
| P0268.160-140-ZP | 16 | 140 | 10.0 | 24 |
| P0268.160-150-ZP | 16 | 150 | 10.0 | 24 |
| P0268.160-160-ZP | 16 | 160 | 10.0 | 24 |
| P0268.160-180-ZP | 16 | 180 | 10.0 | 24 |
| P0268.160-200-ZP | 16 | 200 | 10.0 | 24 |



Roofing Bolts

Roofing Bolts - steel, zinc-plated

Standard Screws



P0269.ZP

STANDARD SCREWS

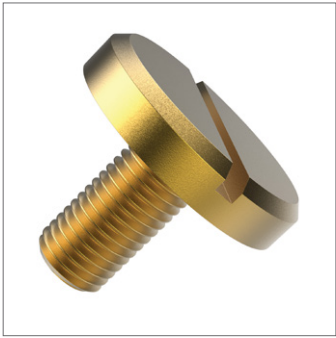
Material

Steel, zinc-plated.

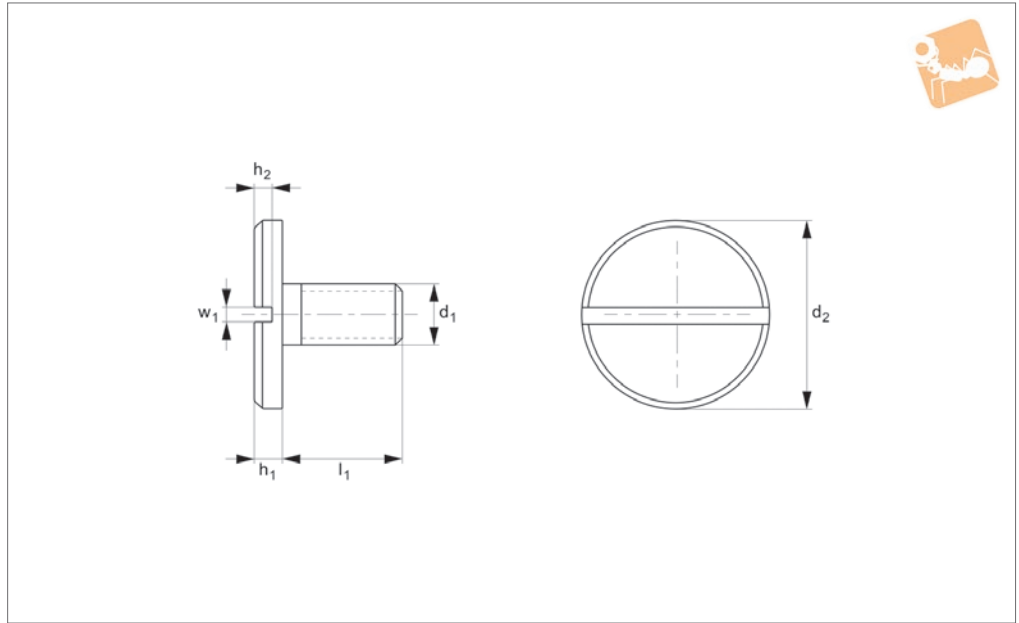
| Order No. | d ₁ | l ₁ | d ₂ max. | h ₁ max. | w ₁ |
|------------------|----------------|----------------|------------------------|------------------------|----------------|
| P0269.040-016-ZP | M 4 | 16 | 10.0 | 2.2 | 1.2 |
| P0269.040-020-ZP | M 4 | 20 | 10.0 | 2.2 | 1.2 |
| P0269.040-025-ZP | M 4 | 25 | 10.0 | 2.2 | 1.2 |
| P0269.040-030-ZP | M 4 | 30 | 10.0 | 2.2 | 1.2 |
| P0269.050-010-ZP | M 5 | 10 | 12.5 | 2.7 | 1.2 |
| P0269.050-016-ZP | M 5 | 16 | 12.5 | 2.7 | 1.2 |
| P0269.050-020-ZP | M 5 | 20 | 12.5 | 2.7 | 1.2 |
| P0269.050-025-ZP | M 5 | 25 | 12.5 | 2.7 | 1.2 |
| P0269.050-030-ZP | M 5 | 30 | 12.5 | 2.7 | 1.2 |
| P0269.060-010-ZP | M 6 | 10 | 15.0 | 3.3 | 1.6 |
| P0269.060-012-ZP | M 6 | 12 | 15.0 | 3.3 | 1.6 |
| P0269.060-016-ZP | M 6 | 16 | 15.0 | 3.3 | 1.6 |
| P0269.060-020-ZP | M 6 | 20 | 15.0 | 3.3 | 1.6 |
| P0269.060-025-ZP | M 6 | 25 | 15.0 | 3.3 | 1.6 |
| P0269.060-030-ZP | M 6 | 30 | 15.0 | 3.3 | 1.6 |
| P0269.060-040-ZP | M 6 | 40 | 15.0 | 3.3 | 1.6 |
| P0269.060-050-ZP | M 6 | 50 | 15.0 | 3.3 | 1.6 |
| P0269.060-060-ZP | M 6 | 60 | 15.0 | 3.3 | 1.6 |
| P0269.060-070-ZP | M 6 | 70 | 15.0 | 3.3 | 1.6 |
| P0269.060-100-ZP | M 6 | 100 | 15.0 | 3.3 | 1.6 |
| P0269.080-016-ZP | M 8 | 16 | 20.0 | 4.4 | 2.0 |
| P0269.080-020-ZP | M 8 | 20 | 20.0 | 4.4 | 2.0 |
| P0269.080-025-ZP | M 8 | 25 | 20.0 | 4.4 | 2.0 |
| P0269.080-030-ZP | M 8 | 30 | 20.0 | 4.4 | 2.0 |
| P0269.080-035-ZP | M 8 | 35 | 20.0 | 4.4 | 2.0 |
| P0269.080-040-ZP | M 8 | 40 | 20.0 | 4.4 | 2.0 |
| P0269.080-050-ZP | M 8 | 50 | 20.0 | 4.4 | 2.0 |
| P0269.100-050-ZP | M10 | 50 | 25.0 | 5.5 | 2.5 |
| P0269.100-060-ZP | M10 | 60 | 25.0 | 5.5 | 2.5 |



STANDARD SCREWS



P0238



Material

Steel (zinc-plated), stainless steel (A2), or brass.

Technical Notes

To DIN 921.

| Order No. | d ₁ | l ₁ | d ₂ | h ₁ | h ₂ | w ₁ | Material |
|------------------|----------------|----------------|----------------|----------------|----------------|----------------|----------|
| P0238.030-004-A2 | M 3 | 4 | 8 | 1.8 | 0.9 | 0.8 | A2 s/s |
| P0238.030-005-A2 | M 3 | 5 | 8 | 1.8 | 0.9 | 0.8 | A2 s/s |
| P0238.030-006-A2 | M 3 | 6 | 8 | 1.8 | 0.9 | 0.8 | A2 s/s |
| P0238.030-008-A2 | M 3 | 8 | 8 | 1.8 | 0.9 | 0.8 | A2 s/s |
| P0229.030-010-A2 | M 3 | 10 | 8 | 1.8 | 0.9 | 0.8 | A2 s/s |
| P0238.030-012-A2 | M 3 | 12 | 8 | 1.8 | 0.9 | 0.8 | A2 s/s |
| P0238.030-016-A2 | M 3 | 16 | 8 | 1.8 | 0.9 | 0.8 | A2 s/s |
| P0238.040-005-A2 | M 4 | 5 | 12 | 2.4 | 1.2 | 1.0 | A2 s/s |
| P0238.040-006-A2 | M 4 | 6 | 12 | 2.4 | 1.2 | 1.0 | A2 s/s |
| P0238.040-008-A2 | M 4 | 8 | 12 | 2.4 | 1.2 | 1.0 | A2 s/s |
| P0238.040-010-A2 | M 4 | 10 | 12 | 2.4 | 1.2 | 1.0 | A2 s/s |
| P0238.040-012-A2 | M 4 | 12 | 12 | 2.4 | 1.2 | 1.0 | A2 s/s |
| P0238.040-016-A2 | M 4 | 16 | 12 | 2.4 | 1.2 | 1.0 | A2 s/s |
| P0238.040-020-A2 | M 4 | 20 | 12 | 2.4 | 1.2 | 1.0 | A2 s/s |
| P0238.050-006-A2 | M 5 | 6 | 16 | 2.7 | 1.3 | 1.2 | A2 s/s |
| P0238.050-008-A2 | M 5 | 8 | 16 | 2.7 | 1.3 | 1.2 | A2 s/s |
| P0238.050-010-A2 | M 5 | 10 | 16 | 2.7 | 1.3 | 1.2 | A2 s/s |
| P0238.050-012-A2 | M 5 | 12 | 16 | 2.7 | 1.3 | 1.2 | A2 s/s |
| P0238.050-016-A2 | M 5 | 16 | 16 | 2.7 | 1.3 | 1.2 | A2 s/s |
| P0238.050-020-A2 | M 5 | 20 | 16 | 2.7 | 1.3 | 1.2 | A2 s/s |
| P0238.050-025-A2 | M 5 | 25 | 16 | 2.7 | 1.3 | 1.2 | A2 s/s |
| P0238.060-008-A2 | M 6 | 8 | 20 | 3.1 | 1.5 | 1.6 | A2 s/s |
| P0238.060-010-A2 | M 6 | 10 | 20 | 3.1 | 1.5 | 1.6 | A2 s/s |
| P0238.060-012-A2 | M 6 | 12 | 20 | 3.1 | 1.5 | 1.6 | A2 s/s |
| P0238.060-016-A2 | M 6 | 16 | 20 | 3.1 | 1.5 | 1.6 | A2 s/s |
| P0238.060-020-A2 | M 6 | 20 | 20 | 3.1 | 1.5 | 1.6 | A2 s/s |
| P0238.060-025-A2 | M 6 | 25 | 20 | 3.1 | 1.5 | 1.6 | A2 s/s |
| P0238.060-030-A2 | M 6 | 30 | 20 | 3.1 | 1.5 | 1.6 | A2 s/s |
| P0238.080-020-A2 | M 8 | 20 | 25 | 3.8 | 1.9 | 2.0 | A2 s/s |
| P0238.080-025-A2 | M 8 | 25 | 25 | 3.8 | 1.9 | 2.0 | A2 s/s |
| P0238.080-030-A2 | M 8 | 30 | 25 | 3.8 | 1.9 | 2.0 | A2 s/s |
| P0238.030-004-BR | M 3 | 4 | 8 | 1.8 | 0.9 | 0.8 | Brass |
| P0238.030-005-BR | M 3 | 5 | 8 | 1.8 | 0.9 | 0.8 | Brass |
| P0238.030-006-BR | M 3 | 6 | 8 | 1.8 | 0.9 | 0.8 | Brass |
| P0238.030-008-BR | M 3 | 8 | 8 | 1.8 | 0.9 | 0.8 | Brass |



Large Head Slot Pan Head Screws

Standard Screws



| Order No. | d ₁ | l ₁ | d ₂ | h ₁ | h ₂ | w ₁ | Material |
|------------------|----------------|----------------|----------------|----------------|----------------|----------------|----------|
| P0238.030-010-BR | M 3 | 10 | 8 | 1.8 | 0.9 | 0.8 | Brass |
| P0238.040-005-BR | M 4 | 5 | 12 | 2.4 | 1.2 | 1.0 | Brass |
| P0238.040-006-BR | M 4 | 6 | 12 | 2.4 | 1.2 | 1.0 | Brass |
| P0238.040-008-BR | M 4 | 8 | 12 | 2.4 | 1.2 | 1.0 | Brass |
| P0238.040-010-BR | M 4 | 10 | 12 | 2.4 | 1.2 | 1.0 | Brass |
| P0238.040-012-BR | M 4 | 12 | 12 | 2.4 | 1.2 | 1.0 | Brass |
| P0238.040-016-BR | M 4 | 16 | 12 | 2.4 | 1.2 | 1.0 | Brass |
| P0238.040-020-BR | M 4 | 20 | 12 | 2.4 | 1.2 | 1.0 | Brass |
| P0238.050-008-BR | M 5 | 8 | 16 | 2.7 | 1.3 | 1.2 | Brass |
| P0238.050-010-BR | M 5 | 10 | 16 | 2.7 | 1.3 | 1.2 | Brass |
| P0238.050-012-BR | M 5 | 12 | 16 | 2.7 | 1.3 | 1.2 | Brass |
| P0238.050-016-BR | M 5 | 16 | 16 | 2.7 | 1.3 | 1.2 | Brass |
| P0238.050-020-BR | M 5 | 20 | 16 | 2.7 | 1.3 | 1.2 | Brass |
| P0238.060-010-BR | M 6 | 10 | 20 | 3.1 | 1.5 | 1.6 | Brass |
| P0238.060-012-BR | M 6 | 12 | 20 | 3.1 | 1.5 | 1.6 | Brass |
| P0238.060-016-BR | M 6 | 16 | 20 | 3.1 | 1.5 | 1.6 | Brass |
| P0238.060-020-BR | M 6 | 20 | 20 | 3.1 | 1.5 | 1.6 | Brass |
| P0238.060-025-BR | M 6 | 25 | 20 | 3.1 | 1.5 | 1.6 | Brass |
| P0238.020-003-ZP | M 2 | 3 | 6 | 1.2 | 0.6 | 0.5 | Steel ZP |
| P0238.020-004-ZP | M 2 | 4 | 6 | 1.2 | 0.6 | 0.5 | Steel ZP |
| P0238.020-005-ZP | M 2 | 5 | 6 | 1.2 | 0.6 | 0.5 | Steel ZP |
| P0238.020-006-ZP | M 2 | 6 | 6 | 1.2 | 0.6 | 0.5 | Steel ZP |
| P0238.020-008-ZP | M 2 | 8 | 6 | 1.2 | 0.6 | 0.5 | Steel ZP |
| P0238.020-010-ZP | M 2 | 10 | 6 | 1.2 | 0.6 | 0.5 | Steel ZP |
| P0238.030-004-ZP | M 3 | 4 | 8 | 1.8 | 0.9 | 0.8 | Steel ZP |
| P0238.030-005-ZP | M 3 | 5 | 8 | 1.8 | 0.9 | 0.8 | Steel ZP |
| P0238.030-006-ZP | M 3 | 6 | 8 | 1.8 | 0.9 | 0.8 | Steel ZP |
| P0238.030-008-ZP | M 3 | 8 | 8 | 1.8 | 0.9 | 0.8 | Steel ZP |
| P0238.030-010-ZP | M 3 | 10 | 8 | 1.8 | 0.9 | 0.8 | Steel ZP |
| P0238.030-012-ZP | M 3 | 12 | 8 | 1.8 | 0.9 | 0.8 | Steel ZP |
| P0238.040-005-ZP | M 4 | 5 | 12 | 2.4 | 1.2 | 1.0 | Steel ZP |
| P0238.040-006-ZP | M 4 | 6 | 12 | 2.4 | 1.2 | 1.0 | Steel ZP |
| P0238.040-008-ZP | M 4 | 8 | 12 | 2.4 | 1.2 | 1.0 | Steel ZP |
| P0238.040-010-ZP | M 4 | 10 | 12 | 2.4 | 1.2 | 1.0 | Steel ZP |
| P0238.040-012-ZP | M 4 | 12 | 12 | 2.4 | 1.2 | 1.0 | Steel ZP |
| P0238.040-016-ZP | M 4 | 16 | 12 | 2.4 | 1.2 | 1.0 | Steel ZP |
| P0238.040-020-ZP | M 4 | 20 | 12 | 2.4 | 1.2 | 1.0 | Steel ZP |
| P0238.050-006-ZP | M 5 | 6 | 16 | 2.7 | 1.3 | 1.2 | Steel ZP |
| P0238.050-008-ZP | M 5 | 8 | 16 | 2.7 | 1.3 | 1.2 | Steel ZP |
| P0238.050-010-ZP | M 5 | 10 | 16 | 2.7 | 1.3 | 1.2 | Steel ZP |
| P0238.050-012-ZP | M 5 | 12 | 16 | 2.7 | 1.3 | 1.2 | Steel ZP |
| P0238.050-016-ZP | M 5 | 16 | 16 | 2.7 | 1.3 | 1.2 | Steel ZP |
| P0238.050-020-ZP | M 5 | 20 | 16 | 2.7 | 1.3 | 1.2 | Steel ZP |
| P0238.060-006-ZP | M 6 | 6 | 20 | 3.1 | 1.5 | 1.6 | Steel ZP |
| P0238.060-008-ZP | M 6 | 8 | 20 | 3.1 | 1.5 | 1.6 | Steel ZP |
| P0238.060-010-ZP | M 6 | 10 | 20 | 3.1 | 1.5 | 1.6 | Steel ZP |
| P0238.060-012-ZP | M 6 | 12 | 20 | 3.1 | 1.5 | 1.6 | Steel ZP |
| P0238.060-016-ZP | M 6 | 16 | 20 | 3.1 | 1.5 | 1.6 | Steel ZP |
| P0238.060-020-ZP | M 6 | 20 | 20 | 3.1 | 1.5 | 1.6 | Steel ZP |
| P0238.060-025-ZP | M 6 | 25 | 20 | 3.1 | 1.5 | 1.6 | Steel ZP |
| P0238.060-030-ZP | M 6 | 30 | 20 | 3.1 | 1.5 | 1.6 | Steel ZP |
| P0238.060-035-ZP | M 6 | 35 | 20 | 3.1 | 1.5 | 1.6 | Steel ZP |
| P0238.080-010-ZP | M 8 | 10 | 25 | 3.8 | 1.9 | 2.0 | Steel ZP |
| P0238.080-012-ZP | M 8 | 12 | 25 | 3.8 | 1.9 | 2.0 | Steel ZP |
| P0238.080-016-ZP | M 8 | 16 | 25 | 3.8 | 1.9 | 2.0 | Steel ZP |
| P0238.080-020-ZP | M 8 | 20 | 25 | 3.8 | 1.9 | 2.0 | Steel ZP |
| P0238.080-025-ZP | M 8 | 25 | 25 | 3.8 | 1.9 | 2.0 | Steel ZP |
| P0238.080-030-ZP | M 8 | 30 | 25 | 3.8 | 1.9 | 2.0 | Steel ZP |
| P0238.080-040-ZP | M 8 | 40 | 25 | 3.8 | 1.9 | 2.0 | Steel ZP |
| P0238.100-008-ZP | M10 | 8 | 30 | 4.7 | 2.8 | 2.8 | Steel ZP |
| P0238.100-012-ZP | M10 | 12 | 30 | 4.7 | 2.8 | 2.8 | Steel ZP |
| P0238.100-016-ZP | M10 | 16 | 30 | 4.7 | 2.8 | 2.8 | Steel ZP |
| P0238.100-020-ZP | M10 | 20 | 30 | 4.7 | 2.8 | 2.8 | Steel ZP |
| P0238.100-025-ZP | M10 | 25 | 30 | 4.7 | 2.8 | 2.8 | Steel ZP |

STANDARD SCREWS