

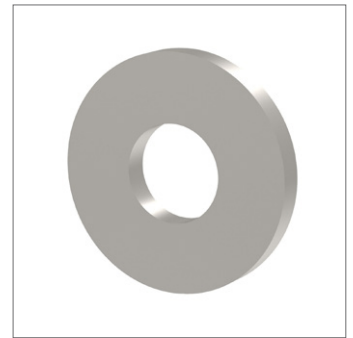
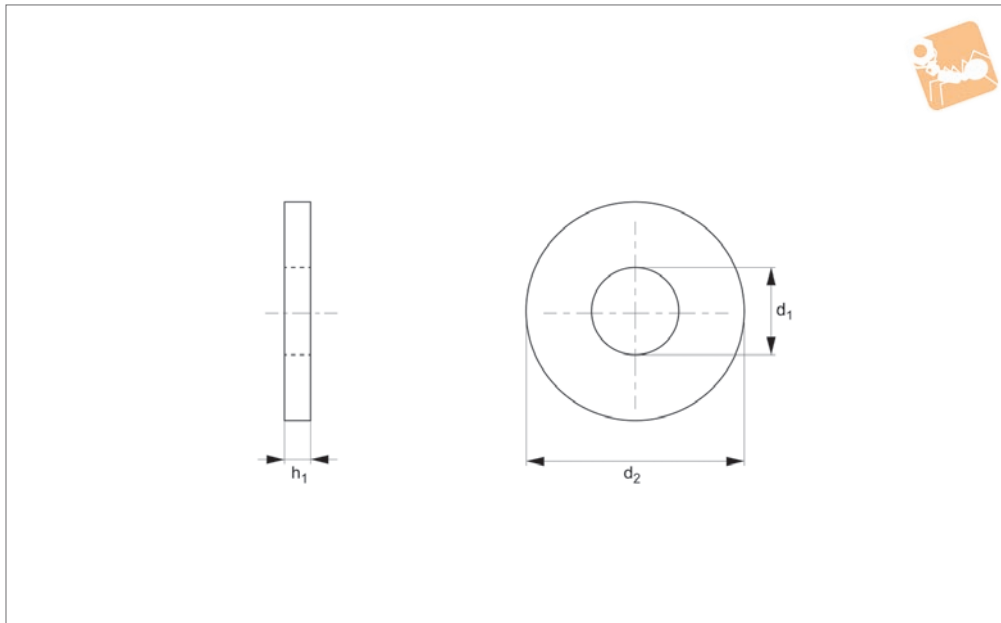


# Flat Washers Form A

A4 stainless



## Flat Washers



**P0330.A4**

FLAT WASHERS

### Material

Stainless steel (A4).

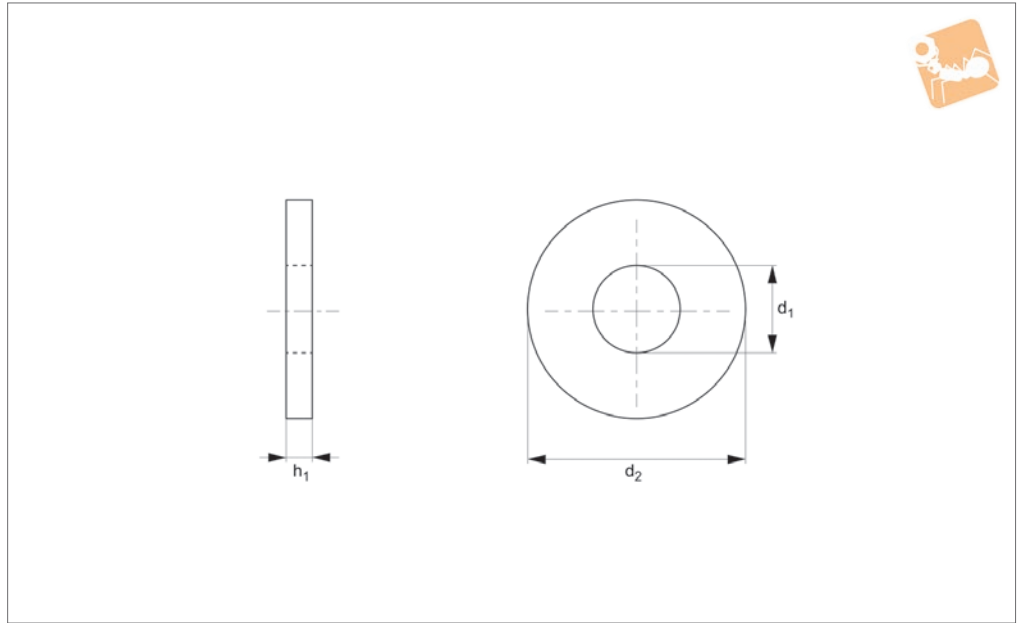
### Technical Notes

To DIN 125 A.

Order No.	For thread	d <sub>1</sub>	d <sub>2</sub>	h <sub>1</sub>	Material
P0330.016-A4	M1,6	1.7	4	0.3	A4 s/s
P0330.020-A4	M 2	2.2	5	0.3	A4 s/s
P0330.023-A4	M2,3	2.5	6	0.5	A4 s/s
P0330.025-A4	M2,5	2.7	6	0.5	A4 s/s
P0330.030-A4	M 3	3.2	7	0.5	A4 s/s
P0330.035-A4	M3,5	3.7	8	0.5	A4 s/s
P0330.040-A4	M 4	4.3	9	0.8	A4 s/s
P0330.050-A4	M 5	5.3	10	1.0	A4 s/s
P0330.060-A4	M 6	6.4	12	1.6	A4 s/s
P0330.070-A4	M 7	7.4	14	1.6	A4 s/s
P0330.080-A4	M 8	8.4	16	1.6	A4 s/s
P0330.100-A4	M10	10.5	20	2.0	A4 s/s
P0330.120-A4	M12	13.0	24	2.5	A4 s/s
P0330.140-A4	M14	15.0	28	2.5	A4 s/s
P0330.160-A4	M16	17.0	30	3.0	A4 s/s
P0330.180-A4	M18	19.0	34	3.0	A4 s/s
P0330.200-A4	M20	21.0	37	3.0	A4 s/s
P0330.220-A4	M22	23.0	39	3.0	A4 s/s
P0330.240-A4	M24	25.0	44	4.0	A4 s/s
P0330.270-A4	M27	28.0	50	4.0	A4 s/s
P0330.300-A4	M30	31.0	56	4.0	A4 s/s



**P0330.SC**



**Material**

Steel, self-colour.

**Technical Notes**

To DIN 125 A.

Order No.	For thread	d <sub>1</sub>	d <sub>2</sub>	h <sub>1</sub>	Material
P0330.016-SC	M1,6	1.7	4	0.3	Steel SC
P0330.020-SC	M 2	2.2	5	0.3	Steel SC
P0330.023-SC	M2,3	2.5	6	0.5	Steel SC
P0330.025-SC	M2,5	2.7	6	0.5	Steel SC
P0330.030-SC	M 3	3.2	7	0.5	Steel SC
P0330.035-SC	M3,5	3.7	8	0.5	Steel SC
P0330.040-SC	M 4	4.3	9	0.8	Steel SC
P0330.050-SC	M 5	5.3	10	1.0	Steel SC
P0330.060-SC	M 6	6.4	12	1.6	Steel SC
P0330.070-SC	M 7	7.4	14	1.6	Steel SC
P0330.080-SC	M 8	8.4	16	1.6	Steel SC
P0330.100-SC	M10	10.5	20	2.0	Steel SC
P0330.120-SC	M12	13.0	24	2.5	Steel SC
P0330.140-SC	M14	15.0	28	2.5	Steel SC
P0330.160-SC	M16	17.0	30	3.0	Steel SC
P0330.180-SC	M18	19.0	34	3.0	Steel SC
P0330.200-SC	M20	21.0	37	3.0	Steel SC
P0330.220-SC	M22	23.0	39	3.0	Steel SC
P0330.240-SC	M24	25.0	44	4.0	Steel SC
P0330.270-SC	M27	28.0	50	4.0	Steel SC
P0330.300-SC	M30	31.0	56	4.0	Steel SC

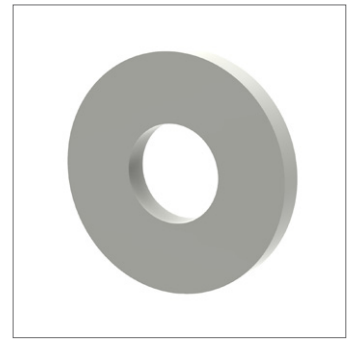
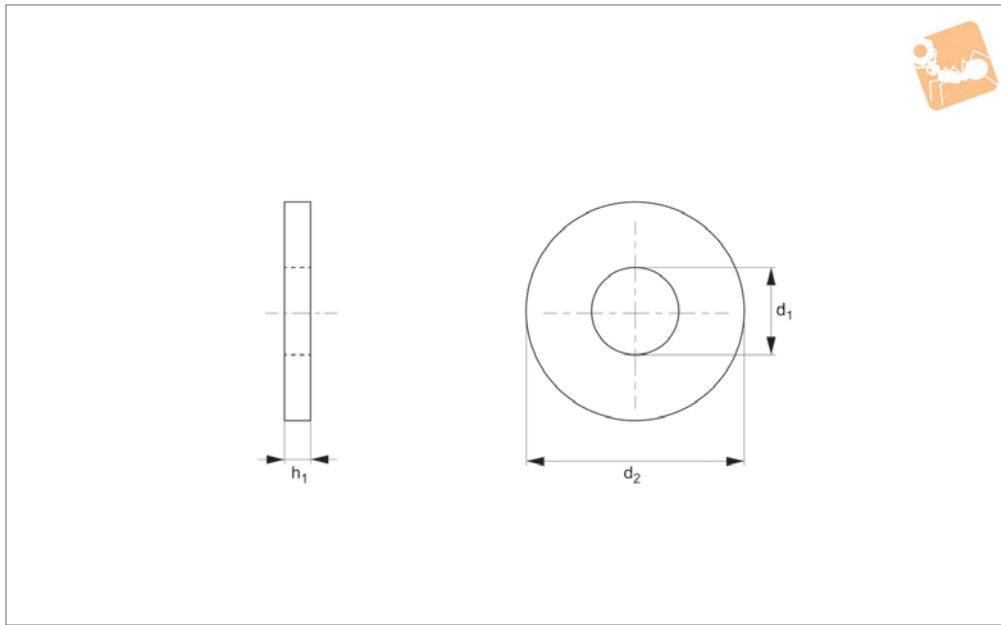


# Flat Washers Form A

Nylon



## Flat Washers



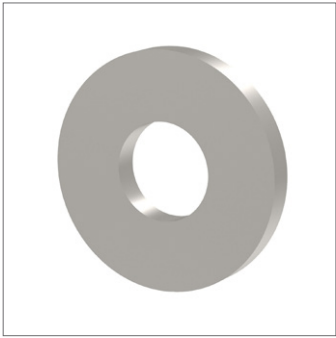
**P0330.NL**

FLAT WASHERS

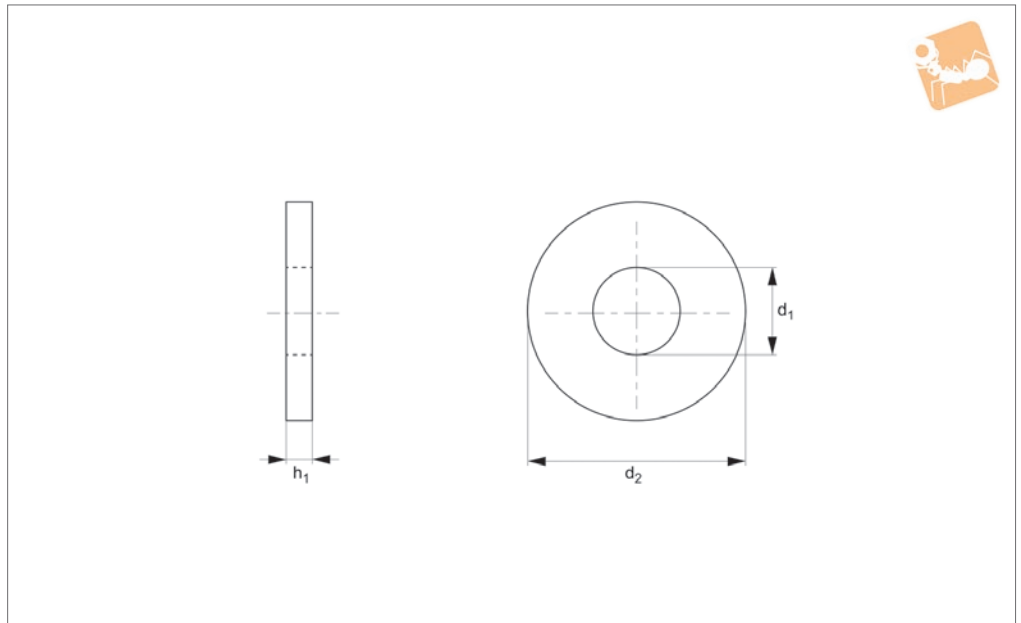
**Material**  
Nylon.

**Technical Notes**  
To DIN 125 A.

Order No.	For thread	$d_1$	$d_2$	$h_1$	Material
P0330.025-NL	M2,5	2.7	6	0.5	Nylon
P0330.030-NL	M 3	3.2	7	0.5	Nylon
P0330.040-NL	M 4	4.3	9	0.8	Nylon
P0330.050-NL	M 5	5.3	10	1.0	Nylon
P0330.060-NL	M 6	6.4	12	1.6	Nylon
P0330.080-NL	M 8	8.4	16	1.6	Nylon
P0330.100-NL	M10	10.5	20	2.0	Nylon
P0330.120-NL	M12	13.0	24	2.5	Nylon
P0330.160-NL	M16	17.0	30	3.0	Nylon
P0330.200-NL	M20	21.0	37	3.0	Nylon
P0330.240-NL	M24	25.0	44	4.0	Nylon
P0330.300-NL	M30	31.0	56	4.0	Nylon



**P0330.A2**



**Material**  
Stainless steel (A2).

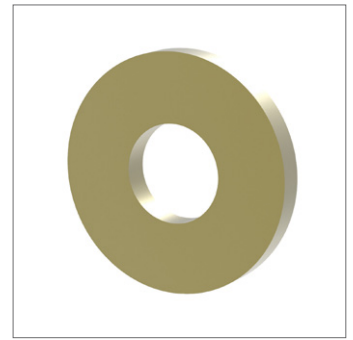
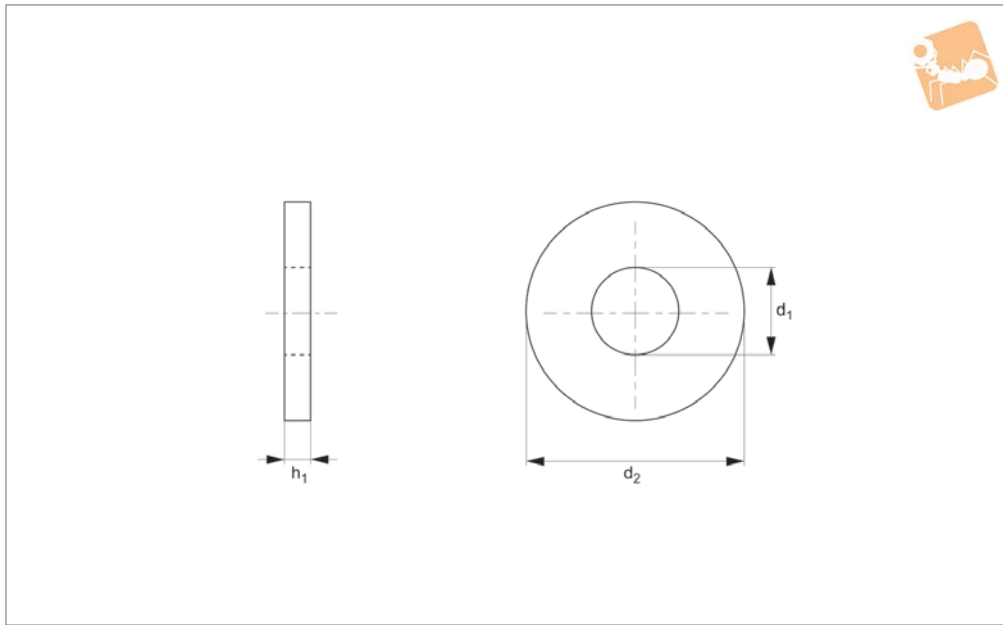
**Technical Notes**  
To DIN 125 A.

Order No.	For thread	d <sub>1</sub>	d <sub>2</sub>	h <sub>1</sub>	Material
P0330.016-A2	M1,6	1.7	4	0.3	A2 s/s
P0330.020-A2	M 2	2.2	5	0.3	A2 s/s
P0330.023-A2	M2,3	2.5	6	0.5	A2 s/s
P0330.025-A2	M2,5	2.7	6	0.5	A2 s/s
P0330.030-A2	M 3	3.2	7	0.5	A2 s/s
P0330.035-A2	M3,5	3.7	8	0.5	A2 s/s
P0330.040-A2	M 4	4.3	9	0.8	A2 s/s
P0330.050-A2	M 5	5.3	10	1.0	A2 s/s
P0330.060-A2	M 6	6.4	12	1.6	A2 s/s
P0330.070-A2	M 7	7.4	14	1.6	A2 s/s
P0330.080-A2	M 8	8.4	16	1.6	A2 s/s
P0330.100-A2	M10	10.5	20	2.0	A2 s/s
P0330.120-A2	M12	13.0	24	2.5	A2 s/s
P0330.140-A2	M14	15.0	28	2.5	A2 s/s
P0330.160-A2	M16	17.0	30	3.0	A2 s/s
P0330.180-A2	M18	19.0	34	3.0	A2 s/s
P0330.200-A2	M20	21.0	37	3.0	A2 s/s
P0330.220-A2	M22	23.0	39	3.0	A2 s/s
P0330.240-A2	M24	25.0	44	4.0	A2 s/s
P0330.270-A2	M27	28.0	50	4.0	A2 s/s
P0330.300-A2	M30	31.0	56	4.0	A2 s/s



# Flat Washers Form A

Brass



**P0330.BR**

FLAT WASHERS

### Material

Brass.

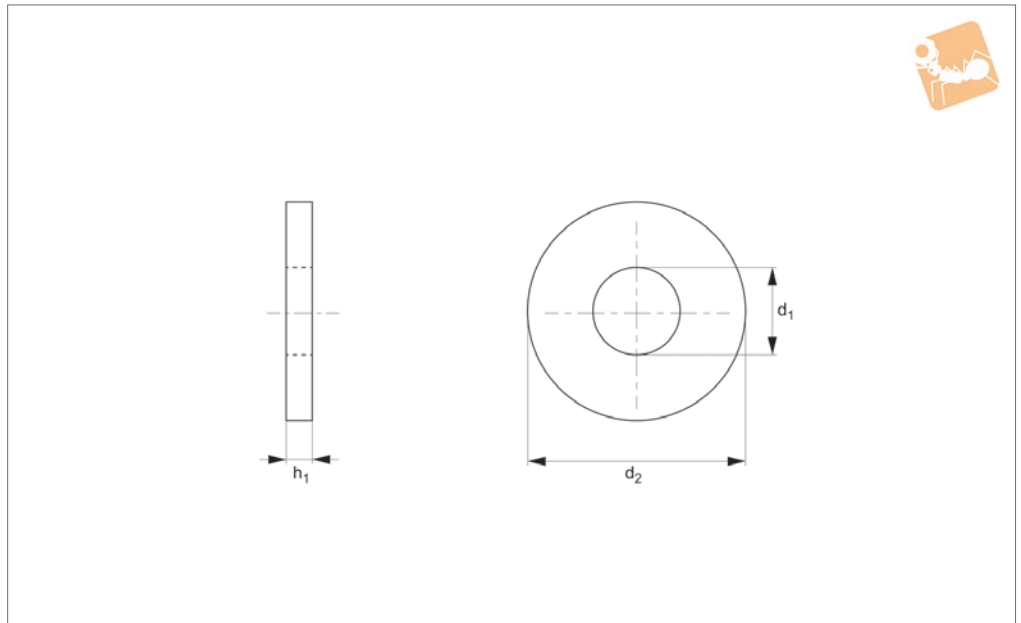
### Technical Notes

To DIN 125 A.

Order No.	For thread	d <sub>1</sub>	d <sub>2</sub>	h <sub>1</sub>	Material
P0330.025-BR	M2,5	2.7	6	0.5	Brass
P0330.030-BR	M 3	3.2	7	0.5	Brass
P0330.053-BR	M5-3	5.3	10	1.0	Brass
P0330.043-BR	M4-5	4.3	9	0.8	Brass
P0330.064-BR	M 6	6.4	12	1.6	Brass
P0330.074-BR	M7-9	7.4	14	1.6	Brass
P0330.084-BR	M8-5	8.4	16	1.6	Brass
P0330.250-BR	M24	25	44	4.0	Brass
P0330.027-BR	M2,5	2.7	6	0.5	Brass
P0330.032-BR	M3	3.2	7	0.5	Brass
P0330.022-BR	M2-5	2.2	5	0.3	Brass



**P0330.ZP**



### Material

Steel, zinc-plated.

### Technical Notes

To DIN 125 A.

Order No.	For thread	$d_1$	$d_2$	$h_1$	Material
P0330.016-ZP	M1,6	1.7	4	0.3	Steel ZP
P0330.020-ZP	M 2	2.2	5	0.3	Steel ZP
P0330.023-ZP	M2,3	2.5	6	0.5	Steel ZP
P0330.025-ZP	M2,5	2.7	6	0.5	Steel ZP
P0330.030-ZP	M 3	3.2	7	0.5	Steel ZP
P0330.035-ZP	M3,5	3.7	8	0.5	Steel ZP
P0330.040-ZP	M 4	4.3	9	0.8	Steel ZP
P0330.050-ZP	M 5	5.3	10	1.0	Steel ZP
P0330.060-ZP	M 6	6.4	12	1.6	Steel ZP
P0330.070-ZP	M 7	7.4	14	1.6	Steel ZP
P0330.080-ZP	M 8	8.4	16	1.6	Steel ZP
P0330.100-ZP	M10	10.5	20	2.0	Steel ZP
P0330.120-ZP	M12	13.0	24	2.5	Steel ZP
P0330.140-ZP	M14	15.0	28	2.5	Steel ZP
P0330.160-ZP	M16	17.0	30	3.0	Steel ZP
P0330.180-ZP	M18	19.0	34	3.0	Steel ZP
P0330.200-ZP	M20	21.0	37	3.0	Steel ZP
P0330.220-ZP	M22	23.0	39	3.0	Steel ZP
P0330.240-ZP	M24	25.0	44	4.0	Steel ZP
P0330.270-ZP	M27	28.0	50	4.0	Steel ZP
P0330.300-ZP	M30	31.0	56	4.0	Steel ZP