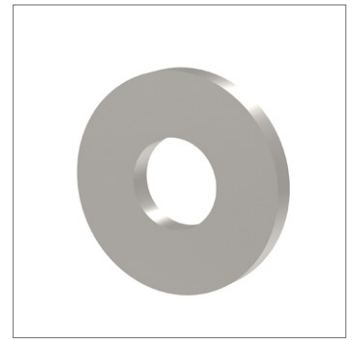
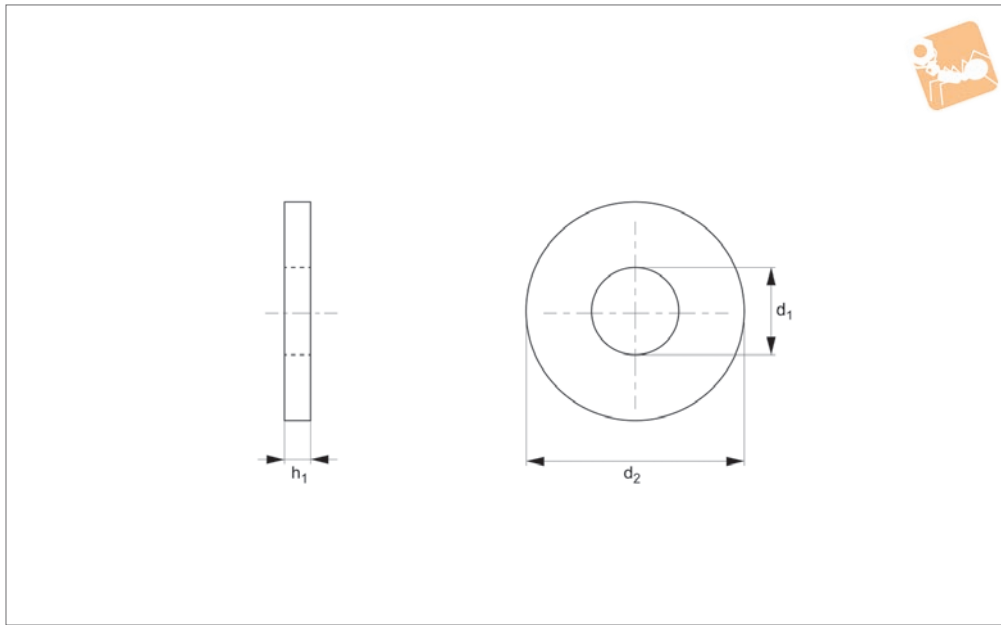




# Flat Washers Form C

A2 stainless



**P0332.A2**

FLAT WASHERS

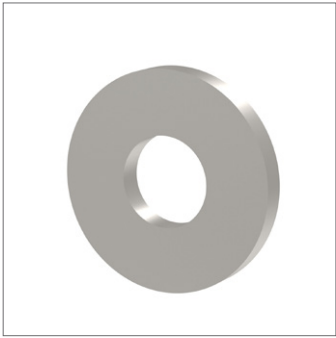
### Material

Stainless steel (A2).

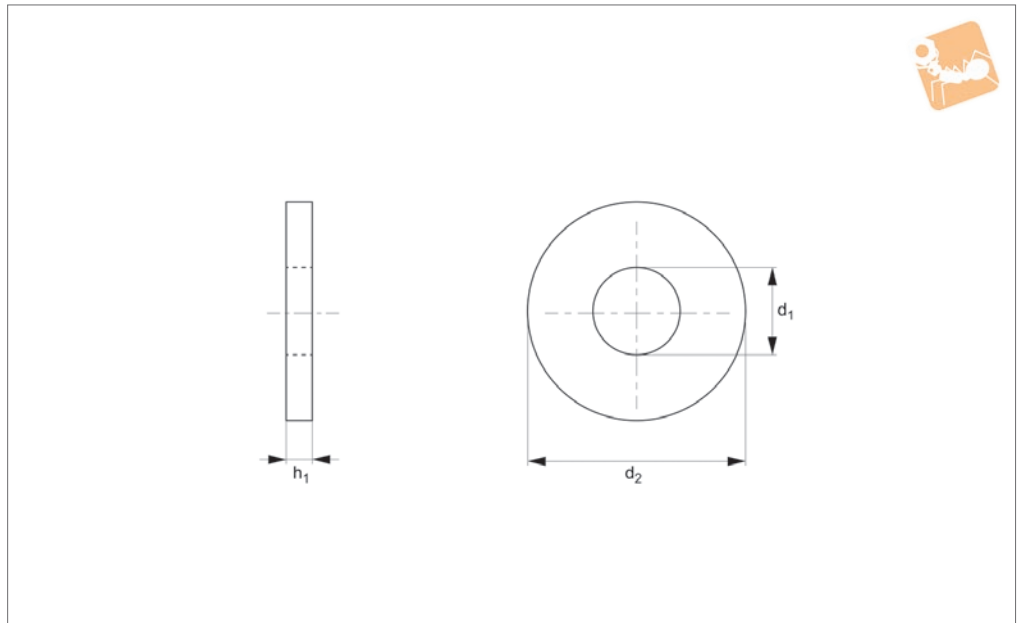
### Technical Notes

To DIN 125 C, BS4320C.

Order No.	For thread	d <sub>1</sub>	d <sub>2</sub>	h	Material
P0332.040-A2	M 4	4.3	10	0.8	A2 s/s
P0332.050-A2	M 5	5.3	12.5	1.0	A2 s/s
P0332.060-A2	M 6	6.4	14	1.6	A2 s/s
P0332.070-A2	M 7	7.4	16	1.6	A2 s/s
P0332.080-A2	M 8	8.4	21	1.6	A2 s/s
P0332.100-A2	M10	10.5	24	2.0	A2 s/s
P0332.120-A2	M12	13.0	28	2.5	A2 s/s
P0332.140-A2	M14	15.0	30	2.5	A2 s/s
P0332.160-A2	M16	17.0	34	3.0	A2 s/s
P0332.180-A2	M18	19.0	37	3.0	A2 s/s
P0332.200-A2	M20	21.0	39	3.0	A2 s/s
P0332.220-A2	M22	23.0	44	3.0	A2 s/s
P0332.240-A2	M24	25.0	50	4.0	A2 s/s
P0332.270-A2	M27	28.0	56	4.0	A2 s/s
P0332.300-A2	M30	31.0	60	4.0	A2 s/s



**P0332.A4**



**Material**  
Stainless steel (A4).

**Technical Notes**  
To DIN 125 C, BS4320C.

Order No.	For thread	$d_1$	$d_2$	$h$	Material
P0332.040-A4	M 4	4.3	10	0.8	A4 s/s
P0332.050-A4	M 5	5.3	12.5	1.0	A4 s/s
P0332.060-A4	M 6	6.4	14	1.6	A4 s/s
P0332.070-A4	M 7	7.4	16	1.6	A4 s/s
P0332.080-A4	M 8	8.4	21	1.6	A4 s/s
P0332.100-A4	M10	10.5	24	2.0	A4 s/s
P0332.120-A4	M12	13.0	28	2.5	A4 s/s
P0332.140-A4	M14	15.0	30	2.5	A4 s/s
P0332.160-A4	M16	17.0	34	3.0	A4 s/s
P0332.180-A4	M18	19.0	37	3.0	A4 s/s
P0332.200-A4	M20	21.0	39	3.0	A4 s/s
P0332.220-A4	M22	23.0	44	3.0	A4 s/s
P0332.240-A4	M24	25.0	50	4.0	A4 s/s
P0332.270-A4	M27	28.0	56	4.0	A4 s/s
P0332.300-A4	M30	31.0	60	4.0	A4 s/s

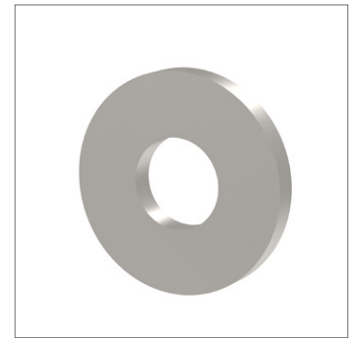
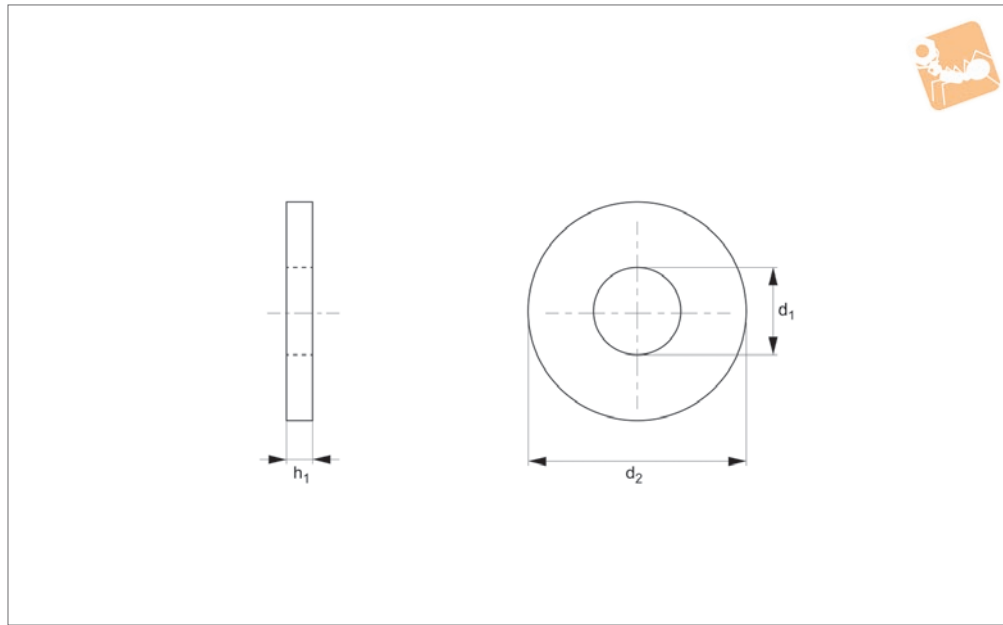


# Flat Washers Form C

Steel, zinc-plated



## Flat Washers



**P0332.ZP**

FLAT WASHERS

### Material

Steel, zinc-plated.

### Technical Notes

To DIN 125 C, BS4320C.

Order No.	For thread	$d_1$	$d_2$	h	Material
P0332.040-ZP	M 4	4.3	10	0.8	Steel ZP
P0332.050-ZP	M 5	5.3	12.5	1.0	Steel ZP
P0332.060-ZP	M 6	6.4	14	1.6	Steel ZP
P0332.070-ZP	M 7	7.4	16	1.6	Steel ZP
P0332.080-ZP	M 8	8.4	21	1.6	Steel ZP
P0332.100-ZP	M10	10.5	24	2.0	Steel ZP
P0332.120-ZP	M12	13.0	28	2.5	Steel ZP
P0332.140-ZP	M14	15.0	30	2.5	Steel ZP
P0332.160-ZP	M16	17.0	34	3.0	Steel ZP
P0332.180-ZP	M18	19.0	37	3.0	Steel ZP
P0332.200-ZP	M20	21.0	39	3.0	Steel ZP
P0332.220-ZP	M22	23.0	44	3.0	Steel ZP
P0332.240-ZP	M24	25.0	50	4.0	Steel ZP
P0332.270-ZP	M27	28.0	56	4.0	Steel ZP
P0332.300-ZP	M30	31.0	60	4.0	Steel ZP