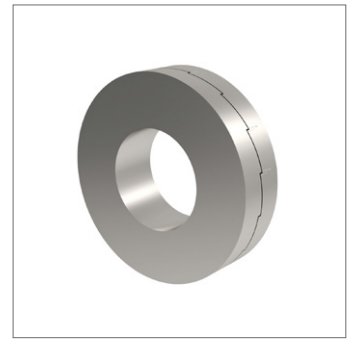
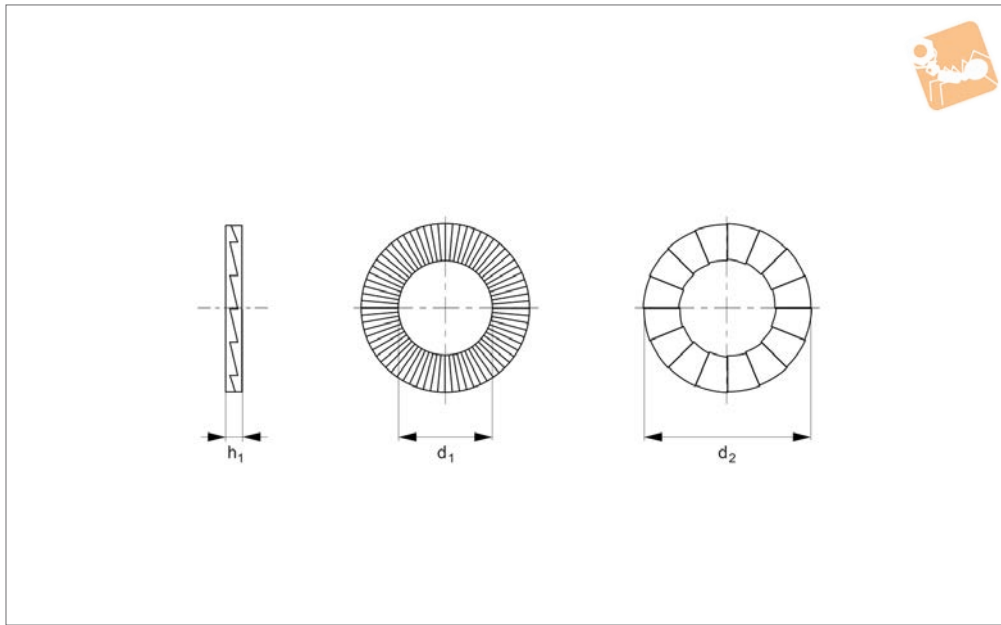




Locking Washers (Nord-Lock) A4 stainless



Flat Washers



P0367.A4

FLAT WASHERS

Material

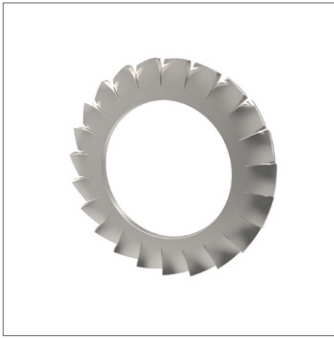
Stainless steel (A4, AISI 316).

dynamic loads. Washers are installed in pairs, wedge face to wedge face.

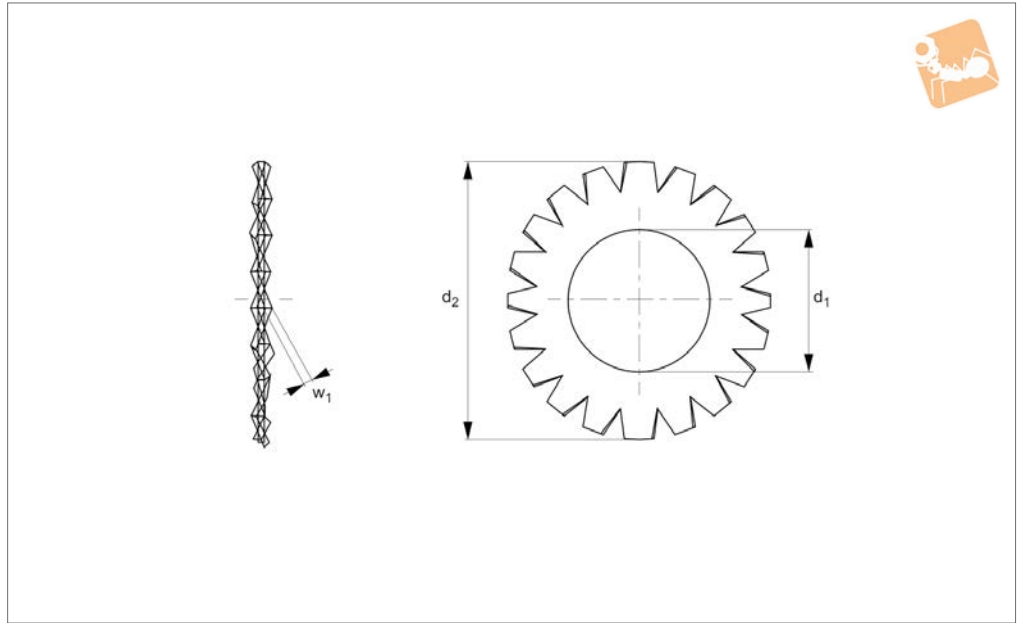
Technical Notes

Locking washer for vibration proofing and

Order No.	For thread	d ₁	d ₂	h ₁	Material
P0367.030-A4	M 3	3.4	7.0	1.8	A4 s/s
P0367.040-A4	M 4	4.4	7.6	1.8	A4 s/s
P0367.050-A4	M 5	5.4	9.0	1.8	A4 s/s
P0367.060-A4	M 6	6.5	10.8	1.8	A4 s/s
P0367.080-A4	M 8	8.7	13.5	2.5	A4 s/s
P0367.100-A4	M10	10.7	16.6	2.5	A4 s/s
P0367.120-A4	M12	13	19.5	2.5	A4 s/s
P0367.140-A4	M14	15.2	23.0	3.4	A4 s/s
P0367.160-A4	M16	17	25.4	3.4	A4 s/s
P0367.180-A4	M18	19.5	29.0	3.4	A4 s/s
P0367.200-A4	M20	21.4	30.7	3.4	A4 s/s
P0367.220-A4	M22	23.4	34.5	3.4	A4 s/s
P0367.240-A4	M24	25.3	39.0	3.4	A4 s/s
P0367.270-A4	M27	28.4	42.0	6.6	A4 s/s
P0367.300-A4	M30	31.4	47.0	6.6	A4 s/s
P0367.330-A4	M33	34.4	48.5	6.3	A4 s/s
P0367.360-A4	M36	37.4	55.0	6.6	A4 s/s
P0367.420-A4	M42	43.2	63.0	6.6	A4 s/s



P0372.A2



Material

Stainless steel (A2, AISI 303).

Technical Notes

To DIN 6798 A.

Order No.	d ₁ for thread	d ₂	w ₁	Material
P0372.020-A2	M 2	4.5	0.3	A2 s/s
P0372.025-A2	M2,5	5.5	0.4	A2 s/s
P0372.030-A2	M 3	6.0	0.4	A2 s/s
P0372.035-A2	M3,5	7.0	0.5	A2 s/s
P0372.040-A2	M 4	8.0	0.5	A2 s/s
P0372.050-A2	M 5	9.0	0.6	A2 s/s
P0372.051-A2	M 5	10.0	0.6	A2 s/s
P0372.060-A2	M 6	11.0	0.7	A2 s/s
P0372.070-A2	M 7	12.5	0.8	A2 s/s
P0372.080-A2	M 8	14.0	0.8	A2 s/s
P0372.081-A2	M 8	15.0	0.9	A2 s/s
P0372.100-A2	M10	18.0	1.0	A2 s/s
P0372.120-A2	M12	20.5	1.0	A2 s/s
P0372.140-A2	M14	24.0	1.2	A2 s/s
P0372.160-A2	M16	26.0	1.4	A2 s/s
P0372.180-A2	M18	30.0	1.4	A2 s/s
P0372.200-A2	M20	33.0	1.5	A2 s/s
P0372.220-A2	M22	36.0	1.5	A2 s/s
P0372.240-A2	M24	38.0	1.6	A2 s/s
P0372.270-A2	M27	44.0	1.6	A2 s/s
P0372.300-A2	M30	48.0	1.6	A2 s/s

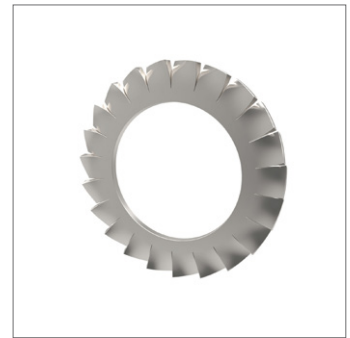
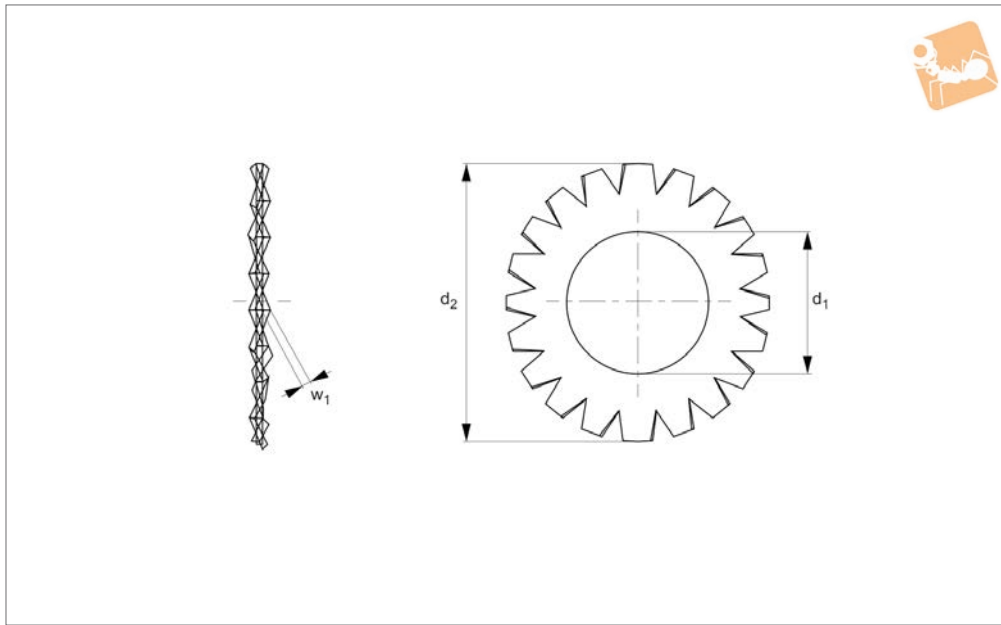


External Serrated Lock Washers

A4 stainless



Flat Washers



P0372.A4

FLAT WASHERS

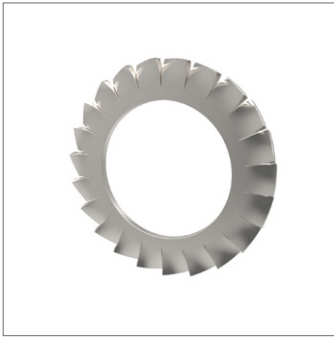
Material

Stainless steel (A4, AISI 316)

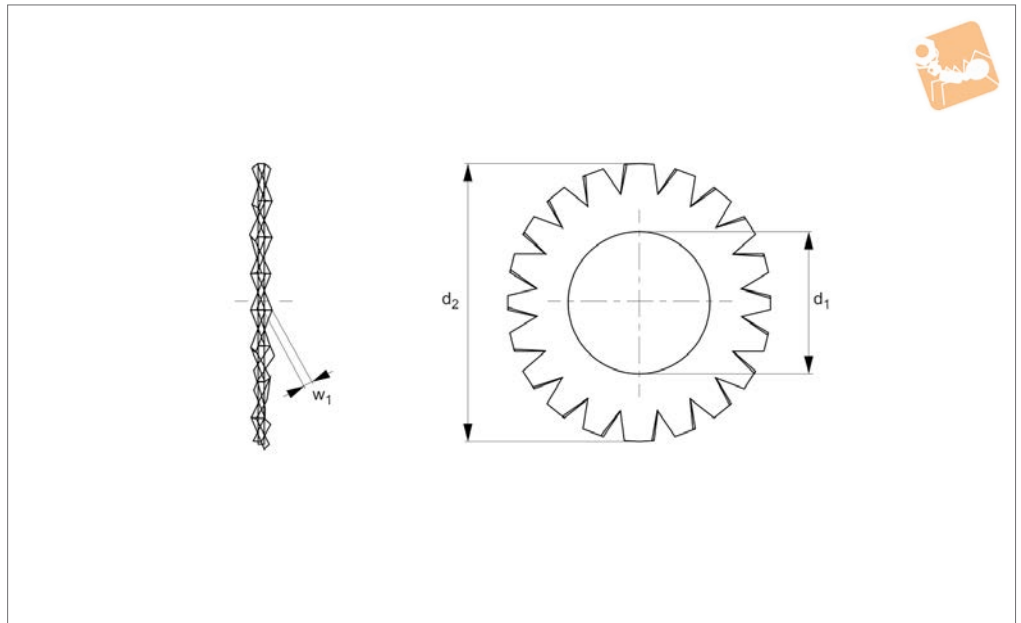
Technical Notes

To DIN 6798 A.

Order No.	d ₁ for thread	d ₂	w ₁	Material
P0372.020-A4	M 2	4.5	0.3	A4 s/s
P0372.025-A4	M2,5	5.5	0.4	A4 s/s
P0372.030-A4	M 3	6.0	0.4	A4 s/s
P0372.035-A4	M3,5	7.0	0.5	A4 s/s
P0372.040-A4	M 4	8.0	0.5	A4 s/s
P0372.050-A4	M 5	9.0	0.6	A4 s/s
P0372.051-A4	M 5	10.0	0.6	A4 s/s
P0372.060-A4	M 6	11.0	0.7	A4 s/s
P0372.070-A4	M 7	12.5	0.8	A4 s/s
P0372.080-A4	M 8	14.0	0.8	A4 s/s
P0372.081-A4	M 8	15.0	0.8	A4 s/s
P0372.090-A4	M 9	15.0	0.9	A4 s/s
P0372.100-A4	M10	18.0	1.0	A4 s/s
P0372.120-A4	M12	20.5	1.0	A4 s/s
P0372.140-A4	M14	24.0	1.2	A4 s/s
P0372.160-A4	M16	26.0	1.4	A4 s/s
P0372.180-A4	M18	30.0	1.4	A4 s/s
P0372.200-A4	M20	33.0	1.5	A4 s/s
P0372.220-A4	M22	36.0	1.5	A4 s/s
P0372.240-A4	M24	38.0	1.6	A4 s/s
P0372.270-A4	M27	44.0	1.6	A4 s/s
P0372.300-A4	M30	48.0	1.6	A4 s/s



P0372.ZP



Material

Spring steel, zinc-plated.

Technical Notes

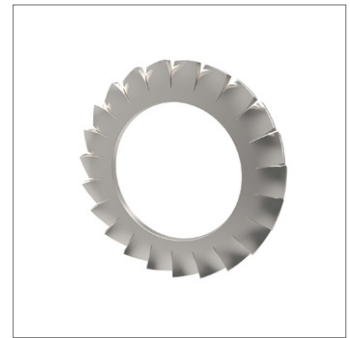
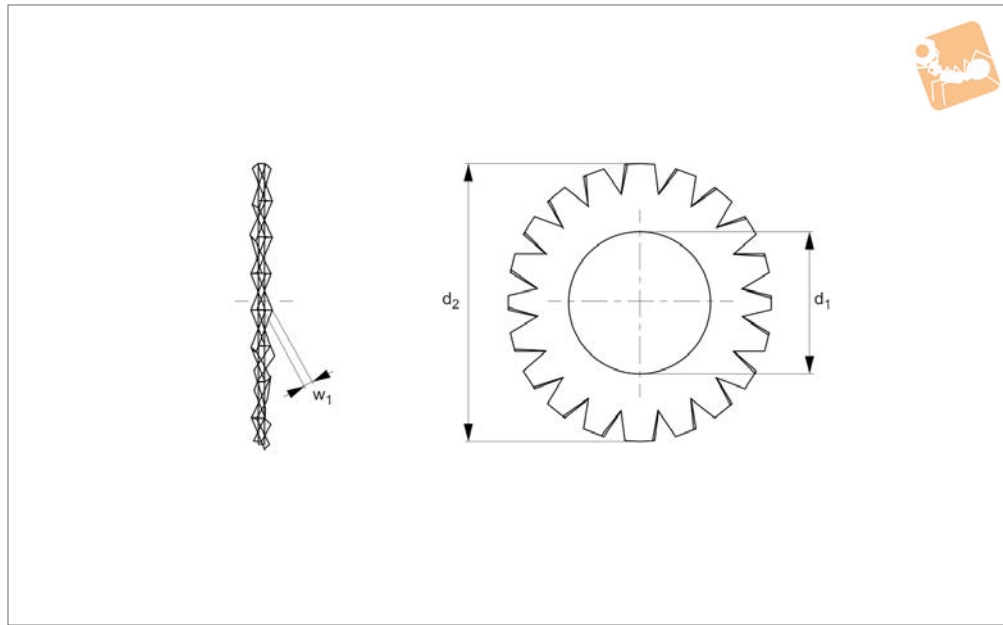
To DIN 6798 A.

Order No.	d ₁ for thread	d ₂	w ₁	Material
P0372.020-ZP	M 2	4.5	0.3	Steel ZP
P0372.025-ZP	M2,5	5.5	0.4	Steel ZP
P0372.030-ZP	M 3	6.0	0.4	Steel ZP
P0372.035-ZP	M3,5	7.0	0.5	Steel ZP
P0372.040-ZP	M 4	8.0	0.5	Steel ZP
P0372.050-ZP	M 5	9.0	0.6	Steel ZP
P0372.051-ZP	M 5	10.0	0.6	Steel ZP
P0372.060-ZP	M 6	11.0	0.7	Steel ZP
P0372.070-ZP	M 7	12.5	0.8	Steel ZP
P0372.080-ZP	M 8	14.0	0.8	Steel ZP
P0372.081-ZP	M 8	14.0	0.8	Steel ZP
P0372.090-ZP	M 9	15.0	0.9	Steel ZP
P0372.100-ZP	M10	18.0	1.0	Steel ZP
P0372.120-ZP	M12	20.5	1.0	Steel ZP
P0372.140-ZP	M14	24.0	1.2	Steel ZP
P0372.160-ZP	M16	26.0	1.4	Steel ZP
P0372.180-ZP	M18	30.0	1.4	Steel ZP
P0372.200-ZP	M20	33.0	1.5	Steel ZP
P0372.220-ZP	M22	36.0	1.5	Steel ZP
P0372.240-ZP	M24	38.0	1.6	Steel ZP



External Serrated Lock Washers

Steel, self-coloured



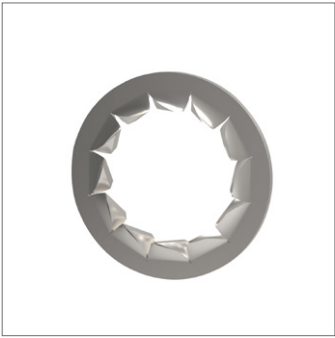
P0372.SC

FLAT WASHERS

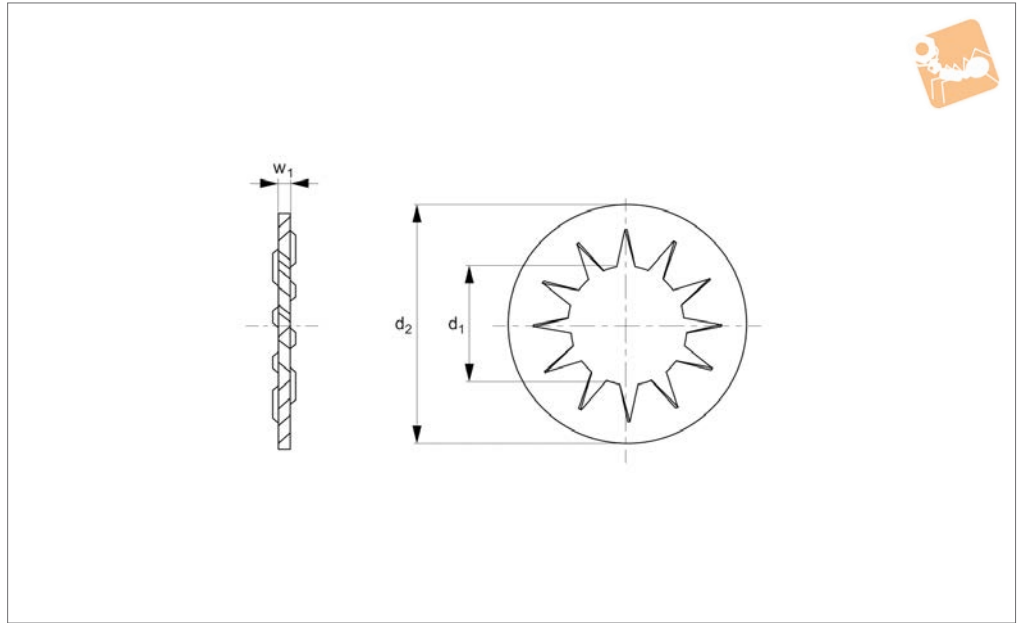
Material
Spring steel, self-colour.

Technical Notes
To DIN 6798 A.

Order No.	d ₁ for thread	d ₂	w ₁	Material
P0372.020-SC	M 2	4.5	0.3	Steel SC
P0372.025-SC	M2,5	5.5	0.4	Steel SC
P0372.030-SC	M 3	6.0	0.4	Steel SC
P0372.035-SC	M3,5	7.0	0.5	Steel SC
P0372.040-SC	M 4	8.0	0.5	Steel SC
P0372.050-SC	M 5	9.0	0.6	Steel SC
P0372.051-SC	M 5	10.0	0.6	Steel SC
P0372.060-SC	M 6	11.0	0.7	Steel SC
P0372.070-SC	M 7	12.5	0.8	Steel SC
P0372.080-SC	M 8	14.0	0.8	Steel SC
P0372.081-SC	M 8	14.0	0.8	Steel SC
P0372.090-SC	M 9	15.0	0.9	Steel SC
P0372.100-SC	M10	18.0	1.0	Steel SC
P0372.120-SC	M12	20.5	1.0	Steel SC
P0372.140-SC	M14	24.0	1.2	Steel SC
P0372.160-SC	M16	26.0	1.4	Steel SC
P0372.180-SC	M18	30.0	1.4	Steel SC
P0372.200-SC	M20	33.0	1.5	Steel SC
P0372.220-SC	M22	36.0	1.5	Steel SC
P0372.240-SC	M24	38.0	1.6	Steel SC
P0372.270-SC	M27	44.0	1.6	Steel SC
P0372.300-SC	M30	48.0	1.6	Steel SC



P0373.A2



Material

Stainless steel (A2, AISI 303).

Technical Notes

To DIN 6798 B.

Order No.	d_1 for thread	d_2	w_1	Material
P0373.020-A2	M 2	4.5	0.3	A2 s/s
P0373.025-A2	M2,5	5.5	0.4	A2 s/s
P0373.030-A2	M 3	6.0	0.4	A2 s/s
P0373.035-A2	M3,5	7.0	0.5	A2 s/s
P0373.040-A2	M 4	8.0	0.5	A2 s/s
P0373.050-A2	M 5	10.0	0.6	A2 s/s
P0373.060-A2	M 6	11.0	0.7	A2 s/s
P0373.070-A2	M 7	12.5	0.8	A2 s/s
P0373.080-A2	M 8	15.0	0.8	A2 s/s
P0373.100-A2	M10	18.0	0.9	A2 s/s
P0373.120-A2	M12	20.5	1.0	A2 s/s
P0373.140-A2	M14	24.0	1.0	A2 s/s
P0373.160-A2	M16	26.0	1.2	A2 s/s
P0373.180-A2	M18	30.0	1.4	A2 s/s
P0373.200-A2	M20	33.0	1.4	A2 s/s
P0373.220-A2	M22	36.0	1.5	A2 s/s
P0373.240-A2	M24	38.0	1.5	A2 s/s
P0373.270-A2	M27	44.0	1.6	A2 s/s
P0373.300-A2	M30	48.0	1.6	A2 s/s

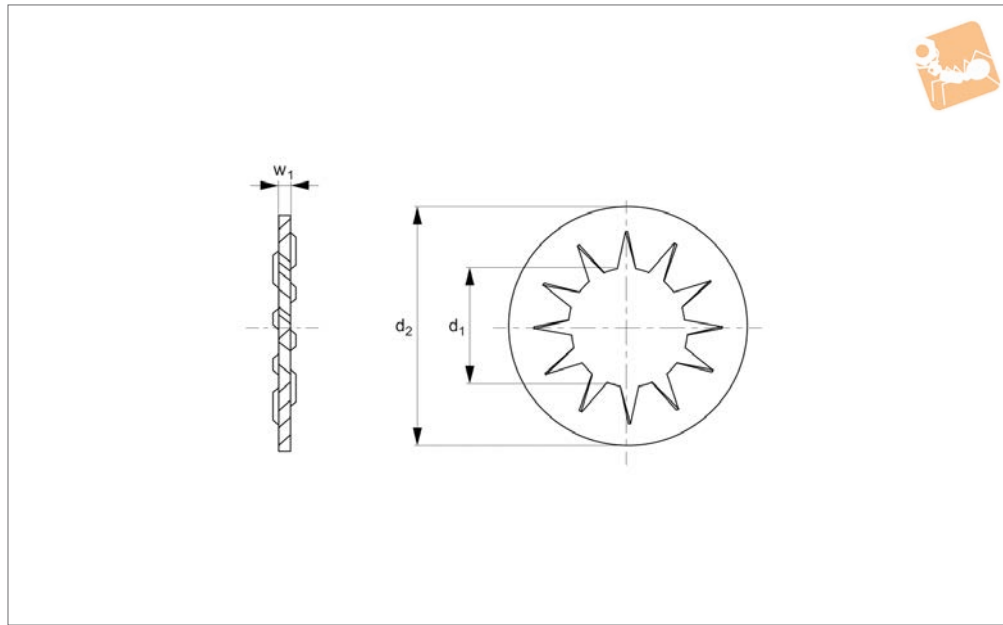


Internal Serrated Lock Washers

A4 stainless



Flat Washers



P0373.A4

FLAT WASHERS

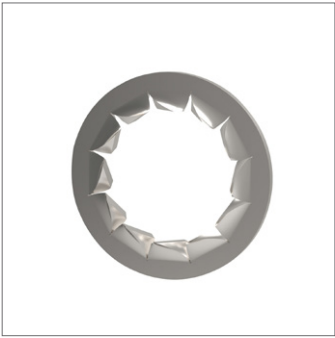
Material

Stainless steel (A4, AISI 316).

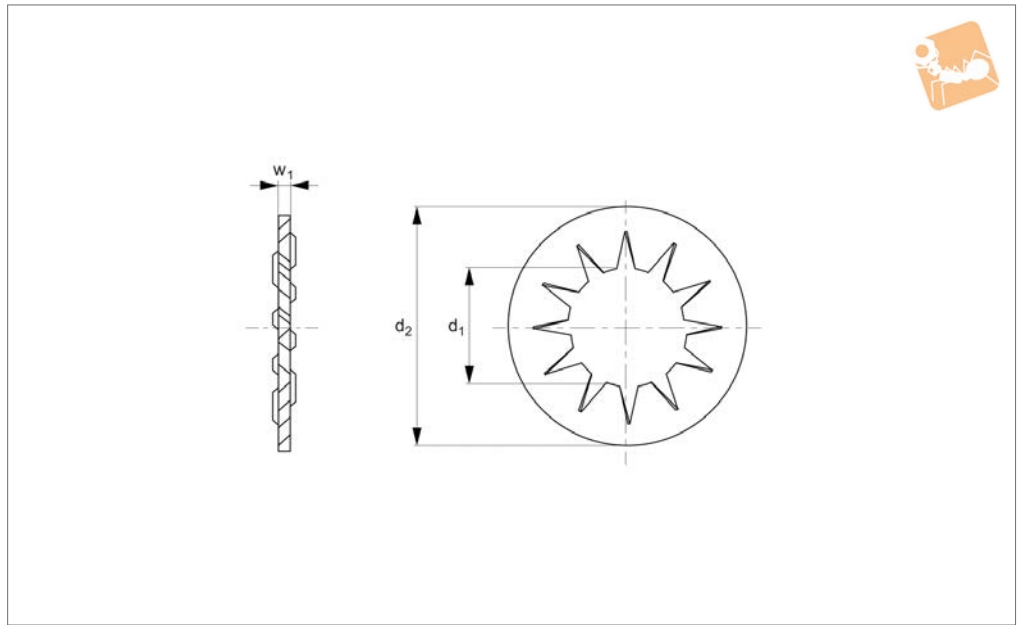
Technical Notes

To DIN 6798 B.

Order No.	d ₁ for thread	d ₂	w ₁	Material
P0373.020-A4	M 2	4.5	0.3	A4 s/s
P0373.025-A4	M2,5	5.5	0.4	A4 s/s
P0373.030-A4	M 3	6.0	0.4	A4 s/s
P0373.035-A4	M3,5	7.0	0.5	A4 s/s
P0373.040-A4	M 4	8.0	0.5	A4 s/s
P0373.050-A4	M 5	10.0	0.6	A4 s/s
P0373.060-A4	M 6	11.0	0.7	A4 s/s
P0373.070-A4	M 7	12.5	0.8	A4 s/s
P0373.080-A4	M 8	15.0	0.8	A4 s/s
P0373.100-A4	M10	18.0	0.9	A4 s/s
P0373.120-A4	M12	20.5	1.0	A4 s/s
P0373.140-A4	M14	24.0	1.0	A4 s/s
P0373.160-A4	M16	26.0	1.2	A4 s/s
P0373.180-A4	M18	30.0	1.4	A4 s/s
P0373.200-A4	M20	33.0	1.4	A4 s/s
P0373.220-A4	M22	36.0	1.5	A4 s/s
P0373.240-A4	M24	38.0	1.5	A4 s/s
P0373.270-A4	M27	44.0	1.6	A4 s/s
P0373.300-A4	M30	48.0	1.6	A4 s/s



P0373.ZP



Material

Spring steel, zinc-plated.

Technical Notes

To DIN 6798 B.

Order No.	d ₁ for thread	d ₂	w ₁	Material
P0373.020-ZP	M 2	4.5	0.3	Steel ZP
P0373.025-ZP	M2,5	5.5	0.4	Steel ZP
P0373.030-ZP	M 3	6.0	0.4	Steel ZP
P0373.035-ZP	M3,5	7.0	0.5	Steel ZP
P0373.040-ZP	M 4	8.0	0.5	Steel ZP
P0373.050-ZP	M 5	10.0	0.6	Steel ZP
P0373.060-ZP	M 6	11.0	0.7	Steel ZP
P0373.070-ZP	M 7	12.5	0.8	Steel ZP
P0373.080-ZP	M 8	15.0	0.8	Steel ZP
P0373.100-ZP	M10	18.0	0.9	Steel ZP
P0373.120-ZP	M12	20.5	1.0	Steel ZP
P0373.140-ZP	M14	24.0	1.0	Steel ZP
P0373.160-ZP	M16	26.0	1.2	Steel ZP
P0373.180-ZP	M18	30.0	1.4	Steel ZP
P0373.200-ZP	M20	33.0	1.4	Steel ZP
P0373.220-ZP	M22	36.0	1.5	Steel ZP
P0373.240-ZP	M24	38.0	1.5	Steel ZP

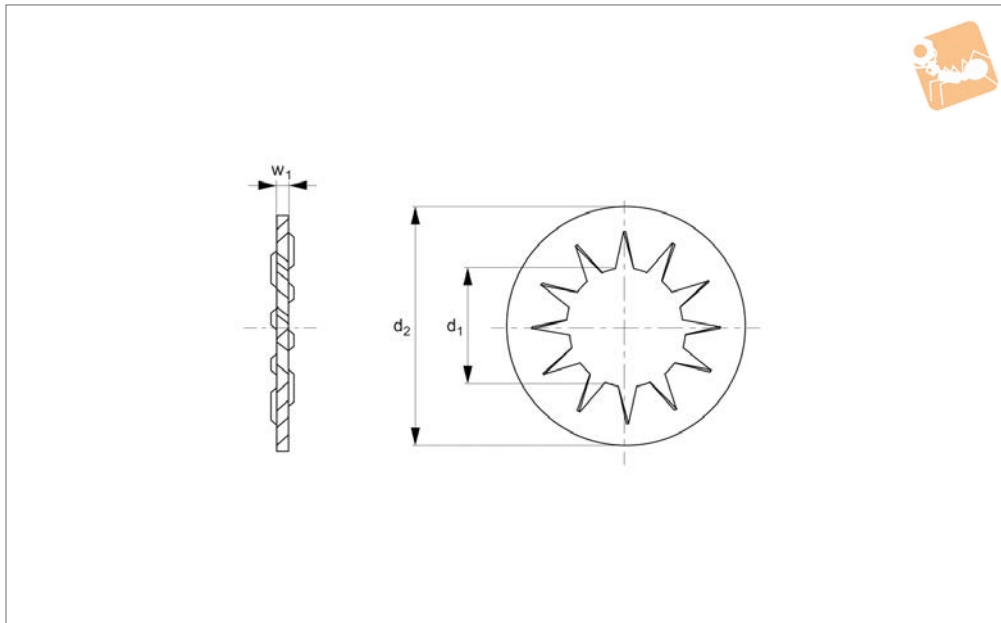


Internal Serrated Lock Washers

Steel, self-coloured



Flat Washers



P0373.SC

FLAT WASHERS

Material
Spring steel, self-colour.

Technical Notes
To DIN 6798 B.

Order No.	d ₁ for thread	d ₂	w ₁	Material
P0373.020-SC	M 2	4.5	0.3	Steel SC
P0373.025-SC	M2,5	5.5	0.4	Steel SC
P0373.030-SC	M 3	6.0	0.4	Steel SC
P0373.035-SC	M3,5	7.0	0.5	Steel SC
P0373.040-SC	M 4	8.0	0.5	Steel SC
P0373.050-SC	M 5	10.0	0.6	Steel SC
P0373.060-SC	M 6	11.0	0.7	Steel SC
P0373.070-SC	M 7	12.5	0.8	Steel SC
P0373.080-SC	M 8	15.0	0.8	Steel SC
P0373.100-SC	M10	18.0	0.9	Steel SC
P0373.120-SC	M12	20.5	1.0	Steel SC
P0373.140-SC	M14	24.0	1.0	Steel SC
P0373.160-SC	M16	26.0	1.2	Steel SC
P0373.180-SC	M18	30.0	1.4	Steel SC
P0373.200-SC	M20	33.0	1.4	Steel SC
P0373.220-SC	M22	36.0	1.5	Steel SC
P0373.240-SC	M24	38.0	1.5	Steel SC
P0373.270-SC	M27	44.0	1.6	Steel SC
P0373.300-SC	M30	48.0	1.6	Steel SC