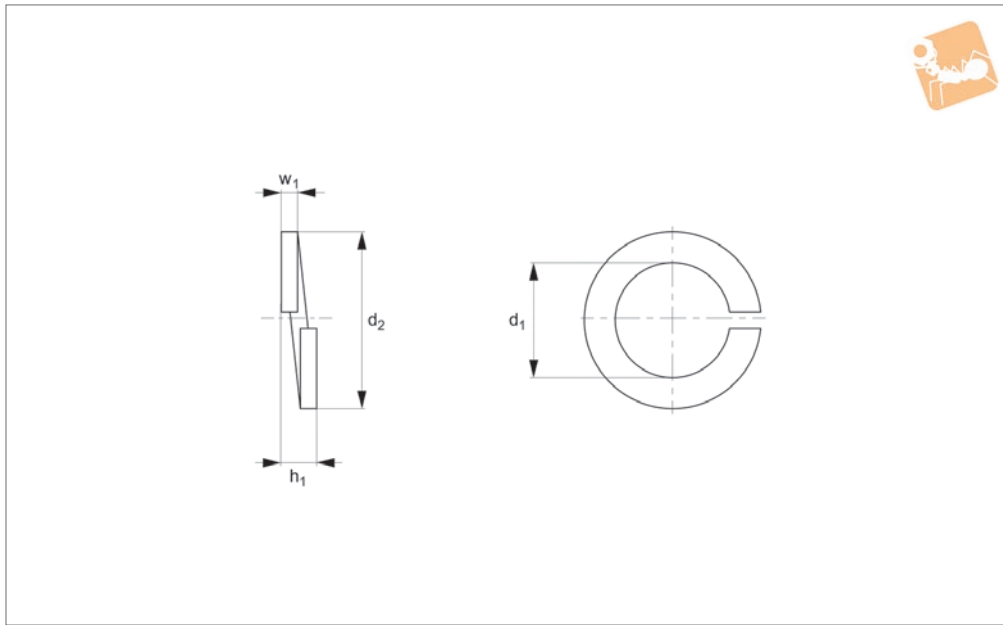




# Spring Washers Square Section

A2 stainless



**P0371.A2**

FLAT WASHERS

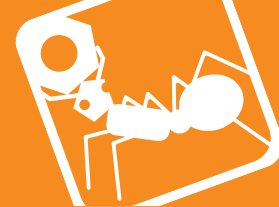
### Material

Stainless steel (A2, AISI 303).

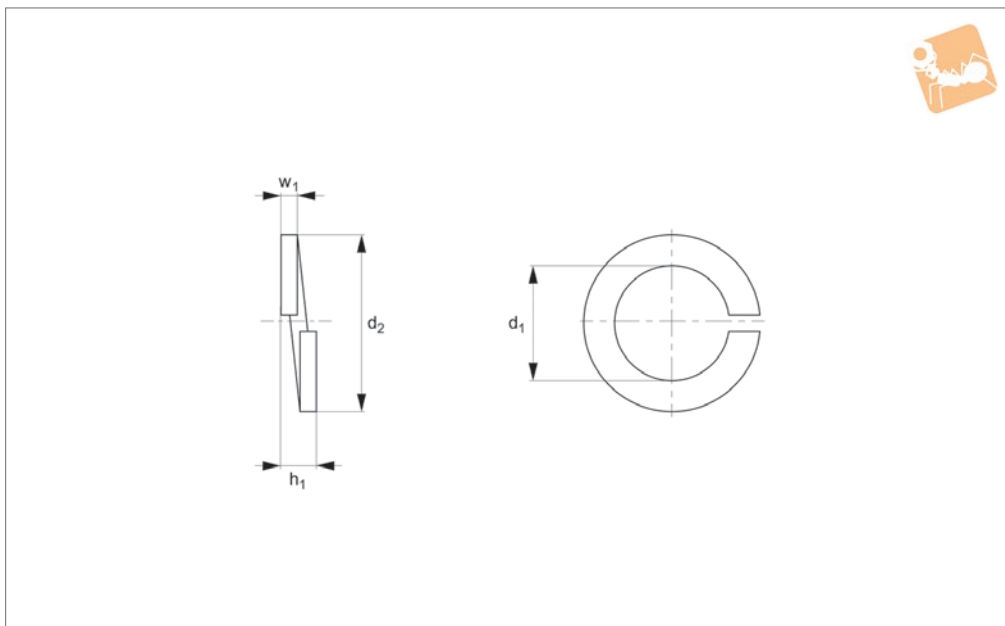
### Technical Notes

To DIN 7980. For screws with cylindrical heads.

Order No.	Thread	d <sub>1</sub>	d <sub>2</sub>	h <sub>1</sub> min.	w <sub>1</sub>	Material
P0371.030-A2	M 3	3.1	5.6	2.0	1.0	A2 s/s
P0371.035-A2	M3,5	3.6	6.1	2.0	1.0	A2 s/s
P0371.040-A2	M 4	4.1	7.0	2.4	1.2	A2 s/s
P0371.050-A2	M 5	5.1	8.8	3.2	1.6	A2 s/s
P0371.060-A2	M 6	6.1	9.9	3.2	1.6	A2 s/s
P0371.080-A2	M 8	8.1	12.7	4.0	2.0	A2 s/s
P0371.100-A2	M10	10.2	16.0	5.0	2.5	A2 s/s
P0371.120-A2	M12	12.2	18.0	5.0	2.5	A2 s/s
P0371.140-A2	M14	14.2	21.1	6.0	3.0	A2 s/s
P0371.160-A2	M16	24.4	24.4	7.0	3.5	A2 s/s
P0371.180-A2	M18	18.2	26.4	7.0	3.5	A2 s/s
P0371.200-A2	M20	20.2	30.6	9.0	4.5	A2 s/s
P0371.220-A2	M22	22.5	32.9	9.0	4.5	A2 s/s
P0371.240-A2	M24	24.4	35.9	10.0	5.0	A2 s/s
P0371.270-A2	M27	27.5	38.9	10.0	5.0	A2 s/s
P0371.300-A2	M30	30.5	44.1	12.0	6.0	A2 s/s



**P0371.A4**



### Material

Stainless steel (A4, AISI 316)

### Technical Notes

To DIN 7980. For screws with cylindrical heads.

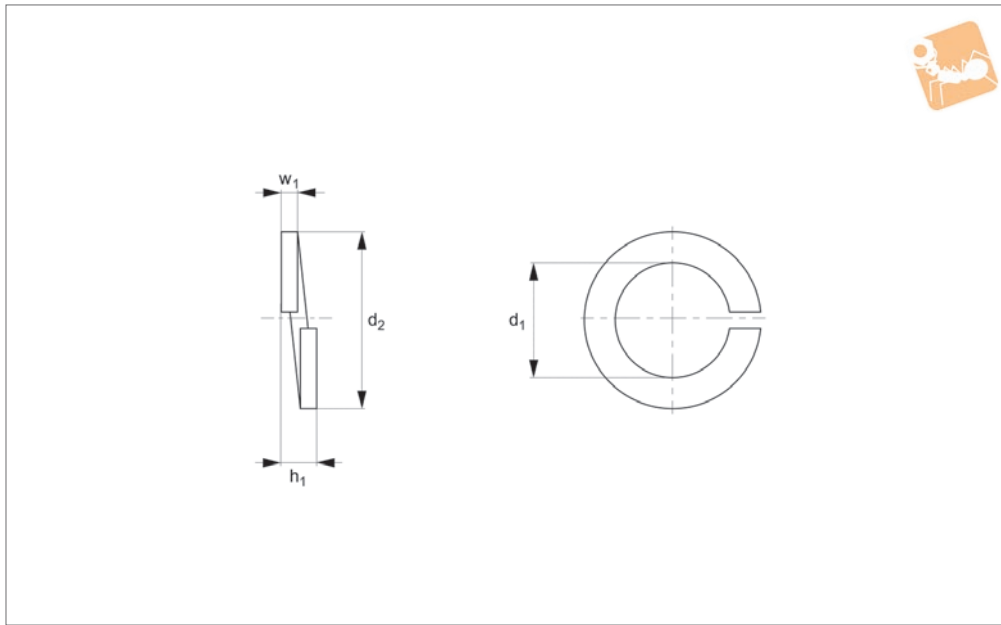
Order No.	Thread	d <sub>1</sub>	d <sub>2</sub>	h <sub>1</sub> min.	w <sub>1</sub>	Material
P0371.030-A4	M 3	3.1	5.6	2.0	1.0	A4 s/s
P0371.040-A4	M 4	4.1	7.0	2.4	1.2	A4 s/s
P0371.050-A4	M 5	5.1	8.8	3.2	1.6	A4 s/s
P0371.060-A4	M 6	6.1	9.9	3.2	1.6	A4 s/s
P0371.080-A4	M 8	8.1	12.7	4.0	2.0	A4 s/s
P0371.100-A4	M10	10.2	16.0	5.0	2.5	A4 s/s
P0371.120-A4	M12	12.2	18.0	5.0	2.5	A4 s/s
P0371.140-A4	M14	14.2	21.1	6.0	3.0	A4 s/s
P0371.160-A4	M16	16.2	24.4	7.0	3.5	A4 s/s
P0371.180-A4	M18	18.2	26.4	7.0	3.5	A4 s/s
P0371.200-A4	M20	20.2	30.6	9.0	4.5	A4 s/s
P0371.220-A4	M22	22.5	32.9	9.0	4.5	A4 s/s
P0371.240-A4	M24	24.4	35.9	10.0	5.0	A4 s/s
P0371.270-A4	M27	27.5	38.9	10.0	5.0	A4 s/s
P0371.300-A4	M30	30.5	44.1	12.0	6.0	A4 s/s



# Spring Washers Square Section

Steel, zinc-plated

## Flat Washers



**P0371.ZP**

FLAT WASHERS

### Material

Spring steel, zinc-plated.

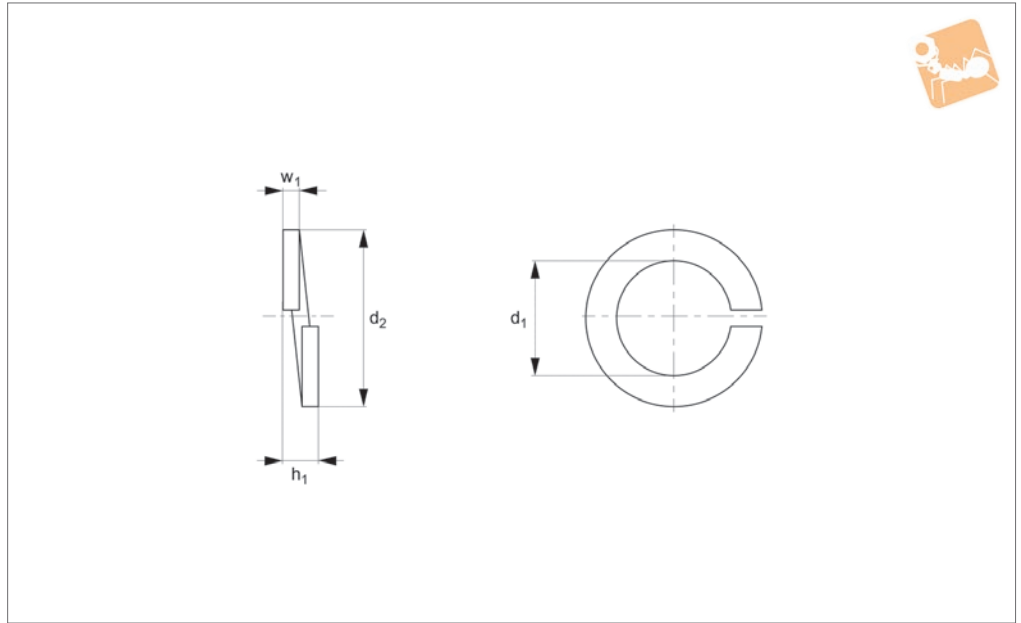
### Technical Notes

To DIN 7980. For screws with cylindrical heads.

Order No.	Thread	d <sub>1</sub>	d <sub>2</sub>	h <sub>1</sub> min.	w <sub>1</sub>	Material
P0371.030-ZP	M 3	3.1	5.6	2.0	1.0	Steel ZP
P0371.035-ZP	M3,5	3.6	6.1	2.0	1.0	Steel ZP
P0371.040-ZP	M 4	4.1	7.0	2.4	1.2	Steel ZP
P0371.050-ZP	M 5	5.1	8.8	3.2	1.6	Steel ZP
P0371.060-ZP	M 6	6.1	9.9	3.2	1.6	Steel ZP
P0371.080-ZP	M 8	8.1	12.7	4.0	2.0	Steel ZP
P0371.100-ZP	M10	10.2	16.0	5.0	2.5	Steel ZP
P0371.120-ZP	M12	12.2	18.0	5.0	2.5	Steel ZP
P0371.140-ZP	M14	14.2	21.1	6.0	3.0	Steel ZP
P0371.160-ZP	M16	24.4	24.4	7.0	3.5	Steel ZP
P0371.180-ZP	M18	18.2	26.4	7.0	3.5	Steel ZP
P0371.200-ZP	M20	20.2	30.6	9.0	4.5	Steel ZP
P0371.220-ZP	M22	22.5	32.9	9.0	4.5	Steel ZP
P0371.240-ZP	M24	24.4	35.9	10.0	5.0	Steel ZP



**P0371.SC**



**Material**  
Spring steel, self-colour.

**Technical Notes**  
To DIN 7980. For screws with cylindrical heads.

Order No.	Thread	d <sub>1</sub>	d <sub>2</sub>	h <sub>1</sub> min.	w <sub>1</sub>	Material
P0371.030-SC	M 3	3.1	5.6	2.0	1.0	Steel SC
P0371.035-SC	M3,5	3.6	6.1	2.0	1.0	Steel SC
P0371.040-SC	M 4	4.1	7.0	2.4	1.2	Steel SC
P0371.050-SC	M 5	5.1	8.8	3.2	1.6	Steel SC
P0371.060-SC	M 6	6.1	9.9	3.2	1.6	Steel SC
P0371.080-SC	M 8	8.1	12.7	4.0	2.0	Steel SC
P0371.100-SC	M10	10.2	16.0	5.0	2.5	Steel SC
P0371.120-SC	M12	12.2	18.0	5.0	2.5	Steel SC
P0371.140-SC	M14	14.2	21.1	6.0	3.0	Steel SC
P0361.160-SC	M16	24.4	24.4	7.0	3.5	Steel SC
P0371.180-SC	M18	18.2	26.4	7.0	3.5	Steel SC
P0371.200-SC	M20	20.2	30.6	9.0	4.5	Steel SC
P0371.220-SC	M22	22.5	32.9	9.0	4.5	Steel SC
P0371.240-SC	M24	24.4	35.9	10.0	5.0	Steel SC
P0371.270-SC	M27	27.5	38.9	10.0	5.0	Steel SC
P0371.300-SC	M30	30.5	44.1	12.0	6.0	Steel SC