

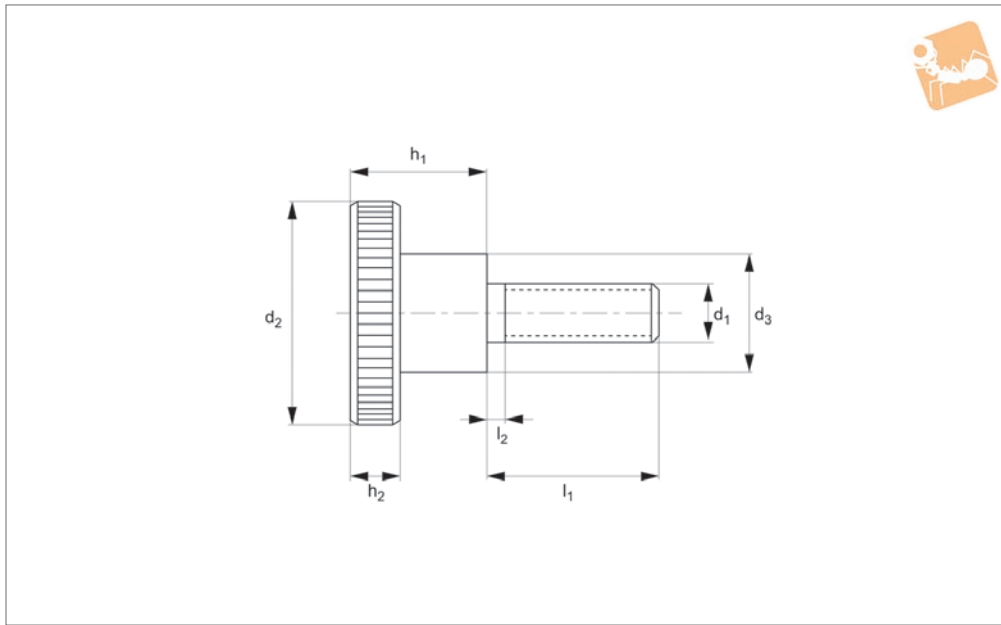


Steel Knurled Thumb Screws

Steel (class 5.8) - zinc-plated



Thumb Screws



P0400.ZP

THUMB SCREWS

Material

Steel (class 5.8), bright zinc-plated.

Technical Notes

To DIN 464, all knurled screws are one-

piece manufactured, contrary to the official standard sheet, they all have a thread up to the head, as shown, but no recess at the thread end.

Order No.	d ₁	l ₁	d ₂	d ₃	h ₁	h ₂	l ₂
P0400.030-006-ZP	M 3	6	12	6	7.5	2.5	2
P0400.030-010-ZP	M 3	10	12	6	7.5	2.5	2
P0400.030-012-ZP	M 3	12	12	6	7.5	2.5	2
P0400.030-016-ZP	M 3	16	12	6	7.5	2.5	2
P0400.030-020-ZP	M 3	20	12	6	7.5	2.5	2
P0400.040-006-ZP	M 4	6	16	8	9.5	3.5	2
P0400.040-008-ZP	M 4	8	16	8	9.5	3.5	2
P0400.040-010-ZP	M 4	10	16	8	9.5	3.5	2
P0400.040-012-ZP	M 4	12	16	8	9.5	3.5	2
P0400.040-016-ZP	M 4	16	16	8	9.5	3.5	2
P0400.040-020-ZP	M 4	20	16	8	9.5	3.5	2
P0400.040-025-ZP	M 4	25	16	8	9.5	3.5	2
P0400.050-006-ZP	M 5	6	20	10	11.5	4.0	2
P0400.050-008-ZP	M 5	8	20	10	11.5	4.0	2
P0400.050-010-ZP	M 5	10	20	10	11.5	4.0	2
P0400.050-012-ZP	M 5	12	20	10	11.5	4.0	2
P0400.050-016-ZP	M 5	16	20	10	11.5	4.0	2
P0400.050-020-ZP	M 5	20	20	10	11.5	4.0	2
P0400.050-025-ZP	M 5	25	20	10	11.5	4.0	2
P0400.050-030-ZP	M 5	30	20	10	11.5	4.0	2
P0400.060-008-ZP	M 6	8	24	12	15.0	5.0	2
P0400.060-010-ZP	M 6	10	24	12	15.0	5.0	2
P0400.060-012-ZP	M 6	12	24	12	15.0	5.0	2
P0400.060-016-ZP	M 6	16	24	12	15.0	5.0	2
P0400.060-020-ZP	M 6	20	24	12	15.0	5.0	2
P0400.060-025-ZP	M 6	25	24	12	15.0	5.0	2
P0400.060-030-ZP	M 6	30	24	12	15.0	5.0	2
P0400.060-035-ZP	M 6	35	24	12	15.0	5.0	2
P0400.060-040-ZP	M 6	40	24	12	15.0	5.0	2
P0400.080-012-ZP	M 8	12	30	16	18.0	6.0	2
P0400.080-016-ZP	M 8	16	30	16	18.0	6.0	2
P0400.080-020-ZP	M 8	20	30	16	18.0	6.0	2
P0400.080-025-ZP	M 8	25	30	16	18.0	6.0	2
P0400.080-030-ZP	M 8	30	30	16	18.0	6.0	2

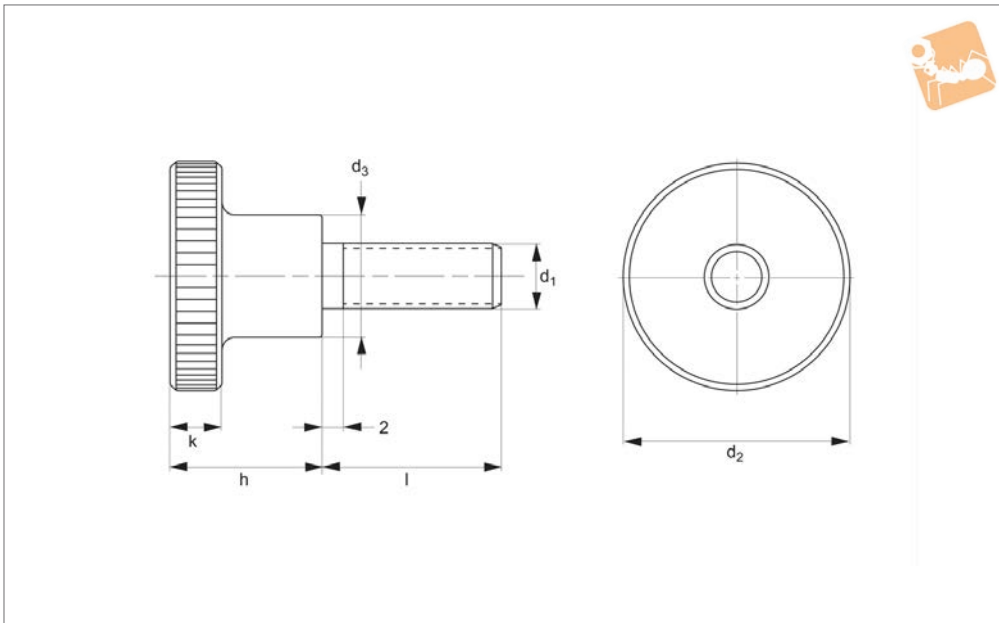


Order No.	d ₁	l ₁	d ₂	d ₃	h ₁	h ₂	l ₂
P0400.080-035-ZP	M 8	35	30	16	18.0	6.0	2
P0400.080-040-ZP	M 8	40	30	16	18.0	6.0	2
P0400.100-020-ZP	M10	20	36	20	23.0	8.0	2
P0400.100-025-ZP	M10	25	36	20	23.0	8.0	2
P0400.100-030-ZP	M10	30	36	20	23.0	8.0	2
P0400.100-035-ZP	M10	35	36	20	23.0	8.0	2
P0400.100-040-ZP	M10	40	36	20	23.0	8.0	2

Knurled Thumb Screws

DIN 464

Thumb Screws



P0400.BL

THUMB SCREWS

Material

Steel, quality 5.8, blackened. Turned, visible face, good finish.

Contra-ry to the Official Standard Sheet, they all have a thread up to the head, as shown, but no recess at the thread end.

Technical Notes

All knurled screws are one-piece manufac-

Order No.	d ₁	d ₂	d ₃	h	k	l	Weight g
P0400.030-006-BL	M 3	12	6	7.5	2.5	6	3.7
P0400.030-010-BL	M 3	12	6	7.5	2.5	10	3.8
P0400.030-012-BL	M 3	12	6	7.5	2.5	12	4.0
P0400.030-016-BL	M 3	12	6	7.5	2.5	16	4.0
P0400.040-008-BL	M 4	16	8	9.5	3.5	8	7.9
P0400.040-010-BL	M 4	16	8	9.5	3.5	10	8.1
P0400.040-012-BL	M 4	16	8	9.5	3.5	12	8.3
P0400.040-016-BL	M 4	16	8	9.5	3.5	16	8.4
P0400.040-020-BL	M 4	16	8	9.5	3.5	20	9.1
P0400.040-025-BL	M 4	16	8	9.5	3.5	25	9.0
P0400.050-006-BL	M 5	20	10	11.5	4.0	6	14.0
P0400.050-008-BL	M 5	20	10	11.5	4.0	8	15.0
P0400.050-010-BL	M 5	20	10	11.5	4.0	10	15.0
P0400.050-012-BL	M 5	20	10	11.5	4.0	12	15.0
P0400.050-020-BL	M 5	20	10	11.5	4.0	20	16.0
P0400.050-025-BL	M 5	20	10	11.5	4.0	25	17.0
P0400.050-030-BL	M 5	20	10	11.5	4.0	30	17.0
P0400.060-008-BL	M 6	24	12	15.0	5.0	8	28.0
P0400.060-010-BL	M 6	24	12	15.0	5.0	10	27.0
P0400.060-012-BL	M 6	24	12	15.0	5.0	12	28.0
P0400.060-016-BL	M 6	24	12	15.0	5.0	16	28.0
P0400.060-020-BL	M 6	24	12	15.0	5.0	20	29.0
P0400.060-025-BL	M 6	24	12	15.0	5.0	25	30.0
P0400.060-030-BL	M 6	24	12	15.0	5.0	30	31.0
P0400.060-035-BL	M 6	24	12	15.0	5.0	35	31.0
P0400.080-012-BL	M 8	30	16	18.0	6.0	12	53.0
P0400.080-016-BL	M 8	30	16	18.0	6.0	16	55.0
P0400.080-020-BL	M 8	30	16	18.0	6.0	20	56.0
P0400.080-025-BL	M 8	30	16	18.0	6.0	25	58.0
P0400.080-030-BL	M 8	30	16	18.0	6.0	30	60.0
P0400.080-035-BL	M 8	30	16	18.0	6.0	35	50.0
P0400.080-040-BL	M 8	30	16	18.0	6.0	40	61.0

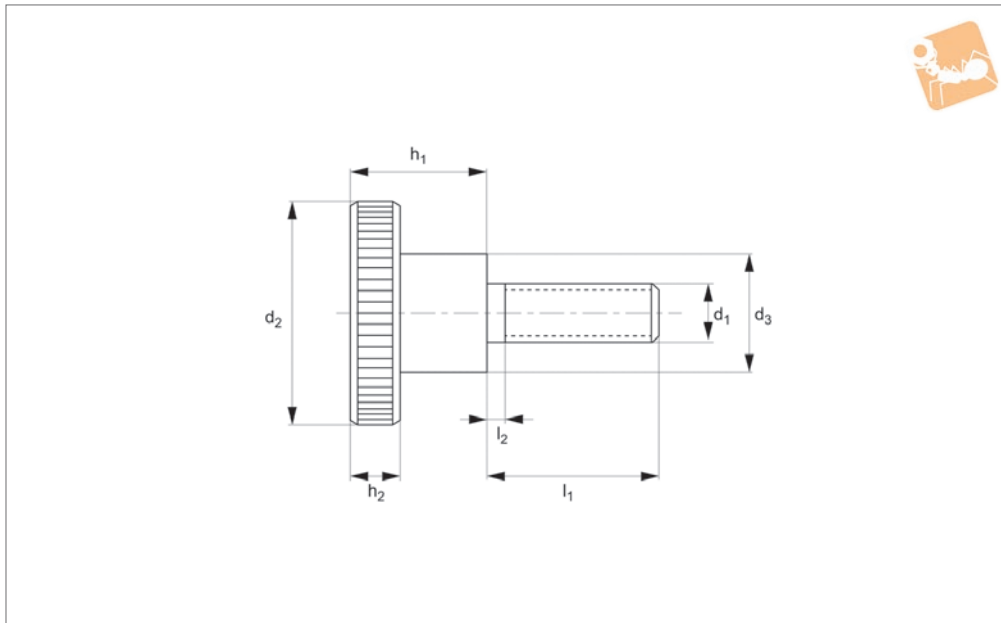


Order No.	d ₁	d ₂	d ₃	h	k	l	Weight g
P0400.100-020-BL	M10	36	20	23.0	8.0	20	106.0
P0400.100-025-BL	M10	36	20	23.0	8.0	25	109.0
P0400.100-030-BL	M10	36	20	23.0	8.0	30	112.0
P0400.100-035-BL	M10	36	20	23.0	8.0	35	116.0
P0400.100-040-BL	M10	36	20	23.0	8.0	40	116.0

Knurled Thumb Screws

A4 stainless

Thumb Screws



P0400.A4

THUMB SCREWS

Material

Stainless steel (A4, AISI 316).

Technical Notes

To DIN 464, all knurled screws are one-piece manufactured, contrary to the offi-

cial standard sheet, they all have a thread up to the head, as shown, but no recess at the thread end.

Tips

A4 (AISI 316) stainless steel is typically

used in food, pharmaceutical and similar applications requiring a degree of corrosion protection.

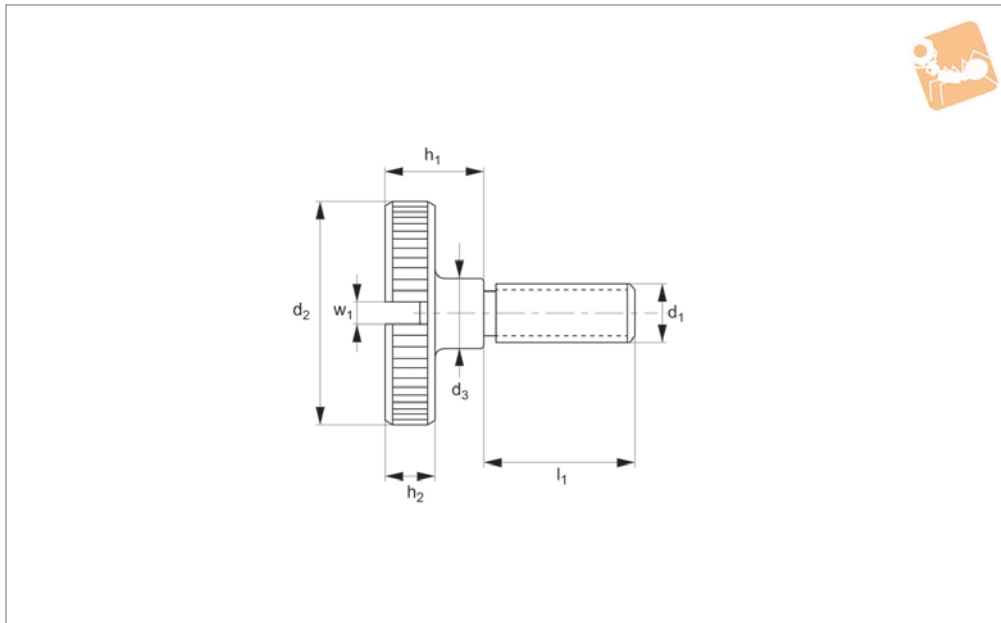
Order No.	d ₁	l ₁	d ₂	d ₃	h ₁	h ₂	l ₂
P0400.030-005-A4	M 3	6	12	6	7.5	2.5	2
P0400.030-006-A4	M 3	6	12	6	7.5	2.5	2
P0400.030-008-A4	M 3	8	12	6	7.5	2.5	2
P0400.030-010-A4	M 3	10	12	6	7.5	2.5	2
P0400.030-012-A4	M 3	12	12	6	7.5	2.5	2
P0400.030-016-A4	M 3	16	12	6	7.5	2.5	2
P0400.040-005-A4	M 4	5	16	8	9.5	3.5	2
P0400.040-006-A4	M 4	6	16	8	9.5	3.5	2
P0400.040-008-A4	M 4	8	16	8	9.5	3.5	2
P0400.040-010-A4	M 4	10	16	8	9.5	3.5	2
P0400.040-012-A4	M 4	12	16	8	9.5	3.5	2
P0400.040-016-A4	M 4	16	16	8	9.5	3.5	2
P0400.040-020-A4	M 4	20	16	8	9.5	3.5	2
P0400.040-025-A4	M 4	25	16	8	9.5	3.5	2
P0400.050-010-A4	M 5	10	20	10	11.5	4.0	2
P0400.050-012-A4	M 5	12	20	10	11.5	4.0	2
P0400.050-016-A4	M 5	16	20	10	11.5	4.0	2
P0400.050-020-A4	M 5	20	20	10	11.5	4.0	2
P0400.050-025-A4	M 5	25	20	10	11.5	4.0	2
P0400.050-030-A4	M 5	30	20	10	11.5	4.0	2
P0400.060-008-A4	M 6	8	24	12	15.0	5.0	2
P0400.060-010-A4	M 6	10	24	12	15.0	5.0	2
P0400.060-012-A4	M 6	12	24	12	15.0	5.0	2
P0400.060-016-A4	M 6	16	24	12	15.0	5.0	2
P0400.060-020-A4	M 6	20	24	12	15.0	5.0	2
P0400.060-025-A4	M 6	25	24	12	15.0	5.0	2
P0400.060-030-A4	M 6	30	24	12	15.0	5.0	2
P0400.080-012-A4	M 8	12	30	16	18.0	6.0	2
P0400.080-016-A4	M 8	16	30	16	18.0	6.0	2
P0400.080-020-A4	M 8	20	30	16	18.0	6.0	2
P0400.080-025-A4	M 8	25	30	16	18.0	6.0	2
P0400.080-030-A4	M 8	30	30	16	18.0	6.0	2
P0400.100-016-A4	M10	16	36	20	23.0	8.0	2



Order No.	d ₁	l ₁	d ₂	d ₃	h ₁	h ₂	l ₂
P0400.100-020-A4	M10	20	36	20	23.0	8.0	2
P0400.100-025-A4	M10	25	36	20	23.0	8.0	2
P0400.100-030-A4	M10	30	36	20	23.0	8.0	2



Knurled Thumb Screws with slot



P0404

THUMB SCREWS

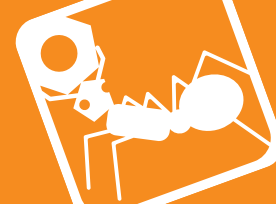
Material

Stainless steel (A2, AISI 303).

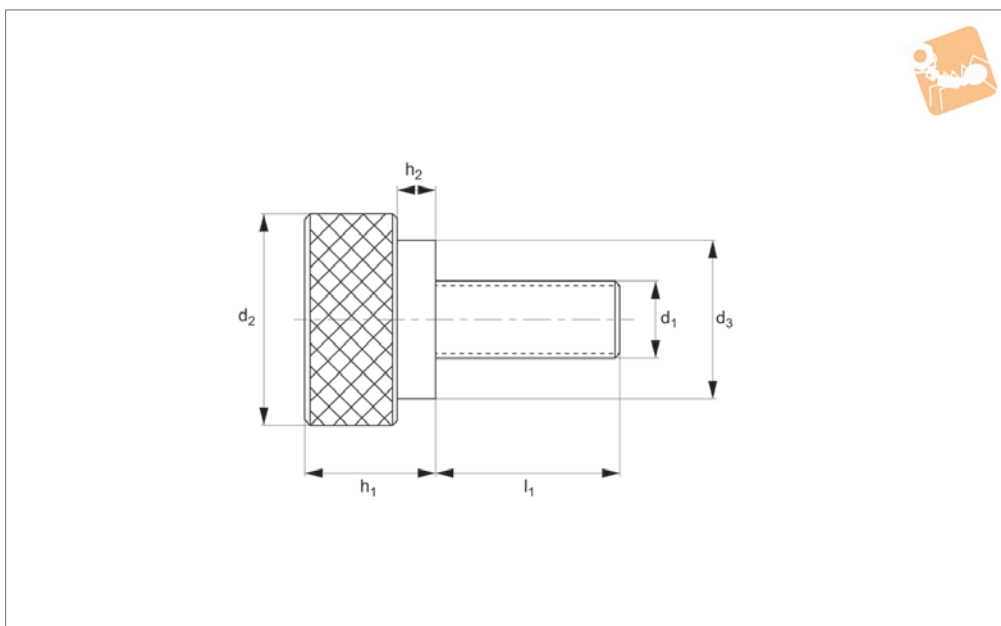
Technical Notes

To DIN 465, with slot.

Order No.	d ₁	l ₁	d ₂	d ₃	h ₁	h ₂	w ₁	Material
P0404.030-006-A2	M3	6	12	6	7.5	2.5	0.8	A2 s/s
P0404.030-008-A2	M3	8	12	6	7.5	2.5	0.8	A2 s/s
P0404.030-010-A2	M3	10	12	6	7.5	2.5	0.8	A2 s/s
P0404.030-012-A2	M3	12	12	6	7.5	2.5	0.8	A2 s/s
P0404.030-016-A2	M3	16	12	6	7.5	2.5	0.8	A2 s/s
P0404.030-020-A2	M3	20	12	6	7.5	2.5	0.8	A2 s/s
P0404.040-006-A2	M4	6	16	8	9.5	3.5	1.0	A2 s/s
P0404.040-008-A2	M4	8	16	8	9.5	3.5	1.0	A2 s/s
P0404.040-010-A2	M4	10	16	8	9.5	3.5	1.0	A2 s/s
P0404.040-012-A2	M4	12	16	8	9.5	3.5	1.0	A2 s/s
P0404.040-016-A2	M4	16	16	8	9.5	3.5	1.0	A2 s/s
P0404.040-020-A2	M4	20	16	8	9.5	3.5	1.0	A2 s/s
P0404.050-006-A2	M5	6	20	10	11.5	4.0	1.2	A2 s/s
P0404.050-008-A2	M5	8	20	10	11.5	4.0	1.2	A2 s/s
P0404.050-010-A2	M5	10	20	10	11.5	4.0	1.2	A2 s/s
P0404.050-012-A2	M5	12	20	10	11.5	4.0	1.2	A2 s/s
P0404.050-016-A2	M5	16	20	10	11.5	4.0	1.2	A2 s/s
P0404.050-020-A2	M5	20	20	10	11.5	4.0	1.2	A2 s/s
P0404.060-010-A2	M6	10	24	12	15.0	5.0	1.6	A2 s/s
P0404.060-012-A2	M6	12	24	12	15.0	5.0	1.6	A2 s/s
P0404.060-016-A2	M6	16	24	12	15.0	5.0	1.6	A2 s/s
P0404.060-020-A2	M6	20	24	12	15.0	5.0	1.6	A2 s/s



P0438.A2



Material

Stainless steel (AISI 303 series 1.4305).

steel which may (in harsh conditions) exhibit slight signs of rusting. Typically used in food and pharmaceutical applications.

Technical Notes

Stainless steel AISI 303 is a hard stainless

Order No.	d_1	l_1	d_2	d_3	h_1	h_2
P0438.030-008-A2	M 3	8	10	6.5	8	2.5
P0438.030-010-A2	M 3	10	10	6.5	8	2.5
P0438.030-012-A2	M 3	12	10	6.5	8	2.5
P0438.030-014-A2	M 3	14	10	6.5	8	2.5
P0438.040-008-A2	M 4	8	12	9.5	8	2.5
P0438.040-010-A2	M 4	10	12	9.5	8	2.5
P0438.040-012-A2	M 4	12	12	9.5	8	2.5
P0438.040-014-A2	M 4	14	12	9.5	8	2.5
P0438.050-010-A2	M 5	10	12	9.5	8	2.5
P0438.050-012-A2	M 5	12	12	9.5	8	2.5
P0438.050-014-A2	M 5	14	12	9.5	8	2.5
P0438.050-016-A2	M 5	16	12	9.5	8	2.5
P0438.060-010-A2	M 6	10	14	9.5	10	3.5
P0438.060-012-A2	M 6	12	14	9.5	10	3.5
P0438.060-016-A2	M 6	16	14	9.5	10	3.5
P0438.060-020-A2	M 6	20	14	9.5	10	3.5

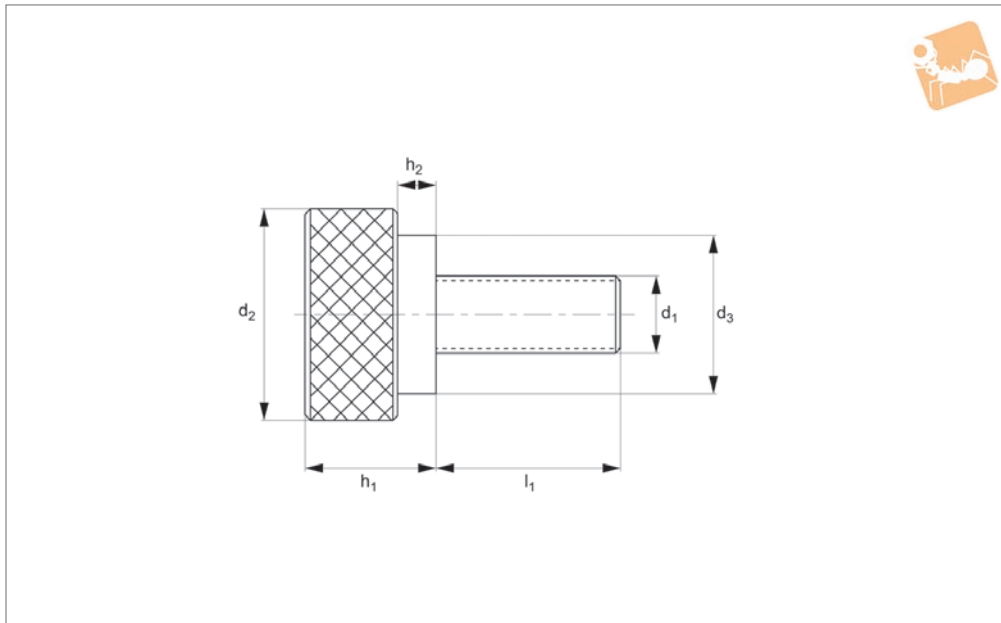


Thumb Screws with Collar

stainless 316 series



Thumb Screws



P0438.A4

THUMB SCREWS

Material

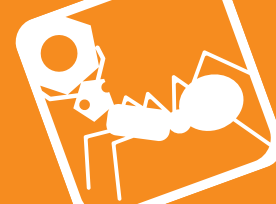
Stainless steel (AISI 316 series 1.440).

Technical Notes

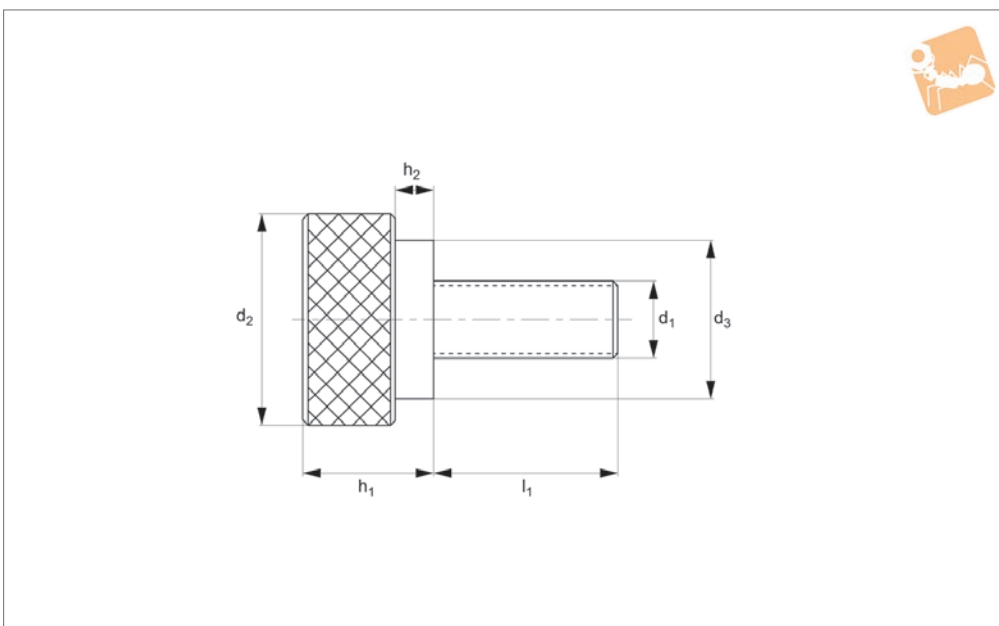
Stainless steel AISI 316 is a softer stainless

steel, of a higher grade. Very resistant to corrosion - even in extremely harsh conditions (such as salt, water etc.) but more expensive.

Order No.	d ₁	l ₁	d ₂	d ₃	h ₁	h ₂
P0438.030-008-A4	M 3	8	10	6.5	8	2.5
P0438.030-010-A4	M 3	10	10	6.5	8	2.5
P0438.030-012-A4	M 3	12	10	6.5	8	2.5
P0438.030-014-A4	M 3	14	10	6.5	8	2.5
P0438.040-008-A4	M 4	8	12	9.5	8	2.5
P0438.040-010-A4	M 4	10	12	9.5	8	2.5
P0438.040-012-A4	M 4	12	12	9.5	8	2.5
P0438.040-014-A4	M 4	14	12	9.5	8	2.5
P0438.050-010-A4	M 5	10	12	9.5	8	2.5
P0438.050-012-A4	M 5	12	12	9.5	8	2.5
P0438.050-014-A4	M 5	14	12	9.5	8	2.5
P0438.050-016-A4	M 5	16	12	9.5	8	2.5
P0438.060-010-A4	M 6	10	14	9.5	10	3.5
P0438.060-012-A4	M 6	12	14	9.5	10	3.5
P0438.060-016-A4	M 6	16	14	9.5	10	3.5
P0438.060-020-A4	M 6	20	14	9.5	10	3.5



P0438.B2



Material

Stainless steel (AISI 303 series 1.4305), black oxide coating.

steel which may (in harsh conditions) exhibit slight signs of rusting. Typically used in food and pharmaceutical applications.

Technical Notes

Stainless steel AISI 303 is a hard stainless

Order No.	d_1	l_1	d_2	d_3	h_1	h_2
P0438.030-008-B2	M 3	8	10	6.5	8	2.5
P0438.030-010-B2	M 3	10	10	6.5	8	2.5
P0438.030-012-B2	M 3	12	10	6.5	8	2.5
P0438.030-014-B2	M 3	14	10	6.5	8	2.5
P0438.040-008-B2	M 4	8	12	9.5	8	2.5
P0438.040-010-B2	M 4	10	12	9.5	8	2.5
P0438.040-012-B2	M 4	12	12	9.5	8	2.5
P0438.040-014-B2	M 4	14	12	9.5	8	2.5
P0438.050-010-B2	M 5	10	12	9.5	8	2.5
P0438.050-012-B2	M 5	12	12	9.5	8	2.5
P0438.050-014-B2	M 5	14	12	9.5	8	2.5
P0438.050-016-B2	M 5	16	12	9.5	8	2.5
P0438.060-010-B2	M 6	10	14	9.5	10	3.5
P0438.060-012-B2	M 6	12	14	9.5	10	3.5
P0438.060-016-B2	M 6	16	14	9.5	10	3.5
P0438.060-020-B2	M 6	20	14	9.5	10	3.5

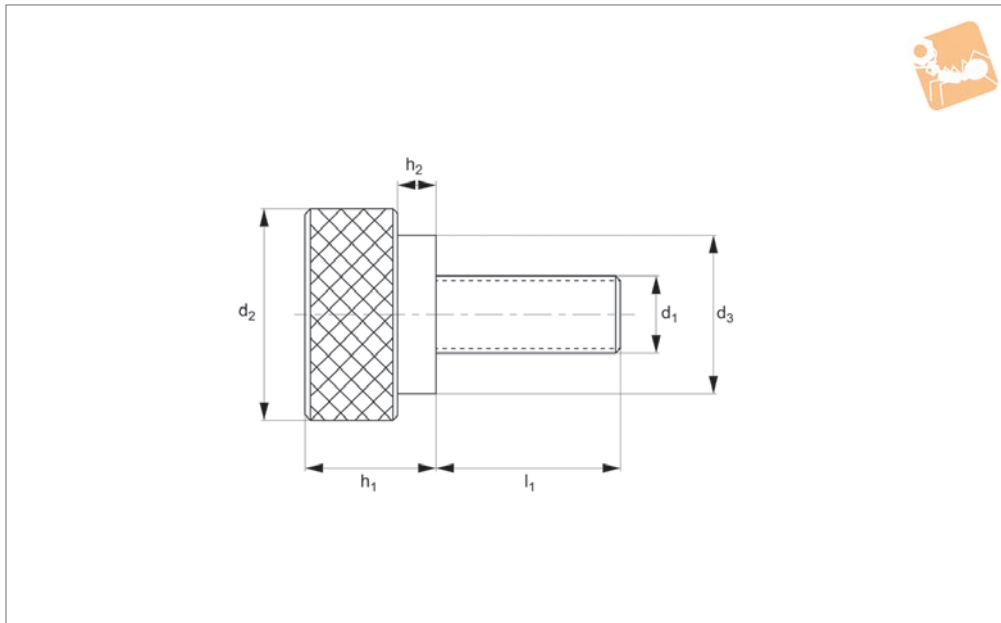


Thumb Screws with Collar

stainless 316 series, blackened



Thumb Screws



P0438.B4

THUMB SCREWS

Material

Stainless steel (AISI 316 series 1.440), black oxide coating.

steel, of a higher grade. Very resistant to corrosion - even in extremely harsh conditions (such as salt, water etc.) but more expensive.

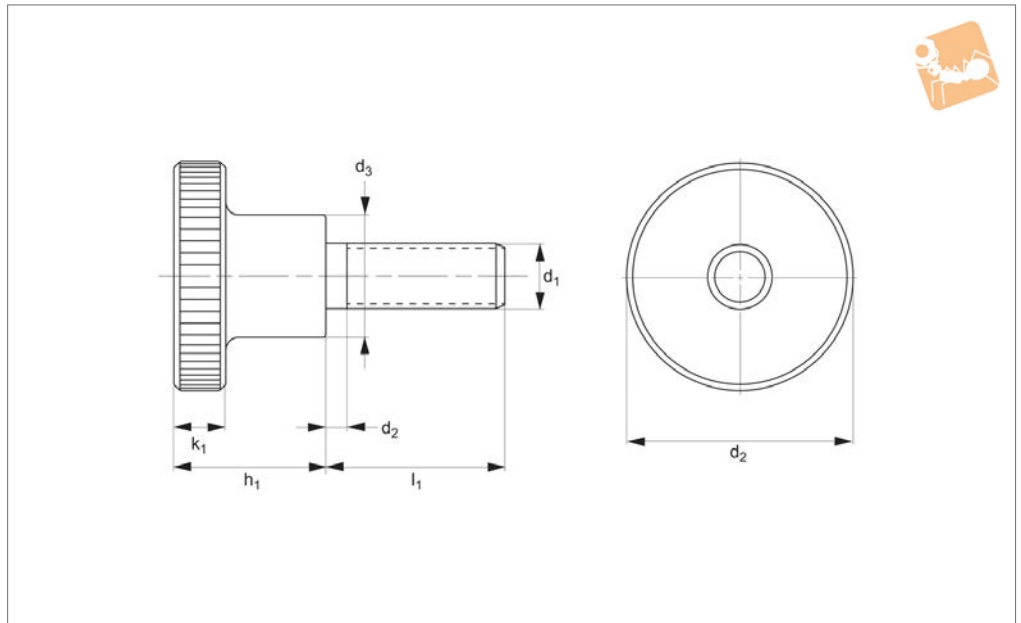
Technical Notes

Stainless steel AISI 316 is a softer stainless

Order No.	d ₁	l ₁	d ₂	d ₃	h ₁	h ₂
P0438.030-008-B4	M 3	8	10	6.5	8	2.5
P0438.030-010-B4	M 3	10	10	6.5	8	2.5
P0438.030-012-B4	M 3	12	10	6.5	8	2.5
P0438.030-014-B4	M 3	14	10	6.5	8	2.5
P0438.040-008-B4	M 4	8	12	9.5	8	2.5
P0438.040-010-B4	M 4	10	12	9.5	8	2.5
P0438.040-012-B4	M 4	12	12	9.5	8	2.5
P0438.040-014-B4	M 4	14	12	9.5	8	2.5
P0438.050-010-B4	M 5	10	12	9.5	8	2.5
P0438.050-012-B4	M 5	12	12	9.5	8	2.5
P0438.050-014-B4	M 5	14	12	9.5	8	2.5
P0438.050-016-B4	M 5	16	12	9.5	8	2.5
P0438.060-010-B4	M 6	10	14	9.5	10	3.5
P0438.060-012-B4	M 6	12	14	9.5	10	3.5
P0438.060-016-B4	M 6	16	14	9.5	10	3.5
P0438.060-020-B4	M 6	20	14	9.5	10	3.5



P0400.A2



Material

Stainless steel 1.4305 (AISI 303), matte, shot-blasted.

Technical Notes

All knurled screws are one-piece manufac-

tured. Contrary to the Official Standard Sheet, they all have a thread up to the head, as shown, but no recess at the thread end.

Order No.	d ₁	d ₂	d ₃	h ₁	k ₁	l ₁	Weight g
P0400.040-008-A2	M 4	16	8	9.5	3.5	8	7.9
P0400.040-010-A2	M 4	16	8	9.5	3.5	10	8.1
P0400.040-012-A2	M 4	16	8	9.5	3.5	12	8.3
P0400.040-016-A2	M 4	16	8	9.5	3.5	16	8.4
P0400.050-010-A2	M 5	20	10	11.5	4.0	10	15.0
P0400.050-012-A2	M 5	20	10	11.5	4.0	12	15.0
P0400.050-016-A2	M 5	20	10	11.5	4.0	16	16.0
P0400.050-020-A2	M 5	20	10	11.5	4.0	20	16.0
P0400.050-025-A2	M 5	20	10	11.5	4.0	25	17.0
P0400.060-012-A2	M 6	24	12	15.0	5.0	12	28.0
P0400.060-016-A2	M 6	24	12	15.0	5.0	16	28.0
P0400.060-020-A2	M 6	24	12	15.0	5.0	20	29.0
P0400.060-025-A2	M 6	24	12	15.0	5.0	25	30.0
P0400.060-030-A2	M 6	24	12	15.0	5.0	30	31.0
P0400.080-020-A2	M 8	30	16	18.0	6.0	20	56.0
P0400.080-025-A2	M 8	30	16	18.0	6.0	25	58.0
P0400.080-030-A2	M 8	30	16	18.0	6.0	30	60.0

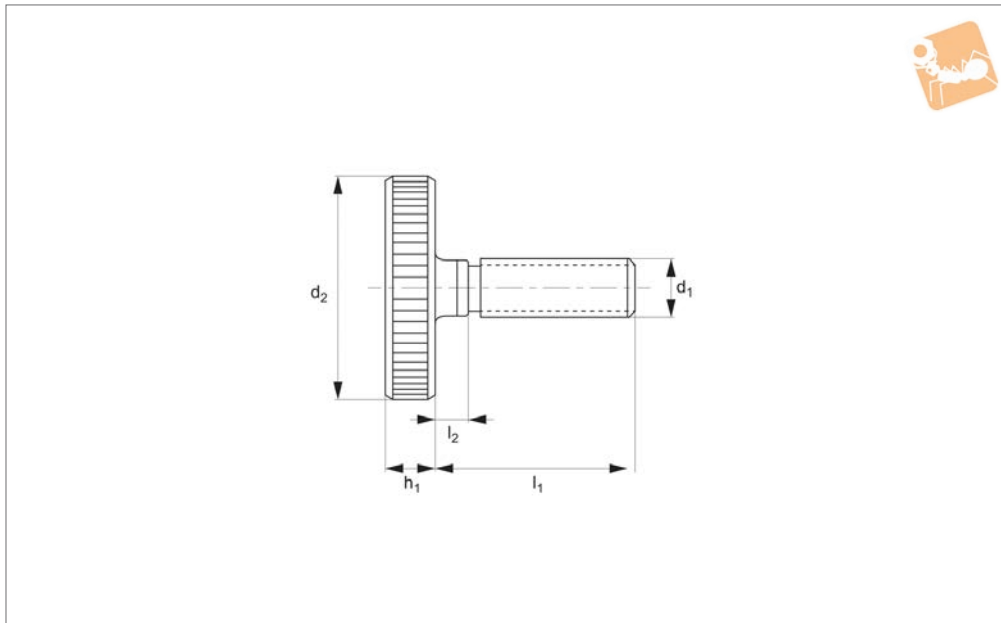


Flat Knurled Thumb Screws

Flat - steel - zinc-plated



Thumb Screws



P0405.ZP

THUMB SCREWS

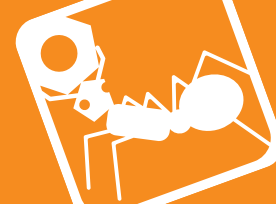
Material

Steel (class5.8) zinc-plated.

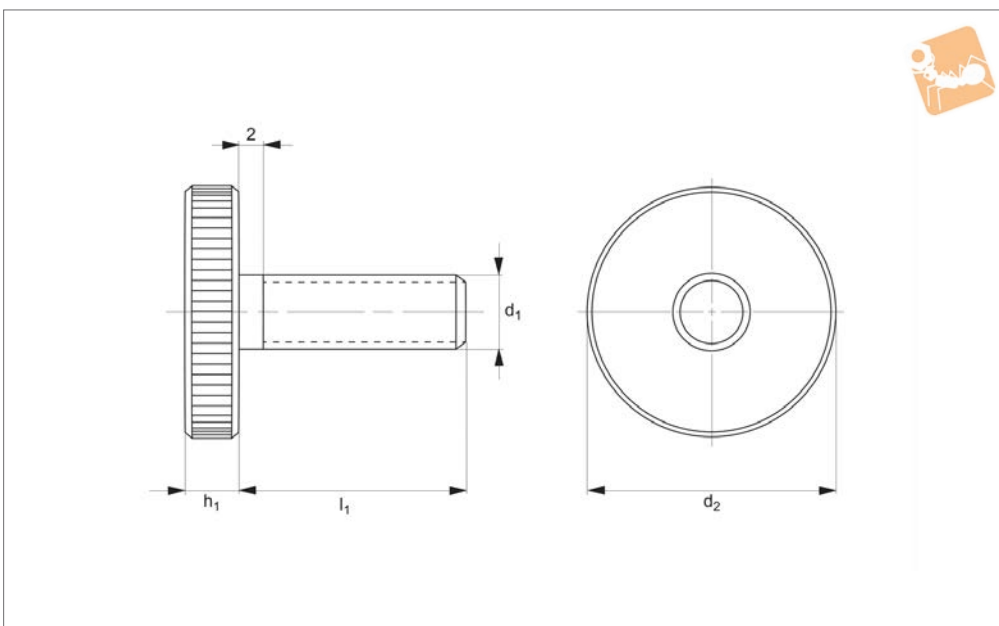
Technical Notes

To DIN 653.

Order No.	d ₁	l ₁	d ₂	h ₁	l ₂	Material	Weight g
P0405.030-006-ZP	M 3	6	12	2.5	2	Steel ZP	2.4
P0405.030-008-ZP	M 3	8	12	2.5	2	Steel ZP	2.5
P0405.030-010-ZP	M 3	10	12	2.5	2	Steel ZP	2.6
P0405.030-016-ZP	M 3	16	12	2.5	2	Steel ZP	2.9
P0405.040-008-ZP	M 4	8	16	3.5	3	Steel ZP	6.1
P0405.040-010-ZP	M 4	10	16	3.5	3	Steel ZP	6.2
P0405.040-012-ZP	M 4	12	16	3.5	3	Steel ZP	6.4
P0405.040-016-ZP	M 4	16	16	3.5	3	Steel ZP	6.7
P0405.040-020-ZP	M 4	20	16	3.5	3	Steel ZP	7.0
P0405.040-025-ZP	M 4	25	16	3.5	3	Steel ZP	7.4
P0405.050-010-ZP	M 5	10	20	4.0	3	Steel ZP	11.0
P0405.050-012-ZP	M 5	12	20	4.0	3	Steel ZP	11.3
P0405.050-016-ZP	M 5	16	20	4.0	3	Steel ZP	11.7
P0405.050-020-ZP	M 5	20	20	4.0	3	Steel ZP	12.0
P0405.050-025-ZP	M 5	25	20	4.0	3	Steel ZP	12.6
P0405.050-030-ZP	M 5	30	20	4.0	3	Steel ZP	13.0
P0405.060-012-ZP	M 6	12	24	5.0	4	Steel ZP	20.0
P0405.060-016-ZP	M 6	16	24	5.0	4	Steel ZP	20.4
P0405.060-020-ZP	M 6	20	24	5.0	4	Steel ZP	21.0
P0405.060-025-ZP	M 6	25	24	5.0	4	Steel ZP	22.0
P0405.060-030-ZP	M 6	30	24	5.0	4	Steel ZP	22.6
P0405.080-020-ZP	M 8	20	30	6.0	5	Steel ZP	40.0
P0405.080-025-ZP	M 8	25	30	6.0	5	Steel ZP	42.0
P0405.080-030-ZP	M 8	30	30	6.0	5	Steel ZP	43.0
P0405.080-035-ZP	M 8	35	30	6.0	5	Steel ZP	45.0
P0405.080-040-ZP	M 8	40	30	6.0	5	Steel ZP	47.0
P0405.100-020-ZP	M10	20	36	8.0	6	Steel ZP	73.0
P0405.100-025-ZP	M10	25	36	8.0	6	Steel ZP	76.0
P0405.100-030-ZP	M10	30	36	8.0	6	Steel ZP	78.0
P0405.100-040-ZP	M10	40	36	8.0	6	Steel ZP	83.0



P0405.BL



Material

Steel, quality 5.8, blackened. Turned, visible face, good finish.

Technical Notes

All knurled screws are one-piece manufactured with thread up to the head (DIN-

designation ,A').

Order No.	d ₁	d ₂	h ₁	l ₁	Weight g
P0405.030-006-BL	M 3	12	2.5	6	2.3
P0405.030-008-BL	M 3	12	2.5	8	2.4
P0405.030-010-BL	M 3	12	2.5	10	2.5
P0405.030-016-BL	M 3	12	2.5	16	2.7
P0405.040-008-BL	M 4	16	3.5	8	5.6
P0405.040-010-BL	M 4	16	3.5	10	5.7
P0405.040-012-BL	M 4	16	3.5	12	6.1
P0405.040-016-BL	M 4	16	3.5	16	6.2
P0405.040-020-BL	M 4	16	3.5	20	6.6
P0405.040-025-BL	M 4	16	3.5	25	7.0
P0405.050-010-BL	M 5	20	4.0	10	10.0
P0405.050-012-BL	M 5	20	4.0	12	11.0
P0405.050-016-BL	M 5	20	4.0	16	12.0
P0405.050-020-BL	M 5	20	4.0	20	12.0
P0405.050-025-BL	M 5	20	4.0	25	12.0
P0405.050-030-BL	M 5	20	4.0	30	13.0
P0405.060-012-BL	M 6	24	5.0	12	18.0
P0405.060-016-BL	M 6	24	5.0	16	20.0
P0405.060-020-BL	M 6	24	5.0	20	20.0
P0405.060-025-BL	M 6	24	5.0	25	20.0
P0405.060-030-BL	M 6	24	5.0	30	22.0
P0405.080-020-BL	M 8	30	6.0	20	37.0
P0405.080-025-BL	M 8	30	6.0	25	39.0
P0405.080-030-BL	M 8	30	6.0	30	41.0
P0405.080-035-BL	M 8	30	6.0	35	42.0
P0405.080-040-BL	M 8	30	6.0	40	44.0
P0405.100-020-BL	M10	36	8.0	20	71.0
P0405.100-025-BL	M10	36	8.0	25	72.0
P0405.100-030-BL	M10	36	8.0	30	76.0
P0405.100-040-BL	M10	36	8.0	40	80.0

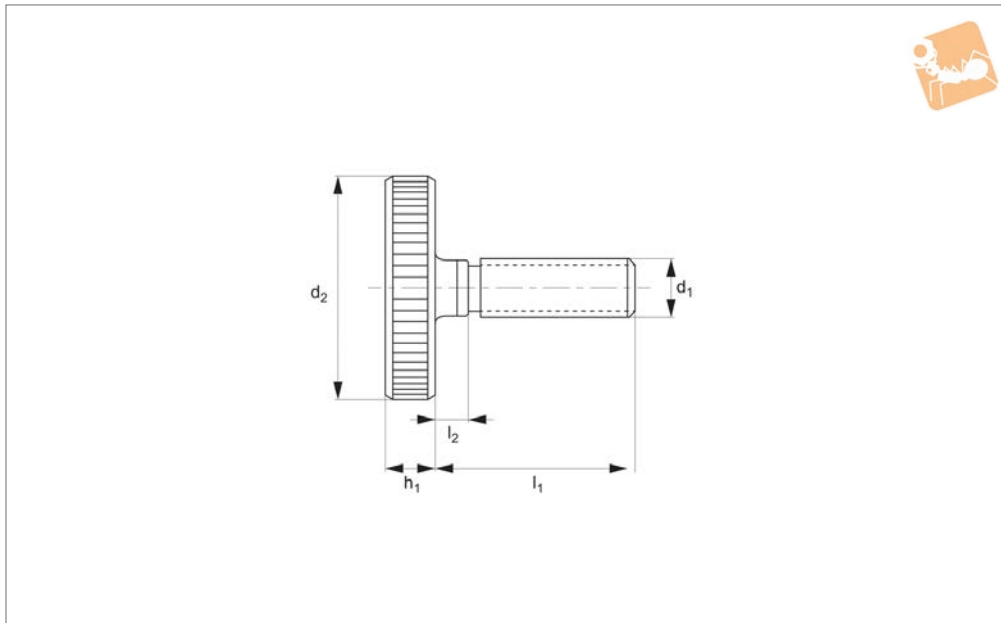


Flat Knurled Thumb Screws

Flat Knurled A2 & A4 stainless



Thumb Screws



P0405.SS

THUMB SCREWS

Material

Stainless steel (A2 AISI 303 or A4 AISI 316).

Technical Notes

To DIN 653. Stainless steel 303 series is a

hard stainless steel which may (in harsh conditions) exhibit slight signs of rusting. Typically used in food and pharmaceutical applications. 303 stainless steel provides good resistance to corrosion, it is soft and

mildly magnetic. 316 stainless provides excellent corrosion resistance for use in highly caustic or marine environments and its non-magnetic.

Order No.	d ₁	l ₁	d ₂	h	l ₂	Material	Weight g
P0405.030-008-A2	M3	8	12	2.5	2	A2 s/s	6.1
P0405.030-010-A2	M3	10	12	2.5	2	A2 s/s	6.1
P0405.030-012-A2	M3	12	12	2.5	2	A2 s/s	6.1
P0405.030-016-A2	M3	16	12	2.5	2	A2 s/s	6.1
P0405.030-020-A2	M3	20	12	2.5	2	A2 s/s	6.1
P0405.040-008-A2	M4	8	16	3.5	3	A2 s/s	6.1
P0405.040-010-A2	M4	10	16	3.5	3	A2 s/s	6.2
P0405.040-012-A2	M4	12	16	3.5	3	A2 s/s	6.4
P0405.040-016-A2	M4	16	16	3.5	3	A2 s/s	6.7
P0405.040-020-A2	M4	20	16	3.5	3	A2 s/s	6.7
P0405.040-025-A2	M4	25	16	3.5	3	A2 s/s	6.7
P0405.040-030-A2	M4	30	16	3.5	3	A2 s/s	6.7
P0405.050-008-A2	M5	8	20	4.0	3	A2 s/s	11.0
P0405.050-010-A2	M5	10	20	4.0	3	A2 s/s	11.0
P0405.050-012-A2	M5	12	20	4.0	3	A2 s/s	11.3
P0405.050-016-A2	M5	16	20	4.0	3	A2 s/s	11.7
P0405.050-020-A2	M5	20	20	4.0	3	A2 s/s	12.0
P0405.050-025-A2	M5	25	20	4.0	3	A2 s/s	12.0
P0405.050-030-A2	M5	30	20	4.0	2	A2 s/s	12.0
P0405.060-010-A2	M6	10	24	5.0	4	A2 s/s	20.0
P0405.060-012-A2	M6	12	24	5.0	4	A2 s/s	20.0
P0405.060-016-A2	M6	16	24	5.0	4	A2 s/s	20.4
P0405.060-020-A2	M6	20	24	5.0	4	A2 s/s	21.0
P0405.060-025-A2	M6	25	24	5.0	4	A2 s/s	22.0
P0405.060-030-A2	M6	30	24	5.0	4	A2 s/s	22.0
P0405.080-012-A2	M8	12	30	6.0	5	A2 s/s	40.0
P0405.080-016-A2	M8	16	30	6.0	5	A2 s/s	40.0
P0405.080-020-A2	M8	20	30	6.0	5	A2 s/s	40.0
P0405.080-025-A2	M8	25	30	6.0	5	A2 s/s	42.0
P0405.080-030-A2	M8	30	30	6.0	5	A2 s/s	43.0
P0405.030-008-A4	M3	8	12	2.5	2	A4 s/s	6.1
P0405.030-010-A4	M3	10	12	2.5	2	A4 s/s	6.1



THUMB SCREWS

Order No.	d ₁	l ₁	d ₂	h	l ₂	Material	Weight g
P0405.030-012-A4	M3	12	12	2.5	2	A4 s/s	6.1
P0405.030-016-A4	M3	16	12	2.5	2	A2 s/s	6.1
P0405.030-020-A4	M3	20	12	2.5	2	A4 s/s	6.1
P0405.040-008-A4	M4	8	16	3.5	3	A4 s/s	6.1
P0405.040-010-A4	M4	10	16	3.5	3	A4 s/s	6.2
P0405.040-012-A4	M4	12	16	3.5	3	A4 s/s	6.4
P0405.040-016-A4	M4	16	16	3.5	3	A4 s/s	6.7
P0405.040-020-A4	M4	20	16	3.5	3	A4 s/s	6.7
P0405.040-025-A4	M4	25	16	3.5	3	A4 s/s	6.7
P0405.040-030-A4	M4	30	16	3.5	3	A4 s/s	6.7
P0405.050-008-A4	M5	8	20	4.0	3	A4 s/s	11.0
P0405.050-010-A4	M5	10	20	4.0	3	A4 s/s	11.0
P0405.050-012-A4	M5	12	20	4.0	3	A4 s/s	11.3
P0405.050-016-A4	M5	16	20	4.0	3	A4 s/s	11.7
P0405.050-020-A4	M5	20	20	4.0	3	A4 s/s	12.0
P0405.050-025-A4	M5	25	20	4.0	3	A4 s/s	12.0
P0405.050-030-A4	M5	30	20	4.0	3	A4 s/s	12.0
P0405.060-010-A4	M6	10	24	5.0	4	A4 s/s	20.0
P0405.060-012-A4	M6	12	24	5.0	4	A4 s/s	20.0
P0405.060-016-A4	M6	16	24	5.0	4	A4 s/s	20.4
P0405.060-020-A4	M6	20	24	5.0	4	A4 s/s	21.0
P0405.060-025-A4	M6	25	24	5.0	4	A4 s/s	22.0
P0405.060-030-A4	M6	30	24	5.0	4	A4 s/s	22.0
P0405.080-012-A4	M8	12	30	6.0	5	A4 s/s	40.0
P0405.080-016-A4	M8	16	30	6.0	5	A4 s/s	40.0
P0405.080-020-A4	M8	20	30	6.0	5	A4 s/s	40.0
P0405.080-025-A4	M8	25	30	6.0	5	A4 s/s	42.0
P0405.080-030-A4	M8	30	30	6.0	5	A4 s/s	43.0

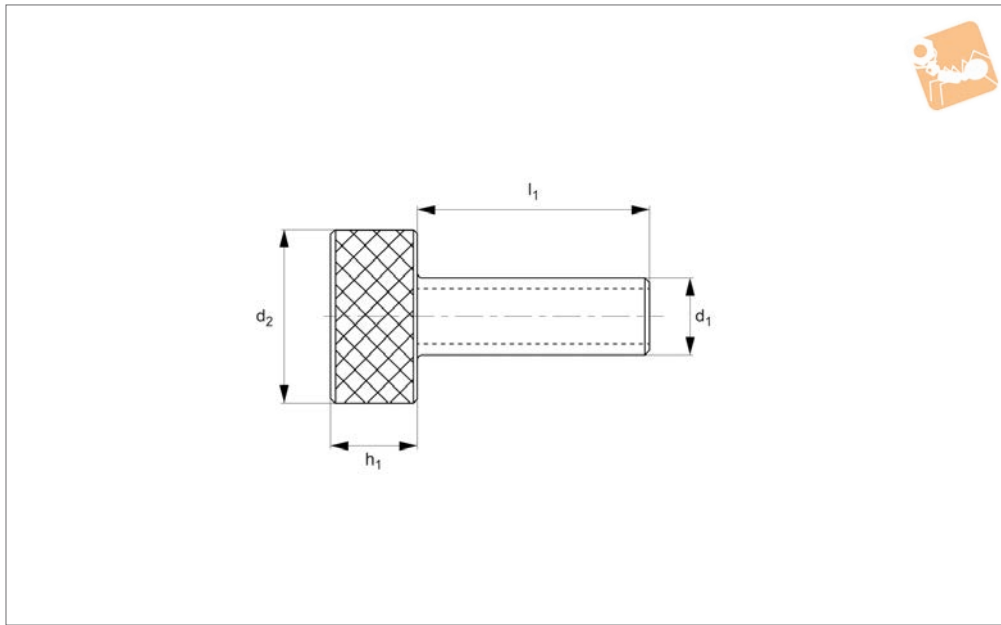


Narrow Head Thumb Screws

303 series stainless



Thumb Screws



P0437.A2

THUMB SCREWS

Material

Stainless steel (AISI 303 series 1.4305).

Technical Notes

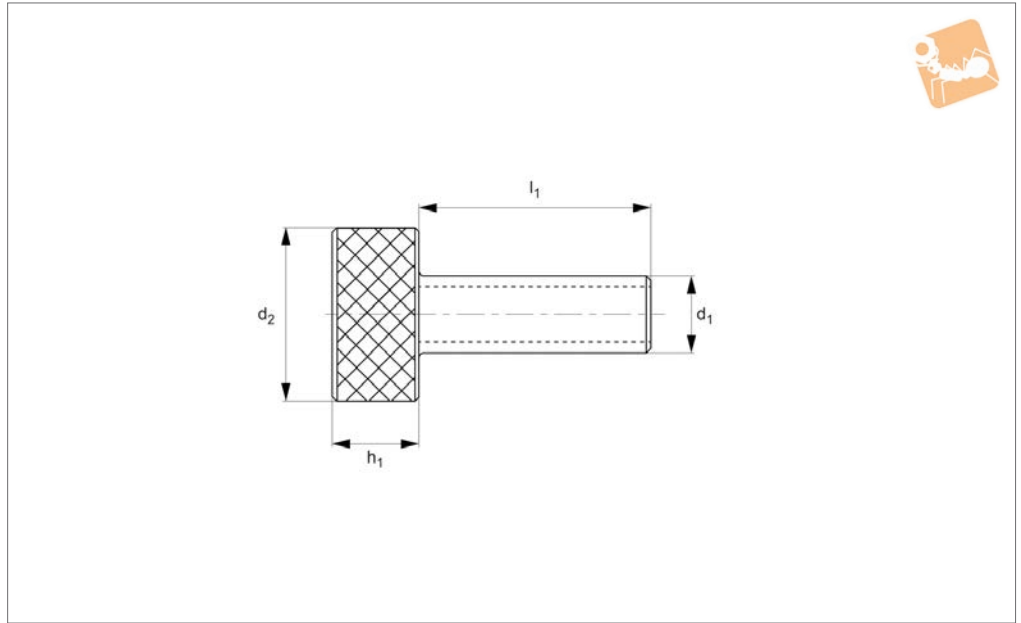
Stainless steel 303 series is a hard stain-

less steel which may (in harsh conditions) exhibit slight signs of rusting. Typically used in food and pharmaceutical applications.

Order No.	d ₁	l ₁	d ₂	h ₁
P0437.030-008-A2	M 3	8	8	5
P0437.030-010-A2	M 3	10	8	5
P0437.030-012-A2	M 3	12	8	5
P0437.030-014-A2	M 3	14	8	5
P0437.040-008-A2	M 4	8	10	5
P0437.040-010-A2	M 4	10	10	5
P0437.040-012-A2	M 4	12	10	5
P0437.040-014-A2	M 4	14	10	5
P0437.040-016-A2	M 4	16	10	5
P0437.050-008-A2	M 5	8	12	5
P0437.050-010-A2	M 5	10	12	5
P0437.050-012-A2	M 5	12	12	5
P0437.050-014-A2	M 5	14	12	5
P0437.050-016-A2	M 5	16	12	5
P0437.060-012-A2	M 6	12	13	6
P0437.060-014-A2	M 6	14	13	6
P0437.060-016-A2	M 6	16	13	6
P0437.060-018-A2	M 6	18	13	6
P0437.060-020-A2	M 6	20	13	6



P0437.A4



Material

Stainless steel (AISI 316 series 1.4401).

Technical Notes

316 series stainless steel is the most corro-

sion resistant alloy of stainless steel. It resists corrosion from seawater and strong chemicals. Suitable for outdoor use and in marine, medical and chemical applica-

tions.

Order No.	d_1	l_1	d_2	h_1
P0437.030-008-A4	M 3	8	8	5
P0437.030-010-A4	M 3	10	8	5
P0437.030-012-A4	M 3	12	8	5
P0437.030-014-A4	M 3	14	8	5
P0437.040-008-A4	M 4	8	10	5
P0437.040-010-A4	M 4	10	10	5
P0437.040-012-A4	M 4	12	10	5
P0437.040-014-A4	M 4	14	10	5
P0437.040-016-A4	M 4	16	10	5
P0437.050-008-A4	M 5	8	12	5
P0437.050-010-A4	M 5	10	12	5
P0437.050-012-A4	M 5	12	12	5
P0437.050-014-A4	M 5	14	12	5
P0437.050-016-A4	M 5	16	12	5
P0437.060-012-A4	M 6	12	13	6
P0437.060-014-A4	M 6	14	13	6
P0437.060-016-A4	M 6	16	13	6
P0437.060-018-A4	M 6	18	13	6
P0437.060-020-A4	M 6	20	13	6

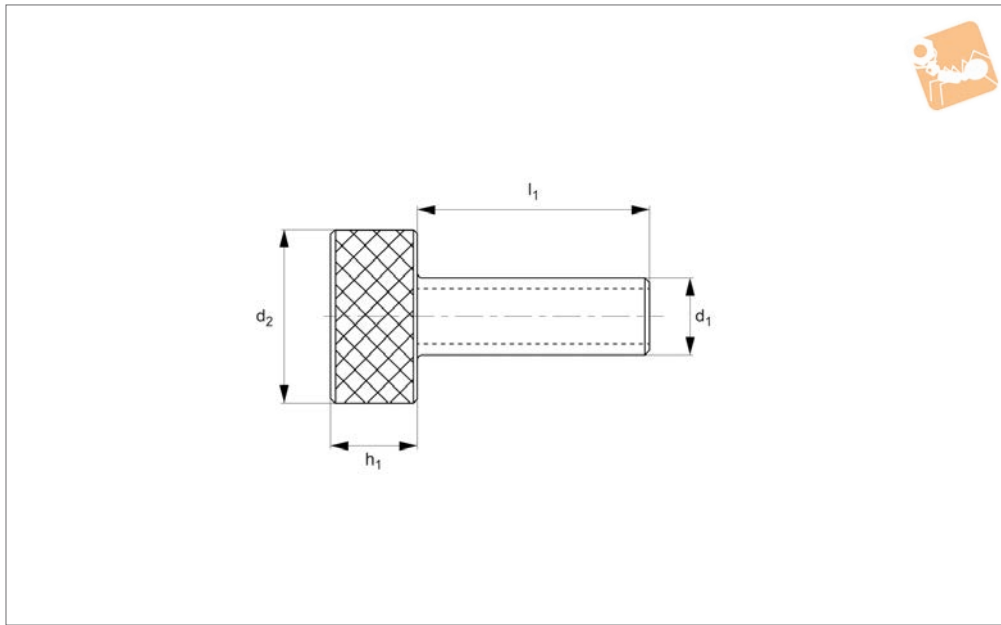


Narrow Head Thumb Screws

303 stainless, blackened



Thumb Screws



P0437.B2

THUMB SCREWS

Material

Stainless steel (AISI 303 series 1.4305), with black oxide coating.

steel which may (in harsh conditions) exhibit slight signs of rusting. Typically used in food and pharmaceutical applications.

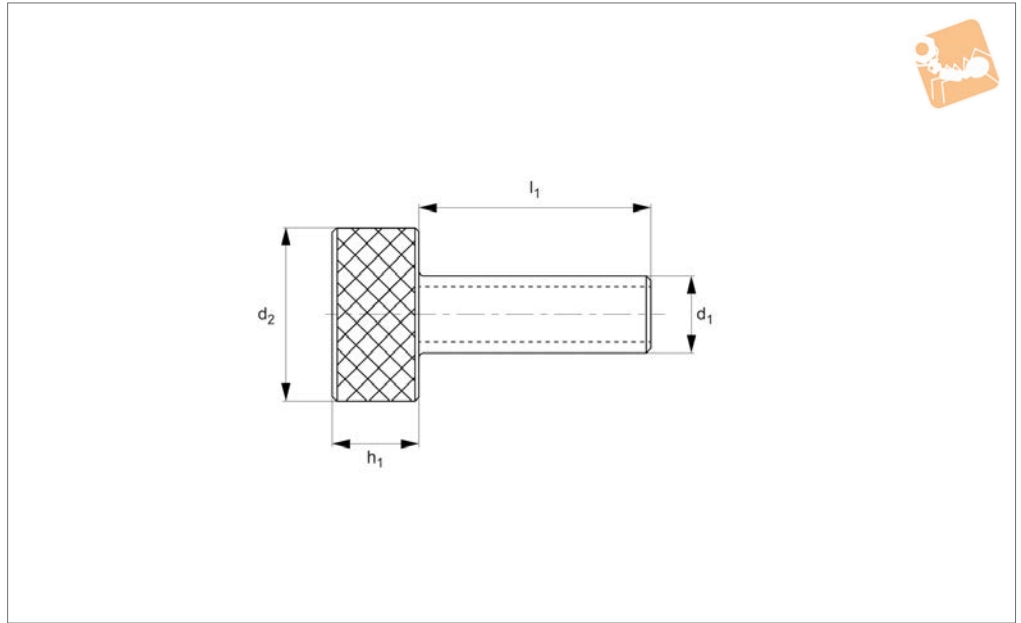
Technical Notes

303 series stainless steel is a hard stainless

Order No.	d ₁	l ₁	d ₂	h ₁
P0437.030-008-B2	M 3	8	8	5
P0437.030-010-B2	M 3	10	8	5
P0437.030-012-B2	M 3	12	8	5
P0437.030-014-B2	M 3	14	8	5
P0437.040-008-B2	M 4	8	10	5
P0437.040-010-B2	M 4	10	10	5
P0437.040-012-B2	M 4	12	10	5
P0437.040-014-B2	M 4	14	10	5
P0437.040-016-B2	M 4	16	10	5
P0437.050-008-B2	M 5	8	12	5
P0437.050-010-B2	M 5	10	12	5
P0437.050-012-B2	M 5	12	12	5
P0437.050-014-B2	M 5	14	12	5
P0437.050-016-B2	M 5	16	12	5
P0437.060-012-B2	M 6	12	13	6
P0437.060-014-B2	M 6	14	13	6
P0437.060-016-B2	M 6	16	13	6
P0437.060-018-B2	M 6	18	13	6
P0437.060-020-B2	M 6	20	13	6



P0437.B4



Material

Stainless steel (AISI 316 series 1.4401), with black oxide coating.

Technical Notes

316 series stainless steel is the most corro-

sion resistant alloy of stainless steel. It resists corrosion from seawater and strong chemicals. Suitable for outdoor use and in marine, medical and chemical applications.

Order No.	d ₁	l ₁	d ₂	h ₁
P0437.030-008-B4	M 3	8	8	5
P0437.030-010-B4	M 3	10	8	5
P0437.030-012-B4	M 3	12	8	5
P0437.030-014-B4	M 3	14	8	5
P0437.040-008-B4	M 4	8	10	5
P0437.040-010-B4	M 4	10	10	5
P0437.040-012-B4	M 4	12	10	5
P0437.040-014-B4	M 4	14	10	5
P0437.040-016-B4	M 4	16	10	5
P0437.050-008-B4	M 5	8	12	5
P0437.050-010-B4	M 5	10	12	5
P0437.050-012-B4	M 5	12	12	5
P0437.050-014-B4	M 5	14	12	5
P0437.050-016-B4	M 5	16	12	5
P0437.060-012-B4	M 6	12	13	6
P0437.060-014-B4	M 6	14	13	6
P0437.060-016-B4	M 6	16	13	6
P0437.060-018-B4	M 6	18	13	6
P0437.060-020-B4	M 6	20	13	6

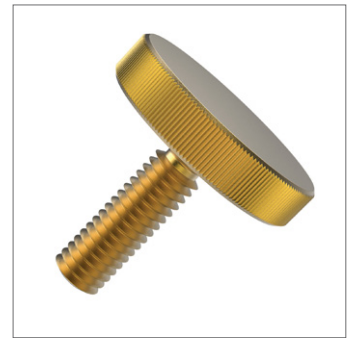
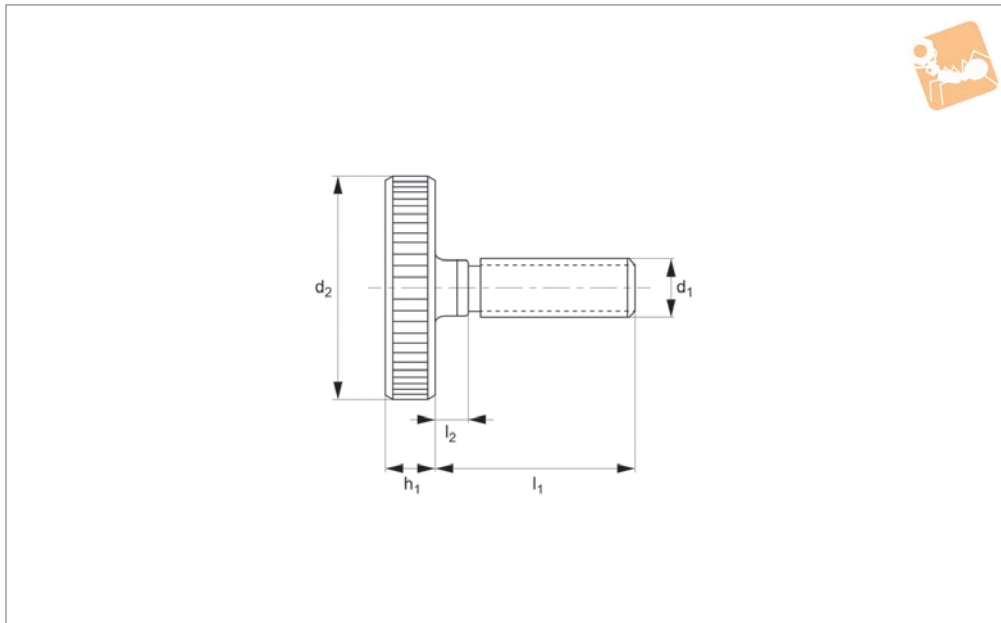


Flat Knurled Thumb Screws

DIN 653



Thumb Screws



P0405.BR

THUMB SCREWS

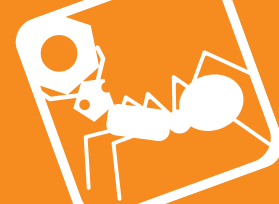
Material

Brass, Cu3 (CuZn39Pb3).

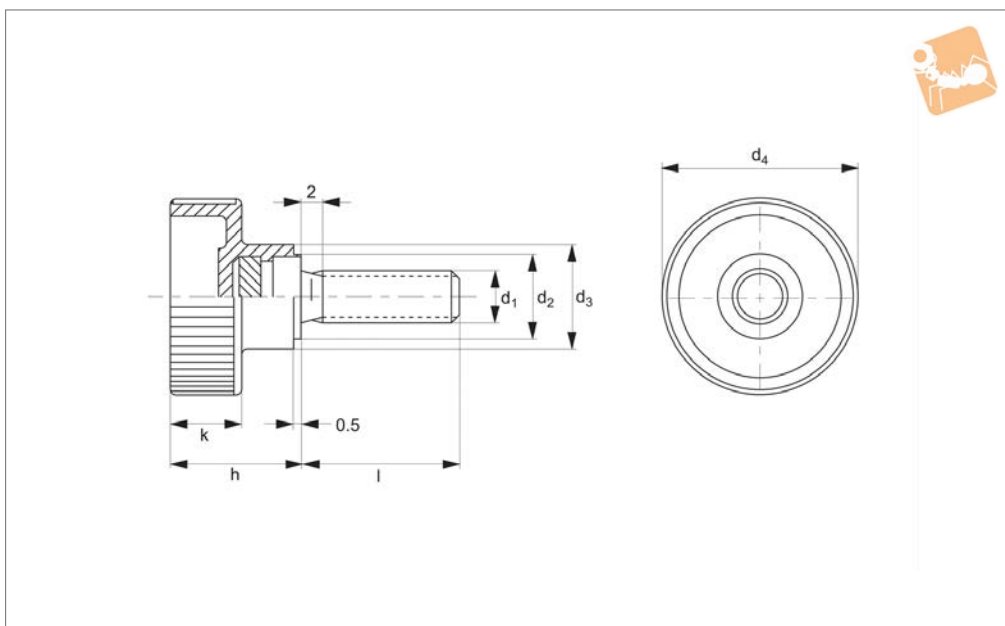
Technical Notes

To DIN 653.

Order No.	Thread	l_1	d_2	h_1	l_2	Material	Weight g
P0405.030-006-BR	M 3	6.0	12	2.5	2.0	Brass	2.3
P0405.030-008-BR	M 3	8.0	12	2.5	2.0	Brass	2.4
P0405.030-010-BR	M 3	10	12	2.5	2.0	Brass	2.5
P0405.030-012-BR	M 3	12	12	2.5	2.0	Brass	2.6
P0405.030-016-BR	M 3	16	12	2.5	2.0	Brass	2.7
P0405.030-020-BR	M 3	20	12	2.5	2.0	Brass	2.7
P0405.030-025-BR	M 3	25	12	2.5	2.0	Brass	2.7
P0405.040-008-BR	M 4	8.0	16	3.5	3.0	Brass	6.1
P0405.040-010-BR	M 4	10	16	3.5	3.0	Brass	6.2
P0405.040-012-BR	M 4	12	16	3.5	3.0	Brass	6.4
P0405.040-016-BR	M 4	16	16	3.5	3.0	Brass	6.7
P0405.040-020-BR	M 4	20	16	3.5	3.0	Brass	6.7
P0405.040-025-BR	M 4	25	16	3.5	3.0	Brass	6.7
P0405.050-008-BR	M 5	8	20	4.0	3.0	Brass	11.0
P0405.050-010-BR	M 5	10	20	4.0	3.0	Brass	11.0
P0405.050-012-BR	M 5	12	20	4.0	3.0	Brass	11.3
P0405.050-016-BR	M 5	16	20	4.0	3.0	Brass	11.7
P0405.050-020-BR	M 5	20	20	4.0	3.0	Brass	12.0
P0405.050-025-BR	M 5	25	20	4.0	3.0	Brass	12.0
P0405.050-030-BR	M 5	30	20	4.0	3.0	Brass	12.0
P0405.060-010-BR	M 6	10	24.0	5.0	4.0	Brass	20.0
P0405.060-012-BR	M 6	12	24.0	5.0	4.0	Brass	20.0
P0405.060-016-BR	M 6	16	24.0	5.0	4.0	Brass	20.4
P0405.060-020-BR	M 6	20	24.0	5.0	4.0	Brass	21.0
P0405.060-025-BR	M 6	25	24.0	5.0	4.0	Brass	25.0
P0405.060-030-BR	M 6	30	24.0	5.0	4.0	Brass	22.0
P0405.060-040-BR	M 6	40	24.0	5.0	4.0	Brass	22.0
P0405.080-016-BR	M 8	16	30.0	6.0	5.0	Brass	40.0
P0405.080-020-BR	M 8	20	30.0	6.0	5.0	Brass	40.0
P0405.080-025-BR	M 8	25	30.0	6.0	5.0	Brass	42.0
P0405.080-030-BR	M 8	30	30.0	6.0	5.0	Brass	43.0
P0405.080-040-BR	M 8	40	30.0	6.0	5.0	Brass	45.0



P0440.ZP



Material

Handle: thermoplastic PA, black.
Screw: steel, galvanised

Technical Notes

Temperature range from -30°C up to +80°C.

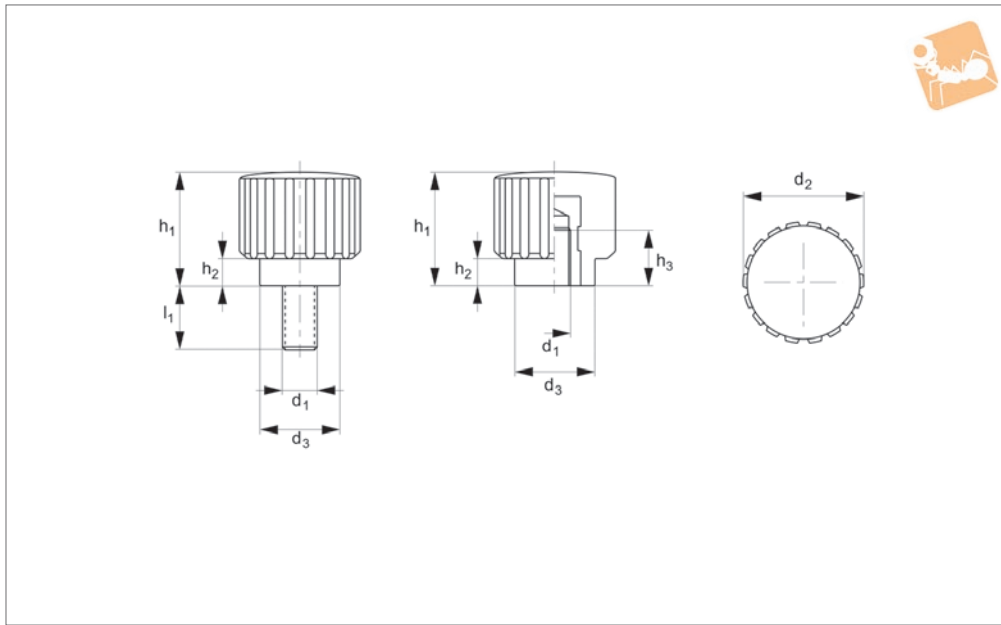
Order No.	d ₁	d ₂	d ₃	d ₄	h	k	l	Weight g
P0440.040-015-ZP	M 4	9	12	19	14.0	8.0	15	6.0
P0440.040-020-ZP	M 4	9	12	19	14.0	8.0	20	7.0
P0440.050-010-ZP	M 5	9	12	19	14.0	8.0	10	6.0
P0440.050-020-ZP	M 5	9	12	19	14.0	8.0	20	7.0
P0440.050-025-ZP	M 5	9	12	19	14.0	8.0	25	8.0
P0440.060-016-ZP	M 6	12	14	24	16.5	9.5	16	8.0
P0440.060-020-ZP	M 6	12	14	24	16.5	9.5	20	12.0
P0440.060-030-ZP	M 6	12	14	24	16.5	9.5	30	13.0
P0440.080-020-ZP	M 8	14	16	30	19.5	11.0	20	16.0
P0440.080-025-ZP	M 8	14	16	30	19.5	11.0	25	17.0
P0440.080-030-ZP	M 8	14	16	30	19.5	11.0	30	23.0
P0440.100-025-ZP	M10	16	18	36	22.5	12.5	25	31.0
P0440.100-030-ZP	M10	16	18	36	22.5	12.5	30	33.0
P0440.100-040-ZP	M10	16	18	36	22.5	12.5	40	38.0



Plastic Head Thumbscrews

Fluted body

Thumb Screws



P0444

THUMB SCREWS

Material

Duroplast, black satin finish, male version with zinc-plated thread, female version

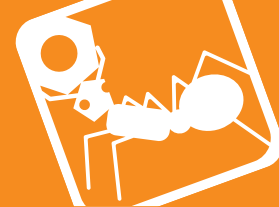
with brass insert.

Technical Notes

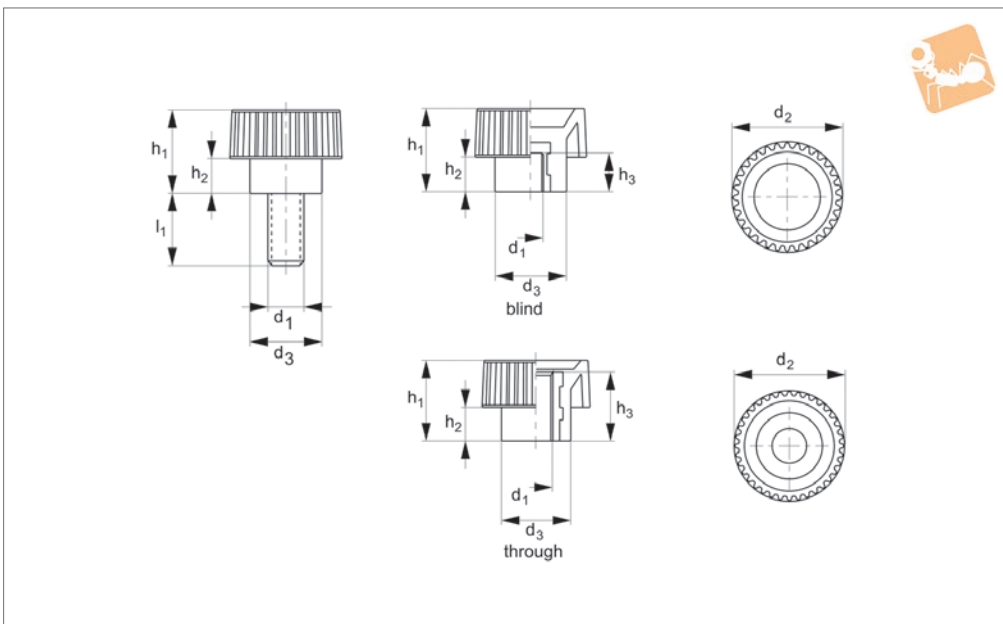
Resistant to organic and inorganic

chemical substances such as oils, greases, fuels and solvents.

Order No.	Type	d ₁	l ₁	d ₂	d ₃	h ₁	h ₂	Insert material	h ₃
P0444.040-010-ZP	Male	M4	10	15	11	12	1.5	Steel ZP	-
P0444.050-010-ZP	Male	M5	10	15	11	12	1.5	Steel ZP	-
P0444.050-013-ZP	Male	M5	13	18	12	17	4.0	Steel ZP	-
P0444.050-040-ZP	Male	M5	40	24	12	17	5.5	Steel ZP	-
P0444.060-013-ZP	Male	M6	13	18	16	17	4.0	Steel ZP	-
P0444.060-015-ZP	Male	M6	15	24	16	17	5.5	Steel ZP	-
P0444.080-015-ZP	Male	M8	15	24	16	17	5.5	Steel ZP	-
P0444.080-025-ZP	Male	M8	25	24	16	17	5.5	Steel ZP	-
P0444.030-015-BR	Female	M3	-	15	11	12	1.5	Brass	9
P0444.040-015-BR	Female	M4	-	15	11	12	1.5	Brass	9
P0444.050-015-BR	Female	M5	-	15	11	12	1.5	Brass	9
P0444.050-018-BR	Female	M5	-	18	12	17	4.0	Brass	9
P0444.060-015-BR	Female	M5	-	15	11	12	1.5	Brass	9
P0444.060-018-BR	Female	M6	-	18	12	17	4.0	Brass	9
P0444.060-024-BR	Female	M6	-	24	16	17	5.5	Brass	9
P0444.080-024-BR	Female	M8	-	24	16	17	5.5	Brass	9



P0445



Material

Duroplast, black, male version with zinc-plated thread, female versions with brass insert.

Type A has a tapped blind bush, type B has a through threaded bush.

Technical Notes

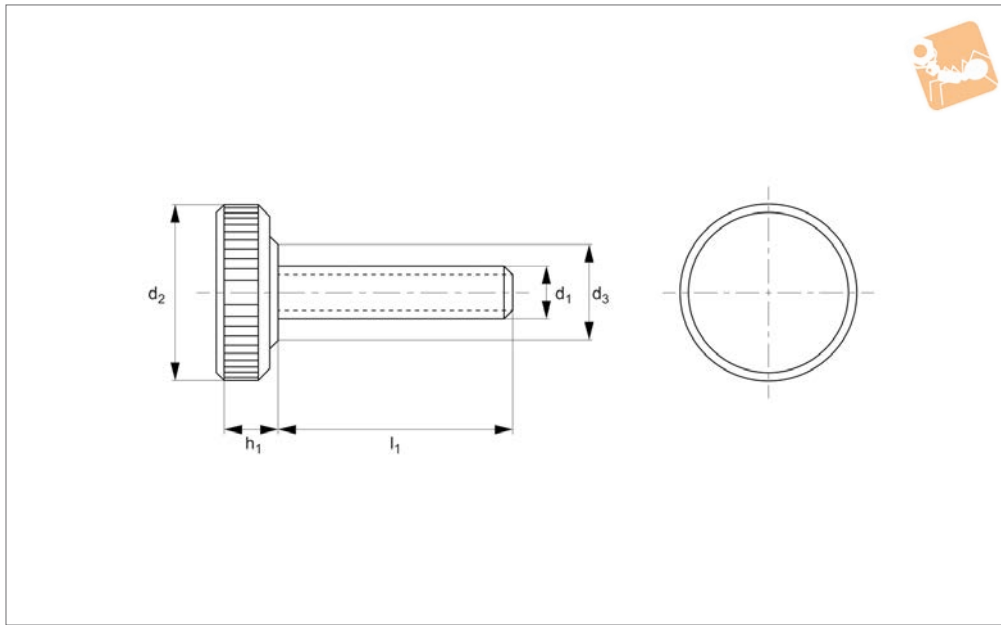
Resistant to organic and inorganic chemical substances such as oils, greases, fuels and solvents.

Order No.	Type	d ₁	l ₁	d ₂	d ₃	h ₁	h ₂	Insert material	h ₃
P0445.030-010-ZP	Male	M 3	10	15	11.5	13.5	5	Steel ZP	-
P0445.040-010-ZP	Male	M 4	10	15	11.5	13.5	5	Steel ZP	-
P0445.040-015-ZP	Male	M 4	15	15	11.5	13.5	5	Steel ZP	-
P0445.040-025-ZP	Male	M 4	25	15	11.5	13.5	5	Steel ZP	-
P0445.050-010-ZP	Male	M 5	10	20	13.0	16.0	6	Steel ZP	-
P0445.050-015-ZP	Male	M 5	15	15	11.5	13.5	5	Steel ZP	-
P0445.050-016-ZP	Male	M 5	15	20	13.0	16.0	6	Steel ZP	-
P0445.050-017-ZP	Male	M 5	20	20	13.0	16.0	6	Steel ZP	-
P0445.050-025-ZP	Male	M 5	25	20	13.0	16.0	6	Steel ZP	-
P0445.060-015-ZP	Male	M 6	15	15	11.5	13.5	5	Steel ZP	-
P0445.030-15A-BR	Female - blind	M 3	-	15	11.5	13.5	5	Brass	9
P0445.040-15A-BR	Female - blind	M 4	-	15	11.5	13.5	5	Brass	9
P0445.050-15A-BR	Female - blind	M 5	-	15	11.5	13.5	5	Brass	9
P0445.060-15A-BR	Female - blind	M 6	-	15	11.5	13.5	5	Brass	9
P0445.050-20A-BR	Female - blind	M 5	-	20	13.0	16.0	6	Brass	9
P0445.060-20A-BR	Female - blind	M 6	-	20	13.0	16.0	6	Brass	9
P0445.060-32A-BR	Female - blind	M 6	-	32	17.0	22.0	9	Brass	11
P0445.080-32A-BR	Female - blind	M 8	-	32	17.0	22.0	9	Brass	11
P0445.100-32A-BR	Female - blind	M 10	-	32	17.0	22.0	9	Brass	11
P0445.030-15B-BR	Female - through	M 3	-	15	11.5	13.5	5	Brass	11.5
P0445.040-15B-BR	Female - through	M 4	-	15	11.5	13.5	5	Brass	11.5
P0445.040-20B-BR	Female - through	M 4	-	20	13.0	16.0	6	Brass	11.5
P0445.050-15B-BR	Female - through	M 5	-	15	11.5	13.5	5	Brass	11.5
P0445.050-20B-BR	Female - through	M 5	-	20	13.0	16.0	6	Brass	11.5
P0445.060-15B-BR	Female - through	M 6	-	15	11.5	13.5	5	Brass	11.5
P0445.060-20B-BR	Female - through	M 6	-	20	13.0	16.0	6	Brass	11.5
P0445.060-32B-BR	Female - through	M 6	-	32	17.0	22.0	9	Brass	16.5
P0445.080-32B-BR	Female - through	M 8	-	32	17.0	22.0	9	Brass	16.5
P0445.100-32B-BR	Female - through	M 10	-	32	17.0	22.0	9	Brass	16.5



Plastic Head Thumb Screws

A4 stainless thread



P0480.A4

THUMB SCREWS

Material

Stainless steel thread (A4, AISI 316), with black plastic head, other colours (red,

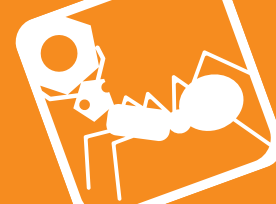
blue, green, white) available on request.

stant to corrosion.

Technical Notes

Stainless steel A4, AISI 316 is highly resi-

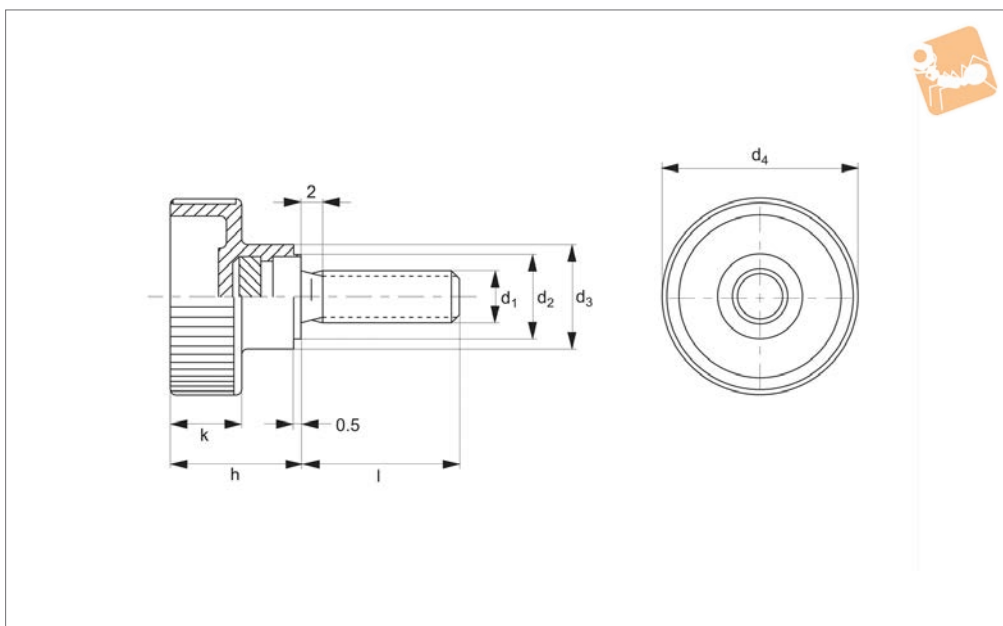
Order No.	d ₁	l ₁	d ₂	d ₃	h ₁
P0480.030-005-A4	M3	5	10	8	4
P0480.030-006-A4	M3	6	10	8	4
P0480.030-008-A4	M3	8	10	8	4
P0480.030-012-A4	M3	12	10	8	4
P0480.030-016-A4	M3	16	10	8	4
P0480.030-020-A4	M3	20	10	8	4
P0480.030-025-A4	M3	25	10	8	4
P0480.040-006-A4	M4	6	13	10	5
P0480.040-010-A4	M4	10	13	10	5
P0480.040-012-A4	M4	12	13	10	5
P0480.040-016-A4	M4	16	13	10	5
P0480.040-020-A4	M4	20	13	10	5
P0480.040-025-A4	M4	25	13	10	5
P0480.050-008-A4	M5	8	16	12	6
P0480.050-010-A4	M5	10	16	12	6
P0480.050-012-A4	M5	12	16	12	6
P0480.050-016-A4	M5	16	16	12	6
P0480.050-020-A4	M5	20	16	12	6
P0480.050-025-A4	M5	25	16	12	6
P0480.060-010-A4	M6	10	19	14	8
P0480.060-012-A4	M6	12	19	14	8
P0480.060-016-A4	M6	16	19	14	8
P0480.060-020-A4	M6	20	19	14	8
P0480.060-025-A4	M6	25	19	14	8
P0480.060-030-A4	M6	30	19	14	8
P0480.080-010-A4	M8	10	26	16	10
P0480.080-012-A4	M8	12	26	16	10
P0480.080-016-A4	M8	16	26	16	10
P0480.080-020-A4	M8	20	26	16	10
P0480.080-025-A4	M8	25	26	16	10
P0480.080-030-A4	M8	30	26	16	10
P0480.080-040-A4	M8	40	26	16	10



THUMB SCREWS



P0440.A2



Material

Handle: thermoplastic PA, black.
Screw: stainless steel 1.4567. (AISI 304)

Technical Notes

Temperature range from -30°C up to +80°C.

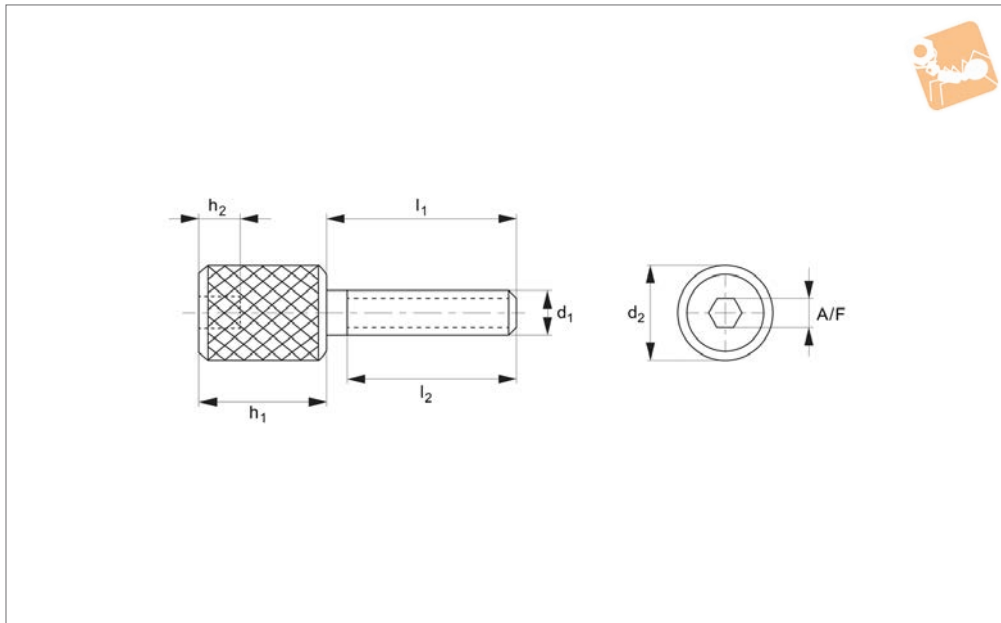
Order No.	d ₁	d ₂	d ₃	d ₄	h	k	l	Weight g
P0440.050-010-A2	M 5	9	12	19	14.0	8.0	10	4.3
P0440.050-025-A2	M 5	9	12	19	14.0	8.0	25	6.0
P0440.060-016-A2	M 6	12	14	24	16.5	9.5	16	8.0
P0440.060-020-A2	M 6	12	14	24	16.5	9.5	20	9.0
P0440.060-030-A2	M 6	12	14	24	16.5	9.5	30	10.0
P0440.080-025-A2	M 8	14	16	30	19.5	11.0	25	17.0
P0440.080-030-A2	M 8	14	16	30	19.5	11.0	30	19.0



Thin Head Thumb Screws

303 series stainless

Thumb Screws



P0435.A2

THUMB SCREWS

Material

Stainless steel (AISI 303, 1.4305).
Tensile strength 550 N/mm².
Proof stress min. 190 N/mm², austenitic

stainless steel.

Technical Notes

Stainless steel 303 series is a hard stain-

less steel which may (in harsh conditions) exhibit slight signs of rusting. Typically used in food and pharmaceutical applications.

Order No.	d ₁	l ₁	d ₂	l ₂	h ₁	h ₂ min.	A/F
P0435.03-06-12-A2	M 3	12	6	11	12	2	2
P0435.03-06-20-A2	M 3	20	6	16	12	2	2
P0435.03-08-12-A2	M 3	12	8	11	12	2	2
P0435.03-08-20-A2	M 3	20	8	16	12	2	2
P0435.03-10-10-A2	M 3	10	10	8	12	3	3
P0435.03-10-12-A2	M 3	12	10	11	12	3	3
P0435.04-06-12-A2	M 4	12	6	11	12	2	2
P0435.04-06-20-A2	M 4	20	6	16	12	2	2
P0435.04-06-25-A2	M 4	25	6	20	12	2	2
P0435.04-08-12-A2	M 4	12	8	11	12	2	2
P0435.04-08-20-A2	M 4	20	8	16	12	2	2
P0435.04-08-25-A2	M 4	25	8	20	12	2	2
P0435.04-10-10-A2	M 4	10	10	8	12	3	3
P0435.04-10-14-A2	M 4	14	10	12	12	3	3
P0435.04-10-20-A2	M 4	20	10	16	12	3	3
P0435.05-08-12-A2	M 5	12	8	11	12	2	2
P0435.05-08-20-A2	M 5	20	8	16	12	2	2
P0435.05-08-25-A2	M 5	25	8	20	12	2	2
P0435.05-08-32-A2	M 5	32	8	25	12	2	2
P0435.05-10-12-A2	M 5	12	10	11	12	3	3
P0435.05-10-20-A2	M 5	20	10	16	12	3	3
P0435.05-10-25-A2	M 5	25	10	20	12	3	3
P0435.05-10-32-A2	M 5	32	10	25	12	3	3
P0435.06-10-12-A2	M 6	12	10	11	12	3	3
P0435.06-10-20-A2	M 6	20	10	16	12	3	3
P0435.06-10-25-A2	M 6	25	10	20	12	3	3
P0435.06-10-30-A2	M 6	30	10	25	12	3	3
P0435.06-10-35-A2	M 6	35	10	30	12	3	3
P0435.08-12-12-A2	M 8	12	12	11	15	3	3
P0435.08-12-20-A2	M 8	20	12	16	15	3	3
P0435.08-12-25-A2	M 8	25	12	20	15	3	3
P0435.08-12-30-A2	M 8	30	12	25	15	3	3
P0435.08-12-35-A2	M 8	35	12	30	15	3	3
P0435.08-15-12-A2	M 8	12	15	11	15	3	3



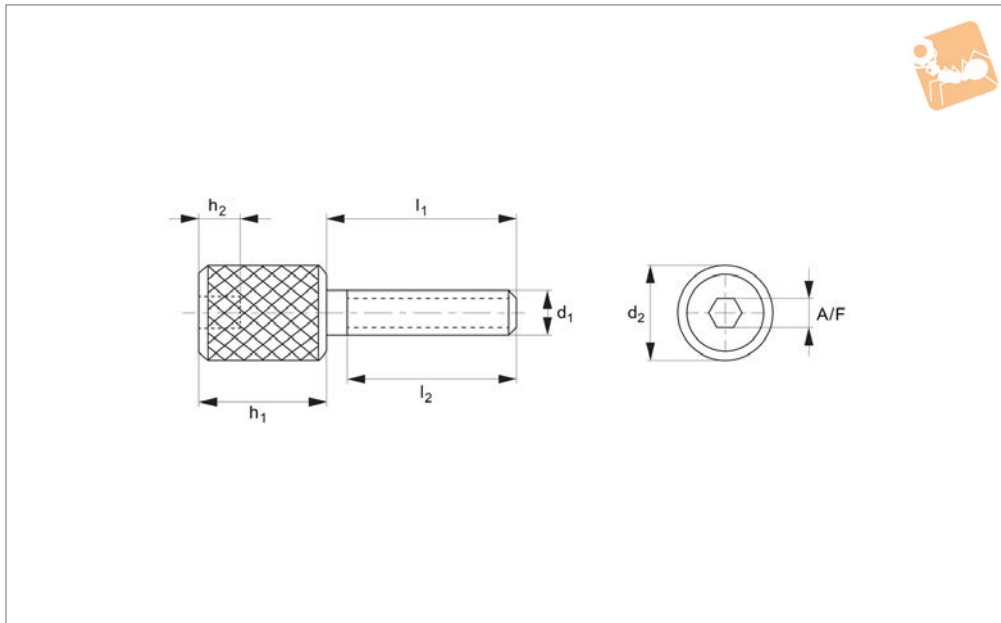
Order No.	d ₁	l ₁	d ₂	l ₂	h ₁	h ₂ min.	A/F
P0435.08-15-20-A2	M 8	20	15	16	15	3	3
P0435.08-15-25-A2	M 8	25	15	20	15	3	3
P0435.08-15-30-A2	M 8	30	15	25	15	3	3
P0435.08-15-35-A2	M 8	35	15	30	15	3	3
P0435.10-15-12-A2	M10	12	15	11	20	3	3
P0435.10-15-20-A2	M10	20	15	16	20	3	3
P0435.10-15-25-A2	M10	25	15	20	20	3	3
P0435.10-15-30-A2	M10	30	15	25	20	3	3
P0435.10-15-35-A2	M10	35	15	30	20	3	3
P0435.10-20-12-A2	M10	12	20	11	20	3	3
P0435.10-20-20-A2	M10	20	20	16	20	3	3
P0435.10-20-25-A2	M10	25	20	20	20	3	3
P0435.10-20-30-A2	M10	30	20	25	20	3	3
P0435.10-20-35-A2	M10	35	20	30	20	3	3



Thin Head Thumb Screws

316 series stainless

Thumb Screws



P0435.A4

THUMB SCREWS

Material

Stainless steel (AISI 316, 1.440).
Tensile strength 480 N/mm².
Proof stress min. 200 N/mm², austenitic stainless steel.

Technical Notes

316 series stainless steel is the most corrosion resistant alloy of stainless steel. It resists corrosion from seawater and strong chemicals. Suitable for outdoor use and in

marine, medical and chemical applications.

Order No.	d ₁	l ₁	d ₂	l ₂	h ₁	h ₂ min.	A/F
P0435.03-06-12-A4	M3	12	6	11	12	2	2
P0435.03-06-20-A4	M3	20	6	16	12	2	2
P0435.03-08-12-A4	M3	12	8	11	12	2	2
P0435.03-08-20-A4	M3	20	8	16	12	2	2
P0435.03-10-10-A4	M3	10	10	8	12	3	3
P0435.03-10-12-A4	M3	12	10	11	12	3	3
P0435.04-06-12-A4	M4	12	6	11	12	2	2
P0435.04-06-20-A4	M4	20	6	16	12	2	2
P0435.04-06-25-A4	M4	25	6	20	12	2	2
P0435.04-08-12-A4	M4	12	8	11	12	2	2
P0435.04-08-20-A4	M4	20	8	16	12	2	2
P0435.04-08-25-A4	M4	25	8	20	12	2	2
P0435.04-10-10-A4	M4	10	10	8	12	3	3
P0435.04-10-14-A4	M4	14	10	12	12	3	3
P0435.04-10-20-A4	M4	20	10	16	12	3	3
P0435.05-08-12-A4	M5	12	8	11	12	2	2
P0435.05-08-20-A4	M5	20	8	16	12	2	2
P0435.05-08-25-A4	M5	25	8	20	12	2	2
P0435.05-08-32-A4	M5	32	8	25	12	2	2
P0435.05-10-12-A4	M5	12	10	11	12	3	3
P0435.05-10-20-A4	M5	20	10	16	12	3	3
P0435.05-10-25-A4	M5	25	10	20	12	3	3
P0435.05-10-32-A4	M5	32	10	25	12	3	3
P0435.06-10-12-A4	M6	12	10	11	12	3	3
P0435.06-10-20-A4	M6	20	10	16	12	3	3
P0435.06-10-25-A4	M6	25	10	20	12	3	3
P0435.06-10-30-A4	M6	30	10	25	12	3	3
P0435.06-10-35-A4	M6	35	10	30	12	3	3
P0435.08-12-12-A4	M8	12	12	11	15	3	3
P0435.08-12-20-A4	M8	20	12	16	15	3	3
P0435.08-12-25-A4	M8	25	12	20	15	3	3
P0435.08-12-30-A4	M8	30	12	25	15	3	3
P0435.08-12-35-A4	M8	35	12	30	15	3	3



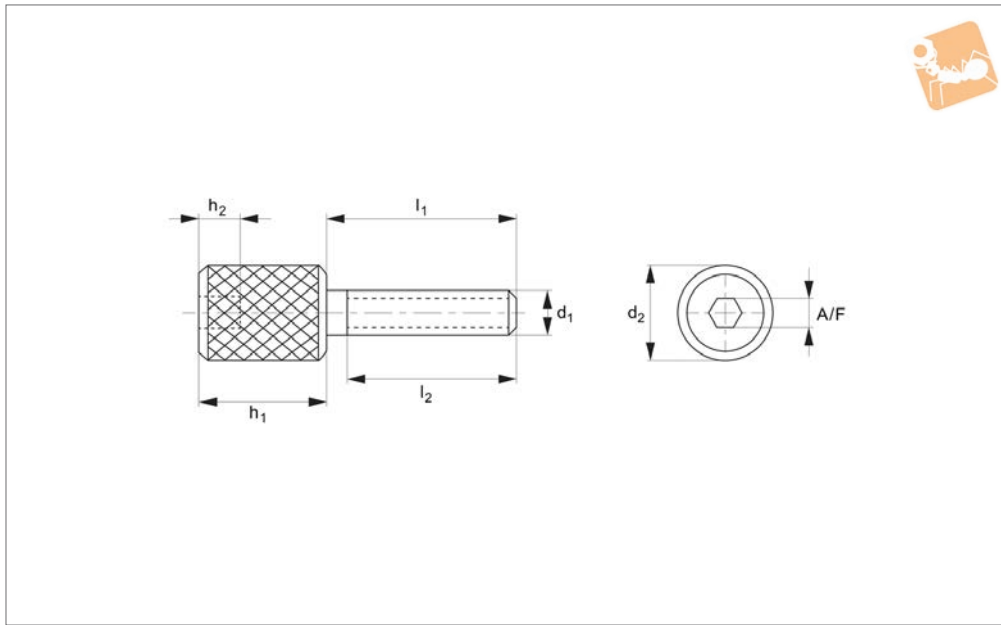
Order No.	d ₁	l ₁	d ₂	l ₂	h ₁	h ₂ min.	A/F
P0435.08-15-12-A4	M8	12	15	11	15	3	3
P0435.08-15-20-A4	M8	20	15	16	15	3	3
P0435.08-15-25-A4	M8	25	15	20	15	3	3
P0435.08-15-30-A4	M8	30	15	25	15	3	3
P0435.08-15-35-A4	M8	35	15	30	15	3	3
P0435.10-15-12-A4	M10	12	15	11	20	3	3
P0435.10-15-20-A4	M10	20	15	16	20	3	3
P0435.10-15-25-A4	M10	25	15	20	20	3	3
P0435.10-15-30-A4	M10	30	15	25	20	3	3
P0435.10-15-35-A4	M10	35	15	30	20	3	3
P0435.10-20-12-A4	M10	12	20	11	20	3	3
P0435.10-20-20-A4	M10	20	20	16	20	3	3
P0435.10-20-25-A4	M10	25	20	20	20	3	3
P0435.10-20-30-A4	M10	30	20	25	20	3	3
P0435.10-20-35-A4	M10	35	20	30	20	3	3



Thin Head Thumb Screws

303 stainless, blackened

Thumb Screws



P0435.B2

THUMB SCREWS

Material

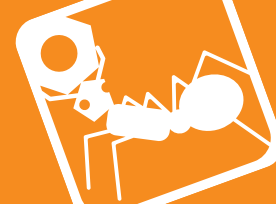
Stainless steel (AISI 303 series, 1.4305), black oxide coating.

steel which may (in harsh conditions) exhibit slight signs of rusting. Typically used in food and pharmaceutical applications.

Technical Notes

303 series stainless steel is a hard stainless

Order No.	d ₁	l ₁	d ₂	l ₂	h ₁	h ₂ min.	A/F
P0435.03-06-12-B2	M3	12	6	11	12	2	2
P0435.03-06-20-B2	M3	20	6	16	12	2	2
P0435.03-08-12-B2	M3	12	8	11	12	2	2
P0435.03-08-20-B2	M3	20	8	16	12	2	2
P0435.03-10-10-B2	M3	10	10	8	12	3	3
P0435.03-10-12-B2	M3	12	10	11	12	3	3
P0435.04-06-12-B2	M4	12	6	11	12	2	2
P0435.04-06-20-B2	M4	20	6	16	12	2	2
P0435.04-06-25-B2	M4	25	6	20	12	2	2
P0435.04-08-12-B2	M4	12	8	11	12	2	2
P0435.04-08-20-B2	M4	20	8	16	12	2	2
P0435.04-08-25-B2	M4	25	8	20	12	2	2
P0435.04-10-10-B2	M4	10	10	8	12	3	3
P0435.04-10-14-B2	M4	14	10	12	12	3	3
P0435.04-10-20-B2	M4	20	10	16	12	3	3
P0435.05-08-12-B2	M5	12	8	11	12	2	2
P0435.05-08-20-B2	M5	20	8	16	12	2	2
P0435.05-08-25-B2	M5	25	8	20	12	2	2
P0435.05-08-32-B2	M5	32	8	25	12	2	2
P0435.05-10-12-B2	M5	12	10	11	12	3	3
P0435.05-10-20-B2	M5	20	10	16	12	3	3
P0435.05-10-25-B2	M5	25	10	20	12	3	3
P0435.05-10-32-B2	M5	32	10	25	12	3	3
P0435.06-10-12-B2	M6	12	10	11	12	3	3
P0435.06-10-20-B2	M6	20	10	16	12	3	3
P0435.06-10-25-B2	M6	25	10	20	12	3	3
P0435.06-10-30-B2	M6	30	10	25	12	3	3
P0435.06-10-35-B2	M6	35	10	30	12	3	3
P0435.08-12-12-B2	M8	12	12	11	15	3	3
P0435.08-12-20-B2	M8	20	12	16	15	3	3
P0435.08-12-25-B2	M8	25	12	20	15	3	3
P0435.08-12-30-B2	M8	30	12	25	15	3	3



Order No.	d ₁	l ₁	d ₂	l ₂	h ₁	h ₂ min.	A/F
P0435.08-12-35-B2	M8	35	12	30	15	3	3
P0435.08-15-12-B2	M8	12	15	11	15	3	3
P0435.08-15-20-B2	M8	20	15	16	15	3	3
P0435.08-15-25-B2	M8	25	15	20	15	3	3
P0435.08-15-30-B2	M8	30	15	25	15	3	3
P0435.08-15-35-B2	M8	35	15	30	15	3	3
P0435.10-15-12-B2	M10	12	15	11	20	3	3
P0435.10-15-20-B2	M10	20	15	16	20	3	3
P0435.10-15-25-B2	M10	25	15	20	20	3	3
P0435.10-15-30-B2	M10	30	15	25	20	3	3
P0435.10-15-35-B2	M10	35	15	30	20	3	3
P0435.10-20-12-B2	M10	12	20	11	20	3	3
P0435.10-20-20-B2	M10	20	20	16	20	3	3
P0435.10-20-25-B2	M10	25	20	20	20	3	3
P0435.10-20-30-B2	M10	30	20	25	20	3	3
P0435.10-20-35-B2	M10	35	20	30	20	3	3

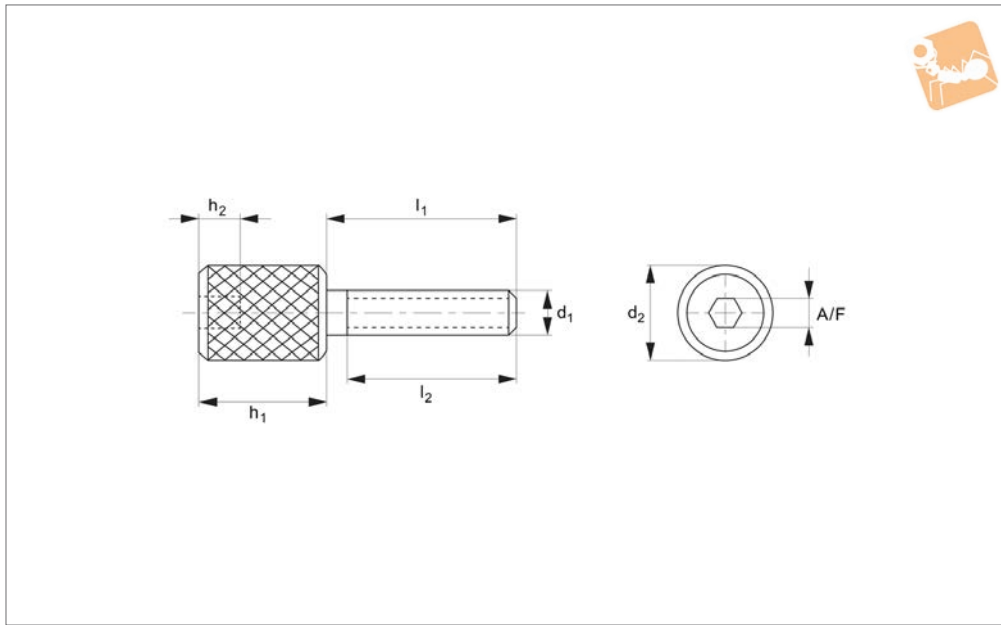


Thin Head Thumb Screws

316 stainless, blackened



Thumb Screws



P0435.B4

THUMB SCREWS

Material

Stainless steel (AISI 316 series, 1.4401), with black oxide coating.

Technical Notes

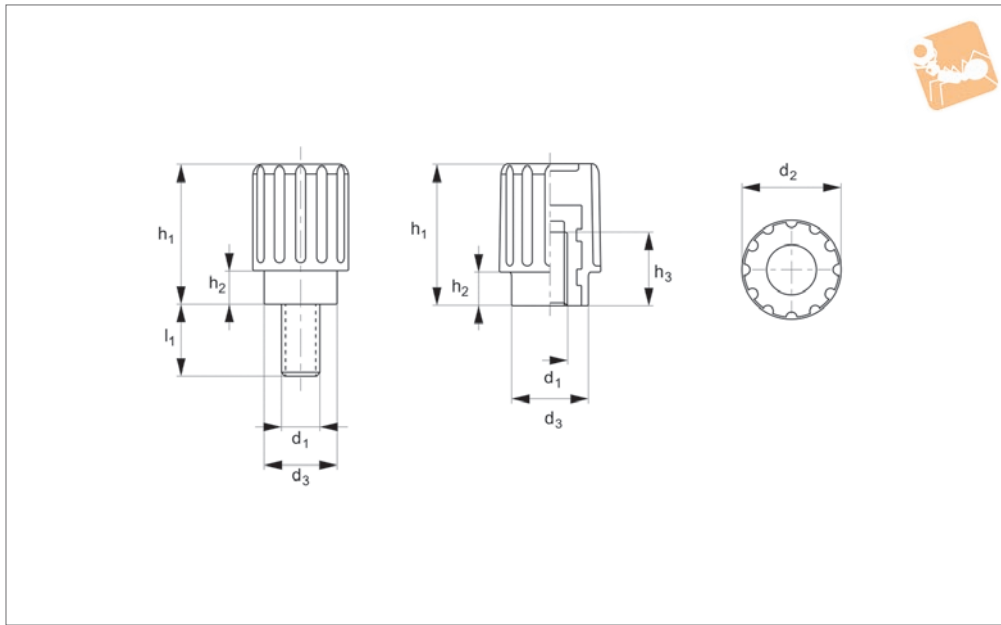
316 series stainless steel is the most corro-

sion resistant alloy of stainless steel. It resists corrosion from seawater and strong chemicals. Suitable for outdoor use and in marine, medical and chemical applications.

Order No.	d ₁	l ₁	d ₂	l ₂	h ₁	h ₂ min.	A/F
P0435.03-06-12-B4	M3	12	6	11	12	2	2
P0435.03-06-20-B4	M3	20	6	16	12	2	2
P0435.03-08-12-B4	M3	12	8	11	12	2	2
P0435.03-08-20-B4	M3	20	8	16	12	2	2
P0435.03-10-10-B4	M3	10	10	8	12	3	3
P0435.03-10-12-B4	M3	12	10	11	12	3	3
P0435.04-06-12-B4	M4	12	6	11	12	2	2
P0435.04-06-20-B4	M4	20	6	16	12	2	2
P0435.04-06-25-B4	M4	25	6	20	12	2	2
P0435.04-08-12-B4	M4	12	8	11	12	2	2
P0435.04-08-20-B4	M4	20	8	16	12	2	2
P0435.04-08-25-B4	M4	25	8	20	12	2	2
P0435.04-10-10-B4	M4	10	10	8	12	3	3
P0435.04-10-14-B4	M4	14	10	12	12	3	3
P0435.04-10-20-B4	M4	20	10	16	12	3	3
P0435.05-08-12-B4	M5	12	8	11	12	2	2
P0435.05-08-20-B4	M5	20	8	16	12	2	2
P0435.05-08-25-B4	M5	25	8	20	12	2	2
P0435.05-08-32-B4	M5	32	8	25	12	2	2
P0435.05-10-12-B4	M5	12	10	11	12	3	3
P0435.05-10-20-B4	M5	20	10	16	12	3	3
P0435.05-10-25-B4	M5	25	10	20	12	3	3
P0435.05-10-32-B4	M5	32	10	25	12	3	3
P0435.06-10-12-B4	M6	12	10	11	12	3	3
P0435.06-10-20-B4	M6	20	10	16	12	3	3
P0435.06-10-25-B4	M6	25	10	20	12	3	3
P0435.06-10-30-B4	M6	30	10	25	12	3	3
P0435.06-10-35-B4	M6	35	10	30	12	3	3
P0435.08-12-12-B4	M8	12	12	11	15	3	3
P0435.08-12-20-B4	M8	20	12	16	15	3	3
P0435.08-12-25-B4	M8	25	12	20	15	3	3
P0435.08-12-30-B4	M8	30	12	25	15	3	3



Order No.	d ₁	l ₁	d ₂	l ₂	h ₁	h ₂ min.	A/F
P0435.08-12-35-B4	M8	35	12	30	15	3	3
P0435.08-15-12-B4	M8	12	15	11	15	3	3
P0435.08-15-20-B4	M8	20	15	16	15	3	3
P0435.08-15-25-B4	M8	25	15	20	15	3	3
P0435.08-15-30-B4	M8	30	15	25	15	3	3
P0435.08-15-35-B4	M8	35	15	30	15	3	3
P0435.10-15-12-B4	M10	12	15	11	20	3	3
P0435.10-15-20-B4	M10	20	15	16	20	3	3
P0435.10-15-25-B4	M10	25	15	20	20	3	3
P0435.10-15-30-B4	M10	30	15	25	20	3	3
P0435.10-15-35-B4	M10	35	15	30	20	3	3
P0435.10-20-12-B4	M10	12	20	11	20	3	3
P0435.10-20-20-B4	M10	20	20	16	20	3	3
P0435.10-20-25-B4	M10	25	20	20	20	3	3
P0435.10-20-30-B4	M10	30	20	25	20	3	3
P0435.10-20-35-B4	M10	35	20	30	20	3	3



P0443

THUMB SCREWS

Material

Thermoplastic (PA) knob, black satin finish, male version with zinc-plated

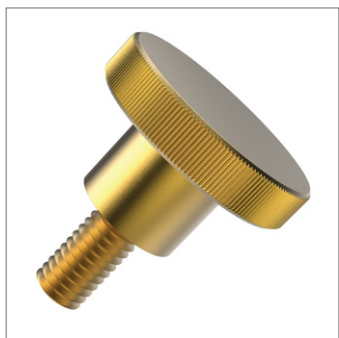
thread, female version with brass insert.

chemical substances such as oils, greases, fuels and solvents.

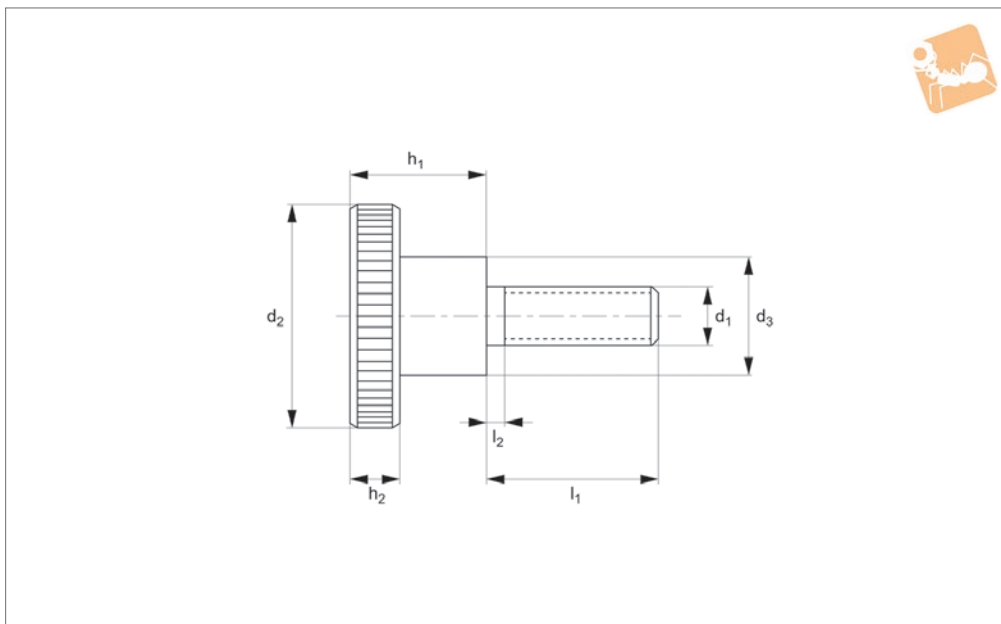
Technical Notes

Resistant to organic and inorganic

Order No.	Type	d ₁	l ₁	d ₂	d ₃	h ₁	h ₂	Insert material	h ₃
P0443.040-010-ZP	Male	M4	10	15	11.5	21	5	Steel ZP	-
P0443.040-015-ZP	Male	M4	15	15	11.5	21	5	Steel ZP	-
P0443.050-010-ZP	Male	M5	10	15	11.5	21	5	Steel ZP	-
P0443.050-015-ZP	Male	M5	15	15	11.5	21	5	Steel ZP	-
P0443.060-010-ZP	Male	M6	10	15	11.5	21	5	Steel ZP	-
P0443.060-015-ZP	Male	M6	15	15	11.5	21	5	Steel ZP	-
P0443.040-BR	Female	M4	-	15	11.5	21	5	Brass	9
P0443.050-BR	Female	M5	-	15	11.5	21	5	Brass	9
P0443.060-BR	Female	M6	-	15	11.5	21	5	Brass	9



P0400.BR



Material
Brass.

Technical Notes

To DIN 464, all knurled screws are one-

piece manufactured, contrary to the official standard sheet, they all have a thread up to the head, as shown, but no recess at the thread end.

Order No.	d_1	l_1	d_2	d_3	h_1	h_2	l_2
P0400.030-004-BR	M 3	4	12	6	7.5	2.5	2
P0400.030-006-BR	M 3	6	12	6	7.5	2.5	2
P0400.030-008-BR	M 3	8	12	6	7.5	2.5	2
P0400.030-010-BR	M 3	10	12	6	7.5	2.5	2
P0400.030-012-BR	M 3	12	12	6	7.5	2.5	2
P0400.030-016-BR	M 3	16	12	6	7.5	2.5	2
P0400.030-020-BR	M 3	20	12	6	7.5	2.5	2
P0400.040-006-BR	M 4	6	16	8	9.5	3.5	2
P0400.040-008-BR	M 4	8	16	8	9.5	3.5	2
P0400.040-010-BR	M 4	10	16	8	9.5	3.5	2
P0400.040-012-BR	M 4	12	16	8	9.5	3.5	2
P0400.040-016-BR	M 4	16	16	8	9.5	3.5	2
P0400.040-020-BR	M 4	20	16	8	9.5	3.5	2
P0400.040-030-BR	M 4	30	16	8	9.5	3.5	2
P0400.050-006-BR	M 5	6	20	10	11.5	4.0	2
P0400.050-008-BR	M 5	8	20	10	11.5	4.0	2
P0400.050-010-BR	M 5	10	20	10	11.5	4.0	2
P0400.050-012-BR	M 5	12	20	10	11.5	4.0	2
P0400.050-016-BR	M 5	16	20	10	11.5	4.0	2
P0400.050-020-BR	M 5	20	20	10	11.5	4.0	2
P0400.050-025-BR	M 5	25	20	10	11.5	4.0	2
P0400.050-030-BR	M 5	30	20	10	11.5	4.0	2
P0400.060-008-BR	M 6	8	24	12	15.0	5.0	2
P0400.060-010-BR	M 6	10	24	12	15.0	5.0	2
P0400.060-012-BR	M 6	12	24	12	15.0	5.0	2
P0400.060-016-BR	M 6	16	24	12	15.0	5.0	2
P0400.060-020-BR	M 6	20	24	12	15.0	5.0	2
P0400.060-025-BR	M 6	25	24	12	15.0	5.0	2
P0400.060-030-BR	M 6	30	24	12	15.0	5.0	2
P0400.060-040-BR	M 6	40	24	12	15.0	5.0	2
P0400.080-012-BR	M 8	12	30	16	18.0	6.0	2
P0400.080-016-BR	M 8	16	30	16	18.0	6.0	2
P0400.080-020-BR	M 8	20	30	16	18.0	6.0	2
P0400.080-025-BR	M 8	25	30	16	18.0	6.0	2



Brass Knurled Thumb Screws

brass

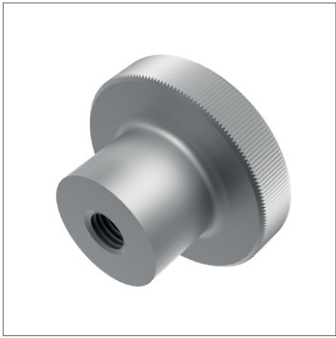


Thumb Screws

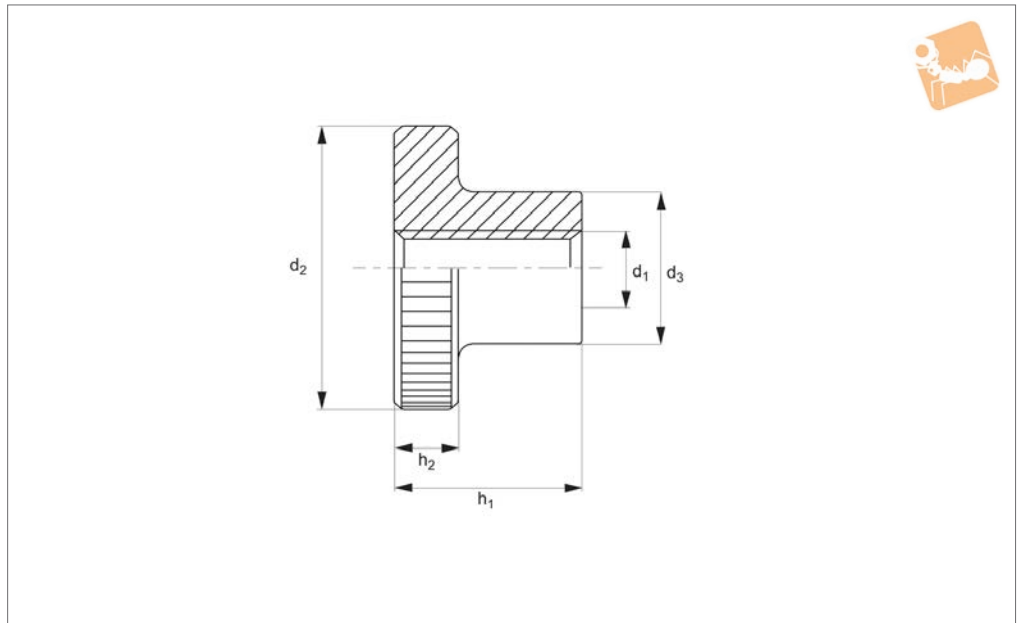
Order No.	d ₁	l ₁	d ₂	d ₃	h ₁	h ₂	l ₂
P0400.080-030-BR	M 8	30	30	16	18.0	6.0	2
P0400.080-040-BR	M 8	40	30	16	18.0	6.0	2



THUMB SCREWS



P0403.A4



Material

Stainless steel (A4, AISI 316).

Technical Notes

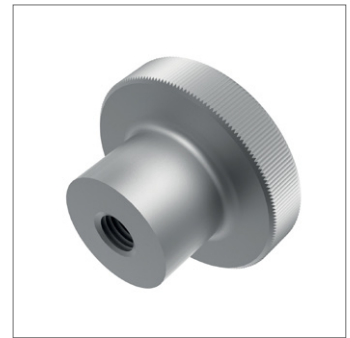
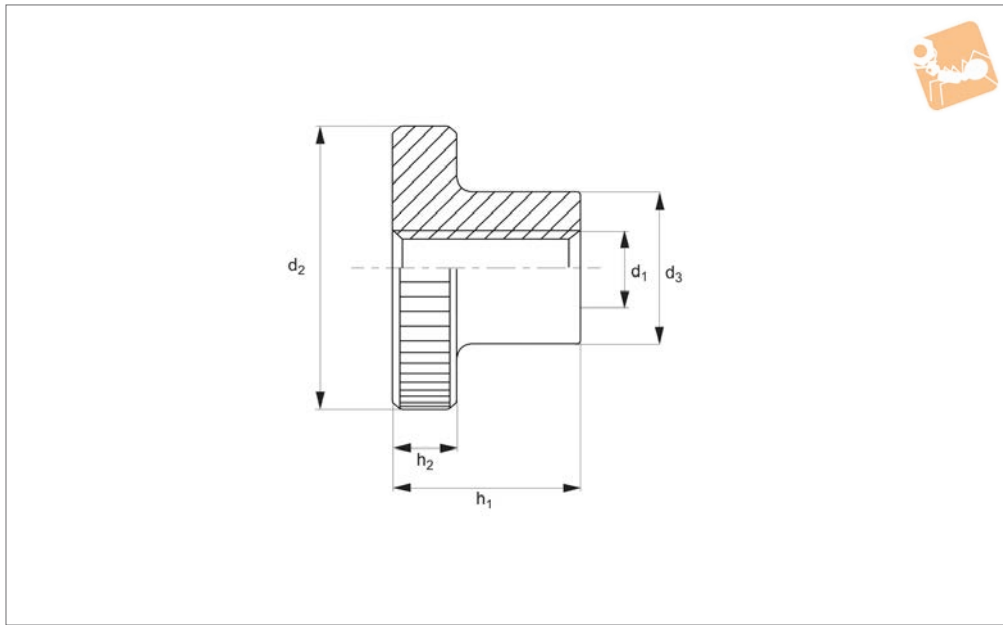
To DIN 466, size M12 not contained in DIN standard.

Order No.	d ₁	d ₂	d ₃	h ₁	h ₂	Material	Weight g
P0403.020-A4	M 2	9	4.5	5.3	2	A4 s/s	3
P0403.025-A4	M2,5	11	5	6.5	2.5	A4 s/s	4
P0403.030-A4	M 3	12	6	7.5	2.5	A4 s/s	5
P0403.040-A4	M 4	16	8	9.5	3.5	A4 s/s	7
P0403.050-A4	M 5	20	10	11.5	4	A4 s/s	13
P0403.060-A4	M 6	24	12	15	5	A4 s/s	24
P0403.080-A4	M 8	30	16	18	6	A4 s/s	46
P0403.100-A4	M10	36	20	23	8	A4 s/s	62



Knurled Thumb Nuts

With collar - A2 stainless



P0403.A2

THUMB SCREWS

Material

Stainless steel (A2, AISI 303).

Technical Notes

To DIN 466, size M12 not contained in DIN standard.

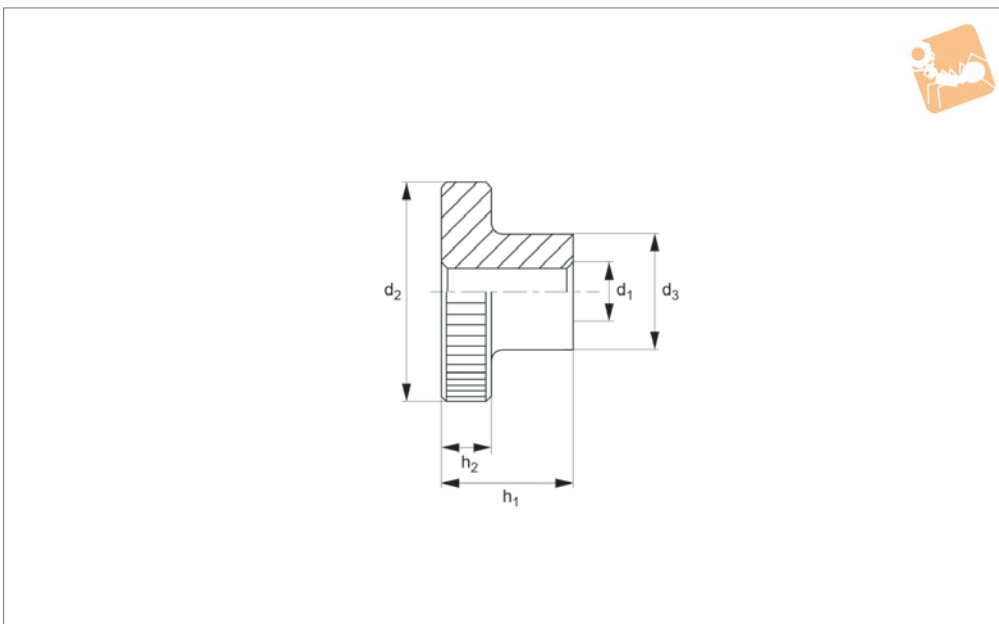
Order No.	d ₁	d ₂	d ₃	h ₁	h ₂	Material	Weight g
P0403.020-A2	M 2	9	4.5	5.3	2	A2 s/s	3
P0403.025-A2	M2,5	11	5	6.5	2.5	A2 s/s	4
P0403.030-A2	M 3	12	6	7.5	2.5	A2 s/s	5
P0403.040-A2	M 4	16	8	9.5	3.5	A2 s/s	7
P0403.050-A2	M 5	20	10	11.5	4	A2 s/s	13
P0403.060-A2	M 6	24	12	15	5	A2 s/s	24
P0403.080-A2	M 8	30	16	18	6	A2 s/s	46
P0403.100-A2	M10	36	20	23	8	A2 s/s	62



THUMB SCREWS



P0403.BR



Material

Brass, Cu3 (Cuzn39Pb3).

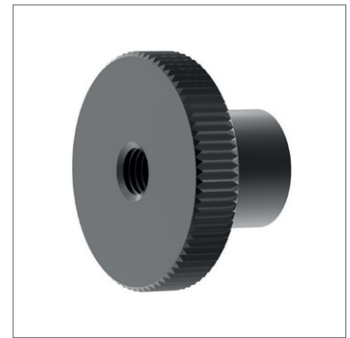
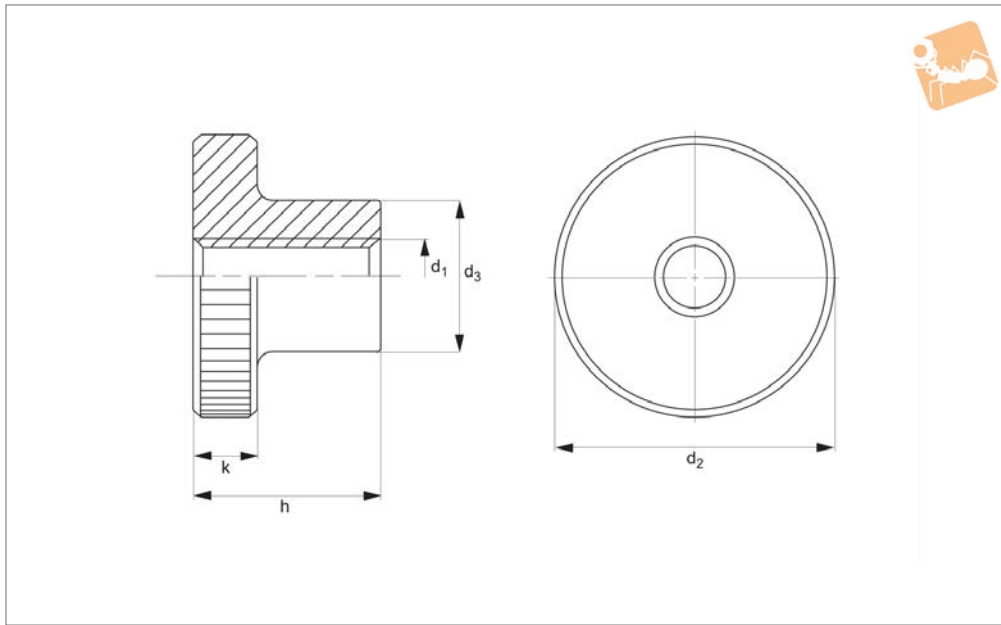
Technical Notes

To DIN 466, size M12 not contained in DIN standard.

Order No.	Thread	d ₂	d ₃	h ₁	h ₂	Material	Finish	Weight g
P0403.060-BR	M 6	24	12	15	5.0	Brass	Self colour/Unfinished	24



Knurled Nuts with collar - DIN 466



P0403.BL

THUMB SCREWS

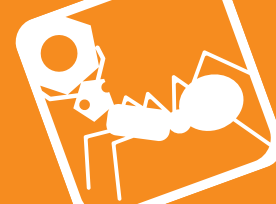
Material

Steel, quality 5, blackened. Turned, visible face, good finish.

Technical Notes

Size M12 not contained in DIN standard.

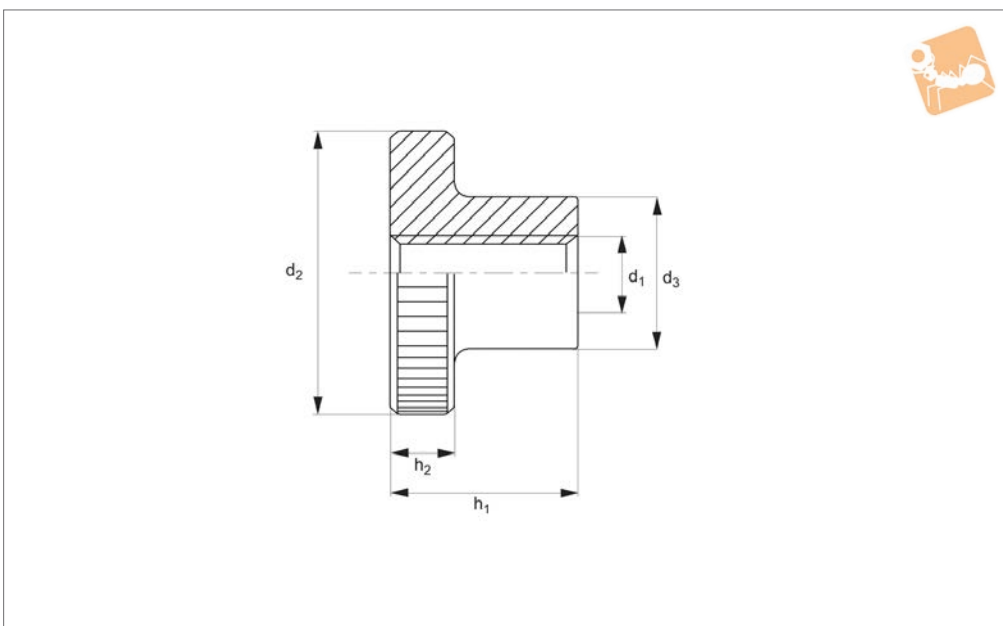
Order No.	d ₁	d ₂	d ₃	h	k	Weight g
P0403.030-BL	M 3	12	6	7.5	2.5	2.9
P0403.040-BL	M 4	16	8	9.5	3.5	6.7
P0403.050-BL	M 5	20	10	11.5	4.0	12.0
P0403.060-BL	M 6	24	12	15.0	5.0	23.0
P0403.080-BL	M 8	30	16	18.0	6.0	44.0
P0403.100-BL	M10	36	20	23.0	8.0	85.0
P0403.120-BL	M12	40	22	25.0	10.0	119.0



THUMB SCREWS



P0403.ZP



Material

Steel (class 5.8), zinc-plated.

Technical Notes

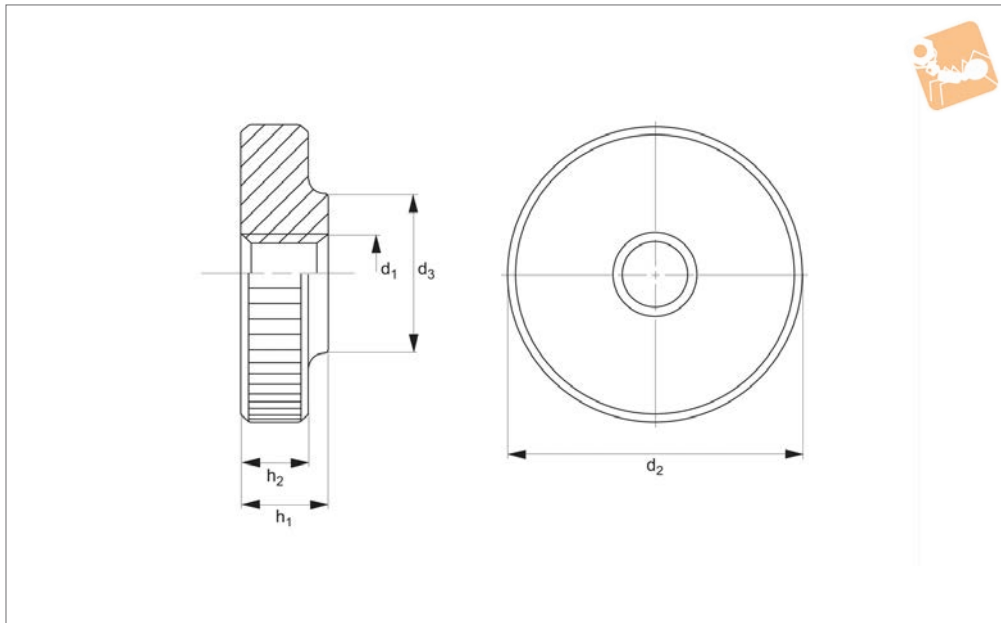
To DIN 466, size M12 not contained in DIN standard.

Order No.	d ₁	d ₂	d ₃	h ₁	h ₂	Material	Weight g
P0403.030-ZP	M 3	12	6	7.5	2.5	Steel ZP	3
P0403.040-ZP	M 4	16	8	9.5	3.5	Steel ZP	7
P0403.050-ZP	M 5	20	10	11.5	4.0	Steel ZP	13
P0403.060-ZP	M 6	24	12	15.0	5.0	Steel ZP	24
P0403.080-ZP	M 8	30	16	18.0	6.0	Steel ZP	46
P0403.100-ZP	M10	36	20	23.0	8.0	Steel ZP	83



Flat Knurled Nuts

stainless steel



P0406.A2

THUMB SCREWS

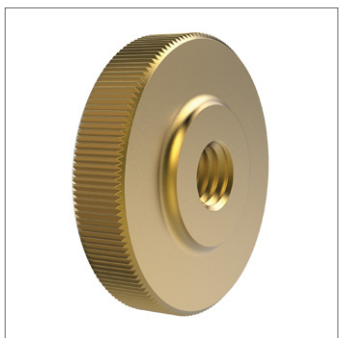
Material

Stainless steel 1,4305 (AISI 303), dull blasted.

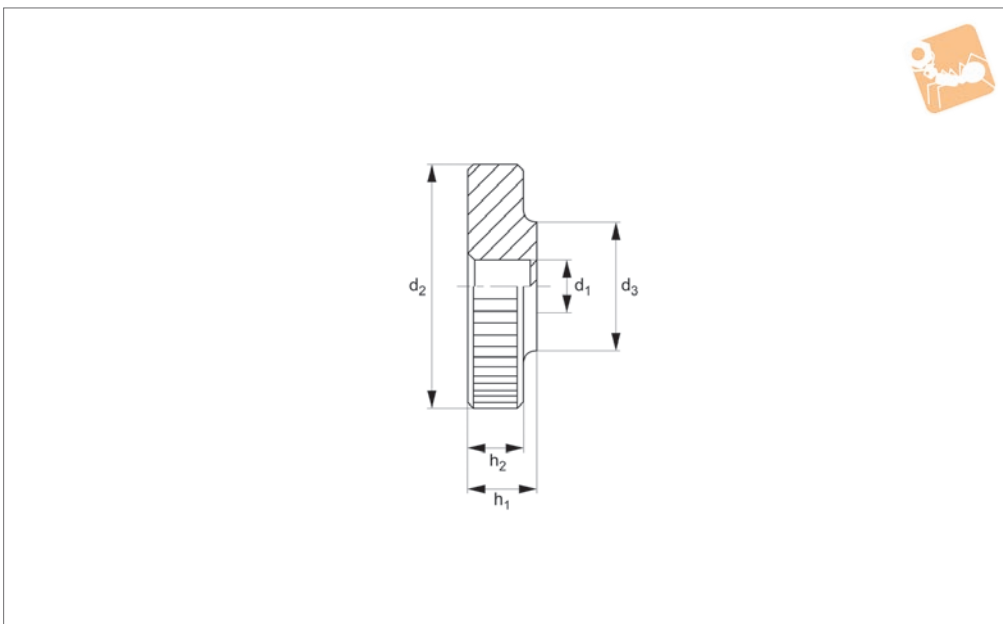
Order No.	d ₁	d ₂	d ₃	h ₁	h ₂	Weight g
P0406.040-A2	M 4	16	8	4	3.5	5.0
P0406.050-A2	M 5	20	10	5	4.0	9.4
P0406.060-A2	M 6	24	12	6	5.0	17.0
P0406.080-A2	M 8	30	16	8	6.0	32.0



THUMB SCREWS



P0406.BR



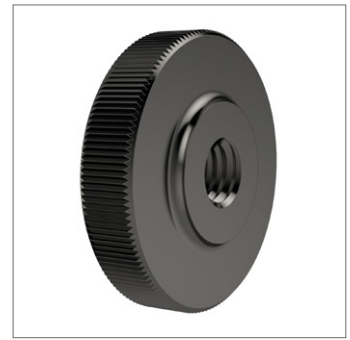
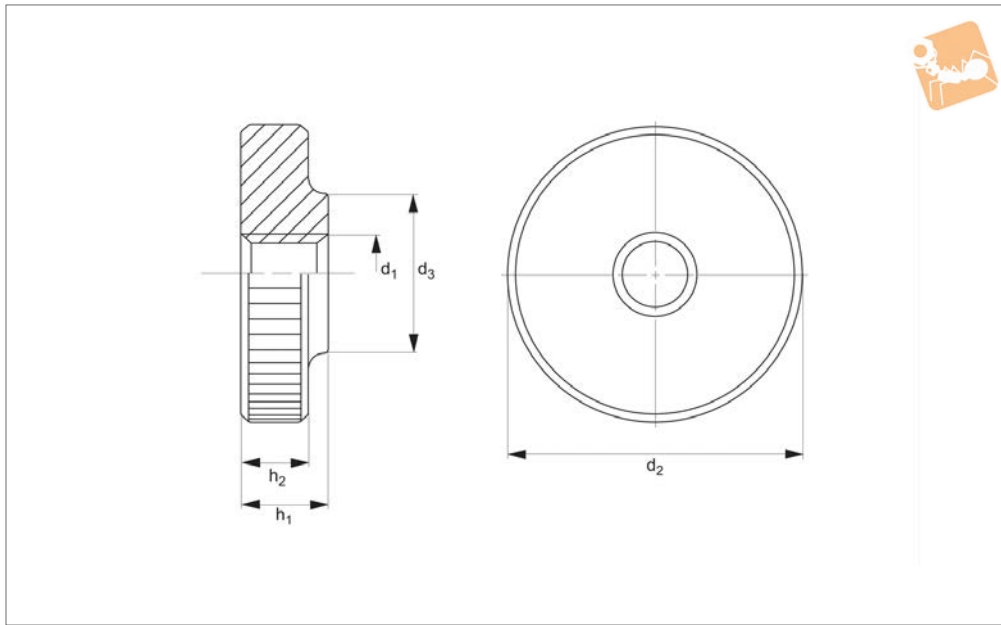
Material

Brass, Cu3 (Cuzn39Pb3).

Technical Notes

To DIN 467, size M12 not contained in DIN standard.

Order No.	Thread	d ₂	d ₃	h ₁	h ₂	Material	Finish	Weight g
P0406.040-BR	M 4	16.0	8.0	4.0	3.5	Brass	Self colour/Unfinished	5.0



P0406.BL

THUMB SCREWS

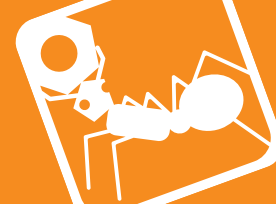
Material

Steel, quality 5, blackened. Turned, visible face, good finish.

Technical Notes

Size M12 not contained in DIN standard.

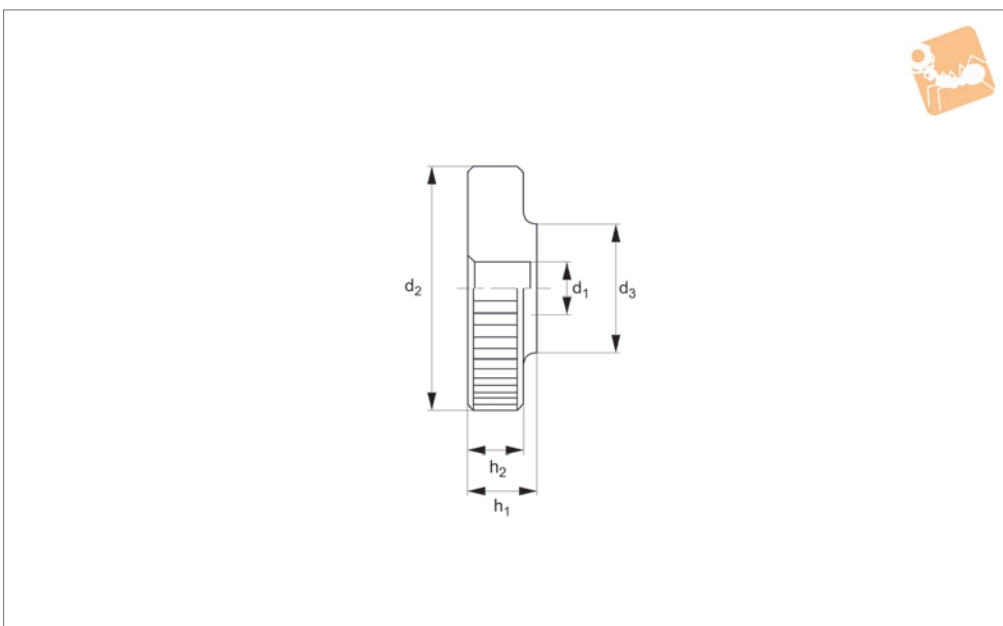
Order No.	d_1	d_2	d_3	h_1	h_2	Weight g
P0406.030-BL	M 3	12	6	3	2.5	2.1
P0406.040-BL	M 4	16	8	4	3.5	5.0
P0406.050-BL	M 5	20	10	5	4.0	9.4
P0406.060-BL	M 6	24	12	6	5.0	17.0
P0406.080-BL	M 8	30	16	8	6.0	32.0
P0406.100-BL	M10	36	20	10	8.0	61.0
P0406.120-BL	M12	40	22	12	10.0	92.0



THUMB SCREWS



P0406.ZP



Material

Steel (class 5.8), zinc-plated.

Technical Notes

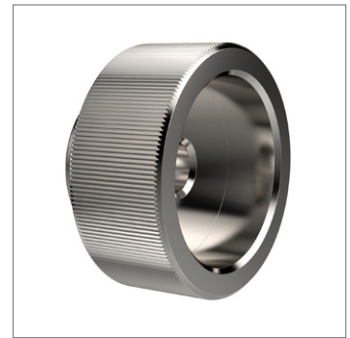
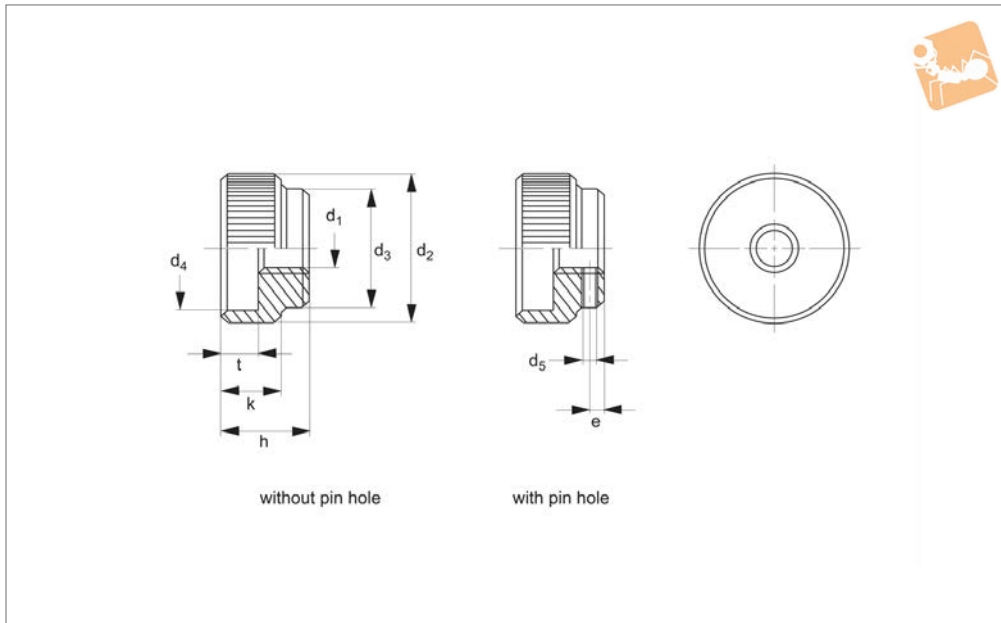
To DIN 467, size M12 not contained in DIN standard.

Order No.	d ₁	d ₂	d ₃	h ₁	h ₂	Material	Weight g
P0406.030-ZP	M 3	12.0	6.0	3.0	2.5	Steel ZP	2.0
P0406.040-ZP	M 4	16.0	8.0	4.0	3.5	Steel ZP	5.0
P0406.050-ZP	M 5	20.0	10.0	5.0	4.0	Steel ZP	10.0
P0406.060-ZP	M 6	24.0	12.0	6.0	5.0	Steel ZP	17.0
P0406.080-ZP	M 8	30.0	16.0	8.0	6.0	Steel ZP	33.0
P0406.100-ZP	M10	36.0	20.0	10.0	8.0	Steel ZP	63.0
P0406.120-ZP	M12	40.0	22.0	12.0	10.0	Steel ZP	93.0



Knurled Nuts

stainless steel - DIN 6303



P0409.A2

THUMB SCREWS

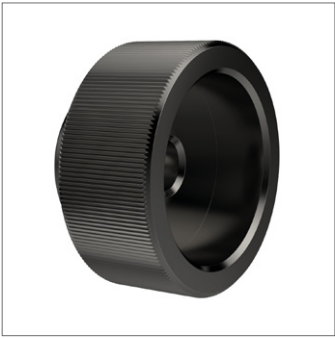
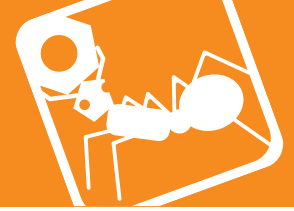
Material

Stainless steel 1.4305 (AISI 303), matte, shot-blasted.

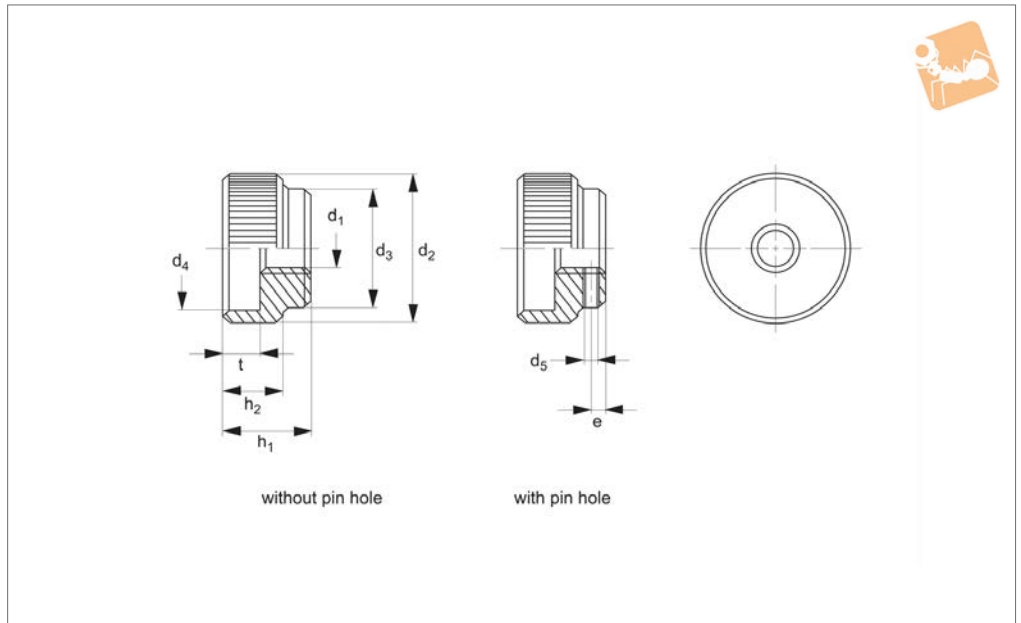
Technical Notes

Tolerance of pin hole d_5 is H7.

Order No.	Type	d_1	d_2	d_3	d_4	d_5 pre-drilled	e	h	k	t	Pin required DIN 7	Weight g
P0409.050-A2	Without Pin Hole	M 5	20	14	15	-	-	12	8	5	-	16
P0409.006-A2	Without Pin Hole	M 6	24	16	18	-	-	14	10	6	-	27
P0409.080-A2	Without Pin Hole	M 8	30	20	24	-	-	17	12	7	-	46
P0409.100-A2	Without Pin Hole	M10	36	28	30	-	-	20	14	8	-	82
P0409.120-A2	Without Pin Hole	M12	40	32	34	-	-	24	16	10	-	123
P0409.050-A2-W	With Pin Hole	M 5	20	14	15	1.4	2.5	12	8	5	1,5 M 6x14	15
P0409.060-A2-W	With Pin Hole	M 6	24	16	18	1.4	2.5	14	10	6	1,5 M 6x16	25
P0409.080-A2-W	With Pin Hole	M 8	30	20	24	1.9	3.0	17	12	7	2,0 M 6x20	45
P0409.100-A2-W	With Pin Hole	M10	36	28	30	2.9	4.0	20	14	8	3,0 M 6x28	86
P0409.120-A2-W	With Pin Hole	M12	40	32	34	3.9	4.0	24	16	10	4,0 M 6x32	121



P0409.BL



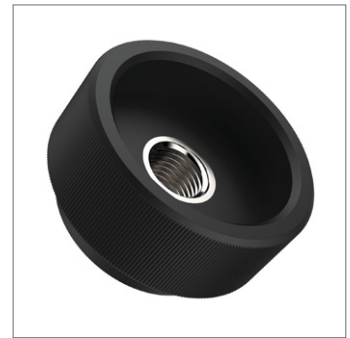
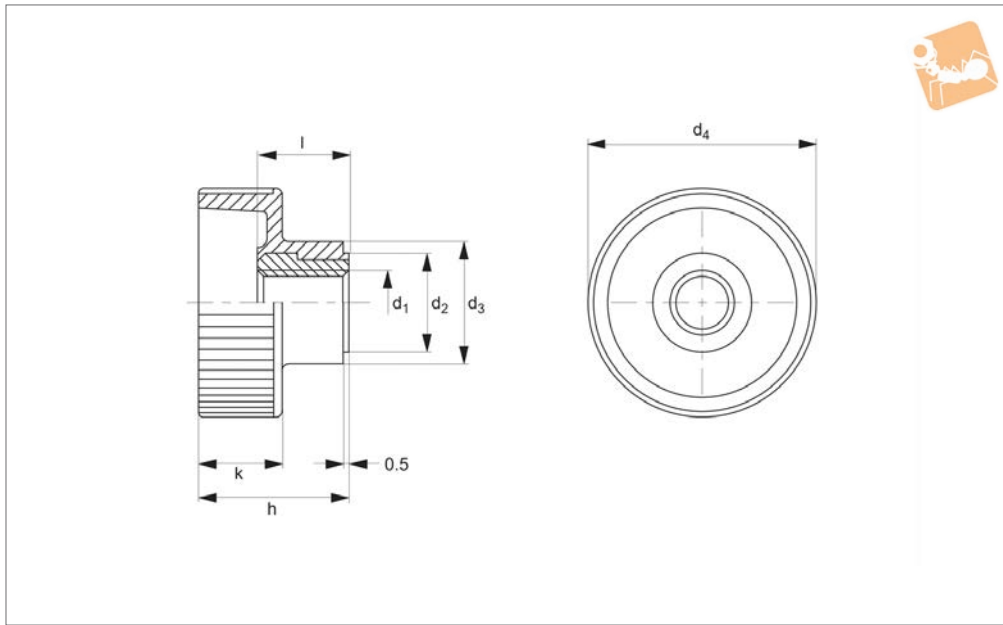
Material

Free-cutting steel, blackened.

Technical Notes

Tolerance of pin hole d_5 is H7.

Order No.	Type	d_1	d_2	d_3	d_4	d_5 pre-drilled	e	h_1	h_2	t	Pin required DIN 7	Weight g
P0409.050-BL	Without Pin Hole	M 5	20	14	15	-	-	12	8	5	-	16
P0409.060-BL	Without Pin Hole	M 6	24	16	18	-	-	14	10	6	-	27
P0409.080-BL	Without Pin Hole	M 8	30	20	24	-	-	17	12	7	-	46
P0409.100-BL	Without Pin Hole	M10	36	28	30	-	-	20	14	8	-	82
P0409.120-BL	Without Pin Hole	M12	40	32	34	-	-	24	16	10	-	123
P0409.050-BL-W	With Pin Hole	M 5	20	14	15	1.4	2.5	12	8	5	1,5 M 6x14	15
P0409.060-BL-W	With Pin Hole	M 6	24	16	18	1.4	2.5	14	10	6	1,5 M 6x16	25
P0409.080-BL-W	With Pin Hole	M 8	30	20	24	1.9	3.0	17	12	7	2,0 M 6x20	45
P0409.100-BL-W	With Pin Hole	M10	36	28	30	2.9	4.0	20	14	8	3,0 M 6x28	86
P0409.120-BL-W	With Pin Hole	M12	40	32	34	3.9	4.0	24	16	10	4,0 M 6x32	121



P0441

THUMB SCREWS

Material

Body: thermoplastic (PA), black. Insert: steel, galvanised or stainless steel 1.4305

(AISI 303).

80°C.

Technical Notes

Temperature resistant from -30°C to +

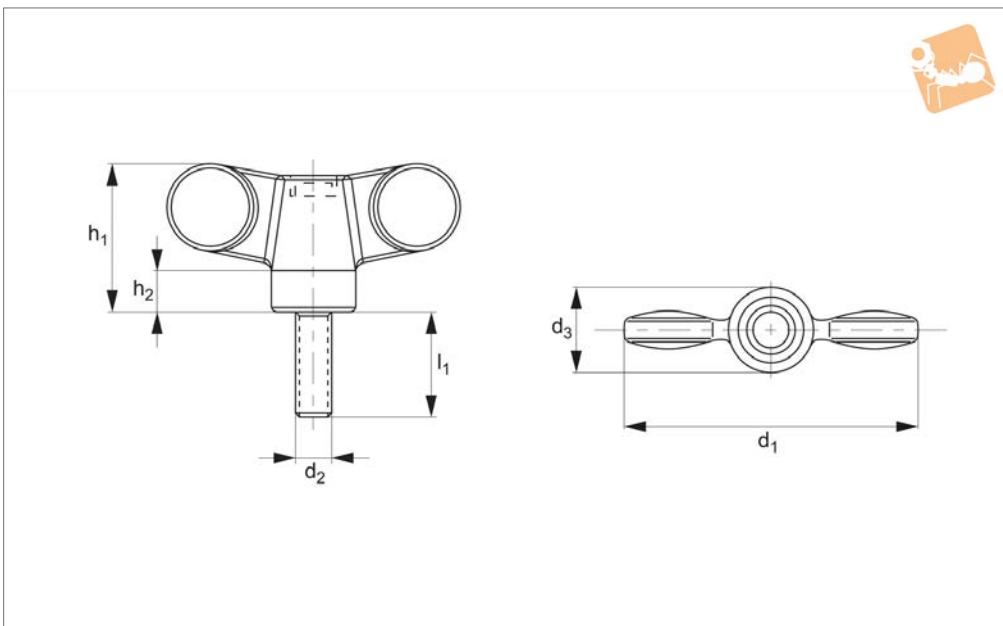
Order No.	Type	d ₁	d ₂	d ₃	d ₄	h	k	l	Weight g
P0441.040-ZP	Steel Insert	M 4	9	12	19	14.0	8.0	9.0	4.5
P0441.050-ZP	Steel Insert	M 5	9	12	19	14.0	8.0	9.0	4.0
P0441.060-ZP	Steel Insert	M 6	12	14	24	16.5	9.5	10.5	7.0
P0441.080-ZP	Steel Insert	M 8	14	16	30	19.5	11.0	11.5	10.0
P0441.100-ZP	Steel Insert	M10	16	18	36	22.5	12.5	14.0	15.0
P0441.050-A2	Stainless Insert	M 5	9	12	19	14.0	8.0	9.0	4.0
P0441.060-A2	Stainless Insert	M 6	12	14	24	16.5	9.5	10.5	7.0
P0441.080-A2	Stainless Insert	M 8	14	16	30	19.5	11.0	11.5	10.0



THUMB SCREWS



P0481



Material

Thermoplastic black.
Plastic insert: black RAL9005, red

RAL3000, blue RAL 5019.

subject to minimum quantity.

Tips

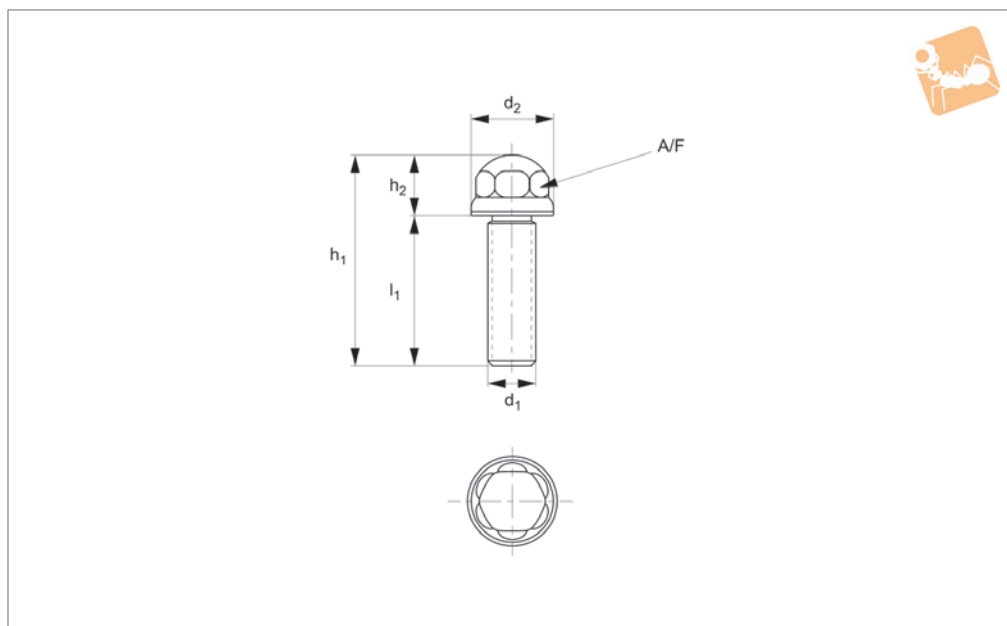
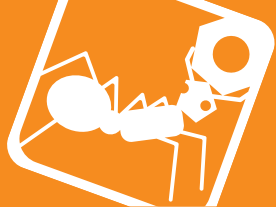
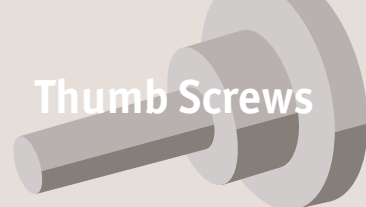
Other colour inserts available on request,

Order No.	Insert colour	d ₁	d ₂	d ₃	h ₁	h ₂	l ₁	Weight g
P0481.10-28-20	Black	55	M10	16	28	8	20	30

Hygienic Screws - Male

304 stainless steel

Thumb Screws



P0490

THUMB SCREWS

Material

Stainless steel (AISI 304) high-gloss polished dome-nut, FDA blue silicone gasket, 3-A accepted.

be mounted without dead spaces.

Sealing ring is hydrogenated acrylonitrile butadiene rubber (H-NBR), hardness 85±5 shore A, temp range -25°C to +150°C, blue.

Polished finish Ra < 0,8µ.

Technical Notes

For use in hygienic areas, components can

Order No.	d ₁	d ₂	h ₁	l ₁	h ₂	A/F
P0490.050-010	M5x0,8	19	24	10	14	HEX 14
P0490.050-016	M5x0,8	19	26	16	10	HEX 14
P0490.050-020	M5x0,8	19	34	20	14	HEX 14
P0490.060-012	M6x1	19	26	12	14	HEX 14
P0490.060-016	M6x1	19	30	16	14	HEX 14
P0490.060-020	M6x1	19	34	20	14	HEX 14
P0490.060-025	M6x1	19	39	25	14	HEX 14
P0490.060-030	M6x1	19	44	30	14	HEX 14
P0490.080-016	M8x1,25	24	33	16	17	HEX 17
P0490.080-020	M8x1,25	24	37	20	17	HEX 17
P0490.080-025	M8x1,25	24	42	25	17	HEX 17
P0490.080-030	M8x1,25	24	47	30	17	HEX 17
P0490.080-040	M8x1,25	24	57	40	17	HEX 17
P0490.100-020	M10x1,5	24	37	20	17	HEX 17
P0490.100-025	M10x1,5	24	42	25	17	HEX 17
P0490.100-030	M10x1,5	24	47	30	17	HEX 17
P0490.100-040	M10x1,5	24	57	40	17	HEX 17
P0490.100-050	M10x1,5	24	67	50	17	HEX 17
P0490.120-020	M12x1,75	24	27	20	7	HEX 17
P0490.120-025	M12x1,75	24	42	25	17	HEX 17
P0490.120-030	M12x1,75	24	47	30	17	HEX 17
P0490.120-040	M12x1,75	24	57	40	17	HEX 17
P0490.120-050	M12x1,75	24	67	50	17	HEX 17
P0490.160-030	M16x2	30	52	30	22	HEX 22
P0490.160-040	M16x2	30	62	40	22	HEX 22
P0490.160-050	M16x2	30	72	50	22	HEX 22
P0490.160-060	M16x2	30	82	60	22	HEX 22
P0490.160-070	M16x2	30	92	70	22	HEX 22
P0490.160-080	M16x2	30	102	80	22	HEX 22
P0490.200-030	M20x2,5	35	56	30	26	HEX 27
P0490.200-040	M20x2,5	35	66	40	26	HEX 27
P0490.200-050	M20x2,5	35	76	50	26	HEX 27



Order No.	d ₁	d ₂	h ₁	l ₁	h ₂	A/F
P0490.200-060	M20x2,5	35	86	60	26	HEX 27
P0490.200-070	M20x2,5	35	96	70	26	HEX 27
P0490.200-080	M20x2,5	35	106	80	26	HEX 27

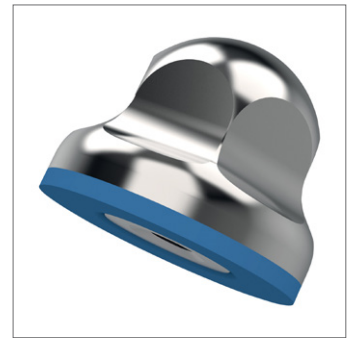
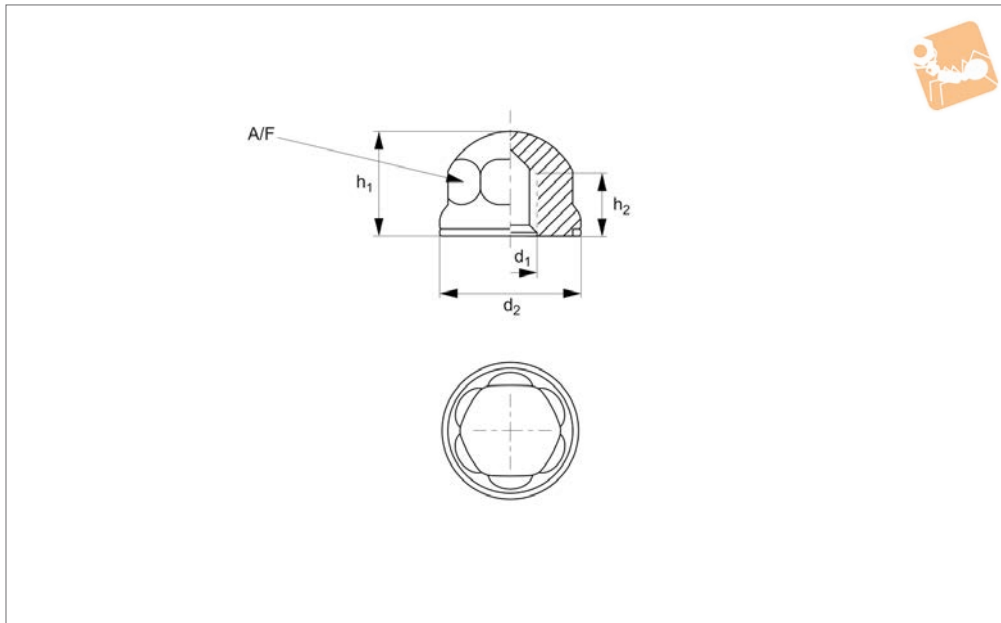


Hygienic Nuts - Female

304 stainless steel



Thumb Screws



P0491

THUMB SCREWS

Material

AISI 304 stainless steel high-gloss polished dome-nut, FDA blue silicone gasket, 3-A accepted. Available on request in AISI 316.

Technical Notes

For use in hygienic areas, components can be mounted without dead spaces. Sealing ring is hydrogenated acrylonitrile butadiene rubber (H-NBR), hardness 85±5

shore A, temp range -25°C to +150°C, blue.

Polished finish Ra < 0,8µ

Order No.	d ₁	d ₂	h ₁	h ₂	A/F
P0491.030	M 3x0,5	15	12	8	HEX 10
P0491.040	M 4x0,7	15	12	8	HEX 10
P0491.050	M 5x0,8	19	17	12	HEX 14
P0491.060	M 6x1	19	17	12	HEX 14
P0491.080	M 8x1,25	24	23	15	HEX 17
P0491.100	M10x1,5	24	23	15	HEX 17
P0491.120	M12x1,75	24	23	15	HEX 17
P0491.140	M14x2	30	28	20	HEX 22
P0491.160	M16x2	30	28	20	HEX 22
P0491.200	M20x2,5	35	34	25	HEX 27
P0491.240	M24x3	42	40	30	HEX 32