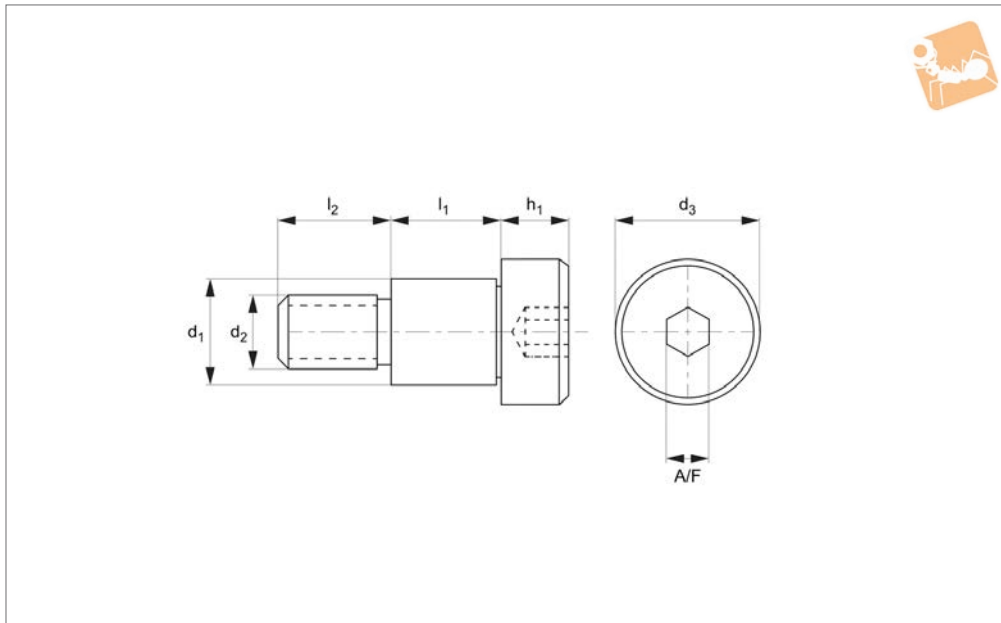




Shoulder Screws - Cap Head

hex drive - 303 stainless

Shoulder Screws



P0130.A2

SHOULDER SCREWS

Material

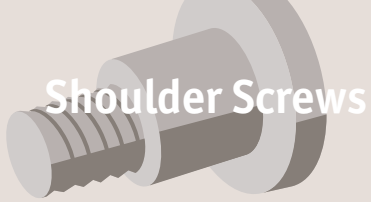
Stainless steel (AISI 303, 1.4305). Tensile strength 550 N/mm². Proof stress min. 190 N/mm², austenitic stainless steel.

Technical Notes

303 series stainless steel provides good resistance to corrosion. It is mildly magnetic.

For torx drive versions please see P0145. Special lengths and diameters produced to drawings.

Order No.	d ₁ +0 -0.025	l ₁ +0.05 -0.0	d ₂	d ₃	l ₂	h ₁	A/F
P0130.030-002-A2	3	2	M 2	5	4	2	1.5
P0130.030-003-A2	3	3	M 2	5	4	2	1.5
P0130.030-004-A2	3	4	M 2	5	4	2	1.5
P0130.030-005-A2	3	5	M 2	5	4	2	1.5
P0130.030-006-A2	3	6	M 2	5	4	2	1.5
P0130.030-007-A2	3	7	M 2	5	4	2	1.5
P0130.030-008-A2	3	8	M 2	5	4	2	1.5
P0130.030-010-A2	3	10	M 2	5	4	2	1.5
P0130.030-012-A2	3	12	M 2	5	4	2	1.5
P0130.030-014-A2	3	14	M 2	5	4	2	1.5
P0130.030-016-A2	3	16	M 2	5	4	2	1.5
P0130.030-018-A2	3	18	M 2	5	4	2	1.5
P0130.030-020-A2	3	20	M 2	5	4	2	1.5
P0130.030-025-A2	3	25	M 2	5	4	2	1.5
P0130.040-002-A2	4	2	M 3	6	4	3	2.0
P0130.040-003-A2	4	3	M 3	6	4	3	2.0
P0130.040-004-A2	4	4	M 3	6	4	3	2.0
P0130.040-005-A2	4	5	M 3	6	4	3	2.0
P0130.040-006-A2	4	6	M 3	6	4	3	2.0
P0130.040-007-A2	4	7	M 3	6	4	3	2.0
P0130.040-008-A2	4	8	M 3	6	4	3	2.0
P0130.040-010-A2	4	10	M 3	6	4	3	2.0
P0130.040-012-A2	4	12	M 3	6	4	3	2.0
P0130.040-014-A2	4	14	M 3	6	4	3	2.0
P0130.040-016-A2	4	16	M 3	6	4	3	2.0
P0130.040-018-A2	4	18	M 3	6	4	3	2.0
P0130.040-020-A2	4	20	M 3	6	4	3	2.0
P0130.040-025-A2	4	25	M 3	6	4	3	2.0
P0130.040-030-A2	4	30	M 3	6	4	3	2.0
P0130.040-035-A2	4	35	M 3	6	4	3	2.0
P0130.040-040-A2	4	40	M 3	6	4	3	2.0
P0130.040-045-A2	4	45	M 3	6	4	3	2.0
P0130.040-050-A2	4	50	M 3	6	4	3	2.0
P0130.050-002-A2	5	2	M 4	8	5	4	2.5



Shoulder Screws

Shoulder Screws - Cap Head

hex drive - 303 stainless



SHOULDER SCREWS

Order No.	d ₁ +0 -0.025	l ₁ +0.05 -0.0	d ₂	d ₃	l ₂	h ₁	A/F
P0130.050-003-A2	5	3	M 4	8	5	4	2.5
P0130.050-004-A2	5	4	M 4	8	5	4	2.5
P0130.050-005-A2	5	5	M 4	8	5	4	2.5
P0130.050-006-A2	5	6	M 4	8	5	4	2.5
P0130.050-007-A2	5	7	M 4	8	5	4	2.5
P0130.050-008-A2	5	8	M 4	8	5	4	2.5
P0130.050-010-A2	5	10	M 4	8	5	4	2.5
P0130.050-012-A2	5	12	M 4	8	5	4	2.5
P0130.050-014-A2	5	14	M 4	8	5	4	2.5
P0130.050-016-A2	5	16	M 4	8	5	4	2.5
P0130.050-018-A2	5	18	M 4	8	5	4	2.5
P0130.050-020-A2	5	20	M 4	8	5	4	2.5
P0130.050-025-A2	5	25	M 4	8	5	4	2.5
P0130.050-030-A2	5	30	M 4	8	5	4	2.5
P0130.050-035-A2	5	35	M 4	8	5	4	2.5
P0130.050-040-A2	5	40	M 4	8	5	4	2.5
P0130.050-045-A2	5	45	M 4	8	5	4	2.5
P0130.050-050-A2	5	50	M 4	8	5	4	2.5
P0130.060-002-A2	6	2	M 5	10	6	5	3.0
P0130.060-003-A2	6	3	M 5	10	6	5	3.0
P0130.060-004-A2	6	4	M 5	10	6	5	3.0
P0130.060-005-A2	6	5	M 5	10	6	5	3.0
P0130.060-006-A2	6	6	M 5	10	6	5	3.0
P0130.060-007-A2	6	7	M 5	10	6	5	3.0
P0130.060-008-A2	6	8	M 5	10	6	5	3.0
P0130.060-010-A2	6	10	M 5	10	6	5	3.0
P0130.060-012-A2	6	12	M 5	10	6	5	3.0
P0130.060-014-A2	6	14	M 5	10	6	5	3.0
P0130.060-016-A2	6	16	M 5	10	6	5	3.0
P0130.060-018-A2	6	18	M 5	10	6	5	3.0
P0130.060-020-A2	6	20	M 5	10	6	5	3.0
P0130.060-025-A2	6	25	M 5	10	6	5	3.0
P0130.060-030-A2	6	30	M 5	10	6	5	3.0
P0130.060-035-A2	6	35	M 5	10	6	5	3.0
P0130.060-040-A2	6	40	M 5	10	6	5	3.0
P0130.060-045-A2	6	45	M 5	10	6	5	3.0
P0130.060-050-A2	6	50	M 5	10	6	5	3.0
P0130.060-055-A2	6	55	M 5	10	6	5	3.0
P0130.060-060-A2	6	60	M 5	10	6	5	3.0
P0130.060-070-A2	6	70	M 5	10	6	5	3.0
P0130.060-080-A2	6	80	M 5	10	6	5	3.0
P0130.060-090-A2	6	90	M 5	10	6	5	3.0
P0130.060-100-A2	6	100	M 5	10	6	5	3.0
P0130.080-004-A2	8	4	M 6	12	11	6	4.0
P0130.080-005-A2	8	5	M 6	12	11	6	4.0
P0130.080-006-A2	8	6	M 6	12	11	6	4.0
P0130.080-007-A2	8	7	M 6	12	11	6	4.0
P0130.080-008-A2	8	8	M 6	12	11	6	4.0
P0130.080-010-A2	8	10	M 6	12	11	6	4.0
P0130.080-012-A2	8	12	M 6	12	11	6	4.0
P0130.080-014-A2	8	14	M 6	12	11	6	4.0
P0130.080-016-A2	8	16	M 6	12	11	6	4.0
P0130.080-018-A2	8	18	M 6	12	11	6	4.0
P0130.080-020-A2	8	20	M 6	12	11	6	4.0
P0130.080-025-A2	8	25	M 6	12	11	6	4.0
P0130.080-030-A2	8	30	M 6	12	11	6	4.0
P0130.080-035-A2	8	35	M 6	12	11	6	4.0
P0130.080-040-A2	8	40	M 6	12	11	6	4.0
P0130.080-045-A2	8	45	M 6	12	11	6	4.0
P0130.080-050-A2	8	50	M 6	12	11	6	4.0
P0130.080-055-A2	8	55	M 6	12	11	6	4.0
P0130.080-060-A2	8	60	M 6	12	11	6	4.0
P0130.080-065-A2	8	65	M 6	12	11	6	4.0
P0130.080-070-A2	8	70	M 6	12	11	6	4.0
P0130.080-075-A2	8	75	M 6	12	11	6	4.0
P0130.080-080-A2	8	80	M 6	12	11	6	4.0
P0130.080-090-A2	8	90	M 6	12	11	6	4.0
P0130.080-100-A2	8	100	M 6	12	11	6	4.0



Shoulder Screws - Cap Head

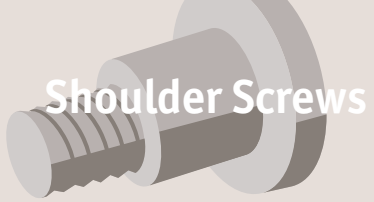
hex drive - 303 stainless

Shoulder Screws



Order No.	d ₁ +0 -0.025	l ₁ +0.05 -0.0	d ₂	d ₃	l ₂	h ₁	A/F
P0130.100-008-M6	10	8	M 6	14	11	7	5.0
P0130.100-010-M6	10	10	M 6	14	11	7	5.0
P0130.100-012-M6	10	12	M 6	14	11	7	5.0
P0130.100-016-M6	10	16	M 6	14	11	7	5.0
P0130.100-008-M8	10	8	M 8	14	12	7	5.0
P0130.100-010-M8	10	10	M 8	14	12	7	5.0
P0130.100-012-M8	10	12	M 8	14	12	7	5.0
P0130.100-014-M8	10	14	M 8	14	12	7	5.0
P0130.100-016-M8	10	16	M 8	14	12	7	5.0
P0130.100-018-M8	10	18	M 8	14	12	7	5.0
P0130.100-020-M8	10	20	M 8	14	12	7	5.0
P0130.100-025-M8	10	25	M 8	14	12	7	5.0
P0130.100-030-M8	10	30	M 8	14	12	7	5.0
P0130.100-035-M8	10	35	M 8	14	12	7	5.0
P0130.100-040-M8	10	40	M 8	14	12	7	5.0
P0130.100-045-M8	10	45	M 8	14	12	7	5.0
P0130.100-050-M8	10	50	M 8	14	12	7	5.0
P0130.100-055-M8	10	55	M 8	14	12	7	5.0
P0130.100-060-M8	10	60	M 8	14	12	7	5.0
P0130.100-065-M8	10	65	M 8	14	12	7	5.0
P0130.100-070-M8	10	70	M 8	14	12	7	5.0
P0130.100-080-M8	10	80	M 8	14	12	7	5.0
P0130.100-090-M8	10	90	M 8	14	12	7	5.0
P0130.100-100-M8	10	100	M 8	14	12	7	5.0
P0130.120-008-A2	12	8	M 10	20	16	8	6.0
P0130.120-010-A2	12	10	M 10	20	16	8	6.0
P0130.120-012-A2	12	12	M 10	20	16	8	6.0
P0130.120-014-A2	12	14	M 10	20	16	8	6.0
P0130.120-016-A2	12	16	M 10	20	16	8	6.0
P0130.120-018-A2	12	18	M 10	20	16	8	6.0
P0130.120-020-A2	12	20	M 10	20	16	8	6.0
P0130.120-025-A2	12	25	M 10	20	16	8	6.0
P0130.120-030-A2	12	30	M 10	20	16	8	6.0
P0130.120-035-A2	12	35	M 10	20	16	8	6.0
P0130.120-040-A2	12	40	M 10	20	16	8	6.0
P0130.120-045-A2	12	45	M 10	20	16	8	6.0
P0130.120-050-A2	12	50	M 10	20	16	8	6.0
P0130.120-055-A2	12	55	M 10	20	16	8	6.0
P0130.120-060-A2	12	60	M 10	20	16	8	6.0
P0130.120-065-A2	12	65	M 10	20	16	8	6.0
P0130.120-070-A2	12	70	M 10	20	16	8	6.0
P0130.120-075-A2	12	75	M 10	20	16	8	6.0
P0130.120-080-A2	12	80	M 10	20	16	8	6.0
P0130.120-090-A2	12	90	M 10	20	16	8	6.0
P0130.120-100-A2	12	100	M 10	20	16	8	6.0
P0130.160-025-A2	16	25	M 12	24	18	11	8.0
P0130.160-030-A2	16	30	M 12	24	18	11	8.0
P0130.160-035-A2	16	35	M 12	24	18	11	8.0
P0130.160-040-A2	16	40	M 12	24	18	11	8.0
P0130.160-045-A2	16	45	M 12	24	18	11	8.0
P0130.160-050-A2	16	50	M 12	24	18	11	8.0
P0130.160-055-A2	16	55	M 12	24	18	11	8.0
P0130.160-060-A2	16	60	M 12	24	18	11	8.0
P0130.160-065-A2	16	65	M 12	24	18	11	8.0
P0130.160-070-A2	16	70	M 12	24	18	11	8.0
P0130.160-075-A2	16	75	M 12	24	18	11	8.0
P0130.160-080-A2	16	80	M 12	24	18	11	8.0
P0130.160-090-A2	16	90	M 12	24	18	11	8.0
P0130.160-100-A2	16	100	M 12	24	18	11	8.0
P0130.200-030-A2	20	30	M 16	30	22	14	10.0
P0130.200-035-A2	20	35	M 16	30	22	14	10.0
P0130.200-040-A2	20	40	M 16	30	22	14	10.0
P0130.200-045-A2	20	45	M 16	30	22	14	10.0
P0130.200-050-A2	20	50	M 16	30	22	14	10.0
P0130.200-055-A2	20	55	M 16	30	22	14	10.0
P0130.200-060-A2	20	60	M 16	30	22	14	10.0
P0130.200-065-A2	20	65	M 16	30	22	14	10.0
P0130.200-070-A2	20	70	M 16	30	22	14	10.0

SHOULDER SCREWS



Shoulder Screws

Shoulder Screws - Cap Head hex drive - 303 stainless



Order No.	d ₁ +0 -0.025	l ₁ +0.05 -0.0	d ₂	d ₃	l ₂	h ₁	A/F
P0130.200-075-A2	20	75	M 16	30	22	14	10.0
P0130.200-080-A2	20	80	M 16	30	22	14	10.0
P0130.200-090-A2	20	90	M 16	30	22	14	10.0
P0130.200-100-A2	20	100	M 16	30	22	14	10.0

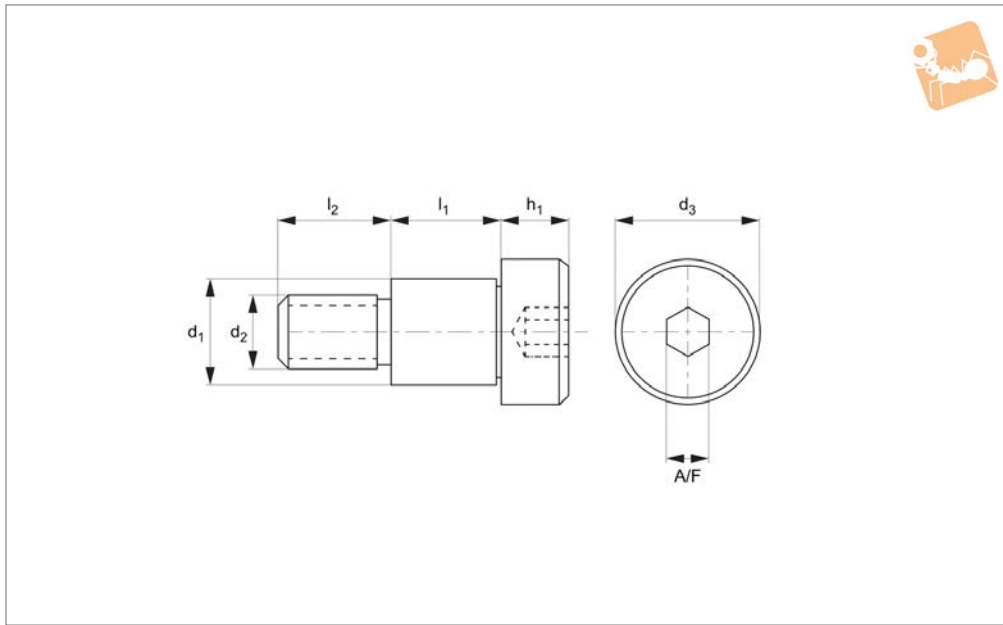
SHOULDER SCREWS



Shoulder Screws - Cap Head

hex drive - 316 stainless

Shoulder Screws



P0130.A4

SHOULDER SCREWS

Material

Stainless steel (AISI 316, 1.440).
Tensile strength 480 N/mm².
Proof stress min. 200 N/mm², austenitic

stainless steel.

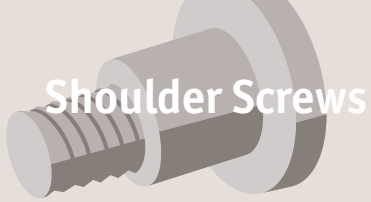
Technical Notes

Highly resistant to corrosion (including

from salt water).

Shim washers can be used to reduce shoulder length if required. It is non-magnetic.

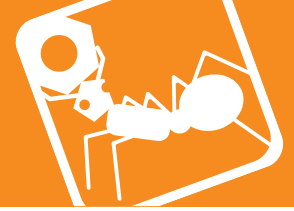
Order No.	d ₁ +0 -0.025	l ₁ +0.05 -0.0	d ₂	d ₃	l ₂	h ₁	A/F
P0130.030-003-A4	3	3	M 2	5	4	2.0	1.5
P0130.030-004-A4	3	4	M 2	5	4	2.0	1.5
P0130.030-005-A4	3	5	M 2	5	4	2.0	1.5
P0130.030-006-A4	3	6	M 2	5	4	2.0	1.5
P0130.030-007-A4	3	7	M 2	5	4	2.0	1.5
P0130.030-008-A4	3	8	M 2	5	4	2.0	1.5
P0130.030-010-A4	3	10	M 2	5	4	2.0	1.5
P0130.040-004-A4	4	4	M 3	6	4	3.0	2.0
P0130.040-005-A4	4	5	M 3	6	4	3.0	2.0
P0130.040-006-A4	4	6	M 3	6	4	3.0	2.0
P0130.040-007-A4	4	7	M 3	6	4	3.0	2.0
P0130.040-008-A4	4	8	M 3	6	4	3.0	2.0
P0130.040-010-A4	4	10	M 3	6	4	3.0	2.0
P0130.040-012-A4	4	12	M 3	6	4	3.0	2.0
P0130.040-014-A4	4	14	M 3	6	4	3.0	2.0
P0130.040-016-A4	4	16	M 3	6	4	3.0	2.0
P0130.040-018-A4	4	18	M 3	6	4	3.0	2.0
P0130.040-020-A4	4	20	M 3	6	4	3.0	2.0
P0130.050-005-A4	5	5	M 4	8	5	4.0	2.5
P0130.050-006-A4	5	6	M 4	8	5	4.0	2.5
P0130.050-007-A4	5	7	M 4	8	5	4.0	2.5
P0130.050-008-A4	5	8	M 4	8	5	4.0	2.5
P0130.050-010-A4	5	10	M 4	8	5	4.0	2.5
P0130.050-012-A4	5	12	M 4	8	5	4.0	2.5
P0130.050-014-A4	5	14	M 4	8	5	4.0	2.5
P0130.050-016-A4	5	16	M 4	8	5	4.0	2.5
P0130.050-018-A4	5	18	M 4	8	5	4.0	2.5
P0130.050-020-A4	5	20	M 4	8	5	4.0	2.5
P0130.050-025-A4	5	25	M 4	8	5	4.0	2.5
P0130.050-030-A4	5	30	M 4	8	5	4.0	2.5
P0130.060-006-A4	6	6	M 5	10	6	5.0	3.0
P0130.060-007-A4	6	7	M 5	10	6	5.0	3.0
P0130.060-008-A4	6	8	M 5	10	6	5.0	3.0
P0130.060-010-A4	6	10	M 5	10	6	5.0	3.0



Shoulder Screws

Shoulder Screws - Cap Head

hex drive - 316 stainless



SHOULDER SCREWS

Order No.	d ₁ +0 -0.025	l ₁ +0.05 -0.0	d ₂	d ₃	l ₂	h ₁	A/F
P0130.060-012-A4	6	12	M 5	10	6	5.0	3.0
P0130.060-014-A4	6	14	M 5	10	6	5.0	3.0
P0130.060-016-A4	6	16	M 5	10	6	5.0	3.0
P0130.060-018-A4	6	18	M 5	10	6	5.0	3.0
P0130.060-020-A4	6	20	M 5	10	6	5.0	3.0
P0130.060-025-A4	6	25	M 5	10	6	5.0	3.0
P0130.060-030-A4	6	30	M 5	10	6	5.0	3.0
P0130.060-035-A4	6	35	M 5	10	6	5.0	3.0
P0130.060-040-A4	6	40	M 5	10	6	5.0	3.0
P0130.060-045-A4	6	45	M 5	10	6	5.0	3.0
P0130.060-050-A4	6	50	M 5	10	6	5.0	3.0
P0130.080-008-A4	8	8	M 6	12	11	6.0	4.0
P0130.080-010-A4	8	10	M 6	12	11	6.0	4.0
P0130.080-012-A4	8	12	M 6	12	11	6.0	4.0
P0130.080-014-A4	8	14	M 6	12	11	6.0	4.0
P0130.080-016-A4	8	16	M 6	12	11	6.0	4.0
P0130.080-018-A4	8	18	M 6	12	11	6.0	4.0
P0130.080-020-A4	8	20	M 6	12	11	6.0	4.0
P0130.080-025-A4	8	25	M 6	12	11	6.0	4.0
P0130.080-030-A4	8	30	M 6	12	11	6.0	4.0
P0130.080-035-A4	8	35	M 6	12	11	6.0	4.0
P0130.080-040-A4	8	40	M 6	12	11	6.0	4.0
P0130.080-045-A4	8	45	M 6	12	11	6.0	4.0
P0130.080-050-A4	8	50	M 6	12	11	6.0	4.0
P0130.100-008-A4	10	8	M 8	14	12	7.0	5.0
P0130.100-010-A4	10	10	M 8	14	12	7.0	5.0
P0130.100-012-A4	10	12	M 8	14	12	7.0	5.0
P0130.100-014-A4	10	14	M 8	14	12	7.0	5.0
P0130.100-016-A4	10	16	M 8	14	12	7.0	5.0
P0130.100-020-A4	10	20	M 8	14	12	7.0	5.0
P0130.100-025-A4	10	25	M 8	14	12	7.0	5.0
P0130.100-030-A4	10	30	M 8	14	12	7.0	5.0
P0130.100-035-A4	10	35	M 8	14	12	7.0	5.0
P0130.100-040-A4	10	40	M 8	14	12	7.0	5.0
P0130.100-045-A4	10	45	M 8	14	12	7.0	5.0
P0130.100-050-A4	10	50	M 8	14	12	7.0	5.0
P0130.100-055-A4	10	55	M 8	14	12	7.0	5.0
P0130.100-060-A4	10	60	M 8	14	12	7.0	5.0
P0130.100-065-A4	10	65	M 8	14	12	7.0	5.0
P0130.100-070-A4	10	70	M 8	14	12	7.0	5.0
P0130.120-008-A4	12	8	M 10	20	16	8.0	6.0
P0130.120-010-A4	12	10	M 10	20	16	8.0	6.0
P0130.120-012-A4	12	12	M 10	20	16	8.0	6.0
P0130.120-014-A4	12	14	M 10	20	16	8.0	6.0
P0130.120-016-A4	12	16	M 10	20	16	8.0	6.0
P0130.120-018-A4	12	18	M 10	20	16	8.0	6.0
P0130.120-020-A4	12	20	M 10	20	16	8.0	6.0
P0130.120-025-A4	12	25	M 10	20	16	8.0	6.0
P0130.120-030-A4	12	30	M 10	20	16	8.0	6.0
P0130.120-035-A4	12	35	M 10	20	16	8.0	6.0
P0130.120-040-A4	12	40	M 10	20	16	8.0	6.0
P0130.120-045-A4	12	45	M 10	20	16	8.0	6.0
P0130.120-050-A4	12	50	M 10	20	16	8.0	6.0
P0130.120-055-A4	12	55	M 10	20	16	8.0	6.0
P0130.120-060-A4	12	60	M 10	20	16	8.0	6.0
P0130.120-065-A4	12	65	M 10	20	16	8.0	6.0
P0130.120-070-A4	12	70	M 10	20	16	8.0	6.0
P0130.160-025-A4	16	25	M 12	24	18	11.0	8.0
P0130.160-030-A4	16	30	M 12	24	18	11.0	8.0
P0130.160-035-A4	16	35	M 12	24	18	11.0	8.0
P0130.160-040-A4	16	40	M 12	24	18	11.0	8.0
P0130.160-045-A4	16	45	M 12	24	18	11.0	8.0
P0130.160-050-A4	16	50	M 12	24	18	11.0	8.0
P0130.160-055-A4	16	55	M 12	24	18	11.0	8.0
P0130.160-060-A4	16	60	M 12	24	18	11.0	8.0
P0130.160-065-A4	16	65	M 12	24	18	11.0	8.0
P0130.160-070-A4	16	70	M 12	24	18	11.0	8.0
P0130.160-075-A4	16	75	M 12	24	18	11.0	8.0



Shoulder Screws - Cap Head

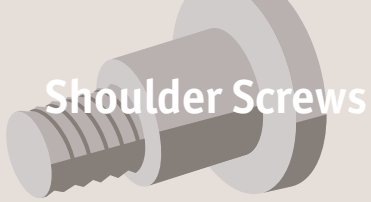
hex drive - 316 stainless

Shoulder Screws



Order No.	d_1 +0 -0.025	l_1 +0.05 -0.0	d_2	d_3	l_2	h_1	A/F
P0130.160-080-A4	16	80	M 12	24	18	11.0	8.0
P0130.160-090-A4	16	90	M 12	24	18	11.0	8.0
P0130.160-100-A4	16	100	M 12	24	18	11.0	8.0
P0130.200-030-A4	20	30	M 16	30	22	14.0	10.0
P0130.200-035-A4	20	35	M 16	30	22	14.0	10.0
P0130.200-040-A4	20	40	M 16	30	22	14.0	10.0
P0130.200-045-A4	20	45	M 16	30	22	14.0	10.0
P0130.200-050-A4	20	50	M 16	30	22	14.0	10.0

SHOULDER SCREWS



Shoulder Screws

Ultra Low Head - Shoulder Screw

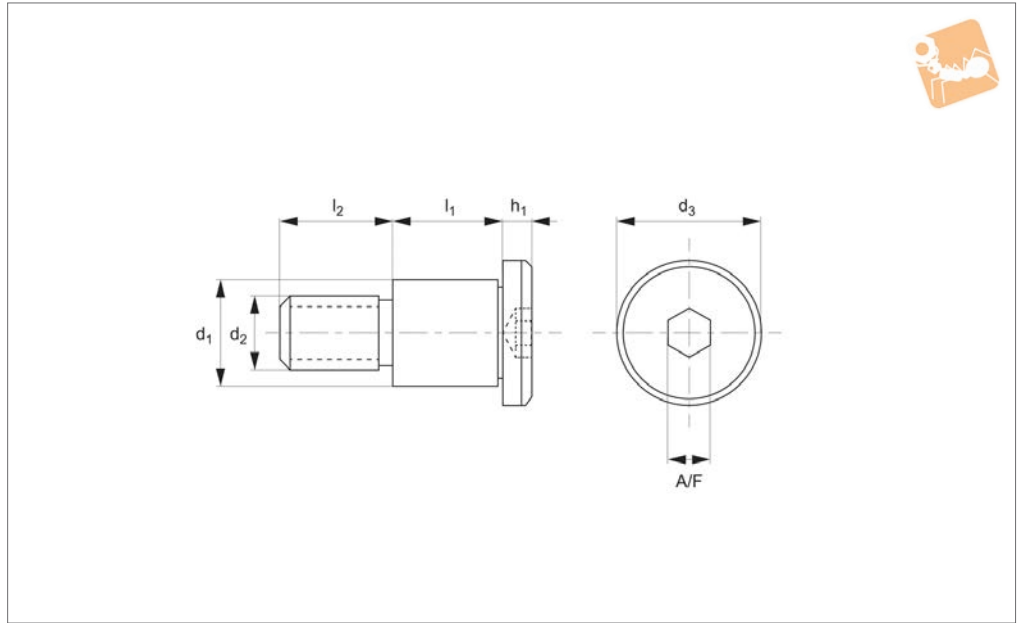
hex drive - 303 stainless



SHOULDER SCREWS



P0134.A2



Material

Stainless steel (AISI 303, 1.4305). Tensile strength 550 N/mm². Proof stress min. 190 N/mm², austenitic stainless steel.

Technical Notes

These very low profile socket shoulder

screws have a head height approximately 1/3 that of normal shoulder screws (P0130).

303 Series stainless is suitable for pharmaceutical and other applications. Stainless steel suitable for marine and other appli-

cations.

Order No.	d ₁ +0 -0.025	l ₁ +0.05 -0.0	d ₂	d ₃	l ₂	h ₁	A/F
P0134.040-004-A2	4	4	M 3	6	4	1.3	2
P0134.040-005-A2	4	5	M 3	6	4	1.3	2
P0134.040-006-A2	4	6	M 3	6	4	1.3	2
P0134.040-008-A2	4	8	M 3	6	4	1.3	2
P0134.040-010-A2	4	10	M 3	6	4	1.3	2
P0134.040-012-A2	4	12	M 3	6	4	1.3	2
P0134.040-016-A2	4	16	M 3	6	4	1.3	2
P0134.040-020-A2	4	20	M 3	6	4	1.3	2
P0134.050-004-A2	5	4	M 4	9	5	1.3	2.5
P0134.050-005-A2	5	5	M 4	9	5	1.3	2.5
P0134.050-006-A2	5	6	M 4	9	5	1.3	2.5
P0134.050-008-A2	5	8	M 4	9	5	1.3	2.5
P0134.050-010-A2	5	10	M 4	9	5	1.3	2.5
P0134.050-012-A2	5	12	M 4	9	5	1.3	2.5
P0134.050-016-A2	5	16	M 4	9	5	1.3	2.5
P0134.050-020-A2	5	20	M 4	9	5	1.3	2.5
P0134.050-025-A2	5	25	M 4	9	5	1.3	2.5
P0134.050-030-A2	5	30	M 4	9	5	1.3	2.5
P0134.050-040-A2	5	40	M 4	9	5	1.3	2.5
P0134.060-004-A2	6	4	M 5	10	6	1.7	3
P0134.060-005-A2	6	5	M 5	10	6	1.7	3
P0134.060-006-A2	6	6	M 5	10	6	1.7	3
P0134.060-008-A2	6	8	M 5	10	6	1.7	3
P0134.060-010-A2	6	10	M 5	10	6	1.7	3
P0134.060-012-A2	6	12	M 5	10	6	1.7	3
P0134.060-016-A2	6	16	M 5	10	6	1.7	3
P0134.060-020-A2	6	20	M 5	10	6	1.7	3
P0134.060-025-A2	6	25	M 5	10	6	1.7	3
P0134.060-030-A2	6	30	M 5	10	6	1.7	3
P0134.060-040-A2	6	40	M 5	10	6	1.7	3
P0134.080-006-A2	8	6	M 6	13	11	2.0	4



Ultra Low Head - Shoulder Screw

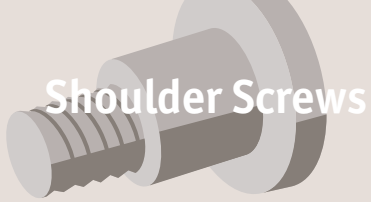
hex drive - 303 stainless

Shoulder Screws



Order No.	d ₁ +0 -0.025	l ₁ +0.05 -0.0	d ₂	d ₃	l ₂	h ₁	A/F
P0134.080-008-A2	8	8	M 6	13	11	2.0	4
P0134.080-010-A2	8	10	M 6	13	11	2.0	4
P0134.080-012-A2	8	12	M 6	13	11	2.0	4
P0134.080-016-A2	8	16	M 6	13	11	2.0	4
P0134.080-020-A2	8	20	M 6	13	11	2.0	4
P0134.080-025-A2	8	25	M 6	13	11	2.0	4
P0134.080-030-A2	8	30	M 6	13	11	2.0	4
P0134.080-040-A2	8	40	M 6	13	11	2.0	4
P0134.100-008-A2	10	8	M 8	14	12	2.7	5
P0134.100-010-A2	10	10	M 8	14	12	2.7	5
P0134.100-012-A2	10	12	M 8	14	12	2.7	5
P0134.100-016-A2	10	16	M 8	14	12	2.7	5
P0134.100-020-A2	10	20	M 8	14	12	2.7	5
P0134.100-025-A2	10	25	M 8	14	12	2.7	5
P0134.100-030-A2	10	30	M 8	14	12	2.7	5
P0134.100-040-A2	10	40	M 8	14	12	2.7	5
P0134.100-050-A2	10	50	M 8	14	12	2.7	5
P0134.120-010-A2	12	10	M10	20	16	3.5	6
P0134.120-012-A2	12	12	M10	20	16	3.5	6
P0134.120-016-A2	12	16	M10	20	16	3.5	6
P0134.120-020-A2	12	20	M10	20	16	3.5	6
P0134.120-025-A2	12	25	M10	20	16	3.5	6
P0134.120-030-A2	12	30	M10	20	16	3.5	6
P0134.120-040-A2	12	40	M10	20	16	3.5	6
P0134.120-050-A2	12	50	M10	20	16	3.5	6

SHOULDER SCREWS



Shoulder Screws

Ultra Low Head - Shoulder Screw

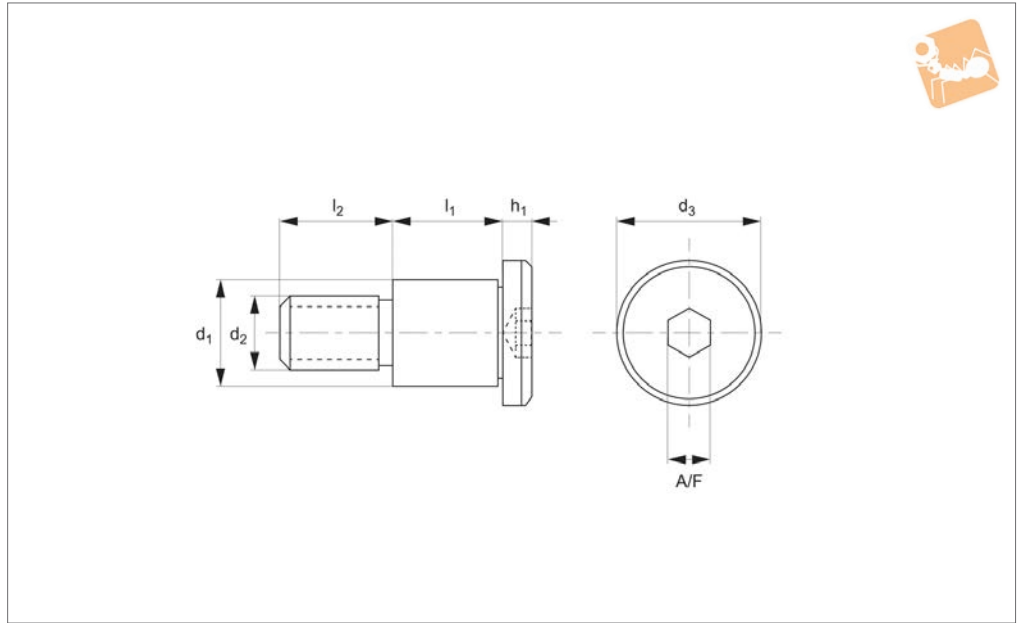
hex drive - 316 stainless



SHOULDER SCREWS



P0134.A4



Material

Stainless steel (AISI 316, 1.440). Tensile strength 480 N/mm². Proof stress min. 200 N/mm², austenitic stainless steel.

screws have a head height approximately 1/3 that of normal shoulder screws (P0130).

316 Series stainless have excellent corrosion resistance. Stainless steel suitable for marine and other applications.

Technical Notes

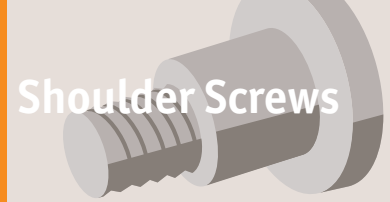
These very low profile socket shoulder

Order No.	d ₁ +0 -0.025	l ₁ +0.05 -0.0	d ₂	d ₃	l ₂	h ₁	A/F
P0134.040-004-A4	4	4	M 3	6	4	1.3	2
P0134.040-005-A4	4	5	M 3	6	4	1.3	2
P0134.040-006-A4	4	6	M 3	6	4	1.3	2
P0134.040-008-A4	4	8	M 3	6	4	1.3	2
P0134.040-010-A4	4	10	M 3	6	4	1.3	2
P0134.040-012-A4	4	12	M 3	6	4	1.3	2
P0134.040-016-A4	4	16	M 3	6	4	1.3	2
P0134.040-020-A4	4	20	M 3	6	4	1.3	2
P0134.050-004-A4	5	4	M 4	9	5	1.3	2.5
P0134.050-005-A4	5	5	M 4	9	5	1.3	2.5
P0134.050-006-A4	5	6	M 4	9	5	1.3	2.5
P0134.050-008-A4	5	8	M 4	9	5	1.3	2.5
P0134.050-010-A4	5	10	M 4	9	5	1.3	2.5
P0134.050-012-A4	5	12	M 4	9	5	1.3	2.5
P0134.050-016-A4	5	16	M 4	9	5	1.3	2.5
P0134.050-020-A4	5	20	M 4	9	5	1.3	2.5
P0134.050-025-A4	5	25	M 4	9	5	1.3	2.5
P0134.050-030-A4	5	30	M 4	9	5	1.3	2.5
P0134.050-040-A4	5	40	M 4	9	5	1.3	2.5
P0134.060-004-A4	6	4	M 5	10	6	1.7	3
P0134.060-005-A4	6	5	M 5	10	6	1.7	3
P0134.060-006-A4	6	6	M 5	10	6	1.7	3
P0134.060-008-A4	6	8	M 5	10	6	1.7	3
P0134.060-010-A4	6	10	M 5	10	6	1.7	3
P0134.060-012-A4	6	12	M 5	10	6	1.7	3
P0134.060-016-A4	6	16	M 5	10	6	1.7	3
P0134.060-020-A4	6	20	M 5	10	6	1.7	3
P0134.060-025-A4	6	25	M 5	10	6	1.7	3
P0134.060-030-A4	6	30	M 5	10	6	1.7	3
P0134.060-040-A4	6	40	M 5	10	6	1.7	3
P0134.080-006-A4	8	6	M 6	13	11	2.0	4



Ultra Low Head - Shoulder Screw

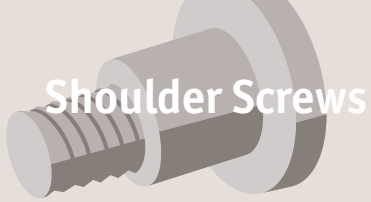
hex drive - 316 stainless



Shoulder Screws

Order No.	d ₁ +0 -0.025	l ₁ +0.05 -0.0	d ₂	d ₃	l ₂	h ₁	A/F
P0134.080-008-A4	8	8	M 6	13	11	2.0	4
P0134.080-010-A4	8	10	M 6	13	11	2.0	4
P0134.080-012-A4	8	12	M 6	13	11	2.0	4
P0134.080-016-A4	8	16	M 6	13	11	2.0	4
P0134.080-020-A4	8	20	M 6	13	11	2.0	4
P0134.080-025-A4	8	25	M 6	13	11	2.0	4
P0134.080-030-A4	8	30	M 6	13	11	2.0	4
P0134.080-040-A4	8	40	M 6	13	11	2.0	4
P0134.100-008-A4	10	8	M 8	14	12	2.7	5
P0134.100-010-A4	10	10	M 8	14	12	2.7	5
P0134.100-012-A4	10	12	M 8	14	12	2.7	5
P0134.100-016-A4	10	16	M 8	14	12	2.7	5
P0134.100-020-A4	10	20	M 8	14	12	2.7	5
P0134.100-025-A4	10	25	M 8	14	12	2.7	5
P0134.100-030-A4	10	30	M 8	14	12	2.7	5
P0134.100-040-A4	10	40	M 8	14	12	2.7	5
P0134.100-050-A4	10	50	M 8	14	12	2.7	5
P0134.120-010-A4	12	10	M10	20	16	3.5	6
P0134.120-012-A4	12	12	M10	20	16	3.5	6
P0134.120-016-A4	12	16	M10	20	16	3.5	6
P0134.120-020-A4	12	20	M10	20	16	3.5	6
P0134.120-025-A4	12	25	M10	20	16	3.5	6
P0134.120-030-A4	12	30	M10	20	16	3.5	6
P0134.120-040-A4	12	40	M10	20	16	3.5	6
P0134.120-050-A4	12	50	M10	20	16	3.5	6

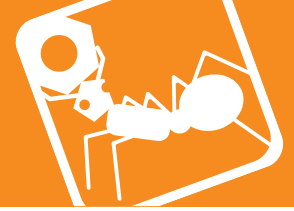
SHOULDER SCREWS



Shoulder Screws

Shoulder Screws - Headless

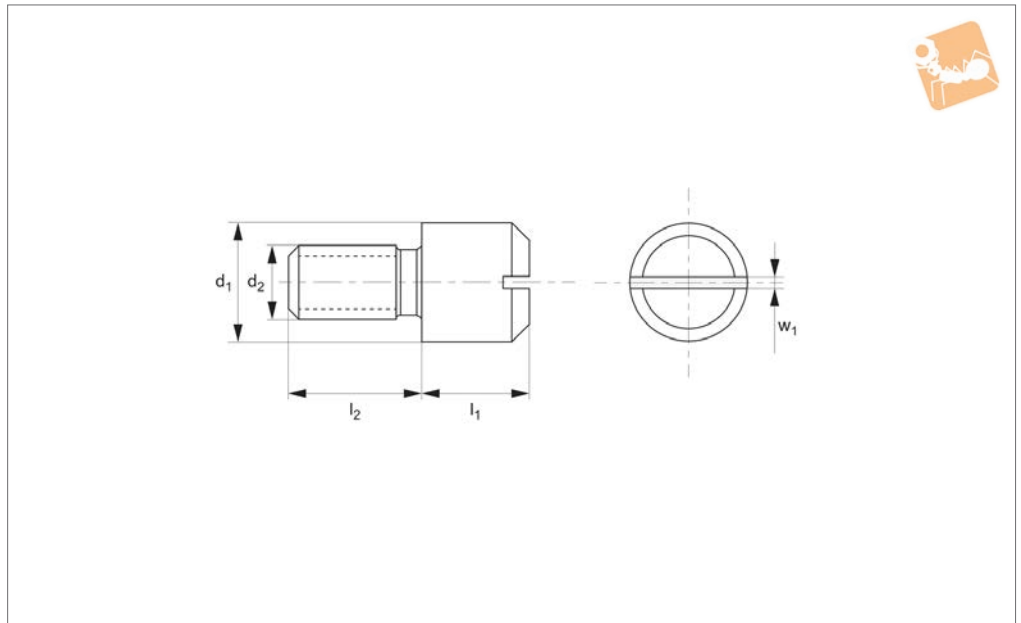
slot drive - 303 stainless



SHOULDER SCREWS



P0126.A2



Material

Austenitic stainless steel
(AISI 303, 1.4305)

Technical Notes

303 series stainless steel provides good resistance to corrosion.
It is mildly magnetic.

Special lengths and diameters produced to drawings.

l_1+l_2 tolerance js15.

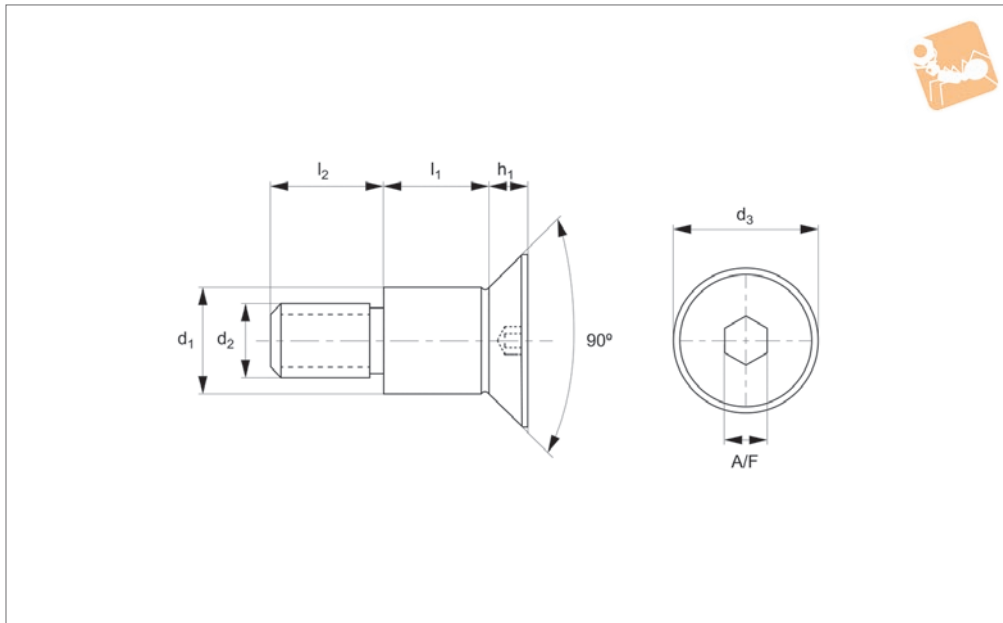
Order No.	d_1 h9	l_1	d_2	l_2 +0.3/-0.0	w_1
P0126.040-025-A2	4.0	2.5	M 3	4.5	0.5
P0126.040-030-A2	4.0	3.0	M 3	4.5	0.5
P0126.040-040-A2	4.0	4.0	M 3	4.5	0.5
P0126.040-050-A2	4.0	5.0	M 3	4.5	0.5
P0126.040-060-A2	4.0	6.0	M 3	4.5	0.5
P0126.055-030-A2	5.5	3.0	M 4	6.0	0.6
P0126.055-040-A2	5.5	4.0	M 4	6.0	0.6
P0126.055-050-A2	5.5	5.0	M 4	6.0	0.6
P0126.055-060-A2	5.5	6.0	M 4	6.0	0.6
P0126.055-080-A2	5.5	8.0	M 4	6.0	0.6
P0126.065-040-A2	6.5	4.0	M 5	7.0	0.8
P0126.065-050-A2	6.5	5.0	M 5	7.0	0.8
P0126.065-060-A2	6.5	6.0	M 5	7.0	0.8
P0126.065-080-A2	6.5	8.0	M 5	7.0	0.8
P0126.065-100-A2	6.5	10.0	M 5	7.0	0.8
P0126.080-040-A2	8.0	4.0	M 6	8.0	1.0
P0126.080-050-A2	8.0	5.0	M 6	8.0	1.0
P0126.080-060-A2	8.0	6.0	M 6	8.0	1.0
P0126.080-080-A2	8.0	8.0	M 6	8.0	1.0
P0126.080-100-A2	8.0	10.0	M 6	8.0	1.0



Shoulder Screws - Countersunk

hex drive - 303 stainless

Shoulder Screws



P0128.A2

SHOULDER SCREWS

Material

Stainless steel (AISI 303, 1.4305).
Tensile strength 550 N/mm².
Proof stress min. 190 N/mm², austenitic

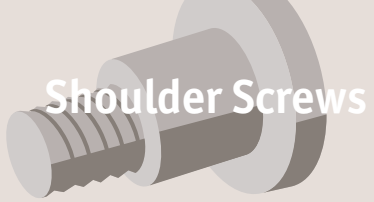
stainless steel.

Technical Notes

303 stainless steel provides good resi-

stance to corrosion. It is mildly magnetic.
Special lengths and diameters produced to drawings.

Order No.	d_1 +0.000 -0.025	l_1 +0.05 -0.00	d_2 tol. G6	d_3	l_2 +0.05 -0.00	h_1 +0.00 -0.05	A/F
P0128.040-010-A2	4	10	M 3	8	4	2.0	2
P0128.040-012-A2	4	12	M 3	8	4	2.0	2
P0128.040-014-A2	4	14	M 3	8	4	2.0	2
P0128.040-016-A2	4	16	M 3	8	4	2.0	2
P0128.040-018-A2	4	18	M 3	8	4	2.0	2
P0128.040-020-A2	4	20	M 3	8	4	2.0	2
P0128.040-025-A2	4	25	M 3	8	4	2.0	2
P0128.040-030-A2	4	30	M 3	8	4	2.0	2
P0128.050-010-A2	5	10	M 4	10	5	2.5	2.5
P0128.050-012-A2	5	12	M 4	10	5	2.5	2.5
P0128.050-016-A2	5	16	M 4	10	5	2.5	2.5
P0128.050-020-A2	5	20	M 4	10	5	2.5	2.5
P0128.050-025-A2	5	25	M 4	10	5	2.5	2.5
P0128.050-030-A2	5	30	M 4	10	5	2.5	2.5
P0128.050-035-A2	5	35	M 4	10	5	2.5	2.5
P0128.050-040-A2	5	40	M 4	10	5	2.5	2.5
P0128.060-010-A2	6	10	M 5	12	6	3.0	3
P0128.060-012-A2	6	12	M 5	12	6	3.0	3
P0128.060-016-A2	6	16	M 5	12	6	3.0	3
P0128.060-020-A2	6	20	M 5	12	6	3.0	3
P0128.060-025-A2	6	25	M 5	12	6	3.0	3
P0128.060-030-A2	6	30	M 5	12	6	3.0	3
P0128.060-035-A2	6	35	M 5	12	6	3.0	3
P0128.060-040-A2	6	40	M 5	12	6	3.0	3
P0128.080-010-A2	8	10	M 6	16	11	4.0	4
P0128.080-012-A2	8	12	M 6	16	11	4.0	4
P0128.080-016-A2	8	16	M 6	16	11	4.0	4
P0128.080-020-A2	8	20	M 6	16	11	4.0	4
P0128.080-025-A2	8	25	M 6	16	11	4.0	4
P0128.080-030-A2	8	30	M 6	16	11	4.0	4
P0128.080-035-A2	8	35	M 6	16	11	4.0	4
P0128.080-040-A2	8	40	M 6	16	11	4.0	4
P0128.100-012-A2	10	12	M 8	20	12	5.0	5
P0128.100-016-A2	10	16	M 8	20	12	5.0	5



Shoulder Screws

Shoulder Screws - Countersunk hex drive - 303 stainless



SHOULDER SCREWS

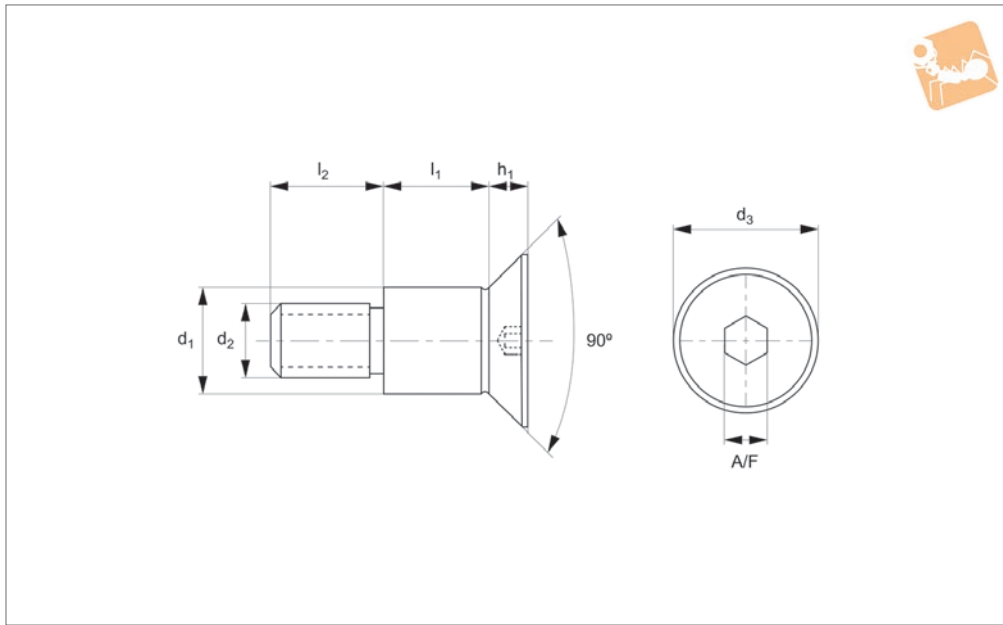
Order No.	d_1 +0.000 -0.025	l_1 +0.05 -0.00	d_2 tol. G6	d_3	l_2 +0.05 -0.00	h_1 +0.00 -0.05	A/F
P0128.100-020-A2	10	20	M 8	20	12	5.0	5
P0128.100-025-A2	10	25	M 8	20	12	5.0	5
P0128.100-030-A2	10	30	M 8	20	12	5.0	5
P0128.100-040-A2	10	40	M 8	20	12	5.0	5
P0128.100-050-A2	10	50	M 8	20	12	5.0	5
P0128.120-012-A2	12	12	M10	24	16	6.0	6
P0128.120-016-A2	12	16	M10	24	16	6.0	6
P0128.120-020-A2	12	20	M10	24	16	6.0	6
P0128.120-025-A2	12	25	M10	24	16	6.0	6
P0128.120-030-A2	12	30	M10	24	16	6.0	6
P0128.120-040-A2	12	40	M10	24	16	6.0	6
P0128.120-050-A2	12	50	M10	24	16	6.0	6



Shoulder Screws - Countersunk

hex drive - 316 stainless

Shoulder Screws



P0128.A4

SHOULDER SCREWS

Material

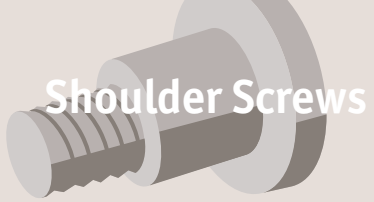
Stainless steel (AISI 316, 1.440).
Tensile strength 480 N/mm².
Proof stress min. 200 N/mm², austenitic stainless steel.

Technical Notes

316 Stainless provides excellent corrosion resistance for use in highly caustic or marine environments. For more standard applications please see our A2 range which

is more cost effective.
Non-magnetic.

Order No.	d_1 +0.000 -0.025	l_1 +0.05 -0.00	d_2 tol. G6	d_3	l_2 +0.05 -0.00	h_1 +0.00 -0.05	A/F
P0128.040-010-A4	4	10	M 3	8	4	2.0	2
P0128.040-012-A4	4	12	M 3	8	4	2.0	2
P0128.040-014-A4	4	14	M 3	8	4	2.0	2
P0128.040-016-A4	4	16	M 3	8	4	2.0	2
P0128.040-018-A4	4	18	M 3	8	4	2.0	2
P0128.040-020-A4	4	20	M 3	8	4	2.0	2
P0128.040-025-A4	4	25	M 3	8	4	2.0	2
P0128.040-030-A4	4	30	M 3	8	4	2.0	2
P0128.050-010-A4	5	10	M 4	10	5	2.5	2.5
P0128.050-012-A4	5	12	M 4	10	5	2.5	2.5
P0128.050-016-A4	5	16	M 4	10	5	2.5	2.5
P0128.050-020-A4	5	20	M 4	10	5	2.5	2.5
P0128.050-025-A4	5	25	M 4	10	5	2.5	2.5
P0128.050-030-A4	5	30	M 4	10	5	2.5	2.5
P0128.050-035-A4	5	35	M 4	10	5	2.5	2.5
P0128.050-040-A4	5	40	M 4	10	5	2.5	2.5
P0128.060-010-A4	6	10	M 5	12	6	3.0	3
P0128.060-012-A4	6	12	M 5	12	6	3.0	3
P0128.060-016-A4	6	16	M 5	12	6	3.0	3
P0128.060-020-A4	6	20	M 5	12	6	3.0	3
P0128.060-025-A4	6	25	M 5	12	6	3.0	3
P0128.060-030-A4	6	30	M 5	12	6	3.0	3
P0128.060-035-A4	6	35	M 5	12	6	3.0	3
P0128.060-040-A4	6	40	M 5	12	6	3.0	3
P0128.080-010-A4	8	10	M 6	16	11	4.0	4
P0128.080-012-A4	8	12	M 6	16	11	4.0	4
P0128.080-016-A4	8	16	M 6	16	11	4.0	4
P0128.080-020-A4	8	20	M 6	16	11	4.0	4
P0128.080-025-A4	8	25	M 6	16	11	4.0	4
P0128.080-030-A4	8	30	M 6	16	11	4.0	4
P0128.080-035-A4	8	35	M 6	16	11	4.0	4
P0128.080-040-A4	8	40	M 6	16	11	4.0	4
P0128.100-012-A4	10	12	M 8	20	12	5.0	5



Shoulder Screws

Shoulder Screws - Countersunk hex drive - 316 stainless



SHOULDER SCREWS

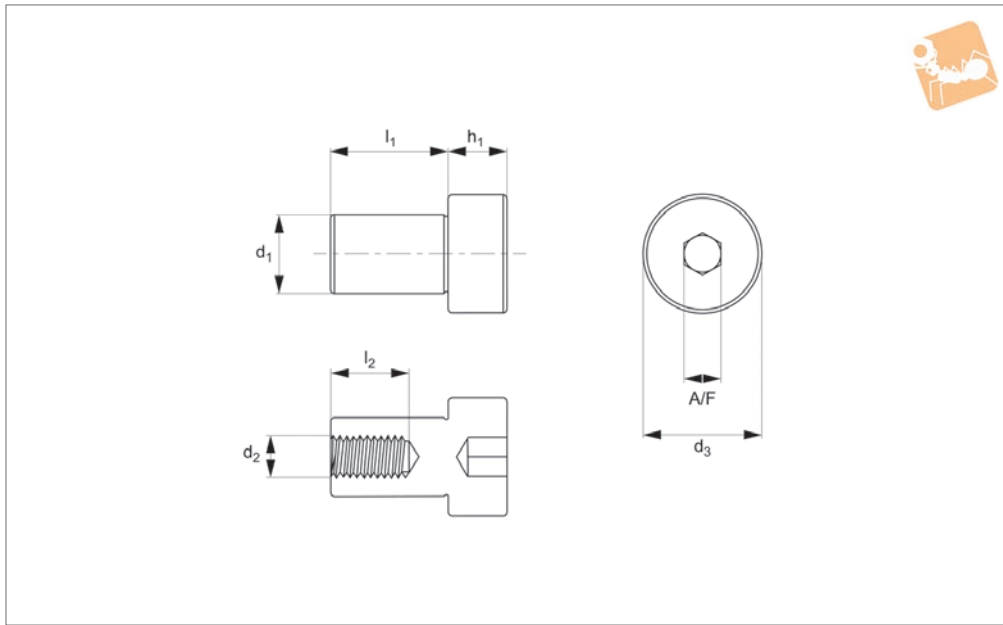
Order No.	d_1 +0.000 -0.025	l_1 +0.05 -0.00	d_2 tol. G6	d_3	l_2 +0.05 -0.00	h_1 +0.00 -0.05	A/F
P0128.100-016-A4	10	16	M 8	20	12	5.0	5
P0128.100-020-A4	10	20	M 8	20	12	5.0	5
P0128.100-025-A4	10	25	M 8	20	12	5.0	5
P0128.100-030-A4	10	30	M 8	20	12	5.0	5
P0128.100-040-A4	10	40	M 8	20	12	5.0	5
P0128.100-050-A4	10	50	M 8	20	12	5.0	5
P0128.120-012-A4	12	12	M10	24	16	6.0	6
P0128.120-016-A4	12	16	M10	24	16	6.0	6
P0128.120-020-A4	12	20	M10	24	16	6.0	6
P0128.120-025-A4	12	25	M10	24	16	6.0	6
P0128.120-030-A4	12	30	M10	24	16	6.0	6
P0128.120-040-A4	12	40	M10	24	16	6.0	6
P0128.120-050-A4	12	50	M10	24	16	6.0	6



Shoulder Nuts - Cap Head

hex drive - 303 stainless

Shoulder Screws



P0127.A2

SHOULDER SCREWS

Material

Stainless steel (AISI 303, 1.4305).
Tensile strength 550 N/mm².
Proof stress min. 190 N/mm², austenitic

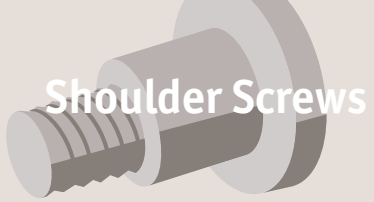
stainless steel.

Technical Notes

303 stainless steel provides good resi-

stance to corrosion, it is mildly magnetic.

Order No.	d ₁ +0.000 -0.025	l ₁ +0.05 -0.00	d ₂	d ₃	l ₂	h ₁	A/F
P0127.040-006-A2	4	6	M 2	6	4	3	2
P0127.040-008-A2	4	8	M 2	6	4	3	2
P0127.040-010-A2	4	10	M 2	6	4	3	2
P0127.040-012-A2	4	12	M 2	6	4	3	2
P0127.040-014-A2	4	14	M 2	6	4	3	2
P0127.040-016-A2	4	16	M 2	6	4	3	2
P0127.040-018-A2	4	18	M 2	6	4	3	2
P0127.040-020-A2	4	20	M 2	6	4	3	2
P0127.050-008-A2	5	8	M 2,5	8	5	4	2,5
P0127.050-010-A2	5	10	M 2,5	8	5	4	2,5
P0127.050-012-A2	5	12	M 2,5	8	5	4	2,5
P0127.050-016-A2	5	16	M 2,5	8	5	4	2,5
P0127.050-020-A2	5	20	M 2,5	8	5	4	2,5
P0127.050-025-A2	5	25	M 2,5	8	5	4	2,5
P0127.060-008-A2	6	8	M 3	10	6	5	3
P0127.060-010-A2	6	10	M 3	10	6	5	3
P0127.060-012-A2	6	12	M 3	10	6	5	3
P0127.060-016-A2	6	16	M 3	10	6	5	3
P0127.060-020-A2	6	20	M 3	10	6	5	3
P0127.060-025-A2	6	25	M 3	10	6	5	3
P0127.060-030-A2	6	30	M 3	10	6	5	3
P0127.060-040-A2	6	40	M 3	10	6	5	3
P0127.060-050-A2	6	50	M 3	10	6	5	3
P0127.080-016-A2	8	16	M 3,5	12	11	6	4
P0127.080-020-A2	8	20	M 3,5	12	11	6	4
P0127.080-025-A2	8	25	M 3,5	12	11	6	4
P0127.080-030-A2	8	30	M 3,5	12	11	6	4
P0127.080-040-A2	8	40	M 3,5	12	11	6	4
P0127.080-050-A2	8	50	M 3,5	12	11	6	4
P0127.100-016-A2	10	16	M 4	14	12	7	5
P0127.100-020-A2	10	20	M 4	14	12	7	5
P0127.100-025-A2	10	25	M 4	14	12	7	5
P0127.100-030-A2	10	30	M 4	14	12	7	5
P0127.100-040-A2	10	40	M 4	14	12	7	5



Shoulder Screws

Shoulder Nuts - Cap Head

hex drive - 303 stainless



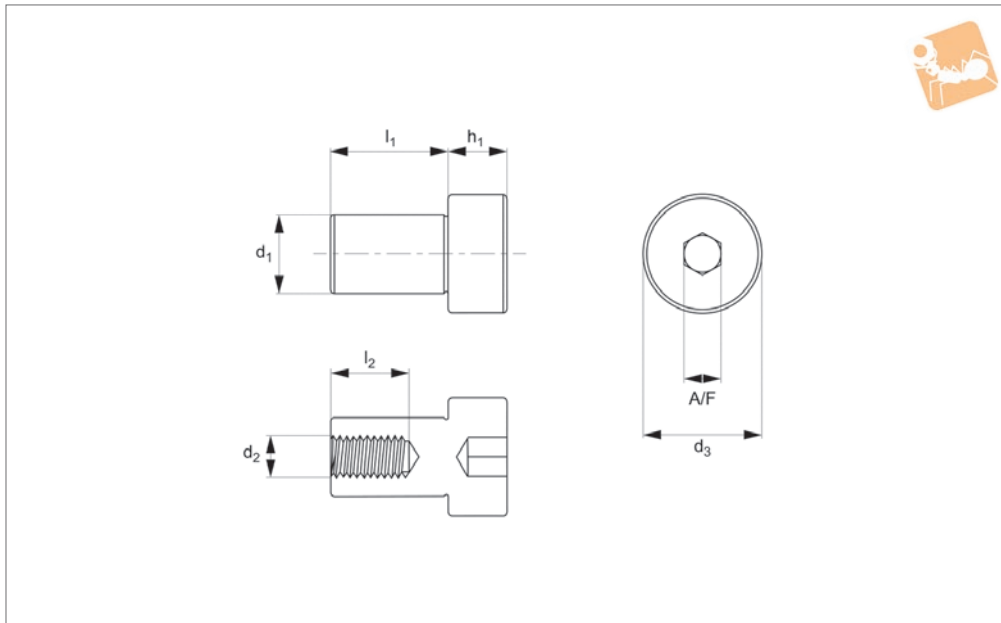
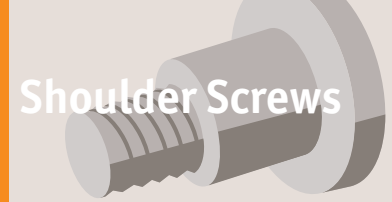
Order No.	d_1 +0.000 -0.025	l_1 +0.05 -0.00	d_2	d_3	l_2	h_1	A/F
P0127.120-025-A2	12	25	M 5	20	16	8	6
P0127.120-030-A2	12	30	M 5	20	16	8	6
P0127.120-040-A2	12	40	M 5	20	16	8	6
P0127.120-050-A2	12	50	M 5	20	16	8	6

SHOULDER SCREWS



Shoulder Nuts - Cap Head

hex drive - 316 stainless



P0127.A4

SHOULDER SCREWS

Material

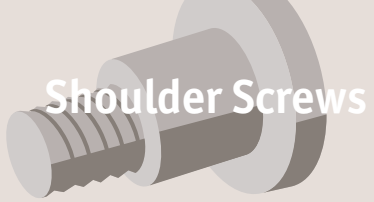
Stainless steel (AISI 316, 1.440).
Tensile strength 480 N/mm².
Proof stress min. 200 N/mm², austenitic stainless steel.

Technical Notes

316 stainless provides excellent corrosion resistance for use in highly caustic or marine environments and it is non-magnetic.

For more standard applications please see our A2 range which is more cost effective.

Order No.	d_1 +0.000 -0.025	l_1 +0.05 -0.00	d_2	d_3	l_2	h_1	A/F
P0127.040-006-A4	4	6	M 2	6	4	3	2
P0127.040-008-A4	4	8	M 2	6	4	3	2
P0127.040-010-A4	4	10	M 2	6	4	3	2
P0127.040-012-A4	4	12	M 2	6	4	3	2
P0127.040-014-A4	4	14	M 2	6	4	3	2
P0127.040-016-A4	4	16	M 2	6	4	3	2
P0127.040-018-A4	4	18	M 2	6	4	3	2
P0127.040-020-A4	4	20	M 2	6	4	3	2
P0127.050-008-A4	5	8	M 2,5	8	5	4	2,5
P0127.050-010-A4	5	10	M 2,5	8	5	4	2,5
P0127.050-012-A4	5	12	M 2,5	8	5	4	2,5
P0127.050-016-A4	5	16	M 2,5	8	5	4	2,5
P0127.050-020-A4	5	20	M 2,5	8	5	4	2,5
P0127.050-025-A4	5	25	M 2,5	8	5	4	2,5
P0127.060-008-A4	6	8	M 3	10	6	5	3
P0127.060-010-A4	6	10	M 3	10	6	5	3
P0127.060-012-A4	6	12	M 3	10	6	5	3
P0127.060-016-A4	6	16	M 3	10	6	5	3
P0127.060-020-A4	6	20	M 3	10	6	5	3
P0127.060-025-A4	6	25	M 3	10	6	5	3
P0127.060-030-A4	6	30	M 3	10	6	5	3
P0127.060-040-A4	6	40	M 3	10	6	5	3
P0127.060-050-A4	6	50	M 3	10	6	5	3
P0127.080-016-A4	8	16	M 3,5	12	11	6	4
P0127.080-020-A4	8	20	M 3,5	12	11	6	4
P0127.080-025-A4	8	25	M 3,5	12	11	6	4
P0127.080-030-A4	8	30	M 3,5	12	11	6	4
P0127.080-040-A4	8	40	M 3,5	12	11	6	4
P0127.080-050-A4	8	50	M 3,5	12	11	6	4
P0127.100-016-A4	10	16	M 4	14	12	7	5
P0127.100-020-A4	10	20	M 4	14	12	7	5
P0127.100-025-A4	10	25	M 4	14	12	7	5
P0127.100-030-A4	10	30	M 4	14	12	7	5



Shoulder Screws

Shoulder Nuts - Cap Head

hex drive - 316 stainless



Order No.	d_1 +0.000 -0.025	l_1 +0.05 -0.00	d_2	d_3	l_2	h_1	A/F
P0127.100-040-A4	10	40	M 4	14	12	7	5
P0127.120-025-A4	12	25	M 5	20	16	8	6
P0127.120-030-A4	12	30	M 5	20	16	8	6
P0127.120-040-A4	12	40	M 5	20	16	8	6
P0127.120-050-A4	12	50	M 5	20	16	8	6

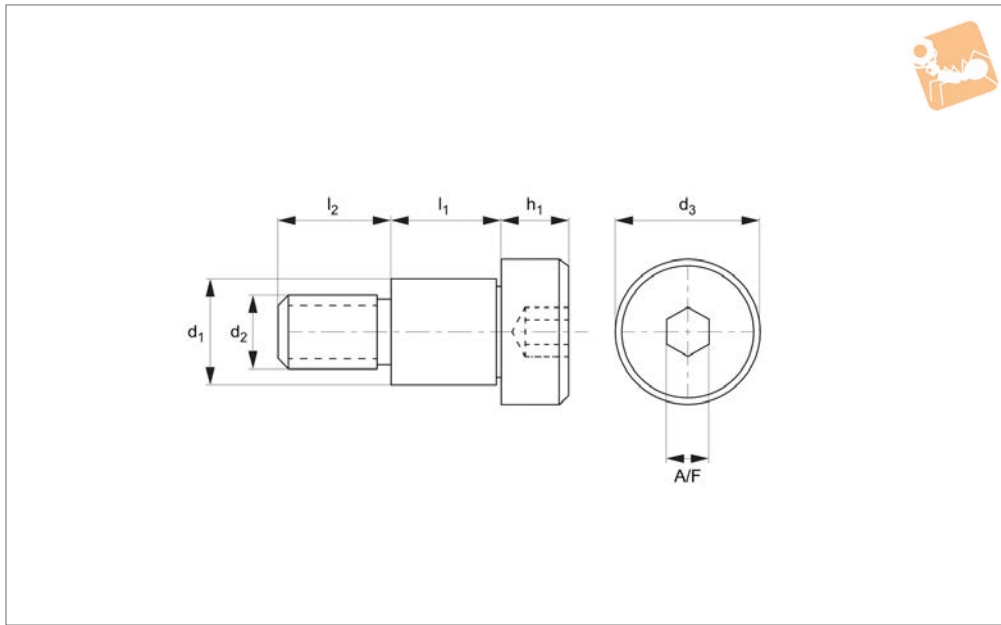
SHOULDER SCREWS



Shoulder Screws - Cap Head

hex drive - 416 stainless

Shoulder Screws



P0131

SHOULDER SCREWS

Material

Stainless steel (AISI 416, 1.4005). Tensile strength 650 N/mm². Proof stress min. 450 N/mm², martensitic stainless steel.

stronger grade of stainless steel than the 303 stainless alternatives. They are magnetic and slightly less resistant to corrosion than the 303 alternative (see P0130 or P0132).

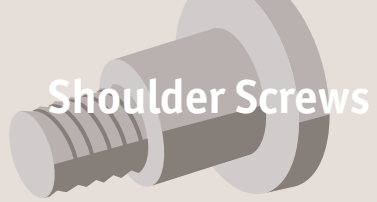
atmosphere, fresh water and mild alkalis and acids. Special lengths and diameters produced to drawings.

Technical Notes

Stainless steel 416 series is a harder,

For corrosion resistance it is suited to dry

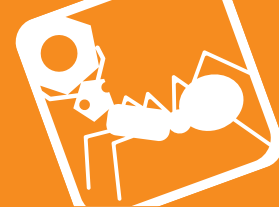
Order No.	d ₁ +0 -0.025	l ₁ +0.05 -0.0	d ₂	d ₃	l ₂	h ₁	A/F
P0131.040-004-A6	4	4	M 3	6	4	3	2
P0131.040-005-A6	4	5	M 3	6	4	3	2
P0131.040-006-A6	4	6	M 3	6	4	3	2
P0131.040-008-A6	4	8	M 3	6	4	3	2
P0131.040-010-A6	4	10	M 3	6	4	3	2
P0131.050-004-A6	5	4	M 4	8	5	4	2.5
P0131.050-005-A6	5	5	M 4	8	5	4	2.5
P0131.050-006-A6	5	6	M 4	8	5	4	2.5
P0131.050-008-A6	5	8	M 4	8	5	4	2.5
P0131.050-010-A6	5	10	M 4	8	5	4	2.5
P0131.050-012-A6	5	12	M 4	8	5	4	2.5
P0131.050-014-A6	5	14	M 4	8	5	4	2.5
P0131.050-016-A6	5	16	M 4	8	5	4	2.5
P0131.050-020-A6	5	20	M 4	8	5	4	2.5
P0131.050-025-A6	5	25	M 4	8	5	4	2.5
P0131.050-030-A6	5	30	M 4	8	5	4	2.5
P0131.060-004-A6	6	4	M 5	10	6	5	3
P0131.060-005-A6	6	5	M 5	10	6	5	3
P0131.060-006-A6	6	6	M 5	10	6	5	3
P0131.060-008-A6	6	8	M 5	10	6	5	3
P0131.060-010-A6	6	10	M 5	10	6	5	3
P0131.060-012-A6	6	12	M 5	10	6	5	3
P0131.060-014-A6	6	14	M 5	10	6	5	3
P0131.060-016-A6	6	16	M 5	10	6	5	3
P0131.060-020-A6	6	20	M 5	10	6	5	3
P0131.060-025-A6	6	25	M 5	10	6	5	3
P0131.060-030-A6	6	30	M 5	10	6	5	3
P0131.080-006-A6	8	6	M 6	12	11	6	4
P0131.080-008-A6	8	8	M 6	12	11	6	4
P0131.080-010-A6	8	10	M 6	12	11	6	4
P0131.080-012-A6	8	12	M 6	12	11	6	4



Shoulder Screws

Shoulder Screws - Cap Head

hex drive - 416 stainless



SHOULDER SCREWS

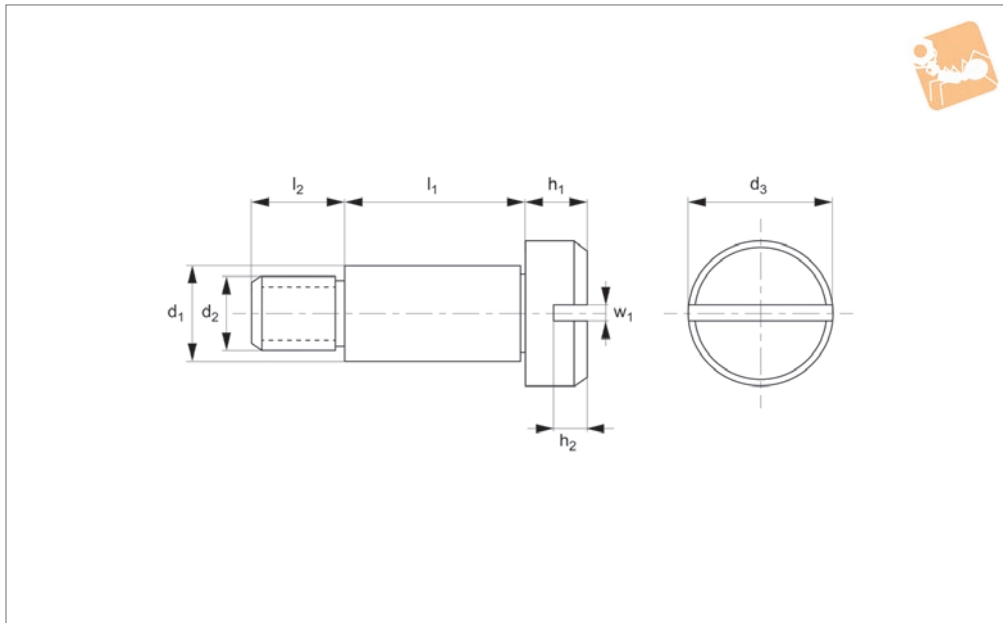
Order No.	d_1 +0 -0.025	l_1 +0.05 -0.0	d_2	d_3	l_2	h_1	A/F
P0131.080-014-A6	8	14	M 6	12	11	6	4
P0131.080-016-A6	8	16	M 6	12	11	6	4
P0131.080-020-A6	8	20	M 6	12	11	6	4
P0131.080-025-A6	8	25	M 6	12	11	6	4
P0131.080-030-A6	8	30	M 6	12	11	6	4
P0131.100-008-M6	10	8	M 6	14	11	6	4
P0131.100-010-M6	10	10	M 6	14	11	6	4
P0131.100-012-M6	10	12	M 6	14	11	6	4
P0131.100-016-M6	10	16	M 6	14	11	6	4
P0131.100-008-M8	10	8	M 8	14	12	7	5
P0131.100-010-M8	10	10	M 8	14	12	7	5
P0131.100-012-M8	10	12	M 8	14	12	7	5
P0131.100-016-M8	10	16	M 8	14	12	7	5
P0131.120-012-A6	12	12	M10	20	16	8	6
P0131.120-016-A6	12	16	M10	20	16	8	6
P0131.120-020-A6	12	20	M10	20	16	8	6
P0131.120-025-A6	12	25	M10	20	16	8	6
P0131.120-030-A6	12	30	M10	20	16	8	6



Shoulder Screw - Cap Head

slot drive - 303 stainless

Shoulder Screws



P0132.A2

SHOULDER SCREWS

Material

Stainless steel (AISI 303, 1.4305). Tensile strength 550 N/mm². Proof stress min. 190 N/mm², austenitic stainless steel.

Technical Notes

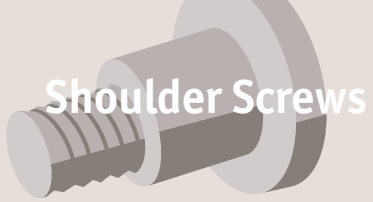
303 series stainless steel provides good

resistance to corrosion. It is mildly magnetic. screws are less expensive than the 416 steel grade (see part no. P0133), which are harder but less resistant to corrosion.

For Ø16 (and above) stainless steel

shoulder screws see part no. P0137. Special lengths and diameters produced to drawings.

Order No.	d ₁ +0 -0.025	l ₁ +0.05 -0.0	d ₂	d ₃	l ₂	h ₁	h ₂	w ₁
P0132.040-004-A2	4	4	M 3	6	4	3	0.9	0.8
P0132.040-005-A2	4	5	M 3	6	4	3	0.9	0.8
P0132.040-006-A2	4	6	M 3	6	4	3	0.9	0.8
P0132.040-008-A2	4	8	M 3	6	4	3	0.9	0.8
P0132.040-010-A2	4	10	M 3	6	4	3	0.9	0.8
P0132.040-012-A2	4	12	M 3	6	4	3	0.9	0.8
P0132.040-016-A2	4	16	M 3	6	4	3	0.9	0.8
P0132.040-020-A2	4	20	M 3	6	4	3	0.9	0.8
P0132.050-004-A2	5	4	M 4	8	5	4	1.2	1.0
P0132.050-005-A2	5	5	M 4	8	5	4	1.2	1.0
P0132.050-006-A2	5	6	M 4	8	5	4	1.2	1.0
P0132.050-008-A2	5	8	M 4	8	5	4	1.2	1.0
P0132.050-010-A2	5	10	M 4	8	5	4	1.2	1.0
P0132.050-012-A2	5	12	M 4	8	5	4	1.2	1.0
P0132.050-014-A2	5	14	M 4	8	5	4	1.2	1.0
P0132.050-016-A2	5	16	M 4	8	5	4	1.2	1.0
P0132.050-020-A2	5	20	M 4	8	5	4	1.2	1.0
P0132.050-025-A2	5	25	M 4	8	5	4	1.2	1.0
P0132.050-030-A2	5	30	M 4	8	5	4	1.2	1.0
P0132.060-004-A2	6	4	M 5	10	6	5	1.3	1.2
P0132.060-005-A2	6	5	M 5	10	6	5	1.3	1.2
P0132.060-006-A2	6	6	M 5	10	6	5	1.3	1.2
P0132.060-008-A2	6	8	M 5	10	6	5	1.3	1.2
P0132.060-010-A2	6	10	M 5	10	6	5	1.3	1.2
P0132.060-012-A2	6	12	M 5	10	6	5	1.3	1.2
P0132.060-014-A2	6	14	M 5	10	6	5	1.3	1.2
P0132.060-016-A2	6	16	M 5	10	6	5	1.3	1.2
P0132.060-020-A2	6	20	M 5	10	6	5	1.3	1.2
P0132.060-025-A2	6	25	M 5	10	6	5	1.3	1.2
P0132.060-030-A2	6	30	M 5	10	6	5	1.3	1.2
P0132.080-006-A2	8	6	M 6	12	11	6	1.5	1.6



Shoulder Screws

Shoulder Screw - Cap Head slot drive - 303 stainless



SHOULDER SCREWS

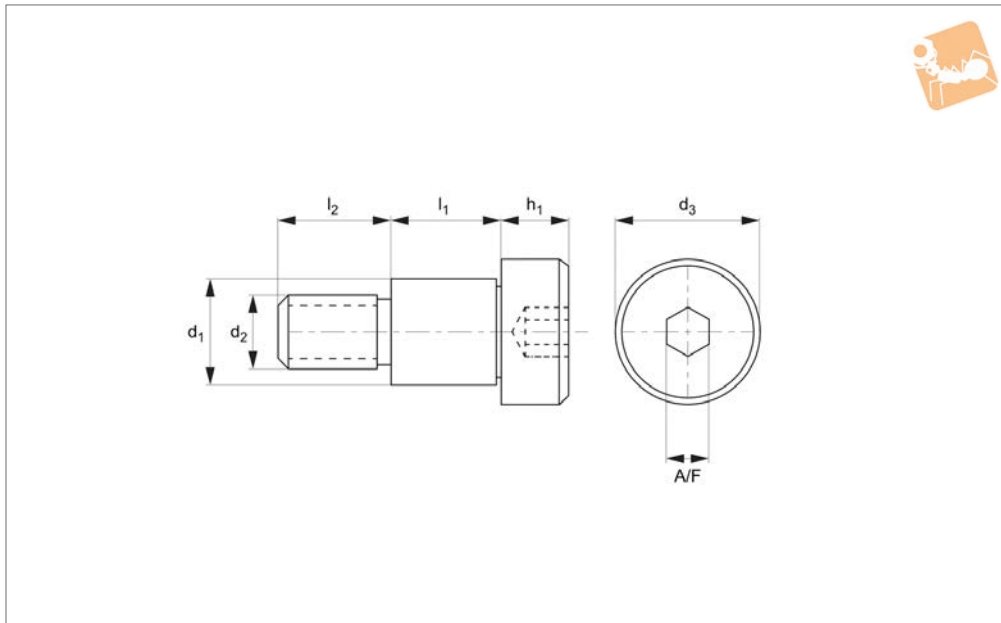
Order No.	d_1 +0 -0.025	l_1 +0.05 -0.0	d_2	d_3	l_2	h_1	h_2	w_1
P0132.080-008-A2	8	8	M 6	12	11	6	1.5	1.6
P0132.080-010-A2	8	10	M 6	12	11	6	1.5	1.6
P0132.080-012-A2	8	12	M 6	12	11	6	1.5	1.6
P0132.080-016-A2	8	16	M 6	12	11	6	1.5	1.6
P0132.080-020-A2	8	20	M 6	12	11	6	1.5	1.6
P0132.100-008-M6	10	8	M 6	14	11	6	1.5	1.6
P0132.100-012-M6	10	12	M 6	14	11	6	1.5	1.6
P0132.100-008-M8	10	8	M 8	14	12	7	1.9	2.0
P0132.100-010-M8	10	10	M 8	14	12	7	1.9	2.0
P0132.100-012-M8	10	12	M 8	14	12	7	1.9	2.0
P0132.100-016-M8	10	16	M 8	14	12	7	1.9	2.0
P0132.120-008-A2	12	8	M10	20	16	8	2.4	2.5
P0132.120-010-A2	12	10	M10	20	16	8	2.4	2.5
P0132.120-012-A2	12	12	M10	20	16	8	2.4	2.5
P0132.120-016-A2	12	16	M10	20	16	8	2.4	2.5
P0132.120-020-A2	12	20	M10	20	16	8	2.4	2.5
P0132.120-025-A2	12	25	M10	20	16	8	2.4	2.5



Inch Shoulder Screws - Cap Head

hex drive - 303 stainless

Shoulder Screws



P0130.i

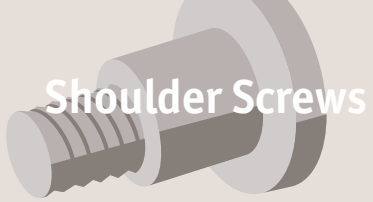
SHOULDER SCREWS

Material

Stainless steel (AISI 303, 1.4305).
Tensile strength 550 N/mm².

Proof stress min. 190 N/mm²,
austenitic stainless steel.

Order No.	d_1 +0 -0.001	l_1 +0.002 -0.000	d_2	d_3	l_2	h_1	A/F
P0130.125-012	(1/8") 0.1245	(1/8") 0.1255	#4-40 UNC	1/4"	5/32"	1/8"	5/64"
P0130.125-018	(1/8") 0.1245	(3/16") 0.1880	#4-40 UNC	1/4"	5/32"	1/8"	5/64"
P0130.125-025	(1/8") 0.1245	(1/4") 0.2505	#4-40 UNC	1/4"	5/32"	1/8"	5/64"
P0130.125-031	(1/8") 0.1245	(5/16") 0.3130	#4-40 UNC	1/4"	5/32"	1/8"	5/64"
P0130.125-037	(1/8") 0.1245	(3/8") 0.3755	#4-40 UNC	1/4"	5/32"	1/8"	5/64"
P0130.187-012	(3/16") 0.1870	(1/8") 0.1255	#8-32 UNC	5/16"	3/16"	5/32"	3/32"
P0130.187-018	(3/16") 0.1870	(3/16") 0.1880	#8-32 UNC	5/16"	3/16"	5/32"	3/32"
P0130.187-025	(3/16") 0.1870	(1/4") 0.2505	#8-32 UNC	5/16"	3/16"	5/32"	3/32"
P0130.187-031	(3/16") 0.1870	(5/16") 0.3130	#8-32 UNC	5/16"	3/16"	5/32"	3/32"
P0130.187-037	(3/16") 0.1870	(3/8") 0.3755	#8-32 UNC	5/16"	3/16"	5/32"	3/32"
P0130.187-050	(3/16") 0.1870	(1/2") 0.5005	#8-32 UNC	5/16"	3/16"	5/32"	3/32"
P0130.187-062	(3/16") 0.1870	(5/8") 0.6255	#8-32 UNC	5/16"	3/16"	5/32"	3/32"
P0130.187-075	(3/16") 0.1870	(3/4") 0.7505	#8-32 UNC	5/16"	3/16"	5/32"	3/32"
P0130.187-100	(3/16") 0.1870	(1") 1.0005	#8-32 UNC	5/16"	3/16"	5/32"	3/32"
P0130.187-125	(3/16") 0.1870	(1 1/4") 1.2505	#8-32 UNC	5/16"	3/16"	5/32"	3/32"
P0130.187-150	(3/16") 0.1870	(1 1/2") 1.5005	#8-32 UNC	5/16"	3/16"	5/32"	3/32"
P0130.250-012	(1/4") 0.2495	(1/8") 0.1255	#10-32 UNF	3/8"	1/4"	3/16"	1/8"
P0130.250-018	(1/4") 0.2495	(3/16") 0.1880	#10-32 UNF	3/8"	1/4"	3/16"	1/8"
P0130.250-025	(1/4") 0.2495	(1/4") 0.2505	#10-32 UNF	3/8"	1/4"	3/16"	1/8"
P0130.250-031	(1/4") 0.2495	(5/16") 0.3130	#10-32 UNF	3/8"	1/4"	3/16"	1/8"
P0130.250-037	(1/4") 0.2495	(3/8") 0.3755	#10-32 UNF	3/8"	1/4"	3/16"	1/8"
P0130.250-050	(1/4") 0.2495	(1/2") 0.5005	#10-32 UNF	3/8"	1/4"	3/16"	1/8"
P0130.250-062	(1/4") 0.2495	(5/8") 0.6255	#10-32 UNF	3/8"	1/4"	3/16"	1/8"
P0130.250-075	(1/4") 0.2495	(3/4") 0.7505	#10-32 UNF	3/8"	1/4"	3/16"	1/8"
P0130.250-100	(1/4") 0.2495	(1") 1.0005	#10-32 UNF	3/8"	1/4"	3/16"	1/8"
P0130.250-125	(1/4") 0.2495	(1 1/4") 1.2505	#10-32 UNF	3/8"	1/4"	3/16"	1/8"
P0130.250-150	(1/4") 0.2495	(1 1/2") 1.5005	#10-32 UNF	3/8"	1/4"	3/16"	1/8"
P0130.312-025	(5/16") 0.3120	(1/4") 0.2505	1/4-20 UNC	1/2"	7/16"	7/32"	5/32"
P0130.312-031	(5/16") 0.3120	(5/16") 0.3130	1/4-20 UNC	1/2"	7/16"	7/32"	5/32"
P0130.312-037	(5/16") 0.3120	(3/8") 0.3755	1/4-20 UNC	1/2"	7/16"	7/32"	5/32"
P0130.312-050	(5/16") 0.3120	(1/2") 0.5005	1/4-20 UNC	1/2"	7/16"	7/32"	5/32"
P0130.312-062	(5/16") 0.3120	(5/8") 0.6255	1/4-20 UNC	1/2"	7/16"	7/32"	5/32"
P0130.312-075	(5/16") 0.3120	(3/4") 0.7505	1/4-20 UNC	1/2"	7/16"	7/32"	5/32"
P0130.374-031	(3/8") 0.3745	(5/16") 0.3130	1/4-20 UNC	1/2"	7/16"	7/32"	5/32"



Shoulder Screws

Inch Shoulder Screws - Cap Head hex drive - 303 stainless



SHOULDER SCREWS

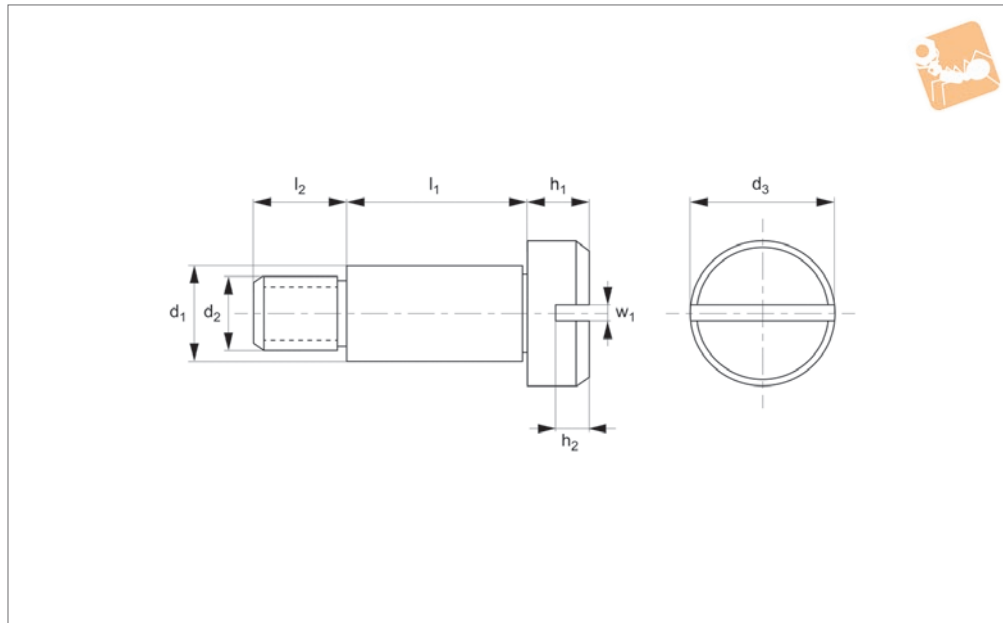
Order No.	d_1 +0 -0.001	l_1 +0.002 -0.000	d_2	d_3	l_2	h_1	A/F
P0130.374-037	(3/8") 0.3745	(3/8") 0.3755	1/4-20 UNC	1/2"	7/16"	7/32"	5/32"
P0130.374-050	(3/8") 0.3745	(1/2") 0.5005	1/4-20 UNC	1/2"	7/16"	7/32"	5/32"
P0130.374-062	(3/8") 0.3745	(5/8") 0.6255	1/4-20 UNC	1/2"	7/16"	7/32"	5/32"
P0130.375-031	(3/8") 0.3745	(5/16") 0.3130	5/6-18 UNC	9/16"	1/2"	1/4"	3/16"
P0130.375-037	(3/8") 0.3745	(3/8") 0.3755	5/6-18 UNC	9/16"	1/2"	1/4"	3/16"
P0130.375-050	(3/8") 0.3745	(1/2") 0.5005	5/6-18 UNC	9/16"	1/2"	1/4"	3/16"
P0130.375-062	(3/8") 0.3745	(5/8") 0.6255	5/6-18 UNC	9/16"	1/2"	1/4"	3/16"
P0130.500-050	(1/2") 0.4995	(1/2") 0.5005	3/8-16 UNC	3/4"	5/8"	5/16"	1/4"
P0130.500-062	(1/2") 0.4995	(5/8") 0.6255	3/8-16 UNC	3/4"	5/8"	5/16"	1/4"
P0130.500-075	(1/2") 0.4995	(3/4") 0.7505	3/8-16 UNC	3/4"	5/8"	5/16"	1/4"
P0130.500-100	(1/2") 0.4995	(1") 1.0005	3/8-16 UNC	3/4"	5/8"	5/16"	1/4"



Inch Shoulder Screws - Cap Head

slot drive - series 303 stainless

Shoulder Screws



P0132.i

SHOULDER SCREWS

Material

Stainless steel (AISI 303, 1.4305).
Tensile strength 550 N/mm². Proof stress min. 190 N/mm², austenitic stainless steel.

stance to corrosion and is non-magnetic. These 303 shoulder screws are less expensive than the 416 stainless steel grade versions (see part no. P0133), which are stronger and harder, but are magnetic.

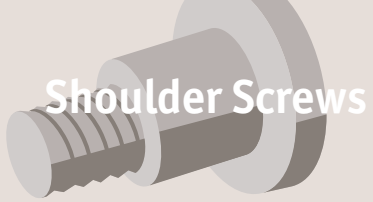
Tips

Typically used for food and pharmaceutical applications. For Ø16 stainless steel shoulder screws see part no. P0137.

Technical Notes

303 stainless steel provides good resi-

Order No.	d_1 +0,-0.001	l_1 +0.002 -0.000	d_2	d_3	l_2	h_1
P0132.125-012	(1/8") 0,1245	(1/8") 0,1255	#4-40 UNC	1/4"	5/32"	1/8"
P0132.187-012	(3/16") 0,1870	(1/8") 0,1255	#8-32 UNC	5/16"	3/16"	5/32"
P0132.187-018	(3/16") 0,1870	(3/16") 0,1880	#8-32 UNC	5/16"	3/16"	5/32"
P0132.187-025	(3/16") 0,1870	(1/4") 0,2505	#8-32 UNC	5/16"	3/16"	5/32"
P0132.187-031	(3/16") 0,1870	(5/16") 0,3130	#8-32 UNC	5/16"	3/16"	5/32"
P0132.187-037	(3/16") 0,1870	(3/8") 0,3755	#8-32 UNC	5/16"	3/16"	5/32"
P0132.187-050	(3/16") 0,1870	(1/2") 0,5005	#8-32 UNC	5/16"	3/16"	5/32"
P0132.187-062	(3/16") 0,1870	(5/8") 0,6255	#8-32 UNC	5/16"	3/16"	5/32"
P0132.187-075	(3/16") 0,1870	(3/4") 0,7505	#8-32 UNC	5/16"	3/16"	5/32"
P0132.187-100	(3/16") 0,1870	(1") 1,0005	#8-32 UNC	5/16"	3/16"	5/32"
P0132.187-125	(3/16") 0,1870	(1 1/4") 1,2505	#8-32 UNC	5/16"	3/16"	5/32"
P0132.187-150	(3/16") 0,1870	(1 1/2") 1,5005	#8-32 UNC	5/16"	3/16"	5/32"
P0132.250-012	(1/4") 0,2495	(1/8") 0,1255	#10-32 UNF	3/8"	1/4"	3/16"
P0132.250-018	(1/4") 0,2495	(3/16") 0,1880	#10-32 UNF	3/8"	1/4"	3/16"
P0132.250-025	(1/4") 0,2495	(1/4") 0,2505	#10-32 UNF	3/8"	1/4"	3/16"
P0132.250-031	(1/4") 0,2495	(5/16") 0,3130	#10-32 UNF	3/8"	1/4"	3/16"
P0132.250-037	(1/4") 0,2495	(3/8") 0,3755	#10-32 UNF	3/8"	1/4"	3/16"
P0132.250-050	(1/4") 0,2495	(1/2") 0,5005	#10-32 UNF	3/8"	1/4"	3/16"
P0132.250-062	(1/4") 0,2495	(5/8") 0,6255	#10-32 UNF	3/8"	1/4"	3/16"
P0132.250-075	(1/4") 0,2495	(3/4") 0,7505	#10-32 UNF	3/8"	1/4"	3/16"
P0132.250-100	(1/4") 0,2495	(1") 1,0005	#10-32 UNF	3/8"	1/4"	3/16"
P0132.250-125	(1/4") 0,2495	(1 1/4") 1,2505	#10-32 UNF	3/8"	1/4"	3/16"
P0132.250-150	(1/4") 0,2495	(1 1/2") 1,5005	#10-32 UNF	3/8"	1/4"	3/16"
P0132.312-025	(5/16") 0,3120	(1/4") 0,2505	1/4-20 UNC	1/2"	7/16"	7/32"
P0132.312-031	(5/16") 0,3120	(5/16") 0,3130	1/4-20 UNC	1/2"	7/16"	7/32"
P0132.312-037	(5/16") 0,3120	(3/8") 0,3755	1/4-20 UNC	1/2"	7/16"	7/32"
P0132.312-050	(5/16") 0,3120	(1/2") 0,5005	1/4-20 UNC	1/2"	7/16"	7/32"
P0132.312-062	(5/16") 0,3120	(5/8") 0,6255	1/4-20 UNC	1/2"	7/16"	7/32"
P0132.312-075	(5/16") 0,3120	(3/4") 0,7505	1/4-20 UNC	1/2"	7/16"	7/32"
P0132.374-031	(3/8") 0,3745	(5/16") 0,3130	1/4-20 UNC	1/2"	7/16"	7/32"



Shoulder Screws

Inch Shoulder Screws - Cap Head slot drive - series 303 stainless



SHOULDER SCREWS

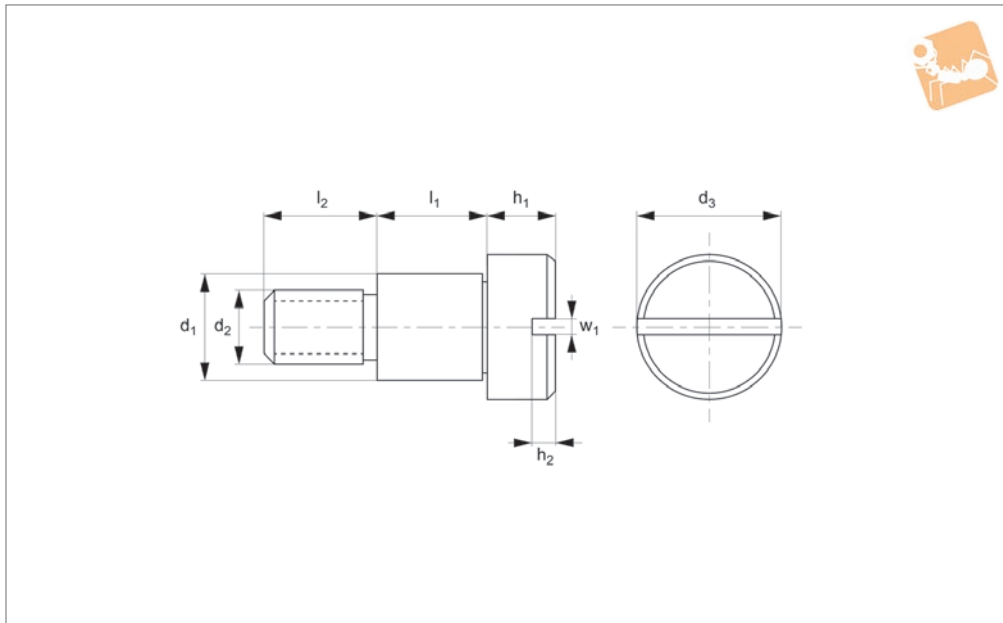
Order No.	d_1 +0,-0.001	l_1 +0.002 -0.000	d_2	d_3	l_2	h_1
P0132.374-037	(3/8") 0,3745	(3/8") 0,3755	1/4-20 UNC	1/2"	7/16"	7/32"
P0132.374-050	(3/8") 0,3745	(1/2") 0,5005	1/4-20 UNC	1/2"	7/16"	7/32"
P0132.374-062	(3/8") 0,3745	(5/8") 0,6255	1/4-20 UNC	1/2"	7/16"	7/32"
P0132.375-031	(3/8") 0,3745	(5/16") 0,3130	5/16-18 UNC	9/16"	1/2"	1/4"
P0132.375-037	(3/8") 0,3745	(3/8") 0,3755	5/16-18 UNC	9/16"	1/2"	1/4"
P0132.375-050	(3/8") 0,3745	(1/2") 0,5005	5/16-18 UNC	9/16"	1/2"	1/4"
P0132.375-062	(3/8") 0,3745	(5/8") 0,6255	5/16-18 UNC	9/16"	1/2"	1/4"
P0132.500-050	(1/2") 0,4995	(1/2") 0,5005	3/8-16 UNC	3/4"	5/8"	5/16"
P0132.500-062	(1/2") 0,4995	(5/8") 0,6255	3/8-16 UNC	3/4"	5/8"	5/16"
P0132.500-075	(1/2") 0,4995	(3/4") 0,7505	3/8-16 UNC	3/4"	5/8"	5/16"
P0132.500-100	(1/2") 0,4995	(1") 1,0005	3/8-16 UNC	3/4"	5/8"	5/16"



Shoulder Screws - Slot Head

slot drive - 416 stainless

Shoulder Screws



P0133

SHOULDER SCREWS

Material

Stainless steel (AISI 416, 1.4005). Tensile strength 650 N/mm². Proof stress min. 450 N/mm², martensitic stainless steel.

Technical Notes

Stainless steel 416 is a harder, stronger

grade of stainless steel than the 303 stainless alternatives.

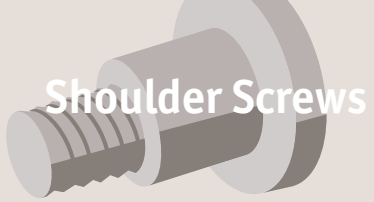
They are magnetic and slightly less resistant to corrosion than the 303 alternative (see P0130 or P0132).

For corrosion resistance it is suited to dry

atmosphere, fresh water and mild alkalis and acids.

Special lengths and diameters produced to drawings.

Order No.	d ₁ +0 -0.025	l ₁ +0.05 -0.0	d ₂	d ₃	l ₂	h ₁	h ₂	w ₁
P0133.040-004-A6	4	4	M 3	6	4	3	0.3	0.4
P0133.040-005-A6	4	5	M 3	6	4	3	0.3	0.4
P0133.040-006-A6	4	6	M 3	6	4	3	0.3	0.4
P0133.040-008-A6	4	8	M 3	6	4	3	0.3	0.4
P0133.040-010-A6	4	10	M 3	6	4	3	0.3	0.4
P0133.050-004-A6	5	4	M 4	8	5	4	0.9	0.8
P0133.050-005-A6	5	5	M 4	8	5	4	0.9	0.8
P0133.050-006-A6	5	6	M 4	8	5	4	0.9	0.8
P0133.050-008-A6	5	8	M 4	8	5	4	0.9	0.8
P0133.050-010-A6	5	10	M 4	8	5	4	0.9	0.8
P0133.050-012-A6	5	12	M 4	8	5	4	0.9	0.8
P0133.050-014-A6	5	14	M 4	8	5	4	0.9	0.8
P0133.050-016-A6	5	16	M 4	8	5	4	0.9	0.8
P0133.050-020-A6	5	20	M 4	8	5	4	0.9	0.8
P0133.050-030-A6	5	30	M 4	8	5	4	0.9	0.8
P0133.060-004-A6	6	4	M 5	10	6	5	1.2	1.0
P0133.060-005-A6	6	5	M 5	10	6	5	1.2	1.0
P0133.060-006-A6	6	6	M 5	10	6	5	1.2	1.0
P0133.060-008-A6	6	8	M 5	10	6	5	1.2	1.0
P0133.060-010-A6	6	10	M 5	10	6	5	1.2	1.0
P0133.060-014-A6	6	14	M 5	10	6	5	1.2	1.0
P0133.060-016-A6	6	16	M 5	10	6	5	1.2	1.0
P0133.060-020-A6	6	20	M 5	10	6	5	1.2	1.0
P0133.060-025-A6	6	25	M 5	10	6	5	1.2	1.0
P0133.060-030-A6	6	30	M 5	10	6	5	1.2	1.0
P0133.080-006-A6	8	6	M 6	12	11	6	1.3	1.2
P0133.080-008-A6	8	8	M 6	12	11	6	1.3	1.2
P0133.080-010-A6	8	10	M 6	12	11	6	1.3	1.2
P0133.080-012-A6	8	12	M 6	12	11	6	1.3	1.2
P0133.080-016-A6	8	16	M 6	12	11	6	1.3	1.2
P0133.100-008-M6	10	8	M 6	12	11	6	1.5	1.6



Shoulder Screws

Shoulder Screws - Slot Head slot drive - 416 stainless



Order No.	d ₁ +0 -0.025	l ₁ +0.05 -0.0	d ₂	d ₃	l ₂	h ₁	h ₂	w ₁
P0133.100-012-M6	10	12	M 6	12	11	6	1.5	1.6
P0133.100-016-M6	10	16	M 6	12	11	6	1.5	1.6
P0133.101-008-M8	10	8	M 8	14	12	7	1.9	2.0
P0133.101-012-M8	10	12	M 8	14	12	7	1.9	2.0
P0133.101-016-M8	10	16	M 8	14	12	7	1.9	2.0
P0133.120-012-A6	12	12	M10	20	16	8	2.4	2.5
P0133.120-016-A6	12	16	M10	20	16	8	2.4	2.5
P0133.120-025-A6	12	26	M10	20	16	8	2.4	2.5

SHOULDER SCREWS



Shoulder Screws - Hex. Socket Head

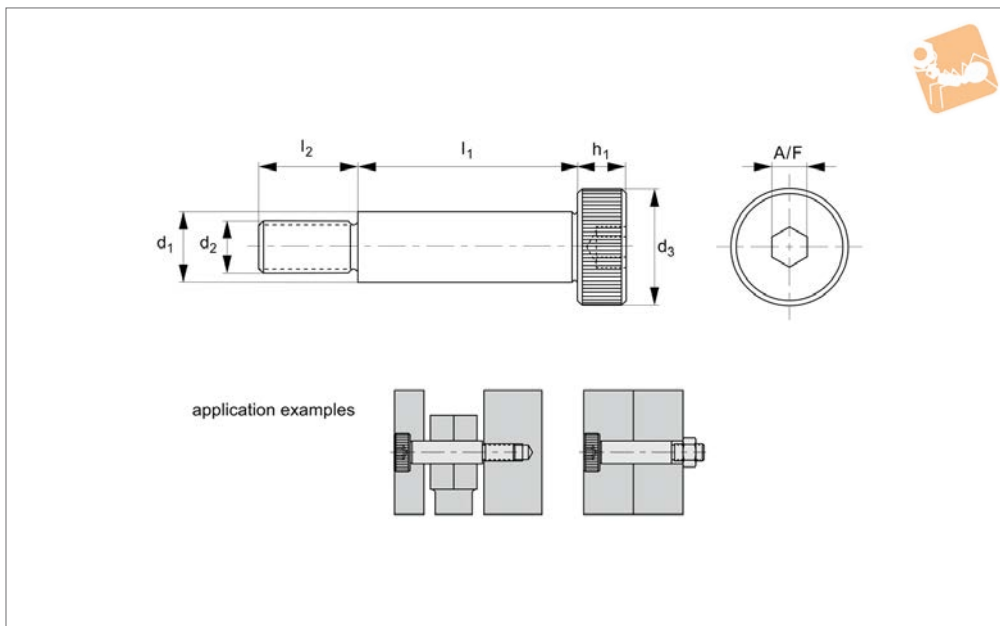
Large sizes A2 stainless

Shoulder Screws



P0137

SHOULDER SCREWS



Material

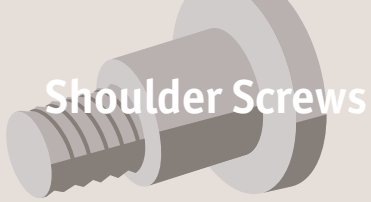
Stainless steel (A2, AISI 303).
Tensile strength 580 N/mm², yield strength 200 N/mm².

Technical Notes

To ISO 7379. These are generally larger sizes than the other stainless shoulder screws (P0130 and P0132). Straight knur-

ling on screw head.
Mildly magnetic.

Order No.	d ₁ tol. ±9	l ₁ +0.25	d ₂	d ₃	l ₂	h ₁	A/F
P0137.040-004-A2	4	4	M 3	7	7	3	2
P0137.040-005-A2	4	5	M 3	7	7	3	2
P0137.040-008-A2	4	8	M 3	7	7	3	2
P0137.040-010-A2	4	10	M 3	7	7	3	2
P0137.040-012-A2	4	12	M 3	7	7	3	2
P0137.040-016-A2	4	16	M 3	7	7	3	2
P0137.050-006-A2	5	6	M 4	9	8	4	2.5
P0137.050-008-A2	5	8	M 4	9	8	4	2.5
P0137.050-010-A2	5	10	M 4	9	8	4	2.5
P0137.050-012-A2	5	12	M 4	9	8	4	2.5
P0137.050-016-A2	5	16	M 4	9	8	4	2.5
P0137.050-020-A2	5	20	M 4	9	8	4	2.5
P0137.050-025-A2	5	25	M 4	9	8	4	2.5
P0137.050-030-A2	5	30	M 4	9	8	4	2.5
P0137.060-006-A2	6	6	M 5	10	9.5	4.5	3
P0137.060-008-A2	6	8	M 5	10	9.5	4.5	3
P0137.060-010-A2	6	10	M 5	10	9.5	4.5	3
P0137.060-012-A2	6	12	M 5	10	9.5	4.5	3
P0137.060-016-A2	6	16	M 5	10	9.5	4.5	3
P0137.060-020-A2	6	20	M 5	10	9.5	4.5	3
P0137.060-025-A2	6	25	M 5	10	9.5	4.5	3
P0137.060-030-A2	6	30	M 5	10	9.5	4.5	3
P0137.060-035-A2	6	35	M 5	10	9.5	4.5	3
P0137.060-040-A2	6	40	M 5	10	9.5	4.5	3
P0137.060-045-A2	6	45	M 5	10	9.5	4.5	3
P0137.060-050-A2	6	50	M 5	10	9.5	4.5	3
P0137.060-055-A2	6	55	M 5	10	9.5	4.5	3
P0137.060-060-A2	6	60	M 5	10	9.5	4.5	3
P0137.060-065-A2	6	65	M 5	10	9.5	4.5	3
P0137.060-070-A2	6	70	M 5	10	9.5	4.5	3
P0137.060-075-A2	6	75	M 5	10	9.5	4.5	3
P0137.060-080-A2	6	80	M 5	10	9.5	4.5	3
P0137.060-090-A2	6	90	M 5	10	9.5	4.5	3
P0137.060-100-A2	6	100	M 5	10	9.5	4.5	3



Shoulder Screws

Shoulder Screws - Hex. Socket Head

Large sizes A2 stainless



SHOULDER SCREWS

Order No.	d ₁ tol. f9	l ₁ +0.25	d ₂	d ₃	l ₂	h ₁	A/F
P0137.080-008-A2	8	8	M 6	13	11	5.5	4
P0137.080-010-A2	8	10	M 6	13	11	5.5	4
P0137.080-012-A2	8	12	M 6	13	11	5.5	4
P0137.080-016-A2	8	16	M 6	13	11	5.5	4
P0137.080-020-A2	8	20	M 6	13	11	5.5	4
P0137.080-025-A2	8	25	M 6	13	11	5.5	4
P0137.080-030-A2	8	30	M 6	13	11	5.5	4
P0137.080-035-A2	8	35	M 6	13	11	5.5	4
P0137.080-040-A2	8	40	M 6	13	11	5.5	4
P0137.080-045-A2	8	45	M 6	13	11	5.5	4
P0137.080-050-A2	8	50	M 6	13	11	5.5	4
P0137.080-055-A2	8	55	M 6	13	11	5.5	4
P0137.080-060-A2	8	60	M 6	13	11	5.5	4
P0137.080-065-A2	8	65	M 6	13	11	5.5	4
P0137.080-070-A2	8	70	M 6	13	11	5.5	4
P0137.080-075-A2	8	75	M 6	13	11	5.5	4
P0137.080-080-A2	8	80	M 6	13	11	5.5	4
P0137.080-090-A2	8	90	M 6	13	11	5.5	4
P0137.080-100-A2	8	100	M 6	13	11	5.5	4
P0137.100-010-A2	10	10	M 8	16	13	7	5
P0137.100-012-A2	10	12	M 8	16	13	7	5
P0137.100-016-A2	10	16	M 8	16	13	7	5
P0137.100-020-A2	10	20	M 8	16	13	7	5
P0137.100-025-A2	10	25	M 8	16	13	7	5
P0137.100-030-A2	10	30	M 8	16	13	7	5
P0137.100-035-A2	10	35	M 8	16	13	7	5
P0137.100-040-A2	10	40	M 8	16	13	7	5
P0137.100-045-A2	10	45	M 8	16	13	7	5
P0137.100-050-A2	10	50	M 8	16	13	7	5
P0137.100-055-A2	10	55	M 8	16	13	7	5
P0137.100-060-A2	10	60	M 8	16	13	7	5
P0137.100-065-A2	10	65	M 8	16	13	7	5
P0137.100-070-A2	10	70	M 8	16	13	7	5
P0137.100-075-A2	10	75	M 8	16	13	7	5
P0137.100-080-A2	10	80	M 8	16	13	7	5
P0137.100-090-A2	10	90	M 8	16	13	7	5
P0137.100-100-A2	10	100	M 8	16	13	7	5
P0137.120-016-A2	12	16	M10	18	16	9	6
P0137.120-020-A2	12	20	M10	18	16	9	6
P0137.120-025-A2	12	25	M10	18	16	9	6
P0137.120-030-A2	12	30	M10	18	16	9	6
P0137.120-035-A2	12	35	M10	18	16	9	6
P0137.120-040-A2	12	40	M10	18	16	9	6
P0137.120-045-A2	12	45	M10	18	16	9	6
P0137.120-050-A2	12	50	M10	18	16	9	6
P0137.120-055-A2	12	55	M10	18	16	9	6
P0137.120-060-A2	12	60	M10	18	16	9	6
P0137.120-065-A2	12	65	M10	18	16	9	6
P0137.120-070-A2	12	70	M10	18	16	9	6
P0137.120-075-A2	12	75	M10	18	16	9	6
P0137.120-080-A2	12	80	M10	18	16	9	6
P0137.120-090-A2	12	90	M10	18	16	9	6
P0137.120-100-A2	12	100	M10	18	16	9	6
P0137.160-025-A2	16	25	M12	24	18	11	8
P0137.160-030-A2	16	30	M12	24	18	11	8
P0137.160-035-A2	16	35	M12	24	18	11	8
P0137.160-040-A2	16	40	M12	24	18	11	8
P0137.160-045-A2	16	45	M12	24	18	11	8
P0137.160-050-A2	16	50	M12	24	18	11	8
P0137.160-055-A2	16	55	M12	24	18	11	8
P0137.160-060-A2	16	60	M12	24	18	11	8
P0137.160-065-A2	16	65	M12	24	18	11	8
P0137.160-070-A2	16	70	M12	24	18	11	8
P0137.160-075-A2	16	75	M12	24	18	11	8
P0137.160-080-A2	16	80	M12	24	18	11	8
P0137.160-090-A2	16	90	M12	24	18	11	8
P0137.160-100-A2	16	100	M12	24	18	11	8
P0137.200-030-A2	20	30	M16	30	22	14	10



Shoulder Screws - Hex. Socket Head

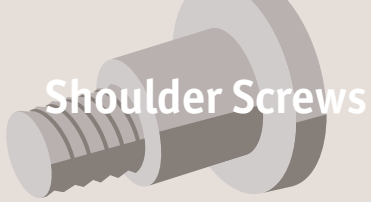
Large sizes A2 stainless

Shoulder Screws



Order No.	d ₁ tol. f9	l ₁ +0.25	d ₂	d ₃	l ₂	h ₁	A/F
P0137.200-035-A2	20	35	M16	30	22	14	10
P0137.200-040-A2	20	40	M16	30	22	14	10
P0137.200-045-A2	20	45	M16	30	22	14	10
P0137.200-050-A2	20	50	M16	30	22	14	10
P0137.200-055-A2	20	55	M16	30	22	14	10
P0137.200-060-A2	20	60	M16	30	22	14	10
P0137.200-065-A2	20	65	M16	30	22	14	10
P0137.200-070-A2	20	70	M16	30	22	14	10
P0137.200-075-A2	20	75	M16	30	22	14	10
P0137.200-080-A2	20	80	M16	30	22	14	10
P0137.200-090-A2	20	90	M16	30	22	14	10
P0137.200-100-A2	20	100	M16	30	22	14	10
P0137.200-120-A2	20	120	M16	30	22	14	10
P0137.200-140-A2	20	140	M16	30	22	14	10

SHOULDER SCREWS



Shoulder Screws

Pan Head Shoulder Screws

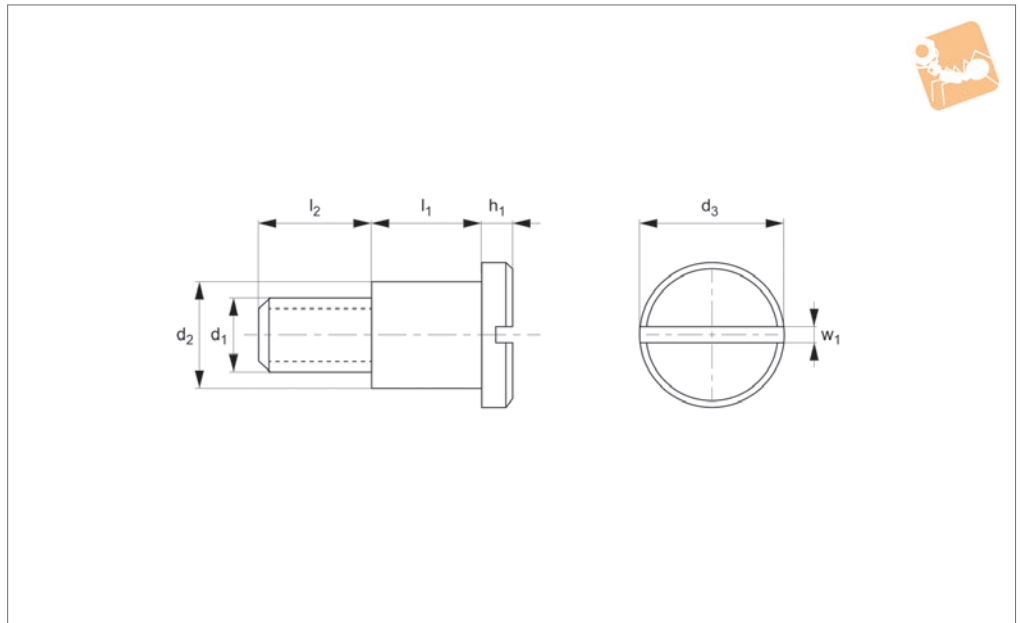
A2 stainless



SHOULDER SCREWS



P0144.A2



Material

Stainless steel (A2, AISI 303).

Technical Notes

DIN 923. Mildly magnetic, available on request in A4 stainless steel.

Order No.	d ₁	l ₁	d ₂ tol. h9	d ₃	l ₂	h ₁	w ₁
P0144.030-003-A2	M3	3	4.0	7.0	4.5	1.8	0.8
P0144.030-004-A2	M3	4	4.0	7.0	4.5	1.8	0.8
P0144.030-005-A2	M3	5	4.0	7.0	4.5	1.8	0.8
P0144.030-006-A2	M3	6	4.0	7.0	4.5	1.8	0.8
P0144.030-008-A2	M3	8	4.0	7.0	4.5	1.8	0.8
P0144.030-010-A2	M3	10	4.0	7.0	4.5	1.8	0.8
P0144.030-012-A2	M3	12	4.0	7.0	4.5	1.8	0.8
P0144.040-003-A2	M4	3	5.5	8.5	6.0	2.4	1.0
P0144.040-004-A2	M4	4	5.5	8.5	6.0	2.4	1.0
P0144.040-005-A2	M4	5	5.5	8.5	6.0	2.4	1.0
P0144.040-006-A2	M4	6	5.5	8.5	6.0	2.4	1.0
P0144.040-008-A2	M4	8	5.5	8.5	6.0	2.4	1.0
P0144.040-010-A2	M4	10	5.5	8.5	6.0	2.4	1.0
P0144.040-012-A2	M4	12	5.5	8.5	6.0	2.4	1.0
P0144.040-016-A2	M4	16	5.5	8.5	6.0	2.4	1.0
P0144.040-020-A2	M4	20	5.5	8.5	6.0	2.4	1.0
P0144.050-003-A2	M5	3	7.0	11.0	7.0	2.7	1.2
P0144.050-004-A2	M5	4	7.0	11.0	7.0	2.7	1.2
P0144.050-005-A2	M5	5	7.0	11.0	7.0	2.7	1.2
P0144.050-006-A2	M5	6	7.0	11.0	7.0	2.7	1.2
P0144.050-008-A2	M5	8	7.0	11.0	7.0	2.7	1.2
P0144.050-010-A2	M5	10	7.0	11.0	7.0	2.7	1.2
P0144.050-012-A2	M5	12	7.0	11.0	7.0	2.7	1.2
P0144.050-016-A2	M5	16	7.0	11.0	7.0	2.7	1.2
P0144.050-020-A2	M5	20	7.0	11.0	7.0	2.7	1.2
P0144.060-003-A2	M6	3	8.0	13.0	9.0	3.1	1.6
P0144.060-004-A2	M6	4	8.0	13.0	9.0	3.1	1.6
P0144.060-005-A2	M6	5	8.0	13.0	9.0	3.1	1.6
P0144.060-006-A2	M6	6	8.0	13.0	9.0	3.1	1.6
P0144.060-008-A2	M6	8	8.0	13.0	9.0	3.1	1.6
P0144.060-010-A2	M6	10	8.0	13.0	9.0	3.1	1.6
P0144.060-012-A2	M6	12	8.0	13.0	9.0	3.1	1.6
P0144.060-016-A2	M6	16	8.0	13.0	9.0	3.1	1.6
P0144.060-020-A2	M6	20	8.0	13.0	9.0	3.1	1.6



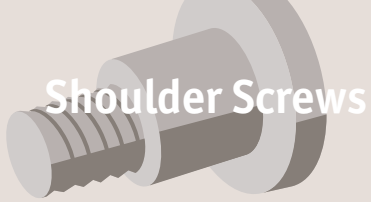
Pan Head Shoulder Screws

A2 stainless

Shoulder Screws



Order No.	d_1	l_1	d_2 tol. h9	d_3	l_2	h_1	w_1
P0144.080-006-A2	M8	6	10.0	16.0	11.0	3.8	2.0
P0144.080-008-A2	M8	8	10.0	16.0	11.0	3.8	2.0
P0144.080-010-A2	M8	10	10.0	16.0	11.0	3.8	2.0
P0144.080-012-A2	M8	12	10.0	16.0	11.0	3.8	2.0
P0144.080-016-A2	M8	16	10.0	16.0	11.0	3.8	2.0
P0144.080-020-A2	M8	20	10.0	16.0	11.0	3.8	2.0



Shoulder Screws

Shoulder Screws - Cap Head

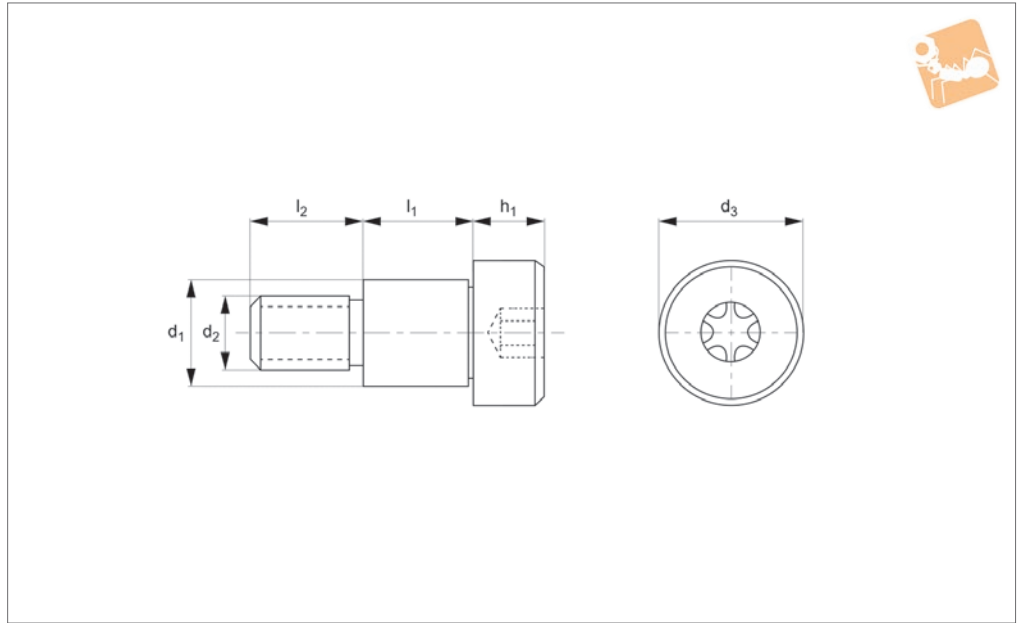
TX drive - 303 stainless



SHOULDER SCREWS



P0145.A2



Material

Stainless steel (AISI 303, 1.4305).
Tensile strength 550 N/mm².
Proof stress min. 190 N/mm², austenitic

stainless steel.

Technical Notes

303 series stainless steel provides good

resistance to corrosion. It is mildly magnetic.

Order No.	d ₁ +0.0 -0.025	l ₁ +0.05 -0.0	d ₂	d ₃	l ₂	h ₁	TX size
P0145.040-002-A2	4	2	M 3	6	4	3	TX-10
P0145.040-003-A2	4	3	M 3	6	4	3	TX-10
P0145.040-004-A2	4	4	M 3	6	4	3	TX-10
P0145.040-005-A2	4	5	M 3	6	4	3	TX-10
P0145.040-006-A2	4	6	M 3	6	4	3	TX-10
P0145.040-007-A2	4	7	M 3	6	4	3	TX-10
P0145.040-008-A2	4	8	M 3	6	4	3	TX-10
P0145.040-010-A2	4	10	M 3	6	4	3	TX-10
P0145.040-012-A2	4	12	M 3	6	4	3	TX-10
P0145.040-014-A2	4	14	M 3	6	4	3	TX-10
P0145.040-016-A2	4	16	M 3	6	4	3	TX-10
P0145.040-018-A2	4	18	M 3	6	4	3	TX-10
P0145.040-020-A2	4	20	M 3	6	4	3	TX-10
P0145.040-025-A2	4	25	M 3	6	4	3	TX-10
P0145.040-030-A2	4	30	M 3	6	4	3	TX-10
P0145.040-035-A2	4	35	M 3	6	4	3	TX-10
P0145.040-040-A2	4	40	M 3	6	4	3	TX-10
P0145.040-045-A2	4	45	M 3	6	4	3	TX-10
P0145.040-050-A2	4	50	M 3	6	4	3	TX-10
P0145.050-002-A2	5	2	M 4	8	5	4	TX-20
P0145.050-003-A2	5	3	M 4	8	5	4	TX-20
P0145.050-004-A2	5	4	M 4	8	5	4	TX-20
P0145.050-005-A2	5	5	M 4	8	5	4	TX-20
P0145.050-006-A2	5	6	M 4	8	5	4	TX-20
P0145.050-007-A2	5	7	M 4	8	5	4	TX-20
P0145.050-008-A2	5	8	M 4	8	5	4	TX-20
P0145.050-010-A2	5	10	M 4	8	5	4	TX-20
P0145.050-012-A2	5	12	M 4	8	5	4	TX-20
P0145.050-014-A2	5	14	M 4	8	5	4	TX-20
P0145.050-016-A2	5	16	M 4	8	5	4	TX-20
P0145.050-018-A2	5	18	M 4	8	5	4	TX-20
P0145.050-020-A2	5	20	M 4	8	5	4	TX-20
P0145.050-025-A2	5	25	M 4	8	5	4	TX-20
P0145.050-030-A2	5	30	M 4	8	5	4	TX-20



Shoulder Screws - Cap Head

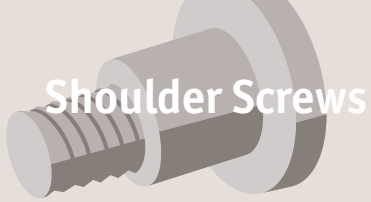
TX drive - 303 stainless

Shoulder Screws



Order No.	d ₁ +0.0 -0.025	l ₁ +0.05 -0.0	d ₂	d ₃	l ₂	h ₁	TX size
P0145.050-035-A2	5	35	M 4	8	5	4	TX-20
P0145.050-040-A2	5	40	M 4	8	5	4	TX-20
P0145.050-045-A2	5	45	M 4	8	5	4	TX-20
P0145.050-050-A2	5	50	M 4	8	5	4	TX-20
P0145.060-002-A2	6	2	M 5	10	6	5	TX-25
P0145.060-003-A2	6	3	M 5	10	6	5	TX-25
P0145.060-004-A2	6	4	M 5	10	6	5	TX-25
P0145.060-005-A2	6	5	M 5	10	6	5	TX-25
P0145.060-006-A2	6	6	M 5	10	6	5	TX-25
P0145.060-007-A2	6	7	M 5	10	6	5	TX-25
P0145.060-008-A2	6	8	M 5	10	6	5	TX-25
P0145.060-010-A2	6	10	M 5	10	6	5	TX-25
P0145.060-012-A2	6	12	M 5	10	6	5	TX-25
P0145.060-014-A2	6	14	M 5	10	6	5	TX-25
P0145.060-016-A2	6	16	M 5	10	6	5	TX-25
P0145.060-018-A2	6	18	M 5	10	6	5	TX-25
P0145.060-020-A2	6	20	M 5	10	6	5	TX-25
P0145.060-025-A2	6	25	M 5	10	6	5	TX-25
P0145.060-030-A2	6	30	M 5	10	6	5	TX-25
P0145.060-035-A2	6	35	M 5	10	6	5	TX-25
P0145.060-040-A2	6	40	M 5	10	6	5	TX-25
P0145.060-045-A2	6	45	M 5	10	6	5	TX-25
P0145.060-050-A2	6	50	M 5	10	6	5	TX-25
P0145.060-055-A2	6	55	M 5	10	6	5	TX-25
P0145.060-060-A2	6	60	M 5	10	6	5	TX-25
P0145.060-070-A2	6	70	M 5	10	6	5	TX-25
P0145.060-080-A2	6	80	M 5	10	6	5	TX-25
P0145.060-090-A2	6	90	M 5	10	6	5	TX-25
P0145.060-100-A2	6	100	M 5	10	6	5	TX-25
P0145.080-004-A2	8	4	M 6	12	11	6	TX-30
P0145.080-005-A2	8	5	M 6	12	11	6	TX-30
P0145.080-006-A2	8	6	M 6	12	11	6	TX-30
P0145.080-007-A2	8	7	M 6	12	11	6	TX-30
P0145.080-008-A2	8	8	M 6	12	11	6	TX-30
P0145.080-010-A2	8	10	M 6	12	11	6	TX-30
P0145.080-012-A2	8	12	M 6	12	11	6	TX-30
P0145.080-014-A2	8	14	M 6	12	11	6	TX-30
P0145.080-016-A2	8	16	M 6	12	11	6	TX-30
P0145.080-018-A2	8	18	M 6	12	11	6	TX-30
P0145.080-020-A2	8	20	M 6	12	11	6	TX-30
P0145.080-025-A2	8	25	M 6	12	11	6	TX-30
P0145.080-030-A2	8	30	M 6	12	11	6	TX-30
P0145.080-035-A2	8	35	M 6	12	11	6	TX-30
P0145.080-040-A2	8	40	M 6	12	11	6	TX-30
P0145.080-045-A2	8	45	M 6	12	11	6	TX-30
P0145.080-050-A2	8	50	M 6	12	11	6	TX-30
P0145.080-055-A2	8	55	M 6	12	11	6	TX-30
P0145.080-060-A2	8	60	M 6	12	11	6	TX-30
P0145.080-065-A2	8	65	M 6	12	11	6	TX-30
P0145.080-070-A2	8	70	M 6	12	11	6	TX-30
P0145.080-075-A2	8	75	M 6	12	11	6	TX-30
P0145.080-080-A2	8	80	M 6	12	11	6	TX-30
P0145.080-090-A2	8	90	M 6	12	11	6	TX-30
P0145.080-100-A2	8	100	M 6	12	11	6	TX-30
P0145.100-008-A2	10	8	M 8	14	12	7	TX-45
P0145.100-010-A2	10	10	M 8	14	12	7	TX-45
P0145.100-012-A2	10	12	M 8	14	12	7	TX-45
P0145.100-014-A2	10	14	M 8	14	12	7	TX-45
P0145.100-016-A2	10	16	M 8	14	12	7	TX-45
P0145.100-018-A2	10	18	M 8	14	12	7	TX-45
P0145.100-020-A2	10	20	M 8	14	12	7	TX-45
P0145.100-025-A2	10	25	M 8	14	12	7	TX-45
P0145.100-030-A2	10	30	M 8	14	12	7	TX-45
P0145.100-035-A2	10	35	M 8	14	12	7	TX-45
P0145.100-040-A2	10	40	M 8	14	12	7	TX-45
P0145.100-045-A2	10	45	M 8	14	12	7	TX-45
P0145.100-050-A2	10	50	M 8	14	12	7	TX-45
P0145.100-055-A2	10	55	M 8	14	12	7	TX-45

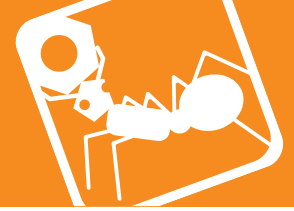
SHOULDER SCREWS



Shoulder Screws

Shoulder Screws - Cap Head

TX drive - 303 stainless



SHOULDER SCREWS

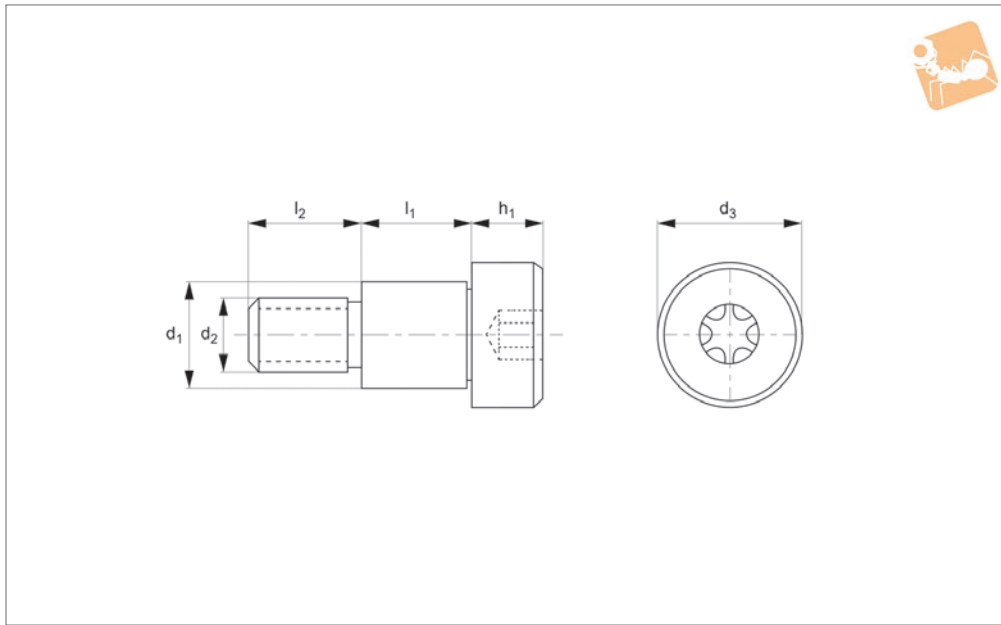
Order No.	d ₁ +0.0 -0.025	l ₁ +0.05 -0.0	d ₂	d ₃	l ₂	h ₁	TX size
P0145.100-060-A2	10	60	M 8	14	12	7	TX-45
P0145.100-065-A2	10	65	M 8	14	12	7	TX-45
P0145.100-070-A2	10	70	M 8	14	12	7	TX-45
P0145.100-080-A2	10	80	M 8	14	12	7	TX-45
P0145.100-090-A2	10	90	M 8	14	12	7	TX-45
P0145.100-100-A2	10	100	M 8	14	12	7	TX-45
P0145.120-008-A2	12	8	M10	20	16	8	TX-50
P0145.120-010-A2	12	10	M10	20	16	8	TX-50
P0145.120-012-A2	12	12	M10	20	16	8	TX-50
P0145.120-014-A2	12	14	M10	20	16	8	TX-50
P0145.120-016-A2	12	16	M10	20	16	8	TX-50
P0145.120-018-A2	12	18	M10	20	16	8	TX-50
P0145.120-020-A2	12	20	M10	20	16	8	TX-50
P0145.120-025-A2	12	25	M10	20	16	8	TX-50
P0145.120-030-A2	12	30	M10	20	16	8	TX-50
P0145.120-035-A2	12	35	M10	20	16	8	TX-50
P0145.120-040-A2	12	40	M10	20	16	8	TX-50
P0145.120-045-A2	12	45	M10	20	16	8	TX-50
P0145.120-050-A2	12	50	M10	20	16	8	TX-50
P0145.120-055-A2	12	55	M10	20	16	8	TX-50
P0145.120-060-A2	12	60	M10	20	16	8	TX-50
P0145.120-065-A2	12	65	M10	20	16	8	TX-50
P0145.120-070-A2	12	70	M10	20	16	8	TX-50
P0145.120-075-A2	12	75	M10	20	16	8	TX-50
P0145.120-080-A2	12	80	M10	20	16	8	TX-50
P0145.120-090-A2	12	90	M10	20	16	8	TX-50
P0145.120-100-A2	12	100	M10	20	16	8	TX-50
P0145.160-025-A2	16	25	M12	24	18	11	TX-60
P0145.160-030-A2	16	30	M12	24	18	11	TX-60
P0145.160-035-A2	16	35	M12	24	18	11	TX-60
P0145.160-040-A2	16	40	M12	24	18	11	TX-60
P0145.160-045-A2	16	45	M12	24	18	11	TX-60
P0145.160-050-A2	16	50	M12	24	18	11	TX-60
P0145.160-055-A2	16	55	M12	24	18	11	TX-60
P0145.160-060-A2	16	60	M12	24	18	11	TX-60
P0145.160-065-A2	16	65	M12	24	18	11	TX-60
P0145.160-070-A2	16	70	M12	24	18	11	TX-60
P0145.160-075-A2	16	75	M12	24	18	11	TX-60
P0145.160-080-A2	16	80	M12	24	18	11	TX-60
P0145.160-090-A2	16	90	M12	24	18	11	TX-60
P0145.160-100-A2	16	100	M12	24	18	11	TX-60
P0145.200-030-A2	20	30	M16	30	22	14	TX-70
P0145.200-035-A2	20	35	M16	30	22	14	TX-70
P0145.200-040-A2	20	40	M16	30	22	14	TX-70
P0145.200-045-A2	20	45	M16	30	22	14	TX-70
P0145.200-050-A2	20	50	M16	30	22	14	TX-70
P0145.200-055-A2	20	55	M16	30	22	14	TX-70
P0145.200-060-A2	20	60	M16	30	22	14	TX-70
P0145.200-065-A2	20	65	M16	30	22	14	TX-70
P0145.200-070-A2	20	70	M16	30	22	14	TX-70
P0145.200-075-A2	20	75	M16	30	22	14	TX-70
P0145.200-080-A2	20	80	M16	30	22	14	TX-70
P0145.200-090-A2	20	90	M16	30	22	14	TX-70
P0145.200-100-A2	20	100	M16	30	22	14	TX-70



Shoulder Screws - Cap Head

TX drive - 316 stainless

Shoulder Screws



P0145.A4

SHOULDER SCREWS

Material

Stainless steel (AISI 316, 1.440).
316 series tensile strength 480 N/mm²,
proof stress min. 200 N/mm², austenitic

stainless steel.

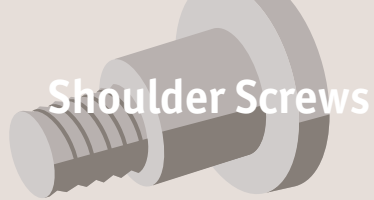
Technical Notes

Highly resistant to corrosion (including

from salt water).

Shim washers can be used to reduce
shoulder length if required. It is non-
magnetic.

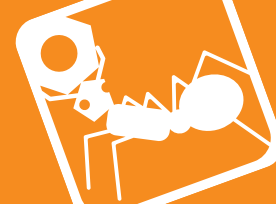
Order No.	d ₁ +0 -0.025	l ₁ +0.05 -0.0	d ₂	d ₃	l ₂	h ₁	TX size
P0145.040-002-A4	4	2	M 3	6	4	3	TX-10
P0145.040-003-A4	4	3	M 3	6	4	3	TX-10
P0145.040-004-A4	4	4	M 3	6	4	3	TX-10
P0145.040-005-A4	4	5	M 3	6	4	3	TX-10
P0145.040-006-A4	4	6	M 3	6	4	3	TX-10
P0145.040-007-A4	4	7	M 3	6	4	3	TX-10
P0145.040-008-A4	4	8	M 3	6	4	3	TX-10
P0145.040-010-A4	4	10	M 3	6	4	3	TX-10
P0145.040-012-A4	4	12	M 3	6	4	3	TX-10
P0145.040-014-A4	4	14	M 3	6	4	3	TX-10
P0145.040-016-A4	4	16	M 3	6	4	3	TX-10
P0145.040-018-A4	4	18	M 3	6	4	3	TX-10
P0145.040-020-A4	4	20	M 3	6	4	3	TX-10
P0145.040-025-A4	4	25	M 3	6	4	3	TX-10
P0145.040-030-A4	4	30	M 3	6	4	3	TX-10
P0145.040-035-A4	4	35	M 3	6	4	3	TX-10
P0145.040-040-A4	4	40	M 3	6	4	3	TX-10
P0145.040-045-A4	4	45	M 3	6	4	3	TX-10
P0145.040-050-A4	4	50	M 3	6	4	3	TX-10
P0145.050-002-A4	5	2	M 4	8	5	4	TX-20
P0145.050-003-A4	5	3	M 4	8	5	4	TX-20
P0145.050-004-A4	5	4	M 4	8	5	4	TX-20
P0145.050-005-A4	5	5	M 4	8	5	4	TX-20
P0145.050-006-A4	5	6	M 4	8	5	4	TX-20
P0145.050-007-A4	5	7	M 4	8	5	4	TX-20
P0145.050-008-A4	5	8	M 4	8	5	4	TX-20
P0145.050-010-A4	5	10	M 4	8	5	4	TX-20
P0145.050-012-A4	5	12	M 4	8	5	4	TX-20
P0145.050-014-A4	5	14	M 4	8	5	4	TX-20
P0145.050-016-A4	5	16	M 4	8	5	4	TX-20
P0145.050-018-A4	5	18	M 4	8	5	4	TX-20
P0145.050-020-A4	5	20	M 4	8	5	4	TX-20
P0145.050-025-A4	5	25	M 4	8	5	4	TX-20
P0145.050-030-A4	5	30	M 4	8	5	4	TX-20



Shoulder Screws

Shoulder Screws - Cap Head

TX drive - 316 stainless



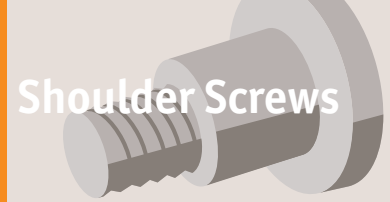
SHOULDER SCREWS

Order No.	d ₁ +0 -0.025	l ₁ +0.05 -0.0	d ₂	d ₃	l ₂	h ₁	TX size
P0145.050-035-A4	5	35	M 4	8	5	4	TX-20
P0145.050-040-A4	5	40	M 4	8	5	4	TX-20
P0145.050-045-A4	5	45	M 4	8	5	4	TX-20
P0145.050-050-A4	5	50	M 4	8	5	4	TX-20
P0145.060-002-A4	6	2	M 5	10	6	5	TX-25
P0145.060-003-A4	6	3	M 5	10	6	5	TX-25
P0145.060-004-A4	6	4	M 5	10	6	5	TX-25
P0145.060-005-A4	6	5	M 5	10	6	5	TX-25
P0145.060-006-A4	6	6	M 5	10	6	5	TX-25
P0145.060-007-A4	6	7	M 5	10	6	5	TX-25
P0145.060-008-A4	6	8	M 5	10	6	5	TX-25
P0145.060-010-A4	6	10	M 5	10	6	5	TX-25
P0145.060-012-A4	6	12	M 5	10	6	5	TX-25
P0145.060-014-A4	6	14	M 5	10	6	5	TX-25
P0145.060-016-A4	6	16	M 5	10	6	5	TX-25
P0145.060-018-A4	6	18	M 5	10	6	5	TX-25
P0145.060-020-A4	6	20	M 5	10	6	5	TX-25
P0145.060-025-A4	6	25	M 5	10	6	5	TX-25
P0145.060-030-A4	6	30	M 5	10	6	5	TX-25
P0145.060-035-A4	6	35	M 5	10	6	5	TX-25
P0145.060-040-A4	6	40	M 5	10	6	5	TX-25
P0145.060-045-A4	6	45	M 5	10	6	5	TX-25
P0145.060-050-A4	6	50	M 5	10	6	5	TX-25
P0145.060-055-A4	6	55	M 5	10	6	5	TX-25
P0145.060-060-A4	6	60	M 5	10	6	5	TX-25
P0145.060-070-A4	6	70	M 5	10	6	5	TX-25
P0145.060-080-A4	6	80	M 5	10	6	5	TX-25
P0145.060-090-A4	6	90	M 5	10	6	5	TX-25
P0145.060-100-A4	6	100	M 5	10	6	5	TX-25
P0145.080-004-A4	8	4	M 6	12	11	6	TX-30
P0145.080-005-A4	8	5	M 6	12	11	6	TX-30
P0145.080-006-A4	8	6	M 6	12	11	6	TX-30
P0145.080-007-A4	8	7	M 6	12	11	6	TX-30
P0145.080-008-A4	8	8	M 6	12	11	6	TX-30
P0145.080-010-A4	8	10	M 6	12	11	6	TX-30
P0145.080-012-A4	8	12	M 6	12	11	6	TX-30
P0145.080-014-A4	8	14	M 6	12	11	6	TX-30
P0145.080-016-A4	8	16	M 6	12	11	6	TX-30
P0145.080-018-A4	8	18	M 6	12	11	6	TX-30
P0145.080-020-A4	8	20	M 6	12	11	6	TX-30
P0145.080-025-A4	8	25	M 6	12	11	6	TX-30
P0145.080-030-A4	8	30	M 6	12	11	6	TX-30
P0145.080-035-A4	8	35	M 6	12	11	6	TX-30
P0145.080-040-A4	8	40	M 6	12	11	6	TX-30
P0145.080-045-A4	8	45	M 6	12	11	6	TX-30
P0145.080-050-A4	8	50	M 6	12	11	6	TX-30
P0145.080-055-A4	8	55	M 6	12	11	6	TX-30
P0145.080-060-A4	8	60	M 6	12	11	6	TX-30
P0145.080-065-A4	8	65	M 6	12	11	6	TX-30
P0145.080-070-A4	8	70	M 6	12	11	6	TX-30
P0145.080-075-A4	8	75	M 6	12	11	6	TX-30
P0145.080-080-A4	8	80	M 6	12	11	6	TX-30
P0145.080-090-A4	8	90	M 6	12	11	6	TX-30
P0145.080-100-A4	8	100	M 6	12	11	6	TX-30
P0145.100-008-A4	10	8	M 8	14	12	7	TX-45
P0145.100-010-A4	10	10	M 8	14	12	7	TX-45
P0145.100-012-A4	10	12	M 8	14	12	7	TX-45
P0145.100-014-A4	10	14	M 8	14	12	7	TX-45
P0145.100-016-A4	10	16	M 8	14	12	7	TX-45
P0145.100-018-A4	10	18	M 8	14	12	7	TX-45
P0145.100-020-A4	10	20	M 8	14	12	7	TX-45
P0145.100-025-A4	10	25	M 8	14	12	7	TX-45
P0145.100-030-A4	10	30	M 8	14	12	7	TX-45
P0145.100-035-A4	10	35	M 8	14	12	7	TX-45
P0145.100-040-A4	10	40	M 8	14	12	7	TX-45
P0145.100-045-A4	10	45	M 8	14	12	7	TX-45
P0145.100-050-A4	10	50	M 8	14	12	7	TX-45
P0145.100-055-A4	10	55	M 8	14	12	7	TX-45



Shoulder Screws - Cap Head

TX drive - 316 stainless



Order No.	d ₁ +0 -0.025	l ₁ +0.05 -0.0	d ₂	d ₃	l ₂	h ₁	TX size
P0145.100-060-A4	10	60	M 8	14	12	7	TX-45
P0145.100-065-A4	10	65	M 8	14	12	7	TX-45
P0145.100-070-A4	10	70	M 8	14	12	7	TX-45
P0145.100-080-A4	10	80	M 8	14	12	7	TX-45
P0145.100-090-A4	10	90	M 8	14	12	7	TX-45
P0145.100-100-A4	10	100	M 8	14	12	7	TX-45
P0145.120-008-A4	12	8	M10	20	16	8	TX-50
P0145.120-010-A4	12	10	M10	20	16	8	TX-50
P0145.120-012-A4	12	12	M10	20	16	8	TX-50
P0145.120-014-A4	12	14	M10	20	16	8	TX-50
P0145.120-016-A4	12	16	M10	20	16	8	TX-50
P0145.120-018-A4	12	18	M10	20	16	8	TX-50
P0145.120-020-A4	12	20	M10	20	16	8	TX-50
P0145.120-025-A4	12	25	M10	20	16	8	TX-50
P0145.120-030-A4	12	30	M10	20	16	8	TX-50
P0145.120-035-A4	12	35	M10	20	16	8	TX-50
P0145.120-040-A4	12	40	M10	20	16	8	TX-50
P0145.120-045-A4	12	45	M10	20	16	8	TX-50
P0145.120-050-A4	12	50	M10	20	16	8	TX-50
P0145.120-055-A4	12	55	M10	20	16	8	TX-50
P0145.120-060-A4	12	60	M10	20	16	8	TX-50
P0145.120-065-A4	12	65	M10	20	16	8	TX-50
P0145.120-070-A4	12	70	M10	20	16	8	TX-50
P0145.120-075-A4	12	75	M10	20	16	8	TX-50
P0145.120-080-A4	12	80	M10	20	16	8	TX-50
P0145.120-090-A4	12	90	M10	20	16	8	TX-50
P0145.120-100-A4	12	100	M10	20	16	8	TX-50
P0145.160-025-A4	16	25	M12	24	18	11	TX-60
P0145.160-030-A4	16	30	M12	24	18	11	TX-60
P0145.160-035-A4	16	35	M12	24	18	11	TX-60
P0145.160-040-A4	16	40	M12	24	18	11	TX-60
P0145.160-045-A4	16	45	M12	24	18	11	TX-60
P0145.160-050-A4	16	50	M12	24	18	11	TX-60
P0145.160-055-A4	16	55	M12	24	18	11	TX-60
P0145.160-060-A4	16	60	M12	24	18	11	TX-60
P0145.160-065-A4	16	65	M12	24	18	11	TX-60
P0145.160-070-A4	16	70	M12	24	18	11	TX-60
P0145.160-075-A4	16	75	M12	24	18	11	TX-60
P0145.160-080-A4	16	80	M12	24	18	11	TX-60
P0145.160-090-A4	16	90	M12	24	18	11	TX-60
P0145.160-100-A4	16	100	M12	24	18	11	TX-60
P0145.200-030-A4	20	30	M16	30	22	14	TX-70
P0145.200-035-A4	20	35	M16	30	22	14	TX-70
P0145.200-040-A4	20	40	M16	30	22	14	TX-70
P0145.200-045-A4	20	45	M16	30	22	14	TX-70
P0145.200-050-A4	20	50	M16	30	22	14	TX-70
P0145.200-055-A4	20	55	M16	30	22	14	TX-70
P0145.200-060-A4	20	60	M16	30	22	14	TX-70
P0145.200-065-A4	20	65	M16	30	22	14	TX-70
P0145.200-070-A4	20	70	M16	30	22	14	TX-70
P0145.200-075-A4	20	75	M16	30	22	14	TX-70
P0145.200-080-A4	20	80	M16	30	22	14	TX-70
P0145.200-090-A4	20	90	M16	30	22	14	TX-70
P0145.200-100-A4	20	100	M16	30	22	14	TX-70

SHOULDER SCREWS



Steel shoulder screws

These are our least expensive option. They are produced to ISO 7379 standards.

Thread sizes from Ø4 M3 to Ø24 M20. We manufacture special shoulder screws to customer drawings with a minimum batch size.



Stainless steel shoulder screws

We have three different grades of stainless steel shoulder screws:

303 series – these are our standard grade of stainless (P0130.A2). They are strong and resistant to corrosion but not to very harsh environments such as salt water.

416 series – these are made from harder stainless steel with improved shear strengths but the parts are more prone to corrosion (see part no. P0131 and P0133).

316 series – these shoulder screws (P0130.A4) are very resistant to corrosion but are considerably more expensive than other stainless versions.



Shoulder bolts

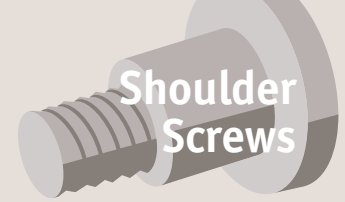
Our range of precision shoulder bolts with hexagonal heads come in both steel (grades 8.8 and 10.9) and stainless steel (303 and 316 stainless). These bolts are manufactured to DIN 609 and DIN 610. We also have shoulder bolts for construction, manufactured to DIN 7968.

	DIN 609 standard length thread	DIN 610 short length thread	DIN 7968 construction
Grade 8.8 steel	P0138.SC	P0140.SC	P0142
Grade 10.9 steel	P0139	P0141	-
303 stainless steel	P0138.A2	P0140.A2	-



Product Overview

Shoulder Screws & Shoulder Bolts



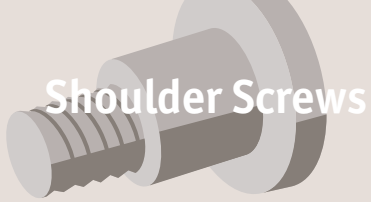
Shoulder
Screws

Shoulder Screw from Automotion Components

SHOULDER SCREWS

Part No.		Material	Head	Corrosion resistance	Strength	Ø/thread	DIN/ISO
P0130		303 stainless steel	Hex socket	✓✓	✓	Min: Ø4/M3 Max: Ø20/M16	-
P0130.A4		316 stainless steel	Hex socket	✓✓✓	✓	Min: Ø4/M3 Max: Ø20/M16	ISO 7379
P0131		416 stainless steel	Hex socket	✓	✓✓	Min: Ø4/M3 Max: Ø12/M10	-
P0132		303 stainless steel	Slotted	✓✓	✓	Min: Ø4/M3 Max: Ø12/M10	-
P0133		416 stainless steel	Slotted	✓	✓✓	Min: Ø4/M3 Max: Ø12/M10	-
P0134		303 stainless steel	Hex socket	✓✓	✓	Min: Ø4/M3 Max: Ø8/M6	-
P0135		303 stainless steel	Hex head	✓✓	✓	Min: Ø4/M3 Max: Ø12/M10	-
P0136		Steel 12,9	Hex socket	✗	✓✓	Min: Ø4/M3 Max: Ø24/M20	ISO 7379
P0137		304 stainless steel	Hex socket	✓✓	✓	Min: Ø6/M5 Max: Ø20/M16	ISO 7379
P0138		Steel 8,8	Hex head (long thread)	✗	✓	Min: Ø9/M8 Max: Ø44/M42	DIN 610
P0139		Steel 10,9	Hex head (long thread)	✗	✓✓	Min: Ø9/M8 Max: Ø38/M36	DIN 610
P0140		Steel 8,8	Hex socket (short thread)	✗	✓✓	Min: Ø9/M8 Max: Ø44/M42	DIN 609
P0141		Steel 10,9	Hex socket (short thread)	✗	✓✓	Min: Ø9/M8 Max: Ø38/M36	DIN 609
P0142		Steel 8,8	Hex head	✗	✓✓	Min: Ø12/M12 Max: Ø27/M27	DIN 7968
P0144		303 stainless steel	Pan head	✓✓	✓✓	Min: Ø4/M3 Max: Ø10/M8	DIN 923

ov-shoulder-screws-product-overview-b-rnh - Updated 17-02-2023



Shoulder Screws

Pan Head Shoulder Screws

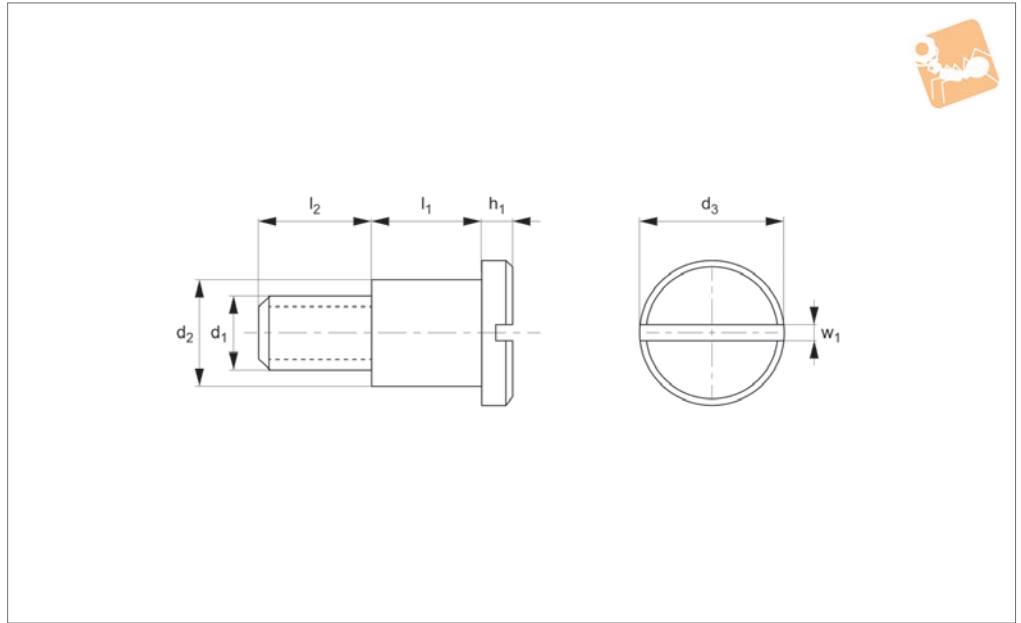
steel, zinc-plated



SHOULDER SCREWS



P0144.ZP



Material
Steel, zinc-plated.

Technical Notes
To DIN 923.

Order No.	d ₁	l ₁	d ₂ tol. h9	d ₃	h ₁	l ₂	w ₁
P0144.020-002-ZP	M 2	2	2.8	4.5	1.2	3.0	0.5
P0144.020-003-ZP	M 2	3	2.8	4.5	1.2	3.0	0.5
P0144.020-004-ZP	M 2	4	2.8	4.5	1.2	3.0	0.5
P0144.020-005-ZP	M 2	5	2.8	4.5	1.2	3.0	0.5
P0144.020-006-ZP	M 2	6	2.8	4.5	1.2	3.0	0.5
P0144.020-008-ZP	M 2	8	2.8	4.5	1.2	3.0	0.5
P0144.020-012-ZP	M 2	12	2.8	4.5	1.2	3.0	0.5
P0144.025-003-ZP	M2,5	3	2.8	4.5	1.2	3.0	0.5
P0144.025-004-ZP	M2,5	4	2.8	4.5	1.2	3.0	0.5
P0144.025-005-ZP	M2,5	5	2.8	4.5	1.2	3.0	0.5
P0144.025-006-ZP	M2,5	6	2.8	4.5	1.2	3.0	0.5
P0144.025-008-ZP	M2,5	8	2.8	4.5	1.2	3.0	0.5
P0144.030-001-ZP	M 3	1	4.0	7.0	1.8	4.5	0.8
P0144.030-002-ZP	M 3	2	4.0	7.0	1.8	4.5	0.8
P0144.030-003-ZP	M 3	3	4.0	7.0	1.8	4.5	0.8
P0144.030-004-ZP	M 3	4	4.0	7.0	1.8	4.5	0.8
P0144.030-005-ZP	M 3	5	4.0	7.0	1.8	4.5	0.8
P0144.030-006-ZP	M 3	6	4.0	7.0	1.8	4.5	0.8
P0144.030-008-ZP	M 3	8	4.0	7.0	1.8	4.5	0.8
P0144.030-010-ZP	M 3	10	4.0	7.0	1.8	4.5	0.8
P0144.030-012-ZP	M 3	12	4.0	7.0	1.8	4.5	0.8
P0144.030-016-ZP	M 3	16	4.0	7.0	1.8	4.5	0.8
P0144.030-030-ZP	M 3	30	4.0	7.0	1.8	4.5	0.8
P0144.040-002-ZP	M 4	2	5.5	8.5	2.4	6.0	1.0
P0144.040-003-ZP	M 4	3	5.5	8.5	2.4	6.0	1.0
P0144.040-004-ZP	M 4	4	5.5	8.5	2.4	6.0	1.0
P0144.040-005-ZP	M 4	5	5.5	8.5	2.4	6.0	1.0
P0144.040-006-ZP	M 4	6	5.5	8.5	2.4	6.0	1.0
P0144.040-008-ZP	M 4	8	5.5	8.5	2.4	6.0	1.0
P0144.040-010-ZP	M 4	10	5.5	8.5	2.4	6.0	1.0
P0144.040-012-ZP	M 4	12	5.5	8.5	2.4	6.0	1.0
P0144.040-016-ZP	M 4	16	5.5	8.5	2.4	6.0	1.0
P0144.040-020-ZP	M 4	20	5.5	8.5	2.4	6.0	1.0
P0144.040-030-ZP	M 4	30	5.5	8.5	2.4	6.0	1.0



Pan Head Shoulder Screws

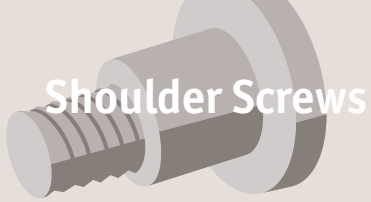
steel, zinc-plated

Shoulder Screws



Order No.	d ₁	l ₁	d ₂ tol. h9	d ₃	h ₁	l ₂	w ₁
P0144.050-002-ZP	M 5	2	7.0	11.0	2.7	7.0	1.2
P0144.050-003-ZP	M 5	3	7.0	11.0	2.7	7.0	1.2
P0144.050-004-ZP	M 5	4	7.0	11.0	2.7	7.0	1.2
P0144.050-005-ZP	M 5	5	7.0	11.0	2.7	7.0	1.2
P0144.050-006-ZP	M 5	6	7.0	11.0	2.7	7.0	1.2
P0144.050-008-ZP	M 5	8	7.0	11.0	2.7	7.0	1.2
P0144.050-010-ZP	M 5	10	7.0	11.0	2.7	7.0	1.2
P0144.050-012-ZP	M 5	12	7.0	11.0	2.7	7.0	1.2
P0144.050-016-ZP	M 5	16	7.0	11.0	2.7	7.0	1.2
P0144.050-020-ZP	M 5	20	7.0	11.0	2.7	7.0	1.2
P0144.050-025-ZP	M 5	25	7.0	11.0	2.7	7.0	1.2
P0144.060-002-ZP	M 6	2	8.0	13.0	3.1	9.0	1.6
P0144.060-003-ZP	M 6	3	8.0	13.0	3.1	9.0	1.6
P0144.060-004-ZP	M 6	4	8.0	13.0	3.1	9.0	1.6
P0144.060-005-ZP	M 6	5	8.0	13.0	3.1	9.0	1.6
P0144.060-006-ZP	M 6	6	8.0	13.0	3.1	9.0	1.6
P0144.060-008-ZP	M 6	8	8.0	13.0	3.1	9.0	1.6
P0144.060-010-ZP	M 6	10	8.0	13.0	3.1	9.0	1.6
P0144.060-012-ZP	M 6	12	8.0	13.0	3.1	9.0	1.6
P0144.060-016-ZP	M 6	16	8.0	13.0	3.1	9.0	1.6
P0144.060-020-ZP	M 6	16	8.0	13.0	3.1	9.0	1.6
P0144.060-025-ZP	M 6	25	8.0	13.0	3.1	9.0	1.6
P0144.080-004-ZP	M 8	4	10.0	16.0	3.8	11.0	2.0
P0144.080-005-ZP	M 8	5	10.0	16.0	3.8	11.0	2.0
P0144.080-006-ZP	M 8	6	10.0	16.0	3.8	11.0	2.0
P0144.080-008-ZP	M 8	8	10.0	16.0	3.8	11.0	2.0
P0144.080-010-ZP	M 8	10	10.0	16.0	3.8	11.0	2.0
P0144.080-012-ZP	M 8	12	10.0	16.0	3.8	11.0	2.0
P0144.080-016-ZP	M 8	16	10.0	16.0	3.8	11.0	2.0
P0144.080-020-ZP	M 8	20	10.0	16.0	3.8	11.0	2.0
P0144.080-025-ZP	M 8	25	10.0	16.0	3.8	11.0	2.0
P0144.100-005-ZP	M10	5	13.0	20.0	4.6	13.5	2.5
P0144.100-006-ZP	M10	6	13.0	20.0	4.6	13.5	2.5
P0144.100-008-ZP	M10	8	13.0	20.0	4.6	13.5	2.5
P0144.100-010-ZP	M10	10	13.0	20.0	4.6	13.5	2.5
P0144.100-012-ZP	M10	12	13.0	20.0	4.6	13.5	2.5
P0144.100-016-ZP	M10	16	13.0	20.0	4.6	13.5	2.5
P0144.100-020-ZP	M10	20	13.0	20.0	4.6	13.5	2.5
P0144.100-025-ZP	M10	25	13.0	20.0	4.6	13.5	2.5

SHOULDER SCREWS



Shoulder Screws

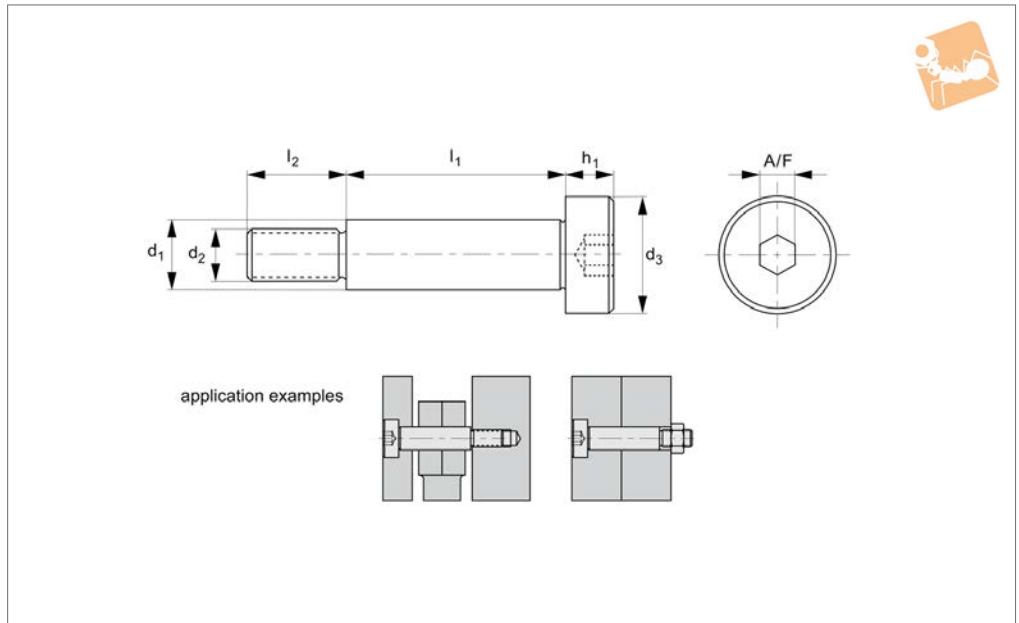
Shoulder Screws - Hex. Socket Head steel- blackened



SHOULDER SCREWS



P0136



Material

Blackened alloy steel, high grade strength 012,9.
Hardness 38 HRC, tensile strength 1200 N/mm².

+300°C.

Tips

Torque to:
M5 = 7,5 Nm. M6 = 13 Nm. M8 = 33 Nm.
M10 = 60 Nm. M12 = 120 Nm. M16 = 270 Nm.

Technical Notes

To ISO 7379. Temperature range -50°C to

Order No.	d ₁ tol. f9	l ₁ +0.25	d ₂	d ₃	h ₁	l ₂	A/F
P0136.040-005	4	5	M 3	7	3	7	2
P0136.040-008	4	8	M 3	7	3	7	2
P0136.040-010	4	10	M 3	7	3	7	2
P0136.040-012	4	12	M 3	7	3	7	2
P0136.040-016	4	16	M 3	7	3	7	2
P0136.040-020	4	20	M 3	7	3	7	2
P0136.040-025	4	25	M 3	7	3	7	2
P0136.040-030	4	30	M 3	7	3	7	2
P0136.050-006	5	6	M 4	9	4	8	2.5
P0136.050-008	5	8	M 4	9	4	8	2.5
P0136.050-010	5	10	M 4	9	4	8	2.5
P0136.050-012	5	12	M 4	9	4	8	2.5
P0136.050-016	5	16	M 4	9	4	8	2.5
P0136.050-020	5	20	M 4	9	4	8	2.5
P0136.050-025	5	25	M 4	9	4	8	2.5
P0136.050-030	5	30	M 4	9	4	8	2.5
P0136.060-006	6	6	M 5	10	4.5	9.5	3
P0136.060-008	6	8	M 5	10	4.5	9.5	3
P0136.060-010	6	10	M 5	10	4.5	9.5	3
P0136.060-012	6	12	M 5	10	4.5	9.5	3
P0136.060-016	6	16	M 5	10	4.5	9.5	3
P0136.060-020	6	20	M 5	10	4.5	9.5	3
P0136.060-025	6	25	M 5	10	4.5	9.5	3
P0136.060-030	6	30	M 5	10	4.5	9.5	3
P0136.060-035	6	35	M 5	10	4.5	9.5	3
P0136.060-040	6	40	M 5	10	4.5	9.5	3
P0136.060-045	6	45	M 5	10	4.5	9.5	3
P0136.060-050	6	50	M 5	10	4.5	9.5	3
P0136.060-055	6	55	M 5	10	4.5	9.5	3
P0136.060-060	6	60	M 5	10	4.5	9.5	3



Shoulder Screws - Hex. Socket Head

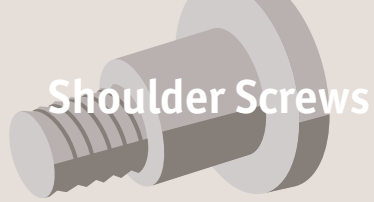
steel- blackened

Shoulder Screws



Order No.	d ₁ tol. f9	l ₁ +0,25	d ₂	d ₃	h ₁	l ₂	A/F
P0136.060-065	6	65	M 5	10	4.5	9.5	3
P0136.060-070	6	70	M 5	10	4.5	9.5	3
P0136.060-075	6	75	M 5	10	4.5	9.5	3
P0136.060-080	6	80	M 5	10	4.5	9.5	3
P0136.060-090	6	90	M 5	10	4.5	9.5	3
P0136.060-100	6	100	M 5	10	4.5	9.5	3
P0136.080-008	8	8	M 6	13	5.5	11	4
P0136.080-010	8	10	M 6	13	5.5	11	4
P0136.080-012	8	12	M 6	13	5.5	11	4
P0136.080-016	8	16	M 6	13	5.5	11	4
P0136.080-020	8	20	M 6	13	5.5	11	4
P0136.080-025	8	25	M 6	13	5.5	11	4
P0136.080-030	8	30	M 6	13	5.5	11	4
P0136.080-035	8	35	M 6	13	5.5	11	4
P0136.080-040	8	40	M 6	13	5.5	11	4
P0136.080-045	8	45	M 6	13	5.5	11	4
P0136.080-050	8	50	M 6	13	5.5	11	4
P0136.080-055	8	55	M 6	13	5.5	11	4
P0136.080-060	8	60	M 6	13	5.5	11	4
P0136.080-065	8	65	M 6	13	5.5	11	4
P0136.080-070	8	70	M 6	13	5.5	11	4
P0136.080-075	8	75	M 6	13	5.5	11	4
P0136.080-080	8	80	M 6	13	5.5	11	4
P0136.080-090	8	90	M 6	13	5.5	11	4
P0136.080-100	8	100	M 6	13	5.5	11	4
P0136.100-010	10	10	M 8	16	7	13	5
P0136.100-012	10	12	M 8	16	7	13	5
P0136.100-016	10	16	M 8	16	7	13	5
P0136.100-020	10	20	M 8	16	7	13	5
P0136.100-025	10	25	M 8	16	7	13	5
P0136.100-030	10	30	M 8	16	7	13	5
P0136.100-035	10	35	M 8	16	7	13	5
P0136.100-040	10	40	M 8	16	7	13	5
P0136.100-045	10	45	M 8	16	7	13	5
P0136.100-050	10	50	M 8	16	7	13	5
P0136.100-055	10	55	M 8	16	7	13	5
P0136.100-060	10	60	M 8	16	7	13	5
P0136.100-065	10	65	M 8	16	7	13	5
P0136.100-070	10	70	M 8	16	7	13	5
P0136.100-075	10	75	M 8	16	7	13	5
P0136.100-080	10	80	M 8	16	7	13	5
P0136.100-090	10	90	M 8	16	7	13	5
P0136.100-100	10	100	M 8	16	7	13	5
P0136.100-120	10	120	M 8	16	7	13	5
P0136.120-012	12	12	M10	18	9	16	6
P0136.120-016	12	16	M10	18	9	16	6
P0136.120-020	12	20	M10	18	9	16	6
P0136.120-025	12	25	M10	18	9	16	6
P0136.120-030	12	30	M10	18	9	16	6
P0136.120-035	12	35	M10	18	9	16	6
P0136.120-040	12	40	M10	18	9	16	6
P0136.120-045	12	45	M10	18	9	16	6
P0136.120-050	12	50	M10	18	9	16	6
P0136.120-055	12	55	M10	18	9	16	6
P0136.120-060	12	60	M10	18	9	16	6
P0136.120-065	12	65	M10	18	9	16	6
P0136.120-070	12	70	M10	18	9	16	6
P0136.120-075	12	75	M10	18	9	16	6
P0136.120-080	12	80	M10	18	9	16	6
P0136.120-090	12	90	M10	18	9	16	6
P0136.120-100	12	100	M10	18	9	16	6
P0136.120-110	12	110	M10	18	9	16	6
P0136.160-020	16	20	M12	24	11	18	8
P0136.160-025	16	25	M12	24	11	18	8
P0136.160-030	16	30	M12	24	11	18	8
P0136.160-035	16	35	M12	24	11	18	8
P0136.160-040	16	40	M12	24	11	18	8
P0136.160-045	16	45	M12	24	11	18	8

SHOULDER SCREWS



Shoulder Screws

Shoulder Screws - Hex. Socket Head steel- blackened



SHOULDER SCREWS

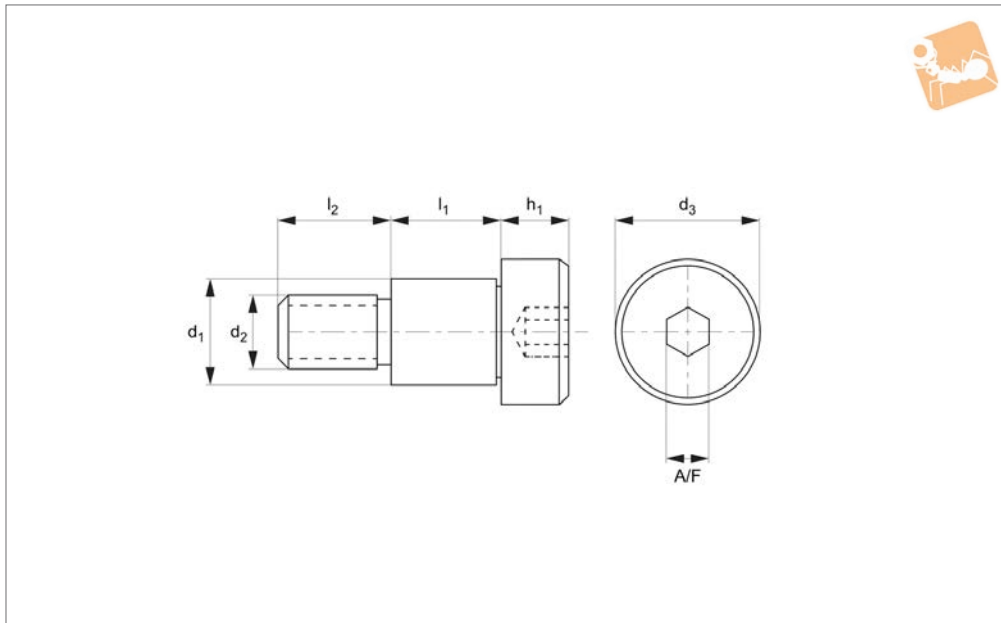
Order No.	d ₁ tol. f9	l ₁ +0.25	d ₂	d ₃	h ₁	l ₂	A/F
P0136.160-050	16	50	M12	24	11	18	8
P0136.160-055	16	55	M12	24	11	18	8
P0136.160-060	16	60	M12	24	11	18	8
P0136.160-065	16	65	M12	24	11	18	8
P0136.160-070	16	70	M12	24	11	18	8
P0136.160-075	16	75	M12	24	11	18	8
P0136.160-080	16	80	M12	24	11	18	8
P0136.160-090	16	90	M12	24	11	18	8
P0136.160-100	16	100	M12	24	11	18	8
P0136.160-120	16	120	M12	24	11	18	8
P0136.200-020	20	20	M16	30	14	22	10
P0136.200-025	20	25	M16	30	14	22	10
P0136.200-030	20	30	M16	30	14	22	10
P0136.200-035	20	35	M16	30	14	22	10
P0136.200-040	20	40	M16	30	14	22	10
P0136.200-045	20	45	M16	30	14	22	10
P0136.200-050	20	50	M16	30	14	22	10
P0136.200-055	20	55	M16	30	14	22	10
P0136.200-060	20	60	M16	30	14	22	10
P0136.200-065	20	65	M16	30	14	22	10
P0136.200-070	20	70	M16	30	14	22	10
P0136.200-075	20	75	M16	30	14	22	10
P0136.200-080	20	80	M16	30	14	22	10
P0136.200-090	20	90	M16	30	14	22	10
P0136.200-100	20	100	M16	30	14	22	10
P0136.200-120	20	120	M16	30	14	22	10
P0136.240-020	24	20	M20	36	16	27	12
P0136.240-025	24	25	M20	36	16	27	12
P0136.240-030	24	30	M20	36	16	27	12
P0136.240-035	24	35	M20	36	16	27	12
P0136.240-040	24	40	M20	36	16	27	12
P0136.240-045	24	45	M20	36	16	27	12
P0136.240-050	24	50	M20	36	16	27	12
P0136.240-055	24	55	M20	36	16	27	12
P0136.240-060	24	60	M20	36	16	27	12
P0136.240-065	24	65	M20	36	16	27	12
P0136.240-070	24	70	M20	36	16	27	12
P0136.240-075	24	75	M20	36	16	27	12
P0136.240-080	24	80	M20	36	16	27	12
P0136.240-090	24	90	M20	36	16	27	12
P0136.240-100	24	100	M20	36	16	27	12
P0136.240-120	24	120	M20	36	16	27	12



Shoulder Screws - Cap Head

hex drive - grade 2 titanium

Shoulder Screws



P0130.T2

SHOULDER SCREWS

Material

Titanium (ASTM B348 grade 2, pure titanium). Tensile strength 345-450 N/mm², yield strength 270 N/mm², hardness 160HB/30Rc.

Technical Notes

Titanium has a lower density than stainless

steel and excellent corrosion resistance properties.

Titanium has a high strength:weight ratio - per unit weight, titanium is 45% stronger than stainless steel. Ideal for use in light-weight applications in the automobile, aerospace, medical and robotic industries.

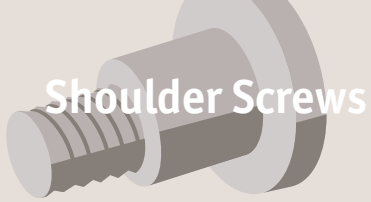
T5 also available on request.

Replace -T2 with -T5 at the end of part number.

Tips

Special lengths and diameters produced to drawings.

Order No.	d_1 +0.000 -0.025	l_1 +0.05 -0.00	d_2	d_3	l_2	h_1	A/F
P0130.030-002-T2	3	2	M 2	5	4	2	1.5
P0130.030-003-T2	3	3	M 2	5	4	2	1.5
P0130.030-004-T2	3	4	M 2	5	4	2	1.5
P0130.030-005-T2	3	5	M 2	5	4	2	1.5
P0130.030-006-T2	3	6	M 2	5	4	2	1.5
P0130.030-007-T2	3	7	M 2	5	4	2	1.5
P0130.030-008-T2	3	8	M 2	5	4	2	1.5
P0130.030-010-T2	3	10	M 2	5	4	2	1.5
P0130.030-012-T2	3	12	M 2	5	4	2	1.5
P0130.030-014-T2	3	14	M 2	5	4	2	1.5
P0130.030-016-T2	3	16	M 2	5	4	2	1.5
P0130.030-018-T2	3	18	M 2	5	4	2	1.5
P0130.030-020-T2	3	20	M 2	5	4	2	1.5
P0130.030-025-T2	3	25	M 2	5	4	2	1.5
P0130.040-002-T2	4	2	M 3	6	4	3	2.0
P0130.040-003-T2	4	3	M 3	6	4	3	2.0
P0130.040-004-T2	4	4	M 3	6	4	3	2.0
P0130.040-005-T2	4	5	M 3	6	4	3	2.0
P0130.040-006-T2	4	6	M 3	6	4	3	2.0
P0130.040-007-T2	4	7	M 3	6	4	3	2.0
P0130.040-008-T2	4	8	M 3	6	4	3	2.0
P0130.040-010-T2	4	10	M 3	6	4	3	2.0
P0130.040-012-T2	4	12	M 3	6	4	3	2.0
P0130.040-014-T2	4	14	M 3	6	4	3	2.0
P0130.040-016-T2	4	16	M 3	6	4	3	2.0
P0130.040-018-T2	4	18	M 3	6	4	3	2.0
P0130.040-020-T2	4	20	M 3	6	4	3	2.0
P0130.040-025-T2	4	25	M 3	6	4	3	2.0
P0130.040-030-T2	4	30	M 3	6	4	3	2.0
P0130.040-035-T2	4	35	M 3	6	4	3	2.0



Shoulder Screws

Shoulder Screws - Cap Head

hex drive - grade 2 titanium



SHOULDER SCREWS

Order No.	d_1 +0.000 -0.025	l_1 +0.05 -0.00	d_2	d_3	l_2	h_1	A/F
P0130.040-040-T2	4	40	M 3	6	4	3	2.0
P0130.040-045-T2	4	45	M 3	6	4	3	2.0
P0130.040-050-T2	4	50	M 3	6	4	3	2.0
P0130.050-002-T2	5	2	M 4	8	5	4	2.5
P0130.050-003-T2	5	3	M 4	8	5	4	2.5
P0130.050-004-T2	5	4	M 4	8	5	4	2.5
P0130.050-005-T2	5	5	M 4	8	5	4	2.5
P0130.050-006-T2	5	6	M 4	8	5	4	2.5
P0130.050-007-T2	5	7	M 4	8	5	4	2.5
P0130.050-008-T2	5	8	M 4	8	5	4	2.5
P0130.050-010-T2	5	10	M 4	8	5	4	2.5
P0130.050-012-T2	5	12	M 4	8	5	4	2.5
P0130.050-014-T2	5	14	M 4	8	5	4	2.5
P0130.050-016-T2	5	16	M 4	8	5	4	2.5
P0130.050-018-T2	5	18	M 4	8	5	4	2.5
P0130.050-020-T2	5	20	M 4	8	5	4	2.5
P0130.050-025-T2	5	25	M 4	8	5	4	2.5
P0130.050-030-T2	5	30	M 4	8	5	4	2.5
P0130.050-035-T2	5	35	M 4	8	5	4	2.5
P0130.050-040-T2	5	40	M 4	8	5	4	2.5
P0130.050-045-T2	5	45	M 4	8	5	4	2.5
P0130.050-050-T2	5	50	M 4	8	5	4	2.5
P0130.060-002-T2	6	2	M 5	10	6	5	3.0
P0130.060-003-T2	6	3	M 5	10	6	5	3.0
P0130.060-004-T2	6	4	M 5	10	6	5	3.0
P0130.060-005-T2	6	5	M 5	10	6	5	3.0
P0130.060-006-T2	6	6	M 5	10	6	5	3.0
P0130.060-007-T2	6	7	M 5	10	6	5	3.0
P0130.060-008-T2	6	8	M 5	10	6	5	3.0
P0130.060-010-T2	6	10	M 5	10	6	5	3.0
P0130.060-012-T2	6	12	M 5	10	6	5	3.0
P0130.060-014-T2	6	14	M 5	10	6	5	3.0
P0130.060-016-T2	6	16	M 5	10	6	5	3.0
P0130.060-018-T2	6	18	M 5	10	6	5	3.0
P0130.060-020-T2	6	20	M 5	10	6	5	3.0
P0130.060-025-T2	6	25	M 5	10	6	5	3.0
P0130.060-030-T2	6	30	M 5	10	6	5	3.0
P0130.060-035-T2	6	35	M 5	10	6	5	3.0
P0130.060-040-T2	6	40	M 5	10	6	5	3.0
P0130.060-045-T2	6	45	M 5	10	6	5	3.0
P0130.060-050-T2	6	50	M 5	10	6	5	3.0
P0130.060-055-T2	6	55	M 5	10	6	5	3.0
P0130.060-060-T2	6	60	M 5	10	6	5	3.0
P0130.060-070-T2	6	70	M 5	10	6	5	3.0
P0130.060-080-T2	6	80	M 5	10	6	5	3.0
P0130.060-090-T2	6	90	M 5	10	6	5	3.0
P0130.060-100-T2	6	100	M 5	10	6	5	3.0
P0130.080-004-T2	8	4	M 6	12	11	6	4.0
P0130.080-005-T2	8	5	M 6	12	11	6	4.0
P0130.080-006-T2	8	6	M 6	12	11	6	4.0
P0130.080-007-T2	8	7	M 6	12	11	6	4.0
P0130.080-008-T2	8	8	M 6	12	11	6	4.0
P0130.080-010-T2	8	10	M 6	12	11	6	4.0
P0130.080-012-T2	8	12	M 6	12	11	6	4.0
P0130.080-014-T2	8	14	M 6	12	11	6	4.0
P0130.080-016-T2	8	16	M 6	12	11	6	4.0
P0130.080-018-T2	8	18	M 6	12	11	6	4.0
P0130.080-020-T2	8	20	M 6	12	11	6	4.0
P0130.080-025-T2	8	25	M 6	12	11	6	4.0
P0130.080-030-T2	8	30	M 6	12	11	6	4.0
P0130.080-035-T2	8	35	M 6	12	11	6	4.0
P0130.080-040-T2	8	40	M 6	12	11	6	4.0
P0130.080-045-T2	8	45	M 6	12	11	6	4.0
P0130.080-050-T2	8	50	M 6	12	11	6	4.0
P0130.080-055-T2	8	55	M 6	12	11	6	4.0
P0130.080-060-T2	8	60	M 6	12	11	6	4.0
P0130.080-065-T2	8	65	M 6	12	11	6	4.0
P0130.080-070-T2	8	70	M 6	12	11	6	4.0



Shoulder Screws - Cap Head

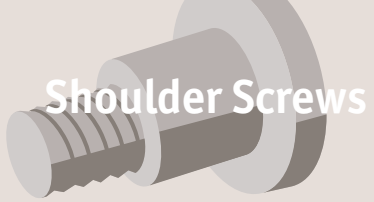
hex drive - grade 2 titanium

Shoulder Screws



Order No.	d ₁ +0.000 -0.025	l ₁ +0.05 -0.00	d ₂	d ₃	l ₂	h ₁	A/F
P0130.080-075-T2	8	75	M 6	12	11	6	4.0
P0130.080-080-T2	8	80	M 6	12	11	6	4.0
P0130.080-090-T2	8	90	M 6	12	11	6	4.0
P0130.080-100-T2	8	100	M 6	12	11	6	4.0
P0130.100-008-T2	10	8	M 8	14	12	7	5.0
P0130.100-010-T2	10	10	M 8	14	12	7	5.0
P0130.100-012-T2	10	12	M 8	14	12	7	5.0
P0130.100-014-T2	10	14	M 8	14	12	7	5.0
P0130.100-016-T2	10	16	M 8	14	12	7	5.0
P0130.100-018-T2	10	18	M 8	14	12	7	5.0
P0130.100-020-T2	10	20	M 8	14	12	7	5.0
P0130.100-025-T2	10	25	M 8	14	12	7	5.0
P0130.100-030-T2	10	30	M 8	14	12	7	5.0
P0130.100-035-T2	10	35	M 8	14	12	7	5.0
P0130.100-040-T2	10	40	M 8	14	12	7	5.0
P0130.100-045-T2	10	45	M 8	14	12	7	5.0
P0130.100-050-T2	10	50	M 8	14	12	7	5.0
P0130.100-055-T2	10	55	M 8	14	12	7	5.0
P0130.100-060-T2	10	60	M 8	14	12	7	5.0
P0130.100-065-T2	10	65	M 8	14	12	7	5.0
P0130.100-070-T2	10	70	M 8	14	12	7	5.0
P0130.100-080-T2	10	80	M 8	14	12	7	5.0
P0130.100-090-T2	10	90	M 8	14	12	7	5.0
P0130.100-100-T2	10	100	M 8	14	12	7	5.0
P0130.120-008-T2	12	8	M 10	20	16	8	6.0
P0130.120-010-T2	12	10	M 10	20	16	8	6.0
P0130.120-012-T2	12	12	M 10	20	16	8	6.0
P0130.120-014-T2	12	14	M 10	20	16	8	6.0
P0130.120-016-T2	12	16	M 10	20	16	8	6.0
P0130.120-018-T2	12	18	M 10	20	16	8	6.0
P0130.120-020-T2	12	20	M 10	20	16	8	6.0
P0130.120-025-T2	12	25	M 10	20	16	8	6.0
P0130.120-030-T2	12	30	M 10	20	16	8	6.0
P0130.120-035-T2	12	35	M 10	20	16	8	6.0
P0130.120-040-T2	12	40	M 10	20	16	8	6.0
P0130.120-045-T2	12	45	M 10	20	16	8	6.0
P0130.120-050-T2	12	50	M 10	20	16	8	6.0
P0130.120-055-T2	12	55	M 10	20	16	8	6.0
P0130.120-060-T2	12	60	M 10	20	16	8	6.0
P0130.120-065-T2	12	65	M 10	20	16	8	6.0
P0130.120-070-T2	12	70	M 10	20	16	8	6.0
P0130.120-075-T2	12	75	M 10	20	16	8	6.0
P0130.120-080-T2	12	80	M 10	20	16	8	6.0
P0130.120-090-T2	12	90	M 10	20	16	8	6.0
P0130.120-100-T2	12	100	M 10	20	16	8	6.0
P0130.160-025-T2	16	25	M 12	24	18	11	8.0
P0130.160-030-T2	16	30	M 12	24	18	11	8.0
P0130.160-035-T2	16	35	M 12	24	18	11	8.0
P0130.160-040-T2	16	40	M 12	24	18	11	8.0
P0130.160-045-T2	16	45	M 12	24	18	11	8.0
P0130.160-050-T2	16	50	M 12	24	18	11	8.0
P0130.160-055-T2	16	55	M 12	24	18	11	8.0
P0130.160-060-T2	16	60	M 12	24	18	11	8.0
P0130.160-065-T2	16	65	M 12	24	18	11	8.0
P0130.160-070-T2	16	70	M 12	24	18	11	8.0
P0130.160-075-T2	16	75	M 12	24	18	11	8.0
P0130.160-080-T2	16	80	M 12	24	18	11	8.0
P0130.160-090-T2	16	90	M 12	24	18	11	8.0
P0130.160-100-T2	16	100	M 12	24	18	11	8.0
P0130.200-030-T2	20	30	M 16	30	22	14	10.0
P0130.200-035-T2	20	35	M 16	30	22	14	10.0
P0130.200-040-T2	20	40	M 16	30	22	14	10.0
P0130.200-045-T2	20	45	M 16	30	22	14	10.0
P0130.200-050-T2	20	50	M 16	30	22	14	10.0
P0130.200-055-T2	20	55	M 16	30	22	14	10.0
P0130.200-060-T2	20	60	M 16	30	22	14	10.0
P0130.200-065-T2	20	65	M 16	30	22	14	10.0
P0130.200-070-T2	20	70	M 16	30	22	14	10.0

SHOULDER SCREWS



Shoulder Screws

Shoulder Screws - Cap Head hex drive - grade 2 titanium



Order No.	d_1 +0.000 -0.025	l_1 +0.05 -0.00	d_2	d_3	l_2	h_1	A/F
P0130.200-075-T2	20	75	M 16	30	22	14	10.0
P0130.200-080-T2	20	80	M 16	30	22	14	10.0
P0130.200-090-T2	20	90	M 16	30	22	14	10.0
P0130.200-100-T2	20	100	M 16	30	22	14	10.0

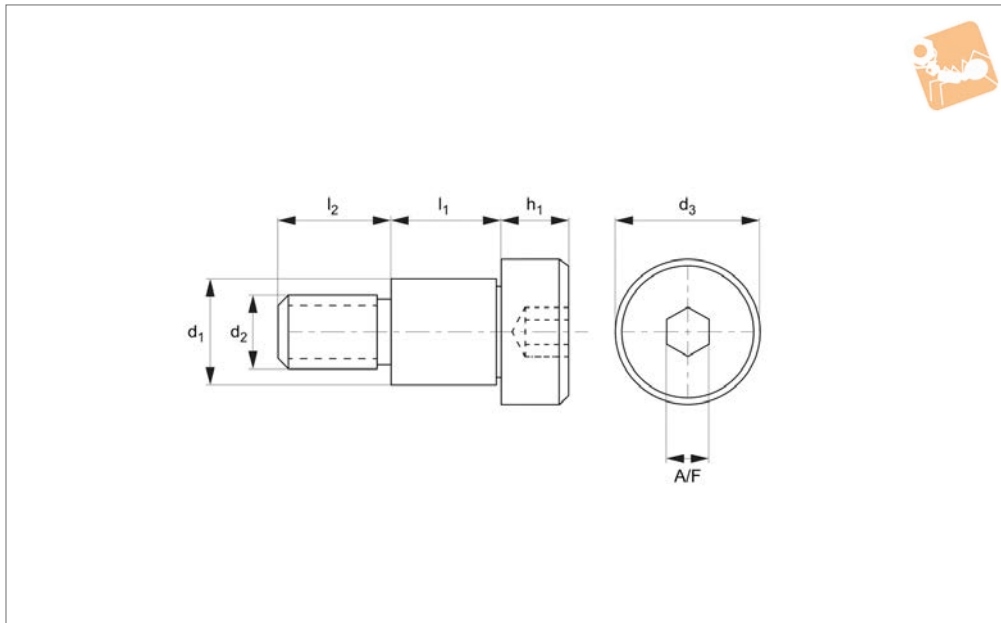
SHOULDER SCREWS



Shoulder Screws - Cap Head

hex drive - grade 5 titanium

Shoulder Screws



P0130.T5

SHOULDER SCREWS

Material

Titanium alloy (ATSM B348 grade 5; Ti6Al4V). Tensile strength 895-1100 N/mm², yield strength 820 N/mm², hardness 334HB/36Rc.

Technical Notes

Titanium has a lower density than stainless

steel and excellent corrosion resistance properties.

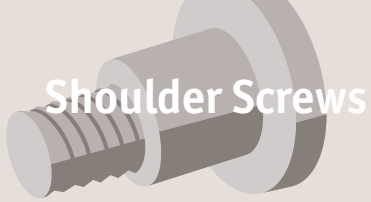
Titanium has a high strength:weight ratio - per unit weight titanium is 45% stronger than stainless steel. Ideal for use in light-weight applications in the automobile, aerospace, medical and robotic industries.

Grade 5 titanium alloy is stronger than grade 2 (pure) titanium. Withstands temperatures of up to 400 °C.

Tips

Special lengths and diameters produced to drawings.

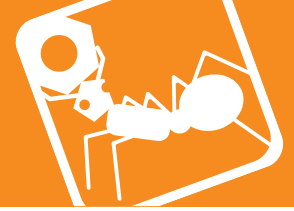
Order No.	d_1 +0.000 -0.025	l_1 +0.05 -0.00	d_2	d_3	l_2	h_1	A/F
P0130.030-002-T5	3	2	M 2	5	4	2	1.5
P0130.030-003-T5	3	3	M 2	5	4	2	1.5
P0130.030-004-T5	3	4	M 2	5	4	2	1.5
P0130.030-005-T5	3	5	M 2	5	4	2	1.5
P0130.030-006-T5	3	6	M 2	5	4	2	1.5
P0130.030-007-T5	3	7	M 2	5	4	2	1.5
P0130.030-008-T5	3	8	M 2	5	4	2	1.5
P0130.030-010-T5	3	10	M 2	5	4	2	1.5
P0130.030-012-T5	3	12	M 2	5	4	2	1.5
P0130.030-014-T5	3	14	M 2	5	4	2	1.5
P0130.030-016-T5	3	16	M 2	5	4	2	1.5
P0130.030-018-T5	3	18	M 2	5	4	2	1.5
P0130.030-020-T5	3	20	M 2	5	4	2	1.5
P0130.030-025-T5	3	25	M 2	5	4	2	1.5
P0130.040-002-T5	4	2	M 3	6	4	3	2.0
P0130.040-003-T5	4	3	M 3	6	4	3	2.0
P0130.040-004-T5	4	4	M 3	6	4	3	2.0
P0130.040-005-T5	4	5	M 3	6	4	3	2.0
P0130.040-006-T5	4	6	M 3	6	4	3	2.0
P0130.040-007-T5	4	7	M 3	6	4	3	2.0
P0130.040-008-T5	4	8	M 3	6	4	3	2.0
P0130.040-010-T5	4	10	M 3	6	4	3	2.0
P0130.040-012-T5	4	12	M 3	6	4	3	2.0
P0130.040-014-T5	4	14	M 3	6	4	3	2.0
P0130.040-016-T5	4	16	M 3	6	4	3	2.0
P0130.040-018-T5	4	18	M 3	6	4	3	2.0
P0130.040-020-T5	4	20	M 3	6	4	3	2.0
P0130.040-025-T5	4	25	M 3	6	4	3	2.0
P0130.040-030-T5	4	30	M 3	6	4	3	2.0
P0130.040-035-T5	4	35	M 3	6	4	3	2.0



Shoulder Screws

Shoulder Screws - Cap Head

hex drive - grade 5 titanium



SHOULDER SCREWS

Order No.	d_1 +0.000 -0.025	l_1 +0.05 -0.00	d_2	d_3	l_2	h_1	A/F
P0130.040-040-T5	4	40	M 3	6	4	3	2.0
P0130.040-045-T5	4	45	M 3	6	4	3	2.0
P0130.040-050-T5	4	50	M 3	6	4	3	2.0
P0130.050-002-T5	5	2	M 4	8	5	4	2.5
P0130.050-003-T5	5	3	M 4	8	5	4	2.5
P0130.050-004-T5	5	4	M 4	8	5	4	2.5
P0130.050-005-T5	5	5	M 4	8	5	4	2.5
P0130.050-006-T5	5	6	M 4	8	5	4	2.5
P0130.050-007-T5	5	7	M 4	8	5	4	2.5
P0130.050-008-T5	5	8	M 4	8	5	4	2.5
P0130.050-010-T5	5	10	M 4	8	5	4	2.5
P0130.050-012-T5	5	12	M 4	8	5	4	2.5
P0130.050-014-T5	5	14	M 4	8	5	4	2.5
P0130.050-016-T5	5	16	M 4	8	5	4	2.5
P0130.050-018-T5	5	18	M 4	8	5	4	2.5
P0130.050-020-T5	5	20	M 4	8	5	4	2.5
P0130.050-025-T5	5	25	M 4	8	5	4	2.5
P0130.050-030-T5	5	30	M 4	8	5	4	2.5
P0130.050-035-T5	5	35	M 4	8	5	4	2.5
P0130.050-040-T5	5	40	M 4	8	5	4	2.5
P0130.050-045-T5	5	45	M 4	8	5	4	2.5
P0130.050-050-T5	5	50	M 4	8	5	4	2.5
P0130.060-002-T5	6	2	M 5	10	6	5	3.0
P0130.060-003-T5	6	3	M 5	10	6	5	3.0
P0130.060-004-T5	6	4	M 5	10	6	5	3.0
P0130.060-005-T5	6	5	M 5	10	6	5	3.0
P0130.060-006-T5	6	6	M 5	10	6	5	3.0
P0130.060-007-T5	6	7	M 5	10	6	5	3.0
P0130.060-008-T5	6	8	M 5	10	6	5	3.0
P0130.060-010-T5	6	10	M 5	10	6	5	3.0
P0130.060-012-T5	6	12	M 5	10	6	5	3.0
P0130.060-014-T5	6	14	M 5	10	6	5	3.0
P0130.060-016-T5	6	16	M 5	10	6	5	3.0
P0130.060-018-T5	6	18	M 5	10	6	5	3.0
P0130.060-020-T5	6	20	M 5	10	6	5	3.0
P0130.060-025-T5	6	25	M 5	10	6	5	3.0
P0130.060-030-T5	6	30	M 5	10	6	5	3.0
P0130.060-035-T5	6	35	M 5	10	6	5	3.0
P0130.060-040-T5	6	40	M 5	10	6	5	3.0
P0130.060-045-T5	6	45	M 5	10	6	5	3.0
P0130.060-050-T5	6	50	M 5	10	6	5	3.0
P0130.060-055-T5	6	55	M 5	10	6	5	3.0
P0130.060-060-T5	6	60	M 5	10	6	5	3.0
P0130.060-070-T5	6	70	M 5	10	6	5	3.0
P0130.060-080-T5	6	80	M 5	10	6	5	3.0
P0130.060-090-T5	6	90	M 5	10	6	5	3.0
P0130.060-100-T5	6	100	M 5	10	6	5	3.0
P0130.080-004-T5	8	4	M 6	12	11	6	4.0
P0130.080-005-T5	8	5	M 6	12	11	6	4.0
P0130.080-006-T5	8	6	M 6	12	11	6	4.0
P0130.080-007-T5	8	7	M 6	12	11	6	4.0
P0130.080-008-T5	8	8	M 6	12	11	6	4.0
P0130.080-010-T5	8	10	M 6	12	11	6	4.0
P0130.080-012-T5	8	12	M 6	12	11	6	4.0
P0130.080-014-T5	8	14	M 6	12	11	6	4.0
P0130.080-016-T5	8	16	M 6	12	11	6	4.0
P0130.080-018-T5	8	18	M 6	12	11	6	4.0
P0130.080-020-T5	8	20	M 6	12	11	6	4.0
P0130.080-025-T5	8	25	M 6	12	11	6	4.0
P0130.080-030-T5	8	30	M 6	12	11	6	4.0
P0130.080-035-T5	8	35	M 6	12	11	6	4.0
P0130.080-040-T5	8	40	M 6	12	11	6	4.0
P0130.080-045-T5	8	45	M 6	12	11	6	4.0
P0130.080-050-T5	8	50	M 6	12	11	6	4.0
P0130.080-055-T5	8	55	M 6	12	11	6	4.0
P0130.080-060-T5	8	60	M 6	12	11	6	4.0
P0130.080-065-T5	8	65	M 6	12	11	6	4.0
P0130.080-070-T5	8	70	M 6	12	11	6	4.0



Shoulder Screws - Cap Head

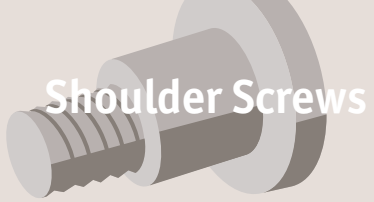
hex drive - grade 5 titanium

Shoulder Screws



Order No.	d ₁ +0.000 -0.025	l ₁ +0.05 -0.00	d ₂	d ₃	l ₂	h ₁	A/F
P0130.080-075-T5	8	75	M 6	12	11	6	4.0
P0130.080-080-T5	8	80	M 6	12	11	6	4.0
P0130.080-090-T5	8	90	M 6	12	11	6	4.0
P0130.080-100-T5	8	100	M 6	12	11	6	4.0
P0130.100-008-T5	10	8	M 8	14	12	7	5.0
P0130.100-010-T5	10	10	M 8	14	12	7	5.0
P0130.100-012-T5	10	12	M 8	14	12	7	5.0
P0130.100-014-T5	10	14	M 8	14	12	7	5.0
P0130.100-016-T5	10	16	M 8	14	12	7	5.0
P0130.100-018-T5	10	18	M 8	14	12	7	5.0
P0130.100-020-T5	10	20	M 8	14	12	7	5.0
P0130.100-025-T5	10	25	M 8	14	12	7	5.0
P0130.100-030-T5	10	30	M 8	14	12	7	5.0
P0130.100-035-T5	10	35	M 8	14	12	7	5.0
P0130.100-040-T5	10	40	M 8	14	12	7	5.0
P0130.100-045-T5	10	45	M 8	14	12	7	5.0
P0130.100-050-T5	10	50	M 8	14	12	7	5.0
P0130.100-055-T5	10	55	M 8	14	12	7	5.0
P0130.100-060-T5	10	60	M 8	14	12	7	5.0
P0130.100-065-T5	10	65	M 8	14	12	7	5.0
P0130.100-070-T5	10	70	M 8	14	12	7	5.0
P0130.100-080-T5	10	80	M 8	14	12	7	5.0
P0130.100-090-T5	10	90	M 8	14	12	7	5.0
P0130.100-100-T5	10	100	M 8	14	12	7	5.0
P0130.120-008-T5	12	8	M 10	20	16	8	6.0
P0130.120-010-T5	12	10	M 10	20	16	8	6.0
P0130.120-012-T5	12	12	M 10	20	16	8	6.0
P0130.120-014-T5	12	14	M 10	20	16	8	6.0
P0130.120-016-T5	12	16	M 10	20	16	8	6.0
P0130.120-018-T5	12	18	M 10	20	16	8	6.0
P0130.120-020-T5	12	20	M 10	20	16	8	6.0
P0130.120-025-T5	12	25	M 10	20	16	8	6.0
P0130.120-030-T5	12	30	M 10	20	16	8	6.0
P0130.120-035-T5	12	35	M 10	20	16	8	6.0
P0130.120-040-T5	12	40	M 10	20	16	8	6.0
P0130.120-045-T5	12	45	M 10	20	16	8	6.0
P0130.120-050-T5	12	50	M 10	20	16	8	6.0
P0130.120-055-T5	12	55	M 10	20	16	8	6.0
P0130.120-060-T5	12	60	M 10	20	16	8	6.0
P0130.120-065-T5	12	65	M 10	20	16	8	6.0
P0130.120-070-T5	12	70	M 10	20	16	8	6.0
P0130.120-075-T5	12	75	M 10	20	16	8	6.0
P0130.120-080-T5	12	80	M 10	20	16	8	6.0
P0130.120-090-T5	12	90	M 10	20	16	8	6.0
P0130.120-100-T5	12	100	M 10	20	16	8	6.0
P0130.160-025-T5	16	25	M 12	24	18	11	8.0
P0130.160-030-T5	16	30	M 12	24	18	11	8.0
P0130.160-035-T5	16	35	M 12	24	18	11	8.0
P0130.160-040-T5	16	40	M 12	24	18	11	8.0
P0130.160-045-T5	16	45	M 12	24	18	11	8.0
P0130.160-050-T5	16	50	M 12	24	18	11	8.0
P0130.160-055-T5	16	55	M 12	24	18	11	8.0
P0130.160-060-T5	16	60	M 12	24	18	11	8.0
P0130.160-065-T5	16	65	M 12	24	18	11	8.0
P0130.160-070-T5	16	70	M 12	24	18	11	8.0
P0130.160-075-T5	16	75	M 12	24	18	11	8.0
P0130.160-080-T5	16	80	M 12	24	18	11	8.0
P0130.160-090-T5	16	90	M 12	24	18	11	8.0
P0130.160-100-T5	16	100	M 12	24	18	11	8.0
P0130.200-030-T5	20	30	M16	30	22	14	10.0
P0130.200-035-T5	20	35	M16	30	22	14	10.0
P0130.200-040-T5	20	40	M16	30	22	14	10.0
P0130.200-045-T5	20	45	M16	30	22	14	10.0
P0130.200-050-T5	20	50	M16	30	22	14	10.0
P0130.200-055-T5	20	55	M16	30	22	14	10.0
P0130.200-060-T5	20	60	M16	30	22	14	10.0
P0130.200-065-T5	20	65	M16	30	22	14	10.0
P0130.200-070-T5	20	70	M16	30	22	14	10.0

SHOULDER SCREWS



Shoulder Screws

Shoulder Screws - Cap Head hex drive - grade 5 titanium



Order No.	d_1 +0.000 -0.025	l_1 +0.05 -0.00	d_2	d_3	l_2	h_1	A/F
P0130.200-075-T5	20	75	M16	30	22	14	10.0
P0130.200-080-T5	20	80	M16	30	22	14	10.0
P0130.200-090-T5	20	90	M16	30	22	14	10.0
P0130.200-100-T5	20	100	M16	30	22	14	10.0

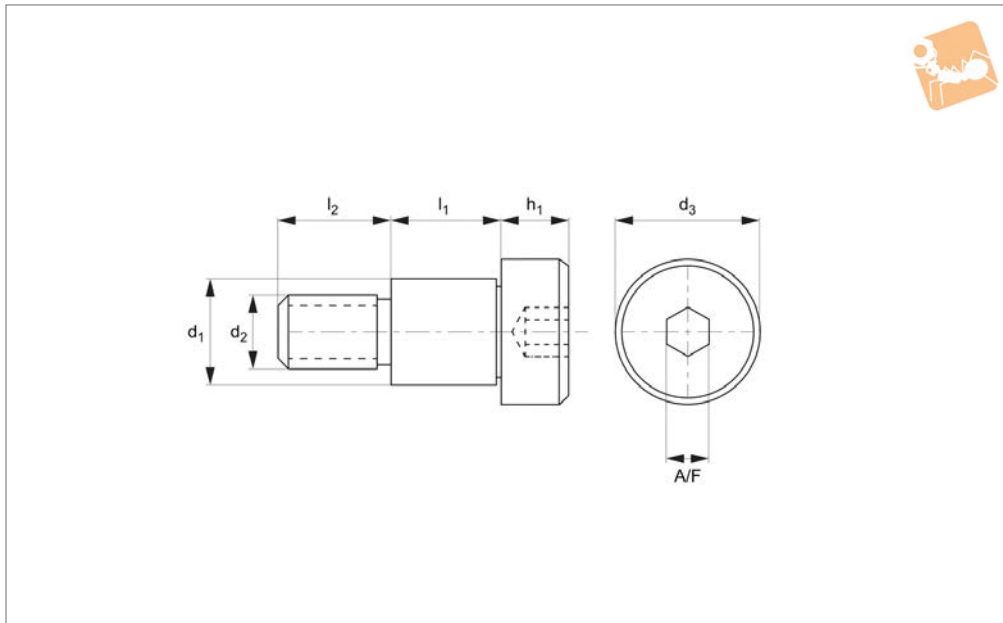
SHOULDER SCREWS



Shoulder Screws - Cap Head

hex drive - 303 stainless, blackened

Shoulder Screws



P0130.B2

SHOULDER SCREWS

Material

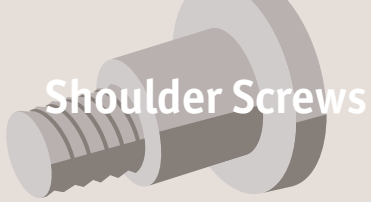
Stainless steel (AISI 303, 1.4305), black oxide coating. Tensile strength 550 N/mm². Proof stress min. 190 N/mm², austenitic stainless steel.

Technical Notes

303 series stainless steel provides good resistance to corrosion. It is mildly magnetic. For torx drive versions please see P0145.

Special lengths and diameters produced to drawings.

Order No.	d ₁ +0 -0.025	l ₁ +0.05 -0.0	d ₂	d ₃	l ₂	h ₁	A/F
P0130.030-002-B2	3	2	M 2	5	4	2	1.5
P0130.030-003-B2	3	3	M 2	5	4	2	1.5
P0130.030-004-B2	3	4	M 2	5	4	2	1.5
P0130.030-005-B2	3	5	M 2	5	4	2	1.5
P0130.030-006-B2	3	6	M 2	5	4	2	1.5
P0130.030-007-B2	3	7	M 2	5	4	2	1.5
P0130.030-008-B2	3	8	M 2	5	4	2	1.5
P0130.030-010-B2	3	10	M 2	5	4	2	1.5
P0130.030-012-B2	3	12	M 2	5	4	2	1.5
P0130.030-014-B2	3	14	M 2	5	4	2	1.5
P0130.030-016-B2	3	16	M 2	5	4	2	1.5
P0130.030-018-B2	3	18	M 2	5	4	2	1.5
P0130.030-020-B2	3	20	M 2	5	4	2	1.5
P0130.030-025-B2	3	25	M 2	5	4	2	1.5
P0130.040-002-B2	4	2	M 3	6	4	3	2.0
P0130.040-003-B2	4	3	M 3	6	4	3	2.0
P0130.040-004-B2	4	4	M 3	6	4	3	2.0
P0130.040-005-B2	4	5	M 3	6	4	3	2.0
P0130.040-006-B2	4	6	M 3	6	4	3	2.0
P0130.040-007-B2	4	7	M 3	6	4	3	2.0
P0130.040-008-B2	4	8	M 3	6	4	3	2.0
P0130.040-010-B2	4	10	M 3	6	4	3	2.0
P0130.040-012-B2	4	12	M 3	6	4	3	2.0
P0130.040-014-B2	4	14	M 3	6	4	3	2.0
P0130.040-016-B2	4	16	M 3	6	4	3	2.0
P0130.040-018-B2	4	18	M 3	6	4	3	2.0
P0130.040-020-B2	4	20	M 3	6	4	3	2.0
P0130.040-025-B2	4	25	M 3	6	4	3	2.0
P0130.040-030-B2	4	30	M 3	6	4	3	2.0
P0130.040-035-B2	4	35	M 3	6	4	3	2.0
P0130.040-040-B2	4	40	M 3	6	4	3	2.0
P0130.040-045-B2	4	45	M 3	6	4	3	2.0
P0130.040-050-B2	4	50	M 3	6	4	3	2.0



Shoulder Screws

Shoulder Screws - Cap Head hex drive - 303 stainless, blackened



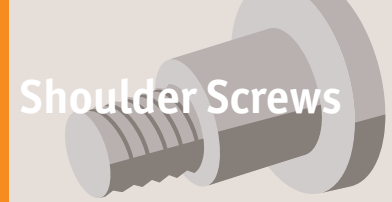
SHOULDER SCREWS

Order No.	d_1 +0 -0.025	l_1 +0.05 -0.0	d_2	d_3	l_2	h_1	A/F
P0130.050-002-B2	5	2	M 4	8	5	4	2.5
P0130.050-003-B2	5	3	M 4	8	5	4	2.5
P0130.050-004-B2	5	4	M 4	8	5	4	2.5
P0130.050-005-B2	5	5	M 4	8	5	4	2.5
P0130.050-006-B2	5	6	M 4	8	5	4	2.5
P0130.050-007-B2	5	7	M 4	8	5	4	2.5
P0130.050-008-B2	5	8	M 4	8	5	4	2.5
P0130.050-010-B2	5	10	M 4	8	5	4	2.5
P0130.050-012-B2	5	12	M 4	8	5	4	2.5
P0130.050-014-B2	5	14	M 4	8	5	4	2.5
P0130.050-016-B2	5	16	M 4	8	5	4	2.5
P0130.050-018-B2	5	18	M 4	8	5	4	2.5
P0130.050-020-B2	5	20	M 4	8	5	4	2.5
P0130.050-025-B2	5	25	M 4	8	5	4	2.5
P0130.050-030-B2	5	30	M 4	8	5	4	2.5
P0130.050-035-B2	5	35	M 4	8	5	4	2.5
P0130.050-040-B2	5	40	M 4	8	5	4	2.5
P0130.050-045-B2	5	45	M 4	8	5	4	2.5
P0130.050-050-B2	5	50	M 4	8	5	4	2.5
P0130.060-002-B2	6	2	M 5	10	6	5	3.0
P0130.060-003-B2	6	3	M 5	10	6	5	3.0
P0130.060-004-B2	6	4	M 5	10	6	5	3.0
P0130.060-005-B2	6	5	M 5	10	6	5	3.0
P0130.060-006-B2	6	6	M 5	10	6	5	3.0
P0130.060-007-B2	6	7	M 5	10	6	5	3.0
P0130.060-008-B2	6	8	M 5	10	6	5	3.0
P0130.060-010-B2	6	10	M 5	10	6	5	3.0
P0130.060-012-B2	6	12	M 5	10	6	5	3.0
P0130.060-014-B2	6	14	M 5	10	6	5	3.0
P0130.060-016-B2	6	16	M 5	10	6	5	3.0
P0130.060-018-B2	6	18	M 5	10	6	5	3.0
P0130.060-020-B2	6	20	M 5	10	6	5	3.0
P0130.060-025-B2	6	25	M 5	10	6	5	3.0
P0130.060-030-B2	6	30	M 5	10	6	5	3.0
P0130.060-035-B2	6	35	M 5	10	6	5	3.0
P0130.060-040-B2	6	40	M 5	10	6	5	3.0
P0130.060-045-B2	6	45	M 5	10	6	5	3.0
P0130.060-050-B2	6	50	M 5	10	6	5	3.0
P0130.060-055-B2	6	55	M 5	10	6	5	3.0
P0130.060-060-B2	6	60	M 5	10	6	5	3.0
P0130.060-070-B2	6	70	M 5	10	6	5	3.0
P0130.060-080-B2	6	80	M 5	10	6	5	3.0
P0130.060-090-B2	6	90	M 5	10	6	5	3.0
P0130.060-100-B2	6	100	M 5	10	6	5	3.0
P0130.080-004-B2	8	4	M 6	12	11	6	4.0
P0130.080-005-B2	8	5	M 6	12	11	6	4.0
P0130.080-006-B2	8	6	M 6	12	11	6	4.0
P0130.080-007-B2	8	7	M 6	12	11	6	4.0
P0130.080-008-B2	8	8	M 6	12	11	6	4.0
P0130.080-010-B2	8	10	M 6	12	11	6	4.0
P0130.080-012-B2	8	12	M 6	12	11	6	4.0
P0130.080-014-B2	8	14	M 6	12	11	6	4.0
P0130.080-016-B2	8	16	M 6	12	11	6	4.0
P0130.080-018-B2	8	18	M 6	12	11	6	4.0
P0130.080-020-B2	8	20	M 6	12	11	6	4.0
P0130.080-025-B2	8	25	M 6	12	11	6	4.0
P0130.080-030-B2	8	30	M 6	12	11	6	4.0
P0130.080-035-B2	8	35	M 6	12	11	6	4.0
P0130.080-040-B2	8	40	M 6	12	11	6	4.0
P0130.080-045-B2	8	45	M 6	12	11	6	4.0
P0130.080-050-B2	8	50	M 6	12	11	6	4.0
P0130.080-055-B2	8	55	M 6	12	11	6	4.0
P0130.080-060-B2	8	60	M 6	12	11	6	4.0
P0130.080-065-B2	8	65	M 6	12	11	6	4.0
P0130.080-070-B2	8	70	M 6	12	11	6	4.0
P0130.080-075-B2	8	75	M 6	12	11	6	4.0
P0130.080-080-B2	8	80	M 6	12	11	6	4.0
P0130.080-090-B2	8	90	M 6	12	11	6	4.0



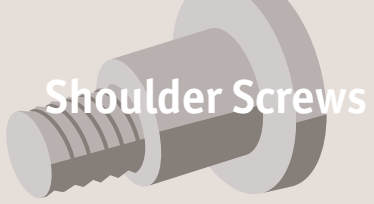
Shoulder Screws - Cap Head

hex drive - 303 stainless, blackened



Order No.	d ₁ +0 -0.025	l ₁ +0.05 -0.0	d ₂	d ₃	l ₂	h ₁	A/F
P0130.080-100-B2	8	100	M 6	12	11	6	4.0
P0130.100-008-B6	10	8	M 6	14	11	6	4.0
P0130.100-010-B6	10	10	M 6	14	11	6	4.0
P0130.100-012-B6	10	12	M 6	14	11	6	4.0
P0130.100-016-B6	10	16	M 6	14	11	6	4.0
P0130.100-008-B8	10	8	M 8	14	12	7	5.0
P0130.100-010-B8	10	10	M 8	14	12	7	5.0
P0130.100-012-B8	10	12	M 8	14	12	7	5.0
P0130.100-014-B8	10	14	M 8	14	12	7	5.0
P0130.100-016-B8	10	16	M 8	14	12	7	5.0
P0130.100-018-B8	10	18	M 8	14	12	7	5.0
P0130.100-020-B8	10	20	M 8	14	12	7	5.0
P0130.100-025-B8	10	25	M 8	14	12	7	5.0
P0130.100-030-B8	10	30	M 8	14	12	7	5.0
P0130.100-035-B8	10	35	M 8	14	12	7	5.0
P0130.100-040-B8	10	40	M 8	14	12	7	5.0
P0130.100-045-B8	10	45	M 8	14	12	7	5.0
P0130.100-050-B8	10	50	M 8	14	12	7	5.0
P0130.100-055-B8	10	55	M 8	14	12	7	5.0
P0130.100-060-B8	10	60	M 8	14	12	7	5.0
P0130.100-065-B8	10	65	M 8	14	12	7	5.0
P0130.100-070-B8	10	70	M 8	14	12	7	5.0
P0130.100-080-B8	10	80	M 8	14	12	7	5.0
P0130.100-090-B8	10	90	M 8	14	12	7	5.0
P0130.100-100-B8	10	100	M 8	14	12	7	5.0
P0130.120-008-B2	12	8	M 10	20	16	8	6.0
P0130.120-010-B2	12	10	M 10	20	16	8	6.0
P0130.120-012-B2	12	12	M 10	20	16	8	6.0
P0130.120-014-B2	12	14	M 10	20	16	8	6.0
P0130.120-016-B2	12	16	M 10	20	16	8	6.0
P0130.120-018-B2	12	18	M 10	20	16	8	6.0
P0130.120-020-B2	12	20	M 10	20	16	8	6.0
P0130.120-025-B2	12	25	M 10	20	16	8	6.0
P0130.120-030-B2	12	30	M 10	20	16	8	6.0
P0130.120-035-B2	12	35	M 10	20	16	8	6.0
P0130.120-040-B2	12	40	M 10	20	16	8	6.0
P0130.120-045-B2	12	45	M 10	20	16	8	6.0
P0130.120-050-B2	12	50	M 10	20	16	8	6.0
P0130.120-055-B2	12	55	M 10	20	16	8	6.0
P0130.120-060-B2	12	60	M 10	20	16	8	6.0
P0130.120-065-B2	12	65	M 10	20	16	8	6.0
P0130.120-070-B2	12	70	M 10	20	16	8	6.0
P0130.120-075-B2	12	75	M 10	20	16	8	6.0
P0130.120-080-B2	12	80	M 10	20	16	8	6.0
P0130.120-090-B2	12	90	M 10	20	16	8	6.0
P0130.120-100-B2	12	100	M 10	20	16	8	6.0
P0130.160-025-B2	16	25	M 12	24	18	11	8.0
P0130.160-030-B2	16	30	M 12	24	18	11	8.0
P0130.160-035-B2	16	35	M 12	24	18	11	8.0
P0130.160-040-B2	16	40	M 12	24	18	11	8.0
P0130.160-045-B2	16	45	M 12	24	18	11	8.0
P0130.160-050-B2	16	50	M 12	24	18	11	8.0
P0130.160-055-B2	16	55	M 12	24	18	11	8.0
P0130.160-060-B2	16	60	M 12	24	18	11	8.0
P0130.160-065-B2	16	65	M 12	24	18	11	8.0
P0130.160-070-B2	16	70	M 12	24	18	11	8.0
P0130.160-075-B2	16	75	M 12	24	18	11	8.0
P0130.160-080-B2	16	80	M 12	24	18	11	8.0
P0130.160-090-B2	16	90	M 12	24	18	11	8.0
P0130.160-100-B2	16	100	M 12	24	18	11	8.0
P0130.200-030-B2	20	30	M 16	30	22	14	10.0
P0130.200-035-B2	20	35	M 16	30	22	14	10.0
P0130.200-040-B2	20	40	M 16	30	22	14	10.0
P0130.200-045-B2	20	45	M 16	30	22	14	10.0
P0130.200-050-B2	20	50	M 16	30	22	14	10.0
P0130.200-055-B2	20	55	M 16	30	22	14	10.0
P0130.200-060-B2	20	60	M 16	30	22	14	10.0
P0130.200-065-B2	20	65	M 16	30	22	14	10.0

SHOULDER SCREWS



Shoulder Screws

Shoulder Screws - Cap Head

hex drive - 303 stainless, blackened



Order No.	d_1 +0 -0.025	l_1 +0.05 -0.0	d_2	d_3	l_2	h_1	A/F
P0130.200-070-B2	20	70	M 16	30	22	14	10.0
P0130.200-075-B2	20	75	M 16	30	22	14	10.0
P0130.200-080-B2	20	80	M 16	30	22	14	10.0
P0130.200-090-B2	20	90	M 16	30	22	14	10.0
P0130.200-100-B2	20	100	M 16	30	22	14	10.0

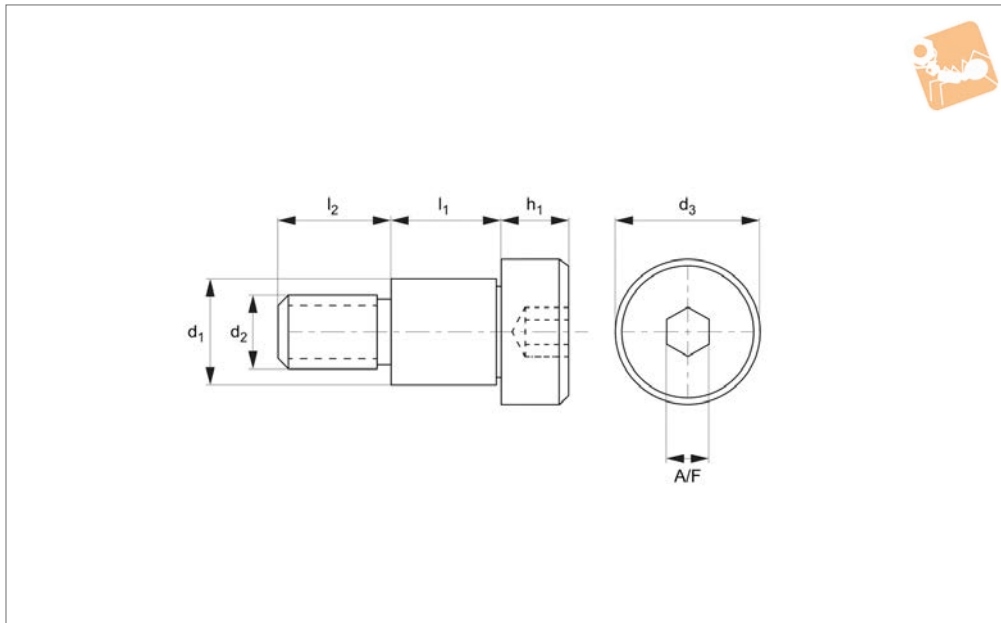
SHOULDER SCREWS



Shoulder Screws - Cap Head

hex drive - 316 stainless, blackened

Shoulder Screws



P0130.B4

SHOULDER SCREWS

Material

Stainless steel (AISI 316, 1.440) black oxide coating.
Tensile strength 480 N/mm².
Proof stress min. 200 N/mm², austenitic

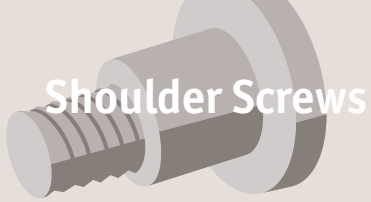
stainless steel.

Technical Notes

Highly resistant to corrosion (including from salt water).

Shim washers can be used to reduce shoulder length if required. It is non-magnetic.

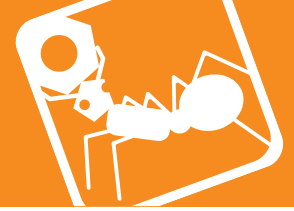
Order No.	d ₁ +0 -0.025	l ₁ +0.05 -0.0	d ₂	d ₃	l ₂	h ₁	A/F
P0130.030-003-B4	3	3	M 2	5	4	2	1.5
P0130.030-004-B4	3	4	M 2	5	4	2	1.5
P0130.030-005-B4	3	5	M 2	5	4	2	1.5
P0130.030-006-B4	3	6	M 2	5	4	2	1.5
P0130.030-007-B4	3	7	M 2	5	4	2	1.5
P0130.030-008-B4	3	8	M 2	5	4	2	1.5
P0130.030-010-B4	3	10	M 2	5	4	2	1.5
P0130.040-004-B4	4	4	M 3	6	4	3	2.0
P0130.040-005-B4	4	5	M 3	6	4	3	2.0
P0130.040-006-B4	4	6	M 3	6	4	3	2.0
P0130.040-007-B4	4	7	M 3	6	4	3	2.0
P0130.040-008-B4	4	8	M 3	6	4	3	2.0
P0130.040-010-B4	4	10	M 3	6	4	3	2.0
P0130.040-012-B4	4	12	M 3	6	4	3	2.0
P0130.040-014-B4	4	14	M 3	6	4	3	2.0
P0130.040-016-B4	4	16	M 3	6	4	3	2.0
P0130.040-018-B4	4	18	M 3	6	4	3	2.0
P0130.040-020-B4	4	20	M 3	6	4	3	2.0
P0130.050-005-B4	5	5	M 4	8	5	4	2.5
P0130.050-006-B4	5	6	M 4	8	5	4	2.5
P0130.050-007-B4	5	7	M 4	8	5	4	2.5
P0130.050-008-B4	5	8	M 4	8	5	4	2.5
P0130.050-010-B4	5	10	M 4	8	5	4	2.5
P0130.050-012-B4	5	12	M 4	8	5	4	2.5
P0130.050-014-B4	5	14	M 4	8	5	4	2.5
P0130.050-016-B4	5	16	M 4	8	5	4	2.5
P0130.050-018-B4	5	18	M 4	8	5	4	2.5
P0130.050-020-B4	5	20	M 4	8	5	4	2.5
P0130.050-025-B4	5	25	M 4	8	5	4	2.5
P0130.050-030-B4	5	30	M 4	8	5	4	2.5
P0130.060-006-B4	6	6	M 5	10	6	5	3.0
P0130.060-007-B4	6	7	M 5	10	6	5	3.0
P0130.060-008-B4	6	8	M 5	10	6	5	3.0



Shoulder Screws

Shoulder Screws - Cap Head

hex drive - 316 stainless, blackened



SHOULDER SCREWS

Order No.	d_1 +0 -0.025	l_1 +0.05 -0.0	d_2	d_3	l_2	h_1	A/F
P0130.060-010-B4	6	10	M 5	10	6	5	3.0
P0130.060-012-B4	6	12	M 5	10	6	5	3.0
P0130.060-014-B4	6	14	M 5	10	6	5	3.0
P0130.060-016-B4	6	16	M 5	10	6	5	3.0
P0130.060-018-B4	6	18	M 5	10	6	5	3.0
P0130.060-020-B4	6	20	M 5	10	6	5	3.0
P0130.060-025-B4	6	25	M 5	10	6	5	3.0
P0130.060-030-B4	6	30	M 5	10	6	5	3.0
P0130.060-035-B4	6	35	M 5	10	6	5	3.0
P0130.060-040-B4	6	40	M 5	10	6	5	3.0
P0130.060-045-B4	6	45	M 5	10	6	5	3.0
P0130.060-050-B4	6	50	M 5	10	6	5	3.0
P0130.080-008-B4	8	8	M 6	12	11	6	4.0
P0130.080-010-B4	8	10	M 6	12	11	6	4.0
P0130.080-012-B4	8	12	M 6	12	11	6	4.0
P0130.080-014-B4	8	14	M 6	12	11	6	4.0
P0130.080-016-B4	8	16	M 6	12	11	6	4.0
P0130.080-018-B4	8	18	M 6	12	11	6	4.0
P0130.080-020-B4	8	20	M 6	12	11	6	4.0
P0130.080-025-B4	8	25	M 6	12	11	6	4.0
P0130.080-030-B4	8	30	M 6	12	11	6	4.0
P0130.080-035-B4	8	35	M 6	12	11	6	4.0
P0130.080-040-B4	8	40	M 6	12	11	6	4.0
P0130.080-045-B4	8	45	M 6	12	11	6	4.0
P0130.080-050-B4	8	50	M 6	12	11	6	4.0
P0130.100-008-B4	10	8	M 8	14	12	7	5.0
P0130.100-010-B4	10	10	M 8	14	12	7	5.0
P0130.100-012-B4	10	12	M 8	14	12	7	5.0
P0130.100-014-B4	10	14	M 8	14	12	7	5.0
P0130.100-016-B4	10	16	M 8	14	12	7	5.0
P0130.100-020-B4	10	20	M 8	14	12	7	5.0
P0130.100-025-B4	10	25	M 8	14	12	7	5.0
P0130.100-030-B4	10	30	M 8	14	12	7	5.0
P0130.100-035-B4	10	35	M 8	14	12	7	5.0
P0130.100-040-B4	10	40	M 8	14	12	7	5.0
P0130.100-045-B4	10	45	M 8	14	12	7	5.0
P0130.100-050-B4	10	50	M 8	14	12	7	5.0
P0130.100-055-B4	10	55	M 8	14	12	7	5.0
P0130.100-060-B4	10	60	M 8	14	12	7	5.0
P0130.100-065-B4	10	65	M 8	14	12	7	5.0
P0130.100-070-B4	10	70	M 8	14	12	7	5.0
P0130.120-008-B4	12	8	M 10	20	16	8	6.0
P0130.120-010-B4	12	10	M 10	20	16	8	6.0
P0130.120-012-B4	12	12	M 10	20	16	8	6.0
P0130.120-014-B4	12	14	M 10	20	16	8	6.0
P0130.120-016-B4	12	16	M 10	20	16	8	6.0
P0130.120-018-B4	12	18	M 10	20	16	8	6.0
P0130.120-020-B4	12	20	M 10	20	16	8	6.0
P0130.120-025-B4	12	25	M 10	20	16	8	6.0
P0130.120-030-B4	12	30	M 10	20	16	8	6.0
P0130.120-035-B4	12	35	M 10	20	16	8	6.0
P0130.120-040-B4	12	40	M 10	20	16	8	6.0
P0130.120-045-B4	12	45	M 10	20	16	8	6.0
P0130.120-050-B4	12	50	M 10	20	16	8	6.0
P0130.120-055-B4	12	55	M 10	20	16	8	6.0
P0130.120-060-B4	12	60	M 10	20	16	8	6.0
P0130.120-065-B4	12	65	M 10	20	16	8	6.0
P0130.120-070-B4	12	70	M 10	20	16	8	6.0
P0130.160-025-B4	16	25	M 12	24	18	11	8.0
P0130.160-030-B4	16	30	M 12	24	18	11	8.0
P0130.160-035-B4	16	35	M 12	24	18	11	8.0
P0130.160-040-B4	16	40	M 12	24	18	11	8.0
P0130.160-045-B4	16	45	M 12	24	18	11	8.0
P0130.160-050-B4	16	50	M 12	24	18	11	8.0
P0130.160-055-B4	16	55	M 12	24	18	11	8.0
P0130.160-060-B4	16	60	M 12	24	18	11	8.0
P0130.160-065-B4	16	65	M 12	24	18	11	8.0
P0130.160-070-B4	16	70	M 12	24	18	11	8.0



Shoulder Screws - Cap Head

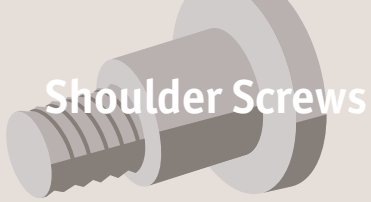
hex drive - 316 stainless, blackened

Shoulder Screws



Order No.	d_1 +0 -0.025	l_1 +0.05 -0.0	d_2	d_3	l_2	h_1	A/F
P0130.160-075-B4	16	75	M 12	24	18	11	8.0
P0130.160-080-B4	16	80	M 12	24	18	11	8.0
P0130.160-090-B4	16	90	M 12	24	18	11	8.0
P0130.160-100-B4	16	100	M 12	24	18	11	8.0
P0130.200-030-B4	20	30	M 16	30	22	14	10.0
P0130.200-035-B4	20	35	M 16	30	22	14	10.0
P0130.200-040-B4	20	40	M 16	30	22	14	10.0
P0130.200-045-B4	20	45	M 16	30	22	14	10.0
P0130.200-050-B4	20	50	M 16	30	22	14	10.0

SHOULDER SCREWS



Shoulder Screws

Shoulder Screws - Countersunk

hex drive - 303 stainless - blackened

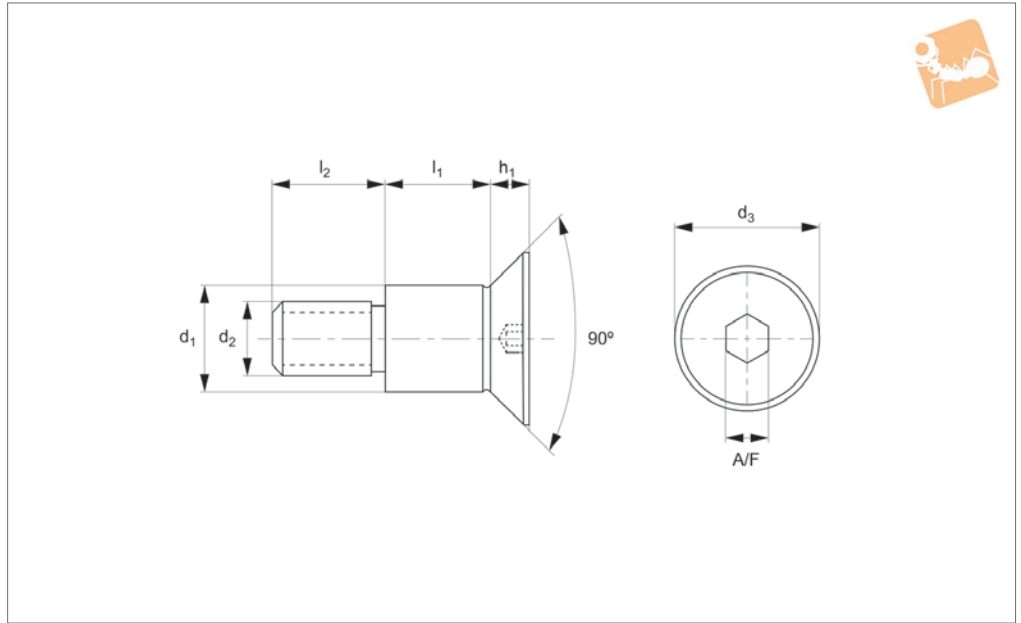


SHOULDER SCREWS



MADE IN BRITAIN

P0128.B2



Material

Stainless steel (AISI 303, 1.4305), blackened.

Tensile strength 550 N/mm².

Proof stress min. 190 N/mm², austenitic

stainless steel.

Technical Notes

303 stainless steel provides good resistance to corrosion, it is soft and mildly

magnetic.

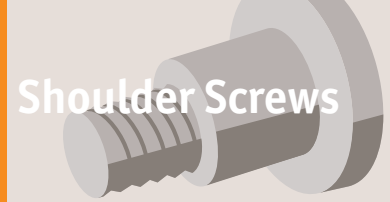
Blackening provides some further corrosion resistance

Order No.	d ₁ +0.000 -0.025	l ₁ +0.05 -0.00	d ₂ tol. G6	d ₃	l ₂ +0.05 -0.00	h ₁ +0.00 -0.05	A/F
P0128.040-010-B2	4	10	M 3	8	4	2.0	2
P0128.040-012-B2	4	12	M 3	8	4	2.0	2
P0128.040-014-B2	4	14	M 3	8	4	2.0	2
P0128.040-016-B2	4	16	M 3	8	4	2.0	2
P0128.040-018-B2	4	18	M 3	8	4	2.0	2
P0128.040-020-B2	4	20	M 3	8	4	2.0	2
P0128.040-025-B2	4	25	M 3	8	4	2.0	2
P0128.040-030-B2	4	30	M 3	8	4	2.0	2
P0128.050-010-B2	5	10	M 4	10	5	2.5	2.5
P0128.050-012-B2	5	12	M 4	10	5	2.5	2.5
P0128.050-016-B2	5	16	M 4	10	5	2.5	2.5
P0128.050-020-B2	5	20	M 4	10	5	2.5	2.5
P0128.050-025-B2	5	25	M 4	10	5	2.5	2.5
P0128.050-030-B2	5	30	M 4	10	5	2.5	2.5
P0128.050-035-B2	5	35	M 4	10	5	2.5	2.5
P0128.050-040-B2	5	40	M 4	10	5	2.5	2.5
P0128.060-010-B2	6	10	M 5	12	6	3.0	3
P0128.060-012-B2	6	12	M 5	12	6	3.0	3
P0128.060-016-B2	6	16	M 5	12	6	3.0	3
P0128.060-020-B2	6	20	M 5	12	6	3.0	3
P0128.060-025-B2	6	25	M 5	12	6	3.0	3
P0128.060-030-B2	6	30	M 5	12	6	3.0	3
P0128.060-035-B2	6	35	M 5	12	6	3.0	3
P0128.060-040-B2	6	40	M 5	12	6	3.0	3
P0128.080-010-B2	8	10	M 6	16	11	4.0	4
P0128.080-012-B2	8	12	M 6	16	11	4.0	4
P0128.080-016-B2	8	16	M 6	16	11	4.0	4
P0128.080-020-B2	8	20	M 6	16	11	4.0	4
P0128.080-025-B2	8	25	M 6	16	11	4.0	4
P0128.080-030-B2	8	30	M 6	16	11	4.0	4
P0128.080-035-B2	8	35	M 6	16	11	4.0	4
P0128.080-040-B2	8	40	M 6	16	11	4.0	4
P0128.100-012-B2	10	12	M 8	20	12	5.0	5



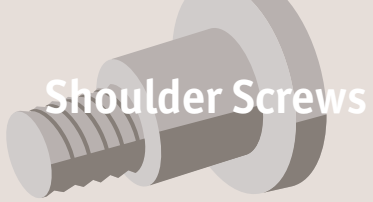
Shoulder Screws - Countersunk

hex drive - 303 stainless - blackened



Order No.	d_1 +0.000 -0.025	l_1 +0.05 -0.00	d_2 tol. G6	d_3	l_2 +0.05 -0.00	h_1 +0.00 -0.05	A/F
P0128.100-016-B2	10	16	M 8	20	12	5.0	5
P0128.100-020-B2	10	20	M 8	20	12	5.0	5
P0128.100-025-B2	10	25	M 8	20	12	5.0	5
P0128.100-030-B2	10	30	M 8	20	12	5.0	5
P0128.100-040-B2	10	40	M 8	20	12	5.0	5
P0128.100-050-B2	10	50	M 8	20	12	5.0	5
P0128.120-012-B2	12	12	M10	24	16	6.0	6
P0128.120-016-B2	12	16	M10	24	16	6.0	6
P0128.120-020-B2	12	20	M10	24	16	6.0	6
P0128.120-025-B2	12	25	M10	24	16	6.0	6
P0128.120-030-B2	12	30	M10	24	16	6.0	6
P0128.120-040-B2	12	40	M10	24	16	6.0	6
P0128.120-050-B2	12	50	M10	24	16	6.0	6

SHOULDER SCREWS



Shoulder Screws

Shoulder Screws - Countersunk

hex drive - 316 stainless - blackened

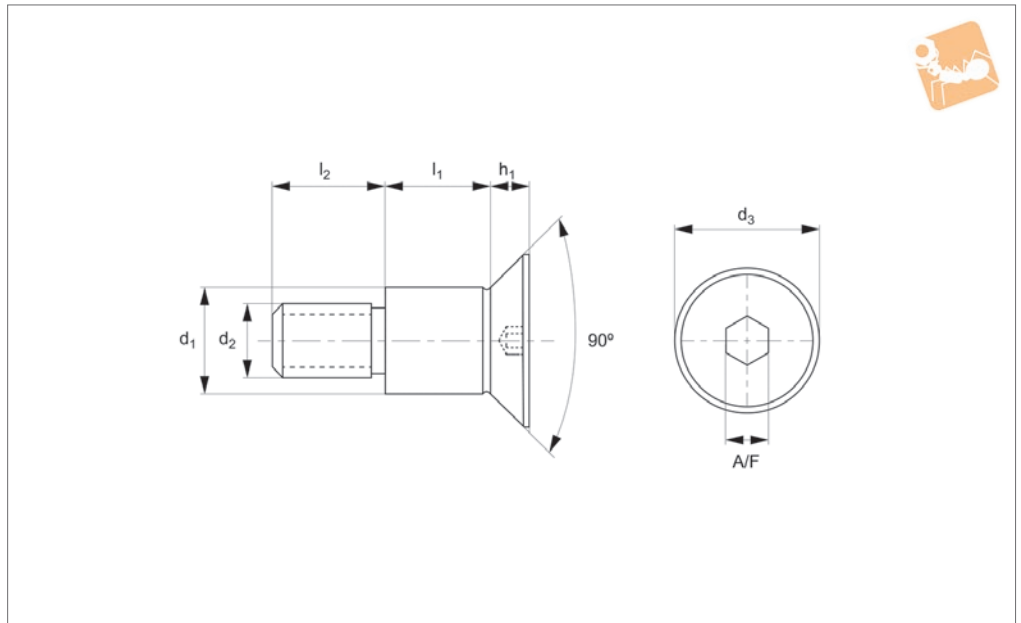


SHOULDER SCREWS



MADE IN BRITAIN

P0128.B4



Material

Stainless steel (AISI 316, 1.440), blackened.

Tensile strength 480 N/mm².

Proof stress min. 200 N/mm², austenitic stainless steel.

Technical Notes

316 Stainless provides excellent corrosion resistance for use in highly caustic or marine environments. For more standard applications please see our A2 range which is more cost effective.

Non-magnetic.

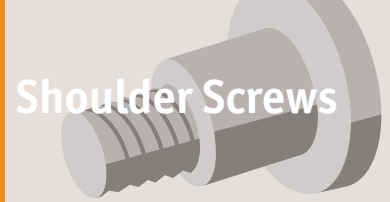
Blackening provides some further corrosion resistance

Order No.	d ₁ +0.000 -0.025	l ₁ +0.05 -0.00	d ₂ tol. G6	d ₃	l ₂ +0.05 -0.00	h ₁ +0.00 -0.05	A/F
P0128.040-010-B4	4	10	M 3	8	4	2.0	2
P0128.040-012-B4	4	12	M 3	8	4	2.0	2
P0128.040-014-B4	4	14	M 3	8	4	2.0	2
P0128.040-016-B4	4	16	M 3	8	4	2.0	2
P0128.040-018-B4	4	18	M 3	8	4	2.0	2
P0128.040-020-B4	4	20	M 3	8	4	2.0	2
P0128.040-025-B4	4	25	M 3	8	4	2.0	2
P0128.040-030-B4	4	30	M 3	8	4	2.0	2
P0128.050-010-B4	5	10	M 4	10	5	2.5	2.5
P0128.050-012-B4	5	12	M 4	10	5	2.5	2.5
P0128.050-016-B4	5	16	M 4	10	5	2.5	2.5
P0128.050-020-B4	5	20	M 4	10	5	2.5	2.5
P0128.050-025-B4	5	25	M 4	10	5	2.5	2.5
P0128.050-030-B4	5	30	M 4	10	5	2.5	2.5
P0128.050-035-B4	5	35	M 4	10	5	2.5	2.5
P0128.050-040-B4	5	40	M 4	10	5	2.5	2.5
P0128.060-010-B4	6	10	M 5	12	6	3.0	3
P0128.060-012-B4	6	12	M 5	12	6	3.0	3
P0128.060-016-B4	6	16	M 5	12	6	3.0	3
P0128.060-020-B4	6	20	M 5	12	6	3.0	3
P0128.060-025-B4	6	25	M 5	12	6	3.0	3
P0128.060-030-B4	6	30	M 5	12	6	3.0	3
P0128.060-035-B4	6	35	M 5	12	6	3.0	3
P0128.060-040-B4	6	40	M 5	12	6	3.0	3
P0128.080-010-B4	8	10	M 6	16	11	4.0	4
P0128.080-012-B4	8	12	M 6	16	11	4.0	4
P0128.080-016-B4	8	16	M 6	16	11	4.0	4
P0128.080-020-B4	8	20	M 6	16	11	4.0	4
P0128.080-025-B4	8	25	M 6	16	11	4.0	4
P0128.080-030-B4	8	30	M 6	16	11	4.0	4
P0128.080-035-B4	8	35	M 6	16	11	4.0	4
P0128.080-040-B4	8	40	M 6	16	11	4.0	4



Shoulder Screws - Countersunk

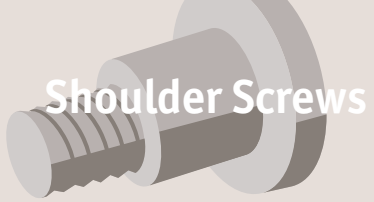
hex drive - 316 stainless - blackened



Shoulder Screws

Order No.	d_1 +0.000 -0.025	l_1 +0.05 -0.00	d_2 tol. G6	d_3	l_2 +0.05 -0.00	h_1 +0.00 -0.05	A/F
P0128.100-012-B4	10	12	M 8	20	12	5.0	5
P0128.100-016-B4	10	16	M 8	20	12	5.0	5
P0128.100-020-B4	10	20	M 8	20	12	5.0	5
P0128.100-025-B4	10	25	M 8	20	12	5.0	5
P0128.100-030-B4	10	30	M 8	20	12	5.0	5
P0128.100-040-B4	10	40	M 8	20	12	5.0	5
P0128.100-050-B4	10	50	M 8	20	12	5.0	5
P0128.120-012-B4	12	12	M10	24	16	6.0	6
P0128.120-016-B4	12	16	M10	24	16	6.0	6
P0128.120-020-B4	12	20	M10	24	16	6.0	6
P0128.120-025-B4	12	25	M10	24	16	6.0	6
P0128.120-030-B4	12	30	M10	24	16	6.0	6
P0128.120-040-B4	12	40	M10	24	16	6.0	6
P0128.120-050-B4	12	50	M10	24	16	6.0	6

SHOULDER SCREWS



Shoulder Nuts - Cap Head

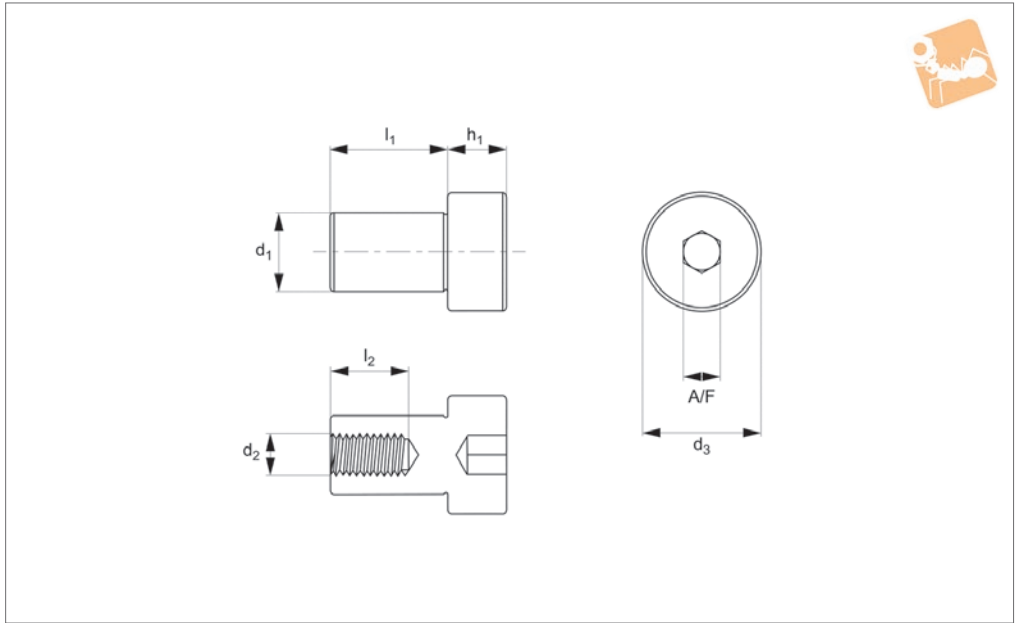
hex drive - 303 stainless - blackened



SHOULDER SCREWS



P0127.B2



Material

Stainless steel (AISI 303, 1.4305), black oxide coating.
Tensile strength 550 N/mm².

Proof stress min. 190 N/mm², austenitic stainless steel.

Technical Notes

303 stainless steel provides good resistance to corrosion, it is mildly magnetic. Blackening provides some further corro-

Order No.	d_1 +0.000 -0.025	l_1 +0.05 -0.00	d_2	d_3	l_2	h_1	A/F
P0127.040-006-B2	4	6	M 2	6	4	3	2
P0127.040-008-B2	4	8	M 2	6	4	3	2
P0127.040-010-B2	4	10	M 2	6	4	3	2
P0127.040-012-B2	4	12	M 2	6	4	3	2
P0127.040-014-B2	4	14	M 2	6	4	3	2
P0127.040-016-B2	4	16	M 2	6	4	3	2
P0127.040-018-B2	4	18	M 2	6	4	3	2
P0127.040-020-B2	4	20	M 2	6	4	3	2
P0127.050-008-B2	5	8	M 2,5	8	5	4	2.5
P0127.050-010-B2	5	10	M 2,5	8	5	4	2.5
P0127.050-012-B2	5	12	M 2,5	8	5	4	2.5
P0127.050-016-B2	5	16	M 2,5	8	5	4	2.5
P0127.050-020-B2	5	20	M 2,5	8	5	4	2.5
P0127.050-025-B2	5	25	M 2,5	8	5	4	2.5
P0127.060-008-B2	6	8	M 3	10	6	5	3
P0127.060-010-B2	6	10	M 3	10	6	5	3
P0127.060-012-B2	6	12	M 3	10	6	5	3
P0127.060-016-B2	6	16	M 3	10	6	5	3
P0127.060-020-B2	6	20	M 3	10	6	5	3
P0127.060-025-B2	6	25	M 3	10	6	5	3
P0127.060-030-B2	6	30	M 3	10	6	5	3
P0127.060-040-B2	6	40	M 3	10	6	5	3
P0127.060-050-B2	6	50	M 3	10	6	5	3
P0127.080-016-B2	8	16	M 3,5	12	11	6	4
P0127.080-020-B2	8	20	M 3,5	12	11	6	4
P0127.080-025-B2	8	25	M 3,5	12	11	6	4
P0127.080-030-B2	8	30	M 3,5	12	11	6	4
P0127.080-040-B2	8	40	M 3,5	12	11	6	4
P0127.080-050-B2	8	50	M 3,5	12	11	6	4
P0127.100-016-B2	10	16	M 4	14	12	7	5
P0127.100-020-B2	10	20	M 4	14	12	7	5
P0127.100-025-B2	10	25	M 4	14	12	7	5
P0127.100-030-B2	10	30	M 4	14	12	7	5
P0127.100-040-B2	10	40	M 4	14	12	7	5



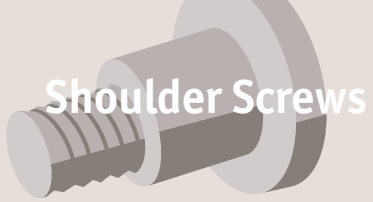
Shoulder Nuts - Cap Head

hex drive - 303 stainless - blackened

Shoulder Screws



Order No.	d_1 +0.000 -0.025	l_1 +0.05 -0.00	d_2	d_3	l_2	h_1	A/F
P0127.120-025-B2	12	25	M 5	20	16	8	6
P0127.120-030-B2	12	30	M 5	20	16	8	6
P0127.120-040-B2	12	40	M 5	20	16	8	6
P0127.120-050-B2	12	50	M 5	20	16	8	6



Shoulder Nuts - Cap Head

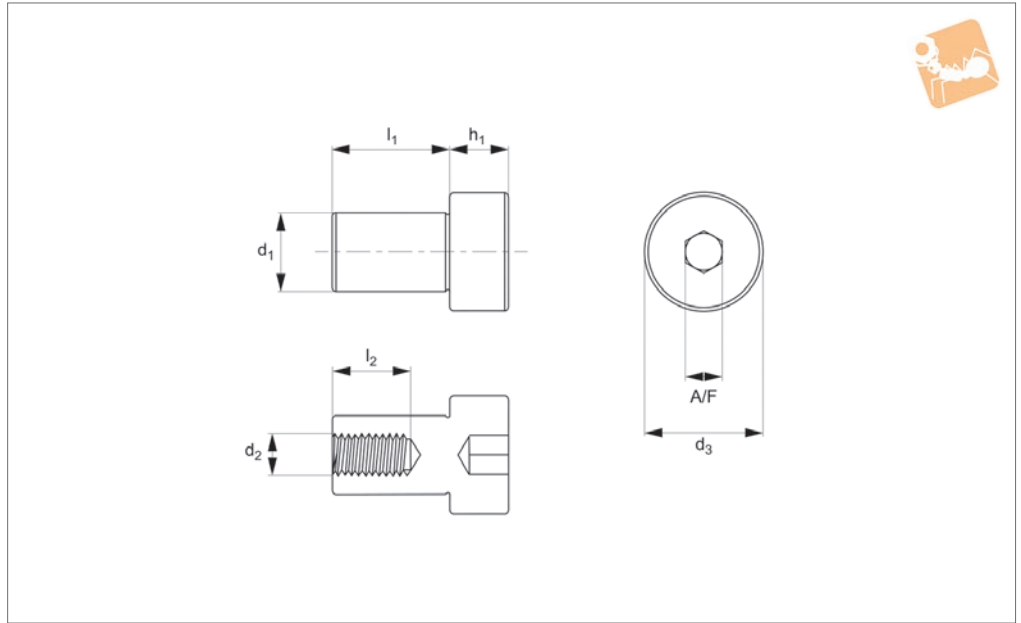
hex drive - 316 stainless - blackened



SHOULDER SCREWS



P0127.B4



Material

Stainless steel (AISI 316, 1.440), black oxide coating.
Tensile strength 480 N/mm².

Proof stress min. 200 N/mm², austenitic stainless steel.

Technical Notes

It is non-magnetic.
Blackening provides some further corrosion resistance.

Order No.	d_1 +0.000 -0.025	l_1 +0.05 -0.00	d_2	d_3	l_2	h_1	A/F
P0127.040-006-B4	4	6	M 2	6	4	3	2
P0127.040-008-B4	4	8	M 2	6	4	3	2
P0127.040-010-B4	4	10	M 2	6	4	3	2
P0127.040-012-B4	4	12	M 2	6	4	3	2
P0127.040-014-B4	4	14	M 2	6	4	3	2
P0127.040-016-B4	4	16	M 2	6	4	3	2
P0127.040-018-B4	4	18	M 2	6	4	3	2
P0127.040-020-B4	4	20	M 2	6	4	3	2
P0127.050-008-B4	5	8	M 2,5	8	5	4	2.5
P0127.050-010-B4	5	10	M 2,5	8	5	4	2.5
P0127.050-012-B4	5	12	M 2,5	8	5	4	2.5
P0127.050-016-B4	5	16	M 2,5	8	5	4	2.5
P0127.050-020-B4	5	20	M 2,5	8	5	4	2.5
P0127.050-025-B4	5	25	M 2,5	8	5	4	2.5
P0127.060-008-B4	6	8	M 3	10	6	5	3
P0127.060-010-B4	6	10	M 3	10	6	5	3
P0127.060-012-B4	6	12	M 3	10	6	5	3
P0127.060-016-B4	6	16	M 3	10	6	5	3
P0127.060-020-B4	6	20	M 3	10	6	5	3
P0127.060-025-B4	6	25	M 3	10	6	5	3
P0127.060-030-B4	6	30	M 3	10	6	5	3
P0127.060-040-B4	6	40	M 3	10	6	5	3
P0127.060-050-B4	6	50	M 3	10	6	5	3
P0127.080-016-B4	8	16	M 3,5	12	11	6	4
P0127.080-020-B4	8	20	M 3,5	12	11	6	4
P0127.080-025-B4	8	25	M 3,5	12	11	6	4
P0127.080-030-B4	8	30	M 3,5	12	11	6	4
P0127.080-040-B4	8	40	M 3,5	12	11	6	4
P0127.080-050-B4	8	50	M 3,5	12	11	6	4
P0127.100-016-B4	10	16	M 4	14	12	7	5
P0127.100-020-B4	10	20	M 4	14	12	7	5
P0127.100-025-B4	10	25	M 4	14	12	7	5
P0127.100-030-B4	10	30	M 4	14	12	7	5
P0127.100-040-B4	10	40	M 4	14	12	7	5



Shoulder Nuts - Cap Head

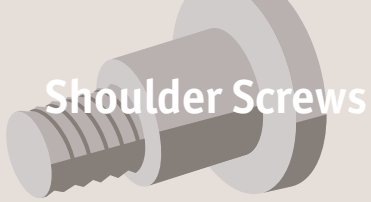
hex drive - 316 stainless - blackened

Shoulder Screws



Order No.	d_1 +0.000 -0.025	l_1 +0.05 -0.00	d_2	d_3	l_2	h_1	A/F
P0127.120-025-B4	12	25	M 5	20	16	8	6
P0127.120-030-B4	12	30	M 5	20	16	8	6
P0127.120-040-B4	12	40	M 5	20	16	8	6
P0127.120-050-B4	12	50	M 5	20	16	8	6

SHOULDER SCREWS



Shoulder Screws

Shoulder Screw - Cap Head slot drive - 303 stainless, blackened

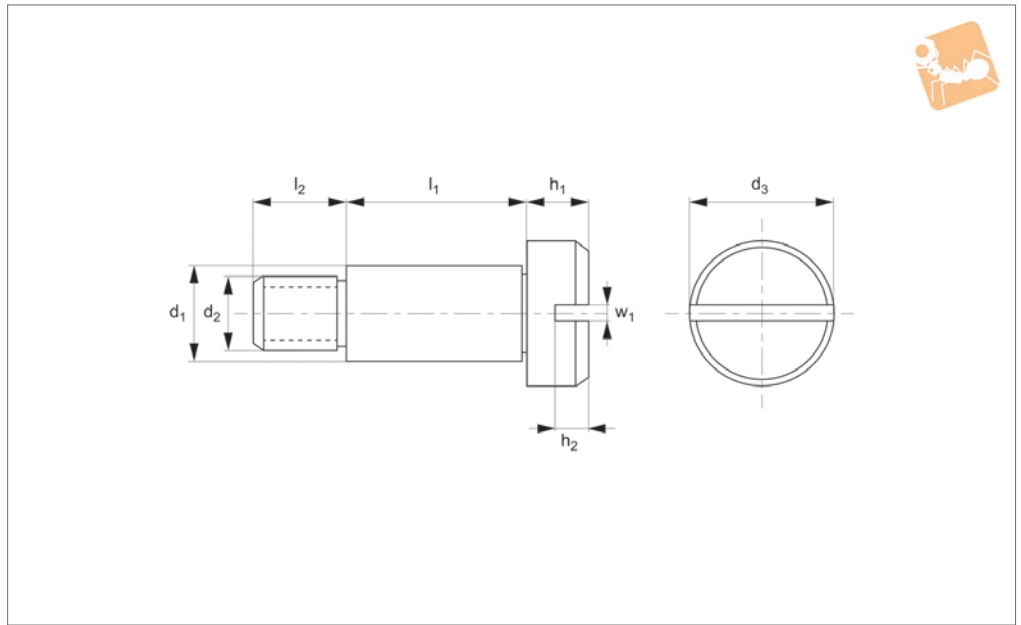


SHOULDER SCREWS



MADE IN BRITAIN

P0132.B2



Material

Stainless steel (AISI 303, 1.4305) black oxide coating. Tensile strength 550 N/mm². Proof stress min. 190 N/mm², austenitic stainless steel.

resistance to corrosion. It is mildly magnetic.

These shoulder screws are less expensive than the 416 steel grade (see part no. P0133), which are harder but less resistant to corrosion.

For Ø16 (and above) stainless steel shoulder screws see part no. P0137.

Special lengths and diameters produced to drawings.

Technical Notes

303 series stainless steel provides good

Order No.	d ₁ +0 -0.025	l ₁ +0.05 -0.0	d ₂	d ₃	l ₂	h ₁	h ₂	w ₁
P0132.040-004-B2	4	4	M 3	6	4.0	3	0.9	0.8
P0132.040-005-B2	4	5	M 3	6	4.0	3	0.9	0.8
P0132.040-006-B2	4	6	M 3	6	4.0	3	0.9	0.8
P0132.040-008-B2	4	8	M 3	6	4.0	3	0.9	0.8
P0132.040-010-B2	4	10	M 3	6	4.0	3	0.9	0.8
P0132.040-012-B2	4	12	M 3	6	4.0	3	0.9	0.8
P0132.040-016-B2	4	16	M 3	6	4.0	3	0.9	0.8
P0132.040-020-B2	4	20	M 3	6	4.0	3	0.9	0.8
P0132.050-004-B2	5	4	M 4	8	5.0	4	1.2	1.0
P0132.050-005-B2	5	5	M 4	8	5.0	4	1.2	1.0
P0132.050-006-B2	5	6	M 4	8	5.0	4	1.2	1.0
P0132.050-008-B2	5	8	M 4	8	5.0	4	1.2	1.0
P0132.050-010-B2	5	10	M 4	8	5.0	4	1.2	1.0
P0132.050-012-B2	5	12	M 4	8	5.0	4	1.2	1.0
P0132.050-014-B2	5	14	M 4	8	5.0	4	1.2	1.0
P0132.050-016-B2	5	16	M 4	8	5.0	4	1.2	1.0
P0132.050-020-B2	5	20	M 4	8	5.0	4	1.2	1.0
P0132.050-025-B2	5	25	M 4	8	5.0	4	1.2	1.0
P0132.050-030-B2	5	30	M 4	8	5.0	4	1.2	1.0
P0132.060-004-B2	6	4	M 5	10	6.0	5	1.3	1.2
P0132.060-005-B2	6	5	M 5	10	6.0	5	1.3	1.2
P0132.060-006-B2	6	6	M 5	10	6.0	5	1.3	1.2
P0132.060-008-B2	6	8	M 5	10	6.0	5	1.3	1.2
P0132.060-010-B2	6	10	M 5	10	6.0	5	1.3	1.2
P0132.060-012-B2	6	12	M 5	10	6.0	5	1.3	1.2
P0132.060-014-B2	6	14	M 5	10	6.0	5	1.3	1.2
P0132.060-016-B2	6	16	M 5	10	6.0	5	1.3	1.2
P0132.060-020-B2	6	20	M 5	10	6.0	5	1.3	1.2
P0132.060-025-B2	6	25	M 5	10	6.0	5	1.3	1.2
P0132.060-030-B2	6	30	M 5	10	6.0	5	1.3	1.2



Shoulder Screw - Cap Head

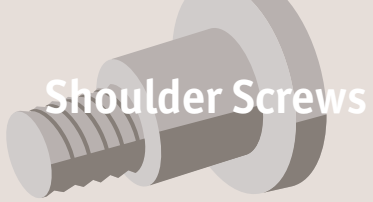
slot drive - 303 stainless, blackened

Shoulder Screws



Order No.	d_1 +0 -0.025	l_1 +0.05 -0.0	d_2	d_3	l_2	h_1	h_2	w_1
P0132.080-006-B2	8	6	M 6	12	11.0	6	1.5	1.6
P0132.080-008-B2	8	8	M 6	12	11.0	6	1.5	1.6
P0132.080-010-B2	8	10	M 6	12	11.0	6	1.5	1.6
P0132.080-012-B2	8	12	M 6	12	11.0	6	1.5	1.6
P0132.080-016-B2	8	16	M 6	12	11.0	6	1.5	1.6
P0132.080-020-B2	8	20	M 6	12	11.0	6	1.5	1.6
P0132.100-008-B2	10	8	M 6	14	11.0	6	1.5	1.6
P0132.100-012-B2	10	12	M 6	14	11.0	6	1.5	1.6
P0132.101-008-B2	10	8	M 8	14	12.0	7	1.9	2.0
P0132.101-010-B2	10	10	M 8	14	12.0	7	1.9	2.0
P0132.101-012-B2	10	12	M 8	14	12.0	7	1.9	2.0
P0132.101-016-B2	10	16	M 8	14	12.0	7	1.9	2.0
P0132.120-008-B2	12	8	M10	20	16.0	8	2.4	2.5
P0132.120-010-B2	12	10	M10	20	16.0	8	2.4	2.5
P0132.120-012-B2	12	12	M10	20	16.0	8	2.4	2.5
P0132.120-016-B2	12	16	M10	20	16.0	8	2.4	2.5
P0132.120-020-B2	12	20	M10	20	16.0	8	2.4	2.5
P0132.120-025-B2	12	25	M10	20	16.0	8	2.4	2.5

SHOULDER SCREWS



Shoulder Screws

Ultra Low Head - Shoulder Screw

hex drive - 303 stainless, blackened

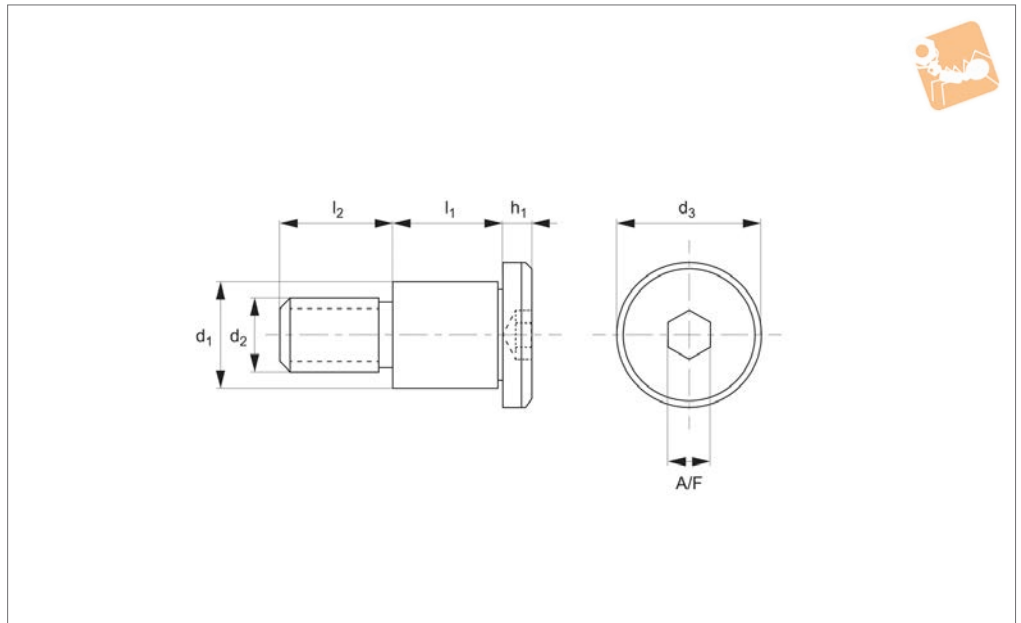


SHOULDER SCREWS



MADE IN BRITAIN

P0134.B2



Material

Stainless steel (AISI 303, 1.4305), black oxide coating. Tensile strength 550 N/mm². Proof stress min. 190 N/mm², austenitic stainless steel.

Technical Notes

These very low profile socket shoulder screws have a head height approximately 1/3 that of normal shoulder screws (P0130).

303 Series stainless is suitable for pharmaceutical and other applications. Stainless steel suitable for marine and other applications.

Order No.	d ₁ +0 -0.025	l ₁ +0.05 -0.0	d ₂	d ₃	l ₂	h ₁	A/F
P0134.040-004-B2	4	4	M 3	6	4	1.3	2
P0134.040-005-B2	4	5	M 3	6	4	1.3	2
P0134.040-006-B2	4	6	M 3	6	4	1.3	2
P0134.040-008-B2	4	8	M 3	6	4	1.3	2
P0134.040-010-B2	4	10	M 3	6	4	1.3	2
P0134.040-012-B2	4	12	M 3	6	4	1.3	2
P0134.040-016-B2	4	16	M 3	6	4	1.3	2
P0134.040-020-B2	4	20	M 3	6	4	1.3	2
P0134.050-004-B2	5	4	M 4	9	5	1.3	2.5
P0134.050-005-B2	5	5	M 4	9	5	1.3	2.5
P0134.050-006-B2	5	6	M 4	9	5	1.3	2.5
P0134.050-008-B2	5	8	M 4	9	5	1.3	2.5
P0134.050-010-B2	5	10	M 4	9	5	1.3	2.5
P0134.050-012-B2	5	12	M 4	9	5	1.3	2.5
P0134.050-016-B2	5	16	M 4	9	5	1.3	2.5
P0134.050-020-B2	5	20	M 4	9	5	1.3	2.5
P0134.050-025-B2	5	25	M 4	9	5	1.3	2.5
P0134.050-030-B2	5	30	M 4	9	5	1.3	2.5
P0134.050-040-B2	5	40	M 4	9	5	1.3	2.5
P0134.060-004-B2	6	4	M 5	10	6	1.7	3
P0134.060-005-B2	6	5	M 5	10	6	1.7	3
P0134.060-006-B2	6	6	M 5	10	6	1.7	3
P0134.060-008-B2	6	8	M 5	10	6	1.7	3
P0134.060-010-B2	6	10	M 5	10	6	1.7	3
P0134.060-012-B2	6	12	M 5	10	6	1.7	3
P0134.060-016-B2	6	16	M 5	10	6	1.7	3
P0134.060-020-B2	6	20	M 5	10	6	1.7	3
P0134.060-025-B2	6	25	M 5	10	6	1.7	3
P0134.060-030-B2	6	30	M 5	10	6	1.7	3
P0134.060-040-B2	6	40	M 5	10	6	1.7	3
P0134.080-006-B2	8	6	M 6	13	11	2.0	4
P0134.080-008-B2	8	8	M 6	13	11	2.0	4
P0134.080-010-B2	8	10	M 6	13	11	2.0	4



Ultra Low Head - Shoulder Screw

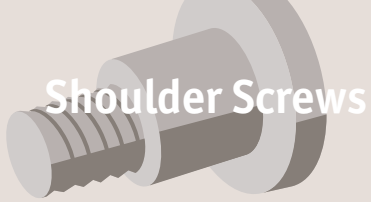
hex drive - 303 stainless, blackened

Shoulder Screws



Order No.	d ₁ +0 -0.025	l ₁ +0.05 -0.0	d ₂	d ₃	l ₂	h ₁	A/F
P0134.080-012-B2	8	12	M 6	13	11	2.0	4
P0134.080-016-B2	8	16	M 6	13	11	2.0	4
P0134.080-020-B2	8	20	M 6	13	11	2.0	4
P0134.080-025-B2	8	25	M 6	13	11	2.0	4
P0134.080-030-B2	8	30	M 6	13	11	2.0	4
P0134.080-040-B2	8	40	M 6	13	11	2.0	4
P0134.100-008-B2	10	8	M 8	14	12	2.7	5
P0134.100-010-B2	10	10	M 8	14	12	2.7	5
P0134.100-012-B2	10	12	M 8	14	12	2.7	5
P0134.100-016-B2	10	16	M 8	14	12	2.7	5
P0134.100-020-B2	10	20	M 8	14	12	2.7	5
P0134.100-025-B2	10	25	M 8	14	12	2.7	5
P0134.100-030-B2	10	30	M 8	14	12	2.7	5
P0134.100-040-B2	10	40	M 8	14	12	2.7	5
P0134.100-050-B2	10	50	M 8	14	12	2.7	5
P0134.120-010-B2	12	10	M10	20	16	3.5	6
P0134.120-012-B2	12	12	M10	20	16	3.5	6
P0134.120-016-B2	12	16	M10	20	16	3.5	6
P0134.120-020-B2	12	20	M10	20	16	3.5	6
P0134.120-025-B2	12	25	M10	20	16	3.5	6
P0134.120-030-B2	12	30	M10	20	16	3.5	6
P0134.120-040-B2	12	40	M10	20	16	3.5	6
P0134.120-050-B2	12	50	M10	20	16	3.5	6

SHOULDER SCREWS



Shoulder Screws

Ultra Low Head - Shoulder Screw

hex drive - 316 stainless, blackened

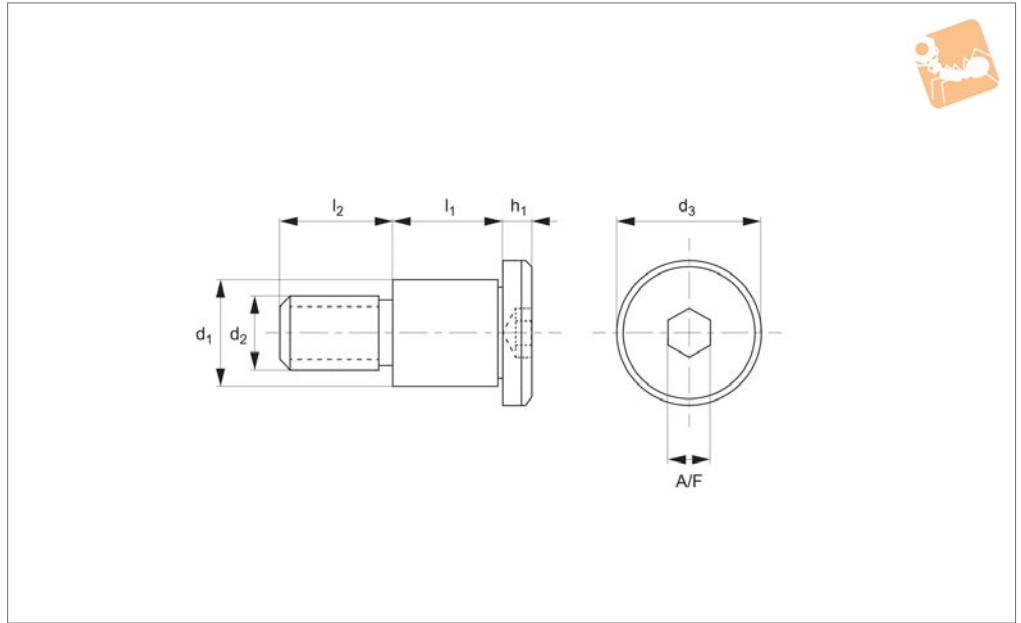


SHOULDER SCREWS



MADE IN BRITAIN

P0134.B4



Material

Stainless steel (AISI 316, 1.440), black oxide coating. Tensile strength 480 N/mm². Proof stress min. 200 N/mm², austenitic stainless steel.

Technical Notes

These very low profile socket shoulder screws have a head height approximately 1/3 that of normal shoulder screws (P0130).

316 Series stainless have excellent corrosion resistance. Stainless steel suitable for marine and other applications.

Order No.	d ₁ +0 -0.025	l ₁ +0.05 -0.0	d ₂	d ₃	l ₂	h ₁	A/F
P0134.040-004-B4	4	4	M 3	6	4	1.3	2
P0134.040-005-B4	4	5	M 3	6	4	1.3	2
P0134.040-006-B4	4	6	M 3	6	4	1.3	2
P0134.040-008-B4	4	8	M 3	6	4	1.3	2
P0134.040-010-B4	4	10	M 3	6	4	1.3	2
P0134.040-012-B4	4	12	M 3	6	4	1.3	2
P0134.040-016-B4	4	16	M 3	6	4	1.3	2
P0134.040-020-B4	4	20	M 3	6	4	1.3	2
P0134.050-004-B4	5	4	M 4	9	5	1.3	2.5
P0134.050-005-B4	5	5	M 4	9	5	1.3	2.5
P0134.050-006-B4	5	6	M 4	9	5	1.3	2.5
P0134.050-008-B4	5	8	M 4	9	5	1.3	2.5
P0134.050-010-B4	5	10	M 4	9	5	1.3	2.5
P0134.050-012-B4	5	12	M 4	9	5	1.3	2.5
P0134.050-016-B4	5	16	M 4	9	5	1.3	2.5
P0134.050-020-B4	5	20	M 4	9	5	1.3	2.5
P0134.050-025-B4	5	25	M 4	9	5	1.3	2.5
P0134.050-030-B4	5	30	M 4	9	5	1.3	2.5
P0134.050-040-B4	5	40	M 4	9	5	1.3	2.5
P0134.060-004-B4	6	4	M 5	10	6	1.7	3
P0134.060-005-B4	6	5	M 5	10	6	1.7	3
P0134.060-006-B4	6	6	M 5	10	6	1.7	3
P0134.060-008-B4	6	8	M 5	10	6	1.7	3
P0134.060-010-B4	6	10	M 5	10	6	1.7	3
P0134.060-012-B4	6	12	M 5	10	6	1.7	3
P0134.060-016-B4	6	16	M 5	10	6	1.7	3
P0134.060-020-B4	6	20	M 5	10	6	1.7	3
P0134.060-025-B4	6	25	M 5	10	6	1.7	3
P0134.060-030-B4	6	30	M 5	10	6	1.7	3
P0134.060-040-B4	6	40	M 5	10	6	1.7	3
P0134.080-006-B4	8	6	M 6	13	11	2.0	4
P0134.080-008-B4	8	8	M 6	13	11	2.0	4
P0134.080-010-B4	8	10	M 6	13	11	2.0	4



Ultra Low Head - Shoulder Screw

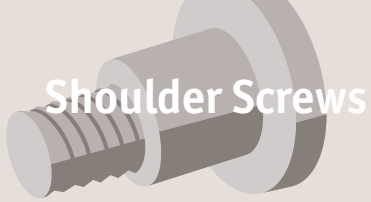
hex drive - 316 stainless, blackened

Shoulder Screws



Order No.	d_1 +0 -0.025	l_1 +0.05 -0.0	d_2	d_3	l_2	h_1	A/F
P0134.080-012-B4	8	12	M 6	13	11	2.0	4
P0134.080-016-B4	8	16	M 6	13	11	2.0	4
P0134.080-020-B4	8	20	M 6	13	11	2.0	4
P0134.080-025-B4	8	25	M 6	13	11	2.0	4
P0134.080-030-B4	8	30	M 6	13	11	2.0	4
P0134.080-040-B4	8	40	M 6	13	11	2.0	4
P0134.100-008-B4	10	8	M 8	14	12	2.7	5
P0134.100-010-B4	10	10	M 8	14	12	2.7	5
P0134.100-012-B4	10	12	M 8	14	12	2.7	5
P0134.100-016-B4	10	16	M 8	14	12	2.7	5
P0134.100-020-B4	10	20	M 8	14	12	2.7	5
P0134.100-025-B4	10	25	M 8	14	12	2.7	5
P0134.100-030-B4	10	30	M 8	14	12	2.7	5
P0134.100-040-B4	10	40	M 8	14	12	2.7	5
P0134.100-050-B4	10	50	M 8	14	12	2.7	5
P0134.120-010-B4	12	10	M10	20	16	3.5	6
P0134.120-012-B4	12	12	M10	20	16	3.5	6
P0134.120-016-B4	12	16	M10	20	16	3.5	6
P0134.120-020-B4	12	20	M10	20	16	3.5	6
P0134.120-025-B4	12	25	M10	20	16	3.5	6
P0134.120-030-B4	12	30	M10	20	16	3.5	6
P0134.120-040-B4	12	40	M10	20	16	3.5	6
P0134.120-050-B4	12	50	M10	20	16	3.5	6

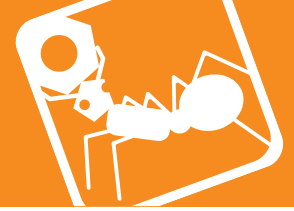
SHOULDER SCREWS



Shoulder Screws

Shoulder Screws - Cap Head

TX drive - 303 stainless - blackened

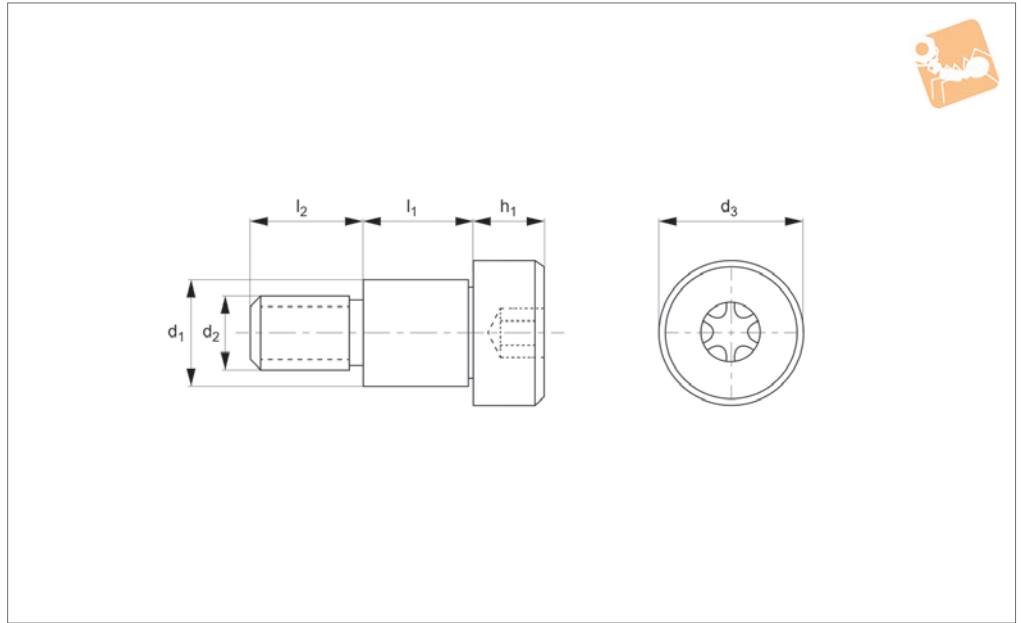


SHOULDER SCREWS



MADE IN BRITAIN

P0145.B2



Material

Stainless steel (AISI 303, 1.4305) black oxide coating.
Tensile strength 550 N/mm².

Proof stress min. 190 N/mm², austenitic stainless steel.

Technical Notes

303 series stainless steel provides good resistance to corrosion. It is mildly magnetic.

Order No.	d ₁ +0 -0.025	l ₁ +0.05 -0.0	d ₂	d ₃	l ₂	h ₁	TX size
P0145.040-002-B2	4	2	M 3	6	4	3	TX-10
P0145.040-003-B2	4	3	M 3	6	4	3	TX-10
P0145.040-004-B2	4	4	M 3	6	4	3	TX-10
P0145.040-005-B2	4	5	M 3	6	4	3	TX-10
P0145.040-006-B2	4	6	M 3	6	4	3	TX-10
P0145.040-007-B2	4	7	M 3	6	4	3	TX-10
P0145.040-008-B2	4	8	M 3	6	4	3	TX-10
P0145.040-010-B2	4	10	M 3	6	4	3	TX-10
P0145.040-012-B2	4	12	M 3	6	4	3	TX-10
P0145.040-014-B2	4	14	M 3	6	4	3	TX-10
P0145.040-016-B2	4	16	M 3	6	4	3	TX-10
P0145.040-018-B2	4	18	M 3	6	4	3	TX-10
P0145.040-020-B2	4	20	M 3	6	4	3	TX-10
P0145.040-025-B2	4	25	M 3	6	4	3	TX-10
P0145.040-030-B2	4	30	M 3	6	4	3	TX-10
P0145.040-035-B2	4	35	M 3	6	4	3	TX-10
P0145.040-040-B2	4	40	M 3	6	4	3	TX-10
P0145.040-045-B2	4	45	M 3	6	4	3	TX-10
P0145.040-050-B2	4	50	M 3	6	4	3	TX-10
P0145.050-002-B2	5	2	M 4	8	5	4	TX-20
P0145.050-003-B2	5	3	M 4	8	5	4	TX-20
P0145.050-004-B2	5	4	M 4	8	5	4	TX-20
P0145.050-005-B2	5	5	M 4	8	5	4	TX-20
P0145.050-006-B2	5	6	M 4	8	5	4	TX-20
P0145.050-007-B2	5	7	M 4	8	5	4	TX-20
P0145.050-008-B2	5	8	M 4	8	5	4	TX-20
P0145.050-010-B2	5	10	M 4	8	5	4	TX-20
P0145.050-012-B2	5	12	M 4	8	5	4	TX-20
P0145.050-014-B2	5	14	M 4	8	5	4	TX-20
P0145.050-016-B2	5	16	M 4	8	5	4	TX-20
P0145.050-018-B2	5	18	M 4	8	5	4	TX-20
P0145.050-020-B2	5	20	M 4	8	5	4	TX-20
P0145.050-025-B2	5	25	M 4	8	5	4	TX-20
P0145.050-030-B2	5	30	M 4	8	5	4	TX-20



Shoulder Screws - Cap Head

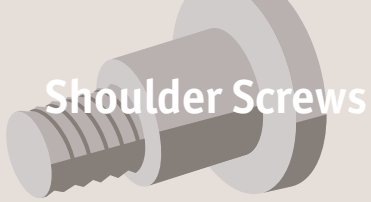
TX drive - 303 stainless - blackened

Shoulder Screws



Order No.	d ₁ +0 -0.025	l ₁ +0.05 -0.0	d ₂	d ₃	l ₂	h ₁	TX size
P0145.050-035-B2	5	35	M 4	8	5	4	TX-20
P0145.050-040-B2	5	40	M 4	8	5	4	TX-20
P0145.050-045-B2	5	45	M 4	8	5	4	TX-20
P0145.050-050-B2	5	50	M 4	8	5	4	TX-20
P0145.060-002-B2	6	2	M 5	10	6	5	TX-25
P0145.060-003-B2	6	3	M 5	10	6	5	TX-25
P0145.060-004-B2	6	4	M 5	10	6	5	TX-25
P0145.060-005-B2	6	5	M 5	10	6	5	TX-25
P0145.060-006-B2	6	6	M 5	10	6	5	TX-25
P0145.060-007-B2	6	7	M 5	10	6	5	TX-25
P0145.060-008-B2	6	8	M 5	10	6	5	TX-25
P0145.060-010-B2	6	10	M 5	10	6	5	TX-25
P0145.060-012-B2	6	12	M 5	10	6	5	TX-25
P0145.060-014-B2	6	14	M 5	10	6	5	TX-25
P0145.060-016-B2	6	16	M 5	10	6	5	TX-25
P0145.060-018-B2	6	18	M 5	10	6	5	TX-25
P0145.060-020-B2	6	20	M 5	10	6	5	TX-25
P0145.060-025-B2	6	25	M 5	10	6	5	TX-25
P0145.060-030-B2	6	30	M 5	10	6	5	TX-25
P0145.060-035-B2	6	35	M 5	10	6	5	TX-25
P0145.060-040-B2	6	40	M 5	10	6	5	TX-25
P0145.060-045-B2	6	45	M 5	10	6	5	TX-25
P0145.060-050-B2	6	50	M 5	10	6	5	TX-25
P0145.060-055-B2	6	55	M 5	10	6	5	TX-25
P0145.060-060-B2	6	60	M 5	10	6	5	TX-25
P0145.060-070-B2	6	70	M 5	10	6	5	TX-25
P0145.060-080-B2	6	80	M 5	10	6	5	TX-25
P0145.060-090-B2	6	90	M 5	10	6	5	TX-25
P0145.060-100-B2	6	100	M 5	10	6	5	TX-25
P0145.080-004-B2	8	4	M 6	12	11	6	TX-30
P0145.080-005-B2	8	5	M 6	12	11	6	TX-30
P0145.080-006-B2	8	6	M 6	12	11	6	TX-30
P0145.080-007-B2	8	7	M 6	12	11	6	TX-30
P0145.080-008-B2	8	8	M 6	12	11	6	TX-30
P0145.080-010-B2	8	10	M 6	12	11	6	TX-30
P0145.080-012-B2	8	12	M 6	12	11	6	TX-30
P0145.080-014-B2	8	14	M 6	12	11	6	TX-30
P0145.080-016-B2	8	16	M 6	12	11	6	TX-30
P0145.080-018-B2	8	18	M 6	12	11	6	TX-30
P0145.080-020-B2	8	20	M 6	12	11	6	TX-30
P0145.080-025-B2	8	25	M 6	12	11	6	TX-30
P0145.080-030-B2	8	30	M 6	12	11	6	TX-30
P0145.080-035-B2	8	35	M 6	12	11	6	TX-30
P0145.080-040-B2	8	40	M 6	12	11	6	TX-30
P0145.080-045-B2	8	45	M 6	12	11	6	TX-30
P0145.080-050-B2	8	50	M 6	12	11	6	TX-30
P0145.080-055-B2	8	55	M 6	12	11	6	TX-30
P0145.080-060-B2	8	60	M 6	12	11	6	TX-30
P0145.080-065-B2	8	65	M 6	12	11	6	TX-30
P0145.080-070-B2	8	70	M 6	12	11	6	TX-30
P0145.080-075-B2	8	75	M 6	12	11	6	TX-30
P0145.080-080-B2	8	80	M 6	12	11	6	TX-30
P0145.080-090-B2	8	90	M 6	12	11	6	TX-30
P0145.080-100-B2	8	100	M 6	12	11	6	TX-30
P0145.100-008-B2	10	8	M 8	14	12	7	TX-45
P0145.100-010-B2	10	10	M 8	14	12	7	TX-45
P0145.100-012-B2	10	12	M 8	14	12	7	TX-45
P0145.100-014-B2	10	14	M 8	14	12	7	TX-45
P0145.100-016-B2	10	16	M 8	14	12	7	TX-45
P0145.100-018-B2	10	18	M 8	14	12	7	TX-45
P0145.100-020-B2	10	20	M 8	14	12	7	TX-45
P0145.100-025-B2	10	25	M 8	14	12	7	TX-45
P0145.100-030-B2	10	30	M 8	14	12	7	TX-45
P0145.100-035-B2	10	35	M 8	14	12	7	TX-45
P0145.100-040-B2	10	40	M 8	14	12	7	TX-45
P0145.100-045-B2	10	45	M 8	14	12	7	TX-45
P0145.100-050-B2	10	50	M 8	14	12	7	TX-45
P0145.100-055-B2	10	55	M 8	14	12	7	TX-45

SHOULDER SCREWS



Shoulder Screws

Shoulder Screws - Cap Head

TX drive - 303 stainless - blackened



SHOULDER SCREWS

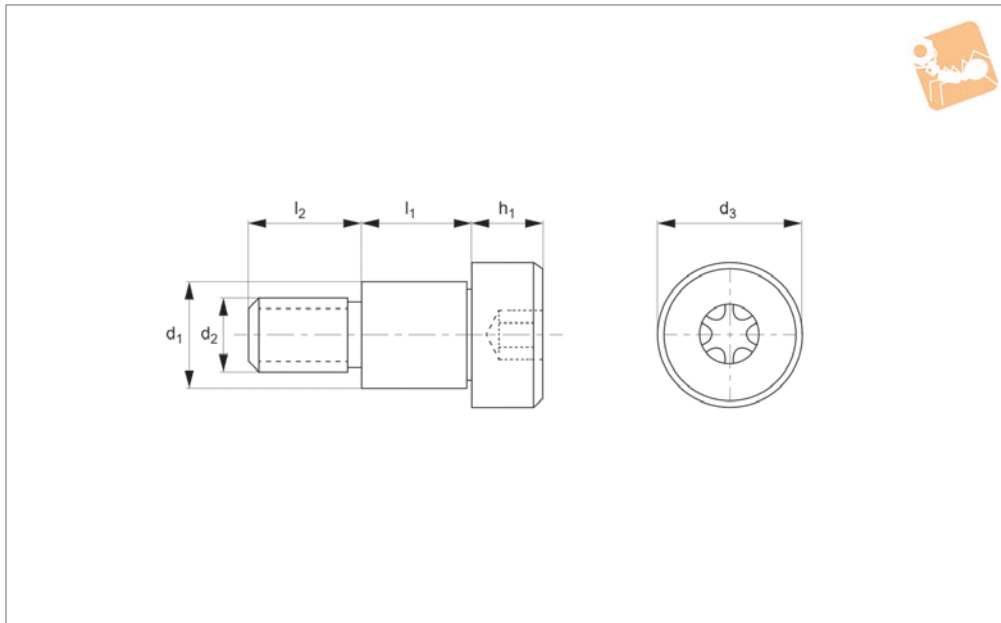
Order No.	d ₁ +0 -0.025	l ₁ +0.05 -0.0	d ₂	d ₃	l ₂	h ₁	TX size
P0145.100-060-B2	10	60	M 8	14	12	7	TX-45
P0145.100-065-B2	10	65	M 8	14	12	7	TX-45
P0145.100-070-B2	10	70	M 8	14	12	7	TX-45
P0145.100-080-B2	10	80	M 8	14	12	7	TX-45
P0145.100-090-B2	10	90	M 8	14	12	7	TX-45
P0145.100-100-B2	10	100	M 8	14	12	7	TX-45
P0145.120-008-B2	12	8	M10	20	16	8	TX-50
P0145.120-010-B2	12	10	M10	20	16	8	TX-50
P0145.120-012-B2	12	12	M10	20	16	8	TX-50
P0145.120-014-B2	12	14	M10	20	16	8	TX-50
P0145.120-016-B2	12	16	M10	20	16	8	TX-50
P0145.120-018-B2	12	18	M10	20	16	8	TX-50
P0145.120-020-B2	12	20	M10	20	16	8	TX-50
P0145.120-025-B2	12	25	M10	20	16	8	TX-50
P0145.120-030-B2	12	30	M10	20	16	8	TX-50
P0145.120-035-B2	12	35	M10	20	16	8	TX-50
P0145.120-040-B2	12	40	M10	20	16	8	TX-50
P0145.120-045-B2	12	45	M10	20	16	8	TX-50
P0145.120-050-B2	12	50	M10	20	16	8	TX-50
P0145.120-055-B2	12	55	M10	20	16	8	TX-50
P0145.120-060-B2	12	60	M10	20	16	8	TX-50
P0145.120-065-B2	12	65	M10	20	16	8	TX-50
P0145.120-070-B2	12	70	M10	20	16	8	TX-50
P0145.120-075-B2	12	75	M10	20	16	8	TX-50
P0145.120-080-B2	12	80	M10	20	16	8	TX-50
P0145.120-090-B2	12	90	M10	20	16	8	TX-50
P0145.120-100-B2	12	100	M10	20	16	8	TX-50
P0145.160-025-B2	16	25	M12	24	18	11	TX-60
P0145.160-030-B2	16	30	M12	24	18	11	TX-60
P0145.160-035-B2	16	35	M12	24	18	11	TX-60
P0145.160-040-B2	16	40	M12	24	18	11	TX-60
P0145.160-045-B2	16	45	M12	24	18	11	TX-60
P0145.160-050-B2	16	50	M12	24	18	11	TX-60
P0145.160-055-B2	16	55	M12	24	18	11	TX-60
P0145.160-060-B2	16	60	M12	24	18	11	TX-60
P0145.160-065-B2	16	65	M12	24	18	11	TX-60
P0145.160-070-B2	16	70	M12	24	18	11	TX-60
P0145.160-075-B2	16	75	M12	24	18	11	TX-60
P0145.160-080-B2	16	80	M12	24	18	11	TX-60
P0145.160-090-B2	16	90	M12	24	18	11	TX-60
P0145.160-100-B2	16	100	M12	24	18	11	TX-60
P0145.200-030-B2	20	30	M16	30	22	14	TX-70
P0145.200-035-B2	20	35	M16	30	22	14	TX-70
P0145.200-040-B2	20	40	M16	30	22	14	TX-70
P0145.200-045-B2	20	45	M16	30	22	14	TX-70
P0145.200-050-B2	20	50	M16	30	22	14	TX-70
P0145.200-055-B2	20	55	M16	30	22	14	TX-70
P0145.200-060-B2	20	60	M16	30	22	14	TX-70
P0145.200-065-B2	20	65	M16	30	22	14	TX-70
P0145.200-070-B2	20	70	M16	30	22	14	TX-70
P0145.200-075-B2	20	75	M16	30	22	14	TX-70
P0145.200-080-B2	20	80	M16	30	22	14	TX-70
P0145.200-090-B2	20	90	M16	30	22	14	TX-70
P0145.200-100-B2	20	100	M16	30	22	14	TX-70



Shoulder Screws - Cap Head

TX drive - 316 stainless - blackened

Shoulder Screws



P0145.B4

SHOULDER SCREWS

Material

Stainless steel (AISI 316, 1.440) black oxide coating.
316 series tensile strength 480 N/mm², proof stress min. 200 N/mm², austenitic

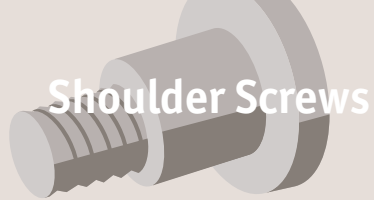
stainless steel.

Technical Notes

Highly resistant to corrosion (including from salt water).

Shim washers can be used to reduce shoulder length if required. It is non-magnetic.

Order No.	d ₁ +0 -0.025	l ₁ +0.05 -0.0	d ₂	d ₃	l ₂	h ₁	TX size
P0145.040-002-B4	4	2	M 3	6	4	3	TX-10
P0145.040-003-B4	4	3	M 3	6	4	3	TX-10
P0145.040-004-B4	4	4	M 3	6	4	3	TX-10
P0145.040-005-B4	4	5	M 3	6	4	3	TX-10
P0145.040-006-B4	4	6	M 3	6	4	3	TX-10
P0145.040-007-B4	4	7	M 3	6	4	3	TX-10
P0145.040-008-B4	4	8	M 3	6	4	3	TX-10
P0145.040-010-B4	4	10	M 3	6	4	3	TX-10
P0145.040-012-B4	4	12	M 3	6	4	3	TX-10
P0145.040-014-B4	4	14	M 3	6	4	3	TX-10
P0145.040-016-B4	4	16	M 3	6	4	3	TX-10
P0145.040-018-B4	4	18	M 3	6	4	3	TX-10
P0145.040-020-B4	4	20	M 3	6	4	3	TX-10
P0145.040-025-B4	4	25	M 3	6	4	3	TX-10
P0145.040-030-B4	4	30	M 3	6	4	3	TX-10
P0145.040-035-B4	4	35	M 3	6	4	3	TX-10
P0145.040-040-B4	4	40	M 3	6	4	3	TX-10
P0145.040-045-B4	4	45	M 3	6	4	3	TX-10
P0145.040-050-B4	4	50	M 3	6	4	3	TX-10
P0145.050-002-B4	5	2	M 4	8	5	4	TX-20
P0145.050-003-B4	5	3	M 4	8	5	4	TX-20
P0145.050-004-B4	5	4	M 4	8	5	4	TX-20
P0145.050-005-B4	5	5	M 4	8	5	4	TX-20
P0145.050-006-B4	5	6	M 4	8	5	4	TX-20
P0145.050-007-B4	5	7	M 4	8	5	4	TX-20
P0145.050-008-B4	5	8	M 4	8	5	4	TX-20
P0145.050-010-B4	5	10	M 4	8	5	4	TX-20
P0145.050-012-B4	5	12	M 4	8	5	4	TX-20
P0145.050-014-B4	5	14	M 4	8	5	4	TX-20
P0145.050-016-B4	5	16	M 4	8	5	4	TX-20
P0145.050-018-B4	5	18	M 4	8	5	4	TX-20
P0145.050-020-B4	5	20	M 4	8	5	4	TX-20
P0145.050-025-B4	5	25	M 4	8	5	4	TX-20



Shoulder Screws

Shoulder Screws - Cap Head

TX drive - 316 stainless - blackened



SHOULDER SCREWS

Order No.	d ₁ +0 -0.025	l ₁ +0.05 -0.0	d ₂	d ₃	l ₂	h ₁	TX size
P0145.050-030-B4	5	30	M 4	8	5	4	TX-20
P0145.050-035-B4	5	35	M 4	8	5	4	TX-20
P0145.050-040-B4	5	40	M 4	8	5	4	TX-20
P0145.050-045-B4	5	45	M 4	8	5	4	TX-20
P0145.050-050-B4	5	50	M 4	8	5	4	TX-20
P0145.060-002-B4	6	2	M 5	10	6	5	TX-25
P0145.060-003-B4	6	3	M 5	10	6	5	TX-25
P0145.060-004-B4	6	4	M 5	10	6	5	TX-25
P0145.060-005-B4	6	5	M 5	10	6	5	TX-25
P0145.060-006-B4	6	6	M 5	10	6	5	TX-25
P0145.060-007-B4	6	7	M 5	10	6	5	TX-25
P0145.060-008-B4	6	8	M 5	10	6	5	TX-25
P0145.060-010-B4	6	10	M 5	10	6	5	TX-25
P0145.060-012-B4	6	12	M 5	10	6	5	TX-25
P0145.060-014-B4	6	14	M 5	10	6	5	TX-25
P0145.060-016-B4	6	16	M 5	10	6	5	TX-25
P0145.060-018-B4	6	18	M 5	10	6	5	TX-25
P0145.060-020-B4	6	20	M 5	10	6	5	TX-25
P0145.060-025-B4	6	25	M 5	10	6	5	TX-25
P0145.060-030-B4	6	30	M 5	10	6	5	TX-25
P0145.060-035-B4	6	35	M 5	10	6	5	TX-25
P0145.060-040-B4	6	40	M 5	10	6	5	TX-25
P0145.060-045-B4	6	45	M 5	10	6	5	TX-25
P0145.060-050-B4	6	50	M 5	10	6	5	TX-25
P0145.060-055-B4	6	55	M 5	10	6	5	TX-25
P0145.060-060-B4	6	60	M 5	10	6	5	TX-25
P0145.060-070-B4	6	70	M 5	10	6	5	TX-25
P0145.060-080-B4	6	80	M 5	10	6	5	TX-25
P0145.060-090-B4	6	90	M 5	10	6	5	TX-25
P0145.060-100-B4	6	100	M 5	10	6	5	TX-25
P0145.080-004-B4	8	4	M 6	12	11	6	TX-30
P0145.080-005-B4	8	5	M 6	12	11	6	TX-30
P0145.080-006-B4	8	6	M 6	12	11	6	TX-30
P0145.080-007-B4	8	7	M 6	12	11	6	TX-30
P0145.080-008-B4	8	8	M 6	12	11	6	TX-30
P0145.080-010-B4	8	10	M 6	12	11	6	TX-30
P0145.080-012-B4	8	12	M 6	12	11	6	TX-30
P0145.080-014-B4	8	14	M 6	12	11	6	TX-30
P0145.080-016-B4	8	16	M 6	12	11	6	TX-30
P0145.080-018-B4	8	18	M 6	12	11	6	TX-30
P0145.080-020-B4	8	20	M 6	12	11	6	TX-30
P0145.080-025-B4	8	25	M 6	12	11	6	TX-30
P0145.080-030-B4	8	30	M 6	12	11	6	TX-30
P0145.080-035-B4	8	35	M 6	12	11	6	TX-30
P0145.080-040-B4	8	40	M 6	12	11	6	TX-30
P0145.080-045-B4	8	45	M 6	12	11	6	TX-30
P0145.080-050-B4	8	50	M 6	12	11	6	TX-30
P0145.080-055-B4	8	55	M 6	12	11	6	TX-30
P0145.080-060-B4	8	60	M 6	12	11	6	TX-30
P0145.080-065-B4	8	65	M 6	12	11	6	TX-30
P0145.080-070-B4	8	70	M 6	12	11	6	TX-30
P0145.080-075-B4	8	75	M 6	12	11	6	TX-30
P0145.080-080-B4	8	80	M 6	12	11	6	TX-30
P0145.080-090-B4	8	90	M 6	12	11	6	TX-30
P0145.080-100-B4	8	100	M 6	12	11	6	TX-30
P0145.100-008-B4	10	8	M 8	14	12	7	TX-45
P0145.100-010-B4	10	10	M 8	14	12	7	TX-45
P0145.100-012-B4	10	12	M 8	14	12	7	TX-45
P0145.100-014-B4	10	14	M 8	14	12	7	TX-45
P0145.100-016-B4	10	16	M 8	14	12	7	TX-45
P0145.100-018-B4	10	18	M 8	14	12	7	TX-45
P0145.100-020-B4	10	20	M 8	14	12	7	TX-45
P0145.100-025-B4	10	25	M 8	14	12	7	TX-45
P0145.100-030-B4	10	30	M 8	14	12	7	TX-45
P0145.100-035-B4	10	35	M 8	14	12	7	TX-45
P0145.100-040-B4	10	40	M 8	14	12	7	TX-45
P0145.100-045-B4	10	45	M 8	14	12	7	TX-45
P0145.100-050-B4	10	50	M 8	14	12	7	TX-45



Shoulder Screws - Cap Head

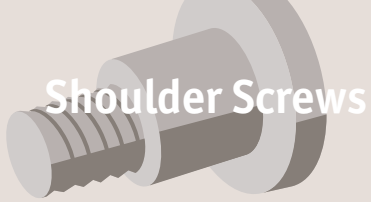
TX drive - 316 stainless - blackened

Shoulder Screws



Order No.	d ₁ +0 -0.025	l ₁ +0.05 -0.0	d ₂	d ₃	l ₂	h ₁	TX size
P0145.100-055-B4	10	55	M 8	14	12	7	TX-45
P0145.100-060-B4	10	60	M 8	14	12	7	TX-45
P0145.100-065-B4	10	65	M 8	14	12	7	TX-45
P0145.100-070-B4	10	70	M 8	14	12	7	TX-45
P0145.100-080-B4	10	80	M 8	14	12	7	TX-45
P0145.100-090-B4	10	90	M 8	14	12	7	TX-45
P0145.100-100-B4	10	100	M 8	14	12	7	TX-45
P0145.120-008-B4	12	8	M10	20	16	8	TX-50
P0145.120-010-B4	12	10	M10	20	16	8	TX-50
P0145.120-012-B4	12	12	M10	20	16	8	TX-50
P0145.120-014-B4	12	14	M10	20	16	8	TX-50
P0145.120-016-B4	12	16	M10	20	16	8	TX-50
P0145.120-018-B4	12	18	M10	20	16	8	TX-50
P0145.120-020-B4	12	20	M10	20	16	8	TX-50
P0145.120-025-B4	12	25	M10	20	16	8	TX-50
P0145.120-030-B4	12	30	M10	20	16	8	TX-50
P0145.120-035-B4	12	35	M10	20	16	8	TX-50
P0145.120-040-B4	12	40	M10	20	16	8	TX-50
P0145.120-045-B4	12	45	M10	20	16	8	TX-50
P0145.120-050-B4	12	50	M10	20	16	8	TX-50
P0145.120-055-B4	12	55	M10	20	16	8	TX-50
P0145.120-060-B4	12	60	M10	20	16	8	TX-50
P0145.120-065-B4	12	65	M10	20	16	8	TX-50
P0145.120-070-B4	12	70	M10	20	16	8	TX-50
P0145.120-075-B4	12	75	M10	20	16	8	TX-50
P0145.120-080-B4	12	80	M10	20	16	8	TX-50
P0145.120-090-B4	12	90	M10	20	16	8	TX-50
P0145.120-100-B4	12	100	M10	20	16	8	TX-50
P0145.160-025-B4	16	25	M12	24	18	11	TX-60
P0145.160-030-B4	16	30	M12	24	18	11	TX-60
P0145.160-035-B4	16	35	M12	24	18	11	TX-60
P0145.160-040-B4	16	40	M12	24	18	11	TX-60
P0145.160-045-B4	16	45	M12	24	18	11	TX-60
P0145.160-050-B4	16	50	M12	24	18	11	TX-60
P0145.160-055-B4	16	55	M12	24	18	11	TX-60
P0145.160-060-B4	16	60	M12	24	18	11	TX-60
P0145.160-065-B4	16	65	M12	24	18	11	TX-60
P0145.160-070-B4	16	70	M12	24	18	11	TX-60
P0145.160-075-B4	16	75	M12	24	18	11	TX-60
P0145.160-080-B4	16	80	M12	24	18	11	TX-60
P0145.160-090-B4	16	90	M12	24	18	11	TX-60
P0145.160-100-B4	16	100	M12	24	18	11	TX-60
P0145.200-030-B4	20	30	M16	30	22	14	TX-70
P0145.200-035-B4	20	35	M16	30	22	14	TX-70
P0145.200-040-B4	20	40	M16	30	22	14	TX-70
P0145.200-045-B4	20	45	M16	30	22	14	TX-70
P0145.200-050-B4	20	50	M16	30	22	14	TX-70
P0145.200-055-B4	20	55	M16	30	22	14	TX-70
P0145.200-060-B4	20	60	M16	30	22	14	TX-70
P0145.200-065-B4	20	65	M16	30	22	14	TX-70
P0145.200-070-B4	20	70	M16	30	22	14	TX-70
P0145.200-075-B4	20	75	M16	30	22	14	TX-70
P0145.200-080-B4	20	80	M16	30	22	14	TX-70
P0145.200-090-B4	20	90	M16	30	22	14	TX-70
P0145.200-100-B4	20	100	M16	30	22	14	TX-70

SHOULDER SCREWS



Shoulder Screws

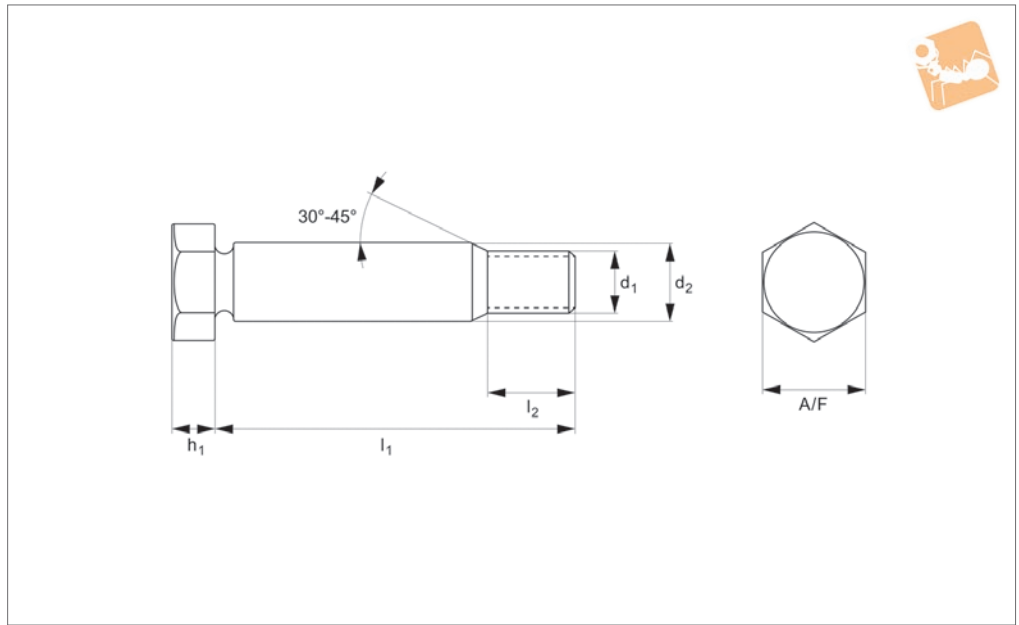
Steel Shoulder Bolts - Hex. Head std thread, steel 8.8



SHOULDER SCREWS



P0138.SC



Material

Black alloy steel, strength 8.8. Hardness 38 HRC, tensile strength 830 N/mm².

Technical Notes

To DIN 609. Longer thread than P0140

(DIN 610).

For strength 10.9 see part P0139.

Tips

Do not tighten to standard strength class 8,8 torque; as the tightening torque is

limited,

by the presence of the reduced diameter undercut under the head and at the shoulder/thread area.

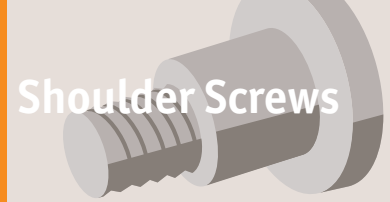
Drill hole to H7 tolerance.

Order No.	d ₁	d ₂ tol. k6	l ₁	l ₂	h ₁	A/F
P0138.080-025-SC	M 8	9	25	14.5	5.3	13
P0138.080-024-SC	M 8	9	24	14.5	5.3	13
P0138.080-032-SC	M 8	9	32	14.5	5.3	13
P0138.080-035-SC	M 8	9	35	14.5	5.3	13
P0138.080-038-SC	M 8	9	38	14.5	5.3	13
P0138.080-040-SC	M 8	9	40	14.5	5.3	13
P0138.080-042-SC	M 8	9	42	14.5	5.3	13
P0138.080-045-SC	M 8	9	45	14.5	5.3	13
P0138.080-048-SC	M 8	9	48	14.5	5.3	13
P0138.080-050-SC	M 8	9	50	14.5	5.3	13
P0138.080-055-SC	M 8	9	55	16.5	5.3	13
P0138.080-060-SC	M 8	9	60	16.5	5.3	13
P0138.080-065-SC	M 8	9	65	16.5	5.3	13
P0138.080-070-SC	M 8	9	70	16.5	5.3	13
P0138.080-080-SC	M 8	9	80	16.5	5.3	13
P0138.100-030-SC	M10	11	30	17.5	6.4	17
P0138.100-032-SC	M10	11	32	17.5	6.4	17
P0138.100-035-SC	M10	11	35	17.5	6.4	17
P0138.100-038-SC	M10	11	38	17.5	6.4	17
P0138.100-040-SC	M10	11	40	17.5	6.4	17
P0138.100-042-SC	M10	11	42	17.5	6.4	17
P0138.100-045-SC	M10	11	45	17.5	6.4	17
P0138.100-048-SC	M10	11	48	17.5	6.4	17
P0138.100-050-SC	M10	11	50	17.5	6.4	17
P0138.100-055-SC	M10	11	55	19.5	6.4	17
P0138.100-060-SC	M10	11	60	19.5	6.4	17
P0138.100-065-SC	M10	11	65	19.5	6.4	17
P0138.100-070-SC	M10	11	70	19.5	6.4	17
P0138.100-075-SC	M10	11	75	19.5	6.4	17
P0138.100-080-SC	M10	11	80	19.5	6.4	17
P0138.100-085-SC	M10	11	85	19.5	6.4	17
P0138.100-090-SC	M10	11	90	19.5	6.4	17



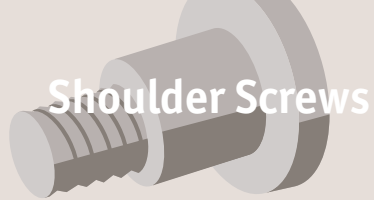
Steel Shoulder Bolts - Hex. Head

std thread, steel 8.8



Order No.	d ₁	d ₂ tol. k6	l ₁	l ₂	h ₁	A/F
P0138.100-100-SC	M10	11	100	19.5	6.4	17
P0138.100-110-SC	M10	11	110	19.5	6.4	17
P0138.100-120-SC	M10	11	120	19.5	6.4	17
P0138.120-030-SC	M12	13	30	20.5	7.5	19
P0138.120-032-SC	M12	13	32	20.5	7.5	19
P0138.120-035-SC	M12	13	35	20.5	7.5	19
P0138.120-038-SC	M12	13	38	20.5	7.5	19
P0138.120-040-SC	M12	13	40	20.5	7.5	19
P0138.120-042-SC	M12	13	42	20.5	7.5	19
P0138.120-045-SC	M12	13	45	20.5	7.5	19
P0138.120-048-SC	M12	13	48	20.5	7.5	19
P0138.120-050-SC	M12	13	50	20.5	7.5	19
P0138.120-055-SC	M12	13	55	22.5	7.5	19
P0138.120-060-SC	M12	13	60	22.5	7.5	19
P0138.120-065-SC	M12	13	65	22.5	7.5	19
P0138.120-070-SC	M12	13	70	22.5	7.5	19
P0138.120-075-SC	M12	13	75	22.5	7.5	19
P0138.120-080-SC	M12	13	80	22.5	7.5	19
P0138.120-085-SC	M12	13	85	22.5	7.5	19
P0138.120-090-SC	M12	13	90	22.5	7.5	19
P0138.120-095-SC	M12	13	95	22.5	7.5	19
P0138.120-100-SC	M12	13	100	22.5	7.5	19
P0138.140-032-SC	M14	15	32	22.0	8.8	22
P0138.140-035-SC	M14	15	35	22.0	8.8	22
P0138.140-040-SC	M14	15	40	22.0	8.8	22
P0138.140-042-SC	M14	15	42	22.0	8.8	22
P0138.140-045-SC	M14	15	45	22.0	8.8	22
P0138.140-050-SC	M14	15	50	22.0	8.8	22
P0138.140-055-SC	M14	15	55	24.0	8.8	22
P0138.140-060-SC	M14	15	60	24.0	8.8	22
P0138.140-065-SC	M14	15	65	24.0	8.8	22
P0138.140-070-SC	M14	15	70	24.0	8.8	22
P0138.140-075-SC	M14	15	75	24.0	8.8	22
P0138.140-080-SC	M14	15	80	24.0	8.8	22
P0138.140-090-SC	M14	15	90	24.0	8.8	22
P0138.160-040-SC	M16	17	40	25.0	10	24
P0138.160-042-SC	M16	17	42	25.0	10	24
P0138.160-045-SC	M16	17	45	25.0	10	24
P0138.160-048-SC	M16	17	48	25.0	10	24
P0138.160-050-SC	M16	17	50	25.0	10	24
P0138.160-055-SC	M16	17	55	27.0	10	24
P0138.160-060-SC	M16	17	60	27.0	10	24
P0138.160-065-SC	M16	17	65	27.0	10	24
P0138.160-070-SC	M16	17	70	27.0	10	24
P0138.160-075-SC	M16	17	75	27.0	10	24
P0138.160-080-SC	M16	17	80	27.0	10	24
P0138.160-085-SC	M16	17	85	27.0	10	24
P0138.160-090-SC	M16	17	90	27.0	10	24
P0138.160-100-SC	M16	17	100	27.0	10	24
P0138.160-105-SC	M16	17	105	27.0	10	24
P0138.160-110-SC	M16	17	110	27.0	10	24
P0138.160-115-SC	M16	17	115	27.0	10	24
P0138.160-120-SC	M16	17	120	27.0	10	24
P0138.160-125-SC	M16	17	125	27.0	10	24
P0138.160-130-SC	M16	17	130	27.0	10	24
P0138.160-135-SC	M16	17	135	27.0	10	24
P0138.160-140-SC	M16	17	140	27.0	10	24
P0138.160-150-SC	M16	17	150	27.0	10	24
P0138.160-160-SC	M16	17	160	27.0	10	24
P0138.160-180-SC	M16	17	180	27.0	10	24
P0138.160-200-SC	M16	17	200	27.0	10	24
P0138.180-045-SC	M18	19	45	27.5	11.5	27
P0138.180-050-SC	M18	19	50	27.5	11.5	27
P0138.180-055-SC	M18	19	55	29.5	11.5	27
P0138.180-060-SC	M18	19	60	29.5	11.5	27
P0138.180-065-SC	M18	19	65	29.5	11.5	27
P0138.180-070-SC	M18	19	70	29.5	11.5	27
P0138.180-075-SC	M18	19	75	29.5	11.5	27

SHOULDER SCREWS



Shoulder Screws

Steel Shoulder Bolts - Hex. Head std thread, steel 8.8



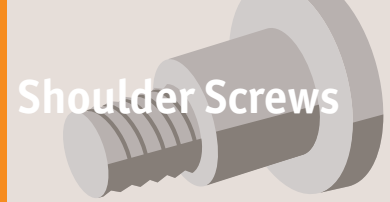
SHOULDER SCREWS

Order No.	d ₁	d ₂ tol. k6	l ₁	l ₂	h ₁	A/F
P0138.180-080-SC	M18	19	80	29.5	11.5	27
P0138.180-085-SC	M18	19	85	29.5	11.5	27
P0138.180-090-SC	M18	19	90	29.5	11.5	27
P0138.180-100-SC	M18	19	100	29.5	11.5	27
P0138.180-110-SC	M18	19	110	29.5	11.5	27
P0138.180-120-SC	M18	19	120	29.5	11.5	27
P0138.200-045-SC	M20	21	45	28.5	12.5	30
P0138.200-050-SC	M20	21	50	28.5	12.5	30
P0138.200-055-SC	M20	21	55	30.5	12.5	30
P0138.200-060-SC	M20	21	60	30.5	12.5	30
P0138.200-065-SC	M20	21	65	30.5	12.5	30
P0138.200-070-SC	M20	21	70	30.5	12.5	30
P0138.200-075-SC	M20	21	75	30.5	12.5	30
P0138.200-080-SC	M20	21	80	30.5	12.5	30
P0138.200-085-SC	M20	21	85	30.5	12.5	30
P0138.200-090-SC	M20	21	90	30.5	12.5	30
P0138.200-100-SC	M20	21	100	30.5	12.5	30
P0138.200-105-SC	M20	21	105	30.5	12.5	30
P0138.200-110-SC	M20	21	110	30.5	12.5	30
P0138.200-115-SC	M20	21	115	30.5	12.5	30
P0138.200-120-SC	M20	21	120	30.5	12.5	30
P0138.200-125-SC	M20	21	125	30.5	12.5	30
P0138.200-130-SC	M20	21	130	30.5	12.5	30
P0138.200-135-SC	M20	21	135	30.5	12.5	30
P0138.200-140-SC	M20	21	140	30.5	12.5	30
P0138.200-145-SC	M20	21	145	30.5	12.5	30
P0138.200-150-SC	M20	21	150	30.5	12.5	30
P0138.200-160-SC	M20	21	160	35.5	12.5	30
P0138.200-170-SC	M20	21	170	35.5	12.5	30
P0138.200-180-SC	M20	21	180	35.5	12.5	30
P0138.200-190-SC	M20	21	190	35.5	12.5	30
P0138.200-200-SC	M20	21	200	35.5	12.5	30
P0138.200-220-SC	M20	21	220	35.5	12.5	30
P0138.200-240-SC	M20	21	240	35.5	12.5	30
P0138.201-045-SC	M20x2	21	45	28.5	12.5	30
P0138.201-050-SC	M20x2	21	50	28.5	12.5	30
P0138.201-055-SC	M20x2	21	55	30.5	12.5	30
P0138.201-060-SC	M20x2	21	60	30.5	12.5	30
P0138.201-065-SC	M20x2	21	65	30.5	12.5	30
P0138.201-070-SC	M20x2	21	70	30.5	12.5	30
P0138.201-075-SC	M20x2	21	75	30.5	12.5	30
P0138.201-080-SC	M20x2	21	80	30.5	12.5	30
P0138.201-085-SC	M20x2	21	85	30.5	12.5	30
P0138.201-090-SC	M20x2	21	90	30.5	12.5	30
P0138.201-095-SC	M20x2	21	95	30.5	12.5	30
P0138.201-100-SC	M20x2	21	100	30.5	12.5	30
P0138.201-105-SC	M20x2	21	105	30.5	12.5	30
P0138.201-110-SC	M20x2	21	110	30.5	12.5	30
P0138.201-120-SC	M20x2	21	120	30.5	12.5	30
P0138.201-130-SC	M20x2	21	130	30.5	12.5	30
P0138.201-135-SC	M20x2	21	135	30.5	12.5	30
P0138.201-140-SC	M20x2	21	140	30.5	12.5	30
P0138.201-145-SC	M20x2	21	145	30.5	12.5	30
P0138.201-160-SC	M20x2	21	160	35.5	12.5	30
P0138.201-180-SC	M20x2	21	180	35.5	12.5	30
P0138.220-045-SC	M22	23	45	32.5	14.0	34
P0138.220-050-SC	M22	23	50	32.5	14.0	34
P0138.220-055-SC	M22	23	55	34.5	14.0	34
P0138.220-060-SC	M22	23	60	34.5	14.0	34
P0138.220-065-SC	M22	23	65	34.5	14.0	34
P0138.220-070-SC	M22	23	70	34.5	14.0	34
P0138.220-075-SC	M22	23	75	34.5	14.0	34
P0138.220-080-SC	M22	23	80	34.5	14.0	34
P0138.220-085-SC	M22	23	85	34.5	14.0	34
P0138.220-090-SC	M22	23	90	34.5	14.0	34
P0138.220-100-SC	M22	23	100	34.5	14.0	34
P0138.220-105-SC	M22	23	105	34.5	14.0	34
P0138.220-110-SC	M22	23	110	34.5	14.0	34



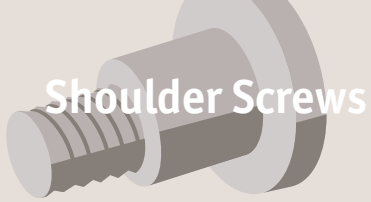
Steel Shoulder Bolts - Hex. Head

std thread, steel 8.8



Order No.	d ₁	d ₂ tol. k6	l ₁	l ₂	h ₁	A/F
P0138.220-120-SC	M22	23	120	34.5	14.0	34
P0138.220-130-SC	M22	23	130	34.5	14.0	34
P0138.220-140-SC	M22	23	140	34.5	14.0	34
P0138.220-150-SC	M22	23	150	34.5	14.0	34
P0138.240-055-SC	M24	25	55	36.5	15.0	36
P0138.240-060-SC	M24	25	60	36.5	15.0	36
P0138.240-065-SC	M24	25	65	36.5	15.0	36
P0138.240-070-SC	M24	25	70	36.5	15.0	36
P0138.240-075-SC	M24	25	75	36.5	15.0	36
P0138.240-080-SC	M24	25	80	36.5	15.0	36
P0138.240-085-SC	M24	25	85	36.5	15.0	36
P0138.240-090-SC	M24	25	90	36.5	15.0	36
P0138.240-100-SC	M24	25	100	36.5	15.0	36
P0138.240-105-SC	M24	25	105	36.5	15.0	36
P0138.240-110-SC	M24	25	110	36.5	15.0	36
P0138.240-115-SC	M24	25	115	36.5	15.0	36
P0138.240-120-SC	M24	25	120	36.5	15.0	36
P0138.240-125-SC	M24	25	125	36.5	15.0	36
P0138.240-130-SC	M24	25	130	36.5	15.0	36
P0138.240-135-SC	M24	25	135	36.5	15.0	36
P0138.240-140-SC	M24	25	140	36.5	15.0	36
P0138.240-145-SC	M24	25	145	36.5	15.0	36
P0138.240-150-SC	M24	25	150	36.5	15.0	36
P0138.240-160-SC	M24	25	160	41.5	15.0	36
P0138.240-170-SC	M24	25	170	41.5	15.0	36
P0138.240-180-SC	M24	25	180	41.5	15.0	36
P0138.240-190-SC	M24	25	190	41.5	15.0	36
P0138.240-200-SC	M24	25	200	41.5	15.0	36
P0138.240-220-SC	M24	25	220	41.5	15.0	36
P0138.240-240-SC	M24	25	240	41.5	15.0	36
P0138.241-055-SC	M24x2	25	55	36.5	15.0	36
P0138.241-060-SC	M24x2	25	60	36.5	15.0	36
P0138.241-065-SC	M24x2	25	65	36.5	15.0	36
P0138.241-070-SC	M24x2	25	70	36.5	15.0	36
P0138.241-075-SC	M24x2	25	75	36.5	15.0	36
P0138.241-080-SC	M24x2	25	80	36.5	15.0	36
P0138.241-085-SC	M24x2	25	85	36.5	15.0	36
P0138.241-090-SC	M24x2	25	90	36.5	15.0	36
P0138.241-095-SC	M24x2	25	95	36.5	15.0	36
P0138.241-100-SC	M24x2	25	100	36.5	15.0	36
P0138.241-105-SC	M24x2	25	105	36.5	15.0	36
P0138.241-110-SC	M24x2	25	110	36.5	15.0	36
P0138.241-115-SC	M24x2	25	115	36.5	15.0	36
P0138.241-120-SC	M24x2	25	120	36.5	15.0	36
P0138.241-130-SC	M24x2	25	130	36.5	15.0	36
P0138.241-135-SC	M24x2	25	135	36.5	15.0	36
P0138.241-140-SC	M24x2	25	140	36.5	15.0	36
P0138.241-150-SC	M24x2	25	150	36.5	15.0	36
P0138.270-060-SC	M27	28	60	39.5	17.0	41
P0138.270-065-SC	M27	28	65	39.5	17.0	41
P0138.270-070-SC	M27	28	70	39.5	17.0	41
P0138.270-075-SC	M27	28	75	39.5	17.0	41
P0138.270-080-SC	M27	28	80	39.5	17.0	41
P0138.270-085-SC	M27	28	85	39.5	17.0	41
P0138.270-090-SC	M27	28	90	39.5	17.0	41
P0138.270-100-SC	M27	28	100	39.5	17.0	41
P0138.270-105-SC	M27	28	105	39.5	17.0	41
P0138.270-110-SC	M27	28	110	39.5	17.0	41
P0138.270-115-SC	M27	28	115	39.5	17.0	41
P0138.270-120-SC	M27	28	120	39.5	17.0	41
P0138.270-125-SC	M27	28	125	39.5	17.0	41
P0138.270-130-SC	M27	28	130	39.5	17.0	41
P0138.270-135-SC	M27	28	135	39.5	17.0	41
P0138.270-140-SC	M27	28	140	39.5	17.0	41
P0138.270-145-SC	M27	28	145	39.5	17.0	41
P0138.270-150-SC	M27	28	150	39.5	17.0	41
P0138.270-160-SC	M27	28	160	44.5	17.0	41
P0138.270-170-SC	M27	28	170	44.5	17.0	41

SHOULDER SCREWS



Shoulder Screws

Steel Shoulder Bolts - Hex. Head std thread, steel 8.8



SHOULDER SCREWS

Order No.	d ₁	d ₂ tol. k6	l ₁	l ₂	h ₁	A/F
P0138.270-180-SC	M27	28	180	44.5	17.0	41
P0138.270-200-SC	M27	28	200	44.5	17.0	41
P0138.300-065-SC	M30	32	65	43.0	19.0	46
P0138.300-070-SC	M30	32	70	43.0	19.0	46
P0138.300-075-SC	M30	32	75	43.0	19.0	46
P0138.300-080-SC	M30	32	80	43.0	19.0	46
P0138.300-085-SC	M30	32	85	43.0	19.0	46
P0138.300-090-SC	M30	32	90	43.0	19.0	46
P0138.300-100-SC	M30	32	100	43.0	19.0	46
P0138.300-105-SC	M30	32	105	43.0	19.0	46
P0138.300-110-SC	M30	32	110	43.0	19.0	46
P0138.300-115-SC	M30	32	115	43.0	19.0	46
P0138.300-120-SC	M30	32	120	43.0	19.0	46
P0138.300-125-SC	M30	32	125	43.0	19.0	46
P0138.300-130-SC	M30	32	130	43.0	19.0	46
P0138.300-135-SC	M30	32	135	43.0	19.0	46
P0138.300-140-SC	M30	32	140	43.0	19.0	46
P0138.300-145-SC	M30	32	145	43.0	19.0	46
P0138.300-150-SC	M30	32	150	43.0	19.0	46
P0138.300-160-SC	M30	32	160	48.0	19.0	46
P0138.300-170-SC	M30	32	170	48.0	19.0	46
P0138.300-180-SC	M30	32	180	48.0	19.0	46
P0138.300-190-SC	M30	32	190	48.0	19.0	46
P0138.300-200-SC	M30	32	200	48.0	19.0	46
P0138.301-065-SC	M30x2	32	65	43.0	19.0	46
P0138.301-080-SC	M30x2	32	80	43.0	19.0	46
P0138.301-085-SC	M30x2	32	85	43.0	19.0	46
P0138.301-090-SC	M30x2	32	90	43.0	19.0	46
P0138.301-095-SC	M30x2	32	95	43.0	19.0	46
P0138.301-100-SC	M30x2	32	100	43.0	19.0	46
P0138.301-105-SC	M30x2	32	105	43.0	19.0	46
P0138.301-110-SC	M30x2	32	110	43.0	19.0	46
P0138.301-115-SC	M30x2	32	115	43.0	19.0	46
P0138.301-125-SC	M30x2	32	125	43.0	19.0	46
P0138.301-130-SC	M30x2	32	130	43.0	19.0	46
P0138.301-140-SC	M30x2	32	140	43.0	19.0	46
P0138.301-150-SC	M30x2	32	150	43.0	19.0	46
P0138.301-170-SC	M30x2	32	170	48.0	19.0	46
P0138.301-180-SC	M30x2	32	180	48.0	19.0	46
P0138.301-185-SC	M30x2	32	185	48.0	19.0	46
P0138.301-190-SC	M30x2	32	190	48.0	19.0	46
P0138.360-070-SC	M36	38	70	49.0	22.0	55
P0138.360-075-SC	M36	38	75	49.0	22.0	55
P0138.360-080-SC	M36	38	80	49.0	22.0	55
P0138.360-085-SC	M36	38	85	49.0	22.0	55
P0138.360-090-SC	M36	38	90	49.0	22.0	55
P0138.360-100-SC	M36	38	100	49.0	22.0	55
P0138.360-105-SC	M36	38	105	49.0	22.0	55
P0138.360-110-SC	M36	38	110	49.0	22.0	55
P0138.360-115-SC	M36	38	115	49.0	22.0	55
P0138.360-120-SC	M36	38	120	49.0	22.0	55
P0138.360-125-SC	M36	38	125	49.0	22.0	55
P0138.360-130-SC	M36	38	130	49.0	22.0	55
P0138.360-135-SC	M36	38	135	49.0	22.0	55
P0138.360-140-SC	M36	38	140	49.0	22.0	55
P0138.360-145-SC	M36	38	145	49.0	22.0	55
P0138.360-150-SC	M36	38	150	49.0	22.0	55
P0138.360-160-SC	M36	38	160	54.0	22.0	55
P0138.360-170-SC	M36	38	170	54.0	22.0	55
P0138.360-180-SC	M36	38	180	54.0	22.0	55
P0138.360-190-SC	M36	38	190	54.0	22.0	55
P0138.360-200-SC	M36	38	200	54.0	22.0	55
P0138.390-160-SC	M39	40	160	56.0	25.0	60
P0138.390-320-SC	M39	40	320	56.0	25.0	60
P0138.420-100-SC	M42	44	100	56.0	26.0	65
P0138.420-110-SC	M42	44	110	56.0	26.0	65
P0138.420-120-SC	M42	44	120	56.0	26.0	65
P0138.420-130-SC	M42	44	130	56.0	26.0	65



Steel Shoulder Bolts - Hex. Head

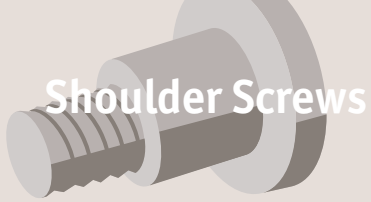
std thread, steel 8.8

Shoulder Screws



Order No.	d ₁	d ₂ tol. k6	l ₁	l ₂	h ₁	A/F
P0138.420-140-SC	M42	44	140	56.0	26.0	65
P0138.420-150-SC	M42	44	150	56.0	26.0	65
P0138.420-160-SC	M42	44	160	61.0	26.0	65
P0138.420-170-SC	M42	44	170	61.0	26.0	65
P0138.420-180-SC	M42	44	180	61.0	26.0	65
P0138.420-190-SC	M42	44	190	61.0	26.0	65
P0138.420-200-SC	M42	44	200	61.0	26.0	65
P0138.420-240-SC	M42	44	240	61.0	26.0	65
P0138.420-370-SC	M42	44	370	61.0	26.0	65

SHOULDER SCREWS



Shoulder Screws

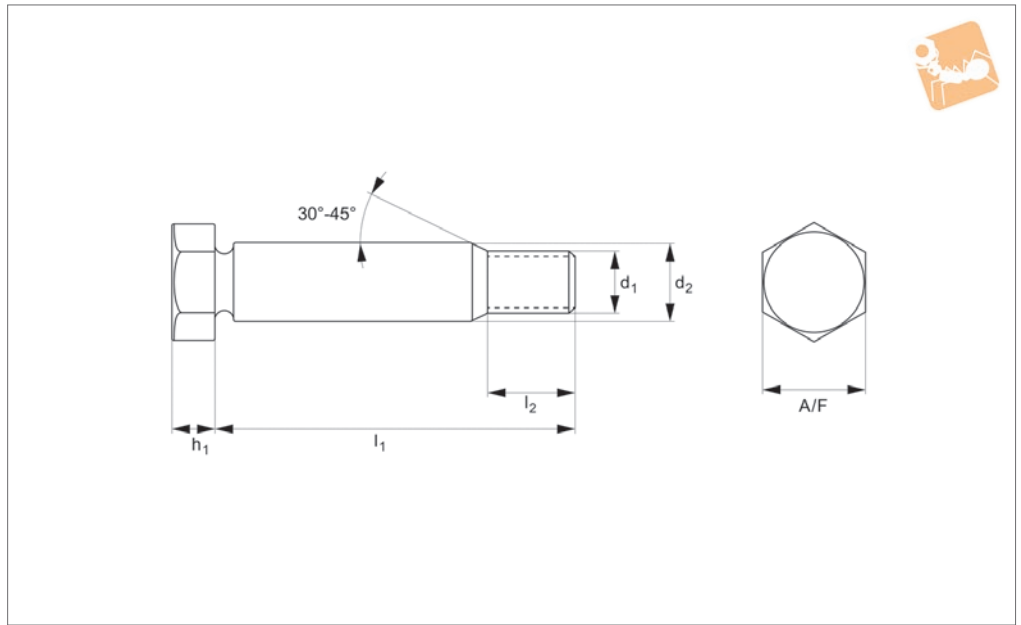
Steel Shoulder Bolts - Hex. Head std thread, steel 10.9



SHOULDER SCREWS



P0139



Material

Black alloy steel, strength 10.9. Hardness 38 HRC, tensile strength 830 N/mm².

Technical Notes

To DIN 609.

For strength 8.8 see part P0138.SC

Tips

Do not tighten to standard strength class 10,9 torque; as the tightening torque is limited,

by the presence of the reduced diameter undercut under the head and at the shoulder/thread area.
Drill hole to H7 tolerance.

Order No.	d ₁	d ₂ tol. k6	l ₁	l ₂	h ₁	A/F
P0139.080-025-SC	M 8	9	25	14.5	5.3	13
P0139.080-028-SC	M 8	9	28	14.5	5.3	13
P0139.080-035-SC	M 8	9	35	14.5	5.3	13
P0139.080-038-SC	M 8	9	38	14.5	5.3	13
P0139.080-040-SC	M 8	9	40	14.5	5.3	13
P0139.080-048-SC	M 8	9	48	14.5	5.3	13
P0139.080-060-SC	M 8	9	60	16.5	5.3	13
P0139.080-080-SC	M 8	9	80	16.5	5.3	13
P0139.100-030-SC	M10	11	30	17.5	6.4	17
P0139.100-032-SC	M10	11	32	17.5	6.4	17
P0139.100-035-SC	M10	11	35	17.5	6.4	17
P0139.100-038-SC	M10	11	38	17.5	6.4	17
P0139.100-040-SC	M10	11	40	17.5	6.4	17
P0139.100-042-SC	M10	11	42	17.5	6.4	17
P0139.100-045-SC	M10	11	45	17.5	6.4	17
P0139.100-048-SC	M10	11	48	17.5	6.4	17
P0139.100-050-SC	M10	11	50	17.5	6.4	17
P0139.100-055-SC	M10	11	55	19.5	6.4	17
P0139.100-060-SC	M10	11	60	19.5	6.4	17
P0139.100-065-SC	M10	11	65	19.5	6.4	17
P0139.100-070-SC	M10	11	70	19.5	6.4	17
P0139.100-075-SC	M10	11	75	19.5	6.4	17
P0139.100-080-SC	M10	11	80	19.5	6.4	17
P0139.120-030-SC	M12	13	30	20.5	7.5	19
P0139.120-032-SC	M12	13	32	20.5	7.5	19
P0139.120-035-SC	M12	13	35	20.5	7.5	19
P0139.120-038-SC	M12	13	38	20.5	7.5	19
P0139.120-040-SC	M12	13	40	20.5	7.5	19
P0139.120-045-SC	M12	13	45	20.5	7.5	19
P0139.120-048-SC	M12	13	48	20.5	7.5	19
P0139.120-050-SC	M12	13	50	20.5	7.5	19
P0139.120-055-SC	M12	13	55	22.5	7.5	19



Steel Shoulder Bolts - Hex. Head

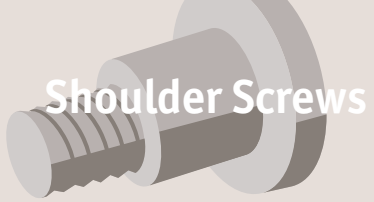
std thread, steel 10.9

Shoulder Screws



Order No.	d ₁	d ₂ tol. k6	l ₁	l ₂	h ₁	A/F
P0139.120-060-SC	M12	13	60	22.5	7.5	19
P0139.120-065-SC	M12	13	65	22.5	7.5	19
P0139.120-070-SC	M12	13	70	22.5	7.5	19
P0139.120-075-SC	M12	13	75	22.5	7.5	19
P0139.120-090-SC	M12	13	90	22.5	7.5	19
P0139.120-110-SC	M12	13	110	22.5	7.5	19
P0139.140-035-SC	M14	15	35	22.0	8.8	22
P0139.140-040-SC	M14	15	40	22.0	8.8	22
P0139.140-042-SC	M14	15	42	22.0	8.8	22
P0139.140-045-SC	M14	15	45	22.0	8.8	22
P0139.140-050-SC	M14	15	50	22.0	8.8	22
P0139.140-055-SC	M14	15	55	24.0	8.8	22
P0139.140-060-SC	M14	15	60	24.0	8.8	22
P0139.140-080-SC	M14	15	80	24.0	8.8	22
P0139.160-040-SC	M16	17	40	25.0	10	24
P0139.160-042-SC	M16	17	42	25.0	10	24
P0139.160-045-SC	M16	17	45	25.0	10	24
P0139.160-048-SC	M16	17	48	25.0	10	24
P0139.160-050-SC	M16	17	50	25.0	10	24
P0139.160-055-SC	M16	17	55	27.0	10	24
P0139.160-060-SC	M16	17	60	27.0	10	24
P0139.160-065-SC	M16	17	65	27.0	10	24
P0139.160-070-SC	M16	17	70	27.0	10	24
P0139.160-075-SC	M16	17	75	27.0	10	24
P0139.160-080-SC	M16	17	80	27.0	10	24
P0139.160-085-SC	M16	17	85	27.0	10	24
P0139.160-090-SC	M16	17	90	27.0	10	24
P0139.160-100-SC	M16	17	100	27.0	10	24
P0139.160-110-SC	M16	17	110	27.0	10	24
P0139.160-120-SC	M16	17	120	27.0	10	24
P0139.160-150-SC	M16	17	150	27.0	10	24
P0139.200-045-SC	M20	21	45	28.5	12.5	30
P0139.200-050-SC	M20	21	50	28.5	12.5	30
P0139.200-055-SC	M20	21	55	30.5	12.5	30
P0139.200-060-SC	M20	21	60	30.5	12.5	30
P0139.200-065-SC	M20	21	65	30.5	12.5	30
P0139.200-070-SC	M20	21	70	30.5	12.5	30
P0139.200-075-SC	M20	21	75	30.5	12.5	30
P0139.200-080-SC	M20	21	80	30.5	12.5	30
P0139.200-085-SC	M20	21	85	30.5	12.5	30
P0139.200-090-SC	M20	21	90	30.5	12.5	30
P0139.200-100-SC	M20	21	100	30.5	12.5	30
P0139.200-105-SC	M20	21	105	30.5	12.5	30
P0139.200-110-SC	M20	21	110	30.5	12.5	30
P0139.200-120-SC	M20	21	120	30.5	12.5	30
P0139.200-130-SC	M20	21	130	30.5	12.5	30
P0139.200-140-SC	M20	21	140	30.5	12.5	30
P0139.200-150-SC	M20	21	150	30.5	12.5	30
P0139.200-160-SC	M20	21	160	35.5	12.5	30
P0139.240-055-SC	M24	25	55	36.5	15.0	36
P0139.240-060-SC	M24	25	60	36.5	15.0	36
P0139.240-065-SC	M24	25	65	36.5	15.0	36
P0139.240-070-SC	M24	25	70	36.5	15.0	36
P0139.240-075-SC	M24	25	75	36.5	15.0	36
P0139.240-080-SC	M24	25	80	36.5	15.0	36
P0139.240-085-SC	M24	25	85	36.5	15.0	36
P0139.240-090-SC	M24	25	90	36.5	15.0	36
P0139.240-100-SC	M24	25	100	36.5	15.0	36
P0139.240-105-SC	M24	25	105	36.5	15.0	36
P0139.240-110-SC	M24	25	110	36.5	15.0	36
P0139.240-120-SC	M24	25	120	36.5	15.0	36
P0139.240-125-SC	M24	25	125	36.5	15.0	36
P0139.240-130-SC	M24	25	130	36.5	15.0	36
P0139.240-140-SC	M24	25	140	36.5	15.0	36
P0139.240-150-SC	M24	25	150	36.5	15.0	36
P0139.240-160-SC	M24	25	160	41.5	15.0	36
P0139.240-170-SC	M24	25	170	41.5	15.0	36
P0139.240-180-SC	M24	25	180	41.5	15.0	36

SHOULDER SCREWS



Shoulder Screws

Steel Shoulder Bolts - Hex. Head std thread, steel 10.9



SHOULDER SCREWS

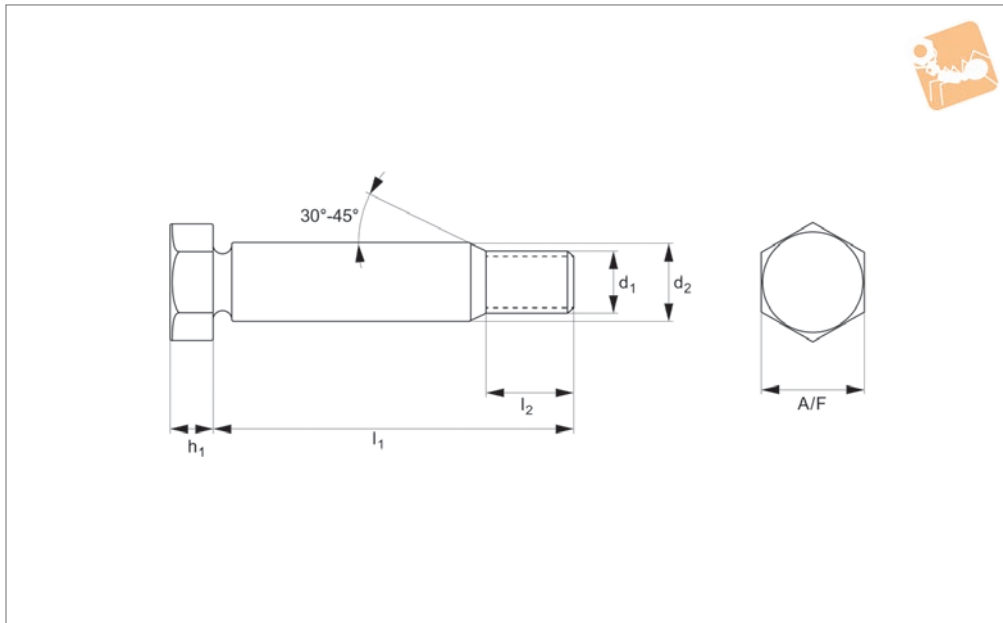
Order No.	d ₁	d ₂ tol. k6	l ₁	l ₂	h ₁	A/F
P0139.300-080-SC	M30	32	80	43.0	19.0	46
P0139.300-090-SC	M30	32	90	43.0	19.0	46
P0139.300-100-SC	M30	32	100	43.0	19.0	46
P0139.300-105-SC	M30	32	105	43.0	19.0	46
P0139.300-110-SC	M30	32	110	43.0	19.0	46
P0139.300-120-SC	M30	32	120	43.0	19.0	46
P0139.300-130-SC	M30	32	130	43.0	19.0	46
P0139.300-140-SC	M30	32	140	43.0	19.0	46
P0139.360-120-SC	M36	38	120	49.0	22.0	55
P0139.360-130-SC	M36	38	130	49.0	22.0	55
P0139.360-200-SC	M36	38	200	54.0	22.0	55



Steel Shoulder Bolts - Hex. Head

short thread, steel 8.8

Shoulder Screws



P0140.SC

SHOULDER SCREWS

Material

Black alloy steel, strength 8,8. Hardness 38 HRC, tensile strength 830 N/mm².

Technical Notes

To DIN 610. Shorter thread than P0138.SC

(DIN 609).

For strength 10,9 see part P0141.

Tips

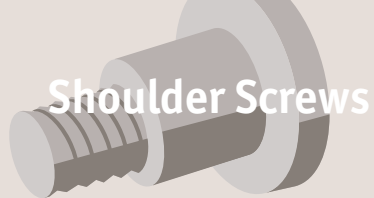
Do not tighten to standard strength class 8,8 torque; as the tightening torque is

limited,

by the presence of the reduced diameter undercut under the head and at the shoulder/thread area.

Drill hole to H7 tolerance.

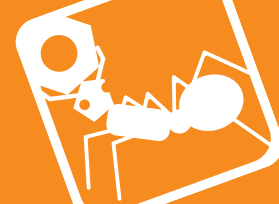
Order No.	d ₁	d ₂ tol. k6	l ₁	l ₂	h ₁	A/F
P0140.080-025-SC	M 8	9	25	11.5	5.3	13
P0140.080-028-SC	M 8	9	28	11.5	5.3	13
P0140.080-030-SC	M 8	9	30	11.5	5.3	13
P0140.080-032-SC	M 8	9	32	11.5	5.3	13
P0140.080-035-SC	M 8	9	35	11.5	5.3	13
P0140.080-038-SC	M 8	9	38	11.5	5.3	13
P0140.080-040-SC	M 8	9	40	11.5	5.3	13
P0140.080-042-SC	M 8	9	42	11.5	5.3	13
P0140.080-045-SC	M 8	9	45	11.5	5.3	13
P0140.080-048-SC	M 8	9	48	11.5	5.3	13
P0140.080-050-SC	M 8	9	50	11.5	5.3	13
P0140.080-055-SC	M 8	9	55	13.5	5.3	13
P0140.080-060-SC	M 8	9	60	13.5	5.3	13
P0140.080-065-SC	M 8	9	65	13.5	5.3	13
P0140.080-070-SC	M 8	9	70	13.5	5.3	13
P0140.080-080-SC	M 8	9	80	13.5	5.3	13
P0140.100-030-SC	M10	11	30	13.5	6.4	17
P0140.100-032-SC	M10	11	32	13.5	6.4	17
P0140.100-035-SC	M10	11	35	13.5	6.4	17
P0140.100-038-SC	M10	11	38	13.5	6.4	17
P0140.100-040-SC	M10	11	40	13.5	6.4	17
P0140.100-042-SC	M10	11	42	13.5	6.4	17
P0140.100-045-SC	M10	11	45	13.5	6.4	17
P0140.100-048-SC	M10	11	48	13.5	6.4	17
P0140.100-050-SC	M10	11	50	13.5	6.4	17
P0140.100-055-SC	M10	11	55	15.5	6.4	17
P0140.100-060-SC	M10	11	60	15.5	6.4	17
P0140.100-065-SC	M10	11	65	15.5	6.4	17
P0140.100-070-SC	M10	11	70	15.5	6.4	17
P0140.100-075-SC	M10	11	75	15.5	6.4	17
P0140.100-080-SC	M10	11	80	15.5	6.4	17
P0140.100-085-SC	M10	11	85	15.5	6.4	17



Shoulder Screws

Steel Shoulder Bolts - Hex. Head

short thread, steel 8.8



SHOULDER SCREWS

Order No.	d ₁	d ₂ tol. k6	l ₁	l ₂	h ₁	A/F
P0140.100-090-SC	M10	11	90	15.5	6.4	17
P0140.100-100-SC	M10	11	100	15.5	6.4	17
P0140.100-110-SC	M10	11	110	15.5	6.4	17
P0140.100-120-SC	M10	11	120	15.5	6.4	17
P0140.120-030-SC	M12	13	30	15.5	7.5	19
P0140.120-032-SC	M12	13	32	15.5	7.5	19
P0140.120-035-SC	M12	13	35	15.5	7.5	19
P0140.120-038-SC	M12	13	38	15.5	7.5	19
P0140.120-040-SC	M12	13	40	15.5	7.5	19
P0140.120-042-SC	M12	13	42	15.5	7.5	19
P0140.120-045-SC	M12	13	45	15.5	7.5	19
P0140.120-048-SC	M12	13	48	15.5	7.5	19
P0140.120-050-SC	M12	13	50	15.5	7.5	19
P0140.120-055-SC	M12	13	55	17.5	7.5	19
P0140.120-060-SC	M12	13	60	17.5	7.5	19
P0140.120-065-SC	M12	13	65	17.5	7.5	19
P0140.120-070-SC	M12	13	70	17.5	7.5	19
P0140.120-075-SC	M12	13	75	17.5	7.5	19
P0140.120-080-SC	M12	13	80	17.5	7.5	19
P0140.120-085-SC	M12	13	85	17.5	7.5	19
P0140.120-090-SC	M12	13	90	17.5	7.5	19
P0140.120-095-SC	M12	13	95	17.5	7.5	19
P0140.120-100-SC	M12	13	100	17.5	7.5	19
P0140.140-032-SC	M14	15	32	17.0	8.8	22
P0140.140-035-SC	M14	15	35	17.0	8.8	22
P0140.140-040-SC	M14	15	40	17.0	8.8	22
P0140.140-042-SC	M14	15	42	17.0	8.8	22
P0140.140-045-SC	M14	15	45	17.0	8.8	22
P0140.140-050-SC	M14	15	50	17.0	8.8	22
P0140.140-055-SC	M14	15	55	19.0	8.8	22
P0140.140-060-SC	M14	15	60	19.0	8.8	22
P0140.140-065-SC	M14	15	65	19.0	8.8	22
P0140.140-070-SC	M14	15	70	19.0	8.8	22
P0140.140-075-SC	M14	15	75	19.0	8.8	22
P0140.140-080-SC	M14	15	80	19.0	8.8	22
P0140.140-090-SC	M14	15	90	19.0	8.8	22
P0140.160-040-SC	M16	17	40	19.0	10	24
P0140.160-042-SC	M16	17	42	19.0	10	24
P0140.160-045-SC	M16	17	45	19.0	10	24
P0140.160-048-SC	M16	17	48	19.0	10	24
P0140.160-050-SC	M16	17	50	19.0	10	24
P0140.160-055-SC	M16	17	55	21.0	10	24
P0140.160-060-SC	M16	17	60	21.0	10	24
P0140.160-065-SC	M16	17	65	21.0	10	24
P0140.160-070-SC	M16	17	70	21.0	10	24
P0140.160-075-SC	M16	17	75	21.0	10	24
P0140.160-080-SC	M16	17	80	21.0	10	24
P0140.160-085-SC	M16	17	85	21.0	10	24
P0140.160-090-SC	M16	17	90	21.0	10	24
P0140.160-095-SC	M16	17	95	21.0	10	24
P0140.160-100-SC	M16	17	100	21.0	10	24
P0140.160-105-SC	M16	17	105	21.0	10	24
P0140.160-110-SC	M16	17	110	21.0	10	24
P0140.160-115-SC	M16	17	115	21.0	10	24
P0140.160-120-SC	M16	17	120	21.0	10	24
P0140.160-125-SC	M16	17	125	21.0	10	24
P0140.160-130-SC	M16	17	130	21.0	10	24
P0140.160-135-SC	M16	17	135	21.0	10	24
P0140.160-140-SC	M16	17	140	21.0	10	24
P0140.160-150-SC	M16	17	150	21.0	10	24
P0140.160-160-SC	M16	17	160	26.0	10	24
P0140.160-180-SC	M16	17	180	26.0	10	24
P0140.160-200-SC	M16	17	200	26.0	10	24
P0140.180-045-SC	M18	19	45	21.5	11.5	27
P0140.180-050-SC	M18	19	50	21.5	11.5	27
P0140.180-055-SC	M18	19	55	23.5	11.5	27
P0140.180-060-SC	M18	19	60	23.5	11.5	27
P0140.180-065-SC	M18	19	65	23.5	11.5	27



Steel Shoulder Bolts - Hex. Head

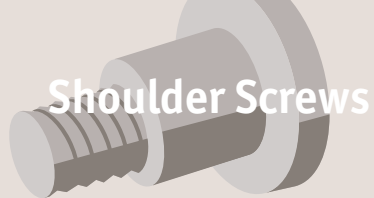
short thread, steel 8.8

Shoulder Screws



Order No.	d ₁	d ₂ tol. k6	l ₁	l ₂	h ₁	A/F
P0140.180-070-SC	M18	19	70	23.5	11.5	27
P0140.180-075-SC	M18	19	75	23.5	11.5	27
P0140.180-080-SC	M18	19	80	23.5	11.5	27
P0140.180-085-SC	M18	19	85	23.5	11.5	27
P0140.180-090-SC	M18	19	90	23.5	11.5	27
P0140.180-095-SC	M18	19	95	23.5	11.5	27
P0140.180-100-SC	M18	19	100	23.5	11.5	27
P0140.180-110-SC	M18	19	110	23.5	11.5	27
P0140.180-120-SC	M18	19	120	23.5	11.5	27
P0140.200-045-SC	M20	21	45	22.5	12.5	30
P0140.200-050-SC	M20	21	50	22.5	12.5	30
P0140.200-055-SC	M20	21	55	24.5	12.5	30
P0140.200-060-SC	M20	21	60	24.5	12.5	30
P0140.200-065-SC	M20	21	65	24.5	12.5	30
P0140.200-070-SC	M20	21	70	24.5	12.5	30
P0140.200-075-SC	M20	21	75	24.5	12.5	30
P0140.200-080-SC	M20	21	80	24.5	12.5	30
P0140.200-085-SC	M20	21	85	24.5	12.5	30
P0140.200-090-SC	M20	21	90	24.5	12.5	30
P0140.200-095-SC	M20	21	95	24.5	12.5	30
P0140.200-100-SC	M20	21	100	24.5	12.5	30
P0140.200-105-SC	M20	21	105	24.5	12.5	30
P0140.200-110-SC	M20	21	110	24.5	12.5	30
P0140.200-115-SC	M20	21	115	24.5	12.5	30
P0140.200-120-SC	M20	21	120	24.5	12.5	30
P0140.200-125-SC	M20	21	125	24.5	12.5	30
P0140.200-130-SC	M20	21	130	24.5	12.5	30
P0140.200-135-SC	M20	21	135	24.5	12.5	30
P0140.200-140-SC	M20	21	140	24.5	12.5	30
P0140.200-145-SC	M20	21	145	24.5	12.5	30
P0140.200-150-SC	M20	21	150	24.5	12.5	30
P0140.200-160-SC	M20	21	160	29.5	12.5	30
P0140.200-170-SC	M20	21	170	29.5	12.5	30
P0140.200-180-SC	M20	21	180	29.5	12.5	30
P0140.200-185-SC	M20	21	185	29.5	12.5	30
P0140.200-190-SC	M20	21	190	29.5	12.5	30
P0140.200-200-SC	M20	21	200	29.5	12.5	30
P0140.200-220-SC	M20	21	220	29.5	12.5	30
P0140.200-240-SC	M20	21	240	29.5	12.5	30
P0140.201-045-SC	M20x2	21	45	22.5	12.5	30
P0140.201-050-SC	M20x2	21	50	22.5	12.5	30
P0140.201-055-SC	M20x2	21	55	24.5	12.5	30
P0140.201-060-SC	M20x2	21	60	24.5	12.5	30
P0140.201-065-SC	M20x2	21	65	24.5	12.5	30
P0140.201-070-SC	M20x2	21	70	24.5	12.5	30
P0140.201-075-SC	M20x2	21	75	24.5	12.5	30
P0140.201-080-SC	M20x2	21	80	24.5	12.5	30
P0140.201-085-SC	M20x2	21	85	24.5	12.5	30
P0140.201-090-SC	M20x2	21	90	24.5	12.5	30
P0140.201-095-SC	M20x2	21	95	24.5	12.5	30
P0140.201-100-SC	M20x2	21	100	24.5	12.5	30
P0140.201-105-SC	M20x2	21	105	24.5	12.5	30
P0140.201-110-SC	M20x2	21	110	24.5	12.5	30
P0140.201-120-SC	M20x2	21	120	24.5	12.5	30
P0140.201-130-SC	M20x2	21	130	24.5	12.5	30
P0140.201-135-SC	M20x2	21	135	24.5	12.5	30
P0140.201-140-SC	M20x2	21	140	24.5	12.5	30
P0140.201-145-SC	M20x2	21	145	24.5	12.5	30
P0140.201-160-SC	M20x2	21	160	29.5	12.5	30
P0140.201-180-SC	M20x2	21	180	29.5	12.5	30
P0140.220-045-SC	M22	23	45	24.5	14.0	34
P0140.220-050-SC	M22	23	50	24.5	14.0	34
P0140.220-055-SC	M22	23	55	26.5	14.0	34
P0140.220-060-SC	M22	23	60	26.5	14.0	34
P0140.220-065-SC	M22	23	65	26.5	14.0	34
P0140.220-070-SC	M22	23	70	26.5	14.0	34
P0140.220-075-SC	M22	23	75	26.5	14.0	34
P0140.220-080-SC	M22	23	80	26.5	14.0	34

SHOULDER SCREWS



Shoulder Screws

Steel Shoulder Bolts - Hex. Head

short thread, steel 8.8



SHOULDER SCREWS

Order No.	d ₁	d ₂ tol. k6	l ₁	l ₂	h ₁	A/F
P0140.220-085-SC	M22	23	85	26.5	14.0	34
P0140.220-090-SC	M22	23	90	26.5	14.0	34
P0140.220-095-SC	M22	23	95	26.5	14.0	34
P0140.220-100-SC	M22	23	100	26.5	14.0	34
P0140.220-105-SC	M22	23	105	26.5	14.0	34
P0140.220-110-SC	M22	23	110	26.5	14.0	34
P0140.220-120-SC	M22	23	120	26.5	14.0	34
P0140.220-130-SC	M22	23	130	26.5	14.0	34
P0140.220-140-SC	M22	23	140	26.5	14.0	34
P0140.220-150-SC	M22	23	150	26.5	14.0	34
P0140.220-180-SC	M22	23	180	31.5	14.0	34
P0140.240-055-SC	M24	25	55	28.5	15.0	36
P0140.240-060-SC	M24	25	60	28.5	15.0	36
P0140.240-065-SC	M24	25	65	28.5	15.0	36
P0140.240-070-SC	M24	25	70	28.5	15.0	36
P0140.240-075-SC	M24	25	75	28.5	15.0	36
P0140.240-080-SC	M24	25	80	28.5	15.0	36
P0140.240-085-SC	M24	25	85	28.5	15.0	36
P0140.240-090-SC	M24	25	90	28.5	15.0	36
P0140.240-095-SC	M24	25	95	28.5	15.0	36
P0140.240-100-SC	M24	25	100	28.5	15.0	36
P0140.240-105-SC	M24	25	105	28.5	15.0	36
P0140.240-110-SC	M24	25	110	28.5	15.0	36
P0140.240-115-SC	M24	25	115	28.5	15.0	36
P0140.240-120-SC	M24	25	120	28.5	15.0	36
P0140.240-125-SC	M24	25	125	28.5	15.0	36
P0140.240-130-SC	M24	25	130	28.5	15.0	36
P0140.240-135-SC	M24	25	135	28.5	15.0	36
P0140.240-140-SC	M24	25	140	28.5	15.0	36
P0140.240-145-SC	M24	25	145	28.5	15.0	36
P0140.240-150-SC	M24	25	150	28.5	15.0	36
P0140.240-160-SC	M24	25	160	33.5	15.0	36
P0140.240-170-SC	M24	25	170	33.5	15.0	36
P0140.240-180-SC	M24	25	180	33.5	15.0	36
P0140.240-185-SC	M24	25	185	33.5	15.0	36
P0140.240-190-SC	M24	25	190	33.5	15.0	36
P0140.240-200-SC	M24	25	200	33.5	15.0	36
P0140.240-220-SC	M24	25	220	33.5	15.0	36
P0140.240-240-SC	M24	25	240	33.5	15.0	36
P0140.241-055-SC	M24x2	25	55	28.5	15.0	36
P0140.241-060-SC	M24x2	25	60	28.5	15.0	36
P0140.241-065-SC	M24x2	25	65	28.5	15.0	36
P0140.241-070-SC	M24x2	25	70	28.5	15.0	36
P0140.241-075-SC	M24x2	25	75	28.5	15.0	36
P0140.241-080-SC	M24x2	25	80	28.5	15.0	36
P0140.241-085-SC	M24x2	25	85	28.5	15.0	36
P0140.241-090-SC	M24x2	25	90	28.5	15.0	36
P0140.241-095-SC	M24x2	25	95	28.5	15.0	36
P0140.241-100-SC	M24x2	25	100	28.5	15.0	36
P0140.241-105-SC	M24x2	25	105	28.5	15.0	36
P0140.241-110-SC	M24x2	25	110	28.5	15.0	36
P0140.241-115-SC	M24x2	25	115	28.5	15.0	36
P0140.241-120-SC	M24x2	25	120	28.5	15.0	36
P0140.241-130-SC	M24x2	25	130	28.5	15.0	36
P0140.241-135-SC	M24x2	25	135	28.5	15.0	36
P0140.241-140-SC	M24x2	25	140	28.5	15.0	36
P0140.241-150-SC	M24x2	25	150	28.5	15.0	36
P0140.270-060-SC	M27	28	60	31.5	17.0	41
P0140.270-065-SC	M27	28	65	31.5	17.0	41
P0140.270-070-SC	M27	28	70	31.5	17.0	41
P0140.270-075-SC	M27	28	75	31.5	17.0	41
P0140.270-080-SC	M27	28	80	31.5	17.0	41
P0140.270-085-SC	M27	28	85	31.5	17.0	41
P0140.270-090-SC	M27	28	90	31.5	17.0	41
P0140.270-095-SC	M27	28	95	31.5	17.0	41
P0140.270-100-SC	M27	28	100	31.5	17.0	41
P0140.270-105-SC	M27	28	105	31.5	17.0	41
P0140.270-110-SC	M27	28	110	31.5	17.0	41



Steel Shoulder Bolts - Hex. Head

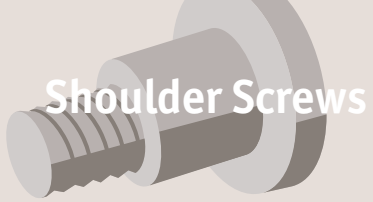
short thread, steel 8.8

Shoulder Screws



Order No.	d ₁	d ₂ tol. k6	l ₁	l ₂	h ₁	A/F
P0140.270-115-SC	M27	28	115	31.5	17.0	41
P0140.270-120-SC	M27	28	120	31.5	17.0	41
P0140.270-125-SC	M27	28	125	31.5	17.0	41
P0140.270-130-SC	M27	28	130	31.5	17.0	41
P0140.270-135-SC	M27	28	135	31.5	17.0	41
P0140.270-140-SC	M27	28	140	31.5	17.0	41
P0140.270-145-SC	M27	28	145	31.5	17.0	41
P0140.270-150-SC	M27	28	150	31.5	17.0	41
P0140.270-160-SC	M27	28	160	36.5	17.0	41
P0140.270-170-SC	M27	28	170	36.5	17.0	41
P0140.270-180-SC	M27	28	180	36.5	17.0	41
P0140.270-200-SC	M27	28	200	36.5	17.0	41
P0140.300-065-SC	M30	32	65	34.0	19.0	46
P0140.300-070-SC	M30	32	70	34.0	19.0	46
P0140.300-075-SC	M30	32	75	34.0	19.0	46
P0140.300-080-SC	M30	32	80	34.0	19.0	46
P0140.300-085-SC	M30	32	85	34.0	19.0	46
P0140.300-090-SC	M30	32	90	34.0	19.0	46
P0140.300-100-SC	M30	32	100	34.0	19.0	46
P0140.300-105-SC	M30	32	105	34.0	19.0	46
P0140.300-110-SC	M30	32	110	34.0	19.0	46
P0140.300-115-SC	M30	32	115	34.0	19.0	46
P0140.300-120-SC	M30	32	120	34.0	19.0	46
P0140.300-125-SC	M30	32	125	34.0	19.0	46
P0140.300-130-SC	M30	32	130	34.0	19.0	46
P0140.300-135-SC	M30	32	135	34.0	19.0	46
P0140.300-140-SC	M30	32	140	34.0	19.0	46
P0140.300-145-SC	M30	32	145	34.0	19.0	46
P0140.300-150-SC	M30	32	150	34.0	19.0	46
P0140.300-160-SC	M30	32	160	39.0	19.0	46
P0140.300-170-SC	M30	32	170	39.0	19.0	46
P0140.300-180-SC	M30	32	180	39.0	19.0	46
P0140.300-185-SC	M30	32	185	39.0	19.0	46
P0140.300-190-SC	M30	32	190	39.0	19.0	46
P0140.300-200-SC	M30	32	200	39.0	19.0	46
P0140.301-065-SC	M30x2	32	65	34.0	19.0	46
P0140.301-080-SC	M30x2	32	80	34.0	19.0	46
P0140.301-085-SC	M30x2	32	85	34.0	19.0	46
P0140.301-090-SC	M30x2	32	90	34.0	19.0	46
P0140.301-095-SC	M30x2	32	95	34.0	19.0	46
P0140.301-100-SC	M30x2	32	100	34.0	19.0	46
P0140.301-105-SC	M30x2	32	105	34.0	19.0	46
P0140.301-110-SC	M30x2	32	110	34.0	19.0	46
P0140.301-115-SC	M30x2	32	115	34.0	19.0	46
P0140.301-125-SC	M30x2	32	125	34.0	19.0	46
P0140.301-130-SC	M30x2	32	130	34.0	19.0	46
P0140.301-140-SC	M30x2	32	140	34.0	19.0	46
P0140.301-150-SC	M30x2	32	150	34.0	19.0	46
P0140.301-170-SC	M30x2	32	170	39.0	19.0	46
P0140.301-180-SC	M30x2	32	180	39.0	19.0	46
P0140.301-185-SC	M30x2	32	185	39.0	19.0	46
P0140.301-190-SC	M30x2	32	190	39.0	19.0	46
P0140.360-070-SC	M36	38	70	40.0	22.0	55
P0140.360-075-SC	M36	38	75	40.0	22.0	55
P0140.360-080-SC	M36	38	80	40.0	22.0	55
P0140.360-085-SC	M36	38	85	40.0	22.0	55
P0140.360-090-SC	M36	38	90	40.0	22.0	55
P0140.360-095-SC	M36	38	95	40.0	22.0	55
P0140.360-100-SC	M36	38	100	40.0	22.0	55
P0140.360-105-SC	M36	38	105	40.0	22.0	55
P0140.360-110-SC	M36	38	110	40.0	22.0	55
P0140.360-115-SC	M36	38	115	40.0	22.0	55
P0140.360-120-SC	M36	38	120	40.0	22.0	55
P0140.360-125-SC	M36	38	125	40.0	22.0	55
P0140.360-130-SC	M36	38	130	40.0	22.0	55
P0140.360-135-SC	M36	38	135	40.0	22.0	55
P0140.360-140-SC	M36	38	140	40.0	22.0	55
P0140.360-145-SC	M36	38	145	40.0	22.0	55

SHOULDER SCREWS



Shoulder Screws

Steel Shoulder Bolts - Hex. Head

short thread, steel 8.8



SHOULDER SCREWS

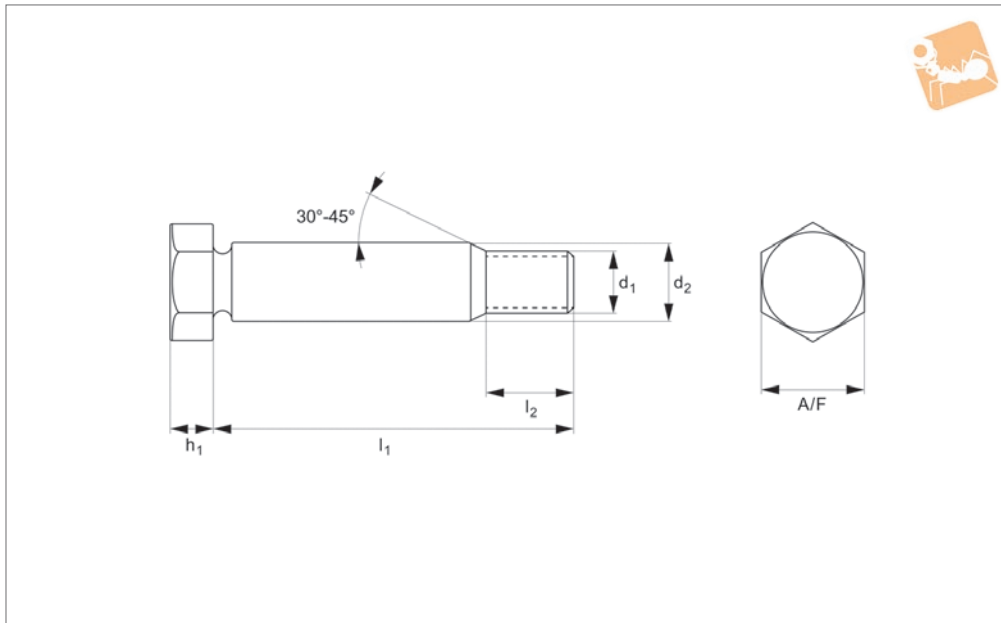
Order No.	d ₁	d ₂ tol. k6	l ₁	l ₂	h ₁	A/F
P0140.360-150-SC	M36	38	150	40.0	22.0	55
P0140.360-160-SC	M36	38	160	45.0	22.0	55
P0140.360-170-SC	M36	38	170	45.0	22.0	55
P0140.360-180-SC	M36	38	180	45.0	22.0	55
P0140.360-185-SC	M36	38	185	45.0	22.0	55
P0140.360-190-SC	M36	38	190	45.0	22.0	55
P0140.360-200-SC	M36	38	200	45.0	22.0	55
P0140.390-160-SC	M39	40	160	47.0	25.0	60
P0140.390-320-SC	M39	40	320	47.0	25.0	60
P0140.420-100-SC	M42	44	100	46.0	26.0	65
P0140.420-110-SC	M42	44	110	46.0	26.0	65
P0140.420-120-SC	M42	44	120	46.0	26.0	65
P0140.420-130-SC	M42	44	130	46.0	26.0	65
P0140.420-140-SC	M42	44	140	46.0	26.0	65
P0140.420-150-SC	M42	44	150	46.0	26.0	65
P0140.420-160-SC	M42	44	160	51.0	26.0	65
P0140.420-170-SC	M42	44	170	51.0	26.0	65
P0140.420-180-SC	M42	44	180	51.0	26.0	65
P0140.420-185-SC	M42	44	185	51.0	26.0	65
P0140.420-190-SC	M42	44	190	51.0	26.0	65
P0140.420-200-SC	M42	44	200	51.0	26.0	65
P0140.420-240-SC	M42	44	240	51.0	26.0	65
P0140.420-280-SC	M42	44	280	51.0	26.0	65
P0140.420-370-SC	M42	44	370	51.0	26.0	65



Steel Shoulder Bolts - Hex. Head

short thread, steel 10.9

Shoulder Screws



P0141.SC

SHOULDER SCREWS

Material

Black alloy steel, strength 10,9. Hardness 38 HRC, tensile strength 830 N/mm².

Technical Notes

To DIN 610.

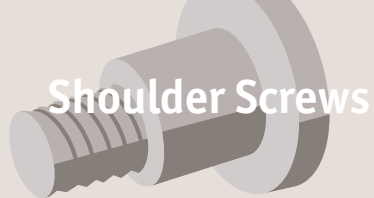
For strength 8.8 see part P0140.SC

Tips

Do not tighten to standard strength class 10,9 torque; as the tightening torque is limited,

by the presence of the reduced diameter undercut under the head and at the shoulder/thread area.
Drill hole to H7 tolerance.

Order No.	d ₁	d ₂ tol. k6	l ₁	l ₂	h ₁	A/F
P0141.080-025-SC	M 8	9	25	11.5	5.3	13
P0141.080-024-SC	M 8	9	24	11.5	5.3	13
P0141.080-035-SC	M 8	9	35	11.5	5.3	13
P0141.080-038-SC	M 8	9	38	11.5	5.3	13
P0141.080-040-SC	M 8	9	40	11.5	5.3	13
P0141.080-048-SC	M 8	9	48	11.5	5.3	13
P0141.080-060-SC	M 8	9	60	13.5	5.3	13
P0141.080-080-SC	M 8	9	80	13.5	5.3	13
P0141.100-030-SC	M10	11	30	13.5	6.4	17
P0141.100-032-SC	M10	11	32	13.5	6.4	17
P0141.100-035-SC	M10	11	35	13.5	6.4	17
P0141.100-038-SC	M10	11	38	13.5	6.4	17
P0141.100-040-SC	M10	11	40	13.5	6.4	17
P0141.100-042-SC	M10	11	42	13.5	6.4	17
P0141.100-045-SC	M10	11	45	13.5	6.4	17
P0141.100-048-SC	M10	11	48	13.5	6.4	17
P0141.100-050-SC	M10	11	50	13.5	6.4	17
P0141.100-055-SC	M10	11	55	15.5	6.4	17
P0141.100-060-SC	M10	11	60	15.5	6.4	17
P0141.100-065-SC	M10	11	65	15.5	6.4	17
P0141.100-070-SC	M10	11	70	15.5	6.4	17
P0141.100-075-SC	M10	11	75	15.5	6.4	17
P0141.100-080-SC	M10	11	80	15.5	6.4	17
P0141.120-030-SC	M12	13	30	15.5	7.5	19
P0141.120-032-SC	M12	13	32	15.5	7.5	19
P0141.120-035-SC	M12	13	35	15.5	7.5	19
P0141.120-038-SC	M12	13	38	15.5	7.5	19
P0141.120-040-SC	M12	13	40	15.5	7.5	19
P0141.120-045-SC	M12	13	45	15.5	7.5	19
P0141.120-048-SC	M12	13	48	15.5	7.5	19
P0141.120-050-SC	M12	13	50	15.5	7.5	19
P0141.120-055-SC	M12	13	55	17.5	7.5	19



Shoulder Screws

Steel Shoulder Bolts - Hex. Head short thread, steel 10.9



SHOULDER SCREWS

Order No.	d ₁	d ₂ tol. k6	l ₁	l ₂	h ₁	A/F
P0141.120-060-SC	M12	13	60	17.5	7.5	19
P0141.120-065-SC	M12	13	65	17.5	7.5	19
P0141.120-070-SC	M12	13	70	17.5	7.5	19
P0141.120-075-SC	M12	13	75	17.5	7.5	19
P0141.120-090-SC	M12	13	90	17.5	7.5	19
P0141.120-110-SC	M12	13	110	17.5	7.5	19
P0141.140-035-SC	M14	15	35	17.0	8.8	22
P0141.140-040-SC	M14	15	40	17.0	8.8	22
P0141.140-042-SC	M14	15	42	17.0	8.8	22
P0141.140-045-SC	M14	15	45	17.0	8.8	22
P0141.140-050-SC	M14	15	50	17.0	8.8	22
P0141.140-055-SC	M14	15	55	19.0	8.8	22
P0141.140-060-SC	M14	15	60	19.0	8.8	22
P0141.140-080-SC	M14	15	80	19.0	8.8	22
P0141.160-040-SC	M16	17	40	19.0	10	24
P0141.160-042-SC	M16	17	42	19.0	10	24
P0141.160-045-SC	M16	17	45	19.0	10	24
P0141.160-048-SC	M16	17	48	19.0	10	24
P0141.160-050-SC	M16	17	50	19.0	10	24
P0141.160-055-SC	M16	17	55	21.0	10	24
P0141.160-060-SC	M16	17	60	21.0	10	24
P0141.160-065-SC	M16	17	65	21.0	10	24
P0141.160-070-SC	M16	17	70	21.0	10	24
P0141.160-075-SC	M16	17	75	21.0	10	24
P0141.160-080-SC	M16	17	80	21.0	10	24
P0141.160-085-SC	M16	17	85	21.0	10	24
P0141.160-090-SC	M16	17	90	21.0	10	24
P0141.160-100-SC	M16	17	100	21.0	10	24
P0141.160-110-SC	M16	17	110	21.0	10	24
P0141.160-120-SC	M16	17	120	21.0	10	24
P0141.160-150-SC	M16	17	150	21.0	10	24
P0141.200-045-SC	M20	21	45	22.5	12.5	30
P0141.200-050-SC	M20	21	50	22.5	12.5	30
P0141.200-055-SC	M20	21	55	24.5	12.5	30
P0141.200-060-SC	M20	21	60	24.5	12.5	30
P0141.200-065-SC	M20	21	65	24.5	12.5	30
P0141.200-070-SC	M20	21	70	24.5	12.5	30
P0141.200-075-SC	M20	21	75	24.5	12.5	30
P0141.200-080-SC	M20	21	80	24.5	12.5	30
P0141.200-085-SC	M20	21	85	24.5	12.5	30
P0141.200-090-SC	M20	21	90	24.5	12.5	30
P0141.200-100-SC	M20	21	100	24.5	12.5	30
P0141.200-105-SC	M20	21	105	24.5	12.5	30
P0141.200-110-SC	M20	21	110	24.5	12.5	30
P0141.200-120-SC	M20	21	120	24.5	12.5	30
P0141.200-130-SC	M20	21	130	24.5	12.5	30
P0141.200-140-SC	M20	21	140	24.5	12.5	30
P0141.200-150-SC	M20	21	150	24.5	12.5	30
P0141.200-160-SC	M20	21	160	29.5	12.5	30
P0141.240-055-SC	M24	25	55	28.5	15.0	36
P0141.240-060-SC	M24	25	60	28.5	15.0	36
P0141.240-065-SC	M24	25	65	28.5	15.0	36
P0141.240-070-SC	M24	25	70	28.5	15.0	36
P0141.240-075-SC	M24	25	75	28.5	15.0	36
P0141.240-080-SC	M24	25	80	28.5	15.0	36
P0141.240-085-SC	M24	25	85	28.5	15.0	36
P0141.240-090-SC	M24	25	90	28.5	15.0	36
P0141.240-100-SC	M24	25	100	28.5	15.0	36
P0141.240-105-SC	M24	25	105	28.5	15.0	36
P0141.240-110-SC	M24	25	110	28.5	15.0	36
P0141.240-120-SC	M24	25	120	28.5	15.0	36
P0141.240-125-SC	M24	25	125	28.5	15.0	36
P0141.240-130-SC	M24	25	130	28.5	15.0	36
P0141.240-140-SC	M24	25	140	28.5	15.0	36
P0141.240-150-SC	M24	25	150	28.5	15.0	36
P0141.240-160-SC	M24	25	160	33.5	15.0	36
P0141.240-170-SC	M24	25	170	33.5	15.0	36
P0141.240-180-SC	M24	25	180	33.5	15.0	36



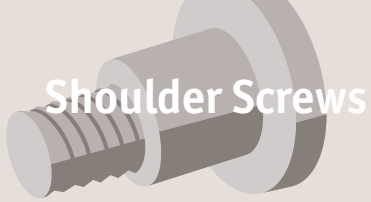
Steel Shoulder Bolts - Hex. Head

short thread, steel 10.9

Shoulder Screws



Order No.	d ₁	d ₂ tol. k6	l ₁	l ₂	h ₁	A/F
P0141.300-080-SC	M30	32	80	34.0	19.0	46
P0141.300-090-SC	M30	32	90	34.0	19.0	46
P0141.300-100-SC	M30	32	100	34.0	19.0	46
P0141.300-105-SC	M30	32	105	34.0	19.0	46
P0141.300-110-SC	M30	32	110	34.0	19.0	46
P0141.300-120-SC	M30	32	120	34.0	19.0	46
P0141.300-130-SC	M30	32	130	34.0	19.0	46
P0141.300-140-SC	M30	32	140	34.0	19.0	46
P0141.360-120-SC	M36	38	120	40.0	22.0	55
P0141.360-130-SC	M36	38	130	40.0	22.0	55
P0141.360-200-SC	M36	38	200	45.0	22.0	55



Shoulder Screws

Steel Shoulder Bolts - Hex. Head construction grade

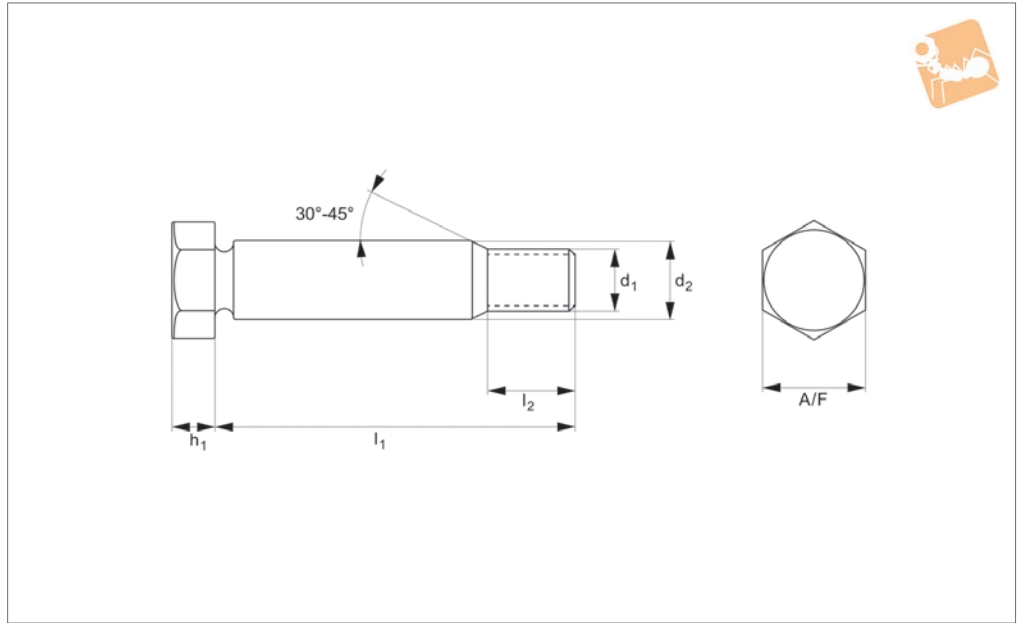


SHOULDER SCREWS



MADE IN BRITAIN

P0142.SC



Material

Black alloy steel, strength 8.8. Hardness 38 HRC, tensile strength 830 N/mm².

Technical Notes

To DIN 7968

Tips

Do not tighten to standard strength class 8.8 torque; as the tightening torque is limited, by the presence of the reduced diameter

undercut under the head and at the shoulder/thread area.

Order No.	d ₁	d ₂ tol. h11	l ₁	l ₂	h ₁	A/F
P0142.120-035-SC	M12	12.74	35	20.5	8	18
P0142.120-040-SC	M12	12.74	40	20.5	8	18
P0142.120-045-SC	M12	12.74	45	20.5	8	18
P0142.120-050-SC	M12	12.74	50	20.5	8	18
P0142.120-055-SC	M12	12.74	55	20.5	8	18
P0142.120-060-SC	M12	12.74	60	20.5	8	18
P0142.120-070-SC	M12	12.74	70	20.5	8	18
P0142.120-075-SC	M12	12.74	75	20.5	8	18
P0142.160-040-SC	M16	16.74	40	24.5	10	24
P0142.160-045-SC	M16	16.74	45	24.5	10	24
P0142.160-050-SC	M16	16.74	50	24.5	10	24
P0142.160-055-SC	M16	16.74	55	24.5	10	24
P0142.160-060-SC	M16	16.74	60	24.5	10	24
P0142.160-065-SC	M16	16.74	65	24.5	10	24
P0142.160-070-SC	M16	16.74	70	24.5	10	24
P0142.160-080-SC	M16	16.74	80	24.5	10	24
P0142.160-085-SC	M16	16.74	85	24.5	10	24
P0142.200-050-SC	M20	20.71	50	28.5	13	30
P0142.200-055-SC	M20	20.71	55	28.5	13	30
P0142.200-060-SC	M20	20.71	60	28.5	13	30
P0142.200-065-SC	M20	20.71	65	28.5	13	30
P0142.200-070-SC	M20	20.71	70	28.5	13	30
P0142.200-075-SC	M20	20.71	75	28.5	13	30
P0142.200-080-SC	M20	20.71	80	28.5	13	30
P0142.200-090-SC	M20	20.71	90	28.5	13	30
P0142.200-100-SC	M20	20.71	100	28.5	13	30
P0142.200-110-SC	M20	20.71	110	28.5	13	30
P0142.240-060-SC	M24	24.71	60	33.0	15	36
P0142.240-065-SC	M24	24.71	65	33.0	15	36
P0142.240-070-SC	M24	24.71	70	33.0	15	36
P0142.240-075-SC	M24	24.71	75	33.0	15	36
P0142.240-080-SC	M24	24.71	80	33.0	15	36



Steel Shoulder Bolts - Hex. Head

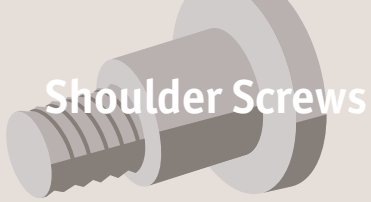
construction grade

Shoulder Screws



Order No.	d ₁	d ₂ tol. h11	l ₁	l ₂	h ₁	A/F
P0142.240-085-SC	M24	24.71	85	33.0	15	36
P0142.240-090-SC	M24	24.71	90	33.0	15	36
P0142.240-100-SC	M24	24.71	100	33.0	15	36
P0142.240-120-SC	M24	24.71	120	33.0	15	36
P0142.240-165-SC	M24	24.71	160	33.0	15	36
P0142.240-195-SC	M24	24.71	195	33.0	15	36
P0142.270-090-SC	M27	27.71	90	33.5	17	41
P0142.270-100-SC	M27	27.71	100	33.5	17	41
P0142.270-110-SC	M27	27.71	110	33.5	17	41

SHOULDER SCREWS



Shoulder Screws

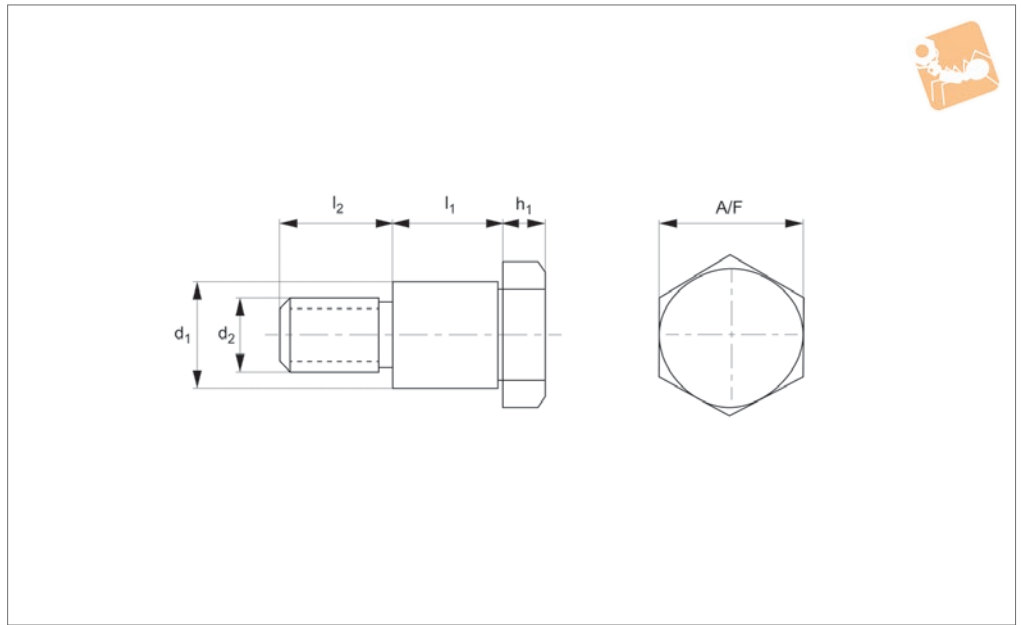
Stainless Shoulder Bolts - Hex. Head Small sizes A2 Stainless



SHOULDER SCREWS



P0135



Material

Stainless steel (A2, AISI 303). Tensile strength 550 N/mm².

Technical Notes

A2 stainless steel provides good resistance

to corrosion, it is soft and non-magnetic.

For Ø16 (and above) stainless steel shoulder bolts see part no. P0139 and P0141.

Special lengths and diameters produced to

drawings.

Order No.	d ₁ +0.0 -0.025	l ₁ +0.0 -0.05	d ₂	l ₂	h ₁	A/F
P0135.040-004	4	4	M 3	4	2.1	5.5
P0135.040-005	4	5	M 3	4	2.1	5.5
P0135.040-006	4	6	M 3	4	2.1	5.5
P0135.040-008	4	8	M 3	4	2.1	5.5
P0135.040-010	4	10	M 3	4	2.1	5.5
P0135.050-004	5	4	M 4	5	2.9	7
P0135.050-005	5	5	M 4	5	2.9	7
P0135.050-006	5	6	M 4	5	2.9	7
P0135.050-008	5	8	M 4	5	2.9	7
P0135.050-010	5	10	M 4	5	2.9	7
P0135.050-012	5	12	M 4	5	2.9	7
P0135.050-014	5	14	M 4	5	2.9	7
P0135.050-016	5	16	M 4	5	2.9	7
P0135.050-020	5	20	M 4	5	2.9	7
P0135.050-025	5	25	M 4	5	2.9	7
P0135.050-030	5	30	M 4	5	2.9	7
P0135.060-004	6	4	M 5	6	3.6	8
P0135.060-005	6	5	M 5	6	3.6	8
P0135.060-006	6	6	M 5	6	3.6	8
P0135.060-008	6	8	M 5	6	3.6	8
P0135.060-010	6	10	M 5	6	3.6	8
P0135.060-012	6	12	M 5	6	3.6	8
P0135.060-014	6	14	M 5	6	3.6	8
P0135.060-016	6	16	M 5	6	3.6	8
P0135.060-020	6	20	M 5	6	3.6	8
P0135.060-025	6	25	M 5	6	3.6	8
P0135.060-030	6	30	M 5	6	3.6	8
P0135.080-006	8	6	M 6	11	4.1	10
P0135.080-008	8	8	M 6	11	4.1	10
P0135.080-010	8	10	M 6	11	4.1	10
P0135.080-012	8	12	M 6	11	4.1	10
P0135.080-016	8	16	M 6	11	4.1	10



Stainless Shoulder Bolts - Hex. Head

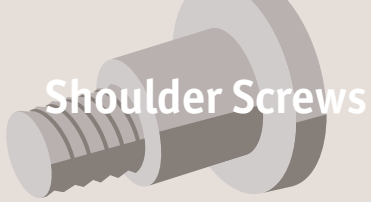
Small sizes A2 Stainless

Shoulder Screws



Order No.	d_1 +0.0 -0.025	l_1 +0.0 -0.05	d_2	l_2	h_1	A/F
P0135.080-020	8	20	M 6	11	4.1	10
P0135.100-008	10	8	M 6	11	5.4	13
P0135.100-010	10	10	M 6	11	5.4	13
P0135.100-012	10	12	M 6	11	5.4	13
P0135.100-016	10	16	M 6	11	5.4	13
P0135.101-008	10	8	M 8	12	5.4	13
P0135.101-010	10	10	M 8	12	5.4	13
P0135.101-012	10	12	M 8	12	5.4	13
P0135.101-016	10	16	M 8	12	5.4	13
P0135.120-012	12	12	M10	16	6.6	17
P0135.120-016	12	16	M10	16	6.6	17
P0135.120-020	12	20	M10	16	6.6	17
P0135.120-025	12	25	M10	16	6.6	17

SHOULDER SCREWS



Shoulder Screws

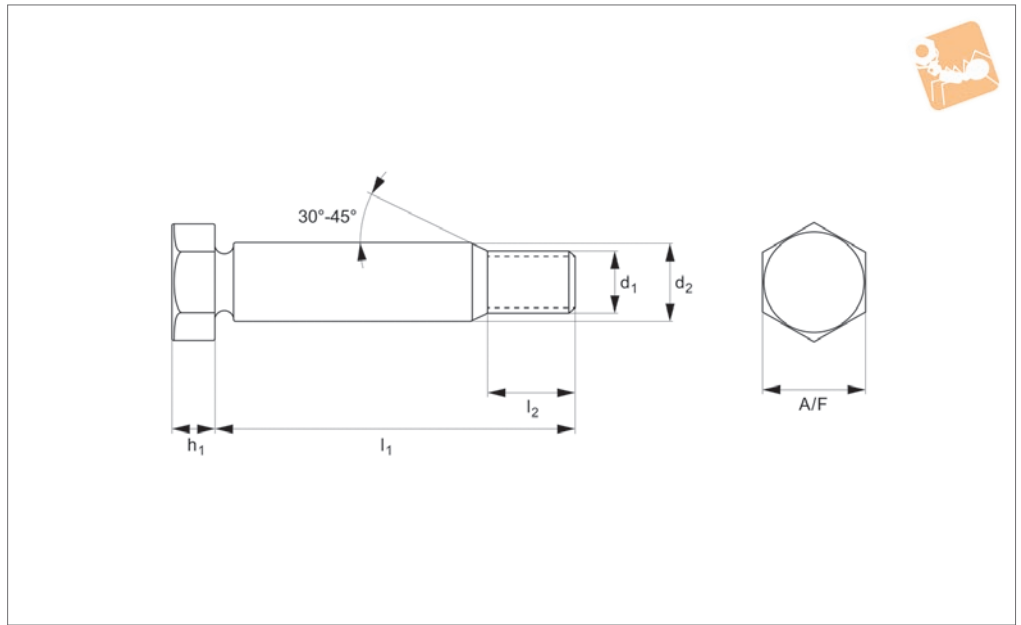
Stainless Shoulder Bolts - Hex. Head Long thread A2 stainless



SHOULDER SCREWS



P0138.A2



Material

Stainless steel (A2, AISI 303).
Tensile strength 550 N/mm².

Technical Notes

To DIN 609. Longer thread than P0140
(DIN 610). Mildly magnetic.

Drill hole to H7 tolerance.

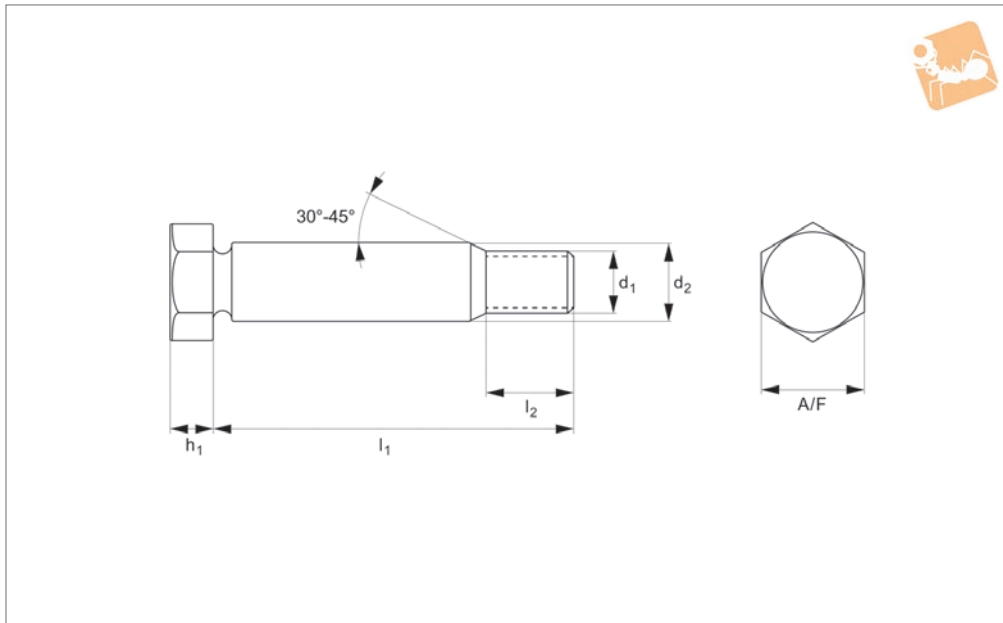
Order No.	d ₁	l ₁	d ₂ tol. k6	l ₂	h ₁	A/F
P0138.080-025-A2	M 8	25	9	14.5	5.3	13
P0138.080-030-A2	M 8	30	9	14.5	5.3	13
P0138.080-040-A2	M 8	40	9	14.5	5.3	13
P0138.080-045-A2	M 8	45	9	14.5	5.3	13
P0138.080-060-A2	M 8	60	9	16.5	5.3	13
P0138.080-080-A2	M 8	80	9	16.5	5.3	13
P0138.100-030-A2	M10	30	11	17.5	6.4	17
P0138.100-040-A2	M10	40	11	17.5	6.4	17
P0138.100-045-A2	M10	45	11	17.5	6.4	17
P0138.100-050-A2	M10	50	11	17.5	6.4	17
P0138.100-060-A2	M10	60	11	19.5	6.4	17
P0138.100-070-A2	M10	70	11	19.5	6.4	17
P0138.100-080-A2	M10	80	11	19.5	6.4	17
P0138.120-040-A2	M12	40	13	20.5	10.0	18
P0138.120-045-A2	M12	45	13	20.5	10.0	18
P0138.120-050-A2	M12	50	13	20.5	10.0	18
P0138.120-055-A2	M12	55	13	22.5	10.0	18
P0138.120-060-A2	M12	60	13	22.5	10.0	18
P0138.120-065-A2	M12	65	13	22.5	10.0	18
P0138.120-080-A2	M12	80	13	22.5	10.0	18
P0138.160-040-A2	M16	40	17	25.0	11.5	24
P0138.160-045-A2	M16	45	17	25.0	11.5	24
P0138.160-050-A2	M16	50	17	25.0	11.5	24
P0138.160-055-A2	M16	55	17	27.0	11.5	24
P0138.160-060-A2	M16	60	17	27.0	11.5	24
P0138.160-065-A2	M16	65	17	27.0	11.5	24
P0138.160-070-A2	M16	70	17	27.0	11.5	24
P0138.160-080-A2	M16	80	17	27.0	11.5	24
P0138.160-095-A2	M16	95	17	27.0	11.5	24



Stainless Shoulder Bolts - Hex. Head

short thread, A2 stainless

Shoulder Screws



P0140.A2

SHOULDER SCREWS

Material

Stainless steel (A2, AISI 303).
Tensile strength 550 N/mm².

(DIN 609). Mildly magnetic.

Tips

Do not tighten to standard strength class 8,8 torque; as the tightening torque is limited,

by the presence of the reduced diameter undercut under the head and at the shoulder/thread area.
Drill hole to H7 tolerance.

Technical Notes

To DIN 610. Shorter thread than P0138

Order No.	d ₁	l ₁	d ₂ tol. k6	l ₂	h ₁	A/F
P0140.080-025-A2	M 8	25	9	11.5	5.3	13
P0140.080-030-A2	M 8	30	9	11.5	5.3	13
P0140.080-040-A2	M 8	40	9	11.5	5.3	13
P0140.080-045-A2	M 8	45	9	11.5	5.3	13
P0140.100-040-A2	M10	40	11	13.5	6.4	16
P0140.100-045-A2	M10	45	11	13.5	6.4	16
P0140.100-050-A2	M10	50	11	13.5	6.4	16
P0140.100-060-A2	M10	60	11	15.5	6.4	16
P0140.100-080-A2	M10	80	11	15.5	6.4	16
P0140.100-100-A2	M10	100	11	15.5	6.4	16
P0140.120-030-A2	M12	30	13	15.5	10.0	18
P0140.120-035-A2	M12	35	13	15.5	10.0	18
P0140.120-040-A2	M12	40	13	15.5	10.0	18
P0140.120-045-A2	M12	45	13	15.5	10.0	18
P0140.120-050-A2	M12	50	13	15.5	10.0	18
P0140.120-080-A2	M12	80	13	17.5	10.0	18
P0140.120-120-A2	M12	120	13	17.5	10.0	18
P0140.160-040-A2	M16	40	17	19.0	11.5	24
P0140.160-045-A2	M16	45	17	19.0	11.5	24
P0140.160-050-A2	M16	50	17	19.0	11.5	24
P0140.160-055-A2	M16	55	17	21.0	11.5	24
P0140.160-060-A2	M16	60	17	21.0	11.5	24
P0140.160-065-A2	M16	65	17	21.0	11.5	24
P0140.160-070-A2	M16	70	17	21.0	11.5	24
P0140.160-080-A2	M16	80	17	21.0	11.5	24



Automotion produce a wide range of fasteners designed for application where it is important that fasteners are not separated from equipment (e.g. cover panels etc). This is now important to ensure that equipment complies with Machinery Directive 200642/EC - requiring that fasteners remain attached to fixed guards or equipment when guards are removed.

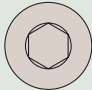

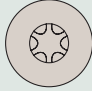
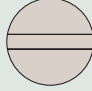
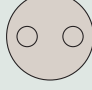
Our captive panel screws are manufactured mainly from stainless steel (A2, AISI 303 grade), but they can also be produced in stainless steel (A4, AISI 316), aluminium, brass or zinc-plated steel.

Many finishes can be applied - black-oxide finish, anodizing etc.

The main options are as follows:

Finish	Notes
Black Chrome (MIL-C-1458B)	Black chrome is a hard, non-reflective coating which is resistant to abrasion, heat and corrosion. The black chrome surface is a dull, dark grey and may be waxed or oiled to darken surface.
Black Oxide Coating (MIL-C-13924B)	Black oxide is a uniform black coating for ferrous metals. Generally it is considered a decorative coating and provides only very limited corrosion protection under mild corrosion conditions.
Cadmium	Cadmium is a bright, silvery white plating. Supplementary treatments for Type II can be golden, iridescent, amber, black or olive drab.
Passivate (QQ-P-35/MIL S-5005C)	Passivation is a process designed to remove foreign metals from the surface of stainless and corrosion resistant steels.
Phosphate Coating Light (TT-C-00490B)	Phosphate coating is a light coating for use as a base paint.
Gold (MIL-G-45204B)	Yellow to orange colour depending on proprietary process used. Will range from matt to bright finish depending on base metal. Good corrosion resistance and high tarnish resistance.
Nickel (QQ-N-290A)	Nickel is a corrosion protective plating for steel, zinc and zinc alloys as well as copper and copper alloys.
Zinc (QQ-Z-325C)	The primary use of chromate finishes on zinc is to retard or prevent formation of white corrosion products on zinc surfaces.

The available head sockets include:

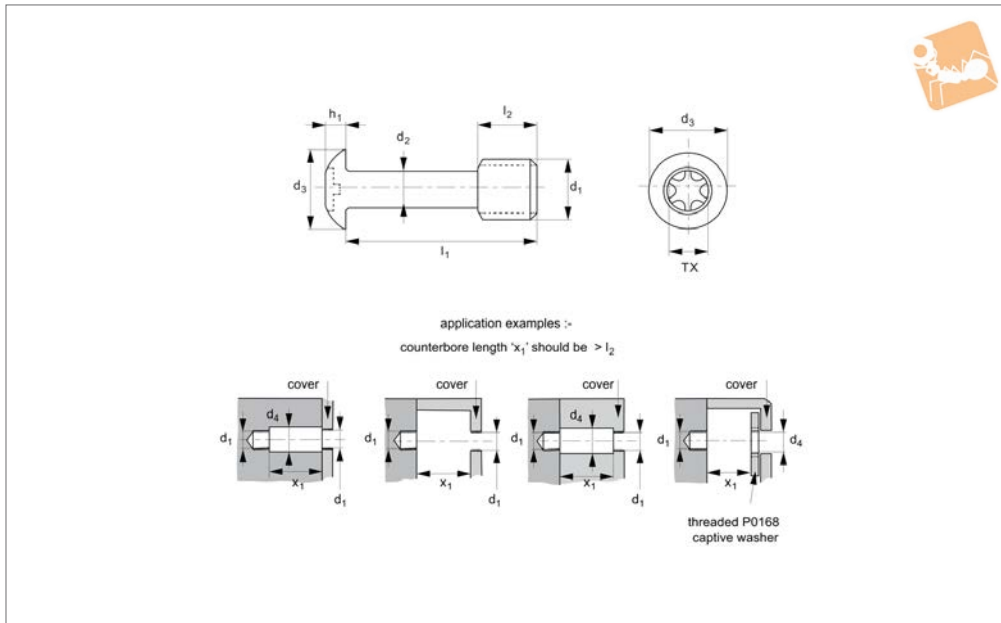
Schematic	Drive Types	Uses
	Hexagonal Recess	Ideal for precision assembly. Most recommended where less surface area is available.
	Crosshead (Phillips®)	Provides good control in driving. Always use a driver bit of the proper size which is in good condition.
	Star Head (Torx®)	Positive-engaging, fast-locating method which transmits drive torque with less required downward pressure. Good fastening appearance.
	Slotted	Accepts standard blade screwdriver. Requires less downward pressure to drive parts than those with recessed openings. Use a proper fitting blade to minimize slippage.
	Security	These screws are impossible to remove without the special matching screw driver.



Captive Screws - Button Head

TX drive - 303 stainless

Captive Screws



P0149.A2

MADE IN BRITAIN

CAPTIVE SCREWS

Material

Stainless steel (AISI 303, 1.4305). Tensile strength 550 N/mm².

Proof stress min. 190 N/mm², austenitic stainless steel. Also available with blackened finish (P0149.B2), in marine grade stainless steel (AISI 316 series; P0149.A4), in titanium (P0149.Ti), or in other materials such as steel, brass, aluminium etc. on request.

Technical Notes

Used to comply with the Machinery Directive 2006/42/EC. Generally to ISO 7380-1. Often used with our captive washers (P0168) or retaining flanges (P0169 - for sheet metal applications). The use of our captive washers should be considered when fitted in panels with unthreaded holes.

Important Notes

This product was formerly known as P0151. TX. Please note that these screws have a reduced diameter shank and should not be tightened to the recommended torque for an equivalent machine screw of size d₁.

Order No.	d ₁	l ₁ 0,25	d ₂ 0,12	d ₃ max.	d ₄ min.	h ₁ max.	l ₂ -0,2	TX size
P0149.025-008-A2	M 2,5	8	1.7	4.5	2.8	1.50	3.7	TX- 8
P0149.025-010-A2	M 2,5	10	1.7	4.5	2.8	1.50	3.7	TX- 8
P0149.025-012-A2	M 2,5	12	1.7	4.5	2.8	1.50	3.7	TX- 8
P0149.025-016-A2	M 2,5	16	1.7	4.5	2.8	1.50	3.7	TX- 8
P0149.025-020-A2	M 2,5	20	1.7	4.5	2.8	1.50	3.7	TX- 8
P0149.030-010-A2	M 3	10	2.0	5.7	3.5	1.65	4.5	TX-10
P0149.030-016-A2	M 3	16	2.0	5.7	3.5	1.65	4.5	TX-10
P0149.030-020-A2	M 3	20	2.0	5.7	3.5	1.65	4.5	TX-10
P0149.030-025-A2	M 3	25	2.0	5.7	3.5	1.65	4.5	TX-10
P0149.030-030-A2	M 3	30	2.0	5.7	3.5	1.65	4.5	TX-10
P0149.030-040-A2	M 3	40	2.0	5.7	3.5	1.65	5.0	TX-10
P0149.040-012-A2	M 4	12	2.8	7.6	4.5	3.10	6.0	TX-20
P0149.040-016-A2	M 4	16	2.8	7.6	4.5	3.10	6.0	TX-20
P0149.040-020-A2	M 4	20	2.8	7.6	4.5	3.10	6.0	TX-20
P0149.040-025-A2	M 4	25	2.8	7.6	4.5	3.10	6.0	TX-20
P0149.040-030-A2	M 4	30	2.8	7.6	4.5	3.10	6.0	TX-20
P0149.040-040-A2	M 4	40	2.8	7.6	4.5	3.10	6.0	TX-20
P0149.040-050-A2	M 4	50	2.8	7.6	4.5	3.10	6.0	TX-20
P0149.040-060-A2	M 4	60	2.8	7.6	4.5	3.10	6.0	TX-20
P0149.050-012-A2	M 5	12	3.7	9.5	5.5	3.70	7.5	TX-25
P0149.050-016-A2	M 5	16	3.7	9.5	5.5	3.70	7.5	TX-25
P0149.050-020-A2	M 5	20	3.7	9.5	5.5	3.70	7.5	TX-25
P0149.050-025-A2	M 5	25	3.7	9.5	5.5	3.70	7.5	TX-25
P0149.050-030-A2	M 5	30	3.7	9.5	5.5	3.70	7.5	TX-25
P0149.050-040-A2	M 5	40	3.7	9.5	5.5	3.70	7.5	TX-25
P0149.050-050-A2	M 5	50	3.7	9.5	5.5	3.70	7.5	TX-25
P0149.050-060-A2	M 5	60	3.7	9.5	5.5	3.70	7.5	TX-25



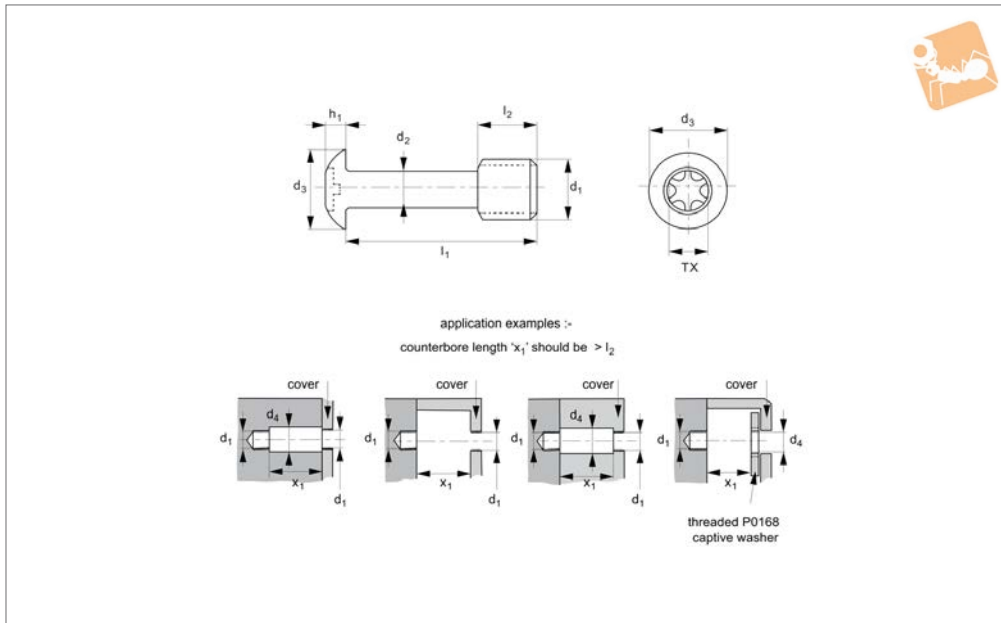
Order No.	d ₁	l ₁ 0,25	d ₂ 0,12	d ₃ max.	d ₄ min.	h ₁ max.	l ₂ -0,2	TX size
P0149.060-016-A2	M 6	16	4.2	10.5	6.5	4.70	7.5	TX-30
P0149.060-020-A2	M 6	20	4.2	10.5	6.5	4.70	7.5	TX-30
P0149.060-025-A2	M 6	25	4.2	10.5	6.5	4.70	7.5	TX-30
P0149.060-030-A2	M 6	30	4.2	10.5	6.5	4.70	7.5	TX-30
P0149.060-040-A2	M 6	40	4.2	10.5	6.5	4.70	7.5	TX-30
P0149.060-050-A2	M 6	50	4.2	10.5	6.5	4.70	7.5	TX-30
P0149.060-060-A2	M 6	60	4.2	10.5	6.5	4.70	7.5	TX-30
P0149.060-080-A2	M 6	80	4.2	10.5	6.5	4.70	7.5	TX-30



Captive Screws - Button Head

TX drive - 316 stainless

Captive Screws



P0149.A4

MADE IN BRITAIN

CAPTIVE SCREWS

Material

Stainless steel (AISI 316, 1.4401). Tensile strength 480 N/mm². Proof stress min. 200 N/mm², austenitic stainless steel. Also available in titanium (P0149.Ti), the less expensive AISI 303 series stainless steel (P0149.A2), or in steel (anodised, black oxide or zinc plated), brass, aluminium etc.

Technical Notes

Used to comply with the Machinery Directive 2006/42/EC. Generally to ISO 7380. Often used with our captive washers (P0168) or retaining flanges (P0169 - for sheet metal applications). The use of our captive washers should be considered when fitted in panels with unthreaded holes.

Important Notes

Please note that these screws have a reduced diameter shank and should not be tightened to the recommended torque for an equivalent machine screw of size d₁.

Order No.	d ₁	l ₁ 0,25	d ₂ 0,12	d ₃ max.	d ₄ min.	h ₁ max.	l ₂ -0,2	TX size
P0149.025-008-A4	M 2,5	8	1.7	4.5	2.8	1.5	3.7	TX- 8
P0149.025-010-A4	M 2,5	10	1.7	4.5	2.8	1.5	3.7	TX- 8
P0149.025-012-A4	M 2,5	12	1.7	4.5	2.8	1.5	3.7	TX- 8
P0149.025-016-A4	M 2,5	16	1.7	4.5	2.8	1.5	3.7	TX- 8
P0149.025-020-A4	M 2,5	20	1.7	4.5	2.8	1.5	3.7	TX- 8
P0149.030-010-A4	M 3	10	2.0	5.7	3.5	1.65	4.5	TX-10
P0149.030-016-A4	M 3	16	2.0	5.7	3.5	1.65	4.5	TX-10
P0149.030-020-A4	M 3	20	2.0	5.7	3.5	1.65	4.5	TX-10
P0149.030-025-A4	M 3	25	2.0	5.7	3.5	1.65	4.5	TX-10
P0149.030-030-A4	M 3	30	2.0	5.7	3.5	1.65	4.5	TX-10
P0149.030-040-A4	M 3	40	2.0	5.7	3.5	1.65	5.0	TX-10
P0149.040-012-A4	M 4	12	2.8	7.6	4.5	3.1	6.0	TX-20
P0149.040-016-A4	M 4	16	2.8	7.6	4.5	3.1	6.0	TX-20
P0149.040-020-A4	M 4	20	2.8	7.6	4.5	3.1	6.0	TX-20
P0149.040-025-A4	M 4	25	2.8	7.6	4.5	3.1	6.0	TX-20
P0149.040-030-A4	M 4	30	2.8	7.6	4.5	3.1	6.0	TX-20
P0149.040-040-A4	M 4	40	2.8	7.6	4.5	3.1	6.0	TX-20
P0149.040-050-A4	M 4	50	2.8	7.6	4.5	3.1	6.0	TX-20
P0149.040-060-A4	M 4	60	2.8	7.6	4.5	3.1	6.0	TX-20
P0149.050-012-A4	M 5	12	3.7	9.5	5.5	3.7	7.5	TX-25
P0149.050-016-A4	M 5	16	3.7	9.5	5.5	3.7	7.5	TX-25
P0149.050-020-A4	M 5	20	3.7	9.5	5.5	3.7	7.5	TX-25
P0149.050-025-A4	M 5	25	3.7	9.5	5.5	3.7	7.5	TX-25
P0149.050-030-A4	M 5	30	3.7	9.5	5.5	3.7	7.5	TX-25
P0149.050-040-A4	M 5	40	3.7	9.5	5.5	3.7	7.5	TX-25
P0149.050-050-A4	M 5	50	3.7	9.5	5.5	3.7	7.5	TX-25
P0149.050-060-A4	M 5	60	3.7	9.5	5.5	3.7	7.5	TX-25
P0149.060-016-A4	M 6	16	4.2	10.5	6.5	4.7	7.5	TX-30



Order No.	d ₁	l ₁ 0,25	d ₂ 0,12	d ₃ max.	d ₄ min.	h ₁ max.	l ₂ -0,2	TX size
P0149.060-020-A4	M 6	20	4.2	10.5	6.5	4.7	7.5	TX-30
P0149.060-025-A4	M 6	25	4.2	10.5	6.5	4.7	7.5	TX-30
P0149.060-030-A4	M 6	30	4.2	10.5	6.5	4.7	7.5	TX-30
P0149.060-040-A4	M 6	40	4.2	10.5	6.5	4.7	7.5	TX-30
P0149.060-050-A4	M 6	50	4.2	10.5	6.5	4.7	7.5	TX-30
P0149.060-060-A4	M 6	60	4.2	10.5	6.5	4.7	7.5	TX-30
P0149.060-080-A4	M 6	80	4.2	10.5	6.5	4.7	7.5	TX-30

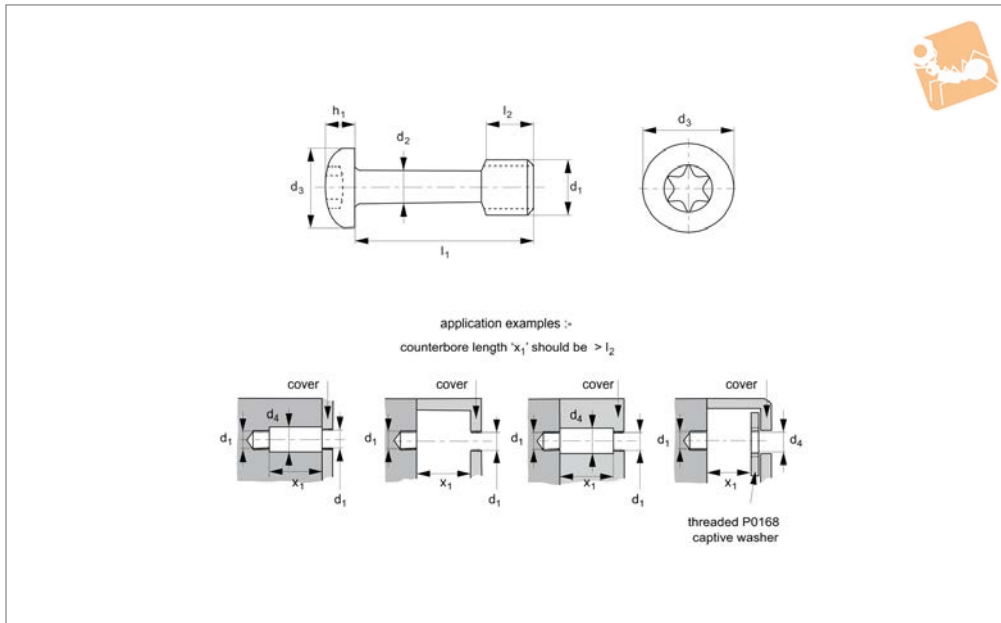


Captive Screws - Pan Head

TX drive - 303 stainless



Captive Screws



P0150.A2

MADE IN BRITAIN

CAPTIVE SCREWS

Material

Stainless steel (AISI 303, 1.4305). Tensile strength 550 N/mm². Proof stress min. 190 N/mm², austenitic stainless steel. Also available on request in steel (anodised, black oxide or zinc plated), stainless steel (AISI 316, 1.440), brass, aluminium etc.

Technical Notes

Used to comply with the Machinery Direc-

ive 2006/42/EC. Generally to ISO 14583. Often used with our captive washers (P0168) or retaining flanges (P0169 - for sheet metal applications). The use of our captive washers should be considered when fitted in panels with unthreaded holes.

*M 8 sizes have a reduced TX size.

Important Notes

Please note that these screws have a

reduced diameter shank and should not be tightened to the recommended torque for an equivalent machine screw of size d₁.

Order No.	d ₁	l ₁ ±0.25	d ₂ ±0.12	d ₃ max.	d ₄ min.	h ₁ max.	l ₂ ±0.25	TX size
P0150.030-008-A2	M 3	8	2.0	6	3.5	2.5	4.5	TX-10
P0150.030-010-A2	M 3	10	2.0	6	3.5	2.5	4.5	TX-10
P0150.030-016-A2	M 3	16	2.0	6	3.5	2.5	4.5	TX-10
P0150.030-020-A2	M 3	20	2.0	6	3.5	2.5	4.5	TX-10
P0150.030-025-A2	M 3	25	2.0	6	3.5	2.5	4.5	TX-10
P0150.030-030-A2	M 3	30	2.0	6	3.5	2.5	4.5	TX-10
P0150.040-008-A2	M 4	8	2.8	8	4.5	3.2	6.0	TX-20
P0150.040-010-A2	M 4	10	2.8	8	4.5	3.2	6.0	TX-20
P0150.040-012-A2	M 4	12	2.8	8	4.5	3.2	6.0	TX-20
P0150.040-016-A2	M 4	16	2.8	8	4.5	3.2	6.0	TX-20
P0150.040-020-A2	M 4	20	2.8	8	4.5	3.2	6.0	TX-20
P0150.040-025-A2	M 4	25	2.8	8	4.5	3.2	6.0	TX-20
P0150.040-030-A2	M 4	30	2.8	8	4.5	3.2	6.0	TX-20
P0150.040-040-A2	M 4	40	2.8	8	4.5	3.2	6.0	TX-20
P0150.040-050-A2	M 4	50	2.8	8	4.5	3.2	6.0	TX-20
P0150.050-010-A2	M 5	10	3.7	10	5.5	3.9	7.5	TX-25
P0150.050-012-A2	M 5	12	3.7	10	5.5	3.9	7.5	TX-25
P0150.050-016-A2	M 5	16	3.7	10	5.5	3.9	7.5	TX-25
P0150.050-020-A2	M 5	20	3.7	10	5.5	3.9	7.5	TX-25
P0150.050-025-A2	M 5	25	3.7	10	5.5	3.9	7.5	TX-25
P0150.050-030-A2	M 5	30	3.7	10	5.5	3.9	7.5	TX-25
P0150.050-040-A2	M 5	40	3.7	10	5.5	3.9	7.5	TX-25
P0150.050-050-A2	M 5	50	3.7	10	5.5	3.9	7.5	TX-25
P0150.060-010-A2	M 6	10	4.2	12	6.5	4.7	7.5	TX-30
P0150.060-012-A2	M 6	12	4.2	12	6.5	4.7	7.5	TX-30
P0150.060-016-A2	M 6	16	4.2	12	6.5	4.7	7.5	TX-30



CAPTIVE SCREWS

Order No.	d ₁	l ₁ ±0.25	d ₂ ±0.12	d ₃ max.	d ₄ min.	h ₁ max.	l ₂ ±0.25	TX size
P0150.060-020-A2	M 6	20	4.2	12	6.5	4.7	7.5	TX-30
P0150.060-025-A2	M 6	25	4.2	12	6.5	4.7	7.5	TX-30
P0150.060-030-A2	M 6	30	4.2	12	6.5	4.7	7.5	TX-30
P0150.060-040-A2	M 6	40	4.2	12	6.5	4.7	7.5	TX-30
P0150.060-050-A2	M 6	50	4.2	12	6.5	4.7	7.5	TX-30
P0150.060-060-A2	M 6	60	4.2	12	6.5	4.7	7.5	TX-30
P0150.060-080-A2	M 6	80	4.2	12	6.5	4.7	7.5	TX-30
P0150.080-012-A2	M 8	12	6.0	16	8.5	6.1	10.0	TX-30*
P0150.080-016-A2	M 8	16	6.0	16	8.5	6.1	10.0	TX-30*
P0150.080-020-A2	M 8	20	6.0	16	8.5	6.1	10.0	TX-30*
P0150.080-025-A2	M 8	25	6.0	16	8.5	6.1	10.0	TX-30*
P0150.080-030-A2	M 8	30	6.0	16	8.5	6.1	10.0	TX-30*
P0150.080-035-A2	M 8	35	6.0	16	8.5	6.1	10.0	TX-30*
P0150.080-040-A2	M 8	40	6.0	16	8.5	6.1	10.0	TX-30*
P0150.080-045-A2	M 8	45	6.0	16	8.5	6.1	10.0	TX-30*
P0150.080-050-A2	M 8	50	6.0	16	8.5	6.1	10.0	TX-30*
P0150.080-060-A2	M 8	60	6.0	16	8.5	6.1	10.0	TX-30*
P0150.080-080-A2	M 8	80	6.0	16	8.5	6.1	10.0	TX-30*

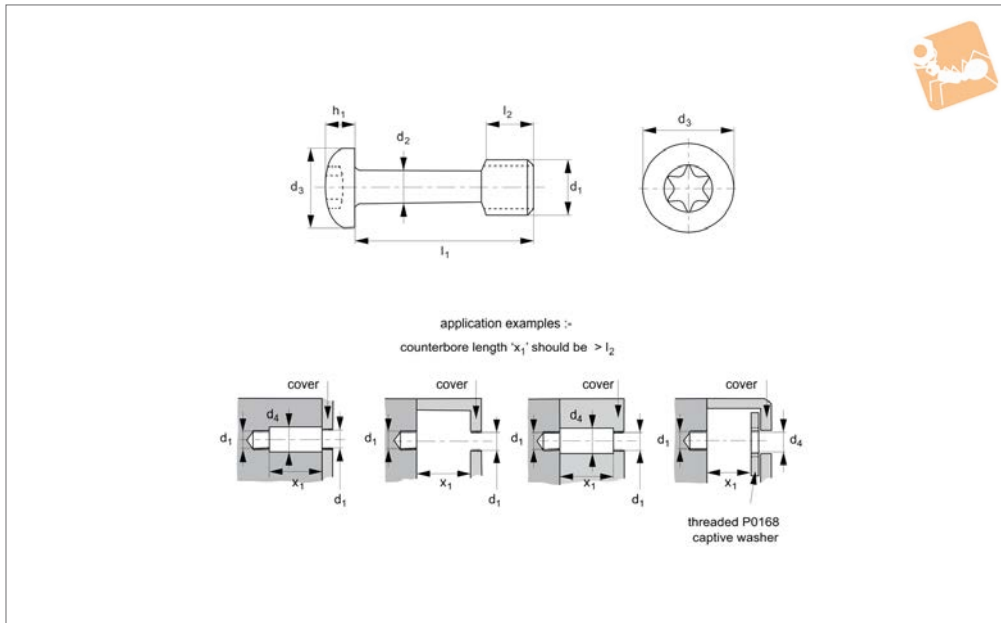


Captive Screws - Pan Head

TX drive - 316 stainless



Captive Screws



P0150.A4

MADE IN BRITAIN

CAPTIVE SCREWS

Material

Stainless steel (AISI 316, 1.440). Tensile strength 480 N/mm². Proof stress min. 200 N/mm², austenitic stainless steel. Also available on request in steel (anodised, black oxide or zinc plated), stainless steel (AISI 303, 1.4305), brass, aluminium etc.

tive 2006/42/EC. Generally to ISO 14583. Often used with our captive washers (P0168) or retaining flanges (P0169 - for sheet metal applications). The use of our captive washers should be considered when fitted in panels with unthreaded holes.

reduced diameter shank and should not be tightened to the recommended torque for an equivalent machine screw of size d₁.

*M 8 sizes have a reduced TX size.

Technical Notes

Used to comply with the Machinery Direc-

Important Notes

Please note that these screws have a

Order No.	d ₁	l ₁ ±0.25	d ₂ ±0.12	d ₃ max.	d ₄ min.	h ₁ max.	l ₂ ±0.25	TX size
P0150.030-008-A4	M 3	8	2.0	6	3.5	2.5	4.5	TX-10
P0150.030-010-A4	M 3	10	2.0	6	3.5	2.5	4.5	TX-10
P0150.030-016-A4	M 3	16	2.0	6	3.5	2.5	4.5	TX-10
P0150.030-020-A4	M 3	20	2.0	6	3.5	2.5	4.5	TX-10
P0150.030-025-A4	M 3	25	2.0	6	3.5	2.5	4.5	TX-10
P0150.030-030-A4	M 3	30	2.0	6	3.5	2.5	4.5	TX-10
P0150.040-008-A4	M 4	8	2.8	8	4.5	3.2	6.0	TX-20
P0150.040-010-A4	M 4	10	2.8	8	4.5	3.2	6.0	TX-20
P0150.040-012-A4	M 4	12	2.8	8	4.5	3.2	6.0	TX-20
P0150.040-016-A4	M 4	16	2.8	8	4.5	3.2	6.0	TX-20
P0150.040-020-A4	M 4	20	2.8	8	4.5	3.2	6.0	TX-20
P0150.040-025-A4	M 4	25	2.8	8	4.5	3.2	6.0	TX-20
P0150.040-030-A4	M 4	30	2.8	8	4.5	3.2	6.0	TX-20
P0150.040-040-A4	M 4	40	2.8	8	4.5	3.2	6.0	TX-20
P0150.040-050-A4	M 4	50	2.8	8	4.5	3.2	6.0	TX-20
P0150.050-010-A4	M 5	10	3.7	10	5.5	3.9	7.5	TX-25
P0150.050-012-A4	M 5	12	3.7	10	5.5	3.9	7.5	TX-25
P0150.050-016-A4	M 5	16	3.7	10	5.5	3.9	7.5	TX-25
P0150.050-020-A4	M 5	20	3.7	10	5.5	3.9	7.5	TX-25
P0150.050-025-A4	M 5	25	3.7	10	5.5	3.9	7.5	TX-25
P0150.050-030-A4	M 5	30	3.7	10	5.5	3.9	7.5	TX-25
P0150.050-040-A4	M 5	40	3.7	10	5.5	3.9	7.5	TX-25
P0150.050-050-A4	M 5	50	3.7	10	5.5	3.9	7.5	TX-25
P0150.060-010-A4	M 6	10	4.2	12	6.5	4.7	7.5	TX-30
P0150.060-012-A4	M 6	12	4.2	12	6.5	4.7	7.5	TX-30
P0150.060-016-A4	M 6	16	4.2	12	6.5	4.7	7.5	TX-30



CAPTIVE SCREWS

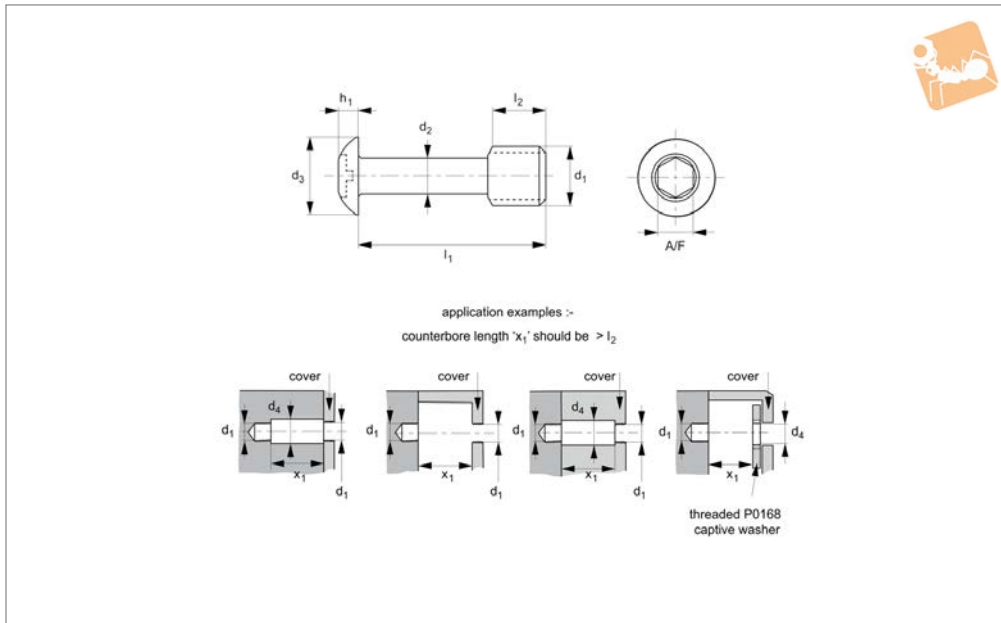
Order No.	d ₁	l ₁ ±0.25	d ₂ ±0.12	d ₃ max.	d ₄ min.	h ₁ max.	l ₂ ±0.25	TX size
P0150.060-020-A4	M 6	20	4.2	12	6.5	4.7	7.5	TX-30
P0150.060-025-A4	M 6	25	4.2	12	6.5	4.7	7.5	TX-30
P0150.060-030-A4	M 6	30	4.2	12	6.5	4.7	7.5	TX-30
P0150.060-040-A4	M 6	40	4.2	12	6.5	4.7	7.5	TX-30
P0150.060-050-A4	M 6	50	4.2	12	6.5	4.7	7.5	TX-30
P0150.060-060-A4	M 6	60	4.2	12	6.5	4.7	7.5	TX-30
P0150.060-080-A4	M 6	80	4.2	12	6.5	4.7	7.5	TX-30
P0150.080-012-A4	M 8	12	6.0	16	8.5	6.1	10.0	TX-30*
P0150.080-016-A4	M 8	16	6.0	16	8.5	6.1	10.0	TX-30*
P0150.080-020-A4	M 8	20	6.0	16	8.5	6.1	10.0	TX-30*
P0150.080-025-A4	M 8	25	6.0	16	8.5	6.1	10.0	TX-30*
P0150.080-030-A4	M 8	30	6.0	16	8.5	6.1	10.0	TX-30*
P0150.080-035-A4	M 8	35	6.0	16	8.5	6.1	10.0	TX-30*
P0150.080-040-A4	M 8	40	6.0	16	8.5	6.1	10.0	TX-30*
P0150.080-045-A4	M 8	45	6.0	16	8.5	6.1	10.0	TX-30*
P0150.080-050-A4	M 8	50	6.0	16	8.5	6.1	10.0	TX-30*
P0150.080-060-A4	M 8	60	6.0	16	8.5	6.1	10.0	TX-30*
P0150.080-080-A4	M 8	80	6.0	16	8.5	6.1	10.0	TX-30*



Captive Screws - Button Head

hex drive - 303 stainless

Captive Screws



P0151.A2

MADE IN BRITAIN

CAPTIVE SCREWS

Material

Stainless steel (AISI 303, 1.4305). Tensile strength 550 N/mm². Proof stress min. 190 N/mm², austenitic stainless steel. Also available on request in steel (anodised, black oxide or zinc plated), stainless steel (AISI 316, 1.440), brass, aluminium etc.

Technical Notes

Used to comply with the Machinery Directive 2006/42/EC. Generally to ISO 7380-1. Often used with our captive washers (P0168) or retaining flanges (P0169 - for sheet metal applications). The use of our captive washers should be considered when fitted in panels with unthreaded

holes.

Important Notes

Please note that these screws have a reduced diameter shank and should not be tightened to the recommended torque for an equivalent machine screw of size d₁.

Order No.	d ₁	l ₁ ±0.25	d ₂ ±0.12	d ₃ max.	d ₄ min.	h ₁ max.	l ₂ ±0.25	A/F
P0151.025-008-A2	M 2,5	8	1.7	4.5	2.8	1.50	3.7	1.5
P0151.025-010-A2	M 2,5	10	1.7	4.5	2.8	1.50	3.7	1.5
P0151.025-012-A2	M 2,5	12	1.7	4.5	2.8	1.50	3.7	1.5
P0151.025-016-A2	M 2,5	16	1.7	4.5	2.8	1.50	3.7	1.5
P0151.025-020-A2	M 2,5	20	1.7	4.5	2.8	1.50	3.7	1.5
P0151.030-008-A2	M 3	8	2.0	5.7	3.5	1.53	4.5	2
P0151.030-010-A2	M 3	10	2.0	5.7	3.5	1.53	4.5	2
P0151.030-016-A2	M 3	16	2.0	5.7	3.5	1.53	4.5	2
P0151.030-020-A2	M 3	20	2.0	5.7	3.5	1.53	4.5	2
P0151.030-025-A2	M 3	25	2.0	5.7	3.5	1.53	4.5	2
P0151.030-030-A2	M 3	30	2.0	5.7	3.5	1.53	4.5	2
P0151.030-040-A2	M 3	40	2.0	5.7	3.5	1.53	4.5	2
P0151.040-010-A2	M 4	10	2.8	7.6	4.5	2.10	6.0	2.5
P0151.040-012-A2	M 4	12	2.8	7.6	4.5	2.10	6.0	2.5
P0151.040-016-A2	M 4	16	2.8	7.6	4.5	2.10	6.0	2.5
P0151.040-020-A2	M 4	20	2.8	7.6	4.5	2.10	6.0	2.5
P0151.040-025-A2	M 4	25	2.8	7.6	4.5	2.10	6.0	2.5
P0151.040-030-A2	M 4	30	2.8	7.6	4.5	2.10	6.0	2.5
P0151.040-035-A2	M 4	35	2.8	7.6	4.5	2.10	6.0	2.5
P0151.040-040-A2	M 4	40	2.8	7.6	4.5	2.10	6.0	2.5
P0151.040-050-A2	M 4	50	2.8	7.6	4.5	2.10	6.0	2.5
P0151.040-060-A2	M 4	60	2.8	7.6	4.5	2.10	6.0	2.5
P0151.050-012-A2	M 5	12	3.7	9.5	5.5	2.63	7.5	3
P0151.050-016-A2	M 5	16	3.7	9.5	5.5	2.63	7.5	3
P0151.050-020-A2	M 5	20	3.7	9.5	5.5	2.63	7.5	3
P0151.050-025-A2	M 5	25	3.7	9.5	5.5	2.63	7.5	3
P0151.050-030-A2	M 5	30	3.7	9.5	5.5	2.63	7.5	3
P0151.050-040-A2	M 5	40	3.7	9.5	5.5	2.63	7.5	3
P0151.050-050-A2	M 5	50	3.7	9.5	5.5	2.63	7.5	3



CAPTIVE SCREWS

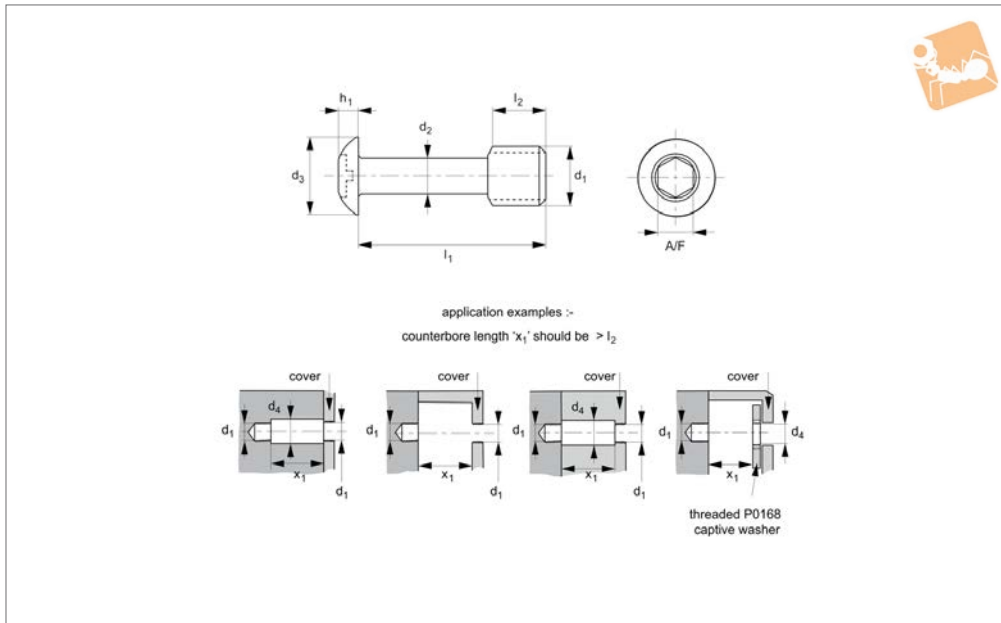
Order No.	d ₁	l ₁ ±0.25	d ₂ ±0.12	d ₃ max.	d ₄ min.	h ₁ max.	l ₂ ±0.25	A/F
P0151.050-060-A2	M 5	60	3.7	9.5	5.5	2.63	7.5	3
P0151.060-012-A2	M 6	12	4.2	10.5	6.5	3.10	7.5	4
P0151.060-016-A2	M 6	16	4.2	10.5	6.5	3.10	7.5	4
P0151.060-020-A2	M 6	20	4.2	10.5	6.5	3.10	7.5	4
P0151.060-025-A2	M 6	25	4.2	10.5	6.5	3.10	7.5	4
P0151.060-030-A2	M 6	30	4.2	10.5	6.5	3.10	7.5	4
P0151.060-035-A2	M 6	35	4.2	10.5	6.5	3.10	7.5	4
P0151.060-040-A2	M 6	40	4.2	10.5	6.5	3.10	7.5	4
P0151.060-050-A2	M 6	50	4.2	10.5	6.5	3.10	7.5	4
P0151.060-060-A2	M 6	60	4.2	10.5	6.5	3.10	7.5	4
P0151.060-080-A2	M 6	80	4.2	10.5	6.5	3.10	7.5	4
P0151.080-016-A2	M 8	16	6.0	14.0	8.5	4.46	10.0	5
P0151.080-020-A2	M 8	20	6.0	14.0	8.5	4.46	10.0	5
P0151.080-025-A2	M 8	25	6.0	14.0	8.5	4.46	10.0	5
P0151.080-030-A2	M 8	30	6.0	14.0	8.5	4.46	10.0	5
P0151.080-035-A2	M 8	35	6.0	14.0	8.5	4.46	10.0	5
P0151.080-040-A2	M 8	40	6.0	14.0	8.5	4.46	10.0	5
P0151.080-045-A2	M 8	45	6.0	14.0	8.5	4.46	10.0	5
P0151.080-050-A2	M 8	50	6.0	14.0	8.5	4.46	10.0	5
P0151.080-060-A2	M 8	60	6.0	14.0	8.5	4.46	10.0	5
P0151.080-080-A2	M 8	80	6.0	14.0	8.5	4.46	10.0	5
P0151.100-020-A2	M 10	20	7.5	17.5	10.6	5.5	12.5	6
P0151.100-025-A2	M 10	25	7.5	17.5	10.6	5.5	12.5	6
P0151.100-030-A2	M 10	30	7.5	17.5	10.6	5.5	12.5	6
P0151.100-035-A2	M 10	35	7.5	17.5	10.6	5.5	12.5	6
P0151.100-040-A2	M 10	40	7.5	17.5	10.6	5.5	12.5	6
P0151.100-045-A2	M 10	45	7.5	17.5	10.6	5.5	12.5	6
P0151.100-050-A2	M 10	50	7.5	17.5	10.6	5.5	12.5	6
P0151.100-060-A2	M 10	60	7.5	17.5	10.6	5.5	12.5	6
P0151.100-080-A2	M 10	80	7.5	17.5	10.6	5.5	12.5	6



Captive Screws - Button Head

hex drive - 316 stainless

Captive Screws



P0151.A4

CAPTIVE SCREWS

Material

Stainless steel (AISI 316, 1.440). Tensile strength 480 N/mm². Proof stress min. 200 N/mm², austenitic stainless steel. Also available on request in steel (anodised, black oxide or zinc plated), stainless steel (AISI 303, 1.4305), brass, aluminium etc.

Technical Notes

Used to comply with the Machinery Directive 2006/42/EC. Generally to ISO 7380-1. Often used with our captive washers (P0168) or retaining flanges (P0169 - for sheet metal applications). The use of our captive washers should be considered when fitted in panels with unthreaded

holes.

Important Notes

Please note that these screws have a reduced diameter shank and should not be tightened to the recommended torque for an equivalent machine screw of size d_1 .

Order No.	d_1	l_1 ± 0.25	d_2 ± 0.12	d_3 max.	d_4 min.	h_1 max.	l_2 ± 0.25	A/F
P0151.025-008-A4	M 2,5	8	1.7	4.5	2.8	1.50	3.7	1.5
P0151.025-010-A4	M 2,5	10	1.7	4.5	2.8	1.50	3.7	1.5
P0151.025-012-A4	M 2,5	12	1.7	4.5	2.8	1.50	3.7	1.5
P0151.025-016-A4	M 2,5	16	1.7	4.5	2.8	1.50	3.7	1.5
P0151.025-020-A4	M 2,5	20	1.7	4.5	2.8	1.50	3.7	1.5
P0151.030-008-A4	M 3	8	2.0	5.7	3.5	1.53	4.5	2
P0151.030-010-A4	M 3	10	2.0	5.7	3.5	1.53	4.5	2
P0151.030-016-A4	M 3	16	2.0	5.7	3.5	1.53	4.5	2
P0151.030-020-A4	M 3	20	2.0	5.7	3.5	1.53	4.5	2
P0151.030-025-A4	M 3	25	2.0	5.7	3.5	1.53	4.5	2
P0151.030-030-A4	M 3	30	2.0	5.7	3.5	1.53	4.5	2
P0151.030-040-A4	M 3	40	2.0	5.7	3.5	1.53	4.5	2
P0151.040-010-A4	M 4	10	2.8	7.6	4.5	2.10	6.0	2.5
P0151.040-012-A4	M 4	12	2.8	7.6	4.5	2.10	6.0	2.5
P0151.040-016-A4	M 4	16	2.8	7.6	4.5	2.10	6.0	2.5
P0151.040-020-A4	M 4	20	2.8	7.6	4.5	2.10	6.0	2.5
P0151.040-025-A4	M 4	25	2.8	7.6	4.5	2.10	6.0	2.5
P0151.040-030-A4	M 4	30	2.8	7.6	4.5	2.10	6.0	2.5
P0151.040-035-A4	M 4	35	2.8	7.6	4.5	2.10	6.0	2.5
P0151.040-040-A4	M 4	40	2.8	7.6	4.5	2.10	6.0	2.5
P0151.040-050-A4	M 4	50	2.8	7.6	4.5	2.10	6.0	2.5
P0151.040-060-A4	M 4	60	2.8	7.6	4.5	2.10	6.0	2.5
P0151.050-012-A4	M 5	12	3.7	9.5	5.5	2.63	7.5	3
P0151.050-016-A4	M 5	16	3.7	9.5	5.5	2.63	7.5	3
P0151.050-020-A4	M 5	20	3.7	9.5	5.5	2.63	7.5	3
P0151.050-025-A4	M 5	25	3.7	9.5	5.5	2.63	7.5	3
P0151.050-030-A4	M 5	30	3.7	9.5	5.5	2.63	7.5	3
P0151.050-040-A4	M 5	40	3.7	9.5	5.5	2.63	7.5	3
P0151.050-050-A4	M 5	50	3.7	9.5	5.5	2.63	7.5	3



CAPTIVE SCREWS

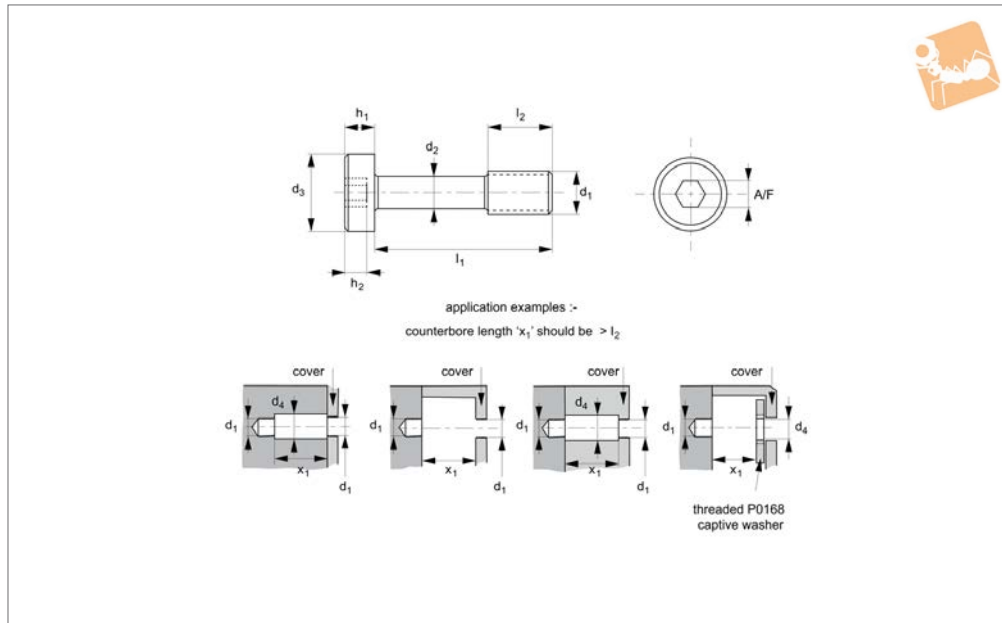
Order No.	d ₁	l ₁ ±0.25	d ₂ ±0.12	d ₃ max.	d ₄ min.	h ₁ max.	l ₂ ±0.25	A/F
P0151.050-060-A4	M 5	60	3.7	9.5	5.5	2.63	7.5	3
P0151.060-012-A4	M 6	12	4.2	10.5	6.5	3.10	7.5	4
P0151.060-016-A4	M 6	16	4.2	10.5	6.5	3.10	7.5	4
P0151.060-020-A4	M 6	20	4.2	10.5	6.5	3.10	7.5	4
P0151.060-025-A4	M 6	25	4.2	10.5	6.5	3.10	7.5	4
P0151.060-030-A4	M 6	30	4.2	10.5	6.5	3.10	7.5	4
P0151.060-035-A4	M 6	35	4.2	10.5	6.5	3.10	7.5	4
P0151.060-040-A4	M 6	40	4.2	10.5	6.5	3.10	7.5	4
P0151.060-050-A4	M 6	50	4.2	10.5	6.5	3.10	7.5	4
P0151.060-060-A4	M 6	60	4.2	10.5	6.5	3.10	7.5	4
P0151.060-080-A4	M 6	80	4.2	10.5	6.5	3.10	7.5	4
P0151.080-016-A4	M 8	16	6.0	14.0	8.5	4.46	10.0	5
P0151.080-020-A4	M 8	20	6.0	14.0	8.5	4.46	10.0	5
P0151.080-025-A4	M 8	25	6.0	14.0	8.5	4.46	10.0	5
P0151.080-030-A4	M 8	30	6.0	14.0	8.5	4.46	10.0	5
P0151.080-035-A4	M 8	35	6.0	14.0	8.5	4.46	10.0	5
P0151.080-040-A4	M 8	40	6.0	14.0	8.5	4.46	10.0	5
P0151.080-045-A4	M 8	45	6.0	14.0	8.5	4.46	10.0	5
P0151.080-050-A4	M 8	50	6.0	14.0	8.5	4.46	10.0	5
P0151.080-060-A4	M 8	60	6.0	14.0	8.5	4.46	10.0	5
P0151.080-080-A4	M 8	80	6.0	14.0	8.5	4.46	10.0	5
P0151.100-020-A4	M 10	20	7.5	17.5	10.6	5.5	12.5	6
P0151.100-025-A4	M 10	25	7.5	17.5	10.6	5.5	12.5	6
P0151.100-030-A4	M 10	30	7.5	17.5	10.6	5.5	12.5	6
P0151.100-035-A4	M 10	35	7.5	17.5	10.6	5.5	12.5	6
P0151.100-040-A4	M 10	40	7.5	17.5	10.6	5.5	12.5	6
P0151.100-045-A4	M 10	45	7.5	17.5	10.6	5.5	12.5	6
P0151.100-050-A4	M 10	50	7.5	17.5	10.6	5.5	12.5	6
P0151.100-060-A4	M 10	60	7.5	17.5	10.6	5.5	12.5	6
P0151.100-080-A4	M 10	80	7.5	17.5	10.6	5.5	12.5	6



Captive Screws - Cheese Head

hex drive - 303 stainless

Captive Screws



P0152.A2

CAPTIVE SCREWS

Material

Stainless steel (AISI 303, 1.4305). Tensile strength 550 N/mm². Proof stress min. 190 N/mm², austenitic stainless steel. Also available on request in steel (anodised, black oxide or zinc plated), stainless steel (AISI 316, 1.440), brass, aluminium etc.

tive 2006/42/EC. Generally to ISO 1207. Often used with our captive washers (P0168) or retaining flanges (P0169.A2 - for sheet metal applications). The use of our captive washers should be considered when fitted in panels with unthreaded holes.

reduced diameter shank and should not be tightened to the recommended torque for an equivalent machine screw of size d₁.

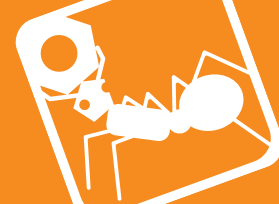
Technical Notes

Used to comply with the Machinery Direc-

Important Notes

Please note that these screws have a

Order No.	d ₁	l ₁ ±0.25	d ₂ ±0.12	d ₃	d ₄ min.	h ₁	h ₂	l ₂ ±0.25	A/F
P0152.020-010-A2	M 2	10	1.2	3.8	2.5	1.3	0.85	3.0	1.3
P0152.020-012-A2	M 2	12	1.2	3.8	2.5	1.3	0.85	3.0	1.3
P0152.020-016-A2	M 2	16	1.2	3.8	2.5	1.3	0.85	3.0	1.3
P0152.020-020-A2	M 2	20	1.2	3.8	2.5	1.3	0.85	3.0	1.3
P0152.025-008-A2	M 2,5	8	1.7	4.5	2.8	1.6	1.00	3.7	1.5
P0152.025-010-A2	M 2,5	10	1.7	4.5	2.8	1.6	1.00	3.7	1.5
P0152.025-016-A2	M 2,5	16	1.7	4.5	2.8	1.6	1.00	3.7	1.5
P0152.025-020-A2	M 2,5	20	1.7	4.5	2.8	1.6	1.00	3.7	1.5
P0152.025-025-A2	M 2,5	25	1.7	4.5	2.8	1.6	1.00	3.7	1.5
P0152.025-030-A2	M 2,5	30	1.7	4.5	2.8	1.6	1.00	3.7	1.5
P0152.030-010-A2	M 3	10	2.0	5.5	3.5	2.0	1.30	4.5	2
P0152.030-011-A2	M 3	11	2.0	5.5	3.5	2.0	1.30	4.5	2
P0152.030-013-A2	M 3	13	2.0	5.5	3.5	2.0	1.30	4.5	2
P0152.030-016-A2	M 3	16	2.0	5.5	3.5	2.0	1.30	4.5	2
P0152.030-018-A2	M 3	18	2.0	5.5	3.5	2.0	1.30	4.5	2
P0152.030-020-A2	M 3	20	2.0	5.5	3.5	2.0	1.30	4.5	2
P0152.030-025-A2	M 3	25	2.0	5.5	3.5	2.0	1.30	4.5	2
P0152.030-030-A2	M 3	30	2.0	5.5	3.5	2.0	1.30	4.5	2
P0152.030-040-A2	M 3	40	2.0	5.5	3.5	2.0	1.30	4.5	2
P0152.035-010-A2	M 3,5	10	2.3	6.0	3.8	2.4	1.4	5.2	2.5
P0152.035-016-A2	M 3,5	16	2.3	6.0	3.8	2.4	1.4	5.2	2.5
P0152.035-020-A2	M 3,5	20	2.3	6.0	3.8	2.4	1.4	5.2	2.5
P0152.035-025-A2	M 3,5	25	2.3	6.0	3.8	2.4	1.4	5.2	2.5
P0152.035-030-A2	M 3,5	30	2.3	6.0	3.8	2.4	1.4	5.2	2.5
P0152.035-040-A2	M 3,5	40	2.3	6.0	3.8	2.4	1.4	5.2	2.5
P0152.040-010-A2	M 4	10	2.8	7.0	4.5	2.6	1.6	6.0	2.5
P0152.040-012-A2	M 4	12	2.8	7.0	4.5	2.6	1.6	6.0	2.5
P0152.040-016-A2	M 4	16	2.8	7.0	4.5	2.6	1.6	6.0	2.5



CAPTIVE SCREWS

Order No.	d ₁	l ₁ ±0.25	d ₂ ±0.12	d ₃	d ₄ min.	h ₁	h ₂	l ₂ ±0.25	A/F
P0152.040-018-A2	M 4	18	2.8	7.0	4.5	2.6	1.6	6.0	2.5
P0152.040-019-A2	M 4	19	2.8	7.0	4.5	2.6	1.6	6.0	2.5
P0152.040-020-A2	M 4	20	2.8	7.0	4.5	2.6	1.6	6.0	2.5
P0152.040-025-A2	M 4	25	2.8	7.0	4.5	2.6	1.6	6.0	2.5
P0152.040-030-A2	M 4	30	2.8	7.0	4.5	2.6	1.6	6.0	2.5
P0152.040-040-A2	M 4	40	2.8	7.0	4.5	2.6	1.6	6.0	2.5
P0152.040-050-A2	M 4	50	2.8	7.0	4.5	2.6	1.6	6.0	2.5
P0152.040-060-A2	M 4	60	2.8	7.0	4.5	2.6	1.6	6.0	2.5
P0152.050-010-A2	M 5	10	3.7	8.5	5.5	3.3	2.0	7.5	3
P0152.050-012-A2	M 5	12	3.7	8.5	5.5	3.3	2.0	7.5	3
P0152.050-016-A2	M 5	16	3.7	8.5	5.5	3.3	2.0	7.5	3
P0152.050-018-A2	M 5	18	3.7	8.5	5.5	3.3	2.0	7.5	3
P0152.050-020-A2	M 5	20	3.7	8.5	5.5	3.3	2.0	7.5	3
P0152.050-022-A2	M 5	22	3.7	8.5	5.5	3.3	2.0	7.5	3
P0152.050-025-A2	M 5	25	3.7	8.5	5.5	3.3	2.0	7.5	3
P0152.050-030-A2	M 5	30	3.7	8.5	5.5	3.3	2.0	7.5	3
P0152.050-040-A2	M 5	40	3.7	8.5	5.5	3.3	2.0	7.5	3
P0152.050-050-A2	M 5	50	3.7	8.5	5.5	3.3	2.0	7.5	3
P0152.050-060-A2	M 5	60	3.7	8.5	5.5	3.3	2.0	7.5	3
P0152.050-080-A2	M 5	80	3.7	8.5	5.5	3.3	2.0	7.5	3
P0152.060-016-A2	M 6	16	4.2	10.0	6.5	3.9	2.3	7.5	4
P0152.060-020-A2	M 6	20	4.2	10.0	6.5	3.9	2.3	7.5	4
P0152.060-025-A2	M 6	25	4.2	10.0	6.5	3.9	2.3	7.5	4
P0152.060-030-A2	M 6	30	4.2	10.0	6.5	3.9	2.3	7.5	4
P0152.060-040-A2	M 6	40	4.2	10.0	6.5	3.9	2.3	7.5	4
P0152.060-050-A2	M 6	50	4.2	10.0	6.5	3.9	2.3	7.5	4
P0152.060-060-A2	M 6	60	4.2	10.0	6.5	3.9	2.3	7.5	4
P0152.060-080-A2	M 6	80	4.2	10.0	6.5	3.9	2.3	7.5	4

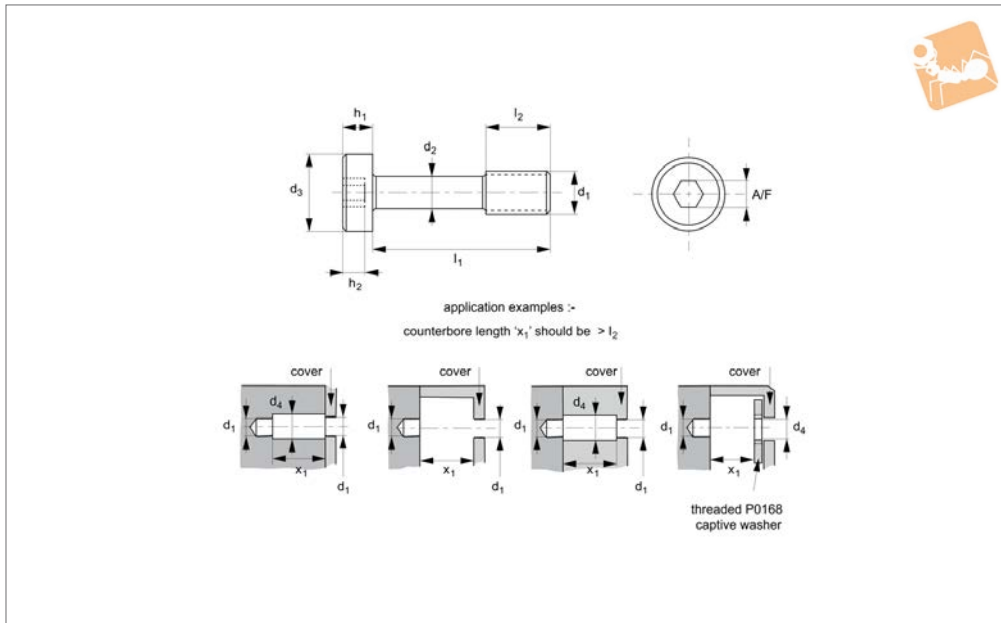


Captive Screws - Cheese Head

hex drive - 316 stainless



Captive Screws



P0152.A4

CAPTIVE SCREWS

Material

Stainless steel (AISI 316, 1.4401). This grade of stainless steel is highly resistant to corrosion and is suitable for outdoor, medical and marine applications. Tensile strength 550 N/mm². Also available on request in titanium, steel (anodised, black oxide coated or zinc plated), brass, aluminium etc.

Technical Notes

Used to comply with the Machinery Directive 2006/42/EC. Generally to ISO 1207. Often used with our captive washers (P0168) or retaining flanges (P0169 - for sheet metal applications). The use of our captive washers should be considered when fitted in panels with unthreaded holes.

Important Notes

Please note that these screws have a reduced diameter shank and should not be tightened to the recommended torque for an equivalent machine screw of size d₁.

Order No.	d ₁	l ₁ ±0.25	d ₂ ±0.12	d ₃	d ₄ min.	h ₁	h ₂	l ₂ ±0.25	A/F
P0152.020-010-A4	M 2	10	1.2	3.8	2.5	1.3	0.85	3.0	1.3
P0152.020-012-A4	M 2	12	1.2	3.8	2.5	1.3	0.85	3.0	1.3
P0152.020-016-A4	M 2	16	1.2	3.8	2.5	1.3	0.85	3.0	1.3
P0152.020-020-A4	M 2	20	1.2	3.8	2.5	1.3	0.85	3.0	1.3
P0152.025-008-A4	M 2,5	8	1.7	4.5	2.8	1.6	1.00	3.7	1.5
P0152.025-010-A4	M 2,5	10	1.7	4.5	2.8	1.6	1.00	3.7	1.5
P0152.025-016-A4	M 2,5	16	1.7	4.5	2.8	1.6	1.00	3.7	1.5
P0152.025-020-A4	M 2,5	20	1.7	4.5	2.8	1.6	1.00	3.7	1.5
P0152.025-025-A4	M 2,5	25	1.7	4.5	2.8	1.6	1.00	3.7	1.5
P0152.025-030-A4	M 2,5	30	1.7	4.5	2.8	1.6	1.00	3.7	1.5
P0152.030-010-A4	M 3	10	2.0	5.5	3.5	2.0	1.30	4.5	2
P0152.030-011-A4	M 3	11	2.0	5.5	3.5	2.0	1.30	4.5	2
P0152.030-013-A4	M 3	13	2.0	5.5	3.5	2.0	1.30	4.5	2
P0152.030-016-A4	M 3	16	2.0	5.5	3.5	2.0	1.30	4.5	2
P0152.030-018-A4	M 3	18	2.0	5.5	3.5	2.0	1.30	4.5	2
P0152.030-020-A4	M 3	20	2.0	5.5	3.5	2.0	1.30	4.5	2
P0152.030-025-A4	M 3	25	2.0	5.5	3.5	2.0	1.30	4.5	2
P0152.030-030-A4	M 3	30	2.0	5.5	3.5	2.0	1.30	4.5	2
P0152.030-040-A4	M 3	40	2.0	5.5	3.5	2.0	1.30	4.5	2
P0152.035-010-A4	M 3,5	10	2.3	6.0	3.8	2.4	1.4	5.2	2.5
P0152.035-016-A4	M 3,5	16	2.3	6.0	3.8	2.4	1.4	5.2	2.5
P0152.035-020-A4	M 3,5	20	2.3	6.0	3.8	2.4	1.4	5.2	2.5
P0152.035-025-A4	M 3,5	25	2.3	6.0	3.8	2.4	1.4	5.2	2.5
P0152.035-030-A4	M 3,5	30	2.3	6.0	3.8	2.4	1.4	5.2	2.5
P0152.035-040-A4	M 3,5	40	2.3	6.0	3.8	2.4	1.4	5.2	2.5
P0152.040-010-A4	M 4	10	2.8	7.0	4.5	2.6	1.6	6.0	2.5
P0152.040-012-A4	M 4	12	2.8	7.0	4.5	2.6	1.6	6.0	2.5
P0152.040-016-A4	M 4	16	2.8	7.0	4.5	2.6	1.6	6.0	2.5



CAPTIVE SCREWS

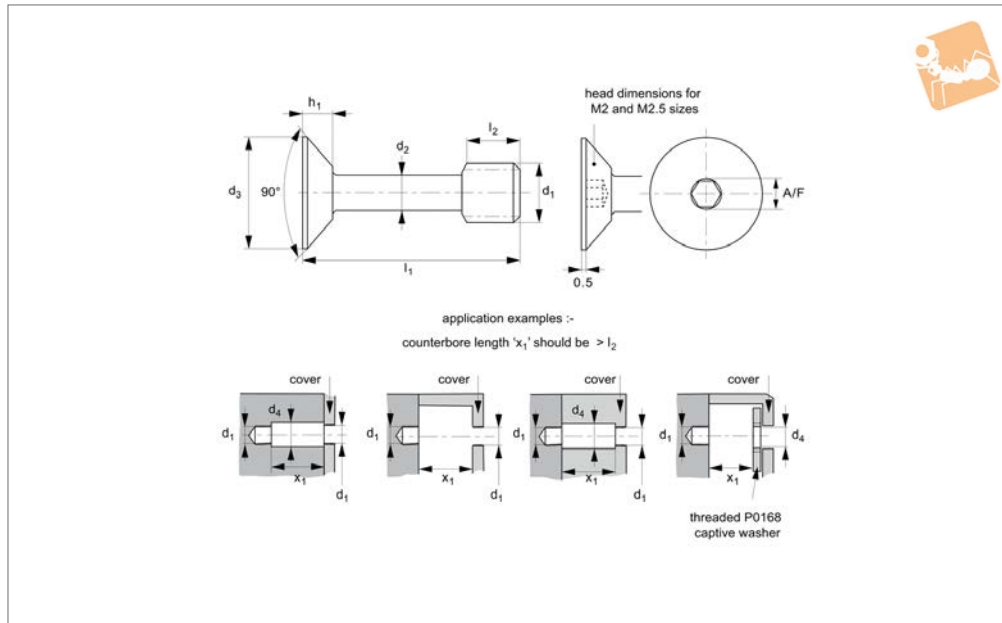
Order No.	d ₁	l ₁ ±0.25	d ₂ ±0.12	d ₃	d ₄ min.	h ₁	h ₂	l ₂ ±0.25	A/F
P0152.040-018-A4	M 4	18	2.8	7.0	4.5	2.6	1.6	6.0	2.5
P0152.040-019-A4	M 4	19	2.8	7.0	4.5	2.6	1.6	6.0	2.5
P0152.040-020-A4	M 4	20	2.8	7.0	4.5	2.6	1.6	6.0	2.5
P0152.040-025-A4	M 4	25	2.8	7.0	4.5	2.6	1.6	6.0	2.5
P0152.040-030-A4	M 4	30	2.8	7.0	4.5	2.6	1.6	6.0	2.5
P0152.040-040-A4	M 4	40	2.8	7.0	4.5	2.6	1.6	6.0	2.5
P0152.040-050-A4	M 4	50	2.8	7.0	4.5	2.6	1.6	6.0	2.5
P0152.040-060-A4	M 4	60	2.8	7.0	4.5	2.6	1.6	6.0	2.5
P0152.050-010-A4	M 5	10	3.7	8.5	5.5	3.3	2.0	7.5	3
P0152.050-012-A4	M 5	12	3.7	8.5	5.5	3.3	2.0	7.5	3
P0152.050-016-A4	M 5	16	3.7	8.5	5.5	3.3	2.0	7.5	3
P0152.050-018-A4	M 5	18	3.7	8.5	5.5	3.3	2.0	7.5	3
P0152.050-020-A4	M 5	20	3.7	8.5	5.5	3.3	2.0	7.5	3
P0152.050-022-A4	M 5	22	3.7	8.5	5.5	3.3	2.0	7.5	3
P0152.050-025-A4	M 5	25	3.7	8.5	5.5	3.3	2.0	7.5	3
P0152.050-030-A4	M 5	30	3.7	8.5	5.5	3.3	2.0	7.5	3
P0152.050-040-A4	M 5	40	3.7	8.5	5.5	3.3	2.0	7.5	3
P0152.050-050-A4	M 5	50	3.7	8.5	5.5	3.3	2.0	7.5	3
P0152.050-060-A4	M 5	60	3.7	8.5	5.5	3.3	2.0	7.5	3
P0152.050-080-A4	M 5	80	3.7	8.5	5.5	3.3	2.0	7.5	3
P0152.060-016-A4	M 6	16	4.2	10.0	6.5	3.9	2.3	7.5	4
P0152.060-020-A4	M 6	20	4.2	10.0	6.5	3.9	2.3	7.5	4
P0152.060-025-A4	M 6	25	4.2	10.0	6.5	3.9	2.3	7.5	4
P0152.060-030-A4	M 6	30	4.2	10.0	6.5	3.9	2.3	7.5	4
P0152.060-040-A4	M 6	40	4.2	10.0	6.5	3.9	2.3	7.5	4
P0152.060-050-A4	M 6	50	4.2	10.0	6.5	3.9	2.3	7.5	4
P0152.060-060-A4	M 6	60	4.2	10.0	6.5	3.9	2.3	7.5	4
P0152.060-080-A4	M 6	80	4.2	10.0	6.5	3.9	2.3	7.5	4



Captive Screws - Countersunk

hex drive - 303 stainless

Captive Screws



P0153.A2

CAPTIVE SCREWS

Material

Stainless steel (AISI 303, 1.4305). Tensile strength 550 N/mm². Proof stress min. 190 N/mm², austenitic stainless steel. Also available on request in steel (anodised, black oxide or zinc plated), brass, aluminium etc.

Technical Notes

Used to comply with the Machinery Direc-

tive 2006/42/EC. Often used with our captive washers (P0168) or retaining flanges (P0169 - for sheet metal applications). The use of our captive washers should be considered when fitted in panels with unthreaded holes.

Important Notes

Please note that these screws have a reduced diameter shank and should not be

tightened to the recommended torque for an equivalent machine screw of size d_1 . To accommodate the slight undercut at the top of the shank, the hex socket is smaller than on a similar threaded machine screw.

Order No.	d_1	l_1 ± 0.25	d_2 ± 0.12	d_3 max.	d_4 min.	h_1 max.	l_2 ± 0.25	A/F
P0153.020-010-A2	M 2	10	1.2	3.8	2.5	1.20	3.5	1.0
P0153.020-012-A2	M 2	12	1.2	3.8	2.5	1.20	3.5	1.0
P0153.020-016-A2	M 2	16	1.2	3.8	2.5	1.20	3.5	1.0
P0153.020-020-A2	M 2	20	1.2	3.8	2.5	1.20	3.5	1.0
P0153.025-010-A2	M 2,5	10	1.7	4.7	2.8	1.80	3.7	1.3
P0153.025-012-A2	M 2,5	12	1.7	4.7	2.8	1.80	3.7	1.3
P0153.025-016-A2	M 2,5	16	1.7	4.7	2.8	1.80	3.7	1.3
P0153.025-020-A2	M 2,5	20	1.7	4.7	2.8	1.80	3.7	1.3
P0153.030-008-A2	M 3	8	2.0	5.6	3.5	1.65	4.5	1.5
P0153.030-010-A2	M 3	10	2.0	5.6	3.5	1.65	4.5	1.5
P0153.030-012-A2	M 3	12	2.0	5.6	3.5	1.65	4.5	1.5
P0153.030-016-A2	M 3	16	2.0	5.6	3.5	1.65	4.5	1.5
P0153.030-020-A2	M 3	20	2.0	5.6	3.5	1.65	4.5	1.5
P0153.030-025-A2	M 3	25	2.0	5.6	3.5	1.65	4.5	1.5
P0153.030-030-A2	M 3	30	2.0	5.6	3.5	1.65	4.5	1.5
P0153.030-035-A2	M 3	35	2.0	5.6	3.5	1.65	4.5	1.5
P0153.030-040-A2	M 3	40	2.0	5.6	3.5	1.65	4.5	1.5
P0153.040-010-A2	M 4	10	2.8	7.5	4.5	2.20	6.0	2.0
P0153.040-012-A2	M 4	12	2.8	7.5	4.5	2.20	6.0	2.0
P0153.040-014-A2	M 4	14	2.8	7.5	4.5	2.20	6.0	2.0
P0153.040-016-A2	M 4	16	2.8	7.5	4.5	2.20	6.0	2.0
P0153.040-020-A2	M 4	20	2.8	7.5	4.5	2.20	6.0	2.0
P0153.040-025-A2	M 4	25	2.8	7.5	4.5	2.20	6.0	2.0
P0153.040-030-A2	M 4	30	2.8	7.5	4.5	2.20	6.0	2.0
P0153.040-035-A2	M 4	35	2.8	7.5	4.5	2.20	6.0	2.0
P0153.040-040-A2	M 4	40	2.8	7.5	4.5	2.20	6.0	2.0
P0153.040-050-A2	M 4	50	2.8	7.5	4.5	2.20	6.0	2.0
P0153.040-060-A2	M 4	60	2.8	7.5	4.5	2.20	6.0	2.0



Order No.	d ₁	l ₁ ±0.25	d ₂ ±0.12	d ₃ max.	d ₄ min.	h ₁ max.	l ₂ ±0.25	A/F
P0153.050-012-A2	M 5	12	3.7	9.2	5.5	2.50	7.5	2.5
P0153.050-014-A2	M 5	14	3.7	9.2	5.5	2.50	7.5	2.5
P0153.050-016-A2	M 5	16	3.7	9.2	5.5	2.50	7.5	2.5
P0153.050-020-A2	M 5	20	3.7	9.2	5.5	2.50	7.5	2.5
P0153.050-025-A2	M 5	25	3.7	9.2	5.5	2.50	7.5	2.5
P0153.050-030-A2	M 5	30	3.7	9.2	5.5	2.50	7.5	2.5
P0153.050-035-A2	M 5	35	3.7	9.2	5.5	2.50	7.5	2.5
P0153.050-040-A2	M 5	40	3.7	9.2	5.5	2.50	7.5	2.5
P0153.050-050-A2	M 5	50	3.7	9.2	5.5	2.50	7.5	2.5
P0153.050-060-A2	M 5	60	3.7	9.2	5.5	2.50	7.5	2.5
P0153.060-016-A2	M 6	16	4.2	11.0	6.5	3.00	8.0	3.0
P0153.060-020-A2	M 6	20	4.2	11.0	6.5	3.00	8.0	3.0
P0153.060-025-A2	M 6	25	4.2	11.0	6.5	3.00	8.0	3.0
P0153.060-030-A2	M 6	30	4.2	11.0	6.5	3.00	8.0	3.0
P0153.060-035-A2	M 6	35	4.2	11.0	6.5	3.00	8.0	3.0
P0153.060-040-A2	M 6	40	4.2	11.0	6.5	3.00	8.0	3.0
P0153.060-050-A2	M 6	50	4.2	11.0	6.5	3.00	8.0	3.0
P0153.060-060-A2	M 6	60	4.2	11.0	6.5	3.00	8.0	3.0
P0153.080-020-A2	M 8	20	6.0	15.0	8.5	4.10	10.0	4.0
P0153.080-025-A2	M 8	25	6.0	15.0	8.5	4.10	10.0	4.0
P0153.080-030-A2	M 8	30	6.0	15.0	8.5	4.10	10.0	4.0
P0153.080-040-A2	M 8	40	6.0	15.0	8.5	4.10	10.0	4.0
P0153.080-050-A2	M 8	50	6.0	15.0	8.5	4.10	10.0	4.0
P0153.080-060-A2	M 8	60	6.0	15.0	8.5	4.10	10.0	4.0

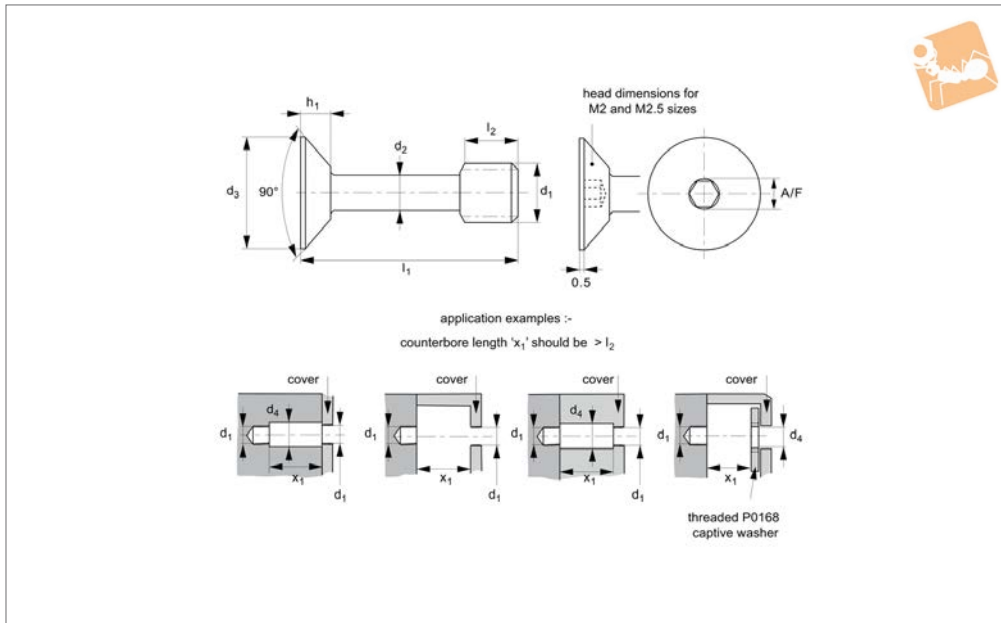


Captive Screws - Countersunk

hex drive - 316 stainless



Captive Screws



P0153.A4

MADE IN BRITAIN

CAPTIVE SCREWS

Material

Stainless steel (AISI 316, 1.440).
Tensile strength 480 N/mm². Proof stress min. 200 N/mm², austenitic stainless steel.
Also available on request in steel (anodised, black oxide or zinc plated), brass, aluminium etc.

Technical Notes

Used to comply with the Machinery Direc-

tive 2006/42/EC. Often used with our captive washers (P0168) or retaining flanges (P0169 - for sheet metal applications). The use of our captive washers should be considered when fitted in panels with unthreaded holes.

Important Notes

Please note that these screws have a reduced diameter shank and should not be

tightened to the recommended torque for an equivalent machine screw of size d₁. To accommodate the slight undercut at the top of the shank, the hex socket is smaller than on a similar threaded machine screw.

Order No.	d ₁	l ₁ ±0.25	d ₂ ±0.12	d ₃ max.	d ₄ min.	h ₁ max.	l ₂ ±0.25	A/F
P0153.020-010-A4	M 2	10	1.2	3.8	2.5	1.20	3.5	1.0
P0153.020-012-A4	M 2	12	1.2	3.8	2.5	1.20	3.5	1.0
P0153.020-016-A4	M 2	16	1.2	3.8	2.5	1.20	3.5	1.0
P0153.020-020-A4	M 2	20	1.2	3.8	2.5	1.20	3.5	1.0
P0153.025-010-A4	M 2,5	10	1.7	4.7	2.8	1.80	3.7	1.3
P0153.025-012-A4	M 2,5	12	1.7	4.7	2.8	1.80	3.7	1.3
P0153.025-016-A4	M 2,5	16	1.7	4.7	2.8	1.80	3.7	1.3
P0153.025-020-A4	M 2,5	20	1.7	4.7	2.8	1.80	3.7	1.3
P0153.030-008-A4	M 3	8	2.0	5.6	3.5	1.65	4.5	1.5
P0153.030-010-A4	M 3	10	2.0	5.6	3.5	1.65	4.5	1.5
P0153.030-012-A4	M 3	12	2.0	5.6	3.5	1.65	4.5	1.5
P0153.030-016-A4	M 3	16	2.0	5.6	3.5	1.65	4.5	1.5
P0153.030-020-A4	M 3	20	2.0	5.6	3.5	1.65	4.5	1.5
P0153.030-025-A4	M 3	25	2.0	5.6	3.5	1.65	4.5	1.5
P0153.030-030-A4	M 3	30	2.0	5.6	3.5	1.65	4.5	1.5
P0153.030-035-A4	M 3	35	2.0	5.6	3.5	1.65	4.5	1.5
P0153.030-040-A4	M 3	40	2.0	5.6	3.5	1.65	4.5	1.5
P0153.040-010-A4	M 4	10	2.8	7.5	4.5	2.20	6.0	2.0
P0153.040-012-A4	M 4	12	2.8	7.5	4.5	2.20	6.0	2.0
P0153.040-014-A4	M 4	14	2.8	7.5	4.5	2.20	6.0	2.0
P0153.040-016-A4	M 4	16	2.8	7.5	4.5	2.20	6.0	2.0
P0153.040-020-A4	M 4	20	2.8	7.5	4.5	2.20	6.0	2.0
P0153.040-025-A4	M 4	25	2.8	7.5	4.5	2.20	6.0	2.0
P0153.040-030-A4	M 4	30	2.8	7.5	4.5	2.20	6.0	2.0
P0153.040-035-A4	M 4	35	2.8	7.5	4.5	2.20	6.0	2.0
P0153.040-040-A4	M 4	40	2.8	7.5	4.5	2.20	6.0	2.0
P0153.040-050-A4	M 4	50	2.8	7.5	4.5	2.20	6.0	2.0
P0153.040-060-A4	M 4	60	2.8	7.5	4.5	2.20	6.0	2.0



CAPTIVE SCREWS

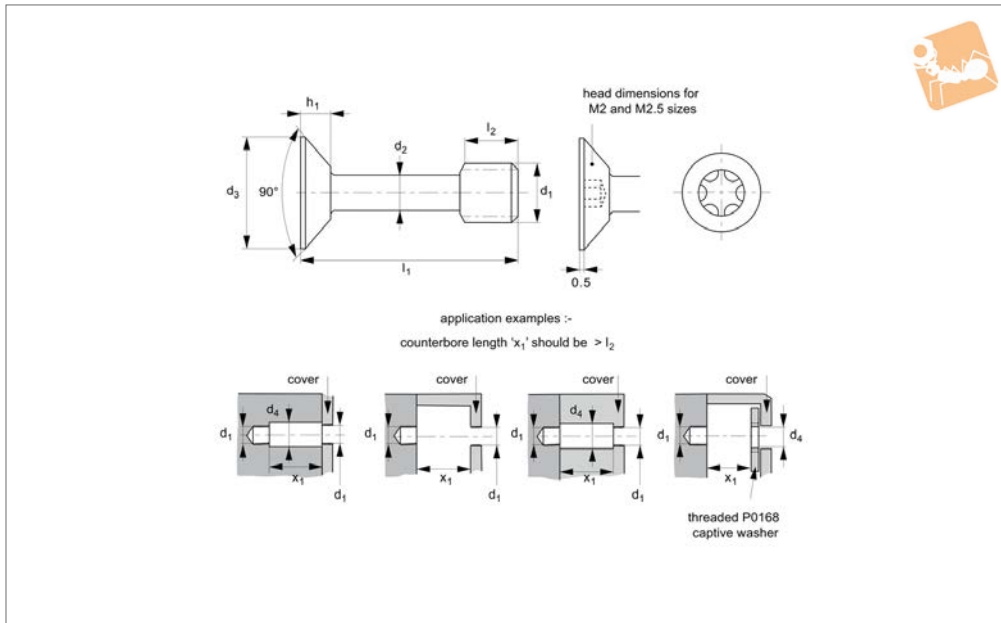
Order No.	d ₁	l ₁ ±0.25	d ₂ ±0.12	d ₃ max.	d ₄ min.	h ₁ max.	l ₂ ±0.25	A/F
P0153.050-012-A4	M 5	12	3.7	9.2	5.5	2.50	7.5	2.5
P0153.050-014-A4	M 5	12	3.7	9.2	5.5	2.50	7.5	2.5
P0153.050-016-A4	M 5	16	3.7	9.2	5.5	2.50	7.5	2.5
P0153.050-020-A4	M 5	20	3.7	9.2	5.5	2.50	7.5	2.5
P0153.050-025-A4	M 5	25	3.7	9.2	5.5	2.50	7.5	2.5
P0153.050-030-A4	M 5	30	3.7	9.2	5.5	2.50	7.5	2.5
P0153.050-035-A4	M 5	35	3.7	9.2	5.5	2.50	7.5	2.5
P0153.050-040-A4	M 5	40	3.7	9.2	5.5	2.50	7.5	2.5
P0153.050-050-A4	M 5	50	3.7	9.2	5.5	2.50	7.5	2.5
P0153.050-060-A4	M 5	60	3.7	9.2	5.5	2.50	7.5	2.5
P0153.060-016-A4	M 6	16	4.2	11.0	6.5	3.00	8.0	3.0
P0153.060-020-A4	M 6	20	4.2	11.0	6.5	3.00	8.0	3.0
P0153.060-025-A4	M 6	25	4.2	11.0	6.5	3.00	8.0	3.0
P0153.060-030-A4	M 6	30	4.2	11.0	6.5	3.00	8.0	3.0
P0153.060-035-A4	M 6	35	4.2	11.0	6.5	3.00	8.0	3.0
P0153.060-040-A4	M 6	40	4.2	11.0	6.5	3.00	8.0	3.0
P0153.060-050-A4	M 6	50	4.2	11.0	6.5	3.00	8.0	3.0
P0153.060-060-A4	M 6	60	4.2	11.0	6.5	3.00	8.0	3.0
P0153.080-020-A4	M 8	20	6.0	15.0	8.5	4.10	10.0	4.0
P0153.080-025-A4	M 8	25	6.0	15.0	8.5	4.10	10.0	4.0
P0153.080-030-A4	M 8	30	6.0	15.0	8.5	4.10	10.0	4.0
P0153.080-040-A4	M 8	40	6.0	15.0	8.5	4.10	10.0	4.0
P0153.080-050-A4	M 8	50	6.0	15.0	8.5	4.10	10.0	4.0
P0153.080-060-A4	M 8	60	6.0	15.0	8.5	4.10	10.0	4.0



Captive Screws - Countersunk

TX drive- 303 stainless

Captive Screws



P0153.TX

CAPTIVE SCREWS

Material

Stainless steel (AISI 303, 1.4305).
Tensile strength 550 N/mm².
Proof stress min. 190 N/mm², austenitic stainless steel.

Technical Notes

Used to comply with the Machinery Directive 2006/42/EC. Generally to ISO 10642.

Often used with our captive washers (P0168) or retaining flanges (P0169 - for sheet metal applications). The use of our captive washers should be considered when fitted in panels with unthreaded holes.

Important Notes

Please note that these screws have a

reduced diameter shank and should not be tightened to the recommended torque for an equivalent machine screw of size d₁. To accommodate the slight undercut at the top of the shank, the torx drive is smaller than on a similar threaded machine screw.

Order No.	d ₁	l ₁ ±0.25	d ₂ ±0.12	d ₃ max.	d ₄ min.	h ₁ max.	l ₂ ±0.25	TX size
P0153.020-010-TX	M 2	10	1.2	3.8	2.5	1.20	3.5	TX-5
P0153.020-012-TX	M 2	12	1.2	3.8	2.5	1.20	3.5	TX-5
P0153.020-016-TX	M 2	16	1.2	3.8	2.5	1.20	3.5	TX-5
P0153.020-020-TX	M 2	20	1.2	3.8	2.5	1.20	3.5	TX-5
P0153.025-010-TX	M 2,5	10	1.7	4.7	2.8	1.80	3.7	TX-6
P0153.025-012-TX	M 2,5	12	1.7	4.7	2.8	1.80	3.7	TX-6
P0153.025-016-TX	M 2,5	16	1.7	4.7	2.8	1.80	3.7	TX-6
P0153.025-020-TX	M 2,5	20	1.7	4.7	2.8	1.80	3.7	TX-6
P0153.030-008-TX	M 3	8	2.0	5.6	3.5	1.65	4.5	TX-8
P0153.030-010-TX	M 3	10	2.0	5.6	3.5	1.65	4.5	TX-8
P0153.030-012-TX	M 3	12	2.0	5.6	3.5	1.65	4.5	TX-8
P0153.030-016-TX	M 3	16	2.0	5.6	3.5	1.65	4.5	TX-8
P0153.030-020-TX	M 3	20	2.0	5.6	3.5	1.65	4.5	TX-8
P0153.030-025-TX	M 3	25	2.0	5.6	3.5	1.65	4.5	TX-8
P0153.030-030-TX	M 3	30	2.0	5.6	3.5	1.65	4.5	TX-8
P0153.030-035-TX	M 3	35	2.0	5.6	3.5	1.65	4.5	TX-8
P0153.030-040-TX	M 3	40	2.0	5.6	3.5	1.65	4.5	TX-8
P0153.040-010-TX	M 4	10	2.8	7.5	4.5	2.20	6.0	TX-10
P0153.040-012-TX	M 4	12	2.8	7.5	4.5	2.20	6.0	TX-10
P0153.040-014-TX	M 4	14	2.8	7.5	4.5	2.20	6.0	TX-10
P0153.040-016-TX	M 4	16	2.8	7.5	4.5	2.20	6.0	TX-10
P0153.040-020-TX	M 4	20	2.8	7.5	4.5	2.20	6.0	TX-10
P0153.040-025-TX	M 4	25	2.8	7.5	4.5	2.20	6.0	TX-10
P0153.040-030-TX	M 4	30	2.8	7.5	4.5	2.20	6.0	TX-10
P0153.040-035-TX	M 4	35	2.8	7.5	4.5	2.20	6.0	TX-10
P0153.040-040-TX	M 4	40	2.8	7.5	4.5	2.20	6.0	TX-10
P0153.040-050-TX	M 4	50	2.8	7.5	4.5	2.20	6.0	TX-10
P0153.040-060-TX	M 4	60	2.8	7.5	4.5	2.20	6.0	TX-10
P0153.050-012-TX	M 5	12	3.7	9.2	5.5	2.50	7.5	TX-20



CAPTIVE SCREWS

Order No.	d ₁	l ₁ ±0.25	d ₂ ±0.12	d ₃ max.	d ₄ min.	h ₁ max.	l ₂ ±0.25	TX size
P0153.050-014-TX	M 5	14	3.7	9.2	5.5	2.50	7.5	TX-20
P0153.050-016-TX	M 5	16	3.7	9.2	5.5	2.50	7.5	TX-20
P0153.050-020-TX	M 5	20	3.7	9.2	5.5	2.50	7.5	TX-20
P0153.050-025-TX	M 5	25	3.7	9.2	5.5	2.50	7.5	TX-20
P0153.050-030-TX	M 5	30	3.7	9.2	5.5	2.50	7.5	TX-20
P0153.050-035-TX	M 5	35	3.7	9.2	5.5	2.50	7.5	TX-20
P0153.050-040-TX	M 5	40	3.7	9.2	5.5	2.50	7.5	TX-20
P0153.050-050-TX	M 5	50	3.7	9.2	5.5	2.50	7.5	TX-20
P0153.050-060-TX	M 5	60	3.7	9.2	5.5	2.50	7.5	TX-20
P0153.060-016-TX	M 6	16	4.2	11.0	6.5	3.00	8.0	TX-25
P0153.060-020-TX	M 6	20	4.2	11.0	6.5	3.00	8.0	TX-25
P0153.060-025-TX	M 6	25	4.2	11.0	6.5	3.00	8.0	TX-25
P0153.060-030-TX	M 6	30	4.2	11.0	6.5	3.00	8.0	TX-25
P0153.060-035-TX	M 6	35	4.2	11.0	6.5	3.00	8.0	TX-25
P0153.060-040-TX	M 6	40	4.2	11.0	6.5	3.00	8.0	TX-25
P0153.060-050-TX	M 6	50	4.2	11.0	6.5	3.00	8.0	TX-25
P0153.060-060-TX	M 6	60	4.2	11.0	6.5	3.00	8.0	TX-25
P0153.080-020-TX	M 8	20	6.0	15.0	8.5	4.10	10.0	TX-30
P0153.080-025-TX	M 8	25	6.0	15.0	8.5	4.10	10.0	TX-30
P0153.080-030-TX	M 8	30	6.0	15.0	8.5	4.10	10.0	TX-30
P0153.080-040-TX	M 8	40	6.0	15.0	8.5	4.10	10.0	TX-30
P0153.080-050-TX	M 8	50	6.0	15.0	8.5	4.10	10.0	TX-30
P0153.080-060-TX	M 8	60	6.0	15.0	8.5	4.10	10.0	TX-30

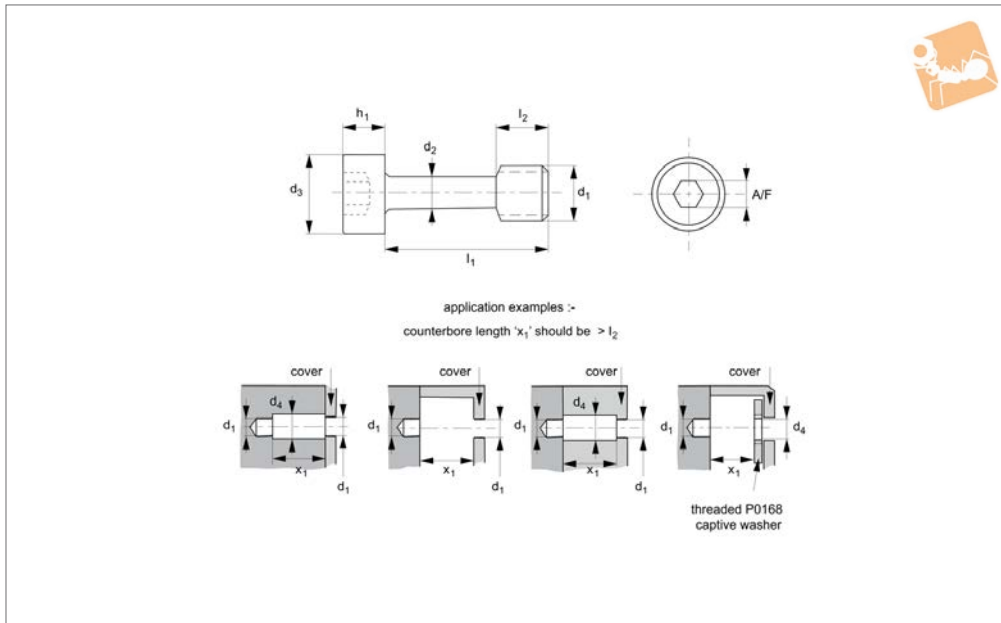


Captive Screws - Cap Head

hex drive - 303 stainless



Captive Screws



P0154.A2

CAPTIVE SCREWS

Material

Stainless steel (AISI 303, 1.4305). Tensile strength 550 N/mm². Proof stress min. 190 N/mm², austenitic stainless steel. Also available on request in steel (anodised, black oxide or zinc plated), stainless steel (AISI 316, 1.440), brass, aluminium etc.

Technical Notes

Used to comply with the Machinery Direc-

ive 2006/42/EC. Generally to ISO 4762. Often used with our captive washers (P0168) or retaining flanges (P0169.A2 - for sheet metal applications). The use of our captive washers should be considered when fitted in panels with unthreaded holes.

Tips

TX drive style also available.

Important Notes

Please note that these screws have a reduced diameter shank and should not be tightened to the recommended torque for an equivalent machine screw of size d₁.

Order No.	d ₁	l ₁ ±0.25	d ₂ ±0.12	d ₃ max.	d ₄ min.	h ₁ max.	l ₂ ±0.25	A/F
P0154.025-005-A2	M 2,5	5	1.8	4.5	2.8	2.5	3.0	2
P0154.025-008-A2	M 2,5	8	1.8	4.5	2.8	2.5	3.0	2
P0154.025-010-A2	M 2,5	10	1.8	4.5	2.8	2.5	3.0	2
P0154.025-012-A2	M 2,5	12	1.8	4.5	2.8	2.5	3.0	2
P0154.030-008-A2	M 3	8	2.0	5.5	3.5	3.0	4.5	2.5
P0154.030-010-A2	M 3	10	2.0	5.5	3.5	3.0	4.5	2.5
P0154.030-012-A2	M 3	12	2.0	5.5	3.5	3.0	4.5	2.5
P0154.030-016-A2	M 3	16	2.0	5.5	3.5	3.0	4.5	2.5
P0154.030-020-A2	M 3	20	2.0	5.5	3.5	3.0	4.5	2.5
P0154.030-025-A2	M 3	25	2.0	5.5	3.5	3.0	4.5	2.5
P0154.030-030-A2	M 3	30	2.0	5.5	3.5	3.0	4.5	2.5
P0154.040-010-A2	M 4	10	2.8	7.0	4.5	4.0	6.0	3
P0154.040-012-A2	M 4	12	2.8	7.0	4.5	4.0	6.0	3
P0154.040-016-A2	M 4	16	2.8	7.0	4.5	4.0	6.0	3
P0154.040-020-A2	M 4	20	2.8	7.0	4.5	4.0	6.0	3
P0154.040-025-A2	M 4	25	2.8	7.0	4.5	4.0	6.0	3
P0154.040-030-A2	M 4	30	2.8	7.0	4.5	4.0	6.0	3
P0154.040-035-A2	M 4	35	2.8	7.0	4.5	4.0	6.0	3
P0154.040-040-A2	M 4	40	2.8	7.0	4.5	4.0	6.0	3
P0154.040-050-A2	M 4	50	2.8	7.0	4.5	4.0	6.0	3
P0154.050-012-A2	M 5	12	3.7	8.5	5.5	5.0	7.5	4
P0154.050-016-A2	M 5	16	3.7	8.5	5.5	5.0	7.5	4
P0154.050-020-A2	M 5	20	3.7	8.5	5.5	5.0	7.5	4
P0154.050-025-A2	M 5	25	3.7	8.5	5.5	5.0	7.5	4
P0154.050-030-A2	M 5	30	3.7	8.5	5.5	5.0	7.5	4
P0154.050-035-A2	M 5	35	3.7	8.5	5.5	5.0	7.5	4



CAPTIVE SCREWS

Order No.	d ₁	l ₁ ±0.25	d ₂ ±0.12	d ₃ max.	d ₄ min.	h ₁ max.	l ₂ ±0.25	A/F
P0154.050-040-A2	M 5	40	3.7	8.5	5.5	5.0	7.5	4
P0154.050-050-A2	M 5	50	3.7	8.5	5.5	5.0	7.5	4
P0154.060-012-A2	M 6	12	4.2	10.0	6.5	6.0	7.5	5
P0154.060-016-A2	M 6	16	4.2	10.0	6.5	6.0	7.5	5
P0154.060-020-A2	M 6	20	4.2	10.0	6.5	6.0	7.5	5
P0154.060-025-A2	M 6	25	4.2	10.0	6.5	6.0	7.5	5
P0154.060-030-A2	M 6	30	4.2	10.0	6.5	6.0	7.5	5
P0154.060-035-A2	M 6	35	4.2	10.0	6.5	6.0	7.5	5
P0154.060-040-A2	M 6	40	4.2	10.0	6.5	6.0	7.5	5
P0154.060-050-A2	M 6	50	4.2	10.0	6.5	6.0	7.5	5
P0154.060-060-A2	M 6	60	4.2	10.0	6.5	6.0	7.5	5
P0154.060-080-A2	M 6	80	4.2	10.0	6.5	6.0	7.5	5
P0154.080-016-A2	M 8	16	6.0	13.0	8.5	8.0	10.0	6
P0154.080-020-A2	M 8	20	6.0	13.0	8.5	8.0	10.0	6
P0154.080-025-A2	M 8	25	6.0	13.0	8.5	8.0	10.0	6
P0154.080-030-A2	M 8	30	6.0	13.0	8.5	8.0	10.0	6
P0154.080-035-A2	M 8	35	6.0	13.0	8.5	8.0	10.0	6
P0154.080-040-A2	M 8	40	6.0	13.0	8.5	8.0	10.0	6
P0154.080-045-A2	M 8	45	6.0	13.0	8.5	8.0	10.0	6
P0154.080-050-A2	M 8	50	6.0	13.0	8.5	8.0	10.0	6
P0154.080-060-A2	M 8	60	6.0	13.0	8.5	8.0	10.0	6
P0154.080-080-A2	M 8	80	6.0	13.0	8.5	8.0	10.0	6
P0154.100-020-A2	M10	20	7.5	16.0	10.6	10.0	12.5	8
P0154.100-025-A2	M10	25	7.5	16.0	10.6	10.0	12.5	8
P0154.100-030-A2	M10	30	7.5	16.0	10.6	10.0	12.5	8
P0154.100-035-A2	M10	35	7.5	16.0	10.6	10.0	12.5	8
P0154.100-040-A2	M10	40	7.5	16.0	10.6	10.0	12.5	8
P0154.100-045-A2	M10	45	7.5	16.0	10.6	10.0	12.5	8
P0154.100-050-A2	M10	50	7.5	16.0	10.6	10.0	12.5	8
P0154.100-060-A2	M10	60	7.5	16.0	10.6	10.0	12.5	8
P0154.100-080-A2	M10	80	7.5	16.0	10.6	10.0	12.5	8
P0154.120-025-A2	M12	25	8.0	18.0	13.2	12.0	15.0	10
P0154.120-030-A2	M12	30	8.0	18.0	13.2	12.0	15.0	10
P0154.120-035-A2	M12	35	8.0	18.0	13.2	12.0	15.0	10
P0154.120-040-A2	M12	40	8.0	18.0	13.2	12.0	15.0	10
P0154.120-045-A2	M12	45	8.0	18.0	13.2	12.0	15.0	10
P0154.120-050-A2	M12	50	8.0	18.0	13.2	12.0	15.0	10
P0154.120-060-A2	M12	60	8.0	18.0	13.2	12.0	15.0	10
P0154.120-080-A2	M12	80	8.0	18.0	13.2	12.0	15.0	10
P0154.160-030-A2	M16	30	12.0	24.0	17.5	16.0	20.0	14
P0154.160-035-A2	M16	35	12.0	24.0	17.5	16.0	20.0	14
P0154.160-040-A2	M16	40	12.0	24.0	17.5	16.0	20.0	14
P0154.160-045-A2	M16	45	12.0	24.0	17.5	16.0	20.0	14
P0154.160-050-A2	M16	50	12.0	24.0	17.5	16.0	20.0	14
P0154.160-060-A2	M16	60	12.0	24.0	17.5	16.0	20.0	14
P0154.160-080-A2	M16	80	12.0	24.0	17.5	16.0	20.0	14
P0154.160-100-A2	M16	100	12.0	24.0	17.5	16.0	20.0	14
P0154.200-040-A2	M20	40	16.0	30.0	22.0	20.0	25.0	19
P0154.200-060-A2	M20	60	16.0	30.0	22.0	20.0	25.0	19
P0154.200-080-A2	M20	80	16.0	30.0	22.0	20.0	25.0	19
P0154.200-100-A2	M20	100	16.0	30.0	22.0	20.0	25.0	19
P0154.200-120-A2	M20	120	16.0	30.0	22.0	20.0	25.0	19

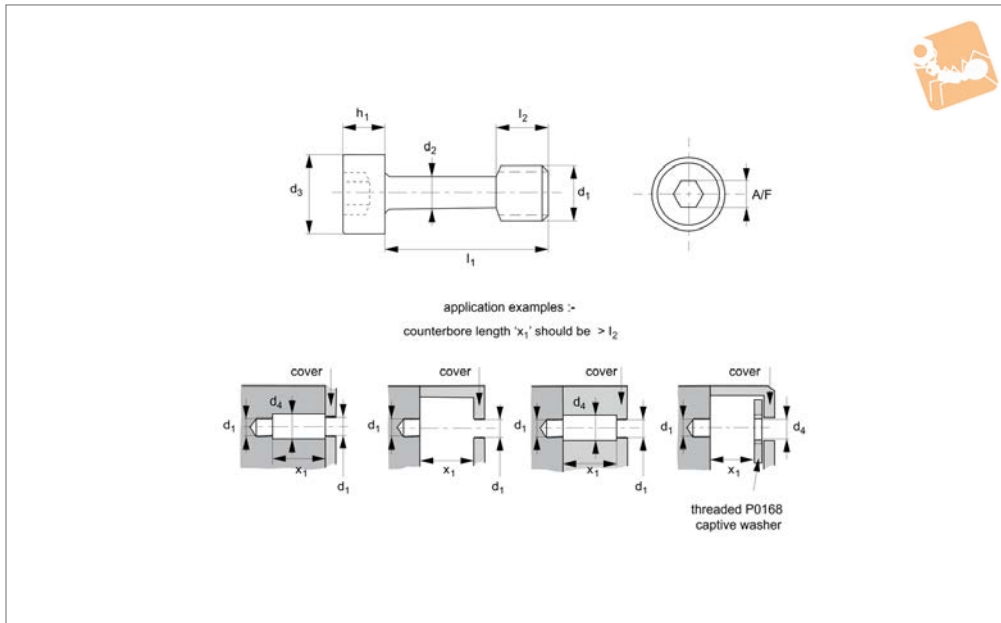


Captive Screws - Cap Head

hex drive - 316 stainless



Captive Screws



P0154.A4

CAPTIVE SCREWS

Material

Stainless steel (AISI 316, 1.440).
Tensile strength 480 N/mm². Proof stress min. 200 N/mm², austenitic stainless steel.
Also available on request in steel (anodised, black oxide or zinc plated), stainless steel (AISI 303, 1.4305), brass, aluminium etc.

tive 2006/42/EC. Generally to ISO 4762. Often used with our captive washers (P0168) or retaining flanges (P0169 - for sheet metal applications). The use of our captive washers (P0168) should be considered when fitted in panels with unthreaded holes.

Important Notes

Please note that these screws have a reduced diameter shank and should not be tightened to the recommended torque for an equivalent machine screw of size d₁.

Technical Notes

Used to comply with the Machinery Direc-

Tips

For TX drive style, see P0156.

Order No.	d ₁	l ₁ ±0.25	d ₂ ±0.12	d ₃ max.	d ₄ min.	h ₁ max.	l ₂ ±0.25	A/F
P0154.025-005-A4	M 2,5	5	1.8	4.5	2.8	2.5	3.0	2
P0154.025-008-A4	M 2,5	8	1.8	4.5	2.8	2.5	3.0	2
P0154.025-010-A4	M 2,5	10	1.8	4.5	2.8	2.5	3.0	2
P0154.025-012-A4	M 2,5	12	1.8	4.5	2.8	2.5	3.0	2
P0154.030-008-A4	M 3	8	2.0	5.5	3.5	3.0	4.5	2.5
P0154.030-010-A4	M 3	10	2.0	5.5	3.5	3.0	4.5	2.5
P0154.030-012-A4	M 3	12	2.0	5.5	3.5	3.0	4.5	2.5
P0154.030-016-A4	M 3	16	2.0	5.5	3.5	3.0	4.5	2.5
P0154.030-020-A4	M 3	20	2.0	5.5	3.5	3.0	4.5	2.5
P0154.030-025-A4	M 3	25	2.0	5.5	3.5	3.0	4.5	2.5
P0154.030-030-A4	M 3	30	2.0	5.5	3.5	3.0	4.5	2.5
P0154.040-010-A4	M 4	10	2.8	7.0	4.5	4.0	6.0	3
P0154.040-012-A4	M 4	12	2.8	7.0	4.5	4.0	6.0	3
P0154.040-016-A4	M 4	16	2.8	7.0	4.5	4.0	6.0	3
P0154.040-020-A4	M 4	20	2.8	7.0	4.5	4.0	6.0	3
P0154.040-025-A4	M 4	25	2.8	7.0	4.5	4.0	6.0	3
P0154.040-030-A4	M 4	30	2.8	7.0	4.5	4.0	6.0	3
P0154.040-035-A4	M 4	35	2.8	7.0	4.5	4.0	6.0	3
P0154.040-040-A4	M 4	40	2.8	7.0	4.5	4.0	6.0	3
P0154.040-050-A4	M 4	50	2.8	7.0	4.5	4.0	6.0	3
P0154.050-012-A4	M 5	12	3.7	8.5	5.5	5.0	7.5	4
P0154.050-016-A4	M 5	16	3.7	8.5	5.5	5.0	7.5	4
P0154.050-020-A4	M 5	20	3.7	8.5	5.5	5.0	7.5	4
P0154.050-025-A4	M 5	25	3.7	8.5	5.5	5.0	7.5	4
P0154.050-030-A4	M 5	30	3.7	8.5	5.5	5.0	7.5	4
P0154.050-035-A4	M 5	35	3.7	8.5	5.5	5.0	7.5	4



CAPTIVE SCREWS

Order No.	d ₁	l ₁ ±0.25	d ₂ ±0.12	d ₃ max.	d ₄ min.	h ₁ max.	l ₂ ±0.25	A/F
P0154.050-040-A4	M 5	40	3.7	8.5	5.5	5.0	7.5	4
P0154.050-050-A4	M 5	50	3.7	8.5	5.5	5.0	7.5	4
P0154.060-012-A4	M 6	12	4.2	10.0	6.5	6.0	7.5	5
P0154.060-016-A4	M 6	16	4.2	10.0	6.5	6.0	7.5	5
P0154.060-020-A4	M 6	20	4.2	10.0	6.5	6.0	7.5	5
P0154.060-025-A4	M 6	25	4.2	10.0	6.5	6.0	7.5	5
P0154.060-030-A4	M 6	30	4.2	10.0	6.5	6.0	7.5	5
P0154.060-035-A4	M 6	35	4.2	10.0	6.5	6.0	7.5	5
P0154.060-040-A4	M 6	40	4.2	10.0	6.5	6.0	7.5	5
P0154.060-050-A4	M 6	50	4.2	10.0	6.5	6.0	7.5	5
P0154.060-060-A4	M 6	60	4.2	10.0	6.5	6.0	7.5	5
P0154.060-080-A4	M 6	80	4.2	10.0	6.5	6.0	7.5	5
P0154.080-016-A4	M 8	16	6.0	13.0	8.5	8.0	10.0	6
P0154.080-020-A4	M 8	20	6.0	13.0	8.5	8.0	10.0	6
P0154.080-025-A4	M 8	25	6.0	13.0	8.5	8.0	10.0	6
P0154.080-030-A4	M 8	30	6.0	13.0	8.5	8.0	10.0	6
P0154.080-035-A4	M 8	35	6.0	13.0	8.5	8.0	10.0	6
P0154.080-040-A4	M 8	40	6.0	13.0	8.5	8.0	10.0	6
P0154.080-045-A4	M 8	45	6.0	13.0	8.5	8.0	10.0	6
P0154.080-050-A4	M 8	50	6.0	13.0	8.5	8.0	10.0	6
P0154.080-060-A4	M 8	60	6.0	13.0	8.5	8.0	10.0	6
P0154.080-080-A4	M 8	80	6.0	13.0	8.5	8.0	10.0	6
P0154.100-020-A4	M10	20	7.5	16.0	10.6	10.0	12.5	8
P0154.100-025-A4	M10	25	7.5	16.0	10.6	10.0	12.5	8
P0154.100-030-A4	M10	30	7.5	16.0	10.6	10.0	12.5	8
P0154.100-035-A4	M10	35	7.5	16.0	10.6	10.0	12.5	8
P0154.100-040-A4	M10	40	7.5	16.0	10.6	10.0	12.5	8
P0154.100-045-A4	M10	45	7.5	16.0	10.6	10.0	12.5	8
P0154.100-050-A4	M10	50	7.5	16.0	10.6	10.0	12.5	8
P0154.100-060-A4	M10	60	7.5	16.0	10.6	10.0	12.5	8
P0154.100-080-A4	M10	80	7.5	16.0	10.6	10.0	12.5	8
P0154.120-025-A4	M12	25	8.0	18.0	13.2	12.0	15.0	10
P0154.120-030-A4	M12	30	8.0	18.0	13.2	12.0	15.0	10
P0154.120-035-A4	M12	35	8.0	18.0	13.2	12.0	15.0	10
P0154.120-040-A4	M12	40	8.0	18.0	13.2	12.0	15.0	10
P0154.120-045-A4	M12	45	8.0	18.0	13.2	12.0	15.0	10
P0154.120-050-A4	M12	50	8.0	18.0	13.2	12.0	15.0	10
P0154.120-060-A4	M12	60	8.0	18.0	13.2	12.0	15.0	10
P0154.120-080-A4	M12	80	8.0	18.0	13.2	12.0	15.0	10
P0154.160-030-A4	M16	30	12.0	24.0	17.5	16.0	20.0	14
P0154.160-035-A4	M16	35	12.0	24.0	17.5	16.0	20.0	14
P0154.160-040-A4	M16	40	12.0	24.0	17.5	16.0	20.0	14
P0154.160-045-A4	M16	45	12.0	24.0	17.5	16.0	20.0	14
P0154.160-050-A4	M16	50	12.0	24.0	17.5	16.0	20.0	14
P0154.160-060-A4	M16	60	12.0	24.0	17.5	16.0	20.0	14
P0154.160-080-A4	M16	80	12.0	24.0	17.5	16.0	20.0	14
P0154.160-100-A4	M16	100	12.0	24.0	17.5	16.0	20.0	14
P0154.200-040-A4	M20	40	16.0	30.0	22.0	20.0	25.0	19
P0154.200-060-A4	M20	60	16.0	30.0	22.0	20.0	25.0	19
P0154.200-080-A4	M20	80	16.0	30.0	22.0	20.0	25.0	19
P0154.200-100-A4	M20	100	16.0	30.0	22.0	20.0	25.0	19
P0154.200-120-A4	M20	120	16.0	30.0	22.0	20.0	25.0	19

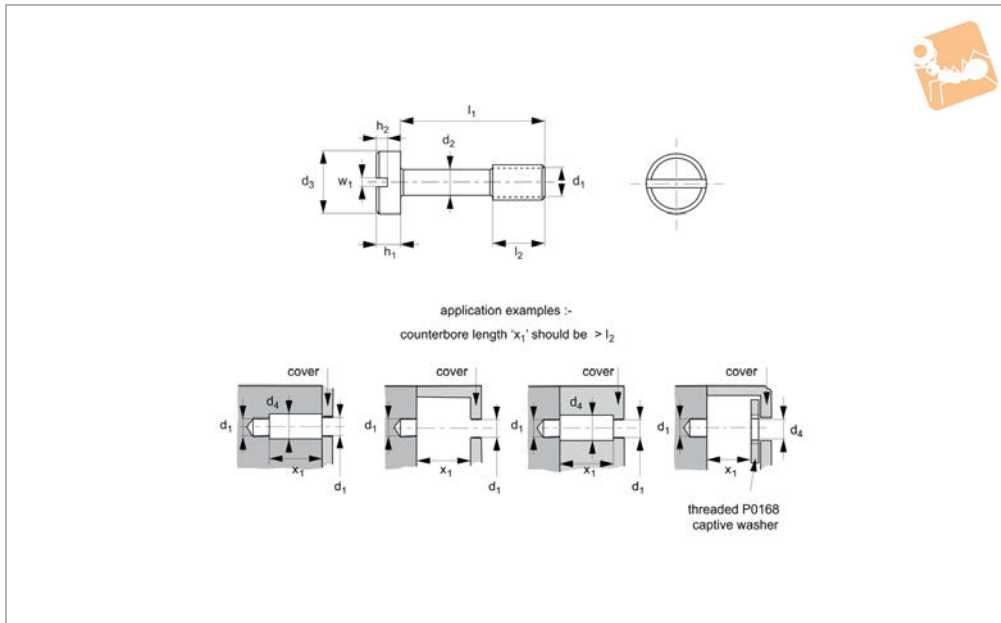


Captive Screws - Cheese Head

slot drive - 303 stainless



Captive Screws



MADE IN BRITAIN

P0155.A2

CAPTIVE SCREWS

Material

Stainless steel (AISI 303, 1.4305). Tensile strength 550 N/mm². Proof stress min. 190 N/mm², austenitic stainless steel. Also available on request in steel (anodised, black oxide or zinc plated), stainless steel (AISI 316, 1.440), brass, aluminium etc.

Technical Notes

Used to comply with the Machinery Direc-

tive 2006/42/EC. Generally to ISO 1207. Often used with our captive washers (P0168) or retaining flanges (P0169 - for sheet metal applications). The use of our captive washers should be considered when fitted in panels with unthreaded holes.

Tips

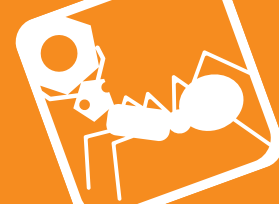
Other head drive styles - add suffix:
-TX for Torx (hexalobular).

-PZ for Pozidrive.
-SE for snake-eye security.

Important Notes

Please note that these screws have a reduced diameter shank and should not be tightened to the recommended torque for an equivalent machine screw of size d₁.

Order No.	d ₁	l ₁ ±0.25	d ₂ ±0.12	d ₃	d ₄ min.	h ₁	h ₂	l ₂ ±0.25	w ₁
P0155.020-010-A2	M 2	10	1.2	3.8	2.5	1.3	0.85	3.0	0.5
P0155.020-012-A2	M 2	12	1.2	3.8	2.5	1.3	0.85	3.0	0.5
P0155.020-016-A2	M 2	16	1.2	3.8	2.5	1.3	0.85	3.0	0.5
P0155.020-020-A2	M 2	20	1.2	3.8	2.5	1.3	0.85	3.0	0.5
P0155.025-010-A2	M 2,5	10	1.7	4.5	2.8	1.6	1.00	3.7	0.6
P0155.025-012-A2	M 2,5	12	1.7	4.5	2.8	1.6	1.00	3.7	0.6
P0155.025-016-A2	M 2,5	16	1.7	4.5	2.8	1.6	1.00	3.7	0.6
P0155.025-020-A2	M 2,5	20	1.7	4.5	2.8	1.6	1.00	3.7	0.6
P0155.025-025-A2	M 2,5	25	1.7	4.5	2.8	1.6	1.00	3.7	0.6
P0155.025-030-A2	M 2,5	30	1.7	4.5	2.8	1.6	1.00	3.7	0.6
P0155.030-006-A2	M 3	6	2.0	5.5	3.5	2.0	1.30	4.5	0.8
P0155.030-008-A2	M 3	8	2.0	5.5	3.5	2.0	1.30	4.5	0.8
P0155.030-010-A2	M 3	10	2.0	5.5	3.5	2.0	1.30	4.5	0.8
P0155.030-011-A2	M 3	11	2.0	5.5	3.5	2.0	1.30	4.5	0.8
P0155.030-013-A2	M 3	13	2.0	5.5	3.5	2.0	1.30	4.5	0.8
P0155.030-016-A2	M 3	16	2.0	5.5	3.5	2.0	1.30	4.5	0.8
P0155.030-018-A2	M 3	18	2.0	5.5	3.5	2.0	1.30	4.5	0.8
P0155.030-020-A2	M 3	20	2.0	5.5	3.5	2.0	1.30	4.5	0.8
P0155.030-025-A2	M 3	25	2.0	5.5	3.5	2.0	1.30	4.5	0.8
P0155.030-030-A2	M 3	30	2.0	5.5	3.5	2.0	1.30	4.5	0.8
P0155.030-040-A2	M 3	40	2.0	5.5	3.5	2.0	1.30	4.5	0.8
P0155.035-010-A2	M3,5	10	2.3	6.0	3.8	2.4	1.4	5.2	1.0
P0155.035-016-A2	M3,5	16	2.3	6.0	3.8	2.4	1.4	5.2	1.0
P0155.035-020-A2	M3,5	20	2.3	6.0	3.8	2.4	1.4	5.2	1.0
P0155.035-025-A2	M3,5	25	2.3	6.0	3.8	2.4	1.4	5.2	1.0
P0155.035-030-A2	M3,5	30	2.3	6.0	3.8	2.4	1.4	5.2	1.0



CAPTIVE SCREWS

Order No.	d ₁	l ₁ ±0.25	d ₂ ±0.12	d ₃	d ₄ min.	h ₁	h ₂	l ₂ ±0.25	w ₁
P0155.035-040-A2	M3,5	40	2.3	6.0	3.8	2.4	1.4	5.2	1.0
P0155.040-010-A2	M 4	10	2.8	7.0	4.5	2.6	1.6	6.0	1.2
P0155.040-012-A2	M 4	12	2.8	7.0	4.5	2.6	1.6	6.0	1.2
P0155.040-016-A2	M 4	16	2.8	7.0	4.5	2.6	1.6	6.0	1.2
P0155.040-018-A2	M 4	18	2.8	7.0	4.5	2.6	1.6	6.0	1.2
P0155.040-019-A2	M 4	19	2.8	7.0	4.5	2.6	1.6	6.0	1.2
P0155.040-020-A2	M 4	20	2.8	7.0	4.5	2.6	1.6	6.0	1.2
P0155.040-025-A2	M 4	25	2.8	7.0	4.5	2.6	1.6	6.0	1.2
P0155.040-030-A2	M 4	30	2.8	7.0	4.5	2.6	1.6	6.0	1.2
P0155.040-040-A2	M 4	40	2.8	7.0	4.5	2.6	1.6	6.0	1.2
P0155.040-050-A2	M 4	50	2.8	7.0	4.5	2.6	1.6	6.0	1.2
P0155.040-060-A2	M 4	60	2.8	7.0	4.5	2.6	1.6	6.0	1.2
P0155.050-010-A2	M 5	10	3.7	8.5	5.5	3.3	2.0	7.5	1.2
P0155.050-012-A2	M 5	12	3.7	8.5	5.5	3.3	2.0	7.5	1.2
P0155.050-016-A2	M 5	16	3.7	8.5	5.5	3.3	2.0	7.5	1.2
P0155.050-018-A2	M 5	18	3.7	8.5	5.5	3.3	2.0	7.5	1.2
P0155.050-020-A2	M 5	20	3.7	8.5	5.5	3.3	2.0	7.5	1.2
P0155.050-022-A2	M 5	22	3.7	8.5	5.5	3.3	2.0	7.5	1.2
P0155.050-025-A2	M 5	25	3.7	8.5	5.5	3.3	2.0	7.5	1.2
P0155.050-030-A2	M 5	30	3.7	8.5	5.5	3.3	2.0	7.5	1.2
P0155.050-040-A2	M 5	40	3.7	8.5	5.5	3.3	2.0	7.5	1.2
P0155.050-050-A2	M 5	50	3.7	8.5	5.5	3.3	2.0	7.5	1.2
P0155.050-060-A2	M 5	60	3.7	8.5	5.5	3.3	2.0	7.5	1.2
P0155.050-080-A2	M 5	80	3.7	8.5	5.5	3.3	2.0	7.5	1.2
P0155.060-010-A2	M 6	10	4.2	10.0	6.5	3.9	2.3	7.5	1.6
P0155.060-012-A2	M 6	12	4.2	10.0	6.5	3.9	2.3	7.5	1.6
P0155.060-016-A2	M 6	16	4.2	10.0	6.5	3.9	2.3	7.5	1.6
P0155.060-020-A2	M 6	20	4.2	10.0	6.5	3.9	2.3	7.5	1.6
P0155.060-025-A2	M 6	25	4.2	10.0	6.5	3.9	2.3	7.5	1.6
P0155.060-030-A2	M 6	30	4.2	10.0	6.5	3.9	2.3	7.5	1.6
P0155.060-040-A2	M 6	40	4.2	10.0	6.5	3.9	2.3	7.5	1.6
P0155.060-050-A2	M 6	50	4.2	10.0	6.5	3.9	2.3	7.5	1.6
P0155.060-060-A2	M 6	60	4.2	10.0	6.5	3.9	2.3	7.5	1.6
P0155.060-080-A2	M 6	80	4.2	10.0	6.5	3.9	2.3	7.5	1.6

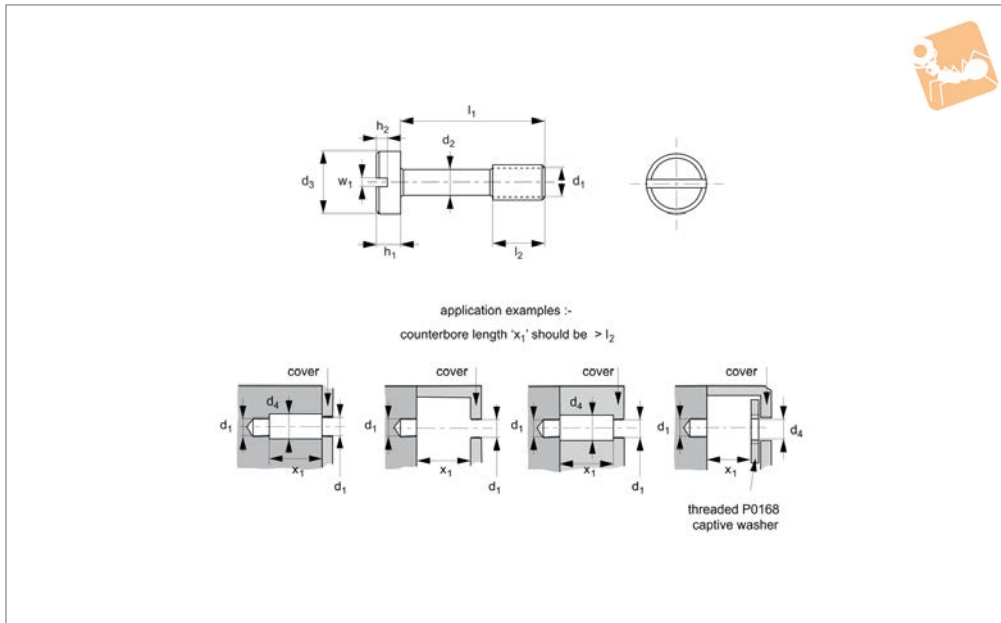


Captive Screws - Cheese Head

slot drive - 316 stainless



Captive Screws



P0155.A4

MADE IN BRITAIN

CAPTIVE SCREWS

Material

Stainless steel (AISI 316, 1.440).
Tensile strength 480 N/mm². Proof stress min. 200 N/mm², austenitic stainless steel.
Also available on request in steel (anodised, black oxide or zinc plated), stainless steel (AISI 303, 1.4305), brass, aluminium etc.

Technical Notes

Used to comply with the Machinery Direc-

tive 2006/42/EC. Generally to ISO 1207. Often used with our captive washers (P0168) or retaining flanges (P0169 - for sheet metal applications). The use of our captive washers should be considered when fitted in panels with unthreaded holes.

Tips

Other head drive styles - add suffix:
-TX for Torx (hexalobular).

-PZ for Pozidrive.
-SE for snake-eye security.

Important Notes

Please note that these screws have a reduced diameter shank and should not be tightened to the recommended torque for an equivalent machine screw of size d_1 .

Order No.	d_1	l_1 ± 0.25	d_2 ± 0.12	d_3	d_4 min.	h_1	h_2	l_2 ± 0.25	w_1
P0155.020-010-A4	M 2	10	1.2	3.8	2.5	1.3	0.85	3.0	0.5
P0155.020-012-A4	M 2	12	1.2	3.8	2.5	1.3	0.85	3.0	0.5
P0155.020-016-A4	M 2	16	1.2	3.8	2.5	1.3	0.85	3.0	0.5
P0155.020-020-A4	M 2	20	1.2	3.8	2.5	1.3	0.85	3.0	0.5
P0155.025-010-A4	M 2,5	10	1.7	4.5	2.8	1.6	1.00	3.7	0.6
P0155.025-012-A4	M 2,5	12	1.7	4.5	2.8	1.6	1.00	3.7	0.6
P0155.025-016-A4	M 2,5	16	1.7	4.5	2.8	1.6	1.00	3.7	0.6
P0155.025-020-A4	M 2,5	20	1.7	4.5	2.8	1.6	1.00	3.7	0.6
P0155.025-025-A4	M 2,5	25	1.7	4.5	2.8	1.6	1.00	3.7	0.6
P0155.025-030-A4	M 2,5	30	1.7	4.5	2.8	1.6	1.00	3.7	0.6
P0155.030-006-A4	M 3	6	2.0	5.5	3.5	2.0	1.30	4.5	0.8
P0155.030-008-A4	M 3	8	2.0	5.5	3.5	2.0	1.30	4.5	0.8
P0155.030-010-A4	M 3	10	2.0	5.5	3.5	2.0	1.30	4.5	0.8
P0155.030-011-A4	M 3	11	2.0	5.5	3.5	2.0	1.30	4.5	0.8
P0155.030-013-A4	M 3	13	2.0	5.5	3.5	2.0	1.30	4.5	0.8
P0155.030-016-A4	M 3	16	2.0	5.5	3.5	2.0	1.30	4.5	0.8
P0155.030-018-A4	M 3	18	2.0	5.5	3.5	2.0	1.30	4.5	0.8
P0155.030-020-A4	M 3	20	2.0	5.5	3.5	2.0	1.30	4.5	0.8
P0155.030-025-A4	M 3	25	2.0	5.5	3.5	2.0	1.30	4.5	0.8
P0155.030-030-A4	M 3	30	2.0	5.5	3.5	2.0	1.30	4.5	0.8
P0155.030-040-A4	M 3	40	2.0	5.5	3.5	2.0	1.30	4.5	0.8
P0155.035-010-A4	M3,5	10	2.3	6.0	3.8	2.4	1.4	5.2	1.0
P0155.035-016-A4	M3,5	16	2.3	6.0	3.8	2.4	1.4	5.2	1.0
P0155.035-020-A4	M3,5	20	2.3	6.0	3.8	2.4	1.4	5.2	1.0
P0155.035-025-A4	M3,5	25	2.3	6.0	3.8	2.4	1.4	5.2	1.0
P0155.035-030-A4	M3,5	30	2.3	6.0	3.8	2.4	1.4	5.2	1.0



CAPTIVE SCREWS

Order No.	d ₁	l ₁ ±0.25	d ₂ ±0.12	d ₃	d ₄ min.	h ₁	h ₂	l ₂ ±0.25	w ₁
P0155.035-040-A4	M3,5	40	2.3	6.0	3.8	2.4	1.4	5.2	1.0
P0155.040-010-A4	M 4	10	2.8	7.0	4.5	2.6	1.6	6.0	1.2
P0155.040-012-A4	M 4	12	2.8	7.0	4.5	2.6	1.6	6.0	1.2
P0155.040-016-A4	M 4	16	2.8	7.0	4.5	2.6	1.6	6.0	1.2
P0155.040-018-A4	M 4	18	2.8	7.0	4.5	2.6	1.6	6.0	1.2
P0155.040-019-A4	M 4	19	2.8	7.0	4.5	2.6	1.6	6.0	1.2
P0155.040-020-A4	M 4	20	2.8	7.0	4.5	2.6	1.6	6.0	1.2
P0155.040-025-A4	M 4	25	2.8	7.0	4.5	2.6	1.6	6.0	1.2
P0155.040-030-A4	M 4	30	2.8	7.0	4.5	2.6	1.6	6.0	1.2
P0155.040-040-A4	M 4	40	2.8	7.0	4.5	2.6	1.6	6.0	1.2
P0155.040-050-A4	M 4	50	2.8	7.0	4.5	2.6	1.6	6.0	1.2
P0155.040-060-A4	M 4	60	2.8	7.0	4.5	2.6	1.6	6.0	1.2
P0155.050-010-A4	M 5	10	3.7	8.5	5.5	3.3	2.0	7.5	1.2
P0155.050-012-A4	M 5	12	3.7	8.5	5.5	3.3	2.0	7.5	1.2
P0155.050-016-A4	M 5	16	3.7	8.5	5.5	3.3	2.0	7.5	1.2
P0155.050-018-A4	M 5	18	3.7	8.5	5.5	3.3	2.0	7.5	1.2
P0155.050-020-A4	M 5	20	3.7	8.5	5.5	3.3	2.0	7.5	1.2
P0155.050-022-A4	M 5	22	3.7	8.5	5.5	3.3	2.0	7.5	1.2
P0155.050-025-A4	M 5	25	3.7	8.5	5.5	3.3	2.0	7.5	1.2
P0155.050-030-A4	M 5	30	3.7	8.5	5.5	3.3	2.0	7.5	1.2
P0155.050-040-A4	M 5	40	3.7	8.5	5.5	3.3	2.0	7.5	1.2
P0155.050-050-A4	M 5	50	3.7	8.5	5.5	3.3	2.0	7.5	1.2
P0155.050-060-A4	M 5	60	3.7	8.5	5.5	3.3	2.0	7.5	1.2
P0155.050-080-A4	M 5	80	3.7	8.5	5.5	3.3	2.0	7.5	1.2
P0155.060-010-A4	M 6	10	4.2	10.0	6.5	3.9	2.3	7.5	1.6
P0155.060-012-A4	M 6	12	4.2	10.0	6.5	3.9	2.3	7.5	1.6
P0155.060-016-A4	M 6	16	4.2	10.0	6.5	3.9	2.3	7.5	1.6
P0155.060-020-A4	M 6	20	4.2	10.0	6.5	3.9	2.3	7.5	1.6
P0155.060-025-A4	M 6	25	4.2	10.0	6.5	3.9	2.3	7.5	1.6
P0155.060-030-A4	M 6	30	4.2	10.0	6.5	3.9	2.3	7.5	1.6
P0155.060-040-A4	M 6	40	4.2	10.0	6.5	3.9	2.3	7.5	1.6
P0155.060-050-A4	M 6	50	4.2	10.0	6.5	3.9	2.3	7.5	1.6
P0155.060-060-A4	M 6	60	4.2	10.0	6.5	3.9	2.3	7.5	1.6
P0155.060-080-A4	M 6	80	4.2	10.0	6.5	3.9	2.3	7.5	1.6

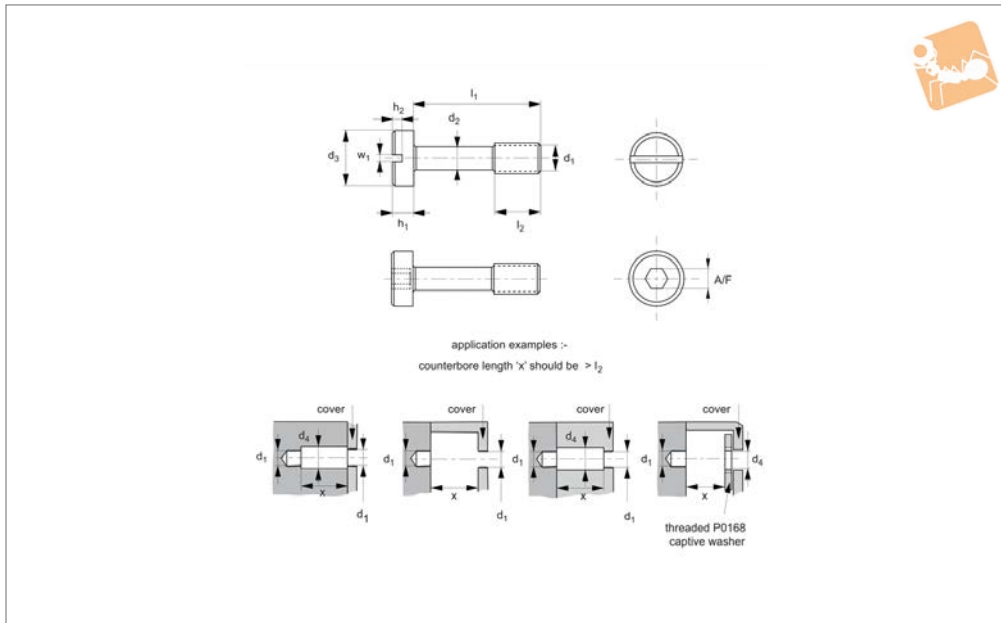


Captive Screws - Cheese Head

slot and hex drive - 303 stainless



Captive Screws



P0155.i.A2

CAPTIVE SCREWS

Material

Stainless steel (AISI 303, 1.4305). Tensile strength 550 N/mm².

Also available on request in steel (anodised, black oxide or zinc plated), stainless steel (AISI 316, 1.440), brass, aluminium etc.

Technical Notes

Used to comply with the Machinery Direc-

tive 2006/42/EC. Generally to ISO 1207. Often used with our captive washers (P0168) or retaining flanges (P0169 - for sheet metal applications). The use of our captive washers should be considered when fitted in panels with unthreaded holes.

Tips

Other head drive styles - add suffix:

-TX for Torx (hexalobular).

-PZ for Pozidrive.

-SE for snake-eye security.

All dimensions are in inches.

Important Notes

Please note that these screws have a reduced diameter shank and should not be tightened to the recommended torque for an equivalent machine screw of size d₁.

Order No.	Type	d ₁	l ₁	d ₂	d ₃	d ₄ min.	h ₁	l ₂	A/F
P0155.i04-07-SA2	Slotted	#4- 40	0.281	0.072	1/4	2.5	1/8	0.187	-
P0155.i04-08-SA2	Slotted	#4- 40	0.343	0.072	1/4	2.5	1/8	0.187	-
P0155.i06-07-SA2	Slotted	#6- 32	0.312	0.086	9/32	2.5	1/8	0.218	-
P0155.i06-09-SA2	Slotted	#6- 32	0.375	0.086	9/32	2.5	1/8	0.218	-
P0155.i06-11-SA2	Slotted	#6- 32	0.437	0.086	9/32	2.8	1/8	0.218	-
P0155.i08-10-SA2	Slotted	#8- 32	0.406	0.114	5/16	2.8	5/32	0.250	-
P0155.i08-12-SA2	Slotted	#8- 32	0.468	0.114	5/16	2.8	5/32	0.250	-
P0155.i08-13-SA2	Slotted	#8- 32	0.531	0.114	5/16	2.8	5/32	0.250	-
P0155.i10-13-SA2	Slotted	#10-32	0.531	0.136	3/8	2.8	3/16	0.312	-
P0155.i10-14-SA2	Slotted	#10-32	0.593	0.136	3/8	2.8	3/16	0.312	-
P0155.i04-07-HA2	Hex Socket	#4- 40	0.281	0.072	1/4	3.5	1/8	0.187	5/64
P0155.i04-08-HA2	Hex Socket	#4- 40	0.343	0.072	1/4	3.5	1/8	0.187	5/64
P0155.i06-07-HA2	Hex Socket	#6- 32	0.312	0.086	9/32	3.5	1/8	0.218	5/64
P0155.i06-09-HA2	Hex Socket	#6- 32	0.375	0.086	9/32	3.5	1/8	0.218	5/64
P0155.i06-11-HA2	Hex Socket	#6- 32	0.437	0.086	9/32	3.5	1/8	0.218	5/64
P0155.i08-10-HA2	Hex Socket	#8- 32	0.406	0.114	5/16	3.5	5/32	0.250	3/32
P0155.i08-12-HA2	Hex Socket	#8- 32	0.468	0.114	5/16	3.5	5/32	0.250	3/32
P0155.i08-13-HA2	Hex Socket	#8- 32	0.531	0.114	5/16	3.5	5/32	0.250	3/32
P0155.i10-13-HA2	Hex Socket	#10-32	0.531	0.136	3/8	3.5	3/16	0.312	1/8
P0155.i10-14-HA2	Hex Socket	#10-32	0.593	0.136	3/8	3.5	3/16	0.312	1/8

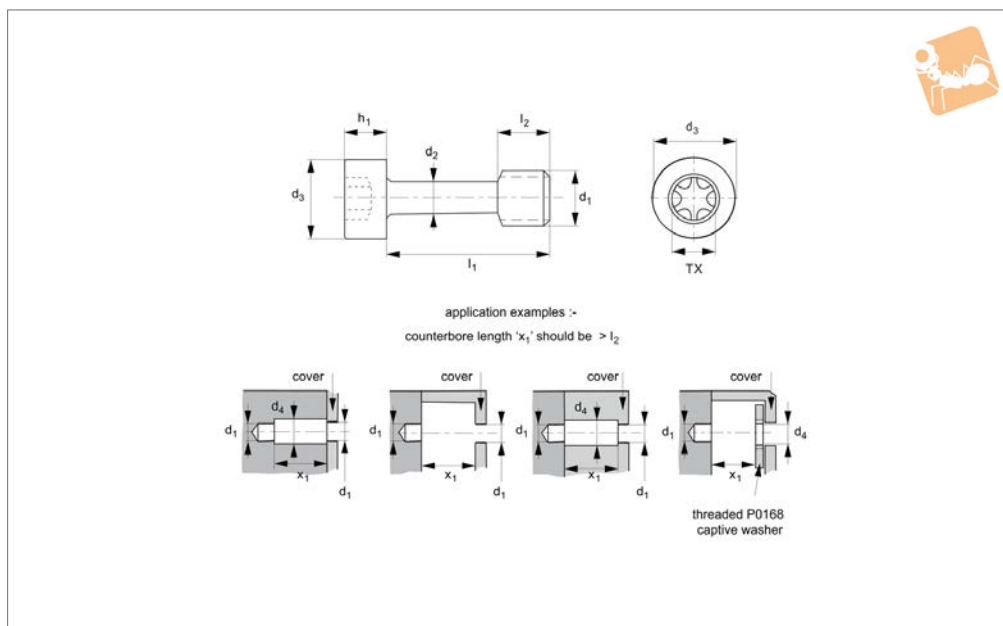


CAPTIVE SCREWS



MADE IN BRITAIN

P0156.A2



Material

Stainless steel (AISI 303, 1.4305). Tensile strength 550 N/mm². Proof stress min. 190 N/mm², austenitic stainless steel. Also available on request in steel (anodised, black oxide or zinc plated), stainless steel (AISI 316, 1.440), brass, aluminium etc.

Technical Notes

Used to comply with the Machinery Direc-

tive 2006/42/EC. Generally to ISO 4762.

Often used with our captive washers (P0168) or retaining flanges (P0169 - for sheet metal applications). The use of our captive washers should be considered when fitted in panels with unthreaded holes.

* M 8 sizes have a reduced TX size.

reduced diameter shank and should not be tightened to the recommended torque for an equivalent machine screw of size d₁.

Important Notes

Please note that these screws have a

Order No.	d ₁	l ₁ ±0.25	d ₂ ±0.12	d ₃ max.	d ₄ min.	h ₁ max.	l ₂ ±0.25	TX size
P0156.030-008-A2	M 3	8	2.0	5.5	3.5	3	4.5	TX-10
P0156.030-010-A2	M 3	10	2.0	5.5	3.5	3	4.5	TX-10
P0156.030-016-A2	M 3	16	2.0	5.5	3.5	3	4.5	TX-10
P0156.030-020-A2	M 3	20	2.0	5.5	3.5	3	4.5	TX-10
P0156.030-025-A2	M 3	25	2.0	5.5	3.5	3	4.5	TX-10
P0156.030-030-A2	M 3	30	2.0	5.5	3.5	3	4.5	TX-10
P0156.040-008-A2	M 4	8	2.8	7.0	4.5	4	6.0	TX-20
P0156.040-010-A2	M 4	10	2.8	7.0	4.5	4	6.0	TX-20
P0156.040-012-A2	M 4	12	2.8	7.0	4.5	4	6.0	TX-20
P0156.040-016-A2	M 4	16	2.8	7.0	4.5	4	6.0	TX-20
P0156.040-020-A2	M 4	20	2.8	7.0	4.5	4	6.0	TX-20
P0156.040-025-A2	M 4	25	2.8	7.0	4.5	4	6.0	TX-20
P0156.040-030-A2	M 4	30	2.8	7.0	4.5	4	6.0	TX-20
P0156.040-040-A2	M 4	40	2.8	7.0	4.5	4	6.0	TX-20
P0156.040-050-A2	M 4	50	2.8	7.0	4.5	4	6.0	TX-20
P0156.050-010-A2	M 5	10	3.7	8.5	5.5	5	7.5	TX-25
P0156.050-012-A2	M 5	12	3.7	8.5	5.5	5	7.5	TX-25
P0156.050-016-A2	M 5	16	3.7	8.5	5.5	5	7.5	TX-25
P0156.050-020-A2	M 5	20	3.7	8.5	5.5	5	7.5	TX-25
P0156.050-025-A2	M 5	25	3.7	8.5	5.5	5	7.5	TX-25
P0156.050-030-A2	M 5	30	3.7	8.5	5.5	5	7.5	TX-25
P0156.050-040-A2	M 5	40	3.7	8.5	5.5	5	7.5	TX-25
P0156.050-050-A2	M 5	50	3.7	8.5	5.5	5	7.5	TX-25
P0156.060-010-A2	M 6	10	4.2	10.0	6.5	6	7.5	TX-30
P0156.060-012-A2	M 6	12	4.2	10.0	6.5	6	7.5	TX-30
P0156.060-016-A2	M 6	16	4.2	10.0	6.5	6	7.5	TX-30



Captive Screws - Cap Head

TX drive - 303 stainless



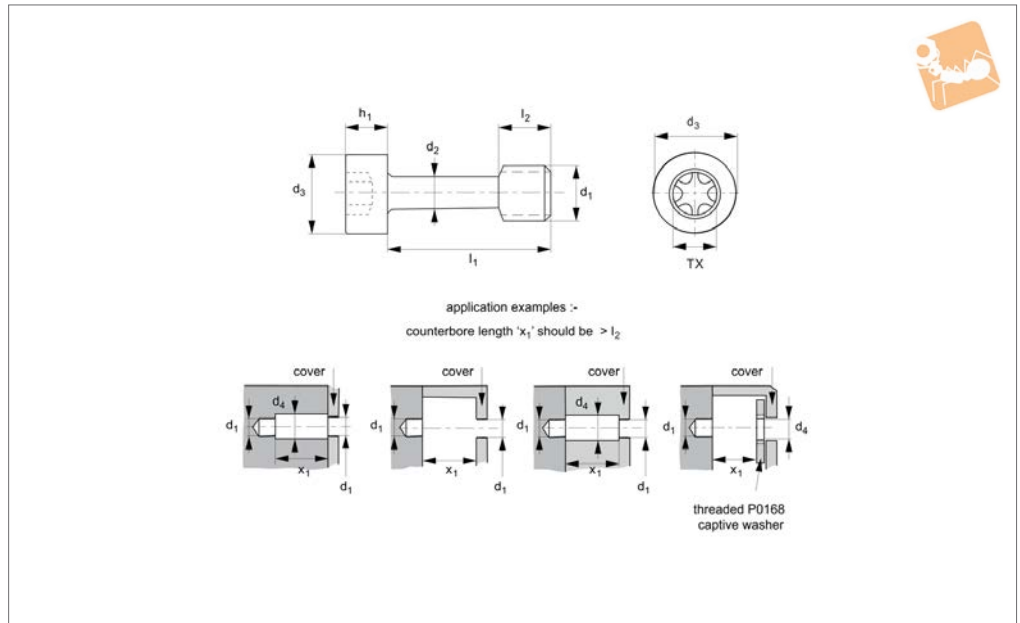
Order No.	d ₁	l ₁ ±0.25	d ₂ ±0.12	d ₃ max.	d ₄ min.	h ₁ max.	l ₂ ±0.25	TX size
P0156.060-020-A2	M 6	20	4.2	10.0	6.5	6	7.5	TX-30
P0156.060-025-A2	M 6	25	4.2	10.0	6.5	6	7.5	TX-30
P0156.060-030-A2	M 6	30	4.2	10.0	6.5	6	7.5	TX-30
P0156.060-040-A2	M 6	40	4.2	10.0	6.5	6	7.5	TX-30
P0156.060-050-A2	M 6	50	4.2	10.0	6.5	6	7.5	TX-30
P0156.060-060-A2	M 6	60	4.2	10.0	6.5	6	7.5	TX-30
P0156.060-080-A2	M 6	80	4.2	10.0	6.5	6	7.5	TX-30
P0156.080-012-A2	M 8	12	6.0	13.0	8.5	8	10.0	TX-30*
P0156.080-016-A2	M 8	16	6.0	13.0	8.5	8	10.0	TX-30*
P0156.080-020-A2	M 8	20	6.0	13.0	8.5	8	10.0	TX-30*
P0156.080-025-A2	M 8	25	6.0	13.0	8.5	8	10.0	TX-30*
P0156.080-030-A2	M 8	30	6.0	13.0	8.5	8	10.0	TX-30*
P0156.080-035-A2	M 8	35	6.0	13.0	8.5	8	10.0	TX-30*
P0156.080-040-A2	M 8	40	6.0	13.0	8.5	8	10.0	TX-30*
P0156.080-045-A2	M 8	45	6.0	13.0	8.5	8	10.0	TX-30*
P0156.080-050-A2	M 8	50	6.0	13.0	8.5	8	10.0	TX-30*
P0156.080-060-A2	M 8	60	6.0	13.0	8.5	8	10.0	TX-30*
P0156.080-080-A2	M 8	80	6.0	13.0	8.5	8	10.0	TX-30*

CAPTIVE SCREWS



P0156.A4

MADE IN BRITAIN



Material

Stainless steel (AISI 316, 1.440). Tensile strength 480 N/mm². Proof stress min. 200 N/mm², austenitic stainless steel. Also available on request in steel (anodised, black oxide or zinc plated), stainless steel (AISI 303, 1.4305), brass, aluminium etc.

Technical Notes

Used to comply with the Machinery Direc-

tive 2006/42/EC. Generally to ISO 4762. Often used with our captive washers (P0168) or retaining flanges (P0169 - for sheet metal applications). The use of our captive washers should be considered when fitted in panels with unthreaded holes.

* M 8 sizes have a reduced TX size.

reduced diameter shank and should not be tightened to the recommended torque for an equivalent machine screw of size d₁.

Important Notes

Please note that these screws have a

Order No.	d ₁	l ₁ ±0.25	d ₂ ±0.12	d ₃ max.	d ₄ min.	h ₁ max.	l ₂ ±0.25	TX size
P0156.030-008-A4	M 3	8	2.0	5.5	3.5	3	4.5	TX-10
P0156.030-010-A4	M 3	10	2.0	5.5	3.5	3	4.5	TX-10
P0156.030-016-A4	M 3	16	2.0	5.5	3.5	3	4.5	TX-10
P0156.030-020-A4	M 3	20	2.0	5.5	3.5	3	4.5	TX-10
P0156.030-025-A4	M 3	25	2.0	5.5	3.5	3	4.5	TX-10
P0156.030-030-A4	M 3	30	2.0	5.5	3.5	3	4.5	TX-10
P0156.040-008-A4	M 4	8	2.8	7.0	4.5	4	6.0	TX-20
P0156.040-010-A4	M 4	10	2.8	7.0	4.5	4	6.0	TX-20
P0156.040-012-A4	M 4	12	2.8	7.0	4.5	4	6.0	TX-20
P0156.040-016-A4	M 4	16	2.8	7.0	4.5	4	6.0	TX-20
P0156.040-020-A4	M 4	20	2.8	7.0	4.5	4	6.0	TX-20
P0156.040-025-A4	M 4	25	2.8	7.0	4.5	4	6.0	TX-20
P0156.040-030-A4	M 4	30	2.8	7.0	4.5	4	6.0	TX-20
P0156.040-040-A4	M 4	40	2.8	7.0	4.5	4	6.0	TX-20
P0156.040-050-A4	M 4	50	2.8	7.0	4.5	4	6.0	TX-20
P0156.050-010-A4	M 5	10	3.7	8.5	5.5	5	7.5	TX-25
P0156.050-012-A4	M 5	12	3.7	8.5	5.5	5	7.5	TX-25
P0156.050-016-A4	M 5	16	3.7	8.5	5.5	5	7.5	TX-25
P0156.050-020-A4	M 5	20	3.7	8.5	5.5	5	7.5	TX-25
P0156.050-025-A4	M 5	25	3.7	8.5	5.5	5	7.5	TX-25
P0156.050-030-A4	M 5	30	3.7	8.5	5.5	5	7.5	TX-25
P0156.050-040-A4	M 5	40	3.7	8.5	5.5	5	7.5	TX-25
P0156.050-050-A4	M 5	50	3.7	8.5	5.5	5	7.5	TX-25
P0156.060-010-A4	M 6	10	4.2	10.0	6.5	6	7.5	TX-30
P0156.060-012-A4	M 6	12	4.2	10.0	6.5	6	7.5	TX-30
P0156.060-016-A4	M 6	16	4.2	10.0	6.5	6	7.5	TX-30



Captive Screws - Cap Head

TX drive - 316 stainless

Captive Screws

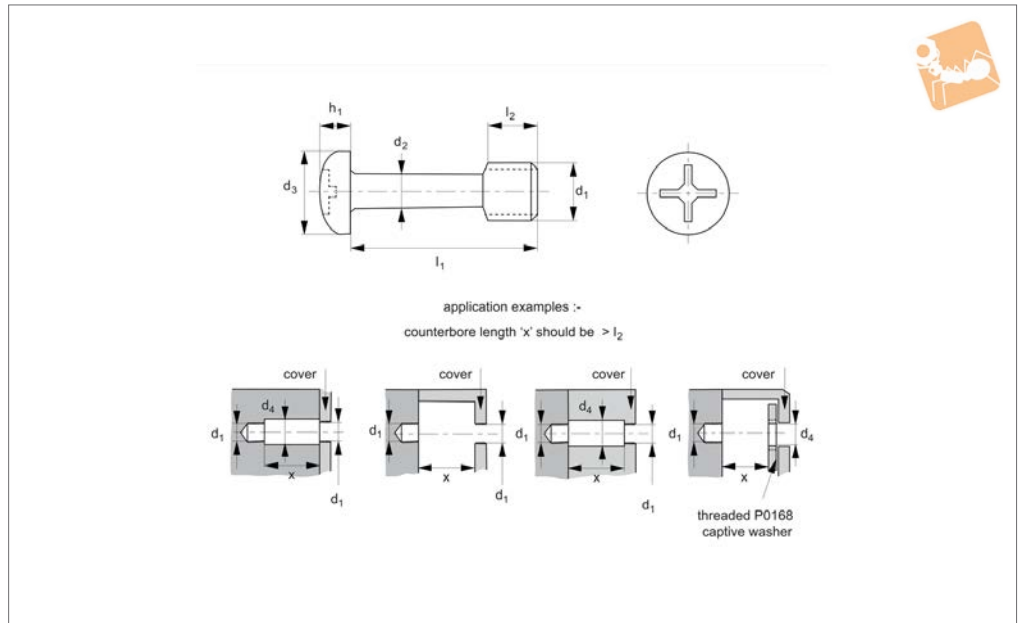


Order No.	d ₁	l ₁ ±0.25	d ₂ ±0.12	d ₃ max.	d ₄ min.	h ₁ max.	l ₂ ±0.25	TX size
P0156.060-020-A4	M 6	20	4.2	10.0	6.5	6	7.5	TX-30
P0156.060-025-A4	M 6	25	4.2	10.0	6.5	6	7.5	TX-30
P0156.060-030-A4	M 6	30	4.2	10.0	6.5	6	7.5	TX-30
P0156.060-040-A4	M 6	40	4.2	10.0	6.5	6	7.5	TX-30
P0156.060-050-A4	M 6	50	4.2	10.0	6.5	6	7.5	TX-30
P0156.060-060-A4	M 6	60	4.2	10.0	6.5	6	7.5	TX-30
P0156.060-080-A4	M 6	80	4.2	10.0	6.5	6	7.5	TX-30
P0156.080-012-A4	M 8	12	6.0	13.0	8.5	8	10.0	TX-30*
P0156.080-016-A4	M 8	16	6.0	13.0	8.5	8	10.0	TX-30*
P0156.080-020-A4	M 8	20	6.0	13.0	8.5	8	10.0	TX-30*
P0156.080-025-A4	M 8	25	6.0	13.0	8.5	8	10.0	TX-30*
P0156.080-030-A4	M 8	30	6.0	13.0	8.5	8	10.0	TX-30*
P0156.080-035-A4	M 8	35	6.0	13.0	8.5	8	10.0	TX-30*
P0156.080-040-A4	M 8	40	6.0	13.0	8.5	8	10.0	TX-30*
P0156.080-045-A4	M 8	45	6.0	13.0	8.5	8	10.0	TX-30*
P0156.080-050-A4	M 8	50	6.0	13.0	8.5	8	10.0	TX-30*
P0156.080-060-A4	M 8	60	6.0	13.0	8.5	8	10.0	TX-30*
P0156.080-080-A4	M 8	80	6.0	13.0	8.5	8	10.0	TX-30*

CAPTIVE SCREWS



P0157.A2



Material

Stainless steel (AISI 303, 1.4305). Tensile strength 550 N/mm². Proof stress min. 190 N/mm², austenitic stainless steel. Also available on request in steel (anodised, black oxide or zinc plated), stainless steel (AISI 316, 1.440), brass, aluminium etc.

Technical Notes

Used to comply with the Machinery Direc-

tive 2006/42/EC. Generally to ISO 14583. Often used with our captive washers (P0168) or retaining flanges (P0169 - for sheet metal applications). The use of our captive washers should be considered when fitted in panels with unthreaded holes.

Tips

Other head drive styles - add suffix:
-TX for Torx (hexalobular).

-PZ for Pozidrive.
-SE for snake-eye security.

Important Notes

Please note that these screws have a reduced diameter shank and should not be tightened to the recommended torque for an equivalent machine screw of size d₁.

Order No.	d ₁	l ₁ ±0.25	d ₂ ±0.12	d ₃ max.	d ₄ max.	h ₁ max.	l ₂ ±0.25	Drive #
P0157.025-008-A2	M 2,5	8	1.7	5.0	3.5	2.1	3.7	1
P0157.025-010-A2	M 2,5	10	1.7	5.0	3.5	2.1	3.7	1
P0157.025-012-A2	M 2,5	12	1.7	5.0	3.5	2.1	3.7	1
P0157.025-016-A2	M 2,5	16	1.7	5.0	3.5	2.1	3.7	1
P0157.025-020-A2	M 2,5	20	1.7	5.0	3.5	2.1	3.7	1
P0157.030-010-A2	M 3	10	2.0	5.6	4.5	2.4	4.5	1
P0157.030-016-A2	M 3	16	2.0	5.6	4.5	2.4	4.5	1
P0157.030-020-A2	M 3	20	2.0	5.6	4.5	2.4	4.5	1
P0157.030-025-A2	M 3	25	2.0	5.6	4.5	2.4	4.5	1
P0157.030-030-A2	M 3	30	2.0	5.6	4.5	2.4	4.5	1
P0157.030-040-A2	M 3	40	2.0	5.6	4.5	2.4	4.5	1
P0157.040-010-A2	M 4	10	2.8	8.0	5.5	3.1	6.0	2
P0157.040-012-A2	M 4	12	2.8	8.0	5.5	3.1	6.0	2
P0157.040-016-A2	M 4	16	2.8	8.0	5.5	3.1	6.0	2
P0157.040-020-A2	M 4	20	2.8	8.0	5.5	3.1	6.0	2
P0157.040-025-A2	M 4	25	2.8	8.0	5.5	3.1	6.0	2
P0157.040-030-A2	M 4	30	2.8	8.0	5.5	3.1	6.0	2
P0157.040-040-A2	M 4	40	2.8	8.0	5.5	3.1	6.0	2
P0157.040-050-A2	M 4	50	2.8	8.0	5.5	3.1	6.0	2
P0157.040-060-A2	M 4	60	2.8	8.0	5.5	3.1	6.0	2
P0157.050-010-A2	M 5	10	3.7	9.5	6.5	3.7	7.5	2
P0157.050-012-A2	M 5	12	3.7	9.5	6.5	3.7	7.5	2
P0157.050-016-A2	M 5	16	3.7	9.5	6.5	3.7	7.5	2
P0157.050-020-A2	M 5	20	3.7	9.5	6.5	3.7	7.5	2
P0157.050-025-A2	M 5	25	3.7	9.5	6.5	3.7	7.5	2
P0157.050-030-A2	M 5	30	3.7	9.5	6.5	3.7	7.5	2



Captive Screws - Pan Head

phillips drive, 303 stainless



Captive Screws

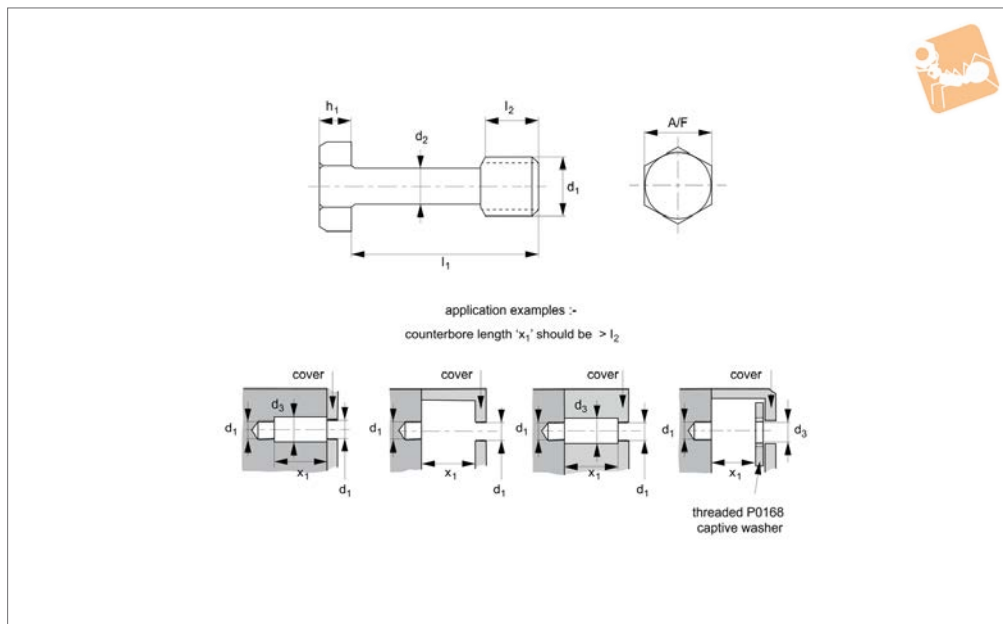
Order No.	d ₁	l ₁ ±0.25	d ₂ ±0.12	d ₃ max.	d ₄ max.	h ₁ max.	l ₂ ±0.25	Drive #
P0157.050-040-A2	M 5	40	3.7	9.5	6.5	3.7	7.5	2
P0157.050-050-A2	M 5	50	3.7	9.5	6.5	3.7	7.5	2
P0157.050-060-A2	M 5	60	3.7	9.5	6.5	3.7	7.5	2
P0157.060-012-A2	M 6	12	4.2	12.0	8.5	4.7	7.5	3
P0157.060-016-A2	M 6	16	4.2	12.0	8.5	4.7	7.5	3
P0157.060-020-A2	M 6	20	4.2	12.0	8.5	4.7	7.5	3
P0157.060-025-A2	M 6	25	4.2	12.0	8.5	4.7	7.5	3
P0157.060-030-A2	M 6	30	4.2	12.0	8.5	4.7	7.5	3
P0157.060-040-A2	M 6	40	4.2	12.0	8.5	4.7	7.5	3
P0157.060-050-A2	M 6	50	4.2	12.0	8.5	4.7	7.5	3
P0157.060-060-A2	M 6	60	4.2	12.0	8.5	4.7	7.5	3
P0157.060-080-A2	M 6	80	4.2	12.0	8.5	4.7	7.5	3

CAPTIVE SCREWS



MADE IN BRITAIN

P0158.A2



Material

Stainless steel (AISI 303, 1.4305). Tensile strength 550 N/mm². Proof stress min. 190 N/mm², austenitic stainless steel. Also available on request in steel (anodised, black oxide or zinc plated), stainless steel (AISI 316, 1.440), brass, aluminium etc.

Technical Notes

Used to comply with the Machinery Directive 2006/42/EC. Often used with our captive washers (P0168) or retaining flanges (P0169 - for sheet metal applications). The use of our captive washers should be considered when fitted in panels with unthreaded holes.

Important Notes

Please note that these screws have a reduced diameter shank and should not be tightened to the recommended torque for an equivalent machine screw of size d₁.

Order No.	d ₁	l ₁ ±0.25	d ₂ ±0.12	d ₃ min.	h ₁ max.	l ₂ ±0.25	A/F
P0158.030-010-A2	M 3	10	2.0	3.5	2.2	4.5	6
P0158.030-016-A2	M 3	16	2.0	3.5	2.2	4.5	6
P0158.030-020-A2	M 3	20	2.0	3.5	2.2	4.5	6
P0158.030-025-A2	M 3	25	2.0	3.5	2.2	4.5	6
P0158.030-030-A2	M 3	30	2.0	3.5	2.2	4.5	6
P0158.030-040-A2	M 3	40	2.0	3.5	2.2	4.5	6
P0158.040-012-A2	M 4	12	2.8	4.5	2.9	6.0	7
P0158.040-016-A2	M 4	16	2.8	4.5	2.9	6.0	7
P0158.040-020-A2	M 4	20	2.8	4.5	2.9	6.0	7
P0158.040-025-A2	M 4	25	2.8	4.5	2.9	6.0	7
P0158.040-030-A2	M 4	30	2.8	4.5	2.9	8.0	7
P0158.040-035-A2	M 4	35	2.8	4.5	2.9	8.0	7
P0158.040-040-A2	M 4	40	2.8	4.5	2.9	8.0	7
P0158.040-050-A2	M 4	50	2.8	4.5	2.9	8.0	7
P0158.040-060-A2	M 4	60	2.8	4.5	2.9	8.0	7
P0158.050-012-A2	M 5	12	3.7	5.5	3.6	7.5	8
P0158.050-016-A2	M 5	16	3.7	5.5	3.6	7.5	8
P0158.050-020-A2	M 5	20	3.7	5.5	3.6	7.5	8
P0158.050-025-A2	M 5	25	3.7	5.5	3.6	7.5	8
P0158.050-030-A2	M 5	30	3.7	5.5	3.6	10.0	8
P0158.050-035-A2	M 5	35	3.7	5.5	3.6	10.0	8
P0158.050-040-A2	M 5	40	3.7	5.5	3.6	10.0	8
P0158.050-050-A2	M 5	50	3.7	5.5	3.6	10.0	8
P0158.050-060-A2	M 5	60	3.7	5.5	3.6	10.0	8
P0158.060-012-A2	M 6	12	4.2	6.5	4.1	7.5	10
P0158.060-016-A2	M 6	16	4.2	6.5	4.1	7.5	10
P0158.060-020-A2	M 6	20	4.2	6.5	4.1	7.5	10
P0158.060-025-A2	M 6	25	4.2	6.5	4.1	7.5	10
P0158.060-030-A2	M 6	30	4.2	6.5	4.1	7.5	10



Captive Screws - Hex Bolts

303 stainless

Captive Screws



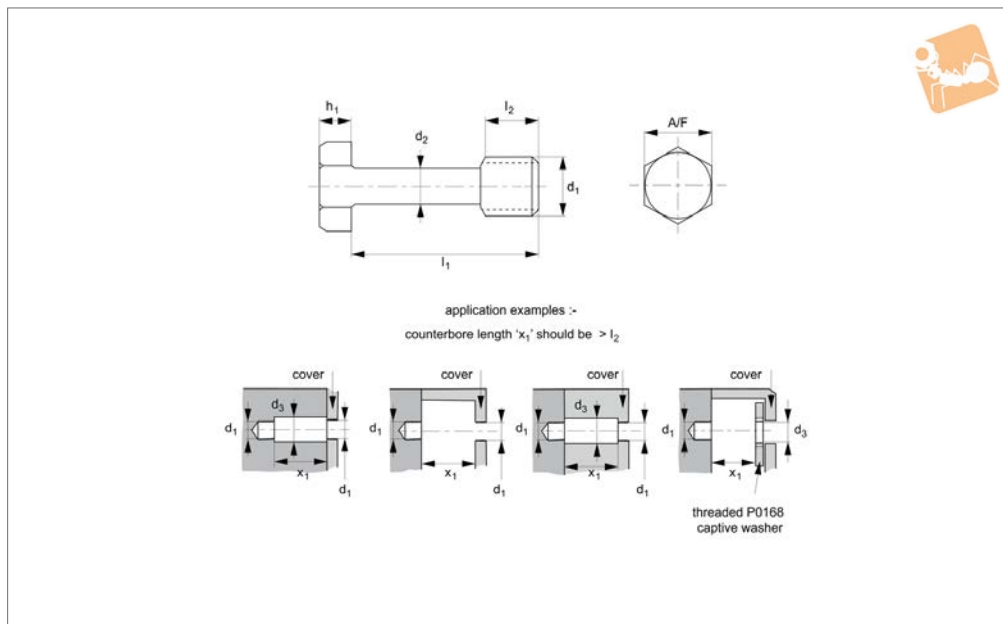
Order No.	d ₁	l ₁ ±0.25	d ₂ ±0.12	d ₃ min.	h ₁ max.	l ₂ ±0.25	A/F
P0158.060-035-A2	M 6	35	4.2	6.5	4.1	7.5	10
P0158.060-040-A2	M 6	40	4.2	6.5	4.1	7.5	10
P0158.060-050-A2	M 6	50	4.2	6.5	4.1	7.5	10
P0158.060-060-A2	M 6	60	4.2	6.5	4.1	7.5	10
P0158.060-080-A2	M 6	80	4.2	6.5	4.1	7.5	10
P0158.080-016-A2	M 8	16	6.0	8.5	5.3	10.0	13
P0158.080-020-A2	M 8	20	6.0	8.5	5.3	10.0	13
P0158.080-025-A2	M 8	25	6.0	8.5	5.3	10.0	13
P0158.080-030-A2	M 8	30	6.0	8.5	5.3	10.0	13
P0158.080-035-A2	M 8	35	6.0	8.5	5.3	10.0	13
P0158.080-040-A2	M 8	40	6.0	8.5	5.3	10.0	13
P0158.080-050-A2	M 8	50	6.0	8.5	5.3	10.0	13
P0158.080-060-A2	M 8	60	6.0	8.5	5.3	10.0	13
P0158.080-080-A2	M 8	80	6.0	8.5	5.3	10.0	13
P0158.100-020-A2	M10	20	7.5	10.6	6.4	12.5	17
P0158.100-025-A2	M10	25	7.5	10.6	6.4	12.5	17
P0158.100-030-A2	M10	30	7.5	10.6	6.4	12.5	17
P0158.100-035-A2	M10	35	7.5	10.6	6.4	12.0	17
P0158.100-040-A2	M10	40	7.5	10.6	6.4	12.5	17
P0158.100-050-A2	M10	50	7.5	10.6	6.4	12.5	17
P0158.100-060-A2	M10	60	7.5	10.6	6.4	12.5	17
P0158.100-080-A2	M10	80	7.5	10.6	6.4	12.5	17
P0158.120-025-A2	M12	25	8.0	13.2	7.5	15.0	19
P0158.120-030-A2	M12	30	8.0	13.2	7.5	15.0	19
P0158.120-035-A2	M12	35	8.0	13.2	7.5	15.0	19
P0158.120-040-A2	M12	40	8.0	13.2	7.5	15.0	19
P0158.120-050-A2	M12	50	8.0	13.2	7.5	15.0	19
P0158.120-060-A2	M12	60	8.0	13.2	7.5	15.0	19
P0158.120-080-A2	M12	80	8.0	13.2	7.5	15.0	19

CAPTIVE SCREWS



MADE IN BRITAIN

P0158.A4



Material

Stainless steel (AISI 316, 1.440).
Tensile strength 480 N/mm². Proof stress min. 200 N/mm², austenitic stainless steel.
Also available on request in steel (anodised, black oxide or zinc plated), stainless steel (AISI 303, 1.4305), brass, aluminium etc.

Technical Notes

Used to comply with the Machinery Directive 2006/42/EC. Often used with our captive washers (P0168) or retaining flanges (P0169 - for sheet metal applications). The use of our captive washers should be considered when fitted in panels with unthreaded holes.

Important Notes

Please note that these screws have a reduced diameter shank and should not be tightened to the recommended torque for an equivalent machine screw of size d₁.

Order No.	d ₁	l ₁ ±0.25	d ₂ ±0.12	d ₃ min.	h ₁ max.	l ₂ ±0.25	A/F
P0158.030-010-A4	M 3	10	2.0	3.5	2.2	4.5	6
P0158.030-016-A4	M 3	16	2.0	3.5	2.2	4.5	6
P0158.030-020-A4	M 3	20	2.0	3.5	2.2	4.5	6
P0158.030-025-A4	M 3	25	2.0	3.5	2.2	4.5	6
P0158.030-030-A4	M 3	30	2.0	3.5	2.2	4.5	6
P0158.030-040-A4	M 3	40	2.0	3.5	2.2	4.5	6
P0158.040-012-A4	M 4	12	2.8	4.5	2.9	6.0	7
P0158.040-016-A4	M 4	16	2.8	4.5	2.9	6.0	7
P0158.040-020-A4	M 4	20	2.8	4.5	2.9	6.0	7
P0158.040-030-A4	M 4	30	2.8	4.5	2.9	8.0	7
P0158.040-040-A4	M 4	40	2.8	4.5	2.9	8.0	7
P0158.040-050-A4	M 4	50	2.8	4.5	2.9	8.0	7
P0158.040-060-A4	M 4	60	2.8	4.5	2.9	8.0	7
P0158.050-012-A4	M 5	12	3.7	5.5	3.6	7.5	8
P0158.050-016-A4	M 5	16	3.7	5.5	3.6	7.5	8
P0158.050-020-A4	M 5	20	3.7	5.5	3.6	7.5	8
P0158.050-030-A4	M 5	30	3.7	5.5	3.6	10.0	8
P0158.050-040-A4	M 5	40	3.7	5.5	3.6	10.0	8
P0158.050-050-A4	M 5	50	3.7	5.5	3.6	10.0	8
P0158.050-060-A4	M 5	60	3.7	5.5	3.6	10.0	8
P0158.060-012-A4	M 6	12	4.2	6.5	4.1	7.5	10
P0158.060-016-A4	M 6	16	4.2	6.5	4.1	7.5	10
P0158.060-020-A4	M 6	20	4.2	6.5	4.1	7.5	10
P0158.060-030-A4	M 6	30	4.2	6.5	4.1	7.5	10
P0158.060-040-A4	M 6	40	4.2	6.5	4.1	7.5	10
P0158.060-050-A4	M 6	50	4.2	6.5	4.1	7.5	10
P0158.060-060-A4	M 6	60	4.2	6.5	4.1	7.5	10
P0158.060-080-A4	M 6	80	4.2	6.5	4.1	7.5	10
P0158.080-016-A4	M 8	16	6.0	8.5	5.3	10.0	13



Captive Screws - Hex Bolts

316 stainless

Captive Screws



Order No.	d ₁	l ₁ ±0.25	d ₂ ±0.12	d ₃ min.	h ₁ max.	l ₂ ±0.25	A/F
P0158.080-020-A4	M 8	20	6.0	8.5	5.3	10.0	13
P0158.080-025-A4	M 8	25	6.0	8.5	5.3	10.0	13
P0158.080-030-A4	M 8	30	6.0	8.5	5.3	10.0	13
P0158.080-035-A4	M 8	35	6.0	8.5	5.3	10.0	13
P0158.080-040-A4	M 8	40	6.0	8.5	5.3	10.0	13
P0158.080-050-A4	M 8	50	6.0	8.5	5.3	10.0	13
P0158.080-060-A4	M 8	60	6.0	8.5	5.3	10.0	13
P0158.080-080-A4	M 8	80	6.0	8.5	5.3	10.0	13
P0158.100-020-A4	M10	20	7.5	10.6	6.4	12.5	17
P0158.100-025-A4	M10	25	7.5	10.6	6.4	12.5	17
P0158.100-030-A4	M10	30	7.5	10.6	6.4	12.5	17
P0158.100-035-A4	M10	35	7.5	10.6	6.4	12.0	17
P0158.100-040-A4	M10	40	7.5	10.6	6.4	12.5	17
P0158.100-050-A4	M10	50	7.5	10.6	6.4	12.5	17
P0158.100-060-A4	M10	60	7.5	10.6	6.4	12.5	17
P0158.100-080-A4	M10	80	7.5	10.6	6.4	12.5	17
P0158.120-025-A4	M12	25	8.0	13.2	7.5	15.0	19
P0158.120-030-A4	M12	30	8.0	13.2	7.5	15.0	19
P0158.120-035-A4	M12	35	8.0	13.2	7.5	15.0	19
P0158.120-040-A4	M12	40	8.0	13.2	7.5	15.0	19
P0158.120-050-A4	M12	50	8.0	13.2	7.5	15.0	19
P0158.120-060-A4	M12	60	8.0	13.2	7.5	15.0	19
P0158.120-080-A4	M12	80	8.0	13.2	7.5	15.0	19

CAPTIVE SCREWS



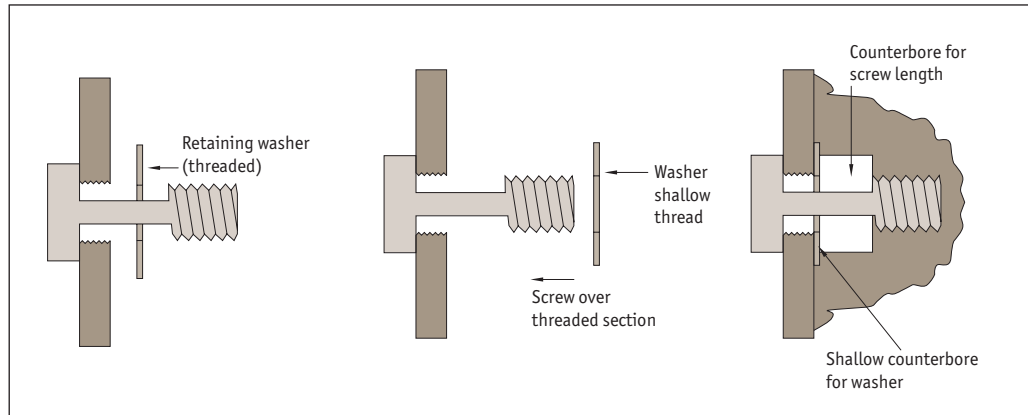
Other options to retain screws to panels are either our retaining washers or our retaining flanges.

Retaining washers

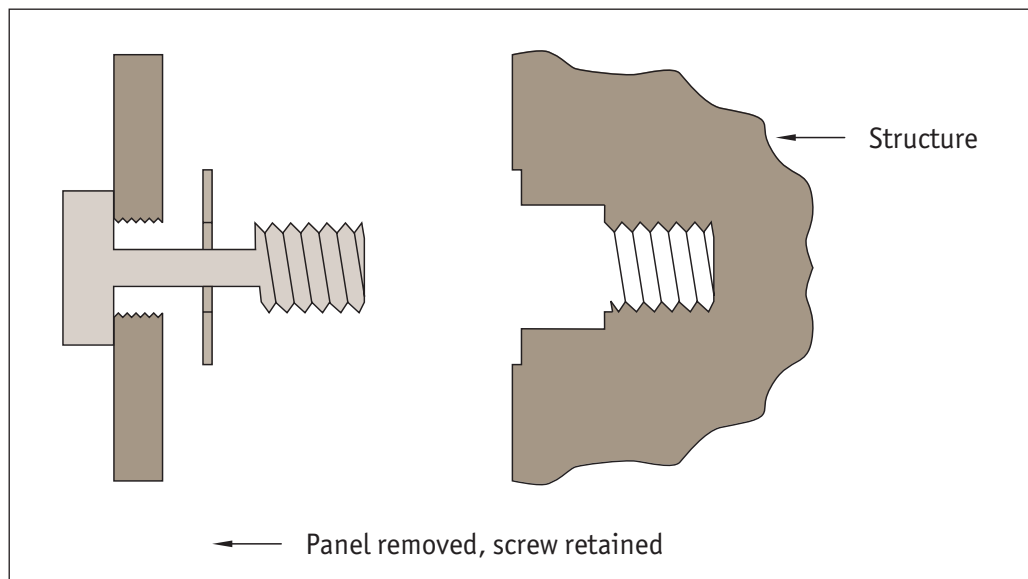
These are simple but effective when used with our captive screws. The captive screws have a normal thread then a reduced diameter for the rest of the screw length.

The washer has a small length of thread on the internal diameter and once screwed on to the captive screw is effectively captive.

Example



Screw the thin retaining washer onto the captive screw and the screw is therefore retained to the panel.



Captive Screws from Automation Components

CAPTIVE SCREWS

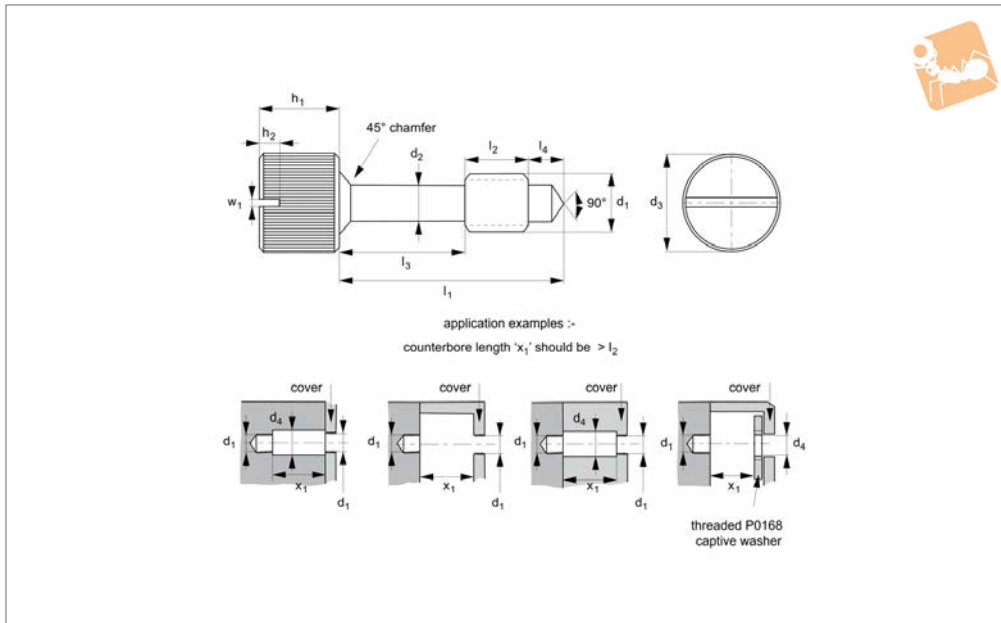


Captive Panel Thumb Screws

slot drive - 303 stainless



Captive Screws



P0159.A2

CAPTIVE SCREWS

Material

Stainless steel (AISI 303, 1.4305). Tensile strength 550 N/mm². Proof stress min. 190 N/mm², austenitic stainless steel. Also available on request in steel (anodised, black oxide or zinc plated),

stainless steel (AISI 316, 1.440), brass, aluminium etc.

Technical Notes

Used to comply with the Machinery Directive 2006/42/EC. Often used with our

captive washers (P0168) or retaining flanges (P0169 - for sheet metal applications). The use of our captive washers should be considered when fitted in panels with unthreaded holes.

Order No.	d ₁	l ₁ ±0.25	d ₂ ±0.12	d ₃	d ₄ min.	h ₁	h ₂	l ₂ ±0.25	l ₃	l ₄	w ₁
P0159.030-010-A2	M 3	10	2	6.5	3.5	6.5	2.0	3.2	4.8	2.0	1.2
P0159.030-014-A2	M 3	14	2	6.5	3.5	6.5	2.0	3.2	8.8	2.0	1.2
P0159.030-016-A2	M 3	16	2	6.5	3.5	6.5	2.0	3.2	10.8	2.0	1.2
P0159.030-020-A2	M 3	20	2	6.5	3.5	6.5	2.0	3.2	14.8	2.0	1.2
P0159.030-022-A2	M 3	22	2	6.5	3.5	6.5	2.0	3.2	16.8	2.0	1.2
P0159.030-024-A2	M 3	24	2	6.5	3.5	6.5	2.0	3.2	18.8	2.0	1.2
P0159.030-026-A2	M 3	26	2	6.5	3.5	6.5	2.0	3.2	20.8	2.0	1.2
P0159.031-010-A2	M 3	10	2	8	3.5	8.0	2.0	3.2	4.8	2.0	1.2
P0159.031-014-A2	M 3	14	2	8	3.5	8.0	2.0	3.2	8.8	2.0	1.2
P0159.031-016-A2	M 3	16	2	8	3.5	8.0	2.0	3.2	10.8	2.0	1.2
P0159.031-020-A2	M 3	20	2	8	3.5	8.0	2.0	3.2	14.8	2.0	1.2
P0159.031-022-A2	M 3	22	2	8	3.5	8.0	2.0	3.2	16.8	2.0	1.2
P0159.031-024-A2	M 3	24	2	8	3.5	8.0	2.0	3.2	18.8	2.0	1.2
P0159.040-010-A2	M 4	10	3	8	4.5	8.0	2.0	5.5	2.0	2.5	1.2
P0159.040-014-A2	M 4	14	3	8	4.5	8.0	2.0	5.5	6.0	2.5	1.2
P0159.040-016-A2	M 4	16	3	8	4.5	8.0	2.0	5.5	8.0	2.5	1.2
P0159.040-020-A2	M 4	20	3	8	4.5	8.0	2.0	5.5	12.0	2.5	1.2
P0159.040-022-A2	M 4	22	3	8	4.5	8.0	2.0	5.5	14.0	2.5	1.2
P0159.040-024-A2	M 4	24	3	8	4.5	8.0	2.0	5.5	16.0	2.5	1.2
P0159.040-027-A2	M 4	27	3	8	4.5	8.0	2.0	5.5	19.0	2.5	1.2
P0159.040-032-A2	M 4	32	3	8	4.5	8.0	2.0	5.5	24.0	2.5	1.2
P0159.050-014-A2	M 5	14	3.5	10	5.5	10.0	2.5	6.5	3.5	4.0	1.5
P0159.050-016-A2	M 5	16	3.5	10	5.5	10.0	2.5	6.5	5.5	4.0	1.5
P0159.050-020-A2	M 5	20	3.5	10	5.5	10.0	2.5	6.5	9.5	4.0	1.5
P0159.050-022-A2	M 5	22	3.5	10	5.5	10.0	2.5	6.5	11.5	4.0	1.5
P0159.050-024-A2	M 5	24	3.5	10	5.5	10.0	2.5	6.5	13.5	4.0	1.5
P0159.050-027-A2	M 5	27	3.5	10	5.5	10.0	2.5	6.5	16.5	4.0	1.5
P0159.050-032-A2	M 5	32	3.5	10	5.5	10.0	2.5	6.5	21.5	4.0	1.5
P0159.050-035-A2	M 5	35	3.5	10	5.5	10.0	2.5	6.5	24.5	4.0	1.5
P0159.050-040-A2	M 5	40	3.5	10	5.5	10.0	2.5	6.5	29.5	4.0	1.5
P0159.060-016-A2	M 6	16	4.5	12	6.5	15.0	2.5	8.0	3.0	5.0	2.0
P0159.060-020-A2	M 6	20	4.5	12	6.5	15.0	2.5	8.0	7.0	5.0	2.0



Order No.	d ₁	l ₁ ±0.25	d ₂ ±0.12	d ₃	d ₄ min.	h ₁	h ₂	l ₂ ±0.25	l ₃	l ₄	w ₁
P0159.060-022-A2	M 6	22	4.5	12	6.5	15.0	2.5	8.0	9.0	5.0	2.0
P0159.060-024-A2	M 6	24	4.5	12	6.5	15.0	2.5	8.0	11.0	5.0	2.0
P0159.060-027-A2	M 6	27	4.5	12	6.5	15.0	2.5	8.0	14.0	5.0	2.0
P0159.060-032-A2	M 6	32	4.5	12	6.5	15.0	2.5	8.0	19.0	5.0	2.0
P0159.060-035-A2	M 6	35	4.5	12	6.5	15.0	2.5	8.0	22.0	5.0	2.0
P0159.060-040-A2	M 6	40	4.5	12	6.5	15.0	2.5	8.0	27.0	8.5	2.0
P0159.060-045-A2	M 6	45	4.5	12	6.5	15.0	2.5	8.0	32.0	8.5	2.0
P0159.060-050-A2	M 6	50	4.5	12	6.5	15.0	2.5	8.0	37.0	8.5	2.0

CAPTIVE SCREWS

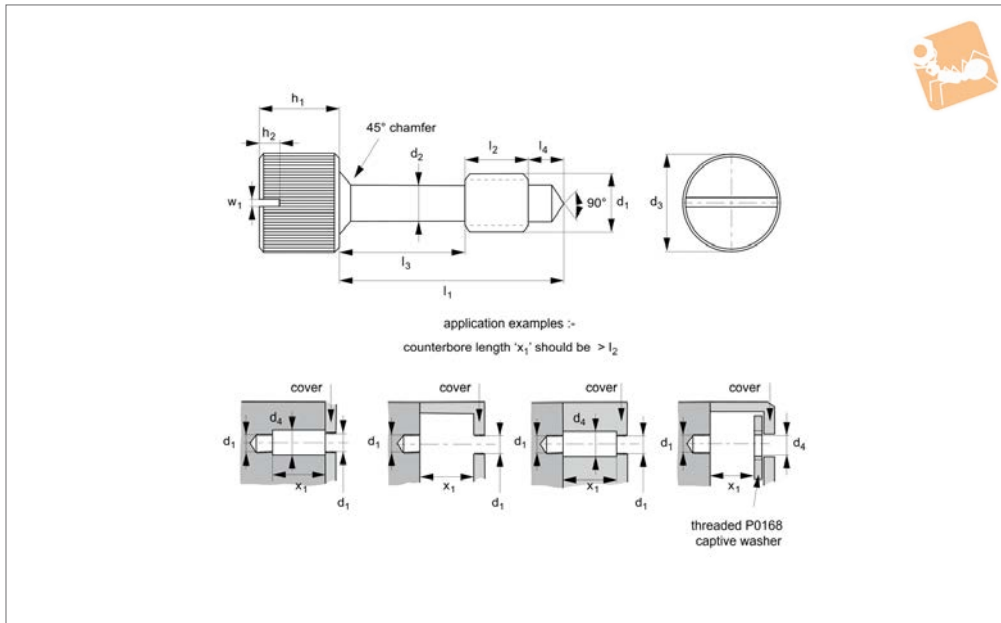


Captive Panel Thumb Screws

slot drive - 316 stainless



Captive Screws



P0159.A4

CAPTIVE SCREWS

Material

Stainless steel (AISI 316, 1.440).
Tensile strength 480 N/mm². Proof stress min. 200 N/mm², austenitic stainless steel.
Also available on request in steel (anodised, black oxide or zinc plated),

stainless steel (AISI 303, 1.4305), brass, aluminium etc.

Technical Notes

Used to comply with the Machinery Directive 2006/42/EC. Often used with our

captive washers (P0168) or retaining flanges (P0169 - for sheet metal applications). The use of our captive washers should be considered when fitted in panels with unthreaded holes.

Order No.	d ₁	l ₁ ±0.25	d ₂ ±0.12	d ₃	d ₄ min.	h ₁	h ₂	l ₂ ±0.25	l ₃	l ₄	w ₁
P0159.030-010-A4	M 3	10	2	6.5	3.5	6.5	2.0	3.2	4.8	2.0	1.2
P0159.030-014-A4	M 3	14	2	6.5	3.5	6.5	2.0	3.2	8.8	2.0	1.2
P0159.030-016-A4	M 3	16	2	6.5	3.5	6.5	2.0	3.2	10.8	2.0	1.2
P0159.030-020-A4	M 3	20	2	6.5	3.5	6.5	2.0	3.2	14.8	2.0	1.2
P0159.030-022-A4	M 3	22	2	6.5	3.5	6.5	2.0	3.2	16.8	2.0	1.2
P0159.030-024-A4	M 3	24	2	6.5	3.5	6.5	2.0	3.2	18.8	2.0	1.2
P0159.030-026-A4	M 3	26	2	6.5	3.5	6.5	2.0	3.2	20.8	2.0	1.2
P0159.031-010-A4	M 3	10	2	8	3.5	8.0	2.0	3.2	4.8	2.0	1.2
P0159.031-014-A4	M 3	14	2	8	3.5	8.0	2.0	3.2	8.8	2.0	1.2
P0159.031-016-A4	M 3	16	2	8	3.5	8.0	2.0	3.2	10.8	2.0	1.2
P0159.031-020-A4	M 3	20	2	8	3.5	8.0	2.0	3.2	14.8	2.0	1.2
P0159.031-022-A4	M 3	22	2	8	3.5	8.0	2.0	3.2	16.8	2.0	1.2
P0159.031-024-A4	M 3	24	2	8	3.5	8.0	2.0	3.2	18.8	2.0	1.2
P0159.040-010-A4	M 4	10	3	8	4.5	8.0	2.0	5.5	2.0	2.5	1.2
P0159.040-014-A4	M 4	14	3	8	4.5	8.0	2.0	5.5	6.0	2.5	1.2
P0159.040-016-A4	M 4	16	3	8	4.5	8.0	2.0	5.5	8.0	2.5	1.2
P0159.040-020-A4	M 4	20	3	8	4.5	8.0	2.0	5.5	12.0	2.5	1.2
P0159.040-022-A4	M 4	22	3	8	4.5	8.0	2.0	5.5	14.0	2.5	1.2
P0159.040-024-A4	M 4	24	3	8	4.5	8.0	2.0	5.5	16.0	2.5	1.2
P0159.040-027-A4	M 4	27	3	8	4.5	8.0	2.0	5.5	19.0	2.5	1.2
P0159.040-032-A4	M 4	32	3	8	4.5	8.0	2.0	5.5	24.0	2.5	1.2
P0159.050-014-A4	M 5	14	3.5	10	5.5	10.0	2.5	6.5	3.5	4.0	1.5
P0159.050-016-A4	M 5	16	3.5	10	5.5	10.0	2.5	6.5	5.5	4.0	1.5
P0159.050-020-A4	M 5	20	3.5	10	5.5	10.0	2.5	6.5	9.5	4.0	1.5
P0159.050-022-A4	M 5	22	3.5	10	5.5	10.0	2.5	6.5	11.5	4.0	1.5
P0159.050-024-A4	M 5	24	3.5	10	5.5	10.0	2.5	6.5	13.5	4.0	1.5
P0159.050-027-A4	M 5	27	3.5	10	5.5	10.0	2.5	6.5	16.5	4.0	1.5
P0159.050-032-A4	M 5	32	3.5	10	5.5	10.0	2.5	6.5	21.5	4.0	1.5
P0159.050-035-A4	M 5	35	3.5	10	5.5	10.0	2.5	6.5	24.5	4.0	1.5
P0159.050-040-A4	M 5	40	3.5	10	5.5	10.0	2.5	6.5	29.5	4.0	1.5
P0159.060-016-A4	M 6	16	4.5	12	6.5	15.0	2.5	8.0	3.0	5.0	2.0
P0159.060-020-A4	M 6	20	4.5	12	6.5	15.0	2.5	8.0	7.0	5.0	2.0



Order No.	d ₁	l ₁ ±0.25	d ₂ ±0.12	d ₃	d ₄ min.	h ₁	h ₂	l ₂ ±0.25	l ₃	l ₄	w ₁
P0159.060-022-A4	M 6	22	4.5	12	6.5	15.0	2.5	8.0	9.0	5.0	2.0
P0159.060-024-A4	M 6	24	4.5	12	6.5	15.0	2.5	8.0	11.0	5.0	2.0
P0159.060-027-A4	M 6	27	4.5	12	6.5	15.0	2.5	8.0	14.0	5.0	2.0
P0159.060-032-A4	M 6	32	4.5	12	6.5	15.0	2.5	8.0	19.0	5.0	2.0
P0159.060-035-A4	M 6	35	4.5	12	6.5	15.0	2.5	8.0	22.0	5.0	2.0
P0159.060-040-A4	M 6	40	4.5	12	6.5	15.0	2.5	8.0	27.0	8.5	2.0
P0159.060-045-A4	M 6	45	4.5	12	6.5	15.0	2.5	8.0	32.0	8.5	2.0
P0159.060-050-A4	M 6	50	4.5	12	6.5	15.0	2.5	8.0	37.0	8.5	2.0

CAPTIVE SCREWS



Automation provides a wide range of captive screws to aid customers to comply with the Machinery Directive 2006/42/EC.

In general there is a requirement that fixings for fixed guards shall remain attached to the guard or machinery when the guard is removed. This was implemented mainly to ensure that as far as possible fasteners are not lost when the guard is removed and the guard is therefore re-installed with all required fixings.

A wide range of captive screws and thumb screws are provided...



P0151
Button Head - Hex
Security and Torx Options



P0154
Socket Head - Cap Screw
Security and Torx Options



P0158
Hexagon Head Bolt



P0159
Captive Panel Screw



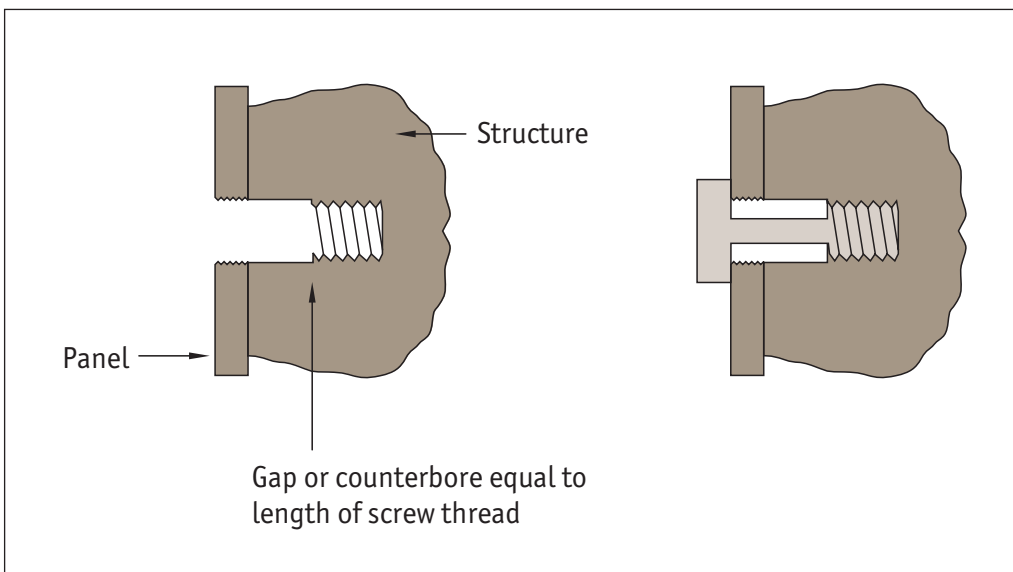
P0160
Thin Head Thumb Screws



P0161
Thumb Screws

Installation

To work effectively the captive screw when installed needs to have a space or counterbore between the thread and cover at least equal to the length of the thread.

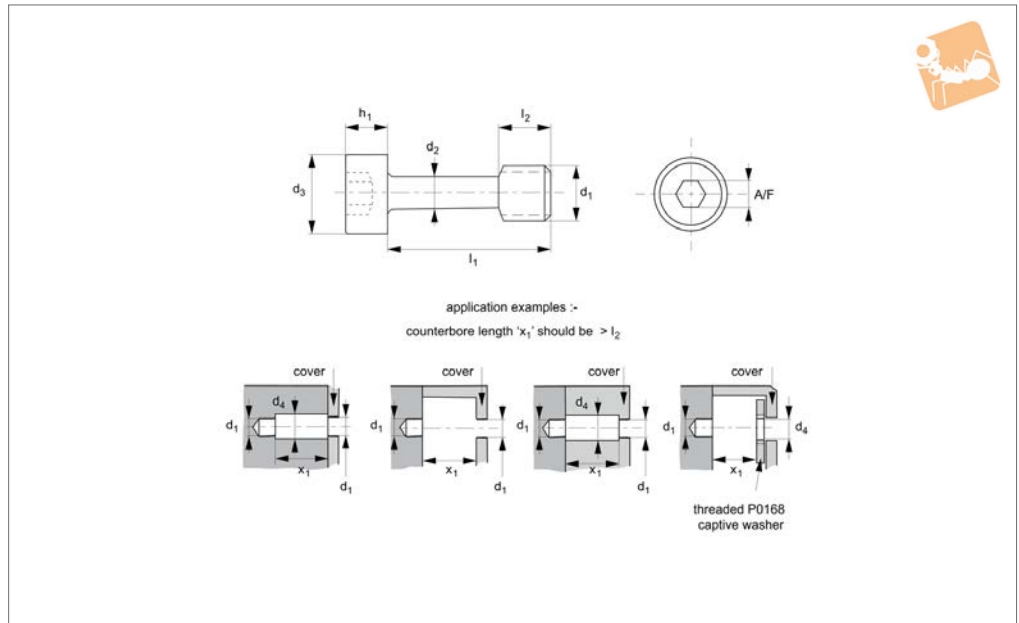


Captive Screws from Automation Components

CAPTIVE SCREWS



P0154.ZP



Material

Steel, white zinc-plated.
Tensile strength 550 N/mm².
Also available on request in steel (anodised or black oxide), stainless steel (AISI 316, 1.440 or AISI 303, 1.4305), brass, aluminium etc.

Technical Notes

Used to comply with the Machinery Direc-

tive 2006/42/EC. Generally to ISO 4762. Often used with our captive washers (P0168) or retaining flanges (P0169 - for sheet metal applications). The use of our captive washers should be considered when fitted in panels with unthreaded holes.

Tips

For TX drive style, see P0156.

Important Notes

Please note that these screws have a reduced diameter shank and should not be tightened to the recommended torque for an equivalent machine screw of size d₁.

Order No.	d ₁	l ₁ ±0.25	d ₂ ±0.12	l ₂ ±0.25	d ₃ max.	d ₄ min.	h ₁ max.	A/F
P0154.025-005-ZP	M 2,5	5	1.8	3.0	4.5	2.8	2.5	2
P0154.025-008-ZP	M 2,5	8	1.8	3.0	4.5	2.8	2.5	2
P0154.025-010-ZP	M 2,5	10	1.8	3.0	4.5	2.8	2.5	2
P0154.025-012-ZP	M 2,5	12	1.8	3.0	4.5	2.8	2.5	2
P0154.030-008-ZP	M 3	8	2.0	4.5	5.5	3.5	3.0	2.5
P0154.030-010-ZP	M 3	10	2.0	4.5	5.5	3.5	3.0	2.5
P0154.030-012-ZP	M 3	12	2.0	4.5	5.5	3.5	3.0	2.5
P0154.030-016-ZP	M 3	16	2.0	4.5	5.5	3.5	3.0	2.5
P0154.030-020-ZP	M 3	20	2.0	4.5	5.5	3.5	3.0	2.5
P0154.030-025-ZP	M 3	25	2.0	4.5	5.5	3.5	3.0	2.5
P0154.030-030-ZP	M 3	30	2.0	4.5	5.5	3.5	3.0	2.5
P0154.040-010-ZP	M 4	10	2.8	6.0	7.0	4.5	4.0	3
P0154.040-012-ZP	M 4	12	2.8	6.0	7.0	4.5	4.0	3
P0154.040-016-ZP	M 4	16	2.8	6.0	7.0	4.5	4.0	3
P0154.040-020-ZP	M 4	20	2.8	6.0	7.0	4.5	4.0	3
P0154.040-025-ZP	M 4	25	2.8	6.0	7.0	4.5	4.0	3
P0154.040-030-ZP	M 4	30	2.8	6.0	7.0	4.5	4.0	3
P0154.040-035-ZP	M 4	35	2.8	6.0	7.0	4.5	4.0	3
P0154.040-040-ZP	M 4	40	2.8	6.0	7.0	4.5	4.0	3
P0154.040-050-ZP	M 4	50	2.8	6.0	7.0	4.5	4.0	3
P0154.050-012-ZP	M 5	12	3.7	7.5	8.5	5.5	5.0	4
P0154.050-016-ZP	M 5	16	3.7	7.5	8.5	5.5	5.0	4
P0154.050-020-ZP	M 5	20	3.7	7.5	8.5	5.5	5.0	4
P0154.050-025-ZP	M 5	25	3.7	7.5	8.5	5.5	5.0	4
P0154.050-030-ZP	M 5	30	3.7	7.5	8.5	5.5	5.0	4
P0154.050-035-ZP	M 5	35	3.7	7.5	8.5	5.5	5.0	4
P0154.050-040-ZP	M 5	40	3.7	7.5	8.5	5.5	5.0	4
P0154.050-050-ZP	M 5	50	3.7	7.5	8.5	5.5	5.0	4



Captive Screws - Cap Head

hex drive - steel, zinc-plated



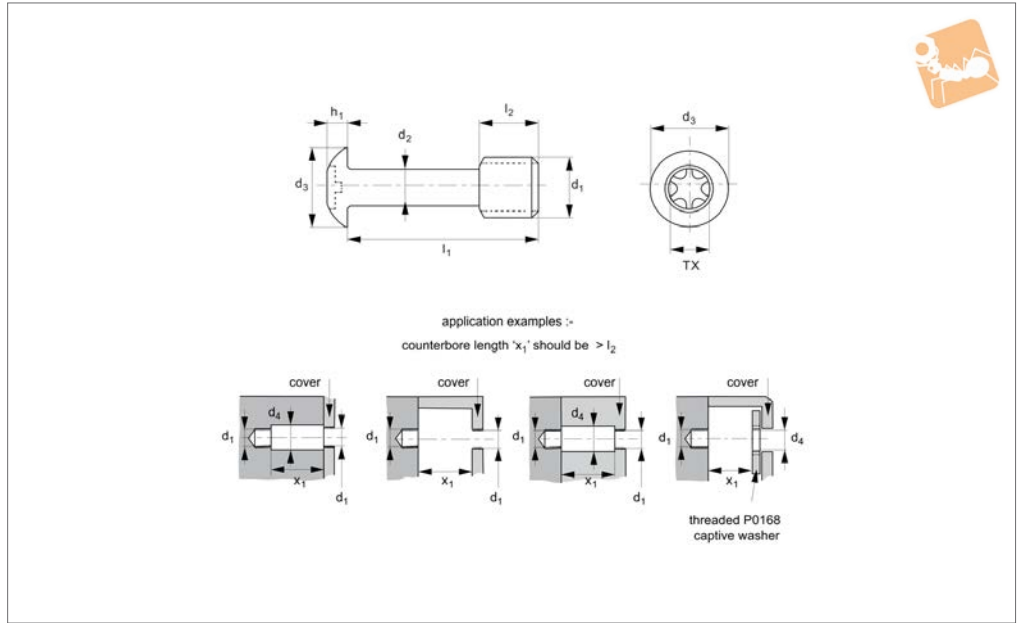
Captive Screws

Order No.	d ₁	l ₁ ±0.25	d ₂ ±0.12	l ₂ ±0.25	d ₃ max.	d ₄ min.	h ₁ max.	A/F
P0154.060-012-ZP	M 6	12	4.2	7.5	10.0	6.5	6.0	5
P0154.060-016-ZP	M 6	16	4.2	7.5	10.0	6.5	6.0	5
P0154.060-020-ZP	M 6	20	4.2	7.5	10.0	6.5	6.0	5
P0154.060-025-ZP	M 6	25	4.2	7.5	10.0	6.5	6.0	5
P0154.060-030-ZP	M 6	30	4.2	7.5	10.0	6.5	6.0	5
P0154.060-035-ZP	M 6	35	4.2	7.5	10.0	6.5	6.0	5
P0154.060-040-ZP	M 6	40	4.2	7.5	10.0	6.5	6.0	5
P0154.060-050-ZP	M 6	50	4.2	7.5	10.0	6.5	6.0	5
P0154.060-060-ZP	M 6	60	4.2	7.5	10.0	6.5	6.0	5
P0154.060-080-ZP	M 6	80	4.2	7.5	10.0	6.5	6.0	5
P0154.080-016-ZP	M 8	16	6.0	10.0	13.0	8.5	8.0	6
P0154.080-020-ZP	M 8	20	6.0	10.0	13.0	8.5	8.0	6
P0154.080-025-ZP	M 8	25	6.0	10.0	13.0	8.5	8.0	6
P0154.080-030-ZP	M 8	30	6.0	10.0	13.0	8.5	8.0	6
P0154.080-035-ZP	M 8	35	6.0	10.0	13.0	8.5	8.0	6
P0154.080-040-ZP	M 8	40	6.0	10.0	13.0	8.5	8.0	6
P0154.080-045-ZP	M 8	45	6.0	10.0	13.0	8.5	8.0	6
P0154.080-050-ZP	M 8	50	6.0	10.0	13.0	8.5	8.0	6
P0154.080-060-ZP	M 8	60	6.0	10.0	13.0	8.5	8.0	6
P0154.080-080-ZP	M 8	80	6.0	10.0	13.0	8.5	8.0	6
P0154.100-020-ZP	M10	20	7.5	12.5	16.0	10.6	10.0	8
P0154.100-025-ZP	M10	25	7.5	12.5	16.0	10.6	10.0	8
P0154.100-030-ZP	M10	30	7.5	12.5	16.0	10.6	10.0	8
P0154.100-035-ZP	M10	35	7.5	12.5	16.0	10.6	10.0	8
P0154.100-040-ZP	M10	40	7.5	12.5	16.0	10.6	10.0	8
P0154.100-045-ZP	M10	45	7.5	12.5	16.0	10.6	10.0	8
P0154.100-050-ZP	M10	50	7.5	12.5	16.0	10.6	10.0	8
P0154.100-060-ZP	M10	60	7.5	12.5	16.0	10.6	10.0	8
P0154.100-080-ZP	M10	80	7.5	12.5	16.0	10.6	10.0	8
P0154.120-025-ZP	M12	25	8.0	15.0	18.0	13.2	12.0	10
P0154.120-030-ZP	M12	30	8.0	15.0	18.0	13.2	12.0	10
P0154.120-035-ZP	M12	35	8.0	15.0	18.0	13.2	12.0	10
P0154.120-040-ZP	M12	40	8.0	15.0	18.0	13.2	12.0	10
P0154.120-045-ZP	M12	45	8.0	15.0	18.0	13.2	12.0	10
P0154.120-050-ZP	M12	50	8.0	15.0	18.0	13.2	12.0	10
P0154.120-060-ZP	M12	60	8.0	15.0	18.0	13.2	12.0	10
P0154.120-080-ZP	M12	80	8.0	15.0	18.0	13.2	12.0	10
P0154.160-030-ZP	M16	30	12.0	20.0	24.0	17.5	16.0	14
P0154.160-035-ZP	M16	35	12.0	20.0	24.0	17.5	16.0	14
P0154.160-040-ZP	M16	40	12.0	20.0	24.0	17.5	16.0	14
P0154.160-045-ZP	M16	45	12.0	20.0	24.0	17.5	16.0	14
P0154.160-050-ZP	M16	50	12.0	20.0	24.0	17.5	16.0	14
P0154.160-060-ZP	M16	60	12.0	20.0	24.0	17.5	16.0	14
P0154.160-080-ZP	M16	80	12.0	20.0	24.0	17.5	16.0	14
P0154.160-100-ZP	M16	100	12.0	20.0	24.0	17.5	16.0	14
P0154.200-040-ZP	M20	40	16.0	25.0	30.0	22.0	20.0	19
P0154.200-060-ZP	M20	60	16.0	25.0	30.0	22.0	20.0	19
P0154.200-080-ZP	M20	80	16.0	25.0	30.0	22.0	20.0	19
P0154.200-100-ZP	M20	100	16.0	25.0	30.0	22.0	20.0	19
P0154.200-120-ZP	M20	120	16.0	25.0	30.0	22.0	20.0	19

CAPTIVE SCREWS



P0149.B2



CAPTIVE SCREWS

Material

Stainless steel (AISI 303, 1.4305), black oxide coating. Tensile strength 550 N/mm². Proof stress min. 190 N/mm², austenitic stainless steel.
Also available in marine grade stainless steel (AISI 316 series; P0149.B4), titanium (P0149.Ti) and on request in steel (anodised, black oxide or zinc plated)

brass, aluminium etc.

Technical Notes

Used to comply with the Machinery Directive 2006/42/EC. Generally to ISO 7380-1. Often used with our captive washers (P0168) or retaining flanges (P0169 - for sheet metal applications). The use of our captive washers should be considered

when fitted in panels with unthreaded holes.

Important Notes

Please note that these screws have a reduced diameter shank and should not be tightened to the recommended torque for an equivalent machine screw of size d₁.

Order No.	d ₁	l ₁ 0,25	d ₂ 0,12	l ₂ -0,2	d ₃ max.	d ₄ min.	h ₁ max.	TX size
P0149.025-008-B2	M 2,5	8	1.7	3.7	4.5	2.8	1.5	TX- 8
P0149.025-010-B2	M 2,5	10	1.7	3.7	4.5	2.8	1.5	TX- 8
P0149.025-012-B2	M 2,5	12	1.7	3.7	4.5	2.8	1.5	TX- 8
P0149.025-016-B2	M 2,5	16	1.7	3.7	4.5	2.8	1.5	TX- 8
P0149.025-020-B2	M 2,5	20	1.7	3.7	4.5	2.8	1.5	TX- 8
P0149.030-010-B2	M 3	10	2.0	4.5	5.7	3.5	1.65	TX-10
P0149.030-016-B2	M 3	16	2.0	4.5	5.7	3.5	1.65	TX-10
P0149.030-020-B2	M 3	20	2.0	4.5	5.7	3.5	1.65	TX-10
P0149.030-025-B2	M 3	25	2.0	4.5	5.7	3.5	1.65	TX-10
P0149.030-030-B2	M 3	30	2.0	4.5	5.7	3.5	1.65	TX-10
P0149.030-040-B2	M 3	40	2.0	5.0	5.7	3.5	1.65	TX-10
P0149.040-012-B2	M 4	12	2.8	6.0	7.6	4.5	3.1	TX-20
P0149.040-016-B2	M 4	16	2.8	6.0	7.6	4.5	3.1	TX-20
P0149.040-020-B2	M 4	20	2.8	6.0	7.6	4.5	3.1	TX-20
P0149.040-025-B2	M 4	25	2.8	6.0	7.6	4.5	3.1	TX-20
P0149.040-030-B2	M 4	30	2.8	6.0	7.6	4.5	3.1	TX-20
P0149.040-040-B2	M 4	40	2.8	6.0	7.6	4.5	3.1	TX-20
P0149.040-050-B2	M 4	50	2.8	6.0	7.6	4.5	3.1	TX-20
P0149.040-060-B2	M 4	60	2.8	6.0	7.6	4.5	3.1	TX-20
P0149.050-012-B2	M 5	12	3.7	7.5	9.5	5.5	3.7	TX-25
P0149.050-016-B2	M 5	16	3.7	7.5	9.5	5.5	3.7	TX-25
P0149.050-020-B2	M 5	20	3.7	7.5	9.5	5.5	3.7	TX-25
P0149.050-025-B2	M 5	25	3.7	7.5	9.5	5.5	3.7	TX-25
P0149.050-030-B2	M 5	30	3.7	7.5	9.5	5.5	3.7	TX-25
P0149.050-040-B2	M 5	40	3.7	7.5	9.5	5.5	3.7	TX-25
P0149.050-050-B2	M 5	50	3.7	7.5	9.5	5.5	3.7	TX-25
P0149.050-060-B2	M 5	60	3.7	7.5	9.5	5.5	3.7	TX-25
P0149.060-016-B2	M 6	16	4.2	7.5	10.5	6.5	4.7	TX-30



Captive Screws - Button Head

TX drive - 303 stainless, blackened



Order No.	d ₁	l ₁ 0,25	d ₂ 0,12	l ₂ -0.2	d ₃ max.	d ₄ min.	h ₁ max.	TX size
P0149.060-020-B2	M 6	20	4.2	7.5	10.5	6.5	4.7	TX-30
P0149.060-025-B2	M 6	25	4.2	7.5	10.5	6.5	4.7	TX-30
P0149.060-030-B2	M 6	30	4.2	7.5	10.5	6.5	4.7	TX-30
P0149.060-040-B2	M 6	40	4.2	7.5	10.5	6.5	4.7	TX-30
P0149.060-050-B2	M 6	50	4.2	7.5	10.5	6.5	4.7	TX-30
P0149.060-060-B2	M 6	60	4.2	7.5	10.5	6.5	4.7	TX-30
P0149.060-080-B2	M 6	80	4.2	7.5	10.5	6.5	4.7	TX-30

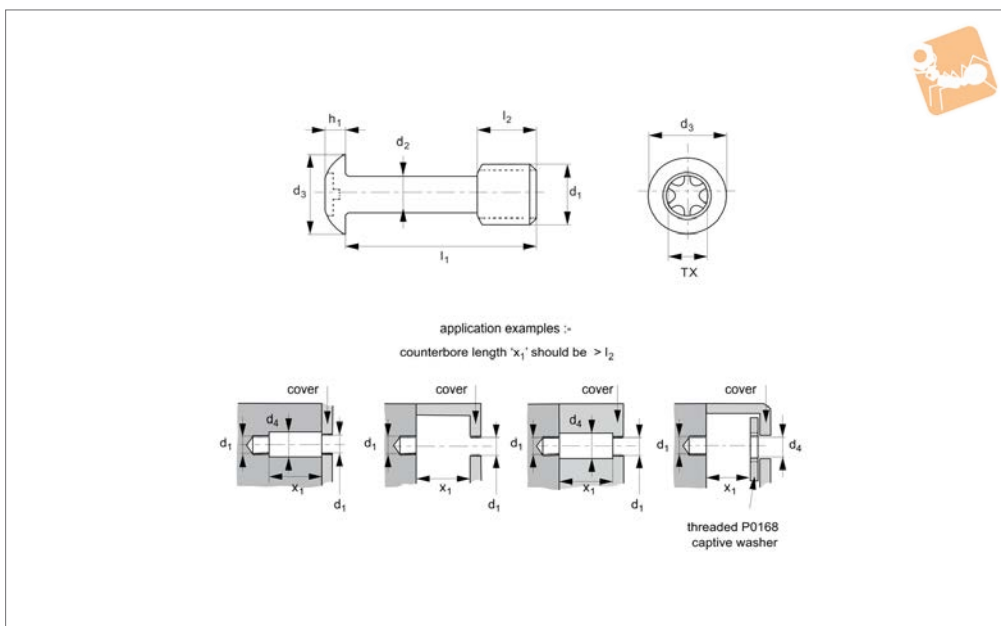
CAPTIVE SCREWS



CAPTIVE SCREWS



P0149.B4



Material

Stainless steel (AISI 316, 1.4401), black oxide coating. Tensile strength 550 N/mm².

For version without black oxide coating, see P0149.A4, or for a cheaper version in 303 series stainless steel, see P0149.A2. Also available in titanium (P0149.Ti) and on request in steel, brass, aluminium etc.

Technical Notes

Used to comply with the Machinery Directive 2006/42/EC. Generally to ISO 7380-1. Often used with our captive washers (P0168) or retaining flanges (P0169 - for sheet metal applications). The use of our captive washers should be considered when fitted in panels with unthreaded holes.

Important Notes

Please note that these screws have a reduced diameter shank and should not be tightened to the recommended torque for an equivalent machine screw of size d₁.

Order No.	d ₁	l ₁ 0,25	d ₂ 0,12	l ₂ -0,2	d ₃ max.	d ₄ min.	h ₁ max.	TX size
P0149.025-008-B4	M 2,5	8	1.7	3.7	4.5	2.8	1.5	TX- 8
P0149.025-010-B4	M 2,5	10	1.7	3.7	4.5	2.8	1.5	TX- 8
P0149.025-012-B4	M 2,5	12	1.7	3.7	4.5	2.8	1.5	TX- 8
P0149.025-016-B4	M 2,5	16	1.7	3.7	4.5	2.8	1.5	TX- 8
P0149.025-020-B4	M 2,5	20	1.7	3.7	4.5	2.8	1.5	TX- 8
P0149.030-010-B4	M 3	10	2.0	4.5	5.7	3.5	1.65	TX-10
P0149.030-016-B4	M 3	16	2.0	4.5	5.7	3.5	1.65	TX-10
P0149.030-020-B4	M 3	20	2.0	4.5	5.7	3.5	1.65	TX-10
P0149.030-025-B4	M 3	25	2.0	4.5	5.7	3.5	1.65	TX-10
P0149.030-030-B4	M 3	30	2.0	4.5	5.7	3.5	1.65	TX-10
P0149.030-040-B4	M 3	40	2.0	5.0	5.7	3.5	1.65	TX-10
P0149.040-012-B4	M 4	12	2.8	6.0	7.6	4.5	3.1	TX-20
P0149.040-016-B4	M 4	16	2.8	6.0	7.6	4.5	3.1	TX-20
P0149.040-020-B4	M 4	20	2.8	6.0	7.6	4.5	3.1	TX-20
P0149.040-025-B4	M 4	25	2.8	6.0	7.6	4.5	3.1	TX-20
P0149.040-030-B4	M 4	30	2.8	6.0	7.6	4.5	3.1	TX-20
P0149.040-040-B4	M 4	40	2.8	6.0	7.6	4.5	3.1	TX-20
P0149.040-050-B4	M 4	50	2.8	6.0	7.6	4.5	3.1	TX-20
P0149.040-060-B4	M 4	60	2.8	6.0	7.6	4.5	3.1	TX-20
P0149.050-012-B4	M 5	12	3.7	7.5	9.5	5.5	3.7	TX-25
P0149.050-016-B4	M 5	16	3.7	7.5	9.5	5.5	3.7	TX-25
P0149.050-020-B4	M 5	20	3.7	7.5	9.5	5.5	3.7	TX-25
P0149.050-025-B4	M 5	25	3.7	7.5	9.5	5.5	3.7	TX-25
P0149.050-030-B4	M 5	30	3.7	7.5	9.5	5.5	3.7	TX-25
P0149.050-040-B4	M 5	40	3.7	7.5	9.5	5.5	3.7	TX-25
P0149.050-050-B4	M 5	50	3.7	7.5	9.5	5.5	3.7	TX-25
P0149.050-060-B4	M 5	60	3.7	7.5	9.5	5.5	3.7	TX-25
P0149.060-016-B4	M 6	16	4.2	7.5	10.5	6.5	4.7	TX-30



Captive Screws - Button Head

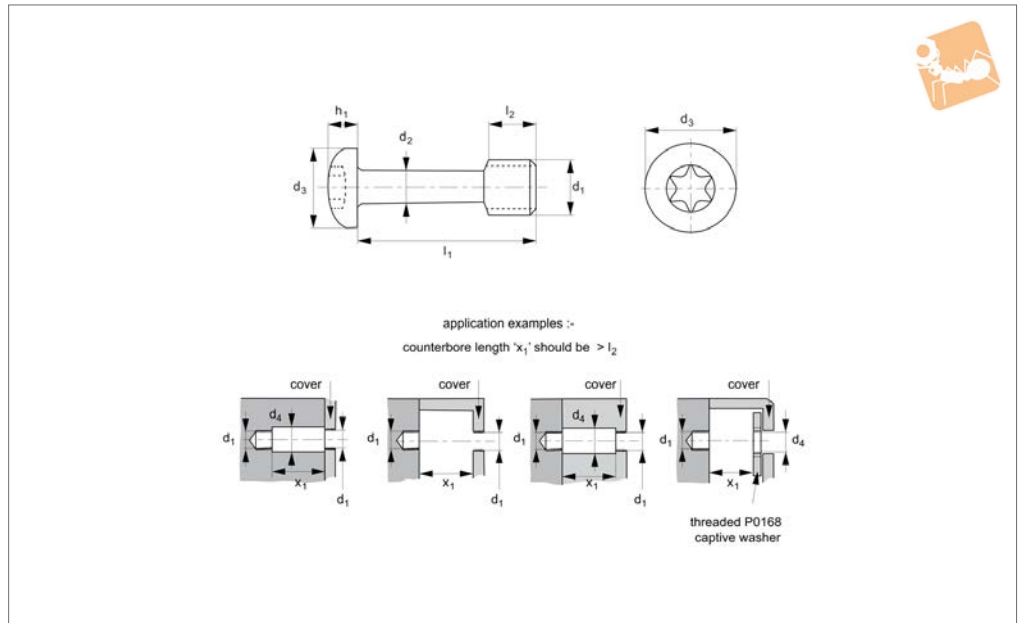
TX drive - 316 stainless, blackened



Order No.	d ₁	l ₁ 0,25	d ₂ 0,12	l ₂ -0.2	d ₃ max.	d ₄ min.	h ₁ max.	TX size
P0149.060-020-B4	M 6	20	4.2	7.5	10.5	6.5	4.7	TX-30
P0149.060-025-B4	M 6	25	4.2	7.5	10.5	6.5	4.7	TX-30
P0149.060-030-B4	M 6	30	4.2	7.5	10.5	6.5	4.7	TX-30
P0149.060-040-B4	M 6	40	4.2	7.5	10.5	6.5	4.7	TX-30
P0149.060-050-B4	M 6	50	4.2	7.5	10.5	6.5	4.7	TX-30
P0149.060-060-B4	M 6	60	4.2	7.5	10.5	6.5	4.7	TX-30
P0149.060-080-B4	M 6	80	4.2	7.5	10.5	6.5	4.7	TX-30



P0150.B2



Material

Stainless steel (AISI 303, 1.4305), black oxide coating. Tensile strength 550 N/mm². Proof stress min. 190 N/mm², austenitic stainless steel.
Also available on request in steel (anodised, black oxide or zinc plated), stainless steel (AISI 316, 1.440), brass, aluminium etc.

Technical Notes

Used to comply with the Machinery Directive 2006/42/EC. Generally to ISO 14583. Often used with our captive washer (P0168) or retaining flanges (P0169 - for sheet metal applications). The use of our captive washer should be considered when fitted in panels with unthreaded holes.
* M 8 sizes have a reduced TX size.

Important Notes

Please note that these screws have a reduced diameter shank and should not be tightened to the recommended torque for an equivalent machine screw of size d₁.

Order No.	d ₁	l ₁ ±0.25	d ₂ ±0.12	l ₂ ±0.25	d ₃ max.	d ₄ min.	h ₁ max.	TX size
P0150.030-008-B2	M 3	8	2.0	4.5	6	3.5	2.5	TX-10
P0150.030-010-B2	M 3	10	2.0	4.5	6	3.5	2.5	TX-10
P0150.030-016-B2	M 3	16	2.0	4.5	6	3.5	2.5	TX-10
P0150.030-020-B2	M 3	20	2.0	4.5	6	3.5	2.5	TX-10
P0150.030-025-B2	M 3	25	2.0	4.5	6	3.5	2.5	TX-10
P0150.030-030-B2	M 3	30	2.0	4.5	6	3.5	2.5	TX-10
P0150.040-008-B2	M 4	8	2.8	6.0	8	4.5	3.2	TX-20
P0150.040-010-B2	M 4	10	2.8	6.0	8	4.5	3.2	TX-20
P0150.040-012-B2	M 4	12	2.8	6.0	8	4.5	3.2	TX-20
P0150.040-016-B2	M 4	16	2.8	6.0	8	4.5	3.2	TX-20
P0150.040-020-B2	M 4	20	2.8	6.0	8	4.5	3.2	TX-20
P0150.040-025-B2	M 4	25	2.8	6.0	8	4.5	3.2	TX-20
P0150.040-030-B2	M 4	30	2.8	6.0	8	4.5	3.2	TX-20
P0150.040-040-B2	M 4	40	2.8	6.0	8	4.5	3.2	TX-20
P0150.040-050-B2	M 4	50	2.8	6.0	8	4.5	3.2	TX-20
P0150.050-010-B2	M 5	10	3.7	7.5	10	5.5	3.9	TX-25
P0150.050-012-B2	M 5	12	3.7	7.5	10	5.5	3.9	TX-25
P0150.050-016-B2	M 5	16	3.7	7.5	10	5.5	3.9	TX-25
P0150.050-020-B2	M 5	20	3.7	7.5	10	5.5	3.9	TX-25
P0150.050-025-B2	M 5	25	3.7	7.5	10	5.5	3.9	TX-25
P0150.050-030-B2	M 5	30	3.7	7.5	10	5.5	3.9	TX-25
P0150.050-040-B2	M 5	40	3.7	7.5	10	5.5	3.9	TX-25
P0150.050-050-B2	M 5	50	3.7	7.5	10	5.5	3.9	TX-25
P0150.060-010-B2	M 6	10	4.2	7.5	12	6.5	4.7	TX-30
P0150.060-012-B2	M 6	12	4.2	7.5	12	6.5	4.7	TX-30
P0150.060-016-B2	M 6	16	4.2	7.5	12	6.5	4.7	TX-30
P0150.060-020-B2	M 6	20	4.2	7.5	12	6.5	4.7	TX-30
P0150.060-025-B2	M 6	25	4.2	7.5	12	6.5	4.7	TX-30



Captive Screws - Pan Head

TX drive - 303 stainless, blackened



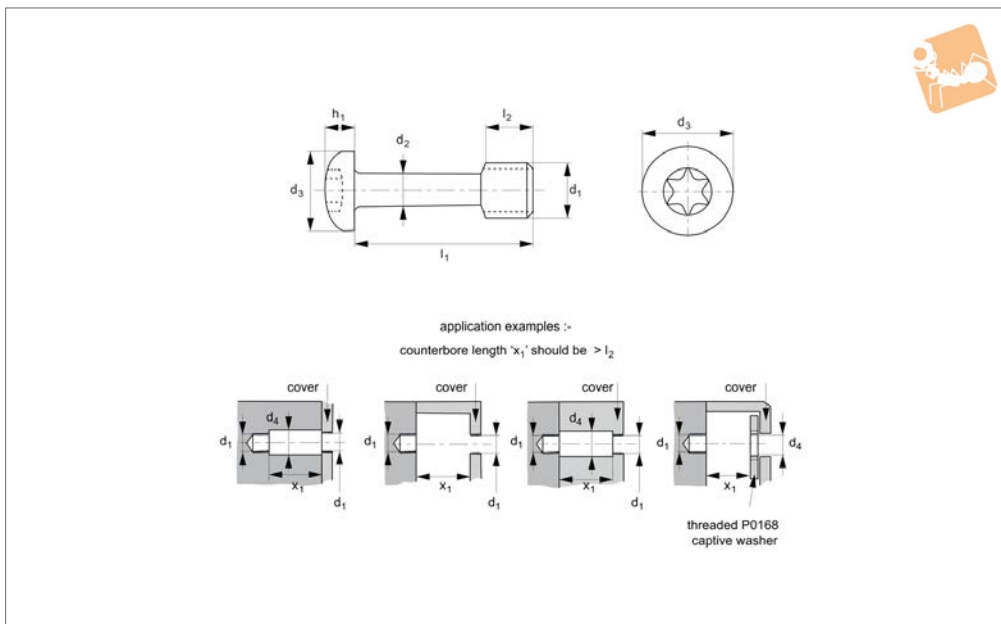
Order No.	d ₁	l ₁ ±0.25	d ₂ ±0.12	l ₂ ±0.25	d ₃ max.	d ₄ min.	h ₁ max.	TX size
P0150.060-030-B2	M 6	30	4.2	7.5	12	6.5	4.7	TX-30
P0150.060-040-B2	M 6	40	4.2	7.5	12	6.5	4.7	TX-30
P0150.060-050-B2	M 6	50	4.2	7.5	12	6.5	4.7	TX-30
P0150.060-060-B2	M 6	60	4.2	7.5	12	6.5	4.7	TX-30
P0150.060-080-B2	M 6	80	4.2	7.5	12	6.5	4.7	TX-30
P0150.080-012-B2	M 8	12	6.0	10.0	16	8.5	6.1	TX-30*
P0150.080-016-B2	M 8	16	6.0	10.0	16	8.5	6.1	TX-30*
P0150.080-020-B2	M 8	20	6.0	10.0	16	8.5	6.1	TX-30*
P0150.080-025-B2	M 8	25	6.0	10.0	16	8.5	6.1	TX-30*
P0150.080-030-B2	M 8	30	6.0	10.0	16	8.5	6.1	TX-30*
P0150.080-035-B2	M 8	35	6.0	10.0	16	8.5	6.1	TX-30*
P0150.080-040-B2	M 8	40	6.0	10.0	16	8.5	6.1	TX-30*
P0150.080-045-B2	M 8	45	6.0	10.0	16	8.5	6.1	TX-30*
P0150.080-050-B2	M 8	50	6.0	10.0	16	8.5	6.1	TX-30*
P0150.080-060-B2	M 8	60	6.0	10.0	16	8.5	6.1	TX-30*
P0150.080-080-B2	M 8	80	6.0	10.0	16	8.5	6.1	TX-30*

CAPTIVE SCREWS



MADE IN BRITAIN

P0150.B4



Material

Stainless steel (AISI 316, 1.440), black oxide coating. Tensile strength 480 N/mm². Proof stress min. 200 N/mm², austenitic stainless steel.

Also available on request in steel (anodised, black oxide or zinc plated), stainless steel (AISI 303, 1.4305), brass, aluminium etc.

Technical Notes

Used to comply with the Machinery Directive 2006/42/EC. Generally to ISO 14583. Often used with our captive washers (P0168) or retaining flanges (P0169 - for sheet metal applications). The use of our captive washers should be considered when fitted in panels with unthreaded holes.

*M 8 sizes have a reduced TX size.

Important Notes

Please note that these screws have a reduced diameter shank and should not be tightened to the recommended torque for an equivalent machine screw of size d_1 .

Order No.	d_1	l_1 ± 0.25	d_2 ± 0.12	l_2 ± 0.25	d_3 max.	d_4 min.	h_1 max.	TX size
P0150.030-008-B4	M 3	8	2.0	4.5	6	3.5	2.5	TX-10
P0150.030-010-B4	M 3	10	2.0	4.5	6	3.5	2.5	TX-10
P0150.030-016-B4	M 3	16	2.0	4.5	6	3.5	2.5	TX-10
P0150.030-020-B4	M 3	20	2.0	4.5	6	3.5	2.5	TX-10
P0150.030-025-B4	M 3	25	2.0	4.5	6	3.5	2.5	TX-10
P0150.030-030-B4	M 3	30	2.0	4.5	6	3.5	2.5	TX-10
P0150.040-008-B4	M 4	8	2.8	6.0	8	4.5	3.2	TX-20
P0150.040-010-B4	M 4	10	2.8	6.0	8	4.5	3.2	TX-20
P0150.040-012-B4	M 4	12	2.8	6.0	8	4.5	3.2	TX-20
P0150.040-016-B4	M 4	16	2.8	6.0	8	4.5	3.2	TX-20
P0150.040-020-B4	M 4	20	2.8	6.0	8	4.5	3.2	TX-20
P0150.040-025-B4	M 4	25	2.8	6.0	8	4.5	3.2	TX-20
P0150.040-030-B4	M 4	30	2.8	6.0	8	4.5	3.2	TX-20
P0150.040-040-B4	M 4	40	2.8	6.0	8	4.5	3.2	TX-20
P0150.040-050-B4	M 4	50	2.8	6.0	8	4.5	3.2	TX-20
P0150.050-010-B4	M 5	10	3.7	7.5	10	5.5	3.9	TX-25
P0150.050-012-B4	M 5	12	3.7	7.5	10	5.5	3.9	TX-25
P0150.050-016-B4	M 5	16	3.7	7.5	10	5.5	3.9	TX-25
P0150.050-020-B4	M 5	20	3.7	7.5	10	5.5	3.9	TX-25
P0150.050-025-B4	M 5	25	3.7	7.5	10	5.5	3.9	TX-25
P0150.050-030-B4	M 5	30	3.7	7.5	10	5.5	3.9	TX-25
P0150.050-040-B4	M 5	40	3.7	7.5	10	5.5	3.9	TX-25
P0150.050-050-B4	M 5	50	3.7	7.5	10	5.5	3.9	TX-25
P0150.060-010-B4	M 6	10	4.2	7.5	12	6.5	4.7	TX-30
P0150.060-012-B4	M 6	12	4.2	7.5	12	6.5	4.7	TX-30
P0150.060-016-B4	M 6	16	4.2	7.5	12	6.5	4.7	TX-30
P0150.060-020-B4	M 6	20	4.2	7.5	12	6.5	4.7	TX-30
P0150.060-025-B4	M 6	25	4.2	7.5	12	6.5	4.7	TX-30



Captive Screws - Pan Head

TX drive - 316 stainless, blackened



Captive Screws

Order No.	d ₁	l ₁ ±0.25	d ₂ ±0.12	l ₂ ±0.25	d ₃ max.	d ₄ min.	h ₁ max.	TX size
P0150.060-030-B4	M 6	30	4.2	7.5	12	6.5	4.7	TX-30
P0150.060-040-B4	M 6	40	4.2	7.5	12	6.5	4.7	TX-30
P0150.060-050-B4	M 6	50	4.2	7.5	12	6.5	4.7	TX-30
P0150.060-060-B4	M 6	60	4.2	7.5	12	6.5	4.7	TX-30
P0150.060-080-B4	M 6	80	4.2	7.5	12	6.5	4.7	TX-30
P0150.080-012-B4	M 8	12	6.0	10.0	16	8.5	6.1	TX-30*
P0150.080-016-B4	M 8	16	6.0	10.0	16	8.5	6.1	TX-30*
P0150.080-020-B4	M 8	20	6.0	10.0	16	8.5	6.1	TX-30*
P0150.080-025-B4	M 8	25	6.0	10.0	16	8.5	6.1	TX-30*
P0150.080-030-B4	M 8	30	6.0	10.0	16	8.5	6.1	TX-30*
P0150.080-035-B4	M 8	35	6.0	10.0	16	8.5	6.1	TX-30*
P0150.080-040-B4	M 8	40	6.0	10.0	16	8.5	6.1	TX-30*
P0150.080-045-B4	M 8	45	6.0	10.0	16	8.5	6.1	TX-30*
P0150.080-050-B4	M 8	50	6.0	10.0	16	8.5	6.1	TX-30*
P0150.080-060-B4	M 8	60	6.0	10.0	16	8.5	6.1	TX-30*
P0150.080-080-B4	M 8	80	6.0	10.0	16	8.5	6.1	TX-30*

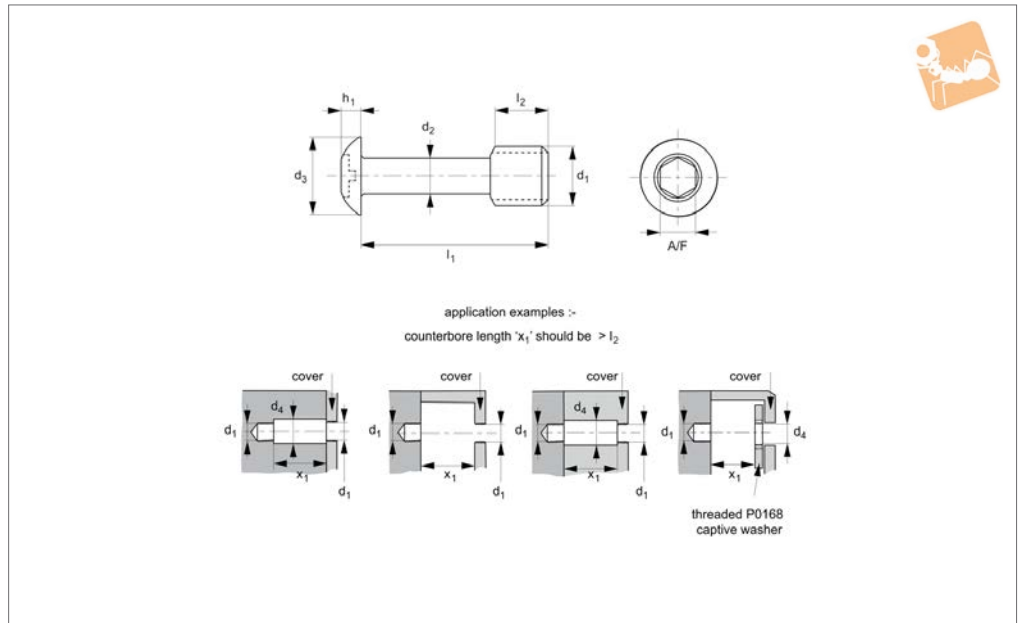
CAPTIVE SCREWS



CAPTIVE SCREWS



P0151.B2



Material

Stainless steel (AISI 303, 1.4305), black oxide coating. Tensile strength 550 N/mm². Proof stress min. 190 N/mm², austenitic stainless steel.
Also available on request in steel (anodised, black oxide or zinc plated) stainless steel (AISI 316, 1.440), brass, aluminium etc.

Technical Notes

Used to comply with the Machinery Directive 2006/42/EC. Generally to ISO 7380-1. Often used with our captive washers (P0168) or retaining flanges (P0169 - for sheet metal applications). The use of our captive washers should be considered when fitted in panels with unthreaded holes.

Important Notes

Please note that these screws have a reduced diameter shank and should not be tightened to the recommended torque for an equivalent machine screw of size d₁.

Order No.	d ₁	l ₁ ±0.25	d ₂ ±0.12	l ₂ ±0.25	d ₃ max.	d ₄ min.	h ₁ max.	A/F
P0151.025-008-B2	M 2,5	8	1.7	3.7	4.5	2.8	1.50	1.5
P0151.025-010-B2	M 2,5	10	1.7	3.7	4.5	2.8	1.50	1.5
P0151.025-012-B2	M 2,5	12	1.7	3.7	4.5	2.8	1.50	1.5
P0151.025-016-B2	M 2,5	16	1.7	3.7	4.5	2.8	1.50	1.5
P0151.025-020-B2	M 2,5	20	1.7	3.7	4.5	2.8	1.50	1.5
P0151.030-008-B2	M 3	8	2.0	4.5	5.7	3.5	1.53	2
P0151.030-010-B2	M 3	10	2.0	4.5	5.7	3.5	1.53	2
P0151.030-016-B2	M 3	16	2.0	4.5	5.7	3.5	1.53	2
P0151.030-020-B2	M 3	20	2.0	4.5	5.7	3.5	1.53	2
P0151.030-025-B2	M 3	25	2.0	4.5	5.7	3.5	1.53	2
P0151.030-030-B2	M 3	30	2.0	4.5	5.7	3.5	1.53	2
P0151.030-040-B2	M 3	40	2.0	4.5	5.7	3.5	1.53	2
P0151.040-010-B2	M 4	10	2.8	6.0	7.6	4.5	2.10	2.5
P0151.040-012-B2	M 4	12	2.8	6.0	7.6	4.5	2.10	2.5
P0151.040-016-B2	M 4	16	2.8	6.0	7.6	4.5	2.10	2.5
P0151.040-020-B2	M 4	20	2.8	6.0	7.6	4.5	2.10	2.5
P0151.040-025-B2	M 4	25	2.8	6.0	7.6	4.5	2.10	2.5
P0151.040-030-B2	M 4	30	2.8	6.0	7.6	4.5	2.10	2.5
P0151.040-035-B2	M 4	35	2.8	6.0	7.6	4.5	2.10	2.5
P0151.040-040-B2	M 4	40	2.8	6.0	7.6	4.5	2.10	2.5
P0151.040-050-B2	M 4	50	2.8	6.0	7.6	4.5	2.10	2.5
P0151.040-060-B2	M 4	60	2.8	6.0	7.6	4.5	2.10	2.5
P0151.050-012-B2	M 5	12	3.7	7.5	9.5	5.5	2.63	3
P0151.050-016-B2	M 5	16	3.7	7.5	9.5	5.5	2.63	3
P0151.050-020-B2	M 5	20	3.7	7.5	9.5	5.5	2.63	3
P0151.050-025-B2	M 5	25	3.7	7.5	9.5	5.5	2.63	3
P0151.050-030-B2	M 5	30	3.7	7.5	9.5	5.5	2.63	3
P0151.050-040-B2	M 5	40	3.7	7.5	9.5	5.5	2.63	3



Captive Screws - Button Head

hex drive - 303 stainless, blackened



Captive Screws

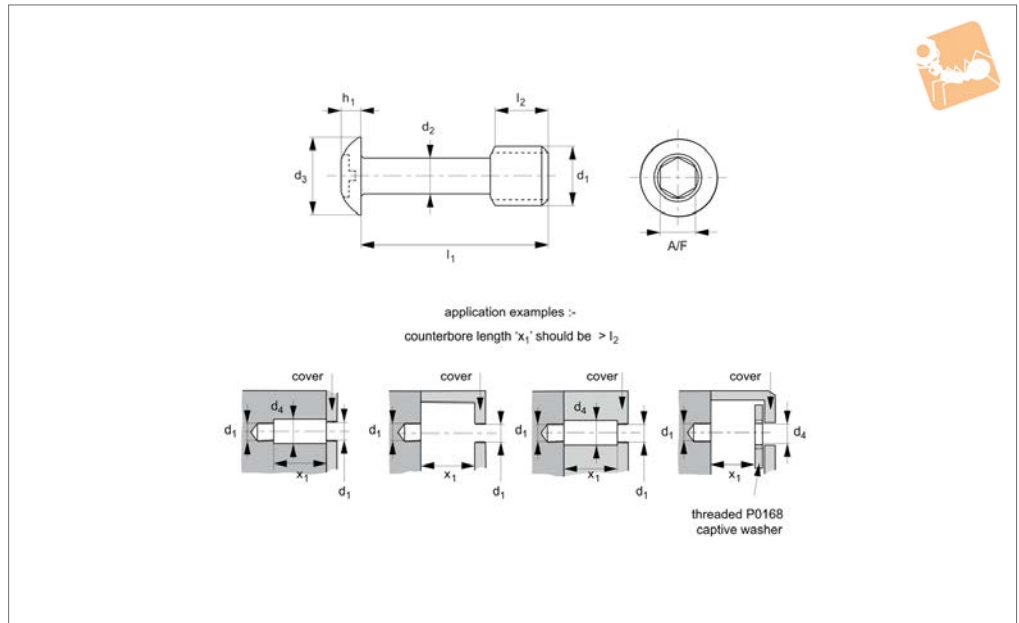
Order No.	d ₁	l ₁ ±0.25	d ₂ ±0.12	l ₂ ±0.25	d ₃ max.	d ₄ min.	h ₁ max.	A/F
P0151.050-050-B2	M 5	50	3.7	7.5	9.5	5.5	2.63	3
P0151.050-060-B2	M 5	60	3.7	7.5	9.5	5.5	2.63	3
P0151.060-012-B2	M 6	12	4.2	7.5	10.5	6.5	3.10	4
P0151.060-016-B2	M 6	16	4.2	7.5	10.5	6.5	3.10	4
P0151.060-020-B2	M 6	20	4.2	7.5	10.5	6.5	3.10	4
P0151.060-025-B2	M 6	25	4.2	7.5	10.5	6.5	3.10	4
P0151.060-030-B2	M 6	30	4.2	7.5	10.5	6.5	3.10	4
P0151.060-035-B2	M 6	35	4.2	7.5	10.5	6.5	3.10	4
P0151.060-040-B2	M 6	40	4.2	7.5	10.5	6.5	3.10	4
P0151.060-050-B2	M 6	50	4.2	7.5	10.5	6.5	3.10	4
P0151.060-060-B2	M 6	60	4.2	7.5	10.5	6.5	3.10	4
P0151.060-080-B2	M 6	80	4.2	7.5	10.5	6.5	3.10	4
P0151.080-016-B2	M 8	16	6.0	10.0	14.0	8.5	4.46	5
P0151.080-020-B2	M 8	20	6.0	10.0	14.0	8.5	4.46	5
P0151.080-025-B2	M 8	25	6.0	10.0	14.0	8.5	4.46	5
P0151.080-030-B2	M 8	30	6.0	10.0	14.0	8.5	4.46	5
P0151.080-035-B2	M 8	35	6.0	10.0	14.0	8.5	4.46	5
P0151.080-040-B2	M 8	40	6.0	10.0	14.0	8.5	4.46	5
P0151.080-045-B2	M 8	45	6.0	10.0	14.0	8.5	4.46	5
P0151.080-050-B2	M 8	50	6.0	10.0	14.0	8.5	4.46	5
P0151.080-060-B2	M 8	60	6.0	10.0	14.0	8.5	4.46	5
P0151.080-080-B2	M 8	80	6.0	10.0	14.0	8.5	4.46	5
P0151.100-020-B2	M 10	20	7.5	12.5	17.5	10.6	5.5	6
P0151.100-025-B2	M 10	25	7.5	12.5	17.5	10.6	5.5	6
P0151.100-030-B2	M 10	30	7.5	12.5	17.5	10.6	5.5	6
P0151.100-035-B2	M 10	35	7.5	12.5	17.5	10.6	5.5	6
P0151.100-040-B2	M 10	40	7.5	12.5	17.5	10.6	5.5	6
P0151.100-045-B2	M 10	45	7.5	12.5	17.5	10.6	5.5	6
P0151.100-050-B2	M 10	50	7.5	12.5	17.5	10.6	5.5	6
P0151.100-060-B2	M 10	60	7.5	12.5	17.5	10.6	5.5	6
P0151.100-080-B2	M 10	80	7.5	12.5	17.5	10.6	5.5	6

CAPTIVE SCREWS



MADE IN BRITAIN

P0151.B4



Material

Stainless steel (AISI 316, 1.440), black oxide coating. Tensile strength 480 N/mm². Proof stress min. 200 N/mm², austenitic stainless steel.
Also available on request in steel (anodised, black oxide or zinc plated) stainless steel (AISI 303, 1.4305), brass, aluminium etc.

Technical Notes

Used to comply with the Machinery Directive 2006/42/EC. Generally to ISO 7380-1. Often used with our captive washers (P0168) or retaining flanges (P0169 - for sheet metal applications). The use of our captive washers should be considered when fitted in panels with unthreaded holes.

Important Notes

Please note that these screws have a reduced diameter shank and should not be tightened to the recommended torque for an equivalent machine screw of size d₁.

Order No.	d ₁	l ₁ ±0.25	d ₂ ±0.12	l ₂ ±0.25	d ₃ max.	d ₄ min.	h ₁ max.	A/F
P0151.025-008-B4	M 2,5	8	1.7	3.7	4.5	2.8	1.50	1.5
P0151.025-010-B4	M 2,5	10	1.7	3.7	4.5	2.8	1.50	1.5
P0151.025-012-B4	M 2,5	12	1.7	3.7	4.5	2.8	1.50	1.5
P0151.025-016-B4	M 2,5	16	1.7	3.7	4.5	2.8	1.50	1.5
P0151.025-020-B4	M 2,5	20	1.7	3.7	4.5	2.8	1.50	1.5
P0151.030-008-B4	M 3	8	2.0	4.5	5.7	3.5	1.53	2
P0151.030-010-B4	M 3	10	2.0	4.5	5.7	3.5	1.53	2
P0151.030-016-B4	M 3	16	2.0	4.5	5.7	3.5	1.53	2
P0151.030-020-B4	M 3	20	2.0	4.5	5.7	3.5	1.53	2
P0151.030-025-B4	M 3	25	2.0	4.5	5.7	3.5	1.53	2
P0151.030-030-B4	M 3	30	2.0	4.5	5.7	3.5	1.53	2
P0151.030-040-B4	M 3	40	2.0	4.5	5.7	3.5	1.53	2
P0151.040-010-B4	M 4	10	2.8	6.0	7.6	4.5	2.10	2.5
P0151.040-012-B4	M 4	12	2.8	6.0	7.6	4.5	2.10	2.5
P0151.040-016-B4	M 4	16	2.8	6.0	7.6	4.5	2.10	2.5
P0151.040-020-B4	M 4	20	2.8	6.0	7.6	4.5	2.10	2.5
P0151.040-025-B4	M 4	25	2.8	6.0	7.6	4.5	2.10	2.5
P0151.040-030-B4	M 4	30	2.8	6.0	7.6	4.5	2.10	2.5
P0151.040-035-B4	M 4	35	2.8	6.0	7.6	4.5	2.10	2.5
P0151.040-040-B4	M 4	40	2.8	6.0	7.6	4.5	2.10	2.5
P0151.040-050-B4	M 4	50	2.8	6.0	7.6	4.5	2.10	2.5
P0151.040-060-B4	M 4	60	2.8	6.0	7.6	4.5	2.10	2.5
P0151.050-012-B4	M 5	12	3.7	7.5	9.5	5.5	2.63	3
P0151.050-016-B4	M 5	16	3.7	7.5	9.5	5.5	2.63	3
P0151.050-020-B4	M 5	20	3.7	7.5	9.5	5.5	2.63	3
P0151.050-025-B4	M 5	25	3.7	7.5	9.5	5.5	2.63	3
P0151.050-030-B4	M 5	30	3.7	7.5	9.5	5.5	2.63	3
P0151.050-040-B4	M 5	40	3.7	7.5	9.5	5.5	2.63	3



Captive Screws - Button Head

hex drive - 316 stainless, blackened



Captive Screws

Order No.	d ₁	l ₁ ±0.25	d ₂ ±0.12	l ₂ ±0.25	d ₃ max.	d ₄ min.	h ₁ max.	A/F
P0151.050-050-B4	M 5	50	3.7	7.5	9.5	5.5	2.63	3
P0151.050-060-B4	M 5	60	3.7	7.5	9.5	5.5	2.63	3
P0151.060-012-B4	M 6	12	4.2	7.5	10.5	6.5	3.10	4
P0151.060-016-B4	M 6	16	4.2	7.5	10.5	6.5	3.10	4
P0151.060-020-B4	M 6	20	4.2	7.5	10.5	6.5	3.10	4
P0151.060-025-B4	M 6	25	4.2	7.5	10.5	6.5	3.10	4
P0151.060-030-B4	M 6	30	4.2	7.5	10.5	6.5	3.10	4
P0151.060-035-B4	M 6	35	4.2	7.5	10.5	6.5	3.10	4
P0151.060-040-B4	M 6	40	4.2	7.5	10.5	6.5	3.10	4
P0151.060-050-B4	M 6	50	4.2	7.5	10.5	6.5	3.10	4
P0151.060-060-B4	M 6	60	4.2	7.5	10.5	6.5	3.10	4
P0151.060-080-B4	M 6	80	4.2	7.5	10.5	6.5	3.10	4
P0151.080-016-B4	M 8	16	6.0	10.0	14.0	8.5	4.46	5
P0151.080-020-B4	M 8	20	6.0	10.0	14.0	8.5	4.46	5
P0151.080-025-B4	M 8	25	6.0	10.0	14.0	8.5	4.46	5
P0151.080-030-B4	M 8	30	6.0	10.0	14.0	8.5	4.46	5
P0151.080-035-B4	M 8	35	6.0	10.0	14.0	8.5	4.46	5
P0151.080-040-B4	M 8	40	6.0	10.0	14.0	8.5	4.46	5
P0151.080-045-B4	M 8	45	6.0	10.0	14.0	8.5	4.46	5
P0151.080-050-B4	M 8	50	6.0	10.0	14.0	8.5	4.46	5
P0151.080-060-B4	M 8	60	6.0	10.0	14.0	8.5	4.46	5
P0151.080-080-B4	M 8	80	6.0	10.0	14.0	8.5	4.46	5
P0151.100-020-B4	M 10	20	7.5	12.5	17.5	10.6	5.5	6
P0151.100-025-B4	M 10	25	7.5	12.5	17.5	10.6	5.5	6
P0151.100-030-B4	M 10	30	7.5	12.5	17.5	10.6	5.5	6
P0151.100-035-B4	M 10	35	7.5	12.5	17.5	10.6	5.5	6
P0151.100-040-B4	M 10	40	7.5	12.5	17.5	10.6	5.5	6
P0151.100-045-B4	M 10	45	7.5	12.5	17.5	10.6	5.5	6
P0151.100-050-B4	M 10	50	7.5	12.5	17.5	10.6	5.5	6
P0151.100-060-B4	M 10	60	7.5	12.5	17.5	10.6	5.5	6
P0151.100-080-B4	M 10	80	7.5	12.5	17.5	10.6	5.5	6

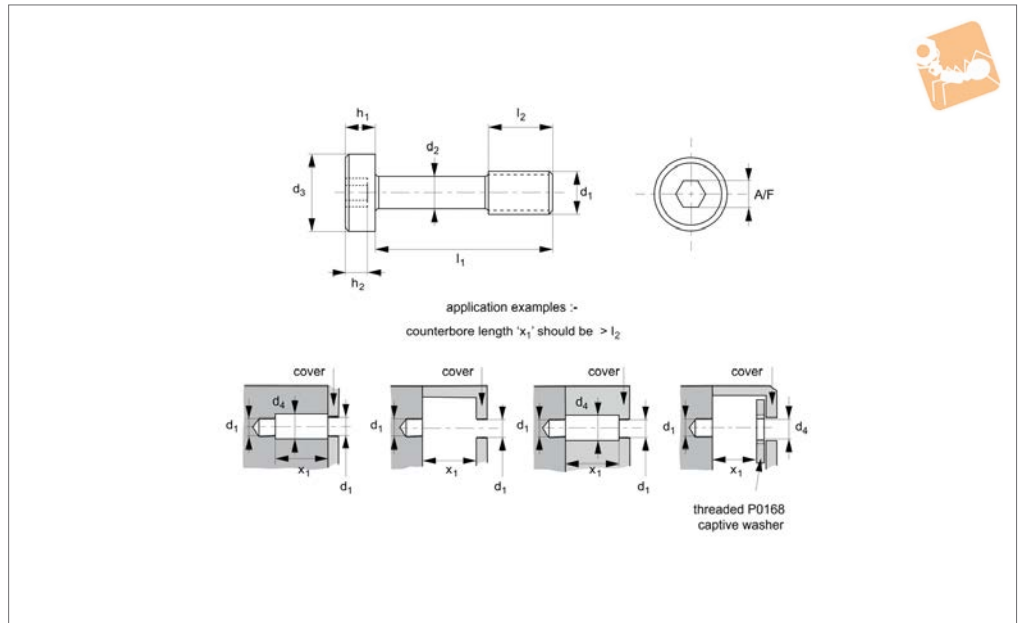
CAPTIVE SCREWS



CAPTIVE SCREWS



P0152.B2



Material

Stainless steel (AISI 303, 1.4305), black oxide coated. Tensile strength 550 N/mm².

A marine grade stainless steel (AISI 316, 1.4401) version of this product is also available. Available on request in titanium, steel (anodised, black oxide or zinc plated), brass, aluminium etc.

Technical Notes

Used to comply with the Machinery Directive 2006/42/EC. Generally to ISO 1207. Often used with our captive washers (P0168) or retaining flanges (P0169 - for sheet metal applications). The use of our captive washers should be considered when fitted in panels with unthreaded holes.

Important Notes

Please note that these screws have a reduced diameter shank and should not be tightened to the recommended torque for an equivalent machine screw of size d₁.

Order No.	d ₁	l ₁ ±0.25	d ₂ ±0.12	l ₂ ±0.25	d ₃	d ₄ min.	h ₁	h ₂	A/F
P0152.020-010-B2	M 2	10	1.2	3.0	3.8	2.5	1.3	0.85	1.3
P0152.020-012-B2	M 2	12	1.2	3.0	3.8	2.5	1.3	0.85	1.3
P0152.020-016-B2	M 2	16	1.2	3.0	3.8	2.5	1.3	0.85	1.3
P0152.020-020-B2	M 2	20	1.2	3.0	3.8	2.5	1.3	0.85	1.3
P0152.025-008-B2	M 2,5	8	1.7	3.7	4.5	2.8	1.6	1.00	1.5
P0152.025-010-B2	M 2,5	10	1.7	3.7	4.5	2.8	1.6	1.00	1.5
P0152.025-016-B2	M 2,5	16	1.7	3.7	4.5	2.8	1.6	1.00	1.5
P0152.025-020-B2	M 2,5	20	1.7	3.7	4.5	2.8	1.6	1.00	1.5
P0152.025-025-B2	M 2,5	25	1.7	3.7	4.5	2.8	1.6	1.00	1.5
P0152.025-030-B2	M 2,5	30	1.7	3.7	4.5	2.8	1.6	1.00	1.5
P0152.030-010-B2	M 3	10	2.0	4.5	5.5	3.5	2.0	1.30	2
P0152.030-011-B2	M 3	11	2.0	4.5	5.5	3.5	2.0	1.30	2
P0152.030-013-B2	M 3	13	2.0	4.5	5.5	3.5	2.0	1.30	2
P0152.030-016-B2	M 3	16	2.0	4.5	5.5	3.5	2.0	1.30	2
P0152.030-018-B2	M 3	18	2.0	4.5	5.5	3.5	2.0	1.30	2
P0152.030-020-B2	M 3	20	2.0	4.5	5.5	3.5	2.0	1.30	2
P0152.030-025-B2	M 3	25	2.0	4.5	5.5	3.5	2.0	1.30	2
P0152.030-030-B2	M 3	30	2.0	4.5	5.5	3.5	2.0	1.30	2
P0152.030-040-B2	M 3	40	2.0	4.5	5.5	3.5	2.0	1.30	2
P0152.035-010-B2	M 3,5	10	2.3	5.2	6.0	3.8	2.4	1.4	2.5
P0152.035-016-B2	M 3,5	16	2.3	5.2	6.0	3.8	2.4	1.4	2.5
P0152.035-020-B2	M 3,5	20	2.3	5.2	6.0	3.8	2.4	1.4	2.5
P0152.035-025-B2	M 3,5	25	2.3	5.2	6.0	3.8	2.4	1.4	2.5
P0152.035-030-B2	M 3,5	30	2.3	5.2	6.0	3.8	2.4	1.4	2.5
P0152.035-040-B2	M 3,5	40	2.3	5.2	6.0	3.8	2.4	1.4	2.5
P0152.040-010-B2	M 4	10	2.8	6.0	7.0	4.5	2.6	1.6	2.5
P0152.040-012-B2	M 4	12	2.8	6.0	7.0	4.5	2.6	1.6	2.5
P0152.040-016-B2	M 4	16	2.8	6.0	7.0	4.5	2.6	1.6	2.5



Captive Screws - Cheese Head

hex drive - 303 stainless - blackened

Captive Screws



Order No.	d ₁	l ₁ ±0.25	d ₂ ±0.12	l ₂ ±0.25	d ₃	d ₄ min.	h ₁	h ₂	A/F
P0152.040-018-B2	M 4	18	2.8	6.0	7.0	4.5	2.6	1.6	2.5
P0152.040-019-B2	M 4	19	2.8	6.0	7.0	4.5	2.6	1.6	2.5
P0152.040-020-B2	M 4	20	2.8	6.0	7.0	4.5	2.6	1.6	2.5
P0152.040-025-B2	M 4	25	2.8	6.0	7.0	4.5	2.6	1.6	2.5
P0152.040-030-B2	M 4	30	2.8	6.0	7.0	4.5	2.6	1.6	2.5
P0152.040-040-B2	M 4	40	2.8	6.0	7.0	4.5	2.6	1.6	2.5
P0152.040-050-B2	M 4	50	2.8	6.0	7.0	4.5	2.6	1.6	2.5
P0152.040-060-B2	M 4	60	2.8	6.0	7.0	4.5	2.6	1.6	2.5
P0152.050-010-B2	M 5	10	3.7	7.5	8.5	5.5	3.3	2.0	3
P0152.050-012-B2	M 5	12	3.7	7.5	8.5	5.5	3.3	2.0	3
P0152.050-016-B2	M 5	16	3.7	7.5	8.5	5.5	3.3	2.0	3
P0152.050-018-B2	M 5	18	3.7	7.5	8.5	5.5	3.3	2.0	3
P0152.050-020-B2	M 5	20	3.7	7.5	8.5	5.5	3.3	2.0	3
P0152.050-022-B2	M 5	22	3.7	7.5	8.5	5.5	3.3	2.0	3
P0152.050-025-B2	M 5	25	3.7	7.5	8.5	5.5	3.3	2.0	3
P0152.050-030-B2	M 5	30	3.7	7.5	8.5	5.5	3.3	2.0	3
P0152.050-040-B2	M 5	40	3.7	7.5	8.5	5.5	3.3	2.0	3
P0152.050-050-B2	M 5	50	3.7	7.5	8.5	5.5	3.3	2.0	3
P0152.050-060-B2	M 5	60	3.7	7.5	8.5	5.5	3.3	2.0	3
P0152.050-080-B2	M 5	80	3.7	7.5	8.5	5.5	3.3	2.0	3
P0152.060-016-B2	M 6	16	4.2	7.5	10.0	6.5	3.9	2.3	4
P0152.060-020-B2	M 6	20	4.2	7.5	10.0	6.5	3.9	2.3	4
P0152.060-025-B2	M 6	25	4.2	7.5	10.0	6.5	3.9	2.3	4
P0152.060-030-B2	M 6	30	4.2	7.5	10.0	6.5	3.9	2.3	4
P0152.060-040-B2	M 6	40	4.2	7.5	10.0	6.5	3.9	2.3	4
P0152.060-050-B2	M 6	50	4.2	7.5	10.0	6.5	3.9	2.3	4
P0152.060-060-B2	M 6	60	4.2	7.5	10.0	6.5	3.9	2.3	4
P0152.060-080-B2	M 6	80	4.2	7.5	10.0	6.5	3.9	2.3	4

CAPTIVE SCREWS

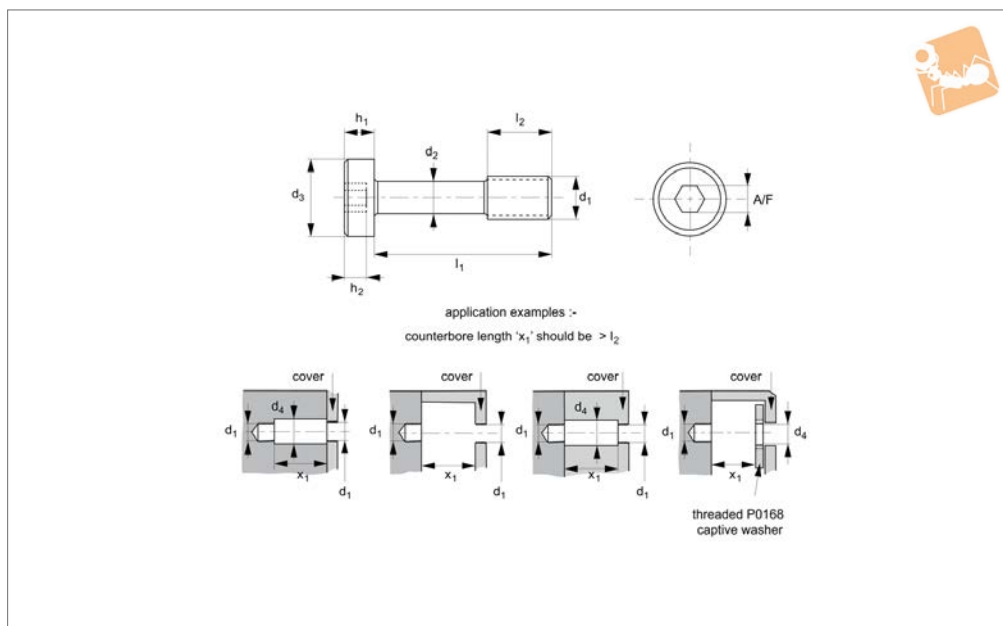


CAPTIVE SCREWS



MADE IN BRITAIN

P0152.B4



Material

Stainless steel (AISI 316, 1.4401), black oxide coated. This grade of stainless steel is highly resistant to corrosion and is suitable for outdoor, medical and marine applications. Tensile strength 550 N/mm². Also available on request in titanium, steel (anodised, black oxide coated or zinc plated), brass, aluminium etc.

Technical Notes

Used to comply with the Machinery Directive 2006/42/EC. Generally to ISO 1207. Often used with our captive washers (P0168) or retaining flanges (P0169 - for sheet metal applications). The use of our captive washers should be considered when fitted in panels with unthreaded holes.

Important Notes

Please note that these screws have a reduced diameter shank and should not be tightened to the recommended torque for an equivalent machine screw of size d₁.

Order No.	d ₁	l ₁ ±0.25	d ₂ ±0.12	l ₂ ±0.25	d ₃	d ₄ min.	h ₁	h ₂	A/F
P0152.020-010-B4	M 2	10	1.2	3.0	3.8	2.5	1.3	0.85	1.3
P0152.020-012-B4	M 2	12	1.2	3.0	3.8	2.5	1.3	0.85	1.3
P0152.020-016-B4	M 2	16	1.2	3.0	3.8	2.5	1.3	0.85	1.3
P0152.020-020-B4	M 2	20	1.2	3.0	3.8	2.5	1.3	0.85	1.3
P0152.025-008-B4	M 2,5	8	1.7	3.7	4.5	2.8	1.6	1.00	1.5
P0152.025-010-B4	M 2,5	10	1.7	3.7	4.5	2.8	1.6	1.00	1.5
P0152.025-016-B4	M 2,5	16	1.7	3.7	4.5	2.8	1.6	1.00	1.5
P0152.025-020-B4	M 2,5	20	1.7	3.7	4.5	2.8	1.6	1.00	1.5
P0152.025-025-B4	M 2,5	25	1.7	3.7	4.5	2.8	1.6	1.00	1.5
P0152.025-030-B4	M 2,5	30	1.7	3.7	4.5	2.8	1.6	1.00	1.5
P0152.030-010-B4	M 3	10	2.0	4.5	5.5	3.5	2.0	1.30	2
P0152.030-011-B4	M 3	11	2.0	4.5	5.5	3.5	2.0	1.30	2
P0152.030-013-B4	M 3	13	2.0	4.5	5.5	3.5	2.0	1.30	2
P0152.030-016-B4	M 3	16	2.0	4.5	5.5	3.5	2.0	1.30	2
P0152.030-018-B4	M 3	18	2.0	4.5	5.5	3.5	2.0	1.30	2
P0152.030-020-B4	M 3	20	2.0	4.5	5.5	3.5	2.0	1.30	2
P0152.030-025-B4	M 3	25	2.0	4.5	5.5	3.5	2.0	1.30	2
P0152.030-030-B4	M 3	30	2.0	4.5	5.5	3.5	2.0	1.30	2
P0152.030-040-B4	M 3	40	2.0	4.5	5.5	3.5	2.0	1.30	2
P0152.035-010-B4	M 3,5	10	2.3	5.2	6.0	3.8	2.4	1.4	2.5
P0152.035-016-B4	M 3,5	16	2.3	5.2	6.0	3.8	2.4	1.4	2.5
P0152.035-020-B4	M 3,5	20	2.3	5.2	6.0	3.8	2.4	1.4	2.5
P0152.035-025-B4	M 3,5	25	2.3	5.2	6.0	3.8	2.4	1.4	2.5
P0152.035-030-B4	M 3,5	30	2.3	5.2	6.0	3.8	2.4	1.4	2.5
P0152.035-040-B4	M 3,5	40	2.3	5.2	6.0	3.8	2.4	1.4	2.5
P0152.040-010-B4	M 4	10	2.8	6.0	7.0	4.5	2.6	1.6	2.5
P0152.040-012-B4	M 4	12	2.8	6.0	7.0	4.5	2.6	1.6	2.5
P0152.040-016-B4	M 4	16	2.8	6.0	7.0	4.5	2.6	1.6	2.5



Captive Screws - Cheese Head

hex drive - 316 stainless - blackened



Captive Screws

Order No.	d ₁	l ₁ ±0.25	d ₂ ±0.12	l ₂ ±0.25	d ₃	d ₄ min.	h ₁	h ₂	A/F
P0152.040-018-B4	M 4	18	2.8	6.0	7.0	4.5	2.6	1.6	2.5
P0152.040-019-B4	M 4	19	2.8	6.0	7.0	4.5	2.6	1.6	2.5
P0152.040-020-B4	M 4	20	2.8	6.0	7.0	4.5	2.6	1.6	2.5
P0152.040-025-B4	M 4	25	2.8	6.0	7.0	4.5	2.6	1.6	2.5
P0152.040-030-B4	M 4	30	2.8	6.0	7.0	4.5	2.6	1.6	2.5
P0152.040-040-B4	M 4	40	2.8	6.0	7.0	4.5	2.6	1.6	2.5
P0152.040-050-B4	M 4	50	2.8	6.0	7.0	4.5	2.6	1.6	2.5
P0152.040-060-B4	M 4	60	2.8	6.0	7.0	4.5	2.6	1.6	2.5
P0152.050-010-B4	M 5	10	3.7	7.5	8.5	5.5	3.3	2.0	3
P0152.050-012-B4	M 5	12	3.7	7.5	8.5	5.5	3.3	2.0	3
P0152.050-016-B4	M 5	16	3.7	7.5	8.5	5.5	3.3	2.0	3
P0152.050-018-B4	M 5	18	3.7	7.5	8.5	5.5	3.3	2.0	3
P0152.050-020-B4	M 5	20	3.7	7.5	8.5	5.5	3.3	2.0	3
P0152.050-022-B4	M 5	22	3.7	7.5	8.5	5.5	3.3	2.0	3
P0152.050-025-B4	M 5	25	3.7	7.5	8.5	5.5	3.3	2.0	3
P0152.050-030-B4	M 5	30	3.7	7.5	8.5	5.5	3.3	2.0	3
P0152.050-040-B4	M 5	40	3.7	7.5	8.5	5.5	3.3	2.0	3
P0152.050-050-B4	M 5	50	3.7	7.5	8.5	5.5	3.3	2.0	3
P0152.050-060-B4	M 5	60	3.7	7.5	8.5	5.5	3.3	2.0	3
P0152.050-080-B4	M 5	80	3.7	7.5	8.5	5.5	3.3	2.0	3
P0152.060-016-B4	M 6	16	4.2	7.5	10.0	6.5	3.9	2.3	4
P0152.060-020-B4	M 6	20	4.2	7.5	10.0	6.5	3.9	2.3	4
P0152.060-025-B4	M 6	25	4.2	7.5	10.0	6.5	3.9	2.3	4
P0152.060-030-B4	M 6	30	4.2	7.5	10.0	6.5	3.9	2.3	4
P0152.060-040-B4	M 6	40	4.2	7.5	10.0	6.5	3.9	2.3	4
P0152.060-050-B4	M 6	50	4.2	7.5	10.0	6.5	3.9	2.3	4
P0152.060-060-B4	M 6	60	4.2	7.5	10.0	6.5	3.9	2.3	4
P0152.060-080-B4	M 6	80	4.2	7.5	10.0	6.5	3.9	2.3	4

CAPTIVE SCREWS

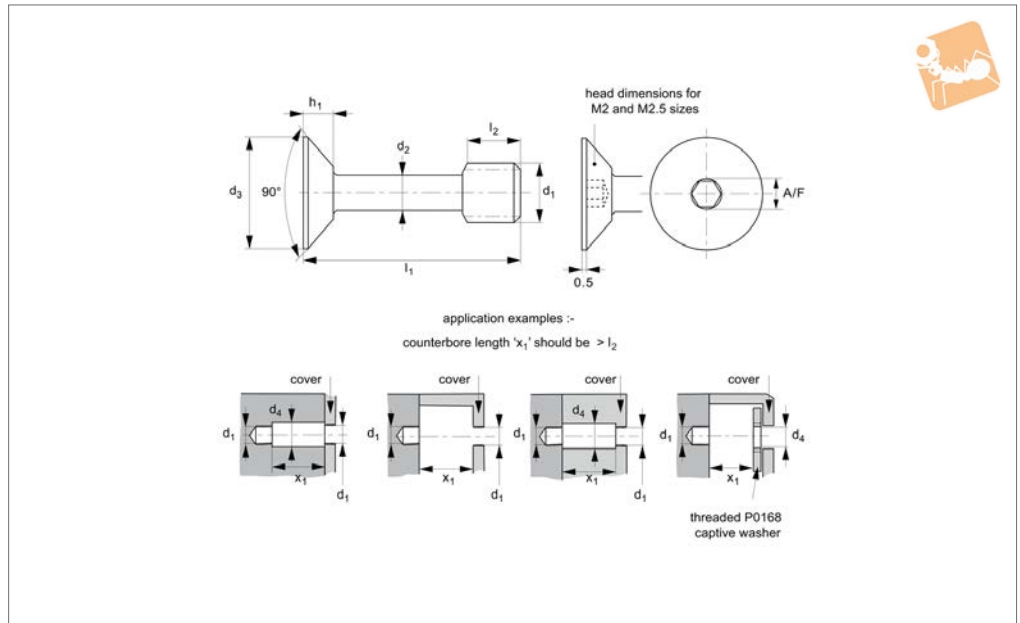


CAPTIVE SCREWS



MADE IN BRITAIN

P0153.B2



Material

Stainless steel (AISI 303, 1.4305), black oxide coating. Tensile strength 550 N/mm². Proof stress min. 190 N/mm², austenitic stainless steel. Also available on request in steel (anodised, black oxide or zinc plated), brass, aluminium etc.

Technical Notes

Used to comply with the Machinery Direc-

tive 2006/42/EC. Often used with our captive washers (P0168) or retaining flanges (P0169 - for sheet metal applications). The use of our captive washers should be considered when fitted in panels with unthreaded holes.

Important Notes

Please note that these screws have a reduced diameter shank and should not be tightened to the recommended torque for

an equivalent machine screw of size d_1 . To accommodate the slight undercut at the top of the shank, the hex socket is smaller than on a similar threaded machine screw.

Order No.	d_1	l_1 ± 0.25	d_2 ± 0.12	l_2 ± 0.25	d_3 max.	d_4 min.	h_1 max.	A/F
P0153.020-010-B2	M 2	10	1.2	3.5	3.8	2.5	1.20	1.0
P0153.020-012-B2	M 2	12	1.2	3.5	3.8	2.5	1.20	1.0
P0153.020-016-B2	M 2	16	1.2	3.5	3.8	2.5	1.20	1.0
P0153.020-020-B2	M 2	20	1.2	3.5	3.8	2.5	1.20	1.0
P0153.025-010-B2	M 2,5	10	1.7	3.7	4.7	2.8	1.80	1.3
P0153.025-012-B2	M 2,5	12	1.7	3.7	4.7	2.8	1.80	1.3
P0153.025-016-B2	M 2,5	16	1.7	3.7	4.7	2.8	1.80	1.3
P0153.025-020-B2	M 2,5	20	1.7	3.7	4.7	2.8	1.80	1.3
P0153.030-008-B2	M 3	10	2.0	4.5	5.6	3.5	1.65	1.5
P0153.030-010-B2	M 3	10	2.0	4.5	5.6	3.5	1.65	1.5
P0153.030-012-B2	M 3	12	2.0	4.5	5.6	3.5	1.65	1.5
P0153.030-016-B2	M 3	16	2.0	4.5	5.6	3.5	1.65	1.5
P0153.030-020-B2	M 3	20	2.0	4.5	5.6	3.5	1.65	1.5
P0153.030-025-B2	M 3	25	2.0	4.5	5.6	3.5	1.65	1.5
P0153.030-030-B2	M 3	30	2.0	4.5	5.6	3.5	1.65	1.5
P0153.030-035-B2	M 3	35	2.0	4.5	5.6	3.5	1.65	1.5
P0153.030-040-B2	M 3	40	2.0	4.5	5.6	3.5	1.65	1.5
P0153.040-010-B2	M 4	10	2.8	6.0	7.5	4.5	2.20	2.0
P0153.040-012-B2	M 4	12	2.8	6.0	7.5	4.5	2.20	2.0
P0153.040-014-B2	M 4	14	2.8	6.0	7.5	4.5	2.20	2.0
P0153.040-016-B2	M 4	16	2.8	6.0	7.5	4.5	2.20	2.0
P0153.040-020-B2	M 4	20	2.8	6.0	7.5	4.5	2.20	2.0
P0153.040-025-B2	M 4	25	2.8	6.0	7.5	4.5	2.20	2.0
P0153.040-030-B2	M 4	30	2.8	6.0	7.5	4.5	2.20	2.0
P0153.040-035-B2	M 4	35	2.8	6.0	7.5	4.5	2.20	2.0
P0153.040-040-B2	M 4	40	2.8	6.0	7.5	4.5	2.20	2.0



Captive Screws - Countersunk

hex drive - 303 stainless, blackened

Captive Screws



Order No.	d ₁	l ₁ ±0.25	d ₂ ±0.12	l ₂ ±0.25	d ₃ max.	d ₄ min.	h ₁ max.	A/F
P0153.040-050-B2	M 4	50	2.8	6.0	7.5	4.5	2.20	2.0
P0153.040-060-B2	M 4	60	2.8	6.0	7.5	4.5	2.20	2.0
P0153.050-012-B2	M 5	12	3.7	7.5	9.2	5.5	2.50	2.5
P0153.050-014-B2	M 5	14	3.7	7.5	9.2	5.5	2.50	2.5
P0153.050-016-B2	M 5	16	3.7	7.5	9.2	5.5	2.50	2.5
P0153.050-020-B2	M 5	20	3.7	7.5	9.2	5.5	2.50	2.5
P0153.050-025-B2	M 5	25	3.7	7.5	9.2	5.5	2.50	2.5
P0153.050-030-B2	M 5	30	3.7	7.5	9.2	5.5	2.50	2.5
P0153.050-035-B2	M 5	35	3.7	7.5	9.2	5.5	2.50	2.5
P0153.050-040-B2	M 5	40	3.7	7.5	9.2	5.5	2.50	2.5
P0153.050-050-B2	M 5	50	3.7	7.5	9.2	5.5	2.50	2.5
P0153.050-060-B2	M 5	60	3.7	7.5	9.2	5.5	2.50	2.5
P0153.060-016-B2	M 6	16	4.2	8.0	11.0	6.5	3.00	3.0
P0153.060-020-B2	M 6	20	4.2	8.0	11.0	6.5	3.00	3.0
P0153.060-025-B2	M 6	25	4.2	8.0	11.0	6.5	3.00	3.0
P0153.060-030-B2	M 6	30	4.2	8.0	11.0	6.5	3.00	3.0
P0153.060-035-B2	M 6	35	4.2	8.0	11.0	6.5	3.00	3.0
P0153.060-040-B2	M 6	40	4.2	8.0	11.0	6.5	3.00	3.0
P0153.060-050-B2	M 6	50	4.2	8.0	11.0	6.5	3.00	3.0
P0153.060-060-B2	M 6	60	4.2	8.0	11.0	6.5	3.00	3.0
P0153.080-020-B2	M 8	20	6.0	10.0	15.0	8.5	4.10	4.0
P0153.080-025-B2	M 8	25	6.0	10.0	15.0	8.5	4.10	4.0
P0153.080-030-B2	M 8	30	6.0	10.0	15.0	8.5	4.10	4.0
P0153.080-040-B2	M 8	40	6.0	10.0	15.0	8.5	4.10	4.0
P0153.080-050-B2	M 8	50	6.0	10.0	15.0	8.5	4.10	4.0
P0153.080-060-B2	M 8	60	6.0	10.0	15.0	8.5	4.10	4.0

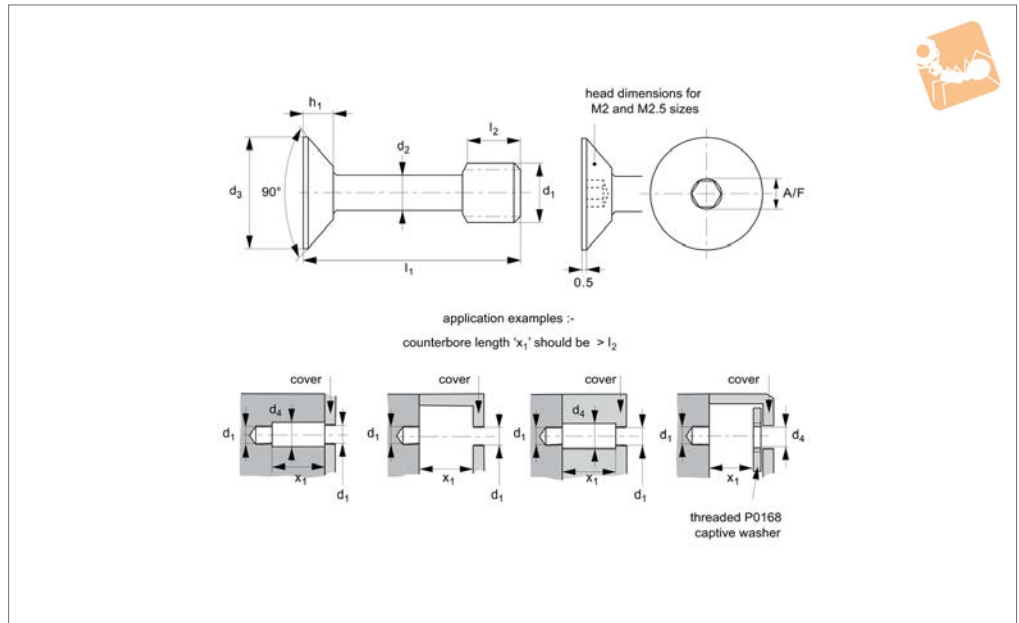
CAPTIVE SCREWS



CAPTIVE SCREWS



P0153.B4



Material

Stainless steel (AISI 316, 1.440), black oxide coating. Tensile strength 480 N/mm². Proof stress min. 200 N/mm², austenitic stainless steel. Also available on request in steel (anodised, black oxide or zinc plated), brass, aluminium etc.

Technical Notes

Used to comply with the Machinery Direc-

tive 2006/42/EC. Often used with our captive washers (P0168) or retaining flanges (P0169 - for sheet metal applications). The use of our captive washers should be considered when fitted in panels with unthreaded holes.

Important Notes

Please note that these screws have a reduced diameter shank and should not be tightened to the recommended torque for

an equivalent machine screw of size d₁. To accommodate the slight undercut at the top of the shank, the hex socket is smaller than on a similar threaded machine screw.

Order No.	d ₁	l ₁ ±0.25	d ₂ ±0.12	l ₂ ±0.25	d ₃ max.	d ₄ min.	h ₁ max.	A/F
P0153.020-010-B4	M 2	10	1.2	3.5	3.8	2.5	1.20	1.0
P0153.020-012-B4	M 2	12	1.2	3.5	3.8	2.5	1.20	1.0
P0153.020-016-B4	M 2	16	1.2	3.5	3.8	2.5	1.20	1.0
P0153.020-020-B4	M 2	20	1.2	3.5	3.8	2.5	1.20	1.0
P0153.025-010-B4	M 2,5	10	1.7	3.7	4.7	2.8	1.80	1.3
P0153.025-012-B4	M 2,5	12	1.7	3.7	4.7	2.8	1.80	1.3
P0153.025-016-B4	M 2,5	16	1.7	3.7	4.7	2.8	1.80	1.3
P0153.025-020-B4	M 2,5	20	1.7	3.7	4.7	2.8	1.80	1.3
P0153.030-008-B4	M 3	8	2.0	4.5	5.6	3.5	1.65	1.5
P0153.030-010-B4	M 3	10	2.0	4.5	5.6	3.5	1.65	1.5
P0153.030-012-B4	M 3	12	2.0	4.5	5.6	3.5	1.65	1.5
P0153.030-016-B4	M 3	16	2.0	4.5	5.6	3.5	1.65	1.5
P0153.030-020-B4	M 3	20	2.0	4.5	5.6	3.5	1.65	1.5
P0153.030-025-B4	M 3	25	2.0	4.5	5.6	3.5	1.65	1.5
P0153.030-030-B4	M 3	30	2.0	4.5	5.6	3.5	1.65	1.5
P0153.030-035-B4	M 3	35	2.0	4.5	5.6	3.5	1.65	1.5
P0153.030-040-B4	M 3	40	2.0	4.5	5.6	3.5	1.65	1.5
P0153.040-010-B4	M 4	10	2.8	6.0	7.5	4.5	2.20	2.0
P0153.040-012-B4	M 4	12	2.8	6.0	7.5	4.5	2.20	2.0
P0153.040-014-B4	M 4	14	2.8	6.0	7.5	4.5	2.20	2.0
P0153.040-016-B4	M 4	16	2.8	6.0	7.5	4.5	2.20	2.0
P0153.040-020-B4	M 4	20	2.8	6.0	7.5	4.5	2.20	2.0
P0153.040-025-B4	M 4	25	2.8	6.0	7.5	4.5	2.20	2.0
P0153.040-030-B4	M 4	30	2.8	6.0	7.5	4.5	2.20	2.0
P0153.040-035-B4	M 4	35	2.8	6.0	7.5	4.5	2.20	2.0
P0153.040-040-B4	M 4	40	2.8	6.0	7.5	4.5	2.20	2.0



Captive Screws - Countersunk

hex drive - 316 stainless, blackened

Captive Screws



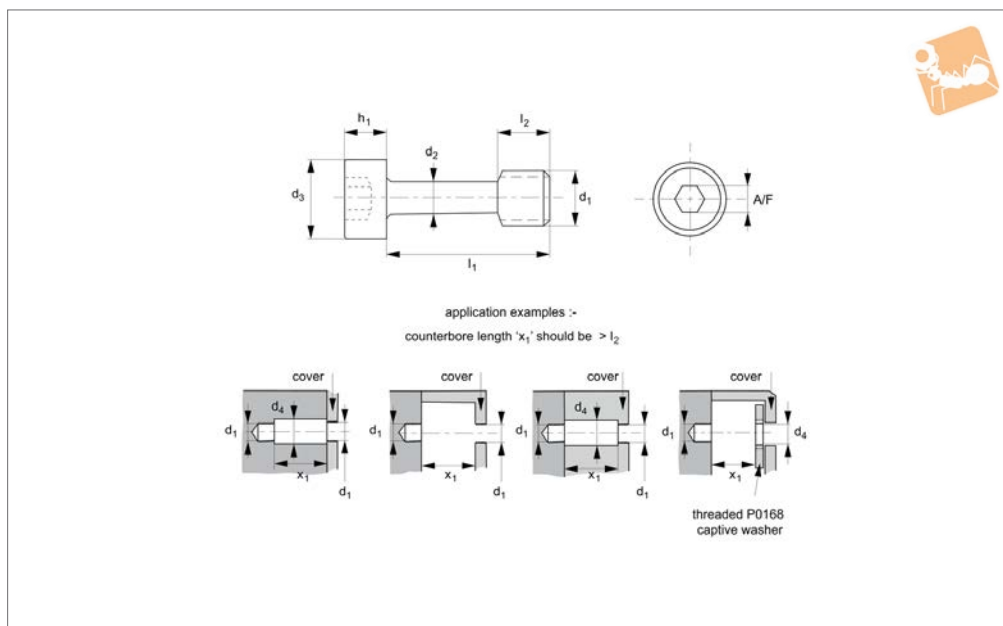
Order No.	d ₁	l ₁ ±0.25	d ₂ ±0.12	l ₂ ±0.25	d ₃ max.	d ₄ min.	h ₁ max.	A/F
P0153.040-050-B4	M 4	50	2.8	6.0	7.5	4.5	2.20	2.0
P0153.040-060-B4	M 4	60	2.8	6.0	7.5	4.5	2.20	2.0
P0153.050-012-B4	M 5	12	3.7	7.5	9.2	5.5	2.50	2.5
P0153.050-014-B4	M 5	14	3.7	7.5	9.2	5.5	2.50	2.5
P0153.050-016-B4	M 5	16	3.7	7.5	9.2	5.5	2.50	2.5
P0153.050-020-B4	M 5	20	3.7	7.5	9.2	5.5	2.50	2.5
P0153.050-025-B4	M 5	25	3.7	7.5	9.2	5.5	2.50	2.5
P0153.050-030-B4	M 5	30	3.7	7.5	9.2	5.5	2.50	2.5
P0153.050-035-B4	M 5	35	3.7	7.5	9.2	5.5	2.50	2.5
P0153.050-040-B4	M 5	40	3.7	7.5	9.2	5.5	2.50	2.5
P0153.050-050-B4	M 5	50	3.7	7.5	9.2	5.5	2.50	2.5
P0153.050-060-B4	M 5	60	3.7	7.5	9.2	5.5	2.50	2.5
P0153.060-016-B4	M 6	16	4.2	8.0	11.0	6.5	3.00	3.0
P0153.060-020-B4	M 6	20	4.2	8.0	11.0	6.5	3.00	3.0
P0153.060-025-B4	M 6	25	4.2	8.0	11.0	6.5	3.00	3.0
P0153.060-030-B4	M 6	30	4.2	8.0	11.0	6.5	3.00	3.0
P0153.060-035-B4	M 6	35	4.2	8.0	11.0	6.5	3.00	3.0
P0153.060-040-B4	M 6	40	4.2	8.0	11.0	6.5	3.00	3.0
P0153.060-050-B4	M 6	50	4.2	8.0	11.0	6.5	3.00	3.0
P0153.060-060-B4	M 6	60	4.2	8.0	11.0	6.5	3.00	3.0
P0153.080-020-B4	M 8	20	6.0	10.0	15.0	8.5	4.10	4.0
P0153.080-025-B4	M 8	25	6.0	10.0	15.0	8.5	4.10	4.0
P0153.080-030-B4	M 8	30	6.0	10.0	15.0	8.5	4.10	4.0
P0153.080-040-B4	M 8	40	6.0	10.0	15.0	8.5	4.10	4.0
P0153.080-050-B4	M 8	50	6.0	10.0	15.0	8.5	4.10	4.0
P0153.080-060-B4	M 8	60	6.0	10.0	15.0	8.5	4.10	4.0

CAPTIVE SCREWS



MADE IN BRITAIN

P0154.B2



Material

Stainless steel (AISI 303, 1.4305), black oxide coating. Tensile strength 550 N/mm². Proof stress min. 190 N/mm², austenitic stainless steel.

Also available on request in steel (anodised, black oxide or zinc plated) stainless steel (AISI 316, 1.440), brass, aluminium etc.

Technical Notes

Used to comply with the Machinery Directive 2006/42/EC. Generally to ISO 4762. Often used with our captive washers (P0168) or retaining flanges (P0169 - for sheet metal applications). The use of our captive washers should be considered when fitted in panels with unthreaded holes.

Tips

For TX drive style, see P0156.

Important Notes

Please note that these screws have a reduced diameter shank and should not be tightened to the recommended torque for an equivalent machine screw of size d₁.

Order No.	d ₁	l ₁ ±0.25	d ₂ ±0.12	l ₂ ±0.25	d ₃ max.	d ₄ min.	h ₁ max.	A/F
P0154.025-005-B2	M 2,5	5	1.8	3.0	4.5	2.8	2.5	2
P0154.025-008-B2	M 2,5	8	1.8	3.0	4.5	2.8	2.5	2
P0154.025-010-B2	M 2,5	10	1.8	3.0	4.5	2.8	2.5	2
P0154.025-012-B2	M 2,5	12	1.8	3.0	4.5	2.8	2.5	2
P0154.030-008-B2	M 3	8	2.0	4.5	5.5	3.5	3.0	2.5
P0154.030-010-B2	M 3	10	2.0	4.5	5.5	3.5	3.0	2.5
P0154.030-012-B2	M 3	12	2.0	4.5	5.5	3.5	3.0	2.5
P0154.030-016-B2	M 3	16	2.0	4.5	5.5	3.5	3.0	2.5
P0154.030-020-B2	M 3	20	2.0	4.5	5.5	3.5	3.0	2.5
P0154.030-025-B2	M 3	25	2.0	4.5	5.5	3.5	3.0	2.5
P0154.030-030-B2	M 3	30	2.0	4.5	5.5	3.5	3.0	2.5
P0154.040-010-B2	M 4	10	2.8	6.0	7.0	4.5	4.0	3
P0154.040-012-B2	M 4	12	2.8	6.0	7.0	4.5	4.0	3
P0154.040-016-B2	M 4	16	2.8	6.0	7.0	4.5	4.0	3
P0154.040-020-B2	M 4	20	2.8	6.0	7.0	4.5	4.0	3
P0154.040-025-B2	M 4	25	2.8	6.0	7.0	4.5	4.0	3
P0154.040-030-B2	M 4	30	2.8	6.0	7.0	4.5	4.0	3
P0154.040-035-B2	M 4	35	2.8	6.0	7.0	4.5	4.0	3
P0154.040-040-B2	M 4	40	2.8	6.0	7.0	4.5	4.0	3
P0154.040-050-B2	M 4	50	2.8	6.0	7.0	4.5	4.0	3
P0154.050-012-B2	M 5	12	3.7	7.5	8.5	5.5	5.0	4
P0154.050-016-B2	M 5	16	3.7	7.5	8.5	5.5	5.0	4
P0154.050-020-B2	M 5	20	3.7	7.5	8.5	5.5	5.0	4
P0154.050-025-B2	M 5	25	3.7	7.5	8.5	5.5	5.0	4
P0154.050-030-B2	M 5	30	3.7	7.5	8.5	5.5	5.0	4
P0154.050-035-B2	M 5	35	3.7	7.5	8.5	5.5	5.0	4
P0154.050-040-B2	M 5	40	3.7	7.5	8.5	5.5	5.0	4
P0154.050-050-B2	M 5	50	3.7	7.5	8.5	5.5	5.0	4



Captive Screws - Cap Head

hex drive - 303 stainless, blackened



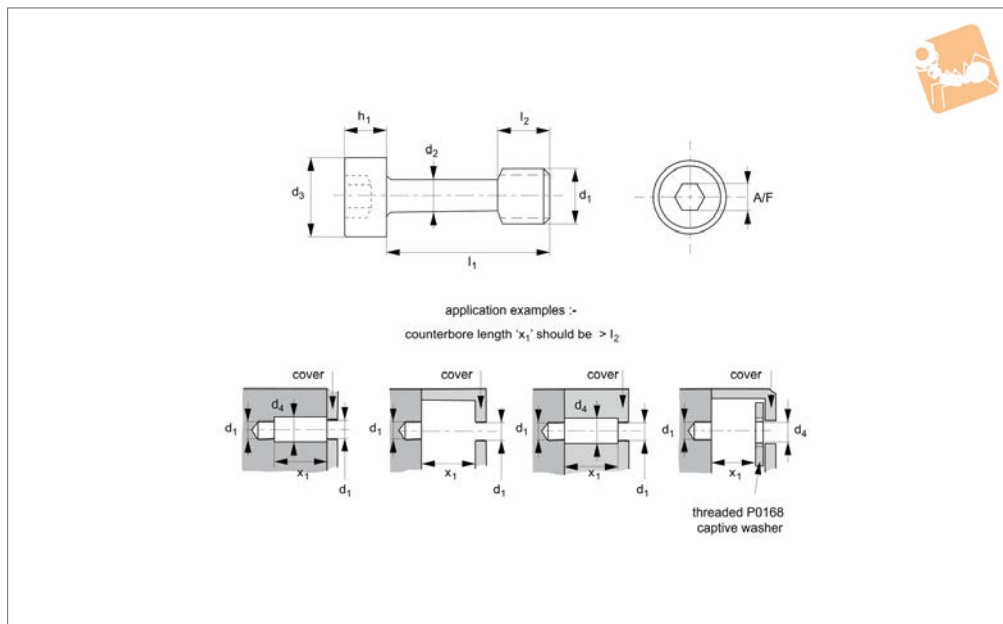
Captive Screws

Order No.	d ₁	l ₁ ±0.25	d ₂ ±0.12	l ₂ ±0.25	d ₃ max.	d ₄ min.	h ₁ max.	A/F
P0154.060-012-B2	M 6	12	4.2	7.5	10.0	6.5	6.0	5
P0154.060-016-B2	M 6	16	4.2	7.5	10.0	6.5	6.0	5
P0154.060-020-B2	M 6	20	4.2	7.5	10.0	6.5	6.0	5
P0154.060-025-B2	M 6	25	4.2	7.5	10.0	6.5	6.0	5
P0154.060-030-B2	M 6	30	4.2	7.5	10.0	6.5	6.0	5
P0154.060-035-B2	M 6	35	4.2	7.5	10.0	6.5	6.0	5
P0154.060-040-B2	M 6	40	4.2	7.5	10.0	6.5	6.0	5
P0154.060-050-B2	M 6	50	4.2	7.5	10.0	6.5	6.0	5
P0154.060-060-B2	M 6	60	4.2	7.5	10.0	6.5	6.0	5
P0154.060-080-B2	M 6	80	4.2	7.5	10.0	6.5	6.0	5
P0154.080-016-B2	M 8	16	6.0	10.0	13.0	8.5	8.0	6
P0154.080-020-B2	M 8	20	6.0	10.0	13.0	8.5	8.0	6
P0154.080-025-B2	M 8	25	6.0	10.0	13.0	8.5	8.0	6
P0154.080-030-B2	M 8	30	6.0	10.0	13.0	8.5	8.0	6
P0154.080-035-B2	M 8	35	6.0	10.0	13.0	8.5	8.0	6
P0154.080-040-B2	M 8	40	6.0	10.0	13.0	8.5	8.0	6
P0154.080-045-B2	M 8	45	6.0	10.0	13.0	8.5	8.0	6
P0154.080-050-B2	M 8	50	6.0	10.0	13.0	8.5	8.0	6
P0154.080-060-B2	M 8	60	6.0	10.0	13.0	8.5	8.0	6
P0154.080-080-B2	M 8	80	6.0	10.0	13.0	8.5	8.0	6
P0154.100-020-B2	M10	20	7.5	12.5	16.0	10.6	10.0	8
P0154.100-025-B2	M10	25	7.5	12.5	16.0	10.6	10.0	8
P0154.100-030-B2	M10	30	7.5	12.5	16.0	10.6	10.0	8
P0154.100-035-B2	M10	35	7.5	12.5	16.0	10.6	10.0	8
P0154.100-040-B2	M10	40	7.5	12.5	16.0	10.6	10.0	8
P0154.100-045-B2	M10	45	7.5	12.5	16.0	10.6	10.0	8
P0154.100-050-B2	M10	50	7.5	12.5	16.0	10.6	10.0	8
P0154.100-060-B2	M10	60	7.5	12.5	16.0	10.6	10.0	8
P0154.100-080-B2	M10	80	7.5	12.5	16.0	10.6	10.0	8
P0154.120-025-B2	M12	25	8.0	15.0	18.0	13.2	12.0	10
P0154.120-030-B2	M12	30	8.0	15.0	18.0	13.2	12.0	10
P0154.120-035-B2	M12	35	8.0	15.0	18.0	13.2	12.0	10
P0154.120-040-B2	M12	40	8.0	15.0	18.0	13.2	12.0	10
P0154.120-045-B2	M12	45	8.0	15.0	18.0	13.2	12.0	10
P0154.120-050-B2	M12	50	8.0	15.0	18.0	13.2	12.0	10
P0154.120-060-B2	M12	60	8.0	15.0	18.0	13.2	12.0	10
P0154.120-080-B2	M12	80	8.0	15.0	18.0	13.2	12.0	10
P0154.160-030-B2	M16	30	12.0	20.0	24.0	17.5	16.0	14
P0154.160-035-B2	M16	35	12.0	20.0	24.0	17.5	16.0	14
P0154.160-040-B2	M16	40	12.0	20.0	24.0	17.5	16.0	14
P0154.160-045-B2	M16	45	12.0	20.0	24.0	17.5	16.0	14
P0154.160-050-B2	M16	50	12.0	20.0	24.0	17.5	16.0	14
P0154.160-060-B2	M16	60	12.0	20.0	24.0	17.5	16.0	14
P0154.160-080-B2	M16	80	12.0	20.0	24.0	17.5	16.0	14
P0154.160-100-B2	M16	100	12.0	20.0	24.0	17.5	16.0	14
P0154.200-040-B2	M20	40	16.0	25.0	30.0	22.0	20.0	19
P0154.200-060-B2	M20	60	16.0	25.0	30.0	22.0	20.0	19
P0154.200-080-B2	M20	80	16.0	25.0	30.0	22.0	20.0	19
P0154.200-100-B2	M20	100	16.0	25.0	30.0	22.0	20.0	19
P0154.200-120-B2	M20	120	16.0	25.0	30.0	22.0	20.0	19

CAPTIVE SCREWS



P0154.B4



Material

Stainless steel (AISI 316, 1.440), black oxide coating. Tensile strength 480 N/mm². Proof stress min. 200 N/mm², austenitic stainless steel.

Also available on request in steel (anodised, black oxide or zinc plated) stainless steel (AISI 303, 1.4305), brass, aluminium etc.

Technical Notes

Used to comply with the Machinery Directive 2006/42/EC. Generally to ISO 4762. Often used with our captive washers (P0168) or retaining flanges (P0169 - for sheet metal applications). The use of our captive washers should be considered when fitted in panels with unthreaded holes.

Tips

For TX drive style, see P0156.

Important Notes

Please note that these screws have a reduced diameter shank and should not be tightened to the recommended torque for an equivalent machine screw of size d₁.

Order No.	d ₁	l ₁ ±0.25	d ₂ ±0.12	l ₂ ±0.25	d ₃ max.	d ₄ min.	h ₁ max.	A/F
P0154.025-005-B4	M 2,5	5	1.8	3.0	4.5	2.8	2.5	2
P0154.025-008-B4	M 2,5	8	1.8	3.0	4.5	2.8	2.5	2
P0154.025-010-B4	M 2,5	10	1.8	3.0	4.5	2.8	2.5	2
P0154.025-012-B4	M 2,5	12	1.8	3.0	4.5	2.8	2.5	2
P0154.030-008-B4	M 3	8	2.0	4.5	5.5	3.5	3.0	2.5
P0154.030-010-B4	M 3	10	2.0	4.5	5.5	3.5	3.0	2.5
P0154.030-012-B4	M 3	12	2.0	4.5	5.5	3.5	3.0	2.5
P0154.030-016-B4	M 3	16	2.0	4.5	5.5	3.5	3.0	2.5
P0154.030-020-B4	M 3	20	2.0	4.5	5.5	3.5	3.0	2.5
P0154.030-025-B4	M 3	25	2.0	4.5	5.5	3.5	3.0	2.5
P0154.030-030-B4	M 3	30	2.0	4.5	5.5	3.5	3.0	2.5
P0154.040-010-B4	M 4	10	2.8	6.0	7.0	4.5	4.0	3
P0154.040-016-B4	M 4	16	2.8	6.0	7.0	4.5	4.0	3
P0154.040-020-B4	M 4	20	2.8	6.0	7.0	4.5	4.0	3
P0154.040-025-B4	M 4	25	2.8	6.0	7.0	4.5	4.0	3
P0154.040-030-B4	M 4	30	2.8	6.0	7.0	4.5	4.0	3
P0154.040-035-B4	M 4	35	2.8	6.0	7.0	4.5	4.0	3
P0154.040-040-B4	M 4	40	2.8	6.0	7.0	4.5	4.0	3
P0154.040-050-B4	M 4	50	2.8	6.0	7.0	4.5	4.0	3
P0154.050-012-B4	M 5	12	3.7	7.5	8.5	5.5	5.0	4
P0154.050-016-B4	M 5	16	3.7	7.5	8.5	5.5	5.0	4
P0154.050-020-B4	M 5	20	3.7	7.5	8.5	5.5	5.0	4
P0154.050-025-B4	M 5	25	3.7	7.5	8.5	5.5	5.0	4
P0154.050-030-B4	M 5	30	3.7	7.5	8.5	5.5	5.0	4
P0154.050-035-B4	M 5	35	3.7	7.5	8.5	5.5	5.0	4
P0154.050-040-B4	M 5	40	3.7	7.5	8.5	5.5	5.0	4
P0154.050-050-B4	M 5	50	3.7	7.5	8.5	5.5	5.0	4
P0154.060-012-B4	M 6	12	4.2	7.5	10.0	6.5	6.0	5



Captive Screws - Cap Head

hex drive - 316 stainless, blackened

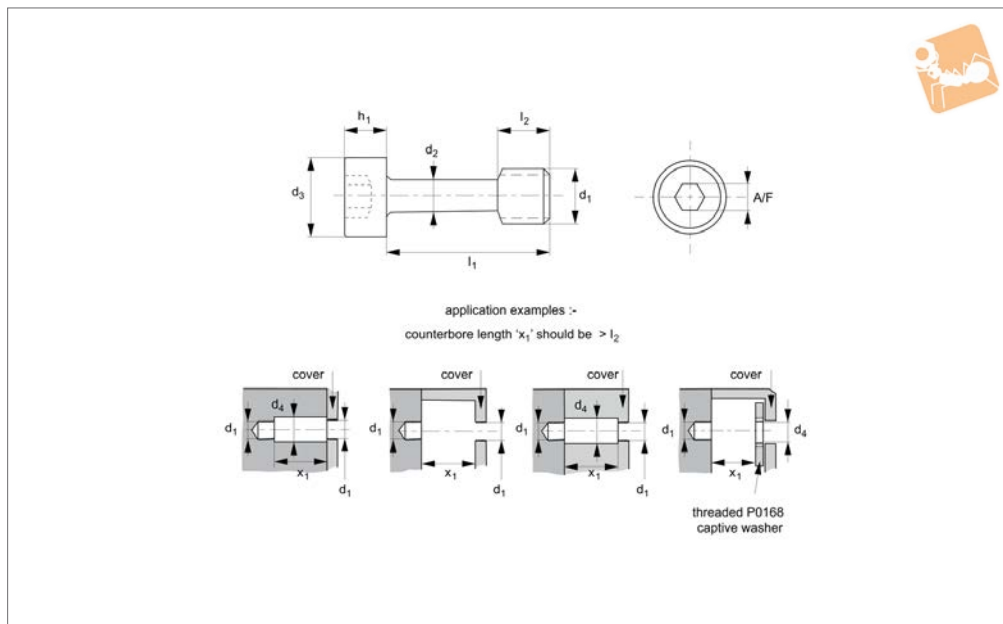


Order No.	d ₁	l ₁ ±0.25	d ₂ ±0.12	l ₂ ±0.25	d ₃ max.	d ₄ min.	h ₁ max.	A/F
P0154.060-016-B4	M 6	16	4.2	7.5	10.0	6.5	6.0	5
P0154.060-020-B4	M 6	20	4.2	7.5	10.0	6.5	6.0	5
P0154.060-025-B4	M 6	25	4.2	7.5	10.0	6.5	6.0	5
P0154.060-030-B4	M 6	30	4.2	7.5	10.0	6.5	6.0	5
P0154.060-035-B4	M 6	35	4.2	7.5	10.0	6.5	6.0	5
P0154.060-040-B4	M 6	40	4.2	7.5	10.0	6.5	6.0	5
P0154.060-050-B4	M 6	50	4.2	7.5	10.0	6.5	6.0	5
P0154.060-060-B4	M 6	60	4.2	7.5	10.0	6.5	6.0	5
P0154.060-080-B4	M 6	80	4.2	7.5	10.0	6.5	6.0	5
P0154.080-016-B4	M 8	16	6.0	10.0	13.0	8.5	8.0	6
P0154.080-020-B4	M 8	20	6.0	10.0	13.0	8.5	8.0	6
P0154.080-025-B4	M 8	25	6.0	10.0	13.0	8.5	8.0	6
P0154.080-030-B4	M 8	30	6.0	10.0	13.0	8.5	8.0	6
P0154.080-035-B4	M 8	35	6.0	10.0	13.0	8.5	8.0	6
P0154.080-040-B4	M 8	40	6.0	10.0	13.0	8.5	8.0	6
P0154.080-045-B4	M 8	45	6.0	10.0	13.0	8.5	8.0	6
P0154.080-050-B4	M 8	50	6.0	10.0	13.0	8.5	8.0	6
P0154.080-060-B4	M 8	60	6.0	10.0	13.0	8.5	8.0	6
P0154.080-080-B4	M 8	80	6.0	10.0	13.0	8.5	8.0	6
P0154.100-020-B4	M10	20	7.5	12.5	16.0	10.6	10.0	8
P0154.100-025-B4	M10	25	7.5	12.5	16.0	10.6	10.0	8
P0154.100-030-B4	M10	30	7.5	12.5	16.0	10.6	10.0	8
P0154.100-035-B4	M10	35	7.5	12.5	16.0	10.6	10.0	8
P0154.100-040-B4	M10	40	7.5	12.5	16.0	10.6	10.0	8
P0154.100-045-B4	M10	45	7.5	12.5	16.0	10.6	10.0	8
P0154.100-050-B4	M10	50	7.5	12.5	16.0	10.6	10.0	8
P0154.100-060-B4	M10	60	7.5	12.5	16.0	10.6	10.0	8
P0154.100-080-B4	M10	80	7.5	12.5	16.0	10.6	10.0	8
P0154.120-025-B4	M12	25	8.0	15.0	18.0	13.2	12.0	10
P0154.120-030-B4	M12	30	8.0	15.0	18.0	13.2	12.0	10
P0154.120-035-B4	M12	35	8.0	15.0	18.0	13.2	12.0	10
P0154.120-040-B4	M12	40	8.0	15.0	18.0	13.2	12.0	10
P0154.120-045-B4	M12	45	8.0	15.0	18.0	13.2	12.0	10
P0154.120-050-B4	M12	50	8.0	15.0	18.0	13.2	12.0	10
P0154.120-060-B4	M12	60	8.0	15.0	18.0	13.2	12.0	10
P0154.120-080-B4	M12	80	8.0	15.0	18.0	13.2	12.0	10
P0154.160-030-B4	M16	30	12.0	20.0	24.0	17.5	16.0	14
P0154.160-035-B4	M16	35	12.0	20.0	24.0	17.5	16.0	14
P0154.160-040-B4	M16	40	12.0	20.0	24.0	17.5	16.0	14
P0154.160-045-B4	M16	45	12.0	20.0	24.0	17.5	16.0	14
P0154.160-050-B4	M16	50	12.0	20.0	24.0	17.5	16.0	14
P0154.160-060-B4	M16	60	12.0	20.0	24.0	17.5	16.0	14
P0154.160-080-B4	M16	80	12.0	20.0	24.0	17.5	16.0	14
P0154.160-100-B4	M16	100	12.0	20.0	24.0	17.5	16.0	14
P0154.200-040-B4	M20	40	16.0	25.0	30.0	22.0	20.0	19
P0154.200-060-B4	M20	60	16.0	25.0	30.0	22.0	20.0	19
P0154.200-080-B4	M20	80	16.0	25.0	30.0	22.0	20.0	19
P0154.200-100-B4	M20	100	16.0	25.0	30.0	22.0	20.0	19
P0154.200-120-B4	M20	120	16.0	25.0	30.0	22.0	20.0	19

CAPTIVE SCREWS



P0154.BL



Material

Steel blackened.

Tensile strength 550 N/mm².

Also available on request in steel (anodised or zinc plated), stainless steel (AISI 316, 1.440 or AISI 303, 1.4305), brass, aluminium etc.

Technical Notes

Used to comply with the Machinery Direc-

tive 2006/42/EC. Generally to ISO 4762.

Often used with our captive washers (P0168) or retaining flanges (P0169 - for sheet metal applications). The use of our captive washers should be considered when fitted in panels with unthreaded holes.

Tips

For TX drive style, see P0156.

Important Notes

Please note that these screws have a reduced diameter shank and should not be tightened to the recommended torque for an equivalent machine screw of size d₁.

Order No.	d ₁	l ₁ ±0.25	d ₂ ±0.12	l ₂ ±0.25	d ₃ max.	d ₄ min.	h ₁ max.	A/F
P0154.025-005-BL	M 2,5	5	1.8	3.0	4.5	2.8	2.5	2
P0154.025-008-BL	M 2,5	8	1.8	3.0	4.5	2.8	2.5	2
P0154.025-010-BL	M 2,5	10	1.8	3.0	4.5	2.8	2.5	2
P0154.025-012-BL	M 2,5	12	1.8	3.0	4.5	2.8	2.5	2
P0154.030-008-BL	M 3	8	2.0	4.5	5.5	3.5	3.0	2.5
P0154.030-010-BL	M 3	10	2.0	4.5	5.5	3.5	3.0	2.5
P0154.030-012-BL	M 3	12	2.0	4.5	5.5	3.5	3.0	2.5
P0154.030-016-BL	M 3	16	2.0	4.5	5.5	3.5	3.0	2.5
P0154.030-020-BL	M 3	20	2.0	4.5	5.5	3.5	3.0	2.5
P0154.030-025-BL	M 3	25	2.0	4.5	5.5	3.5	3.0	2.5
P0154.030-030-BL	M 3	30	2.0	4.5	5.5	3.5	3.0	2.5
P0154.040-010-BL	M 4	10	2.8	6.0	7.0	4.5	4.0	3
P0154.040-012-BL	M 4	12	2.8	6.0	7.0	4.5	4.0	3
P0154.040-016-BL	M 4	16	2.8	6.0	7.0	4.5	4.0	3
P0154.040-020-BL	M 4	20	2.8	6.0	7.0	4.5	4.0	3
P0154.040-025-BL	M 4	25	2.8	6.0	7.0	4.5	4.0	3
P0154.040-030-BL	M 4	30	2.8	6.0	7.0	4.5	4.0	3
P0154.040-035-BL	M 4	35	2.8	6.0	7.0	4.5	4.0	3
P0154.040-040-BL	M 4	40	2.8	6.0	7.0	4.5	4.0	3
P0154.040-050-BL	M 4	50	2.8	6.0	7.0	4.5	4.0	3
P0154.050-012-BL	M 5	12	3.7	7.5	8.5	5.5	5.0	4
P0154.050-016-BL	M 5	16	3.7	7.5	8.5	5.5	5.0	4
P0154.050-020-BL	M 5	20	3.7	7.5	8.5	5.5	5.0	4
P0154.050-025-BL	M 5	25	3.7	7.5	8.5	5.5	5.0	4
P0154.050-030-BL	M 5	30	3.7	7.5	8.5	5.5	5.0	4
P0154.050-035-BL	M 5	35	3.7	7.5	8.5	5.5	5.0	4
P0154.050-040-BL	M 5	40	3.7	7.5	8.5	5.5	5.0	4
P0154.050-050-BL	M 5	50	3.7	7.5	8.5	5.5	5.0	4



Captive Screws - Cap Head

hex drive - steel, blackened



Captive Screws

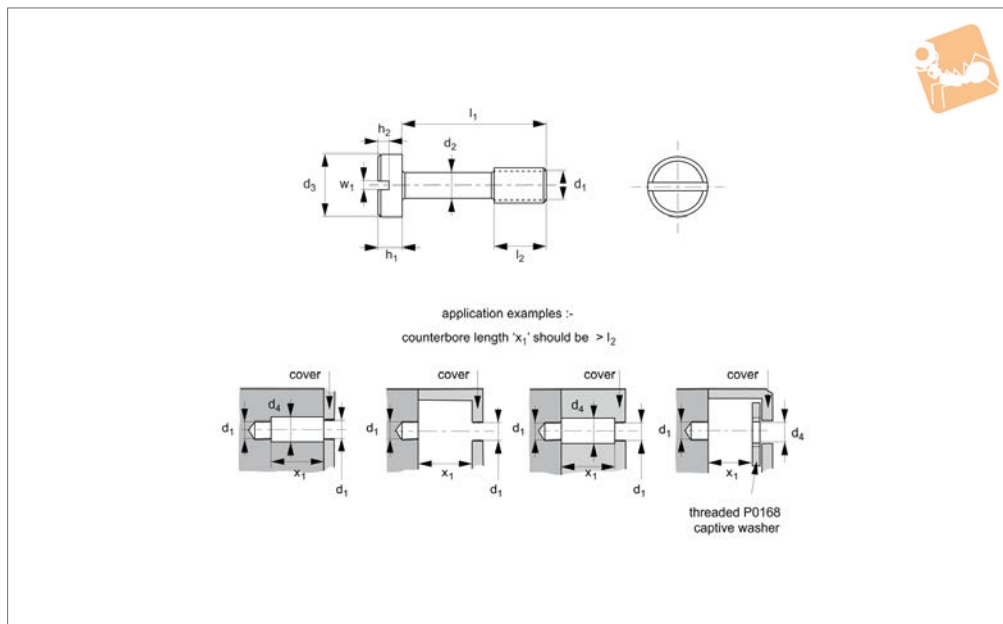
Order No.	d ₁	l ₁ ±0.25	d ₂ ±0.12	l ₂ ±0.25	d ₃ max.	d ₄ min.	h ₁ max.	A/F
P0154.060-012-BL	M 6	12	4.2	7.5	10.0	6.5	6.0	5
P0154.060-016-BL	M 6	16	4.2	7.5	10.0	6.5	6.0	5
P0154.060-020-BL	M 6	20	4.2	7.5	10.0	6.5	6.0	5
P0154.060-025-BL	M 6	25	4.2	7.5	10.0	6.5	6.0	5
P0154.060-030-BL	M 6	30	4.2	7.5	10.0	6.5	6.0	5
P0154.060-035-BL	M 6	35	4.2	7.5	10.0	6.5	6.0	5
P0154.060-040-BL	M 6	40	4.2	7.5	10.0	6.5	6.0	5
P0154.060-050-BL	M 6	50	4.2	7.5	10.0	6.5	6.0	5
P0154.060-060-BL	M 6	60	4.2	7.5	10.0	6.5	6.0	5
P0154.060-080-BL	M 6	80	4.2	7.5	10.0	6.5	6.0	5
P0154.080-016-BL	M 8	16	6.0	10.0	13.0	8.5	8.0	6
P0154.080-020-BL	M 8	20	6.0	10.0	13.0	8.5	8.0	6
P0154.080-025-BL	M 8	25	6.0	10.0	13.0	8.5	8.0	6
P0154.080-030-BL	M 8	30	6.0	10.0	13.0	8.5	8.0	6
P0154.080-035-BL	M 8	35	6.0	10.0	13.0	8.5	8.0	6
P0154.080-040-BL	M 8	40	6.0	10.0	13.0	8.5	8.0	6
P0154.080-045-BL	M 8	45	6.0	10.0	13.0	8.5	8.0	6
P0154.080-050-BL	M 8	50	6.0	10.0	13.0	8.5	8.0	6
P0154.080-060-BL	M 8	60	6.0	10.0	13.0	8.5	8.0	6
P0154.080-080-BL	M 8	80	6.0	10.0	13.0	8.5	8.0	6
P0154.100-020-BL	M10	20	7.5	12.5	16.0	10.6	10.0	8
P0154.100-025-BL	M10	25	7.5	12.5	16.0	10.6	10.0	8
P0154.100-030-BL	M10	30	7.5	12.5	16.0	10.6	10.0	8
P0154.100-035-BL	M10	35	7.5	12.5	16.0	10.6	10.0	8
P0154.100-040-BL	M10	40	7.5	12.5	16.0	10.6	10.0	8
P0154.100-045-BL	M10	45	7.5	12.5	16.0	10.6	10.0	8
P0154.100-050-BL	M10	50	7.5	12.5	16.0	10.6	10.0	8
P0154.100-060-BL	M10	60	7.5	12.5	16.0	10.6	10.0	8
P0154.100-080-BL	M10	80	7.5	12.5	16.0	10.6	10.0	8
P0154.120-025-BL	M12	25	8.0	15.0	18.0	13.2	12.0	10
P0154.120-030-BL	M12	30	8.0	15.0	18.0	13.2	12.0	10
P0154.120-035-BL	M12	35	8.0	15.0	18.0	13.2	12.0	10
P0154.120-040-BL	M12	40	8.0	15.0	18.0	13.2	12.0	10
P0154.120-045-BL	M12	45	8.0	15.0	18.0	13.2	12.0	10
P0154.120-050-BL	M12	50	8.0	15.0	18.0	13.2	12.0	10
P0154.120-060-BL	M12	60	8.0	15.0	18.0	13.2	12.0	10
P0154.120-080-BL	M12	80	8.0	15.0	18.0	13.2	12.0	10
P0154.160-030-BL	M16	30	12.0	20.0	24.0	17.5	16.0	14
P0154.160-035-BL	M16	35	12.0	20.0	24.0	17.5	16.0	14
P0154.160-040-BL	M16	40	12.0	20.0	24.0	17.5	16.0	14
P0154.160-045-BL	M16	45	12.0	20.0	24.0	17.5	16.0	14
P0154.160-050-BL	M16	50	12.0	20.0	24.0	17.5	16.0	14
P0154.160-060-BL	M16	60	12.0	20.0	24.0	17.5	16.0	14
P0154.160-080-BL	M16	80	12.0	20.0	24.0	17.5	16.0	14
P0154.160-100-BL	M16	100	12.0	20.0	24.0	17.5	16.0	14
P0154.200-040-BL	M20	40	16.0	25.0	30.0	22.0	20.0	19
P0154.200-060-BL	M20	60	16.0	25.0	30.0	22.0	20.0	19
P0154.200-080-BL	M20	80	16.0	25.0	30.0	22.0	20.0	19
P0154.200-100-BL	M20	100	16.0	25.0	30.0	22.0	20.0	19
P0154.200-120-BL	M20	120	16.0	25.0	30.0	22.0	20.0	19

CAPTIVE SCREWS



P0155.B2

MADE IN BRITAIN



Material

Stainless steel (AISI 303, 1.4305), black oxide coating. Tensile strength 550 N/mm². Proof stress min. 190 N/mm², austenitic stainless steel.

Also available on request in steel (anodised, black oxide or zinc plated) stainless steel (AISI 316, 1.440), brass, aluminium etc.

Technical Notes

Used to comply with the Machinery Direc-

tive 2006/42/EC. Generally to ISO 1207. Often used with our captive washers (P0168) or retaining flanges (P0169 - for sheet metal applications). The use of our captive washers should be considered when fitted in panels with unthreaded holes.

Tips

Other head drive styles - add suffix:
-TX for Torx (hexalobular).
-PZ for Pozidrive.

-SE for snake-eye security.

Important Notes

Please note that these screws have a reduced diameter shank and should not be tightened to the recommended torque for an equivalent machine screw of size d₁.

Order No.	d ₁	l ₁ ±0.25	d ₂ ±0.12	l ₂ ±0.25	d ₃	d ₄ min.	h ₁	h ₂	w ₁
P0155.020-010-B2	M 2	10	1.2	3.0	3.8	2.5	1.3	0.85	0.5
P0155.020-012-B2	M 2	12	1.2	3.0	3.8	2.5	1.3	0.85	0.5
P0155.020-016-B2	M 2	16	1.2	3.0	3.8	2.5	1.3	0.85	0.5
P0155.020-020-B2	M 2	20	1.2	3.0	3.8	2.5	1.3	0.85	0.5
P0155.025-010-B2	M 2,5	10	1.7	3.7	4.5	2.8	1.6	1.00	0.6
P0155.025-012-B2	M 2,5	12	1.7	3.7	4.5	2.8	1.6	1.00	0.6
P0155.025-016-B2	M 2,5	16	1.7	3.7	4.5	2.8	1.6	1.00	0.6
P0155.025-020-B2	M 2,5	20	1.7	3.7	4.5	2.8	1.6	1.00	0.6
P0155.025-025-B2	M 2,5	25	1.7	3.7	4.5	2.8	1.6	1.00	0.6
P0155.025-030-B2	M 2,5	30	1.7	3.7	4.5	2.8	1.6	1.00	0.6
P0155.030-006-B2	M 3	6	2.0	4.5	5.5	3.5	2.0	1.30	0.8
P0155.030-008-B2	M 3	8	2.0	4.5	5.5	3.5	2.0	1.30	0.8
P0155.030-010-B2	M 3	10	2.0	4.5	5.5	3.5	2.0	1.30	0.8
P0155.030-011-B2	M 3	11	2.0	4.5	5.5	3.5	2.0	1.30	0.8
P0155.030-013-B2	M 3	13	2.0	4.5	5.5	3.5	2.0	1.30	0.8
P0155.030-016-B2	M 3	16	2.0	4.5	5.5	3.5	2.0	1.30	0.8
P0155.030-018-B2	M 3	18	2.0	4.5	5.5	3.5	2.0	1.30	0.8
P0155.030-020-B2	M 3	20	2.0	4.5	5.5	3.5	2.0	1.30	0.8
P0155.030-025-B2	M 3	25	2.0	4.5	5.5	3.5	2.0	1.30	0.8
P0155.030-030-B2	M 3	30	2.0	4.5	5.5	3.5	2.0	1.30	0.8
P0155.030-040-B2	M 3	40	2.0	4.5	5.5	3.5	2.0	1.30	0.8
P0155.035-010-B2	M3,5	10	2.3	5.2	6.0	3.8	2.4	1.4	1.0
P0155.035-016-B2	M3,5	16	2.3	5.2	6.0	3.8	2.4	1.4	1.0
P0155.035-020-B2	M3,5	20	2.3	5.2	6.0	3.8	2.4	1.4	1.0
P0155.035-025-B2	M3,5	25	2.3	5.2	6.0	3.8	2.4	1.4	1.0



Captive Screws - Cheese Head

slot drive - 303 stainless, blackened



Captive Screws

Order No.	d ₁	l ₁ ±0.25	d ₂ ±0.12	l ₂ ±0.25	d ₃	d ₄ min.	h ₁	h ₂	w ₁
P0155.035-030-B2	M3,5	30	2.3	5.2	6.0	3.8	2.4	1.4	1.0
P0155.035-040-B2	M3,5	40	2.3	5.2	6.0	3.8	2.4	1.4	1.0
P0155.040-010-B2	M 4	10	2.8	6.0	7.0	4.5	2.6	1.6	1.2
P0155.040-012-B2	M 4	12	2.8	6.0	7.0	4.5	2.6	1.6	1.2
P0155.040-016-B2	M 4	16	2.8	6.0	7.0	4.5	2.6	1.6	1.2
P0155.040-018-B2	M 4	18	2.8	6.0	7.0	4.5	2.6	1.6	1.2
P0155.040-019-B2	M 4	19	2.8	6.0	7.0	4.5	2.6	1.6	1.2
P0155.040-020-B2	M 4	20	2.8	6.0	7.0	4.5	2.6	1.6	1.2
P0155.040-025-B2	M 4	25	2.8	6.0	7.0	4.5	2.6	1.6	1.2
P0155.040-030-B2	M 4	30	2.8	6.0	7.0	4.5	2.6	1.6	1.2
P0155.040-040-B2	M 4	40	2.8	6.0	7.0	4.5	2.6	1.6	1.2
P0155.040-050-B2	M 4	50	2.8	6.0	7.0	4.5	2.6	1.6	1.2
P0155.040-060-B2	M 4	60	2.8	6.0	7.0	4.5	2.6	1.6	1.2
P0155.050-010-B2	M 5	10	3.7	7.5	8.5	5.5	3.3	2.0	1.2
P0155.050-012-B2	M 5	12	3.7	7.5	8.5	5.5	3.3	2.0	1.2
P0155.050-016-B2	M 5	16	3.7	7.5	8.5	5.5	3.3	2.0	1.2
P0155.050-018-B2	M 5	18	3.7	7.5	8.5	5.5	3.3	2.0	1.2
P0155.050-020-B2	M 5	20	3.7	7.5	8.5	5.5	3.3	2.0	1.2
P0155.050-022-B2	M 5	22	3.7	7.5	8.5	5.5	3.3	2.0	1.2
P0155.050-025-B2	M 5	25	3.7	7.5	8.5	5.5	3.3	2.0	1.2
P0155.050-030-B2	M 5	30	3.7	7.5	8.5	5.5	3.3	2.0	1.2
P0155.050-040-B2	M 5	40	3.7	7.5	8.5	5.5	3.3	2.0	1.2
P0155.050-050-B2	M 5	50	3.7	7.5	8.5	5.5	3.3	2.0	1.2
P0155.050-060-B2	M 5	60	3.7	7.5	8.5	5.5	3.3	2.0	1.2
P0155.050-080-B2	M 5	80	3.7	7.5	8.5	5.5	3.3	2.0	1.2
P0155.060-010-B2	M 6	10	4.2	7.5	10.0	6.5	3.9	2.3	1.6
P0155.060-012-B2	M 6	12	4.2	7.5	10.0	6.5	3.9	2.3	1.6
P0155.060-016-B2	M 6	16	4.2	7.5	10.0	6.5	3.9	2.3	1.6
P0155.060-020-B2	M 6	20	4.2	7.5	10.0	6.5	3.9	2.3	1.6
P0155.060-025-B2	M 6	25	4.2	7.5	10.0	6.5	3.9	2.3	1.6
P0155.060-030-B2	M 6	30	4.2	7.5	10.0	6.5	3.9	2.3	1.6
P0155.060-040-B2	M 6	40	4.2	7.5	10.0	6.5	3.9	2.3	1.6
P0155.060-050-B2	M 6	50	4.2	7.5	10.0	6.5	3.9	2.3	1.6
P0155.060-060-B2	M 6	60	4.2	7.5	10.0	6.5	3.9	2.3	1.6
P0155.060-080-B2	M 6	80	4.2	7.5	10.0	6.5	3.9	2.3	1.6

CAPTIVE SCREWS

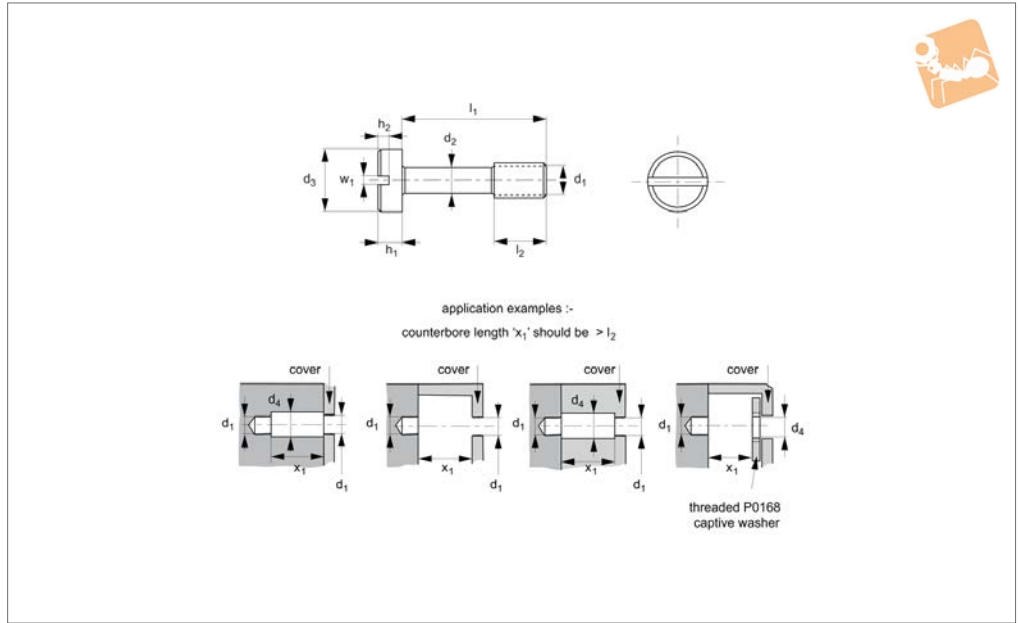


CAPTIVE SCREWS



P0155.B4

MADE IN BRITAIN



Material

Stainless steel (AISI 316, 1.440), black oxide coating. Tensile strength 480 N/mm². Proof stress min. 200 N/mm², austenitic stainless steel.
Also available on request in steel (anodised, black oxide or zinc plated) stainless steel (AISI 303, 1.4305), brass, aluminium etc.

Technical Notes

Used to comply with the Machinery Direc-

tive 2006/42/EC. Generally to ISO 1207. Often used with our captive washers (P0168) or retaining flanges (P0169 - for sheet metal applications). The use of our captive washers should be considered when fitted in panels with unthreaded holes.

Tips

Other head drive styles - add suffix:
-TX for Torx (hexalobular).
-PZ for Pozidrive.

-SE for snake-eye security.

Important Notes

Please note that these screws have a reduced diameter shank and should not be tightened to the recommended torque for an equivalent machine screw of size d₁.

Order No.	d ₁	l ₁ ±0.25	d ₂ ±0.12	l ₂ ±0.25	d ₃	d ₄ min.	h ₁	h ₂	w ₁
P0155.020-010-B4	M 2	10	1.2	3.0	3.8	2.5	1.3	0.85	0.5
P0155.020-012-B4	M 2	12	1.2	3.0	3.8	2.5	1.3	0.85	0.5
P0155.020-016-B4	M 2	16	1.2	3.0	3.8	2.5	1.3	0.85	0.5
P0155.020-020-B4	M 2	20	1.2	3.0	3.8	2.5	1.3	0.85	0.5
P0155.025-010-B4	M 2,5	10	1.7	3.7	4.5	2.8	1.6	1.00	0.6
P0155.025-012-B4	M 2,5	12	1.7	3.7	4.5	2.8	1.6	1.00	0.6
P0155.025-016-B4	M 2,5	16	1.7	3.7	4.5	2.8	1.6	1.00	0.6
P0155.025-020-B4	M 2,5	20	1.7	3.7	4.5	2.8	1.6	1.00	0.6
P0155.025-025-B4	M 2,5	25	1.7	3.7	4.5	2.8	1.6	1.00	0.6
P0155.025-030-B4	M 2,5	30	1.7	3.7	4.5	2.8	1.6	1.00	0.6
P0155.030-006-B4	M 3	6	2.0	4.5	5.5	3.5	2.0	1.30	0.8
P0155.030-008-B4	M 3	8	2.0	4.5	5.5	3.5	2.0	1.30	0.8
P0155.030-010-B4	M 3	10	2.0	4.5	5.5	3.5	2.0	1.30	0.8
P0155.030-011-B4	M 3	11	2.0	4.5	5.5	3.5	2.0	1.30	0.8
P0155.030-013-B4	M 3	13	2.0	4.5	5.5	3.5	2.0	1.30	0.8
P0155.030-016-B4	M 3	16	2.0	4.5	5.5	3.5	2.0	1.30	0.8
P0155.030-018-B4	M 3	18	2.0	4.5	5.5	3.5	2.0	1.30	0.8
P0155.030-020-B4	M 3	20	2.0	4.5	5.5	3.5	2.0	1.30	0.8
P0155.030-025-B4	M 3	25	2.0	4.5	5.5	3.5	2.0	1.30	0.8
P0155.030-030-B4	M 3	30	2.0	4.5	5.5	3.5	2.0	1.30	0.8
P0155.030-040-B4	M 3	40	2.0	4.5	5.5	3.5	2.0	1.30	0.8
P0155.035-010-B4	M3,5	10	2.3	5.2	6.0	3.8	2.4	1.4	1.0
P0155.035-016-B4	M3,5	16	2.3	5.2	6.0	3.8	2.4	1.4	1.0
P0155.035-020-B4	M3,5	20	2.3	5.2	6.0	3.8	2.4	1.4	1.0
P0155.035-025-B4	M3,5	25	2.3	5.2	6.0	3.8	2.4	1.4	1.0



Captive Screws - Cheese Head

slot drive - 316 stainless, blackened



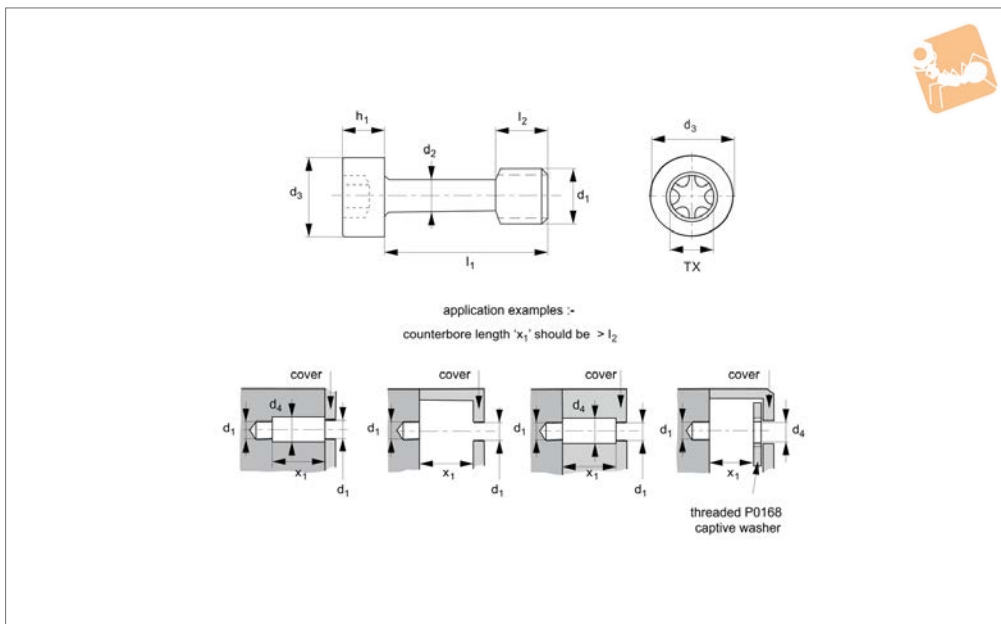
Captive Screws

Order No.	d ₁	l ₁ ±0.25	d ₂ ±0.12	l ₂ ±0.25	d ₃	d ₄ min.	h ₁	h ₂	w ₁
P0155.035-030-B4	M3,5	30	2.3	5.2	6.0	3.8	2.4	1.4	1.0
P0155.035-040-B4	M3,5	40	2.3	5.2	6.0	3.8	2.4	1.4	1.0
P0155.040-010-B4	M 4	10	2.8	6.0	7.0	4.5	2.6	1.6	1.2
P0155.040-012-B4	M 4	12	2.8	6.0	7.0	4.5	2.6	1.6	1.2
P0155.040-016-B4	M 4	16	2.8	6.0	7.0	4.5	2.6	1.6	1.2
P0155.040-018-B4	M 4	18	2.8	6.0	7.0	4.5	2.6	1.6	1.2
P0155.040-019-B4	M 4	19	2.8	6.0	7.0	4.5	2.6	1.6	1.2
P0155.040-020-B4	M 4	20	2.8	6.0	7.0	4.5	2.6	1.6	1.2
P0155.040-025-B4	M 4	25	2.8	6.0	7.0	4.5	2.6	1.6	1.2
P0155.040-030-B4	M 4	30	2.8	6.0	7.0	4.5	2.6	1.6	1.2
P0155.040-040-B4	M 4	40	2.8	6.0	7.0	4.5	2.6	1.6	1.2
P0155.040-050-B4	M 4	50	2.8	6.0	7.0	4.5	2.6	1.6	1.2
P0155.040-060-B4	M 4	60	2.8	6.0	7.0	4.5	2.6	1.6	1.2
P0155.050-010-B4	M 5	10	3.7	7.5	8.5	5.5	3.3	2.0	1.2
P0155.050-012-B4	M 5	12	3.7	7.5	8.5	5.5	3.3	2.0	1.2
P0155.050-016-B4	M 5	16	3.7	7.5	8.5	5.5	3.3	2.0	1.2
P0155.050-018-B4	M 5	18	3.7	7.5	8.5	5.5	3.3	2.0	1.2
P0155.050-020-B4	M 5	20	3.7	7.5	8.5	5.5	3.3	2.0	1.2
P0155.050-022-B4	M 5	22	3.7	7.5	8.5	5.5	3.3	2.0	1.2
P0155.050-025-B4	M 5	25	3.7	7.5	8.5	5.5	3.3	2.0	1.2
P0155.050-030-B4	M 5	30	3.7	7.5	8.5	5.5	3.3	2.0	1.2
P0155.050-040-B4	M 5	40	3.7	7.5	8.5	5.5	3.3	2.0	1.2
P0155.050-050-B4	M 5	50	3.7	7.5	8.5	5.5	3.3	2.0	1.2
P0155.050-060-B4	M 5	60	3.7	7.5	8.5	5.5	3.3	2.0	1.2
P0155.050-080-B4	M 5	80	3.7	7.5	8.5	5.5	3.3	2.0	1.2
P0155.060-010-B4	M 6	10	4.2	7.5	10.0	6.5	3.9	2.3	1.6
P0155.060-012-B4	M 6	12	4.2	7.5	10.0	6.5	3.9	2.3	1.6
P0155.060-016-B4	M 6	16	4.2	7.5	10.0	6.5	3.9	2.3	1.6
P0155.060-020-B4	M 6	20	4.2	7.5	10.0	6.5	3.9	2.3	1.6
P0155.060-025-B4	M 6	25	4.2	7.5	10.0	6.5	3.9	2.3	1.6
P0155.060-030-B4	M 6	30	4.2	7.5	10.0	6.5	3.9	2.3	1.6
P0155.060-040-B4	M 6	40	4.2	7.5	10.0	6.5	3.9	2.3	1.6
P0155.060-050-B4	M 6	50	4.2	7.5	10.0	6.5	3.9	2.3	1.6
P0155.060-060-B4	M 6	60	4.2	7.5	10.0	6.5	3.9	2.3	1.6
P0155.060-080-B4	M 6	80	4.2	7.5	10.0	6.5	3.9	2.3	1.6

CAPTIVE SCREWS



P0156.B2



Material

Stainless steel (AISI 303, 1.4305), black oxide coating. Tensile strength 550 N/mm². Proof stress min. 190 N/mm², austenitic stainless steel.

Also available on request in steel (anodised, black oxide or zinc plated) stainless steel (AISI 316, 1.440), brass, aluminium etc.

Technical Notes

Used to comply with the Machinery Directive 2006/42/EC. Generally to ISO 4762. Often used with our captive washers (P0168) or retaining flanges (P0169 - for sheet metal applications). The use of our captive washers should be considered when fitted in panels with unthreaded holes.

* M 8 sizes have a reduced TX size.

Important Notes

Please note that these screws have a reduced diameter shank and should not be tightened to the recommended torque for an equivalent machine screw of size d₁.

Order No.	d ₁	l ₁ ±0.25	d ₂ ±0.12	l ₂ ±0.25	d ₃ max.	d ₄ min.	h ₁ max.	TX size
P0156.030-008-B2	M 3	8	2.0	4.5	5.5	3.5	3	TX-10
P0156.030-010-B2	M 3	10	2.0	4.5	5.5	3.5	3	TX-10
P0156.030-016-B2	M 3	16	2.0	4.5	5.5	3.5	3	TX-10
P0156.030-020-B2	M 3	20	2.0	4.5	5.5	3.5	3	TX-10
P0156.030-025-B2	M 3	25	2.0	4.5	5.5	3.5	3	TX-10
P0156.030-030-B2	M 3	30	2.0	4.5	5.5	3.5	3	TX-10
P0156.040-008-B2	M 4	8	2.8	6.0	7.0	4.5	4	TX-20
P0156.040-010-B2	M 4	10	2.8	6.0	7.0	4.5	4	TX-20
P0156.040-012-B2	M 4	12	2.8	6.0	7.0	4.5	4	TX-20
P0156.040-016-B2	M 4	16	2.8	6.0	7.0	4.5	4	TX-20
P0156.040-020-B2	M 4	20	2.8	6.0	7.0	4.5	4	TX-20
P0156.040-025-B2	M 4	25	2.8	6.0	7.0	4.5	4	TX-20
P0156.040-030-B2	M 4	30	2.8	6.0	7.0	4.5	4	TX-20
P0156.040-040-B2	M 4	40	2.8	6.0	7.0	4.5	4	TX-20
P0156.040-050-B2	M 4	50	2.8	6.0	7.0	4.5	4	TX-20
P0156.050-010-B2	M 5	10	3.7	7.5	8.5	5.5	5	TX-25
P0156.050-012-B2	M 5	12	3.7	7.5	8.5	5.5	5	TX-25
P0156.050-016-B2	M 5	16	3.7	7.5	8.5	5.5	5	TX-25
P0156.050-020-B2	M 5	20	3.7	7.5	8.5	5.5	5	TX-25
P0156.050-025-B2	M 5	25	3.7	7.5	8.5	5.5	5	TX-25
P0156.050-030-B2	M 5	30	3.7	7.5	8.5	5.5	5	TX-25
P0156.050-040-B2	M 5	40	3.7	7.5	8.5	5.5	5	TX-25
P0156.050-050-B2	M 5	50	3.7	7.5	8.5	5.5	5	TX-25
P0156.060-010-B2	M 6	10	4.2	7.5	10.0	6.5	6	TX-30
P0156.060-012-B2	M 6	12	4.2	7.5	10.0	6.5	6	TX-30
P0156.060-016-B2	M 6	16	4.2	7.5	10.0	6.5	6	TX-30
P0156.060-020-B2	M 6	20	4.2	7.5	10.0	6.5	6	TX-30
P0156.060-025-B2	M 6	25	4.2	7.5	10.0	6.5	6	TX-30



Captive Screws - Cap Head

TX drive - 303 stainless, blackened



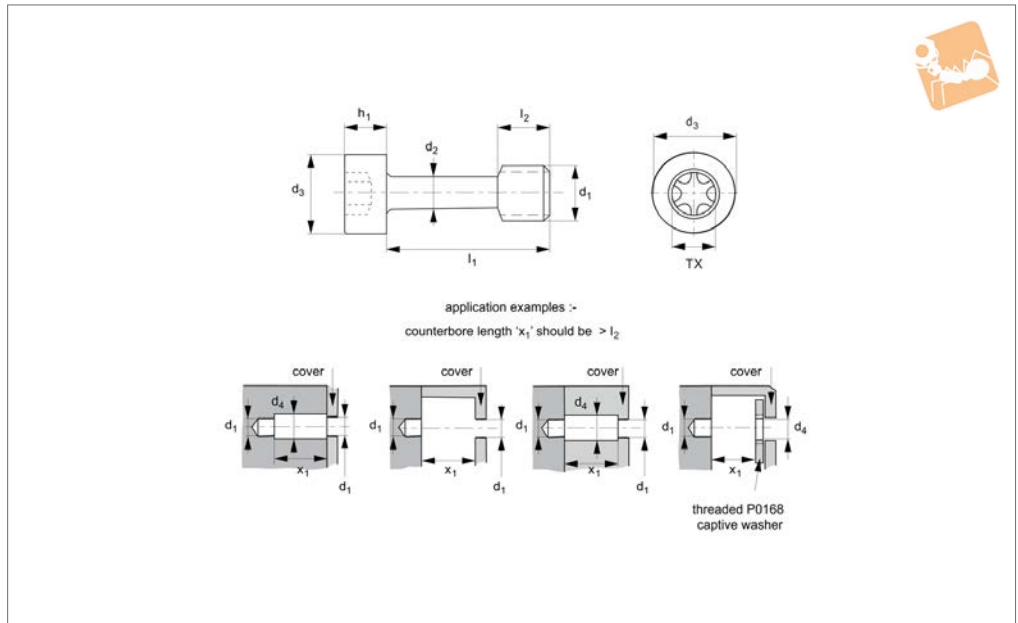
Captive Screws

Order No.	d ₁	l ₁ ±0.25	d ₂ ±0.12	l ₂ ±0.25	d ₃ max.	d ₄ min.	h ₁ max.	TX size
P0156.060-030-B2	M 6	30	4.2	7.5	10.0	6.5	6	TX-30
P0156.060-040-B2	M 6	40	4.2	7.5	10.0	6.5	6	TX-30
P0156.060-050-B2	M 6	50	4.2	7.5	10.0	6.5	6	TX-30
P0156.060-060-B2	M 6	60	4.2	7.5	10.0	6.5	6	TX-30
P0156.060-080-B2	M 6	80	4.2	7.5	10.0	6.5	6	TX-30
P0156.080-012-B2	M 8	12	6.0	10.0	13.0	8.5	8	TX-30*
P0156.080-016-B2	M 8	16	6.0	10.0	13.0	8.5	8	TX-30*
P0156.080-020-B2	M 8	20	6.0	10.0	13.0	8.5	8	TX-30*
P0156.080-025-B2	M 8	25	6.0	10.0	13.0	8.5	8	TX-30*
P0156.080-030-B2	M 8	30	6.0	10.0	13.0	8.5	8	TX-30*
P0156.080-035-B2	M 8	35	6.0	10.0	13.0	8.5	8	TX-30*
P0156.080-040-B2	M 8	40	6.0	10.0	13.0	8.5	8	TX-30*
P0156.080-045-B2	M 8	45	6.0	10.0	13.0	8.5	8	TX-30*
P0156.080-050-B2	M 8	50	6.0	10.0	13.0	8.5	8	TX-30*
P0156.080-060-B2	M 8	60	6.0	10.0	13.0	8.5	8	TX-30*
P0156.080-080-B2	M 8	80	6.0	10.0	13.0	8.5	8	TX-30*

CAPTIVE SCREWS



P0156.B4



Material

Stainless steel (AISI 316, 1.440), black oxide coating. Tensile strength 480 N/mm². Proof stress min. 200 N/mm², austenitic stainless steel.
Also available on request in steel (anodised, black oxide or zinc plated) stainless steel (AISI 303, 1.4305), brass, aluminium etc.

Technical Notes

Used to comply with the Machinery Directive 2006/42/EC. Generally to ISO 4762. Often used with our captive washers (P0168) or retaining flanges (P0169 - for sheet metal applications). The use of our captive washers should be considered when fitted in panels with unthreaded holes.

* M 8 sizes have a reduced TX size.

Important Notes

Please note that these screws have a reduced diameter shank and should not be tightened to the recommended torque for an equivalent machine screw of size d₁.

Order No.	d ₁	l ₁ ±0.25	d ₂ ±0.12	l ₂ ±0.25	d ₃ max.	d ₄ min.	h ₁ max.	TX size
P0156.030-008-B4	M 3	8	2.0	4.5	5.5	3.5	3	TX-10
P0156.030-010-B4	M 3	10	2.0	4.5	5.5	3.5	3	TX-10
P0156.030-016-B4	M 3	16	2.0	4.5	5.5	3.5	3	TX-10
P0156.030-020-B4	M 3	20	2.0	4.5	5.5	3.5	3	TX-10
P0156.030-025-B4	M 3	25	2.0	4.5	5.5	3.5	3	TX-10
P0156.030-030-B4	M 3	30	2.0	4.5	5.5	3.5	3	TX-10
P0156.040-008-B4	M 4	8	2.8	6.0	7.0	4.5	4	TX-20
P0156.040-010-B4	M 4	10	2.8	6.0	7.0	4.5	4	TX-20
P0156.040-012-B4	M 4	12	2.8	6.0	7.0	4.5	4	TX-20
P0156.040-016-B4	M 4	16	2.8	6.0	7.0	4.5	4	TX-20
P0156.040-020-B4	M 4	20	2.8	6.0	7.0	4.5	4	TX-20
P0156.040-025-B4	M 4	25	2.8	6.0	7.0	4.5	4	TX-20
P0156.040-030-B4	M 4	30	2.8	6.0	7.0	4.5	4	TX-20
P0156.040-040-B4	M 4	40	2.8	6.0	7.0	4.5	4	TX-20
P0156.040-050-B4	M 4	50	2.8	6.0	7.0	4.5	4	TX-20
P0156.050-010-B4	M 5	10	3.7	7.5	8.5	5.5	5	TX-25
P0156.050-012-B4	M 5	12	3.7	7.5	8.5	5.5	5	TX-25
P0156.050-016-B4	M 5	16	3.7	7.5	8.5	5.5	5	TX-25
P0156.050-020-B4	M 5	20	3.7	7.5	8.5	5.5	5	TX-25
P0156.050-025-B4	M 5	25	3.7	7.5	8.5	5.5	5	TX-25
P0156.050-030-B4	M 5	30	3.7	7.5	8.5	5.5	5	TX-25
P0156.050-040-B4	M 5	40	3.7	7.5	8.5	5.5	5	TX-25
P0156.050-050-B4	M 5	50	3.7	7.5	8.5	5.5	5	TX-25
P0156.060-010-B4	M 6	10	4.2	7.5	10.0	6.5	6	TX-30
P0156.060-012-B4	M 6	12	4.2	7.5	10.0	6.5	6	TX-30
P0156.060-016-B4	M 6	16	4.2	7.5	10.0	6.5	6	TX-30
P0156.060-020-B4	M 6	20	4.2	7.5	10.0	6.5	6	TX-30
P0156.060-025-B4	M 6	25	4.2	7.5	10.0	6.5	6	TX-30



Captive Screws - Cap Head

TX drive - 316 stainless, blackened



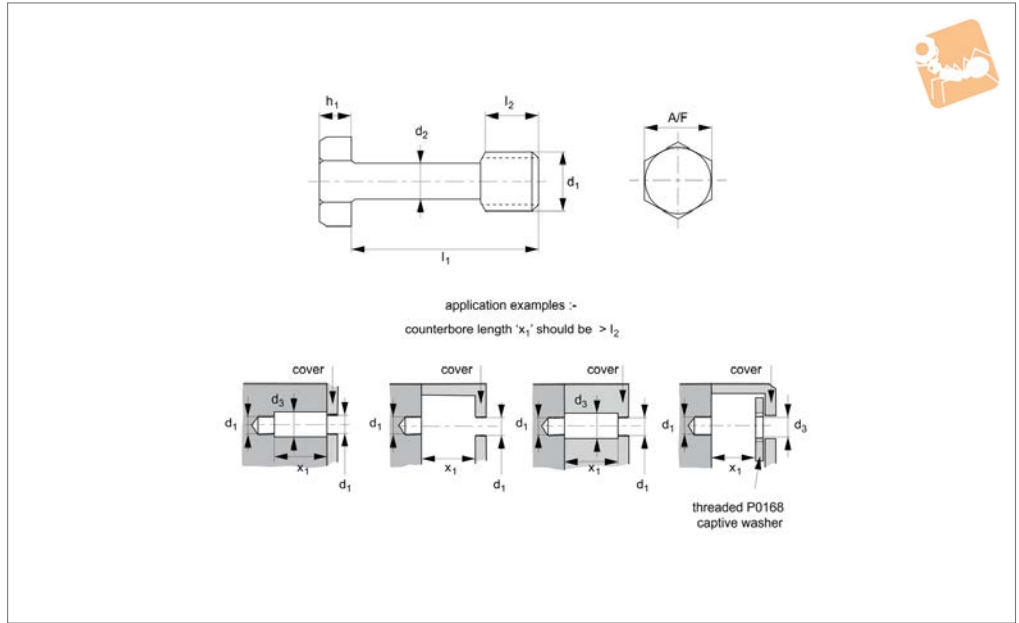
Captive Screws

Order No.	d ₁	l ₁ ±0.25	d ₂ ±0.12	l ₂ ±0.25	d ₃ max.	d ₄ min.	h ₁ max.	TX size
P0156.060-030-B4	M 6	30	4.2	7.5	10.0	6.5	6	TX-30
P0156.060-040-B4	M 6	40	4.2	7.5	10.0	6.5	6	TX-30
P0156.060-050-B4	M 6	50	4.2	7.5	10.0	6.5	6	TX-30
P0156.060-060-B4	M 6	60	4.2	7.5	10.0	6.5	6	TX-30
P0156.060-080-B4	M 6	80	4.2	7.5	10.0	6.5	6	TX-30
P0156.080-012-B4	M 8	12	6.0	10.0	13.0	8.5	8	TX-30*
P0156.080-016-B4	M 8	16	6.0	10.0	13.0	8.5	8	TX-30*
P0156.080-020-B4	M 8	20	6.0	10.0	13.0	8.5	8	TX-30*
P0156.080-025-B4	M 8	25	6.0	10.0	13.0	8.5	8	TX-30*
P0156.080-030-B4	M 8	30	6.0	10.0	13.0	8.5	8	TX-30*
P0156.080-035-B4	M 8	35	6.0	10.0	13.0	8.5	8	TX-30*
P0156.080-040-B4	M 8	40	6.0	10.0	13.0	8.5	8	TX-30*
P0156.080-045-B4	M 8	45	6.0	10.0	13.0	8.5	8	TX-30*
P0156.080-050-B4	M 8	50	6.0	10.0	13.0	8.5	8	TX-30*
P0156.080-060-B4	M 8	60	6.0	10.0	13.0	8.5	8	TX-30*
P0156.080-080-B4	M 8	80	6.0	10.0	13.0	8.5	8	TX-30*

CAPTIVE SCREWS



P0158.B2



Material

Stainless steel (AISI 303, 1.4305), black oxide coating. Tensile strength 550 N/mm². Proof stress min. 190 N/mm², austenitic stainless steel.

Also available on request in steel (anodised, black oxide or zinc plated) stainless steel (AISI 316, 1.440), brass,

aluminium etc.

Technical Notes

Used to comply with the Machinery Directive 2006/42/EC. Often used with our captive washers (P0168) or retaining flanges (P0169 - for sheet metal applications). The use of our captive washers

should be considered when fitted in panels with unthreaded holes.

Important Notes

Please note that these screws have a reduced diameter shank and should not be tightened to the recommended torque for an equivalent machine screw of size d₁.

Order No.	d ₁	l ₁ ±0.25	d ₂ ±0.12	l ₂ ±0.25	d ₃ min.	h ₁ max.	A/F
P0158.030-010-B2	M 3	10	2.0	4.5	3.5	2.2	6
P0158.030-016-B2	M 3	16	2.0	4.5	3.5	2.2	6
P0158.030-020-B2	M 3	20	2.0	4.5	3.5	2.2	6
P0158.030-025-B2	M 3	25	2.0	4.5	3.5	2.2	6
P0158.030-030-B2	M 3	30	2.0	4.5	3.5	2.2	6
P0158.030-040-B2	M 3	40	2.0	4.5	3.5	2.2	6
P0158.040-012-B2	M 4	12	2.8	6.0	4.5	2.9	7
P0158.040-016-B2	M 4	16	2.8	6.0	4.5	2.9	7
P0158.040-020-B2	M 4	20	2.8	6.0	4.5	2.9	7
P0158.040-025-B2	M 4	25	2.8	6.0	4.5	2.9	7
P0158.040-030-B2	M 4	30	2.8	8.0	4.5	2.9	7
P0158.040-035-B2	M 4	35	2.8	8.0	4.5	2.9	7
P0158.040-040-B2	M 4	40	2.8	8.0	4.5	2.9	7
P0158.040-050-B2	M 4	50	2.8	8.0	4.5	2.9	7
P0158.040-060-B2	M 4	60	2.8	8.0	4.5	2.9	7
P0158.050-012-B2	M 5	12	3.7	7.5	5.5	3.6	8
P0158.050-016-B2	M 5	16	3.7	7.5	5.5	3.6	8
P0158.050-020-B2	M 5	20	3.7	7.5	5.5	3.6	8
P0158.050-025-B2	M 5	25	3.7	7.5	5.5	3.6	8
P0158.050-030-B2	M 5	30	3.7	10.0	5.5	3.6	8
P0158.050-035-B2	M 5	35	3.7	10.0	5.5	3.6	8
P0158.050-040-B2	M 5	40	3.7	10.0	5.5	3.6	8
P0158.050-050-B2	M 5	50	3.7	10.0	5.5	3.6	8
P0158.050-060-B2	M 5	60	3.7	10.0	5.5	3.6	8
P0158.060-012-B2	M 6	12	4.2	7.5	6.5	4.1	10
P0158.060-016-B2	M 6	16	4.2	7.5	6.5	4.1	10
P0158.060-020-B2	M 6	20	4.2	7.5	6.5	4.1	10
P0158.060-025-B2	M 6	25	4.2	7.5	6.5	4.1	10
P0158.060-030-B2	M 6	30	4.2	7.5	6.5	4.1	10



Captive Screws - Hex Bolts

303 stainless, blackened

Captive Screws



Order No.	d ₁	l ₁ ±0.25	d ₂ ±0.12	l ₂ ±0.25	d ₃ min.	h ₁ max.	A/F
P0158.060-035-B2	M 6	35	4.2	7.5	6.5	4.1	10
P0158.060-040-B2	M 6	40	4.2	7.5	6.5	4.1	10
P0158.060-050-B2	M 6	50	4.2	7.5	6.5	4.1	10
P0158.060-060-B2	M 6	60	4.2	7.5	6.5	4.1	10
P0158.060-080-B2	M 6	80	4.2	7.5	6.5	4.1	10
P0158.080-016-B2	M 8	16	6.0	10.0	8.5	5.3	13
P0158.080-020-B2	M 8	20	6.0	10.0	8.5	5.3	13
P0158.080-025-B2	M 8	25	6.0	10.0	8.5	5.3	13
P0158.080-030-B2	M 8	30	6.0	10.0	8.5	5.3	13
P0158.080-035-B2	M 8	35	6.0	10.0	8.5	5.3	13
P0158.080-040-B2	M 8	40	6.0	10.0	8.5	5.3	13
P0158.080-050-B2	M 8	50	6.0	10.0	8.5	5.3	13
P0158.080-060-B2	M 8	60	6.0	10.0	8.5	5.3	13
P0158.080-080-B2	M 8	80	6.0	10.0	8.5	5.3	13
P0158.100-020-B2	M10	20	7.5	12.5	10.6	6.4	17
P0158.100-025-B2	M10	25	7.5	12.5	10.6	6.4	17
P0158.100-030-B2	M10	30	7.5	12.5	10.6	6.4	17
P0158.100-035-B2	M10	35	7.5	12.0	10.6	6.4	17
P0158.100-040-B2	M10	40	7.5	12.5	10.6	6.4	17
P0158.100-050-B2	M10	50	7.5	12.5	10.6	6.4	17
P0158.100-060-B2	M10	60	7.5	12.5	10.6	6.4	17
P0158.100-080-B2	M10	80	7.5	12.5	10.6	6.4	17
P0158.120-025-B2	M12	25	8.0	15.0	13.2	7.5	19
P0158.120-030-B2	M12	30	8.0	15.0	13.2	7.5	19
P0158.120-035-B2	M12	35	8.0	15.0	13.2	7.5	19
P0158.120-040-B2	M12	40	8.0	15.0	13.2	7.5	19
P0158.120-050-B2	M12	50	8.0	15.0	13.2	7.5	19
P0158.120-060-B2	M12	60	8.0	15.0	13.2	7.5	19
P0158.120-080-B2	M12	80	8.0	15.0	13.2	7.5	19

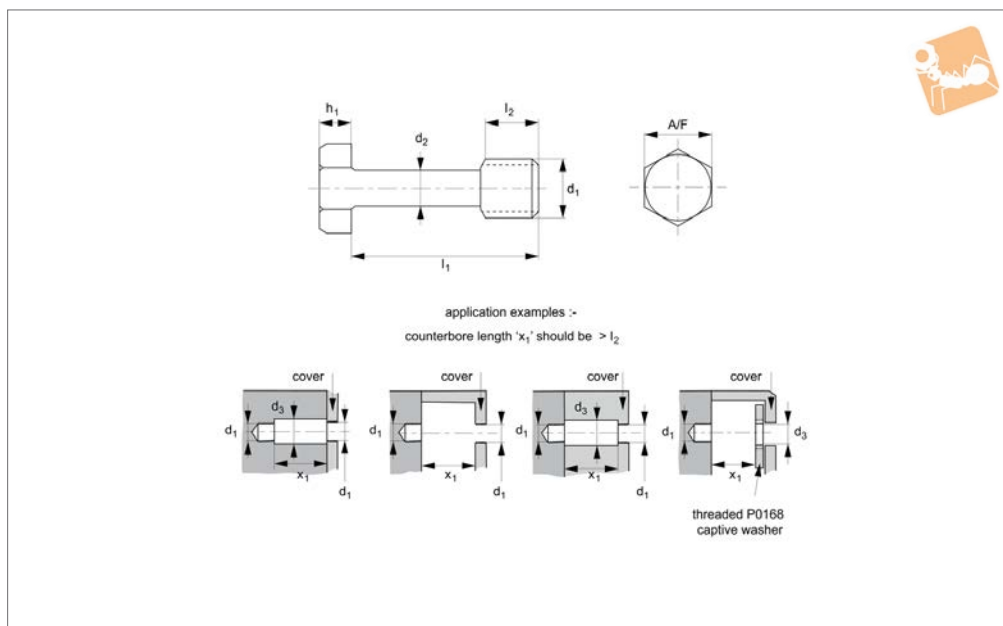
CAPTIVE SCREWS



CAPTIVE SCREWS



P0158.B4



Material

Stainless steel (AISI 316, 1.440), black oxide coating. Tensile strength 480 N/mm². Proof stress min. 200 N/mm², austenitic stainless steel.

Also available on request in steel (anodised, black oxide or zinc plated) stainless steel (AISI 303, 1.4305), brass,

aluminium etc.

Technical Notes

Used to comply with the Machinery Directive 2006/42/EC. Often used with our captive washers (P0168) or retaining flanges (P0169 - for sheet metal applications). The use of our captive washers

should be considered when fitted in panels with unthreaded holes.

Important Notes

Please note that these screws have a reduced diameter shank and should not be tightened to the recommended torque for an equivalent machine screw of size d₁.

Order No.	d ₁	l ₁ ±0.25	d ₂ ±0.12	l ₂ ±0.25	d ₃ min.	h ₁ max.	A/F
P0158.030-010-B4	M 3	10	2.0	4.5	3.5	2.2	6
P0158.030-016-B4	M 3	16	2.0	4.5	3.5	2.2	6
P0158.030-020-B4	M 3	20	2.0	4.5	3.5	2.2	6
P0158.030-025-B4	M 3	25	2.0	4.5	3.5	2.2	6
P0158.030-030-B4	M 3	30	2.0	4.5	3.5	2.2	6
P0158.030-040-B4	M 3	40	2.0	4.5	3.5	2.2	6
P0158.040-012-B4	M 4	12	2.8	6.0	4.5	2.9	7
P0158.040-016-B4	M 4	16	2.8	6.0	4.5	2.9	7
P0158.040-020-B4	M 4	20	2.8	6.0	4.5	2.9	7
P0158.040-025-B4	M 4	25	2.8	6.0	4.5	2.9	7
P0158.040-030-B4	M 4	30	2.8	8.0	4.5	2.9	7
P0158.040-035-B4	M 4	35	2.8	8.0	4.5	2.9	7
P0158.040-040-B4	M 4	40	2.8	8.0	4.5	2.9	7
P0158.040-050-B4	M 4	50	2.8	8.0	4.5	2.9	7
P0158.040-060-B4	M 4	60	2.8	8.0	4.5	2.9	7
P0158.050-012-B4	M 5	12	3.7	7.5	5.5	3.6	8
P0158.050-016-B4	M 5	16	3.7	7.5	5.5	3.6	8
P0158.050-020-B4	M 5	20	3.7	7.5	5.5	3.6	8
P0158.050-025-B4	M 5	25	3.7	7.5	5.5	3.6	8
P0158.050-030-B4	M 5	30	3.7	10.0	5.5	3.6	8
P0158.050-035-B4	M 5	35	3.7	10.0	5.5	3.6	8
P0158.050-040-B4	M 5	40	3.7	10.0	5.5	3.6	8
P0158.050-050-B4	M 5	50	3.7	10.0	5.5	3.6	8
P0158.050-060-B4	M 5	60	3.7	10.0	5.5	3.6	8
P0158.060-012-B4	M 6	12	4.2	7.5	6.5	4.1	10
P0158.060-016-B4	M 6	16	4.2	7.5	6.5	4.1	10
P0158.060-020-B4	M 6	20	4.2	7.5	6.5	4.1	10
P0158.060-025-B4	M 6	25	4.2	7.5	6.5	4.1	10
P0158.060-030-B4	M 6	30	4.2	7.5	6.5	4.1	10



Captive Screws - Hex Bolts

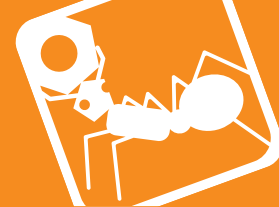
316 stainless, blackened

Captive Screws



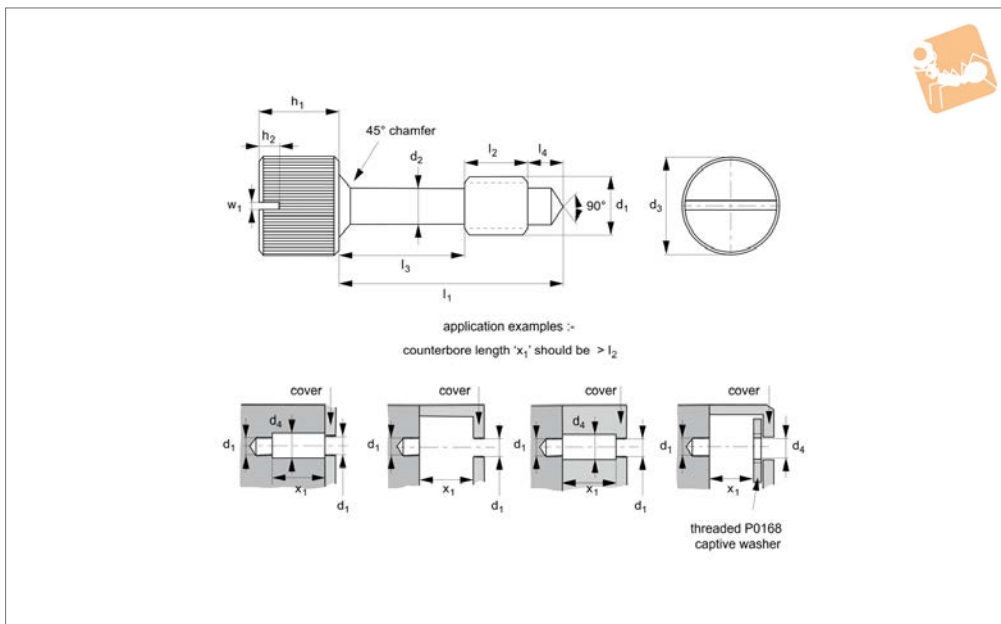
Order No.	d ₁	l ₁ ±0.25	d ₂ ±0.12	l ₂ ±0.25	d ₃ min.	h ₁ max.	A/F
P0158.060-035-B4	M 6	35	4.2	7.5	6.5	4.1	10
P0158.060-040-B4	M 6	40	4.2	7.5	6.5	4.1	10
P0158.060-050-B4	M 6	50	4.2	7.5	6.5	4.1	10
P0158.060-060-B4	M 6	60	4.2	7.5	6.5	4.1	10
P0158.060-080-B4	M 6	80	4.2	7.5	6.5	4.1	10
P0158.080-016-B4	M 8	16	6.0	10.0	8.5	5.3	13
P0158.080-020-B4	M 8	20	6.0	10.0	8.5	5.3	13
P0158.080-025-B4	M 8	25	6.0	10.0	8.5	5.3	13
P0158.080-030-B4	M 8	30	6.0	10.0	8.5	5.3	13
P0158.080-035-B4	M 8	35	6.0	10.0	8.5	5.3	13
P0158.080-040-B4	M 8	40	6.0	10.0	8.5	5.3	13
P0158.080-050-B4	M 8	50	6.0	10.0	8.5	5.3	13
P0158.080-060-B4	M 8	60	6.0	10.0	8.5	5.3	13
P0158.080-080-B4	M 8	80	6.0	10.0	8.5	5.3	13
P0158.100-020-B4	M10	20	7.5	12.5	10.6	6.4	17
P0158.100-025-B4	M10	25	7.5	12.5	10.6	6.4	17
P0158.100-030-B4	M10	30	7.5	12.5	10.6	6.4	17
P0158.100-035-B4	M10	35	7.5	12.0	10.6	6.4	17
P0158.100-040-B4	M10	40	7.5	12.5	10.6	6.4	17
P0158.100-050-B4	M10	50	7.5	12.5	10.6	6.4	17
P0158.100-060-B4	M10	60	7.5	12.5	10.6	6.4	17
P0158.100-080-B4	M10	80	7.5	12.5	10.6	6.4	17
P0158.120-025-B4	M12	25	8.0	15.0	13.2	7.5	19
P0158.120-030-B4	M12	30	8.0	15.0	13.2	7.5	19
P0158.120-035-B4	M12	35	8.0	15.0	13.2	7.5	19
P0158.120-040-B4	M12	40	8.0	15.0	13.2	7.5	19
P0158.120-050-B4	M12	50	8.0	15.0	13.2	7.5	19
P0158.120-060-B4	M12	60	8.0	15.0	13.2	7.5	19
P0158.120-080-B4	M12	80	8.0	15.0	13.2	7.5	19

CAPTIVE SCREWS



MADE IN BRITAIN

P0159.B2



Material

Stainless steel (AISI 303, 1.4305), black oxide coating. Tensile strength 550 N/mm². Proof stress min. 190 N/mm², austenitic stainless steel.

Also available on request in steel

(anodised, black oxide or zinc plated) stainless steel (AISI 316, 1.440), brass, aluminium etc.

Technical Notes

Used to comply with the Machinery Direc-

tive 2006/42/EC. Often used with our captive washers (P0168) or retaining flanges (P0169 - for sheet metal applications). The use of our captive washers should be considered when fitted in panels with unthreaded holes.

Order No.	d ₁	l ₁ ±0.25	d ₂ ±0.12	l ₂ ±0.25	d ₃	d ₄ min.	h ₁	h ₂	l ₃	l ₄	w ₁
P0159.030-010-B2	M 3	10	2	3.2	6.5	3.5	6.5	2.0	4.8	2.0	1.2
P0159.030-014-B2	M 3	14	2	3.2	6.5	3.5	6.5	2.0	8.8	2.0	1.2
P0159.030-016-B2	M 3	16	2	3.2	6.5	3.5	6.5	2.0	10.8	2.0	1.2
P0159.030-020-B2	M 3	20	2	3.2	6.5	3.5	6.5	2.0	14.8	2.0	1.2
P0159.030-022-B2	M 3	22	2	3.2	6.5	3.5	6.5	2.0	16.8	2.0	1.2
P0159.030-024-B2	M 3	24	2	3.2	6.5	3.5	6.5	2.0	18.8	2.0	1.2
P0159.030-026-B2	M 3	26	2	3.2	6.5	3.5	6.5	2.0	20.8	2.0	1.2
P0159.031-010-B2	M 3	10	2	3.2	8	3.5	8.0	2.0	4.8	2.0	1.2
P0159.031-014-B2	M 3	14	2	3.2	8	3.5	8.0	2.0	8.8	2.0	1.2
P0159.031-016-B2	M 3	16	2	3.2	8	3.5	8.0	2.0	10.8	2.0	1.2
P0159.031-020-B2	M 3	20	2	3.2	8	3.5	8.0	2.0	14.8	2.0	1.2
P0159.031-022-B2	M 3	22	2	3.2	8	3.5	8.0	2.0	16.8	2.0	1.2
P0159.031-024-B2	M 3	24	2	3.2	8	3.5	8.0	2.0	18.8	2.0	1.2
P0159.040-010-B2	M 4	10	3	5.5	8	4.5	8.0	2.0	2.0	2.5	1.2
P0159.040-014-B2	M 4	14	3	5.5	8	4.5	8.0	2.0	6.0	2.5	1.2
P0159.040-016-B2	M 4	16	3	5.5	8	4.5	8.0	2.0	8.0	2.5	1.2
P0159.040-020-B2	M 4	20	3	5.5	8	4.5	8.0	2.0	12.0	2.5	1.2
P0159.040-022-B2	M 4	22	3	5.5	8	4.5	8.0	2.0	14.0	2.5	1.2
P0159.040-024-B2	M 4	24	3	5.5	8	4.5	8.0	2.0	16.0	2.5	1.2
P0159.040-027-B2	M 4	27	3	5.5	8	4.5	8.0	2.0	19.0	2.5	1.2
P0159.040-032-B2	M 4	32	3	5.5	8	4.5	8.0	2.0	24.0	2.5	1.2
P0159.050-014-B2	M 5	14	3.5	6.5	10	5.5	10.0	2.5	3.5	4.0	1.5
P0159.050-016-B2	M 5	16	3.5	6.5	10	5.5	10.0	2.5	5.5	4.0	1.5
P0159.050-020-B2	M 5	20	3.5	6.5	10	5.5	10.0	2.5	9.5	4.0	1.5
P0159.050-022-B2	M 5	22	3.5	6.5	10	5.5	10.0	2.5	11.5	4.0	1.5
P0159.050-024-B2	M 5	24	3.5	6.5	10	5.5	10.0	2.5	13.5	4.0	1.5
P0159.050-027-B2	M 5	27	3.5	6.5	10	5.5	10.0	2.5	16.5	4.0	1.5
P0159.050-032-B2	M 5	32	3.5	6.5	10	5.5	10.0	2.5	21.5	4.0	1.5
P0159.050-035-B2	M 5	35	3.5	6.5	10	5.5	10.0	2.5	24.5	4.0	1.5
P0159.050-040-B2	M 5	40	3.5	6.5	10	5.5	10.0	2.5	29.5	4.0	1.5
P0159.060-016-B2	M 6	16	4.5	8.0	12	6.5	15.0	2.5	3.0	5.0	2.0
P0159.060-020-B2	M 6	20	4.5	8.0	12	6.5	15.0	2.5	7.0	5.0	2.0



Captive Panel Thumb Screws

slot drive - 303 stainless, blackened



Captive Screws

Order No.	d ₁	l ₁ ±0.25	d ₂ ±0.12	l ₂ ±0.25	d ₃	d ₄ min.	h ₁	h ₂	l ₃	l ₄	w ₁
P0159.060-022-B2	M 6	22	4.5	8.0	12	6.5	15.0	2.5	9.0	5.0	2.0
P0159.060-024-B2	M 6	24	4.5	8.0	12	6.5	15.0	2.5	11.0	5.0	2.0
P0159.060-027-B2	M 6	27	4.5	8.0	12	6.5	15.0	2.5	14.0	5.0	2.0
P0159.060-032-B2	M 6	32	4.5	8.0	12	6.5	15.0	2.5	19.0	5.0	2.0
P0159.060-035-B2	M 6	35	4.5	8.0	12	6.5	15.0	2.5	22.0	5.0	2.0
P0159.060-040-B2	M 6	40	4.5	8.0	12	6.5	15.0	2.5	27.0	8.5	2.0
P0159.060-045-B2	M 6	45	4.5	8.0	12	6.5	15.0	2.5	32.0	8.5	2.0
P0159.060-050-B2	M 6	50	4.5	8.0	12	6.5	15.0	2.5	37.0	8.5	2.0

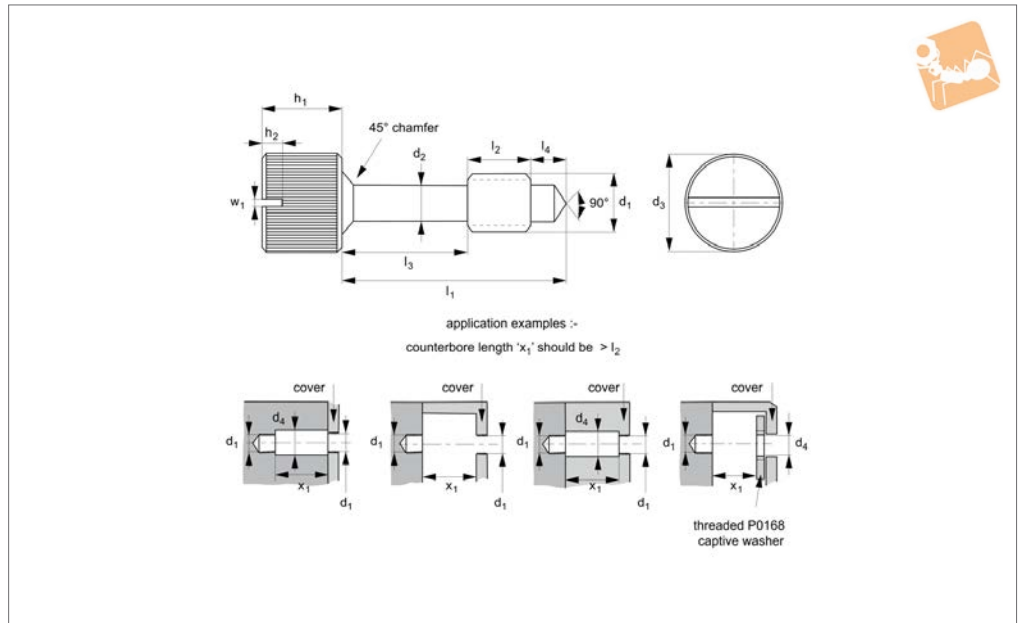
CAPTIVE SCREWS



CAPTIVE SCREWS



P0159.B4



Material

Stainless steel (AISI 316, 1.440), black oxide coating. Tensile strength 480 N/mm². Proof stress min. 200 N/mm², austenitic stainless steel.
Also available on request in steel

(anodised, black oxide or zinc plated) stainless steel (AISI 303, 1.4305), brass, aluminium etc.

Technical Notes

Used to comply with the Machinery Direc-

tive 2006/42/EC. Often used with our captive washers (P0168) or retaining flanges (P0169 - for sheet metal applications). The use of our captive washers should be considered when fitted in panels with unthreaded holes.

Order No.	d ₁	l ₁ ±0.25	d ₂ ±0.12	l ₂ ±0.25	d ₃	d ₄ min.	h ₁	h ₂	l ₃	l ₄	w ₁
P0159.030-010-B4	M 3	10	2	3.2	6.5	3.5	6.5	2.0	4.8	2.0	1.2
P0159.030-014-B4	M 3	14	2	3.2	6.5	3.5	6.5	2.0	8.8	2.0	1.2
P0159.030-016-B4	M 3	16	2	3.2	6.5	3.5	6.5	2.0	10.8	2.0	1.2
P0159.030-020-B4	M 3	20	2	3.2	6.5	3.5	6.5	2.0	14.8	2.0	1.2
P0159.030-022-B4	M 3	22	2	3.2	6.5	3.5	6.5	2.0	16.8	2.0	1.2
P0159.030-024-B4	M 3	24	2	3.2	6.5	3.5	6.5	2.0	18.8	2.0	1.2
P0159.030-026-B4	M 3	26	2	3.2	6.5	3.5	6.5	2.0	20.8	2.0	1.2
P0159.031-010-B4	M 3	10	2	3.2	8	3.5	8.0	2.0	4.8	2.0	1.2
P0159.031-014-B4	M 3	14	2	3.2	8	3.5	8.0	2.0	8.8	2.0	1.2
P0159.031-016-B4	M 3	16	2	3.2	8	3.5	8.0	2.0	10.8	2.0	1.2
P0159.031-020-B4	M 3	20	2	3.2	8	3.5	8.0	2.0	14.8	2.0	1.2
P0159.031-022-B4	M 3	22	2	3.2	8	3.5	8.0	2.0	16.8	2.0	1.2
P0159.031-024-B4	M 3	24	2	3.2	8	3.5	8.0	2.0	18.8	2.0	1.2
P0159.040-010-B4	M 4	10	3	5.5	8	4.5	8.0	2.0	2.0	2.5	1.2
P0159.040-014-B4	M 4	14	3	5.5	8	4.5	8.0	2.0	6.0	2.5	1.2
P0159.040-016-B4	M 4	16	3	5.5	8	4.5	8.0	2.0	8.0	2.5	1.2
P0159.040-020-B4	M 4	20	3	5.5	8	4.5	8.0	2.0	12.0	2.5	1.2
P0159.040-022-B4	M 4	22	3	5.5	8	4.5	8.0	2.0	14.0	2.5	1.2
P0159.040-024-B4	M 4	24	3	5.5	8	4.5	8.0	2.0	16.0	2.5	1.2
P0159.040-027-B4	M 4	27	3	5.5	8	4.5	8.0	2.0	19.0	2.5	1.2
P0159.040-032-B4	M 4	32	3	5.5	8	4.5	8.0	2.0	24.0	2.5	1.2
P0159.050-014-B4	M 5	14	3.5	6.5	10	5.5	10.0	2.5	3.5	4.0	1.5
P0159.050-016-B4	M 5	16	3.5	6.5	10	5.5	10.0	2.5	5.5	4.0	1.5
P0159.050-020-B4	M 5	20	3.5	6.5	10	5.5	10.0	2.5	9.5	4.0	1.5
P0159.050-022-B4	M 5	22	3.5	6.5	10	5.5	10.0	2.5	11.5	4.0	1.5
P0159.050-024-B4	M 5	24	3.5	6.5	10	5.5	10.0	2.5	13.5	4.0	1.5
P0159.050-027-B4	M 5	27	3.5	6.5	10	5.5	10.0	2.5	16.5	4.0	1.5
P0159.050-032-B4	M 5	32	3.5	6.5	10	5.5	10.0	2.5	21.5	4.0	1.5
P0159.050-035-B4	M 5	35	3.5	6.5	10	5.5	10.0	2.5	24.5	4.0	1.5
P0159.050-040-B4	M 5	40	3.5	6.5	10	5.5	10.0	2.5	29.5	4.0	1.5
P0159.060-016-B4	M 6	16	4.5	8.0	12	6.5	15.0	2.5	3.0	5.0	2.0
P0159.060-020-B4	M 6	20	4.5	8.0	12	6.5	15.0	2.5	7.0	5.0	2.0



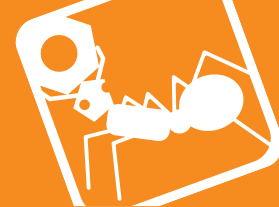
Captive Panel Thumb Screws

slot drive- 316 stainless, blackened



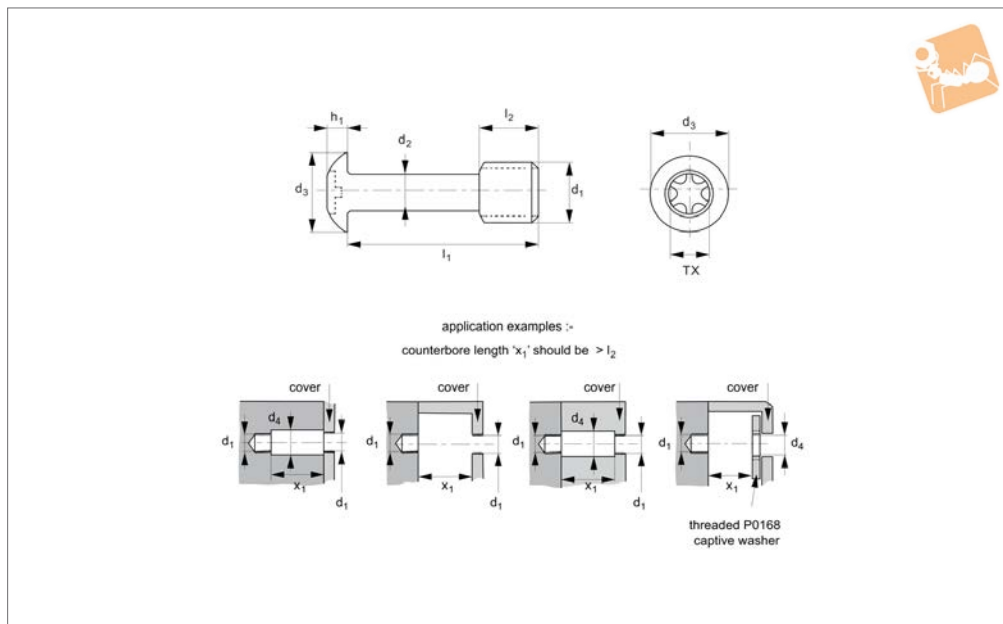
Order No.	d ₁	l ₁ ±0.25	d ₂ ±0.12	l ₂ ±0.25	d ₃	d ₄ min.	h ₁	h ₂	l ₃	l ₄	w ₁
P0159.060-022-B4	M 6	22	4.5	8.0	12	6.5	15.0	2.5	9.0	5.0	2.0
P0159.060-024-B4	M 6	24	4.5	8.0	12	6.5	15.0	2.5	11.0	5.0	2.0
P0159.060-027-B4	M 6	27	4.5	8.0	12	6.5	15.0	2.5	14.0	5.0	2.0
P0159.060-032-B4	M 6	32	4.5	8.0	12	6.5	15.0	2.5	19.0	5.0	2.0
P0159.060-035-B4	M 6	35	4.5	8.0	12	6.5	15.0	2.5	22.0	5.0	2.0
P0159.060-040-B4	M 6	40	4.5	8.0	12	6.5	15.0	2.5	27.0	8.5	2.0
P0159.060-045-B4	M 6	45	4.5	8.0	12	6.5	15.0	2.5	32.0	8.5	2.0
P0159.060-050-B4	M 6	50	4.5	8.0	12	6.5	15.0	2.5	37.0	8.5	2.0

CAPTIVE SCREWS



P0149.Ti

MADE IN BRITAIN



Material

Titanium grade 2 (tensile strength 345 N/mm²), or grade 5 (alloy; tensile strength 900 N/mm²).

Also available in stainless steel (see the rest of the P0149 range), or on request in steel (anodised, black oxide or zinc plated), brass, aluminium etc.

Technical Notes

Used to comply with the Machinery Direc-

tive 2006/42/EC. Generally to ISO 7380-1.

Often used with our captive washers (P0168) or retaining flanges (P0169 - for sheet metal applications). The use of our captive washers should be considered when fitted in panels with unthreaded holes.

T5 also available on request.

Replace -T2 with -T5 at the end of part number.

Important Notes

Please note that these screws have a reduced diameter shank and should not be tightened to the recommended torque for an equivalent machine screw of size d₁.

Order No.	d ₁	l ₁ 0,25	d ₂ 0,12	l ₂ -0,2	d ₃ max.	d ₄ min.	h ₁ max.	TX size	Material
P0149.025-008-T2	M 2,5	8	1.7	3.7	4.5	2.8	1.50	TX- 8	Grade 2
P0149.025-010-T2	M 2,5	10	1.7	3.7	4.5	2.8	1.50	TX- 8	Grade 2
P0149.025-012-T2	M 2,5	12	1.7	3.7	4.5	2.8	1.50	TX- 8	Grade 2
P0149.025-016-T2	M 2,5	16	1.7	3.7	4.5	2.8	1.50	TX- 8	Grade 2
P0149.025-020-T2	M 2,5	20	1.7	3.7	4.5	2.8	1.50	TX- 8	Grade 2
P0149.030-010-T2	M 3	10	2.0	4.5	5.7	3.5	1.65	TX-10	Grade 2
P0149.030-016-T2	M 3	16	2.0	4.5	5.7	3.5	1.65	TX-10	Grade 2
P0149.030-020-T2	M 3	20	2.0	4.5	5.7	3.5	1.65	TX-10	Grade 2
P0149.030-025-T2	M 3	25	2.0	4.5	5.7	3.5	1.65	TX-10	Grade 2
P0149.030-030-T2	M 3	30	2.0	4.5	5.7	3.5	1.65	TX-10	Grade 2
P0149.030-040-T2	M 3	40	2.0	5.0	5.7	3.5	1.65	TX-10	Grade 2
P0149.040-012-T2	M 4	12	2.8	6.0	7.6	4.5	3.10	TX-20	Grade 2
P0149.040-016-T2	M 4	16	2.8	6.0	7.6	4.5	3.10	TX-20	Grade 2
P0149.040-020-T2	M 4	20	2.8	6.0	7.6	4.5	3.10	TX-20	Grade 2
P0149.040-025-T2	M 4	25	2.8	6.0	7.6	4.5	3.10	TX-20	Grade 2
P0149.040-030-T2	M 4	30	2.8	6.0	7.6	4.5	3.10	TX-20	Grade 2
P0149.040-040-T2	M 4	40	2.8	6.0	7.6	4.5	3.10	TX-20	Grade 2
P0149.040-050-T2	M 4	50	2.8	6.0	7.6	4.5	3.10	TX-20	Grade 2
P0149.040-060-T2	M 4	60	2.8	6.0	7.6	4.5	3.10	TX-20	Grade 2
P0149.050-012-T2	M 5	12	3.7	7.5	9.5	5.5	3.70	TX-25	Grade 2
P0149.050-016-T2	M 5	16	3.7	7.5	9.5	5.5	3.70	TX-25	Grade 2
P0149.050-020-T2	M 5	20	3.7	7.5	9.5	5.5	3.70	TX-25	Grade 2
P0149.050-025-T2	M 5	25	3.7	7.5	9.5	5.5	3.70	TX-25	Grade 2
P0149.050-030-T2	M 5	30	3.7	7.5	9.5	5.5	3.70	TX-25	Grade 2
P0149.050-040-T2	M 5	40	3.7	7.5	9.5	5.5	3.70	TX-25	Grade 2
P0149.050-050-T2	M 5	50	3.7	7.5	9.5	5.5	3.70	TX-25	Grade 2



Captive Screws - Button Head

TX drive - titanium



Captive Screws

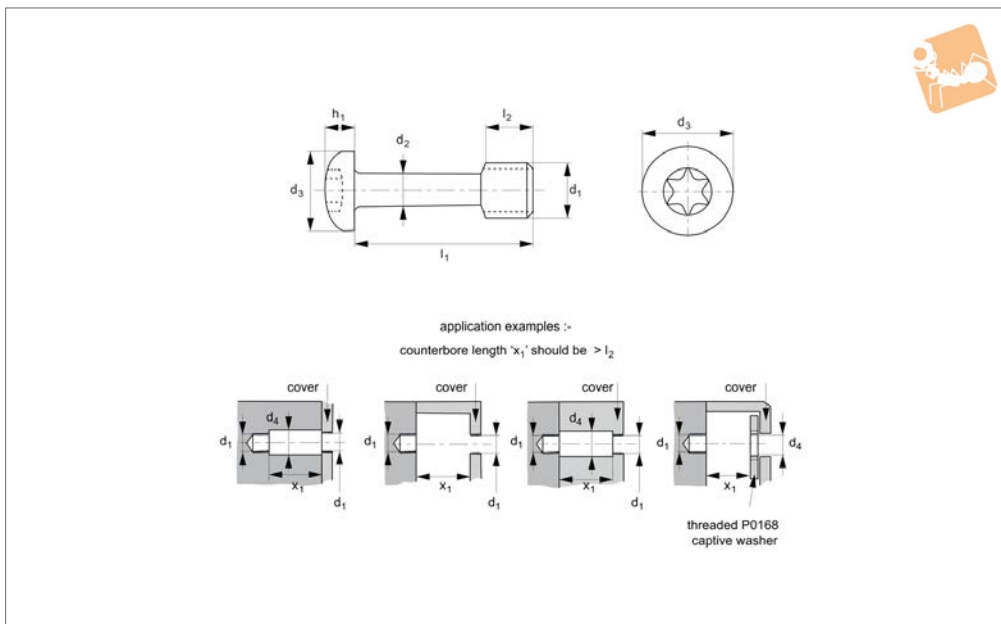
Order No.	d ₁	l ₁ 0,25	d ₂ 0,12	l ₂ -0.2	d ₃ max.	d ₄ min.	h ₁ max.	TX size	Material
P0149.050-060-T2	M 5	60	3.7	7.5	9.5	5.5	3.70	TX-25	Grade 2
P0149.060-016-T2	M 6	16	4.2	7.5	10.5	6.5	4.70	TX-30	Grade 2
P0149.060-020-T2	M 6	20	4.2	7.5	10.5	6.5	4.70	TX-30	Grade 2
P0149.060-025-T2	M 6	25	4.2	7.5	10.5	6.5	4.70	TX-30	Grade 2
P0149.060-030-T2	M 6	30	4.2	7.5	10.5	6.5	4.70	TX-30	Grade 2
P0149.060-040-T2	M 6	40	4.2	7.5	10.5	6.5	4.70	TX-30	Grade 2
P0149.060-050-T2	M 6	50	4.2	7.5	10.5	6.5	4.70	TX-30	Grade 2
P0149.060-060-T2	M 6	60	4.2	7.5	10.5	6.5	4.70	TX-30	Grade 2
P0149.060-080-T2	M 6	80	4.2	7.5	10.5	6.5	4.70	TX-30	Grade 2
P0149.025-008-T5	M 2,5	8	1.7	3.7	4.5	2.8	1.50	TX- 8	Grade 5
P0149.025-010-T5	M 2,5	10	1.7	3.7	4.5	2.8	1.50	TX- 8	Grade 5
P0149.025-012-T5	M 2,5	12	1.7	3.7	4.5	2.8	1.50	TX- 8	Grade 5
P0149.025-016-T5	M 2,5	16	1.7	3.7	4.5	2.8	1.50	TX- 8	Grade 5
P0149.025-020-T5	M 2,5	20	1.7	3.7	4.5	2.8	1.50	TX- 8	Grade 5
P0149.030-010-T5	M 3	10	2.0	4.5	5.7	3.5	1.65	TX-10	Grade 5
P0149.030-016-T5	M 3	16	2.0	4.5	5.7	3.5	1.65	TX-10	Grade 5
P0149.030-020-T5	M 3	20	2.0	4.5	5.7	3.5	1.65	TX-10	Grade 5
P0149.030-025-T5	M 3	25	2.0	4.5	5.7	3.5	1.65	TX-10	Grade 5
P0149.030-030-T5	M 3	30	2.0	4.5	5.7	3.5	1.65	TX-10	Grade 5
P0149.030-040-T5	M 3	40	2.0	5.0	5.7	3.5	1.65	TX-10	Grade 5
P0149.040-012-T5	M 4	12	2.8	6.0	7.6	4.5	3.10	TX-20	Grade 5
P0149.040-016-T5	M 4	16	2.8	6.0	7.6	4.5	3.10	TX-20	Grade 5
P0149.040-020-T5	M 4	20	2.8	6.0	7.6	4.5	3.10	TX-20	Grade 5
P0149.040-025-T5	M 4	25	2.8	6.0	7.6	4.5	3.10	TX-20	Grade 5
P0149.040-030-T5	M 4	30	2.8	6.0	7.6	4.5	3.10	TX-20	Grade 5
P0149.040-040-T5	M 4	40	2.8	6.0	7.6	4.5	3.10	TX-20	Grade 5
P0149.040-050-T5	M 4	50	2.8	6.0	7.6	4.5	3.10	TX-20	Grade 5
P0149.040-060-T5	M 4	60	2.8	6.0	7.6	4.5	3.10	TX-20	Grade 5
P0149.050-012-T5	M 5	12	3.7	7.5	9.5	5.5	3.70	TX-25	Grade 5
P0149.050-016-T5	M 5	16	3.7	7.5	9.5	5.5	3.70	TX-25	Grade 5
P0149.050-020-T5	M 5	20	3.7	7.5	9.5	5.5	3.70	TX-25	Grade 5
P0149.050-025-T5	M 5	25	3.7	7.5	9.5	5.5	3.70	TX-25	Grade 5
P0149.050-030-T5	M 5	30	3.7	7.5	9.5	5.5	3.70	TX-25	Grade 5
P0149.050-040-T5	M 5	40	3.7	7.5	9.5	5.5	3.70	TX-25	Grade 5
P0149.050-050-T5	M 5	50	3.7	7.5	9.5	5.5	3.70	TX-25	Grade 5
P0149.050-060-T5	M 5	60	3.7	7.5	9.5	5.5	3.70	TX-25	Grade 5
P0149.060-016-T5	M 6	16	4.2	7.5	10.5	6.5	4.70	TX-30	Grade 5
P0149.060-020-T5	M 6	20	4.2	7.5	10.5	6.5	4.70	TX-30	Grade 5
P0149.060-025-T5	M 6	25	4.2	7.5	10.5	6.5	4.70	TX-30	Grade 5
P0149.060-030-T5	M 6	30	4.2	7.5	10.5	6.5	4.70	TX-30	Grade 5
P0149.060-040-T5	M 6	40	4.2	7.5	10.5	6.5	4.70	TX-30	Grade 5
P0149.060-050-T5	M 6	50	4.2	7.5	10.5	6.5	4.70	TX-30	Grade 5
P0149.060-060-T5	M 6	60	4.2	7.5	10.5	6.5	4.70	TX-30	Grade 5
P0149.060-080-T5	M 6	80	4.2	7.5	10.5	6.5	4.70	TX-30	Grade 5

CAPTIVE SCREWS



P0150.Ti

MADE IN BRITAIN



Material

Titanium grade 2 (tensile strength 345 N/mm²), or grade 5 (tensile strength 900 N/mm²). Also available on request in steel (anodised, black oxide or zinc plated), stainless steel (AISI 316, 1.440 or AISI 303, 1.4305), brass, aluminium etc.

Technical Notes

Used to comply with the Machinery Direc-

tive 2006/42/EC. Generally to ISO 14583. Often used with our captive washers (P0168) or retaining flanges (P0169 - for sheet metal applications). The use of our captive washers should be considered when fitted in panels with unthreaded holes.

* M 8 sizes have a reduced TX size.
T5 also available on request.

Replace -T2 with -T5 at the end of part number.

Important Notes

Please note that these screws have a reduced diameter shank and should not be tightened to the recommended torque for an equivalent machine screw of size d₁.

Order No.	d ₁	l ₁ ±0.25	d ₂ ±0.12	l ₂ ±0.25	d ₃ max.	d ₄ min.	h ₁ max.	TX size	Material
P0150.030-008-T2	M 3	8	2.0	4.5	6	3.5	2.5	TX-10	Grade 2
P0150.030-010-T2	M 3	10	2.0	4.5	6	3.5	2.5	TX-10	Grade 2
P0150.030-016-T2	M 3	16	2.0	4.5	6	3.5	2.5	TX-10	Grade 2
P0150.030-020-T2	M 3	20	2.0	4.5	6	3.5	2.5	TX-10	Grade 2
P0150.030-025-T2	M 3	25	2.0	4.5	6	3.5	2.5	TX-10	Grade 2
P0150.030-030-T2	M 3	30	2.0	4.5	6	3.5	2.5	TX-10	Grade 2
P0150.040-008-T2	M 4	8	2.8	6.0	8	4.5	3.2	TX-20	Grade 2
P0150.040-010-T2	M 4	10	2.8	6.0	8	4.5	3.2	TX-20	Grade 2
P0150.040-012-T2	M 4	12	2.8	6.0	8	4.5	3.2	TX-20	Grade 2
P0150.040-016-T2	M 4	16	2.8	6.0	8	4.5	3.2	TX-20	Grade 2
P0150.040-020-T2	M 4	20	2.8	6.0	8	4.5	3.2	TX-20	Grade 2
P0150.040-025-T2	M 4	25	2.8	6.0	8	4.5	3.2	TX-20	Grade 2
P0150.040-030-T2	M 4	30	2.8	6.0	8	4.5	3.2	TX-20	Grade 2
P0150.040-040-T2	M 4	40	2.8	6.0	8	4.5	3.2	TX-20	Grade 2
P0150.040-050-T2	M 4	50	2.8	6.0	8	4.5	3.2	TX-20	Grade 2
P0150.050-010-T2	M 5	10	3.7	7.5	10	5.5	3.9	TX-25	Grade 2
P0150.050-012-T2	M 5	12	3.7	7.5	10	5.5	3.9	TX-25	Grade 2
P0150.050-016-T2	M 5	16	3.7	7.5	10	5.5	3.9	TX-25	Grade 2
P0150.050-020-T2	M 5	20	3.7	7.5	10	5.5	3.9	TX-25	Grade 2
P0150.050-025-T2	M 5	25	3.7	7.5	10	5.5	3.9	TX-25	Grade 2
P0150.050-030-T2	M 5	30	3.7	7.5	10	5.5	3.9	TX-25	Grade 2
P0150.050-040-T2	M 5	40	3.7	7.5	10	5.5	3.9	TX-25	Grade 2
P0150.050-050-T2	M 5	50	3.7	7.5	10	5.5	3.9	TX-25	Grade 2
P0150.060-010-T2	M 6	10	4.2	7.5	12	6.5	4.7	TX-30	Grade 2
P0150.060-012-T2	M 6	12	4.2	7.5	12	6.5	4.7	TX-30	Grade 2
P0150.060-016-T2	M 6	16	4.2	7.5	12	6.5	4.7	TX-30	Grade 2
P0150.060-020-T2	M 6	20	4.2	7.5	12	6.5	4.7	TX-30	Grade 2
P0150.060-025-T2	M 6	25	4.2	7.5	12	6.5	4.7	TX-30	Grade 2



Captive Screws - Pan Head

TX drive - titanium



Captive Screws

Order No.	d ₁	l ₁ ±0.25	d ₂ ±0.12	l ₂ ±0.25	d ₃ max.	d ₄ min.	h ₁ max.	TX size	Material
P0150.060-030-T2	M 6	30	4.2	7.5	12	6.5	4.7	TX-30	Grade 2
P0150.060-040-T2	M 6	40	4.2	7.5	12	6.5	4.7	TX-30	Grade 2
P0150.060-050-T2	M 6	50	4.2	7.5	12	6.5	4.7	TX-30	Grade 2
P0150.060-060-T2	M 6	60	4.2	7.5	12	6.5	4.7	TX-30	Grade 2
P0150.060-080-T2	M 6	80	4.2	7.5	12	6.5	4.7	TX-30	Grade 2
P0150.080-012-T2	M 8	12	6.0	10.0	16	8.5	6.1	TX-30*	Grade 2
P0150.080-016-T2	M 8	16	6.0	10.0	16	8.5	6.1	TX-30*	Grade 2
P0150.080-020-T2	M 8	20	6.0	10.0	16	8.5	6.1	TX-30*	Grade 2
P0150.080-025-T2	M 8	25	6.0	10.0	16	8.5	6.1	TX-30*	Grade 2
P0150.080-030-T2	M 8	30	6.0	10.0	16	8.5	6.1	TX-30*	Grade 2
P0150.080-035-T2	M 8	35	6.0	10.0	16	8.5	6.1	TX-30*	Grade 2
P0150.080-040-T2	M 8	40	6.0	10.0	16	8.5	6.1	TX-30*	Grade 2
P0150.080-045-T2	M 8	45	6.0	10.0	16	8.5	6.1	TX-30*	Grade 2
P0150.080-050-T2	M 8	50	6.0	10.0	16	8.5	6.1	TX-30*	Grade 2
P0150.080-060-T2	M 8	60	6.0	10.0	16	8.5	6.1	TX-30*	Grade 2
P0150.080-080-T2	M 8	80	6.0	10.0	16	8.5	6.1	TX-30*	Grade 2
P0150.030-008-T5	M 3	8	2.0	4.5	6	3.5	2.5	TX-10	Grade 5
P0150.030-010-T5	M 3	10	2.0	4.5	6	3.5	2.5	TX-10	Grade 5
P0150.030-016-T5	M 3	16	2.0	4.5	6	3.5	2.5	TX-10	Grade 5
P0150.030-020-T5	M 3	20	2.0	4.5	6	3.5	2.5	TX-10	Grade 5
P0150.030-025-T5	M 3	25	2.0	4.5	6	3.5	2.5	TX-10	Grade 5
P0150.030-030-T5	M 3	30	2.0	4.5	6	3.5	2.5	TX-10	Grade 5
P0150.040-008-T5	M 4	8	2.8	6.0	8	4.5	3.2	TX-20	Grade 5
P0150.040-010-T5	M 4	10	2.8	6.0	8	4.5	3.2	TX-20	Grade 5
P0150.040-012-T5	M 4	12	2.8	6.0	8	4.5	3.2	TX-20	Grade 5
P0150.040-016-T5	M 4	16	2.8	6.0	8	4.5	3.2	TX-20	Grade 5
P0150.040-020-T5	M 4	20	2.8	6.0	8	4.5	3.2	TX-20	Grade 5
P0150.040-025-T5	M 4	25	2.8	6.0	8	4.5	3.2	TX-20	Grade 5
P0150.040-030-T5	M 4	30	2.8	6.0	8	4.5	3.2	TX-20	Grade 5
P0150.040-040-T5	M 4	40	2.8	6.0	8	4.5	3.2	TX-20	Grade 5
P0150.040-050-T5	M 4	50	2.8	6.0	8	4.5	3.2	TX-20	Grade 5
P0150.050-010-T5	M 5	10	3.7	7.5	10	5.5	3.9	TX-25	Grade 5
P0150.050-012-T5	M 5	12	3.7	7.5	10	5.5	3.9	TX-25	Grade 5
P0150.050-016-T5	M 5	16	3.7	7.5	10	5.5	3.9	TX-25	Grade 5
P0150.050-020-T5	M 5	20	3.7	7.5	10	5.5	3.9	TX-25	Grade 5
P0150.050-025-T5	M 5	25	3.7	7.5	10	5.5	3.9	TX-25	Grade 5
P0150.050-030-T5	M 5	30	3.7	7.5	10	5.5	3.9	TX-25	Grade 5
P0150.050-040-T5	M 5	40	3.7	7.5	10	5.5	3.9	TX-25	Grade 5
P0150.050-050-T5	M 5	50	3.7	7.5	10	5.5	3.9	TX-25	Grade 5
P0150.060-010-T5	M 6	10	4.2	7.5	12	6.5	4.7	TX-30	Grade 5
P0150.060-012-T5	M 6	12	4.2	7.5	12	6.5	4.7	TX-30	Grade 5
P0150.060-016-T5	M 6	16	4.2	7.5	12	6.5	4.7	TX-30	Grade 5
P0150.060-020-T5	M 6	20	4.2	7.5	12	6.5	4.7	TX-30	Grade 5
P0150.060-025-T5	M 6	25	4.2	7.5	12	6.5	4.7	TX-30	Grade 5
P0150.060-030-T5	M 6	30	4.2	7.5	12	6.5	4.7	TX-30	Grade 5
P0150.060-040-T5	M 6	40	4.2	7.5	12	6.5	4.7	TX-30	Grade 5
P0150.060-050-T5	M 6	50	4.2	7.5	12	6.5	4.7	TX-30	Grade 5
P0150.060-060-T5	M 6	60	4.2	7.5	12	6.5	4.7	TX-30	Grade 5
P0150.060-080-T5	M 6	80	4.2	7.5	12	6.5	4.7	TX-30	Grade 5
P0150.080-012-T5	M 8	12	6.0	10.0	16	8.5	6.1	TX-30*	Grade 5
P0150.080-016-T5	M 8	16	6.0	10.0	16	8.5	6.1	TX-30*	Grade 5
P0150.080-020-T5	M 8	20	6.0	10.0	16	8.5	6.1	TX-30*	Grade 5
P0150.080-025-T5	M 8	25	6.0	10.0	16	8.5	6.1	TX-30*	Grade 5
P0150.080-030-T5	M 8	30	6.0	10.0	16	8.5	6.1	TX-30*	Grade 5
P0150.080-035-T5	M 8	35	6.0	10.0	16	8.5	6.1	TX-30*	Grade 5
P0150.080-040-T5	M 8	40	6.0	10.0	16	8.5	6.1	TX-30*	Grade 5
P0150.080-045-T5	M 8	45	6.0	10.0	16	8.5	6.1	TX-30*	Grade 5
P0150.080-050-T5	M 8	50	6.0	10.0	16	8.5	6.1	TX-30*	Grade 5
P0150.080-060-T5	M 8	60	6.0	10.0	16	8.5	6.1	TX-30*	Grade 5
P0150.080-080-T5	M 8	80	6.0	10.0	16	8.5	6.1	TX-30*	Grade 5

CAPTIVE SCREWS

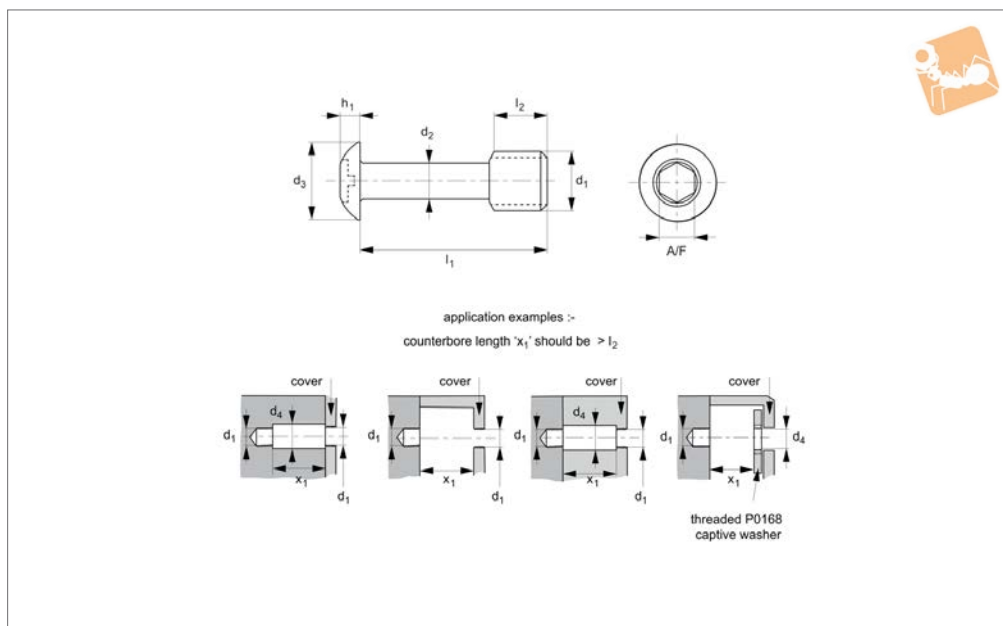


CAPTIVE SCREWS



P0151.Ti

MADE IN BRITAIN



Material

Titanium grade 2 (tensile strength 345 N/mm²), or grade 5 (tensile strength 900 N/mm²).

Also available on request in steel (anodised, black oxide or zinc plated) stainless steel (AISI 316, 1.440 or AISI 303, 1.4305), brass, aluminium etc.

Technical Notes

Used to comply with the Machinery Direc-

tive 2006/42/EC. Generally to ISO 7380-1. Often used with our captive washers (P0168) or retaining flanges (P0169 - for sheet metal applications). The use of our captive washers should be considered when fitted in panels with unthreaded holes.

T5 also available on request.

Replace -T2 with -T5 at the end of part number.

Important Notes

Please note that these screws have a reduced diameter shank and should not be tightened to the recommended torque for an equivalent machine screw of size d₁.

Order No.	d ₁	l ₁ ±0.25	d ₂ ±0.12	l ₂ ±0.25	d ₃ max.	d ₄ min.	h ₁ max.	A/F	Material
P0151.025-008-T2	M 2,5	8	1.7	3.7	4.5	2.8	1.50	1.5	Grade 2
P0151.025-010-T2	M 2,5	10	1.7	3.7	4.5	2.8	1.50	1.5	Grade 2
P0151.025-012-T2	M 2,5	12	1.7	3.7	4.5	2.8	1.50	1.5	Grade 2
P0151.025-016-T2	M 2,5	16	1.7	3.7	4.5	2.8	1.50	1.5	Grade 2
P0151.025-020-T2	M 2,5	20	1.7	3.7	4.5	2.8	1.50	1.5	Grade 2
P0151.030-008-T2	M 3	8	2.0	4.5	5.7	3.5	1.53	2	Grade 2
P0151.030-010-T2	M 3	10	2.0	4.5	5.7	3.5	1.53	2	Grade 2
P0151.030-016-T2	M 3	16	2.0	4.5	5.7	3.5	1.53	2	Grade 2
P0151.030-020-T2	M 3	20	2.0	4.5	5.7	3.5	1.53	2	Grade 2
P0151.030-025-T2	M 3	25	2.0	4.5	5.7	3.5	1.53	2	Grade 2
P0151.030-030-T2	M 3	30	2.0	4.5	5.7	3.5	1.53	2	Grade 2
P0151.030-040-T2	M 3	40	2.0	4.5	5.7	3.5	1.53	2	Grade 2
P0151.040-010-T2	M 4	10	2.8	6.0	7.6	4.5	2.10	2.5	Grade 2
P0151.040-012-T2	M 4	12	2.8	6.0	7.6	4.5	2.10	2.5	Grade 2
P0151.040-016-T2	M 4	16	2.8	6.0	7.6	4.5	2.10	2.5	Grade 2
P0151.040-020-T2	M 4	20	2.8	6.0	7.6	4.5	2.10	2.5	Grade 2
P0151.040-025-T2	M 4	25	2.8	6.0	7.6	4.5	2.10	2.5	Grade 2
P0151.040-030-T2	M 4	30	2.8	6.0	7.6	4.5	2.10	2.5	Grade 2
P0151.040-035-T2	M 4	35	2.8	6.0	7.6	4.5	2.10	2.5	Grade 2
P0151.040-040-T2	M 4	40	2.8	6.0	7.6	4.5	2.10	2.5	Grade 2
P0151.040-050-T2	M 4	50	2.8	6.0	7.6	4.5	2.10	2.5	Grade 2
P0151.040-060-T2	M 4	60	2.8	6.0	7.6	4.5	2.10	2.5	Grade 2
P0151.050-012-T2	M 5	12	3.7	7.5	9.5	5.5	2.63	3	Grade 2
P0151.050-016-T2	M 5	16	3.7	7.5	9.5	5.5	2.63	3	Grade 2
P0151.050-020-T2	M 5	20	3.7	7.5	9.5	5.5	2.63	3	Grade 2
P0151.050-025-T2	M 5	25	3.7	7.5	9.5	5.5	2.63	3	Grade 2



Captive Screws - Button Head

hex drive - titanium

Captive Screws



Order No.	d ₁	l ₁ ±0.25	d ₂ ±0.12	l ₂ ±0.25	d ₃ max.	d ₄ min.	h ₁ max.	A/F	Material
P0151.050-030-T2	M 5	30	3.7	7.5	9.5	5.5	2.63	3	Grade 2
P0151.050-040-T2	M 5	40	3.7	7.5	9.5	5.5	2.63	3	Grade 2
P0151.050-050-T2	M 5	50	3.7	7.5	9.5	5.5	2.63	3	Grade 2
P0151.050-060-T2	M 5	60	3.7	7.5	9.5	5.5	2.63	3	Grade 2
P0151.060-012-T2	M 6	12	4.2	7.5	10.5	6.5	3.10	4	Grade 2
P0151.060-016-T2	M 6	16	4.2	7.5	10.5	6.5	3.10	4	Grade 2
P0151.060-020-T2	M 6	20	4.2	7.5	10.5	6.5	3.10	4	Grade 2
P0151.060-025-T2	M 6	25	4.2	7.5	10.5	6.5	3.10	4	Grade 2
P0151.060-030-T2	M 6	30	4.2	7.5	10.5	6.5	3.10	4	Grade 2
P0151.060-035-T2	M 6	35	4.2	7.5	10.5	6.5	3.10	4	Grade 2
P0151.060-040-T2	M 6	40	4.2	7.5	10.5	6.5	3.10	4	Grade 2
P0151.060-050-T2	M 6	50	4.2	7.5	10.5	6.5	3.10	4	Grade 2
P0151.060-060-T2	M 6	60	4.2	7.5	10.5	6.5	3.10	4	Grade 2
P0151.060-080-T2	M 6	80	4.2	7.5	10.5	6.5	3.10	4	Grade 2
P0151.080-016-T2	M 8	16	6.0	10.0	14.0	8.5	4.46	5	Grade 2
P0151.080-020-T2	M 8	20	6.0	10.0	14.0	8.5	4.46	5	Grade 2
P0151.080-025-T2	M 8	25	6.0	10.0	14.0	8.5	4.46	5	Grade 2
P0151.080-030-T2	M 8	30	6.0	10.0	14.0	8.5	4.46	5	Grade 2
P0151.080-035-T2	M 8	35	6.0	10.0	14.0	8.5	4.46	5	Grade 2
P0151.080-040-T2	M 8	40	6.0	10.0	14.0	8.5	4.46	5	Grade 2
P0151.080-045-T2	M 8	45	6.0	10.0	14.0	8.5	4.46	5	Grade 2
P0151.080-050-T2	M 8	50	6.0	10.0	14.0	8.5	4.46	5	Grade 2
P0151.080-060-T2	M 8	60	6.0	10.0	14.0	8.5	4.46	5	Grade 2
P0151.080-080-T2	M 8	80	6.0	10.0	14.0	8.5	4.46	5	Grade 2
P0151.100-020-T2	M 10	20	7.5	12.5	17.5	10.6	5.5	6	Grade 2
P0151.100-025-T2	M 10	25	7.5	12.5	17.5	10.6	5.5	6	Grade 2
P0151.100-030-T2	M 10	30	7.5	12.5	17.5	10.6	5.5	6	Grade 2
P0151.100-035-T2	M 10	35	7.5	12.5	17.5	10.6	5.5	6	Grade 2
P0151.100-040-T2	M 10	40	7.5	12.5	17.5	10.6	5.5	6	Grade 2
P0151.100-045-T2	M 10	45	7.5	12.5	17.5	10.6	5.5	6	Grade 2
P0151.100-050-T2	M 10	50	7.5	12.5	17.5	10.6	5.5	6	Grade 2
P0151.100-060-T2	M 10	60	7.5	12.5	17.5	10.6	5.5	6	Grade 2
P0151.100-080-T2	M 10	80	7.5	12.5	17.5	10.6	5.5	6	Grade 2
P0151.025-008-T5	M 2,5	8	1.7	3.7	4.5	2.8	1.50	1.5	Grade 5
P0151.025-010-T5	M 2,5	10	1.7	3.7	4.5	2.8	1.50	1.5	Grade 5
P0151.025-012-T5	M 2,5	12	1.7	3.7	4.5	2.8	1.50	1.5	Grade 5
P0151.025-016-T5	M 2,5	16	1.7	3.7	4.5	2.8	1.50	1.5	Grade 5
P0151.025-020-T5	M 2,5	20	1.7	3.7	4.5	2.8	1.50	1.5	Grade 5
P0151.030-008-T5	M 3	8	2.0	4.5	5.7	3.5	1.53	2	Grade 5
P0151.030-010-T5	M 3	10	2.0	4.5	5.7	3.5	1.53	2	Grade 5
P0151.030-016-T5	M 3	16	2.0	4.5	5.7	3.5	1.53	2	Grade 5
P0151.030-020-T5	M 3	20	2.0	4.5	5.7	3.5	1.53	2	Grade 5
P0151.030-025-T5	M 3	25	2.0	4.5	5.7	3.5	1.53	2	Grade 5
P0151.030-030-T5	M 3	30	2.0	4.5	5.7	3.5	1.53	2	Grade 5
P0151.030-040-T5	M 3	40	2.0	4.5	5.7	3.5	1.53	2	Grade 5
P0151.040-010-T5	M 4	10	2.8	6.0	7.6	4.5	2.10	2.5	Grade 5
P0151.040-012-T5	M 4	12	2.8	6.0	7.6	4.5	2.10	2.5	Grade 5
P0151.040-016-T5	M 4	16	2.8	6.0	7.6	4.5	2.10	2.5	Grade 5
P0151.040-020-T5	M 4	20	2.8	6.0	7.6	4.5	2.10	2.5	Grade 5
P0151.040-025-T5	M 4	25	2.8	6.0	7.6	4.5	2.10	2.5	Grade 5
P0151.040-030-T5	M 4	30	2.8	6.0	7.6	4.5	2.10	2.5	Grade 5
P0151.040-035-T5	M 4	35	2.8	6.0	7.6	4.5	2.10	2.5	Grade 5
P0151.040-040-T5	M 4	40	2.8	6.0	7.6	4.5	2.10	2.5	Grade 5
P0151.040-050-T5	M 4	50	2.8	6.0	7.6	4.5	2.10	2.5	Grade 5
P0151.040-060-T5	M 4	60	2.8	6.0	7.6	4.5	2.10	2.5	Grade 5
P0151.050-012-T5	M 5	12	3.7	7.5	9.5	5.5	2.63	3	Grade 5
P0151.050-016-T5	M 5	16	3.7	7.5	9.5	5.5	2.63	3	Grade 5
P0151.050-020-T5	M 5	20	3.7	7.5	9.5	5.5	2.63	3	Grade 5
P0151.050-025-T5	M 5	25	3.7	7.5	9.5	5.5	2.63	3	Grade 5
P0151.050-030-T5	M 5	30	3.7	7.5	9.5	5.5	2.63	3	Grade 5
P0151.050-040-T5	M 5	40	3.7	7.5	9.5	5.5	2.63	3	Grade 5
P0151.050-050-T5	M 5	50	3.7	7.5	9.5	5.5	2.63	3	Grade 5
P0151.050-060-T5	M 5	60	3.7	7.5	9.5	5.5	2.63	3	Grade 5
P0151.060-012-T5	M 6	12	4.2	7.5	10.5	6.5	3.10	4	Grade 5
P0151.060-016-T5	M 6	16	4.2	7.5	10.5	6.5	3.10	4	Grade 5
P0151.060-020-T5	M 6	20	4.2	7.5	10.5	6.5	3.10	4	Grade 5
P0151.060-025-T5	M 6	25	4.2	7.5	10.5	6.5	3.10	4	Grade 5
P0151.060-030-T5	M 6	30	4.2	7.5	10.5	6.5	3.10	4	Grade 5

CAPTIVE SCREWS



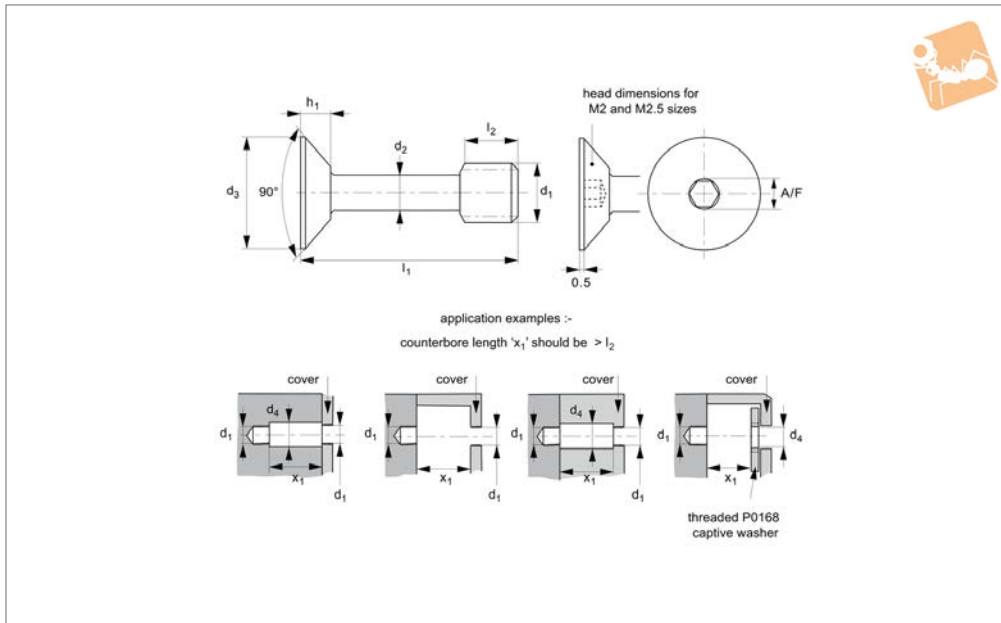
CAPTIVE SCREWS

Order No.	d ₁	l ₁ ±0.25	d ₂ ±0.12	l ₂ ±0.25	d ₃ max.	d ₄ min.	h ₁ max.	A/F	Material
P0151.060-035-T5	M 6	35	4.2	7.5	10.5	6.5	3.10	4	Grade 5
P0151.060-040-T5	M 6	40	4.2	7.5	10.5	6.5	3.10	4	Grade 5
P0151.060-050-T5	M 6	50	4.2	7.5	10.5	6.5	3.10	4	Grade 5
P0151.060-060-T5	M 6	60	4.2	7.5	10.5	6.5	3.10	4	Grade 5
P0151.060-080-T5	M 6	80	4.2	7.5	10.5	6.5	3.10	4	Grade 5
P0151.080-016-T5	M 8	16	6.0	10.0	14.0	8.5	4.46	5	Grade 5
P0151.080-020-T5	M 8	20	6.0	10.0	14.0	8.5	4.46	5	Grade 5
P0151.080-025-T5	M 8	25	6.0	10.0	14.0	8.5	4.46	5	Grade 5
P0151.080-030-T5	M 8	30	6.0	10.0	14.0	8.5	4.46	5	Grade 5
P0151.080-035-T5	M 8	35	6.0	10.0	14.0	8.5	4.46	5	Grade 5
P0151.080-040-T5	M 8	40	6.0	10.0	14.0	8.5	4.46	5	Grade 5
P0151.080-045-T5	M 8	45	6.0	10.0	14.0	8.5	4.46	5	Grade 5
P0151.080-050-T5	M 8	50	6.0	10.0	14.0	8.5	4.46	5	Grade 5
P0151.080-060-T5	M 8	60	6.0	10.0	14.0	8.5	4.46	5	Grade 5
P0151.080-080-T5	M 8	80	6.0	10.0	14.0	8.5	4.46	5	Grade 5
P0151.100-020-T5	M 10	20	7.5	12.5	17.5	10.6	5.5	6	Grade 5
P0151.100-025-T5	M 10	25	7.5	12.5	17.5	10.6	5.5	6	Grade 5
P0151.100-030-T5	M 10	30	7.5	12.5	17.5	10.6	5.5	6	Grade 5
P0151.100-035-T5	M 10	35	7.5	12.5	17.5	10.6	5.5	6	Grade 5
P0151.100-040-T5	M 10	40	7.5	12.5	17.5	10.6	5.5	6	Grade 5
P0151.100-045-T5	M 10	45	7.5	12.5	17.5	10.6	5.5	6	Grade 5
P0151.100-050-T5	M 10	50	7.5	12.5	17.5	10.6	5.5	6	Grade 5
P0151.100-060-T5	M 10	60	7.5	12.5	17.5	10.6	5.5	6	Grade 5
P0151.100-080-T5	M 10	80	7.5	12.5	17.5	10.6	5.5	6	Grade 5



Captive Screws - Countersunk

hex drive - titanium



P0153.Ti

CAPTIVE SCREWS

Material

Titanium grade 2 (tensile strength 345 N/mm²), or grade 5 (tensile strength 900 N/mm²).

Also available on request in steel (anodised, black oxide or zinc plated), brass, aluminium etc.

Technical Notes

Used to comply with the Machinery Direc-

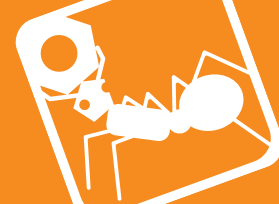
tive 2006/42/EC. Often used with our captive washers (P0168) or retaining flanges (P0169 - for sheet metal applications). The use of our captive washers should be considered when fitted in panels with unthreaded hole.

Important Notes

Please note that these screws have a reduced diameter shank and should not be

tightened to the recommended torque for an equivalent machine screw of size d₁. To accommodate the slight undercut at the top of the shank, the hex socket is smaller than on a similar threaded machine screw.

Order No.	d ₁	l ₁ ±0.25	d ₂ ±0.12	l ₂ ±0.25	d ₃ max.	d ₄ min.	h ₁ max.	A/F	Material
P0153.020-010-T2	M 2	10	1.2	3.5	3.8	2.5	1.20	1.0	Grade 2
P0153.020-012-T2	M 2	12	1.2	3.5	3.8	2.5	1.20	1.0	Grade 2
P0153.020-016-T2	M 2	16	1.2	3.5	3.8	2.5	1.20	1.0	Grade 2
P0153.020-020-T2	M 2	20	1.2	3.5	3.8	2.5	1.20	1.0	Grade 2
P0153.025-010-T2	M 2,5	10	1.7	3.7	4.7	2.8	1.80	1.3	Grade 2
P0153.025-012-T2	M 2,5	12	1.7	3.7	4.7	2.8	1.80	1.3	Grade 2
P0153.025-016-T2	M 2,5	16	1.7	3.7	4.7	2.8	1.80	1.3	Grade 2
P0153.025-020-T2	M 2,5	20	1.7	3.7	4.7	2.8	1.80	1.3	Grade 2
P0153.030-008-T2	M 3	8	2.0	4.5	5.6	3.5	1.65	1.5	Grade 2
P0153.030-010-T2	M 3	10	2.0	4.5	5.6	3.5	1.65	1.5	Grade 2
P0153.030-012-T2	M 3	12	2.0	4.5	5.6	3.5	1.65	1.5	Grade 2
P0153.030-016-T2	M 3	16	2.0	4.5	5.6	3.5	1.65	1.5	Grade 2
P0153.030-020-T2	M 3	20	2.0	4.5	5.6	3.5	1.65	1.5	Grade 2
P0153.030-025-T2	M 3	25	2.0	4.5	5.6	3.5	1.65	1.5	Grade 2
P0153.030-030-T2	M 3	30	2.0	4.5	5.6	3.5	1.65	1.5	Grade 2
P0153.030-035-T2	M 3	35	2.0	4.5	5.6	3.5	1.65	1.5	Grade 2
P0153.030-040-T2	M 3	40	2.0	4.5	5.6	3.5	1.65	1.5	Grade 2
P0153.040-010-T2	M 4	10	2.8	6.0	7.5	4.5	2.20	2.0	Grade 2
P0153.040-012-T2	M 4	12	2.8	6.0	7.5	4.5	2.20	2.0	Grade 2
P0153.040-014-T2	M 4	14	2.8	6.0	7.5	4.5	2.20	2.0	Grade 2
P0153.040-016-T2	M 4	16	2.8	6.0	7.5	4.5	2.20	2.0	Grade 2
P0153.040-020-T2	M 4	20	2.8	6.0	7.5	4.5	2.20	2.0	Grade 2
P0153.040-025-T2	M 4	25	2.8	6.0	7.5	4.5	2.20	2.0	Grade 2
P0153.040-030-T2	M 4	30	2.8	6.0	7.5	4.5	2.20	2.0	Grade 2
P0153.040-035-T2	M 4	35	2.8	6.0	7.5	4.5	2.20	2.0	Grade 2
P0153.040-040-T2	M 4	40	2.8	6.0	7.5	4.5	2.20	2.0	Grade 2
P0153.040-050-T2	M 4	50	2.8	6.0	7.5	4.5	2.20	2.0	Grade 2
P0153.040-060-T2	M 4	60	2.8	6.0	7.5	4.5	2.20	2.0	Grade 2



CAPTIVE SCREWS

Order No.	d ₁	l ₁ ±0.25	d ₂ ±0.12	l ₂ ±0.25	d ₃ max.	d ₄ min.	h ₁ max.	A/F	Material
P0153.050-012-T2	M 5	12	3.7	7.5	9.2	5.5	2.50	2.5	Grade 2
P0153.050-014-T2	M 5	14	3.7	7.5	9.2	5.5	2.50	2.5	Grade 2
P0153.050-016-T2	M 5	16	3.7	7.5	9.2	5.5	2.50	2.5	Grade 2
P0153.050-020-T2	M 5	20	3.7	7.5	9.2	5.5	2.50	2.5	Grade 2
P0153.050-025-T2	M 5	25	3.7	7.5	9.2	5.5	2.50	2.5	Grade 2
P0153.050-030-T2	M 5	30	3.7	7.5	9.2	5.5	2.50	2.5	Grade 2
P0153.050-035-T2	M 5	35	3.7	7.5	9.2	5.5	2.50	2.5	Grade 2
P0153.050-040-T2	M 5	40	3.7	7.5	9.2	5.5	2.50	2.5	Grade 2
P0153.050-050-T2	M 5	50	3.7	7.5	9.2	5.5	2.50	2.5	Grade 2
P0153.050-060-T2	M 5	60	3.7	7.5	9.2	5.5	2.50	2.5	Grade 2
P0153.060-016-T2	M 6	16	4.2	8.0	11.0	6.5	3.00	3.0	Grade 2
P0153.060-020-T2	M 6	20	4.2	8.0	11.0	6.5	3.00	3.0	Grade 2
P0153.060-025-T2	M 6	25	4.2	8.0	11.0	6.5	3.00	3.0	Grade 2
P0153.060-030-T2	M 6	30	4.2	8.0	11.0	6.5	3.00	3.0	Grade 2
P0153.060-035-T2	M 6	35	4.2	8.0	11.0	6.5	3.00	3.0	Grade 2
P0153.060-040-T2	M 6	40	4.2	8.0	11.0	6.5	3.00	3.0	Grade 2
P0153.060-050-T2	M 6	50	4.2	8.0	11.0	6.5	3.00	3.0	Grade 2
P0153.060-060-T2	M 6	60	4.2	8.0	11.0	6.5	3.00	3.0	Grade 2
P0153.080-020-T2	M 8	20	6.0	10.0	15.0	8.5	4.10	4.0	Grade 2
P0153.080-025-T2	M 8	25	6.0	10.0	15.0	8.5	4.10	4.0	Grade 2
P0153.080-030-T2	M 8	30	6.0	10.0	15.0	8.5	4.10	4.0	Grade 2
P0153.080-040-T2	M 8	40	6.0	10.0	15.0	8.5	4.10	4.0	Grade 2
P0153.080-050-T2	M 8	50	6.0	10.0	15.0	8.5	4.10	4.0	Grade 2
P0153.080-060-T2	M 8	60	6.0	10.0	15.0	8.5	4.10	4.0	Grade 2
P0153.020-010-T5	M 2	10	1.2	3.5	3.8	2.5	1.20	1.0	Grade 5
P0153.020-012-T5	M 2	12	1.2	3.5	3.8	2.5	1.20	1.0	Grade 5
P0153.020-016-T5	M 2	16	1.2	3.5	3.8	2.5	1.20	1.0	Grade 5
P0153.020-020-T5	M 2	20	1.2	3.5	3.8	2.5	1.20	1.0	Grade 5
P0153.025-010-T5	M 2,5	10	1.7	3.7	4.7	2.8	1.80	1.3	Grade 5
P0153.025-012-T5	M 2,5	12	1.7	3.7	4.7	2.8	1.80	1.3	Grade 5
P0153.025-016-T5	M 2,5	16	1.7	3.7	4.7	2.8	1.80	1.3	Grade 5
P0153.025-020-T5	M 2,5	20	1.7	3.7	4.7	2.8	1.80	1.3	Grade 5
P0153.030-008-T5	M 3	8	2.0	4.5	5.6	3.5	1.65	1.5	Grade 5
P0153.030-010-T5	M 3	10	2.0	4.5	5.6	3.5	1.65	1.5	Grade 5
P0153.030-012-T5	M 3	12	2.0	4.5	5.6	3.5	1.65	1.5	Grade 5
P0153.030-016-T5	M 3	16	2.0	4.5	5.6	3.5	1.65	1.5	Grade 5
P0153.030-020-T5	M 3	20	2.0	4.5	5.6	3.5	1.65	1.5	Grade 5
P0153.030-025-T5	M 3	25	2.0	4.5	5.6	3.5	1.65	1.5	Grade 5
P0153.030-030-T5	M 3	30	2.0	4.5	5.6	3.5	1.65	1.5	Grade 5
P0153.030-035-T5	M 3	35	2.0	4.5	5.6	3.5	1.65	1.5	Grade 5
P0153.030-040-T5	M 3	40	2.0	4.5	5.6	3.5	1.65	1.5	Grade 5
P0153.040-010-T5	M 4	10	2.8	6.0	7.5	4.5	2.20	2.0	Grade 5
P0153.040-012-T5	M 4	12	2.8	6.0	7.5	4.5	2.20	2.0	Grade 5
P0153.040-014-T5	M 4	14	2.8	6.0	7.5	4.5	2.20	2.0	Grade 5
P0153.040-016-T5	M 4	16	2.8	6.0	7.5	4.5	2.20	2.0	Grade 5
P0153.040-020-T5	M 4	20	2.8	6.0	7.5	4.5	2.20	2.0	Grade 5
P0153.040-025-T5	M 4	25	2.8	6.0	7.5	4.5	2.20	2.0	Grade 5
P0153.040-030-T5	M 4	30	2.8	6.0	7.5	4.5	2.20	2.0	Grade 5
P0153.040-035-T5	M 4	35	2.8	6.0	7.5	4.5	2.20	2.0	Grade 5
P0153.040-040-T5	M 4	40	2.8	6.0	7.5	4.5	2.20	2.0	Grade 5
P0153.040-050-T5	M 4	50	2.8	6.0	7.5	4.5	2.20	2.0	Grade 5
P0153.040-060-T5	M 4	60	2.8	6.0	7.5	4.5	2.20	2.0	Grade 5
P0153.050-012-T5	M 5	12	3.7	7.5	9.2	5.5	2.50	2.5	Grade 5
P0153.050-014-T5	M 5	12	3.7	7.5	9.2	5.5	2.50	2.5	Grade 5
P0153.050-016-T5	M 5	16	3.7	7.5	9.2	5.5	2.50	2.5	Grade 5
P0153.050-020-T5	M 5	20	3.7	7.5	9.2	5.5	2.50	2.5	Grade 5
P0153.050-025-T5	M 5	25	3.7	7.5	9.2	5.5	2.50	2.5	Grade 5
P0153.050-030-T5	M 5	30	3.7	7.5	9.2	5.5	2.50	2.5	Grade 5
P0153.050-035-T5	M 5	35	3.7	7.5	9.2	5.5	2.50	2.5	Grade 5
P0153.050-040-T5	M 5	40	3.7	7.5	9.2	5.5	2.50	2.5	Grade 5
P0153.050-050-T5	M 5	50	3.7	7.5	9.2	5.5	2.50	2.5	Grade 5
P0153.050-060-T5	M 5	60	3.7	7.5	9.2	5.5	2.50	2.5	Grade 5
P0153.060-016-T5	M 6	16	4.2	8.0	11.0	6.5	3.00	3.0	Grade 5
P0153.060-020-T5	M 6	20	4.2	8.0	11.0	6.5	3.00	3.0	Grade 5
P0153.060-025-T5	M 6	25	4.2	8.0	11.0	6.5	3.00	3.0	Grade 5
P0153.060-030-T5	M 6	30	4.2	8.0	11.0	6.5	3.00	3.0	Grade 5
P0153.060-035-T5	M 6	35	4.2	8.0	11.0	6.5	3.00	3.0	Grade 5
P0153.060-040-T5	M 6	40	4.2	8.0	11.0	6.5	3.00	3.0	Grade 5



Captive Screws - Countersunk

hex drive - titanium

Captive Screws



Order No.	d ₁	l ₁ ±0.25	d ₂ ±0.12	l ₂ ±0.25	d ₃ max.	d ₄ min.	h ₁ max.	A/F	Material
P0153.060-050-T5	M 6	50	4.2	8.0	11.0	6.5	3.00	3.0	Grade 5
P0153.060-060-T5	M 6	60	4.2	8.0	11.0	6.5	3.00	3.0	Grade 5
P0153.080-020-T5	M 8	20	6.0	10.0	15.0	8.5	4.10	4.0	Grade 5
P0153.080-025-T5	M 8	25	6.0	10.0	15.0	8.5	4.10	4.0	Grade 5
P0153.080-030-T5	M 8	30	6.0	10.0	15.0	8.5	4.10	4.0	Grade 5
P0153.080-040-T5	M 8	40	6.0	10.0	15.0	8.5	4.10	4.0	Grade 5
P0153.080-050-T5	M 8	50	6.0	10.0	15.0	8.5	4.10	4.0	Grade 5
P0153.080-060-T5	M 8	60	6.0	10.0	15.0	8.5	4.10	4.0	Grade 5

CAPTIVE SCREWS

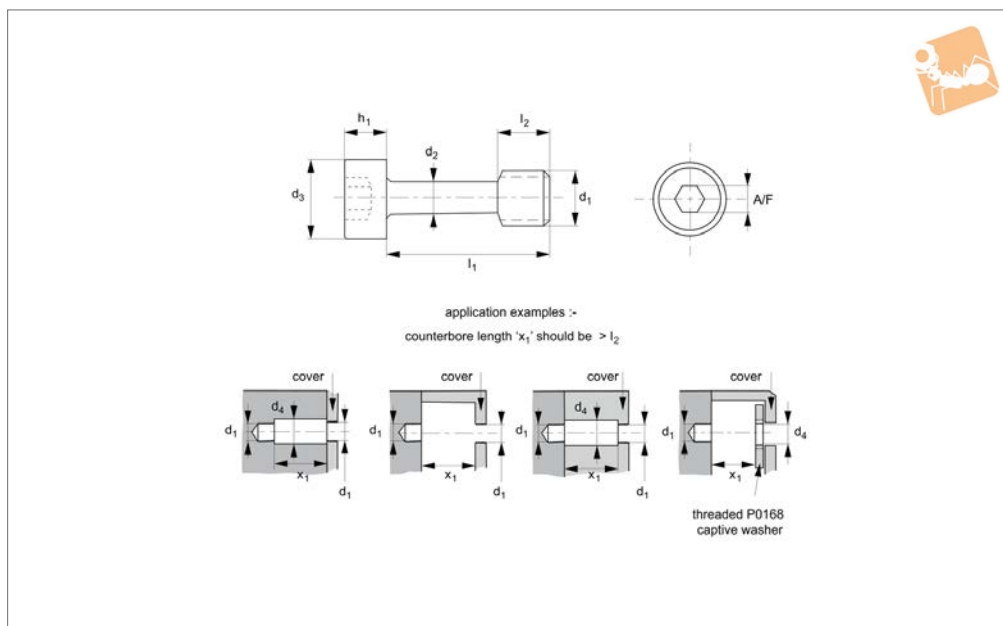


CAPTIVE SCREWS



MADE IN BRITAIN

P0154.Ti



Material

Titanium grade 2 (tensile strength 345 N/mm²), or grade 5 (tensile strength 900 N/mm²).

Also available on request in steel (anodised, black oxide or zinc plated) stainless steel (AISI 316, 1.440 or AISI 303, 1.4305), brass, aluminium etc.

Technical Notes

Used to comply with the Machinery Direc-

tive 2006/42/EC. Generally to ISO 4762.

Often used with our captive washer (P0168) or retaining flanges (P0169 - for sheet metal applications). The use of our captive washer should be considered when fitted in panels with unthreaded holes. T5 also available on request. Replace -T2 with -T5 at the end of part number.

Tips

For TX drive style, see P0156.

Important Notes

Please note that these screws have a reduced diameter shank and should not be tightened to the recommended torque for an equivalent machine screw of size d₁.

Order No.	d ₁	l ₁ ±0.25	d ₂ ±0.12	l ₂ ±0.25	d ₃ max.	d ₄ min.	h ₁ max.	A/F	Material
P0154.025-005-T2	M 2,5	5	1.8	3.0	4.5	2.8	2.5	2	Grade 2
P0154.025-008-T2	M 2,5	8	1.8	3.0	4.5	2.8	2.5	2	Grade 2
P0154.025-010-T2	M 2,5	10	1.8	3.0	4.5	2.8	2.5	2	Grade 2
P0154.025-012-T2	M 2,5	12	1.8	3.0	4.5	2.8	2.5	2	Grade 2
P0154.030-008-T2	M 3	8	2.0	4.5	5.5	3.5	3.0	2.5	Grade 2
P0154.030-010-T2	M 3	10	2.0	4.5	5.5	3.5	3.0	2.5	Grade 2
P0154.030-012-T2	M 3	12	2.0	4.5	5.5	3.5	3.0	2.5	Grade 2
P0154.030-016-T2	M 3	16	2.0	4.5	5.5	3.5	3.0	2.5	Grade 2
P0154.030-020-T2	M 3	20	2.0	4.5	5.5	3.5	3.0	2.5	Grade 2
P0154.030-025-T2	M 3	25	2.0	4.5	5.5	3.5	3.0	2.5	Grade 2
P0154.030-030-T2	M 3	30	2.0	4.5	5.5	3.5	3.0	2.5	Grade 2
P0154.040-010-T2	M 4	10	2.8	6.0	7.0	4.5	4.0	3	Grade 2
P0154.040-012-T2	M 4	12	2.8	6.0	7.0	4.5	4.0	3	Grade 2
P0154.040-016-T2	M 4	16	2.8	6.0	7.0	4.5	4.0	3	Grade 2
P0154.040-020-T2	M 4	20	2.8	6.0	7.0	4.5	4.0	3	Grade 2
P0154.040-025-T2	M 4	25	2.8	6.0	7.0	4.5	4.0	3	Grade 2
P0154.040-030-T2	M 4	30	2.8	6.0	7.0	4.5	4.0	3	Grade 2
P0154.040-035-T2	M 4	35	2.8	6.0	7.0	4.5	4.0	3	Grade 2
P0154.040-040-T2	M 4	40	2.8	6.0	7.0	4.5	4.0	3	Grade 2
P0154.040-050-T2	M 4	50	2.8	6.0	7.0	4.5	4.0	3	Grade 2
P0154.050-012-T2	M 5	12	3.7	7.5	8.5	5.5	5.0	4	Grade 2
P0154.050-016-T2	M 5	16	3.7	7.5	8.5	5.5	5.0	4	Grade 2
P0154.050-020-T2	M 5	20	3.7	7.5	8.5	5.5	5.0	4	Grade 2
P0154.050-025-T2	M 5	25	3.7	7.5	8.5	5.5	5.0	4	Grade 2
P0154.050-030-T2	M 5	30	3.7	7.5	8.5	5.5	5.0	4	Grade 2
P0154.050-035-T2	M 5	35	3.7	7.5	8.5	5.5	5.0	4	Grade 2



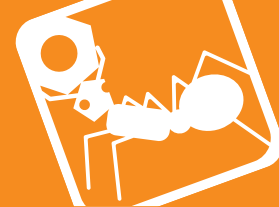
Captive Screws - Cap Head

hex drive - titanium



Order No.	d ₁	l ₁ ±0.25	d ₂ ±0.12	l ₂ ±0.25	d ₃ max.	d ₄ min.	h ₁ max.	A/F	Material
P0154.050-040-T2	M 5	40	3.7	7.5	8.5	5.5	5.0	4	Grade 2
P0154.050-050-T2	M 5	50	3.7	7.5	8.5	5.5	5.0	4	Grade 2
P0154.060-012-T2	M 6	12	4.2	7.5	10.0	6.5	6.0	5	Grade 2
P0154.060-016-T2	M 6	16	4.2	7.5	10.0	6.5	6.0	5	Grade 2
P0154.060-020-T2	M 6	20	4.2	7.5	10.0	6.5	6.0	5	Grade 2
P0154.060-025-T2	M 6	25	4.2	7.5	10.0	6.5	6.0	5	Grade 2
P0154.060-030-T2	M 6	30	4.2	7.5	10.0	6.5	6.0	5	Grade 2
P0154.060-035-T2	M 6	35	4.2	7.5	10.0	6.5	6.0	5	Grade 2
P0154.060-040-T2	M 6	40	4.2	7.5	10.0	6.5	6.0	5	Grade 2
P0154.060-050-T2	M 6	50	4.2	7.5	10.0	6.5	6.0	5	Grade 2
P0154.060-060-T2	M 6	60	4.2	7.5	10.0	6.5	6.0	5	Grade 2
P0154.060-080-T2	M 6	80	4.2	7.5	10.0	6.5	6.0	5	Grade 2
P0154.080-016-T2	M 8	16	6.0	10.0	13.0	8.5	8.0	6	Grade 2
P0154.080-020-T2	M 8	20	6.0	10.0	13.0	8.5	8.0	6	Grade 2
P0154.080-025-T2	M 8	25	6.0	10.0	13.0	8.5	8.0	6	Grade 2
P0154.080-030-T2	M 8	30	6.0	10.0	13.0	8.5	8.0	6	Grade 2
P0154.080-035-T2	M 8	35	6.0	10.0	13.0	8.5	8.0	6	Grade 2
P0154.080-040-T2	M 8	40	6.0	10.0	13.0	8.5	8.0	6	Grade 2
P0154.080-045-T2	M 8	45	6.0	10.0	13.0	8.5	8.0	6	Grade 2
P0154.080-050-T2	M 8	50	6.0	10.0	13.0	8.5	8.0	6	Grade 2
P0154.080-060-T2	M 8	60	6.0	10.0	13.0	8.5	8.0	6	Grade 2
P0154.080-080-T2	M 8	80	6.0	10.0	13.0	8.5	8.0	6	Grade 2
P0154.100-020-T2	M10	20	7.5	12.5	16.0	10.6	10.0	8	Grade 2
P0154.100-025-T2	M10	25	7.5	12.5	16.0	10.6	10.0	8	Grade 2
P0154.100-030-T2	M10	30	7.5	12.5	16.0	10.6	10.0	8	Grade 2
P0154.100-035-T2	M10	35	7.5	12.5	16.0	10.6	10.0	8	Grade 2
P0154.100-040-T2	M10	40	7.5	12.5	16.0	10.6	10.0	8	Grade 2
P0154.100-045-T2	M10	45	7.5	12.5	16.0	10.6	10.0	8	Grade 2
P0154.100-050-T2	M10	50	7.5	12.5	16.0	10.6	10.0	8	Grade 2
P0154.100-060-T2	M10	60	7.5	12.5	16.0	10.6	10.0	8	Grade 2
P0154.100-080-T2	M10	80	7.5	12.5	16.0	10.6	10.0	8	Grade 2
P0154.120-025-T2	M12	25	8.0	15.0	18.0	13.2	12.0	10	Grade 2
P0154.120-030-T2	M12	30	8.0	15.0	18.0	13.2	12.0	10	Grade 2
P0154.120-035-T2	M12	35	8.0	15.0	18.0	13.2	12.0	10	Grade 2
P0154.120-040-T2	M12	40	8.0	15.0	18.0	13.2	12.0	10	Grade 2
P0154.120-045-T2	M12	45	8.0	15.0	18.0	13.2	12.0	10	Grade 2
P0154.120-050-T2	M12	50	8.0	15.0	18.0	13.2	12.0	10	Grade 2
P0154.120-060-T2	M12	60	8.0	15.0	18.0	13.2	12.0	10	Grade 2
P0154.120-080-T2	M12	80	8.0	15.0	18.0	13.2	12.0	10	Grade 2
P0154.160-030-T2	M16	30	12.0	20.0	24.0	17.5	16.0	14	Grade 2
P0154.160-035-T2	M16	35	12.0	20.0	24.0	17.5	16.0	14	Grade 2
P0154.160-040-T2	M16	40	12.0	20.0	24.0	17.5	16.0	14	Grade 2
P0154.160-045-T2	M16	45	12.0	20.0	24.0	17.5	16.0	14	Grade 2
P0154.160-050-T2	M16	50	12.0	20.0	24.0	17.5	16.0	14	Grade 2
P0154.160-060-T2	M16	60	12.0	20.0	24.0	17.5	16.0	14	Grade 2
P0154.160-080-T2	M16	80	12.0	20.0	24.0	17.5	16.0	14	Grade 2
P0154.160-100-T2	M16	100	12.0	20.0	24.0	17.5	16.0	14	Grade 2
P0154.200-040-T2	M20	40	16.0	25.0	30.0	22.0	20.0	19	Grade 2
P0154.200-060-T2	M20	60	16.0	25.0	30.0	22.0	20.0	19	Grade 2
P0154.200-080-T2	M20	80	16.0	25.0	30.0	22.0	20.0	19	Grade 2
P0154.200-100-T2	M20	100	16.0	25.0	30.0	22.0	20.0	19	Grade 2
P0154.200-120-T2	M20	120	16.0	25.0	30.0	22.0	20.0	19	Grade 2
P0154.025-005-T5	M 2,5	5	1.8	3.0	4.5	2.8	2.5	2	Grade 5
P0154.025-008-T5	M 2,5	8	1.8	3.0	4.5	2.8	2.5	2	Grade 5
P0154.025-010-T5	M 2,5	10	1.8	3.0	4.5	2.8	2.5	2	Grade 5
P0154.025-012-T5	M 2,5	12	1.8	3.0	4.5	2.8	2.5	2	Grade 5
P0154.030-008-T5	M 3	8	2.0	4.5	5.5	3.5	3.0	3	Grade 5
P0154.030-010-T5	M 3	10	2.0	4.5	5.5	3.5	3.0	3	Grade 5
P0154.030-012-T5	M 3	12	2.0	4.5	5.5	3.5	3.0	3	Grade 5
P0154.030-016-T5	M 3	16	2.0	4.5	5.5	3.5	3.0	3	Grade 5
P0154.030-020-T5	M 3	20	2.0	4.5	5.5	3.5	3.0	3	Grade 5
P0154.030-025-T5	M 3	25	2.0	4.5	5.5	3.5	3.0	3	Grade 5
P0154.030-030-T5	M 3	30	2.0	4.5	5.5	3.5	3.0	3	Grade 5
P0154.040-010-T5	M 4	10	2.8	6.0	7.0	4.5	4.0	3	Grade 5
P0154.040-012-T5	M 4	12	2.8	6.0	7.0	4.5	4.0	3	Grade 5
P0154.040-016-T5	M 4	16	2.8	6.0	7.0	4.5	4.0	3	Grade 5
P0154.040-020-T5	M 4	20	2.8	6.0	7.0	4.5	4.0	3	Grade 5
P0154.040-025-T5	M 4	25	2.8	6.0	7.0	4.5	4.0	3	Grade 5

CAPTIVE SCREWS



CAPTIVE SCREWS

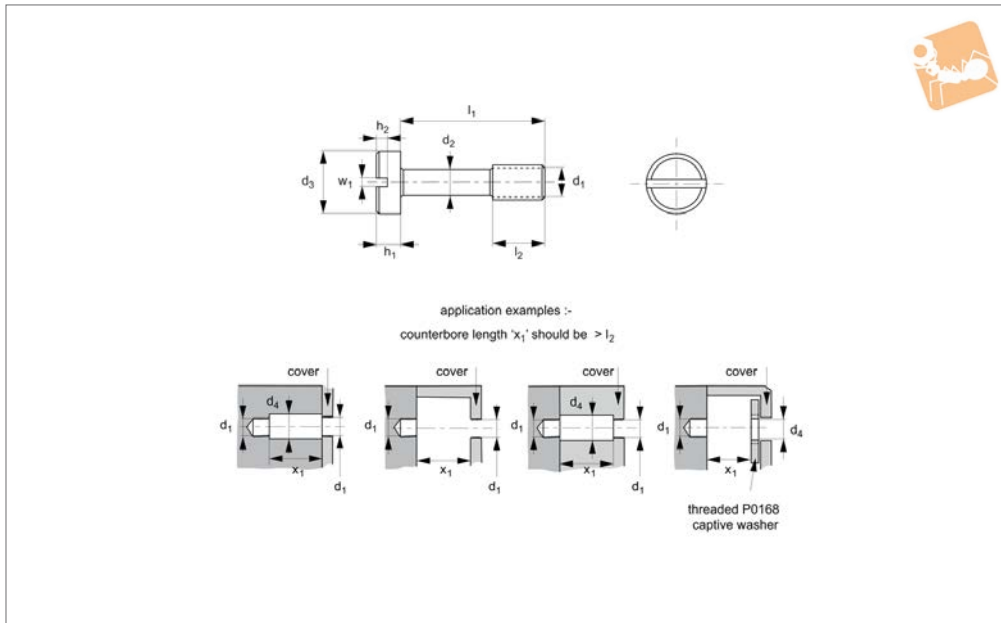
Order No.	d ₁	l ₁ ±0.25	d ₂ ±0.12	l ₂ ±0.25	d ₃ max.	d ₄ min.	h ₁ max.	A/F	Material
P0154.040-030-T5	M 4	30	2.8	6.0	7.0	4.5	4.0	3	Grade 5
P0154.040-035-T5	M 4	35	2.8	6.0	7.0	4.5	4.0	3	Grade 5
P0154.040-040-T5	M 4	40	2.8	6.0	7.0	4.5	4.0	3	Grade 5
P0154.040-050-T5	M 4	50	2.8	6.0	7.0	4.5	4.0	3	Grade 5
P0154.050-012-T5	M 5	12	3.7	7.5	8.5	5.5	5.0	4	Grade 5
P0154.050-016-T5	M 5	16	3.7	7.5	8.5	5.5	5.0	4	Grade 5
P0154.050-020-T5	M 5	20	3.7	7.5	8.5	5.5	5.0	4	Grade 5
P0154.050-025-T5	M 5	25	3.7	7.5	8.5	5.5	5.0	4	Grade 5
P0154.050-030-T5	M 5	30	3.7	7.5	8.5	5.5	5.0	4	Grade 5
P0154.050-035-T5	M 5	35	3.7	7.5	8.5	5.5	5.0	4	Grade 5
P0154.050-040-T5	M 5	40	3.7	7.5	8.5	5.5	5.0	4	Grade 5
P0154.050-050-T5	M 5	50	3.7	7.5	8.5	5.5	5.0	4	Grade 5
P0154.060-012-T5	M 6	12	4.2	7.5	10.0	6.5	6.0	5	Grade 5
P0154.060-016-T5	M 6	16	4.2	7.5	10.0	6.5	6.0	5	Grade 5
P0154.060-020-T5	M 6	20	4.2	7.5	10.0	6.5	6.0	5	Grade 5
P0154.060-025-T5	M 6	25	4.2	7.5	10.0	6.5	6.0	5	Grade 5
P0154.060-030-T5	M 6	30	4.2	7.5	10.0	6.5	6.0	5	Grade 5
P0154.060-035-T5	M 6	35	4.2	7.5	10.0	6.5	6.0	5	Grade 5
P0154.060-040-T5	M 6	40	4.2	7.5	10.0	6.5	6.0	5	Grade 5
P0154.060-050-T5	M 6	50	4.2	7.5	10.0	6.5	6.0	5	Grade 5
P0154.060-060-T5	M 6	60	4.2	7.5	10.0	6.5	6.0	5	Grade 5
P0154.060-080-T5	M 6	80	4.2	7.5	10.0	6.5	6.0	5	Grade 5
P0154.080-016-T5	M 8	16	6.0	10.0	13.0	8.5	8.0	6	Grade 5
P0154.080-020-T5	M 8	20	6.0	10.0	13.0	8.5	8.0	6	Grade 5
P0154.080-025-T5	M 8	25	6.0	10.0	13.0	8.5	8.0	6	Grade 5
P0154.080-030-T5	M 8	30	6.0	10.0	13.0	8.5	8.0	6	Grade 5
P0154.080-035-T5	M 8	35	6.0	10.0	13.0	8.5	8.0	6	Grade 5
P0154.080-040-T5	M 8	40	6.0	10.0	13.0	8.5	8.0	6	Grade 5
P0154.080-045-T5	M 8	45	6.0	10.0	13.0	8.5	8.0	6	Grade 5
P0154.080-050-T5	M 8	50	6.0	10.0	13.0	8.5	8.0	6	Grade 5
P0154.080-060-T5	M 8	60	6.0	10.0	13.0	8.5	8.0	6	Grade 5
P0154.080-080-T5	M 8	80	6.0	10.0	13.0	8.5	8.0	6	Grade 5
P0154.100-020-T5	M10	20	7.5	12.5	16.0	10.6	10.0	8	Grade 5
P0154.100-025-T5	M10	25	7.5	12.5	16.0	10.6	10.0	8	Grade 5
P0154.100-030-T5	M10	30	7.5	12.5	16.0	10.6	10.0	8	Grade 5
P0154.100-035-T5	M10	35	7.5	12.5	16.0	10.6	10.0	8	Grade 5
P0154.100-040-T5	M10	40	7.5	12.5	16.0	10.6	10.0	8	Grade 5
P0154.100-045-T5	M10	45	7.5	12.5	16.0	10.6	10.0	8	Grade 5
P0154.100-050-T5	M10	50	7.5	12.5	16.0	10.6	10.0	8	Grade 5
P0154.100-060-T5	M10	60	7.5	12.5	16.0	10.6	10.0	8	Grade 5
P0154.100-080-T5	M10	80	7.5	12.5	16.0	10.6	10.0	8	Grade 5
P0154.120-025-T5	M12	25	8.0	15.0	18.0	13.2	12.0	10	Grade 5
P0154.120-030-T5	M12	30	8.0	15.0	18.0	13.2	12.0	10	Grade 5
P0154.120-035-T5	M12	35	8.0	15.0	18.0	13.2	12.0	10	Grade 5
P0154.120-040-T5	M12	40	8.0	15.0	18.0	13.2	12.0	10	Grade 5
P0154.120-045-T5	M12	45	8.0	15.0	18.0	13.2	12.0	10	Grade 5
P0154.120-050-T5	M12	50	8.0	15.0	18.0	13.2	12.0	10	Grade 5
P0154.120-060-T5	M12	60	8.0	15.0	18.0	13.2	12.0	10	Grade 5
P0154.120-080-T5	M12	80	8.0	15.0	18.0	13.2	12.0	10	Grade 5
P0154.160-030-T5	M16	30	12.0	20.0	24.0	17.5	16.0	14	Grade 5
P0154.160-035-T5	M16	35	12.0	20.0	24.0	17.5	16.0	14	Grade 5
P0154.160-040-T5	M16	40	12.0	20.0	24.0	17.5	16.0	14	Grade 5
P0154.160-045-T5	M16	45	12.0	20.0	24.0	17.5	16.0	14	Grade 5
P0154.160-050-T5	M16	50	12.0	20.0	24.0	17.5	16.0	14	Grade 5
P0154.160-060-T5	M16	60	12.0	20.0	24.0	17.5	16.0	14	Grade 5
P0154.160-080-T5	M16	80	12.0	20.0	24.0	17.5	16.0	14	Grade 5
P0154.160-100-T5	M16	100	12.0	20.0	24.0	17.5	16.0	14	Grade 5
P0154.200-040-T5	M20	40	16.0	25.0	30.0	22.0	20.0	19	Grade 5
P0154.200-060-T5	M20	60	16.0	25.0	30.0	22.0	20.0	19	Grade 5
P0154.200-080-T5	M20	80	16.0	25.0	30.0	22.0	20.0	19	Grade 5
P0154.200-100-T5	M20	100	16.0	25.0	30.0	22.0	20.0	19	Grade 5
P0154.200-120-T5	M20	120	16.0	25.0	30.0	22.0	20.0	19	Grade 5



Captive Screws - Cheese Head slot drive - titanium



Captive Screws



P0155.Ti

CAPTIVE SCREWS

Material

Titanium grade 2 (tensile strength 345 N/mm²), or grade 5 (tensile strength 900 N/mm²).

Also available on request in steel (anodised, black oxide or zinc plated) stainless steel (AISI 316, 1.440 or AISI 303, 1.4305), brass, aluminium etc.

Technical Notes

Used to comply with the Machinery Direc-

tive 2006/42/EC. Generally to ISO 1207. Often used with our captive washers (P0168) or retaining flanges (P0169 - for sheet metal applications). The use of our captive washers should be considered when fitted in panels with unthreaded holes.

Tips

Other head drive styles - add suffix:
-TX for Torx (hexalobular).

-PZ for Pozidrive.

-SE for snake-eye security.

Important Notes

Please note that these screws have a reduced diameter shank and should not be tightened to the recommended torque for an equivalent machine screw of size d₁.

Order No.	d ₁	l ₁ ±0.25	d ₂ ±0.12	l ₂ ±0.25	d ₃	d ₄ min.	h ₁	h ₂	w ₁	Material
P0155.020-010-T2	M 2	10	1.2	3.0	3.8	2.5	1.3	0.85	0.5	Grade 2
P0155.020-012-T2	M 2	12	1.2	3.0	3.8	2.5	1.3	0.85	0.5	Grade 2
P0155.020-016-T2	M 2	16	1.2	3.0	3.8	2.5	1.3	0.85	0.5	Grade 2
P0155.020-020-T2	M 2	20	1.2	3.0	3.8	2.5	1.3	0.85	0.5	Grade 2
P0155.025-010-T2	M 2,5	10	1.7	3.7	4.5	2.8	1.6	1.00	0.6	Grade 2
P0155.025-012-T2	M 2,5	12	1.7	3.7	4.5	2.8	1.6	1.00	0.6	Grade 2
P0155.025-016-T2	M 2,5	16	1.7	3.7	4.5	2.8	1.6	1.00	0.6	Grade 2
P0155.025-020-T2	M 2,5	20	1.7	3.7	4.5	2.8	1.6	1.00	0.6	Grade 2
P0155.025-025-T2	M 2,5	25	1.7	3.7	4.5	2.8	1.6	1.00	0.6	Grade 2
P0155.025-030-T2	M 2,5	30	1.7	3.7	4.5	2.8	1.6	1.00	0.6	Grade 2
P0155.030-006-T2	M 3	6	2.0	4.5	5.5	3.5	2.0	1.30	0.8	Grade 2
P0155.030-008-T2	M 3	8	2.0	4.5	5.5	3.5	2.0	1.30	0.8	Grade 2
P0155.030-010-T2	M 3	10	2.0	4.5	5.5	3.5	2.0	1.30	0.8	Grade 2
P0155.030-011-T2	M 3	11	2.0	4.5	5.5	3.5	2.0	1.30	0.8	Grade 2
P0155.030-013-T2	M 3	13	2.0	4.5	5.5	3.5	2.0	1.30	0.8	Grade 2
P0155.030-016-T2	M 3	16	2.0	4.5	5.5	3.5	2.0	1.30	0.8	Grade 2
P0155.030-018-T2	M 3	18	2.0	4.5	5.5	3.5	2.0	1.30	0.8	Grade 2
P0155.030-020-T2	M 3	20	2.0	4.5	5.5	3.5	2.0	1.30	0.8	Grade 2
P0155.030-025-T2	M 3	25	2.0	4.5	5.5	3.5	2.0	1.30	0.8	Grade 2
P0155.030-030-T2	M 3	30	2.0	4.5	5.5	3.5	2.0	1.30	0.8	Grade 2
P0155.030-040-T2	M 3	40	2.0	4.5	5.5	3.5	2.0	1.30	0.8	Grade 2
P0155.035-010-T2	M3,5	10	2.3	5.2	6.0	3.8	2.4	1.4	1.0	Grade 2
P0155.035-016-T2	M3,5	16	2.3	5.2	6.0	3.8	2.4	1.4	1.0	Grade 2
P0155.035-020-T2	M3,5	20	2.3	5.2	6.0	3.8	2.4	1.4	1.0	Grade 2
P0155.035-025-T2	M3,5	25	2.3	5.2	6.0	3.8	2.4	1.4	1.0	Grade 2
P0155.035-030-T2	M3,5	30	2.3	5.2	6.0	3.8	2.4	1.4	1.0	Grade 2



CAPTIVE SCREWS

Order No.	d ₁	l ₁ ±0.25	d ₂ ±0.12	l ₂ ±0.25	d ₃	d ₄ min.	h ₁	h ₂	w ₁	Material
P0155.035-040-T2	M3,5	40	2.3	5.2	6.0	3.8	2.4	1.4	1.0	Grade 2
P0155.040-010-T2	M 4	10	2.8	6.0	7.0	4.5	2.6	1.6	1.2	Grade 2
P0155.040-012-T2	M 4	12	2.8	6.0	7.0	4.5	2.6	1.6	1.2	Grade 2
P0155.040-016-T2	M 4	16	2.8	6.0	7.0	4.5	2.6	1.6	1.2	Grade 2
P0155.040-018-T2	M 4	18	2.8	6.0	7.0	4.5	2.6	1.6	1.2	Grade 2
P0155.040-019-T2	M 4	19	2.8	6.0	7.0	4.5	2.6	1.6	1.2	Grade 2
P0155.040-020-T2	M 4	20	2.8	6.0	7.0	4.5	2.6	1.6	1.2	Grade 2
P0155.040-025-T2	M 4	25	2.8	6.0	7.0	4.5	2.6	1.6	1.2	Grade 2
P0155.040-030-T2	M 4	30	2.8	6.0	7.0	4.5	2.6	1.6	1.2	Grade 2
P0155.040-040-T2	M 4	40	2.8	6.0	7.0	4.5	2.6	1.6	1.2	Grade 2
P0155.040-050-T2	M 4	50	2.8	6.0	7.0	4.5	2.6	1.6	1.2	Grade 2
P0155.040-060-T2	M 4	60	2.8	6.0	7.0	4.5	2.6	1.6	1.2	Grade 2
P0155.050-010-T2	M 5	10	3.7	7.5	8.5	5.5	3.3	2.0	1.2	Grade 2
P0155.050-012-T2	M 5	12	3.7	7.5	8.5	5.5	3.3	2.0	1.2	Grade 2
P0155.050-016-T2	M 5	16	3.7	7.5	8.5	5.5	3.3	2.0	1.2	Grade 2
P0155.050-018-T2	M 5	18	3.7	7.5	8.5	5.5	3.3	2.0	1.2	Grade 2
P0155.050-020-T2	M 5	20	3.7	7.5	8.5	5.5	3.3	2.0	1.2	Grade 2
P0155.050-022-T2	M 5	22	3.7	7.5	8.5	5.5	3.3	2.0	1.2	Grade 2
P0155.050-025-T2	M 5	25	3.7	7.5	8.5	5.5	3.3	2.0	1.2	Grade 2
P0155.050-030-T2	M 5	30	3.7	7.5	8.5	5.5	3.3	2.0	1.2	Grade 2
P0155.050-040-T2	M 5	40	3.7	7.5	8.5	5.5	3.3	2.0	1.2	Grade 2
P0155.050-050-T2	M 5	50	3.7	7.5	8.5	5.5	3.3	2.0	1.2	Grade 2
P0155.050-060-T2	M 5	60	3.7	7.5	8.5	5.5	3.3	2.0	1.2	Grade 2
P0155.050-080-T2	M 5	80	3.7	7.5	8.5	5.5	3.3	2.0	1.2	Grade 2
P0155.060-010-T2	M 6	10	4.2	7.5	10.0	6.5	3.9	2.3	1.6	Grade 2
P0155.060-012-T2	M 6	12	4.2	7.5	10.0	6.5	3.9	2.3	1.6	Grade 2
P0155.060-016-T2	M 6	16	4.2	7.5	10.0	6.5	3.9	2.3	1.6	Grade 2
P0155.060-020-T2	M 6	20	4.2	7.5	10.0	6.5	3.9	2.3	1.6	Grade 2
P0155.060-025-T2	M 6	25	4.2	7.5	10.0	6.5	3.9	2.3	1.6	Grade 2
P0155.060-030-T2	M 6	30	4.2	7.5	10.0	6.5	3.9	2.3	1.6	Grade 2
P0155.060-040-T2	M 6	40	4.2	7.5	10.0	6.5	3.9	2.3	1.6	Grade 2
P0155.060-050-T2	M 6	50	4.2	7.5	10.0	6.5	3.9	2.3	1.6	Grade 2
P0155.060-060-T2	M 6	60	4.2	7.5	10.0	6.5	3.9	2.3	1.6	Grade 2
P0155.060-080-T2	M 6	80	4.2	7.5	10.0	6.5	3.9	2.3	1.6	Grade 2
P0155.020-010-T5	M 2	10	1.2	3.0	3.8	2.5	1.3	0.85	0.5	Grade 5
P0155.020-012-T5	M 2	12	1.2	3.0	3.8	2.5	1.3	0.85	0.5	Grade 5
P0155.020-016-T5	M 2	16	1.2	3.0	3.8	2.5	1.3	0.85	0.5	Grade 5
P0155.020-020-T5	M 2	20	1.2	3.0	3.8	2.5	1.3	0.85	0.5	Grade 5
P0155.025-010-T5	M 2,5	10	1.7	3.7	4.5	2.8	1.6	1.00	0.6	Grade 5
P0155.025-012-T5	M 2,5	12	1.7	3.7	4.5	2.8	1.6	1.00	0.6	Grade 5
P0155.025-016-T5	M 2,5	16	1.7	3.7	4.5	2.8	1.6	1.00	0.6	Grade 5
P0155.025-020-T5	M 2,5	20	1.7	3.7	4.5	2.8	1.6	1.00	0.6	Grade 5
P0155.025-025-T5	M 2,5	25	1.7	3.7	4.5	2.8	1.6	1.00	0.6	Grade 5
P0155.025-030-T5	M 2,5	30	1.7	3.7	4.5	2.8	1.6	1.00	0.6	Grade 5
P0155.030-006-T5	M 3	6	2.0	4.5	5.5	3.5	2.0	1.30	0.8	Grade 5
P0155.030-008-T5	M 3	8	2.0	4.5	5.5	3.5	2.0	1.30	0.8	Grade 5
P0155.030-010-T5	M 3	10	2.0	4.5	5.5	3.5	2.0	1.30	0.8	Grade 5
P0155.030-011-T5	M 3	11	2.0	4.5	5.5	3.5	2.0	1.30	0.8	Grade 5
P0155.030-013-T5	M 3	13	2.0	4.5	5.5	3.5	2.0	1.30	0.8	Grade 5
P0155.030-016-T5	M 3	16	2.0	4.5	5.5	3.5	2.0	1.30	0.8	Grade 5
P0155.030-018-T5	M 3	18	2.0	4.5	5.5	3.5	2.0	1.30	0.8	Grade 5
P0155.030-020-T5	M 3	20	2.0	4.5	5.5	3.5	2.0	1.30	0.8	Grade 5
P0155.030-025-T5	M 3	25	2.0	4.5	5.5	3.5	2.0	1.30	0.8	Grade 5
P0155.030-030-T5	M 3	30	2.0	4.5	5.5	3.5	2.0	1.30	0.8	Grade 5
P0155.030-040-T5	M 3	40	2.0	4.5	5.5	3.5	2.0	1.30	0.8	Grade 5
P0155.035-010-T5	M3,5	10	2.3	5.2	6.0	3.8	2.4	1.4	1.0	Grade 5
P0155.035-016-T5	M3,5	16	2.3	5.2	6.0	3.8	2.4	1.4	1.0	Grade 5
P0155.035-020-T5	M3,5	20	2.3	5.2	6.0	3.8	2.4	1.4	1.0	Grade 5
P0155.035-025-T5	M3,5	25	2.3	5.2	6.0	3.8	2.4	1.4	1.0	Grade 5
P0155.035-030-T5	M3,5	30	2.3	5.2	6.0	3.8	2.4	1.4	1.0	Grade 5
P0155.035-040-T5	M3,5	40	2.3	5.2	6.0	3.8	2.4	1.4	1.0	Grade 5
P0155.040-010-T5	M 4	10	2.8	6.0	7.0	4.5	2.6	1.6	1.2	Grade 5
P0155.040-012-T5	M 4	12	2.8	6.0	7.0	4.5	2.6	1.6	1.2	Grade 5
P0155.040-016-T5	M 4	16	2.8	6.0	7.0	4.5	2.6	1.6	1.2	Grade 5
P0155.040-018-T5	M 4	18	2.8	6.0	7.0	4.5	2.6	1.6	1.2	Grade 5
P0155.040-019-T5	M 4	19	2.8	6.0	7.0	4.5	2.6	1.6	1.2	Grade 5
P0155.040-020-T5	M 4	20	2.8	6.0	7.0	4.5	2.6	1.6	1.2	Grade 5
P0155.040-025-T5	M 4	25	2.8	6.0	7.0	4.5	2.6	1.6	1.2	Grade 5



Captive Screws - Cheese Head slot drive - titanium



Captive Screws

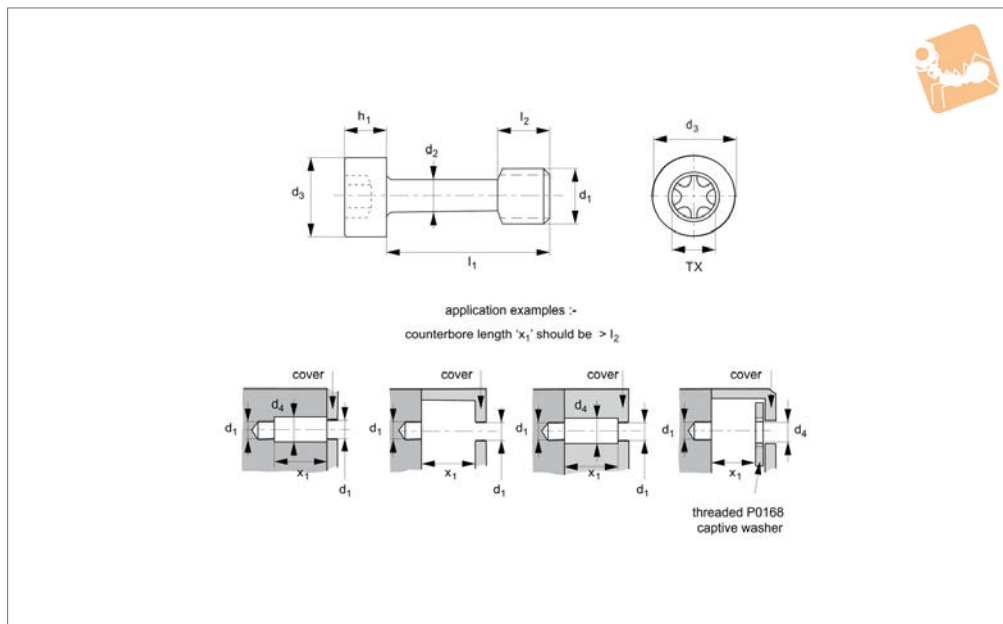
Order No.	d ₁	l ₁ ±0.25	d ₂ ±0.12	l ₂ ±0.25	d ₃	d ₄ min.	h ₁	h ₂	w ₁	Material
P0155.040-030-T5	M 4	30	2.8	6.0	7.0	4.5	2.6	1.6	1.2	Grade 5
P0155.040-040-T5	M 4	40	2.8	6.0	7.0	4.5	2.6	1.6	1.2	Grade 5
P0155.040-050-T5	M 4	50	2.8	6.0	7.0	4.5	2.6	1.6	1.2	Grade 5
P0155.040-060-T5	M 4	60	2.8	6.0	7.0	4.5	2.6	1.6	1.2	Grade 5
P0155.050-010-T5	M 5	10	3.7	7.5	8.5	5.5	3.3	2.0	1.2	Grade 5
P0155.050-012-T5	M 5	12	3.7	7.5	8.5	5.5	3.3	2.0	1.2	Grade 5
P0155.050-016-T5	M 5	16	3.7	7.5	8.5	5.5	3.3	2.0	1.2	Grade 5
P0155.050-018-T5	M 5	18	3.7	7.5	8.5	5.5	3.3	2.0	1.2	Grade 5
P0155.050-020-T5	M 5	20	3.7	7.5	8.5	5.5	3.3	2.0	1.2	Grade 5
P0155.050-022-T5	M 5	22	3.7	7.5	8.5	5.5	3.3	2.0	1.2	Grade 5
P0155.050-025-T5	M 5	25	3.7	7.5	8.5	5.5	3.3	2.0	1.2	Grade 5
P0155.050-030-T5	M 5	30	3.7	7.5	8.5	5.5	3.3	2.0	1.2	Grade 5
P0155.050-040-T5	M 5	40	3.7	7.5	8.5	5.5	3.3	2.0	1.2	Grade 5
P0155.050-050-T5	M 5	50	3.7	7.5	8.5	5.5	3.3	2.0	1.2	Grade 5
P0155.050-060-T5	M 5	60	3.7	7.5	8.5	5.5	3.3	2.0	1.2	Grade 5
P0155.050-080-T5	M 5	80	3.7	7.5	8.5	5.5	3.3	2.0	1.2	Grade 5
P0155.060-010-T5	M 6	10	4.2	7.5	10.0	6.5	3.9	2.3	1.6	Grade 5
P0155.060-012-T5	M 6	12	4.2	7.5	10.0	6.5	3.9	2.3	1.6	Grade 5
P0155.060-016-T5	M 6	16	4.2	7.5	10.0	6.5	3.9	2.3	1.6	Grade 5
P0155.060-020-T5	M 6	20	4.2	7.5	10.0	6.5	3.9	2.3	1.6	Grade 5
P0155.060-025-T5	M 6	25	4.2	7.5	10.0	6.5	3.9	2.3	1.6	Grade 5
P0155.060-030-T5	M 6	30	4.2	7.5	10.0	6.5	3.9	2.3	1.6	Grade 5
P0155.060-040-T5	M 6	40	4.2	7.5	10.0	6.5	3.9	2.3	1.6	Grade 5
P0155.060-050-T5	M 6	50	4.2	7.5	10.0	6.5	3.9	2.3	1.6	Grade 5
P0155.060-060-T5	M 6	60	4.2	7.5	10.0	6.5	3.9	2.3	1.6	Grade 5
P0155.060-080-T5	M 6	80	4.2	7.5	10.0	6.5	3.9	2.3	1.6	Grade 5

CAPTIVE SCREWS



P0156.Ti

MADE IN BRITAIN



Material

Titanium grade 2 (tensile strength 345 N/mm²), or grade 5 (tensile strength 900 N/mm²).

Also available on request in steel (anodised, black oxide or zinc plated) stainless steel (AISI 316, 1.440 or AISI 303, 1.4305), brass, aluminium etc.

Technical Notes

Used to comply with the Machinery Direc-

tive 2006/42/EC. Generally to ISO 4762. Often used with our captive washers (P0168) or retaining flanges (P0169 - for sheet metal applications). The use of our captive washers should be considered when fitted in panels with unthreaded holes.

* M 8 sizes have a reduced TX size.
T5 also available on request.
Replace -T2 with -T5 at the end of part

number.

Important Notes

Please note that these screws have a reduced diameter shank and should not be tightened to the recommended torque for an equivalent machine screw of size d₁.

Order No.	d ₁	l ₁ ±0.25	d ₂ ±0.12	l ₂ ±0.25	d ₃ max.	d ₄ min.	h ₁ max.	TX size	Material
P0156.030-008-T2	M 3	8	2.0	4.5	5.5	3.5	3	TX-10	Grade 2
P0156.030-010-T2	M 3	10	2.0	4.5	5.5	3.5	3	TX-10	Grade 2
P0156.030-016-T2	M 3	16	2.0	4.5	5.5	3.5	3	TX-10	Grade 2
P0156.030-020-T2	M 3	20	2.0	4.5	5.5	3.5	3	TX-10	Grade 2
P0156.030-025-T2	M 3	25	2.0	4.5	5.5	3.5	3	TX-10	Grade 2
P0156.030-030-T2	M 3	30	2.0	4.5	5.5	3.5	3	TX-10	Grade 2
P0156.040-008-T2	M 4	8	2.8	6.0	7.0	4.5	4	TX-20	Grade 2
P0156.040-010-T2	M 4	10	2.8	6.0	7.0	4.5	4	TX-20	Grade 2
P0156.040-012-T2	M 4	12	2.8	6.0	7.0	4.5	4	TX-20	Grade 2
P0156.040-016-T2	M 4	16	2.8	6.0	7.0	4.5	4	TX-20	Grade 2
P0156.040-020-T2	M 4	20	2.8	6.0	7.0	4.5	4	TX-20	Grade 2
P0156.040-025-T2	M 4	25	2.8	6.0	7.0	4.5	4	TX-20	Grade 2
P0156.040-030-T2	M 4	30	2.8	6.0	7.0	4.5	4	TX-20	Grade 2
P0156.040-040-T2	M 4	40	2.8	6.0	7.0	4.5	4	TX-20	Grade 2
P0156.040-050-T2	M 4	50	2.8	6.0	7.0	4.5	4	TX-20	Grade 2
P0156.050-010-T2	M 5	10	3.7	7.5	8.5	5.5	5	TX-25	Grade 2
P0156.050-012-T2	M 5	12	3.7	7.5	8.5	5.5	5	TX-25	Grade 2
P0156.050-016-T2	M 5	16	3.7	7.5	8.5	5.5	5	TX-25	Grade 2
P0156.050-020-T2	M 5	20	3.7	7.5	8.5	5.5	5	TX-25	Grade 2
P0156.050-025-T2	M 5	25	3.7	7.5	8.5	5.5	5	TX-25	Grade 2
P0156.050-030-T2	M 5	30	3.7	7.5	8.5	5.5	5	TX-25	Grade 2
P0156.050-040-T2	M 5	40	3.7	7.5	8.5	5.5	5	TX-25	Grade 2
P0156.050-050-T2	M 5	50	3.7	7.5	8.5	5.5	5	TX-25	Grade 2
P0156.060-010-T2	M 6	10	4.2	7.5	10.0	6.5	6	TX-30	Grade 2
P0156.060-012-T2	M 6	12	4.2	7.5	10.0	6.5	6	TX-30	Grade 2
P0156.060-016-T2	M 6	16	4.2	7.5	10.0	6.5	6	TX-30	Grade 2



Captive Screws - Cap Head

TX drive - titanium



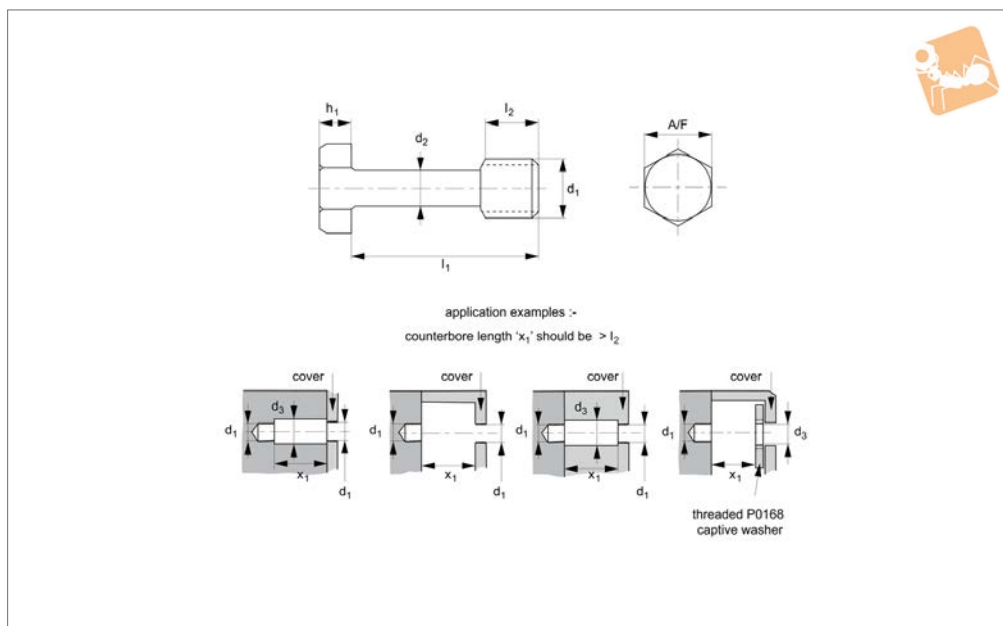
Order No.	d ₁	l ₁ ±0.25	d ₂ ±0.12	l ₂ ±0.25	d ₃ max.	d ₄ min.	h ₁ max.	TX size	Material
P0156.060-020-T2	M 6	20	4.2	7.5	10.0	6.5	6	TX-30	Grade 2
P0156.060-025-T2	M 6	25	4.2	7.5	10.0	6.5	6	TX-30	Grade 2
P0156.060-030-T2	M 6	30	4.2	7.5	10.0	6.5	6	TX-30	Grade 2
P0156.060-040-T2	M 6	40	4.2	7.5	10.0	6.5	6	TX-30	Grade 2
P0156.060-050-T2	M 6	50	4.2	7.5	10.0	6.5	6	TX-30	Grade 2
P0156.060-060-T2	M 6	60	4.2	7.5	10.0	6.5	6	TX-30	Grade 2
P0156.060-080-T2	M 6	80	4.2	7.5	10.0	6.5	6	TX-30	Grade 2
P0156.080-012-T2	M 8	12	6.0	10.0	13.0	8.5	8	TX-30*	Grade 2
P0156.080-016-T2	M 8	16	6.0	10.0	13.0	8.5	8	TX-30*	Grade 2
P0156.080-020-T2	M 8	20	6.0	10.0	13.0	8.5	8	TX-30*	Grade 2
P0156.080-025-T2	M 8	25	6.0	10.0	13.0	8.5	8	TX-30*	Grade 2
P0156.080-030-T2	M 8	30	6.0	10.0	13.0	8.5	8	TX-30*	Grade 2
P0156.080-035-T2	M 8	35	6.0	10.0	13.0	8.5	8	TX-30*	Grade 2
P0156.080-040-T2	M 8	40	6.0	10.0	13.0	8.5	8	TX-30*	Grade 2
P0156.080-045-T2	M 8	45	6.0	10.0	13.0	8.5	8	TX-30*	Grade 2
P0156.080-050-T2	M 8	50	6.0	10.0	13.0	8.5	8	TX-30*	Grade 2
P0156.080-060-T2	M 8	60	6.0	10.0	13.0	8.5	8	TX-30*	Grade 2
P0156.080-080-T2	M 8	80	6.0	10.0	13.0	8.5	8	TX-30*	Grade 2
P0156.030-008-T5	M 3	8	2.0	4.5	5.5	3.5	3	TX-10	Grade 5
P0156.030-010-T5	M 3	10	2.0	4.5	5.5	3.5	3	TX-10	Grade 5
P0156.030-016-T5	M 3	16	2.0	4.5	5.5	3.5	3	TX-10	Grade 5
P0156.030-020-T5	M 3	20	2.0	4.5	5.5	3.5	3	TX-10	Grade 5
P0156.030-025-T5	M 3	25	2.0	4.5	5.5	3.5	3	TX-10	Grade 5
P0156.030-030-T5	M 3	30	2.0	4.5	5.5	3.5	3	TX-10	Grade 5
P0156.040-008-T5	M 4	8	2.8	6.0	7.0	4.5	4	TX-20	Grade 5
P0156.040-010-T5	M 4	10	2.8	6.0	7.0	4.5	4	TX-20	Grade 5
P0156.040-012-T5	M 4	12	2.8	6.0	7.0	4.5	4	TX-20	Grade 5
P0156.040-016-T5	M 4	16	2.8	6.0	7.0	4.5	4	TX-20	Grade 5
P0156.040-020-T5	M 4	20	2.8	6.0	7.0	4.5	4	TX-20	Grade 5
P0156.040-025-T5	M 4	25	2.8	6.0	7.0	4.5	4	TX-20	Grade 5
P0156.040-030-T5	M 4	30	2.8	6.0	7.0	4.5	4	TX-20	Grade 5
P0156.040-040-T5	M 4	40	2.8	6.0	7.0	4.5	4	TX-20	Grade 5
P0156.040-050-T5	M 4	50	2.8	6.0	7.0	4.5	4	TX-20	Grade 5
P0156.050-010-T5	M 5	10	3.7	7.5	8.5	5.5	5	TX-25	Grade 5
P0156.050-012-T5	M 5	12	3.7	7.5	8.5	5.5	5	TX-25	Grade 5
P0156.050-016-T5	M 5	16	3.7	7.5	8.5	5.5	5	TX-25	Grade 5
P0156.050-020-T5	M 5	20	3.7	7.5	8.5	5.5	5	TX-25	Grade 5
P0156.050-025-T5	M 5	25	3.7	7.5	8.5	5.5	5	TX-25	Grade 5
P0156.050-030-T5	M 5	30	3.7	7.5	8.5	5.5	5	TX-25	Grade 5
P0156.050-040-T5	M 5	40	3.7	7.5	8.5	5.5	5	TX-25	Grade 5
P0156.050-050-T5	M 5	50	3.7	7.5	8.5	5.5	5	TX-25	Grade 5
P0156.060-010-T5	M 6	10	4.2	7.5	10.0	6.5	6	TX-30	Grade 5
P0156.060-012-T5	M 6	12	4.2	7.5	10.0	6.5	6	TX-30	Grade 5
P0156.060-016-T5	M 6	16	4.2	7.5	10.0	6.5	6	TX-30	Grade 5
P0156.060-020-T5	M 6	20	4.2	7.5	10.0	6.5	6	TX-30	Grade 5
P0156.060-025-T5	M 6	25	4.2	7.5	10.0	6.5	6	TX-30	Grade 5
P0156.060-030-T5	M 6	30	4.2	7.5	10.0	6.5	6	TX-30	Grade 5
P0156.060-040-T5	M 6	40	4.2	7.5	10.0	6.5	6	TX-30	Grade 5
P0156.060-050-T5	M 6	50	4.2	7.5	10.0	6.5	6	TX-30	Grade 5
P0156.060-060-T5	M 6	60	4.2	7.5	10.0	6.5	6	TX-30	Grade 5
P0156.060-080-T5	M 6	80	4.2	7.5	10.0	6.5	6	TX-30	Grade 5
P0156.080-012-T5	M 8	12	6.0	10.0	13.0	8.5	8	TX-30*	Grade 5
P0156.080-016-T5	M 8	16	6.0	10.0	13.0	8.5	8	TX-30*	Grade 5
P0156.080-020-T5	M 8	20	6.0	10.0	13.0	8.5	8	TX-30*	Grade 5
P0156.080-025-T5	M 8	25	6.0	10.0	13.0	8.5	8	TX-30*	Grade 5
P0156.080-030-T5	M 8	30	6.0	10.0	13.0	8.5	8	TX-30*	Grade 5
P0156.080-035-T5	M 8	35	6.0	10.0	13.0	8.5	8	TX-30*	Grade 5
P0156.080-040-T5	M 8	40	6.0	10.0	13.0	8.5	8	TX-30*	Grade 5
P0156.080-045-T5	M 8	45	6.0	10.0	13.0	8.5	8	TX-30*	Grade 5
P0156.080-050-T5	M 8	50	6.0	10.0	13.0	8.5	8	TX-30*	Grade 5
P0156.080-060-T5	M 8	60	6.0	10.0	13.0	8.5	8	TX-30*	Grade 5
P0156.080-080-T5	M 8	80	6.0	10.0	13.0	8.5	8	TX-30*	Grade 5

CAPTIVE SCREWS



MADE IN BRITAIN

P0158.Ti



Material

Titanium grade 2 (tensile strength 345 N/mm²), or grade 5 (tensile strength 900 N/mm²).

Also available on request in steel (anodised, black oxide or zinc plated) stainless steel (AISI 316, 1.440 or AISI 303, 1.4305), brass, aluminium etc.

Technical Notes

Used to comply with the Machinery Direc-

tive 2006/42/EC. Often used with our captive washer (P0168) or retaining flanges (P0169 - for sheet metal applications). The use of our captive washer should be considered when fitted in panels with unthreaded holes.

T5 also available on request.

Replace -T2 with -T5 at the end of part number.

Important Notes

Please note that these screws have a reduced diameter shank and should not be tightened to the recommended torque for an equivalent machine screw of size d₁.

Order No.	d ₁	l ₁ ±0.25	d ₂ ±0.12	l ₂ ±0.25	d ₃ min.	h ₁ max.	A/F	Material
P0158.030-010-T2	M 3	10	2.0	4.5	3.5	2.2	6	Grade 2
P0158.030-016-T2	M 3	16	2.0	4.5	3.5	2.2	6	Grade 2
P0158.030-020-T2	M 3	20	2.0	4.5	3.5	2.2	6	Grade 2
P0158.030-025-T2	M 3	25	2.0	4.5	3.5	2.2	6	Grade 2
P0158.030-030-T2	M 3	30	2.0	4.5	3.5	2.2	6	Grade 2
P0158.030-040-T2	M 3	40	2.0	4.5	3.5	2.2	6	Grade 2
P0158.040-012-T2	M 4	12	2.8	6.0	4.5	2.9	7	Grade 2
P0158.040-016-T2	M 4	16	2.8	6.0	4.5	2.9	7	Grade 2
P0158.040-020-T2	M 4	20	2.8	6.0	4.5	2.9	7	Grade 2
P0158.040-025-T2	M 4	25	2.8	6.0	4.5	2.9	7	Grade 2
P0158.040-030-T2	M 4	30	2.8	8.0	4.5	2.9	7	Grade 2
P0158.040-035-T2	M 4	35	2.8	8.0	4.5	2.9	7	Grade 2
P0158.040-040-T2	M 4	40	2.8	8.0	4.5	2.9	7	Grade 2
P0158.040-050-T2	M 4	50	2.8	8.0	4.5	2.9	7	Grade 2
P0158.040-060-T2	M 4	60	2.8	8.0	4.5	2.9	7	Grade 2
P0158.050-012-T2	M 5	12	3.7	7.5	5.5	3.6	8	Grade 2
P0158.050-016-T2	M 5	16	3.7	7.5	5.5	3.6	8	Grade 2
P0158.050-020-T2	M 5	20	3.7	7.5	5.5	3.6	8	Grade 2
P0158.050-025-T2	M 5	25	3.7	7.5	5.5	3.6	8	Grade 2
P0158.050-030-T2	M 5	30	3.7	10.0	5.5	3.6	8	Grade 2
P0158.050-035-T2	M 5	35	3.7	10.0	5.5	3.6	8	Grade 2
P0158.050-040-T2	M 5	40	3.7	10.0	5.5	3.6	8	Grade 2
P0158.050-050-T2	M 5	50	3.7	10.0	5.5	3.6	8	Grade 2
P0158.050-060-T2	M 5	60	3.7	10.0	5.5	3.6	8	Grade 2
P0158.060-012-T2	M 6	12	4.2	7.5	6.5	4.1	10	Grade 2
P0158.060-016-T2	M 6	16	4.2	7.5	6.5	4.1	10	Grade 2



Captive Screws - Hex Bolts

titanium

Captive Screws



Order No.	d ₁	l ₁ ±0.25	d ₂ ±0.12	l ₂ ±0.25	d ₃ min.	h ₁ max.	A/F	Material
P0158.060-020-T2	M 6	20	4.2	7.5	6.5	4.1	10	Grade 2
P0158.060-025-T2	M 6	25	4.2	7.5	6.5	4.1	10	Grade 2
P0158.060-030-T2	M 6	30	4.2	7.5	6.5	4.1	10	Grade 2
P0158.060-035-T2	M 6	35	4.2	7.5	6.5	4.1	10	Grade 2
P0158.060-040-T2	M 6	40	4.2	7.5	6.5	4.1	10	Grade 2
P0158.060-050-T2	M 6	50	4.2	7.5	6.5	4.1	10	Grade 2
P0158.060-060-T2	M 6	60	4.2	7.5	6.5	4.1	10	Grade 2
P0158.060-080-T2	M 6	80	4.2	7.5	6.5	4.1	10	Grade 2
P0158.080-016-T2	M 8	16	6.0	10.0	8.5	5.3	13	Grade 2
P0158.080-020-T2	M 8	20	6.0	10.0	8.5	5.3	13	Grade 2
P0158.080-025-T2	M 8	25	6.0	10.0	8.5	5.3	13	Grade 2
P0158.080-030-T2	M 8	30	6.0	10.0	8.5	5.3	13	Grade 2
P0158.080-035-T2	M 8	35	6.0	10.0	8.5	5.3	13	Grade 2
P0158.080-040-T2	M 8	40	6.0	10.0	8.5	5.3	13	Grade 2
P0158.080-050-T2	M 8	50	6.0	10.0	8.5	5.3	13	Grade 2
P0158.080-060-T2	M 8	60	6.0	10.0	8.5	5.3	13	Grade 2
P0158.080-080-T2	M 8	80	6.0	10.0	8.5	5.3	13	Grade 2
P0158.100-020-T2	M10	20	7.5	12.5	10.6	6.4	17	Grade 2
P0158.100-025-T2	M10	25	7.5	12.5	10.6	6.4	17	Grade 2
P0158.100-030-T2	M10	30	7.5	12.5	10.6	6.4	17	Grade 2
P0158.100-035-T2	M10	35	7.5	12.0	10.6	6.4	17	Grade 2
P0158.100-040-T2	M10	40	7.5	12.5	10.6	6.4	17	Grade 2
P0158.100-050-T2	M10	50	7.5	12.5	10.6	6.4	17	Grade 2
P0158.100-060-T2	M10	60	7.5	12.5	10.6	6.4	17	Grade 2
P0158.100-080-T2	M10	80	7.5	12.5	10.6	6.4	17	Grade 2
P0158.120-025-T2	M12	25	8.0	15.0	13.2	7.5	19	Grade 2
P0158.120-030-T2	M12	30	8.0	15.0	13.2	7.5	19	Grade 2
P0158.120-035-T2	M12	35	8.0	15.0	13.2	7.5	19	Grade 2
P0158.120-040-T2	M12	40	8.0	15.0	13.2	7.5	19	Grade 2
P0158.120-050-T2	M12	50	8.0	15.0	13.2	7.5	19	Grade 2
P0158.120-060-T2	M12	60	8.0	15.0	13.2	7.5	19	Grade 2
P0158.120-080-T2	M12	80	8.0	15.0	13.2	7.5	19	Grade 2
P0158.030-010-T5	M 3	10	2.0	4.5	3.5	2.2	6	Grade 5
P0158.030-016-T5	M 3	16	2.0	4.5	3.5	2.2	6	Grade 5
P0158.030-020-T5	M 3	20	2.0	4.5	3.5	2.2	6	Grade 5
P0158.030-025-T5	M 3	25	2.0	4.5	3.5	2.2	6	Grade 5
P0158.030-030-T5	M 3	30	2.0	4.5	3.5	2.2	6	Grade 5
P0158.030-040-T5	M 3	40	2.0	4.5	3.5	2.2	6	Grade 5
P0158.040-012-T5	M 4	12	2.8	6.0	4.5	2.9	7	Grade 5
P0158.040-016-T5	M 4	16	2.8	6.0	4.5	2.9	7	Grade 5
P0158.040-020-T5	M 4	20	2.8	6.0	4.5	2.9	7	Grade 5
P0158.040-025-T5	M 4	25	2.8	6.0	4.5	2.9	7	Grade 5
P0158.040-030-T5	M 4	30	2.8	8.0	4.5	2.9	7	Grade 5
P0158.040-035-T5	M 4	35	2.8	8.0	4.5	2.9	7	Grade 5
P0158.040-040-T5	M 4	40	2.8	8.0	4.5	2.9	7	Grade 5
P0158.040-050-T5	M 4	50	2.8	8.0	4.5	2.9	7	Grade 5
P0158.040-060-T5	M 4	60	2.8	8.0	4.5	2.9	7	Grade 5
P0158.050-012-T5	M 5	12	3.7	7.5	5.5	3.6	8	Grade 5
P0158.050-016-T5	M 5	16	3.7	7.5	5.5	3.6	8	Grade 5
P0158.050-020-T5	M 5	20	3.7	7.5	5.5	3.6	8	Grade 5
P0158.050-025-T5	M 5	25	3.7	7.5	5.5	3.6	8	Grade 5
P0158.050-030-T5	M 5	30	3.7	10.0	5.5	3.6	8	Grade 5
P0158.050-035-T5	M 5	35	3.7	10.0	5.5	3.6	8	Grade 5
P0158.050-040-T5	M 5	40	3.7	10.0	5.5	3.6	8	Grade 5
P0158.050-050-T5	M 5	50	3.7	10.0	5.5	3.6	8	Grade 5
P0158.050-060-T5	M 5	60	3.7	10.0	5.5	3.6	8	Grade 5
P0158.060-012-T5	M 6	12	4.2	7.5	6.5	4.1	10	Grade 5
P0158.060-016-T5	M 6	16	4.2	7.5	6.5	4.1	10	Grade 5
P0158.060-020-T5	M 6	20	4.2	7.5	6.5	4.1	10	Grade 5
P0158.060-025-T5	M 6	25	4.2	7.5	6.5	4.1	10	Grade 5
P0158.060-030-T5	M 6	30	4.2	7.5	6.5	4.1	10	Grade 5
P0158.060-035-T5	M 6	35	4.2	7.5	6.5	4.1	10	Grade 5
P0158.060-040-T5	M 6	40	4.2	7.5	6.5	4.1	10	Grade 5
P0158.060-050-T5	M 6	50	4.2	7.5	6.5	4.1	10	Grade 5
P0158.060-060-T5	M 6	60	4.2	7.5	6.5	4.1	10	Grade 5
P0158.060-080-T5	M 6	80	4.2	7.5	6.5	4.1	10	Grade 5
P0158.080-016-T5	M 8	16	6.0	10.0	8.5	5.3	13	Grade 5
P0158.080-020-T5	M 8	20	6.0	10.0	8.5	5.3	13	Grade 5

CAPTIVE SCREWS



CAPTIVE SCREWS

Order No.	d ₁	l ₁ ±0.25	d ₂ ±0.12	l ₂ ±0.25	d ₃ min.	h ₁ max.	A/F	Material
P0158.080-025-T5	M 8	25	6.0	10.0	8.5	5.3	13	Grade 5
P0158.080-030-T5	M 8	30	6.0	10.0	8.5	5.3	13	Grade 5
P0158.080-035-T5	M 8	35	6.0	10.0	8.5	5.3	13	Grade 5
P0158.080-040-T5	M 8	40	6.0	10.0	8.5	5.3	13	Grade 5
P0158.080-050-T5	M 8	50	6.0	10.0	8.5	5.3	13	Grade 5
P0158.080-060-T5	M 8	60	6.0	10.0	8.5	5.3	13	Grade 5
P0158.080-080-T5	M 8	80	6.0	10.0	8.5	5.3	13	Grade 5
P0158.100-020-T5	M10	20	7.5	12.5	10.6	6.4	17	Grade 5
P0158.100-025-T5	M10	25	7.5	12.5	10.6	6.4	17	Grade 5
P0158.100-030-T5	M10	30	7.5	12.5	10.6	6.4	17	Grade 5
P0158.100-035-T5	M10	35	7.5	12.0	10.6	6.4	17	Grade 5
P0158.100-040-T5	M10	40	7.5	12.5	10.6	6.4	17	Grade 5
P0158.100-050-T5	M10	50	7.5	12.5	10.6	6.4	17	Grade 5
P0158.100-060-T5	M10	60	7.5	12.5	10.6	6.4	17	Grade 5
P0158.100-080-T5	M10	80	7.5	12.5	10.6	6.4	17	Grade 5
P0158.120-025-T5	M12	25	8.0	15.0	13.2	7.5	19	Grade 5
P0158.120-030-T5	M12	30	8.0	15.0	13.2	7.5	19	Grade 5
P0158.120-035-T5	M12	35	8.0	15.0	13.2	7.5	19	Grade 5
P0158.120-040-T5	M12	40	8.0	15.0	13.2	7.5	19	Grade 5
P0158.120-050-T5	M12	50	8.0	15.0	13.2	7.5	19	Grade 5
P0158.120-060-T5	M12	60	8.0	15.0	13.2	7.5	19	Grade 5
P0158.120-080-T5	M12	80	8.0	15.0	13.2	7.5	19	Grade 5

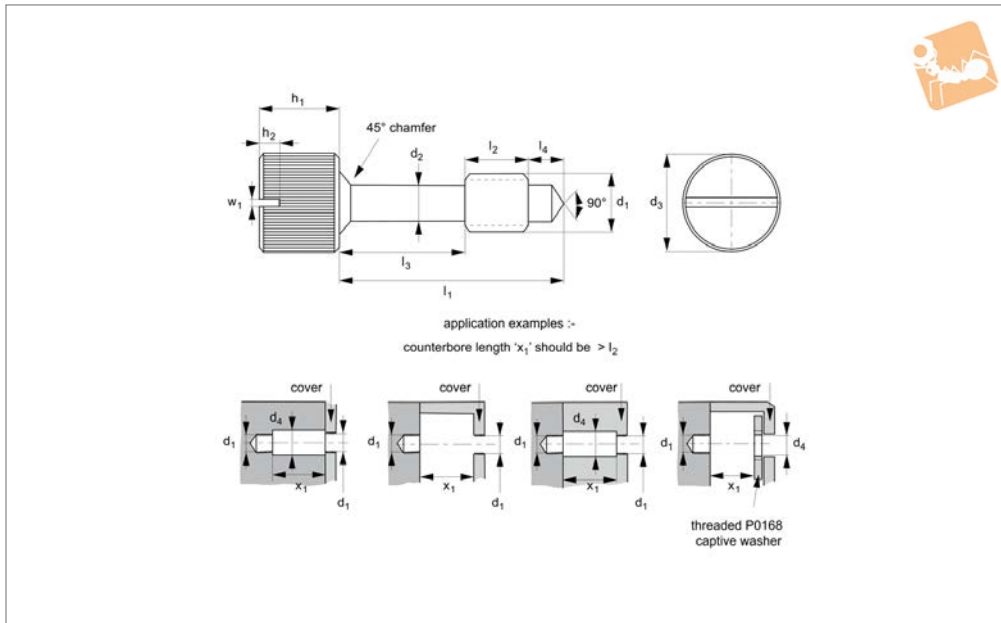


Captive Panel Thumb Screws

slot drive - titanium



Captive Screws



P0159.Ti

CAPTIVE SCREWS

Material

Titanium grade 2 (tensile strength 345 N/mm²), or grade 5 (tensile strength 900 N/mm²).

Also available on request in steel (anodised, black oxide or zinc plated) stainless steel (AISI 316, 1.440 or AISI

303, 1.4305), brass, aluminium etc.

Technical Notes

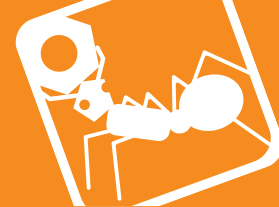
Used to comply with the Machinery Directive 2006/42/EC. Often used with our captive washer (P0168) or retaining flanges (P0169 - for sheet metal applica-

tions). The use of our captive washer should be considered when fitted in panels with unthreaded holes.

T5 also available on request.

Replace -T2 with -T5 at the end of part number.

Order No.	d ₁	l ₁ ±0.25	d ₂ ±0.12	l ₂ ±0.25	d ₃	d ₄ min.	h ₁	h ₂	l ₃	l ₄	w ₁	Material
P0159.030-010-T2	M 3	10	2	3.2	6.5	3.5	6.5	2.0	4.8	2.0	1.2	Grade 2
P0159.030-014-T2	M 3	14	2	3.2	6.5	3.5	6.5	2.0	8.8	2.0	1.2	Grade 2
P0159.030-016-T2	M 3	16	2	3.2	6.5	3.5	6.5	2.0	10.8	2.0	1.2	Grade 2
P0159.030-020-T2	M 3	20	2	3.2	6.5	3.5	6.5	2.0	14.8	2.0	1.2	Grade 2
P0159.030-022-T2	M 3	22	2	3.2	6.5	3.5	6.5	2.0	16.8	2.0	1.2	Grade 2
P0159.030-024-T2	M 3	24	2	3.2	6.5	3.5	6.5	2.0	18.8	2.0	1.2	Grade 2
P0159.030-026-T2	M 3	26	2	3.2	6.5	3.5	6.5	2.0	20.8	2.0	1.2	Grade 2
P0159.031-010-T2	M 3	10	2	3.2	8	3.5	8.0	2.0	4.8	2.0	1.2	Grade 2
P0159.031-014-T2	M 3	14	2	3.2	8	3.5	8.0	2.0	8.8	2.0	1.2	Grade 2
P0159.031-016-T2	M 3	16	2	3.2	8	3.5	8.0	2.0	10.8	2.0	1.2	Grade 2
P0159.031-020-T2	M 3	20	2	3.2	8	3.5	8.0	2.0	14.8	2.0	1.2	Grade 2
P0159.031-022-T2	M 3	22	2	3.2	8	3.5	8.0	2.0	16.8	2.0	1.2	Grade 2
P0159.031-024-T2	M 3	24	2	3.2	8	3.5	8.0	2.0	18.8	2.0	1.2	Grade 2
P0159.040-010-T2	M 4	10	3	5.5	8	4.5	8.0	2.0	2.0	2.5	1.2	Grade 2
P0159.040-014-T2	M 4	14	3	5.5	8	4.5	8.0	2.0	6.0	2.5	1.2	Grade 2
P0159.040-016-T2	M 4	16	3	5.5	8	4.5	8.0	2.0	8.0	2.5	1.2	Grade 2
P0159.040-020-T2	M 4	20	3	5.5	8	4.5	8.0	2.0	12.0	2.5	1.2	Grade 2
P0159.040-022-T2	M 4	22	3	5.5	8	4.5	8.0	2.0	14.0	2.5	1.2	Grade 2
P0159.040-024-T2	M 4	24	3	5.5	8	4.5	8.0	2.0	16.0	2.5	1.2	Grade 2
P0159.040-027-T2	M 4	27	3	5.5	8	4.5	8.0	2.0	19.0	2.5	1.2	Grade 2
P0159.040-032-T2	M 4	32	3	5.5	8	4.5	8.0	2.0	24.0	2.5	1.2	Grade 2
P0159.050-014-T2	M 5	14	3.5	6.5	10	5.5	10.0	2.5	3.5	4.0	1.5	Grade 2
P0159.050-016-T2	M 5	16	3.5	6.5	10	5.5	10.0	2.5	5.5	4.0	1.5	Grade 2
P0159.050-020-T2	M 5	20	3.5	6.5	10	5.5	10.0	2.5	9.5	4.0	1.5	Grade 2
P0159.050-022-T2	M 5	22	3.5	6.5	10	5.5	10.0	2.5	11.5	4.0	1.5	Grade 2
P0159.050-024-T2	M 5	24	3.5	6.5	10	5.5	10.0	2.5	13.5	4.0	1.5	Grade 2
P0159.050-027-T2	M 5	27	3.5	6.5	10	5.5	10.0	2.5	16.5	4.0	1.5	Grade 2
P0159.050-032-T2	M 5	32	3.5	6.5	10	5.5	10.0	2.5	21.5	4.0	1.5	Grade 2
P0159.050-035-T2	M 5	35	3.5	6.5	10	5.5	10.0	2.5	24.5	4.0	1.5	Grade 2
P0159.050-040-T2	M 5	40	3.5	6.5	10	5.5	10.0	2.5	29.5	4.0	1.5	Grade 2
P0159.060-016-T2	M 6	16	4.5	8.0	12	6.5	15.0	2.5	3.0	5.0	2.0	Grade 2



CAPTIVE SCREWS

Order No.	d ₁	l ₁ ±0.25	d ₂ ±0.12	l ₂ ±0.25	d ₃	d ₄ min.	h ₁	h ₂	l ₃	l ₄	w ₁	Material
P0159.060-020-T2	M 6	20	4.5	8.0	12	6.5	15.0	2.5	7.0	5.0	2.0	Grade 2
P0159.060-022-T2	M 6	22	4.5	8.0	12	6.5	15.0	2.5	9.0	5.0	2.0	Grade 2
P0159.060-024-T2	M 6	24	4.5	8.0	12	6.5	15.0	2.5	11.0	5.0	2.0	Grade 2
P0159.060-027-T2	M 6	27	4.5	8.0	12	6.5	15.0	2.5	14.0	5.0	2.0	Grade 2
P0159.060-032-T2	M 6	32	4.5	8.0	12	6.5	15.0	2.5	19.0	5.0	2.0	Grade 2
P0159.060-035-T2	M 6	35	4.5	8.0	12	6.5	15.0	2.5	22.0	5.0	2.0	Grade 2
P0159.060-040-T2	M 6	40	4.5	8.0	12	6.5	15.0	2.5	27.0	8.5	2.0	Grade 2
P0159.060-045-T2	M 6	45	4.5	8.0	12	6.5	15.0	2.5	32.0	8.5	2.0	Grade 2
P0159.060-050-T2	M 6	50	4.5	8.0	12	6.5	15.0	2.5	37.0	8.5	2.0	Grade 2
P0159.030-010-T5	M 3	10	2	3.2	6.5	3.5	6.5	2.0	4.8	2.0	1.2	Grade 5
P0159.030-014-T5	M 3	14	2	3.2	6.5	3.5	6.5	2.0	8.8	2.0	1.2	Grade 5
P0159.030-016-T5	M 3	16	2	3.2	6.5	3.5	6.5	2.0	10.8	2.0	1.2	Grade 5
P0159.030-020-T5	M 3	20	2	3.2	6.5	3.5	6.5	2.0	14.8	2.0	1.2	Grade 5
P0159.030-022-T5	M 3	22	2	3.2	6.5	3.5	6.5	2.0	16.8	2.0	1.2	Grade 5
P0159.030-024-T5	M 3	24	2	3.2	6.5	3.5	6.5	2.0	18.8	2.0	1.2	Grade 5
P0159.030-026-T5	M 3	26	2	3.2	6.5	3.5	6.5	2.0	20.8	2.0	1.2	Grade 5
P0159.031-010-T5	M 3	10	2	3.2	8	3.5	8.0	2.0	4.8	2.0	1.2	Grade 5
P0159.031-014-T5	M 3	14	2	3.2	8	3.5	8.0	2.0	8.8	2.0	1.2	Grade 5
P0159.031-016-T5	M 3	16	2	3.2	8	3.5	8.0	2.0	10.8	2.0	1.2	Grade 5
P0159.031-020-T5	M 3	20	2	3.2	8	3.5	8.0	2.0	14.8	2.0	1.2	Grade 5
P0159.031-022-T5	M 3	22	2	3.2	8	3.5	8.0	2.0	16.8	2.0	1.2	Grade 5
P0159.031-024-T5	M 3	24	2	3.2	8	3.5	8.0	2.0	18.8	2.0	1.2	Grade 5
P0159.040-010-T5	M 4	10	3	5.5	8	4.5	8.0	2.0	2.0	2.5	1.2	Grade 5
P0159.040-014-T5	M 4	14	3	5.5	8	4.5	8.0	2.0	6.0	2.5	1.2	Grade 5
P0159.040-016-T5	M 4	16	3	5.5	8	4.5	8.0	2.0	8.0	2.5	1.2	Grade 5
P0159.040-020-T5	M 4	20	3	5.5	8	4.5	8.0	2.0	12.0	2.5	1.2	Grade 5
P0159.040-022-T5	M 4	22	3	5.5	8	4.5	8.0	2.0	14.0	2.5	1.2	Grade 5
P0159.040-024-T5	M 4	24	3	5.5	8	4.5	8.0	2.0	16.0	2.5	1.2	Grade 5
P0159.040-027-T5	M 4	27	3	5.5	8	4.5	8.0	2.0	19.0	2.5	1.2	Grade 5
P0159.040-032-T5	M 4	32	3	5.5	8	4.5	8.0	2.0	24.0	2.5	1.2	Grade 5
P0159.050-014-T5	M 5	14	3.5	6.5	10	5.5	10.0	2.5	3.5	4.0	1.5	Grade 5
P0159.050-016-T5	M 5	16	3.5	6.5	10	5.5	10.0	2.5	5.5	4.0	1.5	Grade 5
P0159.050-020-T5	M 5	20	3.5	6.5	10	5.5	10.0	2.5	9.5	4.0	1.5	Grade 5
P0159.050-022-T5	M 5	22	3.5	6.5	10	5.5	10.0	2.5	11.5	4.0	1.5	Grade 5
P0159.050-024-T5	M 5	24	3.5	6.5	10	5.5	10.0	2.5	13.5	4.0	1.5	Grade 5
P0159.050-027-T5	M 5	27	3.5	6.5	10	5.5	10.0	2.5	16.5	4.0	1.5	Grade 5
P0159.050-032-T5	M 5	32	3.5	6.5	10	5.5	10.0	2.5	21.5	4.0	1.5	Grade 5
P0159.050-035-T5	M 5	35	3.5	6.5	10	5.5	10.0	2.5	24.5	4.0	1.5	Grade 5
P0159.050-040-T5	M 5	40	3.5	6.5	10	5.5	10.0	2.5	29.5	4.0	1.5	Grade 5
P0159.060-016-T5	M 6	16	4.5	8.0	12	6.5	15.0	2.5	3.0	5.0	2.0	Grade 5
P0159.060-020-T5	M 6	20	4.5	8.0	12	6.5	15.0	2.5	7.0	5.0	2.0	Grade 5
P0159.060-022-T5	M 6	22	4.5	8.0	12	6.5	15.0	2.5	9.0	5.0	2.0	Grade 5
P0159.060-024-T5	M 6	24	4.5	8.0	12	6.5	15.0	2.5	11.0	5.0	2.0	Grade 5
P0159.060-027-T5	M 6	27	4.5	8.0	12	6.5	15.0	2.5	14.0	5.0	2.0	Grade 5
P0159.060-032-T5	M 6	32	4.5	8.0	12	6.5	15.0	2.5	19.0	5.0	2.0	Grade 5
P0159.060-035-T5	M 6	35	4.5	8.0	12	6.5	15.0	2.5	22.0	5.0	2.0	Grade 5
P0159.060-040-T5	M 6	40	4.5	8.0	12	6.5	15.0	2.5	27.0	8.5	2.0	Grade 5
P0159.060-045-T5	M 6	45	4.5	8.0	12	6.5	15.0	2.5	32.0	8.5	2.0	Grade 5
P0159.060-050-T5	M 6	50	4.5	8.0	12	6.5	15.0	2.5	37.0	8.5	2.0	Grade 5

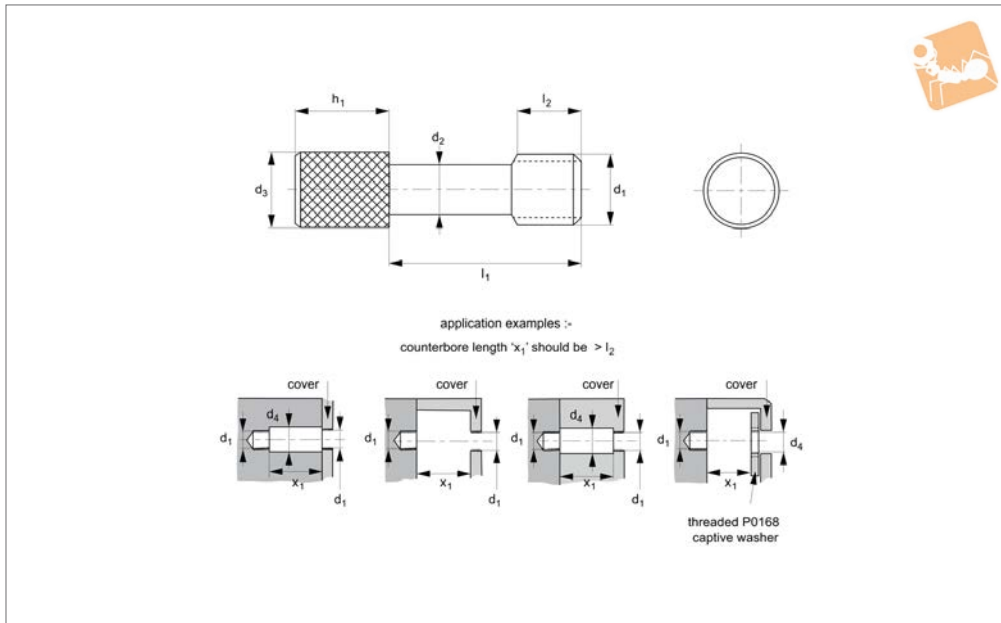


Captive Thumb Screws

303 stainless



Captive Screws



P0160.A2

CAPTIVE SCREWS

Material

Stainless steel (AISI 303, 1.4305). Tensile strength 550 N/mm². Proof stress min. 190 N/mm², austenitic stainless steel. Also available on request in steel (anodised, black oxide or zinc plated), stainless steel (AISI 316, 1.440), brass, aluminium etc.

Technical Notes

Used to comply with the Machinery Directive 2006/42/EC. Often used with our captive washers (P0168) or retaining flanges (P0169 - for sheet metal applications). The use of our captive washers should be considered when fitted in panels with unthreaded holes.

Important Notes

Please note that these screws have a reduced diameter shank and should not be tightened to the recommended torque for an equivalent machine screw of size d₁.

Order No.	d ₁	d ₂ ±0.12	l ₁ ±0.25	l ₂ ±0.25	d ₃	d ₄ min.	h ₁
P0160.030-016-A2	M 3	2.0	16	8.0	5	3.5	10
P0160.030-020-A2	M 3	2.0	20	10.0	5	3.5	10
P0160.030-025-A2	M 3	2.0	25	12.5	5	3.5	10
P0160.030-030-A2	M 3	2.0	30	15.0	5	3.5	10
P0160.030-035-A2	M 3	2.0	35	17.5	5	3.5	10
P0160.030-040-A2	M 3	2.0	40	20.0	5	3.5	10
P0160.030-050-A2	M 3	2.0	50	25.0	5	3.5	10
P0160.035-016-A2	M 3.5	2.3	16	8.0	5	3.8	10
P0160.035-020-A2	M 3.5	2.3	20	10.0	5	3.8	10
P0160.035-025-A2	M 3.5	2.3	25	12.5	5	3.8	10
P0160.035-030-A2	M 3.5	2.3	30	15.0	5	3.8	10
P0160.035-035-A2	M 3.5	2.3	35	17.5	5	3.8	10
P0160.035-040-A2	M 3.5	2.3	40	20.0	5	3.8	10
P0160.035-050-A2	M 3.5	2.3	50	25.0	5	3.8	10
P0160.040-016-A2	M 4	2.8	16	8.0	5	4.5	10
P0160.040-020-A2	M 4	2.8	20	10.0	5	4.5	10
P0160.040-025-A2	M 4	2.8	25	12.5	5	4.5	10
P0160.040-030-A2	M 4	2.8	30	15.0	5	4.5	10
P0160.040-035-A2	M 4	2.8	35	17.5	5	4.5	10
P0160.040-040-A2	M 4	2.8	40	20.0	5	4.5	10
P0160.040-050-A2	M 4	2.8	50	25.0	5	4.5	10
P0160.050-016-A2	M 5	3.7	16	8.0	6	5.5	12
P0160.050-020-A2	M 5	3.7	20	10.0	6	5.5	12
P0160.050-025-A2	M 5	3.7	25	12.5	6	5.5	12
P0160.050-030-A2	M 5	3.7	30	15.0	6	5.5	12
P0160.050-035-A2	M 5	3.7	35	17.5	6	5.5	12
P0160.050-040-A2	M 5	3.7	40	24.0	6	5.5	12
P0160.050-050-A2	M 5	3.7	50	25.0	6	5.5	12
P0160.060-016-A2	M 6	4.2	16	8.0	8	6.5	12



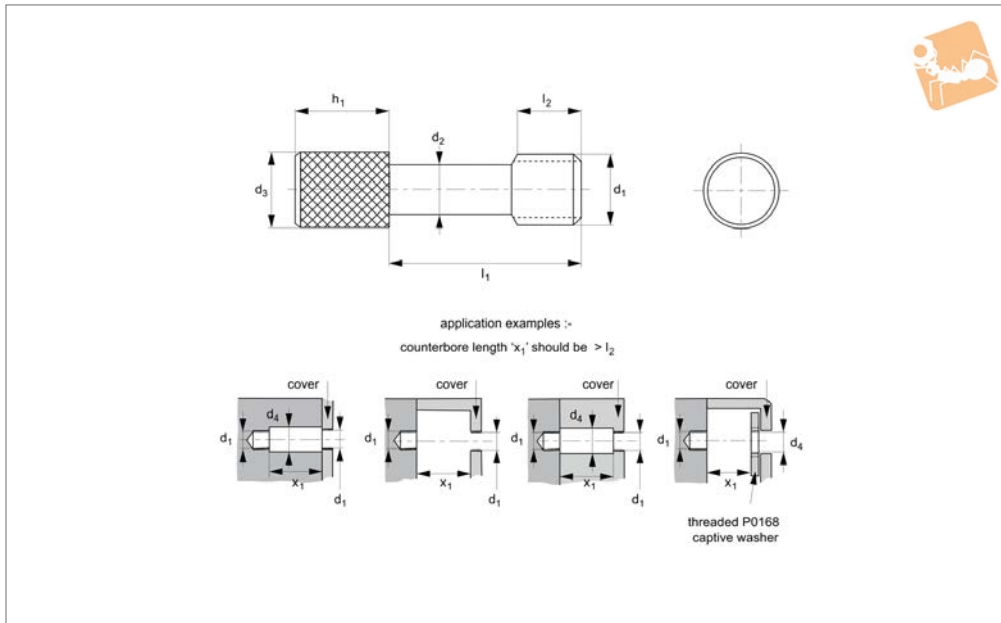
Order No.	d ₁	d ₂ ±0.12	l ₁ ±0.25	l ₂ ±0.25	d ₃	d ₄ min.	h ₁
P0160.060-020-A2	M 6	4.2	20	10.0	8	6.5	12
P0160.060-025-A2	M 6	4.2	25	12.5	8	6.5	12
P0160.060-030-A2	M 6	4.2	30	15.0	8	6.5	12
P0160.060-035-A2	M 6	4.2	35	17.5	8	6.5	12
P0160.060-040-A2	M 6	4.2	40	20.0	8	6.5	12
P0160.060-050-A2	M 6	4.2	50	25.0	8	6.5	12
P0160.080-016-A2	M 8	6.0	16	8.0	10	8.5	16
P0160.080-020-A2	M 8	6.0	20	10.0	10	8.5	16
P0160.080-025-A2	M 8	6.0	25	12.5	10	8.5	16
P0160.080-030-A2	M 8	6.0	30	15.0	10	8.5	16
P0160.080-035-A2	M 8	6.0	35	17.5	10	8.5	16
P0160.080-040-A2	M 8	6.0	40	20.0	10	8.5	16
P0160.080-050-A2	M 8	6.0	50	25.0	10	8.5	16



Captive Thumb Screws

316 stainless

Captive Screws



P0160.A4

CAPTIVE SCREWS

Material

Stainless steel (AISI 316, 1.440).
Tensile strength 480 N/mm². Proof stress min. 200 N/mm², austenitic stainless steel.
Also available on request in steel (anodised, black oxide or zinc plated), stainless steel (AISI 303, 1.4305), brass, aluminium etc.

Technical Notes

Used to comply with the Machinery Directive 2006/42/EC. Often used with our captive washer (P0168) or retaining flanges (P0169 - for sheet metal applications). The use of our captive washer should be considered when fitted in panels with unthreaded holes.

Important Notes

Please note that these screws have a reduced diameter shank and should not be tightened to the recommended torque for an equivalent machine screw of size d₁.

Order No.	d ₁	d ₂ ±0.12	l ₁ ±0.25	l ₂ ±0.25	d ₃	d ₄ min.	h ₁
P0160.030-016-A4	M 3	2.0	16	8.0	5	3.5	10
P0160.030-020-A4	M 3	2.0	20	10.0	5	3.5	10
P0160.030-025-A4	M 3	2.0	25	12.5	5	3.5	10
P0160.030-030-A4	M 3	2.0	30	15.0	5	3.5	10
P0160.030-035-A4	M 3	2.0	35	17.5	5	3.5	10
P0160.030-040-A4	M 3	2.0	40	20.0	5	3.5	10
P0160.030-050-A4	M 3	2.0	50	25.0	5	3.5	10
P0160.035-016-A4	M 3.5	2.3	16	8.0	5	3.8	10
P0160.035-020-A4	M 3.5	2.3	20	10.0	5	3.8	10
P0160.035-025-A4	M 3.5	2.3	25	12.5	5	3.8	10
P0160.035-030-A4	M 3.5	2.3	30	15.0	5	3.8	10
P0160.035-035-A4	M 3.5	2.3	35	17.5	5	3.8	10
P0160.035-040-A4	M 3.5	2.3	40	20.0	5	3.8	10
P0160.035-050-A4	M 3.5	2.3	50	25.0	5	3.8	10
P0160.040-016-A4	M 4	2.8	16	8.0	5	4.5	10
P0160.040-020-A4	M 4	2.8	20	10.0	5	4.5	10
P0160.040-025-A4	M 4	2.8	25	12.5	5	4.5	10
P0160.040-030-A4	M 4	2.8	30	15.0	5	4.5	10
P0160.040-035-A4	M 4	2.8	35	17.5	5	4.5	10
P0160.040-040-A4	M 4	2.8	40	20.0	5	4.5	10
P0160.040-050-A4	M 4	2.8	50	25.0	5	4.5	10
P0160.050-016-A4	M 5	3.7	16	8.0	6	5.5	12
P0160.050-020-A4	M 5	3.7	20	10.0	6	5.5	12
P0160.050-025-A4	M 5	3.7	25	12.5	6	5.5	12
P0160.050-030-A4	M 5	3.7	30	15.0	6	5.5	12
P0160.050-035-A4	M 5	3.7	35	17.5	6	5.5	12
P0160.050-040-A4	M 5	3.7	40	24.0	6	5.5	12
P0160.050-050-A4	M 5	3.7	50	25.0	6	5.5	12
P0160.060-016-A4	M 6	4.2	16	8.0	8	6.5	12



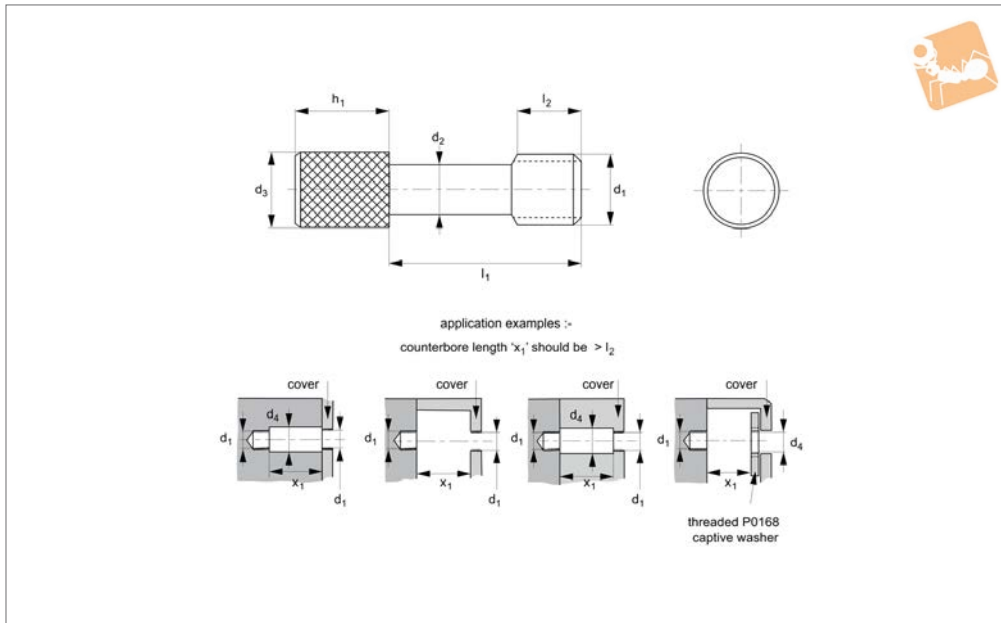
Order No.	d ₁	d ₂ ±0.12	l ₁ ±0.25	l ₂ ±0.25	d ₃	d ₄ min.	h ₁
P0160.060-020-A4	M 6	4.2	20	10.0	8	6.5	12
P0160.060-025-A4	M 6	4.2	25	12.5	8	6.5	12
P0160.060-030-A4	M 6	4.2	30	15.0	8	6.5	12
P0160.060-035-A4	M 6	4.2	35	17.5	8	6.5	12
P0160.060-040-A4	M 6	4.2	40	20.0	8	6.5	12
P0160.060-050-A4	M 6	4.2	50	25.0	8	6.5	12



Captive Thumb Screws

303 stainless, blackened

Captive Screws



P0160.B2

CAPTIVE SCREWS

Material

Stainless steel (AISI 303, 1.4305), black oxide coating. Tensile strength 550 N/mm². Proof stress min. 190 N/mm², austenitic stainless steel.

Also available on request in steel (anodised, black oxide or zinc plated) stainless steel (AISI 316, 1.440), brass,

aluminium etc.

Technical Notes

Used to comply with the Machinery Directive 2006/42/EC. Often used with our captive washer (P0168) or retaining flanges (P0169 - for sheet metal applications). The use of our captive washer

should be considered when fitted in panels with unthreaded holes.

Important Notes

Please note that these screws have a reduced diameter shank and should not be tightened to the recommended torque for an equivalent machine screw of size d₁.

Order No.	d ₁	d ₂ ±0.12	l ₁ ±0.25	l ₂ ±0.25	d ₃	d ₄ min.	h ₁
P0160.030-016-B2	M 3	2.0	16	8.0	5	3.5	10
P0160.030-020-B2	M 3	2.0	20	10.0	5	3.5	10
P0160.030-025-B2	M 3	2.0	25	12.5	5	3.5	10
P0160.030-030-B2	M 3	2.0	30	15.0	5	3.5	10
P0160.030-035-B2	M 3	2.0	35	17.5	5	3.5	10
P0160.030-040-B2	M 3	2.0	40	20.0	5	3.5	10
P0160.030-050-B2	M 3	2.0	50	25.0	5	3.5	10
P0160.035-016-B2	M 3,5	2.3	16	8.0	5	3.8	10
P0160.035-020-B2	M 3,5	2.3	20	10.0	5	3.8	10
P0160.035-025-B2	M 3,5	2.3	25	12.5	5	3.8	10
P0160.035-030-B2	M 3,5	2.3	30	15.0	5	3.8	10
P0160.035-035-B2	M 3,5	2.3	35	17.5	5	3.8	10
P0160.035-040-B2	M 3,5	2.3	40	20.0	5	3.8	10
P0160.035-050-B2	M 3,5	2.3	50	25.0	5	3.8	10
P0160.040-016-B2	M 4	2.8	16	8.0	5	4.5	10
P0160.040-020-B2	M 4	2.8	20	10.0	5	4.5	10
P0160.040-025-B2	M 4	2.8	25	12.5	5	4.5	10
P0160.040-030-B2	M 4	2.8	30	15.0	5	4.5	10
P0160.040-035-B2	M 4	2.8	35	17.5	5	4.5	10
P0160.040-040-B2	M 4	2.8	40	20.0	5	4.5	10
P0160.040-050-B2	M 4	2.8	50	25.0	5	4.5	10
P0160.050-016-B2	M 5	3.7	16	8.0	6	5.5	12
P0160.050-020-B2	M 5	3.7	20	10.0	6	5.5	12
P0160.050-025-B2	M 5	3.7	25	12.5	6	5.5	12
P0160.050-030-B2	M 5	3.7	30	15.0	6	5.5	12
P0160.050-035-B2	M 5	3.7	35	17.5	6	5.5	12
P0160.050-040-B2	M 5	3.7	40	24.0	6	5.5	12
P0160.050-050-B2	M 5	3.7	50	25.0	6	5.5	12
P0160.060-016-B2	M 6	4.2	16	8.0	8	6.5	12



Order No.	d ₁	d ₂ ±0.12	l ₁ ±0.25	l ₂ ±0.25	d ₃	d ₄ min.	h ₁
P0160.060-020-B2	M 6	4.2	20	10.0	8	6.5	12
P0160.060-025-B2	M 6	4.2	25	12.5	8	6.5	12
P0160.060-030-B2	M 6	4.2	30	15.0	8	6.5	12
P0160.060-035-B2	M 6	4.2	35	17.5	8	6.5	12
P0160.060-040-B2	M 6	4.2	40	20.0	8	6.5	12
P0160.060-050-B2	M 6	4.2	50	25.0	8	6.5	12

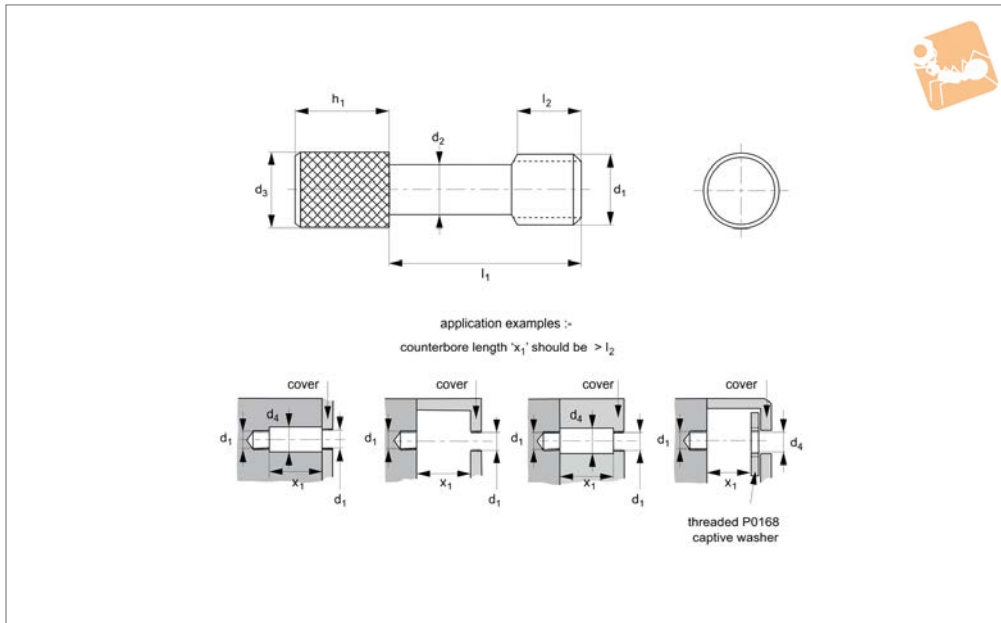


Captive Thumb Screws

316 stainless, blackened



Captive Screws



P0160.B4

CAPTIVE SCREWS

Material

Stainless steel (AISI 316, 1.440), black oxide coating. Tensile strength 480 N/mm². Proof stress min. 200 N/mm², austenitic stainless steel.
Also available on request in steel (anodised, black oxide or zinc plated) stainless steel (AISI 303, 1.4305), brass,

aluminium etc.

Technical Notes

Used to comply with the Machinery Directive 2006/42/EC. Often used with our captive washer (P0168) or retaining flanges (P0169 - for sheet metal applications). The use of our captive washer

should be considered when fitted in panels with unthreaded holes.

Important Notes

Please note that these screws have a reduced diameter shank and should not be tightened to the recommended torque for an equivalent machine screw of size d₁.

Order No.	d ₁	d ₂ ±0.12	l ₁ ±0.25	l ₂ ±0.25	d ₃	d ₄ min.	h ₁
P0160.030-016-B4	M 3	2.0	16	8.0	5	3.5	10
P0160.030-020-B4	M 3	2.0	20	10.0	5	3.5	10
P0160.030-025-B4	M 3	2.0	25	12.5	5	3.5	10
P0160.030-030-B4	M 3	2.0	30	15.0	5	3.5	10
P0160.030-035-B4	M 3	2.0	35	17.5	5	3.5	10
P0160.030-040-B4	M 3	2.0	40	20.0	5	3.5	10
P0160.030-050-B4	M 3	2.0	50	25.0	5	3.5	10
P0160.035-016-B4	M 3,5	2.3	16	8.0	5	3.8	10
P0160.035-020-B4	M 3,5	2.3	20	10.0	5	3.8	10
P0160.035-025-B4	M 3,5	2.3	25	12.5	5	3.8	10
P0160.035-030-B4	M 3,5	2.3	30	15.0	5	3.8	10
P0160.035-035-B4	M 3,5	2.3	35	17.5	5	3.8	10
P0160.035-040-B4	M 3,5	2.3	40	20.0	5	3.8	10
P0160.035-050-B4	M 3,5	2.3	50	25.0	5	3.8	10
P0160.040-016-B4	M 4	2.8	16	8.0	5	4.5	10
P0160.040-020-B4	M 4	2.8	20	10.0	5	4.5	10
P0160.040-025-B4	M 4	2.8	25	12.5	5	4.5	10
P0160.040-030-B4	M 4	2.8	30	15.0	5	4.5	10
P0160.040-035-B4	M 4	2.8	35	17.5	5	4.5	10
P0160.040-040-B4	M 4	2.8	40	20.0	5	4.5	10
P0160.040-050-B4	M 4	2.8	50	25.0	5	4.5	10
P0160.050-016-B4	M 5	3.7	16	8.0	6	5.5	12
P0160.050-020-B4	M 5	3.7	20	10.0	6	5.5	12
P0160.050-025-B4	M 5	3.7	25	12.5	6	5.5	12
P0160.050-030-B4	M 5	3.7	30	15.0	6	5.5	12
P0160.050-035-B4	M 5	3.7	35	17.5	6	5.5	12
P0160.050-040-B4	M 5	3.7	40	24.0	6	5.5	12
P0160.050-050-B4	M 5	3.7	50	25.0	6	5.5	12
P0160.060-016-B4	M 6	4.2	16	8.0	8	6.5	12

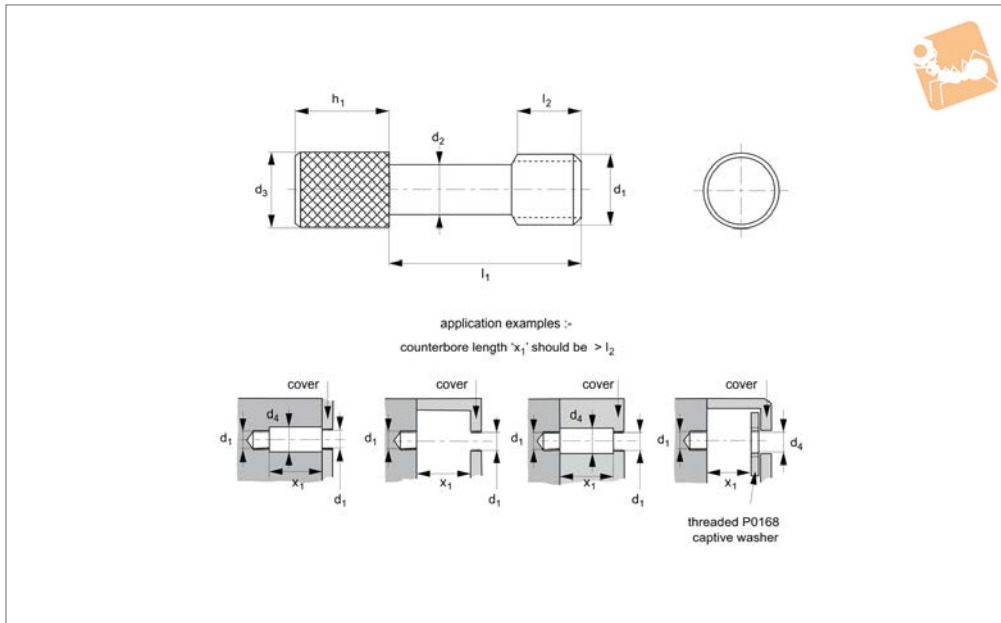


Order No.	d ₁	d ₂ ±0.12	l ₁ ±0.25	l ₂ ±0.25	d ₃	d ₄ min.	h ₁
P0160.060-020-B4	M 6	4.2	20	10.0	8	6.5	12
P0160.060-025-B4	M 6	4.2	25	12.5	8	6.5	12
P0160.060-030-B4	M 6	4.2	30	15.0	8	6.5	12
P0160.060-035-B4	M 6	4.2	35	17.5	8	6.5	12
P0160.060-040-B4	M 6	4.2	40	20.0	8	6.5	12
P0160.060-050-B4	M 6	4.2	50	25.0	8	6.5	12

Captive Thumb Screws

titanium

Captive Screws



P0160.Ti

CAPTIVE SCREWS

Material

Titanium grade 2 (tensile strength 345 N/mm²), or grade 5 (tensile strength 900 N/mm²).

Also available on request in steel (anodised, black oxide or zinc plated) stainless steel (AISI 316, 1.440 or AISI 303, 1.4305), brass, aluminium etc.

Technical Notes

Used to comply with the Machinery Direc-

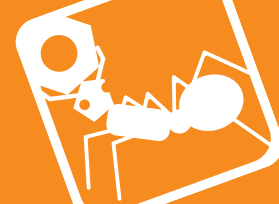
tive 2006/42/EC. Often used with our captive washer (P0168) or retaining flanges (P0169 - for sheet metal applications). The use of our captive washer should be considered when fitted in panels with unthreaded holes.

T5 also available on request.
Replace -T2 with -T5 at the end of part number.

Important Notes

Please note that these screws have a reduced diameter shank and should not be tightened to the recommended torque for an equivalent machine screw of size d₁.

Order No.	d ₁	d ₂ ±0.12	l ₁ ±0.25	l ₂ ±0.25	d ₃	d ₄ min.	h ₁	Material
P0160.030-016-T2	M 3	2.0	16	8.0	5	3.5	10	Grade 2
P0160.030-020-T2	M 3	2.0	20	10.0	5	3.5	10	Grade 2
P0160.030-025-T2	M 3	2.0	25	12.5	5	3.5	10	Grade 2
P0160.030-030-T2	M 3	2.0	30	15.0	5	3.5	10	Grade 2
P0160.030-035-T2	M 3	2.0	35	17.5	5	3.5	10	Grade 2
P0160.030-040-T2	M 3	2.0	40	20.0	5	3.5	10	Grade 2
P0160.030-050-T2	M 3	2.0	50	25.0	5	3.5	10	Grade 2
P0160.035-016-T2	M 3,5	2.3	16	8.0	5	3.8	10	Grade 2
P0160.035-020-T2	M 3,5	2.3	20	10.0	5	3.8	10	Grade 2
P0160.035-025-T2	M 3,5	2.3	25	12.5	5	3.8	10	Grade 2
P0160.035-030-T2	M 3,5	2.3	30	15.0	5	3.8	10	Grade 2
P0160.035-035-T2	M 3,5	2.3	35	17.5	5	3.8	10	Grade 2
P0160.035-040-T2	M 3,5	2.3	40	20.0	5	3.8	10	Grade 2
P0160.035-050-T2	M 3,5	2.3	50	25.0	5	3.8	10	Grade 2
P0160.040-016-T2	M 4	2.8	16	8.0	5	4.5	10	Grade 2
P0160.040-020-T2	M 4	2.8	20	10.0	5	4.5	10	Grade 2
P0160.040-025-T2	M 4	2.8	25	12.5	5	4.5	10	Grade 2
P0160.040-030-T2	M 4	2.8	30	15.0	5	4.5	10	Grade 2
P0160.040-035-T2	M 4	2.8	35	17.5	5	4.5	10	Grade 2
P0160.040-040-T2	M 4	2.8	40	20.0	5	4.5	10	Grade 2
P0160.040-050-T2	M 4	2.8	50	25.0	5	4.5	10	Grade 2
P0160.050-016-T2	M 5	3.7	16	8.0	6	5.5	12	Grade 2
P0160.050-020-T2	M 5	3.7	20	10.0	6	5.5	12	Grade 2
P0160.050-025-T2	M 5	3.7	25	12.5	6	5.5	12	Grade 2
P0160.050-030-T2	M 5	3.7	30	15.0	6	5.5	12	Grade 2
P0160.050-035-T2	M 5	3.7	35	17.5	6	5.5	12	Grade 2



CAPTIVE SCREWS

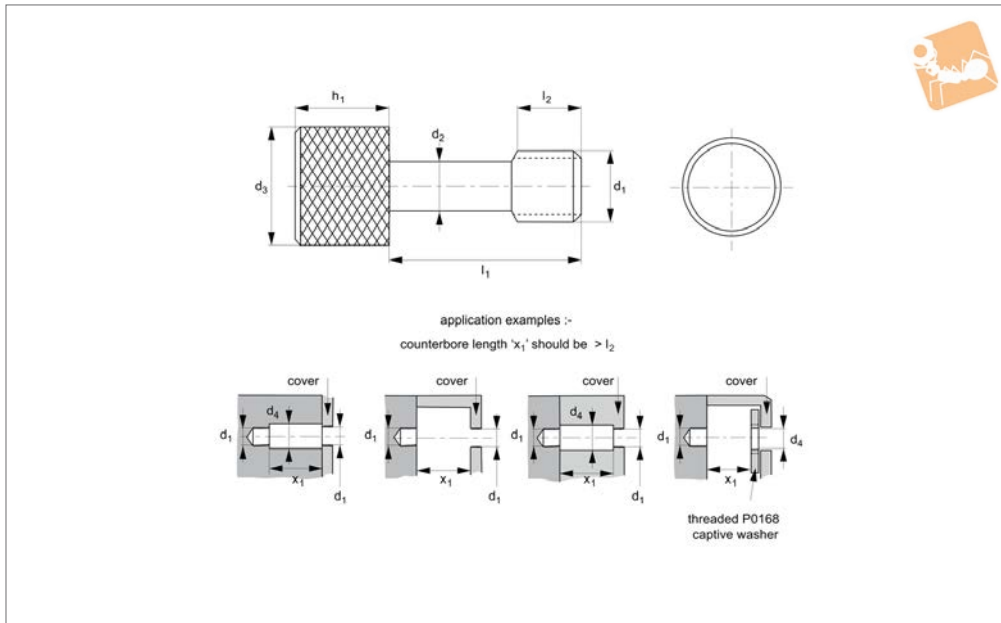
Order No.	d ₁	d ₂ ±0.12	l ₁ ±0.25	l ₂ ±0.25	d ₃	d ₄ min.	h ₁	Material
P0160.050-040-T2	M 5	3.7	40	24.0	6	5.5	12	Grade 2
P0160.050-050-T2	M 5	3.7	50	25.0	6	5.5	12	Grade 2
P0160.060-016-T2	M 6	4.2	16	8.0	8	6.5	12	Grade 2
P0160.060-020-T2	M 6	4.2	20	10.0	8	6.5	12	Grade 2
P0160.060-025-T2	M 6	4.2	25	12.5	8	6.5	12	Grade 2
P0160.060-030-T2	M 6	4.2	30	15.0	8	6.5	12	Grade 2
P0160.060-035-T2	M 6	4.2	35	17.5	8	6.5	12	Grade 2
P0160.060-040-T2	M 6	4.2	40	20.0	8	6.5	12	Grade 2
P0160.060-050-T2	M 6	4.2	50	25.0	8	6.5	12	Grade 2
P0160.030-016-T5	M 3	2.0	16	8.0	5	3.5	10	Grade 5
P0160.030-020-T5	M 3	2.0	20	10.0	5	3.5	10	Grade 5
P0160.030-025-T5	M 3	2.0	25	12.5	5	3.5	10	Grade 5
P0160.030-030-T5	M 3	2.0	30	15.0	5	3.5	10	Grade 5
P0160.030-035-T5	M 3	2.0	35	17.5	5	3.5	10	Grade 5
P0160.030-040-T5	M 3	2.0	40	20.0	5	3.5	10	Grade 5
P0160.030-050-T5	M 3	2.0	50	25.0	5	3.5	10	Grade 5
P0160.035-016-T5	M 3,5	2.3	16	8.0	5	3.8	10	Grade 5
P0160.035-020-T5	M 3,5	2.3	20	10.0	5	3.8	10	Grade 5
P0160.035-025-T5	M 3,5	2.3	25	12.5	5	3.8	10	Grade 5
P0160.035-030-T5	M 3,5	2.3	30	15.0	5	3.8	10	Grade 5
P0160.035-035-T5	M 3,5	2.3	35	17.5	5	3.8	10	Grade 5
P0160.035-040-T5	M 3,5	2.3	40	20.0	5	3.8	10	Grade 5
P0160.035-050-T5	M 3,5	2.3	50	25.0	5	3.8	10	Grade 5
P0160.040-016-T5	M 4	2.8	16	8.0	5	4.5	10	Grade 5
P0160.040-020-T5	M 4	2.8	20	10.0	5	4.5	10	Grade 5
P0160.040-025-T5	M 4	2.8	25	12.5	5	4.5	10	Grade 5
P0160.040-030-T5	M 4	2.8	30	15.0	5	4.5	10	Grade 5
P0160.040-035-T5	M 4	2.8	35	17.5	5	4.5	10	Grade 5
P0160.040-040-T5	M 4	2.8	40	20.0	5	4.5	10	Grade 5
P0160.040-050-T5	M 4	2.8	50	25.0	5	4.5	10	Grade 5
P0160.050-016-T5	M 5	3.7	16	8.0	6	5.5	12	Grade 5
P0160.050-020-T5	M 5	3.7	20	10.0	6	5.5	12	Grade 5
P0160.050-025-T5	M 5	3.7	25	12.5	6	5.5	12	Grade 5
P0160.050-030-T5	M 5	3.7	30	15.0	6	5.5	12	Grade 5
P0160.050-035-T5	M 5	3.7	35	17.5	6	5.5	12	Grade 5
P0160.050-040-T5	M 5	3.7	40	24.0	6	5.5	12	Grade 5
P0160.050-050-T5	M 5	3.7	50	25.0	6	5.5	12	Grade 5
P0160.060-016-T5	M 6	4.2	16	8.0	8	6.5	12	Grade 5
P0160.060-020-T5	M 6	4.2	20	10.0	8	6.5	12	Grade 5
P0160.060-025-T5	M 6	4.2	25	12.5	8	6.5	12	Grade 5
P0160.060-030-T5	M 6	4.2	30	15.0	8	6.5	12	Grade 5
P0160.060-035-T5	M 6	4.2	35	17.5	8	6.5	12	Grade 5
P0160.060-040-T5	M 6	4.2	40	20.0	8	6.5	12	Grade 5
P0160.060-050-T5	M 6	4.2	50	25.0	8	6.5	12	Grade 5



Captive Thumb Screws

303 stainless

Captive Screws



P0161.A2

CAPTIVE SCREWS

Material

Stainless steel (AISI 303, 1.4305). Tensile strength 550 N/mm². Proof stress min. 190 N/mm², austenitic stainless steel. Also available on request in steel (anodised, black oxide or zinc plated), stainless steel (AISI 316, 1.440), brass, aluminium etc.

Technical Notes

Used to comply with the Machinery Directive 2006/42/EC. Often used with our captive washer (P0168) or retaining flanges (P0169 - for sheet metal applications). The use of our captive washer should be considered when fitted in panels with unthreaded holes.

Important Notes

Please note that these screws have a reduced diameter shank and should not be tightened to the recommended torque for an equivalent machine screw of size d₁.

Order No.	d ₁	d ₂ ±0.12	l ₁ ±0.25	l ₂ ±0.25	d ₃	d ₄ min.	h ₁
P0161.030-008-A2	M 3	2.0	8	4.5	8	3.5	5
P0161.030-010-A2	M 3	2.0	10	4.5	8	3.5	5
P0161.030-012-A2	M 3	2.0	12	4.5	8	3.5	5
P0161.030-014-A2	M 3	2.0	14	4.5	8	3.5	5
P0161.030-016-A2	M 3	2.0	16	4.5	8	3.5	5
P0161.035-008-A2	M 3,5	2.3	8	6.0	8	3.8	5
P0161.035-010-A2	M 3,5	2.3	10	6.0	8	3.8	5
P0161.035-012-A2	M 3,5	2.3	12	6.0	8	3.8	5
P0161.035-014-A2	M 3,5	2.3	14	6.0	8	3.8	5
P0161.035-016-A2	M 3,5	2.3	16	6.0	8	3.8	5
P0161.040-010-A2	M 4	2.8	10	6.0	10	4.5	5
P0161.040-012-A2	M 4	2.8	12	6.0	10	4.5	5
P0161.040-014-A2	M 4	2.8	14	6.0	10	4.5	5
P0161.040-016-A2	M 4	2.8	16	6.0	10	4.5	5
P0161.040-018-A2	M 4	2.8	18	6.0	10	4.5	5
P0161.040-020-A2	M 4	2.8	20	6.0	10	4.5	5
P0161.040-025-A2	M 4	2.8	25	6.0	10	4.5	5
P0161.050-010-A2	M 5	3.7	10	7.5	10	5.5	5
P0161.050-012-A2	M 5	3.7	12	7.5	10	5.5	5
P0161.050-014-A2	M 5	3.7	14	7.5	10	5.5	5
P0161.050-016-A2	M 5	3.7	16	7.5	10	5.5	5
P0161.050-018-A2	M 5	3.7	18	7.5	10	5.5	5
P0161.050-020-A2	M 5	3.7	20	7.5	10	5.5	5
P0161.050-025-A2	M 5	3.7	25	7.5	10	5.5	5
P0161.050-030-A2	M 5	3.7	30	7.5	10	5.5	5
P0161.060-012-A2	M 6	4.5	12	7.5	12	6.5	6
P0161.060-014-A2	M 6	4.5	14	7.5	12	6.5	6
P0161.060-016-A2	M 6	4.5	16	7.5	12	6.5	6
P0161.060-018-A2	M 6	4.5	18	7.5	12	6.5	6



Order No.	d ₁	d ₂ ±0.12	l ₁ ±0.25	l ₂ ±0.25	d ₃	d ₄ min.	h ₁
P0161.060-020-A2	M 6	4.5	20	7.5	12	6.5	6
P0161.060-025-A2	M 6	4.5	25	7.5	12	6.5	6
P0161.060-030-A2	M 6	4.5	30	7.5	12	6.5	6
P0161.080-016-A2	M 8	6.0	16	10.0	16	8.5	8
P0161.080-018-A2	M 8	6.0	18	10.0	16	8.5	8
P0161.080-020-A2	M 8	6.0	20	10.0	16	8.5	8
P0161.080-025-A2	M 8	6.0	25	10.0	16	8.5	8
P0161.080-030-A2	M 8	6.0	30	10.0	16	8.5	8
P0161.080-035-A2	M 8	6.0	35	10.0	16	8.5	8

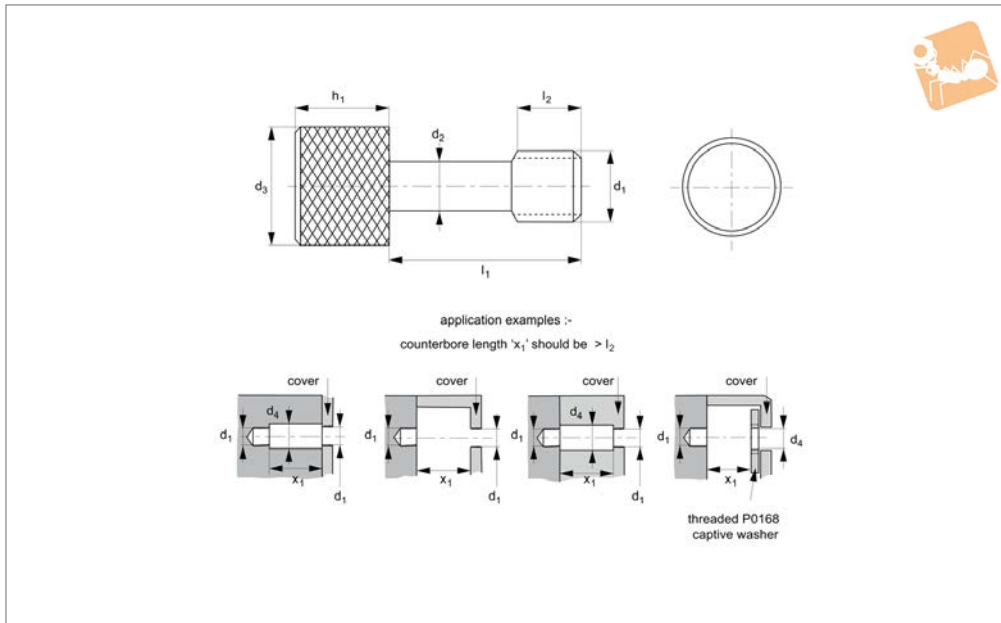


Captive Thumb Screws

316 stainless



Captive Screws



P0161.A4

CAPTIVE SCREWS

Material

Stainless steel (AISI 316, 1.440).
Tensile strength 480 N/mm². Proof stress min. 200 N/mm², austenitic stainless steel.
Also available on request in steel (anodised, black oxide or zinc plated), stainless steel (AISI 303, 1.4305), brass, aluminium etc.

Technical Notes

Used to comply with the Machinery Directive 2006/42/EC. Often used with our captive washer (P0168) or retaining flanges (P0169 - for sheet metal applications). The use of our captive washer should be considered when fitted in panels with unthreaded holes.

Important Notes

Please note that these screws have a reduced diameter shank and should not be tightened to the recommended torque for an equivalent machine screw of size d₁.

Order No.	d ₁	d ₂ ±0.12	l ₁ ±0.25	l ₂ ±0.25	d ₃	d ₄ min.	h ₁
P0161.030-008-A4	M 3	2.0	8	4.5	8	3.5	5
P0161.030-010-A4	M 3	2.0	10	4.5	8	3.5	5
P0161.030-012-A4	M 3	2.0	12	4.5	8	3.5	5
P0161.030-014-A4	M 3	2.0	14	4.5	8	3.5	5
P0161.030-016-A4	M 3	2.0	16	4.5	8	3.5	5
P0161.035-008-A4	M3,5	2.3	8	6.0	8	3.8	5
P0161.035-010-A4	M3,5	2.3	10	6.0	8	3.8	5
P0161.035-012-A4	M3,5	2.3	12	6.0	8	3.8	5
P0161.035-014-A4	M3,5	2.3	14	6.0	8	3.8	5
P0161.035-016-A4	M3,5	2.3	16	6.0	8	3.8	5
P0161.040-010-A4	M 4	2.8	10	6.0	10	4.5	5
P0161.040-012-A4	M 4	2.8	12	6.0	10	4.5	5
P0161.040-014-A4	M 4	2.8	14	6.0	10	4.5	5
P0161.040-016-A4	M 4	2.8	16	6.0	10	4.5	5
P0161.040-018-A4	M 4	2.8	18	6.0	10	4.5	5
P0161.040-020-A4	M 4	2.8	20	6.0	10	4.5	5
P0161.040-025-A4	M 4	2.8	25	6.0	10	4.5	5
P0161.050-010-A4	M 5	3.7	10	7.5	10	5.5	5
P0161.050-012-A4	M 5	3.7	12	7.5	10	5.5	5
P0161.050-014-A4	M 5	3.7	14	7.5	10	5.5	5
P0161.050-016-A4	M 5	3.7	16	7.5	10	5.5	5
P0161.050-018-A4	M 5	3.7	18	7.5	10	5.5	5
P0161.050-020-A4	M 5	3.7	20	7.5	10	5.5	5
P0161.050-025-A4	M 5	3.7	25	7.5	10	5.5	5
P0161.050-030-A4	M 5	3.7	30	7.5	10	5.5	5
P0161.060-012-A4	M 6	4.5	12	7.5	12	6.5	6
P0161.060-014-A4	M 6	4.5	14	7.5	12	6.5	6
P0161.060-016-A4	M 6	4.5	16	7.5	12	6.5	6
P0161.060-018-A4	M 6	4.5	18	7.5	12	6.5	6



Order No.	d ₁	d ₂ ±0.12	l ₁ ±0.25	l ₂ ±0.25	d ₃	d ₄ min.	h ₁
P0161.060-020-A4	M 6	4.5	20	7.5	12	6.5	6
P0161.060-025-A4	M 6	4.5	25	7.5	12	6.5	6
P0161.060-030-A4	M 6	4.5	30	7.5	12	6.5	6
P0161.080-016-A4	M 8	6.0	16	10.0	16	8.5	8
P0161.080-018-A4	M 8	6.0	18	10.0	16	8.5	8
P0161.080-020-A4	M 8	6.0	20	10.0	16	8.5	8
P0161.080-025-A4	M 8	6.0	25	10.0	16	8.5	8
P0161.080-030-A4	M 8	6.0	30	10.0	16	8.5	8
P0161.080-035-A4	M 8	6.0	35	10.0	16	8.5	8

CAPTIVE SCREWS

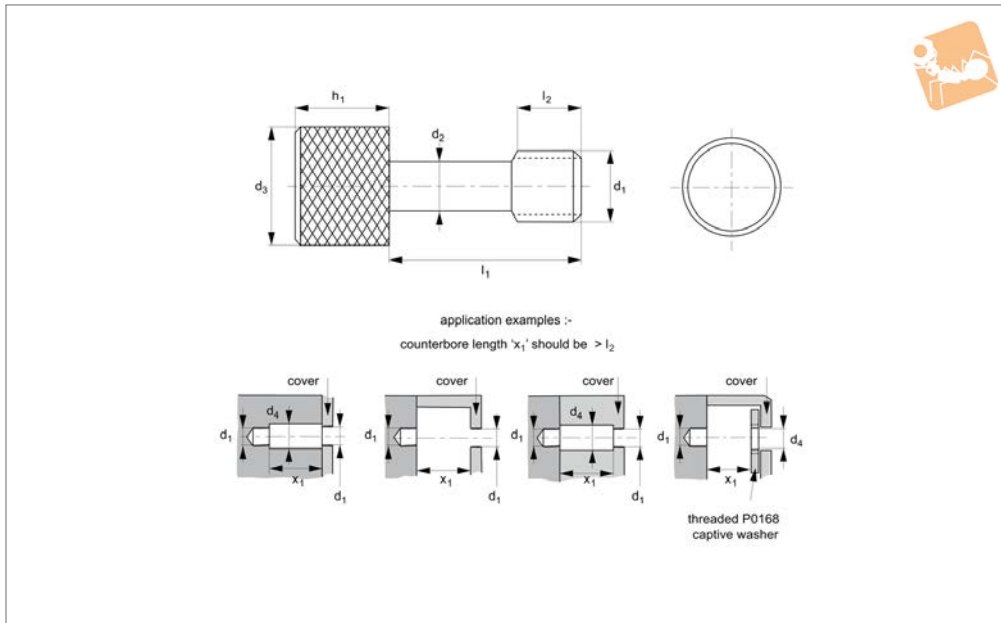


Captive Thumb Screws

303 stainless, blackened



Captive Screws



P0161.B2

CAPTIVE SCREWS

Material

Stainless steel (AISI 303, 1.4305), black oxide coating. Tensile strength 550 N/mm². Proof stress min. 190 N/mm², austenitic stainless steel.

Also available on request in steel (anodised, black oxide or zinc plated) stainless steel (AISI 316, 1.440), brass,

aluminium etc.

Technical Notes

Used to comply with the Machinery Directive 2006/42/EC. Often used with our captive washer (P0168) or retaining flanges (P0169 - for sheet metal applications). The use of our captive washer

should be considered when fitted in panels with unthreaded holes.

Important Notes

Please note that these screws have a reduced diameter shank and should not be tightened to the recommended torque for an equivalent machine screw of size d₁.

Order No.	d ₁	d ₂ ±0.12	l ₁ ±0.25	l ₂ ±0.25	d ₃	d ₄ min.	h ₁
P0161.030-008-B2	M 3	2.0	8	4.5	8	3.5	5
P0161.030-010-B2	M 3	2.0	10	4.5	8	3.5	5
P0161.030-012-B2	M 3	2.0	12	4.5	8	3.5	5
P0161.030-014-B2	M 3	2.0	14	4.5	8	3.5	5
P0161.030-016-B2	M 3	2.0	16	4.5	8	3.5	5
P0161.035-008-B2	M 3,5	2.3	8	6.0	8	3.8	5
P0161.035-010-B2	M 3,5	2.3	10	6.0	8	3.8	5
P0161.035-012-B2	M 3,5	2.3	12	6.0	8	3.8	5
P0161.035-014-B2	M 3,5	2.3	14	6.0	8	3.8	5
P0161.035-016-B2	M 3,5	2.3	16	6.0	8	3.8	5
P0161.040-010-B2	M 4	2.8	10	6.0	10	4.5	5
P0161.040-012-B2	M 4	2.8	12	6.0	10	4.5	5
P0161.040-014-B2	M 4	2.8	14	6.0	10	4.5	5
P0161.040-016-B2	M 4	2.8	16	6.0	10	4.5	5
P0161.040-018-B2	M 4	2.8	18	6.0	10	4.5	5
P0161.040-020-B2	M 4	2.8	20	6.0	10	4.5	5
P0161.040-025-B2	M 4	2.8	25	6.0	10	4.5	5
P0161.050-010-B2	M 5	3.7	10	7.5	10	5.5	5
P0161.050-012-B2	M 5	3.7	12	7.5	10	5.5	5
P0161.050-014-B2	M 5	3.7	14	7.5	10	5.5	5
P0161.050-016-B2	M 5	3.7	16	7.5	10	5.5	5
P0161.050-018-B2	M 5	3.7	18	7.5	10	5.5	5
P0161.050-020-B2	M 5	3.7	20	7.5	10	5.5	5
P0161.050-025-B2	M 5	3.7	25	7.5	10	5.5	5
P0161.050-030-B2	M 5	3.7	30	7.5	10	5.5	5
P0161.060-012-B2	M 6	4.5	12	7.5	12	6.5	6
P0161.060-014-B2	M 6	4.5	14	7.5	12	6.5	6
P0161.060-016-B2	M 6	4.5	16	7.5	12	6.5	6
P0161.060-018-B2	M 6	4.5	18	7.5	12	6.5	6



Order No.	d ₁	d ₂ ±0.12	l ₁ ±0.25	l ₂ ±0.25	d ₃	d ₄ min.	h ₁
P0161.060-020-B2	M 6	4.5	20	7.5	12	6.5	6
P0161.060-025-B2	M 6	4.5	25	7.5	12	6.5	6
P0161.060-030-B2	M 6	4.5	30	7.5	12	6.5	6
P0161.080-016-B2	M 8	6.0	16	10.0	16	8.5	8
P0161.080-018-B2	M 8	6.0	18	10.0	16	8.5	8
P0161.080-020-B2	M 8	6.0	20	10.0	16	8.5	8
P0161.080-025-B2	M 8	6.0	25	10.0	16	8.5	8
P0161.080-030-B2	M 8	6.0	30	10.0	16	8.5	8
P0161.080-035-B2	M 8	6.0	35	10.0	16	8.5	8

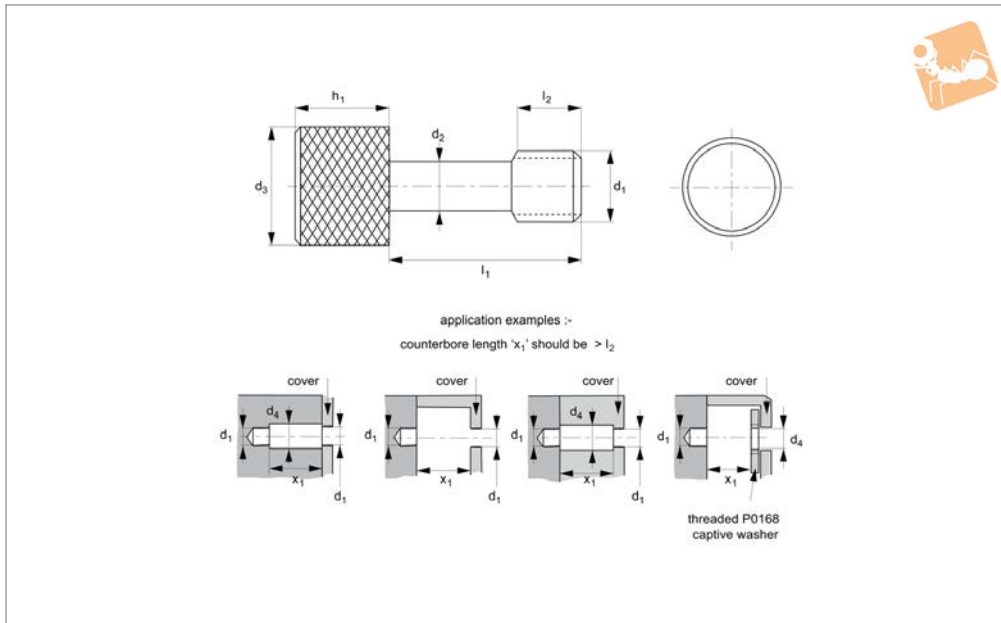


Captive Thumb Screws

316 stainless, blackened



Captive Screws



P0161.B4

CAPTIVE SCREWS

Material

Stainless steel (AISI 316, 1.440), black oxide coating. Tensile strength 480 N/mm². Proof stress min. 200 N/mm², austenitic stainless steel.
Also available on request in steel (anodised, black oxide or zinc plated) stainless steel (AISI 303, 1.4305), brass,

aluminium etc.

Technical Notes

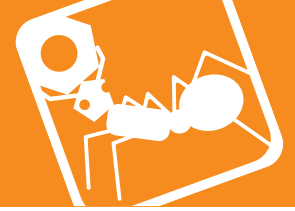
Used to comply with the Machinery Directive 2006/42/EC. Often used with our captive washer (P0168) or retaining flanges (P0169 - for sheet metal applications). The use of our captive washer

should be considered when fitted in panels with unthreaded holes.

Important Notes

Please note that these screws have a reduced diameter shank and should not be tightened to the recommended torque for an equivalent machine screw of size d₁.

Order No.	d ₁	d ₂ ±0.12	l ₁ ±0.25	l ₂ ±0.25	d ₃	d ₄ min.	h ₁
P0161.030-008-B4	M 3	2.0	8	4.5	8	3.5	5
P0161.030-010-B4	M 3	2.0	10	4.5	8	3.5	5
P0161.030-012-B4	M 3	2.0	12	4.5	8	3.5	5
P0161.030-014-B4	M 3	2.0	14	4.5	8	3.5	5
P0161.030-016-B4	M 3	2.0	16	4.5	8	3.5	5
P0161.035-008-B4	M 3,5	2.3	8	6.0	8	3.8	5
P0161.035-010-B4	M 3,5	2.3	10	6.0	8	3.8	5
P0161.035-012-B4	M 3,5	2.3	12	6.0	8	3.8	5
P0161.035-014-B4	M 3,5	2.3	14	6.0	8	3.8	5
P0161.035-016-B4	M 3,5	2.3	16	6.0	8	3.8	5
P0161.040-010-B4	M 4	2.8	10	6.0	10	4.5	5
P0161.040-012-B4	M 4	2.8	12	6.0	10	4.5	5
P0161.040-014-B4	M 4	2.8	14	6.0	10	4.5	5
P0161.040-016-B4	M 4	2.8	16	6.0	10	4.5	5
P0161.040-018-B4	M 4	2.8	18	6.0	10	4.5	5
P0161.040-020-B4	M 4	2.8	20	6.0	10	4.5	5
P0161.040-025-B4	M 4	2.8	25	6.0	10	4.5	5
P0161.050-010-B4	M 5	3.7	10	7.5	10	5.5	5
P0161.050-012-B4	M 5	3.7	12	7.5	10	5.5	5
P0161.050-014-B4	M 5	3.7	14	7.5	10	5.5	5
P0161.050-016-B4	M 5	3.7	16	7.5	10	5.5	5
P0161.050-018-B4	M 5	3.7	18	7.5	10	5.5	5
P0161.050-020-B4	M 5	3.7	20	7.5	10	5.5	5
P0161.050-025-B4	M 5	3.7	25	7.5	10	5.5	5
P0161.050-030-B4	M 5	3.7	30	7.5	10	5.5	5
P0161.060-012-B4	M 6	4.5	12	7.5	12	6.5	6
P0161.060-014-B4	M 6	4.5	14	7.5	12	6.5	6
P0161.060-016-B4	M 6	4.5	16	7.5	12	6.5	6
P0161.060-018-B4	M 6	4.5	18	7.5	12	6.5	6



CAPTIVE SCREWS

Order No.	d ₁	d ₂ ±0.12	l ₁ ±0.25	l ₂ ±0.25	d ₃	d ₄ min.	h ₁
P0161.060-020-B4	M 6	4.5	20	7.5	12	6.5	6
P0161.060-025-B4	M 6	4.5	25	7.5	12	6.5	6
P0161.060-030-B4	M 6	4.5	30	7.5	12	6.5	6
P0161.080-016-B4	M 8	6.0	16	10.0	16	8.5	8
P0161.080-018-B4	M 8	6.0	18	10.0	16	8.5	8
P0161.080-020-B4	M 8	6.0	20	10.0	16	8.5	8
P0161.080-025-B4	M 8	6.0	25	10.0	16	8.5	8
P0161.080-030-B4	M 8	6.0	30	10.0	16	8.5	8
P0161.080-035-B4	M 8	6.0	35	10.0	16	8.5	8

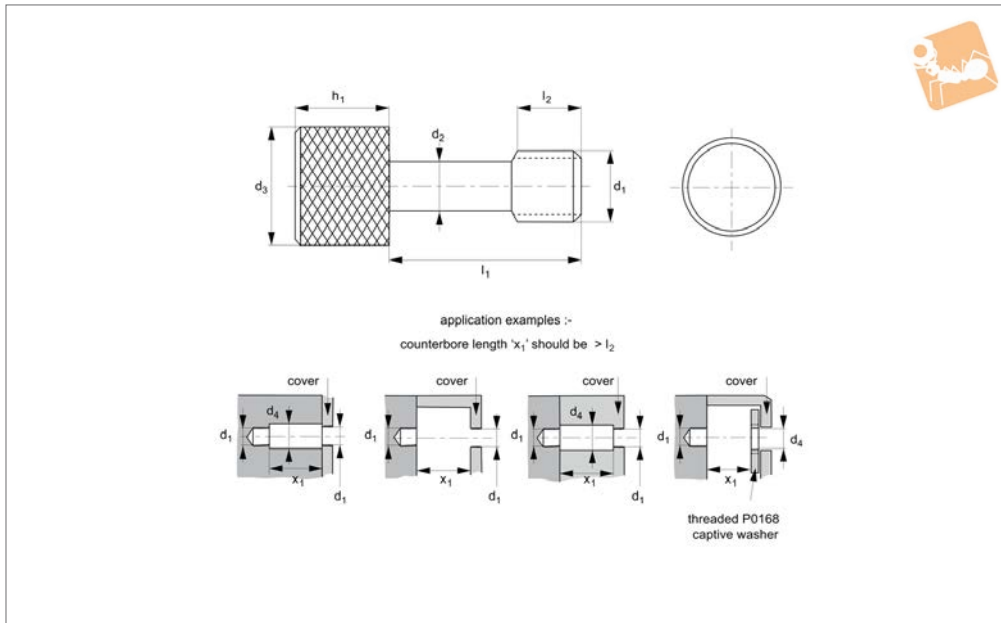


Captive Thumb Screws

titanium



Captive Screws



MADE IN BRITAIN

P0161.Ti

CAPTIVE SCREWS

Material

Titanium grade 2 (tensile strength 345 N/mm²), or grade 5 (tensile strength 900 N/mm²).

Also available on request in steel (anodised, black oxide or zinc plated) stainless steel (AISI 316, 1.440 or AISI 303, 1.4305), brass, aluminium etc.

Technical Notes

Used to comply with the Machinery Direc-

tive 2006/42/EC. Often used with our captive washer (P0168) or retaining flanges (P0169 - for sheet metal applications). The use of our captive washer should be considered when fitted in panels with unthreaded holes.

T5 also available on request. Replace -T2 with -T5 at the end of part number.

Important Notes

Please note that these screws have a reduced diameter shank and should not be tightened to the recommended torque for an equivalent machine screw of size d₁.

Order No.	d ₁	d ₂ ±0.12	l ₁ ±0.25	l ₂ ±0.25	d ₃	d ₄ min.	h ₁	Material
P0161.030-008-T2	M 3	2.0	8.0	4.5	8	3.5	5	Grade 2
P0161.030-010-T2	M 3	2.0	10.0	4.5	8	3.5	5	Grade 2
P0161.030-012-T2	M 3	2.0	12.0	4.5	8	3.5	5	Grade 2
P0161.030-014-T2	M 3	2.0	14.0	4.5	8	3.5	5	Grade 2
P0161.030-016-T2	M 3	2.0	16.0	4.5	8	3.5	5	Grade 2
P0161.035-008-T2	M 3,5	2.3	8.0	6.0	8	3.8	5	Grade 2
P0161.035-010-T2	M 3,5	2.3	10.0	6.0	8	3.8	5	Grade 2
P0161.035-012-T2	M 3,5	2.3	12.0	6.0	8	3.8	5	Grade 2
P0161.035-014-T2	M 3,5	2.3	14.0	6.0	8	3.8	5	Grade 2
P0161.035-016-T2	M 3,5	2.3	16.0	6.0	8	3.8	5	Grade 2
P0161.040-010-T2	M 4	2.8	10.0	6.0	10	4.5	5	Grade 2
P0161.040-012-T2	M 4	2.8	12.0	6.0	10	4.5	5	Grade 2
P0161.040-014-T2	M 4	2.8	14.0	6.0	10	4.5	5	Grade 2
P0161.040-016-T2	M 4	2.8	16.0	6.0	10	4.5	5	Grade 2
P0161.040-018-T2	M 4	2.8	18.0	6.0	10	4.5	5	Grade 2
P0161.040-020-T2	M 4	2.8	20.0	6.0	10	4.5	5	Grade 2
P0161.040-025-T2	M 4	2.8	25.0	6.0	10	4.5	5	Grade 2
P0161.050-010-T2	M 5	3.7	10.0	7.5	10	5.5	5	Grade 2
P0161.050-012-T2	M 5	3.7	12.0	7.5	10	5.5	5	Grade 2
P0161.050-014-T2	M 5	3.7	14.0	7.5	10	5.5	5	Grade 2
P0161.050-016-T2	M 5	3.7	16.0	7.5	10	5.5	5	Grade 2
P0161.050-018-T2	M 5	3.7	18.0	7.5	10	5.5	5	Grade 2
P0161.050-020-T2	M 5	3.7	20.0	7.5	10	5.5	5	Grade 2
P0161.050-025-T2	M 5	3.7	25.0	7.5	10	5.5	5	Grade 2
P0161.050-030-T2	M 5	3.7	30.0	7.5	10	5.5	5	Grade 2
P0161.060-012-T2	M 6	4.5	12.0	7.5	12	6.5	6	Grade 2



CAPTIVE SCREWS

Order No.	d ₁	d ₂ ±0.12	l ₁ ±0.25	l ₂ ±0.25	d ₃	d ₄ min.	h ₁	Material
P0161.060-014-T2	M 6	4.5	14.0	7.5	12	6.5	6	Grade 2
P0161.060-016-T2	M 6	4.5	16.0	7.5	12	6.5	6	Grade 2
P0161.060-018-T2	M 6	4.5	18.0	7.5	12	6.5	6	Grade 2
P0161.060-020-T2	M 6	4.5	20.0	7.5	12	6.5	6	Grade 2
P0161.060-025-T2	M 6	4.5	25.0	7.5	12	6.5	6	Grade 2
P0161.060-030-T2	M 6	4.5	30	7.5	12	6.5	6	Grade 2
P0161.030-008-T5	M 3	2.0	8.0	4.5	8	3.5	5	Grade 5
P0161.030-010-T5	M 3	2.0	10.0	4.5	8	3.5	5	Grade 5
P0161.030-012-T5	M 3	2.0	12.0	4.5	8	3.5	5	Grade 5
P0161.030-014-T5	M 3	2.0	14.0	4.5	8	3.5	5	Grade 5
P0161.030-016-T5	M 3	2.0	16.0	4.5	8	3.5	5	Grade 5
P0161.035-008-T5	M3,5	2.3	8.0	6.0	8	3.8	5	Grade 5
P0161.035-010-T5	M3,5	2.3	10.0	6.0	8	3.8	5	Grade 5
P0161.035-012-T5	M3,5	2.3	12.0	6.0	8	3.8	5	Grade 5
P0161.035-014-T5	M3,5	2.3	14.0	6.0	8	3.8	5	Grade 5
P0161.035-016-T5	M3,5	2.3	16.0	6.0	8	3.8	5	Grade 5
P0161.040-010-T5	M 4	2.8	10.0	6.0	10	4.5	5	Grade 5
P0161.040-012-T5	M 4	2.8	12.0	6.0	10	4.5	5	Grade 5
P0161.040-014-T5	M 4	2.8	14.0	6.0	10	4.5	5	Grade 5
P0161.040-016-T5	M 4	2.8	16.0	6.0	10	4.5	5	Grade 5
P0161.040-018-T5	M 4	2.8	18.0	6.0	10	4.5	5	Grade 5
P0161.040-020-T5	M 4	2.8	20.0	6.0	10	4.5	5	Grade 5
P0161.040-025-T5	M 4	2.8	25.0	6.0	10	4.5	5	Grade 5
P0161.050-010-T5	M 5	3.7	10.0	7.5	10	5.5	5	Grade 5
P0161.050-012-T5	M 5	3.7	12.0	7.5	10	5.5	5	Grade 5
P0161.050-014-T5	M 5	3.7	14.0	7.5	10	5.5	5	Grade 5
P0161.050-016-T5	M 5	3.7	16.0	7.5	10	5.5	5	Grade 5
P0161.050-018-T5	M 5	3.7	18.0	7.5	10	5.5	5	Grade 5
P0161.050-020-T5	M 5	3.7	20.0	7.5	10	5.5	5	Grade 5
P0161.050-025-T5	M 5	3.7	25.0	7.5	10	5.5	5	Grade 5
P0161.050-030-T5	M 5	3.7	30.0	7.5	10	5.5	5	Grade 5
P0161.060-012-T5	M 6	4.5	12.0	7.5	12	6.5	6	Grade 5
P0161.060-014-T5	M 6	4.5	14.0	7.5	12	6.5	6	Grade 5
P0161.060-016-T5	M 6	4.5	16.0	7.5	12	6.5	6	Grade 5
P0161.060-018-T5	M 6	4.5	18.0	7.5	12	6.5	6	Grade 5
P0161.060-020-T5	M 6	4.5	20.0	7.5	12	6.5	6	Grade 5
P0161.060-025-T5	M 6	4.5	25.0	7.5	12	6.5	6	Grade 5
P0161.060-030-T5	M 6	4.5	30	7.5	12	6.5	6	Grade 5

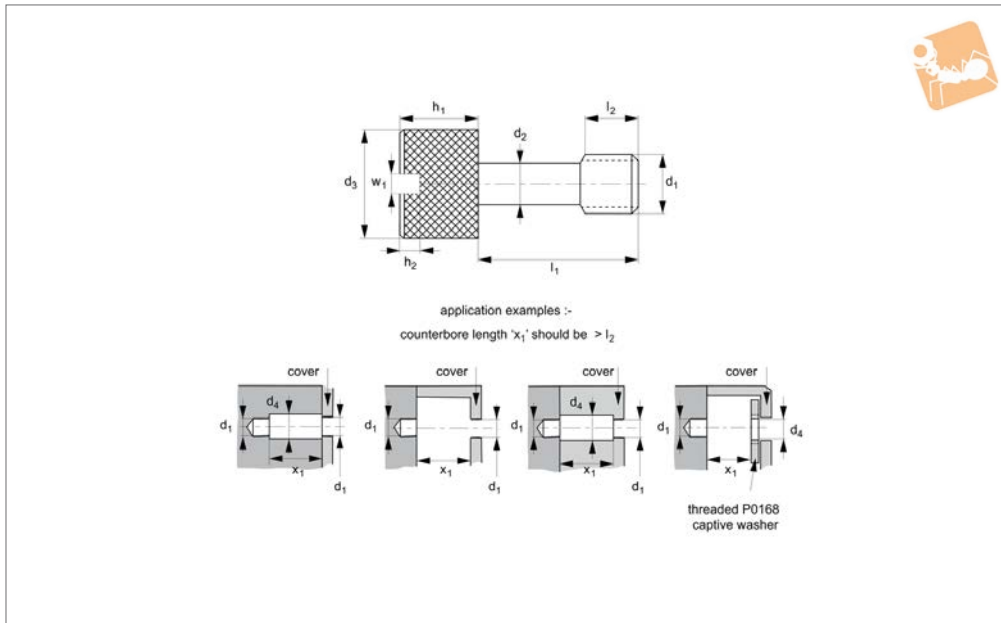


Captive Thumb Screws

slot drive - 303 stainless



Captive Screws



P0162.A2

MADE IN BRITAIN

CAPTIVE SCREWS

Material

Stainless steel (AISI 303, 1.4305). Tensile strength 550 N/mm². Proof stress min. 190 N/mm², austenitic stainless steel. Also available on request in steel (anodised, black oxide or zinc plated), stainless steel (AISI 316, 1.440), brass, aluminium etc.

Technical Notes

Used to comply with the Machinery Directive 2006/42/EC. Often used with our captive washer (P0168) or retaining flanges (P0169 - for sheet metal applications). The use of our captive washer should be considered when fitted in panels with unthreaded holes.

Important Notes

Please note that these screws have a reduced diameter shank and should not be tightened to the recommended torque for an equivalent machine screw of size d₁.

Order No.	d ₁	d ₂ ±0.12	l ₁ ±0.25	l ₂ ±0.25	d ₃	d ₄ min.	h ₁	h ₂	w ₁
P0162.030-008-A2	M 3	2.0	8.0	4.5	8	3.5	5	1.8	0.8
P0162.030-010-A2	M 3	2.0	10.0	4.5	8	3.5	5	1.8	0.8
P0162.030-012-A2	M 3	2.0	12.0	4.5	8	3.5	5	1.8	0.8
P0162.030-014-A2	M 3	2.0	14.0	4.5	8	3.5	5	1.8	0.8
P0162.030-016-A2	M 3	2.0	16.0	4.5	8	3.5	5	1.8	0.8
P0162.040-010-A2	M 4	2.8	10.0	6.0	10	4.5	5	2.2	1.0
P0162.040-012-A2	M 4	2.8	12.0	6.0	10	4.5	5	2.2	1.0
P0162.040-014-A2	M 4	2.8	14.0	6.0	10	4.5	5	2.2	1.0
P0162.040-016-A2	M 4	2.8	16.0	6.0	10	4.5	5	2.2	1.0
P0162.040-018-A2	M 4	2.8	18.0	6.0	10	4.5	5	2.2	1.0
P0162.040-020-A2	M 4	2.8	20.0	6.0	10	4.5	5	2.2	1.0
P0162.040-025-A2	M 4	2.8	25.0	6.0	10	4.5	5	2.2	1.0
P0162.050-010-A2	M 5	3.7	10.0	7.5	10	5.5	5	2.8	1.2
P0162.050-012-A2	M 5	3.7	12.0	7.5	10	5.5	5	2.8	1.2
P0162.050-014-A2	M 5	3.7	14.0	7.5	10	5.5	5	2.8	1.2
P0162.050-016-A2	M 5	3.7	16.0	7.5	10	5.5	5	2.8	1.2
P0162.050-018-A2	M 5	3.7	18.0	7.5	10	5.5	5	2.8	1.2
P0162.050-020-A2	M 5	3.7	20.0	7.5	10	5.5	5	2.8	1.2
P0162.050-025-A2	M 5	3.7	25.0	7.5	10	5.5	5	2.8	1.2
P0162.050-030-A2	M 5	3.7	30.0	7.5	10	5.5	5	2.8	1.2
P0162.060-012-A2	M 6	4.5	12.0	7.5	12	6.5	6	3.5	1.6
P0162.060-014-A2	M 6	4.5	14.0	7.5	12	6.5	6	3.5	1.6
P0162.060-016-A2	M 6	4.5	16.0	7.5	12	6.5	6	3.5	1.6
P0162.060-018-A2	M 6	4.5	18.0	7.5	12	6.5	6	3.5	1.6
P0162.060-020-A2	M 6	4.5	20.0	7.5	12	6.5	6	3.5	1.6
P0162.060-025-A2	M 6	4.5	25.0	7.5	12	6.5	6	3.5	1.6
P0162.060-030-A2	M 6	4.5	30.0	7.5	12	6.5	6	3.5	1.6

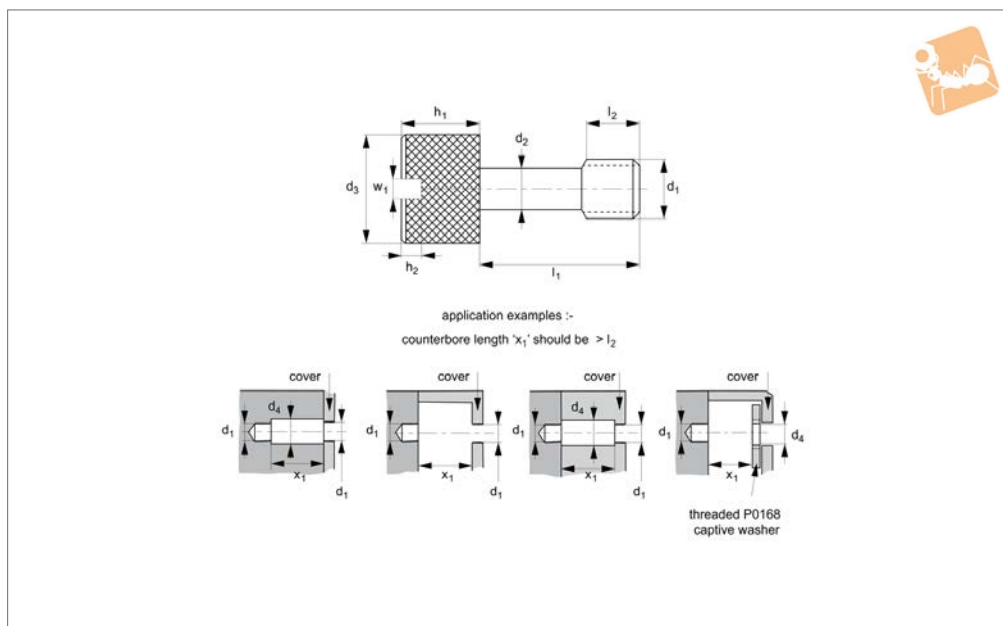


CAPTIVE SCREWS



MADE IN BRITAIN

P0162.A4



Material

Stainless steel (AISI 316, 1.440).
Tensile strength 480 N/mm². Proof stress min. 200 N/mm², austenitic stainless steel.
Also available on request in steel (anodised, black oxide or zinc plated), stainless steel (AISI 303, 1.4305), brass, aluminium etc.

Technical Notes

Used to comply with the Machinery Directive 2006/42/EC. Often used with our captive washer (P0168) or retaining flanges (P0169 - for sheet metal applications). The use of our captive washer should be considered when fitted in panels with unthreaded holes.

Important Notes

Please note that these screws have a reduced diameter shank and should not be tightened to the recommended torque for an equivalent machine screw of size d₁.

Order No.	d ₁	d ₂ ±0.12	l ₁ ±0.25	l ₂ ±0.25	d ₃	d ₄ min.	h ₁	h ₂	w ₁
P0162.030-008-A4	M 3	2.0	8.0	4.5	8	3.5	5	1.8	0.8
P0162.030-010-A4	M 3	2.0	10.0	4.5	8	3.5	5	1.8	0.8
P0162.030-012-A4	M 3	2.0	12.0	4.5	8	3.5	5	1.8	0.8
P0162.030-014-A4	M 3	2.0	14.0	4.5	8	3.5	5	1.8	0.8
P0162.030-016-A4	M 3	2.0	16.0	4.5	8	3.5	5	1.8	0.8
P0162.040-010-A4	M 4	2.8	10.0	6.0	10	4.5	5	2.2	1.0
P0162.040-012-A4	M 4	2.8	12.0	6.0	10	4.5	5	2.2	1.0
P0162.040-014-A4	M 4	2.8	14.0	6.0	10	4.5	5	2.2	1.0
P0162.040-016-A4	M 4	2.8	16.0	6.0	10	4.5	5	2.2	1.0
P0162.040-018-A4	M 4	2.8	18.0	6.0	10	4.5	5	2.2	1.0
P0162.040-020-A4	M 4	2.8	20.0	6.0	10	4.5	5	2.2	1.0
P0162.040-025-A4	M 4	2.8	25.0	6.0	10	4.5	5	2.2	1.0
P0162.050-010-A4	M 5	3.7	10.0	7.5	10	5.5	5	2.8	1.2
P0162.050-012-A4	M 5	3.7	12.0	7.5	10	5.5	5	2.8	1.2
P0162.050-014-A4	M 5	3.7	14.0	7.5	10	5.5	5	2.8	1.2
P0162.050-016-A4	M 5	3.7	16.0	7.5	10	5.5	5	2.8	1.2
P0162.050-018-A4	M 5	3.7	18.0	7.5	10	5.5	5	2.8	1.2
P0162.050-020-A4	M 5	3.7	20.0	7.5	10	5.5	5	2.8	1.2
P0162.050-025-A4	M 5	3.7	25.0	7.5	10	5.5	5	2.8	1.2
P0162.050-030-A4	M 5	3.7	30.0	7.5	10	5.5	5	2.8	1.2
P0162.060-012-A4	M 6	4.5	12.0	7.5	12	6.5	6	3.5	1.6
P0162.060-014-A4	M 6	4.5	14.0	7.5	12	6.5	6	3.5	1.6
P0162.060-016-A4	M 6	4.5	16.0	7.5	12	6.5	6	3.5	1.6
P0162.060-018-A4	M 6	4.5	18.0	7.5	12	6.5	6	3.5	1.6
P0162.060-020-A4	M 6	4.5	20.0	7.5	12	6.5	6	3.5	1.6
P0162.060-025-A4	M 6	4.5	25.0	7.5	12	6.5	6	3.5	1.6
P0162.060-030-A4	M 6	4.5	30.0	7.5	12	6.5	6	3.5	1.6

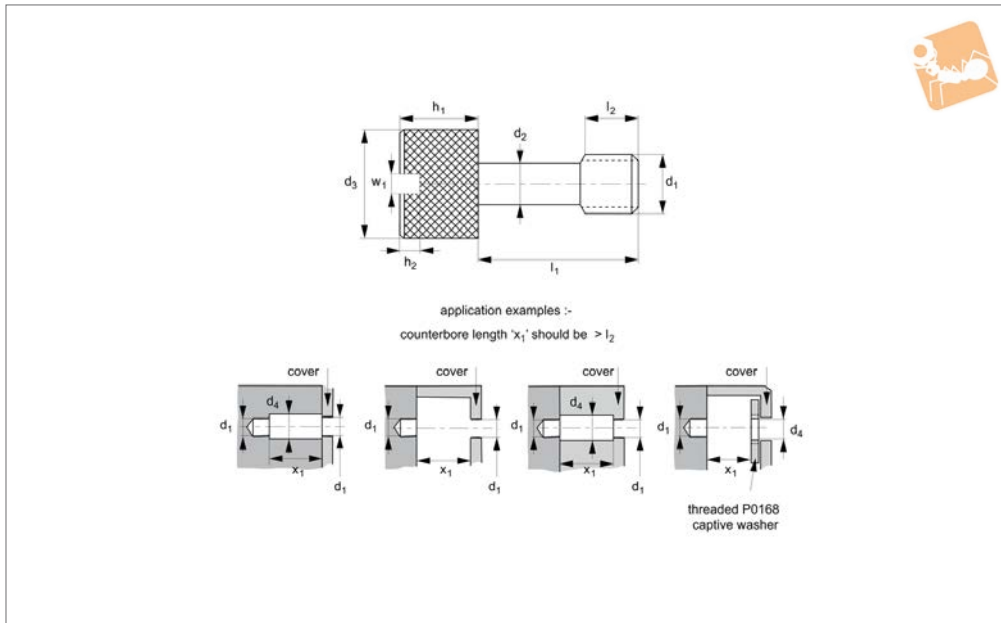


Captive Thumb Screws

slot drive - 303 stainless, blackened



Captive Screws



P0162.B2

CAPTIVE SCREWS

Material

Stainless steel (AISI 303, 1.4305), black oxide coating. Tensile strength 550 N/mm². Proof stress min. 190 N/mm², austenitic stainless steel.

Also available on request in steel (anodised, black oxide or zinc plated) stainless steel (AISI 316, 1.440), brass,

aluminium etc.

Technical Notes

Used to comply with the Machinery Directive 2006/42/EC. Often used with our captive washer (P0168) or retaining flanges (P0169 - for sheet metal applications). The use of our captive washer

should be considered when fitted in panels with unthreaded holes.

Important Notes

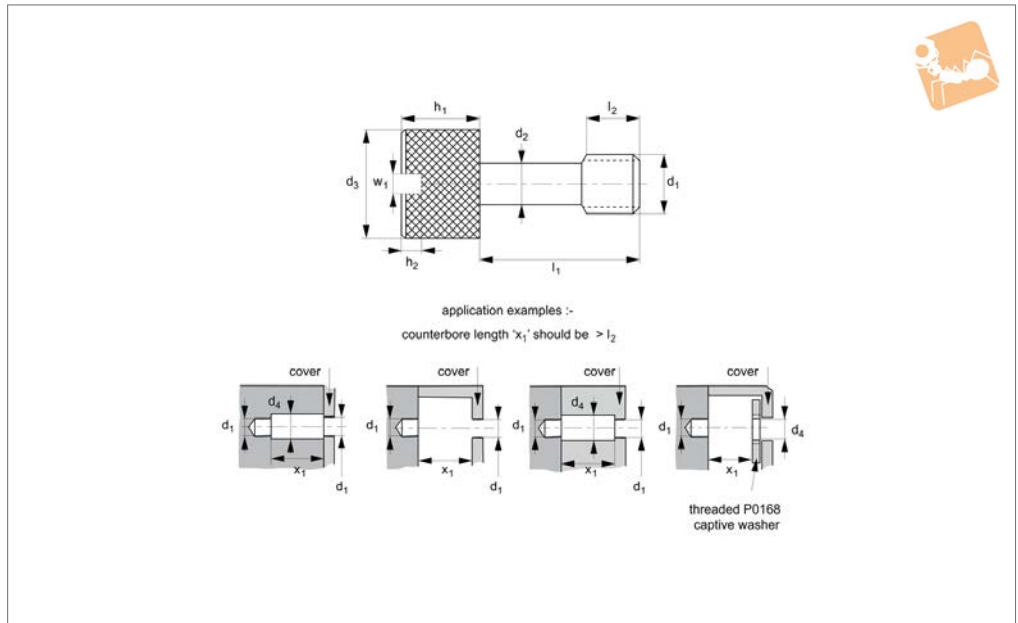
Please note that these screws have a reduced diameter shank and should not be tightened to the recommended torque for an equivalent machine screw of size d₁.

Order No.	d ₁	d ₂ ±0.12	l ₁ ±0.25	l ₂ ±0.25	d ₃	d ₄ min.	h ₁	h ₂	w ₁
P0162.030-008-B2	M 3	2.0	8.0	4.5	8	3.5	5	1.8	0.8
P0162.030-010-B2	M 3	2.0	10.0	4.5	8	3.5	5	1.8	0.8
P0162.030-012-B2	M 3	2.0	12.0	4.5	8	3.5	5	1.8	0.8
P0162.030-014-B2	M 3	2.0	14.0	4.5	8	3.5	5	1.8	0.8
P0162.030-016-B2	M 3	2.0	16.0	4.5	8	3.5	5	1.8	0.8
P0162.040-010-B2	M 4	2.8	10.0	6.0	10	4.5	5	2.2	1.0
P0162.040-012-B2	M 4	2.8	12.0	6.0	10	4.5	5	2.2	1.0
P0162.040-014-B2	M 4	2.8	14.0	6.0	10	4.5	5	2.2	1.0
P0162.040-016-B2	M 4	2.8	16.0	6.0	10	4.5	5	2.2	1.0
P0162.040-018-B2	M 4	2.8	18.0	6.0	10	4.5	5	2.2	1.0
P0162.040-020-B2	M 4	2.8	20.0	6.0	10	4.5	5	2.2	1.0
P0162.040-025-B2	M 4	2.8	25.0	6.0	10	4.5	5	2.2	1.0
P0162.050-010-B2	M 5	3.7	10.0	7.5	10	5.5	5	2.8	1.2
P0162.050-012-B2	M 5	3.7	12.0	7.5	10	5.5	5	2.8	1.2
P0162.050-014-B2	M 5	3.7	14.0	7.5	10	5.5	5	2.8	1.2
P0162.050-016-B2	M 5	3.7	16.0	7.5	10	5.5	5	2.8	1.2
P0162.050-018-B2	M 5	3.7	18.0	7.5	10	5.5	5	2.8	1.2
P0162.050-020-B2	M 5	3.7	20.0	7.5	10	5.5	5	2.8	1.2
P0162.050-025-B2	M 5	3.7	25.0	7.5	10	5.5	5	2.8	1.2
P0162.050-030-B2	M 5	3.7	30.0	7.5	10	5.5	5	2.8	1.2
P0162.060-012-B2	M 6	4.5	12.0	7.5	12	6.5	6	3.5	1.6
P0162.060-014-B2	M 6	4.5	14.0	7.5	12	6.5	6	3.5	1.6
P0162.060-016-B2	M 6	4.5	16.0	7.5	12	6.5	6	3.5	1.6
P0162.060-018-B2	M 6	4.5	18.0	7.5	12	6.5	6	3.5	1.6
P0162.060-020-B2	M 6	4.5	20.0	7.5	12	6.5	6	3.5	1.6
P0162.060-025-B2	M 6	4.5	25.0	7.5	12	6.5	6	3.5	1.6
P0162.060-030-B2	M 6	4.5	30.0	7.5	12	6.5	6	3.5	1.6



MADE IN BRITAIN

P0162.B4



Material

Stainless steel (AISI 316, 1.440), black oxide coating. Tensile strength 480 N/mm². Proof stress min. 200 N/mm², austenitic stainless steel.
Also available on request in steel (anodised, black oxide or zinc plated) stainless steel (AISI 303, 1.4305), brass,

aluminium etc.

Technical Notes

Used to comply with the Machinery Directive 2006/42/EC. Often used with our captive washer (P0168) or retaining flanges (P0169 - for sheet metal applications). The use of our captive washer

should be considered when fitted in panels with unthreaded holes.

Important Notes

Please note that these screws have a reduced diameter shank and should not be tightened to the recommended torque for an equivalent machine screw of size d₁.

Order No.	d ₁	d ₂ ±0.12	l ₁ ±0.25	l ₂ ±0.25	d ₃	d ₄ min.	h ₁	h ₂	w ₁
P0162.030-008-B4	M 3	2.0	8.0	4.5	8	3.5	5	1.8	0.8
P0162.030-010-B4	M 3	2.0	10.0	4.5	8	3.5	5	1.8	0.8
P0162.030-012-B4	M 3	2.0	12.0	4.5	8	3.5	5	1.8	0.8
P0162.030-014-B4	M 3	2.0	14.0	4.5	8	3.5	5	1.8	0.8
P0162.030-016-B4	M 3	2.0	16.0	4.5	8	3.5	5	1.8	0.8
P0162.040-010-B4	M 4	2.8	10.0	6.0	10	4.5	5	2.2	1.0
P0162.040-012-B4	M 4	2.8	12.0	6.0	10	4.5	5	2.2	1.0
P0162.040-014-B4	M 4	2.8	14.0	6.0	10	4.5	5	2.2	1.0
P0162.040-016-B4	M 4	2.8	16.0	6.0	10	4.5	5	2.2	1.0
P0162.040-018-B4	M 4	2.8	18.0	6.0	10	4.5	5	2.2	1.0
P0162.040-020-B4	M 4	2.8	20.0	6.0	10	4.5	5	2.2	1.0
P0162.040-025-B4	M 4	2.8	25.0	6.0	10	4.5	5	2.2	1.0
P0162.050-010-B4	M 5	3.7	10.0	7.5	10	5.5	5	2.8	1.2
P0162.050-012-B4	M 5	3.7	12.0	7.5	10	5.5	5	2.8	1.2
P0162.050-014-B4	M 5	3.7	14.0	7.5	10	5.5	5	2.8	1.2
P0162.050-016-B4	M 5	3.7	16.0	7.5	10	5.5	5	2.8	1.2
P0162.050-018-B4	M 5	3.7	18.0	7.5	10	5.5	5	2.8	1.2
P0162.050-020-B4	M 5	3.7	20.0	7.5	10	5.5	5	2.8	1.2
P0162.050-025-B4	M 5	3.7	25.0	7.5	10	5.5	5	2.8	1.2
P0162.050-030-B4	M 5	3.7	30.0	7.5	10	5.5	5	2.8	1.2
P0162.060-012-B4	M 6	4.5	12.0	7.5	12	6.5	6	3.5	1.6
P0162.060-014-B4	M 6	4.5	14.0	7.5	12	6.5	6	3.5	1.6
P0162.060-016-B4	M 6	4.5	16.0	7.5	12	6.5	6	3.5	1.6
P0162.060-018-B4	M 6	4.5	18.0	7.5	12	6.5	6	3.5	1.6
P0162.060-020-B4	M 6	4.5	20.0	7.5	12	6.5	6	3.5	1.6
P0162.060-025-B4	M 6	4.5	25.0	7.5	12	6.5	6	3.5	1.6
P0162.060-030-B4	M 6	4.5	30.0	7.5	12	6.5	6	3.5	1.6

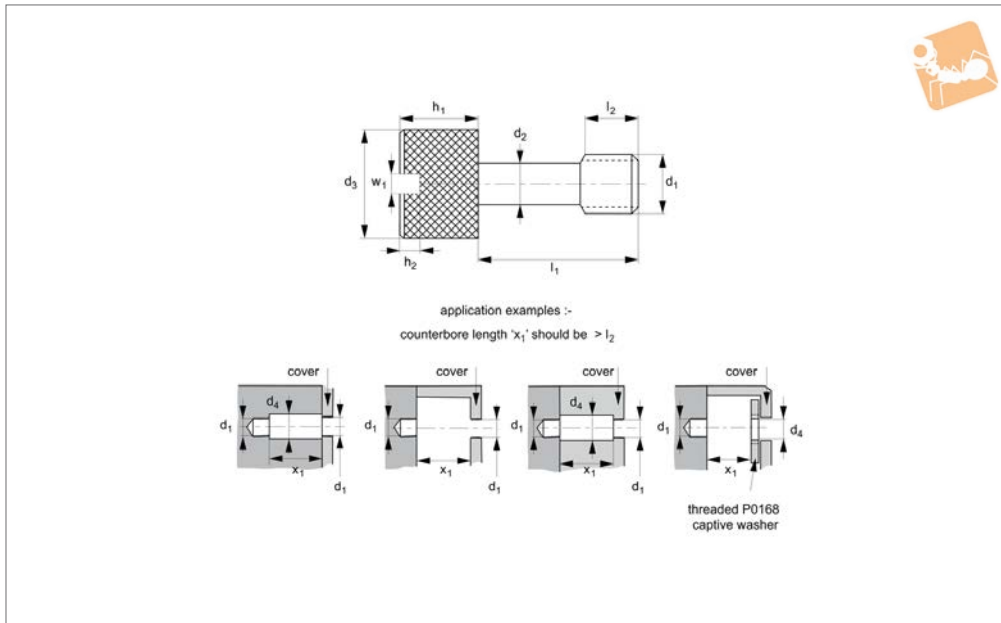


Captive Thumb Screws

slot drive - titanium



Captive Screws



P0162.Ti

CAPTIVE SCREWS

Material

Titanium grade 2 (tensile strength 345 N/mm²), or grade 5 (tensile strength 900 N/mm²).

Also available on request in steel (anodised, black oxide or zinc plated) stainless steel (AISI 316, 1.440 or AISI 303, 1.4305), brass, aluminium etc.

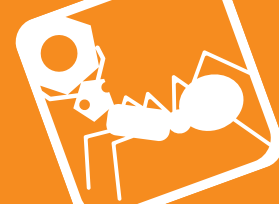
Technical Notes

Used to comply with the Machinery Directive 2006/42/EC. Often used with our captive washer (P0168) or retaining flanges (P0169 - for sheet metal applications). The use of our captive washer should be considered when fitted in panels with unthreaded holes.

Important Notes

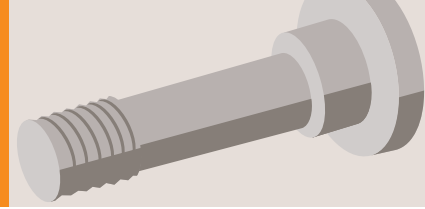
Please note that these screws have a reduced diameter shank and should not be tightened to the recommended torque for an equivalent machine screw of size d₁.

Order No.	d ₁	d ₂ ±0.12	l ₁ ±0.25	l ₂ ±0.25	d ₃	d ₄ min.	h ₁	h ₂	w ₁	Material
P0162.030-008-T2	M 3	2.0	8.0	4.5	8	3.5	5	1.8	0.8	Grade 2
P0162.030-010-T2	M 3	2.0	10.0	4.5	8	3.5	5	1.8	0.8	Grade 2
P0162.030-012-T2	M 3	2.0	12.0	4.5	8	3.5	5	1.8	0.8	Grade 2
P0162.030-014-T2	M 3	2.0	14.0	4.5	8	3.5	5	1.8	0.8	Grade 2
P0162.030-016-T2	M 3	2.0	16.0	4.5	8	3.5	5	1.8	0.8	Grade 2
P0162.040-010-T2	M 4	2.8	10.0	6.0	10	4.5	5	2.2	1.0	Grade 2
P0162.040-012-T2	M 4	2.8	12.0	6.0	10	4.5	5	2.2	1.0	Grade 2
P0162.040-014-T2	M 4	2.8	14.0	6.0	10	4.5	5	2.2	1.0	Grade 2
P0162.040-016-T2	M 4	2.8	16.0	6.0	10	4.5	5	2.2	1.0	Grade 2
P0162.040-018-T2	M 4	2.8	18.0	6.0	10	4.5	5	2.2	1.0	Grade 2
P0162.040-020-T2	M 4	2.8	20.0	6.0	10	4.5	5	2.2	1.0	Grade 2
P0162.040-025-T2	M 4	2.8	25.0	6.0	10	4.5	5	2.2	1.0	Grade 2
P0162.050-010-T2	M 5	3.7	10.0	7.5	10	5.5	5	2.8	1.2	Grade 2
P0162.050-012-T2	M 5	3.7	12.0	7.5	10	5.5	5	2.8	1.2	Grade 2
P0162.050-014-T2	M 5	3.7	14.0	7.5	10	5.5	5	2.8	1.2	Grade 2
P0162.050-016-T2	M 5	3.7	16.0	7.5	10	5.5	5	2.8	1.2	Grade 2
P0162.050-018-T2	M 5	3.7	18.0	7.5	10	5.5	5	2.8	1.2	Grade 2
P0162.050-020-T2	M 5	3.7	20.0	7.5	10	5.5	5	2.8	1.2	Grade 2
P0162.050-025-T2	M 5	3.7	25.0	7.5	10	5.5	5	2.8	1.2	Grade 2
P0162.050-030-T2	M 5	3.7	30.0	7.5	10	5.5	5	2.8	1.2	Grade 2
P0162.060-012-T2	M 6	4.5	12.0	7.5	12	6.5	6	3.5	1.6	Grade 2
P0162.060-014-T2	M 6	4.5	14.0	7.5	12	6.5	6	3.5	1.6	Grade 2
P0162.060-016-T2	M 6	4.5	16.0	7.5	12	6.5	6	3.5	1.6	Grade 2
P0162.060-018-T2	M 6	4.5	18.0	7.5	12	6.5	6	3.5	1.6	Grade 2
P0162.060-020-T2	M 6	4.5	20.0	7.5	12	6.5	6	3.5	1.6	Grade 2
P0162.060-025-T2	M 6	4.5	25.0	7.5	12	6.5	6	3.5	1.6	Grade 2
P0162.060-030-T2	M 6	4.5	30.0	7.5	12	6.5	6	3.5	1.6	Grade 2
P0162.030-008-T5	M 3	2.0	8.0	4.5	8	3.5	5	1.8	0.8	Grade 5
P0162.030-010-T5	M 3	2.0	10.0	4.5	8	3.5	5	1.8	0.8	Grade 5



CAPTIVE SCREWS

Order No.	d ₁	d ₂ ±0.12	l ₁ ±0.25	l ₂ ±0.25	d ₃	d ₄ min.	h ₁	h ₂	w ₁	Material
P0162.030-012-T5	M 3	2.0	12.0	4.5	8	3.5	5	1.8	0.8	Grade 5
P0162.030-014-T5	M 3	2.0	14.0	4.5	8	3.5	5	1.8	0.8	Grade 5
P0162.030-016-T5	M 3	2.0	16.0	4.5	8	3.5	5	1.8	0.8	Grade 5
P0162.040-010-T5	M 4	2.8	10.0	6.0	10	4.5	5	2.2	1.0	Grade 5
P0162.040-012-T5	M 4	2.8	12.0	6.0	10	4.5	5	2.2	1.0	Grade 5
P0162.040-014-T5	M 4	2.8	14.0	6.0	10	4.5	5	2.2	1.0	Grade 5
P0162.040-016-T5	M 4	2.8	16.0	6.0	10	4.5	5	2.2	1.0	Grade 5
P0162.040-018-T5	M 4	2.8	18.0	6.0	10	4.5	5	2.2	1.0	Grade 5
P0162.040-020-T5	M 4	2.8	20.0	6.0	10	4.5	5	2.2	1.0	Grade 5
P0162.040-025-T5	M 4	2.8	25.0	6.0	10	4.5	5	2.2	1.0	Grade 5
P0162.050-010-T5	M 5	3.7	10.0	7.5	10	5.5	5	2.8	1.2	Grade 5
P0162.050-012-T5	M 5	3.7	12.0	7.5	10	5.5	5	2.8	1.2	Grade 5
P0162.050-014-T5	M 5	3.7	14.0	7.5	10	5.5	5	2.8	1.2	Grade 5
P0162.050-016-T5	M 5	3.7	16.0	7.5	10	5.5	5	2.8	1.2	Grade 5
P0162.050-018-T5	M 5	3.7	18.0	7.5	10	5.5	5	2.8	1.2	Grade 5
P0162.050-020-T5	M 5	3.7	20.0	7.5	10	5.5	5	2.8	1.2	Grade 5
P0162.050-025-T5	M 5	3.7	25.0	7.5	10	5.5	5	2.8	1.2	Grade 5
P0162.050-030-T5	M 5	3.7	30.0	7.5	10	5.5	5	2.8	1.2	Grade 5
P0162.060-012-T5	M 6	4.5	12.0	7.5	12	6.5	6	3.5	1.6	Grade 5
P0162.060-014-T5	M 6	4.5	14.0	7.5	12	6.5	6	3.5	1.6	Grade 5
P0162.060-016-T5	M 6	4.5	16.0	7.5	12	6.5	6	3.5	1.6	Grade 5
P0162.060-018-T5	M 6	4.5	18.0	7.5	12	6.5	6	3.5	1.6	Grade 5
P0162.060-020-T5	M 6	4.5	20.0	7.5	12	6.5	6	3.5	1.6	Grade 5
P0162.060-025-T5	M 6	4.5	25.0	7.5	12	6.5	6	3.5	1.6	Grade 5
P0162.060-030-T5	M 6	4.5	30.0	7.5	12	6.5	6	3.5	1.6	Grade 5



Automation provides a wide range of captive screws to aid customers to comply with the Machinery Directive 2006/42/EC.

In general there is a requirement that fixings for fixed guards shall remain attached to the guard or machinery when the guard is removed. This was implemented mainly to ensure that as far as possible fasteners are not lost when the guard is removed and the guard is therefore re-installed with all required fixings.

A wide range of captive screws and thumb screws are provided...



P0151
Button Head - Hex
Security and Torx Options



P0154
Socket Head - Cap Screw
Security and Torx Options



P0158
Hexagon Head Bolt



P0159
Captive Panel Screw



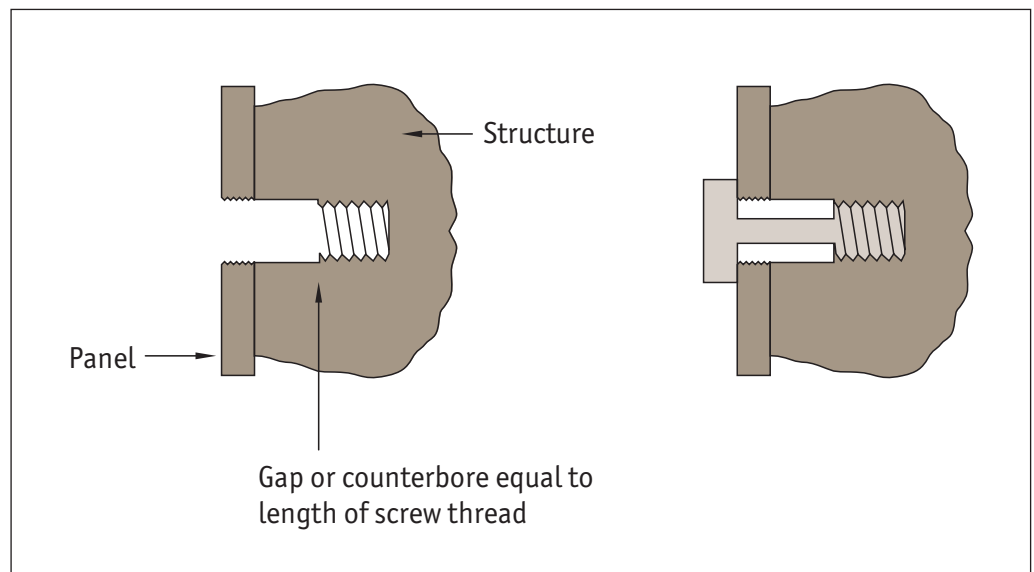
P0160
Thin Head Thumb Screws



P0161
Thumb Screws

Installation

To work effectively the captive screw when installed needs to have a space or counterbore between the thread and cover at least equal to the length of the thread.



Captive Screws from Automation Components

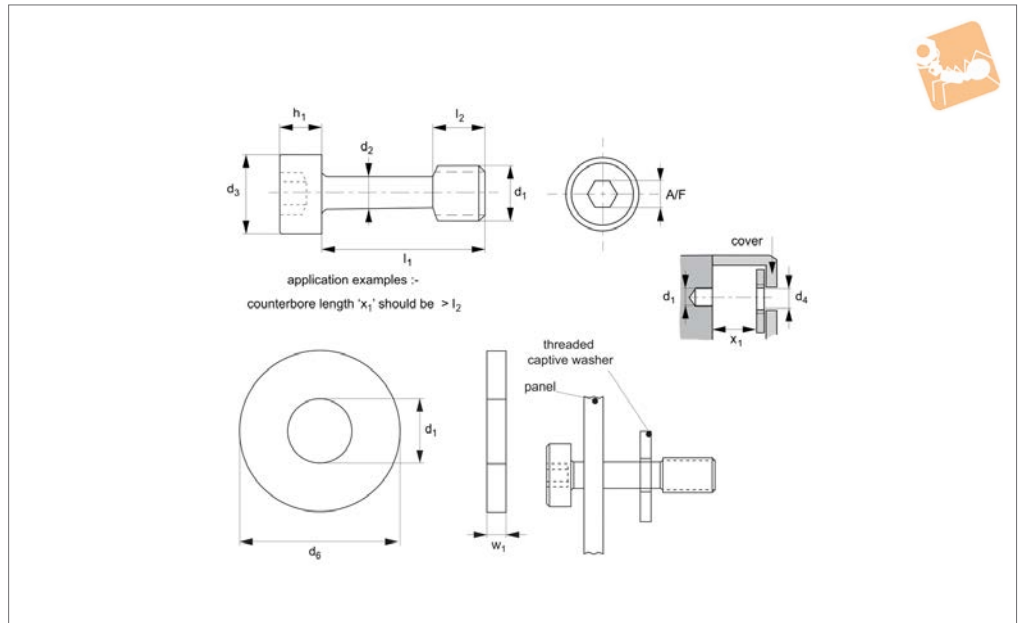
CAPTIVE SCREWS



CAPTIVE SCREWS



P0163.A2



Material

Screw.
Stainless steel (AISI 303, 1.4305). Tensile strength 550 N/mm². Proof stress min. 190 N/mm², austenitic stainless steel.
Also available on request in steel (anodised, black oxide or zinc plated), stainless steel (AISI 316, 1.440), brass, aluminium etc.

Washer.

Stainless steel (AISI 303, 1.4305 and AISI 316, 1.440), Also available on request in

steel (anodised, black oxide or zinc plated), stainless steel (AISI 316, 1.440), brass, aluminium etc steel (zinc-plated or black-oxide) and titanium (grade 2 and grade 5)

Technical Notes

Used to comply with the Machinery Directive 2006/42/EC. Generally to ISO 4762.

Tips

TX drive style also available.
Captive washers are primarily used to retain captive screws in panels which have

unthreaded holes. The panel (onto which the screw needs to be retained) is placed onto the captive screw, the threaded washer is then threaded onto the screw, past the threaded section and the screw is therefore captive to the panel.

Important Notes

Please note that these screws have a reduced diameter shank and should not be tightened to the recommended torque for an equivalent machine screw of size d₁.

Order No.	d ₁	l ₁ ±0.25	d ₂ ±0.12	d ₃ max.	d ₄ min.	d ₆	h ₁ max.	l ₂ ±0.25	w ₁ ±0.05	A/F
P0163.025-005-A2	M 2.5	5	1.8	4.5	2.8	5.0	2.5	3.0	1.0	2.0
P0163.025-008-A2	M 2.5	8	1.8	4.5	2.8	5.0	2.5	3.0	1.0	2.0
P0163.025-010-A2	M 2.5	10	1.8	4.5	2.8	5.0	2.5	3.0	1.0	2.0
P0163.025-012-A2	M 2.5	12	1.8	4.5	2.8	5.0	2.5	3.0	1.0	2.0
P0163.030-008-A2	M 3	8	2.0	5.5	3.5	6.0	3.0	4.5	1.0	2.5
P0163.030-010-A2	M 3	10	2.0	5.5	3.5	6.0	3.0	4.5	1.0	2.5
P0163.030-012-A2	M 3	12	2.0	5.5	3.5	6.0	3.0	4.5	1.0	2.5
P0163.030-016-A2	M 3	16	2.0	5.5	3.5	6.0	3.0	4.5	1.0	2.5
P0163.030-020-A2	M 3	20	2.0	5.5	3.5	6.0	3.0	4.5	1.0	2.5
P0163.030-025-A2	M 3	25	2.0	5.5	3.5	6.0	3.0	4.5	1.0	2.5
P0163.030-030-A2	M 3	30	2.0	5.5	3.5	6.0	3.0	4.5	1.0	2.5
P0163.040-010-A2	M 4	10	2.8	7.0	4.5	8.0	4.0	6.0	1.2	3.0
P0163.040-012-A2	M 4	12	2.8	7.0	4.5	8.0	4.0	6.0	1.2	3.0
P0163.040-016-A2	M 4	16	2.8	7.0	4.5	8.0	4.0	5.0	1.2	3.0
P0163.040-020-A2	M 4	20	2.8	7.0	4.5	8.0	4.0	6.0	1.2	3.0
P0163.040-025-A2	M 4	25	2.8	7.0	4.5	8.0	4.0	6.0	1.2	3.0
P0163.040-030-A2	M 4	30	2.8	7.0	4.5	8.0	4.0	6.0	1.2	3.0
P0163.040-035-A2	M 4	35	2.8	7.0	4.5	8.0	4.0	6.0	1.2	3.0
P0163.040-040-A2	M 3	40	2.8	7.0	4.5	8.0	4.0	6.0	1.2	3.0
P0163.040-050-A2	M 4	50	2.8	7.0	4.5	8.0	4.0	6.0	1.2	3.0
P0163.050-012-A2	M 5	12	3.7	8.5	5.5	10.0	5.0	7.5	1.5	4.0
P0163.050-016-A2	M 5	16	3.7	8.5	5.5	10.0	5.0	7.5	1.5	4.0
P0163.050-020-A2	M 5	20	3.7	8.5	5.5	10.0	5.0	7.5	1.5	4.0



Captive Screws with Washer

hex drive - 303 stainless



Order No.	d ₁	l ₁ ±0.25	d ₂ ±0.12	d ₃ max.	d ₄ min.	d ₆	h ₁ max.	l ₂ ±0.25	w ₁ ±0.05	A/F
P0163.050-025-A2	M 5	28	37	8.5	5.5	10.0	5.0	7.5	1.5	4.0
P0163.050-030-A2	M 5	30	3.7	8.5	5.5	10.0	5.0	7.5	1.5	4.0
P0163.050-035-A2	M 5	35	3.7	8.5	5.5	10.0	5.0	7.5	1.5	4.0
P0163.050-040-A2	M 5	40	3.7	8.5	5.5	10.0	5.0	7.5	1.5	4.0
P0163.050-050-A2	M 5	50	3.7	8.5	5.5	10.0	5.0	7.5	1.5	4.0
P0163.060-012-A2	M 6	12	4.2	10.0	6.5	12.0	6.0	7.5	1.6	5.0
P0163.060-016-A2	M 6	16	4.2	10.0	6.5	12.0	6.0	7.5	1.6	5.0
P0163.060-020-A2	M 6	20	4.2	10.0	6.5	12.0	6.0	7.5	1.6	5.0
P0163.060-025-A2	M 6	25	4.2	10.0	6.5	12.0	6.0	7.5	1.6	5.0
P0163.060-030-A2	M 6	30	4.2	10.0	6.5	12.0	7.5	7.5	1.6	5.0
P0163.060-035-A2	M 6	35	4.2	10.0	6.5	12.0	6.0	7.5	1.6	5.0
P0163.060-040-A2	M 6	40	4.2	10.0	6.5	12.0	6.0	7.5	1.6	5.0
P0163.060-050-A2	M 6	50	4.2	10.0	6.5	12.0	6.0	7.5	1.6	5.0
P0163.060-060-A2	M 6	60	4.2	10.0	6.5	12.0	6.0	7.5	1.6	5.0
P0163.060-080-A2	M 6	80	4.2	10.0	5.5	12.0	6.0	7.5	1.6	5.0
P0163.080-016-A2	M 8	16	6.0	13.0	8.5	16.0	8.0	10.0	2.0	6.0
P0163.080-020-A2	M 8	20	6.0	13.0	8.5	16.0	8.0	10.0	2.0	6.0
P0163.080-025-A2	M 8	25	6.0	13.0	8.5	16.0	8.0	10.0	2.0	6.0
P0163.080-030-A2	M 8	30	6.0	13.0	8.5	16.0	8.0	10.0	2.0	6.0
P0163.080-035-A2	M 8	35	6.0	13.0	8.5	16.0	8.0	10.0	2.0	6.0
P0163.080-040-A2	M 8	40	6.0	13.0	8.5	16.0	8.0	10.0	2.0	6.0
P0163.080-045-A2	M 8	45	6.0	13.0	8.5	16.0	8.0	10.0	2.0	6.0
P0163.080-050-A2	M 8	50	6.0	13.0	8.5	16.0	8.0	10.0	2.0	6.0
P0163.080-060-A2	M 8	60	6.0	13.0	8.5	16.0	8.0	10.0	2.0	6.0
P0163.080-080-A2	M 8	80	6.0	13.0	8.5	16.0	8.0	10.0	2.0	6.0
P0163.100-020-A2	M 10	20	7.5	16.0	10.6	20.0	10.0	12.5	3.0	8.0
P0163.100-025-A2	M 10	25	7.5	16.0	10.6	20.0	10.0	12.5	3.0	8.0
P0163.100-030-A2	M 10	30	7.5	16.0	10.6	20.0	10.0	12.5	3.0	8.0
P0163.100-035-A2	M 10	35	7.5	16.0	10.6	20.0	10.0	12.5	3.0	8.0
P0163.100-040-A2	M 10	40	7.5	16.0	10.6	20.0	10.0	12.5	3.0	8.0
P0163.100-045-A2	M 10	45	7.5	16.0	10.6	20.0	10.0	12.5	3.0	8.0
P0163.100-050-A2	M 10	50	7.5	16.0	10.6	20.0	10.0	12.5	3.0	8.0
P0163.100-060-A2	M 10	60	7.5	16.0	10.6	20.0	10.0	12.5	3.0	8.0
P0163.100-080-A2	M 10	80	7.5	16.0	10.6	20.0	10.0	12.5	3.0	8.0
P0163.120-025-A2	M 12	25	8.0	18.0	13.2	24.0	12.0	15.0	3.5	10.0
P0163.120-030-A2	M 12	30	8.0	18.0	13.2	24.0	12.0	15.0	3.5	10.0
P0163.120-035-A2	M 12	35	8.0	18.0	13.2	24.0	12.0	15.0	3.5	10.0
P0163.120-040-A2	M 12	40	8.0	18.0	13.2	24.0	12.0	15.0	3.5	10.0
P0163.120-045-A2	M 12	45	8.0	18.0	12.0	24.0	12.0	15.0	3.5	10.0
P0163.120-050-A2	M 12	50	8.0	18.0	13.2	24.0	12.0	15.0	3.5	10.0
P0163.120-060-A2	M 12	60	8.0	18.0	13.2	24.0	12.0	15.0	3.5	10.0
P0163.120-080-A2	M 12	80	8.0	18.0	13.2	24.0	12.0	15.0	3.5	10.0
P0163.160-030-A2	M 16	30	12.0	24.0	17.5	32.0	16.0	20.0	4.0	14.0
P0163.160-035-A2	M 16	35	12.0	24.0	17.5	32.0	16.0	20.0	4.0	14.0
P0163.160-040-A2	M 16	45	12.0	24.0	17.5	32.0	16.0	20.0	4.0	14.0
P0163.160-045-A2	M 16	40	12.0	24.0	17.5	32.0	16.0	20.0	4.0	14.0
P0163.160-050-A2	M 16	50	12.0	24.0	17.5	32.0	16.0	20.0	4.0	14.0
P0163.160-060-A2	M 16	60	12.0	24.0	17.5	32.0	16.0	20.0	4.0	14.0
P0163.160-080-A2	M 16	80	12.0	24.0	17.5	32.0	16.0	20.0	4.0	14.0
P0163.160-100-A2	M 16	100	12.0	24.0	17.5	32.0	16.0	20.0	4.0	14.0
P0163.200-040-A2	M 20	40	16.0	30.0	22.0	40.0	20.0	25.0	5.0	19.0
P0163.200-060-A2	M 20	60	16.0	30.0	22.0	40.0	20.0	25.0	5.0	19.0
P0163.200-080-A2	M 20	80	16.0	30.0	22.0	40.0	20.0	25.0	5.0	19.0
P0163.200-100-A2	M 20	100	16.0	30.0	22.0	40.0	20.0	25.0	5.0	19.0
P0163.200-120-A2	M 20	120	16.0	30.0	22.0	40.0	20.0	25.0	5.0	19.0

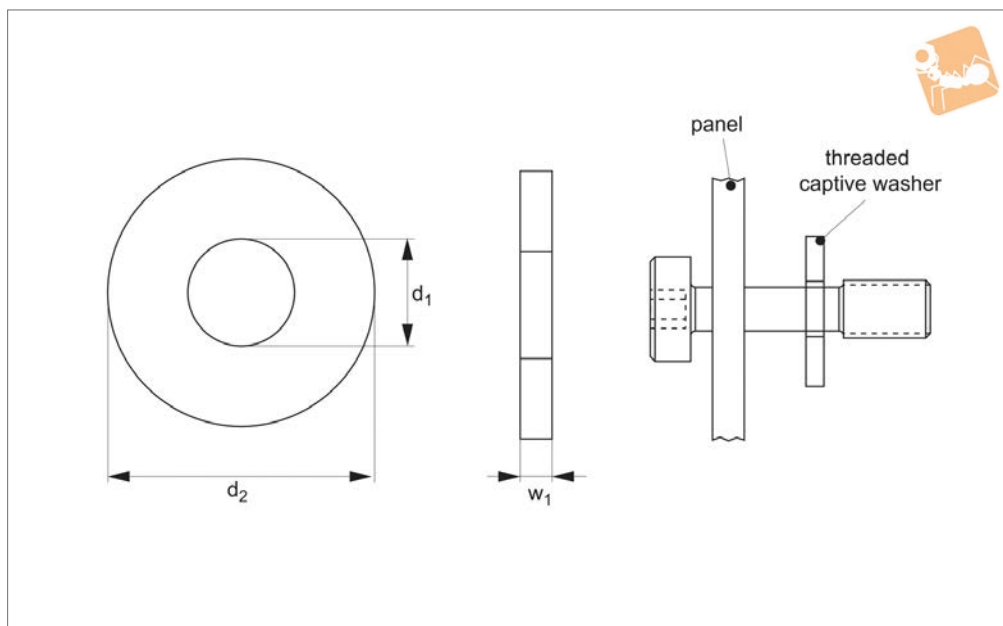
CAPTIVE SCREWS



CAPTIVE SCREWS



P0168



Material

Stainless steel (AISI 303, 1.4305 and AISI 316, 1.440), steel (zinc-plated or black-oxide) and titanium (grade 2 and grade 5).

Technical Notes

Captive washers have a very shallow thread on the i/d.

This enables them to be screwed on, and once past the threads they do not separate from the captive screw or bolt.

Tips

Captive washers are primarily used to retain captive screws in panels which have

unthreaded holes. The panel (onto which the screw needs to be retained) is placed onto the captive screw, the threaded washer is then threaded onto the screw, past the threaded section and the screw is therefore captive to the panel.

Order No.	d ₁	w ₁ ±0.05	d ₂	Material
P0168.025-A2	M 2,5	1.0	5.0	Stainless steel 303
P0168.030-A2	M 3	1.0	6.0	Stainless steel 303
P0168.035-A2	M 3,5	1.2	8.0	Stainless steel 303
P0168.040-A2	M 4	1.2	8.0	Stainless steel 303
P0168.050-A2	M 5	1.5	10.0	Stainless steel 303
P0168.060-A2	M 6	1.6	12.0	Stainless steel 303
P0168.080-A2	M 8	2.0	16.0	Stainless steel 303
P0168.100-A2	M10	3.0	20.0	Stainless steel 303
P0168.120-A2	M12	3.5	24.0	Stainless steel 303
P0168.160-A2	M16	4.0	32.0	Stainless steel 303
P0168.200-A2	M20	5.0	40.0	Stainless steel 303
P0168.025-A4	M 2,5	1.0	5.0	Stainless steel 316
P0168.030-A4	M 3	1.0	6.0	Stainless steel 316
P0168.035-A4	M 3,5	1.2	8.0	Stainless steel 316
P0168.040-A4	M 4	1.2	8.0	Stainless steel 316
P0168.050-A4	M 5	1.5	10.0	Stainless steel 316
P0168.060-A4	M 6	1.6	12.0	Stainless steel 316
P0168.080-A4	M 8	2.0	16.0	Stainless steel 316
P0168.100-A4	M10	3.0	20.0	Stainless steel 316
P0168.120-A4	M12	3.5	24.0	Stainless steel 316
P0168.160-A4	M16	4.0	32.0	Stainless steel 316
P0168.200-A4	M20	5.0	40.0	Stainless steel 316
P0168.025-B2	M 2,5	1.0	5.0	Blackened stainless 303
P0168.030-B2	M 3	1.0	6.0	Blackened stainless 303
P0168.035-B2	M 3,5	1.2	8.0	Blackened stainless 303
P0168.040-B2	M 4	1.2	8.0	Blackened stainless 303
P0168.050-B2	M 5	1.5	10.0	Blackened stainless 303
P0168.060-B2	M 6	1.6	12.0	Blackened stainless 303
P0168.080-B2	M 8	2.0	16.0	Blackened stainless 303
P0168.100-B2	M10	3.0	20.0	Blackened stainless 303



Threaded Captive Washers

for captive screws

Captive Screws



Order No.	d ₁	w ₁ ±0.05	d ₂	Material
P0168.120-B2	M12	3.5	24.0	Blackened stainless 303
P0168.160-B2	M16	4.0	32.0	Blackened stainless 303
P0168.200-B2	M20	5.0	40.0	Blackened stainless 303
P0168.025-B4	M 2,5	1.0	5.0	Blackened stainless 316
P0168.030-B4	M 3	1.0	6.0	Blackened stainless 316
P0168.035-B4	M 3,5	1.2	8.0	Blackened stainless 316
P0168.040-B4	M 4	1.2	8.0	Blackened stainless 316
P0168.050-B4	M 5	1.5	10.0	Blackened stainless 316
P0168.060-B4	M 6	1.6	12.0	Blackened stainless 316
P0168.080-B4	M 8	2.0	16.0	Blackened stainless 316
P0168.100-B4	M10	3.0	20.0	Blackened stainless 316
P0168.120-B4	M12	3.5	24.0	Blackened stainless 316
P0168.160-B4	M16	4.0	32.0	Blackened stainless 316
P0168.200-B4	M20	5.0	40.0	Blackened stainless 316
P0168.025-ZP	M 2,5	1.0	5.0	Zinc-plated steel
P0168.030-ZP	M 3	1.0	6.0	Zinc-plated steel
P0168.035-ZP	M 3,5	1.2	8.0	Zinc-plated steel
P0168.040-ZP	M 4	1.2	8.0	Zinc-plated steel
P0168.050-ZP	M 5	1.5	10.0	Zinc-plated steel
P0168.060-ZP	M 6	1.6	12.0	Zinc-plated steel
P0168.080-ZP	M 8	2.0	16.0	Zinc-plated steel
P0168.100-ZP	M10	3.0	20.0	Zinc-plated steel
P0168.120-ZP	M12	3.5	24.0	Zinc-plated steel
P0168.160-ZP	M16	4.0	32.0	Zinc-plated steel
P0168.200-ZP	M20	5.0	40.0	Zinc-plated steel
P0168.025-BL	M 2,5	1.0	5.0	Blackened steel
P0168.030-BL	M 3	1.0	6.0	Blackened steel
P0168.035-BL	M 3,5	1.2	8.0	Blackened steel
P0168.040-BL	M 4	1.2	8.0	Blackened steel
P0168.050-BL	M 5	1.5	10.0	Blackened steel
P0168.060-BL	M 6	1.6	12.0	Blackened steel
P0168.080-BL	M 8	2.0	16.0	Blackened steel
P0168.100-BL	M10	3.0	20.0	Blackened steel
P0168.120-BL	M12	3.5	24.0	Blackened steel
P0168.160-BL	M16	4.0	32.0	Blackened steel
P0168.200-BL	M20	5.0	40.0	Blackened steel
P0168.025-T2	M 2,5	1.0	5.0	Grade 2 titanium
P0168.030-T2	M 3	1.0	6.0	Grade 2 titanium
P0168.035-T2	M 3,5	1.2	8.0	Grade 2 titanium
P0168.040-T2	M 4	1.2	8.0	Grade 2 titanium
P0168.050-T2	M 5	1.5	10.0	Grade 2 titanium
P0168.060-T2	M 6	1.6	12.0	Grade 2 titanium
P0168.080-T2	M 8	2.0	16.0	Grade 2 titanium
P0168.100-T2	M10	3.0	20.0	Grade 2 titanium
P0168.120-T2	M12	3.5	24.0	Grade 2 titanium
P0168.160-T2	M16	4.0	32.0	Grade 2 titanium
P0168.200-T2	M20	5.0	40.0	Grade 2 titanium
P0168.025-T5	M 2,5	1.0	5.0	Grade 5 titanium
P0168.030-T5	M 3	1.0	6.0	Grade 5 titanium
P0168.035-T5	M 3,5	1.2	8.0	Grade 5 titanium
P0168.040-T5	M 4	1.2	8.0	Grade 5 titanium
P0168.050-T5	M 5	1.5	10.0	Grade 5 titanium
P0168.060-T5	M 6	1.6	12.0	Grade 5 titanium
P0168.080-T5	M 8	2.0	16.0	Grade 5 titanium
P0168.100-T5	M10	3.0	20.0	Grade 5 titanium
P0168.120-T5	M12	3.5	24.0	Grade 5 titanium
P0168.160-T5	M16	4.0	32.0	Grade 5 titanium
P0168.200-T5	M20	5.0	40.0	Grade 5 titanium

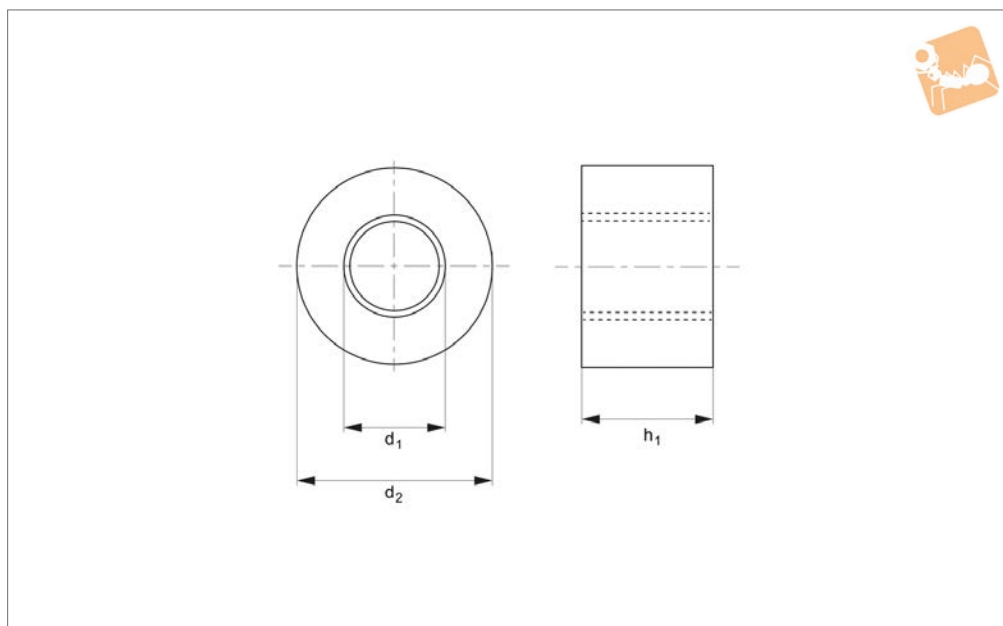
CAPTIVE SCREWS



CAPTIVE SCREWS



P0340



Material

Stainless steel (AISI 303, 1.4305).
Available with a grey metallic or matte

black (black oxide coated) finish.

Order No.	Coarse thread d_1	d_2 $+2 -0.2$	h_1 ± 0.1	Material
P0340.020-10-06-A2	M 2	10	6	Stainless steel 303
P0340.025-10-06-A2	M2,5	10	6	Stainless steel 303
P0340.030-10-06-A2	M 3	10	6	Stainless steel 303
P0340.020-10-05-B2	M 2	10	5	Blackened stainless 303
P0340.020-10-06-B2	M 2	10	6	Blackened stainless 303
P0340.020-10-08-B2	M 2	10	8	Blackened stainless 303
P0340.020-10-10-B2	M 2	10	10	Blackened stainless 303
P0340.025-10-05-B2	M2,5	10	5	Blackened stainless 303
P0340.025-10-06-B2	M2,5	10	6	Blackened stainless 303
P0340.025-10-08-B2	M2,5	10	8	Blackened stainless 303
P0340.025-10-10-B2	M2,5	10	10	Blackened stainless 303
P0340.030-10-05-B2	M 3	10	5	Blackened stainless 303
P0340.030-10-06-B2	M 3	10	6	Blackened stainless 303
P0340.030-10-08-B2	M 3	10	8	Blackened stainless 303
P0340.030-10-10-B2	M 3	10	10	Blackened stainless 303
P0340.040-10-05-B2	M 4	10	5	Blackened stainless 303
P0340.040-10-08-B2	M 4	10	8	Blackened stainless 303
P0340.040-10-10-B2	M 4	10	10	Blackened stainless 303
P0340.040-12-05-B2	M 4	12	5	Blackened stainless 303
P0340.040-12-08-B2	M 4	12	8	Blackened stainless 303
P0340.040-12-10-B2	M 4	12	10	Blackened stainless 303
P0340.040-12-15-B2	M 4	12	15	Blackened stainless 303
P0340.050-10-05-B2	M 5	10	5	Blackened stainless 303
P0340.050-10-08-B2	M 5	10	8	Blackened stainless 303
P0340.050-10-10-B2	M 5	10	10	Blackened stainless 303
P0340.050-12-05-B2	M 5	12	5	Blackened stainless 303
P0340.050-12-08-B2	M 5	12	8	Blackened stainless 303
P0340.050-12-10-B2	M 5	12	10	Blackened stainless 303
P0340.050-12-15-B2	M 5	12	15	Blackened stainless 303
P0340.050-16-05-B2	M 5	16	5	Blackened stainless 303
P0340.050-16-08-B2	M 5	16	8	Blackened stainless 303
P0340.050-16-10-B2	M 5	16	10	Blackened stainless 303
P0340.050-16-15-B2	M 5	16	15	Blackened stainless 303
P0340.060-12-05-B2	M 6	12	5	Blackened stainless 303



Threaded Washers

303 stainless

Captive Screws



Order No.	Coarse thread d ₁	d ₂ +2 -0.2	h ₁ ±0.1	Material
P0340.060-12-08-B2	M 6	12	8	Blackened stainless 303
P0340.060-12-10-B2	M 6	12	10	Blackened stainless 303
P0340.060-12-15-B2	M 6	12	15	Blackened stainless 303
P0340.060-16-05-B2	M 6	16	5	Blackened stainless 303
P0340.060-16-08-B2	M 6	16	8	Blackened stainless 303
P0340.060-16-10-B2	M 6	16	10	Blackened stainless 303
P0340.060-16-15-B2	M 6	16	15	Blackened stainless 303
P0340.060-20-08-B2	M 6	20	8	Blackened stainless 303
P0340.060-20-10-B2	M 6	20	10	Blackened stainless 303
P0340.060-20-15-B2	M 6	20	15	Blackened stainless 303
P0340.060-20-20-B2	M 6	20	20	Blackened stainless 303
P0340.080-16-05-B2	M 8	16	5	Blackened stainless 303
P0340.080-16-08-B2	M 8	16	8	Blackened stainless 303
P0340.080-16-10-B2	M 8	16	10	Blackened stainless 303
P0340.080-16-15-B2	M 8	16	15	Blackened stainless 303
P0340.080-16-20-B2	M 8	16	20	Blackened stainless 303
P0340.080-20-08-B2	M 8	20	8	Blackened stainless 303
P0340.080-20-10-B2	M 8	20	10	Blackened stainless 303
P0340.080-20-15-B2	M 8	20	15	Blackened stainless 303
P0340.080-20-20-B2	M 8	20	20	Blackened stainless 303
P0340.020-10-05-A2	M 2	10	5	Stainless steel 303
P0340.020-10-08-A2	M 2	10	8	Stainless steel 303
P0340.020-10-10-A2	M 2	10	10	Stainless steel 303
P0340.025-10-05-A2	M2,5	10	5	Stainless steel 303
P0340.025-10-08-A2	M2,5	10	8	Stainless steel 303
P0340.025-10-10-A2	M2,5	10	10	Stainless steel 303
P0340.030-10-05-A2	M 3	10	5	Stainless steel 303
P0340.030-10-08-A2	M 3	10	8	Stainless steel 303
P0340.030-10-10-A2	M 3	10	10	Stainless steel 303
P0340.040-10-05-A2	M 4	10	5	Stainless steel 303
P0340.040-10-08-A2	M 4	10	8	Stainless steel 303
P0340.040-10-10-A2	M 4	10	10	Stainless steel 303
P0340.040-12-05-A2	M 4	12	5	Stainless steel 303
P0340.040-12-08-A2	M 4	12	8	Stainless steel 303
P0340.040-12-10-A2	M 4	12	10	Stainless steel 303
P0340.040-12-15-A2	M 4	12	15	Stainless steel 303
P0340.050-10-05-A2	M 5	10	5	Stainless steel 303
P0340.050-10-08-A2	M 5	10	8	Stainless steel 303
P0340.050-10-10-A2	M 5	10	10	Stainless steel 303
P0340.050-12-05-A2	M 5	12	5	Stainless steel 303
P0340.050-12-08-A2	M 5	12	8	Stainless steel 303
P0340.050-12-10-A2	M 5	12	10	Stainless steel 303
P0340.050-12-15-A2	M 5	12	15	Stainless steel 303
P0340.050-16-05-A2	M 5	16	5	Stainless steel 303
P0340.050-16-08-A2	M 5	16	8	Stainless steel 303
P0340.050-16-10-A2	M 5	16	10	Stainless steel 303
P0340.050-16-15-A2	M 5	16	15	Stainless steel 303
P0340.060-12-05-A2	M 6	12	5	Stainless steel 303
P0340.060-12-08-A2	M 6	12	8	Stainless steel 303
P0340.060-12-10-A2	M 6	12	10	Stainless steel 303
P0340.060-12-15-A2	M 6	12	15	Stainless steel 303
P0340.060-16-05-A2	M 6	16	5	Stainless steel 303
P0340.060-16-08-A2	M 6	16	8	Stainless steel 303
P0340.060-16-10-A2	M 6	16	10	Stainless steel 303
P0340.060-16-15-A2	M 6	16	15	Stainless steel 303
P0340.060-20-08-A2	M 6	20	8	Stainless steel 303
P0340.060-20-10-A2	M 6	20	10	Stainless steel 303
P0340.060-20-15-A2	M 6	20	15	Stainless steel 303
P0340.060-20-20-A2	M 6	20	20	Stainless steel 303
P0340.080-16-05-A2	M 8	16	5	Stainless steel 303
P0340.080-16-08-A2	M 8	16	8	Stainless steel 303
P0340.080-16-10-A2	M 8	16	10	Stainless steel 303
P0340.080-16-15-A2	M 8	16	15	Stainless steel 303
P0340.080-16-20-A2	M 8	16	20	Stainless steel 303
P0340.080-20-08-A2	M 8	20	8	Stainless steel 303
P0340.080-20-10-A2	M 8	20	10	Stainless steel 303
P0340.080-20-15-A2	M 8	20	15	Stainless steel 303
P0340.080-20-20-A2	M 8	20	20	Stainless steel 303

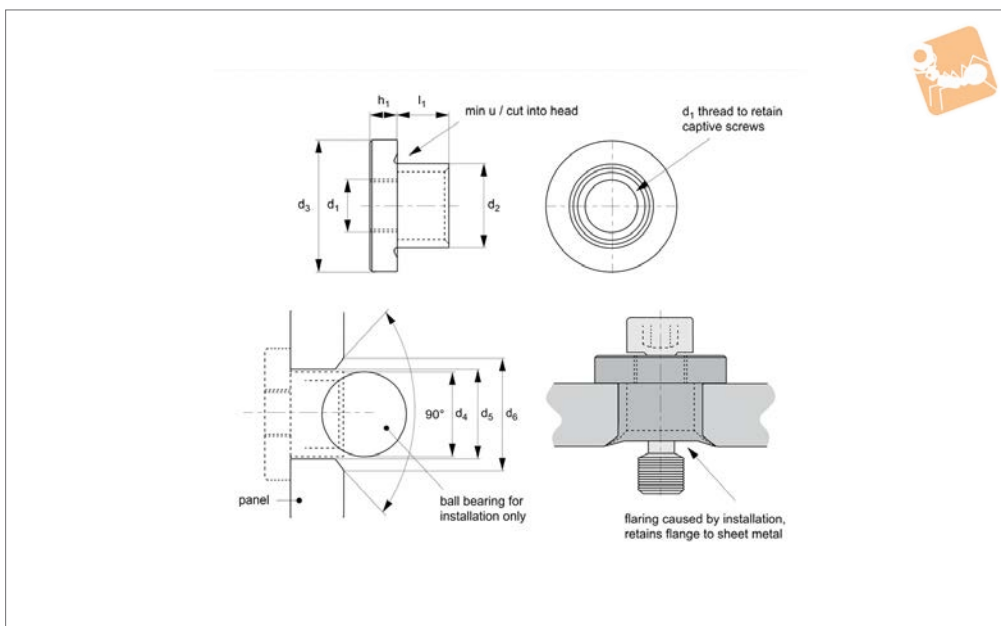
CAPTIVE SCREWS



CAPTIVE SCREWS



P0169.A2



Material

Stainless steel (AISI 303, 1.4305).
 Also available on request in steel (anodised, black oxide or zinc plated) stainless steel (AISI 316, 1.440), brass.

Technical Notes

Select the retainer flange to suit thread of

the captive screw and the thickness of the panel to be retained.

Drill and countersink hole in the panel and use the ball bearing supplied to spread the flange into the countersunk hole.

The captive screw is then screwed into the flange and the screw is retained to the

panel.

Tips

Mounting hole diameter to H9 clearance. Countersunk d_6 to 90° .

Order No.	For thread d_1	Panel t_1 $\pm 8\%$	d_2	h_1	l_1	d_3	Installation ball dia. d_4	d_5 tol. H9	d_6	Sheet metal gauge
P0169.030-007-A2	M 3	0.70	5.0	1.5	0.70	7.5	5	5.0	6.0	22
P0169.030-009-A2	M 3	0.90	5.0	1.5	0.90	7.5	5	5.0	6.0	20
P0169.030-012-A2	M 3	1.25	5.0	1.5	1.25	7.5	5	5.0	6.0	18
P0169.030-015-A2	M 3	1.50	5.0	1.5	1.50	7.5	5	5.0	6.0	16
P0169.030-020-A2	M 3	2.00	5.0	1.5	2.00	7.5	5	5.0	6.0	14
P0169.030-025-A2	M 3	2.50	5.0	1.5	2.50	7.5	5	5.0	6.0	12
P0169.030-030-A2	M 3	3.00	5.0	1.5	3.00	7.5	5	5.0	6.0	10
P0169.030-040-A2	M 3	4.00	5.0	1.5	4.00	7.5	5	5.0	6.0	8
P0169.030-050-A2	M 3	5.00	5.0	1.5	5.00	7.5	5	5.0	6.0	6
P0169.030-060-A2	M 3	6.00	5.0	1.5	6.00	7.5	5	5.0	6.0	4
P0169.040-007-A2	M 4	0.70	6.8	2.0	0.70	10.0	7	6.8	8.2	22
P0169.040-009-A2	M 4	0.90	6.8	2.0	0.90	10.0	7	6.8	8.2	20
P0169.040-012-A2	M 4	1.25	6.8	2.0	1.25	10.0	7	6.8	8.2	18
P0169.040-015-A2	M 4	1.50	6.8	2.0	1.50	10.0	7	6.8	8.2	16
P0169.040-020-A2	M 4	2.00	6.8	2.0	2.00	10.0	7	6.8	8.2	14
P0169.040-025-A2	M 4	2.50	6.8	2.0	2.50	10.0	7	6.8	8.2	12
P0169.040-030-A2	M 4	3.00	6.8	2.0	3.00	10.0	7	6.8	8.2	10
P0169.040-040-A2	M 4	4.00	6.8	2.0	4.00	10.0	7	6.8	8.2	8
P0169.040-050-A2	M 4	5.00	6.8	2.0	5.00	10.0	7	6.8	8.2	6
P0169.040-060-A2	M 4	6.00	6.8	2.0	6.00	10.0	7	6.8	8.2	4
P0169.050-007-A2	M 5	0.70	8.0	2.5	0.70	12.5	8	8.0	9.6	22
P0169.050-009-A2	M 5	0.90	8.0	2.5	0.90	12.5	8	8.0	9.6	20
P0169.050-012-A2	M 5	1.25	8.0	2.5	1.25	12.5	8	8.0	9.6	18
P0169.050-015-A2	M 5	1.50	8.0	2.5	1.50	12.5	8	8.0	9.6	16
P0169.050-020-A2	M 5	2.00	8.0	2.5	2.00	12.5	8	8.0	9.6	14
P0169.050-025-A2	M 5	2.50	8.0	2.5	2.50	12.5	8	8.0	9.6	12
P0169.050-030-A2	M 5	3.00	8.0	2.5	3.00	12.5	8	8.0	9.6	10
P0169.050-040-A2	M 5	4.00	8.0	2.5	4.00	12.5	8	8.0	9.6	8
P0169.050-050-A2	M 5	5.00	8.0	2.5	5.00	12.5	8	8.0	9.6	6
P0169.050-060-A2	M 5	6.00	8.0	2.5	6.00	12.5	8	8.0	9.6	4



Captive Screws - Retainer Flange

303 stainless



Captive Screws

Order No.	For thread d ₁	Panel t ₁ ±8%	d ₂	h ₁	l ₁	d ₃	Installation ball dia. d ₄	d ₅ tol. H9	d ₆	Sheet metal gauge
P0169.060-007-A2	M 6	0.70	10.0	3.0	0.70	15.0	10	10.0	12.0	22
P0169.060-009-A2	M 6	0.90	10.0	3.0	0.90	15.0	10	10.0	12.0	20
P0169.060-012-A2	M 6	1.25	10.0	3.0	1.25	15.0	10	10.0	12.0	18
P0169.060-015-A2	M 6	1.50	10.0	3.0	1.50	15.0	10	10.0	12.0	16
P0169.060-020-A2	M 6	2.00	10.0	3.0	2.00	15.0	10	10.0	12.0	14
P0169.060-025-A2	M 6	2.50	10.0	3.0	2.50	15.0	10	10.0	12.0	12
P0169.060-030-A2	M 6	3.00	10.0	3.0	3.00	15.0	10	10.0	12.0	10
P0169.060-040-A2	M 6	4.00	10.0	3.0	4.00	15.0	10	10.0	12.0	8
P0169.060-050-A2	M 6	5.00	10.0	3.0	5.00	15.0	10	10.0	12.0	6
P0169.060-060-A2	M 6	6.00	10.0	3.0	6.00	15.0	10	10.0	12.0	4
P0169.080-007-A2	M 8	0.70	13.0	4.0	0.70	20.0	13	13.0	15.5	22
P0169.080-009-A2	M 8	0.90	13.0	4.0	0.90	20.0	13	13.0	15.5	20
P0169.080-012-A2	M 8	1.25	13.0	4.0	1.25	20.0	13	13.0	15.5	18
P0169.080-015-A2	M 8	1.50	13.0	4.0	1.50	20.0	13	13.0	15.5	16
P0169.080-020-A2	M 8	2.00	13.0	4.0	2.00	20.0	13	13.0	15.5	14
P0169.080-025-A2	M 8	2.50	13.0	4.0	2.50	20.0	13	13.0	15.5	12
P0169.080-030-A2	M 8	3.00	13.0	4.0	3.00	20.0	13	13.0	15.5	10
P0169.080-040-A2	M 8	4.00	13.0	4.0	4.00	20.0	13	13.0	15.5	8
P0169.080-050-A2	M 8	5.00	13.0	4.0	5.00	20.0	13	13.0	15.5	6
P0169.080-060-A2	M 8	6.00	13.0	4.0	6.00	20.0	13	13.0	15.5	4

CAPTIVE SCREWS

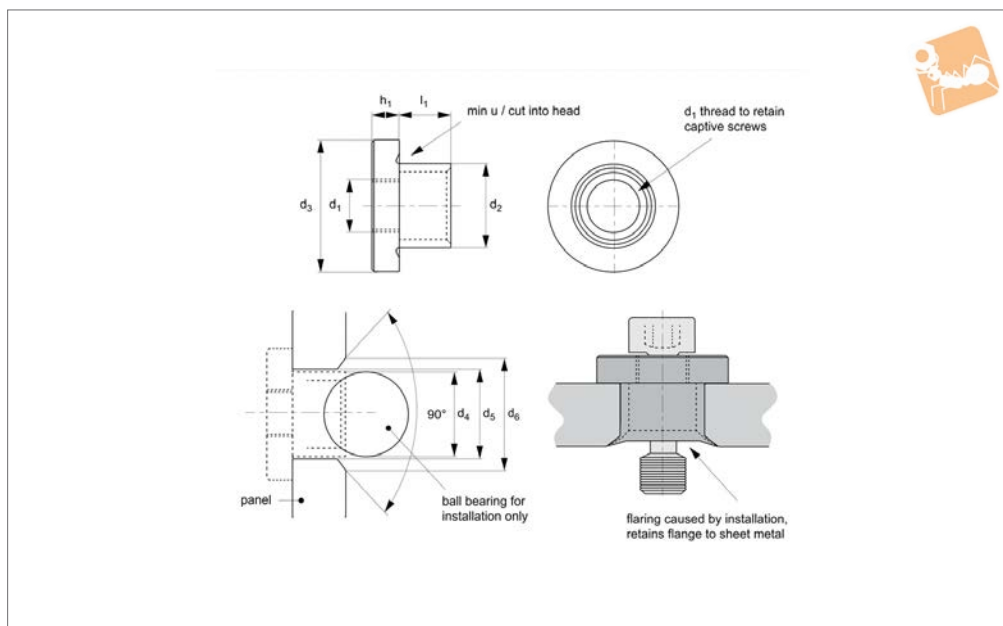


CAPTIVE SCREWS



P0169.AL

MADE IN BRITAIN



Material

Aluminium.

Also available on request in steel (anodised, black oxide or zinc plated)

stainless steel (A4, AISI 316), brass.

For stainless (A2) retainer flanges please see part no. P0169.A2.

Technical Notes

Select the retainer flange to suit thread of

the captive screw and the thickness of the panel to be retained.

Drill and countersink hole in the panel and use the ball bearing supplied to spread the flange into the countersunk hole.

The captive screw is then screwed into the flange and the screw is retained to the panel.

Tips

Mounting hole diameter to H9 clearance.

Countersunk d_6 to 90°.

Order No.	For thread d_1	Panel t_1 $\pm 8\%$	d_2	h_1	l_1	d_3	Installation ball dia. d_4	d_5 tol. H9	d_6	Sheet metal gauge
P0169.030-007-AL	M3	0.7	5.0	1.5	0.7	7.5	5	5.0	6.0	22
P0169.030-009-AL	M3	0.9	5.0	1.5	0.9	7.5	5	5.0	6.0	20
P0169.030-012-AL	M3	1.25	5.0	1.5	1.25	7.5	5	5.0	6.0	18
P0169.030-015-AL	M3	1.5	5.0	1.5	1.5	7.5	5	5.0	6.0	16
P0169.030-020-AL	M3	2.0	5.0	1.5	2.0	7.5	5	5.0	6.0	14
P0169.030-025-AL	M3	2.5	5.0	1.5	2.5	7.5	5	5.0	6.0	12
P0169.030-030-AL	M3	3.0	5.0	1.5	3.0	7.5	5	5.0	6.0	10
P0169.030-040-AL	M3	4.0	5.0	1.5	4.0	7.5	5	5.0	6.0	8
P0169.030-050-AL	M3	5.0	5.0	1.5	5.0	7.5	5	5.0	6.0	6
P0169.030-060-AL	M3	6.0	5.0	1.5	6.0	7.5	5	5.0	6.0	4
P0169.040-007-AL	M4	0.7	6.8	2.0	0.7	10.0	7	6.8	8.2	22
P0169.040-009-AL	M4	0.9	6.8	2.0	0.9	10.0	7	6.8	8.2	20
P0169.040-012-AL	M4	1.25	6.8	2.0	1.25	10.0	7	6.8	8.2	18
P0169.040-015-AL	M4	1.5	6.8	2.0	1.5	10.0	7	6.8	8.2	16
P0169.040-020-AL	M4	2.0	6.8	2.0	2.0	10.0	7	6.8	8.2	14
P0169.040-025-AL	M4	2.5	6.8	2.0	2.5	10.0	7	6.8	8.2	12
P0169.040-030-AL	M4	3.0	6.8	2.0	3.0	10.0	7	6.8	8.2	10
P0169.040-040-AL	M4	4.0	6.8	2.0	4.0	10.0	7	6.8	8.2	8
P0169.040-050-AL	M4	5.0	6.8	2.0	5.0	10.0	7	6.8	8.2	6
P0169.040-060-AL	M4	6.0	6.8	2.0	6.0	10.0	7	6.8	8.2	4
P0169.050-007-AL	M5	0.7	8.0	2.5	0.7	12.5	8	8.0	9.6	22
P0169.050-009-AL	M5	0.9	8.0	2.5	0.9	12.5	8	8.0	9.6	20
P0169.050-012-AL	M5	1.25	8.0	2.5	1.25	12.5	8	8.0	9.6	18
P0169.050-015-AL	M5	1.5	8.0	2.5	1.5	12.5	8	8.0	9.6	16
P0169.050-020-AL	M5	2.0	8.0	2.5	2.0	12.5	8	8.0	9.6	14
P0169.050-025-AL	M5	2.5	8.0	2.5	2.5	12.5	8	8.0	9.6	12
P0169.050-030-AL	M5	3.0	8.0	2.5	3.0	12.5	8	8.0	9.6	10
P0169.050-040-AL	M5	4.0	8.0	2.5	4.0	12.5	8	8.0	9.6	8



Captive Screw Retainer Flange

aluminium



Captive Screws

Order No.	For thread d ₁	Panel t ₁ ±8%	d ₂	h ₁	l ₁	d ₃	Installation ball dia. d ₄	d ₅ tol. H9	d ₆	Sheet metal gauge
P0169.050-050-AL	M5	5.0	8.0	2.5	5.0	12.5	8	8.0	9.6	6
P0169.050-060-AL	M5	6.0	8.0	2.5	6.0	12.5	8	8.0	9.6	4
P0169.060-007-AL	M6	0.7	10.0	3.0	0.7	15.0	10	10.0	12.0	22
P0169.060-009-AL	M6	0.9	10.0	3.0	0.9	15.0	10	10.0	12.0	20
P0169.060-012-AL	M6	1.25	10.0	3.0	1.25	15.0	10	10.0	12.0	18
P0169.060-015-AL	M6	1.5	10.0	3.0	1.5	15.0	10	10.0	12.0	16
P0169.060-020-AL	M6	2.0	10.0	3.0	2.0	15.0	10	10.0	12.0	14
P0169.060-025-AL	M6	2.5	10.0	3.0	2.5	15.0	10	10.0	12.0	12
P0169.060-030-AL	M6	3.0	10.0	3.0	3.0	15.0	10	10.0	12.0	10
P0169.060-040-AL	M6	4.0	10.0	3.0	4.0	15.0	10	10.0	12.0	8
P0169.060-050-AL	M6	5.0	10.0	3.0	5.0	15.0	10	10.0	12.0	6
P0169.060-060-AL	M6	6.0	10.0	3.0	6.0	15.0	10	10.0	12.0	4
P0169.080-007-AL	M8	0.7	13.0	4.0	0.7	20.0	13	13.0	15.5	22
P0169.080-009-AL	M8	0.9	13.0	4.0	0.9	20.0	13	13.0	15.5	20
P0169.080-012-AL	M8	1.25	13.0	4.0	1.25	20.0	13	13.0	15.5	18
P0169.080-015-AL	M8	1.5	13.0	4.0	1.5	20.0	13	13.0	15.5	16
P0169.080-020-AL	M8	2.0	13.0	4.0	2.0	20.0	13	13.0	15.5	14
P0169.080-025-AL	M8	2.5	13.0	4.0	2.5	20.0	13	13.0	15.5	12
P0169.080-030-AL	M8	3.0	13.0	4.0	3.0	20.0	13	13.0	15.5	10
P0169.080-040-AL	M8	4.0	13.0	4.0	4.0	20.0	13	13.0	15.5	8
P0169.080-050-AL	M8	5.0	13.0	4.0	5.0	20.0	13	13.0	15.5	6
P0169.080-060-AL	M8	6.0	13.0	4.0	6.0	20.0	13	13.0	15.5	4

CAPTIVE SCREWS

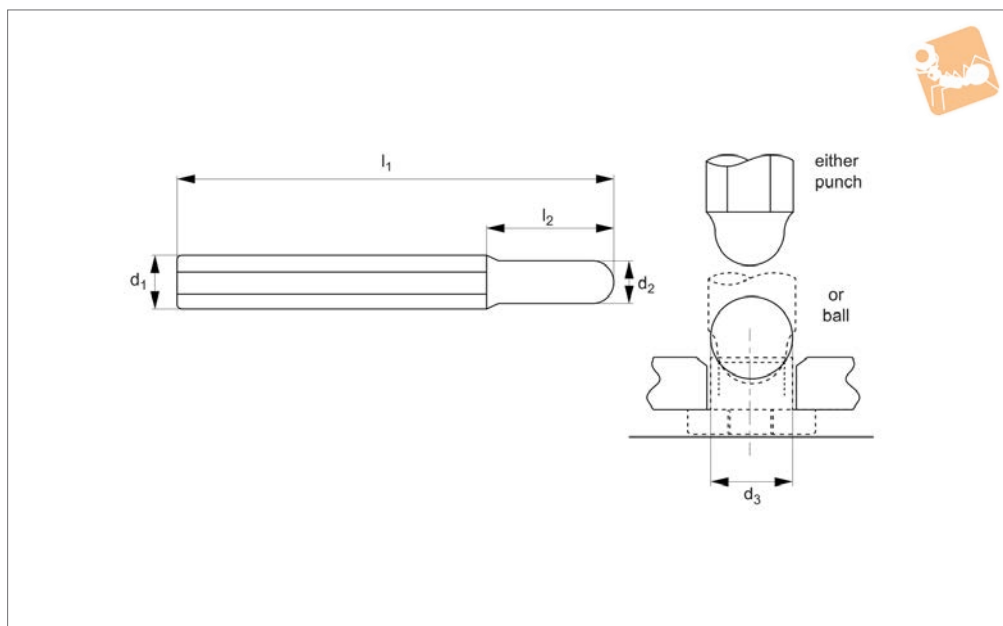


CAPTIVE SCREWS



MADE IN BRITAIN

P0169.TL



Material

Ball bearings and punches from steel.
For small quantity installation we suggest you install the flanges using the ball bearings,
for large quantities it is easier to purchase the retaining flange punch.

Technical Notes

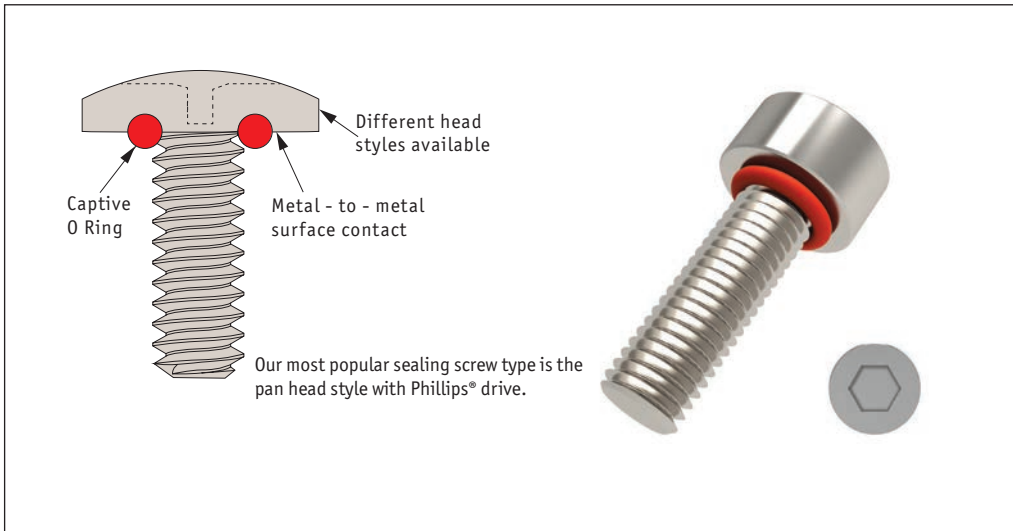
Select the retainer flange to suit thread of the captive screw and the thickness of the panel to be retained.
Drill and countersink hole in the panel and use the ball bearing supplied to spread the flange into the countersunk hole.

The captive screw is then screwed into the flange and the screw is retained to the panel.

Tips

Mounting hole diameter to H9 clearance.

Order No.	Type	For flange size	d ₁	d ₂	l ₁	d ₃	l ₂
P0169.030-BL	Ball bearing	P0169.030	-	-	-	5	-
P0169.040-BL	Ball bearing	P0169.040	-	-	-	7	-
P0169.050-BL	Ball bearing	P0169.050	-	-	-	8	-
P0169.060-BL	Ball bearing	P0169.060	-	-	-	10	-
P0169.080-BL	Ball bearing	P0169.080	-	-	-	13	-
P0169.030-PN	Punch	P0169.030	10.0	5	100	-	30
P0169.040-PN	Punch	P0169.040	11.5	7	100	-	30
P0169.050-PN	Punch	P0169.050	13.0	8	100	-	30
P0169.060-PN	Punch	P0169.060	16.0	10	100	-	30
P0169.080-PN	Punch	P0169.080	19.0	13	100	-	30



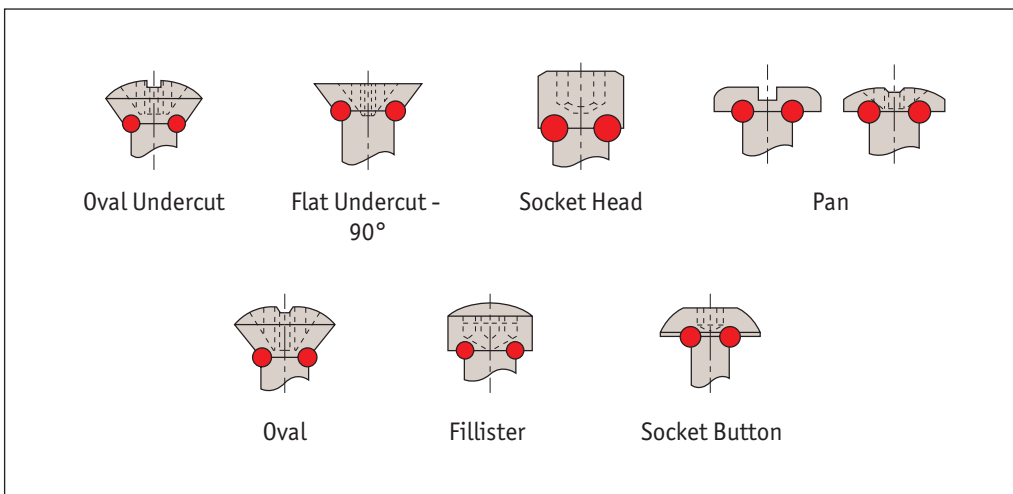
An ordinary screw lacks seal protection, allowing dirt, fluids, gases etc to infiltrate and damage sensitive devices. Sealing screws provide bi-directional sealing protection to systems where screws are used to protect them against dirt, chemicals, water or other contaminants, which (without the screw seal), may penetrate and damage, or alternatively where gases and liquids may leak out.

The seal screws incorporate an O ring underneath the screw, bolt etc which forms a sealant layer. The seal provides bi-directional sealing. The screws are very easy to use and do not need any special preparation or re-tightening.

Integral seal fasteners are designed and manufactured with a precision engineered groove beneath the head of the fastener. As the fastener is tightened, the O-ring is compressed, squeezing the O-ring between the groove and mating surface to complete the seal. The design of the groove controls the amount of compression of the O-ring. And because O-rings retain their elastic memory, the screws are reusable time after time.

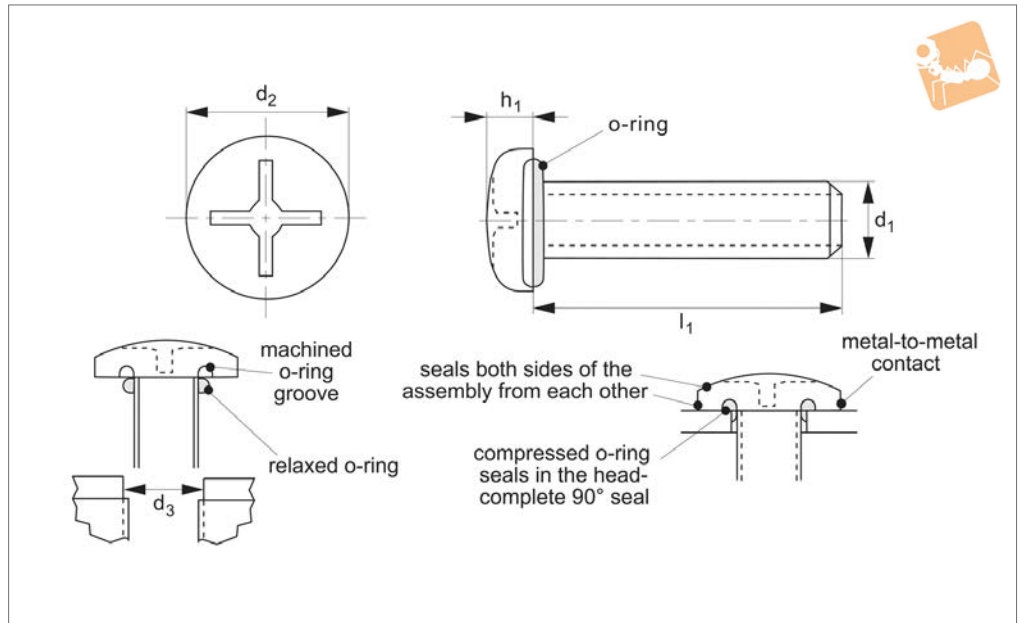
There are a range of O ring materials that can resist virtually all chemical and environmental conditions. We can also provide sealing screws (on request) to military specifications (MILSPEC).

The screws are widely used in military, medical and industrial devices. Each screw is equipped with a captive O ring which provides a total barrier seal against internal or external conditions (water, fluids, chemicals, dirt, air, contaminants etc) which could otherwise penetrate and damage systems.





P0170



Material

Stainless steel (AISI 303 1.4305 tensile strength 550 N/mm²), with silicone „O“ ring as standard.

For other „O“ ring materials see technical data pages

(-FS = fluorosilicone, -EP = EPDM, -VI = viton, -NI = nitrile, -BN = Buna etc.).

Other thread lengths, and stainless steel

A4 (AISI 316) on request.

Technical Notes

Seals substances in and contaminants out, screws generally as DIN 7985 H, ISO 7045. Max temperature range: -100°C to +260°C, pressure range - up to 410 bar (6000 psi). Re-usable, also available (on request) with thread-locking.

Tips

Clearance holes recommended for maximum sealing performance (see dimensions below).

Clearance hole depth 2-3 x thread pitch, threads are metric coarse pitch.

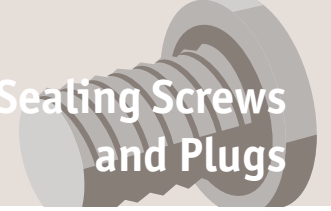
Order No.	d ₁	l ₁	h ₁ max.	d ₂ max.	d ₃ ±0.05	Drive
P0170.020-003-SI	M 2	3	1.6	4.0	2.35	PH-1
P0170.020-004-SI	M 2	4	1.6	4.0	2.35	PH-1
P0170.020-008-SI	M 2	8	1.6	4.0	2.35	PH-1
P0170.020-010-SI	M 2	10	1.6	4.0	2.35	PH-1
P0170.020-012-SI	M 2	12	1.6	4.0	2.35	PH-1
P0170.025-006-SI	M2,5	6	2.1	4.7	2.75	PH-1
P0170.025-008-SI	M2,5	8	2.1	4.7	2.75	PH-1
P0170.025-010-SI	M2,5	10	2.1	4.7	2.75	PH-1
P0170.025-012-SI	M2,5	12	2.1	4.7	2.75	PH-1
P0170.025-016-SI	M2,5	16	2.1	4.7	2.75	PH-1
P0170.025-020-SI	M2,5	20	2.1	4.7	2.75	PH-1
P0170.025-025-SI	M2,5	25	2.1	4.7	2.75	PH-1
P0170.025-030-SI	M2,5	30	2.1	4.7	2.75	PH-1
P0170.025-035-SI	M2,5	35	2.1	4.7	2.75	PH-1
P0170.030-006-SI	M 3	6	2.4	6.0	3.6	PH-1
P0170.030-008-SI	M 3	8	2.4	6.0	3.6	PH-1
P0170.030-010-SI	M 3	10	2.4	6.0	3.6	PH-1
P0170.030-012-SI	M 3	12	2.4	6.0	3.6	PH-1
P0170.030-016-SI	M 3	16	2.4	6.0	3.6	PH-1
P0170.030-020-SI	M 3	20	2.4	6.0	3.6	PH-1
P0170.030-030-SI	M 3	30	2.4	6.0	3.6	PH-1
P0170.030-035-SI	M 3	35	2.4	6.0	3.6	PH-1
P0170.030-040-SI	M 3	40	2.4	6.0	3.6	PH-1
P0170.040-006-SI	M 4	6	3.1	8.0	4.5	PH-2
P0170.040-008-SI	M 4	8	3.1	8.0	4.5	PH-2
P0170.040-010-SI	M 4	10	3.1	8.0	4.5	PH-2
P0170.040-012-SI	M 4	12	3.1	8.0	4.5	PH-2
P0170.040-016-SI	M 4	16	3.1	8.0	4.5	PH-2



Pan Head Seal Screws

phillips drive

Sealing Screws and Plugs



SEALING SCREWS AND PLUGS

Order No.	d ₁	l ₁	h ₁ max.	d ₂ max.	d ₃ ±0.05	Drive
P0170.040-020-SI	M 4	20	3.1	8.0	4.5	PH-2
P0170.040-030-SI	M 4	30	3.1	8.0	4.5	PH-2
P0170.040-035-SI	M 4	35	3.1	8.0	4.5	PH-2
P0170.040-040-SI	M 4	40	3.1	8.0	4.5	PH-2
P0170.050-008-SI	M 5	8	3.7	10.0	5.6	PH-2
P0170.050-010-SI	M 5	10	3.7	10.0	5.6	PH-2
P0170.050-012-SI	M 5	12	3.7	10.0	5.6	PH-2
P0170.050-016-SI	M 5	16	3.7	10.0	5.6	PH-2
P0170.050-020-SI	M 5	20	1.6	10.0	5.6	PH-2
P0170.050-030-SI	M 5	30	1.6	10.0	5.6	PH-2
P0170.050-035-SI	M 5	35	1.6	10.0	5.6	PH-2
P0170.050-040-SI	M 5	40	1.6	10.0	5.6	PH-2
P0170.060-012-SI	M 6	12	4.6	12.0	6.8	PH-3
P0170.060-016-SI	M 6	16	4.6	12.0	6.8	PH-3
P0170.060-020-SI	M 6	20	4.6	12.0	6.8	PH-3
P0170.060-025-SI	M 6	25	4.6	12.0	6.8	PH-3
P0170.060-030-SI	M 6	30	4.6	12.0	6.8	PH-3
P0170.060-035-SI	M 6	35	4.6	12.0	6.8	PH-3
P0170.060-040-SI	M 6	40	4.6	12.0	6.8	PH-3
P0170.060-045-SI	M 6	45	4.6	12.0	6.8	PH-3
P0170.060-050-SI	M 6	50	4.6	12.0	6.8	PH-3
P0170.080-012-SI	M 8	12	6.0	16.0	8.5	PH-4
P0170.080-016-SI	M 8	16	6.0	16.0	8.5	PH-4
P0170.080-020-SI	M 8	20	6.0	16.0	8.5	PH-4
P0170.080-025-SI	M 8	25	6.0	16.0	8.5	PH-4
P0170.080-030-SI	M 8	30	6.0	16.0	8.5	PH-4
P0170.080-040-SI	M 8	40	6.0	16.0	8.5	PH-4
P0170.080-050-SI	M 8	50	6.0	16.0	8.5	PH-4
P0170.080-060-SI	M 8	60	6.0	16.0	8.5	PH-4
P0170.100-016-SI	M10	16	7.5	20.0	10.6	PH-4
P0170.100-020-SI	M10	20	7.5	20.0	10.6	PH-4
P0170.100-025-SI	M10	25	7.5	20.0	10.6	PH-4
P0170.100-030-SI	M10	30	7.5	20.0	10.6	PH-4
P0170.100-040-SI	M10	40	7.5	20.0	10.6	PH-4
P0170.020-003-VI	M 2	3	1.6	4.0	2.35	PH-1
P0170.020-004-VI	M 2	4	1.6	4.0	2.35	PH-1
P0170.020-008-VI	M 2	8	1.6	4.0	2.35	PH-1
P0170.020-010-VI	M 2	10	1.6	4.0	2.35	PH-1
P0170.020-012-VI	M 2	12	1.6	4.0	2.35	PH-1
P0170.025-006-VI	M2,5	6	2.1	4.7	2.75	PH-1
P0170.025-008-VI	M2,5	8	2.1	4.7	2.75	PH-1
P0170.025-010-VI	M2,5	10	2.1	4.7	2.75	PH-1
P0170.025-012-VI	M2,5	12	2.1	4.7	2.75	PH-1
P0170.030-006-VI	M 3	6	2.4	6.0	3.6	PH-1
P0170.030-008-VI	M 3	8	2.4	6.0	3.6	PH-1
P0170.030-010-VI	M 3	10	2.4	6.0	3.6	PH-1
P0170.030-012-VI	M 3	12	2.4	6.0	3.6	PH-1
P0170.030-016-VI	M 3	16	2.4	6.0	3.6	PH-1
P0170.030-020-VI	M 3	20	2.4	6.0	3.6	PH-1
P0170.040-006-VI	M 4	6	3.1	8.0	4.5	PH-2
P0170.040-008-VI	M 4	8	3.1	8.0	4.5	PH-2
P0170.040-010-VI	M 4	10	3.1	8.0	4.5	PH-2
P0170.040-012-VI	M 4	12	3.1	8.0	4.5	PH-2
P0170.040-016-VI	M 4	16	3.1	8.0	4.5	PH-2
P0170.040-020-VI	M 4	20	3.1	8.0	4.5	PH-2
P0170.050-008-VI	M 5	8	3.7	10.0	5.6	PH-2
P0170.050-010-VI	M 5	10	3.7	10.0	5.6	PH-2
P0170.050-012-VI	M 5	12	3.7	10.0	5.6	PH-2
P0170.050-016-VI	M 5	16	3.7	10.0	5.6	PH-2
P0170.050-020-VI	M 5	20	1.6	10.0	5.6	PH-2
P0170.060-012-VI	M 6	12	4.6	12.0	6.8	PH-3
P0170.060-016-VI	M 6	16	4.6	12.0	6.8	PH-3
P0170.060-020-VI	M 6	20	4.6	12.0	6.8	PH-3
P0170.060-025-VI	M 6	25	4.6	12.0	6.8	PH-3
P0170.060-030-VI	M 6	30	4.6	12.0	6.8	PH-3
P0170.080-012-VI	M 8	12	6.0	16.0	8.5	PH-4
P0170.080-016-VI	M 8	16	6.0	16.0	8.5	PH-4
P0170.080-020-VI	M 8	20	6.0	16.0	8.5	PH-4

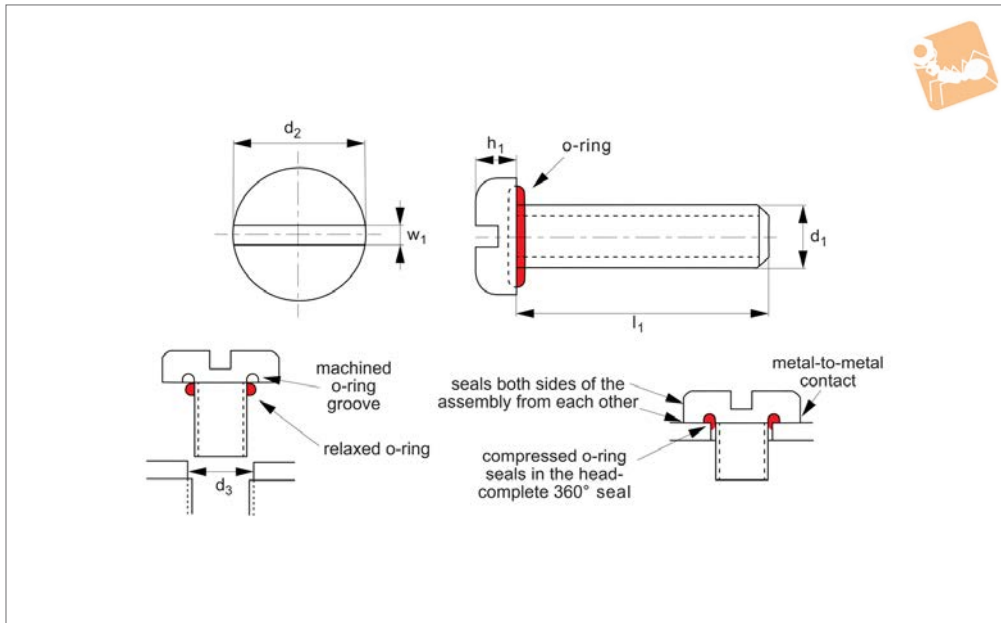


Order No.	d ₁	l ₁	h ₁ max.	d ₂ max.	d ₃ ±0.05	Drive
P0170.080-025-VI	M 8	25	6.0	16.0	8.5	PH-4
P0170.080-030-VI	M 8	30	6.0	16.0	8.5	PH-4
P0170.100-016-VI	M10	16	7.5	20.0	10.6	PH-4
P0170.100-020-VI	M10	20	7.5	20.0	10.6	PH-4
P0170.100-025-VI	M10	25	7.5	20.0	10.6	PH-4
P0170.100-030-VI	M10	30	7.5	20.0	10.6	PH-4
P0170.100-040-VI	M10	40	7.5	20.0	10.6	PH-4



Pan Head Seal Screws slotted

Sealing Screws and Plugs



P0171

SEALING SCREWS AND PLUGS

Material

Stainless steel (AISI 303 1.4305 tensile strength 550 N/mm²), with silicone „O“ ring as standard.

For other „O“ ring materials see technical data pages

(-FS = fluorosilicone, -EP = EPDM, -VI = viton, -NI = nitrile, -BN = Buna etc.).

Other thread lengths, and stainless steel

A4 (AISI 316) on request.

Technical Notes

Screws generally as DIN 85 A, ISO 1580, seals substances in and contaminants out. Re-useable. Clearance holes recommended for maximum sealing.

Max temperature range: -100°C to +260°C, pressure range - up to 410 bar (6000 psi).

Also available (on request) with thread-locking.

Tips

Clearance holes recommended for maximum sealing performance (see dimensions below).

Clearance hole depth 2-3 x thread pitch, threads are metric coarse pitch.

Order No.	d ₁	l ₁	h ₁ max.	w ₁	d ₂ max.	d ₃ ±0.05
P0171.020-004-SI	M 2	4	1.3	0.7	4.0	2.35
P0171.020-008-SI	M 2	8	1.3	0.7	4.0	2.35
P0171.020-010-SI	M 2	10	1.3	0.7	4.0	2.35
P0171.020-012-SI	M 2	12	1.3	0.7	4.0	2.35
P0171.025-006-SI	M2,5	6	1.5	0.8	5.0	2.75
P0171.025-008-SI	M2,5	8	1.5	0.8	5.0	2.75
P0171.025-010-SI	M2,5	10	1.5	0.8	5.0	2.75
P0171.025-012-SI	M2,5	12	1.5	0.8	5.0	2.75
P0171.030-006-SI	M 3	6	1.8	1.0	6.0	3.6
P0171.030-008-SI	M 3	8	1.8	1.0	6.0	3.6
P0171.030-010-SI	M 3	10	1.8	1.0	6.0	3.6
P0171.030-012-SI	M 3	12	1.8	1.0	6.0	3.6
P0171.030-020-SI	M 3	20	1.8	1.0	6.0	3.6
P0171.040-006-SI	M 4	6	2.4	1.4	8.0	4.5
P0171.040-008-SI	M 4	8	2.4	1.4	8.0	4.5
P0171.040-010-SI	M 4	10	2.4	1.4	8.0	4.5
P0171.040-012-SI	M 4	12	2.4	1.4	8.0	4.5
P0171.040-016-SI	M 4	16	2.4	1.4	8.0	4.5
P0171.040-020-SI	M 4	20	2.4	1.4	8.0	4.5
P0171.050-008-SI	M 5	8	3.0	1.6	10.0	5.6
P0171.050-010-SI	M 5	10	3.0	1.6	10.0	5.6
P0171.050-012-SI	M 5	12	3.0	1.6	10.0	5.6
P0171.050-016-SI	M 5	16	3.0	1.6	10.0	5.6
P0171.050-020-SI	M 5	20	3.0	1.6	10.0	5.6
P0171.060-012-SI	M 6	12	3.6	2.0	12.0	6.8
P0171.060-016-SI	M 6	16	3.6	2.0	12.0	6.8
P0171.060-020-SI	M 6	20	3.6	2.0	12.0	6.8
P0171.060-025-SI	M 6	25	3.6	2.0	12.0	6.8

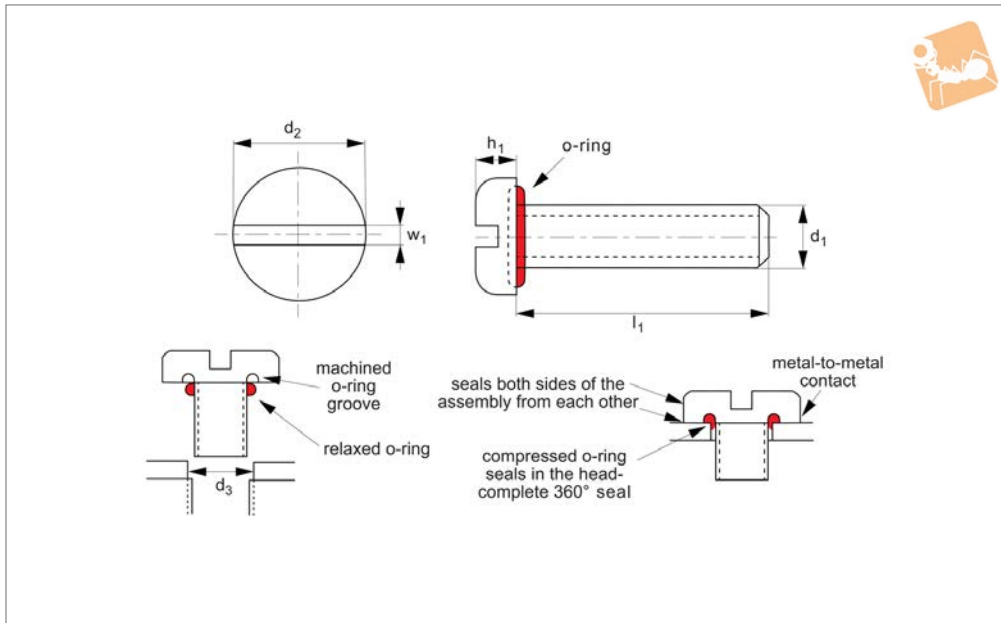


Order No.	d ₁	l ₁	h ₁ max.	w ₁	d ₂ max.	d ₃ ±0.05
P0171.060-030-SI	M 6	30	3.6	2.0	12.0	6.8
P0171.080-012-SI	M 8	12	4.8	2.5	16.0	8.5
P0171.080-016-SI	M 8	16	4.8	2.5	16.0	8.5
P0171.080-020-SI	M 8	20	4.8	2.5	16.0	8.5
P0171.080-025-SI	M 8	25	4.8	2.5	16.0	8.5
P0171.080-030-SI	M 8	30	4.8	2.5	16.0	8.5
P0171.100-016-SI	M10	16	6.0	3.0	20.0	10.6
P0171.100-020-SI	M10	20	6.0	3.0	20.0	10.6
P0171.100-025-SI	M10	25	6.0	3.0	20.0	10.6
P0171.100-030-SI	M10	30	6.0	3.0	20.0	10.6
P0171.100-040-SI	M10	40	6.0	3.0	20.0	10.6
P0171.020-004-VI	M 2	4	1.3	0.7	4.0	2.35
P0171.020-008-VI	M 2	8	1.3	0.7	4.0	2.35
P0171.020-010-VI	M 2	10	1.3	0.7	4.0	2.35
P0171.020-012-VI	M 2	12	1.3	0.7	4.0	2.35
P0171.025-006-VI	M2,5	6	1.5	0.8	5.0	2.75
P0171.025-008-VI	M2,5	8	1.5	0.8	5.0	2.75
P0171.025-010-VI	M2,5	10	1.5	0.8	5.0	2.75
P0171.025-012-VI	M2,5	12	1.5	0.8	5.0	2.75
P0171.030-006-VI	M 3	6	1.8	1.0	6.0	3.6
P0171.030-008-VI	M 3	8	1.8	1.0	6.0	3.6
P0171.030-010-VI	M 3	10	1.8	1.0	6.0	3.6
P0171.030-012-VI	M 3	12	1.8	1.0	6.0	3.6
P0171.030-020-VI	M 3	20	1.8	1.0	6.0	3.6
P0171.040-006-VI	M 4	6	2.4	1.4	8.0	4.5
P0171.040-008-VI	M 4	8	2.4	1.4	8.0	4.5
P0171.040-010-VI	M 4	10	2.4	1.4	8.0	4.5
P0171.040-012-VI	M 4	12	2.4	1.4	8.0	4.5
P0171.040-016-VI	M 4	16	2.4	1.4	8.0	4.5
P0171.040-020-VI	M 4	20	2.4	1.4	8.0	4.5
P0171.050-008-VI	M 5	8	3.0	1.6	10.0	5.6
P0171.050-010-VI	M 5	10	3.0	1.6	10.0	5.6
P0171.050-012-VI	M 5	12	3.0	1.6	10.0	5.6
P0171.050-016-VI	M 5	16	3.0	1.6	10.0	5.6
P0171.050-020-VI	M 5	20	3.0	1.6	10.0	5.6
P0171.060-012-VI	M 6	12	3.6	2.0	12.0	6.8
P0171.060-016-VI	M 6	16	3.6	2.0	12.0	6.8
P0171.060-020-VI	M 6	20	3.6	2.0	12.0	6.8
P0171.060-025-VI	M 6	25	3.6	2.0	12.0	6.8
P0171.060-030-VI	M 6	30	3.6	2.0	12.0	6.8
P0171.080-012-VI	M 8	12	4.8	2.5	16.0	8.5
P0171.080-016-VI	M 8	16	4.8	2.5	16.0	8.5
P0171.080-020-VI	M 8	20	4.8	2.5	16.0	8.5
P0171.080-025-VI	M 8	25	4.8	2.5	16.0	8.5
P0171.080-030-VI	M 8	30	4.8	2.5	16.0	8.5
P0171.100-016-VI	M10	16	6.0	3.0	20.0	10.6
P0171.100-020-VI	M10	20	6.0	3.0	20.0	10.6
P0171.100-025-VI	M10	25	6.0	3.0	20.0	10.6
P0171.100-030-VI	M10	30	6.0	3.0	20.0	10.6
P0171.100-040-VI	M10	40	6.0	3.0	20.0	10.6



Pan Head Seal Screws - Inch slotted

Sealing Screws and Plugs



P0171.i

SEALING SCREWS AND PLUGS

Material

Stainless steel (AISI 303 1.4305 tensile strength 550 N/mm² or AISI 316 1.440 tensile strength 480 N/mm²), with silicone „O“ ring as standard. For other „O“ ring materials see technical data pages (-FS = fluorosilicone, -EP = EPDM, -VI = viton, -NI = nitrile, -BN = Buna etc.).

Other thread lengths, and stainless steel A4 (AISI 316) on request.

Technical Notes

Seals substances in and contaminants out, clearance holes recommended for maximum sealing. Max temperature range: -100°C to +260°C, pressure range - up to 410 bar (6000 psi).

Re-usable, also available (on request) with thread-locking.

Tips

Clearance holes recommended for maximum sealing performance (see dimensions below). Clearance hole depth 2-3 x thread pitch, threads are inch UNC.

Order No.	d ₁	l ₁	h ₁	d ₂ max.	d ₃ +0.05
P0171.I02-025-SI	#2-56	1/4"	1.40	4.32	2.464
P0171.I02-037-SI	#2-56	3/8"	1.40	4.32	2.464
P0171.I02-050-SI	#2-56	1/2"	1.40	4.32	2.464
P0171.I02-063-SI	#2-56	5/8"	1.40	4.32	2.464
P0171.I04-025-SI	#4-40	1/4"	1.75	5.84	3.226
P0171.I04-050-SI	#4-40	1/2"	1.75	5.84	3.226
P0171.I04-075-SI	#4-40	3/4"	1.75	5.84	3.226
P0171.I04-100-SI	#4-40	1"	1.75	5.84	3.226
P0171.I06-025-SI	#6-32	1/4"	2.11	6.86	3.810
P0171.I06-050-SI	#6-32	1/2"	2.11	6.86	3.810
P0171.I06-075-SI	#6-32	3/4"	2.11	6.86	3.810
P0171.I06-100-SI	#6-32	1"	2.11	6.86	3.810
P0171.I08-025-SI	#8-32	1/4"	2.46	8.38	4.445
P0171.I08-050-SI	#8-32	1/2"	2.46	8.38	4.445
P0171.I08-075-SI	#8-32	3/4"	2.46	8.38	4.445
P0171.I08-100-SI	#8-32	1"	2.46	8.38	4.445
P0171.I10-037-SI	#10-24	3/8"	2.87	9.40	5.131
P0171.I10-050-SI	#10-24	1/2"	2.87	9.40	5.131
P0171.I10-075-SI	#10-24	3/4"	2.87	9.40	5.131
P0171.I10-100-SI	#10-24	1"	2.87	9.40	5.131
P0171.I11-037-SI	#10-32	3/8"	2.87	9.40	5.131
P0171.I11-050-SI	#10-32	1/2"	2.87	9.40	5.131
P0171.I11-075-SI	#10-32	3/4"	2.87	9.40	5.131
P0171.I11-100-SI	#10-32	1"	2.87	9.40	5.131
P0171.I12-125-SI	1/4-20	1/4"	3.76	12.45	6.682
P0171.I12-037-SI	1/4-20	3/8"	3.76	12.45	6.682
P0171.I12-050-SI	1/4-20	1/2"	3.76	12.45	6.682
P0171.I12-075-SI	1/4-20	3/4"	3.76	12.45	6.682

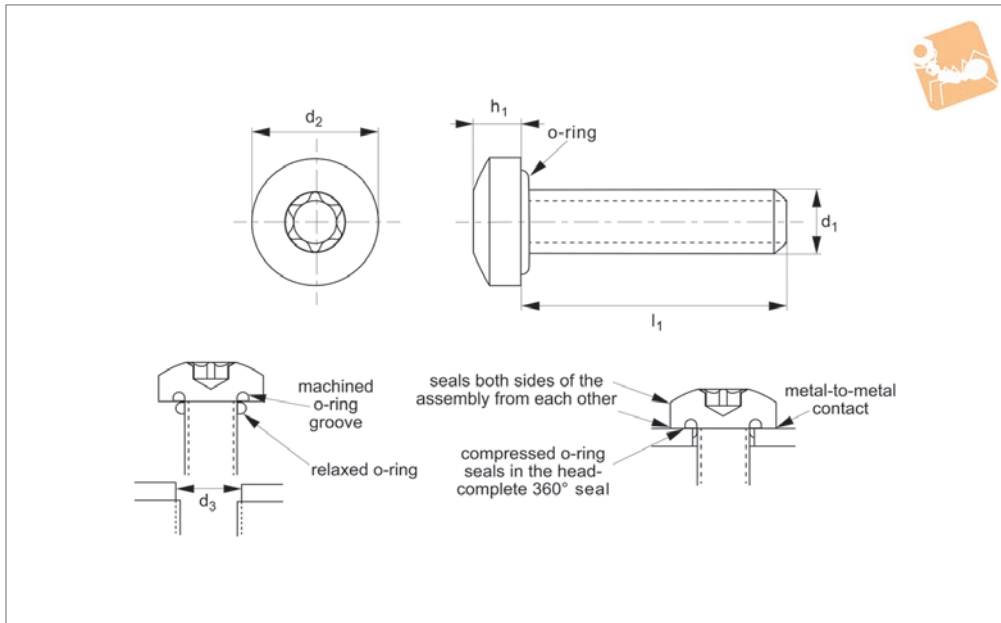


Order No.	d_1	l_1	h_1	d_2 max.	d_3 +0.05
P0171.I12-100-SI	1/4-20	1"	3.76	12.45	6.682
P0171.I12-025-SI	1/4-20	1/4"	3.76	12.45	6.682



Pan Head Seal Screws torx drive

Sealing Screws and Plugs



P0172

SEALING SCREWS AND PLUGS

Material

Stainless steel (AISI 303 1.4305 tensile strength 550 N/mm²), with silicone „O“ ring as standard.

For other „O“ ring materials see technical data pages (-FS = fluorosilicone, -EP = EPDM, -VI = viton, -NI = nitrile, -BN = Buna etc.).

Other thread lengths, and stainless steel

A4 (AISI 316) on request.

Technical Notes

Seals substances in and contaminants out. Screws generally as DIN 7985 H, ISO 7045. Re-useable.

Max temperature range: -100°C to +260°C. Pressure range - up to 410 bar (6000 psi). Also available (on request) with thread-

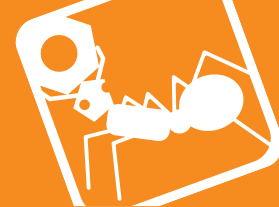
locking.

Tips

Clearance holes recommended for maximum sealing performance (see dimensions below).

Clearance hole depth 2-3 x thread pitch. Threads are metric coarse pitch.

Order No.	d ₁	l ₁	h ₁ max.	d ₂ max.	d ₃ ±0.05	Drive
P0172.030-006-SI	M 3	6	2.4	6.0	3.6	TX-10
P0172.030-008-SI	M 3	8	2.4	6.0	3.6	TX-10
P0172.030-010-SI	M 3	10	2.4	6.0	3.6	TX-10
P0172.030-012-SI	M 3	12	2.4	6.0	3.6	TX-10
P0172.030-020-SI	M 3	20	2.4	6.0	3.6	TX-10
P0172.040-006-SI	M 4	6	3.3	8.0	4.5	TX-20
P0172.040-008-SI	M 4	8	3.3	8.0	4.5	TX-20
P0172.040-010-SI	M 4	10	3.3	8.0	4.5	TX-20
P0172.040-012-SI	M 4	12	3.3	8.0	4.5	TX-20
P0172.040-016-SI	M 4	16	3.3	8.0	4.5	TX-20
P0172.040-020-SI	M 4	20	3.3	8.0	4.5	TX-20
P0172.050-008-SI	M 5	8	3.7	10.0	5.6	TX-25
P0172.050-010-SI	M 5	10	3.7	10.0	5.6	TX-25
P0172.050-012-SI	M 5	12	3.7	10.0	5.6	TX-25
P0172.050-016-SI	M 5	16	3.7	10.0	5.6	TX-25
P0172.050-020-SI	M 5	20	1.6	10.0	5.6	TX-25
P0172.060-012-SI	M 6	12	4.6	12.0	6.8	TX-30
P0172.060-016-SI	M 6	16	4.6	12.0	6.8	TX-30
P0172.060-020-SI	M 6	20	4.6	12.0	6.8	TX-30
P0172.060-025-SI	M 6	25	4.6	12.0	6.8	TX-30
P0172.060-030-SI	M 6	30	4.6	12.0	6.8	TX-30
P0172.080-012-SI	M 8	12	6.0	16.0	8.5	TX-40
P0172.080-016-SI	M 8	16	6.0	16.0	8.5	TX-40
P0172.080-020-SI	M 8	20	6.0	16.0	8.5	TX-40
P0172.080-025-SI	M 8	25	6.0	16.0	8.5	TX-40
P0172.080-030-SI	M 8	30	6.0	16.0	8.5	TX-40
P0172.030-006-VI	M 3	6	2.4	6.0	3.6	TX-10
P0172.030-008-VI	M 3	8	2.4	6.0	3.6	TX-10



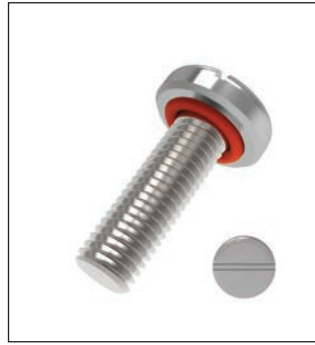
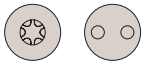
Order No.	d ₁	l ₁	h ₁ max.	d ₂ max.	d ₃ ±0.05	Drive
P0172.030-010-VI	M 3	10	2.4	6.0	3.6	TX-10
P0172.030-012-VI	M 3	12	2.4	6.0	3.6	TX-10
P0172.030-020-VI	M 3	20	2.4	6.0	3.6	TX-10
P0172.040-006-VI	M 4	6	3.3	8.0	4.5	TX-20
P0172.040-008-VI	M 4	8	3.3	8.0	4.5	TX-20
P0172.040-010-VI	M 4	10	3.3	8.0	4.5	TX-20
P0172.040-012-VI	M 4	12	3.3	8.0	4.5	TX-20
P0172.040-016-VI	M 4	16	3.3	8.0	4.5	TX-20
P0172.040-020-VI	M 4	20	3.3	8.0	4.5	TX-20
P0172.050-008-VI	M 5	8	3.7	10.0	5.6	TX-25
P0172.050-010-VI	M 5	10	3.7	10.0	5.6	TX-25
P0172.050-012-VI	M 5	12	3.7	10.0	5.6	TX-25
P0172.050-016-VI	M 5	16	3.7	10.0	5.6	TX-25
P0172.050-020-VI	M 5	20	1.6	10.0	5.6	TX-25
P0172.060-012-VI	M 6	12	4.6	12.0	6.8	TX-30
P0172.060-016-VI	M 6	16	4.6	12.0	6.8	TX-30
P0172.060-020-VI	M 6	20	4.6	12.0	6.8	TX-30
P0172.060-025-VI	M 6	25	4.6	12.0	6.8	TX-30
P0172.060-030-VI	M 6	30	4.6	12.0	6.8	TX-30
P0172.080-012-VI	M 8	12	6.0	16.0	8.5	TX-40
P0172.080-016-VI	M 8	16	6.0	16.0	8.5	TX-40
P0172.080-020-VI	M 8	20	6.0	16.0	8.5	TX-40
P0172.080-025-VI	M 8	25	6.0	16.0	8.5	TX-40
P0172.080-030-VI	M 8	30	6.0	16.0	8.5	TX-40



Sealing Screws from Automation Components



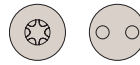
P0170
Pan Head - Phillips[®]
Security and Torx[®] Options



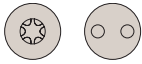
P0171
Pan Head - slotted



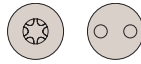
P0173
Socket Head
Security and Torx[®] Options



P0174
Button Hex-head
Security and Torx[®] Options



P0175
Countersunk Hex-head
Security and Torx[®] Options



P0176
Hexagon Head Bolt



P0177
Flanged Hexagon Nut

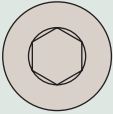

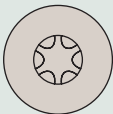
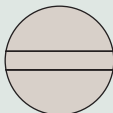
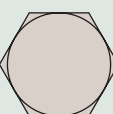
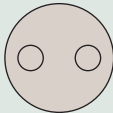


P0178
Hexagon Nut



P0179
Domed Nut



Schematic	Drive Types	Uses
	Hexagonal Socket	Ideal for precision assembly. Most recommended where less surface area is available.
	Cross Drive (Phillips®)	Provides good control in driving. Always use a driver bit of the proper size which is in good condition.
	Hexalobular (Torx®)	Positive-engaging, fast-locating method which transmits drive torque with less required downward pressure. Good fastening appearance.
	Slotted	Accepts standard blade screwdriver. Requires less downward pressure to drive parts than those with recessed openings. Use proper fitting blade to minimize slippage.
	Hex flange	Accepts hex wrench. Slotted drive is added to make it easier to remove the fastener (if required).
	Security	These screws are impossible to remove without the special matching screwdriver.

We can provide Torx® heads and security/tamper-proof screws, as well as special threads, grooves and cross holes for safety wires, and a further range of styles such as captive screws, anti-vibration strips on the threads etc (for extreme vibration applications).

O Ring Selection

Standard O rings are red silicone, but a further five O ring material types are readily available. The main factor to consider when selection an O ring type is the environment in which it will be placed, and the temperature range it will be subjected to.

Material	Notes
Silicone (SI)	Our standard O ring type with a wide temperature range -60°C to +200°C. Resistant to moderate or oxidising chemical, but not generally oil or solvent resistant.
Fluorosilicone (FS)	Widely used in the automotive and aerospace industries as it has excellent resistance to fuel, oil and solvents. Standard temperature range -50°C to +170°C.
EPDM (EP)	These O rings are very suited for outdoor environments and are good for weather and water resistance applications having excellent ozone, steam and chemical resistance. Temperature range -50°C to +110°C.
Viton-fluorocarbon (VI)	These seals are widely used on aircraft engines and automotive fuel handling systems as they have excellent fuel, oil and solvent resistance. Standard temperature range -50°C to +200°C
Nitrile (NI)	Widely used as highly resistant to petroleum based substances, water and alcohols. Temperature range -50°C to +110°C.

Other O rings types can include Neoprene, Buna N, Teflon etc.

Our standard screw material is stainless steel (A2). Other materials available are aluminium (non-magnetic and 1/3 weight of steel), brass (high electrical conductivity, non-magnetic and good corrosion resistance), titanium (low weight, very strong and highly corrosion resistant), stainless steel (A4, AISI 316).

Fasteners can be supplied to MILSPEC standards (MIL-S-82496A) on request.

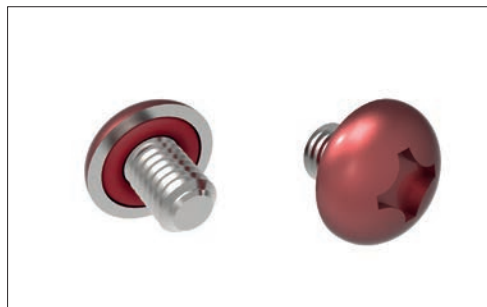
Finishes

Finishes are dependent on the material you are wishing to coat, but include:

Finish	Notes
Black Chrome (MIL-C-1458B)	Black chrome is a hard, non-reflective coating which is resistant to abrasion, heat and erosion. The black chrome surface is a dull, dark grey and may be waxed or oiled to darken surface.
Black Oxide Coating (MIL-C-13924B)	Black oxide is a uniform black coating for ferrous metals. Generally it is considered a decorative coating and provides only very limited corrosion protection under mild corrosion conditions.
Cadmium	Cadmium is a bright, silvery white plating. Supplementary treatments for Type II can be golden, iridescent, amber, black or olive drab.
Passivate (QQ-P-35/MIL S-500SC)	Passivation is a process designed to remove foreign metals from the surface of stainless and corrosion resistant steels.
Phosphate Coating Light (TT-C-00490B)	Phosphate coating is a light coating for use as a base paint.
Gold (MIL-G-45204B)	Yellow to orange colour depending on proprietary process used. Will range from matt to bright finish depending on base metal. Good corrosion resistance and high tarnish resistance.
Nickel (QQ-N-290A)	Nickel is a corrosion protective plating for steel, zinc and zinc alloys as well as copper and copper alloys.
Zinc (QQ-Z-325C)	The primary use of chromate finishes on zinc is to retard or prevent formation of white corrosion products on zinc surfaces.



Shoulder Screws



Painted Heads



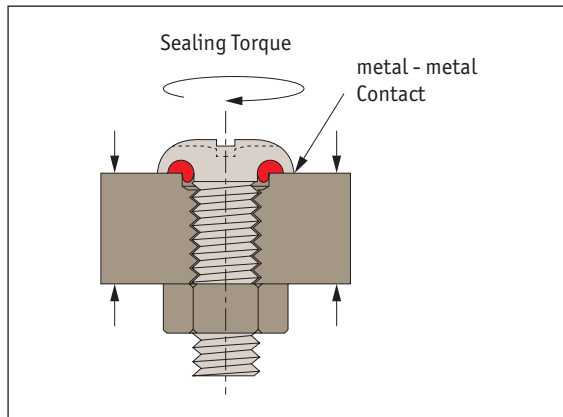
Captive Screws



Security Heads (Tamper Proof)



Standard Installation and Torque



Thread Size	Standard Installation Torque
M 3	0.6 Nm
M3.5	1.0 Nm
M 4	2.2 Nm
M 5	2.5 Nm
M 6	8.5 Nm
M 8	16 Nm
M10	30 Nm

For optimal seal screw performance we recommend creating a clearance gap in the panel into which the O ring can be fitted. This causes the O ring to create a complete seal, and the clearance hole thus prevents extrusion into the metal when the screw is under pressure.

We also have a range of sealing nuts to complement our range of sealing screws. These sealing nuts often eliminate the need for gaskets, compounds and surface preparation. They are widely used in the hydraulic, pneumatic or fuel systems industries.

They are invaluable when a vacuum needs to be created and provide a complete seal when gaseous or liquid pressure is a factor. Domed nuts are self-sealing and provide exceptional vibration resistance.

Applications

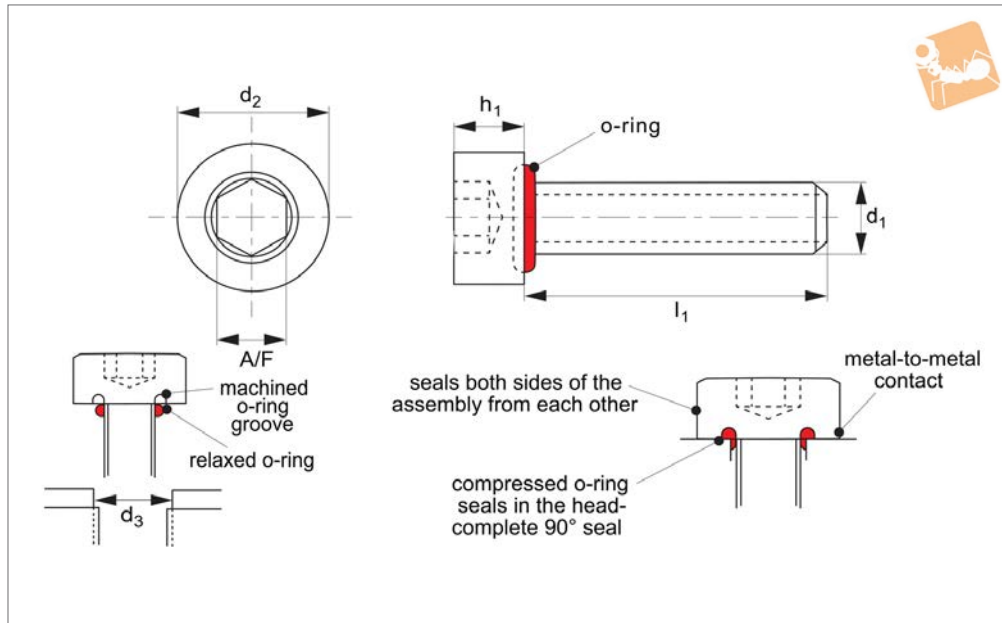
Some of the typical applications for our sealing screws include:

- Motors
- Cabinets and enclosures
- Sensors and instrumentation
- Internal combustion engines
- Gear pumps
- Fuel tanks
- Transmissions
- Gear boxes
- Air cylinders
- Pressure gauges
- Computer disk drives
- Motion control valves
- Missile tanks
- Wet wings

Cap Head Seal Screws

hex. socket

Sealing Screws and Plugs



P0173

SEALING SCREWS AND PLUGS

Material

Stainless steel (AISI 303 1.4305 tensile strength 550 N/mm² or AISI 316 1.440 tensile strength 480 N/mm²), with silicone „O” ring as standard.
For other „O” ring materials see technical data pages (-FS = fluorosilicone, -EP = EPDM, -VI = viton, -NI = nitrile, -BN = Buna etc.).

Other thread lengths on request.

Technical Notes

Screws generally as DIN 912, seals substances in and contaminants out
Re-useable, clearance holes recommended for maximum sealing.
Max temperature range: -100°C to +260°C, pressure range - up to 410 bar (6000 psi).

Also available (on request) with thread-locking.

Tips

Clearance holes recommended for maximum sealing performance (see dimensions below).
Clearance hole depth 2-3 x thread pitch, threads are metric coarse pitch.

Order No.	d ₁	l ₁	h ₁ max.	d ₂ max.	A/F	d ₃ ±0.05	Material
P0173.020-004-A2	M 2	4	2.0	3.8	1.5	2.35	A2 s/s
P0173.020-008-A2	M 2	8	2.0	3.8	1.5	2.35	A2 s/s
P0173.020-010-A2	M 2	10	2.0	3.8	1.5	2.35	A2 s/s
P0173.020-012-A2	M 2	12	2.0	3.8	1.5	2.35	A2 s/s
P0173.025-006-A2	M2,5	6	2.5	4.7	2.0	2.75	A2 s/s
P0173.025-008-A2	M2,5	8	2.5	4.7	2.0	2.75	A2 s/s
P0173.025-010-A2	M2,5	10	2.5	4.7	2.0	2.75	A2 s/s
P0173.025-012-A2	M2,5	12	2.5	4.7	2.0	2.75	A2 s/s
P0173.030-006-A2	M 3	6	3.0	5.5	2.5	3.6	A2 s/s
P0173.030-008-A2	M 3	8	3.0	5.5	2.5	3.6	A2 s/s
P0173.030-010-A2	M 3	10	3.0	5.5	2.5	3.6	A2 s/s
P0173.030-012-A2	M 3	12	3.0	5.5	2.5	3.6	A2 s/s
P0173.030-020-A2	M 3	20	3.0	5.5	2.5	3.6	A2 s/s
P0173.035-006-A2	M 3,5	6	3.5	6.0	2.5	4.0	A2 s/s
P0173.035-008-A2	M 3,5	8	3.5	6.0	2.5	4.0	A2 s/s
P0173.035-010-A2	M 3,5	10	3.5	6.0	2.5	4.0	A2 s/s
P0173.035-012-A2	M 3,5	12	3.5	6.0	2.5	4.0	A2 s/s
P0173.035-020-A2	M 3,5	20	3.5	6.0	2.5	4.0	A2 s/s
P0173.040-006-A2	M 4	6	4.0	7.0	3.0	4.5	A2 s/s
P0173.040-008-A2	M 4	8	4.0	7.0	3.0	4.5	A2 s/s
P0173.040-010-A2	M 4	10	4.0	7.0	3.0	4.5	A2 s/s
P0173.040-012-A2	M 4	12	4.0	7.0	3.0	4.5	A2 s/s
P0173.040-016-A2	M 4	16	4.0	7.0	3.0	4.5	A2 s/s
P0173.040-020-A2	M 4	20	4.0	7.0	3.0	4.5	A2 s/s
P0173.050-008-A2	M 5	8	5.0	8.5	4.0	5.6	A2 s/s
P0173.050-010-A2	M 5	10	5.0	8.5	4.0	5.6	A2 s/s
P0173.050-012-A2	M 5	12	5.0	8.5	4.0	5.6	A2 s/s
P0173.050-016-A2	M 5	16	5.0	8.5	4.0	5.6	A2 s/s

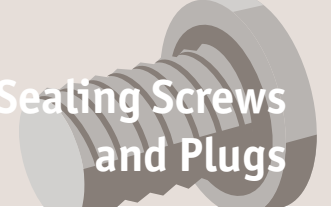


Order No.	d ₁	l ₁	h ₁ max.	d ₂ max.	A/F	d ₃ ±0.05	Material
P0173.050-020-A2	M 5	20	5.0	8.5	4.0	5.6	A2 s/s
P0173.060-012-A2	M 6	12	6.0	10.0	5.0	6.8	A2 s/s
P0173.060-016-A2	M 6	16	6.0	10.0	5.0	6.8	A2 s/s
P0173.060-020-A2	M 6	20	6.0	10.0	5.0	6.8	A2 s/s
P0173.060-025-A2	M 6	25	6.0	10.0	5.0	6.8	A2 s/s
P0173.060-030-A2	M 6	30	6.0	10.0	5.0	6.8	A2 s/s
P0173.080-012-A2	M 8	12	8.0	13.0	6.0	8.5	A2 s/s
P0173.080-016-A2	M 8	16	8.0	13.0	6.0	8.5	A2 s/s
P0173.080-020-A2	M 8	20	8.0	13.0	6.0	8.5	A2 s/s
P0173.080-025-A2	M 8	25	8.0	13.0	6.0	8.5	A2 s/s
P0173.080-030-A2	M 8	30	8.0	13.0	6.0	8.5	A2 s/s
P0173.100-016-A2	M10	16	10.0	16.0	8.0	10.6	A2 s/s
P0173.100-020-A2	M10	20	10.0	16.0	8.0	10.6	A2 s/s
P0173.100-025-A2	M10	25	10.0	16.0	8.0	10.6	A2 s/s
P0173.100-030-A2	M10	30	10.0	16.0	8.0	10.6	A2 s/s
P0173.100-040-A2	M10	40	10.0	16.0	8.0	10.6	A2 s/s
P0173.120-020-A2	M12	20	12.0	18.0	10.0	12.85	A2 s/s
P0173.120-025-A2	M12	25	12.0	18.0	10.0	12.85	A2 s/s
P0173.120-030-A2	M12	30	12.0	18.0	10.0	12.85	A2 s/s
P0173.120-040-A2	M12	40	12.0	18.0	10.0	12.85	A2 s/s
P0173.120-050-A2	M12	50	12.0	18.0	10.0	12.85	A2 s/s
P0173.160-025-A2	M16	25	16.0	24.0	14.0	17.5	A2 s/s
P0173.160-030-A2	M16	30	16.0	24.0	14.0	17.5	A2 s/s
P0173.160-040-A2	M16	40	16.0	24.0	14.0	17.5	A2 s/s
P0173.160-050-A2	M16	50	16.0	24.0	14.0	17.5	A2 s/s
P0173.020-004-A4	M 2	4	2.0	3.8	1.5	2.35	A4 s/s
P0173.020-008-A4	M 2	8	2.0	3.8	1.5	2.35	A4 s/s
P0173.020-010-A4	M 2	10	2.0	3.8	1.5	2.35	A4 s/s
P0173.020-012-A4	M 2	12	2.0	3.8	1.5	2.35	A4 s/s
P0173.025-006-A4	M2,5	6	2.5	4.7	2.0	2.75	A4 s/s
P0173.025-008-A4	M2,5	8	2.5	4.7	2.0	2.75	A4 s/s
P0173.025-010-A4	M2,5	10	2.5	4.7	2.0	2.75	A4 s/s
P0173.025-012-A4	M2,5	12	2.5	4.7	2.0	2.75	A4 s/s
P0173.030-006-A4	M 3	6	3.0	5.5	2.5	3.6	A4 s/s
P0173.030-008-A4	M 3	8	3.0	5.5	2.5	3.6	A4 s/s
P0173.030-010-A4	M 3	10	3.0	5.5	2.5	3.6	A4 s/s
P0173.030-012-A4	M 3	12	3.0	5.5	2.5	3.6	A4 s/s
P0173.030-020-A4	M 3	20	3.0	5.5	2.5	3.6	A4 s/s
P0173.035-006-A4	M 3,5	6	3.5	6.0	2.5	4.0	A4 s/s
P0173.035-008-A4	M 3,5	8	3.5	6.0	2.5	4.0	A4 s/s
P0173.035-010-A4	M 3,5	10	3.5	6.0	2.5	4.0	A4 s/s
P0173.035-012-A4	M 3,5	12	3.5	6.0	2.5	4.0	A4 s/s
P0173.035-020-A4	M 3,5	20	3.5	6.0	2.5	4.0	A4 s/s
P0173.040-006-A4	M 4	6	4.0	7.0	3.0	4.5	A4 s/s
P0173.040-008-A4	M 4	8	4.0	7.0	3.0	4.5	A4 s/s
P0173.040-010-A4	M 4	10	4.0	7.0	3.0	4.5	A4 s/s
P0173.040-012-A4	M 4	12	4.0	7.0	3.0	4.5	A4 s/s
P0173.040-016-A4	M 4	16	4.0	7.0	3.0	4.5	A4 s/s
P0173.040-020-A4	M 4	20	4.0	7.0	3.0	4.5	A4 s/s
P0173.050-008-A4	M 5	8	5.0	8.5	4.0	5.6	A4 s/s
P0173.050-010-A4	M 5	10	5.0	8.5	4.0	5.6	A4 s/s
P0173.050-012-A4	M 5	12	5.0	8.5	4.0	5.6	A4 s/s
P0173.050-016-A4	M 5	16	5.0	8.5	4.0	5.6	A4 s/s
P0173.050-020-A4	M 5	20	5.0	8.5	4.0	5.6	A4 s/s
P0173.060-012-A4	M 6	12	6.0	10.0	5.0	6.8	A4 s/s
P0173.060-016-A4	M 6	16	6.0	10.0	5.0	6.8	A4 s/s
P0173.060-020-A4	M 6	20	6.0	10.0	5.0	6.8	A4 s/s
P0173.060-025-A4	M 6	25	6.0	10.0	5.0	6.8	A4 s/s
P0173.060-030-A4	M 6	30	6.0	10.0	5.0	6.8	A4 s/s
P0173.080-012-A4	M 8	12	8.0	13.0	6.0	8.5	A4 s/s
P0173.080-016-A4	M 8	16	8.0	13.0	6.0	8.5	A4 s/s
P0173.080-020-A4	M 8	20	8.0	13.0	6.0	8.5	A4 s/s
P0173.080-025-A4	M 8	25	8.0	13.0	6.0	8.5	A4 s/s
P0173.080-030-A4	M 8	30	8.0	13.0	6.0	8.5	A4 s/s
P0173.100-016-A4	M10	16	10.0	16.0	8.0	10.6	A4 s/s
P0173.100-020-A4	M10	20	10.0	16.0	8.0	10.6	A4 s/s
P0173.100-025-A4	M10	25	10.0	16.0	8.0	10.6	A4 s/s
P0173.100-030-A4	M10	30	10.0	16.0	8.0	10.6	A4 s/s

Cap Head Seal Screws

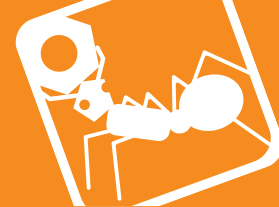
hex. socket

Sealing Screws and Plugs



Order No.	d ₁	l ₁	h ₁ max.	d ₂ max.	A/F	d ₃ ±0.05	Material
P0173.100-040-A4	M10	40	10.0	16.0	8.0	10.6	A4 s/s
P0173.120-020-A4	M12	20	12.0	18.0	10.0	12.85	A4 s/s
P0173.120-025-A4	M12	25	12.0	18.0	10.0	12.85	A4 s/s
P0173.120-030-A4	M12	30	12.0	18.0	10.0	12.85	A4 s/s
P0173.120-040-A4	M12	40	12.0	18.0	10.0	12.85	A4 s/s
P0173.120-050-A4	M12	50	12.0	18.0	10.0	12.85	A4 s/s
P0173.160-025-A4	M16	25	16.0	24.0	14.0	17.5	A4 s/s
P0173.160-030-A4	M16	30	16.0	24.0	14.0	17.5	A4 s/s
P0173.160-040-A4	M16	40	16.0	24.0	14.0	17.5	A4 s/s
P0173.160-050-A4	M16	50	16.0	24.0	14.0	17.5	A4 s/s
P0173.020-004-VI	M 2	4	2.0	3.8	1.5	2.35	VI s/s
P0173.020-008-VI	M 2	8	2.0	3.8	1.5	2.35	VI s/s
P0173.020-010-VI	M 2	10	2.0	3.8	1.5	2.35	VI s/s
P0173.020-012-VI	M 2	12	2.0	3.8	1.5	2.35	VI s/s
P0173.025-006-VI	M2,5	6	2.5	4.7	2.0	2.75	VI s/s
P0173.025-008-VI	M2,5	8	2.5	4.7	2.0	2.75	VI s/s
P0173.025-010-VI	M2,5	10	2.5	4.7	2.0	2.75	VI s/s
P0173.025-012-VI	M2,5	12	2.5	4.7	2.0	2.75	VI s/s
P0173.030-006-VI	M 3	6	3.0	5.5	2.5	3.6	VI s/s
P0173.030-008-VI	M 3	8	3.0	5.5	2.5	3.6	VI s/s
P0173.030-010-VI	M 3	10	3.0	5.5	2.5	3.6	VI s/s
P0173.030-012-VI	M 3	12	3.0	5.5	2.5	3.6	VI s/s
P0173.030-020-VI	M 3	20	3.0	5.5	2.5	3.6	VI s/s
P0173.035-006-VI	M 3,5	6	3.5	6.0	2.5	4.0	VI s/s
P0173.035-008-VI	M 3,5	8	3.5	6.0	2.5	4.0	VI s/s
P0173.035-010-VI	M 3,5	10	3.5	6.0	2.5	4.0	VI s/s
P0173.035-012-VI	M 3,5	12	3.5	6.0	2.5	4.0	VI s/s
P0173.035-020-VI	M 3,5	20	3.5	6.0	2.5	4.0	VI s/s
P0173.040-006-VI	M 4	6	4.0	7.0	3.0	4.5	VI s/s
P0173.040-008-VI	M 4	8	4.0	7.0	3.0	4.5	VI s/s
P0173.040-010-VI	M 4	10	4.0	7.0	3.0	4.5	VI s/s
P0173.040-012-VI	M 4	12	4.0	7.0	3.0	4.5	VI s/s
P0173.040-016-VI	M 4	16	4.0	7.0	3.0	4.5	VI s/s
P0173.040-020-VI	M 4	20	4.0	7.0	3.0	4.5	VI s/s
P0173.050-008-VI	M 5	8	5.0	8.5	4.0	5.6	VI s/s
P0173.050-010-VI	M 5	10	5.0	8.5	4.0	5.6	VI s/s
P0173.050-012-VI	M 5	12	5.0	8.5	4.0	5.6	VI s/s
P0173.050-016-VI	M 5	16	5.0	8.5	4.0	5.6	VI s/s
P0173.050-020-VI	M 5	20	5.0	8.5	4.0	5.6	VI s/s
P0173.060-012-VI	M 6	12	6.0	10.0	5.0	6.8	VI s/s
P0173.060-016-VI	M 6	16	6.0	10.0	5.0	6.8	VI s/s
P0173.060-020-VI	M 6	20	6.0	10.0	5.0	6.8	VI s/s
P0173.060-025-VI	M 6	25	6.0	10.0	5.0	6.8	VI s/s
P0173.060-030-VI	M 6	30	6.0	10.0	5.0	6.8	VI s/s
P0173.080-012-VI	M 8	12	8.0	13.0	6.0	8.5	VI s/s
P0173.080-016-VI	M 8	16	8.0	13.0	6.0	8.5	VI s/s
P0173.080-020-VI	M 8	20	8.0	13.0	6.0	8.5	VI s/s
P0173.080-025-VI	M 8	25	8.0	13.0	6.0	8.5	VI s/s
P0173.080-030-VI	M 8	30	8.0	13.0	6.0	8.5	VI s/s
P0173.100-016-VI	M10	16	10.0	16.0	8.0	10.6	VI s/s
P0173.100-020-VI	M10	20	10.0	16.0	8.0	10.6	VI s/s
P0173.100-025-VI	M10	25	10.0	16.0	8.0	10.6	VI s/s
P0173.100-030-VI	M10	30	10.0	16.0	8.0	10.6	VI s/s
P0173.100-040-VI	M10	40	10.0	16.0	8.0	10.6	VI s/s
P0173.120-020-VI	M12	20	12.0	18.0	10.0	12.85	VI s/s
P0173.120-025-VI	M12	25	12.0	18.0	10.0	12.85	VI s/s
P0173.120-030-VI	M12	30	12.0	18.0	10.0	12.85	VI s/s
P0173.120-040-VI	M12	40	12.0	18.0	10.0	12.85	VI s/s
P0173.120-050-VI	M12	50	12.0	18.0	10.0	12.85	VI s/s
P0173.160-025-VI	M16	25	16.0	24.0	14.0	17.5	VI s/s
P0173.160-030-VI	M16	30	16.0	24.0	14.0	17.5	VI s/s
P0173.160-040-VI	M16	40	16.0	24.0	14.0	17.5	VI s/s
P0173.160-050-VI	M16	50	16.0	24.0	14.0	17.5	VI s/s
P0173.020-004-2V	M 2	4	2.0	3.8	1.5	2.35	VI s/s
P0173.020-008-2V	M 2	8	2.0	3.8	1.5	2.35	VI s/s
P0173.020-010-2V	M 2	10	2.0	3.8	1.5	2.35	VI s/s
P0173.020-012-2V	M 2	12	2.0	3.8	1.5	2.35	VI s/s
P0173.025-006-2V	M2,5	6	2.5	4.7	2.0	2.75	VI s/s

SEALING SCREWS AND PLUGS



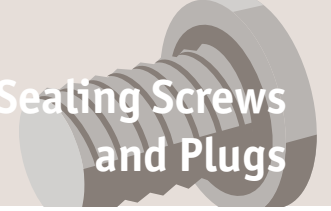
Order No.	d ₁	l ₁	h ₁ max.	d ₂ max.	A/F	d ₃ ±0.05	Material
P0173.025-008-2V	M2,5	8	2.5	4.7	2.0	2.75	VI s/s
P0173.025-010-2V	M2,5	10	2.5	4.7	2.0	2.75	VI s/s
P0173.025-012-2V	M2,5	12	2.5	4.7	2.0	2.75	VI s/s
P0173.030-006-2V	M 3	6	3.0	5.5	2.5	3.6	VI s/s
P0173.030-008-2V	M 3	8	3.0	5.5	2.5	3.6	VI s/s
P0173.030-010-2V	M 3	10	3.0	5.5	2.5	3.6	VI s/s
P0173.030-012-2V	M 3	12	3.0	5.5	2.5	3.6	VI s/s
P0173.030-020-2V	M 3	20	3.0	5.5	2.5	3.6	VI s/s
P0173.035-006-2V	M 3,5	6	3.5	6.0	2.5	4.0	VI s/s
P0173.035-008-2V	M 3,5	8	3.5	6.0	2.5	4.0	VI s/s
P0173.035-010-2V	M 3,5	10	3.5	6.0	2.5	4.0	VI s/s
P0173.035-012-2V	M 3,5	12	3.5	6.0	2.5	4.0	VI s/s
P0173.035-020-2V	M 3,5	20	3.5	6.0	2.5	4.0	VI s/s
P0173.040-006-2V	M 4	6	4.0	7.0	3.0	4.5	VI s/s
P0173.040-008-2V	M 4	8	4.0	7.0	3.0	4.5	VI s/s
P0173.040-010-2V	M 4	10	4.0	7.0	3.0	4.5	VI s/s
P0173.040-012-2V	M 4	12	4.0	7.0	3.0	4.5	VI s/s
P0173.040-016-2V	M 4	16	4.0	7.0	3.0	4.5	VI s/s
P0173.040-020-2V	M 4	20	4.0	7.0	3.0	4.5	VI s/s
P0173.050-008-2V	M 5	8	5.0	8.5	4.0	5.6	VI s/s
P0173.050-010-2V	M 5	10	5.0	8.5	4.0	5.6	VI s/s
P0173.050-012-2V	M 5	12	5.0	8.5	4.0	5.6	VI s/s
P0173.050-016-2V	M 5	16	5.0	8.5	4.0	5.6	VI s/s
P0173.050-020-2V	M 5	20	5.0	8.5	4.0	5.6	VI s/s
P0173.060-012-2V	M 6	12	6.0	10.0	5.0	6.8	VI s/s
P0173.060-016-2V	M 6	16	6.0	10.0	5.0	6.8	VI s/s
P0173.060-020-2V	M 6	20	6.0	10.0	5.0	6.8	VI s/s
P0173.060-025-2V	M 6	25	6.0	10.0	5.0	6.8	VI s/s
P0173.060-030-2V	M 6	30	6.0	10.0	5.0	6.8	VI s/s
P0173.080-012-2V	M 8	12	8.0	13.0	6.0	8.5	VI s/s
P0173.080-016-2V	M 8	16	8.0	13.0	6.0	8.5	VI s/s
P0173.080-020-2V	M 8	20	8.0	13.0	6.0	8.5	VI s/s
P0173.080-025-2V	M 8	25	8.0	13.0	6.0	8.5	VI s/s
P0173.080-030-2V	M 8	30	8.0	13.0	6.0	8.5	VI s/s
P0173.100-016-2V	M10	16	10.0	16.0	8.0	10.6	VI s/s
P0173.100-020-2V	M10	20	10.0	16.0	8.0	10.6	VI s/s
P0173.100-025-2V	M10	25	10.0	16.0	8.0	10.6	VI s/s
P0173.100-030-2V	M10	30	10.0	16.0	8.0	10.6	VI s/s
P0173.100-040-2V	M10	40	10.0	16.0	8.0	10.6	VI s/s
P0173.120-020-2V	M12	20	12.0	18.0	10.0	12.85	VI s/s
P0173.120-025-2V	M12	25	12.0	18.0	10.0	12.85	VI s/s
P0173.120-030-2V	M12	30	12.0	18.0	10.0	12.85	VI s/s
P0173.120-040-2V	M12	40	12.0	18.0	10.0	12.85	VI s/s
P0173.120-050-2V	M12	50	12.0	18.0	10.0	12.85	VI s/s
P0173.160-025-2V	M16	25	16.0	24.0	14.0	17.5	VI s/s
P0173.160-030-2V	M16	30	16.0	24.0	14.0	17.5	VI s/s
P0173.160-040-2V	M16	40	16.0	24.0	14.0	17.5	VI s/s
P0173.160-050-2V	M16	50	16.0	24.0	14.0	17.5	VI s/s
P0173.020-004-4V	M 2	4	2.0	3.8	1.5	2.35	VI s/s
P0173.020-008-4V	M 2	8	2.0	3.8	1.5	2.35	VI s/s
P0173.020-010-4V	M 2	10	2.0	3.8	1.5	2.35	VI s/s
P0173.020-012-4V	M 2	12	2.0	3.8	1.5	2.35	VI s/s
P0173.025-006-4V	M2,5	6	2.5	4.7	2.0	2.75	VI s/s
P0173.025-008-4V	M2,5	8	2.5	4.7	2.0	2.75	VI s/s
P0173.025-010-4V	M2,5	10	2.5	4.7	2.0	2.75	VI s/s
P0173.025-012-4V	M2,5	12	2.5	4.7	2.0	2.75	VI s/s
P0173.030-006-4V	M 3	6	3.0	5.5	2.5	3.6	VI s/s
P0173.030-008-4V	M 3	8	3.0	5.5	2.5	3.6	VI s/s
P0173.030-010-4V	M 3	10	3.0	5.5	2.5	3.6	VI s/s
P0173.030-012-4V	M 3	12	3.0	5.5	2.5	3.6	VI s/s
P0173.030-020-4V	M 3	20	3.0	5.5	2.5	3.6	VI s/s
P0173.035-006-4V	M 3,5	6	3.5	6.0	2.5	4.0	VI s/s
P0173.035-008-4V	M 3,5	8	3.5	6.0	2.5	4.0	VI s/s
P0173.035-010-4V	M 3,5	10	3.5	6.0	2.5	4.0	VI s/s
P0173.035-012-4V	M 3,5	12	3.5	6.0	2.5	4.0	VI s/s
P0173.035-020-4V	M 3,5	20	3.5	6.0	2.5	4.0	VI s/s
P0173.040-006-4V	M 4	6	4.0	7.0	3.0	4.5	VI s/s
P0173.040-008-4V	M 4	8	4.0	7.0	3.0	4.5	VI s/s



Cap Head Seal Screws

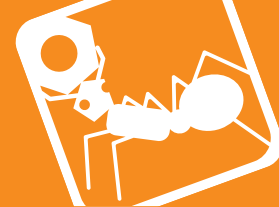
hex. socket

Sealing Screws and Plugs



SEALING SCREWS AND PLUGS

Order No.	d ₁	l ₁	h ₁ max.	d ₂ max.	A/F	d ₃ ±0.05	Material
P0173.040-010-4V	M 4	10	4.0	7.0	3.0	4.5	VI s/s
P0173.040-012-4V	M 4	12	4.0	7.0	3.0	4.5	VI s/s
P0173.040-016-4V	M 4	16	4.0	7.0	3.0	4.5	VI s/s
P0173.040-020-4V	M 4	20	4.0	7.0	3.0	4.5	VI s/s
P0173.050-008-4V	M 5	8	5.0	8.5	4.0	5.6	VI s/s
P0173.050-010-4V	M 5	10	5.0	8.5	4.0	5.6	VI s/s
P0173.050-012-4V	M 5	12	5.0	8.5	4.0	5.6	VI s/s
P0173.050-016-4V	M 5	16	5.0	8.5	4.0	5.6	VI s/s
P0173.050-020-4V	M 5	20	5.0	8.5	4.0	5.6	VI s/s
P0173.060-012-4V	M 6	12	6.0	10.0	5.0	6.8	VI s/s
P0173.060-016-4V	M 6	16	6.0	10.0	5.0	6.8	VI s/s
P0173.060-020-4V	M 6	20	6.0	10.0	5.0	6.8	VI s/s
P0173.060-025-4V	M 6	25	6.0	10.0	5.0	6.8	VI s/s
P0173.060-030-4V	M 6	30	6.0	10.0	5.0	6.8	VI s/s
P0173.080-012-4V	M 8	12	8.0	13.0	6.0	8.5	VI s/s
P0173.080-016-4V	M 8	16	8.0	13.0	6.0	8.5	VI s/s
P0173.080-020-4V	M 8	20	8.0	13.0	6.0	8.5	VI s/s
P0173.080-025-4V	M 8	25	8.0	13.0	6.0	8.5	VI s/s
P0173.080-030-4V	M 8	30	8.0	13.0	6.0	8.5	VI s/s
P0173.100-016-4V	M10	16	10.0	16.0	8.0	10.6	VI s/s
P0173.100-020-4V	M10	20	10.0	16.0	8.0	10.6	VI s/s
P0173.100-025-4V	M10	25	10.0	16.0	8.0	10.6	VI s/s
P0173.100-030-4V	M10	30	10.0	16.0	8.0	10.6	VI s/s
P0173.100-040-4V	M10	40	10.0	16.0	8.0	10.6	VI s/s
P0173.120-020-4V	M12	20	12.0	18.0	10.0	12.85	VI s/s
P0173.120-025-4V	M12	25	12.0	18.0	10.0	12.85	VI s/s
P0173.120-030-4V	M12	30	12.0	18.0	10.0	12.85	VI s/s
P0173.120-040-4V	M12	40	12.0	18.0	10.0	12.85	VI s/s
P0173.120-050-4V	M12	50	12.0	18.0	10.0	12.85	VI s/s
P0173.160-025-4V	M16	25	16.0	24.0	14.0	17.5	VI s/s
P0173.160-030-4V	M16	30	16.0	24.0	14.0	17.5	VI s/s
P0173.160-040-4V	M16	40	16.0	24.0	14.0	17.5	VI s/s
P0173.160-050-4V	M16	50	16.0	24.0	14.0	17.5	VI s/s
P0173.020-004-2S	M 2	4	2.0	3.8	1.5	2.35	A2 s/s
P0173.020-008-2S	M 2	8	2.0	3.8	1.5	2.35	A2 s/s
P0173.020-010-2S	M 2	10	2.0	3.8	1.5	2.35	A2 s/s
P0173.020-012-2S	M 2	12	2.0	3.8	1.5	2.35	A2 s/s
P0173.025-006-2S	M2,5	6	2.5	4.7	2.0	2.75	A2 s/s
P0173.025-008-2S	M2,5	8	2.5	4.7	2.0	2.75	A2 s/s
P0173.025-010-2S	M2,5	10	2.5	4.7	2.0	2.75	A2 s/s
P0173.025-012-2S	M2,5	12	2.5	4.7	2.0	2.75	A2 s/s
P0173.030-006-2S	M 3	6	3.0	5.5	2.5	3.6	A2 s/s
P0173.030-008-2S	M 3	8	3.0	5.5	2.5	3.6	A2 s/s
P0173.030-010-2S	M 3	10	3.0	5.5	2.5	3.6	A2 s/s
P0173.030-012-2S	M 3	12	3.0	5.5	2.5	3.6	A2 s/s
P0173.030-020-2S	M 3	20	3.0	5.5	2.5	3.6	A2 s/s
P0173.035-006-2S	M 3,5	6	3.5	6.0	2.5	4.0	A2 s/s
P0173.035-008-2S	M 3,5	8	3.5	6.0	2.5	4.0	A2 s/s
P0173.035-010-2S	M 3,5	10	3.5	6.0	2.5	4.0	A2 s/s
P0173.035-012-2S	M 3,5	12	3.5	6.0	2.5	4.0	A2 s/s
P0173.035-020-2S	M 3,5	20	3.5	6.0	2.5	4.0	A2 s/s
P0173.040-006-2S	M 4	6	4.0	7.0	3.0	4.5	A2 s/s
P0173.040-008-2S	M 4	8	4.0	7.0	3.0	4.5	A2 s/s
P0173.040-010-2S	M 4	10	4.0	7.0	3.0	4.5	A2 s/s
P0173.040-012-2S	M 4	12	4.0	7.0	3.0	4.5	A2 s/s
P0173.040-016-2S	M 4	16	4.0	7.0	3.0	4.5	A2 s/s
P0173.040-020-2S	M 4	20	4.0	7.0	3.0	4.5	A2 s/s
P0173.050-008-2S	M 5	8	5.0	8.5	4.0	5.6	A2 s/s
P0173.050-010-2S	M 5	10	5.0	8.5	4.0	5.6	A2 s/s
P0173.050-012-2S	M 5	12	5.0	8.5	4.0	5.6	A2 s/s
P0173.050-016-2S	M 5	16	5.0	8.5	4.0	5.6	A2 s/s
P0173.050-020-2S	M 5	20	5.0	8.5	4.0	5.6	A2 s/s
P0173.060-012-2S	M 6	12	6.0	10.0	5.0	6.8	A2 s/s
P0173.060-016-2S	M 6	16	6.0	10.0	5.0	6.8	A2 s/s
P0173.060-020-2S	M 6	20	6.0	10.0	5.0	6.8	A2 s/s
P0173.060-025-2S	M 6	25	6.0	10.0	5.0	6.8	A2 s/s
P0173.060-030-2S	M 6	30	6.0	10.0	5.0	6.8	A2 s/s
P0173.080-012-2S	M 8	12	8.0	13.0	6.0	8.5	A2 s/s



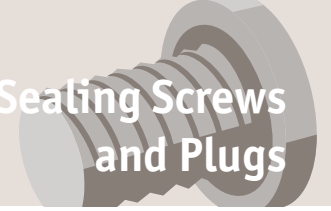
Order No.	d ₁	l ₁	h ₁ max.	d ₂ max.	A/F	d ₃ ±0.05	Material
P0173.080-016-2S	M 8	16	8.0	13.0	6.0	8.5	A2 s/s
P0173.080-020-2S	M 8	20	8.0	13.0	6.0	8.5	A2 s/s
P0173.080-025-2S	M 8	25	8.0	13.0	6.0	8.5	A2 s/s
P0173.080-030-2S	M 8	30	8.0	13.0	6.0	8.5	A2 s/s
P0173.100-016-2S	M10	16	10.0	16.0	8.0	10.6	A2 s/s
P0173.100-020-2S	M10	20	10.0	16.0	8.0	10.6	A2 s/s
P0173.100-025-2S	M10	25	10.0	16.0	8.0	10.6	A2 s/s
P0173.100-030-2S	M10	30	10.0	16.0	8.0	10.6	A2 s/s
P0173.100-040-2S	M10	40	10.0	16.0	8.0	10.6	A2 s/s
P0173.120-020-2S	M12	20	12.0	18.0	10.0	12.85	A2 s/s
P0173.120-025-2S	M12	25	12.0	18.0	10.0	12.85	A2 s/s
P0173.120-030-2S	M12	30	12.0	18.0	10.0	12.85	A2 s/s
P0173.120-040-2S	M12	40	12.0	18.0	10.0	12.85	A2 s/s
P0173.120-050-2S	M12	50	12.0	18.0	10.0	12.85	A2 s/s
P0173.160-025-2S	M16	25	16.0	24.0	14.0	17.5	A2 s/s
P0173.160-030-2S	M16	30	16.0	24.0	14.0	17.5	A2 s/s
P0173.160-040-2S	M16	40	16.0	24.0	14.0	17.5	A2 s/s
P0173.160-050-2S	M16	50	16.0	24.0	14.0	17.5	A2 s/s
P0173.020-004-2F	M 2	4	2.0	3.8	1.5	2.35	VI s/s
P0173.020-008-2F	M 2	8	2.0	3.8	1.5	2.35	VI s/s
P0173.020-010-2F	M 2	10	2.0	3.8	1.5	2.35	VI s/s
P0173.020-012-2F	M 2	12	2.0	3.8	1.5	2.35	VI s/s
P0173.025-006-2F	M2,5	6	2.5	4.7	2.0	2.75	VI s/s
P0173.025-008-2F	M2,5	8	2.5	4.7	2.0	2.75	VI s/s
P0173.025-010-2F	M2,5	10	2.5	4.7	2.0	2.75	VI s/s
P0173.025-012-2F	M2,5	12	2.5	4.7	2.0	2.75	VI s/s
P0173.030-006-2F	M 3	6	3.0	5.5	2.5	3.6	VI s/s
P0173.030-008-2F	M 3	8	3.0	5.5	2.5	3.6	VI s/s
P0173.030-010-2F	M 3	10	3.0	5.5	2.5	3.6	VI s/s
P0173.030-012-2F	M 3	12	3.0	5.5	2.5	3.6	VI s/s
P0173.030-020-2F	M 3	20	3.0	5.5	2.5	3.6	VI s/s
P0173.035-006-2F	M 3,5	6	3.5	6.0	2.5	4.0	VI s/s
P0173.035-008-2F	M 3,5	8	3.5	6.0	2.5	4.0	VI s/s
P0173.035-010-2F	M 3,5	10	3.5	6.0	2.5	4.0	VI s/s
P0173.035-012-2F	M 3,5	12	3.5	6.0	2.5	4.0	VI s/s
P0173.035-020-2F	M 3,5	20	3.5	6.0	2.5	4.0	VI s/s
P0173.040-006-2F	M 4	6	4.0	7.0	3.0	4.5	VI s/s
P0173.040-008-2F	M 4	8	4.0	7.0	3.0	4.5	VI s/s
P0173.040-010-2F	M 4	10	4.0	7.0	3.0	4.5	VI s/s
P0173.040-012-2F	M 4	12	4.0	7.0	3.0	4.5	VI s/s
P0173.040-016-2F	M 4	16	4.0	7.0	3.0	4.5	VI s/s
P0173.040-020-2F	M 4	20	4.0	7.0	3.0	4.5	VI s/s
P0173.050-008-2F	M 5	8	5.0	8.5	4.0	5.6	VI s/s
P0173.050-010-2F	M 5	10	5.0	8.5	4.0	5.6	VI s/s
P0173.050-012-2F	M 5	12	5.0	8.5	4.0	5.6	VI s/s
P0173.050-016-2F	M 5	16	5.0	8.5	4.0	5.6	VI s/s
P0173.050-020-2F	M 5	20	5.0	8.5	4.0	5.6	VI s/s
P0173.060-012-2F	M 6	12	6.0	10.0	5.0	6.8	VI s/s
P0173.060-016-2F	M 6	16	6.0	10.0	5.0	6.8	VI s/s
P0173.060-020-2F	M 6	20	6.0	10.0	5.0	6.8	VI s/s
P0173.060-025-2F	M 6	25	6.0	10.0	5.0	6.8	VI s/s
P0173.060-030-2F	M 6	30	6.0	10.0	5.0	6.8	VI s/s
P0173.080-012-2F	M 8	12	8.0	13.0	6.0	8.5	VI s/s
P0173.080-016-2F	M 8	16	8.0	13.0	6.0	8.5	VI s/s
P0173.080-020-2F	M 8	20	8.0	13.0	6.0	8.5	VI s/s
P0173.080-025-2F	M 8	25	8.0	13.0	6.0	8.5	VI s/s
P0173.080-030-2F	M 8	30	8.0	13.0	6.0	8.5	VI s/s
P0173.100-016-2F	M10	16	10.0	16.0	8.0	10.6	VI s/s
P0173.100-020-2F	M10	20	10.0	16.0	8.0	10.6	VI s/s
P0173.100-025-2F	M10	25	10.0	16.0	8.0	10.6	VI s/s
P0173.100-030-2F	M10	30	10.0	16.0	8.0	10.6	VI s/s
P0173.100-040-2F	M10	40	10.0	16.0	8.0	10.6	VI s/s
P0173.120-020-2F	M12	20	12.0	18.0	10.0	12.85	VI s/s
P0173.120-025-2F	M12	25	12.0	18.0	10.0	12.85	VI s/s
P0173.120-030-2F	M12	30	12.0	18.0	10.0	12.85	VI s/s
P0173.120-040-2F	M12	40	12.0	18.0	10.0	12.85	VI s/s
P0173.120-050-2F	M12	50	12.0	18.0	10.0	12.85	VI s/s
P0173.160-025-2F	M16	25	16.0	24.0	14.0	17.5	VI s/s



Cap Head Seal Screws

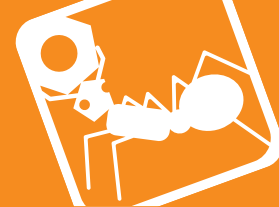
hex. socket

Sealing Screws and Plugs



Order No.	d ₁	l ₁	h ₁ max.	d ₂ max.	A/F	d ₃ ±0.05	Material
P0173.160-030-2F	M16	30	16.0	24.0	14.0	17.5	VI s/s
P0173.160-040-2F	M16	40	16.0	24.0	14.0	17.5	VI s/s
P0173.160-050-2F	M16	50	16.0	24.0	14.0	17.5	VI s/s
P0173.020-004-4F	M 2	4	2.0	3.8	1.5	2.35	VI s/s
P0173.020-008-4F	M 2	8	2.0	3.8	1.5	2.35	VI s/s
P0173.020-010-4F	M 2	10	2.0	3.8	1.5	2.35	VI s/s
P0173.020-012-4F	M 2	12	2.0	3.8	1.5	2.35	VI s/s
P0173.025-006-4F	M2,5	6	2.5	4.7	2.0	2.75	VI s/s
P0173.025-008-4F	M2,5	8	2.5	4.7	2.0	2.75	VI s/s
P0173.025-010-4F	M2,5	10	2.5	4.7	2.0	2.75	VI s/s
P0173.025-012-4F	M2,5	12	2.5	4.7	2.0	2.75	VI s/s
P0173.030-006-4F	M 3	6	3.0	5.5	2.5	3.6	VI s/s
P0173.030-008-4F	M 3	8	3.0	5.5	2.5	3.6	VI s/s
P0173.030-010-4F	M 3	10	3.0	5.5	2.5	3.6	VI s/s
P0173.030-012-4F	M 3	12	3.0	5.5	2.5	3.6	VI s/s
P0173.030-020-4F	M 3	20	3.0	5.5	2.5	3.6	VI s/s
P0173.035-006-4F	M 3,5	6	3.5	6.0	2.5	4.0	VI s/s
P0173.035-008-4F	M 3,5	8	3.5	6.0	2.5	4.0	VI s/s
P0173.035-010-4F	M 3,5	10	3.5	6.0	2.5	4.0	VI s/s
P0173.035-012-4F	M 3,5	12	3.5	6.0	2.5	4.0	VI s/s
P0173.035-020-4F	M 3,5	20	3.5	6.0	2.5	4.0	VI s/s
P0173.040-006-4F	M 4	6	4.0	7.0	3.0	4.5	VI s/s
P0173.040-008-4F	M 4	8	4.0	7.0	3.0	4.5	VI s/s
P0173.040-010-4F	M 4	10	4.0	7.0	3.0	4.5	VI s/s
P0173.040-012-4F	M 4	12	4.0	7.0	3.0	4.5	VI s/s
P0173.040-016-4F	M 4	16	4.0	7.0	3.0	4.5	VI s/s
P0173.040-020-4F	M 4	20	4.0	7.0	3.0	4.5	VI s/s
P0173.050-008-4F	M 5	8	5.0	8.5	4.0	5.6	VI s/s
P0173.050-010-4F	M 5	10	5.0	8.5	4.0	5.6	VI s/s
P0173.050-012-4F	M 5	12	5.0	8.5	4.0	5.6	VI s/s
P0173.050-016-4F	M 5	16	5.0	8.5	4.0	5.6	VI s/s
P0173.050-020-4F	M 5	20	5.0	8.5	4.0	5.6	VI s/s
P0173.060-012-4F	M 6	12	6.0	10.0	5.0	6.8	VI s/s
P0173.060-016-4F	M 6	16	6.0	10.0	5.0	6.8	VI s/s
P0173.060-020-4F	M 6	20	6.0	10.0	5.0	6.8	VI s/s
P0173.060-025-4F	M 6	25	6.0	10.0	5.0	6.8	VI s/s
P0173.060-030-4F	M 6	30	6.0	10.0	5.0	6.8	VI s/s
P0173.080-012-4F	M 8	12	8.0	13.0	6.0	8.5	VI s/s
P0173.080-016-4F	M 8	16	8.0	13.0	6.0	8.5	VI s/s
P0173.080-020-4F	M 8	20	8.0	13.0	6.0	8.5	VI s/s
P0173.080-025-4F	M 8	25	8.0	13.0	6.0	8.5	VI s/s
P0173.080-030-4F	M 8	30	8.0	13.0	6.0	8.5	VI s/s
P0173.100-016-4F	M10	16	10.0	16.0	8.0	10.6	VI s/s
P0173.100-020-4F	M10	20	10.0	16.0	8.0	10.6	VI s/s
P0173.100-025-4F	M10	25	10.0	16.0	8.0	10.6	VI s/s
P0173.100-030-4F	M10	30	10.0	16.0	8.0	10.6	VI s/s
P0173.100-040-4F	M10	40	10.0	16.0	8.0	10.6	VI s/s
P0173.120-020-4F	M12	20	12.0	18.0	10.0	12.85	VI s/s
P0173.120-025-4F	M12	25	12.0	18.0	10.0	12.85	VI s/s
P0173.120-030-4F	M12	30	12.0	18.0	10.0	12.85	VI s/s
P0173.120-040-4F	M12	40	12.0	18.0	10.0	12.85	VI s/s
P0173.120-050-4F	M12	50	12.0	18.0	10.0	12.85	VI s/s
P0173.160-025-4F	M16	25	16.0	24.0	14.0	17.5	VI s/s
P0173.160-030-4F	M16	30	16.0	24.0	14.0	17.5	VI s/s
P0173.160-040-4F	M16	40	16.0	24.0	14.0	17.5	VI s/s
P0173.160-050-4F	M16	50	16.0	24.0	14.0	17.5	VI s/s
P0173.020-004-2E	M 2	4	2.0	3.8	1.5	2.35	VI s/s
P0173.020-008-2E	M 2	8	2.0	3.8	1.5	2.35	VI s/s
P0173.020-010-2E	M 2	10	2.0	3.8	1.5	2.35	VI s/s
P0173.020-012-2E	M 2	12	2.0	3.8	1.5	2.35	VI s/s
P0173.025-006-2E	M2,5	6	2.5	4.7	2.0	2.75	VI s/s
P0173.025-008-2E	M2,5	8	2.5	4.7	2.0	2.75	VI s/s
P0173.025-010-2E	M2,5	10	2.5	4.7	2.0	2.75	VI s/s
P0173.025-012-2E	M2,5	12	2.5	4.7	2.0	2.75	VI s/s
P0173.030-006-2E	M 3	6	3.0	5.5	2.5	3.6	VI s/s
P0173.030-008-2E	M 3	8	3.0	5.5	2.5	3.6	VI s/s
P0173.030-010-2E	M 3	10	3.0	5.5	2.5	3.6	VI s/s
P0173.030-012-2E	M 3	12	3.0	5.5	2.5	3.6	VI s/s

SEALING SCREWS AND PLUGS

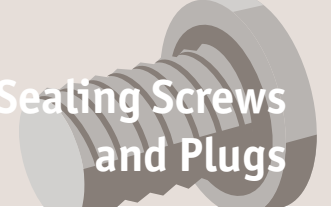


Order No.	d ₁	l ₁	h ₁ max.	d ₂ max.	A/F	d ₃ ±0.05	Material
P0173.030-020-2E	M 3	20	3.0	5.5	2.5	3.6	VI s/s
P0173.035-006-2E	M 3,5	6	3.5	6.0	2.5	4.0	VI s/s
P0173.035-008-2E	M 3,5	8	3.5	6.0	2.5	4.0	VI s/s
P0173.035-010-2E	M 3,5	10	3.5	6.0	2.5	4.0	VI s/s
P0173.035-012-2E	M 3,5	12	3.5	6.0	2.5	4.0	VI s/s
P0173.035-020-2E	M 3,5	20	3.5	6.0	2.5	4.0	VI s/s
P0173.040-006-2E	M 4	6	4.0	7.0	3.0	4.5	VI s/s
P0173.040-008-2E	M 4	8	4.0	7.0	3.0	4.5	VI s/s
P0173.040-010-2E	M 4	10	4.0	7.0	3.0	4.5	VI s/s
P0173.040-012-2E	M 4	12	4.0	7.0	3.0	4.5	VI s/s
P0173.040-016-2E	M 4	16	4.0	7.0	3.0	4.5	VI s/s
P0173.040-020-2E	M 4	20	4.0	7.0	3.0	4.5	VI s/s
P0173.050-008-2E	M 5	8	5.0	8.5	4.0	5.6	VI s/s
P0173.050-010-2E	M 5	10	5.0	8.5	4.0	5.6	VI s/s
P0173.050-012-2E	M 5	12	5.0	8.5	4.0	5.6	VI s/s
P0173.050-016-2E	M 5	16	5.0	8.5	4.0	5.6	VI s/s
P0173.050-020-2E	M 5	20	5.0	8.5	4.0	5.6	VI s/s
P0173.060-012-2E	M 6	12	6.0	10.0	5.0	6.8	VI s/s
P0173.060-016-2E	M 6	16	6.0	10.0	5.0	6.8	VI s/s
P0173.060-020-2E	M 6	20	6.0	10.0	5.0	6.8	VI s/s
P0173.060-025-2E	M 6	25	6.0	10.0	5.0	6.8	VI s/s
P0173.060-030-2E	M 6	30	6.0	10.0	5.0	6.8	VI s/s
P0173.080-012-2E	M 8	12	8.0	13.0	6.0	8.5	VI s/s
P0173.080-016-2E	M 8	16	8.0	13.0	6.0	8.5	VI s/s
P0173.080-020-2E	M 8	20	8.0	13.0	6.0	8.5	VI s/s
P0173.080-025-2E	M 8	25	8.0	13.0	6.0	8.5	VI s/s
P0173.080-030-2E	M 8	30	8.0	13.0	6.0	8.5	VI s/s
P0173.100-016-2E	M10	16	10.0	16.0	8.0	10.6	VI s/s
P0173.100-020-2E	M10	20	10.0	16.0	8.0	10.6	VI s/s
P0173.100-025-2E	M10	25	10.0	16.0	8.0	10.6	VI s/s
P0173.100-030-2E	M10	30	10.0	16.0	8.0	10.6	VI s/s
P0173.100-040-2E	M10	40	10.0	16.0	8.0	10.6	VI s/s
P0173.120-020-2E	M12	20	12.0	18.0	10.0	12.85	VI s/s
P0173.120-025-2E	M12	25	12.0	18.0	10.0	12.85	VI s/s
P0173.120-030-2E	M12	30	12.0	18.0	10.0	12.85	VI s/s
P0173.120-040-2E	M12	40	12.0	18.0	10.0	12.85	VI s/s
P0173.120-050-2E	M12	50	12.0	18.0	10.0	12.85	VI s/s
P0173.160-025-2E	M16	25	16.0	24.0	14.0	17.5	VI s/s
P0173.160-030-2E	M16	30	16.0	24.0	14.0	17.5	VI s/s
P0173.160-040-2E	M16	40	16.0	24.0	14.0	17.5	VI s/s
P0173.160-050-2E	M16	50	16.0	24.0	14.0	17.5	VI s/s
P0173.020-004-4E	M 2	4	2.0	3.8	1.5	2.35	VI s/s
P0173.020-008-4E	M 2	8	2.0	3.8	1.5	2.35	VI s/s
P0173.020-010-4E	M 2	10	2.0	3.8	1.5	2.35	VI s/s
P0173.020-012-4E	M 2	12	2.0	3.8	1.5	2.35	VI s/s
P0173.025-006-4E	M2,5	6	2.5	4.7	2.0	2.75	VI s/s
P0173.025-008-4E	M2,5	8	2.5	4.7	2.0	2.75	VI s/s
P0173.025-010-4E	M2,5	10	2.5	4.7	2.0	2.75	VI s/s
P0173.025-012-4E	M2,5	12	2.5	4.7	2.0	2.75	VI s/s
P0173.030-006-4E	M 3	6	3.0	5.5	2.5	3.6	VI s/s
P0173.030-008-4E	M 3	8	3.0	5.5	2.5	3.6	VI s/s
P0173.030-010-4E	M 3	10	3.0	5.5	2.5	3.6	VI s/s
P0173.030-012-4E	M 3	12	3.0	5.5	2.5	3.6	VI s/s
P0173.030-020-4E	M 3	20	3.0	5.5	2.5	3.6	VI s/s
P0173.035-006-4E	M 3,5	6	3.5	6.0	2.5	4.0	VI s/s
P0173.035-008-4E	M 3,5	8	3.5	6.0	2.5	4.0	VI s/s
P0173.035-010-4E	M 3,5	10	3.5	6.0	2.5	4.0	VI s/s
P0173.035-012-4E	M 3,5	12	3.5	6.0	2.5	4.0	VI s/s
P0173.035-020-4E	M 3,5	20	3.5	6.0	2.5	4.0	VI s/s
P0173.040-006-4E	M 4	6	4.0	7.0	3.0	4.5	VI s/s
P0173.040-008-4E	M 4	8	4.0	7.0	3.0	4.5	VI s/s
P0173.040-010-4E	M 4	10	4.0	7.0	3.0	4.5	VI s/s
P0173.040-012-4E	M 4	12	4.0	7.0	3.0	4.5	VI s/s
P0173.040-016-4E	M 4	16	4.0	7.0	3.0	4.5	VI s/s
P0173.040-020-4E	M 4	20	4.0	7.0	3.0	4.5	VI s/s
P0173.050-008-4E	M 5	8	5.0	8.5	4.0	5.6	VI s/s
P0173.050-010-4E	M 5	10	5.0	8.5	4.0	5.6	VI s/s
P0173.050-012-4E	M 5	12	5.0	8.5	4.0	5.6	VI s/s

Cap Head Seal Screws

hex. socket

Sealing Screws and Plugs



Order No.	d ₁	l ₁	h ₁ max.	d ₂ max.	A/F	d ₃ ±0.05	Material
P0173.050-016-4E	M 5	16	5.0	8.5	4.0	5.6	VI s/s
P0173.050-020-4E	M 5	20	5.0	8.5	4.0	5.6	VI s/s
P0173.060-012-4E	M 6	12	6.0	10.0	5.0	6.8	VI s/s
P0173.060-016-4E	M 6	16	6.0	10.0	5.0	6.8	VI s/s
P0173.060-020-4E	M 6	20	6.0	10.0	5.0	6.8	VI s/s
P0173.060-025-4E	M 6	25	6.0	10.0	5.0	6.8	VI s/s
P0173.060-030-4E	M 6	30	6.0	10.0	5.0	6.8	VI s/s
P0173.080-012-4E	M 8	12	8.0	13.0	6.0	8.5	VI s/s
P0173.080-016-4E	M 8	16	8.0	13.0	6.0	8.5	VI s/s
P0173.080-020-4E	M 8	20	8.0	13.0	6.0	8.5	VI s/s
P0173.080-025-4E	M 8	25	8.0	13.0	6.0	8.5	VI s/s
P0173.080-030-4E	M 8	30	8.0	13.0	6.0	8.5	VI s/s
P0173.100-016-4E	M10	16	10.0	16.0	8.0	10.6	VI s/s
P0173.100-020-4E	M10	20	10.0	16.0	8.0	10.6	VI s/s
P0173.100-025-4E	M10	25	10.0	16.0	8.0	10.6	VI s/s
P0173.100-030-4E	M10	30	10.0	16.0	8.0	10.6	VI s/s
P0173.100-040-4E	M10	40	10.0	16.0	8.0	10.6	VI s/s
P0173.120-020-4E	M12	20	12.0	18.0	10.0	12.85	VI s/s
P0173.120-025-4E	M12	25	12.0	18.0	10.0	12.85	VI s/s
P0173.120-030-4E	M12	30	12.0	18.0	10.0	12.85	VI s/s
P0173.120-040-4E	M12	40	12.0	18.0	10.0	12.85	VI s/s
P0173.120-050-4E	M12	50	12.0	18.0	10.0	12.85	VI s/s
P0173.160-025-4E	M16	25	16.0	24.0	14.0	17.5	VI s/s
P0173.160-030-4E	M16	30	16.0	24.0	14.0	17.5	VI s/s
P0173.160-040-4E	M16	40	16.0	24.0	14.0	17.5	VI s/s
P0173.160-050-4E	M16	50	16.0	24.0	14.0	17.5	VI s/s
P0173.020-004-2N	M 2	4	2.0	3.8	1.5	2.35	VI s/s
P0173.020-008-2N	M 2	8	2.0	3.8	1.5	2.35	VI s/s
P0173.020-010-2N	M 2	10	2.0	3.8	1.5	2.35	VI s/s
P0173.020-012-2N	M 2	12	2.0	3.8	1.5	2.35	VI s/s
P0173.025-006-2N	M2,5	6	2.5	4.7	2.0	2.75	VI s/s
P0173.025-008-2N	M2,5	8	2.5	4.7	2.0	2.75	VI s/s
P0173.025-010-2N	M2,5	10	2.5	4.7	2.0	2.75	VI s/s
P0173.025-012-2N	M2,5	12	2.5	4.7	2.0	2.75	VI s/s
P0173.030-006-2N	M 3	6	3.0	5.5	2.5	3.6	VI s/s
P0173.030-008-2N	M 3	8	3.0	5.5	2.5	3.6	VI s/s
P0173.030-010-2N	M 3	10	3.0	5.5	2.5	3.6	VI s/s
P0173.030-012-2N	M 3	12	3.0	5.5	2.5	3.6	VI s/s
P0173.030-020-2N	M 3	20	3.0	5.5	2.5	3.6	VI s/s
P0173.035-006-2N	M 3,5	6	3.5	6.0	2.5	4.0	VI s/s
P0173.035-008-2N	M 3,5	8	3.5	6.0	2.5	4.0	VI s/s
P0173.035-010-2N	M 3,5	10	3.5	6.0	2.5	4.0	VI s/s
P0173.035-012-2N	M 3,5	12	3.5	6.0	2.5	4.0	VI s/s
P0173.035-020-2N	M 3,5	20	3.5	6.0	2.5	4.0	VI s/s
P0173.040-006-2N	M 4	6	4.0	7.0	3.0	4.5	VI s/s
P0173.040-008-2N	M 4	8	4.0	7.0	3.0	4.5	VI s/s
P0173.040-010-2N	M 4	10	4.0	7.0	3.0	4.5	VI s/s
P0173.040-012-2N	M 4	12	4.0	7.0	3.0	4.5	VI s/s
P0173.040-016-2N	M 4	16	4.0	7.0	3.0	4.5	VI s/s
P0173.040-020-2N	M 4	20	4.0	7.0	3.0	4.5	VI s/s
P0173.050-008-2N	M 5	8	5.0	8.5	4.0	5.6	VI s/s
P0173.050-010-2N	M 5	10	5.0	8.5	4.0	5.6	VI s/s
P0173.050-012-2N	M 5	12	5.0	8.5	4.0	5.6	VI s/s
P0173.050-016-2N	M 5	16	5.0	8.5	4.0	5.6	VI s/s
P0173.050-020-2N	M 5	20	5.0	8.5	4.0	5.6	VI s/s
P0173.060-012-2N	M 6	12	6.0	10.0	5.0	6.8	VI s/s
P0173.060-016-2N	M 6	16	6.0	10.0	5.0	6.8	VI s/s
P0173.060-020-2N	M 6	20	6.0	10.0	5.0	6.8	VI s/s
P0173.060-025-2N	M 6	25	6.0	10.0	5.0	6.8	VI s/s
P0173.060-030-2N	M 6	30	6.0	10.0	5.0	6.8	VI s/s
P0173.080-012-2N	M 8	12	8.0	13.0	6.0	8.5	VI s/s
P0173.080-016-2N	M 8	16	8.0	13.0	6.0	8.5	VI s/s
P0173.080-020-2N	M 8	20	8.0	13.0	6.0	8.5	VI s/s
P0173.080-025-2N	M 8	25	8.0	13.0	6.0	8.5	VI s/s
P0173.080-030-2N	M 8	30	8.0	13.0	6.0	8.5	VI s/s
P0173.100-016-2N	M10	16	10.0	16.0	8.0	10.6	VI s/s
P0173.100-020-2N	M10	20	10.0	16.0	8.0	10.6	VI s/s
P0173.100-025-2N	M10	25	10.0	16.0	8.0	10.6	VI s/s

SEALING SCREWS AND PLUGS



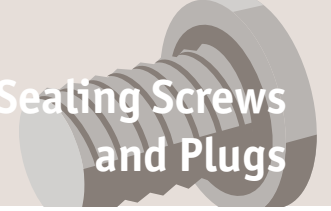
Order No.	d ₁	l ₁	h ₁ max.	d ₂ max.	A/F	d ₃ ±0.05	Material
P0173.100-030-2N	M10	30	10.0	16.0	8.0	10.6	VI s/s
P0173.100-040-2N	M10	40	10.0	16.0	8.0	10.6	VI s/s
P0173.120-020-2N	M12	20	12.0	18.0	10.0	12.85	VI s/s
P0173.120-025-2N	M12	25	12.0	18.0	10.0	12.85	VI s/s
P0173.120-030-2N	M12	30	12.0	18.0	10.0	12.85	VI s/s
P0173.120-040-2N	M12	40	12.0	18.0	10.0	12.85	VI s/s
P0173.120-050-2N	M12	50	12.0	18.0	10.0	12.85	VI s/s
P0173.160-025-2N	M16	25	16.0	24.0	14.0	17.5	VI s/s
P0173.160-030-2N	M16	30	16.0	24.0	14.0	17.5	VI s/s
P0173.160-040-2N	M16	40	16.0	24.0	14.0	17.5	VI s/s
P0173.160-050-2N	M16	50	16.0	24.0	14.0	17.5	VI s/s
P0173.020-004-4N	M 2	4	2.0	3.8	1.5	2.35	VI s/s
P0173.020-008-4N	M 2	8	2.0	3.8	1.5	2.35	VI s/s
P0173.020-010-4N	M 2	10	2.0	3.8	1.5	2.35	VI s/s
P0173.020-012-4N	M 2	12	2.0	3.8	1.5	2.35	VI s/s
P0173.025-006-4N	M2,5	6	2.5	4.7	2.0	2.75	VI s/s
P0173.025-008-4N	M2,5	8	2.5	4.7	2.0	2.75	VI s/s
P0173.025-010-4N	M2,5	10	2.5	4.7	2.0	2.75	VI s/s
P0173.025-012-4N	M2,5	12	2.5	4.7	2.0	2.75	VI s/s
P0173.030-006-4N	M 3	6	3.0	5.5	2.5	3.6	VI s/s
P0173.030-008-4N	M 3	8	3.0	5.5	2.5	3.6	VI s/s
P0173.030-010-4N	M 3	10	3.0	5.5	2.5	3.6	VI s/s
P0173.030-012-4N	M 3	12	3.0	5.5	2.5	3.6	VI s/s
P0173.030-020-4N	M 3	20	3.0	5.5	2.5	3.6	VI s/s
P0173.035-006-4N	M 3,5	6	3.5	6.0	2.5	4.0	VI s/s
P0173.035-008-4N	M 3,5	8	3.5	6.0	2.5	4.0	VI s/s
P0173.035-010-4N	M 3,5	10	3.5	6.0	2.5	4.0	VI s/s
P0173.035-012-4N	M 3,5	12	3.5	6.0	2.5	4.0	VI s/s
P0173.035-020-4N	M 3,5	20	3.5	6.0	2.5	4.0	VI s/s
P0173.040-006-4N	M 4	6	4.0	7.0	3.0	4.5	VI s/s
P0173.040-008-4N	M 4	8	4.0	7.0	3.0	4.5	VI s/s
P0173.040-010-4N	M 4	10	4.0	7.0	3.0	4.5	VI s/s
P0173.040-012-4N	M 4	12	4.0	7.0	3.0	4.5	VI s/s
P0173.040-016-4N	M 4	16	4.0	7.0	3.0	4.5	VI s/s
P0173.040-020-4N	M 4	20	4.0	7.0	3.0	4.5	VI s/s
P0173.050-008-4N	M 5	8	5.0	8.5	4.0	5.6	VI s/s
P0173.050-010-4N	M 5	10	5.0	8.5	4.0	5.6	VI s/s
P0173.050-012-4N	M 5	12	5.0	8.5	4.0	5.6	VI s/s
P0173.050-016-4N	M 5	16	5.0	8.5	4.0	5.6	VI s/s
P0173.050-020-4N	M 5	20	5.0	8.5	4.0	5.6	VI s/s
P0173.060-012-4N	M 6	12	6.0	10.0	5.0	6.8	VI s/s
P0173.060-016-4N	M 6	16	6.0	10.0	5.0	6.8	VI s/s
P0173.060-020-4N	M 6	20	6.0	10.0	5.0	6.8	VI s/s
P0173.060-025-4N	M 6	25	6.0	10.0	5.0	6.8	VI s/s
P0173.060-030-4N	M 6	30	6.0	10.0	5.0	6.8	VI s/s
P0173.080-012-4N	M 8	12	8.0	13.0	6.0	8.5	VI s/s
P0173.080-016-4N	M 8	16	8.0	13.0	6.0	8.5	VI s/s
P0173.080-020-4N	M 8	20	8.0	13.0	6.0	8.5	VI s/s
P0173.080-025-4N	M 8	25	8.0	13.0	6.0	8.5	VI s/s
P0173.080-030-4N	M 8	30	8.0	13.0	6.0	8.5	VI s/s
P0173.100-016-4N	M10	16	10.0	16.0	8.0	10.6	VI s/s
P0173.100-020-4N	M10	20	10.0	16.0	8.0	10.6	VI s/s
P0173.100-025-4N	M10	25	10.0	16.0	8.0	10.6	VI s/s
P0173.100-030-4N	M10	30	10.0	16.0	8.0	10.6	VI s/s
P0173.100-040-4N	M10	40	10.0	16.0	8.0	10.6	VI s/s
P0173.120-020-4N	M12	20	12.0	18.0	10.0	12.85	VI s/s
P0173.120-025-4N	M12	25	12.0	18.0	10.0	12.85	VI s/s
P0173.120-030-4N	M12	30	12.0	18.0	10.0	12.85	VI s/s
P0173.120-040-4N	M12	40	12.0	18.0	10.0	12.85	VI s/s
P0173.120-050-4N	M12	50	12.0	18.0	10.0	12.85	VI s/s
P0173.160-025-4N	M16	25	16.0	24.0	14.0	17.5	VI s/s
P0173.160-030-4N	M16	30	16.0	24.0	14.0	17.5	VI s/s
P0173.160-040-4N	M16	40	16.0	24.0	14.0	17.5	VI s/s
P0173.160-050-4N	M16	50	16.0	24.0	14.0	17.5	VI s/s
P0173.020-004-2B	M 2	4	2.0	3.8	1.5	2.35	VI s/s
P0173.020-008-2B	M 2	8	2.0	3.8	1.5	2.35	VI s/s
P0173.020-010-2B	M 2	10	2.0	3.8	1.5	2.35	VI s/s
P0173.020-012-2B	M 2	12	2.0	3.8	1.5	2.35	VI s/s



Cap Head Seal Screws

hex. socket

Sealing Screws and Plugs

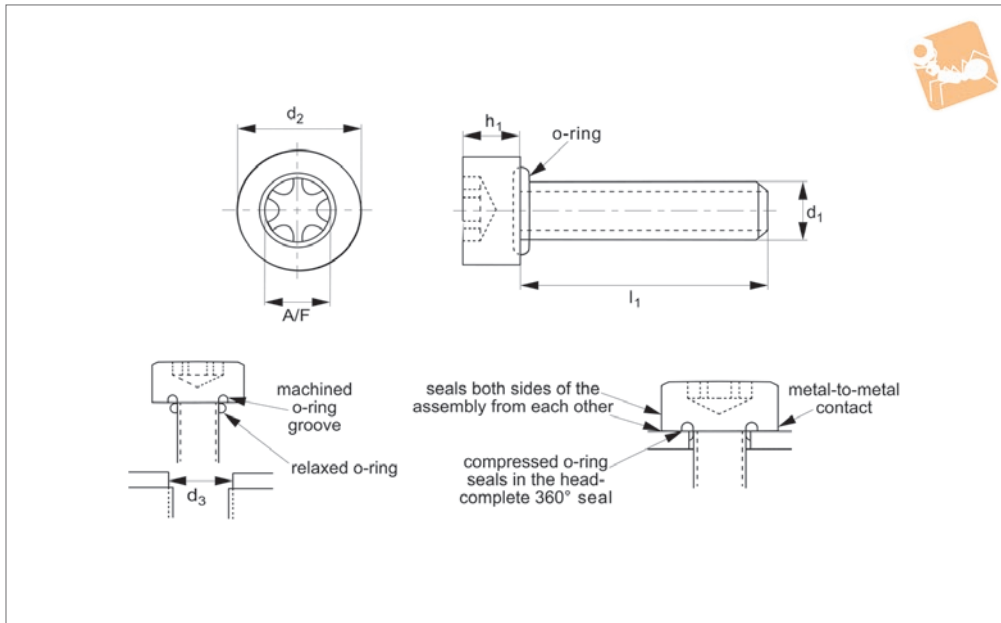


Order No.	d ₁	l ₁	h ₁ max.	d ₂ max.	A/F	d ₃ ±0.05	Material
P0173.025-006-2B	M2,5	6	2.5	4.7	2.0	2.75	VI s/s
P0173.025-008-2B	M2,5	8	2.5	4.7	2.0	2.75	VI s/s
P0173.025-010-2B	M2,5	10	2.5	4.7	2.0	2.75	VI s/s
P0173.025-012-2B	M2,5	12	2.5	4.7	2.0	2.75	VI s/s
P0173.030-006-2B	M 3	6	3.0	5.5	2.5	3.6	VI s/s
P0173.030-008-2B	M 3	8	3.0	5.5	2.5	3.6	VI s/s
P0173.030-010-2B	M 3	10	3.0	5.5	2.5	3.6	VI s/s
P0173.030-012-2B	M 3	12	3.0	5.5	2.5	3.6	VI s/s
P0173.030-020-2B	M 3	20	3.0	5.5	2.5	3.6	VI s/s
P0173.035-006-2B	M 3,5	6	3.5	6.0	2.5	4.0	VI s/s
P0173.035-008-2B	M 3,5	8	3.5	6.0	2.5	4.0	VI s/s
P0173.035-010-2B	M 3,5	10	3.5	6.0	2.5	4.0	VI s/s
P0173.035-012-2B	M 3,5	12	3.5	6.0	2.5	4.0	VI s/s
P0173.035-020-2B	M 3,5	20	3.5	6.0	2.5	4.0	VI s/s
P0173.040-006-2B	M 4	6	4.0	7.0	3.0	4.5	VI s/s
P0173.040-008-2B	M 4	8	4.0	7.0	3.0	4.5	VI s/s
P0173.040-010-2B	M 4	10	4.0	7.0	3.0	4.5	VI s/s
P0173.040-012-2B	M 4	12	4.0	7.0	3.0	4.5	VI s/s
P0173.040-016-2B	M 4	16	4.0	7.0	3.0	4.5	VI s/s
P0173.040-020-2B	M 4	20	4.0	7.0	3.0	4.5	VI s/s
P0173.050-008-2B	M 5	8	5.0	8.5	4.0	5.6	VI s/s
P0173.050-010-2B	M 5	10	5.0	8.5	4.0	5.6	VI s/s
P0173.050-012-2B	M 5	12	5.0	8.5	4.0	5.6	VI s/s
P0173.050-016-2B	M 5	16	5.0	8.5	4.0	5.6	VI s/s
P0173.050-020-2B	M 5	20	5.0	8.5	4.0	5.6	VI s/s
P0173.060-012-2B	M 6	12	6.0	10.0	5.0	6.8	VI s/s
P0173.060-016-2B	M 6	16	6.0	10.0	5.0	6.8	VI s/s
P0173.060-020-2B	M 6	20	6.0	10.0	5.0	6.8	VI s/s
P0173.060-025-2B	M 6	25	6.0	10.0	5.0	6.8	VI s/s
P0173.060-030-2B	M 6	30	6.0	10.0	5.0	6.8	VI s/s
P0173.080-012-2B	M 8	12	8.0	13.0	6.0	8.5	VI s/s
P0173.080-016-2B	M 8	16	8.0	13.0	6.0	8.5	VI s/s
P0173.080-020-2B	M 8	20	8.0	13.0	6.0	8.5	VI s/s
P0173.080-025-2B	M 8	25	8.0	13.0	6.0	8.5	VI s/s
P0173.080-030-2B	M 8	30	8.0	13.0	6.0	8.5	VI s/s
P0173.100-016-2B	M10	16	10.0	16.0	8.0	10.6	VI s/s
P0173.100-020-2B	M10	20	10.0	16.0	8.0	10.6	VI s/s
P0173.100-025-2B	M10	25	10.0	16.0	8.0	10.6	VI s/s
P0173.100-030-2B	M10	30	10.0	16.0	8.0	10.6	VI s/s
P0173.100-040-2B	M10	40	10.0	16.0	8.0	10.6	VI s/s
P0173.120-020-2B	M12	20	12.0	18.0	10.0	12.85	VI s/s
P0173.120-025-2B	M12	25	12.0	18.0	10.0	12.85	VI s/s
P0173.120-030-2B	M12	30	12.0	18.0	10.0	12.85	VI s/s
P0173.120-040-2B	M12	40	12.0	18.0	10.0	12.85	VI s/s
P0173.120-050-2B	M12	50	12.0	18.0	10.0	12.85	VI s/s
P0173.160-025-2B	M16	25	16.0	24.0	14.0	17.5	VI s/s
P0173.160-030-2B	M16	30	16.0	24.0	14.0	17.5	VI s/s
P0173.160-040-2B	M16	40	16.0	24.0	14.0	17.5	VI s/s
P0173.160-050-2B	M16	50	16.0	24.0	14.0	17.5	VI s/s
P0173.020-004-4B	M 2	4	2.0	3.8	1.5	2.35	VI s/s
P0173.020-008-4B	M 2	8	2.0	3.8	1.5	2.35	VI s/s
P0173.020-010-4B	M 2	10	2.0	3.8	1.5	2.35	VI s/s
P0173.020-012-4B	M 2	12	2.0	3.8	1.5	2.35	VI s/s
P0173.025-006-4B	M2,5	6	2.5	4.7	2.0	2.75	VI s/s
P0173.025-008-4B	M2,5	8	2.5	4.7	2.0	2.75	VI s/s
P0173.025-010-4B	M2,5	10	2.5	4.7	2.0	2.75	VI s/s
P0173.025-012-4B	M2,5	12	2.5	4.7	2.0	2.75	VI s/s
P0173.030-006-4B	M 3	6	3.0	5.5	2.5	3.6	VI s/s
P0173.030-008-4B	M 3	8	3.0	5.5	2.5	3.6	VI s/s
P0173.030-010-4B	M 3	10	3.0	5.5	2.5	3.6	VI s/s
P0173.030-012-4B	M 3	12	3.0	5.5	2.5	3.6	VI s/s
P0173.030-020-4B	M 3	20	3.0	5.5	2.5	3.6	VI s/s
P0173.035-006-4B	M 3,5	6	3.5	6.0	2.5	4.0	VI s/s
P0173.035-008-4B	M 3,5	8	3.5	6.0	2.5	4.0	VI s/s
P0173.035-010-4B	M 3,5	10	3.5	6.0	2.5	4.0	VI s/s
P0173.035-012-4B	M 3,5	12	3.5	6.0	2.5	4.0	VI s/s
P0173.035-020-4B	M 3,5	20	3.5	6.0	2.5	4.0	VI s/s
P0173.040-006-4B	M 4	6	4.0	7.0	3.0	4.5	VI s/s

SEALING SCREWS AND PLUGS



Order No.	d ₁	l ₁	h ₁ max.	d ₂ max.	A/F	d ₃ ±0.05	Material
P0173.040-008-4B	M 4	8	4.0	7.0	3.0	4.5	VI s/s
P0173.040-010-4B	M 4	10	4.0	7.0	3.0	4.5	VI s/s
P0173.040-012-4B	M 4	12	4.0	7.0	3.0	4.5	VI s/s
P0173.040-016-4B	M 4	16	4.0	7.0	3.0	4.5	VI s/s
P0173.040-020-4B	M 4	20	4.0	7.0	3.0	4.5	VI s/s
P0173.050-008-4B	M 5	8	5.0	8.5	4.0	5.6	VI s/s
P0173.050-010-4B	M 5	10	5.0	8.5	4.0	5.6	VI s/s
P0173.050-012-4B	M 5	12	5.0	8.5	4.0	5.6	VI s/s
P0173.050-016-4B	M 5	16	5.0	8.5	4.0	5.6	VI s/s
P0173.050-020-4B	M 5	20	5.0	8.5	4.0	5.6	VI s/s
P0173.060-012-4B	M 6	12	6.0	10.0	5.0	6.8	VI s/s
P0173.060-016-4B	M 6	16	6.0	10.0	5.0	6.8	VI s/s
P0173.060-020-4B	M 6	20	6.0	10.0	5.0	6.8	VI s/s
P0173.060-025-4B	M 6	25	6.0	10.0	5.0	6.8	VI s/s
P0173.060-030-4B	M 6	30	6.0	10.0	5.0	6.8	VI s/s
P0173.080-012-4B	M 8	12	8.0	13.0	6.0	8.5	VI s/s
P0173.080-016-4B	M 8	16	8.0	13.0	6.0	8.5	VI s/s
P0173.080-020-4B	M 8	20	8.0	13.0	6.0	8.5	VI s/s
P0173.080-025-4B	M 8	25	8.0	13.0	6.0	8.5	VI s/s
P0173.080-030-4B	M 8	30	8.0	13.0	6.0	8.5	VI s/s
P0173.100-016-4B	M10	16	10.0	16.0	8.0	10.6	VI s/s
P0173.100-020-4B	M10	20	10.0	16.0	8.0	10.6	VI s/s
P0173.100-025-4B	M10	25	10.0	16.0	8.0	10.6	VI s/s
P0173.100-030-4B	M10	30	10.0	16.0	8.0	10.6	VI s/s
P0173.100-040-4B	M10	40	10.0	16.0	8.0	10.6	VI s/s
P0173.120-020-4B	M12	20	12.0	18.0	10.0	12.85	VI s/s
P0173.120-025-4B	M12	25	12.0	18.0	10.0	12.85	VI s/s
P0173.120-030-4B	M12	30	12.0	18.0	10.0	12.85	VI s/s
P0173.120-040-4B	M12	40	12.0	18.0	10.0	12.85	VI s/s
P0173.120-050-4B	M12	50	12.0	18.0	10.0	12.85	VI s/s
P0173.160-025-4B	M16	25	16.0	24.0	14.0	17.5	VI s/s
P0173.160-030-4B	M16	30	16.0	24.0	14.0	17.5	VI s/s
P0173.160-040-4B	M16	40	16.0	24.0	14.0	17.5	VI s/s
P0173.160-050-4B	M16	50	16.0	24.0	14.0	17.5	VI s/s



P0173.TX

SEALING SCREWS AND PLUGS

Material

Stainless steel (AISI 303 1.4305 tensile strength 550 N/mm² or AISI 316 1.440 tensile strength 480 N/mm²), with silicone „O“ ring as standard.
For other „O“ ring materials see technical data pages
(-FS = fluorosilicone, -EP = EPDM, -VI = viton, -NI = nitrile, -BN = Buna etc.).

Other thread lengths on request.

Technical Notes

Screws generally as ISO 14759, seals substances in and contaminants out
Re-useable, clearance holes recommended for maximum sealing.
Max temperature range: -100°C to +260°C,
pressure range - up to 410 bar (6000 psi).

Also available (on request) with thread-locking.

Tips

Clearance holes recommended for maximum sealing performance (see dimensions below).
Clearance hole depth 2-3 x thread pitch, threads are metric coarse pitch.

Order No.	d ₁	l ₁	h ₁ max.	d ₂ max.	Drive	d ₃ ±0.05	Material
P0173.020-004-TX	M 2	4	2.0	3.8	TX 6	2.35	A2 s/s
P0173.020-008-TX	M 2	8	2.0	3.8	TX 6	2.35	A2 s/s
P0173.020-010-TX	M 2	10	2.0	3.8	TX 6	2.35	A2 s/s
P0173.020-012-TX	M 2	12	2.0	3.8	TX 6	2.35	A2 s/s
P0173.025-006-TX	M2,5	6	2.5	4.5	TX 8	2.75	A2 s/s
P0173.025-008-TX	M2,5	8	2.5	4.5	TX 8	2.75	A2 s/s
P0173.025-010-TX	M2,5	10	2.5	4.5	TX 8	2.75	A2 s/s
P0173.025-012-TX	M2,5	12	2.5	4.5	TX 8	2.75	A2 s/s
P0173.030-006-TX	M 3	6	3.0	5.5	TX10	3.6	A2 s/s
P0173.030-008-TX	M 3	8	3.0	5.5	TX10	3.6	A2 s/s
P0173.030-010-TX	M 3	10	3.0	5.5	TX10	3.6	A2 s/s
P0173.030-012-TX	M 3	12	3.0	5.5	TX10	3.6	A2 s/s
P0173.030-020-TX	M 3	20	3.0	5.5	TX10	3.6	A2 s/s
P0173.040-006-TX	M 4	6	4.0	7.0	TX20	4.5	A2 s/s
P0173.040-008-TX	M 4	8	4.0	7.0	TX20	4.5	A2 s/s
P0173.040-010-TX	M 4	10	4.0	7.0	TX20	4.5	A2 s/s
P0173.040-012-TX	M 4	12	4.0	7.0	TX20	4.5	A2 s/s
P0173.040-016-TX	M 4	16	4.0	7.0	TX20	4.5	A2 s/s
P0173.040-020-TX	M 4	20	4.0	7.0	TX20	4.5	A2 s/s
P0173.050-008-TX	M 5	8	5.0	8.5	TX25	5.6	A2 s/s
P0173.050-010-TX	M 5	10	5.0	8.5	TX25	5.6	A2 s/s
P0173.050-012-TX	M 5	12	5.0	8.5	TX25	5.6	A2 s/s
P0173.050-016-TX	M 5	16	5.0	8.5	TX25	5.6	A2 s/s
P0173.050-020-TX	M 5	20	5.0	8.5	TX25	5.6	A2 s/s
P0173.060-012-TX	M 6	12	6.0	10.0	TX30	6.8	A2 s/s
P0173.060-016-TX	M 6	16	6.0	10.0	TX30	6.8	A2 s/s
P0173.060-020-TX	M 6	20	6.0	10.0	TX30	6.8	A2 s/s
P0173.060-025-TX	M 6	25	6.0	10.0	TX30	6.8	A2 s/s



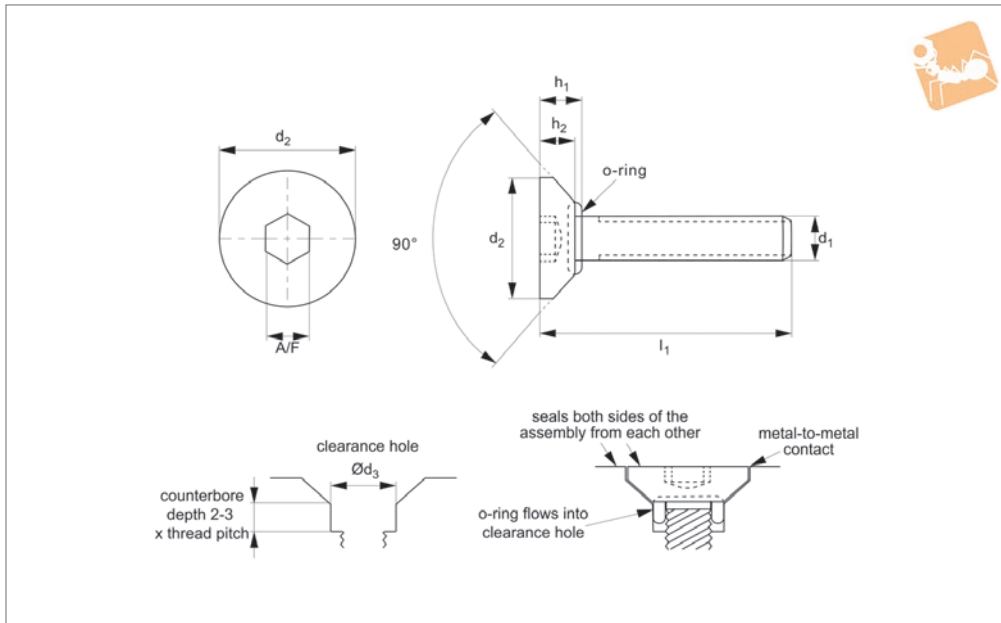
Order No.	d ₁	l ₁	h ₁ max.	d ₂ max.	Drive	d ₃ ±0.05	Material
P0173.060-030-TX	M 6	30	6.0	10.0	TX30	6.8	A2 s/s
P0173.080-012-TX	M 8	12	8.0	13.0	TX45	8.5	A2 s/s
P0173.080-016-TX	M 8	16	8.0	13.0	TX45	8.5	A2 s/s
P0173.080-020-TX	M 8	20	8.0	13.0	TX45	8.5	A2 s/s
P0173.080-025-TX	M 8	25	8.0	13.0	TX45	8.5	A2 s/s
P0173.080-030-TX	M 8	30	8.0	13.0	TX45	8.5	A2 s/s
P0173.100-016-TX	M10	16	10.0	16.0	TX50	10.6	A2 s/s
P0173.100-020-TX	M10	20	10.0	16.0	TX50	10.6	A2 s/s
P0173.100-025-TX	M10	25	10.0	16.0	TX50	10.6	A2 s/s
P0173.100-030-TX	M10	30	10.0	16.0	TX50	10.6	A2 s/s
P0173.100-040-TX	M10	40	10.0	16.0	TX50	10.6	A2 s/s
P0173.120-020-TX	M12	20	12.0	18.0	TX55	12.85	A2 s/s
P0173.120-025-TX	M12	25	12.0	18.0	TX55	12.85	A2 s/s
P0173.120-030-TX	M12	30	12.0	18.0	TX55	12.85	A2 s/s
P0173.120-040-TX	M12	40	12.0	18.0	TX55	12.85	A2 s/s
P0173.120-050-TX	M12	50	12.0	18.0	TX55	12.85	A2 s/s
P0173.160-025-TX	M16	25	16.0	24.0	TX70	17.5	A2 s/s
P0173.160-030-TX	M16	30	16.0	24.0	TX70	17.5	A2 s/s
P0173.160-040-TX	M16	40	16.0	24.0	TX70	17.5	A2 s/s
P0173.160-050-TX	M16	50	16.0	24.0	TX70	17.5	A2 s/s



Countersunk Seal Screws

hex. socket

Sealing Screws and Plugs



P0175

SEALING SCREWS AND PLUGS

Material

Stainless steel (AISI 303 1.4305 tensile strength 550 N/mm²), with silicone „O“ ring as standard.

For other „O“ ring materials see technical data pages

(-FS = fluorosilicone, -EP = EPDM, -VI = viton, -NI = nitrile, -BN = Buna etc.).

Other thread lengths, and stainless steel (AISI 316, 1.440) on request.

Technical Notes

Screws generally as DIN 7991, ISO 10642, seals substances in and contaminants out. Re-useable. Clearance holes recommended for maximum sealing.

Max temperature range: -100°C to +260°C, pressure range - up to 410 bar (6000 psi). Also available (on request) with thread-locking.

Tips

Clearance holes recommended for maximum sealing performance (see dimensions below).

Clearance hole depth 2-3 x thread pitch, threads are metric coarse pitch.

h_1 dimension is the intersection of the countersunk and shank.

Order No.	d_1	l_1	h_1	h_2	d_2	d_3 ± 0.05	A/F
P0175.030-006-SI	M 3	6	1.86	1.1	5.8	3.6	2.0
P0175.030-008-SI	M 3	8	1.86	1.1	5.8	3.6	2.0
P0175.030-010-SI	M 3	10	1.86	1.1	5.8	3.6	2.0
P0175.030-012-SI	M 3	12	1.86	1.1	5.8	3.6	2.0
P0175.030-020-SI	M 3	20	1.86	1.1	5.8	3.6	2.0
P0175.040-006-SI	M 4	6	2.48	1.5	7.8	4.5	2.5
P0175.040-008-SI	M 4	8	2.48	1.5	7.8	4.5	2.5
P0175.040-010-SI	M 4	10	2.48	1.5	7.8	4.5	2.5
P0175.040-012-SI	M 4	12	2.48	1.5	7.8	4.5	2.5
P0175.040-016-SI	M 4	16	2.48	1.5	7.8	4.5	2.5
P0175.040-020-SI	M 4	20	2.48	1.5	7.8	4.5	2.5
P0175.050-008-SI	M 5	8	3.10	1.8	9.7	5.6	3.0
P0175.050-010-SI	M 5	10	3.10	1.8	9.7	5.6	3.0
P0175.050-012-SI	M 5	12	3.10	1.8	9.7	5.6	3.0
P0175.050-016-SI	M 5	16	3.10	1.8	9.7	5.6	3.0
P0175.050-020-SI	M 5	20	3.10	1.8	9.7	5.6	3.0
P0175.060-012-SI	M 6	12	3.72	2.4	11.8	6.8	4.0
P0175.060-016-SI	M 6	16	3.72	2.4	11.8	6.8	4.0
P0175.060-020-SI	M 6	20	3.72	2.4	11.8	6.8	4.0
P0175.060-025-SI	M 6	25	3.72	2.4	11.8	6.8	4.0
P0175.060-030-SI	M 6	30	3.72	2.4	11.8	6.8	4.0
P0175.080-012-SI	M 8	12	4.96	3.0	15.8	8.5	5.0
P0175.080-016-SI	M 8	16	4.96	3.0	15.8	8.5	5.0
P0175.080-020-SI	M 8	20	4.96	3.0	15.8	8.5	5.0
P0175.080-025-SI	M 8	25	4.96	3.0	15.8	8.5	5.0
P0175.080-030-SI	M 8	30	4.96	3.0	15.8	8.5	5.0
P0175.100-016-SI	M10	16	6.2	4.5	19.8	10.6	6.0



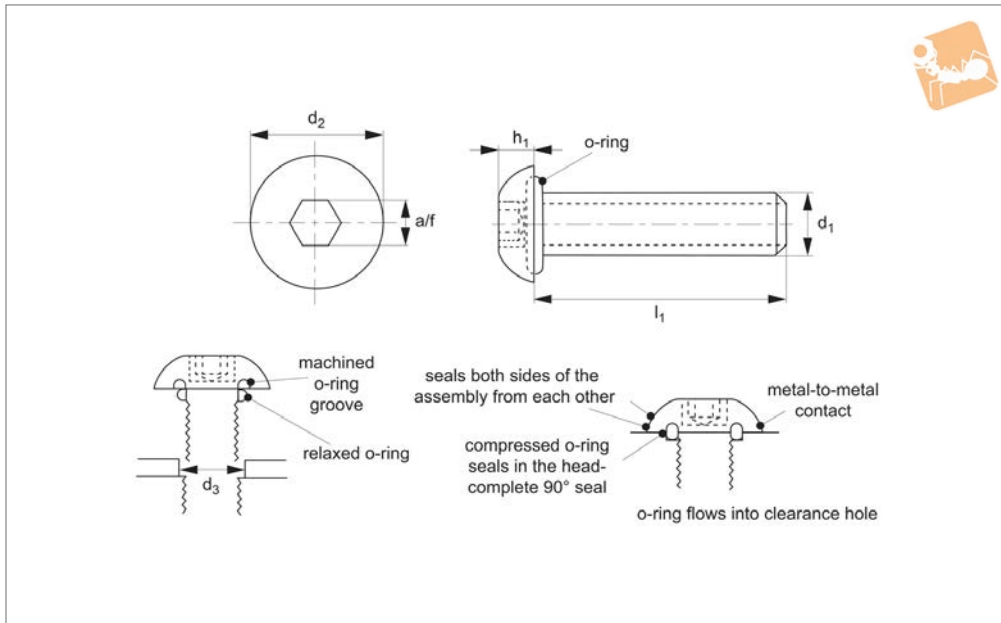
Order No.	d ₁	l ₁	h ₁	h ₂	d ₂	d ₃ ±0.05	A/F
P0175.100-020-SI	M10	20	6.2	4.5	19.8	10.6	6.0
P0175.100-025-SI	M10	25	6.2	4.5	19.8	10.6	6.0
P0175.100-030-SI	M10	30	6.2	4.5	19.8	10.6	6.0
P0175.100-040-SI	M10	40	6.2	4.5	19.8	10.6	6.0
P0175.030-006-VI	M 3	6	1.86	1.1	5.8	3.6	2.0
P0175.030-008-VI	M 3	8	1.86	1.1	5.8	3.6	2.0
P0175.030-010-VI	M 3	10	1.86	1.1	5.8	3.6	2.0
P0175.030-012-VI	M 3	12	1.86	1.1	5.8	3.6	2.0
P0175.030-020-VI	M 3	20	1.86	1.1	5.8	3.6	2.0
P0175.040-006-VI	M 4	6	2.48	1.5	7.8	4.5	2.5
P0175.040-008-VI	M 4	8	2.48	1.5	7.8	4.5	2.5
P0175.040-010-VI	M 4	10	2.48	1.5	7.8	4.5	2.5
P0175.040-012-VI	M 4	12	2.48	1.5	7.8	4.5	2.5
P0175.040-016-VI	M 4	16	2.48	1.5	7.8	4.5	2.5
P0175.040-020-VI	M 4	20	2.48	1.5	7.8	4.5	2.5
P0175.050-008-VI	M 5	8	3.10	1.8	9.7	5.6	3.0
P0175.050-010-VI	M 5	10	3.10	1.8	9.7	5.6	3.0
P0175.050-012-VI	M 5	12	3.10	1.8	9.7	5.6	3.0
P0175.050-016-VI	M 5	16	3.10	1.8	9.7	5.6	3.0
P0175.050-020-VI	M 5	20	3.10	1.8	9.7	5.6	3.0
P0175.060-012-VI	M 6	12	3.72	2.4	11.8	6.8	4.0
P0175.060-016-VI	M 6	16	3.72	2.4	11.8	6.8	4.0
P0175.060-020-VI	M 6	20	3.72	2.4	11.8	6.8	4.0
P0175.060-025-VI	M 6	25	3.72	2.4	11.8	6.8	4.0
P0175.060-030-VI	M 6	30	3.72	2.4	11.8	6.8	4.0
P0175.080-012-VI	M 8	12	4.96	3.0	15.8	8.5	5.0
P0175.080-016-VI	M 8	16	4.96	3.0	15.8	8.5	5.0
P0175.080-020-VI	M 8	20	4.96	3.0	15.8	8.5	5.0
P0175.080-025-VI	M 8	25	4.96	3.0	15.8	8.5	5.0
P0175.080-030-VI	M 8	30	4.96	3.0	15.8	8.5	5.0
P0175.100-016-VI	M10	16	6.2	4.5	19.8	10.6	6.0
P0175.100-020-VI	M10	20	6.2	4.5	19.8	10.6	6.0
P0175.100-025-VI	M10	25	6.2	4.5	19.8	10.6	6.0
P0175.100-030-VI	M10	30	6.2	4.5	19.8	10.6	6.0
P0175.100-040-VI	M10	40	6.2	4.5	19.8	10.6	6.0



Button Head Seal Screws

hex. socket

Sealing Screws and Plugs



P0174

SEALING SCREWS AND PLUGS

Material

Stainless steel (AISI 303 1.4305 tensile strength 550 N/mm² or AISI 316 1.440 tensile strength 480 N/mm²), with silicone „O“ ring as standard.
For other „O“ ring materials see technical data pages
(-FS = fluorosilicone, -EP = EPDM, -VI = viton, -NI = nitrile, -BN = Buna etc.).

Other thread lengths on request.

Technical Notes

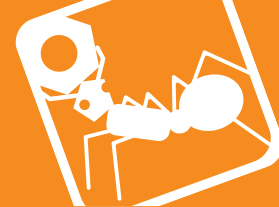
Screws generally as ISO 7380, seals substances in and contaminants out.
Re-useable. Clearance holes recommended for maximum sealing.
Max temperature range: -100°C to +260°C, pressure range - up to 410 bar (6000 psi).

Also available (on request) with thread-locking.

Tips

Clearance holes recommended for maximum sealing performance (see dimensions below).
Clearance hole depth 2-3 x thread pitch, threads are metric coarse pitch.

Order No.	d ₁	l ₁	h ₁ max.	d ₂ max.	A/F	d ₃ ±0.05	Material
P0174.030-006-A2	M 3	6	1.7	5.7	2	3.6	A2 s/s
P0174.030-008-A2	M 3	8	1.7	5.7	2	3.6	A2 s/s
P0174.030-010-A2	M 3	10	1.7	5.7	2	3.6	A2 s/s
P0174.030-012-A2	M 3	12	1.7	5.7	2	3.6	A2 s/s
P0174.030-020-A2	M 3	20	1.7	5.7	2	3.6	A2 s/s
P0174.040-006-A2	M 4	6	2.2	7.6	2.5	4.5	A2 s/s
P0174.040-008-A2	M 4	8	2.2	7.6	2.5	4.5	A2 s/s
P0174.040-010-A2	M 4	10	2.2	7.6	2.5	4.5	A2 s/s
P0174.040-012-A2	M 4	12	2.2	7.6	2.5	4.5	A2 s/s
P0174.040-016-A2	M 4	16	2.2	7.6	2.5	4.5	A2 s/s
P0174.040-020-A2	M 4	20	2.2	7.6	2.5	4.5	A2 s/s
P0174.050-008-A2	M 5	8	2.8	9.5	3	5.6	A2 s/s
P0174.050-010-A2	M 5	10	2.8	9.5	3	5.6	A2 s/s
P0174.050-012-A2	M 5	12	2.8	9.5	3	5.6	A2 s/s
P0174.050-016-A2	M 5	16	2.8	9.5	3	5.6	A2 s/s
P0174.050-020-A2	M 5	20	2.8	9.5	3	5.6	A2 s/s
P0174.060-012-A2	M 6	12	3.3	10.5	4	6.8	A2 s/s
P0174.060-016-A2	M 6	16	3.3	10.5	4	6.8	A2 s/s
P0174.060-020-A2	M 6	20	3.3	10.5	4	6.8	A2 s/s
P0174.060-025-A2	M 6	25	3.3	10.5	4	6.8	A2 s/s
P0174.060-030-A2	M 6	30	3.3	10.5	4	6.8	A2 s/s
P0174.080-012-A2	M 8	12	4.4	14.0	5	8.5	A2 s/s
P0174.080-016-A2	M 8	16	4.4	14.0	5	8.5	A2 s/s
P0174.080-020-A2	M 8	20	4.4	14.0	5	8.5	A2 s/s
P0174.080-025-A2	M 8	25	4.4	14.0	5	8.5	A2 s/s
P0174.080-030-A2	M 8	30	4.4	14.0	5	8.5	A2 s/s
P0174.100-016-A2	M10	16	5.5	17.5	6	10.6	A2 s/s
P0174.100-020-A2	M10	20	5.5	17.5	6	10.6	A2 s/s



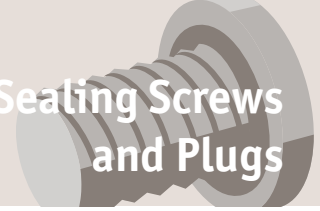
Order No.	d ₁	l ₁	h ₁ max.	d ₂ max.	A/F	d ₃ ±0.05	Material
P0174.100-025-A2	M10	25	5.5	17.5	6	10.6	A2 s/s
P0174.100-030-A2	M10	30	5.5	17.5	6	10.6	A2 s/s
P0174.100-040-A2	M10	40	5.5	17.5	6	10.6	A2 s/s
P0174.120-020-A2	M12	20	6.6	21.0	8	12.9	A2 s/s
P0174.120-025-A2	M12	25	6.6	21.0	8	12.9	A2 s/s
P0174.120-030-A2	M12	30	6.6	21.0	8	12.9	A2 s/s
P0174.120-040-A2	M12	40	6.6	21.0	8	12.9	A2 s/s
P0174.120-050-A2	M12	50	6.6	21.0	8	12.9	A2 s/s
P0174.030-006-A4	M 3	6	1.7	5.7	2	3.6	A4 s/s
P0174.030-008-A4	M 3	8	1.7	5.7	2	3.6	A4 s/s
P0174.030-010-A4	M 3	10	1.7	5.7	2	3.6	A4 s/s
P0174.030-012-A4	M 3	12	1.7	5.7	2	3.6	A4 s/s
P0174.030-020-A4	M 3	20	1.7	5.7	2	3.6	A4 s/s
P0174.040-006-A4	M 4	6	2.2	7.6	2.5	4.5	A4 s/s
P0174.040-008-A4	M 4	8	2.2	7.6	2.5	4.5	A4 s/s
P0174.040-010-A4	M 4	10	2.2	7.6	2.5	4.5	A4 s/s
P0174.040-012-A4	M 4	12	2.2	7.6	2.5	4.5	A4 s/s
P0174.040-016-A4	M 4	16	2.2	7.6	2.5	4.5	A4 s/s
P0174.040-020-A4	M 4	20	2.2	7.6	2.5	4.5	A4 s/s
P0174.050-008-A4	M 5	8	2.8	9.5	3	5.6	A4 s/s
P0174.050-010-A4	M 5	10	2.8	9.5	3	5.6	A4 s/s
P0174.050-012-A4	M 5	12	2.8	9.5	3	5.6	A4 s/s
P0174.050-016-A4	M 5	16	2.8	9.5	3	5.6	A4 s/s
P0174.050-020-A4	M 5	20	2.8	9.5	3	5.6	A4 s/s
P0174.060-012-A4	M 6	12	3.3	10.5	4	6.8	A4 s/s
P0174.060-016-A4	M 6	16	3.3	10.5	4	6.8	A4 s/s
P0174.060-020-A4	M 6	20	3.3	10.5	4	6.8	A4 s/s
P0174.060-025-A4	M 6	25	3.3	10.5	4	6.8	A4 s/s
P0174.060-030-A4	M 6	30	3.3	10.5	4	6.8	A4 s/s
P0174.080-012-A4	M 8	12	4.4	14.0	5	8.5	A4 s/s
P0174.080-016-A4	M 8	16	4.4	14.0	5	8.5	A4 s/s
P0174.080-020-A4	M 8	20	4.4	14.0	5	8.5	A4 s/s
P0174.080-025-A4	M 8	25	4.4	14.0	5	8.5	A4 s/s
P0174.080-030-A4	M 8	30	4.4	14.0	5	8.5	A4 s/s
P0174.100-016-A4	M10	16	5.5	17.5	6	10.6	A4 s/s
P0174.100-020-A4	M10	20	5.5	17.5	6	10.6	A4 s/s
P0174.100-025-A4	M10	25	5.5	17.5	6	10.6	A4 s/s
P0174.100-030-A4	M10	30	5.5	17.5	6	10.6	A4 s/s
P0174.100-040-A4	M10	40	5.5	17.5	6	10.6	A4 s/s
P0174.120-020-A4	M12	20	6.6	21.0	8	12.9	A4 s/s
P0174.120-025-A4	M12	25	6.6	21.0	8	12.9	A4 s/s
P0174.120-030-A4	M12	30	6.6	21.0	8	12.9	A4 s/s
P0174.120-040-A4	M12	40	6.6	21.0	8	12.9	A4 s/s
P0174.120-050-A4	M12	50	6.6	21.0	8	12.9	A4 s/s
P0174.030-006-VI	M 3	6	1.7	5.7	2	3.6	VI s/s
P0174.030-008-VI	M 3	8	1.7	5.7	2	3.6	VI s/s
P0174.030-010-VI	M 3	10	1.7	5.7	2	3.6	VI s/s
P0174.030-012-VI	M 3	12	1.7	5.7	2	3.6	VI s/s
P0174.030-020-VI	M 3	20	1.7	5.7	2	3.6	VI s/s
P0174.040-006-VI	M 4	6	2.2	7.6	2.5	4.5	VI s/s
P0174.040-008-VI	M 4	8	2.2	7.6	2.5	4.5	VI s/s
P0174.040-010-VI	M 4	10	2.2	7.6	2.5	4.5	VI s/s
P0174.040-012-VI	M 4	12	2.2	7.6	2.5	4.5	VI s/s
P0174.040-016-VI	M 4	16	2.2	7.6	2.5	4.5	VI s/s
P0174.040-020-VI	M 4	20	2.2	7.6	2.5	4.5	VI s/s
P0174.050-008-VI	M 5	8	2.8	9.5	3	5.6	VI s/s
P0174.050-010-VI	M 5	10	2.8	9.5	3	5.6	VI s/s
P0174.050-012-VI	M 5	12	2.8	9.5	3	5.6	VI s/s
P0174.050-016-VI	M 5	16	2.8	9.5	3	5.6	VI s/s
P0174.050-020-VI	M 5	20	2.8	9.5	3	5.6	VI s/s
P0174.060-012-VI	M 6	12	3.3	10.5	4	6.8	VI s/s
P0174.060-016-VI	M 6	16	3.3	10.5	4	6.8	VI s/s
P0174.060-020-VI	M 6	20	3.3	10.5	4	6.8	VI s/s
P0174.060-025-VI	M 6	25	3.3	10.5	4	6.8	VI s/s
P0174.060-030-VI	M 6	30	3.3	10.5	4	6.8	VI s/s
P0174.080-012-VI	M 8	12	4.4	14.0	5	8.5	VI s/s
P0174.080-016-VI	M 8	16	4.4	14.0	5	8.5	VI s/s
P0174.080-020-VI	M 8	20	4.4	14.0	5	8.5	VI s/s



Button Head Seal Screws

hex. socket

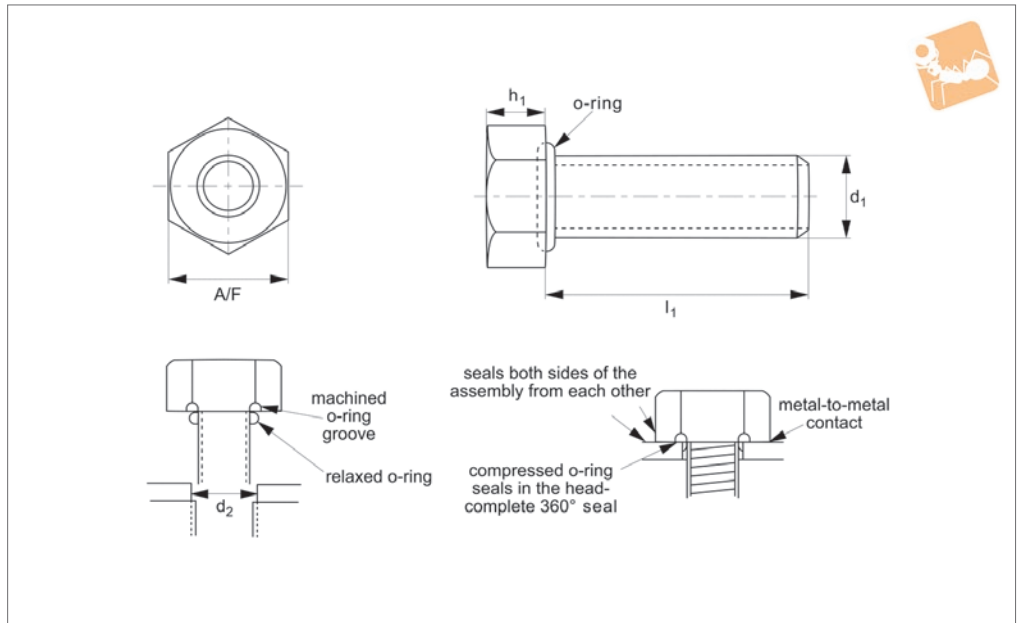
Sealing Screws and Plugs



Order No.	d ₁	l ₁	h ₁ max.	d ₂ max.	A/F	d ₃ ±0.05	Material
P0174.080-025-VI	M 8	25	4.4	14.0	5	8.5	VI s/s
P0174.080-030-VI	M 8	30	4.4	14.0	5	8.5	VI s/s
P0174.100-016-VI	M10	16	5.5	17.5	6	10.6	VI s/s
P0174.100-020-VI	M10	20	5.5	17.5	6	10.6	VI s/s
P0174.100-025-VI	M10	25	5.5	17.5	6	10.6	VI s/s
P0174.100-030-VI	M10	30	5.5	17.5	6	10.6	VI s/s
P0174.100-040-VI	M10	40	5.5	17.5	6	10.6	VI s/s
P0174.120-020-VI	M12	20	6.6	21.0	8	12.9	VI s/s
P0174.120-025-VI	M12	25	6.6	21.0	8	12.9	VI s/s
P0174.120-030-VI	M12	30	6.6	21.0	8	12.9	VI s/s
P0174.120-040-VI	M12	40	6.6	21.0	8	12.9	VI s/s
P0174.120-050-VI	M12	50	6.6	21.0	8	12.9	VI s/s



P0176



Material

Stainless steel (AISI 303 1.4305 tensile strength 550 N/mm² or AISI 316 1.440 tensile strength 480 N/mm²), with silicone „O” ring as standard.
 For other „O” ring materials see technical data pages
 (-FS = fluorosilicone, -EP = EPDM, -VI = viton, -NI = nitrile, -BN = Buna etc.).

Other thread lengths on request.

Technical Notes

Clearance holes recommended for maximum sealing, seals substances in and contaminants out.
 Max temperature range: -100°C to +260°C,
 pressure range - up to 410 bar (6000 psi).
 Re-useable, also available (on request)

with thread-locking.

Tips

Clearance holes recommended for maximum sealing performance (see dimensions below).
 Clearance hole depth 2-3 x thread pitch,
 threads are metric coarse pitch.

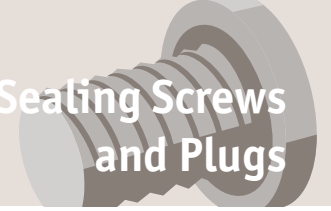
Order No.	d ₁	l ₁	A/F	h ₁ max.	d ₂ ±0.05	Material
P0176.020-004-A2	M 2	4	4.0	1.6	2.35	A2 s/s
P0176.020-008-A2	M 2	8	4.0	1.6	2.35	A2 s/s
P0176.020-010-A2	M 2	10	4.0	1.6	2.35	A2 s/s
P0176.020-012-A2	M 2	12	4.0	1.6	2.35	A2 s/s
P0176.020-020-A2	M 2	20	4.0	1.6	2.35	A2 s/s
P0176.030-006-A2	M 3	6	5.5	2.2	3.6	A2 s/s
P0176.030-008-A2	M 3	8	5.5	2.2	3.6	A2 s/s
P0176.030-010-A2	M 3	10	5.5	2.2	3.6	A2 s/s
P0176.030-012-A2	M 3	12	5.5	2.2	3.6	A2 s/s
P0176.030-020-A2	M 3	20	5.5	2.2	3.6	A2 s/s
P0176.040-006-A2	M 4	6	7.0	3.0	4.5	A2 s/s
P0176.040-008-A2	M 4	8	7.0	3.0	4.5	A2 s/s
P0176.040-010-A2	M 4	10	7.0	3.0	4.5	A2 s/s
P0176.040-012-A2	M 4	12	7.0	3.0	4.5	A2 s/s
P0176.040-016-A2	M 4	16	7.0	3.0	4.5	A2 s/s
P0176.040-020-A2	M 4	20	7.0	3.0	4.5	A2 s/s
P0176.050-008-A2	M 5	8	8.0	3.7	5.6	A2 s/s
P0176.050-010-A2	M 5	10	8.0	3.7	5.6	A2 s/s
P0176.050-012-A2	M 5	12	8.0	3.7	5.6	A2 s/s
P0176.050-016-A2	M 5	16	8.0	3.7	5.6	A2 s/s
P0176.050-020-A2	M 5	20	8.0	3.7	5.6	A2 s/s
P0176.060-012-A2	M 6	12	10.0	4.2	6.8	A2 s/s
P0176.060-016-A2	M 6	16	10.0	4.2	6.8	A2 s/s
P0176.060-020-A2	M 6	20	10.0	4.2	6.8	A2 s/s
P0176.060-025-A2	M 6	25	10.0	4.2	6.8	A2 s/s
P0176.060-030-A2	M 6	30	10.0	4.2	6.8	A2 s/s
P0176.080-012-A2	M 8	12	13.0	5.5	8.5	A2 s/s
P0176.080-016-A2	M 8	16	13.0	5.5	8.5	A2 s/s



Integral Seal Bolts

hexagon head

Sealing Screws and Plugs



SEALING SCREWS AND PLUGS

Order No.	d ₁	l ₁	A/F	h ₁ max.	d ₂ ±0.05	Material
P0176.080-020-A2	M 8	20	13.0	5.5	8.5	A2 s/s
P0176.080-025-A2	M 8	25	13.0	5.5	8.5	A2 s/s
P0176.080-030-A2	M 8	30	13.0	5.5	8.5	A2 s/s
P0176.080-040-A2	M 8	40	13.0	5.5	8.5	A2 s/s
P0176.100-016-A2	M10	16	16.0	6.6	10.6	A2 s/s
P0176.100-020-A2	M10	20	16.0	6.6	10.6	A2 s/s
P0176.100-025-A2	M10	25	16.0	6.6	10.6	A2 s/s
P0176.100-030-A2	M10	30	16.0	6.6	10.6	A2 s/s
P0176.100-040-A2	M10	40	16.0	6.6	10.6	A2 s/s
P0176.100-050-A2	M10	50	16.0	6.6	10.6	A2 s/s
P0176.120-020-A2	M12	20	18.0	7.7	12.85	A2 s/s
P0176.120-025-A2	M12	25	18.0	7.7	12.85	A2 s/s
P0176.120-030-A2	M12	30	18.0	7.7	12.85	A2 s/s
P0176.120-040-A2	M12	40	18.0	7.7	12.85	A2 s/s
P0176.120-050-A2	M12	50	18.0	7.7	12.85	A2 s/s
P0176.020-004-A4	M 2	4	4.0	1.6	2.35	A4 s/s
P0176.020-008-A4	M 2	8	4.0	1.6	2.35	A4 s/s
P0176.020-010-A4	M 2	10	4.0	1.6	2.35	A4 s/s
P0176.020-012-A4	M 2	12	4.0	1.6	2.35	A4 s/s
P0176.020-020-A4	M 2	20	4.0	1.6	2.35	A4 s/s
P0176.030-006-A4	M 3	6	5.5	2.2	3.6	A4 s/s
P0176.030-008-A4	M 3	8	5.5	2.2	3.6	A4 s/s
P0176.030-010-A4	M 3	10	5.5	2.2	3.6	A4 s/s
P0176.030-012-A4	M 3	12	5.5	2.2	3.6	A4 s/s
P0176.030-020-A4	M 3	20	5.5	2.2	3.6	A4 s/s
P0176.040-006-A4	M 4	6	7.0	3.0	4.5	A4 s/s
P0176.040-008-A4	M 4	8	7.0	3.0	4.5	A4 s/s
P0176.040-010-A4	M 4	10	7.0	3.0	4.5	A4 s/s
P0176.040-012-A4	M 4	12	7.0	3.0	4.5	A4 s/s
P0176.040-016-A4	M 4	16	7.0	3.0	4.5	A4 s/s
P0176.040-020-A4	M 4	20	7.0	3.0	4.5	A4 s/s
P0176.050-008-A4	M 5	8	8.0	3.7	5.6	A4 s/s
P0176.050-010-A4	M 5	10	8.0	3.7	5.6	A4 s/s
P0176.050-012-A4	M 5	12	8.0	3.7	5.6	A4 s/s
P0176.050-016-A4	M 5	16	8.0	3.7	5.6	A4 s/s
P0176.050-020-A4	M 5	20	8.0	3.7	5.6	A4 s/s
P0176.060-012-A4	M 6	12	10.0	4.2	6.8	A4 s/s
P0176.060-016-A4	M 6	16	10.0	4.2	6.8	A4 s/s
P0176.060-020-A4	M 6	20	10.0	4.2	6.8	A4 s/s
P0176.060-025-A4	M 6	25	10.0	4.2	6.8	A4 s/s
P0176.060-030-A4	M 6	30	10.0	4.2	6.8	A4 s/s
P0176.080-012-A4	M 8	12	13.0	5.5	8.5	A4 s/s
P0176.080-016-A4	M 8	16	13.0	5.5	8.5	A4 s/s
P0176.080-020-A4	M 8	20	13.0	5.5	8.5	A4 s/s
P0176.080-025-A4	M 8	25	13.0	5.5	8.5	A4 s/s
P0176.080-030-A4	M 8	30	13.0	5.5	8.5	A4 s/s
P0176.080-040-A4	M 8	40	13.0	5.5	8.5	A4 s/s
P0176.100-016-A4	M10	16	16.0	6.6	10.6	A4 s/s
P0176.100-020-A4	M10	20	16.0	6.6	10.6	A4 s/s
P0176.100-025-A4	M10	25	16.0	6.6	10.6	A4 s/s
P0176.100-030-A4	M10	30	16.0	6.6	10.6	A4 s/s
P0176.100-040-A4	M10	40	16.0	6.6	10.6	A4 s/s
P0176.100-050-A4	M10	50	16.0	6.6	10.6	A4 s/s
P0176.120-020-A4	M12	20	18.0	7.7	12.85	A4 s/s
P0176.120-025-A4	M12	25	18.0	7.7	12.85	A4 s/s
P0176.120-030-A4	M12	30	18.0	7.7	12.85	A4 s/s
P0176.120-040-A4	M12	40	18.0	7.7	12.85	A4 s/s
P0176.120-050-A4	M12	50	18.0	7.7	12.85	A4 s/s
P0176.020-004-VI	M 2	4	4.0	1.6	2.35	VI s/s
P0176.020-008-VI	M 2	8	4.0	1.6	2.35	VI s/s
P0176.020-010-VI	M 2	10	4.0	1.6	2.35	VI s/s
P0176.020-012-VI	M 2	12	4.0	1.6	2.35	VI s/s
P0176.020-020-VI	M 2	20	4.0	1.6	2.35	VI s/s
P0176.030-006-VI	M 3	6	5.5	2.2	3.6	VI s/s
P0176.030-008-VI	M 3	8	5.5	2.2	3.6	VI s/s
P0176.030-010-VI	M 3	10	5.5	2.2	3.6	VI s/s
P0176.030-012-VI	M 3	12	5.5	2.2	3.6	VI s/s
P0176.030-020-VI	M 3	20	5.5	2.2	3.6	VI s/s

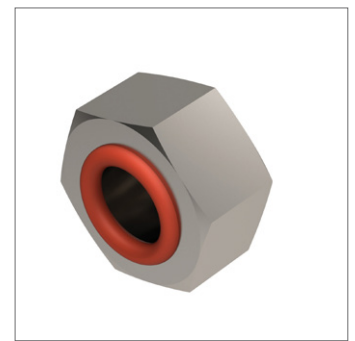
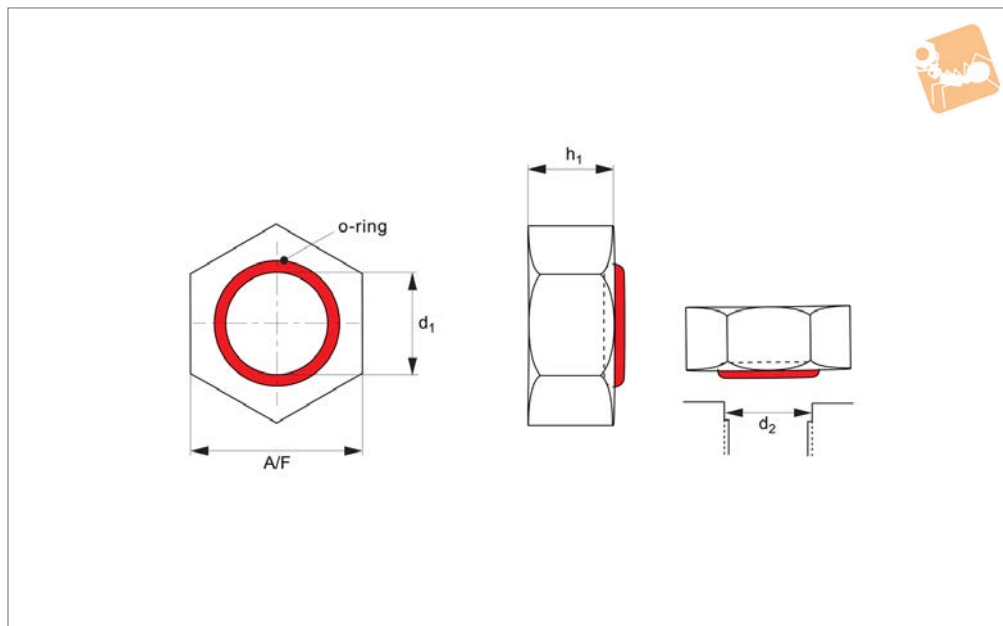


Order No.	d ₁	l ₁	A/F	h ₁ max.	d ₂ ±0.05	Material
P0176.040-006-VI	M 4	6	7.0	3.0	4.5	VI s/s
P0176.040-008-VI	M 4	8	7.0	3.0	4.5	VI s/s
P0176.040-010-VI	M 4	10	7.0	3.0	4.5	VI s/s
P0176.040-012-VI	M 4	12	7.0	3.0	4.5	VI s/s
P0176.040-016-VI	M 4	16	7.0	3.0	4.5	VI s/s
P0176.040-020-VI	M 4	20	7.0	3.0	4.5	VI s/s
P0176.050-008-VI	M 5	8	8.0	3.7	5.6	VI s/s
P0176.050-010-VI	M 5	10	8.0	3.7	5.6	VI s/s
P0176.050-012-VI	M 5	12	8.0	3.7	5.6	VI s/s
P0176.050-016-VI	M 5	16	8.0	3.7	5.6	VI s/s
P0176.050-020-VI	M 5	20	8.0	3.7	5.6	VI s/s
P0176.060-012-VI	M 6	12	10.0	4.2	6.8	VI s/s
P0176.060-016-VI	M 6	16	10.0	4.2	6.8	VI s/s
P0176.060-020-VI	M 6	20	10.0	4.2	6.8	VI s/s
P0176.060-025-VI	M 6	25	10.0	4.2	6.8	VI s/s
P0176.060-030-VI	M 6	30	10.0	4.2	6.8	VI s/s
P0176.080-012-VI	M 8	12	13.0	5.5	8.5	VI s/s
P0176.080-016-VI	M 8	16	13.0	5.5	8.5	VI s/s
P0176.080-020-VI	M 8	20	13.0	5.5	8.5	VI s/s
P0176.080-025-VI	M 8	25	13.0	5.5	8.5	VI s/s
P0176.080-030-VI	M 8	30	13.0	5.5	8.5	VI s/s
P0176.080-040-VI	M 8	40	13.0	5.5	8.5	VI s/s
P0176.100-016-VI	M10	16	16.0	6.6	10.6	VI s/s
P0176.100-020-VI	M10	20	16.0	6.6	10.6	VI s/s
P0176.100-025-VI	M10	25	16.0	6.6	10.6	VI s/s
P0176.100-030-VI	M10	30	16.0	6.6	10.6	VI s/s
P0176.100-040-VI	M10	40	16.0	6.6	10.6	VI s/s
P0176.100-050-VI	M10	50	16.0	6.6	10.6	VI s/s
P0176.120-020-VI	M12	20	18.0	7.7	12.85	VI s/s
P0176.120-025-VI	M12	25	18.0	7.7	12.85	VI s/s
P0176.120-030-VI	M12	30	18.0	7.7	12.85	VI s/s
P0176.120-040-VI	M12	40	18.0	7.7	12.85	VI s/s
P0176.120-050-VI	M12	50	18.0	7.7	12.85	VI s/s



Integral Seal Hex. Nuts Stainless

Sealing Screws and Plugs



P0178

SEALING SCREWS AND PLUGS

Material

Stainless steel (AISI 303 1.4305 tensile strength 550 N/mm² or AISI 316 1.440 tensile strength 480 N/mm²), with silicone „O“ ring as standard.
For other „O“ ring materials see technical data pages,
(-FS = fluorosilicone, -EP = EPDM, -VI =

viton, -NI = nitrile, -BN = Buna etc.).

Technical Notes

Seals substances in and contaminants out, re-useable.
Max temperature range: -100°C to +260°C,
pressure range - up to 410 bar (6000 psi).

Tips

Clearance holes recommended for maximum sealing performance (see dimensions below).
Clearance hole depth 2-3 x thread pitch, threads are metric coarse pitch.

Order No.	d ₁	A/F	d ₂ ±0.05	h ₁ max.	Material
P0178.020-A2-SI	M 2	4	2.35	1.6	A2 s/s
P0178.025-A2-SI	M2,5	5	2.75	2.0	A2 s/s
P0178.030-A2-SI	M 3	5.5	3.6	2.4	A2 s/s
P0178.040-A2-SI	M 4	7	4.5	3.2	A2 s/s
P0178.050-A2-SI	M 5	8	5.6	4.7	A2 s/s
P0178.060-A2-SI	M 6	10	6.8	5.2	A2 s/s
P0178.080-A2-SI	M 8	13	8.5	6.8	A2 s/s
P0178.100-A2-SI	M10	16	10.6	8.4	A2 s/s
P0178.120-A2-SI	M12	18	12.85	10.8	A2 s/s
P0178.140-A2-SI	M14	21	15.1	12.8	A2 s/s
P0178.160-A2-SI	M16	24	17.5	14.8	A2 s/s
P0178.020-A4-SI	M 2	4	2.35	1.6	A4 s/s
P0178.025-A4-SI	M2,5	5	2.75	2.0	A4 s/s
P0178.030-A4-SI	M 3	5.5	3.6	2.4	A4 s/s
P0178.040-A4-SI	M 4	7	4.5	3.2	A4 s/s
P0178.050-A4-SI	M 5	8	5.6	4.7	A4 s/s
P0178.060-A4-SI	M 6	10	6.8	5.2	A4 s/s
P0178.080-A4-SI	M 8	13	8.5	6.8	A4 s/s
P0178.100-A4-SI	M10	16	10.6	8.4	A4 s/s
P0178.120-A4-SI	M12	18	12.85	10.8	A4 s/s
P0178.140-A4-SI	M14	21	15.1	12.8	A4 s/s
P0178.160-A4-SI	M16	24	17.5	14.8	A4 s/s
P0178.020-A2-VI	M 2	4	2.35	1.6	A2 s/s
P0178.025-A2-VI	M2,5	5	2.75	2.0	A2 s/s
P0178.030-A2-VI	M 3	5.5	3.6	2.4	A2 s/s
P0178.040-A2-VI	M 4	7	4.5	3.2	A2 s/s
P0178.050-A2-VI	M 5	8	5.6	4.7	A2 s/s
P0178.060-A2-VI	M 6	10	6.8	5.2	A2 s/s
P0178.080-A2-VI	M 8	13	8.5	6.8	A2 s/s



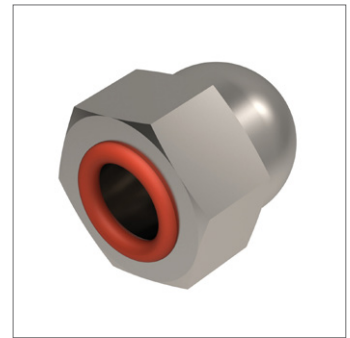
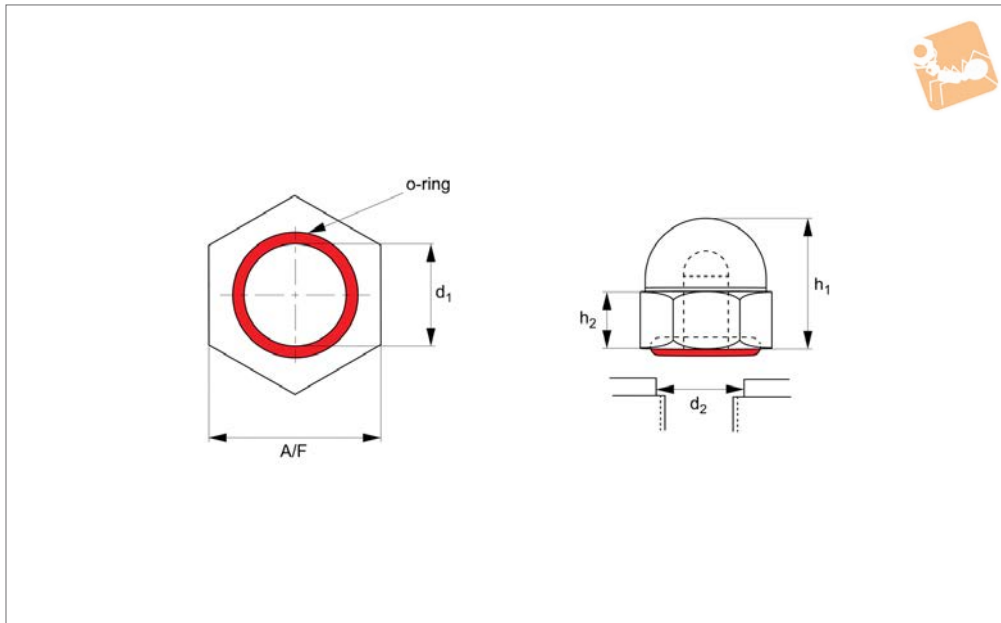
Order No.	d ₁	A/F	d ₂ ±0.05	h ₁ max.	Material
P0178.100-A2-VI	M10	16	10.6	8.4	A2 s/s
P0178.120-A2-VI	M12	18	12.85	10.8	A2 s/s
P0178.140-A2-VI	M14	21	15.1	12.8	A2 s/s
P0178.160-A2-VI	M16	24	17.5	14.8	A2 s/s
P0178.020-A4-VI	M 2	4	2.35	1.6	A4 s/s
P0178.025-A4-VI	M2,5	5	2.75	2.0	A4 s/s
P0178.030-A4-VI	M 3	5.5	3.6	2.4	A4 s/s
P0178.040-A4-VI	M 4	7	4.5	3.2	A4 s/s
P0178.050-A4-VI	M 5	8	5.6	4.7	A4 s/s
P0178.060-A4-VI	M 6	10	6.8	5.2	A4 s/s
P0178.080-A4-VI	M 8	13	8.5	6.8	A4 s/s
P0178.100-A4-VI	M10	16	10.6	8.4	A4 s/s
P0178.120-A4-VI	M12	18	12.85	10.8	A4 s/s
P0178.140-A4-VI	M14	21	15.1	12.8	A4 s/s
P0178.160-A4-VI	M16	24	17.5	14.8	A4 s/s



Integral Seal Domed Nuts

A2 stainless

Sealing Screws and Plugs



P0179

SEALING SCREWS AND PLUGS

Material

Stainless steel (AISI 303 1.4305 tensile strength 550 N/mm²), with silicone „O“ ring as standard.

For other „O“ ring materials see technical data pages,
(-FS = fluorosilicone, -EP = EPDM, -VI =

viton, -NI = nitrile etc.).

Technical Notes

Seals substances in and contaminants out. Re-useable.

Max temperature range: -100°C to +260°C, pressure range - up to 410 bar (6000 psi).

Tips

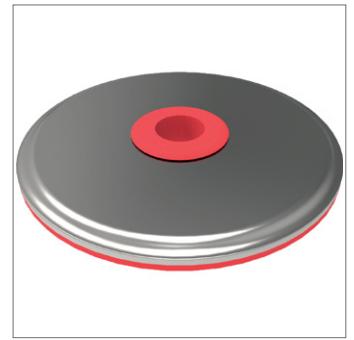
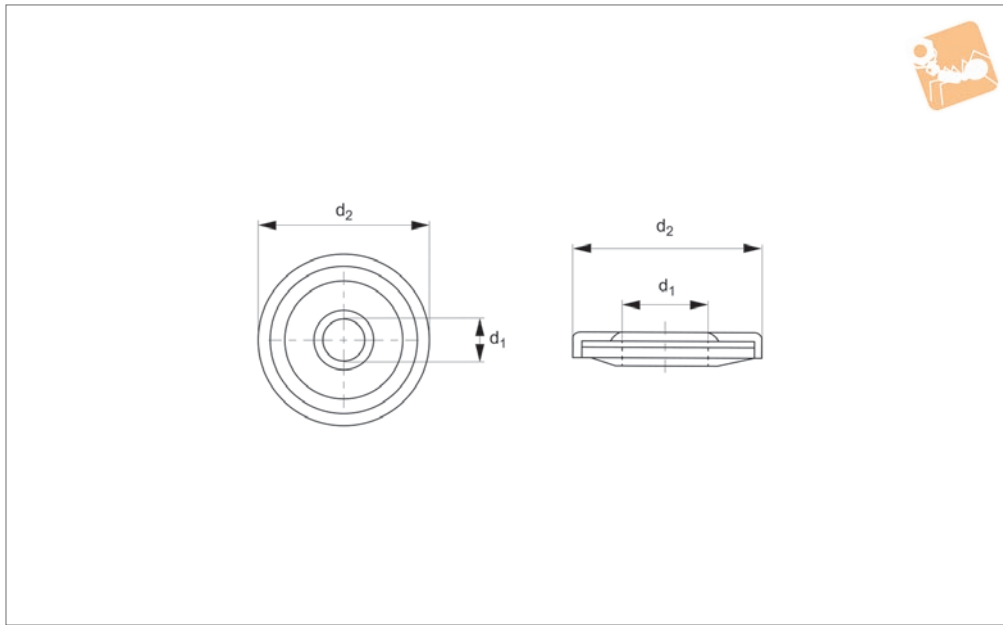
Clearance holes recommended for maximum sealing performance (see dimensions below).

Clearance hole depth 2-3 x thread pitch, threads are metric coarse pitch.

Order No.	d ₁	A/F	d ₂ ±0.05	h ₁	h ₂	Material
P0179.030-A2-SI	M 3	5.5	3.6	6	2.4	A2 s/s
P0179.040-A2-SI	M 4	7	4.5	8	3.2	A2 s/s
P0179.050-A2-SI	M 5	8	5.6	10	4.0	A2 s/s
P0179.060-A2-SI	M 6	10	6.8	12	5.0	A2 s/s
P0179.080-A2-SI	M 8	13	8.5	15	6.5	A2 s/s
P0179.100-A2-SI	M10	17	10.6	18	8.0	A2 s/s
P0179.120-A2-SI	M12	19	12.85	22	10.0	A2 s/s
P0179.160-A2-SI	M16	24	17.5	28	13.0	A2 s/s
P0179.030-A4-SI	M 3	5.5	3.6	6	2.4	A4 s/s
P0179.040-A4-SI	M 4	7	4.5	8	3.2	A4 s/s
P0179.050-A4-SI	M 5	8	5.6	10	4.0	A4 s/s
P0179.060-A4-SI	M 6	10	6.8	12	5.0	A4 s/s
P0179.080-A4-SI	M 8	13	8.5	15	6.5	A4 s/s
P0179.100-A4-SI	M10	17	10.6	18	8.0	A4 s/s
P0179.120-A4-SI	M12	19	12.85	22	10.0	A4 s/s
P0179.160-A4-SI	M16	24	17.5	28	13.0	A4 s/s
P0179.030-A2-VI	M 3	5.5	3.6	6	2.4	A2 s/s
P0179.040-A2-VI	M 4	7	4.5	8	3.2	A2 s/s
P0179.050-A2-VI	M 5	8	5.6	10	4.0	A2 s/s
P0179.060-A2-VI	M 6	10	6.8	12	5.0	A2 s/s
P0179.080-A2-VI	M 8	13	8.5	15	6.5	A2 s/s
P0179.100-A2-VI	M10	17	10.6	18	8.0	A2 s/s
P0179.120-A2-VI	M12	19	12.85	22	10.0	A2 s/s
P0179.160-A2-VI	M16	24	17.5	28	13.0	A2 s/s
P0179.030-A4-VI	M 3	5.5	3.6	6	2.4	A4 s/s
P0179.040-A4-VI	M 4	7	4.5	8	3.2	A4 s/s
P0179.050-A4-VI	M 5	8	5.6	10	4.0	A4 s/s
P0179.060-A4-VI	M 6	10	6.8	12	5.0	A4 s/s
P0179.080-A4-VI	M 8	13	8.5	15	6.5	A4 s/s
P0179.100-A4-VI	M10	17	10.6	18	8.0	A4 s/s
P0179.120-A4-VI	M12	19	12.85	22	10.0	A4 s/s



Order No.	d ₁	A/F	d ₂ ±0.05	h ₁	h ₂	Material
P0179.160-A4-VI	M16	24	17.5	28	13.0	A4 s/s



P0180

SEALING SCREWS AND PLUGS

Material

Stainless steel (A4, AISI 316), with ribbed silicone rubber bonded sealing element.

Technical Notes

Seals substances in and contaminants out.

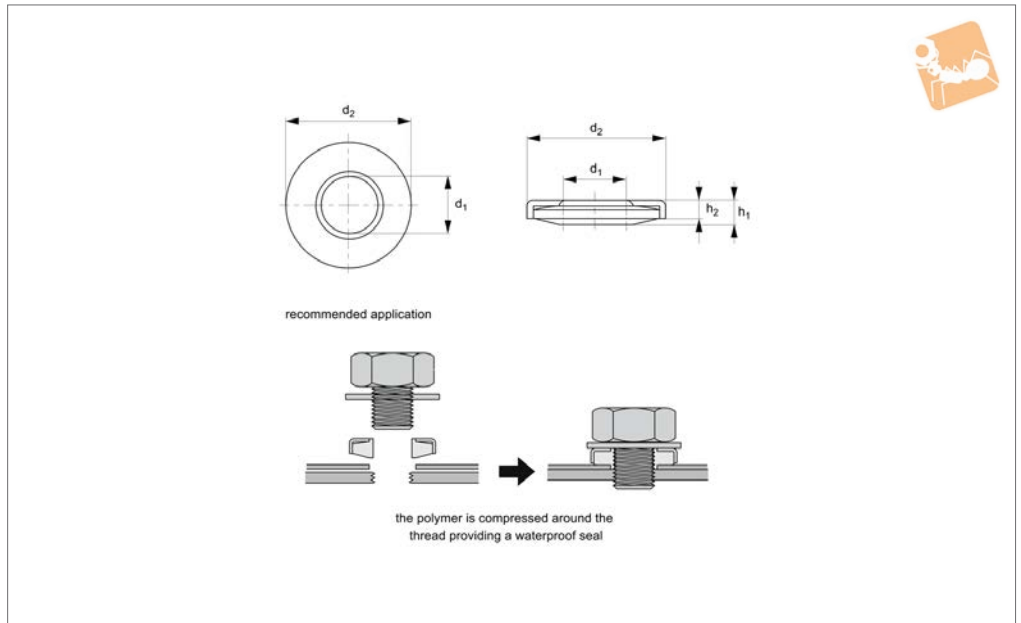
The silicone contact surface has continuous ridge which forms a 360.C seal around periphery of the washer when compressed. The silicone also forms a seal under the head of its fastener making full contact

with the threads/ shank thereby are fully re-usable. Max. temperature range: -75C to +205C. IP 66/68 rated, pressure range: exceeds 100 psi internal and external.

Order No.	For thread d_1	d_2
P0180.030-012-A4	M 3	14.5
P0180.030-025-A4	M 3	25.5
P0180.040-025-A4	M 4	25.5
P0180.050-012-A4	M 5	14.5
P0180.050-025-A4	M 5	25.5
P0180.060-025-A4	M 6	25.5
P0180.080-025-A4	M 8	25.5
P0180.100-025-A4	M10	25.5
P0180.120-025-A4	M12	25.5



P0181



Material

Stainless steel (AISI 304, 1.4301), with thermoplastic elastomer (TPE) insert.

Technical Notes

Seals substances in and contaminants out. For watertight applications, the seal is best

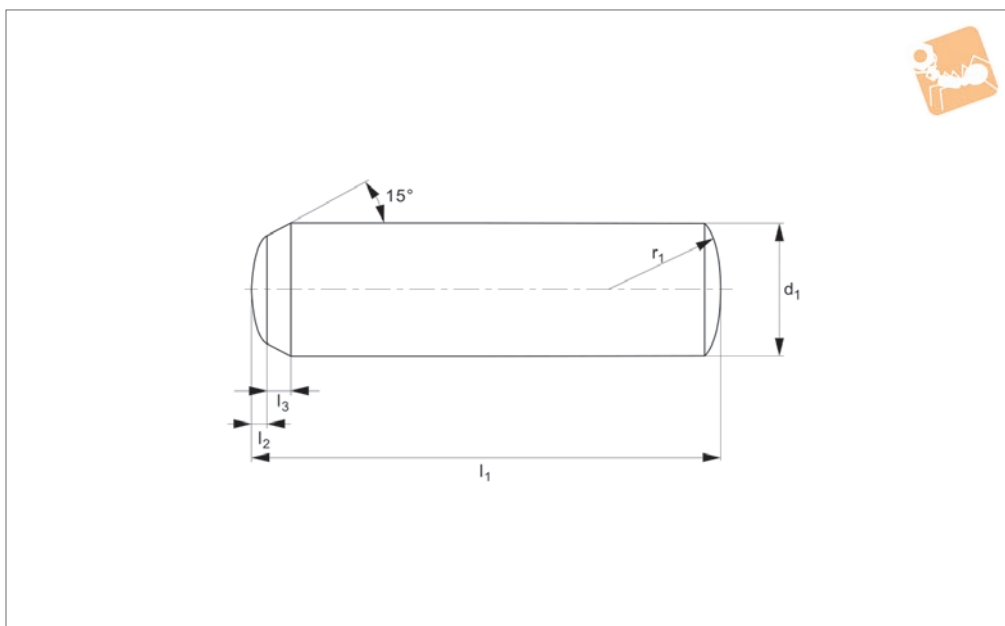
placed against a smooth material, ensuring a tight seal is created.

Tips

We recommend installing a flat washer above the sealing washer to ensure that uniform pressure is applied to the elas-

tomer inside the washer. We recommend that you test the sealing washer in your application to determine the optimum tightening torque. For use at -30 °C to 90 °C.

Order No.	For thread	d ₁	d ₂	h ₁	h ₂	Recommended tightening torque Nm	Rated pressure (liquids) Bar max.	Rated pressure (gases) Bar max.	Weight g
P0181.030-A2	M 3	3.0	8	3.1	2.5	0,3-0,6	7	7	0.4
P0181.040-A2	M 4	4.1	10	3.5	3.0	0,8-1,5	7	7	0.6
P0181.050-A2	M 5	5.1	12	3.5	3.0	1,5-3,0	7	7	1.0
P0181.060-A2	M 6	6.1	14	3.5	3.0	2,5-5,0	7	7	1.0
P0181.080-A2	M 8	8.1	18	4.0	3.0	6,2-12	7	7	2.0
P0181.100-A2	M10	10.1	23	4.0	3.0	24-12	7	7	3.0
P0181.120-A2	M12	12.1	25	4.0	3.0	21-42	7	7	4.0
P0181.160-A2	M16	16.1	30	4.5	3.0	53-106	7	7	6.0
P0181.200-A2	M20	20.1	37	4.5	3.0	103 min.	7	7	9.0



P1204

DOWEL PINS

Material

Through hardened and ground steel (100Cr6).

Hardened and tempered to HV 550-650,

HRC 60 ±2.

Technical Notes

To DIN 6325 , ISO 8734.

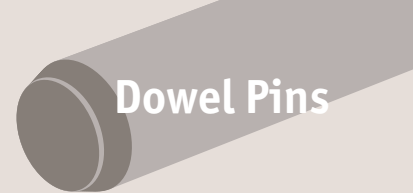
Ground to m6 tolerance on diameter (interference fit).

Order No.	d ₁ m6	l ₁ tol. js14	l ₂	l ₃	Double shear kN
P1204.010-004	1	4	0.12	0.5	1.5
P1204.010-005	1	5	0.12	0.5	1.5
P1204.010-006	1	6	0.12	0.5	1.5
P1204.010-008	1	8	0.12	0.5	1.5
P1204.010-010	1	10	0.12	0.5	1.5
P1204.015-004	1.5	4	0.20	0.6	3.4
P1204.015-005	1.5	5	0.20	0.6	3.4
P1204.015-006	1.5	6	0.20	0.6	3.4
P1204.010-012	1	12	0.12	0.5	1.5
P1204.015-008	1.5	8	0.20	0.6	3.4
P1204.015-010	1.5	10	0.20	0.6	3.4
P1204.015-012	1.5	12	0.20	0.6	3.4
P1204.015-014	1.5	14	0.20	0.6	3.4
P1204.015-016	1.5	16	0.20	0.6	3.4
P1204.020-004	2	4	0.25	0.8	5.5
P1204.020-005	2	5	0.25	0.8	5.5
P1204.020-006	2	6	0.25	0.8	5.5
P1204.020-008	2	8	0.25	0.8	5.5
P1204.020-010	2	10	0.25	0.8	5.5
P1204.020-012	2	12	0.25	0.8	5.5
P1204.020-014	2	14	0.25	0.8	5.5
P1204.020-016	2	16	0.25	0.8	5.5
P1204.020-018	2	18	0.25	0.8	5.5
P1204.020-020	2	20	0.25	0.8	5.5
P1204.020-024	2	24	0.25	0.8	5.5
P1204.025-005	2.5	5	0.3	1	8.0
P1204.025-006	2.5	6	0.3	1	8.0
P1204.025-008	2.5	8	0.3	1	8.0
P1204.025-010	2.5	10	0.3	1	8.0
P1204.025-012	2.5	12	0.3	1	8.0
P1204.025-014	2.5	14	0.3	1	8.0
P1204.025-016	2.5	16	0.3	1	8.0
P1204.025-018	2.5	18	0.3	1	8.0
P1204.025-020	2.5	20	0.3	1	8.0



DOWEL PINS

Order No.	d ₁ m6	l ₁ tol. js14	l ₂	l ₃	Double shear kN
P1204.025-024	2.5	24	0.3	1	8.0
P1204.030-005	3	5	0.4	1.2	13.0
P1204.030-006	3	6	0.4	1.2	13.0
P1204.030-008	3	8	0.4	1.2	13.0
P1204.030-010	3	10	0.4	1.2	13.0
P1204.030-012	3	12	0.4	1.2	13.0
P1204.030-014	3	14	0.4	1.2	13.0
P1204.030-016	3	16	0.4	1.2	13.0
P1204.030-018	3	18	0.4	1.2	13.0
P1204.030-020	3	20	0.4	1.2	13.0
P1204.030-024	3	24	0.4	1.2	13.0
P1204.030-028	3	28	0.4	1.2	13.0
P1204.030-030	3	30	0.4	1.2	13.0
P1204.060-045	6	45	0.8	2.1	53.0
P1204.060-050	6	50	0.8	2.1	53.0
P1204.060-055	6	55	0.8	2.1	53.0
P1204.060-060	6	60	0.8	2.1	53.0
P1204.080-010	8	10	1	2.6	88.0
P1204.080-012	8	12	1	2.6	88.0
P1204.080-014	8	14	1	2.6	88.0
P1204.080-016	8	16	1	2.6	88.0
P1204.080-018	8	18	1	2.6	88.0
P1204.080-020	8	20	1	2.6	88.0
P1204.080-024	8	24	1	2.6	88.0
P1204.080-028	8	28	1	2.6	88.0
P1204.080-030	8	30	1	2.6	88.0
P1204.080-032	8	32	1	2.6	88.0
P1204.080-036	8	36	1	2.6	88.0
P1204.080-040	8	40	1	2.6	88.0
P1204.080-045	8	45	1	2.6	88.0
P1204.080-050	8	50	1	2.6	88.0
P1204.080-055	8	55	1	2.6	88.0
P1204.080-060	8	60	1	2.6	88.0
P1204.080-070	8	70	1	2.6	88.0
P1204.080-080	8	80	1	2.6	88.0
P1204.100-016	10	16	1.2	3	132.0
P1204.100-018	10	18	1.2	3	132.0
P1204.100-020	10	20	1.2	3	132.0
P1204.100-024	10	24	1.2	3	132.0
P1204.100-028	10	28	1.2	3	132.0
P1204.100-030	10	30	1.2	3	132.0
P1204.100-032	10	32	1.2	3	132.0
P1204.100-036	10	36	1.2	3	132.0
P1204.100-040	10	40	1.2	3	132.0
P1204.100-045	10	45	1.2	3	132.0
P1204.100-050	10	50	1.2	3	132.0
P1204.100-055	10	55	1.2	3	132.0
P1204.100-060	10	60	1.2	3	132.0
P1204.100-070	10	70	1.2	3	132.0
P1204.100-080	10	80	1.2	3	132.0
P1204.100-090	10	90	1.2	3	132.0
P1204.100-100	10	100	1.2	3	132.0
P1204.100-110	10	110	1.2	3	132.0
P1204.100-120	10	120	1.2	3	132.0
P1204.120-018	12	18	1.6	3.8	210.0
P1204.120-020	12	20	1.6	3.8	210.0
P1204.120-024	12	24	1.6	3.8	210.0
P1204.120-028	12	28	1.6	3.8	210.0
P1204.120-030	12	30	1.6	3.8	210.0
P1204.120-032	12	32	1.6	3.8	210.0
P1204.120-036	12	36	1.6	3.8	210.0
P1204.120-040	12	40	1.6	3.8	210.0
P1204.120-045	12	45	1.6	3.8	210.0
P1204.120-050	12	50	1.6	3.8	210.0
P1204.120-055	12	55	1.6	3.8	210.0
P1204.120-060	12	60	1.6	3.8	210.0
P1204.120-070	12	70	1.6	3.8	210.0
P1204.120-080	12	80	1.6	3.8	210.0



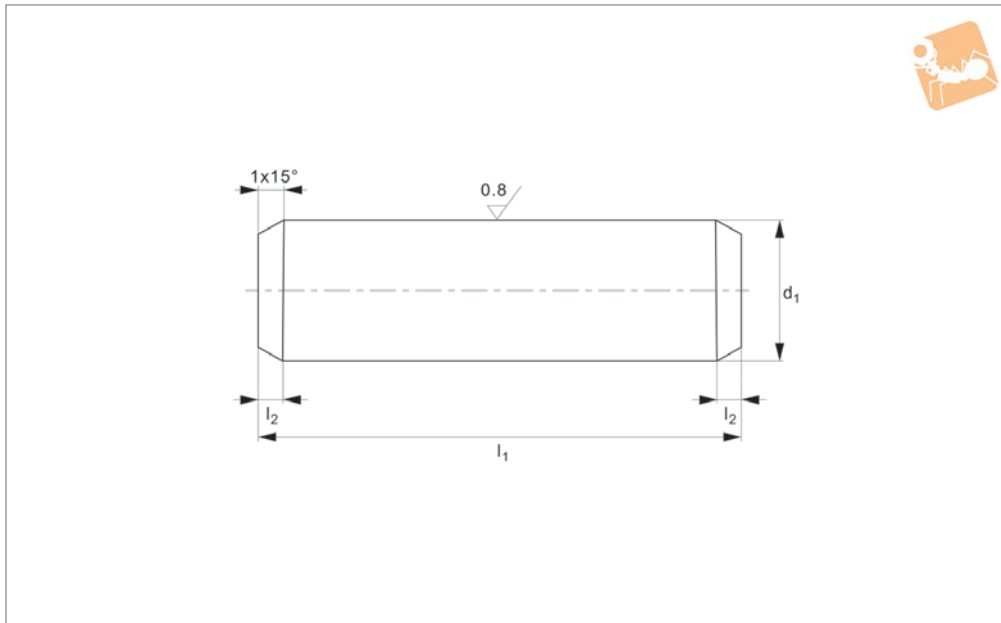
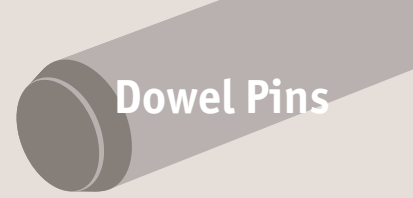
Order No.	d ₁ m6	l ₁ tol. js14	l ₂	l ₃	Double shear kN
P1204.120-090	12	90	1.6	3.8	210.0
P1204.120-100	12	100	1.6	3.8	210.0
P1204.120-110	12	110	1.6	3.8	210.0
P1204.120-120	12	120	1.6	3.8	210.0
P1204.140-028	14	28	1.8	4.2	260.0
P1204.140-030	14	30	1.8	4.2	260.0
P1204.140-032	14	32	1.8	4.2	260.0
P1204.140-036	14	36	1.8	4.2	260.0
P1204.140-040	14	40	1.8	4.2	260.0
P1204.140-045	14	45	1.8	4.2	260.0
P1204.140-050	14	50	1.8	4.2	260.0
P1204.140-055	14	55	1.8	4.2	260.0
P1204.140-060	14	60	1.8	4.2	260.0
P1204.140-070	14	70	1.8	4.2	260.0
P1204.140-080	14	80	1.8	4.2	260.0
P1204.140-090	14	90	1.8	4.2	260.0
P1204.140-100	14	100	1.8	4.2	260.0
P1204.140-110	14	110	1.8	4.2	260.0
P1204.140-120	14	120	1.8	4.2	260.0
P1204.160-028	16	28	2	4.6	350.0
P1204.160-030	16	30	2	4.6	350.0
P1204.160-032	16	32	2	4.6	350.0
P1204.160-036	16	36	2	4.6	350.0
P1204.160-040	16	40	2	4.6	350.0
P1204.160-045	16	45	2	4.6	350.0
P1204.160-050	16	50	2	4.6	350.0
P1204.160-055	16	55	2	4.6	350.0
P1204.160-060	16	60	2	4.6	350.0
P1204.160-070	16	70	2	4.6	350.0
P1204.160-080	16	80	2	4.6	350.0
P1204.160-090	16	90	2	4.6	350.0
P1204.160-100	16	100	2	4.6	350.0
P1204.160-110	16	110	2	4.6	350.0
P1204.160-120	16	120	2	4.6	350.0
P1204.200-032	20	32	2.5	6	485.0
P1204.200-036	20	36	2.5	6	485.0
P1204.200-040	20	40	2.5	6	485.0
P1204.200-045	20	45	2.5	6	485.0
P1204.200-050	20	50	2.5	6	485.0
P1204.200-055	20	55	2.5	6	485.0
P1204.200-060	20	60	2.5	6	485.0
P1204.200-070	20	70	2.5	6	485.0
P1204.200-080	20	80	2.5	6	485.0
P1204.200-090	20	90	2.5	6	485.0
P1204.200-100	20	100	2.5	6	485.0
P1204.200-110	20	110	2.5	6	485.0
P1204.200-120	20	120	2.5	6	485.0
P1204.060-018	6	18	0.8	2.1	53.0
P1204.060-010	6	10	0.8	2.1	53.0
P1204.040-040	4	40	0.5	1.4	22.0
P1204.050-036	5	36	0.63	1.7	31.0
P1204.050-055	5	55	0.63	1.7	31.0
P1204.050-006	5	6	0.63	1.7	31.0
P1204.040-008	4	8	0.5	1.4	22.0
P1204.040-016	4	16	0.5	1.4	22.0
P1204.050-014	5	14	0.63	1.7	31.0
P1204.060-030	6	30	0.8	2.1	53.0
P1204.050-024	5	24	0.63	1.7	31.0
P1204.040-028	4	28	0.5	1.4	22.0
P1204.060-032	6	32	0.8	2.1	53.0
P1204.060-020	6	20	0.8	2.1	53.0
P1204.060-012	6	12	0.8	2.1	53.0
P1204.050-060	5	60	0.63	1.7	31.0
P1204.050-040	5	40	0.63	1.7	31.0
P1204.050-028	5	28	0.63	1.7	31.0
P1204.040-030	4	30	0.5	1.4	22.0
P1204.040-010	4	10	0.5	1.4	22.0
P1204.050-008	5	8	0.63	1.7	31.0

DOWEL PINS



DOWEL PINS

Order No.	d ₁ m6	l ₁ tol. js14	l ₂	l ₃	Double shear kN
P1204.040-018	4	18	0.5	1.4	22.0
P1204.040-045	4	45	0.5	1.4	22.0
P1204.050-016	5	16	0.63	1.7	31.0
P1204.060-024	6	24	0.8	2.1	53.0
P1204.060-036	6	36	0.8	2.1	53.0
P1204.040-032	4	32	0.5	1.4	22.0
P1204.060-014	6	14	0.8	2.1	53.0
P1204.040-020	4	20	0.5	1.4	22.0
P1204.050-018	5	18	0.63	1.7	31.0
P1204.050-010	5	10	0.63	1.7	31.0
P1204.050-030	5	30	0.63	1.7	31.0
P1204.040-012	4	12	0.5	1.4	22.0
P1204.050-045	5	45	0.63	1.7	31.0
P1204.040-050	4	50	0.5	1.4	22.0
P1204.060-040	6	40	0.8	2.1	53.0
P1204.040-014	4	14	0.5	1.4	22.0
P1204.040-006	4	6	0.5	1.4	22.0
P1204.060-028	6	28	0.8	2.1	53.0
P1204.040-024	4	24	0.5	1.4	22.0
P1204.060-016	6	16	0.8	2.1	53.0
P1204.040-036	4	36	0.5	1.4	22.0
P1204.060-008	6	8	0.8	2.1	53.0
P1204.050-050	5	50	0.63	1.7	31.0
P1204.050-032	5	32	0.63	1.7	31.0
P1204.050-012	5	12	0.63	1.7	31.0
P1204.050-020	5	20	0.63	1.7	31.0



P1206

DOWEL PINS

Material

Stainless steel (A2, AISI 303), chamfered end.

3-10mm long - $\pm 0,25$
 12-50mm long - $\pm 0,5$
 over 50mm long - $\pm 0,75$.

(P1207).

It is less resistant to corrosion, but less expensive than the A4 dowel pins.

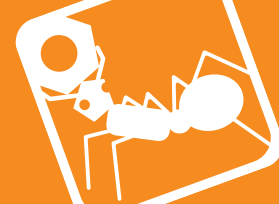
Technical Notes

To ISO 2338A (1997). Ground to m6 on \emptyset .
 l_1 tolerances:

Tips

A2 stainless steel grade is a harder material than the A4 stainless steel dowel pins

Order No.	d_1 tol. m6	l_1	l_2	Double shear kN
P1206.010-003	1	3	0.2	0.7
P1206.010-004	1	4	0.2	0.7
P1206.010-005	1	5	0.2	0.7
P1206.010-006	1	6	0.2	0.7
P1206.010-008	1	8	0.2	0.7
P1206.010-010	1	10	0.2	0.7
P1206.010-012	1	12	0.2	0.7
P1206.015-003	1.5	3	0.3	1.7
P1206.015-004	1.5	4	0.3	1.7
P1206.015-005	1.5	5	0.3	1.7
P1206.015-006	1.5	6	0.3	1.7
P1206.015-008	1.5	8	0.3	1.7
P1206.015-010	1.5	10	0.3	1.7
P1206.015-012	1.5	12	0.3	1.7
P1206.015-014	1.5	14	0.3	1.7
P1206.015-016	1.5	16	0.3	1.7
P1206.015-018	1.5	18	0.3	1.7
P1206.015-020	1.5	20	0.3	1.7
P1206.015-024	1.5	24	0.3	1.7
P1206.020-004	2	4	0.35	2.9
P1206.020-005	2	5	0.35	2.9
P1206.020-006	2	6	0.35	2.9
P1206.020-008	2	8	0.35	2.9
P1206.020-010	2	10	0.35	2.9
P1206.020-012	2	12	0.35	2.9
P1206.020-014	2	14	0.35	2.9
P1206.020-016	2	16	0.35	2.9
P1206.020-018	2	18	0.35	2.9
P1206.020-020	2	20	0.35	2.9
P1206.020-024	2	24	0.35	2.9
P1206.025-004	2.5	4	0.4	4.4

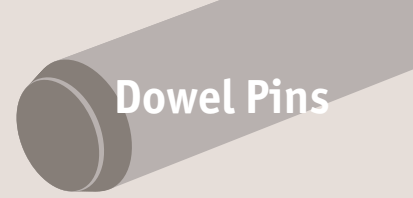


DOWEL PINS

Order No.	d ₁ tol. m6	l ₁	l ₂	Double shear kN
P1206.025-005	2.5	5	0.4	4.4
P1206.025-006	2.5	6	0.4	4.4
P1206.025-008	2.5	8	0.4	4.4
P1206.025-010	2.5	10	0.4	4.4
P1206.025-012	2.5	12	0.4	4.4
P1206.025-014	2.5	14	0.4	4.4
P1206.025-016	2.5	16	0.4	4.4
P1206.025-018	2.5	18	0.4	4.4
P1206.025-020	2.5	20	0.4	4.4
P1206.025-024	2.5	24	0.4	4.4
P1206.025-028	2.5	28	0.4	4.4
P1206.025-030	2.5	30	0.4	4.4
P1206.030-005	3	5	0.5	6.6
P1206.030-006	3	6	0.5	6.6
P1206.030-008	3	8	0.5	6.6
P1206.030-010	3	10	0.5	6.6
P1206.030-012	3	12	0.5	6.6
P1206.030-014	3	14	0.5	6.6
P1206.030-016	3	16	0.5	6.6
P1206.030-018	3	18	0.5	6.6
P1206.030-020	3	20	0.5	6.6
P1206.030-024	3	24	0.5	6.6
P1206.030-028	3	28	0.5	6.6
P1206.030-030	3	30	0.5	6.6
P1206.030-032	3	32	0.5	6.6
P1206.030-036	3	36	0.5	6.6
P1206.030-040	3	40	0.5	6.6
P1206.030-045	3	45	0.5	6.6
P1206.030-050	3	50	0.5	6.6
P1206.040-005	4	5	0.63	11.7
P1206.040-006	4	6	0.63	11.7
P1206.040-008	4	8	0.63	11.7
P1206.040-010	4	10	0.63	11.7
P1206.040-012	4	12	0.63	11.7
P1206.040-014	4	14	0.63	11.7
P1206.040-016	4	16	0.63	11.7
P1206.040-018	4	18	0.63	11.7
P1206.040-020	4	20	0.63	11.7
P1206.040-024	4	24	0.63	11.7
P1206.040-028	4	28	0.63	11.7
P1206.040-030	4	30	0.63	11.7
P1206.040-032	4	32	0.63	11.7
P1206.040-036	4	36	0.63	11.7
P1206.040-040	4	40	0.63	11.7
P1206.040-045	4	45	0.63	11.7
P1206.040-050	4	50	0.63	11.7
P1206.040-055	4	55	0.63	11.7
P1206.040-060	4	60	0.63	11.7
P1206.050-008	5	8	0.8	18.1
P1206.050-010	5	10	0.8	18.1
P1206.050-012	5	12	0.8	18.1
P1206.050-014	5	14	0.8	18.1
P1206.050-016	5	16	0.8	18.1
P1206.050-018	5	18	0.8	18.1
P1206.050-020	5	20	0.8	18.1
P1206.050-024	5	24	0.8	18.1
P1206.050-028	5	28	0.8	18.1
P1206.050-030	5	30	0.8	18.1
P1206.050-032	5	32	0.8	18.1
P1206.050-036	5	36	0.8	18.1
P1206.050-040	5	40	0.8	18.1
P1206.050-045	5	45	0.8	18.1
P1206.050-050	5	50	0.8	18.1
P1206.050-055	5	55	0.8	18.1
P1206.050-060	5	60	0.8	18.1
P1206.060-010	6	10	1.2	26.0
P1206.060-012	6	12	1.2	26.0
P1206.060-014	6	14	1.2	26.0



Stainless Dowel Pins A2 stainless



Dowel Pins

Order No.	d ₁ tol. m6	l ₁	l ₂	Double shear kN
P1206.060-016	6	16	1.2	26.0
P1206.060-018	6	18	1.2	26.0
P1206.060-020	6	20	1.2	26.0
P1206.060-024	6	24	1.2	26.0
P1206.060-028	6	28	1.2	26.0
P1206.060-030	6	30	1.2	26.0
P1206.060-032	6	32	1.2	26.0
P1206.060-036	6	36	1.2	26.0
P1206.060-040	6	40	1.2	26.0
P1206.060-045	6	45	1.2	26.0
P1206.060-050	6	50	1.2	26.0
P1206.060-055	6	55	1.2	26.0
P1206.060-060	6	60	1.2	26.0
P1206.060-070	6	70	1.2	26.0
P1206.060-080	6	80	1.2	26.0
P1206.080-010	8	10	1.6	47.0
P1206.080-012	8	12	1.6	47.0
P1206.080-014	8	14	1.6	47.0
P1206.080-016	8	16	1.6	47.0
P1206.080-018	8	18	1.6	47.0
P1206.080-020	8	20	1.6	47.0
P1206.080-024	8	24	1.6	47.0
P1206.080-028	8	28	1.6	47.0
P1206.080-030	8	30	1.6	47.0
P1206.080-032	8	32	1.6	47.0
P1206.080-036	8	36	1.6	47.0
P1206.080-040	8	40	1.6	47.0
P1206.080-045	8	45	1.6	47.0
P1206.080-050	8	50	1.6	47.0
P1206.080-055	8	55	1.6	47.0
P1206.080-060	8	60	1.6	47.0
P1206.080-070	8	70	1.6	47.0
P1206.080-080	8	80	1.6	47.0
P1206.080-090	8	90	1.6	47.0
P1206.080-100	8	100	1.6	47.0
P1206.080-120	8	120	1.6	47.0
P1206.100-012	10	12	2.0	64.1
P1206.100-014	10	14	2.0	64.1
P1206.100-016	10	16	2.0	64.1
P1206.100-018	10	18	2.0	64.1
P1206.100-020	10	20	2.0	64.1
P1206.100-024	10	24	2.0	64.1
P1206.100-028	10	28	2.0	64.1
P1206.100-030	10	30	2.0	64.1
P1206.100-032	10	32	2.0	64.1
P1206.100-036	10	36	2.0	64.1
P1206.100-040	10	40	2.0	64.1
P1206.100-045	10	45	2.0	64.1
P1206.100-050	10	50	2.0	64.1
P1206.100-055	10	55	2.0	64.1
P1206.100-060	10	60	2.0	64.1
P1206.100-065	10	65	2.0	64.1
P1206.100-070	10	70	2.0	64.1
P1206.100-080	10	80	2.0	64.1
P1206.100-090	10	90	2.0	64.1
P1206.100-100	10	100	2.0	64.1
P1206.100-120	10	120	2.0	64.1
P1206.120-016	12	16	2.5	92.0
P1206.120-018	12	18	2.5	92.0
P1206.120-020	12	20	2.5	92.0
P1206.120-024	12	24	2.5	92.0
P1206.120-028	12	28	2.5	92.0
P1206.120-030	12	30	2.5	92.0
P1206.120-032	12	32	2.5	92.0
P1206.120-036	12	36	2.5	92.0
P1206.120-040	12	40	2.5	92.0
P1206.120-045	12	45	2.5	92.0
P1206.120-050	12	50	2.5	92.0

DOWEL PINS



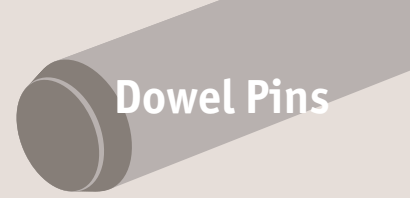
DOWEL PINS

Order No.	d ₁ tol. m6	l ₁	l ₂	Double shear kN
P1206.120-055	12	55	2.5	92.0
P1206.120-060	12	60	2.5	92.0
P1206.120-070	12	70	2.5	92.0
P1206.120-080	12	80	2.5	92.0
P1206.120-090	12	90	2.5	92.0
P1206.120-100	12	100	2.5	92.0
P1206.120-120	12	120	2.5	92.0
P1206.160-024	16	24	3.0	160.0
P1206.160-028	16	28	3.0	160.0
P1206.160-030	16	30	3.0	160.0
P1206.160-032	16	32	3.0	160.0
P1206.160-036	16	36	3.0	160.0
P1206.160-040	16	40	3.0	160.0
P1206.160-045	16	45	3.0	160.0
P1206.160-050	16	50	3.0	160.0
P1206.160-055	16	55	3.0	160.0
P1206.160-060	16	60	3.0	160.0
P1206.160-070	16	70	3.0	160.0
P1206.160-080	16	80	3.0	160.0
P1206.160-090	16	90	3.0	160.0
P1206.160-100	16	100	3.0	160.0
P1206.160-120	16	120	3.0	160.0

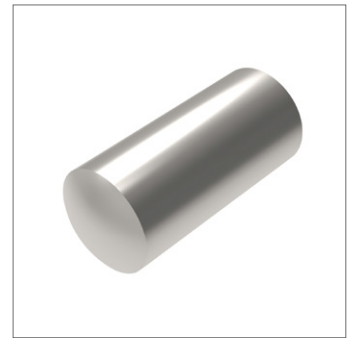
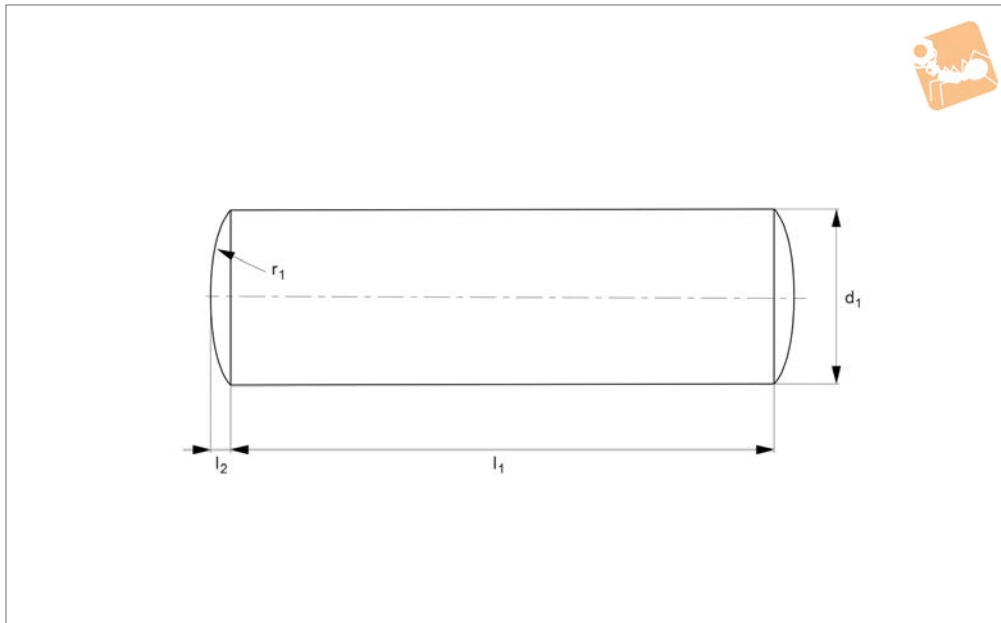


Stainless Dowel Pins

A4 stainless



Dowel Pins



P1207

DOWEL PINS

Material

Stainless steel (A4, AISI 316), rounded end.

Technical Notes

To DIN 7. Ground to m6 on \emptyset (h8 over \emptyset 16mm).

Note: overall length is greater than nominal length (note dimension l_2).

l_1 tolerances:

3-10mm long - +0.3,-0

12-50mm long - +0.5,-0

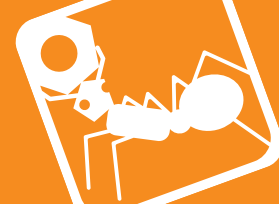
over 50mm long - +0.5,-0.

Tips

A4 stainless steel grade is a softer material than the A2 stainless steel dowel pins (part no. P1206).

It is more resistant to corrosion, and more expensive than the A2 grade dowel pins.

Order No.	d_1 tol. m6	l_1	l_2	r_1	Double shear kN
P1207.010-003	1	3	0.15	1	0.7
P1207.010-004	1	4	0.15	1	0.7
P1207.010-005	1	5	0.15	1	0.7
P1207.010-006	1	6	0.15	1	0.7
P1207.010-008	1	8	0.15	1	0.7
P1207.010-010	1	10	0.15	1	0.7
P1207.010-012	1	12	0.15	1	0.7
P1207.010-014	1	14	0.15	1	0.7
P1207.010-016	1	16	0.15	1	0.7
P1207.015-003	1.5	3	0.23	1.6	1.7
P1207.015-004	1.5	4	0.23	1.6	1.7
P1207.015-005	1.5	5	0.23	1.6	1.7
P1207.015-006	1.5	6	0.23	1.6	1.7
P1207.015-008	1.5	8	0.23	1.6	1.7
P1207.015-010	1.5	10	0.23	1.6	1.7
P1207.015-012	1.5	12	0.23	1.6	1.7
P1207.015-014	1.5	14	0.23	1.6	1.7
P1207.015-016	1.5	16	0.23	1.6	1.7
P1207.015-018	1.5	18	0.23	1.6	1.7
P1207.015-020	1.5	20	0.23	1.6	1.7
P1207.015-024	1.5	24	0.23	1.6	1.7
P1207.020-004	2	4	0.3	2	2.9
P1207.020-005	2	5	0.3	2	2.9
P1207.020-006	2	6	0.3	2	2.9
P1207.020-008	2	8	0.3	2	2.9
P1207.020-010	2	10	0.3	2	2.9
P1207.020-012	2	12	0.3	2	2.9
P1207.020-014	2	14	0.3	2	2.9
P1207.020-016	2	16	0.3	2	2.9
P1207.020-018	2	18	0.3	2	2.9
P1207.020-020	2	20	0.3	2	2.9



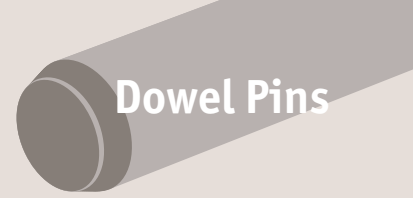
DOWEL PINS

Order No.	d ₁ tol. m6	l ₁	l ₂	r ₁	Double shear kN
P1207.020-024	2	24	0.3	2	2.9
P1207.025-004	2.5	4	0.4	2.5	4.4
P1207.025-005	2.5	5	0.4	2.5	4.4
P1207.025-006	2.5	6	0.4	2.5	4.4
P1207.025-008	2.5	8	0.4	2.5	4.4
P1207.025-010	2.5	10	0.4	2.5	4.4
P1207.025-012	2.5	12	0.4	2.5	4.4
P1207.025-014	2.5	14	0.4	2.5	4.4
P1207.025-016	2.5	16	0.4	2.5	4.4
P1207.025-018	2.5	18	0.4	2.5	4.4
P1207.025-020	2.5	20	0.4	2.5	4.4
P1207.025-024	2.5	24	0.4	2.5	4.4
P1207.025-028	2.5	28	0.4	2.5	4.4
P1207.030-005	3	5	0.45	3	6.6
P1207.030-006	3	6	0.45	3	6.6
P1207.030-008	3	8	0.45	3	6.6
P1207.030-010	3	10	0.45	3	6.6
P1207.030-012	3	12	0.45	3	6.6
P1207.030-014	3	14	0.45	3	6.6
P1207.030-016	3	16	0.45	3	6.6
P1207.030-018	3	18	0.45	3	6.6
P1207.030-020	3	20	0.45	3	6.6
P1207.030-024	3	24	0.45	3	6.6
P1207.030-028	3	28	0.45	3	6.6
P1207.030-032	3	32	0.45	3	6.6
P1207.030-036	3	36	0.45	3	6.6
P1207.030-040	3	40	0.45	3	6.6
P1207.040-005	4	5	0.6	4	11.7
P1207.040-006	4	6	0.6	4	11.7
P1207.040-008	4	8	0.6	4	11.7
P1207.040-010	4	10	0.6	4	11.7
P1207.040-012	4	12	0.6	4	11.7
P1207.040-014	4	14	0.6	4	11.7
P1207.040-016	4	16	0.6	4	11.7
P1207.040-018	4	18	0.6	4	11.7
P1207.040-020	4	20	0.6	4	11.7
P1207.040-024	4	24	0.6	4	11.7
P1207.040-028	4	28	0.6	4	11.7
P1207.040-032	4	32	0.6	4	11.7
P1207.040-036	4	36	0.6	4	11.7
P1207.040-040	4	40	0.6	4	11.7
P1207.050-006	5	6	0.75	5	18.1
P1207.050-008	5	8	0.75	5	18.1
P1207.050-010	5	10	0.75	5	18.1
P1207.050-012	5	12	0.75	5	18.1
P1207.050-014	5	14	0.75	5	18.1
P1207.050-016	5	16	0.75	5	18.1
P1207.050-018	5	18	0.75	5	18.1
P1207.050-020	5	20	0.75	5	18.1
P1207.050-024	5	24	0.75	5	18.1
P1207.050-028	5	28	0.75	5	18.1
P1207.050-032	5	32	0.75	5	18.1
P1207.050-036	5	36	0.75	5	18.1
P1207.050-040	5	40	0.75	5	18.1
P1207.050-045	5	45	0.75	5	18.1
P1207.050-050	5	50	0.75	5	18.1
P1207.050-060	5	60	0.75	5	18.1
P1207.060-008	6	8	0.9	6	26.0
P1207.060-010	6	10	0.9	6	26.0
P1207.060-012	6	12	0.9	6	26.0
P1207.060-014	6	14	0.9	6	26.0
P1207.060-016	6	16	0.9	6	26.0
P1207.060-018	6	18	0.9	6	26.0
P1207.060-020	6	20	0.9	6	26.0
P1207.060-024	6	24	0.9	6	26.0
P1207.060-028	6	28	0.9	6	26.0
P1207.060-030	6	30	0.9	6	26.0
P1207.060-032	6	32	0.9	6	26.0



Stainless Dowel Pins

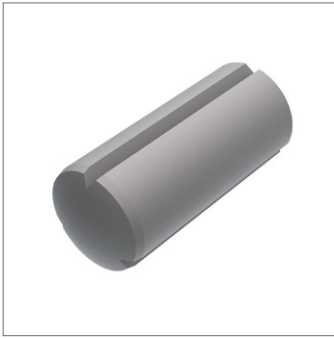
A4 stainless



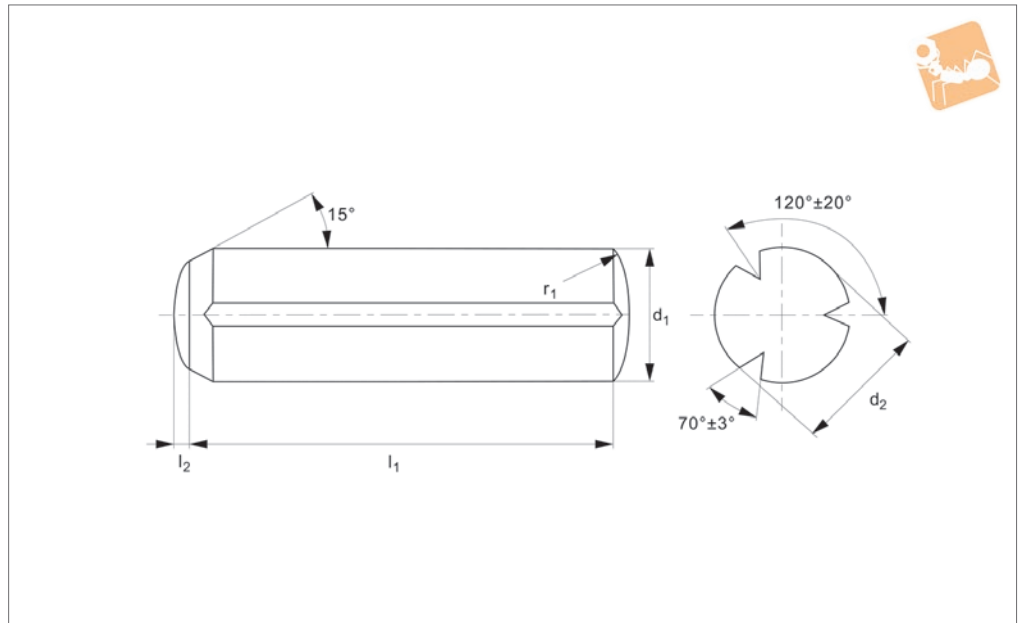
Dowel Pins

Order No.	d ₁ tol. m6	l ₁	l ₂	r ₁	Double shear kN
P1207.060-036	6	36	0.9	6	26.0
P1207.060-040	6	40	0.9	6	26.0
P1207.060-045	6	45	0.9	6	26.0
P1207.060-050	6	50	0.9	6	26.0
P1207.060-055	6	55	0.9	6	26.0
P1207.060-060	6	60	0.9	6	26.0
P1207.060-070	6	70	0.9	6	26.0
P1207.060-080	6	80	0.9	6	26.0
P1207.080-008	8	8	1.2	8	47.0
P1207.080-010	8	10	1.2	8	47.0
P1207.080-012	8	12	1.2	8	47.0
P1207.080-014	8	14	1.2	8	47.0
P1207.080-016	8	16	1.2	8	47.0
P1207.080-018	8	18	1.2	8	47.0
P1207.080-020	8	20	1.2	8	47.0
P1207.080-024	8	24	1.2	8	47.0
P1207.080-028	8	28	1.2	8	47.0
P1207.080-030	8	30	1.2	8	47.0
P1207.080-032	8	32	1.2	8	47.0
P1207.080-036	8	36	1.2	8	47.0
P1207.080-040	8	40	1.2	8	47.0
P1207.080-045	8	45	1.2	8	47.0
P1207.080-050	8	50	1.2	8	47.0
P1207.080-055	8	55	1.2	8	47.0
P1207.080-060	8	60	1.2	8	47.0
P1207.080-070	8	70	1.2	8	47.0
P1207.080-080	8	80	1.2	8	47.0
P1207.080-090	8	90	1.2	8	47.0
P1207.080-100	8	100	1.2	8	47.0
P1207.080-110	8	110	1.2	8	47.0
P1207.080-120	8	120	1.2	8	47.0
P1207.100-014	10	14	1.5	10	64.1
P1207.100-016	10	16	1.5	10	64.1
P1207.100-018	10	18	1.5	10	64.1
P1207.100-020	10	20	1.5	10	64.1
P1207.100-024	10	24	1.5	10	64.1
P1207.100-028	10	28	1.5	10	64.1
P1207.100-030	10	30	1.5	10	64.1
P1207.100-032	10	32	1.5	10	64.1
P1207.100-036	10	36	1.5	10	64.1
P1207.100-040	10	40	1.5	10	64.1
P1207.100-045	10	45	1.5	10	64.1
P1207.100-050	10	50	1.5	10	64.1
P1207.100-055	10	55	1.5	10	64.1
P1207.100-060	10	60	1.5	10	64.1
P1207.100-070	10	70	1.5	10	64.1
P1207.100-080	10	80	1.5	10	64.1
P1207.100-090	10	90	1.5	10	64.1
P1207.100-100	10	100	1.5	10	64.1
P1207.100-110	10	110	1.5	10	64.1
P1207.100-120	10	120	1.5	10	64.1
P1207.120-024	12	24	1.8	12	92.0
P1207.120-028	12	28	1.8	12	92.0
P1207.120-030	12	30	1.8	12	92.0
P1207.120-032	12	32	1.8	12	92.0
P1207.120-036	12	36	1.8	12	92.0
P1207.120-040	12	40	1.8	12	92.0
P1207.120-045	12	45	1.8	12	92.0
P1207.120-050	12	50	1.8	12	92.0
P1207.120-055	12	55	1.8	12	92.0
P1207.120-060	12	60	1.8	12	92.0
P1207.120-070	12	70	1.8	12	92.0
P1207.120-080	12	80	1.8	12	92.0
P1207.120-090	12	90	1.8	12	92.0
P1207.120-100	12	100	1.8	12	92.0
P1207.120-110	12	110	1.8	12	92.0
P1207.120-120	12	120	1.8	12	92.0

DOWEL PINS



P1208



Material

Mild steel (WS 1,0718, 9SMnPb28).

Technical Notes

To DIN 1473 (GP 3, similar to ISO 8740).

Full length grooves.

Diameters tolerance: under $\varnothing 4$ h9, over $\varnothing 4$ tolerance h11.

Nominal length l_1 does not include radiused ends.

Tips

Three swaged grooves at 120° pitch all along the length.

When the pin is driven into the drilled hole

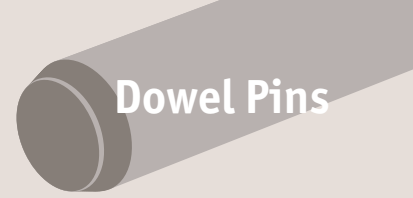
the material displaced is forced back, to close up the groove and lock the pin into place. Allows the use of non precision holes.

Used to fix two or more components together with maximum rigidity.

Order No.	d_1 tol. h9/h11	l_1 tol. js15	l_2	d_2 over grooves	Hole min.	Hole max.	Double shear kN
P1208.010-004	1.0	4	0.14	1.05	1.0	1.025	0.7
P1208.010-005	1.0	5	0.14	1.05	1.0	1.025	0.7
P1208.010-006	1.0	6	0.14	1.05	1.0	1.025	0.7
P1208.010-008	1.0	8	0.14	1.05	1.0	1.025	0.7
P1208.012-004	1.2	4	0.16	1.25	1.2	1.225	1.0
P1208.012-005	1.2	5	0.16	1.25	1.2	1.225	1.0
P1208.012-006	1.2	6	0.16	1.25	1.2	1.225	1.0
P1208.012-008	1.2	8	0.16	1.25	1.2	1.225	1.0
P1208.015-004	1.5	4	0.20	1.60	1.5	1.525	1.6
P1208.015-005	1.5	5	0.20	1.60	1.5	1.525	1.6
P1208.015-006	1.5	6	0.20	1.60	1.5	1.525	1.6
P1208.015-008	1.5	8	0.20	1.60	1.5	1.525	1.6
P1208.015-010	1.5	10	0.20	1.60	1.5	1.525	1.6
P1208.015-012	1.5	12	0.20	1.60	1.5	1.525	1.6
P1208.015-014	1.5	14	0.20	1.60	1.5	1.525	1.6
P1208.015-016	1.5	16	0.20	1.60	1.5	1.525	1.6
P1208.015-018	1.5	18	0.20	1.60	1.5	1.525	1.6
P1208.015-020	1.5	20	0.20	1.60	1.5	1.525	1.6
P1208.020-004	2.0	4	0.25	2.15	2.0	2.025	2.85
P1208.020-005	2.0	5	0.25	2.15	2.0	2.025	2.85
P1208.020-006	2.0	6	0.25	2.15	2.0	2.025	2.85
P1208.020-008	2.0	8	0.25	2.15	2.0	2.025	2.85
P1208.020-010	2.0	10	0.25	2.15	2.0	2.025	2.85
P1208.020-012	2.0	12	0.25	2.15	2.0	2.025	2.85
P1208.020-014	2.0	14	0.25	2.15	2.0	2.025	2.85
P1208.020-016	2.0	16	0.25	2.15	2.0	2.025	2.85
P1208.020-018	2.0	18	0.25	2.15	2.0	2.025	2.85
P1208.020-020	2.0	20	0.25	2.15	2.0	2.025	2.85
P1208.020-024	2.0	24	0.25	2.15	2.0	2.025	2.85
P1208.020-026	2.0	26	0.25	2.15	2.0	2.025	2.85



Steel Grooved Pins



Dowel Pins

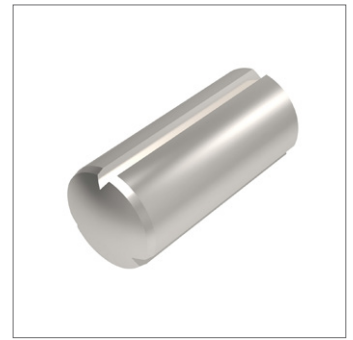
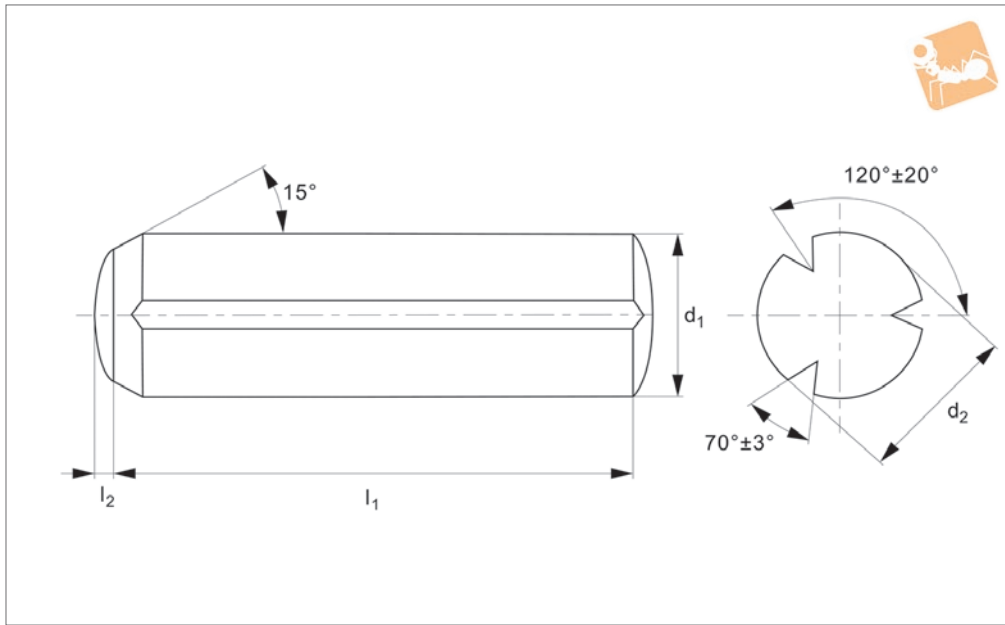
Order No.	d ₁ tol. h9/h11	l ₁ tol. js15	l ₂	d ₂ over grooves	Hole min.	Hole max.	Double shear kN
P1208.020-028	2.0	28	0.25	2.15	2.0	2.025	2.85
P1208.020-030	2.0	30	0.25	2.15	2.0	2.025	2.85
P1208.025-006	2.5	6	0.30	2.65	2.5	2.525	4.25
P1208.025-008	2.5	8	0.30	2.65	2.5	2.525	4.25
P1208.025-010	2.5	10	0.30	2.65	2.5	2.525	4.25
P1208.025-012	2.5	12	0.30	2.65	2.5	2.525	4.25
P1208.025-014	2.5	14	0.30	2.65	2.5	2.525	4.25
P1208.025-016	2.5	16	0.30	2.65	2.5	2.525	4.25
P1208.025-018	2.5	18	0.30	2.65	2.5	2.525	4.25
P1208.025-020	2.5	20	0.30	2.65	2.5	2.525	4.25
P1208.025-024	2.5	24	0.30	2.65	2.5	2.525	4.25
P1208.025-026	2.5	26	0.30	2.65	2.5	2.525	4.25
P1208.025-028	2.5	28	0.30	2.65	2.5	2.525	4.25
P1208.025-030	2.5	30	0.30	2.65	2.5	2.525	4.25
P1208.030-006	3.0	6	0.40	3.20	3.0	3.025	6.15
P1208.030-008	3.0	8	0.40	3.20	3.0	3.025	6.15
P1208.030-010	3.0	10	0.40	3.20	3.0	3.025	6.15
P1208.030-012	3.0	12	0.40	3.20	3.0	3.025	6.15
P1208.030-014	3.0	14	0.40	3.20	3.0	3.025	6.15
P1208.030-016	3.0	16	0.40	3.20	3.0	3.025	6.15
P1208.030-018	3.0	18	0.40	3.20	3.0	3.025	6.15
P1208.030-020	3.0	20	0.40	3.20	3.0	3.025	6.15
P1208.030-024	3.0	24	0.40	3.20	3.0	3.025	6.15
P1208.030-026	3.0	26	0.40	3.20	3.0	3.025	6.15
P1208.030-028	3.0	28	0.40	3.20	3.0	3.025	6.15
P1208.030-030	3.0	30	0.40	3.20	3.0	3.025	6.15
P1208.040-006	4.0	6	0.50	4.25	4.0	4.075	10.6
P1208.040-008	4.0	8	0.50	4.25	4.0	4.075	10.6
P1208.040-010	4.0	10	0.50	4.25	4.0	4.075	10.6
P1208.040-012	4.0	12	0.50	4.25	4.0	4.075	10.6
P1208.040-014	4.0	14	0.50	4.25	4.0	4.075	10.6
P1208.040-016	4.0	16	0.50	4.25	4.0	4.075	10.6
P1208.040-018	4.0	18	0.50	4.25	4.0	4.075	10.6
P1208.040-020	4.0	20	0.50	4.25	4.0	4.075	10.6
P1208.040-024	4.0	24	0.50	4.25	4.0	4.075	10.6
P1208.040-026	4.0	26	0.50	4.25	4.0	4.075	10.6
P1208.040-028	4.0	28	0.50	4.25	4.0	4.075	10.6
P1208.040-030	4.0	30	0.50	4.25	4.0	4.075	10.6
P1208.040-032	4.0	32	0.50	4.25	4.0	4.075	10.6
P1208.040-036	4.0	36	0.50	4.25	4.0	4.075	10.6
P1208.040-040	4.0	40	0.50	4.25	4.0	4.075	10.6
P1208.040-045	4.0	45	0.50	4.25	4.0	4.075	10.6
P1208.040-050	4.0	50	0.50	4.25	4.0	4.075	10.6
P1208.050-008	5.0	8	0.60	5.25	5.0	5.075	16.5
P1208.050-010	5.0	10	0.60	5.25	5.0	5.075	16.5
P1208.050-012	5.0	12	0.60	5.25	5.0	5.075	16.5
P1208.050-014	5.0	14	0.60	5.25	5.0	5.075	16.5
P1208.050-016	5.0	16	0.60	5.25	5.0	5.075	16.5
P1208.050-018	5.0	18	0.60	5.25	5.0	5.075	16.5
P1208.050-020	5.0	20	0.60	5.25	5.0	5.075	16.5
P1208.050-024	5.0	24	0.60	5.25	5.0	5.075	16.5
P1208.050-026	5.0	26	0.60	5.25	5.0	5.075	16.5
P1208.050-028	5.0	28	0.60	5.25	5.0	5.075	16.5
P1208.050-030	5.0	30	0.60	5.25	5.0	5.075	16.5
P1208.050-032	5.0	32	0.60	5.25	5.0	5.075	16.5
P1208.050-036	5.0	34	0.60	5.25	5.0	5.075	16.5
P1208.050-040	5.0	40	0.60	5.25	5.0	5.075	16.5
P1208.050-045	5.0	45	0.60	5.25	5.0	5.075	16.5
P1208.050-050	5.0	50	0.60	5.25	5.0	5.075	16.5
P1208.060-008	6.0	8	0.80	6.30	6.0	6.075	6.0
P1208.060-010	6.0	10	0.80	6.30	6.0	6.075	6.0
P1208.060-012	6.0	12	0.80	6.30	6.0	6.075	6.0
P1208.060-014	6.0	14	0.80	6.30	6.0	6.075	6.0
P1208.060-016	6.0	16	0.80	6.30	6.0	6.075	6.0
P1208.060-018	6.0	18	0.80	6.30	6.0	6.075	6.0
P1208.060-020	6.0	20	0.80	6.30	6.0	6.075	6.0
P1208.060-024	6.0	24	0.80	6.30	6.0	6.075	6.0
P1208.060-026	6.0	26	0.80	6.30	6.0	6.075	6.0

DOWEL PINS



DOWEL PINS

Order No.	d ₁ tol. h9/h11	l ₁ tol. js15	l ₂	d ₂ over grooves	Hole min.	Hole max.	Double shear kN
P1208.060-028	6.0	28	0.80	6.30	6.0	6.075	6.0
P1208.060-030	6.0	30	0.80	6.30	6.0	6.075	6.0
P1208.060-032	6.0	32	0.80	6.30	6.0	6.075	6.0
P1208.060-036	6.0	36	0.80	6.30	6.0	6.075	6.0
P1208.060-040	6.0	40	0.80	6.30	6.0	6.075	6.0
P1208.060-045	6.0	45	0.80	6.30	6.0	6.075	6.0
P1208.060-050	6.0	50	0.80	6.30	6.0	6.075	6.0
P1208.060-055	6.0	55	0.80	6.30	6.0	6.075	6.0
P1208.080-010	8.0	10	1.00	8.30	8.0	8.090	40.5
P1208.080-012	8.0	12	1.00	8.30	8.0	8.090	40.5
P1208.080-014	8.0	14	1.00	8.30	8.0	8.090	40.5
P1208.080-016	8.0	16	1.00	8.30	8.0	8.090	40.5
P1208.080-018	8.0	18	1.00	8.30	8.0	8.090	40.5
P1208.080-020	8.0	20	1.00	8.30	8.0	8.090	40.5
P1208.080-024	8.0	24	1.00	8.30	8.0	8.090	40.5
P1208.080-026	8.0	26	1.00	8.30	8.0	8.090	40.5
P1208.080-028	8.0	28	1.00	8.30	8.0	8.090	40.5
P1208.080-030	8.0	30	1.00	8.30	8.0	8.090	40.5
P1208.080-032	8.0	32	1.00	8.30	8.0	8.090	40.5
P1208.080-036	8.0	36	1.00	8.30	8.0	8.090	40.5
P1208.080-040	8.0	40	1.00	8.30	8.0	8.090	40.5
P1208.080-045	8.0	45	1.00	8.30	8.0	8.090	40.5
P1208.080-050	8.0	50	1.00	8.30	8.0	8.090	40.5
P1208.080-055	8.0	55	1.00	8.30	8.0	8.090	40.5
P1208.080-060	8.0	60	1.00	8.30	8.0	8.090	40.5
P1208.080-065	8.0	65	1.00	8.30	8.0	8.090	40.5
P1208.080-070	8.0	70	1.00	8.30	8.0	8.090	40.5
P1208.100-014	10.0	14	1.20	10.35	10.0	10.09	63.2
P1208.100-016	10.0	16	1.20	10.35	10.0	10.09	63.2
P1208.100-018	10.0	18	1.20	10.35	10.0	10.09	63.2
P1208.100-020	10.0	20	1.20	10.35	10.0	10.09	63.2
P1208.100-024	10.0	24	1.20	10.35	10.0	10.09	63.2
P1208.100-026	10.0	26	1.20	10.35	10.0	10.09	63.2
P1208.100-028	10.0	28	1.20	10.35	10.0	10.09	63.2
P1208.100-030	10.0	30	1.20	10.35	10.0	10.09	63.2
P1208.100-032	10.0	32	1.20	10.35	10.0	10.09	63.2
P1208.100-036	10.0	36	1.20	10.35	10.0	10.09	63.2
P1208.100-040	10.0	40	1.20	10.35	10.0	10.09	63.2
P1208.100-045	10.0	45	1.20	10.35	10.0	10.09	63.2
P1208.100-050	10.0	50	1.20	10.35	10.0	10.09	63.2
P1208.100-055	10.0	55	1.20	10.35	10.0	10.09	63.2
P1208.100-060	10.0	60	1.20	10.35	10.0	10.09	63.2
P1208.100-065	10.0	65	1.20	10.35	10.0	10.09	63.2
P1208.100-070	10.0	70	1.20	10.35	10.0	10.09	63.2
P1208.100-075	10.0	75	1.20	10.35	10.0	10.09	63.2
P1208.100-080	10.0	80	1.20	10.35	10.0	10.09	63.2
P1208.120-014	12.0	14	1.60	12.35	12.0	12.11	91
P1208.120-016	12.0	16	1.60	12.35	12.0	12.11	91
P1208.120-018	12.0	18	1.60	12.35	12.0	12.11	91
P1208.120-020	12.0	20	1.60	12.35	12.0	12.11	91
P1208.120-024	12.0	24	1.60	12.35	12.0	12.11	91
P1208.120-026	12.0	26	1.60	12.35	12.0	12.11	91
P1208.120-028	12.0	28	1.60	12.35	12.0	12.11	91
P1208.120-030	12.0	30	1.60	12.35	12.0	12.11	91
P1208.120-032	12.0	32	1.60	12.35	12.0	12.11	91
P1208.120-036	12.0	36	1.60	12.35	12.0	12.11	91
P1208.120-040	12.0	40	1.60	12.35	12.0	12.11	91
P1208.120-045	12.0	45	1.60	12.35	12.0	12.11	91
P1208.120-050	12.0	50	1.60	12.35	12.0	12.11	91
P1208.120-055	12.0	55	1.60	12.35	12.0	12.11	91
P1208.120-060	12.0	60	1.60	12.35	12.0	12.11	91
P1208.120-065	12.0	65	1.60	12.35	12.0	12.11	91
P1208.120-070	12.0	70	1.60	12.35	12.0	12.11	91
P1208.120-075	12.0	75	1.60	12.35	12.0	12.11	91
P1208.120-080	12.0	80	1.60	12.35	12.0	12.11	91



P1209

DOWEL PINS

Material

Stainless steel (A2, AISI 303).

Technical Notes

To DIN 1473 (GP 3, similar to ISO 8740).
Full length grooves.
Diameters tolerance under $\varnothing 4$ h9, over $\varnothing 4$ tolerance h11.
Nominal length l_1 does not include radi-

used ends.

Allows the use of non precision holes.
Used to fix two or more components together with maximum rigidity.

Tips

Three swaged grooves at 120° pitch all along the length.
When the pin is driven into the drilled hole

the material displaced is forced back, to close up the groove and lock the pin into place. Allows the use of non precision holes.

Used to fix two or more components together with maximum rigidity.

Order No.	d_1 tol. h9/h11	l_1 tol. js15	l_2	d_2 over grooves	Hole min.	Hole max.	Double shear kN
P1209.010-004	1.0	4	0.14	1.05	1.0	1.025	0.7
P1209.010-005	1.0	5	0.14	1.05	1.0	1.025	0.7
P1209.010-006	1.0	6	0.14	1.05	1.0	1.025	0.7
P1209.010-008	1.0	8	0.14	1.05	1.0	1.025	0.7
P1209.012-004	1.2	4	0.16	1.25	1.2	1.225	1.0
P1209.012-005	1.2	5	0.16	1.25	1.2	1.225	1.0
P1209.012-006	1.2	6	0.16	1.25	1.2	1.225	1.0
P1209.012-008	1.2	8	0.16	1.25	1.2	1.225	1.0
P1209.015-004	1.5	4	0.20	1.60	1.5	1.525	1.6
P1209.015-005	1.5	5	0.20	1.60	1.5	1.525	1.6
P1209.015-006	1.5	6	0.20	1.60	1.5	1.525	1.6
P1209.015-008	1.5	8	0.20	1.60	1.5	1.525	1.6
P1209.015-010	1.5	10	0.20	1.60	1.5	1.525	1.6
P1209.015-012	1.5	12	0.20	1.60	1.5	1.525	1.6
P1209.015-014	1.5	14	0.20	1.60	1.5	1.525	1.6
P1209.015-016	1.5	16	0.20	1.60	1.5	1.525	1.6
P1209.015-018	1.5	18	0.20	1.60	1.5	1.525	1.6
P1209.015-020	1.5	20	0.20	1.60	1.5	1.525	1.6
P1209.020-004	2.0	4	0.25	2.15	2.0	2.025	2.85
P1209.020-005	2.0	5	0.25	2.15	2.0	2.025	2.85
P1209.020-006	2.0	6	0.25	2.15	2.0	2.025	2.85
P1209.020-008	2.0	8	0.25	2.15	2.0	2.025	2.85
P1209.020-010	2.0	10	0.25	2.15	2.0	2.025	2.85
P1209.020-012	2.0	12	0.25	2.15	2.0	2.025	2.85
P1209.020-014	2.0	14	0.25	2.15	2.0	2.025	2.85
P1209.020-016	2.0	16	0.25	2.15	2.0	2.025	2.85
P1209.020-018	2.0	18	0.25	2.15	2.0	2.025	2.85
P1209.020-020	2.0	20	0.25	2.15	2.0	2.025	2.85
P1209.020-022	2.0	24	0.25	2.15	2.0	2.025	2.85



DOWEL PINS

Order No.	d ₁ tol. h9/h11	l ₁ tol. js15	l ₂	d ₂ over grooves	Hole min.	Hole max.	Double shear kN
P1209.020-025	2.0	26	0.25	2.15	2.0	2.025	2.85
P1209.020-028	2.0	28	0.25	2.15	2.0	2.025	2.85
P1209.020-030	2.0	30	0.25	2.15	2.0	2.025	2.85
P1209.025-006	2.5	6	0.30	2.65	2.5	2.525	4.25
P1209.025-008	2.5	8	0.30	2.65	2.5	2.525	4.25
P1209.025-010	2.5	10	0.30	2.65	2.5	2.525	4.25
P1209.025-012	2.5	12	0.30	2.65	2.5	2.525	4.25
P1209.025-014	2.5	14	0.30	2.65	2.5	2.525	4.25
P1209.025-016	2.5	16	0.30	2.65	2.5	2.525	4.25
P1209.025-018	2.5	18	0.30	2.65	2.5	2.525	4.25
P1209.025-020	2.5	20	0.30	2.65	2.5	2.525	4.25
P1209.025-022	2.5	24	0.30	2.65	2.5	2.525	4.25
P1209.025-025	2.5	26	0.30	2.65	2.5	2.525	4.25
P1209.025-028	2.5	28	0.30	2.65	2.5	2.525	4.25
P1209.025-030	2.5	30	0.30	2.65	2.5	2.525	4.25
P1209.030-006	3.0	6	0.40	3.20	3.0	3.025	6.15
P1209.030-008	3.0	8	0.40	3.20	3.0	3.025	6.15
P1209.030-010	3.0	10	0.40	3.20	3.0	3.025	6.15
P1209.030-012	3.0	12	0.40	3.20	3.0	3.025	6.15
P1209.030-014	3.0	14	0.40	3.20	3.0	3.025	6.15
P1209.030-016	3.0	16	0.40	3.20	3.0	3.025	6.15
P1209.030-018	3.0	18	0.40	3.20	3.0	3.025	6.15
P1209.030-020	3.0	20	0.40	3.20	3.0	3.025	6.15
P1209.030-022	3.0	22	0.40	3.20	3.0	3.025	6.15
P1209.030-025	3.0	26	0.40	3.20	3.0	3.025	6.15
P1209.030-028	3.0	28	0.40	3.20	3.0	3.025	6.15
P1209.030-030	3.0	30	0.40	3.20	3.0	3.025	6.15
P1209.040-006	4.0	6	0.50	4.25	4.0	4.075	10.6
P1209.040-008	4.0	8	0.50	4.25	4.0	4.075	10.6
P1209.040-010	4.0	10	0.50	4.25	4.0	4.075	10.6
P1209.040-012	4.0	12	0.50	4.25	4.0	4.075	10.6
P1209.040-014	4.0	14	0.50	4.25	4.0	4.075	10.6
P1209.040-016	4.0	16	0.50	4.25	4.0	4.075	10.6
P1209.040-018	4.0	18	0.50	4.25	4.0	4.075	10.6
P1209.040-020	4.0	20	0.50	4.25	4.0	4.075	10.6
P1209.040-025	4.0	26	0.50	4.25	4.0	4.075	10.6
P1209.040-028	4.0	28	0.50	4.25	4.0	4.075	10.6
P1209.040-030	4.0	30	0.50	4.25	4.0	4.075	10.6
P1209.040-032	4.0	32	0.50	4.25	4.0	4.075	10.6
P1209.040-036	4.0	36	0.50	4.25	4.0	4.075	10.6
P1209.040-040	4.0	40	0.50	4.25	4.0	4.075	10.6
P1209.040-045	4.0	45	0.50	4.25	4.0	4.075	10.6
P1209.040-050	4.0	50	0.50	4.25	4.0	4.075	10.6
P1209.050-008	5.0	8	0.60	5.25	5.0	5.075	16.5
P1209.050-010	5.0	10	0.60	5.25	5.0	5.075	16.5
P1209.050-012	5.0	12	0.60	5.25	5.0	5.075	16.5
P1209.050-014	5.0	14	0.60	5.25	5.0	5.075	16.5
P1209.050-016	5.0	16	0.60	5.25	5.0	5.075	16.5
P1209.050-018	5.0	18	0.60	5.25	5.0	5.075	16.5
P1209.050-020	5.0	20	0.60	5.25	5.0	5.075	16.5
P1209.050-022	5.0	24	0.60	5.25	5.0	5.075	16.5
P1209.050-025	5.0	26	0.60	5.25	5.0	5.075	16.5
P1209.050-028	5.0	28	0.60	5.25	5.0	5.075	16.5
P1209.050-030	5.0	30	0.60	5.25	5.0	5.075	16.5
P1209.050-032	5.0	32	0.60	5.25	5.0	5.075	16.5
P1209.050-036	5.0	36	0.60	5.25	5.0	5.075	16.5
P1209.050-040	5.0	40	0.60	5.25	5.0	5.075	16.5
P1209.050-045	5.0	45	0.60	5.25	5.0	5.075	16.5
P1209.050-050	5.0	50	0.60	5.25	5.0	5.075	16.5
P1209.060-008	6.0	8	0.80	6.30	6.0	6.075	22.8
P1209.060-010	6.0	10	0.80	6.30	6.0	6.075	22.8
P1209.060-012	6.0	12	0.80	6.30	6.0	6.075	22.8
P1209.060-014	6.0	14	0.80	6.30	6.0	6.075	22.8
P1209.060-016	6.0	16	0.80	6.30	6.0	6.075	22.8
P1209.060-018	6.0	18	0.80	6.30	6.0	6.075	22.8
P1209.060-020	6.0	20	0.80	6.30	6.0	6.075	22.8
P1209.060-022	6.0	24	0.80	6.30	6.0	6.075	22.8
P1209.060-025	6.0	26	0.80	6.30	6.0	6.075	22.8

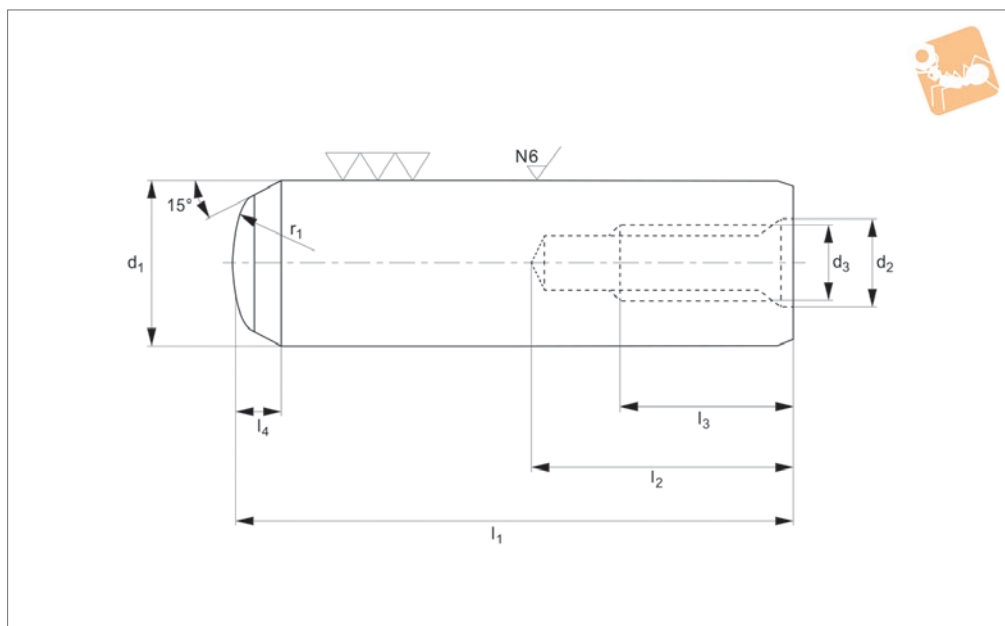


Order No.	d ₁ tol. h9/h11	l ₁ tol. js15	l ₂	d ₂ over grooves	Hole min.	Hole max.	Double shear kN
P1209.060-028	6.0	28	0.80	6.30	6.0	6.075	22.8
P1209.060-030	6.0	30	0.80	6.30	6.0	6.075	22.8
P1209.060-032	6.0	32	0.80	6.30	6.0	6.075	22.8
P1209.060-036	6.0	36	0.80	6.30	6.0	6.075	22.8
P1209.060-040	6.0	40	0.80	6.30	6.0	6.075	22.8
P1209.060-045	6.0	45	0.80	6.30	6.0	6.075	22.8
P1209.060-050	6.0	50	0.80	6.30	6.0	6.075	22.8
P1209.060-055	6.0	55	0.80	6.30	6.0	6.075	22.8
P1209.060-060	6.0	60	0.80	6.30	6.0	6.075	22.8
P1209.080-010	8.0	10	1.00	8.30	8.0	8.090	40.5
P1209.080-012	8.0	12	1.00	8.30	8.0	8.090	40.5
P1209.080-014	8.0	14	1.00	8.30	8.0	8.090	40.5
P1209.080-016	8.0	16	1.00	8.30	8.0	8.090	40.5
P1209.080-018	8.0	18	1.00	8.30	8.0	8.090	40.5
P1209.080-020	8.0	20	1.00	8.30	8.0	8.090	40.5
P1209.080-022	8.0	24	1.00	8.30	8.0	8.090	40.5
P1209.080-025	8.0	26	1.00	8.30	8.0	8.090	40.5
P1209.080-028	8.0	28	1.00	8.30	8.0	8.090	40.5
P1209.080-030	8.0	30	1.00	8.30	8.0	8.090	40.5
P1209.080-032	8.0	32	1.00	8.30	8.0	8.090	40.5
P1209.080-036	8.0	36	1.00	8.30	8.0	8.090	40.5
P1209.080-040	8.0	40	1.00	8.30	8.0	8.090	40.5
P1209.080-045	8.0	45	1.00	8.30	8.0	8.090	40.5
P1209.080-050	8.0	50	1.00	8.30	8.0	8.090	40.5
P1209.080-055	8.0	55	1.00	8.30	8.0	8.090	40.5
P1209.080-060	8.0	60	1.00	8.30	8.0	8.090	40.5
P1209.080-065	8.0	65	1.00	8.30	8.0	8.090	40.5
P1209.080-070	8.0	70	1.00	8.30	8.0	8.090	40.5
P1209.100-014	10.0	14	1.20	10.35	10.0	10.09	63.2
P1209.100-016	10.0	16	1.20	10.35	10.0	10.09	63.2
P1209.100-018	10.0	18	1.20	10.35	10.0	10.09	63.2
P1209.100-020	10.0	20	1.20	10.35	10.0	10.09	63.2
P1209.100-022	10.0	24	1.20	10.35	10.0	10.09	63.2
P1209.100-025	10.0	26	1.20	10.35	10.0	10.09	63.2
P1209.100-028	10.0	28	1.20	10.35	10.0	10.09	63.2
P1209.100-030	10.0	30	1.20	10.35	10.0	10.09	63.2
P1209.100-032	10.0	32	1.20	10.35	10.0	10.09	63.2
P1209.100-036	10.0	36	1.20	10.35	10.0	10.09	63.2
P1209.100-040	10.0	40	1.20	10.35	10.0	10.09	63.2
P1209.100-045	10.0	45	1.20	10.35	10.0	10.09	63.2
P1209.100-050	10.0	50	1.20	10.35	10.0	10.09	63.2
P1209.100-055	10.0	55	1.20	10.35	10.0	10.09	63.2
P1209.100-060	10.0	60	1.20	10.35	10.0	10.09	63.2
P1209.100-065	10.0	65	1.20	10.35	10.0	10.09	63.2
P1209.100-070	10.0	70	1.20	10.35	10.0	10.09	63.2
P1209.100-075	10.0	75	1.20	10.35	10.0	10.09	63.2
P1209.100-080	10.0	80	1.20	10.35	10.0	10.09	63.2
P1209.120-014	12.0	14	1.60	12.35	12.0	12.11	91
P1209.120-016	12.0	16	1.60	12.35	12.0	12.11	91
P1209.120-018	12.0	18	1.60	12.35	12.0	12.11	91
P1209.120-020	12.0	20	1.60	12.35	12.0	12.11	91
P1209.120-022	12.0	24	1.60	12.35	12.0	12.11	91
P1209.120-025	12.0	26	1.60	12.35	12.0	12.11	91
P1209.120-028	12.0	28	1.60	12.35	12.0	12.11	91
P1209.120-030	12.0	30	1.60	12.35	12.0	12.11	91
P1209.120-032	12.0	32	1.60	12.35	12.0	12.11	91
P1209.120-036	12.0	36	1.60	12.35	12.0	12.11	91
P1209.120-040	12.0	40	1.60	12.35	12.0	12.11	91
P1209.120-045	12.0	45	1.60	12.35	12.0	12.11	91
P1209.120-050	12.0	50	1.60	12.35	12.0	12.11	91
P1209.120-055	12.0	55	1.60	12.35	12.0	12.11	91
P1209.120-060	12.0	60	1.60	12.35	12.0	12.11	91
P1209.120-065	12.0	65	1.60	12.35	12.0	12.11	91
P1209.120-070	12.0	70	1.60	12.35	12.0	12.11	91
P1209.120-075	12.0	75	1.60	12.35	12.0	12.11	91
P1209.120-080	12.0	80	1.60	12.35	12.0	12.11	91

DOWEL PINS



P1212



Material

Steel (100Cr6), hardened and tempered to HV 550-650, HRC 60 ±2.

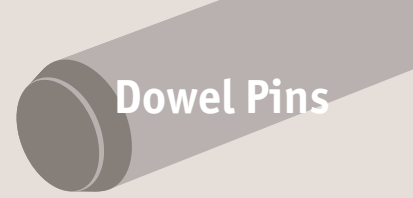
Technical Notes

To DIN 7979D. Ground flat along length for air release.

Order No.	d ₁ m6	l ₁ js15	l ₂ min.	l ₃	l ₄	d ₂
P1212.040-010	4	10	7	4.5	1.3	M 2,5
P1212.040-012	4	12	7	4.5	1.3	M 2,5
P1212.040-014	4	14	7	4.5	1.3	M 2,5
P1212.040-016	4	16	7	4.5	1.3	M 2,5
P1212.040-018	4	18	7	4.5	1.3	M 2,5
P1212.040-020	4	20	7	4.5	1.3	M 2,5
P1212.040-024	4	24	7	4.5	1.3	M 2,5
P1212.040-028	4	28	7	4.5	1.3	M 2,5
P1212.040-030	4	30	7	4.5	1.3	M 2,5
P1212.040-032	4	32	7	4.5	1.3	M 2,5
P1212.040-036	4	36	7	4.5	1.3	M 2,5
P1212.040-040	4	40	7	4.5	1.3	M 2,5
P1212.040-045	4	45	7	4.5	1.3	M 2,5
P1212.040-050	4	50	7	4.5	1.3	M 2,5
P1212.050-010	5	10	7	4.5	1.7	M 3
P1212.050-012	5	12	7	4.5	1.7	M 3
P1212.050-014	5	14	7	4.5	1.7	M 3
P1212.050-016	5	16	7	4.5	1.7	M 3
P1212.050-018	5	18	7	4.5	1.7	M 3
P1212.050-020	5	20	7	4.5	1.7	M 3
P1212.050-024	5	24	7	4.5	1.7	M 3
P1212.050-028	5	28	7	4.5	1.7	M 3
P1212.050-030	5	30	7	4.5	1.7	M 3
P1212.050-032	5	32	7	4.5	1.7	M 3
P1212.050-036	5	36	7	4.5	1.7	M 3
P1212.050-040	5	40	7	4.5	1.7	M 3
P1212.050-045	5	45	7	4.5	1.7	M 3
P1212.050-050	5	50	7	4.5	1.7	M 3
P1212.060-012	6	12	10	6	2.1	M 4
P1212.060-014	6	14	10	6	2.1	M 4
P1212.060-016	6	16	10	6	2.1	M 4
P1212.060-018	6	18	10	6	2.1	M 4
P1212.060-020	6	20	10	6	2.1	M 4
P1212.060-024	6	24	10	6	2.1	M 4



Extractable Dowel Pins with air release



Dowel Pins

Order No.	d ₁ m6	l ₁ js15	l ₂ min.	l ₃	l ₄	d ₂
P1212.060-028	6	28	10	6	2.1	M 4
P1212.060-030	6	30	10	6	2.1	M 4
P1212.060-032	6	32	10	6	2.1	M 4
P1212.060-036	6	36	10	6	2.1	M 4
P1212.060-040	6	40	10	6	2.1	M 4
P1212.060-045	6	45	10	6	2.1	M 4
P1212.060-050	6	50	10	6	2.1	M 4
P1212.060-055	6	55	10	6	2.1	M 4
P1212.060-060	6	60	10	6	2.1	M 4
P1212.060-070	6	70	10	6	2.1	M 4
P1212.060-080	6	80	10	6	2.1	M 4
P1212.060-090	6	90	10	6	2.1	M 4
P1212.080-016	8	16	12	8	2.6	M 5
P1212.080-020	8	20	12	8	2.6	M 5
P1212.080-024	8	24	12	8	2.6	M 5
P1212.080-028	8	28	12	8	2.6	M 5
P1212.080-030	8	30	12	8	2.6	M 5
P1212.080-032	8	32	12	8	2.6	M 5
P1212.080-036	8	36	12	8	2.6	M 5
P1212.080-040	8	40	12	8	2.6	M 5
P1212.080-045	8	45	12	8	2.6	M 5
P1212.080-050	8	50	12	8	2.6	M 5
P1212.080-055	8	55	12	8	2.6	M 5
P1212.080-060	8	60	12	8	2.6	M 5
P1212.080-070	8	70	12	8	2.6	M 5
P1212.080-080	8	80	12	8	2.6	M 5
P1212.080-090	8	90	12	8	2.6	M 5
P1212.080-100	8	100	12	8	2.6	M 5
P1212.100-016	10	16	16	10	3.0	M 6
P1212.100-018	10	18	16	10	3.0	M 6
P1212.100-020	10	20	16	10	3.0	M 6
P1212.100-024	10	24	16	10	3.0	M 6
P1212.100-028	10	28	16	10	3.0	M 6
P1212.100-030	10	30	16	10	3.0	M 6
P1212.100-032	10	32	16	10	3.0	M 6
P1212.100-036	10	36	16	10	3.0	M 6
P1212.100-040	10	40	16	10	3.0	M 6
P1212.100-045	10	45	16	10	3.0	M 6
P1212.100-050	10	50	16	10	3.0	M 6
P1212.100-055	10	55	16	10	3.0	M 6
P1212.100-060	10	60	16	10	3.0	M 6
P1212.100-070	10	70	16	10	3.0	M 6
P1212.100-080	10	80	16	10	3.0	M 6
P1212.100-090	10	90	16	10	3.0	M 6
P1212.100-100	10	100	16	10	3.0	M 6
P1212.100-120	10	120	16	10	3.0	M 6
P1212.120-020	12	20	16	10	3.8	M 6
P1212.120-024	12	24	16	10	3.8	M 6
P1212.120-028	12	28	16	10	3.8	M 6
P1212.120-030	12	30	16	10	3.8	M 6
P1212.120-032	12	32	16	10	3.8	M 6
P1212.120-036	12	36	16	10	3.8	M 6
P1212.120-040	12	40	16	10	3.8	M 6
P1212.120-045	12	45	16	10	3.8	M 6
P1212.120-050	12	50	16	10	3.8	M 6
P1212.120-055	12	55	16	10	3.8	M 6
P1212.120-060	12	60	16	10	3.8	M 6
P1212.120-070	12	70	16	10	3.8	M 6
P1212.120-080	12	80	16	10	3.8	M 6
P1212.120-090	12	90	16	10	3.8	M 6
P1212.120-100	12	100	16	10	3.8	M 6
P1212.120-120	12	120	16	10	3.8	M 6
P1212.140-028	14	28	20	12	4.0	M 8
P1212.140-030	14	30	20	12	4.0	M 8
P1212.140-032	14	32	20	12	4.0	M 8
P1212.140-036	14	36	20	12	4.0	M 8
P1212.140-040	14	40	20	12	4.0	M 8
P1212.140-045	14	45	20	12	4.0	M 8

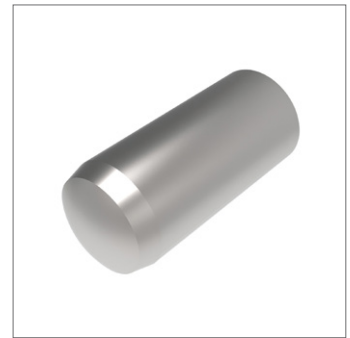
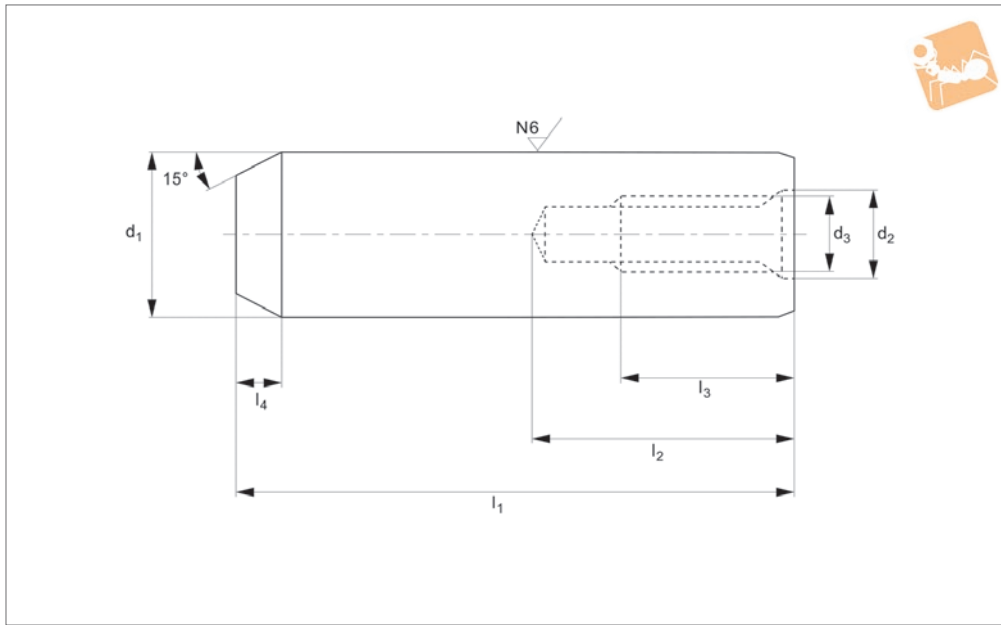
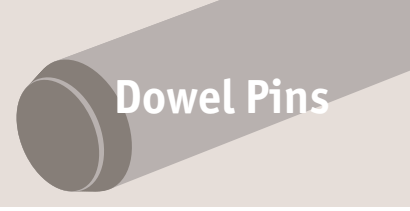
DOWEL PINS



Order No.	d ₁ m6	l ₁ js15	l ₂ min.	l ₃	l ₄	d ₂
P1212.140-050	14	50	20	12	4.0	M 8
P1212.140-055	14	55	20	12	4.0	M 8
P1212.140-060	14	60	20	12	4.0	M 8
P1212.140-070	14	70	20	12	4.0	M 8
P1212.140-080	14	80	20	12	4.0	M 8
P1212.140-090	14	90	20	12	4.0	M 8
P1212.140-100	14	100	20	12	4.0	M 8
P1212.140-120	14	120	20	12	4	M 8
P1212.160-032	16	32	20	12	4.7	M 8
P1212.160-036	16	36	20	12	4.7	M 8
P1212.160-040	16	40	20	12	4.7	M 8
P1212.160-045	16	45	20	12	4.7	M 8
P1212.160-050	16	50	20	12	4.7	M 8
P1212.160-055	16	55	20	12	4.7	M 8
P1212.160-060	16	60	20	12	4.7	M 8
P1212.160-070	16	70	20	12	4.7	M 8
P1212.160-080	16	80	20	12	4.7	M 8
P1212.160-090	16	90	20	12	4.7	M 8
P1212.160-100	16	100	20	12	4.7	M 8
P1212.160-120	16	120	20	12	4.7	M 8
P1212.200-032	20	32	25	16	6.0	M10
P1212.200-036	20	36	25	16	6.0	M10
P1212.200-040	20	40	25	16	6.0	M10
P1212.200-045	20	45	25	16	6.0	M10
P1212.200-050	20	50	25	16	6.0	M10
P1212.200-055	20	55	25	16	6.0	M10
P1212.200-060	20	60	25	16	6.0	M10
P1212.200-070	20	70	25	16	6.0	M10
P1212.200-080	20	80	25	16	6.0	M10
P1212.200-090	20	90	25	16	6.0	M10
P1212.200-100	20	100	25	16	6.0	M10
P1212.200-120	20	120	25	16	6.0	M10



Stainless Extractable Dowel Pins with air release



P1213

DOWEL PINS

Material

Stainless steel 1.4305

Technical Notes

To DIN 7979C. Ground flat along length for air release.

Order No.	d ₁ tol. m6	l ₁ tol. js15	l ₂ min.	l ₃	l ₄	d ₂
P1213.040-010	4	10	7	4.5	1.3	M 2,5
P1213.040-012	4	12	7	4.5	1.3	M 2,5
P1213.040-014	4	14	7	4.5	1.3	M 2,5
P1213.040-016	4	16	7	4.5	1.3	M 2,5
P1213.040-018	4	18	7	4.5	1.3	M 2,5
P1213.040-020	4	20	7	4.5	1.3	M 2,5
P1213.040-024	4	24	7	4.5	1.3	M 2,5
P1213.040-028	4	28	7	4.5	1.3	M 2,5
P1213.040-030	4	30	7	4.5	1.3	M 2,5
P1213.040-032	4	32	7	4.5	1.3	M 2,5
P1213.040-036	4	36	7	4.5	1.3	M 2,5
P1213.040-040	4	40	7	4.5	1.3	M 2,5
P1213.040-045	4	45	7	4.5	1.3	M 2,5
P1213.040-050	4	50	7	4.5	1.3	M 2,5
P1213.050-010	5	10	7	4.5	1.7	M 3
P1213.050-012	5	12	7	4.5	1.7	M 3
P1213.050-014	5	14	7	4.5	1.7	M 3
P1213.050-016	5	16	7	4.5	1.7	M 3
P1213.050-018	5	18	7	4.5	1.7	M 3
P1213.050-020	5	20	7	4.5	1.7	M 3
P1213.050-024	5	24	7	4.5	1.7	M 3
P1213.050-028	5	28	7	4.5	1.7	M 3
P1213.050-030	5	30	7	4.5	1.7	M 3
P1213.050-032	5	32	7	4.5	1.7	M 3
P1213.050-036	5	36	7	4.5	1.7	M 3
P1213.050-040	5	40	7	4.5	1.7	M 3
P1213.050-045	5	45	7	4.5	1.7	M 3
P1213.050-050	5	50	7	4.5	1.7	M 3
P1213.060-012	6	12	10	6	2.1	M 4
P1213.060-014	6	14	10	6	2.1	M 4
P1213.060-016	6	16	10	6	2.1	M 4
P1213.060-018	6	18	10	6	2.1	M 4
P1213.060-020	6	20	10	6	2.1	M 4
P1213.060-024	6	24	10	6	2.1	M 4

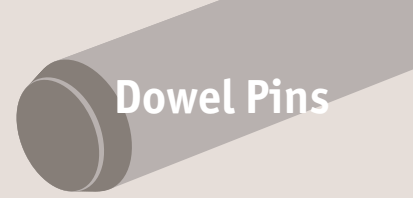


DOWEL PINS

Order No.	d ₁ tol. m6	l ₁ tol. js15	l ₂ min.	l ₃	l ₄	d ₂
P1213.060-028	6	28	10	6	2.1	M 4
P1213.060-030	6	30	10	6	2.1	M 4
P1213.060-032	6	32	10	6	2.1	M 4
P1213.060-036	6	36	10	6	2.1	M 4
P1213.060-040	6	40	10	6	2.1	M 4
P1213.060-045	6	45	10	6	2.1	M 4
P1213.060-050	6	50	10	6	2.1	M 4
P1213.060-055	6	55	10	6	2.1	M 4
P1213.060-060	6	60	10	6	2.1	M 4
P1213.060-070	6	70	10	6	2.1	M 4
P1213.060-080	6	80	10	6	2.1	M 4
P1213.060-090	6	90	10	6	2.1	M 4
P1213.080-016	8	16	12	8	2.6	M 5
P1213.080-020	8	20	12	8	2.6	M 5
P1213.080-024	8	24	12	8	2.6	M 5
P1213.080-028	8	28	12	8	2.6	M 5
P1213.080-030	8	30	12	8	2.6	M 5
P1213.080-032	8	32	12	8	2.6	M 5
P1213.080-036	8	36	12	8	2.6	M 5
P1213.080-040	8	40	12	8	2.6	M 5
P1213.080-045	8	45	12	8	2.6	M 5
P1213.080-050	8	50	12	8	2.6	M 5
P1213.080-055	8	55	12	8	2.6	M 5
P1213.080-060	8	60	12	8	2.6	M 5
P1213.080-070	8	70	12	8	2.6	M 5
P1213.080-080	8	80	12	8	2.6	M 5
P1213.080-090	8	90	12	8	2.6	M 5
P1213.080-100	8	100	12	8	2.6	M 5
P1213.100-016	10	16	16	10	3.0	M 6
P1213.100-018	10	18	16	10	3.0	M 6
P1213.100-020	10	20	16	10	3.0	M 6
P1213.100-024	10	24	16	10	3.0	M 6
P1213.100-028	10	28	16	10	3.0	M 6
P1213.100-030	10	30	16	10	3.0	M 6
P1213.100-032	10	32	16	10	3.0	M 6
P1213.100-036	10	36	16	10	3.0	M 6
P1213.100-040	10	40	16	10	3.0	M 6
P1213.100-045	10	45	16	10	3.0	M 6
P1213.100-050	10	50	16	10	3.0	M 6
P1213.100-055	10	55	16	10	3.0	M 6
P1213.100-060	10	60	16	10	3.0	M 6
P1213.100-070	10	70	16	10	3.0	M 6
P1213.100-080	10	80	16	10	3.0	M 6
P1213.100-090	10	90	16	10	3.0	M 6
P1213.100-100	10	100	16	10	3.0	M 6
P1213.100-120	10	120	16	10	3.0	M 6
P1213.120-020	12	20	16	10	3.8	M 6
P1213.120-024	12	24	16	10	3.8	M 6
P1213.120-028	12	28	16	10	3.8	M 6
P1213.120-030	12	30	16	10	3.8	M 6
P1213.120-032	12	32	16	10	3.8	M 6
P1213.120-036	12	36	16	10	3.8	M 6
P1213.120-040	12	40	16	10	3.8	M 6
P1213.120-045	12	45	16	10	3.8	M 6
P1213.120-050	12	50	16	10	3.8	M 6
P1213.120-055	12	55	16	10	3.8	M 6
P1213.120-060	12	60	16	10	3.8	M 6
P1213.120-070	12	70	16	10	3.8	M 6
P1213.120-080	12	80	16	10	3.8	M 6
P1213.120-090	12	90	16	10	3.8	M 6
P1213.120-100	12	100	16	10	3.8	M 6
P1213.120-120	12	120	16	10	3.8	M 6
P1213.140-028	14	28	20	12	4.0	M 8
P1213.140-030	14	30	20	12	4.0	M 8
P1213.140-032	14	32	20	12	4.0	M 8
P1213.140-036	14	36	20	12	4.0	M 8
P1213.140-040	14	40	20	12	4.0	M 8
P1213.140-045	14	45	20	12	4.0	M 8



Stainless Extractable Dowel Pins with air release



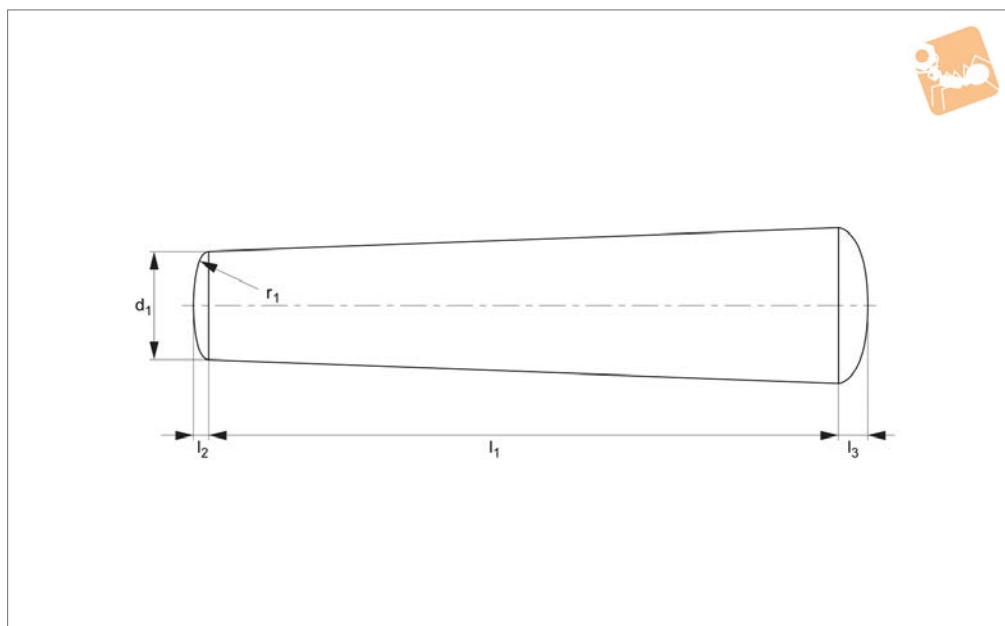
Dowel Pins

Order No.	d ₁ tol. m6	l ₁ tol. js15	l ₂ min.	l ₃	l ₄	d ₂
P1213.140-050	14	50	20	12	4.0	M 8
P1213.140-055	14	55	20	12	4.0	M 8
P1213.140-060	14	60	20	12	4.0	M 8
P1213.140-070	14	70	20	12	4.0	M 8
P1213.140-080	14	80	20	12	4.0	M 8
P1213.140-090	14	90	20	12	4.0	M 8
P1213.140-100	14	100	20	12	4.0	M 8
P1213.140-120	14	120	20	12	4	M 8
P1213.160-032	16	32	20	12	4.7	M 8
P1213.160-036	16	36	20	12	4.7	M 8
P1213.160-040	16	40	20	12	4.7	M 8
P1213.160-045	16	45	20	12	4.7	M 8
P1213.160-050	16	50	20	12	4.7	M 8
P1213.160-055	16	55	20	12	4.7	M 8
P1213.160-060	16	60	20	12	4.7	M 8
P1213.160-070	16	70	20	12	4.7	M 8
P1213.160-080	16	80	20	12	4.7	M 8
P1213.160-090	16	90	20	12	4.7	M 8
P1213.160-100	16	100	20	12	4.7	M 8
P1213.160-120	16	120	20	12	4.7	M 8
P1213.200-032	20	32	25	16	6.0	M10
P1213.200-036	20	36	25	16	6.0	M10
P1213.200-040	20	40	25	16	6.0	M10
P1213.200-045	20	45	25	16	6.0	M10
P1213.200-050	20	50	25	16	6.0	M10
P1213.200-055	20	55	25	16	6.0	M10
P1213.200-060	20	60	25	16	6.0	M10
P1213.200-070	20	70	25	16	6.0	M10
P1213.200-080	20	80	25	16	6.0	M10
P1213.200-090	20	90	25	16	6.0	M10
P1213.200-100	20	100	25	16	6.0	M10
P1213.200-120	20	120	25	16	6.0	M10

DOWEL PINS



P1216



Material

Mild steel (WS 1,0718 9SMnPb28K), ground finish.

Technical Notes

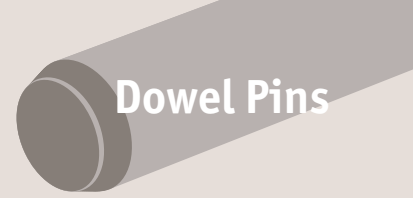
To DIN 1B. The nominal diameter is always the smaller end d and the taper is 2%.

Order No.	d_1 tol. h10	l_1 js15	l_2 max.	l_3
P1216.015-006	1.5	6	0.23	1.5
P1216.015-008	1.5	8	0.23	1.5
P1216.015-010	1.5	10	0.23	1.5
P1216.015-012	1.5	12	0.23	1.5
P1216.015-014	1.5	14	0.23	1.5
P1216.015-016	1.5	16	0.23	1.5
P1216.015-018	1.5	18	0.23	1.5
P1216.015-020	1.5	20	0.23	1.5
P1216.015-024	1.5	24	0.23	1.5
P1216.015-028	1.5	28	0.23	1.5
P1216.015-030	1.5	30	0.23	1.5
P1216.020-006	2.0	6	0.3	2
P1216.020-008	2.0	8	0.3	2
P1216.020-010	2.0	10	0.3	2
P1216.020-012	2.0	12	0.3	2
P1216.020-014	2.0	14	0.3	2
P1216.020-016	2.0	16	0.3	2
P1216.020-018	2.0	18	0.3	2
P1216.020-020	2.0	20	0.3	2
P1216.020-024	2.0	24	0.3	2
P1216.020-028	2.0	28	0.3	2
P1216.020-030	2.0	30	0.3	2
P1216.020-032	2.0	32	0.3	2
P1216.020-036	2.0	36	0.3	2
P1216.020-040	2.0	40	0.3	2
P1216.020-045	2.0	45	0.3	2
P1216.020-050	2.0	50	0.3	2
P1216.025-006	2.5	6	0.4	2.5
P1216.025-008	2.5	8	0.4	2.5
P1216.025-010	2.5	10	0.4	2.5
P1216.025-012	2.5	12	0.4	2.5
P1216.025-014	2.5	14	0.4	2.5
P1216.025-016	2.5	16	0.4	2.5
P1216.025-018	2.5	18	0.4	2.5



Taper Pins

Steel



Dowel Pins

Order No.	d_1 tol. h10	l_1 js15	l_2 max.	l_3
P1216.025-020	2.5	20	0.4	2.5
P1216.025-024	2.5	24	0.4	2.5
P1216.025-028	2.5	28	0.4	2.5
P1216.025-030	2.5	30	0.4	2.5
P1216.025-032	2.5	32	0.4	2.5
P1216.025-036	2.5	36	0.4	2.5
P1216.025-040	2.5	40	0.4	2.5
P1216.025-045	2.5	45	0.4	2.5
P1216.025-050	2.5	50	0.4	2.5
P1216.030-006	3.0	6	0.45	3
P1216.030-008	3.0	8	0.45	3
P1216.030-010	3.0	10	0.45	3
P1216.030-012	3.0	12	0.45	3
P1216.030-014	3.0	14	0.45	3
P1216.030-016	3.0	16	0.45	3
P1216.030-018	3.0	18	0.45	3
P1216.030-020	3.0	20	0.45	3
P1216.030-024	3.0	24	0.45	3
P1216.030-028	3.0	28	0.45	3
P1216.030-030	3.0	30	0.45	3
P1216.030-032	3.0	32	0.45	3
P1216.030-036	3.0	36	0.45	3
P1216.030-040	3.0	40	0.45	3
P1216.030-045	3.0	45	0.45	3
P1216.030-050	3.0	50	0.45	3
P1216.030-055	3.0	55	0.45	3
P1216.030-060	3.0	60	0.45	3
P1216.030-065	3.0	65	0.45	3
P1216.030-070	3.0	70	0.45	3
P1216.030-080	3.0	80	0.45	3
P1216.030-090	3.0	90	0.45	3
P1216.030-100	3.0	100	0.45	3
P1216.040-006	4.0	6	0.6	4
P1216.040-008	4.0	8	0.6	4
P1216.040-010	4.0	10	0.6	4
P1216.040-012	4.0	12	0.6	4
P1216.040-014	4.0	14	0.6	4
P1216.040-016	4.0	16	0.6	4
P1216.040-018	4.0	18	0.6	4
P1216.040-020	4.0	20	0.6	4
P1216.040-024	4.0	24	0.6	4
P1216.040-028	4.0	28	0.6	4
P1216.040-030	4.0	30	0.6	4
P1216.040-032	4.0	32	0.6	4
P1216.040-036	4.0	36	0.6	4
P1216.040-040	4.0	40	0.6	4
P1216.040-045	4.0	45	0.6	4
P1216.040-050	4.0	50	0.6	4
P1216.040-055	4.0	55	0.6	4
P1216.040-060	4.0	60	0.6	4
P1216.040-065	4.0	65	0.6	4
P1216.040-070	4.0	70	0.6	4
P1216.040-080	4.0	80	0.6	4
P1216.040-090	4.0	90	0.6	4
P1216.040-100	4.0	100	0.6	4
P1216.050-010	5.0	10	0.75	5
P1216.050-012	5.0	12	0.75	5
P1216.050-014	5.0	14	0.75	5
P1216.050-016	5.0	16	0.75	5
P1216.050-018	5.0	18	0.75	5
P1216.050-020	5.0	20	0.75	5
P1216.050-024	5.0	24	0.75	5
P1216.050-028	5.0	28	0.75	5
P1216.050-030	5.0	30	0.75	5
P1216.050-032	5.0	32	0.75	5
P1216.050-036	5.0	36	0.75	5
P1216.050-040	5.0	40	0.75	5
P1216.050-045	5.0	45	0.75	5

DOWEL PINS

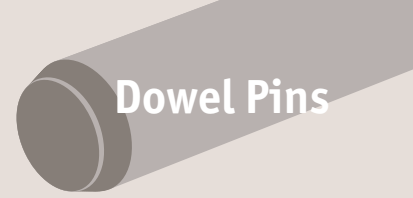


DOWEL PINS

Order No.	d ₁ tol. h10	l ₁ js15	l ₂ max.	l ₃
P1216.050-050	5.0	50	0.75	5
P1216.050-055	5.0	55	0.75	5
P1216.050-060	5.0	60	0.75	5
P1216.050-065	5.0	65	0.75	5
P1216.050-070	5.0	70	0.75	5
P1216.050-080	5.0	80	0.75	5
P1216.050-090	5.0	90	0.75	5
P1216.050-100	5.0	100	0.75	5
P1216.060-010	6.0	10	0.9	6
P1216.060-012	6.0	12	0.9	6
P1216.060-014	6.0	14	0.9	6
P1216.060-016	6.0	16	0.9	6
P1216.060-018	6.0	18	0.9	6
P1216.060-020	6.0	20	0.9	6
P1216.060-024	6.0	24	0.9	6
P1216.060-028	6.0	28	0.9	6
P1216.060-030	6.0	30	0.9	6
P1216.060-032	6.0	32	0.9	6
P1216.060-036	6.0	36	0.9	6
P1216.060-040	6.0	40	0.9	6
P1216.060-045	6.0	45	0.9	6
P1216.060-050	6.0	50	0.9	6
P1216.060-055	6.0	55	0.9	6
P1216.060-060	6.0	60	0.9	6
P1216.060-065	6.0	65	0.9	6
P1216.060-070	6.0	70	0.9	6
P1216.060-080	6.0	80	0.9	6
P1216.060-090	6.0	90	0.9	6
P1216.060-100	6.0	100	0.9	6
P1216.080-020	8.0	20	1.0	8
P1216.080-024	8.0	24	1.0	8
P1216.080-028	8.0	28	1.0	8
P1216.080-030	8.0	30	1.0	8
P1216.080-032	8.0	32	1.0	8
P1216.080-036	8.0	36	1.0	8
P1216.080-040	8.0	40	1.0	8
P1216.080-045	8.0	45	1.0	8
P1216.080-050	8.0	50	1.0	8
P1216.080-055	8.0	55	1.0	8
P1216.080-060	8.0	60	1.0	8
P1216.080-065	8.0	65	1.0	8
P1216.080-070	8.0	70	1.0	8
P1216.080-080	8.0	80	1.0	8
P1216.080-090	8.0	90	1.0	8
P1216.080-100	8.0	100	1.0	8
P1216.100-028	10.0	28	1.2	10
P1216.100-030	10.0	30	1.2	10
P1216.100-032	10.0	32	1.2	10
P1216.100-036	10.0	36	1.2	10
P1216.100-040	10.0	40	1.2	10
P1216.100-045	10.0	45	1.2	10
P1216.100-050	10.0	50	1.2	10
P1216.100-055	10.0	55	1.2	10
P1216.100-060	10.0	60	1.2	10
P1216.100-065	10.0	65	1.2	10
P1216.100-070	10.0	70	1.2	10
P1216.100-080	10.0	80	1.2	10
P1216.100-090	10.0	90	1.2	10
P1216.100-100	10.0	100	1.2	10
P1216.100-110	10.0	110	1.2	10
P1216.100-120	10.0	120	1.2	10
P1216.100-130	10.0	130	1.2	10
P1216.120-030	12.0	30	1.6	12
P1216.120-032	12.0	32	1.6	12
P1216.120-036	12.0	36	1.6	12
P1216.120-040	12.0	40	1.6	12
P1216.120-045	12.0	45	1.6	12
P1216.120-050	12.0	50	1.6	12



Taper Pins Steel



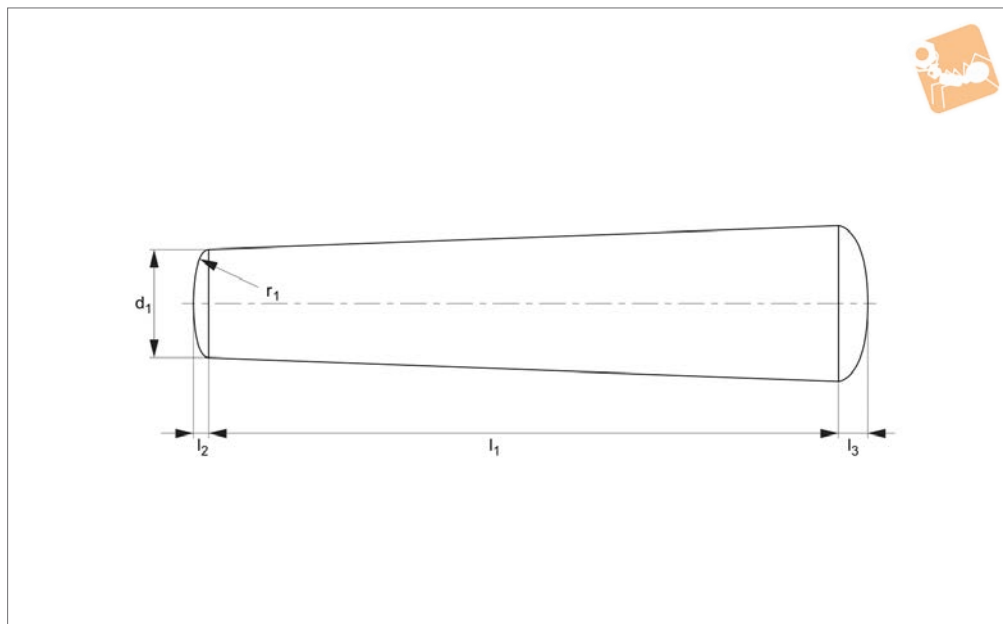
Dowel Pins

Order No.	d ₁ tol. h10	l ₁ js15	l ₂ max.	l ₃
P1216.120-055	12.0	55	1.6	12
P1216.120-060	12.0	60	1.6	12
P1216.120-065	12.0	65	1.6	12
P1216.120-070	12.0	70	1.6	12
P1216.120-080	12.0	80	1.6	12
P1216.120-090	12.0	90	1.6	12
P1216.120-100	12.0	100	1.6	12
P1216.120-110	12.0	110	1.6	12
P1216.120-120	12.0	120	1.6	12
P1216.120-130	12.0	130	1.6	12
P1216.140-036	14.0	36	1.6	14
P1216.140-040	14.0	40	1.6	14
P1216.140-045	14.0	45	1.6	14
P1216.140-050	14.0	50	1.6	14
P1216.140-055	14.0	55	1.6	14
P1216.140-060	14.0	60	1.6	14
P1216.140-065	14.0	65	1.6	14
P1216.140-070	14.0	70	1.6	14
P1216.140-080	14.0	80	1.6	14
P1216.140-090	14.0	90	1.6	14
P1216.140-100	14.0	100	1.6	14
P1216.140-110	14.0	110	1.6	14
P1216.140-120	14.0	120	1.6	14
P1216.140-130	14.0	130	1.6	14
P1216.140-140	14.0	140	1.6	14
P1216.140-150	14.0	150	1.6	14
P1216.160-036	16.0	36	2.0	16
P1216.160-040	16.0	40	2.0	16
P1216.160-045	16.0	45	2.0	16
P1216.160-050	16.0	50	2.0	16
P1216.160-055	16.0	55	2.0	16
P1216.160-060	16.0	60	2.0	16
P1216.160-065	16.0	65	2.0	16
P1216.160-070	16.0	70	2.0	16
P1216.160-080	16.0	80	2.0	16
P1216.160-090	16.0	90	2.0	16
P1216.160-100	16.0	100	2.0	16
P1216.160-110	16.0	110	2.0	16
P1216.160-120	16.0	120	2.0	16
P1216.160-130	16.0	130	2.0	16
P1216.160-140	16.0	140	2.0	16
P1216.160-150	16.0	150	2.0	16
P1216.200-040	20.0	40	2.5	20
P1216.200-045	20.0	45	2.5	20
P1216.200-050	20.0	50	2.5	20
P1216.200-055	20.0	55	2.5	20
P1216.200-060	20.0	60	2.5	20
P1216.200-065	20.0	65	2.5	20
P1216.200-070	20.0	70	2.5	20
P1216.200-080	20.0	80	2.5	20
P1216.200-090	20.0	90	2.5	20
P1216.200-100	20.0	100	2.5	20
P1216.200-110	20.0	110	2.5	20
P1216.200-120	20.0	120	2.5	20
P1216.200-130	20.0	130	2.5	20
P1216.200-140	20.0	140	2.5	20
P1216.200-150	20.0	150	2.5	20

DOWEL PINS



P1216.A2



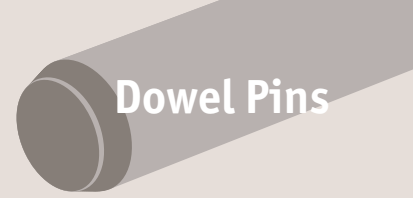
Material

Stainless steel (A2, AISI 303).

Technical Notes

To DIN 1B. The nominal diameter is always the smaller end d and the taper is 2%.

Order No.	d_1 tol. h10	l_1 js15	l_2 max.	r_1
P1216.020-010-A2	2.0	10	0.3	2
P1216.020-012-A2	2.0	12	0.3	2
P1216.020-016-A2	2.0	16	0.3	2
P1216.020-020-A2	2.0	20	0.3	2
P1216.025-014-A2	2.5	14	0.4	2.5
P1216.025-016-A2	2.5	16	0.4	2.5
P1216.025-020-A2	2.5	20	0.4	2.5
P1216.025-024-A2	2.5	24	0.4	2.5
P1216.030-014-A2	3.0	14	0.45	3
P1216.030-016-A2	3.0	16	0.45	3
P1216.030-018-A2	3.0	18	0.45	3
P1216.030-020-A2	3.0	20	0.45	3
P1216.030-022-A2	3.0	22	0.45	3
P1216.030-024-A2	3.0	24	0.45	3
P1216.030-026-A2	3.0	26	0.45	3
P1216.030-028-A2	3.0	28	0.45	3
P1216.030-030-A2	3.0	30	0.45	3
P1216.030-036-A2	3.0	36	0.45	3
P1216.030-040-A2	3.0	40	0.45	3
P1216.030-050-A2	3.0	50	0.45	3
P1216.040-016-A2	4.0	16	0.6	4
P1216.040-018-A2	4.0	18	0.6	4
P1216.040-020-A2	4.0	20	0.6	4
P1216.040-022-A2	4.0	22	0.6	4
P1216.040-024-A2	4.0	24	0.6	4
P1216.040-026-A2	4.0	26	0.6	4
P1216.040-028-A2	4.0	28	0.6	4
P1216.040-030-A2	4.0	30	0.6	4
P1216.040-032-A2	4.0	32	0.6	4
P1216.040-036-A2	4.0	36	0.6	4
P1216.040-040-A2	4.0	40	0.6	4
P1216.040-045-A2	4.0	45	0.6	4
P1216.040-050-A2	4.0	50	0.6	4
P1216.040-060-A2	4.0	60	0.6	4

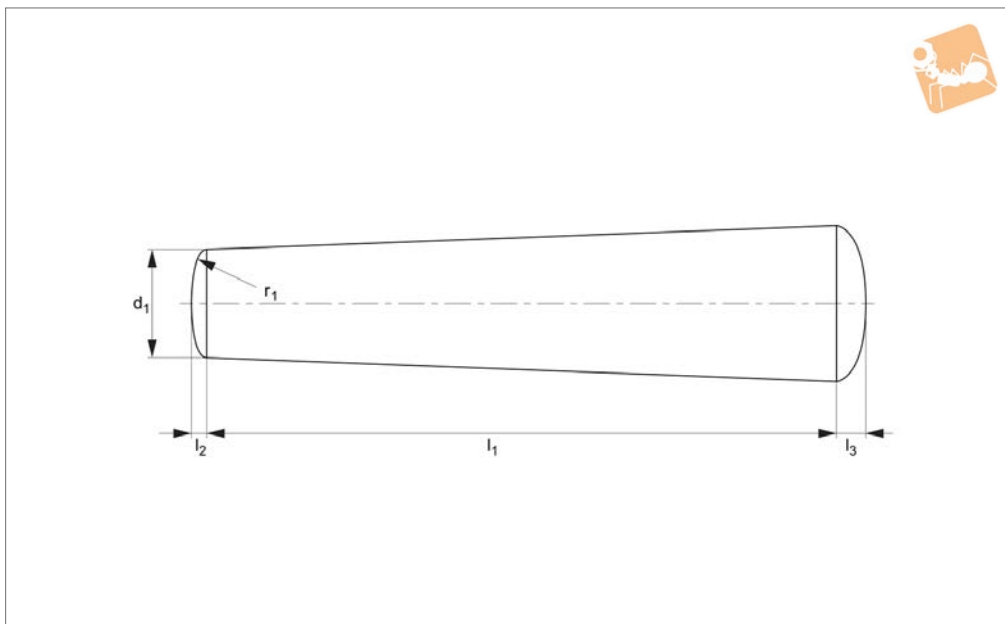


Order No.	d_1 tol. h10	l_1 js15	l_2 max.	r_1
P1216.050-016-A2	5.0	16	0.75	5
P1216.050-020-A2	5.0	20	0.75	5
P1216.050-024-A2	5.0	24	0.75	5
P1216.050-026-A2	5.0	26	0.75	5
P1216.050-030-A2	5.0	30	0.75	5
P1216.050-032-A2	5.0	32	0.75	5
P1216.050-036-A2	5.0	36	0.75	5
P1216.050-040-A2	5.0	40	0.75	5
P1216.050-045-A2	5.0	45	0.75	5
P1216.050-050-A2	5.0	50	0.75	5
P1216.050-055-A2	5.0	55	0.75	5
P1216.050-060-A2	5.0	60	0.75	5
P1216.050-070-A2	5.0	70	0.75	5
P1216.060-024-A2	6.0	24	0.9	6
P1216.060-026-A2	6.0	26	0.9	6
P1216.060-030-A2	6.0	30	0.9	6
P1216.060-032-A2	6.0	32	0.9	6
P1216.060-036-A2	6.0	36	0.9	6
P1216.060-040-A2	6.0	40	0.9	6
P1216.060-045-A2	6.0	45	0.9	6
P1216.060-050-A2	6.0	50	0.9	6
P1216.060-055-A2	6.0	55	0.9	6
P1216.060-060-A2	6.0	60	0.9	6
P1216.060-070-A2	6.0	70	0.9	6
P1216.060-080-A2	6.0	80	0.9	6
P1216.080-040-A2	8.0	40	1.2	8
P1216.080-045-A2	8.0	45	1.2	8
P1216.080-050-A2	8.0	50	1.2	8
P1216.080-055-A2	8.0	55	1.2	8
P1216.080-060-A2	8.0	60	1.2	8
P1216.080-070-A2	8.0	70	1.2	8
P1216.080-080-A2	8.0	80	1.2	8
P1216.080-090-A2	8.0	90	1.2	8
P1216.080-100-A2	8.0	100	1.2	8
P1216.100-032-A2	10.0	32	1.5	10
P1216.100-036-A2	10.0	36	1.5	10
P1216.100-040-A2	10.0	40	1.5	10
P1216.100-045-A2	10.0	45	1.5	10
P1216.100-050-A2	10.0	50	1.5	10
P1216.100-060-A2	10.0	60	1.5	10
P1216.100-070-A2	10.0	70	1.5	10
P1216.100-080-A2	10.0	80	1.5	10
P1216.100-090-A2	10.0	90	1.5	10
P1216.100-100-A2	10.0	100	1.5	10

DOWEL PINS



P1216.A4



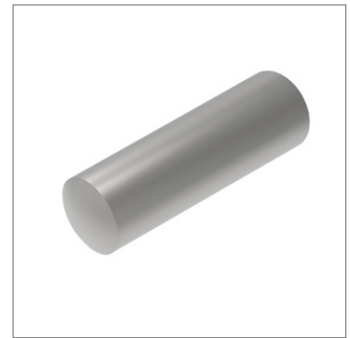
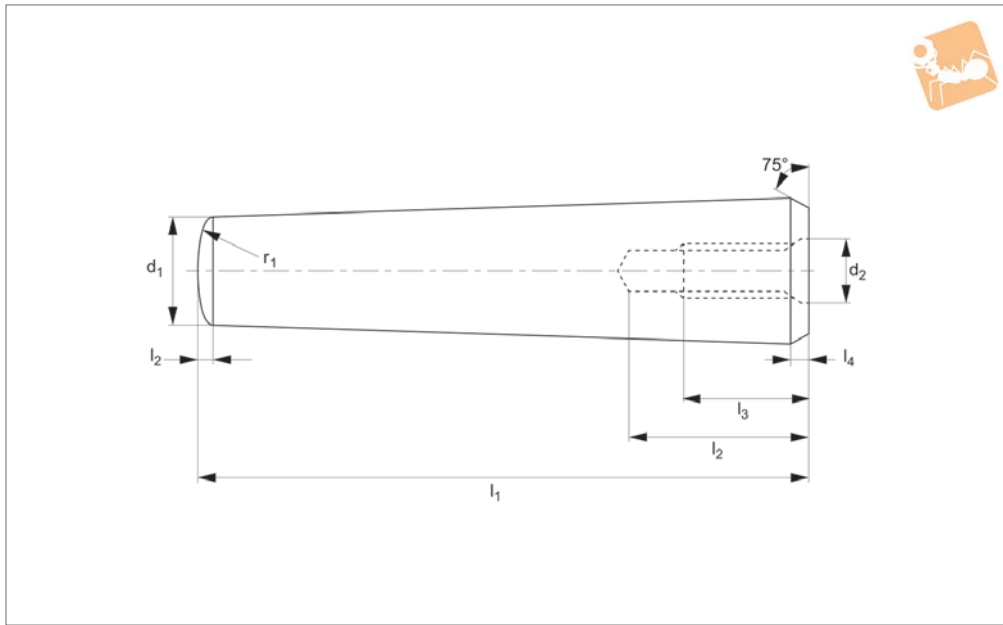
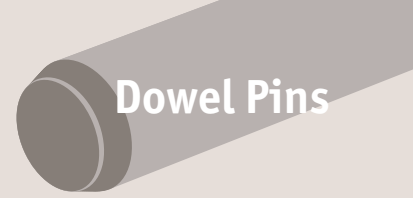
Material

Stainless steel (A4, AISI 316).

Technical Notes

To DIN 1B. The nominal diameter is always the smaller end d and the taper is 2%.

Order No.	d_1 tol. h10	l_1 js15	l_2 max.	r_1
P1216.040-030-A4	4.0	30	0.6	4
P1216.040-036-A4	4.0	36	0.6	4
P1216.040-040-A4	4.0	40	0.6	4
P1216.040-050-A4	4.0	50	0.6	4
P1216.040-060-A4	4.0	60	0.6	4
P1216.050-030-A4	5.0	30	0.75	5
P1216.050-032-A4	5.0	32	0.75	5
P1216.050-036-A4	5.0	36	0.75	5
P1216.050-040-A4	5.0	40	0.75	5
P1216.050-045-A4	5.0	45	0.75	5
P1216.050-050-A4	5.0	50	0.75	5
P1216.050-060-A4	5.0	60	0.75	5
P1216.050-070-A4	5.0	70	0.75	5
P1216.060-030-A4	6.0	30	0.9	6
P1216.060-032-A4	6.0	32	0.9	6
P1216.060-036-A4	6.0	36	0.9	6
P1216.060-040-A4	6.0	40	0.9	6
P1216.060-050-A4	6.0	50	0.9	6
P1216.060-060-A4	6.0	60	0.9	6
P1216.060-070-A4	6.0	70	0.9	6
P1216.060-080-A4	6.0	80	0.9	6
P1216.080-040-A4	8.0	40	1.2	8
P1216.080-045-A4	8.0	45	1.2	8
P1216.080-050-A4	8.0	50	1.2	8
P1216.080-060-A4	8.0	60	1.2	8
P1216.080-070-A4	8.0	70	1.2	8
P1216.080-080-A4	8.0	80	1.2	8
P1216.080-090-A4	8.0	90	1.2	8
P1216.100-050-A4	10.0	50	1.5	10
P1216.100-060-A4	10.0	60	1.5	10
P1216.100-070-A4	10.0	70	1.5	10
P1216.100-080-A4	10.0	80	1.5	10
P1216.100-090-A4	10.0	90	1.5	10



P1218

DOWEL PINS

Material

Mild steel (WS 1.0718, 9SMnPb28K), ground finish.

Technical Notes

To DIN 7978 (ISO 8736). The nominal diameter is always the smaller end d_1 and

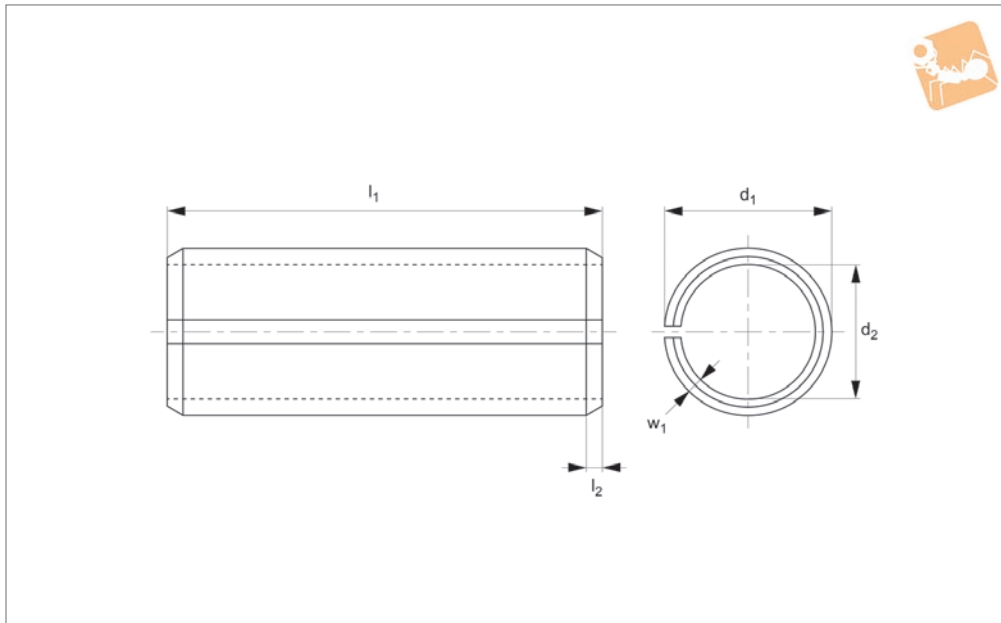
the taper is 2%.

Order No.	d_1	l_1 js15	l_2	l_3	l_4	d_2
P1218.060-016	6	16	10	6	0.8	M 4
P1218.060-018	6	18	10	6	0.8	M 4
P1218.060-020	6	20	10	6	0.8	M 4
P1218.060-024	6	24	10	6	0.8	M 4
P1218.060-026	6	26	10	6	0.8	M 4
P1218.060-028	6	28	10	6	0.8	M 4
P1218.060-030	6	30	10	6	0.8	M 4
P1218.060-032	6	32	10	6	0.8	M 4
P1218.060-036	6	36	10	6	0.8	M 4
P1218.060-040	6	40	10	6	0.8	M 4
P1218.060-045	6	45	10	6	0.8	M 4
P1218.060-050	6	50	10	6	0.8	M 4
P1218.060-055	6	55	10	6	0.8	M 4
P1218.060-060	6	60	10	6	0.8	M 4
P1218.060-070	6	70	10	6	0.8	M 4
P1218.060-090	6	90	10	6	0.8	M 4
P1218.080-020	8	20	12	8	1	M 5
P1218.080-024	8	24	12	8	1	M 5
P1218.080-026	8	26	12	8	1	M 5
P1218.080-028	8	28	12	8	1	M 5
P1218.080-030	8	30	12	8	1	M 5
P1218.080-032	8	32	12	8	1	M 5
P1218.080-036	8	36	12	8	1	M 5
P1218.080-040	8	40	12	8	1	M 5
P1218.080-045	8	45	12	8	1	M 5
P1218.080-050	8	50	12	8	1	M 5
P1218.080-055	8	55	12	8	1	M 5
P1218.080-060	8	60	12	8	1	M 5
P1218.080-070	8	70	12	8	1	M 5
P1218.080-090	8	90	12	8	1	M 5
P1218.080-100	8	100	12	8	1	M 5
P1218.080-110	8	110	12	8	1	M 5
P1218.080-120	8	120	12	8	1	M 5
P1218.100-024	10	24	16	10	1.2	M 6



DOWEL PINS

Order No.	d ₁	l ₁ js15	l ₂	l ₃	l ₄	d ₂
P1218.100-026	10	26	16	10	1.2	M 6
P1218.100-028	10	28	16	10	1.2	M 6
P1218.100-030	10	30	16	10	1.2	M 6
P1218.100-032	10	32	16	10	1.2	M 6
P1218.100-036	10	36	16	10	1.2	M 6
P1218.100-040	10	40	16	10	1.2	M 6
P1218.100-045	10	45	16	10	1.2	M 6
P1218.100-050	10	50	16	10	1.2	M 6
P1218.100-055	10	55	16	10	1.2	M 6
P1218.100-060	10	60	16	10	1.2	M 6
P1218.100-070	10	70	16	10	1.2	M 6
P1218.100-090	10	90	16	10	1.2	M 6
P1218.100-100	10	100	16	10	1.2	M 6
P1218.100-110	10	110	16	10	1.2	M 6
P1218.100-120	10	120	16	10	1.2	M 6
P1218.120-032	12	32	20	12	1.6	M 8
P1218.120-036	12	36	20	12	1.6	M 8
P1218.120-040	12	40	20	12	1.6	M 8
P1218.120-045	12	45	20	12	1.6	M 8
P1218.120-050	12	50	20	12	1.6	M 8
P1218.120-055	12	55	20	12	1.6	M 8
P1218.120-060	12	60	20	12	1.6	M 8
P1218.120-070	12	70	20	12	1.6	M 8
P1218.120-090	12	90	20	12	1.6	M 8
P1218.120-100	12	100	20	12	1.6	M 8
P1218.120-110	12	110	20	12	1.6	M 8
P1218.120-120	12	120	20	12	1.6	M 8
P1218.140-040	14	40	20	12	1.6	M 8
P1218.140-045	14	45	20	12	1.6	M 8
P1218.140-050	14	50	20	12	1.6	M 8
P1218.140-055	14	55	20	12	1.6	M 8
P1218.140-060	14	60	20	12	1.6	M 8
P1218.140-070	14	70	20	12	1.6	M 8
P1218.140-090	14	90	20	12	1.6	M 8
P1218.140-100	14	100	20	12	1.6	M 8
P1218.140-110	14	110	20	12	1.6	M 8
P1218.140-120	14	120	20	12	1.6	M 8
P1218.160-040	16	40	25	16	2	M10
P1218.160-045	16	45	25	16	2	M10
P1218.160-050	16	50	25	16	2	M10
P1218.160-055	16	55	25	16	2	M10
P1218.160-060	16	60	25	16	2	M10
P1218.160-070	16	70	25	16	2	M10
P1218.160-090	16	90	25	16	2	M10
P1218.160-100	16	100	25	16	2	M10
P1218.160-110	16	110	25	16	2	M10
P1218.160-120	16	120	25	16	2	M10
P1218.200-040	20	40	27	18	2.5	M12
P1218.200-045	20	45	27	18	2.5	M12
P1218.200-050	20	50	27	18	2.5	M12
P1218.200-055	20	55	27	18	2.5	M12
P1218.200-060	20	60	27	18	2.5	M12
P1218.200-070	20	70	27	18	2.5	M12
P1218.200-090	20	90	27	18	2.5	M12
P1218.200-100	20	100	27	18	2.5	M12
P1218.200-110	20	110	27	18	2.5	M12
P1218.200-120	20	120	27	18	2.5	M12



P1230

SPRING PINS

Material

Carbon steel (CS70), hardened and tempered to HV420-545.

Technical Notes

To DIN 1481 (ISO 8752). Slotted springs consist of a single coil of spring steel, with an open slot sufficiently wide enough to enable the pin to reduce in diameter, as it is driven into the hole. The ends of the

pin have a bevelled chamfer, they are designed for plain drilled holes, but a countersink makes assembly easier, especially for the ISO 8752 type. Recommended hole tolerance H12.

l_1 tolerances:-
 1-10mm long - $\pm 0,25$
 12-50mm long - $\pm 0,50$
 over 50mm long - $\pm 0,75$.

Pins with a d_1 dimension of $>10\text{mm}$ may be delivered with one chamfer.

Tips

Where pins are to be installed in plastic it is recommended that they are de-oiled before use to avoid embrittlement of the plastic.

Order No.	d_1 nom.	d_1 min.	d_1 max.	Hole min.	Hole max.	d_2	l_1	l_2	w	Double shear kN
P1230.010-004	1.0	1.2	1.3	1.0	1.10	0.8	4	0.15	0.2	0.7
P1230.010-005	1.0	1.2	1.3	1.0	1.10	0.8	5	0.15	0.2	0.7
P1230.010-006	1.0	1.2	1.3	1.0	1.10	0.8	6	0.15	0.2	0.7
P1230.010-008	1.0	1.2	1.3	1.0	1.10	0.8	8	0.15	0.2	0.7
P1230.010-010	1.0	1.2	1.3	1.0	1.10	0.8	10	0.15	0.2	0.7
P1230.010-012	1.0	1.2	1.3	1.0	1.10	0.8	12	0.15	0.2	0.7
P1230.010-014	1.0	1.2	1.3	1.0	1.10	0.8	14	0.15	0.2	0.7
P1230.010-016	1.0	1.2	1.3	1.0	1.10	0.8	16	0.15	0.2	0.7
P1230.010-018	1.0	1.2	1.3	1.0	1.10	0.8	18	0.15	0.2	0.7
P1230.010-020	1.0	1.2	1.3	1.0	1.10	0.8	20	0.15	0.2	0.7
P1230.015-004	1.5	1.7	1.8	1.5	1.60	1.1	4	0.25	0.3	1.58
P1230.015-006	1.5	1.7	1.8	1.5	1.60	1.1	6	0.25	0.3	1.58
P1230.015-008	1.5	1.7	1.8	1.5	1.60	1.1	8	0.25	0.3	1.58
P1230.015-010	1.5	1.7	1.8	1.5	1.60	1.1	10	0.25	0.3	1.58
P1230.015-012	1.5	1.7	1.8	1.5	1.60	1.1	12	0.25	0.3	1.58
P1230.015-014	1.5	1.7	1.8	1.5	1.60	1.1	14	0.25	0.3	1.58
P1230.015-016	1.5	1.7	1.8	1.5	1.60	1.1	16	0.25	0.3	1.58
P1230.015-018	1.5	1.7	1.8	1.5	1.60	1.1	18	0.25	0.3	1.58
P1230.015-020	1.5	1.7	1.8	1.5	1.60	1.1	20	0.25	0.3	1.58
P1230.015-022	1.5	1.7	1.8	1.5	1.60	1.1	22	0.25	0.3	1.58
P1230.015-024	1.5	1.7	1.8	1.5	1.60	1.1	24	0.25	0.3	1.58
P1230.015-026	1.5	1.7	1.8	1.5	1.60	1.1	26	0.25	0.3	1.58
P1230.015-028	1.5	1.7	1.8	1.5	1.60	1.1	28	0.25	0.3	1.58
P1230.015-030	1.5	1.7	1.8	1.5	1.60	1.1	30	0.25	0.3	1.58
P1230.020-004	2.0	2.3	2.4	2.0	2.10	1.5	4	0.35	0.4	2.82
P1230.020-006	2.0	2.3	2.4	2.0	2.10	1.5	5	0.35	0.4	2.82
P1230.020-008	2.0	2.3	2.4	2.0	2.10	1.5	8	0.35	0.4	2.82
P1230.020-010	2.0	2.3	2.4	2.0	2.10	1.5	10	0.35	0.4	2.82



Order No.	d ₁ nom.	d ₁ min.	d ₁ max.	Hole min.	Hole max.	d ₂	l ₁	l ₂	w	Double shear kN
P1230.020-012	2.0	2.3	2.4	2.0	2.10	1.5	12	0.35	0.4	2.82
P1230.020-014	2.0	2.3	2.4	2.0	2.10	1.5	14	0.35	0.4	2.82
P1230.020-016	2.0	2.3	2.4	2.0	2.10	1.5	16	0.35	0.4	2.82
P1230.020-018	2.0	2.3	2.4	2.0	2.10	1.5	18	0.35	0.4	2.82
P1230.020-020	2.0	2.3	2.4	2.0	2.10	1.5	20	0.35	0.4	2.82
P1230.020-022	2.0	2.3	2.4	2.0	2.10	1.5	22	0.35	0.4	2.82
P1230.020-024	2.0	2.3	2.4	2.0	2.10	1.5	24	0.35	0.4	2.82
P1230.020-026	2.0	2.3	2.4	2.0	2.10	1.5	26	0.35	0.4	2.82
P1230.020-028	2.0	2.3	2.4	2.0	2.10	1.5	28	0.35	0.4	2.82
P1230.020-030	2.0	2.3	2.4	2.0	2.10	1.5	30	0.35	0.4	2.82
P1230.020-035	2.0	2.3	2.4	2.0	2.10	1.5	35	0.35	0.4	2.82
P1230.020-040	2.0	2.3	2.4	2.0	2.10	1.5	40	0.35	0.4	2.82
P1230.025-004	2.5	2.8	2.9	2.5	2.60	1.8	4	0.4	0.5	4.38
P1230.025-005	2.5	2.8	2.9	2.5	2.60	1.8	5	0.4	0.5	4.38
P1230.025-006	2.5	2.8	2.9	2.5	2.60	1.8	6	0.4	0.5	4.38
P1230.025-008	2.5	2.8	2.9	2.5	2.60	1.8	8	0.4	0.5	4.38
P1230.025-010	2.5	2.8	2.9	2.5	2.60	1.8	10	0.4	0.5	4.38
P1230.025-012	2.5	2.8	2.9	2.5	2.60	1.8	12	0.4	0.5	4.38
P1230.025-014	2.5	2.8	2.9	2.5	2.60	1.8	14	0.4	0.5	4.38
P1230.025-016	2.5	2.8	2.9	2.5	2.60	1.8	16	0.4	0.5	4.38
P1230.025-018	2.5	2.8	2.9	2.5	2.60	1.8	18	0.4	0.5	4.38
P1230.025-020	2.5	2.8	2.9	2.5	2.60	1.8	20	0.4	0.5	4.38
P1230.025-022	2.5	2.8	2.9	2.5	2.60	1.8	22	0.4	0.5	4.38
P1230.025-024	2.5	2.8	2.9	2.5	2.60	1.8	24	0.4	0.5	4.38
P1230.025-026	2.5	2.8	2.9	2.5	2.60	1.8	26	0.4	0.5	4.38
P1230.025-028	2.5	2.8	2.9	2.5	2.60	1.8	28	0.4	0.5	4.38
P1230.025-030	2.5	2.8	2.9	2.5	2.60	1.8	30	0.4	0.5	4.38
P1230.025-035	2.5	2.8	2.9	2.5	2.60	1.8	35	0.4	0.5	4.38
P1230.025-040	2.5	2.8	2.9	2.5	2.60	1.8	40	0.4	0.5	4.38
P1230.030-004	3.0	3.3	3.5	3.0	3.10	2.1	4	0.5	0.6	6.32
P1230.030-005	3.0	3.3	3.5	3.0	3.10	2.1	5	0.5	0.6	6.32
P1230.030-006	3.0	3.3	3.5	3.0	3.10	2.1	6	0.5	0.6	6.32
P1230.030-008	3.0	3.3	3.5	3.0	3.10	2.1	8	0.5	0.6	6.32
P1230.030-010	3.0	3.3	3.5	3.0	3.10	2.1	10	0.5	0.6	6.32
P1230.030-012	3.0	3.3	3.5	3.0	3.10	2.1	12	0.5	0.6	6.32
P1230.030-014	3.0	3.3	3.5	3.0	3.10	2.1	14	0.5	0.6	6.32
P1230.030-016	3.0	3.3	3.5	3.0	3.10	2.1	16	0.5	0.6	6.32
P1230.030-018	3.0	3.3	3.5	3.0	3.10	2.1	18	0.5	0.6	6.32
P1230.030-020	3.0	3.3	3.5	3.0	3.10	2.1	20	0.5	0.6	6.32
P1230.030-022	3.0	3.3	3.5	3.0	3.10	2.1	22	0.5	0.6	6.32
P1230.030-024	3.0	3.3	3.5	3.0	3.10	2.1	24	0.5	0.6	6.32
P1230.030-026	3.0	3.3	3.5	3.0	3.10	2.1	26	0.5	0.6	6.32
P1230.030-028	3.0	3.3	3.5	3.0	3.10	2.1	28	0.5	0.6	6.32
P1230.030-030	3.0	3.3	3.5	3.0	3.10	2.1	30	0.5	0.6	6.32
P1230.030-035	3.0	3.3	3.5	3.0	3.10	2.1	35	0.5	0.6	6.32
P1230.030-040	3.0	3.3	3.5	3.0	3.10	2.1	40	0.5	0.6	6.32
P1230.030-045	3.0	3.3	3.5	3.0	3.10	2.1	45	0.5	0.6	6.32
P1230.035-004	3.5	3.8	4.0	3.5	3.62	2.3	4	0.6	0.7	9.06
P1230.035-005	3.5	3.8	4.0	3.5	3.62	2.3	5	0.6	0.7	9.06
P1230.035-006	3.5	3.8	4.0	3.5	3.62	2.3	6	0.6	0.7	9.06
P1230.035-008	3.5	3.8	4.0	3.5	3.62	2.3	8	0.6	0.7	9.06
P1230.035-010	3.5	3.8	4.0	3.5	3.62	2.3	10	0.6	0.7	9.06
P1230.035-012	3.5	3.8	4.0	3.5	3.62	2.3	12	0.6	0.7	9.06
P1230.035-014	3.5	3.8	4.0	3.5	3.62	2.3	14	0.6	0.7	9.06
P1230.035-016	3.5	3.8	4.0	3.5	3.62	2.3	16	0.6	0.7	9.06
P1230.035-018	3.5	3.8	4.0	3.5	3.62	2.3	18	0.6	0.7	9.06
P1230.035-020	3.5	3.8	4.0	3.5	3.62	2.3	20	0.6	0.7	9.06
P1230.035-022	3.5	3.8	4.0	3.5	3.62	2.3	22	0.6	0.7	9.06
P1230.035-024	3.5	3.8	4.0	3.5	3.62	2.3	24	0.6	0.7	9.06
P1230.035-026	3.5	3.8	4.0	3.5	3.62	2.3	26	0.6	0.7	9.06
P1230.035-028	3.5	3.8	4.0	3.5	3.62	2.3	28	0.6	0.7	9.06
P1230.035-030	3.5	3.8	4.0	3.5	3.62	2.3	30	0.6	0.7	9.06
P1230.035-035	3.5	3.8	4.0	3.5	3.62	2.3	35	0.6	0.7	9.06
P1230.035-040	3.5	3.8	4.0	3.5	3.62	2.3	40	0.6	0.7	9.06
P1230.035-045	3.5	3.8	4.0	3.5	3.62	2.3	45	0.6	0.7	9.06
P1230.035-050	3.5	3.8	4.0	3.5	3.62	2.3	50	0.6	0.7	9.06
P1230.040-004	4.0	4.4	4.6	4.0	4.12	2.8	4	0.65	0.8	11.24
P1230.040-005	4.0	4.4	4.6	4.0	4.12	2.8	5	0.65	0.8	11.24



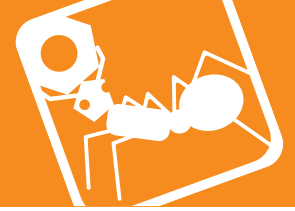
Steel Slotted Pins



Spring Pins

Order No.	d ₁ nom.	d ₁ min.	d ₁ max.	Hole min.	Hole max.	d ₂	l ₁	l ₂	w	Double shear kN
P1230.040-006	4.0	4.4	4.6	4.0	4.12	2.8	6	0.65	0.8	11.24
P1230.040-008	4.0	4.4	4.6	4.0	4.12	2.8	8	0.65	0.8	11.24
P1230.040-010	4.0	4.4	4.6	4.0	4.12	2.8	10	0.65	0.8	11.24
P1230.040-012	4.0	4.4	4.6	4.0	4.12	2.8	12	0.65	0.8	11.24
P1230.040-014	4.0	4.4	4.6	4.0	4.12	2.8	14	0.65	0.8	11.24
P1230.040-016	4.0	4.4	4.6	4.0	4.12	2.8	16	0.65	0.8	11.24
P1230.040-018	4.0	4.4	4.6	4.0	4.12	2.8	18	0.65	0.8	11.24
P1230.040-020	4.0	4.4	4.6	4.0	4.12	2.8	20	0.65	0.8	11.24
P1230.040-022	4.0	4.4	4.6	4.0	4.12	2.8	22	0.65	0.8	11.24
P1230.040-024	4.0	4.4	4.6	4.0	4.12	2.8	24	0.65	0.8	11.24
P1230.040-026	4.0	4.4	4.6	4.0	4.12	2.8	26	0.65	0.8	11.24
P1230.040-028	4.0	4.4	4.6	4.0	4.12	2.8	28	0.65	0.8	11.24
P1230.040-030	4.0	4.4	4.6	4.0	4.12	2.8	30	0.65	0.8	11.24
P1230.040-035	4.0	4.4	4.6	4.0	4.12	2.8	35	0.65	0.8	11.24
P1230.040-040	4.0	4.4	4.6	4.0	4.12	2.8	40	0.65	0.8	11.24
P1230.040-045	4.0	4.4	4.6	4.0	4.12	2.8	45	0.65	0.8	11.24
P1230.040-050	4.0	4.4	4.6	4.0	4.12	2.8	50	0.65	0.8	11.24
P1230.040-055	4.0	4.4	4.6	4.0	4.12	2.8	55	0.65	0.8	11.24
P1230.040-060	4.0	4.4	4.6	4.0	4.12	2.8	60	0.65	0.8	11.24
P1230.050-006	5.0	5.4	5.6	5.0	5.12	3.4	6	0.9	1.0	17.54
P1230.050-008	5.0	5.4	5.6	5.0	5.12	3.4	8	0.9	1.0	17.54
P1230.050-010	5.0	5.4	5.6	5.0	5.12	3.4	10	0.9	1.0	17.54
P1230.050-012	5.0	5.4	5.6	5.0	5.12	3.4	12	0.9	1.0	17.54
P1230.050-014	5.0	5.4	5.6	5.0	5.12	3.4	14	0.9	1.0	17.54
P1230.050-016	5.0	5.4	5.6	5.0	5.12	3.4	16	0.9	1.0	17.54
P1230.050-018	5.0	5.4	5.6	5.0	5.12	3.4	18	0.9	1.0	17.54
P1230.050-020	5.0	5.4	5.6	5.0	5.12	3.4	20	0.9	1.0	17.54
P1230.050-022	5.0	5.4	5.6	5.0	5.12	3.4	22	0.9	1.0	17.54
P1230.050-024	5.0	5.4	5.6	5.0	5.12	3.4	24	0.9	1.0	17.54
P1230.050-026	5.0	5.4	5.6	5.0	5.12	3.4	26	0.9	1.0	17.54
P1230.050-028	5.0	5.4	5.6	5.0	5.12	3.4	28	0.9	1.0	17.54
P1230.050-030	5.0	5.4	5.6	5.0	5.12	3.4	30	0.9	1.0	17.54
P1230.050-035	5.0	5.4	5.6	5.0	5.12	3.4	35	0.9	1.0	17.54
P1230.050-040	5.0	5.4	5.6	5.0	5.12	3.4	40	0.9	1.0	17.54
P1230.050-045	5.0	5.4	5.6	5.0	5.12	3.4	45	0.9	1.0	17.54
P1230.050-050	5.0	5.4	5.6	5.0	5.12	3.4	50	0.9	1.0	17.54
P1230.050-055	5.0	5.4	5.6	5.0	5.12	3.4	55	0.9	1.0	17.54
P1230.050-060	5.0	5.4	5.6	5.0	5.12	3.4	60	0.9	1.0	17.54
P1230.050-065	5.0	5.4	5.6	5.0	5.12	3.4	65	0.9	1.0	17.54
P1230.050-070	5.0	5.4	5.6	5.0	5.12	3.4	70	0.9	1.0	17.54
P1230.050-075	5.0	5.4	5.6	5.0	5.12	3.4	75	0.9	1.0	17.54
P1230.050-080	5.0	5.4	5.6	5.0	5.12	3.4	80	0.9	1.0	17.54
P1230.060-008	6.0	6.4	6.7	6.0	6.12	3.9	8	1.2	1.2	26.04
P1230.060-010	6.0	6.4	6.7	6.0	6.12	3.9	10	1.2	1.2	26.04
P1230.060-012	6.0	6.4	6.7	6.0	6.12	3.9	12	1.2	1.2	26.04
P1230.060-014	6.0	6.4	6.7	6.0	6.12	3.9	14	1.2	1.2	26.04
P1230.060-016	6.0	6.4	6.7	6.0	6.12	3.9	16	1.2	1.2	26.04
P1230.060-018	6.0	6.4	6.7	6.0	6.12	3.9	18	1.2	1.2	26.04
P1230.060-020	6.0	6.4	6.7	6.0	6.12	3.9	20	1.2	1.2	26.04
P1230.060-022	6.0	6.4	6.7	6.0	6.12	3.9	22	1.2	1.2	26.04
P1230.060-024	6.0	6.4	6.7	6.0	6.12	3.9	24	1.2	1.2	26.04
P1230.060-026	6.0	6.4	6.7	6.0	6.12	3.9	26	1.2	1.2	26.04
P1230.060-028	6.0	6.4	6.7	6.0	6.12	3.9	28	1.2	1.2	26.04
P1230.060-030	6.0	6.4	6.7	6.0	6.12	3.9	30	1.2	1.2	26.04
P1230.060-035	6.0	6.4	6.7	6.0	6.12	3.9	35	1.2	1.2	26.04
P1230.060-040	6.0	6.4	6.7	6.0	6.12	3.9	40	1.2	1.2	26.04
P1230.060-045	6.0	6.4	6.7	6.0	6.12	3.9	45	1.2	1.2	26.04
P1230.060-050	6.0	6.4	6.7	6.0	6.12	3.9	50	1.2	1.2	26.04
P1230.060-055	6.0	6.4	6.7	6.0	6.12	3.9	55	1.2	1.2	26.04
P1230.060-060	6.0	6.4	6.7	6.0	6.12	3.9	60	1.2	1.2	26.04
P1230.060-065	6.0	6.4	6.7	6.0	6.12	3.9	65	1.2	1.2	26.04
P1230.060-070	6.0	6.4	6.7	6.0	6.12	3.9	70	1.2	1.2	26.04
P1230.060-075	6.0	6.4	6.7	6.0	6.12	3.9	75	1.2	1.2	26.04
P1230.060-080	6.0	6.4	6.7	6.0	6.12	3.9	80	1.2	1.2	26.04
P1230.060-085	6.0	6.4	6.7	6.0	6.12	3.9	85	1.2	1.2	26.04
P1230.060-090	6.0	6.4	6.7	6.0	6.12	3.9	90	1.2	1.2	26.04
P1230.060-095	6.0	6.4	6.7	6.0	6.12	3.9	95	1.2	1.2	26.04
P1230.060-100	6.0	6.4	6.7	6.0	6.12	3.9	100	1.2	1.2	26.04

SPRING PINS



Order No.	d ₁ nom.	d ₁ min.	d ₁ max.	Hole min.	Hole max.	d ₂	l ₁	l ₂	w	Double shear kN
P1230.080-008	8.0	8.5	8.8	8.0	8.15	5.5	8	2.0	1.5	42.76
P1230.080-010	8.0	8.5	8.8	8.0	8.15	5.5	10	2.0	1.5	42.76
P1230.080-012	8.0	8.5	8.8	8.0	8.15	5.5	12	2.0	1.5	42.76
P1230.080-014	8.0	8.5	8.8	8.0	8.15	5.5	14	2.0	1.5	42.76
P1230.080-016	8.0	8.5	8.8	8.0	8.15	5.5	16	2.0	1.5	42.76
P1230.080-018	8.0	8.5	8.8	8.0	8.15	5.5	18	2.0	1.5	42.76
P1230.080-020	8.0	8.5	8.8	8.0	8.15	5.5	20	2.0	1.5	42.76
P1230.080-022	8.0	8.5	8.8	8.0	8.15	5.5	22	2.0	1.5	42.76
P1230.080-024	8.0	8.5	8.8	8.0	8.15	5.5	24	2.0	1.5	42.76
P1230.080-026	8.0	8.5	8.8	8.0	8.15	5.5	26	2.0	1.5	42.76
P1230.080-028	8.0	8.5	8.8	8.0	8.15	5.5	28	2.0	1.5	42.76
P1230.080-030	8.0	8.5	8.8	8.0	8.15	5.5	30	2.0	1.5	42.76
P1230.080-035	8.0	8.5	8.8	8.0	8.15	5.5	35	2.0	1.5	42.76
P1230.080-040	8.0	8.5	8.8	8.0	8.15	5.5	40	2.0	1.5	42.76
P1230.080-045	8.0	8.5	8.8	8.0	8.15	5.5	45	2.0	1.5	42.76
P1230.080-050	8.0	8.5	8.8	8.0	8.15	5.5	50	2.0	1.5	42.76
P1230.080-055	8.0	8.5	8.8	8.0	8.15	5.5	55	2.0	1.5	42.76
P1230.080-060	8.0	8.5	8.8	8.0	8.15	5.5	60	2.0	1.5	42.76
P1230.080-065	8.0	8.5	8.8	8.0	8.15	5.5	65	2.0	1.5	42.76
P1230.080-070	8.0	8.5	8.8	8.0	8.15	5.5	70	2.0	1.5	42.76
P1230.080-075	8.0	8.5	8.8	8.0	8.15	5.5	75	2.0	1.5	42.76
P1230.080-080	8.0	8.5	8.8	8.0	8.15	5.5	80	2.0	1.5	42.76
P1230.080-085	8.0	8.5	8.8	8.0	8.15	5.5	85	2.0	1.5	42.76
P1230.080-090	8.0	8.5	8.8	8.0	8.15	5.5	90	2.0	1.5	42.76
P1230.080-095	8.0	8.5	8.8	8.0	8.15	5.5	95	2.0	1.5	42.76
P1230.080-100	8.0	8.5	8.8	8.0	8.15	5.5	100	2.0	1.5	42.76
P1230.080-120	8.0	8.5	8.8	8.0	8.15	5.5	120	2.0	1.5	42.76
P1230.100-010	10.0	10.5	10.8	10.0	10.5	6.5	10	2.0	2.0	70.16
P1230.100-012	10.0	10.5	10.8	10.0	10.5	6.5	12	2.0	2.0	70.16
P1230.100-014	10.0	10.5	10.8	10.0	10.5	6.5	14	2.0	2.0	70.16
P1230.100-016	10.0	10.5	10.8	10.0	10.5	6.5	16	2.0	2.0	70.16
P1230.100-018	10.0	10.5	10.8	10.0	10.5	6.5	18	2.0	2.0	70.16
P1230.100-020	10.0	10.5	10.8	10.0	10.5	6.5	20	2.0	2.0	70.16
P1230.100-022	10.0	10.5	10.8	10.0	10.5	6.5	22	2.0	2.0	70.16
P1230.100-024	10.0	10.5	10.8	10.0	10.5	6.5	24	2.0	2.0	70.16
P1230.100-026	10.0	10.5	10.8	10.0	10.5	6.5	26	2.0	2.0	70.16
P1230.100-028	10.0	10.5	10.8	10.0	10.5	6.5	28	2.0	2.0	70.16
P1230.100-030	10.0	10.5	10.8	10.0	10.5	6.5	30	2.0	2.0	70.16
P1230.100-035	10.0	10.5	10.8	10.0	10.5	6.5	35	2.0	2.0	70.16
P1230.100-040	10.0	10.5	10.8	10.0	10.5	6.5	40	2.0	2.0	70.16
P1230.100-045	10.0	10.5	10.8	10.0	10.5	6.5	45	2.0	2.0	70.16
P1230.100-050	10.0	10.5	10.8	10.0	10.5	6.5	50	2.0	2.0	70.16
P1230.100-055	10.0	10.5	10.8	10.0	10.5	6.5	55	2.0	2.0	70.16
P1230.100-060	10.0	10.5	10.8	10.0	10.5	6.5	60	2.0	2.0	70.16
P1230.100-065	10.0	10.5	10.8	10.0	10.5	6.5	65	2.0	2.0	70.16
P1230.100-070	10.0	10.5	10.8	10.0	10.5	6.5	70	2.0	2.0	70.16
P1230.100-075	10.0	10.5	10.8	10.0	10.5	6.5	75	2.0	2.0	70.16
P1230.100-080	10.0	10.5	10.8	10.0	10.5	6.5	80	2.0	2.0	70.16
P1230.100-085	10.0	10.5	10.8	10.0	10.5	6.5	85	2.0	2.0	70.16
P1230.100-090	10.0	10.5	10.8	10.0	10.5	6.5	90	2.0	2.0	70.16
P1230.100-095	10.0	10.5	10.8	10.0	10.5	6.5	95	2.0	2.0	70.16
P1230.100-100	10.0	10.5	10.8	10.0	10.5	6.5	100	2.0	2.0	70.16
P1230.100-120	10.0	10.5	10.8	10.0	10.5	6.5	120	2.0	2.0	70.16
P1230.100-130	10.0	10.5	10.8	10.0	10.5	6.5	130	2.0	2.0	70.16
P1230.100-140	10.0	10.5	10.8	10.0	10.5	6.5	140	2.0	2.0	70.16
P1230.100-150	10.0	10.5	10.8	10.0	10.5	6.5	150	2.0	2.0	70.16
P1230.100-160	10.0	10.5	10.8	10.0	10.5	6.5	160	2.0	2.0	70.16
P1230.120-010	12.0	12.5	12.8	12.0	12.17	7.5	10	2.0	2.5	104.1
P1230.120-012	12.0	12.5	12.8	12.0	12.17	7.5	12	2.0	2.5	104.1
P1230.120-014	12.0	12.5	12.8	12.0	12.17	7.5	14	2.0	2.5	104.1
P1230.120-016	12.0	12.5	12.8	12.0	12.17	7.5	16	2.0	2.5	104.1
P1230.120-018	12.0	12.5	12.8	12.0	12.17	7.5	18	2.0	2.5	104.1
P1230.120-020	12.0	12.5	12.8	12.0	12.17	7.5	20	2.0	2.5	104.1
P1230.120-022	12.0	12.5	12.8	12.0	12.17	7.5	22	2.0	2.5	104.1
P1230.120-024	12.0	12.5	12.8	12.0	12.17	7.5	24	2.0	2.5	104.1
P1230.120-026	12.0	12.5	12.8	12.0	12.17	7.5	26	2.0	2.5	104.1
P1230.120-028	12.0	12.5	12.8	12.0	12.17	7.5	28	2.0	2.5	104.1
P1230.120-030	12.0	12.5	12.8	12.0	12.17	7.5	30	2.0	2.5	104.1



Steel Slotted Pins

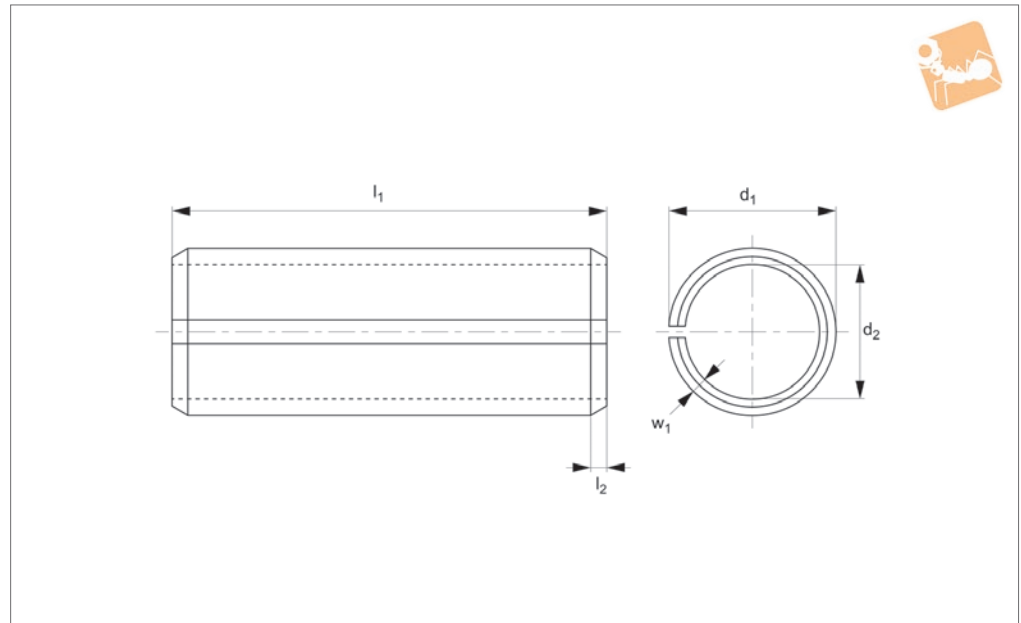


Spring Pins

Order No.	d ₁ nom.	d ₁ min.	d ₁ max.	Hole min.	Hole max.	d ₂	l ₁	l ₂	w	Double shear kN
P1230.120-035	12.0	12.5	12.8	12.0	12.17	7.5	35	2.0	2.5	104.1
P1230.120-040	12.0	12.5	12.8	12.0	12.17	7.5	40	2.0	2.5	104.1
P1230.120-045	12.0	12.5	12.8	12.0	12.17	7.5	45	2.0	2.5	104.1
P1230.120-050	12.0	12.5	12.8	12.0	12.17	7.5	50	2.0	2.5	104.1
P1230.120-055	12.0	12.5	12.8	12.0	12.17	7.5	55	2.0	2.5	104.1
P1230.120-060	12.0	12.5	12.8	12.0	12.17	7.5	60	2.0	2.5	104.1
P1230.120-065	12.0	12.5	12.8	12.0	12.17	7.5	65	2.0	2.5	104.1
P1230.120-070	12.0	12.5	12.8	12.0	12.17	7.5	70	2.0	2.5	104.1
P1230.120-075	12.0	12.5	12.8	12.0	12.17	7.5	75	2.0	2.5	104.1
P1230.120-080	12.0	12.5	12.8	12.0	12.17	7.5	80	2.0	2.5	104.1
P1230.120-085	12.0	12.5	12.8	12.0	12.17	7.5	85	2.0	2.5	104.1
P1230.120-090	12.0	12.5	12.8	12.0	12.17	7.5	90	2.0	2.5	104.1
P1230.120-095	12.0	12.5	12.8	12.0	12.17	7.5	95	2.0	2.5	104.1
P1230.120-100	12.0	12.5	12.8	12.0	12.17	7.5	100	2.0	2.5	104.1
P1230.120-120	12.0	12.5	12.8	12.0	12.17	7.5	120	2.0	2.5	104.1
P1230.120-130	12.0	12.5	12.8	12.0	12.17	7.5	130	2.0	2.5	104.1
P1230.120-140	12.0	12.5	12.8	12.0	12.17	7.5	140	2.0	2.5	104.1
P1230.120-150	12.0	12.5	12.8	12.0	12.17	7.5	150	2.0	2.5	104.1
P1230.120-160	12.0	12.5	12.8	12.0	12.17	7.5	160	2.0	2.5	104.1



P1231



Material
Stainless steel (A2).

Technical Notes
To DIN 1481 (ISO 8752). Slotted springs consist of a single coil of spring steel, with an open slot sufficiently wide enough to enable the pin to reduce in diameter, as it is driven into the hole. The ends of the

pin have a bevelled chamfer, they are designed for plain drilled holes, but a countersink makes assembly easier, especially for the ISO 8752 type. Recommended hole tolerance H12.

l_1 tolerances:-
1-10mm long - $\pm 0,25$
12-50mm long - $\pm 0,50$

over 50mm long - $\pm 0,75$.
Pins with a d_1 dimension of $>10\text{mm}$ may be delivered with one chamfer.

Tips
Where pins are to be installed in plastic it is recommended that they are de-oiled before use to avoid embrittlement of the plastic.

Order No.	d_1 nom.	d_1 min.	d_1 max.	Hole min.	Hole max.	d_2	l_1	l_2	w_1	Double shear kN
P1231.010-004	1.0	1.2	1.3	1.0	1.10	0.8	4	0.15	0.2	0.4
P1231.010-005	1.0	1.2	1.3	1.0	1.10	0.8	5	0.15	0.2	0.4
P1231.010-006	1.0	1.2	1.3	1.0	1.10	0.8	6	0.15	0.2	0.4
P1231.010-008	1.0	1.2	1.3	1.0	1.10	0.8	8	0.15	0.2	0.4
P1231.010-010	1.0	1.2	1.3	1.0	1.10	0.8	10	0.15	0.2	0.4
P1231.010-012	1.0	1.2	1.3	1.0	1.10	0.8	12	0.15	0.2	0.4
P1231.010-014	1.0	1.2	1.3	1.0	1.10	0.8	14	0.15	0.2	0.4
P1231.010-016	1.0	1.2	1.3	1.0	1.10	0.8	16	0.15	0.2	0.4
P1231.010-018	1.0	1.2	1.3	1.0	1.10	0.8	18	0.15	0.2	0.4
P1231.010-020	1.0	1.2	1.3	1.0	1.10	0.8	20	0.15	0.2	0.4
P1231.015-004	1.5	1.7	1.8	1.5	1.60	1.1	4	0.25	0.3	0.98
P1231.015-005	1.5	1.7	1.8	1.5	1.60	1.1	5	0.25	0.3	0.98
P1231.015-006	1.5	1.7	1.8	1.5	1.60	1.1	6	0.25	0.3	0.98
P1231.015-008	1.5	1.7	1.8	1.5	1.60	1.1	8	0.25	0.3	0.98
P1231.015-010	1.5	1.7	1.8	1.5	1.60	1.1	10	0.25	0.3	0.98
P1231.015-012	1.5	1.7	1.8	1.5	1.60	1.1	12	0.25	0.3	0.98
P1231.015-014	1.5	1.7	1.8	1.5	1.60	1.1	14	0.25	0.3	0.98
P1231.015-016	1.5	1.7	1.8	1.5	1.60	1.1	16	0.25	0.3	0.98
P1231.015-018	1.5	1.7	1.8	1.5	1.60	1.1	18	0.25	0.3	0.98
P1231.015-020	1.5	1.7	1.8	1.5	1.60	1.1	20	0.25	0.3	0.98
P1231.015-022	1.5	1.7	1.8	1.5	1.60	1.1	22	0.25	0.3	0.98
P1231.015-024	1.5	1.7	1.8	1.5	1.60	1.1	24	0.25	0.3	0.98
P1231.020-004	2.0	2.3	2.4	2.0	2.10	1.5	4	0.35	0.4	1.81
P1231.020-005	2.0	2.3	2.4	2.0	2.10	1.5	5	0.35	0.4	1.81
P1231.020-006	2.0	2.3	2.4	2.0	2.10	1.5	6	0.35	0.4	1.81
P1231.020-008	2.0	2.3	2.4	2.0	2.10	1.5	8	0.35	0.4	1.81
P1231.020-010	2.0	2.3	2.4	2.0	2.10	1.5	10	0.35	0.4	1.81
P1231.020-012	2.0	2.3	2.4	2.0	2.10	1.5	12	0.35	0.4	1.81
P1231.020-014	2.0	2.3	2.4	2.0	2.10	1.5	14	0.35	0.4	1.81



Stainless Slotted Spring Pins



Order No.	d ₁ nom.	d ₁ min.	d ₁ max.	Hole min.	Hole max.	d ₂	l ₁	l ₂	w ₁	Double shear kN
P1231.020-016	2.0	2.3	2.4	2.0	2.10	1.5	16	0.35	0.4	1.81
P1231.020-018	2.0	2.3	2.4	2.0	2.10	1.5	18	0.35	0.4	1.81
P1231.020-020	2.0	2.3	2.4	2.0	2.10	1.5	20	0.35	0.4	1.81
P1231.020-022	2.0	2.3	2.4	2.0	2.10	1.5	22	0.35	0.4	1.81
P1231.020-024	2.0	2.3	2.4	2.0	2.10	1.5	24	0.35	0.4	1.81
P1231.020-026	2.0	2.3	2.4	2.0	2.10	1.5	26	0.35	0.4	1.81
P1231.020-028	2.0	2.3	2.4	2.0	2.10	1.5	28	0.35	0.4	1.81
P1231.020-030	2.0	2.3	2.4	2.0	2.10	1.5	30	0.35	0.4	1.81
P1231.020-035	2.0	2.3	2.4	2.0	2.10	1.5	35	0.35	0.4	1.81
P1231.020-040	2.0	2.3	2.4	2.0	2.10	1.5	40	0.35	0.4	1.81
P1231.025-004	2.5	2.8	2.9	2.5	2.60	1.8	4	0.4	0.5	2.84
P1231.025-005	2.5	2.8	2.9	2.5	2.60	1.8	5	0.4	0.5	2.84
P1231.025-006	2.5	2.8	2.9	2.5	2.60	1.8	6	0.4	0.5	2.84
P1231.025-008	2.5	2.8	2.9	2.5	2.60	1.8	8	0.4	0.5	2.84
P1231.025-010	2.5	2.8	2.9	2.5	2.60	1.8	10	0.4	0.5	2.84
P1231.025-012	2.5	2.8	2.9	2.5	2.60	1.8	12	0.4	0.5	2.84
P1231.025-014	2.5	2.8	2.9	2.5	2.60	1.8	14	0.4	0.5	2.84
P1231.025-016	2.5	2.8	2.9	2.5	2.60	1.8	16	0.4	0.5	2.84
P1231.025-018	2.5	2.8	2.9	2.5	2.60	1.8	18	0.4	0.5	2.84
P1231.025-020	2.5	2.8	2.9	2.5	2.60	1.8	20	0.4	0.5	2.84
P1231.025-022	2.5	2.8	2.9	2.5	2.60	1.8	22	0.4	0.5	2.84
P1231.025-024	2.5	2.8	2.9	2.5	2.60	1.8	24	0.4	0.5	2.84
P1231.025-026	2.5	2.8	2.9	2.5	2.60	1.8	26	0.4	0.5	2.84
P1231.025-028	2.5	2.8	2.9	2.5	2.60	1.8	28	0.4	0.5	2.84
P1231.025-030	2.5	2.8	2.9	2.5	2.60	1.8	30	0.4	0.5	2.84
P1231.025-035	2.5	2.8	2.9	2.5	2.60	1.8	35	0.4	0.5	2.84
P1231.025-040	2.5	2.8	2.9	2.5	2.60	1.8	40	0.4	0.5	2.84
P1231.030-004	3.0	3.3	3.5	3.0	3.10	2.1	4	0.5	0.6	4.07
P1231.030-005	3.0	3.3	3.5	3.0	3.10	2.1	5	0.5	0.6	4.07
P1231.030-006	3.0	3.3	3.5	3.0	3.10	2.1	6	0.5	0.6	4.07
P1231.030-008	3.0	3.3	3.5	3.0	3.10	2.1	8	0.5	0.6	4.07
P1231.030-010	3.0	3.3	3.5	3.0	3.10	2.1	10	0.5	0.6	4.07
P1231.030-012	3.0	3.3	3.5	3.0	3.10	2.1	12	0.5	0.6	4.07
P1231.030-014	3.0	3.3	3.5	3.0	3.10	2.1	14	0.5	0.6	4.07
P1231.030-016	3.0	3.3	3.5	3.0	3.10	2.1	16	0.5	0.6	4.07
P1231.030-018	3.0	3.3	3.5	3.0	3.10	2.1	18	0.5	0.6	4.07
P1231.030-020	3.0	3.3	3.5	3.0	3.10	2.1	20	0.5	0.6	4.07
P1231.030-022	3.0	3.3	3.5	3.0	3.10	2.1	22	0.5	0.6	4.07
P1231.030-024	3.0	3.3	3.5	3.0	3.10	2.1	24	0.5	0.6	4.07
P1231.030-026	3.0	3.3	3.5	3.0	3.10	2.1	26	0.5	0.6	4.07
P1231.030-028	3.0	3.3	3.5	3.0	3.10	2.1	28	0.5	0.6	4.07
P1231.030-030	3.0	3.3	3.5	3.0	3.10	2.1	30	0.5	0.6	4.07
P1231.030-035	3.0	3.3	3.5	3.0	3.10	2.1	35	0.5	0.6	4.07
P1231.030-040	3.0	3.3	3.5	3.0	3.10	2.1	40	0.5	0.6	4.07
P1231.030-045	3.0	3.3	3.5	3.0	3.10	2.1	45	0.5	0.6	4.07
P1231.030-050	3.0	3.3	3.5	3.0	3.10	2.1	50	0.5	0.6	4.07
P1231.035-004	3.5	3.8	4.0	3.5	3.62	2.3	4	0.6	0.7	5.80
P1231.035-005	3.5	3.8	4.0	3.5	3.62	2.3	5	0.6	0.7	5.80
P1231.035-006	3.5	3.8	4.0	3.5	3.62	2.3	6	0.6	0.7	5.80
P1231.035-008	3.5	3.8	4.0	3.5	3.62	2.3	8	0.6	0.7	5.80
P1231.035-010	3.5	3.8	4.0	3.5	3.62	2.3	10	0.6	0.7	5.80
P1231.035-012	3.5	3.8	4.0	3.5	3.62	2.3	12	0.6	0.7	5.80
P1231.035-014	3.5	3.8	4.0	3.5	3.62	2.3	14	0.6	0.7	5.80
P1231.035-016	3.5	3.8	4.0	3.5	3.62	2.3	16	0.6	0.7	5.80
P1231.035-018	3.5	3.8	4.0	3.5	3.62	2.3	18	0.6	0.7	5.80
P1231.035-020	3.5	3.8	4.0	3.5	3.62	2.3	20	0.6	0.7	5.80
P1231.035-022	3.5	3.8	4.0	3.5	3.62	2.3	22	0.6	0.7	5.80
P1231.035-024	3.5	3.8	4.0	3.5	3.62	2.3	24	0.6	0.7	5.80
P1231.035-026	3.5	3.8	4.0	3.5	3.62	2.3	26	0.6	0.7	5.80
P1231.035-028	3.5	3.8	4.0	3.5	3.62	2.3	28	0.6	0.7	5.80
P1231.035-030	3.5	3.8	4.0	3.5	3.62	2.3	30	0.6	0.7	5.80
P1231.035-035	3.5	3.8	4.0	3.5	3.62	2.3	35	0.6	0.7	5.80
P1231.035-040	3.5	3.8	4.0	3.5	3.62	2.3	40	0.6	0.7	5.80
P1231.035-045	3.5	3.8	4.0	3.5	3.62	2.3	45	0.6	0.7	5.80
P1231.035-050	3.5	3.8	4.0	3.5	3.62	2.3	50	0.6	0.7	5.80
P1231.040-004	4.0	4.4	4.6	4.0	4.12	2.8	4	0.65	0.8	7.25
P1231.040-005	4.0	4.4	4.6	4.0	4.12	2.8	5	0.65	0.8	7.25
P1231.040-006	4.0	4.4	4.6	4.0	4.12	2.8	6	0.65	0.8	7.25

SPRING PINS



SPRING PINS

Order No.	d ₁ nom.	d ₁ min.	d ₁ max.	Hole min.	Hole max.	d ₂	l ₁	l ₂	w ₁	Double shear kN
P1231.040-008	4.0	4.4	4.6	4.0	4.12	2.8	8	0.65	0.8	7.25
P1231.040-010	4.0	4.4	4.6	4.0	4.12	2.8	10	0.65	0.8	7.25
P1231.040-012	4.0	4.4	4.6	4.0	4.12	2.8	12	0.65	0.8	7.25
P1231.040-014	4.0	4.4	4.6	4.0	4.12	2.8	14	0.65	0.8	7.25
P1231.040-016	4.0	4.4	4.6	4.0	4.12	2.8	16	0.65	0.8	0.65
P1231.040-018	4.0	4.4	4.6	4.0	4.12	2.8	18	0.65	0.8	7.25
P1231.040-020	4.0	4.4	4.6	4.0	4.12	2.8	20	0.65	0.8	7.25
P1231.040-022	4.0	4.4	4.6	4.0	4.12	2.8	22	0.65	0.8	7.25
P1231.040-024	4.0	4.4	4.6	4.0	4.12	2.8	24	0.65	0.8	7.25
P1231.040-026	4.0	4.4	4.6	4.0	4.12	2.8	26	0.65	0.8	7.25
P1231.040-028	4.0	4.4	4.6	4.0	4.12	2.8	28	0.65	0.8	7.25
P1231.040-030	4.0	4.4	4.6	4.0	4.12	2.8	30	0.65	0.8	7.25
P1231.040-035	4.0	4.4	4.6	4.0	4.12	2.8	36	0.65	0.8	7.25
P1231.040-040	4.0	4.4	4.6	4.0	4.12	2.8	40	0.65	0.8	7.25
P1231.040-045	4.0	4.4	4.6	4.0	4.12	2.8	45	0.65	0.8	7.25
P1231.040-050	4.0	4.4	4.6	4.0	4.12	2.8	50	0.65	0.8	7.25
P1231.040-055	4.0	4.4	4.6	4.0	4.12	2.8	55	0.65	0.8	7.25
P1231.040-060	4.0	4.4	4.6	4.0	4.12	2.8	60	0.65	0.8	7.25
P1231.050-006	5.0	5.4	5.6	5.0	5.12	3.4	6	0.9	1.0	10.75
P1231.050-008	5.0	5.4	5.6	5.0	5.12	3.4	8	0.9	1.0	10.75
P1231.050-010	5.0	5.4	5.6	5.0	5.12	3.4	10	0.9	1.0	10.75
P1231.050-012	5.0	5.4	5.6	5.0	5.12	3.4	12	0.9	1.0	10.75
P1231.050-014	5.0	5.4	5.6	5.0	5.12	3.4	14	0.9	1.0	10.75
P1231.050-016	5.0	5.4	5.6	5.0	5.12	3.4	16	0.9	1.0	10.75
P1231.050-018	5.0	5.4	5.6	5.0	5.12	3.4	18	0.9	1.0	10.75
P1231.050-020	5.0	5.4	5.6	5.0	5.12	3.4	20	0.9	1.0	10.75
P1231.050-022	5.0	5.4	5.6	5.0	5.12	3.4	22	0.9	1.0	10.75
P1231.050-024	5.0	5.4	5.6	5.0	5.12	3.4	24	0.9	1.0	10.75
P1231.050-026	5.0	5.4	5.6	5.0	5.12	3.4	26	0.9	1.0	10.75
P1231.050-028	5.0	5.4	5.6	5.0	5.12	3.4	28	0.9	1.0	10.75
P1231.050-030	5.0	5.4	5.6	5.0	5.12	3.4	30	0.9	1.0	10.75
P1231.050-035	5.0	5.4	5.6	5.0	5.12	3.4	35	0.9	1.0	10.75
P1231.050-040	5.0	5.4	5.6	5.0	5.12	3.4	40	0.9	1.0	10.75
P1231.050-045	5.0	5.4	5.6	5.0	5.12	3.4	45	0.9	1.0	10.75
P1231.050-050	5.0	5.4	5.6	5.0	5.12	3.4	50	0.9	1.0	10.75
P1231.050-055	5.0	5.4	5.6	5.0	5.12	3.4	55	0.9	1.0	10.75
P1231.050-060	5.0	5.4	5.6	5.0	5.12	3.4	60	0.9	1.0	10.75
P1231.050-065	5.0	5.4	5.6	5.0	5.12	3.4	65	0.9	1.0	10.75
P1231.050-070	5.0	5.4	5.6	5.0	5.12	3.4	70	0.9	1.0	10.75
P1231.050-075	5.0	5.4	5.6	5.0	5.12	3.4	75	0.9	1.0	10.75
P1231.050-080	5.0	5.4	5.6	5.0	5.12	3.4	80	0.9	1.0	10.75
P1231.060-008	6.0	6.4	6.7	6.0	6.12	3.9	8	1.2	1.2	16.17
P1231.060-010	6.0	6.4	6.7	6.0	6.12	3.9	10	1.2	1.2	16.17
P1231.060-012	6.0	6.4	6.7	6.0	6.12	3.9	12	1.2	1.2	16.17
P1231.060-014	6.0	6.4	6.7	6.0	6.12	3.9	14	1.2	1.2	16.17
P1231.060-016	6.0	6.4	6.7	6.0	6.12	3.9	16	1.2	1.2	16.17
P1231.060-018	6.0	6.4	6.7	6.0	6.12	3.9	18	1.2	1.2	16.17
P1231.060-020	6.0	6.4	6.7	6.0	6.12	3.9	20	1.2	1.2	16.17
P1231.060-022	6.0	6.4	6.7	6.0	6.12	3.9	22	1.2	1.2	16.17
P1231.060-024	6.0	6.4	6.7	6.0	6.12	3.9	24	1.2	1.2	16.17
P1231.060-026	6.0	6.4	6.7	6.0	6.12	3.9	26	1.2	1.2	16.17
P1231.060-028	6.0	6.4	6.7	6.0	6.12	3.9	28	1.2	1.2	16.17
P1231.060-030	6.0	6.4	6.7	6.0	6.12	3.9	30	1.2	1.2	16.17
P1231.060-035	6.0	6.4	6.7	6.0	6.12	3.9	35	1.2	1.2	16.17
P1231.060-040	6.0	6.4	6.7	6.0	6.12	3.9	40	1.2	1.2	16.17
P1231.060-045	6.0	6.4	6.7	6.0	6.12	3.9	45	1.2	1.2	16.17
P1231.060-050	6.0	6.4	6.7	6.0	6.12	3.9	50	1.2	1.2	16.17
P1231.060-055	6.0	6.4	6.7	6.0	6.12	3.9	55	1.2	1.2	16.17
P1231.060-060	6.0	6.4	6.7	6.0	6.12	3.9	60	1.2	1.2	16.17
P1231.060-065	6.0	6.4	6.7	6.0	6.12	3.9	65	1.2	1.2	16.17
P1231.060-070	6.0	6.4	6.7	6.0	6.12	3.9	70	1.2	1.2	16.17
P1231.060-075	6.0	6.4	6.7	6.0	6.12	3.9	75	1.2	1.2	16.17
P1231.060-080	6.0	6.4	6.7	6.0	6.12	3.9	80	1.2	1.2	16.17
P1231.060-085	6.0	6.4	6.7	6.0	6.12	3.9	85	1.2	1.2	16.17
P1231.060-090	6.0	6.4	6.7	6.0	6.12	3.9	90	1.2	1.2	16.17
P1231.060-095	6.0	6.4	6.7	6.0	6.12	3.9	95	1.2	1.2	16.17
P1231.060-100	6.0	6.4	6.7	6.0	6.12	3.9	100	1.2	1.2	16.17
P1231.080-010	8.0	8.5	8.8	8.0	8.15	5.5	10	1.5	1.5	26.46



Stainless Slotted Spring Pins



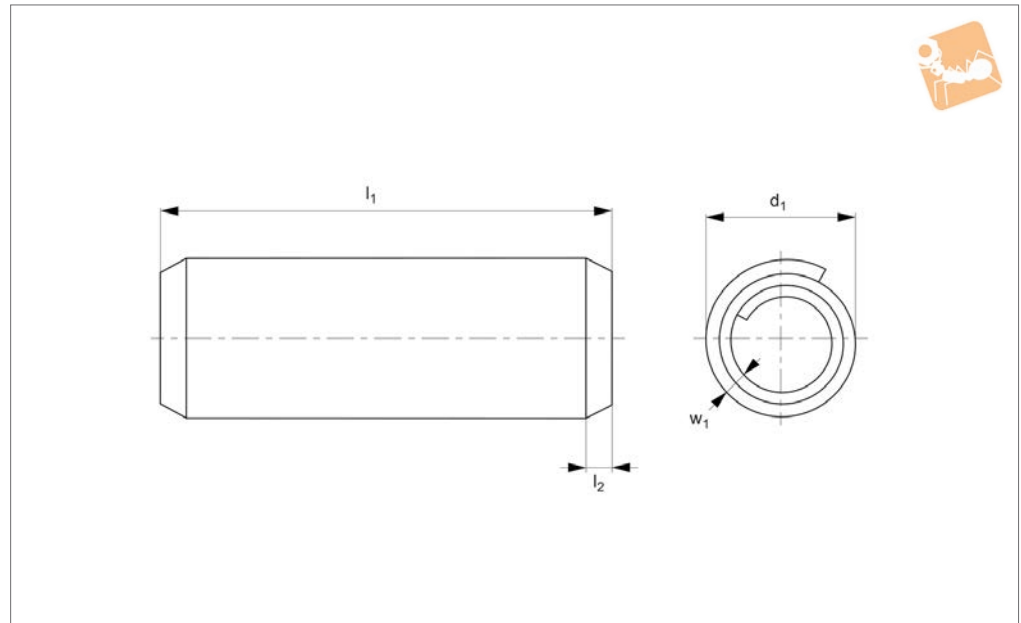
Spring Pins

Order No.	d ₁ nom.	d ₁ min.	d ₁ max.	Hole min.	Hole max.	d ₂	l ₁	l ₂	w ₁	Double shear kN
P1231.080-012	8.0	8.5	8.8	8.0	8.15	5.5	12	1.5	1.5	26.46
P1231.080-014	8.0	8.5	8.8	8.0	8.15	5.5	14	1.5	1.5	26.46
P1231.080-016	8.0	8.5	8.8	8.0	8.15	5.5	16	1.5	1.5	26.46
P1231.080-018	8.0	8.5	8.8	8.0	8.15	5.5	18	1.5	1.5	26.46
P1231.080-020	8.0	8.5	8.8	8.0	8.15	5.5	20	1.5	1.5	26.46
P1231.080-022	8.0	8.5	8.8	8.0	8.15	5.5	22	1.5	1.5	26.46
P1231.080-024	8.0	8.5	8.8	8.0	8.15	5.5	24	1.5	1.5	26.46
P1231.080-026	8.0	8.5	8.8	8.0	8.15	5.5	26	1.5	1.5	26.46
P1231.080-028	8.0	8.5	8.8	8.0	8.15	5.5	28	1.5	1.5	26.46
P1231.080-030	8.0	8.5	8.8	8.0	8.15	5.5	30	1.5	1.5	26.46
P1231.080-035	8.0	8.5	8.8	8.0	8.15	5.5	35	1.5	1.5	26.46
P1231.080-040	8.0	8.5	8.8	8.0	8.15	5.5	40	1.5	1.5	26.46
P1231.080-045	8.0	8.5	8.8	8.0	8.15	5.5	45	1.5	1.5	26.46
P1231.080-050	8.0	8.5	8.8	8.0	8.15	5.5	50	1.5	1.5	26.46
P1231.080-055	8.0	8.5	8.8	8.0	8.15	5.5	55	1.5	1.5	26.46
P1231.080-060	8.0	8.5	8.8	8.0	8.15	5.5	60	1.5	1.5	26.46
P1231.080-065	8.0	8.5	8.8	8.0	8.15	5.5	65	1.5	1.5	26.46
P1231.080-070	8.0	8.5	8.8	8.0	8.15	5.5	70	1.5	1.5	26.46
P1231.080-075	8.0	8.5	8.8	8.0	8.15	5.5	75	1.5	1.5	26.46
P1231.080-080	8.0	8.5	8.8	8.0	8.15	5.5	80	1.5	1.5	26.46
P1231.080-085	8.0	8.5	8.8	8.0	8.15	5.5	85	1.5	1.5	26.46
P1231.080-090	8.0	8.5	8.8	8.0	8.15	5.5	90	1.5	1.5	26.46
P1231.080-095	8.0	8.5	8.8	8.0	8.15	5.5	95	1.5	1.5	26.46
P1231.080-100	8.0	8.5	8.8	8.0	8.15	5.5	100	1.5	1.5	26.46
P1231.080-120	8.0	8.5	8.8	8.0	8.15	5.5	120	1.5	1.5	26.46
P1231.100-010	10.0	10.5	10.8	10.0	10.15	6.5	10	2.0	2.0	42.14
P1231.100-012	10.0	10.5	10.8	10.0	10.15	6.5	12	2.0	2.0	42.14
P1231.100-014	10.0	10.5	10.8	10.0	10.15	6.5	14	2.0	2.0	42.14
P1231.100-016	10.0	10.5	10.8	10.0	10.15	6.5	16	2.0	2.0	42.14
P1231.100-018	10.0	10.5	10.8	10.0	10.15	6.5	18	2.0	2.0	42.14
P1231.100-020	10.0	10.5	10.8	10.0	10.15	6.5	20	2.0	2.0	42.14
P1231.100-022	10.0	10.5	10.8	10.0	10.15	6.5	22	2.0	2.0	42.14
P1231.100-024	10.0	10.5	10.8	10.0	10.15	6.5	24	2.0	2.0	42.14
P1231.100-026	10.0	10.5	10.8	10.0	10.15	6.5	26	2.0	2.0	42.14
P1231.100-028	10.0	10.5	10.8	10.0	10.15	6.5	28	2.0	2.0	42.14
P1231.100-030	10.0	10.5	10.8	10.0	10.15	6.5	30	2.0	2.0	42.14
P1231.100-035	10.0	10.5	10.8	10.0	10.15	6.5	35	2.0	2.0	42.14
P1231.100-040	10.0	10.5	10.8	10.0	10.15	6.5	40	2.0	2.0	42.14
P1231.100-045	10.0	10.5	10.8	10.0	10.15	6.5	45	2.0	2.0	42.14
P1231.100-050	10.0	10.5	10.8	10.0	10.15	6.5	50	2.0	2.0	42.14
P1231.100-055	10.0	10.5	10.8	10.0	10.15	6.5	55	2.0	2.0	42.14
P1231.100-060	10.0	10.5	10.8	10.0	10.15	6.5	60	2.0	2.0	42.14
P1231.100-065	10.0	10.5	10.8	10.0	10.15	6.5	65	2.0	2.0	42.14
P1231.100-070	10.0	10.5	10.8	10.0	10.15	6.5	70	2.0	2.0	42.14
P1231.100-075	10.0	10.5	10.8	10.0	10.15	6.5	75	2.0	2.0	42.14
P1231.100-080	10.0	10.5	10.8	10.0	10.15	6.5	80	2.0	2.0	42.14
P1231.100-085	10.0	10.5	10.8	10.0	10.15	6.5	85	2.0	2.0	42.14
P1231.100-090	10.0	10.5	10.8	10.0	10.15	6.5	90	2.0	2.0	42.14
P1231.100-095	10.0	10.5	10.8	10.0	10.15	6.5	95	2.0	2.0	42.14
P1231.100-100	10.0	10.5	10.8	10.0	10.15	6.5	100	2.0	2.0	42.14
P1231.100-120	10.0	10.5	10.8	10.0	10.15	6.5	120	2.0	2.0	42.14
P1231.100-130	10.0	10.5	10.8	10.0	10.15	6.5	130	2.0	2.0	42.14
P1231.100-140	10.0	10.5	10.8	10.0	10.15	6.5	140	2.0	2.0	42.14
P1231.100-150	10.0	10.5	10.8	10.0	10.15	6.5	150	2.0	2.0	42.14
P1231.100-160	10.0	10.5	10.8	10.0	10.15	6.5	160	2.0	2.0	42.14

SPRING PINS



P1232



Material

Carbon steel (CS70) hardened and tempered to HV420-545. Plain oiled finish.

Technical Notes

To DIN 7343 (ISO 8750). These units have an expanded diameter slightly larger, than the hole for which they are designed,

holding themselves in by radial tension on the hole.

Recommended hole tolerance H12.

l_1 tolerances:-

1-10mm long $\pm 0,25$

12-50mm long $\pm 0,50$

over 50mm long $\pm 0,75$.

Tips

Consists of 2.25 coils of steel and has swaged chamfers at each end.

Improves shock absorption, easy assembly. They are designed for plain drilled holes, but countersinking the holes makes insertion easier.

Order No.	d_1 nom.	d_1 min.	d_1 max.	Hole min.	Hole max.	l_1	l_2	w_1	Double shear kN
P1232.015-005	1.5	1.62	1.73	1.50	1.60	5	0.5	0.13	1.45
P1232.015-006	1.5	1.62	1.73	1.50	1.60	6	0.5	0.13	1.45
P1232.015-008	1.5	1.62	1.73	1.50	1.60	8	0.5	0.13	1.45
P1232.015-010	1.5	1.62	1.73	1.50	1.60	10	0.5	0.13	1.45
P1232.015-012	1.5	1.62	1.73	1.50	1.60	12	0.5	0.13	1.45
P1232.015-014	1.5	1.62	1.73	1.50	1.60	14	0.5	0.13	1.45
P1232.015-016	1.5	1.62	1.73	1.50	1.60	16	0.5	0.13	1.45
P1232.020-006	2.0	2.13	2.25	1.99	2.10	6	0.7	0.17	2.5
P1232.020-008	2.0	2.13	2.25	1.99	2.10	8	0.7	0.17	2.5
P1232.020-010	2.0	2.13	2.25	1.99	2.10	10	0.7	0.17	2.5
P1232.020-012	2.0	2.13	2.25	1.99	2.10	12	0.7	0.17	2.5
P1232.020-014	2.0	2.13	2.25	1.99	2.10	14	0.7	0.17	2.5
P1232.020-016	2.0	2.13	2.25	1.99	2.10	16	0.7	0.17	2.5
P1232.020-018	2.0	2.13	2.25	1.99	2.10	18	0.7	0.17	2.5
P1232.020-020	2.0	2.13	2.25	1.99	2.10	20	0.7	0.17	2.5
P1232.025-008	2.5	2.65	2.78	2.49	2.60	8	0.8	0.21	3.9
P1232.025-010	2.5	2.65	2.78	2.49	2.60	10	0.8	0.21	3.9
P1232.025-012	2.5	2.65	2.78	2.49	2.60	12	0.8	0.21	3.9
P1232.025-014	2.5	2.65	2.78	2.49	2.60	14	0.8	0.21	3.9
P1232.025-016	2.5	2.65	2.78	2.49	2.60	16	0.8	0.21	3.9
P1232.025-018	2.5	2.65	2.78	2.49	2.60	18	0.8	0.21	3.9
P1232.025-020	2.5	2.65	2.78	2.49	2.60	20	0.8	0.21	3.9
P1232.025-022	2.5	2.65	2.78	2.49	2.60	22	0.8	0.21	3.9
P1232.025-024	2.5	2.65	2.78	2.49	2.60	24	0.8	0.21	3.9
P1232.030-008	3.0	3.15	3.30	2.99	3.10	8	0.9	0.25	5.5
P1232.030-010	3.0	3.15	3.30	2.99	3.10	10	0.9	0.25	5.5
P1232.030-012	3.0	3.15	3.30	2.99	3.10	12	0.9	0.25	5.5
P1232.030-014	3.0	3.15	3.30	2.99	3.10	14	0.9	0.25	5.5
P1232.030-016	3.0	3.15	3.30	2.99	3.10	16	0.9	0.25	5.5
P1232.030-018	3.0	3.15	3.30	2.99	3.10	18	0.9	0.25	5.5

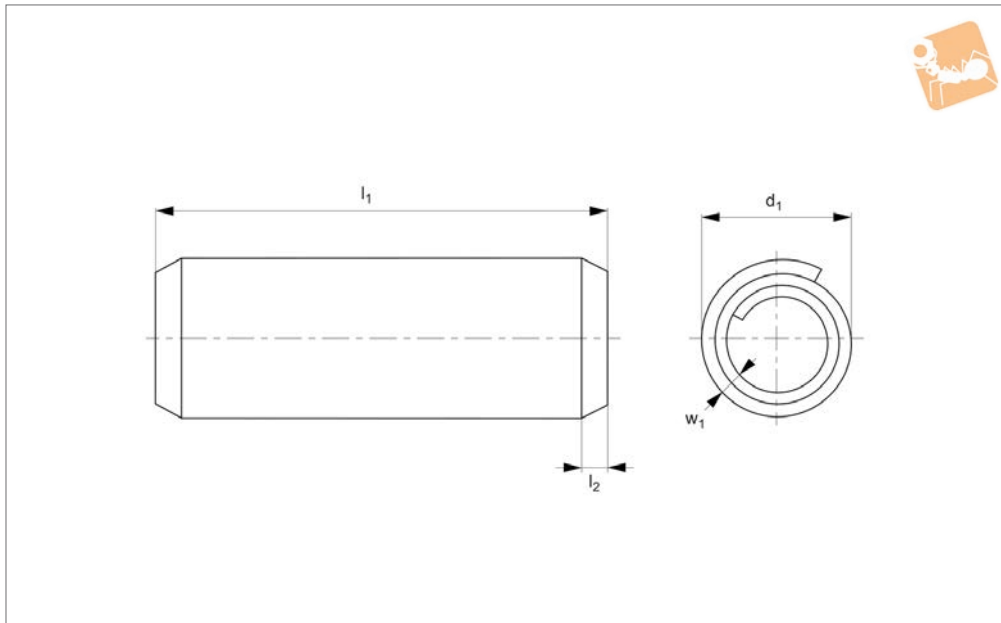


Order No.	d ₁ nom.	d ₁ min.	d ₁ max.	Hole min.	Hole max.	l ₁	l ₂	w ₁	Double shear kN
P1232.030-020	3.0	3.15	3.30	2.99	3.10	20	0.9	0.25	5.5
P1232.030-022	3.0	3.15	3.30	2.99	3.10	22	0.9	0.25	5.5
P1232.030-024	3.0	3.15	3.30	2.99	3.10	24	0.9	0.25	5.5
P1232.030-026	3.0	3.15	3.30	2.99	3.10	26	0.9	0.25	5.5
P1232.030-028	3.0	3.15	3.30	2.99	3.10	28	0.9	0.25	5.5
P1232.030-030	3.0	3.15	3.30	2.99	3.10	30	0.9	0.25	5.5
P1232.035-012	3.5	3.67	3.84	3.48	3.50	12	1.2	0.29	7.5
P1232.035-014	3.5	3.67	3.84	3.48	3.50	14	1.2	0.29	7.5
P1232.035-016	3.5	3.67	3.84	3.48	3.50	16	1.2	0.29	7.5
P1232.035-018	3.5	3.67	3.84	3.48	3.50	18	1.2	0.29	7.5
P1232.035-020	3.5	3.67	3.84	3.48	3.50	20	1.2	0.29	7.5
P1232.035-022	3.5	3.67	3.84	3.48	3.50	22	1.2	0.29	7.5
P1232.035-024	3.5	3.67	3.84	3.48	3.50	24	1.2	0.29	7.5
P1232.035-026	3.5	3.67	3.84	3.48	3.50	26	1.2	0.29	7.5
P1232.035-028	3.5	3.67	3.84	3.48	3.50	28	1.2	0.29	7.5
P1232.035-030	3.5	3.67	3.84	3.48	3.50	30	1.2	0.29	7.5
P1232.035-035	3.5	3.67	3.84	3.48	3.50	35	1.2	0.29	7.5
P1232.045-012	4.0	4.20	4.40	3.98	4.00	12	1.1	0.33	9.6
P1232.045-014	4.0	4.20	4.40	3.98	4.00	14	1.1	0.33	9.6
P1232.045-016	4.0	4.20	4.40	3.98	4.00	16	1.1	0.33	9.6
P1232.045-018	4.0	4.20	4.40	3.98	4.00	18	1.1	0.33	9.6
P1232.045-020	4.0	4.20	4.40	3.98	4.00	20	1.1	0.33	9.6
P1232.045-022	4.0	4.20	4.40	3.98	4.00	22	1.1	0.33	9.6
P1232.045-024	4.0	4.20	4.40	3.98	4.00	24	1.1	0.33	9.6
P1232.045-026	4.0	4.20	4.40	3.98	4.00	26	1.1	0.33	9.6
P1232.045-028	4.0	4.20	4.40	3.98	4.00	28	1.1	0.33	9.6
P1232.045-030	4.0	4.20	4.40	3.98	4.00	30	1.1	0.33	9.6
P1232.045-035	4.0	4.20	4.40	3.98	4.00	35	1.1	0.33	9.6
P1232.045-040	4.0	4.20	4.40	3.98	4.00	40	1.1	0.33	9.6
P1232.050-014	5.0	5.25	5.50	4.95	5.00	14	1.3	0.42	15.0
P1232.050-016	5.0	5.25	5.50	4.95	5.00	16	1.3	0.42	15.0
P1232.050-018	5.0	5.25	5.50	4.95	5.00	18	1.3	0.42	15.0
P1232.050-020	5.0	5.25	5.50	4.95	5.00	20	1.3	0.42	15.0
P1232.050-022	5.0	5.25	5.50	4.95	5.00	22	1.3	0.42	15.0
P1232.050-024	5.0	5.25	5.50	4.95	5.00	24	1.3	0.42	15.0
P1232.050-026	5.0	5.25	5.50	4.95	5.00	26	1.3	0.42	15.0
P1232.050-028	5.0	5.25	5.50	4.95	5.00	28	1.3	0.42	15.0
P1232.050-030	5.0	5.25	5.50	4.95	5.00	30	1.3	0.42	15.0
P1232.050-035	5.0	5.25	5.50	4.95	5.00	35	1.3	0.42	15.0
P1232.050-040	5.0	5.25	5.50	4.95	5.00	40	1.3	0.42	15.0
P1232.050-045	5.0	5.25	5.50	4.95	5.00	45	1.3	0.42	15.0
P1232.060-016	6.0	6.25	5.60	5.95	6.00	16	1.5	0.5	22.0
P1232.060-018	6.0	6.25	5.60	5.95	6.00	18	1.5	0.5	22.0
P1232.060-020	6.0	6.25	5.60	5.95	6.00	20	1.5	0.5	22.0
P1232.060-022	6.0	6.25	5.60	5.95	6.00	22	1.5	0.5	22.0
P1232.060-024	6.0	6.25	5.60	5.95	6.00	24	1.5	0.5	22.0
P1232.060-026	6.0	6.25	5.60	5.95	6.00	26	1.5	0.5	22.0
P1232.060-028	6.0	6.25	5.60	5.95	6.00	28	1.5	0.5	22.0
P1232.060-030	6.0	6.25	5.60	5.95	6.00	30	1.5	0.5	22.0
P1232.060-035	6.0	6.25	5.60	5.95	6.00	35	1.5	0.5	22.0
P1232.060-040	6.0	6.25	5.60	5.95	6.00	40	1.5	0.5	22.0
P1232.060-045	6.0	6.25	5.60	5.95	6.00	45	1.5	0.5	22.0
P1232.060-050	6.0	6.25	5.60	5.95	6.00	50	1.5	0.5	22.0
P1232.080-020	8.0	8.30	8.60	7.93	8.00	20	2.0	0.67	39.0
P1232.080-022	8.0	8.30	8.60	7.93	8.00	22	2.0	0.67	39.0
P1232.080-024	8.0	8.30	8.60	7.93	8.00	24	2.0	0.67	39.0
P1232.080-026	8.0	8.30	8.60	7.93	8.00	26	2.0	0.67	39.0
P1232.080-028	8.0	8.30	8.60	7.93	8.00	28	2.0	0.67	39.0
P1232.080-030	8.0	8.30	8.60	7.93	8.00	30	2.0	0.67	39.0
P1232.080-035	8.0	8.30	8.60	7.93	8.00	35	2.0	0.67	39.0
P1232.080-040	8.0	8.30	8.60	7.93	8.00	40	2.0	0.67	39.0
P1232.080-045	8.0	8.30	8.60	7.93	8.00	45	2.0	0.67	39.0
P1232.080-050	8.0	8.30	8.60	7.93	8.00	50	2.0	0.67	39.0
P1232.080-055	8.0	8.30	8.60	7.93	8.00	55	2.0	0.67	39.0
P1232.080-060	8.0	8.30	8.60	7.93	8.00	60	2.0	0.67	39.0
P1232.080-065	8.0	8.30	8.60	7.93	8.00	65	2.0	0.67	39.0
P1232.080-070	8.0	8.30	8.60	7.93	8.00	70	2.0	0.67	39.0
P1232.080-075	8.0	8.30	8.60	7.93	8.00	75	2.0	0.67	39.0

SPRING PINS



Order No.	d ₁ nom.	d ₁ min.	d ₁ max.	Hole min.	Hole max.	l ₁	l ₂	w ₁	Double shear kN
P1232.100-024	10.0	10.35	10.80	9.93	10.00	24	2.5	0.84	62.0
P1232.100-026	10.0	10.35	10.80	9.93	10.00	26	2.5	0.84	62.0
P1232.100-028	10.0	10.35	10.80	9.93	10.00	28	2.5	0.84	62.0
P1232.100-030	10.0	10.35	10.80	9.93	10.00	30	2.5	0.84	62.0
P1232.100-035	10.0	10.35	10.80	9.93	10.00	35	2.5	0.84	62.0
P1232.100-040	10.0	10.35	10.80	9.93	10.00	40	2.5	0.84	62.0
P1232.100-045	10.0	10.35	10.80	9.93	10.00	45	2.5	0.84	62.0
P1232.100-050	10.0	10.35	10.80	9.93	10.00	50	2.5	0.84	62.0
P1232.100-055	10.0	10.35	10.80	9.93	10.00	55	2.5	0.84	62.0
P1232.100-060	10.0	10.35	10.80	9.93	10.00	60	2.5	0.84	62.0
P1232.100-065	10.0	10.35	10.80	9.93	10.00	65	2.5	0.84	62.0
P1232.100-070	10.0	10.35	10.80	9.93	10.00	70	2.5	0.84	62.0
P1232.100-075	10.0	10.35	10.80	9.93	10.00	75	2.5	0.84	62.0
P1232.100-080	10.0	10.35	10.80	9.93	10.00	80	2.5	0.84	62.0
P1232.100-085	10.0	10.35	10.80	9.93	10.00	85	2.5	0.84	62.0
P1232.120-028	12.0	12.40	12.85	11.90	12.00	28	3.0	1.0	89.0
P1232.120-030	12.0	12.40	12.85	11.90	12.00	30	3.0	1.0	89.0
P1232.120-035	12.0	12.40	12.85	11.90	12.00	35	3.0	1.0	89.0
P1232.120-040	12.0	12.40	12.85	11.90	12.00	40	3.0	1.0	89.0
P1232.120-045	12.0	12.40	12.85	11.90	12.00	45	3.0	1.0	89.0
P1232.120-050	12.0	12.40	12.85	11.90	12.00	50	3.0	1.0	89.0
P1232.120-055	12.0	12.40	12.85	11.90	12.00	55	3.0	1.0	89.0
P1232.120-060	12.0	12.40	12.85	11.90	12.00	60	3.0	1.0	89.0
P1232.120-065	12.0	12.40	12.85	11.90	12.00	65	3.0	1.0	89.0
P1232.120-070	12.0	12.40	12.85	11.90	12.00	70	3.0	1.0	89.0
P1232.120-075	12.0	12.40	12.85	11.90	12.00	75	3.0	1.0	89.0
P1232.120-080	12.0	12.40	12.85	11.90	12.00	80	3.0	1.0	89.0
P1232.120-085	12.0	12.40	12.85	11.90	12.00	85	3.0	1.0	89.0
P1232.120-090	12.0	12.40	12.85	11.90	12.00	90	3.0	1.0	89.0
P1232.120-095	12.0	12.40	12.85	11.90	12.00	95	3.0	1.0	89.0
P1232.120-100	12.0	12.40	12.85	11.90	12.00	100	3.0	1.0	89.0



P1234

SPRING PINS

Material

Stainless steel (A2).

Technical Notes

To DIN 7343 (ISO 8750). These units have an expanded diameter slightly larger, than the hole for which they are designed, holding themselves in by radial tension on

the hole.

l_1 tolerances:-
 1-10mm long $\pm 0,25$
 12-50mm long $\pm 0,50$
 over 50mm long $\pm 0,75$.

Tips

Consists of 2.25 coils of steel and have

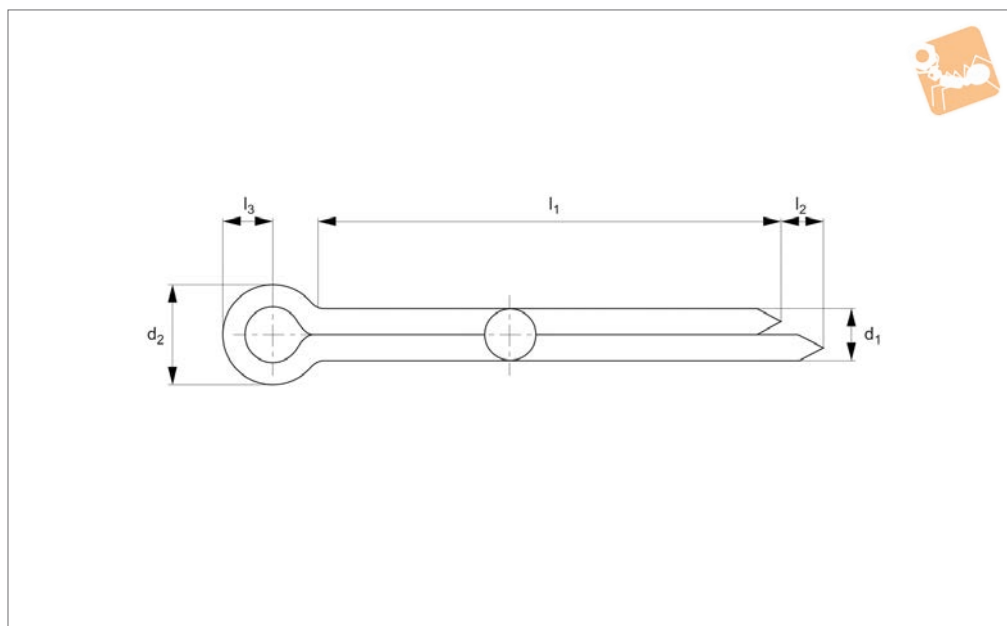
swaged chamfers at each end.

Improves shock absorption, easy assembly. They are designed for plain drilled holes, but countersinking the holes makes insertion easier.

Order No.	d_1 nom.	d_1 min.	d_1 max.	Hole min.	Hole max.	l_1	l_2	w_1	Double shear kN
P1234.015-005	1.5	1.62	1.73	1.50	1.60	5	0.5	0.13	1.05
P1234.015-006	1.5	1.62	1.73	1.50	1.60	6	0.5	0.13	1.05
P1234.015-008	1.5	1.62	1.73	1.50	1.60	8	0.5	0.13	1.05
P1234.015-010	1.5	1.62	1.73	1.50	1.60	10	0.5	0.13	1.05
P1234.015-012	1.5	1.62	1.73	1.50	1.60	12	0.5	0.13	1.05
P1234.015-014	1.5	1.62	1.73	1.50	1.60	14	0.5	0.13	1.05
P1234.015-016	1.5	1.62	1.73	1.50	1.60	16	0.5	0.13	1.05
P1234.020-006	2.0	2.13	2.25	1.99	2.10	6	0.7	0.17	1.9
P1234.020-008	2.0	2.13	2.25	1.99	2.10	8	0.7	0.17	1.9
P1234.020-010	2.0	2.13	2.25	1.99	2.10	10	0.7	0.17	1.9
P1234.020-012	2.0	2.13	2.25	1.99	2.10	12	0.7	0.17	1.9
P1234.020-014	2.0	2.13	2.25	1.99	2.10	14	0.7	0.17	1.9
P1234.020-016	2.0	2.13	2.25	1.99	2.10	16	0.7	0.17	1.9
P1234.020-018	2.0	2.13	2.25	1.99	2.10	18	0.7	0.17	1.9
P1234.020-020	2.0	2.13	2.25	1.99	2.10	20	0.7	0.17	1.9
P1234.025-008	2.5	2.65	2.78	2.49	2.60	8	0.8	0.21	2.9
P1234.025-010	2.5	2.65	2.78	2.49	2.60	10	0.8	0.21	2.9
P1234.025-012	2.5	2.65	2.78	2.49	2.60	12	0.8	0.21	2.9
P1234.025-014	2.5	2.65	2.78	2.49	2.60	14	0.8	0.21	2.9
P1234.025-016	2.5	2.65	2.78	2.49	2.60	16	0.8	0.21	2.9
P1234.025-018	2.5	2.65	2.78	2.49	2.60	18	0.8	0.21	2.9
P1234.025-020	2.5	2.65	2.78	2.49	2.60	20	0.8	0.21	2.9
P1234.025-022	2.5	2.65	2.78	2.49	2.60	22	0.8	0.21	2.9
P1234.025-024	2.5	2.65	2.78	2.49	2.60	24	0.8	0.21	2.9
P1234.030-008	3.0	3.15	3.30	2.99	3.10	8	0.9	0.25	4.2
P1234.030-010	3.0	3.15	3.30	2.99	3.10	10	0.9	0.25	4.2
P1234.030-012	3.0	3.15	3.30	2.99	3.10	12	0.9	0.25	4.2
P1234.030-014	3.0	3.15	3.30	2.99	3.10	14	0.9	0.25	4.2
P1234.030-016	3.0	3.15	3.30	2.99	3.10	16	0.9	0.25	4.2
P1234.030-018	3.0	3.15	3.30	2.99	3.10	18	0.9	0.25	4.2



Order No.	d ₁ nom.	d ₁ min.	d ₁ max.	Hole min.	Hole max.	l ₁	l ₂	w ₁	Double shear kN
P1234.030-020	3.0	3.15	3.30	2.99	3.10	20	0.9	0.25	4.2
P1234.030-022	3.0	3.15	3.30	2.99	3.10	22	0.9	0.25	4.2
P1234.030-024	3.0	3.15	3.30	2.99	3.10	24	0.9	0.25	4.2
P1234.030-026	3.0	3.15	3.30	2.99	3.10	26	0.9	0.25	4.2
P1234.030-028	3.0	3.15	3.30	2.99	3.10	28	0.9	0.25	4.2
P1234.030-030	3.0	3.15	3.30	2.99	3.10	30	0.9	0.25	4.2
P1234.040-012	4.0	4.20	4.40	3.98	4.12	12	1.1	0.33	7.6
P1234.040-014	4.0	4.20	4.40	3.98	4.12	14	1.1	0.33	7.6
P1234.040-016	4.0	4.20	4.40	3.98	4.12	16	1.1	0.33	7.6
P1234.040-018	4.0	4.20	4.40	3.98	4.12	18	1.1	0.33	7.6
P1234.040-020	4.0	4.20	4.40	3.98	4.12	20	1.1	0.33	7.6
P1234.040-022	4.0	4.20	4.40	3.98	4.12	22	1.1	0.33	7.6
P1234.040-024	4.0	4.20	4.40	3.98	4.12	24	1.1	0.33	7.6
P1234.040-026	4.0	4.20	4.40	3.98	4.12	26	1.1	0.33	7.6
P1234.040-028	4.0	4.20	4.40	3.98	4.12	28	1.1	0.33	7.6
P1234.040-030	4.0	4.20	4.40	3.98	4.12	30	1.1	0.33	7.6
P1234.040-035	4.0	4.20	4.40	3.98	4.12	35	1.1	0.33	7.6
P1234.040-040	4.0	4.20	4.40	3.98	4.12	40	1.1	0.33	7.6
P1234.050-014	5.0	5.25	5.50	4.95	5.12	14	1.3	0.42	11.5
P1234.050-016	5.0	5.25	5.50	4.95	5.12	16	1.3	0.42	11.5
P1234.050-018	5.0	5.25	5.50	4.95	5.12	18	1.3	0.42	11.5
P1234.050-020	5.0	5.25	5.50	4.95	5.12	20	1.3	0.42	11.5
P1234.050-022	5.0	5.25	5.50	4.95	5.12	22	1.3	0.42	11.5
P1234.050-024	5.0	5.25	5.50	4.95	5.12	24	1.3	0.42	11.5
P1234.050-026	5.0	5.25	5.50	4.95	5.12	26	1.3	0.42	11.5
P1234.050-028	5.0	5.25	5.50	4.95	5.12	28	1.3	0.42	11.5
P1234.050-030	5.0	5.25	5.50	4.95	5.12	30	1.3	0.42	11.5
P1234.050-035	5.0	5.25	5.50	4.95	5.12	35	1.3	0.42	11.5
P1234.050-040	5.0	5.25	5.50	4.95	5.12	40	1.3	0.42	11.5
P1234.050-045	5.0	5.25	5.50	4.95	5.12	45	1.3	0.42	11.5
P1234.060-016	6.0	6.25	6.60	5.95	6.13	16	1.5	0.5	16.8
P1234.060-018	6.0	6.25	6.60	5.95	6.13	18	1.5	0.5	16.8
P1234.060-020	6.0	6.25	6.60	5.95	6.13	20	1.5	0.5	16.8
P1234.060-022	6.0	6.25	6.60	5.95	6.13	22	1.5	0.5	16.8
P1234.060-024	6.0	6.25	6.60	5.95	6.13	24	1.5	0.5	16.8
P1234.060-026	6.0	6.25	6.60	5.95	6.13	26	1.5	0.5	16.8
P1234.060-028	6.0	6.25	6.60	5.95	6.13	28	1.5	0.5	16.8
P1234.060-030	6.0	6.25	6.60	5.95	6.13	30	1.5	0.5	16.8
P1234.060-035	6.0	6.25	6.60	5.95	6.13	35	1.5	0.5	16.8
P1234.060-040	6.0	6.25	6.60	5.95	6.13	40	1.5	0.5	16.8
P1234.060-045	6.0	6.25	6.60	5.95	6.13	45	1.5	0.5	16.8
P1234.060-050	6.0	6.25	6.60	5.95	6.13	50	1.5	0.5	16.8
P1234.080-020	8.0	8.30	8.60	7.93	8.17	20	2	0.67	30.0
P1234.080-022	8.0	8.30	8.60	7.93	8.17	22	2	0.67	30.0
P1234.080-024	8.0	8.30	8.60	7.93	8.17	24	2	0.67	30.0
P1234.080-026	8.0	8.30	8.60	7.93	8.17	26	2	0.67	30.0
P1234.080-028	8.0	8.30	8.60	7.93	8.17	28	2	0.67	30.0
P1234.080-030	8.0	8.30	8.60	7.93	8.17	30	2	0.67	30.0
P1234.080-035	8.0	8.30	8.60	7.93	8.17	35	2	0.67	30.0
P1234.080-040	8.0	8.30	8.60	7.93	8.17	40	2	0.67	30.0
P1234.080-045	8.0	8.30	8.60	7.93	8.17	45	2	0.67	30.0
P1234.080-050	8.0	8.30	8.60	7.93	8.17	50	2	0.67	30.0
P1234.080-055	8.0	8.30	8.60	7.93	8.17	55	2	0.67	30.0
P1234.080-060	8.0	8.30	8.60	7.93	8.17	60	2	0.67	30.0
P1234.080-065	8.0	8.30	8.60	7.93	8.17	65	2	0.67	30.0
P1234.080-070	8.0	8.30	8.60	7.93	8.17	70	2	0.67	30.0
P1234.080-075	8.0	8.30	8.60	7.93	8.17	75	2	0.67	30.0



P1240

OTHER PINS

Material

Mild steel (zinc-plated).

pins require a loose fit, and as a result the metric versions can also be for inch sizes.

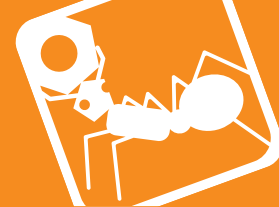
H14 (under this diameter recommended tolerance is H13).

Technical Notes

To DIN 94 (equivalent to ISO 1234). Cotter

Recommended hole tolerance for d_1 1,6 is

Order No.	d_1 nom.	d_1 min.	d_1 max.	d_2 max.	l_1	l_2 max.	l_3 ≈
P1240.010-006	1	0.8	0.9	1.8	6	1.6	3
P1240.010-008	1	0.8	0.9	1.8	8	1.6	3
P1240.010-010	1	0.8	0.9	1.8	10	1.6	3
P1240.010-012	1	0.8	0.9	1.8	12	1.6	3
P1240.010-016	1	0.8	0.9	1.8	16	1.6	3
P1240.010-018	1	0.8	0.9	1.8	18	1.6	3
P1240.010-020	1	0.8	0.9	1.8	20	1.6	3
P1240.010-022	1	0.8	0.9	1.8	22	1.6	3
P1240.010-025	1	0.8	0.9	1.8	25	1.6	3
P1240.010-028	1	0.8	0.9	1.8	28	1.6	3
P1240.010-032	1	0.8	0.9	1.8	32	1.6	3
P1240.010-036	1	0.8	0.9	1.8	36	1.6	3
P1240.012-010	1.2	1.0	1.09	2.0	10	2.5	3
P1240.012-012	1.2	1.0	1.09	2.0	12	2.5	3
P1240.012-016	1.2	1.0	1.09	2.0	16	2.5	3
P1240.012-018	1.2	1.0	1.09	2.0	18	2.5	3
P1240.012-020	1.2	1.0	1.09	2.0	20	2.5	3
P1240.012-022	1.2	1.0	1.09	2.0	22	2.5	3
P1240.012-025	1.2	1.0	1.09	2.0	25	2.5	3
P1240.012-028	1.2	1.0	1.09	2.0	28	2.5	3
P1240.012-032	1.2	1.0	1.09	2.0	32	2.5	3
P1240.012-036	1.2	1.0	1.09	2.0	36	2.5	3
P1240.016-010	1.6	1.3	1.4	2.8	10	2.5	3.2
P1240.016-012	1.6	1.3	1.4	2.8	12	2.5	3.2
P1240.016-016	1.6	1.3	1.4	2.8	16	2.5	3.2
P1240.016-018	1.6	1.3	1.4	2.8	18	2.5	3.2
P1240.016-020	1.6	1.3	1.4	2.8	20	2.5	3.2
P1240.016-022	1.6	1.3	1.4	2.8	22	2.5	3.2
P1240.016-025	1.6	1.3	1.4	2.8	25	2.5	3.2
P1240.016-028	1.6	1.3	1.4	2.8	28	2.5	3.2
P1240.016-032	1.6	1.3	1.4	2.8	32	2.5	3.2
P1240.016-036	1.6	1.3	1.4	2.8	36	2.5	3.2
P1240.016-040	1.6	1.3	1.4	2.8	40	2.5	3.2
P1240.020-010	2	1.7	1.8	3.6	10	2.5	4.0

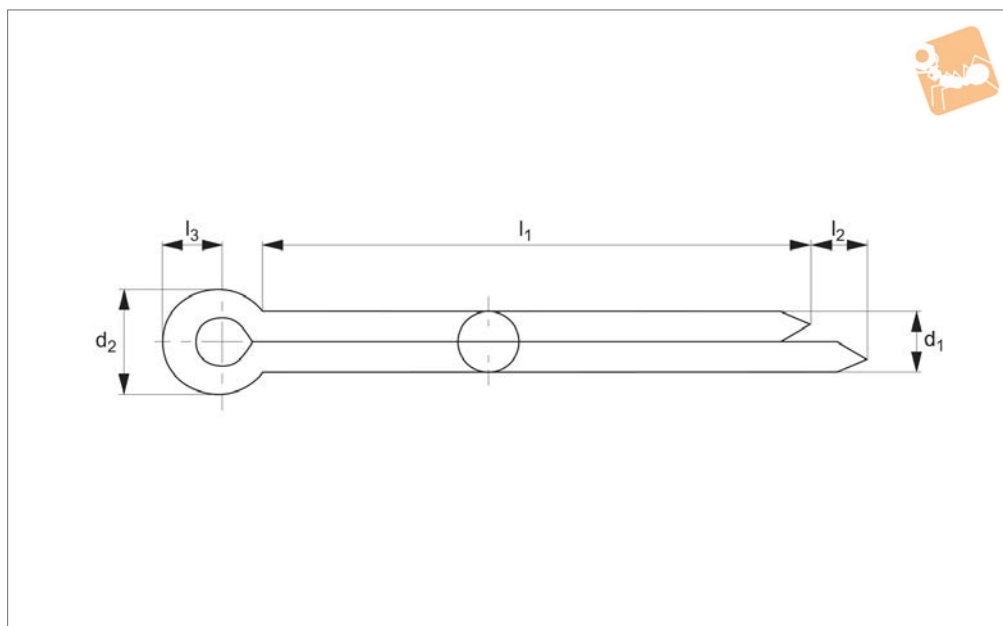


Order No.	d ₁ nom.	d ₁ min.	d ₁ max.	d ₂ max.	l ₁	l ₂ max.	l ₃ ≈
P1240.020-012	2	1.7	1.8	3.6	12	2.5	4.0
P1240.020-016	2	1.7	1.8	3.6	16	2.5	4.0
P1240.020-018	2	1.7	1.8	3.6	18	2.5	4.0
P1240.020-020	2	1.7	1.8	3.6	20	2.5	4.0
P1240.020-022	2	1.7	1.8	3.6	22	2.5	4.0
P1240.020-025	2	1.7	1.8	3.6	25	2.5	4.0
P1240.020-028	2	1.7	1.8	3.6	28	2.5	4.0
P1240.020-032	2	1.7	1.8	3.6	32	2.5	4.0
P1240.020-036	2	1.7	1.8	3.6	36	2.5	4.0
P1240.020-040	2	1.7	1.8	3.6	40	2.5	4.0
P1240.020-045	2	1.7	1.8	3.6	45	2.5	4.0
P1240.020-050	2	1.7	1.8	3.6	50	2.5	4.0
P1240.025-010	2.5	2.1	2.3	4.6	10	2.5	5.0
P1240.025-012	2.5	2.1	2.3	4.6	12	2.5	5.0
P1240.025-016	2.5	2.1	2.3	4.6	16	2.5	5.0
P1240.025-018	2.5	2.1	2.3	4.6	18	2.5	5.0
P1240.025-020	2.5	2.1	2.3	4.6	20	2.5	5.0
P1240.025-022	2.5	2.1	2.3	4.6	22	2.5	5.0
P1240.025-025	2.5	2.1	2.3	4.6	25	2.5	5.0
P1240.025-028	2.5	2.1	2.3	4.6	28	2.5	5.0
P1240.025-032	2.5	2.1	2.3	4.6	32	2.5	5.0
P1240.025-036	2.5	2.1	2.3	4.6	36	2.5	5.0
P1240.025-040	2.5	2.1	2.3	4.6	40	2.5	5.0
P1240.025-045	2.5	2.1	2.3	4.6	45	2.5	5.0
P1240.025-050	2.5	2.1	2.3	4.6	50	2.5	5.0
P1240.025-056	2.5	2.1	2.3	4.6	56	2.5	5.0
P1240.025-063	2.5	2.1	2.3	4.6	63	2.5	5.0
P1240.025-071	2.5	2.1	2.3	4.6	71	2.5	5.0
P1240.032-016	3.2	2.7	2.9	5.8	16	3.2	6.4
P1240.032-018	3.2	2.7	2.9	5.8	18	3.2	6.4
P1240.032-020	3.2	2.7	2.9	5.8	20	3.2	6.4
P1240.032-022	3.2	2.7	2.9	5.8	22	3.2	6.4
P1240.032-025	3.2	2.7	2.9	5.8	25	3.2	6.4
P1240.032-028	3.2	2.7	2.9	5.8	28	3.2	6.4
P1240.032-033	3.2	2.7	2.9	5.8	33	3.2	6.4
P1240.032-036	3.2	2.7	2.9	5.8	36	3.2	6.4
P1240.032-040	3.2	2.7	2.9	5.8	40	3.2	6.4
P1240.032-045	3.2	2.7	2.9	5.8	45	3.2	6.4
P1240.032-050	3.2	2.7	2.9	5.8	50	3.2	6.4
P1240.032-056	3.2	2.7	2.9	5.8	56	3.2	6.4
P1240.032-063	3.2	2.7	2.9	5.8	63	3.2	6.4
P1240.032-071	3.2	2.7	2.9	5.8	71	3.2	6.4
P1240.040-016	4	3.5	3.7	7.4	16	4.0	8.0
P1240.040-018	4	3.5	3.7	7.4	18	4.0	8.0
P1240.040-020	4	3.5	3.7	7.4	20	4.0	8.0
P1240.040-022	4	3.5	3.7	7.4	22	4.0	8.0
P1240.040-025	4	3.5	3.7	7.4	25	4.0	8.0
P1240.040-028	4	3.5	3.7	7.4	28	4.0	8.0
P1240.040-032	4	3.5	3.7	7.4	32	4.0	8.0
P1240.040-036	4	3.5	3.7	7.4	36	4.0	8.0
P1240.040-040	4	3.5	3.7	7.4	40	4.0	8.0
P1240.040-045	4	3.5	3.7	7.4	45	4.0	8.0
P1240.040-050	4	3.5	3.7	7.4	50	4.0	8.0
P1240.040-056	4	3.5	3.7	7.4	56	4.0	8.0
P1240.040-063	4	3.5	3.7	7.4	63	4.0	8.0
P1240.040-071	4	3.5	3.7	7.4	71	4.0	8.0
P1240.040-080	4	3.5	3.7	7.4	80	4.0	8.0
P1240.040-090	4	3.5	3.7	7.4	90	4.0	8.0
P1240.040-112	4	3.5	3.7	7.4	112	4.0	8.0
P1240.040-125	4	3.5	3.7	7.4	125	4.0	8.0
P1240.050-016	5	4.4	4.6	9.2	16	4.0	10.0
P1240.050-018	5	4.4	4.6	9.2	18	4.0	10.0
P1240.050-020	5	4.4	4.6	9.2	20	4.0	10.0
P1240.050-022	5	4.4	4.6	9.2	22	4.0	10.0
P1240.050-025	5	4.4	4.6	9.2	25	4.0	10.0
P1240.050-028	5	4.4	4.6	9.2	28	4.0	10.0
P1240.050-032	5	4.4	4.6	9.2	32	4.0	10.0
P1240.050-036	5	4.4	4.6	9.2	36	4.0	10.0

Order No.	d ₁ nom.	d ₁ min.	d ₁ max.	d ₂ max.	l ₁	l ₂ max.	l ₃ ≈
P1240.050-040	5	4.4	4.6	9.2	40	4.0	10.0
P1240.050-045	5	4.4	4.6	9.2	45	4.0	10.0
P1240.050-050	5	4.4	4.6	9.2	50	4.0	10.0
P1240.050-056	5	4.4	4.6	9.2	56	4.0	10.0
P1240.050-063	5	4.4	4.6	9.2	63	4.0	10.0
P1240.050-071	5	4.4	4.6	9.2	71	4.0	10.0
P1240.050-080	5	4.4	4.6	9.2	80	4.0	10.0
P1240.050-090	5	4.4	4.6	9.2	90	4.0	10.0
P1240.050-112	5	4.4	4.6	9.2	112	4.0	10.0
P1240.050-125	5	4.4	4.6	9.2	125	4.0	10.0
P1240.063-020	6	5.7	5.9	11.8	20	4.0	12.6
P1240.063-022	6	5.7	5.9	11.8	22	4.0	12.6
P1240.063-026	6	5.7	5.9	11.8	26	4.0	12.6
P1240.063-028	6	5.7	5.9	11.8	28	4.0	12.6
P1240.063-032	6	5.7	5.9	11.8	32	4.0	12.6
P1240.063-036	6	5.7	5.9	11.8	36	4.0	12.6
P1240.063-040	6	5.7	5.9	11.8	40	4.0	12.6
P1240.063-045	6	5.7	5.9	11.8	45	4.0	12.6
P1240.063-050	6	5.7	5.9	11.8	50	4.0	12.6
P1240.063-056	6	5.7	5.9	11.8	56	4.0	12.6
P1240.063-063	6	5.7	5.9	11.8	63	4.0	12.6
P1240.063-071	6	5.7	5.9	11.8	71	4.0	12.6
P1240.063-080	6	5.7	5.9	11.8	80	4.0	12.6
P1240.063-090	6	5.7	5.9	11.8	90	4.0	12.6
P1240.063-112	6	5.7	5.9	11.8	112	4.0	12.6
P1240.063-125	6	5.7	5.9	11.8	125	4.0	12.6
P1240.063-140	6	5.7	5.9	11.8	140	4.0	12.6
P1240.080-032	8	7.3	7.5	15	32	4.0	16.0
P1240.080-036	8	7.3	7.5	15	36	4.0	16.0
P1240.080-040	8	7.3	7.5	15	40	4.0	16.0
P1240.080-045	8	7.3	7.5	15	45	4.0	16.0
P1240.080-050	8	7.3	7.5	15	50	4.0	16.0
P1240.080-056	8	7.3	7.5	15	56	4.0	16.0
P1240.080-063	8	7.3	7.5	15	63	4.0	16.0
P1240.080-071	8	7.3	7.5	15	71	4.0	16.0
P1240.080-080	8	7.3	7.5	15	80	4.0	16.0
P1240.080-090	8	7.3	7.5	15	90	4.0	16.0
P1240.080-112	8	7.3	7.5	15	112	4.0	16.0
P1240.080-125	8	7.3	7.5	15	125	4.0	16.0
P1240.080-140	8	7.3	7.5	15	140	4.0	16.0
P1240.080-160	8	7.3	7.5	15	160	4.0	16.0
P1240.100-032	10	9.3	9.5	19	32	6.3	20.0
P1240.100-036	10	9.3	9.5	19	36	6.3	20.0
P1240.100-040	10	9.3	9.5	19	40	6.3	20.0
P1240.100-045	10	9.3	9.5	19	45	6.3	20.0
P1240.100-050	10	9.3	9.5	19	50	6.3	20.0
P1240.100-056	10	9.3	9.5	19	56	6.3	20.0
P1240.100-063	10	9.3	9.5	19	63	6.3	20.0
P1240.100-071	10	9.3	9.5	19	71	6.3	20.0
P1240.100-080	10	9.3	9.5	19	80	6.3	20.0
P1240.100-090	10	9.3	9.5	19	90	6.3	20.0
P1240.100-112	10	9.3	9.5	19	112	6.3	20.0
P1240.100-125	10	9.3	9.5	19	125	6.3	20.0
P1240.100-140	10	9.3	9.5	19	140	6.3	20.0
P1240.100-160	10	9.3	9.5	19	160	6.3	20.0
P1240.120-045	12	12.1	12.4	24.8	45	6.3	26.0
P1240.120-050	12	12.1	12.4	24.8	50	6.3	26.0
P1240.120-056	12	12.1	12.4	24.8	56	6.3	26.0
P1240.120-063	12	12.1	12.4	24.8	63	6.3	26.0
P1240.120-071	12	12.1	12.4	24.8	71	6.3	26.0
P1240.120-080	12	12.1	12.4	24.8	80	6.3	26.0
P1240.120-090	12	12.1	12.4	24.8	90	6.3	26.0
P1240.120-112	12	12.1	12.4	24.8	112	6.3	26.0
P1240.120-125	12	12.1	12.4	24.8	125	6.3	26.0
P1240.120-140	12	12.1	12.4	24.8	140	6.3	26.0
P1240.120-160	12	12.1	12.4	24.8	160	6.3	26.0



P1241



Material

Stainless steel (A2, AISI 303).

pins require a loose fit, and as a result the metric versions can also be for inch sizes.

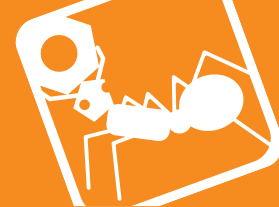
Technical Notes

To DIN 94 (equivalent to ISO 1234). Cotter

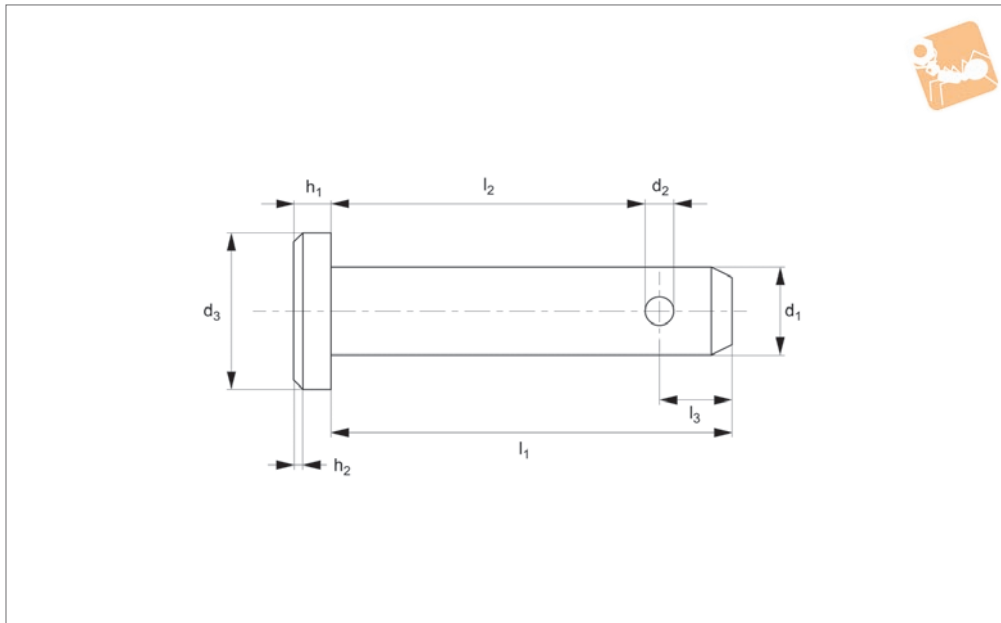
Order No.	d ₁ nom.	d ₂ max.	l ₁	l ₂ max.	l ₃ ≈
P1241.010-006	1	1.8	6	1.6	3.0
P1241.010-008	1	1.8	8	1.6	3.0
P1241.010-010	1	1.8	10	1.6	3.0
P1241.010-012	1	1.8	12	1.6	3.0
P1241.010-016	1	1.8	16	1.6	3.0
P1241.010-018	1	1.8	18	1.6	3.0
P1241.010-020	1	1.8	20	1.6	3.0
P1241.010-022	1	1.8	22	1.6	3.0
P1241.010-025	1	1.8	25	1.6	3.0
P1241.010-028	1	1.8	28	1.6	3.0
P1241.010-032	1	1.8	32	1.6	3.0
P1241.010-036	1	1.8	36	1.6	3.0
P1241.012-010	1.2	2	10	2.5	3.0
P1241.012-012	1.2	2	12	2.5	3.0
P1241.012-016	1.2	2	16	2.5	3.0
P1241.012-018	1.2	2	18	2.5	3.0
P1241.012-020	1.2	2	20	2.5	3.0
P1241.012-022	1.2	2	22	2.5	3.0
P1241.012-025	1.2	2	25	2.5	3.0
P1241.012-028	1.2	2	28	2.5	3.0
P1241.012-032	1.2	2	32	2.5	3.0
P1241.012-036	1.2	2	36	2.5	3.0
P1241.016-010	1.6	2.8	10	2.5	3.2
P1241.016-012	1.6	2.8	12	2.5	3.2
P1241.016-016	1.6	2.8	16	2.5	3.2
P1241.016-018	1.6	2.8	18	2.5	3.2
P1241.016-020	1.6	2.8	20	2.5	3.2
P1241.016-022	1.6	2.8	22	2.5	3.2
P1241.016-025	1.6	2.8	25	2.5	3.2
P1241.016-028	1.6	2.8	28	2.5	3.2
P1241.016-032	1.6	2.8	32	2.5	3.2
P1241.016-036	1.6	2.8	36	2.5	3.2
P1241.016-040	1.6	2.8	40	2.5	3.2
P1241.020-010	2	3.6	10	2.5	4.0



Order No.	d ₁ nom.	d ₂ max.	l ₁	l ₂ max.	l ₃ ≈
P1241.020-012	2	3.6	12	2.5	4.0
P1241.020-016	2	3.6	16	2.5	4.0
P1241.020-018	2	3.6	18	2.5	4.0
P1241.020-020	2	3.6	20	2.5	4.0
P1241.020-022	2	3.6	22	2.5	4.0
P1241.020-025	2	3.6	25	2.5	4.0
P1241.020-028	2	3.6	28	2.5	4.0
P1241.020-032	2	3.6	32	2.5	4.0
P1241.020-036	2	3.6	36	2.5	4.0
P1241.020-040	2	3.6	40	2.5	4.0
P1241.020-045	2	3.6	45	2.5	4.0
P1241.020-050	2	3.6	50	2.5	4.0
P1241.025-010	2.5	4.6	10	2.5	5.0
P1241.025-012	2.5	4.6	12	2.5	5.0
P1241.025-016	2.5	4.6	16	2.5	5.0
P1241.025-018	2.5	4.6	18	2.5	5.0
P1241.025-020	2.5	4.6	20	2.5	5.0
P1241.025-022	2.5	4.6	22	2.5	5.0
P1241.025-025	2.5	4.6	25	2.5	5.0
P1241.025-028	2.5	4.6	28	2.5	5.0
P1241.025-032	2.5	4.6	32	2.5	5.0
P1241.025-036	2.5	4.6	36	2.5	5.0
P1241.025-040	2.5	4.6	40	2.5	5.0
P1241.025-045	2.5	4.6	45	2.5	5.0
P1241.025-050	2.5	4.6	50	2.5	5.0
P1241.025-056	2.5	4.6	56	2.5	5.0
P1241.025-063	2.5	4.6	63	2.5	5.0
P1241.025-071	2.5	4.6	71	2.5	5.0
P1241.032-016	3.2	5.8	16	3.2	6.4
P1241.032-018	3.2	5.8	18	3.2	6.4
P1241.032-020	3.2	5.8	20	3.2	6.4
P1241.032-022	3.2	5.8	22	3.2	6.4
P1241.032-026	3.2	5.8	26	3.2	6.4
P1241.032-028	3.2	5.8	28	3.2	6.4
P1241.032-032	3.2	5.8	32	3.2	6.4
P1241.032-036	3.2	5.8	36	3.2	6.4
P1241.032-040	3.2	5.8	40	3.2	6.4
P1241.032-045	3.2	5.8	45	3.2	6.4
P1241.032-050	3.2	5.8	50	3.2	6.4
P1241.032-056	3.2	5.8	56	3.2	6.4
P1241.032-063	3.2	5.8	63	3.2	6.4
P1241.032-071	3.2	5.8	71	3.2	6.4
P1241.040-016	4	7.4	16	4.0	8.0
P1241.040-018	4	7.4	18	4.0	8.0
P1241.040-020	4	7.4	20	4.0	8.0
P1241.040-022	4	7.4	22	4.0	8.0
P1241.040-025	4	7.4	25	4.0	8.0
P1241.040-028	4	7.4	28	4.0	8.0
P1241.040-032	4	7.4	32	4.0	8.0
P1241.040-036	4	7.4	36	4.0	8.0
P1241.040-040	4	7.4	40	4.0	8.0
P1241.040-045	4	7.4	45	4.0	8.0
P1241.040-050	4	7.4	50	4.0	8.0
P1241.040-056	4	7.4	56	4.0	8.0
P1241.040-063	4	7.4	63	4.0	8.0
P1241.040-071	4	7.4	71	4.0	8.0
P1241.040-080	4	7.4	80	4.0	8.0
P1241.040-090	4	7.4	90	4.0	8.0
P1241.040-112	4	7.4	112	4.0	8.0
P1241.040-125	4	7.4	125	4.0	8.0
P1241.050-016	5	9.2	16	4.0	10
P1241.050-018	5	9.2	18	4.0	10
P1241.050-020	5	9.2	20	4.0	10
P1241.050-022	5	9.2	22	4.0	10
P1241.050-025	5	9.2	25	4.0	10
P1241.050-028	5	9.2	28	4.0	10
P1241.050-032	5	9.2	32	4.0	10
P1241.050-036	5	9.2	36	4.0	10



Order No.	d ₁ nom.	d ₂ max.	l ₁	l ₂ max.	l ₃ ≈
P1241.050-040	5	9.2	40	4.0	10
P1241.050-045	5	9.2	45	4.0	10
P1241.050-050	5	9.2	50	4.0	10
P1241.050-056	5	9.2	56	4.0	10
P1241.050-063	5	9.2	63	4.0	10
P1241.050-071	5	9.2	71	4.0	10
P1241.050-080	5	9.2	80	4.0	10
P1241.050-090	5	9.2	90	4.0	10
P1241.050-112	5	9.2	112	4.0	10
P1241.050-125	5	9.2	125	4.0	10
P1241.063-020	6.3	11.8	20	4.0	12.6
P1241.063-022	6.3	11.8	22	4.0	12.6
P1241.063-026	6.3	11.8	26	4.0	12.6
P1241.063-028	6.3	11.8	28	4.0	12.6
P1241.063-032	6.3	11.8	32	4.0	12.6
P1241.063-036	6.3	11.8	36	4.0	12.6
P1241.063-040	6.3	11.8	40	4.0	12.6
P1241.063-045	6.3	11.8	45	4.0	12.6
P1241.063-050	6.3	11.8	50	4.0	12.6
P1241.063-056	6.3	11.8	56	4.0	12.6
P1241.063-063	6.3	11.8	63	4.0	12.6
P1241.063-071	6.3	11.8	71	4.0	12.6
P1241.063-080	6.3	11.8	80	4.0	12.6
P1241.063-090	6.3	11.8	90	4.0	12.6
P1241.063-112	6.3	11.8	112	4.0	12.6
P1241.063-125	6.3	11.8	125	4.0	12.6
P1241.063-140	6.3	11.8	140	4.0	12.6



P1242

OTHER PINS

Material

Mild steel, zinc-plated.

Technical Notes

To DIN 1444 B (ISO 2341 form B). The grip

length is l_2 .

l_1 tolerances:-
up to 10mm long $\pm 0,25$
12-50mm long $\pm 0,50$

over 50mm long $\pm 0,75$.

Tips

For use with cotter pins (P1240 or P1241) or retaining pins (P1243).

Order No.	d_1 tol. h11	d_2	d_3	h_1	h_2	l_1	l_2	l_3
P1242.050-010	5	1.2	8.0	1.6	0.5	10	6.5	2.9
P1242.050-012	5	1.2	8.0	1.6	0.5	12	8.5	2.9
P1242.050-016	5	1.2	8.0	1.6	0.5	16	12.5	2.9
P1242.050-018	5	1.2	8.0	1.6	0.5	18	14.5	2.9
P1242.050-020	5	1.2	8.0	1.6	0.5	20	16.5	2.9
P1242.050-022	5	1.2	8.0	1.6	0.5	22	18.5	2.9
P1242.050-024	5	1.2	8.0	1.6	0.5	24	20.5	2.9
P1242.050-026	5	1.2	8.0	1.6	0.5	26	22.5	2.9
P1242.050-028	5	1.2	8.0	1.6	0.5	28	24.5	2.9
P1242.050-030	5	1.2	8.0	1.6	0.5	30	26.5	2.9
P1242.050-032	5	1.2	8.0	1.6	0.5	32	28.5	2.9
P1242.050-035	5	1.2	8.0	1.6	0.5	35	31.5	2.9
P1242.050-040	5	1.2	8.0	1.6	0.5	40	36.5	2.9
P1242.050-045	5	1.2	8.0	1.6	0.5	45	41.5	2.9
P1242.050-050	5	1.2	8.0	1.6	0.5	50	46.5	2.9
P1242.060-012	6	1.6	10.0	2.0	1.0	12	8.0	3.2
P1242.060-016	6	1.6	10.0	2.0	1.0	16	12.0	3.2
P1242.060-018	6	1.6	10.0	2.0	1.0	18	14.0	3.2
P1242.060-020	6	1.6	10.0	2.0	1.0	20	16.0	3.2
P1242.060-022	6	1.6	10.0	2.0	1.0	22	18.0	3.2
P1242.060-024	6	1.6	10.0	2.0	1.0	24	20.0	3.2
P1242.060-026	6	1.6	10.0	2.0	1.0	26	22.0	3.2
P1242.060-028	6	1.6	10.0	2.0	1.0	28	24.0	3.2
P1242.060-030	6	1.6	10.0	2.0	1.0	30	26.0	3.2
P1242.060-032	6	1.6	10.0	2.0	1.0	32	28.0	3.2
P1242.060-035	6	1.6	10.0	2.0	1.0	35	31.0	3.2
P1242.060-040	6	1.6	10.0	2.0	1.0	40	36.0	3.2
P1242.060-045	6	1.6	10.0	2.0	1.0	45	41.0	3.2
P1242.060-050	6	1.6	10.0	2.0	1.0	50	46.0	3.2
P1242.060-055	6	1.6	10.0	2.0	1.0	55	51.0	3.2
P1242.060-060	6	1.6	10.0	2.0	1.0	60	56.0	3.2
P1242.080-016	8	2	14.0	3.0	1.0	16	11.5	3.5
P1242.080-018	8	2	14.0	3.0	1.0	18	13.5	3.5
P1242.080-020	8	2	14.0	3.0	1.0	20	15.5	3.5

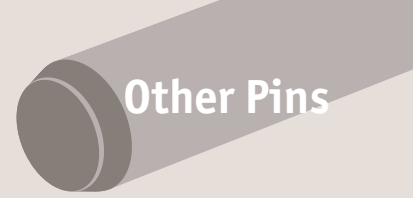


Order No.	d ₁ tol. h11	d ₂	d ₃	h ₁	h ₂	l ₁	l ₂	l ₃
P1242.080-022	8	2	14.0	3.0	1.0	22	17.5	3.5
P1242.080-024	8	2	14.0	3.0	1.0	24	19.5	3.5
P1242.080-026	8	2	14.0	3.0	1.0	26	21.5	3.5
P1242.080-028	8	2	14.0	3.0	1.0	28	23.5	3.5
P1242.080-030	8	2	14.0	3.0	1.0	30	25.5	3.5
P1242.080-032	8	2	14.0	3.0	1.0	32	27.5	3.5
P1242.080-035	8	2	14.0	3.0	1.0	35	30.5	3.5
P1242.080-040	8	2	14.0	3.0	1.0	40	35.5	3.5
P1242.080-045	8	2	14.0	3.0	1.0	45	40.5	3.5
P1242.080-050	8	2	14.0	3.0	1.0	50	45.5	3.5
P1242.080-055	8	2	14.0	3.0	1.0	55	50.5	3.5
P1242.080-060	8	2	14.0	3.0	1.0	60	55.5	3.5
P1242.080-065	8	2	14.0	3.0	1.0	65	60.5	3.5
P1242.080-070	8	2	14.0	3.0	1.0	70	65.5	3.5
P1242.080-075	8	2	14.0	3.0	1.0	75	70.5	3.5
P1242.080-080	8	2	14.0	3.0	1.0	80	75.5	3.5
P1242.100-020	10	3.2	18.0	4.0	1.0	20	13.9	4.5
P1242.100-022	10	3.2	18.0	4.0	1.0	22	15.9	4.5
P1242.100-024	10	3.2	18.0	4.0	1.0	24	17.9	4.5
P1242.100-028	10	3.2	18.0	4.0	1.0	28	21.9	4.5
P1242.100-030	10	3.2	18.0	4.0	1.0	30	23.9	4.5
P1242.100-032	10	3.2	18.0	4.0	1.0	32	25.9	4.5
P1242.100-035	10	3.2	18.0	4.0	1.0	35	28.9	4.5
P1242.100-040	10	3.2	18.0	4.0	1.0	40	33.9	4.5
P1242.100-045	10	3.2	18.0	4.0	1.0	45	38.9	4.5
P1242.100-050	10	3.2	18.0	4.0	1.0	50	43.9	4.5
P1242.100-055	10	3.2	18.0	4.0	1.0	55	48.9	4.5
P1242.100-060	10	3.2	18.0	4.0	1.0	60	53.9	4.5
P1242.100-065	10	3.2	18.0	4.0	1.0	65	58.9	4.5
P1242.100-070	10	3.2	18.0	4.0	1.0	70	63.9	4.5
P1242.100-075	10	3.2	18.0	4.0	1.0	75	68.9	4.5
P1242.100-080	10	3.2	18.0	4.0	1.0	80	73.9	4.5
P1242.100-085	10	3.2	18.0	4.0	1.0	85	78.9	4.5
P1242.100-090	10	3.2	18.0	4.0	1.0	90	83.9	4.5
P1242.100-095	10	3.2	18.0	4.0	1.0	95	88.9	4.5
P1242.100-100	10	3.2	18.0	4.0	1.0	100	93.9	4.5
P1242.120-024	12	3.2	20.0	4.0	1.5	24	16.9	5.5
P1242.120-026	12	3.2	20.0	4.0	1.5	26	18.9	5.5
P1242.120-028	12	3.2	20.0	4.0	1.5	28	20.9	5.5
P1242.120-030	12	3.2	20.0	4.0	1.5	30	22.9	5.5
P1242.120-032	12	3.2	20.0	4.0	1.5	32	24.9	5.5
P1242.120-035	12	3.2	20.0	4.0	1.5	35	27.9	5.5
P1242.120-040	12	3.2	20.0	4.0	1.5	40	32.9	5.5
P1242.120-045	12	3.2	20.0	4.0	1.5	45	37.9	5.5
P1242.120-050	12	3.2	20.0	4.0	1.5	50	42.9	5.5
P1242.120-055	12	3.2	20.0	4.0	1.5	55	47.9	5.5
P1242.120-060	12	3.2	20.0	4.0	1.5	60	52.9	5.5
P1242.120-065	12	3.2	20.0	4.0	1.5	65	57.9	5.5
P1242.120-070	12	3.2	20.0	4.0	1.5	70	62.9	5.5
P1242.120-075	12	3.2	20.0	4.0	1.5	75	67.9	5.5
P1242.120-080	12	3.2	20.0	4.0	1.5	80	72.9	5.5
P1242.120-085	12	3.2	20.0	4.0	1.5	85	77.9	5.5
P1242.120-090	12	3.2	20.0	4.0	1.5	90	82.9	5.5
P1242.120-095	12	3.2	20.0	4.0	1.5	95	87.9	5.5
P1242.120-100	12	3.2	20.0	4.0	1.5	100	92.9	5.5
P1242.120-120	12	3.2	20.0	4.0	1.5	120	112.9	5.5

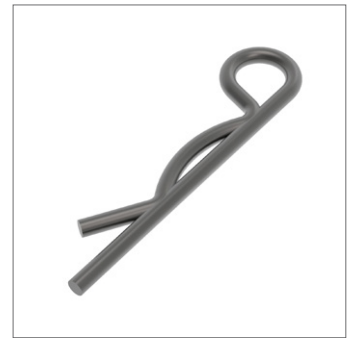
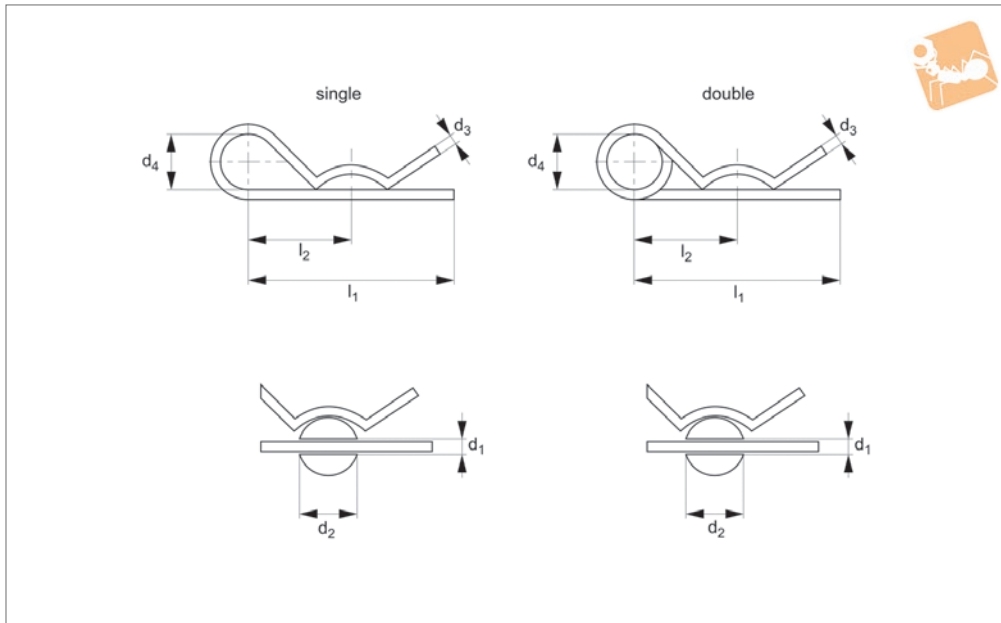


Retaining Pins (R Clips)

R clips



Other Pins



P1243

OTHER PINS

Material

Spring steel (zinc-plated) or stainless steel (A2, AISI 303 or A4, AISI 316).

Technical Notes

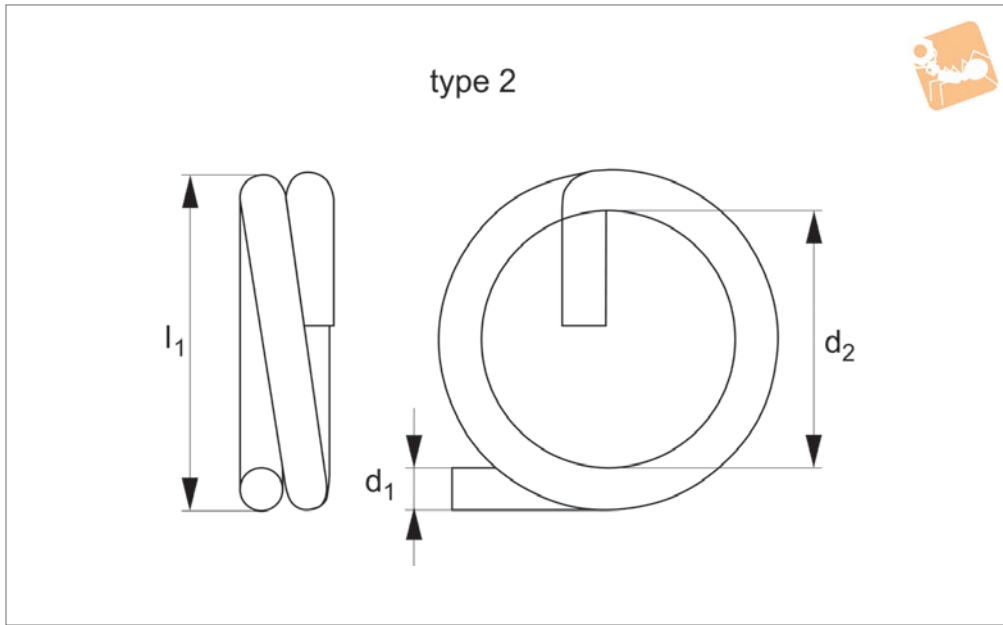
To DIN 11024.
Single coils and double coils (for more

demanding applications).

Order No.	For hole dia. d_1	Type	d_2 range	d_4	l_1	l_2	Wire dia. d_3	Material
P1243.015-S-ZP	1.5	Single	5-8	-	22	-	1.2	Steel
P1243.020-S-ZP	2.0	Single	6-10	8.5	25	14.4	1.6	Steel
P1243.022-S-ZP	2.2	Single	8-13	8.8	36	15.8	1.8	Steel
P1243.025-S-ZP	2.5	Single	9-14	10.2	56	25.6	2.0	Steel
P1243.035-S-ZP	3.5	Single	10-20	18.5	72	30.0	3.0	Steel
P1243.045-S-ZP	4.0	Single	16-25	20.7	60	33.4	4.0	Steel
P1243.060-S-ZP	6.0	Single	20-28	25.0	102	43.0	5.0	Steel
P1243.070-S-ZP	7.0	Single	28-40	-	124	-	6.0	Steel
P1243.080-S-ZP	8.0	Single	28-45	28.9	110	59.0	7.0	Steel
P1243.090-S-ZP	9.0	Single	30-45	-	128	-	8.0	Steel
P1243.020-S-A2	2.5	Single	8-7	10.0	40	25.0	2.0	A2 s/s
P1243.025-S-A2	3.0	Single	10-16	11.0	46	24.0	2.5	A2 s/s
P1243.030-S-A2	3.5	Single	16-18	16.0	60	34.0	3.0	A2 s/s
P1243.045-S-A2	4.5	Single	18-20	19.0	64	36.0	4.0	A2 s/s
P1243.050-S-A2	6.0	Single	20-28	26.0	82	45.0	5.0	A2 s/s
P1243.060-S-A2	7.0	Single	28-40	30.0	110	60.0	6.0	A2 s/s
P1243.020-S-A4	2.5	Single	8-7	10.0	40	25.0	2.0	A4 s/s
P1243.025-S-A4	3.0	Single	10-16	11.0	46	24.0	2.5	A4 s/s
P1243.030-S-A4	3.5	Single	16-18	16.0	60	34.0	3.0	A4 s/s
P1243.045-S-A4	4.5	Single	18-20	19.0	64	36.0	4.0	A4 s/s
P1243.050-S-A4	6.0	Single	20-28	26.0	82	45.0	5.0	A4 s/s
P1243.060-S-A4	7.0	Single	28-40	30.0	110	60.0	6.0	A4 s/s
P1243.025-D-ZP	2.5	Double	8-14	10.3	52	26.3	2.0	Steel
P1243.035-D-ZP	3.5	Double	14-20	16.0	72	36.4	3.0	Steel
P1243.045-D-ZP	4.5	Double	17-24	24.7	80	43.8	4.0	Steel
P1243.055-D-ZP	5.5	Double	18-30	26.1	98	53.4	5.0	Steel
P1243.065-D-ZP	6.5	Double	24-36	28.9	120	72.5	6.0	Steel
P1243.080-D-ZP	8.0	Double	26-40	-	148	-	7.0	Steel
P1243.090-D-ZP	9.0	Double	24-40	-	149	-	8.0	Steel
P1243.025-D-A2	2.5	Double	9-11	20.0	48	24.0	2.25	A2 s/s
P1243.032-D-A2	3.2	Double	11-14	20.0	48	26.0	2.8	A2 s/s
P1243.040-D-A2	4.0	Double	14-20	20.0	64	32.0	3.6	A2 s/s
P1243.050-D-A2	5.0	Double	20-26	25.0	80	39.0	4.5	A2 s/s
P1243.063-D-A2	6.3	Double	26-34	25.0	97	45.0	5.6	A2 s/s
P1243.070-D-A2	7.0	Double	34-35	30.0	125	56.0	6.3	A2 s/s



Order No.	For hole dia. d_1	Type	d_2 range	d_4	l_1	l_2	Wire dia. d_3	Material
P1243.080-D-A2	8.0	Double	45-56	30.0	150	63.0	7.0	A2 s/s
P1243.025-D-A4	2.5	Double	9-11	20.0	42	24.0	2.25	A4 s/s
P1243.032-D-A4	3.2	Double	11-14	20.0	48	26.0	2.8	A4 s/s
P1243.040-D-A4	4.0	Double	14-20	20.0	64	32.0	3.6	A4 s/s
P1243.050-D-A4	5.0	Double	20-26	25.0	80	39.0	4.5	A4 s/s
P1243.063-D-A4	6.3	Double	26-34	25.0	97	45.0	5.6	A4 s/s
P1243.070-D-A4	7.0	Double	34-45	30.0	125	56.0	6.3	A4 s/s
P1243.080-D-A4	8.0	Double	45-56	30.0	150	63.0	7.0	A4 s/s



P1244

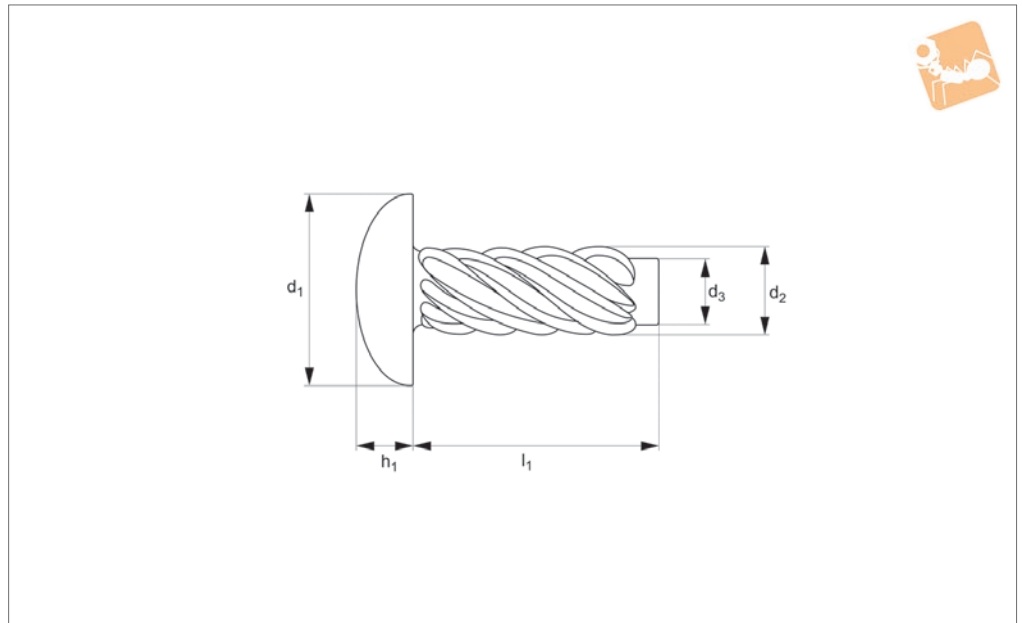
OTHER PINS

Material 316).
 Spring steel (EN10270-1-SM), yellow galvanised, or stainless steel (A4, AISI

Order No.	d ₁	Type	d ₂	Material
P1244.010-A4	1.0	Type 2	10.0	A4 s/s
P1244.012-A4	1.2	Type 2	13.8	A4 s/s
P1244.015-A4	1.5	Type 2	18.5	A4 s/s
P1244.020-A4	2.0	Type 2	23.0	A4 s/s



P1245.A2



Material

Stainless steel (A2, AISI 303).

non-ferrous castings, aluminium and plastics refer to dimension d_4 .

Technical Notes

For recommended hole size in thin metals,

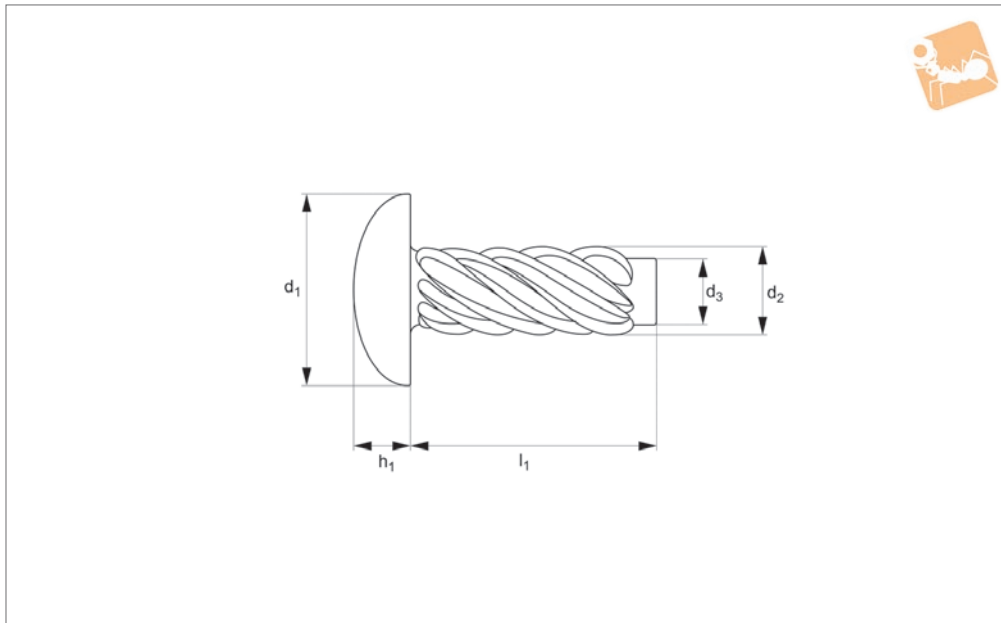
For recommended hole size in cast iron and thick sheet metal refer to dimension d_5 .

Order No.	d_1 max.	d_2 max.	d_3 max.	l_1	h_1 max.	d_4	d_5
P1245.015-030-A2	1.5	2.5	1.25	3.25	0.86	1.30	1.40
P1245.015-045-A2	1.5	2.5	1.25	4.50	0.86	1.30	1.40
P1245.015-065-A2	1.5	2.5	1.25	6.50	0.86	1.30	1.40
P1245.015-080-A2	1.5	2.5	1.25	8.00	0.86	1.30	1.40
P1245.015-095-A2	1.5	2.5	1.25	9.50	0.86	1.30	1.40
P1245.019-030-A2	1.9	3.2	1.60	3.25	1.24	1.65	1.75
P1245.019-045-A2	1.9	3.2	1.60	4.50	1.24	1.65	1.75
P1245.019-065-A2	1.9	3.2	1.60	6.50	1.24	1.65	1.75
P1245.019-080-A2	1.9	3.2	1.60	8.00	1.24	1.65	1.75
P1245.019-095-A2	1.9	3.2	1.60	9.50	1.24	1.65	1.75
P1245.025-030-A2	2.5	4.1	2.10	3.25	1.75	2.20	2.30
P1245.025-045-A2	2.5	4.1	2.10	4.50	1.75	2.20	2.30
P1245.025-065-A2	2.5	4.1	2.10	6.50	1.75	2.20	2.30
P1245.025-080-A2	2.5	4.1	2.10	8.00	1.75	2.20	2.30
P1245.025-095-A2	2.5	4.1	2.10	9.50	1.75	2.20	2.30
P1245.025-130-A2	2.5	4.1	2.10	13.00	1.75	2.20	2.30
P1245.029-045-A2	2.9	5.4	2.44	4.50	2.18	2.55	2.70
P1245.029-065-A2	2.9	5.4	2.44	6.50	2.18	2.55	2.70
P1245.029-080-A2	2.9	5.4	2.44	8.00	2.18	2.55	2.70
P1245.029-095-A2	2.9	5.4	2.44	9.50	2.18	2.55	2.70
P1245.035-065-A2	3.5	6.6	2.95	6.50	2.62	3.10	3.30
P1245.035-080-A2	3.5	6.6	2.95	8.00	2.62	3.10	3.30
P1245.035-095-A2	3.5	6.6	2.95	9.50	2.62	3.10	3.30
P1245.035-130-A2	3.5	6.6	2.95	13.00	2.62	3.10	3.30
P1245.035-160-A2	3.5	6.6	2.95	16.00	2.62	3.10	3.30
P1245.035-190-A2	3.5	6.6	2.95	19.00	2.62	3.10	3.30
P1245.042-065-A2	4.2	7.9	3.45	6.5	3.05	3.70	3.90
P1245.042-080-A2	4.2	7.9	3.45	8.0	3.05	3.70	3.90
P1245.042-095-A2	4.2	7.9	3.45	9.5	3.05	3.70	3.90
P1245.042-130-A2	4.2	7.9	3.45	13.0	3.05	3.70	3.90
P1245.048-095-A2	4.8	9.1	3.81	9.5	3.48	4.10	4.30
P1245.048-130-A2	4.8	9.1	3.81	13.0	3.48	4.10	4.30



Hammer Drive Pins

steel



P1245

OTHER PINS

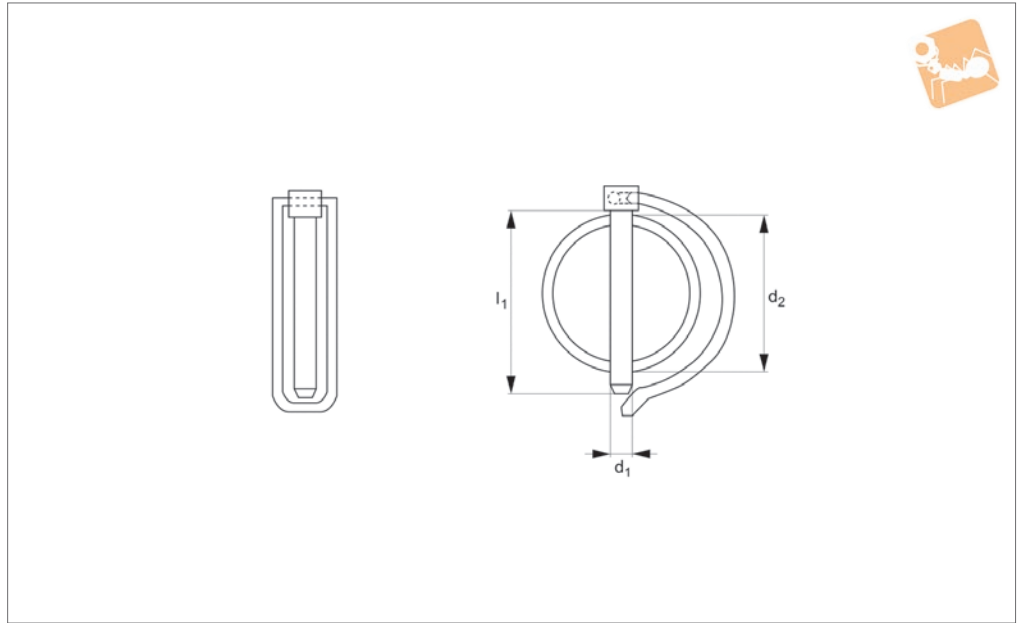
Material

Steel (nickel-plated or self-colour).

Order No.	d ₁	d ₂	d ₃	l ₁	h ₁	Recc. hole
P1245.014-005-SC	2.60	1.63	1.40	5.0	0.90	1.40
P1245.014-060-SC	2.60	1.63	1.40	6.0	0.90	1.40
P1245.014-800-SC	2.60	1.63	1.40	8.0	0.90	1.40
P1245.016-050-SC	3.00	1.83	1.60	5.0	1.10	1.60
P1245.016-060-SC	3.00	1.83	1.60	6.0	1.10	1.60
P1245.016-080-SC	3.00	1.83	1.60	8.0	1.10	1.60
P1245.020-060-SC	3.70	2.30	2.00	6.0	1.30	2.00
P1245.020-080-SC	3.70	2.30	2.00	8.0	1.30	2.00
P1245.020-100-SC	3.70	2.30	2.00	10.0	1.30	2.00
P1245.025-060-SC	4.60	2.80	2.50	6.0	1.60	2.55
P1245.025-080-SC	4.60	2.80	2.50	8.0	1.60	2.55
P1245.025-100-SC	4.60	2.80	2.50	10.0	1.60	2.55
P1245.030-080-SC	5.45	3.35	3.00	8.0	1.95	3.00
P1245.030-100-SC	5.45	3.35	3.00	10.0	1.95	3.00
P1245.030-120-SC	5.45	3.35	3.00	12.0	1.95	3.00
P1245.040-100-SC	7.25	4.35	4.00	10.0	2.55	4.00
P1245.040-120-SC	7.25	4.35	4.00	12.0	2.55	4.00
P1245.040-160-SC	7.25	4.35	4.00	16.0	2.55	4.00
P1245.050-120-SC	9.10	5.35	5.00	12.0	3.15	5.00
P1245.050-160-SC	9.10	5.35	5.00	16.0	3.15	5.00
P1245.050-200-SC	9.10	5.35	5.00	20.0	3.15	5.00
P1245.060-160-SC	10.80	6.35	6.00	16.0	3.75	6.00
P1245.060-200-SC	10.80	6.35	6.00	20.0	3.75	6.00
P1245.035-095-NP	6.60	3.50	2.94	9.5	2.61	3.05
P1245.035-065-NP	6.60	3.50	2.94	6.4	2.61	3.05



P1248



Material

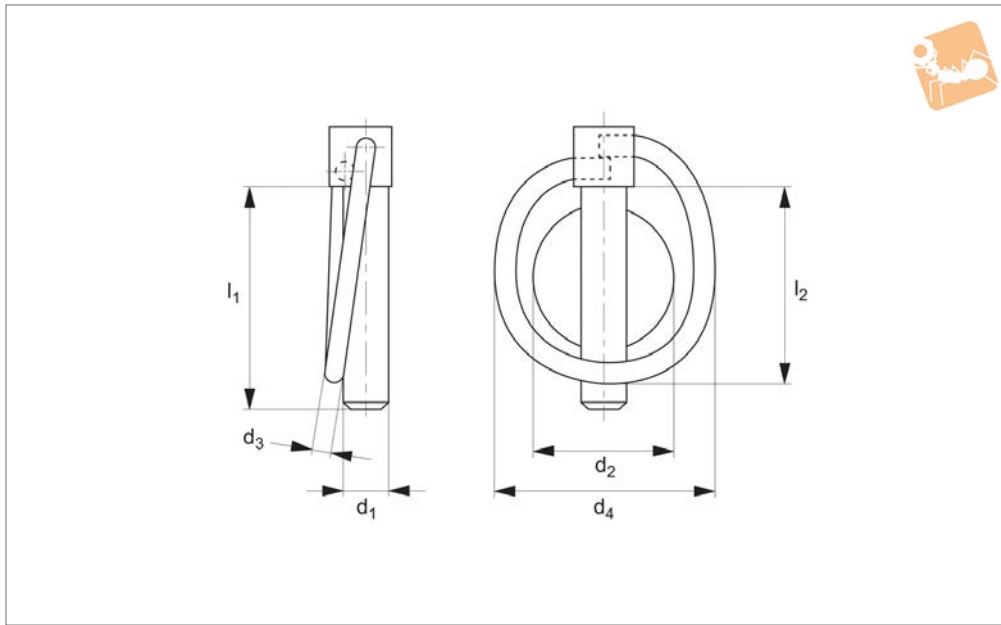
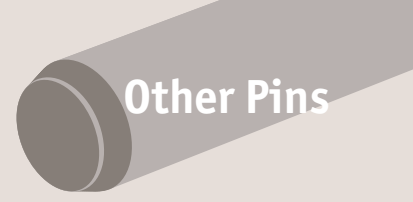
Mild steel, generally silver zinc-plated.
Zinc plating colour will be at manufac-

turers discretion.

Technical Notes

With spring steel „keep“.

Order No.	d ₁	l ₁	d ₂ max.
P1248.045-032	4.5	32	28
P1248.045-040	4.5	40	36
P1248.060-032	6.0	32	28
P1248.060-040	6.0	40	36
P1248.060-045	6.0	45	40
P1248.080-040	8.0	40	36
P1248.080-045	8.0	45	40
P1248.080-050	8.0	50	45
P1248.080-060	8.0	60	50
P1248.100-040	10.0	40	36
P1248.100-050	10.0	50	45
P1248.100-060	10.0	60	55
P1248.110-045	11.0	45	40
P1248.110-055	11.0	55	50



P1247

OTHER PINS

Material

Mild steel, generally yellow zinc plated.

For pin $d_1 = 4,5$ & 6 there is no flat on the pin.

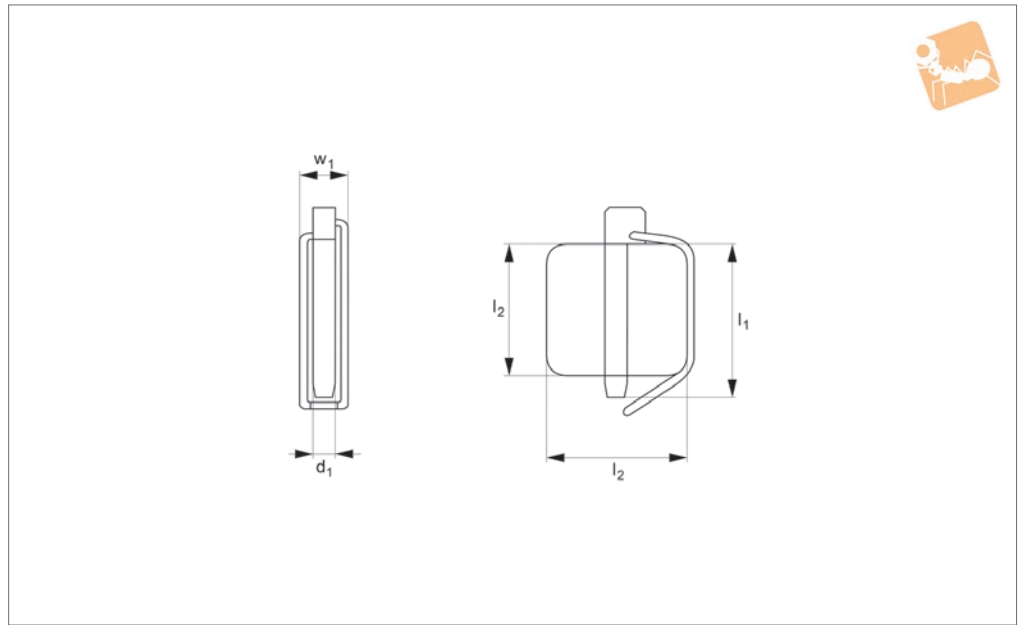
Technical Notes

To DIN 11023. With spring steel „keep“.

Order No.	d_1	l_1	d_2 max.	d_3	d_4	l_2
P1247.045	4.5	42	25	3.5	41	37
P1247.060	6.0	42	32	3.5	41	37
P1247.070	7.0	42	32	3.5	41	37
P1247.080	8.0	42	32	3.5	41	37
P1247.090	9.0	42	32	3.5	41	37
P1247.100	10.0	42	32	3.5	41	37
P1247.110	11.0	42	32	3.5	41	37



P1249



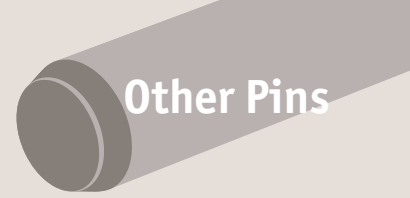
Material

Spring steel (EN10270-1-SM), yellow galvanised.

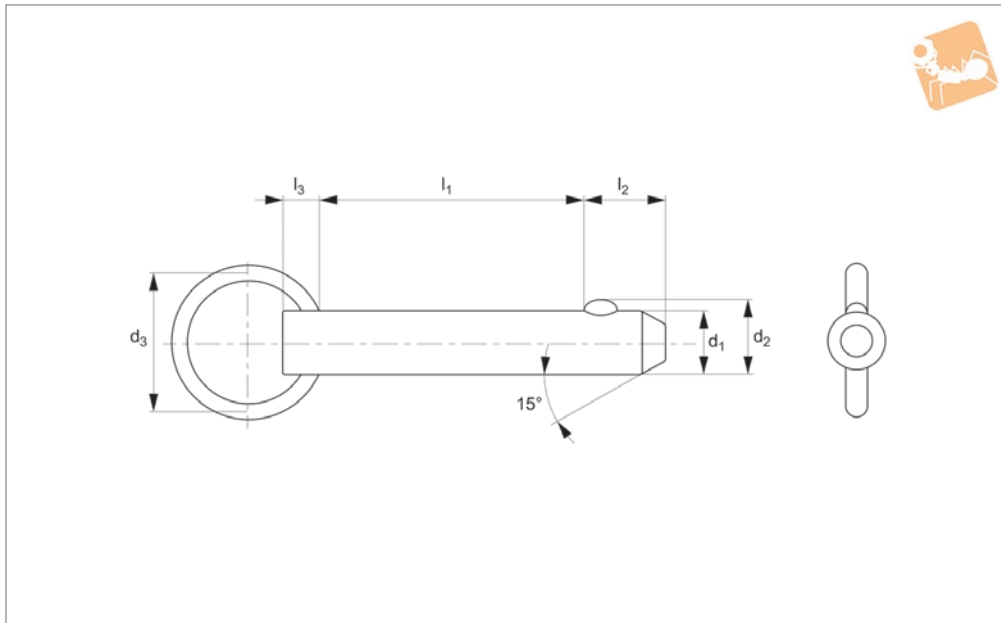
Order No.	d_1	l_1	l_2	w_1
P1249.040	9.5	55	40 x 40	16
P1249.050	9.5	65	50 x 50	21
P1249.060	11.5	75	60 x 60	23



Detent Pin Steel



Other Pins



P1250.1

OTHER PINS

Material

Shaft: Carbon steel (C1144), zinc plated.
Ball & spring: Stainless steel AISI 316.

Technical Notes

Detent pins are very economical for use in commercial and military equipment. The solid body with direct spring loaded

ball ensures reliable operation.

Can be used for locking telescopic tubing, securing bracket assemblies, as anchor clevis fittings, hinge pins and as replacement for cotter pins where frequent removal is necessary.

Hole sizes - commercial drills provide clear-

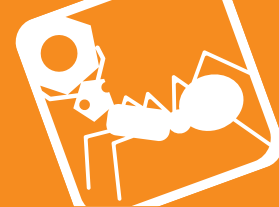
ance for our standard pins.

Inch dimensions in brackets ().

Tips

Also available in stainless steel see part no. P1252.1

Order No.	d ₁ +0.00 -0.08	l ₁ grip +1.50 -0.00	d ₂	d ₃	l ₂	l ₃	Pull out strength kg	Single shear strength kN min.
P1250.018-030	4,76 (3/16")	7,62 (0,3")	5.18	25.4	5.08	4.74	1,9 - 2,3	10.8
P1250.018-050	4,76 (3/16")	12,7 (0,5")	5.18	25.4	5.08	4.74	1,9 - 2,3	10.8
P1250.018-060	4,76 (3/16")	15,2 (0,6")	5.18	25.4	5.08	4.74	1,9 - 2,3	10.8
P1250.018-070	4,76 (3/16")	17,8 (0,7")	5.18	25.4	5.08	4.74	1,9 - 2,3	10.8
P1250.018-080	4,76 (3/16")	20,3 (0,8")	5.18	25.4	5.08	4.74	1,9 - 2,3	10.8
P1250.018-090	4,76 (3/16")	22,9 (0,9")	5.18	25.4	5.08	4.74	1,9 - 2,3	10.8
P1250.018-110	4,76 (3/16")	27,9 (1,1")	5.18	25.4	5.08	4.74	1,9 - 2,3	10.8
P1250.018-130	4,76 (3/16")	33,0 (1,3")	5.18	25.4	5.08	4.74	1,9 - 2,3	10.8
P1250.018-150	4,76 (3/16")	38,1 (1,5")	5.18	25.4	5.08	4.74	1,9 - 2,3	10.8
P1250.018-170	4,76 (3/16")	43,2 (1,7")	5.18	25.4	5.08	4.74	1,9 - 2,3	10.8
P1250.018-190	4,76 (3/16")	48,2 (1,9")	5.18	25.4	5.08	4.74	1,9 - 2,3	10.8
P1250.018-200	4,76 (3/16")	50,8 (2")	5.18	25.4	5.08	4.74	1,9 - 2,3	10.8
P1250.018-210	4,76 (3/16")	53,3 (2,1")	5.18	25.4	5.08	4.74	1,9 - 2,3	10.8
P1250.018-230	4,76 (3/16")	58,4 (2,3")	5.18	25.4	5.08	4.74	1,9 - 2,3	10.8
P1250.018-250	4,76 (3/16")	63,5 (2,5")	5.18	25.4	5.08	4.74	1,9 - 2,3	10.8
P1250.018-270	4,76 (3/16")	68,6 (2,7")	5.18	25.4	5.08	4.74	1,9 - 2,3	10.8
P1250.018-280	4,76 (3/16")	71,1 (2,8")	5.18	25.4	5.08	4.74	1,9 - 2,3	10.8
P1250.018-290	4,76 (3/16")	73,7 (2,9")	5.18	25.4	5.08	4.74	1,9 - 2,3	10.8
P1250.018-310	4,76 (3/16")	78,7 (3,1")	5.18	25.4	5.08	4.74	1,9 - 2,3	10.8
P1250.018-330	4,76 (3/16")	83,8 (3,3")	5.18	25.4	5.08	4.74	1,9 - 2,3	10.8
P1250.018-350	4,76 (3/16")	88,9 (3,5")	5.18	25.4	5.08	4.74	1,9 - 2,3	10.8
P1250.018-370	4,76 (3/16")	94,0 (3,7")	5.18	25.4	5.08	4.74	1,9 - 2,3	10.8
P1250.018-390	4,76 (3/16")	99,1 (3,9")	5.18	25.4	5.08	4.74	1,9 - 2,3	10.8
P1250.025-030	6,35 (1/4")	7,62 (0,3")	7.26	25.4	7.92	5.58	2,27 - 2,73	19.3
P1250.025-050	6,35 (1/4")	12,7 (0,5")	7.26	25.4	7.92	5.58	2,27 - 2,73	19.3
P1250.025-070	6,35 (1/4")	17,8 (0,7")	7.26	25.4	7.92	5.58	2,27 - 2,73	19.3
P1250.025-090	6,35 (1/4")	22,9 (0,9")	7.26	25.4	7.92	5.58	2,27 - 2,73	19.3
P1250.025-100	6,35 (1/4")	25,4 (1")	7.26	25.4	7.92	5.58	2,27 - 2,73	19.3
P1250.025-110	6,35 (1/4")	27,9 (1,1")	7.26	25.4	7.92	5.58	2,27 - 2,73	19.3

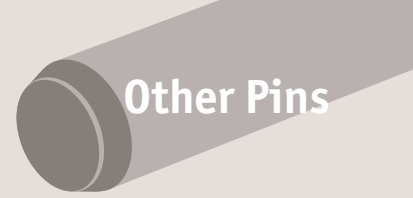


OTHER PINS

Order No.	d ₁ +0.00 -0.08	l ₁ grip +1.50 -0.00	d ₂	d ₃	l ₂	l ₃	Pull out strength kg	Single shear strength kN min.
P1250.025-130	6,35 (1/4")	33,0 (1,3")	7,26	25,4	7,92	5,58	2,27 - 2,73	19,3
P1250.025-150	6,35 (1/4")	38,1 (1,5")	7,26	25,4	7,92	5,58	2,27 - 2,73	19,3
P1250.025-170	6,35 (1/4")	43,2 (1,7")	7,26	25,4	7,92	5,58	2,27 - 2,73	19,3
P1250.025-190	6,35 (1/4")	48,2 (1,9")	7,26	25,4	7,92	5,58	2,27 - 2,73	19,3
P1250.025-210	6,35 (1/4")	53,3 (2,1")	7,26	25,4	7,92	5,58	2,27 - 2,73	19,3
P1250.025-230	6,35 (1/4")	58,4 (2,3")	7,26	25,4	7,92	5,58	2,27 - 2,73	19,3
P1250.025-250	6,35 (1/4")	63,5 (2,5")	7,26	25,4	7,92	5,58	2,27 - 2,73	19,3
P1250.025-270	6,35 (1/4")	68,6 (2,7")	7,26	25,4	7,92	5,58	2,27 - 2,73	19,3
P1250.025-290	6,35 (1/4")	73,7 (2,9")	7,26	25,4	7,92	5,58	2,27 - 2,73	19,3
P1250.025-300	6,35 (1/4")	76,2 (3")	7,26	25,4	7,92	5,58	2,27 - 2,73	19,3
P1250.025-310	6,35 (1/4")	78,7 (3,1")	7,26	25,4	7,92	5,58	2,27 - 2,73	19,3
P1250.025-330	6,35 (1/4")	83,8 (3,3")	7,26	25,4	7,92	5,58	2,27 - 2,73	19,3
P1250.025-350	6,35 (1/4")	88,9 (3,5")	7,26	25,4	7,92	5,58	2,27 - 2,73	19,3
P1250.025-370	6,35 (1/4")	94,0 (3,7")	7,26	25,4	7,92	5,58	2,27 - 2,73	19,3
P1250.025-390	6,35 (1/4")	99,1 (3,9")	7,26	25,4	7,92	5,58	2,27 - 2,73	19,3
P1250.025-400	6,35 (1/4")	101,6 (4")	7,26	25,4	7,92	5,58	2,27 - 2,73	19,3
P1250.031-050	7,93 (5/16")	12,7 (0,5")	9,09	25,4	9,52	6,35	2,72 - 2,73	30,0
P1250.031-070	7,93 (5/16")	17,8 (0,7")	9,09	25,4	9,52	6,35	2,72 - 2,73	30,0
P1250.031-090	7,93 (5/16")	22,9 (0,9")	9,09	25,4	9,52	6,35	2,72 - 2,73	30,0
P1250.031-100	7,93 (5/16")	25,4 (1")	9,09	25,4	9,52	6,35	2,72 - 2,73	30,0
P1250.031-110	7,93 (5/16")	27,9 (1,1")	9,09	25,4	9,52	6,35	2,72 - 2,73	30,0
P1250.031-130	7,93 (5/16")	33,0 (1,3")	9,09	25,4	9,52	6,35	2,72 - 2,73	30,0
P1250.031-150	7,93 (5/16")	38,1 (1,5")	9,09	25,4	9,52	6,35	2,72 - 2,73	30,0
P1250.031-170	7,93 (5/16")	43,2 (1,7")	9,09	25,4	9,52	6,35	2,72 - 2,73	30,0
P1250.031-190	7,93 (5/16")	48,3 (1,9")	9,09	25,4	9,52	6,35	2,72 - 2,73	30,0
P1250.031-210	7,93 (5/16")	53,3 (2,1")	9,09	25,4	9,52	6,35	2,72 - 2,73	30,0
P1250.031-230	7,93 (5/16")	58,4 (2,3")	9,09	25,4	9,52	6,35	2,72 - 2,73	30,0
P1250.031-240	7,93 (5/16")	61,0 (2,4")	9,09	25,4	9,52	6,35	2,72 - 2,73	30,0
P1250.031-250	7,93 (5/16")	63,5 (2,5")	9,09	25,4	9,52	6,35	2,72 - 2,73	30,0
P1250.031-270	7,93 (5/16")	68,6 (2,7")	9,09	25,4	9,52	6,35	2,72 - 2,73	30,0
P1250.031-290	7,93 (5/16")	73,7 (2,9")	9,09	25,4	9,52	6,35	2,72 - 2,73	30,0
P1250.031-310	7,93 (5/16")	78,8 (3,1")	9,09	25,4	9,52	6,35	2,72 - 2,73	30,0
P1250.031-330	7,93 (5/16")	83,9 (3,3")	9,09	25,4	9,52	6,35	2,72 - 2,73	30,0
P1250.031-350	7,93 (5/16")	88,9 (3,5")	9,09	25,4	9,52	6,35	2,72 - 2,73	30,0
P1250.031-370	7,93 (5/16")	94,0 (3,7")	9,09	25,4	9,52	6,35	2,72 - 2,73	30,0
P1250.031-390	7,93 (5/16")	99,1 (3,9")	9,09	25,4	9,52	6,35	2,72 - 2,73	30,0
P1250.031-410	7,93 (5/16")	104,1 (4,1")	9,09	25,4	9,52	6,35	2,72 - 2,73	30,0
P1250.031-430	7,93 (5/16")	109,2 (4,3")	9,09	25,4	9,52	6,35	2,72 - 2,73	30,0
P1250.031-450	7,93 (5/16")	114,3 (4,5")	9,09	25,4	9,52	6,35	2,72 - 2,73	30,0
P1250.031-470	7,93 (5/16")	119,4 (4,7")	9,09	25,4	9,52	6,35	2,72 - 2,73	30,0
P1250.031-490	7,93 (5/16")	124,5 (4,9")	9,09	25,4	9,52	6,35	2,72 - 2,73	30,0
P1250.031-500	7,93 (5/16")	127,0 (5")	9,09	25,4	9,52	6,35	2,72 - 2,73	30,0
P1250.037-050	9,52 (3/8")	12,7 (0,5")	10,8	25,4	12,7	6,35	3,63 - 4,54	43,3
P1250.037-070	9,52 (3/8")	17,8 (0,7")	10,8	25,4	12,7	6,35	3,63 - 4,54	43,3
P1250.037-090	9,52 (3/8")	22,9 (0,9")	10,8	25,4	12,7	6,35	3,63 - 4,54	43,3
P1250.037-100	9,52 (3/8")	25,4 (1")	10,8	25,4	12,7	6,35	3,63 - 4,54	43,3
P1250.037-110	9,52 (3/8")	27,9 (1,1")	10,8	25,4	12,7	6,35	3,63 - 4,54	43,3
P1250.037-130	9,52 (3/8")	33,0 (1,3")	10,8	25,4	12,7	6,35	3,63 - 4,54	43,3
P1250.037-150	9,52 (3/8")	38,1 (1,5")	10,8	25,4	12,7	6,35	3,63 - 4,54	43,3
P1250.037-170	9,52 (3/8")	43,2 (1,7")	10,8	25,4	12,7	6,35	3,63 - 4,54	43,3
P1250.037-190	9,52 (3/8")	48,3 (1,9")	10,8	25,4	12,7	6,35	3,63 - 4,54	43,3
P1250.037-200	9,52 (3/8")	50,8 (2")	10,8	25,4	12,7	6,35	3,63 - 4,54	43,3
P1250.037-210	9,52 (3/8")	53,3 (2,1")	10,8	25,4	12,7	6,35	3,63 - 4,54	43,3
P1250.037-230	9,52 (3/8")	58,4 (2,3")	10,8	25,4	12,7	6,35	3,63 - 4,54	43,3
P1250.037-250	9,52 (3/8")	63,5 (2,5")	10,8	25,4	12,7	6,35	3,63 - 4,54	43,3
P1250.037-270	9,52 (3/8")	68,6 (2,7")	10,8	25,4	12,7	6,35	3,63 - 4,54	43,3
P1250.037-290	9,52 (3/8")	73,7 (2,9")	10,8	25,4	12,7	6,35	3,63 - 4,54	43,3
P1250.037-310	9,52 (3/8")	78,7 (3,1")	10,8	25,4	12,7	6,35	3,63 - 4,54	43,3
P1250.037-330	9,52 (3/8")	83,8 (3,3")	10,8	25,4	12,7	6,35	3,63 - 4,54	43,3
P1250.037-340	9,52 (3/8")	86,4 (3,4")	10,8	25,4	12,7	6,35	3,63 - 4,54	43,3
P1250.037-350	9,52 (3/8")	88,9 (3,5")	10,8	25,4	12,7	6,35	3,63 - 4,54	43,3
P1250.037-370	9,52 (3/8")	94,0 (3,7")	10,8	25,4	12,7	6,35	3,63 - 4,54	43,3
P1250.037-390	9,52 (3/8")	99,1 (3,9")	10,8	25,4	12,7	6,35	3,63 - 4,54	43,3
P1250.037-410	9,52 (3/8")	104,1 (4,1")	10,8	25,4	12,7	6,35	3,63 - 4,54	43,3
P1250.037-430	9,52 (3/8")	109,2 (4,3")	10,8	25,4	12,7	6,35	3,63 - 4,54	43,3
P1250.037-440	9,52 (3/8")	111,8 (4,4")	10,8	25,4	12,7	6,35	3,63 - 4,54	43,3
P1250.037-450	9,52 (3/8")	114,3 (4,5")	10,8	25,4	12,7	6,35	3,63 - 4,54	43,3



Detent Pin Steel



Other Pins

Order No.	d ₁ +0.00 -0.08	l ₁ grip +1.50 -0.00	d ₂	d ₃	l ₂	l ₃	Pull out strength kg	Single shear strength kN min.
P1250.037-470	9,52 (3/8")	119,4 (4,7")	10,8	25,4	12,7	6,35	3,63 - 4,54	43,3
P1250.037-490	9,52 (3/8")	124,5 (4,9")	10,8	25,4	12,7	6,35	3,63 - 4,54	43,3
P1250.037-510	9,52 (3/8")	129,5 (5,1")	10,8	25,4	12,7	6,35	3,63 - 4,54	43,3
P1250.037-530	9,52 (3/8")	134,6 (5,3")	10,8	25,4	12,7	6,35	3,63 - 4,54	43,3
P1250.037-550	9,52 (3/8")	139,7 (5,5")	10,8	25,4	12,7	6,35	3,63 - 4,54	43,3
P1250.037-570	9,52 (3/8")	144,8 (5,7")	10,8	25,4	12,7	6,35	3,63 - 4,54	43,3
P1250.037-590	9,52 (3/8")	149,9 (5,9")	10,8	25,4	12,7	6,35	3,63 - 4,54	43,3
P1250.043-050	11,1 (7/16")	12,7 (0,5")	12,5	25,4	14,2	6,35	4,09 - 5,45	58,9
P1250.043-070	11,1 (7/16")	17,8 (0,7")	12,5	25,4	14,2	6,35	4,09 - 5,45	58,9
P1250.043-090	11,1 (7/16")	22,9 (0,9")	12,5	25,4	14,2	6,35	4,09 - 5,45	58,9
P1250.043-110	11,1 (7/16")	28,0 (1,1")	12,5	25,4	14,2	6,35	4,09 - 5,45	58,9
P1250.043-130	11,1 (7/16")	33,0 (1,3")	12,5	25,4	14,2	6,35	4,09 - 5,45	58,9
P1250.043-150	11,1 (7/16")	38,1 (1,5")	12,5	25,4	14,2	6,35	4,09 - 5,45	58,9
P1250.043-170	11,1 (7/16")	43,2 (1,7")	12,5	25,4	14,2	6,35	4,09 - 5,45	58,9
P1250.043-190	11,1 (7/16")	48,3 (1,9")	12,5	25,4	14,2	6,35	4,09 - 5,45	58,9
P1250.043-200	11,1 (7/16")	50,8 (2")	12,5	25,4	14,2	6,35	4,09 - 5,45	58,9
P1250.043-210	11,1 (7/16")	53,3 (2,1")	12,5	25,4	14,2	6,35	4,09 - 5,45	58,9
P1250.043-230	11,1 (7/16")	58,4 (2,3")	12,5	25,4	14,2	6,35	4,09 - 5,45	58,9
P1250.043-250	11,1 (7/16")	63,5 (2,5")	12,5	25,4	14,2	6,35	4,09 - 5,45	58,9
P1250.043-270	11,1 (7/16")	68,6 (2,7")	12,5	25,4	14,2	6,35	4,09 - 5,45	58,9
P1250.043-290	11,1 (7/16")	73,7 (2,9")	12,5	25,4	14,2	6,35	4,09 - 5,45	58,9
P1250.043-310	11,1 (7/16")	78,7 (3,1")	12,5	25,4	14,2	6,35	4,09 - 5,45	58,9
P1250.043-330	11,1 (7/16")	83,8 (3,3")	12,5	25,4	14,2	6,35	4,09 - 5,45	58,9
P1250.043-350	11,1 (7/16")	89,0 (3,5")	12,5	25,4	14,2	6,35	4,09 - 5,45	58,9
P1250.043-370	11,1 (7/16")	94,0 (3,7")	12,5	25,4	14,2	6,35	4,09 - 5,45	58,9
P1250.043-390	11,1 (7/16")	99,1 (3,9")	12,5	25,4	14,2	6,35	4,09 - 5,45	58,9
P1250.043-410	11,1 (7/16")	104,1 (4,1")	12,5	25,4	14,2	6,35	4,09 - 5,45	58,9
P1250.043-430	11,1 (7/16")	109,2 (4,3")	12,5	25,4	14,2	6,35	4,09 - 5,45	58,9
P1250.043-450	11,1 (7/16")	114,3 (4,5")	12,5	25,4	14,2	6,35	4,09 - 5,45	58,9
P1250.043-470	11,1 (7/16")	119,4 (4,7")	12,5	25,4	14,2	6,35	4,09 - 5,45	58,9
P1250.043-490	11,1 (7/16")	124,5 (4,9")	12,5	25,4	14,2	6,35	4,09 - 5,45	58,9
P1250.043-510	11,1 (7/16")	129,5 (5,1")	12,5	25,4	14,2	6,35	4,09 - 5,45	58,9
P1250.043-530	11,1 (7/16")	134,6 (5,3")	12,5	25,4	14,2	6,35	4,09 - 5,45	58,9
P1250.043-550	11,1 (7/16")	139,7 (5,5")	12,5	25,4	14,2	6,35	4,09 - 5,45	58,9
P1250.043-570	11,1 (7/16")	144,8 (5,7")	12,5	25,4	14,2	6,35	4,09 - 5,45	58,9
P1250.043-590	11,1 (7/16")	149,9 (5,9")	12,5	25,4	14,2	6,35	4,09 - 5,45	58,9
P1250.050-050	12,7 (1/2")	12,7 (0,5")	14,4	31,7	15,8	7,92	4,54 - 5,45	77,0
P1250.050-070	12,7 (1/2")	17,8 (0,7")	14,4	31,7	15,8	7,92	4,54 - 5,45	77,0
P1250.050-090	12,7 (1/2")	22,9 (0,9")	14,4	31,7	15,8	7,92	4,54 - 5,45	77,0
P1250.050-100	12,7 (1/2")	25,4 (1")	14,4	31,7	15,8	7,92	4,54 - 5,45	77,0
P1250.050-110	12,7 (1/2")	27,9 (1,1")	14,4	31,7	15,8	7,92	4,54 - 5,45	77,0
P1250.050-130	12,7 (1/2")	33,0 (1,3")	14,4	31,7	15,8	7,92	4,54 - 5,45	77,0
P1250.050-150	12,7 (1/2")	38,1 (1,5")	14,4	31,7	15,8	7,92	4,54 - 5,45	77,0
P1250.050-170	12,7 (1/2")	43,2 (1,7")	14,4	31,7	15,8	7,92	4,54 - 5,45	77,0
P1250.050-190	12,7 (1/2")	48,3 (1,9")	14,4	31,7	15,8	7,92	4,54 - 5,45	77,0
P1250.050-200	12,7 (1/2")	50,8 (2")	14,4	31,7	15,8	7,92	4,54 - 5,45	77,0
P1250.050-210	12,7 (1/2")	53,3 (2,1")	14,4	31,7	15,8	7,92	4,54 - 5,45	77,0
P1250.050-230	12,7 (1/2")	58,4 (2,3")	14,4	31,7	15,8	7,92	4,54 - 5,45	77,0
P1250.050-250	12,7 (1/2")	63,5 (2,5")	14,4	31,7	15,8	7,92	4,54 - 5,45	77,0
P1250.050-270	12,7 (1/2")	68,6 (2,7")	14,4	31,7	15,8	7,92	4,54 - 5,45	77,0
P1250.050-290	12,7 (1/2")	73,7 (2,9")	14,4	31,7	15,8	7,92	4,54 - 5,45	77,0
P1250.050-300	12,7 (1/2")	76,2 (3")	14,4	31,7	15,8	7,92	4,54 - 5,45	77,0
P1250.050-310	12,7 (1/2")	78,7 (3,1")	14,4	31,7	15,8	7,92	4,54 - 5,45	77,0
P1250.050-330	12,7 (1/2")	83,8 (3,3")	14,4	31,7	15,8	7,92	4,54 - 5,45	77,0
P1250.050-350	12,7 (1/2")	88,9 (3,5")	14,4	31,7	15,8	7,92	4,54 - 5,45	77,0
P1250.050-370	12,7 (1/2")	94,0 (3,7")	14,4	31,7	15,8	7,92	4,54 - 5,45	77,0
P1250.050-390	12,7 (1/2")	99,1 (3,9")	14,4	31,7	15,8	7,92	4,54 - 5,45	77,0
P1250.050-410	12,7 (1/2")	104,1 (4,1")	14,4	31,7	15,8	7,92	4,54 - 5,45	77,0
P1250.050-430	12,7 (1/2")	109,2 (4,3")	14,4	31,7	15,8	7,92	4,54 - 5,45	77,0
P1250.050-450	12,7 (1/2")	114,3 (4,5")	14,4	31,7	15,8	7,92	4,54 - 5,45	77,0
P1250.050-470	12,7 (1/2")	119,4 (4,7")	14,4	31,7	15,8	7,92	4,54 - 5,45	77,0
P1250.050-490	12,7 (1/2")	124,5 (4,9")	14,4	31,7	15,8	7,92	4,54 - 5,45	77,0
P1250.050-510	12,7 (1/2")	129,5 (5,1")	14,4	31,7	15,8	7,92	4,54 - 5,45	77,0
P1250.050-530	12,7 (1/2")	134,6 (5,3")	14,4	31,7	15,8	7,92	4,54 - 5,45	77,0
P1250.050-550	12,7 (1/2")	139,7 (5,5")	14,4	31,7	15,8	7,92	4,54 - 5,45	77,0
P1250.050-570	12,7 (1/2")	144,8 (5,7")	14,4	31,7	15,8	7,92	4,54 - 5,45	77,0
P1250.050-590	12,7 (1/2")	149,9 (5,9")	14,4	31,7	15,8	7,92	4,54 - 5,45	77,0

OTHER PINS



Order No.	d_1 +0.00 -0.08	l_1 grip +1.50 -0.00	d_2	d_3	l_2	l_3	Pull out strength kg	Single shear strength kN min.
P1250.050-610	12,7 (1/2")	154,9 (6,1")	14.4	31.7	15.8	7.92	4,54 - 5,45	77.0
P1250.050-630	12,7 (1/2")	160,0 (6,3")	14.4	31.7	15.8	7.92	4,54 - 5,45	77.0
P1250.050-650	12,7 (1/2")	165,1 (6,5")	14.4	31.7	15.8	7.92	4,54 - 5,45	77.0
P1250.050-670	12,7 (1/2")	170,2 (6,7")	14.4	31.7	15.8	7.92	4,54 - 5,45	77.0
P1250.050-690	12,7 (1/2")	175,3 (6,9")	14.4	31.7	15.8	7.92	4,54 - 5,45	77.0

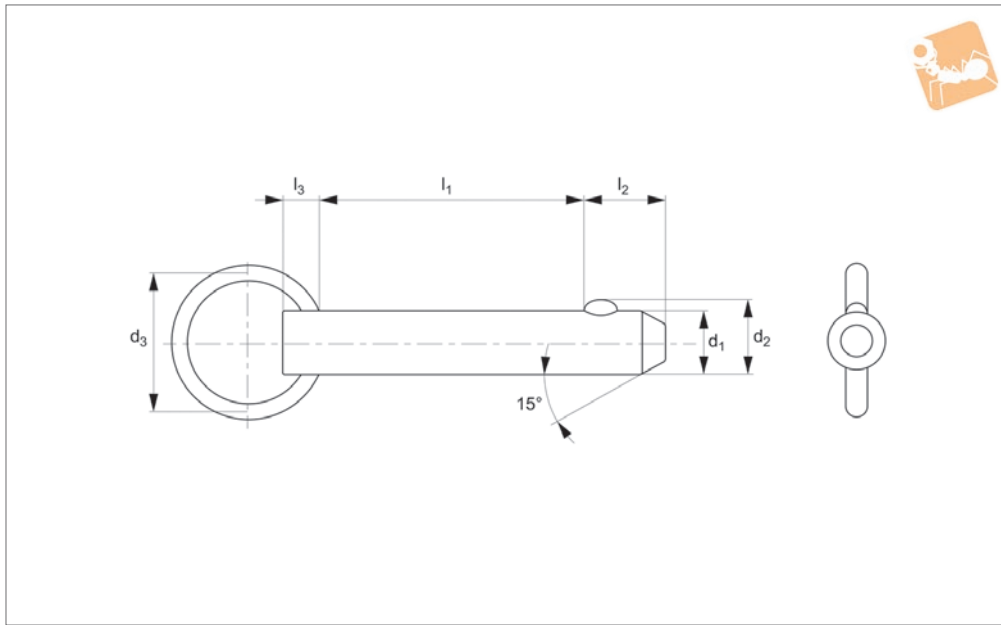


Detent Pin

Steel



Other Pins



P1250.2

OTHER PINS

Material

Shaft: Carbon steel (C1144), zinc plated.
Ball & spring: Stainless steel AISI 316.

Technical Notes

Detent pins are very economical for use in commercial and military equipment. The solid body with direct spring loaded

ball ensures reliable operation. Can be used for locking telescopic tubing, securing bracket assemblies, as anchor clevis fittings, hinge pins and as replacement for cotter pins where frequent removal is necessary. Hole sizes - commercial drills provide clear-

ance for our standard pins. Inch dimensions in brackets ().

Tips

Also available in stainless steel see part no. P1252.2

Order No.	d ₁ +0.00 -0.08	l ₁ grip +1.50 -0.00	d ₂	d ₃	l ₂	l ₃	Pull out strength kg	Single shear strength kN min.
P1250.056-100	14,2 (9/16")	25,4 (1")	16.3	31.7	17.4	7.92	5,45 - 6,81	97.6
P1250.056-120	14,2 (9/16")	30,5 (1,2")	16.3	31.7	17.4	7.92	5,45 - 6,81	97.6
P1250.056-140	14,2 (9/16")	35,6 (1,4")	16.3	31.7	17.4	7.92	5,45 - 6,81	97.6
P1250.056-160	14,2 (9/16")	40,6 (1,6")	16.3	31.7	17.4	7.92	5,45 - 6,81	97.6
P1250.056-180	14,2 (9/16")	45,7 (1,8")	16.3	31.7	17.4	7.92	5,45 - 6,81	97.6
P1250.056-200	14,2 (9/16")	50,8 (2")	16.3	31.7	17.4	7.92	5,45 - 6,81	97.6
P1250.056-220	14,2 (9/16")	55,9 (2,2")	16.3	31.7	17.4	7.92	5,45 - 6,81	97.6
P1250.056-240	14,2 (9/16")	61,0 (2,4")	16.3	31.7	17.4	7.92	5,45 - 6,81	97.6
P1250.056-260	14,2 (9/16")	66,0 (2,6")	16.3	31.7	17.4	7.92	5,45 - 6,81	97.6
P1250.056-280	14,2 (9/16")	71,1 (2,8")	16.3	31.7	17.4	7.92	5,45 - 6,81	97.6
P1250.056-300	14,2 (9/16")	76,2 (3")	16.3	31.7	17.4	7.92	5,45 - 6,81	97.6
P1250.056-320	14,2 (9/16")	81,3 (3,2")	16.3	31.7	17.4	7.92	5,45 - 6,81	97.6
P1250.056-340	14,2 (9/16")	86,4 (3,4")	16.3	31.7	17.4	7.92	5,45 - 6,81	97.6
P1250.056-360	14,2 (9/16")	91,4 (3,6")	16.3	31.7	17.4	7.92	5,45 - 6,81	97.6
P1250.056-380	14,2 (9/16")	96,5 (3,8")	16.3	31.7	17.4	7.92	5,45 - 6,81	97.6
P1250.056-400	14,2 (9/16")	101,6 (4")	16.3	31.7	17.4	7.92	5,45 - 6,81	97.6
P1250.056-420	14,2 (9/16")	106,7 (4,2")	16.3	31.7	17.4	7.92	5,45 - 6,81	97.6
P1250.056-440	14,2 (9/16")	111,8 (4,4")	16.3	31.7	17.4	7.92	5,45 - 6,81	97.6
P1250.056-460	14,2 (9/16")	116,8 (4,6")	16.3	31.7	17.4	7.92	5,45 - 6,81	97.6
P1250.056-480	14,2 (9/16")	121,9 (4,8")	16.3	31.7	17.4	7.92	5,45 - 6,81	97.6
P1250.056-500	14,2 (9/16")	127,0 (5")	16.3	31.7	17.4	7.92	5,45 - 6,81	97.6
P1250.056-520	14,2 (9/16")	132,1 (5,2")	16.3	31.7	17.4	7.92	5,45 - 6,81	97.6
P1250.056-540	14,2 (9/16")	137,2 (5,4")	16.3	31.7	17.4	7.92	5,45 - 6,81	97.6
P1250.056-560	14,2 (9/16")	142,2 (5,6")	16.3	31.7	17.4	7.92	5,45 - 6,81	97.6
P1250.056-580	14,2 (9/16")	147,3 (5,8")	16.3	31.7	17.4	7.92	5,45 - 6,81	97.6
P1250.056-600	14,2 (9/16")	152,4 (6")	16.3	31.7	17.4	7.92	5,45 - 6,81	97.6
P1250.056-620	14,2 (9/16")	157,5 (6,2")	16.3	31.7	17.4	7.92	5,45 - 6,81	97.6
P1250.056-640	14,2 (9/16")	162,6 (6,4")	16.3	31.7	17.4	7.92	5,45 - 6,81	97.6
P1250.056-660	14,2 (9/16")	167,6 (6,6")	16.3	31.7	17.4	7.92	5,45 - 6,81	97.6

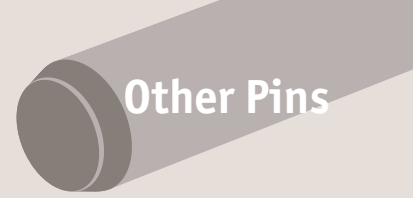


OTHER PINS

Order No.	d ₁ +0.00 -0.08	l ₁ grip +1.50 -0.00	d ₂	d ₃	l ₂	l ₃	Pull out strength kg	Single shear strength kN min.
P1250.056-680	14,2 (9/16")	172,7 (6,8")	16.3	31.7	17.4	7.92	5,45 - 6,81	97.6
P1250.056-700	14,2 (9/16")	177,8 (7")	16.3	31.7	17.4	7.92	5,45 - 6,81	97.6
P1250.062-110	15,8 (5/8")	27,9 (1,1")	18.0	31.7	19.0	9.52	3,36 - 7,26	121.6
P1250.062-130	15,8 (5/8")	33,0 (1,3")	18.0	31.7	19.0	9.52	3,36 - 7,26	121.6
P1250.062-150	15,8 (5/8")	38,1 (1,5")	18.0	31.7	19.0	9.52	3,36 - 7,26	121.6
P1250.062-160	15,8 (5/8")	40,6 (1,6")	18.0	31.7	19.0	9.52	3,36 - 7,26	121.6
P1250.062-170	15,8 (5/8")	43,2 (1,7")	18.0	31.7	19.0	9.52	3,36 - 7,26	121.6
P1250.062-190	15,8 (5/8")	48,3 (1,9")	18.0	31.7	19.0	9.52	3,36 - 7,26	121.6
P1250.062-210	15,8 (5/8")	53,3 (2,1")	18.0	31.7	19.0	9.52	3,36 - 7,26	121.6
P1250.062-230	15,8 (5/8")	58,4 (2,3")	18.0	31.7	19.0	9.52	3,36 - 7,26	121.6
P1250.062-250	15,8 (5/8")	63,5 (2,5")	18.0	31.7	19.0	9.52	3,36 - 7,26	121.6
P1250.062-270	15,8 (5/8")	68,6 (2,7")	18.0	31.7	19.0	9.52	3,36 - 7,26	121.6
P1250.062-290	15,8 (5/8")	73,7 (2,9")	18.0	31.7	19.0	9.52	3,36 - 7,26	121.6
P1250.062-310	15,8 (5/8")	78,7 (3,1")	18.0	31.7	19.0	9.52	3,36 - 7,26	121.6
P1250.062-330	15,8 (5/8")	83,8 (3,3")	18.0	31.7	19.0	9.52	3,36 - 7,26	121.6
P1250.062-350	15,8 (5/8")	88,9 (3,5")	18.0	31.7	19.0	9.52	3,36 - 7,26	121.6
P1250.062-370	15,8 (5/8")	94,0 (3,7")	18.0	31.7	19.0	9.52	3,36 - 7,26	121.6
P1250.062-390	15,8 (5/8")	99,1 (3,9")	18.0	31.7	19.0	9.52	3,36 - 7,26	121.6
P1250.062-410	15,8 (5/8")	104,1 (4,1")	18.0	31.7	19.0	9.52	3,36 - 7,26	121.6
P1250.062-430	15,8 (5/8")	109,2 (4,3")	18.0	31.7	19.0	9.52	3,36 - 7,26	121.6
P1250.062-450	15,8 (5/8")	114,3 (4,5")	18.0	31.7	19.0	9.52	3,36 - 7,26	121.6
P1250.062-470	15,8 (5/8")	119,4 (4,7")	18.0	31.7	19.0	9.52	3,36 - 7,26	121.6
P1250.062-490	15,8 (5/8")	124,5 (4,9")	18.0	31.7	19.0	9.52	3,36 - 7,26	121.6
P1250.062-510	15,8 (5/8")	129,5 (5,1")	18.0	31.7	19.0	9.52	3,36 - 7,26	121.6
P1250.062-530	15,8 (5/8")	134,6 (5,3")	18.0	31.7	19.0	9.52	3,36 - 7,26	121.6
P1250.062-550	15,8 (5/8")	139,7 (5,5")	18.0	31.7	19.0	9.52	3,36 - 7,26	121.6
P1250.062-570	15,8 (5/8")	144,8 (5,7")	18.0	31.7	19.0	9.52	3,36 - 7,26	121.6
P1250.062-590	15,8 (5/8")	149,9 (5,9")	18.0	31.7	19.0	9.52	3,36 - 7,26	121.6
P1250.062-610	15,8 (5/8")	154,9 (6,1")	18.0	31.7	19.0	9.52	3,36 - 7,26	121.6
P1250.062-630	15,8 (5/8")	160,0 (6,3")	18.0	31.7	19.0	9.52	3,36 - 7,26	121.6
P1250.062-650	15,8 (5/8")	165,1 (6,5")	18.0	31.7	19.0	9.52	3,36 - 7,26	121.6
P1250.062-670	15,8 (5/8")	170,2 (6,7")	18.0	31.7	19.0	9.52	3,36 - 7,26	121.6
P1250.062-690	15,8 (5/8")	175,3 (6,9")	18.0	31.7	19.0	9.52	3,36 - 7,26	121.6
P1250.062-710	15,8 (5/8")	180,3 (7,1")	18.0	31.7	19.0	9.52	3,36 - 7,26	121.6
P1250.062-730	15,8 (5/8")	185,4 (7,3")	18.0	31.7	19.0	9.52	3,36 - 7,26	121.6
P1250.062-750	15,8 (5/8")	190,5 (7,5")	18.0	31.7	19.0	9.52	3,36 - 7,26	121.6
P1250.062-770	15,8 (5/8")	195,6 (7,7")	18.0	31.7	19.0	9.52	3,36 - 7,26	121.6
P1250.062-790	15,8 (5/8")	200,7 (7,9")	18.0	31.7	19.0	9.52	3,36 - 7,26	121.6
P1250.075-100	19,0 (3/4")	25,4 (1")	21.7	38.1	23.7	9.52	8,17 - 9,98	173.6
P1250.075-120	19,0 (3/4")	30,5 (1,2")	21.7	38.1	23.7	9.52	8,17 - 9,98	173.6
P1250.075-140	19,0 (3/4")	35,6 (1,4")	21.7	38.1	23.7	9.52	8,17 - 9,98	173.6
P1250.075-160	19,0 (3/4")	40,6 (1,6")	21.7	38.1	23.7	9.52	8,17 - 9,98	173.6
P1250.075-180	19,0 (3/4")	45,7 (1,8")	21.7	38.1	23.7	9.52	8,17 - 9,98	173.6
P1250.075-200	19,0 (3/4")	50,8 (2")	21.7	38.1	23.7	9.52	8,17 - 9,98	173.6
P1250.075-220	19,0 (3/4")	55,9 (2,2")	21.7	38.1	23.7	9.52	8,17 - 9,98	173.6
P1250.075-240	19,0 (3/4")	61,0 (2,4")	21.7	38.1	23.7	9.52	8,17 - 9,98	173.6
P1250.075-260	19,0 (3/4")	66,0 (2,6")	21.7	38.1	23.7	9.52	8,17 - 9,98	173.6
P1250.075-280	19,0 (3/4")	71,1 (2,8")	21.7	38.1	23.7	9.52	8,17 - 9,98	173.6
P1250.075-300	19,0 (3/4")	76,2 (3")	21.7	38.1	23.7	9.52	8,17 - 9,98	173.6
P1250.075-320	19,0 (3/4")	81,3 (3,2")	21.7	38.1	23.7	9.52	8,17 - 9,98	173.6
P1250.075-340	19,0 (3/4")	86,4 (3,4")	21.7	38.1	23.7	9.52	8,17 - 9,98	173.6
P1250.075-360	19,0 (3/4")	91,4 (3,6")	21.7	38.1	23.7	9.52	8,17 - 9,98	173.6
P1250.075-380	19,0 (3/4")	96,5 (3,8")	21.7	38.1	23.7	9.52	8,17 - 9,98	173.6
P1250.075-400	19,0 (3/4")	101,6 (4")	21.7	38.1	23.7	9.52	8,17 - 9,98	173.6
P1250.075-420	19,0 (3/4")	106,7 (4,2")	21.7	38.1	23.7	9.52	8,17 - 9,98	173.6
P1250.075-440	19,0 (3/4")	111,8 (4,4")	21.7	38.1	23.7	9.52	8,17 - 9,98	173.6
P1250.075-460	19,0 (3/4")	116,8 (4,6")	21.7	38.1	23.7	9.52	8,17 - 9,98	173.6
P1250.075-480	19,0 (3/4")	121,9 (4,8")	21.7	38.1	23.7	9.52	8,17 - 9,98	173.6
P1250.075-500	19,0 (3/4")	127,0 (5")	21.7	38.1	23.7	9.52	8,17 - 9,98	173.6
P1250.075-520	19,0 (3/4")	132,1 (5,2")	21.7	38.1	23.7	9.52	8,17 - 9,98	173.6
P1250.075-540	19,0 (3/4")	137,2 (5,4")	21.7	38.1	23.7	9.52	8,17 - 9,98	173.6
P1250.075-560	19,0 (3/4")	142,2 (5,6")	21.7	38.1	23.7	9.52	8,17 - 9,98	173.6
P1250.075-580	19,0 (3/4")	147,3 (5,8")	21.7	38.1	23.7	9.52	8,17 - 9,98	173.6
P1250.075-600	19,0 (3/4")	152,4 (6")	21.7	38.1	23.7	9.52	8,17 - 9,98	173.6
P1250.075-620	19,0 (3/4")	157,5 (6,2")	21.7	38.1	23.7	9.52	8,17 - 9,98	173.6
P1250.075-640	19,0 (3/4")	162,6 (6,4")	21.7	38.1	23.7	9.52	8,17 - 9,98	173.6
P1250.075-660	19,0 (3/4")	167,6 (6,6")	21.7	38.1	23.7	9.52	8,17 - 9,98	173.6



Detent Pin Steel



Other Pins

Order No.	d ₁ +0.00 -0.08	l ₁ grip +1.50 -0.00	d ₂	d ₃	l ₂	l ₃	Pull out strength kg	Single shear strength kN min.
P1250.075-680	19,0 (3/4")	172,7 (6,8")	21.7	38.1	23.7	9.52	8,17 - 9,98	173.6
P1250.075-700	19,0 (3/4")	177,8 (7")	21.7	38.1	23.7	9.52	8,17 - 9,98	173.6
P1250.075-720	19,0 (3/4")	182,9 (7,2")	21.7	38.1	23.7	9.52	8,17 - 9,98	173.6
P1250.075-740	19,0 (3/4")	188,0 (7,4")	21.7	38.1	23.7	9.52	8,17 - 9,98	173.6
P1250.075-760	19,0 (3/4")	193,0 (7,6")	21.7	38.1	23.7	9.52	8,17 - 9,98	173.6
P1250.075-780	19,0 (3/4")	198,1 (7,8")	21.7	38.1	23.7	9.52	8,17 - 9,98	173.6
P1250.075-800	19,0 (3/4")	203,2 (8")	21.7	38.1	23.7	9.52	8,17 - 9,98	173.6
P1250.087-110	22,2 (7/8")	27,9 (1,1")	25.2	38.1	25.4	12.7	12,71 - 14,07	239.4
P1250.087-130	22,2 (7/8")	33,0 (1,3")	25.2	38.1	25.4	12.7	12,71 - 14,07	239.4
P1250.087-150	22,2 (7/8")	38,1 (1,5")	25.2	38.1	25.4	12.7	12,71 - 14,07	239.4
P1250.087-170	22,2 (7/8")	43,2 (1,7")	25.2	38.1	25.4	12.7	12,71 - 14,07	239.4
P1250.087-190	22,2 (7/8")	48,3 (1,9")	25.2	38.1	25.4	12.7	12,71 - 14,07	239.4
P1250.087-210	22,2 (7/8")	53,3 (2,1")	25.2	38.1	25.4	12.7	12,71 - 14,07	239.4
P1250.087-230	22,2 (7/8")	58,4 (2,3")	25.2	38.1	25.4	12.7	12,71 - 14,07	239.4
P1250.087-250	22,2 (7/8")	63,5 (2,5")	25.2	38.1	25.4	12.7	12,71 - 14,07	239.4
P1250.087-270	22,2 (7/8")	68,6 (2,7")	25.2	38.1	25.4	12.7	12,71 - 14,07	239.4
P1250.087-290	22,2 (7/8")	73,7 (2,9")	25.2	38.1	25.4	12.7	12,71 - 14,07	239.4
P1250.087-310	22,2 (7/8")	78,7 (3,1")	25.2	38.1	25.4	12.7	12,71 - 14,07	239.4
P1250.087-330	22,2 (7/8")	83,8 (3,3")	25.2	38.1	25.4	12.7	12,71 - 14,07	239.4
P1250.087-350	22,2 (7/8")	88,9 (3,5")	25.2	38.1	25.4	12.7	12,71 - 14,07	239.4
P1250.087-370	22,2 (7/8")	94,0 (3,7")	25.2	38.1	25.4	12.7	12,71 - 14,07	239.4
P1250.087-390	22,2 (7/8")	99,1 (3,9")	25.2	38.1	25.4	12.7	12,71 - 14,07	239.4
P1250.087-400	22,2 (7/8")	101,6 (4")	25.2	38.1	25.4	12.7	12,71 - 14,07	239.4
P1250.087-410	22,2 (7/8")	104,1 (4,1")	25.2	38.1	25.4	12.7	12,71 - 14,07	239.4
P1250.087-430	22,2 (7/8")	109,2 (4,3")	25.2	38.1	25.4	12.7	12,71 - 14,07	239.4
P1250.087-450	22,2 (7/8")	114,3 (4,5")	25.2	38.1	25.4	12.7	12,71 - 14,07	239.4
P1250.087-470	22,2 (7/8")	119,4 (4,7")	25.2	38.1	25.4	12.7	12,71 - 14,07	239.4
P1250.087-490	22,2 (7/8")	124,5 (4,9")	25.2	38.1	25.4	12.7	12,71 - 14,07	239.4
P1250.087-510	22,2 (7/8")	129,5 (5,1")	25.2	38.1	25.4	12.7	12,71 - 14,07	239.4
P1250.087-530	22,2 (7/8")	134,6 (5,3")	25.2	38.1	25.4	12.7	12,71 - 14,07	239.4
P1250.087-550	22,2 (7/8")	139,7 (5,5")	25.2	38.1	25.4	12.7	12,71 - 14,07	239.4
P1250.087-570	22,2 (7/8")	144,8 (5,7")	25.2	38.1	25.4	12.7	12,71 - 14,07	239.4
P1250.087-590	22,2 (7/8")	149,9 (5,9")	25.2	38.1	25.4	12.7	12,71 - 14,07	239.4
P1250.087-610	22,2 (7/8")	154,9 (6,1")	25.2	38.1	25.4	12.7	12,71 - 14,07	239.4
P1250.087-630	22,2 (7/8")	160,0 (6,3")	25.2	38.1	25.4	12.7	12,71 - 14,07	239.4
P1250.087-650	22,2 (7/8")	165,1 (6,5")	25.2	38.1	25.4	12.7	12,71 - 14,07	239.4
P1250.087-670	22,2 (7/8")	170,2 (6,7")	25.2	38.1	25.4	12.7	12,71 - 14,07	239.4
P1250.087-690	22,2 (7/8")	175,3 (6,9")	25.2	38.1	25.4	12.7	12,71 - 14,07	239.4
P1250.087-710	22,2 (7/8")	180,3 (7,1")	25.2	38.1	25.4	12.7	12,71 - 14,07	239.4
P1250.087-730	22,2 (7/8")	185,4 (7,3")	25.2	38.1	25.4	12.7	12,71 - 14,07	239.4
P1250.087-750	22,2 (7/8")	190,5 (7,5")	25.2	38.1	25.4	12.7	12,71 - 14,07	239.4
P1250.087-770	22,2 (7/8")	195,6 (7,7")	25.2	38.1	25.4	12.7	12,71 - 14,07	239.4
P1250.087-790	22,2 (7/8")	200,7 (7,9")	25.2	38.1	25.4	12.7	12,71 - 14,07	239.4
P1250.100-100	25,4 (1")	25,4 (1")	28.9	38.1	31.7	12.7	15,88 - 18-15	321.3
P1250.100-120	25,4 (1")	30,5 (1,2")	28.9	38.1	31.7	12.7	15,88 - 18-15	321.3
P1250.100-140	25,4 (1")	35,6 (1,4")	28.9	38.1	31.7	12.7	15,88 - 18-15	321.3
P1250.100-160	25,4 (1")	40,6 (1,6")	28.9	38.1	31.7	12.7	15,88 - 18-15	321.3
P1250.100-180	25,4 (1")	45,7 (1,8")	28.9	38.1	31.7	12.7	15,88 - 18-15	321.3
P1250.100-200	25,4 (1")	50,8 (2")	28.9	38.1	31.7	12.7	15,88 - 18-15	321.3
P1250.100-220	25,4 (1")	55,9 (2,2")	28.9	38.1	31.7	12.7	15,88 - 18-15	321.3
P1250.100-240	25,4 (1")	61,0 (2,4")	28.9	38.1	31.7	12.7	15,88 - 18-15	321.3
P1250.100-260	25,4 (1")	66,0 (2,6")	28.9	38.1	31.7	12.7	15,88 - 18-15	321.3
P1250.100-280	25,4 (1")	71,1 (2,8")	28.9	38.1	31.7	12.7	15,88 - 18-15	321.3
P1250.100-300	25,4 (1")	76,2 (3")	28.9	38.1	31.7	12.7	15,88 - 18-15	321.3
P1250.100-320	25,4 (1")	81,3 (3,2")	28.9	38.1	31.7	12.7	15,88 - 18-15	321.3
P1250.100-340	25,4 (1")	86,4 (3,4")	28.9	38.1	31.7	12.7	15,88 - 18-15	321.3
P1250.100-360	25,4 (1")	91,4 (3,6")	28.9	38.1	31.7	12.7	15,88 - 18-15	321.3
P1250.100-380	25,4 (1")	96,5 (3,8")	28.9	38.1	31.7	12.7	15,88 - 18-15	321.3
P1250.100-400	25,4 (1")	101,6 (4")	28.9	38.1	31.7	12.7	15,88 - 18-15	321.3
P1250.100-420	25,4 (1")	106,7 (4,2")	28.9	38.1	31.7	12.7	15,88 - 18-15	321.3
P1250.100-440	25,4 (1")	111,8 (4,4")	28.9	38.1	31.7	12.7	15,88 - 18-15	321.3
P1250.100-460	25,4 (1")	116,8 (4,6")	28.9	38.1	31.7	12.7	15,88 - 18-15	321.3
P1250.100-480	25,4 (1")	121,9 (4,8")	28.9	38.1	31.7	12.7	15,88 - 18-15	321.3
P1250.100-500	25,4 (1")	127,0 (5")	28.9	38.1	31.7	12.7	15,88 - 18-15	321.3
P1250.100-520	25,4 (1")	132,1 (5,2")	28.9	38.1	31.7	12.7	15,88 - 18-15	321.3
P1250.100-540	25,4 (1")	137,2 (5,4")	28.9	38.1	31.7	12.7	15,88 - 18-15	321.3
P1250.100-560	25,4 (1")	142,2 (5,6")	28.9	38.1	31.7	12.7	15,88 - 18-15	321.3

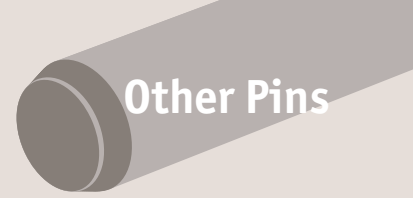
OTHER PINS



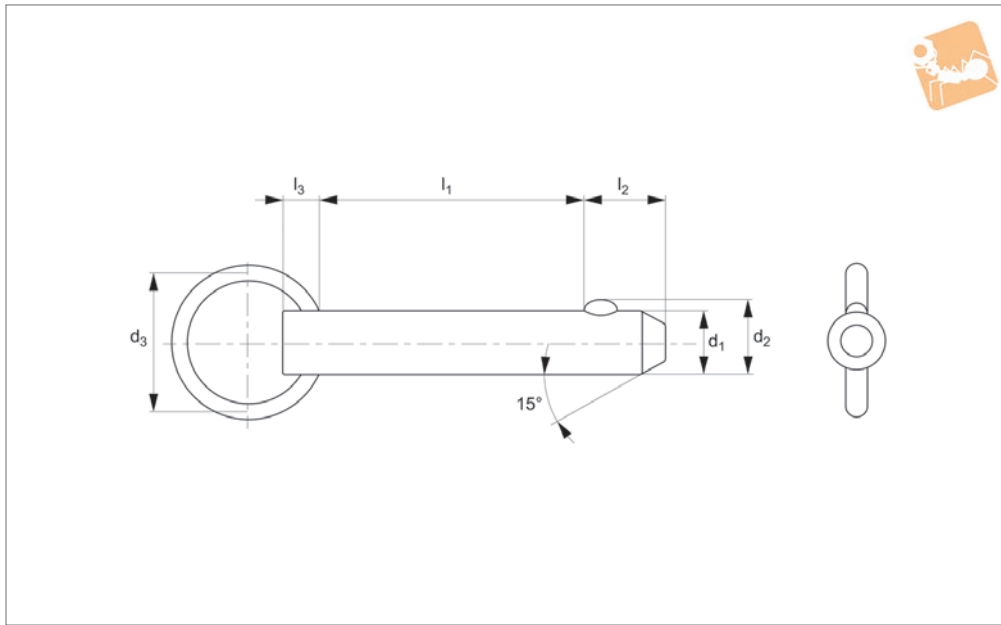
Order No.	d_1 +0.00 -0.08	l_1 grip +1.50 -0.00	d_2	d_3	l_2	l_3	Pull out strength kg	Single shear strength kN min.
P1250.100-580	25,4 (1")	147,3 (5,8")	28.9	38.1	31.7	12.7	15,88 - 18-15	321.3
P1250.100-600	25,4 (1")	152,4 (6")	28.9	38.1	31.7	12.7	15,88 - 18-15	321.3
P1250.100-620	25,4 (1")	157,5 (6,2")	28.9	38.1	31.7	12.7	15,88 - 18-15	321.3
P1250.100-640	25,4 (1")	162,6 (6,4")	28.9	38.1	31.7	12.7	15,88 - 18-15	321.3
P1250.100-660	25,4 (1")	167,6 (6,6")	28.9	38.1	31.7	12.7	15,88 - 18-15	321.3
P1250.100-680	25,4 (1")	172,7 (6,8")	28.9	38.1	31.7	12.7	15,88 - 18-15	321.3
P1250.100-700	25,4 (1")	177,8 (7")	28.9	38.1	31.7	12.7	15,88 - 18-15	321.3
P1250.100-720	25,4 (1")	182,9 (7,2")	28.9	38.1	31.7	12.7	15,88 - 18-15	321.3
P1250.100-740	25,4 (1")	188,0 (7,4")	28.9	38.1	31.7	12.7	15,88 - 18-15	321.3
P1250.100-760	25,4 (1")	193,0 (7,6")	28.9	38.1	31.7	12.7	15,88 - 18-15	321.3
P1250.100-780	25,4 (1")	198,1 (7,8")	28.9	38.1	31.7	12.7	15,88 - 18-15	321.3
P1250.100-800	25,4 (1")	203,2 (8")	28.9	38.1	31.7	12.7	15,88 - 18-15	321.3



Detent Pin Stainless Steel



Other Pins



P1252.1

OTHER PINS

Material

Shaft: Stainless steel, AISI 303.
Ball & Spring: Stainless steel, AISI 316.

Technical Notes

Detent pins are very economical for use in commercial and military equipment.

The solid body with direct spring loaded ball ensures reliable operation. For locking telescopic tubing, securing bracket assemblies, as anchor clevis fittings, hinge pins etc where frequent removal is necessary.

Hole sizes - commercial drills provide clearance for our standard pins. Inch dimensions in brackets ().

Tips

Also available on request in A4 (AISI 316) stainless steel, subject to min. quantity.

Order No.	d ₁ +0.00 -0.08	l ₁ grip +1.5 -0.0	d ₂	d ₃	l ₂	l ₃	Pull out strength kg	Single shear strength kN min.
P1252.018-040	4,76 (3/16")	10,2 (0,4")	5.18	25.4	5.08	4.74	1,9 - 2,3	12.2
P1252.018-050	4,76 (3/16")	12,7 (0,5")	5.18	25.4	5.08	4.74	1,9 - 2,3	12.2
P1252.018-070	4,76 (3/16")	17,8 (0,7")	5.18	25.4	5.08	4.74	1,9 - 2,3	12.2
P1252.018-080	4,76 (3/16")	20,3 (0,8")	5.18	25.4	5.08	4.74	1,9 - 2,3	12.2
P1252.018-090	4,76 (3/16")	22,9 (0,9")	5.18	25.4	5.08	4.74	1,9 - 2,3	12.2
P1252.018-100	4,76 (3/16")	25,4 (1")	5.18	25.4	5.08	4.74	1,9 - 2,3	12.2
P1252.018-110	4,76 (3/16")	27,9 (1,1")	5.18	25.4	5.08	4.74	1,9 - 2,3	12.2
P1252.018-120	4,76 (3/16")	30,5 (1,2")	5.18	25.4	5.08	4.74	1,9 - 2,3	12.2
P1252.018-130	4,76 (3/16")	33,0 (1,3")	5.18	25.4	5.08	4.74	1,9 - 2,3	12.2
P1252.018-140	4,76 (3/16")	35,6 (1,4")	5.18	25.4	5.08	4.74	1,9 - 2,3	12.2
P1252.018-150	4,76 (3/16")	38,1 (1,5")	5.18	25.4	5.08	4.74	1,9 - 2,3	12.2
P1252.018-160	4,76 (3/16")	40,6 (1,6")	5.18	25.4	5.08	4.74	1,9 - 2,3	12.2
P1252.018-170	4,76 (3/16")	43,2 (1,7")	5.18	25.4	5.08	4.74	1,9 - 2,3	12.2
P1252.018-180	4,76 (3/16")	45,7 (1,8")	5.18	25.4	5.08	4.74	1,9 - 2,3	12.2
P1252.018-190	4,76 (3/16")	48,2 (1,9")	5.18	25.4	5.08	4.74	1,9 - 2,3	12.2
P1252.018-200	4,76 (3/16")	50,8 (2")	5.18	25.4	5.08	4.74	1,9 - 2,3	12.2
P1252.018-210	4,76 (3/16")	53,3 (2,1")	5.18	25.4	5.08	4.74	1,9 - 2,3	12.2
P1252.018-220	4,76 (3/16")	55,9 (2,2")	5.18	25.4	5.08	4.74	1,9 - 2,3	12.2
P1252.018-230	4,76 (3/16")	58,4 (2,3")	5.18	25.4	5.08	4.74	1,9 - 2,3	12.2
P1252.018-240	4,76 (3/16")	61,0 (2,4")	5.18	25.4	5.08	4.74	1,9 - 2,3	12.2
P1252.018-250	4,76 (3/16")	63,5 (2,5")	5.18	25.4	5.08	4.74	1,9 - 2,3	12.2
P1252.018-260	4,76 (3/16")	66,04 (2,6")	5.18	25.4	5.08	4.74	1,9 - 2,3	12.2
P1252.018-270	4,76 (3/16")	68,6 (2,7")	5.18	25.4	5.08	4.74	1,9 - 2,3	12.2
P1252.018-280	4,76 (3/16")	71,1 (2,8")	5.18	25.4	5.08	4.74	1,9 - 2,3	12.2
P1252.018-290	4,76 (3/16")	73,7 (2,9")	5.18	25.4	5.08	4.74	1,9 - 2,3	12.2
P1252.018-300	4,76 (3/16")	76,2 (3")	5.18	25.4	5.08	4.74	1,9 - 2,3	12.2
P1252.018-310	4,76 (3/16")	78,7 (3,1")	5.18	25.4	5.08	4.74	1,9 - 2,3	12.2
P1252.018-320	4,76 (3/16")	81,3 (3,2")	5.18	25.4	5.08	4.74	1,9 - 2,3	12.2
P1252.018-330	4,76 (3/16")	83,8 (3,3")	5.18	25.4	5.08	4.74	1,9 - 2,3	12.2
P1252.018-340	4,76 (3/16")	86,4 (3,4")	5.18	25.4	5.08	4.74	1,9 - 2,3	12.2

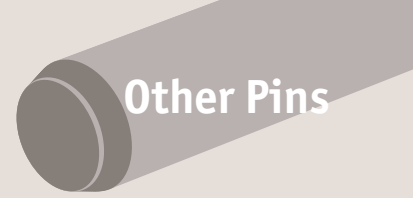


OTHER PINS

Order No.	d ₁ +0.00 -0.08	l ₁ grip +1.5 -0.0	d ₂	d ₃	l ₂	l ₃	Pull out strength kg	Single shear strength kN min.
P1252.018-350	4,76 (3/16")	88,9 (3,5")	5.18	25.4	5.08	4.74	1,9 - 2,3	12.2
P1252.018-360	4,76 (3/16")	91,4 (3,6")	5.18	25.4	5.08	4.74	1,9 - 2,3	12.2
P1252.018-370	4,76 (3/16")	94,0 (3,7")	5.18	25.4	5.08	4.74	1,9 - 2,3	12.2
P1252.018-380	4,76 (3/16")	96,5 (3,8")	5.18	25.4	5.08	4.74	1,9 - 2,3	12.2
P1252.018-390	4,76 (3/16")	99,1 (3,9")	5.18	25.4	5.08	4.74	1,9 - 2,3	12.2
P1252.018-400	4,76 (3/16")	101,6 (4")	5.18	25.4	5.08	4.74	1,9 - 2,3	12.2
P1252.025-040	6,35 (1/4")	10,2 (0,4")	7.26	25.4	7.92	5.58	2,27 - 2,73	21.7
P1252.025-050	6,35 (1/4")	12,7 (0,5")	7.26	25.4	7.92	5.58	2,27 - 2,73	21.7
P1252.025-060	6,35 (1/4")	15,2 (0,6")	7.26	25.4	7.92	5.58	2,27 - 2,73	21.7
P1252.025-070	6,35 (1/4")	17,8 (0,7")	7.26	25.4	7.92	5.58	2,27 - 2,73	21.7
P1252.025-080	6,35 (1/4")	20,3 (0,8")	7.26	25.4	7.92	5.58	2,27 - 2,73	21.7
P1252.025-090	6,35 (1/4")	22,9 (0,9")	7.26	25.4	7.92	5.58	2,27 - 2,73	21.7
P1252.025-100	6,35 (1/4")	25,4 (1")	7.26	25.4	7.92	5.58	2,27 - 2,73	21.7
P1252.025-110	6,35 (1/4")	27,9 (1,1")	7.26	25.4	7.92	5.58	2,27 - 2,73	21.7
P1252.025-120	6,35 (1/4")	30,5 (1,2")	7.26	25.4	7.92	5.58	2,27 - 2,73	21.7
P1252.025-130	6,35 (1/4")	33,0 (1,3")	7.26	25.4	7.92	5.58	2,27 - 2,73	21.7
P1252.025-140	6,35 (1/4")	35,6 (1,4")	7.26	25.4	7.92	5.58	2,27 - 2,73	21.7
P1252.025-150	6,35 (1/4")	38,1 (1,5")	7.26	25.4	7.92	5.58	2,27 - 2,73	21.7
P1252.025-160	6,35 (1/4")	40,6 (1,6")	7.26	25.4	7.92	5.58	2,27 - 2,73	21.7
P1252.025-170	6,35 (1/4")	43,2 (1,7")	7.26	25.4	7.92	5.58	2,27 - 2,73	21.7
P1252.025-180	6,35 (1/4")	45,7 (1,8")	7.26	25.4	7.92	5.58	2,27 - 2,73	21.7
P1252.025-190	6,35 (1/4")	48,2 (1,9")	7.26	25.4	7.92	5.58	2,27 - 2,73	21.7
P1252.025-200	6,35 (1/4")	50,8 (2")	7.26	25.4	7.92	5.58	2,27 - 2,73	21.7
P1252.025-210	6,35 (1/4")	53,3 (2,1")	7.26	25.4	7.92	5.58	2,27 - 2,73	21.7
P1252.025-220	6,35 (1/4")	55,9 (2,2")	7.26	25.4	7.92	5.58	2,27 - 2,73	21.7
P1252.025-230	6,35 (1/4")	58,4 (2,3")	7.26	25.4	7.92	5.58	2,27 - 2,73	21.7
P1252.025-240	6,35 (1/4")	61,0 (2,4")	7.26	25.4	7.92	5.58	2,27 - 2,73	21.7
P1252.025-260	6,35 (1/4")	66,04 (2,6")	7.26	25.4	7.92	5.58	2,27 - 2,73	21.7
P1252.025-270	6,35 (1/4")	68,6 (2,7")	7.26	25.4	7.92	5.58	2,27 - 2,73	21.7
P1252.025-280	6,35 (1/4")	71,1 (2,8")	7.26	25.4	7.92	5.58	2,27 - 2,73	21.7
P1252.025-290	6,35 (1/4")	73,7 (2,9")	7.26	25.4	7.92	5.58	2,27 - 2,73	21.7
P1252.025-300	6,35 (1/4")	76,2 (3")	7.26	25.4	7.92	5.58	2,27 - 2,73	21.7
P1252.025-310	6,35 (1/4")	78,7 (3,1")	7.26	25.4	7.92	5.58	2,27 - 2,73	21.7
P1252.025-320	6,35 (1/4")	81,3 (3,2")	7.26	25.4	7.92	5.58	2,27 - 2,73	21.7
P1252.025-330	6,35 (1/4")	83,8 (3,3")	7.26	25.4	7.92	5.58	2,27 - 2,73	21.7
P1252.025-340	6,35 (1/4")	86,4 (3,4")	7.26	25.4	7.92	5.58	2,27 - 2,73	21.7
P1252.025-350	6,35 (1/4")	88,9 (3,5")	7.26	25.4	7.92	5.58	2,27 - 2,73	21.7
P1252.025-360	6,35 (1/4")	91,4 (3,6")	7.26	25.4	7.92	5.58	2,27 - 2,73	21.7
P1252.025-370	6,35 (1/4")	94,0 (3,7")	7.26	25.4	7.92	5.58	2,27 - 2,73	21.7
P1252.025-380	6,35 (1/4")	96,5 (3,8")	7.26	25.4	7.92	5.58	2,27 - 2,73	21.7
P1252.025-390	6,35 (1/4")	99,1 (3,9")	7.26	25.4	7.92	5.58	2,27 - 2,73	21.7
P1252.031-060	7,93 (5/16")	15,2 (0,6")	9.09	25.4	9.52	6.35	2,27 - 2,73	33.8
P1252.031-070	7,93 (5/16")	17,8 (0,7")	9.09	25.4	9.52	6.35	2,27 - 2,73	33.8
P1252.031-080	7,93 (5/16")	20,3 (0,8")	9.09	25.4	9.52	6.35	2,27 - 2,73	33.8
P1252.031-090	7,93 (5/16")	22,9 (0,9")	9.09	25.4	9.52	6.35	2,27 - 2,73	33.8
P1252.031-100	7,93 (5/16")	25,4 (1")	9.09	25.4	9.52	6.35	2,27 - 2,73	33.8
P1252.031-110	7,93 (5/16")	27,9 (1,1")	9.09	25.4	9.52	6.35	2,27 - 2,73	33.8
P1252.031-120	7,93 (5/16")	30,5 (1,2")	9.09	25.4	9.52	6.35	2,27 - 2,73	33.8
P1252.031-130	7,93 (5/16")	33,0 (1,3")	9.09	25.4	9.52	6.35	2,27 - 2,73	33.8
P1252.031-140	7,93 (5/16")	35,6 (1,4")	9.09	25.4	9.52	6.35	2,27 - 2,73	33.8
P1252.031-150	7,93 (5/16")	38,1 (1,5")	9.09	25.4	9.52	6.35	2,27 - 2,73	33.8
P1252.031-160	7,93 (5/16")	40,6 (1,6")	9.09	25.4	9.52	6.35	2,27 - 2,73	33.8
P1252.031-170	7,93 (5/16")	43,2 (1,7")	9.09	25.4	9.52	6.35	2,27 - 2,73	33.8
P1252.031-180	7,93 (5/16")	45,7 (1,8")	9.09	25.4	9.52	6.35	2,27 - 2,73	33.8
P1252.031-190	7,93 (5/16")	48,2 (1,9")	9.09	25.4	9.52	6.35	2,27 - 2,73	33.8
P1252.031-200	7,93 (5/16")	50,8 (2")	9.09	25.4	9.52	6.35	2,27 - 2,73	33.8
P1252.031-210	7,93 (5/16")	53,3 (2,1")	9.09	25.4	9.52	6.35	2,27 - 2,73	33.8
P1252.031-220	7,93 (5/16")	55,9 (2,2")	9.09	25.4	9.52	6.35	2,27 - 2,73	33.8
P1252.031-230	7,93 (5/16")	58,4 (2,3")	9.09	25.4	9.52	6.35	2,27 - 2,73	33.8
P1252.031-240	7,93 (5/16")	61,0 (2,4")	9.09	25.4	9.52	6.35	2,27 - 2,73	33.8
P1252.031-250	7,93 (5/16")	63,5 (2,5")	9.09	25.4	9.52	6.35	2,27 - 2,73	33.8
P1252.031-260	7,93 (5/16")	66,04 (2,6")	9.09	25.4	9.52	6.35	2,27 - 2,73	33.8
P1252.031-270	7,93 (5/16")	68,6 (2,7")	9.09	25.4	9.52	6.35	2,27 - 2,73	33.8
P1252.031-280	7,93 (5/16")	71,1 (2,8")	9.09	25.4	9.52	6.35	2,27 - 2,73	33.8
P1252.031-290	7,93 (5/16")	73,7 (2,9")	9.09	25.4	9.52	6.35	2,27 - 2,73	33.8
P1252.031-300	7,93 (5/16")	76,2 (3")	9.09	25.4	9.52	6.35	2,27 - 2,73	33.8
P1252.031-310	7,93 (5/16")	78,7 (3,1")	9.09	25.4	9.52	6.35	2,27 - 2,73	33.8



Detent Pin Stainless Steel



Other Pins

Order No.	d ₁ +0.00 -0.08	l ₁ grip +1.5 -0.0	d ₂	d ₃	l ₂	l ₃	Pull out strength kg	Single shear strength kN min.
P1252.031-320	7,93 (5/16")	81,3 (3,2")	9.09	25.4	9.52	6.35	2,27 - 2,73	33.8
P1252.031-330	7,93 (5/16")	83,8 (3,3")	9.09	25.4	9.52	6.35	2,27 - 2,73	33.8
P1252.031-340	7,93 (5/16")	86,4 (3,4")	9.09	25.4	9.52	6.35	2,27 - 2,73	33.8
P1252.031-350	7,93 (5/16")	88,9 (3,5")	9.09	25.4	9.52	6.35	2,27 - 2,73	33.8
P1252.031-360	7,93 (5/16")	91,4 (3,6")	9.09	25.4	9.52	6.35	2,27 - 2,73	33.8
P1252.031-370	7,93 (5/16")	94,0 (3,7")	9.09	25.4	9.52	6.35	2,27 - 2,73	33.8
P1252.031-380	7,93 (5/16")	96,5 (3,8")	9.09	25.4	9.52	6.35	2,27 - 2,73	33.8
P1252.031-390	7,93 (5/16")	99,1 (3,9")	9.09	25.4	9.52	6.35	2,27 - 2,73	33.8
P1252.031-400	7,93 (5/16")	101,6 (4")	9.09	25.4	9.52	6.35	2,27 - 2,73	33.8
P1252.031-410	7,93 (5/16")	104,1 (4,1")	9.09	25.4	9.52	6.35	2,27 - 2,73	33.8
P1252.031-420	7,93 (5/16")	106,7 (4,2")	9.09	25.4	9.52	6.35	2,27 - 2,73	33.8
P1252.031-430	7,93 (5/16")	109,2 (4,3")	9.09	25.4	9.52	6.35	2,27 - 2,73	33.8
P1252.031-440	7,93 (5/16")	111,8 (4,4")	9.09	25.4	9.52	6.35	2,27 - 2,73	33.8
P1252.031-450	7,93 (5/16")	114,3 (4,5")	9.09	25.4	9.52	6.35	2,27 - 2,73	33.8
P1252.031-460	7,93 (5/16")	116,8 (4,6")	9.09	25.4	9.52	6.35	2,27 - 2,73	33.8
P1252.031-470	7,93 (5/16")	119,4 (4,7")	9.09	25.4	9.52	6.35	2,27 - 2,73	33.8
P1252.031-480	7,93 (5/16")	121,9 (4,8")	9.09	25.4	9.52	6.35	2,27 - 2,73	33.8
P1252.031-490	7,93 (5/16")	124,5 (4,9")	9.09	25.4	9.52	6.35	2,27 - 2,73	33.8
P1252.031-500	7,93 (5/16")	127,0 (5")	9.09	25.4	9.52	6.35	2,27 - 2,73	33.8
P1252.037-060	9,52 (3/8")	15,2 (0,6")	10.8	25.4	12.7	6.35	3,63 - 4,54	49.1
P1252.037-070	9,52 (3/8")	17,8 (0,7")	10.8	25.4	12.7	6.35	3,63 - 4,54	49.1
P1252.037-090	9,52 (3/8")	22,9 (0,9")	10.8	25.4	12.7	6.35	3,63 - 4,54	49.1
P1252.037-100	9,52 (3/8")	25,4 (1")	10.8	25.4	12.7	6.35	3,63 - 4,54	49.1
P1252.037-110	9,52 (3/8")	27,9 (1,1")	10.8	25.4	12.7	6.35	3,63 - 4,54	49.1
P1252.037-120	9,52 (3/8")	30,5 (1,2")	10.8	25.4	12.7	6.35	3,63 - 4,54	49.1
P1252.037-130	9,52 (3/8")	33,0 (1,3")	10.8	25.4	12.7	6.35	3,63 - 4,54	49.1
P1252.037-140	9,52 (3/8")	35,6 (1,4")	10.8	25.4	12.7	6.35	3,63 - 4,54	49.1
P1252.037-150	9,52 (3/8")	38,1 (1,5")	10.8	25.4	12.7	6.35	3,63 - 4,54	49.1
P1252.037-160	9,52 (3/8")	40,6 (1,6")	10.8	25.4	12.7	6.35	3,63 - 4,54	49.1
P1252.037-170	9,52 (3/8")	43,2 (1,7")	10.8	25.4	12.7	6.35	3,63 - 4,54	49.1
P1252.037-180	9,52 (3/8")	45,7 (1,8")	10.8	25.4	12.7	6.35	3,63 - 4,54	49.1
P1252.037-190	9,52 (3/8")	48,2 (1,9")	10.8	25.4	12.7	6.35	3,63 - 4,54	49.1
P1252.037-200	9,52 (3/8")	50,8 (2")	10.8	25.4	12.7	6.35	3,63 - 4,54	49.1
P1252.037-210	9,52 (3/8")	53,3 (2,1")	10.8	25.4	12.7	6.35	3,63 - 4,54	49.1
P1252.037-220	9,52 (3/8")	55,9 (2,2")	10.8	25.4	12.7	6.35	3,63 - 4,54	49.1
P1252.037-230	9,52 (3/8")	58,4 (2,3")	10.8	25.4	12.7	6.35	3,63 - 4,54	49.1
P1252.037-240	9,52 (3/8")	61,0 (2,4")	10.8	25.4	12.7	6.35	3,63 - 4,54	49.1
P1252.037-250	9,52 (3/8")	63,5 (2,5")	10.8	25.4	12.7	6.35	3,63 - 4,54	49.1
P1252.037-260	9,52 (3/8")	66,04 (2,6")	10.8	25.4	12.7	6.35	3,63 - 4,54	49.1
P1252.037-270	9,52 (3/8")	68,6 (2,7")	10.8	25.4	12.7	6.35	3,63 - 4,54	49.1
P1252.037-280	9,52 (3/8")	71,1 (2,8")	10.8	25.4	12.7	6.35	3,63 - 4,54	49.1
P1252.037-290	9,52 (3/8")	73,7 (2,9")	10.8	25.4	12.7	6.35	3,63 - 4,54	49.1
P1252.037-300	9,52 (3/8")	76,2 (3")	10.8	25.4	12.7	6.35	3,63 - 4,54	49.1
P1252.037-310	9,52 (3/8")	78,7 (3,1")	10.8	25.4	12.7	6.35	3,63 - 4,54	49.1
P1252.037-320	9,52 (3/8")	81,3 (3,2")	10.8	25.4	12.7	6.35	3,63 - 4,54	49.1
P1252.037-330	9,52 (3/8")	83,8 (3,3")	10.8	25.4	12.7	6.35	3,63 - 4,54	49.1
P1252.037-340	9,52 (3/8")	86,4 (3,4")	10.8	25.4	12.7	6.35	3,63 - 4,54	49.1
P1252.037-350	9,52 (3/8")	88,9 (3,5")	10.8	25.4	12.7	6.35	3,63 - 4,54	49.1
P1252.037-360	9,52 (3/8")	91,4 (3,6")	10.8	25.4	12.7	6.35	3,63 - 4,54	49.1
P1252.037-370	9,52 (3/8")	94,0 (3,7")	10.8	25.4	12.7	6.35	3,63 - 4,54	49.1
P1252.037-380	9,52 (3/8")	96,5 (3,8")	10.8	25.4	12.7	6.35	3,63 - 4,54	49.1
P1252.037-390	9,52 (3/8")	99,1 (3,9")	10.8	25.4	12.7	6.35	3,63 - 4,54	49.1
P1252.037-400	9,52 (3/8")	101,6 (4")	10.8	25.4	12.7	6.35	3,63 - 4,54	49.1
P1252.037-410	9,52 (3/8")	104,1 (4,1")	10.8	25.4	12.7	6.35	3,63 - 4,54	49.1
P1252.037-420	9,52 (3/8")	106,7 (4,2")	10.8	25.4	12.7	6.35	3,63 - 4,54	49.1
P1252.037-430	9,52 (3/8")	109,2 (4,3")	10.8	25.4	12.7	6.35	3,63 - 4,54	49.1
P1252.037-440	9,52 (3/8")	111,8 (4,4")	10.8	25.4	12.7	6.35	3,63 - 4,54	49.1
P1252.037-450	9,52 (3/8")	114,3 (4,5")	10.8	25.4	12.7	6.35	3,63 - 4,54	49.1
P1252.037-460	9,52 (3/8")	116,8 (4,6")	10.8	25.4	12.7	6.35	3,63 - 4,54	49.1
P1252.037-470	9,52 (3/8")	119,4 (4,7")	10.8	25.4	12.7	6.35	3,63 - 4,54	49.1
P1252.037-480	9,52 (3/8")	121,9 (4,8")	10.8	25.4	12.7	6.35	3,63 - 4,54	49.1
P1252.037-490	9,52 (3/8")	124,5 (4,9")	10.8	25.4	12.7	6.35	3,63 - 4,54	49.1
P1252.037-500	9,52 (3/8")	127,0 (5")	10.8	25.4	12.7	6.35	3,63 - 4,54	49.1
P1252.037-510	9,52 (3/8")	129,5 (5,1")	10.8	25.4	12.7	6.35	3,63 - 4,54	49.1
P1252.037-520	9,52 (3/8")	132,1 (5,2")	10.8	25.4	12.7	6.35	3,63 - 4,54	49.1
P1252.037-530	9,52 (3/8")	134,6 (5,3")	10.8	25.4	12.7	6.35	3,63 - 4,54	49.1
P1252.037-540	9,52 (3/8")	137,2 (5,4")	10.8	25.4	12.7	6.35	3,63 - 4,54	49.1

OTHER PINS

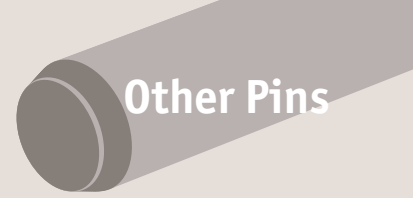


Order No.	d ₁ +0.00 -0.08	l ₁ grip +1.5 -0.0	d ₂	d ₃	l ₂	l ₃	Pull out strength kg	Single shear strength kN min.
P1252.037-560	9,52 (3/8")	142,2 (5,6")	10,8	25,4	12,7	6,35	3,63 - 4,54	49,1
P1252.037-570	9,52 (3/8")	144,8 (5,7")	10,8	25,4	12,7	6,35	3,63 - 4,54	49,1
P1252.037-580	9,52 (3/8")	147,3 (5,8")	10,8	25,4	12,7	6,35	3,63 - 4,54	49,1
P1252.037-590	9,52 (3/8")	149,9 (5,9")	10,8	25,4	12,7	6,35	3,63 - 4,54	49,1
P1252.043-050	11,1 (7/16")	12,7 (0,5")	12,5	25,4	14,2	6,35	4,09 - 5,45	66,5
P1252.043-060	11,1 (7/16")	15,2 (0,6")	12,5	25,4	14,2	6,35	4,09 - 5,45	66,5
P1252.043-070	11,1 (7/16")	17,8 (0,7")	12,5	25,4	14,2	6,35	4,09 - 5,45	66,5
P1252.043-080	11,1 (7/16")	20,3 (0,8")	12,5	25,4	14,2	6,35	4,09 - 5,45	66,5
P1252.043-090	11,1 (7/16")	22,9 (0,9")	12,5	25,4	14,2	6,35	4,09 - 5,45	66,5
P1252.043-100	11,1 (7/16")	25,4 (1")	12,5	25,4	14,2	6,35	4,09 - 5,45	66,5
P1252.043-110	11,1 (7/16")	27,9 (1,1")	12,5	25,4	14,2	6,35	4,09 - 5,45	66,5
P1252.043-120	11,1 (7/16")	30,5 (1,2")	12,5	25,4	14,2	6,35	4,09 - 5,45	66,5
P1252.043-130	11,1 (7/16")	33,0 (1,3")	12,5	25,4	14,2	6,35	4,09 - 5,45	66,5
P1252.043-140	11,1 (7/16")	35,6 (1,4")	12,5	25,4	14,2	6,35	4,09 - 5,45	66,5
P1252.043-150	11,1 (7/16")	38,1 (1,5")	12,5	25,4	14,2	6,35	4,09 - 5,45	66,5
P1252.043-160	11,1 (7/16")	40,6 (1,6")	12,5	25,4	14,2	6,35	4,09 - 5,45	66,5
P1252.043-170	11,1 (7/16")	43,2 (1,7")	12,5	25,4	14,2	6,35	4,09 - 5,45	66,5
P1252.043-180	11,1 (7/16")	45,7 (1,8")	12,5	25,4	14,2	6,35	4,09 - 5,45	66,5
P1252.043-190	11,1 (7/16")	48,2 (1,9")	12,5	25,4	14,2	6,35	4,09 - 5,45	66,5
P1252.043-200	11,1 (7/16")	50,8 (2")	12,5	25,4	14,2	6,35	4,09 - 5,45	66,5
P1252.043-210	11,1 (7/16")	53,3 (2,1")	12,5	25,4	14,2	6,35	4,09 - 5,45	66,5
P1252.043-220	11,1 (7/16")	55,9 (2,2")	12,5	25,4	14,2	6,35	4,09 - 5,45	66,5
P1252.043-230	11,1 (7/16")	58,4 (2,3")	12,5	25,4	14,2	6,35	4,09 - 5,45	66,5
P1252.043-240	11,1 (7/16")	61,0 (2,4")	12,5	25,4	14,2	6,35	4,09 - 5,45	66,5
P1252.043-250	11,1 (7/16")	63,5 (2,5")	12,5	25,4	14,2	6,35	4,09 - 5,45	66,5
P1252.043-260	11,1 (7/16")	66,04 (2,6")	12,5	25,4	14,2	6,35	4,09 - 5,45	66,5
P1252.043-270	11,1 (7/16")	68,6 (2,7")	12,5	25,4	14,2	6,35	4,09 - 5,45	66,5
P1252.043-280	11,1 (7/16")	71,1 (2,8")	12,5	25,4	14,2	6,35	4,09 - 5,45	66,5
P1252.043-290	11,1 (7/16")	73,7 (2,9")	12,5	25,4	14,2	6,35	4,09 - 5,45	66,5
P1252.043-300	11,1 (7/16")	76,2 (3")	12,5	25,4	14,2	6,35	4,09 - 5,45	66,5
P1252.043-310	11,1 (7/16")	78,7 (3,1")	12,5	25,4	14,2	6,35	4,09 - 5,45	66,5
P1252.043-320	11,1 (7/16")	81,3 (3,2")	12,5	25,4	14,2	6,35	4,09 - 5,45	66,5
P1252.043-330	11,1 (7/16")	83,8 (3,3")	12,5	25,4	14,2	6,35	4,09 - 5,45	66,5
P1252.043-340	11,1 (7/16")	86,4 (3,4")	12,5	25,4	14,2	6,35	4,09 - 5,45	66,5
P1252.043-360	11,1 (7/16")	91,4 (3,6")	12,5	25,4	14,2	6,35	4,09 - 5,45	66,5
P1252.043-370	11,1 (7/16")	94,0 (3,7")	12,5	25,4	14,2	6,35	4,09 - 5,45	66,5
P1252.043-380	11,1 (7/16")	96,5 (3,8")	12,5	25,4	14,2	6,35	4,09 - 5,45	66,5
P1252.043-390	11,1 (7/16")	99,1 (3,9")	12,5	25,4	14,2	6,35	4,09 - 5,45	66,5
P1252.043-400	11,1 (7/16")	101,6 (4")	12,5	25,4	14,2	6,35	4,09 - 5,45	66,5
P1252.043-410	11,1 (7/16")	104,1 (4,1")	12,5	25,4	14,2	6,35	4,09 - 5,45	66,5
P1252.043-420	11,1 (7/16")	106,7 (4,2")	12,5	25,4	14,2	6,35	4,09 - 5,45	66,5
P1252.043-430	11,1 (7/16")	109,2 (4,3")	12,5	25,4	14,2	6,35	4,09 - 5,45	66,5
P1252.043-440	11,1 (7/16")	111,8 (4,4")	12,5	25,4	14,2	6,35	4,09 - 5,45	66,5
P1252.043-450	11,1 (7/16")	114,3 (4,5")	12,5	25,4	14,2	6,35	4,09 - 5,45	66,5
P1252.043-460	11,1 (7/16")	116,8 (4,6")	12,5	25,4	14,2	6,35	4,09 - 5,45	66,5
P1252.043-470	11,1 (7/16")	119,4 (4,7")	12,5	25,4	14,2	6,35	4,09 - 5,45	66,5
P1252.043-480	11,1 (7/16")	121,9 (4,8")	12,5	25,4	14,2	6,35	4,09 - 5,45	66,5
P1252.043-490	11,1 (7/16")	124,5 (4,9")	12,5	25,4	14,2	6,35	4,09 - 5,45	66,5
P1252.043-500	11,1 (7/16")	127,0 (5")	12,5	25,4	14,2	6,35	4,09 - 5,45	66,5
P1252.043-510	11,1 (7/16")	129,5 (5,1")	12,5	25,4	14,2	6,35	4,09 - 5,45	66,5
P1252.043-520	11,1 (7/16")	132,1 (5,2")	12,5	25,4	14,2	6,35	4,09 - 5,45	66,5
P1252.043-530	11,1 (7/16")	134,6 (5,3")	12,5	25,4	14,2	6,35	4,09 - 5,45	66,5
P1252.043-540	11,1 (7/16")	137,2 (5,4")	12,5	25,4	14,2	6,35	4,09 - 5,45	66,5
P1252.043-550	11,1 (7/16")	139,7 (5,5")	12,5	25,4	14,2	6,35	4,09 - 5,45	66,5
P1252.043-560	11,1 (7/16")	142,2 (5,6")	12,5	25,4	14,2	6,35	4,09 - 5,45	66,5
P1252.043-570	11,1 (7/16")	144,8 (5,7")	12,5	25,4	14,2	6,35	4,09 - 5,45	66,5
P1252.043-580	11,1 (7/16")	147,3 (5,8")	12,5	25,4	14,2	6,35	4,09 - 5,45	66,5
P1252.043-590	11,1 (7/16")	149,9 (5,9")	12,5	25,4	14,2	6,35	4,09 - 5,45	66,5
P1252.043-600	11,1 (7/16")	152,4 (6")	12,5	25,4	14,2	6,35	4,09 - 5,45	66,5
P1252.050-050	12,7 (1/2")	12,7 (0,5")	14,4	31,7	15,8	7,92	4,54 - 5,45	87,1
P1252.050-060	12,7 (1/2")	15,2 (0,6")	14,4	31,7	15,8	7,92	4,54 - 5,45	87,1
P1252.050-070	12,7 (1/2")	17,8 (0,7")	14,4	31,7	15,8	7,92	4,54 - 5,45	87,1
P1252.050-080	12,7 (1/2")	20,3 (0,8")	14,4	31,7	15,8	7,92	4,54 - 5,45	87,1
P1252.050-090	12,7 (1/2")	22,9 (0,9")	14,4	31,7	15,8	7,92	4,54 - 5,45	87,1
P1252.050-100	12,7 (1/2")	25,4 (1")	14,4	31,7	15,8	7,92	4,54 - 5,45	87,1
P1252.050-110	12,7 (1/2")	27,9 (1,1")	14,4	31,7	15,8	7,92	4,54 - 5,45	87,1
P1252.050-120	12,7 (1/2")	30,5 (1,2")	14,4	31,7	15,8	7,92	4,54 - 5,45	87,1



Detent Pin

Stainless Steel



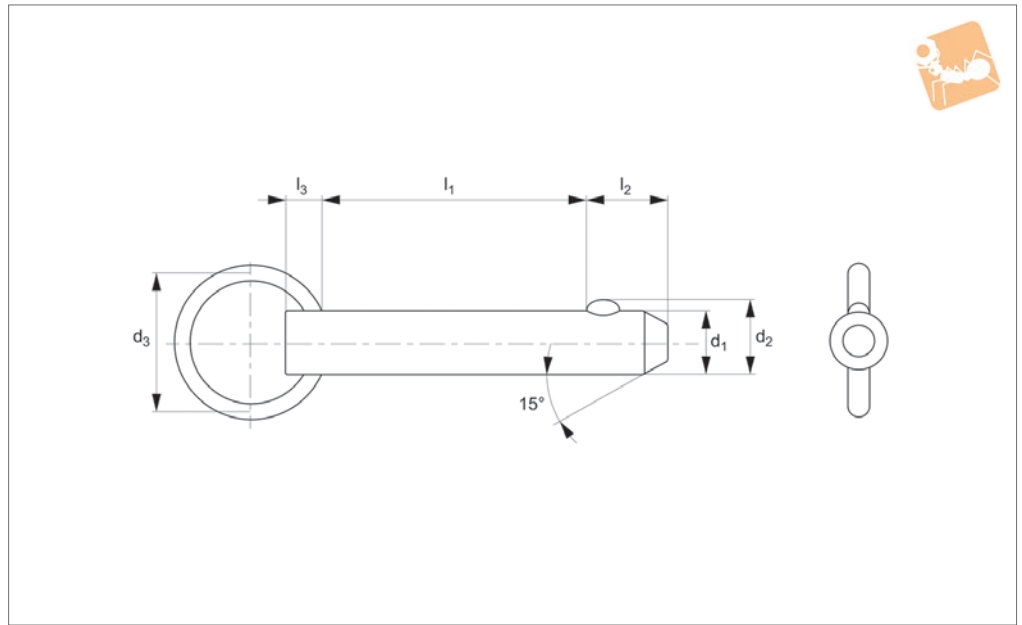
Other Pins

Order No.	d ₁ +0.00 -0.08	l ₁ grip +1.5 -0.0	d ₂	d ₃	l ₂	l ₃	Pull out strength kg	Single shear strength kN min.
P1252.050-130	12,7 (1/2")	33,0 (1,3")	14.4	31.7	15.8	7.92	4,54 - 5,45	87.1
P1252.050-140	12,7 (1/2")	35,6 (1,4")	14.4	31.7	15.8	7.92	4,54 - 5,45	87.1
P1252.050-150	12,7 (1/2")	38,1 (1,5")	14.4	31.7	15.8	7.92	4,54 - 5,45	87.1
P1252.050-160	12,7 (1/2")	40,6 (1,6")	14.4	31.7	15.8	7.92	4,54 - 5,45	87.1
P1252.050-170	12,7 (1/2")	43,2 (1,7")	14.4	31.7	15.8	7.92	4,54 - 5,45	87.1
P1252.050-180	12,7 (1/2")	45,7 (1,8")	14.4	31.7	15.8	7.92	4,54 - 5,45	87.1
P1252.050-190	12,7 (1/2")	48,2 (1,9")	14.4	31.7	15.8	7.92	4,54 - 5,45	87.1
P1252.050-200	12,7 (1/2")	50,8 (2")	14.4	31.7	15.8	7.92	4,54 - 5,45	87.1
P1252.050-210	12,7 (1/2")	53,3 (2,1")	14.4	31.7	15.8	7.92	4,54 - 5,45	87.1
P1252.050-220	12,7 (1/2")	55,9 (2,2")	14.4	31.7	15.8	7.92	4,54 - 5,45	87.1
P1252.050-230	12,7 (1/2")	58,4 (2,3")	14.4	31.7	15.8	7.92	4,54 - 5,45	87.1
P1252.050-240	12,7 (1/2")	61,0 (2,4")	14.4	31.7	15.8	7.92	4,54 - 5,45	87.1
P1252.050-250	12,7 (1/2")	63,5 (2,5")	14.4	31.7	15.8	7.92	4,54 - 5,45	87.1
P1252.050-260	12,7 (1/2")	66,04 (2,6")	14.4	31.7	15.8	7.92	4,54 - 5,45	87.1
P1252.050-270	12,7 (1/2")	68,6 (2,7")	14.4	31.7	15.8	7.92	4,54 - 5,45	87.1
P1252.050-280	12,7 (1/2")	71,1 (2,8")	14.4	31.7	15.8	7.92	4,54 - 5,45	87.1
P1252.050-290	12,7 (1/2")	73,7 (2,9")	14.4	31.7	15.8	7.92	4,54 - 5,45	87.1
P1252.050-300	12,7 (1/2")	76,2 (3")	14.4	31.7	15.8	7.92	4,54 - 5,45	87.1
P1252.050-310	12,7 (1/2")	78,7 (3,1")	14.4	31.7	15.8	7.92	4,54 - 5,45	87.1
P1252.050-320	12,7 (1/2")	81,3 (3,2")	14.4	31.7	15.8	7.92	4,54 - 5,45	87.1
P1252.050-330	12,7 (1/2")	83,8 (3,3")	14.4	31.7	15.8	7.92	4,54 - 5,45	87.1
P1252.050-340	12,7 (1/2")	86,4 (3,4")	14.4	31.7	15.8	7.92	4,54 - 5,45	87.1
P1252.050-350	12,7 (1/2")	88,9 (3,5")	14.4	31.7	15.8	7.92	4,54 - 5,45	87.1
P1252.050-360	12,7 (1/2")	91,4 (3,6")	14.4	31.7	15.8	7.92	4,54 - 5,45	87.1
P1252.050-370	12,7 (1/2")	94,0 (3,7")	14.4	31.7	15.8	7.92	4,54 - 5,45	87.1
P1252.050-380	12,7 (1/2")	96,5 (3,8")	14.4	31.7	15.8	7.92	4,54 - 5,45	87.1
P1252.050-390	12,7 (1/2")	99,1 (3,9")	14.4	31.7	15.8	7.92	4,54 - 5,45	87.1
P1252.050-400	12,7 (1/2")	101,6 (4")	14.4	31.7	15.8	7.92	4,54 - 5,45	87.1
P1252.050-410	12,7 (1/2")	104,1 (4,1")	14.4	31.7	15.8	7.92	4,54 - 5,45	87.1
P1252.050-420	12,7 (1/2")	106,7 (4,2")	14.4	31.7	15.8	7.92	4,54 - 5,45	87.1
P1252.050-430	12,7 (1/2")	109,2 (4,3")	14.4	31.7	15.8	7.92	4,54 - 5,45	87.1
P1252.050-440	12,7 (1/2")	111,8 (4,4")	14.4	31.7	15.8	7.92	4,54 - 5,45	87.1
P1252.050-450	12,7 (1/2")	114,3 (4,5")	14.4	31.7	15.8	7.92	4,54 - 5,45	87.1
P1252.050-460	12,7 (1/2")	116,8 (4,6")	14.4	31.7	15.8	7.92	4,54 - 5,45	87.1
P1252.050-470	12,7 (1/2")	119,4 (4,7")	14.4	31.7	15.8	7.92	4,54 - 5,45	87.1
P1252.050-480	12,7 (1/2")	121,9 (4,8")	14.4	31.7	15.8	7.92	4,54 - 5,45	87.1
P1252.050-490	12,7 (1/2")	124,5 (4,9")	14.4	31.7	15.8	7.92	4,54 - 5,45	87.1
P1252.050-500	12,7 (1/2")	127,0 (5")	14.4	31.7	15.8	7.92	4,54 - 5,45	87.1
P1252.050-510	12,7 (1/2")	129,5 (5,1")	14.4	31.7	15.8	7.92	4,54 - 5,45	87.1
P1252.050-520	12,7 (1/2")	132,1 (5,2")	14.4	31.7	15.8	7.92	4,54 - 5,45	87.1
P1252.050-530	12,7 (1/2")	134,6 (5,3")	14.4	31.7	15.8	7.92	4,54 - 5,45	87.1
P1252.050-540	12,7 (1/2")	137,2 (5,4")	14.4	31.7	15.8	7.92	4,54 - 5,45	87.1
P1252.050-550	12,7 (1/2")	139,7 (5,5")	14.4	31.7	15.8	7.92	4,54 - 5,45	87.1
P1252.050-560	12,7 (1/2")	142,2 (5,6")	14.4	31.7	15.8	7.92	4,54 - 5,45	87.1
P1252.050-570	12,7 (1/2")	144,8 (5,7")	14.4	31.7	15.8	7.92	4,54 - 5,45	87.1
P1252.050-580	12,7 (1/2")	147,3 (5,8")	14.4	31.7	15.8	7.92	4,54 - 5,45	87.1
P1252.050-590	12,7 (1/2")	149,9 (5,9")	14.4	31.7	15.8	7.92	4,54 - 5,45	87.1
P1252.050-600	12,7 (1/2")	152,4 (6")	14.4	31.7	15.8	7.92	4,54 - 5,45	87.1
P1252.050-610	12,7 (1/2")	154,9 (6,1")	14.4	31.7	15.8	7.92	4,54 - 5,45	87.1
P1252.050-620	12,7 (1/2")	157,5 (6,2")	14.4	31.7	15.8	7.92	4,54 - 5,45	87.1
P1252.050-630	12,7 (1/2")	160,0 (6,3")	14.4	31.7	15.8	7.92	4,54 - 5,45	87.1
P1252.050-640	12,7 (1/2")	162,6 (6,4")	14.4	31.7	15.8	7.92	4,54 - 5,45	87.1
P1252.050-650	12,7 (1/2")	165,1 (6,5")	14.4	31.7	15.8	7.92	4,54 - 5,45	87.1
P1252.050-660	12,7 (1/2")	167,6 (6,6")	14.4	31.7	15.8	7.92	4,54 - 5,45	87.1
P1252.050-670	12,7 (1/2")	170,2 (6,7")	14.4	31.7	15.8	7.92	4,54 - 5,45	87.1
P1252.050-680	12,7 (1/2")	172,7 (6,8")	14.4	31.7	15.8	7.92	4,54 - 5,45	87.1
P1252.050-690	12,7 (1/2")	175,3 (6,9")	14.4	31.7	15.8	7.92	4,54 - 5,45	87.1
P1252.050-700	12,7 (1/2")	177,8 (7")	14.4	31.7	15.8	7.92	4,54 - 5,45	87.1

OTHER PINS



P1252.2



Material

Shaft: Stainless steel, AISI 303.

Ball & Spring: Stainless steel, AISI 316.

Technical Notes

Detent pins are very economical for use in commercial and military equipment.

The solid body with direct spring loaded ball ensures reliable operation.

For locking telescopic tubing, securing bracket assemblies, as anchor clevis fittings, hinge pins etc where frequent removal is necessary.

Hole sizes - commercial drills provide clearance for our standard pins.

Inch dimensions in brackets ().

Tips

Also available on request in A4 (AISI 316) stainless steel, subject to min. quantity.

Order No.	d ₁ +0.00 -0.08	l ₁ grip +1.5 -0.0	d ₂	d ₃	l ₂	l ₃	Pull out strength kg	Single shear strength kN min.
P1252.056-100	14,2 (9/16")	25,4 (1,0")	16,3	31,7	17,4	7,92	5,45 - 6,81	110,3
P1252.056-110	14,2 (9/16")	27,9 (1,1")	16,3	31,7	17,4	7,92	5,45 - 6,81	110,3
P1252.056-120	14,2 (9/16")	30,5 (1,2")	16,3	31,7	17,4	7,92	5,45 - 6,81	110,3
P1252.056-130	14,2 (9/16")	33,0 (1,3")	16,3	31,7	17,4	7,92	5,45 - 6,81	110,3
P1252.056-140	14,2 (9/16")	35,6 (1,4")	16,3	31,7	17,4	7,92	5,45 - 6,81	110,3
P1252.056-150	14,2 (9/16")	38,1 (1,5")	16,3	31,7	17,4	7,92	5,45 - 6,81	110,3
P1252.056-160	14,2 (9/16")	40,6 (1,6")	16,3	31,7	17,4	7,92	5,45 - 6,81	110,3
P1252.056-170	14,2 (9/16")	43,2 (1,7")	16,3	31,7	17,4	7,92	5,45 - 6,81	110,3
P1252.056-180	14,2 (9/16")	45,7 (1,8")	16,3	31,7	17,4	7,92	5,45 - 6,81	110,3
P1252.056-190	14,2 (9/16")	48,3 (1,9")	16,3	31,7	17,4	7,92	5,45 - 6,81	110,3
P1252.056-200	14,2 (9/16")	50,8 (2,0")	16,3	31,7	17,4	7,92	5,45 - 6,81	110,3
P1252.056-210	14,2 (9/16")	53,3 (2,1")	16,3	31,7	17,4	7,92	5,45 - 6,81	110,3
P1252.056-220	14,2 (9/16")	55,9 (2,2")	16,3	31,7	17,4	7,92	5,45 - 6,81	110,3
P1252.056-230	14,2 (9/16")	58,4 (2,3")	16,3	31,7	17,4	7,92	5,45 - 6,81	110,3
P1252.056-240	14,2 (9/16")	61,0 (2,4")	16,3	31,7	17,4	7,92	5,45 - 6,81	110,3
P1252.056-250	14,2 (9/16")	63,5 (2,5")	16,3	31,7	17,4	7,92	5,45 - 6,81	110,3
P1252.056-260	14,2 (9/16")	66,0 (2,6")	16,3	31,7	17,4	7,92	5,45 - 6,81	110,3
P1252.056-270	14,2 (9/16")	68,6 (2,7")	16,3	31,7	17,4	7,92	5,45 - 6,81	110,3
P1252.056-280	14,2 (9/16")	71,1 (2,8")	16,3	31,7	17,4	7,92	5,45 - 6,81	110,3
P1252.056-290	14,2 (9/16")	73,7 (2,9")	16,3	31,7	17,4	7,92	5,45 - 6,81	110,3
P1252.056-300	14,2 (9/16")	76,2 (3,0")	16,3	31,7	17,4	7,92	5,45 - 6,81	110,3
P1252.056-310	14,2 (9/16")	78,7 (3,1")	16,3	31,7	17,4	7,92	5,45 - 6,81	110,3
P1252.056-320	14,2 (9/16")	81,3 (3,2")	16,3	31,7	17,4	7,92	5,45 - 6,81	110,3
P1252.056-330	14,2 (9/16")	83,8 (3,3")	16,3	31,7	17,4	7,92	5,45 - 6,81	110,3
P1252.056-340	14,2 (9/16")	86,4 (3,4")	16,3	31,7	17,4	7,92	5,45 - 6,81	110,3
P1252.056-350	14,2 (9/16")	88,9 (3,5")	16,3	31,7	17,4	7,92	5,45 - 6,81	110,3
P1252.056-360	14,2 (9/16")	91,4 (3,6")	16,3	31,7	17,4	7,92	5,45 - 6,81	110,3
P1252.056-370	14,2 (9/16")	94,0 (3,7")	16,3	31,7	17,4	7,92	5,45 - 6,81	110,3
P1252.056-380	14,2 (9/16")	96,5 (3,8")	16,3	31,7	17,4	7,92	5,45 - 6,81	110,3
P1252.056-390	14,2 (9/16")	99,1 (3,9")	16,3	31,7	17,4	7,92	5,45 - 6,81	110,3



Detent Pin

Stainless Steel



Other Pins

Order No.	d ₁ +0.00 -0.08	l ₁ grip +1.5 -0.0	d ₂	d ₃	l ₂	l ₃	Pull out strength kg	Single shear strength kN min.
P1252.056-400	14,2 (9/16")	101,6 (4,0")	16,3	31,7	17,4	7,92	5,45 - 6,81	110,3
P1252.056-410	14,2 (9/16")	104,1 (4,1")	16,3	31,7	17,4	7,92	5,45 - 6,81	110,3
P1252.056-420	14,2 (9/16")	106,7 (4,2")	16,3	31,7	17,4	7,92	5,45 - 6,81	110,3
P1252.056-430	14,2 (9/16")	109,2 (4,3")	16,3	31,7	17,4	7,92	5,45 - 6,81	110,3
P1252.056-440	14,2 (9/16")	111,8 (4,4")	16,3	31,7	17,4	7,92	5,45 - 6,81	110,3
P1252.056-450	14,2 (9/16")	114,3 (4,5")	16,3	31,7	17,4	7,92	5,45 - 6,81	110,3
P1252.056-460	14,2 (9/16")	116,8 (4,6")	16,3	31,7	17,4	7,92	5,45 - 6,81	110,3
P1252.056-470	14,2 (9/16")	119,4 (4,7")	16,3	31,7	17,4	7,92	5,45 - 6,81	110,3
P1252.056-480	14,2 (9/16")	121,9 (4,8")	16,3	31,7	17,4	7,92	5,45 - 6,81	110,3
P1252.056-490	14,2 (9/16")	124,5 (4,9")	16,3	31,7	17,4	7,92	5,45 - 6,81	110,3
P1252.056-500	14,2 (9/16")	127,0 (5,0")	16,3	31,7	17,4	7,92	5,45 - 6,81	110,3
P1252.056-510	14,2 (9/16")	129,5 (5,1")	16,3	31,7	17,4	7,92	5,45 - 6,81	110,3
P1252.056-520	14,2 (9/16")	132,1 (5,2")	16,3	31,7	17,4	7,92	5,45 - 6,81	110,3
P1252.056-530	14,2 (9/16")	134,6 (5,3")	16,3	31,7	17,4	7,92	5,45 - 6,81	110,3
P1252.056-540	14,2 (9/16")	137,2 (5,4")	16,3	31,7	17,4	7,92	5,45 - 6,81	110,3
P1252.056-550	14,2 (9/16")	139,7 (5,5")	16,3	31,7	17,4	7,92	5,45 - 6,81	110,3
P1252.056-560	14,2 (9/16")	142,2 (5,6")	16,3	31,7	17,4	7,92	5,45 - 6,81	110,3
P1252.056-570	14,2 (9/16")	144,8 (5,7")	16,3	31,7	17,4	7,92	5,45 - 6,81	110,3
P1252.056-580	14,2 (9/16")	147,3 (5,8")	16,3	31,7	17,4	7,92	5,45 - 6,81	110,3
P1252.056-590	14,2 (9/16")	149,9 (5,9")	16,3	31,7	17,4	7,92	5,45 - 6,81	110,3
P1252.056-600	14,2 (9/16")	152,4 (6,0")	16,3	31,7	17,4	7,92	5,45 - 6,81	110,3
P1252.056-610	14,2 (9/16")	154,9 (6,1")	16,3	31,7	17,4	7,92	5,45 - 6,81	110,3
P1252.056-620	14,2 (9/16")	157,5 (6,2")	16,3	31,7	17,4	7,92	5,45 - 6,81	110,3
P1252.056-630	14,2 (9/16")	160,0 (6,3")	16,3	31,7	17,4	7,92	5,45 - 6,81	110,3
P1252.056-640	14,2 (9/16")	162,6 (6,4")	16,3	31,7	17,4	7,92	5,45 - 6,81	110,3
P1252.056-650	14,2 (9/16")	165,1 (6,5")	16,3	31,7	17,4	7,92	5,45 - 6,81	110,3
P1252.056-660	14,2 (9/16")	167,6 (6,6")	16,3	31,7	17,4	7,92	5,45 - 6,81	110,3
P1252.056-670	14,2 (9/16")	170,2 (6,7")	16,3	31,7	17,4	7,92	5,45 - 6,81	110,3
P1252.056-680	14,2 (9/16")	172,7 (6,8")	16,3	31,7	17,4	7,92	5,45 - 6,81	110,3
P1252.056-690	14,2 (9/16")	175,3 (6,9")	16,3	31,7	17,4	7,92	5,45 - 6,81	110,3
P1252.056-700	14,2 (9/16")	177,8 (7,0")	16,3	31,7	17,4	7,92	5,45 - 6,81	110,3
P1252.062-100	15,8 (5/8")	25,4 (1,0")	18,0	31,7	19,0	9,52	6,36 - 7,26	137,3
P1252.062-110	15,8 (5/8")	27,9 (1,1")	18,0	31,7	19,0	9,52	6,36 - 7,26	137,3
P1252.062-120	15,8 (5/8")	30,5 (1,2")	18,0	31,7	19,0	9,52	6,36 - 7,26	137,3
P1252.062-130	15,8 (5/8")	33,0 (1,3")	18,0	31,7	19,0	9,52	6,36 - 7,26	137,3
P1252.062-140	15,8 (5/8")	35,6 (1,4")	18,0	31,7	19,0	9,52	6,36 - 7,26	137,3
P1252.062-150	15,8 (5/8")	38,1 (1,5")	18,0	31,7	19,0	9,52	6,36 - 7,26	137,3
P1252.062-160	15,8 (5/8")	40,6 (1,6")	18,0	31,7	19,0	9,52	6,36 - 7,26	137,3
P1252.062-170	15,8 (5/8")	43,2 (1,7")	18,0	31,7	19,0	9,52	6,36 - 7,26	137,3
P1252.062-180	15,8 (5/8")	45,7 (1,8")	18,0	31,7	19,0	9,52	6,36 - 7,26	137,3
P1252.062-190	15,8 (5/8")	48,3 (1,9")	18,0	31,7	19,0	9,52	6,36 - 7,26	137,3
P1252.062-200	15,8 (5/8")	50,8 (2,0")	18,0	31,7	19,0	9,52	6,36 - 7,26	137,3
P1252.062-210	15,8 (5/8")	53,3 (2,1")	18,0	31,7	19,0	9,52	6,36 - 7,26	137,3
P1252.062-220	15,8 (5/8")	55,9 (2,2")	18,0	31,7	19,0	9,52	6,36 - 7,26	137,3
P1252.062-230	15,8 (5/8")	58,4 (2,3")	18,0	31,7	19,0	9,52	6,36 - 7,26	137,3
P1252.062-240	15,8 (5/8")	61,0 (2,4")	18,0	31,7	19,0	9,52	6,36 - 7,26	137,3
P1252.062-250	15,8 (5/8")	63,5 (2,5")	18,0	31,7	19,0	9,52	6,36 - 7,26	137,3
P1252.062-260	15,8 (5/8")	66,0 (2,6")	18,0	31,7	19,0	9,52	6,36 - 7,26	137,3
P1252.062-270	15,8 (5/8")	68,6 (2,7")	18,0	31,7	19,0	9,52	6,36 - 7,26	137,3
P1252.062-280	15,8 (5/8")	71,1 (2,8")	18,0	31,7	19,0	9,52	6,36 - 7,26	137,3
P1252.062-290	15,8 (5/8")	73,7 (2,9")	18,0	31,7	19,0	9,52	6,36 - 7,26	137,3
P1252.062-300	15,8 (5/8")	76,2 (3,0")	18,0	31,7	19,0	9,52	6,36 - 7,26	137,3
P1252.062-310	15,8 (5/8")	78,7 (3,1")	18,0	31,7	19,0	9,52	6,36 - 7,26	137,3
P1252.062-320	15,8 (5/8")	81,3 (3,2")	18,0	31,7	19,0	9,52	6,36 - 7,26	137,3
P1252.062-330	15,8 (5/8")	83,8 (3,3")	18,0	31,7	19,0	9,52	6,36 - 7,26	137,3
P1252.062-340	15,8 (5/8")	86,4 (3,4")	18,0	31,7	19,0	9,52	6,36 - 7,26	137,3
P1252.062-360	15,8 (5/8")	91,4 (3,6")	18,0	31,7	19,0	9,52	6,36 - 7,26	137,3
P1252.062-370	15,8 (5/8")	94,0 (3,7")	18,0	31,7	19,0	9,52	6,36 - 7,26	137,3
P1252.062-380	15,8 (5/8")	96,5 (3,8")	18,0	31,7	19,0	9,52	6,36 - 7,26	137,3
P1252.062-390	15,8 (5/8")	99,1 (3,9")	18,0	31,7	19,0	9,52	6,36 - 7,26	137,3
P1252.062-410	15,8 (5/8")	104,1 (4,1")	18,0	31,7	19,0	9,52	6,36 - 7,26	137,3
P1252.062-420	15,8 (5/8")	106,7 (4,2")	18,0	31,7	19,0	9,52	6,36 - 7,26	137,3
P1252.062-430	15,8 (5/8")	109,2 (4,3")	18,0	31,7	19,0	9,52	6,36 - 7,26	137,3
P1252.062-440	15,8 (5/8")	111,8 (4,4")	18,0	31,7	19,0	9,52	6,36 - 7,26	137,3
P1252.062-450	15,8 (5/8")	114,3 (4,5")	18,0	31,7	19,0	9,52	6,36 - 7,26	137,3
P1252.062-460	15,8 (5/8")	116,8 (4,6")	18,0	31,7	19,0	9,52	6,36 - 7,26	137,3
P1252.062-470	15,8 (5/8")	119,4 (4,7")	18,0	31,7	19,0	9,52	6,36 - 7,26	137,3

OTHER PINS

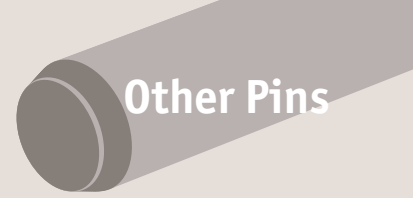


OTHER PINS

Order No.	d ₁ +0.00 -0.08	l ₁ grip +1.5 -0.0	d ₂	d ₃	l ₂	l ₃	Pull out strength kg	Single shear strength kN min.
P1252.062-480	15,8 (5/8")	121,9 (4,8")	18,0	31,7	19,0	9,52	6,36 - 7,26	137,3
P1252.062-490	15,8 (5/8")	124,5 (4,9")	18,0	31,7	19,0	9,52	6,36 - 7,26	137,3
P1252.062-510	15,8 (5/8")	129,5 (5,1")	18,0	31,7	19,0	9,52	6,36 - 7,26	137,3
P1252.062-520	15,8 (5/8")	132,1 (5,2")	18,0	31,7	19,0	9,52	6,36 - 7,26	137,3
P1252.062-530	15,8 (5/8")	134,6 (5,3")	18,0	31,7	19,0	9,52	6,36 - 7,26	137,3
P1252.062-540	15,8 (5/8")	137,2 (5,4")	18,0	31,7	19,0	9,52	6,36 - 7,26	137,3
P1252.062-550	15,8 (5/8")	139,7 (5,5")	18,0	31,7	19,0	9,52	6,36 - 7,26	137,3
P1252.062-560	15,8 (5/8")	142,2 (5,6")	18,0	31,7	19,0	9,52	6,36 - 7,26	137,3
P1252.062-570	15,8 (5/8")	144,8 (5,7")	18,0	31,7	19,0	9,52	6,36 - 7,26	137,3
P1252.062-580	15,8 (5/8")	147,3 (5,8")	18,0	31,7	19,0	9,52	6,36 - 7,26	137,3
P1252.062-590	15,8 (5/8")	149,9 (5,9")	18,0	31,7	19,0	9,52	6,36 - 7,26	137,3
P1252.062-610	15,8 (5/8")	154,9 (6,1")	18,0	31,7	19,0	9,52	6,36 - 7,26	137,3
P1252.062-620	15,8 (5/8")	157,5 (6,2")	18,0	31,7	19,0	9,52	6,36 - 7,26	137,3
P1252.062-630	15,8 (5/8")	160,0 (6,3")	18,0	31,7	19,0	9,52	6,36 - 7,26	137,3
P1252.062-640	15,8 (5/8")	162,6 (6,4")	18,0	31,7	19,0	9,52	6,36 - 7,26	137,3
P1252.062-650	15,8 (5/8")	165,1 (6,5")	18,0	31,7	19,0	9,52	6,36 - 7,26	137,3
P1252.062-660	15,8 (5/8")	167,6 (6,6")	18,0	31,7	19,0	9,52	6,36 - 7,26	137,3
P1252.062-670	15,8 (5/8")	170,2 (6,7")	18,0	31,7	19,0	9,52	6,36 - 7,26	137,3
P1252.062-680	15,8 (5/8")	172,7 (6,8")	18,0	31,7	19,0	9,52	6,36 - 7,26	137,3
P1252.062-690	15,8 (5/8")	175,3 (6,9")	18,0	31,7	19,0	9,52	6,36 - 7,26	137,3
P1252.062-700	15,8 (5/8")	177,8 (7,0")	18,0	31,7	19,0	9,52	6,36 - 7,26	137,3
P1252.062-710	15,8 (5/8")	180,3 (7,1")	18,0	31,7	19,0	9,52	6,36 - 7,26	137,3
P1252.062-720	15,8 (5/8")	182,9 (7,2")	18,0	31,7	19,0	9,52	6,36 - 7,26	137,3
P1252.062-730	15,8 (5/8")	185,4 (7,3")	18,0	31,7	19,0	9,52	6,36 - 7,26	137,3
P1252.062-740	15,8 (5/8")	188,0 (7,4")	18,0	31,7	19,0	9,52	6,36 - 7,26	137,3
P1252.062-750	15,8 (5/8")	190,5 (7,5")	18,0	31,7	19,0	9,52	6,36 - 7,26	137,3
P1252.062-760	15,8 (5/8")	193,0 (7,6")	18,0	31,7	19,0	9,52	6,36 - 7,26	137,3
P1252.062-770	15,8 (5/8")	195,6 (7,7")	18,0	31,7	19,0	9,52	6,36 - 7,26	137,3
P1252.062-780	15,8 (5/8")	198,1 (7,8")	18,0	31,7	19,0	9,52	6,36 - 7,26	137,3
P1252.062-790	15,8 (5/8")	200,7 (7,9")	18,0	31,7	19,0	9,52	6,36 - 7,26	137,3
P1252.062-800	15,8 (5/8")	203,2 (8,0")	18,0	31,7	19,0	9,52	6,36 - 7,26	137,3
P1252.075-100	19,0 (3/4")	25,4 (1,0")	21,7	38,1	23,7	9,52	8,17 - 9,98	195,9
P1252.075-110	19,0 (3/4")	27,9 (1,1")	21,7	38,1	23,7	9,52	8,17 - 9,98	195,9
P1252.075-120	19,0 (3/4")	30,5 (1,2")	21,7	38,1	23,7	9,52	8,17 - 9,98	195,9
P1252.075-130	19,0 (3/4")	33,0 (1,3")	21,7	38,1	23,7	9,52	8,17 - 9,98	195,9
P1252.075-140	19,0 (3/4")	35,6 (1,4")	21,7	38,1	23,7	9,52	8,17 - 9,98	195,9
P1252.075-150	19,0 (3/4")	38,1 (1,5")	21,7	38,1	23,7	9,52	8,17 - 9,98	195,9
P1252.075-160	19,0 (3/4")	40,6 (1,6")	21,7	38,1	23,7	9,52	8,17 - 9,98	195,9
P1252.075-170	19,0 (3/4")	43,2 (1,7")	21,7	38,1	23,7	9,52	8,17 - 9,98	195,9
P1252.075-180	19,0 (3/4")	45,7 (1,8")	21,7	38,1	23,7	9,52	8,17 - 9,98	195,9
P1252.075-190	19,0 (3/4")	48,3 (1,9")	21,7	38,1	23,7	9,52	8,17 - 9,98	195,9
P1252.075-200	19,0 (3/4")	50,8 (2,0")	21,7	38,1	23,7	9,52	8,17 - 9,98	195,9
P1252.075-210	19,0 (3/4")	53,3 (2,1")	21,7	38,1	23,7	9,52	8,17 - 9,98	195,9
P1252.075-220	19,0 (3/4")	55,9 (2,2")	21,7	38,1	23,7	9,52	8,17 - 9,98	195,9
P1252.075-230	19,0 (3/4")	58,4 (2,3")	21,7	38,1	23,7	9,52	8,17 - 9,98	195,9
P1252.075-240	19,0 (3/4")	61,0 (2,4")	21,7	38,1	23,7	9,52	8,17 - 9,98	195,9
P1252.075-260	19,0 (3/4")	66,0 (2,6")	21,7	38,1	23,7	9,52	8,17 - 9,98	195,9
P1252.075-270	19,0 (3/4")	68,6 (2,7")	21,7	38,1	23,7	9,52	8,17 - 9,98	195,9
P1252.075-280	19,0 (3/4")	71,1 (2,8")	21,7	38,1	23,7	9,52	8,17 - 9,98	195,9
P1252.075-290	19,0 (3/4")	73,7 (2,9")	21,7	38,1	23,7	9,52	8,17 - 9,98	195,9
P1252.075-300	19,0 (3/4")	76,2 (3,0")	21,7	38,1	23,7	9,52	8,17 - 9,98	195,9
P1252.075-310	19,0 (3/4")	78,7 (3,1")	21,7	38,1	23,7	9,52	8,17 - 9,98	195,9
P1252.075-320	19,0 (3/4")	81,3 (3,2")	21,7	38,1	23,7	9,52	8,17 - 9,98	195,9
P1252.075-330	19,0 (3/4")	83,8 (3,3")	21,7	38,1	23,7	9,52	8,17 - 9,98	195,9
P1252.075-340	19,0 (3/4")	86,4 (3,4")	21,7	38,1	23,7	9,52	8,17 - 9,98	195,9
P1252.075-350	19,0 (3/4")	88,9 (3,5")	21,7	38,1	23,7	9,52	8,17 - 9,98	195,9
P1252.075-360	19,0 (3/4")	91,4 (3,6")	21,7	38,1	23,7	9,52	8,17 - 9,98	195,9
P1252.075-370	19,0 (3/4")	94,0 (3,7")	21,7	38,1	23,7	9,52	8,17 - 9,98	195,9
P1252.075-380	19,0 (3/4")	96,5 (3,8")	21,7	38,1	23,7	9,52	8,17 - 9,98	195,9
P1252.075-390	19,0 (3/4")	99,1 (3,9")	21,7	38,1	23,7	9,52	8,17 - 9,98	195,9
P1252.075-400	19,0 (3/4")	101,6 (4,0")	21,7	38,1	23,7	9,52	8,17 - 9,98	195,9
P1252.075-410	19,0 (3/4")	104,1 (4,1")	21,7	38,1	23,7	9,52	8,17 - 9,98	195,9
P1252.075-420	19,0 (3/4")	106,7 (4,2")	21,7	38,1	23,7	9,52	8,17 - 9,98	195,9
P1252.075-430	19,0 (3/4")	109,2 (4,3")	21,7	38,1	23,7	9,52	8,17 - 9,98	195,9
P1252.075-440	19,0 (3/4")	111,8 (4,4")	21,7	38,1	23,7	9,52	8,17 - 9,98	195,9
P1252.075-450	19,0 (3/4")	114,3 (4,5")	21,7	38,1	23,7	9,52	8,17 - 9,98	195,9
P1252.075-460	19,0 (3/4")	116,8 (4,6")	21,7	38,1	23,7	9,52	8,17 - 9,98	195,9



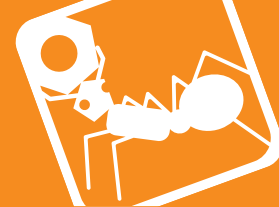
Detent Pin Stainless Steel



Other Pins

Order No.	d ₁ +0.00 -0.08	l ₁ grip +1.5 -0.0	d ₂	d ₃	l ₂	l ₃	Pull out strength kg	Single shear strength kN min.
P1252.075-470	19,0 (3/4")	119,4 (4,7")	21.7	38.1	23.7	9.52	8,17 - 9,98	195.9
P1252.075-480	19,0 (3/4")	121,9 (4,8")	21.7	38.1	23.7	9.52	8,17 - 9,98	195.9
P1252.075-490	19,0 (3/4")	124,5 (4,9")	21.7	38.1	23.7	9.52	8,17 - 9,98	195.9
P1252.075-500	19,0 (3/4")	127,0 (5,0")	21.7	38.1	23.7	9.52	8,17 - 9,98	195.9
P1252.075-510	19,0 (3/4")	129,5 (5,1")	21.7	38.1	23.7	9.52	8,17 - 9,98	195.9
P1252.075-520	19,0 (3/4")	132,1 (5,2")	21.7	38.1	23.7	9.52	8,17 - 9,98	195.9
P1252.075-530	19,0 (3/4")	134,6 (5,3")	21.7	38.1	23.7	9.52	8,17 - 9,98	195.9
P1252.075-540	19,0 (3/4")	137,2 (5,4")	21.7	38.1	23.7	9.52	8,17 - 9,98	195.9
P1252.075-550	19,0 (3/4")	139,7 (5,5")	21.7	38.1	23.7	9.52	8,17 - 9,98	195.9
P1252.075-560	19,0 (3/4")	142,2 (5,6")	21.7	38.1	23.7	9.52	8,17 - 9,98	195.9
P1252.075-570	19,0 (3/4")	144,8 (5,7")	21.7	38.1	23.7	9.52	8,17 - 9,98	195.9
P1252.075-580	19,0 (3/4")	147,3 (5,8")	21.7	38.1	23.7	9.52	8,17 - 9,98	195.9
P1252.075-590	19,0 (3/4")	149,9 (5,9")	21.7	38.1	23.7	9.52	8,17 - 9,98	195.9
P1252.075-600	19,0 (3/4")	152,4 (6,0")	21.7	38.1	23.7	9.52	8,17 - 9,98	195.9
P1252.075-610	19,0 (3/4")	154,9 (6,1")	21.7	38.1	23.7	9.52	8,17 - 9,98	195.9
P1252.075-620	19,0 (3/4")	157,5 (6,2")	21.7	38.1	23.7	9.52	8,17 - 9,98	195.9
P1252.075-630	19,0 (3/4")	160,0 (6,3")	21.7	38.1	23.7	9.52	8,17 - 9,98	195.9
P1252.075-640	19,0 (3/4")	162,6 (6,4")	21.7	38.1	23.7	9.52	8,17 - 9,98	195.9
P1252.075-650	19,0 (3/4")	165,1 (6,5")	21.7	38.1	23.7	9.52	8,17 - 9,98	195.9
P1252.075-660	19,0 (3/4")	167,6 (6,6")	21.7	38.1	23.7	9.52	8,17 - 9,98	195.9
P1252.075-670	19,0 (3/4")	170,2 (6,7")	21.7	38.1	23.7	9.52	8,17 - 9,98	195.9
P1252.075-680	19,0 (3/4")	172,7 (6,8")	21.7	38.1	23.7	9.52	8,17 - 9,98	195.9
P1252.075-690	19,0 (3/4")	175,3 (6,9")	21.7	38.1	23.7	9.52	8,17 - 9,98	195.9
P1252.075-700	19,0 (3/4")	177,8 (7,0")	21.7	38.1	23.7	9.52	8,17 - 9,98	195.9
P1252.075-710	19,0 (3/4")	180,3 (7,1")	21.7	38.1	23.7	9.52	8,17 - 9,98	195.9
P1252.075-720	19,0 (3/4")	182,9 (7,2")	21.7	38.1	23.7	9.52	8,17 - 9,98	195.9
P1252.075-730	19,0 (3/4")	185,4 (7,3")	21.7	38.1	23.7	9.52	8,17 - 9,98	195.9
P1252.075-740	19,0 (3/4")	188,0 (7,4")	21.7	38.1	23.7	9.52	8,17 - 9,98	195.9
P1252.075-750	19,0 (3/4")	190,5 (7,5")	21.7	38.1	23.7	9.52	8,17 - 9,98	195.9
P1252.075-760	19,0 (3/4")	193,0 (7,6")	21.7	38.1	23.7	9.52	8,17 - 9,98	195.9
P1252.075-770	19,0 (3/4")	195,6 (7,7")	21.7	38.1	23.7	9.52	8,17 - 9,98	195.9
P1252.075-780	19,0 (3/4")	198,1 (7,8")	21.7	38.1	23.7	9.52	8,17 - 9,98	195.9
P1252.075-790	19,0 (3/4")	200,7 (7,9")	21.7	38.1	23.7	9.52	8,17 - 9,98	195.9
P1252.087-100	22,2 (7/8")	25,4 (1,0")	25.2	38.1	25.4	12.7	12,71 - 14,07	262.4
P1252.087-150	22,2 (7/8")	38,1 (1,5")	25.2	38.1	25.4	12.7	12,71 - 14,07	262.4
P1252.087-200	22,2 (7/8")	50,8 (2,0")	25.2	38.1	25.4	12.7	12,71 - 14,07	262.4
P1252.087-250	22,2 (7/8")	63,5 (2,5")	25.2	38.1	25.4	12.7	12,71 - 14,07	262.4
P1252.087-300	22,2 (7/8")	76,2 (3,0")	25.2	38.1	25.4	12.7	12,71 - 14,07	262.4
P1252.087-350	22,2 (7/8")	88,9 (3,5")	25.2	38.1	25.4	12.7	12,71 - 14,07	262.4
P1252.087-400	22,2 (7/8")	101,6 (4,0")	25.2	38.1	25.4	12.7	12,71 - 14,07	262.4
P1252.087-450	22,2 (7/8")	114,3 (4,5")	25.2	38.1	25.4	12.7	12,71 - 14,07	262.4
P1252.087-500	22,2 (7/8")	127,0 (5,0")	25.2	38.1	25.4	12.7	12,71 - 14,07	262.4
P1252.087-550	22,2 (7/8")	139,7 (5,5")	25.2	38.1	25.4	12.7	12,71 - 14,07	262.4
P1252.087-600	22,2 (7/8")	152,4 (6,0")	25.2	38.1	25.4	12.7	12,71 - 14,07	262.4
P1252.087-650	22,2 (7/8")	165,1 (6,5")	25.2	38.1	25.4	12.7	12,71 - 14,07	262.4
P1252.087-700	22,2 (7/8")	177,8 (7,0")	25.2	38.1	25.4	12.7	12,71 - 14,07	262.4
P1252.087-800	22,2 (7/8")	203,2 (8,0")	25.2	38.1	25.4	12.7	12,71 - 14,07	262.4
P1252.100-100	25,4 (1")	25,4 (1,0")	28.9	38.1	31.7	12.7	15,88 - 18,15	353.0
P1252.100-110	25,4 (1")	27,9 (1,1")	28.9	38.1	31.7	12.7	15,88 - 18,15	353.0
P1252.100-120	25,4 (1")	30,5 (1,2")	28.9	38.1	31.7	12.7	15,88 - 18,15	353.0
P1252.100-130	25,4 (1")	33,0 (1,3")	28.9	38.1	31.7	12.7	15,88 - 18,15	353.0
P1252.100-140	25,4 (1")	35,6 (1,4")	28.9	38.1	31.7	12.7	15,88 - 18,15	353.0
P1252.100-150	25,4 (1")	38,1 (1,5")	28.9	38.1	31.7	12.7	15,88 - 18,15	353.0
P1252.100-160	25,4 (1")	40,6 (1,6")	28.9	38.1	31.7	12.7	15,88 - 18,15	353.0
P1252.100-170	25,4 (1")	43,2 (1,7")	28.9	38.1	31.7	12.7	15,88 - 18,15	353.0
P1252.100-180	25,4 (1")	45,7 (1,8")	28.9	38.1	31.7	12.7	15,88 - 18,15	353.0
P1252.100-190	25,4 (1")	48,3 (1,9")	28.9	38.1	31.7	12.7	15,88 - 18,15	353.0
P1252.100-200	25,4 (1")	50,8 (2,0")	28.9	38.1	31.7	12.7	15,88 - 18,15	353.0
P1252.100-210	25,4 (1")	53,3 (2,1")	28.9	38.1	31.7	12.7	15,88 - 18,15	353.0
P1252.100-220	25,4 (1")	55,9 (2,2")	28.9	38.1	31.7	12.7	15,88 - 18,15	353.0
P1252.100-230	25,4 (1")	58,4 (2,3")	28.9	38.1	31.7	12.7	15,88 - 18,15	353.0
P1252.100-240	25,4 (1")	61,0 (2,4")	28.9	38.1	31.7	12.7	15,88 - 18,15	353.0
P1252.100-250	25,4 (1")	63,5 (2,5")	28.9	38.1	31.7	12.7	15,88 - 18,15	353.0
P1252.100-260	25,4 (1")	66,0 (2,6")	28.9	38.1	31.7	12.7	15,88 - 18,15	353.0
P1252.100-270	25,4 (1")	68,6 (2,7")	28.9	38.1	31.7	12.7	15,88 - 18,15	353.0
P1252.100-280	25,4 (1")	71,1 (2,8")	28.9	38.1	31.7	12.7	15,88 - 18,15	353.0
P1252.100-290	25,4 (1")	73,7 (2,9")	28.9	38.1	31.7	12.7	15,88 - 18,15	353.0

OTHER PINS

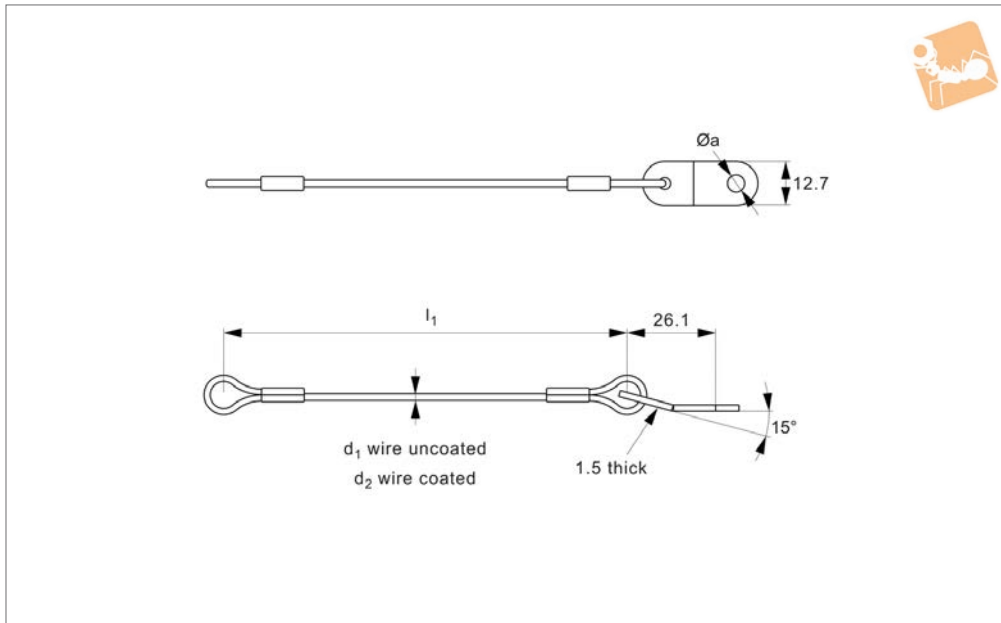


Order No.	d ₁ +0.00 -0.08	l ₁ grip +1.5 -0.0	d ₂	d ₃	l ₂	l ₃	Pull out strength kg	Single shear strength kN min.
P1252.100-300	25,4 (1")	76,2 (3,0")	28,9	38,1	31,7	12,7	15,88 - 18,15	353,0
P1252.100-310	25,4 (1")	78,7 (3,1")	28,9	38,1	31,7	12,7	15,88 - 18,15	353,0
P1252.100-320	25,4 (1")	81,3 (3,2")	28,9	38,1	31,7	12,7	15,88 - 18,15	353,0
P1252.100-330	25,4 (1")	83,8 (3,3")	28,9	38,1	31,7	12,7	15,88 - 18,15	353,0
P1252.100-340	25,4 (1")	86,4 (3,4")	28,9	38,1	31,7	12,7	15,88 - 18,15	353,0
P1252.100-350	25,4 (1")	88,9 (3,5")	28,9	38,1	31,7	12,7	15,88 - 18,15	353,0
P1252.100-360	25,4 (1")	91,4 (3,6")	28,9	38,1	31,7	12,7	15,88 - 18,15	353,0
P1252.100-370	25,4 (1")	94,0 (3,7")	28,9	38,1	31,7	12,7	15,88 - 18,15	353,0
P1252.100-380	25,4 (1")	96,5 (3,8")	28,9	38,1	31,7	12,7	15,88 - 18,15	353,0
P1252.100-390	25,4 (1")	99,1 (3,9")	28,9	38,1	31,7	12,7	15,88 - 18,15	353,0
P1252.100-400	25,4 (1")	101,6 (4,0")	28,9	38,1	31,7	12,7	15,88 - 18,15	353,0
P1252.100-410	25,4 (1")	104,1 (4,1")	28,9	38,1	31,7	12,7	15,88 - 18,15	353,0
P1252.100-420	25,4 (1")	106,7 (4,2")	28,9	38,1	31,7	12,7	15,88 - 18,15	353,0
P1252.100-430	25,4 (1")	109,2 (4,3")	28,9	38,1	31,7	12,7	15,88 - 18,15	353,0
P1252.100-440	25,4 (1")	111,8 (4,4")	28,9	38,1	31,7	12,7	15,88 - 18,15	353,0
P1252.100-450	25,4 (1")	114,3 (4,5")	28,9	38,1	31,7	12,7	15,88 - 18,15	353,0
P1252.100-460	25,4 (1")	116,8 (4,6")	28,9	38,1	31,7	12,7	15,88 - 18,15	353,0
P1252.100-470	25,4 (1")	119,4 (4,7")	28,9	38,1	31,7	12,7	15,88 - 18,15	353,0
P1252.100-480	25,4 (1")	121,9 (4,8")	28,9	38,1	31,7	12,7	15,88 - 18,15	353,0
P1252.100-490	25,4 (1")	124,5 (4,9")	28,9	38,1	31,7	12,7	15,88 - 18,15	353,0
P1252.100-500	25,4 (1")	127,0 (5,0")	28,9	38,1	31,7	12,7	15,88 - 18,15	353,0
P1252.100-510	25,4 (1")	129,5 (5,1")	28,9	38,1	31,7	12,7	15,88 - 18,15	353,0
P1252.100-520	25,4 (1")	132,1 (5,2")	28,9	38,1	31,7	12,7	15,88 - 18,15	353,0
P1252.100-530	25,4 (1")	134,6 (5,3")	28,9	38,1	31,7	12,7	15,88 - 18,15	353,0
P1252.100-540	25,4 (1")	137,2 (5,4")	28,9	38,1	31,7	12,7	15,88 - 18,15	353,0
P1252.100-550	25,4 (1")	139,7 (5,5")	28,9	38,1	31,7	12,7	15,88 - 18,15	353,0
P1252.100-560	25,4 (1")	142,2 (5,6")	28,9	38,1	31,7	12,7	15,88 - 18,15	353,0
P1252.100-570	25,4 (1")	144,8 (5,7")	28,9	38,1	31,7	12,7	15,88 - 18,15	353,0
P1252.100-580	25,4 (1")	147,3 (5,8")	28,9	38,1	31,7	12,7	15,88 - 18,15	353,0
P1252.100-590	25,4 (1")	149,9 (5,9")	28,9	38,1	31,7	12,7	15,88 - 18,15	353,0
P1252.100-600	25,4 (1")	152,4 (6,0")	28,9	38,1	31,7	12,7	15,88 - 18,15	353,0
P1252.100-610	25,4 (1")	154,9 (6,1")	28,9	38,1	31,7	12,7	15,88 - 18,15	353,0
P1252.100-620	25,4 (1")	157,5 (6,2")	28,9	38,1	31,7	12,7	15,88 - 18,15	353,0
P1252.100-630	25,4 (1")	160,0 (6,3")	28,9	38,1	31,7	12,7	15,88 - 18,15	353,0
P1252.100-640	25,4 (1")	162,6 (6,4")	28,9	38,1	31,7	12,7	15,88 - 18,15	353,0
P1252.100-650	25,4 (1")	165,1 (6,5")	28,9	38,1	31,7	12,7	15,88 - 18,15	353,0
P1252.100-660	25,4 (1")	167,6 (6,6")	28,9	38,1	31,7	12,7	15,88 - 18,15	353,0
P1252.100-670	25,4 (1")	170,2 (6,7")	28,9	38,1	31,7	12,7	15,88 - 18,15	353,0
P1252.100-680	25,4 (1")	172,7 (6,8")	28,9	38,1	31,7	12,7	15,88 - 18,15	353,0
P1252.100-690	25,4 (1")	175,3 (6,9")	28,9	38,1	31,7	12,7	15,88 - 18,15	353,0
P1252.100-700	25,4 (1")	177,8 (7,0")	28,9	38,1	31,7	12,7	15,88 - 18,15	353,0
P1252.100-710	25,4 (1")	180,3 (7,1")	28,9	38,1	31,7	12,7	15,88 - 18,15	353,0
P1252.100-720	25,4 (1")	182,9 (7,2")	28,9	38,1	31,7	12,7	15,88 - 18,15	353,0
P1252.100-730	25,4 (1")	185,4 (7,3")	28,9	38,1	31,7	12,7	15,88 - 18,15	353,0
P1252.100-740	25,4 (1")	188,0 (7,4")	28,9	38,1	31,7	12,7	15,88 - 18,15	353,0
P1252.100-750	25,4 (1")	190,5 (7,5")	28,9	38,1	31,7	12,7	15,88 - 18,15	353,0
P1252.100-760	25,4 (1")	193,0 (7,6")	28,9	38,1	31,7	12,7	15,88 - 18,15	353,0
P1252.100-770	25,4 (1")	195,6 (7,7")	28,9	38,1	31,7	12,7	15,88 - 18,15	353,0
P1252.100-780	25,4 (1")	198,1 (7,8")	28,9	38,1	31,7	12,7	15,88 - 18,15	353,0
P1252.100-790	25,4 (1")	200,7 (7,9")	28,9	38,1	31,7	12,7	15,88 - 18,15	353,0
P1252.100-800	25,4 (1")	203,2 (8,0")	28,9	38,1	31,7	12,7	15,88 - 18,15	353,0



Lanyard - Loop to Rectangular Tab

tab and crimps stainless steel



P1254

OTHER PINS

Material

Material
 Wire rope: stainless steel 7x7 wire, RR-W-410.
 Coating (if present): vinyl (to MIL-I-631), see table.
 Crimps/sleeves: stainless steel (to MIL-51844).
 Tabs: stainless steel, 300 Series (ASTM AA240/A666)

strength, for unassembled, uncoated wire thickness $\text{Ø}d_1$:
 $\text{Ø}d_1$ of 1.2mm = 120kg approx.
 $\text{Ø}d_1$ of 1.6mm = 210kg approx.
 Load rating of assembled and crimped lanyard is based on crimp failure test of approx. 13kg.
 Temperature resistance:
 -Uncoated – up to + 250°c
 -Coated – 0°c to 80°c

lies, or to avoid items being misplaced. Special manufacture lanyards available on request, subject to minimum quantities. For our wide range of quick release pins see part nos. through QR5590. For split rings see part no. .

Technical Notes

Rated wire strength, or min. breaking

Tips

For use in securing components to assemb-

Order No.	Vinyl coating	d_1 wire uncoated	l_1	d_2 wire coated	$\text{Ø} a$
P1254.150-C1	Clear	1.19	154.4	1.59	5.1
P1254.200-C1	Clear	1.19	203.2	1.59	5.1
P1254.250-C1	Clear	1.19	254.0	1.59	5.1
P1254.300-C1	Clear	1.19	304.8	1.59	5.1
P1254.150-C2	Clear	1.19	152.4	1.59	7.1
P1254.200-C2	Clear	1.59	203.2	3.18	7.1
P1254.250-C2	Clear	1.59	254.0	3.18	7.1
P1254.300-C2	Clear	1.59	304.8	3.18	7.1
P1254.150-B1	Black	1.19	152.4	1.59	5.1
P1254.200-B1	Black	1.19	203.2	1.59	5.1
P1254.250-B1	Black	1.19	254.0	1.59	5.1
P1254.300-B1	Black	1.19	304.8	1.59	5.1
P1254.150-B2	Black	1.59	152.4	3.18	7.1
P1254.200-B2	Black	1.59	203.2	3.18	7.1
P1254.250-B2	Black	1.59	254.0	3.18	7.1
P1254.150-G1	Green	1.19	152.4	1.59	5.1
P1254.200-G1	Green	1.19	203.2	1.59	5.1
P1254.250-G1	Green	1.19	254.0	1.59	5.1
P1254.300-G1	Green	1.19	304.8	1.59	5.1
P1254.150-G2	Green	1.59	152.4	3.18	7.1
P1254.200-G2	Green	1.59	203.2	3.18	7.1
P1254.250-G2	Green	1.59	254.0	3.18	7.1
P1254.300-G2	Green	1.59	304.8	3.18	7.1
P1254.150-N1	Uncoated	1.19	152.4	-	5.1
P1254.200-N1	Uncoated	1.19	203.2	-	5.1

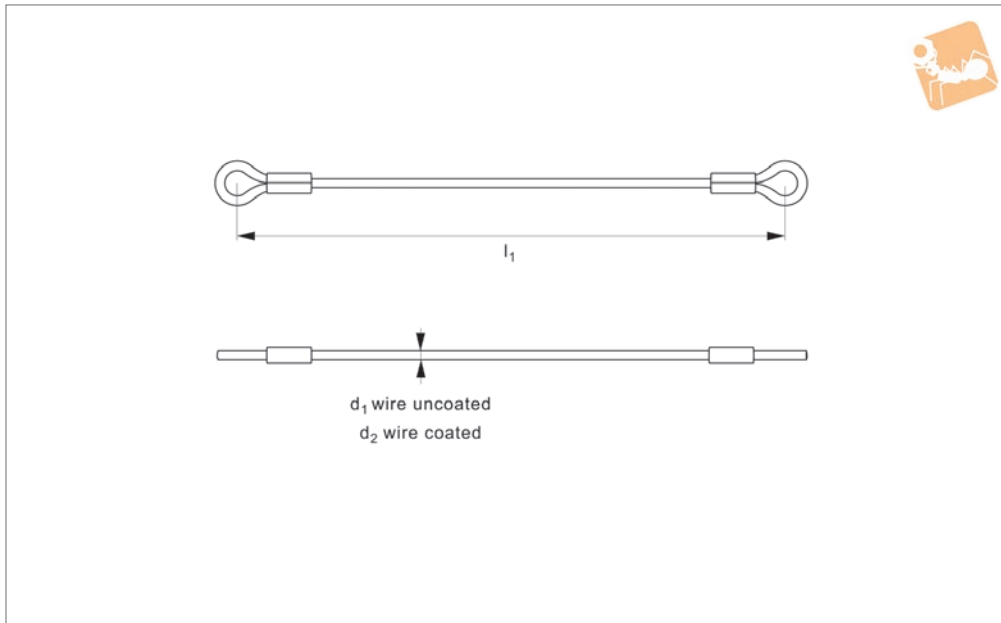


Order No.	Vinyl coating	d ₁ wire uncoated	l ₁	d ₂ wire coated	Ø a
P1254.250-N1	Uncoated	1.19	254.0	-	5.1
P1254.300-N1	Uncoated	1.19	304.8	-	5.1
P1254.150-N2	Uncoated	1.59	152.4	-	7.1
P1254.200-N2	Uncoated	1.59	203.2	-	7.1
P1254.300-N2	Uncoated	1.59	304.8	-	7.1

Lanyard - Loop to Loop

crimps stainless steel

Other Pins



P1255

OTHER PINS

Material

Wire rope: stainless steel 7x7 wire, RR-W-410.

Coating (if present): vinyl (to MIL-I-631), see table.

Crimps/sleeves: stainless steel (to MIL-51844).

Technical Notes

Rated wire strength, or min. breaking

strength, for unassembled, uncoated wire thickness $\varnothing d_1$:

$\varnothing d_1$ of 1.2mm = 120kg approx.

$\varnothing d_1$ of 1.6mm = 210kg approx.

Load rating of assembled and crimped lanyard is based on crimp failure test of approx. 13kg.

Temperature resistance:

-Uncoated – up to + 250°C

-Coated – 0°C to 80°C

Tips

For use in securing components to assemblies, or to avoid items being misplaced. Special manufacture lanyards available on request, subject to minimum quantities.

For our wide range of quick release pins see part nos. through QR5590. For split rings see part no. .

Order No.	Vinyl coating	d_1 wire uncoated	l_1	d_2 wire coated
P1255.150-C1	Clear	1.19	152.4	1.59
P1255.200-C1	Clear	1.19	203.2	1.59
P1255.250-C1	Clear	1.19	254.0	1.59
P1255.300-C1	Clear	1.19	304.8	1.59
P1255.150-C2	Clear	1.59	152.4	3.18
P1255.200-C2	Clear	1.59	203.2	3.18
P1255.250-C2	Clear	1.59	254.0	3.18
P1255.300-C2	Clear	1.59	304.8	3.18
P1255.150-B1	Black	1.19	152.4	1.59
P1255.200-B1	Black	1.19	203.2	1.59
P1255.250-B1	Black	1.19	254.0	1.59
P1255.300-B1	Black	1.19	304.8	1.59
P1255.150-B2	Black	1.59	152.4	3.18
P1255.200-B2	Black	1.59	203.2	3.18
P1255.250-B2	Black	1.59	254.0	3.18
P1255.150-G1	Green	1.19	152.4	1.59
P1255.200-G1	Green	1.19	203.2	1.59
P1255.250-G1	Green	1.19	254.0	1.59
P1255.300-G1	Green	1.19	304.8	1.59
P1255.150-G2	Green	1.59	152.4	3.18
P1255.200-G2	Green	1.59	203.2	3.18
P1255.250-G2	Green	1.59	254.0	3.18
P1255.300-G2	Green	1.59	304.8	3.18
P1255.150-N1	Uncoated	1.19	152.4	-
P1255.200-N1	Uncoated	1.19	203.2	-
P1255.250-N1	Uncoated	1.19	254.0	-
P1255.300-N1	Uncoated	1.19	304.8	-
P1255.150-N2	Uncoated	1.59	152.4	-

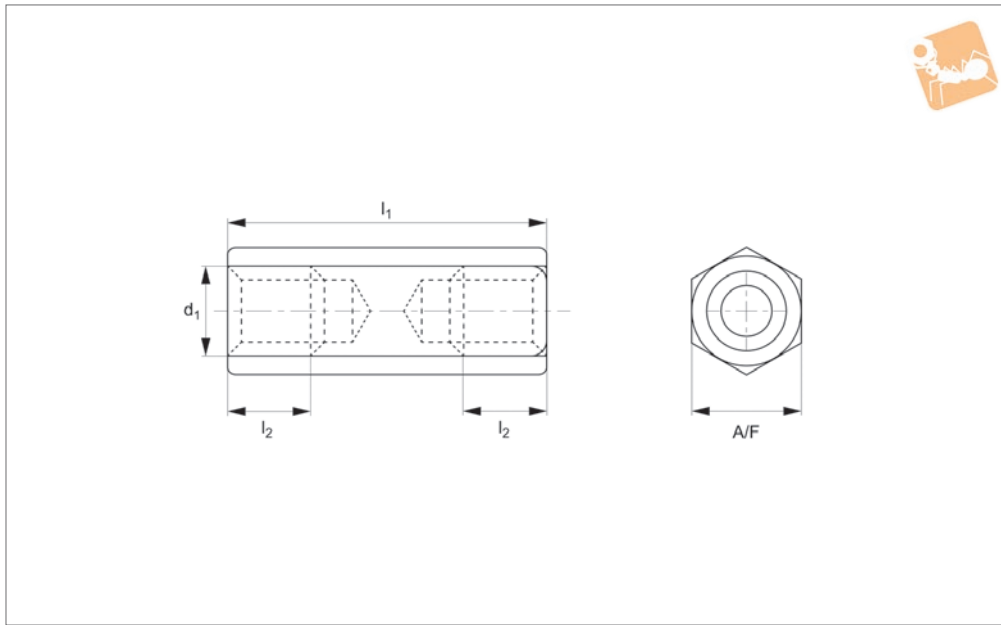
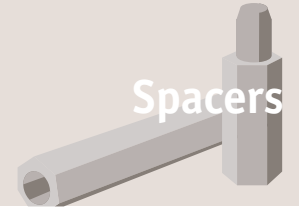


Order No.	Vinyl coating	d ₁ wire uncoated	l ₁	d ₂ wire coated
P1255.200-N2	Uncoated	1.59	203.2	-
P1255.250-N2	Uncoated	1.59	254.0	-
P1255.300-N2	Uncoated	1.59	304.8	-



Steel Hexagonal Spacers

Steel - zinc-plated



P0060.ZP

SPACERS

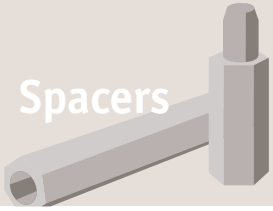
Material

Mild steel (S300Pb), zinc-plated.

Technical Notes

$l_3 = (l_2 + 1\text{mm})$.

Order No.	d_1	l_1 tol. js13	l_2	A/F
P0060.025-005-ZP	M2,5	5	5	5
P0060.025-008-ZP	M2,5	8	4	5
P0060.025-010-ZP	M2,5	10	5	5
P0060.025-012-ZP	M2,5	12	6	5
P0060.025-015-ZP	M2,5	15	6	5
P0060.025-018-ZP	M2,5	18	6	5
P0060.025-020-ZP	M2,5	20	6	5
P0060.025-025-ZP	M2,5	25	6	5
P0060.025-030-ZP	M2,5	30	6	5
P0060.025-040-ZP	M2,5	40	6	5
P0060.030-005-ZP	M3	5	5	5.5
P0060.030-008-ZP	M3	8	8	5.5
P0060.030-010-ZP	M3	10	10	5.5
P0060.030-012-ZP	M3	12	6	5.5
P0060.030-015-ZP	M3	15	7	5.5
P0060.030-018-ZP	M3	18	7	5.5
P0060.030-020-ZP	M3	20	7	5.5
P0060.030-025-ZP	M3	25	7	5.5
P0060.030-030-ZP	M3	30	7	5.5
P0060.030-035-ZP	M3	35	7	5.5
P0060.030-040-ZP	M3	40	7	5.5
P0060.030-045-ZP	M3	45	7	5.5
P0060.030-050-ZP	M3	50	7	5.5
P0060.030-055-ZP	M3	55	7	5.5
P0060.030-060-ZP	M3	60	7	5.5
P0060.030-070-ZP	M3	70	7	5.5
P0060.030-080-ZP	M3	80	7	5.5
P0060.040-006-ZP	M4	6	6	7
P0060.040-008-ZP	M4	8	8	7
P0060.040-010-ZP	M4	10	10	7
P0060.040-012-ZP	M4	12	12	7
P0060.040-015-ZP	M4	15	7	7
P0060.040-018-ZP	M4	18	9	7
P0060.040-020-ZP	M4	20	9	7



Steel Hexagonal Spacers

Steel - zinc-plated



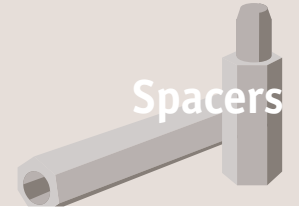
SPACERS

Order No.	d ₁	l ₁ tol. js13	l ₂	A/F
P0060.040-025-ZP	M4	25	9	7
P0060.040-030-ZP	M4	30	9	7
P0060.040-035-ZP	M4	35	9	7
P0060.040-040-ZP	M4	40	9	7
P0060.040-045-ZP	M4	45	9	7
P0060.040-050-ZP	M4	50	9	7
P0060.040-055-ZP	M4	55	9	7
P0060.040-060-ZP	M4	60	9	7
P0060.040-070-ZP	M4	70	9	7
P0060.050-008-ZP	M5	8	8	8
P0060.050-010-ZP	M5	10	10	8
P0060.050-012-ZP	M5	12	12	8
P0060.050-015-ZP	M5	15	15	8
P0060.050-018-ZP	M5	18	18	8
P0060.050-020-ZP	M5	20	10	8
P0060.050-025-ZP	M5	25	10	8
P0060.050-030-ZP	M5	30	10	8
P0060.050-035-ZP	M5	35	10	8
P0060.050-040-ZP	M5	40	10	8
P0060.050-045-ZP	M5	45	10	8
P0060.050-050-ZP	M5	50	10	8
P0060.050-055-ZP	M5	55	10	8
P0060.050-060-ZP	M5	60	10	8
P0060.050-070-ZP	M5	70	10	8
P0060.050-080-ZP	M5	80	10	8
P0060.060-010-ZP	M6	10	10	10
P0060.060-012-ZP	M6	12	12	10
P0060.060-015-ZP	M6	15	15	10
P0060.060-018-ZP	M6	18	18	10
P0060.060-020-ZP	M6	20	10	10
P0060.060-025-ZP	M6	25	10	10
P0060.060-030-ZP	M6	30	10	10
P0060.060-035-ZP	M6	35	10	10
P0060.060-040-ZP	M6	40	10	10
P0060.060-045-ZP	M6	45	10	10
P0060.060-050-ZP	M6	50	10	10
P0060.060-055-ZP	M6	55	10	10
P0060.060-060-ZP	M6	60	10	10
P0060.080-010-ZP	M8	10	10	13
P0060.080-015-ZP	M8	15	15	13
P0060.080-020-ZP	M8	20	20	13
P0060.080-025-ZP	M8	25	25	13
P0060.080-030-ZP	M8	30	15	13
P0060.080-035-ZP	M8	35	15	13
P0060.080-040-ZP	M8	40	15	13
P0060.080-045-ZP	M8	45	15	13
P0060.080-050-ZP	M8	50	15	13
P0060.080-060-ZP	M8	60	15	13
P0060.080-070-ZP	M8	70	15	13

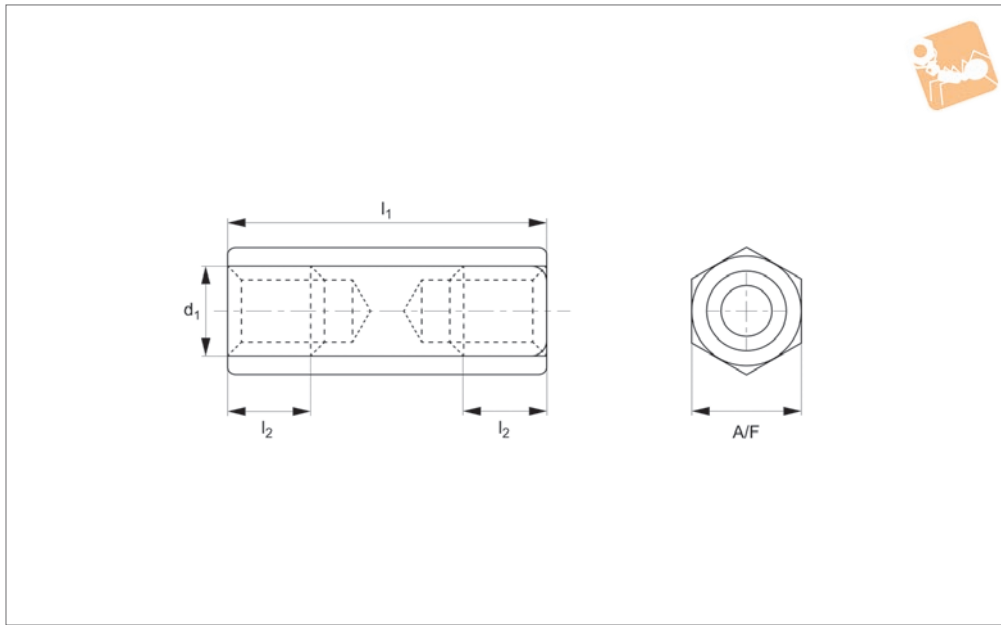


Stainless Hexagonal Spacers

303 stainless



Spacers



P0060.A2

SPACERS

Material

Stainless steel (AISI 303, 1.4305)

Technical Notes

Slightly magnetic.

$l_3 = (l_2 + >1\text{mm})$.

Order No.	d ₁	l ₁ tol. js13	l ₂	A/F
P0060.025-005-A2	M2,5	5	5	5
P0060.025-010-A2	M2,5	10	5	5
P0060.025-012-A2	M2,5	12	6	5
P0060.025-015-A2	M2,5	15	6	5
P0060.025-018-A2	M2,5	18	6	5
P0060.025-020-A2	M2,5	20	6	5
P0060.025-025-A2	M2,5	25	6	5
P0060.030-005-A2	M3	5	5	5.5
P0060.030-008-A2	M3	8	8	5.5
P0060.030-010-A2	M3	10	10	5.5
P0060.030-012-A2	M3	12	6	5.5
P0060.030-015-A2	M3	15	7	5.5
P0060.030-018-A2	M3	18	7	5.5
P0060.030-020-A2	M3	20	7	5.5
P0060.030-025-A2	M3	25	7	5.5
P0060.030-030-A2	M3	30	7	5.5
P0060.030-035-A2	M3	35	7	5.5
P0060.030-040-A2	M3	40	7	5.5
P0060.030-045-A2	M3	45	7	5.5
P0060.040-005-A2	M4	5	5	7
P0060.040-010-A2	M4	10	10	7
P0060.040-015-A2	M4	15	7	7
P0060.040-020-A2	M4	20	9	7
P0060.040-025-A2	M4	25	9	7
P0060.040-030-A2	M4	30	9	7
P0060.040-035-A2	M4	35	9	7
P0060.040-040-A2	M4	40	9	7
P0060.040-045-A2	M4	45	9	7
P0060.040-050-A2	M4	50	9	7
P0060.040-060-A2	M4	60	9	7
P0060.040-070-A2	M4	70	9	7
P0060.040-080-A2	M4	80	9	7
P0060.050-010-A2	M5	10	10	8
P0060.050-015-A2	M5	15	15	8



Stainless Hexagonal Spacers

303 stainless



SPACERS

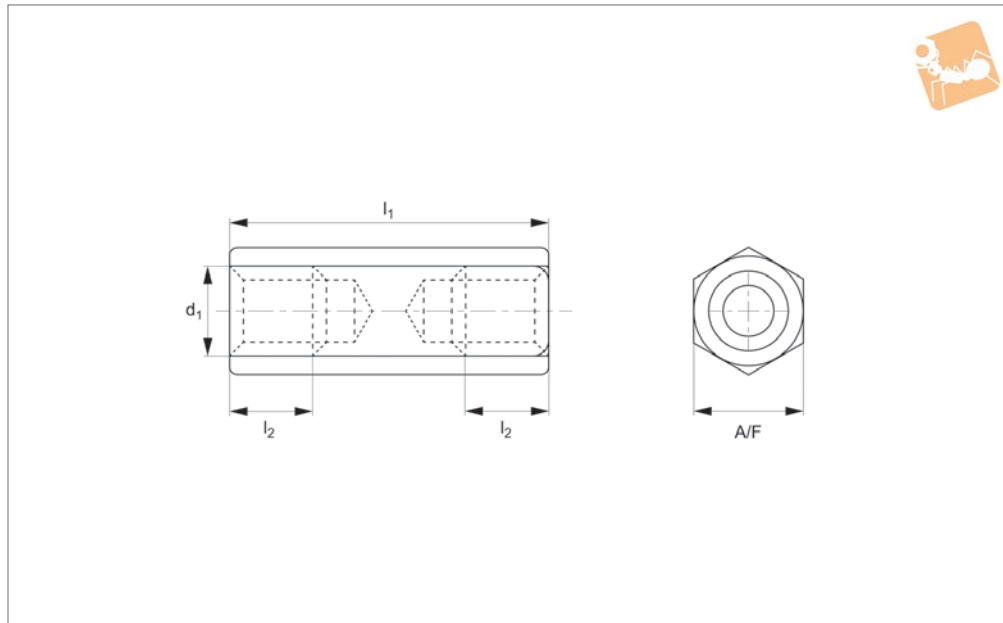
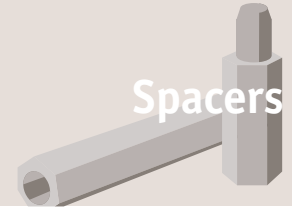
Order No.	d ₁	l ₁ tol. js13	l ₂	A/F
P0060.050-020-A2	M5	20	10	8
P0060.050-025-A2	M5	25	10	8
P0060.050-030-A2	M5	30	10	8
P0060.050-035-A2	M5	35	10	8
P0060.050-040-A2	M5	40	10	8
P0060.050-050-A2	M5	50	10	8
P0060.050-080-A2	M5	80	10	8
P0060.060-010-A2	M6	10	10	10
P0060.060-015-A2	M6	15	15	10
P0060.060-020-A2	M6	20	10	10
P0060.060-025-A2	M6	25	10	10
P0060.060-030-A2	M6	30	10	10
P0060.060-035-A2	M6	35	10	10
P0060.060-040-A2	M6	40	10	10
P0060.060-050-A2	M6	50	10	10
P0060.060-055-A2	M6	55	10	10
P0060.060-065-A2	M6	65	10	10



Brass Hexagonal Spacers

Brass

Spacers



P0060.BR

SPACERS

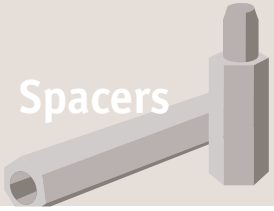
Material

Brass (2.0402), bright nickel-plated.

Technical Notes

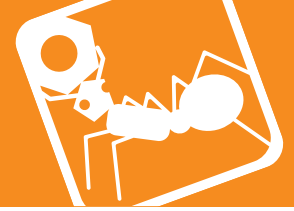
$l_3 = (l_2 + 1\text{mm})$.

Order No.	d ₁	l ₁ tol. js13	l ₂	A/F
P0060.020-005-BR	M2	5	5	4
P0060.020-008-BR	M2	8	8	4
P0060.020-010-BR	M2	10	10	4
P0060.020-012-BR	M2	12	6	4
P0060.020-015-BR	M2	15	6	4
P0060.020-018-BR	M2	18	5	4
P0060.020-020-BR	M2	20	6	4
P0060.020-025-BR	M2	25	6	4
P0060.020-030-BR	M2	30	6	4
P0060.020-035-BR	M2	35	10	4
P0060.020-040-BR	M2	40	10	4
P0060.020-045-BR	M2	45	10	4
P0060.025-005-BR	M2,5	5	5	5
P0060.025-008-BR	M2,5	8	4	5
P0060.025-010-BR	M2,5	10	5	5
P0060.025-012-BR	M2,5	12	6	5
P0060.025-015-BR	M2,5	15	6	5
P0060.025-018-BR	M2,5	18	6	5
P0060.025-020-BR	M2,5	20	6	5
P0060.025-025-BR	M2,5	25	6	5
P0060.025-030-BR	M2,5	30	6	5
P0060.025-035-BR	M2,5	35	6	5
P0060.025-040-BR	M2,5	40	6	5
P0060.025-045-BR	M2,5	45	10	5
P0060.030-005-BR	M3	5	5	5
P0060.030-008-BR	M3	8	8	5
P0060.030-010-BR	M3	10	10	5
P0060.030-012-BR	M3	12	6	5
P0060.030-015-BR	M3	15	7	5
P0060.030-018-BR	M3	18	7	5
P0060.030-020-BR	M3	20	7	5
P0060.030-025-BR	M3	25	7	5
P0060.030-030-BR	M3	30	7	5
P0060.030-035-BR	M3	35	7	5



Brass Hexagonal Spacers

Brass



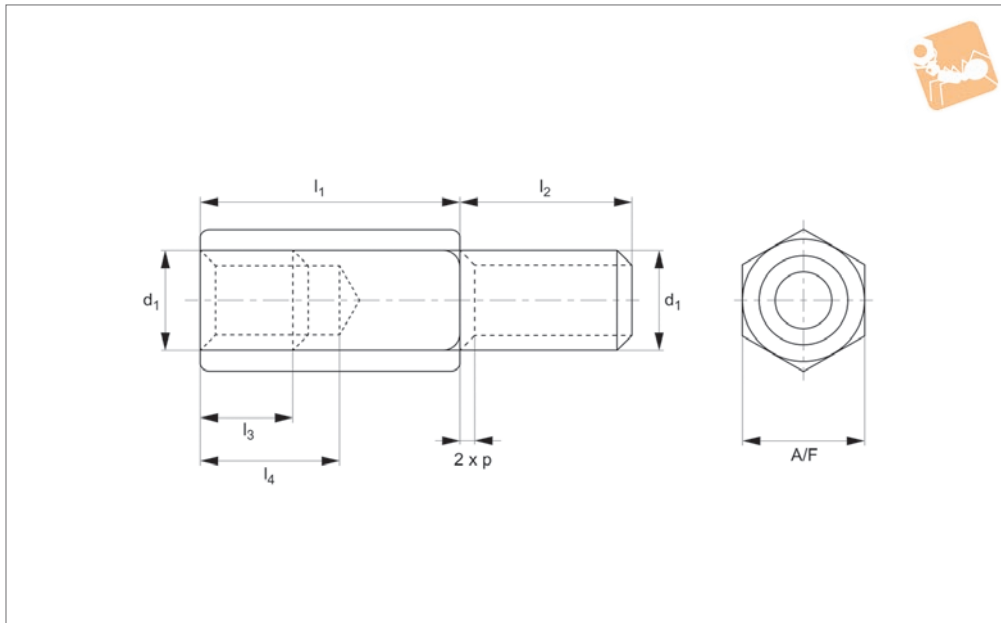
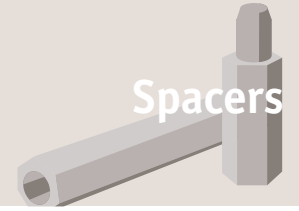
SPACERS

Order No.	d ₁	l ₁ tol. js13	l ₂	A/F
P0060.030-040-BR	M3	40	7	5
P0060.030-045-BR	M3	45	10	5
P0060.030-050-BR	M3	50	10	5
P0060.040-005-BR	M4	5	5	7
P0060.040-008-BR	M4	8	8	7
P0060.040-010-BR	M4	10	10	7
P0060.040-012-BR	M4	12	12	7
P0060.040-015-BR	M4	15	7	7
P0060.040-018-BR	M4	18	9	7
P0060.040-020-BR	M4	20	9	7
P0060.040-025-BR	M4	25	9	7
P0060.040-030-BR	M4	30	9	7
P0060.040-035-BR	M4	35	9	7
P0060.040-040-BR	M4	40	9	7
P0060.040-045-BR	M4	45	9	7
P0060.040-050-BR	M4	50	9	7
P0060.040-055-BR	M4	55	9	7
P0060.040-060-BR	M4	60	9	7
P0060.050-010-BR	M5	10	10	8
P0060.050-012-BR	M5	12	12	8
P0060.050-020-BR	M5	20	10	8
P0060.050-025-BR	M5	25	10	8
P0060.050-030-BR	M5	30	10	8
P0060.050-035-BR	M5	35	10	8
P0060.050-040-BR	M5	40	10	8
P0060.050-045-BR	M5	45	10	8
P0060.050-050-BR	M5	50	11	8
P0060.050-055-BR	M5	55	11	8
P0060.050-060-BR	M5	60	11	8
P0060.050-070-BR	M5	70	11	8
P0060.050-080-BR	M5	80	11	8
P0060.060-015-BR	M6	15	15	10
P0060.060-025-BR	M6	25	10	10
P0060.060-030-BR	M6	30	10	10
P0060.060-035-BR	M6	35	12	10
P0060.060-040-BR	M6	40	12	10
P0060.060-045-BR	M6	45	12	10
P0060.060-050-BR	M6	50	12	10



Steel Hexagonal Pillars

Steel - zinc-plated



P0061.ZP

SPACERS

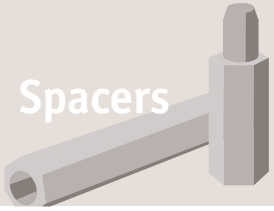
Material

Mild steel, zinc-plated.

Technical Notes

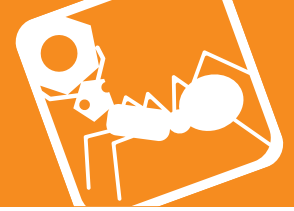
$l_4 = (l_3 + >1\text{mm})$.

Order No.	d ₁	l ₁ tol. js13	l ₂	l ₃	A/F
P0061.025-005-ZP	M2,5	5	6	2.5	5
P0061.025-008-ZP	M2,5	8	6	5.5	5
P0061.025-010-ZP	M2,5	10	6	5.5	5
P0061.025-012-ZP	M2,5	12	6	7.0	5
P0061.025-015-ZP	M2,5	15	6	7.0	5
P0061.025-020-ZP	M2,5	20	6	7.0	5
P0061.025-025-ZP	M2,5	25	6	7.0	5
P0061.030-005-ZP	M 3	5	6	2.5	5.5
P0061.030-008-ZP	M 3	8	6	5.0	5.5
P0061.030-010-ZP	M 3	10	6	5.0	5.5
P0061.030-012-ZP	M 3	12	6	6.5	5.5
P0061.030-015-ZP	M 3	15	6	7.5	5.5
P0061.030-018-ZP	M 3	18	6	8.0	5.5
P0061.030-020-ZP	M 3	20	6	7.0	5.5
P0061.030-025-ZP	M 3	25	6	7.0	5.5
P0061.030-030-ZP	M 3	30	6	7.0	5.5
P0061.030-035-ZP	M 3	35	6	7.0	5.5
P0061.030-040-ZP	M 3	40	6	7.0	5.5
P0061.030-045-ZP	M 3	45	6	7.0	5.5
P0061.030-050-ZP	M 3	50	6	7.0	5.5
P0061.030-060-ZP	M 3	60	6	7.0	5.5
P0061.030-070-ZP	M 3	70	6	7.0	5.5
P0061.030-080-ZP	M 3	80	6	7.0	5.5
P0061.040-005-ZP	M 4	5	8	2.3	7
P0061.040-008-ZP	M 4	8	8	4.5	7
P0061.040-010-ZP	M 4	10	8	6.0	7
P0061.040-012-ZP	M 4	12	8	8.0	7
P0061.040-015-ZP	M 4	15	8	9.0	7
P0061.040-018-ZP	M 4	18	8	9.0	7
P0061.040-020-ZP	M 4	20	8	9.0	7
P0061.040-025-ZP	M 4	25	8	9.0	7
P0061.040-030-ZP	M 4	30	8	9.0	7
P0061.040-035-ZP	M 4	35	8	9.0	7
P0061.040-040-ZP	M 4	40	8	9.0	7



Steel Hexagonal Pillars

Steel - zinc-plated



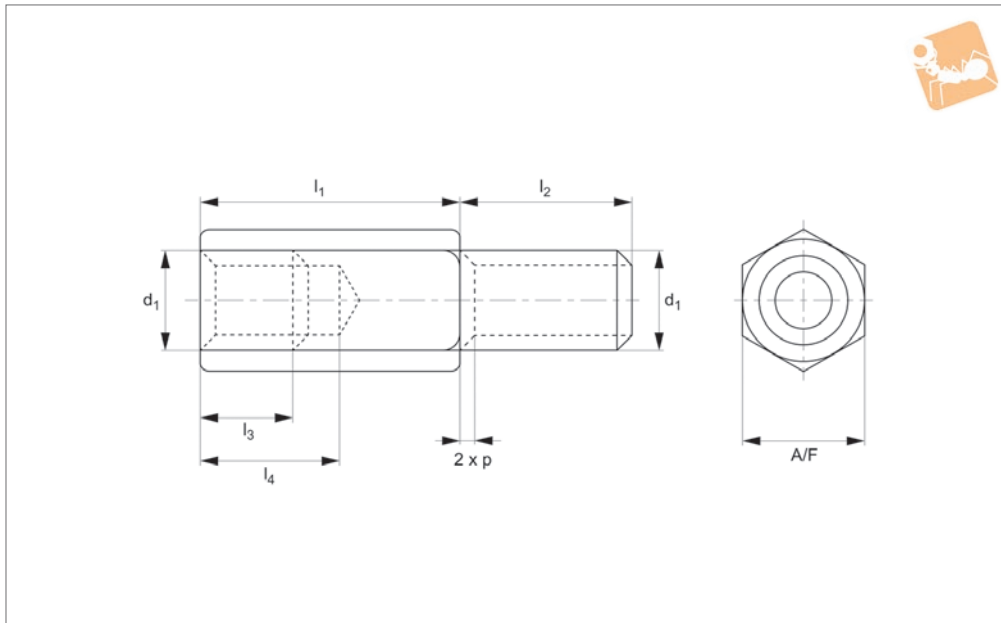
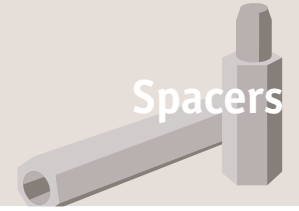
SPACERS

Order No.	d ₁	l ₁ tol. js13	l ₂	l ₃	A/F
P0061.040-045-ZP	M 4	45	8	9.0	7
P0061.040-050-ZP	M 4	50	8	9.0	7
P0061.040-055-ZP	M 4	55	8	9.0	7
P0061.040-060-ZP	M 4	60	8	9.0	7
P0061.040-070-ZP	M 4	70	8	9.0	7
P0061.040-080-ZP	M 4	80	8	9.0	7
P0061.050-008-ZP	M 5	8	10	5.0	8
P0061.050-010-ZP	M 5	10	10	5.5	8
P0061.050-012-ZP	M 5	12	10	8.0	8
P0061.050-015-ZP	M 5	15	10	9.0	8
P0061.050-018-ZP	M 5	18	10	10.0	8
P0061.050-020-ZP	M 5	20	10	11.0	8
P0061.050-025-ZP	M 5	25	10	11.0	8
P0061.050-030-ZP	M 5	30	10	11.0	8
P0061.050-035-ZP	M 5	35	10	11.0	8
P0061.050-040-ZP	M 5	40	10	11.0	8
P0061.050-045-ZP	M 5	45	10	11.0	8
P0061.050-050-ZP	M 5	50	10	11.0	8
P0061.050-055-ZP	M 5	55	10	11.0	8
P0061.050-060-ZP	M 5	60	10	11.0	8
P0061.050-070-ZP	M 5	70	10	11.0	8
P0061.050-080-ZP	M 5	80	10	11.0	8
P0061.060-010-ZP	M 6	10	12	6.0	10
P0061.060-012-ZP	M 6	12	12	6.0	10
P0061.060-015-ZP	M 6	15	12	11.0	10
P0061.060-018-ZP	M 6	18	12	12.0	10
P0061.060-020-ZP	M 6	20	12	12.0	10
P0061.060-025-ZP	M 6	25	12	12.0	10
P0061.060-030-ZP	M 6	30	12	12.0	10
P0061.060-035-ZP	M 6	35	12	12.0	10
P0061.060-040-ZP	M 6	40	12	12.0	10
P0061.060-045-ZP	M 6	45	12	12.0	10
P0061.060-050-ZP	M 6	50	12	12.0	10
P0061.060-055-ZP	M 6	55	12	12.0	10
P0061.060-060-ZP	M 6	60	12	12.0	10
P0061.060-070-ZP	M 6	70	12	12.0	10
P0061.060-080-ZP	M 6	80	12	12.0	10
P0061.080-010-ZP	M 8	10	14	6.0	13
P0061.080-015-ZP	M 8	15	14	8.0	13
P0061.080-018-ZP	M 8	18	14	12.0	13
P0061.080-020-ZP	M 8	20	14	12.0	13
P0061.080-025-ZP	M 8	25	14	15.0	13
P0061.080-030-ZP	M 8	30	14	15.0	13
P0061.080-035-ZP	M 8	35	14	15.0	13
P0061.080-040-ZP	M 8	40	14	15.0	13
P0061.080-045-ZP	M 8	45	14	15.0	13
P0061.080-050-ZP	M 8	50	14	15.0	13
P0061.080-060-ZP	M 8	60	14	15.0	13
P0061.080-070-ZP	M 8	70	14	15.0	13
P0061.080-080-ZP	M 8	80	14	15.0	13



Stainless Hexagonal Pillars

303 stainless



P0061.A2

SPACERS

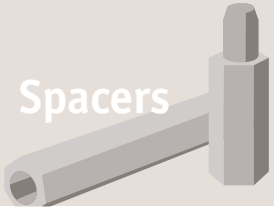
Material

Stainless steel (AISI 303, 1.4305)

Technical Notes

$l_4 = (l_3 + >1\text{mm})$.

Order No.	d ₁	l ₁ tol. js13	l ₂	l ₃	A/F
P0061.025-005-A2	M2,5	5	6	2.5	5
P0061.025-010-A2	M2,5	10	6	7.0	5
P0061.025-012-A2	M2,5	12	6	7.0	5
P0061.025-016-A2	M2,5	16	6	7.0	5
P0061.030-005-A2	M 3	5	8	2.5	5.5
P0061.030-008-A2	M 3	8	6	5.0	5.5
P0061.030-010-A2	M 3	10	8	6.5	5.5
P0061.030-012-A2	M 3	12	8	7.0	5.5
P0061.030-015-A2	M 3	15	8	8.0	5.5
P0061.030-018-A2	M 3	18	8	7.0	5.5
P0061.030-020-A2	M 3	20	8	7.0	5.5
P0061.030-025-A2	M 3	25	8	7.0	5.5
P0061.030-030-A2	M 3	30	8	7.0	5.5
P0061.030-035-A2	M 3	35	8	7.0	5.5
P0061.030-040-A2	M 3	40	8	7.0	5.5
P0061.030-045-A2	M 3	45	8	7.0	5.5
P0061.030-050-A2	M 3	50	8	7.0	5.5
P0061.030-055-A2	M 3	55	8	7.0	5.5
P0061.030-060-A2	M 3	60	8	7.0	5.5
P0061.030-070-A2	M 3	70	8	7.0	5.5
P0061.040-006-A2	M 4	6	8	3.5	7
P0061.040-008-A2	M 4	8	8	4.5	7
P0061.040-010-A2	M 4	10	8	6.0	7
P0061.040-015-A2	M 4	15	8	9.0	7
P0061.040-018-A2	M 4	18	8	9.0	7
P0061.040-020-A2	M 4	20	8	9.0	7
P0061.040-025-A2	M 4	25	8	9.0	7
P0061.040-030-A2	M 4	30	8	9.0	7
P0061.040-035-A2	M 4	35	8	9.0	7
P0061.040-040-A2	M 4	40	8	9.0	7
P0061.040-050-A2	M 4	50	8	9.0	7
P0061.040-055-A2	M 4	55	8	9.0	7
P0061.040-060-A2	M 4	60	8	9.0	7
P0061.050-008-A2	M 5	8	10	4.5	8



Stainless Hexagonal Pillars

303 stainless



SPACERS

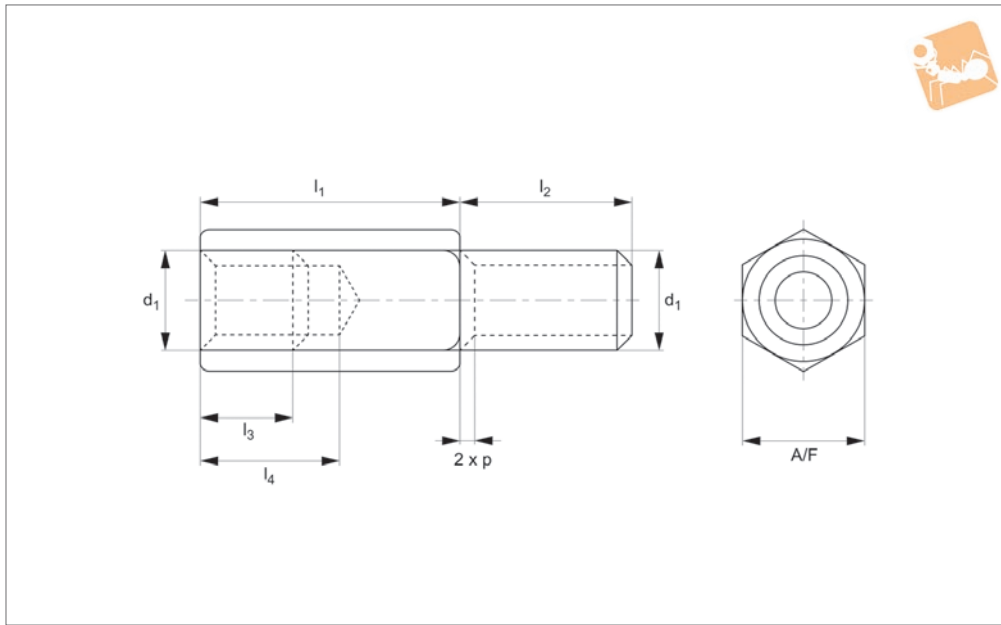
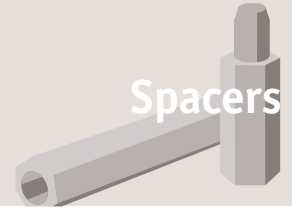
Order No.	d ₁	l ₁ tol. js13	l ₂	l ₃	A/F
P0061.050-010-A2	M 5	10	10	5.5	8
P0061.050-012-A2	M 5	12	10	8.0	8
P0061.050-015-A2	M 5	15	10	9.0	8
P0061.050-020-A2	M 5	20	10	11.0	8
P0061.050-025-A2	M 5	25	10	11.0	8
P0061.050-030-A2	M 5	30	10	11.0	8
P0061.050-035-A2	M 5	35	10	11.0	8
P0061.050-040-A2	M 5	40	10	11.0	8
P0061.050-050-A2	M 5	50	10	11.0	8
P0061.050-060-A2	M 5	60	10	11.0	8
P0061.050-080-A2	M 5	80	10	11.0	8
P0061.060-010-A2	M 6	10	12	6.0	10
P0061.060-015-A2	M 6	15	12	11.0	10
P0061.060-020-A2	M 6	20	12	12.0	10
P0061.060-025-A2	M 6	25	12	12.0	10
P0061.060-030-A2	M 6	30	12	12.0	10
P0061.060-035-A2	M 6	35	12	12.0	10
P0061.060-040-A2	M 6	40	12	12.0	10
P0061.060-045-A2	M 6	45	12	12.0	10
P0061.060-050-A2	M 6	50	12	12.0	10
P0061.060-060-A2	M 6	60	12	12.0	10
P0061.060-070-A2	M 6	70	12	12.0	10
P0061.060-080-A2	M 6	80	12	12.0	10
P0061.060-085-A2	M 6	85	12	12.0	10
P0061.060-090-A2	M 6	90	12	12.0	10



Brass Hexagonal Pillars

Brass

Spacers



P0061.BR

SPACERS

Material

Brass (CZ 121), bright nickel-plated.

Technical Notes

$l_4 = (l_3 + >1\text{mm})$.

Order No.	d_1	l_1 tol. js13	l_2	l_3	A/F
P0061.020-005-BR	M 2	5	6	2.8	4
P0061.020-008-BR	M 2	8	6	6	4
P0061.020-010-BR	M 2	10	6	7	4
P0061.020-012-BR	M 2	12	6	7	4
P0061.020-015-BR	M 2	15	6	7	4
P0061.020-020-BR	M 2	20	5	7	4
P0061.020-025-BR	M 2	25	6	7	4
P0061.020-030-BR	M 2	30	6	7	4
P0061.025-005-BR	M2,5	5	6	2.5	4
P0061.025-008-BR	M2,5	8	6	5.5	4
P0061.025-010-BR	M2,5	10	6	7	4
P0061.025-012-BR	M2,5	12	6	7	4
P0061.025-015-BR	M2,5	15	6	7	4
P0061.025-018-BR	M2,5	18	6	7	4
P0061.025-020-BR	M2,5	20	6	7	4
P0061.025-025-BR	M2,5	25	6	7	4
P0061.025-030-BR	M2,5	30	6	7	4
P0061.025-040-BR	M2,5	40	6	7	4
P0061.025-050-BR	M2,5	50	6	7	4
P0061.030-005-BR	M 3	5	8	2.5	5.5
P0061.030-008-BR	M 3	8	8	5	5.5
P0061.030-010-BR	M 3	10	8	6.5	5.5
P0061.030-012-BR	M 3	12	8	7	5.5
P0061.030-015-BR	M 3	15	8	8	5.5
P0061.030-018-BR	M 3	18	8	7	5.5
P0061.030-020-BR	M 3	20	8	7	5.5
P0061.030-025-BR	M 3	25	8	7	5.5
P0061.030-030-BR	M 3	30	8	7	5.5
P0061.030-035-BR	M 3	35	8	7	5.5
P0061.030-040-BR	M 3	40	8	7	5.5
P0061.030-045-BR	M 3	45	8	7	5.5
P0061.030-050-BR	M 3	50	8	7	5.5
P0061.030-055-BR	M 3	55	8	7	5.5
P0061.030-060-BR	M 3	60	8	7	5.5



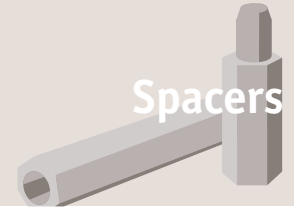
SPACERS

Order No.	d ₁	l ₁ tol. js13	l ₂	l ₃	A/F
P0061.040-005-BR	M 4	5	8	2.3	7
P0061.040-008-BR	M 4	8	8	4.5	7
P0061.040-010-BR	M 4	10	8	6	7
P0061.040-012-BR	M 4	12	8	6	7
P0061.040-015-BR	M 4	15	8	9	7
P0061.040-018-BR	M 4	18	8	9	7
P0061.040-020-BR	M 4	20	8	9	7
P0061.040-025-BR	M 4	25	8	9	7
P0061.040-030-BR	M 4	30	8	9	7
P0061.040-035-BR	M 4	35	10	9	7
P0061.040-040-BR	M 4	40	8	9	7
P0061.040-045-BR	M 4	45	8	9	7
P0061.040-050-BR	M 4	50	8	9	7
P0061.040-055-BR	M 4	55	8	9	7
P0061.040-060-BR	M 4	60	8	9	7
P0061.040-065-BR	M 4	65	8	9	7
P0061.040-070-BR	M 4	70	10	9	7
P0061.040-080-BR	M 4	80	8	9	7
P0061.050-010-BR	M 5	10	10	5.5	8
P0061.050-012-BR	M 5	12	10	8	8
P0061.050-015-BR	M 5	15	10	9	8
P0061.050-018-BR	M 5	18	10	10	8
P0061.050-020-BR	M 5	20	10	10	8
P0061.050-025-BR	M 5	25	10	10	8
P0061.050-030-BR	M 5	30	10	10	8
P0061.050-035-BR	M 5	35	10	10	8
P0061.050-040-BR	M 5	40	10	10	8
P0061.050-045-BR	M 5	45	10	10	8
P0061.050-050-BR	M 5	50	10	10	8
P0061.050-060-BR	M 5	60	10	10	8
P0061.060-012-BR	M 6	12	12	6.0	10
P0061.060-015-BR	M 6	15	12	11	10
P0061.060-020-BR	M 6	20	12	12	10
P0061.060-025-BR	M 6	25	12	12	10
P0061.060-030-BR	M 6	30	12	12	10
P0061.060-035-BR	M 6	35	12	12	10
P0061.060-040-BR	M 6	40	12	12	10
P0061.060-045-BR	M 6	45	12	12	10

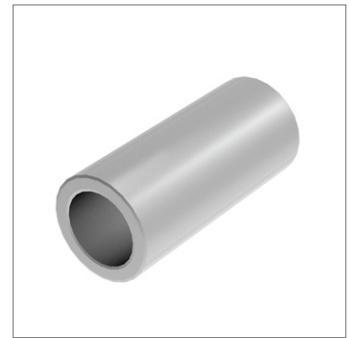
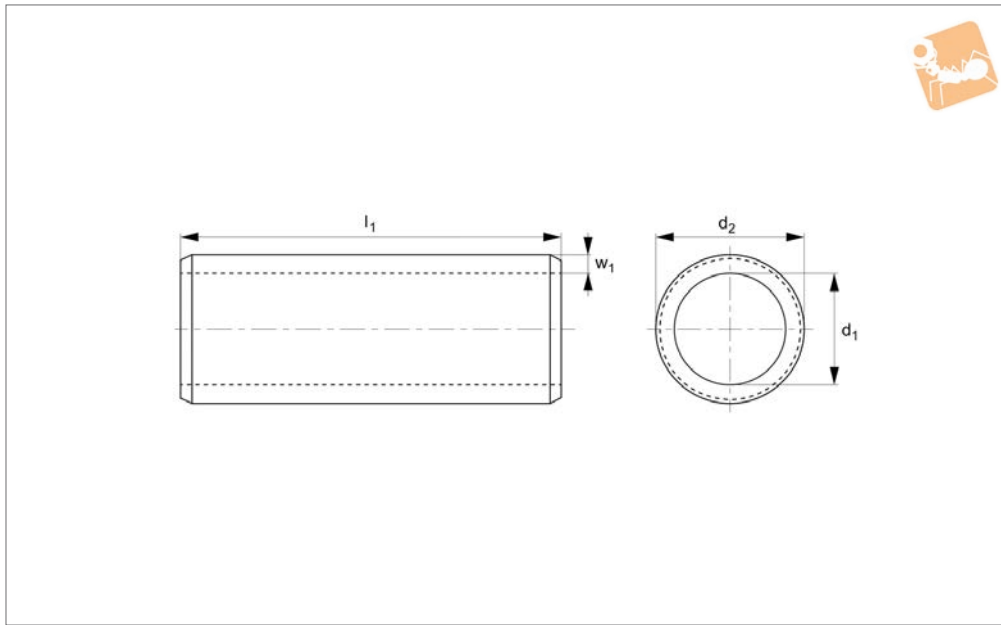


Steel Clearance Spacers

Steel - zinc-plated



Spacers



P0065.ZP

SPACERS

Material

Mild steel (AISI 1010, CS4), zinc plated.

ring process makes them very cost-effective.

Technical Notes

These are rolled spacers - the manufactu-

Order No.	For thread	l_1 +0 -0.2	d_1	d_2	w_1
P0065.025-002-ZP	M2,5	2	2.7	4.5	0.9
P0065.025-003-ZP	M2,5	3	2.7	4.5	0.9
P0065.025-004-ZP	M2,5	4	2.7	4.5	0.9
P0065.025-005-ZP	M2,5	5	2.7	4.5	0.9
P0065.025-006-ZP	M2,5	6	2.7	4.5	0.9
P0065.025-010-ZP	M2,5	10	2.7	4.5	0.9
P0065.025-012-ZP	M2,5	12	2.7	4.5	0.9
P0065.025-015-ZP	M2,5	15	2.7	4.5	0.9
P0065.025-018-ZP	M2,5	18	2.7	4.5	0.9
P0065.030-002-ZP	M 3	2	3.4	5.0	0.8
P0065.030-003-ZP	M 3	3	3.4	5.0	0.8
P0065.030-004-ZP	M 3	4	3.4	5.0	0.8
P0065.030-006-ZP	M 3	6	3.4	5.0	0.8
P0065.030-008-ZP	M 3	8	3.4	5.0	0.8
P0065.030-010-ZP	M 3	10	3.4	5.0	0.8
P0065.030-012-ZP	M 3	12	3.4	5.0	0.8
P0065.030-015-ZP	M 3	15	3.4	5.0	0.8
P0065.030-018-ZP	M 3	18	3.4	5.0	0.8
P0065.030-030-ZP	M 3	30	3.4	5.0	0.8
P0065.040-002-ZP	M 4	2	4.5	6.0	0.75
P0065.040-003-ZP	M 4	3	4.5	6.0	0.75
P0065.040-004-ZP	M 4	4	4.5	6.0	0.75
P0065.040-006-ZP	M 4	6	4.5	6.0	0.75
P0065.040-008-ZP	M 4	8	4.5	6.0	0.75
P0065.040-010-ZP	M 4	10	4.5	6.0	0.75
P0065.040-012-ZP	M 4	12	4.5	6.0	0.75
P0065.040-015-ZP	M 4	15	4.5	6.0	0.75
P0065.040-018-ZP	M 4	18	4.5	6.0	0.75
P0065.040-020-ZP	M 4	20	4.5	6.0	0.75
P0065.040-024-ZP	M 4	24	4.5	6.0	0.75
P0065.040-028-ZP	M 4	28	4.5	6.0	0.75
P0065.040-030-ZP	M 4	30	4.5	6.0	0.75
P0065.040-035-ZP	M 4	35	4.5	6.0	0.75
P0065.040-050-ZP	M 4	50	4.5	6.0	0.75

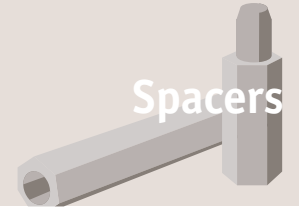


Order No.	For thread	l_1 +0 -0.2	d_1	d_2	w_1
P0065.050-006-ZP	M 5	6	5.6	8.0	1.2
P0065.050-008-ZP	M 5	8	5.6	8.0	1.2
P0065.050-010-ZP	M 5	10	5.6	8.0	1.2
P0065.050-012-ZP	M 5	12	5.6	8.0	1.2
P0065.050-015-ZP	M 5	15	5.6	8.0	1.2
P0065.050-018-ZP	M 5	18	5.6	8.0	1.2
P0065.050-020-ZP	M 5	20	5.6	8.0	1.2
P0065.050-024-ZP	M 5	24	5.6	8.0	1.2
P0065.050-028-ZP	M 5	28	5.6	8.0	1.2
P0065.050-030-ZP	M 5	30	5.6	8.0	1.2
P0065.050-035-ZP	M 5	35	5.6	8.0	1.2
P0065.050-040-ZP	M 5	40	5.6	8.0	1.2
P0065.060-004-ZP	M 6	4	6.4	10.0	1.8
P0065.060-006-ZP	M 6	6	6.4	10.0	1.8
P0065.060-008-ZP	M 6	8	6.4	10.0	1.8
P0065.060-010-ZP	M 6	10	6.4	10.0	1.8
P0065.060-012-ZP	M 6	12	6.4	10.0	1.8
P0065.060-015-ZP	M 6	15	6.4	10.0	1.8
P0065.060-020-ZP	M 6	20	6.4	10.0	1.8
P0065.060-024-ZP	M 6	24	6.4	10.0	1.8
P0065.060-025-ZP	M 6	25	6.4	10.0	1.8
P0065.060-028-ZP	M 6	28	6.4	10.0	1.8
P0065.060-030-ZP	M 6	30	6.4	10.0	1.8
P0065.060-035-ZP	M 6	35	6.4	10.0	1.8
P0065.060-040-ZP	M 6	40	6.4	10.0	1.8
P0065.080-004-ZP	M 8	4	8.4	12.0	1.8
P0065.080-006-ZP	M 8	6	8.4	12.0	1.8
P0065.080-010-ZP	M 8	10	8.4	12.0	1.8
P0065.080-012-ZP	M 8	12	8.4	12.0	1.8
P0065.080-015-ZP	M 8	15	8.4	12.0	1.8
P0065.080-020-ZP	M 8	20	8.4	12.0	1.8
P0065.080-025-ZP	M 8	25	8.4	12.0	1.8
P0065.080-030-ZP	M 8	30	8.4	12.0	1.8
P0065.080-050-ZP	M 8	50	8.4	12.0	1.8
P0065.100-004-ZP	M10	4	10.4	16.0	2.8
P0065.100-006-ZP	M10	6	10.4	16.0	2.8
P0065.100-008-ZP	M10	8	10.4	16.0	2.8
P0065.100-010-ZP	M10	10	10.4	16.0	2.8
P0065.100-012-ZP	M10	12	10.4	16.0	2.8
P0065.100-016-ZP	M10	16	10.4	16.0	2.8
P0065.100-018-ZP	M10	18	10.4	16.0	2.8
P0065.100-024-ZP	M10	24	10.4	16.0	2.8
P0065.100-030-ZP	M10	30	10.4	16.0	2.8
P0065.120-003-ZP	M12	3	12.4	16.0	1.8
P0065.120-005-ZP	M12	5	12.4	16.0	1.8
P0065.120-008-ZP	M12	8	12.4	16.0	1.8
P0065.120-010-ZP	M12	10	12.4	16.0	1.8
P0065.120-015-ZP	M12	15	12.4	16.0	1.8
P0065.120-020-ZP	M12	20	12.4	16.0	1.8

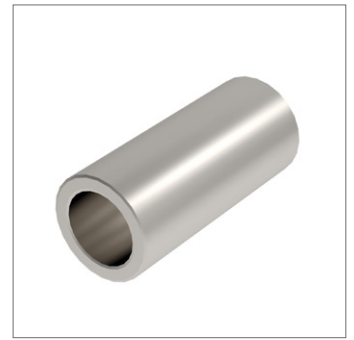
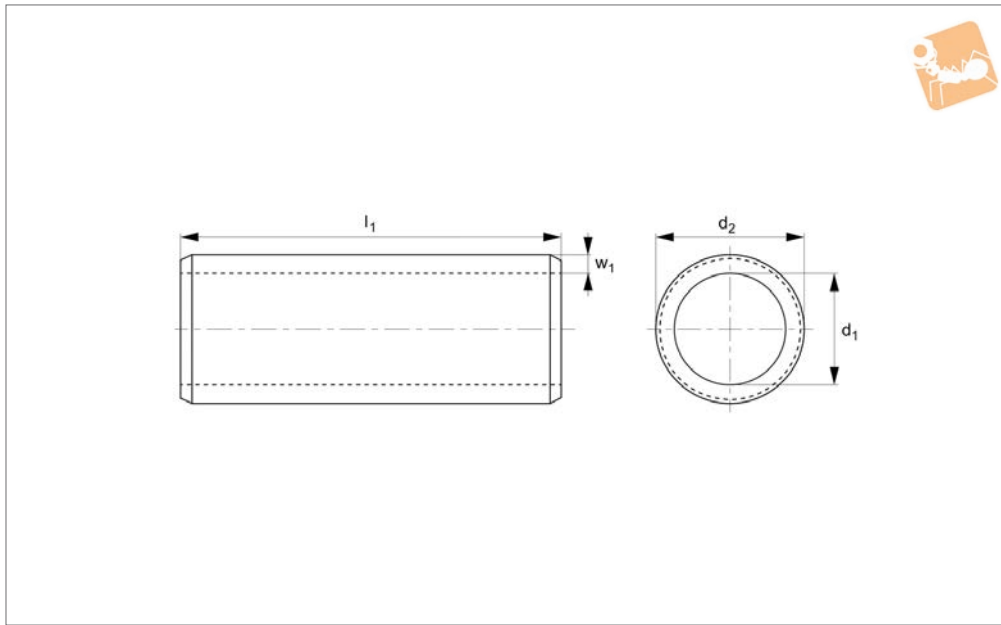


Stainless Clearance Spacers

A2 stainless



Spacers



P0065.A2

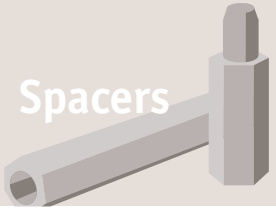
SPACERS

Material

Stainless steel (A2, AISI 303).

Order No.	For thread	l_1	d_1	d_2	w
P0065.030-002-A2	M3	2	3.4	5.0	0.8
P0065.030-003-A2	M3	3	3.4	5.0	0.8
P0065.030-004-A2	M3	4	3.4	5.0	0.8
P0065.030-005-A2	M3	5	3.4	5.0	0.8
P0065.030-006-A2	M3	6	3.4	5.0	0.8
P0065.030-008-A2	M3	8	3.4	5.0	0.8
P0065.030-010-A2	M3	10	3.4	5.0	0.8
P0065.030-012-A2	M3	12	3.4	5.0	0.8
P0065.030-015-A2	M3	15	3.4	5.0	0.8
P0065.030-020-A2	M3	20	3.4	5.0	0.8
P0065.030-025-A2	M3	25	3.4	5.0	0.8
P0065.030-030-A2	M3	30	3.4	5.0	0.8
P0065.040-002-A2	M4	2	4.5	6.0	0.75
P0065.040-003-A2	M4	3	4.5	6.0	0.75
P0065.040-004-A2	M4	4	4.5	6.0	0.75
P0065.040-005-A2	M4	5	4.5	6.0	0.75
P0065.040-006-A2	M4	6	4.5	6.0	0.75
P0065.040-008-A2	M4	8	4.5	6.0	0.75
P0065.040-010-A2	M4	10	4.5	6.0	0.75
P0065.040-015-A2	M4	15	4.5	6.0	0.75
P0065.040-020-A2	M4	20	4.5	6.0	0.75
P0065.040-025-A2	M4	25	4.5	6.0	0.75
P0065.040-030-A2	M4	30	4.5	6.0	0.75
P0065.050-004-A2	M5	4	6.0	8.0	1.0
P0065.050-005-A2	M5	5	6.0	8.0	1.0
P0065.050-010-A2	M5	10	6.0	8.0	1.0
P0065.050-015-A2	M5	15	6.0	8.0	1.0
P0065.050-020-A2	M5	20	6.0	8.0	1.0
P0065.060-002-A2	M6	2	6.4	10.0	1.8
P0065.060-005-A2	M6	5	6.4	10.0	1.8
P0065.060-006-A2	M6	6	6.4	10.0	1.8
P0065.060-010-A2	M6	10	6.4	10.0	1.8
P0065.060-015-A2	M6	15	6.4	10.0	1.8
P0065.060-020-A2	M6	20	6.4	10.0	1.8
P0065.060-025-A2	M6	25	6.4	10.0	1.8

Spacers



Stainless Clearance Spacers

A2 stainless



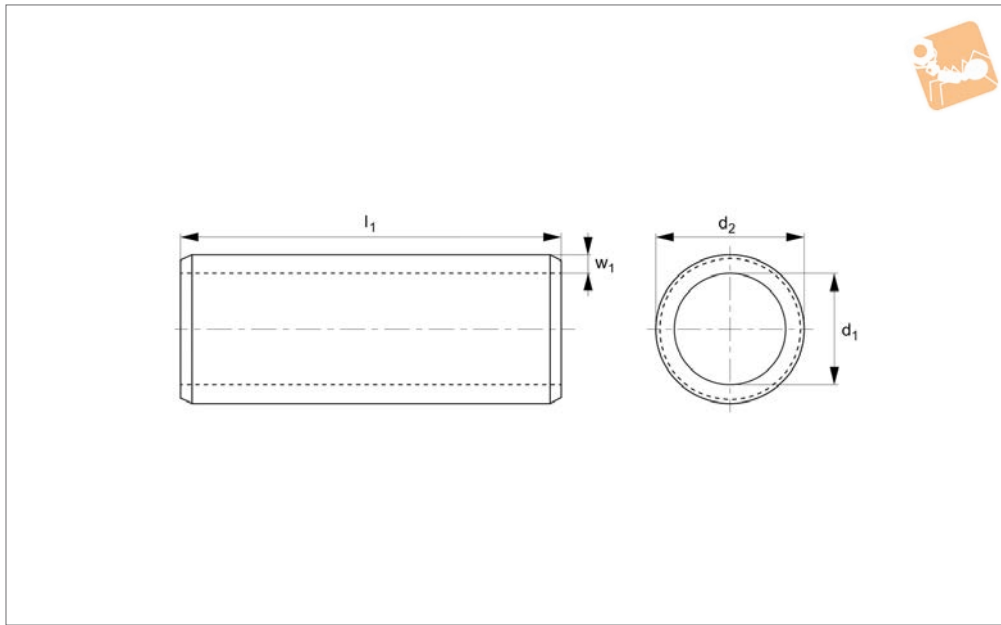
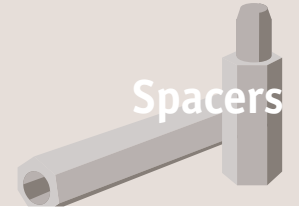
Order No.	For thread	l_1	d_1	d_2	w
P0065.060-030-A2	M6	30	6.4	10.0	1.8

SPACERS



Brass Clearance Spacers

Brass



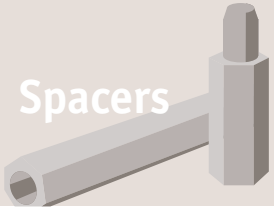
P0065.BR

SPACERS

Material

Brass, nickel plated.

Order No.	For thread	l_1	d_1	d_2	w_1
P0065.020-001-BR	M2	1	2.2	4.0	0.8
P0065.020-002-BR	M2	2	2.2	4.0	0.8
P0065.020-003-BR	M2	3	2.2	4.0	0.8
P0065.020-004-BR	M2	4	2.2	4.0	0.8
P0065.020-005-BR	M2	5	2.2	4.0	0.8
P0065.020-006-BR	M2	6	2.2	4.0	0.8
P0065.020-008-BR	M2	8	2.2	4.0	0.8
P0065.020-010-BR	M2	10	2.2	4.0	0.8
P0065.020-012-BR	M2	12	2.2	4.0	0.8
P0065.020-015-BR	M2	15	2.2	4.0	0.8
P0065.020-018-BR	M2	18	2.2	4.0	0.8
P0065.020-020-BR	M2	20	2.2	4.0	0.8
P0065.025-001-BR	M2,5	1	2.6	4.5	0.9
P0065.025-002-BR	M2,5	2	2.6	4.5	0.9
P0065.025-003-BR	M2,5	3	2.6	4.5	0.9
P0065.025-004-BR	M2,5	4	2.6	4.5	0.9
P0065.025-005-BR	M2,5	5	2.6	4.5	0.9
P0065.025-006-BR	M2,5	6	2.6	4.5	0.9
P0065.025-008-BR	M2,5	8	2.6	4.5	0.9
P0065.025-010-BR	M2,5	10	2.6	4.5	0.9
P0065.025-015-BR	M2,5	15	2.6	4.5	0.9
P0065.025-020-BR	M2,5	20	2.6	4.5	0.9
P0065.030-001-BR	M3	1	3.2	6.0	0.8
P0065.030-002-BR	M3	2	3.2	6.0	0.8
P0065.030-003-BR	M3	3	3.2	6.0	0.8
P0065.030-004-BR	M3	4	3.2	6.0	0.8
P0065.030-005-BR	M3	5	3.2	6.0	0.8
P0065.030-006-BR	M3	6	3.2	6.0	0.8
P0065.030-008-BR	M3	8	3.2	6.0	0.8
P0065.030-010-BR	M3	10	3.2	6.0	0.8
P0065.030-015-BR	M3	15	3.2	6.0	0.8
P0065.030-020-BR	M3	20	3.2	6.0	0.8
P0065.030-025-BR	M3	25	3.2	6.0	0.8
P0065.030-030-BR	M3	30	3.2	6.0	0.8
P0065.030-035-BR	M3	35	3.2	6.0	0.8

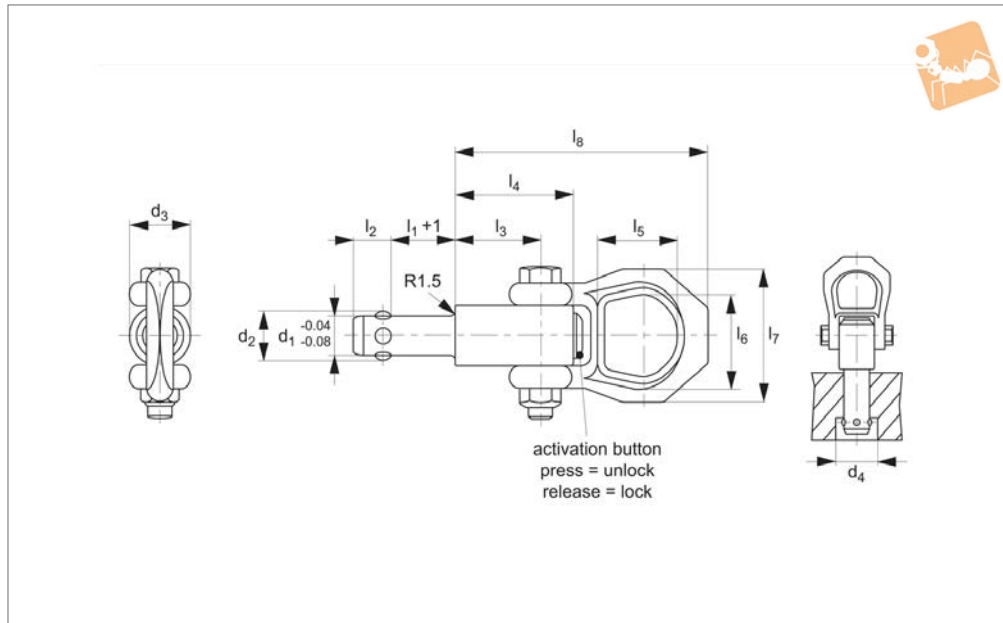


Order No.	For thread	l_1	d_1	d_2	w_1
P0065.040-001-BR	M4	1	4.3	8.0	0.75
P0065.040-003-BR	M4	3	4.3	8.0	0.75
P0065.040-004-BR	M4	4	4.3	8.0	0.75
P0065.040-005-BR	M4	5	4.3	8.0	0.75
P0065.040-006-BR	M4	6	4.3	8.0	0.75
P0065.040-008-BR	M4	8	4.3	8.0	0.75
P0065.040-010-BR	M4	10	4.3	8.0	0.75
P0065.040-015-BR	M4	15	4.3	8.0	0.75
P0065.040-020-BR	M4	20	4.3	8.0	0.75
P0065.040-025-BR	M4	25	4.3	8.0	0.75
P0065.040-030-BR	M4	30	4.3	8.0	0.75
P0065.040-035-BR	M4	35	4.3	8.0	0.75
P0065.040-040-BR	M4	40	4.3	8.0	0.75
P0065.040-050-BR	M4	50	4.3	8.0	0.75
P0065.050-001-BR	M5	1	5.4	10.0	1.2
P0065.050-002-BR	M5	2	5.4	10.0	1.2
P0065.050-003-BR	M5	3	5.4	10.0	1.2
P0065.050-005-BR	M5	5	5.4	10.0	1.2
P0065.050-006-BR	M5	6	5.4	10.0	1.2
P0065.050-008-BR	M5	8	5.4	10.0	1.2
P0065.050-010-BR	M5	10	5.4	10.0	1.2
P0065.050-015-BR	M5	15	5.4	10.0	1.2
P0065.050-020-BR	M5	20	5.4	10.0	1.2
P0065.050-025-BR	M5	25	5.4	10.0	1.2
P0065.050-030-BR	M5	30	5.4	10.0	1.2
P0065.050-035-BR	M5	35	5.4	10.0	1.2
P0065.050-040-BR	M5	40	5.4	10.0	1.2
P0065.050-050-BR	M5	50	5.4	10.0	1.2
P0065.060-001-BR	M6	1	6.4	11.0	1.8
P0065.060-003-BR	M6	3	6.4	11.0	1.8
P0065.060-005-BR	M6	5	6.4	11.0	1.8
P0065.060-008-BR	M6	8	6.4	11.0	1.8
P0065.060-010-BR	M6	10	6.4	11.0	1.8
P0065.060-015-BR	M6	15	6.4	11.0	1.8
P0065.060-020-BR	M6	20	6.4	11.0	1.8
P0065.060-025-BR	M6	25	6.4	11.0	1.8
P0065.060-030-BR	M6	30	6.4	11.0	1.8
P0065.060-035-BR	M6	35	6.4	11.0	1.8
P0065.060-040-BR	M6	40	6.4	11.0	1.8
P0065.060-050-BR	M6	50	6.4	11.0	1.8



Quick Lift Pins - Self Locking

Lifting Pins, Lifting Bolts &



P4074

LIFTING PINS, LIFTING BOLTS & SWING BOLTS

Material

Pin, Body & Shackle: heat treated steel, tempered, manganese phosphated.
Actuation Button: aluminium, red anodised.
Spring: stainless steel.

Technical Notes

Pressing = unlocking.
Releasing = locking.
Lifts forces up to 4.8kN (with a 5 fold in-built safety factor).

Temperature range up to +250°C.

Easy installation with plain drilled hole to H11 tolerance.

Tips

The design of the safety shackle prevents accidental locking/unlocking. Safety shackle is adjustable and can be used to lift components at 90°, 45° or 180°.

Important Notes

* are values calculated on a 5-fold safety

against breakage.

When machining receiving hole in aluminium we recommend use of hardened bush or collar in receiving hole, see our part no. P4077.

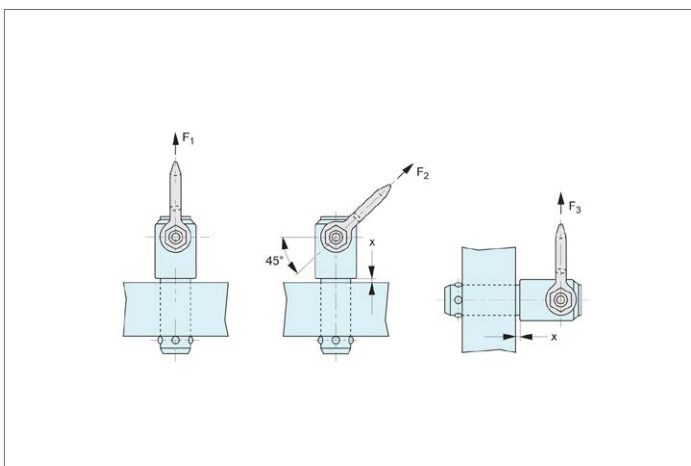
Supplied with TUV test certificate of manufacturing process. Parts not individually tested.

Order No.	l_1	d_1 -0.04 -0.08	d_2	d_3	d_4 min.	l_2	l_3	l_4	l_5	Weight g
P4074.080-010	10	8.0	9.35	21.5	9.85	8.75	25.7	36.0	27.0	218
P4074.080-015	15	8.0	9.35	21.5	9.85	8.75	25.7	36.0	27.0	220
P4074.080-025	25	8.0	9.35	21.5	9.85	8.75	25.7	36.0	27.0	223
P4074.080-035	35	8.0	9.35	21.5	9.85	8.75	25.7	36.0	27.0	226
P4074.083-010	10	8.3	9.65	21.5	10.05	8.75	25.7	36.0	27.0	218
P4074.083-015	15	8.3	9.65	21.5	10.05	8.75	25.7	36.0	27.0	219
P4074.083-025	25	8.3	9.65	21.5	10.05	8.75	25.7	36.0	27.0	223
P4074.083-035	35	8.3	9.65	21.5	10.05	8.75	25.7	36.0	27.0	228
P4074.100-015	15	10.0	11.70	21.5	12.20	10.20	25.7	36.0	27.0	226
P4074.100-025	25	10.0	11.70	21.5	12.20	10.20	25.7	36.0	27.0	238
P4074.100-035	35	10.0	11.70	21.5	12.20	10.20	25.7	36.0	27.0	244
P4074.100-050	50	10.0	11.70	21.5	12.20	10.20	25.7	36.0	27.0	252
P4074.120-015	15	12.0	14.20	21.5	14.70	11.00	25.7	36.0	27.0	238
P4074.120-025	25	12.0	14.20	21.5	14.70	11.00	25.7	36.0	27.0	243
P4074.120-035	35	12.0	14.20	21.5	14.70	11.00	25.7	36.0	27.0	251
P4074.120-050	50	12.0	14.20	21.5	14.70	11.00	25.7	36.0	27.0	268
P4074.138-025	25	13.8	16.20	21.5	16.70	13.00	25.7	36.0	27.0	251
P4074.138-050	50	13.8	16.20	21.5	16.70	13.00	25.7	36.0	27.0	279
P4074.138-075	75	13.8	16.20	21.5	16.70	13.00	25.7	36.0	27.0	309
P4074.160-025	25	16.0	18.60	25.0	19.20	15.10	31.0	44.5	27.0	312
P4074.160-050	50	16.0	18.60	25.0	19.20	15.10	31.0	44.5	27.0	353
P4074.160-075	75	16.0	18.60	25.0	19.20	15.10	31.0	44.5	27.0	388



LIFTING PINS, LIFTING BOLTS & SWING BOLTS

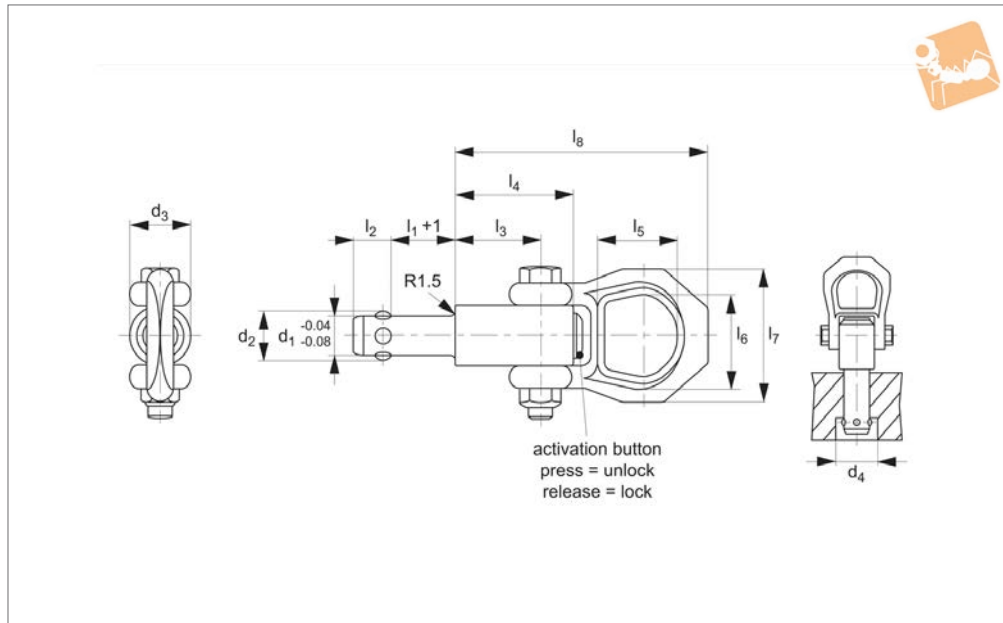
Order No.	l ₆	l ₇	l ₈	F ₁ kN	F ₂ kN	F ₃ kN	x min.	x max.	Location hole tol. H11
P4074.080-010	30	49	87.5	1.5	1.2	0.5	1.5	5	8.0
P4074.080-015	30	49	87.5	1.5	1.2	0.5	1.5	10	8.0
P4074.080-025	30	49	87.5	1.5	1.2	0.5	1.5	15	8.0
P4074.080-035	30	49	87.5	1.5	1.2	0.5	1.5	15	8.0
P4074.083-010	30	49	87.5	1.5	1.2	0.5	1.5	5	8.3
P4074.083-015	30	49	87.5	1.5	1.2	0.5	1.5	10	8.3
P4074.083-025	30	49	87.5	1.5	1.2	0.5	1.5	15	8.3
P4074.083-035	30	49	87.5	1.5	1.2	0.5	1.5	15	8.3
P4074.100-015	30	49	87.5	2.7	2.4	2.1	1.5	10	10.0
P4074.100-025	30	49	87.5	2.7	2.4	2.1	1.5	10	10.0
P4074.100-035	30	49	87.5	2.7	2.4	2.1	1.5	10	10.0
P4074.100-050	30	49	87.5	2.7	2.4	2.1	1.5	10	10.0
P4074.120-015	30	49	87.5	3.5	3.2	2.8	1.5	10	12.0
P4074.120-025	30	49	87.5	3.5	3.2	2.8	1.5	15	12.0
P4074.120-035	30	49	87.5	3.5	3.2	2.8	1.5	15	12.0
P4074.120-050	30	49	87.5	3.5	3.2	2.8	1.5	15	12.0
P4074.138-025	30	49	87.5	3.8	3.5	2.8	1.5	15	13.8
P4074.138-050	30	49	87.5	3.8	3.5	2.8	1.5	35	13.8
P4074.138-075	30	49	87.5	3.8	3.5	2.8	1.5	35	13.8
P4074.160-025	30	49	92.8	4.8	4.5	4.1	1.5	15	16.0
P4074.160-050	30	49	92.8	4.8	4.5	4.1	1.5	35	16.0
P4074.160-075	30	49	92.8	4.8	4.5	4.1	1.5	40	16.0





Quick Lift Pins - Self Locking stainless steel

Lifting Pins, Lifting Bolts &



P4075

LIFTING PINS, LIFTING BOLTS & SWING BOLTS

Material

Pin & Body: stainless steel 1.4542 (AISI 630), precipitation hardened.
Shackle: stainless steel 1.4571.
Actuation Button: aluminium, red anodised.
Spring: stainless steel.

Technical Notes

Pressing = unlocking.
Releasing = locking.
Lifts forces up to 4.8kN (with a 5 fold in-

built safety factor).
Temperature range up to +250°C.
Easy installation with plain drilled hole to H11 tolerance.
Corrosion and weather resistant, therefore suitable for outdoor applications.

Tips

The design of the safety shackle prevents accidental locking/unlocking. Safety shackle is adjustable and can be used to lift components at 90°, 45° or 180°.

Important Notes

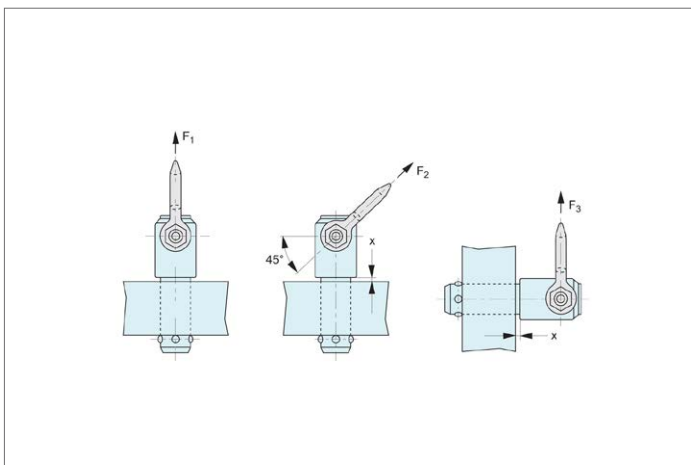
* are values calculated on a 5-fold safety against breakage.
When machining receiving hole in aluminium we recommend use of hardened bush or collar in receiving hole, see our part no. P4077.
Supplied with TUV test certificate of manufacturing process. Parts not individually tested.

Order No.	l_1	d_1	d_2	d_3	d_4 min.	l_2	l_3	l_4	l_5	Weight g
P4075.080-010	10	8.0	9.35	21.5	9.85	8.75	25.7	36.0	27	221
P4075.080-015	15	8.0	9.35	21.5	9.85	8.75	25.7	36.0	27	222
P4075.080-025	25	8.0	9.35	21.5	9.85	8.75	25.7	36.0	27	225
P4075.080-035	35	8.0	9.35	21.5	9.85	8.75	25.7	36.0	27	229
P4075.083-010	10	8.3	9.65	21.5	10.05	8.75	25.7	36.0	27	222
P4075.083-015	15	8.3	9.65	21.5	10.05	8.75	25.7	36.0	27	223
P4075.083-025	25	8.3	9.65	21.5	10.05	8.75	25.7	36.0	27	225
P4075.083-035	35	8.3	9.65	21.5	10.05	8.75	25.7	36.0	27	231
P4075.100-015	15	10.0	11.70	21.5	12.20	10.20	25.7	36.0	27	233
P4075.100-025	25	10.0	11.70	21.5	12.20	10.20	25.7	36.0	27	243
P4075.100-035	35	10.0	11.70	21.5	12.20	10.20	25.7	36.0	27	250
P4075.100-050	50	10.0	11.70	21.5	12.20	10.20	25.7	36.0	27	257
P4075.120-015	15	12.0	14.20	21.5	14.70	11.00	25.7	36.0	27	246
P4075.120-025	25	12.0	14.20	21.5	14.70	11.00	25.7	36.0	27	255
P4075.120-035	35	12.0	14.20	21.5	14.70	11.00	25.7	36.0	27	265
P4075.120-050	50	12.0	14.20	21.5	14.70	11.00	25.7	36.0	27	273
P4075.138-025	25	13.8	16.20	21.5	16.70	13.00	25.7	36.0	27	255
P4075.138-050	50	13.8	16.20	21.5	16.70	13.00	25.7	36.0	27	283
P4075.138-075	75	13.8	16.20	21.5	16.70	13.00	25.7	36.0	27	311
P4075.160-025	25	16.0	18.60	25.0	19.20	15.10	31.0	44.5	27	313
P4075.160-050	50	16.0	18.60	25.0	19.20	15.10	31.0	44.5	27	367
P4075.160-075	75	16.0	18.60	25.0	19.20	15.10	31.0	44.5	27	403
P4075.200-050	50	20.0	24.50	30.0	25.00	19.70	36.5	52.0	32.6	607



LIFTING PINS, LIFTING BOLTS & SWING BOLTS

Order No.	l_6	l_7	l_8	F_1 kN	F_2 kN	F_3 kN	x min.	x max.	Location hole dia. tol. H11
P4075.080-010	30	49	87.5	1.5	1.2	0.5	1.5	5	8.0
P4075.080-015	30	49	87.5	1.5	1.2	0.5	1.5	10	8.0
P4075.080-025	30	49	87.5	1.5	1.2	0.5	1.5	15	8.0
P4075.080-035	30	49	87.5	1.5	1.2	0.5	1.5	15	8.0
P4075.083-010	30	49	87.5	1.5	1.2	0.5	1.5	5	8.3
P4075.083-015	30	49	87.5	1.5	1.2	0.5	1.5	10	8.3
P4075.083-025	30	49	87.5	1.5	1.2	0.5	1.5	15	8.3
P4075.083-035	30	49	87.5	1.5	1.2	0.5	1.5	15	8.3
P4075.100-015	30	49	87.5	2.7	2.4	2.1	1.5	10	10.0
P4075.100-025	30	49	87.5	2.7	2.4	2.1	1.5	10	10.0
P4075.100-035	30	49	87.5	2.7	2.4	2.1	1.5	10	10.0
P4075.100-050	30	49	87.5	2.7	2.4	2.1	1.5	10	10.0
P4075.120-015	30	49	87.5	3.5	3.2	2.8	1.5	10	12.0
P4075.120-025	30	49	87.5	3.5	3.2	2.8	1.5	15	12.0
P4075.120-035	30	49	87.5	3.5	3.2	2.8	1.5	15	12.0
P4075.120-050	30	49	87.5	3.5	3.2	2.8	1.5	15	12.0
P4075.138-025	30	49	87.5	3.8	3.5	2.8	1.5	15	13.8
P4075.138-050	30	49	87.5	3.8	3.5	2.8	1.5	35	13.8
P4075.138-075	30	49	87.5	3.8	3.5	2.8	1.5	35	13.8
P4075.160-025	30	49	92.8	4.8	4.5	4.1	1.5	15	16.0
P4075.160-050	30	49	92.8	4.8	4.5	4.1	1.5	35	16.0
P4075.160-075	30	49	92.8	4.8	4.5	4.1	1.5	40	16.0
P4075.200-050	36	56	114.0	10.0	8.5	6.5	1.5	25	20.0





Danger!

Self-locking quick lift pins are designed to lift and hold point loads not people.

Self-locking quick lift pins are not suited for rotating loads.

Dirt and debris etc can affect the performance of the pins.

Using damaged self-locking pins can be very dangerous. Before each use carefully inspect the pins (damage, deformities, signs of stress, corrosion, check unlocking and locking function, loss of balls etc. Check full movement of shackle. Withdraw any defective pins from service immediately.

To release the balls, press button A. To lock the balls, release button A.

The load figures F_1 , F_2 and F_3 apply only to lifting applications used with a steel retainer, and an "x" min of 1.5mm.

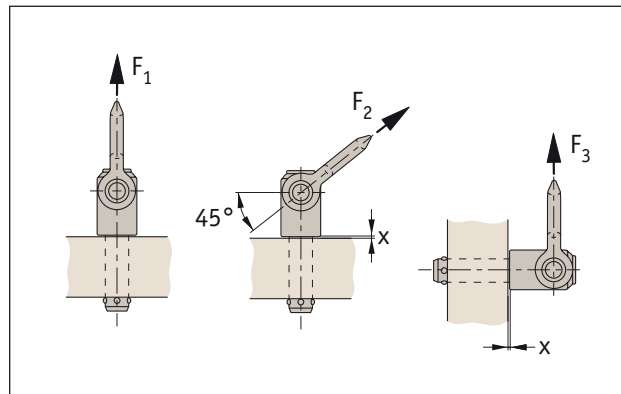
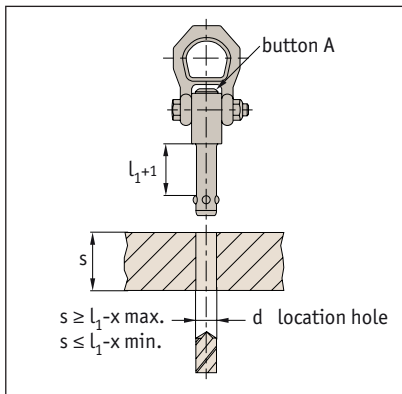
Inspect before and after every use. For maintenance – take the out of service after 12 months for inspection by qualified personnel.

Operating Instructions P4074 and P4075

Note: The full shaft must be engaged. Longer shaft lengths can be supplied on request or a bolt and washer/nut combination can be used.

- Ensure all lifting pins are CE marked.
- Ensure they are handled by qualified personnel.
- Refer to the operating instructions particularly with regards to product selection, any possibility of the load swivelling, the effect of lifting angles on the load capacity (see relevant tables), etc.
- Never allow any personnel underneath a suspended load.
- Always heed the load rating of the lifting pin.
- Always perform a visual inspection of the lifting pins prior to use. Checking for any damage to thread and/or swivelling system. Check for wear or corrosion, signs of stress or bending.
- Ensure a yearly full service inspection is performed.
- Always ensure the full bottom face of the lifting pin shoulder is in contact with a smooth, square surface.
- Ensure full and unrestricted movement of the lifting pin in all directions.
- Before each lift ensure the correct orientation of the shackle in the lift direction.
- Avoid using our standard steel lifting pins in corrosive environments eg. sandy, chemical, acid, moisture etc. In this case consider using our stainless steel lifting pins (P4075).

Notes





Single swivel

Threads M8 – M48
Loads 0,3 tons to 15 tons



Double swivel

Threads M4 – M100
Loads 0,05 tons to 50 tons



Triple swivel

Threads M8 – M56
Loads 0,3 tons to 22 tons

Introduction to swivel lifting rings and Lifting Bolts (P4002-P4055)

Our swivel lifting rings fully comply with the EC directive 2006/42/EC. They are CE marked and are supplied with a Certificate of Conformity. There is a 100% check on anti-cracking, a proof load test of 2.5 x load limit and a safety factor of 5 on most parts. Each ring is individually marked to ensure full product traceability.

The Swivel Lifting Rings come in three main forms – depending on the number of axis required to swivel. The most popular type is the double swivel rings.

Other Standard Lifting Bolts

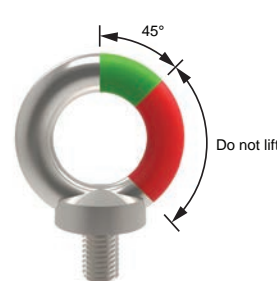
Standard lifting bolts (to DIN 580 and DIN 582) (P4040-P4048)

These are CE marked and are available with male or female threads in either steel or stainless steel (A4 AISI 316). They are meant only for linear loading of the bolts at a maximum angle of 45° from the thread. They are not meant for loads that might swivel.

These are supplied with a generic CE Certificate of Conformity stating that the parts have been manufactured to the relevant DIN standard and therefore suitable for lifting.

High-tensile lifting bolts (P4054-P4055)

The High-tensile lifting bolts are similar to the standard lifting bolts but are rated at higher loads and can lift loads at up to 90° from the thread. They are not meant for loads that might swivel.



Standard lifting bolts
DIN 580 & DIN 582
P4040-P4048



Hi-tensile lifting bolts
P4054-P4055

Swivel lifting rings operating instructions.

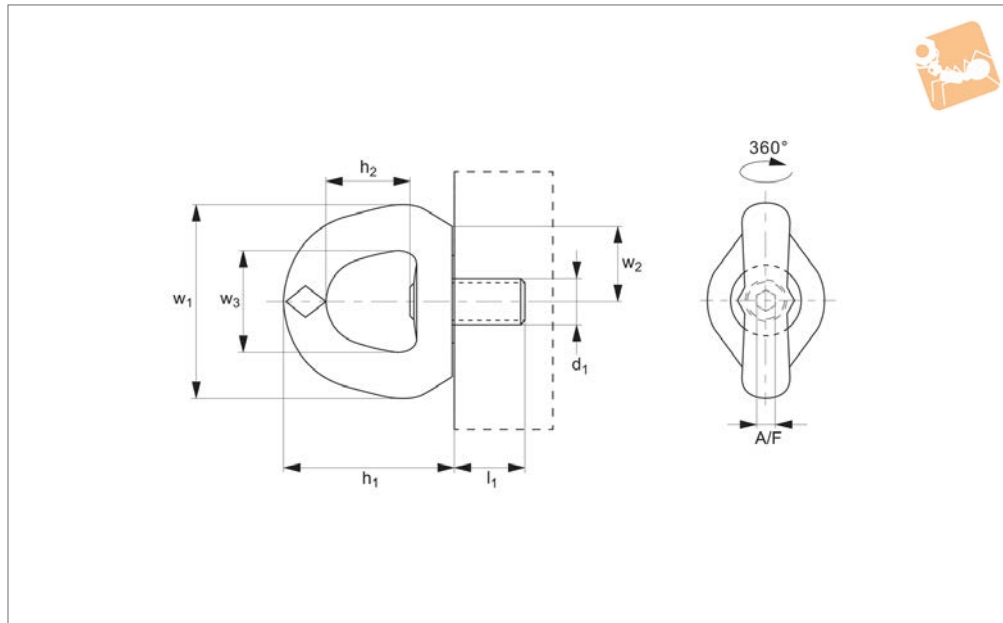
Please follow these instructions carefully.

- Ensure all lifting bolts are CE marked.
- Ensure they are handled by qualified personnel.
- Refer to the operating instructions particularly with regards to product selection, any possibility of the load swivelling, the effect of lifting angles on the load capacity (see relevant tables), etc.
- Never allow any personnel underneath a suspended load.
- Always heed the load rating of the lifting bolt.
- Always perform a visual inspection of the lifting rings prior to use. Checking for any damage to thread and/or swivelling system. Check for wear or corrosion, signs of stress or bending. Check CE mark and load rating.
- Ensure a yearly full service inspection is performed.
- Always ensure the full bottom face of the lifting bolts is in contact with a smooth, square surface.
- Ensure bolt is tightened to the correct torque.
- Ensure full and unrestricted movement of the lifting ring in all directions.
- Before each lift ensure the correct orientation of the shackle in the lift direction.
- Avoid using our standard steel lifting rings in corrosive environments eg sandy, chemical, acid, moisture etc. In this case consider using our stainless steel lifting rings.

- Note the thread length requirements:
 - 1 x thread diameter for steel (ST37 min.).
 - 1.25 x thread diameter for cast iron.
 - 2 x thread diameter for aluminium.
 - 2.5 x thread diameter for other light metals.
 - If fixing into low resistance material it is better to allow for a bigger diameter thread to compensate for the lower material resistance.

Note: The full thread must be engaged. Longer thread lengths can be supplied on request or a bolt and washer/nut combination can be used.





P4002

LIFTING PINS, LIFTING BOLTS & SWING BOLTS

Material

High tensile steel, strength class >8.
Supplied with CE certificate.

Technical Notes

Single articulation, 360°, very low overhang for improved safety, large support surface.

Longer or shorter thread lengths can be supplied but please consult our technical department for this information if required.

For use in temperatures from -20°C to +200°C. Can be used in lower or higher

temperatures but, this affects the load rating - please ask for more information.
Please refer to our technical information pages when specifying and/or using.

Tips

Allows swivelling under load.
Swivel eye bolt with „automatic“ position recovery system for best orientation to sling direction.

Important Notes

The thread diameter and depth must be

appropriate to the material into which it will be installed:
Steel (min. ST37) - 1 x thread dia.
Cast iron - 1.25 x thread dia.
Aluminium - 2 x thread dia.
Other light metals - 2.5 x thread dia.
Tolerance of female thread to be 6H (metric).

Please refer to the safety documentation before using this part.

Supplied with certificate and operating instructions.

Order No.	Load tonnes (t) max.	d ₁ tol. 6G	l ₁	h ₁	h ₂	w ₁	w ₂	w ₃	A/F	Safety factor	Torque to Nm	Weight kg
P4002.M008	0.5	M 8x 1.25	14	57	30	60	20	34	6	4	6	0.24
P4002.M010	0.7	M 10x1.50	17	57	30	60	20	34	6	4	10	0.24
P4002.M012	0.9	M 12x1.75	21	57	30	60	20	34	6	4	15	0.24
P4002.M016	1.8	M 16x2.00	27	80	38	88	35	45	8	4	50	0.80
P4002.M020	2.7	M 20x2.50	30	80	38	88	35	45	8	4	100	0.80
P4002.M024	4.2	M 24x3.00	36	106	58	115	50	70	14	4	160	2.60
P4002.M030	6.3	M 30x3.50	45	106	58	115	50	70	14	4	250	2.70
P4002.M036	11.0	M 36x4.00	54	155	83	168	70	94	14	4	320	7.00
P4002.M042	15.0	M 42x4.50	63	155	83	168	70	94	14	4	400	7.00
P4002.M048	16.0	M 48x5.00	68	155	80	168	70	94	19	4	600	7.00

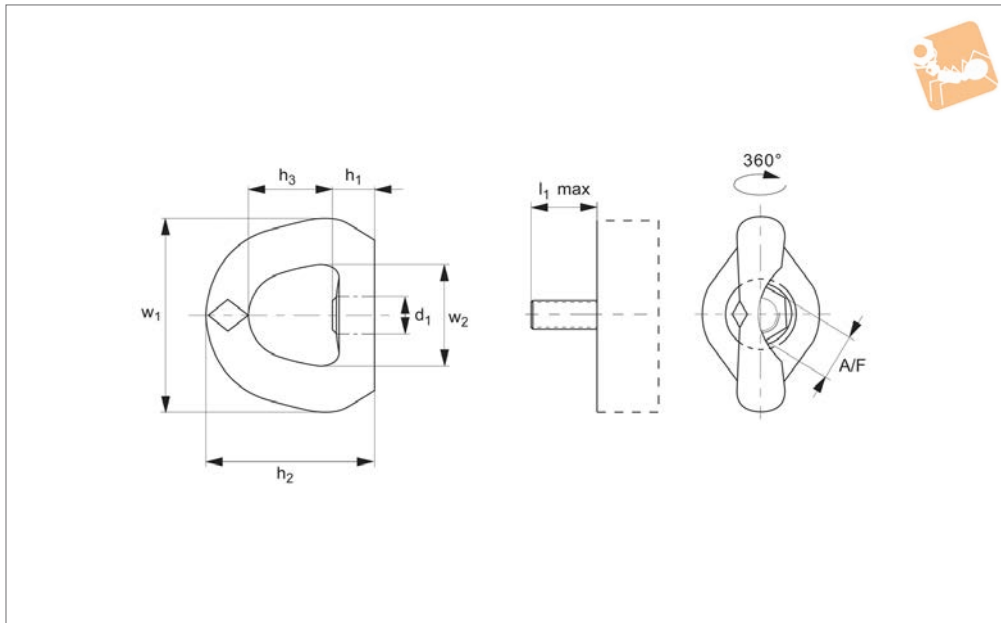




Swivel Eye Nuts Female

female

Lifting Pins, Lifting Bolts &



P4004

LIFTING PINS, LIFTING BOLTS & SWING BOLTS

Material

High tensile steel, strength class >8.
Supplied with CE certificate.

Technical Notes

Single articulation, very low overhang for improved safety, large support surface. For use in temperatures from -20°C to +200°C. Can be used in lower or higher temperatures, but this affects the load rating - please ask

for more information.

Please refer to our technical information pages when specifying and/or using.

Tips

Allows swivelling under load. Swivel eye bolt with „automatic“ position recovery system for best orientation to sling direction. Permits the hook to move parallel to the supporting face of the ring when being

pulled at 90° angle.

Important Notes

Tolerance of male thread to be 6g (metric).
Please refer to the safety documentation before using this part.
Supplied with certificate and operating instructions.

Order No.	Load tonnes (t) max.	d ₁ 6H	h ₁ & l _{max}	h ₂	h ₃	w ₁	w ₂	A/F	Safety factor	Torque to Nm	Weight kg
P4004.M008	0.5	M 8x 1,25	22	80	38	88	45	21	4	6	0.8
P4004.M010	0.7	M10x1,50	22	80	38	88	45	21	4	10	0.8
P4004.M012	0.9	M12x1,75	22	80	38	88	45	21	4	15	0.8
P4004.M016	1.8	M16x2,00	22	80	38	88	45	21	4	50	0.8
P4004.M020	2.7	M20x2,50	35	106	55	115	70	36	4	100	2.5
P4004.M024	4.2	M24x3,00	48	155	77	168	94	40	4	160	6.3
P4004.M030	6.3	M30x3,50	48	155	77	168	94	40	4	250	6.3
P4004.M036	11.0	M36x4,00	48	155	77	168	94	40	4	320	6.3

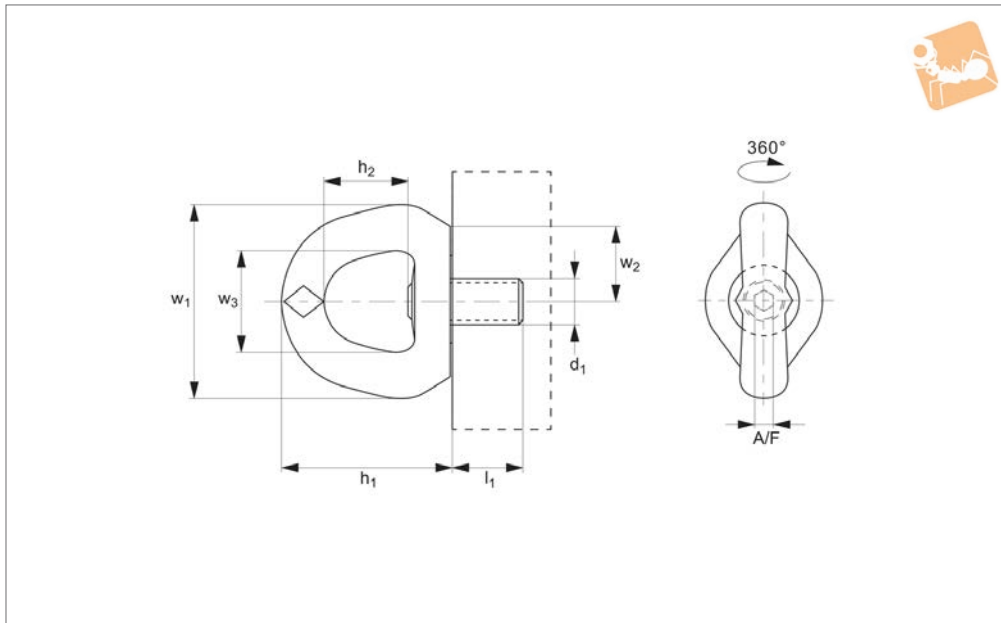




Swivel Eye Bolts Male

male: stainless steel 316L

Lifting Pins, Lifting Bolts &



P4003

LIFTING PINS, LIFTING BOLTS & SWING BOLTS

Material

Stainless steel 316L.
Supplied with CE certificate.

Technical Notes

Single articulation, 360°, very low overhang for improved safety, large support surface.
Longer or shorter thread lengths can be supplied but please consult our technical department for this information if required.
For use in temperatures from -20°C to +200°C. Can be used in lower or higher

temperatures but, this affects the load rating - please ask for more information.
Please refer to our technical information pages when specifying and/or using.

Tips

Allows swivelling under load.
Swivel eye bolt with „automatic“ position recovery system for best orientation to sling direction.

Important Notes

The thread diameter and depth must be

appropriate to the material into which it will be installed:
Steel (min. ST37) - 1 x thread dia.
Cast iron - 1.25 x thread dia.
Aluminium - 2 x thread dia.
Other light metals - 2.5 x thread dia.
Tolerance of female thread to be 6H (metric).
Please refer to the safety documentation before using this part.
Supplied with certificate and operating instructions.

Order No.	Load tonnes (t) max.	d ₁ tol. 6G	l ₁	h ₁	h ₂	w ₁	w ₂	w ₃	A/F	Safety factor	Torque to Nm	Weight kg
P4003.M012	0.55	M12x1,75	21	80	38	90	20	45	8	4	15	0.80
P4003.M016	1.20	M16x2,00	27	80	38	90	35	45	8	4	50	0.82
P4003.M020	1.50	M20x2,50	30	80	38	90	35	45	8	4	100	0.84
P4003.M024	2.50	M24x3,00	36	80	38	90	50	45	8	4	100	0.90





Product Overview

Swivel Lifting Rings

Lifting Bolts



Temperature extremes

- 40°C to -20°C Load rating reduces by 20%.
- +200°C to +300°C Load rating reduces by 10%.
- +300°C to +400°C Load rating reduces by 25%.

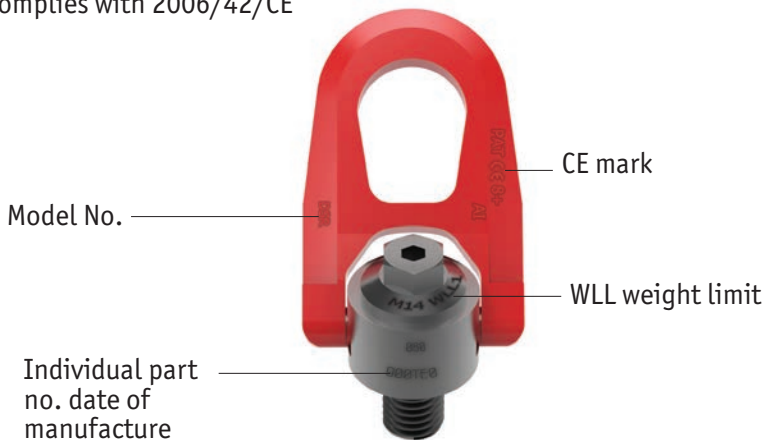
Rugged

For harsh environments we recommend the use of our stainless steel lifting rings.

Product marking

Compliant with 2006/42/EC, and with individual date of manufacture and batch number.

Complies with 2006/42/CE



P4020

Threads M8 – M30
Loads 0,3 tons to 3 tons.

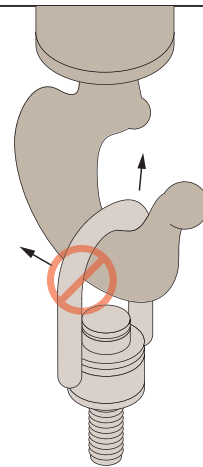


P4022

Threads M30 – M45
Loads 3,5 tons to 6 tons.

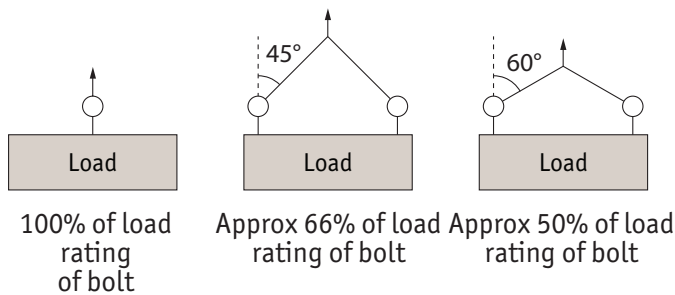


Installation Information



Never use an oversized hook or other lifting device which will pry or tend to open the "U" shaped bar on center pull hoist rings.

Lifting angles



For full information on lifting arrangements see technical pages

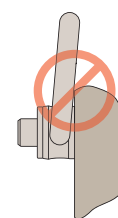
Steel and Stainless steel (316) versions



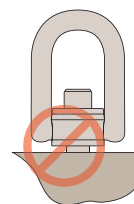
Steel



Stainless (316L)



After installation, check the hoist ring to be sure it swivels and pivots freely in all directions. **The side of the ring must not contact anything.**



Always ensure full thread engagement when installing hoist rings. Also ensure face is flush.



P4002 Male



P4004 Female



LIFTING PINS, LIFTING BOLTS & SWING BOLTS

Lifting type									$\alpha \text{ max.} = 60^\circ$ 		$\alpha \text{ max.} = 60^\circ$ 	
	1	2	1	2	2	2	4	4				
No. of rings	1	2	1	2	2	2	4	4				
Lifting angle	0°	0°	90°	90°	45°	60°	45°	60°				
Part no.	Thread											
P4002.M008 & P4004.M008	M 8		0,30 tons	0,60 tons	0,30 tons	0,60 tons	0,40 tons	0,30 tons	0,60 tons	0,30 tons		
P4002.M010 & P4004.M010	M10		0,60 tons	1,20 tons	0,60 tons	1,20 tons	0,80 tons	0,60 tons	1,30 tons	0,60 tons		
P4002.M012 & P4004.M012	M12		1,00 tons	2,00 tons	1,00 tons	2,00 tons	1,40 tons	1,00 tons	2,10 tons	1,00 tons		
P4002.M016 & P4004.M016	M16		1,60 tons	3,20 tons	1,60 tons	3,20 tons	2,20 tons	1,60 tons	3,40 tons	1,60 tons		
P4002.M020 & P4004.M020	M20		2,50 tons	5,00 tons	2,50 tons	5,00 tons	3,50 tons	2,50 tons	5,30 tons	2,50 tons		
P4002.M024 & P4004.M024	M24		4,00 tons	8,00 tons	4,00 tons	8,00 tons	5,60 tons	4,00 tons	8,40 tons	4,00 tons		
P4002.M030 & P4004.M030	M30		6,30 tons	12,60 tons	6,30 tons	12,60 tons	8,80 tons	6,30 tons	13,20 tons	6,30 tons		
P4002.M036 & P4004.M036	M36		10,00 tons	20,00 tons	10,00 tons	20,00 tons	14,00 tons	10,00 tons	21,00 tons	10,00 tons		
P4002.M042	M42		12,50 tons	25,00 tons	12,50 tons	25,00 tons	17,50 tons	12,50 tons	26,30 tons	12,50 tons		
P4002.M048	M48		15,00 tons	30,00 tons	15,00 tons	30,00 tons	21,00 tons	15,00 tons	31,50 tons	15,00 tons		

Technical Information

Double Swivel Lifting Rings

Lifting Bolts

P4005 Male



P4006 Female



Lifting type									α max. = 60° 		α max. = 60° 	
	1	2	1	2	2	2	4	4				
No. of rings	1	2	1	2	2	2	4	4				
Lifting angle	0°	0°	90°	90°	45°	60°	45°	60°				
Part no.	Thread											
P4005.M004	M 4	0,050 tons	0,100 tons	0,050 tons	0,100 tons	0,070 tons	0,050 tons	0,100 tons	0,050 tons			
P4005.M005	M 5	0,075 tons	0,150 tons	0,075 tons	0,150 tons	0,100 tons	0,075 tons	0,150 tons	0,075 tons			
P4005.M006	M 6	0,100 tons	0,200 tons	0,100 tons	0,200 tons	0,140 tons	0,100 tons	0,200 tons	0,100 tons			
P4005.M008 & P4006.M008	M 8	0,30 tons	0,60 tons	0,30 tons	0,60 tons	0,40 tons	0,30 tons	0,60 tons	0,30 tons			
P4005.M010 & P4006.M010	M10	0,60 tons	1,20 tons	0,60 tons	1,20 tons	0,80 tons	0,60 tons	1,30 tons	0,60 tons			
P4005.M012 & P4006.M012	M12	1,00 tons	2,00 tons	1,00 tons	2,00 tons	1,40 tons	1,00 tons	2,10 tons	1,00 tons			
P4005.M014 & P4006.M014	M14	1,30 tons	2,60 tons	1,30 tons	2,60 tons	1,80 tons	1,30 tons	2,70 tons	1,30 tons			
P4005.M016 & P4006.M016	M16	1,60 tons	3,20 tons	1,60 tons	3,20 tons	2,20 tons	1,60 tons	3,40 tons	1,60 tons			
P4005.M018 & P4006.M018	M18	2,00 tons	4,00 tons	2,00 tons	4,00 tons	2,80 tons	2,00 tons	4,20 tons	2,00 tons			
P4005.M020 & P4006.M020	M20	2,50 tons	5,00 tons	2,50 tons	5,00 tons	3,50 tons	2,50 tons	5,30 tons	2,50 tons			
P4005.M022 & P4006.M022	M22	3,00 tons	6,00 tons	3,00 tons	6,00 tons	4,20 tons	3,00 tons	6,30 tons	3,00 tons			
P4005.M024	M24	4,00 tons	8,00 tons	4,00 tons	8,00 tons	5,60 tons	4,00 tons	8,40 tons	4,00 tons			
P4005.M027	M27	5,00 tons	10,00 tons	5,00 tons	10,00 tons	7,00 tons	5,00 tons	10,50 tons	5,00 tons			
P4005.M030	M30	6,30 tons	12,60 tons	6,30 tons	12,60 tons	8,8 tons	6,30 tons	13,20 tons	6,30 tons			
P4005.I031 & P4006.I031	(UNC 5/16"-18)	650 lbs	1,300 lbs	650 lbs	1,300 lbs	910 lbs	650 lbs	1,365 lbs	650 lbs			
P4005.I037 & P4006.I037	(UNC 3/8"-16)	1,200 lbs	2,400 lbs	1,200 lbs	2,400 lbs	1,680 lbs	1,200 lbs	2,520 lbs	1,200 lbs			
P4005.I050 & P4006.I050	(UNC 1/2"-13)	2,200 lbs	4,400 lbs	2,200 lbs	4,400 lbs	3,080 lbs	2,200 lbs	4,620 lbs	2,200 lbs			
P4005.I063 & P4006.I063	(UNC 5/8"-11)	3,800 lbs	7,600 lbs	3,800 lbs	7,600 lbs	5,320 lbs	3,800 lbs	7,980 lbs	3,800 lbs			
P4005.I075 & P4006.I075	(UNC 3/4"-10)	5,500 lbs	11,000 lbs	5,500 lbs	11,000 lbs	7,700 lbs	5,500 lbs	11,550 lbs	5,500 lbs			
P4005.I088 & P4006.I088	(UNC 7/8"-9)	6,600 lbs	13,200 lbs	6,600 lbs	13,200 lbs	9,240 lbs	6,600 lbs	13,860 lbs	6,600 lbs			
P4005.I100	(UNC 1"-8)	10,000 lbs	20,000 lbs	10,000 lbs	20,000 lbs	14,000 lbs	10,000 lbs	21,000 lbs	10,000 lbs			

ov-W63050-AP4005-T-W63054-AP4006-T-lifting-bolts-double-lifting-rings-rmh - Updated 19.01.2023

LIFTING PINS, LIFTING BOLTS & SWING BOLTS



P4020 Male



P4021 Female

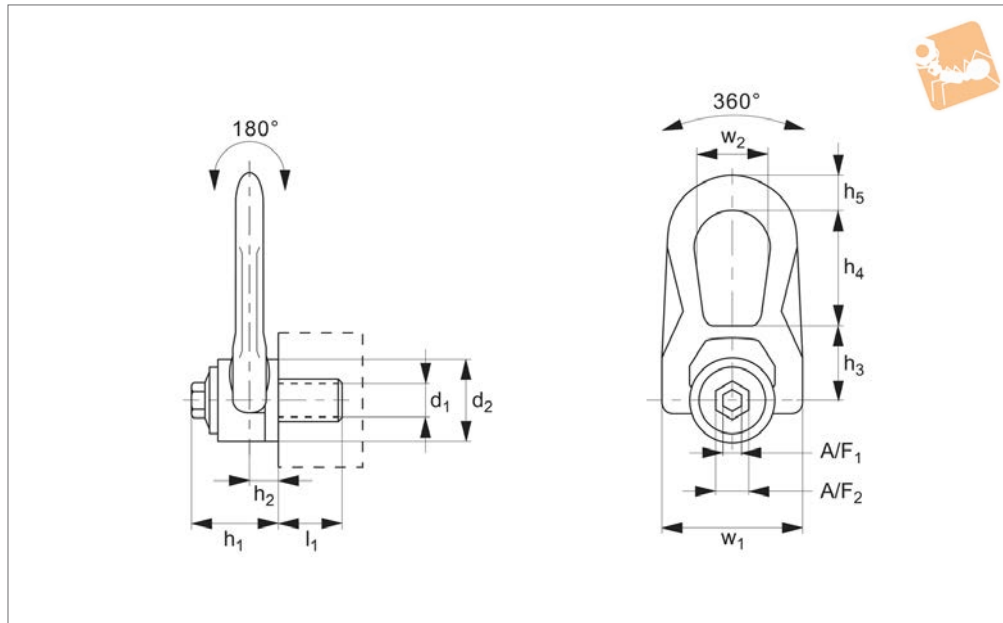


Lifting type									$\alpha \text{ max.} = 60^\circ$ 		$\alpha \text{ max.} = 60^\circ$ 	
	1	2	1	2	2	2	4	4				
No. of rings	1	2	1	2	2	2	4	4				
Lifting angle	0°	0°	90°	90°	45°	60°	45°	60°				
Part no.	Thread											
P4020.M008 & P4021.M008	M 8		0,30 tons	0,60 tons	0,30 tons	0,60 tons	0,40 tons	0,30 tons	0,60 tons	0,30 tons		
P4020.M009	M 8		0,30 tons	0,60 tons	0,30 tons	0,60 tons	0,40 tons	0,30 tons	0,60 tons	0,30 tons		
P4020.M010 & P4021.M008	M10		0,50 tons	1,00 tons	0,50 tons	1,00 tons	0,70 tons	0,50 tons	1,10 tons	0,50 tons		
P4020.M011	M10		0,50 tons	1,00 tons	0,50 tons	1,00 tons	0,70 tons	0,50 tons	1,10 tons	0,50 tons		
P4020.M012 & P4021.M008	M12		0,80 tons	1,60 tons	0,80 tons	1,60 tons	1,10 tons	0,80 tons	1,70 tons	0,80 tons		
P4020.M013	M12		0,80 tons	1,60 tons	0,80 tons	1,60 tons	1,10 tons	0,80 tons	1,70 tons	0,80 tons		
P4020.M014 & P4021.M008	M14		1,00 tons	2,00 tons	1,00 tons	2,00 tons	1,40 tons	1,00 tons	2,10 tons	1,00 tons		
P4020.M016 & P4021.M008	M16		1,50 tons	3,00 tons	1,50 tons	3,00 tons	2,10 tons	1,50 tons	3,20 tons	1,50 tons		
P4020.M018 & P4021.M008	M18		1,50 tons	3,00 tons	1,50 tons	3,00 tons	2,10 tons	1,50 tons	3,20 tons	1,50 tons		
P4020.M020 & P4021.M008	M20		1,60 tons	3,20 tons	1,60 tons	3,20 tons	2,20 tons	1,60 tons	3,40 tons	1,60 tons		
P4020.M022 & P4021.M008	M22		2,00 tons	4,00 tons	2,00 tons	4,00 tons	2,80 tons	2,00 tons	4,20 tons	2,00 tons		
P4020.M024	M24		2,70 tons	5,40 tons	2,70 tons	5,40 tons	3,80 tons	2,70 tons	5,70 tons	2,70 tons		
P4020.M027	M27		2,80 tons	5,60 tons	2,80 tons	5,60 tons	3,90 tons	2,80 tons	5,90 tons	2,80 tons		
P4020.M030	M30		3,00 tons	6,00 tons	3,00 tons	6,00 tons	4,20 tons	3,00 tons	6,30 tons	3,00 tons		



Double Swivel Rings Male

Lifting Pins, Lifting Bolts &



P4005

LIFTING PINS, LIFTING BOLTS & SWING BOLTS

Material

High tensile steel, strength class >8.
Supplied with CE certificate.

Technical Notes

Double articulation.
Very low overhang for improved safety.
Large support surface.
Longer or shorter thread lengths can be supplied but please consult our technical department for this information if required.
For use in temperatures from -20°C to +200°C. Can be used in lower or higher

temperatures but this affects the load rating – please ask for more information. Please refer to our technical information pages when specifying and/or using.

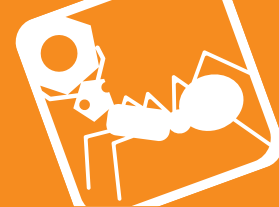
Tips

Double articulation allows perfect alignment with the sling if the part rotates during the lift.
With „automatic“ position recovery system for best orientation to sling direction.
Tighten by hex. key or spanner.

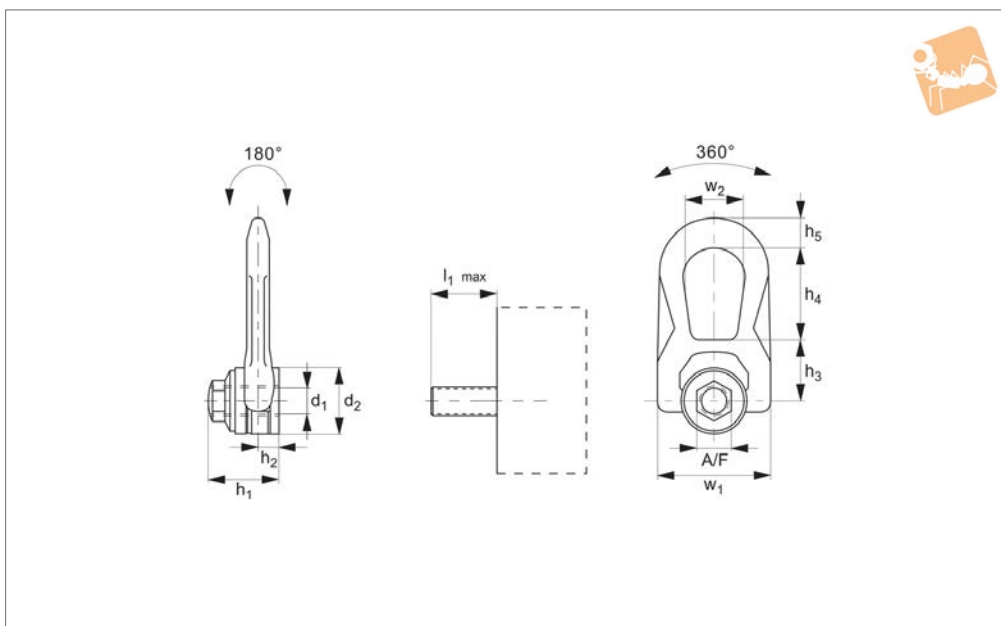
Important Notes

The thread diameter and depth must be appropriate to the material into which it will be installed:
Steel (min. ST37) – 1 x thread dia.
Cast iron – 1.25 x thread dia.
Aluminium – 2 x thread dia.
Other light metals – 2.5 x thread dia.
Tolerance of female thread to be 6H (metric) or UNC-2B (inch).
Please refer to the safety documentation before using this part.
Supplied with certificate and operating

Order No.	Load tons (t) max.	d ₁ tol. 6g (tol. 2A)	l ₁	h ₁	h ₂	h ₃	h ₄	h ₅	w ₁	d ₂	w ₂	A/F ₁	A/F ₂	Safety factor	Torque to Nm (ft·lb)	Weight kg
P4005.M005	0,1	M 5x 0,80	15	33	9,5	30	38	14	53	30	27	8	16	4	3	0,3
P4005.M006	0,2	M 6x 1,00	15	33	9,5	30	38	14	53	30	27	8	16	4	4	0,3
P4005.M008	0,5	M 8x 1,25	15	33	9,5	30	38	14	53	30	27	8	16	4	6	0,3
P4005.M010	0,9	M10x1,50	18	33	9,5	30	38	14	53	30	27	8	16	4	10	0,3
P4005.M012	1,3	M12x1,75	21	33	9,5	30	38	14	53	30	27	8	16	4	15	0,3
P4005.M014	1,8	M14x2,00	23	45	13	40	53	17	76	45	38	8	20	4	30	0,9
P4005.M016	2,3	M16x2,00	27	45	13	40	53	17	76	45	38	8	20	4	50	0,9
P4005.M018	2,3	M18x2,50	27	45	13	40	53	17	76	45	38	8	20	4	70	0,9
P4005.M020	2,5	M20x2,50	30	45	13	40	53	17	76	45	38	8	20	4	100	0,9
P4005.M022	4,5	M22x2,50	33	62	19	55	83	25	115	60	55	14	24	4	120	2,6
P4005.M024	5,5	M24x3,00	36	62	19	55	83	25	115	60	55	14	24	4	160	2,6
P4005.M027	6,0	M27x3,00	40	62	19	55	83	25	115	60	55	14	24	4	200	2,7
P4005.M030	6,3	M30x3,50	45	62	19	55	83	25	115	60	55	14	24	4	250	2,7
P4005.I031	(1,200)	(UNC 5/16"-18)	15	33	9,5	30	38	14	53	30	27	8	16	4	(5)	0,3
P4005.I037	(1,600)	(UNC 3/8"-16)	17	33	9,5	30	38	14	53	30	27	8	16	4	(8)	0,3
P4005.I050	(2,800)	(UNC 1/2"-13)	21	33	9,5	30	38	14	53	30	27	8	16	4	(12)	0,3
P4005.I063	(4,900)	(UNC 5/8"-11)	27	45	13	40	53	17	76	45	38	8	20	4	(40)	0,9
P4005.I075	(5,250)	(UNC 3/4"-10)	30	45	13	40	53	17	76	45	38	8	20	4	(80)	0,9
P4005.I088	(9,800)	(UNC 7/8"-9)	33	62	19	55	83	25	115	60	55	14	24	4	(90)	2,5
P4005.I100	(12,500)	(UNC 1"-8)	36	62	19	55	83	25	115	60	55	14	24	4	(125)	2,6



P4006



LIFTING PINS, LIFTING BOLTS & SWING BOLTS

Material

High tensile steel, strength class >8.
Supplied with CE certificate.

Technical Notes

Double articulation.
Very low overhang for improved safety.
Large support surface.
For use in temperatures from -20°C to +200°C. Can be used in lower or higher temperatures,

but this affects the load rating - please ask for more information.

Please refer to our technical information pages when specifying and/or using.

Tips

Double articulation allows perfect alignment with the sling if the part rotates during the lift.

With „automatic“ position recovery system for best orientation to sling direction.

Tighten by hex. key or spanner.

Important Notes

Please read our instruction leaflet when specifying and/or using.

Please refer to the safety documentation before using this part.

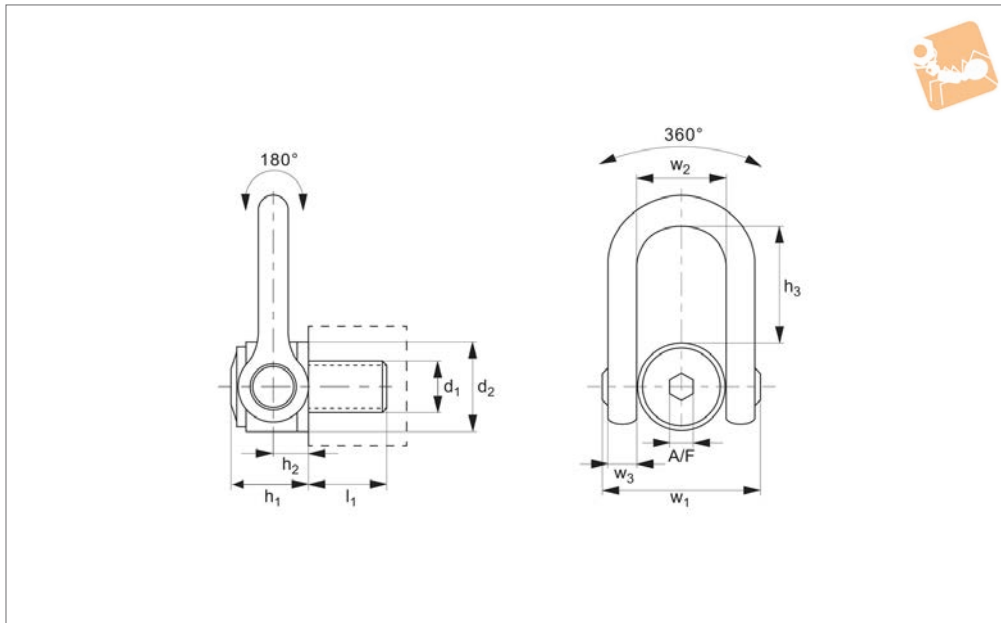
Supplied with certificate and operating instructions.

Order No.	Load tons (t) max.	d ₁ 6H (tol. 2A)	h ₁ & l _{max}	h ₂	h ₃	h ₄	h ₅	w ₁	d ₂	w ₂	A/F	Safety factor	Torque to Nm	Weight kg
P4006.M008	0.5	M 8x 1,25	45	13	40	53	17	76	45	38	20	4	6	0.9
P4006.M010	0.9	M10x1,50	45	13	40	53	17	76	45	38	20	4	10	0.9
P4006.M012	1.3	M12x1,75	45	13	40	53	17	76	45	38	20	4	15	0.9
P4006.M014	1.8	M14x2,00	45	13	40	53	17	76	45	38	20	4	30	0.9
P4006.M016	2.3	M16x2,00	45	13	40	53	17	76	45	38	20	4	50	0.9
P4006.M018	2.3	M18x2,50	62	19	55	83	25	115	60	55	24	4	70	2.6
P4006.M020	2.5	M20x2,50	62	19	55	83	25	115	60	55	24	4	100	2.6
P4006.M022	4.5	M22x2,50	62	19	55	83	25	115	60	55	24	4	120	2.6
P4006.I031	(1.200)	(UNC 5/16"-18)	45	13	40	53	17	76	45	38	20	4	5	0.9
P4006.I037	(1.600)	(UNC 3/8"-16)	45	13	40	53	17	76	45	38	20	4	8	0.9
P4006.I050	(2.800)	(UNC 1/2"-13)	45	13	40	53	17	76	45	38	20	4	12	0.9
P4006.I063	(4.900)	(UNC 5/8"-11)	45	13	40	53	17	76	45	38	20	4	40	0.9
P4006.I075	(5.250)	(UNC 3/4"-10)	62	19	55	83	25	115	60	55	24	4	80	2.6
P4006.I088	(9.800)	(UNC 7/8"-9)	62	19	55	83	25	115	60	55	24	4	90	2.6



Double Swivel Shackles Male

Lifting Pins,
Lifting Bolts &



P4008

LIFTING PINS, LIFTING BOLTS & SWING BOLTS

Material

High tensile steel, strength class >8.
Supplied with CE certificate.

Technical Notes

Double articulation.
Very low overhang for improved safety.
Large support surface.
For use in temperatures from -20°C to +200°C. Can be used in lower or higher temperatures, but this affects the load rating - please ask for more information.

Please refer to our technical information pages when specifying and/or using.

Tips

Double articulation allows perfect alignment with the sling if the part rotates during the lift.
With „automatic“ position recovery system for best orientation to sling direction.
Tighten by hex. key or spanner.

Important Notes

The thread diameter and depth must be

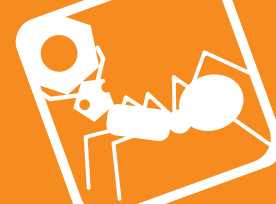
appropriate to the material into which it will be installed:

Steel (min. ST37) - 1 x thread dia.
Cast iron - 1.25 x thread dia.
Aluminium - 2 x thread dia.
Other light metals - 2.5 x thread dia.
Tolerance of female thread to be 6H (metric) or UNC-2B (inch).

Please refer to the safety documentation before using this part.

Supplied with certificate and operating instructions.

Order No.	Load tons (t) max.	d ₁ tol. 6g (tol. 2A)	l ₁	h ₁	h ₂	h ₃	w ₁	d ₂	w ₂	w ₃	A/F	Safety factor	Torque to Nm (ft·lb)	Weight kg
P4008.M024	5.5	M24x3,0	36	61	31	98	149	70	73	33	19	4	160	5.4
P4008.M030	8.5	M30x3,5	45	61	31	98	149	70	73	33	19	4	250	5.5
P4008.M033	10.5	M33x3,5	50	61	31	98	149	70	73	33	19	4	250	5.5
P4008.M036	12.0	M36x4,0	54	61	31	98	149	70	73	33	19	4	320	5.5
P4008.M037	12.0	M36x3,0*	54	61	31	98	149	70	73	33	19	4	320	5.5
P4008.M039	14.0	M39x4,0	58	61	31	98	149	70	73	33	19	4	320	5.7
P4008.M042	15.0	M42x4,5	63	61	31	98	149	70	73	33	19	4	400	5.8
P4008.M043	15.0	M42x3,0*	63	61	31	98	149	70	73	33	19	4	400	5.8
P4008.M045	16.0	M45x4,5	63	61	31	98	149	70	73	33	19	4	400	5.9
P4008.M048	20.0	M48x5,0	68	79	38	123	182	90	91	45	19	4	600	11.0
P4008.M049	20.0	M48x3,0*	68	79	38	123	182	90	91	45	19	4	600	11.0
P4008.M050	20.0	M48x4,0*	68	79	38	123	182	90	91	45	19	4	600	11.0
P4008.M052	21.0	M52x5,0	68	79	38	123	182	90	91	45	19	4	600	11.2
P4008.M056	25.0	M56x5,5	78	79	38	123	182	90	91	45	19	4	600	11.3
P4008.M057	25.0	M56x4,0*	78	79	38	123	182	90	91	45	19	4	600	11.4
P4008.M064	32.1	M64x6,0	90	79	38	123	182	95	91	45	19	4	600	12.2
P4008.M065	32.1	M64x4,0*	90	79	38	123	182	95	91	45	19	4	600	12.2
P4008.M072	25.0	M72x6,0*	90	79	38	123	182	95	91	45	19	4	600	14.0
P4008.M073	25.0	M72x4,0*	90	79	38	123	182	95	91	45	19	4	600	14.0
P4008.M080	32.1	M80x6,0*	90	79	38	123	182	100	91	45	19	4	600	15.0
P4008.M090	32.1	M90x6,0*	90	79	38	123	182	100	91	45	19	4	600	15.5
P4008.M100	32.1	M100x6,0*	90	79	38	123	182	110	91	45	19	4	600	16.5
P4008.1125	(19.000)	(UNC 1 1/4"-7)	45	61	31	98	149	70	73	33	19	4	(200)	5.4

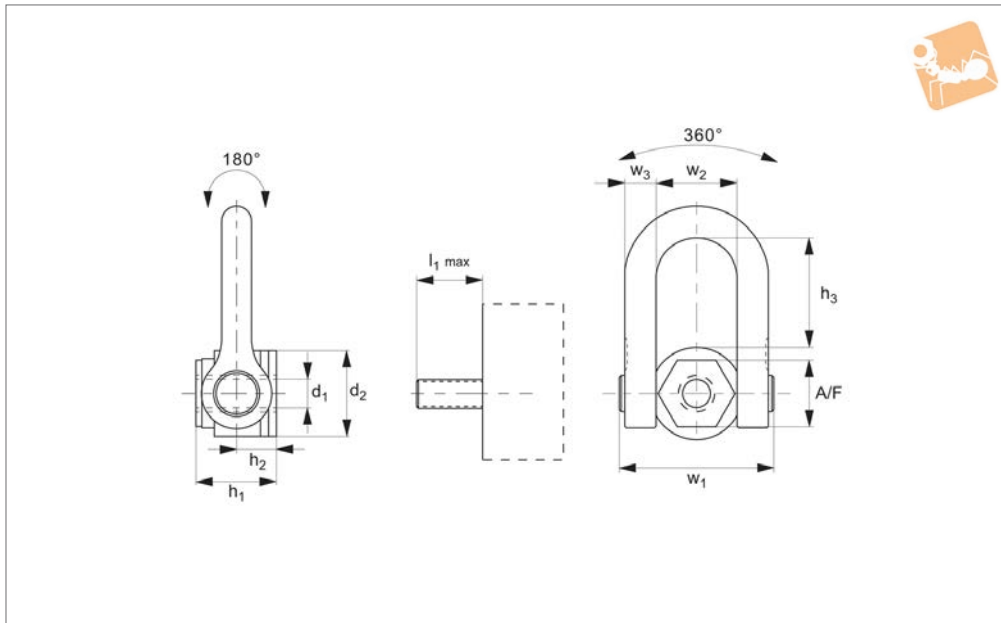


Order No.	Load tons (t) max.	d ₁ tol. 6g (tol. 2A)	l ₁	h ₁	h ₂	h ₃	w ₁	d ₂	w ₂	w ₃	A/F	Safety factor	Torque to Nm (ft-lb)	Weight kg
P4008.I137	(22.000)	(UNC 1 3/8"-6*)	54	61	31	98	149	70	73	33	19	4	(240)	5.4
P4008.I150	(27.000)	(UNC 1 1/2"-6)	54	61	31	98	149	70	73	33	19	4	(240)	5.4
P4008.I200	(50.000)	(UNC 2"-4 1/2)	76	79	38	123	182	90	91	45	19	4	(450)	11.1



Double Swivel Shackle Nuts Female

Lifting Pins,
Lifting Bolts &



P4010

LIFTING PINS, LIFTING BOLTS & SWING BOLTS

Material

High tensile steel, strength class >8.
Supplied with CE certificate.

Technical Notes

Designed to be used directly with the hook of the crane. Load ratings clearly marked. For use in temperatures from -20°C to +200°C. Can be used in lower or higher temperatures, but this affects the load rating - please ask

for more information.

Please refer to our technical information pages when specifying and/or using.

Tips

Double articulation allows perfect alignment with the sling if the part rotates during the lift. With „automatic“ position recovery system for best orientation to sling direction. Tighten by hex. key or spanner.

Important Notes

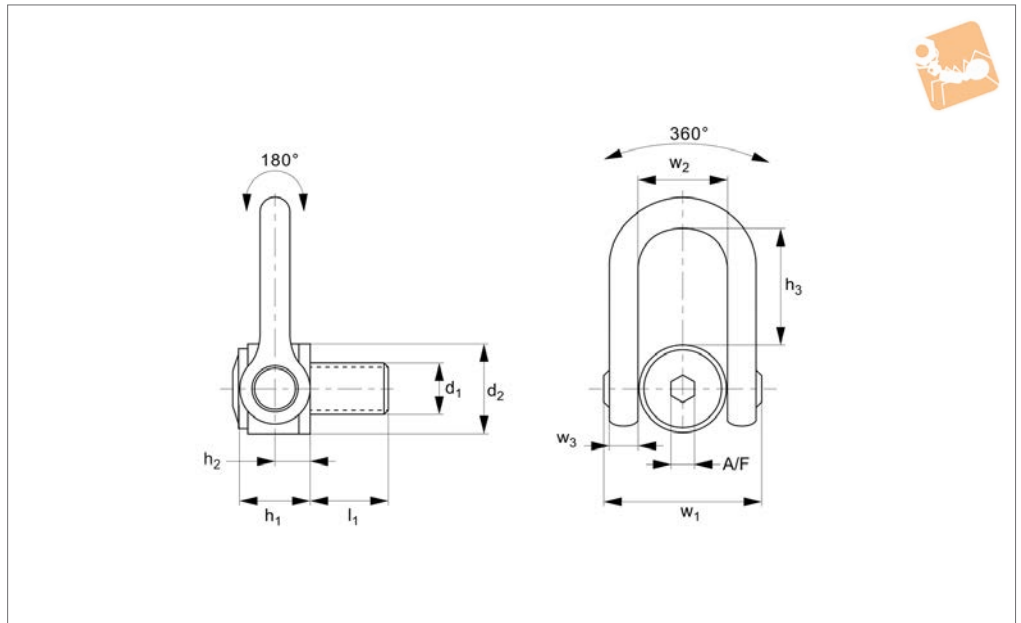
Tolerance of male thread to be 6H (metric) or UNC-2B (inch).

Please refer to the safety documentation before using this part. Supplied with certificate and operating instructions.

Order No.	Load tons (t) max.	d ₁ tol. 6g (tol. 2A)	h ₁ & l _{max.}	h ₂	h ₃	w ₁	d ₂	w ₂	w ₃	A/F	Safety factor	Torque to Nm	Weight kg
P4010.M024	5.5	M24x3,0	66	31	98	149	70	73	33	50	4	160	5.1
P4010.M027	6.5	M27x3,0	66	31	98	149	70	73	33	50	4	200	5.1
P4010.M030	8.5	M30x3,5	66	31	98	149	70	73	33	50	4	250	5.1
P4010.M033	10.5	M33x3,5	66	31	98	149	70	73	33	50	4	250	5.1
P4010.M036	12.0	M36x4,0	66	31	98	149	70	73	33	50	4	320	5.1
P4010.M039	14.0	M39x4,0	89	38	123	182	95	91	45	60	4	320	10.0
P4010.M042	15.0	M42x4,5	89	38	123	182	95	91	45	60	4	400	10.0
P4010.M045	16.0	M45x4,5	89	38	123	182	95	91	45	60	4	400	10.0
P4010.M048	20.0	M48x5,0	89	38	123	182	95	91	45	60	4	600	10.0
P4010.M052	21.0	M52x5,0	89	38	123	182	95	91	45	60	4	600	10.0
P4010.I125	(19.000)	(UNC 1"1/4-7)	66	31	98	149	70	73	33	50	4	200	5.1
P4010.I137	(22.000)	(UNC 1"3/8-6)	66	31	98	149	70	73	33	50	4	240	5.1
P4010.I150	(27.000)	(UNC 1"1/2-6)	89	38	123	182	95	91	45	60	4	240	10.0
P4010.I200	(50.000)	(UNC 2"-4 1/2)	89	38	123	182	95	91	45	60	4	450	10.0



P4011



LIFTING PINS, LIFTING BOLTS & SWING BOLTS

Material

High tensile steel, strength class >8.
Supplied with CE certificate.

Technical Notes

For use in temperatures from -20°C to +200°C. Can be used in lower or higher temperatures, but this affects the load rating - please ask for more information.
Please refer to our technical information pages when specifying and/or using.

Tips

Double articulation allows perfect alignment with the sling if the part rotates during the lift.
With „automatic“ position recovery system for best orientation to sling direction.
Tighten by hex. key or spanner.

Important Notes

The thread diameter and depth must be appropriate to the material into which it will be installed:

Steel (min. ST37) - 1 x thread dia.

Cast iron - 1.25 x thread dia.

Aluminium - 2 x thread dia.

Other light metals - 2.5 x thread dia.

Tolerance of female thread to be 6H (metric) or UNC-2B (inch).

Please refer to the safety documentation before using this part.

Supplied with certificate and operating instructions.

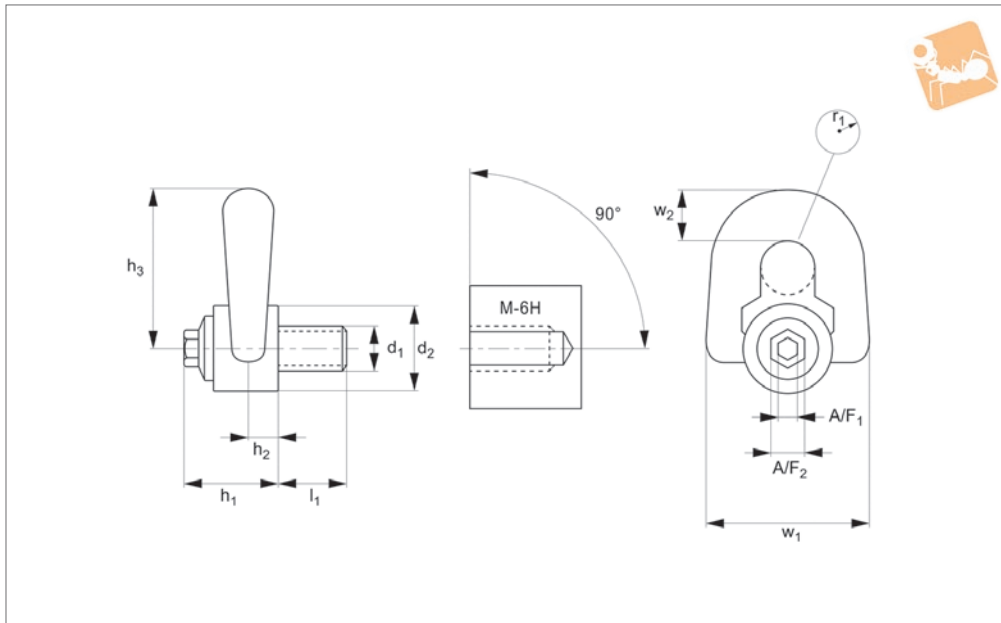
Order No.	Load tons (t) max.	d ₁ tol. 6g (tol. 2A)	l	h ₁	h ₂	h ₃	w ₁	d ₂	w ₂	w ₃	A/F	Safety factor	Torque to Nm (ft·lb)	Weight kg
P4011.M064	33.0	M 64x6	100	127	64	186	278	140	143	69	36	4	600	42.0
P4011.M072	35.0	M 72x6	110	127	64	186	278	140	143	69	36	4	700	43.0
P4011.M073	35.0	M 72x4	110	127	64	186	278	140	143	69	36	4	700	43.0
P4011.M080	40.0	M 80x6	120	127	64	186	278	140	143	69	36	4	800	44.5
P4011.M090	45.0	M 90x6	135	127	64	186	278	140	143	69	36	4	900	46.5
P4011.M100	60.0	M100x6	150	127	64	186	278	140	143	69	36	4	1000	49.0
P4011.I275	(75.000)	(UNC 2"3/4-4)	105	127	64	186	278	140	143	69	36	4	(520)	42.5
P4011.I300	(80.000)	(UNC 3"-4)	115	127	64	186	278	140	143	69	36	4	(520)	43.0
P4011.I325	(90.000)	(UNC 3"1/4-4)	125	127	64	186	278	140	143	69	36	4	(590)	44.5
P4011.I350	(95.000)	(UNC 3"1/2-4)	135	127	64	186	278	140	143	69	36	4	(665)	46.0
P4011.I375	(100.000)	(UNC 3"3/4-4)	145	127	64	186	278	140	143	69	36	4	(740)	47.0
P4011.I400	(110.000)	(UNC 4"-4)	150	127	64	186	278	140	143	69	36	4	(740)	49.0



Double Swivel Lifting Points

for wire rope

Lifting Pins, Lifting Bolts &



P4012

LIFTING PINS, LIFTING BOLTS & SWING BOLTS

Material

High tensile steel, strength class >8.
Supplied with CE certificate.

Technical Notes

Double articulation.
Low overhang for improved safety.
For use in temperatures from -20°C to +200°C. Can be used in lower or higher temperatures, but this affects the load rating - please ask for more information.
Please refer to our technical information

pages when specifying and/or using.

Tips

Double articulation allows perfect alignment with the sling if the part rotates during the lift.
With „automatic“ position recovery system for best orientation to sling direction.
Tighten by hex. key or spanner.

Important Notes

The thread diameter and depth must be appropriate to the material into which it

will be installed:

- Steel (min. ST37) - 1 x thread dia.
- Cast iron - 1.25 x thread dia.
- Aluminium - 2 x thread dia.
- Other light metals - 2.5 x thread dia.
- Tolerance of female thread to be 6H (metric) or UNC-2B (inch).

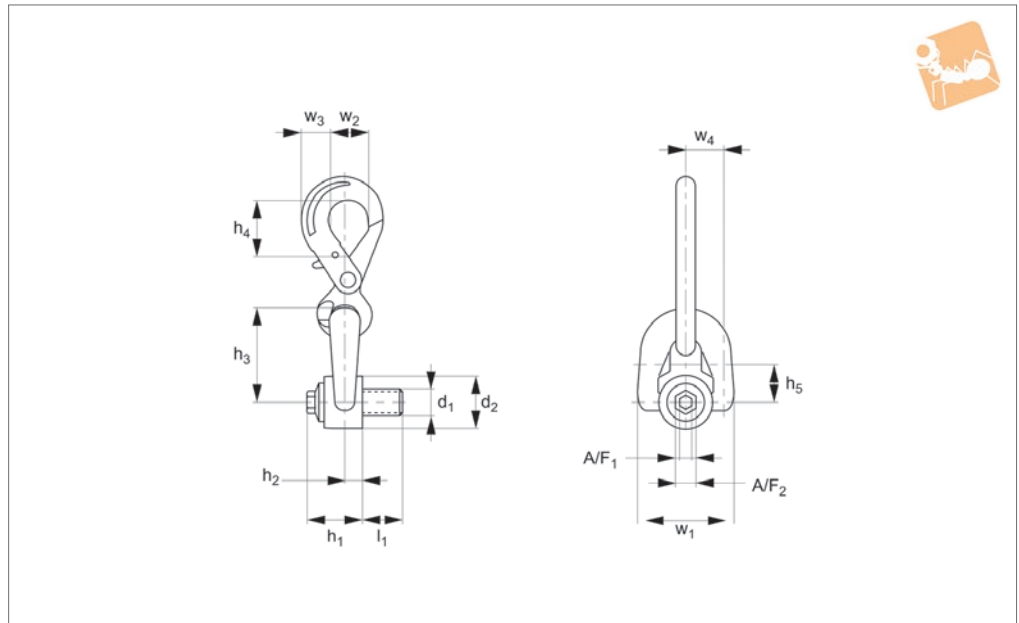
Please refer to the safety documentation before using this part.

Supplied with certificate and operating instructions.

Order No.	Load tons (t) max.	d ₁ tol. 6g (tol. 2A)	l	h ₁	h ₂	h ₃	w ₁	d ₂	R	w ₂	A/F ₁	A/F ₂	Safety factor	Torque to Nm (ft-lb)	Weight kg
P4012.M008	0.40	M8x 1,25	15	33	9.5	56	58	30	9.5	19	8	16	5	6	0.3
P4012.M010	0.70	M10x1,50	18	33	9.5	56	58	30	9.5	19	8	16	5	10	0.3
P4012.M012	1.05	M12x1,75	21	33	9.5	56	58	30	9.5	19	8	16	5	15	0.3
P4012.M014	1.40	M14x2,00	23	45	13.0	81	79	45	12.5	27	8	20	5	30	0.9
P4012.M016	2.00	M16x2,00	27	45	13.0	81	79	45	12.5	27	8	20	5	50	0.9
P4012.M018	2.30	M18x2,50	27	45	13.0	81	79	45	12.5	27	8	20	5	70	1.0
P4012.M020	2.50	M20x2,50	30	45	13.0	81	79	45	12.5	27	8	20	5	100	1.0
P4012.I031	(1.000)	(UNC 5/16"-18)	15	33	9.5	56	58	30	9.5	19	8	16	5	(7)	0.3
P4012.I037	(1.300)	(UNC 3/8"-16)	17	33	9.5	56	58	30	9.5	19	8	16	5	(8)	0.3
P4012.I050	(2.400)	(UNC 1/2"-13)	21	33	9.5	56	58	30	9.5	19	8	16	5	(12)	0.3
P4012.I063	(3.900)	(UNC 5/8"-11)	27	45	13.0	81	79	45	12.5	27	8	16	5	(40)	1.0
P4012.I075	(5.250)	(UNC 3/4"-10)	30	45	13.0	81	79	45	12.5	27	8	16	5	(80)	1.0



P4017



Material

High tensile steel, strength class >8.
Supplied with CE certificate.

Technical Notes

This lifting ring combines a swivel lifting ring and lifting hook in one unit.
For use in temperatures from -20°C to +200°C. Can be used in lower or higher temperatures, but this affects the load rating - please ask for more information.
Please refer to our technical information pages when specifying and/or using.

Tips

Double articulation allows perfect alignment with the sling if the part rotates during the lift.
With „automatic“ position recovery system for best orientation to sling direction.
Tighten by hex. key or spanner. The safety hook is compatible with most types of lifting such as chains, wire ropes and slings.

Important Notes

The thread diameter and depth must be appropriate to the material into which it

will be installed:

Steel (min. ST37) - 1 x thread dia.

Cast iron - 1.25 x thread dia.

Aluminium - 2 x thread dia.

Other light metals - 2.5 x thread dia.

Tolerance of female thread to be 6H

(metric) or UNC-2B (inch).

Please refer to the safety documentation before using this part.

Supplied with certificate and operating instructions.

Order No.	Load tons (t) max.	d ₁ tol. 6g (tol. 2A)	l ₁	h ₁	h ₂	h ₃	h ₄	w ₁	d ₂	h ₅ & w ₄	w ₂	w ₃	A/F ₁	A/F ₂	Safety factor	Torque to Nm (ft-lb)	Weight kg
P4017.M008	0,40	M 8x1,25	15	33	9,5	56	44	58	30	18	32	23	8	16	5	6	0,8
P4017.M010	0,70	M10x1,50	18	33	9,5	56	44	58	30	18	32	23	8	16	5	10	0,8
P4017.M012	1,05	M12x1,75	21	33	9,5	56	44	58	30	18	32	23	8	16	5	15	0,8
P4017.M014	1,40	M14x2,00	23	45	13,0	81	65	79	45	24	46	29	8	20	5	30	1,9
P4017.M016	2,00	M16x2,00	27	45	13,0	81	65	79	45	24	46	29	8	20	5	50	2,0
P4017.M018	2,30	M18x2,50	27	45	13,0	81	65	79	45	24	46	29	8	20	5	70	2,0
P4017.M020	2,50	M20x2,50	30	45	13,0	81	65	79	45	24	46	29	8	20	5	100	2,0
P4017.I031	(1,000)	(UNC 5/16"-18)	15	33	9,5	56	44	58	30	18	32	23	8	16	5	(7)	0,8
P4017.I038	(1,300)	(UNC 3/8"-16)	17	33	9,5	56	44	58	30	18	32	23	8	16	5	(8)	0,8
P4017.I050	(2,400)	(UNC 1/2"-13)	21	33	9,5	56	44	58	30	18	32	23	8	16	5	(12)	0,8
P4017.I063	(3,900)	(UNC 5/8"-11)	27	45	13,0	81	58	79	45	24	46	29	8	20	5	(40)	1,9
P4017.I075	(5,250)	(UNC 3/4"-10)	30	45	13,0	81	58	79	45	24	46	29	8	20	5	(80)	2,0



Technical Information

Heavy Duty Double Swivel Lifting Rings



P4008 Male

P4010 Female



Lifting type									α max. = 60° 		α max. = 60° 	
	No. of rings	1	2	1	2	2	2	4	4			
Lifting angle	0°		0°		90°		90°		45°		60°	
Part no.	Thread											
P4008.M024 & P4010.M024	M24		4,50 tons	9,00 tons	4,50 tons	9,00 tons	6,30 tons	4,50 tons	9,50 tons	4,50 tons		
P4010.M027	M27		5,00 tons	10,00 tons	5,00 tons	10,00 tons	7,00 tons	5,00 tons	10,50 tons	5,00 tons		
P4008.M030 & P4010.M030	M30		7,30 tons	14,60 tons	7,30 tons	14,60 tons	10,20 tons	7,30 tons	15,30 tons	7,30 tons		
P4008.M033 & P4010.M033	M33		8,00 tons	16,00 tons	8,00 tons	16,00 tons	11,20 tons	8,00 tons	16,80 tons	8,00 tons		
P4008.M036 & P4010.M036	M36		10,00 tons	20,00 tons	10,00 tons	20,00 tons	14,00 tons	10,00 tons	21,00 tons	10,00 tons		
P4008.M037	M36		10,00 tons	20,00 tons	10,00 tons	20,00 tons	14,00 tons	10,00 tons	21,00 tons	10,00 tons		
P4008.M039 & P4010.M039	M39		10,00 tons	20,00 tons	10,00 tons	20,00 tons	14,00 tons	10,00 tons	21,00 tons	10,00 tons		
P4008.M042 & P4010.M042	M42		12,50 tons	25,00 tons	12,50 tons	25,00 tons	17,50 tons	12,50 tons	26,30 tons	12,50 tons		
P4008.M043	M42		12,50 tons	25,00 tons	12,50 tons	25,00 tons	17,50 tons	12,50 tons	26,30 tons	12,50 tons		
P4008.M045 & P4010.M045	M45		15,00 tons	30,00 tons	15,00 tons	30,00 tons	21,00 tons	15,00 tons	31,50 tons	15,00 tons		
P4008.M048 & P4010.M048	M48		20,00 tons	40,00 tons	20,00 tons	40,00 tons	28,00 tons	20,00 tons	42,00 tons	20,00 tons		
P4008.M049	M48		20,00 tons	40,00 tons	20,00 tons	40,00 tons	28,00 tons	20,00 tons	42,00 tons	20,00 tons		
P4008.M050	M50		20,00 tons	40,00 tons	20,00 tons	40,00 tons	28,00 tons	20,00 tons	42,00 tons	20,00 tons		
P4008.M052 & P4010.M052	M52		20,00 tons	40,00 tons	20,00 tons	40,00 tons	28,00 tons	20,00 tons	42,00 tons	20,00 tons		
P4008.M056	M56		25,00 tons	50,00 tons	25,00 tons	50,00 tons	35,00 tons	25,00 tons	52,50 tons	25,00 tons		
P4008.M057	M56		25,00 tons	50,00 tons	25,00 tons	50,00 tons	35,00 tons	25,00 tons	52,50 tons	25,00 tons		
P4008.M064	M64		32,10 tons	64,20 tons	32,10 tons	64,20 tons	44,90 tons	32,10 tons	67,40 tons	32,10 tons		
P4008.M065	M65		32,10 tons	64,20 tons	32,10 tons	64,20 tons	44,90 tons	32,10 tons	67,40 tons	32,10 tons		
P4008.M072	M72		25,00 tons	50,00 tons	25,00 tons	50,00 tons	35,00 tons	25,00 tons	52,50 tons	25,00 tons		
P4008.M073	M72		25,00 tons	50,00 tons	25,00 tons	50,00 tons	35,00 tons	25,00 tons	52,50 tons	25,00 tons		
P4008.M080	M80		32,10 tons	64,20 tons	32,10 tons	64,20 tons	44,90 tons	32,10 tons	67,40 tons	32,10 tons		
P4008.M090	M90		32,10 tons	64,20 tons	32,10 tons	64,20 tons	44,90 tons	32,10 tons	67,40 tons	32,10 tons		
P4008.M100	M100		32,10 tons	64,20 tons	32,10 tons	64,20 tons	44,90 tons	32,10 tons	67,40 tons	32,10 tons		
P4010.I100	(UNC 1"-8)		10,000 lbs	20,000 lbs	10,000 lbs	20,000 lbs	14,000 lbs	10,000 lbs	21,000 lbs	10,000 lbs		
P4008.I125 & P4010.I125	(UNC 1 1/4"-7)		14,000 lbs	28,000 lbs	14,000 lbs	28,000 lbs	19,600 lbs	14,000 lbs	29,400 lbs	14,000 lbs		
P4008.I137 & P4010.I137	(UNC 1 3/8"-6*)		20,000 lbs	40,000 lbs	20,000 lbs	40,000 lbs	28,000 lbs	20,000 lbs	42,000 lbs	20,000 lbs		
P4008.I150 & P4010.I150	(UNC 1 1/2"-6)		20,000 lbs	40,000 lbs	20,000 lbs	40,000 lbs	28,000 lbs	20,000 lbs	42,000 lbs	20,000 lbs		
P4008.I200 & P4010.I200	(UNC 2"-4 1/2)		50,000 lbs	100,000 lbs	50,000 lbs	100,000 lbs	70,000 lbs	50,000 lbs	105,000 lbs	50,000 lbs		

ov-W63080.1-AP4008-T-W63084-AP4010-T-lifting-bolts-heavy-duty-double-lifting-rings-rmh- Updated 19.01.2023

LIFTING PINS, LIFTING BOLTS & SWING BOLTS



P4011 Male



Lifting type	0°		90°		α max. = 60°		α max. = 60°		
	1	2	1	2	2	2	4	4	
No. of rings	1	2	1	2	2	2	4	4	
Lifting angle	0°	0°	90°	90°	45°	60°	45°	60°	
Part no.	Thread								
P4011.M064	M64	33,00 tons	66,00 tons	33,00 tons	66,00 tons	46,00 tons	33,00 tons	69,00 tons	33,00 tons
P4011.M072	M72	35,00 tons	70,00 tons	35,00 tons	70,00 tons	49,00 tons	35,00 tons	74,00 tons	35,00 tons
P4011.M073	M72	35,00 tons	70,00 tons	35,00 tons	70,00 tons	49,00 tons	35,00 tons	74,00 tons	35,00 tons
P4011.M080	M80	40,00 tons	80,00 tons	40,00 tons	80,00 tons	56,00 tons	40,00 tons	84,00 tons	40,00 tons
P4011.M090	M90	45,00 tons	90,00 tons	45,00 tons	90,00 tons	63,00 tons	45,00 tons	95,00 tons	45,00 tons
P4011.M100	M100	50,00 tons	100,00 tons	50,00 tons	100,00 tons	70,00 tons	50,00 tons	105,00 tons	50,00 tons
P4011.I225	(UNC 2"1/4-4)	55,000 lbs	110,000 lbs	55,000 lbs	110,000 lbs	77,000 lbs	55,000 lbs	115,500 lbs	55,000 lbs
P4011.I250	(UNC 2"1/2-4)	70,000 lbs	140,000 lbs	70,000 lbs	140,000 lbs	98,000 lbs	70,000 lbs	147,000 lbs	70,000 lbs
P4011.I275	(UNC 2"3/4-4)	75,000 lbs	150,000 lbs	75,000 lbs	150,000 lbs	105,000 lbs	75,000 lbs	157,500 lbs	75,000 lbs
P4011.I300	(UNC 3"-4)	80,000 lbs	160,000 lbs	80,000 lbs	160,000 lbs	112,000 lbs	80,000 lbs	168,000 lbs	80,000 lbs
P4011.I325	(UNC 3"1/4-4)	90,000 lbs	180,000 lbs	90,000 lbs	180,000 lbs	126,000 lbs	90,000 lbs	189,000 lbs	90,000 lbs
P4011.I350	(UNC 3"1/2-4)	95,000 lbs	190,000 lbs	95,000 lbs	190,000 lbs	133,000 lbs	95,000 lbs	199,500 lbs	95,000 lbs
P4011.I375	(UNC 3"3/4-4)	100,000 lbs	200,000 lbs	100,000 lbs	200,000 lbs	140,000 lbs	100,000 lbs	210,000 lbs	100,000 lbs
P4011.I400	(UNC 4"-4)	110,000 lbs	220,000 lbs	110,000 lbs	220,000 lbs	154,000 lbs	110,000 lbs	231,000 lbs	110,000 lbs

LIFTING PINS, LIFTING BOLTS & SWING BOLTS

0-V-W63080-2-AP4011-1-lifting-bolts-mega-double-lifting-rings-lift- Updated 19.01.2023

Technical Information

Heavy Duty Stainless Steel Double Swivel Lifting Rings

Lifting Bolts

P4022 Male



P4023 Female



Lifting type									α max. = 60° 		α max. = 60° 	
	1	2	1	2	2	2	4	4				
No. of rings	1	2	1	2	2	2	4	4				
Lifting angle	0°	0°	90°	90°	45°	60°	45°	60°				
Part no.	Thread											
P4023.M024	M24	2,70 tons	5,40 tons	2,70 tons	5,40 tons	3,80 tons	2,70 tons	5,70 tons	2,70 tons			
P4023.M027	M27	2,80 tons	5,60 tons	2,80 tons	5,60 tons	3,90 tons	2,80 tons	5,90 tons	2,80 tons			
P4022.M030 & P4023.M30	M30	3,50 tons	7,00 tons	3,50 tons	7,00 tons	4,90 tons	3,50 tons	7,30 tons	3,50 tons			
P4022.M033 & P4023.M33	M33	3,50 tons	7,00 tons	3,50 tons	7,00 tons	4,90 tons	3,50 tons	7,30 tons	3,50 tons			
P4022.M036 & P4023.M36	M36	5,00 tons	10,00 tons	5,00 tons	10,00 tons	7,00 tons	5,00 tons	10,50 tons	5,00 tons			
P4022.M037	M36	5,00 tons	10,00 tons	5,00 tons	10,00 tons	7,00 tons	5,00 tons	10,50 tons	5,00 tons			
P4022.M039	M39	5,00 tons	10,00 tons	5,00 tons	10,00 tons	7,00 tons	5,00 tons	10,50 tons	5,00 tons			
P4022.M042	M42	6,00 tons	12,00 tons	6,00 tons	12,00 tons	8,40 tons	6,00 tons	12,60 tons	6,00 tons			
P4022.M043	M42	6,00 tons	12,00 tons	6,00 tons	12,00 tons	8,40 tons	6,00 tons	12,60 tons	6,00 tons			
P4022.M045	M45	6,00 tons	12,00 tons	6,00 tons	12,00 tons	8,40 tons	6,00 tons	12,60 tons	6,00 tons			
P4022.I100 & P4023.I100	(UNC 1"-8)	6,000 lbs	12,000 lbs	6,000 lbs	12,000 lbs	8,400 lbs	6,000 lbs	12,600 lbs	6,000 lbs			
P4022.I125 & P4023.I125	(UNC 1 1/4"-7)	7,500 lbs	15,000 lbs	7,500 lbs	15,000 lbs	10,500 lbs	7,500 lbs	15,750 lbs	7,500 lbs			
P4022.I137 & P4023.I137	(UNC 1 3/8"-6)	7,500 lbs	15,000 lbs	7,500 lbs	15,000 lbs	10,500 lbs	7,500 lbs	15,750 lbs	7,500 lbs			
P4022.I150	(UNC 1 1/2"-6)	11,000 lbs	22,000 lbs	11,000 lbs	22,000 lbs	15,400 lbs	11,000 lbs	23,100 lbs	11,000 lbs			

ov-W63210-AP4022-T-W63214-AP4023-T-lifting-bolts-stainless-heavy-duty-double-ring-rmh- Updated 19.01.2023

LIFTING PINS, LIFTING BOLTS & SWING BOLTS



P4012 Male



Lifting type	0°		90°		α max. = 60°		α max. = 60°		
	1	2	1	2	2	2	4	4	
No. of rings	1	2	1	2	2	2	4	4	
Lifting angle	0°	0°	90°	90°	45°	60°	45°	60°	
Part no.	Thread								
P4012.M008	M 8	0,30 tons	0,60 tons	0,30 tons	0,60 tons	0,40 tons	0,30 tons	0,60 tons	0,30 tons
P4012.M010	M10	0,60 tons	1,20 tons	0,60 tons	1,20 tons	0,80 tons	0,60 tons	1,30 tons	0,60 tons
P4012.M012	M12	1,00 tons	2,00 tons	1,00 tons	2,00 tons	1,40 tons	1,00 tons	2,10 tons	1,00 tons
P4012.M014	M14	1,30 tons	2,60 tons	1,30 tons	2,60 tons	1,80 tons	1,30 tons	2,70 tons	1,30 tons
P4012.M016	M16	1,60 tons	3,20 tons	1,60 tons	3,20 tons	2,20 tons	1,60 tons	3,40 tons	1,60 tons
P4012.M018	M18	2,00 tons	4,00 tons	2,00 tons	4,00 tons	2,80 tons	2,00 tons	4,20 tons	2,00 tons
P4012.M020	M20	2,50 tons	5,00 tons	2,50 tons	5,00 tons	3,50 tons	2,50 tons	5,30 tons	2,50 tons
P4012.I031	(UNC 5/16"-18)	650 lbs	1,300 lbs	650 lbs	1,300 lbs	910 lbs	650 lbs	1,365 lbs	650 lbs
P4012.I037	(UNC 3/8"-16)	1,200 lbs	2,400 lbs	1,200 lbs	2,400 lbs	1,680 lbs	1,200 lbs	2,520 lbs	1,200 lbs
P4012.I050	(UNC 1/2"-13)	2,200 lbs	4,400 lbs	2,200 lbs	4,400 lbs	3,080 lbs	2,200 lbs	4,620 lbs	2,200 lbs
P4012.I063	(UNC 5/8"-11)	3,800 lbs	7,600 lbs	3,800 lbs	7,600 lbs	5,320 lbs	3,800 lbs	7,980 lbs	3,800 lbs
P4012.I075	(UNC 3/4"-10)	5,500 lbs	11,000 lbs	5,500 lbs	11,000 lbs	7,700 lbs	5,500 lbs	11,550 lbs	5,500 lbs

LIFTING PINS, LIFTING BOLTS & SWING BOLTS



Technical Information

Hook Double Swivel Lifting Rings



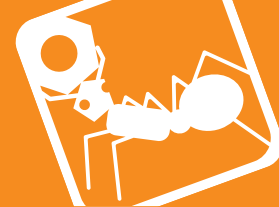
P4017 Male



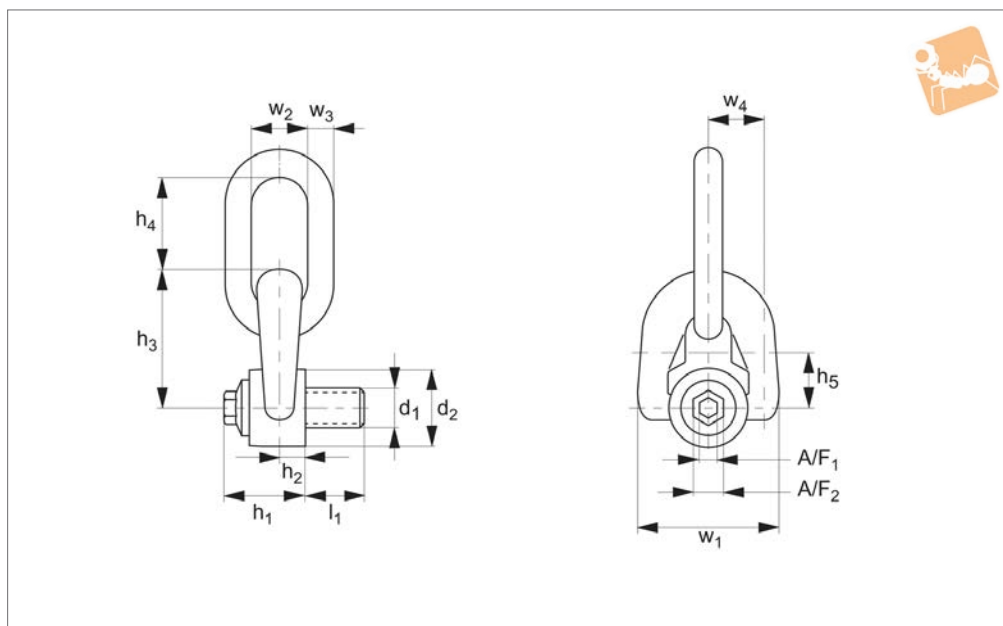
Lifting type	0°		90°		α max. = 60°		α max. = 60°		
	1	2	1	2	2	2	4	4	
No. of rings	1	2	1	2	2	2	4	4	
Lifting angle	0°	0°	90°	90°	45°	60°	45°	60°	
Part no.	Thread								
P4017.M008	M 8	0,30 tons	0,60 tons	0,30 tons	0,60 tons	0,40 tons	0,30 tons	0,60 tons	0,30 tons
P4017.M010	M10	0,60 tons	1,20 tons	0,60 tons	1,20 tons	0,80 tons	0,60 tons	1,30 tons	0,60 tons
P4017.M012	M12	1,00 tons	2,00 tons	1,00 tons	2,00 tons	1,40 tons	1,00 tons	2,10 tons	1,00 tons
P4017.M014	M14	1,30 tons	2,60 tons	1,30 tons	2,60 tons	1,80 tons	1,30 tons	2,70 tons	1,30 tons
P4017.M016	M16	1,60 tons	3,20 tons	1,60 tons	3,20 tons	2,20 tons	1,60 tons	3,40 tons	1,60 tons
P4017.M018	M18	2,00 tons	4,00 tons	2,00 tons	4,00 tons	2,80 tons	2,00 tons	4,20 tons	2,00 tons
P4017.M020	M20	2,50 tons	5,00 tons	2,50 tons	5,00 tons	3,50 tons	2,50 tons	5,30 tons	2,50 tons
P4017.I031	(UNC 5/16"-18)	650 lbs	1,300 lbs	650 lbs	1,300 lbs	910 lbs	650 lbs	1,365 lbs	650 lbs
P4017.I038	(UNC 3/8"-16)	1,200 lbs	2,400 lbs	1,200 lbs	2,400 lbs	1,680 lbs	1,200 lbs	2,520 lbs	1,200 lbs
P4017.I050	(UNC 1/2"-13)	2,200 lbs	4,400 lbs	2,200 lbs	4,400 lbs	3,080 lbs	2,200 lbs	4,620 lbs	2,200 lbs
P4017.I063	(UNC 5/8"-11)	3,800 lbs	7,600 lbs	3,800 lbs	7,600 lbs	5,320 lbs	3,800 lbs	7,980 lbs	3,800 lbs
P4017.I075	(UNC 3/4"-10)	5,500 lbs	11,000 lbs	5,500 lbs	11,000 lbs	7,700 lbs	5,500 lbs	11,550 lbs	5,500 lbs

ov-W-AP4017-T-lifting-bolts-hook-double-lifting-rings-rmh- Updated 19.01.2023

LIFTING PINS, LIFTING BOLTS & SWING BOLTS



P4015



LIFTING PINS, LIFTING BOLTS & SWING BOLTS

Material

High tensile steel, strength class >8.
Supplied with CE certificate.

Technical Notes

Three articulations.
Very low overhang for improved safety.
For use in temperatures from -20°C to +200°C. Can be used in lower or higher temperatures, but this affects the load rating - please ask for more information.
Longer or shorter thread lengths can be

supplied but please consult our technical department for this information if required.

Please refer to our technical information pages when specifying and/or using.

Tips

Tighten by hex. key or spanner.

Important Notes

The thread diameter and depth must be appropriate to the material into which it will be installed:

Steel (min. ST37) - 1 x thread dia.

Cast iron - 1.25 x thread dia.

Aluminium - 2 x thread dia.

Other light metals - 2.5 x thread dia.

Tolerance of female thread to be 6H (metric) or UNC-2B (inch).

Please refer to the safety documentation before using this part.

Supplied with certificate and operating instructions..

Order No.	Load tons (t) max.	d ₁ tol. 6g (tol. 2A)	l ₁	h ₁	w ₁	d ₂	h ₂	h ₃	h ₄	h ₅ & w ₄	w ₂	w ₃	A/F ₁	A/F ₂	Safety factor	Torque to Nm (ft-lb)	Weight kg
P4015.M008	0,40	M 8x 1,25	14	33	58	30	9,5	56	41	18	25	10	8	16	5	6	0,4
P4015.M010	0,70	M10x1,50	17	33	58	30	9,5	56	41	18	25	10	8	16	5	10	0,4
P4015.M012	1,05	M12x1,75	21	33	58	30	9,5	56	41	18	25	10	8	16	5	15	0,4
P4015.M014	1,40	M14x2,00	23	45	79	45	13,0	81	56	24	37	14	8	20	5	30	1,1
P4015.M016	2,00	M16x2,00	27	45	79	45	13,0	81	56	24	37	14	8	20	5	50	1,2
P4015.M018	2,30	M18x2,50	27	45	79	45	13,0	81	56	24	37	14	8	20	5	70	1,2
P4015.M020	2,50	M20x2,50	30	45	79	45	13,0	81	56	24	37	14	8	20	5	100	1,2
P4015.M022	3,00	M22x2,50	33	62	106	60	19,0	105	80	45	45	20	14	24	5	120	2,8
P4015.M024	4,00	M24x3,00	36	62	106	60	19,0	105	80	45	45	20	14	24	5	160	2,9
P4015.M027	5,00	M27x3,00	36	62	106	60	19,0	105	80	45	45	20	14	24	5	200	2,9
P4015.M030	6,30	M30x3,50	45	62	106	60	19,0	105	80	45	45	20	14	24	5	250	3,0
P4015.M036	10,00	M36x4,00	54	81	148	80	26,5	140	111	54	71	30	19	30	5	320	7,6
P4015.M042	12,50	M42x4,50	63	84	148	80	26,5	146	111	58	71	30	19	30	5	400	7,8
P4015.M048	20,00	M48x5,00	68	100	180	110	33,0	178	135	69	90	42	19	30	4	600	17,5
P4015.M056	22,00	M56x5,50	78	104	190	110	33,0	184	135	73	90	42	19	30	4	600	18,0
P4015.I031	(1,000)	(UNC 5/16"-18)	15	33	58	30	9,5	56	41	18	25	10	8	16	5	(7)	0,4
P4015.I037	(1,300)	(UNC 3/8"-16)	17	33	58	30	9,5	56	41	18	25	10	8	16	5	(8)	0,4
P4015.I050	(2,400)	(UNC 1/2"-13)	21	33	58	30	9,5	56	41	18	25	10	8	16	5	(12)	0,4
P4015.I063	(3,900)	(UNC 5/8"-11)	27	45	79	45	13,0	81	56	24	37	14	8	20	5	(40)	1,1
P4015.I075	(5,250)	(UNC 3/4"-10)	30	45	79	45	13,0	81	56	24	37	14	8	20	5	(80)	1,2
P4015.I088	(6,600)	(UNC 7/8"-9)	33	62	106	60	19,0	84	80	41	45	20	14	24	5	(90)	2,7
P4015.I100	(10,000)	(UNC 1"-8)	36	62	106	60	19,0	84	80	41	45	20	14	24	5	(125)	2,8
P4015.I125	(14,000)	(UNC 1 1/4"-7)	46	84	106	80	26,5	146	111	41	71	30	14	24	5	(200)	7,1



Triple Swivel Rings Male

Lifting Pins, Lifting Bolts &

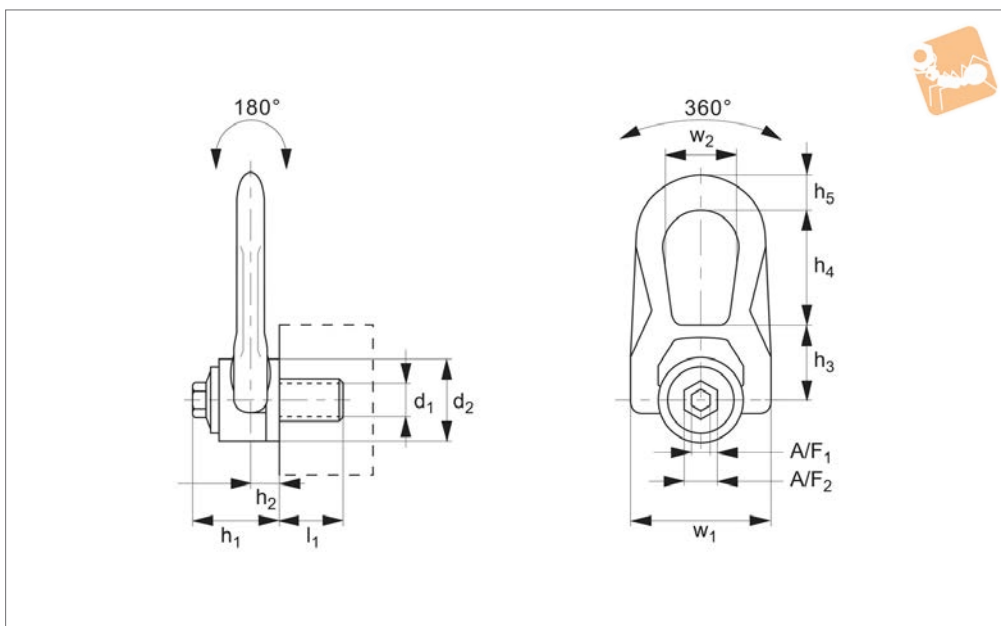
Order No.	Load tons (t) max.	d ₁ (tol. 2A)	l ₁	h ₁	w ₁	d ₂	h ₂	h ₃	h ₄	h ₅ & w ₄	w ₂	w ₃	A/F ₁	A/F ₂	Safety factor	Torque to Nm (ft·lb)	Weight kg
P4015.I150	(20,000)	(UNC 1 1/2"-6)	61	84	148	80	26,5	146	111	54	71	30	19	30	5	(240)	7,7
P4015.I200	(50,000)	(UNC 2"-4 1/2)	76	104	190	110	33,0	184	135	66	90	42	19	30	4	(450)	17,7



LIFTING PINS, LIFTING BOLTS & SWING BOLTS



P4020



LIFTING PINS, LIFTING BOLTS & SWING BOLTS

Material

High tensile stainless steel (316L), strength class >8. Supplied with CE certificate.

Technical Notes

Double articulation. Very low overhang for improved safety. Large support surface. For use in temperatures from -20°C to +200°C. Can be used in lower or higher temperatures but this affects the load rating - please ask for more information. Longer or shorter thread lengths can be

supplied but please consult our technical department for this information if required. Please refer to our technical information pages when specifying and/or using.

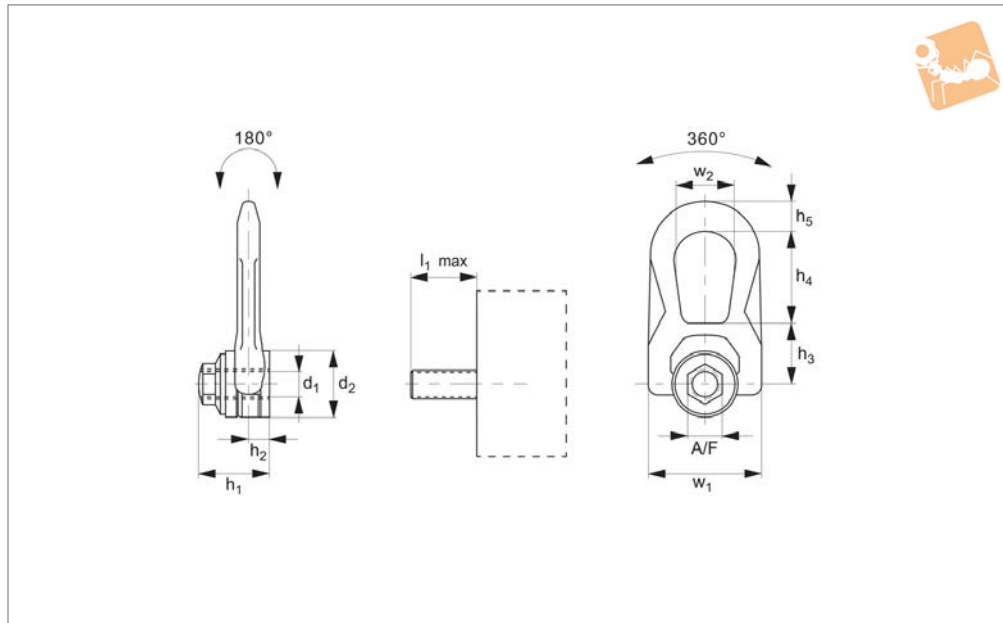
Tips

Double articulation allows perfect alignment with the sling. With „automatic“ position recovery system for best orientation to sling direction. Tighten by hex. key or spanner.

Important Notes

The thread diameter and depth must be appropriate to the material into which it will be installed:
Steel (min. ST37) - 1 x thread dia.
Cast iron - 1.25 x thread dia.
Aluminium - 2 x thread dia.
Other light metals - 2.5 x thread dia.
Tolerance of female thread to be 6H (metric) or UNC-2B (inch). **Please refer to the safety documentation before using this part.**
Supplied with certificate and operating

Order No.	Load tonnes (t) max.	d ₁ tol. 6g (tol. 2A)	h ₁	w ₁	h ₂	h ₃	h ₄	h ₅	d ₂	l ₁	w ₂	A/F ₁	A/F ₂	Safety factor	Torque to Nm	Weight kg
P4020.M008	0.3	M 8x 1,25	32	53	9.5	30	39	13	30	16	28	8	16	4	6	0.3
P4020.M030	3.5	M30x3,50	62	115	19.0	55	83	25	58	47	56	14	24	4	250	2.8
P4020.M010	0.5	M10x1,50	32	53	9.5	30	39	13	30	16	28	8	16	4	10	0.3
P4020.M012	0.8	M12x1,75	32	53	9.5	30	39	13	30	19	28	8	16	4	15	0.3
P4020.M014	1.0	M14x2,00	44	76	13.0	40	53	17	45	29	38	8	20	4	30	0.9
P4020.M016	1.5	M16x2,00	44	76	13.0	40	53	17	45	26	38	8	20	4	50	0.9
P4020.M018	1.5	M18x2,50	44	76	13.0	40	53	17	45	30	38	8	20	4	70	1.0
P4020.M020	1.6	M20x2,50	44	76	13.0	40	53	17	45	30	38	8	20	4	100	1.0
P4020.M022	2.2	M22x2,50	62	115	19.0	55	83	25	58	42	56	14	24	4	120	2.5
P4020.M024	2.7	M24x3,00	62	115	19.0	55	83	25	58	42	56	14	24	4	160	2.6
P4020.M027	2.9	M27x3,00	62	115	19.0	55	83	25	58	42	56	14	24	4	200	2.7



P4021

LIFTING PINS, LIFTING BOLTS & SWING BOLTS

Material

High tensile stainless steel (316L), strength class >8.
Supplied with CE certificate.

Technical Notes

Double articulation, very low overhang for improved safety, large support surface. For use in temperatures from -20°C to +200°C. Can be used in lower or higher temperatures, but this affects the load rating - please ask for more information.
Longer or shorter thread lengths can be

supplied but please consult our technical department for this information if required.
Please refer to our technical information pages when specifying and/or using.

Tips

Double articulation allows perfect alignment with the sling.
With „automatic“ position recovery system for best orientation to sling direction.
Tighten by hex. key or spanner.

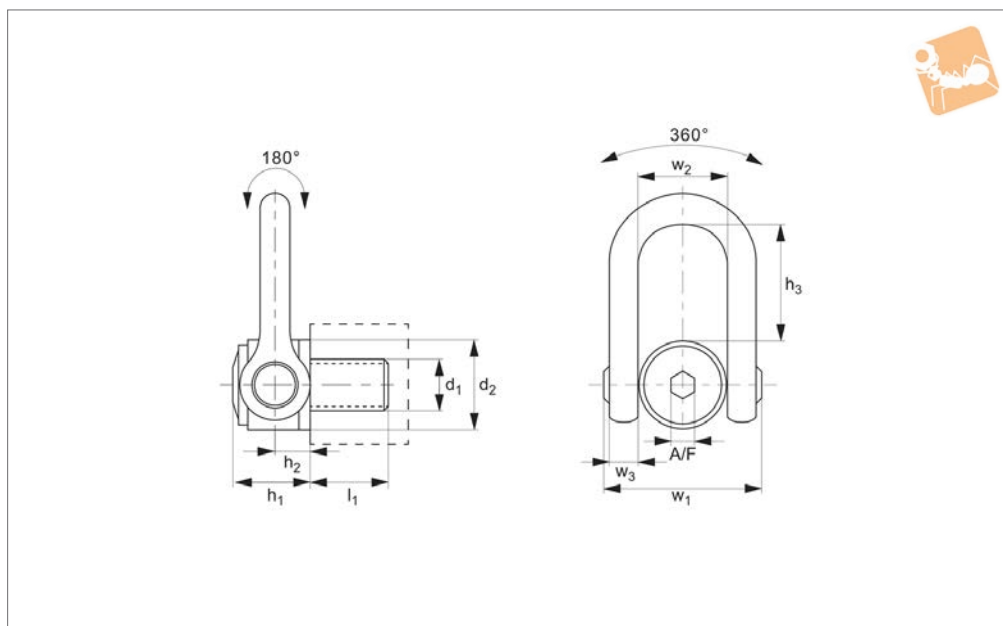
Important Notes

The thread diameter and depth must be appropriate to the material into which it will be installed:
Steel (min. ST37) - 1 x thread dia.
Cast iron - 1.25 x thread dia.
Aluminium - 2 x thread dia.
Other light metals - 2.5 x thread dia.
Tolerance of male thread to be 6G (metric) or UNC-2B (inch).
Please refer to the safety documentation before using this part.
Supplied with certificate and operating

Order No.	Load tonnes (t) max.	d ₁ tol. 6g (tol. 2A)	h ₁ & l _{max.}	w ₁	h ₂	h ₃	h ₄	h ₅	d ₂	w ₂	A/F	Safety factor	Torque to Nm	Weight kg
P4021.M008	0.3	M 8x 1,25	43	76	13	40	53	17	45	38	20	4	6	0.9
P4021.M010	0.5	M10x1,50	43	76	13	40	53	17	45	38	20	4	10	0.9
P4021.M012	0.8	M12x1,75	43	76	13	40	53	17	45	38	20	4	15	0.9
P4021.M014	1.0	M14x2,00	43	76	13	40	53	17	45	38	20	4	30	0.9
P4021.M016	1.5	M16x2,00	43	76	13	40	53	17	45	38	20	4	50	0.9
P4021.M018	1.5	M18x2,50	62	115	19	55	83	25	58	56	24	4	70	2.6
P4021.M020	1.6	M20x2,50	62	115	19	55	83	25	58	56	24	4	100	2.6
P4021.M022	2.2	M22x2,50	62	115	19	55	83	25	58	56	24	4	120	2.6



P4022



LIFTING PINS, LIFTING BOLTS & SWING BOLTS

Material

High tensile stainless steel (316L), strength class >8. Supplied with CE certificate.

Technical Notes

Double articulation, very low overhang for improved safety, large support surface. For use in temperatures from -20°C to +200°C. Can be used in lower or higher temperatures, but this affects the load rating - please ask for more information. * = non standard thread pitch. Longer or shorter thread lengths can be

supplied but please consult our technical department for this information if required. Please refer to our technical information pages when specifying and/or using.

Tips

Double articulation allows perfect alignment with the sling. With „automatic“ position recovery system for best orientation to sling direction. Tighten by hex. key or spanner.

Important Notes

The thread diameter and depth must be

appropriate to the material into which it will be installed:

Steel (min. ST37) - 1 x thread dia.

Cast iron - 1.25 x thread dia.

Aluminium - 2 x thread dia.

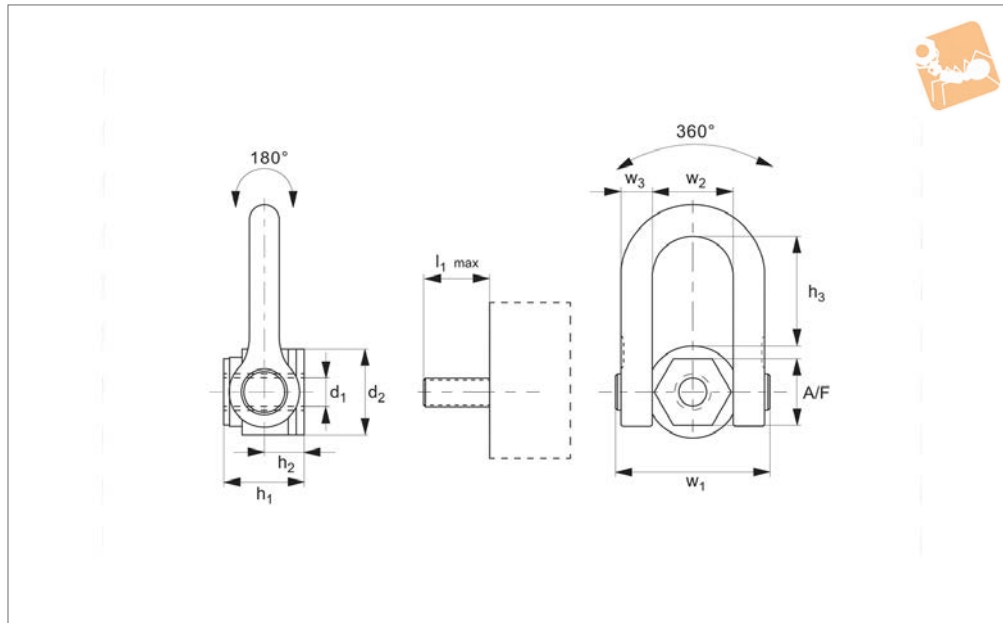
Other light metals - 2.5 x thread dia.

Tolerance of female thread to be 6H (metric) or UNC-2B (inch).

Please refer to the safety documentation before using this part.

Supplied with certificate and operating instructions.

Order No.	Load tons (t) max.	d ₁ tol. 6g (tol. 2A)	h ₁	w ₁	h ₂	h ₃	d ₂	l ₁	w ₂	w ₃	A/F	Safety factor	Torque to Nm (ft·lb)	Weight kg
P4022.M030	3.5	M30x3,5	61	149	31	98	70	45	73	30	19	4	250	5.2
P4022.M033	3.5	M33x3,5	61	149	31	98	70	50	73	30	19	4	250	5.2
P4022.M036	5.0	M36x4,0	61	149	31	98	70	54	73	30	19	4	320	5.2
P4022.M037	5.0	M36x3,0*	61	149	31	98	70	54	73	30	19	4	320	5.2
P4022.M039	5.0	M39x4,0	61	149	31	98	70	54	73	30	19	4	320	5.4
P4022.M042	6.0	M42x4,5	61	149	31	98	70	63	73	30	19	4	400	5.4
P4022.M043	6.0	M42x3,0*	61	149	31	98	70	63	73	30	19	4	400	5.4
P4022.M045	6.0	M45x4,5	61	149	31	98	70	63	73	30	19	4	400	5.7
P4022.I100	(6000)	(UNC 1"-8)	61	149	31	98	70	40	73	30	3/4"	4	(125)	5.2
P4022.I125	(7500)	(UNC 1 1/4"-7)	61	149	31	98	70	45	73	30	3/4"	4	(200)	5.2
P4022.I137	(7500)	(UNC 1 3/8"-6)	61	149	31	98	70	54	73	30	3/4"	4	(240)	5.2
P4022.I150	(11000)	(UNC 1 1/2"-6)	61	149	31	98	70	61	73	30	3/4"	4	(240)	5.4



P4023

LIFTING PINS, LIFTING BOLTS & SWING BOLTS

Material

High tensile stainless steel (316L), strength class >8.
Supplied with CE certificate.

Technical Notes

Double articulation, very low overhang for improved safety, large support surface. For use in temperatures from -20°C to +200°C. Can be used in lower or higher temperatures, but this affects the load rating - please ask for more information.

Please refer to our technical information pages when specifying and/or using.

Tips

Double articulation allows perfect alignment with the sling. With „automatic“ position recovery system for best orientation to sling direction. Tighten by hex. key or spanner.

Important Notes

The thread diameter and depth must be appropriate to the material into which it

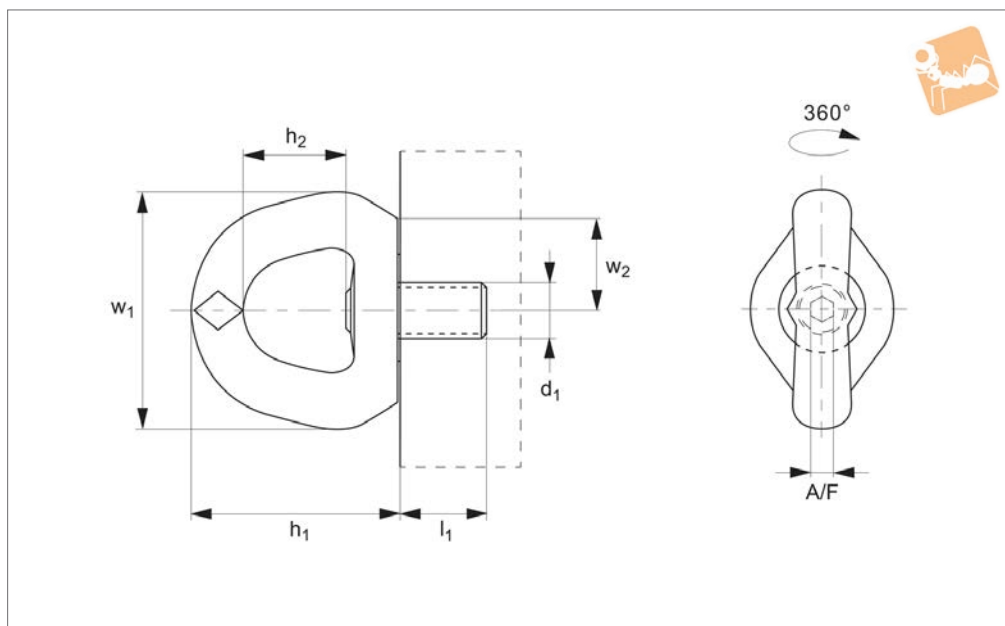
will be installed:

- Steel (min. ST37) - 1 x thread dia.
- Cast iron - 1.25 x thread dia.
- Aluminium - 2 x thread dia.
- Other light metals - 2.5 x thread dia.
- Tolerance of male thread to be 6G (metric) or UNC-2B (inch).
- Please refer to the safety documentation before using this part.**
- Supplied with certificate and operating instructions.**

Order No.	Load tons (t) max.	d ₁ 6H (tol. 2A)	h ₁ & l ₁ max.	w ₁	h ₂	h ₃	d ₂	w ₂	w ₃	A/F	Safety factor	Torque to Nm	Weight kg
P4023.M024	2.7	M24x3,0	66	149	31	98	70	73	30	50	4	160	5.8
P4023.M030	3.5	M30x3,5	66	149	31	98	70	73	30	50	4	250	5.8
P4023.M033	3.5	M33x3,5	66	149	31	98	70	73	30	50	4	250	5.8
P4023.M036	5.0	M36x4,0	66	149	31	98	70	73	30	50	4	320	5.8
P4023.I125	(7.500)	(UNC 1 1/4"-7)	66	149	31	98	70	73	30	50	4	200	5.4
P4023.I100	(6.000)	(UNC 1"-8)	66	149	31	98	70	73	30	50	4	125	5.4
P4023.I137	(7.500)	(UNC 1 3/8"-6)	66	149	31	98	70	73	30	50	4	240	5.4



P4030



Material

High tensile corrosion resistant steel, strength class >8.
Coloured yellow to indicate personnel safety.
Supplied with CE certificate.

Technical Notes

Conforms to EN795:2012.
Single articulation, 360°.
Clearly marked with maximum number of persons. The yellow colour indicates the personnel safety use.

Tips

Marked with the number of persons the ring is certified to support.
For use by personnel wearing safety harnesses. Suitable for 1 or 2 persons as marked.
Typically used in building maintenance, wind power and offshore industries.

Important Notes

The thread diameter and depth must be appropriate to the material into which it will be installed:

Steel (min. ST37) - 1 x thread dia.
Cast iron - 1.25 x thread dia.
Aluminium - 2 x thread dia.
Other light metals - 2.5 x thread dia.
Tolerance of female thread to be 6H (metric).

Please refer to the safety documentation before using this part.
Supplied with certificate and operating instructions.

Order No.	No. of persons max.	l ₁	w ₁	h ₁	d ₁ tol. 6g	h ₂	w ₂	w ₃	A/F	Torque to Nm	Weight kg
P4030.M012	1	21	60	57	M12x1,75	30	20	34	6	15	0.24
P4030.M016	1	27	88	80	M16x2,00	38	35	45	8	50	0.80
P4030.M020	1	30	88	80	M20x2,50	38	35	45	8	100	0.80

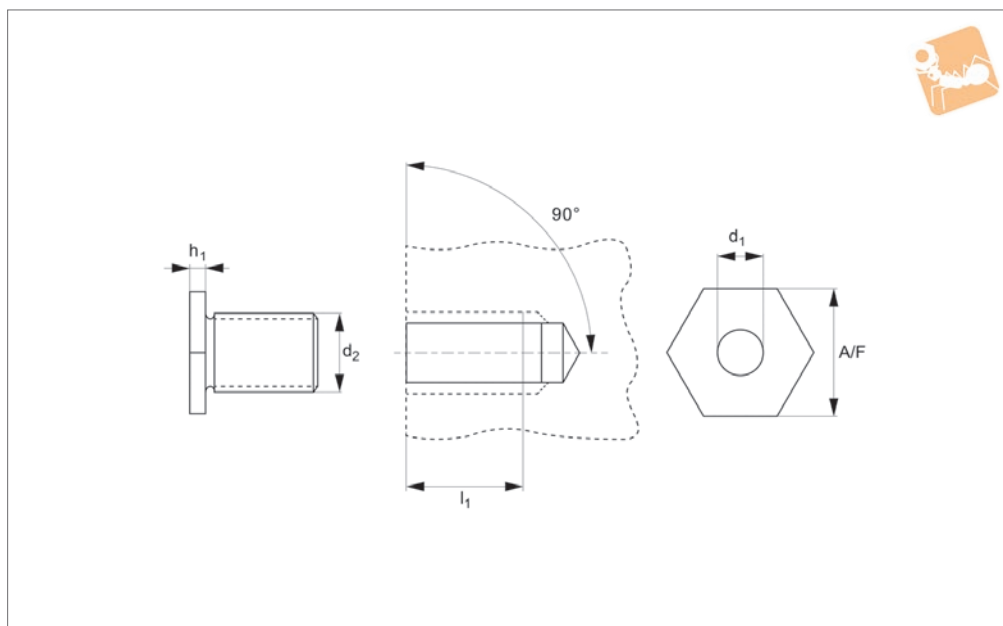
P4015 Male



Lifting type	0°		90°		α max. = 60°		α max. = 60°		
	1	2	1	2	2	2	4	4	
No. of rings	1	2	1	2	2	2	4	4	
Lifting angle	0°	0°	90°	90°	45°	60°	45°	60°	
Part no.	Thread								
P4015.M008	M 8	0,30 tons	0,60 tons	0,30 tons	0,60 tons	0,40 tons	0,30 tons	0,60 tons	0,30 tons
P4015.M010	M10	0,60 tons	1,20 tons	0,60 tons	1,20 tons	0,80 tons	0,60 tons	1,30 tons	0,60 tons
P4015.M012	M12	1,00 tons	2,00 tons	1,00 tons	2,00 tons	1,40 tons	1,00 tons	2,10 tons	1,00 tons
P4015.M014	M14	1,30 tons	2,60 tons	1,30 tons	2,60 tons	1,80 tons	1,30 tons	2,70 tons	1,30 tons
P4015.M016	M16	1,60 tons	3,20 tons	1,60 tons	3,20 tons	2,20 tons	1,60 tons	3,40 tons	1,60 tons
P4015.M018	M18	2,00 tons	4,00 tons	2,00 tons	4,00 tons	2,80 tons	2,00 tons	4,20 tons	2,00 tons
P4015.M020	M20	2,50 tons	5,00 tons	2,50 tons	5,00 tons	3,50 tons	2,50 tons	5,30 tons	2,50 tons
P4015.M022	M22	3,00 tons	6,00 tons	3,00 tons	6,00 tons	4,20 tons	3,00 tons	6,30 tons	3,00 tons
P4015.M024	M24	4,00 tons	8,00 tons	4,00 tons	8,00 tons	5,60 tons	4,00 tons	8,40 tons	4,00 tons
P4015.M027	M27	5,00 tons	10,00 tons	5,00 tons	10,00 tons	7,0 tons	5,00 tons	10,50 tons	5,00 tons
P4015.M030	M30	6,30 tons	12,60 tons	6,30 tons	12,60 tons	8,80 tons	6,30 tons	13,20 tons	6,30 tons
P4015.M036	M36	10,00 tons	20,00 tons	10,00 tons	20,00 tons	14,00 tons	10,00 tons	21,00 tons	10,00 tons
P4015.M042	M42	12,50 tons	25,00 tons	12,50 tons	25,00 tons	17,50 tons	12,50 tons	26,30 tons	12,50 tons
P4015.M048	M48	20,00 tons	40,00 tons	20,00 tons	40,00 tons	28,00 tons	20,00 tons	42,00 tons	20,00 tons
P4015.M056	M56	22,00 tons	44,00 tons	22,00 tons	44,00 tons	30,80 tons	22,00 tons	46,20 tons	22,00 tons
P4015.I031	(UNC 5/16"-18)	650 lbs	1,300 lbs	650 lbs	1,300 lbs	910 lbs	650 lbs	1,365 lbs	650 lbs
P4015.I037	(UNC 3/8"-16)	1,200 lbs	2,400 lbs	1,200 lbs	2,400 lbs	1,680 lbs	1,200 lbs	2,520 lbs	1,200 lbs
P4015.I050	(UNC 1/2"-13)	2,200 lbs	4,400 lbs	2,200 lbs	4,400 lbs	3,080 lbs	2,200 lbs	4,620 lbs	2,200 lbs
P4015.I063	(UNC 5/8"-11)	3,800 lbs	7,600 lbs	3,800 lbs	7,600 lbs	5,320 lbs	3,800 lbs	7,980 lbs	3,800 lbs
P4015.I075	(UNC 3/4"-10)	5,500 lbs	11,000 lbs	5,500 lbs	11,000 lbs	7,700 lbs	5,500 lbs	11,550 lbs	5,500 lbs
P4015.I088	(UNC 7/8"-9)	6,600 lbs	13,200 lbs	6,600 lbs	13,200 lbs	9,240 lbs	6,600 lbs	13,860 lbs	6,600 lbs
P4015.I100	(UNC 1"-8)	10,000 lbs	20,000 lbs	10,000 lbs	20,000 lbs	14,000 lbs	10,000 lbs	21,000 lbs	10,000 lbs
P4015.I125	(UNC 1 1/4"-7)	14,000 lbs	28,000 lbs	14,000 lbs	28,000 lbs	19,600 lbs	14,000 lbs	29,400 lbs	14,000 lbs
P4015.I150	(UNC 1 1/1"-6)	20,000 lbs	40,000 lbs	20,000 lbs	40,000 lbs	28,000 lbs	20,000 lbs	42,000 lbs	20,000 lbs
P4015.I200	(UNC 2"-4 1/2)	50,000 lbs	100,000 lbs	50,000 lbs	100,000 lbs	70,000 lbs	50,000 lbs	105,000 lbs	50,000 lbs



P4019



LIFTING PINS, LIFTING BOLTS & SWING BOLTS

Material

High tensile steel, strength class >8.

Technical Notes

The internal portion of the adaptor can be machined (by us) to suit the required lifting bolt thread, specify suffix thread size x pitch.

Allowing differing sized lifting bolts to be used.

Advise the internal thread size and pitch required e.g. P4019.M30-M20x2.5.

Female thread tolerances required to be 6H (metric) or UNC-2B (inch).

Tips

Not suitable/rated for customers to machine internal threads themselves.

Only to be used with lifting bolts P4002 to

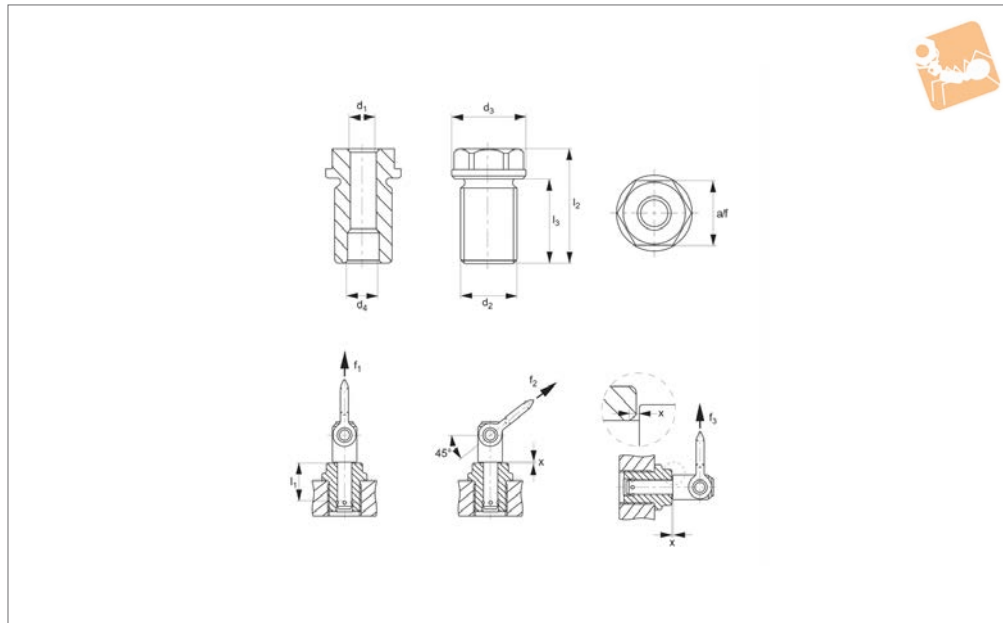
P4015.

Important Notes

Please refer to the safety documentation before using this part.

Supplied with certificate and operating instructions.

Order No.	d ₁ mm max.	d ₁ inch max.	d ₂ tol. 6g (tol. 2A)	l ₁	h ₁	A/F	Torque to Nm (ft·lb)
P4019.M024-xx	18	5/8"	M 24 x 3	36	10	50	160
P4019.M030-xx	20	7/8"	M 30 x 3,5	45	10	50	250
P4019.M036-xx	27	1"	M 36 x 4	54	10	65	320
P4019.M040-xx	33	1" 1/4	M 42 x4,5	63	10	75	400
P4019.M048-xx	39	1" 1/2	M 48 x 5	68	10	75	600
P4019.M056-xx	42	1" 3/4	M 56 x5,5	78	10	95	600
P4019.M064-xx	52	2"	M 64 x 6	90	10	95	600
P4019.M100-xx	80	3" 1/2	M100 x 6	100	15	155	600
P4019.I088-xx	16	5/8"	UNC 7/8"-9	33	10	50	(90)
P4019.I100-xx	18	3/4"	UNC 1"-8	36	10	50	(125)
P4019.I125-xx	24	7/8"	UNC 1"1/4-7	45	10	50	(200)
P4019.I138-xx	27	1"	UNC 1"3/8-6	54	10	65	(240)
P4019.I150-xx	30	1" 1/8	UNC 1"1/2-6	61	10	75	(240)
P4019.I200-xx	39	1" 1/2	UNC 2"-4 1/2	68	10	95	(450)
P4019.I275-xx	56	2" 1/4	UNC 2"3/4-4	90	10	155	(520)
P4019.I400-xx	80	3" 1/4	UNC 4"-4	100	15	155	(740)



P4077

LIFTING PINS, LIFTING BOLTS & SWING BOLTS

Material

Body: stainless steel 1.4542 (AISI 630), precipitation hardened.

Technical Notes

Locating bushes are used for quick and safe locating of lifting pins P4074 and P4075.

Provides easy and safe assembly, and can be incorporated into a variety of materials. Can be used in thin-walled parts and in blind holes.

Important Notes

Lifting forces f_1 to f_3 , have a 5 fold in-built

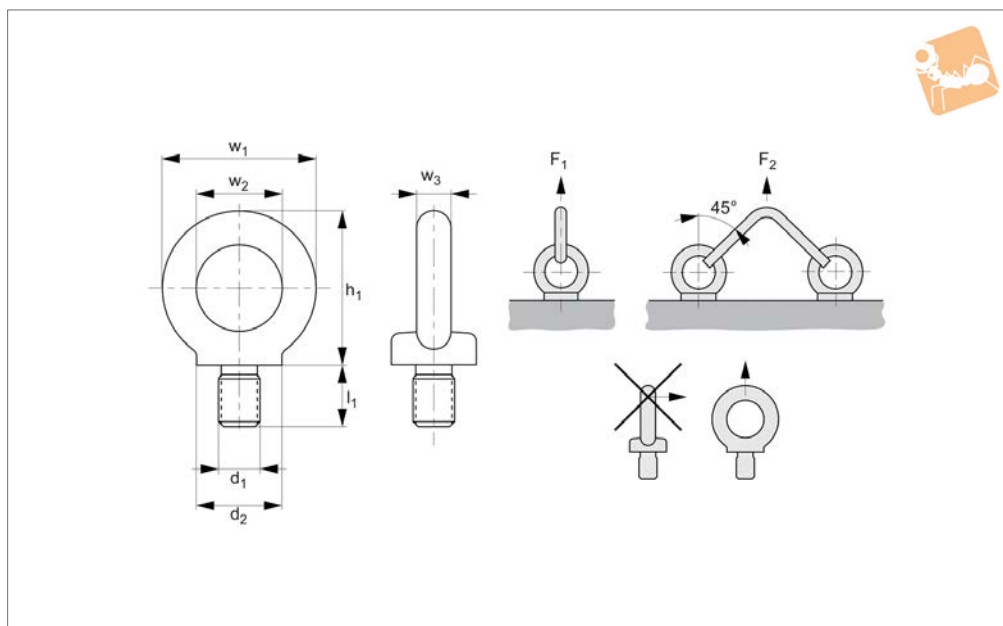
safety factor.

Due to the radius on the underside of the lifting face, please ensure $x_{min.}$ is $x_{max.}$ to avoid stress on pin when used as angle lift. See product table for details.

Order No.	For pin length	d ₁ tol. H11	d ₂	d ₃ -0.2	d ₄ +0.3	l ₂	l ₃	A/F	x max.	F ₁ kN	F ₂ kN	F ₃ kN	Starting torque Nm max.	For lifting pin 33400/33420	Weight g
P4077.080-010	10	8	M16x1,5	24	9,8	27,5	20	19	1,5	1,5	1,2	0,5	90	.W0601/.W0701	32
P4077.080-015	15	8	M16x1,5	24	9,8	27,5	20	19	1,5	1,5	1,2	0,5	90	.W0602/.W0702	33
P4077.120-015	15	12	M24x1,5	32	14,7	35,5	24	27	1,0	3,5	3,2	2,8	220	.W0631/.W0731	94



P4040



LIFTING PINS, LIFTING BOLTS & SWING BOLTS

Material

Forged steel (C15E) annealed and zinc plated. Contact face machined. CE marked.

Technical Notes

To DIN 580.
When using lifting eye bolts it is critical to ensure that the face is in firm contact with the mating surface.
These lifting bolts are generally installed and remain on a piece of equipment for the

purpose of transporting them. They are not for repeated lifting use - if this is required our swivelling lifting bolt range should be used.

Tips

Maximum load values are only applicable when the thread is fully screwed in, and the material it is being used in is as least as strong as the that of the bolt.
Temperature range -20°C to +200°C.

F_1 and F_2 values given are for steel and cast iron components.

Important Notes

Not to be used at lift angles of greater than 45° or with swivelling loads.
Please refer to the safety documentation before using this part.
Supplied with certificate and operating instructions.

Order No.	Thread	d ₁	d ₂	w ₁	l ₁	h ₁	w ₂	w ₃	F ₁ kg max.	F ₂ kg max.	Weight kg
P4040.060-ZP	Coarse	M 6	20	36	13.0	36	20	8	70	50	0.05
P4040.080-ZP	Coarse	M 8	20	36	13.0	36	20	8	140	95	0.06
P4040.100-ZP	Coarse	M10	25	45	17.0	45	25	10	230	170	0.11
P4040.120-ZP	Coarse	M12	30	54	20.5	53	30	12	340	240	0.18
P4040.140-ZP	Coarse	M14	35	63	27.0	62	35	14	340	240	0.18
P4040.160-ZP	Coarse	M16	35	63	27.0	62	35	14	700	500	0.28
P4040.180-ZP	Coarse	M18	40	72	30.0	71	40	14	700	500	0.43
P4040.200-ZP	Coarse	M20	40	72	30.0	71	40	16	1200	830	0.45
P4040.220-ZP	Coarse	M22	40	72	30.0	71	40	16	1200	830	0.45
P4040.240-ZP	Coarse	M24	50	90	36.0	90	50	20	1800	1270	0.74
P4040.270-ZP	Coarse	M27	65	108	45.0	109	60	24	1800	1270	0.93
P4040.300-ZP	Coarse	M30	65	108	45.0	109	60	24	3200	2300	1.66
P4040.330-ZP	Coarse	M33	75	126	54.0	128	70	28	3600	3600	2.60
P4040.360-ZP	Coarse	M36	75	126	54.0	128	70	28	4600	3300	2.65
P4040.390-ZP	Coarse	M39	85	144	63.0	147	80	32	5100	3700	3.87
P4040.420-ZP	Coarse	M42	85	144	63.0	147	80	32	6300	4500	4.03
P4040.450-ZP	Coarse	M45	100	166	68.0	168	90	38	7000	5000	6.15
P4040.480-ZP	Coarse	M48	100	166	68.0	168	90	38	8600	6100	6.38
P4040.560-ZP	Coarse	M56	110	184	78.0	187	100	42	11500	8200	8.80
P4040.640-ZP	Coarse	M64	120	206	90.0	208	110	48	16000	11000	12.4
P4040.720-ZP	Coarse	M72 x 6	150	260	100.0	260	140	60	20000	14000	23.3
P4040.800-ZP	Coarse	M80 x 6	170	296	112.0	298	160	68	28000	20000	34.2
P4040.999-ZP	Coarse	M100 x 6	190	330	130.0	330	180	75	40000	29000	49.1
P4040.120-015-ZP	Fine	M12 x 1,5	30	54	20.5	53	30	12	340	240	0.18



Steel Male Lifting Eye Bolts metric sizes

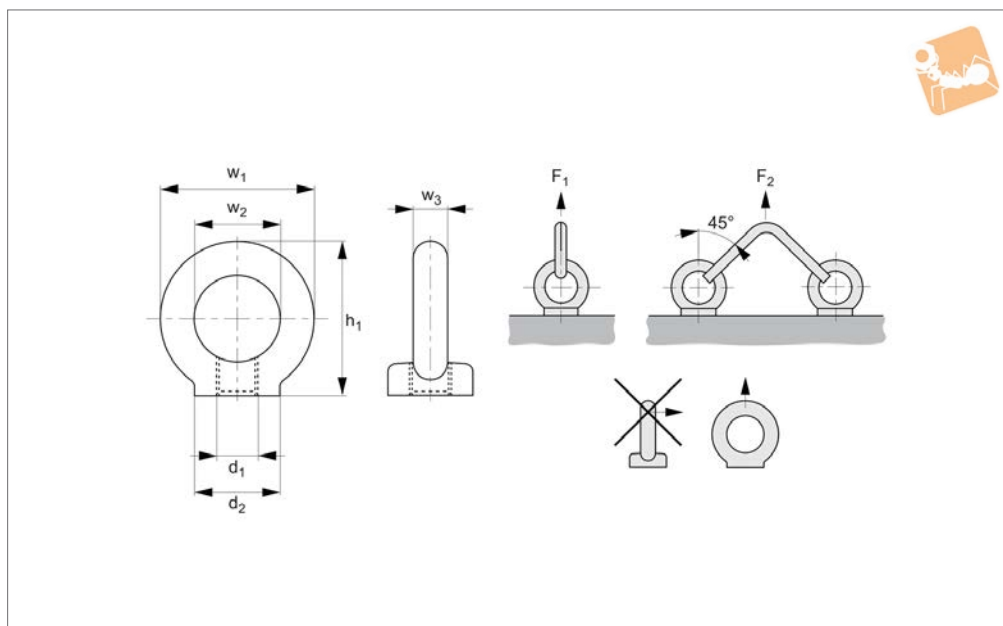
Lifting Pins,
Lifting Bolts &

Order No.	Thread	d ₁	d ₂	w ₁	l ₁	h ₁	w ₂	w ₃	F ₁ kg max.	F ₂ kg max.	Weight kg
P4040.160-015-ZP	Fine	M16 x 1,5	35	63	27.0	62	35	14	700	500	0.28
P4040.200-020-ZP	Fine	M20 x 2,0	40	72	30.0	71	40	16	1200	830	0.45
P4040.240-020-ZP	Fine	M24 x 2,0	50	90	36.0	90	50	20	1800	1270	0.74
P4040.300-020-ZP	Fine	M30 x 2,0	65	108	45.0	109	60	24	3600	2600	1.66
P4040.360-030-ZP	Fine	M36 x 3,0	75	126	54.0	128	70	28	5100	3700	2.58
P4040.420-030-ZP	Fine	M42 x 3,0	85	144	63.0	147	80	32	7000	5000	3.95
P4040.480-030-ZP	Fine	M48 x 3,0	100	166	68.0	168	90	38	8600	6100	6.38
P4040.560-040-ZP	Fine	M56 x 4,0	110	184	78.0	187	100	42	11500	8300	8.48

LIFTING PINS, LIFTING BOLTS & SWING
BOLTS



P4041



LIFTING PINS, LIFTING BOLTS & SWING BOLTS

Material

Forged steel (C15E) annealed and zinc plated. Contact face machined. CE marked.
Hot dipped galvanised versions (for more demanding applications and limited outside use) also available on request, suffix changes to -GV.

Technical Notes

To DIN 582.
When using lifting eye bolts it is critical to ensure that the face is in firm contact with

the mating surface.

These lifting bolts are generally installed and remain on a piece of equipment for the purpose of transporting them. They are not for repeated lifting use - if this is required our swivelling lifting bolt range should be used.

Tips

Maximum load values are only applicable when the thread and the material, it is being used in is as least as strong as the

that of the bolt.

Temperature range -20°C to +200°C.
F₁ and F₂ values given are for steel and cast iron components.

Important Notes

Not to be used at lift angles of greater than 45° or with swivelling loads.
Please refer to the safety documentation before using this part.
Supplied with certificate and operating instructions.

Order No.	Thread	d ₁	d ₂	w ₁	h ₁	w ₂	w ₃	F ₁ kg max.	F ₂ kg max.	Weight kg
P4041.060-ZP	Coarse	M 6	20	36	36	20	8	70	50	0.05
P4041.080-ZP	Coarse	M 8	20	36	36	20	8	140	95	0.05
P4041.100-ZP	Coarse	M10	25	45	45	25	10	230	170	0.09
P4041.120-ZP	Coarse	M12	30	54	53	30	12	340	240	0.16
P4041.140-ZP	Coarse	M14	35	63	62	35	14	340	240	0.24
P4041.160-ZP	Coarse	M16	35	63	62	35	14	700	500	0.24
P4041.180-ZP	Coarse	M18	40	72	71	40	16	700	700	0.35
P4041.200-ZP	Coarse	M20	40	72	71	40	16	1200	830	0.36
P4041.220-ZP	Coarse	M22	40	72	71	40	16	1200	830	0.36
P4041.240-ZP	Coarse	M24	50	90	90	50	20	1800	1270	0.72
P4041.270-ZP	Coarse	M27	50	90	90	50	20	1800	1270	0.72
P4041.300-ZP	Coarse	M30	65	108	109	60	24	3200	2300	1.32
P4041.330-ZP	Coarse	M33	65	108	109	60	24	3600	2600	1.30
P4041.360-ZP	Coarse	M36	75	126	128	70	28	5100	3700	2.08
P4041.390-ZP	Coarse	M39	75	126	128	70	28	5100	3700	2.08
P4041.420-ZP	Coarse	M42	85	144	147	80	32	7000	4500	3.11
P4041.480-ZP	Coarse	M48	100	166	168	90	38	8600	6100	5.02
P4041.560-ZP	Coarse	M56	110	184	187	100	42	11500	8200	6.70
P4041.640-ZP	Coarse	M64	120	206	208	110	48	16000	11000	9.30
P4041.720-ZP	Coarse	M72x6	150	260	260	140	60	20000	14000	18.5
P4041.800-ZP	Coarse	M80x6	170	296	298	160	68	28000	20000	27.3
P4041.999-ZP	Coarse	M100x6	190	330	330	180	75	40000	29000	26.4
P4041.160-015-ZP	Fine	M16 x 1,5	35	63	62	35	14	700	500	0.24



Steel Female Lifting Eye Bolts metric sizes

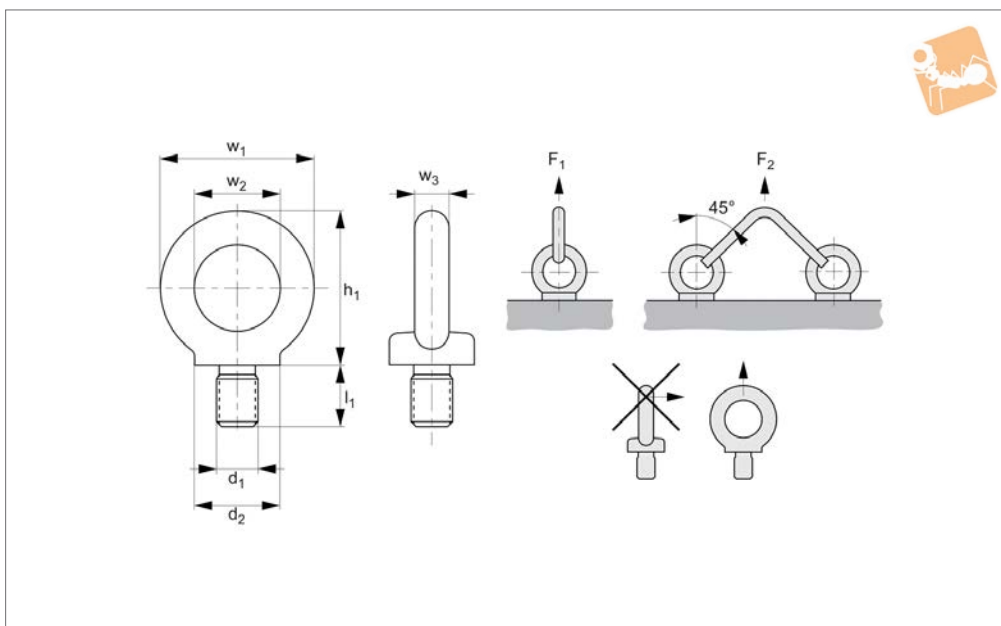
Lifting Pins,
Lifting Bolts &

Order No.	Thread	d ₁	d ₂	w ₁	h ₁	w ₂	w ₃	F ₁ kg max.	F ₂ kg max.	Weight kg
P4041.200-020-ZP	Fine	M20 x 2,0	40	72	71	40	16	1200	830	0.36
P4041.240-020-ZP	Fine	M24 x 2,0	50	90	90	50	20	1800	1270	0.72
P4041.300-020-ZP	Fine	M30 x 2,0	65	108	109	60	24	3600	2600	1.32
P4041.360-030-ZP	Fine	M36 x 3,0	75	126	128	70	28	5100	3700	2.08
P4041.420-030-ZP	Fine	M42 x 3,0	85	144	147	80	32	7000	5000	3.11
P4041.480-030-ZP	Fine	M48 x 3,0	100	166	168	90	38	8600	6100	5.02
P4041.560-040-ZP	Fine	M56 x 4,0	110	184	187	100	42	11500	8300	6.69

LIFTING PINS, LIFTING BOLTS & SWING
BOLTS



P4043



LIFTING PINS, LIFTING BOLTS & SWING BOLTS

Material

Stainless steel (A4, AISI 316).
CE marked.

Technical Notes

To DIN 580.

When using lifting eye bolts it is critical to ensure that the face is in firm contact with the mating surface.

These lifting bolts are generally installed and remain on a piece of equipment for the

purpose of transporting them. They are not for repeated lifting use - if this is required our swivelling lifting bolt range should be used.

Tips

Maximum load values are only applicable when the thread and the material, it is being used in is as least as strong as the that of the bolt.

F₁ and F₂ values given are for steel and cast

iron components.

Important Notes

Not to be used at lift angles of greater than 45° or with swivelling loads.

Please refer to the safety documentation before using this part.

Supplied with certificate and operating instructions.

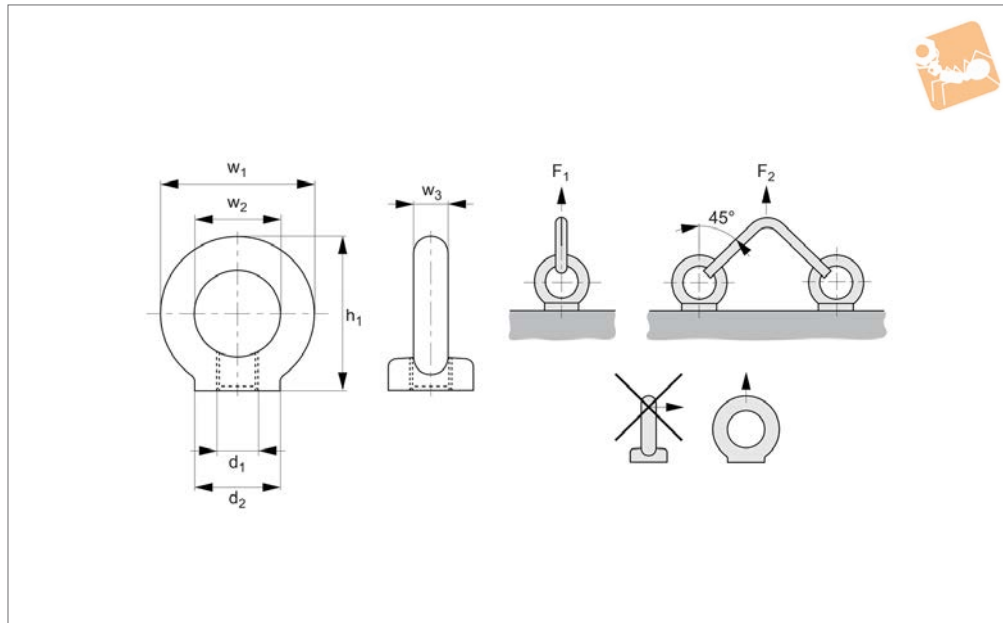
Order No.	Material	d ₁	d ₂	w ₁	l ₁	h ₁	w ₂	w ₃	F ₁ kg max.	F ₂ kg max.	Weight kg
P4043.060-A4	A4 s/s	M 6	20	36	13.0	36	20	8	70	50	0.05
P4043.080-A4	A4 s/s	M 8	20	36	13.0	36	20	8	140	95	0.06
P4043.100-A4	A4 s/s	M10	25	45	17.0	45	25	10	230	170	0.11
P4043.120-A4	A4 s/s	M12	30	54	20.5	53	30	12	340	240	0.18
P4043.160-A4	A4 s/s	M16	35	63	27.0	62	35	14	700	500	0.28
P4043.200-A4	A4 s/s	M20	40	72	30.0	71	40	16	1200	860	0.45
P4043.240-A4	A4 s/s	M24	50	90	36.0	90	50	20	1800	1270	0.74
P4043.300-A4	A4 s/s	M30	65	108	45.0	109	60	24	3200	2300	1.66
P4043.360-A4	A4 s/s	M36	75	126	54.0	128	70	28	4600	3300	2.65
P4043.420-A4	A4 s/s	M42	85	144	63.0	147	80	32	6300	4500	4.03
P4043.480-A4	A4 s/s	M48	100	166	68.0	168	90	38	8600	6100	6.38
P4043.060-A2	A2 s/s	M 6	20	36	11.0	31	16	8	70	50	0.05
P4043.080-A2	A2 s/s	M 8	20	36	13.0	36	20	8	140	95	0.06
P4043.100-A2	A2 s/s	M10	25	45	17.0	45	25	10	230	170	0.11
P4043.120-A2	A2 s/s	M12	30	54	20.5	53	30	12	340	240	0.18
P4043.160-A2	A2 s/s	M16	35	63	27.0	62	35	14	700	500	0.28
P4043.200-A2	A2 s/s	M20	40	72	30.0	71	40	16	1200	860	0.45
P4043.240-A2	A2 s/s	M24	50	90	36.0	90	50	20	1800	1290	0.74
P4043.300-A2	A2 s/s	M30	65	108	45.0	109	60	24	3200	3200	1.66



Stainless Female Lifting Eye Bolts

metric sizes

Lifting Pins, Lifting Bolts &



P4044

LIFTING PINS, LIFTING BOLTS & SWING BOLTS

Material

Stainless steel (A4, AISI 316).
CE marked.

Technical Notes

To DIN 582.

When using lifting eye bolts it is critical to ensure that the face is in firm contact with the mating surface.

These lifting bolts are generally installed and remain on a piece of equipment for the

purpose of transporting them. They are not for repeated lifting use - if this is required our swivelling lifting bolt range should be used.

Tips

Maximum load values are only applicable when the thread and the material, it is being used in is as least as strong as the that of the bolt.

F_1 and F_2 values given are for steel and cast

iron components.

Important Notes

Not to be used at lift angles of greater than 45° or with swivelling loads.

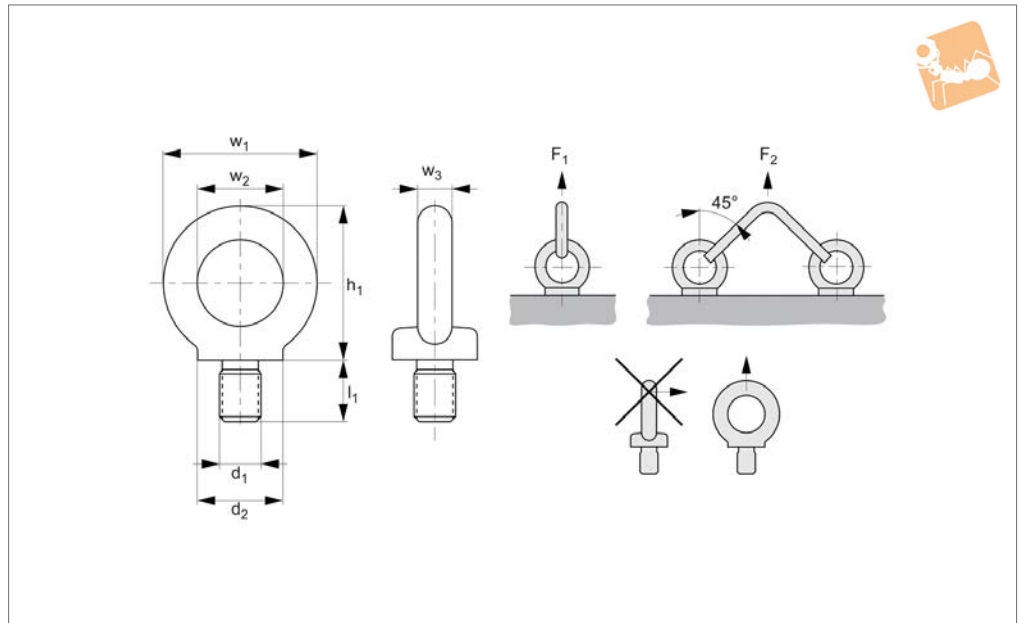
Please refer to the safety documentation before using this part.

Supplied with certificate and operating instructions.

Order No.	Material	d ₁	d ₂	w ₁	h ₁	w ₂	w ₃	F ₁ kg max.	F ₂ kg max.	Weight kg
P4044.060-A4	A4 s/s	M 6	20	36	36	20	8	70	50	0.05
P4044.080-A4	A4 s/s	M 8	20	36	36	20	8	140	95	0.05
P4044.100-A4	A4 s/s	M10	25	45	45	25	10	230	170	0.09
P4044.120-A4	A4 s/s	M12	30	54	53	30	12	340	240	0.16
P4044.160-A4	A4 s/s	M16	35	63	62	35	14	700	500	0.24
P4044.200-A4	A4 s/s	M20	40	72	71	40	16	1200	860	0.36
P4044.240-A4	A4 s/s	M24	50	90	90	50	20	1800	1270	0.72
P4044.300-A4	A4 s/s	M30	65	108	109	60	24@	3200	2300	1.32
P4044.360-A4	A4 s/s	M36	75	126	128	70	28	4600	3300	2.08
P4044.420-A4	A4 s/s	M42	85	144	147	80	32	6300	4500	3.11
P4044.480-A4	A4 s/s	M48	100	166	168	90	38	8600	6100	5.02
P4044.060-A2	A2 s/s	M 6	20	36	31	16	8,5@	70	50	0.03
P4044.080-A2	A2 s/s	M 8	20	36	36	20	8.5	140	95	0.05
P4044.100-A2	A2 s/s	M10	25	45	45	25	10	230	170	0.09
P4044.120-A2	A2 s/s	M12	30	54	53	30	11	340	240	0.16
P4044.160-A2	A2 s/s	M16	35	63	62	35	13	700	500	0.24
P4044.200-A2	A2 s/s	M20	40	72	71	40	16	1200	860	0.36
P4044.240-A2	A2 s/s	M24	50	90	90	50	20	1800	1270	0.72
P4044.300-A2	A2 s/s	M30	65	108	109	60	25	3200	2300	1.32
P4044.360-A2	A2 s/s	M36	75	126	128	70	30	4600	3300	2.08



P4046



LIFTING PINS, LIFTING BOLTS & SWING BOLTS

Material

Forged steel (C15E) annealed and zinc-plated (-ZP). Contact face machined. CE marked.
Hot dipped galvanised versions (for more demanding applications and limited outside use) also available on request, suffix changes to -GV.

Technical Notes

To DIN 580.
When using lifting eye bolts it is critical to ensure that the face is in firm contact with

the mating surface.

These lifting bolts are generally installed and remain on a piece of equipment for the purpose of transporting them. They are not for repeated lifting use - if this is required our swivelling lifting bolt range should be used.

Tips

Maximum load values are only applicable when the thread and the material, it is being used in is as least as strong as the

that of the bolt.

F_1 and F_2 values given are for steel and cast iron components.

Important Notes

Not to be used at lift angles of greater than 45° or with swivelling loads.

Please refer to the safety documentation before using this part.

Supplied with certificate and operating instructions.

Order No.	d ₁	Thread type	d ₂	w ₁	l ₁	h ₁	w ₂	w ₃	F ₁ kg max.	F ₂ kg max.	Weight kg
P4046.U1/4-ZP	1/4"-20	UNC	20	36	13.0	36	20	8	70	50	0.06
P4046.U5/16-ZP	5/16"-18	UNC	20	36	13.0	36	20	8	140	95	0.06
P4046.U3/8-ZP	3/8"-16	UNC	25	45	17.0	45	25	10	230	170	0.11
P4046.U1/2-ZP	1/2"-12	UNC	30	54	20.5	53	30	12	340	240	0.18
P4046.U5/8-ZP	5/8"-11	UNC	35	63	27.0	62	35	14	700	500	0.28
P4046.U3/4-ZP	3/4"-10	UNC	40	72	30.0	71	40	16	1200	830	0.45
P4046.U7/8-ZP	7/8"-9	UNC	50	90	36.0	90	50	20	1500	1050	0.74
P4046.U1-ZP	1"-8	UNC	50	90	36.0	90	50	20	1800	1270	0.74
P4046.U1-1/8-ZP	1-1/8"-7	UNC	65	108	45.0	109	60	24	2500	1650	1.66
P4046.U1-1/4-ZP	1-1/4"-7	UNC	75	126	54.0	128	70	28	4300	3200	2.65
P4046.U1-1/2-ZP	1-1/2"-6	UNC	85	144	63.0	147	80	32	6100	4300	4.03
P4046.U1-3/4-ZP	1-3/4"-5	UNC	100	166	68.0	168	90	38	8000	5500	6.38
P4046.U2-ZP	2"	UNC	100	166	68.0	168	90	38	9900	7300	6.38
P4046.U2-1/4-ZP	2-1/4"	UNC	110	184	78.0	187	100	42	11500	8300	8.80
P4046.U2-1/2-ZP	2-1/2"	UNC	120	206	90.0	208	110	48	16000	11000	12.40
P4046.W1/4-ZP	1/4"-20	BSW	20	36	13.0	36	20	8	70	50	0.06
P4046.W5/16-ZP	5/16"-18	BSW	20	36	13.0	36	20	8	140	95	0.06
P4046.W3/8-ZP	3/8"-16	BSW	25	45	17.0	45	25	10	230	170	0.11
P4046.W1/2-ZP	1/2"-12	BSW	30	54	20.5	53	30	12	340	240	0.18
P4046.W5/8-ZP	5/8"-11	BSW	35	63	27.0	62	35	14	700	500	0.28
P4046.W3/4-ZP	3/4"-10	BSW	40	72	30.0	71	40	16	1200	830	0.45
P4046.W7/8-ZP	7/8"-9	BSW	50	90	36.0	90	50	20	1500	1050	0.74
P4046.W1-ZP	1"-8	BSW	50	90	36.0	90	50	20	1800	1270	0.74



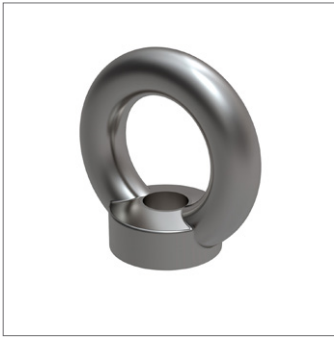
Steel Male Lifting Eye Bolts

inch sizes

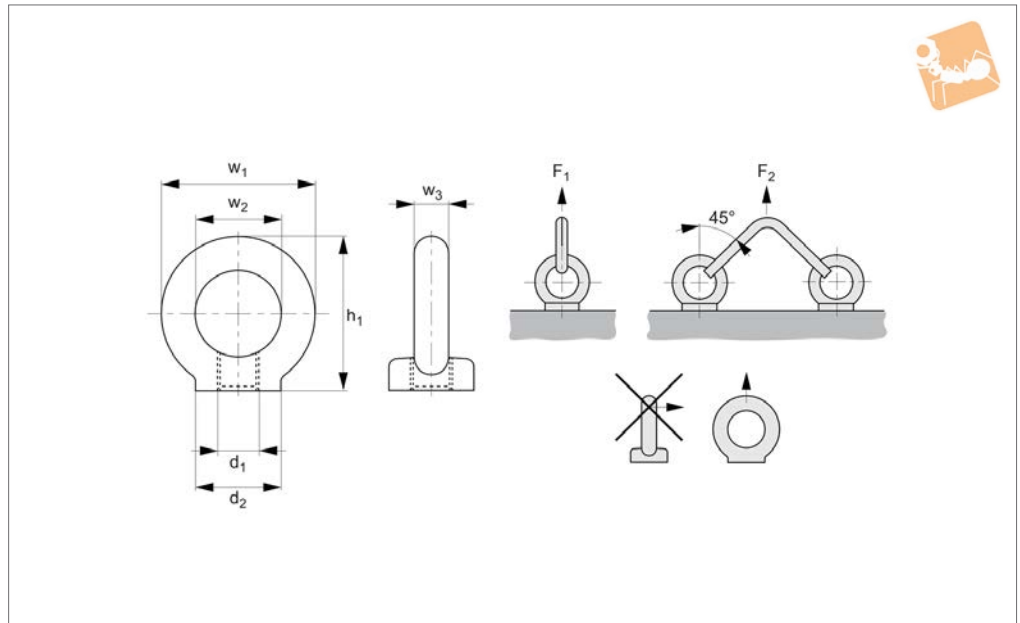
Lifting Pins,
Lifting Bolts &

Order No.	d ₁	Thread type	d ₂	w ₁	l ₁	h ₁	w ₂	w ₃	F ₁ kg max.	F ₂ kg max.	Weight kg
P4046.W1-1/8-ZP	1-1/8"-7	BSW	65	108	45.0	109	60	24	2500	1650	1.66
P4046.W1-1/4-ZP	1-1/4"-7	BSW	75	126	54.0	128	70	28	4300	3200	2.65
P4046.W1-1/2-ZP	1-1/2"-6	BSW	85	144	63.0	147	80	32	6100	4300	4.03
P4046.W1-3/4-ZP	1-3/4"-5	BSW	100	166	68.0	168	90	38	8000	5500	6.38
P4046.W2-ZP	2"	BSW	100	166	68.0	168	90	38	9900	7300	6.38
P4046.W2-1/4-ZP	2-1/4"	BSW	110	184	78.0	187	100	42	11500	8300	8.80
P4046.W2-1/2-ZP	2-1/2"	BSW	120	206	90.0	208	110	48	16000	11000	12.40

LIFTING PINS, LIFTING BOLTS & SWING
BOLTS



P4048



LIFTING PINS, LIFTING BOLTS & SWING BOLTS

Material

Forged steel (C15E) annealed and zinc plated. Contact face machined. CE marked. Hot dipped galvanised versions (for more demanding applications and limited outside use) also available on request, suffix changes to -GV.

Technical Notes

To DIN 582. When using lifting eye bolts it is critical to ensure that the face is in firm contact with the mating surface.

These lifting bolts are generally installed and remain on a piece of equipment for the purpose of transporting them. They are not for repeated lifting use - if this is required our swivelling lifting bolt range should be used.

Tips

Maximum load values are only applicable when the thread and the material, it is being used in is as least as strong as the that of the bolt.

F_1 and F_2 values given are for steel and cast iron components.

Important Notes

Not to be used at lift angles of greater than 45° or with swivelling loads.

Please refer to the safety documentation before using this part. Supplied with certificate and operating instructions.

Order No.	d ₁	Thread type	d ₂	w ₁	h ₁	w ₂	w ₃	F ₁ kg max.	F ₂ kg max.	Weight kg
P4048.U1/4-ZP	1/4"-20	UNC	20	36	8	20	36	70	50	0.05
P4048.U5/16-ZP	5/16"-18	UNC	20	36	8	20	36	140	95	0.05
P4048.U3/8-ZP	3/8"-16	UNC	25	45	10	25	45	230	170	0.09
P4048.U1/2-ZP	1/2"-13	UNC	30	54	12	30	53	340	240	0.16
P4048.U5/8-ZP	5/8"-11	UNC	35	63	14	35	62	700	500	0.24
P4048.U3/4-ZP	3/4"-10	UNC	40	72	16	40	71	1200	830	0.36
P4048.U7/8-ZP	7/8"-9	UNC	50	90	20	50	90	1500	1050	0.72
P4048.U1-ZP	1"-8	UNC	50	90	20	50	90	1800	1270	0.72
P4048.U1-1/8-ZP	1-1/8"-7	UNC	65	108	24	60	109	2500	1650	1.32
P4048.U1-1/4-ZP	1-1/4"-7	UNC	75	126	28	70	128	4300	3200	2.08
P4048.U1-1/2-ZP	1-1/2"-6	UNC	85	144	32	80	147	6100	4300	3.11
P4048.U1-3/4-ZP	1-3/4"-5	UNC	100	166	38	90	168	8000	5500	5.02
P4048.U2-ZP	2"	UNC	100	166	38	90	168	9900	7300	5.02
P4048.U2-1/4-ZP	2-1/4"	UNC	110	184	42	100	187	11500	8300	6.69
P4048.U2-1/2-ZP	2-1/2"	UNC	120	206	48	110	208	16000	11000	9.30
P4048.G1/4-ZP	1/4"-19	BSP	30	54	12	30	53	70	50	0.16
P4048.G3/8-ZP	3/8"-19	BSP	35	63	14	35	62	230	170	0.24
P4048.G1/2-ZP	1/2"-14	BSP	40	72	16	40	71	340	240	0.36
P4048.G5/8-ZP	5/8"-14	BSP	40	72	16	40	71	700	500	0.36
P4048.G3/4-ZP	3/4"-14	BSP	50	90	20	50	90	1200	830	0.72
P4048.G7/8-ZP	7/8"-14	BSP	65	108	24	60	109	1500	1050	1.32
P4048.G1-ZP	1"-11	BSP	65	108	24	60	109	1800	1270	1.32
P4048.W1/4-ZP	1/4"-20	BSW	20	36	8	20	36	70	50	0.05



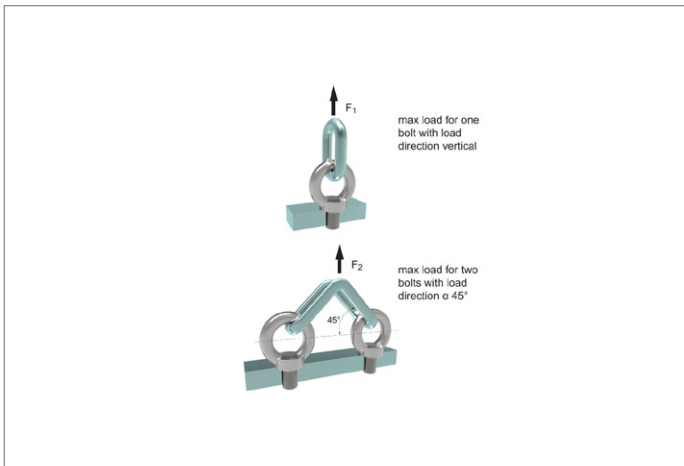
Steel Female Lifting Eye Bolts

inch sizes

Lifting Pins, Lifting Bolts &

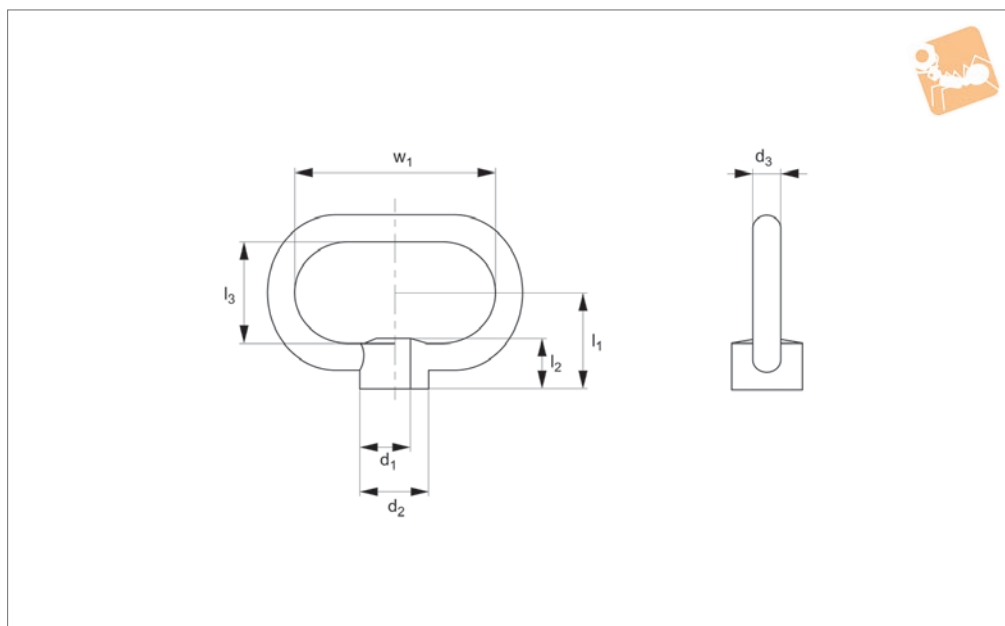
Order No.	d_1	Thread type	d_2	w_1	h_1	w_2	w_3	F_1 kg max.	F_2 kg max.	Weight kg
P4048.W5/16-ZP	5/16"-18	BSW	20	36	8	20	36	140	95	0.05
P4048.W3/8-ZP	3/8"-16	BSW	25	45	10	25	45	230	170	0.09
P4048.W1/2-ZP	1/2"-13	BSW	30	54	12	30	53	340	240	0.16
P4048.W5/8-ZP	5/8"-11	BSW	35	63	14	35	62	700	500	0.24
P4048.W3/4-ZP	3/4"-10	BSW	40	72	16	40	71	1200	830	0.36
P4048.W7/8-ZP	7/8"-9	BSW	50	90	20	50	90	1500	1050	0.72
P4048.W1-ZP	1"-8	BSW	50	90	20	50	90	1800	1270	0.72
P4048.W1-1/8-ZP	1-1/8"-7	BSW	65	108	24	60	109	2500	1650	1.32
P4048.W1-1/4-ZP	1-1/4"-7	BSW	75	126	28	70	128	4300	3200	2.08
P4048.W1-1/2-ZP	1-1/2"-6	BSW	85	144	32	80	147	6100	4300	3.11
P4048.W1-3/4-ZP	1-3/4"-5	BSW	100	166	38	90	168	8000	5500	5.02
P4048.W2-ZP	2"	BSW	100	166	38	90	168	9900	7300	5.02
P4048.W2-1/4-ZP	2-1/4"	BSW	110	184	42	100	187	11500	8300	6.69
P4048.W2-1/2-ZP	2-1/2"	BSW	120	206	48	110	208	16000	11000	9.30

LIFTING PINS, LIFTING BOLTS & SWING BOLTS





P4180



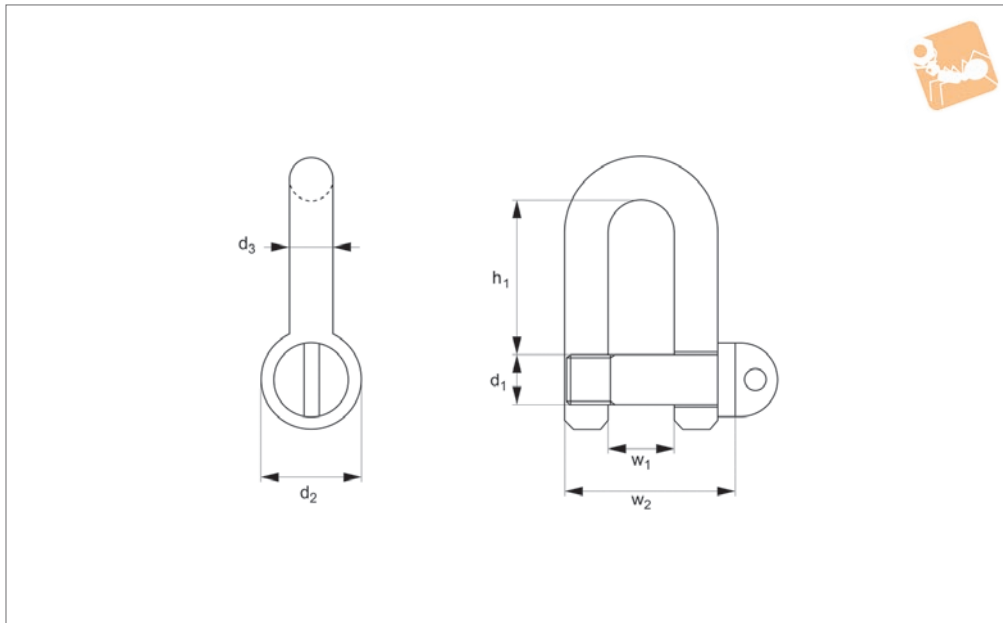
Material

Steel (C35N) zinc plated, or stainless steel (AISI 316, 1.4571).

Technical Notes

To DIN 28129.

Order No.	Material	d ₁	d ₂	w ₁	d ₃	l ₁	l ₂	l ₃	Weight kg
P4180.012	Steel	M12	14	48	100	25	50	0.45	35
P4180.016	Steel	M16	14	48	100	25	50	0.46	35
P4180.020	Steel	M20	16	50	100	28	50	0.63	40
P4180.024	Steel	M24	18	55	100	32	50	0.80	45
P4180.027	Steel	M27	20	58	100	35	50	1.00	50
P4180.030	Steel	M30	20	58	100	35	50	1.00	50
P4180.012-A4	Stainless	M12	14	48	100	25	50	0.45	35
P4180.016-A4	Stainless	M16	14	48	100	25	50	0.46	35
P4180.020-A4	Stainless	M20	16	50	100	28	50	0.63	40
P4180.024-A4	Stainless	M24	18	55	100	32	50	0.80	45
P4180.027-A4	Stainless	M27	20	58	100	35	50	1.00	50
P4180.030-A4	Stainless	M30	20	58	100	35	50	1.00	50



P4081

Material

Steel, zinc plated.

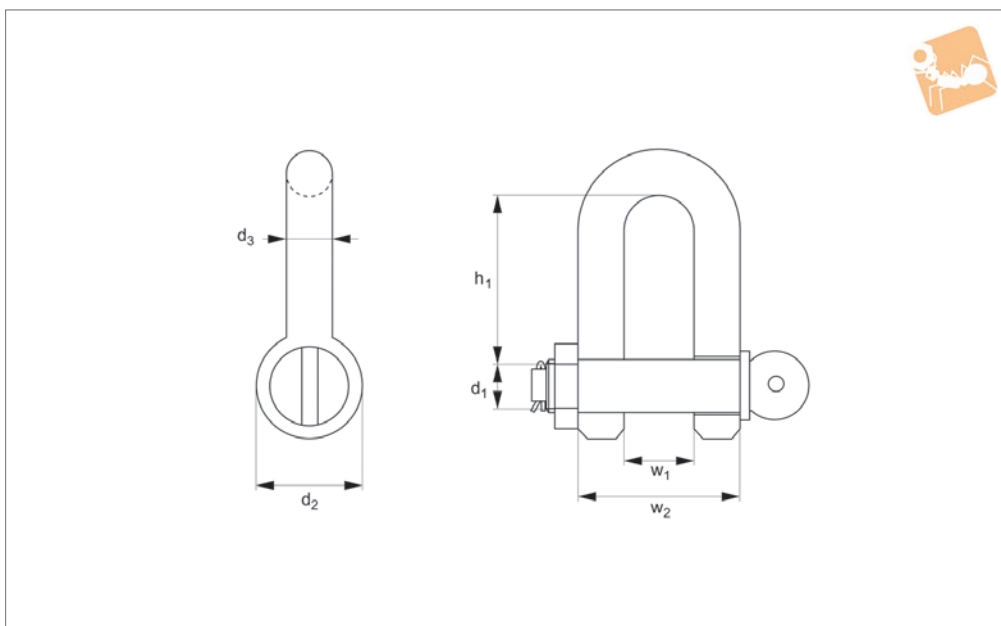
Technical Notes

To DIN 82101 Form A.

Order No.	d ₁	d ₂	d ₃	h ₁	w ₁	w ₂	Load kg max.	Weight kg
P4081.05	5	10	4	15.5	7	15	100	0.01
P4081.06	6	12	5	18.0	8	18	160	0.02
P4081.08	8	16	7	24.0	11	25	225	0.04
P4081.10	10	20	8	30.0	14	30	400	0.08
P4081.12	12	25	10	36.0	17	37	630	0.17
P4081.16	16	32	13	49.0	21	47	1000	0.36
P4081.20	20	40	17	61.0	27	61	1600	0.75
P4081.22	22	44	19	67.0	30	68	2000	1.00
P4081.24	24	48	21	73.0	33	75	2500	1.32
P4081.27	27	54	24	83.5	38	86	3150	1.85
P4081.30	30	60	27	91.0	42	96	4000	2.50
P4081.36	36	72	30	111.0	47	107	5000	4.00
P4081.39	39	78	34	119.5	53	121	6300	5.40



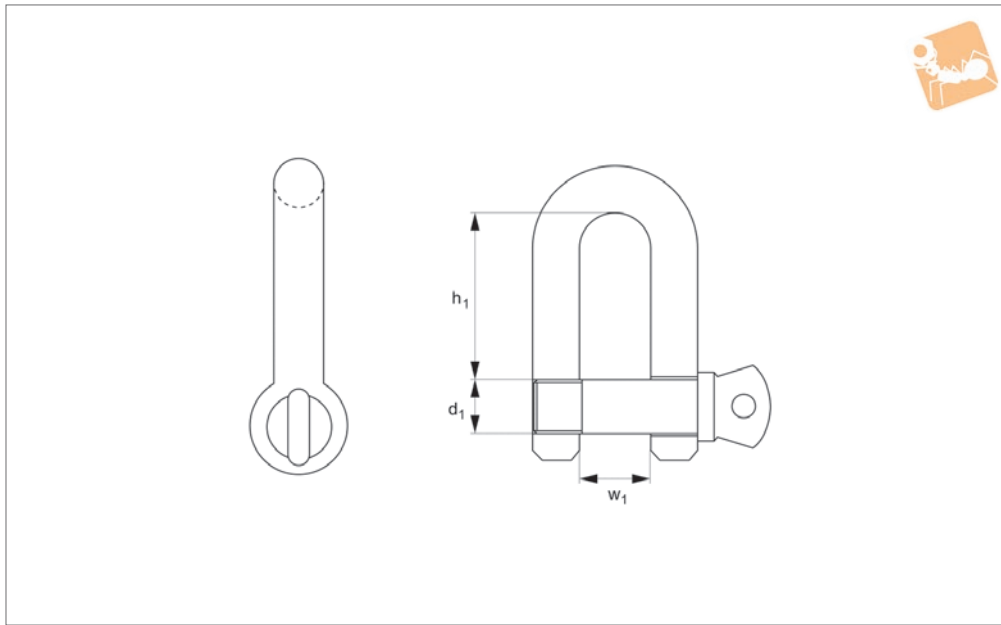
P4082



Material
Steel, zinc plated.

Technical Notes
To DIN 82101 Form C.

Order No.	Material	d ₁	d ₂	d ₃	h ₁	w ₁	w ₂	Load kg max.	Weight kg
P4082.10	Steel	10	20	8	30.0	14	30	400	0.10
P4082.12	Steel	12	24	10	36.0	17	37	630	0.18
P4082.16	Steel	16	32	13	49.0	21	47	1000	0.39
P4082.20	Steel	20	40	17	61.0	27	61	1600	0.80
P4082.22	Steel	22	44	19	67.0	30	68	2000	1.08
P4082.24	Steel	24	48	21	73.0	33	75	2500	1.40
P4082.27	Steel	27	54	24	85.5	38	86	3150	2.00
P4082.30	Steel	30	60	27	91.0	42	96	4000	2.70
P4082.36	Steel	36	72	30	111.0	47	107	5000	4.30
P4082.39	Steel	39	78	34	119.5	53	121	6300	5.80
P4082.45	Steel	45	90	38	139.5	60	136	8000	8.50
P4082.48	Steel	48	96	42	147.0	66	150	10000	10.8
P4082.52	Steel	52	104	47	158.0	73	167	12500	14.4
P4082.60	Steel	60	120	52	185.0	81	185	16000	20.5
P4082.68	Steel	68	136	58	211.0	90	206	20000	29.5
P4082.72	Steel	72	144	63	221.0	100	226	25000	36.0
P4082.80	Steel	80	160	70	246.0	110	250	31500	49.5
P4082.90	Steel	90	180	79	276.0	125	283	40000	69.0



P4084

LIFTING PINS, LIFTING BOLTS & SWING BOLTS

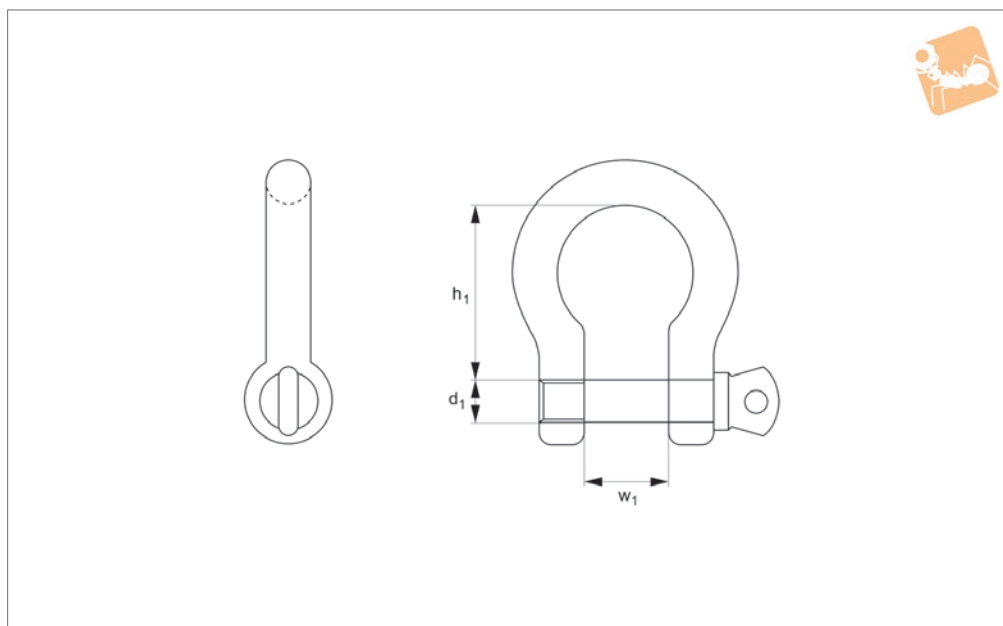
Material

Steel, zinc plated or stainless steel (A4, AISI 316).

Order No.	Material	d ₁	h ₁	w ₁	Load kg max.	Weight kg
P4084.05	Steel	5	80	-	0.02	10
P4084.06	Steel	6	100	24	0.03	12
P4084.08	Steel	8	200	32	0.07	16
P4084.10	Steel	10	320	40	0.13	20
P4084.11	Steel	11	400	44	0.17	22
P4084.13	Steel	13	500	48	0.24	24
P4084.14	Steel	14	600	56	0.35	28
P4084.16	Steel	16	800	64	0.50	32
P4084.19	Steel	19	1100	74	0.80	38
P4084.22	Steel	22	1500	88	1.32	44
P4084.24	Steel	4	2000	96	2.00	48
P4084.28	Steel	8	3000	112	3.00	56
P4084.32	Steel	32	4000	128	4.30	64
P4084.36	Steel	36	4500	144	5.40	72
P4084.38	Steel	38	5000	152	6.75	76
P4084.05-A4	Stainless	5	80	20	0.02	10
P4084.06-A4	Stainless	6	100	4	0.03	12
P4084.08-A4	Stainless	8	200	32	0.07	16
P4084.10-A4	Stainless	10	320	40	0.13	20
P4084.11-A4	Stainless	11	400	44	0.17	22
P4084.13-A4	Stainless	13	500	48	0.24	24
P4084.14-A4	Stainless	4	600	56	0.35	28
P4084.16-A4	Stainless	16	800	64	0.50	32
P4084.19-A4	Stainless	9	1100	74	0.80	38
P4084.22-A4	Stainless	22	1500	88	1.32	44
P4084.24-A4	Stainless	24	2000	96	2.00	48
P4084.28-A4	Stainless	28	3000	112	3.00	56
P4084.32-A4	Stainless	32	4000	128	4.30	64
P4084.36-A4	Stainless	36	4500	144	5.40	72
P4084.38-A4	Stainless	38	5000	152	6.75	76



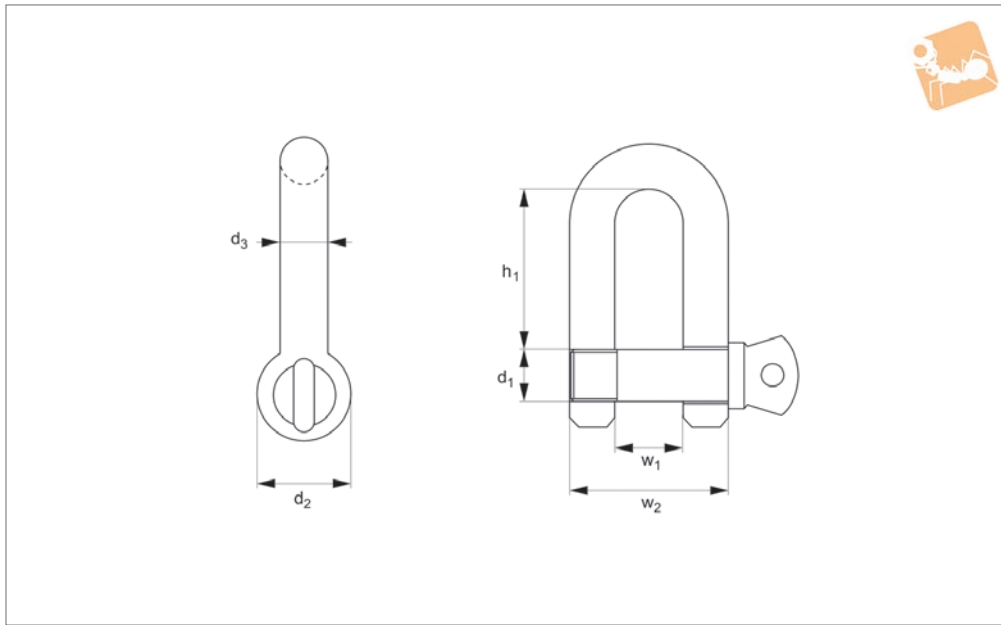
P4086



Material

Steel, zinc plated or stainless steel (A4, AISI 316).

Order No.	Material	d ₁	h ₁	w ₁	Load kg max.	Weight kg
P4086.05	Steel	5	80	20	0.02	10
P4086.06	Steel	6	100	24	0.03	12
P4086.08	Steel	8	200	32	0.07	16
P4086.10	Steel	10	320	40	0.13	20
P4086.11	Steel	11	400	44	0.18	22
P4086.13	Steel	13	500	48	0.26	24
P4086.14	Steel	14	600	56	0.35	28
P4086.16	Steel	16	800	64	0.50	32
P4086.19	Steel	19	1100	74	0.80	38
P4086.22	Steel	22	1500	88	1.30	44
P4086.24	Steel	24	2000	96	2.00	48
P4086.28	Steel	28	3000	112	3.10	56
P4086.32	Steel	32	4000	128	4.30	64
P4086.36	Steel	36	4500	144	5.40	72
P4086.38	Steel	38	5000	152	7.00	76
P4086.05-A4	Stainless	5	80	20	0.02	10
P4086.06-A4	Stainless	6	100	24	0.03	12
P4086.08-A4	Stainless	8	200	32	0.07	16
P4086.10-A4	Stainless	10	320	40	0.13	20
P4086.11-A4	Stainless	11	400	44	0.18	22
P4086.13-A4	Stainless	13	500	48	0.26	24
P4086.14-A4	Stainless	14	600	56	0.35	28
P4086.16-A4	Stainless	16	800	64	0.50	32
P4086.19-A4	Stainless	19	1100	74	0.80	38
P4086.22-A4	Stainless	22	1500	88	1.30	44
P4086.24-A4	Stainless	24	2000	96	2.00	48
P4086.28-A4	Stainless	28	3000	112	3.10	56
P4086.32-A4	Stainless	32	4000	128	4.30	64
P4086.36-A4	Stainless	36	4500	144	5.40	72
P4086.38-A4	Stainless	38	5000	152	7.00	76



P4096

Material

High-tensile steel.

Pin: hot-dip galvanized and lacquered;

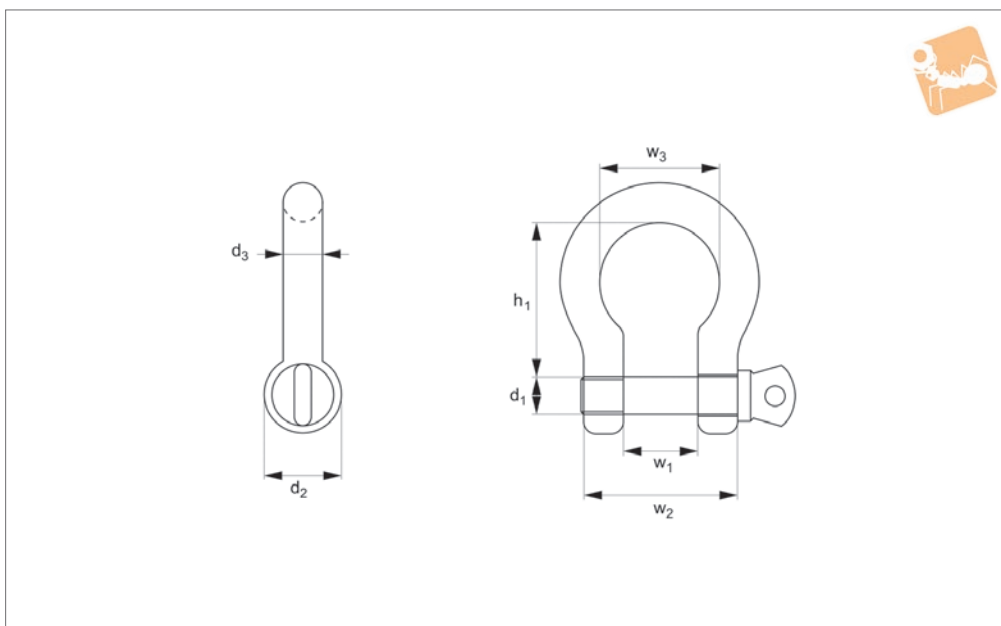
shackle: hot-dip galvanized.

CE marked.

Order No.	d ₁	d ₂	d ₃	h ₁	w ₁	w ₂	Load kg max.	Weight kg
P4096.06	6	12	5	20	9	24	330	0.02
P4096.08	8	17	6	22	12	26	500	0.05
P4096.10	10	21	8	26	13	29	750	0.08
P4096.12	12	26	10	31	16	36	1000	0.13
P4096.14	14	28	11	36	18	40	1500	0.19
P4096.16	16	30	13	41	21	47	2000	0.31
P4096.20	20	42	16	51	27	59	3250	0.55
P4096.22	22	48	19	60	32	70	4750	0.96
P4096.27	27	57	22	71	36	80	6500	1.41
P4096.28	28	62	25	81	43	93	8500	2.03
P4096.33	33	69	29	90	46	104	9500	2.97
P4096.36	36	78	32	100	52	116	12000	4.01
P4096.39	39	86	35	113	57	127	13500	5.40
P4096.42	42	94	38	124	60	136	17000	7.29
P4096.52	52	112	44	146	73	161	25000	11.25
P4096.60	60	135	51	171	83	185	35000	16.20
P4096.72	72	158	63	203	106	232	55000	33.30



P4097



Material

High-tensile steel.

Pin: hot-dip galvanized and lacquered;

shackle: hot-dip galvanized.

CE marked.

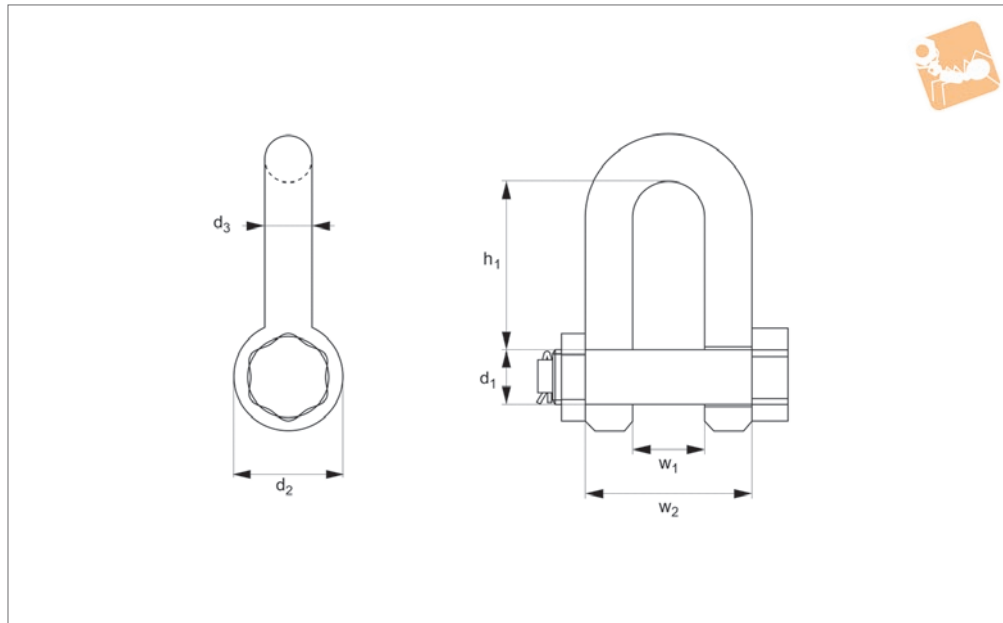
Order No.	d ₁	d ₂	d ₃	h ₁	w ₁	w ₂	w ₃	Load kg max.	Weight kg
P4097.06	6	12	5	22	9	20	16	330	0.02
P4097.08	8	17	6	28	12	25	19	500	0.05
P4097.10	10	21	8	31	13	29	21	750	0.08
P4097.12	12	26	10	36	16	36	26	1000	0.14
P4097.14	14	28	11	42	18	40	29	1500	0.22
P4097.16	16	30	13	48	21	47	33	2000	0.33
P4097.20	20	42	16	60	27	59	43	3250	0.65
P4097.22	22	48	19	71	32	70	51	4750	0.97
P4097.27	27	57	22	84	36	80	58	6500	1.46
P4097.28	28	62	25	95	43	93	68	8500	2.39
P4097.33	33	69	29	103	46	104	74	9500	3.15
P4097.36	36	78	32	119	52	116	82	12000	4.32
P4097.39	39	86	35	133	57	127	92	13500	5.67
P4097.42	42	94	38	146	60	136	98	17000	7.79
P4097.52	52	112	44	178	73	161	127	25000	12.51
P4097.60	60	135	51	197	83	185	146	35000	18.50
P4097.72	72	158	63	267	106	232	184	55000	37.58



High-tensile Steel D Shackles

with pin, nut and cotter

Lifting Pins,
Lifting Bolts &



P4098

LIFTING PINS, LIFTING BOLTS & SWING BOLTS

Material

High-tensile steel.

Pin: hot-dip galvanized and lacquered;

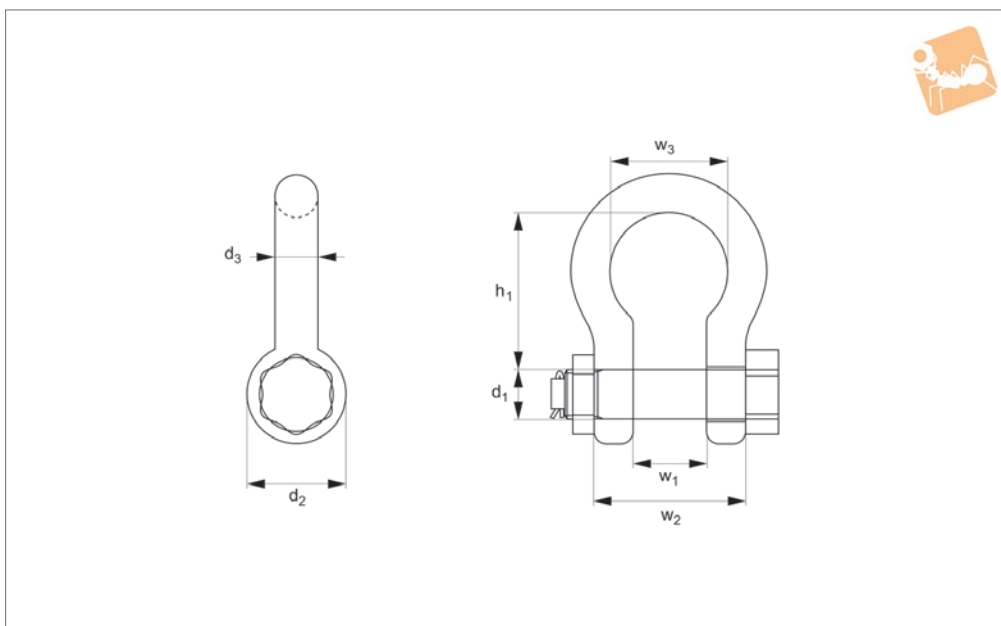
shackle: hot-dip galvanized.

CE marked.

Order No.	d ₁	d ₂	d ₃	h ₁	w ₁	w ₂	Load kg max.	Weight kg
P4098.16	16	30	13	41	21	47	1000	0.34
P4098.19	19	42	16	51	27	59	3250	0.70
P4098.22	22	48	19	60	32	70	4750	1.18
P4098.25	25	57	22	71	36	80	6500	1.64
P4098.28	28	62	25	81	43	93	8500	2.41
P4098.32	32	69	29	90	46	104	9500	3.27
P4098.35	35	78	32	100	52	116	12000	4.59
P4098.38	38	86	35	113	57	127	13500	6.00
P4098.42	42	94	38	124	60	136	17000	8.33
P4098.50	50	112	44	146	73	161	25000	12.83
P4098.55	55	127	51	171	83	185	35000	19.30
P4098.70	70	152	64	203	105	232	55000	34.50
P4098.82	82	165	75	230	127	279	85000	60.00
P4098.95	95	203	89	253	133	317	120000	93.00



P4099



Material

High-tensile steel.

Pin: hot-dip galvanized and lacquered;

shackle: hot-dip galvanized.

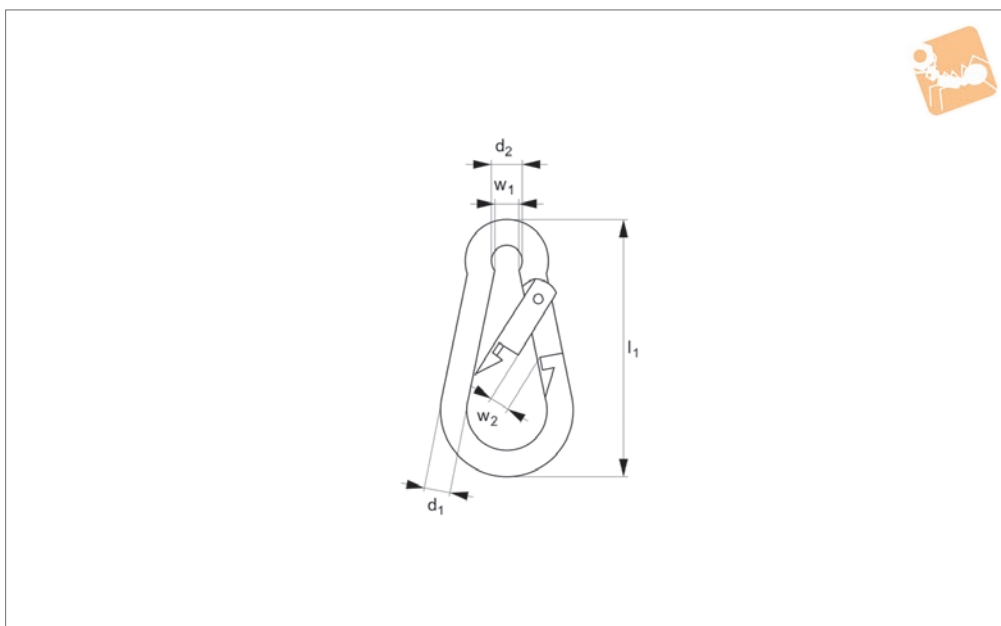
CE marked.

Order No.	d ₁	d ₂	d ₃	h ₁	w ₁	w ₂	w ₃	Load kg max.	Weight kg
P4099.008	8	17	6	28	12	25	19	500	0.07
P4099.010	10	21	8	31	13	29	21	750	0.10
P4099.012	12	26	10	36	16	36	26	1000	0.18
P4099.014	14	28	11	42	18	40	29	1500	0.25
P4099.016	16	30	13	48	21	47	33	2000	0.37
P4099.020	20	42	16	60	27	59	43	3250	0.71
P4099.022	22	48	19	71	32	70	51	4750	1.27
P4099.027	27	57	22	84	36	80	58	6500	1.78
P4099.028	28	62	25	95	43	93	68	8500	2.52
P4099.033	33	69	29	109	46	104	74	9500	3.53
P4099.036	36	78	32	119	52	116	82	12000	5.04
P4099.039	39	86	35	133	57	127	92	13500	6.84
P4099.042	42	94	38	146	60	136	98	17000	8.78
P4099.052	52	112	44	178	73	161	127	25000	14.1
P4099.055	55	127	51	197	83	185	146	35000	20.9
P4099.070	70	152	64	267	105	232	184	55000	39.9
P4099.082	82	200	76	330	127	279	200	85000	62.0
P4099.095	95	220	92	374	137	321	232	120000	109.0
P4099.108	108	240	104	372	145	353	250	150000	130.0





P4190



Material

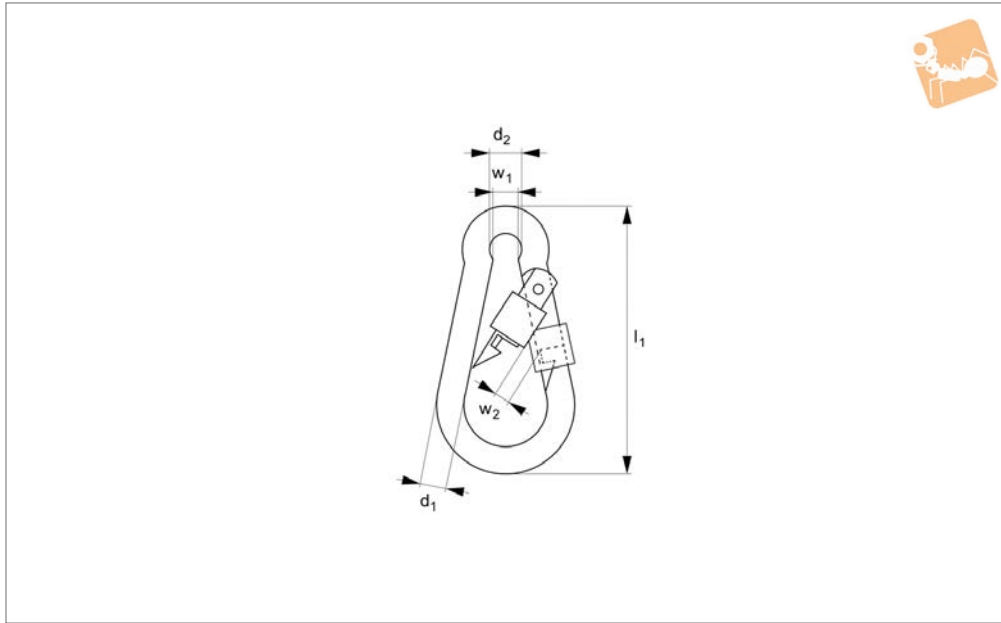
Steel, zinc plated or stainless steel (A4, AISI 316).

Order No.	Material	d ₁	d ₂	l ₁	w ₁	w ₂	Weight kg
P4190.040-ZP	Steel	4	7	40	4.0	6	0.01
P4190.050-ZP	Steel	5	8	50	5.0	7	0.02
P4190.060-ZP	Steel	6	9	60	6.5	8	0.03
P4190.070-ZP	Steel	7	10	70	8.0	8	0.04
P4190.080-ZP	Steel	8	10	Mar-00	8.5	9	0.07
P4190.090-ZP	Steel	9	12	90	9.5	10	0.09
P4190.100-ZP	Steel	10	15	100	10.5	11	0.12
P4190.120-ZP	Steel	11	18	120	11.5	16	0.18
P4190.140-ZP	Steel	12	20	140	13.0	19	0.26
P4190.160-ZP	Steel	13	22	Jun-00	15.0	25	0.35
P4190.180-ZP	Steel	14	23	180	16.0	28	0.48
P4190.040-A4	Stainless	4	6	40	4.0	6	0.02
P4190.050-A4	Stainless	5	8	50	5.0	7	0.02
P4190.060-A4	Stainless	6	9	Feb-00	6.5	8	0.03
P4190.070-A4	Stainless	7	10	70	8.0	8	0.04
P4190.080-A4	Stainless	8	12	78	8.5	9	0.07



Screw Coupling Snap Hooks

Lifting Pins, Lifting Bolts &



P4192

LIFTING PINS, LIFTING BOLTS & SWING BOLTS

Material

Steel, zinc plated or stainless steel (A4, AISI 316).

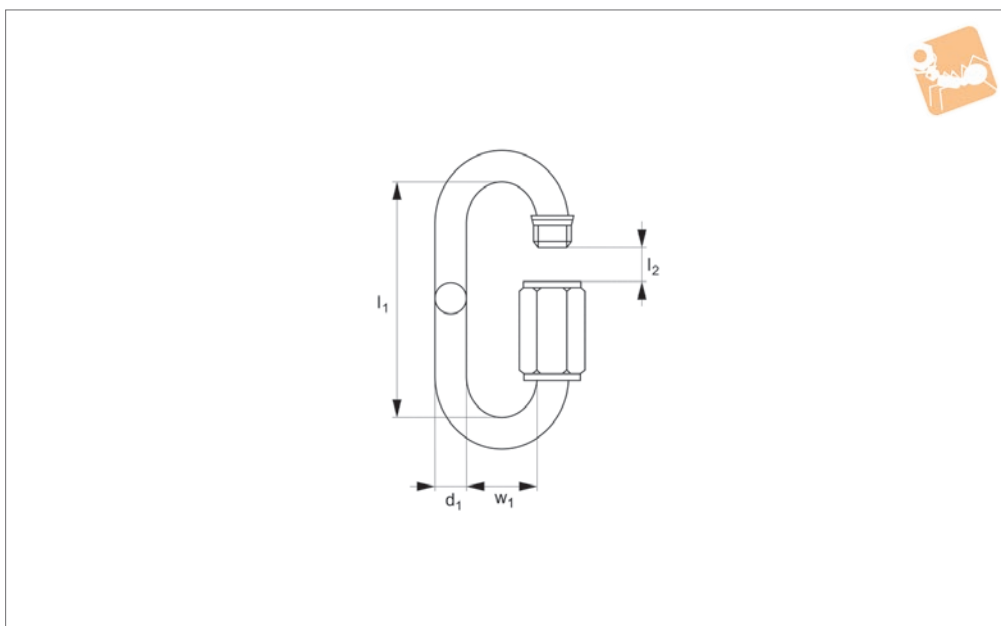
Technical Notes

To DIN 5299C.

Order No.	Material	d_1	d_2	l_1	w_1	w_2	Weight kg
P4192.050-ZP	Steel	5	8	Feb-00	5.0	7	0.02
P4192.060-ZP	Steel	6	9	60	6.5	8	0.03
P4192.070-ZP	Steel	7	10	Mar-00	8.0	8	0.04
P4192.080-ZP	Steel	8	10	Mar-00	8.5	9	0.07
P4192.090-ZP	Steel	9	12	Mar-00	9.5	10	0.10
P4192.100-ZP	Steel	10	15	Apr-00	10.5	11	0.14
P4192.120-ZP	Steel	11	18	120	11.5	16	0.19
P4192.140-ZP	Steel	12	20	19-Feb	13.0	19	0.27
P4192.050-A4	Stainless	5	8	19-Feb	5.0	7	0.02
P4192.060-A4	Stainless	6	9	29-Feb	6.5	8	0.03
P4192.070-A4	Stainless	7	10	70	8.0	8	0.04
P4192.080-A4	Stainless	8	10	80	8.5	9	0.07
P4192.090-A4	Stainless	9	12	90	9.5	10	0.10
P4192.100-A4	Stainless	10	15	100	10.5	11	0.14
P4192.120-A4	Stainless	11	18	120	11.5	16	0.19
P4192.140-A4	Stainless	12	20	140	13.0	19	0.27



P4194



Material

Steel, zinc plated or stainless steel (A4, AISI 316).

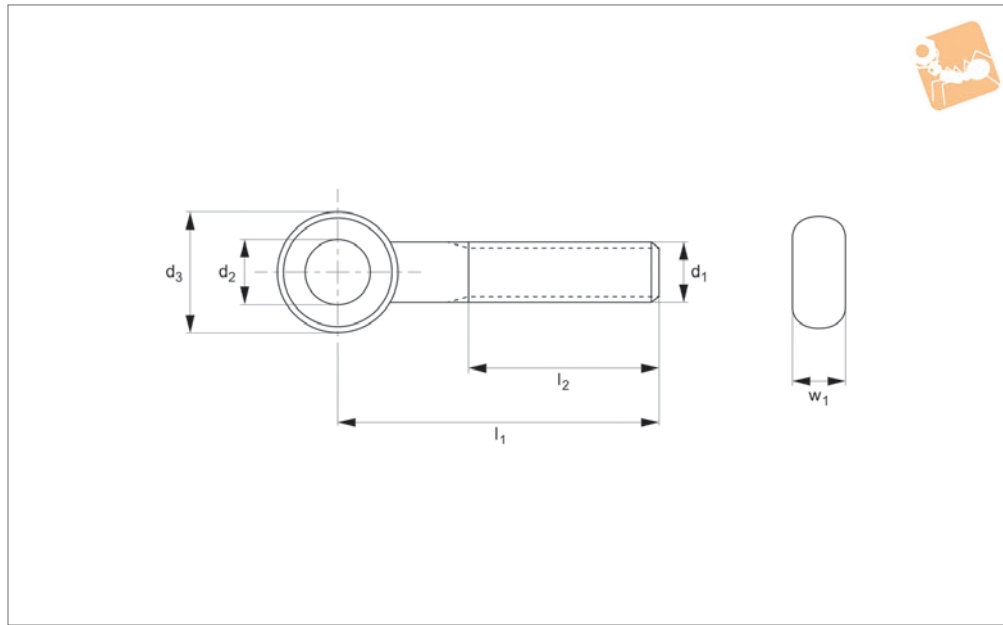
Order No.	Material	d ₁	l ₁	l ₂	w ₁	Weight kg
P4194.040-ZP	Steel	4	32	5.5	12	0.20
P4194.050-ZP	Steel	5	39	6.5	13	0.30
P4194.060-ZP	Steel	6	45	7.5	14	0.40
P4194.080-ZP	Steel	8	58	10.0	17	0.80
P4194.100-ZP	Steel	10	69	12.0	21	0.14
P4194.120-ZP	Steel	12	81	14.5	24	0.20
P4194.040-A4	Stainless	4	32	5.5	12	0.20
P4194.050-A4	Stainless	5	39	6.5	13	0.30
P4194.060-A4	Stainless	6	45	7.5	14	0.40
P4194.080-A4	Stainless	8	58	10.0	17	0.80
P4194.100-A4	Stainless	10	69	12.0	21	0.14
P4194.120-A4	Stainless	12	81	14.5	24	0.20



Swing Bolts

A2 stainless

Lifting Pins, Lifting Bolts &



P0070.A2

LIFTING PINS, LIFTING BOLTS & SWING BOLTS

Material

Stainless steel (A2, AISI 303).

Technical Notes

To DIN 444 B.

Order No.	d ₁ tol. H9	l ₁	d ₂ tol. H7	d ₃	l ₂	w ₁ max.
P0070.060-040-A2	M6	40	6	14	18	7
P0070.060-050-A2	M6	50	6	14	18	7
P0070.060-060-A2	M6	60	6	14	18	7
P0070.080-030-A2	M8	30	8	18	22	9
P0070.080-040-A2	M8	40	8	18	22	9
P0070.080-050-A2	M8	50	8	18	22	9
P0070.080-060-A2	M8	60	8	18	22	9
P0070.080-070-A2	M8	70	8	18	22	9
P0070.080-075-A2	M8	75	8	18	22	9
P0070.080-080-A2	M8	80	8	18	22	9
P0070.080-090-A2	M8	90	8	18	22	9
P0070.080-100-A2	M8	100	8	18	22	9
P0070.100-040-A2	M10	40	10	20	26	12
P0070.100-050-A2	M10	50	10	20	26	12
P0070.100-060-A2	M10	60	10	20	26	12
P0070.100-070-A2	M10	70	10	20	26	12
P0070.100-080-A2	M10	80	10	20	26	12
P0070.100-090-A2	M10	90	10	20	26	12
P0070.100-100-A2	M10	100	10	20	26	12
P0070.100-120-A2	M10	120	10	20	26	12
P0070.120-040-A2	M12	40	12	25	30	14
P0070.120-050-A2	M12	50	12	25	30	14
P0070.120-060-A2	M12	60	12	25	30	14
P0070.120-070-A2	M12	70	12	25	30	14
P0070.120-080-A2	M12	80	12	25	30	14
P0070.120-100-A2	M12	100	12	25	30	14
P0070.120-120-A2	M12	120	12	25	30	14
P0070.120-130-A2	M12	130	12	25	30	14
P0070.120-140-A2	M12	140	12	25	30	14
P0070.120-150-A2	M12	150	12	25	30	14
P0070.160-060-A2	M16	60	16	32	38	17
P0070.160-070-A2	M16	70	16	32	38	17
P0070.160-080-A2	M16	80	16	32	38	17
P0070.160-090-A2	M16	90	16	32	38	17



Order No.	d ₁ tol. H9	l ₁	d ₂ tol. H7	d ₃	l ₂	w ₁ max.
P0070.160-100-A2	M16	100	16	32	38	17
P0070.160-110-A2	M16	110	16	32	38	17
P0070.160-120-A2	M16	120	16	32	38	17
P0070.160-130-A2	M16	130	16	32	38	17
P0070.160-140-A2	M16	140	16	32	38	17
P0070.160-150-A2	M16	150	16	32	38	17
P0070.200-075-A2	M20	75	18	40	46	22
P0070.200-080-A2	M20	80	18	40	46	22
P0070.200-090-A2	M20	90	18	40	46	22
P0070.200-100-A2	M20	100	18	40	46	22
P0070.200-110-A2	M20	110	18	40	46	22
P0070.200-120-A2	M20	120	18	40	46	22
P0070.200-130-A2	M20	130	18	40	46	22
P0070.200-140-A2	M20	140	18	40	46	22
P0070.200-150-A2	M20	150	18	40	46	22
P0070.200-160-A2	M20	160	18	40	46	22
P0070.240-080-A2	M24	80	22	45	54	25
P0070.240-090-A2	M24	90	22	45	54	25
P0070.240-100-A2	M24	100	22	45	54	25
P0070.240-110-A2	M24	110	22	45	54	25
P0070.240-120-A2	M24	120	22	45	54	25
P0070.240-130-A2	M24	130	22	45	54	25
P0070.240-140-A2	M24	140	22	45	54	25
P0070.240-150-A2	M24	150	22	45	54	25
P0070.240-160-A2	M24	160	22	45	54	25

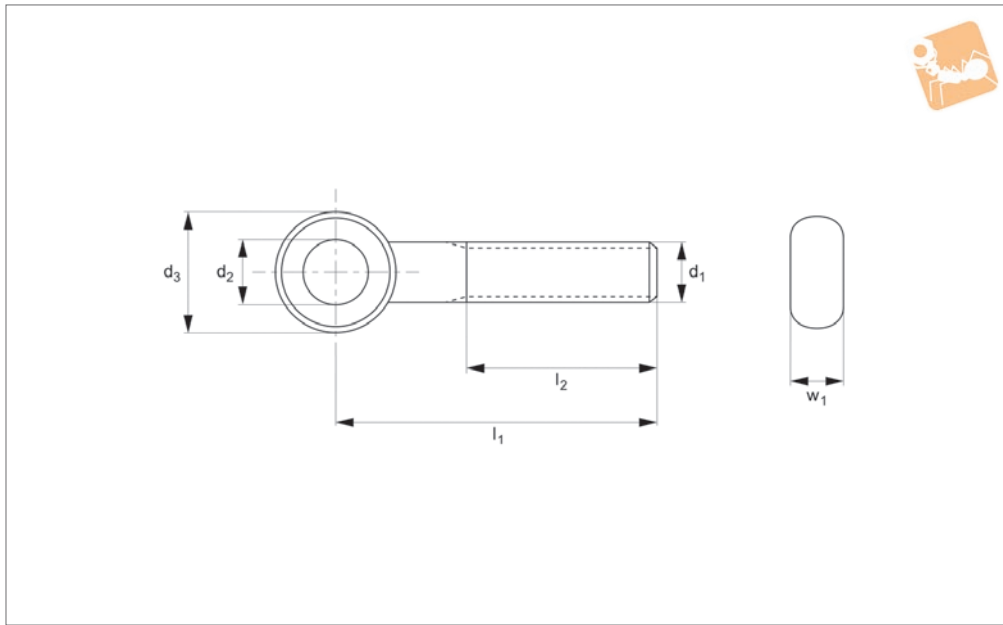
LIFTING PINS, LIFTING BOLTS & SWING BOLTS



Swing Bolts

A4 stainless

Lifting Pins, Lifting Bolts &



P0070.A4

LIFTING PINS, LIFTING BOLTS & SWING BOLTS

Material

Stainless steel (A4, AISI 316).

Technical Notes

To DIN 444 B.

Order No.	d ₁ tol. H9	l ₁	d ₂ tol. H7	d ₃	l ₂	w ₁ max.
P0070.060-030-A4	M6	30	6	14	18	7
P0070.060-040-A4	M6	40	6	14	18	7
P0070.060-050-A4	M6	50	6	14	18	7
P0070.060-060-A4	M6	60	6	14	18	7
P0070.080-030-A4	M8	30	8	18	22	9
P0070.080-040-A4	M8	40	8	18	22	9
P0070.080-050-A4	M8	50	8	18	22	9
P0070.080-060-A4	M8	60	8	18	22	9
P0070.080-070-A4	M8	70	8	18	22	9
P0070.080-080-A4	M8	80	8	18	22	9
P0070.080-090-A4	M8	90	8	18	22	9
P0070.080-100-A4	M8	100	8	18	22	9
P0070.100-040-A4	M10	40	10	20	26	12
P0070.100-050-A4	M10	50	10	20	26	12
P0070.100-060-A4	M10	60	10	20	26	12
P0070.100-070-A4	M10	70	10	20	26	12
P0070.100-080-A4	M10	80	10	20	26	12
P0070.100-090-A4	M10	90	10	20	26	12
P0070.100-100-A4	M10	100	10	20	26	12
P0070.120-040-A4	M12	40	12	25	30	14
P0070.120-050-A4	M12	50	12	25	30	14
P0070.120-060-A4	M12	60	12	25	30	14
P0070.120-070-A4	M12	70	12	25	30	14
P0070.120-080-A4	M12	80	12	25	30	14
P0070.120-090-A4	M12	90	12	25	30	14
P0070.120-100-A4	M12	100	12	25	30	14
P0070.120-120-A4	M12	120	12	25	30	14
P0070.120-130-A4	M12	130	12	25	30	14
P0070.120-150-A4	M12	150	12	25	30	14
P0070.160-070-A4	M16	70	16	32	38	17
P0070.160-080-A4	M16	80	16	32	38	17
P0070.160-090-A4	M16	90	16	32	38	17
P0070.160-100-A4	M16	100	16	32	38	17
P0070.160-120-A4	M16	120	16	32	38	17



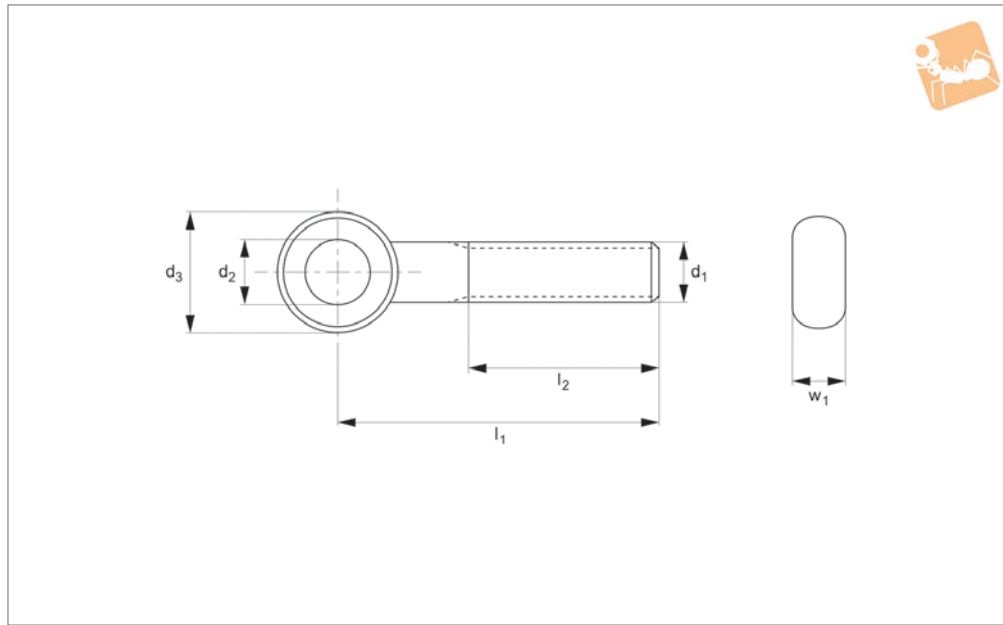
Order No.	d ₁ tol. H9	l ₁	d ₂ tol. H7	d ₃	l ₂	w ₁ max.
P0070.160-130-A4	M16	130	16	32	38	17
P0070.200-080-A4	M20	80	18	40	46	22
P0070.200-090-A4	M20	90	18	40	46	22
P0070.200-100-A4	M20	100	18	40	46	22
P0070.200-120-A4	M20	120	18	40	46	22
P0070.240-100-A4	M24	100	22	45	54	25
P0070.240-120-A4	M24	120	22	45	54	25
P0070.240-140-A4	M24	140	22	45	54	25



Swing Bolts

Brass

Lifting Pins, Lifting Bolts &



P0070.BR

LIFTING PINS, LIFTING BOLTS & SWING BOLTS

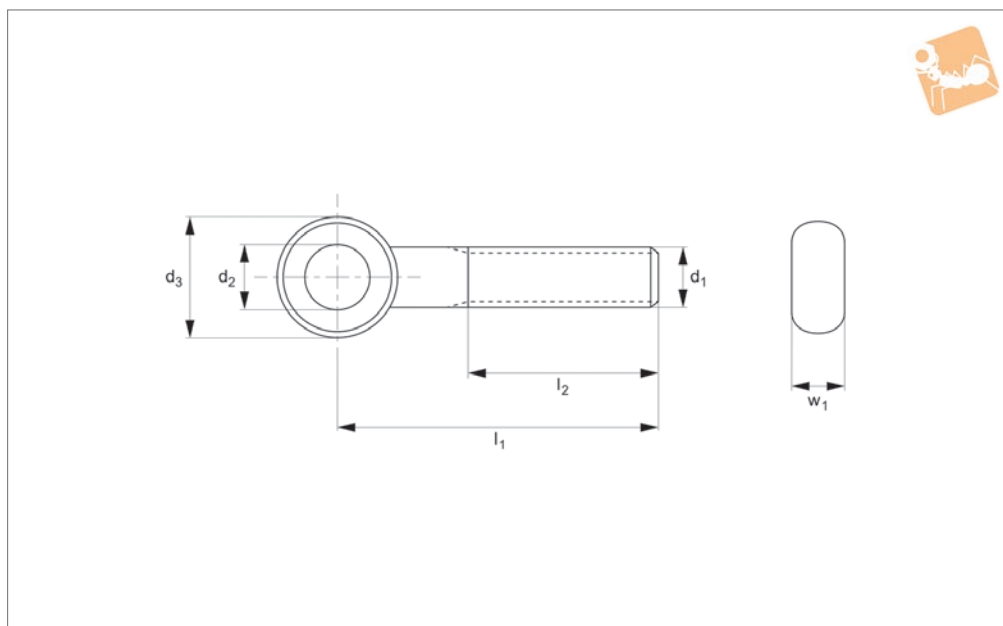
Material
Brass.

Technical Notes
To DIN 444 B.

Order No.	d ₁ tol. H9	l ₁	d ₂ tol. H7	d ₃	l ₂	w ₁ max.
P0070.060-030-BR	M6	30	6	14	18	7
P0070.060-040-BR	M6	40	6	14	18	7
P0070.060-050-BR	M6	50	6	14	18	7
P0070.060-060-BR	M6	60	6	14	18	7
P0070.080-030-BR	M8	30	8	18	22	9
P0070.080-040-BR	M8	40	8	18	22	9
P0070.080-050-BR	M8	50	8	18	22	9
P0070.080-060-BR	M8	60	8	18	22	9
P0070.080-080-BR	M8	80	8	18	22	9
P0070.080-100-BR	M8	100	8	18	22	9
P0070.100-050-BR	M10	50	10	20	26	12
P0070.100-060-BR	M10	60	10	20	26	12
P0070.100-080-BR	M10	80	10	20	26	12
P0070.100-120-BR	M10	100	10	20	26	12
P0070.100-100-BR	M10	120	10	20	26	12
P0070.120-040-BR	M12	40	12	25	30	14
P0070.120-050-BR	M12	50	12	25	30	14
P0070.120-060-BR	M12	60	12	25	30	14
P0070.120-080-BR	M12	80	12	25	30	14
P0070.120-100-BR	M12	100	12	25	30	14
P0070.120-120-BR	M12	120	12	25	30	14
P0070.160-060-BR	M16	60	16	32	38	17
P0070.160-080-BR	M16	80	16	32	38	17
P0070.160-100-BR	M16	100	16	32	38	17
P0070.160-120-BR	M16	120	16	32	38	17
P0070.200-100-BR	M20	100	18	40	46	22
P0070.200-120-BR	M20	120	18	40	46	22
P0070.200-140-BR	M20	140	18	40	46	22
P0070.200-160-BR	M20	160	18	40	46	22



P0070.SC



Material

Steel, self-colour (class 4.6).

Technical Notes

To DIN 444 B.

Order No.	d ₁	l ₁	d ₂ tol. H7	d ₃	l ₂	w ₁ max.
P0070.060-030-SC	M6	30	6	14	18	7
P0070.060-040-SC	M6	40	6	14	18	7
P0070.060-050-SC	M6	50	6	14	18	7
P0070.060-060-SC	M6	60	6	14	18	7
P0070.080-030-SC	M8	30	8	18	22	9
P0070.080-040-SC	M8	40	8	18	22	9
P0070.080-050-SC	M8	50	8	18	22	9
P0070.080-060-SC	M8	60	8	18	22	9
P0070.080-070-SC	M8	70	8	18	22	9
P0070.080-080-SC	M8	80	8	18	22	9
P0070.080-090-SC	M8	90	8	18	22	9
P0070.080-100-SC	M8	100	8	18	22	9
P0070.080-120-SC	M8	120	8	18	22	9
P0070.100-040-SC	M10	40	10	20	26	12
P0070.100-050-SC	M10	50	10	20	26	12
P0070.100-060-SC	M10	60	10	20	26	12
P0070.100-070-SC	M10	70	10	20	26	12
P0070.100-080-SC	M10	80	10	20	26	12
P0070.100-090-SC	M10	90	10	20	26	12
P0070.100-100-SC	M10	100	10	20	26	12
P0070.100-120-SC	M10	120	10	20	26	12
P0070.120-040-SC	M12	40	12	25	30	14
P0070.120-050-SC	M12	50	12	25	30	14
P0070.120-060-SC	M12	60	12	25	30	14
P0070.120-070-SC	M12	70	12	25	30	14
P0070.120-080-SC	M12	80	12	25	30	14
P0070.120-090-SC	M12	90	12	25	30	14
P0070.120-100-SC	M12	100	12	25	30	14
P0070.120-120-SC	M12	120	12	25	30	14
P0070.120-130-SC	M12	130	12	25	30	14
P0070.120-140-SC	M12	140	12	25	30	14
P0070.120-150-SC	M12	150	12	25	30	14
P0070.160-060-SC	M16	60	16	32	38	17
P0070.160-070-SC	M16	70	16	32	38	17



Swing Bolts

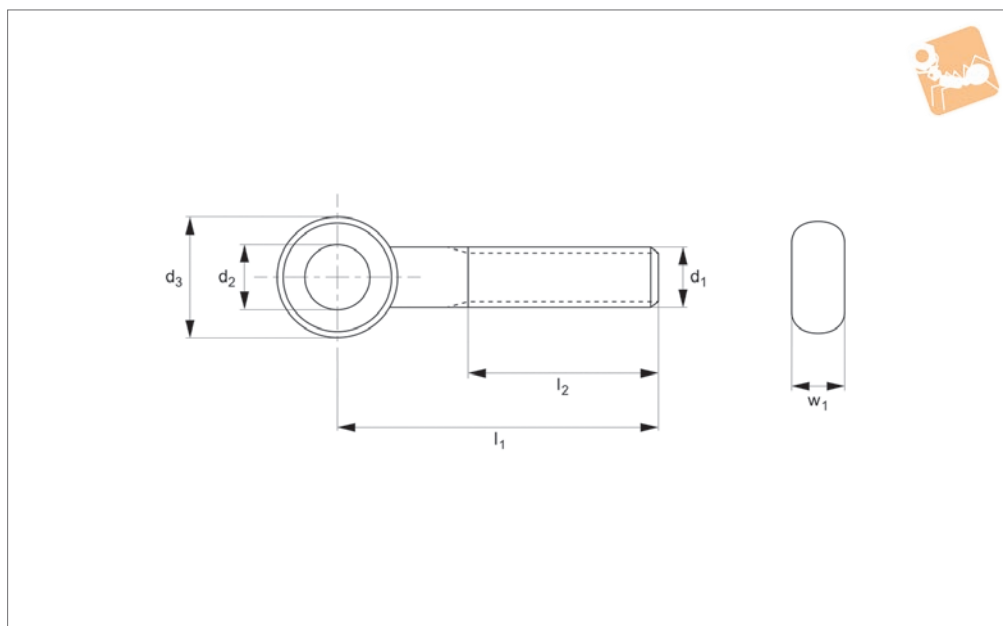
Steel - self-colour

Lifting Pins, Lifting Bolts &

Order No.	d ₁	l ₁	d ₂ tol. H7	d ₃	l ₂	w ₁ max.
P0070.160-080-SC	M16	80	16	32	38	17
P0070.160-090-SC	M16	90	16	32	38	17
P0070.160-100-SC	M16	100	16	32	38	17
P0070.160-120-SC	M16	120	16	32	38	17
P0070.160-130-SC	M16	130	16	32	38	17
P0070.160-140-SC	M16	140	16	32	38	17
P0070.160-150-SC	M16	150	16	32	38	17
P0070.200-080-SC	M20	80	18	40	46	22
P0070.200-090-SC	M20	90	18	40	46	22
P0070.200-100-SC	M20	100	18	40	46	22
P0070.200-120-SC	M20	120	18	40	46	22
P0070.200-130-SC	M20	130	18	40	46	22
P0070.200-140-SC	M20	140	18	40	46	22
P0070.200-150-SC	M20	150	18	40	46	22
P0070.200-160-SC	M20	160	18	40	46	22
P0070.240-080-SC	M24	80	22	45	54	25
P0070.240-100-SC	M24	100	22	45	54	25
P0070.240-120-SC	M24	120	22	45	54	25
P0070.240-130-SC	M24	130	22	45	54	25
P0070.240-140-SC	M24	140	22	45	54	25
P0070.240-150-SC	M24	150	22	45	54	25
P0070.240-160-SC	M24	160	22	45	54	25
P0070.270-080-SC	M27	120	18	40	60	27
P0070.270-090-SC	M27	140	18	40	60	27
P0070.270-100-SC	M27	160	18	40	60	27
P0070.270-120-SC	M27	180	18	40	60	27
P0070.270-130-SC	M27	200	18	40	60	27
P0070.300-120-SC	M30	120	22	45	66	30
P0070.300-140-SC	M30	140	22	45	66	30
P0070.300-160-SC	M30	160	22	45	66	30
P0070.300-180-SC	M30	180	22	45	66	30
P0070.300-200-SC	M30	200	22	45	66	30



P0070.ZP



Material

Steel, zinc-plated (class 4.6).

Technical Notes

To DIN 444 B.

Order No.	d_1	l_1	d_2 tol. H7	d_3	l_2	w_1 max.
P0070.060-030-ZP	M6	30	6	14	18	7
P0070.060-040-ZP	M6	40	6	14	18	7
P0070.060-050-ZP	M6	50	6	14	18	7
P0070.080-040-ZP	M8	40	8	18	22	9
P0070.080-050-ZP	M8	50	8	18	22	9
P0070.080-060-ZP	M8	60	8	18	22	9
P0070.080-080-ZP	M8	80	8	18	22	9
P0070.100-040-ZP	M10	40	10	20	26	12
P0070.100-050-ZP	M10	50	10	20	26	12
P0070.100-060-ZP	M10	60	10	20	26	12
P0070.100-070-ZP	M10	70	10	20	26	12
P0070.100-080-ZP	M10	80	10	20	26	12
P0070.100-090-ZP	M10	90	10	20	26	12
P0070.100-100-ZP	M10	100	10	20	26	12
P0070.100-120-ZP	M10	120	10	20	26	12
P0070.120-060-ZP	M12	60	12	25	30	14
P0070.120-070-ZP	M12	70	12	25	30	14
P0070.120-080-ZP	M12	80	12	25	30	14
P0070.120-090-ZP	M12	90	12	25	30	14
P0070.120-100-ZP	M12	100	12	25	30	14
P0070.120-120-ZP	M12	120	12	25	30	14
P0070.120-140-ZP	M12	140	12	25	30	14
P0070.160-070-ZP	M16	70	16	32	38	17
P0070.160-080-ZP	M16	80	16	32	38	17
P0070.160-090-ZP	M16	90	16	32	38	17
P0070.160-100-ZP	M16	100	16	32	38	17
P0070.160-120-ZP	M16	120	16	32	38	17
P0070.160-140-ZP	M16	140	16	32	38	17
P0070.160-160-ZP	M16	160	16	32	38	17
P0070.160-180-ZP	M16	180	16	32	38	17
P0070.160-200-ZP	M16	200	16	32	38	17
P0070.200-100-ZP	M20	100	18	40	46	22
P0070.200-120-ZP	M20	120	18	40	46	22
P0070.200-140-ZP	M20	140	18	40	46	22

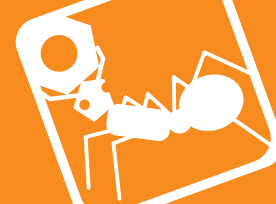


Swing Bolts

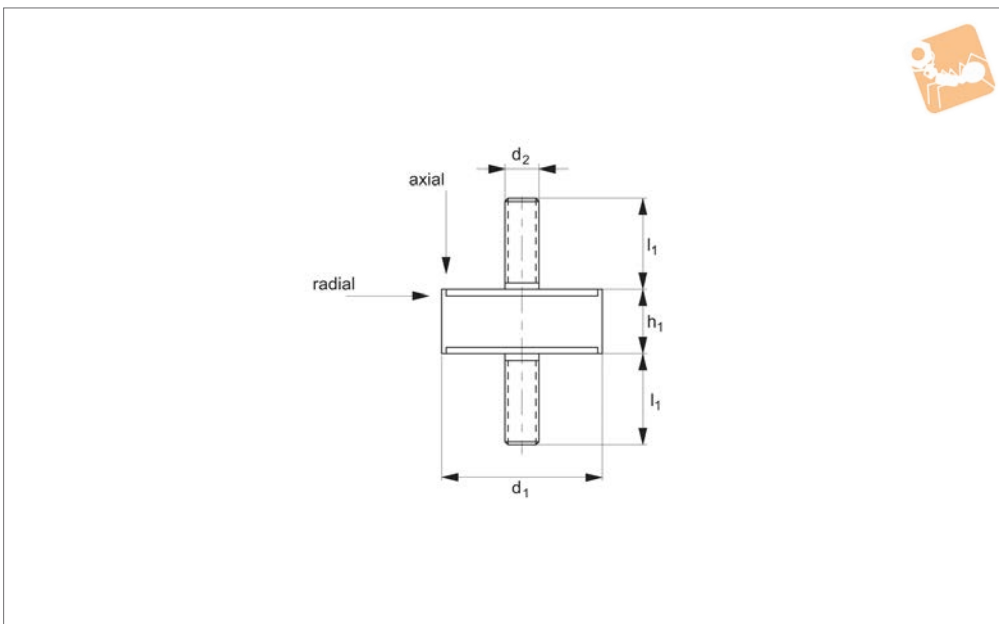
Steel - zinc-plated

Lifting Pins, Lifting Bolts &

Order No.	d ₁	l ₁	d ₂ tol. H7	d ₃	l ₂	w ₁ max.
P0070.200-160-ZP	M20	160	18	40	46	22
P0070.200-180-ZP	M20	180	18	40	46	22
P0070.200-200-ZP	M20	200	18	40	46	22



P2004



Material

Rubber on silver zinc plated steel (rubber hardness - 55 Shore A).

Technical Notes

Parts with small diameters (d_1) and relatively long length (h) cannot accept radial loads (as shown in table).

Different thread sizes on request.

For rubber mounted on stainless steel - see part no. P2005.

Tips

These cylinders are used to reduce vibration by allowing some movement (in axial

and radial as shown).

Typically used in machinery, compressors, air conditioning units, light engineering equipment etc.

Order No.	d_1	h_1	d_2	l_1	Axial load kgf max.	Radial load kgf max.
P2004.006-007-03	6	7	M 3	10	3	-
P2004.008-008-03	8	8	M 3	10	3	-
P2004.009-012-04	9	12	M 4	10	6	1.5
P2004.010-008-04	10	8	M 4	10	8	1.5
P2004.010-010-04	10	10	M 4	10	10	1.5
P2004.015-008-04	15	8	M 4	10-14	15	2.4
P2004.015-010-04	15	10	M 4	10-14	13	2.4
P2004.015-010-05	15	10	M 5	10-14	13	2.4
P2004.015-015-04	15	15	M 4	10-14	13	3.0
P2004.015-015-05	15	15	M 5	10-14	13	3.0
P2004.015-020-04	15	20	M 4	10-14	10	-
P2004.015-020-05	15	20	M 5	10-14	10	-
P2004.015-022-04	15	22	M 4	10-14	10	-
P2004.015-025-04	15	25	M 4	10-14	9	-
P2004.015-028-04	15	28	M 4	10-14	9	-
P2004.016-008-04	16	8	M 4	10	-	-
P2004.016-008-05	16	8	M 5	12	-	-
P2004.016-010-04	16	10	M 4	10	-	-
P2004.016-010-05	16	10	M 5	12	-	-
P2004.016-015-04	16	15	M 4	14	13	2.4
P2004.016-015-05	16	15	M 5	14	13	2.4
P2004.016-020-04	16	20	M 4	10	-	-
P2004.016-020-05	16	20	M 5	12	-	-
P2004.016-025-04	16	25	M 4	10	-	-
P2004.016-025-05	16	25	M 5	12	-	-
P2004.018-007-06	18	7.5	M 6	16	20	3.0
P2004.018-008-06	18	8.5	M 6	16	20	3.0
P2004.018-012-06	18	12	M 6	16	18	3.0
P2004.020-009-06	20	9	M 6	13-16	27	5.0



Anti-vibration Cylinders

male:male

Anti-Vibration Components

Order No.	d ₁	h ₁	d ₂	l ₁	Axial load kgf max.	Radial load kgf max.
P2004.020-010-06	20	10	M 6	16	30	5.0
P2004.020-015-06	20	15	M 6	16	25	5.0
P2004.020-020-06	20	20	M 6	18	21	4.5
P2004.020-025-06	20	25	M 6	16	20	4.0
P2004.020-030-06	20	30	M 6	16	18	3.5
P2004.020-035-06	20	35	M 6	13-16	18	3.5
P2004.025-010-06A	25	10	M 6	16	46	9.0
P2004.025-010-06	25	10	M 6	10-18	46	9.0
P2004.025-010-08	25	10	M 8	18	46	9.0
P2004.025-015-06	25	15	M 6	18	44	8.5
P2004.025-015-08	25	15	M 8	18	44	8.5
P2004.025-020-06	25	20	M 6	18	41	8.0
P2004.025-020-08	25	20	M 8	18	41	8.0
P2004.025-022-06	25	22	M 6	16	-	-
P2004.025-022-08	25	22	M 8	20	-	-
P2004.025-025-06	25	25	M 6	18	40	7.5
P2004.025-025-08	25	25	M 8	18	40	7.5
P2004.025-030-06	25	30	M 6	18	40	7.0
P2004.025-030-08	25	30	M 8	18	40	7.0
P2004.025-040-06	25	40	M 6	18	36	4.0
P2004.025-040-08	25	40	M 8	18	36	4.0
P2004.030-010-08	30	10	M 8	20	-	-
P2004.030-015-08	30	15	M 8	20	90	12.0
P2004.030-020-08	30	20	M 8	20	90	10.5
P2004.030-025-08	30	25	M 8	20	85	10.5
P2004.030-030-08	30	30	M 8	20	80	10.5
P2004.030-040-08	30	40	M 8	20	-	-
P2004.035-035-08	35	35	M 8	20	-	-
P2004.035-040-08	35	40	M 8	23	54	13.0
P2004.040-012-08	40	12	M 8	23	120	20.0
P2004.040-020-08	40	20	M 8	20	160	20.0
P2004.040-020-10	40	20	M10	20	160	20.0
P2004.040-025-08	40	25	M 8	20	155	18.0
P2004.040-025-10	40	25	M10	20	155	18.0
P2004.040-028-08	40	28	M 8	20	155	16.0
P2004.040-028-10	40	28	M10	20	155	16.0
P2004.040-030-08	40	30	M 8	23	150	21.0
P2004.040-030-10	40	30	M10	23	150	21.0
P2004.040-035-08	40	35	M 8	20	-	-
P2004.040-035-10	40	35	M10	25	-	-
P2004.040-040-08	40	40	M 8	23	120	22.0
P2004.040-040-10	40	40	M10	23	120	22.0
P2004.040-045-08	40	45	M 8	20	-	-
P2004.040-045-10	40	45	M10	25	-	-
P2004.040-050-08	40	50	M 8	23	80	19.0
P2004.040-050-10	40	50	M10	23	80	19.0
P2004.045-030-08	45	30	M 8	23	112	24.0
P2004.050-020-10	50	20	M10	25	250	30.0
P2004.050-025-10	50	25	M10	25	-	-
P2004.050-030-10	50	30	M10	25	250	29.0
P2004.050-035-10	50	35	M10	25	-	-
P2004.050-040-10	50	40	M10	25	220	29.0
P2004.050-045-10	50	45	M10	25	-	-
P2004.050-050-10	50	50	M10	25	200	29.0
P2004.050-055-10	50	55	M10	25	-	-
P2004.060-020-10	60	20	M10	28	285	35.0
P2004.060-025-10	60	25	M10	30	285	35.0
P2004.060-030-10	60	30	M10	28	200	37.0
P2004.060-035-10	60	35	M10	30	350	39.0
P2004.060-045-10	60	45	M10	30	300	42.0
P2004.060-050-10	60	50	M10	37	185	42.0
P2004.060-050-12	60	50	M12	37	185	42.0
P2004.060-060-10	60	60	M10	30	-	-
P2004.070-035-10	70	35	M10	30	-	-
P2004.070-045-10	70	45	M10	35	270	55.0
P2004.070-050-10	70	50	M10	30	350	52.0
P2004.070-070-10	70	70	M10	30	-	-

ANTI-VIBRATION COMPONENTS



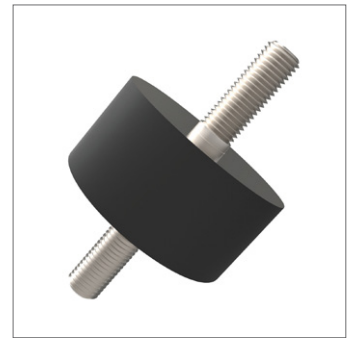
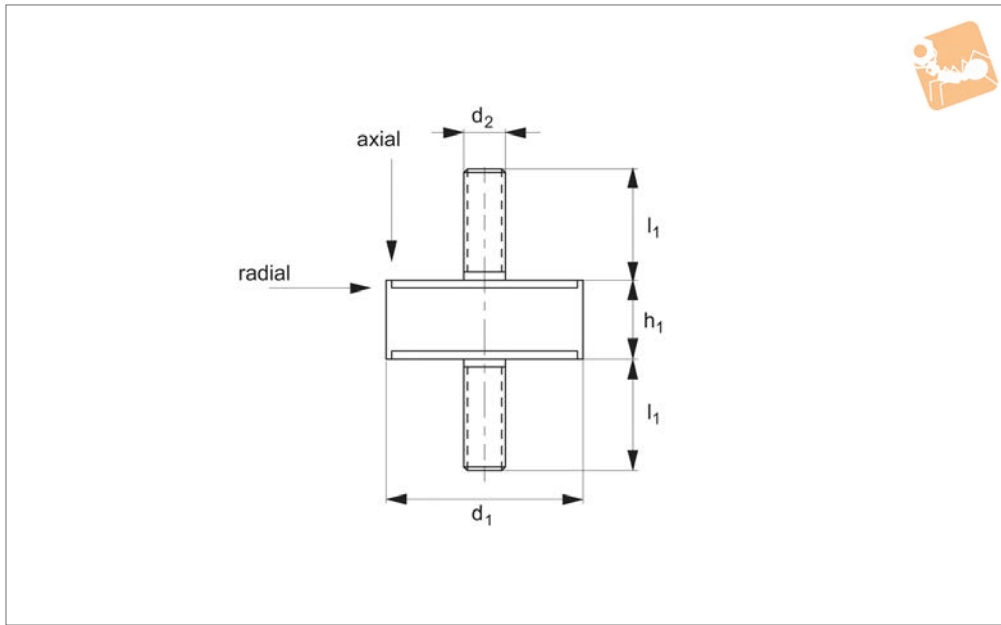
Order No.	d ₁	h ₁	d ₂	l ₁	Axial load kgf max.	Radial load kgf max.
P2004.075-025-12	75	25	M12	35	650	75.0
P2004.075-030-12	75	30	M12	37	350	75.0
P2004.075-040-12	75	40	M12	35	500	75.0
P2004.075-045-12	75	45	M12	35	-	-
P2004.075-050-12	75	50	M12	37	330	65.0
P2004.075-055-12	75	55	M12	35	450	60.0
P2004.080-030-14	80	30	M14	35	900	75.0
P2004.080-040-14	80	40	M14	35	600	50.0
P2004.080-050-14	80	50	M14	35	750	65.0
P2004.080-070-14	80	70	M14	35	-	-
P2004.080-080-14	80	80	M14	51	280	60.0
P2004.095-040-16	95	40	M16	45	1200	70
P2004.095-055-16	95	55	M16	45	1000	70
P2004.095-060-16	95	60	M16	45	800	70
P2004.095-075-16	95	75	M16	45	800	70
P2004.100-040-16	100	40	M16	45	1200	95
P2004.100-060-16	100	60	M16	45	1100	90
P2004.100-075-16	100	75	M16	45	1000	90
P2004.120-050-16	120	50	M16	45	1500	100
P2004.120-075-16	120	75	M16	45	1200	100
P2004.120-100-16	120	100	M16	45	1000	100
P2004.130-040-16	130	40	M16	45	1900	110
P2004.130-050-16	130	50	M16	45	1600	110
P2004.130-075-16	130	75	M16	45	1450	100
P2004.130-100-16	130	100	M16	45	1200	120
P2004.150-050-16	150	50	M16	50	1800	150
P2004.150-050-20	150	50	M20	50	1800	150
P2004.150-060-16	150	60	M16	50	2200	150
P2004.150-060-20	150	60	M20	50	2200	150
P2004.150-075-16	150	75	M16	50	2000	150
P2004.150-075-20	150	75	M20	50	2000	150
P2004.150-100-16	150	100	M16	50	1400	150
P2004.150-100-20	150	100	M20	50	1400	150
P2004.150-120-16	150	120	M16	50	1300	150
P2004.150-120-20	150	120	M20	50	1300	150
P2004.150-140-16	150	140	M16	50	1200	150
P2004.150-140-20	150	140	M20	50	1200	150



Anti-vibration Cylinders

stainless male:male

Anti-Vibration Components



P2005

ANTI-VIBRATION COMPONENTS

Material

Rubber on stainless steel, A2 (rubber hardness - 55 Shore A).

steel - see part no. P2004.

Tips

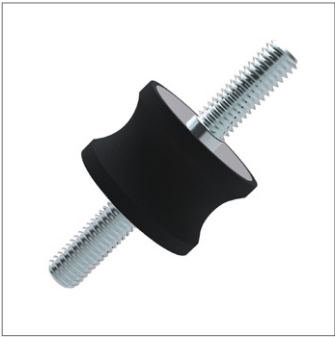
These cylinders are used to reduce vibration by allowing some movement (in axial and radial as shown).

Typically used in machinery, compressors, air conditioning units, light engineering equipment etc.

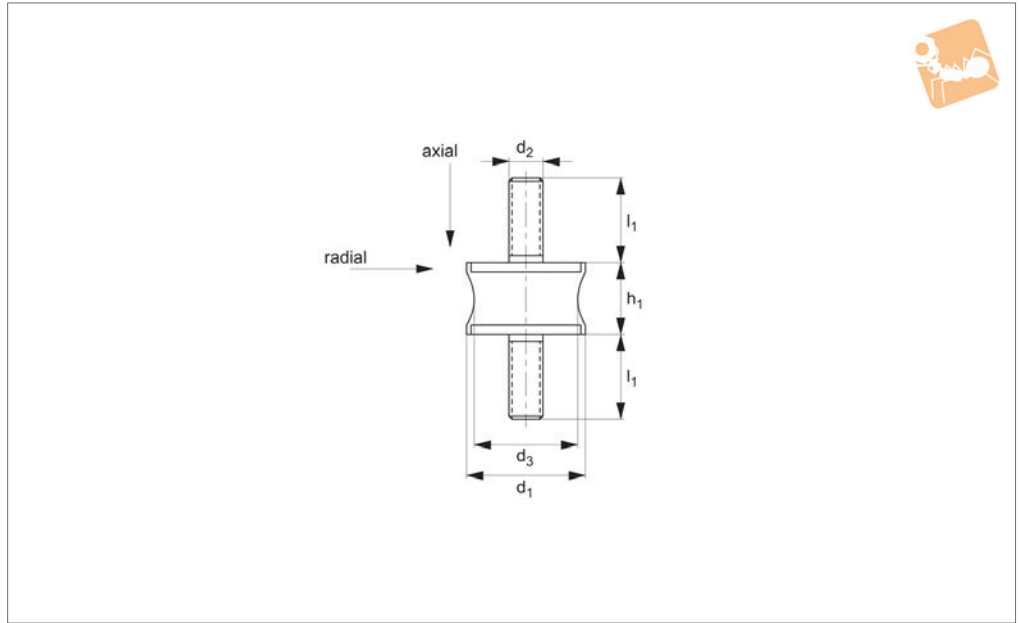
Technical Notes

For rubber mounted on silver zinc plated

Order No.	d ₁	h ₁	d ₂	l ₁	Compression max.	Axial load kgf max.	Radial load kgf max.
P2005.020-020	20	20	M 6	18	4	25	4.5
P2005.020-025	20	25	M 6	18	5	25	4.0
P2005.025-025	25	25	M 8	18	5	40	7.5
P2005.025-030	25	30	M 8	18	6	35	7.0
P2005.030-030	30	30	M 8	18	6	80	10.5
P2005.030-040	30	40	M 8	18	8	60	13.0
P2005.035-035	35	35	M 8	18	8	90	13.0
P2005.040-030	40	30	M10	27	8	150	21.0
P2005.040-040	40	40	M10	27	10	120	22.0
P2005.050-030	50	30	M10	27	8	250	29.0
P2005.050-040	50	40	M10	27	10	220	29.0
P2005.050-050	50	50	M10	27	12	200	29.0
P2005.060-045	60	45	M10	27	10	300	42.0
P2005.060-060	60	60	M10	27	12	250	44.0



P2010



Material

Rubber on silver zinc plated steel (rubber hardness - 55 Shore A).
Available in stainless steel on request.

Technical Notes

For rubber mounted on silver zinc plated

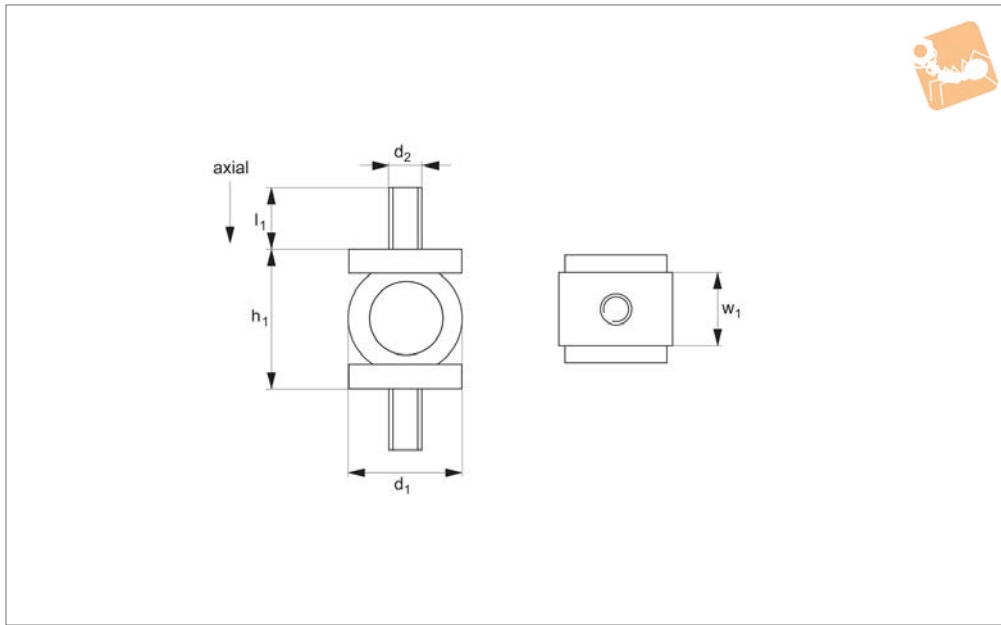
steel see part no. P2012 (female:female) or P2014 (male:female).

Tips

These cylinders are used to reduce vibration by allowing some movement (in axial and radial as shown in drawing).

Typically used in machinery, compressors, air conditioning units, light engineering equipment etc.

Order No.	d ₁	h ₁	d ₂	d ₃	l ₁	Axial load kgf max.	Radial load N max.
P2010.012-014	12	14	M 4	7	10	2.5	1.0
P2010.020-015	20	15	M 6	14	13-16	10	2.5
P2010.020-020	20	20	M 6	12	18	15	2.5
P2010.025-020	25	20	M 6	18	18	25	6.0
P2010.030-020	30	20	M 8	25	23	35	6.0
P2010.030-025	30	25	M 8	24	20	40	6.0
P2010.040-028	40	28	M10	22	25	60	12
P2010.045-050	45	50	M 8	25	23	60	-
P2010.050-030	50	30	M10	42	28	120	25
P2010.057-044	57	44	M 8	25	20	40	-
P2010.060-036	60	36	M10	37	30	90	-
P2010.060-043	60	43	M10	35	30	70	12
P2010.060-060	60	60	M10	51	30	150	30
P2010.070-056	70	56	M12	50	35	220	-
P2010.080-063	80	63	M14	70	350	-	-
P2010.080-070	80	70	M14	70	50	170	55
P2010.090-077	90	77	M16	79	45	500	-
P2010.095-076	95	76	M16	80	46	250	-
P2010.108-085	108	85	M16	95	45	800	-
P2010.130-096	130	96	M16	115	45	1400	-



P2017

ANTI-VIBRATION COMPONENTS

Material

Rubber on silver zinc-plated steel (rubber hardness - 55 Shore A).

frequencies with low loads as little as 0.5 kg.

Technical Notes

The spherical mounts are designed for low

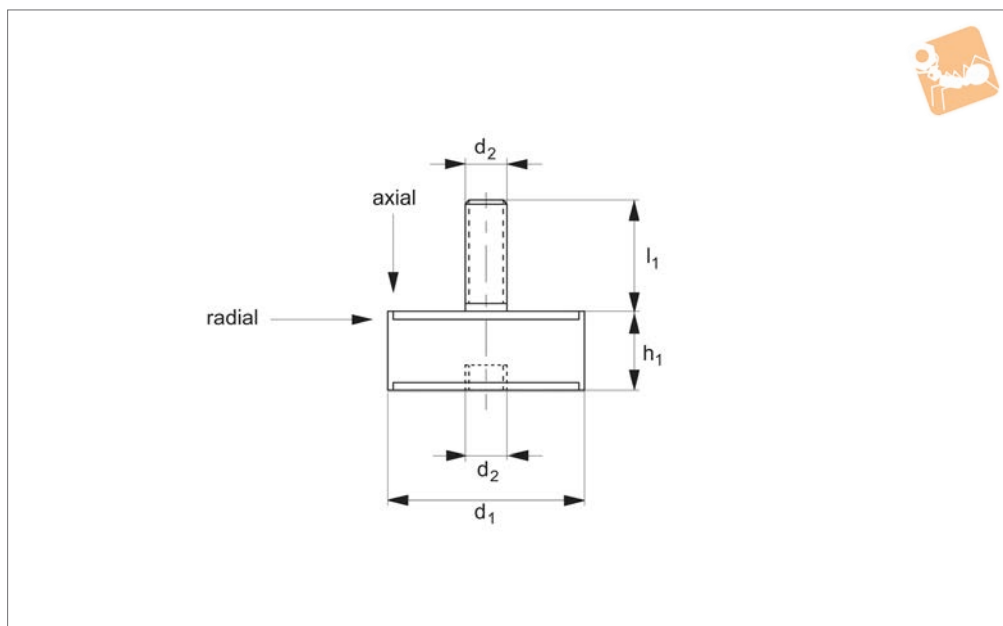
Tips

These mounts are not to be used for radial loads.

Order No.	d ₁	h ₁	d ₂	w ₁	l ₁	Compression max.	Axial load kgf max.
P2017.04-01	15	18	M4	14	8	5	1.25
P2017.04-03	15	18	M4	14	8	5	2.50
P2017.08-05	30	30	M8	30	20	11	3.50



P2006



Material

Rubber on silver zinc plated steel (rubber hardness - 55 Shore A).

Technical Notes

Load tolerance parts with small diameters

(d_1) and relatively long length (h) cannot accept radial loads (as shown in table).

Tips

These cylinders are used to reduce vibra-

tion by allowing some movement (in axial and radial as shown).

Typically used in machinery, compressors, air conditioning units, light engineering equipment etc.

Order No.	d_1	h_1	d_2	l_1	Compression max.	Axial load kgf max.	Radial load kgf max.
P2006.015-022-04	15	22	M 4	14	4.5	10	2.5
P2006.008-008-03	8	8	M 3	10	1.5	3.5	-
P2006.010-010-04	10	10	M 4	10	2.0	10	1.2
P2006.012-031-05	12	31	M 5	20	3.5	6	1.3
P2006.015-008-04	15	8	M 4	10	-	-	-
P2006.015-008-05	15	8	M 5	12	-	-	-
P2006.015-010-04	15	10	M 4	10	-	-	-
P2006.015-010-05	15	10	M 5	12	-	-	-
P2006.015-015-04	15	15	M 4	10	3.0	13	2.0
P2006.015-015-05	15	15	M 5	12	-	-	-
P2006.015-020-04	15	20	M 4	10	4.0	10	2.0
P2006.015-020-05	15	20	M 5	12	-	-	-
P2006.015-025-04	15	25	M 4	10	5.0	9.5	2.0
P2006.015-025-05	15	25	M 5	12	-	-	-
P2006.020-010-06	20	10	M 6	13	-	-	-
P2006.020-015-06	20	15	M 6	13	3.0	25	5.0
P2006.020-020-06	20	20	M 6	18	4.0	25	4.0
P2006.020-025-06	20	25	M 6	18	5.0	25	4.0
P2006.020-030-06	20	30	M 6	18	7.0	25	3.0
P2006.020-035-06	20	35	M 6	16	8.0	18	2.0
P2006.025-010-06	25	10	M 6	16	-	-	-
P2006.025-010-08	25	10	M 8	20	-	-	-
P2006.025-015-06	25	15	M 6	16	3.0	50	8.0
P2006.025-015-08	25	15	M 8	16	3.0	50	8.0
P2006.025-020-06	25	20	M 6	16	4.0	50	8.0
P2006.025-020-08	25	20	M 8	16	4.0	50	8.0
P2006.025-022-06	25	22	M 6	16	-	-	-
P2006.025-022-08	25	22	M 8	20	-	-	-
P2006.025-025-06	25	25	M 6	18	5.0	40	7.0
P2006.025-025-08	25	25	M 8	18	5.0	40	7.0
P2006.025-030-06	25	30	M 6	16	6.0	40	7.0



Anti-vibration Cylinders

male:female

Anti-Vibration Components

Order No.	d ₁	h ₁	d ₂	l ₁	Compression max.	Axial load kgf max.	Radial load kgf max.
P2006.025-030-08	25	30	M 8	16	6.0	40	7.0
P2006.025-035-06	25	35	M 6	18	8.0	36	6.0
P2006.025-040-06	25	40	M 6	18	-	-	-
P2006.025-040-08	25	40	M 8	20	-	-	-
P2006.030-015-08	30	15	M 8	20	3.0	90	12.0
P2006.030-020-08	30	20	M 8	20	4.0	90	11.0
P2006.030-022-08	30	22	M 8	20	-	-	-
P2006.030-025-08	30	25	M 8	20	5.0	85	10.0
P2006.030-030-08	30	30	M 8	20	6.0	80	10.0
P2006.030-040-08	30	40	M 8	20	-	-	-
P2006.035-035-08	35	35	M 8	20	-	-	-
P2006.035-040-08	35	40	M 8	20	8.5	60	13.0
P2006.040-020-08	40	20	M 8	20	-	-	-
P2006.040-020-10	40	20	M10	25	-	-	-
P2006.040-025-08	40	25	M 8	20	-	-	-
P2006.040-025-10	40	25	M10	25	-	-	-
P2006.040-028-08	40	28	M 8	20	-	-	-
P2006.040-028-10	40	28	M10	25	-	-	-
P2006.040-030-08	40	30	M 8	20	8.0	150	21.0
P2006.040-030-10	40	30	M 10	25	8.0	150	21.0
P2006.040-035-08	40	35	M 8	20	-	-	-
P2006.040-035-10	40	35	M10	25	-	-	-
P2006.040-040-08	40	40	M 8	20	10.0	120	22.0
P2006.040-040-10	40	40	M 10	25	10.0	120	22.0
P2006.040-045-08	40	45	M 8	20	-	-	-
P2006.040-045-10	40	45	M 10	25	-	-	-
P2006.040-050-08	40	50	M 8	23	13.0	80	18.0
P2006.045-030-08	45	30	M 8	23	9.0	112	24.0
P2006.050-020-10	50	20	M10	25	8.0	250	29.0
P2006.050-025-10	50	25	M10	25	-	-	-
P2006.050-030-10	50	30	M10	25	8.0	250	29.0
P2006.050-035-10	50	35	M10	25	-	-	-
P2006.050-040-10	50	40	M10	25	10.0	220	29.0
P2006.050-045-10	50	45	M10	25	11.0	210	28.0
P2006.050-050-10	50	50	M10	25	12.0	200	28.0
P2006.050-055-10	50	55	M10	25	-	-	-
P2006.050-060-10	50	60	M10	28	13.5	110	28.0
P2006.060-025-10	60	25	M10	30	-	-	-
P2006.060-030-10	60	30	M10	28	6.0	200	37.0
P2006.060-035-10	60	35	M10	30	7.0	350	39.0
P2006.060-045-10	60	45	M10	30	10.0	300	42.0
P2006.060-050-10	60	50	M10	37	11.0	185	42.0
P2006.060-060-10	60	60	M10	30	-	-	-
P2006.070-035-10	70	35	M10	30	-	-	-
P2006.070-045-10	70	45	M10	35	8.5	270	55.0
P2006.070-050-10	70	50	M10	30	10.0	350	52.0
P2006.070-055-10	70	55	M10	35	10.5	240	49.0
P2006.070-070-10	70	70	M10	30	-	-	-
P2006.075-025-12	75	25	M12	35	5.0	350	75.0
P2006.075-030-12	75	30	M12	37	7.0	345	72.0
P2006.075-040-12	75	40	M12	35	9.0	500	65.0
P2006.075-045-12	75	45	M12	35	-	-	-
P2006.075-055-12	75	55	M12	35	13.0	450	65.0
P2006.080-030-14	80	30	M14	35	5.5	900	75.0
P2006.080-040-14	80	40	M14	35	9.0	600	72.0
P2006.080-050-14	80	50	M14	35	10.0	750	65.0
P2006.080-070-14	80	70	M14	35	15.0	550	65.0
P2006.095-040-14	95	40	M14	45	8.0	1200	70.0
P2006.095-055-14	95	55	M14	45	11.0	1000	70.0
P2006.095-060-16	95	60	M16	45	12.0	800	70.0
P2006.095-075-16	95	75	M16	45	13.0	700	70.0
P2006.100-040-16	100	40	M16	45	8.0	1200	95.0
P2006.100-060-16	100	60	M16	45	15.0	1100	90.0
P2006.100-075-16	100	75	M16	45	17.0	1000	80.0
P2006.120-050-16	120	50	M16	45	9.0	1500	100.0
P2006.120-075-16	120	75	M16	45	13.0	1500	100.0
P2006.120-100-16	120	100	M16	45	16.0	1000	100.0

ANTI-VIBRATION COMPONENTS



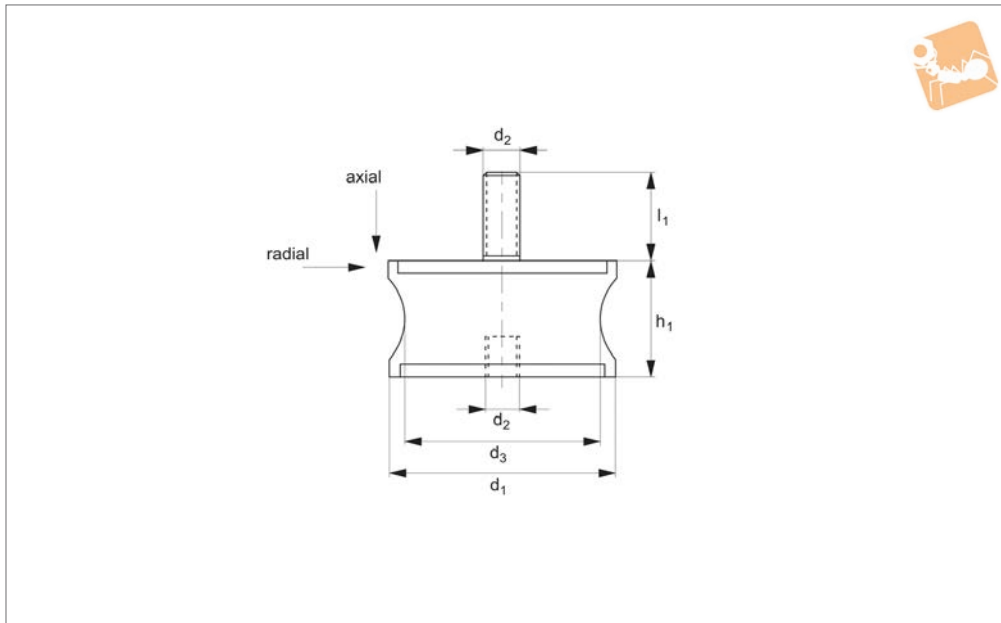
Order No.	d ₁	h ₁	d ₂	l ₁	Compression max.	Axial load kgf max.	Radial load kgf max.
P2006.130-040-16	130	40	M16	45	16.0	1900	120.0
P2006.130-050-16	130	50	M16	45	9.0	1600	120.0
P2006.130-075-16	130	75	M16	45	13.0	1450	120.0
P2006.130-100-16	130	100	M16	45	16.0	1200	120.0
P2006.150-050-16	150	50	M16	25	9.0	1800	150.0
P2006.150-050-20	150	50	M20	20	9.0	1800	150.0
P2006.150-060-16	150	60	M16	25	14.0	1800	150.0
P2006.150-060-20	150	60	M20	20	14.0	1800	150.0
P2006.150-075-16	150	75	M16	25	16.0	2000	150.0
P2006.150-075-20	150	75	M20	20	16.0	2000	150.0
P2006.150-100-16	150	100	M16	25	16.0	1400	150.0
P2006.150-100-20	150	100	M20	20	16.0	1400	150.0
P2006.150-120-16	150	120	M16	25	16.0	1300	150.0
P2006.150-120-20	150	120	M20	20	16.0	1300	150.0
P2006.150-140-16	150	140	M16	25	16.0	1200	150.0
P2006.150-140-20	150	140	M20	20	16.0	1200	150.0



Anti-vibration Cylinders Waisted

male:female

Anti-Vibration Components



P2014

ANTI-VIBRATION COMPONENTS

Material

Rubber on silver zinc plated steel (rubber hardness - 55 Shore A).

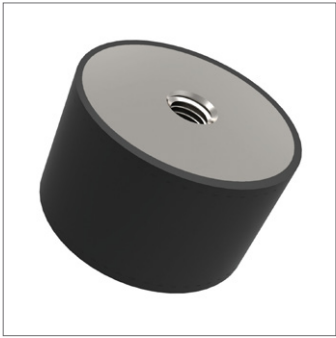
Tips

These cylinders are used to reduce vibra-

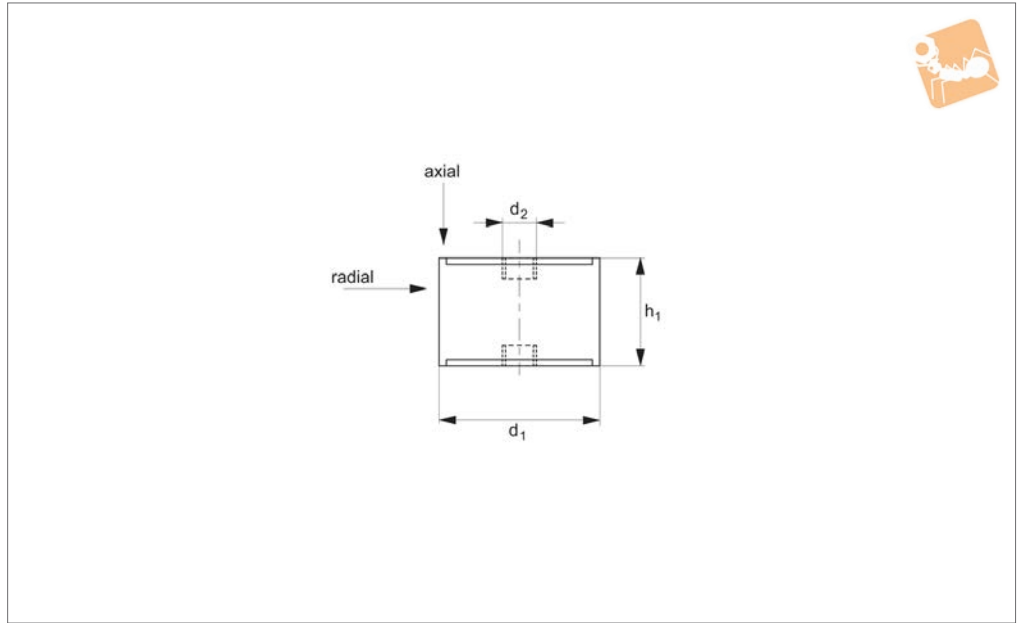
tion by allowing some movement (in axial and radial as shown).

Typically used in machinery, compressors, air conditioning units, light engineering equipment etc.

Order No.	d ₁	h ₁	d ₂	l ₁	d ₃	Compression max.	Axial load kgf max.	Radial load kgf max.
P2014.020-020	20	20	M 6	18	12	2.5	15	3.0
P2014.030-025	30	25	M 8	20	24	4	40	4.0
P2014.040-028	40	28	M10	25	22	5	60	2.5
P2014.060-036	60	36	M10	30	37	5	90	7.0
P2014.060-043	60	43	M10	30	35	4	70	12.0
P2014.060-060	60	60	M10	30	51	6	150	30.0
P2014.070-056	70	56	M12	35	50	6	220	45.0
P2014.080-065	80	65	M12	35	70	8	400	55.0
P2014.090-050	90	50	M12	45	80	4	800	65.0
P2014.130-096	130	96	M16	45	115	13	1400	70.0



P2008



Material

Rubber on silver zinc plated steel (rubber hardness - 55 Shore A).

Tips

These cylinders are used to reduce vibra-

tion by allowing some movement (in axial and radial as shown).

Typically used in machinery, compressors, air conditioning units, light engineering equipment etc.

Order No.	Compression max.	d ₁	h ₁	d ₂	Axial load kgf max.	Radial load N max.
P2008.015-015	3.0	15	15	M 4	13	3
P2008.015-020	4.0	15	20	M 4	10	3
P2008.015-022	4.5	15	22	M 4	10	2.5
P2008.015-025	5.0	15	25	M 4	9	2
P2008.015-028	5.5	15	28	M 4	9	2
P2008.020-020	4.0	20	20	M 6	25	4
P2008.020-025	5.0	20	25	M 6	25	5
P2008.020-030	7.0	20	30	M 6	25	3
P2008.020-035	8.0	20	35	M 6	16	2
P2008.025-020	4.0	25	20	M 6	50	8
P2008.025-025	5.0	25	25	M 6	40	8
P2008.025-030	6.0	25	30	M 6	30	8
P2008.025-035	8.0	25	35	M 6	35	9
P2008.030-020	4.0	30	20	M 8	90	11
P2008.030-025	5.0	30	25	M 8	85	10
P2008.030-030	6.0	30	30	M 8	80	10
P2008.035-040	8.5	35	40	M 8	60	13
P2008.040-030	8.0	40	30	M 8	150	18
P2008.040-040	10.0	40	40	M 8	120	18
P2008.040-050	12.5	40	50	M 8	80	18
P2008.050-030	8.0	50	30	M10	250	29
P2008.050-040	10.0	50	40	M10	220	29
P2008.050-050	12.0	50	50	M10	200	28
P2008.060-035	7.0	60	35	M10	350	39
P2008.060-045	10.0	60	45	M10	300	42
P2008.060-050	11.0	60	50	M10	285	42
P2008.075-040	9.0	75	40	M12	500	72
P2008.070-050	10.0	70	50	M10	350	52
P2008.070-055	10.5	70	55	M10	230	52
P2008.075-050	11.5	75	50	M12	330	65
P2008.075-055	13.0	75	55	M12	450	65



Anti-vibration Cylinders

female:female

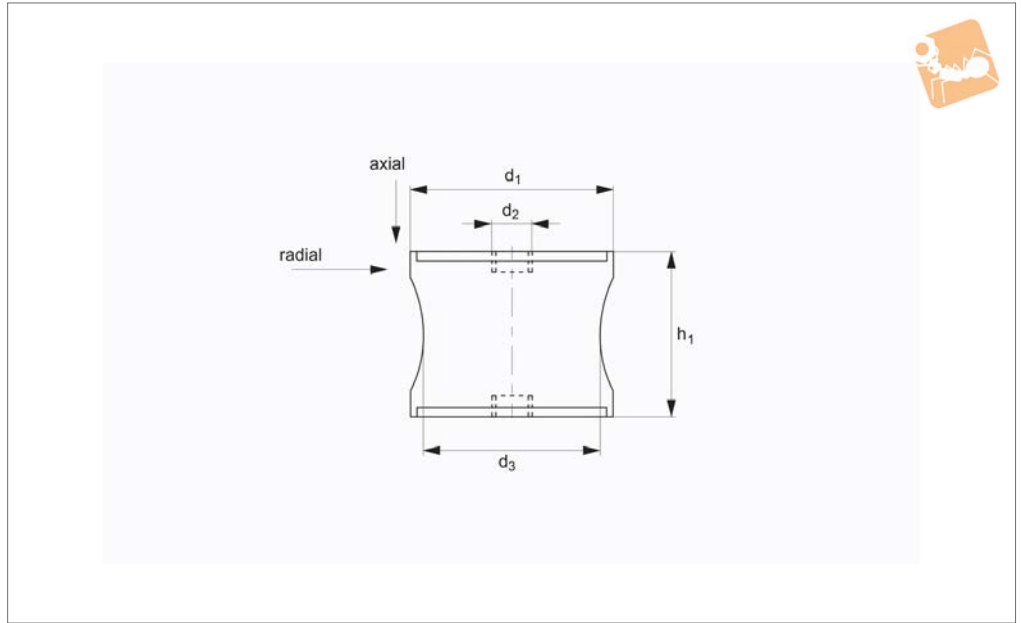
Anti-Vibration Components

Order No.	Compression max.	d ₁	h ₁	d ₂	Axial load kgf max.	Radial load N max.
P2008.080-070	15.0	80	70	M14	550	65
P2008.100-040	8.0	100	40	M16	1200	95
P2008.100-055	16.0	100	55	M16	775	97
P2008.100-060	15.0	100	60	M16	1100	97
P2008.100-100	16.0	100	100	M16	500	80
P2008.130-040	6.0	130	40	M16	1900	120
P2008.130-060	11.0	130	60	M16	680	100

ANTI-VIBRATION COMPONENTS



P2013



Material

Rubber on A2 stainless steel (rubber hardness - 55 Shore A).

Tips

These cylinders are used to reduce vibration by allowing some movement (in axial and shear as shown in drawing).

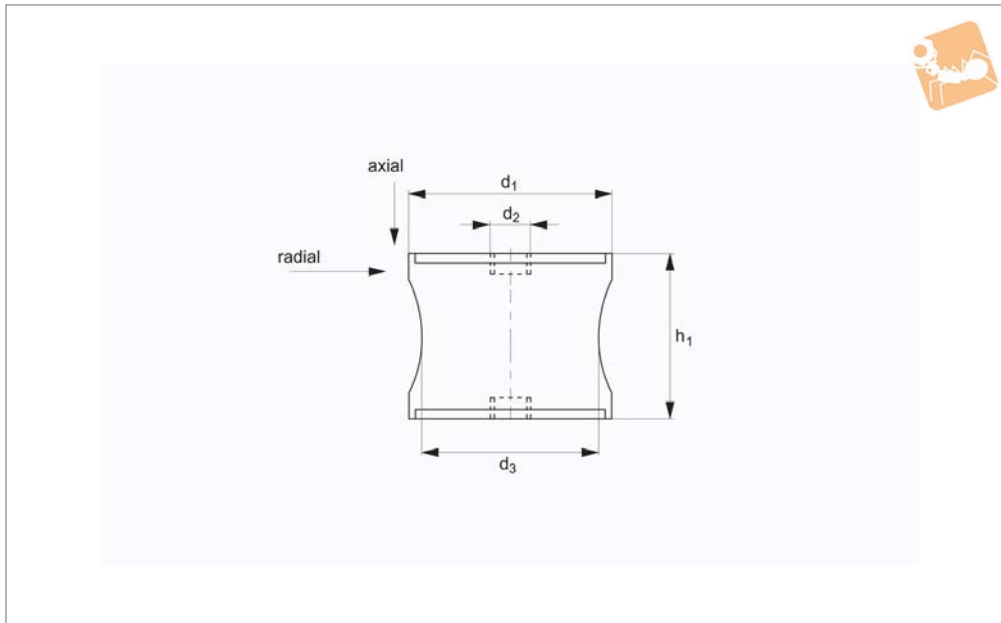
Typically used in machinery, compressors, air conditioning units, light engineering equipment etc.

Order No.	Compression max.	d ₁	h ₁	d ₂	d ₃	Axial load kgf max.	Radial load N max.
P2013.060-036	5	60	36	M10	37	90	7
P2013.060-060	6	60	60	M10	51	150	30
P2013.070-056	6	70	56	M12	50	220	45
P2013.090-077	7	90	77	M12	79	500	70
P2013.108-085	10	108	85	M16	95	800	75



Anti-vibration Cylinders Waisted female:female

Anti-Vibration Components



P2012

ANTI-VIBRATION COMPONENTS

Material

Rubber on silver zinc plated steel (rubber hardness - 55 Shore A).

Technical Notes

For rubber mounted on stainless steel see

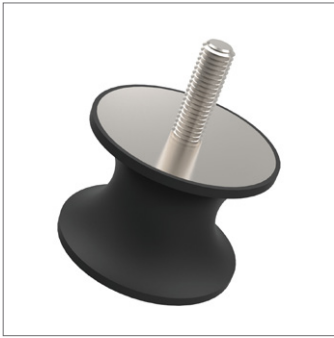
part no. P2013

Tips

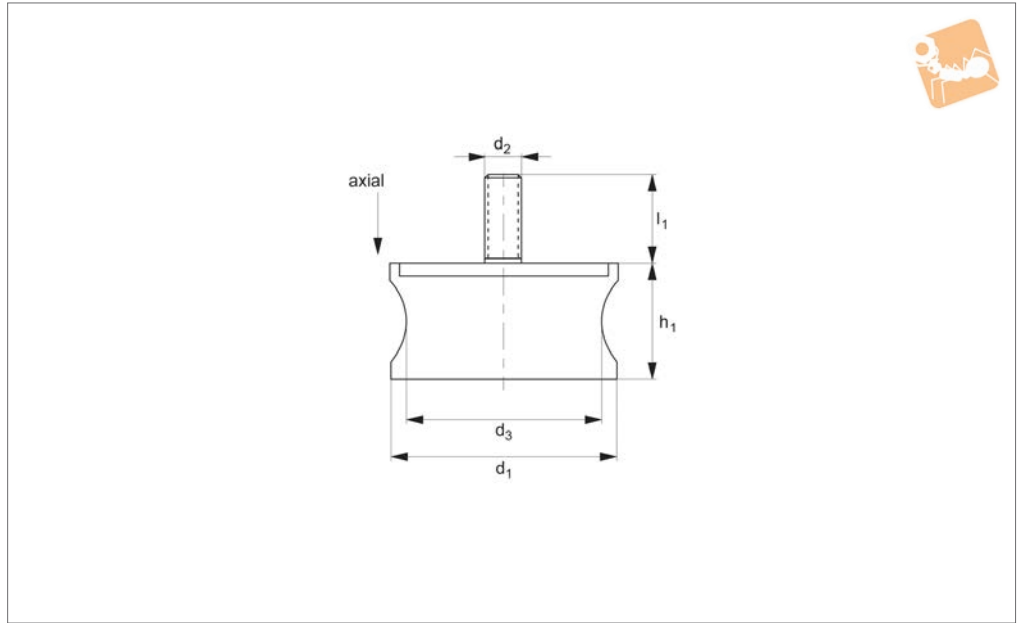
These cylinders are used to reduce vibration by allowing some movement (in axial and radial as shown in drawing).

Typically used in machinery, compressors, air conditioning units, light engineering equipment etc.

Order No.	Compression max.	d_1	h_1	d_2	d_3	Axial load kgf max.	Radial load kgf max.
P2012.020-020	2.5	20	20	M 6	12	12	3.0
P2012.030-025	4	30	25	M 8	24	40	4.0
P2012.040-028	5	40	28	M10	22	30	2.5
P2012.060-036	5	60	36	M10	37	40	7.0
P2012.060-043	4	60	43	M10	35	75	12
P2012.060-060	6	60	60	M10	51	150	30
P2012.070-056	6	70	56	M12	50	220	45
P2012.080-065	8	80	65	M12	70	400	55
P2012.090-050	4	90	50	M12	80	800	65
P2012.095-076	9.5	95	76	M12	80	400	70
P2012.090-077	7	90	77	M12	79	500	70
P2012.108-085	10	108	85	M16	95	800	75
P2012.130-096	13	130	96	M16	115	1.400	70



P2016



Material

Rubber on silver zinc plated steel (rubber hardness - 55 Shore A).

Tips

These cylinders are used to reduce vibra-

tion by allowing some movement (in axial and radial as shown in drawing).

Typically used in machinery, compressors, air conditioning units, light engineering equipment etc.

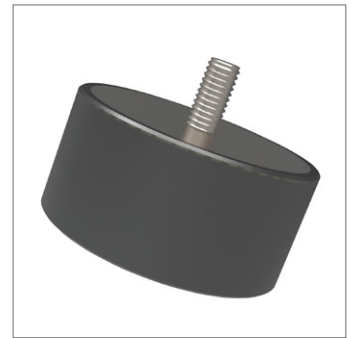
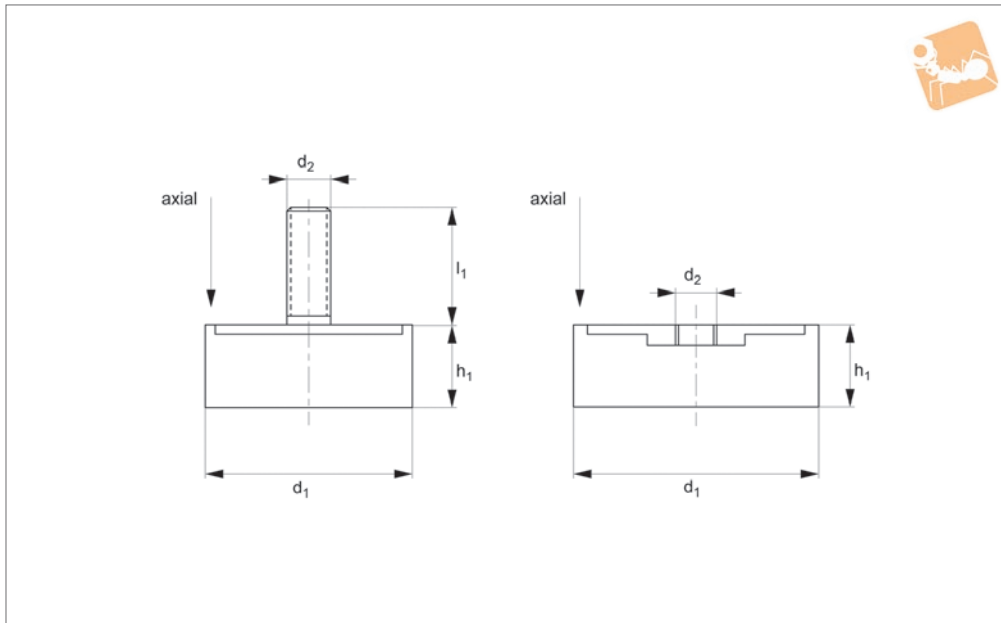
Order No.	d ₁	h ₁	d ₂	d ₃	l ₁	Compression max.	Axial load kgf max.
P2016.020-020	20	20	M 6	12	18	2.5	15
P2016.030-025	30	25	M 8	24	20	4	40
P2016.040-028	40	28	M10	22	25	5	60
P2016.060-036	60	36	M10	37	30	5	90
P2016.060-043	60	43	M10	35	30	4	70
P2016.060-060	60	60	M10	51	30	6	150
P2016.070-056	70	56	M12	50	35	6	220
P2016.080-065	80	65	M12	70	35	8	400
P2016.090-050	90	50	M12	80	45	4	800
P2016.095-076	95	76	M16	80	45	9.5	400
P2016.090-077	90	77	M12	79	45	7	500
P2016.108-085	108	85	M16	95	45	10	800
P2016.130-096	130	96	M16	115	45	13	1400



Anti-vibration Feet

light duty

Anti-Vibration Components



P2019

ANTI-VIBRATION COMPONENTS

Material

Sorbathane on zinc plated steel.

control in more demanding electronic environments.

small pumps and lightweight electronic 'boxes'.

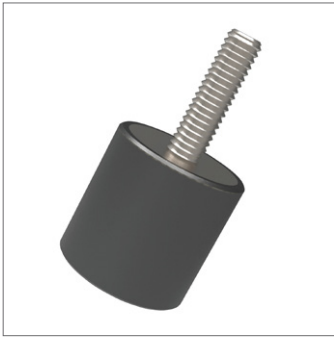
Technical Notes

These cylinders provide high performance damping, isolation and shock motion

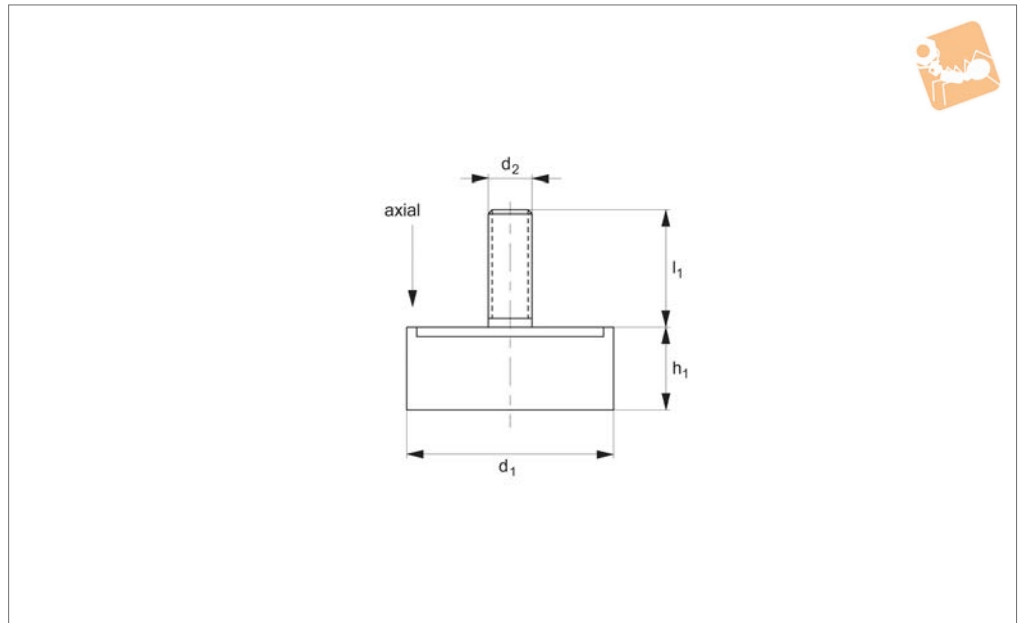
Tips

They are commonly used for larger PCBs, disk drives, optical drives, small motors,

Order No.	Type	d ₁	h ₁	d ₂	l ₁	Axial load kgf max.
P2019.038-025	male	38.1	25.4	M 6	12.7	7-14
P2019.045-021	male	44.5	21.6	M 6	12.7	45-100
P2019.538-025	female	38.1	25.4	M 6	-	11-18
P2019.545-021	female	44.5	21.6	M 6	-	35-75



P2020



Material

Rubber on silver zinc plated steel (rubber hardness - 55 Shore A).

Tips

These feet or bumpers reduce shock and vibration.

Used widely as shock absorbers and feet for machine elements.

Order No.	d ₁	h ₁	d ₂	l ₁	Compression max.	Axial load kgf max.
P2020.009-012	9	12	M 4	14	2.0	6
P2020.015-010	15	10	M 4	14	1.5	13
P2020.015-015	15	15	M 4	14	3.0	13
P2020.015-020	15	20	M 4	14	4.0	10
P2020.015-025	15	25	M 4	14	5.0	9
P2020.020-010	20	10	M 6	13	2.0	30
P2020.020-020	20	20	M 6	13	4.0	25
P2020.025-010	25	10	M 6	18	1.5	50
P2020.025-013	25	13	M 6	18	3.0	46
P2020.025-015	25	15	M 6	18	3.0	44
P2020.025-017	25	17	M 6	18	3.0	42
P2020.025-020	25	20	M 6	18	4.0	41
P2020.025-025	25	25	M 6	18	5.0	40
P2020.025-030	25	30	M 6	18	6.0	35
P2020.030-012	30	12	M 8	23	2.0	58
P2020.030-015	30	15	M 8	20	3.0	58
P2020.030-020	30	20	M 8	20	4.0	55
P2020.030-025	30	25	M 8	20	5.0	50
P2020.030-030	30	30	M 8	20	6.0	47
P2020.035-011	35	11.5	M10	48	3.0	80
P2020.035-040	35	40	M 8	23	8.0	68
P2020.040-012	40	12	M 8	23	3.0	120
P2020.040-020	40	20	M 8	23	4.0	117
P2020.040-025	40	25	M 8	20	6.0	117
P2020.040-030	40	30	M 8	20	8.0	100
P2020.040-040	40	40	M 8	20	10.0	85
P2020.040-045	40	45	M 8	20	12.0	85
P2020.045-030	45	30	M 8	23	8.0	110
P2020.045-050	45	50	M 8	35	12.0	85
P2020.050-010	50	10	M10	28	2.0	230
P2020.050-020	50	20	M10	25	4.0	250
P2020.050-025	50	25	M10	25	5.5	250
P2020.050-030	50	30	M10	25	8.0	150
P2020.050-035	50	35	M10	25	9.0	230

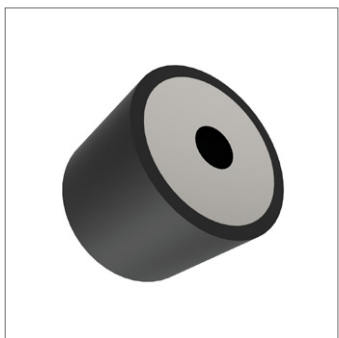


Anti-vibration Feet male

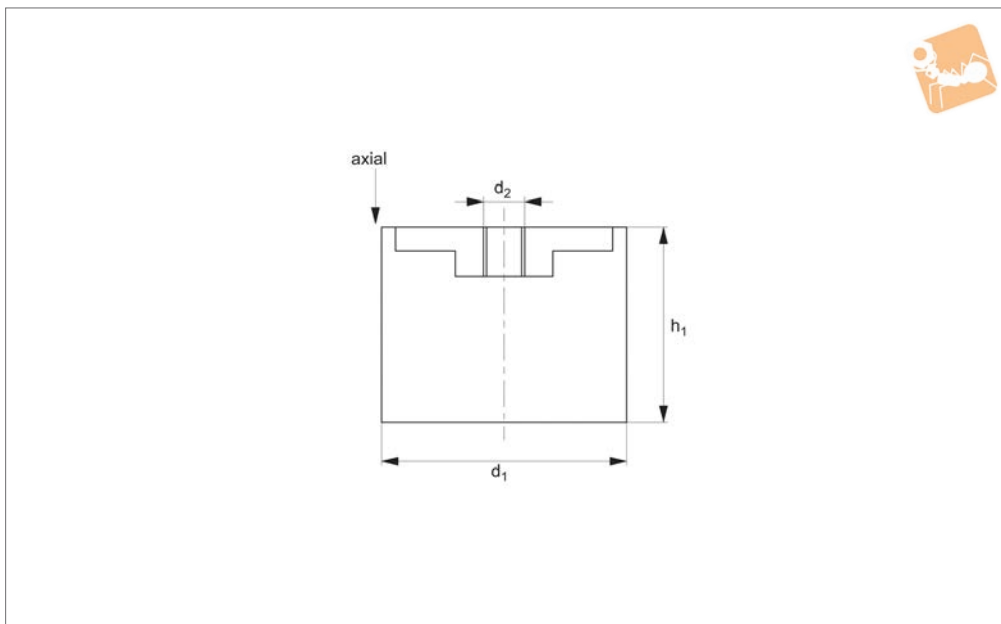
Anti-Vibration Components

Order No.	d ₁	h ₁	d ₂	l ₁	Compression max.	Axial load kgf max.
P2020.050-045	50	45	M10	25	11.0	130
P2020.050-050	50	50	M10	25	12.0	125
P2020.050-060	50	60	M10	28	14.0	110
P2020.060-020	60	20	M10	28	4.0	280
P2020.060-030	60	30	M10	28	8.0	280
P2020.060-045	60	45	M10	30	10.0	190
P2020.060-050	60	50	M12	37	11.0	185
P2020.060-060	60	60	M10	30	12.0	185
P2020.070-045	70	45	M12	35	9.0	270
P2020.070-050	70	50	M12	35	10.0	250
P2020.070-055	70	55	M12	35	12.0	240
P2020.070-070	70	70	M10	30	13.0	300
P2020.075-025	75	25	M12	35	5.0	295
P2020.075-030	75	30	M12	37	8.0	320
P2020.075-040	75	40	M12	35	9.0	320
P2020.075-045	75	45	M12	35	10.0	500
P2020.075-055	75	55	M12	35	13.0	450
P2020.080-030	80	30	M14	35	5.5	900
P2020.080-040	80	40	M14	35	9.0	600
P2020.080-050	80	50	M14	35	10.0	750
P2020.080-070	80	70	M14	35	15.0	550
P2020.100-100	100	100	M16	56	19.0	500
P2020.110-124	110	124	M12	37	19.0	550
P2020.130-040	130	40	M16	45	6.0	550
P2020.130-050	130	50	M16	45	9.0	550
P2020.130-060	130	60	M16	56	14.0	680
P2020.130-075	130	75	M16	45	13.0	1450
P2020.130-100	130	100	M16	45	16.0	1200
P2020.150-050	150	50	M20	20	9.0	1800
P2020.150-060	150	60	M20	20	14.0	2200
P2020.150-075	150	75	M20	20	16.0	2000
P2020.150-100	150	100	M20	20	16.0	1400
P2020.150-120	150	120	M20	20	16.0	1300
P2020.150-140	150	140	M20	20	16.0	1200
P2020.095-040	95	40	M16	45	8.0	1200
P2020.095-055	95	55	M16	45	11.0	1000
P2020.095-060	95	60	M16	45	12.0	800
P2020.095-075	95	75	M16	45	13.0	700
P2020.100-040	100	40	M16	45	8.0	660
P2020.100-050	100	50	M16	56	10.0	550
P2020.100-055	100	55	M16	56	11.0	520
P2020.080-080	80	80	M14	50	18.0	370
P2020.100-060	100	60	M16	45	15.0	515

ANTI-VIBRATION COMPONENTS



P2021



Material

Rubber on silver zinc plated steel (rubber hardness - 55 Shore A).

Tips

These feet or bumpers reduce shock and vibration.

Used widely as shock absorbers and feet for machine elements.

Order No.	d ₁	h ₁	d ₂	Compression max.	Axial load kgf max.
P2021.010-010	10	10	M 4	2	10
P2021.010-015	10	15	M 4	3	8
P2021.013-010	13	10	M 5	1.5	12
P2021.013-015	13	15	M 5	3	10
P2021.013-020	13	20	M 5	3.5	20
P2021.016-008	16	8	M 5	1.5	15
P2021.016-010	16	10	M 5	1.5	20
P2021.016-015	16	15	M 5	3	20
P2021.016-020	16	20	M 5	4	20
P2021.016-025	16	25	M 5	5	15
P2021.020-010	20	10	M 6	2	30
P2021.020-015	20	15	M 6	3	25
P2021.020-020	20	20	M 6	4	25
P2021.020-025	20	25	M 6	5	25
P2021.020-030	20	30	M 6	7	25
P2021.025-010	25	10	M 6	1.5	50
P2021.025-015	25	15	M 6	3	50
P2021.025-020	25	20	M 6	4	50
P2021.025-022	25	22	M 6	4	45
P2021.025-025	25	25	M 6	5	40
P2021.025-030	25	30	M 6	6	35
P2021.030-010	30	10	M 8	2	90
P2021.030-015	30	15	M 8	3	90
P2021.030-020	30	20	M 8	4	90
P2021.030-022	30	22	M 8	4	90
P2021.030-025	30	25	M 8	5	85
P2021.030-030	30	30	M 8	6	80
P2021.030-040	30	40	M 8	8	60
P2021.035-035	35	35	M 8	8	90
P2021.040-020	40	20	M 8	4	160
P2021.040-025	40	25	M 8	6	155
P2021.040-028	40	28	M 8	6	150
P2021.040-030	40	30	M 8	8	150
P2021.040-035	40	35	M 8	8	120



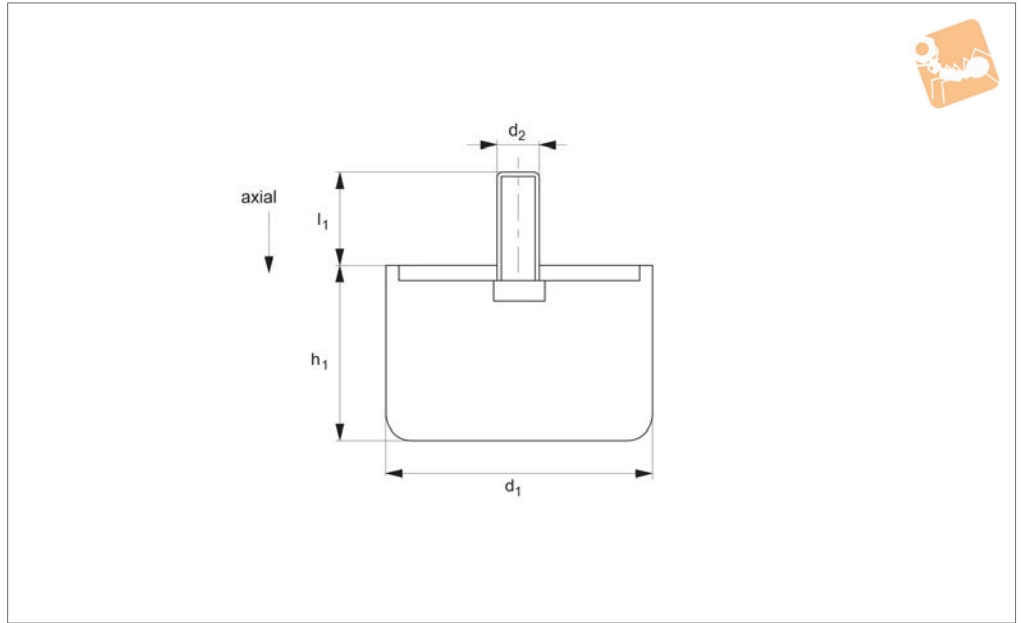
Anti-vibration Feet female

Anti-Vibration Components

Order No.	d ₁	h ₁	d ₂	Compression max.	Axial load kgf max.
P2021.040-040	40	40	M 8	10	120
P2021.040-040-10	40	40	M10	10	120
P2021.040-045	40	45	M 8	12	110
P2021.050-040	50	40	M10	10	220
P2021.050-045	50	45	M10	11	210
P2021.050-050	50	50	M10	12	200
P2021.050-055	50	55	M10	13	200
P2021.100-060	100	60	M16	15	1100
P2021.100-075	100	75	M16	17	1000
P2021.120-050	120	50	M16	9	1500
P2021.120-075	120	75	M16	13	1200
P2021.120-100	120	100	M16	16	1000
P2021.130-040	130	40	M16	6	1900
P2021.130-050	130	50	M16	9	1600
P2021.130-075	130	75	M16	13	1450
P2021.130-100	130	100	M16	16	1200
P2021.150-040	150	40	M20	9	1800
P2021.150-060	150	60	M20	14	2200
P2021.150-075	150	75	M20	16	2000
P2021.150-100	150	100	M20	16	1400
P2021.150-120	150	120	M20	16	1300
P2021.150-140	150	140	M20	16	1200
P2021.050-020	50	20	M10	4	250
P2021.050-025	50	25	M10	5.5	250
P2021.050-030	50	30	M10	8	250
P2021.050-035	50	35	M10	9	230
P2021.075-045	75	45	M12	10	500
P2021.060-045	60	45	M10	10	300
P2021.080-050	80	50	M14	10	750
P2021.070-070	70	70	M10	13	300
P2021.075-055	75	55	M12	13	450
P2021.080-070	80	70	M14	15	550
P2021.095-040	95	40	M16	8	1200
P2021.095-055	95	55	M16	11	1000
P2021.095-060	95	60	M16	12	800
P2021.095-075	95	75	M16	13	700
P2021.060-060	60	60	M10	12	250
P2021.070-035	70	35	M10	7	450
P2021.075-025	75	25	M12	5	650
P2021.060-025	60	25	M10	5	400
P2021.060-035	60	35	M10	7	350
P2021.080-030	80	30	M14	5.5	900
P2021.080-040	80	40	M14	9	600
P2021.075-040	75	40	M12	9	500
P2021.100-040	100	40	M16	8	1200
P2021.070-050	70	50	M10	10	350



P2022



Material

Rubber on silver zinc plated steel (rubber hardness - 55 Shore A).

Tips

These anti-vibration bumpers are used to reduce vibration and shock. Their cylindrical shape ensures that when used in a

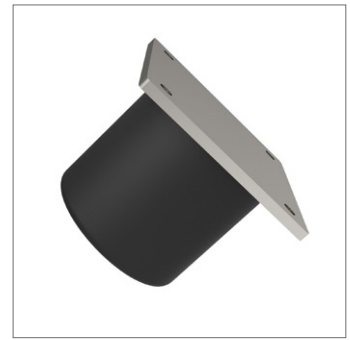
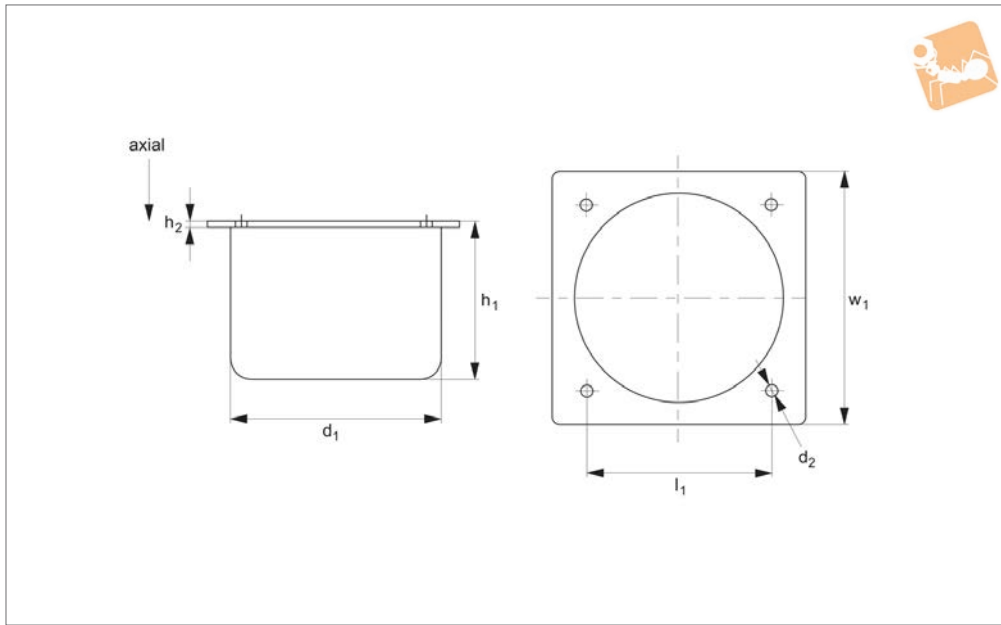
row, the buffers spread the loads over a number of buffers - reducing the chances of possible overloading.

Order No.	d ₁	h ₁	d ₂	l ₁	Compression max.	Axial load kgf max.
P2022.040-032	40	32	M 8	30	14	850
P2022.050-040	50	40	M10	25	17	1270
P2022.063-050	63	50	M10	25	20	1950
P2022.080-063	80	63	M12	24	25	3250
P2022.100-080	100	80	M12	27	30	4900
P2022.125-100	125	100	M16	45	40	7800
P2022.150-125	150	125	M16	45	52	12300
P2022.160-125	160	125	M16	45	52	12300
P2022.200-160	200	160	M20	49	65	19100
P2022.250-200	250	200	M20	49	80	30500



Anti-vibration Bumpers flanged

Anti-Vibration Components



P2023

ANTI-VIBRATION COMPONENTS

Material

Rubber on silver zinc plated steel (rubber hardness - 55 Shore A).

Tips

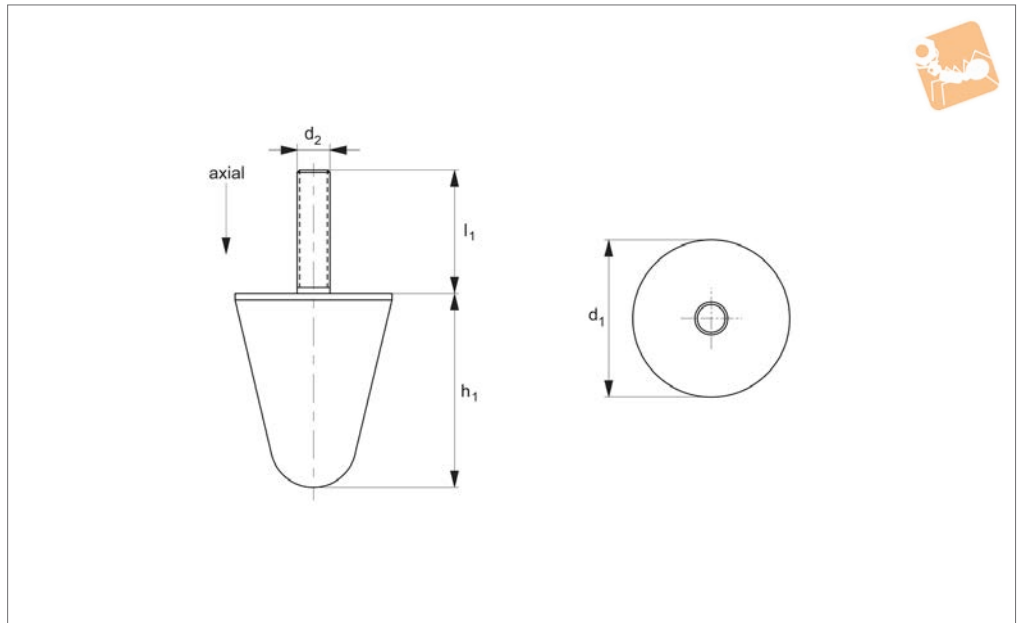
These anti-vibration bumpers are used to reduce vibration and shock. Their cylindrical shape ensures that, when used in a

row, the buffers spread loads over a number of buffers - reducing the chances of possible overloading.

Order No.	d ₁	h ₁	d ₂	l ₁	w ₁	h ₂	Axial load kgf max.	Momentum kg·m/s	Deflection m/m max.
P2023.040-032	40	32	5.5	40	50	3	850	5	14
P2023.050-040	50	40	6.5	50	63	4	1270	10	17
P2023.063-050	63	50	6.5	63	80	6	1950	20	20
P2023.080-063	80	63	9.0	80	100	6	3250	40	25
P2023.100-080	100	80	9.0	100	125	8	4900	80	30
P2023.125-100	125	100	11.0	125	160	8	7800	160	40
P2023.160-125	160	125	11.0	160	200	10	15000	320	50
P2023.200-160	200	160	13.0	200	250	10	19100	630	65
P2023.250-200	250	200	13.0	250	315	12	30500	1250	80



P2024



Material

Rubber on silver zinc plated steel (rubber hardness - 65 Shore A).

Tips

These anti-vibration cones or bumpers are

used to reduce vibration and shock. Their conical shape ensures that, when used in a row, the buffers spread loads over a number of cones - reducing the chances of possible overloading.

Important Notes

The working load should not exceed 65% of the maximum load.

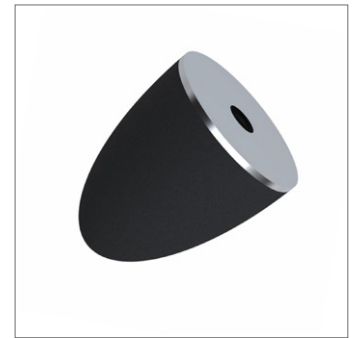
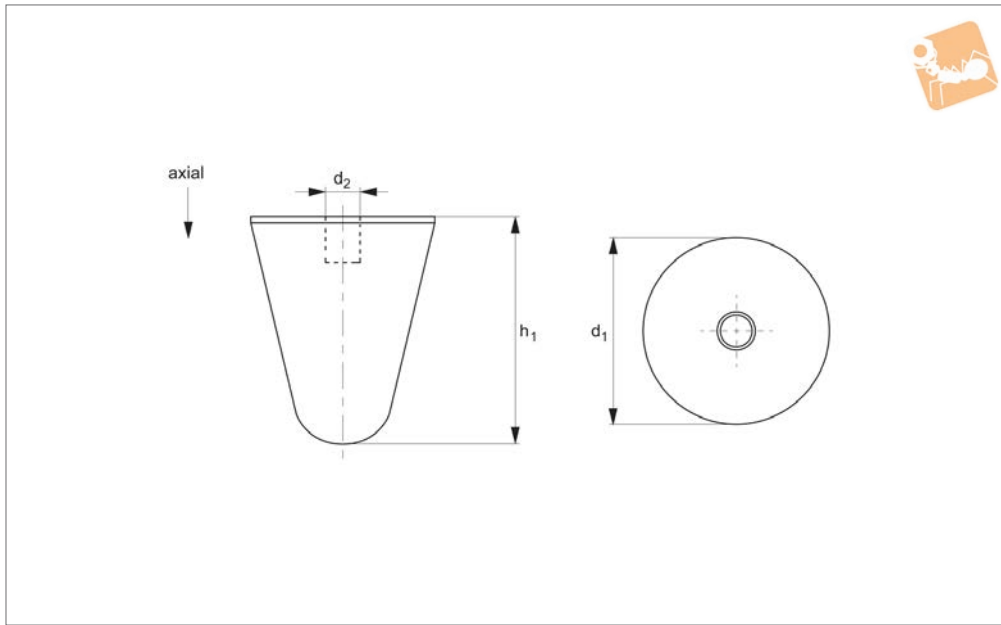
Order No.	d ₁	h ₁	d ₂	l ₁	Axial load kgf max.
P2024.020-020	20	20	M 6	18	70
P2024.025-020	25	20	M 8	20	100
P2024.030-030	30	30	M 6	17	150
P2024.030-031	30	30	M 8	20	150
P2024.040-030	40	30	M 8	23	240
P2024.040-050	40	50	M 8	23	200
P2024.050-048	50	48	M10	25	380
P2024.050-058	50	58	M 8	20	400
P2024.050-064	50	64	M 8	35	370
P2024.063-060	63	60	M12	37	440
P2024.075-090	75	90	M12	37	520
P2024.090-074	90	74	M16	45	1100
P2024.095-082	95	82	M16	45	1100



Anti-vibration Cones female

female

Anti-Vibration Components



P2025

ANTI-VIBRATION COMPONENTS

Material

Rubber on silver zinc plated steel (rubber hardness - 65 Shore A).

Tips

These anti-vibration cones or bumpers are

used to reduce vibration and shock. Their conical shape ensures that when used in a row, the buffers spread loads over a number of cones - reducing the chances of possible overloading.

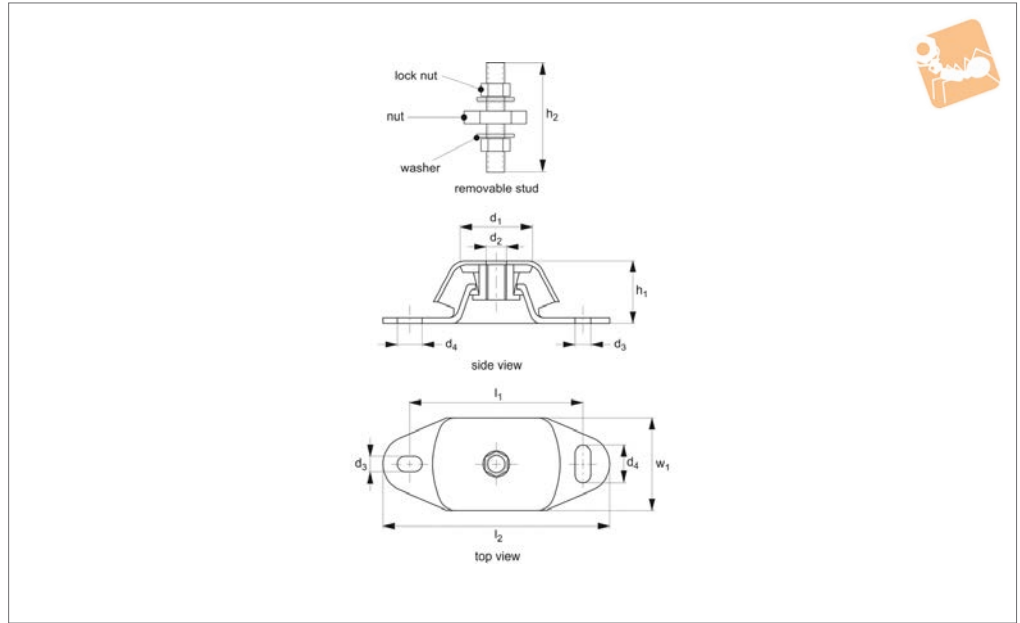
Important Notes

The working load should not exceed 65% of the maximum load.

Order No.	d ₁	h ₁	d ₂	Axial load kgf max.
P2025.020-020	20	20	M 6	70
P2025.025-020	25	20	M 8	100
P2025.030-030	30	30	M 6	150
P2025.050-048	50	48	M10	380
P2025.070-060	70	60	M12	550
P2025.090-074	90	74	M16	1100
P2025.095-082	95	82	M16	1100



P2100.AV



Material

Rubber on silver zinc plated steel (rubber hardness - 45-75 Shore A).

Technical Notes

These mounts control vibration in three axes.

Primarily used for marine applications, engines, compressors, pumps, generators

etc.

Fitted with a mechanical fail-safe stop. They are very robust to cope with high start/stop forces and vibrations from marine and other engines.

For stainless steel versions please see part nos. P2101 and P2102. Stud and nuts on

request.

Tips

These are a very popular anti-vibration mount for light to heavy duty applications. Take the total weight of the load to be supported, divide it by the number of mounts to be used and select an appropriate mount from the table.

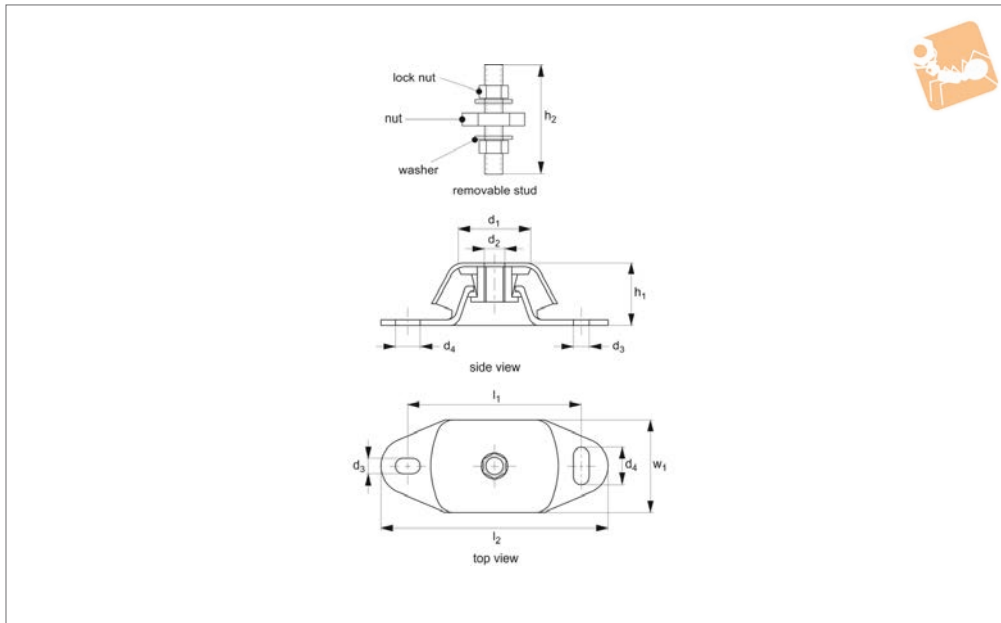
Order No.	d ₁	d ₂	l ₁	l ₂	w ₁	d ₃	d ₄	h ₁	h ₂	Load kg max.
P2100.060-045	60	M12	100	120	60	11	14	40	95	50
P2100.060-055	60	M12	100	120	60	11	14	40	95	65
P2100.060-065	60	M12	100	120	60	11	14	40	95	100
P2100.075-045	75	M16	140	183	75	13	20	50	110	150
P2100.075-055	75	M16	140	183	75	13	20	50	110	200
P2100.075-065	75	M16	140	183	75	13	20	50	110	300
P2100.075-075	75	M16	140	183	75	13	20	50	110	550
P2100.080-065	80	M20	182	230	112	18	25	70	110	750



Anti-vibration Fail-Safe Mounts

A2 stainless

Anti-Vibration Components



P2101

ANTI-VIBRATION COMPONENTS

Material

Stainless steel (AISI 304), (rubber hardness 45-65 Shore A).

Technical Notes

These mounts control vibration in three axes.
Primarily used for marine applications, engines, compressors, pumps, generators etc.

Fitted with a mechanical fail-safe stop. They are very robust to cope with high start/stop forces and vibrations from marine and other engines.

The stainless steel versions are widely used for marine engine mounts or outdoor applications. For offshore or highly corrosive environments use part no. P2102.

Stud and nuts on request.

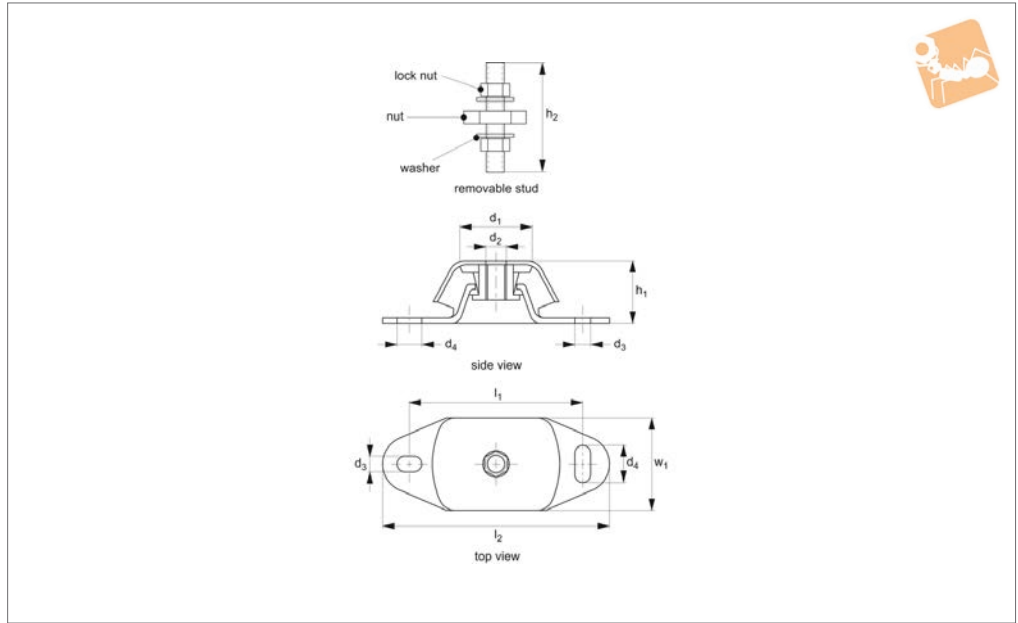
Tips

These are a very popular anti-vibration mount for light to heavy duty applications. Take the total weight of the load to be supported, divide it by the number of mounts to be used and select an appropriate mount from the table.

Order No.	d ₁	d ₂	l ₁	l ₂	w ₁	d ₃	d ₄	h ₁	h ₂	Load kg max.
P2101.60-65	60	M12	100	120	60	11	14	40	95	100
P2101.75-65	75	M16	140	183	75	13	20	50	110	300
P2101.60-45	60	M12	100	120	60	11	14	40	95	50
P2101.60-55	60	M12	100	120	60	11	14	40	95	65
P2101.75-45	75	M16	140	183	75	13	20	50	110	150
P2101.75-55	75	M16	140	183	75	13	20	50	110	200



P2102



Material

Stainless steel (A4, 316). Rubber hardness 65-75 Shore A.

Technical Notes

These mounts control vibration in three axes.

Primarily used for marine applications, engines, compressors, pumps, generators etc.

Fitted with a mechanical fail-safe stop.

They are very robust to cope with high start/stop forces and vibrations from marine and other engines.

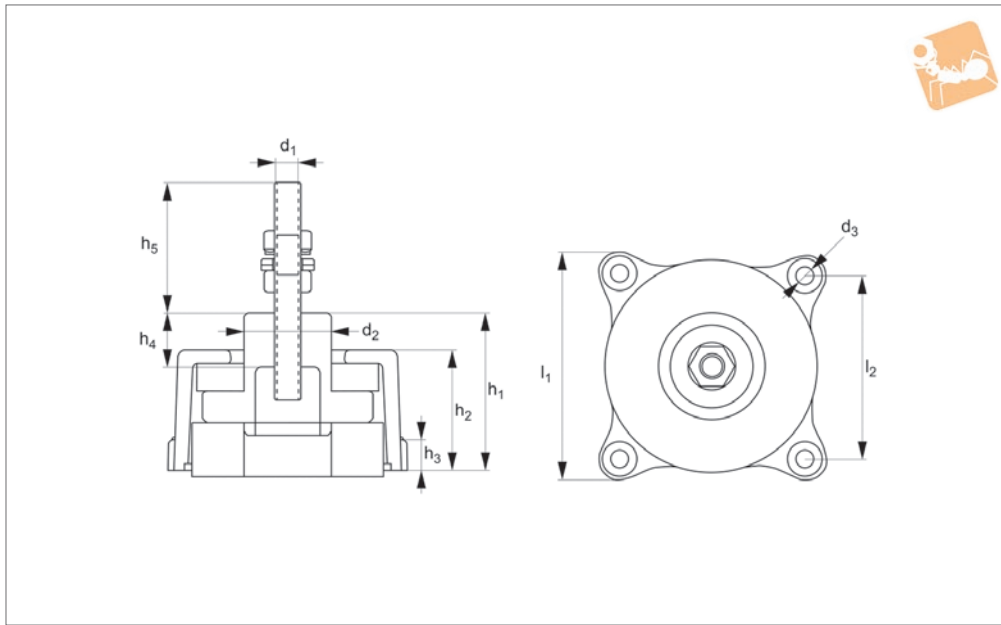
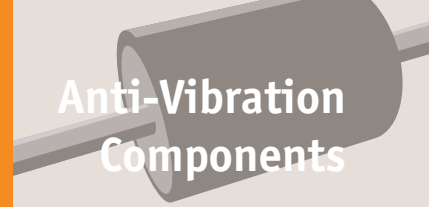
These stainless steel versions are widely used for marine engine mounts or applications that are either offshore or have a very high corrosion level. Stud and nuts on

request.

Tips

These are a very popular anti-vibration mount for light to heavy duty applications. Take the total weight of the load to be supported, divide it by the number of mounts to be used and select an appropriate mount from the table.

Order No.	d_1	d_2	l_1	l_2	w_1	d_3	d_4	h_1	h_2	Load kg max.
P2102.60-65	60	M12	100	120	60	11	14	40	95	100
P2102.75-75	75	M16	140	183	75	13	20	50	110	550



P2110

ANTI-VIBRATION COMPONENTS

Material

Aluminium body with anti-corrosion coating, zinc plated steel thread.
Polyurethane compound, (Sylomer), resistant to oil.

Technical Notes

The Sylomer compound offers high isolation

capacity with small static deformation in all medium- high frequency ranges.

This mount incorporates an interlocking metal component that provide a fail-safe protection for mobile applicants.

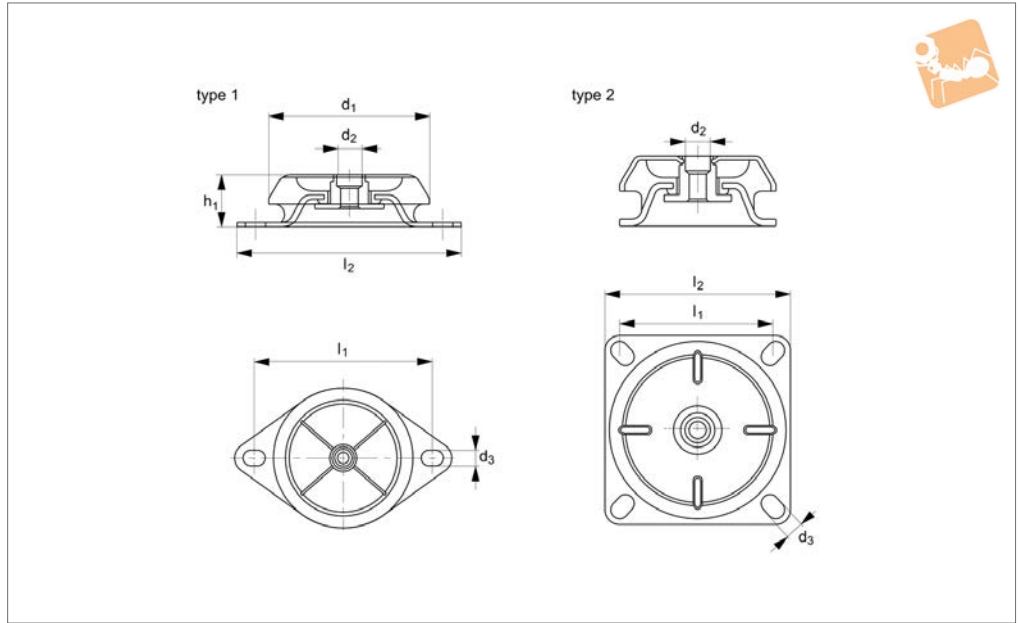
The metal has anti-corrosive treatment for outdoor applications.

Temperature range -30°C to +70 °C.

Order No.	d ₁	d ₂	h ₅	l ₁	l ₂	d ₃	h ₁	h ₂	h ₃	h ₄	Load kg	Weight kg
P2110.010-0015	M10	28	60	67	52	6.5	45.5	38	13	26	0-50	0.31
P2110.010-0025	M10	28	60	67	52	6.5	45.5	38	13	26	0-50	0.31
P2110.010-0045	M10	28	60	67	52	6.5	45.5	38	13	26	0-50	0.31
P2110.010-0050	M10	28	60	67	52	6.5	45.5	38	13	26	0-50	0.31
P2110.010-0100	M10	28	60	67	52	6.5	45.5	38	13	26	50-100	0.31
P2110.012-0150	M12	25	60	80	67	6.5	56.0	48	13	40	100-150	0.46
P2110.012-0200	M12	25	60	80	67	6.5	56.0	48	13	40	150-200	0.46
P2110.012-0280	M12	40	60	108	90	8.5	72.0	55	15	25	170-280	0.98
P2110.012-0400	M12	40	60	108	90	8.5	72.0	55	15	25	280-400	0.98
P2110.014-0400	M14	40	60	108	90	8.5	72.0	55	15	25	280-400	0.98
P2110.014-0800	M14	65	60	155	125	12.5	95.0	80	22	28	460-800	2.46
P2110.016-1000	M16	65	60	155	125	12.5	95.0	80	22	28	800-1000	2.46
P2110.018-1200	M18	65	60	175	140	14	95.0	80	23	28	1000-1200	3.1
P2110.020-1500	M20	65	60	175	140	14	95.0	80	23	28	1200-1500	3.1
P2110.020-2000	M20	65	60	205	162	16	95.0	80	28	28	1500-2000	3.75



P2103



Material

Rubber on silver zinc plated steel (rubber hardness - 60 Shore A).

Technical Notes

Provides an elastic support mechanism for equipment isolation. Used in generator sets, motors, pumps and most other

machine parts.

Please note for marine applications or very demanding use we recommend the mounts with 'fail-safe' features part numbers , P2101 and P2102.

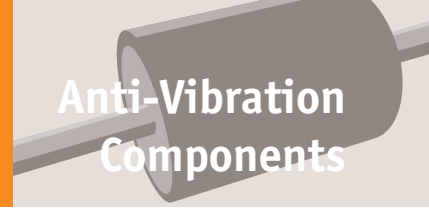
Tips

These are a very popular anti-vibration

mount for light to heavy duty applications.

Take the total weight of the load to be supported, divide it by the number of mounts to be used and select an appropriate mount from the above table. Type 2 is 'fail-safe'.

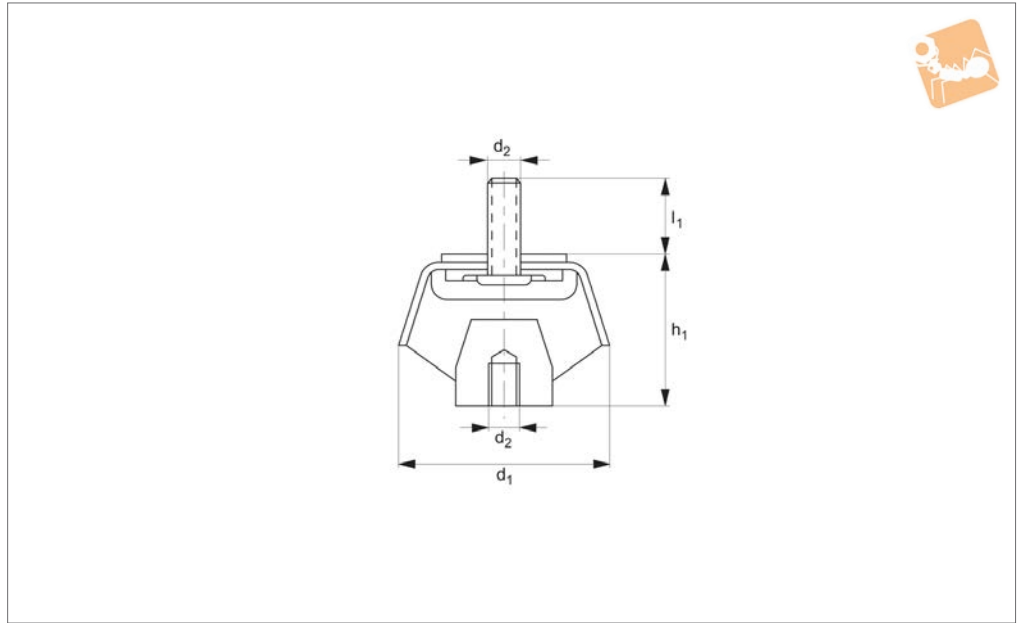
Order No.	Type	d ₁	d ₂	d ₃	h ₁	l ₁	l ₂	Axial load kgf max.	Shore
P2103.050-040	Type 1	50	M 8	6.5	25	61-70	85	20	40
P2103.050-050	Type 1	50	M 8	6.5	25	61-70	85	40	50
P2103.050-060	Type 1	50	M 8	6.5	25	61-70	85	60	60
P2103.050-070	Type 1	50	M 8	6.5	25	61-70	85	80	70
P2103.060-040	Type 1	64	M10	9.0	35	76-91	110	30	40
P2103.060-050	Type 1	64	M10	9.0	35	76-91	110	45	50
P2103.060-060	Type 1	64	M10	9.0	35	76-91	110	65	60
P2103.060-070	Type 1	64	M10	9.0	35	76-91	110	75	70
P2103.065-040	Type 1	64	M10	9.0	35	76-91	110	50	40
P2103.065-050	Type 1	64	M10	9.0	35	76-91	110	75	50
P2103.065-060	Type 1	64	M10	9.0	35	76-91	110	120	60
P2103.065-070	Type 1	64	M10	9.0	35	76-91	110	140	70
P2103.066-040	Type 1	64	M12	9.0	35	76-91	110	50	40
P2103.066-050	Type 1	64	M12	9.0	35	76-91	110	75	50
P2103.066-060	Type 1	64	M12	9.0	35	76-91	110	120	60
P2103.066-070	Type 1	64	M12	9.0	35	76-91	110	140	70
P2103.070-040	Type 1	64	M12	11.0	35	100	120	50	40
P2103.070-050	Type 1	64	M12	11.0	35	100	120	75	50
P2103.070-060	Type 1	64	M12	11.0	35	100	120	120	60
P2103.070-070	Type 1	64	M12	11.0	35	100	120	140	70
P2103.080-040	Type 1	83	M10	11.0	35	108-112	135	80	40
P2103.080-050	Type 1	83	M10	11.0	35	108-112	135	130	50
P2103.080-060	Type 1	83	M10	11.0	35	108-112	135	175	60
P2103.080-070	Type 1	83	M10	11.0	35	108-112	135	235	70
P2103.081-040	Type 1	83	M12	11.0	35	108-112	135	80	40
P2103.081-050	Type 1	83	M12	11.0	35	108-112	135	130	50
P2103.081-060	Type 1	83	M12	11.0	35	108-112	135	175	60
P2103.081-070	Type 1	83	M12	11.0	35	108-112	135	235	70
P2103.095-040	Type 1	92	M10	10	39	122-127	150	150	40



Order No.	Type	d ₁	d ₂	d ₃	h ₁	l ₁	l ₂	Axial load kgf max.	Shore
P2103.095-050	Type 1	92	M10	10	39	122-127	150	260	50
P2103.095-060	Type 1	92	M10	10	39	122-127	150	330	60
P2103.095-070	Type 1	92	M10	10	39	122-127	150	390	70
P2103.096-040	Type 1	92	M12	10	39	122-127	150	150	40
P2103.096-050	Type 1	92	M12	10	39	122-127	150	260	50
P2103.096-060	Type 1	92	M12	10	39	122-127	150	330	60
P2103.096-070	Type 1	92	M12	10	39	122-127	150	390	70
P2103.110-040	Type 1	106	M12	13	41	137-149	175	200	40
P2103.110-050	Type 1	106	M12	13	41	137-149	175	305	50
P2103.110-060	Type 1	106	M12	13	41	137-149	175	420	60
P2103.110-070	Type 1	106	M12	13	41	137-149	175	450	70
P2103.111-040	Type 1	106	M16	13	41	137-149	175	200	40
P2103.111-050	Type 1	106	M16	13	41	137-149	175	305	50
P2103.111-060	Type 1	106	M16	13	41	137-149	175	420	60
P2103.111-070	Type 1	106	M16	13	41	137-149	175	450	70
P2103.125-040	Type 1	123	M16	14	48	154-162	190	350	40
P2103.125-050	Type 1	123	M16	14	48	154-162	190	500	50
P2103.125-060	Type 1	123	M16	14	48	154-162	190	700	60
P2103.125-070	Type 1	123	M16	14	48	154-162	190	900	70
P2103.150-040	Type 1	156	M16	20	53.5	188-218	218	450	40
P2103.150-050	Type 1	156	M16	20	53.5	188-218	218	570	50
P2103.150-060	Type 1	156	M16	20	53.5	188-218	218	800	60
P2103.150-070	Type 1	156	M16	20	53.5	188-218	218	1000	70
P2103.151-040	Type 2	156	M16	14.5	53.5	125-132	164	450	40
P2103.151-050	Type 2	156	M16	14.5	53.5	125-132	164	570	50
P2103.151-060	Type 2	156	M16	14.5	53.5	125-132	164	800	60
P2103.151-070	Type 2	156	M16	14.5	53.5	125-132	164	1000	70
P2103.180-040	Type 2	186	M20	14.0	84.0	146-150	181	875	40
P2103.180-050	Type 2	186	M20	14.0	84.0	146-150	181	1200	50
P2103.180-060	Type 2	186	M20	14.0	84.0	146-150	181	1700	60
P2103.180-070	Type 2	186	M20	14.0	84.0	146-150	181	2400	70
P2103.220-040	Type 2	230	M24	19.0	105.0	180	220	1600	40
P2103.220-050	Type 2	230	M24	19.0	105.0	180	220	2400	50
P2103.220-060	Type 2	230	M24	19.0	105.0	180	220	3400	60
P2103.220-070	Type 2	230	M24	19.0	105.0	180	220	4200	70



P2104



Material

Rubber on black zinc plated steel (rubber hardness 40-70 Shore A).

Technical Notes

This mount has a v-shaped design providing high deflections for relatively low

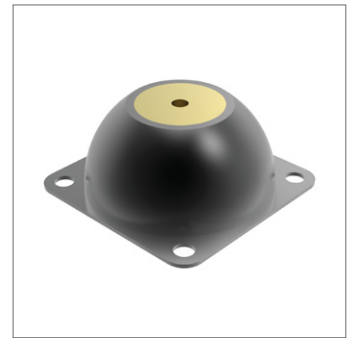
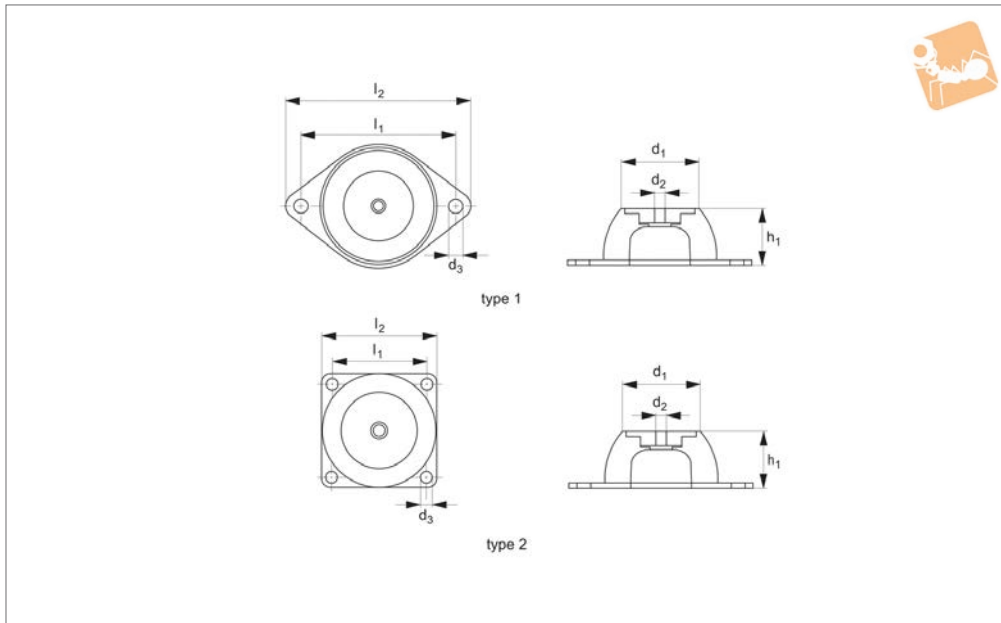
loads. This means that the natural frequency is low and ideal for engines which normally work at idle speed.

Tips

It is used in applications where the load to be supported is low, and where high

deflection is required to reach high vibration isolation levels. Marine engines, small vehicles or machines, small and medium sized generator sets.

Order No.	d ₁	d ₂	h ₁	h ₂	l ₁	w ₁	l ₂	l ₃	l ₄	l ₅	l ₆	Load kgf max.
P2104.16-40	12.2	M16	75	6.2	173	60	205	70	15.8	17	16.2	40
P2104.16-50	12.2	M16	75	6.2	173	60	205	70	15.8	17	16.2	75
P2104.16-60	12.2	M16	75	6.2	173	60	205	70	15.8	17	16.2	100
P2104.16-70	12.2	M16	75	6.2	173	60	205	70	15.8	17	16.2	150



P2105

ANTI-VIBRATION COMPONENTS

Material

Rubber on yellow zinc plated steel (rubber hardness 45-65 Shore A).

for machines that move in three directions. Oil anti-drip hoods can be supplied on request.

air conditioners, ventilators and vibrating tables.

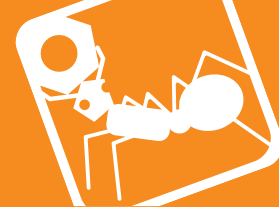
Technical Notes

The design of the mount makes them ideal

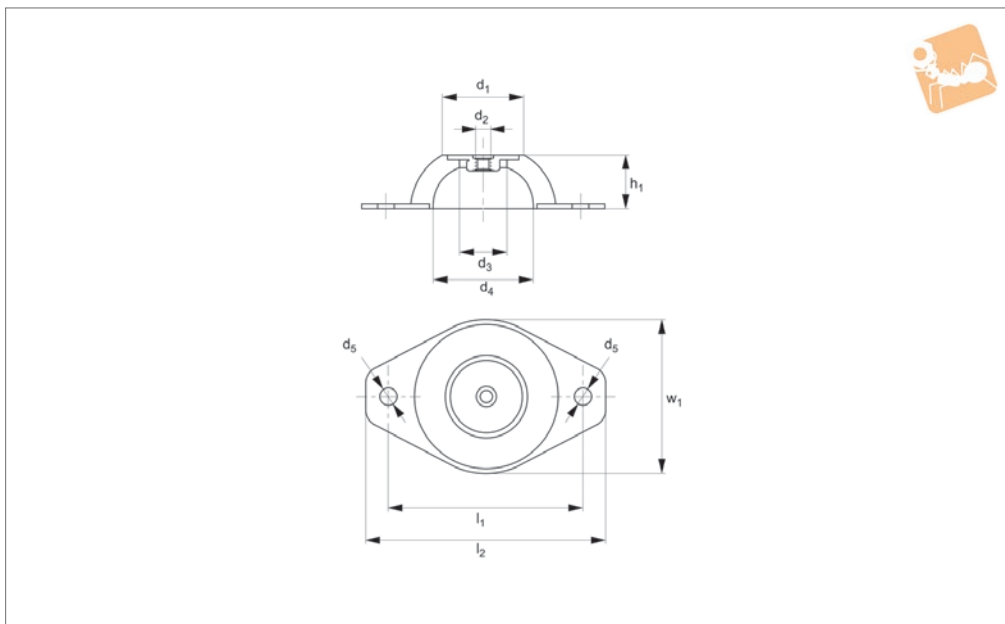
Tips

These mounts are found on compressors,

Order No.	Type	d ₁	d ₂	d ₃	h ₁	h ₂	l ₁	l ₂	Load kgf max.	Weight g
P2105.045-45	Type 1	33.0	M 8	8.0	25	2.0	66	85	20	70
P2105.045-60	Type 1	33.0	M 8	8.0	25	2.0	66	85	50	70
P2105.065-45	Type 1	52.0	M10	10.5	35	2.5	92	114	40	170
P2105.065-60	Type 1	66	M10	10.5	35	2.5	92	114	75	170
P2105.085-45	Type 1	52.0	M10	11.5	40	3.0	110	136	75	303
P2105.085-60	Type 1	52.0	M10	11.5	40	3.0	110	136	120	303
P2105.090-45	Type 1	57.5	M10	12.5	45	3.0	125	150	130	430
P2105.090-60	Type 1	57.5	M10	12.5	45	3.0	125	150	220	430
P2105.130-45	Type 2	78.0	M12	14.5	63	5.0	120	150	280	1080
P2105.130-60	Type 2	78.0	M12	14.5	63	5.0	120	150	500	1080
P2105.170-45	Type 2	100	M16	14.5	84	4.0	160	200	380	2390
P2105.170-60	Type 2	100	M16	14.5	84	4.0	160	200	750	2390
P2105.250-45	Type 2	187	M24	18.5	158	6.0	250	310	1400	10400
P2105.250-60	Type 2	187	M24	18.5	158	6.0	250	310	2500	10400



P2106



Material

Rubber on yellow zinc plated steel (rubber hardness 45-65 Shore A).

Technical Notes

The design of these mounts makes them ideal for the use with machines where

violation of vertical and horizontal vibration occur.

Tips

These mounting are particularly suitable for applications with low to medium dynamic amplitudes which enables the

mountings stiffness

rates to provide effective isolation.

Suitable for HVAC, ventilators, rotating pumps, torque or frequency converters, electric motors or power units.

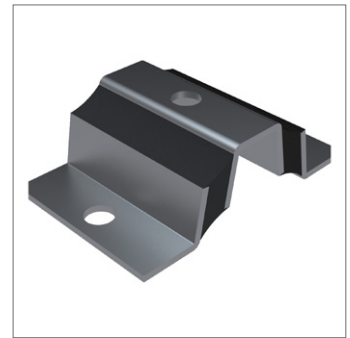
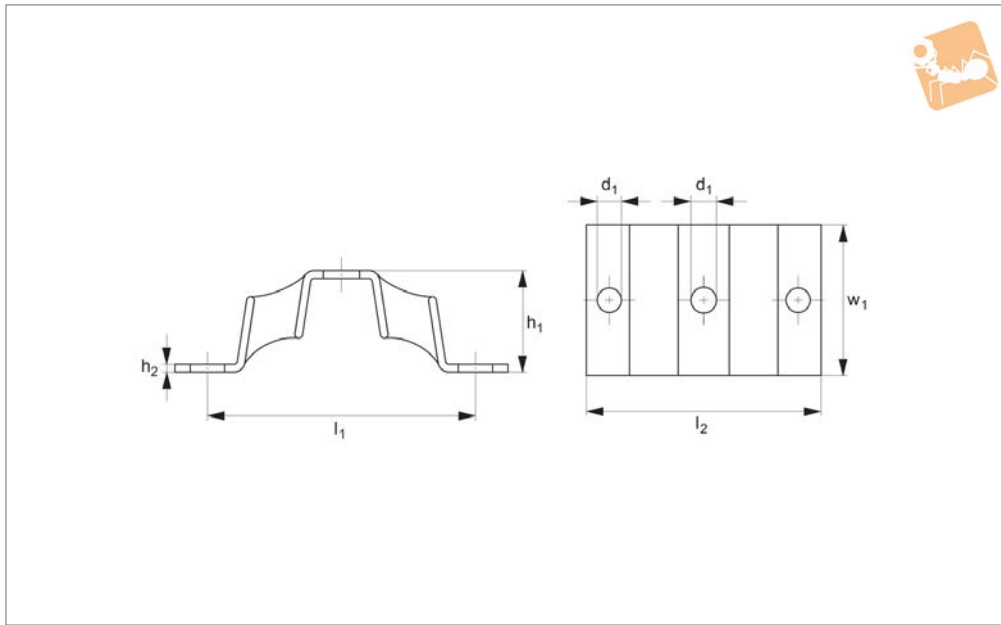
Order No.	d ₁	d ₂	d ₃	d ₄	d ₅	h ₁	l ₁	w ₁	l ₂	Load kgf max.	Weight g
P2106.045-45	24.5	M 6	19	29	6.25	17	52	43	64	4	28
P2106.045-60	24.5	M 6	19	29	6.25	17	52	43	64	10	28
P2106.060-45	32.0	M 6	14	39	6.50	21	76	60	95	15	73
P2106.060-60	32.0	M 6	14	39	6.50	21	76	60	95	25	73
P2106.080-45	51.0	M 8	25	65	8.50	25	100	86	120	75	130
P2106.080-60	51.0	M 8	25	65	8.50	25	100	86	120	110	130
P2106.100-45	54.0	M10	22	67	10.5	25	124	100	149	90	262
P2106.100-60	54.0	M10	22	67	10.5	25	124	100	149	160	262
P2106.150-45	76.0	M14	34	114	12.0	34	182	150	214	130	664
P2106.150-60	76.0	M14	34	114	12.0	34	182	150	214	250	664
P2106.200-45	128.0	M18	35	140	15.0	40	240	200	280	500	1615
P2106.200-60	128.0	M18	35	140	15.0	40	240	200	280	825	1615



Anti vibration Mounts v shaped

v shaped

Anti-Vibration Components



P2107

ANTI-VIBRATION COMPONENTS

Material

Rubber on silver zinc plated steel (rubber hardness 45-65 Shore A).

and one to the piece of equipment. Very good as a shock/isolating mount for oscillations higher than 15Hz.

and air conditioning units from the wall.

Technical Notes

Has a three point anchorage, two to a base

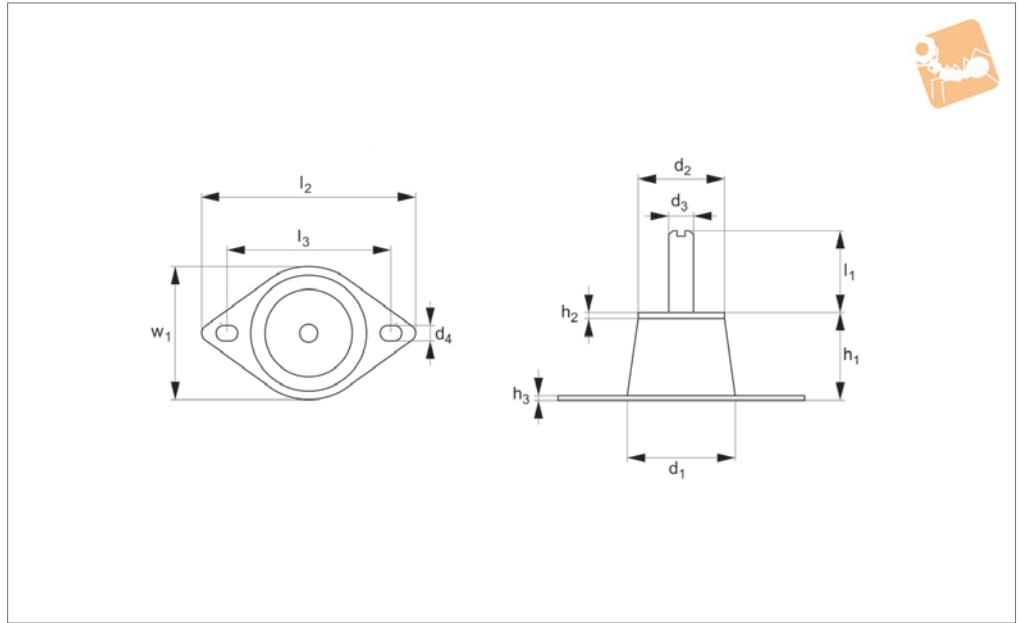
Tips

Can be used to hang compressors, speakers

Order No.	Shore hardness	d ₁	Compression max.	h ₁	h ₂	l ₁	w ₁	l ₂	Axial load kgf max.	Radial load kgf max.
P2107.045	45	12	2.5	35	3	90	73	112	60	60
P2107.055	55	12	3.5	35	3	90	73	112	65	65
P2107.065	65	12	6.0	35	3	90	73	112	70	70



P2108



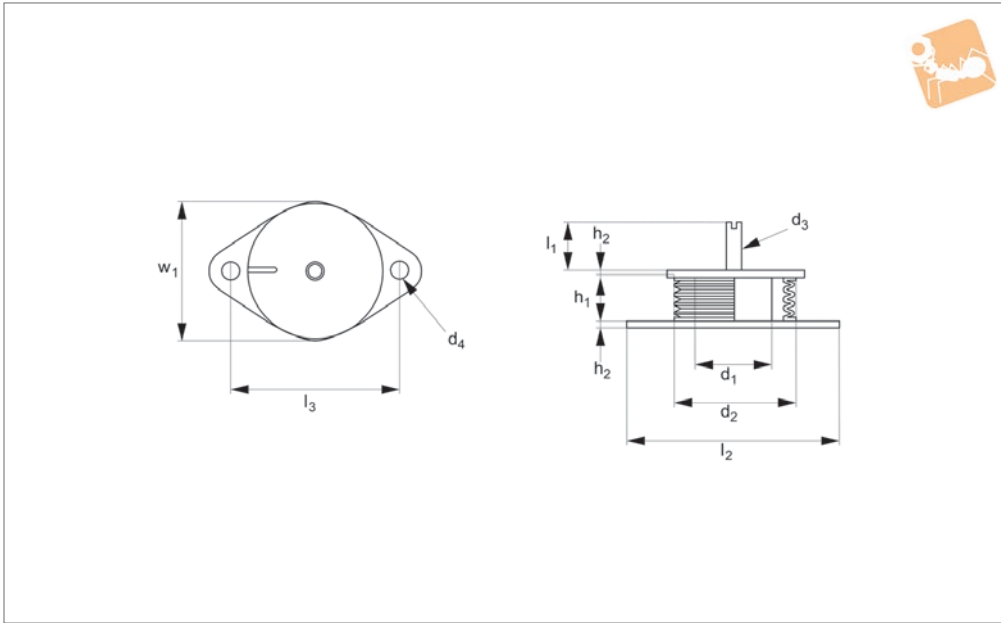
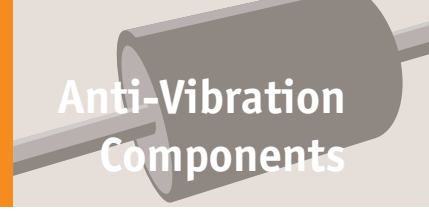
Material

Silicone gel on zinc plated steel base plate with a steel bolt.

Technical Notes

For applications that use a base plate instead of a bolt.

Order No.	d ₁	d ₂	d ₃	d ₄	h ₁	h ₂	h ₃	l ₁	w ₁	l ₂	l ₃	Resonance point Hz	Resonance magnification dB	Recommended frequency Hz	Optimum working load kgf
P2108.02-60	30	24	M6	4.2x6	22	2	1	18	36	60	46	15~10	12~13	22~	1,25-3,25
P2108.05-60	30	24	M6	4.2x6	22	2	1	18	36	60	46	13~9	15~16	19~	3,25-7,5
P2108.14-60	30	24	M6	4.2x6	22	2	1	18	36	60	46	12~9	19~21	17~	7,5-12,5



P2109

ANTI-VIBRATION COMPONENTS

Material

Silicone gel on silver zinc plated steel.
Stainless steel (A2) on request.

Technical Notes

For applications where a base plate is required and there is a need for damping

heavy-load vibration.

Order No.	d ₁	d ₂	d ₃	d ₄	h ₁	h ₂	l ₁	w ₁	l ₂	l ₃	Resonance point Hz	Resonance magnification dB	Recommended frequency Hz	Optimum working load kgf
P2109.30-35	45	76	M10	11	34	3	30	85	132	28	8~9	18~19	13~	25-35
P2109.50-75	45	76	M10	11	34	3	30	85	132	28	10~15	12~18	15~	30-75



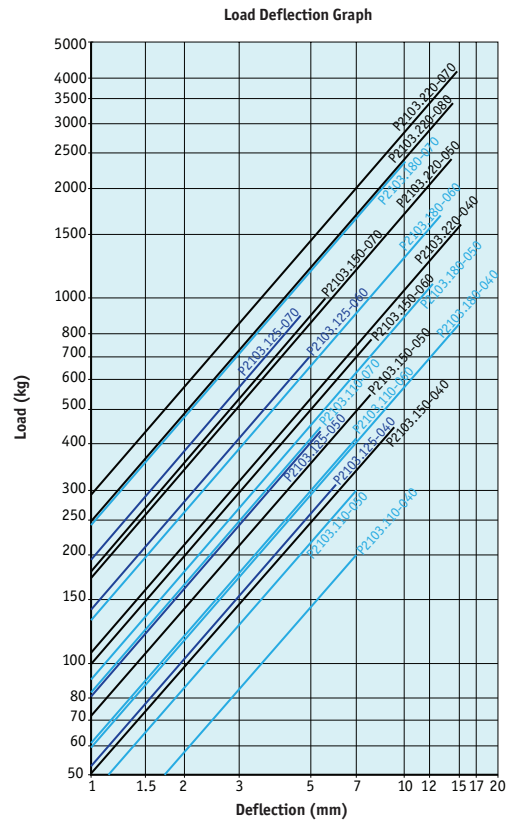
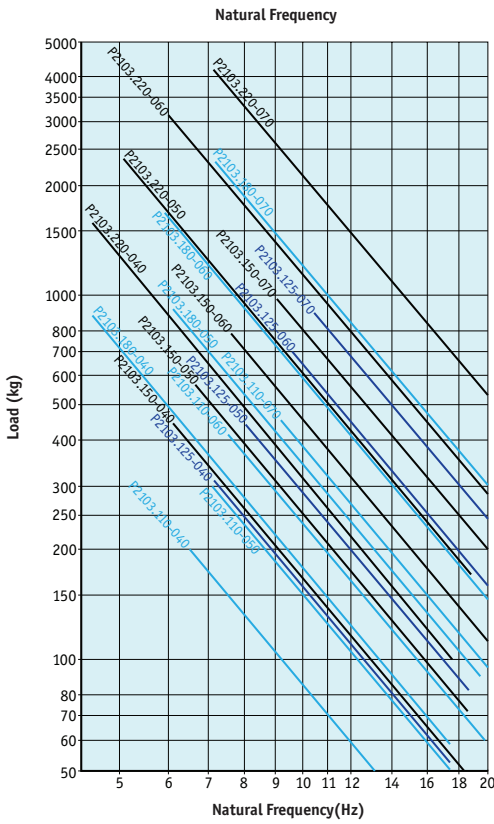
Technical Information

Frequency and Deflection Graph



Mounts

P2103.110 - P2103.220



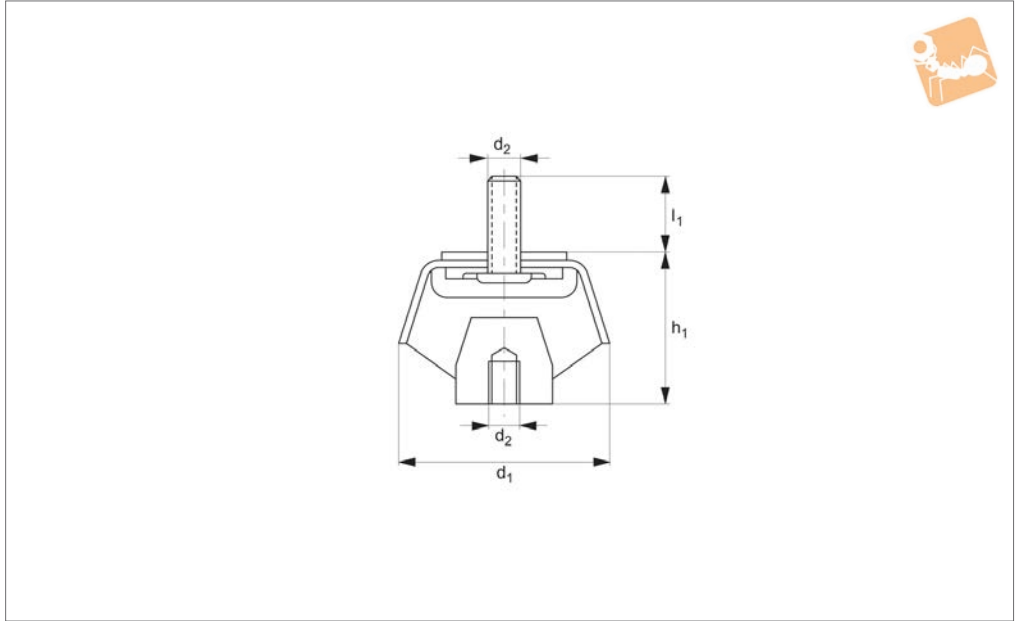
Mounts from Automotion Components

ANTI-VIBRATION COMPONENTS

ov-W61280-AP2103-T-graph-b-rnh-Updated-15-02-2023



P2040



Material

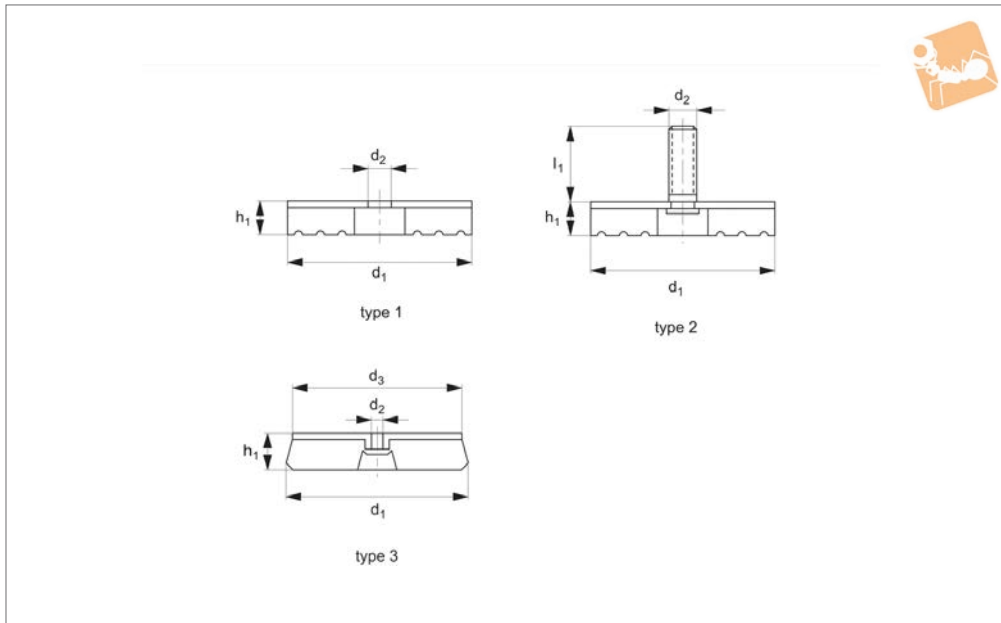
Rubber on silver zinc plated steel.

Technical Notes

With a bell-like base this unit is suitable

for supporting most applications, such as engine suspensions. It can also be used to carry horizontal loads.

Order No.	Shore hardness	d ₁	l ₁	d ₂	h ₁	Load kgf max.
P2040.050	50 A	55	23	M10	40	30
P2040.060	60 A	55	23	M10	40	60
P2040.070	70 A	55	23	M10	40	120



P2041

ANTI-VIBRATION COMPONENTS

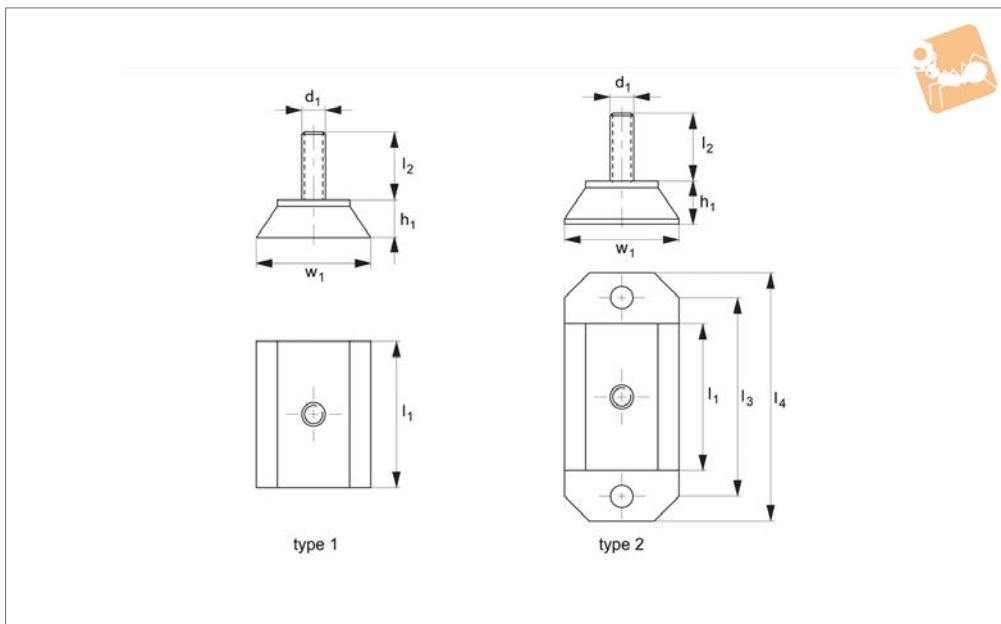
Material

Rubber on zinc plated steel.

Order No.	Type	d ₁	l ₁	d ₂	d ₃	h ₁	Compression max.	Static load kgf max.
P2041.050	Type 1	50	-	10.5	-	15	2.2	180
P2041.085	Type 1	85	-	10.5	-	15	1.6	450
P2041.155	Type 2	55	25	M12	-	16	2.2	180
P2041.185	Type 2	85	25	M12	-	16	1.6	450
P2041.225	Type 2	125	25	M12	-	16	2.2	800
P2041.550	Type 3	50	-	6.0	45	18	2	50
P2041.591	Type 3	91	-	6.5	86	18	2	350
P2041.638	Type 3	138	-	10.5	130	25	2.6	900



P2042



Material

Rubber on silver zinc plated steel (rubber hardness - 55 Shore A).

Technical Notes

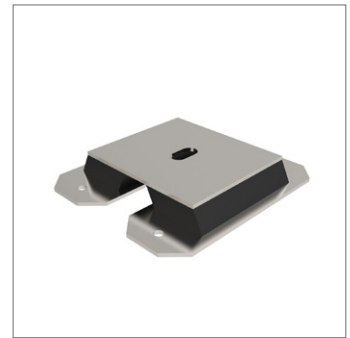
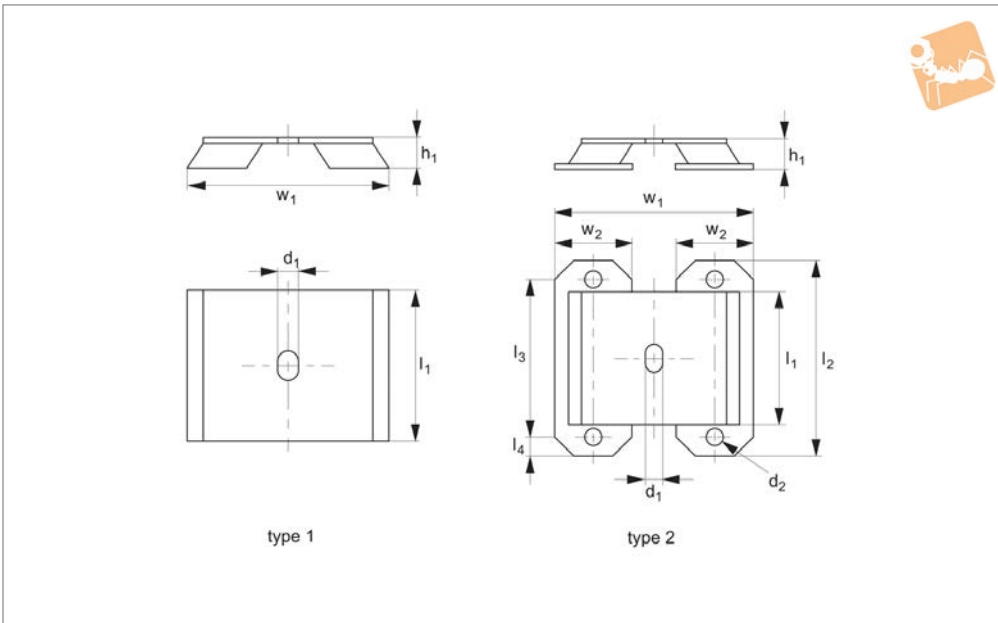
Used to support machine tools and packaging machinery.

Provides vibration isolation for frequencies higher than 20Hz.

Order No.	Type	d ₁	l ₁	h ₁	l ₂	l ₃	l ₄	w ₁	Axial load kgf max.	Compression max.
P2042.050	Type 1	M12	50	20	37	-	-	60	250	2
P2042.100	Type 1	M12	100	20	37	-	-	60	500	2
P2042.150	Type 1	M12	150	20	37	-	-	60	750	2
P2042.200	Type 1	M12	200	20	37	-	-	60	1000	2
P2042.550	Type 2	M12	50	23	37	85	115	60	250	2
P2042.600	Type 2	M12	100	23	37	135	165	60	500	2
P2042.650	Type 2	M12	150	23	37	185	215	60	750	2
P2042.700	Type 2	M12	200	23	37	235	265	60	1000	2

Anti-vibration Mounts rectangular

Anti-Vibration Components



P2043

ANTI-VIBRATION COMPONENTS

Material

Rubber on silver zinc plated steel (rubber hardness - 55 Shore A).

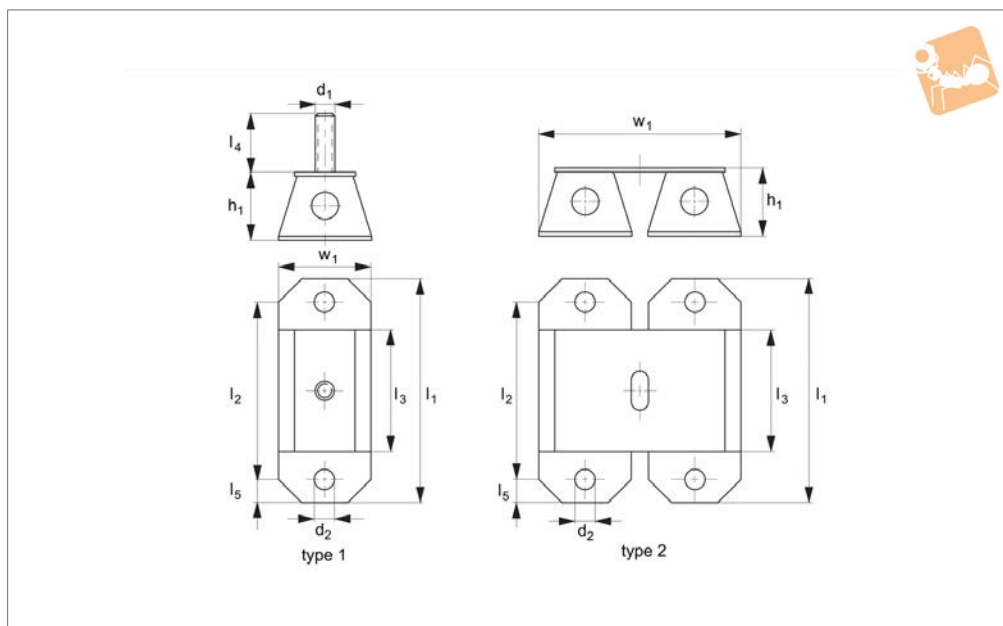
Technical Notes

Used where transverse loads are present.

Order No.	Type	d ₁	l ₁	h ₁	l ₂	l ₃	l ₄	w ₁	w ₂	Compression max.	Static load kgf max.
P2043.100	Type 1	13	100	20	-	-	-	130	-	2	850
P2043.550	Type 2	13	150	23	215	185	15	145	60	2	1300
P2043.600	Type 2	13	200	23	265	235	15	145	60	2	1700



P2044



Material

Rubber on silver zinc plated steel (rubber hardness - 55 Shore A).

Technical Notes

Type 1: M12 thread supplied as separate

item to be screwed in if required.

Type 2: A twin version of type 1 and so therefore take heavier loads.

The central hole in the rubber pad increases the flexibility of the unit - improving

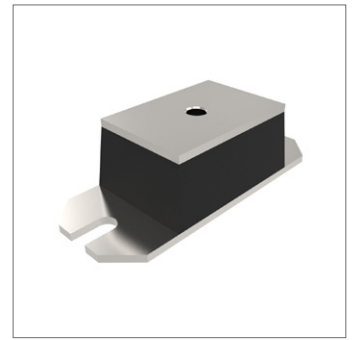
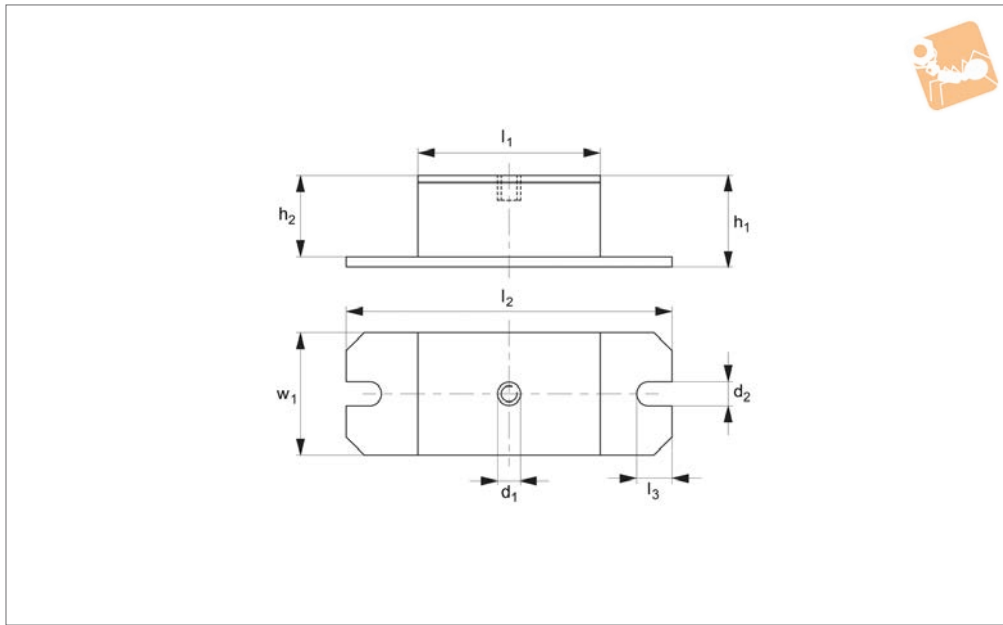
anti-vibration properties.

Used where good deflection properties are needed and for isolating of frequencies higher than 10Hz.

Order No.	Type	d ₁	l ₁	d ₂	h ₁	l ₂	l ₃	l ₄	l ₅	w ₁	Axial load kgf max.	Compression max.
P2044.050	Type 1	M12	115	13	45	85	50	37	15	60	120	8
P2044.100	Type 1	M12	165	13	45	135	100	37	15	60	250	8
P2044.150	Type 1	M12	215	13	45	185	150	37	15	60	350	8
P2044.200	Type 1	M12	265	13	45	235	200	37	15	60	500	8
P2044.500	Type 2	-	165	13	45	135	100	-	15	130	500	8
P2044.550	Type 2	-	215	13	45	185	150	-	15	130	700	8
P2044.600	Type 2	-	265	13	45	235	200	-	15	130	1000	8

Anti-vibration Mounts rectangular

Anti-Vibration Components



P2045

ANTI-VIBRATION COMPONENTS

Material

Rubber on silver zincplated steel.

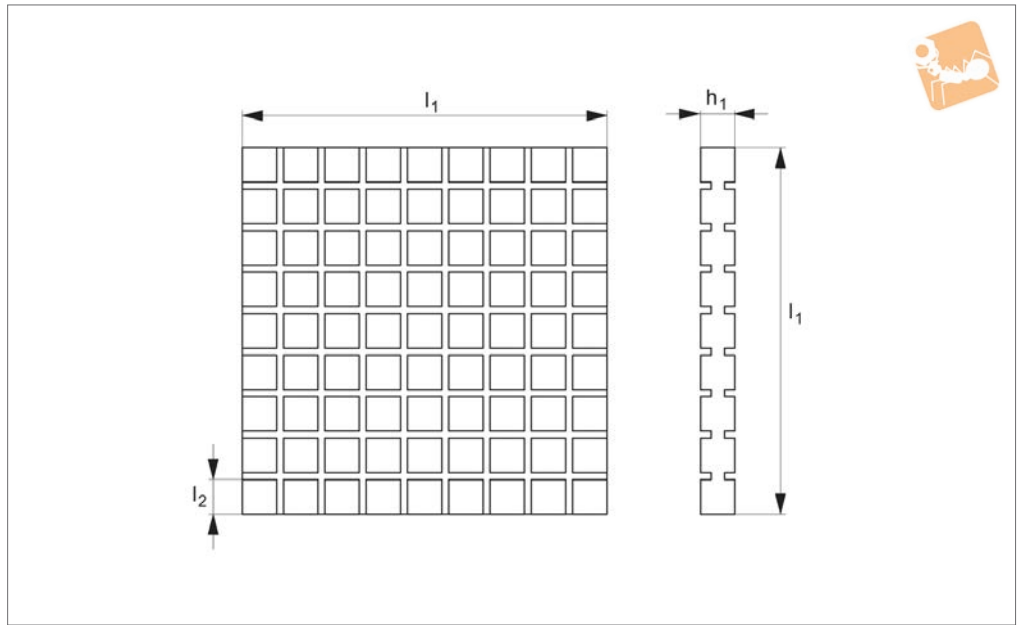
Tips

Particularly useful for fans, generators, motors etc.

Order No.	Shore hardness	d_1	l_1	d_2	h_1	h_2	l_2	l_3	w_1	Load kgf max.
P2045.070	70 A	M12	100	13	50	45	180	25	70	1000
P2045.055	55 A	M12	100	13	50	45	180	25	70	500
P2045.080	80 A	M12	100	13	50	45	180	25	70	1200



P2050



Material

Rubber (hardness - 55 Shore A).

Technical Notes

The pad can be cut to suit the application

as required.

Differs from a plain rubber mat as the squared units can deform - improving its anti-vibration features.

Tips

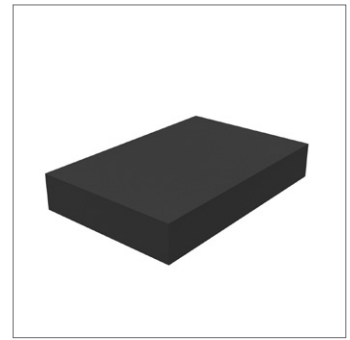
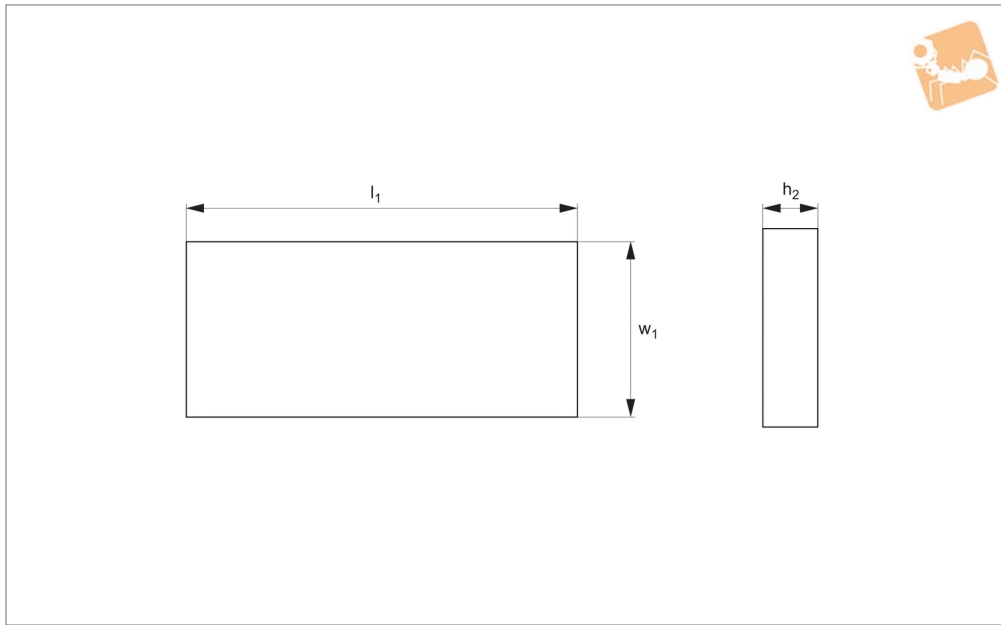
High frequency isolation (30-40Hz).
Own frequency 18Hz.

Order No.	l_1	l_2	h_1	Compression max.	Load kgf/cm^2 max.
P2050.214	210	10	14	2	8
P2050.305	300	10	5	1	8
P2050.307	300	10	7	1.6	8
P2050.507	500	10	7	1	8



Rubber Pads rectangular

Anti-Vibration Components



P2051

ANTI-VIBRATION COMPONENTS

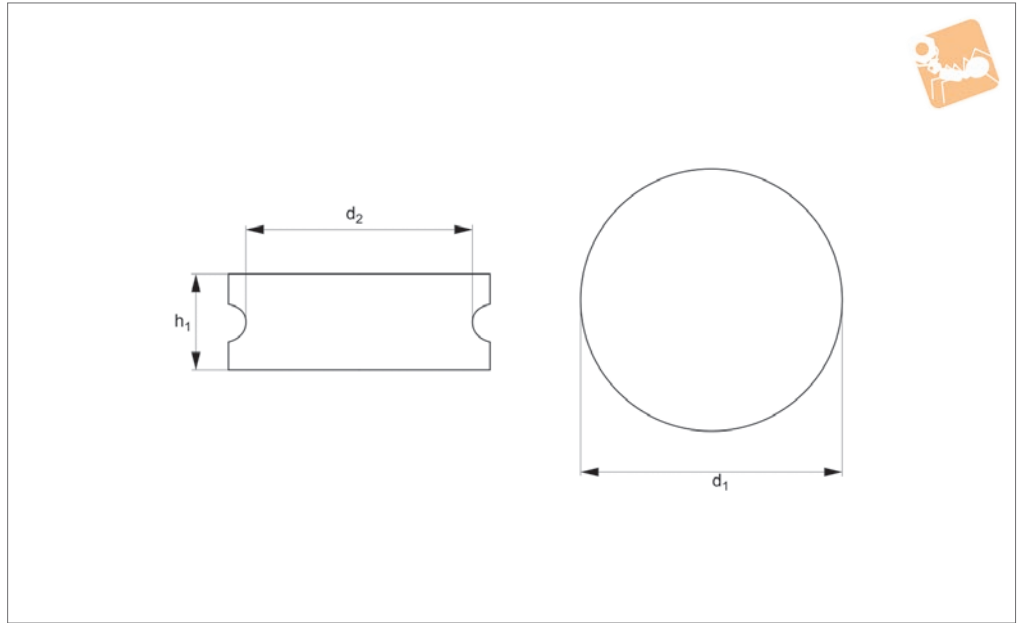
Material

Rubber (hardness - 50 or 65 Shore A).

Order No.	l_1	w_1	h_1	Compression max.	Shore hardness	Load kgf max.
P2051.050	50	50	25	4	50	200
P2051.051	50	50	25	4	65	350
P2051.060	60	60	40	6	50	250
P2051.061	60	60	40	6	65	450
P2051.080	81	81	44	6	50	400
P2051.081	81	81	44	6	65	600
P2051.150	100	150	25	4	50	1100
P2051.151	100	150	25	4	65	3400
P2051.183	121	183	33	5	50	1400
P2051.184	121	183	33	5	65	2000
P2051.240	200	240	30	4.5	50	2500
P2051.241	200	240	30	4.5	65	3500



P2052



Material

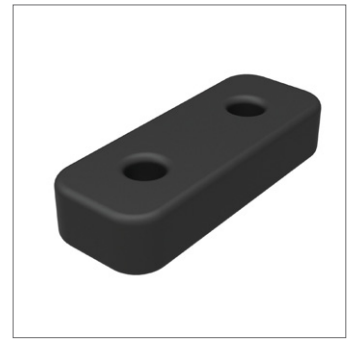
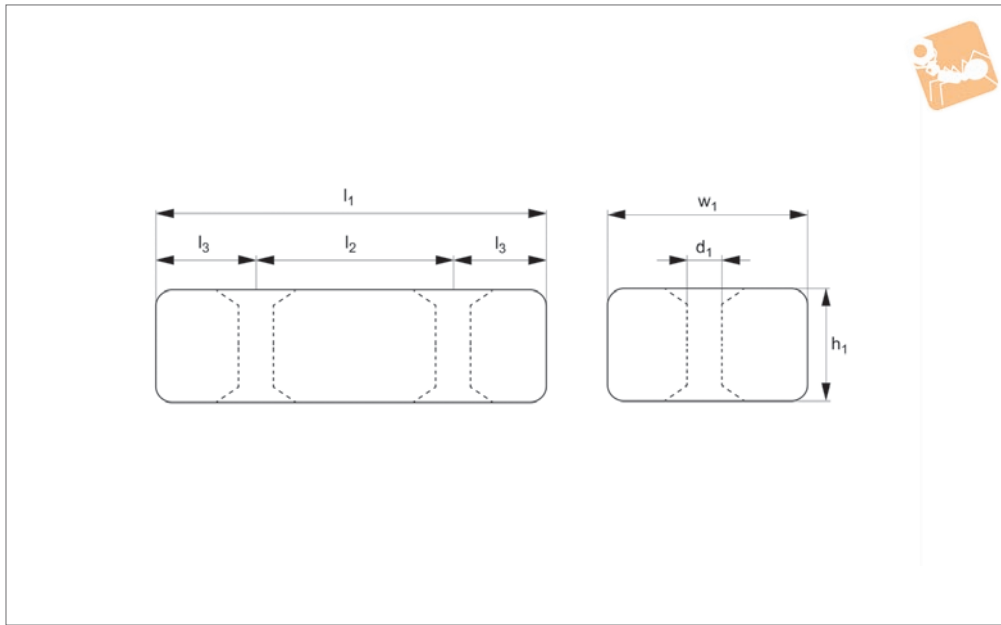
Rubber (hardness - 65 Shore A).

Order No.	d ₁	d ₂	h ₁	Load kgf max.
P2052.140	140	127	45	900
P2052.150	150	138	45	1000



Rubber Pads with holes with holes

Anti-Vibration Components



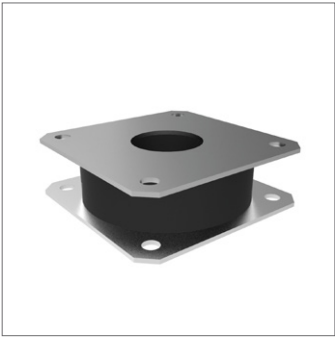
P2053

ANTI-VIBRATION COMPONENTS

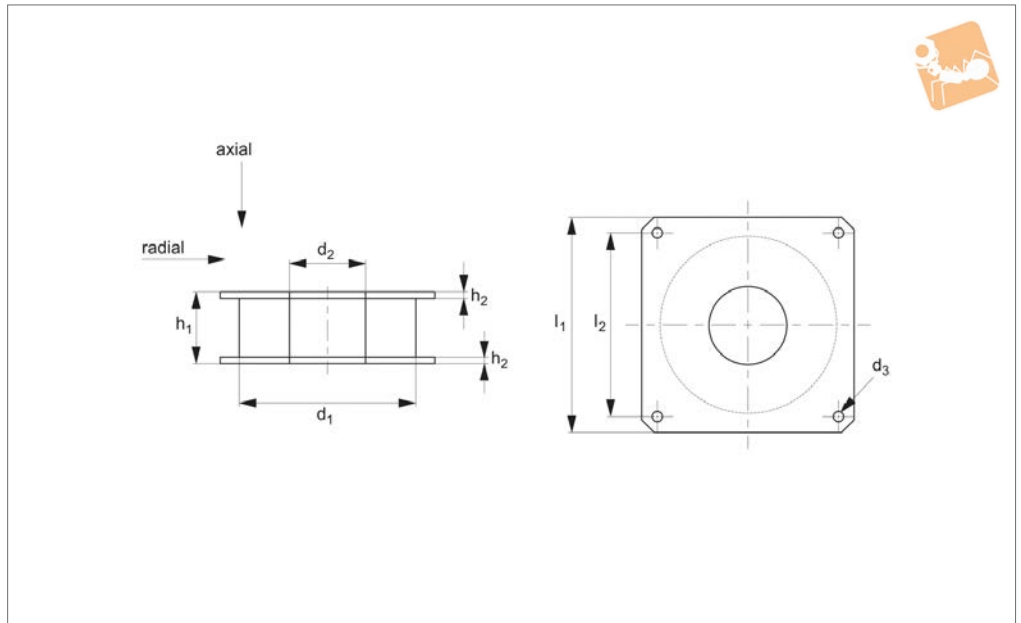
Material

Rubber (hardness - 65 Shore A).

Order No.	l_1	w_1	d_1	l_2	l_3	h_1	Compression max.	Load kgf max.
P2053.300	295	115	35	150	72.5	60	9	3000



P2054



Material

Rubber on silver zinc plated steel (rubber hardness - 65 Shore A).

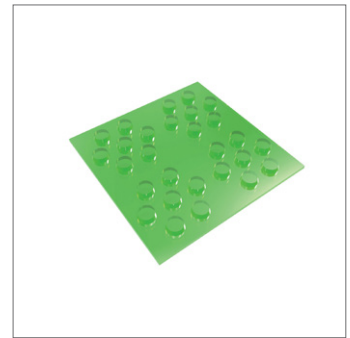
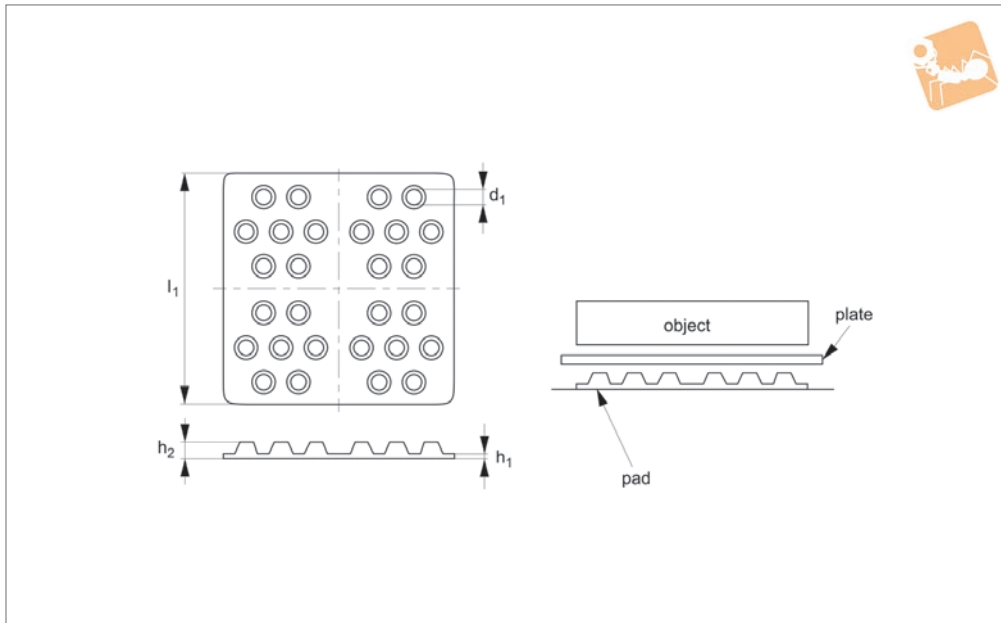
Order No.	l_1	d_1	d_2	d_3	l_2	h_1	h_2	Axial compression max.	Radial compression max.	Axial load kgf max.	Radial load kgf max.
P2054.135	135	120	50	9	105	42	3	15	10	2500	300
P2054.170	170	140	65	15	145	100	4	15	10	2500	300
P2054.180	180	160	60	9	140	46	4	15	10	2500	300
P2054.210	210	185	70	11	165	55	5	15	10	2500	300
P2054.250	250	230	100	16	215	48	4	15	10	2500	300



Anti-vibration Pads

silicone gel

Anti-Vibration Components



P2056

ANTI-VIBRATION COMPONENTS

Material
Silicone gel.

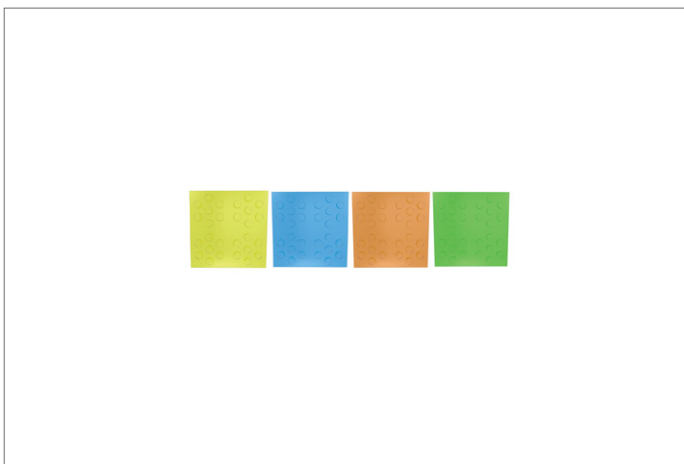
Technical Notes
If your application is too light to use with a full pad, you can simply add a plate to the pad to increase the overall load (as shown in the drawing). The pad can be cut up into 2 or 4 pieces to place under your applica-

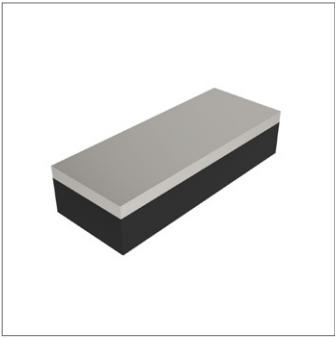
tion depending on load. This can be used for applications that require protection from small knocks and vibrations, for example laboratory and precision equipment. The silicone gel has a unique molecular structure that spreads the impact three dimensionally. This vibration pad is environmentally friendly and can with-

stand temperatures ranging from -40C up to 200C.

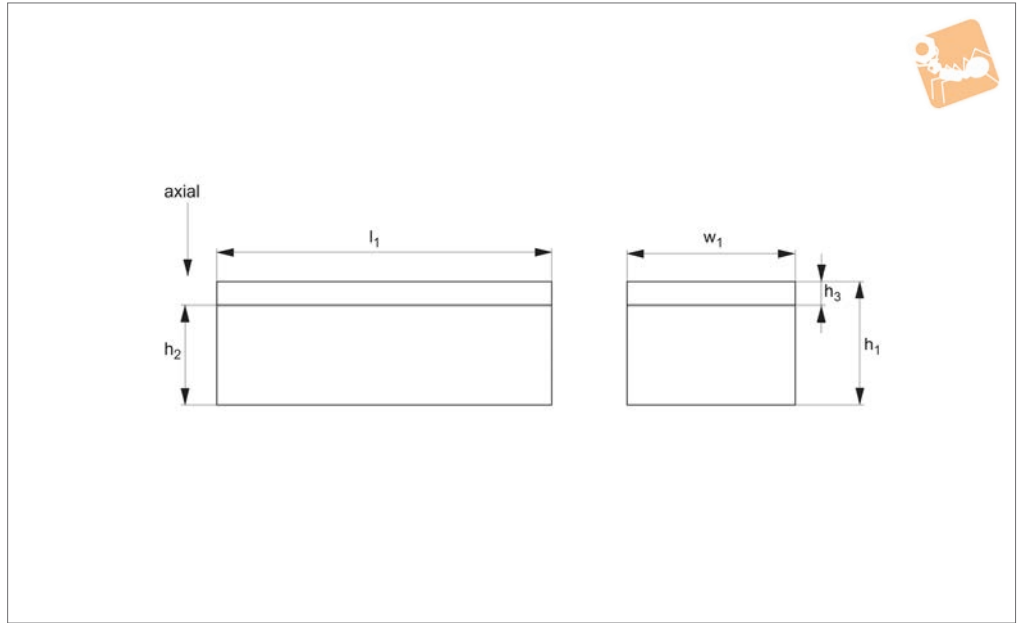
Tips
Peel off PET film before use to reveal the adhesive. They can be used repeatedly simply by removing the application, then repositioning in the desired place.

Order No.	Colour	l ₁	d ₁	h ₁	h ₂	Compression max.	Resonance point Hz	Resonance magnification dB	Recommended frequency Hz	Optimum load kg
P2056.100-002	Yellow	100	10	2	5	1,4~3,0	27~21	6	38~	0,5~2
P2056.100-005	Green	100	10	2	5	1,5~2,5	29~23	8	40~	2~5
P2056.100-015	Orange	100	10	2	5	1,1~2,2	26~18	13	37~	5~15
P2056.100-050	Blue	100	10	2	5	0,7~2,0	22~	20~18	30~	15~50





P2060



Material

Rubber on silver zinc plated steel (rubber hardness - 60 Shore A).

be drilled to suit the number of threads, thread sizes and the pitch you require. request.

Technical Notes

The metal plate is provided blank so it can

Part no. P2060.0500-125 has a ribbed base. Other sizes can be supplied on

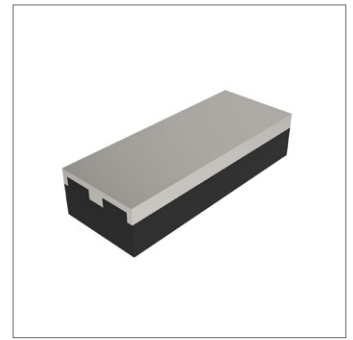
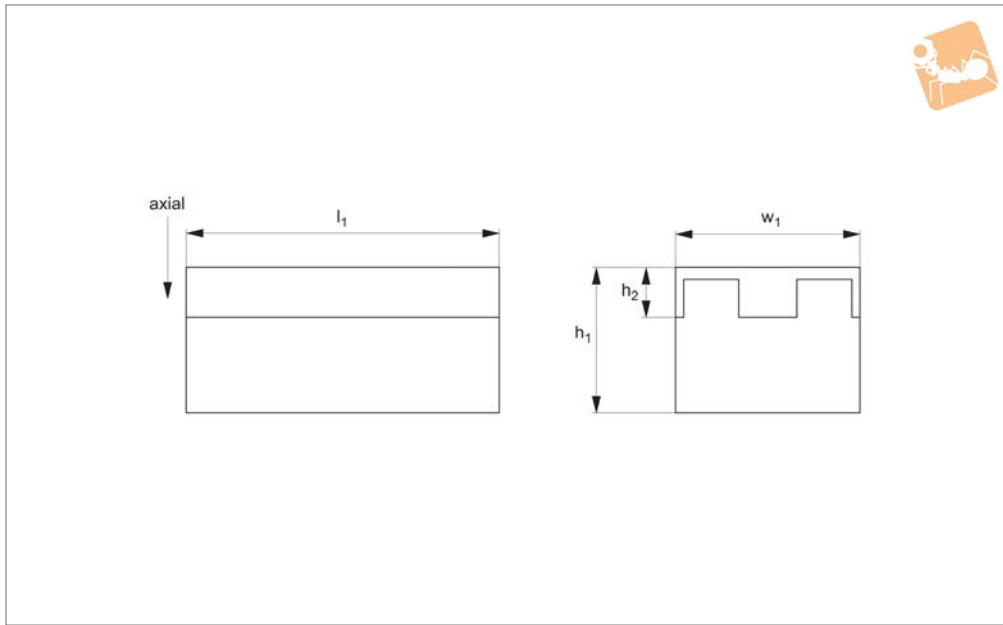
Order No.	l_1	w_1	h_1	h_2	h_3	Axial load kgf max.	Compression max.
P2060.1250-035	1250	35	40	30	10	2500	2.0
P2060.0180-070	180	70	40	30	10	1000	2.8
P2060.0245-070	245	70	40	30	10	1300	3.7
P2060.0285-070	285	70	40	30	10	2000	3.6
P2060.0320-070	320	70	40	30	10	2700	3.5
P2060.0250-120	250	120	40	28	12	5000	3.3
P2060.0500-125	500	125	30	15	15	10000	4.0



Anti-vibration Impact Plates

metal-rubber

Anti-Vibration Components



P2061

ANTI-VIBRATION COMPONENTS

Material

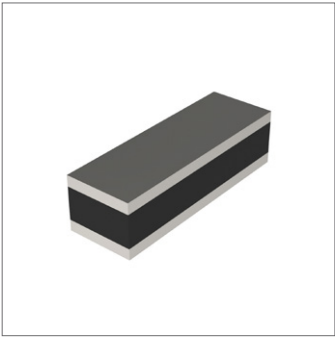
Rubber on silver zinc plated steel (rubber hardness - 60 Shore A).

Technical Notes

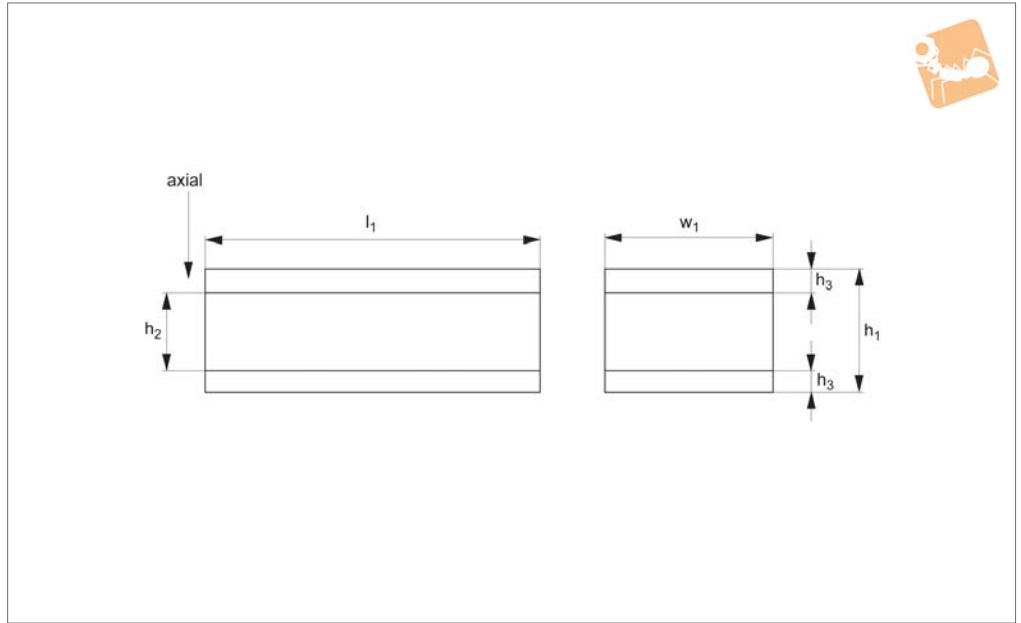
The metal plate is provided blank so it can be drilled to suit the number of threads,

thread sizes and the pitch you require. Other sizes can be supplied on request.

Order No.	l_1	w_1	h_1	h_2	Axial load kgf max.
P2061.350-060	350	60	40	13	1000
P2061.450-060	450	60	40	13	1500
P2061.550-060	550	60	40	13	2000



P2062



Material

Rubber on silver zinc plated steel (rubber hardness - 60Shore A).

can be drilled to suit the number of threads, thread sizes and the pitch you require. Other sizes can be supplied on request. Suitable for very heavy loads.

Technical Notes

The metal plates are provided blank so they

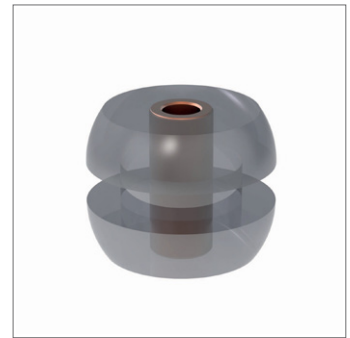
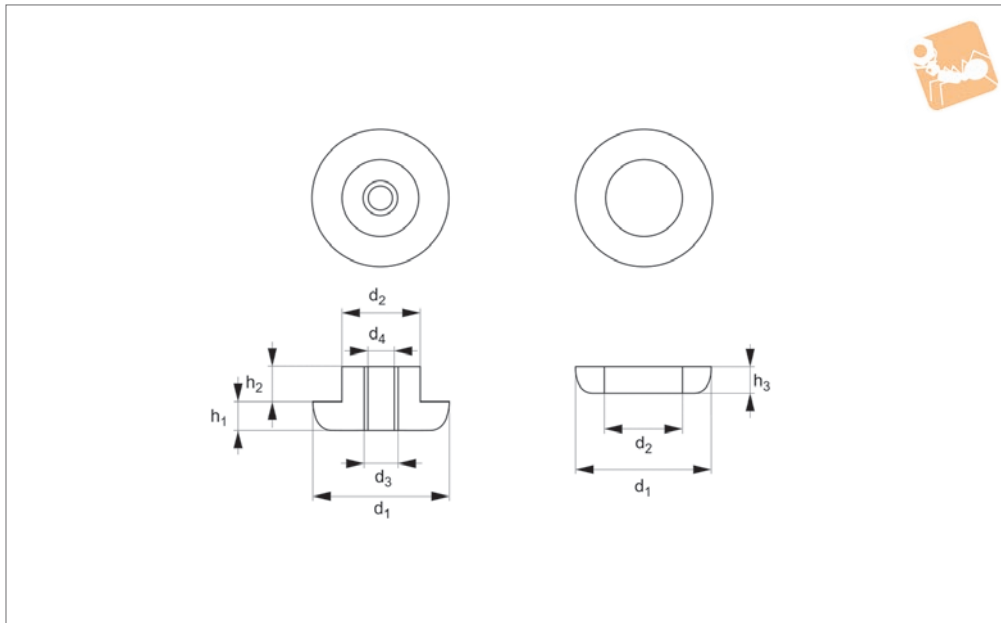
Order No.	l_1	w_1	h_1	h_2	h_3	Axial load kgf max.
P2062.550-040	550	40	40	24	8	2200
P2062.515-050	515	50	40	20	10	2800
P2062.516-050	515	50	50	30	10	2570
P2062.650-060	650	60	50	30	10	3900
P2062.651-060	650	60	60	40	10	3500
P2062.600-070	600	70	50	30	10	4200
P2062.601-070	600	70	55	35	10	4000
P2062.600-080	600	80	80	50	15	4320
P2062.415-100	415	100	60	30	15	4150
P2062.416-100	415	100	80	50	15	3740
P2062.500-150	500	150	80	50	15	6750



Anti-vibration Bushes

silicone gel, two-piece

Anti-Vibration Components



P2071

ANTI-VIBRATION COMPONENTS

Material
Silicone gel.

Technical Notes
This anti-vibration bush is ideal for applications with very light loads, such as PCBs and computer components. This range is handmade and has a unique molecular

structure that spreads the impact three dimensionally. This gives it outstanding vibration and shock absorbing properties. It is able to dampen to lower frequencies than bushes made of neoprene or rubber. These effective qualities are reflected in the cost. For a lower cost alternative

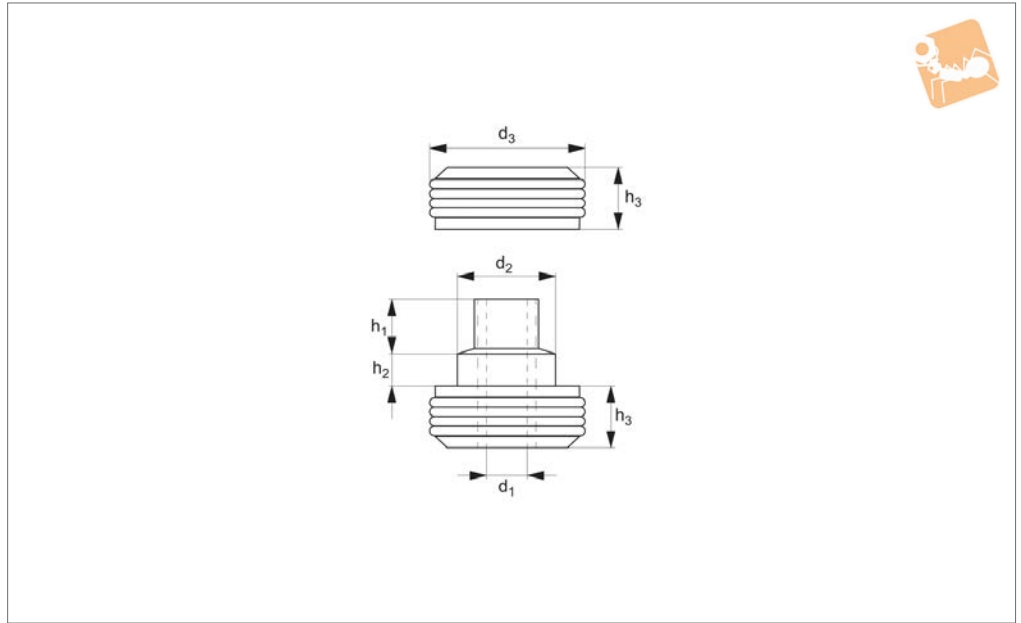
please see part number P2072.

Important Notes
The double washer mounts are made of two parts of gel, one of which incorporates an internal metal bush which acts as a guide.

Order No.	d ₁	h ₁	d ₂	d ₃	d ₄	h ₂	h ₃	Resonance point Hz	Resonance magnification dB	Recommended frequency Hz	Optimum working load kgf
P2071.01-11	11	3	7	4	3	3,5	3	64~42	7~9	0,2kg: 90~ 0,75kg : 60~	0,05-0,1875
P2071.01-14	14	4	9	5	3	4	4	67~35	9~10	0,5kg: 95~ 2,5kg : 50~	0,125-0,625
P2071.01-25	25	5	14	6	4	6,5	5	49~23	15~17	4kg: 70~ 15kg : 35~	1-3,75
P2071.02-14	14	4	9	5	4	4	4	49~37	15~16	2,5kg: 70~ 4,0kg : 55~	0,625-1,0
P2071.02-25	25	5	14	6	4	6,5	5	38~20	19~23	15kg: 40~ 32kg : 25~	3,75-8



P2072



Material

Rubber on silver zinc plated steel

Technical Notes

This anti-vibration mount is ideal for applications of major dynamic loads where

movement control is necessary, such as in the cabin of all types of mobile vehicles. It also offers optimal stability, as well as good attenuation of impacts and vibrations.

Important Notes

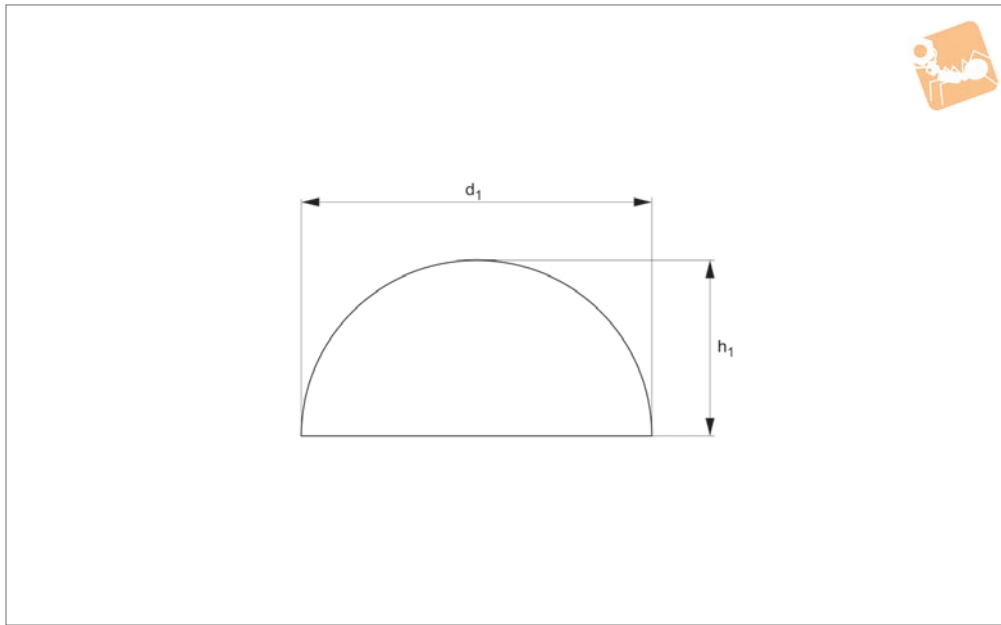
The double washer mounts are made of two parts of rubber, one of which bears an inside metal bushing which acts as a guide through the machine anchoring screw.

Order No.	d ₁	h ₁	d ₂	d ₃	h ₂	h ₃	Load kgf	Plate min.	Plate max.	Weight g
P2072.50-45	13.5	18.5	31.5	49	11	20	80	12.5	14	153
P2072.50-60	13.5	18.5	31.5	49	11	20	130	12.5	14	153
P2072.65-45	17.0	24.0	39.5	64	15	23	120	19.0	22	350
P2072.65-60	17.0	24	39.5	64	15	23	260	19.0	22	350
P2072.90-45	23.0	31.0	58.0	88	17	25	260	25.0	29	675
P2072.90-60	23.0	31.0	58.0	88	17	25	450	25.0	29	675



Anti-vibration Bushes hemisphere

Anti-Vibration Components



P2073

ANTI-VIBRATION COMPONENTS

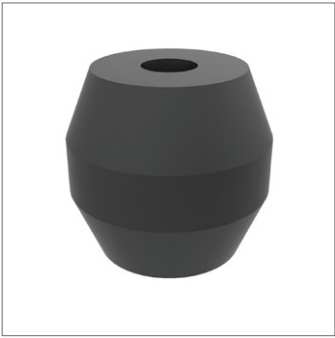
Material
Sorbothane.

Technical Notes
Sorbothane hemisphere mounts provide a

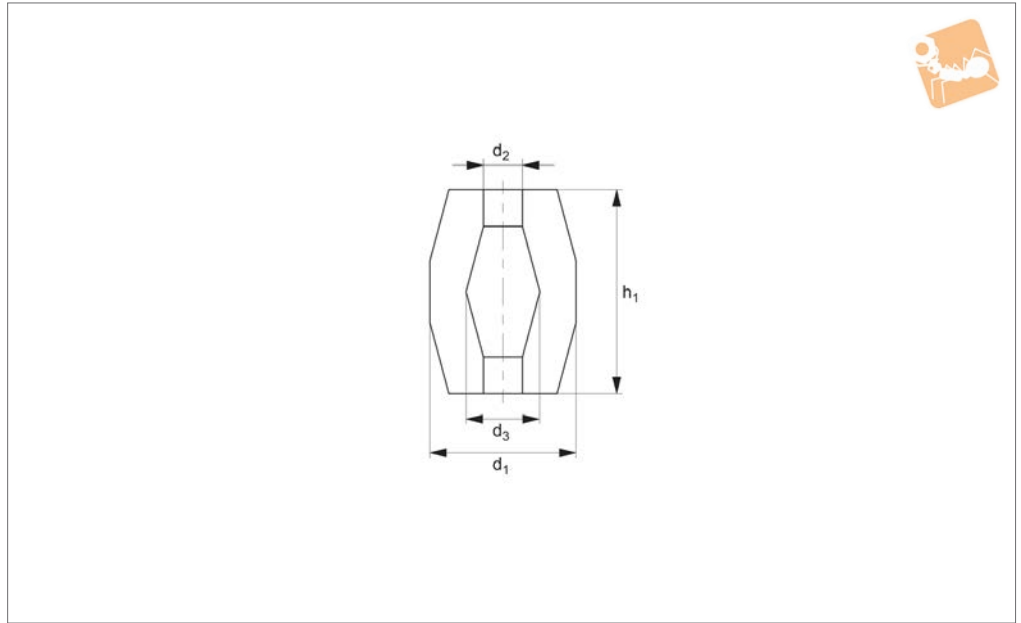
quick, cost effective method of isolating bench equipment and small machinery. Simply place the hemisphere under the unit to be isolated with the curved surface

up. Expect a 25-30% deflection when statically loaded.

Order No.	Type	d ₁	h ₁	Load N max.
P2073.019	Without adhesive	19.0	9.5	2.5
P2073.032	Without adhesive	31.8	15.8	5.0
P2073.050	Without adhesive	50.8	25.5	8.5
P2073.019-A	With adhesive	19.0	9.5	2.5
P2073.032-A	With adhesive	31.8	15.8	5.0
P2073.050-A	With adhesive	50.8	25.5	8.5



P2074



Material

Rubber (hardness - 55 Shore A).

Technical Notes

Used in a wide range of vibrating

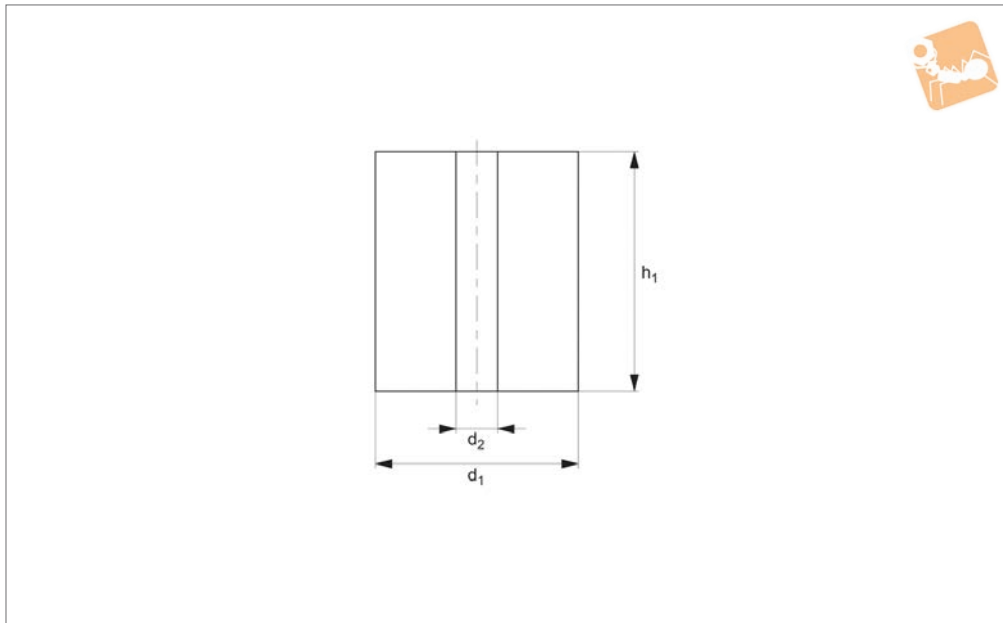
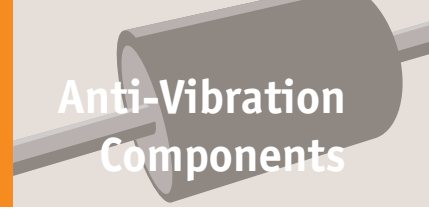
machines.

Allows high deformation with excellent spring back characteristics.

Supports axial and radial loads but not

designed for traction or tension loads. For radial loads please contact our Technical Department.

Order No.	d ₁	h ₁	d ₂	d ₃	Compression max.	Axial load kgf max.
P2074.095	95	88	23	30	28	200
P2074.100	100	110	20	30	36	500
P2074.150	150	90	35	35	24	2000
P2074.188	188	180	41	41	80	3500
P2074.155	155	150	30	25	64	2500
P2074.144	144	122	40	23	48	1000



P2075

ANTI-VIBRATION COMPONENTS

Material

Rubber (hardness - Shore 55 A).

Technical Notes

Used in a wide range of vibrating

machines.

Allows high deformation with excellent spring back characteristics.

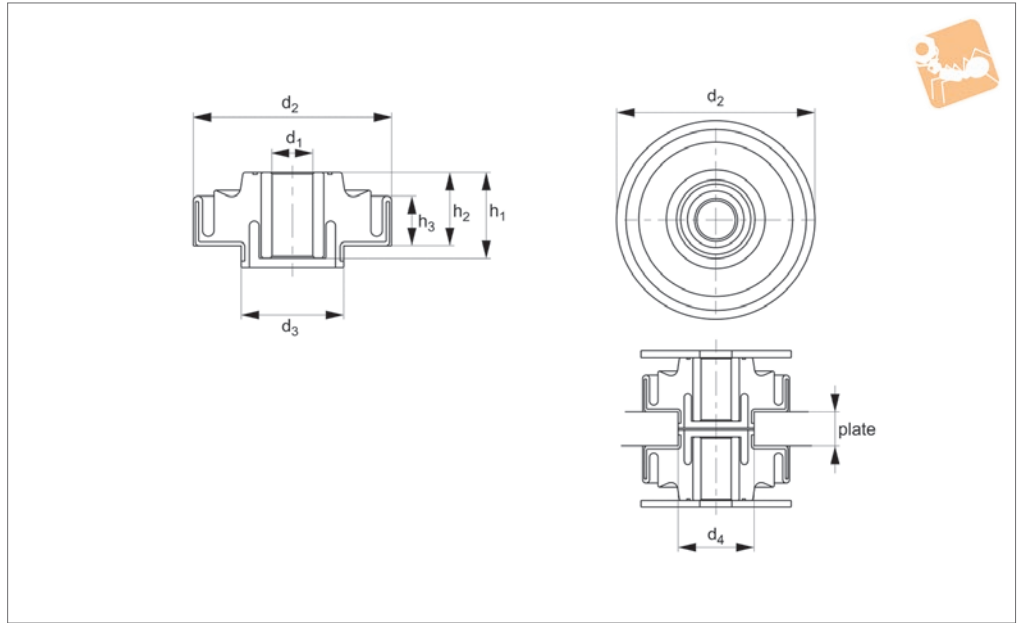
Supports axial and radial loads but not

designed for traction or tension loads. For radial loads please contact our technical team.

Order No.	d_1	h_1	d_2
P2075.020-015	20	15	6
P2075.030-020	30	20	8
P2075.030-022	30	22	8
P2075.035-030	35	30	12
P2075.035-040	35	40	12
P2075.040-030	40	30	10
P2075.045-035	45	35	10
P2075.045-045	45	45	10
P2075.050-045	50	45	10
P2075.060-040	60	40	12
P2075.070-045	70	45	14
P2075.080-050	80	50	16
P2075.080-080	80	80	20
P2075.093-120	93	120	20
P2075.100-060	100	60	20
P2075.100-147	100	147	20
P2075.110-070	110	70	22
P2075.130-060	130	60	25
P2075.148-190	148	190	50
P2075.160-100	160	100	30
P2075.170-110	170	110	31
P2075.200-125	200	125	70
P2075.250-300	250	300	60



P2076



Material

Rubber on yellow zinc plated steel (rubber hardness 45-65 shore).

Technical Notes

These mounts are installed in pairs. Installation is simplified as both mounts are fixed with one through bolt and washers at each end of the installed mount.

The mount is provided with a built in snubbing system that allows the following maximum displacements:

Vertical:

- Vertical: ±6 mm
- Horizontal: ±3 mm

Tips

These mounts are for use in agricultural or construction equipment, marine equipment, generators, compressors and chassis frames.

Important Notes

These mounts are provided with a built in radial wear plate that prevents the elastic element coming into contact with the sharp edges of laser cut holes in support frames or structures that can cause friction in traditionally used semi-bonded mounts. This wear plate reduces the need to machine radius or chamfer holes, reducing cost. The specific design permits high dynamic loading whilst limiting movement due to their multi-axial snubbing.

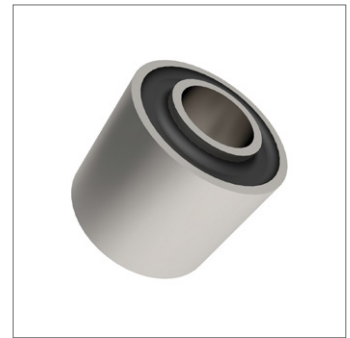
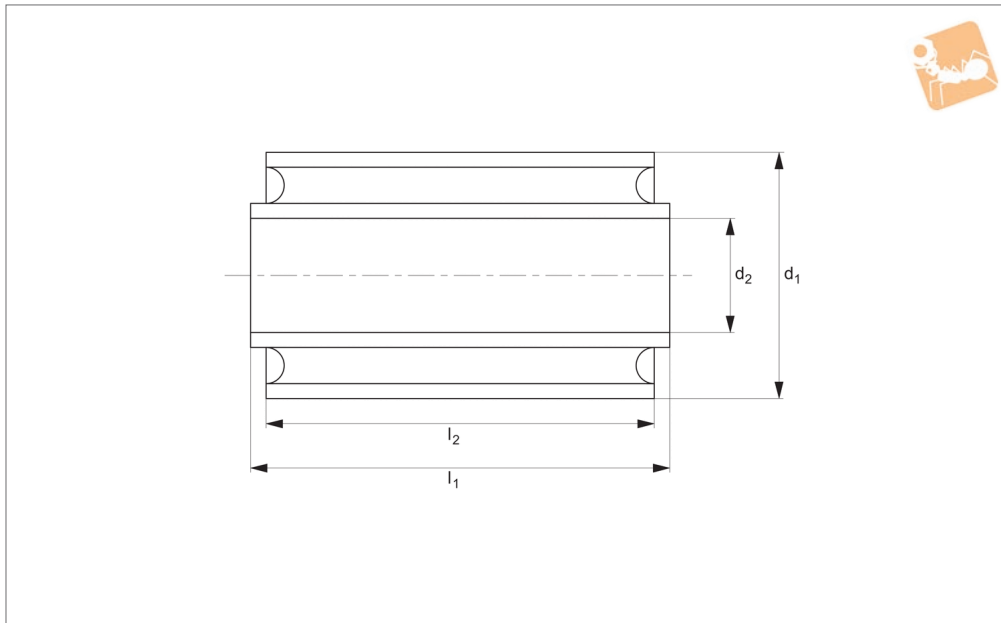
Order No.	d ₁	h ₁	d ₂	d ₃	d ₄	h ₂	h ₃	Load N max.	Plate min.	Weight g
P2076.60-45	16.5	34.5	66.0	39.5	40	28.0	16.0	70	20	140
P2076.60-55	16.5	34.5	66.0	39.5	40	28.0	16.0	120	20	140
P2076.60-65	16.5	34.5	66.0	39.5	40	28.0	16.0	170	20	140
P2076.65-45	18.9	38.0	65.5	40.5	41	29.0	19.0	70	20	175
P2076.65-55	18.9	38.0	65.5	40.5	41	29.0	19.0	120	20	175
P2076.65-65	18.9	38.0	65.5	40.5	41	29.0	19.0	170	20	175
P2076.80-45	16.5	37.0	78.5	37.5	38	32.5	18.0	90	20	242
P2076.80-55	16.5	37.0	78.5	37.5	38	32.5	18.0	140	20	242
P2076.80-65	16.5	37.0	78.5	37.5	38	32.5	18.0	200	20	242
P2076.110-45	22.5	47.0	109	56.5	57	40.0	27.5	235	25	630
P2076.110-55	22.5	47.0	109	56.5	57	40.0	27.5	375	25	630
P2076.110-65	22.5	47.0	109	56.5	57	40.0	27.5	550	25	630



Anti-vibration Bushes

metal-rubber

Anti-Vibration Components



P2070

ANTI-VIBRATION COMPONENTS

Material

Rubber on steel.

noise. The internal bush can move axially, radially, torsionally and pendular.

when putting into place.

Technical Notes

Useful to isolate vibration and reduce

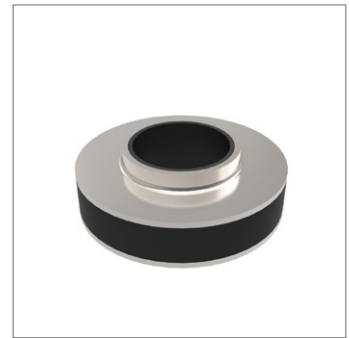
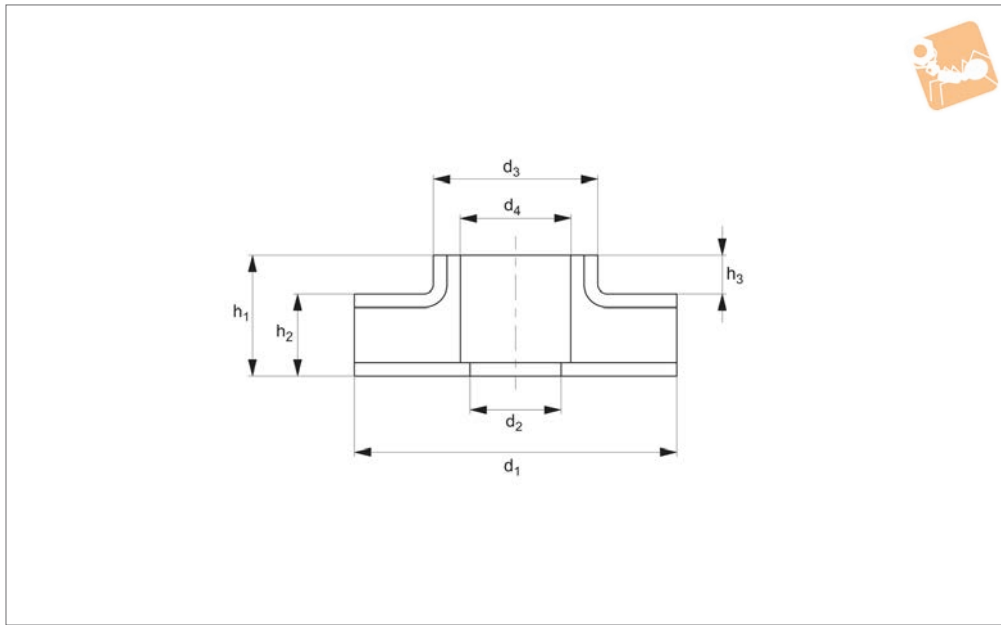
Tips

Install by only pushing on external ring

Order No.	d_1	d_2	l_1	l_2	Radial compression mm	Axial load kgf max.	Radial load kgf max.	Axial compression mm
P2070.008-016	16	8	15	15	0.2	15	30	0.8
P2070.009-020	20.5	9.5	15	13	0.2	15	35	1.0
P2070.010-021	21	10	26	24	0.4	25	70	1.5
P2070.010-027	27	10	20	20	0.2	25	80	1.0
P2070.011-024	24	11	18	16	0.3	24	90	0.8
P2070.012-026	26	12	24	20	0.5	27	70	1.7
P2070.012-050	50	12	50	45	1.1	60	200	2.1
P2070.012-054	54	12.8	44.5	40	1.0	50	180	2.0
P2070.014-027	27	14	54	48	0.4	95	330	1.5
P2070.014-030	30	14	28	25	0.3	40	120	2.0
P2070.014-031	31	14	35	33	0.3	70	170	2.0
P2070.015-030	30	14.5	42	38	0.2	48	150	1.8
P2070.015-050	50	14.5	24	20	0.9	45	70	2.0
P2070.016-044	44	16	32	28	0.7	47	88	1.6
P2070.016-054	54	16	28	22	1.5	40	80	3.4
P2070.018-035	35	18	40	40	0.3	80	190	2.0
P2070.018-043	43.5	18	42	35	0.8	85	200	3.8
P2070.020-040	40	20	46	40	0.4	80	250	1.2
P2070.020-041	41	20	20.5	20.5	0.4	40	100	1.0
P2070.020-045	45	20	62.5	59.5	0.5	160	300	1.1
P2070.022-040	40	22	45	40	0.5	115	850	2.2
P2070.022-063	63	22	72	65	0.6	265	670	4.0
P2070.024-042	42	24	55	50	0.5	150	550	1.8
P2070.024-050	50	24	71	65	0.7	220	750	2.4
P2070.025-045	45	25	50	50	0.5	150	550	1.8
P2070.025-065	65	25	55	45	0.6	180	450	3.8
P2070.025-083	83	25	100	90	2.0	130	400	5.0
P2070.028-048	48	28	36	34	0.7	100	210	2.5
P2070.028-065	65	28	70	65	1.7	280	600	4.8
P2070.028-075	75	28	135	125	0.5	480	1600	2.3
P2070.032-075	75	32	102	102	1.2	450	1350	3
P2070.038-064	64	38	76	70	0.4	380	860	2.6
P2070.040-075	75	40	70	57	0.6	350	600	2.8



Order No.	d ₁	d ₂	l ₁	l ₂	Radial compression mm	Axial load kgf max.	Radial load kgf max.	Axial compression mm
P2070.042-078	78	42	86	80	0.5	350	1100	2.4
P2070.048-093	93	48	80	76	0.6	800	1500	5.3
P2070.050-090	90	50	100	86	0.5	800	1500	5.1
P2070.058-085	85	58	142	90	0.5	350	1800	1.6
P2070.060-110	110	60	182	170	0.6	800	3000	1.8
P2070.070-120	120	70	115	110	1.0	800	3500	3.5
P2070.080-140	140	80	180	170	0.5	1500	7500	2.5
P2070.100-145	145	100	120	110	0.4	850	2700	2.2
P2070.160-222	222	160	158	158	1.0	1600	6000	2.3



P2080

ANTI-VIBRATION COMPONENTS

Material

Rubber on silver zinc plated steel.

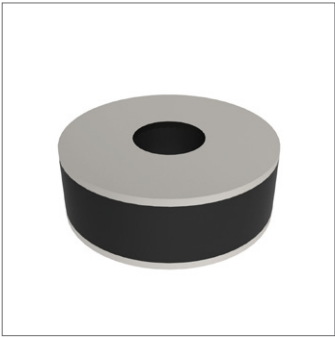
withstand under compression.

Used where axial and radial loads are present. For frequencies higher than 20Hz.

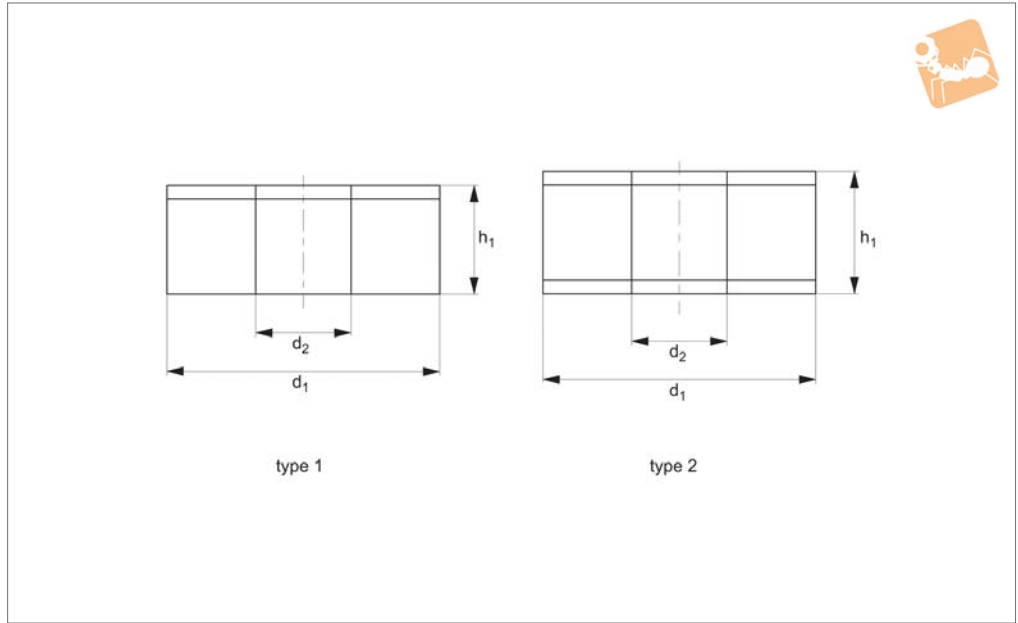
Technical Notes

Static load relates to the load the unit can

Order No.	d_1	d_2	d_3	d_4	h_1	h_2	h_3	Static load N max.
P2080.036	36	8.5	18	12	14	10	4	100
P2080.037	36	16.5	20	16.5	11.5	8.5	3	120
P2080.050	50	16.5	23	20	22	13.5	8.5	150
P2080.051	50	28	34	28	18	10.5	7.5	100
P2080.055	55	24	31	28	15	11.5	3.5	175
P2080.060	60	20.5	27	24	22	13	9	240
P2080.075	75	24.5	33	29.5	27	20	8	300



P2081



Material

Rubber on silver zinc plated steel.

withstand under compression. Used where axial and radial loads are present.

Technical Notes

Static load relates to the load the unit can

For frequencies higher than 20Hz.

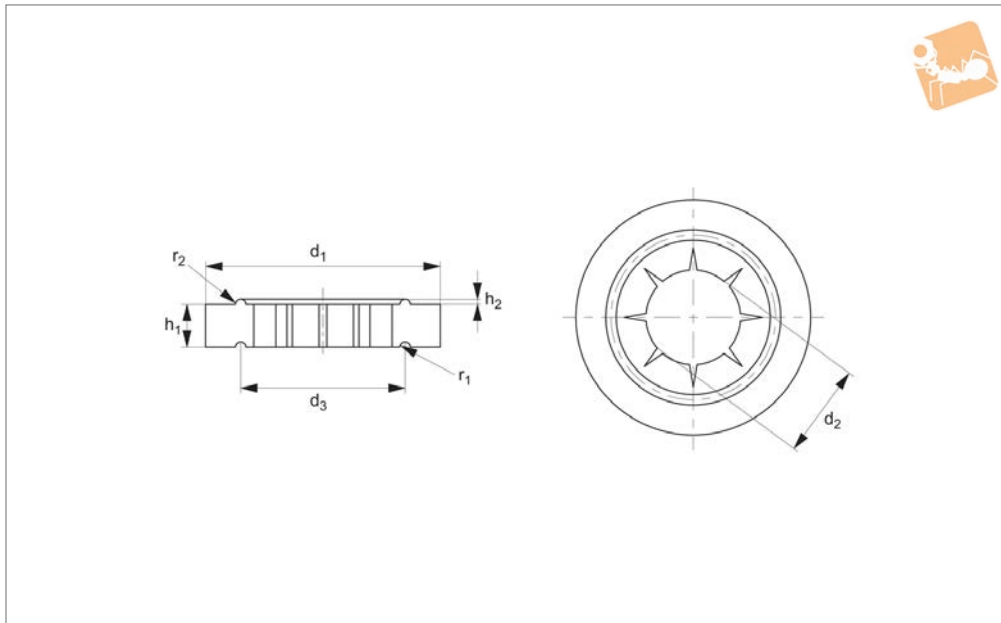
Order No.	Type	d ₁	d ₂	h ₁
P2081.040	Type 1	40	12	20
P2081.041	Type 1	40	14	15
P2081.050	Type 1	50	16	20
P2081.060	Type 1	60	22	30
P2081.075	Type 1	75	25	25
P2081.100	Type 1	100	32	60
P2081.550	Type 2	50	15	30
P2081.560	Type 2	60	20	30
P2081.570	Type 2	70	20	30
P2081.600	Type 2	100	41	35



Anti-vibration Rings

internal star design

Anti-Vibration Components



P2082

ANTI-VIBRATION COMPONENTS

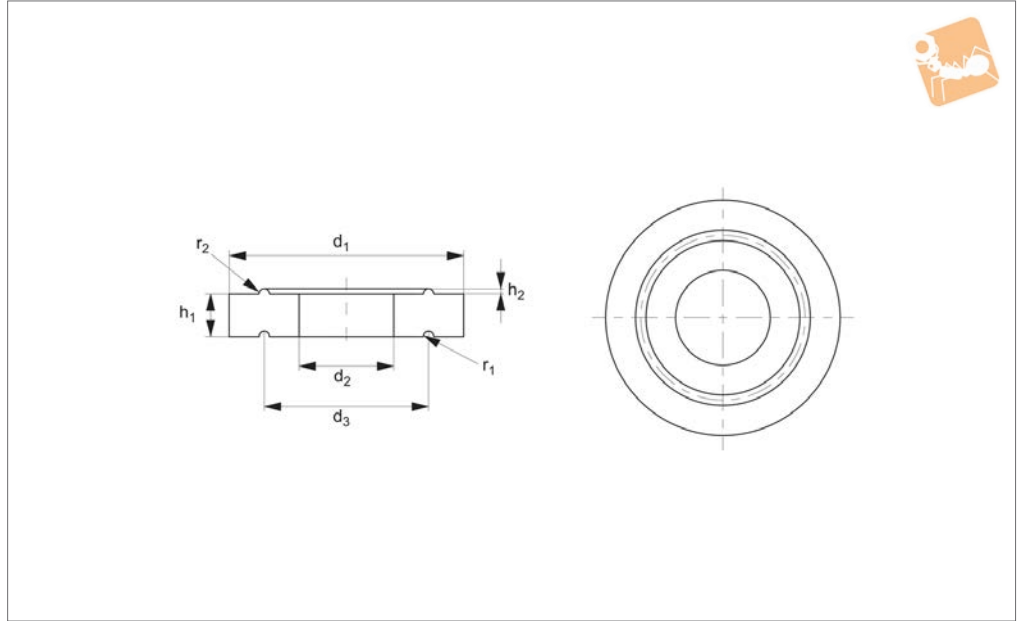
Material

Rubber on silver zinc plated steel (rubber hardness - 65 Shore A).

Order No.	d ₁	d ₂	d ₃	h ₁	h ₂	r ₁	r ₂	Compression max.	Axial load kgf max.
P2082.162	162	66	114	30	2.5	4.5	2.5	5	2000
P2082.170	170	95	125	23	2.5	5	2.5	4	2000
P2082.210	210	88	164	24	2	4	2	4.5	6000



P2083



Material

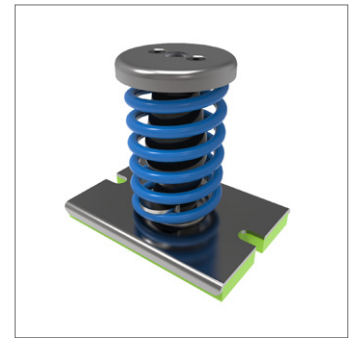
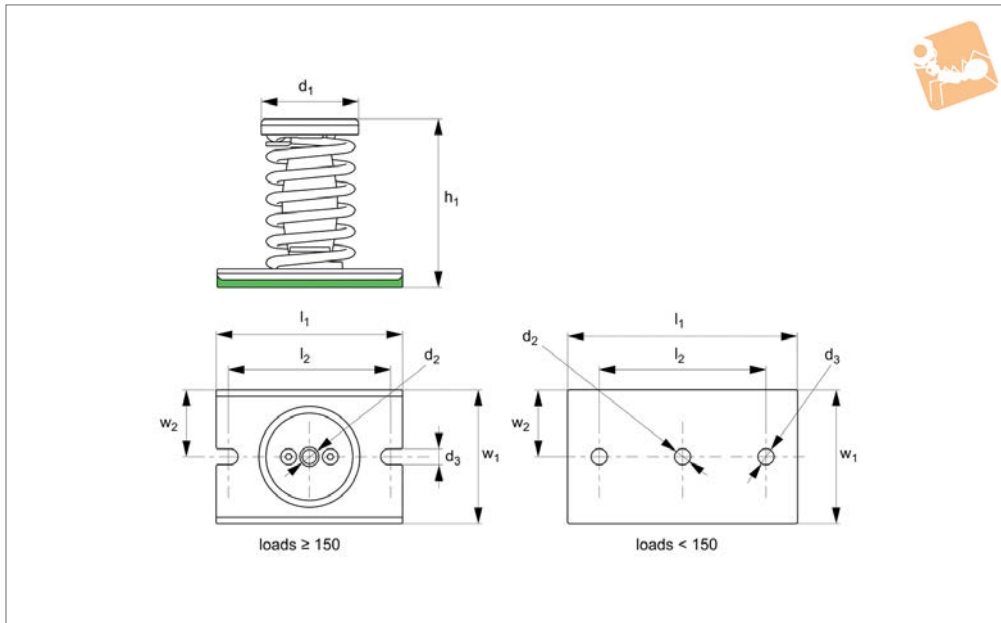
Rubber (hardness 70 Shore A).

Order No.	d ₁	d ₂	d ₃	h ₁	h ₂	r ₁	r ₂	Compression max.	Axial load kgf max.
P2083.070	70	30	50	14	2	7	4	2	200
P2083.072	72	32	52	23	2	2	2	7	400
P2083.073	72	32	52	23	2	2	2	8.5	900
P2083.076	76	37	58	12.5	3.5	2.5	2.5	2	550
P2083.114	114	66	90	15	3	3	3	3.2	500
P2083.115	114	66	90	15	3	3	3	5	1500
P2083.116	116	52	84	23.5	2.5	3.5	2.5	3.5	800
P2083.117	116	52	84	23.5	2.5	3.5	2.5	3.5	1000
P2083.120	120	50	85	27.5	2.5	2.5	2.5	3.5	1000
P2083.174	174	126	150	15	3	3	3	2	2000
P2083.192	192	55	122	31	3	4	3	3.1	4340
P2083.207	207	108	160	28	2	4	4	2.5	3000



Spring Vibration Damper one spring one spring

Anti-Vibration Components



P2452

ANTI-VIBRATION COMPONENTS

Material

High tensile steel with sylomer anti-slide base.

porate, isolates the mid-high frequency vibrations which are transmitted through the coils of the metal springs.

compressors, pump and pumping equipment and acoustic isolation of premises.

Technical Notes

The sylomer mat that these dampers incor-

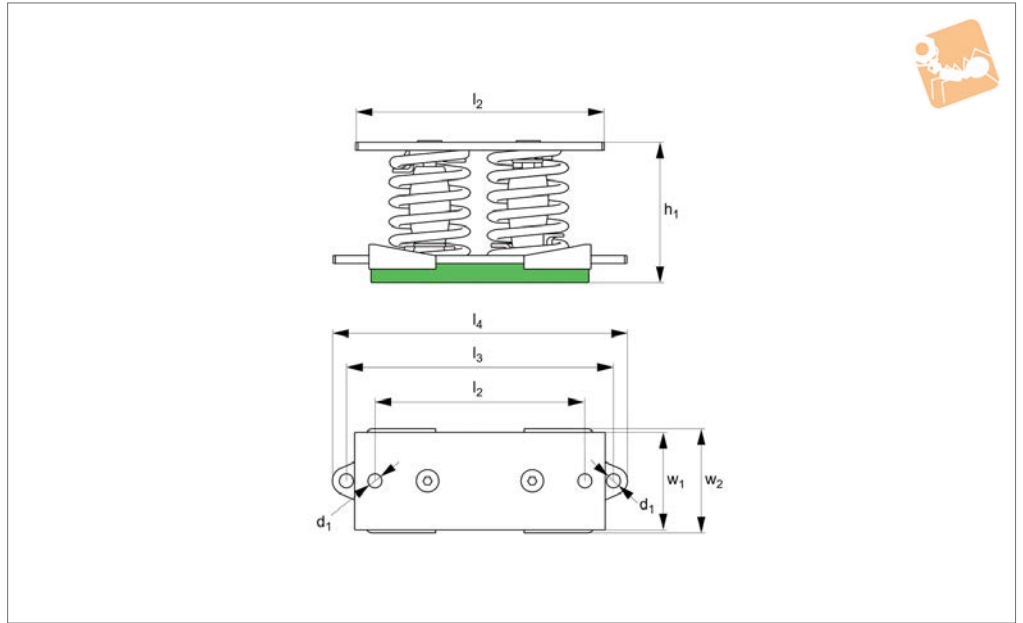
Tips

These are used in sectors such as air

Order No.	Spring colour	l_1	h_1	d_1	w_1	d_2	d_3	l_2	w_2	Compression max.	Load kgf max.	Weight kg
P2452.008-025	Black	100	78	54	69.5	M 8	8.5	80	34.75	20	25	0.29
P2452.008-050	Blue	100	78	54	69.5	M 8	8.5	80	34.75	20	50	0.27
P2452.008-075	Grey	100	78	54	69.5	M 8	8.5	80	34.75	20	75	0.30
P2452.008-100	Beige	100	78	54	69.5	M 8	8.5	80	34.75	20	100	0.35
P2452.008-125	White	100	78	54	69.5	M 8	8.5	80	34.75	20	125	0.395
P2452.012-150	Blue	140	127	75	98.5	M12	12	120	49.25	30	150	1.10
P2452.012-200	White	140	127	75	98.5	M12	12	120	49.25	30	200	1.14
P2452.012-250	Black	140	127	75	98.5	M12	12	120	49.25	30	250	1.23
P2452.012-350	Cream	140	127	75	98.5	M12	12	120	49.25	30	350	1.39
P2452.014-500	Light Grey	140	127	93	98.5	M14	12	120	49.25	18	500	2.56
P2452.014-750	Green	140	127	93	98.5	M14	12	120	49.25	18	750	3.04



P2453



Material

High tensile steel with sylomer anti-slide base

porate, isolates the mid-high frequency vibrations which are transmitted through the coils of the metal springs.

compressors, pump and pumping equipment and acoustic isolation of premises.

Technical Notes

The sylomer mat that these dampers incor-

Tips

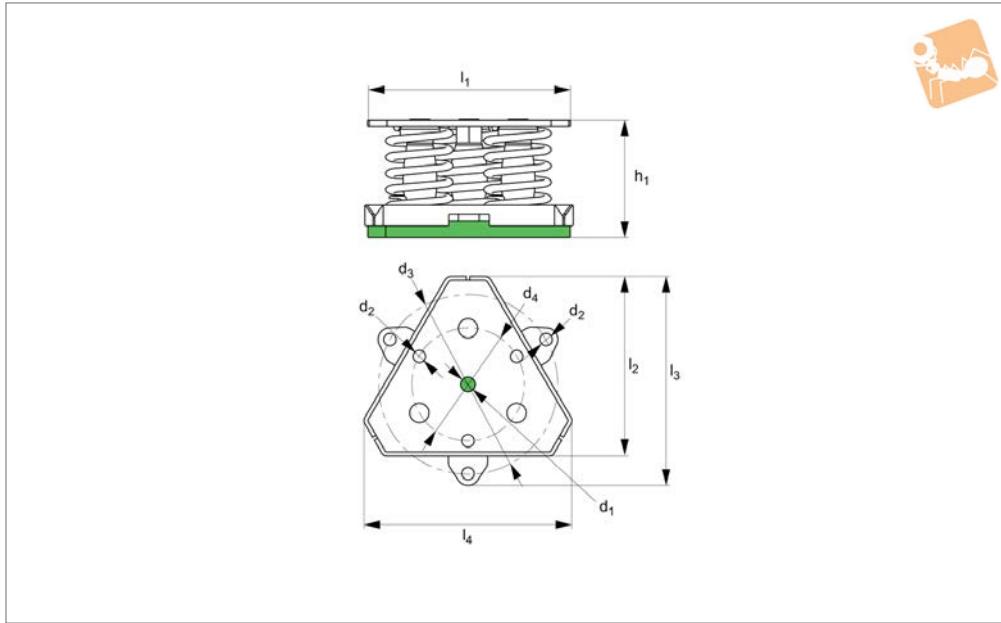
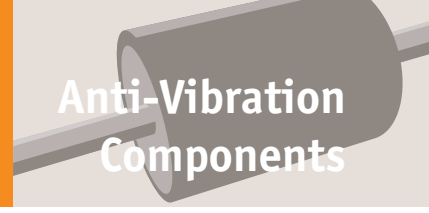
These are used in sectors such as air

Order No.	Spring colour	l_1	h	d	w_1	l_2	l_3	l_4	w_2	Compression max.	Load kgf max.	Weight kg
P2453.012-0300	Blue	200	136	12	75	170	220	244	81	30	300	3.10
P2453.012-0400	White	200	136	12	75	170	220	244	81	30	400	3.17
P2453.012-0500	Black	200	136	12	75	170	220	244	81	30	500	3.35
P2453.012-0700	Cream	200	136	12	75	170	220	244	81	30	700	3.70
P2453.014-1000	Light Grey	250	136	14	100	210	270	298	106	17	1000	5.90
P2453.014-1500	Green	250	136	14	100	210	270	298	106	17	1500	6.84



Spring Vibration Damper three spring three spring

Anti-Vibration Components



P2454

ANTI-VIBRATION COMPONENTS

Material

High tensile steel with sylomer anti-slide base

porate, isolates the mid-high frequency vibrations which are transmitted through the coils of the metal springs.

compressors, pump and pumping equipment and acoustic isolation of premises.

Technical Notes

The sylomer mat that these dampers incor-

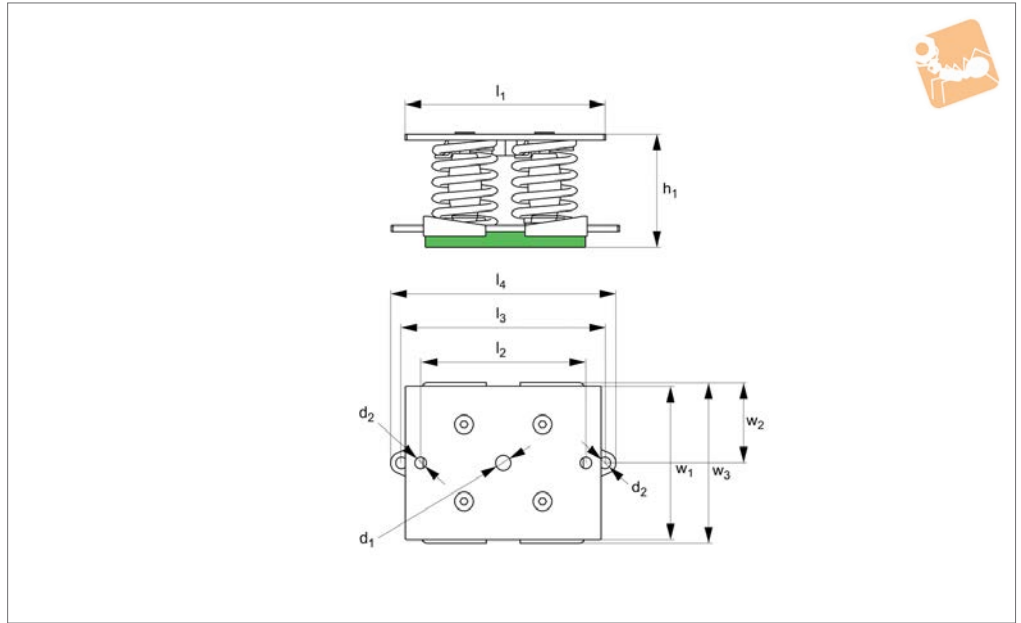
Tips

These are used in sectors such as air

Order No.	Spring colour	l_1	h	d_1	d_2	d_3	l_2	l_3	l_4	Compression max.	Load kgf max.	Weight kg
P2454.016-0450	Blue	196.3	136	M16	12	180	175	207.7	201.4	30	450	4.60
P2454.016-0600	White	196.3	136	M16	12	180	176	207.7	201.4	30	600	4.71
P2454.016-0750	Black	196.3	136	M16	12	180	176	207.7	201.4	30	750	4.98
P2454.016-1050	Cream	196.3	136	M16	12	180	176	207.7	201.4	30	1050	5.52
P2454.020-1500	Light Grey	246.0	136	M20	14	220	219	255.7	251.0	17	1500	8.56
P2454.020-2250	Green	246.0	136	M20	14	220	219	255.7	251.0	17	2250	9.96



P2455



Material

High tensile steel with sylomer anti-slide base.

porate, isolates the mid-high frequency vibrations which are transmitted through the coils of the metal springs.

compressors, pump and pumping equipment and acoustic isolation of premises.

Technical Notes

The sylomer mat that these dampers incor-

Tips

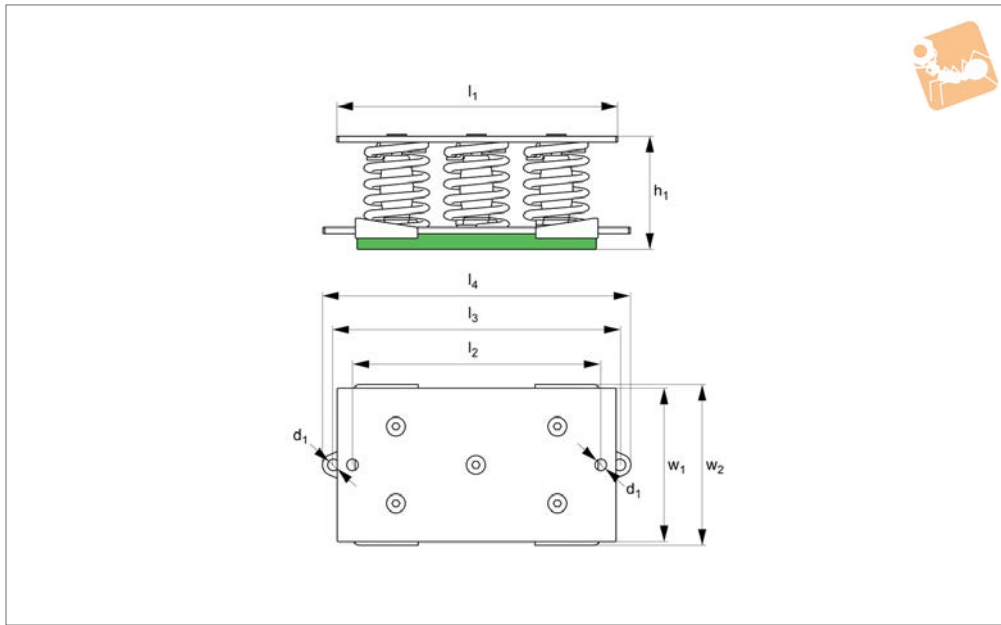
These are used in sectors such as air

Order No.	Spring colour	l_1	h	d_1	w_1	d_2	l_2	l_3	l_4	w_2	w_3	Compression max.	Load kgf max.	Weight kg
P2455.016-0600	Blue	200	136	M16	150	12	170	190	214	75	156	30	600	6.41
P2455.016-0800	White	200	136	M16	150	12	170	190	214	75	156	30	800	6.57
P2455.016-1000	Black	200	136	M16	150	12	170	190	214	75	156	30	1000	6.70
P2455.016-1400	Cream	200	136	M16	150	12	170	190	214	75	156	30	1400	7.64
P2455.020-2000	Light Grey	250	136	M20	200	14	210	260	288	100	206	18	2000	12.10
P2455.020-3000	Green	250	136	M20	200	14	210	260	288	100	206	18	3000	13.96



Spring Vibration Damper five spring five spring

Anti-Vibration Components



P2456

ANTI-VIBRATION COMPONENTS

Material

High tensile steel with sylomer anti-slide base.

porate, isolates the mid-high frequency vibrations which are transmitted through the coils of the metal springs.

compressors, pump and pumping equipment and acoustic isolation of premises.

Technical Notes

The sylomer mat that these dampers incor-

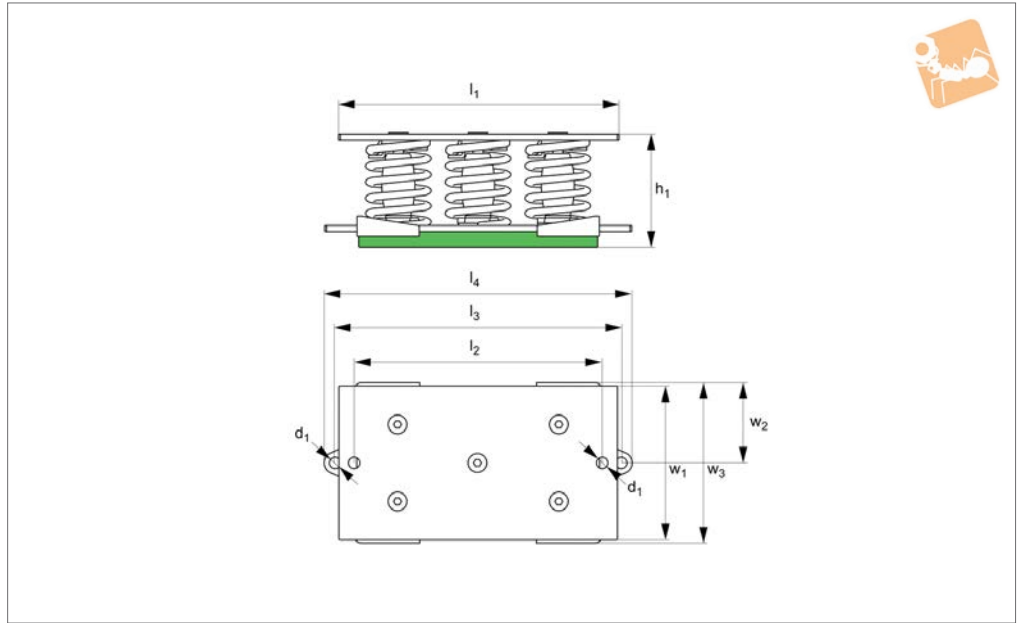
Tips

These are used in sectors such as air

Order No.	Spring colour	l_1	h	d	w_1	l_2	l_3	l_4	w_2	Compression max.	Load kgf max.	Weight kg
P2456.016-0750	Blue	280	136	16	150	251	290	322	156	30	750	8.50
P2456.016-1000	White	280	136	16	150	251	290	322	156	30	1000	8.69
P2456.016-1250	Black	280	136	16	150	251	290	322	156	30	1250	9.16
P2456.016-1750	Cream	280	136	16	150	251	290	322	156	30	1750	10.03
P2456.018-2500	Light Grey	350	136	18	200	315	360	396	206	18	2500	15.71
P2456.018-3750	Green	350	136	18	200	315	360	396	206	18	3750	18.05



P2457



Material

High tensile steel with sylomer anti-slide base.

porate, isolates the mid-high frequency vibrations which are transmitted through the coils of the metal springs.

compressors, pump and pumping equipment and acoustic isolation of premises.

Technical Notes

The sylomer mat that these dampers incor-

Tips

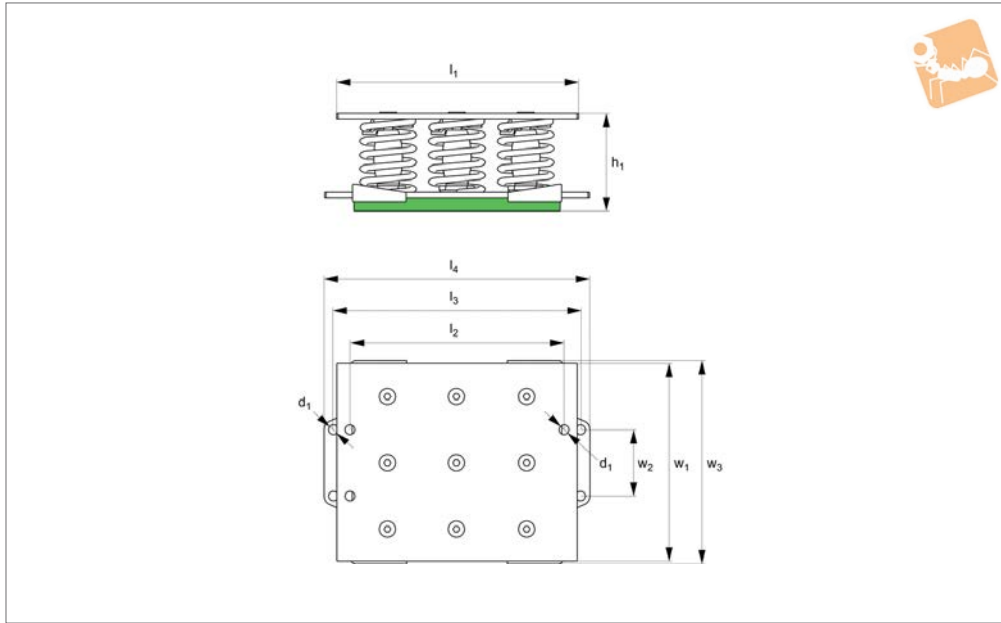
These are used in sectors such as air

Order No.	Spring colour	l_1	h	d	w_1	l_2	l_3	l_4	w_2	w_3	Compression max.	Load kgf max.	Weight kg
P2457.016-0900	Blue	280	136	16	150	248	290	322	75	156	30	900	8.93
P2457.016-1200	White	280	136	16	150	248	290	322	75	156	30	1200	9.16
P2457.016-1500	Black	280	136	16	150	248	290	322	75	156	30	1500	9.68
P2457.016-2100	Cream	280	136	16	150	248	290	322	75	156	30	2100	10.77
P2457.018-3000	Light Grey	350	136	18	200	300	360	396	100	206	18	3000	16.84
P2457.018-4500	Green	350	136	18	200	300	360	396	100	206	18	4500	19.65



Spring Vibration Damper nine spring nine spring

Anti-Vibration Components



P2458

ANTI-VIBRATION COMPONENTS

Material

High tensile steel with sylomer anti-slide base.

porate, isolates the mid-high frequency vibrations which are transmitted through the coils of the metal springs.

compressors, pump and pumping equipment and acoustic isolation of premises.

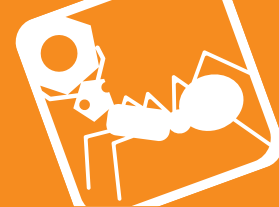
Technical Notes

The sylomer mat that these dampers incor-

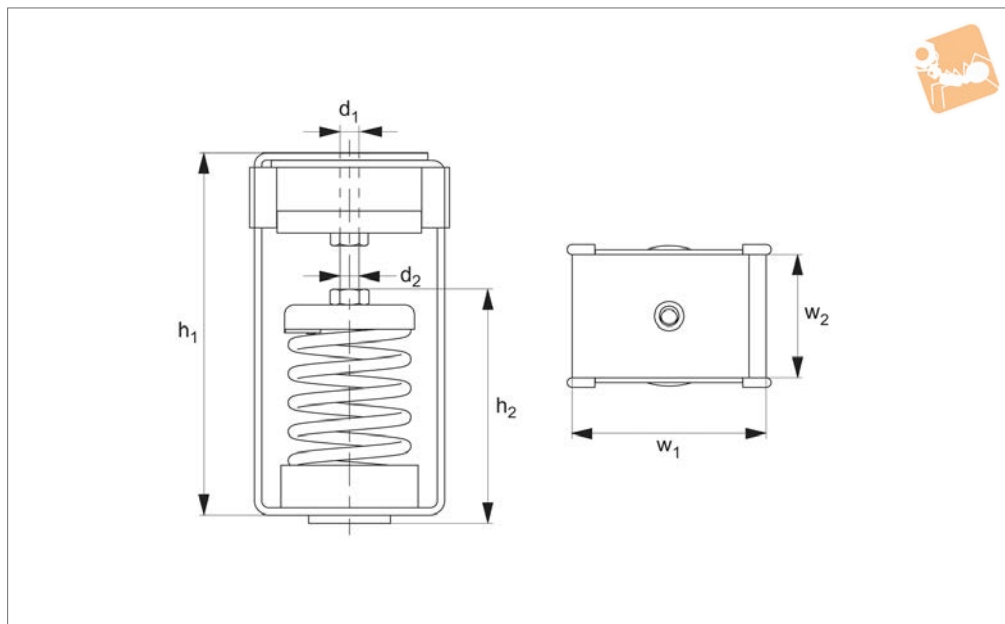
Tips

These are used in sectors such as air

Order No.	Spring colour	l_1	h	d	w_1	l_2	l_3	l_4	w_2	w_3	Compression max.	Load kgf max.	Weight kg
P2458.016-1350	Blue	280	136	16	226	248	290	322	75	232	30	1350	13.70
P2458.016-1800	White	280	136	16	226	248	290	322	75	232	30	1800	14.04
P2458.016-2250	Black	280	136	16	226	248	290	322	75	232	30	2250	14.83
P2458.016-3150	Cream	280	136	16	226	248	290	322	75	232	30	3150	16.46
P2458.018-4500	Light Grey	350	136	18	300	310	360	396	150	306	18	4500	21.54
P2458.018-6750	Green	350	136	18	300	310	360	396	150	306	18	6750	31.75



P2500.AV



Material

Zinc plated steel (anti-corrosive treatment) with Sylomer® pad and steel spring.

Technical Notes

These hangers come in six different steel

spring strengths for increasing loads.

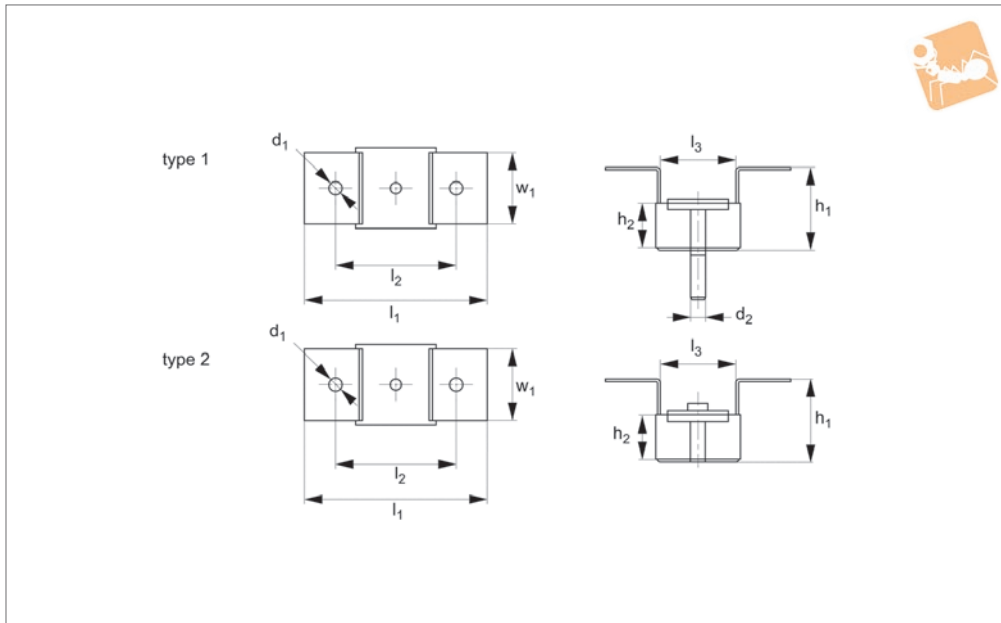
The metal housing has an anti-corrosive treatment, which can with stand very harsh conditions and also resist high tensile stresses up to 1000kg.

Order No.	d ₁	w ₁	h ₁	d ₂	h ₂	w ₂	Compression max.	Load kgf max.
P2500.150-025	12	79	150	M8	94	50	18	25
P2500.150-050	12	79	150	M8	94	50	18	50
P2500.150-075	12	79	150	M8	94	50	18	75
P2500.150-100	12	79	150	M8	94	50	18	100
P2500.150-125	12	79	150	M8	94	50	20	125
P2500.150-150	12	79	150	M8	94	50	20	150



Acoustic Ceiling Hangers flanged

Anti-Vibration Components



P2501

ANTI-VIBRATION COMPONENTS

Material

Zinc plated steel (anti-corrosive treatment) with Sylomer® pad.

Technical Notes

These hangers are manufactured with two

different mixes of Sylomer® for the two different load ratings. The metal parts can withstand tensile stresses from 650kg - 1000kg.

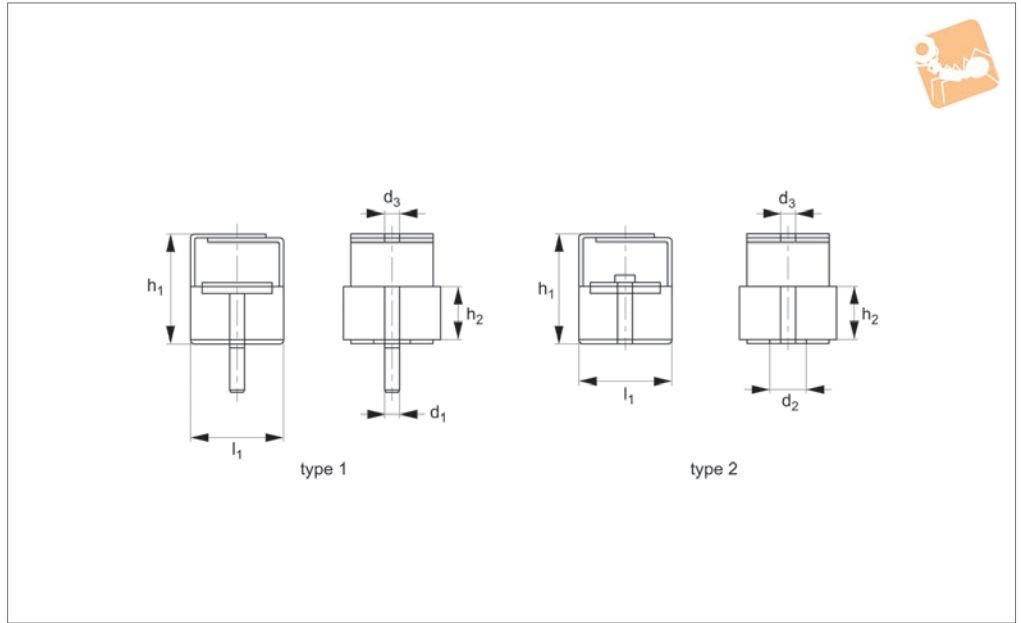
They are put through an anti-corrosive

treatment, which can withstand harsh conditions.

Order No.	Type	d ₁	w ₁	h ₁	d ₂	h ₂	l ₁	l ₂	l ₃	Compression max.	Load kgf max.
P2501.100-030	Type 1	7	40	46.5	M6	25	100	66.0	40	8	30
P2501.100-075	Type 1	7	40	46.5	M6	25	100	66.0	40	6	75
P2501.135-060	Type 1	11	55	65.0	M6	25	130	98.5	49	9	60
P2501.135-150	Type 1	11	55	65.0	M6	25	130	98.5	49	6	150
P2501.100-230	Type 2	7	40	46.5	M6	25	100	66.0	40	8	30
P2501.100-275	Type 2	7	40	46.5	M6	25	100	66.0	40	6	75
P2501.135-260	Type 2	11	55	65.0	M6	25	130	98.5	49	9	60
P2501.135-350	Type 2	11	55	65.0	M6	25	130	98.5	49	6	150



P2502



Material

Zinc plated steel (anti-corrosive treatment) with Sylomer® pad.

Technical Notes

These hangers are manufactured with two

different mixes of Sylomer® for the two different load ratings. The metal parts can withstand tensile stresses from 650kg - 1000kg.

They are put through an anti-corrosive

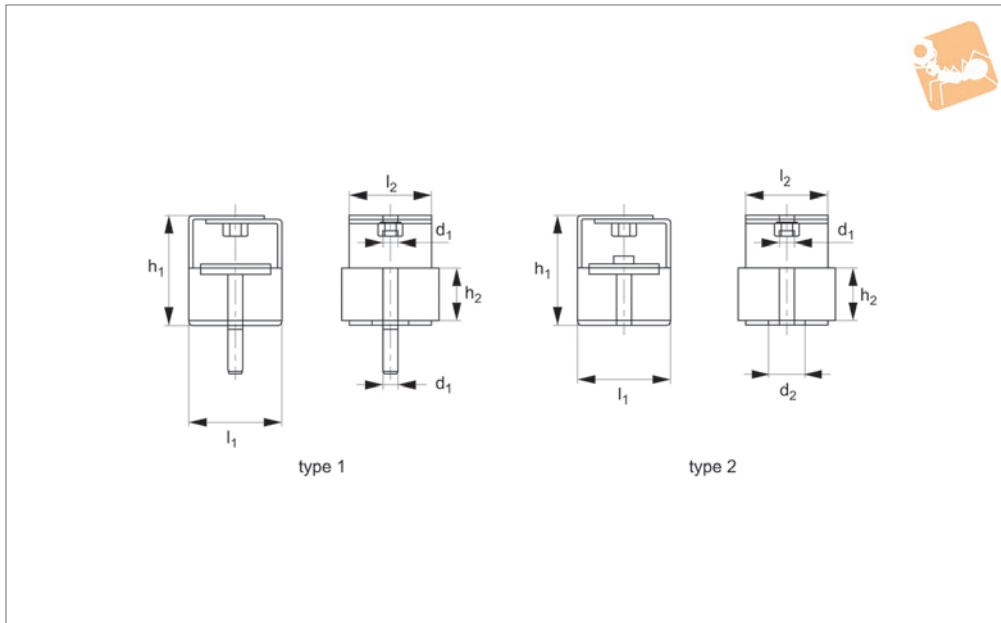
treatment, which can withstand harsh conditions.

Order No.	Type	d ₁	h ₁	d ₂	d ₃	h ₂	l ₁	Compression max.	Load kgf max.
P2502.044-030	Type 1	M6	47	18	8	25	44	8	30
P2502.044-075	Type 1	M6	47	18	8	25	44	6	75
P2502.044-230	Type 2	M6	47	18	8	25	44	8	30
P2502.044-275	Type 2	M6	47	18	8	25	44	6	75
P2502.056-060	Type 1	M6	67	18	55	25	56	9	60
P2502.056-150	Type 1	M6	67	18	55	25	56	6	150
P2502.056-260	Type 2	M6	67	18	55	25	56	9	60
P2502.056-350	Type 2	M6	67	18	55	25	56	6	150



Acoustic Ceiling Hangers with nut with nut

Anti-Vibration Components



P2503

ANTI-VIBRATION COMPONENTS

Material

Zinc plated steel (anti-corrosive treatment) with Sylomer® pad.

Technical Notes

These hangers are manufactured with two

different mixes of Sylomer® for the two different load ratings. The metal parts can withstand tensile stresses from 650kg - 1000kg.

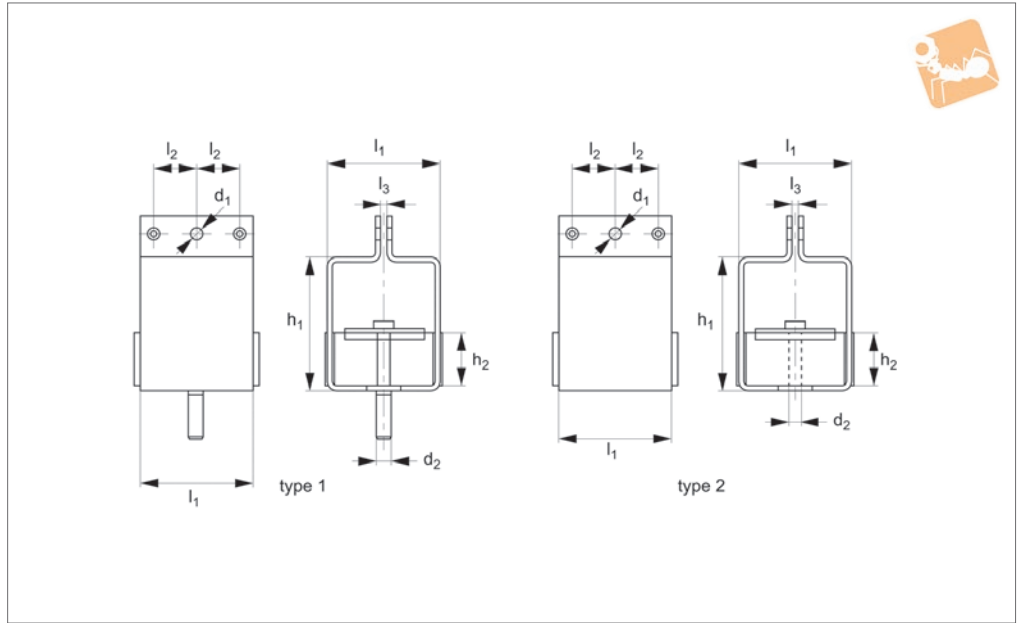
They are put through an anti-corrosive

treatment, which can withstand harsh conditions.

Order No.	Type	d ₁	h ₁	d ₂	h ₂	l ₁	l ₂	Compression max.	Load kgf max.
P2503.044-030	Type 1	M6	47	18	25	44	39	8	30
P2503.044-075	Type 1	M6	47	18	25	44	39	6	75
P2503.044-230	Type 2	M6	47	18	25	44	39	8	30
P2503.044-275	Type 2	M6	47	18	25	44	39	6	75



P2504



Material

Zinc plated steel (anti-corrosive treatment) with Sylomer® pad.

Technical Notes

These hangers are manufactured with two

different mixes of Sylomer® for the two different load ratings. The metal parts can withstand tensile stresses from 650kg - 1000kg.

They are put through an anti-corrosive

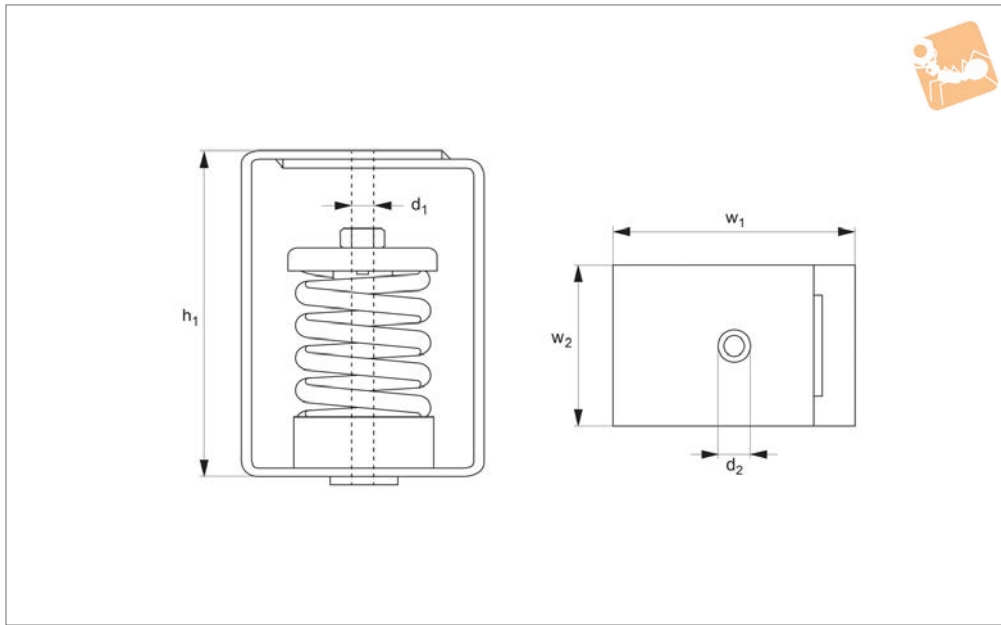
treatment, which can withstand harsh conditions.

Order No.	Type	d ₁	h ₁	d ₂	h ₂	l ₁	l ₂	l ₃	Compression max.	Load kgf max.
P2504.055-060	Type 1	6	65	M6	25	55	21	3	9	60
P2504.055-150	Type 1	6	65	M6	25	55	21	3	6	150
P2504.055-260	Type 2	6	65	M6	25	55	21	3	9	60
P2504.055-350	Type 2	6	65	M6	25	55	21	3	6	150



Acoustic Suspension Hanger spring spring

Anti-Vibration Components



P2551

ANTI-VIBRATION COMPONENTS

Material

Zinc plated steel (anti-corrosive treatment).

where objects are suspended from ceilings. The spring in the body provides good anti-vibration properties.

load to be carried per unit.

These hanger can be used for fans, distribution pipes, ducts and acoustic ceilings.

Technical Notes

These units are designed for installations

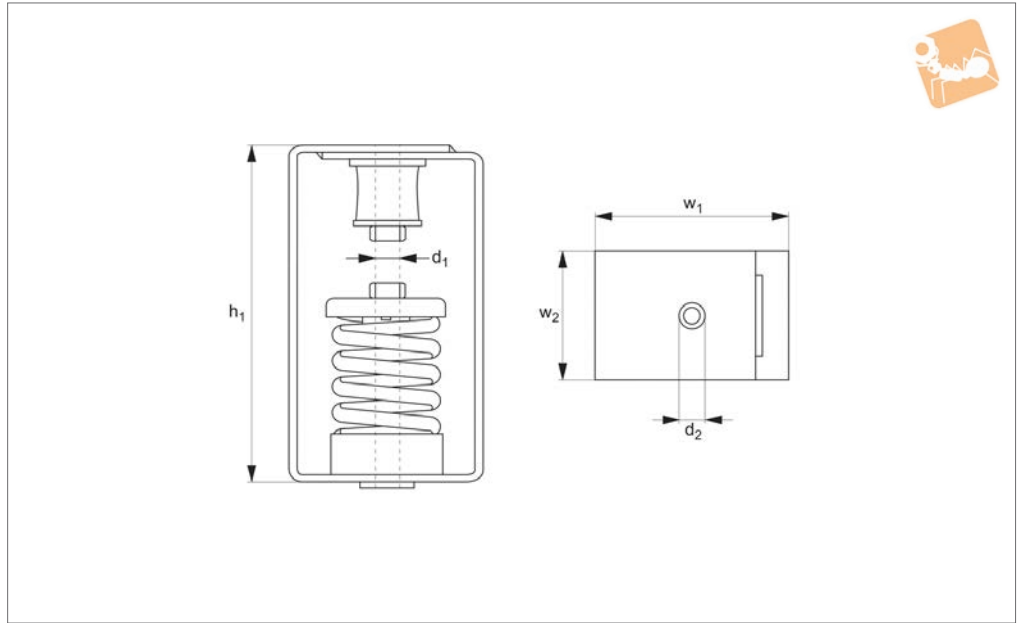
Tips

Select the damper corresponding to the

Order No.	d ₁	w ₁	h ₁	d ₂	w ₂	h ₁	Load kgf max.
P2551.025	M 8	75	120	12	50	25	25
P2551.050	M 8	75	120	12	50	50	50
P2551.075	M 8	75	120	12	50	75	75
P2551.100	M 8	75	120	12	50	100	100
P2551.125	M 8	75	120	12	50	125	125
P2551.150	M12	120	160	16	80	150	150
P2551.200	M12	120	160	16	80	200	200
P2551.250	M12	120	160	16	80	250	250
P2551.350	M12	120	160	16	80	350	350
P2551.500	M14	140	180	18	100	500	500
P2551.750	M14	140	180	18	100	750	750



P2552



Material
Zinc plated steel and rubber.

The spring in the body provides good anti-vibration properties.

These hanger can be used for fans, distribution pipes, ducts and acoustic ceilings.

Technical Notes
These units are designed for installations where objects are suspended from ceilings.

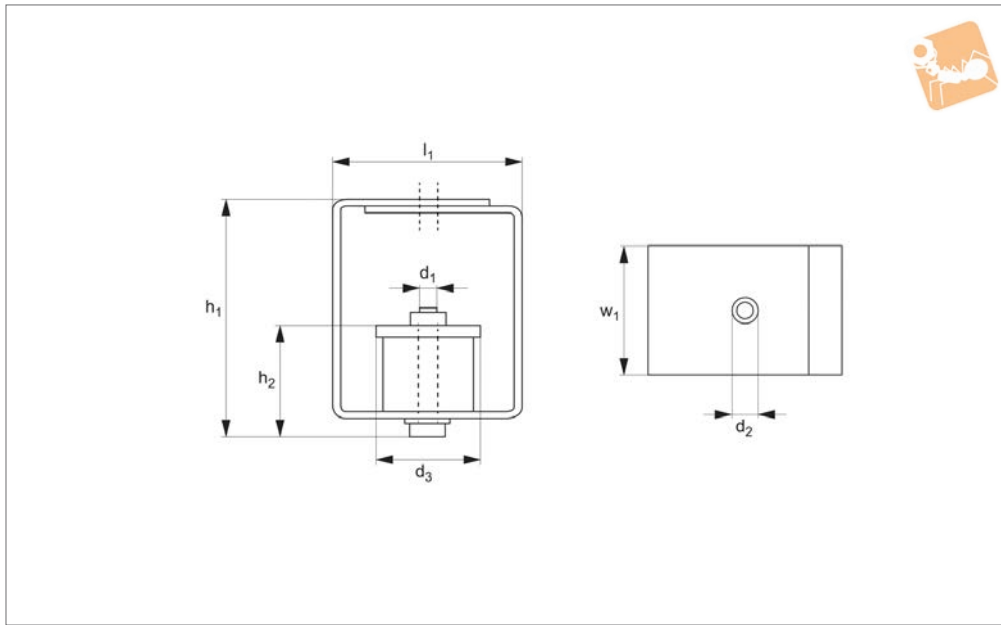
Tips
Select the damper corresponding to the load to be carried per unit.

Order No.	d ₁	w ₁	h ₁	d ₂	w ₂	Load kgf max.
P2552.025	M8	75	150	12	50	25
P2552.050	M8	75	150	12	50	50
P2552.075	M8	75	150	12	50	75
P2552.100	M8	75	150	12	50	100
P2552.125	M8	75	150	12	50	125



Acoustic Suspension Hanger without nut

Anti-Vibration Components



P2553

ANTI-VIBRATION COMPONENTS

Material

Steel anti-corrosive zinc plated, with rubber (50 shore A) cylinder.

where objects are suspended from ceilings. The spring in the body provides good anti-vibration properties.

load to be carried per unit.

These hanger can be used for fans, distribution pipes, ducts and acoustic ceilings.

Technical Notes

These units are designed for installations

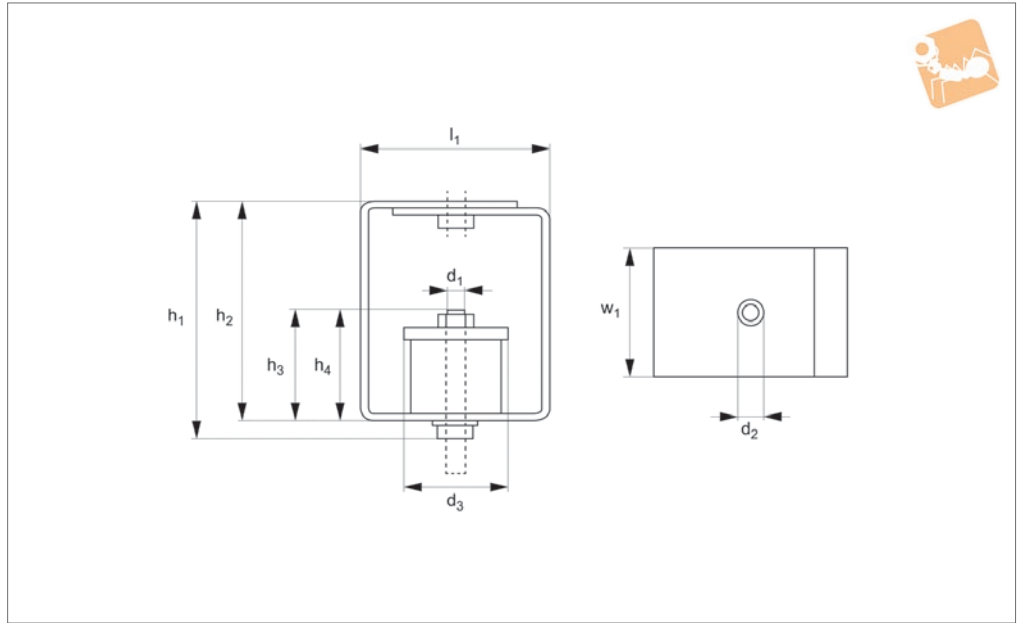
Tips

Select the damper corresponding to the

Order No.	d ₁	w ₁	h ₁	d ₂	d ₃	h ₂	l ₁	Load kgf max.
P2553.06-30	M6	40	47	8	30	30	40	30
P2553.06-60	M6	40	47	8	30	30	40	60



P2554



Material

Steel anti-corrosive zinc plated, with rubber (50 shore A) cylinder.

Technical Notes

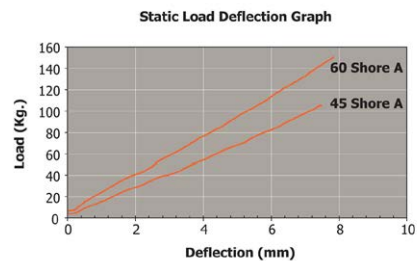
These units are designed for installations

where objects are suspended from ceilings. The spring in the body provides good anti-vibration properties. The metal hanger is designed to cope with loads up to 1000kg.

Tips

Select the damper corresponding to the load to be carried per unit. These hanger can be used for fans, distribution pipes, ducts and acoustic ceilings.

Order No.	d ₁	w ₁	h ₁	d ₂	d ₃	d ₄	h ₂	h ₃	h ₄	l ₁	Load range kgf
P2554.060-030	M 6	40	55.03	M 6	30	18	46.3	38	30	40	8-30
P2554.060-060	M 6	40	55.03	M 6	30	18	46.3	38	30	40	25-60
P2554.080-100	M 8	55	76.40	M 8	40	16	68.0	43	34	55	40-100
P2554.080-150	M 8	55	76.40	M 8	40	16	68.0	43	34	55	80-150

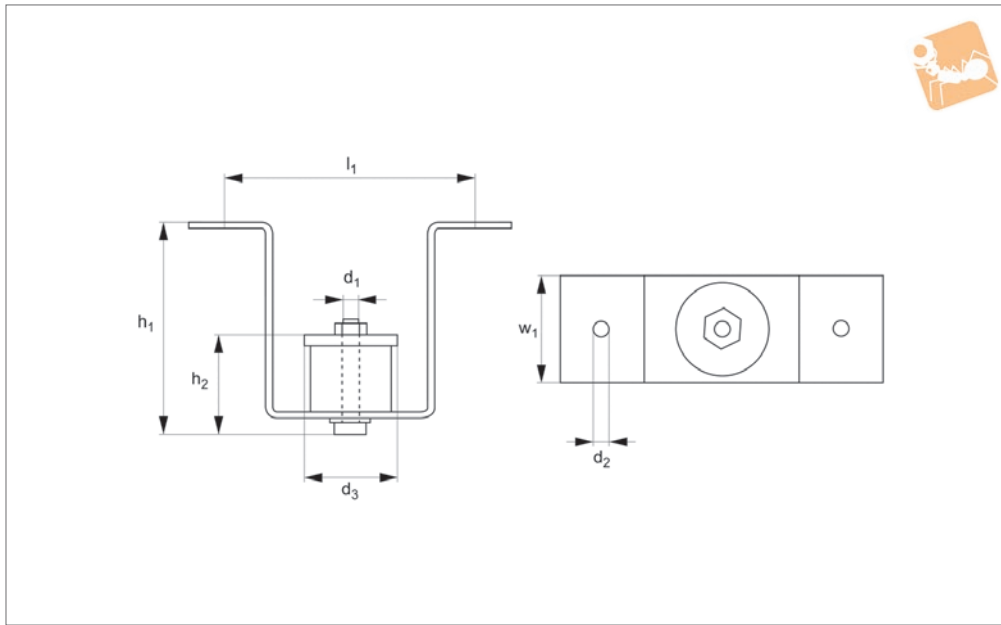




Acoustic Suspension Hanger u-shape

u-shape

Anti-Vibration Components



P2555

ANTI-VIBRATION COMPONENTS

Material

Steel anti-corrosive zinc plated, with rubber (50 shore A) cylinder.

where objects are suspended from ceilings. The spring in the body provides good anti-vibration properties.

load to be carried per unit.

These hanger can be used for fans, distribution pipes, ducts and acoustic ceilings.

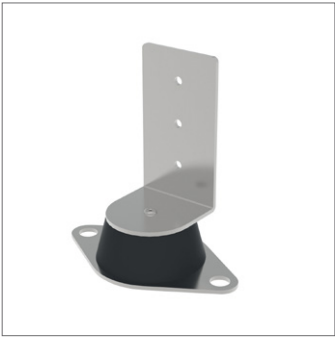
Technical Notes

These units are designed for installations

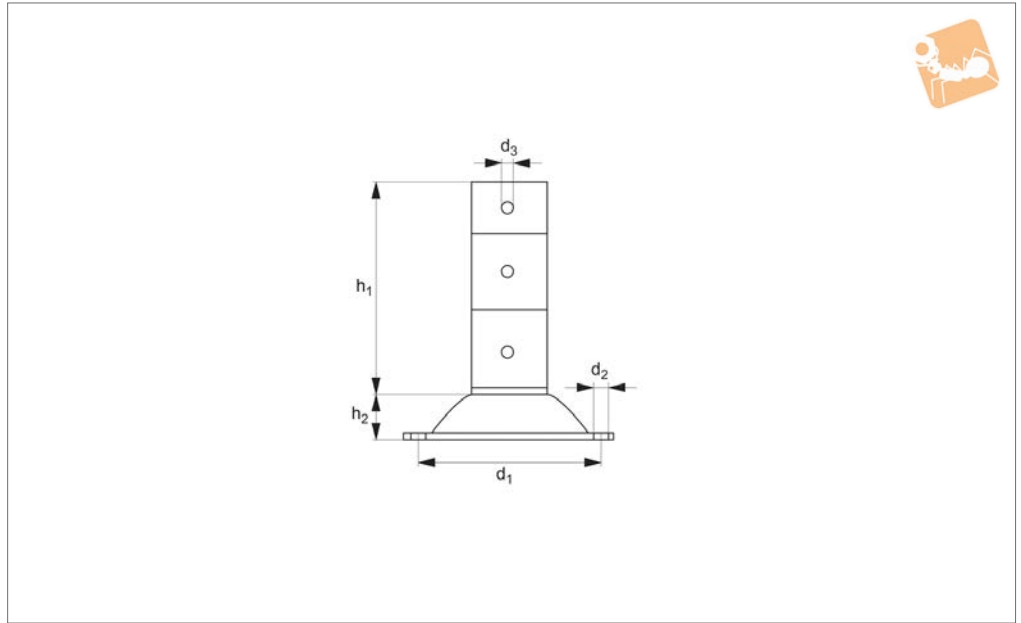
Tips

Select the damper corresponding to the

Order No.	d ₁	w ₁	h ₁	d ₂	d ₃	h ₂	l ₁	Load kgf max.
P2555.060-030	M6	40	50	7	30	30	66	30
P2555.060-060	M6	40	50	7	30	30	66	60
P2555.060-100	M8	55	75	11	40	38	98.5	100
P2555.060-150	M8	55	75	11	40	38	98.5	150



P2556



Material

Rubber on steel (zinc plated).

Technical Notes

These units are designed for installations where objects are suspended from the

ceiling or the wall. The spring in the body provides good anti-vibration properties.

Tips

Select the damper corresponding to the load to be carried per unit.

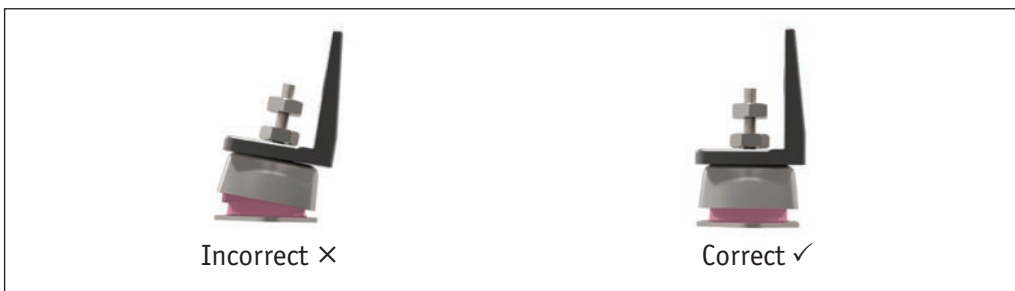
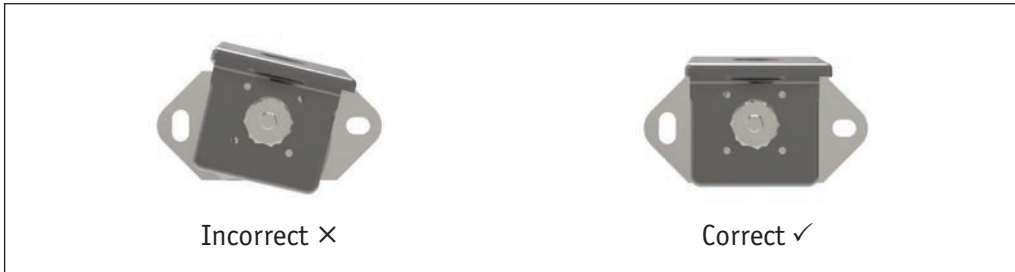
These hanger can be used for fans, distribution pipes, ducts and acoustic ceilings/walls.

Order No.	d ₁	h ₁	d ₂	d ₃	h ₂	Load kgf max.
P2556.76	76	72	6.5	4	24	10



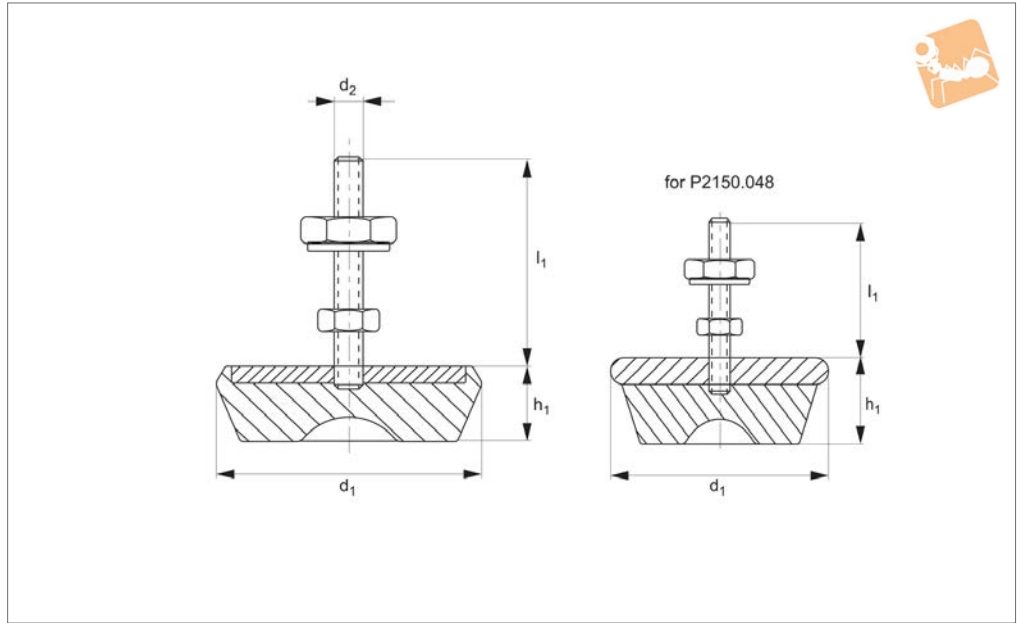
Recommendations for Machine Mounts

The machine mounts should be installed between two parallel and perfectly flat surfaces. Mounts operating tilted or twisted do not work properly. This may be due to incorrect alignment, tolerances in the building of the structure or over-tightened torque during the installation of the anti-vibration mounts.





P2150



Material

Steel body with silver zinc plated thread.
Synthetic rubber pad (65-70 Shore A) with

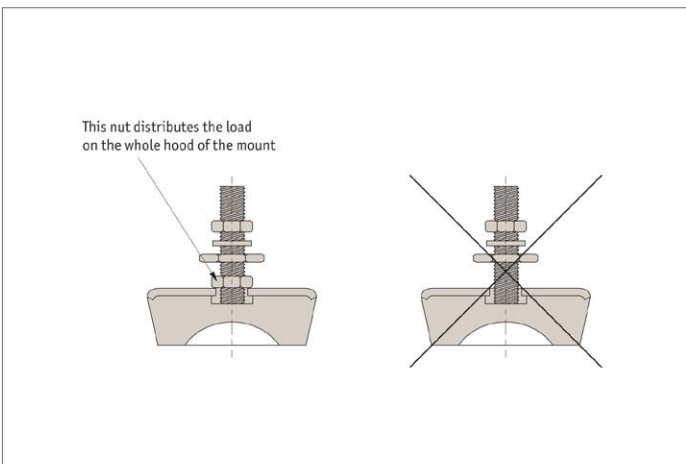
anti-slide cavity.

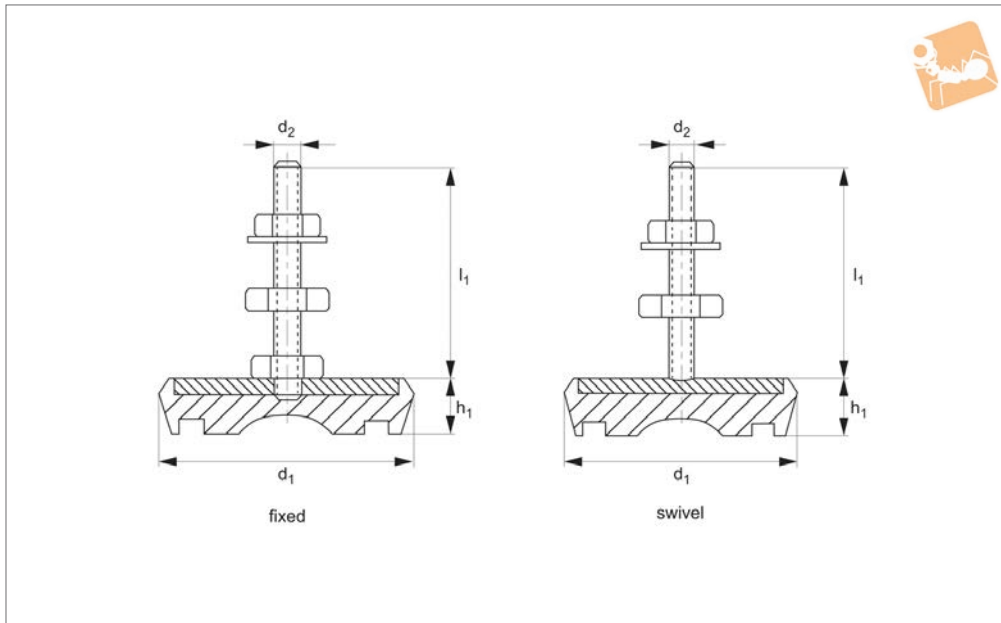
Technical Notes

Suitable for machinery with low frequency

vibrations and for irregular floors.

Order No.	d ₁	h ₁	d ₂	l ₁	Load range kgf
P2150.048	48	23	M 8	40	0-80
P2150.060	60	25	M10	83	50-120
P2150.075	75	30	M12	90	80-150
P2150.090	90	33	M12	90	120-300
P2150.105	105	38	M16	110	250-500
P2150.125	125	45	M16	110	400-800
P2150.150	150	55	M16	110	600-1000
P2150.170	170	57	M16	110	1000-1600
P2150.187	187	70	M20	115	1400-2400
P2150.210	210	75	M20	115	2000-3500





P2151

LEVELLING FEET

Material

Steel body with zinc plated thread.
Synthetic rubber base (65 Shore A), with anti-slide cavity.

Technical Notes

Suitable for medium and high frequency

vibrations and with smooth floors.

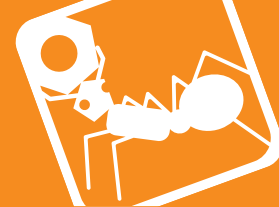
Tips

For inclined floors use the swivel base versions (M12 and M16).

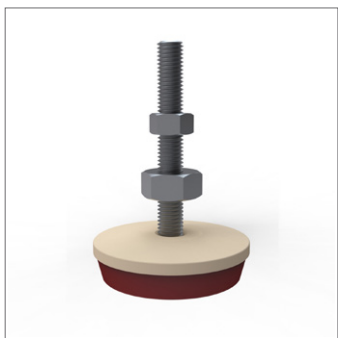
The swivel base versions have a separate screw which rests in the concave cup on the

top portion of the foot body.

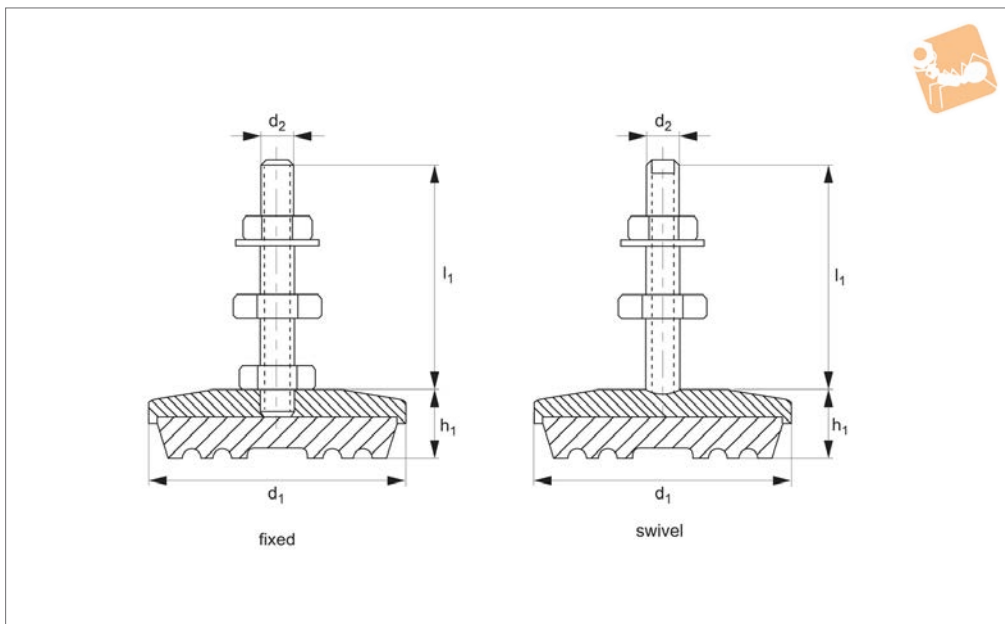
Order No.	Style	d ₁	h ₁	d ₂	l ₁	Load range kgf
P2151.040-F	Fixed	40	15	M 8	40	0-60
P2151.063-F	Fixed	63	18	M10	83	30-100
P2151.070-F	Fixed	70	22	M12	90	80-150
P2151.090-F	Fixed	90	25	M12	90	100-350
P2151.106-F	Fixed	106	29	M16	110	300-600
P2151.127-F	Fixed	127	33	M16	110	500-900
P2151.150-F	Fixed	150	39	M16	110	800-1500
P2151.170-F	Fixed	170	42	M16	110	1300-2000
P2151.070-S	Swivel	70	22	M12	90	80-150
P2151.090-S	Swivel	90	26	M12	90	100-350
P2151.106-S	Swivel	106	32	M16	110	300-600
P2151.127-S	Swivel	127	33	M16	110	500-900
P2151.150-S	Swivel	150	39	M16	110	800-1500
P2151.170-S	Swivel	170	42	M16	110	1300-2000



LEVELLING FEET



P2152



Material

Steel (GGG-40) coated body with zinc plated thread. Polyurethane base (65-90 Shore A).

deflection and maximum adherence due to shape of base.

Resistant to water, oil, high and low temperatures, abrasions and shocks.

tions where there is high risk of deterioration due to oil and other substances.

Also available in stainless steel - see product number P2161.

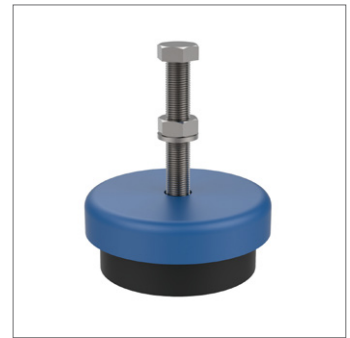
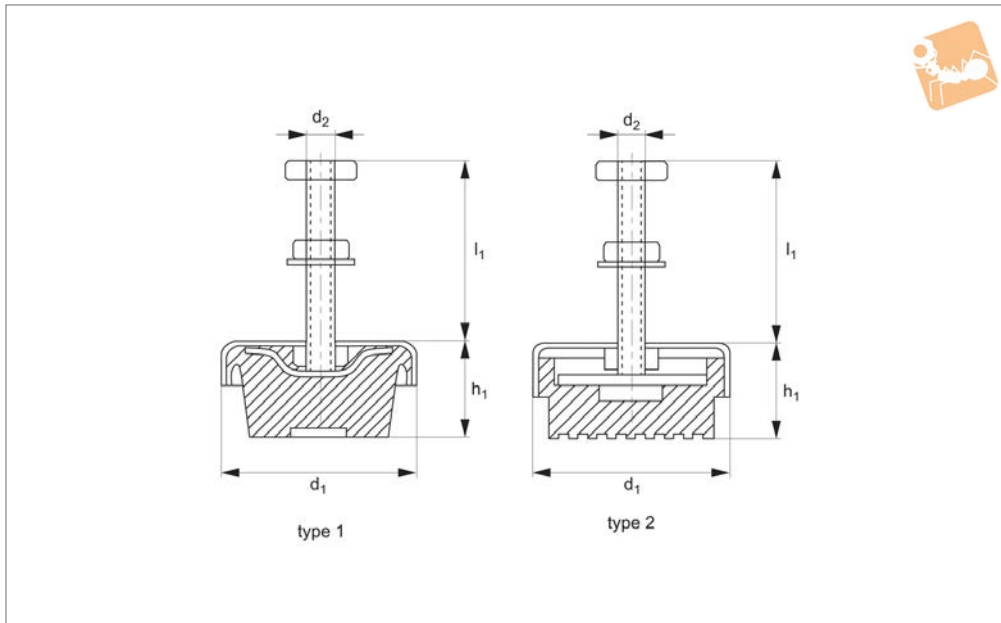
Technical Notes

High resistance machine mounts, little

Tips

Suitable for heavy machining and condi-

Order No.	Style	d_1	h_1	d_2	l_1	Load range kgf
P2152.065-F	Fixed	65	22	M12	90	200-800
P2152.100-F	Fixed	100	30	M16	110	800-2000
P2152.120-F	Fixed	120	33	M20	120	2000-4000
P2152.180-F	Fixed	180	40	M20	115	4000-6000
P2152.217-F	Fixed	217	52	M24	145	5000-10000
P2152.100-S	Swivel	100	30	M16	95	500-2000
P2152.120-S	Swivel	120	33	M20	120	2000-4000
P2152.180-S	Swivel	180	40	M20	130	4000-6000
P2152.217-S	Swivel	217	52	M24	150	5000-10000



P2153

LEVELLING FEET

Material

Coated steel body with special bowl shape to protect against corrosion. Synthetic rubber base (75 Shore A).

Technical Notes

Provides long life and outstanding stability.

Great adherence to the floor, due to excellent grip property. Quick and easy to install - for machine levelling.

Tips

Suitable for heavy machinery with strong vibration/impact such as plastic injection

moulding machines, presses, guillotines etc.

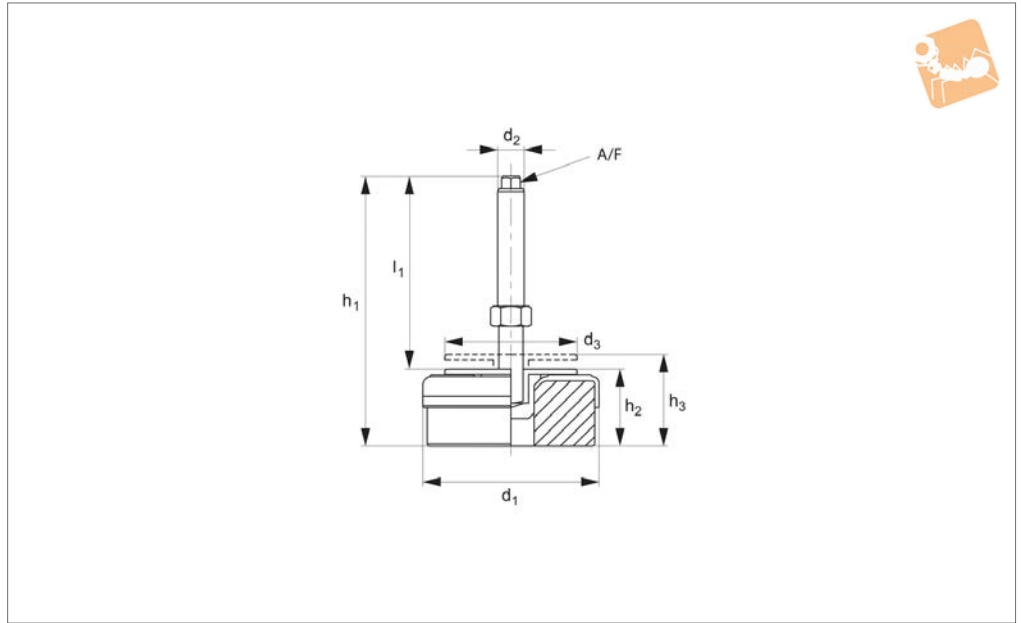
Order No.	Type	d ₁	h ₁	d ₂	l ₁	Load range kgf
P2153.050	Type 1	50	24	M 8	40	0-100
P2153.075	Type 1	75	35	M10	65	100-350
P2153.085	Type 2	85	40	M12	80	350-600
P2153.090	Type 2	90	49	M16	100	600-900
P2153.125	Type 2	125	52	M16	115	1000-2500
P2153.170	Type 2	170	57	M20	110	2500-4000



LEVELLING FEET



P2154



Material

Galvanized steel, with rubber pad (90 Shore A).

Technical Notes

Provides great levelling accuracy, with its

fine pitch thread. Can take very high horizontal loads.

Tips

Suitable for heavy machinery with strong vibration/impacts, such as plastic injection

moulding machines, presses, guillotines etc. Do not raise higher than the max height (h_3).

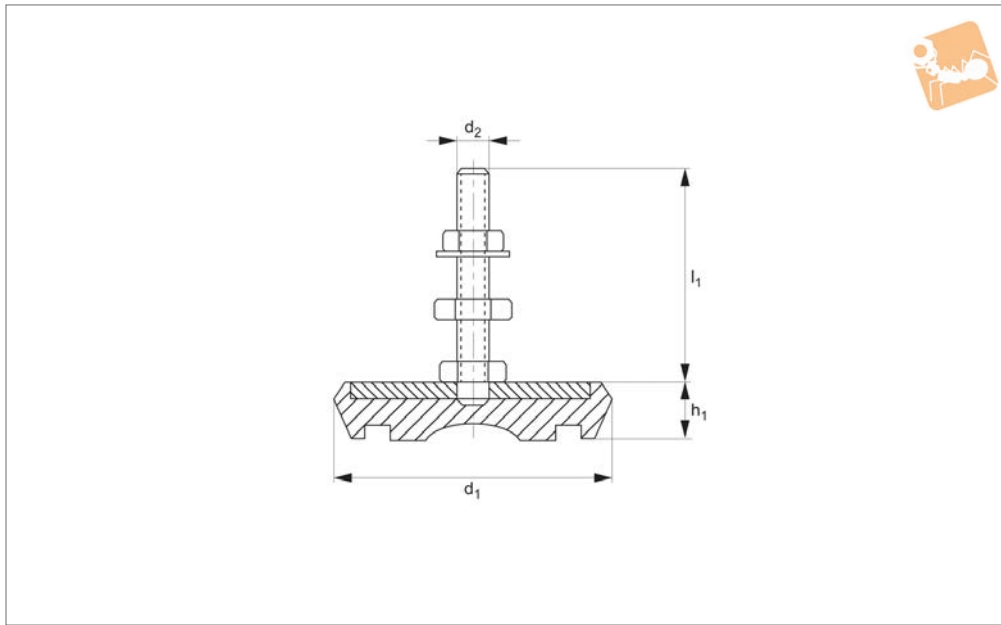
Order No.	d_1	h_1	d_2	d_3	l_1	h_2	h_3	A/F	Dynamic load kgf	Static load kgf
P2154.080-012	80	130	M12x1,25	54	90	40	50	8	250	500
P2154.120-016	120	130	M16x1,5	80	85	45	58	12	400	1000
P2154.160-020	160	190	M20x1,5	102	136	54	68	15	900	2000
P2154.200-020	200	195	M20x1,5	102	136	60	75	15	1500	3500



Stainless Machine Mounts rubber rubber base



Levelling Feet



P2160

LEVELLING FEET

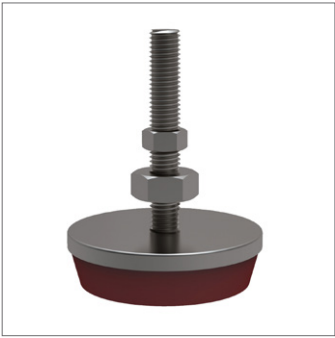
Material

Stainless steel body and thread (A2, AISI 304), with rubber base (65 Shore A).

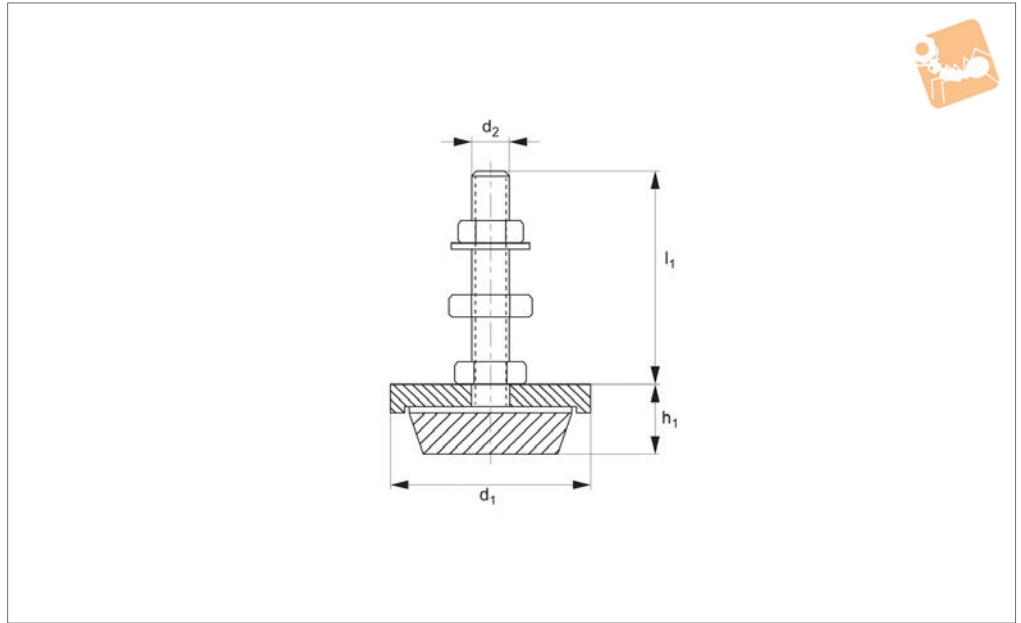
Technical Notes

Suitable for medium and high frequency vibrations and with smooth floors.

Order No.	d ₁	h ₁	d ₂	l ₁	Load range kgf
P2160.040	40	15	M 8	40	0-60
P2160.063	63	18	M10	83	30-100
P2160.070	70	22	M12	90	80-150
P2160.090	90	25	M12	90	100-350
P2160.106	106	29	M16	110	300-600
P2160.127	127	33	M16	110	500-900
P2160.150	150	39	M16	110	800-1500
P2160.170	170	42	M16	110	1300-2000



P2161



Material

Stainless steel body and thread (A2, AISI 304), with hard polyurethane base (80 Shore A).

applications. The hard polyurethane base is resistant to aggressive oils and chemicals.

Technical Notes

Ideally suited for food and pharmaceutical

Tips

The polyurethane base 80 Shore A also ensures very heavy load carrying capacity.

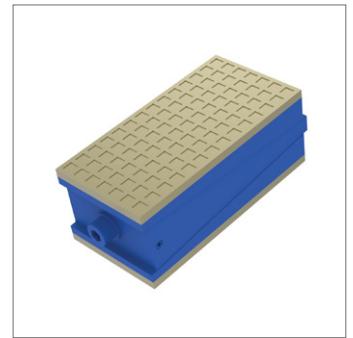
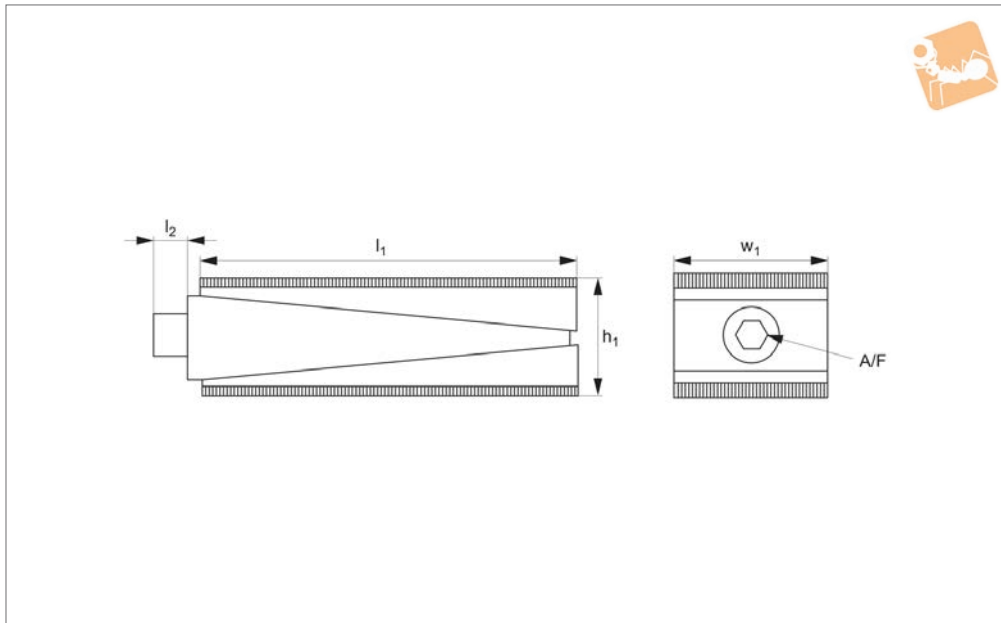
Order No.	d ₁	h ₁	d ₂	l ₁	Load range kgf
P2161.065	65	22	M12	90	200-800
P2161.100	100	30	M16	110	500-2000
P2161.120	120	33	M16	110	2000-4000
P2161.180	180	40	M16	110	4000-6000



Wedge Mounts anti-vibration



Levelling Feet



P2170

LEVELLING FEET

Material

Cast body, coated, with rubber base (65 Shore A) or harder polyurethane base (90 Shore A).

heavy loads. Adjustment by means of allen key on side. Adjustment is $\pm 5\text{mm}$ or $\pm 10\text{mm}$ depending on version selected - see table.

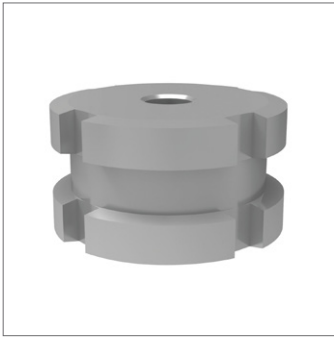
Tips

The rubber base versions have lower load carrying capacity but are less expensive than the polyurethane versions. Studded version available on the website.

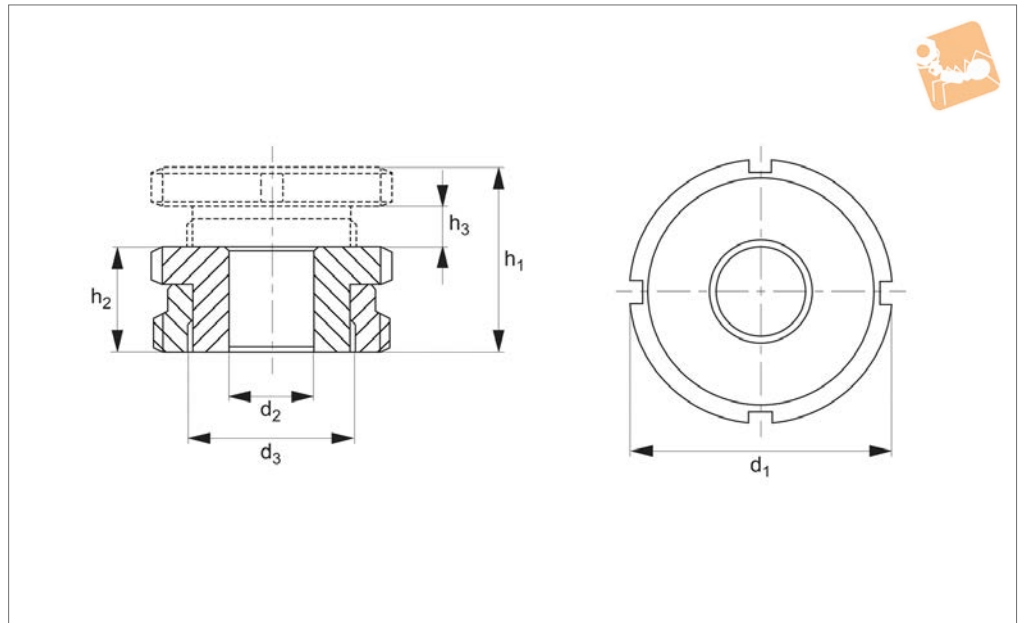
Technical Notes

For leveling and vibration dampening of

Order No.	h_1	l_1	w_1	l_2	A/F	Base material	Load range kgf
P2170.R150	60 \pm 5	150	75	12	12	Rubber	500 - 1000
P2170.P150	60 \pm 5	150	75	12	12	Polyurethane	700 - 2500
P2170.R220	70 \pm 10	200	100	12	12	Rubber	1500 - 3000
P2170.P220	70 \pm 10	200	100	12	12	Polyurethane	3000 - 6000



P2180



Material

Steel (type 42 CrMo4 V, 1.7225) zinc plated or stainless steel A1 (A4 on request).

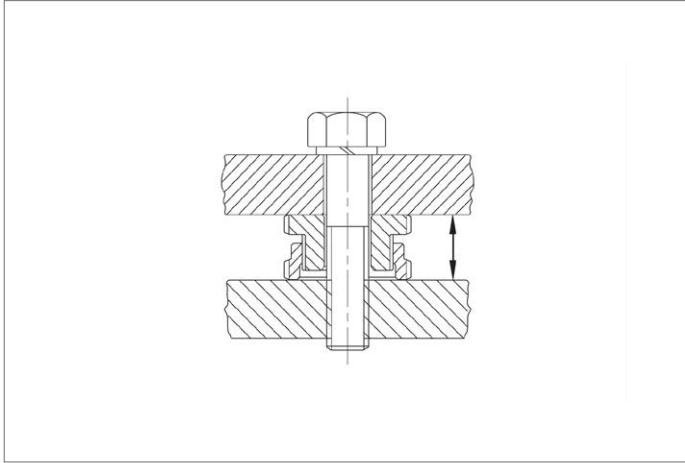
Technical Notes

After setting the height, the structure can be bolted down using a suitable 8,8

strength bolt.

The net load that the unit can carry is the maximum load less the tightening torque recommended for the bolt. Designed for applications with limited space. Height adjustment is between 4 and 10mm.

Order No.	Material	For bolt	h_1	h_2	h_3	d_1	d_2	d_3	Load with bolt kN max.	Load w/o bolt kN max.
P2180.019-060-ZP	Steel	M 6	19	15	4	25	6.6	M15x1,0	30.70	40.0
P2180.023-060-ZP	Steel	M 6	23	18	5	32	6.6	M20x1,0	55.70	65.0
P2180.023-080-ZP	Steel	M 8	23	18	5	32	9.0	M20x1,0	48.00	65.0
P2180.023-100-ZP	Steel	M10	23	18	5	32	11.0	M20x1,0	37.90	65.0
P2180.029-100-ZP	Steel	M10	29	22	7	45	11.0	M30x1,5	92.90	120.0
P2180.029-120-ZP	Steel	M12	29	22	7	45	13.5	M30x1,5	80.40	120.0
P2180.029-160-ZP	Steel	M16	29	22	7	45	17.5	M30x1,5	45.50	120.0
P2180.037-160-ZP	Steel	M16	37	28	9	58	17.5	M40x1,5	136.00	210.0
P2180.037-200-ZP	Steel	M20	37	28	9	58	22.0	M40x1,5	90.00	210.0
P2180.037-240-ZP	Steel	M24	37	28	9	58	26.0	M40x1,5	37.00	210.0
P2180.043-240-ZP	Steel	M24	43	33	10	70	26.0	M50x1,5	157.00	330.0
P2180.019-060-A2	Stainless steel	M 6	19	15	4	25	6.6	M15x1,0	20.26	27.1
P2180.023-060-A2	Stainless steel	M 6	23	18	5	32	6.6	M20x1,0	36.56	43.4
P2180.023-080-A2	Stainless steel	M 8	23	18	5	32	9.0	M20x1,0	30.86	43.4
P2180.023-100-A2	Stainless steel	M10	23	18	5	32	11.0	M20x1,0	23.41	43.4
P2180.029-100-A2	Stainless steel	M10	29	22	7	45	11.0	M30x1,5	64.01	84.0
P2180.029-120-A2	Stainless steel	M12	29	22	7	45	13.5	M30x1,5	54.82	84.0
P2180.029-160-A2	Stainless steel	M16	29	22	7	45	17.5	M30x1,5	28.90	84.0
P2180.037-160-A2	Stainless steel	M16	37	28	9	58	17.5	M40x1,5	92.90	148.0
P2180.037-200-A2	Stainless steel	M20	37	28	9	58	22.0	M40x1,5	59.08	148.0
P2180.037-240-A2	Stainless steel	M24	37	28	9	58	26.0	M40x1,5	20.30	148.0
P2180.043-240-A2	Stainless steel	M24	43	33	10	70	26.0	M50x1,5	97.30	225.0

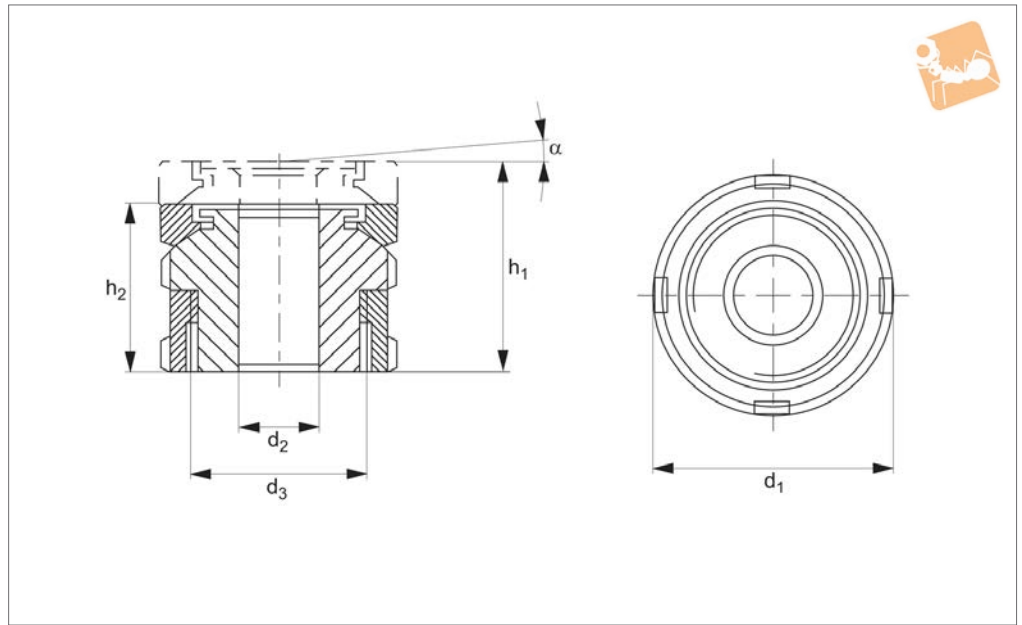




LEVELLING FEET



P2181



Material

Steel (type 42 CrMo4 V, 1.7225) zinc plated or stainless steel A1 (A4 on request).

Technical Notes

After setting the height, the structure can be bolted down using a suitable 8,8 strength bolt.

The net load that the unit can carry is the maximum load less the tightening torque recommended for the bolt. Please see useful info tab.

Designed for applications with limited space. Height adjustment is between 4 and 10mm. Designed for applications requiring

both height adjustment and precise adjustment of non-parallel surfaces, with a maximum angle of tilt 4°. For adjustment of non-parallel surfaces without height adjustment, see part no. P2186.

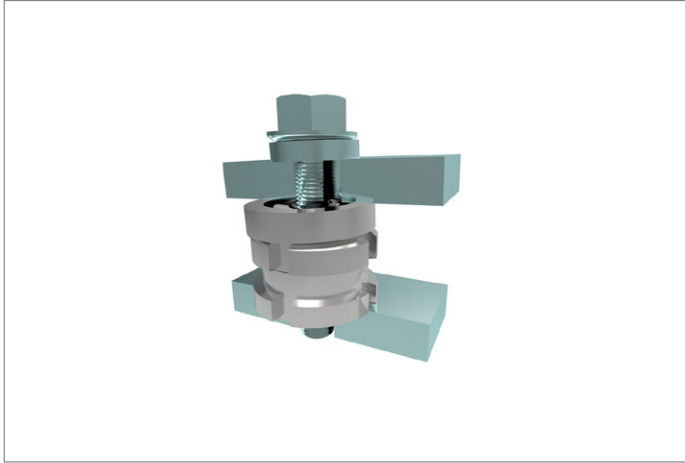
Order No.	Material	For bolt	h_1	h_2	d_1	d_2	d_3	α	Load with bolt kN max.	Load w/o bolt kN max.
P2181.026-060-ZP	Steel	M 6	26	22	25	6.6	M15x1,0	4°	30.70	40.0
P2181.031-060-ZP	Steel	M 6	31	26	32	6.6	M20x1,0	4°	55.70	65.0
P2181.031-080-ZP	Steel	M 8	31	26	32	9.0	M20x1,0	4°	48.00	65.0
P2181.031-100-ZP	Steel	M10	31	26	32	11.0	M20x1,0	4°	37.90	65.0
P2181.041-100-ZP	Steel	M10	41	34	45	11.0	M30x1,5	4°	92.90	120.0
P2181.041-120-ZP	Steel	M12	41	34	45	13.5	M30x1,5	4°	80.40	120.0
P2181.041-160-ZP	Steel	M16	41	34	45	17.5	M30x1,5	4°	45.50	120.0
P2181.053-160-ZP	Steel	M16	53	44	58	17.5	M40x1,5	4°	136.00	210.0
P2181.053-200-ZP	Steel	M20	53	44	58	22.0	M40x1,5	4°	90.00	210.0
P2181.053-240-ZP	Steel	M24	53	44	58	26.0	M40x1,5	4°	37.00	210.0
P2181.060-200-ZP	Steel	M20	60	50	70	22.0	M50x1,5	4°	210.00	330.0
P2181.060-240-ZP	Steel	M24	60	50	70	26.0	M50x1,5	4°	157.00	330.0
P2181.060-300-ZP	Steel	M30	60	50	70	33.0	M50x1,5	4°	53.00	330.0
P2181.026-060-A2	Stainless steel	M 6	26	22	25	6.6	M15x1,0	4°	20.26	27.1
P2181.031-060-A2	Stainless steel	M 6	31	26	32	6.6	M20x1,0	4°	36.56	43.4
P2181.031-080-A2	Stainless steel	M 8	31	26	32	9.0	M20x1,0	4°	30.86	43.4
P2181.031-100-A2	Stainless steel	M10	31	26	32	11.0	M20x1,0	4°	23.41	43.4
P2181.041-100-A2	Stainless steel	M10	41	34	45	11.0	M30x1,5	4°	64.01	84.0
P2181.041-120-A2	Stainless steel	M12	41	34	45	13.5	M30x1,5	4°	54.82	84.0
P2181.041-160-A2	Stainless steel	M16	41	34	45	17.5	M30x1,5	4°	28.90	84.0
P2181.053-160-A2	Stainless steel	M16	53	44	58	17.5	M40x1,5	4°	92.90	148.0
P2181.053-200-A2	Stainless steel	M20	53	44	58	22.0	M40x1,5	4°	59.08	148.0
P2181.053-240-A2	Stainless steel	M24	53	44	58	26.0	M40x1,5	4°	20.30	148.0
P2181.060-200-A2	Stainless steel	M20	60	50	70	22.0	M50x1,5	4°	136.08	225.0
P2181.060-240-A2	Stainless steel	M24	60	50	70	26.0	M50x1,5	4°	97.30	225.0
P2181.060-300-A2	Stainless steel	M30	60	50	70	33.0	M50x1,5	4°	20.60	225.0



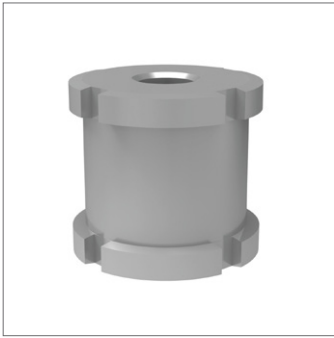
Tilt Head Precision Adjuster



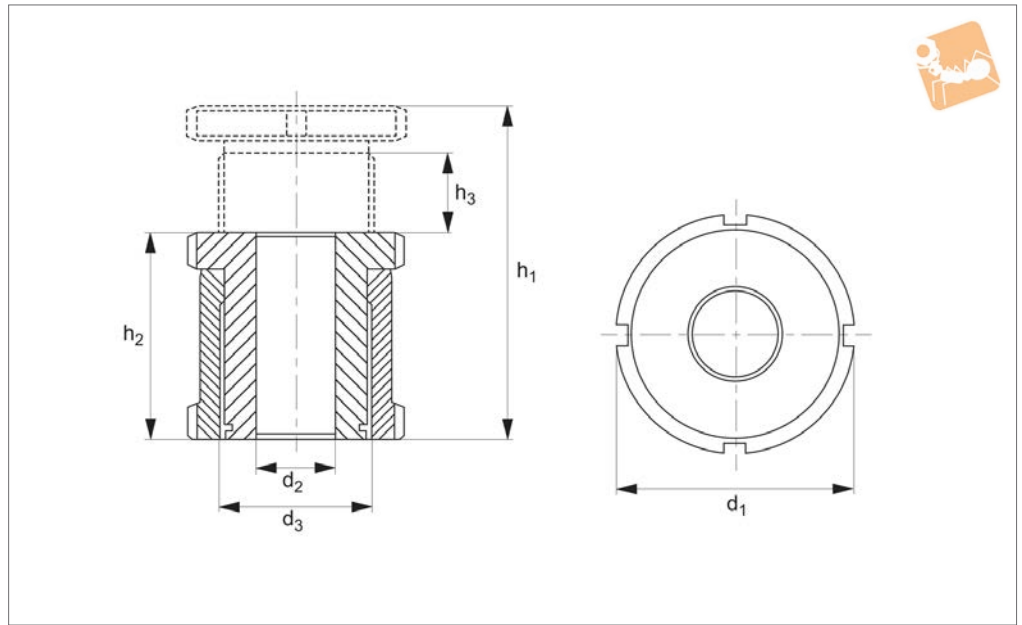
Levelling Feet



LEVELLING FEET



P2182



Material

Steel (type 42 CrMo4 V, 1.7225) zinc plated or stainless steel A1 (A4 on request).

Technical Notes

After setting the height, the structure can be bolted down using a suitable 8,8

strength bolt.

The net load that the unit can carry is the maximum load less the tightening torque recommended for the bolt. Designed for applications where a wide adjustment range is required - height adjustment is

equal to 15 to 40mm.

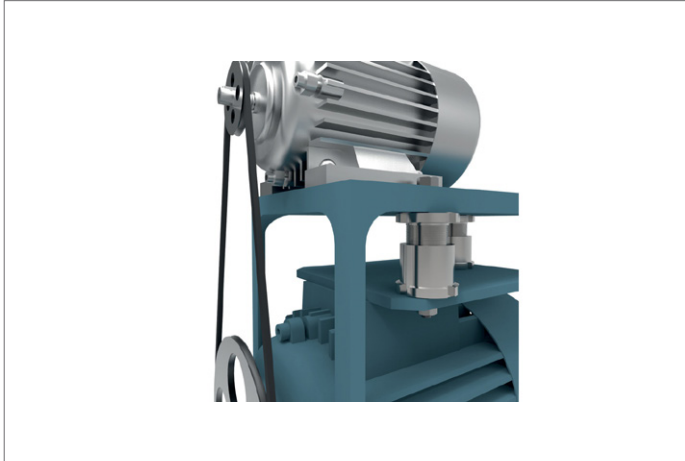
Order No.	Material	For bolt	h_1	h_2	h_3	d_1	d_2	d_3	Load with bolt kN max.	Load w/o bolt kN max.
P2182.028-060-ZP	Steel	M 6	43	28	15	25	6.6	M15x1,0	30.70	40.00
P2182.035-060-ZP	Steel	M 6	55	35	20	32	6.6	M20x1,0	55.70	65.00
P2182.035-080-ZP	Steel	M 8	55	35	20	32	9.0	M20x1,0	48.00	65.00
P2182.035-100-ZP	Steel	M10	55	35	20	32	11.0	M20x1,0	37.90	65.00
P2182.042-100-ZP	Steel	M10	67	42	25	45	11.0	M30x1,5	92.90	120.00
P2182.042-120-ZP	Steel	M12	67	42	25	45	13.5	M30x1,5	80.40	120.00
P2182.042-160-ZP	Steel	M16	67	42	25	45	17.5	M30x1,5	45.50	120.00
P2182.054-160-ZP	Steel	M16	86	54	32	58	17.5	M40x1,5	136.00	210.00
P2182.054-200-ZP	Steel	M20	86	54	32	58	22.0	M40x1,5	90.00	210.00
P2182.054-240-ZP	Steel	M24	86	54	32	58	26.0	M40x1,5	37.00	210.00
P2182.066-200-ZP	Steel	M20	106	66	40	70	22.0	M50x1,5	210.00	330.00
P2182.066-240-ZP	Steel	M24	106	66	40	70	26.0	M50x1,5	157.00	330.00
P2182.066-300-ZP	Steel	M30	106	66	40	70	33.0	M50x1,5	53.00	330.00
P2182.028-060-A2	Stainless steel	M 6	43	28	15	25	6.6	M15x1,0	20.26	27.10
P2182.035-060-A2	Stainless steel	M 6	55	35	20	32	6.6	M20x1,0	36.56	43.40
P2182.035-080-A2	Stainless steel	M 8	55	35	20	32	9.0	M20x1,0	30.86	43.40
P2182.035-100-A2	Stainless steel	M10	55	35	20	32	11.0	M20x1,0	23.41	43.40
P2182.042-100-A2	Stainless steel	M10	67	42	25	45	11.0	M30x1,5	64.01	84.00
P2182.042-120-A2	Stainless steel	M12	67	42	25	45	13.5	M30x1,5	54.82	84.00
P2182.042-160-A2	Stainless steel	M16	67	42	25	45	17.5	M30x1,5	28.90	84.00
P2182.054-160-A2	Stainless steel	M16	86	54	32	58	17.5	M40x1,5	92.90	148.00
P2182.054-200-A2	Stainless steel	M20	86	54	32	58	22.0	M40x1,5	59.08	148.00
P2182.054-240-A2	Stainless steel	M24	86	54	32	58	26.0	M40x1,5	20.30	148.00
P2182.066-200-A2	Stainless steel	M20	106	66	40	70	22.0	M50x1,5	136.08	225.00
P2182.066-240-A2	Stainless steel	M24	106	66	40	70	26.0	M50x1,5	97.30	225.00
P2182.066-300-A2	Stainless steel	M30	106	66	40	70	33.0	M50x1,5	20.60	225.00



Precision Adjuster



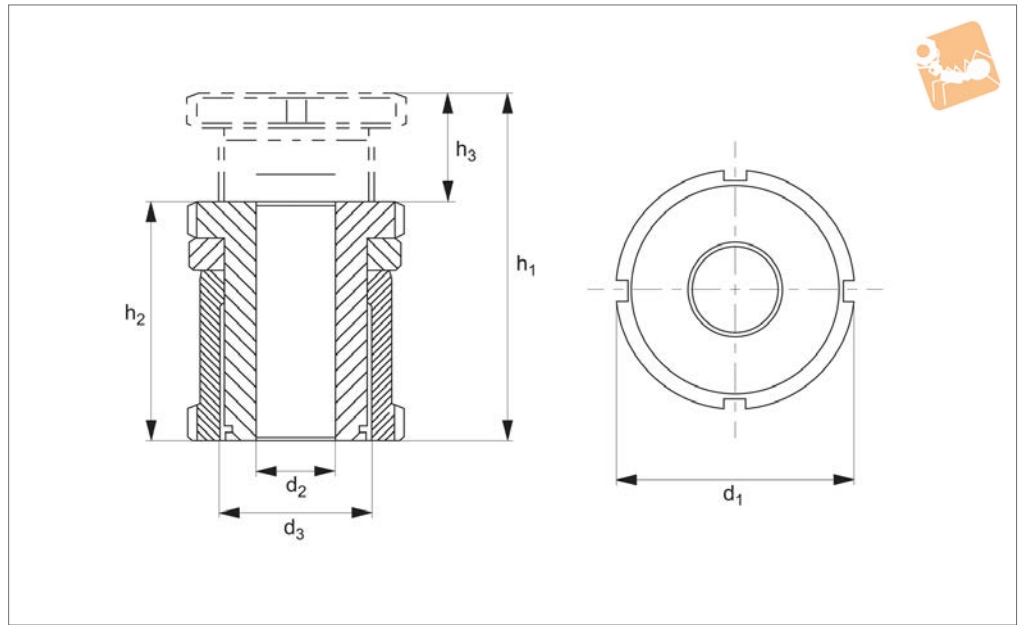
Levelling Feet



LEVELLING FEET



P2183



Material

Steel (type 42 CrMo4 V, 1.7225) zinc plated or stainless steel A1 (A4 on request).

Technical Notes

After setting the height, the structure can be bolted down using a suitable 8,8

strength bolt.

The net load that the unit can carry is the maximum load less the tightening torque recommended for the bolt.

Designed for applications with a dynamic load, or where no fasteners are used. The

locknut enables locking of the adjuster in a pre-set position.

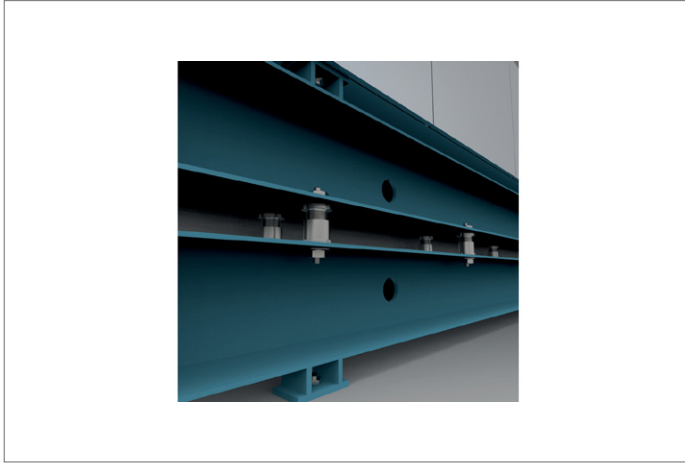
Order No.	Material	For bolt	h_1	h_2	h_3	d_1	d_2	d_3	Load with bolt kN max.	Load w/o bolt kN max.
P2183.043-060-ZP	Steel	M 6	43	33	10	25	6.6	M15x1,0	30.70	40.00
P2183.055-060-ZP	Steel	M 6	55	41	14	32	6.6	M20x1,0	55.70	65.00
P2183.055-080-ZP	Steel	M 8	55	41	14	32	9.0	M20x1,0	48.00	65.00
P2183.067-100-ZP	Steel	M10	67	49	18	45	11.0	M30x1,5	92.90	120.00
P2183.067-120-ZP	Steel	M12	67	49	18	45	13.5	M30x1,5	80.40	120.00
P2183.067-160-ZP	Steel	M16	67	49	18	45	17.5	M30x1,5	45.50	120.00
P2183.086-160-ZP	Steel	M16	86	63	23	58	17.5	M40x1,5	136.00	210.00
P2183.086-200-ZP	Steel	M20	86	63	23	58	22.0	M40x1,5	90.00	210.00
P2183.086-240-ZP	Steel	M24	86	63	23	58	26.0	M40x1,5	37.00	210.00
P2183.106-200-ZP	Steel	M20	106	77	29	70	22.0	M50x1,5	210.00	330.00
P2183.106-240-ZP	Steel	M24	106	77	29	70	26.0	M50x1,5	157.00	330.00
P2183.106-300-ZP	Steel	M30	106	77	29	70	33.0	M50x1,5	53.00	330.00
P2183.043-060-A2	Stainless steel	M 6	43	33	10	25	6.6	M15x1,0	20.26	27.10
P2183.055-060-A2	Stainless steel	M 6	55	41	14	32	6.6	M20x1,0	36.56	43.40
P2183.055-080-A2	Stainless steel	M 8	55	41	14	32	9.0	M20x1,0	30.86	43.40
P2183.055-100-A2	Stainless steel	M10	55	41	14	32	11.0	M20x1,0	23.41	43.40
P2183.067-120-A2	Stainless steel	M12	67	49	18	45	13.5	M30x1,5	54.82	84.00
P2183.067-160-A2	Stainless steel	M16	67	49	18	45	17.5	M30x1,5	28.90	84.00
P2183.086-160-A2	Stainless steel	M16	86	63	23	58	17.5	M40x1,5	92.90	148.00
P2183.086-200-A2	Stainless steel	M20	86	63	23	58	22.0	M40x1,5	59.08	148.00
P2183.086-240-A2	Stainless steel	M24	86	63	23	58	26.0	M40x1,5	20.30	148.00
P2183.106-200-A2	Stainless steel	M20	106	77	29	70	22.0	M50x1,5	136.08	225.00
P2183.106-240-A2	Stainless steel	M24	106	77	29	70	26.0	M50x1,5	97.30	225.00
P2183.106-300-A2	Stainless steel	M30	106	77	29	70	33.0	M50x1,5	20.60	225.00



Precision Adjuster with locking nut



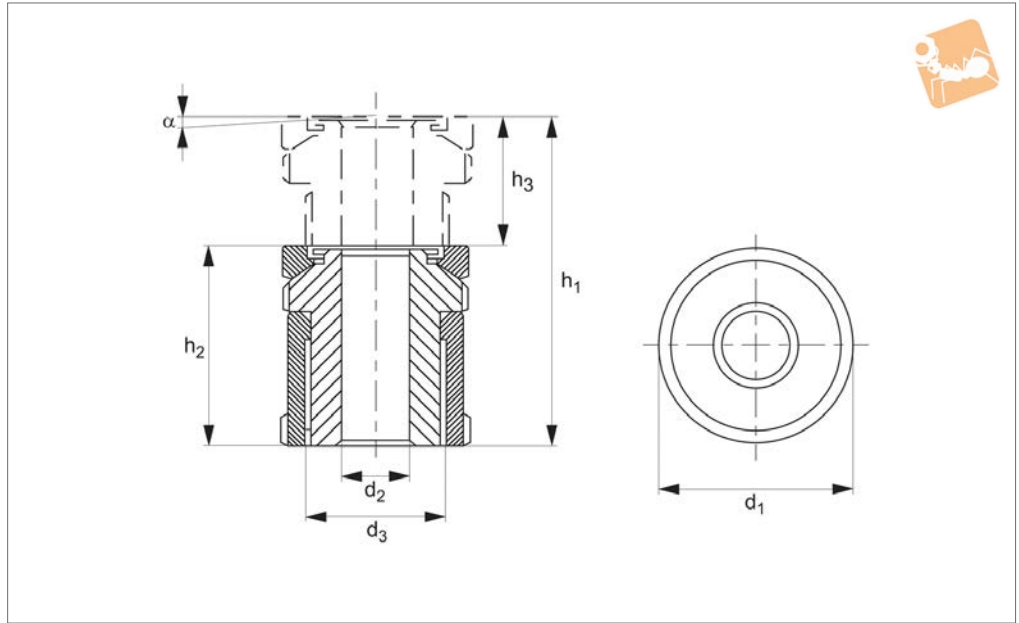
Levelling Feet



LEVELLING FEET



P2184



LEVELLING FEET

Material

Steel (type 42 CrMo4 V, 1.7225) zinc plated or stainless steel A1 (A4 on request).

Technical Notes

After setting the height, the structure can be bolted down using a suitable 8,8

strength bolt.

The net load that the unit can carry is the maximum load less the tightening torque recommended for the bolt. Designed for applications where a wide adjustment range is required - height adjustment is

equal to 15 to 40mm.

Order No.	Material	For bolt	h ₁ min.	h ₂ max.	d ₁	d ₂	d ₃	α app.	Load with bolt kN max.	Load w/o bolt kN max.
P2184.050-040-ZP	Steel	M 4	50	35	25	4.5	M15x1,0	4°	36.00	40.00
P2184.050-050-ZP	Steel	M 5	50	35	25	5.5	M15x1,0	4°	33.40	40.00
P2184.050-060-ZP	Steel	M 6	50	35	25	6.6	M15x1,0	4°	30.70	40.00
P2184.063-060-ZP	Steel	M 6	63	43	32	6.6	M20x1,0	4°	56.70	65.00
P2184.063-080-ZP	Steel	M 8	63	43	32	9.0	M20x1,0	4°	48.90	65.00
P2184.063-100-ZP	Steel	M10	63	43	32	11.0	M20x1,0	4°	37.90	65.00
P2184.079-100-ZP	Steel	M10	79	54	45	11.0	M30x1,5	4°	92.90	120.00
P2184.079-120-ZP	Steel	M12	79	54	45	13.5	M30x1,5	4°	80.40	120.00
P2184.079-160-ZP	Steel	M16	79	54	45	17.5	M30x1,5	4°	45.50	120.00
P2184.102-160-ZP	Steel	M16	102	70	58	17.5	M40x1,5	4°	136.00	210.00
P2184.102-200-ZP	Steel	M20	102	70	58	22.0	M40x1,5	4°	90.80	210.00
P2184.102-240-ZP	Steel	M24	102	70	58	26.0	M40x1,5	4°	37.00	210.00
P2184.123-200-ZP	Steel	M20	123	83	70	22.0	M50x1,5	4°	210.00	330.00
P2184.123-240-ZP	Steel	M24	123	83	70	26.0	M50x1,5	4°	157.00	330.00
P2184.123-300-ZP	Steel	M30	123	83	70	33.0	M50x1,5	4°	53.00	330.00
P2184.050-040-A2	Stainless Steel	M 4	50	35	25	4.5	M15x1,0	4°	24.14	27.10
P2184.050-050-A2	Stainless Steel	M 5	50	35	25	5.5	M15x1,0	4°	22.24	27.10
P2184.050-060-A2	Stainless Steel	M 6	50	35	25	6.6	M15x1,0	4°	20.26	27.10
P2184.063-060-A2	Stainless Steel	M 6	63	43	32	6.6	M20x1,0	4°	36.56	43.40
P2184.063-080-A2	Stainless Steel	M 8	63	43	32	9.0	M20x1,0	4°	30.86	43.40
P2184.063-100-A2	Stainless Steel	M10	63	43	32	11.0	M20x1,0	4°	23.41	43.40
P2184.079-100-A2	Stainless Steel	M10	79	54	45	11.0	M30x1,5	4°	64.01	84.00
P2184.079-120-A2	Stainless Steel	M12	79	54	45	13.5	M30x1,5	4°	54.52	84.00
P2184.079-160-A2	Stainless Steel	M16	79	54	45	17.5	M30x1,5	4°	28.90	84.00
P2184.102-160-A2	Stainless Steel	M16	102	70	58	17.5	M40x1,5	4°	92.90	148.00
P2184.102-200-A2	Stainless Steel	M20	102	70	58	22.0	M40x1,5	4°	59.08	148.00
P2184.102-240-A2	Stainless Steel	M24	102	70	58	26.0	M40x1,5	4°	20.30	148.00
P2184.123-200-A2	Stainless Steel	M20	123	83	70	22.0	M50x1,5	4°	136.08	225.00
P2184.123-240-A2	Stainless Steel	M24	123	83	70	26.0	M50x1,5	4°	97.30	225.00
P2184.123-300-A2	Stainless Steel	M30	123	83	70	33.0	M50x1,5	4°	20.60	225.00

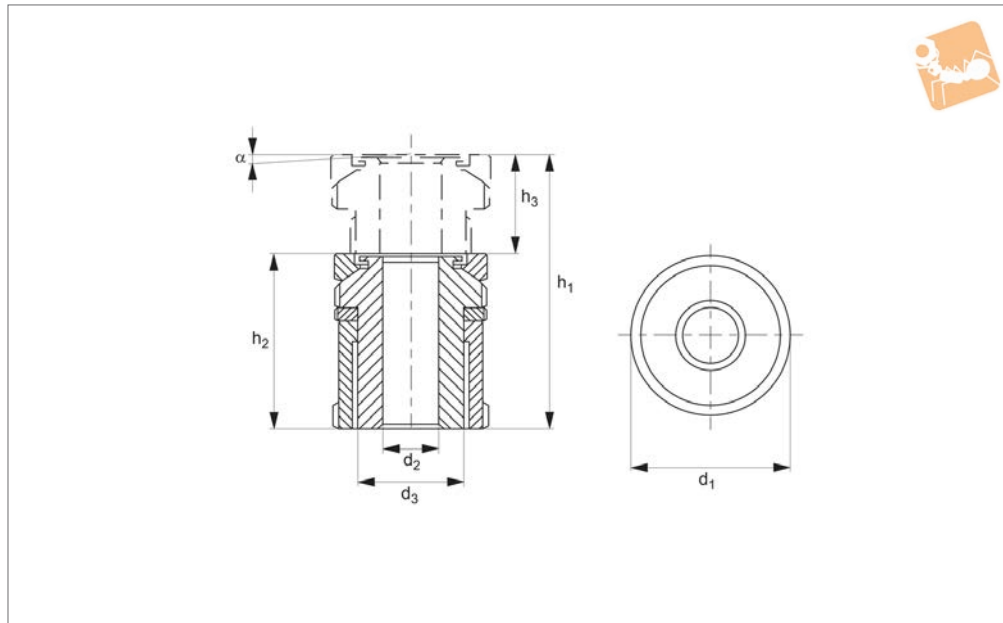


Tilt Head Precision Adjuster

tall with locking nut



Levelling Feet



P2185

LEVELLING FEET

Material

Steel (type 42 CrMo4 V, 1.7225) zinc plated or stainless steel A1 (A4 on request).

Technical Notes

After setting the height, the structure can be bolted down using a suitable 8,8

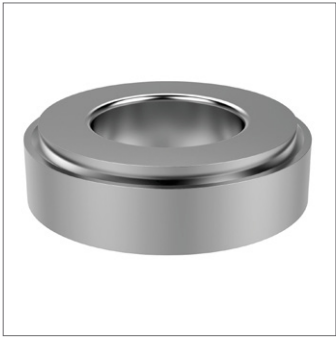
strength bolt.

The net load that the unit can carry is the maximum load less the tightening torque recommended for the bolt.

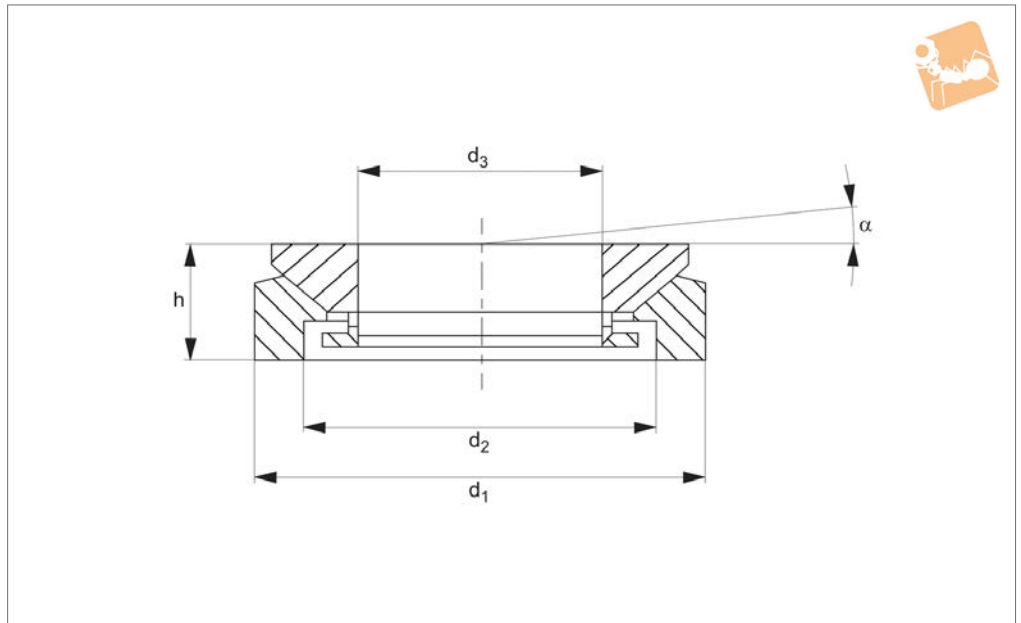
Designed for applications where a wide adjustment range is required - height

adjustment is equal to 15 to 40mm.

Order No.	Material	For bolt	h_1	h_2	h_3	d_1	d_2	d_3	α app.	Load with bolt kN max.	Load w/o bolt kN max.
P2185.050-040-ZP	Steel	M 4	50	40	10	25	4.5	M15x1,0	4°	36.00	40.00
P2185.050-050-ZP	Steel	M 5	50	40	10	25	5.5	M15x1,0	4°	33.40	40.00
P2185.050-060-ZP	Steel	M 6	50	40	10	25	6.5	M15x1,0	4°	30.70	40.00
P2185.063-060-ZP	Steel	M 6	63	49	14	32	6.6	M20x1,0	4°	55.70	65.00
P2185.063-080-ZP	Steel	M 8	63	49	14	32	9.0	M20x1,0	4°	48.00	65.00
P2185.063-100-ZP	Steel	M10	63	49	14	32	11.0	M20x1,0	4°	37.90	65.00
P2185.079-100-ZP	Steel	M10	79	61	18	45	11.0	M30x1,5	4°	92.90	120.00
P2185.079-120-ZP	Steel	M12	79	61	18	45	13.5	M30x1,5	4°	80.40	120.00
P2185.079-160-ZP	Steel	M16	79	61	18	45	17.5	M30x1,5	4°	45.50	120.00
P2185.102-160-ZP	Steel	M16	102	79	23	58	17.5	M40x1,5	4°	136.00	210.00
P2185.102-200-ZP	Steel	M20	102	79	23	58	22.0	M40x1,5	4°	90.00	210.00
P2185.102-240-ZP	Steel	M24	102	79	23	58	26.0	M40x1,5	4°	37.00	210.00
P2185.123-200-ZP	Steel	M20	123	94	29	70	22.0	M50x1,5	4°	210.00	330.00
P2185.123-240-ZP	Steel	M24	123	94	29	70	26.0	M50x1,5	4°	157.00	330.00
P2185.123-300-ZP	Steel	M30	123	94	29	70	33.0	M50x1,5	4°	53.00	330.00
P2185.050-040-A2	Stainless steel	M 4	50	40	10	25	4.5	M15x1,0	4°	24.14	27.10
P2185.050-050-A2	Stainless steel	M 5	50	40	10	25	5.5	M15x1,0	4°	22.24	27.10
P2185.050-060-A2	Stainless steel	M 6	50	40	10	25	6.5	M15x1,0	4°	20.26	27.10
P2185.063-060-A2	Stainless steel	M 6	63	49	14	32	6.6	M20x1,0	4°	36.56	43.40
P2185.063-080-A2	Stainless steel	M 8	63	49	14	32	9.0	M20x1,0	4°	30.86	43.40
P2185.063-100-A2	Stainless steel	M10	63	49	14	32	11.0	M20x1,0	4°	23.41	43.40
P2185.079-100-A2	Stainless steel	M10	79	61	18	45	11.0	M30x1,5	4°	64.01	84.00
P2185.079-120-A2	Stainless steel	M12	79	61	18	45	13.5	M30x1,5	4°	54.82	84.00
P2185.079-160-A2	Stainless steel	M16	79	61	18	45	17.5	M30x1,5	4°	28.90	84.00
P2185.102-160-A2	Stainless steel	M16	102	79	23	58	17.5	M40x1,5	4°	92.90	148.00
P2185.102-200-A2	Stainless steel	M20	102	79	23	58	22.0	M40x1,5	4°	59.08	148.00
P2185.102-240-A2	Stainless steel	M24	102	79	23	58	26.0	M40x1,5	4°	20.30	148.00
P2185.123-200-A2	Stainless steel	M20	123	94	29	70	22.0	M50x1,5	4°	136.08	225.00
P2185.123-240-A2	Stainless steel	M24	123	94	29	70	26.0	M50x1,5	4°	97.30	225.00
P2185.123-300-A2	Stainless steel	M30	123	94	29	70	33.0	M50x1,5	4°	20.60	225.00



P2186



Material

Steel (type 42 CrMo4 V, 1.7225) zinc plated or stainless steel A1 (A4 on request).

Technical Notes

Compensates for non-level surfaces with a maximum angle of tilt 4°. Please remember

that the fixing screw and washer may also require support if the bearing surface is out of parallel by more than 1°.

The ball shim has no height adjustment feature.

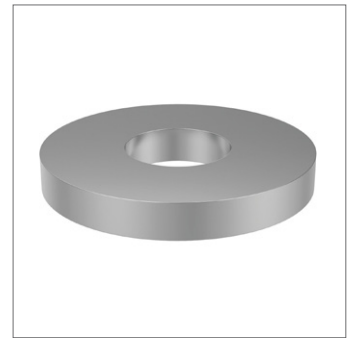
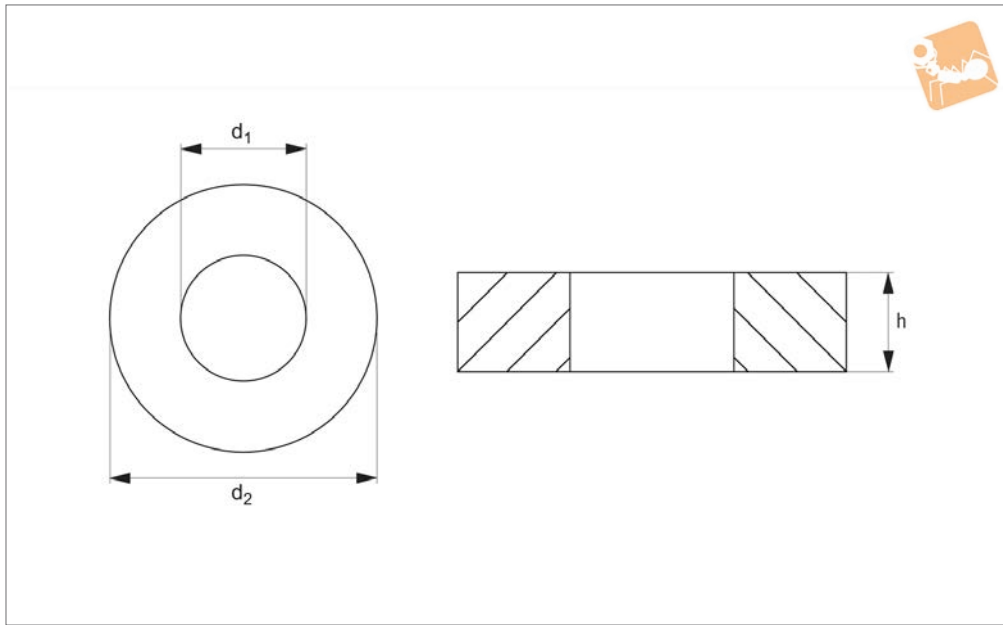
Order No.	Material	For bolt	d ₁	d ₂	d ₃	h	α app.
P2186.008-060-ZP	Steel	M 6	25	15	8.5	8.0	4°
P2186.010-100-ZP	Steel	M10	32	20	13.0	10.0	4°
P2186.012-160-ZP	Steel	M16	45	30	20.0	12.5	4°
P2186.016-240-ZP	Steel	M24	58	38	29.0	16.0	4°
P2186.020-300-ZP	Steel	M30	70	48	36.0	20.0	4°
P2186.020-360-ZP	Steel	M36	80	61	44.0	20.0	4°
P2186.020-480-ZP	Steel	M48	105	78	58.0	25.0	4°
P2186.008-060-A2	Stainless steel	M 6	25	15	8.5	8.0	4°
P2186.010-100-A2	Stainless steel	M10	32	20	13.0	10.0	4°
P2186.012-160-A2	Stainless steel	M16	45	30	20.0	12.5	4°
P2186.016-240-A2	Stainless steel	M24	58	38	29.0	16.0	4°
P2186.020-300-A2	Stainless steel	M30	70	48	36.0	20.0	4°
P2186.020-360-A2	Stainless steel	M36	80	61	44.0	20.0	4°
P2186.020-480-A2	Stainless steel	M48	105	78	58.0	25.0	4°



Spacers

for part nos. P2180 to P2186

Levelling Feet



P2187

LEVELLING FEET

Material

Steel (type 42 CrMo4 V, 1.7225) zinc plated or stainless steel A1 (A4 on request).

Technical Notes

Used to bridge gaps on applications where the height adjustment of an adjuster is

insufficient.

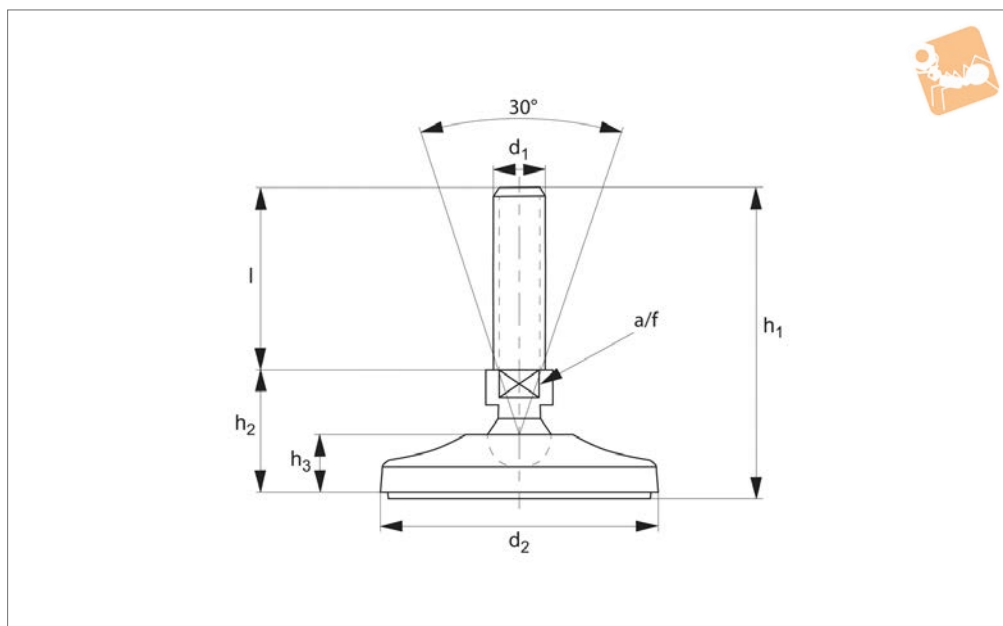
Order No.	Material	For bolt	d_1	d_2	h
P2187.060-ZP	Steel	M 6	6.6	25	4
P2187.100-ZP	Steel	M10	11.0	32	5
P2187.160-ZP	Steel	M16	17.5	45	6
P2187.240-ZP	Steel	M24	26.0	58	8
P2187.300-ZP	Steel	M30	33.0	70	10
P2187.360-ZP	Steel	M36	39.0	80	12
P2187.480-ZP	Steel	M48	52.0	105	16
P2187.060-A2	Stainless steel	M 6	6.6	25	4
P2187.100-A2	Stainless steel	M10	11.0	32	5
P2187.160-A2	Stainless steel	M16	17.5	45	6
P2187.240-A2	Stainless steel	M24	26.0	58	8
P2187.300-A2	Stainless steel	M30	33.0	70	10
P2187.360-A2	Stainless steel	M36	39.0	80	12
P2187.480-A2	Stainless steel	M48	52.0	105	16



LEVELLING FEET



P2200.AV1



Material

Stainless steel (AISI 304), with rubber pad (70 Shore A).
Stainless steel (AISI 316) version available

on request.

Technical Notes

Load values refer to static loads, located at

half the screw height.

When vibrations or dynamic loads are present these values should be reduced.

Order No.	d ₁	d ₂	l	h ₁	h ₂	h ₃	A/F	Load kN max.
P2200.040-08-025	M 8	40	25	53	25	14.5	12	10
P2200.040-08-050	M 8	40	50	78	25	14.5	12	10
P2200.040-08-075	M 8	40	75	103	25	14.5	12	10

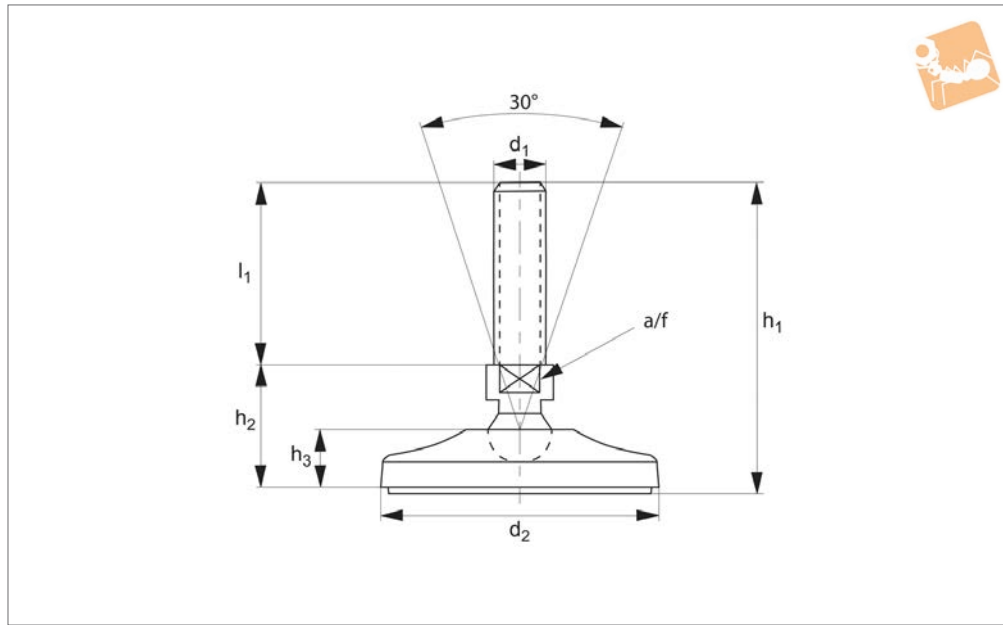


Levelling Feet

stainless steel swivel



Levelling Feet



P2200.AV2

LEVELLING FEET

Material

Stainless steel (AISI 304), with rubber pad (70 Shore A).

Stainless steel (AISI 316) version available

on request.

Technical Notes

Load values refer to static loads, located at

half the screw height.

When vibrations or dynamic loads are present these values should be reduced.

Order No.	d ₁	l ₁	d ₂	h ₁	h ₂	h ₃	A/F	Load kN max.
P2200.050-10-025	M10	25	50	56	28	16.0	14	15
P2200.050-10-050	M10	50	50	81	28	16.0	14	15
P2200.050-10-075	M10	75	50	106	28	16.0	14	15
P2200.050-10-100	M10	100	50	131	28	16.0	14	15
P2200.050-10-125	M10	125	50	156	28	16.0	14	15
P2200.050-12-025	M12	25	50	56	28	16.0	14	15
P2200.050-12-050	M12	50	50	81	28	16.0	14	15
P2200.050-12-075	M12	75	50	106	28	16.0	14	15
P2200.050-12-100	M12	100	50	131	28	16.0	14	15
P2200.050-12-125	M12	125	50	156	28	16.0	14	15
P2200.065-14-050	M14	50	65	83	30	17.0	14	20
P2200.065-14-075	M14	75	65	108	30	17.0	14	20
P2200.065-14-100	M14	100	65	133	30	17.0	14	20
P2200.065-14-125	M14	125	65	158	30	17.0	14	20
P2200.065-14-150	M14	150	65	183	30	17.0	14	20
P2200.100-16-050	M16	50	100	96	43	20.0	20	35
P2200.100-16-075	M16	75	100	121	43	20.0	20	35
P2200.100-16-125	M16	125	100	171	43	20.0	20	35
P2200.100-16-150	M16	150	100	196	43	20.0	20	35
P2200.100-16-175	M16	175	100	221	43	20.0	20	35
P2200.100-16-200	M16	200	100	246	43	20.0	20	35
P2200.100-20-075	M20	75	100	121	43	20.0	20	45
P2200.100-20-100	M20	100	100	146	43	20.0	20	45
P2200.100-20-125	M20	125	100	171	43	20.0	20	45
P2200.100-20-150	M20	150	100	196	43	20.0	20	45
P2200.100-20-175	M20	175	100	221	43	20.0	20	45
P2200.100-20-200	M20	200	100	246	43	20.0	20	45
P2200.100-20-225	M20	225	100	271	43	20.0	20	45
P2200.100-20-250	M20	250	100	296	43	20.0	20	45
P2200.100-24-075	M24	75	100	122	44	20.0	20	55
P2200.100-24-100	M24	100	100	147	44	20.0	20	55
P2200.100-24-175	M24	175	100	222	44	20.0	20	55
P2200.100-24-200	M24	200	100	247	44	20.0	20	55

Levelling Feet

Levelling Feet

stainless steel swivel



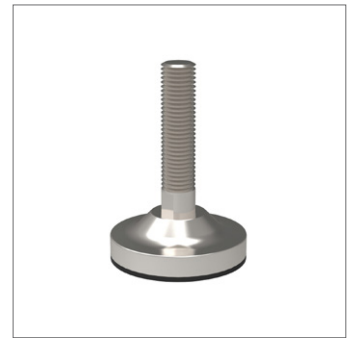
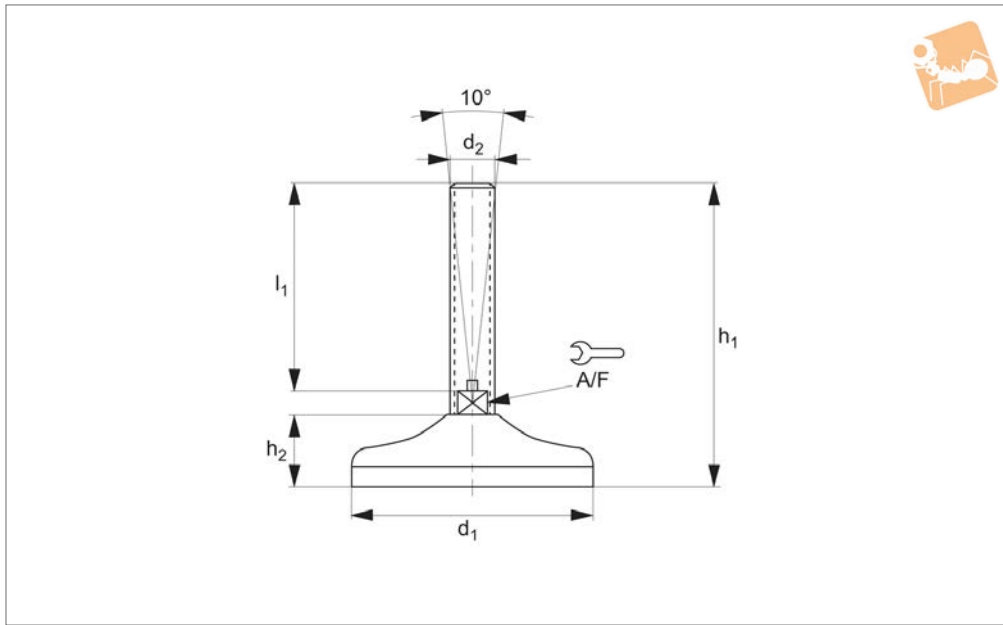
Order No.	d ₁	l ₁	d ₂	h ₁	h ₂	h ₃	A/F	Load kN max.
P2200.100-24-225	M24	225	100	272	44	20.0	20	55
P2200.100-24-250	M24	250	100	297	44	20.0	20	55
P2200.120-30-125	M30	125	120	175	47	23.0	26	65
P2200.120-30-150	M30	150	120	200	47	23.0	26	65
P2200.120-30-175	M30	175	120	225	47	23.0	26	65
P2200.120-30-200	M30	200	120	250	47	23.0	26	65
P2200.120-30-225	M30	225	120	275	47	23.0	26	65
P2200.120-30-250	M30	250	120	300	47	23.0	26	65

LEVELLING FEET



Stainless Levelling Feet

fixed feet



P2201

LEVELLING FEET

Material

Stainless steel (AISI 304), with rubber pad (70 Shore A).
Stainless steel (AISI 316) version available

on request.

half the screw height.

Technical Notes

Load values refer to static loads, located at

Order No.	d ₁	l	d ₂	h ₁	h ₂	A/F	Load N max.
P2201.050-10-050	50	50	M10	79	19	14	400
P2201.050-10-075	50	75	M10	104	19	14	400
P2201.050-10-100	50	100	M10	129	19	14	400
P2201.050-10-125	50	125	M10	154	19	14	400
P2201.050-12-050	50	50	M12	79	19	14	400
P2201.050-12-075	50	75	M12	104	19	14	400
P2201.050-12-100	50	100	M12	129	19	14	400
P2201.050-12-125	50	125	M12	154	19	14	400
P2201.050-14-075	50	75	M14	104	19	14	400
P2201.050-14-100	50	100	M14	129	19	14	400
P2201.050-14-125	50	125	M14	154	19	14	400
P2201.050-14-150	50	150	M14	179	19	14	400
P2201.050-16-075	50	75	M16	109	19	13	400
P2201.050-16-100	50	100	M16	134	19	13	400
P2201.050-16-125	50	125	M16	159	19	13	400
P2201.050-16-150	50	150	M16	184	19	13	400
P2201.080-10-050	80	50	M10	85	25	14	1000
P2201.080-10-075	80	75	M10	110	25	14	1000
P2201.080-10-100	80	100	M10	135	25	14	1000
P2201.080-10-125	80	125	M10	160	25	14	1000
P2201.080-12-050	80	50	M12	85	25	14	1000
P2201.080-12-075	80	75	M12	110	25	14	1000
P2201.080-12-100	80	100	M12	135	25	14	1000
P2201.080-12-125	80	125	M12	160	25	14	1000
P2201.080-12-150	80	150	M12	185	25	14	1000
P2201.080-14-075	80	75	M14	110	25	14	1000
P2201.080-14-100	80	100	M14	135	25	14	1000
P2201.080-14-125	80	125	M14	160	25	14	1000
P2201.080-14-150	80	150	M14	185	25	14	1000
P2201.080-14-175	80	175	M14	210	25	14	1000
P2201.080-16-075	80	75	M16	110	25	13	1000
P2201.080-16-100	80	100	M16	135	25	13	1000
P2201.080-16-125	80	125	M16	160	25	13	1000



LEVELLING FEET

Order No.	d ₁	l	d ₂	h ₁	h ₂	A/F	Load N max.
P2201.080-16-150	80	150	M16	185	25	13	1000
P2201.080-16-175	80	175	M16	210	25	13	1000
P2201.080-20-075	80	75	M20	113	25	17	1000
P2201.080-20-100	80	100	M20	138	25	17	1000
P2201.080-20-125	80	125	M20	163	25	17	1000
P2201.080-20-150	80	150	M20	188	25	17	1000
P2201.080-20-175	80	175	M20	213	25	17	1000
P2201.080-20-200	80	200	M20	238	25	17	1000
P2201.080-20-225	80	225	M20	260	25	17	1000
P2201.080-24-075	80	75	M24	115	25	20	1000
P2201.080-24-100	80	100	M24	140	25	20	1000
P2201.080-24-125	80	125	M24	165	25	20	1000
P2201.080-24-150	80	150	M24	190	25	20	1000
P2201.080-24-175	80	175	M24	215	25	20	1000
P2201.080-24-200	80	200	M24	240	25	20	1000
P2201.080-24-225	80	225	M24	265	25	20	1000
P2201.100-16-075	100	75	M16	114.5	30	13	1500
P2201.100-16-100	100	100	M16	139.5	30	13	1500
P2201.100-16-125	100	125	M16	164.5	30	13	1500
P2201.100-16-150	100	150	M16	189.5	30	13	1500
P2201.100-16-175	100	175	M16	214.5	30	13	1500
P2201.100-16-200	100	200	M16	239.5	30	13	1500
P2201.100-20-075	100	75	M20	118	30	17	1500
P2201.100-20-100	100	100	M20	143	30	17	1500
P2201.100-20-125	100	125	M20	168	30	17	1500
P2201.100-20-150	100	150	M20	193	30	17	1500
P2201.100-20-175	100	175	M20	218	30	17	1500
P2201.100-20-200	100	200	M20	243	30	17	1500
P2201.100-20-225	100	225	M20	268	30	17	1500
P2201.100-20-250	100	250	M20	293	30	17	1500
P2201.100-24-100	100	100	M24	144	30	20	1500
P2201.100-24-125	100	125	M24	169	30	20	1500
P2201.100-24-150	100	150	M24	194	30	20	1500
P2201.100-24-175	100	175	M24	219	30	20	1500
P2201.100-24-200	100	200	M24	244	30	20	1500
P2201.100-24-225	100	225	M24	269	30	20	1500
P2201.100-24-250	100	250	M24	294	30	20	1500
P2201.100-30-100	100	100	M30	144	30	26	1500
P2201.100-30-125	100	125	M30	169	30	26	1500
P2201.100-30-150	100	150	M30	194	30	26	1500
P2201.100-30-175	100	175	M30	219	30	26	1500
P2201.100-30-200	100	200	M30	244	30	26	1500
P2201.100-30-225	100	225	M30	269	30	26	1500
P2201.100-30-250	100	250	M30	294	30	26	1500
P2201.120-16-075	120	75	M16	122	32	13	3000
P2201.120-16-100	120	100	M16	147	32	13	3000
P2201.120-16-125	120	125	M16	172	32	13	3000
P2201.120-16-150	120	150	M16	197	32	13	3000
P2201.120-16-175	120	175	M16	222	32	13	3000
P2201.120-16-200	120	200	M16	247	32	13	3000
P2201.120-20-075	120	75	M20	122	32	17	3000
P2201.120-20-100	120	100	M20	147	32	17	3000
P2201.120-20-125	120	125	M20	172	32	17	3000
P2201.120-20-150	120	150	M20	197	32	17	3000
P2201.120-20-175	120	175	M20	222	32	17	3000
P2201.120-20-200	120	200	M20	247	32	17	3000
P2201.120-20-225	120	225	M20	272	32	17	3000
P2201.120-20-250	120	250	M20	297	32	17	3000
P2201.120-24-100	120	100	M24	147	32	20	3000
P2201.120-24-125	120	125	M24	172	32	20	3000
P2201.120-24-150	120	150	M24	197	32	20	3000
P2201.120-24-175	120	175	M24	222	32	20	3000
P2201.120-24-200	120	200	M24	247	32	20	3000
P2201.120-24-225	120	225	M24	272	32	20	3000
P2201.120-24-250	120	250	M24	297	32	20	3000
P2201.120-30-100	120	100	M30	149	32	26	3000
P2201.120-30-125	120	125	M30	174	32	26	3000



Stainless Levelling Feet

fixed feet



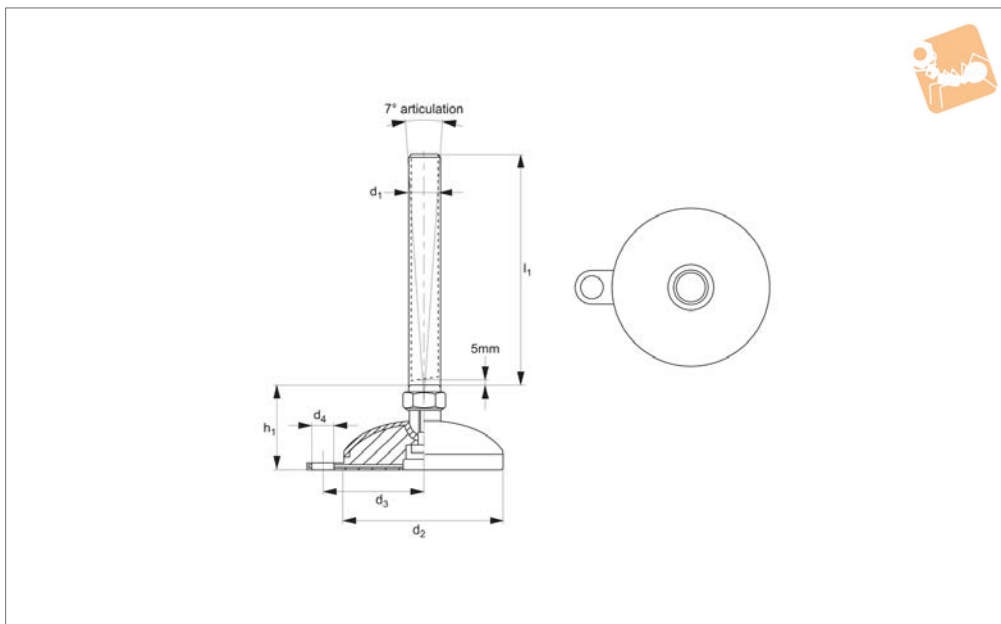
Levelling Feet

Order No.	d ₁	l	d ₂	h ₁	h ₂	A/F	Load N max.
P2201.120-30-150	120	150	M30	199	32	26	3000
P2201.120-30-175	120	175	M30	224	32	26	3000
P2201.120-30-200	120	200	M30	249	32	26	3000
P2201.120-30-225	120	225	M30	274	32	26	3000
P2201.120-30-250	120	250	M30	299	32	26	3000

LEVELLING FEET



P2202



Material

Pad: pressed stainless steel AISI 303.
Bolt: stainless steel AISI 303.
Pad insert: nitril rubber.

Technical Notes

Use of the bolt down tag allows the

machine mount to be fixed in place.

Tips

For use in wide range of industries including food processing, medical equipment, electronics and machinery workshops.

Order No.	d ₁	l ₁	d ₂	d ₃	d ₄	h ₁	Static load kN max.
P1954.663	M16	150	75	52	13	33	7.5
P1954.665	M16	100	100	67	13	38	10.0

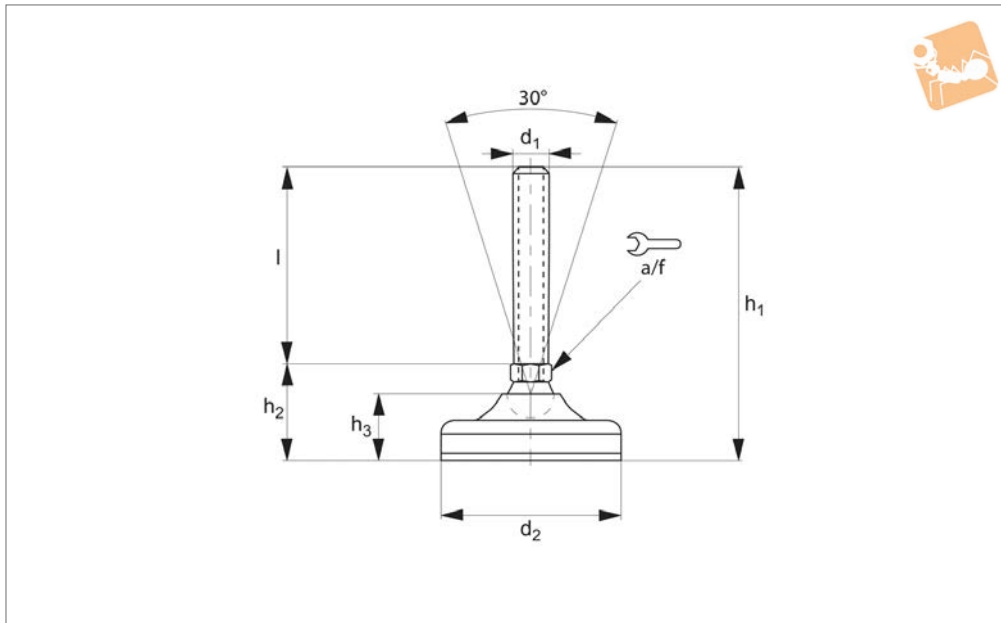


Levelling Feet

bolt stainless steel



Levelling Feet



P2203.1

LEVELLING FEET

Material

Pad: polyamide reinforced by fibre glass with anti-slip pad.
Bolt: stainless steel AISI 304.

Technical Notes

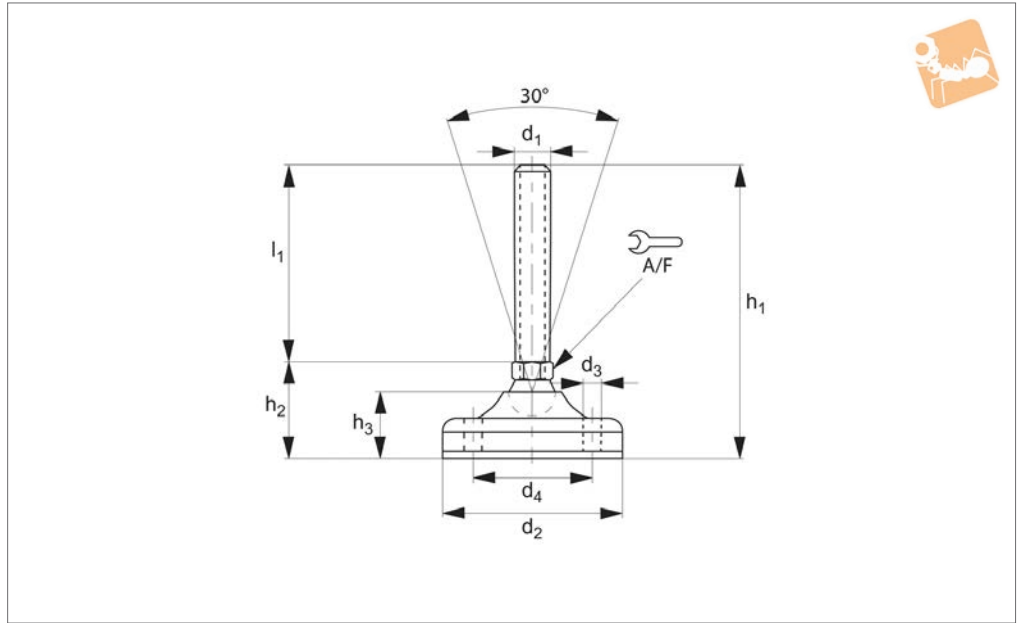
Load values refer to static loads, located at half the screw height.
When vibrations or dynamic loads are

present these values should be reduced.

Order No.	d ₁	d ₂	l	h ₁	h ₂	h ₃	A/F	Load kN max.
P2203.040-08-050	M 8	40	50	80	30	19.5	12	10
P2203.040-08-100	M 8	40	100	130	30	19.5	12	10
P2203.065-10-075	M10	65	75	111	36	26.0	14	11
P2203.065-10-100	M10	65	100	136	36	26.0	14	11
P2203.065-10-125	M10	65	125	161	36	26.0	14	11
P2203.065-12-050	M12	65	50	86	36	26.0	14	11
P2203.065-12-075	M12	65	75	111	36	26.0	14	11
P2203.065-12-100	M12	65	100	136	36	26.0	14	11
P2203.065-14-050	M14	65	50	86	36	26.0	14	15
P2203.065-14-075	M14	65	75	111	36	26.0	14	15
P2203.065-14-100	M14	65	100	136	36	26.0	14	15
P2203.065-14-125	M14	65	125	161	36	26.0	14	15
P2203.065-14-150	M14	65	150	186	36	26.0	14	15
P2203.065-14-175	M14	65	175	211	36	26.0	14	15
P2203.065-16-050	M16	65	50	90	40	26.0	13	15
P2203.065-16-075	M16	65	75	115	40	26.0	13	15
P2203.065-16-100	M16	65	100	140	40	26.0	13	15
P2203.065-16-125	M16	65	125	165	40	26.0	13	15
P2203.065-16-150	M16	65	150	190	40	26.0	13	15
P2203.065-16-175	M16	65	175	215	40	26.0	13	15
P2203.065-16-200	M16	65	200	240	40	26.0	13	15
P2203.065-20-050	M20	65	50	90	40	26.0	17	15
P2203.065-20-075	M20	65	75	115	40	26.0	17	15
P2203.065-20-100	M20	65	100	140	40	26.0	17	15
P2203.065-20-125	M20	65	125	165	40	26.0	17	15
P2203.065-20-150	M20	65	150	190	40	26.0	17	15
P2203.065-20-175	M20	65	175	215	40	26.0	17	15
P2203.065-20-200	M20	65	200	240	40	26.0	17	15



P2203.2



Material

Pad: polyamide reinforced by fibre glass with anti-slip pad.
 Bolt: stainless steel AISI 304.

Technical Notes

Load values refer to static loads, located at half the screw height.
 When vibrations or dynamic loads are

present these values should be reduced.
 Larger pad size allows for bolt down holes to be drilled through.

Order No.	d ₁	l ₁	d ₂	d ₃	d ₄	h ₁	h ₂	h ₃	A/F	Load kN max.
P2203.083-10-050	M10	50	83	8.5	55	91	38	27	14	15
P2203.083-10-075	M10	75	83	8.5	55	116	38	27	14	15
P2203.083-10-100	M10	100	83	8.5	55	141	38	27	14	15
P2203.083-10-125	M10	125	83	8.5	55	166	38	27	14	15
P2203.083-12-050	M12	50	83	8.5	55	91	38	27	14	15
P2203.083-12-075	M12	75	83	8.5	55	116	38	27	14	15
P2203.083-12-100	M12	100	83	8.5	55	141	38	27	14	15
P2203.083-12-125	M12	125	83	8.5	55	166	38	27	14	15
P2203.083-14-050	M14	50	83	8.5	55	91	38	27	14	20
P2203.083-14-075	M14	75	83	8.5	55	116	38	27	14	20
P2203.083-14-100	M14	100	83	8.5	55	141	38	27	14	20
P2203.083-14-125	M14	125	83	8.5	55	166	38	27	14	20
P2203.083-14-150	M14	150	83	8.5	55	191	38	27	14	20
P2203.083-14-175	M14	175	83	8.5	55	216	38	27	14	20
P2203.083-16-050	M16	50	83	8.5	55	94	41	27	13	20
P2203.083-16-075	M16	75	83	8.5	55	119	41	27	13	20
P2203.083-16-100	M16	100	83	8.5	55	144	41	27	13	20
P2203.083-16-125	M16	125	83	8.5	55	169	41	27	13	20
P2203.083-16-150	M16	150	83	8.5	55	194	41	27	13	20
P2203.083-16-175	M16	175	83	8.5	55	219	41	27	13	20
P2203.083-16-200	M16	200	83	8.5	55	244	41	27	13	20
P2203.103-16-050	M16	50	103	12.5	73	104	51	32	20	25
P2203.103-16-075	M16	75	103	12.5	73	129	51	32	20	25
P2203.103-16-100	M16	100	103	12.5	73	154	51	32	20	25
P2203.103-16-125	M16	125	103	12.5	73	179	51	32	20	25
P2203.103-16-150	M16	150	103	12.5	73	204	51	32	20	25
P2203.103-16-175	M16	175	103	12.5	73	229	51	32	20	25
P2203.103-16-200	M16	200	103	12.5	73	254	51	32	20	25
P2203.103-16-225	M16	225	103	12.5	73	279	51	32	20	25
P2203.083-20-075	M20	75	83	8.5	55	119	41	27	17	20
P2203.083-20-100	M20	100	83	8.5	55	144	41	27	17	20
P2203.083-20-125	M20	125	83	8.5	55	169	41	27	17	20
P2203.083-20-150	M20	150	83	8.5	55	194	41	27	17	20



Levelling Feet

bolt down option, bolt **stainless steel**



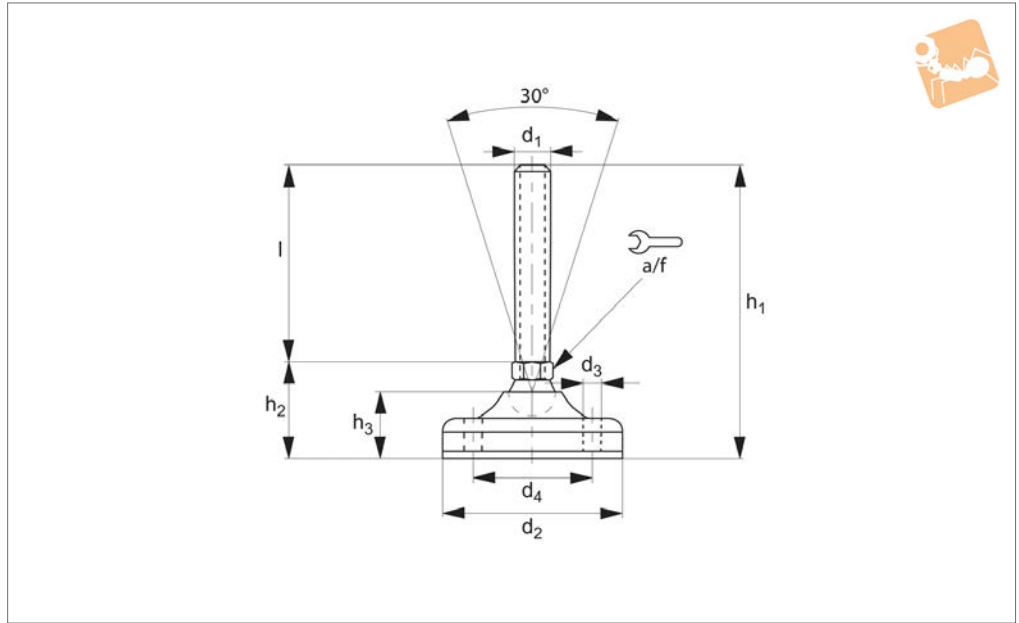
Levelling Feet

Order No.	d ₁	l ₁	d ₂	d ₃	d ₄	h ₁	h ₂	h ₃	A/F	Load kN max.
P2203.083-20-175	M20	175	83	8.5	55	219	41	27	17	20
P2203.083-20-200	M20	200	83	8.5	55	244	41	27	17	20
P2203.083-20-225	M20	225	83	8.5	55	269	41	27	17	20
P2203.103-20-100	M20	100	103	12.5	73	154	51	32	20	25
P2203.103-20-125	M20	125	103	12.5	73	179	51	32	20	25
P2203.103-20-150	M20	150	103	12.5	73	204	51	32	20	25
P2203.103-20-175	M20	175	103	12.5	73	229	51	32	20	25
P2203.103-20-200	M20	200	103	12.5	73	254	51	32	20	25
P2203.103-20-225	M20	225	103	12.5	73	279	51	32	20	25
P2203.103-24-075	M24	75	103	12.5	73	129	51	32	20	25
P2203.103-24-100	M24	100	103	12.5	73	154	51	32	20	25
P2203.103-24-125	M24	125	103	12.5	73	179	51	32	20	25
P2203.103-24-150	M24	150	103	12.5	73	204	51	32	20	25
P2203.103-24-175	M24	175	103	12.5	73	229	51	32	20	25
P2203.103-24-200	M24	200	103	12.5	73	280	51	32	20	25
P2203.103-24-225	M24	250	103	12.5	73	302	51	32	20	25

LEVELLING FEET



P2203.3



Material

Pad: polyamide reinforced by fibre glass with anti-slip pad.
Bolt: stainless steel AISI 304.

Technical Notes

Load values refer to static loads, located at half the screw height.
When vibrations or dynamic loads are

present these values should be reduced.
Larger pad size allows for bolt down holes to be drilled through.

Order No.	d ₁	d ₂	l	d ₃	d ₄	h ₁	h ₂	h ₃	A/F	Load kN max.
P2203.123-16-050	M16	123	50	12.5	87	110	60	40	20	35
P2203.123-16-075	M16	123	75	12.5	87	135	60	40	20	35
P2203.123-16-100	M16	123	100	12.5	87	160	60	40	20	35
P2203.123-16-125	M16	123	125	12.5	87	185	60	40	20	35
P2203.123-16-150	M16	123	150	12.5	87	210	60	40	20	35
P2203.123-16-175	M16	123	175	12.5	87	235	60	40	20	35
P2203.123-16-200	M16	123	200	12.5	87	260	60	40	20	35
P2203.123-16-225	M16	123	225	12.5	87	285	60	40	20	35
P2203.123-20-075	M20	123	75	12.5	87	135	60	40	20	35
P2203.123-20-100	M20	123	100	12.5	87	160	60	40	20	35
P2203.123-20-125	M20	123	125	12.5	87	185	60	40	20	35
P2203.123-20-150	M20	123	150	12.5	87	210	60	40	20	35
P2203.123-20-175	M20	123	175	12.5	87	235	60	40	20	35
P2203.123-20-200	M20	123	200	12.5	87	260	60	40	20	35
P2203.123-20-225	M20	123	225	12.5	87	285	60	40	20	35
P2203.123-20-250	M20	123	250	12.5	87	310	60	40	20	35
P2203.123-24-075	M24	123	75	12.5	87	135	60	40	20	35
P2203.123-24-100	M24	123	100	12.5	87	160	60	40	20	35
P2203.123-24-125	M24	123	125	12.5	87	185	60	40	20	35
P2203.123-24-150	M24	123	150	12.5	87	210	60	40	20	35
P2203.123-24-175	M24	123	175	12.5	87	235	60	40	20	35
P2203.123-24-200	M24	123	200	12.5	87	260	60	40	20	35
P2203.123-24-225	M24	123	225	12.5	87	285	60	40	20	35
P2203.123-24-250	M24	123	250	12.5	87	310	60	40	20	35
P2203.123-30-100	M30	123	100	12.5	87	161	61	40	26	35
P2203.123-30-125	M30	123	125	12.5	87	186	61	40	26	35
P2203.123-30-150	M30	123	150	12.5	87	211	61	40	26	35
P2203.123-30-175	M30	123	175	12.5	87	236	61	40	26	35
P2203.123-30-200	M30	123	200	12.5	87	261	61	40	26	35
P2203.123-30-225	M30	123	225	12.5	87	286	61	40	26	35
P2203.123-30-250	M30	123	250	12.5	87	311	61	40	26	35

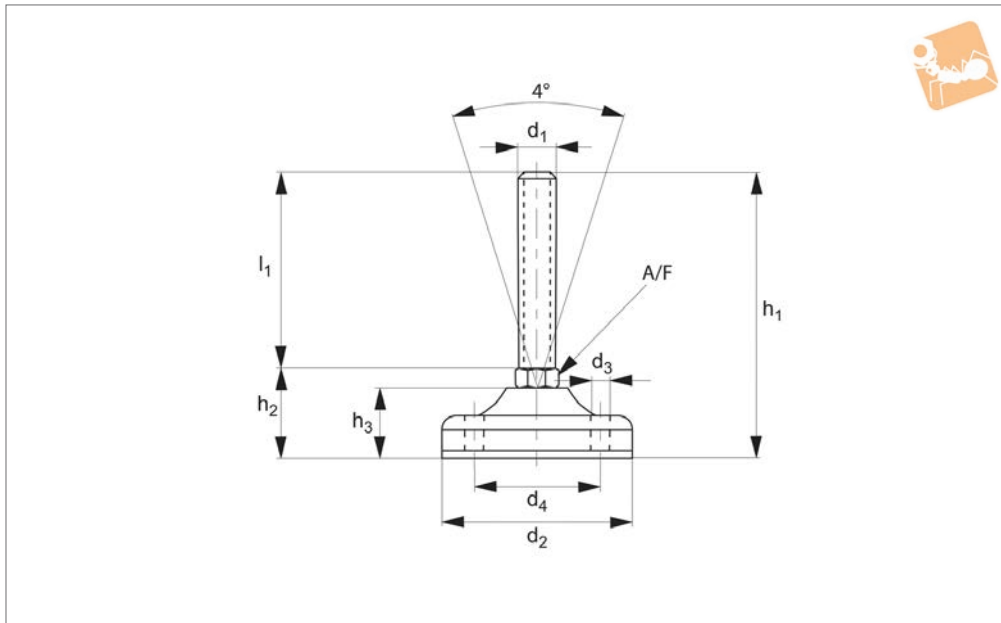


Machine Mount

plastic pad, bolt black polyamide bolt down option



Levelling Feet



P2204.2

LEVELLING FEET

Material

Pad: black polyamide.
Bolt: stainless steel AISI 303.

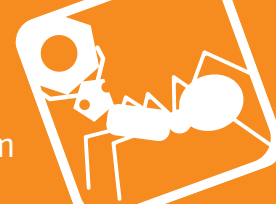
Pad insert: nitril rubber.

half the screw height.

Technical Notes

Load values refer to static loads, located at

Order No.	d ₁	l ₁	d ₂	d ₃	d ₄	h ₁	h ₂	h ₃	A/F	Load kN max.
P2204.083-10-050	M10	50	83	8.5	56	89	39	31	14	15
P2204.083-10-075	M10	75	83	8.5	56	114	39	31	14	15
P2204.083-10-100	M10	100	83	8.5	56	139	39	31	14	15
P2204.083-10-125	M10	125	83	8.5	56	164	39	31	14	15
P2204.083-12-050	M12	50	83	8.5	56	89	39	31	14	15
P2204.083-12-075	M12	75	83	8.5	56	114	39	31	14	15
P2204.083-12-100	M12	100	83	8.5	56	139	39	31	14	15
P2204.083-14-050	M14	50	83	8.5	56	89	39	31	14	20
P2204.083-14-075	M14	75	83	8.5	56	114	39	31	14	20
P2204.083-14-100	M14	100	83	8.5	56	139	39	31	14	20
P2204.083-14-125	M14	125	83	8.5	56	164	39	31	14	20
P2204.083-14-150	M14	150	83	8.5	56	189	39	31	14	20
P2204.083-14-175	M14	175	83	8.5	56	215	39	31	14	20
P2204.083-16-050	M16	50	83	8.5	56	93	43	31	13	20
P2204.083-16-075	M16	75	83	8.5	56	118	43	31	13	20
P2204.083-16-100	M16	100	83	8.5	56	143	43	31	13	20
P2204.083-16-125	M16	125	83	8.5	56	168	43	31	13	20
P2204.083-16-150	M16	150	83	8.5	56	193	43	31	13	20
P2204.083-16-175	M16	175	83	8.5	56	218	43	31	13	20
P2204.083-16-200	M16	200	83	8.5	56	243	43	31	13	20
P2204.103-16-050	M16	50	103	12.5	73	98	48	36	17	35
P2204.103-16-075	M16	75	103	12.5	73	123	48	36	17	35
P2204.103-16-100	M16	100	103	12.5	73	148	48	36	17	35
P2204.103-16-125	M16	125	103	12.5	73	173	48	36	17	35
P2204.103-16-150	M16	150	103	12.5	73	198	48	36	17	35
P2204.103-16-175	M16	175	103	12.5	73	223	48	36	17	35
P2204.103-16-200	M16	200	103	12.5	73	248	48	36	17	35
P2204.103-16-225	M16	225	103	12.5	73	273	48	36	17	35
P2204.123-16-050	M16	50	123	12.5	87	103	53	40	20	45
P2204.123-16-075	M16	75	123	12.5	87	128	53	40	20	45
P2204.123-16-100	M16	100	123	12.5	87	153	53	40	20	45
P2204.123-16-125	M16	125	123	12.5	87	178	53	40	20	45
P2204.123-16-150	M16	150	123	12.5	87	203	53	40	20	45
P2204.123-16-175	M16	175	123	12.5	87	228	53	40	20	45



LEVELLING FEET

Order No.	d ₁	l ₁	d ₂	d ₃	d ₄	h ₁	h ₂	h ₃	A/F	Load kN max.
P2204.123-16-200	M16	200	123	12.5	87	253	53	40	20	45
P2204.123-16-225	M16	225	123	12.5	87	278	53	40	20	45
P2204.083-20-075	M20	75	83	8.5	56	118	43	34	17	20
P2204.083-20-100	M20	100	83	8.5	56	143	43	34	17	20
P2204.083-20-125	M20	125	83	8.5	56	168	43	34	17	20
P2204.083-20-150	M20	150	83	8.5	56	193	43	34	17	20
P2204.083-20-175	M20	175	83	8.5	56	218	43	34	17	20
P2204.083-20-200	M20	200	83	8.5	56	243	43	34	17	20
P2204.083-20-225	M20	225	83	8.5	56	268	43	34	17	20
P2204.103-20-075	M20	75	103	12.5	73	123	48	36	17	35
P2204.103-20-100	M20	100	103	12.5	73	148	48	36	17	35
P2204.103-20-125	M20	125	103	12.5	73	173	48	36	17	35
P2204.103-20-150	M20	150	103	12.5	73	198	48	36	17	35
P2204.103-20-175	M20	175	103	12.5	73	223	48	36	17	35
P2204.103-20-200	M20	200	103	12.5	73	248	48	36	17	35
P2204.103-20-225	M20	225	103	12.5	73	273	48	36	17	35
P2204.123-20-075	M20	75	123	12.5	87	128	53	40	20	45
P2204.123-20-100	M20	100	123	12.5	87	153	53	40	20	45
P2204.123-20-125	M20	125	123	12.5	87	178	53	40	20	45
P2204.123-20-150	M20	150	123	12.5	87	203	53	40	20	45
P2204.123-20-175	M20	175	123	12.5	87	228	53	40	20	45
P2204.123-20-200	M20	200	123	12.5	87	253	53	40	20	45
P2204.123-20-225	M20	225	123	12.5	87	278	53	40	20	45
P2204.103-24-075	M24	75	103	12.5	73	125	50	36	20	35
P2204.103-24-100	M24	100	103	12.5	73	150	50	36	20	35
P2204.103-24-125	M24	125	103	12.5	73	175	50	36	20	35
P2204.103-24-150	M24	150	103	12.5	73	200	50	36	20	35
P2204.103-24-175	M24	175	103	12.5	73	225	50	36	20	35
P2204.103-24-200	M24	200	103	12.5	73	250	50	36	20	35
P2204.103-24-225	M24	225	103	12.5	73	275	50	36	20	35
P2204.123-24-075	M24	75	123	12.5	87	128	53	40	20	45
P2204.123-24-100	M24	100	123	12.5	87	153	53	40	20	45
P2204.123-24-125	M24	125	123	12.5	87	178	53	40	20	45
P2204.123-24-150	M24	150	123	12.5	87	203	53	40	20	45
P2204.123-24-175	M24	175	123	12.5	87	228	53	40	20	45
P2204.123-24-200	M24	200	123	12.5	87	253	53	40	20	45
P2204.123-24-225	M24	225	123	12.5	87	278	53	40	20	45
P2204.123-24-250	M24	250	123	12.5	87	303	53	40	20	45
P2204.123-30-100	M30	100	123	12.5	87	153	53	40	26	45
P2204.123-30-125	M30	125	123	12.5	87	178	53	40	26	45
P2204.123-30-150	M30	150	123	12.5	87	203	53	40	26	45
P2204.123-30-175	M30	175	123	12.5	87	228	53	40	26	45
P2204.123-30-200	M30	200	123	12.5	87	253	53	40	26	45
P2204.123-30-225	M30	225	123	12.5	87	278	53	40	26	45
P2204.123-30-250	M30	250	123	12.5	87	303	53	40	26	45

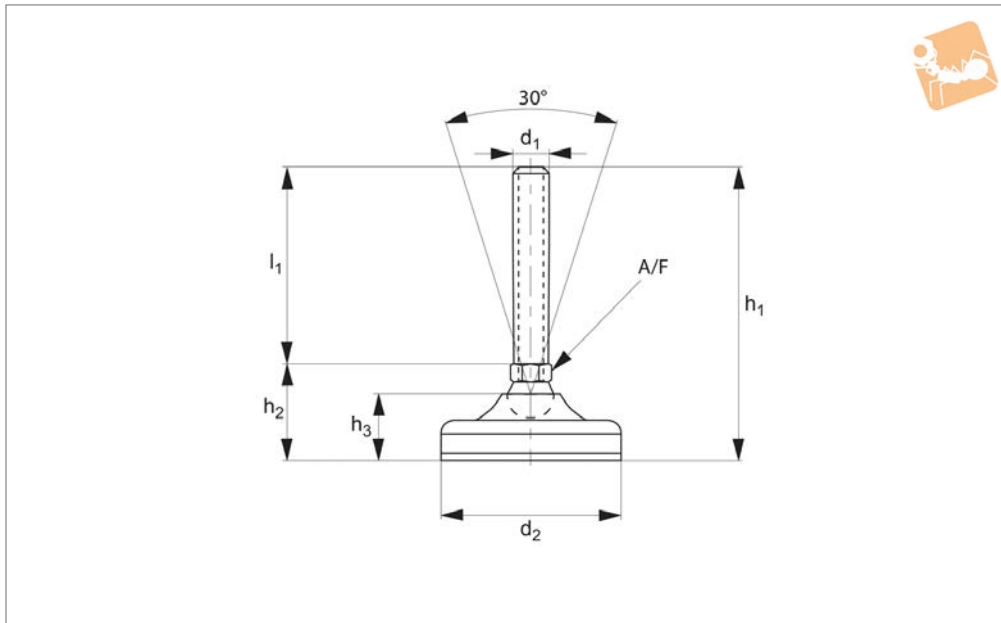


Levelling Feet

plastic pad, bolt steel



Levelling Feet



P2205.1

LEVELLING FEET

Material

Pad: polyamide reinforced by fibre glass with anti-slip pad.
Bolt: galvanized steel (C40)

Technical Notes

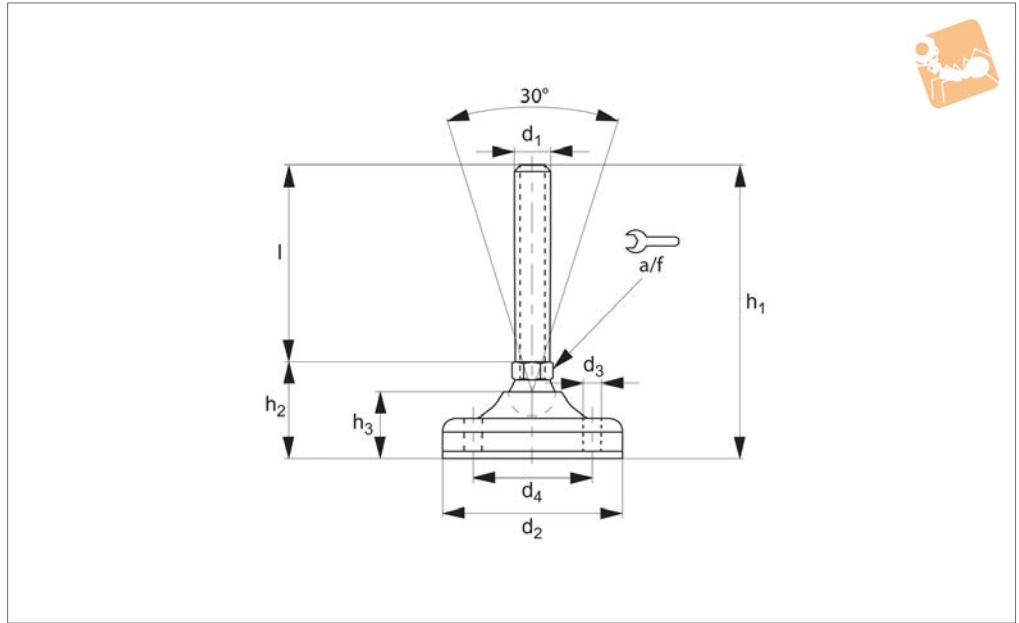
Load values refer to static loads, located at half the screw height.
When vibrations or dynamic loads are

present these values should be reduced.

Order No.	d ₁	d ₂	h ₁	h ₂	h ₃	l ₁	A/F	Load kN max.
P2205.040-08-025	M 8	40	55	30	19.5	25	12	10
P2205.040-08-050	M 8	40	80	30	19.5	50	12	10
P2205.040-08-075	M 8	40	105	30	19.5	75	12	10
P2205.040-08-100	M 8	40	130	30	19.5	100	12	10
P2205.065-10-050	M10	65	86	36	26.0	50	14	11
P2205.065-10-075	M10	65	111	36	26.0	75	14	11
P2205.065-10-100	M10	65	136	36	26.0	100	14	11
P2205.065-12-050	M12	65	86	36	26.0	50	14	11
P2205.065-12-075	M12	65	111	36	26.0	75	14	11
P2205.065-12-125	M12	65	161	36	26.0	125	14	11
P2205.065-14-050	M14	65	86	36	26.0	50	14	15
P2205.065-14-075	M14	65	111	36	26.0	75	14	15
P2205.065-14-100	M14	65	136	36	26.0	100	14	15
P2205.065-14-125	M14	65	161	36	26.0	125	14	15
P2205.065-14-150	M14	65	186	36	26.0	150	14	15
P2205.065-14-175	M14	65	211	36	26.0	175	14	15
P2205.065-16-050	M16	65	86	36	26.0	50	16	15
P2205.065-16-075	M16	65	111	36	26.0	75	16	15
P2205.065-16-125	M16	65	161	36	26.0	125	16	15
P2205.065-16-150	M16	65	186	36	26.0	150	16@	15
P2205.065-16-175	M16	65	211	36	26.0	175	16@	15
P2205.065-16-200	M16	65	236	36	26.0	200	16@	15
P2205.065-20-075	M20	65	115	40	26.0	75	17	15
P2205.065-20-100	M20	65	140	40	26.0	100	17	15
P2205.065-20-125	M20	65	165	40	26.0	125	17	15
P2205.065-20-150	M20	65	190	40	26.0	150	17	15
P2205.065-20-175	M20	65	215	40	26.0	175	17	15
P2205.065-20-200	M20	65	240	40	26.0	200	17	15



P2205.2



Material

Pad: polyamide reinforced by fibre glass with anti-slip pad.
Bolt: steel (C40)

Technical Notes

Load values refer to static loads, located at half the screw height.
When vibrations or dynamic loads are

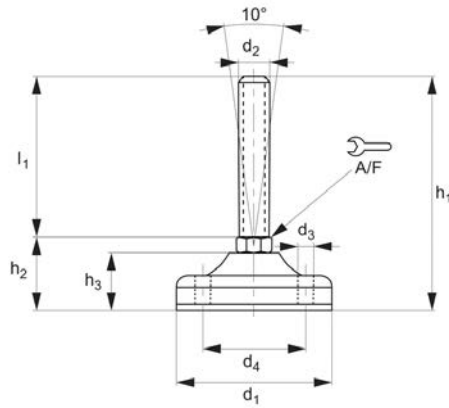
present these values should be reduced.

Order No.	d ₁	d ₂	d ₃	d ₄	l	h ₁	h ₂	h ₃	A/F	Load kN max.
P2205.083-10-050	M10	83	8.5	55	50	91	41	30	14	15
P2205.083-10-075	M10	83	8.5	55	75	116	41	30	14	15
P2205.083-10-100	M10	83	8.5	55	100	141	41	30	14	15
P2205.083-10-125	M10	83	8.5	55	125	166	41	30	14	15
P2205.083-12-050	M12	83	8.5	55	50	91	41	30	14	15
P2205.083-12-075	M12	83	8.5	55	75	116	41	30	14	15
P2205.083-12-100	M12	83	8.5	55	100	141	41	30	14	15
P2205.083-12-125	M12	83	8.5	55	125	161	41	30	14	15
P2205.083-14-050	M14	83	8.5	55	50	91	41	30	14	20
P2205.083-14-075	M14	83	8.5	55	75	116	41	30	14	20
P2205.083-14-100	M14	83	8.5	55	100	141	41	30	14	20
P2205.083-14-125	M14	83	8.5	55	125	166	41	30	14	20
P2205.083-14-150	M14	83	8.5	55	150	191	41	30	14	20
P2205.083-14-175	M14	83	8.5	55	175	216	41	30	14	20
P2205.083-16-050	M16	83	8.5	55	50	91	41	30	16	20
P2205.083-16-075	M16	83	8.5	55	75	116	41	30	16	20
P2205.083-16-100	M16	83	8.5	55	100	141	41	30	16	20
P2205.083-16-125	M16	83	8.5	55	125	166	41	30	16	20
P2205.083-16-150	M16	83	8.5	55	150	191	41	30	16	20
P2205.083-16-175	M16	83	8.5	55	175	216	41	30	16	20
P2205.083-16-200	M16	83	8.5	55	200	241	41	30	16	20
P2205.083-20-075	M20	83	8.5	55	75	119	44	30@	17	20
P2205.083-20-100	M20	83	8.5	55	100	144	44	30	17	20
P2205.083-20-125	M20	83	8.5	55	125	169	44	30	17	20
P2205.083-20-150	M20	83	8.5	55	150	194	44	30	17	20
P2205.083-20-175	M20	83	8.5	55	175	219	44	30	17	20
P2205.083-20-200	M20	83	8.5	55	200	244	44	30	17	20
P2205.083-20-225	M20	83	8.5	55	225	269	44	30	17	20

Plastic Levelling Feet

steel stud

Levelling Feet



P2206

LEVELLING FEET

Material

Black plastic base (reinforced with fibre glass), with steel (C40) stud.

Technical Notes

Load values refer to static loads, located at half the screw height.

Order No.	d ₁	d ₂	d ₃	d ₄	l	h ₁	h ₂	h ₃	A/F
P2206.083-10-050	83	M10	8.5	56	50	89	39	31	16
P2206.083-10-075	83	M10	8.5	56	75	114	39	31	16
P2206.083-10-100	83	M10	8.5	56	100	139	39	31	16
P2206.083-10-125	83	M10	8.5	56	125	164	39	31	16
P2206.083-12-050	83	M12	8.5	56	50	89	39	31	16
P2206.083-12-075	83	M12	8.5	56	75	114	39	31	16
P2206.083-12-100	83	M12	8.5	56	100	139	39	31	16
P2206.083-12-125	83	M12	8.5	56	125	164	39	31	16
P2206.083-14-050	83	M14	8.5	56	50	89	39	31	16
P2206.083-14-075	83	M14	8.5	56	75	114	39	31	16
P2206.083-14-100	83	M14	8.5	56	100	139	39	31	16
P2206.083-14-125	83	M14	8.5	56	125	164	39	31	16
P2206.083-14-150	83	M14	8.5	56	150	189	39	31	16
P2206.083-14-175	83	M14	8.5	56	175	215	39	31	16
P2206.083-16-050	83	M16	8.5	56	50	89	39	31	16
P2206.083-16-075	83	M16	8.5	56	75	114	39	31	16
P2206.083-16-100	83	M16	8.5	56	100	139	39	31	16
P2206.083-16-125	83	M16	8.5	56	125	164	39	31	16
P2206.083-16-150	83	M16	8.5	56	150	189	39	31	16
P2206.083-16-175	83	M16	8.5	56	175	214	39	31	16
P2206.083-16-200	83	M16	8.5	56	200	239	39	31	16
P2206.083-20-075	83	M20	8.5	56	75	118	43	31	17
P2206.083-20-100	83	M20	8.5	56	100	143	43	31	17
P2206.083-20-125	83	M20	8.5	56	125	168	43	31	17
P2206.083-20-150	83	M20	8.5	56	150	193	43	31	17
P2206.083-20-175	83	M20	8.5	56	175	218	43	31	17
P2206.083-20-200	83	M20	8.5	56	200	243	43	31	17
P2206.083-20-225	83	M20	8.5	56	225	268	43	31	17
P2206.103-16-050	103	M16	12.5	73	50	98	48	36	17
P2206.103-16-075	103	M16	12.5	73	75	123	48	36	17
P2206.103-16-100	103	M16	12.5	73	100	148	48	36	17
P2206.103-16-125	103	M16	12.5	73	125	173	48	36	17
P2206.103-16-150	103	M16	12.5	73	150	198	48	36	17
P2206.103-16-175	103	M16	12.5	73	175	223	48	36	17
P2206.103-16-200	103	M16	12.5	73	200	248	48	36	17



LEVELLING FEET

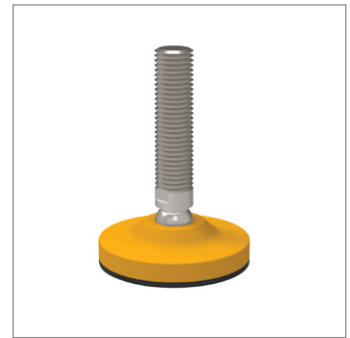
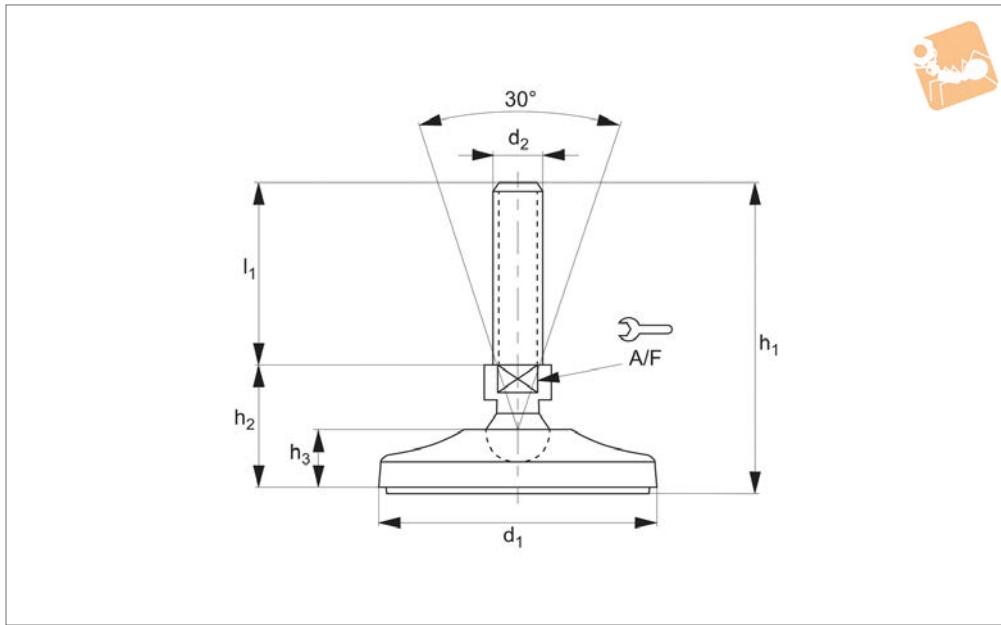
Order No.	d ₁	d ₂	d ₃	d ₄	l	h ₁	h ₂	h ₃	A/F
P2206.103-16-225	103	M16	12.5	73	225	273	48	36	17
P2206.103-20-075	103	M20	12.5	73	75	123	48	36	17
P2206.103-20-100	103	M20	12.5	73	100	148	48	36	17
P2206.103-20-125	103	M20	12.5	73	125	173	48	36	17
P2206.103-20-150	103	M20	12.5	73	150	198	48	36	17
P2206.103-20-175	103	M20	12.5	73	175	223	48	36	17
P2206.103-20-200	103	M20	12.5	73	200	248	48	36	17
P2206.103-20-225	103	M20	12.5	73	225	273	48	36	17
P2206.103-24-075	103	M24	12.5	73	75	125	50	36	20
P2206.103-24-100	103	M24	12.5	73	100	150	50	36	20
P2206.103-24-125	103	M24	12.5	73	125	175	50	36	20
P2206.103-24-150	103	M24	12.5	73	150	200	50	36	20
P2206.103-24-175	103	M24	12.5	73	175	225	50	36	20
P2206.103-24-200	103	M24	12.5	73	200	250	50	36	20
P2206.103-24-225	103	M24	12.5	73	225	275	50	36	20
P2206.123-16-050	123	M16	12.5	87	50	103	53	40	20
P2206.123-16-075	123	M16	12.5	87	75	128	53	40	20
P2206.123-16-100	123	M16	12.5	87	100	153	53	40	20
P2206.123-16-125	123	M16	12.5	87	125	178	53	40	20
P2206.123-16-150	123	M16	12.5	87	150	203	53	40	20
P2206.123-16-175	123	M16	12.5	87	175	228	53	40	20
P2206.123-16-200	123	M16	12.5	87	200	253	53	40	20
P2206.123-16-225	123	M16	12.5	87	225	278	53	40	20
P2206.123-20-075	123	M20	12.5	87	75	128	53	40	20
P2206.123-20-100	123	M20	12.5	87	100	153	53	40	20
P2206.123-20-125	123	M20	12.5	87	125	178	53	40	20
P2206.123-20-150	123	M20	12.5	87	150	203	53	40	20
P2206.123-20-175	123	M20	12.5	87	175	228	53	40	20
P2206.123-20-200	123	M20	12.5	87	200	253	53	40	20
P2206.123-20-225	123	M20	12.5	87	225	278	53	40	20
P2206.123-24-075	123	M24	12.5	87	75	128	53	40	20
P2206.123-24-100	123	M24	12.5	87	100	153	53	40	20
P2206.123-24-125	123	M24	12.5	87	125	178	53	40	20
P2206.123-24-150	123	M24	12.5	87	150	203	53	40	20
P2206.123-24-175	123	M24	12.5	87	175	228	53	40	20
P2206.123-24-200	123	M24	12.5	87	200	253	53	40	20
P2206.123-24-225	123	M24	12.5	87	225	278	53	40	20
P2206.123-24-250	123	M24	12.5	87	250	303	53	40	20
P2206.123-30-100	123	M30	12.5	87	100	153	53	40	26
P2206.123-30-125	123	M30	12.5	87	125	178	53	40	26
P2206.123-30-150	123	M30	12.5	87	150	203	53	40	26
P2206.123-30-175	123	M30	12.5	87	175	228	53	40	26
P2206.123-30-200	123	M30	12.5	87	200	253	53	40	26
P2206.123-30-225	123	M30	12.5	87	225	278	53	40	26
P2206.123-30-250	123	M30	12.5	87	250	303	53	40	26



Steel Levelling Feet



Levelling Feet



P2207

LEVELLING FEET

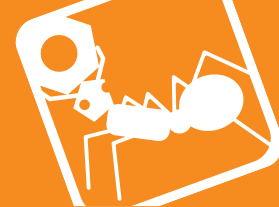
Material

Steel (C40), powder coated (RAL 1007), with rubber pad (70 shore A).

Technical Notes

Load values refer to static loads, located at half the screw height.

Order No.	d ₁	d ₂	h ₁	h ₂	h ₃	l ₁	A/F	Load kgf max.
P2207.050-10-025	50	M10	56	31	19	25	14	1500
P2207.050-10-050	50	M10	81	31	19	50	14	1500
P2207.050-10-075	50	M10	106	31	19	75	14	1500
P2207.050-10-100	50	M10	131	31	19	100	14	1500
P2207.050-10-125	50	M10	156	31	19	125	14	1500
P2207.050-12-025	50	M12	56	31	19	25	14	1500
P2207.050-12-050	50	M12	81	31	19	50	14	1500
P2207.050-12-075	50	M12	106	31	19	75	14	1500
P2207.050-12-100	50	M12	131	31	19	100	14	1500
P2207.050-12-125	50	M12	156	31	19	125	14	1500
P2207.050-14-025	50	M14	56	31	19	25	14	1500
P2207.050-14-050	50	M14	81	31	19	50	14	1500
P2207.050-14-075	50	M14	106	31	19	75	14	1500
P2207.050-14-100	50	M14	131	31	19	100	14	1500
P2207.050-14-125	50	M14	156	31	19	125	14	1500
P2207.065-14-050	65	M14	83	33	20	50	16	2000
P2207.065-14-075	65	M14	108	33	20	75	16	2000
P2207.065-14-100	65	M14	133	33	20	100	16	2000
P2207.065-14-125	65	M14	158	33	20	125	16	2000
P2207.065-14-150	65	M14	183	33	20	150	16	2000
P2207.065-16-050	65	M16	83	33	20	50	16	2000
P2207.065-16-075	65	M16	108	33	20	75	16	2000
P2207.065-16-100	65	M16	133	33	20	100	16	2000
P2207.065-16-125	65	M16	158	33	20	125	16	2000
P2207.065-16-150	65	M16	183	33	20	150	16	2000
P2207.065-16-175	65	M16	208	33	20	175	16	2000
P2207.080-16-050	80	M16	86	36	23	50	16	3000
P2207.080-16-075	80	M16	111	36	23	75	16	3000
P2207.080-16-100	80	M16	136	36	23	100	16	3000
P2207.080-16-125	80	M16	161	36	23	125	16	3000
P2207.080-16-150	80	M16	186	36	23	150	16	3000
P2207.080-16-175	80	M16	211	36	23	175	16	3000
P2207.080-16-200	80	M16	236	36	23	200	16	3000
P2207.080-20-075	80	M20	114	39	23	75	17	3000



LEVELLING FEET

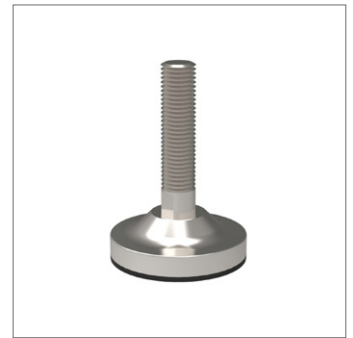
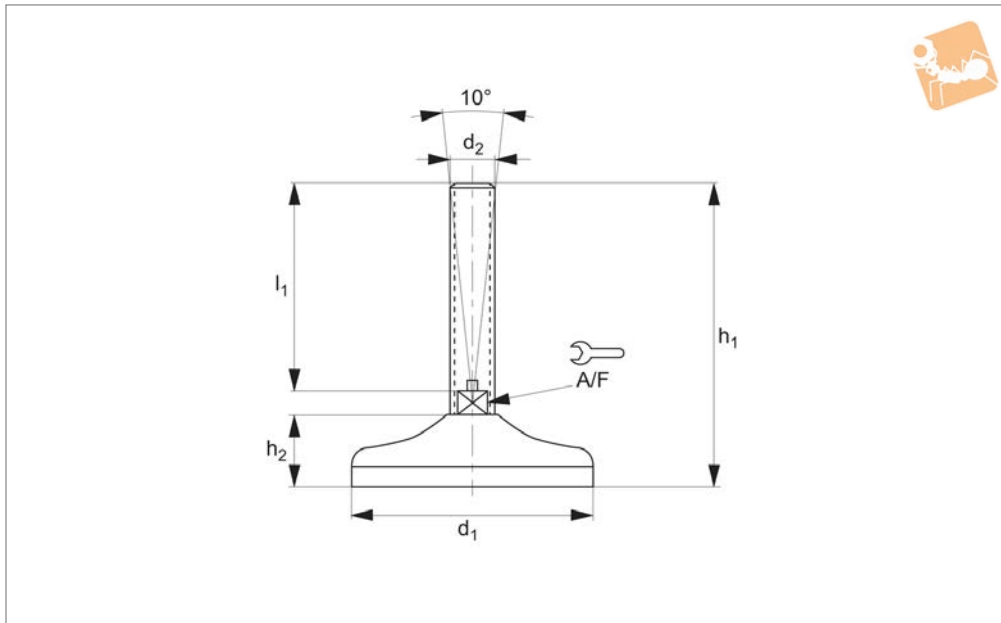
Order No.	d ₁	d ₂	h ₁	h ₂	h ₃	l ₁	A/F	Load kgf max.
P2207.080-20-100	80	M20	139	39	23	100	17	3000
P2207.080-20-125	80	M20	164	39	23	125	17	3000
P2207.080-20-150	80	M20	189	39	23	150	17	3000
P2207.080-20-175	80	M20	214	39	23	175	17	3000
P2207.080-20-200	80	M20	239	39	23	200	17	3000
P2207.080-20-225	80	M20	264	39	23	225	17	3000
P2207.100-16-050	100	M16	96	46	23	50	20	3500
P2207.100-16-075	100	M16	121	46	23	75	20	3500
P2207.100-16-100	100	M16	146	46	23	100	20	3500
P2207.100-16-125	100	M16	171	46	23	125	20	3500
P2207.100-16-150	100	M16	196	46	23	150	20	3500
P2207.100-16-175	100	M16	221	46	23	175	20	3500
P2207.100-16-200	100	M16	246	46	23	200	20	3500
P2207.100-20-075	100	M20	121	46	23	75	20	4500
P2207.100-20-100	100	M20	146	46	23	100	20	4500
P2207.100-20-125	100	M20	171	46	23	125	20	4500
P2207.100-20-150	100	M20	196	46	23	150	20	4500
P2207.100-20-175	100	M20	221	46	23	175	20	4500
P2207.100-20-200	100	M20	246	46	23	200	20	4500
P2207.100-20-225	100	M20	271	46	23	225	20	4500
P2207.100-20-250	100	M20	296	46	23	250	20	4500
P2207.100-24-075	100	M24	122	47	23	75	20	5500
P2207.100-24-100	100	M24	147	47	23	100	20	5500
P2207.100-24-125	100	M24	172	47	23	125	20	5500
P2207.100-24-150	100	M24	202	47	23	150	20	5500
P2207.100-24-175	100	M24	222	47	23	175	20	5500
P2207.100-24-200	100	M24	247	47	23	200	20	5500
P2207.100-24-225	100	M24	272	47	23	225	20	5500
P2207.100-24-250	100	M24	297	47	23	250	20	5500
P2207.120-16-050	120	M16	99	49	26	50	20	3500
P2207.120-16-075	120	M16	104	49	26	75	20	3500
P2207.120-16-100	120	M16	149	49	26	100	20	3500
P2207.120-16-125	120	M16	174	49	26	125	20	3500
P2207.120-16-150	120	M16	199	49	26	150	20	3500
P2207.120-16-175	120	M16	224	49	26	175	20	3500
P2207.120-16-200	120	M16	249	49	26	200	20	3500
P2207.120-20-075	120	M20	124	49	26	75	20	4500
P2207.120-20-100	120	M20	149	49	26	100	20	4500
P2207.120-20-125	120	M20	174	49	26	125	20	4500
P2207.120-20-150	120	M20	199	49	26	150	20	4500
P2207.120-20-175	120	M20	224	49	26	175	20	4500
P2207.120-20-200	120	M20	249	49	26	200	20	4500
P2207.120-20-225	120	M20	274	49	26	225	20	4500
P2207.120-20-250	120	M20	299	49	26	250	20	4500
P2207.120-24-075	120	M24	125	50	26	75	20	5500
P2207.120-24-100	120	M24	150	50	26	100	20	5500
P2207.120-24-125	120	M24	175	50	26	125	20	5500
P2207.120-24-150	120	M24	200	50	26	150	20	5500
P2207.120-24-175	120	M24	225	50	26	175	20	5500
P2207.120-24-200	120	M24	250	50	26	200	20	5500
P2207.120-24-225	120	M24	275	50	26	225	20	5500
P2207.120-24-250	120	M24	300	50	26	250	20	5500
P2207.120-30-100	120	M30	150	50	26	100	26	6500
P2207.120-30-125	120	M30	175	50	26	125	26	6500
P2207.120-30-150	120	M30	200	50	26	150	26	6500
P2207.120-30-175	120	M30	225	50	26	175	26	6500
P2207.120-30-200	120	M30	250	50	26	200	26	6500
P2207.120-30-225	120	M30	275	50	26	225	26	6500
P2207.120-30-250	120	M30	300	50	26	250	26	6500



Steel Levelling Feet steel



Levelling Feet



P2208

LEVELLING FEET

Material

Galvanized steel (C40), with rubber pad (70 shore A).

Technical Notes

Load values refer to static loads, located at half the screw height.

Order No.	d ₁	d ₂	h ₁	h ₂	l ₁	A/F	Load kgf max.
P2208.050-10-050	50	M10	79	19	50	14	400
P2208.050-10-100	50	M10	129	19	100	14	400
P2208.050-12-050	50	M12	79	19	50	14	400
P2208.050-12-100	50	M12	129	19	100	14	400
P2208.050-12-150	50	M12	179	19	150	14	400
P2208.050-14-050	50	M14	79	19	50	14	400
P2208.050-14-100	50	M14	129	19	100	14	400
P2208.050-14-150	50	M14	179	19	150	14	400
P2208.050-16-075	50	M16	104	19	75	14	400
P2208.050-16-100	50	M16	129	19	100	14	400
P2208.050-16-150	50	M16	179	19	150	14	400
P2208.080-10-050	80	M10	85	25	50	14	1000
P2208.080-10-100	80	M10	135	25	100	14	1000
P2208.080-12-050	80	M12	85	25	50	14	1000
P2208.080-12-100	80	M12	135	25	100	14	1000
P2208.080-12-150	80	M12	185	25	150	14	1000
P2208.080-14-050	80	M14	85	25	50	14	1000
P2208.080-14-100	80	M14	135	25	100	14	1000
P2208.080-14-150	80	M14	185	25	150	14	1000
P2208.080-16-075	80	M16	85	25	75	14	1000
P2208.080-16-100	80	M16	135	25	100	14	1000
P2208.080-16-150	80	M16	185	25	150	14	1000
P2208.080-20-075	80	M20	111	25	75	14	1000
P2208.080-20-100	80	M20	136	25	100	14	1000
P2208.080-20-150	80	M20	186	25	150	14	1000
P2208.080-20-200	80	M20	236	25	200	14	1000
P2208.080-24-075	80	M24	111	25	75	14	1000
P2208.080-24-100	80	M24	136	25	100	14	1000
P2208.080-24-150	80	M24	186	25	150	14	1000
P2208.080-24-200	80	M24	236	25	200	14	1000
P2208.100-16-075	100	M16	112.5	28	75	16	1500
P2208.100-16-100	100	M16	137.5	28	100	16	1500
P2208.100-16-150	100	M16	187.5	28	150	16	1500
P2208.100-16-200	100	M16	237.5	28	200	16	1500



LEVELLING FEET

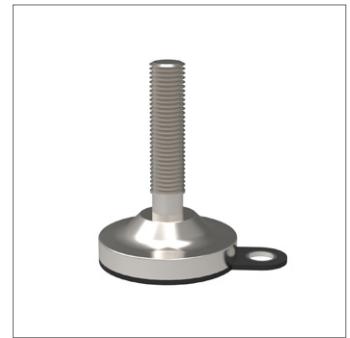
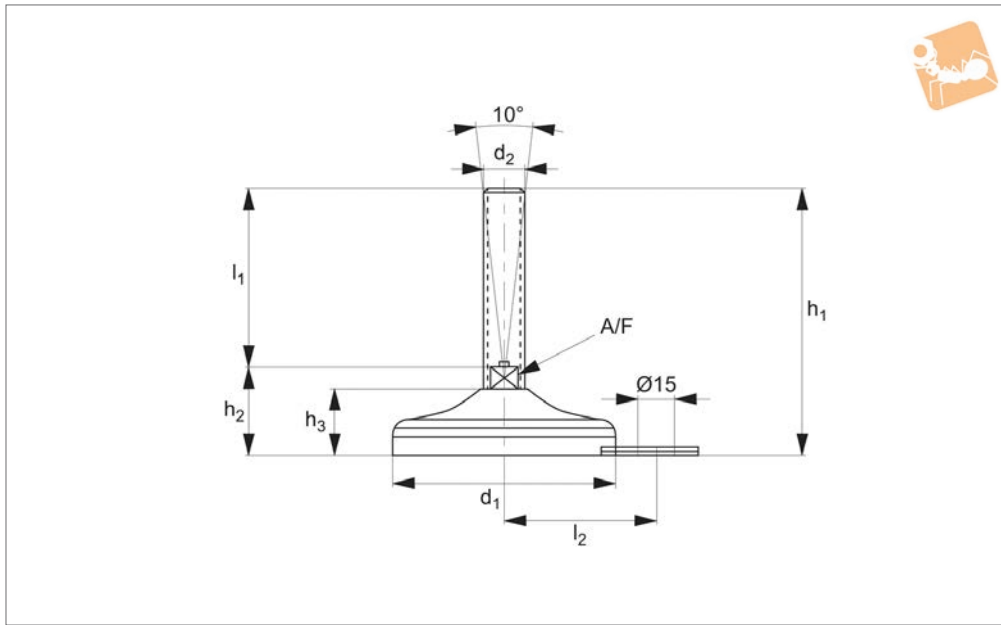
Order No.	d ₁	d ₂	h ₁	h ₂	l ₁	A/F	Load kgf max.
P2208.100-20-075	100	M20	113.5	28	75	20	1500
P2208.100-20-100	100	M20	138.5	28	100	20	1500
P2208.100-20-150	100	M20	188.5	28	150	20	1500
P2208.100-20-200	100	M20	238.5	28	200	20	1500
P2208.100-20-250	100	M20	288.5	28	250	20	1500
P2208.100-24-100	100	M24	138.5	28	100	24	1500
P2208.100-24-150	100	M24	188.5	28	150	24	1500
P2208.100-24-200	100	M24	238.5	28	200	24	1500
P2208.100-24-250	100	M24	288.5	28	250	24	1500
P2208.100-30-100	100	M30	139.5	28	100	30	1500
P2208.100-30-150	100	M30	189.5	28	150	30	1500
P2208.100-30-200	100	M30	239.5	28	200	30	1500
P2208.100-30-250	100	M30	289.5	28	250	30	1500
P2208.120-16-075	120	M16	116.5	32	75	16	3000
P2208.120-16-100	120	M16	141.5	32	100	16	3000
P2208.120-16-150	120	M16	191.5	32	150	16	3000
P2208.120-16-200	120	M16	241.5	32	200	16	3000
P2208.120-20-075	120	M20	117.5	32	75	20	3000
P2208.120-20-100	120	M20	142.5	32	100	20	3000
P2208.120-20-150	120	M20	192.5	32	150	20	3000
P2208.120-20-200	120	M20	242.5	32	200	20	3000
P2208.120-20-250	120	M20	292.5	32	250	20	3000
P2208.120-24-100	120	M24	142.5	32	100	24	3000
P2208.120-24-150	120	M24	192.5	32	150	24	3000
P2208.120-24-200	120	M24	242.5	32	200	24	3000
P2208.120-24-250	120	M24	292.5	32	250	24	3000
P2208.120-30-100	120	M30	143.5	32	100	30	3000
P2208.120-30-150	120	M30	193.5	32	150	30	3000
P2208.120-30-200	120	M30	243.5	32	200	30	3000
P2208.120-30-250	120	M30	293.5	32	250	30	3000



Steel Levelling Feet steel



Levelling Feet



P2209

LEVELLING FEET

Material

Base material: galvanized steel (C40).
Full Steel base with vulcanized rubber.

half the screw height.

In conditions of vibrations or in presence of dynamic loads these values should be reduced.

Technical Notes

Load values refer to static loads, located at

Order No.	d ₁	d ₂	h ₁	h ₂	h ₃	l ₁	l ₂	A/F	Load kgf max.	Weight g
P2209.080-10-050	80	M10	85.0	35.0	25	50	54	14	1000	292
P2209.080-10-100	80	M10	135.0	35.0	25	100	54	14	1000	315
P2209.080-12-050	80	M12	85.0	35.0	25	50	54	14	1000	303
P2209.080-12-100	80	M12	135.0	35.0	25	100	54	14	1000	335
P2209.080-12-150	80	M12	185.0	35.0	25	150	54	14	1000	372
P2209.080-14-050	80	M14	85.0	35.0	25	50	54	14	1000	316
P2209.080-14-100	80	M14	135.0	35.0	25	100	54	14	1000	363
P2209.080-14-150	80	M14	185.0	35.0	25	150	54	14	1000	413
P2209.080-16-075	80	M16	110.0	35.0	25	75	54	16	1000	367
P2209.080-16-100	80	M16	135.0	35.0	25	100	54	16	1000	399
P2209.080-16-150	80	M16	185.0	35.0	25	150	54	16	1000	464
P2209.080-16-175	80	M16	235.0	35.0	25	200	54	16	1000	527
P2209.080-20-075	80	M20	111.0	36.0	25	75	54	20	1000	430
P2209.080-20-100	80	M20	136.0	36.0	25	100	54	20	1000	480
P2209.080-20-150	80	M20	186.0	36.0	25	150	54	20	1000	582
P2209.080-20-200	80	M20	236.0	36.0	25	200	54	20	1000	683
P2209.080-24-075	80	M24	111.0	36.0	25	75	54	24	1000	503
P2209.080-24-100	80	M24	136.0	36.0	25	100	54	24	1000	576
P2209.080-24-150	80	M24	186.0	36.0	25	150	54	24	1500	721
P2209.080-24-200	80	M24	236.0	36.0	25	200	54	24	1500	867
P2209.100-16-075	100	M16	112.5	37.5	28	75	69	16	1500	505
P2209.100-16-100	100	M16	137.5	37.5	28	100	69	16	1500	537
P2209.100-16-150	100	M16	187.5	37.5	28	150	69	16	1500	602
P2209.100-16-200	100	M16	237.5	37.5	28	200	69	16	1500	665
P2209.100-20-075	100	M20	113.5	38.5	28	75	69	20	1500	568
P2209.100-20-100	100	M20	138.5	38.5	28	100	69	20	1500	618
P2209.100-20-150	100	M20	188.5	38.5	28	150	69	20	1500	720
P2209.100-20-200	100	M20	238.5	38.5	28	200	69	20	1500	821
P2209.100-20-250	100	M20	288.5	38.5	28	250	69	20	1500	924
P2209.100-24-100	100	M24	138.5	38.5	28	100	69	24	1500	641
P2209.100-24-150	100	M24	188.5	38.5	28	150	69	24	1500	714



Order No.	d ₁	d ₂	h ₁	h ₂	h ₃	l ₁	l ₂	A/F	Load kgf max.	Weight g
P2209.100-24-200	100	M24	238.5	38.5	28	200	69	24	1500	859
P2209.100-24-250	100	M24	288.5	38.5	28	250	69	24	1500	1005
P2209.100-30-100	100	M30	139.5	39.5	28	100	69	30	1500	906
P2209.100-30-150	100	M30	189.5	39.5	28	150	69	30	1500	1139
P2209.100-30-200	100	M30	239.5	39.5	28	200	69	30	1500	1363
P2209.100-30-250	100	M30	289.5	39.5	28	250	69	30	1500	1593

LEVELLING FEET

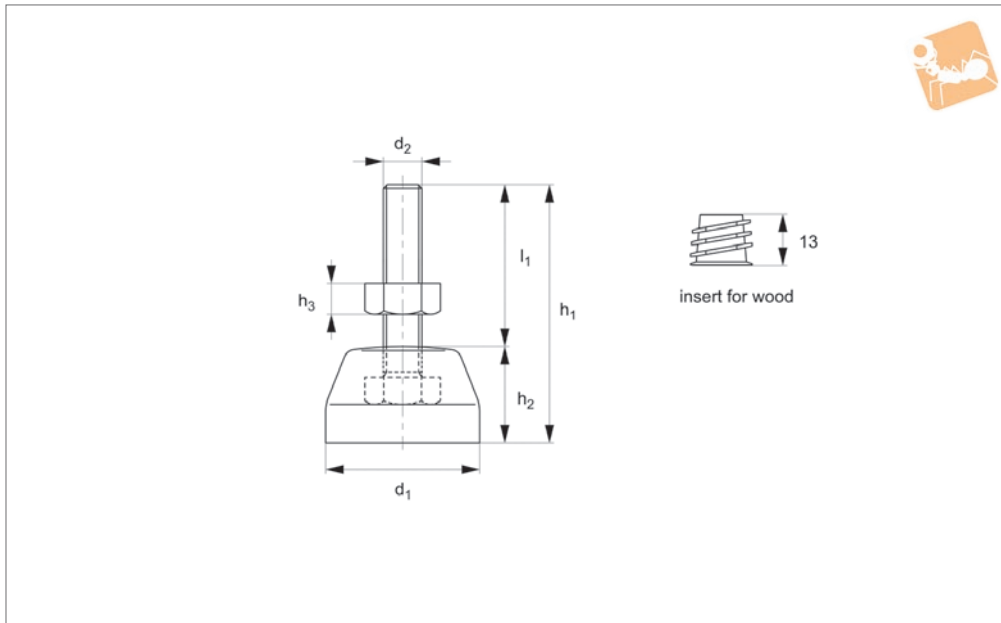


Elastomer Levelling Feet

A2 stainless steel thread



Levelling Feet



P2217

LEVELLING FEET

Material

Thermoplastic elastomer base (grey TPE), stainless steel thread (AISI 304, 1.4301). Removable threaded insert for wood included: zinc die cast (ZDC).

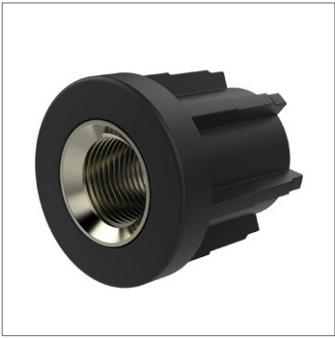
Technical Notes

This levelling foot is ideal for widespread

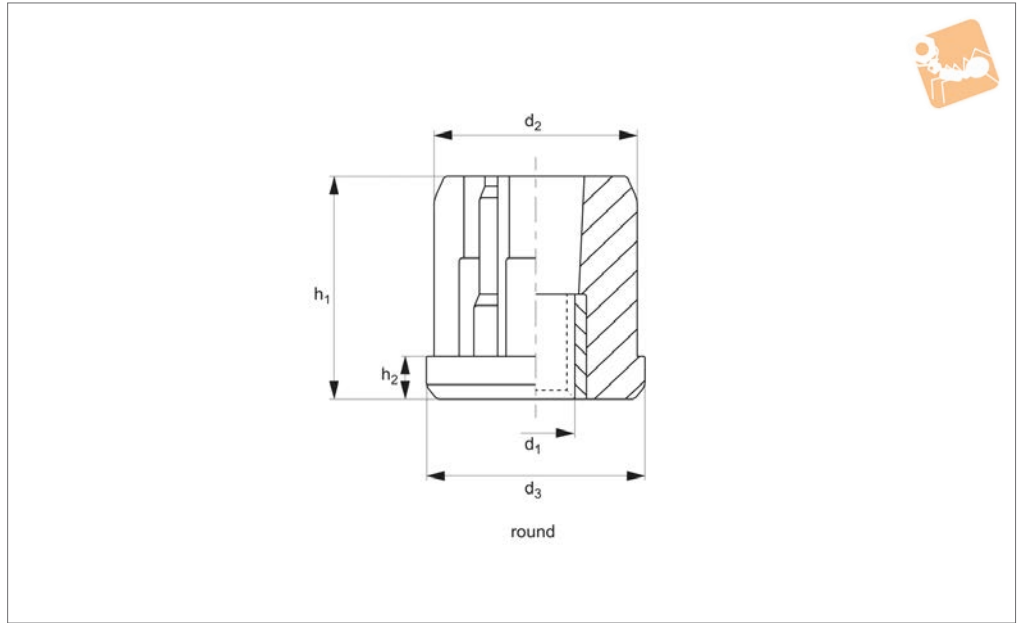
applications involving both threaded materials and non-threaded materials (such as wood). For use with non-threaded materials, the optional threaded sheath can be inserted, allowing the levelling foot to be attached to non-threaded materials. The ridged TPE base provides this levelling

foot with excellent anti-slip and acoustic/vibration dampening properties. This product is ideal for medical, laboratory and educational settings and each unit has a maximum load of 15 kg.

Order No.	d ₁	d ₂	h ₁	h ₂	h ₃	l ₁	Load kg max.	Weight g
P2217.030-080-033	30	M 8	44	10.5	6	33.2	15	30
P2217.040-100-027	40	M10	40	13.0	6	27.0	15	50
P2217.040-100-037	40	M10	50	13.0	6	37.0	15	54
P2217.040-100-042	40	M10	67	25.0	8	42.0	15	74



P2212.R



Material

Moulding: polyamide, reinforced with fiber glass.

Insert: nickel-plated brass.

Stainless steel inserts available on request.

Notes -

Order No.	d ₁	d ₂	d ₃	h ₁	h ₂	Static load kN max.
P2212.30-28-R10	M10	28.5	30	35	6	3.2
P2212.30-28-R12	M12	28.5	30	35	6	3.2
P2212.30-28-R14	M14	28.5	30	35	6	3.2
P2212.30-28-R16	M16	28.5	30	35	6	3.2
P2212.38-35-R10	M10	35.5	38	43	8	5.5
P2212.38-35-R12	M12	35.5	38	43	8	5.5
P2212.38-35-R14	M14	35.5	38	43	8	5.5
P2212.38-35-R16	M16	35.5	38	43	8	5.5
P2212.42-39-R10	M10	39.5	42	42	8	6.5
P2212.42-39-R12	M12	39.5	42	42	8	6.5
P2212.42-39-R14	M14	39.5	42	42	8	6.5
P2212.42-39-R16	M16	39.5	42	42	8	6.5
P2212.42-39-R20	M20	39.5	42	42	8	6.5
P2212.48-45-R10	M10	45.5	48	49	11	8.0
P2212.48-45-R12	M12	45.5	48	49	11	8.0
P2212.48-45-R14	M14	45.5	48	49	11	8.0
P2212.48-45-R16	M16	45.5	48	49	11	8.0
P2212.48-45-R20	M20	45.5	48	49	11	8.0
P2212.50-47-R14	M14	47.5	50	49	11	8.5
P2212.50-47-R16	M16	47.5	50	49	11	8.5
P2212.50-47-R20	M20	47.5	50	49	11	8.5
P2212.60-57-R14	M14	57.5	60	50	12	10.0
P2212.60-57-R16	M16	57.5	60	50	12	10.0
P2212.60-57-R20	M20	57.5	60	50	12	10.0
P2212.60-57-R24	M24	57.5	60	50	12	10.0
P2212.60-56-R14	M14	56.5	60	50	12	10.0
P2212.60-56-R16	M16	56.5	60	50	12	10.0
P2212.60-56-R20	M20	56.5	60	50	12	10.0
P2212.60-56-R24	M24	56.5	60	50	12	10.0
P2212.60-55-R14	M14	55.5	60	50	12	10.0
P2212.60-55-R16	M16	55.5	60	50	12	10.0
P2212.60-55-R20	M20	55.5	60	50	12	10.0
P2212.60-55-R24	M24	55.5	60	50	12	10.0

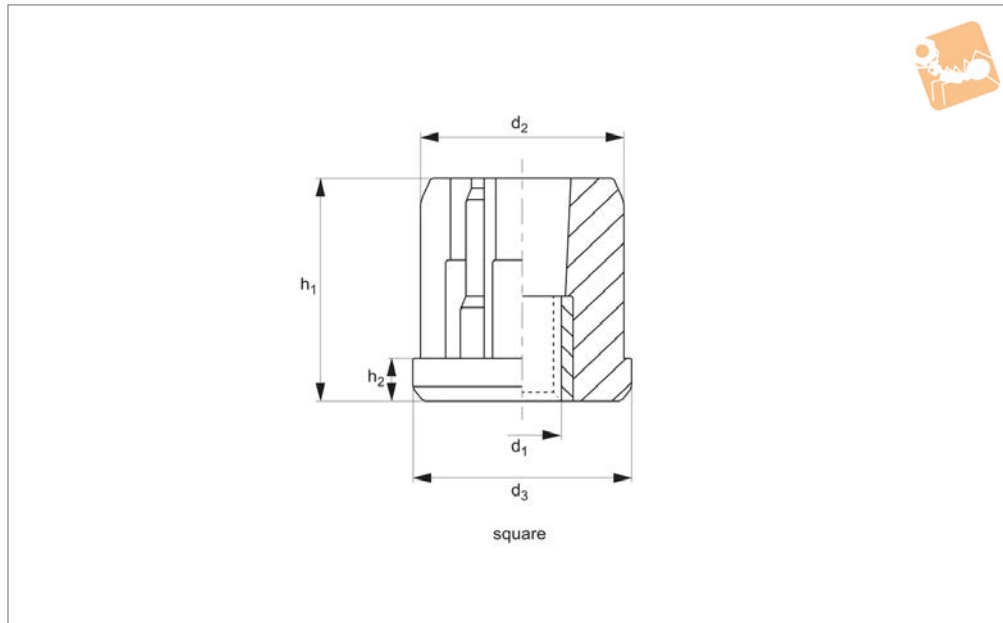


Threaded Plastic Insert - Square

with nickel plated brass bush



Levelling Feet



P2212.S

LEVELLING FEET

Material

Moulding: polyamide, reinforced with fiber glass.

Insert: nickel-plated brass.

Stainless steel inserts available on request.

Notes -

Order No.	d ₁	d ₂	d ₃	h ₁	h ₂	Static load kN max.
P2212.30-27-S10	M10	27	30x30x1,5	33	6	5.5
P2212.30-27-S12	M12	27	30x30x1,5	33	6	5.5
P2212.30-27-S14	M14	27	30x30x1,5	33	6	5.5
P2212.30-27-S16	M16	27	30x30x1,5	33	6	5.5
P2212.35-32-S10	M10	32	35x35x1,5	43	8	7.0
P2212.35-32-S12	M12	32	35x35x1,5	43	8	7.0
P2212.35-32-S14	M14	32	35x35x1,5	43	8	7.0
P2212.35-32-S16	M16	32	35x35x1,5	43	8	7.0
P2212.40-37-S12	M12	37	40x40x1,5	43	8	8.0
P2212.40-37-S14	M14	37	40x40x1,5	43	8	8.0
P2212.40-37-S16	M16	37	40x40x1,5	43	8	8.0
P2212.40-37-S20	M20	37	40x40x1,5	43	8	8.0
P2212.40-36-S10	M10	36	40x40x2,0	43	8	8.0
P2212.40-36-S12	M12	36	40x40x2,0	43	8	8.0
P2212.40-36-S14	M14	36	40x40x2,0	43	8	8.0
P2212.40-36-S16	M16	36	40x40x2,0	43	8	8.0
P2212.40-36-S20	M20	36	40x40x2,0	43	8	8.0
P2212.50-47-S12	M12	47	50x50x1,5	55	10	9.5
P2212.50-47-S14	M14	47	50x50x1,5	55	10	9.5
P2212.50-47-S16	M16	47	50x50x1,5	55	10	9.5
P2212.50-47-S20	M20	47	50x50x1,5	55	10	9.5
P2212.50-45-S14	M14	45	50x50x2,0	55	10	9.5
P2212.50-45-S20	M20	45	50x50x2,0	55	10	9.5



Available materials

- CC	Chrome steel AISI 52100 Balls. Machined AISI 1016 steel housing, toughened & zinc plated
Solve specific application requirements by upgrading materials. Select option by adding suffix i.e. - CS	
- CS	Stainless Steel Balls (AISI 420) but other materials as Standard. Reduce load by 30%.
- SS	All parts in Stainless Steel - out housing AISI 416, Balls AISI 420. Reduce load by 30%.
- CD	Acetal (POM) main ball option - reduce load. See chart overleaf

Fixing clip selection

Part No.	Ball Size	Minimum Bore ϕ	Maximum Bore ϕ
P2730.015	15	24,8	25,0
P2730.022	22	37,0	37,2
P2730.030	30	46,3	46,7

Clip requires a minimum plate thickness of 3mm to grip securely

How to select the correct unit

Ball Type	Max Load (Kg)	Friction (% of load)	Speed m/sec	Shock Loads		Arduous Conditions	Orientation	Instant Change
Medium Duty	20-3500	2%	1,5	✓✓✓	✓✓	✓✓		✓✓✓
Light Duty	7-250	3%	1,0	✓		✓✓		✓✓✓

Variables to consider:



Shock Loads:

Standard material ball units have Rockwell 'C' hardness of 60 minimum



Track Hardness/Conveyed Item Material:

Standard material ball units have Rockwell 'C' hardness of 60 minimum



Delicate Surfaces:

Ball Units - Acetal (POM) & Phenolic Resin



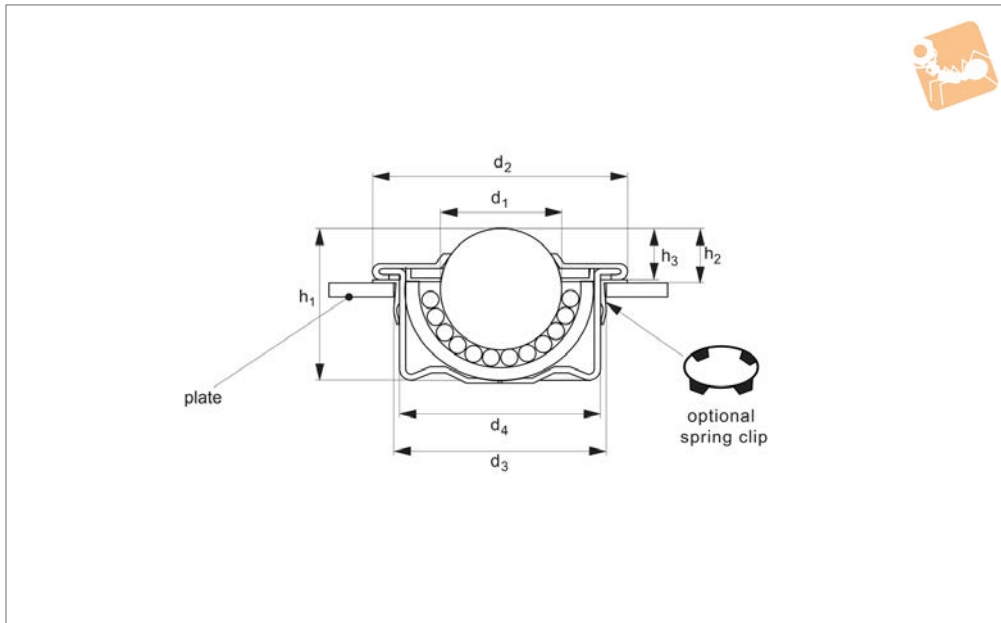
Operating Environment:

Wet, dirty, outdoor, radioactive



Push-Fit Ball Transfer Units

light duty, push fit



P2700.AV

MATERIAL HANDLING

Material

Steel (zinc plated), stainless steel (AISI 416 for housing and AISI 420 for balls) and acetal (POM).

Technical Notes

Cost-effective and light-weight units formed from sheet steel material. No reduction in load carrying capacity even

when installed upside down. Sizes 22 and 30 have a felt seal for the ball. Low friction 1:0,03, speeds up to 1m/s. Temperature range -20°C to +70°C.

Tips

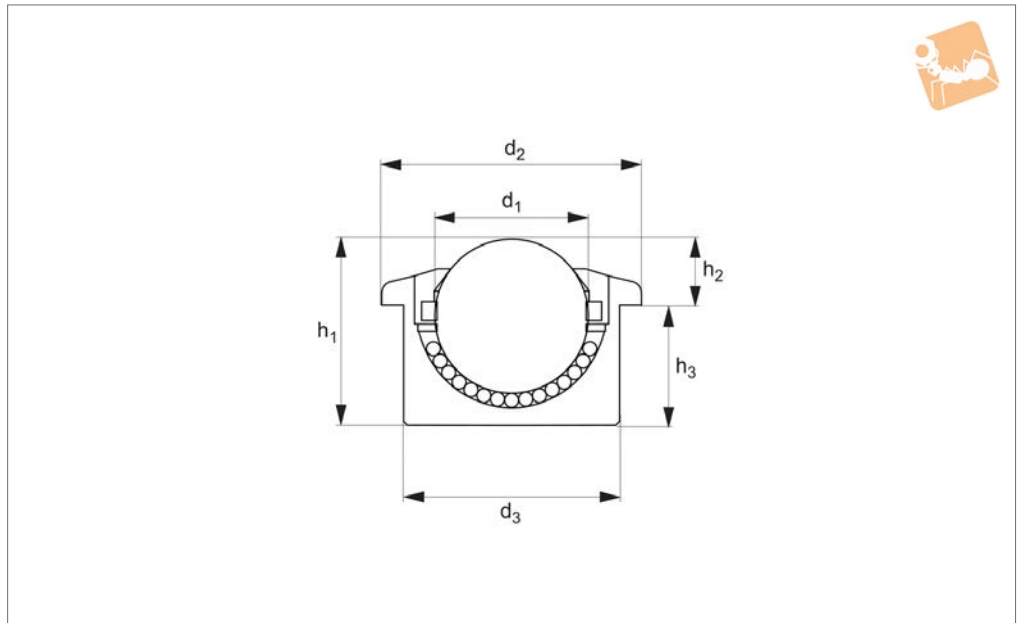
To compensate for irregular bore diameters we recommend using the spring clip (stainless) part no. P2730.

Clip requires a minimum plate thickness of 3mm to grip securely. These rollers can only be used in the horizontal or „ball up“ direction.

Order No.	d ₁	d ₂	h ₁	h ₂	d ₃ min.	d ₃ max.	d ₄	h ₃	Housing	Ball	Load kg max.
P2700.150-CC	15	31	21	10.1	25	25.5	24	9.8	Steel	Steel	60
P2700.150-CS	15	31	21	10.1	25	25.5	24	9.8	Steel	Stainless	60
P2700.150-CA	15	31	21	10.1	25	25.5	24	9.8	Steel	Acetal	10
P2700.150-SS	15	31	21	10.1	25	25.5	24	9.8	Stainless	Stainless	40
P2700.220-CC	22	45	29.5	10.4	37.0	37.5	36	10.1	Steel	Steel	160
P2700.220-CS	22	45	29.5	10.4	37.0	37.5	36	10.1	Steel	Stainless	160
P2700.220-CA	22	45	29.5	10.4	37.0	37.5	36	10.1	Steel	Acetal	20
P2700.220-SS	22	45	29.5	10.4	37.0	37.5	36	10.1	Stainless	Stainless	90
P2700.300-CC	30	55	37	14.4	46	46.5	45	14.1	Steel	Steel	280
P2700.300-CS	30	55	37	14.4	46	46.5	45	14.1	Steel	Stainless	280
P2700.300-CA	30	55	37	14.4	46	46.5	45	14.1	Steel	Acetal	25
P2700.300-SS	30	55	37	14.4	46	46.5	45	14.1	Stainless	Stainless	200



P2701



Material

Acetal (POM) housing with acetal or stainless (AISI 316) balls.

Technical Notes

Push-fit units, these acetal units resist

salt water and chemicals.

They are non-conductive and non-magnetic, low friction 1:0,03.

Temperature range -20°C to +70°C, speeds up to 1m/s.

Tips

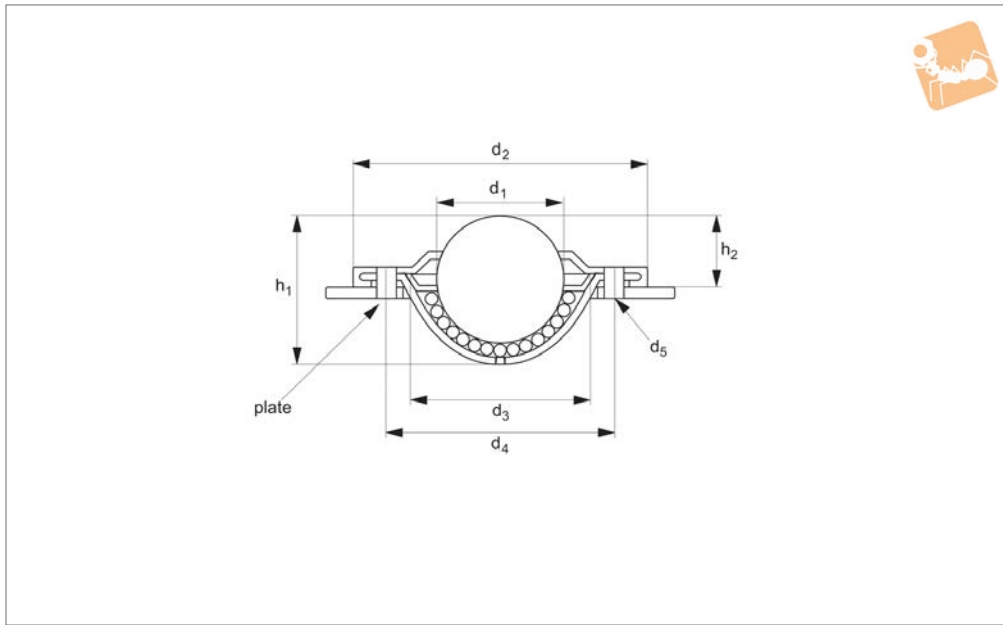
These rollers can only be used in the horizontal or „ball up“ direction.

Order No.	d ₁	d ₂	h ₁	h ₂	d ₃	h ₃	Housing	Ball
P2701.150-AS	15	31	21	9.5	24	11.5	Acetal	Stainless
P2701.150-AA	15	31	21	9.5	24	11.5	Acetal	Acetal
P2701.220-AS	22	45	30.5	9.8	36	20.7	Acetal	Stainless
P2701.220-AA	22	45	30.5	9.8	36	20.7	Acetal	Acetal
P2701.300-AS	30	55	37	13.8	45	23.2	Acetal	Stainless
P2701.300-AA	30	55	37	13.8	45	23.2	Acetal	Acetal
P2701.450-AS	45	75	53.5	19	62	34.5	Acetal	Stainless
P2701.450-AA	45	75	53.5	19	62	34.5	Acetal	Acetal



Saturn Type Ball Transfer Units

light duty, saturn type



P2702

MATERIAL HANDLING

Material

Steel (AISI 1040 housing and AISI 52100 for balls), stainless steel (AISI 416 for housing and AISI 420 for balls) and acetal (POM).

Technical Notes

Cost-effective and light-weight units

formed from sheet steel material.

No reduction in load carrying capacity even when installed upside down.

Low friction 1:0,03, temperature range - 20°C to +70°C, speeds up to 1m/s.

Tips

Theses rollers can only be used in the hori-

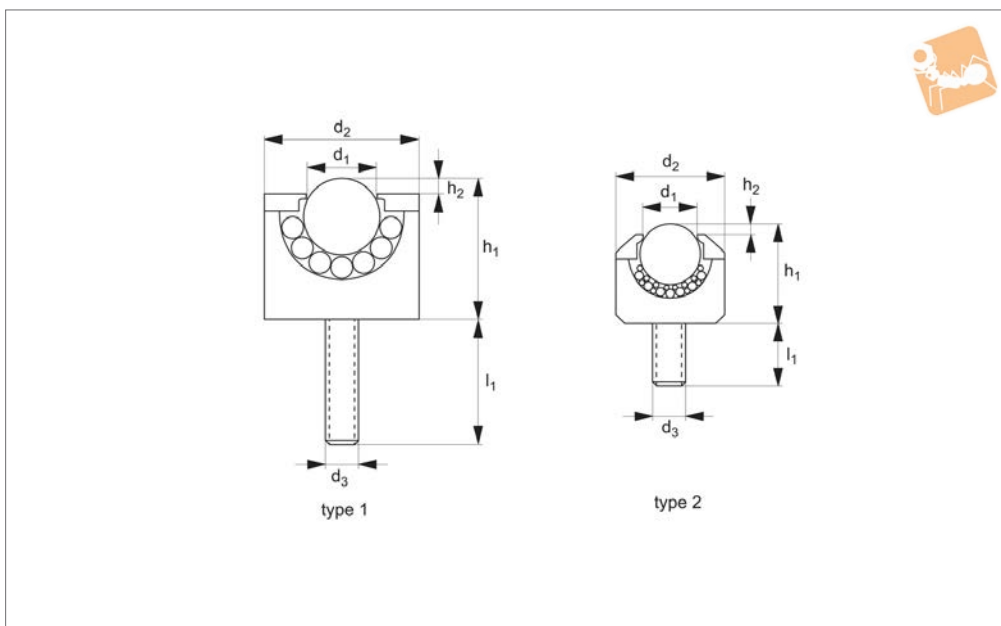
zontal or „ball up“ direction.

P2702.320-SS and P2702.330-SS have 7 large fluid drain holes & no felt seal.

Order No.	d ₁	d ₂	h ₁	h ₂	d ₃	d ₄	d ₅	Housing	Ball	Load kg max.
P2702.160-CC	15	41.0	19.3	10.8	24.0	30.0	2 x 3,4	Steel	Steel	15
P2702.160-CS	15	41.0	19.3	10.8	24.0	30.0	2 x 3,4	Steel	Stainless	10
P2702.160-CA	15	41.0	19.3	10.8	24.0	30.0	2 x 3,4	Steel	Acetal	10
P2702.220-CC	23	45.0	27.7	9.8	33.0	39.0	3 x 3,5	Steel	Steel	120
P2702.220-CA	23	45.0	27.7	9.8	33.0	39.0	3 x 3,5	Steel	Acetal	90
P2702.320-SS	32	73.7	36.1	16.2	45.5	58.7	2 x 5,5	Stainless	Stainless	125
P2702.250-CA	25	56.0	30.0	14.6	36.0	45.0	2 x 4,0	Steel	Acetal	22
P2702.330-SS	32	74.0	36.1	16.2	46.0	58.7	3 x 5,5	Stainless	Stainless	125
P2702.220-CS	23	45.0	27.7	9.8	33.0	39.0	3 x 3,5	Steel	Stainless	22
P2702.250-CC	25	56.0	30.0	14.6	36.0	45.0	2 x 4,0	Steel	Steel	60
P2702.250-CS	25	56.0	30.0	14.6	36.0	45.0	2 x 4,0	Steel	Stainless	40
P2702.250-SS	25	47.1	29.6	14.3	38.1	-	-	Stainless	Stainless	55



P2705



Material

Carbon steel, aluminium or stainless steel housing. Carbon steel or stainless steel balls.

Technical Notes

All steel parts are supplied with a small

amount of oil, to protect from oxidation.

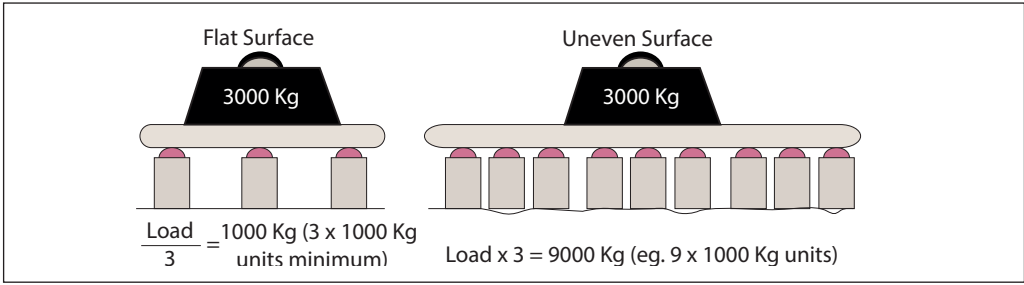
Tips

Normally used in measuring equipment, small linear motion systems (e.g photocopier slides) and miniature mechanisms.

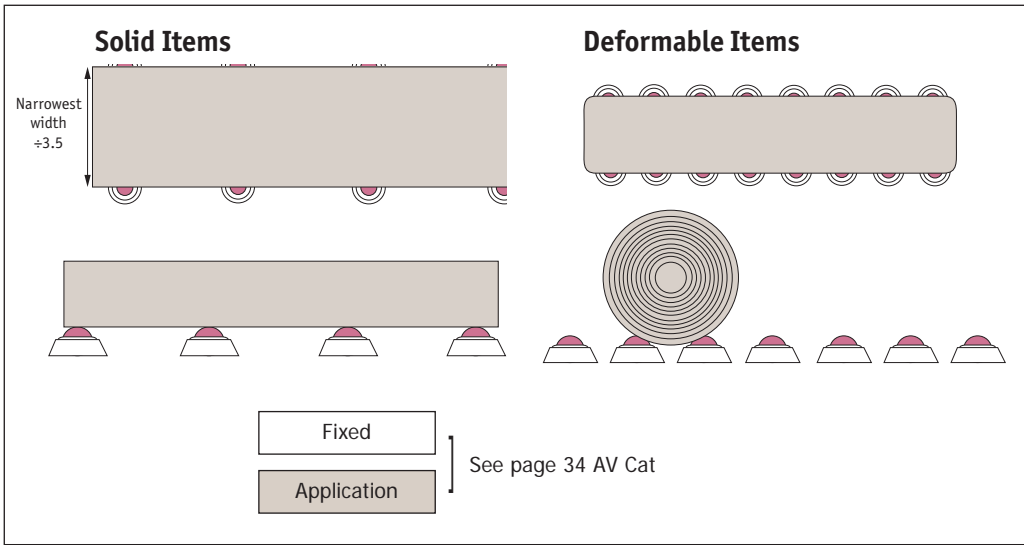
Order No.	Type	d ₁	d ₂	h ₁	h ₂	d ₃	l ₁	Housing	Ball	Load kg max.
P2705.050-CC	Type 1	4.8	13	9	1	M6	15	Steel	Steel	10
P2705.150-CC	Type 1	15.8	24	20.5	4	M6	12	Steel	Steel	70
P2705.150-SS	Type 1	15.8	24	20.5	4	M6	12	Stainless	Stainless	70
P2705.160-CC	Type 1	15.8	24	20.5	4	M6	12	Steel	Steel	70
P2705.160-SS	Type 1	15.8	24	20.5	4	M6	12	Stainless	Stainless	70
P2705.050-SS	Type 1	4.8	13	9	1	M6	15	Stainless	Stainless	10
P2705.050-AS	Type 2	4.8	8	6	1	M2	2.5	Aluminium	Stainless	5
P2705.060-SS	Type 1	6.4	17	11	2	M6	15	Steel	Steel	20
P2705.070-SS	Type 1	6.4	17	11	2	M6	15	Stainless	Stainless	20
P2705.060-AS	Type 2	6.4	13	10.5	2	M3	6	Aluminium	Stainless	15
P2705.080-CC	Type 1	7.9	18	14	2	M8	18	Steel	Steel	30
P2705.080-SS	Type 1	7.9	18	14	2	M8	18	Stainless	Stainless	30
P2705.090-AS	Type 2	7.9	15	12.5	2	M4	8	Aluminium	Stainless	20
P2705.100-CC	Type 1	9.6	23	20	2	M8	20	Steel	Steel	40
P2705.100-SS	Type 1	9.6	23	20	2	M8	20	Stainless	Stainless	40
P2705.130-CC	Type 1	12.7	28	25	3.5	M8	23	Steel	Steel	50
P2705.130-SS	Type 1	12.7	28	25	3.5	M8	23	Stainless	Stainless	50



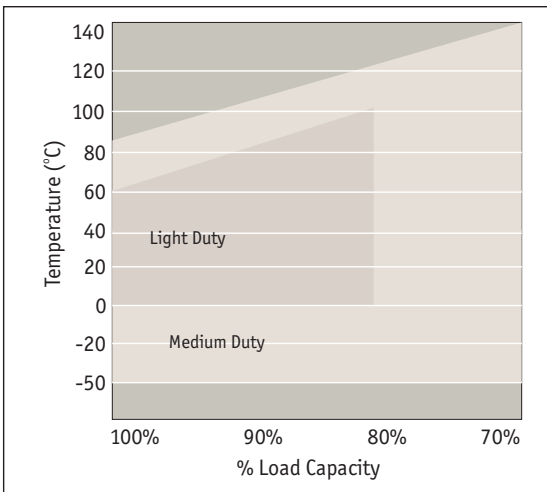
Load & Stability



Pitch & Spacing

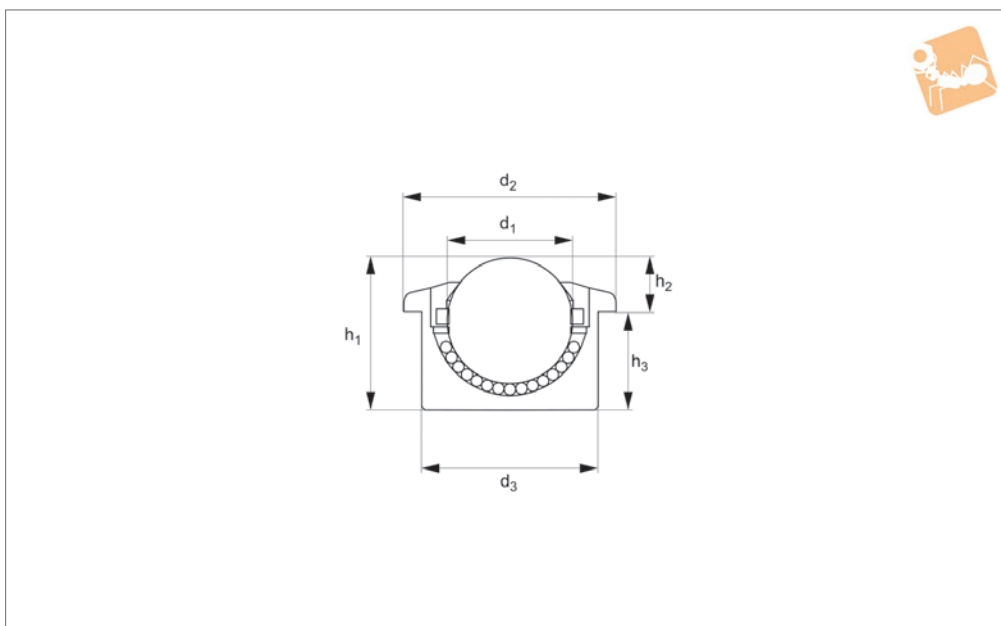


Operating Temperature





P2710



Material

Steel (AISI 1040 housing and AISI 52100 for balls), stainless steel (AISI 416 for housing and AISI 420 for balls) and acetal (POM).

Technical Notes

These ball transfer units are made of a solid steel block

with a precision machined hemispherical carrying bowl.

Top cover plates are shaped to ensure the perfect conveyance of items which have possible burred or bent edges. This design also prevents possible damage to the carrying ball.

Provided with a hole in the base of the

bearing cup to dispose of particles of dirt and swarf (this may also be used for re-lubrication purposes).

Tips

These rollers can only be used in the horizontal or ball up direction.

Order No.	d ₁	d ₂	h ₁	h ₂	d ₃	h ₃	Housing	Ball	Load kg max.
P2710.450-CS	45	75	53.5	19.0	62	34.5	Steel	Stainless	600
P2710.300-CS	30	55	36.8	13.8	45	23.0	Steel	Stainless	350
P2710.250-CS	25	46	30.5	13.0	38	17.5	Steel	Stainless	140
P2710.220-CS	22	45	30.5	9.8	36	20.7	Steel	Stainless	180
P2710.150-CS	15	30	20	8.1	24	11.9	Steel	Stainless	50
P2710.120-CS	12	27	16.7	8.0	22	8.7	Steel	Stainless	20
P2710.120-CC	12	27	16.7	8.0	22	8.7	Steel	Steel	25
P2710.120-CA	12	27	16.7	8.0	22	8.7	Steel	Acetal	5
P2710.120-SS	12	27	16.7	8.0	22	8.7	Stainless	Stainless	20
P2710.150-CC	15	30	20	8.1	24	11.9	Steel	Steel	60
P2710.150-CA	15	30	20	8.1	24	11.9	Steel	Acetal	10
P2710.150-SS	15	30	20	8.1	24	11.9	Stainless	Stainless	40
P2710.160-CC	15	31	21	9.5	24	11.5	Steel	Steel	60
P2710.160-CA	15	31	21	9.5	24	11.5	Steel	Acetal	10
P2710.160-CS	15	31	21	9.5	24	11.5	Steel	Acetal	50
P2710.160-SS	15	31	21	9.5	24	11.5	Stainless	Stainless	40
P2710.220-CC	22	45	30.5	9.8	36	20.7	Steel	Steel	180
P2710.220-CA	22	45	30.5	9.8	36	20.7	Steel	Acetal	20
P2710.220-SS	22	45	30.5	9.8	36	20.7	Stainless	Stainless	126
P2710.250-CC	25	46	30.5	13.0	38	17.5	Steel	Steel	200
P2710.250-CA	25	46	30.5	13.0	38	17.5	Steel	Acetal	25
P2710.250-SS	25	46	30.5	13.0	38	17.5	Stainless	Stainless	140
P2710.300-CC	30	55	36.8	13.8	45	23.0	Steel	Steel	350
P2710.300-CA	30	55	36.8	13.8	45	23.0	Steel	Acetal	25
P2710.300-SS	30	55	36.8	13.8	45	23.0	Stainless	Stainless	220
P2710.450-CC	45	75	53.5	19.0	62	34.5	Steel	Steel	600
P2710.450-CA	45	75	53.5	19.0	62	34.5	Steel	Acetal	25
P2710.450-SS	45	75	53.5	19.0	62	34.5	Stainless	Stainless	350



Push-Fit Ball Transfer Units

medium duty



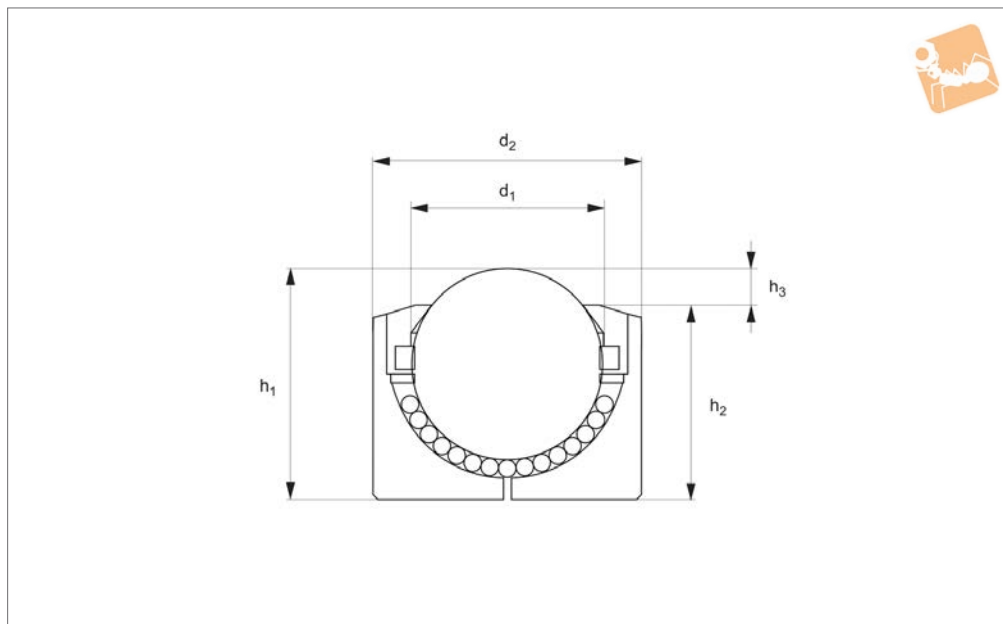
Material Handling

Order No.	d ₁	d ₂	h ₁	h ₂	d ₃	h ₃	Housing	Ball	Load kg max.
P2710.600-CC	60	117	77.5	30.0	100	47.5	Steel	Steel	1500
P2710.600-CA	60	117	77.5	30.0	100	47.5	Steel	Acetal	35
P2710.600-SS	60	117	77.5	30.0	100	47.5	Stainless	Stainless	1050

MATERIAL HANDLING



P2711



Material

Steel (AISI 1040 housing and AISI 52100 for balls),
stainless steel (AISI 416 for housing and AISI 420 for balls) and acetal (POM).

Technical Notes

These ball transfer units are made of a solid steel block with a precision machined hemispherical carrying bowl.

Top cover plates are shaped to ensure the perfect conveyance of items which have possible burred or bent edges. This design also prevents possible damage to the carrying ball.

Provided with a hole in the base of the bearing cup to dispose of particles of dirt and swarf (this may also be used for re-lubrication purposes).

Manufactured without a flange on the housing, therefore the whole load is being supported only by the bottom face of the unit.

Tips

These rollers can only be used in the horizontal or „ball up“ direction.

Order No.	d ₁	d ₂	h ₁	h ₂	h ₃	Housing	Ball	Load kg max.
P2711.080-CC	8	18	12.0	10.0	2.0	Steel	Steel	13
P2711.080-CS	8	18	12.0	10.0	2.0	Steel	Stainless	10
P2711.080-SS	8	18	12.0	10.0	2.0	Stainless	Stainless	8.4
P2711.120-CS	12	20	16.5	13.5	3.0	Steel	Stainless	20
P2711.150-CS	15	24	20.0	15.0	5.0	Steel	Stainless	50
P2711.220-CS	22	36	30.5	27.9	4.5	Steel	Stainless	180
P2711.300-CS	30	45	36.8	30.3	6.5	Steel	Stainless	350
P2711.450-CS	45	62	53.5	45.0	8.5	Steel	Stainless	600
P2711.600-CS	60	100	77.5	61	16.5	Steel	Stainless	1100
P2711.120-CC	12	20	16.5	13.5	3.0	Steel	Steel	25
P2711.120-CA	12	20	16.5	13.5	3.0	Steel	Acetal	5
P2711.120-SS	12	20	16.5	13.5	3.0	Stainless	Stainless	14
P2711.150-CC	15	24	20.0	15.0	5.0	Steel	Steel	60
P2711.150-CA	15	24	20.0	15.0	5.0	Steel	Acetal	10
P2711.150-SS	15	24	20.0	15.0	5.0	Stainless	Stainless	40
P2711.220-CC	22	36	30.5	27.9	4.5	Steel	Steel	180
P2711.220-CA	22	36	30.5	27.9	4.5	Steel	Acetal	20
P2711.220-SS	22	36	30.5	27.9	2.6	Stainless	Stainless	125
P2711.300-CC	30	45	36.8	30.3	6.5	Steel	Steel	350
P2711.300-CA	30	45	36.8	30.3	6.5	Steel	Acetal	25
P2711.300-SS	30	45	36.8	30.3	6.5	Stainless	Stainless	245
P2711.450-CC	45	62	53.5	45.0	8.5	Steel	Steel	600
P2711.450-CA	45	62	53.5	45.0	8.5	Steel	Acetal	25
P2711.450-SS	45	62	53.5	45.0	8.5	Stainless	Stainless	420
P2711.600-CC	60	100	77.5	61	16.5	Steel	Steel	1500



Plain-Fit Ball Transfer Units

medium duty



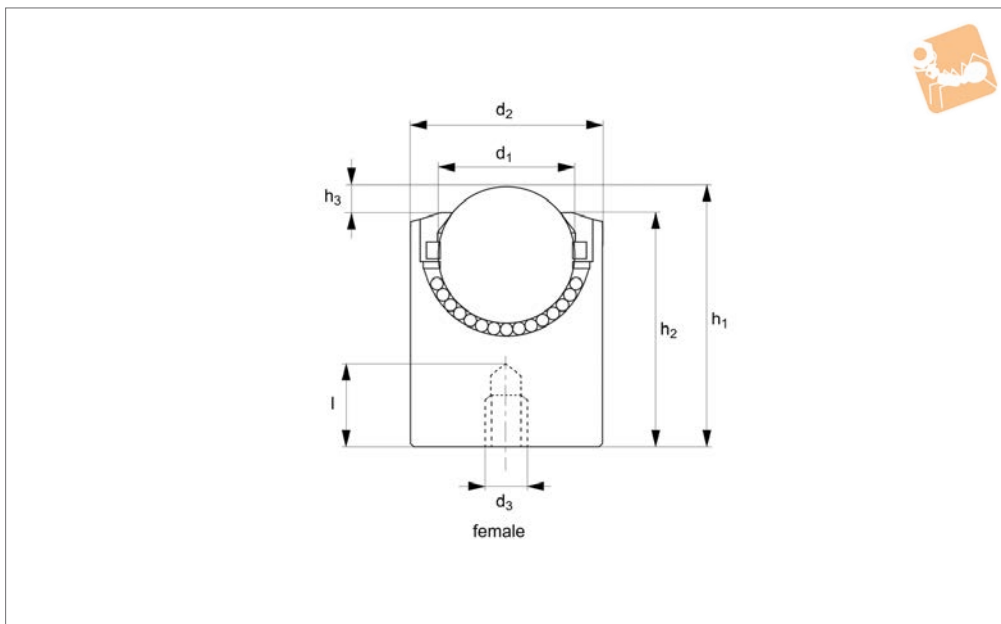
Material Handling

Order No.	d ₁	d ₂	h ₁	h ₂	h ₃	Housing	Ball	Load kg max.
P2711.600-CA	60	100	77.5	61	16.5	Steel	Acetal	35
P2711.600-SS	60	100	77.5	61	16.5	Stainless	Stainless	1000

MATERIAL HANDLING



P2712



Material

Steel (AISI 1040 housing and AISI 52100 for balls), stainless steel (AISI 416 for housing and AISI 420 for balls) and acetal (POM).

Technical Notes

These ball transfer units are made of a solid steel block with a precision machined hemispherical

carrying bowl.

Top cover plates are shaped to ensure the perfect conveyance of items which have possible burred or bent edges. This design also prevents possible damage to the carrying ball.

Provided with a hole in the base of the bearing cup to dispose of particles of dirt and swarf

(this may also be used for re-lubrication purposes).

Manufactured without a flange on the housing, therefore the whole load is being supported only by the bottom face of the unit.

Tips

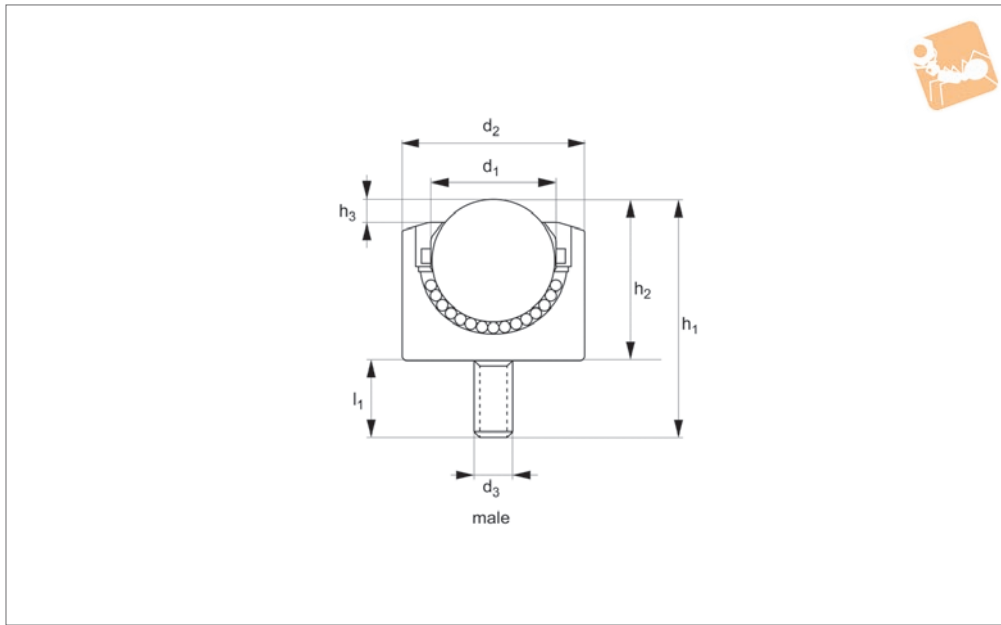
For male version see P2713.

Order No.	Type	d ₁	d ₂	h ₁	h ₂	d ₃	h ₃	l ₁	Housing	Ball	Load kg max.
P2712.120-CC	Female	12	22	24.0	20.5	M8	3.5	5	Steel	Steel	25
P2712.120-CA	Female	12	22	24.0	20.5	M8	3.5	5	Steel	Acetal	5
P2712.120-SS	Female	12	22	24.0	20.5	M8	3.5	5	Stainless	Stainless	17
P2712.120-CS	Female	12	22	24.0	20.5	M8	3.5	5	Steel	Stainless	20
P2712.220-CS	Female	22	36	40.5	34	M8	4.5	10	Steel	Stainless	180
P2712.450-CS	Female	45	62	63.5	50.5	M8	13.0	10	Steel	Stainless	600
P2712.300-CS	Female	30	45	46.8	38.8	M8	8.0	10	Steel	Stainless	350
P2712.150-CS	Female	15	24	28.0	23	M8	5.0	8	Steel	Stainless	50
P2712.150-CC	Female	15	24	28.0	23	M8	5.0	8	Steel	Steel	60
P2712.150-CA	Female	15	24	28.0	23	M8	5.0	8	Steel	Acetal	10
P2712.150-SS	Female	15	24	28.0	23	M8	5.0	8	Stainless	Stainless	40
P2712.220-CC	Female	22	36	40.5	34	M8	4.5	10	Steel	Steel	180
P2712.220-CA	Female	22	36	40.5	34	M8	4.5	10	Steel	Acetal	20
P2712.220-SS	Female	22	36	40.5	34	M8	4.5	10	Stainless	Stainless	126
P2712.300-CC	Female	30	45	46.8	38.8	M8	8.0	10	Steel	Steel	350
P2712.300-CA	Female	30	45	46.8	38.8	M8	8.0	10	Steel	Acetal	25
P2712.300-SS	Female	30	45	46.8	38.8	M8	8.0	10	Stainless	Stainless	245
P2712.450-CC	Female	45	62	63.5	50.5	M8	13.0	10	Steel	Steel	600
P2712.450-CA	Female	45	62	63.5	50.5	M8	13.0	10	Steel	Acetal	25
P2712.450-SS	Female	45	62	63.5	50.5	M8	13.0	10	Stainless	Stainless	420



Threaded Ball Transfer Units

medium duty, male



P2713

MATERIAL HANDLING

Material

Steel (AISI 1040 housing and AISI 52100 for balls), stainless steel (AISI 416 for housing and AISI 420 for balls) and acetal (POM).

Technical Notes

These ball transfer units are made of a solid steel block with a precision machined hemispherical

carrying bowl.

Top cover plates are shaped to ensure the perfect conveyance of items which have possible burred or bent edges. This design also prevents possible damage to the carrying ball.

Provided with a hole in the base of the bearing cup to dispose of particles of dirt and swarf

(this may also be used for re-lubrication purposes).

Manufactured without a flange on the housing, therefore the whole load is being supported only by the bottom face of the unit.

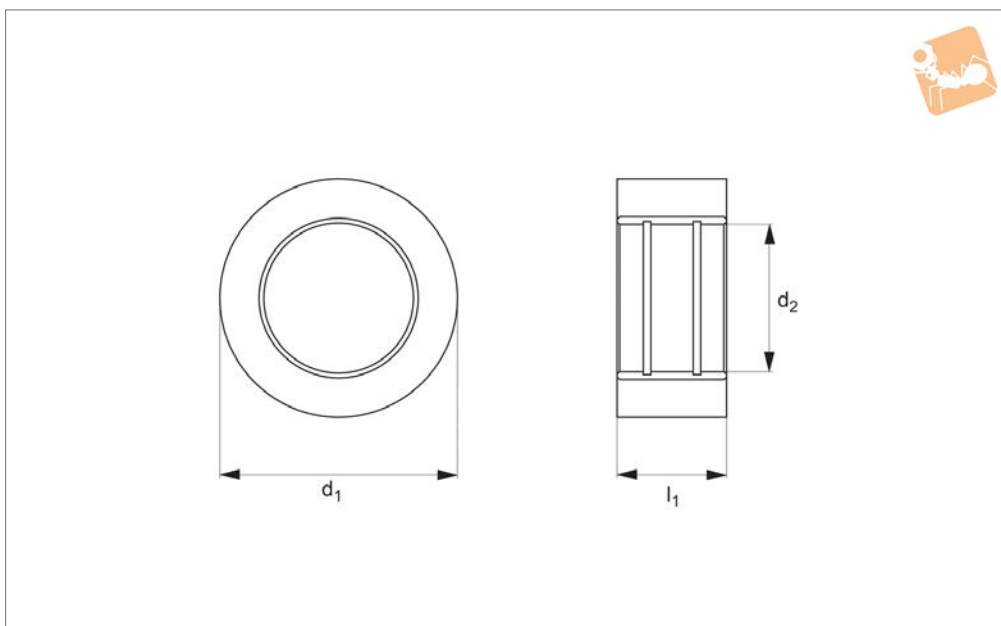
Tips

For female version see P2712.

Order No.	Type	d ₁	d ₂	h ₁	h ₂	d ₃	h ₃	l ₁	Housing	Ball	Load kg max.
P2713.220-CS	Male	22	36	62.9	37.5	M12	4.5	25.4	Steel	Stainless	126
P2713.450-CS	Male	45	62	107.3	66.0	M20	8.5	41.3	Steel	Stainless	420
P2713.300-CS	Male	30	45	69.2	43.8	M12	6.5	25.4	Steel	Stainless	245
P2713.150-CS	Male	15	24	32.5	20.5	M6	3.9	12.0	Steel	Stainless	35
P2713.120-CS	Male	12	20	29.8	17.8	M8	3.0	12.0	Steel	Stainless	14
P2713.120-CC	Male	12	20	29.8	17.8	M8	3.0	12.0	Steel	Steel	20
P2713.120-CA	Male	12	20	29.8	17.8	M8	3.0	12.0	Steel	Acetal	4
P2713.120-SS	Male	12	20	29.8	17.8	M8	3.0	12.0	Stainless	Stainless	14
P2713.150-CC	Male	15	24	32.5	20.5	M6	3.9	12.0	Steel	Steel	50
P2713.150-CA	Male	15	24	32.5	20.5	M6	3.9	12.0	Steel	Acetal	10
P2713.150-SS	Male	15	24	32.5	20.5	M6	3.9	12.0	Stainless	Stainless	30
P2713.220-CC	Male	22	36	62.9	37.5	M12	4.5	25.4	Steel	Steel	180
P2713.220-CA	Male	22	36	62.9	37.5	M12	4.5	25.4	Steel	Acetal	20
P2713.220-SS	Male	22	36	62.9	37.5	M12	4.5	25.4	Stainless	Stainless	126
P2713.300-CC	Male	30	45	69.2	43.8	M12	6.5	25.4	Steel	Steel	350
P2713.300-CA	Male	30	45	69.2	43.8	M12	6.5	25.4	Steel	Acetal	210
P2713.300-SS	Male	30	45	69.2	43.8	M12	6.5	25.4	Stainless	Stainless	245
P2713.450-CC	Male	45	62	107.3	66.0	M20	8.5	41.3	Steel	Steel	600
P2713.450-CA	Male	45	62	107.3	66.0	M20	8.5	41.3	Steel	Acetal	35
P2713.450-SS	Male	45	62	107.3	66.0	M20	8.5	41.3	Stainless	Stainless	420



P2750



Material

Nitrile, urethane or neoprene bonded to a steel insert.

Hardness from 20-80 durometer (Shore A).

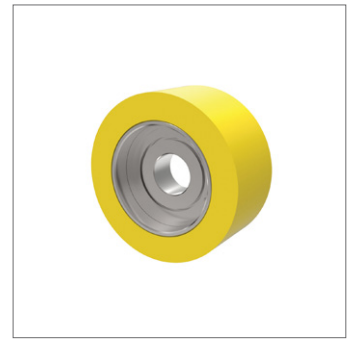
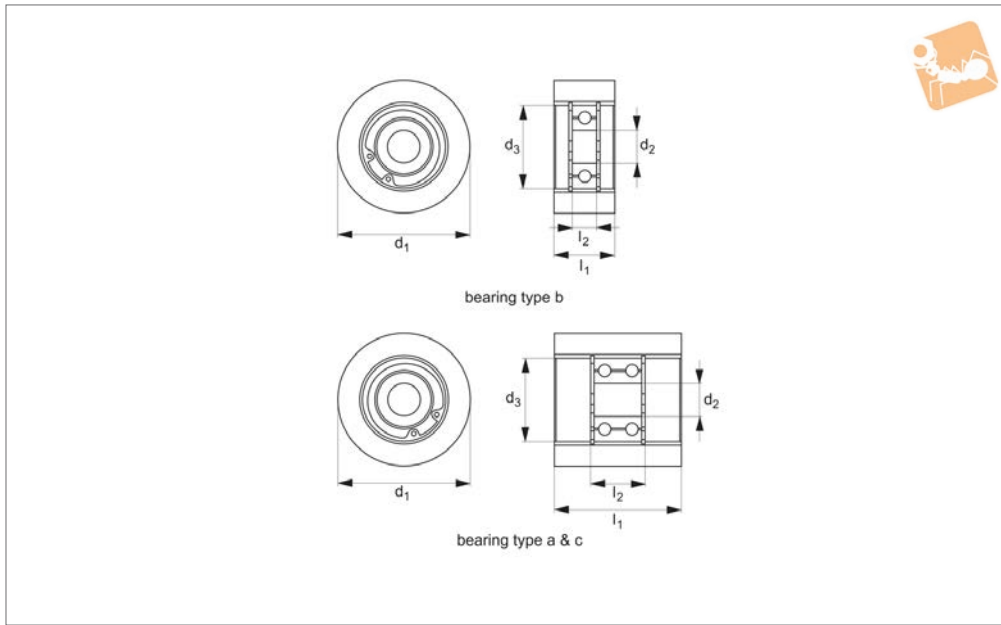
Technical Notes

Roller only - allows for custom mounting.

Order No.	Type	Durometer	d ₁	l ₁	d ₂	
					min.	max.
P2750.20B20NI	Nitrile	20	50,8 (2")	23,37 (0.92")	22,23 (1-1/8")	
P2750.20B60NI	Nitrile	60	50,8 (2")	23,37 (0.92")	22,23 (1-1/8")	
P2750.20C20NI	Nitrile	20	50,8 (2")	49,28 (1.94")	22,23 (1-1/8")	
P2750.20C60NI	Nitrile	60	50,8 (2")	49,28 (1.94")	22,23 (1-1/8")	
P2750.20D20NI	Nitrile	20	50,8 (2")	49,28 (1.94")	19,05 (1-1/4")	
P2750.20D60NI	Nitrile	60	50,8 (2")	49,28 (1.94")	19,05 (1-1/4")	
P2750.25A20NI	Nitrile	20	63,5 (2.5")	23,37 (0.92")	19,05 (1-1/4")	
P2750.25A60NI	Nitrile	60	63,5 (2.5")	23,37 (0.92")	19,05 (1-1/4")	
P2750.20B35UR	Urethane	35	50,8 (2")	23,37 (0.92")	22,23 (1-1/8")	
P2750.20B80UR	Urethane	80	50,8 (2")	23,37 (0.92")	22,23 (1-1/8")	
P2750.20D35UR	Urethane	35	50,8 (2")	49,28 (1.94")	19,05 (1-1/4")	
P2750.20D80UR	Urethane	80	50,8 (2")	49,28 (1.94")	19,05 (1-1/4")	
P2750.25A60UR	Urethane	60	63,5 (2.5")	23,37 (0.92")	19,05 (1-1/4")	
P2750.20B20NP	Neoprene	20	50,8 (2")	23,37 (0.92")	19,05 (1-1/4")	
P2750.20B60NP	Neoprene	60	50,8 (2")	23,37 (0.92")	22,23 (1-1/8")	
P2750.20C20NP	Neoprene	20	50,8 (2")	49,28 (1.94")	22,23 (1-1/8")	
P2750.20C60NP	Neoprene	60	50,8 (2")	49,28 (1.94")	22,23 (1-1/8")	
P2750.20D20NP	Neoprene	20	50,8 (2")	49,28 (1.94")	19,05 (1-1/4")	
P2750.20D60NP	Neoprene	60	50,8 (2")	49,28 (1.94")	19,05 (1-1/4")	
P2750.25A20NP	Neoprene	20	63,5 (2.5")	23,37 (0.92")	19,05 (1-1/4")	
P2750.25A60NP	Neoprene	60	63,5 (2.5")	23,37 (0.92")	19,05 (1-1/4")	



Solid Roller bearing mount



P2752

MATERIAL HANDLING

Material

Nitrile, urethane or neoprene bonded to a steel insert.
Hardness from 20-80 durometer (Shore A).

Technical Notes

Bearings included (held in place with snap rings). For more details on bearings please

see technical pages.

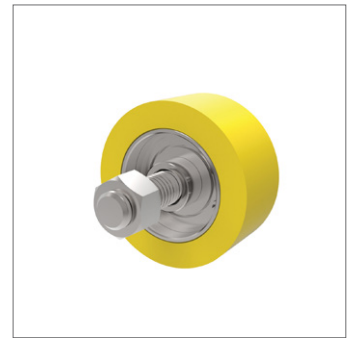
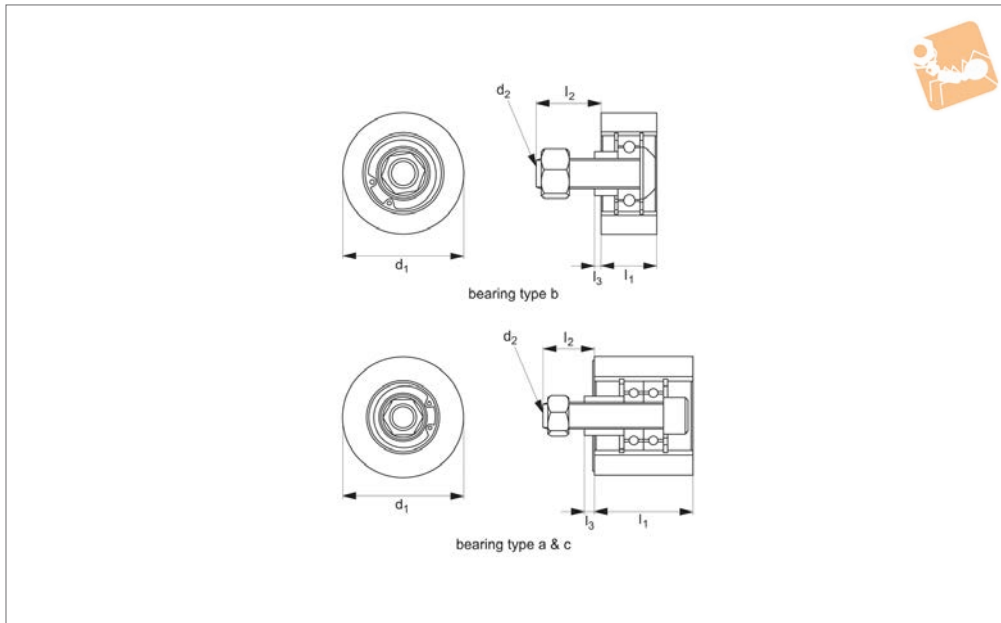
Tolerances:
When $d_1 \geq 38,10$
 $d_2 \pm 0.05$
 $d_3 \pm 0.07$
 $l_2 \pm 0.05$

When $d_1 > 38,10$
 $d_2 \pm 0,065$
 $d_3 \pm 0,065$
 $l_2 \pm 0,08$

Order No.	Material	Durometer	d_1	l_1	d_2	d_3	l_2	Bearing type
P2752.15A20NI	Nitrile	20	38,1 (1,5")	31.75	8.0	22.16	12.70	A
P2752.15A60NI	Nitrile	60	38,1 (1,5")	31.75	8.0	22.16	12.70	A
P2752.15A80NI	Nitrile	80	38,1 (1,5")	31.75	8.0	22.16	12.70	A
P2752.20A35NI	Nitrile	20	50,8 (2,0")	23.37	12.77	31.69	9.52	B
P2752.20A35NI	Nitrile	35	50,8 (2,0")	23.37	12.77	31.69	9.52	B
P2752.20B20NI	Nitrile	20	50,8 (2,0")	49.28	12.77	31.69	19.05	C
P2752.20B80NI	Nitrile	80	50,8 (2,0")	49.28	12.77	31.69	19.05	C
P2752.25A20NI	Nitrile	20	63,5 (2,5")	23.37	12.77	31.69	9.52	C
P2752.25A35NI	Nitrile	35	63,5 (2,5")	23.37	12.77	31.69	9.52	C
P2752.25A60NI	Nitrile	60	63,5 (2,5")	23.37	12.77	31.69	9.52	C
P2752.25A80NI	Nitrile	80	63,5 (2,5")	23.37	12.77	31.69	9.52	C
P2752.25B20NI	Nitrile	20	63,5 (2,5")	49.28	12.77	31.69	19.05	C
P2752.25B35NI	Nitrile	35	63,5 (2,5")	49.28	12.77	31.69	19.05	C
P2752.25B60NI	Nitrile	60	63,5 (2,5")	49.28	12.77	31.69	19.05	C
P2752.25B80NI	Nitrile	80	63,5 (2,5")	49.28	12.77	31.69	19.05	C
P2752.40A20NI	Nitrile	20	101,6 (4,0")	23.37	12.77	31.69	9.52	B
P2752.40A35NI	Nitrile	35	101,6 (4,0")	23.37	12.77	31.69	9.52	B
P2752.40A60NI	Nitrile	60	101,6 (4,0")	23.37	12.77	31.69	9.52	B
P2752.40A80NI	Nitrile	80	101,6 (4,0")	23.37	12.77	31.69	9.52	B
P2752.40B20NI	Nitrile	20	101,6 (4,0")	49.28	12.77	31.69	19.05	C
P2752.40B35NI	Nitrile	35	101,6 (4,0")	49.28	12.77	31.69	19.05	C
P2752.40B60NI	Nitrile	60	101,6 (4,0")	49.28	12.77	31.69	19.05	C
P2752.40B80NI	Nitrile	80	101,6 (4,0")	49.28	12.77	31.69	19.05	C
P2752.15A35UR	Urethane	35	38,1 (1,5")	31.75	8.0	22.16	12.70	A
P2752.15A80UR	Urethane	80	38,1 (1,5")	31.75	8.0	22.16	12.70	A
P2752.20A35UR	Urethane	35	50,8 (2,0")	23.37	12.77	31.69	9.52	B
P2752.20A60UR	Urethane	60	50,8 (2,0")	23.37	12.77	31.69	9.52	B
P2752.20A80UR	Urethane	80	50,8 (2,0")	23.37	12.77	31.69	9.52	B
P2752.25A35UR	Urethane	35	63,5 (2,5")	23.37	12.77	31.69	9.52	C
P2752.25A60UR	Urethane	60	63,5 (2,5")	23.37	12.77	31.69	9.52	C
P2752.25A80UR	Urethane	80	63,5 (2,5")	23.37	12.77	31.69	9.52	C



Order No.	Material	Durometer	d ₁	l ₁	d ₂	d ₃	l ₂	Bearing type
P2752.25B35UR	Urethane	35	63,5 (2,5")	49.28	12.77	31.69	19.05	C
P2752.25B60UR	Urethane	60	63,5 (2,5")	49.28	12.77	31.69	19.05	C
P2752.40A35UR	Urethane	35	101,6 (4,0")	23.37	12.77	31.69	9.52	B
P2752.40A60UR	Urethane	60	101,6 (4,0")	23.37	12.77	31.69	9.52	B
P2752.40A80UR	Urethane	80	101,6 (4,0")	23.37	12.77	31.69	9.52	B
P2752.40B35UR	Urethane	35	101,6 (4,0")	49.28	12.77	31.69	19.05	C
P2752.40B60UR	Urethane	60	101,6 (4,0")	49.28	12.77	31.69	19.05	C
P2752.40B80UR	Urethane	80	101,6 (4,0")	49.28	12.77	31.69	19.05	C
P2752.50A35UR	Urethane	35	127,0 (5,0")	49.28	12.77	31.69	19.05	C
P2752.50A60UR	Urethane	60	127,0 (5,0")	49.28	12.77	31.69	19.05	C
P2752.60A60UR	Urethane	60	152,4 (6,0")	49.28	12.77	31.69	19.05	C
P2752.15A20NP	Neoprene	20	38,1 (1,5")	31.75	8.0	22.16	12.70	A
P2752.15A35NP	Neoprene	35	38,1 (1,5")	31.75	8.0	22.16	12.70	A
P2752.15A60NP	Neoprene	60	38,1 (1,5")	31.75	8.0	22.16	12.70	A
P2752.20B35NP	Neoprene	35	50,8 (2,0")	49.28	12.77	31.69	19.05	C
P2752.20B80NP	Neoprene	80	50,8 (2,0")	49.28	12.77	31.69	19.05	C
P2752.25A20NP	Neoprene	20	63,5 (2,5")	23.37	12.77	31.69	9.52	C
P2752.25A35NP	Neoprene	35	63,5 (2,5")	23.37	12.77	31.69	9.52	C
P2752.25A60NP	Neoprene	60	63,5 (2,5")	23.37	12.77	31.69	9.52	C
P2752.25A80NP	Neoprene	80	63,5 (2,5")	23.37	12.77	31.69	9.52	C
P2752.25B20NP	Neoprene	20	63,5 (2,5")	49.28	12.77	31.69	19.05	C
P2752.25B35NP	Neoprene	35	63,5 (2,5")	49.28	12.77	31.69	19.05	C
P2752.25B60NP	Neoprene	60	63,5 (2,5")	49.28	12.77	31.69	19.05	C
P2752.25B80NP	Neoprene	80	63,5 (2,5")	49.28	12.77	31.69	19.05	C
P2752.40A20NP	Neoprene	20	101,6 (4,0")	23.37	12.77	31.69	9.52	B
P2752.40A35NP	Neoprene	35	101,6 (4,0")	23.37	12.77	31.69	9.52	B
P2752.40A60NP	Neoprene	60	101,6 (4,0")	23.37	12.77	31.69	9.52	B
P2752.40A80NP	Neoprene	80	101,6 (4,0")	23.37	12.77	31.69	9.52	B
P2752.40B20NP	Neoprene	20	101,6 (4,0")	49.28	12.77	31.69	19.05	C



P2754

MATERIAL HANDLING

Material

Nitrile, urethane or neoprene bonded to a steel insert.
Hardness from 20-80 durometer (Shore A).

Technical Notes

Bearings included (held in place with snap rings). For more details on bearings please see technical pages. Assembled with socket

head cap screw, spacer and lock nut.

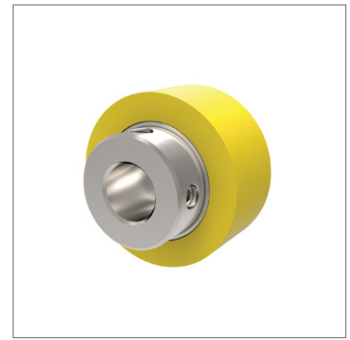
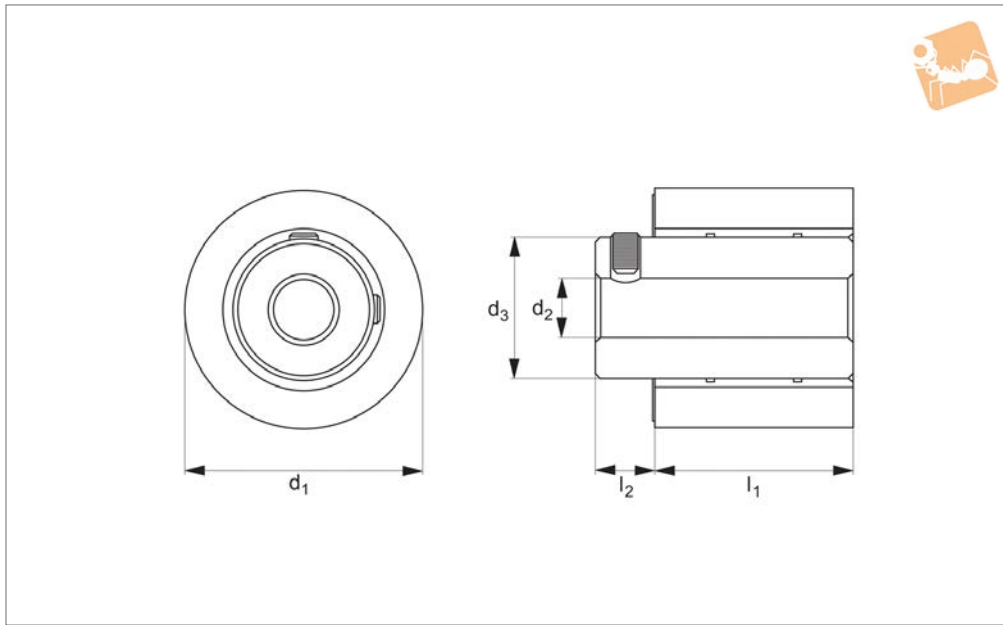
Order No.	Material	Durometer	d_1	l_1	d_2	l_2	l_3	Bearing type
P2754.15A20NI	Nitrile	20	38,1 (1,5")	31.80	5/16-18"	16.00	3.05	A
P2754.20A20NI	Nitrile	20	50,8 (2,0")	23.37	1/2-13"	27.94	3.05	B
P2754.20A35NI	Nitrile	35	50,8 (2,0")	23.37	1/2-13"	27.94	3.05	B
P2754.20A60NP	Nitrile	60	50,8 (2,0")	23.37	1/2-13"	27.94	3.05	B
P2754.20A80NI	Nitrile	80	50,8 (2,0")	23.37	1/2-13"	27.94	3.05	B
P2754.20B20NI	Nitrile	20	50,8 (2,0")	49.28	1/2-13"	35.81	6.35	C
P2754.20B35NI	Nitrile	35	50,8 (2,0")	49.28	1/2-13"	35.81	6.35	C
P2754.20B60NI	Nitrile	60	50,8 (2,0")	49.28	1/2-13"	35.81	6.35	C
P2754.20B80NI	Nitrile	80	50,8 (2,0")	49.28	1/2-13"	35.81	6.35	C
P2754.25A20NI	Nitrile	20	63,5 (2,5")	23.37	1/2-13"	27.94	3.05	B
P2754.25A35NI	Nitrile	35	63,5 (2,5")	23.37	1/2-13"	27.94	3.05	B
P2754.25A60NI	Nitrile	60	63,5 (2,5")	23.37	1/2-13"	27.94	3.05	B
P2754.25A80NI	Nitrile	80	63,5 (2,5")	23.37	1/2-13"	27.94	3.05	B
P2754.25B20NI	Nitrile	20	63,5 (2,5")	49.28	1/2-13"	35.81	6.35	C
P2754.25B35NI	Nitrile	35	63,5 (2,5")	49.28	1/2-13"	35.81	6.35	C
P2754.25B60NI	Nitrile	60	63,5 (2,5")	49.28	1/2-13"	35.81	6.35	C
P2754.25B80NI	Nitrile	80	63,5 (2,5")	49.28	1/2-13"	35.81	6.35	C
P2754.40A20NP	Nitrile	20	101,6 (4,0")	23.37	1/2-13"	27.94	3.05	B
P2754.40A35NP	Nitrile	35	101,6 (4,0")	23.37	1/2-13"	27.94	3.05	B
P2754.40A60NI	Nitrile	60	101,6 (4,0")	23.37	1/2-13"	27.94	3.05	B
P2754.40A80NI	Nitrile	80	101,6 (4,0")	23.37	1/2-13"	27.94	3.05	B
P2754.40B20NP	Nitrile	20	101,6 (4,0")	49.28	1/2-13"	35.56	6.35	C
P2754.40B60NI	Nitrile	60	101,6 (4,0")	49.28	1/2-13"	35.56	6.35	C
P2754.40B80NI	Nitrile	60	101,6 (4,0")	49.28	1/2-13"	35.56	6.35	C
P2754.15A80UR	Urethane	80	38,1 (1,5")	31.80	5/16-18"	16.00	3.05	A
P2754.20A35UR	Urethane	35	50,8 (2,0")	23.37	1/2-13"	27.94	3.05	B
P2754.20A60UR	Urethane	60	50,8 (2,0")	23.37	1/2-13"	27.94	3.05	B
P2754.20A80UR	Urethane	80	50,8 (2,0")	23.37	1/2-13"	27.94	3.05	B
P2754.20B35UR	Urethane	35	50,8 (2,0")	49.28	1/2-13"	35.81	6.35	C
P2754.20B60UR	Urethane	60	50,8 (2,0")	49.28	1/2-13"	35.81	6.35	C
P2754.20B80UR	Urethane	80	50,8 (2,0")	49.28	1/2-13"	35.81	6.35	C
P2754.25A35UR	Urethane	35	63,5 (2,5")	23.37	1/2-13"	27.94	3.05	B
P2754.25A60UR	Urethane	60	63,5 (2,5")	23.37	1/2-13"	27.94	3.05	B
P2754.25A80UR	Urethane	80	63,5 (2,5")	23.37	1/2-13"	27.94	3.05	B
P2754.25B35UR	Urethane	35	63,5 (2,5")	49.28	1/2-13"	35.81	6.35	C



Order No.	Material	Durometer	d ₁	l ₁	d ₂	l ₂	l ₃	Bearing type
P2754.25B60UR	Urethane	60	63,5 (2,5")	49.28	1/2-13"	35.81	6.35	C
P2754.25B80UR	Urethane	80	63,5 (2,5")	49.28	1/2-13"	35.81	6.35	C
P2754.40A35UR	Urethane	35	101,6 (4,0")	23.37	1/2-13"	27.94	3.05	B
P2754.40A60UR	Urethane	60	101,6 (4,0")	23.37	1/2-13"	27.94	3.05	B
P2754.40A80UR	Urethane	80	101,6 (4,0")	23.37	1/2-13"	27.94	3.05	B
P2754.40B35UR	Urethane	35	101,6 (4,0")	49.28	1/2-13"	35.56	6.35	C
P2754.40B60UR	Urethane	60	101,6 (4,0")	49.28	1/2-13"	35.56	6.35	C
P2754.40B80UR	Urethane	60	101,6 (4,0")	49.28	1/2-13"	35.56	6.35	C
P2754.50A35UR	Urethane	35	127,0 (5,0")	49.28	1/2-13"	35.56	6.35	C
P2754.50A60UR	Urethane	60	127,0 (5,0")	49.28	1/2-13"	35.56	6.35	C
P2754.50A80UR	Urethane	80	127,0 (5,0")	49.28	1/2-13"	35.56	6.35	C
P2754.60A35UR	Urethane	35	152,4 (6,0")	49.28	1/2-13"	35.56	6.35	C
P2754.60A60UR	Urethane	60	152,4 (6,0")	49.28	1/2-13"	35.56	6.35	C
P2754.60A80UR	Urethane	80	152,4 (6,0")	49.28	1/2-13"	35.56	6.35	C
P2754.20A20NP	Neoprene	20	50,8 (2,0")	23.37	1/2-13"	27.94	3.05	B
P2754.20A35NP	Neoprene	35	50,8 (2,0")	23.37	1/2-13"	27.94	3.05	B
P2754.20B20NP	Neoprene	20	50,8 (2,0")	49.28	1/2-13"	35.81	6.35	C
P2754.20B35NP	Neoprene	35	50,8 (2,0")	49.28	1/2-13"	35.81	6.35	C
P2754.20B60NP	Neoprene	60	50,8 (2,0")	49.28	1/2-13"	35.81	6.35	C
P2754.20B80NP	Neoprene	80	50,8 (2,0")	49.28	1/2-13"	35.81	6.35	C
P2754.25A20NP	Neoprene	20	63,5 (2,5")	23.37	1/2-13"	27.94	3.05	B
P2754.25A35NP	Neoprene	35	63,5 (2,5")	23.37	1/2-13"	27.94	3.05	B
P2754.25A60NP	Neoprene	60	63,5 (2,5")	23.37	1/2-13"	27.94	3.05	B
P2754.25A80NP	Neoprene	80	63,5 (2,5")	23.37	1/2-13"	27.94	3.05	B
P2754.25B20NP	Neoprene	20	63,5 (2,5")	49.28	1/2-13"	35.81	6.35	C
P2754.25B35NP	Neoprene	35	63,5 (2,5")	49.28	1/2-13"	35.81	6.35	C
P2754.25B60NP	Neoprene	60	63,5 (2,5")	49.28	1/2-13"	35.81	6.35	C
P2754.25B80NP	Neoprene	80	63,5 (2,5")	49.28	1/2-13"	35.81	6.35	C
P2754.40A20NI	Neoprene	20	101,6 (4,0")	23.37	1/2-13"	27.94	3.05	B
P2754.40A35NI	Neoprene	35	101,6 (4,0")	23.37	1/2-13"	27.94	3.05	B
P2754.40A60NP	Neoprene	60	101,6 (4,0")	23.37	1/2-13"	27.94	3.05	B
P2754.40A80NP	Neoprene	80	101,6 (4,0")	23.37	1/2-13"	27.94	3.05	B
P2754.40B20NI	Neoprene	20	101,6 (4,0")	49.28	1/2-13"	35.56	6.35	C
P2754.40B35NI	Neoprene	35	101,6 (4,0")	49.28	1/2-13"	35.56	6.35	C
P2754.40B60NP	Neoprene	60	101,6 (4,0")	49.28	1/2-13"	35.56	6.35	C
P2754.40B80NP	Neoprene	60	101,6 (4,0")	49.28	1/2-13"	35.56	6.35	C



Solid Roller shaft drive



P2756

MATERIAL HANDLING

Material

Nitrile, urethane or neoprene bonded to a steel insert.

Hardness from 20-80 durometer (Shore A).

Technical Notes

Designed to be mounted onto a shaft. A

hub extends past the roller and is supplied with two set screws at 90°.

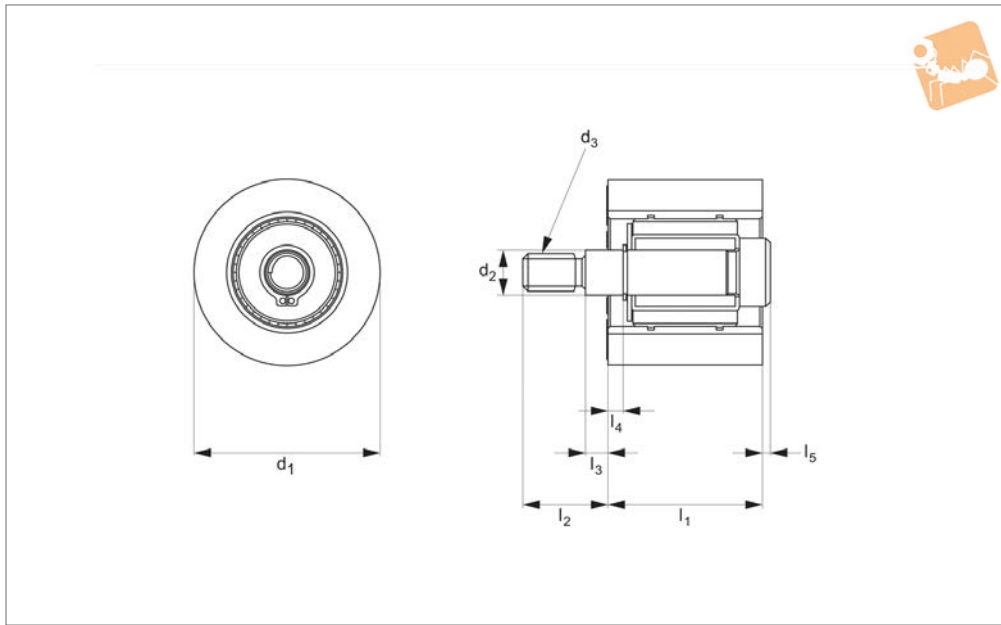
Order No.	Material	Durometer	d ₁	l ₁	d ₂	d ₃	l ₂
P2756.20A60NI	Nitrile	60	50,80 (2,0")	31,75	23,37	12,72/12,83	12,70
P2756.20C20NI	Nitrile	20	50,80 (2,0")	31,75	49,28	12,73/12,83	12,70
P2756.20C60NI	Nitrile	60	50,80 (2,0")	31,75	49,28	12,73/12,83	12,70
P2756.20D20NI	Nitrile	20	50,80 (2,0")	31,75	49,28	19,08/19,20	12,70
P2756.20D60NI	Nitrile	60	50,80 (2,0")	31,75	49,28	19,08/19,20	12,70
P2756.25A20NI	Nitrile	20	63,50 (2,5")	31,75	23,37	12,73/12,83	12,70
P2756.25A60NI	Nitrile	60	63,50 (2,5")	31,75	23,37	12,73/12,83	12,70
P2756.25B20NI	Nitrile	20	63,50 (2,5")	34,79	23,37	19,08/19,20	12,70
P2756.25B60NI	Nitrile	60	63,50 (2,5")	34,79	23,37	19,08/19,20	12,70
P2756.25C20NI	Nitrile	20	63,50 (2,5")	31,75	49,28	12,73/12,83	12,70
P2756.25C60NI	Nitrile	60	63,50 (2,5")	31,75	49,28	12,73/12,83	12,70
P2756.25D20NI	Nitrile	20	63,50 (2,5")	31,75	49,28	19,08/19,20	12,70
P2756.25D60NI	Nitrile	60	63,50 (2,5")	31,75	49,28	19,08/19,20	12,70
P2756.40A20NI	Nitrile	20	101,6 (4,0")	31,75	23,37	12,73/12,83	12,70
P2756.40A60NI	Nitrile	60	101,6 (4,0")	31,75	23,37	12,73/12,83	12,70
P2756.40B20NI	Nitrile	20	101,6 (4,0")	31,75	23,37	19,08/19,20	12,70
P2756.40B60NI	Nitrile	60	101,6 (4,0")	31,75	23,37	19,08/19,20	12,70
P2756.40C20NI	Nitrile	20	101,6 (4,0")	31,75	49,28	12,73/12,83	12,70
P2756.40C60NI	Nitrile	60	101,6 (4,0")	31,75	49,28	12,73/12,83	12,70
P2756.40D20NI	Nitrile	20	101,6 (4,0")	31,75	49,28	19,08/19,20	12,70
P2756.40D60NI	Nitrile	60	101,6 (4,0")	31,75	49,28	19,08/19,20	12,70
P2756.40E60NI	Nitrile	60	101,6 (4,0")	34,80	49,28	31,78/31,90	12,70
P2756.15A35UR	Urethane	35	38,10 (1,5")	22,36	31,75	12,72/12,83	9,65
P2756.15A60UR	Urethane	60	38,10 (1,5")	22,36	31,75	12,72/12,83	9,65
P2756.15A80UR	Urethane	80	38,10 (1,5")	22,36	31,75	12,72/12,83	9,65
P2756.20A60UR	Urethane	60	50,80 (2,0")	31,75	23,37	12,72/12,83	12,70
P2756.20A80UR	Urethane	80	50,80 (2,0")	31,75	23,37	12,72/12,83	12,70
P2756.20C60UR	Urethane	60	50,80 (2,0")	31,75	49,28	12,73/12,83	12,70
P2756.20D35UR	Urethane	35	50,80 (2,0")	31,75	49,28	19,08/19,20	12,70
P2756.20D80UR	Urethane	80	50,80 (2,0")	31,75	49,28	19,08/19,20	12,70
P2756.25B35UR	Urethane	35	63,50 (2,5")	34,79	23,37	19,08/19,20	12,70
P2756.25B80UR	Urethane	80	63,50 (2,5")	34,79	23,37	19,08/19,20	12,70
P2756.25C60UR	Urethane	60	63,50 (2,5")	31,75	49,28	12,73/12,83	12,70
P2756.25D35UR	Urethane	35	63,50 (2,5")	31,75	49,28	19,08/19,20	12,70
P2756.25D80UR	Urethane	80	63,50 (2,5")	31,75	49,28	19,08/19,20	12,70



Order No.	Material	Durometer	d ₁	l ₁	d ₂	d ₃	l ₂
P2756.40A35UR	Urethane	35	101,6 (4,0")	31.75	23.37	12,73/12,83	12.70
P2756.40A80UR	Urethane	80	101,6 (4,0")	31.75	23.37	12,73/12,83	12.70
P2756.40B60UR	Urethane	60	101,6 (4,0")	31.75	23.37	19,08/19,20	12.70
P2756.40C35UR	Urethane	35	101,6 (4,0")	31.75	49.28	12,73/12,83	12.70
P2756.40C80UR	Urethane	80	101,6 (4,0")	31.75	49.28	12,73/12,83	12.70
P2756.40E80UR	Urethane	80	101,6 (4,0")	34.80	49.28	31,78/31,90	12.70
P2756.50A35UR	Urethane	35	127,0 (5,0")	31.75	49.28	12,72/12,83	12.70
P2756.50A60UR	Urethane	60	127,0 (5,0")	31.75	49.28	12,72/12,83	12.70
P2756.50B35UR	Urethane	35	127,0 (5,0")	31.75	49.28	19,07/19,20	12.70
P2756.50B80UR	Urethane	80	127,0 (5,0")	31.75	49.28	19,07/19,20	12.70
P2756.60B35UR	Urethane	35	152,4 (6,0")	31.75	49.28	19,08/19,20	12.70
P2756.20A20NP	Neoprene	20	50,80 (2,0")	31.75	23.37	12,72/12,83	12.70
P2756.20A60NP	Neoprene	60	50,80 (2,0")	31.75	23.37	12,72/12,83	12.70
P2756.20C20NP	Neoprene	20	50,80 (2,0")	31.75	49.28	12,73/12,83	12.70
P2756.20C60NP	Neoprene	60	50,80 (2,0")	31.75	49.28	12,73/12,83	12.70
P2756.20D20NP	Neoprene	20	50,80 (2,0")	31.75	49.28	19,08/19,20	12.70
P2756.20D60NP	Neoprene	60	50,80 (2,0")	31.75	49.28	19,08/19,20	12.70
P2756.25A20NP	Neoprene	20	63,50 (2,5")	31.75	23.37	12,73/12,83	12.70
P2756.25A60NP	Neoprene	60	63,50 (2,5")	31.75	23.37	12,73/12,83	12.70
P2756.25B20NP	Neoprene	20	63,50 (2,5")	34.79	23.37	19,08/19,20	12.70
P2756.25B60NP	Neoprene	60	63,50 (2,5")	34.79	23.37	19,08/19,20	12.70
P2756.25C20NP	Neoprene	20	63,50 (2,5")	31.75	49.28	12,73/12,83	12.70
P2756.25C60NP	Neoprene	60	63,50 (2,5")	31.75	49.28	12,73/12,83	12.70
P2756.25D20NP	Neoprene	20	63,50 (2,5")	31.75	49.28	19,08/19,20	12.70
P2756.25D60NP	Neoprene	60	63,50 (2,5")	31.75	49.28	19,08/19,20	12.70
P2756.40A20NP	Neoprene	20	101,6 (4,0")	31.75	23.37	12,73/12,83	12.70
P2756.40A60NP	Neoprene	60	101,6 (4,0")	31.75	23.37	12,73/12,83	12.70
P2756.40B20NP	Neoprene	20	101,6 (4,0")	31.75	23.37	19,08/19,20	12.70
P2756.40B60NP	Neoprene	60	101,6 (4,0")	31.75	23.37	19,08/19,20	12.70
P2756.40C20NP	Neoprene	20	101,6 (4,0")	31.75	49.28	12,73/12,83	12.70
P2756.40C60NP	Neoprene	60	101,6 (4,0")	31.75	49.28	12,73/12,83	12.70
P2756.40D20NP	Neoprene	20	101,6 (4,0")	31.75	49.28	19,08/19,20	12.70
P2756.40D60NP	Neoprene	60	101,6 (4,0")	31.75	49.28	19,08/19,20	12.70
P2756.40E35UR	Neoprene	60	101,6 (4,0")	34.80	49.28	31,78/31,90	12.70
P2756.40E60NP	Neoprene	60	101,6 (4,0")	34.80	49.28	31,78/31,90	12.70



Solid Roller clutch bearing



P2758

MATERIAL HANDLING

Material

Nitrile, urethane or neoprene bonded to a steel insert.
Hardness from 20-80 durometer (Shore A).

Technical Notes

A clutch bearing allows the roller to turn in

only one direction. Available in left or right hand rotation (with the stud pointed upwards, a right hand rotation turns clockwise.)

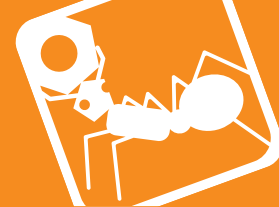
Supplied with type I bearing, other $d_1=38,1$ roller which is supplied with type h

bearing.

Tips

Type R = Right handed clutch bearing.
Type L = Left handed clutch bearing.
See technical introduction pages for further information.

Order No.	Type	Material	Durometer	d_1	l_1	d_2 -0 +0.05	d_3	l_2	l_3	l_4	l_5
P2758.15A20NI-R	Right	Nitrile	20	38.10	31.75	9.42	5/16-18"	17.53	4.83	3.05	1.52
P2758.15A35NI-R	Right	Nitrile	35	38.10	31.75	9.42	5/16-18"	17.53	4.83	3.05	1.52
P2758.15A60NI-R	Right	Nitrile	60	38.10	31.75	9.42	5/16-18"	17.53	4.83	3.05	1.52
P2758.15A80NI-R	Right	Nitrile	80	38.10	31.75	9.42	5/16-18"	17.53	4.83	3.05	1.52
P2758.15A20NI-L	Left	Nitrile	20	38.10	31.75	9.42	5/16-18"	17.53	4.83	3.05	1.52
P2758.15A35NI-L	Left	Nitrile	35	38.10	31.75	9.42	5/16-18"	17.53	4.83	3.05	1.52
P2758.15A60NI-L	Left	Nitrile	60	38.10	31.75	9.42	5/16-18"	17.53	4.83	3.05	1.52
P2758.15A80NI-L	Left	Nitrile	80	38.10	31.75	9.42	5/16-18"	17.53	4.83	3.05	1.52
P2758.20A20NI-R	Right	Nitrile	20	50.80	23.37	15.77	1/2-13"	45.47	26.42	3.05	10.41
P2758.20A35NI-R	Right	Nitrile	35	50.80	23.37	15.77	1/2-13"	45.47	26.42	3.05	10.41
P2758.20A60NI-R	Right	Nitrile	60	50.80	23.37	15.77	1/2-13"	45.47	26.42	3.05	10.41
P2758.20A80NI-R	Right	Nitrile	80	50.80	23.37	15.77	1/2-13"	45.47	26.42	3.05	10.41
P2758.20A20NI-L	Left	Nitrile	20	50.80	23.37	15.77	1/2-13"	45.47	26.42	3.05	10.41
P2758.20A35NI-L	Left	Nitrile	35	50.80	23.37	15.77	1/2-13"	45.47	26.42	3.05	10.41
P2758.20A60NI-L	Left	Nitrile	60	50.80	23.37	15.77	1/2-13"	45.47	26.42	3.05	10.41
P2758.20A80NI-L	Left	Nitrile	80	50.80	23.37	15.77	1/2-13"	45.47	26.42	3.05	10.41
P2758.20B20NI-R	Right	Nitrile	20	50.80	49.28	15.77	1/2-13"	31.75	12.70	3.05	-
P2758.20B35NI-R	Right	Nitrile	35	50.80	49.28	15.77	1/2-13"	31.75	12.70	3.05	-
P2758.20B60NI-R	Right	Nitrile	60	50.80	49.28	15.77	1/2-13"	31.75	12.70	3.05	-
P2758.20B80NI-R	Right	Nitrile	80	50.80	49.28	15.77	1/2-13"	31.75	12.70	3.05	-
P2758.20B20NI-L	Left	Nitrile	20	50.80	49.28	15.77	1/2-13"	31.75	12.70	3.05	-
P2758.20B35NI-L	Left	Nitrile	35	50.80	49.28	15.77	1/2-13"	31.75	12.70	3.05	-
P2758.20B60NI-L	Left	Nitrile	60	50.80	49.28	15.77	1/2-13"	31.75	12.70	3.05	-
P2758.20B80NI-L	Left	Nitrile	80	50.80	49.28	15.77	1/2-13"	31.75	12.70	3.05	-
P2758.25A20NI-R	Right	Nitrile	20	63.50	23.27	15.77	1/2-13"	31.75	26.42	3.05	10.41
P2758.25A35NI-R	Right	Nitrile	35	63.50	23.27	15.77	1/2-13"	31.75	26.42	3.05	10.41
P2758.25A60NI-R	Right	Nitrile	60	63.50	23.27	15.77	1/2-13"	31.75	26.42	3.05	10.41
P2758.25A80NI-R	Right	Nitrile	80	63.50	23.27	15.77	1/2-13"	31.75	26.42	3.05	10.41
P2758.25A20NI-L	Left	Nitrile	20	63.50	23.27	15.77	1/2-13"	31.75	26.42	3.05	10.41
P2758.25A35NI-L	Left	Nitrile	35	63.50	23.27	15.77	1/2-13"	31.75	26.42	3.05	10.41
P2758.25A60NI-L	Left	Nitrile	60	63.50	23.27	15.77	1/2-13"	31.75	26.42	3.05	10.41



Order No.	Type	Material	Durometer	d ₁	l ₁	d ₂ -0 +0.05	d ₃	l ₂	l ₃	l ₄	l ₅
P2758.25A80NI-L	Left	Nitrile	80	63.50	23.27	15.77	1/2-13"	31.75	26.42	3.05	10.41
P2758.25B20NI-R	Right	Nitrile	20	63.50	49.28	15.77	1/2-13"	31.75	12.70	3.05	-
P2758.25B35NI-R	Right	Nitrile	35	63.50	49.28	15.77	1/2-13"	31.75	12.70	3.05	-
P2758.25B60NI-R	Right	Nitrile	60	63.50	49.28	15.77	1/2-13"	31.75	12.70	3.05	-
P2758.25B80NI-R	Right	Nitrile	80	63.50	49.28	15.77	1/2-13"	31.75	12.70	3.05	-
P2758.25B20NI-L	Left	Nitrile	20	63.50	49.28	15.77	1/2-13"	31.75	12.70	3.05	-
P2758.25B35NI-L	Left	Nitrile	35	63.50	49.28	15.77	1/2-13"	31.75	12.70	3.05	-
P2758.25B60NI-L	Left	Nitrile	60	63.50	49.28	15.77	1/2-13"	31.75	12.70	3.05	-
P2758.25B80NI-L	Left	Nitrile	80	63.50	49.28	15.77	1/2-13"	31.75	12.70	3.05	-
P2758.40A20NI-R	Right	Nitrile	20	101.6	23.27	15.77	1/2-13"	31.75	26.42	3.05	10.41
P2758.40A35NI-R	Right	Nitrile	35	101.6	23.27	15.77	1/2-13"	31.75	26.42	3.05	10.41
P2758.40A60NI-R	Right	Nitrile	60	101.6	23.27	15.77	1/2-13"	31.75	26.42	3.05	10.41
P2758.40A80NI-R	Right	Nitrile	80	101.6	23.27	15.77	1/2-13"	31.75	26.42	3.05	10.41
P2758.40A20NI-L	Left	Nitrile	20	101.6	23.27	15.77	1/2-13"	31.75	26.42	3.05	10.41
P2758.40A35NI-L	Left	Nitrile	35	101.6	23.27	15.77	1/2-13"	31.75	26.42	3.05	10.41
P2758.40A60NI-L	Left	Nitrile	60	101.6	23.27	15.77	1/2-13"	31.75	26.42	3.05	10.41
P2758.40A80NI-L	Left	Nitrile	80	101.6	23.27	15.77	1/2-13"	31.75	26.42	3.05	10.41
P2758.40B20NI-R	Right	Nitrile	20	101.6	49.28	15.77	1/2-13"	31.75	12.70	3.05	-
P2758.40B35NI-R	Right	Nitrile	35	101.6	49.28	15.77	1/2-13"	31.75	12.70	3.05	-
P2758.40B60NI-R	Right	Nitrile	60	101.6	49.28	15.77	1/2-13"	31.75	12.70	3.05	-
P2758.40B80NI-R	Right	Nitrile	80	101.6	49.28	15.77	1/2-13"	31.75	12.70	3.05	-
P2758.40B20NI-L	Left	Nitrile	20	101.6	49.28	15.77	1/2-13"	31.75	12.70	3.05	-
P2758.40B35NI-L	Left	Nitrile	35	101.6	49.28	15.77	1/2-13"	31.75	12.70	3.05	-
P2758.40B60NI-L	Left	Nitrile	60	101.6	49.28	15.77	1/2-13"	31.75	12.70	3.05	-
P2758.40B80NI-L	Left	Nitrile	80	101.6	49.28	15.77	1/2-13"	31.75	12.70	3.05	-
P2758.15A35UR-R	Right	Urethane	35	38.10	31.75	9.42	5/16-18"	17.53	4.83	3.05	1.52
P2758.15A60UR-R	Right	Urethane	60	38.10	31.75	9.42	5/16-18"	17.53	4.83	3.05	1.52
P2758.15A80UR-R	Right	Urethane	80	38.10	31.75	9.42	5/16-18"	17.53	4.83	3.05	1.52
P2758.15A35UR-L	Left	Urethane	35	38.10	31.75	9.42	5/16-18"	17.53	4.83	3.05	1.52
P2758.15A60UR-L	Left	Urethane	60	38.10	31.75	9.42	5/16-18"	17.53	4.83	3.05	1.52
P2758.15A80UR-L	Left	Urethane	80	38.10	31.75	9.42	5/16-18"	17.53	4.83	3.05	1.52
P2758.20A35UR-R	Right	Urethane	35	50.80	23.37	15.77	1/2-13"	45.47	26.42	3.05	10.41
P2758.20A60UR-R	Right	Urethane	60	50.80	23.37	15.77	1/2-13"	45.47	26.42	3.05	10.41
P2758.20A80UR-R	Right	Urethane	80	50.80	23.37	15.77	1/2-13"	45.47	26.42	3.05	10.41
P2758.20A35UR-L	Left	Urethane	35	50.80	23.37	15.77	1/2-13"	45.47	26.42	3.05	10.41
P2758.20A60UR-L	Left	Urethane	60	50.80	23.37	15.77	1/2-13"	45.47	26.42	3.05	10.41
P2758.20A80UR-L	Left	Urethane	80	50.80	23.37	15.77	1/2-13"	45.47	26.42	3.05	10.41
P2758.20B35UR-R	Right	Urethane	35	50.80	49.28	15.77	1/2-13"	31.75	12.70	3.05	-
P2758.20B60UR-R	Right	Urethane	60	50.80	49.28	15.77	1/2-13"	31.75	12.70	3.05	-
P2758.20B80UR-R	Right	Urethane	80	50.80	49.28	15.77	1/2-13"	31.75	12.70	3.05	-
P2758.20B35UR-L	Left	Urethane	35	50.80	49.28	15.77	1/2-13"	31.75	12.70	3.05	-
P2758.20B60UR-L	Left	Urethane	60	50.80	49.28	15.77	1/2-13"	31.75	12.70	3.05	-
P2758.20B80UR-L	Left	Urethane	80	50.80	49.28	15.77	1/2-13"	31.75	12.70	3.05	-
P2758.25A35UR-R	Right	Urethane	35	63.50	23.27	15.77	1/2-13"	31.75	26.42	3.05	10.41
P2758.25A60UR-R	Right	Urethane	60	63.50	23.27	15.77	1/2-13"	31.75	26.42	3.05	10.41
P2758.25A80UR-R	Right	Urethane	80	63.50	23.27	15.77	1/2-13"	31.75	26.42	3.05	10.41
P2758.25A35UR-L	Left	Urethane	35	63.50	23.27	15.77	1/2-13"	31.75	26.42	3.05	10.41
P2758.25A60UR-L	Left	Urethane	60	63.50	23.27	15.77	1/2-13"	31.75	26.42	3.05	10.41
P2758.25A80UR-L	Left	Urethane	80	63.50	23.27	15.77	1/2-13"	31.75	26.42	3.05	10.41
P2758.25B35UR-R	Right	Urethane	35	63.50	49.28	15.77	1/2-13"	31.75	12.70	3.05	-
P2758.25B60UR-R	Right	Urethane	60	63.50	49.28	15.77	1/2-13"	31.75	12.70	3.05	-
P2758.25B80UR-R	Right	Urethane	80	63.50	49.28	15.77	1/2-13"	31.75	12.70	3.05	-
P2758.25B35UR-L	Left	Urethane	35	63.50	49.28	15.77	1/2-13"	31.75	12.70	3.05	-
P2758.25B60UR-L	Left	Urethane	60	63.50	49.28	15.77	1/2-13"	31.75	12.70	3.05	-
P2758.25B80UR-L	Left	Urethane	80	63.50	49.28	15.77	1/2-13"	31.75	12.70	3.05	-
P2758.40A35UR-R	Right	Urethane	35	101.6	23.27	15.77	1/2-13"	31.75	26.42	3.05	10.41
P2758.40A60UR-R	Right	Neoprene	60	101.6	23.27	15.77	1/2-13"	31.75	26.42	3.05	10.41
P2758.40A80UR-R	Right	Urethane	60	101.6	23.27	15.77	1/2-13"	31.75	26.42	3.05	10.41
P2758.40A35UR-L	Left	Urethane	80	101.6	23.27	15.77	1/2-13"	31.75	26.42	3.05	10.41
P2758.40A60UR-L	Left	Urethane	35	101.6	23.27	15.77	1/2-13"	31.75	26.42	3.05	10.41
P2758.40A80UR-L	Left	Urethane	60	101.6	23.27	15.77	1/2-13"	31.75	26.42	3.05	10.41
P2758.40B35UR-R	Right	Urethane	80	101.6	49.28	15.77	1/2-13"	31.75	12.70	3.05	-
P2758.40B60UR-R	Right	Urethane	35	101.6	49.28	15.77	1/2-13"	31.75	12.70	3.05	-
P2758.40B80UR-R	Right	Urethane	60	101.6	49.28	15.77	1/2-13"	31.75	12.70	3.05	-
P2758.40B35UR-L	Left	Urethane	80	101.6	49.28	15.77	1/2-13"	31.75	12.70	3.05	-
P2758.40B60UR-L	Left	Urethane	35	101.6	49.28	15.77	1/2-13"	31.75	12.70	3.05	-
P2758.40B80UR-L	Left	Urethane	80	101.6	49.28	15.77	1/2-13"	31.75	12.70	3.05	-
P2758.15A20NP-R	Right	Neoprene	20	38.10	31.75	9.42	5/16-18"	17.53	4.83	3.05	1.52



Solid Roller clutch bearing

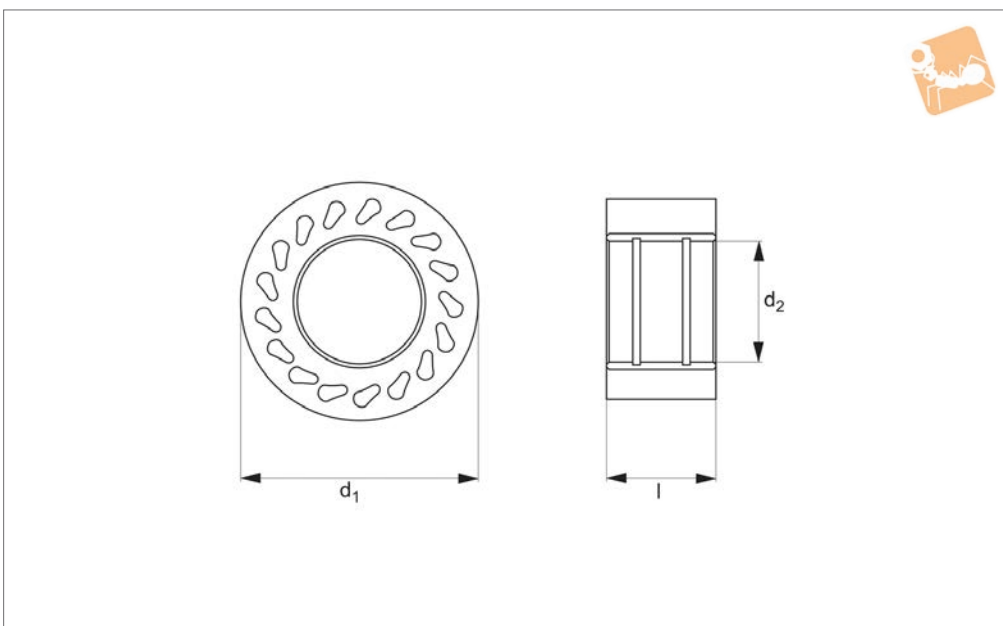


Order No.	Type	Material	Durometer	d ₁	l ₁	d ₂ -0 +0.05	d ₃	l ₂	l ₃	l ₄	l ₅
P2758.15A35NP-R	Right	Neoprene	35	38.10	31.75	9.42	5/16-18"	17.53	4.83	3.05	1.52
P2758.15A60NP-R	Right	Neoprene	60	38.10	31.75	9.42	5/16-18"	17.53	4.83	3.05	1.52
P2758.15A80NP-R	Right	Neoprene	80	38.10	31.75	9.42	5/16-18"	17.53	4.83	3.05	1.52
P2758.15A20NP-L	Left	Neoprene	20	38.10	31.75	9.42	5/16-18"	17.53	4.83	3.05	1.52
P2758.15A35NP-L	Left	Neoprene	35	38.10	31.75	9.42	5/16-18"	17.53	4.83	3.05	1.52
P2758.15A60NP-L	Left	Neoprene	60	38.10	31.75	9.42	5/16-18"	17.53	4.83	3.05	1.52
P2758.15A80NP-L	Left	Neoprene	80	38.10	31.75	9.42	5/16-18"	17.53	4.83	3.05	1.52
P2758.20A20NP-R	Right	Neoprene	20	50.80	23.37	15.77	1/2-13"	45.47	26.42	3.05	10.41
P2758.20A35NP-R	Right	Neoprene	35	50.80	23.37	15.77	1/2-13"	45.47	26.42	3.05	10.41
P2758.20A60NP-R	Right	Neoprene	60	50.80	23.37	15.77	1/2-13"	45.47	26.42	3.05	10.41
P2758.20A80NP-R	Right	Neoprene	80	50.80	23.37	15.77	1/2-13"	45.47	26.42	3.05	10.41
P2758.20A20NP-L	Left	Neoprene	20	50.80	23.37	15.77	1/2-13"	45.47	26.42	3.05	10.41
P2758.20A35NP-L	Left	Neoprene	35	50.80	23.37	15.77	1/2-13"	45.47	26.42	3.05	10.41
P2758.20A60NP-L	Left	Neoprene	60	50.80	23.37	15.77	1/2-13"	45.47	26.42	3.05	10.41
P2758.20A80NP-L	Left	Neoprene	80	50.80	23.37	15.77	1/2-13"	45.47	26.42	3.05	10.41
P2758.20B20NP-R	Right	Neoprene	20	50.80	49.28	15.77	1/2-13"	31.75	12.70	3.05	-
P2758.20B35NP-R	Right	Neoprene	35	50.80	49.28	15.77	1/2-13"	31.75	12.70	3.05	-
P2758.20B60NP-R	Right	Neoprene	60	50.80	49.28	15.77	1/2-13"	31.75	12.70	3.05	-
P2758.20B80NP-R	Right	Neoprene	80	50.80	49.28	15.77	1/2-13"	31.75	12.70	3.05	-
P2758.20B20NP-L	Left	Neoprene	20	50.80	49.28	15.77	1/2-13"	31.75	12.70	3.05	-
P2758.20B35NP-L	Left	Neoprene	35	50.80	49.28	15.77	1/2-13"	31.75	12.70	3.05	-
P2758.20B60NP-L	Left	Neoprene	60	50.80	49.28	15.77	1/2-13"	31.75	12.70	3.05	-
P2758.20B80NP-L	Left	Neoprene	80	50.80	49.28	15.77	1/2-13"	31.75	12.70	3.05	-
P2758.25A20NP-R	Right	Neoprene	20	63.50	23.27	15.77	1/2-13"	31.75	26.42	3.05	10.41
P2758.25A35NP-R	Right	Neoprene	35	63.50	23.27	15.77	1/2-13"	31.75	26.42	3.05	10.41
P2758.25A60NP-R	Right	Neoprene	60	63.50	23.27	15.77	1/2-13"	31.75	26.42	3.05	10.41
P2758.25A80NP-R	Right	Neoprene	80	63.50	23.27	15.77	1/2-13"	31.75	26.42	3.05	10.41
P2758.25A20NP-L	Left	Neoprene	20	63.50	23.27	15.77	1/2-13"	31.75	26.42	3.05	10.41
P2758.25A35NP-L	Left	Neoprene	35	63.50	23.27	15.77	1/2-13"	31.75	26.42	3.05	10.41
P2758.25A60NP-L	Left	Neoprene	60	63.50	23.27	15.77	1/2-13"	31.75	26.42	3.05	10.41
P2758.25A80NP-L	Left	Neoprene	80	63.50	23.27	15.77	1/2-13"	31.75	26.42	3.05	10.41
P2758.25B20NP-R	Right	Neoprene	20	63.50	49.28	15.77	1/2-13"	31.75	12.70	3.05	-
P2758.25B35NP-R	Right	Neoprene	35	63.50	49.28	15.77	1/2-13"	31.75	12.70	3.05	-
P2758.25B60NP-R	Right	Neoprene	60	63.50	49.28	15.77	1/2-13"	31.75	12.70	3.05	-
P2758.25B80NP-R	Right	Neoprene	80	63.50	49.28	15.77	1/2-13"	31.75	12.70	3.05	-
P2758.25B20NP-L	Left	Neoprene	20	63.50	49.28	15.77	1/2-13"	31.75	12.70	3.05	-
P2758.25B35NP-L	Left	Neoprene	35	63.50	49.28	15.77	1/2-13"	31.75	12.70	3.05	-
P2758.25B60NP-L	Left	Neoprene	60	63.50	49.28	15.77	1/2-13"	31.75	12.70	3.05	-
P2758.25B80NP-L	Left	Neoprene	80	63.50	49.28	15.77	1/2-13"	31.75	12.70	3.05	-
P2758.40A20NP-R	Right	Neoprene	20	101.6	23.27	15.77	1/2-13"	31.75	26.42	3.05	10.41
P2758.40A35NP-R	Right	Neoprene	35	101.6	23.27	15.77	1/2-13"	31.75	26.42	3.05	10.41
P2758.40A80NP-R	Right	Neoprene	80	101.6	23.27	15.77	1/2-13"	31.75	26.42	3.05	10.41
P2758.40A20NP-L	Left	Neoprene	20	101.6	23.27	15.77	1/2-13"	31.75	26.42	3.05	10.41
P2758.40A35NP-L	Left	Neoprene	35	101.6	23.27	15.77	1/2-13"	31.75	26.42	3.05	10.41
P2758.40A60NP-L	Left	Neoprene	60	101.6	23.27	15.77	1/2-13"	31.75	26.42	3.05	10.41
P2758.40A80NP-L	Left	Neoprene	80	101.6	23.27	15.77	1/2-13"	31.75	26.42	3.05	10.41
P2758.40B20NP-R	Right	Neoprene	20	101.6	49.28	15.77	1/2-13"	31.75	12.70	3.05	-
P2758.40B35NP-R	Right	Neoprene	35	101.6	49.28	15.77	1/2-13"	31.75	12.70	3.05	-
P2758.40B60NP-R	Right	Neoprene	60	101.6	49.28	15.77	1/2-13"	31.75	12.70	3.05	-
P2758.40B80NP-R	Right	Neoprene	80	101.6	49.28	15.77	1/2-13"	31.75	12.70	3.05	-
P2758.40B20NP-L	Left	Neoprene	20	101.6	49.28	15.77	1/2-13"	31.75	12.70	3.05	-
P2758.40B35NP-L	Left	Neoprene	35	101.6	49.28	15.77	1/2-13"	31.75	12.70	3.05	-
P2758.40B60NP-L	Left	Neoprene	60	101.6	49.28	15.77	1/2-13"	31.75	12.70	3.05	-
P2758.40B80NP-L	Left	Neoprene	80	101.6	49.28	15.77	1/2-13"	31.75	12.70	3.05	-

MATERIAL HANDLING



P2760



Material

Urethane bonded to a steel insert. Hardness from 35-95 durometer (Shore A).

Tips

Durasoft rollers have „teardrop“ holes to allow the roller to flex for firm but non-damaging contact.

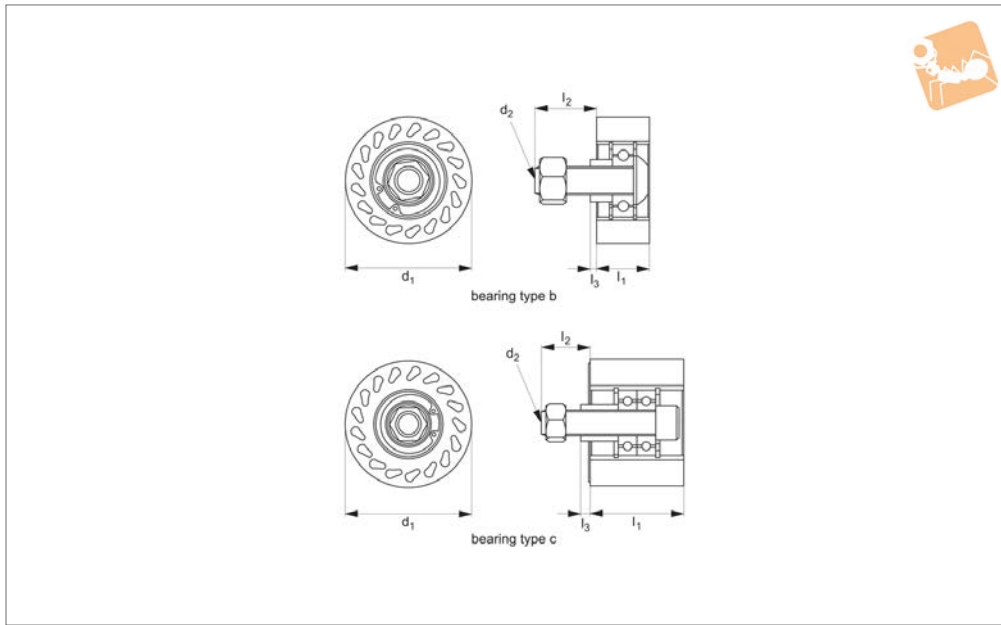
Technical Notes

Roller only - allows for custom mounting.

Order No.	Durometer	d ₁	l	d ₂ min. max.
P2760.25A60	60	63,5 (2,5")	23.37	28,58/28,65
P2760.25B60	60	63,5 (2,5")	49.28	31,80/31,90
P2760.40A60	60	101,6 (4")	23.37	31,80/31,90
P2760.40B60	60	101,6 (4")	49.28	31,80/31,90



Durasoft Roller stud mount



P2764

MATERIAL HANDLING

Material

Urethane bonded to a steel insert. Hardness from 35-80 durometer (Shore A).

For more details on bearings please see technical pages. Assembled with socket head cap screw, spacer and lock nut.

allow the roller to flex for firm but non-damaging contact.

Technical Notes

Bearings included (held in place with snap

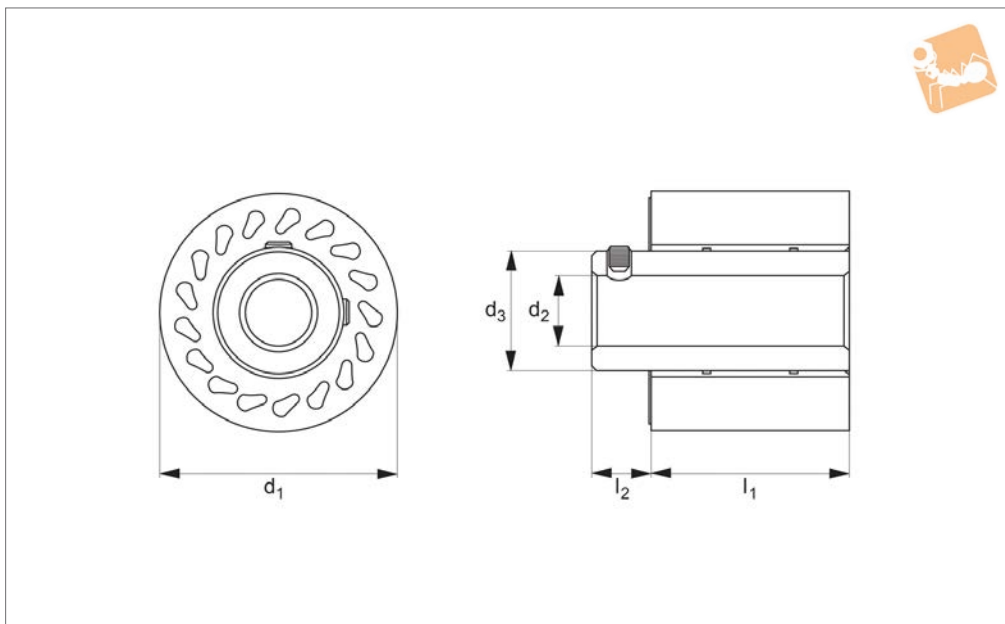
Tips

Durasoft rollers have „teardrop“ holes to

Order No.	Durometer	d ₁	l ₁	d ₂	l ₂	l ₃	Bearing type
P2764.25B35	35	62,5 (2,5")	23.37	1/2-13	27.94	3.05	B
P2764.25B60	60	62,5 (2,5")	23.37	1/2-13	27.94	3.05	B
P2764.25B80	80	62,5 (2,5")	23.37	1/2-13	27.94	3.05	B
P2764.25C35	35	62,5 (2,5")	49.28	1/2-13	35.81	6.35	C
P2764.25C60	60	62,5 (2,5")	49.28	1/2-13	35.81	6.35	C
P2764.25C80	80	62,5 (2,5")	49.28	1/2-13	35.81	6.35	C
P2764.40A35	35	101,6 (4")	23.37	1/2-13	27.94	3.05	B
P2764.40A60	60	101,6 (4")	23.37	1/2-13	27.94	3.05	B
P2764.40A80	80	101,6 (4")	23.37	1/2-13	27.94	3.05	B
P2764.40B35	35	101,6 (4")	49.28	1/2-13	35.81	6.35	C
P2764.40B60	60	101,6 (4")	49.28	1/2-13	35.81	6.35	C
P2764.40B80	80	101,6 (4")	49.28	1/2-13	35.81	6.35	C



P2766



Material

Urethane bonded to a steel insert. Hardness from 35-80 durometer (Shore A).

Technical Notes

Designed to be mounted onto a shaft. A

hub extends past the roller and is supplied with two set screws at 90°.

damaging contact.

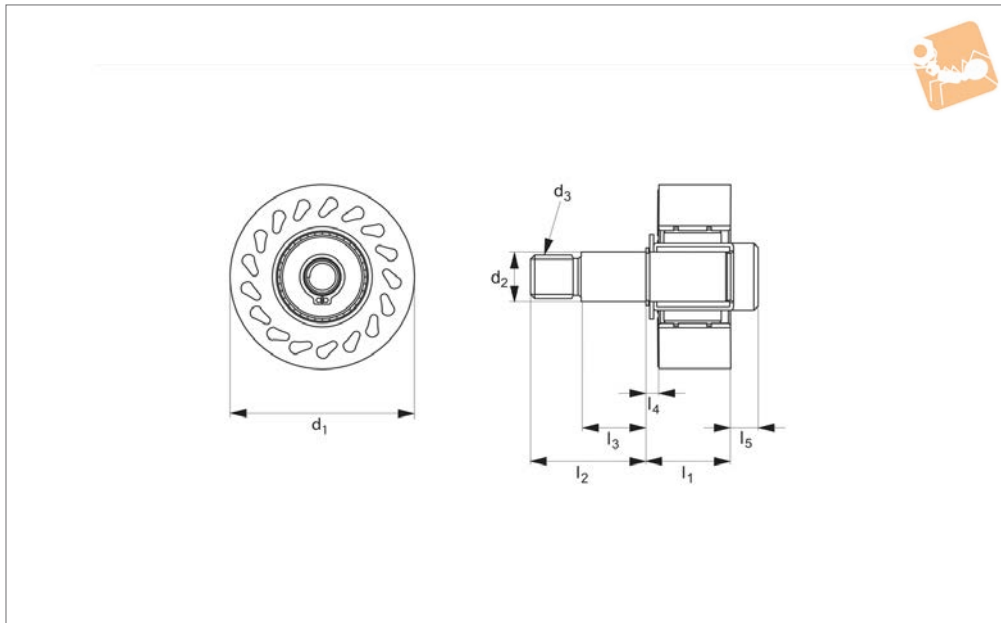
Tips

Durasoft rollers have „teardrop” holes to allow the roller to flex for firm but non-

Order No.	Durometer	d ₁	l ₁	d ₂ min. max.	l ₂	d ₃
P2766.25A60	60	63,5 (2,5")	23.37	12,73/12,83	12.7	31.75



Durasoft Roller clutch bearing



P2768

MATERIAL HANDLING

Material

Urethane bonded to a steel insert. Hardness from 35-80 durometer (Shore A).

Technical Notes

A clutch bearing allows the roller to turn in only one direction. Available in left or right

hand rotation (with the stud pointed upwards, a right hand rotation turns clockwise).

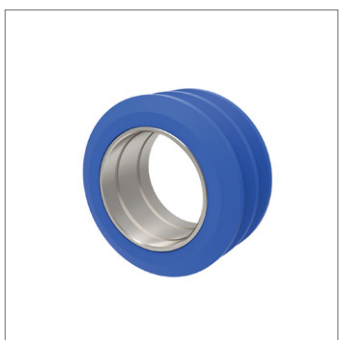
Type R= right hand clutch bearing.

Type L= left hand clutch bearing.

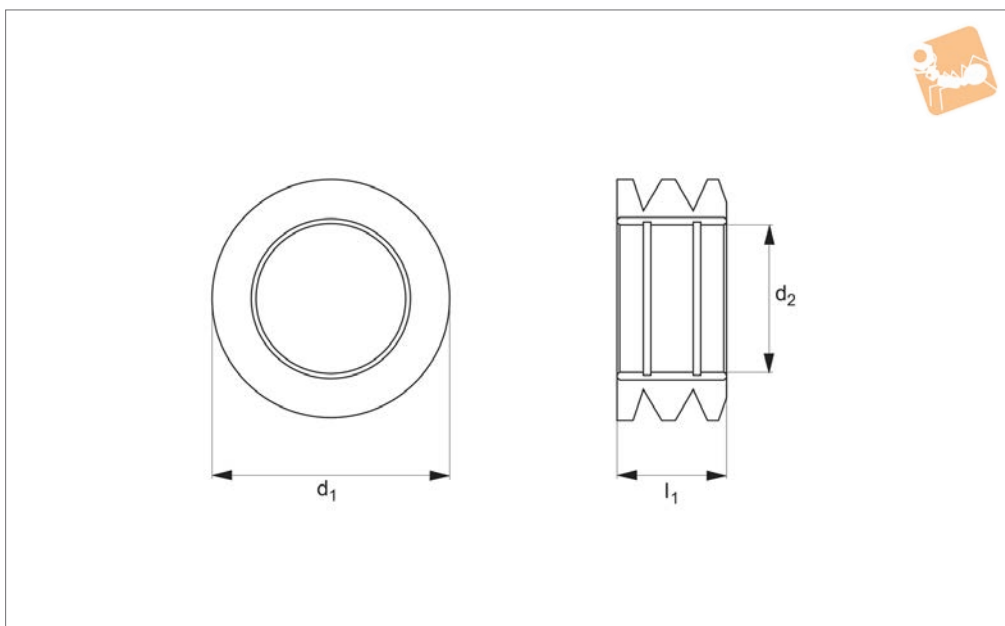
Tips

Durasoft rollers have „teardrop“ holes to allow the roller to flex for firm but non-damaging contact. All clutch bearing are type I. Please see technical page for more information on the bearing.

Order No.	Type	Durometer	d ₁	l ₁	d ₂ min./max.	l ₂	d ₃	l ₃	l ₄	l ₅
P2768.25A35-R	R	35	63,50 (2,5")	23,37	15,77/15,82	45,47	1/2-13"	26,42	3,05	10,41
P2768.25A60-R	R	60	63,50 (2,5")	23,37	15,77/15,82	45,47	1/2-13"	26,42	3,05	10,41
P2768.25A80-R	R	80	63,50 (2,5")	23,37	15,77/15,82	45,47	1/2-13"	26,42	3,05	10,41
P2768.25A35-L	L	35	63,50 (2,5")	23,37	15,77/15,82	45,47	1/2-13"	26,42	3,05	10,41
P2768.25A60-L	L	60	63,50 (2,5")	23,37	15,77/15,82	45,47	1/2-13"	26,42	3,05	10,41
P2768.25A80-L	L	80	63,50 (2,5")	23,37	15,77/15,82	45,47	1/2-13"	26,42	3,05	10,41
P2768.25B35-R	R	35	63,50 (2,5")	49,28	15,77/15,82	31,75	1/2-13"	12,70	10,92	-
P2768-25B60	R	60	63,50 (2,5")	49,28	15,77/15,82	31,75	1/2-13"	12,70	10,92	-
P2768.25B80-R	R	80	63,50 (2,5")	49,28	15,77/15,82	31,75	1/2-13"	12,70	10,92	-
P2768.25B35-L	L	35	63,50 (2,5")	49,28	15,77/15,82	31,75	1/2-13"	12,70	10,92	-
P2768.25B60-L	L	60	63,50 (2,5")	49,28	15,77/15,82	31,75	1/2-13"	12,70	10,92	-
P2768.25B80-L	L	80	63,50 (2,5")	49,28	15,77/15,82	31,75	1/2-13"	12,70	10,92	-
P2768.40A35-R	R	35	101,60 (4")	23,37	15,77/15,82	45,47	1/2-13"	26,42	3,05	10,41
P2768.40A60-R	R	60	101,60 (4")	23,37	15,77/15,82	45,47	1/2-13"	26,42	3,05	10,41
P2768.40A80-R	R	80	101,60 (4")	23,37	15,77/15,82	45,47	1/2-13"	26,42	3,05	10,41
P2768.40A35-L	L	35	101,60 (4")	23,37	15,77/15,82	45,47	1/2-13"	26,42	3,05	10,41
P2768.40A60-L	L	60	101,60 (4")	23,37	15,77/15,82	45,47	1/2-13"	26,42	3,05	10,41
P2768.40A80-L	L	80	101,60 (4")	23,37	15,77/15,82	45,47	1/2-13"	26,42	3,05	10,41
P2768.40B35-R	R	35	101,60 (4")	49,28	15,77/15,82	31,75	1/2-13"	12,70	10,92	-
P2768.40B60-R	R	60	101,60 (4")	49,28	15,77/15,82	31,75	1/2-13"	12,70	10,92	-
P2768.40B80-R	R	80	101,60 (4")	49,28	15,77/15,82	31,75	1/2-13"	12,70	10,92	-
P2768.40B35-L	L	35	101,60 (4")	49,28	15,77/15,82	31,75	1/2-13"	12,70	10,92	-
P2768.40B60-L	L	60	101,60 (4")	49,28	15,77/15,82	31,75	1/2-13"	12,70	10,92	-
P2768.40B80-L	L	80	101,60 (4")	49,28	15,77/15,82	31,75	1/2-13"	12,70	10,92	-



P2770



Material

Nitrile, urethane or neoprene bonded to a steel insert. Hardness from 20-60 durometer (Shore A).

Technical Notes

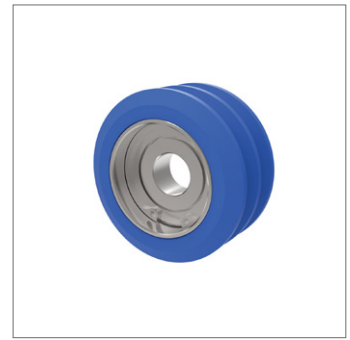
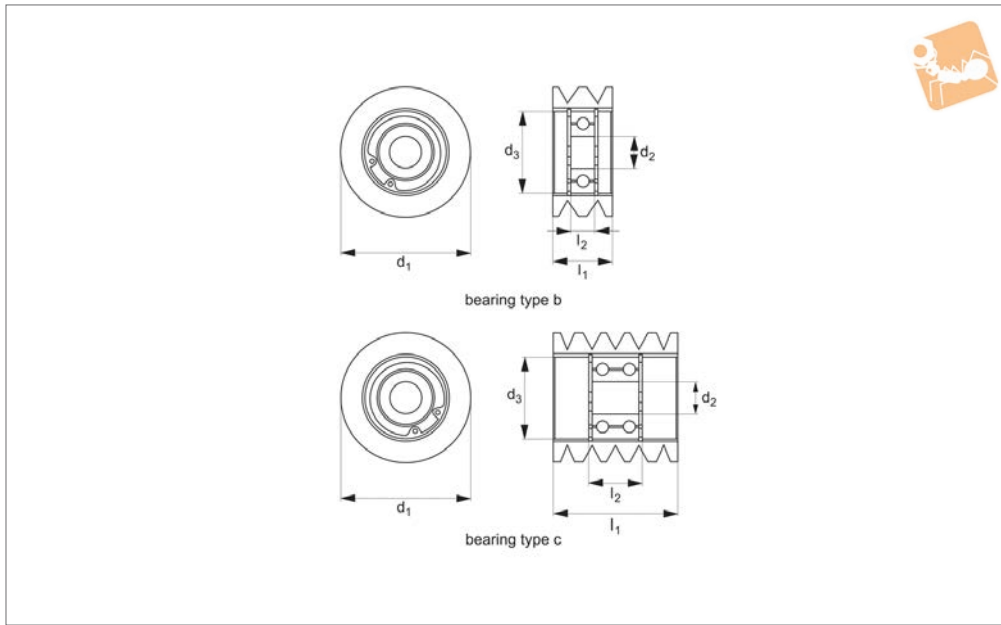
Roller only - allows for custom mounting.

Tips

Finned rollers have grooves on the surface, creating less surface contact with the workpiece, and allowing dirt, debris and liquid to pass.



Finned Roller bearing mount



P2772

MATERIAL HANDLING

Material

Nitrile, urethane or neoprene bonded to a steel insert. Hardness from 20-60 durometer (Shore A).

Technical Notes

Bearings included (held in place with snap

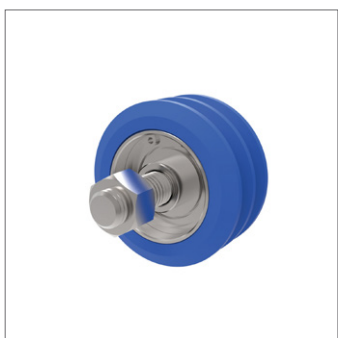
rings). For more details on bearings please see technical pages.

liquid to pass.

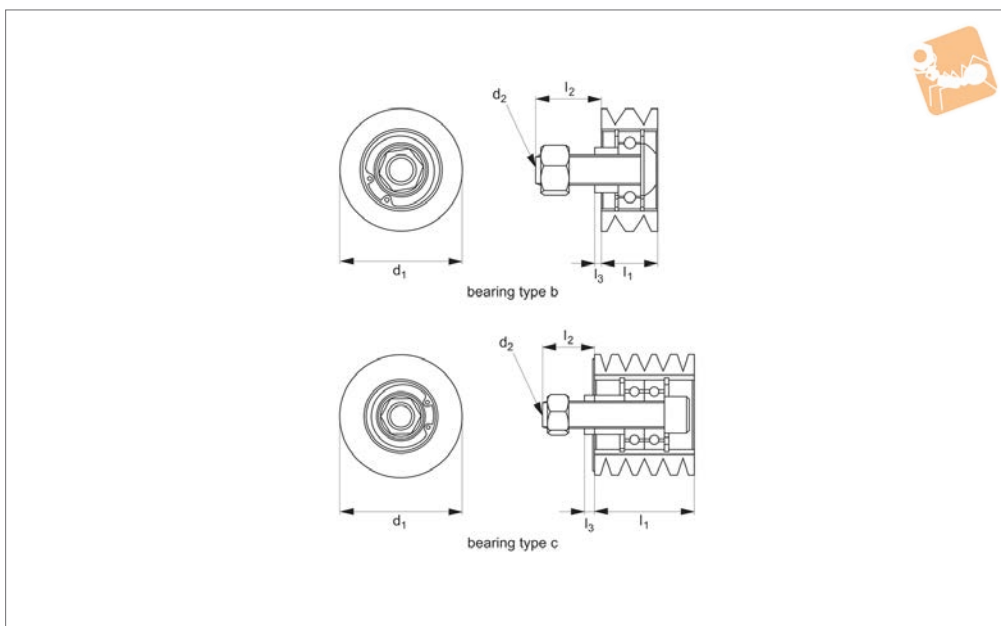
Tips

Finned rollers have grooves on the surface, creating less surface contact with the workpiece, and allowing dirt, debris and

Order No.	Material	Durometer	Bearing type	d ₁	l ₁	d ₂ -0/+0.13	d ₃ -0/+0.13	l ₂ -0/+0.13	No. of fins
P2772.20A20NI	Nitrile	20	B	50,8 (2")	23.37	12.7	31.62	9.40	3
P2772.20A35NI	Nitrile	35	B	50,8 (2")	23.37	12.7	31.62	9.40	3
P2772.20A60NI	Nitrile	60	B	50,8 (2")	23.37	12.7	31.62	9.40	3
P2772.20B20NI	Nitrile	20	C	50,8 (2")	49.28	12.7	31.62	18.92	6
P2772.20B35NI	Nitrile	35	C	50,8 (2")	49.28	12.7	31.62	18.92	6
P2772.20B60NI	Nitrile	60	C	50,8 (2")	49.28	12.7	31.62	18.92	6
P2772.25A20NI	Nitrile	20	B	63,5 (2,5")	23.37	12.7	31.62	9.40	3
P2772.25A35NI	Nitrile	35	B	63,5 (2,5")	23.37	12.7	31.62	9.40	3
P2772.25A60NI	Nitrile	60	B	63,5 (2,5")	23.37	12.7	31.62	9.40	3
P2772.20A35UR	Urethane	35	B	50,8 (2")	23.37	12.7	31.62	9.40	3
P2772.20A60UR	Urethane	60	B	50,8 (2")	23.37	12.7	31.62	9.40	3
P2772.20B35UR	Urethane	35	C	50,8 (2")	49.28	12.7	31.62	18.92	6
P2772.20B60UR	Urethane	60	C	50,8 (2")	49.28	12.7	31.62	18.92	6
P2772.25A35UR	Urethane	35	B	63,5 (2,5")	23.37	12.7	31.62	9.40	3
P2772.25A60UR	Urethane	60	B	63,5 (2,5")	23.37	12.7	31.62	9.40	3
P2772.20A20NP	Neoprene	20	B	50,8 (2")	23.37	12.7	31.62	9.40	3
P2772.20A35NP	Neoprene	35	B	50,8 (2")	23.37	12.7	31.62	9.40	3
P2772.20A60NP	Neoprene	60	B	50,8 (2")	23.37	12.7	31.62	9.40	3
P2772.20B20NP	Neoprene	20	C	50,8 (2")	49.28	12.7	31.62	18.92	6
P2772.20B35NP	Neoprene	35	C	50,8 (2")	49.28	12.7	31.62	18.92	6
P2772.20B60NP	Neoprene	60	C	50,8 (2")	49.28	12.7	31.62	18.92	6
P2772.25A20NP	Neoprene	20	B	63,5 (2,5")	23.37	12.7	31.62	9.40	3
P2772.25A35NP	Neoprene	35	B	63,5 (2,5")	23.37	12.7	31.62	9.40	3
P2772.25A60NP	Neoprene	60	B	63,5 (2,5")	23.37	12.7	31.62	9.40	3



P2774



Material

Nitrile, urethane or neoprene bonded to a steel insert. Hardness from 20-60 durometer (Shore A).

Technical Notes

Bearings included (held in place with snap

rings). For more details on bearings please see technical pages. Assembled with socket head cap screw, spacer and lock nut.

Tips

Finned rollers have grooves on the surface, creating less surface contact with the

workpiece, and allowing dirt, debris and liquid to pass.

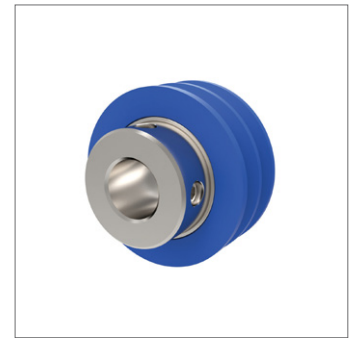
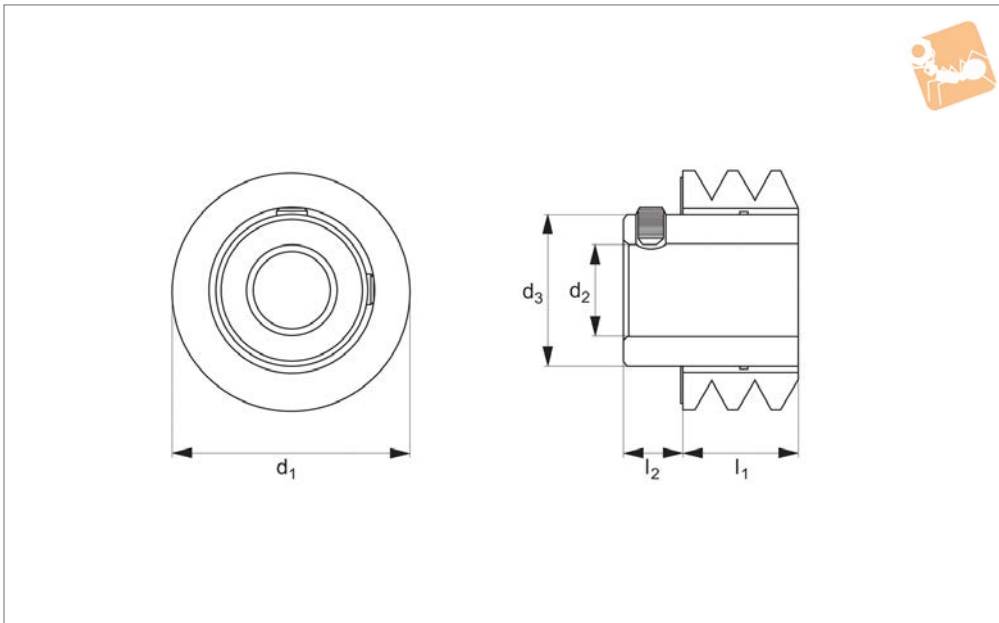
Order No.	Material	Duro.	Bearing type	d ₁	l ₁	d ₂	l ₂	l ₃	No. of bearings	No. of fins
P2774.20A-20NI	Nitrile	20	B	50,8 (2")	23.37	41306	27.94	3.05	1	3
P2774.20A-35NI	Nitrile	35	B	50,8 (2")	23.37	41306	27.94	3.05	1	3
P2774.20A-60NI	Nitrile	60	B	50,8 (2")	23.37	41306	27.94	3.05	1	3
P2774.20B-20NI	Nitrile	20	C	50,8 (2")	49.27	41306	35.81	6.35	1	6
P2774.20B-35NI	Nitrile	35	C	50,8 (2")	49.27	41306	35.81	6.35	1	6
P2774.20B-60NI	Nitrile	60	C	50,8 (2")	49.27	41306	35.81	6.35	1	6
P2774.25A-20NI	Nitrile	20	B	63,5 (2")	49.27	41306	27.94	3.05	1	3
P2774.25A-35NI	Nitrile	35	B	50,8 (2")	49.27	41306	27.94	3.05	1	3
P2774.25A-60NI	Nitrile	60	B	50,8 (2")	49.27	41306	27.94	3.05	1	3
P2774.20A-35UR	Urethane	35	B	50,8 (2")	23.37	41306	27.94	3.05	1	3
P2774.20A-60UR	Urethane	60	B	50,8 (2")	23.37	41306	27.94	3.05	1	3
P2774.20B-35UR	Urethane	35	C	50,8 (2")	49.27	41306	35.81	6.35	1	6
P2774.20B-60UR	Urethane	60	C	50,8 (2")	49.27	41306	35.81	6.35	1	6
P2774.25A-35UR	Urethane	35	B	50,8 (2")	49.27	41306	27.94	3.05	1	3
P2774.25A-60UR	Urethane	60	B	50,8 (2")	49.27	41306	27.94	3.05	1	3
P2774.20A-20NP	Neoprene	20	B	50,8 (2")	23.37	41306	27.94	3.05	1	3
P2774.20A-35NP	Neoprene	35	B	50,8 (2")	23.37	41306	27.94	3.05	1	3
P2774.20A-60NP	Neoprene	60	B	50,8 (2")	23.37	41306	27.94	3.05	1	3
P2774.20B-20NP	Neoprene	20	C	50,8 (2")	49.27	41306	35.81	6.35	1	6
P2774.20B-35NP	Neoprene	35	C	50,8 (2")	49.27	41306	35.81	6.35	1	6
P2774.20B-60NP	Neoprene	60	C	50,8 (2")	49.27	41306	35.81	6.35	1	6
P2774.25A-20NP	Neoprene	20	B	63,5 (2")	49.27	41306	27.94	3.05	1	3
P2774.25A-35NP	Neoprene	35	B	50,8 (2")	49.27	41306	27.94	3.05	1	3
P2774.25A-60NP	Neoprene	60	B	50,8 (2")	49.27	41306	27.94	3.05	1	3



Finned Roller shaft drive



Material Hand-
ling



P2776

MATERIAL HANDLING

Material

Nitrile, urethane or neoprene bonded to a steel insert. Hardness from 20-60 durometer (Shore A).

Technical Notes

Designed to be mounted onto a shaft. A

hub extends past the roller and is supplied with two set screws at 90°.

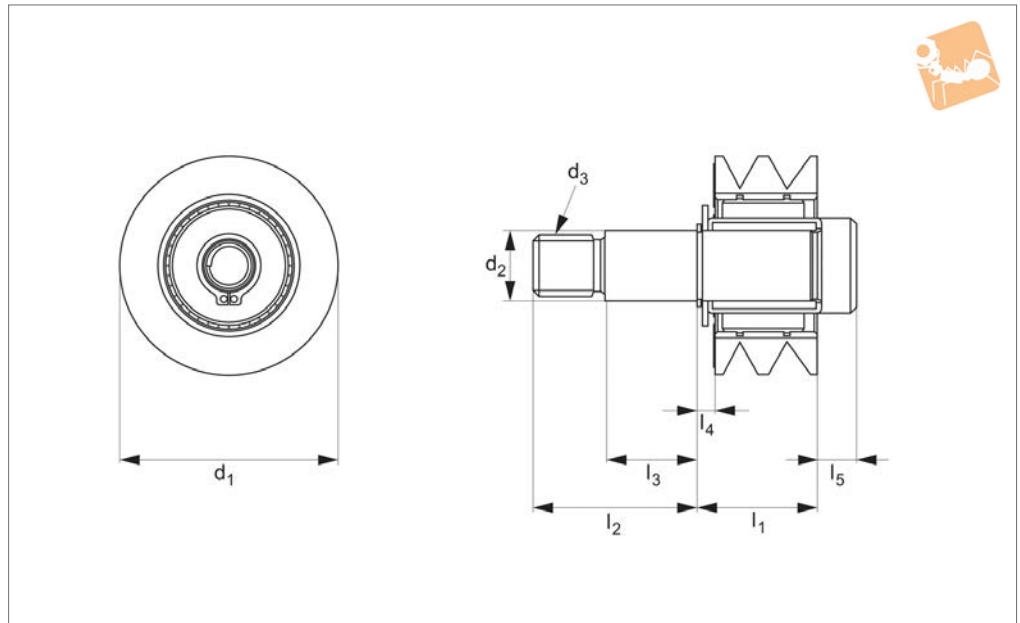
Tips

Finned rollers have grooves on the surface, creating less surface contact with the workpiece, and allowing dirt, debris and

liquid to pass.



P2778



Material

Nitrile, urethane or neoprene bonded to a steel insert. Hardness from 20-60 durometer (Shore A).

Technical Notes

A clutch bearing allows the roller to turn in only one direction. Available in left or right hand rotation (with the stud pointed

upwards, a right hand rotation turns clockwise.

Type R = right hand clutch bearing.

Type L = left hand clutch bearing.

Supplied with type I bearings, please see technical page for more information on bearings.

Tips

Finned rollers have grooves on the surface, creating less surface contact with the workpiece, and allowing dirt, debris and liquid to pass.

No. of fins:

$l_2 = 23,37$ 3 fins

$l_1 = 49,28$ 6 fins

Order No.	Material	Duro.	Type	d_1	l_1	d_2 +0.05	d_3	l_2	l_3	l_4	l_5
P2778.20A-20NI-R	Nitrile	20	R	50.80	23.37	15.77	1/2-13"	45.47	26.42	3.05	10.41
P2778.20A-35NI-R	Nitrile	35	R	50.80	23.37	15.77	1/2-13"	45.47	26.42	3.05	10.41
P2778.20A-60NI-R	Nitrile	60	R	50.80	23.37	15.77	1/2-13"	45.47	26.42	3.05	10.41
P2778.20A-20NI-L	Nitrile	20	L	50.80	23.37	15.77	1/2-13"	45.47	26.42	3.05	10.41
P2778.20A-35NI-L	Nitrile	35	L	50.80	23.37	15.77	1/2-13"	45.47	26.42	3.05	10.41
P2778.20A-60NI-L	Nitrile	60	L	50.80	23.37	15.77	1/2-13"	45.47	26.42	3.05	10.41
P2778.20B-20NI-R	Nitrile	20	R	50.80	49.28	15.77	1/2-13"	31.75	23.62	10.42	-
P2778.20B-35NI-R	Nitrile	35	R	50.80	49.28	15.77	1/2-13"	31.75	23.62	10.42	-
P2778.20B-60NI-R	Nitrile	60	R	50.80	49.28	15.77	1/2-13"	31.75	23.62	10.42	-
P2778.20B-20NI-L	Nitrile	20	L	50.80	49.28	15.77	1/2-13"	31.75	23.62	10.42	-
P2778.20B-35NI-L	Nitrile	35	L	50.80	49.28	15.77	1/2-13"	31.75	23.62	10.42	-
P2778.20B-60NI-L	Nitrile	60	L	50.80	49.28	15.77	1/2-13"	31.75	23.62	10.42	-
P2778.25A-20NI-R	Nitrile	20	R	63.50	23.37	15.77	1/2-13"	45.47	26.42	3.05	10.42
P2778.25A-35NI-R	Nitrile	35	R	63.50	23.37	15.77	1/2-13"	45.47	26.42	3.05	10.42
P2778.25A-60NI-R	Nitrile	60	R	63.50	23.37	15.77	1/2-13"	45.47	26.42	3.05	10.42
P2778.25A-20NI-L	Nitrile	20	L	63.50	23.37	15.77	1/2-13"	45.47	26.42	3.05	10.42
P2778.25A-35NI-L	Nitrile	35	L	63.50	23.37	15.77	1/2-13"	45.47	26.42	3.05	10.42
P2778.25A-60NI-L	Nitrile	60	L	63,50 (2,5")	23.37	15.77	1/2-13"	45.47	26.42	3.05	10.42
P2778.20A-35UR-R	Urethane	35	R	50.80	23.37	15.77	1/2-13"	45.47	26.42	3.05	10.41
P2778.20A-60NP-R	Urethane	60	R	50.80	23.37	15.77	1/2-13"	45.47	26.42	3.05	10.41
P2778.20A-35UR-L	Urethane	35	L	50.80	23.37	15.77	1/2-13"	45.47	26.42	3.05	10.41
P2778.20A-60NP-L	Urethane	60	L	50.80	23.37	15.77	1/2-13"	45.47	26.42	3.05	10.41
P2778.20B-35UR-R	Urethane	35	R	50.80	49.28	15.77	1/2-13"	31.75	23.62	10.42	-
P2778.20B-60UR-R	Urethane	60	R	50.80	49.28	15.77	1/2-13"	31.75	23.62	10.42	-
P2778.20B-35UR-L	Urethane	35	L	50.80	49.28	15.77	1/2-13"	31.75	23.62	10.42	-
P2778.20B-60UR-L	Urethane	60	L	50.80	49.28	15.77	1/2-13"	31.75	23.62	10.42	-
P2778.25A-35UR-R	Urethane	35	R	63.50	23.37	15.77	1/2-13"	45.47	26.42	3.05	10.42
P2778.25A-60UR-R	Urethane	60	R	63.50	23.37	15.77	1/2-13"	45.47	26.42	3.05	10.42
P2778.25A-35UR-L	Urethane	35	L	63.50	23.37	15.77	1/2-13"	45.47	26.42	3.05	10.42



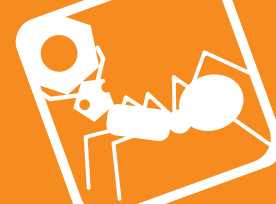
Finned Roller clutch bearing



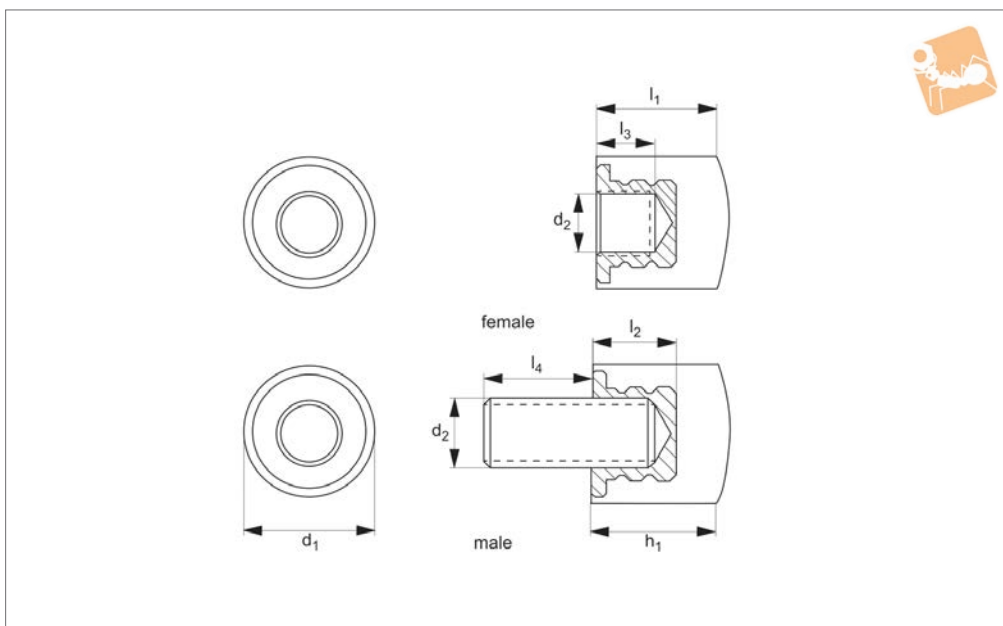
Material Hand-
ling

Order No.	Material	Duro.	Type	d ₁	l ₁	d ₂ +0.05	d ₃	l ₂	l ₃	l ₄	l ₅
P2778.25A-60UR-L	Urethane	60	L	63,50 (2,5")	23.37	15.77	1/2-13"	45.47	26.42	3.05	10.42
P2778.20A-20NP-R	Neoprene	20	R	50.80	23.37	15.77	1/2-13"	45.47	26.42	3.05	10.41
P2778.20A-35NP-R	Neoprene	35	R	50.80	23.37	15.77	1/2-13"	45.47	26.42	3.05	10.41
P2778.20A-60NP-R	Neoprene	60	R	50.80	23.37	15.77	1/2-13"	45.47	26.42	3.05	10.41
P2778.20A-20NP-L	Neoprene	20	L	50.80	23.37	15.77	1/2-13"	45.47	26.42	3.05	10.41
P2778.20A-35NP-L	Neoprene	35	L	50.80	23.37	15.77	1/2-13"	45.47	26.42	3.05	10.41
P2778.20A-60NP-L	Neoprene	60	L	50.80	23.37	15.77	1/2-13"	45.47	26.42	3.05	10.41
P2778.20B-20NP-R	Neoprene	20	R	50.80	49.28	15.77	1/2-13"	31.75	23.62	10.42	-
P2778.20B-35NP-R	Neoprene	35	R	50.80	49.28	15.77	1/2-13"	31.75	23.62	10.42	-
P2778.20B-60NP-R	Neoprene	60	R	50.80	49.28	15.77	1/2-13"	31.75	23.62	10.42	-
P2778.20B-20NP-L	Neoprene	20	L	50.80	49.28	15.77	1/2-13"	31.75	23.62	10.42	-
P2778.20B-35NP-L	Neoprene	35	L	50.80	49.28	15.77	1/2-13"	31.75	23.62	10.42	-
P2778.20B-60NP-L	Neoprene	60	L	50.80	49.28	15.77	1/2-13"	31.75	23.62	10.42	-
P2778.25A-20NP-R	Neoprene	20	R	63.50	23.37	15.77	1/2-13"	45.47	26.42	3.05	10.42
P2778.25A-35NP-R	Neoprene	35	R	63.50	23.37	15.77	1/2-13"	45.47	26.42	3.05	10.42
P2778.25A-60NP-R	Neoprene	60	R	63.50	23.37	15.77	1/2-13"	45.47	26.42	3.05	10.42
P2778.25A-20NP-L	Neoprene	20	L	63.50	23.37	15.77	1/2-13"	45.47	26.42	3.05	10.42
P2778.25A-35NP-L	Neoprene	35	L	63.50	23.37	15.77	1/2-13"	45.47	26.42	3.05	10.42
P2778.25A-60NP-L	Neoprene	60	L	63.50	23.37	15.77	1/2-13"	45.47	26.42	3.05	10.42

MATERIAL HANDLING



P2794



Material

Black Neoprene: flame and weather resistant. Resists: oil, ozone and gasoline. Temperature resistance: -5°C to +93°C (shortly +120°C).

Urethane: highly abrasion resistant, high strength and load bearing. High elonga-

tion and hardness. Resists ozone and oxygen. Temperature resistance: -18°C to +93°C (shortly +120°C).

Technical Notes

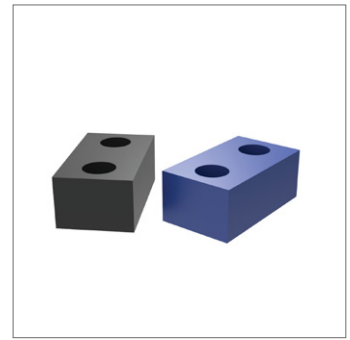
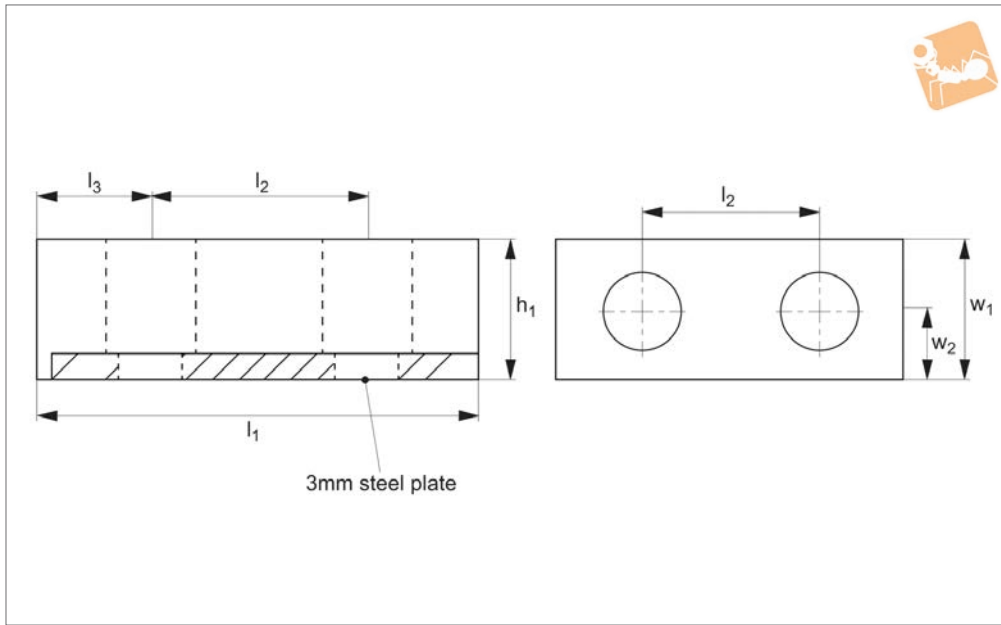
Bumpers are moulded to solid steel cores. They are used to guard, stop, align, posi-

tion, or protect parts through stages of manufacturing.

Tips

All dimensions metric.

Order No.	Material	Type	l_1	d_1	d_2	l_2	l_3	l_4	Durometer	Duro. urethane
P2794.M32-10C-N	Neoprene	Male	32	32	M10 x 1,50	19.0	-	15	40	80
P2794.F32-10-U	Urethane	Female	32	32	M10 x 1,50	19.0	13	-	40	80
P2794.M32-10C-U	Urethane	Male	32	32	M10 x 1,50	19.0	-	15	40	80



P2796

MATERIAL HANDLING

Material

Black Neoprene: flame and weather resistant. Resists: oil, ozone and gasoline. Temperature resistance: -5°C to +93°C (shortly +120°C).

Urethane: highly abrasion resistant, high strength and load bearing. High elonga-

tion and hardness. Resists ozone and oxygen. Temperature resistance: -18°C to +93°C (shortly +120°C).

Technical Notes

Bumpers bonded to steel plate. They are used to guard, stop, align, position, or

protect parts through stages of manufacturing.

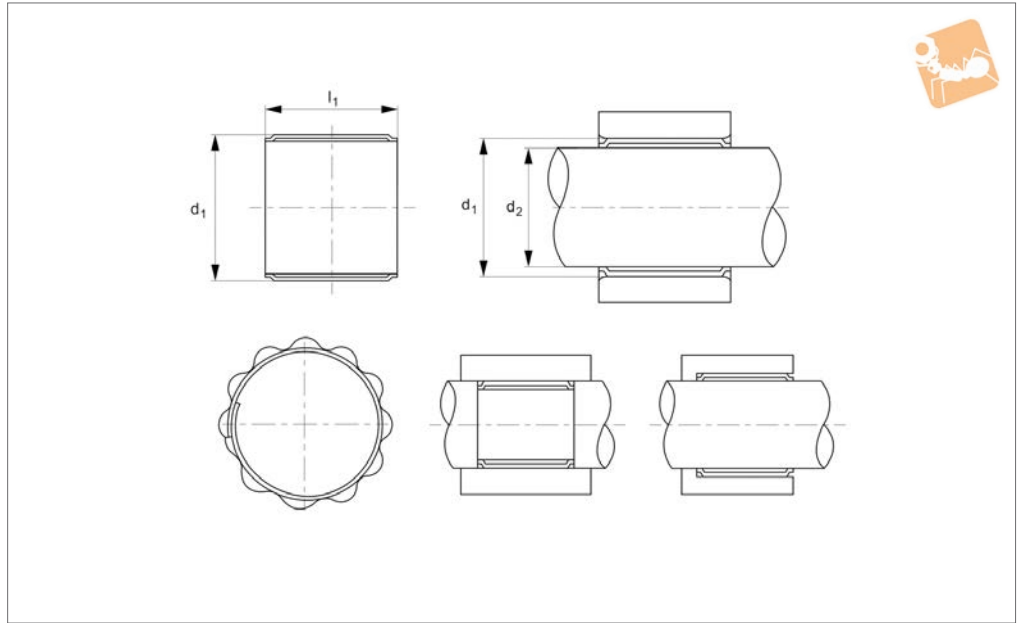
Tips

All dimensions metric. Special cut bumpers available on request.

Order No.	Material	l_1	d_1	h_1	w_1	l_2	l_3	w_2	Duro.	No. of holes
P2796.510	Neoprene	44.45	6	19.0	25.4	25.4	9.5	12.7	35	2
P2796.511	Neoprene	19.0	6	16.0	19.0	-	9.5	9.5	80	1
P2796.512	Neoprene	63.5	6	16.0	16.0	38.1	12.7	7.9	80	2
P2796.515	Neoprene	44.45	6	19.0	25.4	25.4	9.5	12.7	80	2
P2796.516	Neoprene	50.8	-	50.8	50.8	-	-	-	80	-
P2796.001	Urethane	19.0	6	16.0	19.0	-	9.5	9.5	60	1
P2796.002	Urethane	63.5	6	16.0	16.0	38.1	12.7	7.9	60	2
P2796.003	Urethane	44.45	6	9.5	25.4	25.4	9.5	12.7	60	2
P2796.004	Urethane	44.45	6	12.7	25.4	25.4	9.5	12.7	60	2
P2796.005	Urethane	44.45	6	19.0	25.4	25.4	9.5	12.7	60	2
P2796.011	Urethane	19.0	6	16.0	19.0	-	9.5	9.5	80	1
P2796.012	Urethane	63.5	6	16.0	16.0	38.1	12.7	7.9	80	2
P2796.013	Urethane	44.45	6	9.5	25.4	25.4	9.5	12.7	80	2
P2796.014	Urethane	44.45	6	12.7	25.4	25.4	9.5	12.7	80	2
P2796.015	Urethane	44.45	6	19.0	25.4	25.4	9.5	12.7	80	2
P2796.016	Urethane	50.8	-	50.8	50.8	-	-	-	80	-



P0395



Material

Stainless steel (type 304, DIN 1.4301).

Technical Notes

Tolerance rings allow the mating of parts

with wider tolerances.

The waves are on the outside, the ring sits on the shaft with the waves being compressed by the housing bore.

Tips

For use where there is an accurate bore but the shaft may have a wide tolerance.

Order No.	d ₁ tol. h9	d ₁ nom.	l	d ₂ for bearings	d ₂ for torque transfer	Torque Nm max.	Radial load N max.	Material
P0395.SV005-005	5	5	5	4,01 to 4,06	4,14 to 4,18	0.17	180	Steel
P0395.SV005-008	5	5	8	4,01 to 4,06	4,18 to 4,18	0.35	260	Steel
P0395.SV005-010	5	5	10	4,01 to 4,06	4,14 to 4,18	0.50	310	Steel
P0395.SV006-006	6	6	6	5,01 to 5,06	5,14 to 5,18	0.33	380	Steel
P0395.SV006-008	6	6	8	5,01 to 5,06	5,14 to 5,18	0.45	575	Stainless
P0395.SV006-010	6	6	10	5,01 to 5,06	5,14 to 5,18	0.90	690	Stainless
P0395.SV006-012	6	6	12	5,01 to 5,06	5,14 to 5,18	1.25	940	Steel
P0395.SV008-005	8	8	5	6,51 to 6,57	6,65 to 6,71	0.45	550	Steel
P0395.SV008-007	8	8	7	6,51 to 6,57	6,65 to 6,71	0.68	780	Stainless
P0395.SV008-008	8	8	8	6,51 to 6,57	6,65 to 6,71	0.80	910	Steel
P0395.SV008-010	8	8	10	6,51 to 6,57	6,65 to 6,71	1.00	1125	Steel
P0395.SV008-014	8	8	14	6,51 to 6,57	6,65 to 6,71	1.30	1400	Stainless
P0395.SV009-008	9	9	8	7,51 to 7,57	7,65 to 7,71	0.85	1070	Steel
P0395.SV010-006	10	10	6	8,51 to 8,57	8,65 to 8,71	1.80	950	Stainless
P0395.SV010-010	10	10	10	8,51 to 8,57	8,65 to 8,71	3.00	1275	Steel
P0395.SV010-012	10	10	12	8,51 to 8,57	8,65 to 8,71	3.60	1650	Steel
P0395.SV010-014	10	10	14	8,51 to 8,57	8,65 to 8,71	3.90	2000	Stainless
P0395.SV010-016	10	10	16	8,51 to 8,57	8,65 to 8,71	4.50	2100	Steel
P0395.SV011-010	11	11	10	9,51 to 9,57	9,65 to 9,71	4.00	1400	Steel
P0395.SV011-014	11	11	14	9,51 to 9,57	9,65 to 9,71	5.50	1680	Steel
P0395.SV012-006	12	12	6	10,52 to 10,59	10,70 to 10,77	2.20	1075	Stainless
P0395.SV012-008	12	12	8	10,52 to 10,59	10,70 to 10,77	3.20	1300	Stainless
P0395.SV012-010	12	12	10	10,52 to 10,59	10,70 to 10,77	4.50	1560	Stainless
P0395.SV012-012	12	12	12	10,52 to 10,59	10,70 to 10,77	5.30	2100	Stainless
P0395.SV012-014	12	12	14	10,52 to 10,59	10,70 to 10,77	6.10	2400	Steel
P0395.SV012-018	12	12	18	10,52 to 10,59	10,70 to 10,77	7.90	3075	Stainless
P0395.SV013-008	13	13	8	11,52 to 11,59	11,70 to 11,77	4.00	1650	Stainless
P0395.SV013-010	13	13	10	11,52 to 11,59	11,70 to 11,77	4.75	1800	Stainless
P0395.SV013-012	13	13	12	11,52 to 11,59	11,70 to 11,77	5.60	2300	Stainless
P0395.SV013-015	13	13	15	11,52 to 11,59	11,70 to 11,77	7.20	3000	Stainless
P0395.SV014-008	14	14	8	12,52 to 12,59	12,70 to 12,77	4.20	1825	Stainless
P0395.SV014-010	14	14	10	12,52 to 12,59	12,70 to 12,77	4.90	2000	Stainless
P0395.SV014-014	14	14	14	12,52 to 12,59	12,70 to 12,77	5.60	3300	Stainless



Tolerance Rings - Shaft Variable- SV

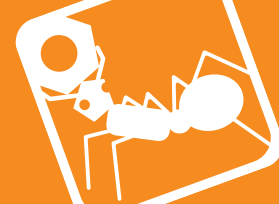
SV type, A2 Stainless



Tolerance Rings

Order No.	d ₁ tol. h9	d ₁ nom.	l	d ₂ for bearings	d ₂ for torque transfer	Torque Nm max.	Radial load N max.	Material
P0395.SV014-020	14	14	20	12,52 to 12,59	12,70 to 12,77	8.00	4000	Stainless
P0395.SV015-006	15	15	6	13,52 to 13,59	13,70 to 13,77	3.70	1200	Stainless
P0395.SV015-008	15	15	8	13,52 to 13,59	13,70 to 13,77	3.90	1600	Stainless
P0395.SV015-010	15	15	10	13,52 to 13,59	13,70 to 13,77	4.80	2025	Stainless
P0395.SV015-012	15	15	12	13,52 to 13,59	13,70 to 13,77	6.80	2650	Stainless
P0395.SV015-014	15	15	14	13,52 to 13,59	13,70 to 13,77	8.90	2950	Stainless
P0395.SV015-016	15	15	16	13,52 to 13,59	13,70 to 13,77	11.00	3400	Stainless
P0395.SV015-019	15	15	19	13,52 to 13,59	13,70 to 13,77	12.50	3900	Steel
P0395.SV016-010	16	16	10	14,52 to 14,59	14,70 to 14,77	7.00	2600	Stainless
P0395.SV016-014	16	16	14	14,52 to 14,59	14,70 to 14,77	10.50	3100	Stainless
P0395.SV016-016	16	16	16	14,52 to 14,59	14,70 to 14,77	12.00	3500	Stainless
P0395.SV017-006	17	17	6	15,52 to 15,59	15,70 to 15,77	3.90	1500	Stainless
P0395.SV017-008	17	17	8	15,52 to 15,59	15,70 to 15,77	4.80	1800	Stainless
P0395.SV017-010	17	17	10	15,52 to 15,59	15,70 to 15,77	8.00	2650	Stainless
P0395.SV017-012	17	17	12	15,52 to 15,59	15,70 to 15,77	10.00	2800	Stainless
P0395.SV017-014	17	17	14	15,52 to 15,59	15,70 to 15,77	12.00	3200	Stainless
P0395.SV017-016	17	17	16	15,52 to 15,59	15,70 to 15,77	14.00	3650	Stainless
P0395.SV018-010	18	18	10	16,52 to 16,59	16,70 to 16,77	9.00	2650	Steel
P0395.SV018-016	18	18	16	16,52 to 16,59	16,70 to 16,77	15.00	3900	Stainless
P0395.SV018-022	18	18	22	16,52 to 16,59	16,70 to 16,77	21.00	5600	Stainless
P0395.SV019-010	19	19	10	17,52 to 17,59	17,70 to 17,77	10.00	2800	Stainless
P0395.SV019-019	19	19	19	17,52 to 17,59	17,70 to 17,77	19.00	4900	Stainless
P0395.SV019-022	19	19	22	17,52 to 17,59	17,70 to 17,77	22.00	6000	Stainless
P0395.SV020-006	20	20	6	18,02 to 18,11	18,25 to 18,33	7.00	1600	Stainless
P0395.SV020-007	20	20	7	18,02 to 18,11	18,25 to 18,33	8.00	1800	Stainless
P0395.SV020-008	20	20	8	18,02 to 18,11	18,25 to 18,33	9.00	2200	Stainless
P0395.SV020-010	20	20	10	18,02 to 18,11	18,25 to 18,33	12.00	2900	Stainless
P0395.SV020-012	20	20	12	18,02 to 18,11	18,25 to 18,33	15.00	3750	Stainless
P0395.SV020-014	20	20	14	18,02 to 18,11	18,25 to 18,33	18.00	4600	Stainless
P0395.SV020-015	20	20	15	18,02 to 18,11	18,25 to 18,33	19.00	5200	Stainless
P0395.SV020-018	20	20	18	18,02 to 18,11	18,25 to 18,33	23.00	5900	Stainless
P0395.SV020-020	20	20	20	18,02 to 18,11	18,25 to 18,33	25.00	6850	Stainless
P0395.SV020-022	20	20	22	18,02 to 18,33	18,25 to 18,33	28.00	7700	Stainless
P0395.SV022-012	22	22	12	20,02 to 20,11	20,25 to 20,33	18.00	4450	Stainless
P0395.SV022-015	22	22	15	20,02 to 20,11	20,25 to 20,33	26.00	5550	Stainless
P0395.SV022-022	22	22	22	20,02 to 20,11	20,25 to 20,33	33.00	8250	Stainless
P0395.SV024-010	24	24	10	22,02 to 22,11	22,25 to 22,33	30.00	5950	Stainless
P0395.SV024-015	24	24	15	22,02 to 22,11	22,25 to 22,33	30.00	5950	Stainless
P0395.SV024-022	24	24	22	22,02 to 22,11	22,25 to 22,33	40.00	9000	Stainless
P0395.SV024-024	24	24	24	22,02 to 22,11	22,25 to 22,33	48.00	10200	Stainless
P0395.SV025-008	25	25	8	23,02 to 23,11	23,25 to 23,33	15.00	3000	Stainless
P0395.SV025-010	25	25	10	23,02 to 23,11	23,25 to 23,33	20.00	3850	Stainless
P0395.SV025-012	25	25	12	23,02 to 23,11	23,25 to 23,33	22.00	4900	Stainless
P0395.SV025-015	25	25	15	23,02 to 23,11	23,25 to 23,33	28.00	6450	Stainless
P0395.SV025-018	25	25	18	23,02 to 23,11	23,25 to 23,33	38.00	7200	Stainless
P0395.SV025-020	25	25	20	23,02 to 23,11	23,25 to 23,33	41.00	7575	Stainless
P0395.SV025-021	25	25	21	23,02 to 23,11	23,25 to 23,33	43.00	7700	Stainless
P0395.SV025-025	25	25	25	23,02 to 23,11	23,25 to 23,33	53.00	10600	Stainless
P0395.SV028-012	28	28	12	26,02 to 26,11	26,25 to 26,33	30.00	5750	Stainless
P0395.SV028-020	28	28	20	26,02 to 26,11	26,25 to 26,33	53.00	10600	Stainless
P0395.SV028-022	28	28	22	26,02 to 26,11	26,25 to 26,33	60.00	11300	Stainless
P0395.SV028-025	28	28	25	26,02 to 26,11	26,25 to 26,33	71.00	12000	Stainless
P0395.SV030-008	30	30	8	28,02 to 28,11	28,25 to 28,33	25.00	2800	Stainless
P0395.SV030-010	30	30	10	28,02 to 28,11	28,25 to 28,33	29.00	4200	Stainless
P0395.SV030-012	30	30	12	28,02 to 28,11	28,25 to 28,33	35.00	5400	Stainless
P0395.SV030-015	30	30	15	28,02 to 28,11	28,25 to 28,33	47.00	7000	Stainless
P0395.SV030-020	30	30	20	28,02 to 28,11	28,25 to 28,33	60.00	10200	Stainless
P0395.SV030-023	30	30	23	28,02 to 28,11	28,25 to 28,33	70.00	12200	Stainless
P0395.SV030-030	30	30	30	28,02 to 28,11	28,25 to 28,33	95.00	16600	Stainless
P0395.SV032-012	32	32	12	30,02 to 30,11	30,25 to 30,33	44.00	5800	Stainless
P0395.SV032-016	32	32	16	30,02 to 30,11	30,25 to 30,33	56.00	8400	Stainless
P0395.SV032-030	32	32	30	30,02 to 30,11	30,25 to 30,33	110.00	17000	Stainless
P0395.SV035-010	35	35	10	33,03 to 33,13	33,25 to 33,40	40.00	4000	Stainless
P0395.SV035-012	35	35	12	33,03 to 33,13	33,25 to 33,40	48.00	4600	Stainless
P0395.SV035-015	35	35	15	33,03 to 33,13	33,25 to 33,40	60.00	4950	Stainless
P0395.SV035-025	35	35	25	33,03 to 33,13	33,25 to 33,40	110.00	8650	Stainless
P0395.SV035-030	35	35	30	33,03 to 33,13	33,25 to 33,40	130.00	9800	Stainless

TOLERANCE RINGS



TOLERANCE RINGS

Order No.	d ₁ tol. h9	d ₁ nom.	l	d ₂ for bearings	d ₂ for torque transfer	Torque Nm max.	Radial load N max.	Material
P0395.SV036-012	36	36	12	34,03 to 34,13	34,30 to 34,40	55.00	4800	Stainless
P0395.SV036-015	36	36	15	34,03 to 34,13	34,30 to 34,40	63.00	5100	Stainless
P0395.SV036-030	36	36	30	34,03 to 34,13	34,30 to 34,40	135.00	10300	Stainless
P0395.SV040-010	40	40	10	38,03 to 38,13	38,30 to 38,40	55.00	3800	Stainless
P0395.SV040-012	40	40	12	38,03 to 38,13	38,30 to 38,40	63.00	4500	Stainless
P0395.SV040-015	40	40	15	38,03 to 38,13	38,30 to 38,40	83.00	5400	Stainless
P0395.SV040-023	40	40	23	38,03 to 38,13	38,30 to 38,40	104.00	8500	Steel
P0395.SV040-030	40	40	30	38,03 to 38,13	38,30 to 38,40	180.00	12000	Stainless
P0395.SV045-010	45	45	10	43,03 to 43,13	43,30 to 43,40	68.00	4250	Stainless
P0395.SV045-015	45	45	15	43,03 to 43,13	43,30 to 43,40	102.00	6230	Stainless
P0395.SV045-020	45	45	20	43,03 to 43,13	43,30 to 43,40	145.00	9400	Stainless
P0395.SV045-023	45	45	23	43,03 to 43,13	43,30 to 43,40	160.00	10100	Steel
P0395.SV045-025	45	45	25	43,03 to 43,13	43,30 to 43,40	200.00	11000	Stainless
P0395.SV045-030	45	45	30	43,03 to 43,13	43,30 to 43,40	230.00	13950	Stainless
P0395.SV050-012	50	50	12	48,03 to 48,13	48,30 to 48,40	107.00	5750	Stainless
P0395.SV050-016	50	50	16	48,03 to 48,13	48,30 to 48,40	141.00	7565	Steel
P0395.SV050-020	50	50	20	48,03 to 48,13	48,30 to 48,40	186.00	9575	Stainless
P0395.SV050-030	50	50	30	48,03 to 48,13	48,30 to 48,40	310.00	13400	Stainless
P0395.SV050-040	50	50	40	48,03 to 48,13	48,30 to 48,40	350.00	18000	Steel
P0395.SV055-010	55	55	10	52,53 to 52,65	52,85 to 52,97	125.00	4900	Stainless
P0395.SV055-014	55	55	14	52,53 to 52,65	52,85 to 52,97	175.00	6750	Stainless
P0395.SV055-015	55	55	15	52,53 to 52,65	52,85 to 52,97	185.00	6800	Stainless
P0395.SV055-029	55	55	29	52,53 to 52,65	52,85 to 52,97	330.00	12500	Stainless
P0395.SV060-020	60	60	20	57,53 to 57,65	57,85 to 57,97	310.00	12000	Stainless
P0395.SV060-022	60	60	22	57,53 to 57,65	57,85 to 57,97	350.00	13200	Stainless
P0395.SV060-028	60	60	28	57,53 to 57,65	57,85 to 57,97	420.00	18400	Stainless
P0395.SV065-020	65	65	20	62,53 to 62,65	62,85 to 62,97	480.00	14800	Stainless
P0395.SV065-033	65	65	33	62,53 to 62,65	62,85 to 62,97	650.00	21000	Stainless
P0395.SV080-012	80	80	12	77,53 to 77,65	77,85 to 77,97	550.00	15000	Stainless
P0395.SV080-017	80	80	17	77,53 to 77,65	77,85 to 77,97	700.00	16500	Stainless
P0395.SV085-022	85	85	22	82,04 to 82,18	82,44 to 82,58	800.00	19000	Stainless
P0395.SV090-024	90	90	24	87,04 to 87,18	87,44 to 87,58	850.00	22000	Stainless
P0395.SV090-030	90	90	30	87,04 to 87,18	87,44 to 87,58	1100.00	27000	Steel
P0395.SV100-024	100	100	24	97,04 to 97,18	97,44 to 97,58	1350.00	28000	Steel
P0395.SV100-036	100	100	36	97,04 to 97,18	97,44 to 97,58	1900.00	36000	Steel
P0395.SV140-015	140	140	15	136,04 to 136,20	136,52 to 136,68	1200.00	25500	Stainless
P0395.SV140-022	140	140	22	136,04 to 136,20	136,52 to 136,68	1250.00	32000	Steel

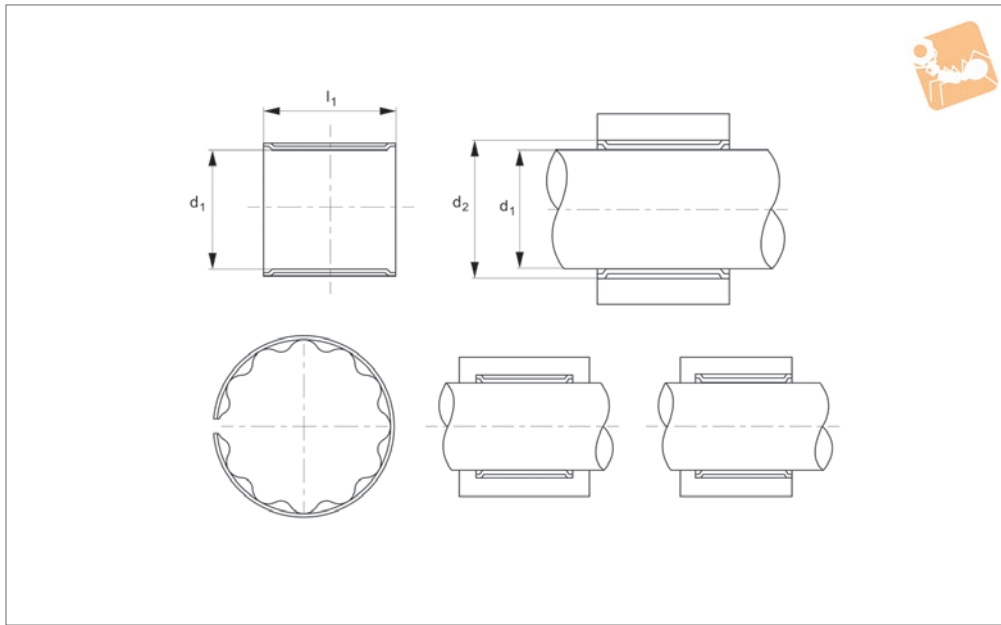


Tolerance Rings - Hole Variable- HV

HV type, A2 Stainless



Tolerance Rings



P0396

TOLERANCE RINGS

Material

Stainless steel (type 304, DIN 1.4301).

Technical Notes

Tolerance rings allow the mating of parts

with wider tolerances.

The waves are on the inside, the ring sits on the housing bore with the waves being compressed by the shaft diameter.

Tips

For use where there is an accurate shaft but the bore may have a wide tolerance.

Order No.	d ₁ tol. H9	d ₁ nom.	l	d ₂ for bearings	d ₂ for torque transfer	Torque Nm max.	Radial load N max.	Material
P0396.HV004-006	4	4	6	4,93 to 4,95	4,82 to 4,86	0.15	80	Steel
P0396.HV004-008	4	4	8	4,93 to 4,95	4,82 to 4,86	0.25	90	Steel
P0396.HV004-010	4	4	10	4,93 to 4,95	4,82 to 4,86	0.35	95	Steel
P0396.HV005-005	5	5	5	5,93 to 5,95	5,82 to 5,86	0.45	100	Steel
P0396.HV005-008	5	5	8	5,93 to 5,95	5,82 to 5,86	0.66	160	Steel
P0396.HV005-012	5	5	12	5,93 to 5,95	5,82 to 5,86	1.25	250	Steel
P0396.HV006-006	6	6	6	6,93 to 6,985	6,82 to 6,86	0.45	133	Steel
P0396.HV006-008	6	6	8	6,93 to 6,985	6,82 to 6,86	0.75	240	Steel
P0396.HV006-010	6	6	10	6,93 to 6,985	6,82 to 6,86	1.00	290	Steel
P0396.HV006-015	6	6	15	6,93 to 6,985	6,82 to 6,86	1.20	300	Steel
P0396.HV008-006	8	8	6	9,41 to 9,48	9,23 to 9,30	1.00	240	Steel
P0396.HV008-008	8	8	8	9,41 to 9,48	9,23 to 9,30	1.45	360	Steel
P0396.HV008-012	8	8	12	9,41 to 9,48	9,23 to 9,30	2.00	580	Steel
P0396.HV008-014	8	8	14	9,41 to 9,48	9,23 to 9,30	2.10	600	Steel
P0396.HV010-004	10	10	4	11,41 to 11,48	11,23 to 11,30	0.95	480	Stainless
P0396.HV010-006	10	10	6	11,41 to 11,48	11,23 to 11,30	2.30	850	Stainless
P0396.HV010-008	10	10	8	11,41 to 11,48	11,23 to 11,30	2.50	1020	Stainless
P0396.HV010-010	10	10	10	11,41 to 11,48	11,23 to 11,30	3.00	1220	Stainless
P0396.HV010-012	10	10	12	11,41 to 11,48	11,23 to 11,30	3.50	1650	Stainless
P0396.HV010-014	10	10	14	11,41 to 11,48	11,23 to 11,30	4.00	2050	Stainless
P0396.HV010-018	10	10	18	11,41 to 11,48	11,23 to 11,30	4.50	2500	Stainless
P0396.HV012-004	12	12	4	13,41 to 13,48	13,23 to 13,30	1.60	720	Stainless
P0396.HV012-006	12	12	6	13,41 to 13,48	13,23 to 13,30	3.00	1200	Stainless
P0396.HV012-010	12	12	10	13,41 to 13,48	13,23 to 13,30	4.00	1825	Stainless
P0396.HV012-012	12	12	12	13,41 to 13,48	13,23 to 13,30	6.00	2400	Stainless
P0396.HV012-016	12	12	16	13,41 to 13,48	13,23 to 13,30	8.00	3025	Stainless
P0396.HV012-018	12	12	18	13,41 to 13,48	13,23 to 13,30	9.00	3350	Stainless
P0396.HV014-008	14	14	8	15,41 to 15,48	15,23 to 15,30	5.00	1800	Stainless
P0396.HV014-012	14	14	12	15,41 to 15,48	15,23 to 15,30	7.00	2410	Stainless
P0396.HV014-014	14	14	14	15,41 to 15,48	15,23 to 15,30	9.00	2750	Stainless
P0396.HV015-008	15	15	8	16,41 to 16,48	16,23 to 16,30	5.50	1825	Stainless
P0396.HV015-012	15	15	12	16,41 to 16,48	16,23 to 16,30	7.50	2500	Stainless
P0396.HV015-014	15	15	14	16,41 to 16,48	16,23 to 16,30	11.00	2925	Stainless



TOLERANCE RINGS

Order No.	d ₁ tol. H9	d ₁ nom.	l	d ₂ for bearings	d ₂ for torque transfer	Torque Nm max.	Radial load N max.	Material
P0396.HV015-022	15	15	22	16,41 to 16,48	16,23 to 16,30	14.00	3500	Stainless
P0396.HV016-005	16	16	5	17,41 to 17,48	17,23 to 17,30	4.0	1100	Stainless
P0396.HV016-008	16	16	8	17,41 to 17,48	17,23 to 17,30	7.0	1900	Stainless
P0396.HV016-010	16	16	10	17,41 to 17,48	17,23 to 17,30	8.0	2275	Stainless
P0396.HV016-012	16	16	12	17,41 to 17,48	17,23 to 17,30	9.0	2800	Stainless
P0396.HV016-016	16	16	16	17,41 to 17,48	17,23 to 17,30	14.0	3650	Stainless
P0396.HV016-022	16	16	22	17,41 to 17,48	17,23 to 17,30	17.0	4500	Stainless
P0396.HV018-006	18	18	6	19,89 to 19,98	19,67 to 19,75	6.5	1300	Stainless
P0396.HV018-010	18	18	10	19,89 to 19,98	19,67 to 19,75	11.0	2450	Stainless
P0396.HV018-016	18	18	16	19,89 to 19,98	19,67 to 19,75	17.0	4100	Stainless
P0396.HV019-006	19	19	6	20,89 to 20,98	20,67 to 20,75	7.0	1875	Stainless
P0396.HV009-016	19	19	16	20,89 to 20,98	20,67 to 20,75	21.0	4450	Steel
P0396.HV020-012	20	20	12	21,89 to 21,98	21,67 to 21,75	18.0	3650	Stainless
P0396.HV020-014	20	20	14	21,89 to 21,98	21,67 to 21,75	22.0	4300	Steel
P0396.HV020-016	20	20	16	21,89 to 21,98	21,67 to 21,75	24.0	4900	Steel
P0396.HV020-020	20	20	20	21,89 to 21,98	21,67 to 21,75	30.0	6100	Steel
P0396.HV020-026	20	20	26	21,89 to 21,98	21,67 to 21,75	34.0	7250	Stainless
P0396.HV022-005	22	22	5	23,89 to 23,98	23,67 to 23,75	12.0	1650	Stainless
P0396.HV022-007	22	22	7	23,89 to 23,98	23,67 to 23,75	16.0	2450	Stainless
P0396.HV022-010	22	22	10	23,89 to 23,98	23,67 to 23,75	18.0	3525	Stainless
P0396.HV022-016	22	22	16	23,89 to 23,98	23,67 to 23,75	30.0	5450	Steel
P0396.HV022-020	22	22	20	23,89 to 23,98	23,67 to 23,75	35.0	7000	Steel
P0396.HV022-022	22	22	22	23,89 to 23,98	23,67 to 23,75	38.0	8200	Steel
P0396.HV024-006	24	24	6	25,89 to 25,98	25,67 to 25,75	17.0	2320	Stainless
P0396.HV024-007	24	24	7	25,89 to 25,98	25,67 to 25,75	18.0	2715	Stainless
P0396.HV024-012	24	24	12	25,89 to 25,98	25,67 to 25,75	29.0	5550	Stainless
P0396.HV024-016	24	24	16	25,89 to 25,98	25,67 to 25,75	32.0	7800	Steel
P0396.HV024-020	24	24	20	25,89 to 25,98	25,67 to 25,75	45.0	9000	Steel
P0396.HV025-010	25	25	10	26,89 to 26,98	26,67 to 26,75	24.0	4300	Steel
P0396.HV025-016	25	25	16	26,89 to 26,98	26,67 to 26,75	35.0	7800	Stainless
P0396.HV025-020	25	25	20	26,89 to 26,98	26,67 to 26,75	47.0	9000	Stainless
P0396.HV026-008	26	26	8	27,89 to 27,98	27,67 to 27,75	21.0	3425	Stainless
P0396.HV026-010	26	26	10	27,89 to 27,98	27,67 to 27,75	26.0	4500	Stainless
P0396.HV026-016	26	26	16	27,89 to 27,98	27,67 to 27,75	43.0	8250	Stainless
P0396.HV026-020	26	26	20	27,89 to 27,98	27,67 to 27,75	52.0	9600	Stainless
P0396.HV028-008	28	28	8	29,89 to 29,98	29,67 to 29,75	27.0	4000	Stainless
P0396.HV028-010	28	28	10	29,89 to 29,98	29,67 to 29,75	30.0	4700	Stainless
P0396.HV028-012	28	28	12	29,89 to 29,98	29,67 to 29,75	39.0	6250	Stainless
P0396.HV028-014	28	28	14	29,89 to 29,98	29,67 to 29,75	45.0	7250	Stainless
P0396.HV028-020	28	28	20	29,89 to 29,98	29,67 to 29,75	55.0	9050	Stainless
P0396.HV028-030	28	28	30	29,89 to 29,98	29,67 to 29,75	92.0	15250	Steel
P0396.HV030-008	30	30	8	31,89 to 31,98	31,67 to 31,75	28.0	4100	Stainless
P0396.HV030-012	30	30	12	31,89 to 31,98	31,67 to 31,75	40.0	5700	Stainless
P0396.HV030-016	30	30	16	31,89 to 31,98	31,67 to 31,75	50.0	8065	Stainless
P0396.HV030-030	30	30	30	31,89 to 31,98	31,67 to 31,75	95.0	15500	Steel
P0396.HV032-008	32	32	8	33,89 to 33,98	33,67 to 33,75	30.0	3000	Stainless
P0396.HV032-010	32	32	10	33,89 to 33,98	33,67 to 33,75	35.0	3200	Stainless
P0396.HV032-014	32	32	14	33,89 to 33,98	33,67 to 33,75	50.0	4200	Stainless
P0396.HV032-030	32	32	30	33,89 to 33,98	33,67 to 33,75	115.0	18000	Stainless
P0396.HV035-006	35	35	6	36,89 to 36,98	36,67 to 36,75	32.0	2900	Steel
P0396.HV035-010	35	35	10	36,89 to 36,98	36,67 to 36,75	43.0	3350	Stainless
P0396.HV035-014	35	35	14	36,89 to 36,98	36,67 to 36,75	58.0	5000	Stainless
P0396.HV035-016	35	35	16	36,89 to 36,98	36,67 to 36,75	70.0	8200	Stainless
P0396.HV040-008	40	40	8	41,89 to 41,98	41,67 to 41,75	54.0	2800	Steel
P0396.HV040-100	40	40	10	41,89 to 41,98	41,67 to 41,75	62.0	3300	Steel
P0396.HV040-012	40	40	12	41,89 to 41,98	41,67 to 41,75	72.0	4450	Stainless
P0396.HV040-016	40	40	16	41,89 to 41,98	41,67 to 41,75	91.0	6230	Stainless
P0396.HV040-020	40	40	20	41,89 to 41,98	41,67 to 41,75	125.0	8450	Stainless
P0396.HV040-030	40	40	30	41,89 to 41,98	41,67 to 41,75	180.0	12000	Stainless
P0396.HV042-012	42	42	12	43,89 to 43,98	43,67 to 43,75	75.0	4900	Stainless
P0396.HV042-030	42	42	30	43,89 to 43,98	43,67 to 43,75	225.0	13250	Stainless
P0396.HV045-012	45	45	12	46,89 to 46,98	46,67 to 46,75	90.0	6000	Stainless
P0396.HV045-020	45	45	20	46,89 to 46,98	46,67 to 46,75	165.0	8700	Stainless
P0396.HV047-006	47	47	6	48,89 to 48,98	48,67 to 48,75	65.0	2450	Steel
P0396.HV047-008	47	47	8	48,89 to 48,98	48,67 to 48,75	76.0	2850	Steel
P0396.HV047-014	47	47	14	48,89 to 48,98	48,67 to 48,75	117.0	6230	Steel
P0396.HV047-018	47	47	18	48,89 to 48,98	48,67 to 48,75	175.0	8300	Stainless



Tolerance Rings - Hole Variable- HV

HV type, A2 Stainless

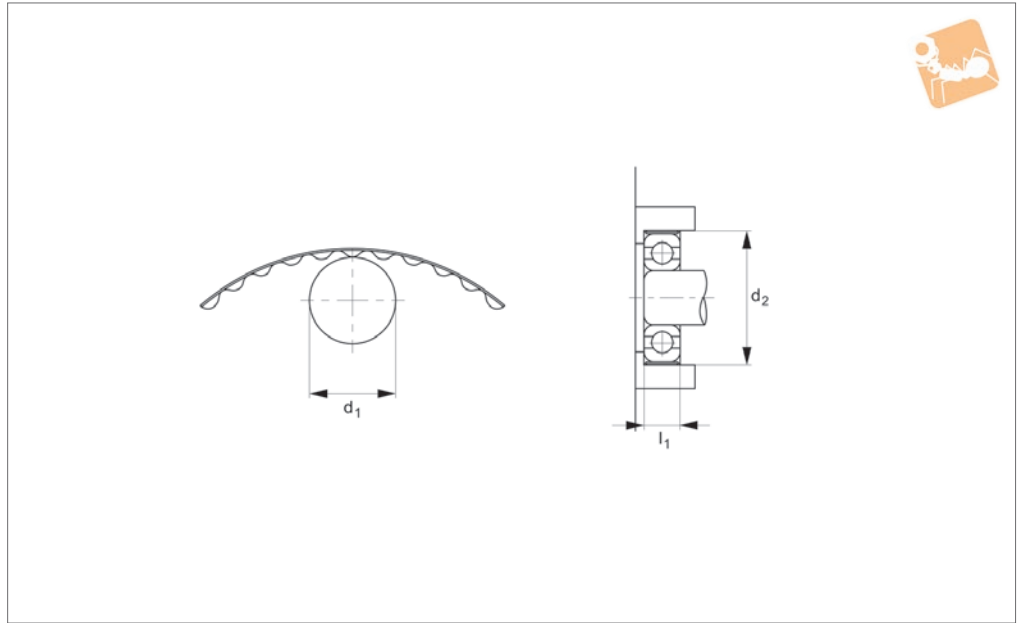


Order No.	d ₁ tol. H9	d ₁ nom.	l	d ₂ for bearings	d ₂ for torque transfer	Torque Nm max.	Radial load N max.	Material
P0396.HV047-020	47	47	20	48,89 to 48,98	48,67 to 48,75	210.0	8450	Stainless
P0396.HV047-022	47	47	22	48,89 to 48,98	48,67 to 48,75	235.0	10750	Stainless
P0396.HV050-015	50	50	15	52,35 to 52,47	52,03 to 52,15	157.0	6600	Stainless
P0396.HV050-020	50	50	20	52,35 to 52,47	52,03 to 52,15	215.0	10100	Stainless
P0396.HV052-008	52	52	8	54,35 to 54,47	54,03 to 54,15	100.0	3200	Steel
P0396.HV052-015	52	52	15	54,35 to 54,47	54,03 to 54,15	165.0	7120	Stainless
P0396.HV055-012	55	55	12	57,35 to 57,47	57,03 to 57,15	156.0	5550	Stainless
P0396.HV055-020	55	55	20	57,35 to 57,47	57,03 to 57,15	260.0	10750	Stainless
P0396.HV060-015	60	60	15	62,35 to 62,47	62,03 to 62,15	280.0	8800	Stainless
P0396.HV060-025	60	60	25	62,35 to 62,47	62,03 to 62,15	475.0	15500	Stainless
P0396.HV062-010	62	62	10	64,35 to 64,47	64,03 to 64,15	215.0	5300	Stainless
P0396.HV062-015	62	62	15	64,35 to 64,47	64,03 to 64,15	290.0	8450	Stainless
P0396.HV065-025	65	65	25	67,35 to 67,47	67,03 to 67,15	520.0	14900	Stainless
P0396.HV065-063	65	65	63	67,35 to 67,47	67,03 to 67,15	850.0	46000	Stainless
P0396.HV070-025	70	70	25	72,35 to 72,47	72,03 to 72,15	550.0	16900	Stainless
P0396.HV072-010	72	72	10	74,35 to 74,47	74,03 to 74,15	230.0	6000	Stainless
P0396.HV072-017	72	72	17	74,35 to 74,47	74,03 to 74,15	420.0	13000	Stainless
P0396.HV072-019	72	72	19	74,35 to 74,47	74,03 to 74,15	470.0	14500	Stainless
P0396.HV072-020	72	72	20	74,35 to 74,47	74,03 to 74,15	490.0	15000	Stainless
P0396.HV075-016	75	75	16	77,35 to 77,47	77,03 to 77,15	520.0	13000	Stainless
P0396.HV075-020	75	75	20	77,35 to 77,47	77,03 to 77,15	600.0	17000	Stainless
P0396.HV080-012	80	80	12	82,35 to 82,47	82,03 to 82,15	280.0	11000	Steel
P0396.HV080-020	80	80	20	82,35 to 82,47	82,03 to 82,15	630.0	16800	Stainless
P0396.HV084-012	84	84	12	86,82 to 86,96	86,42 to 86,56	490.0	13000	Stainless
P0396.HV085-019	85	85	19	87,82 to 87,96	87,42 to 87,56	700.0	17000	Steel
P0396.HV090-015	90	90	15	92,82 to 92,96	92,42 to 92,56	560.0	14000	Stainless
P0396.HV090-020	90	90	20	92,82 to 92,96	92,42 to 92,56	770.0	18000	Steel
P0396.HV090-023	90	90	23	92,82 to 92,96	92,42 to 92,56	870.0	21000	Steel
P0396.HV090-025	90	90	25	92,82 to 92,96	92,42 to 92,56	950.0	22500	Stainless

TOLERANCE RINGS



P0397



Material

Stainless steel (type 304, DIN 1.4301).

Technical Notes

The waves are on the inside, the ring sits

on the housing bore with the waves being compressed by the shaft diameter. Used as a bearing mount where the bearings are required to float axially.

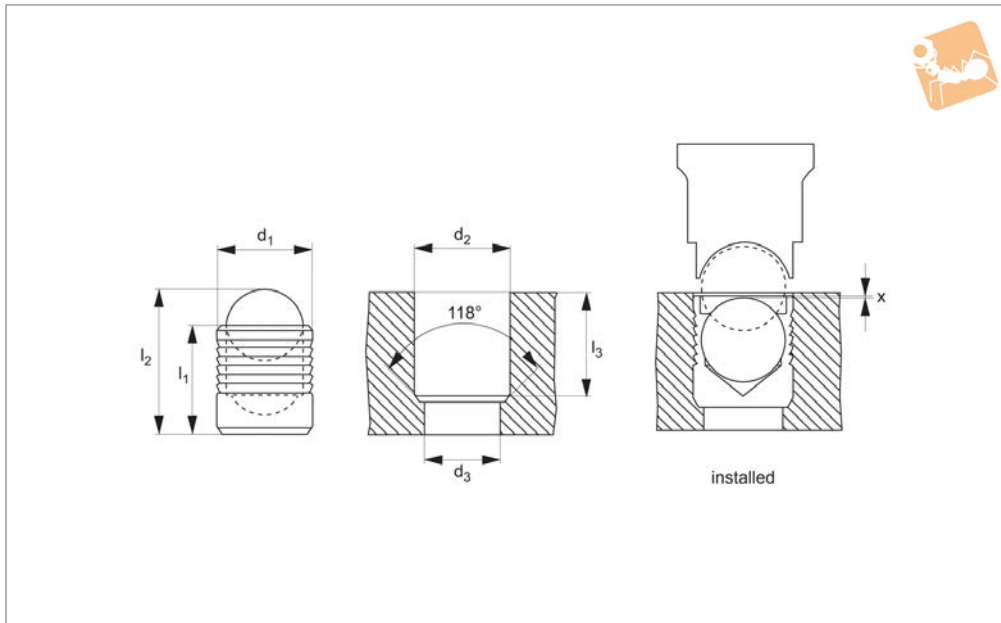
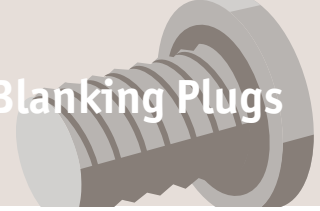
Order No.	d ₁	l ₁	Bearing dia. & no.	d ₂	Radial load N max.
P0397.HVL013-005	13	5	13 (~624)	13,60 to 13,65	125
P0397.HVL016-005	16	5	16 (~625)	16,60 to 16,65	150
P0397.HVL019-006	19	6	19 (~626)	19,60 to 19,65	220
P0397.HVL022-007	22	7	22 (~608)	22,60 to 22,65	300
P0397.HVL024-007	24	7	24 (~609)	24,60 to 24,65	330
P0397.HVL026-008	26	8	26 (~629)	26,60 to 26,65	400
P0397.HVL028-008	28	8	28 (~6001)	28,60 to 28,65	440
P0397.HVL030-009	30	9	30 (~6200)	30,60 to 30,65	520
P0397.HVL032-008	32	8	32 (~16002)	32,60 to 32,65	500
P0397.HVL032-009	32	9	32 (~6002)	32,60 to 32,65	560
P0397.HVL032-010	32	10	32 (~6201)	32,60 to 32,65	620
P0397.HVL035-010	35	10	35 (~6003)	35,60 to 35,65	750
P0397.HVL035-015	35	15	35 (~6202)	35,60 to 35,65	1050
P0397.HVL052-015	52	15	52 (~6205)	52,60 to 52,65	1600



Expansion Sealing Plugs

Metric - standard

Blanking Plugs



P0190

BLANKING PLUGS

Material

Plug body: case hardened steel (zinc-plated), stainless steel (A2, AISI 303 & A4 AISI 316) or aluminium (2024-T4).

Ball: heat-treated bearing steel or stainless steel (A2, AISI 303 & A4 AISI 316).

Technical Notes

These high pressure sealing plugs are used to blank off externally drilled holes for air

and gas.

No need for tapping, reaming, machining of O-ring grooves or the use of tapes or sealants.

Ensure the ball is fully seated before applying pressure.

Tips

Working pressure up to 450 bar (dependent on body material and material into which

installed).

Please consult technical pages for installation instructions and performance data.

Important Notes

Please refer to technical pages for product installation details.

Order No.	d ₁	l ₁	l ₂	d ₂ +0.1 -0.0	d ₃ max.	l ₃ min.	x ±0.2	Body	Ball
P0190.030-ZP-BS	3.0	3.6	4.6	3.0	2.2	3.4	0.4	Steel ZP	Steel
P0190.040-ZP-BS	4.0	4.0	5.2	4.0	3.3	3.8	0.2	Steel ZP	Steel
P0190.050-ZP-BS	5.0	5.5	7.1	5.0	4.3	5.3	0.4	Steel ZP	Steel
P0190.060-ZP-BS	6.0	6.5	8.7	6.0	5.3	6.3	0.4	Steel ZP	Steel
P0190.070-ZP-BS	7.0	7.5	10.2	7.0	6.4	7.3	0.4	Steel ZP	Steel
P0190.080-ZP-BS	8.0	8.5	11.6	8.0	7.4	8.3	0.3	Steel ZP	Steel
P0190.090-ZP-BS	9.0	10.0	13.6	9.0	8.4	9.8	0.4	Steel ZP	Steel
P0190.100-ZP-BS	10.0	11.0	15.2	10.0	9.4	10.8	0.4	Steel ZP	Steel
P0190.120-ZP-BS	12.0	13.0	17.9	12.0	10.6	12.8	0.4	Steel ZP	Steel
P0190.140-ZP-BS	14.0	15.0	20.6	14.0	12.7	14.5	0.4	Steel ZP	Steel
P0190.160-ZP-BS	16.0	17.0	23.4	16.0	14.7	16.5	0.6	Steel ZP	Steel
P0190.180-ZP-BS	18.0	19.0	26.4	18.0	16.7	18.5	0.6	Steel ZP	Steel
P0190.200-ZP-BS	20.0	22.0	30.1	20.0	18.7	21.5	0.8	Steel ZP	Steel
P0190.220-ZP-BS	22.0	25.0	34.0	22.0	20.7	24.5	0.8	Steel ZP	Steel
P0190.030-A2-BS	3.0	3.6	4.6	3.0	2.2	3.4	0.4	A2 s/s	Steel
P0190.040-A2-BS	4.0	4.0	5.2	4.0	3.3	3.8	0.2	A2 s/s	Steel
P0190.050-A2-BS	5.0	5.5	7.1	5.0	4.3	5.3	0.4	A2 s/s	Steel
P0190.060-A2-BS	6.0	6.5	8.7	6.0	5.3	6.3	0.4	A2 s/s	Steel
P0190.070-A2-BS	7.0	7.5	10.2	7.0	6.4	7.3	0.4	A2 s/s	Steel
P0190.080-A2-BS	8.0	8.5	11.6	8.0	7.4	8.3	0.3	A2 s/s	Steel
P0190.090-A2-BS	9.0	10.0	13.6	9.0	8.4	9.8	0.4	A2 s/s	Steel
P0190.100-A2-BS	10.0	11.0	15.2	10.0	9.4	10.8	0.4	A2 s/s	Steel
P0190.120-A2-BS	12.0	13.0	17.9	12.0	10.6	12.8	0.4	A2 s/s	Steel
P0190.140-A2-BS	14.0	15.0	20.6	14.0	12.7	14.5	0.4	A2 s/s	Steel
P0190.160-A2-BS	16.0	17.0	23.4	16.0	14.7	16.5	0.6	A2 s/s	Steel
P0190.180-A2-BS	18.0	19.0	26.4	18.0	16.7	18.5	0.6	A2 s/s	Steel
P0190.200-A2-BS	20.0	22.0	30.1	20.0	18.7	21.5	0.8	A2 s/s	Steel
P0190.220-A2-BS	22.0	25.0	34.0	22.0	20.7	24.5	0.8	A2 s/s	Steel



Blanking Plugs

Expansion Sealing Plugs

Metric - standard



BLANKING PLUGS

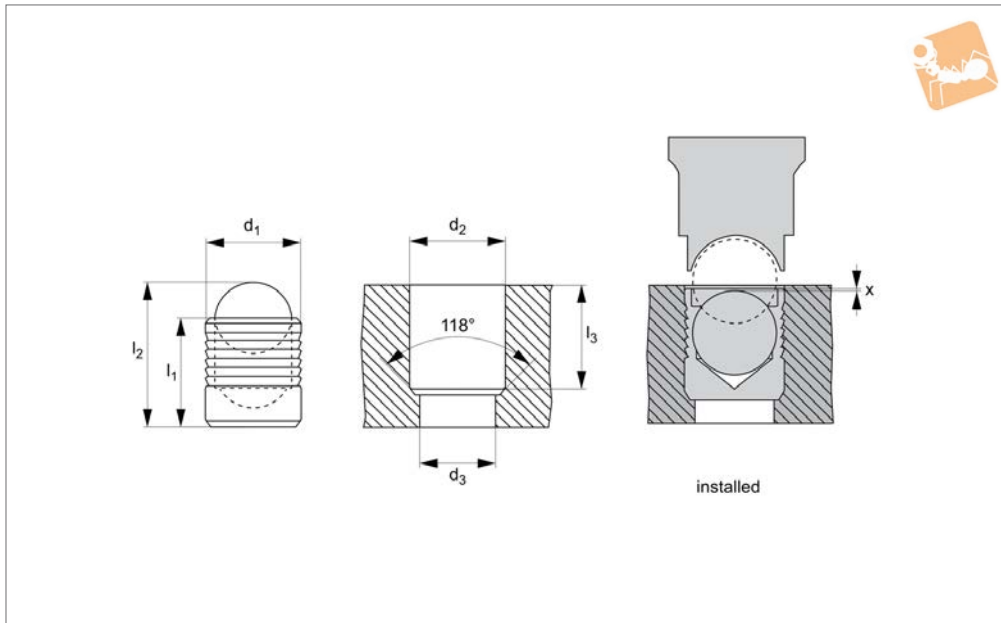
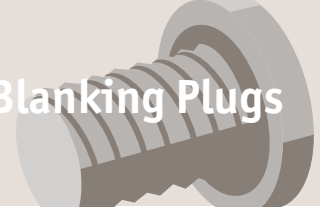
Order No.	d ₁	l ₁	l ₂	d ₂ +0.1 -0.0	d ₃ max.	l ₃ min.	x ±0.2	Body	Ball
P0190.030-A4-A4	3.0	3.6	4.6	3.0	2.2	3.4	0.4	A4 s/s	A4 s/s
P0190.040-A4-A4	4.0	4.0	5.2	4.0	3.3	3.8	0.2	A4 s/s	A4 s/s
P0190.050-A4-A4	5.0	5.5	7.1	5.0	4.3	5.3	0.4	A4 s/s	A4 s/s
P0190.060-A4-A4	6.0	6.5	8.7	6.0	5.3	6.3	0.4	A4 s/s	A4 s/s
P0190.070-A4-A4	7.0	7.5	10.2	7.0	6.4	7.3	0.4	A4 s/s	A4 s/s
P0190.080-A4-A4	8.0	8.5	11.6	8.0	7.4	8.3	0.3	A4 s/s	A4 s/s
P0190.090-A4-A4	9.0	10.0	13.6	9.0	8.4	9.8	0.4	A4 s/s	A4 s/s
P0190.100-A4-A4	10.0	11.0	15.2	10.0	9.4	10.8	0.4	A4 s/s	A4 s/s
P0190.120-A4-A4	12.0	13.0	17.9	12.0	10.6	12.8	0.4	A4 s/s	A4 s/s
P0190.140-A4-A4	14.0	15.0	20.6	14.0	12.7	14.5	0.4	A4 s/s	A4 s/s
P0190.160-A4-A4	16.0	17.0	23.4	16.0	14.7	16.5	0.6	A4 s/s	A4 s/s
P0190.180-A4-A4	18.0	19.0	26.4	18.0	16.7	18.5	0.6	A4 s/s	A4 s/s
P0190.200-A4-A4	20.0	22.0	30.1	20.0	18.7	21.5	0.8	A4 s/s	A4 s/s
P0190.220-A4-A4	22.0	25.0	34.0	22.0	20.7	24.5	0.8	A4 s/s	A4 s/s
P0190.030-AL-A2	3.0	3.6	4.6	3.0	2.2	3.4	0.4	Aluminium	A2 s/s
P0190.040-AL-A2	4.0	4.0	5.2	4.0	3.3	3.8	0.2	Aluminium	A2 s/s
P0190.050-AL-A2	5.0	5.5	7.1	5.0	4.3	5.3	0.4	Aluminium	A2 s/s
P0190.060-AL-A2	6.0	6.5	8.7	6.0	5.3	6.3	0.4	Aluminium	A2 s/s
P0190.070-AL-A2	7.0	7.5	10.2	7.0	6.4	7.3	0.4	Aluminium	A2 s/s
P0190.080-AL-A2	8.0	8.5	11.6	8.0	7.4	8.3	0.3	Aluminium	A2 s/s
P0190.090-AL-A2	9.0	10.0	13.6	9.0	8.4	9.8	0.4	Aluminium	A2 s/s
P0190.100-AL-A2	10.0	11.0	15.2	10.0	9.4	10.8	0.4	Aluminium	A2 s/s
P0190.120-AL-A2	12.0	13.0	17.9	12.0	10.6	12.8	0.4	Aluminium	A2 s/s
P0190.140-AL-A2	14.0	15.0	20.6	14.0	12.7	14.5	0.4	Aluminium	A2 s/s
P0190.160-AL-A2	16.0	17.0	23.4	16.0	14.7	16.5	0.6	Aluminium	A2 s/s
P0190.180-AL-A2	18.0	19.0	26.4	18.0	16.7	18.5	0.6	Aluminium	A2 s/s
P0190.200-AL-A2	20.0	22.0	30.1	20.0	18.7	21.5	0.8	Aluminium	A2 s/s
P0190.220-AL-A2	22.0	25.0	34.0	22.0	20.7	24.5	0.8	Aluminium	A2 s/s
P0190.030-A2-A2	3.0	3.6	4.6	3.0	2.2	3.4	0.4	A2 s/s	A2 s/s
P0190.040-A2-A2	4.0	4.0	5.2	4.0	3.3	3.8	0.2	A2 s/s	A2 s/s
P0190.050-A2-A2	5.0	5.5	7.1	5.0	4.3	5.3	0.4	A2 s/s	A2 s/s
P0190.060-A2-A2	6.0	6.5	8.7	6.0	5.3	6.3	0.4	A2 s/s	A2 s/s
P0190.070-A2-A2	7.0	7.5	10.2	7.0	6.4	7.3	0.4	A2 s/s	A2 s/s
P0190.080-A2-A2	8.0	8.5	11.6	8.0	7.4	8.3	0.3	A2 s/s	A2 s/s
P0190.090-A2-A2	9.0	10.0	13.6	9.0	8.4	9.8	0.4	A2 s/s	A2 s/s
P0190.100-A2-A2	10.0	11.0	15.2	10.0	9.4	10.8	0.4	A2 s/s	A2 s/s
P0190.120-A2-A2	12.0	13.0	17.9	12.0	10.6	12.8	0.4	A2 s/s	A2 s/s
P0190.140-A2-A2	14.0	15.0	20.6	14.0	12.7	14.5	0.4	A2 s/s	A2 s/s
P0190.160-A2-A2	16.0	17.0	23.4	16.0	14.7	16.5	0.6	A2 s/s	A2 s/s
P0190.180-A2-A2	18.0	19.0	26.4	18.0	16.7	18.5	0.6	A2 s/s	A2 s/s
P0190.200-A2-A2	20.0	22.0	30.1	20.0	18.7	21.5	0.8	A2 s/s	A2 s/s
P0190.220-A2-A2	22.0	25.0	34.0	22.0	20.7	24.5	0.8	A2 s/s	A2 s/s



Expansion Sealing Plugs - Inch

Inch - short

Blanking Plugs



P0191

BLANKING PLUGS

Material

Plug body: case hardened steel (zinc-plated), stainless steel (A2, AISI 303 & A4 AISI 316) or aluminium (2024-T4).

Ball: heat-treated bearing steel or stainless steel (A2, AISI 303 & A4 AISI 316).

Technical Notes

These high pressure sealing plugs are used to blank off externally drilled holes for air

and gas.

No need for tapping, reaming, machining of O-ring grooves or the use of tapes or sealants.

Ensure the ball is fully seated before applying pressure.

Dimensions in inches.

Tips

Working pressure up to 450 bar (dependent

on body material and material into which installed).

Please consult technical pages for installation instructions and performance data.

Important Notes

Please refer to technical pages for product installation details.

Order No.	d ₁	l ₁	l ₂	d ₂ +0.004 -0.000	d ₃ max.	l ₃ min.	x +0.0 -0.010	Body	Ball
P0191.093-ZP-BS	0.0937	0.098	0.12	0.0937	0.070	0.081	0.010	Steel ZP	Steel
P0191.125-ZP-BS	0.1250	0.125	0.16	0.1250	0.100	0.113	0.010	Steel ZP	Steel
P0191.156-ZP-BS	0.1562	0.125	0.17	0.1562	0.130	0.113	0.010	Steel ZP	Steel
P0191.187-ZP-BS	0.1875	0.187	0.24	0.1875	0.160	0.170	0.010	Steel ZP	Steel
P0191.218-ZP-BS	0.2187	0.187	0.25	0.2187	0.190	0.170	0.010	Steel ZP	Steel
P0191.250-ZP-BS	0.2500	0.225	0.30	0.2500	0.220	0.196	0.010	Steel ZP	Steel
P0191.281-ZP-BS	0.2812	0.225	0.35	0.2812	0.250	0.233	0.010	Steel ZP	Steel
P0191.312-ZP-BS	0.3125	0.280	0.39	0.3125	0.281	0.255	0.010	Steel ZP	Steel
P0191.343-ZP-BS	0.3437	0.307	0.43	0.3437	0.312	0.275	0.010	Steel ZP	Steel
P0191.406-ZP-BS	0.4062	0.365	0.52	0.4062	0.375	0.308	0.010	Steel ZP	Steel
P0191.093-A2-BS	0.0937	0.098	0.12	0.0937	0.070	0.081	0.010	A2 s/s	Steel
P0191.125-A2-BS	0.1250	0.125	0.16	0.1250	0.100	0.113	0.010	A2 s/s	Steel
P0191.156-A2-BS	0.1562	0.125	0.17	0.1562	0.130	0.113	0.010	A2 s/s	Steel
P0191.187-A2-BS	0.1875	0.187	0.24	0.1875	0.160	0.170	0.010	A2 s/s	Steel
P0191.218-A2-BS	0.2187	0.187	0.25	0.2187	0.190	0.170	0.010	A2 s/s	Steel
P0191.250-A2-BS	0.2500	0.225	0.30	0.2500	0.220	0.196	0.010	A2 s/s	Steel
P0191.281-A2-BS	0.2812	0.225	0.35	0.2812	0.250	0.233	0.010	A2 s/s	Steel
P0191.312-A2-BS	0.3125	0.280	0.39	0.3125	0.281	0.255	0.010	A2 s/s	Steel
P0191.343-A2-BS	0.3437	0.307	0.43	0.3437	0.312	0.275	0.010	A2 s/s	Steel
P0191.406-A2-BS	0.4062	0.365	0.52	0.4062	0.375	0.308	0.010	A2 s/s	Steel
P0191.093-A2-A2	0.0937	0.098	0.12	0.0937	0.070	0.081	0.010	A2 s/s	A2 s/s
P0191.125-A2-A2	0.1250	0.125	0.16	0.1250	0.100	0.113	0.010	A2 s/s	A2 s/s
P0191.156-A2-A2	0.1562	0.125	0.17	0.1562	0.130	0.113	0.010	A2 s/s	A2 s/s
P0191.187-A2-A2	0.1875	0.187	0.24	0.1875	0.160	0.170	0.010	A2 s/s	A2 s/s
P0191.218-A2-A2	0.2187	0.187	0.25	0.2187	0.190	0.170	0.010	A2 s/s	A2 s/s
P0191.250-A2-A2	0.2500	0.225	0.30	0.2500	0.220	0.196	0.010	A2 s/s	A2 s/s
P0191.281-A2-A2	0.2812	0.225	0.35	0.2812	0.250	0.233	0.010	A2 s/s	A2 s/s
P0191.312-A2-A2	0.3125	0.280	0.39	0.3125	0.281	0.255	0.010	A2 s/s	A2 s/s



Blanking Plugs

Expansion Sealing Plugs - Inch

Inch - short



BLANKING PLUGS

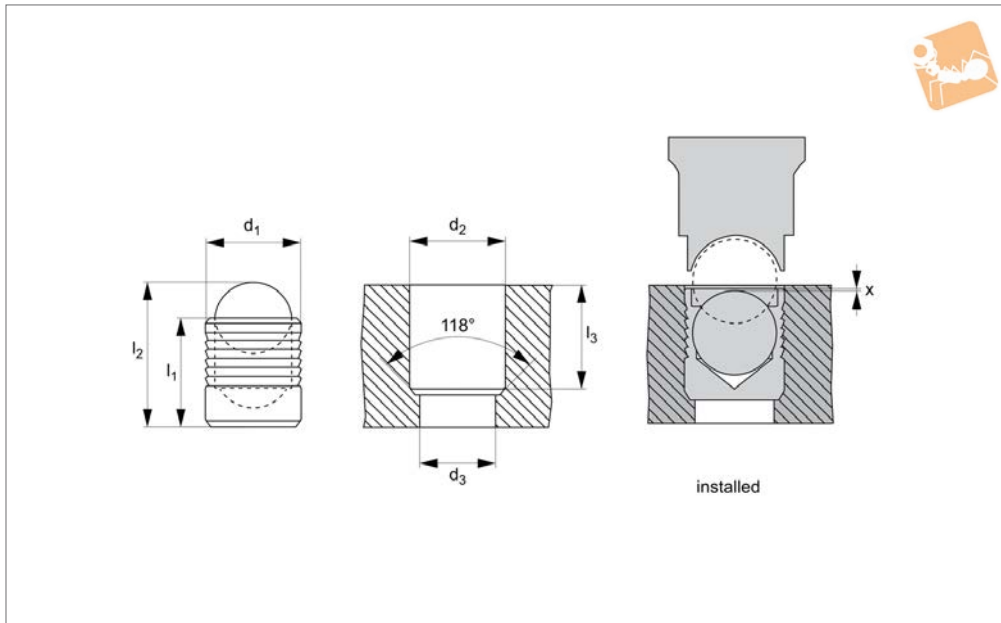
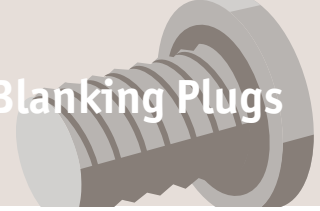
Order No.	d ₁	l ₁	l ₂	d ₂ +0.004 -0.000	d ₃ max.	l ₃ min.	x +0.0 -0.010	Body	Ball
P0191.343-A2-A2	0.3437	0.307	0.43	0.3437	0.312	0.275	0.010	A2 s/s	A2 s/s
P0191.406-A2-A2	0.4062	0.365	0.52	0.4062	0.375	0.308	0.010	A2 s/s	A2 s/s
P0191.093-A4-A4	0.0937	0.098	0.12	0.0937	0.070	0.081	0.010	A4 s/s	A4 s/s
P0191.125-A4-A4	0.1250	0.125	0.16	0.1250	0.100	0.113	0.010	A4 s/s	A4 s/s
P0191.156-A4-A4	0.1562	0.125	0.17	0.1562	0.130	0.113	0.010	A4 s/s	A4 s/s
P0191.187-A4-A4	0.1875	0.187	0.24	0.1875	0.160	0.170	0.010	A4 s/s	A4 s/s
P0191.218-A4-A4	0.2187	0.187	0.25	0.2187	0.190	0.170	0.010	A4 s/s	A4 s/s
P0191.250-A4-A4	0.2500	0.225	0.30	0.2500	0.220	0.196	0.010	A4 s/s	A4 s/s
P0191.281-A4-A4	0.2812	0.225	0.35	0.2812	0.250	0.233	0.010	A4 s/s	A4 s/s
P0191.312-A4-A4	0.3125	0.280	0.39	0.3125	0.281	0.255	0.010	A4 s/s	A4 s/s
P0191.343-A4-A4	0.3437	0.307	0.43	0.3437	0.312	0.275	0.010	A4 s/s	A4 s/s
P0191.406-A4-A4	0.4062	0.365	0.52	0.4062	0.375	0.308	0.010	A4 s/s	A4 s/s
P0191.093-AL-A2	0.0937	0.098	0.12	0.0937	0.070	0.081	0.010	Aluminium	A2 s/s
P0191.125-AL-A2	0.1250	0.125	0.16	0.1250	0.100	0.113	0.010	Aluminium	A2 s/s
P0191.156-AL-A2	0.1562	0.125	0.17	0.1562	0.130	0.113	0.010	Aluminium	A2 s/s
P0191.187-AL-A2	0.1875	0.187	0.24	0.1875	0.160	0.170	0.010	Aluminium	A2 s/s
P0191.218-AL-A2	0.2187	0.187	0.25	0.2187	0.190	0.170	0.010	Aluminium	A2 s/s
P0191.250-AL-A2	0.2500	0.225	0.30	0.2500	0.220	0.196	0.010	Aluminium	A2 s/s
P0191.281-AL-A2	0.2812	0.225	0.35	0.2812	0.250	0.233	0.010	Aluminium	A2 s/s
P0191.312-AL-A2	0.3125	0.280	0.39	0.3125	0.281	0.255	0.010	Aluminium	A2 s/s
P0191.343-AL-A2	0.3437	0.307	0.43	0.3437	0.312	0.275	0.010	Aluminium	A2 s/s
P0191.406-AL-A2	0.4062	0.365	0.52	0.4062	0.375	0.308	0.010	Aluminium	A2 s/s



Expansion Sealing Plugs - Inch

Inch - standard

Blanking Plugs



P0192

BLANKING PLUGS

Material

Plug body: case hardened steel (zinc-plated), stainless steel (A2, AISI 303 & A4 AISI 316) or aluminium (2024-T4).

Ball: heat-treated bearing steel or stainless steel (A2, AISI 303 & A4 AISI 316).

Technical Notes

These high pressure sealing plugs are used to blank off externally drilled holes for air

and gas.

No need for tapping, reaming, machining of O-ring grooves or the use of tapes or sealants.

Ensure the ball is fully seated before applying pressure.

Dimensions in inches.

Tips

Working pressure up to 450 bar (dependent

on body material and material into which installed).

Please consult technical pages for installation instructions and performance data.

Important Notes

Please refer to technical pages for product installation details.

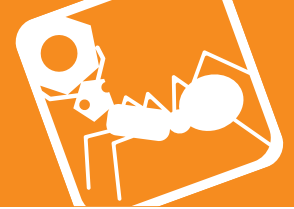
Order No.	d ₁	l ₁	l ₂	d ₂ +0.004 -0.000	d ₃ max.	l ₃ min.	x +0.0 -0.010	Body	Ball
P0192.156-ZP-BS	0.1562	0.157	0.21	0.1562	0.130	0.150	0.010	Steel ZP	Steel
P0192.187-ZP-BS	0.1875	0.216	0.28	0.1875	0.160	0.209	0.010	Steel ZP	Steel
P0192.218-ZP-BS	0.2187	0.220	0.28	0.2187	0.190	0.208	0.010	Steel ZP	Steel
P0192.250-ZP-BS	0.2500	0.256	0.34	0.2500	0.220	0.248	0.010	Steel ZP	Steel
P0192.281-ZP-BS	0.2812	0.295	0.40	0.2812	0.250	0.287	0.010	Steel ZP	Steel
P0192.312-ZP-BS	0.3125	0.334	0.46	0.3125	0.281	0.327	0.010	Steel ZP	Steel
P0192.343-ZP-BS	0.3437	0.394	0.53	0.3437	0.312	0.385	0.010	Steel ZP	Steel
P0192.375-ZP-BS	0.3750	0.433	0.60	0.3750	0.343	0.425	0.010	Steel ZP	Steel
P0192.406-ZP-BS	0.4062	0.437	0.59	0.4062	0.375	0.425	0.010	Steel ZP	Steel
P0192.437-ZP-BS	0.4375	0.515	0.68	0.4375	0.406	0.503	0.010	Steel ZP	Steel
P0192.468-ZP-BS	0.4687	0.512	0.71	0.4687	0.437	0.504	0.010	Steel ZP	Steel
P0192.156-A2-BS	0.1562	0.157	0.21	0.1562	0.130	0.150	0.010	A2 s/s	Steel
P0192.187-A2-BS	0.1875	0.216	0.28	0.1875	0.160	0.209	0.010	A2 s/s	Steel
P0192.218-A2-BS	0.2187	0.220	0.28	0.2187	0.190	0.208	0.010	A2 s/s	Steel
P0192.250-A2-BS	0.2500	0.256	0.34	0.2500	0.220	0.248	0.010	A2 s/s	Steel
P0192.281-A2-BS	0.2812	0.295	0.40	0.2812	0.250	0.287	0.010	A2 s/s	Steel
P0192.312-A2-BS	0.3125	0.334	0.46	0.3125	0.281	0.327	0.010	A2 s/s	Steel
P0192.343-A2-BS	0.3437	0.394	0.53	0.3437	0.312	0.385	0.010	A2 s/s	Steel
P0192.375-A2-BS	0.3750	0.433	0.60	0.3750	0.343	0.425	0.010	A2 s/s	Steel
P0192.406-A2-BS	0.4062	0.437	0.59	0.4062	0.375	0.425	0.010	A2 s/s	Steel
P0192.437-A2-BS	0.4375	0.515	0.68	0.4375	0.406	0.503	0.010	A2 s/s	Steel
P0192.468-A2-BS	0.4687	0.512	0.71	0.4687	0.437	0.504	0.010	A2 s/s	Steel
P0192.156-A2-A2	0.1562	0.157	0.21	0.1562	0.130	0.150	0.010	A2 s/s	A2 s/s
P0192.187-A2-A2	0.1875	0.216	0.28	0.1875	0.160	0.209	0.010	A2 s/s	A2 s/s
P0192.218-A2-A2	0.2187	0.220	0.28	0.2187	0.190	0.208	0.010	A2 s/s	A2 s/s
P0192.250-A2-A2	0.2500	0.256	0.34	0.2500	0.220	0.248	0.010	A2 s/s	A2 s/s
P0192.281-A2-A2	0.2812	0.295	0.40	0.2812	0.250	0.287	0.010	A2 s/s	A2 s/s
P0192.312-A2-A2	0.3125	0.334	0.46	0.3125	0.281	0.327	0.010	A2 s/s	A2 s/s



Blanking Plugs

Expansion Sealing Plugs - Inch

Inch - standard



BLANKING PLUGS

Order No.	d ₁	l ₁	l ₂	d ₂ +0.004 -0.000	d ₃ max.	l ₃ min.	x +0.0 -0.010	Body	Ball
P0192.343-A2-A2	0.3437	0.394	0.53	0.3437	0.312	0.385	0.010	A2 s/s	A2 s/s
P0192.375-A2-A2	0.3750	0.433	0.60	0.3750	0.343	0.425	0.010	A2 s/s	A2 s/s
P0192.406-A2-A2	0.4062	0.437	0.59	0.4062	0.375	0.425	0.010	A2 s/s	A2 s/s
P0192.437-A2-A2	0.4375	0.515	0.68	0.4375	0.406	0.503	0.010	A2 s/s	A2 s/s
P0192.468-A2-A2	0.4687	0.512	0.71	0.4687	0.437	0.504	0.010	A2 s/s	A2 s/s
P0192.156-A4-A4	0.1562	0.157	0.21	0.1562	0.130	0.150	0.010	A4 s/s	A4 s/s
P0192.187-A4-A4	0.1875	0.216	0.28	0.1875	0.160	0.209	0.010	A4 s/s	A4 s/s
P0192.218-A4-A4	0.2187	0.220	0.28	0.2187	0.190	0.208	0.010	A4 s/s	A4 s/s
P0192.250-A4-A4	0.2500	0.256	0.34	0.2500	0.220	0.248	0.010	A4 s/s	A4 s/s
P0192.281-A4-A4	0.2812	0.295	0.40	0.2812	0.250	0.287	0.010	A4 s/s	A4 s/s
P0192.312-A4-A4	0.3125	0.334	0.46	0.3125	0.281	0.327	0.010	A4 s/s	A4 s/s
P0192.343-A4-A4	0.3437	0.394	0.53	0.3437	0.312	0.385	0.010	A4 s/s	A4 s/s
P0192.406-A4-A4	0.4062	0.437	0.59	0.4062	0.375	0.425	0.010	A4 s/s	A4 s/s
P0192.437-A4-A4	0.4375	0.515	0.68	0.4375	0.406	0.503	0.010	A4 s/s	A4 s/s
P0192.468-A4-A4	0.4687	0.512	0.71	0.4687	0.437	0.504	0.010	A4 s/s	A4 s/s
P0192.156-AL-A2	0.1562	0.157	0.21	0.1562	0.130	0.150	0.010	Aluminium	A2 s/s
P0192.187-AL-A2	0.1875	0.216	0.28	0.1875	0.160	0.209	0.010	Aluminium	A2 s/s
P0192.218-AL-A2	0.2187	0.220	0.28	0.2187	0.190	0.208	0.010	Aluminium	A2 s/s
P0192.250-AL-A2	0.2500	0.256	0.34	0.2500	0.220	0.248	0.010	Aluminium	A2 s/s
P0192.281-AL-A2	0.2812	0.295	0.40	0.2812	0.250	0.287	0.010	Aluminium	A2 s/s
P0192.312-AL-A2	0.3125	0.334	0.46	0.3125	0.281	0.327	0.010	Aluminium	A2 s/s
P0192.343-AL-A2	0.3437	0.394	0.53	0.3437	0.312	0.385	0.010	Aluminium	A2 s/s
P0192.375-AL-A2	0.3750	0.433	0.60	0.3750	0.343	0.425	0.010	Aluminium	A2 s/s
P0192.406-AL-A2	0.4062	0.437	0.59	0.4062	0.375	0.425	0.010	Aluminium	A2 s/s
P0192.437-AL-A2	0.4375	0.515	0.68	0.4375	0.406	0.503	0.010	Aluminium	A2 s/s
P0192.468-AL-A2	0.4687	0.512	0.71	0.4687	0.437	0.504	0.010	Aluminium	A2 s/s

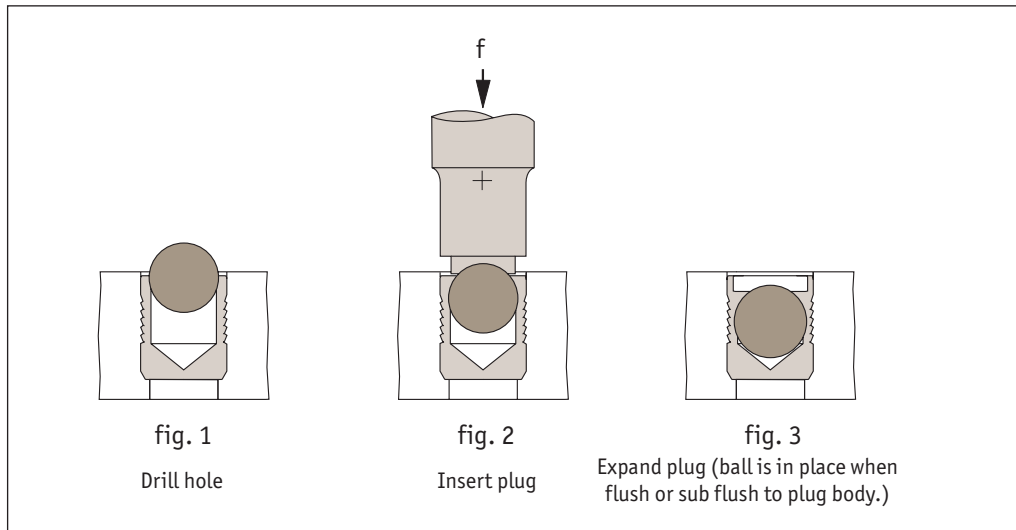


Why use an Expansion Sealing Plug?

Hydraulic and pneumatic components and systems are often cross-drilled to provide the correct channels for air and gas. Some of these channels have to be drilled from the outside and later need to be closed off (plugged).

The expansion sealing plugs are inserted into a drilled hole and the expander ball is driven into the plug sleeve. The independent grooved sealing rings on the plug ball are driven into the housing material to permanently plug and seal the hole. The ball is retained in place.

No need for tapping or reaming, no machining of O ring grooves or the use of tapes or sealants. To seal a hole, follow this procedure:



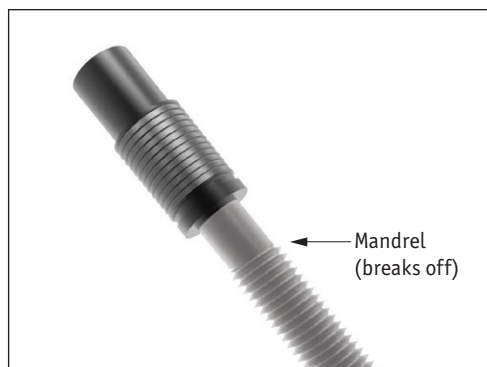
Applications

Some of the typical applications for our sealing screws include:

- Pneumatics
- Hydraulics
- Fluid Power
- Automation
- Industrial
- Aerospace
- Valves
- Regulators
- Cylinders



“Standard” Expansion sealing plugs - push the ball which expands the sleeve and seals the channel.



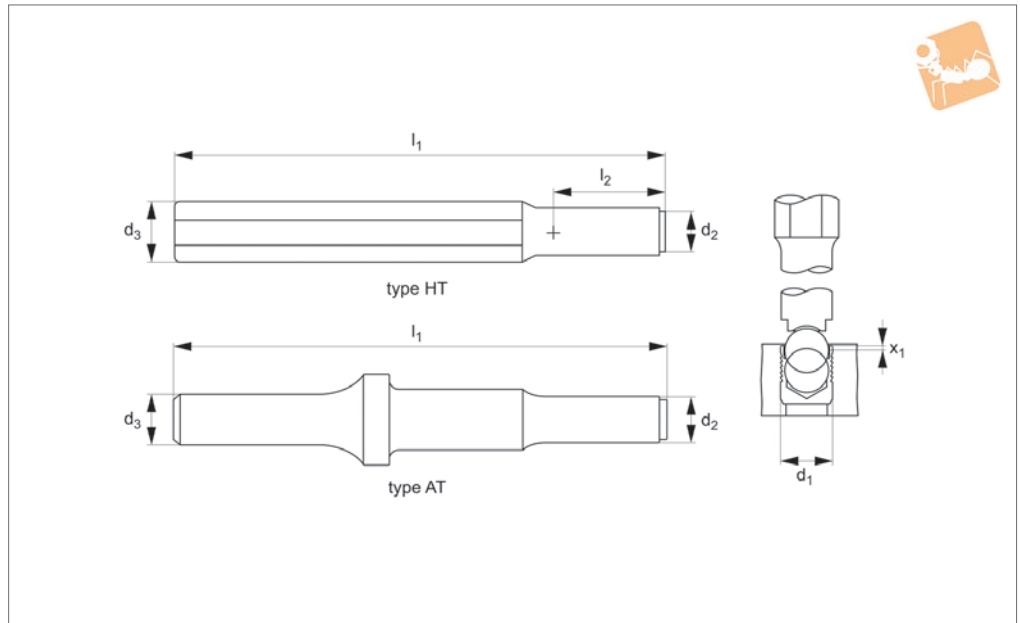
“Pull” Expansion sealing plugs. Pulling on the mandrel expands the sleeve, sealing the channel. At a predetermined force the mandrel breaks off.

Sealing Plugs from Automation Components

BLANKING PLUGS



P0193



Material

Tool steel, heat-treated.

Technical Notes

Please consult technical pages for installa-

tion instructions and performance data.

Hand tool version and air tool (for multiple installations).

Ensure the ball is fully seated before

applying pressure.

Tips

Metric dimensions in mm.

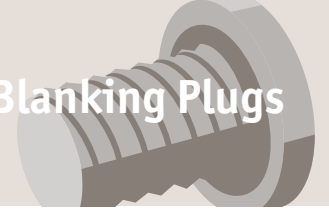
Inch dimensions in inches.

Order No.	d ₁	d ₂	d ₃	l ₁	l ₂	x ±0.2	Type
P0193.030-HT	3.0	2.8	9.53	127	10	0.4	Hand
P0193.040-HT	4.0	3.8	9.53	127	10	0.2	Hand
P0193.050-HT	5.0	4.7	9.53	127	12	0.4	Hand
P0193.060-HT	6.0	5.8	9.53	127	15	0.4	Hand
P0193.070-HT	7.0	6.8	9.53	127	18	0.4	Hand
P0193.080-HT	8.0	7.8	9.53	127	20	0.3	Hand
P0193.090-HT	9.0	8.7	15.88	127	22	0.4	Hand
P0193.100-HT	10.0	9.8	15.88	127	25	0.4	Hand
P0193.120-HT	12.0	11.7	15.88	127	30	0.4	Hand
P0193.140-HT	14.0	13.7	19.05	127	35	0.4	Hand
P0193.160-HT	16.0	15.7	19.05	127	40	0.6	Hand
P0193.180-HT	18.0	17.7	19.05	127	45	0.6	Hand
P0193.200-HT	20.0	19.7	25.40	127	50	0.8	Hand
P0193.220-HT	22.0	21.7	25.40	127	55	0.8	Hand
P0193.093-HT	0,093"	0,082"	0,394"	3,94"	0,137"	0,010"	Hand
P0193.125-HT	0,125"	0,117"	0,394"	3,94"	0,137"	0,010"	Hand
P0193.156-HT	0,156"	0,148"	0,394"	3,94"	0,137"	0,010"	Hand
P0193.187-HT	0,187"	0,180"	0,394"	3,94"	0,137"	0,010"	Hand
P0193.218-HT	0,218"	0,211"	0,394"	3,94"	0,400"	0,010"	Hand
P0193.250-HT	0,250"	0,242"	0,394"	3,94"	0,400"	0,010"	Hand
P0193.281-HT	0,281"	0,273"	0,394"	3,94"	0,400"	0,010"	Hand
P0193.030-AT	3.0	2.8	10.19	100	0.4	0.4	Air
P0193.040-AT	4.0	3.8	10.19	100	0.2	0.2	Air
P0193.050-AT	5.0	4.7	10.19	100	0.4	0.4	Air
P0193.060-AT	6.0	5.8	10.19	100	0.4	0.4	Air
P0193.070-AT	7.0	6.8	10.19	100	0.4	0.4	Air
P0193.080-AT	8.0	7.8	10.19	100	0.3	0.3	Air
P0193.090-AT	9.0	8.7	10.19	100	0.4	0.4	Air
P0193.100-AT	10.0	9.8	10.19	100	0.4	0.4	Air
P0193.120-AT	12.0	11.7	10.19	100	0.4	0.4	Air
P0193.140-AT	14.0	13.7	10.19	100	0.4	0.4	Air
P0193.160-AT	16.0	15.7	10.19	100	0.6	0.6	Air
P0193.180-AT	18.0	17.7	10.19	100	0.6	0.6	Air
P0193.200-AT	20.0	19.7	10.19	100	0.8	0.8	Air



Setting Tool for Sealing Plugs for expansion plugs

Blanking Plugs

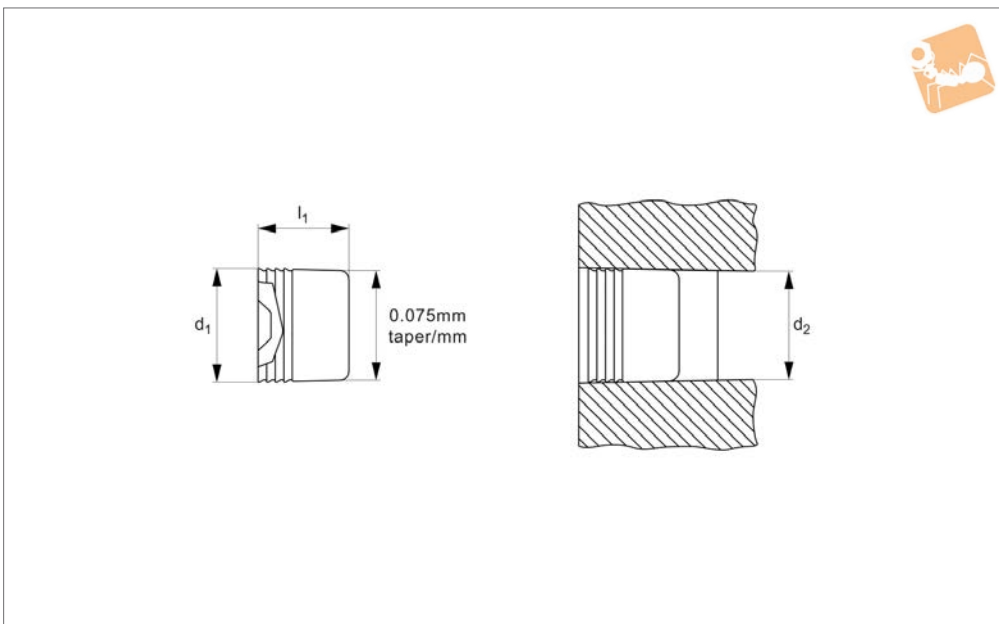


Order No.	d ₁	d ₂	d ₃	l ₁	l ₂	x ±0.2	Type
P0193.220-AT	22.0	21.7	10.19	100	0.8	0.8	Air

BLANKING PLUGS



P0194



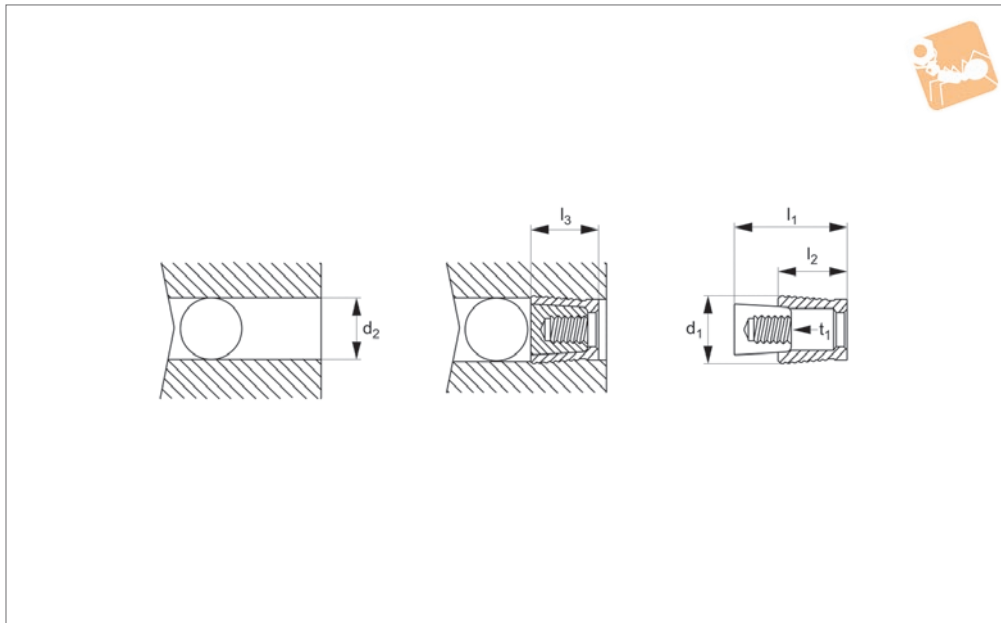
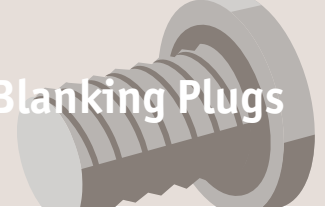
Material
Aluminium (6061).

a 0.075mm/mm taper over their length.
Burst pressure 35 bar (500 psi).

Technical Notes

These are high pressure sealing plugs with

Order No.	d_1	d_2 max.	l_1	Size
P0194.070	7.01	6.50	5.5	7
P0194.090	9.01	8.38	5.5	9
P0194.110	11.03	10.39	5.5	11
P0194.130	13.03	12.40	5.5	13
P0194.160	16.08	15.39	5.5	16



P0195

BLANKING PLUGS

Material

Sleeve: case-hardened steel, black oxide finish.
Pin: heat-treatable steel, black oxide finish.

to blank off externally drilled holes for air and gas.
No need for tapping, reaming, machining of O-ring grooves or the use of tapes or sealants.

product installation details.

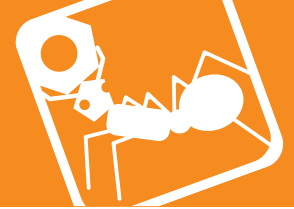
Technical Notes

These high pressure sealing plugs are used

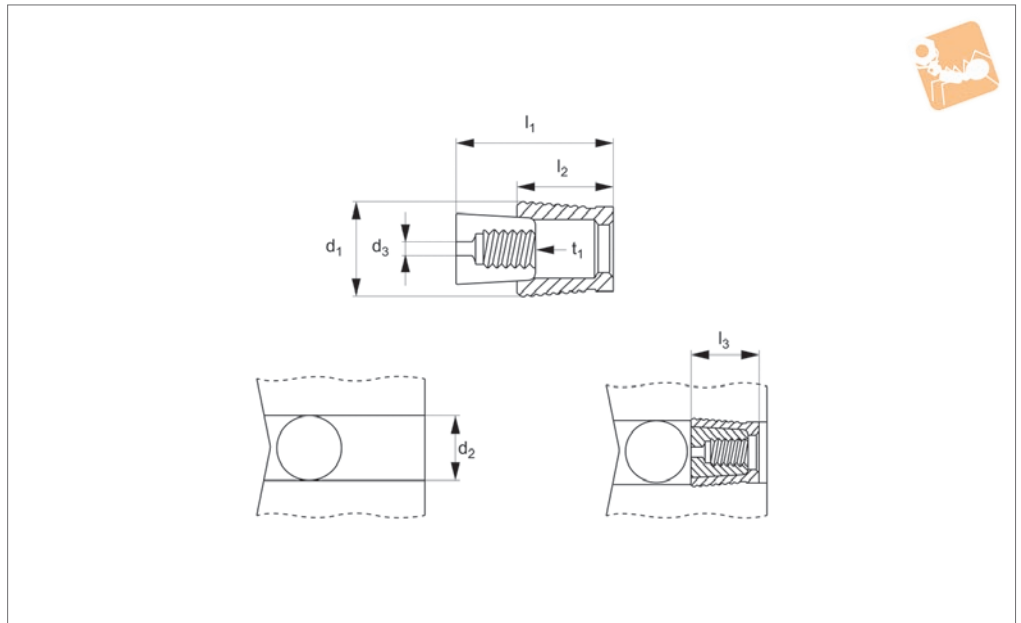
Important Notes

Please refer to technical pages for

Order No.	d ₁	d ₂ +0.1 -0.0	l ₁	l ₂	l ₃	t ₁
P0195.070	7.0	7.0	13.0	7.5	8.0	4-40 UNC
P0195.080	8.0	8.0	14.0	8.5	9.0	6-32 UNC
P0195.090	9.0	9.0	16.0	9.5	10.0	8-32 UNC
P0195.100	10.0	10.0	18.0	10.5	11.0	10-32 UNC
P0195.120	12.0	12.0	21.0	12.5	13.0	10-32 UNC
P0195.140	14.0	14.0	25.0	14.5	15.0	1/4-20 UNC
P0195.160	16.0	16.0	28.0	16.5	17.0	1/4-20 UNC
P0195.180	18.0	18.0	31.5	18.5	19.0	5/16-18 UNC
P0195.200	20.0	20.0	35.0	20.5	21.0	3/8-16 UNC
P0195.220	22.0	22.0	38.5	22.5	23.0	3/8-16 UNC



P0196



Material

Sleeve: case-hardened steel, black oxide finish.
 Pin: heat-treatable steel, black oxide finish.

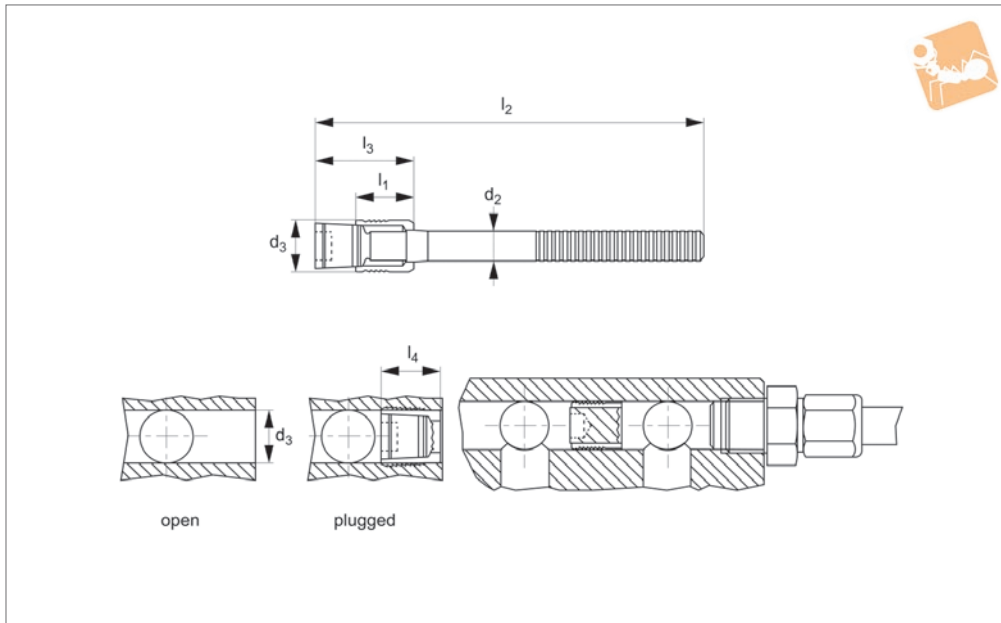
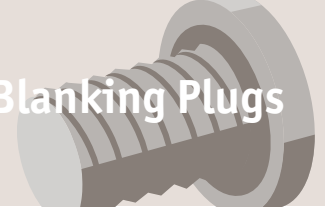
Technical Notes

Select the bore size and d_3 required (in inches).
 eg. P0196.070-030 is a 7mm pull plug restrictor with 0.030" orifice.

Important Notes

Please refer to technical pages for product installation details.

Order No.	d_1	d_2 +0.1 -0.0	d_3 inch	l_1	l_2	l_3	t_1
P0196.070-xxx	7.0	7.0	0,012-0,13	13.0	7.5	8.0	4-40 UNC
P0196.080-xxx	8.0	8.0	0,012-0,15	14.0	8.5	9.0	6-32 UNC
P0196.090-xxx	9.0	9.0	0,012-0,17	16.0	9.5	10.0	8-32 UNC
P0196.100-xxx	10.0	10.0	0,012-0,20	18.0	10.5	11.0	10-32 UNC
P0196.120-xxx	12.0	12.0	0,012-0,24	21.0	12.5	13.0	10-32 UNC
P0196.140-xxx	14.0	14.0	0,12-0,28	25.0	14.5	15.0	1/4-20 UNC
P0196.160-xxx	16.0	16.0	0,012-0,30	28.0	16.5	17.0	1/4-20 UNC
P0196.180-xxx	18.0	18.0	0,012-0,35	31.5	18.5	19.0	5/16-18 UNC
P0196.200-xxx	20.0	20.0	0,012-0,40	35.0	20.5	21.0	3/8-16 UNC
P0196.220-xxx	22.0	22.0	0,012-0,43	38.5	22.5	23.0	3/8-16 UNC



P0197

BLANKING PLUGS

Material

Sleeve: case-hardened steel, black oxide finish.

Mandrel: heat-treated steel, black oxide finish.

Technical Notes

These high pressure sealing plugs are used to blank off externally drilled holes for air and gas.

No need for tapping, reaming, machining

of O-ring grooves or the use of tapes or sealants.

Short version - with short mandrel.

Long version - with long mandrel.

Tips

Working pressure up to 450 bar (dependent on body material and material into which installed).

Pulling on the mandrel forces the plug insert into the plug body, expanding the

body out to grip on the channel walls.

At a set pressure the mandrel then breaks off and is removed with the plug remaining firmly set inside the bore.

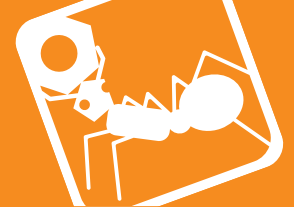
Important Notes

Please refer to technical pages for product installation details.

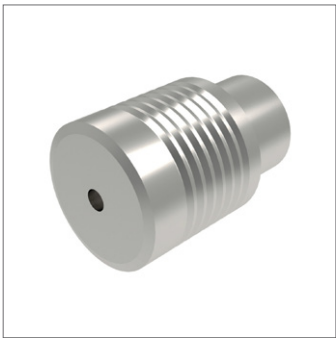
Order No.	d ₁	d ₂	d ₃ +0.12 -0.0	l ₁	l ₂	l ₃ max.	l ₄ max.	Type
P0197.040-S	4.0	2.50	4.0	4.0	39	9.0	6.5	Short
P0197.050-S	5.0	3.00	5.0	5.5	41	10.0	7.5	Short
P0197.060-S	6.0	3.40	6.0	6.5	43	12.0	8.0	Short
P0197.070-S	7.0	4.10	7.0	7.5	38	14.0	9.0	Short
P0197.080-S	8.0	4.20	8.0	8.5	40	15.0	10.5	Short
P0197.090-S	9.0	4.50	9.0	9.5	43	17.0	11.0	Short



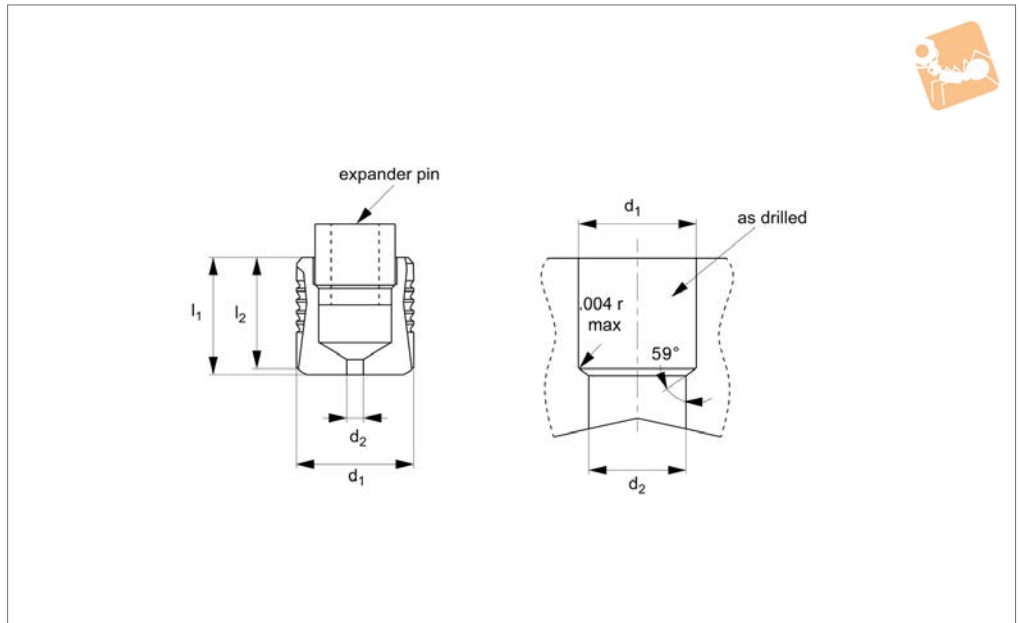
Expansion Restrictors



BLANKING PLUGS



P0198



Material

A2 Stainless steel.
Calibrated hole diameter (d_2).

Technical Notes

For restricting flow.
Select size required then add -xxx which

indicated reduced hole diameter (d_2), eg P0198.090-015 indicated a 9mm bore size with a 0.015" orifice.

Tips

Metric dimensions in mm.
Imperial dimensions in inches. (Length

Tolerance $\pm 0,006$)

Important Notes

Please refer to technical pages for product installation details.

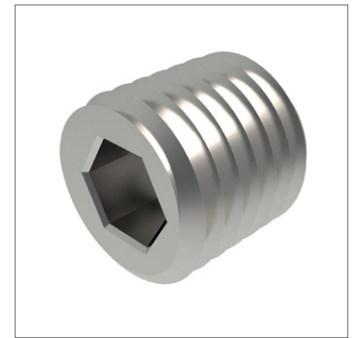
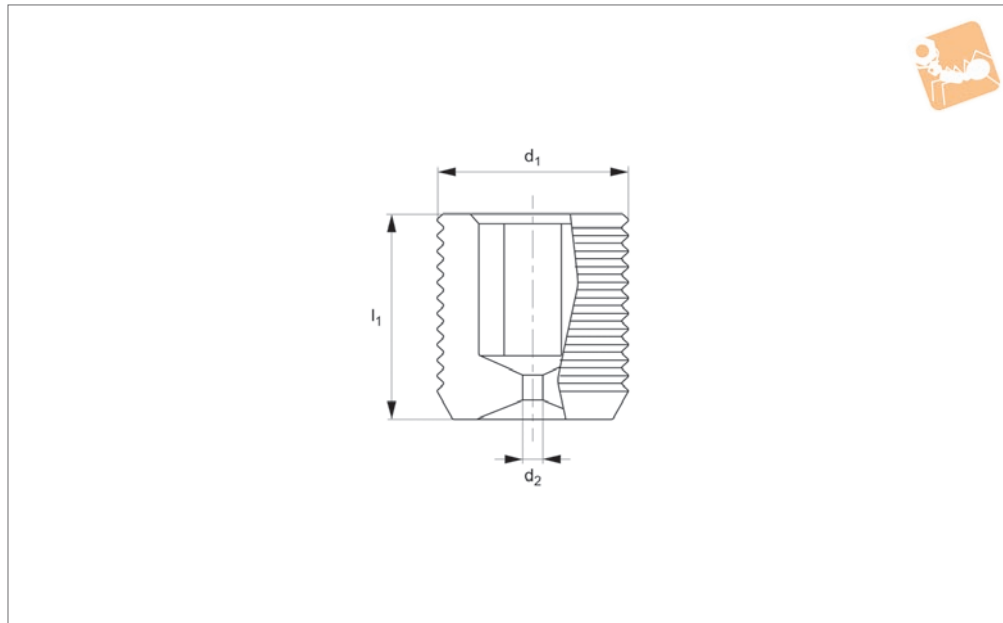
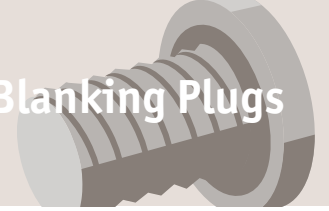
Order No.	d_1 +0	d_2 $\pm 0,001$	d_3 $\pm 0,010$	d_4 max.	l_1 $\pm 0,010$	l_2 $\pm 0,010$	l_3 min.
P0198.040-XXX	4,00 -0,030	0,012-0,015"	4,00	3,3	4,0	3,7	3,8
P0198.050-xxx	5,00 -0,030	0,012-0,075"	5,00	4,3	5,0	5,2	5,3
P0198.060-XXX	6,00 -0,030	0,012-0,100"	6,00	5,3	6,0	6,2	6,3
P0198.070-XXX	7,00 -0,036	0,012-0,130"	7,00	6,2	7,0	7,2	7,3
P0198.080-XXX	8,00 -0,036	0,012-0,150"	8,00	7,2	8,0	8,2	8,3
P0198.090-xxx	9,00 -0,036	0,012-0,170"	9,00	8,2	9,0	9,70	9,8
P0198.100-xxx	10,00 -0,036	0,012-0,195"	10,00	9,2	10,0	10,70	10,8
P0198.120-xxx	12,00 -0,043	0,012-0,240"	12,00	11,0	12,0	12,70	12,8
P0198.140-XXX	14,00 -0,043	0,012-0,280"	14,00	13,0	14,0	14,40	14,5
P0198i.156-xxx	0,1562 -0,0012"	0,012-0,050"	0,1562"	0,130"	0,161"	0,149"	0,149"
P0198i.187-xxx	0,1875 -0,0012"	0,012-0,070"	0,1875"	0,160"	0,220"	0,208"	0,208"
P0198i.218-xxx	0,2187 -0,0012"	0,012-0,085"	0,2187"	0,190"	0,220"	0,208"	0,208"
P0198i.250-xxx	0,2500 -0,0012"	0,012-0,105"	0,2500"	0,220"	0,259"	0,247"	0,247"
P0198i.281-xxx	0,2817 -0,0014"	0,012-0,130"	0,2812"	0,250"	0,299"	0,287"	0,287"
P0198i.312-xxx	0,3125 -0,0014"	0,012-0,150"	0,3125"	0,281"	0,338"	0,326"	0,326"
P0198i.343-xxx	0,3437 -0,0014"	0,012-0,160"	0,3437"	0,312"	0,397"	0,385"	0,385"
P0198i.375-xxx	0,3750 -0,0014"	0,012-0,180"	0,3750"	0,343"	0,397"	0,385"	0,385"
P0198i.406-xxx	0,4062 -0,0014"	0,012-0,195"	0,4062"	0,375"	0,437"	0,425"	0,425"
P0198i.437-xxx	0,4375 -0,0014"	0,012-0,220"	0,4375"	0,406"	0,515"	0,503"	0,503"
P0198i.468-xxx	0,4687 -0,0017"	0,012-0,240"	0,4687"	0,437"	0,515"	0,503"	0,503"
P0198i.562-xxx	0,5625 -0,0017"	0,012-0,290"	0,5625"	0,510"	0,594"	0,570"	0,570"



Metric Threaded Restrictors

Stainless Steel

Blanking Plugs



P0199

BLANKING PLUGS

Material

A2 stainless steel

Technical Notes

For restricting flow.

Select size required then add -xxx which indicated reduced hole diameter (d_2), eg P0199.080-0150 A2 indicated a 8mm bore size with a 0.38 orifice.

Important Notes

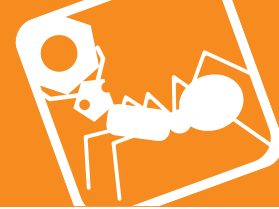
Please refer to technical pages for product installation details.

Order No.	d_1	d_1 nom.	d_2	l_1	A/F
P0199.040-003-A2	M 4x0,7	4	0.30	4	2
P0199.040-004-A2	M 4x0,7	4	0.38	4	2
P0199.040-005-A2	M 4x0,7	4	0.51	4	2
P0199.040-006-A2	M 4x0,7	4	0.61	4	2
P0199.040-007-A2	M 4x0,7	4	0.71	4	2
P0199.040-008-A2	M 4x0,7	4	0.81	4	2
P0199.040-009-A2	M 4x0,7	4	0.89	4	2
P0199.050-003-A2	M 5x0,8	5	0.30	5	2.5
P0199.050-004-A2	M 5x0,8	5	0.38	5	2.5
P0199.050-005-A2	M 5x0,8	5	0.51	5	2.5
P0199.050-006-A2	M 5x0,8	5	0.61	5	2.5
P0199.050-007-A2	M 5x0,8	5	0.71	5	2.5
P0199.050-008-A2	M 5x0,8	5	0.81	5	2.5
P0199.050-009-A2	M 5x0,8	5	0.89	5	2.5
P0199.050-010-A2	M 5x0,8	5	1.02	5	2.5
P0199.050-011-A2	M 5x0,8	5	1.12	5	2.5
P0199.050-012-A2	M 5x0,8	5	1.22	5	2.5
P0199.050-013-A2	M 5x0,8	5	1.27	5	2.5
P0199.050-014-A2	M 5x0,8	5	1.40	5	2.5
P0199.060-003-A2	M 6x1,0	6	0.30	6	3
P0199.060-004-A2	M 6x1,0	6	0.38	6	3
P0199.060-005-A2	M 6x1,0	6	0.51	6	3
P0199.060-006-A2	M 6x1,0	6	0.61	6	3
P0199.060-007-A2	M 6x1,0	6	0.71	6	3
P0199.060-008-A2	M 6x1,0	6	0.81	6	3
P0199.060-009-A2	M 6x1,0	6	0.89	6	3
P0199.060-010-A2	M 6x1,0	6	1.02	6	3
P0199.060-011-A2	M 6x1,0	6	1.12	6	3
P0199.060-012-A2	M 6x1,0	6	1.22	6	3
P0199.060-013-A2	M 6x1,0	6	1.27	6	3
P0199.060-014-A2	M 6x1,0	6	1.40	6	3
P0199.060-015-A2	M 6x1,0	6	1.50	6	3
P0199.060-016-A2	M 6x1,0	6	1.60	6	3
P0199.060-017-A2	M 6x1,0	6	1.70	6	3



Metric Threaded Restrictors

Stainless Steel



BLANKING PLUGS

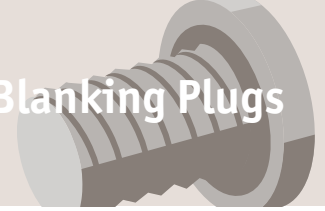
Order No.	d ₁	d ₁ nom.	d ₂	l ₁	A/F
P0199.060-018-A2	M 6x1,0	6	1.80	6	3
P0199.060-019-A2	M 6x1,0	6	1.91	6	3
P0199.080-003-A2	M 8x1,25	8	0.30	8	4
P0199.080-004-A2	M 8x1,25	8	0.38	8	4
P0199.080-005-A2	M 8x1,25	8	0.51	8	4
P0199.080-006-A2	M 8x1,25	8	0.61	8	4
P0199.080-007-A2	M 8x1,25	8	0.71	8	4
P0199.080-008-A2	M 8x1,25	8	0.81	8	4
P0199.080-009-A2	M 8x1,25	8	0.89	8	4
P0199.080-010-A2	M 8x1,25	8	1.02	8	4
P0199.080-011-A2	M 8x1,25	8	1.12	8	4
P0199.080-012-A2	M 8x1,25	8	1.22	8	4
P0199.080-013-A2	M 8x1,25	8	1.27	8	4
P0199.080-014-A2	M 8x1,25	8	1.40	8	4
P0199.080-015-A2	M 8x1,25	8	1.50	8	4
P0199.080-016-A2	M 8x1,25	8	1.60	8	4
P0199.080-017-A2	M 8x1,25	8	1.70	8	4
P0199.080-018-A2	M 8x1,25	8	1.80	8	4
P0199.080-019-A2	M 8x1,25	8	1.91	8	4
P0199.080-020-A2	M 8x1,25	8	1.98	8	4
P0199.080-021-A2	M 8x1,25	8	2.08	8	4
P0199.080-022-A2	M 8x1,25	8	2.16	8	4
P0199.080-023-A2	M 8x1,25	8	2.29	8	4
P0199.080-024-A2	M 8x1,25	8	2.41	8	4
P0199.080-025-A2	M 8x1,25	8	2.54	8	4
P0199.080-026-A2	M 8x1,25	8	2.59	8	4
P0199.080-027-A2	M 8x1,25	8	2.69	8	4
P0199.080-028-A2	M 8x1,25	8	2.79	8	4
P0199.080-029-A2	M 8x1,25	8	2.92	8	4
P0199.100-003-A2	M10x1,5	10	0.30	10	5
P0199.100-004-A2	M10x1,5	10	0.38	10	5
P0199.100-005-A2	M10x1,5	10	0.51	10	5
P0199.100-006-A2	M10x1,5	10	0.61	10	5
P0199.100-007-A2	M10x1,5	10	0.71	10	5
P0199.100-008-A2	M10x1,5	10	0.81	10	5
P0199.100-009-A2	M10x1,5	10	0.89	10	5
P0199.100-010-A2	M10x1,5	10	1.02	10	5
P0199.100-011-A2	M10x1,5	10	1.12	10	5
P0199.100-012-A2	M10x1,5	10	1.22	10	5
P0199.100-013-A2	M10x1,5	10	1.27	10	5
P0199.100-014-A2	M10x1,5	10	1.40	10	5
P0199.100-015-A2	M10x1,5	10	1.50	10	5
P0199.100-016-A2	M10x1,5	10	1.60	10	5
P0199.100-017-A2	M10x1,5	10	1.70	10	5
P0199.100-018-A2	M10x1,5	10	1.80	10	5
P0199.100-019-A2	M10x1,5	10	1.91	10	5
P0199.100-020-A2	M10x1,5	10	1.98	10	5
P0199.100-021-A2	M10x1,5	10	2.08	10	5
P0199.100-022-A2	M10x1,5	10	2.16	10	5
P0199.100-023-A2	M10x1,5	10	2.29	10	5
P0199.100-024-A2	M10x1,5	10	2.41	10	5
P0199.100-025-A2	M10x1,5	10	2.54	10	5
P0199.100-026-A2	M10x1,5	10	2.59	10	5
P0199.100-027-A2	M10x1,5	10	2.69	10	5
P0199.100-028-A2	M10x1,5	10	2.79	10	5
P0199.100-029-A2	M10x1,5	10	2.92	10	5
P0199.100-030-A2	M10x1,5	10	3.00	10	5
P0199.100-031-A2	M10x1,5	10	3.10	10	5
P0199.100-032-A2	M10x1,5	10	3.18	10	5
P0199.100-033-A2	M10x1,5	10	3.30	10	5
P0199.100-034-A2	M10x1,5	10	3.43	10	5
P0199.100-035-A2	M10x1,5	10	3.51	10	5
P0199.100-036-A2	M10x1,5	10	3.58	10	5
P0199.100-037-A2	M10x1,5	10	3.68	10	5
P0199.100-038-A2	M10x1,5	10	3.81	10	5
P0199.100-039-A2	M10x1,5	10	3.91	10	5
P0199.120-003-A2	M12x1,75	12	0.30	12	6
P0199.120-004-A2	M12x1,75	12	0.38	12	6



Metric Threaded Restrictors

Stainless Steel

Blanking Plugs



Order No.	d ₁	d ₁ nom.	d ₂	l ₁	A/F
P0199.120-005-A2	M12x1,75	12	0.51	12	6
P0199.120-006-A2	M12x1,75	12	0.61	12	6
P0199.120-007-A2	M12x1,75	12	0.71	12	6
P0199.120-008-A2	M12x1,75	12	0.81	12	6
P0199.120-009-A2	M12x1,75	12	0.89	12	6
P0199.120-010-A2	M12x1,75	12	1.02	12	6
P0199.120-011-A2	M12x1,75	12	1.12	12	6
P0199.120-012-A2	M12x1,75	12	1.22	12	6
P0199.120-013-A2	M12x1,75	12	1.27	12	6
P0199.120-014-A2	M12x1,75	12	1.40	12	6
P0199.120-015-A2	M12x1,75	12	1.50	12	6
P0199.120-016-A2	M12x1,75	12	1.60	12	6
P0199.120-017-A2	M12x1,75	12	1.70	12	6
P0199.120-018-A2	M12x1,75	12	1.80	12	6
P0199.120-019-A2	M12x1,75	12	1.91	12	6
P0199.120-020-A2	M12x1,75	12	1.98	12	6
P0199.120-021-A2	M12x1,75	12	2.08	12	6
P0199.120-022-A2	M12x1,75	12	2.16	12	6
P0199.120-023-A2	M12x1,75	12	2.29	12	6
P0199.120-024-A2	M12x1,75	12	2.41	12	6
P0199.120-025-A2	M12x1,75	12	2.54	12	6
P0199.120-026-A2	M12x1,75	12	2.59	12	6
P0199.120-027-A2	M12x1,75	12	2.69	12	6
P0199.120-028-A2	M12x1,75	12	2.79	12	6
P0199.120-029-A2	M12x1,75	12	2.92	12	6
P0199.120-030-A2	M12x1,75	12	3.00	12	6
P0199.120-031-A2	M12x1,75	12	3.10	12	6
P0199.120-032-A2	M12x1,75	12	3.18	12	6
P0199.120-033-A2	M12x1,75	12	3.30	12	6
P0199.120-034-A2	M12x1,75	12	3.43	12	6
P0199.120-035-A2	M12x1,75	12	3.51	12	6
P0199.120-036-A2	M12x1,75	12	3.58	12	6
P0199.120-037-A2	M12x1,75	12	3.68	12	6
P0199.120-038-A2	M12x1,75	12	3.81	12	6
P0199.120-039-A2	M12x1,75	12	3.91	12	6
P0199.120-040-A2	M12x1,75	12	4.01	12	6
P0199.120-041-A2	M12x1,75	12	4.11	12	6
P0199.120-042-A2	M12x1,75	12	4.19	12	6
P0199.120-043-A2	M12x1,75	12	4.32	12	6
P0199.120-044-A2	M12x1,75	12	4.42	12	6
P0199.120-045-A2	M12x1,75	12	4.50	12	6
P0199.120-046-A2	M12x1,75	12	4.60	12	6
P0199.120-047-A2	M12x1,75	12	4.70	12	6
P0199.120-048-A2	M12x1,75	12	4.83	12	6
P0199.120-049-A2	M12x1,75	12	4.90	12	6
P0199.120-050-A2	M12x1,75	12	4.95	12	6

BLANKING PLUGS



Hole Preparation

Refer to the data sheet for the correct hole size to drill for the counterbored and drilled hole size and tolerance. Hole concentricity must be held within 0,05mm.

Bore roughness must be between Rz (RMS) 10-30µ (especially for hard materials).

Avoid spiral or longitudinal grooves as these may affect plug performance. Ensure the holes are clean and dirt free.

Installation

Insert the plug into the counterbored hole with the ball facing outwards, seated against the counterbore shoulder.

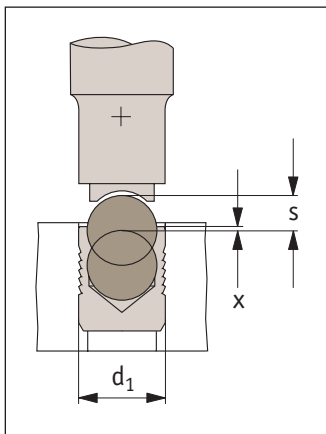
Press the ball into the sleeve so that the top of the ball is slightly below the top of the sleeve (note approximate values for x and s in table below):

d_1	3	4	5	6	7	8	9	10	12	14	16	18	20	22
Stroke - s	1.2	1.5	2.0	2.5	3.0	3.5	4.0	4.5	5.5	6.35	7.0	8.0	9.0	10.0
Top of ball relative to top of sleeve - x ±0.2	0.4	0.2	0.4	0.4	0.4	0.3	0.4	0.4	0.4	0.4	0.6	0.6	0.8	0.8

Use the correct installation tool for each plug size. The plugs can be installed using a hammer and the installation tool. An air hammer with the correct air hammer installation tool can also be used.

Minimum wall thickness and distance from an edge

The radial expansion of the plug causes the housing material around the plug to deform plastically. Therefore a proper minimum wall thickness or distance from an edge is necessary to optimise the strength of the mechanical connection. The operating hydraulic pressure, thermal cycling, plug type and characteristics of the base metal also need to be considered – please consult our technical department.

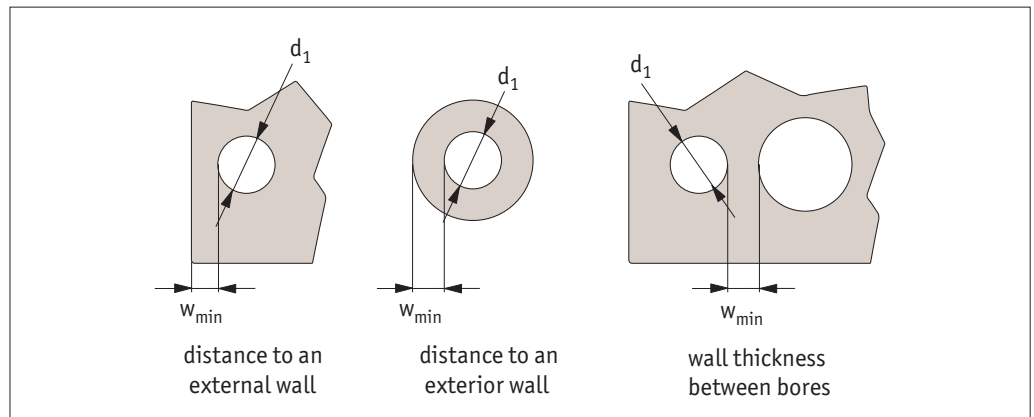


$d_1 \geq 4\text{mm}$

$W_{\min} = f_{\min} \times d_1$

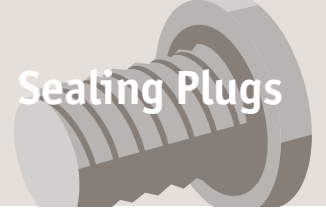
$d_1 < 4\text{mm}$

$W_{\min} = (f_{\min} \times d_1) + 0.5\text{mm}$



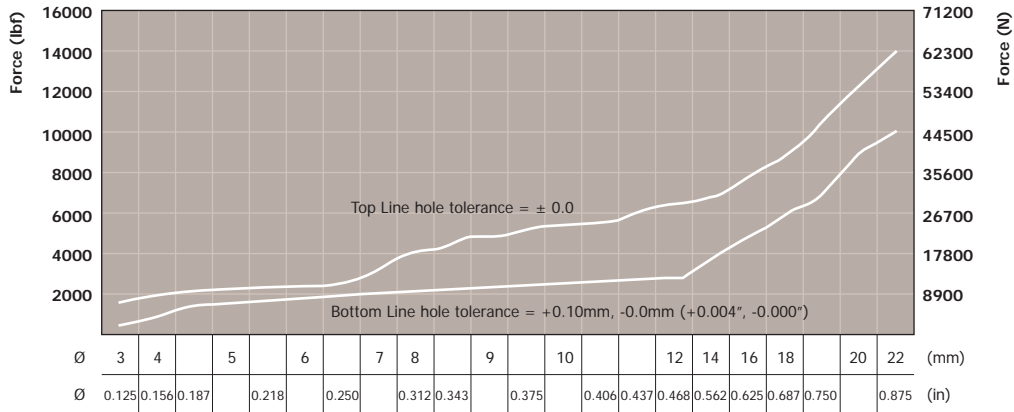
The guidelines for minimum wall thickness or distance from and edge (W_{\min}) are shown below – these minimum values produce only a very slight deformation on the exterior profile (less than 20 microns).

Sealing Plug type	Base Metal						
	Steel (SAE 1144)	Steel (SAE 10L15)	Cast Iron (ASTM A48)	Ductile Iron (ASTM A356)	Aluminium (2024-T4)	Aluminium (6061-T6)	Cast Aluminium (356-T6)
	Factor f_{\min}						
Steel body	0.5	0.6	1.0	0.6	0.6	1.0	1.0
Stainless Body	0.6	0.8	1.0	0.8	0.8	1.0	1.0
Pull PLUGs	0.5	0.6	1.0	0.6	0.6	1.0	1.0



Installation Forces Guidelines

The values offered are to be used as a guideline. The base metal chosen for your specific application, the surface treatment, hole size and surface finish all affect the seal performance. Please contact our Technical Department for more information.



Installation Forces:

Pressure Performance Guidelines

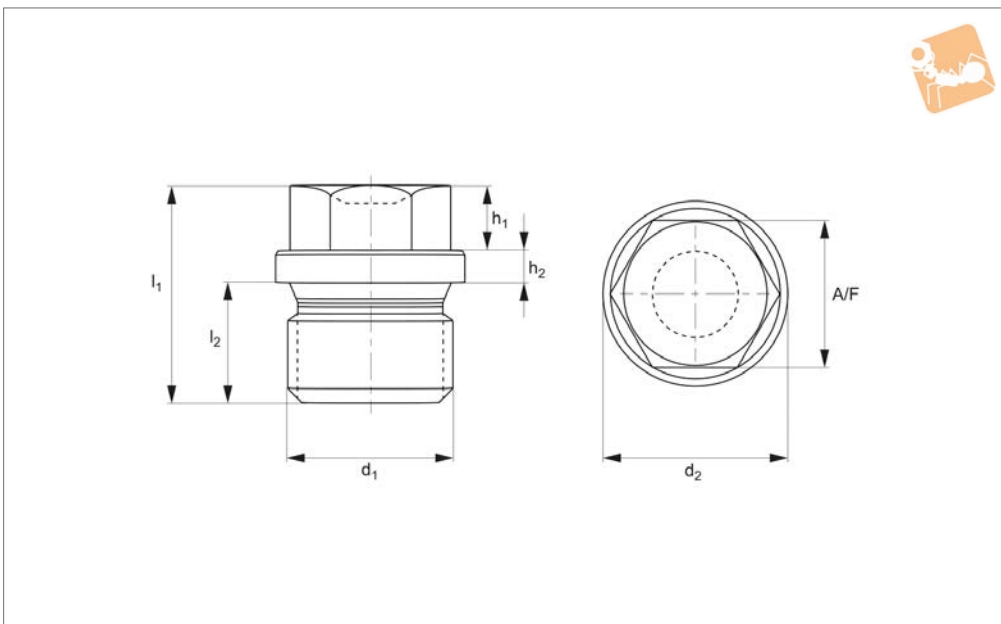
	Steel (Case-hardened) Plug Body	
	Ø 3-10	Ø 12-32
Steel (SAE 1144)	350 bar working pressure 1,100 bar proof pressure	380 bar working pressure 900 bar proof pressure
Steel (SAE 10L15)		
Cast Iron (ASTM A48)		
Ductile Iron (ASTM A356)		
Aluminium (2024-T4)	310 bar working pressure 1,000 bar proof pressure	240 bar working pressure 800 bar proof pressure
Aluminium (6061-T6)		
Cast Aluminium (356-T6)		

	Stainless Steel (300 Series) Plug Body	
	Ø 3-10	Ø 12-32
Steel (SAE 1144)	450 bar working pressure 1,300 bar proof pressure	450 bar working pressure 1,100 bar proof pressure
Steel (SAE 10L15)		
Cast Iron (ASTM A48)		
Ductile Iron (ASTM A356)		
Aluminium (2024-T4)	380 bar working pressure 1,200 bar proof pressure	280 bar working pressure 900 bar proof pressure
Aluminium (6061-T6)		
Cast Aluminium (356-T6)		

	Aluminium (2024-T4) Plug Body	
	Ø 3-10	Ø 12-32
Steel (SAE 1144)	450 bar working pressure 1,300 bar proof pressure	350 bar working pressure 1,100 bar proof pressure
Steel (SAE 10L15)		
Cast Iron (ASTM A48)		
Ductile Iron (ASTM A356)		
Aluminium (2024-T4)	380 bar working pressure 1,200 bar proof pressure	280 bar working pressure 900 bar proof pressure
Aluminium (6061-T6)		
Cast Aluminium (356-T6)		



P0182



Material

Steel (self-colour & zinc-plated), stainless steel (A2 & A4), and brass.

are fine threads.

Inch threads beginning with „G“ indicate BSPP (British Standard Pipe Parallel threads ISO 228).

pressure, temperature, and material pairing

Also available on request with O rings (NBR, Viton, EPDM, Silicone etc), permanent magnet, and polyamide melt seal under head.

Technical Notes

To DIN 910. Most metric screw plug threads

Tips

Tightening torque is dependent on fluid,

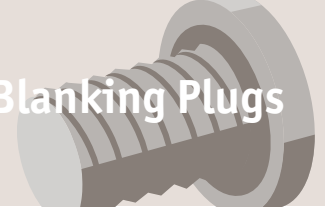
Order No.	d ₁ x p	d ₂ tol. h14	h ₁	h ₂	l ₁	l ₂ ±0.2	A/F	Material
P0182.100-100-SC	M10 x1,0	14	6	3	17	8	10	Steel SC
P0182.080-100-SC	M 8 x1,0	14	6	3	17	8	10	Steel SC
P0182.120-150-SC	M12 x1,5	17	6	3	21	12	13	Steel SC
P0182.140-150-SC	M14 x1,5	19	6	3	21	12	13	Steel SC
P0182.160-150-SC	M16 x1,5	21	6	3	21	12	17	Steel SC
P0182.180-150-SC	M18 x1,5	23	8	4	24	12	17	Steel SC
P0182.200-150-SC	M20 x1,5	25	8	4	26	14	19	Steel SC
P0182.220-150-SC	M22 x1,5	27	8	4	26	14	19	Steel SC
P0182.240-150-SC	M24 x1,5	29	9	4	27	14	22	Steel SC
P0182.260-150-SC	M26 x1,5	31	10	4	30	16	24	Steel SC
P0182.270-200-SC	M27 x2,0	32	10	4	30	16	24	Steel SC
P0182.300-150-SC	M30 x1,5	36	11	5	30	16	24	Steel SC
P0182.300-200-SC	M30 x2,0	36	11	5	32	16	24	Steel SC
P0182.330-200-SC	M33 x2,0	39	11	5	32	16	27	Steel SC
P0182.360-150-SC	M36 x1,5	42	11	5	32	16	27	Steel SC
P0182.360-200-SC	M36 x2,0	42	11	5	32	16	27	Steel SC
P0182.380-150-SC	M38 x1,5	44	11	5	32	16	27	Steel SC
P0182.390-200-SC	M39 x2	44	11	5	32	16	27	Steel SC
P0182.420-150-SC	M42 x1,5	49	12	5	33	16	30	Steel SC
P0182.420-200-SC	M42 x2,0	49	12	5	33	16	30	Steel SC
P0182.450-150-SC	M45 x1,5	52	12	5	33	16	30	Steel SC
P0182.450-200-SC	M45 x2	52	12	5	33	16	30	Steel SC
P0182.480-150-SC	M48 x1,5	52	12	5	33	16	30	Steel SC
P0182.480-200-SC	M48 x2,0	55	12	5	33	16	30	Steel SC
P0182.520-200-SC	M52 x2,0	60	12	5	33	16	30	Steel SC
P0182.520-150-SC	M52 x1,5	60	12	5	33	16	30	Steel SC
P0182.560-200-SC	M56 x2,0	64	12	5	40	20	36	Steel SC
P0182.600-200-SC	M60 x2,0	72	15	5	40	20	36	Steel SC
P0182.640-200-SC	M64 x2,0	72	15	5	40	20	36	Steel SC
P0182.G1/8-SC	G1/8"	14	6	3	17	8	10	Steel SC
P0182.G1/4-SC	G1/4"	18	6	3	21	12	13	Steel SC



Blanking Plugs Heavy Duty

metric & BSPP

Blanking Plugs



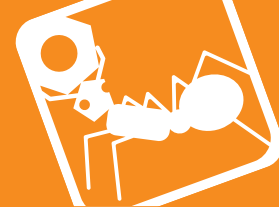
BLANKING PLUGS

Order No.	d ₁ x p	d ₂ tol. h14	h ₁	h ₂	l ₁	l ₂ ±0.2	A/F	Material
P0182.G1/4x8-SC	G1/4"x8	18	6	3	21	12	13	Steel SC
P0182.G3/8-SC	G3/8"	22	6	3	21	12	17	Steel SC
P0182.G3/8x8-SC	G3/8"x8	22	6	3	17	8	17	Steel SC
P0182.G1/2-SC	G1/2"	26	8	4	26	14	19	Steel SC
P0182.G1/1x10-SC	G1/1"x10	26	8	4	22	10	19	Steel SC
P0182.G1/2x10-SC	G1/2"x10	26	8	4	22	10	19	Steel SC
P0182.G3/4-SC	G3/4"	32	10	4	30	16	24	Steel SC
P0182.G3/4x12-SC	G3/4"x12	32	10	4	26	12	24	Steel SC
P0182.G5/8-SC	G5/8"	28	10	4	30	16	24	Steel SC
P0182.G1-SC	G1"	39	11	5	32	16	27	Steel SC
P0182.G1-1/8-SC	G1-1/8"	44	11	5	32	16	27	Steel SC
P0182.G1-1/4-SC	G1-1/4"	49	12	5	33	16	30	Steel SC
P0182.G1-1/2-SC	G1-1/2"	55	12	5	33	16	30	Steel SC
P0182.G1-3/4-SC	G1-3/4"	62	10	4	40	20	24	Steel SC
P0182.G2-SC	G2"	68	15	5	40	20	36	Steel SC
P0182.G2-1/2-SC	G2-1/2"	85	15	5	40	20	36	Steel SC
P0182.G3-SC	G3	85	15	5	40	20	36	Steel SC
P0182.080-100-ZP	M 8 x1,0	14	6	3	17	8	10	Steel ZP
P0182.100-100-ZP	M10 x1,0	14	6	3	17	8	10	Steel ZP
P0182.120-100-ZP	M12 x1	17	6	3	21	12	13	Steel ZP
P0182.120-150-ZP	M12 x1,5	17	6	3	21	12	13	Steel ZP
P0182.140-150-ZP	M14 x1,5	19	6	3	21	12	13	Steel ZP
P0182.160-150-ZP	M16 x1,5	21	6	3	21	12	17	Steel ZP
P0182.180-150-ZP	M18 x1,5	23	8	4	24	12	17	Steel ZP
P0182.200-150-ZP	M20 x1,5	25	8	4	26	14	19	Steel ZP
P0182.220-150-ZP	M22 x1,5	27	8	4	26	14	19	Steel ZP
P0182.240-150-ZP	M24 x1,5	29	9	4	27	14	22	Steel ZP
P0182.260-150-ZP	M26 x1,5	31	10	4	30	16	24	Steel ZP
P0182.270-200-ZP	M27 x2,0	32	10	4	30	16	24	Steel ZP
P0182.300-150-ZP	M30 x1,5	36	11	5	30	16	24	Steel ZP
P0182.300-200-ZP	M30 x2,0	36	11	5	32	16	24	Steel ZP
P0182.330-200-ZP	M33 x2,0	39	11	5	32	16	27	Steel ZP
P0182.360-150-ZP	M36 x1,5	42	11	5	32	16	27	Steel ZP
P0182.360-200-ZP	M36 x2,0	42	11	5	32	16	27	Steel ZP
P0182.380-150-ZP	M38 x1,5	42	11	5	32	16	27	Steel ZP
P0182.390-200-ZP	M39 x2,0	42	11	5	32	16	27	Steel ZP
P0182.450-200-ZP	M45 x2,0	42	11	5	32	16	27	Steel ZP
P0182.480-150-ZP	M48 x1,5	42	11	5	32	16	27	Steel ZP
P0182.520-200-ZP	M52 x2,0	42	11	5	32	16	27	Steel ZP
P0182.G1/8-ZP	G1/8"	14	6	3	17	8	10	Steel ZP
P0182.G1/4-ZP	G1/4"	18	6	3	21	12	13	Steel ZP
P0182.G1/4x8-ZP	G1/4"x8	18	6	3	21	12	13	Steel ZP
P0182.G3/8-ZP	G3/8"	22	6	3	21	12	17	Steel ZP
P0182.G3/8x8-ZP	G3/8"x8	22	6	3	17	8	17	Steel ZP
P0182.G1/2-ZP	G1/2"	26	8	4	26	14	19	Steel ZP
P0182.G1/1x10-ZP	G1/1"x10	26	8	4	22	10	19	Steel ZP
P0182.G1/2x10-ZP	G1/2"x10	26	8	4	22	10	19	Steel ZP
P0182.G5/8-ZP	G5/8"	28	10	4	30	16	24	Steel ZP
P0182.G3/4-ZP	G3/4"	32	10	4	30	16	24	Steel ZP
P0182.G3/4x12-ZP	G3/4"x12	32	10	4	26	12	24	Steel ZP
P0182.G7/8-ZP	G7/8	32	10	4	26	12	24	Steel ZP
P0182.G1-ZP	G1"	39	11	5	32	16	27	Steel ZP
P0182.G1-1/8-ZP	G1-1/8"	44	11	5	32	16	27	Steel ZP
P0182.G1-1/4-ZP	G1-1/4"	49	12	5	33	16	30	Steel ZP
P0182.G1-1/2-ZP	G1-1/2"	55	12	5	33	16	30	Steel ZP
P0182.G1-3/4-ZP	G1-3/4"	55	12	5	33	16	30	Steel ZP
P0182.G2-ZP	G2	55	12	5	33	16	30	Steel ZP
P0182.G2-1/2-ZP	G2-1/2	55	12	5	33	16	30	Steel ZP
P0182.G3-ZP	G3	55	12	5	33	16	30	Steel ZP
P0182.G1/8-A4	G1/8"	14	6	3	17	8	10	A4 s/s
P0182.G1/4-A4	G1/4"	18	6	3	21	12	13	A4 s/s
P0182.G1/4x8-A4	G1/4"x8	18	6	3	21	12	13	A4 s/s
P0182.G3/8-A4	G3/8"	22	6	3	21	12	17	A4 s/s
P0182.G3/8x8-A4	G3/8"x8	22	6	3	17	8	17	A4 s/s
P0182.G1/2-A4	G1/2"	26	8	4	26	14	19	A4 s/s
P0182.G1/2x10-A4	G1/2"x10	26	8	4	22	10	19	A4 s/s
P0182.G5/8-A4	G5/8"	28	10	4	30	16	24	A4 s/s
P0182.G3/4-A4	G3/4"	32	10	4	30	16	24	A4 s/s



Blanking Plugs

Blanking Plugs Heavy Duty metric & BSPP



BLANKING PLUGS

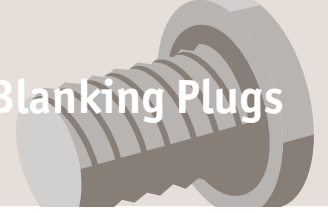
Order No.	d ₁ x p	d ₂ tol. h14	h ₁	h ₂	l ₁	l ₂ ±0.2	A/F	Material
P0182.G3/4x12-A4	G3/4"x12	32	10	4	26	12	24	A4 s/s
P0182.G7/8-A4	G7/8	32	10	4	26	12	24	A4 s/s
P0182.G1-A4	G1"	39	11	5	32	16	27	A4 s/s
P0182.G1-1/8-A4	G1-1/8"	44	11	5	32	16	27	A4 s/s
P0182.G1-1/4-A4	G1-1/4"	49	12	5	33	16	30	A4 s/s
P0182.G1-1/2-A4	G1-1/2"	55	12	5	33	16	30	A4 s/s
P0182.G1-3/4-A4	G1-3/4	62	15	5	40	20	36	A4 s/s
P0182.G2-A4	G2"	68	15	5	40	20	36	A4 s/s
P0182.100-100-A4	M10 x1,0	14	6	3	17	8	10	A4 s/s
P0182.120-150-A4	M12 x1,5	17	6	3	21	12	13	A4 s/s
P0182.140-150-A4	M14 x1,5	19	6	3	21	12	13	A4 s/s
P0182.160-150-A4	M16 x1,5	21	6	3	21	12	17	A4 s/s
P0182.180-150-A4	M18 x1,5	23	8	4	24	12	17	A4 s/s
P0182.200-150-A4	M20 x1,5	25	8	4	26	14	19	A4 s/s
P0182.220-150-A4	M22 x1,5	27	8	4	26	14	19	A4 s/s
P0182.240-150-A4	M24 x1,5	29	9	4	27	14	22	A4 s/s
P0182.260-150-A4	M26 x1,5	31	10	4	30	16	24	A4 s/s
P0182.270-200-A4	M27 x2,0	32	10	4	30	16	24	A4 s/s
P0182.300-150-A4	M30 x1,5	36	11	5	30	16	24	A4 s/s
P0182.300-200-A4	M30 x2,0	36	11	5	32	16	24	A4 s/s
P0182.420-150-A4	M42 x1,5	36	11	5	32	16	24	A4 s/s
P0182.100-100-A2	M10 x1,0	14	6	3	17	8	10	A2 s/s
P0182.120-150-A2	M12 x1,5	17	6	3	21	12	13	A2 s/s
P0182.140-150-A2	M14 x1,5	19	6	3	21	12	13	A2 s/s
P0182.160-150-A2	M16 x1,5	21	6	3	21	12	17	A2 s/s
P0182.180-150-A2	M18 x1,5	23	8	4	24	12	17	A2 s/s
P0182.200-150-A2	M20 x1,5	25	8	4	26	14	19	A2 s/s
P0182.220-150-A2	M22 x1,5	27	8	4	26	14	19	A2 s/s
P0182.240-150-A2	M24 x1,5	29	9	4	27	14	22	A2 s/s
P0182.260-150-A2	M26 x1,5	31	10	4	30	16	24	A2 s/s
P0182.270-200-A2	M27 x2,0	32	10	4	30	16	24	A2 s/s
P0182.300-150-A2	M30 x1,5	36	11	5	30	16	24	A2 s/s
P0182.300-200-A2	M30 x2,0	36	11	5	32	16	24	A2 s/s
P0182.G1/8-A2	G1/8"	14	6	3	17	8	10	A2 s/s
P0182.G1/4-A2	G1/4"	18	6	3	21	12	13	A2 s/s
P0182.G3/8-A2	G3/8"	22	6	3	21	12	17	A2 s/s
P0182.G1/2-A2	G1/2"	26	8	4	26	14	19	A2 s/s
P0182.G5/8-A2	G5/8"	28	10	4	30	16	24	A2 s/s
P0182.G3/4-A2	G3/4"	32	10	4	30	16	24	A2 s/s
P0182.G1-A2	G1"	39	11	5	32	16	27	A2 s/s
P0182.G1-1/8-A2	G1-1/8"	44	11	5	32	16	27	A2 s/s
P0182.G1-1/4-A2	G1-1/4"	49	12	5	33	16	30	A2 s/s
P0182.G1-1/2-A2	G1-1/2"	55	12	5	33	16	30	A2 s/s
P0182.G1-3/4-A2	G1-3/4	62	15	5	40	20	36	A2 s/s
P0182.G2-A2	G2"	68	15	5	40	20	36	A2 s/s
P0182.080-100-BR	M 8 x1,0	14	6	3	17	8	10	Brass
P0182.100-100-BR	M10 x1,0	14	6	3	17	8	10	Brass
P0182.120-150-BR	M12 x1,5	17	6	3	21	12	13	Brass
P0182.140-150-BR	M14 x1,5	19	6	3	21	12	13	Brass
P0182.160-150-BR	M16 x1,5	21	6	3	21	12	17	Brass
P0182.180-150-BR	M18 x1,5	23	8	4	24	12	17	Brass
P0182.200-150-BR	M20 x1,5	25	8	4	26	14	19	Brass
P0182.220-150-BR	M22 x1,5	27	8	4	26	14	19	Brass
P0182.240-150-BR	M24 x1,5	29	9	4	27	14	22	Brass
P0182.260-150-BR	M26 x1,5	31	10	4	30	16	24	Brass
P0182.270-200-BR	M27 x2,0	32	10	4	30	16	24	Brass
P0182.300-150-BR	M30 x1,5	36	11	5	30	16	24	Brass
P0182.300-200-BR	M30 x2,0	36	11	5	32	16	24	Brass
P0182.330-200-BR	M33 x2,0	39	11	5	32	16	27	Brass
P0182.360-150-BR	M36 x1,5	42	11	5	32	16	27	Brass
P0182.360-200-BR	M36 x2	42	11	5	32	16	27	Brass
P0182.420-150-BR	M42 x1,5	49	12	5	33	16	30	Brass
P0182.G1/8-BR	G1/8"	14	6	3	17	8	10	Brass
P0182.G1/4-BR	G1/4"	18	6	3	21	12	13	Brass
P0182.G1/4x8-BR	G1/4"x8	18	6	3	21	12	13	Brass
P0182.G3/8-BR	G3/8"	22	6	3	21	12	17	Brass
P0182.G3/8x8-BR	G3/8"x8	22	6	3	17	8	17	Brass
P0182.G1/2-BR	G1/2"	26	8	4	26	14	19	Brass



Blanking Plugs Heavy Duty

metric & BSPP

Blanking Plugs



Order No.	d ₁ x p	d ₂ tol. h14	h ₁	h ₂	l ₁	l ₂ ±0.2	A/F	Material
P0182.G1/2x10-BR	G1/2"x10	26	8	4	22	10	19	Brass
P0182.G5/8-BR	G5/8"	28	10	4	30	16	24	Brass
P0182.G3/4-BR	G3/4"	32	10	4	30	16	24	Brass
P0182.G3/4X12-BR	G3/4"x12	32	10	4	26	12	24	Brass
P0182.G7/8-BR	G7/8"	32	10	4	26	12	24	Brass
P0182.G1-BR	G1"	39	11	5	32	16	27	Brass
P0182.G1-1/8-BR	G1-1/8"	44	11	5	32	16	27	Brass
P0182.G1-1/4-BR	G1-1/4"	49	12	5	33	16	30	Brass
P0182.G1-1/2-BR	G1-1/2"	55	12	5	33	16	30	Brass
P0182.G1-3/4-BR	G1-3/4"	62	15	5	40	20	36	Brass
P0182.G2-BR	G2"	68	15	5	40	20	36	Brass

BLANKING PLUGS

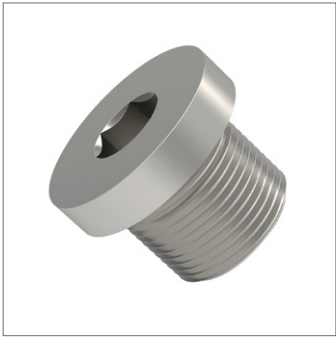


Blanking Plugs

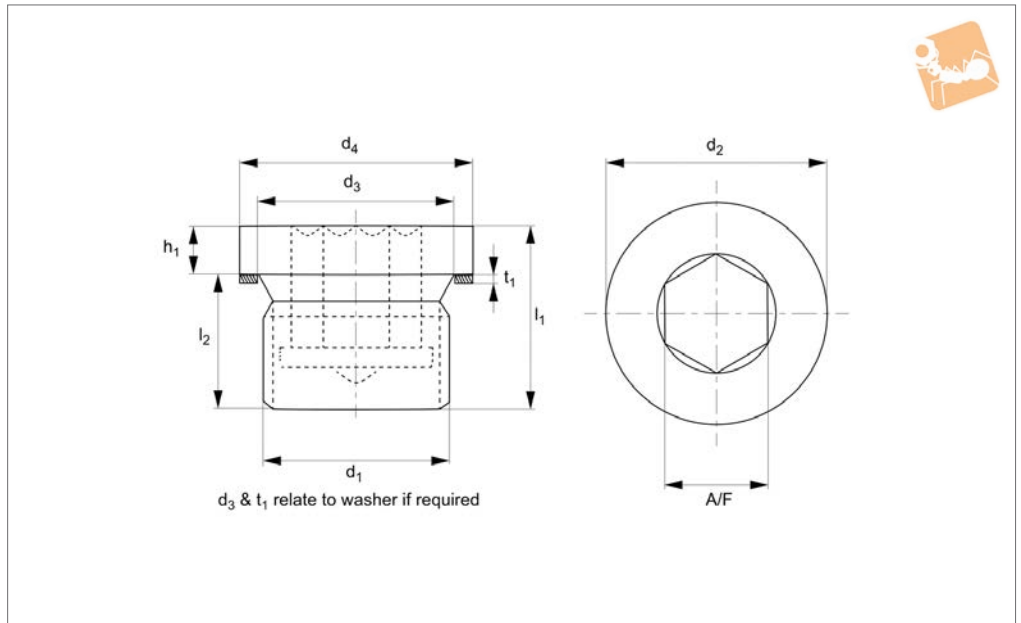
Blanking Plugs with Collar metric & BSPP



BLANKING PLUGS



P0183



Material

Steel (self-colour & zinc-plated, class 5.8), stainless steel (A2 & A4), and brass.

Technical Notes

To DIN 908. Most metric screw plug threads are fine threads.

Inch threads beginning with „G“ indicate BSPP (British Standard Pipe Parallel

threads ISO 228).

For sealing washers (copper to DIN 7603A see part no. P0334).

Tightening torque is dependent on fluid, pressure, temperature, and material pairing.

Tips

Also available on request with 0 rings

(NBR, Viton, EPDM, Silicone etc),

permanent magnet, and polyamide melt seal under head (PS).

ZP - Zinc Plated

A2 - A2 Stainless Steel

A4 - A4 Stainless Steel

BR - Brass

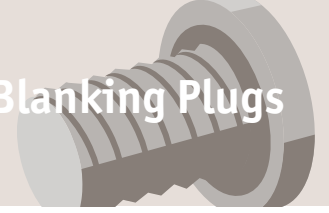
Order No.	d ₁ x p	d ₂ tol. h14	h ₁ ±0.5	d ₃	d ₄	l ₁	l ₂ ±0.2	t ₁	A/F	Material
P0183.080-100-ZP	M 8 x1,0	12	3	8.3	11.5	11	8	1.0	4	Zinc Plated
P0183.100-075-ZP	M10 x0,75	14	3	10.3	13.5	11	8	1.0	5	Zinc Plated
P0183.100-100-ZP	M10 x1,0	14	3	10.3	13.5	11	8	1.0	5	Zinc Plated
P0183.100-125-ZP	M10 x1,25	17	3	12.3	16.0	15	12	1.5	6	Zinc Plated
P0183.100-150-ZP	M10 x1,5	14	3	10.3	13.5	11	8	1.0	5	Zinc Plated
P0183.120-100-ZP	M12 x1	17	3	12.3	16.0	15	12	1.5	6	Zinc Plated
P0183.120-125-ZP	M12 x1,25	17	3	12.3	16.0	15	12	1.5	6	Zinc Plated
P0183.120-150-ZP	M12 x1,5	17	3	12.3	16.0	15	12	1.5	6	Zinc Plated
P0183.140-125-ZP	M14 x1,25	19	3	14.3	18.0	15	12	1.5	6	Zinc Plated
P0183.140-150-ZP	M14 x1,5	19	3	14.3	18.0	15	12	1.5	6	Zinc Plated
P0183.160-100-ZP	M16 x1	21	3	16.3	20.0	15	12	1.5	8	Zinc Plated
P0183.160-150-ZP	M16 x1,5	21	3	16.3	20.0	15	12	1.5	8	Zinc Plated
P0183.160-200-ZP	M16 x2	21	3	16.3	20.0	15	12	1.5	8	Zinc Plated
P0183.180-100-ZP	M18 x1	23	4	18.3	22.0	16	12	1.5	8	Zinc Plated
P0183.180-150-ZP	M18 x1,5	23	4	18.3	22.0	16	12	1.5	8	Zinc Plated
P0183.200-150-ZP	M20 x1,5	25	4	20.3	24.0	18	14	1.5	10	Zinc Plated
P0183.220-150-ZP	M22 x1,5	27	4	22.3	27.0	18	14	1.5	10	Zinc Plated
P0183.240-150-ZP	M24 x1,5	29	4	24.3	29.0	18	14	2.0	12	Zinc Plated
P0183.260-150-ZP	M26 x1,5	31	4	26.3	31.0	20	16	2.0	12	Zinc Plated
P0183.270-200-ZP	M27 x2,0	32	4	27.3	32.0	20	16	2.0	12	Zinc Plated
P0183.300-150-ZP	M30 x1,5	36	4	30.3	36.0	20	16	2.0	17	Zinc Plated
P0183.300-200-ZP	M30 x2,0	36	4	30.3	36.0	20	16	2.0	17	Zinc Plated
P0183.330-200-ZP	M33 x2,0	39	5	33.3	39.0	21	16	2.0	17	Zinc Plated
P0183.360-150-ZP	M36 x1,5	42	5	36.3	42.0	21	16	2.0	19	Zinc Plated
P0183.360-200-ZP	M36 x2	42	5	36.3	42.0	21	16	2.0	19	Zinc Plated
P0183.380-150-ZP	M38 x1,5	44	5	38.3	44.0	21	16	2.0	19	Zinc Plated
P0183.380-200-ZP	M38 x2	44	5	38.3	44.0	21	16	2.0	19	Zinc Plated
P0183.390-200-ZP	M32 x2	44	5	38.3	44.0	21	16	2.0	19	Zinc Plated
P0183.420-150-ZP	M42 x1,5	49	5	42.3	49.0	21	16	2.0	22	Zinc Plated



Blanking Plugs with Collar

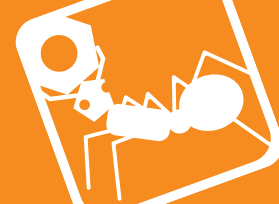
metric & BSPP

Blanking Plugs



Order No.	d ₁ x p	d ₂ tol. h14	h ₁ ±0.5	d ₃	d ₄	l ₁	l ₂ ±0.2	t ₁	A/F	Material
P0183.420-200-ZP	M42 x2,0	49	5	42.3	49.0	21	16	2.0	22	Zinc Plated
P0183.450-150-ZP	M45 x1,5	55	5	48.3	55.0	21	16	2.0	24	Zinc Plated
P0183.450-200-ZP	M45 x2	55	5	48.3	55.0	21	16	2.0	24	Zinc Plated
P0183.480-150-ZP	M48 x1,5	55	5	48.3	55.0	21	16	2.0	24	Zinc Plated
P0183.480-200-ZP	M48 x2,0	55	5	48.3	55.0	21	16	2.0	24	Zinc Plated
P0183.520-150-ZP	M52 x1,5	60	5	52.3	60.0	21	16	2.0	24	Zinc Plated
P0183.520-200-ZP	M52 x2	60	5	52.3	60.0	21	16	2.0	24	Zinc Plated
P0183.560-200-ZP	M56 x2,0	64	5	56.3	64.0	25	20	2.0	32	Zinc Plated
P0183.600-200-ZP	M60 x2,0	68	5	60.3	68.0	25	20	2.0	32	Zinc Plated
P0183.640-200-ZP	M64 x2,0	72	5	64.3	72.0	25	20	2.0	32	Zinc Plated
P0183.G1/8-ZP	G1/8"	14	3	10.0	13.5	11	8	1	5	Zinc Plated
P0183.G1/4-ZP	G1/4"	18	3	13.4	18.0	15	12	1.5	6	Zinc Plated
P0183.G3/8-ZP	G3/8"	22	3	17.0	21.0	15	12	1.5	8	Zinc Plated
P0183.G1/2-ZP	G1/2"	26	4	21.3	26.0	18	14	1.5	10	Zinc Plated
P0183.G5/8-ZP	G5/8"	28	4	24.0	28.0	18	14	1.5	12	Zinc Plated
P0183.G3/4-ZP	G3/4"	32	4	26.7	32.0	20	16	2	12	Zinc Plated
P0183.G7/8-ZP	G7/8"	36	4	29.4	36.0	20	16	2	12	Zinc Plated
P0183.G1-ZP	G1"	39	5	33.5	39.0	21	16	2	17	Zinc Plated
P0183.G1-1/8-ZP	G1-1/8"	44	5	36.2	44.0	21	16	2	19	Zinc Plated
P0183.G1-1/4-ZP	G1 1/4"	49	5	42.2	49.0	21	16	2	22	Zinc Plated
P0183.G1-1/2-ZP	G1-1/2"	55	5	48.1	55.0	21	16	2	24	Zinc Plated
P0183.G1-3/4-ZP	G1-3/4"	62	5	51.8	62.0	25	20	2	32	Zinc Plated
P0183.G2-ZP	G2"	68	5	54.5	68.0	25	20	2	32	Zinc Plated
P0183.G2-1/2-ZP	G2-1/2"	68	5	54.5	68.0	25	20	2	32	Zinc Plated
P0183.G3-ZP	G3"	68	5	54.5	68.0	25	20	2	32	Zinc Plated
P0183.080-100-SC	M 8 x1,0	12	3	8.3	11.5	11	8	1.0	4	Self Colour
P0183.100-075-SC	M10 x0,75	14	3	10.3	13.5	11	8	1.0	5	Self Colour
P0183.100-100-SC	M10 x1,0	14	3	10.3	13.5	11	8	1.0	5	Self Colour
P0183.100-125-SC	M10 x1,25	14	3	10.3	13.5	11	8	1.0	5	Self Colour
P0183.100-150-SC	M10 x1,5	14	3	10.3	13.5	11	8	1.0	5	Self Colour
P0183.120-100-SC	M12 x1	17	3	12.3	16.0	15	12	1.5	6	Self Colour
P0183.120-125-SC	M12 x1,25	17	3	12.3	16.0	15	12	1.5	6	Self Colour
P0183.120-150-SC	M12 x1,5	17	3	12.3	16.0	15	12	1.5	6	Self Colour
P0183.140-125-SC	M14 x1,25	19	3	14.3	18.0	15	12	1.5	6	Self Colour
P0183.140-150-SC	M14 x1,5	19	3	14.3	18.0	15	12	1.5	6	Self Colour
P0183.160-100-SC	M16 x1	21	3	16.3	20.0	15	12	1.5	8	Self Colour
P0183.160-150-SC	M16 x1,5	21	3	16.3	20.0	15	12	1.5	8	Self Colour
P0183.160-200-SC	M16 x2	21	3	16.3	20.0	15	12	1.5	8	Self Colour
P0183.180-150-SC	M18 x1,5	23	4	18.3	22.0	16	12	1.5	8	Self Colour
P0183.200-150-SC	M20 x1,5	25	4	20.3	24.0	18	14	1.5	10	Self Colour
P0183.220-150-SC	M22 x1,5	27	4	22.3	27.0	18	14	1.5	10	Self Colour
P0183.240-150-SC	M24 x1,5	29	4	24.3	29.0	18	14	2.0	12	Self Colour
P0183.260-150-SC	M26 x1,5	31	4	26.3	31.0	20	16	2.0	12	Self Colour
P0183.270-200-SC	M27 x2,0	32	4	27.3	32.0	20	16	2.0	12	Self Colour
P0183.300-150-SC	M30 x1,5	36	4	30.3	36.0	20	16	2.0	17	Self Colour
P0183.300-200-SC	M30 x2,0	36	4	30.3	36.0	20	16	2.0	17	Self Colour
P0183.330-150-SC	M33 x1,5	39	5	33.3	39.0	21	16	2.0	17	Self Colour
P0183.330-200-SC	M33 x2,0	39	5	33.3	39.0	21	16	2.0	17	Self Colour
P0183.360-150-SC	M36 x1,5	42	5	36.3	42.0	21	16	2.0	19	Self Colour
P0183.360-200-SC	M36 x2	42	5	36.3	42.0	21	16	2.0	19	Self Colour
P0183.380-150-SC	M38 x1,5	44	5	38.3	44.0	21	16	2.0	19	Self Colour
P0183.380-200-SC	M38 x2	44	5	38.3	44.0	21	16	2.0	19	Self Colour
P0183.390-200-SC	M39 x2	44	5	38.3	44.0	21	16	2.0	19	Self Colour
P0183.420-150-SC	M42 x1,5	49	5	42.3	49.0	21	16	2.0	22	Self Colour
P0183.420-200-SC	M42 x2,0	49	5	42.3	49.0	21	16	2.0	22	Self Colour
P0183.450-150-SC	M45 x1,5	49	5	42.3	49.0	21	16	2.0	22	Self Colour
P0183.450-200-SC	M45 x2	49	5	42.3	49.0	21	16	2.0	22	Self Colour
P0183.480-150-SC	M48 x1,5	55	5	48.3	55.0	21	16	2.0	24	Self Colour
P0183.480-200-SC	M48 x2,0	55	5	48.3	55.0	21	16	2.0	24	Self Colour
P0183.520-150-SC	M52 x1,5	60	5	52.3	60.0	21	16	2.0	24	Self Colour
P0183.520-200-SC	M52 x2	60	5	52.3	60.0	21	16	2.0	24	Self Colour
P0183.560-200-SC	M56 x2,0	64	5	56.3	64.0	25	20	2.0	32	Self Colour
P0183.600-200-SC	M60 x2,0	68	5	60.3	68.0	25	20	2.0	32	Self Colour
P0183.640-200-SC	M64 x2,0	72	5	64.3	72.0	25	20	2.0	32	Self Colour
P0183.G1/8-SC	G1/8"	14	3	10.0	13.5	11	8	1.0	5	Self Colour
P0183.G1/4-SC	G1/4"	18	3	13.4	18.0	15	12	1.5	6	Self Colour
P0183.G3/8-SC	G3/8"	22	3	17.0	21.0	15	12	1.5	8	Self Colour
P0183.G1/2-SC	G1/2"	26	4	21.3	26.0	18	14	1.5	10	Self Colour

BLANKING PLUGS



BLANKING PLUGS

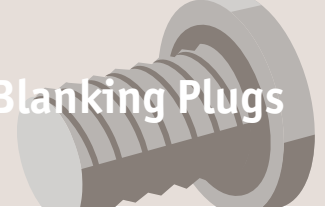
Order No.	d ₁ x p	d ₂ tol. h14	h ₁ ±0.5	d ₃	d ₄	l ₁	l ₂ ±0.2	t ₁	A/F	Material
P0183.G5/8-SC	G5/8"	28	4	24.0	28.0	18	14	1.5	12	Self Colour
P0183.G3/4-SC	G3/4"	32	4	26.7	32.0	20	16	2.0	12	Self Colour
P0183.G7/8-SC	G7/8"	36	4	29.4	36.0	20	16	2.0	12	Self Colour
P0183.G1-SC	G1"	39	5	33.5	39.0	21	16	2.0	17	Self Colour
P0183.G1-1/8-SC	G1-1/8"	44	5	36.2	44.0	21	16	2.0	19	Self Colour
P0183.G1-1/4-SC	G1 1/4"	49	5	42.2	49.0	21	16	2.0	22	Self Colour
P0183.G1-1/2-SC	G1-1/2"	55	5	48.1	55.0	21	16	2.0	24	Self Colour
P0183.G1-3/4-SC	G1-3/4"	62	5	51.8	62.0	25	20	2.0	32	Self Colour
P0183.G2-SC	G2"	68	5	54.5	68.0	25	20	2.0	32	Self Colour
P0183.080-100-A4	M 8 x1,0	12	3	8.3	11.5	11	8	1.0	4	A4 s/s
P0183.100-100-A4	M10 x1,0	14	3	10.3	13.5	11	8	1.0	5	A4 s/s
P0183.120-100-A4	M12 x1	17	3	12.3	16.0	15	12	1.5	6	A4 s/s
P0183.120-150-A4	M12 x1,5	17	3	12.3	16.0	15	12	1.5	6	A4 s/s
P0183.140-150-A4	M14 x1,5	19	3	14.3	18.0	15	12	1.5	6	A4 s/s
P0183.160-150-A4	M16 x1,5	21	3	16.3	20.0	15	12	1.5	8	A4 s/s
P0183.180-150-A4	M18 x1,5	23	4	18.3	22.0	16	12	1.5	8	A4 s/s
P0183.200-150-A4	M20 x1,5	25	4	20.3	24.0	18	14	1.5	10	A4 s/s
P0183.220-150-A4	M22 x1,5	27	4	22.3	27.0	18	14	1.5	10	A4 s/s
P0183.240-150-A4	M24 x1,5	29	4	24.3	29.0	18	14	2.0	12	A4 s/s
P0183.260-150-A4	M26 x1,5	31	4	26.3	31.0	20	16	2.0	12	A4 s/s
P0183.270-200-A4	M27 x2,0	32	4	27.3	32.0	20	16	2.0	12	A4 s/s
P0183.300-150-A4	M30 x1,5	36	4	30.3	36.0	20	16	2.0	17	A4 s/s
P0183.300-200-A4	M30 x2,0	36	4	30.3	36.0	20	16	2.0	17	A4 s/s
P0183.360-150-A4	M36 x1,5	36	4	30.3	36.0	20	16	2.0	17	A4 s/s
P0183.380-150-A4	M38 x1,5	36	4	30.3	36.0	20	16	2.0	17	A4 s/s
P0183.420-150-A4	M42 x1,5	36	4	30.3	36.0	20	16	2.0	17	A4 s/s
P0183.420-200-A4	M42 x2	36	4	30.3	36.0	20	16	2.0	17	A4 s/s
P0183.450-150-A4	M45 x1,5	36	4	30.3	36.0	20	16	2.0	17	A4 s/s
P0183.480-200-A4	M48 x2	36	4	30.3	36.0	20	16	2.0	17	A4 s/s
P0183.520-200-A4	M52 x2	36	4	30.3	36.0	20	16	2.0	17	A4 s/s
P0183.G1/8-A4	G1/8"	14	3	10.0	13.5	11	8	1.0	5	A4 s/s
P0183.G1/4-A4	G1/4"	18	3	13.4	18.0	15	12	1.5	6	A4 s/s
P0183.G3/8-A4	G3/8"	22	3	17.0	21.0	15	12	1.5	8	A4 s/s
P0183.G1/2-A4	G1/2"	26	4	21.3	26.0	18	14	1.5	10	A4 s/s
P0183.G5/8-A4	G5/8"	28	4	24.0	28.0	18	14	1.5	12	A4 s/s
P0183.G3/4-A4	G3/4"	32	4	26.7	32.0	20	16	2.0	12	A4 s/s
P0183.G7/8-A4	G7/8"	36	4	29.4	36.0	20	16	2.0	12	A4 s/s
P0183.G1-A4	G1"	39	5	33.5	39.0	21	16	2.0	17	A4 s/s
P0183.G1-1/8-A4	G1-1/8"	44	5	36.2	44.0	21	16	2.0	19	A4 s/s
P0183.G1-1/4-A4	G1 1/4"	49	5	42.2	49.0	21	16	2.0	22	A4 s/s
P0183.G1-1/2-A4	G1-1/2"	55	5	48.1	55.0	21	16	2.0	24	A4 s/s
P0183.G1-3/4-A4	G1-3/4"	62	5	51.8	62.0	25	20	2.0	32	A4 s/s
P0183.G2-A4	G2"	68	5	54.5	68.0	25	20	2.0	32	A4 s/s
P0183.080-100-A2	M 8 x1,0	12	3	8.3	11.5	11	8	1.0	4	A2 s/s
P0183.100-100-A2	M10 x1,0	14	3	10.3	13.5	11	8	1.0	5	A2 s/s
P0183.120-150-A2	M12 x1,5	17	3	12.3	16.0	15	12	1.5	6	A2 s/s
P0183.140-150-A2	M14 x1,5	19	3	14.3	18.0	15	12	1.5	6	A2 s/s
P0183.160-150-A2	M16 x1,5	21	3	16.3	20.0	15	12	1.5	8	A2 s/s
P0183.180-150-A2	M18 x1,5	23	4	18.3	22.0	16	12	1.5	8	A2 s/s
P0183.200-150-A2	M20 x1,5	25	4	20.3	24.0	18	14	1.5	10	A2 s/s
P0183.220-150-A2	M22 x1,5	27	4	22.3	27.0	18	14	1.5	10	A2 s/s
P0183.240-150-A2	M24 x1,5	29	4	24.3	29.0	18	14	2.0	12	A2 s/s
P0183.260-150-A2	M26 x1,5	31	4	26.3	31.0	20	16	2.0	12	A2 s/s
P0183.270-200-A2	M27 x2,0	32	4	27.3	32.0	20	16	2.0	12	A2 s/s
P0183.300-150-A2	M30 x1,5	36	4	30.3	36.0	20	16	2.0	17	A2 s/s
P0183.300-200-A2	M30 x2,0	36	4	30.3	36.0	20	16	2.0	17	A2 s/s
P0183.G1/8-A2	G1/8"	14	3	10.0	13.5	11	8	1.0	5	A2 s/s
P0183.G1/4-A2	G1/4"	18	3	13.4	18.0	15	12	1.5	6	A2 s/s
P0183.G3/8-A2	G3/8"	22	3	17.0	21.0	15	12	1.5	8	A2 s/s
P0183.G1/2-A2	G1/2"	26	4	21.3	26.0	18	14	1.5	10	A2 s/s
P0183.G5/8-A2	G5/8"	28	4	24.0	28.0	18	14	1.5	12	A2 s/s
P0183.G3/4-A2	G3/4"	32	4	26.7	32.0	20	16	2.0	12	A2 s/s
P0183.G7/8-A2	G7/8"	36	4	29.4	36.0	20	16	2.0	12	A2 s/s
P0183.G1-A2	G1"	39	5	33.5	39.0	21	16	2.0	17	A2 s/s
P0183.G1-1/8-A2	G1-1/8"	44	5	36.2	44.0	21	16	2.0	19	A2 s/s
P0183.G1-1/4-A2	G1 1/4"	49	5	42.2	49.0	21	16	2.0	22	A2 s/s
P0183.G1-1/2-A2	G1-1/2"	55	5	48.1	55.0	21	16	2.0	24	A2 s/s
P0183.G1-3/4-A2	G1-3/4"	62	5	51.8	62.0	25	20	2.0	32	A2 s/s



Blanking Plugs with Collar

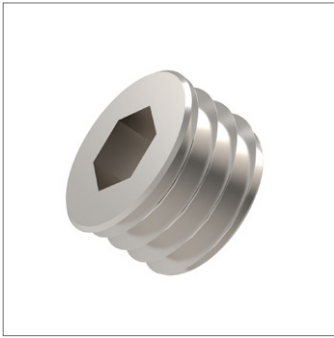
metric & BSPP

Blanking Plugs

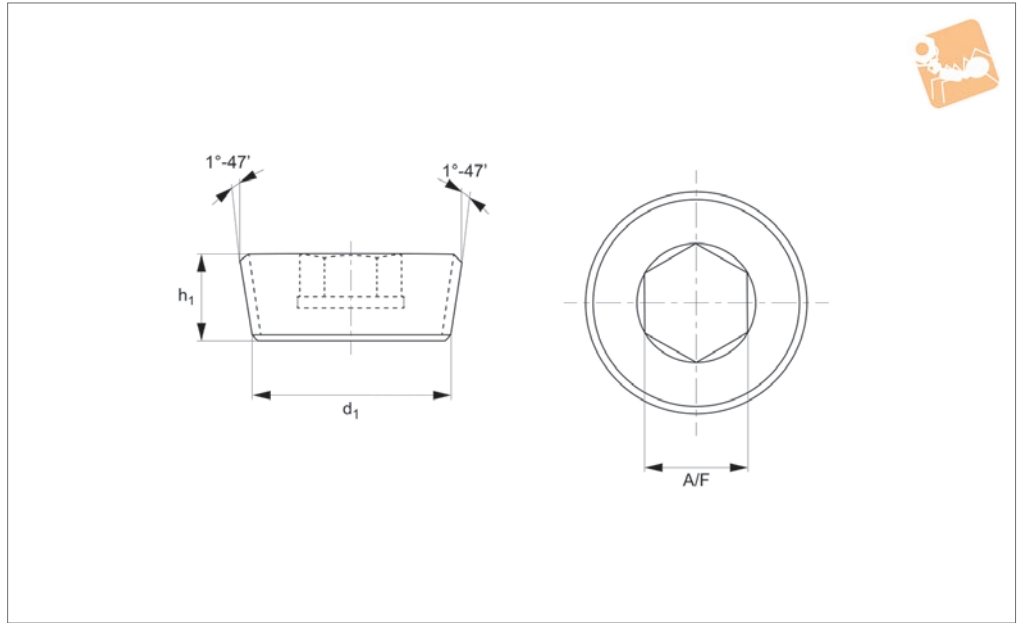


Order No.	d ₁ x p	d ₂ tol. h14	h ₁ ±0.5	d ₃	d ₄	l ₁	l ₂ ±0.2	t ₁	A/F	Material
P0183.G2-A2	G2"	68	5	54.5	68.0	25	20	2.0	32	A2 s/s
P0183.080-100-BR	M 8 x1,0	12	3	8.3	11.5	11	8	1.0	4	Brass
P0183.100-100-BR	M10 x1,0	14	3	10.3	13.5	11	8	1.0	5	Brass
P0183.120-150-BR	M12 x1,5	17	3	12.3	16.0	15	12	1.5	6	Brass
P0183.140-150-BR	M14 x1,5	19	3	14.3	18.0	15	12	1.5	6	Brass
P0183.160-150-BR	M16 x1,5	21	3	16.3	20.0	15	12	1.5	8	Brass
P0183.180-100-BR	M18 x1,0	23	4	18.3	22.0	16	12	1.5	8	Brass
P0183.180-150-BR	M18 x1,5	23	4	18.3	22.0	16	12	1.5	8	Brass
P0183.200-150-BR	M20 x1,5	25	4	20.3	24.0	18	14	1.5	10	Brass
P0183.220-150-BR	M22 x1,5	27	4	22.3	27.0	18	14	1.5	10	Brass
P0183.240-150-BR	M24 x1,5	29	4	24.3	29.0	18	14	2.0	12	Brass
P0183.260-150-BR	M26 x1,5	31	4	26.3	31.0	20	16	2.0	12	Brass
P0183.270-200-BR	M27 x2,0	32	4	27.3	32.0	20	16	2.0	12	Brass
P0183.300-150-BR	M30 x1,5	36	4	30.3	36.0	20	16	2.0	17	Brass
P0183.300-200-BR	M30 x2,0	36	4	30.3	36.0	20	16	2.0	17	Brass
P0183.330-200-BR	M33 x2,0	39	5	33.3	39.0	21	16	2.0	17	Brass
P0183.360-150-BR	M36 x1,5	42	5	36.3	42.0	21	16	2.0	19	Brass
P0183.360-200-BR	M36 x2	42	5	36.3	42.0	21	16	2.0	19	Brass
P0183.380-150-BR	M38 x1,5	44	5	38.3	44.0	21	16	2.0	19	Brass
P0183.420-150-BR	M42 x1,5	49	5	42.3	49.0	21	16	2.0	22	Brass
P0183.420-200-BR	M42 x2,0	49	5	42.3	49.0	21	16	2.0	22	Brass
P0183.450-200-BR	M45 x2,0	49	5	42.3	49.0	21	16	2.0	22	Brass
P0183.480-150-BR	M48 x1,5	55	5	48.3	55.0	21	16	2.0	24	Brass
P0183.480-200-BR	M48 x2,0	55	5	48.3	55.0	21	16	2.0	24	Brass
P0183.520-150-BR	M52 x1,5	60	5	52.3	60.0	21	16	2.0	24	Brass
P0183.520-200-BR	M52 x2	60	5	52.3	60.0	21	16	2.0	24	Brass
P0183.560-200-BR	M56 x2,0	64	5	56.3	64.0	25	20	2.0	32	Brass
P0183.600-200-BR	M60 x2,0	68	5	60.3	68.0	25	20	2.0	32	Brass
P0183.640-200-BR	M64 x2,0	72	5	64.3	72.0	25	20	2.0	32	Brass
P0183.G1/8-BR	G1/8"	14	3	10.0	13.5	11	8	1.0	5	Brass
P0183.G1/4-BR	G1/4"	18	3	13.4	18.0	15	12	1.5	6	Brass
P0183.G3/8-BR	G3/8"	22	3	17.0	21.0	15	12	1.5	8	Brass
P0183.G1/2-BR	G1/2"	26	4	21.3	26.0	18	14	1.5	10	Brass
P0183.G5/8-BR	G5/8"	28	4	24.0	28.0	18	14	1.5	12	Brass
P0183.G3/4-BR	G3/4"	32	4	26.7	32.0	20	16	2.0	12	Brass
P0183.G7/8-BR	G7/8"	36	4	29.4	36.0	20	16	2.0	12	Brass
P0183.G1-BR	G1"	39	5	33.5	39.0	21	16	2.0	17	Brass
P0183.G1-1/8-BR	G1-1/8"	44	5	36.2	44.0	21	16	2.0	19	Brass
P0183.G1-1/4-BR	G1 1/4"	49	5	42.2	49.0	21	16	2.0	22	Brass
P0183.G1-1/2-BR	G1-1/2"	55	5	48.1	55.0	21	16	2.0	24	Brass
P0183.G1-3/4-BR	G1-3/4"	62	5	51.8	62.0	25	20	2.0	32	Brass
P0183.G2-BR	G2"	68	5	54.5	68.0	25	20	2.0	32	Brass

BLANKING PLUGS



P0184



Material

Steel (self-colour & zinc-plated), stainless steel (A2 & A4), and brass.

Inch threads beginning with „R“ indicate BSPT (British Standard Pipe Taper threads ISO 7).

Tightening torque is dependent on fluid, pressure, temperature, and material pairing.

Technical Notes

To DIN 906. Metric fine taper threads.

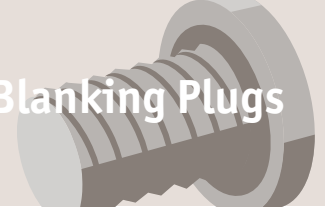
Order No.	d ₁	h ₁ tol. JS16	A/F	Material
P0184.060-100-ZP	M6 x1,0	6	3	Steel ZP
P0184.080-100-ZP	M8 x1,0	8	4	Steel ZP
P0184.100-100-ZP	M10 x1,0	8	5	Steel ZP
P0184.120-150-ZP	M12 x1,5	10	6	Steel ZP
P0184.140-150-ZP	M14 x1,5	10	7	Steel ZP
P0184.160-150-ZP	M16 x1,5	10	8	Steel ZP
P0184.180-150-ZP	M18 x1,5	10	8	Steel ZP
P0184.200-150-ZP	M20 x1,5	10	10	Steel ZP
P0184.220-150-ZP	M22 x1,5	10	10	Steel ZP
P0184.240-150-ZP	M24 x1,5	12	12	Steel ZP
P0184.260-150-ZP	M26 x1,5	12	12	Steel ZP
P0184.270-200-ZP	M27 x2,0	12	12	Steel ZP
P0184.300-150-ZP	M30 x1,5	12	17	Steel ZP
P0184.080-075-ZP	M8 x0,75	8	4	Steel ZP
P0184.080-125-ZP	M8 x1,25	8	4	Steel ZP
P0184.270-150-ZP	M27 x1,5	12	12	Steel ZP
P0184.300-200-ZP	M30 x2	12	17	Steel ZP
P0184.360-150-ZP	M36 x1,5	15	19	Steel ZP
P0184.420-150-ZP	M42x1,5	18	22	Steel ZP
P0184.520-150-ZP	M52 x1,5	20	24	Steel ZP
P0184.R1/8-ZP	R1/8"	8	5	Steel ZP
P0184.R1/4-ZP	R1/4"	10	7	Steel ZP
P0184.R3/8-ZP	R3/8"	10	8	Steel ZP
P0184.R1/2-ZP	R1/2"	10	10	Steel ZP
P0184.R5/8-ZP	R5/8"	10	10	Steel ZP
P0184.R3/4-ZP	R3/4"	12	12	Steel ZP
P0184.R1-ZP	R1"	12	17	Steel ZP
P0184.R1-1/4-ZP	R1 1/4"	18	22	Steel ZP
P0184.R1-1/2-ZP	R1 1/2"	20	24	Steel ZP
P0184.R2-ZP	R2"	22	32	Steel ZP
P0184.060-100-SC	M6 x1,0	6	3	Steel SC



Blanking Plugs

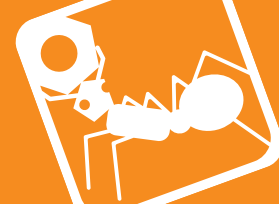
Metric & BSPT

Blanking Plugs



BLANKING PLUGS

Order No.	d ₁	h ₁ tol. JS16	A/F	Material
P0184.080-100-SC	M8 x1,0	8	4	Steel SC
P0184.080-125-SC	M8 x1,25	8	4	Steel SC
P0184.080-075-SC	M8 x0,75	8	4	Steel SC
P0184.100-100-SC	M10 x1,0	8	5	Steel SC
P0184.120-100-SC	M12 x1,0	10	6	Steel SC
P0184.120-150-SC	M12 x1,5	10	6	Steel SC
P0184.140-150-SC	M14 x1,5	10	7	Steel SC
P0184.160-150-SC	M16 x1,5	10	8	Steel SC
P0184.180-150-SC	M18 x1,5	10	8	Steel SC
P0184.200-150-SC	M20 x1,5	10	10	Steel SC
P0184.220-150-SC	M22 x1,5	10	10	Steel SC
P0184.240-150-SC	M24 x1,5	12	12	Steel SC
P0184.260-150-SC	M26 x1,5	12	12	Steel SC
P0184.270-150-SC	M27 x1,5	12	12	Steel SC
P0184.270-200-SC	M27 x2,0	12	12	Steel SC
P0184.300-150-SC	M30 x1,5	12	17	Steel SC
P0184.300-200-SC	M30 x2,0	12	17	Steel SC
P0184.330-150-SC	M33 x1,5	12	17	Steel SC
P0184.330-200-SC	M33 x2,0	12	17	Steel SC
P0184.360-150-SC	M36 x1,5	15	19	Steel SC
P0184.360-200-SC	M36 x2	15	19	Steel SC
P0184.380-150-SC	M38 x1,5	15	19	Steel SC
P0184.420-200-SC	M42 x2,0	18	22	Steel SC
P0184.450-150-SC	M45 x1,5	18	22	Steel SC
P0184.480-150-SC	M48 x1,5	20	24	Steel SC
P0184.420-150-SC	M42 x1,5	18	22	Steel SC
P0184.480-200-SC	M48 x2,0	20	24	Steel SC
P0184.520-150-SC	M52 x1,5	20	24	Steel SC
P0184.520-200-SC	M52 x2	20	24	Steel SC
P0184.560-200-SC	M56 x2,0	22	32	Steel SC
P0184.600-200-SC	M60 x2,0	22	32	Steel SC
P0184.R1/8-SC	R1/8"	8	5	Steel SC
P0184.R1/4-SC	R1/4"	10	7	Steel SC
P0184.R3/8-SC	R3/8"	10	8	Steel SC
P0184.R1/2-SC	R1/2"	10	10	Steel SC
P0184.R5/8-SC	R5/8"	10	10	Steel SC
P0184.R3/4-SC	R3/4"	12	12	Steel SC
P0184.R1-SC	R1"	12	17	Steel SC
P0184.R1-1/4-SC	R1 1/4"	18	22	Steel SC
P0184.R1-1/2-SC	R1 1/2"	20	24	Steel SC
P0184.R2-SC	R2"	22	32	Steel SC
P0184.060-100-A4	M6 x1,0	6	3	A4 s/s
P0184.080-075-A4	M8 x0,75	8	4	A4 s/s
P0184.080-100-A4	M8 x1,0	8	4	A4 s/s
P0184.080-125-A4	M8 x1,25	8	4	A4 s/s
P0184.100-100-A4	M10 x1,0	8	5	A4 s/s
P0184.120-150-A4	M12 x1,5	10	6	A4 s/s
P0184.140-150-A4	M14 x1,5	10	7	A4 s/s
P0184.160-150-A4	M16 x1,5	10	8	A4 s/s
P0184.180-150-A4	M18 x1,5	10	8	A4 s/s
P0184.200-150-A4	M20 x1,5	10	10	A4 s/s
P0184.220-150-A4	M22 x1,5	10	10	A4 s/s
P0184.240-150-A4	M24 x1,5	12	12	A4 s/s
P0184.260-150-A4	M26 x1,5	12	12	A4 s/s
P0184.270-200-A4	M27 x2,0	12	12	A4 s/s
P0184.300-150-A4	M30 x1,5	12	17	A4 s/s
P0184.330-200-A4	M33 x2	12	17	A4 s/s
P0184.360-150-A4	M36 x1,5	15	19	A4 s/s
P0184.360-200-A4	M36 x2	15	19	A4 s/s
P0184.420-150-A4	M42 x1,5	18	22	A4 s/s
P0184.420-200-A4	M42 x2	18	22	A4 s/s
P0184.480-150-A4	M48 x1,5	20	24	A4 s/s
P0184.R1/8-A4	R1/8"	8	5	A4 s/s
P0184.R1/4-A4	R1/4"	10	7	A4 s/s
P0184.R3/8-A4	R3/8"	10	8	A4 s/s
P0184.R1/2-A4	R1/2"	10	10	A4 s/s
P0184.R5/8-A4	R5/8"	10	10	A4 s/s
P0184.R3/4-A4	R3/4"	12	12	A4 s/s



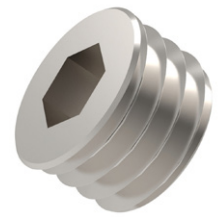
BLANKING PLUGS

Order No.	d ₁	h ₁ tol. JS16	A/F	Material
P0184.R1-A4	R1"	12	17	A4 s/s
P0184.R1-1/4-A4	R1 1/4"	18	22	A2 s/s
P0184.R1-1/2-A4	R1 1/2"	20	24	A4 s/s
P0184.R2-A4	R2"	22	32	A4 s/s
P0184.R1/8-A2	R1/8"	8	5	A2 s/s
P0184.R1/4-A2	R1/4"	10	7	A2 s/s
P0184.R3/8-A2	R3/8"	10	8	A2 s/s
P0184.R1/2-A2	R1/2"	10	10	A2s/s
P0184.R3/4-A2	R3/4"	12	12	A2 s/s
P0184.R5/8-A2	R5/8"	12	12	A2 s/s
P0184.R1-A2	R1"	12	17	A2 s/s
P0184.R1-1/2-A2	R1 1/2"	20	24	A2 s/s
P0184.060-100-BR	M6 x1,0	6	3	Brass
P0184.080-075-BR	M8 x0,75	8	4	Brass
P0184.080-100-BR	M8 x1,0	8	4	Brass
P0184.080-125-BR	M8 x1,25	8	4	Brass
P0184.100-100-BR	M10 x1,0	8	5	Brass
P0184.120-150-BR	M12 x1,5	10	6	Brass
P0184.140-150-BR	M14 x1,5	10	7	Brass
P0184.160-150-BR	M16 x1,5	10	8	Brass
P0184.180-150-BR	M18 x1,5	10	8	Brass
P0184.200-150-BR	M20 x1,5	10	10	Brass
P0184.220-150-BR	M22 x1,5	10	10	Brass
P0184.240-150-BR	M24 x1,5	1	12	Brass
P0184.300-150-BR	M30 x1,5	12	17	Brass
P0184.300-200-BR	M30 x2	12	17	Brass
P0184.420-200-BR	M42 x2	18	22	Brass
P0184.R1/8-BR	R1/8"	8	5	Brass
P0184.R1/4-BR	R1/4"	10	7	Brass
P0184.R3/8-BR	R3/8"	10	8	Brass
P0184.R1/2-BR	R1/2"	10	10	Brass
P0184.R5/8-BR	R5/8"	10	10	Brass
P0184.R3/4-BR	R3/4"	12	12	Brass
P0184.R1-BR	R1"	12	17	Brass
P0184.R1-1/4-BR	R1 1/4"	18	22	Brass
P0184.R1-1/2-BR	R1 1/2"	20	24	Brass
P0184.R2-BR	R2"	22	32	Brass



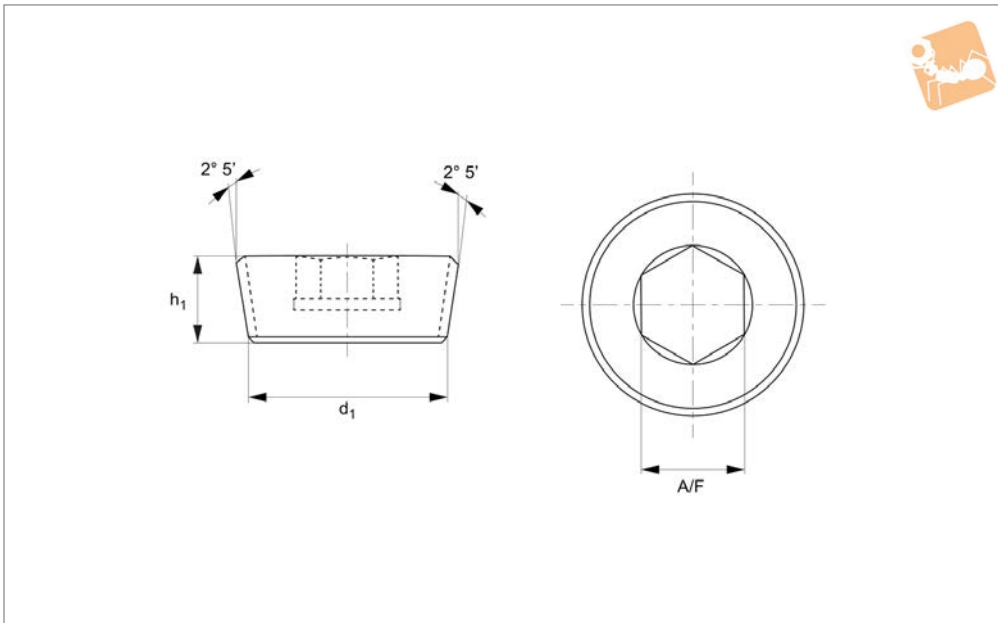
Blanking Plugs - Level Seal NPTF

Blanking Plugs



P0184.NL

BLANKING PLUGS



Material

Steel (self-colour), stainless steel (A4) and brass.

Technical Notes

The Level Seal pressure plug has a 2° 5' taper thread extending its entire length and designed to provide a flush condition

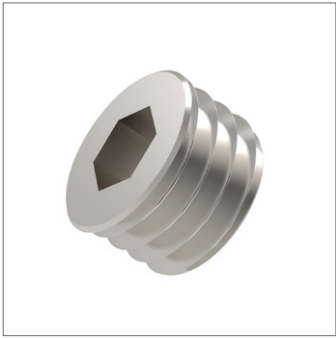
with a standard 1° 47' tapered hole. It achieves a high pressure seal through the difference in taper, with dimensions pre-calculated to provide a higher sealing load near the large end of the plug and the threads near the top of the tapped hole. It is used in applications where high pressures are encountered and where protrusion is undesirable.

Tightening torque is dependent on fluid, pressure, temperature, and material pairing.

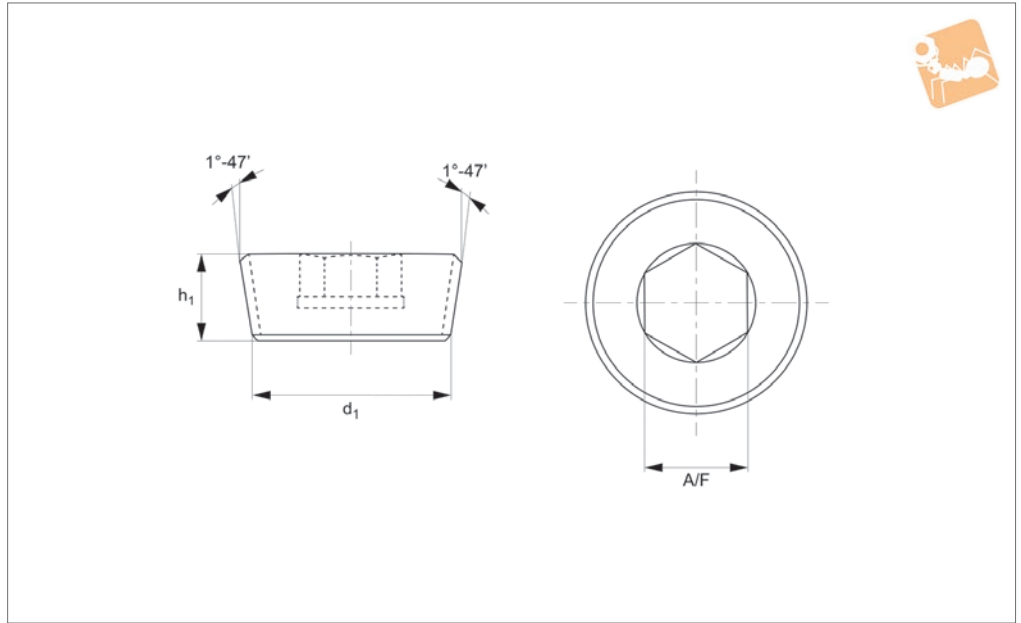
Important Notes

For dry seal type plug see part P0184.NPT.

Order No.	d ₁	tpi	d ₁ max.	l ₁ nom.	A/F	Material
P0184.NL1/16-BR	NPT1/16"	27.0	7.8	6.35	5/32	Brass
P0184.NL1/8-BR	NPT1/8"	27.0	10.2	6.35	3/16	Brass
P0184.NL1/4-BR	NPT1/4"	18.0	13.4	10.3	1/4	Brass
P0184.NL3/8-BR	NPT3/8"	18.0	16.9	10.3	5/16	Brass
P0184.NL1/2-BR	NPT1/2"	14.0	21.1	13.5	3/8	Brass
P0184.NL3/4-BR	NPT3/4"	14.0	26.4	13.5	9/16	Brass
P0184.NL1-BR	NPT1"	11.5	33.1	16.7	5/8	Brass
P0184.NL1-1/4-BR	NPT1 1/4"	11.5	41.8	16.7	3/4	Brass
P0184.NL1-1/2-BR	NPT1 1/2"	11.5	47.9	16.7	3/4	Brass
P0184.NL1/16-SC	NPT1/16"	27.0	7.8	6.35	5/32	Steel SC
P0184.NL1/8-SC	NPT1/8"	27.0	10.2	6.35	3/16	Steel SC
P0184.NL1/4-SC	NPT1/4"	18.0	13.4	10.3	1/4	Steel SC
P0184.NL3/8-SC	NPT3/8"	18.0	16.9	10.3	5/16	Steel SC
P0184.NL1/2-SC	NPT1/2"	14.0	21.1	13.5	3/8	Steel SC
P0184.NL3/4-SC	NPT3/4"	14.0	26.4	13.5	9/16	Steel SC
P0184.NL1-SC	NPT1"	11.5	33.1	16.7	5/8	Steel SC
P0184.NL1-1/4-SC	NPT1 1/4"	11.5	41.8	16.7	3/4	Steel SC
P0184.NL1-1/2-SC	NPT1 1/2"	11.5	47.9	16.7	3/4	Steel SC
P0184.NL1/16-A4	NPT1/16"	27.0	7.8	6.35	5/32	A4 s/s
P0184.NL1/8-A4	NPT1/8"	27.0	10.2	6.35	3/16	A4 s/s
P0184.NL1/4-A4	NPT1/4"	18.0	13.4	10.3	1/4	A4 s/s
P0184.NL3/8-A4	NPT3/8"	18.0	16.9	10.3	5/16	A4 s/s
P0184.NL1/2-A4	NPT1/2"	14.0	21.1	13.5	3/8	A4 s/s
P0184.NL3/4-A4	NPT3/4"	14.0	26.4	13.5	9/16	A4 s/s
P0184.NL1-A4	NPT1"	11.5	33.1	16.7	5/8	A4 s/s
P0184.NL1-1/4-A4	NPT1 1/4"	11.5	41.8	16.7	3/4	A4 s/s
P0184.NL1-1/2-A4	NPT1 1/2"	11.5	47.9	16.7	3/4	A4 s/s



P0184.NPT



Material

Steel (hardened or self-colour) and stainless steel (A4)

Technical Notes

To DIN 906. NPT (National Pipe Thread Taper) and NPTF (National Pipe Taper Fuel). The NPTF dry seal versions fit holes that are not as accurately tapped. Tightening torque is dependent on fluid, pressure, temperature, and material pairing.

Tips

NPTF threads will screw together with NPT threads and should have no noticeable assembly problem. There will most likely be an interference fit between the root and crest on either the major or minor diameter of the thread, depending on which part is NPTF. To accomplish a seal on the joint, a sealant will be required. NPTF threads are designed to screw together. They are designed to have interference at the roots and crests of the

threads on both the major and minor diameters. This interference should cause no assembly problem. The thread deformation caused by the interference fit and the wrench tightening is designed to make a dry mechanical seal.

Important Notes

For level of flush type plug see part P0184.NL.

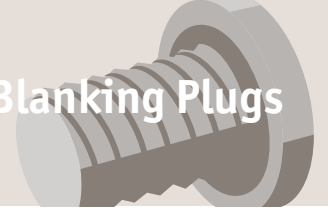
Order No.	d ₁	tpi	d ₁ max.	l ₁ nom.	A/F	Material
P0184.NPT1/16-A4	NPT1/16"	27.0	8.08	7.92	5/32	A4 s/s
P0184.NPT1/8-A4	NPT 1/8"	27.0	10.40	7.92	3/16	A4 s/s
P0184.NPT1/4-A4	NPT 1/4"	18.0	13.80	11.10	1/4	A4 s/s
P0184.NPT3/8-A4	NPT 3/8"	18.0	17.40	12.70	5/16	A4 s/s
P0184.NPT1/2-A4	NPT 1/2"	14.0	21.10	15.90	3/8	A4 s/s
P0184.NPT3/4-A4	NPT 3/4"	14.0	26.90	19.00	1/4	A4 s/s
P0184.NPT1-A4	NPT 1"	11.5	33.90	20.60	1/2	A4 s/s
P0184.NPT1-1/4-A4	NPT 1-1/4"	11.5	33.90	20.60	1/2	A4 s/s
P0184.NPT1/16-SC	NPT1/16"	27.0	8.08	7.92	5/32	Steel SC
P0184.NPT1/8-SC	NPT1/8"	27.0	10.40	7.92	3/16	Steel SC
P0184.NPT1/4-SC	NPT1/4"	18.0	13.80	11.10	1/4	Steel SC
P0184.NPT3/8-SC	NPT3/8"	18.0	17.40	12.70	5/16	Steel SC
P0184.NPT1/2-SC	NPT1/2"	14.0	21.50	15.90	3/8	Steel SC
P0184.NPT5/8-SC	NPT5/8"	14.0	21.50	15.90	3/8	Steel SC
P0184.NPT3/4-SC	NPT3/4"	14.0	26.90	19.00	1/4	Steel SC
P0184.NPT1-SC	NPT1"	11.5	33.90	20.60	1/2	Steel SC
P0184.NPT1-1/4-SC	NPT1 1/4"	11.5	42.60	20.60	3/4	Steel SC
P0184.NPT1-1/2-SC	NPT1 1/2"	11.5	48.70	20.60	1	Steel SC
P0184.NPT2-SC	NPT2"	11.5	48.70	20.60	1	Steel SC
P0184.NPTF1/16-HS	NPTF1/16"	27.0	8.08	7.92	5/32	Hardened steel
P0184.NPTF1/8-HS	NPTF1/8"	27.0	10.40	7.92	3/16	Hardened steel
P0184.NPTF1/4-HS	NPTF1/4"	18.0	13.80	11.10	1/4	Hardened steel
P0184.NPTF3/8-HS	NPTF3/8"	18.0	17.40	12.70	5/16	Hardened steel
P0184.NPTF1/2-HS	NPTF1/2"	14.0	21.50	14.30	3/8	Hardened steel



Blanking Plugs - Dry Seal

NPT and NPTF

Blanking Plugs

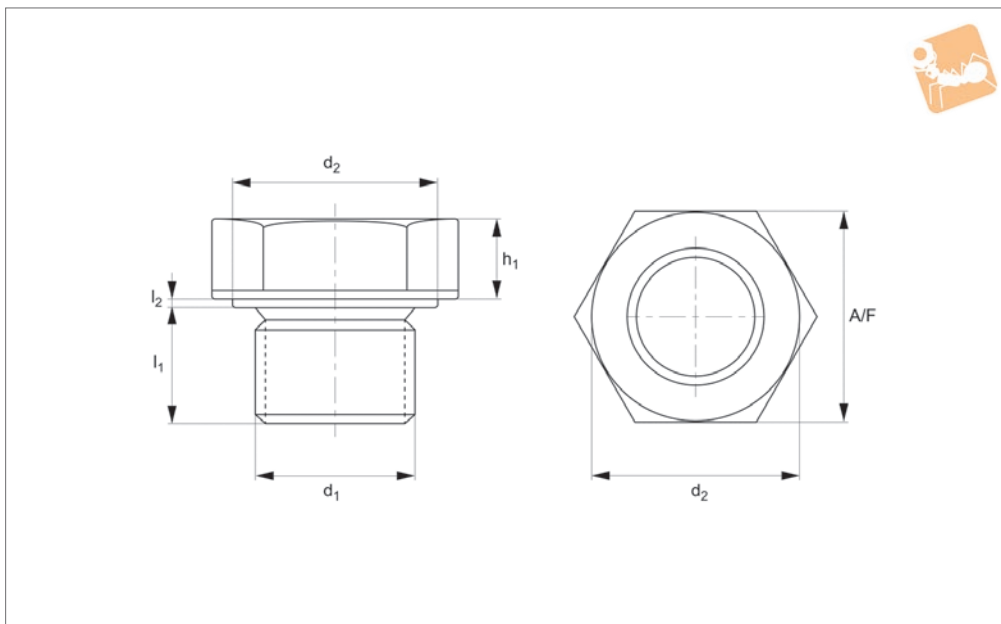


Order No.	d ₁	tpi	d ₁ max.	l ₁ nom.	A/F	Material
P0184.NPTF3/4-HS	NPTF3/4"	14.0	26.90	15.90	1/8	Hardened steel
P0184.NPTF1-HS	NPTF1"	11.5	33.90	19.00	1/2	Hardened steel

BLANKING PLUGS



P0187



Material

Steel (self-colour), stainless steel (A4, AISI 316) or brass.

Technical Notes

To DIN 7604A. Most metric screw plug

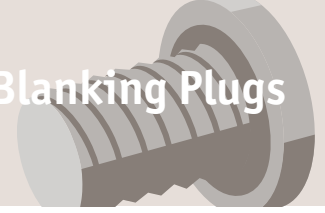
threads are fine threads.

Tightening torque is dependent on fluid, pressure, temperature, and material pairing.

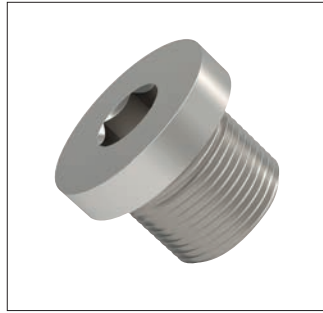
Tips

Also available on request with O rings (NBR, Viton, EPDM, Silicone etc), permanent magnet, and polyamide melt seal under head.

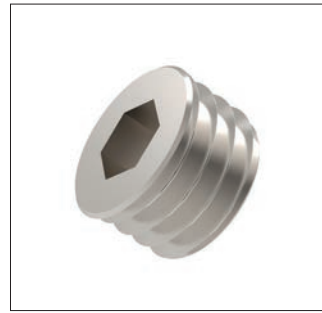
Order No.	d ₁ x p	d ₂ tol. h14	h ₁	l ₁	l ₂ +0.2 -0	A/F	Material
P0187.100-100-ZP	M10 x1,0	14	4	6	0.5	14	Steel ZP
P0187.120-150-ZP	M12 x1,5	17	6	9	0.5	17	Steel ZP
P0187.140-150-ZP	M14 x1,5	19	6	9	0.5	19	Steel ZP
P0187.160-150-ZP	M16 x1,5	21	6	9	0.5	22	Steel ZP
P0187.180-150-ZP	M18 x1,5	23	6	9	2	17	Steel ZP
P0187.220-150-ZP	M22 x1,5	27	6	9	2	19	Steel ZP
P0187.260-150-ZP	M26 x1,5	31	8	9	2.5	22	Steel ZP
P0187.300-150-ZP	M30 x1,5	36	8	9	2.5	22	Steel ZP
P0187.100-100-A4	M10 x1,0	14	4	6	0.5	14	A4 s/s
P0187.120-150-A4	M12 x1,5	17	6	9	0.5	17	A4 s/s
P0187.140-150-A4	M14 x1,5	19	6	9	0.5	19	A4 s/s
P0187.160-150-A4	M16 x1,5	21	6	9	0.5	22	A4 s/s
P0187.180-150-A4	M18 x1,5	23	6	9	2	17	A4 s/s
P0187.220-150-A4	M22 x1,5	27	6	9	2	19	A4 s/s
P0187.260-150-A4	M26 x1,5	31	8	9	2.5	22	A4 s/s
P0187.300-150-A4	M30 x1,5	36	8	9	2.5	22	A4 s/s
P0187.100-100-BR	M10 x1,0	14	4	6	0.5	14	Brass
P0187.120-150-BR	M12 x1,5	17	6	9	0.5	17	Brass
P0187.140-150-BR	M14 x1,5	19	6	9	0.5	19	Brass
P0187.160-150-BR	M16 x1,5	21	6	9	0.5	22	Brass
P0187.180-150-BR	M18 x1,5	23	6	9	2	17	Brass
P0187.220-150-BR	M22 x1,5	27	6	9	2	19	Brass
P0187.260-150-BR	M26 x1,5	31	8	9	2.5	22	Brass
P0187.300-150-BR	M30 x1,5	36	8	9	2.5	22	Brass
P0187.100-100-SC	M10 x1,0	14	4	6	0.5	14	Steel SC
P0187.120-150-SC	M12 x1,5	17	6	9	0.5	17	Steel SC
P0187.140-150-SC	M14 x1,5	19	6	9	0.5	19	Steel SC
P0187.160-150-SC	M16 x1,5	21	6	9	0.5	22	Steel SC
P0187.180-150-SC	M18 x1,5	23	6	9	2	17	Steel SC
P0187.220-150-SC	M22 x1,5	27	6	9	2	19	Steel SC
P0187.260-150-SC	M26 x1,5	31	8	9	2.5	22	Steel SC
P0187.300-150-SC	M30 x1,5	36	8	9	2.5	22	Steel SC



P0182
Hex head screw blanking plugs
DIN 910



P0183
Hex socket screw blanking plugs
DIN 908



P0184
Hex socket taper blanking plugs
DIN 906



P0184.NPT
Hex socket blanking plugs NPT
and NPTF dry seal



P0184.NL
Hex socket blanking plugs level
seal



P0187
Hexagon blanking plugs DIN
7604 A

Blanking Plugs from Automation Components

BLANKING PLUGS

Threads

Blanking plugs come with either metric or inch threads. Most metric threads are fine threads (to DIN 13).

Inch threads come in four types:

G indicates BSPP British Standard pipe parallel (to ISO 288)

R indicates BSPT British Standard pipe taper (to ISO 7)

NPT indicates National Standard pipe taper (to ANSI B1.20.1)

NPTF indicates National Standard pipe taper fuel dry seal (to ANSI B1.20.3)

NL indicates National Standard pipe taper fuel level seal (to ANSI B1.20.3)

Materials

Blanking Plugs are available in three material types:

Steel (untreated or zinc plated)

Stainless steel (A2, AISI 303 and A4, AISI 316)

Brass

Options: with built-in magnet or with NBR seal and O Ring.

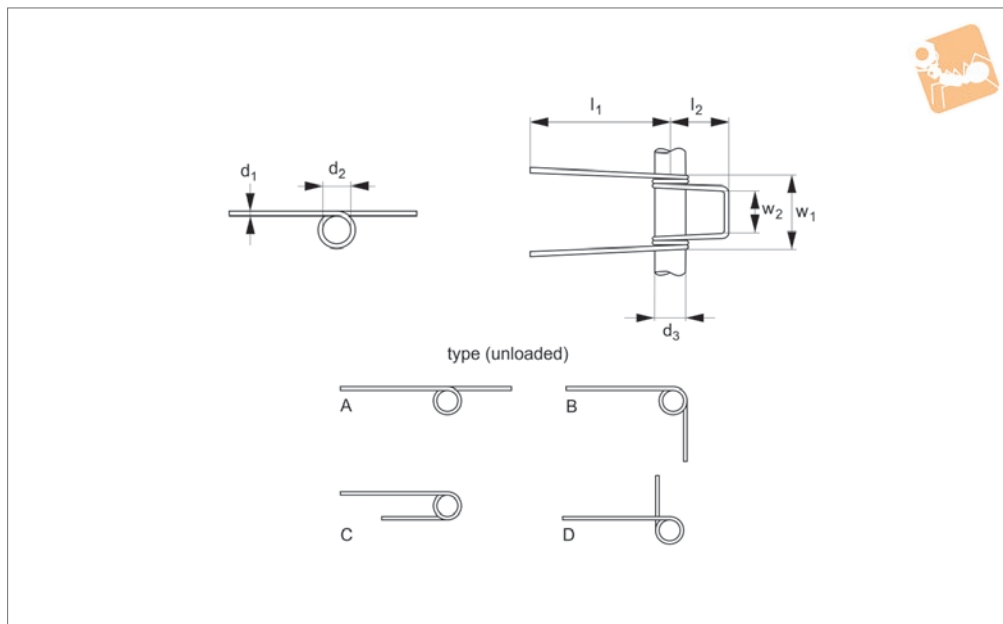
NPT and NPTF pipe threads

The two most common US standard taper pipe threads used are National Pipe Taper (NPT) and National Pipe Taper Fuel (NPTF). Applications range from electrical conduits and hand railings to high-pressure pipe lines that carry gas or caustic fluids. NPT threads are for mechanical or low-pressure air or fluid applications and often require the use of sealing compounds like Teflon tape, to provide the seal.

When the application is more critical, and the sealing compound may fail due to high heat or pressure, NPTF Dryseal threads are used. This mechanical seal is produced by the mating and slight crushing of the threads when a wrench is applied to tighten the fittings.



P1312



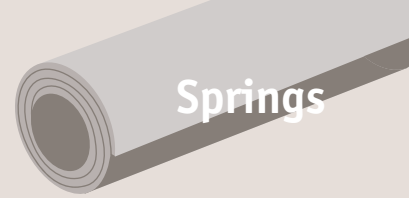
Material

Stainless steel (DIN 1.4310).

Order No.	d ₁	d ₂	d ₃	Leg	l ₁	w ₁	l ₂	w ₂	No. of coils	Torque angle	Torque Nmm max.	Spring rate Nmm/°
P1312.04-02545A	0.4	3	2.5	A	16	7	4	4.5	2	45	18.6	0.412
P1312.04-02551B	0.4	3	2.5	B	16	7	4	4.5	2.25	51	18.6	0.366
P1312.04-02557C	0.4	3	2.5	C	16	7	4	4.5	2.5	57	18.6	0.330
P1312.04-02562D	0.4	3	2.5	D	16	7.5	4	4.5	2.75	62	18.6	0.3
P1312.04-02568A	0.4	3	2.5	A	16	7.5	4	4.5	3	68	18.6	0.274
P1312.04-02596B	0.4	3	2.5	B	16	8.5	4	4.5	4.25	96	18.6	0.194
P1312.04-025147C	0.4	3	2.5	C	16	10.2	4	4.5	6.5	147	18.6	0.126
P1312.05-03040A	0.5	3.5	3.0	A	20	8.5	5	5.5	2	40	33.4	0.83
P1312.05-03045B	0.5	3.5	3.0	B	20	8.5	5	5.5	2.25	45	33.4	0.738
P1312.05-03050C	0.5	3.5	3.0	C	20	8.5	5	5.5	2.5	50	33.4	0.664
P1312.05-03055D	0.5	3.5	3.0	D	20	9.5	5	5.5	2.75	55	33.4	0.604
P1312.05-03060A	0.5	3.5	3.0	A	20	9.5	5	5.5	3	60	33.4	0.552
P1312.05-03086B	0.5	3.5	3.0	B	20	10.5	5	5.5	4.25	86	33.4	0.39
P1312.05-030131C	0.5	3.5	3.0	C	20	12.5	5	5.5	6.5	131	33.4	0.256
P1312.06-04046A	0.6	5.0	4.0	A	22	10.1	7	6.5	2	46	59.6	1.266
P1312.06-04052B	0.6	5.0	4.0	B	22	10.1	7	6.5	2.25	52	59.6	1.126
P1312.06-04058C	0.6	5.0	4.0	C	22	10.1	7	6.5	2.5	58	59.6	1.012
P1312.06-04064D	0.6	5.0	4.0	D	22	11.3	7	6.5	2.75	64	59.6	0.92
P1312.06-04070A	0.6	5.0	4.0	A	22	11.3	7	6.5	3	70	59.6	0.844
P1312.06-04099B	0.6	5.0	4.0	B	22	11.3	7	6.5	4.25	99	59.6	0.596
P1312.06-040151C	0.6	5.0	4.0	C	22	11.3	7	6.5	6.5	151	59.6	0.39
P1312.075-05044A	0.75	6.0	5.0	A	25	12.0	8	7.5	2	44	110	2.488
P1312.075-05050B	0.75	6.0	5.0	B	25	12.0	8	7.5	2.25	50	110	2.212
P1312.075-05055C	0.75	6.0	5.0	C	25	12.0	8	7.5	2.5	55	110	1.99
P1312.075-05061D	0.75	6.0	5.0	D	25	13.5	8	7.5	2.75	61	110	1.81
P1312.075-05066A	0.75	6.0	5.0	A	25	13.5	8	7.5	3	66	110	1.658
P1312.075-05094B	0.75	6.0	5.0	B	25	15.0	8	7.5	4.25	94	110	1.17
P1312.075-050143C	0.75	6.0	5.0	C	25	17.5	8	7.5	6.5	143	110	0.766
P1312.100-06038A	1.0	7.0	6.0	A	35	14.5	10	8.5	2	38	254	6.64
P1312.100-06043B	1.0	7.0	6.0	B	35	14.5	10	8.5	2.25	43	254	5.9
P1312.100-06048C	1.0	7.0	6.0	C	35	14.5	10	8.5	2.5	48	254	5.3
P1312.100-06052D	1.0	7.0	6.0	D	35	16.5	10	8.5	2.75	52	254	4.82
P1312.100-06057A	1.0	7.0	6.0	A	35	16.5	10	8.5	3	57	254	4.42
P1312.100-06081B	1.0	7.0	6.0	B	35	18.5	10	8.5	4.25	81	254	3.12



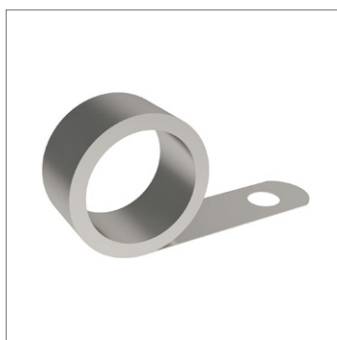
Double Torsion Springs stainless



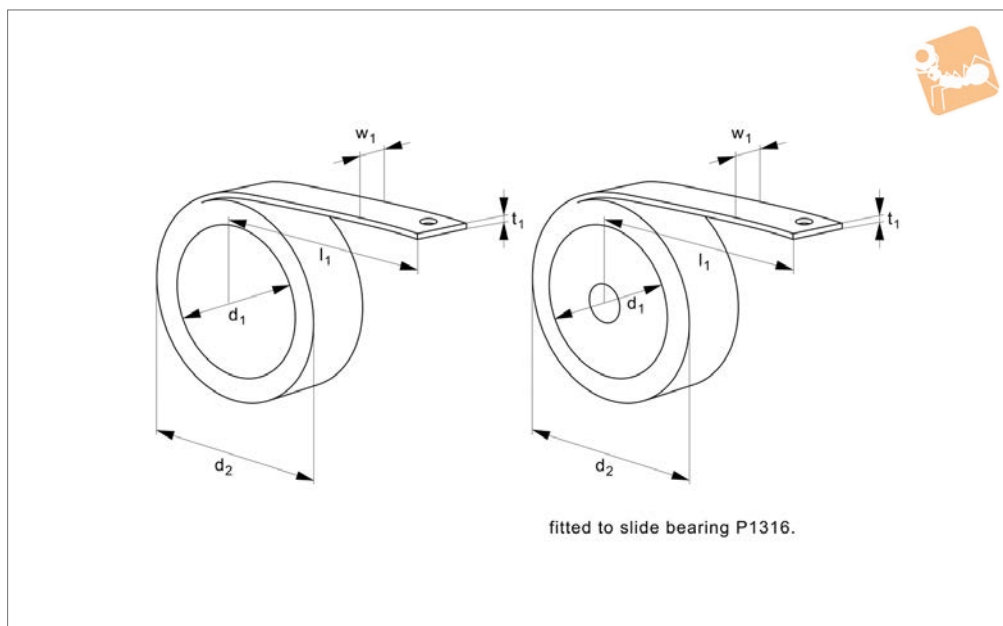
Springs

Order No.	d ₁	d ₂	d ₃	Leg	l ₁	w ₁	l ₂	w ₂	No. of coils	Torque angle	Torque Nmm max.	Spring rate Nmm/°
P1312.100-060124C	1.0	7.0	6.0	C	35	22.5	10	8.5	6.5	124	254	2.04
P1312.125-08038A	1.25	9.0	8.0	A	40	18.5	12	11	2	38	476	12.64
P1312.125-08042B	1.25	9.0	8.0	B	40	18.5	12	11	2.25	42	476	11.24
P1312.125-08047C	1.25	9.0	8.0	C	40	18.5	12	11	2.5	47	476	10.12
P1312.125-08052D	1.25	9.0	8.0	D	40	21.0	12	11	2.75	52	476	9.2
P1312.125-08057A	1.25	9.0	8.0	A	40	21.0	12	11	3	57	476	8.42
P1312.125-08080B	1.25	9.0	8.0	B	40	23.5	12	11	4.25	80	476	5.94
P1312.125-080123C	1.25	9.0	8.0	C	40	28.5	12	11	6.5	123	476	3.90
P1312.150-10040A	1.5	12.0	10.0	A	45	22.0	16	13	2	40	800	19.9
P1312.150-10045B	1.5	12.0	10.0	B	45	22.0	16	13	2.25	45	800	17.7
P1312.150-10050C	1.5	12.0	10.0	C	45	22.0	16	13	2.5	50	800	15.92
P1312.150-10055D	1.5	12.0	10.0	D	45	25.0	16	13	2.75	55	800	14.48
P1312.150-10060A	1.5	12.0	10.0	A	45	25.0	16	13	3	60	800	13.26
P1312.150-10085B	1.5	12.0	10.0	B	45	28.0	16	13	4.25	85	800	9.36
P1312.150-100130C	1.5	12.0	10.0	C	45	34.0	16	13	6.5	130	800	6.12
P1312.200-12034A	2.0	14.0	12.0	A	60	28.0	18	16	2	34	1830	53.08
P1312.200-12039B	2.0	14.0	12.0	B	60	28.0	18	16	2.25	39	1830	47.18
P1312.200-12043C	2.0	14.0	12.0	C	60	28.0	18	16	2.5	43	1830	42.46
P1312.200-12047D	2.0	14.0	12.0	D	60	32.0	18	16	2.75	47	1830	38.6
P1312.200-12052A	2.0	14.0	12.0	A	60	32.0	18	16	3	52	1830	35.38
P1312.200-12073B	2.0	14.0	12.0	B	60	36.0	18	16	4.25	73	1830	24.98
P1312.200-120112C	2.0	14.0	12.0	C	60	44.0	18	16	6.5	112	1830	16.34
P1312.250-15033A	2.5	17.0	15.0	A	70	37.0	24	21	2	33	3510	106.4
P1312.250-15037B	2.5	17.0	15.0	B	70	36.0	24	21	2.25	37	3510	94.4
P1312.250-15041C	2.5	17.0	15.0	C	70	36.0	24	21	2.5	41	3510	85.0
P1312.250-15045D	2.5	17.0	15.0	D	70	36.0	24	21	2.75	45	3510	77.4
P1312.250-15050A	2.5	17.0	15.0	A	70	41.0	24	21	3	50	3510	70.8
P1312.250-15070B	2.5	17.0	15.0	B	70	41.0	24	21	4.25	70	3510	50
P1312.250-150107C	2.5	17.0	15.0	C	70	56.0	24	21	6.5	107	3510	32.8
P1312.300-20035A	3.0	23.0	20.0	A	80	44.0	30	26	2	35	5828	165.4
P1312.300-20040B	3.0	23.0	20.0	B	80	44.0	30	26	2.25	40	5828	147
P1312.300-20044C	3.0	23.0	20.0	C	80	44.0	30	26	2.5	44	5828	132.2
P1312.300-20048D	3.0	23.0	20.0	D	80	50.0	30	26	2.75	48	5828	120.2
P1312.300-20053A	3.0	23.0	20.0	A	80	50.0	30	26	3	53	5828	110.2
P1312.300-20075B	3.0	23.0	20.0	B	80	56.0	30	26	4.25	75	5828	77.8
P1312.300-200115C	3.0	23.0	20.0	C	80	68.0	30	26	6.5	115	5828	50.8
P1312.400-25031A	4.0	28.0	25.0	A	90	55.0	40	31	2	31	13420	438
P1312.400-25035B	4.0	28.0	25.0	B	90	55.0	40	31	2.25	35	13420	390
P1312.400-25038C	4.0	28.0	25.0	C	90	55.0	40	31	2.5	38	13420	350
P1312.400-25042D	4.0	28.0	25.0	D	90	63.0	40	31	2.75	42	13420	318
P1312.400-25046A	4.0	28.0	25.0	A	90	63.0	40	31	3	46	13420	292
P1312.400-25065B	4.0	28.0	25.0	B	90	71.0	40	31	4.25	65	13420	206
P1312.400-250100C	4.0	28.0	25.0	C	90	87.0	40	31	6.5	100	13420	135
P1312.500-30029A	5.0	34.0	30.0	A	100	66.0	50	36	2	29	25072	876
P1312.500-30032B	5.0	34.0	30.0	B	100	66.0	50	36	2.25	32	25072	780
P1312.500-30036C	5.0	34.0	30.0	C	100	66.0	50	36	2.5	36	25072	702
P1312.500-30039D	5.0	34.0	30.0	D	100	76.0	50	36	2.75	39	25072	638
P1312.500-30043A	5.0	34.0	30.0	A	100	76.0	50	36	3	43	25072	584
P1312.500-30061B	5.0	34.0	30.0	B	100	86.0	50	36	4.25	61	25072	412
P1312.500-30093C	5.0	34.0	30.0	C	100	106.0	50	36	6.5	93	25072	270

SPRINGS



P1315



Material

Stainless steel (EN10270-3, DIN 1.4310).

Technical Notes

Constant force extension springs provide a

huge range of application opportunities.

Springs can be extended in excess of 50 times the relaxed length of the spring, and can be mounted on a bobbin or bush free

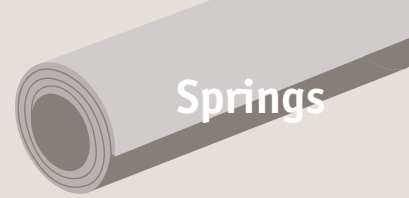
running in a cavity or recess. Springs can

be joined or laminated to provide increased force with minimal increases in space requirements.

Order No.	t ₁	F N ±10%	d ₁	w ₁	d ₂	d ₃	d ₄	l ₁	Total length	N _c	Hole	For bearing No.
P1315.010-A	0.1	2.8	10	10	12.3	12	14.0	300	360	15000	D	P1316.10-12-10
P1315.010-B	0.1	1.6	14	10	15.9	16	17.7	300	400	40000	D	P1316.12-16-10
P1315.015-A	0.15	6.2	14	15	17.9	17	20.4	500	600	15000	D	P1316.15-17-15
P1315.015-B	0.15	4.4	19	15	22.3	23	25.8	500	640	40000	D	P1316.20-23-15
P1315.015-C	0.15	8.4	14	20	19.9	17	20.4	500	600	15000	H	P1316.15-17-20
P1315.015-D	0.15	5.5	19	20	22.3	23	25.8	500	640	40000	H	P1316.20-23-20
P1315.020-A	0.2	9.3	19	15	24.3	23	27.6	700	830	15000	D	P1316.20-23-15
P1315.020-B	0.2	4.3	29	15	33.1	34	37.6	700	900	40000	D	P1316.30-34-15
P1315.020-C	0.2	12.3	19	20	24.3	23	27.6	700	830	15000	H	P1316.20-23-20
P1315.020-D	0.2	5.7	29	20	33.1	34	37.6	700	900	40000	H	P1316.30-34-20
P1315.020-E	0.2	15.4	19	25	24.3	23	27.6	700	830	15000	H	P1316.20-23-25
P1315.020-F	0.2	7.1	29	25	33.1	34	37.6	700	900	40000	H	P1316.30-34-25
P1315.025-A	0.25	11.5	24	15	31.2	28	34.5	1000	1170	15000	D	P1316.25-28-15
P1315.025-B	0.25	6.1	33	15	39.0	39	44.3	1000	1250	40000	D	P1316.35-39-15
P1315.025-C	0.25	15.4	24	20	31.2	28	34.5	1000	1170	15000	H	P1316.25-28-20
P1315.025-D	0.25	8.1	33	20	39.0	39	44.3	1000	1250	40000	H	P1316.35-39-20
P1315.025-E	0.25	19.2	24	25	31.2	28	34.5	1000	1170	15000	H	P1316.25-28-25
P1315.025-F	0.25	10.1	33	25	39.0	39	44.3	1000	1250	40000	H	P1316.35-39-25
P1315.030-A	0.30	17.0	30	20	37.4	36	42.4	1000	1200	15000	H	P1316.32-36-20
P1315.030-B	0.30	9.8	42	20	48.0	50	55.2	1000	1270	40000	H	P1316.45-50-20
P1315.030-C	0.30	21.3	28	25	35.8	34	40.7	1000	1200	15000	H	P1316.32-34-25
P1315.030-D	0.30	12.3	42	25	48.0	50	55.2	1000	1270	40000	H	P1316.45-50-25
P1315.030-E	0.30	25.5	30	30	37.4	36	42.4	1000	1200	15000	G	P1316.32-36-30
P1315.030-F	0.30	14.7	42	30	48.0	50	55.2	1000	1270	40000	G	P1316.45-50-30
P1315.040-A	0.40	33.7	37	25	48.8	44	54.4	1500	1850	15000	G	P1316.40-44-25
P1315.040-B	0.40	16.3	56	25	64.8	65	72.8	1500	1900	40000	G	P1316.60-65-25
P1315.040-C	0.40	40.4	37	30	48.8	44	54.4	1500	1850	15000	G	P1316.40-44-30
P1315.040-D	0.40	19.5	56	30	64.8	65	72.8	1500	1900	40000	G	P1316.60-65-30
P1315.040-E	0.40	54.0	37	40	48.8	44	54.4	1500	1850	15000	F	P1316.40-44-40
P1315.040-F	0.40	26.0	56	40	65.0	65	73.0	1500	1900	40000	F	P1316.60-65-40
P1315.050-A	0.50	51.2	46	30	58.6	55	66.0	1500	1900	15000	G	P1316.50-55-30
P1315.050-B	0.50	27.9	65	30	75.1	80	88.6	1500	2000	40000	G	P1316.75-80-30
P1315.050-C	0.50	68.3	46	40	58.6	55	66.0	1500	1900	15000	F	P1316.50-55-40

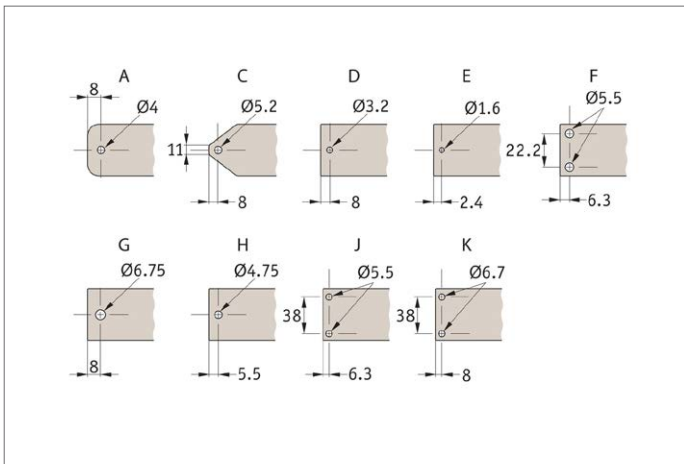


Constant Force Springs stainless

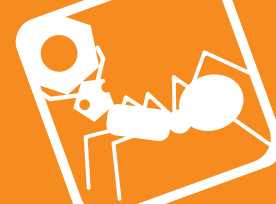


Springs

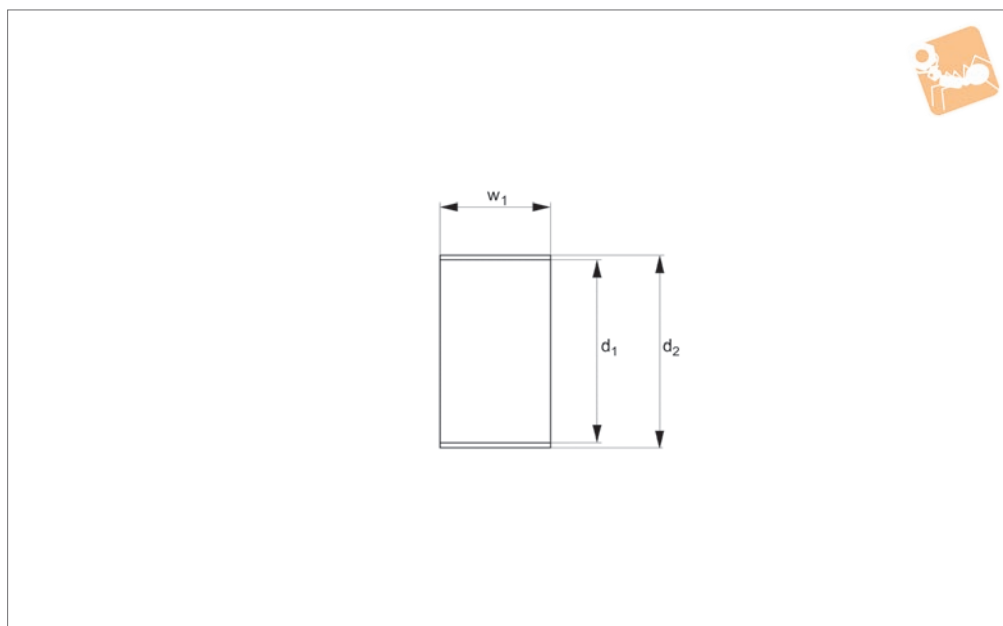
Order No.	t ₁	F N ±10%	d ₁	w ₁	d ₂	d ₃	d ₄	l ₁	Total length	N _c	Hole	For bearing No.
P1315.050-D	0.50	37.1	65	40	75.1	80	88.6	1500	2000	40000	F	P1316.75-80-40
P1315.050-E	0.50	85.3	46	50	58.6	55	66.0	1500	1900	15000	F	P1316.50-55-50
P1315.050-F	0.50	46.5	65	50	75.1	80	88.6	1500	2000	40000	F	P1316.75-80-50
P1315.060-A	0.60	100.0	53	40	69.2	65	78.9	2000	2400	15000	F	P1316.60-65-40
P1315.060-B	0.60	35.7	88	40	100.2	105	115.6	2000	2700	40000	F	P1316.100-105-40
P1315.060-C	0.60	125.2	53	50	69.2	65	78.9	2000	2400	15000	F	P1316.60-65-50
P1315.060-D	0.60	44.6	88	50	100.2	105	115.6	2000	2700	40000	F	P1316.100-105-50
P1315.060-E	0.60	150.2	53	60	69.2	65	78.9	2000	2400	15000	K	P1316.60-65-60
P1315.060-F	0.60	53.5	88	60	100.2	105	115.6	2000	2700	40000	K	P1316.100-105-60



SPRINGS



P1316



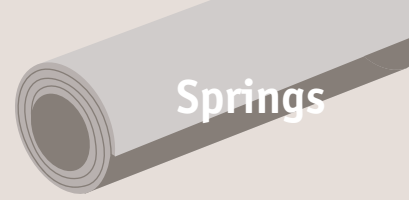
Material

Stainless steel (EN10270-3, DIN 1.4310).

Order No.	d ₁	d ₂	l ±0.25	For spring
P1316.10-12-10	10	12	10	P1315.10-A
P1316.12-16-10	12	16	10	P1315.10-B
P1316.15-17-15	15	17	15	P1315.15-A
P1316.20-23-15	20	23	15	P1315.15-B
P1316.15-17-20	15	17	20	P1315.15-C
P1316.20-23-20	20	23	20	P1315.15-D
P1316.30-34-15	30	34	15	P1315.20-B
P1316.30-34-20	30	34	20	P1315.20-D
P1316.20-23-25	20	23	25	P1315.20-E
P1316.30-34-25	30	34	25	P1315.20-F
P1316.25-28-15	25	28	15	P1315.25-A
P1316.35-39-15	35	39	15	P1315.25-B
P1316.25-28-20	25	28	20	P1315.25-C
P1316.35-39-20	35	39	20	P1315.25-D
P1316.25-28-25	25	28	25	P1315.25-E
P1316.35-39-25	35	39	25	P1315.25-F
P1316.32-36-20	32	36	20	P1315.30-A
P1316.45-50-20	45	50	20	P1315.30-B
P1316.32-34-25	30	34	25	P1315.30-C
P1316.45-50-25	45	50	25	P1315.30-D
P1316.32-36-30	32	36	30	P1315.30-E
P1316.45-50-30	45	50	30	P1315.30-F
P1316.40-44-25	40	44	25	P1315.40-A
P1316.60-65-25	60	65	25	P1315.40-B
P1316.40-44-30	40	44	30	P1315.40-C
P1316.60-65-30	60	65	30	P1315.40-D
P1316.40-44-40	40	44	40	P1315.40-E
P1316.60-65-40	60	65	40	P1315.40-F
P1316.50-55-30	50	55	30	P1315.50-A
P1316.75-80-30	75	80	30	P1315.50-B
P1316.50-55-40	50	55	40	P1315.50-C
P1316.75-80-40	75	80	40	P1315.50-D
P1316.50-55-50	50	55	50	P1315.50-E
P1316.75-80-50	75	80	50	P1315.50-F



Constant Force Bearing stainless



Springs

Order No.	d ₁	d ₂	l ±0.25	For spring
P1316.100-105-40	100	105	40	P1315.60-B
P1316.60-65-50	60	65	50	P1315.60-C
P1316.100-105-50	100	105	50	P1315.60-D
P1316.60-65-60	60	65	60	P1315.60-E
P1316.100-105-60	100	105	60	P1315.60-F



Threaded inserts are used to quickly repair stripped, damaged or worn out threads with new stronger threads, or are used in original equipment to guarantee stronger thread connections. Automation inserts are easy to install and remove, without the need for special drills, taps or pre-winder tools. The 'locking keys' on threaded inserts are easily driven down into the thread of the surrounding base material – locking the insert securely in place.



P0083
Carbon Steel Insert



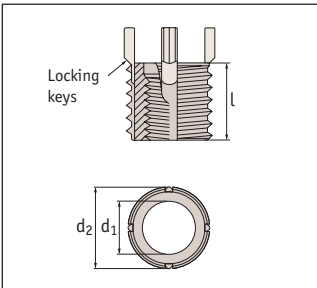
P0084
Stainless Steel Inserts



P0087
Solid Inserts

Key Features

- Solid, one-piece construction providing high pull-out strengths.
- Locking "keys" provide a positive mechanical lock against rotation of the insert.
- Easy installation and removal.
- Installation with standard drills and taps.
- No pre-winder tools required.
- No tangs to break off and account for in the assembly.
- For use in a wide variety of materials.
- Both metric and imperial sizes available in coarse and fine pitches.



Installation and Removal

Installation

- Select desired threaded insert, and from the product data table identify the installation drill and tap sizes (note the drill is slightly oversized deliberately).
Drill with standard tap drill as per product data table, and countersink with standard 82-100° countersink.
- Tap new threads with standard tap – as specified in product data table.
- Screw in the insert until it is 0.254 to 0.762mm (.010 to .030 inch) below the surface.
- Drive keys down with several hammer taps on the installation tool – see product data table for correct tool.
- Insert is installed.

Removal

Automation threaded inserts, if required, can be removed without damage to the parent/surrounding material, follow these steps.

- Refer to the product data table of the installed threaded insert and identify the drill size and drill depth required for removal. Drill out the material between the insert keys and the internal thread to specified depth.
- Bend the locking keys inward and break off.
- Remove the old insert using a screw extractor or similar.
- Install a replacement insert into the original tapped hole as per installation instruction above.

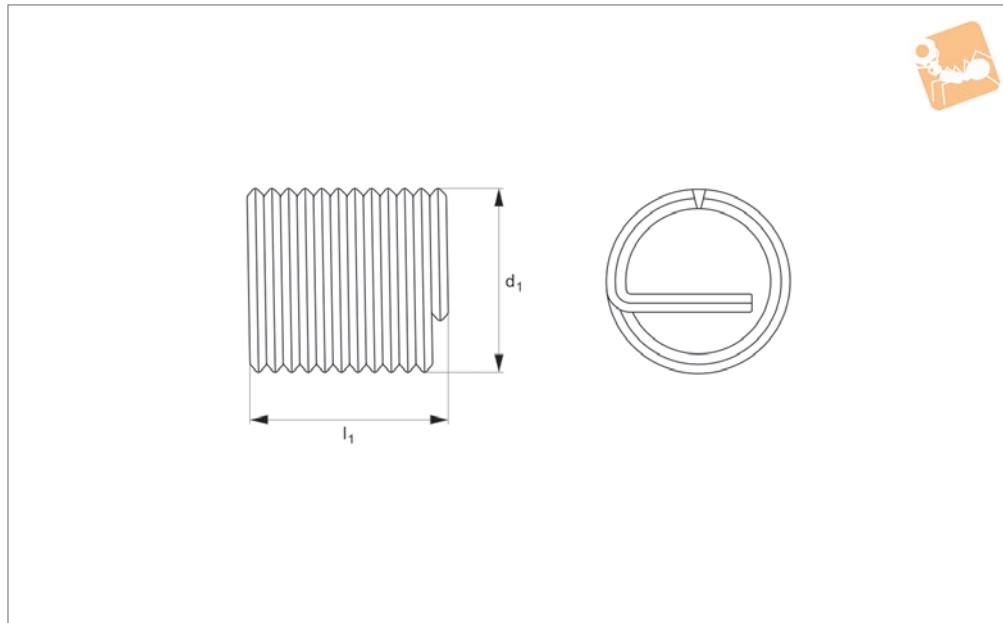
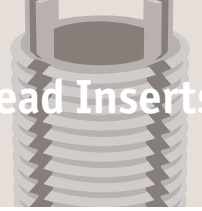




Wire Thread Inserts - Free Running

A2 stainless

Thread Inserts



P0080

THREAD INSERTS

Material

Stainless steel (A2, AISI 304).

Technical Notes

To DIN 8140-1A

These inserts are used for the repair and reinforcement of cracked and damaged threads.

Thread inserts are oversized so that when installed they are kept in position,

by the pressure between the sides of the hole and the coils.

Threads are metric coarse threads, other pitches available on request.

Temperature range for use -160° C to +420° C and can withstand temperature surges up to +500° C.

Tips

A special tap is required to install these inserts.

The installation procedure includes the following steps:

1. Drill Hole
2. Tap with wire insert tap
3. Check hole with gauge
4. Install insert
5. Remove tang
6. Check thread ,go:no-go'.

Order No.	d ₁ x pitch	Drill dia. d ₂	C'bore dia. d ₃	l ₁
P0080.020-1.0-A2	M2 x0,4	2.1	2,52 - 2,61	2.0
P0080.020-1.5-A2	M2 x0,4	2.1	2,52 - 2,61	3.0
P0080.020-2.0-A2	M2 x0,4	2.1	2,52 - 2,61	4.0
P0080.020-2.5-A2	M2 x0,4	2.1	2,52 - 2,61	5.0
P0080.020-3.0-A2	M2 x0,4	2.1	2,52 - 2,61	6.0
P0080.030-1.0-A2	M3 x0,5	3.2	3,65 - 4,35	3.0
P0080.030-1.5-A2	M3 x0,5	3.2	3,65 - 4,35	4.5
P0080.030-2.0-A2	M3x0,5	3.2	3,65 - 4,35	6.0
P0080.030-2.5-A2	M3 x0,5	3.2	3,65 - 4,35	7.5
P0080.030-3.0-A2	M3 x0,5	3.2	3,65 - 4,35	9.0
P0080.025-1.0-A2	M2,5x0,45	2.6	3,08 - 3,18	2.5
P0080.025-1.5-A2	M2,5x0,45	2.6	3,08 - 3,18	3.75
P0080.025-2.0-A2	M2,5x0,45	2.6	3,08 - 3,18	5.0
P0080.025-2.5-A2	M2,5x0,45	2.6	3,08 - 3,18	6.25
P0080.025-3.0-A2	M2,5x0,45	2.6	3,08 - 3,18	7.5
P0080.040-1.0-A2	M4 x0,7	4.2	4,9 - 5,06	4.0
P0080.040-1.5-A2	M4 x0,7	4.2	4,9 - 5,06	6.0
P0080.040-2.0-A2	M4 x0,7	4.2	4,9 - 5,06	8.0
P0080.040-2.5-A2	M4 x0,7	4.2	4,9 - 5,06	10.0
P0080.040-3.0-A2	M4 x0,7	4.2	4,9 - 5,06	12.0
P0080.050-1.0-A2	M5 x0,8	5.2	6,04 - 6,21	5.0
P0080.050-1.5-A2	M5 x0,8	5.2	6,04 - 6,21	7.5
P0080.050-2.0-A2	M5 x0,8	5.2	6,04 - 6,21	10.0
P0080.050-2.5-A2	M5 x0,8	5.2	6,04 - 6,21	12.5
P0080.050-3.0-A2	M5 x0,8	5.2	6,04 - 6,21	15.0
P0080.060-1.0-A2	M6 x1,0	6.3	7,3 - 7,51	6.0
P0080.060-1.5-A2	M6 x1,0	6.3	7,3 - 7,51	9.0
P0080.060-2.0-A2	M6 x1,0	6.3	7,3 - 7,51	12.0



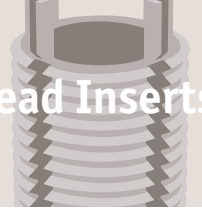
Order No.	d ₁ x pitch	Drill dia. d ₂	C'bore dia. d ₃	l ₁
P0080.060-2.5-A2	M6 x1,0	6.3	7,3 - 7,51	15.0
P0080.060-3.0-A2	M6 x1,0	6.3	7,3 - 7,51	18.0
P0080.080-1.0-A2	M8 x1,25	8.3	9,62 - 9,89	8.0
P0080.080-1.5-A2	M8 x1,25	8.3	9,62 - 9,89	12.0
P0080.080-2.0-A2	M8 x1,25	8.3	9,62 - 9,89	16.0
P0080.080-2.5-A2	M8 x1,25	8.3	9,62 - 9,89	20.0
P0080.080-3.0-A2	M8 x1,25	8.3	9,62 - 9,89	24.0
P0080.100-1.0-A2	M10x1,5	10.4	11,95 - 12,27	10.0
P0080.100-1.5-A2	M10x1,5	10.4	11,95 - 12,27	15.0
P0080.100-2.0-A2	M10x1,5	10.4	11,95 - 12,27	20.0
P0080.100-2.5-A2	M10x1,5	10.4	11,95 - 12,27	25.0
P0080.100-3.0-A2	M10x1,5	10.4	11,95 - 12,27	30.0
P0080.120-1.0-A2	M12x1,75	12.5	14,27 - 14,65	12.0
P0080.120-1.5-A2	M12x1,75	12.5	14,27 - 14,65	18.0
P0080.120-2.0-A2	M12x1,75	12.5	14,27 - 14,65	24.0
P0080.120-2.5-A2	M12x1,75	12.5	14,27 - 14,65	30.0
P0080.120-3.0-A2	M12x1,75	12.5	14,27 - 14,65	36.0
P0080.140-1.0-A2	M14x2,0	14.5	16,60 - 17,03	14.0
P0080.140-1.5-A2	M14x2,0	14.5	16,60 - 17,03	21.0
P0080.140-2.0-A2	M14x2,0	14.5	16,60 - 17,03	28.0
P0080.140-2.5-A2	M14x2,0	14.5	16,60 - 17,03	35.0
P0080.140-3.0-A2	M14x2,0	14.5	16,60 - 17,03	42.0
P0080.160-1.0-A2	M16x2,0	16.5	18,60 - 19,03	16.0
P0080.160-1.5-A2	M16x2,0	16.5	18,60 - 19,03	24.0
P0080.160-2.0-A2	M16x2,0	16.5	18,60 - 19,03	32.0
P0080.160-2.5-A2	M16x2,0	16.5	18,60 - 19,03	40.0
P0080.160-3.0-A2	M16x2,0	16.5	18,60 - 19,03	48.0
P0080.180-1.0-A2	M18x2,5	18.8	21,25 - 21,79	18.0
P0080.180-1.5-A2	M18x2,5	18.8	21,25 - 21,79	27.0
P0080.180-2.0-A2	M18x2,5	18.8	21,25 - 21,79	36.0
P0080.180-2.5-A2	M18x2,5	18.8	21,25 - 21,79	45.0
P0080.180-3.0-A2	M18x2,5	18.8	21,25 - 21,79	54.0
P0080.200-1.0-A2	M20x2,5	20.8	23,25 - 23,79	20.0
P0080.200-1.5-A2	M20x2,5	20.8	23,25 - 23,79	30.0
P0080.200-2.0-A2	M20x2,5	20.8	23,25 - 23,79	40.0
P0080.200-2.5-A2	M20x2,5	20.8	23,25 - 23,79	50.0
P0080.200-3.0-A2	M20x2,5	20.8	23,25 - 23,79	60.0
P0080.220-1.0-A2	M22x2,5	22.8	25,25 - 25,79	22.0
P0080.220-1.5-A2	M22x2,5	22.8	25,25 - 25,79	33.0
P0080.220-2.0-A2	M22x2,5	22.8	25,25 - 25,79	44.0
P0080.220-2.5-A2	M22x2,5	22.8	25,25 - 25,79	55.0
P0080.220-3.0-A2	M22x2,5	22.8	25,25 - 25,79	66.0
P0080.240-1.0-A2	M24x3,0	25.0	27,90 - 28,54	24.0
P0080.240-1.5-A2	M24x3,0	25.0	27,90 - 28,54	36.0
P0080.240-2.0-A2	M24x3,0	25.0	27,90 - 28,54	48.0
P0080.240-2.5-A2	M24x3,0	25.0	27,90 - 28,54	60.0
P0080.240-3.0-A2	M24x3,0	25.0	27,90 - 28,54	72.0
P0080.270-1.0-A2	M27x3,0	28.0	30,90 - 31,54	27.0
P0080.270-1.5-A2	M27x3,0	28.0	30,90 - 31,54	40.5
P0080.270-2.0-A2	M27x3,0	28.0	30,90 - 31,54	54.0
P0080.270-2.5-A2	M27x3,0	28.0	30,90 - 31,54	67.5
P0080.270-3.0-A2	M27x3,0	28.0	30,90 - 31,54	81.0
P0080.300-1.0-A2	M30x3,5	31.0	34,55 - 35,30	30.0
P0080.300-1.5-A2	M30x3,5	31.0	34,55 - 35,30	45.0
P0080.300-2.0-A2	M30x3,5	31.0	34,55 - 35,30	60.0
P0080.300-2.5-A2	M30x3,5	31.0	34,55 - 35,30	75.0
P0080.300-3.0-A2	M30x3,5	31.0	34,55 - 35,30	90.0
P0080.330-1.0-A2	M33x3,5	34.0	37,55 - 38,30	33.0
P0080.330-1.5-A2	M33x3,5	34.0	37,55 - 38,30	49.5
P0080.330-2.0-A2	M33x3,5	34.0	37,55 - 38,30	66.0
P0080.330-2.5-A2	M33x3,5	34.0	37,55 - 38,30	82.5
P0080.330-3.0-A2	M33x3,5	34.0	37,55 - 38,30	99.0
P0080.360-1.0-A2	M36x4,0	37.0	41,20 - 42,06	36.0
P0080.360-1.5-A2	M36x4,0	37.0	41,20 - 42,06	54.0
P0080.360-2.0-A2	M36x4,0	37.0	41,20 - 42,06	72.0
P0080.360-2.5-A2	M36x4,0	37.0	41,20 - 42,06	90.0
P0080.360-3.0-A2	M36x4,0	37.0	41,20 - 42,06	108.0
P0080.390-1.0-A2	M39x4,0	40.0	44,20 - 45,06	39.0
P0080.390-1.5-A2	M39x4,0	40.0	44,20 - 45,06	58.5



Wire Thread Inserts - Free Running

A2 stainless

Thread Inserts

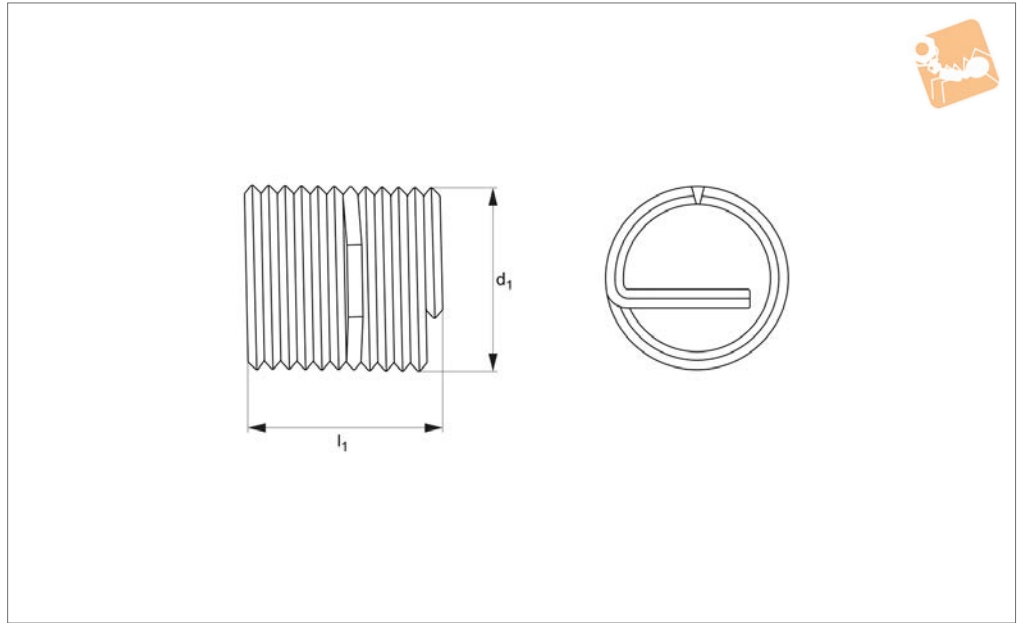


Order No.	d ₁ x pitch	Drill dia. d ₂	C'bore dia. d ₃	l ₁
P0080.390-2.0-A2	M39x4,0	40.0	44,20 - 45,06	78.0
P0080.390-2.5-A2	M39x4,0	40.0	44,20 - 45,06	97.5
P0080.390-3.0-A2	M39x4,0	40.0	44,20 - 45,06	117.0
P0080.420-1.0-A2	M42x4,5	43.0	47,85 - 48,82	42.0
P0080.420-1.5-A2	M42x4,5	43.0	47,85 - 48,82	63.0
P0080.420-2.0-A2	M42x4,5	43.0	47,85 - 48,82	84.0
P0080.420-2.5-A2	M42x4,5	43.0	47,85 - 48,82	105.0
P0080.420-3.0-A2	M42x4,5	43.0	47,85 - 48,82	126.0

THREAD INSERTS



P0081



Material

Stainless steel (A2, AISI 304).

Technical Notes

To DIN 8140-1A

These inserts are used for the repair and reinforcement of cracked and damaged threads. Thread inserts are oversized so that when installed they are kept in position by the pressure between the sides of the hole and the coils. These „screw lock“ thread inserts (prevailing torque) are

useful in applications where there is cyclic vibration or impact. A portion of the thread in the mid area of the insert has polygonal threads and these exert radial pressure on the male thread. It is recommended to use „close fit“ thread tolerance male bolts or screws.

Threads are metric coarse threads, other pitches available on request.

Temperature range for use -160° C to +420° C and can withstand temperature

surges up to +500° C.

Tips

A special tap is required to install these inserts.

The installation procedure includes the following steps:

1. Drill Hole
2. Tap with wire insert tap
3. Check hole with gauge
4. Install insert
5. Remove tang
6. Check thread ,go:no-go‘.

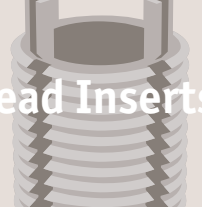
Order No.	d ₁ x pitch	Drill dia. d ₂	C'bore dia. d ₃	l ₁
P0081.020-1.0-A2	M2 x0,4	2.1	2,52 - 2,61	2.0
P0081.020-1.5-A2	M2 x0,4	2.1	2,52 - 2,61	3.0
P0081.020-2.0-A2	M2 x0,4	2.1	2,52 - 2,61	4.0
P0081.020-2.5-A2	M2 x0,4	2.1	2,52 - 2,61	5.0
P0081.020-3.0-A2	M2 x0,4	2.1	2,52 - 2,61	6.0
P0081.030-1.0-A2	M3 x0,5	3.2	3,65 - 4,35	3.0
P0081.030-1.5-A2	M3 x0,5	3.2	3,65 - 4,35	4.5
P0081.030-2.0-A2	M3x0,5	3.2	3,65 - 4,35	6.0
P0081.030-2.5-A2	M3 x0,5	3.2	3,65 - 4,35	7.5
P0081.030-3.0-A2	M3 x0,5	3.2	3,65 - 4,35	9.0
P0081.025-1.0-A2	M2,5x0,45	2.6	3,08 - 3,18	2.5
P0081.025-1.5-A2	M2,5x0,45	2.6	3,08 - 3,18	3.75
P0081.025-2.0-A2	M2,5x0,45	2.6	3,08 - 3,18	5.0
P0081.025-2.5-A2	M2,5x0,45	2.6	3,08 - 3,18	6.25
P0081.025-3.0-A2	M2,5x0,45	2.6	3,08 - 3,18	7.5
P0081.040-1.0-A2	M4 x0,7	4.2	4,9 - 5,06	4.0
P0081.040-1.5-A2	M4 x0,7	4.2	4,9 - 5,06	6.0
P0081.040-2.0-A2	M4 x0,7	4.2	4,9 - 5,06	8.0
P0081.040-2.5-A2	M4 x0,7	4.2	4,9 - 5,06	10.0
P0081.040-3.0-A2	M4 x0,7	4.2	4,9 - 5,06	12.0
P0081.050-1.0-A2	M5 x0,8	5.2	6,04 - 6,21	5.0
P0081.050-1.5-A2	M5 x0,8	5.2	6,04 - 6,21	7.5
P0081.050-2.0-A2	M5 x0,8	5.2	6,04 - 6,21	10.0
P0081.050-2.5-A2	M5 x0,8	5.2	6,04 - 6,21	12.5
P0081.050-3.0-A2	M5 x0,8	5.2	6,04 - 6,21	15.0
P0081.060-1.0-A2	M6 x1,0	6.3	7,3 - 7,51	6.0



Wire Thread Inserts - Screw Lock

A2 stainless

Thread Inserts



Order No.	d ₁ x pitch	Drill dia. d ₂	C'bore dia. d ₃	l ₁
P0081.060-1.5-A2	M6 x1,0	6.3	7,3 - 7,51	9.0
P0081.060-2.0-A2	M6 x1,0	6.3	7,3 - 7,51	12.0
P0081.060-2.5-A2	M6 x1,0	6.3	7,3 - 7,51	15.0
P0081.060-3.0-A2	M6 x1,0	6.3	7,3 - 7,51	18.0
P0081.080-1.0-A2	M8 x1,25	8.3	9,62 - 9,89	8.0
P0081.080-1.5-A2	M8 x1,25	8.3	9,62 - 9,89	12.0
P0081.080-2.0-A2	M8 x1,25	8.3	9,62 - 9,89	16.0
P0081.080-2.5-A2	M8 x1,25	8.3	9,62 - 9,89	20.0
P0081.080-3.0-A2	M8 x1,25	8.3	9,62 - 9,89	24.0
P0081.100-1.0-A2	M10x1,5	10.4	11,95 - 12,27	10.0
P0081.100-1.5-A2	M10x1,5	10.4	11,95 - 12,27	15.0
P0081.100-2.0-A2	M10x1,5	10.4	11,95 - 12,27	20.0
P0081.100-2.5-A2	M10x1,5	10.4	11,95 - 12,27	25.0
P0081.100-3.0-A2	M10x1,5	10.4	11,95 - 12,27	30.0
P0081.120-1.0-A2	M12x1,75	12.5	14,27 - 14,65	12.0
P0081.120-1.5-A2	M12x1,75	12.5	14,27 - 14,65	18.0
P0081.120-2.0-A2	M12x1,75	12.5	14,27 - 14,65	24.0
P0081.120-2.5-A2	M12x1,75	12.5	14,27 - 14,65	30.0
P0081.120-3.0-A2	M12x1,75	12.5	14,27 - 14,65	36.0
P0081.140-1.0-A2	M14x2,0	14.5	16,60 - 17,03	14.0
P0081.140-1.5-A2	M14x2,0	14.5	16,60 - 17,03	21.0
P0081.140-2.0-A2	M14x2,0	14.5	16,60 - 17,03	28.0
P0081.140-2.5-A2	M14x2,0	14.5	16,60 - 17,03	35.0
P0081.140-3.0-A2	M14x2,0	14.5	16,60 - 17,03	42.0
P0081.160-1.0-A2	M16x2,0	16.5	18,60 - 19,03	16.0
P0081.160-1.5-A2	M16x2,0	16.5	18,60 - 19,03	24.0
P0081.160-2.0-A2	M16x2,0	16.5	18,60 - 19,03	32.0
P0081.160-2.5-A2	M16x2,0	16.5	18,60 - 19,03	40.0
P0081.160-3.0-A2	M16x2,0	16.5	18,60 - 19,03	48.0
P0081.180-1.0-A2	M18x2,5	18.8	21,25 - 21,79	18.0
P0081.180-1.5-A2	M18x2,5	18.8	21,25 - 21,79	27.0
P0081.180-2.0-A2	M18x2,5	18.8	21,25 - 21,79	36.0
P0081.180-2.5-A2	M18x2,5	18.8	21,25 - 21,79	45.0
P0081.180-3.0-A2	M18x2,5	18.8	21,25 - 21,79	54.0
P0081.200-1.0-A2	M20x2,5	20.8	23,25 - 23,79	20.0
P0081.200-1.5-A2	M20x2,5	20.8	23,25 - 23,79	30.0
P0081.200-2.0-A2	M20x2,5	20.8	23,25 - 23,79	40.0
P0081.200-2.5-A2	M20x2,5	20.8	23,25 - 23,79	50.0
P0081.200-3.0-A2	M20x2,5	20.8	23,25 - 23,79	60.0
P0081.220-1.0-A2	M22x2,5	22.8	25,25 - 25,79	22.0
P0081.220-1.5-A2	M22x2,5	22.8	25,25 - 25,79	33.0
P0081.220-2.0-A2	M22x2,5	22.8	25,25 - 25,79	44.0
P0081.220-2.5-A2	M22x2,5	22.8	25,25 - 25,79	55.0
P0081.220-3.0-A2	M22x2,5	22.8	25,25 - 25,79	66.0
P0081.240-1.0-A2	M24x3,0	25.0	27,90 - 28,54	24.0
P0081.240-1.5-A2	M24x3,0	25.0	27,90 - 28,54	36.0
P0081.240-2.0-A2	M24x3,0	25.0	27,90 - 28,54	48.0
P0081.240-2.5-A2	M24x3,0	25.0	27,90 - 28,54	60.0
P0081.240-3.0-A2	M24x3,0	25.0	27,90 - 28,54	72.0
P0081.270-1.0-A2	M27x3,0	28.0	30,90 - 31,54	27.0
P0081.270-1.5-A2	M27x3,0	28.0	30,90 - 31,54	40.5
P0081.270-2.0-A2	M27x3,0	28.0	30,90 - 31,54	54.0
P0081.270-2.5-A2	M27x3,0	28.0	30,90 - 31,54	67.5
P0081.270-3.0-A2	M27x3,0	28.0	30,90 - 31,54	81.0
P0081.300-1.0-A2	M30x3,5	31.0	34,55 - 35,30	30.0
P0081.300-1.5-A2	M30x3,5	31.0	34,55 - 35,30	45.0
P0081.300-2.0-A2	M30x3,5	31.0	34,55 - 35,30	60.0
P0081.300-2.5-A2	M30x3,5	31.0	34,55 - 35,30	60.0
P0081.300-3.0-A2	M30x3,5	31.0	34,55 - 35,30	90.0
P0081.330-1.0-A2	M33x3,5	34.0	37,55 - 38,30	33.0
P0081.330-1.5-A2	M33x3,5	34.0	37,55 - 38,30	49.5
P0081.330-2.0-A2	M33x3,5	34.0	37,55 - 38,30	66.0
P0081.330-2.5-A2	M33x3,5	34.0	37,55 - 38,30	82.5
P0081.330-3.0-A2	M33x3,5	34.0	37,55 - 38,30	99.0
P0081.360-1.0-A2	M36x4,0	37.0	41,20 - 42,06	36.0
P0081.360-1.5-A2	M36x4,0	37.0	41,20 - 42,06	54.0
P0081.360-2.0-A2	M36x4,0	37.0	41,20 - 42,06	72.0
P0081.360-2.5-A2	M36x4,0	37.0	41,20 - 42,06	90.0
P0081.360-3.0-A2	M36x4,0	37.0	41,20 - 42,06	108.0

THREAD INSERTS



Wire Thread Inserts - Screw Lock A2 stainless



Order No.	d ₁ x pitch	Drill dia. d ₂	C'bore dia. d ₃	l ₁
P0081.390-1.0-A2	M39x4,0	40.0	44,20 - 45.06	39.0
P0081.390-1.5-A2	M39x4,0	40.0	44,20 - 45.06	58.5
P0081.390-2.0-A2	M39x4,0	40.0	44,20 - 45.06	78.0
P0081.390-2.5-A2	M39x4,0	40.0	44,20 - 45.06	97.5
P0081.390-3.0-A2	M39x4,0	40.0	44,20 - 45.06	117.0
P0081.420-1.0-A2	M42x4,5	43.0	47,85 - 48,82	42.0
P0081.420-1.5-A2	M42x4,5	43.0	47,85 - 48,82	63.0
P0081.420-2.0-A2	M42x4,5	43.0	47,85 - 48,82	84.0
P0081.420-2.5-A2	M42x4,5	43.0	47,85 - 48,82	105.0
P0081.420-3.0-A2	M42x4,5	43.0	47,85 - 48,82	126.0

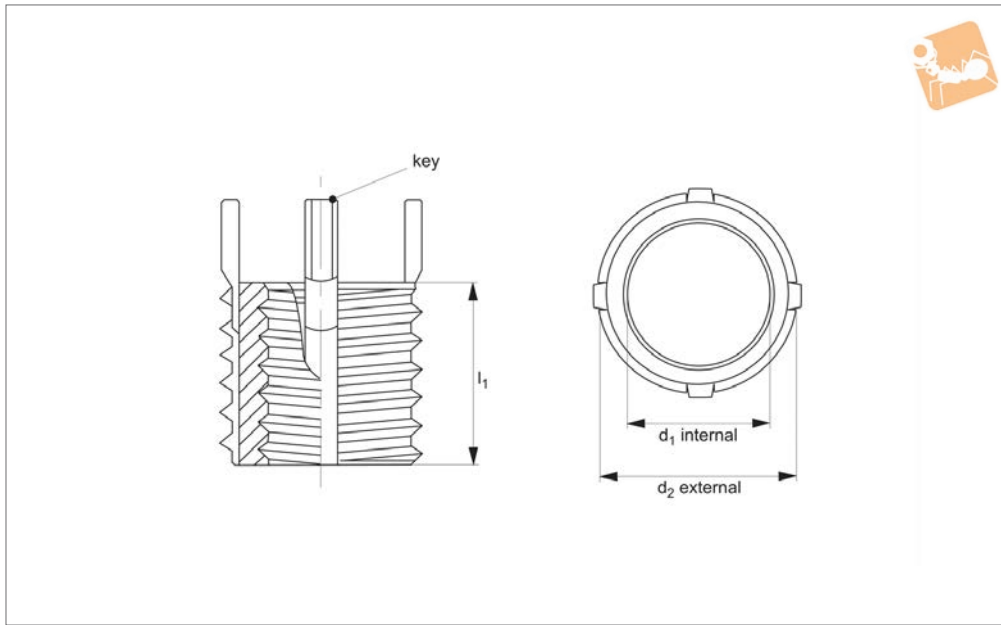
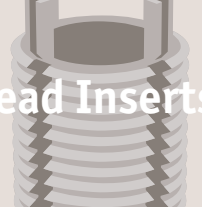
THREAD INSERTS



Threaded Insert - Metric

heavy duty - stainless steel

Thread Inserts



P0083.1

THREAD INSERTS

Material

Inserts: stainless steel (AISI 303) or equivalent. Passivated.

Keys: stainless steel (302 CRES) or equivalent. Passivated.

Technical Notes

General tolerances:

±0,25, unless specified.

Tap drill hole tolerances:

6,9 to 10,8 = +0,10/-0,025.

12,8 and over = +0,13/-0,025.

Tips

Order installation tool separately, as identified by „Inst. tool ref.“ in table.

Important Notes

Four locking keys on internal threads M 8 and over. Two locking keys on internal threads smaller than M 8.

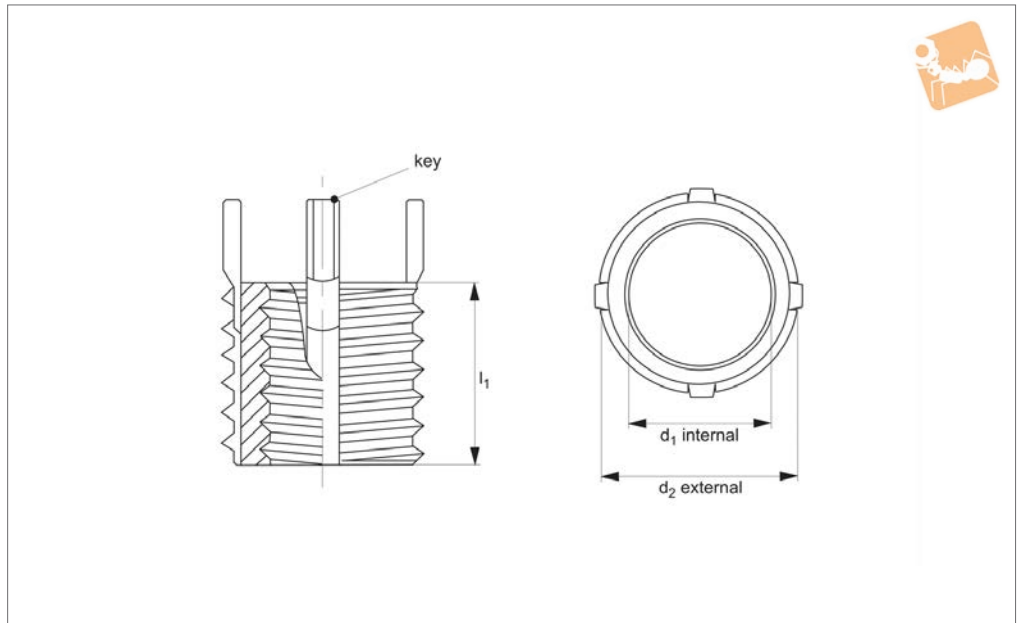
Installation (Inst.) drill size, countersink, thread tap and thread depth as specified in table.

Removal drill size and drill depth as speci-

Order No.	Int. d ₁ tol. 6H	Int. thread type d ₁	Ext. d ₂ tol. 6g	Ext. thread type d ₂	l ₁	Inst. tool ref. 22062	Inst. tap drill size	Inst. c'sink dia. ±0.25 ± 0.000	Inst. thread tap tol. 6H	Inst. thread depth min.	Removal drill size	Removal drill depth
P0083.040-070-A2	M 4x0,70	Coarse	M 8x1,25	Coarse	8	.W0630	6,9	8,3	M 8x1,25	9,5	5,5	4,0
P0083.050-080-A2	M 5x0,80	Coarse	M10x1,25	Fine	10	.W0640	8,8	10,3	M10x1,25	12,5	7,5	4,8
P0083.060-100-A2	M 6x1,00	Coarse	M12x1,25	Fine	12	.W0650	10,8	12,3	M12x1,25	14,5	9,5	4,8
P0083.080-125-A2	M 8x1,25	Coarse	M14x1,50	Fine	14	.W0660	12,8	14,3	M14x1,50	16,5	11,5	4,8
P0083.080-100-A2	M 8x1,00	Fine	M14x1,50	Fine	14	.W0660	12,8	14,3	M14x1,50	16,5	11,5	4,8
P0083.100-150-A2	M10x1,50	Coarse	M16x1,50	Fine	16	.W0670	14,8	16,3	M16x1,50	18,5	13,5	4,8
P0083.100-125-A2	M10x1,25	Fine	M16x1,50	Fine	16	.W0670	14,8	16,3	M16x1,50	18,5	13,5	4,8
P0083.120-175-A2	M12x1,75	Coarse	M18x1,50	Fine	18	.W0690	16,8	18,3	M18x1,50	20,5	15,5	4,8
P0083.120-125-A2	M12x1,25	Fine	M18x1,50	Fine	18	.W0690	16,8	18,3	M18x1,50	20,5	15,5	4,8
P0083.140-200-A2	M14x2,00	Coarse	M20x1,50	Fine	20	.W0700	18,8	20,3	M20x1,50	22,5	17,5	4,8
P0083.140-150-A2	M14x1,50	Fine	M20x1,50	Fine	20	.W0700	18,8	20,3	M20x1,50	22,5	17,5	4,8
P0083.160-200-A2	M16x2,00	Coarse	M22x1,50	Fine	22	.W0710	20,5	22,3	M22x1,50	24,5	17,8	6,4
P0083.160-150-A2	M16x1,50	Fine	M22x1,50	Fine	22	.W0710	20,5	22,3	M22x1,50	24,5	17,8	6,4
P0083.180-150-A2	M18x1,50	Fine	M24x1,50	Fine	24	.W0720	22,5	24,3	M24x1,50	26,5	19,8	6,4
P0083.200-250-A2	M20x2,50	Coarse	M30x2,00	Non-Std	30	.W0730	28,0	30,3	M30x2,00	34,5	25,8	6,4
P0083.200-150-A2	M20x1,50	Fine	M30x2,00	Non-Std	30	.W0730	28,0	30,3	M30x2,00	34,5	25,8	6,4
P0083.220-150-A2	M22x1,50	Fine	M32x2,00	Non-Std	32	.W0740	30,0	32,3	M32x2,00	36,5	27,8	6,4
P0083.240-300-A2	M24x3,00	Coarse	M33x2,00	Non-Std	33	.W0750	31,0	33,3	M33x2,00	37,5	28,8	6,4
P0083.240-200-A2	M24x2,00	Fine	M33x2,00	Non-Std	33	.W0750	31,0	33,3	M33x2,00	37,5	28,8	6,4



P0083.2



Material

Inserts: carbon steel (C1215) or equivalent. Zinc phosphate.

Keys: stainless steel (302 CRES) or equivalent. Passivated.

Technical Notes

General tolerances:

±0,25, unless specified.

Tap drill hole tolerances:

6,9 to 10,8 = +0,10/-0,025.

12,8 and over = +0,13/-0,025.

Tips

Order installation tool separately, as identified by „Inst. tool ref.“ in table.

Important Notes

Four locking keys on internal threads M 8 and over. Two locking keys on internal threads smaller than M 8.

Installation (Inst.) drill size, countersink, thread tap and thread depth as specified in table.

Removal drill size and drill depth as speci-

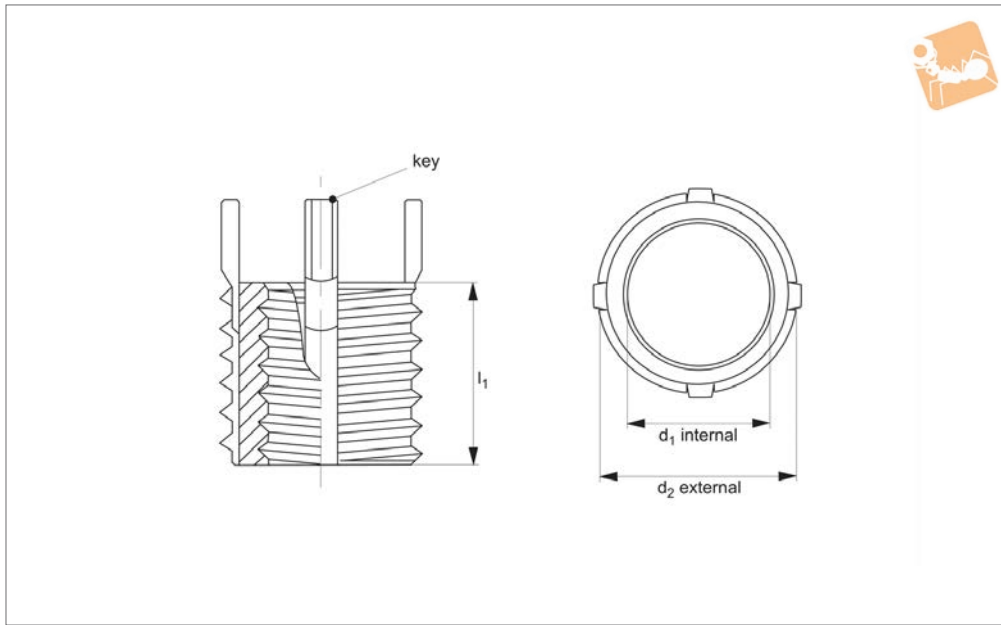
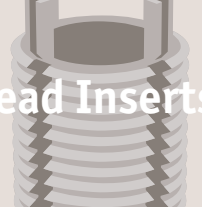
Order No.	Int. d ₁ tol. 6H	Int. thread type d ₁	Ext. d ₂ tol. 6g	Ext. thread type d ₂	l ₁	Inst. tool ref. 22062	Inst. tap drill size	Inst. c'sink dia. ±0.25 ± 0.000	Inst. thread tap tol. 6H	Inst. thread depth min.	Removal drill size	Removal drill depth
P0083.040-070-CS	M 4x0,70	Coarse	M 8x1,25	Coarse	8	.W0630	6,9	8,3	M 8x1,25	9,5	5,5	4,0
P0083.050-080-CS	M 5x0,80	Coarse	M10x1,25	Fine	10	.W0640	8,8	10,3	M10x1,25	12,5	7,5	4,8
P0083.060-100-CS	M 6x1,00	Coarse	M12x1,25	Fine	12	.W0650	10,8	12,3	M12x1,25	14,5	9,5	4,8
P0083.080-125-CS	M 8x1,25	Coarse	M14x1,50	Fine	14	.W0660	12,8	14,3	M14x1,50	16,5	11,5	4,8
P0083.080-100-CS	M 8x1,00	Fine	M14x1,50	Fine	14	.W0660	12,8	14,3	M14x1,50	16,5	11,5	4,8
P0083.100-150-CS	M10x1,50	Coarse	M16x1,50	Fine	16	.W0670	14,8	16,3	M16x1,50	18,5	13,5	4,8
P0083.100-125-CS	M10x1,25	Fine	M16x1,50	Fine	16	.W0670	14,8	16,3	M16x1,50	18,5	13,5	4,8
P0083.120-175-CS	M12x1,75	Coarse	M18x1,50	Fine	18	.W0690	16,8	18,3	M18x1,50	20,5	15,5	4,8
P0083.120-125-CS	M12x1,25	Fine	M18x1,50	Fine	18	.W0690	16,8	18,3	M18x1,50	20,5	15,5	4,8
P0083.140-200-CS	M14x2,00	Coarse	M20x1,50	Fine	20	.W0700	18,8	20,3	M20x1,50	22,5	17,5	4,8
P0083.140-150-CS	M14x1,50	Fine	M20x1,50	Fine	20	.W0700	18,8	20,3	M20x1,50	22,5	17,5	4,8
P0083.160-200-CS	M16x2,00	Coarse	M22x1,50	Fine	22	.W0710	20,5	22,3	M22x1,50	24,5	17,8	6,4
P0083.160-150-CS	M16x1,50	Fine	M22x1,50	Fine	22	.W0710	20,5	22,3	M22x1,50	24,5	17,8	6,4
P0083.180-150-CS	M18x1,50	Fine	M24x1,50	Fine	24	.W0720	22,5	24,3	M24x1,50	26,5	19,8	6,4
P0083.200-250-CS	M20x2,50	Coarse	M30x2,00	Non-Std	30	.W0730	28,0	30,3	M30x2,00	34,5	25,8	6,4
P0083.200-150-CS	M20x1,50	Fine	M30x2,00	Non-Std	30	.W0730	28,0	30,3	M30x2,00	34,5	25,8	6,4
P0083.220-150-CS	M22x1,50	Fine	M32x2,00	Non-Std	32	.W0740	30,0	32,3	M32x2,00	36,5	27,8	6,4
P0083.240-300-CS	M24x3,00	Coarse	M33x2,00	Non-Std	33	.W0750	31,0	33,3	M33x2,00	37,5	28,8	6,4
P0083.240-200-CS	M24x2,00	Fine	M33x2,00	Non-Std	33	.W0750	31,0	33,3	M33x2,00	37,5	28,8	6,4



Threaded Insert - Metric

thinwall - stainless steel

Thread Inserts



P0084.1

THREAD INSERTS

Material

Inserts: stainless steel (AISI 303) or equivalent. Passivated.

Keys: stainless steel (302 CRES) or equivalent. Passivated.

Technical Notes

General tolerances:

±0,25, unless specified.

Tap drill hole tolerances:

6,9 to 10,8 = +0,10/-0,025.

12,8 and over = +0,13/-0,025.

Tips

Order installation tool separately, as identified by „Inst. tool ref.“ in table.

Important Notes

Four locking keys on internal threads M 8 and over. Two locking keys on internal threads smaller than M 8.

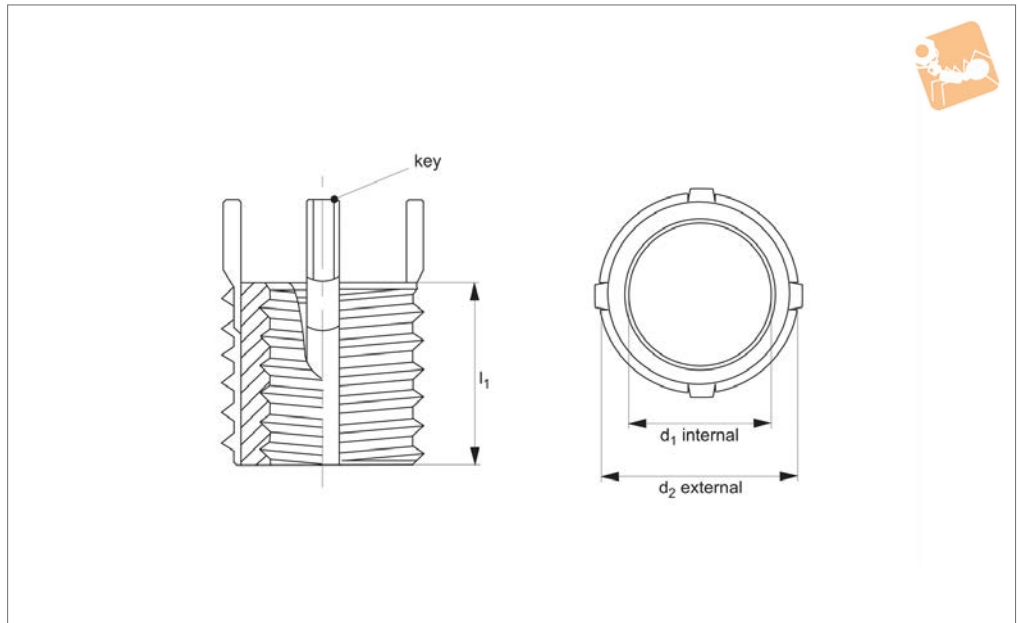
Installation (Inst.) drill size, countersink, thread tap and thread depth as specified in table.

Removal drill size and drill depth as speci-

Order No.	Int. d ₁ tol. 6H	Int. thread type d ₁	Ext. d ₂ tol. 6g	Ext. thread type d ₂	l ₁	Inst. tap drill size	Inst. tool ref. 22060	Inst. c'sink dia. ±0.25 ± 0.000	Inst. thread tap tol. 6H	Inst. thread depth min.	Removal drill size	Removal drill depth
P0084.050-080-A2	M 5x0,80	Coarse	M 8x1,25	Coarse	8	6,9	.W0510	8,3	M 8x1,25	9,5	5,5	4,0
P0084.060-100-A2	M 6x1,00	Coarse	M10x1,25	Fine	10	8,8	.W0520	10,3	M10x1,25	11,5	7,5	4,8
P0084.080-125-A2	M 8x1,25	Coarse	M12x1,25	Fine	12	10,8	.W0530	12,3	M12x1,25	13,5	9,5	4,8
P0084.080-100-A2	M 8x1,00	Fine	M12x1,25	Fine	12	10,8	.W0530	12,3	M12x1,25	13,5	9,5	4,8
P0084.100-150-A2	M10x1,50	Coarse	M14x1,50	Fine	14	12,8	.W0550	14,3	M14x1,50	15,5	11,5	4,8
P0084.100-125-A2	M10x1,25	Fine	M14x1,50	Fine	14	12,8	.W0550	14,3	M14x1,50	15,5	11,5	4,8
P0084.120-175-A2	M12x1,75	Coarse	M16x1,50	Fine	16	14,2	.W0560	14,3	M16x1,50	17,5	13,5	4,8
P0084.120-125-A2	M12x1,25	Fine	M16x1,50	Fine	16	14,8	.W0560	16,3	M16x1,50	17,5	13,5	4,8



P0084.2



Material

Inserts: carbon steel (C1215) or equivalent. Zinc phosphate.

Keys: stainless steel (302 CRES) or equivalent. Passivated.

Technical Notes

General tolerances:

±0,25, unless specified.

Tap drill hole tolerances:

6,9 to 10,8 = +0,10/-0,025.

12,8 and over = +0,13/-0,025.

Tips

Order installation tool separately, as identified by „Inst. tool ref.“ in table.

Important Notes

Four locking keys on internal threads M 8 and over. Two locking keys on internal threads smaller than M 8.

Installation (Inst.) drill size, countersink, thread tap and thread depth as specified in table.

Removal drill size and drill depth as speci-

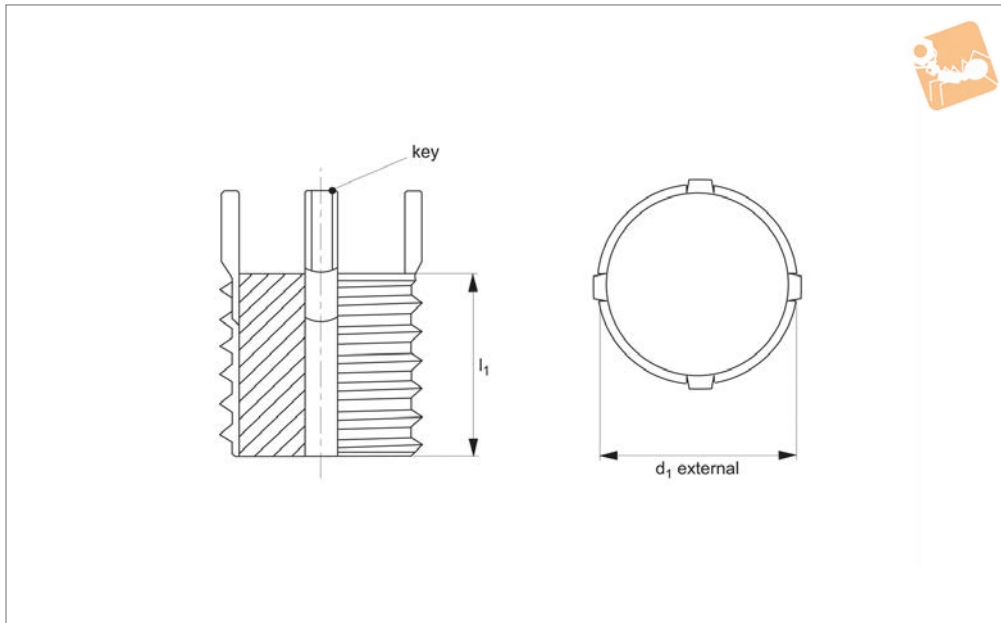
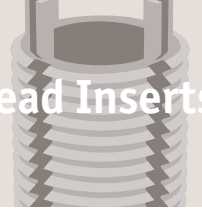
Order No.	Int. d ₁ tol. 6H	Int. thread type d ₁	Ext. d ₂ tol. 6g	Ext. thread type d ₂	l ₁	Inst. tap drill size	Inst. tool ref. 22060	Inst. c'sink dia. ±0.25 ± 0.000	Inst. thread tap tol. 6H	Inst. thread depth min.	Removal drill size	Removal drill depth
P0084.050-080-CS	M 5x0,80	Coarse	M 8x1,25	Coarse	8	6,9	.W0510	8,3	M 8x1,25	9,5	5,5	4,0
P0084.060-100-CS	M 6x1,00	Coarse	M10x1,25	Fine	10	8,8	.W0520	10,3	M10x1,25	11,5	7,5	4,8
P0084.080-125-CS	M 8x1,25	Coarse	M12x1,25	Fine	12	10,8	.W0530	12,3	M12x1,25	13,5	9,5	4,8
P0084.080-100-CS	M 8x1,00	Fine	M12x1,25	Fine	12	10,8	.W0530	12,3	M12x1,25	13,5	9,5	4,8
P0084.100-150-CS	M10x1,50	Coarse	M14x1,50	Fine	14	12,8	.W0550	14,3	M14x1,50	15,5	11,5	4,8
P0084.100-125-CS	M10x1,25	Fine	M14x1,50	Fine	14	12,8	.W0550	14,3	M14x1,50	15,5	11,5	4,8
P0084.120-175-CS	M12x1,75	Coarse	M16x1,50	Fine	16	14,8	.W0560	16,3	M16x1,50	17,5	13,5	4,8
P0084.120-125-CS	M12x1,25	Fine	M16x1,50	Fine	16	14,8	.W0560	16,3	M16x1,50	17,5	13,5	4,8



Threaded Insert - Solid - Metric

carbon steel

Thread Inserts



P0087.1

THREAD INSERTS

Material

Inserts: carbon steel (C1215) or equivalent. Zinc phosphate.

Keys: stainless steel (302 CRES) or equivalent. Passivated.

Technical Notes

General tolerances:

$\pm 0,25''$ unless specified.

Tap drill hole tolerances:

6,9 to 10,8 = $+0,10/-0,025''$.

12,8 and over = $+0,13/-0,025''$.

Tips

Order installation tool separately, as identified by „Inst. tool ref.“ in table.

Important Notes

Four locking keys on external threads M12 and over. Two locking keys on external

threads smaller than M12.

Installation (Inst.) drill size, countersink, thread tap and thread depth as specified in table.

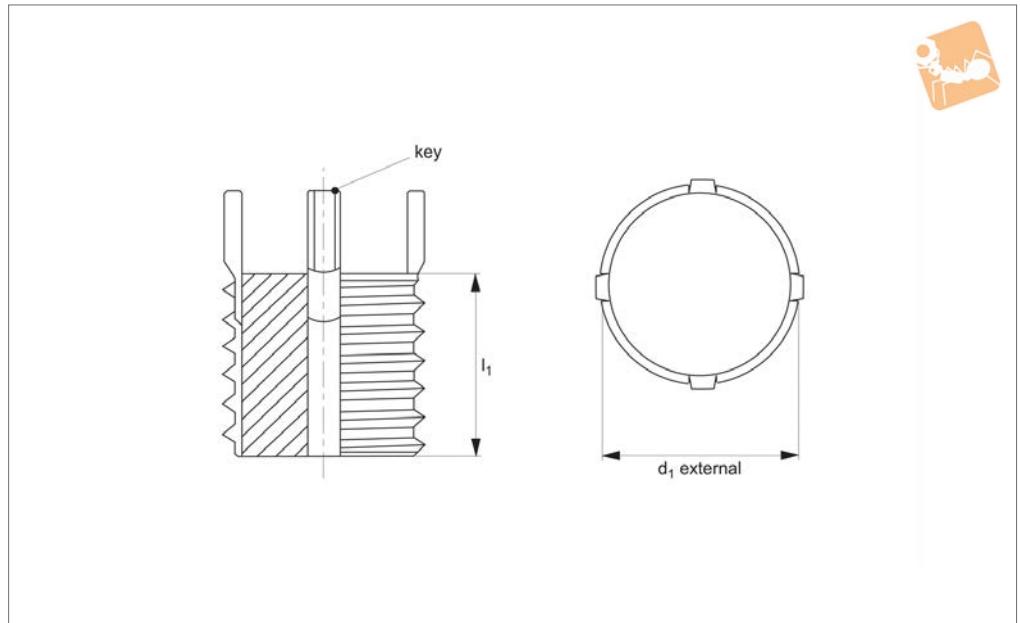
Removal drill size and drill depth as specified in table.

External metric thread allows you to machine your internal thread.

Order No.	d ₁ tol. 6g	Thread type d ₁	l ₁	Inst. tool ref. 22052	Inst. tap drill size	Inst. c'sink dia. +0.25 -0.00	Inst. thread tap tol. 6H	Inst. thread depth min.	Removal drill size	Removal drill depth
P0087.080-125-CS	M 8x1,25	Coarse	8	.W0210	6,90	8,3	M 8x1,25	9,5	5,5	4,0
P0087.100-125-CS	M10x1,25	Fine	10	.W0220	8,80	10,3	M10x1,25	12,5	7,5	4,8
P0087.120-125-CS	M12x1,25	Fine	12	.W0230	10,80	12,3	M12x1,25	14,5	9,5	4,8
P0087.140-150-CS	M14x1,50	Fine	14	.W0240	12,80	14,3	M14x1,50	16,5	11,5	4,8
P0087.160-150-CS	M16x1,50	Fine	16	.W0250	14,75	16,3	M16x1,50	18,5	13,5	4,8
P0087.180-150-CS	M18x1,50	Fine	18	.W0260	16,75	18,3	M18x1,50	20,5	15,5	4,8
P0087.200-150-CS	M20x1,50	Fine	20	.W0270	18,75	20,3	M20x1,50	22,5	17,5	4,8
P0087.220-150-CS	M22x1,50	Fine	22	.W0280	20,50	22,3	M22x1,50	24,5	17,8	6,4
P0087.240-150-CS	M24x1,50	Fine	24	.W0290	22,50	24,3	M24x1,50	26,5	19,8	6,4
P0087.300-200-CS	M30x2,00	Fine	30	.W0300	28,00	30,3	M30x2,00	34,5	25,8	6,4
P0087.320-200-CS	M32x2,00	Non-Std	32	.W0310	30,00	32,3	M32x2,00	36,5	27,8	6,4
P0087.330-200-CS	M33x2,00	Non-Std	33	.W0320	31,00	33,3	M33x2,00	37,5	28,8	6,4



P0087.2



Material

Inserts: stainless steel (AISI 303) or equivalent. Passivated.

Keys: stainless steel (302 CRES) or equivalent. Passivated.

Technical Notes

General tolerances:

± 0,25 unless specified.

Tap drill hole tolerances:

6,9 to 10,8 = +0,10/-0,025.

12,8 and over = +0,13/-0,025.

Tips

Order installation tool separately, as identified by „Inst. tool ref.“ in table.

Important Notes

Four locking keys on external threads M12 and over. Two locking keys on external

threads smaller than M12.

Installation (Inst.) drill size, countersink, thread tap and thread depth as specified in table.

Removal drill size and drill depth as specified in table.

External metric thread allows you to machine your internal thread.

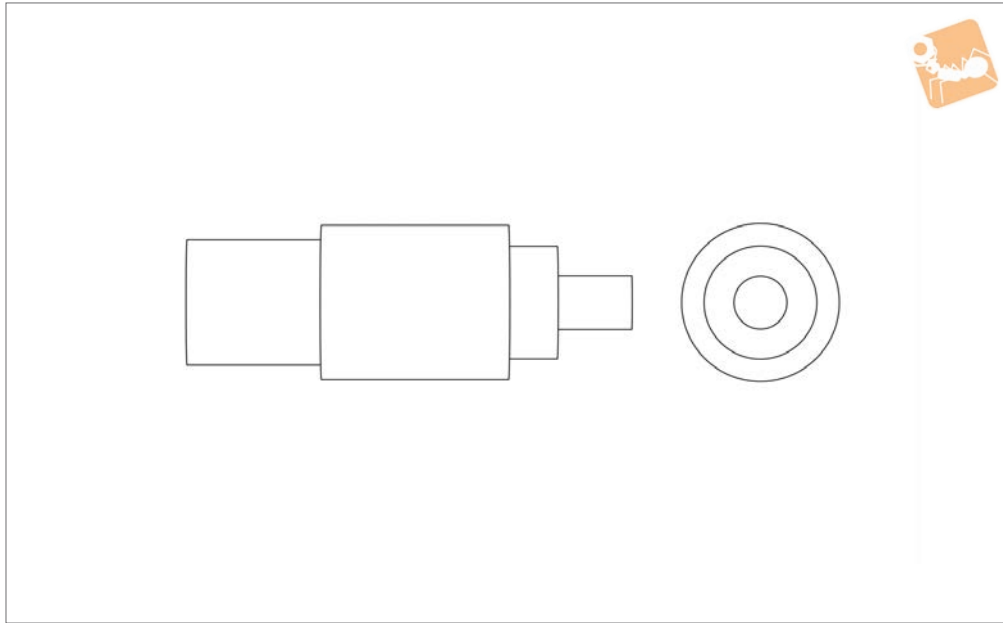
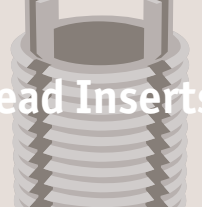
Order No.	d ₁ tol. 6g	Thread type d ₁	l ₁	Inst. tool ref. 22052	Inst. tap drill size	Inst. c'sink dia. +0.25 -0.00	Inst. thread tap tol. 6H	Inst. thread tap depth min.	Removal drill size	Removal drill depth
P0087.080-125-A2	M 8x1,25	Coarse	8	.W0210	6,9	8,3	M 8x1,25	9,5	5,50	4,0
P0087.100-125-A2	M10x1,25	Fine	10	.W0220	8,8	10,3	M10x1,25	12,5	7,50	4,8
P0087.120-125-A2	M12x1,25	Fine	12	.W0230	10,8	12,3	M12x1,25	14,5	9,50	4,8
P0087.140-150-A2	M14x1,50	Fine	14	.W0240	12,8	14,3	M14x1,50	16,5	11,50	4,8
P0087.160-150-A2	M16x1,50	Fine	16	.W0250	14,8	16,3	M16x1,50	18,5	13,50	4,8
P0087.180-150-A2	M18x1,50	Fine	18	.W0260	16,8	18,3	M18x1,50	20,5	15,50	4,8
P0087.200-150-A2	M20x1,50	Fine	20	.W0270	18,8	20,3	M20x1,50	22,5	17,50	4,8
P0087.220-150-A2	M22x1,50	Fine	22	.W0280	20,5	22,3	M22x1,50	24,5	17,75	6,4
P0087.240-150-A2	M24x1,50	Fine	24	.W0290	22,5	24,3	M24x1,50	26,5	19,75	6,4
P0087.300-200-A2	M30x2,00	Non-Std	30	.W0300	28,0	30,3	M30x2,00	34,5	25,75	6,4
P0087.320-200-A2	M32x2,00	Non-Std	32	.W0310	30,0	32,3	M32x2,00	36,5	27,75	6,4
P0087.330-200-A2	M33x2,00	Non-Std	33	.W0320	31,0	33,3	M33x2,00	37,5	28,75	6,4



Installation Tool - Metric - Thinwall

for threaded inserts P0084.1 & P0084.2

Thread Inserts



P0088.1

THREAD INSERTS

Material

Steel, blackened.

inserts P0084.1 and P0084.2.

Select installation tool of corresponding insert internal thread d_1 and external thread d_2 . If in doubt refer to data tables of

insert where correct „Inst. tool ref.“ is stated.

Tips

For use with metric thinwall threaded

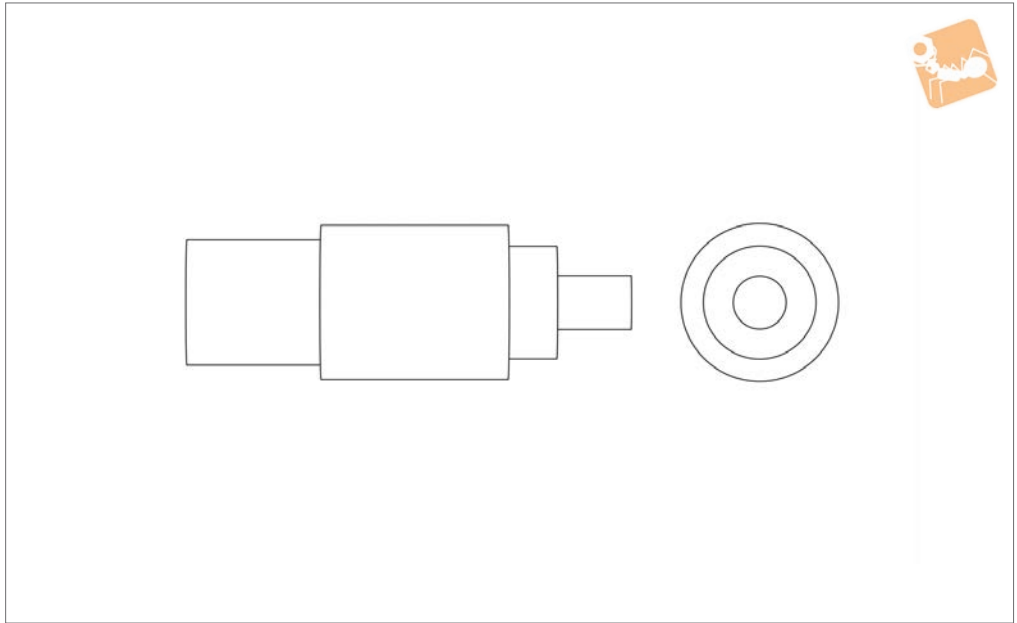
Order No.	For insert of internal thread = d_1	For insert of external thread = d_2
P0088.050-TW	M 5x0,75	M 8x1,25
P0088.060-TW	M 6x1,00	M10x1,25
P0088.080-TW	M 8x1,25/ M 8x1,00	M12x1,25
P0088.100-TW	M10x1,50/ M10x1,25	M14x1,50
P0088.120-TW	M12x1,75/ M12x1,25	M16x1,50



THREAD INSERTS



P0088.2



Material

Steel, blackened.

Tips

For use with metric heavy duty threaded

inserts P0083.1 and P0083.2.

Select installation tool of corresponding insert internal thread d_1 and external thread d_2 . If in doubt refer to data tables of

insert where correct „Inst. tool ref.“ is stated.

Order No.	For insert of internal thread = d_1	For insert of external thread = d_2
P0088.040-HD	M 4x0,70	M 8x1,25
P0088.050-HD	M 5x0,75	M10x1,30
P0088.060-HD	M 6x1,00	M12x1,25
P0088.080-HD	M 8x1,25/ M 8x1,00	M14x1,50
P0088.100-HD	M10x1,50/ M10x1,25	M16x1,50
P0088.120-HD	M12x1,75/ M12x1,25	M18x1,50
P0088.140-HD	M14x2,00/ M14x1,50	M20x1,50
P0088.160-HD	M16x2,00/ M16x1,50	M22x1,50
P0088.180-HD	M18x1,50	M24x1,50
P0088.200-HD	M20x2,50/ M20x1,50	M30x2,00
P0088.220-HD	M22x1,50	M32x2,00
P0088.240-HD	M24x3,00/ M24x2,00	M33x2,00



Benefits

- High corrosion resistance
- High strength:weight ratio
- Approx 55-60% weight of steel
- Non-magnetic
- Low electrical conductivity

Grade 2 titanium (pure titanium ASTM 348 Grade 2) is widely used, and forms the basis of our titanium fixings. We have many other titanium fixings available on request and we can also offer these parts in ASTM 348 Grade 5.







Grade 2 titanium is highly resistant to chemical environments including oxidising and alkaline media, organic acids and compounds and aqueous salt solutions and hot gases.

In sea water, grade 2 is fully resistant to corrosion at temperatures up to 310°C

Technical Specifications

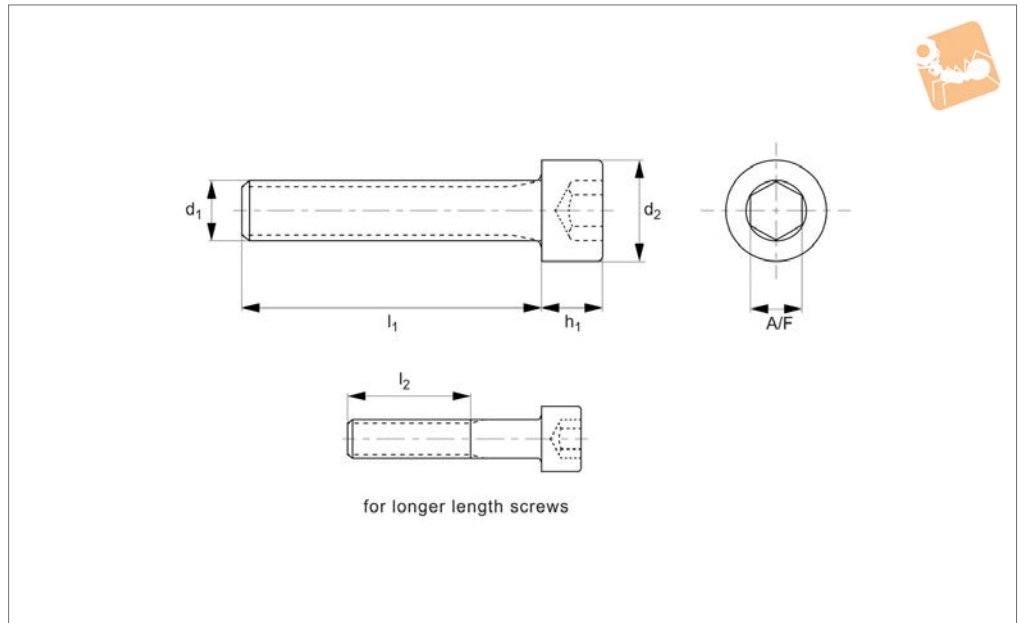
Property	Grade 2 (pure titanium) ASTM 348 Gr.2	Grade 5 Ti-6AL-4V ASTM 348 Gr.5
Density (g/cm ³)	4.5	4.4
Tensile strength (N/mm ²)	345 - 450	895 - 1100
Yield point (N/mm ²)	270	820
Elongation (min %)	20	10
Hardness	160HB/30	36HRC
Melting point (°C)	1668	1650
Modulus of elasticity (GPa)	103	110
Coefficient of thermal expansion (/°C)	8.4 x 10 ⁻⁶	8.5 x 10 ⁻⁶
Units for Thermal Conductivity (cal/cm ² /sec/°C/cm)	0.052	0.024
Electrical resistance (μΩ - cm)	55	75

Applications

 MEDICAL	 NAUTICAL	 PETROCHEMICAL	 AUTOMOTIVE	 AEROSPACE
 CHEMICAL	 CONSTRUCTION	 NUCLEAR	 ROBOTICS	 DEFENCE



P0100.1



Material

Titanium Grade 2 (commercial grade, high corrosion resistance, strong weldability, standard strength).

Technical Notes

Items to DIN 912 where stated in data

table.

For the majority of screw lengths the threads goes all the way to the head of the screw (i.e. $l_1 = l_2$) less 2.5 thread pitches.

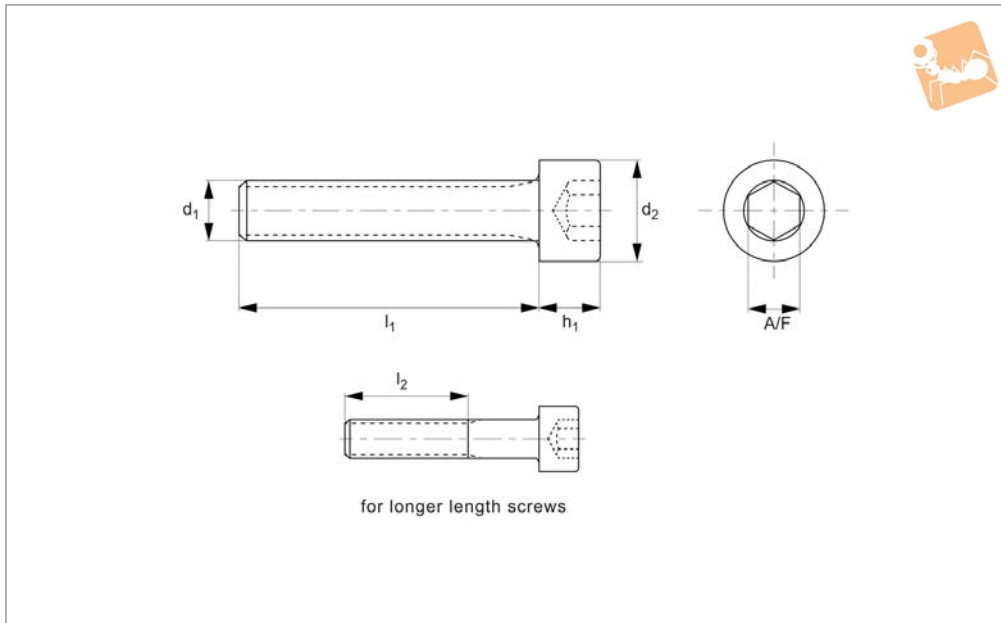
For longer length screws the threaded portion $l_2 < l_1$.

Order No.	Finish	d ₁	l ₁	d ₂	h ₁	l ₂	A/F	Grade	Material	To standard
P0100.040-010-G2	Natural	M 4	25	7.0	4.0	20.0	3	Comm	Ti-G2	DIN 912
P0100.040-040-G2	Natural	M 4	40	7.0	4.0	20.0	3	Comm	Ti-G2	DIN 912
P0100.040-045-G2	Natural	M 4	45	7.0	4.0	20.0	3	Comm	Ti-G2	DIN 912
P0100.040-050-G2	Natural	M 4	50	7.0	4.0	20.0	3	Comm	Ti-G2	DIN 912
P0100.040-055-G2	Natural	M 4	55	7.0	4.0	20.0	3	Comm	Ti-G2	DIN 912
P0100.040-060-G2	Natural	M 4	60	7.0	4.0	20.0	3	Comm	Ti-G2	DIN 912
P0200.050-012-T2	Natural	M 5	12	8.5	5.0	-	4	Comm	Ti-G2	DIN 912
P0100.060-065-G2	Natural	M 6	65	10.0	6.0	24.0	5	Comm	Ti-G2	DIN 912
P0100.060-070-G2	Natural	M 6	70	10.0	6.0	24.0	5	Comm	Ti-G2	DIN 912
P0100.060-080-G2	Natural	M 6	80	10.0	6.0	24.0	5	Comm	Ti-G2	DIN 912
P0100.080-010-G2	Natural	M 8	10	13.0	8.0	-	6	Comm	Ti-G2	DIN 912
P0100.080-012-G2	Natural	M 8	12	13.0	8.0	-	6	Comm	Ti-G2	DIN 912
P0100.080-045-G2	Natural	M 8	45	13.0	8.0	28.0	6	Comm	Ti-G2	DIN 912
P0100.080-055-G2	Natural	M 8	55	13.0	8.0	28.0	6	Comm	Ti-G2	DIN 912
P0100.080-065-G2	Natural	M 8	65	13.0	8.0	28.0	6	Comm	Ti-G2	DIN 912
P0100.080-070-G2	Natural	M 8	70	13.0	8.0	28.0	6	Comm	Ti-G2	DIN 912
P0100.080-080-G2	Natural	M 8	80	13.0	8.0	28.0	6	Comm	Ti-G2	DIN 912



Socket Cap Screw - M8 - M20

DIN 912 Gr.2



P0100.2

TITANIUM SCREWS

Material

Titanium Grade 2 (commercial grade, high corrosion resistance, strong weldability, standard strength).

Technical Notes

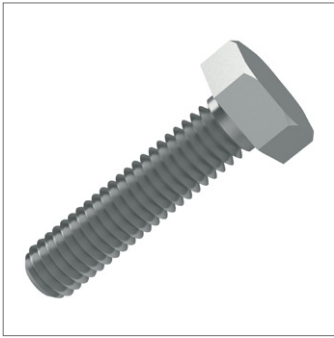
Items to DIN 912 where stated in data

table.

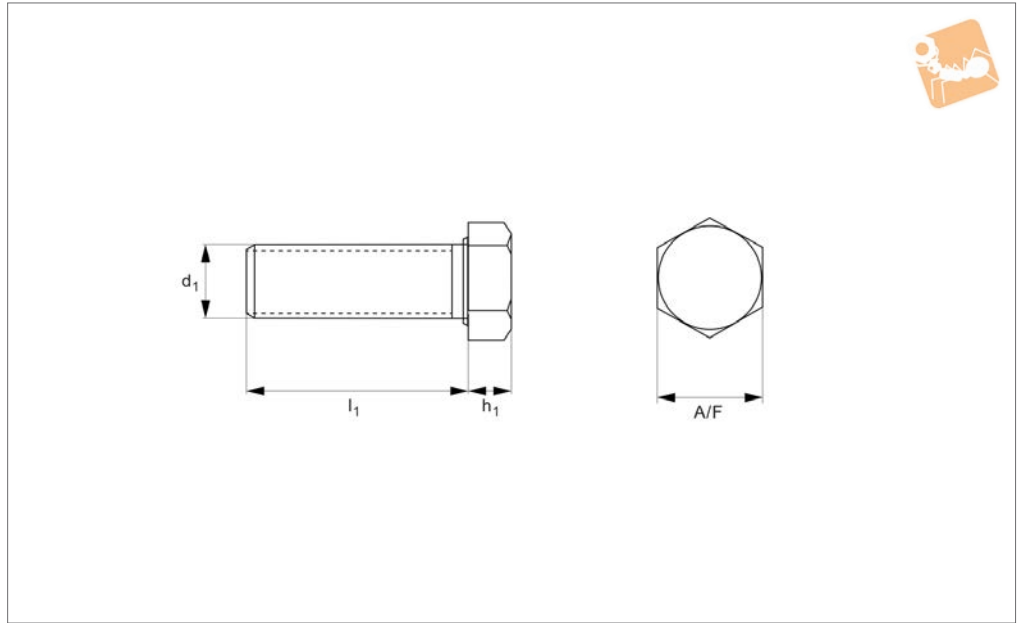
For the majority of screw lengths the threads goes all the way to the head of the screw (i.e. $l_1 = l_2$) less 2.5 thread pitches.

For longer length screws the threaded portion $l_2 < l_1$.

Order No.	Finish	d ₁	l ₁	d ₂	h ₁	l ₂	A/F	Grade	Material	To standard
P0100.080-085-G2	Natural	M 8	85	13	8	28	6	Comm	Ti-G2	DIN 912
P0100.080-090-G2	Natural	M 8	90	13	8	28	6	Comm	Ti-G2	DIN 912
P0100.080-100-G2	Natural	M 8	100	13	8	28	6	Comm	Ti-G2	DIN 912
P0100.080-110-G2	Natural	M 8	110	13	8	28	6	Comm	Ti-G2	DIN 912
P0100.100-045-G2	Natural	M10	45	16	10	32	8	Comm	Ti-G2	DIN 912
P0100.100-120-G2	Natural	M10	120	16	10	32	8	Comm	Ti-G2	DIN 912
P0100.120-030-G2	Natural	M12	30	19	12	34	10	Comm	Ti-G2	DIN 912
P0100.120-040-G2	Natural	M12	40	19	12	34	10	Comm	Ti-G2	DIN 912



P0101



Material

Titanium (ASTM 348 grade 2, pure titanium).
Tensile strength 345-450 N/mm², yield strength 270 N/mm², hardness 160HB/30.
Grade 5 titanium available on request.

Technical Notes

To DIN 931.

Titanium has a high strength/weight ratio. The specific gravity of titanium is approximately 60% that of stainless steel. For use in lightweight applications in the automobile, aerospace, medical and robotic industries. Highly resistant to corrosion (including from salt water) and chemical environ-

ments. Non magnetic.

Tips

Please see Technical page for full grade 2 titanium properties.

Order No.	d ₁	l ₁	h	l ₂	A/F	Material
P0101.060-025-G2	M 6	25	3.85	18	10	A2 s/s
P0101.060-008-G2	M 6	8	3.85	8	10	A2 s/s
P0101.060-010-G2	M 6	10	3.85	10	10	A2 s/s
P0101.060-012-G2	M 6	12	3.85	12	10	A2 s/s
P0101.060-016-G2	M 6	16	3.85	16	10	A2 s/s
P0101.060-020-G2	M 6	20	3.85	18	10	A2 s/s
P0101.060-030-G2	M 6	30	3.85	18	10	A2 s/s
P0101.060-035-G2	M 6	35	3.85	18	10	A2 s/s
P0101.060-040-G2	M 6	40	3.85	18	10	A2 s/s
P0101.060-045-G2	M 6	45	3.85	18	10	A2 s/s
P0101.060-050-G2	M 6	50	3.85	18	10	A2 s/s
P0101.060-055-G2	M 6	55	3.85	18	10	A2 s/s
P0101.060-060-G2	M 6	60	3.85	18	10	A2 s/s
P0101.060-070-G2	M 6	70	3.85	18	10	A2 s/s
P0101.060-080-G2	M 6	80	3.85	18	10	A2 s/s
P0101.060-090-G2	M 6	90	3.85	18	10	A2 s/s
P0101.060-100-G2	M 6	100	3.85	18	10	A2 s/s
P0101.080-016-G2	M 8	16	5.15	16	13	A2 s/s
P0101.080-020-G2	M 8	20	5.15	20	13	A2 s/s
P0101.080-025-G2	M 8	25	5.15	22	13	A2 s/s
P0101.080-030-G2	M 8	30	5.15	22	13	A2 s/s
P0101.080-035-G2	M 8	35	5.15	22	13	A2 s/s
P0101.080-040-G2	M 8	40	5.15	22	13	A2 s/s
P0101.080-045-G2	M 8	45	5.15	22	13	A2 s/s
P0101.080-050-G2	M 8	50	5.15	22	13	A2 s/s
P0101.080-055-G2	M 8	55	5.15	22	13	A2 s/s
P0101.080-070-G2	M 8	70	5.15	22	13	A2 s/s
P0101.080-080-G2	M 8	80	5.15	22	13	A2 s/s
P0101.080-090-G2	M 8	90	5.15	22	13	A2 s/s



Titanium Hex Head Bolts

Grade 2



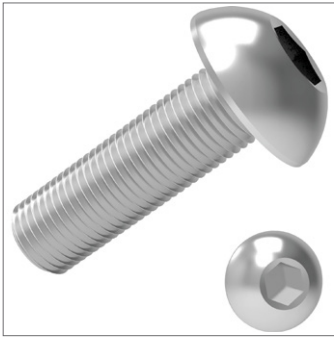
Titanium Screws

Order No.	d ₁	l ₁	h	l ₂	A/F	Material
P0101.080-100-G2	M 8	100	5.15	22	13	A2 s/s
P0101.080-120-G2	M 8	120	5.15	22	13	A2 s/s
P0101.100-025-G2	M10	25	6.22	25	17	A2 s/s
P0101.100-030-G2	M10	30	6.22	26	17	A2 s/s
P0101.100-040-G2	M10	40	6.22	26	17	A2 s/s
P0101.100-050-G2	M10	50	6.22	26	17	A2 s/s
P0101.100-060-G2	M10	60	6.22	26	17	A2 s/s
P0101.100-070-G2	M10	70	6.22	26	17	A2 s/s
P0101.100-080-G2	M10	80	6.22	26	17	A2 s/s
P0101.100-090-G2	M10	90	6.22	26	17	A2 s/s
P0101.100-100-G2	M10	100	6.22	26	17	A2 s/s
P0101.120-025-G2	M12	25	7.32	25	19	A2 s/s
P0101.120-030-G2	M12	30	7.32	30	19	A2 s/s
P0101.120-040-G2	M12	40	7.32	30	19	A2 s/s
P0101.120-050-G2	M12	50	7.32	30	19	A2 s/s
P0101.120-060-G2	M12	60	7.32	30	19	A2 s/s
P0101.120-070-G2	M12	70	7.32	30	19	A2 s/s
P0101.120-080-G2	M12	80	7.32	30	19	A2 s/s
P0101.120-100-G2	M12	100	7.32	30	19	A2 s/s
P0101.120-120-G2	M12	120	7.32	30	19	A2 s/s

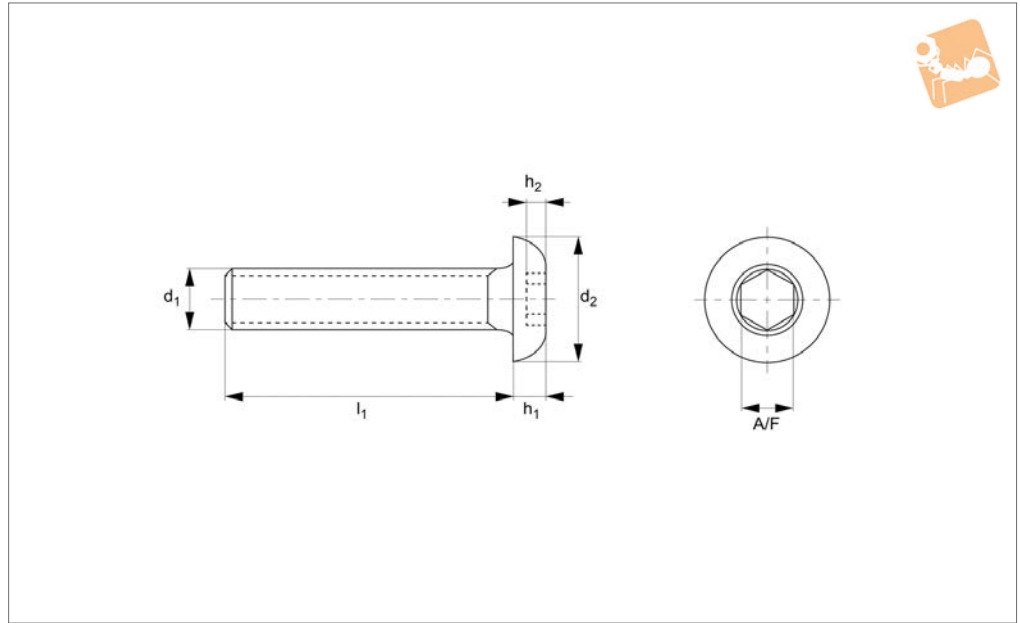
TITANIUM SCREWS



TITANIUM SCREWS



P0102



Material

Titanium (ASTM 348 grade 2, pure titanium).
Tensile strength 345-450 N/mm², yield strength 270 N/mm², hardness 160HB/30.
Grade 5 titanium available on request.

Technical Notes

To ISO 7380. Titanium has a high strength/

weight ratio.

The specific gravity of titanium is approximately 60% that of stainless steel.

For use in lightweight applications in the automobile, aerospace, medical and robotic industries.

Highly resistant to corrosion (including from salt water) and chemical environ-

ments. Non magnetic.

Tips

Also available with TX drive.

Please see Technical page for full grade 2 titanium properties.

Order No.	d ₁	l	d ₂	h ₁	h ₂	A/F
P0102.030-004-G2	M 3	4	5.7	1.65	1.04	2
P0102.030-005-G2	M 3	5	5.7	1.65	1.04	2
P0102.030-006-G2	M 3	6	5.7	1.65	1.04	2
P0102.030-008-G2	M 3	8	5.7	1.65	1.04	2
P0102.030-010-G2	M 3	10	5.7	1.65	1.04	2
P0102.030-012-G2	M 3	12	5.7	1.65	1.04	2
P0102.030-014-G2	M 3	14	5.7	1.65	1.04	2
P0102.030-016-G2	M 3	16	5.7	1.65	1.04	2
P0102.030-020-G2	M 3	20	5.7	1.65	1.04	2
P0102.030-025-G2	M 3	25	5.7	1.65	1.04	2
P0102.030-030-G2	M 3	30	5.7	1.65	1.04	2
P0102.030-035-G2	M 3	35	5.7	1.65	1.04	2
P0102.030-040-G2	M 3	40	5.7	1.65	1.04	2
P0102.040-004-G2	M 4	4	7.6	2.2	1.3	2.5
P0102.040-005-G2	M 4	5	7.6	2.2	1.3	2.5
P0102.040-006-G2	M 4	6	7.6	2.2	1.3	2.5
P0102.040-008-G2	M 4	8	7.6	2.2	1.3	2.5
P0102.040-010-G2	M 4	10	7.6	2.2	1.3	2.5
P0102.040-012-G2	M 4	12	7.6	2.2	1.3	2.5
P0102.040-014-G2	M 4	14	7.6	2.2	1.3	2.5
P0102.040-016-G2	M 4	16	7.6	2.2	1.3	2.5
P0102.040-020-G2	M 4	20	7.6	2.2	1.3	2.5
P0102.040-025-G2	M 4	25	7.6	2.2	1.3	2.5
P0102.040-030-G2	M 4	30	7.6	2.2	1.3	2.5
P0102.040-035-G2	M 4	35	7.6	2.2	1.3	2.5
P0102.040-040-G2	M 4	40	7.6	2.2	1.3	2.5
P0102.040-045-G2	M 4	45	7.6	2.2	1.3	2.5
P0102.040-050-G2	M 4	50	7.6	2.2	1.3	2.5
P0102.050-006-G2	M 5	6	9.5	2.75	1.56	3



Titanium Socket Button Screws

Grade 2

Titanium Screws

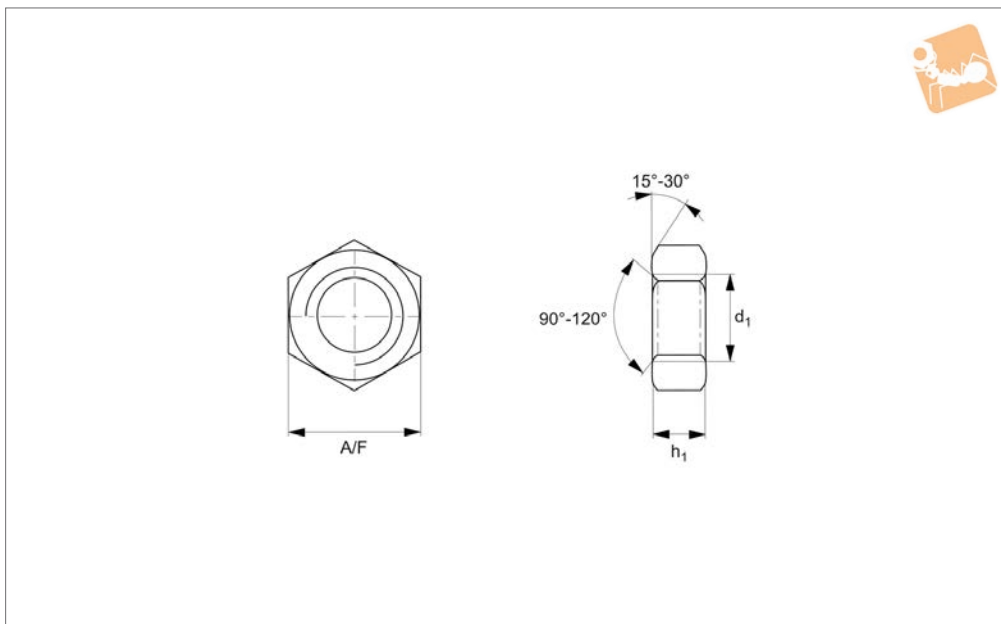


Order No.	d ₁	l	d ₂	h ₁	h ₂	A/F
P0102.050-008-G2	M 5	8	9.5	2.75	1.56	3
P0102.050-010-G2	M 5	10	9.5	2.75	1.56	3
P0102.050-012-G2	M 5	12	9.5	2.75	1.56	3
P0102.050-014-G2	M 5	14	9.5	2.75	1.56	3
P0102.050-016-G2	M 5	16	9.5	2.75	1.56	3
P0102.050-020-G2	M 5	20	9.5	2.75	1.56	3
P0102.050-025-G2	M 5	25	9.5	2.75	1.56	3
P0102.050-030-G2	M 5	30	9.5	2.75	1.56	3
P0102.050-035-G2	M 5	35	9.5	2.75	1.56	3
P0102.050-040-G2	M 5	40	9.5	2.75	1.56	3
P0102.050-045-G2	M 5	45	9.5	2.75	1.56	3
P0102.050-050-G2	M 5	50	9.5	2.75	1.56	3
P0102.050-055-G2	M 5	55	9.5	2.75	1.56	3
P0102.050-060-G2	M 5	60	9.5	2.75	1.56	3
P0102.060-008-G2	M 6	8	10.5	3.3	2.08	4
P0102.060-010-G2	M 6	10	10.5	3.3	2.08	4
P0102.060-012-G2	M 6	12	10.5	3.3	2.08	4
P0102.060-014-G2	M 6	14	10.5	3.3	2.08	4
P0102.060-016-G2	M 6	16	10.5	3.3	2.08	4
P0102.060-020-G2	M 6	20	10.5	3.3	2.08	4
P0102.060-025-G2	M 6	25	10.5	3.3	2.08	4
P0102.060-030-G2	M 6	30	10.5	3.3	2.08	4
P0102.060-035-G2	M 6	35	10.5	3.3	2.08	4
P0102.060-040-G2	M 6	40	10.5	3.3	2.08	4
P0102.060-045-G2	M 6	45	10.5	3.3	2.08	4
P0102.060-050-G2	M 6	50	10.5	3.3	2.08	4
P0102.060-055-G2	M 6	55	10.5	3.3	2.08	4
P0102.060-060-G2	M 6	60	10.5	3.3	2.08	4
P0102.060-070-G2	M 6	70	10.5	3.3	2.08	4
P0102.060-080-G2	M 6	80	10.5	3.3	2.08	4
P0102.080-010-G2	M 8	10	14	4.4	2.6	5
P0102.080-012-G2	M 8	12	14	4.4	2.6	5
P0102.080-014-G2	M 8	14	14	4.4	2.6	5
P0102.080-016-G2	M 8	16	14	4.4	2.6	5
P0102.080-020-G2	M 8	20	14	4.4	2.6	5
P0102.080-025-G2	M 8	25	14	4.4	2.6	5
P0102.080-030-G2	M 8	30	14	4.4	2.6	5
P0102.080-035-G2	M 8	35	14	4.4	2.6	5
P0102.080-040-G2	M 8	40	14	4.4	2.6	5
P0102.080-045-G2	M 8	45	14	4.4	2.6	5
P0102.080-050-G2	M 8	50	14	4.4	2.6	5
P0102.080-055-G2	M 8	55	14	4.4	2.6	5
P0102.080-060-G2	M 8	60	14	4.4	2.6	5
P0102.080-070-G2	M 8	70	14	4.4	2.6	5
P0102.080-080-G2	M 8	80	14	4.4	2.6	5
P0102.100-012-G2	M10	12	17.5	5.5	3.12	6
P0102.100-016-G2	M10	16	17.5	5.5	3.12	6
P0102.100-020-G2	M10	20	17.5	5.5	3.12	6
P0102.100-025-G2	M10	25	17.5	5.5	3.12	6
P0102.100-030-G2	M10	30	17.5	5.5	3.12	6
P0102.100-035-G2	M10	35	17.5	5.5	3.12	6
P0102.100-040-G2	M10	40	17.5	5.5	3.12	6
P0102.100-045-G2	M10	45	17.5	5.5	3.12	6
P0102.100-050-G2	M10	50	17.5	5.5	3.12	6
P0102.100-055-G2	M10	55	17.5	5.5	3.12	6
P0102.100-060-G2	M10	60	17.5	5.5	3.12	6
P0102.100-070-G2	M10	70	17.5	5.5	3.12	6
P0102.100-080-G2	M10	80	17.5	5.5	3.12	6

TITANIUM SCREWS



P0108



Material

Titanium (ASTM 348 grade 2, pure titanium).
Tensile strength 345-450 N/mm², yield strength 270 N/mm², hardness 160HB/30.
Grade 5 titanium available on request.

Technical Notes

To DIN 934.

Titanium has a high strength/weight ratio. The specific gravity of titanium is approximately 60% that of stainless steel. For use in lightweight applications in the automobile, aerospace, medical and robotic industries. Highly resistant to corrosion (including from salt water) and chemical environ-

ments. Non magnetic.

Tips

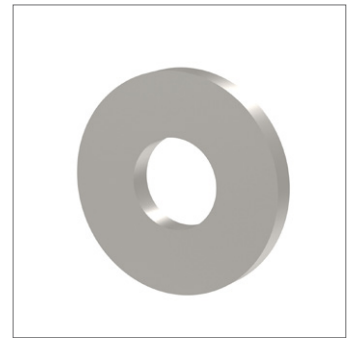
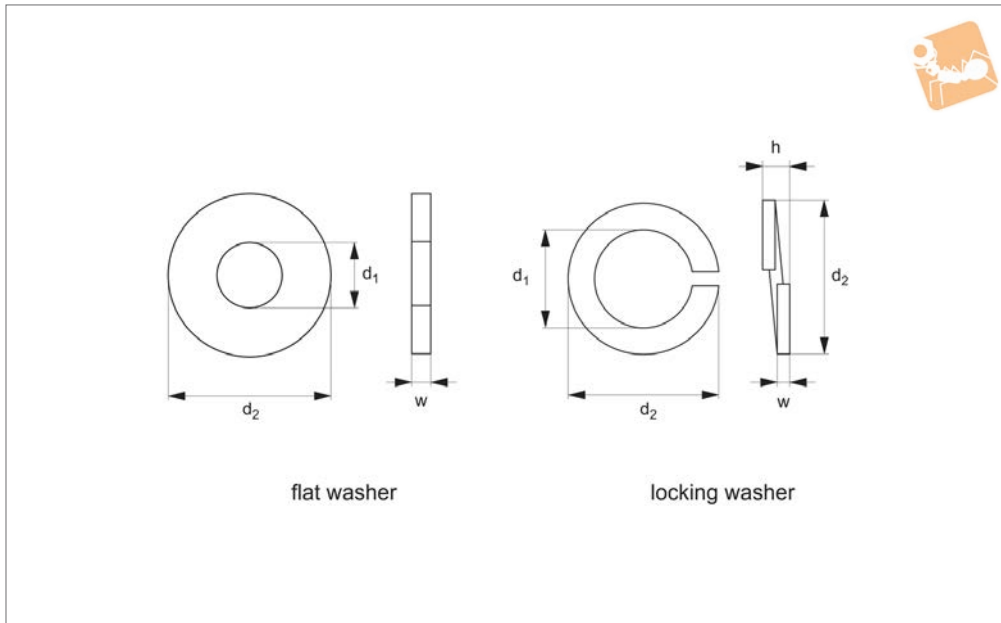
Please see Technical page for full grade 2 titanium properties.

Order No.	d ₁	h min.	A/F	Type
P0108.030-G2	M 3	2.4	5.5	Standard
P0108.040-G2	M 4	3.2	7	Standard
P0108.050-G2	M 5	4	8	Standard
P0108.060-G2	M 6	5	10	Standard
P0108.080-G2	M 8	6.5	13	Standard
P0108.100-G2	M10	8	17	Standard
P0108.120-G2	M12	10	19	Standard
P0108.160-G2	M16	13	24	Standard
P0108.200-G2	M20	15	30	Standard
P0108.240-G2	M24	18	36	Standard



Titanium Washers

flat & spring lock



P0109

TITANIUM SCREWS

Material

Titanium (ASTM 348 grade 2, pure titanium).
Tensile strength 345-450 N/mm², yield strength 270 N/mm², hardness 160HB/30. Grade 5 titanium available on request.

Technical Notes

Flat washers to DIN 9021, locking washers

to DIN 127.

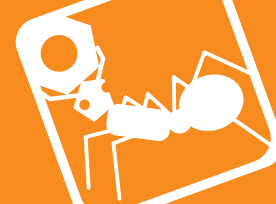
Titanium has a high strength/weight ratio. The specific gravity of titanium is approximately 60% that of stainless steel. For use in lightweight applications in the automobile, aerospace, medical and robotic industries. Highly resistant to corrosion (including

from salt water) and chemical environments. Non magnetic. Part no.s ending with F are flat washers. Part no.s ending with L are lock washers.

Tips

Please see Technical page for full grade 2 titanium properties.

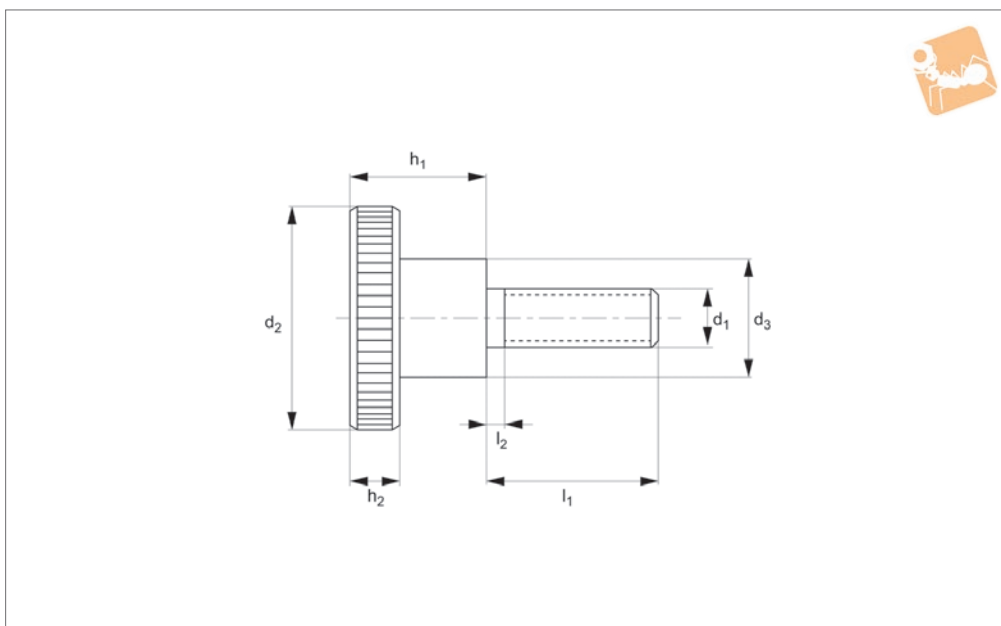
Order No.	For thread	d ₁	d ₂ max.	h max.	w	Type
P0109.030-F-G2	M 3	-	-	-	-	Flat
P0109.040-F-G2	M 4	4.3	12	-	1.0	Flat
P0109.040-L-G2	M 4	4.3	8	2.5	0.9	Lock
P0109.050-F-G2	M 5	5.3	15	-	1.6	Flat
P0109.050-L-G2	M 5	5.3	10	3.2	1.2	Lock
P0109.060-F-G2	M 6	6.4	18	-	1.6	Flat
P0109.060-L-G2	M 6	6.4	12	4.2	1.6	Lock
P0109.080-F-G2	M 8	8.4	25	-	2.0	Flat
P0109.080-L-G2	M 8	8.4	16	5.4	2.0	Lock
P0109.100-F-G2	M10	10.5	30	-	2.5	Flat
P0109.120-F-G2	M12	-	-	-	-	Flat
P0109.160-F-G2	M16	-	-	-	-	Flat
P0109.200-F-G2	M20	-	-	-	-	Flat
P0109.240-F-G2	M24	-	-	-	-	Flat
P0109.100-L-G2	M10	10.5	20	5.9	2.2	Lock



THUMB SCREWS



P0400.ZP



Material

Steel (class 5.8), bright zinc-plated.

Technical Notes

To DIN 464, all knurled screws are one-

piece manufactured, contrary to the official standard sheet,

they all have a thread up to the head, as shown, but no recess at the thread end.

Order No.	d ₁	l ₁	d ₂	d ₃	h ₁	h ₂	l ₂
P0400.030-006-ZP	M 3	6	12	6	7.5	2.5	2
P0400.030-010-ZP	M 3	10	12	6	7.5	2.5	2
P0400.030-012-ZP	M 3	12	12	6	7.5	2.5	2
P0400.030-016-ZP	M 3	16	12	6	7.5	2.5	2
P0400.030-020-ZP	M 3	20	12	6	7.5	2.5	2
P0400.040-006-ZP	M 4	6	16	8	9.5	3.5	2
P0400.040-008-ZP	M 4	8	16	8	9.5	3.5	2
P0400.040-010-ZP	M 4	10	16	8	9.5	3.5	2
P0400.040-012-ZP	M 4	12	16	8	9.5	3.5	2
P0400.040-016-ZP	M 4	16	16	8	9.5	3.5	2
P0400.040-020-ZP	M 4	20	16	8	9.5	3.5	2
P0400.040-025-ZP	M 4	25	16	8	9.5	3.5	2
P0400.050-006-ZP	M 5	6	20	10	11.5	4.0	2
P0400.050-008-ZP	M 5	8	20	10	11.5	4.0	2
P0400.050-010-ZP	M 5	10	20	10	11.5	4.0	2
P0400.050-012-ZP	M 5	12	20	10	11.5	4.0	2
P0400.050-016-ZP	M 5	16	20	10	11.5	4.0	2
P0400.050-020-ZP	M 5	20	20	10	11.5	4.0	2
P0400.050-025-ZP	M 5	25	20	10	11.5	4.0	2
P0400.050-030-ZP	M 5	30	20	10	11.5	4.0	2
P0400.060-008-ZP	M 6	8	24	12	15.0	5.0	2
P0400.060-010-ZP	M 6	10	24	12	15.0	5.0	2
P0400.060-012-ZP	M 6	12	24	12	15.0	5.0	2
P0400.060-016-ZP	M 6	16	24	12	15.0	5.0	2
P0400.060-020-ZP	M 6	20	24	12	15.0	5.0	2
P0400.060-025-ZP	M 6	25	24	12	15.0	5.0	2
P0400.060-030-ZP	M 6	30	24	12	15.0	5.0	2
P0400.060-035-ZP	M 6	35	24	12	15.0	5.0	2
P0400.060-040-ZP	M 6	40	24	12	15.0	5.0	2
P0400.080-012-ZP	M 8	12	30	16	18.0	6.0	2
P0400.080-016-ZP	M 8	16	30	16	18.0	6.0	2
P0400.080-020-ZP	M 8	20	30	16	18.0	6.0	2
P0400.080-025-ZP	M 8	25	30	16	18.0	6.0	2
P0400.080-030-ZP	M 8	30	30	16	18.0	6.0	2



Steel Knurled Thumb Screws

Steel (class 5.8) - zinc-plated



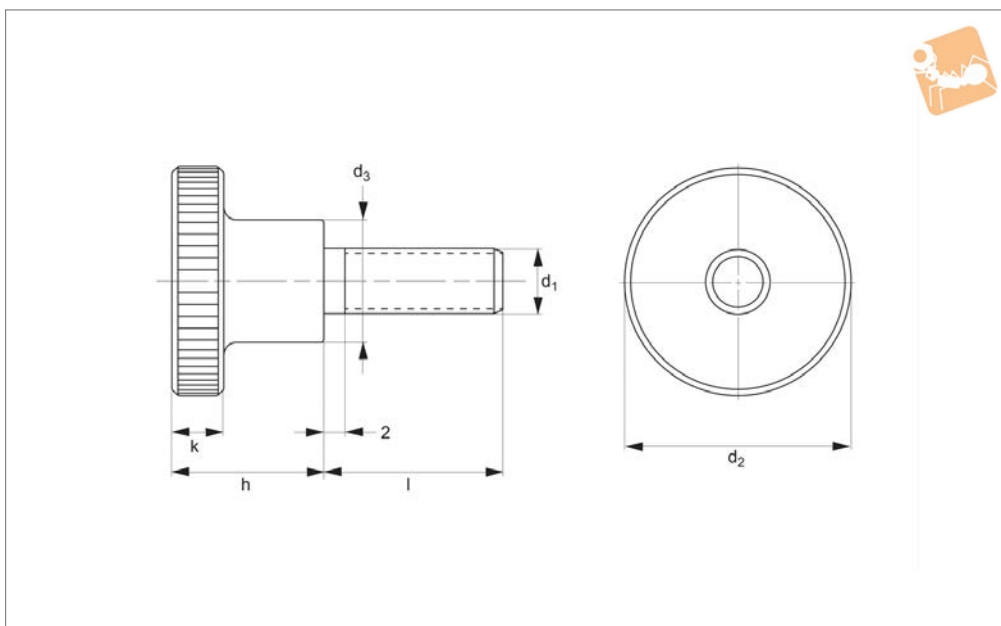
Thumb Screws

Order No.	d ₁	l ₁	d ₂	d ₃	h ₁	h ₂	l ₂
P0400.080-035-ZP	M 8	35	30	16	18.0	6.0	2
P0400.080-040-ZP	M 8	40	30	16	18.0	6.0	2
P0400.100-020-ZP	M10	20	36	20	23.0	8.0	2
P0400.100-025-ZP	M10	25	36	20	23.0	8.0	2
P0400.100-030-ZP	M10	30	36	20	23.0	8.0	2
P0400.100-035-ZP	M10	35	36	20	23.0	8.0	2
P0400.100-040-ZP	M10	40	36	20	23.0	8.0	2

THUMB SCREWS



P0400.BL



THUMB SCREWS

Material

Steel, quality 5.8, blackened. Turned, visible face, good finish.

Technical Notes

All knurled screws are one-piece manufac-

tured. Contrary to the Official Standard Sheet, they all have a thread up to the head, as shown, but no recess at the thread end.

Order No.	d ₁	d ₂	d ₃	h	k	l	Weight g
P0400.030-006-BL	M 3	12	6	7.5	2.5	6	3.7
P0400.030-010-BL	M 3	12	6	7.5	2.5	10	3.8
P0400.030-012-BL	M 3	12	6	7.5	2.5	12	4.0
P0400.030-016-BL	M 3	12	6	7.5	2.5	16	4.0
P0400.040-008-BL	M 4	16	8	9.5	3.5	8	7.9
P0400.040-010-BL	M 4	16	8	9.5	3.5	10	8.1
P0400.040-012-BL	M 4	16	8	9.5	3.5	12	8.3
P0400.040-016-BL	M 4	16	8	9.5	3.5	16	8.4
P0400.040-020-BL	M 4	16	8	9.5	3.5	20	9.1
P0400.040-025-BL	M 4	16	8	9.5	3.5	25	9.0
P0400.050-006-BL	M 5	20	10	11.5	4.0	6	14.0
P0400.050-008-BL	M 5	20	10	11.5	4.0	8	15.0
P0400.050-010-BL	M 5	20	10	11.5	4.0	10	15.0
P0400.050-012-BL	M 5	20	10	11.5	4.0	12	15.0
P0400.050-020-BL	M 5	20	10	11.5	4.0	20	16.0
P0400.050-025-BL	M 5	20	10	11.5	4.0	25	17.0
P0400.050-030-BL	M 5	20	10	11.5	4.0	30	17.0
P0400.060-008-BL	M 6	24	12	15.0	5.0	8	28.0
P0400.060-010-BL	M 6	24	12	15.0	5.0	10	27.0
P0400.060-012-BL	M 6	24	12	15.0	5.0	12	28.0
P0400.060-016-BL	M 6	24	12	15.0	5.0	16	28.0
P0400.060-020-BL	M 6	24	12	15.0	5.0	20	29.0
P0400.060-025-BL	M 6	24	12	15.0	5.0	25	30.0
P0400.060-030-BL	M 6	24	12	15.0	5.0	30	31.0
P0400.060-035-BL	M 6	24	12	15.0	5.0	35	31.0
P0400.080-012-BL	M 8	30	16	18.0	6.0	12	53.0
P0400.080-016-BL	M 8	30	16	18.0	6.0	16	55.0
P0400.080-020-BL	M 8	30	16	18.0	6.0	20	56.0
P0400.080-025-BL	M 8	30	16	18.0	6.0	25	58.0
P0400.080-030-BL	M 8	30	16	18.0	6.0	30	60.0
P0400.080-035-BL	M 8	30	16	18.0	6.0	35	50.0
P0400.080-040-BL	M 8	30	16	18.0	6.0	40	61.0



Knurled Thumb Screws

DIN 464



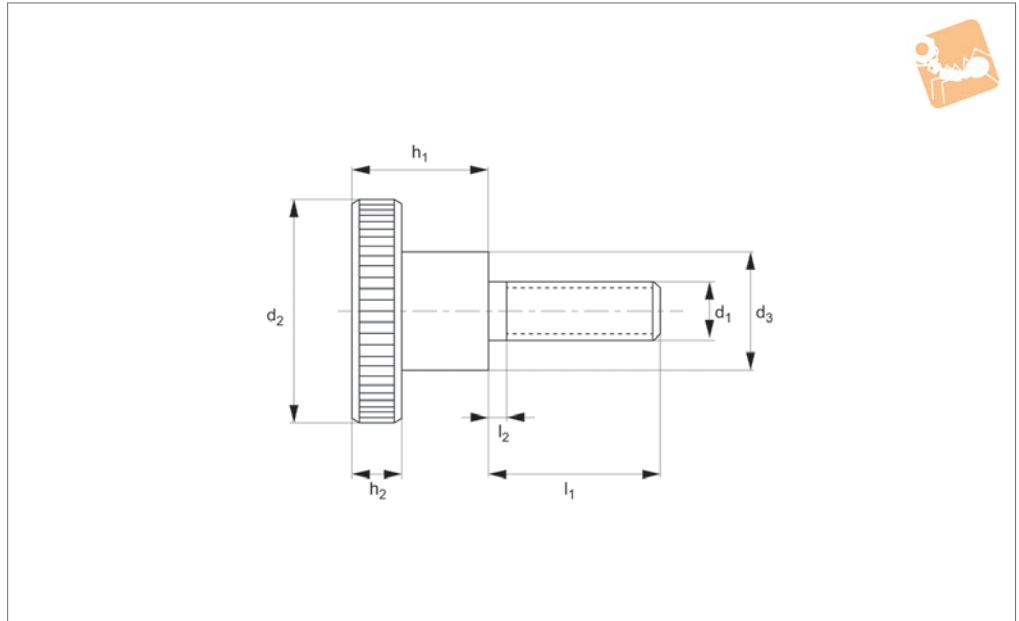
Thumb Screws

Order No.	d ₁	d ₂	d ₃	h	k	l	Weight g
P0400.100-020-BL	M10	36	20	23.0	8.0	20	106.0
P0400.100-025-BL	M10	36	20	23.0	8.0	25	109.0
P0400.100-030-BL	M10	36	20	23.0	8.0	30	112.0
P0400.100-035-BL	M10	36	20	23.0	8.0	35	116.0
P0400.100-040-BL	M10	36	20	23.0	8.0	40	116.0

THUMB SCREWS



P0400.A4



THUMB SCREWS

Material

Stainless steel (A4, AISI 316).

Technical Notes

To DIN 464, all knurled screws are one-piece manufactured, contrary to the offi-

cial standard sheet, they all have a thread up to the head, as shown, but no recess at the thread end.

Tips

A4 (AISI 316) stainless steel is typically

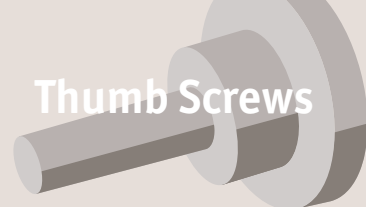
used in food, pharmaceutical and similar applications requiring a degree of corrosion protection.

Order No.	d ₁	l ₁	d ₂	d ₃	h ₁	h ₂	l ₂
P0400.030-005-A4	M 3	6	12	6	7.5	2.5	2
P0400.030-006-A4	M 3	6	12	6	7.5	2.5	2
P0400.030-008-A4	M 3	8	12	6	7.5	2.5	2
P0400.030-010-A4	M 3	10	12	6	7.5	2.5	2
P0400.030-012-A4	M 3	12	12	6	7.5	2.5	2
P0400.030-016-A4	M 3	16	12	6	7.5	2.5	2
P0400.040-005-A4	M 4	5	16	8	9.5	3.5	2
P0400.040-006-A4	M 4	6	16	8	9.5	3.5	2
P0400.040-008-A4	M 4	8	16	8	9.5	3.5	2
P0400.040-010-A4	M 4	10	16	8	9.5	3.5	2
P0400.040-012-A4	M 4	12	16	8	9.5	3.5	2
P0400.040-016-A4	M 4	16	16	8	9.5	3.5	2
P0400.040-020-A4	M 4	20	16	8	9.5	3.5	2
P0400.040-025-A4	M 4	25	16	8	9.5	3.5	2
P0400.050-010-A4	M 5	10	20	10	11.5	4.0	2
P0400.050-012-A4	M 5	12	20	10	11.5	4.0	2
P0400.050-016-A4	M 5	16	20	10	11.5	4.0	2
P0400.050-020-A4	M 5	20	20	10	11.5	4.0	2
P0400.050-025-A4	M 5	25	20	10	11.5	4.0	2
P0400.050-030-A4	M 5	30	20	10	11.5	4.0	2
P0400.060-008-A4	M 6	8	24	12	15.0	5.0	2
P0400.060-010-A4	M 6	10	24	12	15.0	5.0	2
P0400.060-012-A4	M 6	12	24	12	15.0	5.0	2
P0400.060-016-A4	M 6	16	24	12	15.0	5.0	2
P0400.060-020-A4	M 6	20	24	12	15.0	5.0	2
P0400.060-025-A4	M 6	25	24	12	15.0	5.0	2
P0400.060-030-A4	M 6	30	24	12	15.0	5.0	2
P0400.080-012-A4	M 8	12	30	16	18.0	6.0	2
P0400.080-016-A4	M 8	16	30	16	18.0	6.0	2
P0400.080-020-A4	M 8	20	30	16	18.0	6.0	2
P0400.080-025-A4	M 8	25	30	16	18.0	6.0	2
P0400.080-030-A4	M 8	30	30	16	18.0	6.0	2
P0400.100-016-A4	M10	16	36	20	23.0	8.0	2

Knurled Thumb Screws

A4 stainless

Thumb Screws



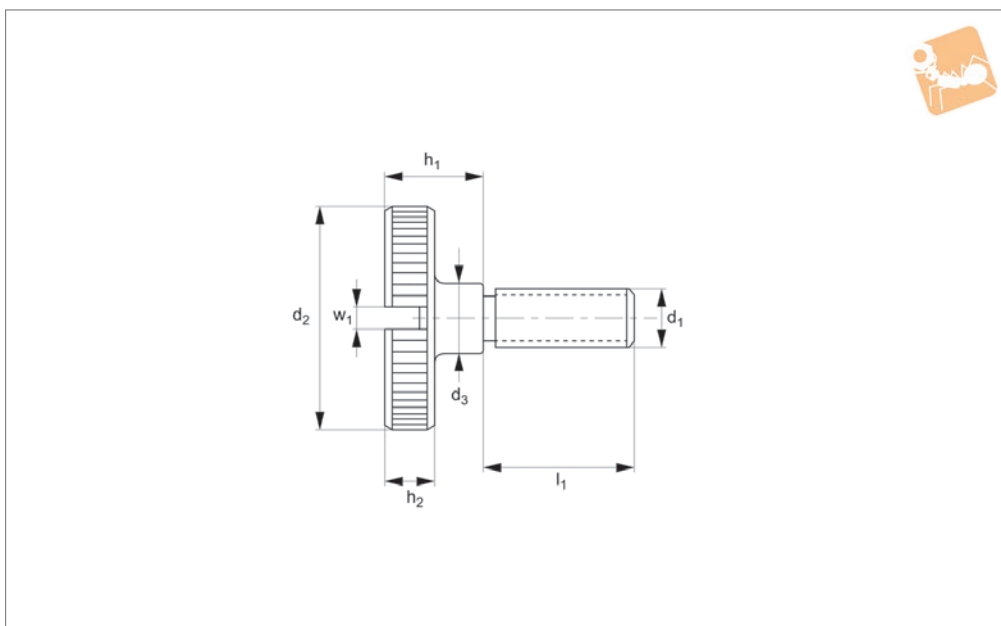
Order No.	d ₁	l ₁	d ₂	d ₃	h ₁	h ₂	l ₂
P0400.100-020-A4	M10	20	36	20	23.0	8.0	2
P0400.100-025-A4	M10	25	36	20	23.0	8.0	2
P0400.100-030-A4	M10	30	36	20	23.0	8.0	2



THUMB SCREWS



P0404



Material

Stainless steel (A2, AISI 303).

Technical Notes

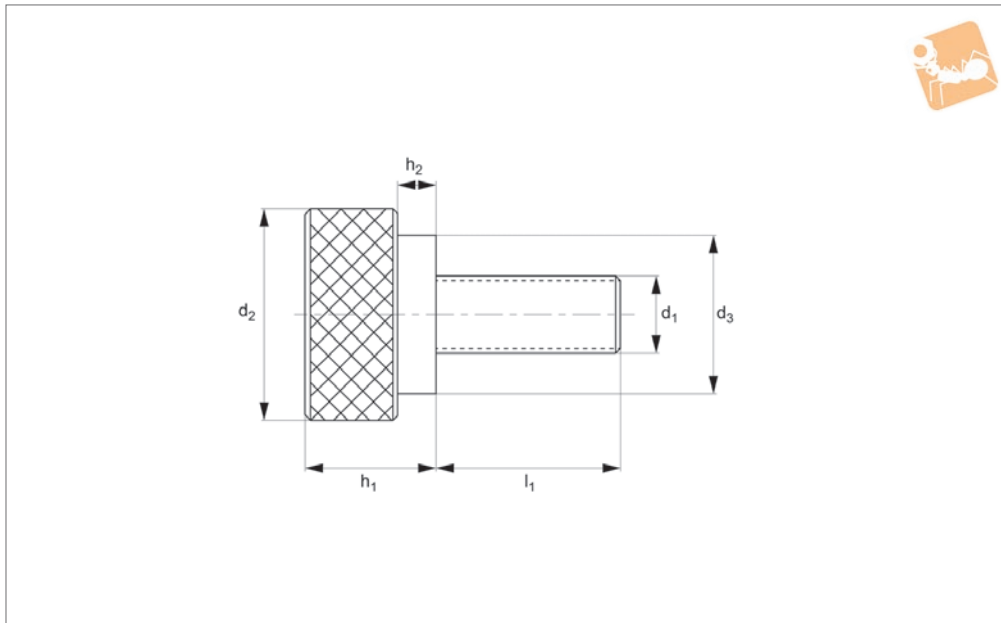
To DIN 465, with slot.

Order No.	d ₁	l ₁	d ₂	d ₃	h ₁	h ₂	w ₁	Material
P0404.030-006-A2	M3	6	12	6	7.5	2.5	0.8	A2 s/s
P0404.030-008-A2	M3	8	12	6	7.5	2.5	0.8	A2 s/s
P0404.030-010-A2	M3	10	12	6	7.5	2.5	0.8	A2 s/s
P0404.030-012-A2	M3	12	12	6	7.5	2.5	0.8	A2 s/s
P0404.030-016-A2	M3	16	12	6	7.5	2.5	0.8	A2 s/s
P0404.030-020-A2	M3	20	12	6	7.5	2.5	0.8	A2 s/s
P0404.040-006-A2	M4	6	16	8	9.5	3.5	1.0	A2 s/s
P0404.040-008-A2	M4	8	16	8	9.5	3.5	1.0	A2 s/s
P0404.040-010-A2	M4	10	16	8	9.5	3.5	1.0	A2 s/s
P0404.040-012-A2	M4	12	16	8	9.5	3.5	1.0	A2 s/s
P0404.040-016-A2	M4	16	16	8	9.5	3.5	1.0	A2 s/s
P0404.040-020-A2	M4	20	16	8	9.5	3.5	1.0	A2 s/s
P0404.050-006-A2	M5	6	20	10	11.5	4.0	1.2	A2 s/s
P0404.050-008-A2	M5	8	20	10	11.5	4.0	1.2	A2 s/s
P0404.050-010-A2	M5	10	20	10	11.5	4.0	1.2	A2 s/s
P0404.050-012-A2	M5	12	20	10	11.5	4.0	1.2	A2 s/s
P0404.050-016-A2	M5	16	20	10	11.5	4.0	1.2	A2 s/s
P0404.050-020-A2	M5	20	20	10	11.5	4.0	1.2	A2 s/s
P0404.060-010-A2	M6	10	24	12	15.0	5.0	1.6	A2 s/s
P0404.060-012-A2	M6	12	24	12	15.0	5.0	1.6	A2 s/s
P0404.060-016-A2	M6	16	24	12	15.0	5.0	1.6	A2 s/s
P0404.060-020-A2	M6	20	24	12	15.0	5.0	1.6	A2 s/s



Thumb Screws with Collar

stainless 303 series



P0438.A2

THUMB SCREWS

Material

Stainless steel (AISI 303 series 1.4305).

steel which may (in harsh conditions) exhibit slight signs of rusting. Typically used in food and pharmaceutical applications.

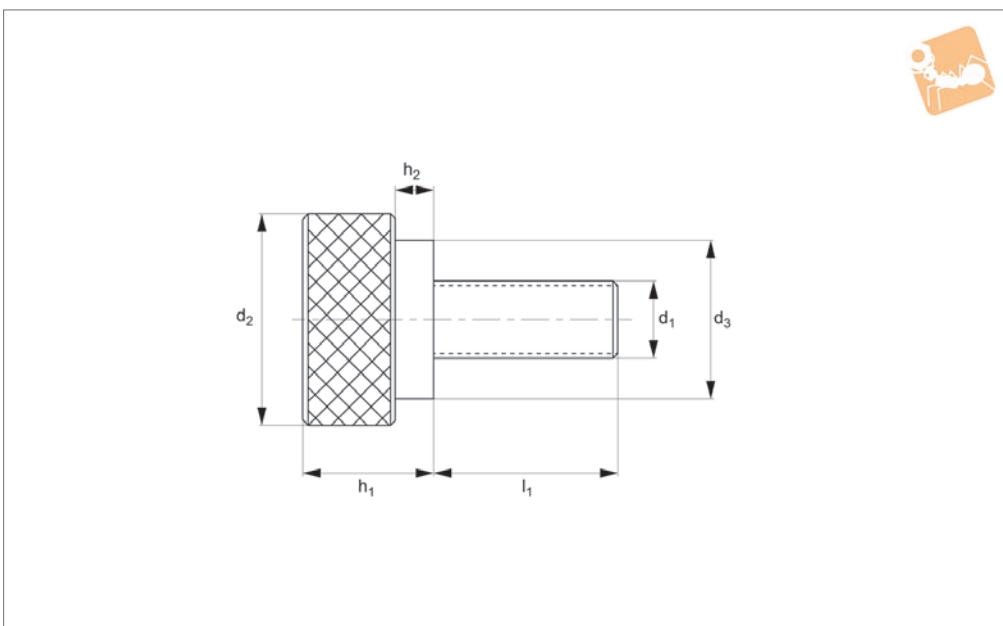
Technical Notes

Stainless steel AISI 303 is a hard stainless

Order No.	d ₁	l ₁	d ₂	d ₃	h ₁	h ₂
P0438.030-008-A2	M 3	8	10	6.5	8	2.5
P0438.030-010-A2	M 3	10	10	6.5	8	2.5
P0438.030-012-A2	M 3	12	10	6.5	8	2.5
P0438.030-014-A2	M 3	14	10	6.5	8	2.5
P0438.040-008-A2	M 4	8	12	9.5	8	2.5
P0438.040-010-A2	M 4	10	12	9.5	8	2.5
P0438.040-012-A2	M 4	12	12	9.5	8	2.5
P0438.040-014-A2	M 4	14	12	9.5	8	2.5
P0438.050-010-A2	M 5	10	12	9.5	8	2.5
P0438.050-012-A2	M 5	12	12	9.5	8	2.5
P0438.050-014-A2	M 5	14	12	9.5	8	2.5
P0438.050-016-A2	M 5	16	12	9.5	8	2.5
P0438.060-010-A2	M 6	10	14	9.5	10	3.5
P0438.060-012-A2	M 6	12	14	9.5	10	3.5
P0438.060-016-A2	M 6	16	14	9.5	10	3.5
P0438.060-020-A2	M 6	20	14	9.5	10	3.5



P0438.A4



Material

Stainless steel (AISI 316 series 1.440).

steel, of a higher grade. Very resistant to corrosion - even in extremely harsh conditions (such as salt, water etc.) but more expensive.

Technical Notes

Stainless steel AISI 316 is a softer stainless

Order No.	d_1	l_1	d_2	d_3	h_1	h_2
P0438.030-008-A4	M 3	8	10	6.5	8	2.5
P0438.030-010-A4	M 3	10	10	6.5	8	2.5
P0438.030-012-A4	M 3	12	10	6.5	8	2.5
P0438.030-014-A4	M 3	14	10	6.5	8	2.5
P0438.040-008-A4	M 4	8	12	9.5	8	2.5
P0438.040-010-A4	M 4	10	12	9.5	8	2.5
P0438.040-012-A4	M 4	12	12	9.5	8	2.5
P0438.040-014-A4	M 4	14	12	9.5	8	2.5
P0438.050-010-A4	M 5	10	12	9.5	8	2.5
P0438.050-012-A4	M 5	12	12	9.5	8	2.5
P0438.050-014-A4	M 5	14	12	9.5	8	2.5
P0438.050-016-A4	M 5	16	12	9.5	8	2.5
P0438.060-010-A4	M 6	10	14	9.5	10	3.5
P0438.060-012-A4	M 6	12	14	9.5	10	3.5
P0438.060-016-A4	M 6	16	14	9.5	10	3.5
P0438.060-020-A4	M 6	20	14	9.5	10	3.5

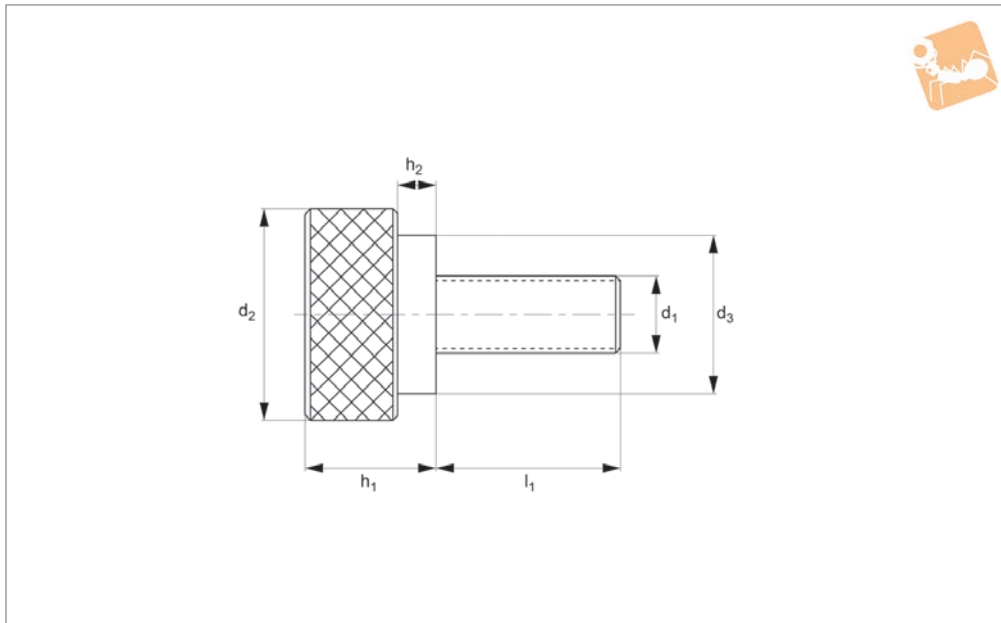


Thumb Screws with Collar

stainless 303 series, blackened



Thumb Screws



P0438.B2

THUMB SCREWS

Material

Stainless steel (AISI 303 series 1.4305), black oxide coating.

steel which may (in harsh conditions) exhibit slight signs of rusting. Typically used in food and pharmaceutical applications.

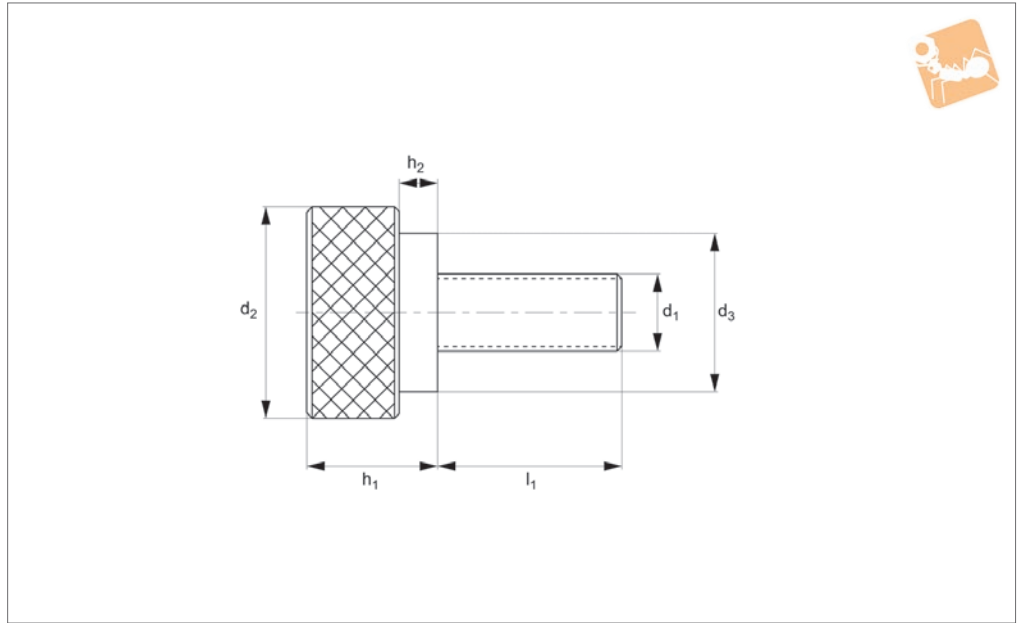
Technical Notes

Stainless steel AISI 303 is a hard stainless

Order No.	d ₁	l ₁	d ₂	d ₃	h ₁	h ₂
P0438.030-008-B2	M 3	8	10	6.5	8	2.5
P0438.030-010-B2	M 3	10	10	6.5	8	2.5
P0438.030-012-B2	M 3	12	10	6.5	8	2.5
P0438.030-014-B2	M 3	14	10	6.5	8	2.5
P0438.040-008-B2	M 4	8	12	9.5	8	2.5
P0438.040-010-B2	M 4	10	12	9.5	8	2.5
P0438.040-012-B2	M 4	12	12	9.5	8	2.5
P0438.040-014-B2	M 4	14	12	9.5	8	2.5
P0438.050-010-B2	M 5	10	12	9.5	8	2.5
P0438.050-012-B2	M 5	12	12	9.5	8	2.5
P0438.050-014-B2	M 5	14	12	9.5	8	2.5
P0438.050-016-B2	M 5	16	12	9.5	8	2.5
P0438.060-010-B2	M 6	10	14	9.5	10	3.5
P0438.060-012-B2	M 6	12	14	9.5	10	3.5
P0438.060-016-B2	M 6	16	14	9.5	10	3.5
P0438.060-020-B2	M 6	20	14	9.5	10	3.5



P0438.B4



Material

Stainless steel (AISI 316 series 1.440), black oxide coating.

steel, of a higher grade. Very resistant to corrosion - even in extremely harsh conditions (such as salt, water etc.) but more expensive.

Technical Notes

Stainless steel AISI 316 is a softer stainless

Order No.	d_1	l_1	d_2	d_3	h_1	h_2
P0438.030-008-B4	M 3	8	10	6.5	8	2.5
P0438.030-010-B4	M 3	10	10	6.5	8	2.5
P0438.030-012-B4	M 3	12	10	6.5	8	2.5
P0438.030-014-B4	M 3	14	10	6.5	8	2.5
P0438.040-008-B4	M 4	8	12	9.5	8	2.5
P0438.040-010-B4	M 4	10	12	9.5	8	2.5
P0438.040-012-B4	M 4	12	12	9.5	8	2.5
P0438.040-014-B4	M 4	14	12	9.5	8	2.5
P0438.050-010-B4	M 5	10	12	9.5	8	2.5
P0438.050-012-B4	M 5	12	12	9.5	8	2.5
P0438.050-014-B4	M 5	14	12	9.5	8	2.5
P0438.050-016-B4	M 5	16	12	9.5	8	2.5
P0438.060-010-B4	M 6	10	14	9.5	10	3.5
P0438.060-012-B4	M 6	12	14	9.5	10	3.5
P0438.060-016-B4	M 6	16	14	9.5	10	3.5
P0438.060-020-B4	M 6	20	14	9.5	10	3.5

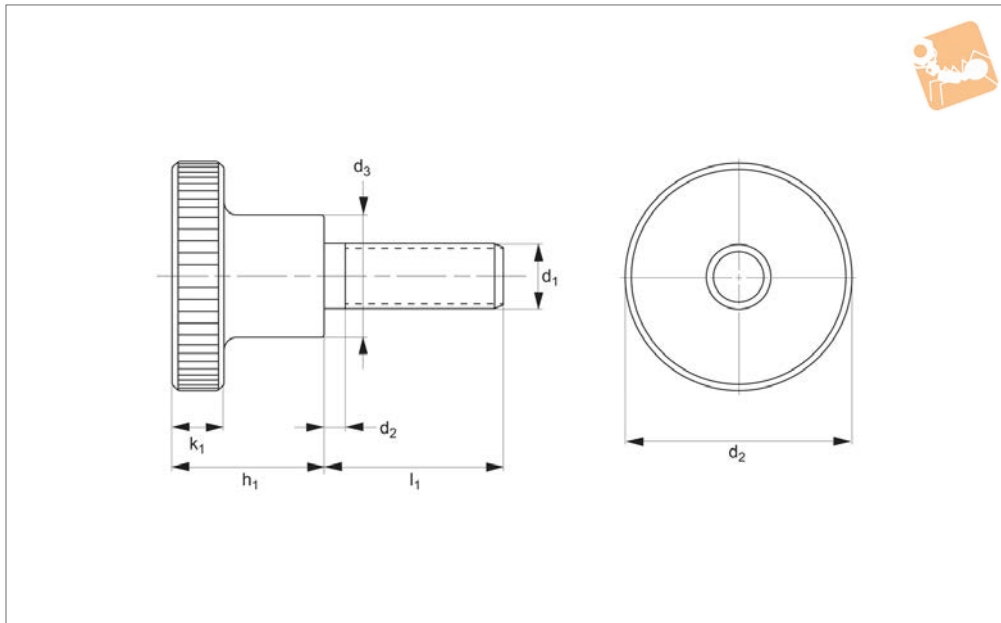


Knurled Thumb Screws

stainless steel - DIN 464



Thumb Screws



P0400.A2

THUMB SCREWS

Material

Stainless steel 1.4305 (AISI 303), matte, shot-blasted.

Conary to the Official Standard Sheet, they all have a thread up to the head, as shown, but no recess at the thread end.

Technical Notes

All knurled screws are one-piece manufac-

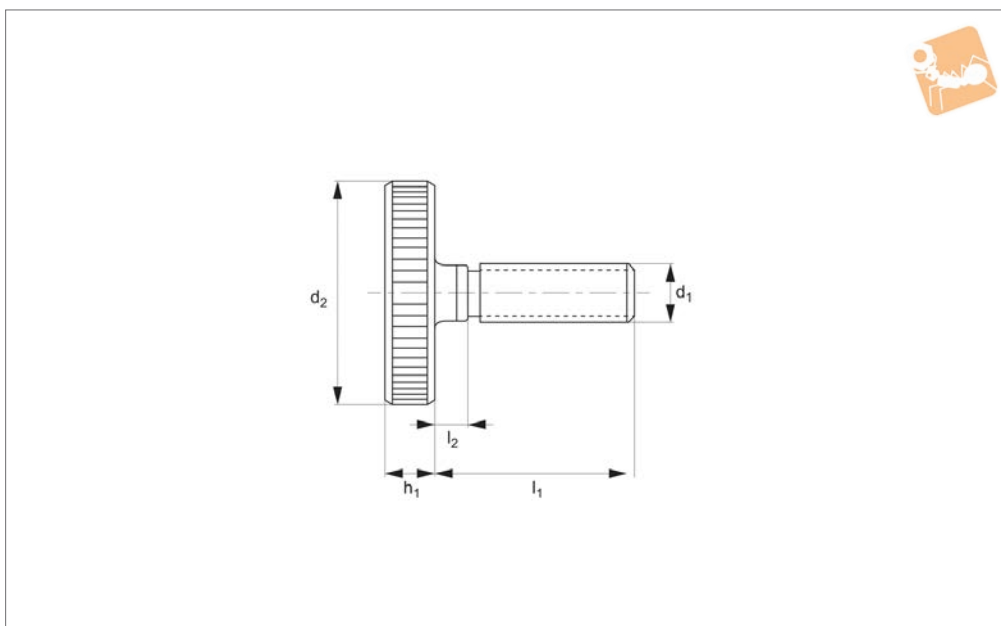
Order No.	d ₁	d ₂	d ₃	h ₁	k ₁	l ₁	Weight g
P0400.040-008-A2	M 4	16	8	9.5	3.5	8	7.9
P0400.040-010-A2	M 4	16	8	9.5	3.5	10	8.1
P0400.040-012-A2	M 4	16	8	9.5	3.5	12	8.3
P0400.040-016-A2	M 4	16	8	9.5	3.5	16	8.4
P0400.050-010-A2	M 5	20	10	11.5	4.0	10	15.0
P0400.050-012-A2	M 5	20	10	11.5	4.0	12	15.0
P0400.050-016-A2	M 5	20	10	11.5	4.0	16	16.0
P0400.050-020-A2	M 5	20	10	11.5	4.0	20	16.0
P0400.050-025-A2	M 5	20	10	11.5	4.0	25	17.0
P0400.060-012-A2	M 6	24	12	15.0	5.0	12	28.0
P0400.060-016-A2	M 6	24	12	15.0	5.0	16	28.0
P0400.060-020-A2	M 6	24	12	15.0	5.0	20	29.0
P0400.060-025-A2	M 6	24	12	15.0	5.0	25	30.0
P0400.060-030-A2	M 6	24	12	15.0	5.0	30	31.0
P0400.080-020-A2	M 8	30	16	18.0	6.0	20	56.0
P0400.080-025-A2	M 8	30	16	18.0	6.0	25	58.0
P0400.080-030-A2	M 8	30	16	18.0	6.0	30	60.0



THUMB SCREWS



P0405.ZP



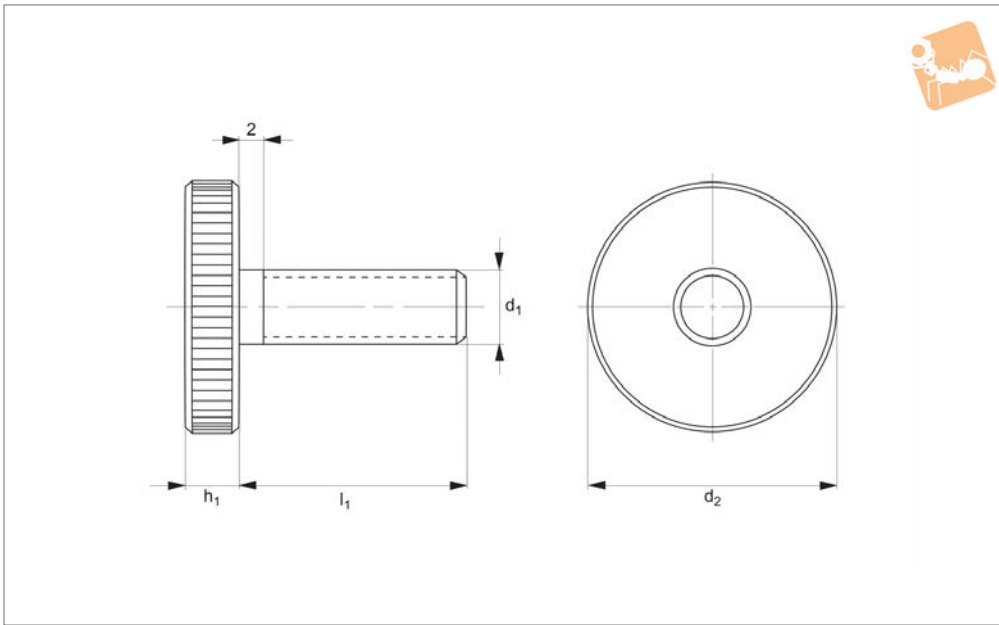
Material

Steel (class5.8) zinc-plated.

Technical Notes

To DIN 653.

Order No.	d ₁	l ₁	d ₂	h ₁	l ₂	Material	Weight g
P0405.030-006-ZP	M 3	6	12	2.5	2	Steel ZP	2.4
P0405.030-008-ZP	M 3	8	12	2.5	2	Steel ZP	2.5
P0405.030-010-ZP	M 3	10	12	2.5	2	Steel ZP	2.6
P0405.030-016-ZP	M 3	16	12	2.5	2	Steel ZP	2.9
P0405.040-008-ZP	M 4	8	16	3.5	3	Steel ZP	6.1
P0405.040-010-ZP	M 4	10	16	3.5	3	Steel ZP	6.2
P0405.040-012-ZP	M 4	12	16	3.5	3	Steel ZP	6.4
P0405.040-016-ZP	M 4	16	16	3.5	3	Steel ZP	6.7
P0405.040-020-ZP	M 4	20	16	3.5	3	Steel ZP	7.0
P0405.040-025-ZP	M 4	25	16	3.5	3	Steel ZP	7.4
P0405.050-010-ZP	M 5	10	20	4.0	3	Steel ZP	11.0
P0405.050-012-ZP	M 5	12	20	4.0	3	Steel ZP	11.3
P0405.050-016-ZP	M 5	16	20	4.0	3	Steel ZP	11.7
P0405.050-020-ZP	M 5	20	20	4.0	3	Steel ZP	12.0
P0405.050-025-ZP	M 5	25	20	4.0	3	Steel ZP	12.6
P0405.050-030-ZP	M 5	30	20	4.0	3	Steel ZP	13.0
P0405.060-012-ZP	M 6	12	24	5.0	4	Steel ZP	20.0
P0405.060-016-ZP	M 6	16	24	5.0	4	Steel ZP	20.4
P0405.060-020-ZP	M 6	20	24	5.0	4	Steel ZP	21.0
P0405.060-025-ZP	M 6	25	24	5.0	4	Steel ZP	22.0
P0405.060-030-ZP	M 6	30	24	5.0	4	Steel ZP	22.6
P0405.080-020-ZP	M 8	20	30	6.0	5	Steel ZP	40.0
P0405.080-025-ZP	M 8	25	30	6.0	5	Steel ZP	42.0
P0405.080-030-ZP	M 8	30	30	6.0	5	Steel ZP	43.0
P0405.080-035-ZP	M 8	35	30	6.0	5	Steel ZP	45.0
P0405.080-040-ZP	M 8	40	30	6.0	5	Steel ZP	47.0
P0405.100-020-ZP	M10	20	36	8.0	6	Steel ZP	73.0
P0405.100-025-ZP	M10	25	36	8.0	6	Steel ZP	76.0
P0405.100-030-ZP	M10	30	36	8.0	6	Steel ZP	78.0
P0405.100-040-ZP	M10	40	36	8.0	6	Steel ZP	83.0



P0405.BL

THUMB SCREWS

Material

Steel, quality 5.8, blackened. Turned, visible face, good finish.

Technical Notes

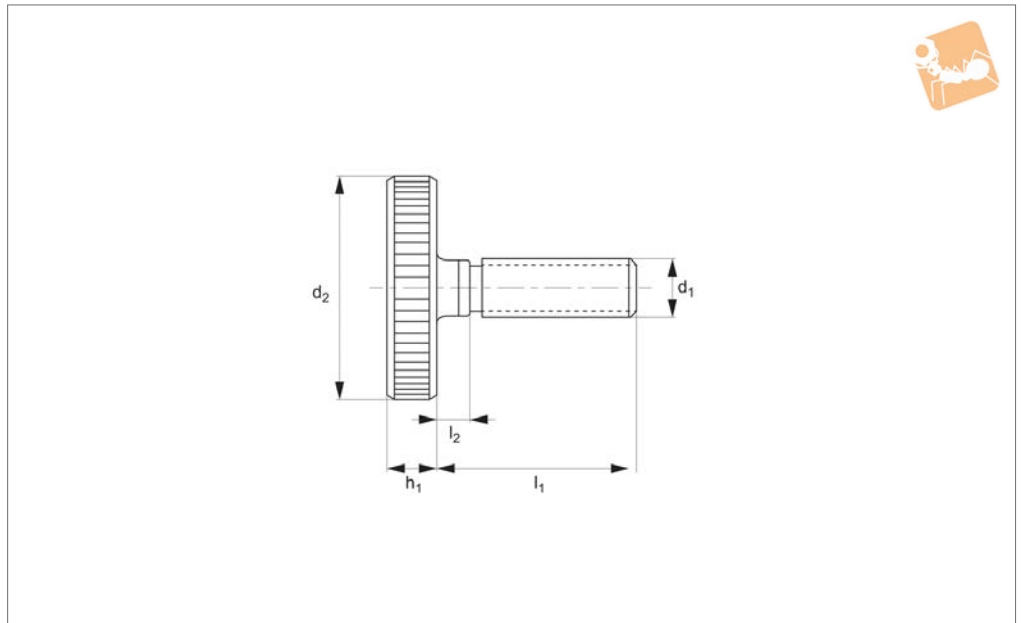
All knurled screws are one-piece manufactured with thread up to the head (DIN-

designation ,A').

Order No.	d ₁	d ₂	h ₁	l ₁	Weight g
P0405.030-006-BL	M 3	12	2.5	6	2.3
P0405.030-008-BL	M 3	12	2.5	8	2.4
P0405.030-010-BL	M 3	12	2.5	10	2.5
P0405.030-016-BL	M 3	12	2.5	16	2.7
P0405.040-008-BL	M 4	16	3.5	8	5.6
P0405.040-010-BL	M 4	16	3.5	10	5.7
P0405.040-012-BL	M 4	16	3.5	12	6.1
P0405.040-016-BL	M 4	16	3.5	16	6.2
P0405.040-020-BL	M 4	16	3.5	20	6.6
P0405.040-025-BL	M 4	16	3.5	25	7.0
P0405.050-010-BL	M 5	20	4.0	10	10.0
P0405.050-012-BL	M 5	20	4.0	12	11.0
P0405.050-016-BL	M 5	20	4.0	16	12.0
P0405.050-020-BL	M 5	20	4.0	20	12.0
P0405.050-025-BL	M 5	20	4.0	25	12.0
P0405.050-030-BL	M 5	20	4.0	30	13.0
P0405.060-012-BL	M 6	24	5.0	12	18.0
P0405.060-016-BL	M 6	24	5.0	16	20.0
P0405.060-020-BL	M 6	24	5.0	20	20.0
P0405.060-025-BL	M 6	24	5.0	25	20.0
P0405.060-030-BL	M 6	24	5.0	30	22.0
P0405.080-020-BL	M 8	30	6.0	20	37.0
P0405.080-025-BL	M 8	30	6.0	25	39.0
P0405.080-030-BL	M 8	30	6.0	30	41.0
P0405.080-035-BL	M 8	30	6.0	35	42.0
P0405.080-040-BL	M 8	30	6.0	40	44.0
P0405.100-020-BL	M10	36	8.0	20	71.0
P0405.100-025-BL	M10	36	8.0	25	72.0
P0405.100-030-BL	M10	36	8.0	30	76.0
P0405.100-040-BL	M10	36	8.0	40	80.0



P0405.SS



Material

Stainless steel (A2 AISI 303 or A4 AISI 316).

Technical Notes

To DIN 653. Stainless steel 303 series is a

hard stainless steel which may (in harsh conditions) exhibit slight signs of rusting. Typically used in food and pharmaceutical applications. 303 stainless steel provides good resistance to corrosion, it is soft and

mildly magnetic. 316 stainless provides excellent corrosion resistance for use in highly caustic or marine environments and its non-magnetic.

Order No.	d ₁	l ₁	d ₂	h	l ₂	Material	Weight g
P0405.030-008-A2	M3	8	12	2.5	2	A2 s/s	6.1
P0405.030-010-A2	M3	10	12	2.5	2	A2 s/s	6.1
P0405.030-012-A2	M3	12	12	2.5	2	A2 s/s	6.1
P0405.030-016-A2	M3	16	12	2.5	2	A2 s/s	6.1
P0405.030-020-A2	M3	20	12	2.5	2	A2 s/s	6.1
P0405.040-008-A2	M4	8	16	3.5	3	A2 s/s	6.1
P0405.040-010-A2	M4	10	16	3.5	3	A2 s/s	6.2
P0405.040-012-A2	M4	12	16	3.5	3	A2 s/s	6.4
P0405.040-016-A2	M4	16	16	3.5	3	A2 s/s	6.7
P0405.040-020-A2	M4	20	16	3.5	3	A2 s/s	6.7
P0405.040-025-A2	M4	25	16	3.5	3	A2 s/s	6.7
P0405.040-030-A2	M4	30	16	3.5	3	A2 s/s	6.7
P0405.050-008-A2	M5	8	20	4.0	3	A2 s/s	11.0
P0405.050-010-A2	M5	10	20	4.0	3	A2 s/s	11.0
P0405.050-012-A2	M5	12	20	4.0	3	A2 s/s	11.3
P0405.050-016-A2	M5	16	20	4.0	3	A2 s/s	11.7
P0405.050-020-A2	M5	20	20	4.0	3	A2 s/s	12.0
P0405.050-025-A2	M5	25	20	4.0	3	A2 s/s	12.0
P0405.050-030-A2	M5	30	20	4.0	2	A2 s/s	12.0
P0405.060-010-A2	M6	10	24	5.0	4	A2 s/s	20.0
P0405.060-012-A2	M6	12	24	5.0	4	A2 s/s	20.0
P0405.060-016-A2	M6	16	24	5.0	4	A2 s/s	20.4
P0405.060-020-A2	M6	20	24	5.0	4	A2 s/s	21.0
P0405.060-025-A2	M6	25	24	5.0	4	A2 s/s	22.0
P0405.060-030-A2	M6	30	24	5.0	4	A2 s/s	22.0
P0405.080-012-A2	M8	12	30	6.0	5	A2 s/s	40.0
P0405.080-016-A2	M8	16	30	6.0	5	A2 s/s	40.0
P0405.080-020-A2	M8	20	30	6.0	5	A2 s/s	40.0
P0405.080-025-A2	M8	25	30	6.0	5	A2 s/s	42.0
P0405.080-030-A2	M8	30	30	6.0	5	A2 s/s	43.0
P0405.030-008-A4	M3	8	12	2.5	2	A4 s/s	6.1
P0405.030-010-A4	M3	10	12	2.5	2	A4 s/s	6.1



Flat Knurled Thumb Screws

Flat Knurled A2 & A4 stainless



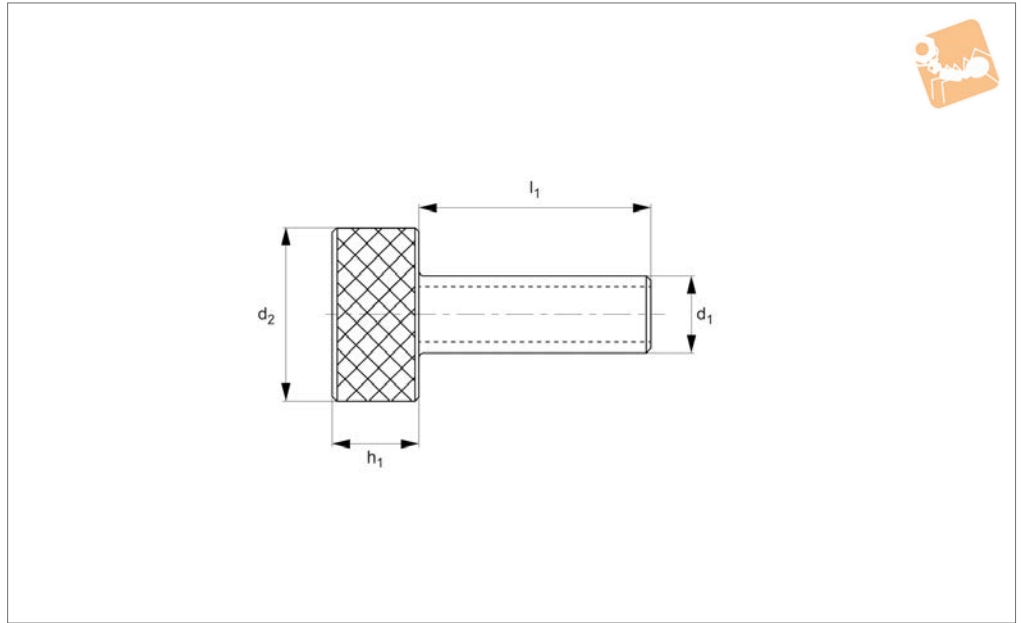
Thumb Screws

Order No.	d ₁	l ₁	d ₂	h	l ₂	Material	Weight g
P0405.030-012-A4	M3	12	12	2.5	2	A4 s/s	6.1
P0405.030-016-A4	M3	16	12	2.5	2	A2 s/s	6.1
P0405.030-020-A4	M3	20	12	2.5	2	A4 s/s	6.1
P0405.040-008-A4	M4	8	16	3.5	3	A4 s/s	6.1
P0405.040-010-A4	M4	10	16	3.5	3	A4 s/s	6.2
P0405.040-012-A4	M4	12	16	3.5	3	A4 s/s	6.4
P0405.040-016-A4	M4	16	16	3.5	3	A4 s/s	6.7
P0405.040-020-A4	M4	20	16	3.5	3	A4 s/s	6.7
P0405.040-025-A4	M4	25	16	3.5	3	A4 s/s	6.7
P0405.040-030-A4	M4	30	16	3.5	3	A4 s/s	6.7
P0405.050-008-A4	M5	8	20	4.0	3	A4 s/s	11.0
P0405.050-010-A4	M5	10	20	4.0	3	A4 s/s	11.0
P0405.050-012-A4	M5	12	20	4.0	3	A4 s/s	11.3
P0405.050-016-A4	M5	16	20	4.0	3	A4 s/s	11.7
P0405.050-020-A4	M5	20	20	4.0	3	A4 s/s	12.0
P0405.050-025-A4	M5	25	20	4.0	3	A4 s/s	12.0
P0405.050-030-A4	M5	30	20	4.0	3	A4 s/s	12.0
P0405.060-010-A4	M6	10	24	5.0	4	A4 s/s	20.0
P0405.060-012-A4	M6	12	24	5.0	4	A4 s/s	20.0
P0405.060-016-A4	M6	16	24	5.0	4	A4 s/s	20.4
P0405.060-020-A4	M6	20	24	5.0	4	A4 s/s	21.0
P0405.060-025-A4	M6	25	24	5.0	4	A4 s/s	22.0
P0405.060-030-A4	M6	30	24	5.0	4	A4 s/s	22.0
P0405.080-012-A4	M8	12	30	6.0	5	A4 s/s	40.0
P0405.080-016-A4	M8	16	30	6.0	5	A4 s/s	40.0
P0405.080-020-A4	M8	20	30	6.0	5	A4 s/s	40.0
P0405.080-025-A4	M8	25	30	6.0	5	A4 s/s	42.0
P0405.080-030-A4	M8	30	30	6.0	5	A4 s/s	43.0

THUMB SCREWS



P0437.A2



Material

Stainless steel (AISI 303 series 1.4305).

Technical Notes

Stainless steel 303 series is a hard stain-

less steel which may (in harsh conditions) exhibit slight signs of rusting. Typically used in food and pharmaceutical applications.

Order No.	d ₁	l ₁	d ₂	h ₁
P0437.030-008-A2	M 3	8	8	5
P0437.030-010-A2	M 3	10	8	5
P0437.030-012-A2	M 3	12	8	5
P0437.030-014-A2	M 3	14	8	5
P0437.040-008-A2	M 4	8	10	5
P0437.040-010-A2	M 4	10	10	5
P0437.040-012-A2	M 4	12	10	5
P0437.040-014-A2	M 4	14	10	5
P0437.040-016-A2	M 4	16	10	5
P0437.050-008-A2	M 5	8	12	5
P0437.050-010-A2	M 5	10	12	5
P0437.050-012-A2	M 5	12	12	5
P0437.050-014-A2	M 5	14	12	5
P0437.050-016-A2	M 5	16	12	5
P0437.060-012-A2	M 6	12	13	6
P0437.060-014-A2	M 6	14	13	6
P0437.060-016-A2	M 6	16	13	6
P0437.060-018-A2	M 6	18	13	6
P0437.060-020-A2	M 6	20	13	6

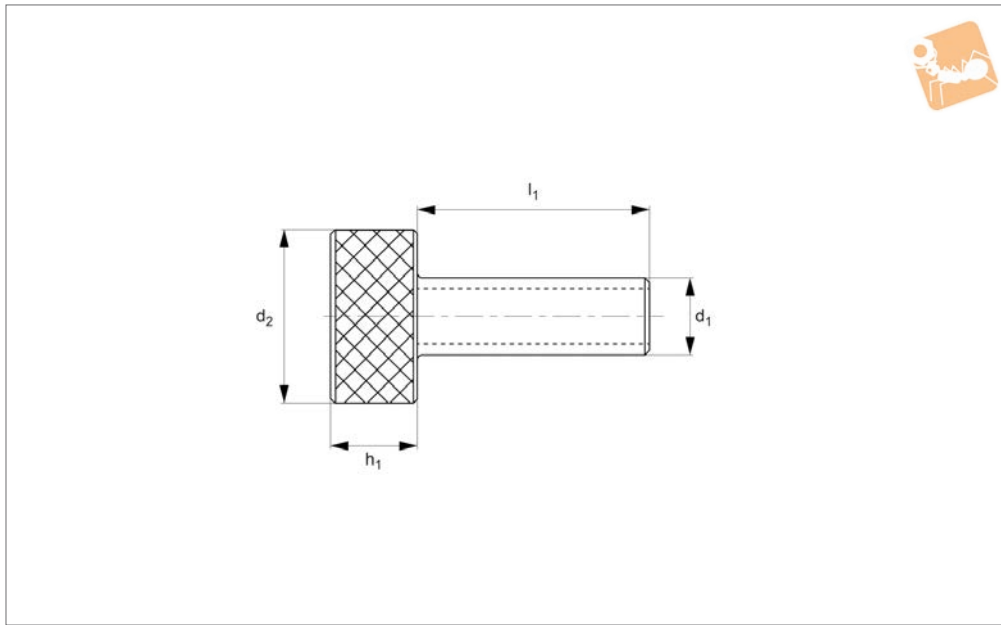


Narrow Head Thumb Screws

316 series stainless



Thumb Screws



P0437.A4

THUMB SCREWS

Material

Stainless steel (AISI 316 series 1.4401).

Technical Notes

316 series stainless steel is the most corro-

sion resistant alloy of stainless steel. It resists corrosion from seawater and strong chemicals. Suitable for outdoor use and in marine, medical and chemical applica-

tions.

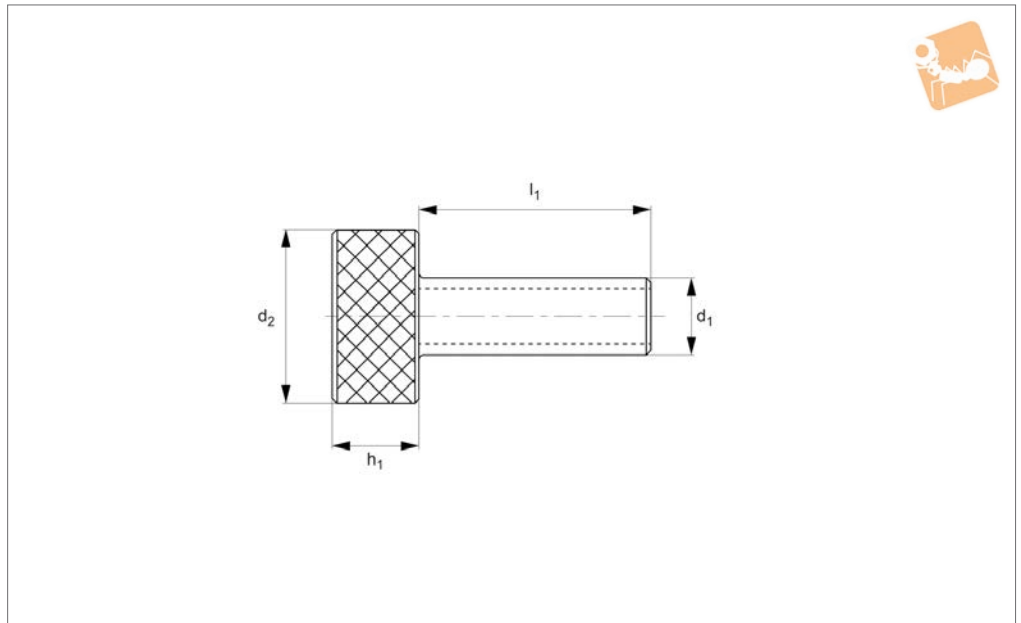
Order No.	d ₁	l ₁	d ₂	h ₁
P0437.030-008-A4	M 3	8	8	5
P0437.030-010-A4	M 3	10	8	5
P0437.030-012-A4	M 3	12	8	5
P0437.030-014-A4	M 3	14	8	5
P0437.040-008-A4	M 4	8	10	5
P0437.040-010-A4	M 4	10	10	5
P0437.040-012-A4	M 4	12	10	5
P0437.040-014-A4	M 4	14	10	5
P0437.040-016-A4	M 4	16	10	5
P0437.050-008-A4	M 5	8	12	5
P0437.050-010-A4	M 5	10	12	5
P0437.050-012-A4	M 5	12	12	5
P0437.050-014-A4	M 5	14	12	5
P0437.050-016-A4	M 5	16	12	5
P0437.060-012-A4	M 6	12	13	6
P0437.060-014-A4	M 6	14	13	6
P0437.060-016-A4	M 6	16	13	6
P0437.060-018-A4	M 6	18	13	6
P0437.060-020-A4	M 6	20	13	6



THUMB SCREWS



P0437.B2



Material

Stainless steel (AISI 303 series 1.4305), with black oxide coating.

steel which may (in harsh conditions) exhibit slight signs of rusting. Typically used in food and pharmaceutical applications.

Technical Notes

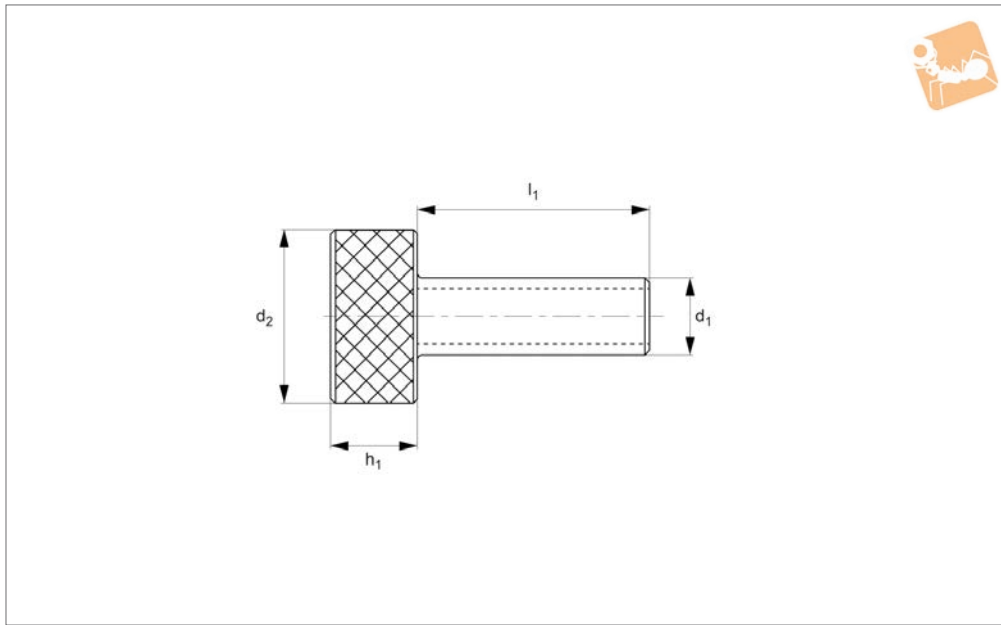
303 series stainless steel is a hard stainless

Order No.	d ₁	l ₁	d ₂	h ₁
P0437.030-008-B2	M 3	8	8	5
P0437.030-010-B2	M 3	10	8	5
P0437.030-012-B2	M 3	12	8	5
P0437.030-014-B2	M 3	14	8	5
P0437.040-008-B2	M 4	8	10	5
P0437.040-010-B2	M 4	10	10	5
P0437.040-012-B2	M 4	12	10	5
P0437.040-014-B2	M 4	14	10	5
P0437.040-016-B2	M 4	16	10	5
P0437.050-008-B2	M 5	8	12	5
P0437.050-010-B2	M 5	10	12	5
P0437.050-012-B2	M 5	12	12	5
P0437.050-014-B2	M 5	14	12	5
P0437.050-016-B2	M 5	16	12	5
P0437.060-012-B2	M 6	12	13	6
P0437.060-014-B2	M 6	14	13	6
P0437.060-016-B2	M 6	16	13	6
P0437.060-018-B2	M 6	18	13	6
P0437.060-020-B2	M 6	20	13	6



Narrow Head Thumb Screws

316 stainless, blackened



P0437.B4

THUMB SCREWS

Material

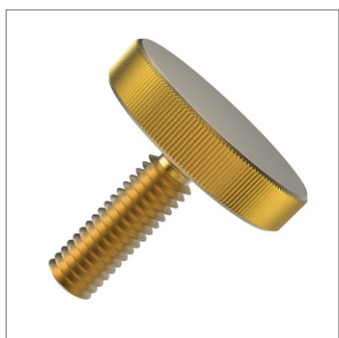
Stainless steel (AISI 316 series 1.4401), with black oxide coating.

Technical Notes

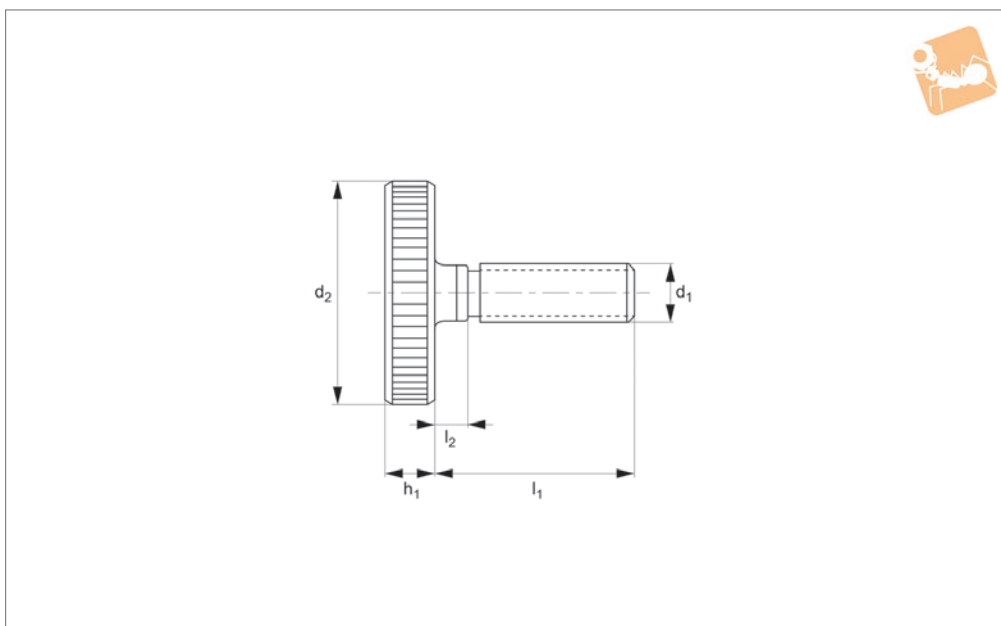
316 series stainless steel is the most corro-

sion resistant alloy of stainless steel. It resists corrosion from seawater and strong chemicals. Suitable for outdoor use and in marine, medical and chemical applications.

Order No.	d ₁	l ₁	d ₂	h ₁
P0437.030-008-B4	M 3	8	8	5
P0437.030-010-B4	M 3	10	8	5
P0437.030-012-B4	M 3	12	8	5
P0437.030-014-B4	M 3	14	8	5
P0437.040-008-B4	M 4	8	10	5
P0437.040-010-B4	M 4	10	10	5
P0437.040-012-B4	M 4	12	10	5
P0437.040-014-B4	M 4	14	10	5
P0437.040-016-B4	M 4	16	10	5
P0437.050-008-B4	M 5	8	12	5
P0437.050-010-B4	M 5	10	12	5
P0437.050-012-B4	M 5	12	12	5
P0437.050-014-B4	M 5	14	12	5
P0437.050-016-B4	M 5	16	12	5
P0437.060-012-B4	M 6	12	13	6
P0437.060-014-B4	M 6	14	13	6
P0437.060-016-B4	M 6	16	13	6
P0437.060-018-B4	M 6	18	13	6
P0437.060-020-B4	M 6	20	13	6



P0405.BR



Material

Brass, Cu3 (Cuzn39Pb3).

Technical Notes

To DIN 653.

Order No.	Thread	l_1	d_2	h_1	l_2	Material	Weight g
P0405.030-006-BR	M 3	6.0	12	2.5	2.0	Brass	2.3
P0405.030-008-BR	M 3	8.0	12	2.5	2.0	Brass	2.4
P0405.030-010-BR	M 3	10	12	2.5	2.0	Brass	2.5
P0405.030-012-BR	M 3	12	12	2.5	2.0	Brass	2.6
P0405.030-016-BR	M 3	16	12	2.5	2.0	Brass	2.7
P0405.030-020-BR	M 3	20	12	2.5	2.0	Brass	2.7
P0405.030-025-BR	M 3	25	12	2.5	2.0	Brass	2.7
P0405.040-008-BR	M 4	8.0	16	3.5	3.0	Brass	6.1
P0405.040-010-BR	M 4	10	16	3.5	3.0	Brass	6.2
P0405.040-012-BR	M 4	12	16	3.5	3.0	Brass	6.4
P0405.040-016-BR	M 4	16	16	3.5	3.0	Brass	6.7
P0405.040-020-BR	M 4	20	16	3.5	3.0	Brass	6.7
P0405.040-025-BR	M 4	25	16	3.5	3.0	Brass	6.7
P0405.050-008-BR	M 5	8	20	4.0	3.0	Brass	11.0
P0405.050-010-BR	M 5	10	20	4.0	3.0	Brass	11.0
P0405.050-012-BR	M 5	12	20	4.0	3.0	Brass	11.3
P0405.050-016-BR	M 5	16	20	4.0	3.0	Brass	11.7
P0405.050-020-BR	M 5	20	20	4.0	3.0	Brass	12.0
P0405.050-025-BR	M 5	25	20	4.0	3.0	Brass	12.0
P0405.050-030-BR	M 5	30	20	4.0	3.0	Brass	12.0
P0405.060-010-BR	M 6	10	24.0	5.0	4.0	Brass	20.0
P0405.060-012-BR	M 6	12	24.0	5.0	4.0	Brass	20.0
P0405.060-016-BR	M 6	16	24.0	5.0	4.0	Brass	20.4
P0405.060-020-BR	M 6	20	24.0	5.0	4.0	Brass	21.0
P0405.060-025-BR	M 6	25	24.0	5.0	4.0	Brass	25.0
P0405.060-030-BR	M 6	30	24.0	5.0	4.0	Brass	22.0
P0405.060-040-BR	M 6	40	24.0	5.0	4.0	Brass	22.0
P0405.080-016-BR	M 8	16	30.0	6.0	5.0	Brass	40.0
P0405.080-020-BR	M 8	20	30.0	6.0	5.0	Brass	40.0
P0405.080-025-BR	M 8	25	30.0	6.0	5.0	Brass	42.0
P0405.080-030-BR	M 8	30	30.0	6.0	5.0	Brass	43.0
P0405.080-040-BR	M 8	40	30.0	6.0	5.0	Brass	45.0

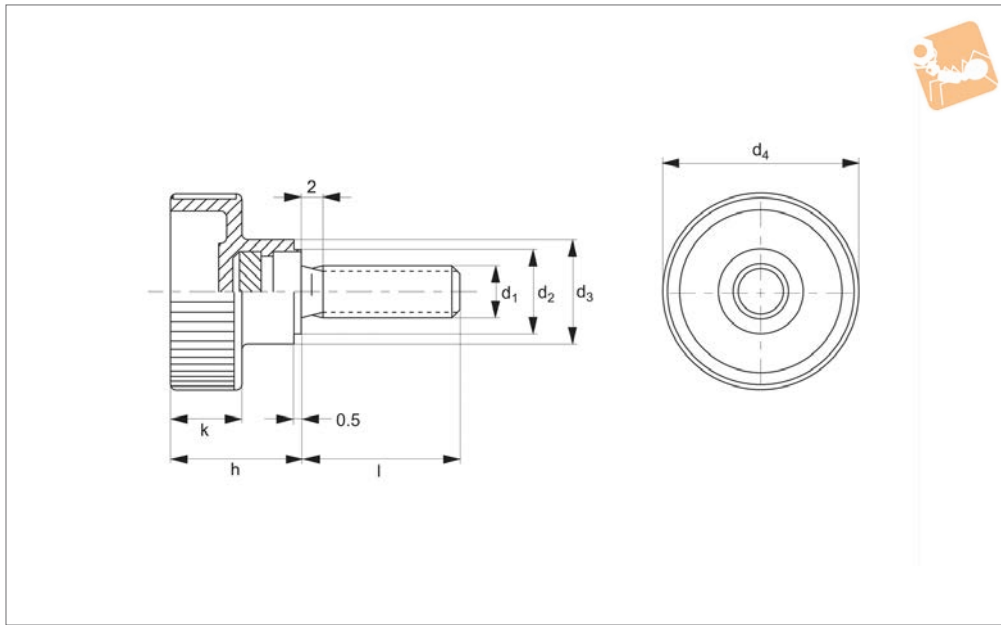


Knurled Thumb Screws

plastic - steel grub screw



Thumb Screws



P0440.ZP

THUMB SCREWS

Material

Handle: thermoplastic PA, black.
Screw: steel, galvanised

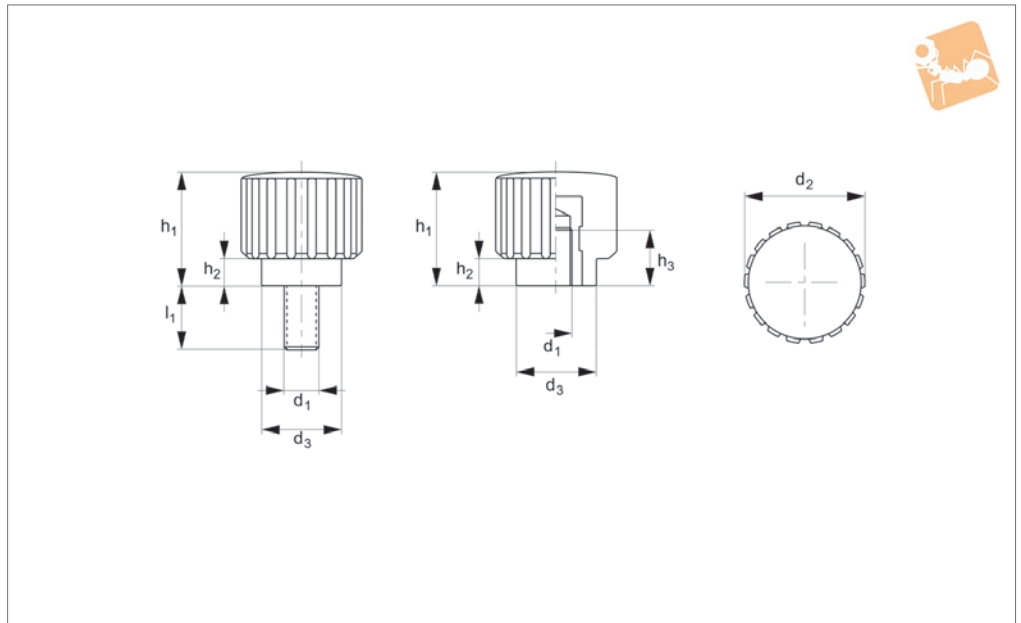
Technical Notes

Temperature range from -30°C up to +80°C.

Order No.	d ₁	d ₂	d ₃	d ₄	h	k	l	Weight g
P0440.040-015-ZP	M 4	9	12	19	14.0	8.0	15	6.0
P0440.040-020-ZP	M 4	9	12	19	14.0	8.0	20	7.0
P0440.050-010-ZP	M 5	9	12	19	14.0	8.0	10	6.0
P0440.050-020-ZP	M 5	9	12	19	14.0	8.0	20	7.0
P0440.050-025-ZP	M 5	9	12	19	14.0	8.0	25	8.0
P0440.060-016-ZP	M 6	12	14	24	16.5	9.5	16	8.0
P0440.060-020-ZP	M 6	12	14	24	16.5	9.5	20	12.0
P0440.060-030-ZP	M 6	12	14	24	16.5	9.5	30	13.0
P0440.080-020-ZP	M 8	14	16	30	19.5	11.0	20	16.0
P0440.080-025-ZP	M 8	14	16	30	19.5	11.0	25	17.0
P0440.080-030-ZP	M 8	14	16	30	19.5	11.0	30	23.0
P0440.100-025-ZP	M10	16	18	36	22.5	12.5	25	31.0
P0440.100-030-ZP	M10	16	18	36	22.5	12.5	30	33.0
P0440.100-040-ZP	M10	16	18	36	22.5	12.5	40	38.0



P0444



Material

Duroplast, black satin finish, male version with zinc-plated thread, female version

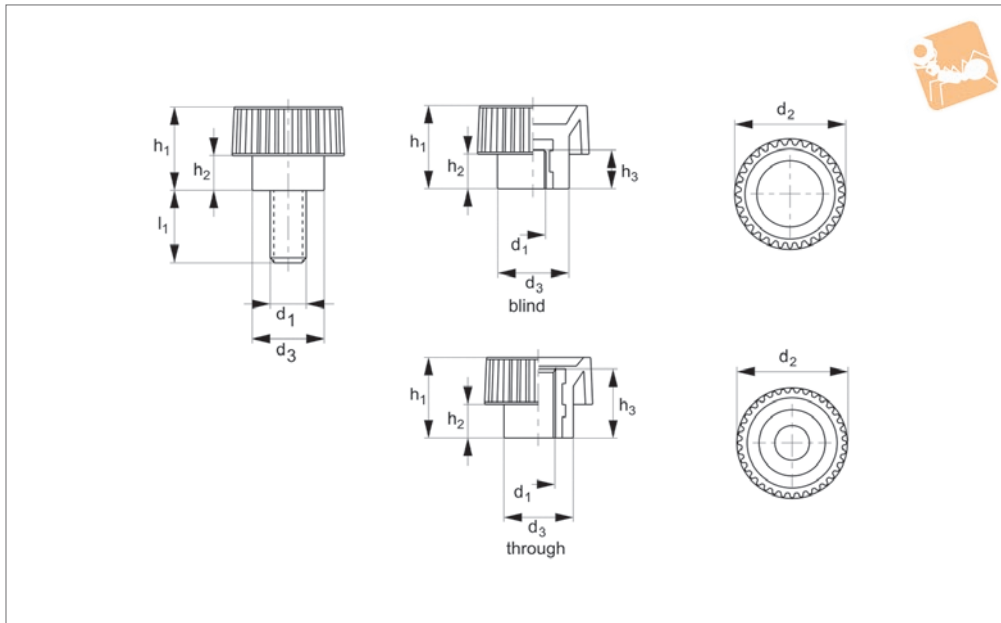
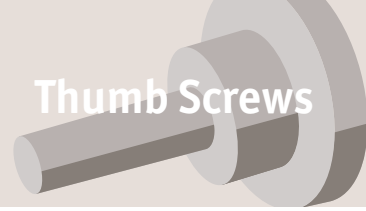
with brass insert.

Technical Notes

Resistant to organic and inorganic

chemical substances such as oils, greases, fuels and solvents.

Order No.	Type	d ₁	l ₁	d ₂	d ₃	h ₁	h ₂	Insert material	h ₃
P0444.040-010-ZP	Male	M4	10	15	11	12	1.5	Steel ZP	-
P0444.050-010-ZP	Male	M5	10	15	11	12	1.5	Steel ZP	-
P0444.050-013-ZP	Male	M5	13	18	12	17	4.0	Steel ZP	-
P0444.050-040-ZP	Male	M5	40	24	12	17	5.5	Steel ZP	-
P0444.060-013-ZP	Male	M6	13	18	16	17	4.0	Steel ZP	-
P0444.060-015-ZP	Male	M6	15	24	16	17	5.5	Steel ZP	-
P0444.080-015-ZP	Male	M8	15	24	16	17	5.5	Steel ZP	-
P0444.080-025-ZP	Male	M8	25	24	16	17	5.5	Steel ZP	-
P0444.030-015-BR	Female	M3	-	15	11	12	1.5	Brass	9
P0444.040-015-BR	Female	M4	-	15	11	12	1.5	Brass	9
P0444.050-015-BR	Female	M5	-	15	11	12	1.5	Brass	9
P0444.050-018-BR	Female	M5	-	18	12	17	4.0	Brass	9
P0444.060-015-BR	Female	M5	-	15	11	12	1.5	Brass	9
P0444.060-018-BR	Female	M6	-	18	12	17	4.0	Brass	9
P0444.060-024-BR	Female	M6	-	24	16	17	5.5	Brass	9
P0444.080-024-BR	Female	M8	-	24	16	17	5.5	Brass	9



P0445

THUMB SCREWS

Material

Duroplast, black, male version with zinc-plated thread, female versions with brass insert.

Type A has a tapped blind bush, type B has a through threaded bush.

Technical Notes

Resistant to organic and inorganic chemical substances such as oils, greases, fuels and solvents.

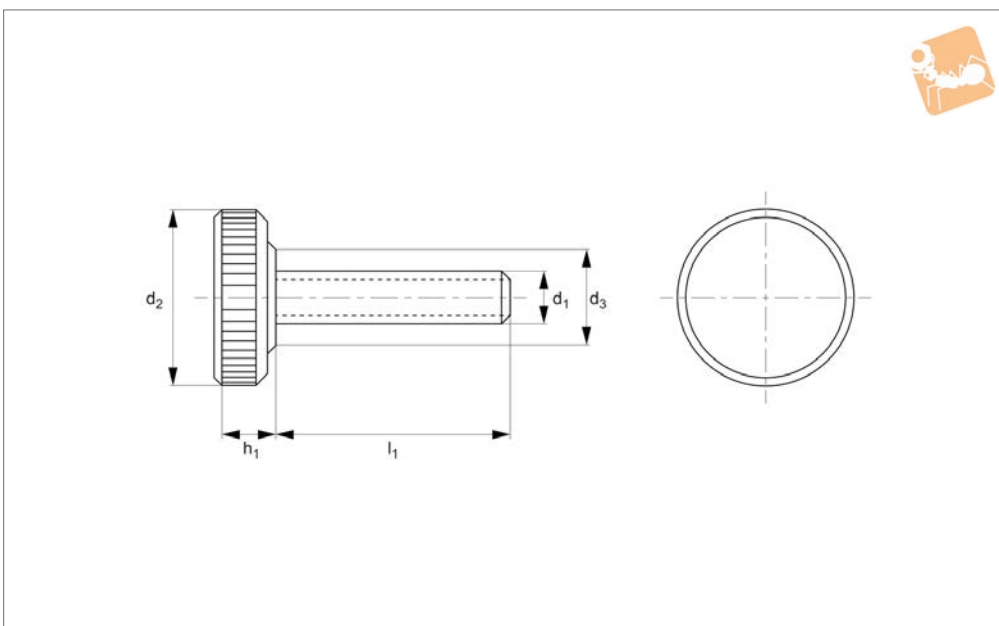
Order No.	Type	d ₁	l ₁	d ₂	d ₃	h ₁	h ₂	Insert material	h ₃
P0445.030-010-ZP	Male	M 3	10	15	11.5	13.5	5	Steel ZP	-
P0445.040-010-ZP	Male	M 4	10	15	11.5	13.5	5	Steel ZP	-
P0445.040-015-ZP	Male	M 4	15	15	11.5	13.5	5	Steel ZP	-
P0445.040-025-ZP	Male	M 4	25	15	11.5	13.5	5	Steel ZP	-
P0445.050-010-ZP	Male	M 5	10	20	13.0	16.0	6	Steel ZP	-
P0445.050-015-ZP	Male	M 5	15	15	11.5	13.5	5	Steel ZP	-
P0445.050-016-ZP	Male	M 5	15	20	13.0	16.0	6	Steel ZP	-
P0445.050-017-ZP	Male	M 5	20	20	13.0	16.0	6	Steel ZP	-
P0445.050-025-ZP	Male	M 5	25	20	13.0	16.0	6	Steel ZP	-
P0445.060-015-ZP	Male	M 6	15	15	11.5	13.5	5	Steel ZP	-
P0445.030-15A-BR	Female - blind	M 3	-	15	11.5	13.5	5	Brass	9
P0445.040-15A-BR	Female - blind	M 4	-	15	11.5	13.5	5	Brass	9
P0445.050-15A-BR	Female - blind	M 5	-	15	11.5	13.5	5	Brass	9
P0445.060-15A-BR	Female - blind	M 6	-	15	11.5	13.5	5	Brass	9
P0445.050-20A-BR	Female - blind	M 5	-	20	13.0	16.0	6	Brass	9
P0445.060-20A-BR	Female - blind	M 6	-	20	13.0	16.0	6	Brass	9
P0445.060-32A-BR	Female - blind	M 6	-	32	17.0	22.0	9	Brass	11
P0445.080-32A-BR	Female - blind	M8	-	32	17.0	22.0	9	Brass	11
P0445.100-32A-BR	Female - blind	M10	-	32	17.0	22.0	9	Brass	11
P0445.030-15B-BR	Female - through	M 3	-	15	11.5	13.5	5	Brass	11.5
P0445.040-15B-BR	Female - through	M 4	-	15	11.5	13.5	5	Brass	11.5
P0445.040-20B-BR	Female - through	M 4	-	20	13.0	16.0	6	Brass	11.5
P0445.050-15B-BR	Female - through	M 5	-	15	11.5	13.5	5	Brass	11.5
P0445.050-20B-BR	Female - through	M 5	-	20	13.0	16.0	6	Brass	11.5
P0445.060-15B-BR	Female - through	M 6	-	15	11.5	13.5	5	Brass	11.5
P0445.060-20B-BR	Female - through	M 6	-	20	13.0	16.0	6	Brass	11.5
P0445.060-32B-BR	Female - through	M 6	-	32	17.0	22.0	9	Brass	16.5
P0445.080-32B-BR	Female - through	M 8	-	32	17.0	22.0	9	Brass	16.5
P0445.100-32B-BR	Female - through	M10	-	32	17.0	22.0	9	Brass	16.5



THUMB SCREWS



P0480.A4



Material

Stainless steel thread (A4, AISI 316), with black plastic head, other colours (red,

blue, green, white) available on request.

start to corrosion.

Technical Notes

Stainless steel A4, AISI 316 is highly resi-

Order No.	d ₁	l ₁	d ₂	d ₃	h ₁
P0480.030-005-A4	M3	5	10	8	4
P0480.030-006-A4	M3	6	10	8	4
P0480.030-008-A4	M3	8	10	8	4
P0480.030-012-A4	M3	12	10	8	4
P0480.030-016-A4	M3	16	10	8	4
P0480.030-020-A4	M3	20	10	8	4
P0480.030-025-A4	M3	25	10	8	4
P0480.040-006-A4	M4	6	13	10	5
P0480.040-010-A4	M4	10	13	10	5
P0480.040-012-A4	M4	12	13	10	5
P0480.040-016-A4	M4	16	13	10	5
P0480.040-020-A4	M4	20	13	10	5
P0480.040-025-A4	M4	25	13	10	5
P0480.050-008-A4	M5	8	16	12	6
P0480.050-010-A4	M5	10	16	12	6
P0480.050-012-A4	M5	12	16	12	6
P0480.050-016-A4	M5	16	16	12	6
P0480.050-020-A4	M5	20	16	12	6
P0480.050-025-A4	M5	25	16	12	6
P0480.060-010-A4	M6	10	19	14	8
P0480.060-012-A4	M6	12	19	14	8
P0480.060-016-A4	M6	16	19	14	8
P0480.060-020-A4	M6	20	19	14	8
P0480.060-025-A4	M6	25	19	14	8
P0480.060-030-A4	M6	30	19	14	8
P0480.080-010-A4	M8	10	26	16	10
P0480.080-012-A4	M8	12	26	16	10
P0480.080-016-A4	M8	16	26	16	10
P0480.080-020-A4	M8	20	26	16	10
P0480.080-025-A4	M8	25	26	16	10
P0480.080-030-A4	M8	30	26	16	10
P0480.080-040-A4	M8	40	26	16	10

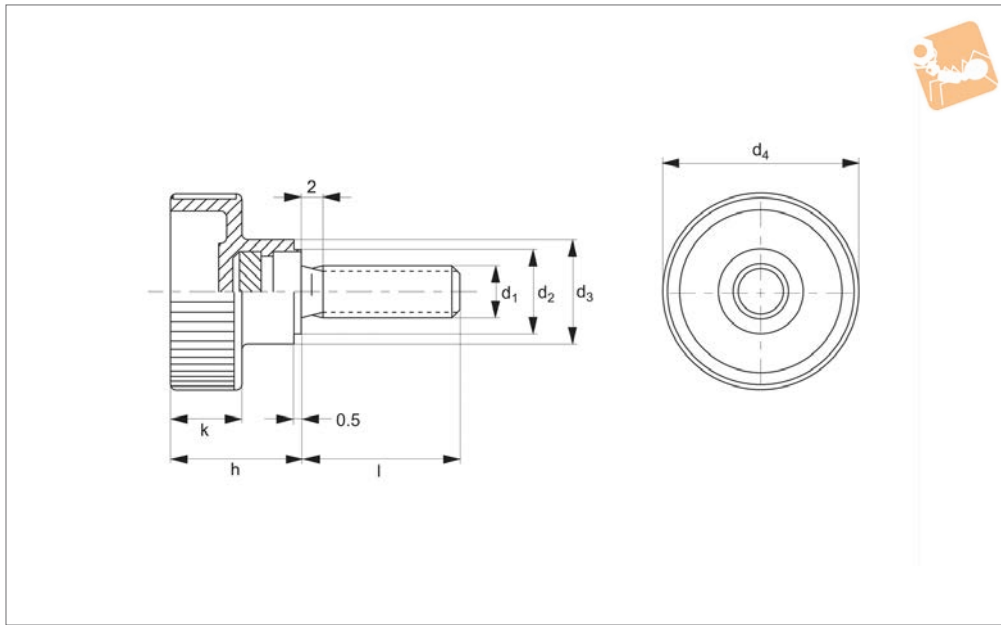


Knurled Thumb Screws

plastic - stainless steel grub screw



Thumb Screws



P0440.A2

THUMB SCREWS

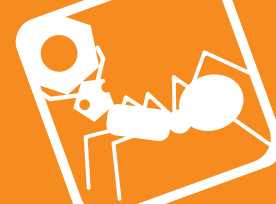
Material

Handle: thermoplastic PA, black.
Screw: stainless steel 1.4567. (AISI 304)

Technical Notes

Temperature range from -30°C up to +80°C.

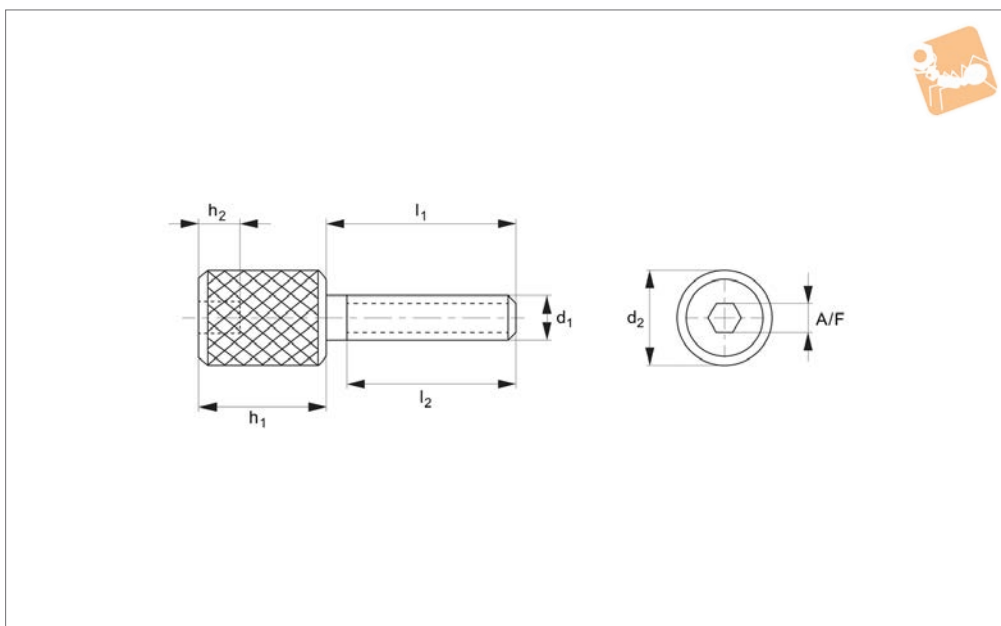
Order No.	d ₁	d ₂	d ₃	d ₄	h	k	l	Weight g
P0440.050-010-A2	M 5	9	12	19	14.0	8.0	10	4.3
P0440.050-025-A2	M 5	9	12	19	14.0	8.0	25	6.0
P0440.060-016-A2	M 6	12	14	24	16.5	9.5	16	8.0
P0440.060-020-A2	M 6	12	14	24	16.5	9.5	20	9.0
P0440.060-030-A2	M 6	12	14	24	16.5	9.5	30	10.0
P0440.080-025-A2	M 8	14	16	30	19.5	11.0	25	17.0
P0440.080-030-A2	M 8	14	16	30	19.5	11.0	30	19.0



THUMB SCREWS



P0435.A2



Material

Stainless steel (AISI 303, 1.4305).
Tensile strength 550 N/mm².
Proof stress min. 190 N/mm², austenitic

stainless steel.

Technical Notes

Stainless steel 303 series is a hard stain-

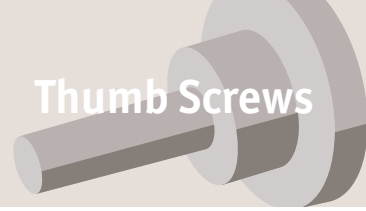
less steel which may (in harsh conditions) exhibit slight signs of rusting. Typically used in food and pharmaceutical applications.

Order No.	d ₁	l ₁	d ₂	l ₂	h ₁	h ₂ min.	A/F
P0435.03-06-12-A2	M 3	12	6	11	12	2	2
P0435.03-06-20-A2	M 3	20	6	16	12	2	2
P0435.03-08-12-A2	M 3	12	8	11	12	2	2
P0435.03-08-20-A2	M 3	20	8	16	12	2	2
P0435.03-10-10-A2	M 3	10	10	8	12	3	3
P0435.03-10-12-A2	M 3	12	10	11	12	3	3
P0435.04-06-12-A2	M 4	12	6	11	12	2	2
P0435.04-06-20-A2	M 4	20	6	16	12	2	2
P0435.04-06-25-A2	M 4	25	6	20	12	2	2
P0435.04-08-12-A2	M 4	12	8	11	12	2	2
P0435.04-08-20-A2	M 4	20	8	16	12	2	2
P0435.04-08-25-A2	M 4	25	8	20	12	2	2
P0435.04-10-10-A2	M 4	10	10	8	12	3	3
P0435.04-10-14-A2	M 4	14	10	12	12	3	3
P0435.04-10-20-A2	M 4	20	10	16	12	3	3
P0435.05-08-12-A2	M 5	12	8	11	12	2	2
P0435.05-08-20-A2	M 5	20	8	16	12	2	2
P0435.05-08-25-A2	M 5	25	8	20	12	2	2
P0435.05-08-32-A2	M 5	32	8	25	12	2	2
P0435.05-10-12-A2	M 5	12	10	11	12	3	3
P0435.05-10-20-A2	M 5	20	10	16	12	3	3
P0435.05-10-25-A2	M 5	25	10	20	12	3	3
P0435.05-10-32-A2	M 5	32	10	25	12	3	3
P0435.06-10-12-A2	M 6	12	10	11	12	3	3
P0435.06-10-20-A2	M 6	20	10	16	12	3	3
P0435.06-10-25-A2	M 6	25	10	20	12	3	3
P0435.06-10-30-A2	M 6	30	10	25	12	3	3
P0435.06-10-35-A2	M 6	35	10	30	12	3	3
P0435.08-12-12-A2	M 8	12	12	11	15	3	3
P0435.08-12-20-A2	M 8	20	12	16	15	3	3
P0435.08-12-25-A2	M 8	25	12	20	15	3	3
P0435.08-12-30-A2	M 8	30	12	25	15	3	3
P0435.08-12-35-A2	M 8	35	12	30	15	3	3
P0435.08-15-12-A2	M 8	12	15	11	15	3	3



Thin Head Thumb Screws

303 series stainless



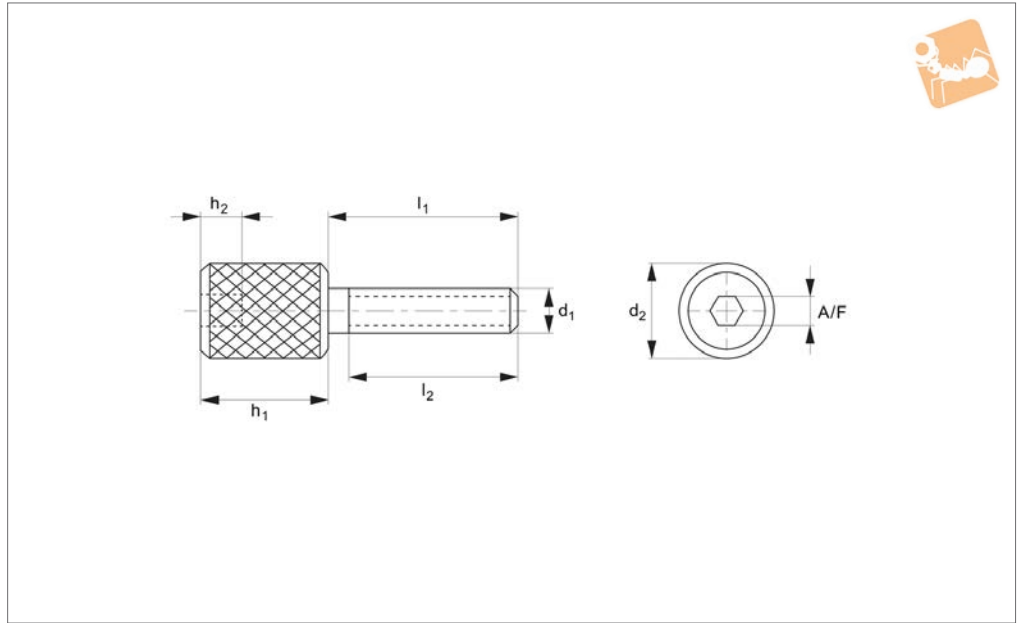
Thumb Screws

Order No.	d ₁	l ₁	d ₂	l ₂	h ₁	h ₂ min.	A/F
P0435.08-15-20-A2	M 8	20	15	16	15	3	3
P0435.08-15-25-A2	M 8	25	15	20	15	3	3
P0435.08-15-30-A2	M 8	30	15	25	15	3	3
P0435.08-15-35-A2	M 8	35	15	30	15	3	3
P0435.10-15-12-A2	M10	12	15	11	20	3	3
P0435.10-15-20-A2	M10	20	15	16	20	3	3
P0435.10-15-25-A2	M10	25	15	20	20	3	3
P0435.10-15-30-A2	M10	30	15	25	20	3	3
P0435.10-15-35-A2	M10	35	15	30	20	3	3
P0435.10-20-12-A2	M10	12	20	11	20	3	3
P0435.10-20-20-A2	M10	20	20	16	20	3	3
P0435.10-20-25-A2	M10	25	20	20	20	3	3
P0435.10-20-30-A2	M10	30	20	25	20	3	3
P0435.10-20-35-A2	M10	35	20	30	20	3	3

THUMB SCREWS



P0435.A4



Material

Stainless steel (AISI 316, 1.440).
Tensile strength 480 N/mm².
Proof stress min. 200 N/mm², austenitic stainless steel.

Technical Notes

316 series stainless steel is the most corrosion resistant alloy of stainless steel. It resists corrosion from seawater and strong chemicals. Suitable for outdoor use and in

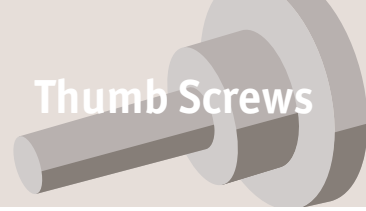
marine, medical and chemical applications.

Order No.	d ₁	l ₁	d ₂	l ₂	h ₁	h ₂ min.	A/F
P0435.03-06-12-A4	M3	12	6	11	12	2	2
P0435.03-06-20-A4	M3	20	6	16	12	2	2
P0435.03-08-12-A4	M3	12	8	11	12	2	2
P0435.03-08-20-A4	M3	20	8	16	12	2	2
P0435.03-10-10-A4	M3	10	10	8	12	3	3
P0435.03-10-12-A4	M3	12	10	11	12	3	3
P0435.04-06-12-A4	M4	12	6	11	12	2	2
P0435.04-06-20-A4	M4	20	6	16	12	2	2
P0435.04-06-25-A4	M4	25	6	20	12	2	2
P0435.04-08-12-A4	M4	12	8	11	12	2	2
P0435.04-08-20-A4	M4	20	8	16	12	2	2
P0435.04-08-25-A4	M4	25	8	20	12	2	2
P0435.04-10-10-A4	M4	10	10	8	12	3	3
P0435.04-10-14-A4	M4	14	10	12	12	3	3
P0435.04-10-20-A4	M4	20	10	16	12	3	3
P0435.05-08-12-A4	M5	12	8	11	12	2	2
P0435.05-08-20-A4	M5	20	8	16	12	2	2
P0435.05-08-25-A4	M5	25	8	20	12	2	2
P0435.05-08-32-A4	M5	32	8	25	12	2	2
P0435.05-10-12-A4	M5	12	10	11	12	3	3
P0435.05-10-20-A4	M5	20	10	16	12	3	3
P0435.05-10-25-A4	M5	25	10	20	12	3	3
P0435.05-10-32-A4	M5	32	10	25	12	3	3
P0435.06-10-12-A4	M6	12	10	11	12	3	3
P0435.06-10-20-A4	M6	20	10	16	12	3	3
P0435.06-10-25-A4	M6	25	10	20	12	3	3
P0435.06-10-30-A4	M6	30	10	25	12	3	3
P0435.06-10-35-A4	M6	35	10	30	12	3	3
P0435.08-12-12-A4	M8	12	12	11	15	3	3
P0435.08-12-20-A4	M8	20	12	16	15	3	3
P0435.08-12-25-A4	M8	25	12	20	15	3	3
P0435.08-12-30-A4	M8	30	12	25	15	3	3
P0435.08-12-35-A4	M8	35	12	30	15	3	3



Thin Head Thumb Screws

316 series stainless



Thumb Screws

Order No.	d ₁	l ₁	d ₂	l ₂	h ₁	h ₂ min.	A/F
P0435.08-15-12-A4	M8	12	15	11	15	3	3
P0435.08-15-20-A4	M8	20	15	16	15	3	3
P0435.08-15-25-A4	M8	25	15	20	15	3	3
P0435.08-15-30-A4	M8	30	15	25	15	3	3
P0435.08-15-35-A4	M8	35	15	30	15	3	3
P0435.10-15-12-A4	M10	12	15	11	20	3	3
P0435.10-15-20-A4	M10	20	15	16	20	3	3
P0435.10-15-25-A4	M10	25	15	20	20	3	3
P0435.10-15-30-A4	M10	30	15	25	20	3	3
P0435.10-15-35-A4	M10	35	15	30	20	3	3
P0435.10-20-12-A4	M10	12	20	11	20	3	3
P0435.10-20-20-A4	M10	20	20	16	20	3	3
P0435.10-20-25-A4	M10	25	20	20	20	3	3
P0435.10-20-30-A4	M10	30	20	25	20	3	3
P0435.10-20-35-A4	M10	35	20	30	20	3	3

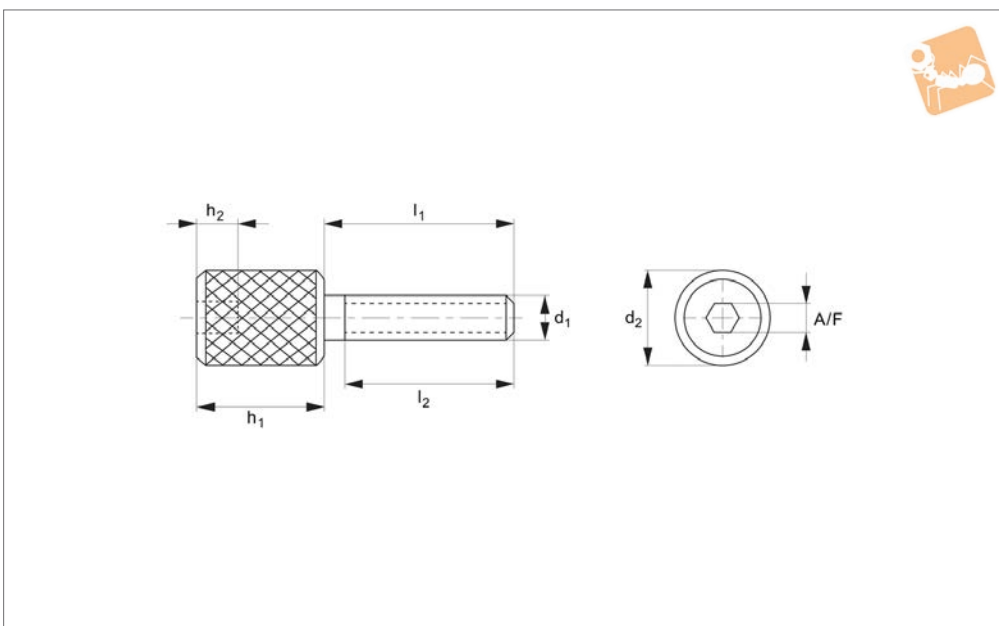
THUMB SCREWS



THUMB SCREWS



P0435.B2



Material

Stainless steel (AISI 303 series, 1.4305), black oxide coating.

steel which may (in harsh conditions) exhibit slight signs of rusting. Typically used in food and pharmaceutical applications.

Technical Notes

303 series stainless steel is a hard stainless

Order No.	d ₁	l ₁	d ₂	l ₂	h ₁	h ₂ min.	A/F
P0435.03-06-12-B2	M3	12	6	11	12	2	2
P0435.03-06-20-B2	M3	20	6	16	12	2	2
P0435.03-08-12-B2	M3	12	8	11	12	2	2
P0435.03-08-20-B2	M3	20	8	16	12	2	2
P0435.03-10-10-B2	M3	10	10	8	12	3	3
P0435.03-10-12-B2	M3	12	10	11	12	3	3
P0435.04-06-12-B2	M4	12	6	11	12	2	2
P0435.04-06-20-B2	M4	20	6	16	12	2	2
P0435.04-06-25-B2	M4	25	6	20	12	2	2
P0435.04-08-12-B2	M4	12	8	11	12	2	2
P0435.04-08-20-B2	M4	20	8	16	12	2	2
P0435.04-08-25-B2	M4	25	8	20	12	2	2
P0435.04-10-10-B2	M4	10	10	8	12	3	3
P0435.04-10-14-B2	M4	14	10	12	12	3	3
P0435.04-10-20-B2	M4	20	10	16	12	3	3
P0435.05-08-12-B2	M5	12	8	11	12	2	2
P0435.05-08-20-B2	M5	20	8	16	12	2	2
P0435.05-08-25-B2	M5	25	8	20	12	2	2
P0435.05-08-32-B2	M5	32	8	25	12	2	2
P0435.05-10-12-B2	M5	12	10	11	12	3	3
P0435.05-10-20-B2	M5	20	10	16	12	3	3
P0435.05-10-25-B2	M5	25	10	20	12	3	3
P0435.05-10-32-B2	M5	32	10	25	12	3	3
P0435.06-10-12-B2	M6	12	10	11	12	3	3
P0435.06-10-20-B2	M6	20	10	16	12	3	3
P0435.06-10-25-B2	M6	25	10	20	12	3	3
P0435.06-10-30-B2	M6	30	10	25	12	3	3
P0435.06-10-35-B2	M6	35	10	30	12	3	3
P0435.08-12-12-B2	M8	12	12	11	15	3	3
P0435.08-12-20-B2	M8	20	12	16	15	3	3
P0435.08-12-25-B2	M8	25	12	20	15	3	3
P0435.08-12-30-B2	M8	30	12	25	15	3	3



Thin Head Thumb Screws

303 stainless, blackened



Thumb Screws

Order No.	d ₁	l ₁	d ₂	l ₂	h ₁	h ₂ min.	A/F
P0435.08-12-35-B2	M8	35	12	30	15	3	3
P0435.08-15-12-B2	M8	12	15	11	15	3	3
P0435.08-15-20-B2	M8	20	15	16	15	3	3
P0435.08-15-25-B2	M8	25	15	20	15	3	3
P0435.08-15-30-B2	M8	30	15	25	15	3	3
P0435.08-15-35-B2	M8	35	15	30	15	3	3
P0435.10-15-12-B2	M10	12	15	11	20	3	3
P0435.10-15-20-B2	M10	20	15	16	20	3	3
P0435.10-15-25-B2	M10	25	15	20	20	3	3
P0435.10-15-30-B2	M10	30	15	25	20	3	3
P0435.10-15-35-B2	M10	35	15	30	20	3	3
P0435.10-20-12-B2	M10	12	20	11	20	3	3
P0435.10-20-20-B2	M10	20	20	16	20	3	3
P0435.10-20-25-B2	M10	25	20	20	20	3	3
P0435.10-20-30-B2	M10	30	20	25	20	3	3
P0435.10-20-35-B2	M10	35	20	30	20	3	3

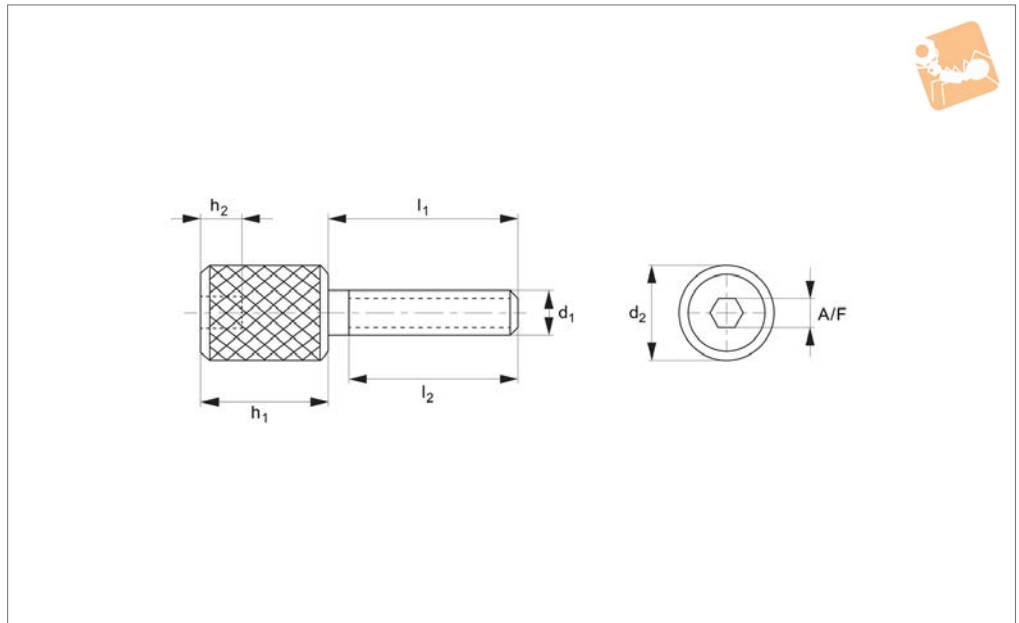
THUMB SCREWS



THUMB SCREWS



P0435.B4



Material

Stainless steel (AISI 316 series, 1.4401), with black oxide coating.

Technical Notes

316 series stainless steel is the most corro-

sion resistant alloy of stainless steel. It resists corrosion from seawater and strong chemicals. Suitable for outdoor use and in marine, medical and chemical applications.

Order No.	d ₁	l ₁	d ₂	l ₂	h ₁	h ₂ min.	A/F
P0435.03-06-12-B4	M3	12	6	11	12	2	2
P0435.03-06-20-B4	M3	20	6	16	12	2	2
P0435.03-08-12-B4	M3	12	8	11	12	2	2
P0435.03-08-20-B4	M3	20	8	16	12	2	2
P0435.03-10-10-B4	M3	10	10	8	12	3	3
P0435.03-10-12-B4	M3	12	10	11	12	3	3
P0435.04-06-12-B4	M4	12	6	11	12	2	2
P0435.04-06-20-B4	M4	20	6	16	12	2	2
P0435.04-06-25-B4	M4	25	6	20	12	2	2
P0435.04-08-12-B4	M4	12	8	11	12	2	2
P0435.04-08-20-B4	M4	20	8	16	12	2	2
P0435.04-08-25-B4	M4	25	8	20	12	2	2
P0435.04-10-10-B4	M4	10	10	8	12	3	3
P0435.04-10-14-B4	M4	14	10	12	12	3	3
P0435.04-10-20-B4	M4	20	10	16	12	3	3
P0435.05-08-12-B4	M5	12	8	11	12	2	2
P0435.05-08-20-B4	M5	20	8	16	12	2	2
P0435.05-08-25-B4	M5	25	8	20	12	2	2
P0435.05-08-32-B4	M5	32	8	25	12	2	2
P0435.05-10-12-B4	M5	12	10	11	12	3	3
P0435.05-10-20-B4	M5	20	10	16	12	3	3
P0435.05-10-25-B4	M5	25	10	20	12	3	3
P0435.05-10-32-B4	M5	32	10	25	12	3	3
P0435.06-10-12-B4	M6	12	10	11	12	3	3
P0435.06-10-20-B4	M6	20	10	16	12	3	3
P0435.06-10-25-B4	M6	25	10	20	12	3	3
P0435.06-10-30-B4	M6	30	10	25	12	3	3
P0435.06-10-35-B4	M6	35	10	30	12	3	3
P0435.08-12-12-B4	M8	12	12	11	15	3	3
P0435.08-12-20-B4	M8	20	12	16	15	3	3
P0435.08-12-25-B4	M8	25	12	20	15	3	3
P0435.08-12-30-B4	M8	30	12	25	15	3	3



Thin Head Thumb Screws

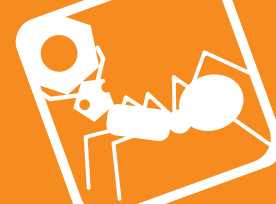
316 stainless, blackened



Thumb Screws

Order No.	d ₁	l ₁	d ₂	l ₂	h ₁	h ₂ min.	A/F
P0435.08-12-35-B4	M8	35	12	30	15	3	3
P0435.08-15-12-B4	M8	12	15	11	15	3	3
P0435.08-15-20-B4	M8	20	15	16	15	3	3
P0435.08-15-25-B4	M8	25	15	20	15	3	3
P0435.08-15-30-B4	M8	30	15	25	15	3	3
P0435.08-15-35-B4	M8	35	15	30	15	3	3
P0435.10-15-12-B4	M10	12	15	11	20	3	3
P0435.10-15-20-B4	M10	20	15	16	20	3	3
P0435.10-15-25-B4	M10	25	15	20	20	3	3
P0435.10-15-30-B4	M10	30	15	25	20	3	3
P0435.10-15-35-B4	M10	35	15	30	20	3	3
P0435.10-20-12-B4	M10	12	20	11	20	3	3
P0435.10-20-20-B4	M10	20	20	16	20	3	3
P0435.10-20-25-B4	M10	25	20	20	20	3	3
P0435.10-20-30-B4	M10	30	20	25	20	3	3
P0435.10-20-35-B4	M10	35	20	30	20	3	3

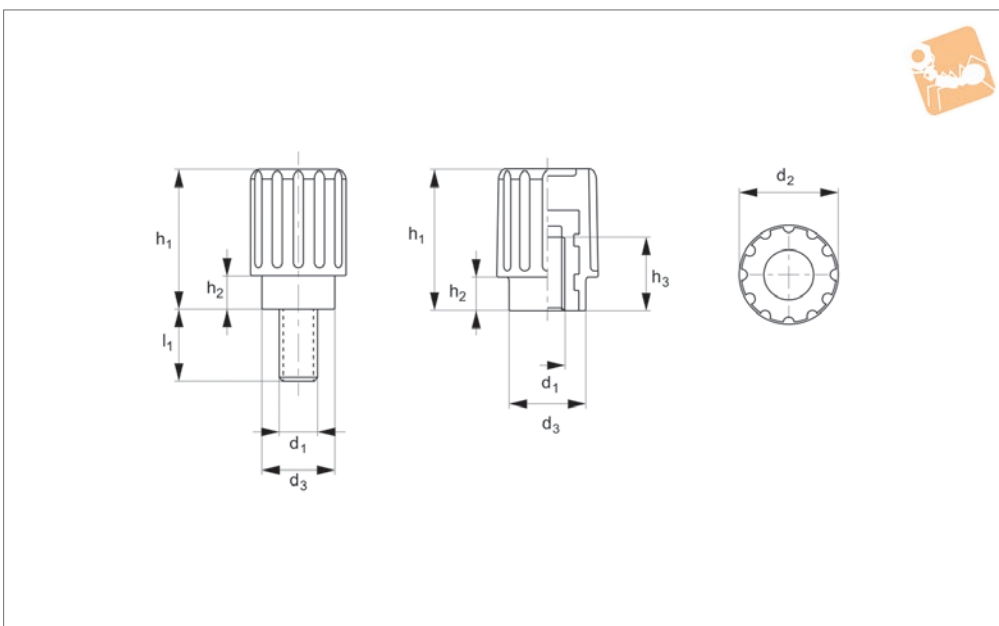
THUMB SCREWS



THUMB SCREWS



P0443



Material

Thermoplastic (PA) knob, black satin finish, male version with zinc-plated

thread, female version with brass insert.

chemical substances such as oils, greases, fuels and solvents.

Technical Notes

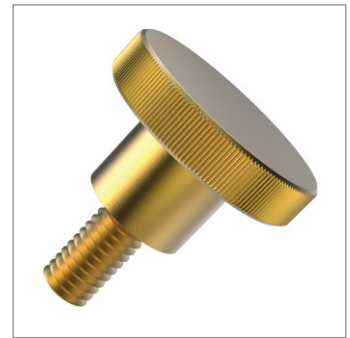
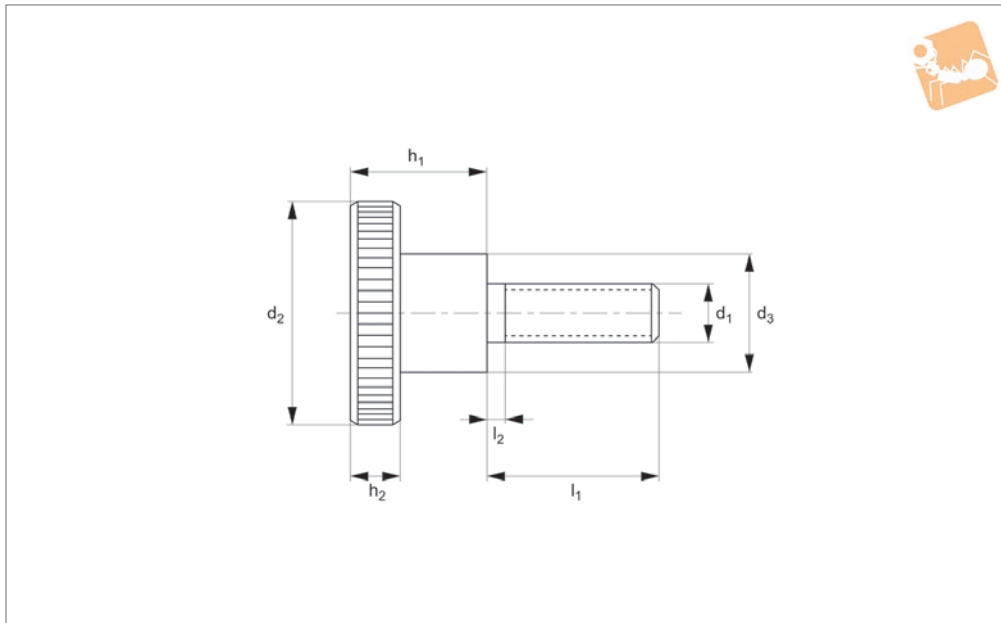
Resistant to organic and inorganic

Order No.	Type	d ₁	l ₁	d ₂	d ₃	h ₁	h ₂	Insert material	h ₃
P0443.040-010-ZP	Male	M4	10	15	11.5	21	5	Steel ZP	-
P0443.040-015-ZP	Male	M4	15	15	11.5	21	5	Steel ZP	-
P0443.050-010-ZP	Male	M5	10	15	11.5	21	5	Steel ZP	-
P0443.050-015-ZP	Male	M5	15	15	11.5	21	5	Steel ZP	-
P0443.060-010-ZP	Male	M6	10	15	11.5	21	5	Steel ZP	-
P0443.060-015-ZP	Male	M6	15	15	11.5	21	5	Steel ZP	-
P0443.040-BR	Female	M4	-	15	11.5	21	5	Brass	9
P0443.050-BR	Female	M5	-	15	11.5	21	5	Brass	9
P0443.060-BR	Female	M6	-	15	11.5	21	5	Brass	9



Brass Knurled Thumb Screws

brass



P0400.BR

THUMB SCREWS

Material

Brass.

Technical Notes

To DIN 464, all knurled screws are one-

piece manufactured, contrary to the official standard sheet, they all have a thread up to the head, as shown, but no recess at the thread end.

Order No.	d ₁	l ₁	d ₂	d ₃	h ₁	h ₂	l ₂
P0400.030-004-BR	M 3	4	12	6	7.5	2.5	2
P0400.030-006-BR	M 3	6	12	6	7.5	2.5	2
P0400.030-008-BR	M 3	8	12	6	7.5	2.5	2
P0400.030-010-BR	M 3	10	12	6	7.5	2.5	2
P0400.030-012-BR	M 3	12	12	6	7.5	2.5	2
P0400.030-016-BR	M 3	16	12	6	7.5	2.5	2
P0400.030-020-BR	M 3	20	12	6	7.5	2.5	2
P0400.040-006-BR	M 4	6	16	8	9.5	3.5	2
P0400.040-008-BR	M 4	8	16	8	9.5	3.5	2
P0400.040-010-BR	M 4	10	16	8	9.5	3.5	2
P0400.040-012-BR	M 4	12	16	8	9.5	3.5	2
P0400.040-016-BR	M 4	16	16	8	9.5	3.5	2
P0400.040-020-BR	M 4	20	16	8	9.5	3.5	2
P0400.040-030-BR	M 4	30	16	8	9.5	3.5	2
P0400.050-006-BR	M 5	6	20	10	11.5	4.0	2
P0400.050-008-BR	M 5	8	20	10	11.5	4.0	2
P0400.050-010-BR	M 5	10	20	10	11.5	4.0	2
P0400.050-012-BR	M 5	12	20	10	11.5	4.0	2
P0400.050-016-BR	M 5	16	20	10	11.5	4.0	2
P0400.050-020-BR	M 5	20	20	10	11.5	4.0	2
P0400.050-025-BR	M 5	25	20	10	11.5	4.0	2
P0400.050-030-BR	M 5	30	20	10	11.5	4.0	2
P0400.060-008-BR	M 6	8	24	12	15.0	5.0	2
P0400.060-010-BR	M 6	10	24	12	15.0	5.0	2
P0400.060-012-BR	M 6	12	24	12	15.0	5.0	2
P0400.060-016-BR	M 6	16	24	12	15.0	5.0	2
P0400.060-020-BR	M 6	20	24	12	15.0	5.0	2
P0400.060-025-BR	M 6	25	24	12	15.0	5.0	2
P0400.060-030-BR	M 6	30	24	12	15.0	5.0	2
P0400.060-040-BR	M 6	40	24	12	15.0	5.0	2
P0400.080-012-BR	M 8	12	30	16	18.0	6.0	2
P0400.080-016-BR	M 8	16	30	16	18.0	6.0	2
P0400.080-020-BR	M 8	20	30	16	18.0	6.0	2
P0400.080-025-BR	M 8	25	30	16	18.0	6.0	2

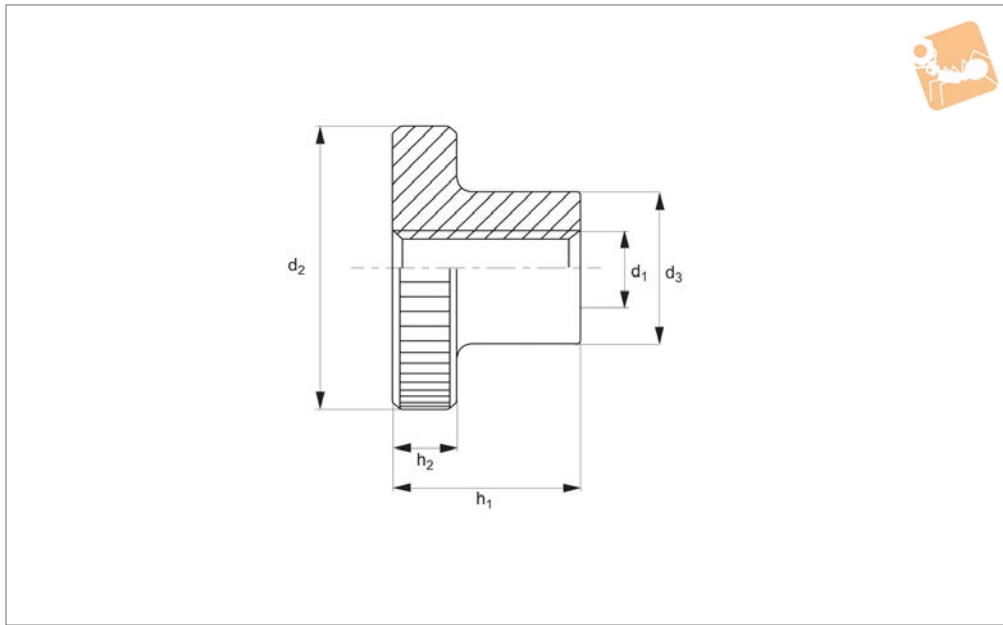
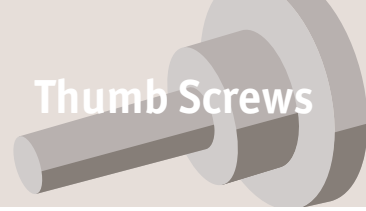


Order No.	d ₁	l ₁	d ₂	d ₃	h ₁	h ₂	l ₂
P0400.080-030-BR	M 8	30	30	16	18.0	6.0	2
P0400.080-040-BR	M 8	40	30	16	18.0	6.0	2



Knurled Thumb Nuts

With collar - A4 stainless



P0403.A4

THUMB SCREWS

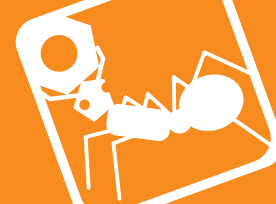
Material

Stainless steel (A4, AISI 316).

Technical Notes

To DIN 466, size M12 not contained in DIN standard.

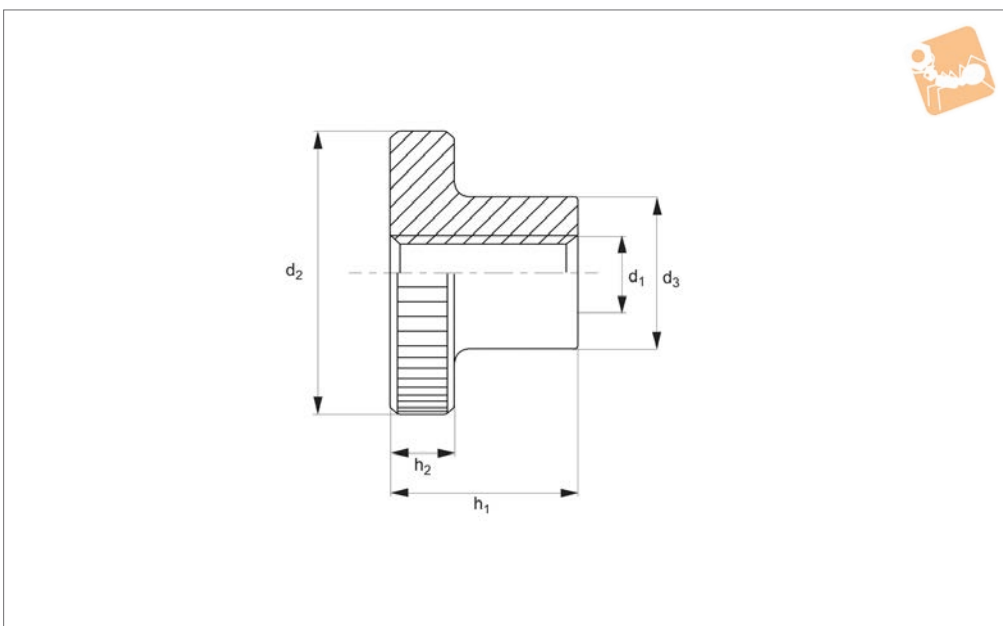
Order No.	d ₁	d ₂	d ₃	h ₁	h ₂	Material	Weight g
P0403.020-A4	M 2	9	4.5	5.3	2	A4 s/s	3
P0403.025-A4	M2,5	11	5	6.5	2.5	A4 s/s	4
P0403.030-A4	M 3	12	6	7.5	2.5	A4 s/s	5
P0403.040-A4	M 4	16	8	9.5	3.5	A4 s/s	7
P0403.050-A4	M 5	20	10	11.5	4	A4 s/s	13
P0403.060-A4	M 6	24	12	15	5	A4 s/s	24
P0403.080-A4	M 8	30	16	18	6	A4 s/s	46
P0403.100-A4	M10	36	20	23	8	A4 s/s	62



THUMB SCREWS



P0403.A2



Material

Stainless steel (A2, AISI 303).

Technical Notes

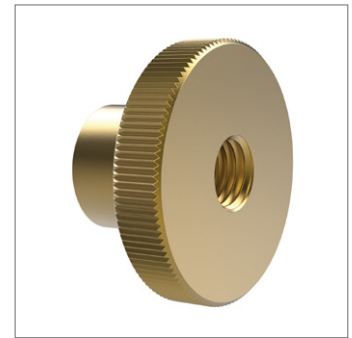
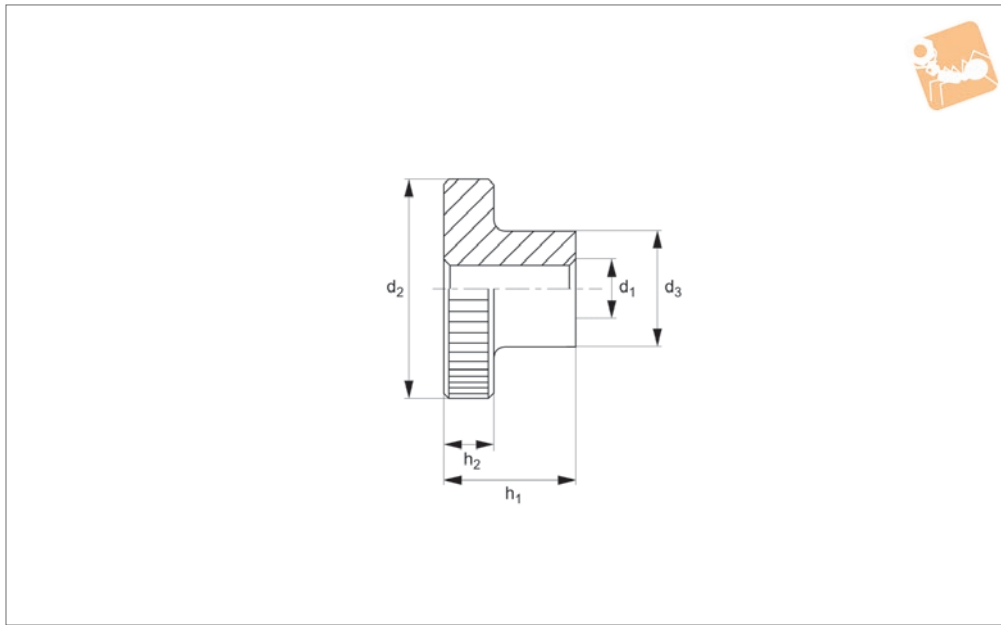
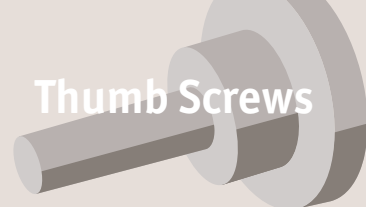
To DIN 466, size M12 not contained in DIN standard.

Order No.	d ₁	d ₂	d ₃	h ₁	h ₂	Material	Weight g
P0403.020-A2	M 2	9	4.5	5.3	2	A2 s/s	3
P0403.025-A2	M2,5	11	5	6.5	2.5	A2 s/s	4
P0403.030-A2	M 3	12	6	7.5	2.5	A2 s/s	5
P0403.040-A2	M 4	16	8	9.5	3.5	A2 s/s	7
P0403.050-A2	M 5	20	10	11.5	4	A2 s/s	13
P0403.060-A2	M 6	24	12	15	5	A2 s/s	24
P0403.080-A2	M 8	30	16	18	6	A2 s/s	46
P0403.100-A2	M10	36	20	23	8	A2 s/s	62



Brass Knurled Nuts

DIN 466



P0403.BR

THUMB SCREWS

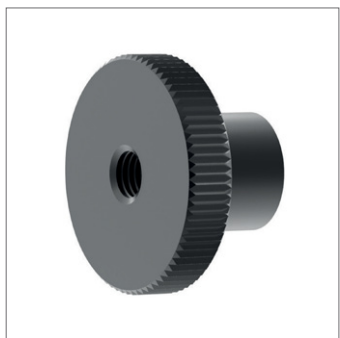
Material

Brass, Cu3 (CuZn39Pb3).

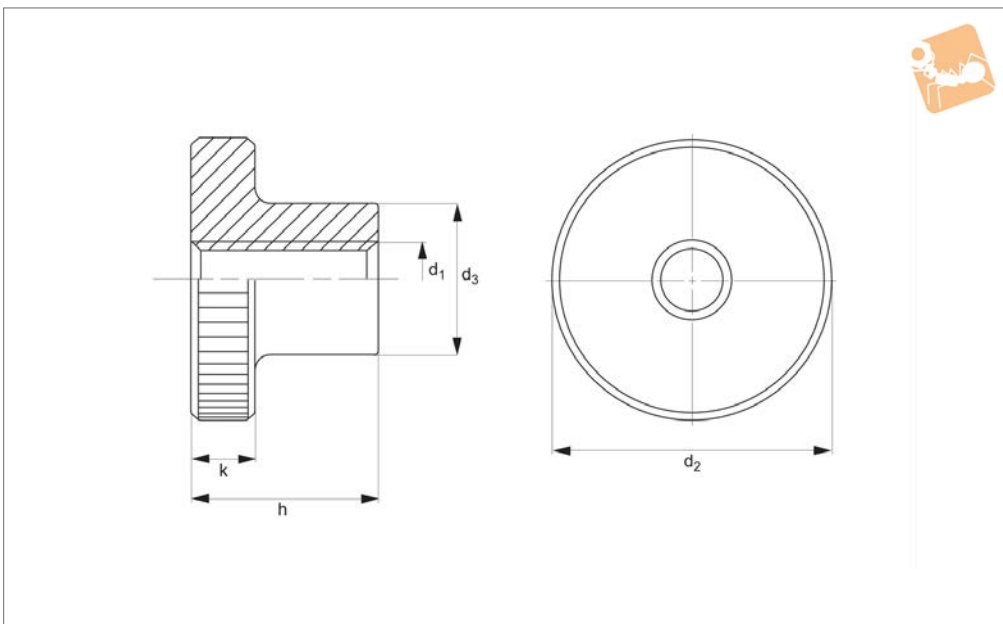
Technical Notes

To DIN 466, size M12 not contained in DIN standard.

Order No.	Thread	d ₂	d ₃	h ₁	h ₂	Material	Finish	Weight g
P0403.060-BR	M 6	24	12	15	5.0	Brass	Self colour/Unfinished	24



P0403.BL



Material

Steel, quality 5, blackened. Turned, visible face, good finish.

Technical Notes

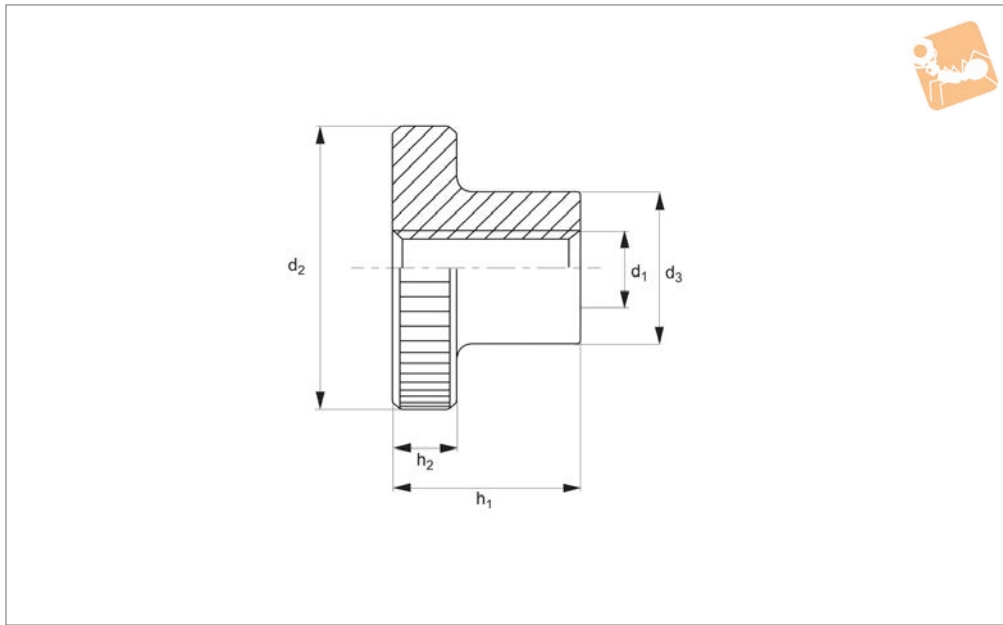
Size M12 not contained in DIN standard.

Order No.	d ₁	d ₂	d ₃	h	k	Weight g
P0403.030-BL	M 3	12	6	7.5	2.5	2.9
P0403.040-BL	M 4	16	8	9.5	3.5	6.7
P0403.050-BL	M 5	20	10	11.5	4.0	12.0
P0403.060-BL	M 6	24	12	15.0	5.0	23.0
P0403.080-BL	M 8	30	16	18.0	6.0	44.0
P0403.100-BL	M10	36	20	23.0	8.0	85.0
P0403.120-BL	M12	40	22	25.0	10.0	119.0



Knurled Thumb Nuts

With collar - zinc-plated



P0403.ZP

THUMB SCREWS

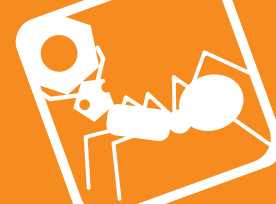
Material

Steel (class 5.8), zinc-plated.

Technical Notes

To DIN 466, size M12 not contained in DIN standard.

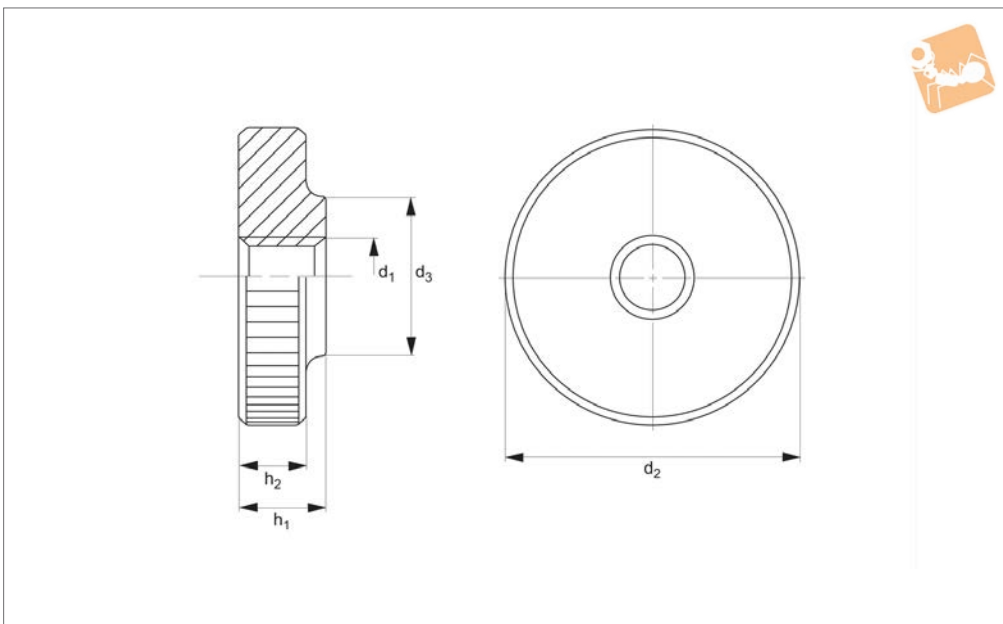
Order No.	d ₁	d ₂	d ₃	h ₁	h ₂	Material	Weight g
P0403.030-ZP	M 3	12	6	7.5	2.5	Steel ZP	3
P0403.040-ZP	M 4	16	8	9.5	3.5	Steel ZP	7
P0403.050-ZP	M 5	20	10	11.5	4.0	Steel ZP	13
P0403.060-ZP	M 6	24	12	15.0	5.0	Steel ZP	24
P0403.080-ZP	M 8	30	16	18.0	6.0	Steel ZP	46
P0403.100-ZP	M10	36	20	23.0	8.0	Steel ZP	83



THUMB SCREWS



P0406.A2



Material

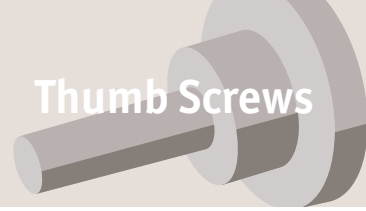
Stainless steel 1,4305 (AISI 303), dull blasted.

Order No.	d_1	d_2	d_3	h_1	h_2	Weight g
P0406.040-A2	M 4	16	8	4	3.5	5.0
P0406.050-A2	M 5	20	10	5	4.0	9.4
P0406.060-A2	M 6	24	12	6	5.0	17.0
P0406.080-A2	M 8	30	16	8	6.0	32.0

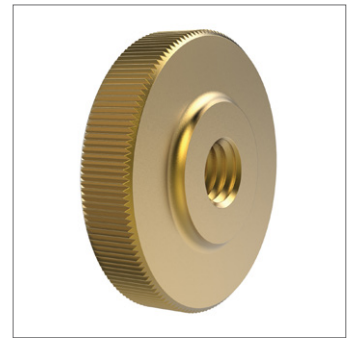
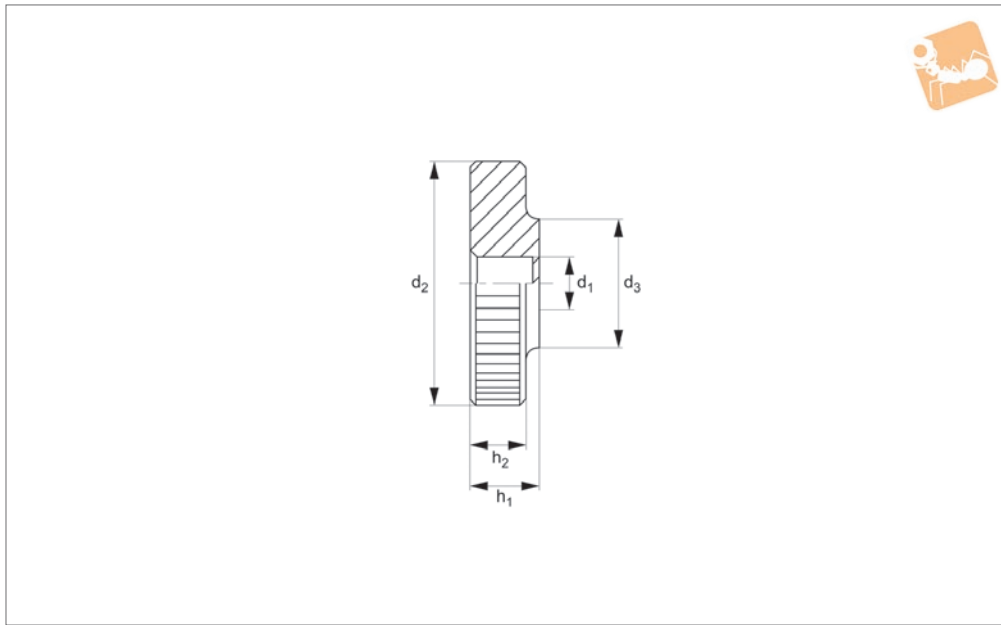


Brass Flat Knurled Nuts

DIN 467



Thumb Screws



P0406.BR

THUMB SCREWS

Material

Brass, Cu3 (CuZn39Pb3).

Technical Notes

To DIN 467, size M12 not contained in DIN standard.

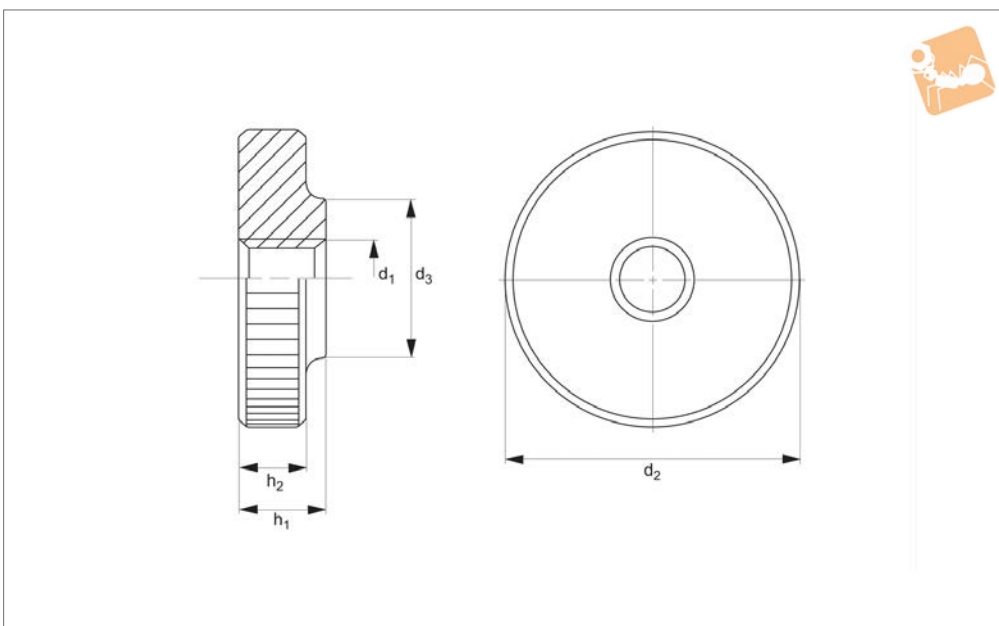
Order No.	Thread	d_2	d_3	h_1	h_2	Material	Finish	Weight g
P0406.040-BR	M 4	16.0	8.0	4.0	3.5	Brass	Self colour/Unfinished	5.0



THUMB SCREWS



P0406.BL



Material

Steel, quality 5, blackened. Turned, visible face, good finish.

Technical Notes

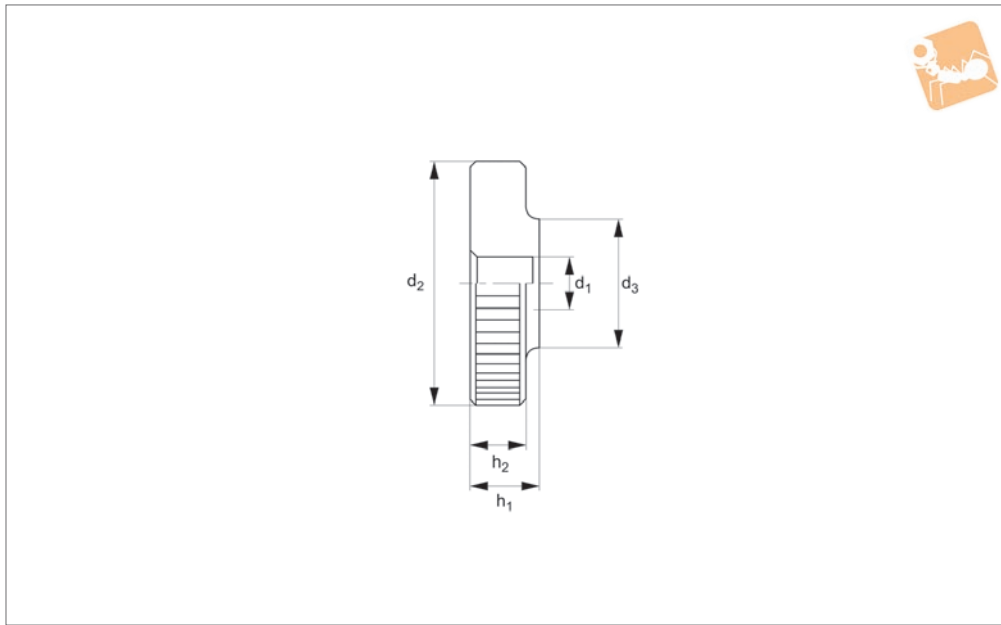
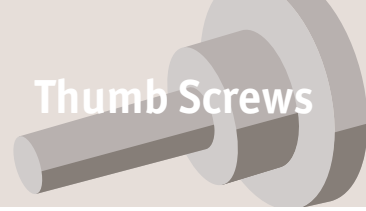
Size M12 not contained in DIN standard.

Order No.	d ₁	d ₂	d ₃	h ₁	h ₂	Weight g
P0406.030-BL	M 3	12	6	3	2.5	2.1
P0406.040-BL	M 4	16	8	4	3.5	5.0
P0406.050-BL	M 5	20	10	5	4.0	9.4
P0406.060-BL	M 6	24	12	6	5.0	17.0
P0406.080-BL	M 8	30	16	8	6.0	32.0
P0406.100-BL	M10	36	20	10	8.0	61.0
P0406.120-BL	M12	40	22	12	10.0	92.0



Flat Knurled Thumb Nuts

Flat - zinc-plated



P0406.ZP

THUMB SCREWS

Material

Steel (class 5.8), zinc-plated.

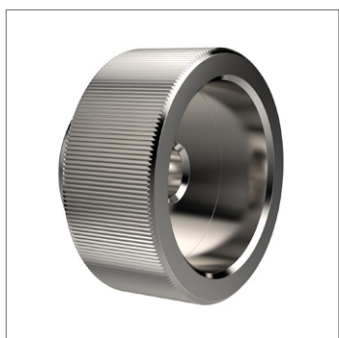
Technical Notes

To DIN 467, size M12 not contained in DIN standard.

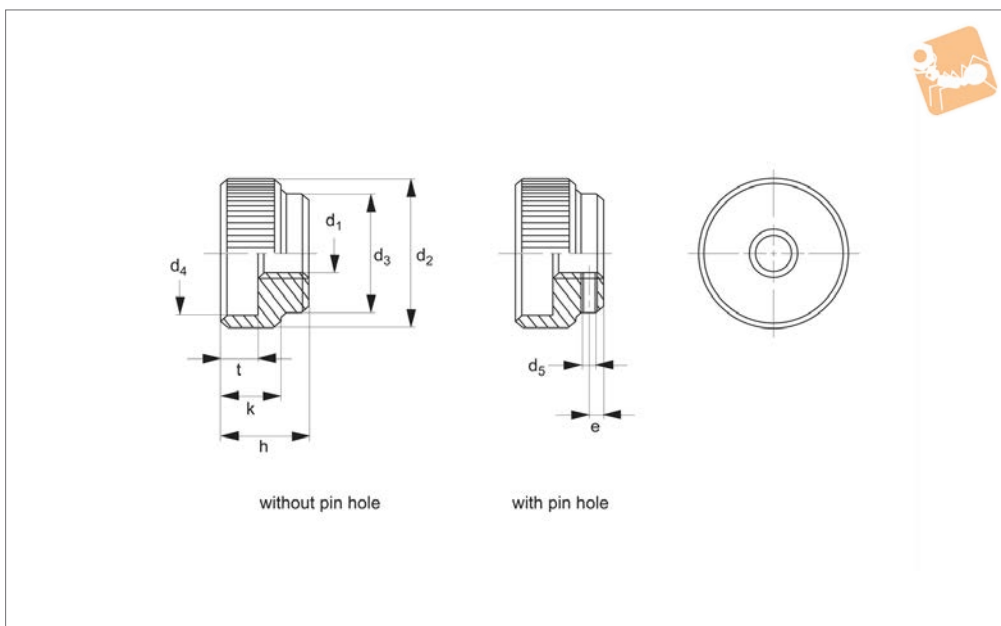
Order No.	d ₁	d ₂	d ₃	h ₁	h ₂	Material	Weight g
P0406.030-ZP	M 3	12.0	6.0	3.0	2.5	Steel ZP	2.0
P0406.040-ZP	M 4	16.0	8.0	4.0	3.5	Steel ZP	5.0
P0406.050-ZP	M 5	20.0	10.0	5.0	4.0	Steel ZP	10.0
P0406.060-ZP	M 6	24.0	12.0	6.0	5.0	Steel ZP	17.0
P0406.080-ZP	M 8	30.0	16.0	8.0	6.0	Steel ZP	33.0
P0406.100-ZP	M10	36.0	20.0	10.0	8.0	Steel ZP	63.0
P0406.120-ZP	M12	40.0	22.0	12.0	10.0	Steel ZP	93.0



THUMB SCREWS



P0409.A2



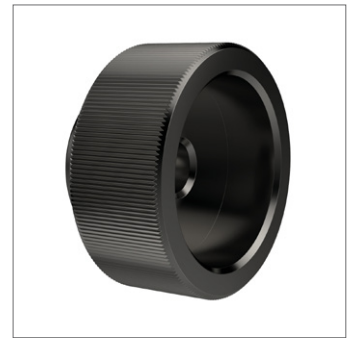
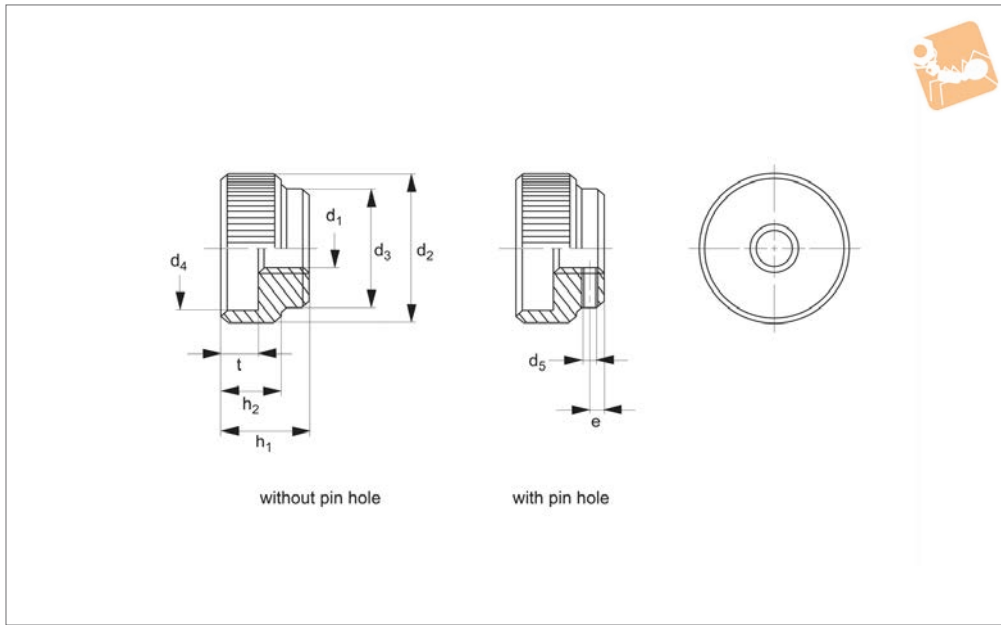
Material

Stainless steel 1.4305 (AISI 303), matte, shot-blasted.

Technical Notes

Tolerance of pin hole d_5 is H7.

Order No.	Type	d_1	d_2	d_3	d_4	d_5 pre-drilled	e	h	k	t	Pin required DIN 7	Weight g
P0409.050-A2	Without Pin Hole	M 5	20	14	15	-	-	12	8	5	-	16
P0409.006-A2	Without Pin Hole	M 6	24	16	18	-	-	14	10	6	-	27
P0409.080-A2	Without Pin Hole	M 8	30	20	24	-	-	17	12	7	-	46
P0409.100-A2	Without Pin Hole	M10	36	28	30	-	-	20	14	8	-	82
P0409.120-A2	Without Pin Hole	M12	40	32	34	-	-	24	16	10	-	123
P0409.050-A2-W	With Pin Hole	M 5	20	14	15	1.4	2.5	12	8	5	1,5 M 6x14	15
P0409.060-A2-W	With Pin Hole	M 6	24	16	18	1.4	2.5	14	10	6	1,5 M 6x16	25
P0409.080-A2-W	With Pin Hole	M 8	30	20	24	1.9	3.0	17	12	7	2,0 M 6x20	45
P0409.100-A2-W	With Pin Hole	M10	36	28	30	2.9	4.0	20	14	8	3,0 M 6x28	86
P0409.120-A2-W	With Pin Hole	M12	40	32	34	3.9	4.0	24	16	10	4,0 M 6x32	121



P0409.BL

THUMB SCREWS

Material

Free-cutting steel, blackened.

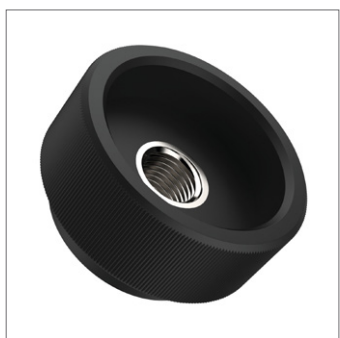
Technical Notes

Tolerance of pin hole d_5 is H7.

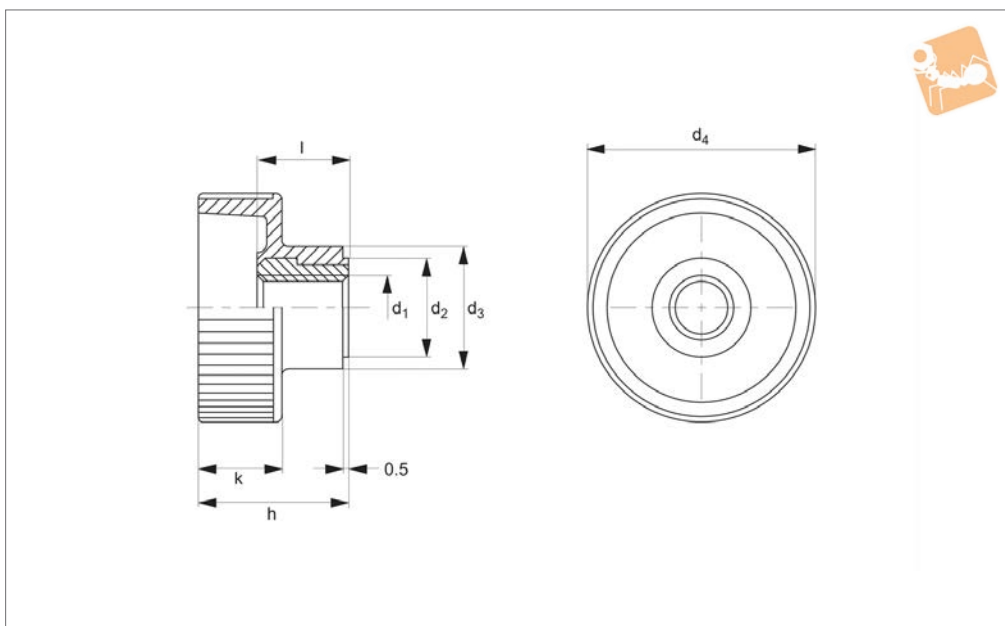
Order No.	Type	d_1	d_2	d_3	d_4	d_5 pre-drilled	e	h_1	h_2	t	Pin required DIN 7	Weight g
P0409.050-BL	Without Pin Hole	M 5	20	14	15	-	-	12	8	5	-	16
P0409.060-BL	Without Pin Hole	M 6	24	16	18	-	-	14	10	6	-	27
P0409.080-BL	Without Pin Hole	M 8	30	20	24	-	-	17	12	7	-	46
P0409.100-BL	Without Pin Hole	M10	36	28	30	-	-	20	14	8	-	82
P0409.120-BL	Without Pin Hole	M12	40	32	34	-	-	24	16	10	-	123
P0409.050-BL-W	With Pin Hole	M 5	20	14	15	1.4	2.5	12	8	5	1,5 M 6x14	15
P0409.060-BL-W	With Pin Hole	M 6	24	16	18	1.4	2.5	14	10	6	1,5 M 6x16	25
P0409.080-BL-W	With Pin Hole	M 8	30	20	24	1.9	3.0	17	12	7	2,0 M 6x20	45
P0409.100-BL-W	With Pin Hole	M10	36	28	30	2.9	4.0	20	14	8	3,0 M 6x28	86
P0409.120-BL-W	With Pin Hole	M12	40	32	34	3.9	4.0	24	16	10	4,0 M 6x32	121



THUMB SCREWS



P0441



Material

Body: thermoplastic (PA), black. Insert: steel, galvanised or stainless steel 1.4305

(AISI 303).

80°C.

Technical Notes

Temperature resistant from -30°C to +

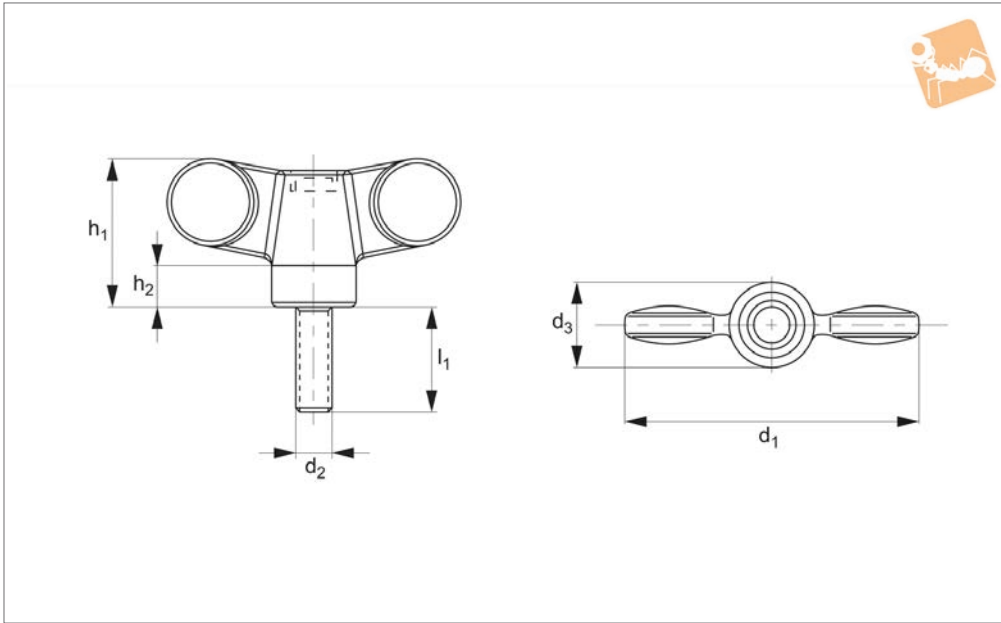
Order No.	Type	d ₁	d ₂	d ₃	d ₄	h	k	l	Weight g
P0441.040-ZP	Steel Insert	M 4	9	12	19	14.0	8.0	9.0	4.5
P0441.050-ZP	Steel Insert	M 5	9	12	19	14.0	8.0	9.0	4.0
P0441.060-ZP	Steel Insert	M 6	12	14	24	16.5	9.5	10.5	7.0
P0441.080-ZP	Steel Insert	M 8	14	16	30	19.5	11.0	11.5	10.0
P0441.100-ZP	Steel Insert	M10	16	18	36	22.5	12.5	14.0	15.0
P0441.050-A2	Stainless Insert	M 5	9	12	19	14.0	8.0	9.0	4.0
P0441.060-A2	Stainless Insert	M 6	12	14	24	16.5	9.5	10.5	7.0
P0441.080-A2	Stainless Insert	M 8	14	16	30	19.5	11.0	11.5	10.0



Wing Nut

plastic, with grub screw and colour insert

Thumb Screws



P0481

THUMB SCREWS

Material

Thermoplastic black.
Plastic insert: black RAL9005, red

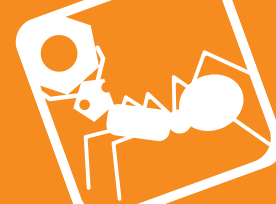
RAL3000, blue RAL 5019.

subject to minimum quantity.

Tips

Other colour inserts available on request,

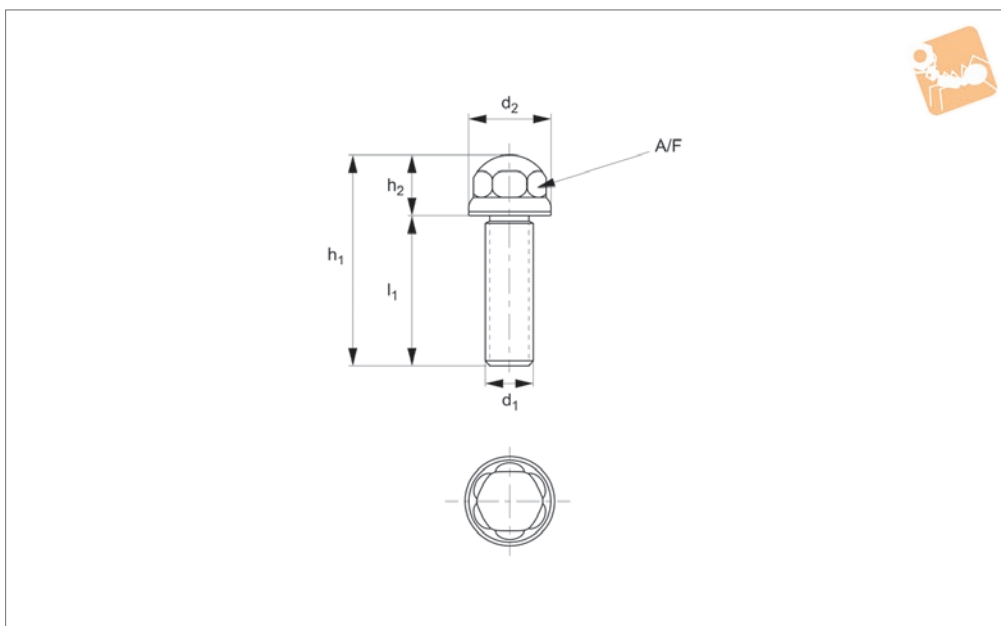
Order No.	Insert colour	d ₁	d ₂	d ₃	h ₁	h ₂	l ₁	Weight g
P0481.10-28-20	Black	55	M10	16	28	8	20	30



THUMB SCREWS



P0490



Material

Stainless steel (AISI 304) high-gloss polished dome-nut, FDA blue silicone gasket, 3-A accepted.

be mounted without dead spaces.

Sealing ring is hydrogenated acrylonitrile butadiene rubber (H-NBR), hardness 85±5 shore A, temp range -25°C to +150°C, blue.

Polished finish Ra < 0,8µ.

Technical Notes

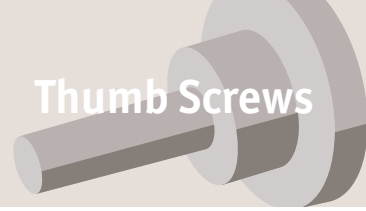
For use in hygienic areas, components can

Order No.	d ₁	d ₂	h ₁	l ₁	h ₂	A/F
P0490.050-010	M5x0,8	19	24	10	14	HEX 14
P0490.050-016	M5x0,8	19	26	16	10	HEX 14
P0490.050-020	M5x0,8	19	34	20	14	HEX 14
P0490.060-012	M6x1	19	26	12	14	HEX 14
P0490.060-016	M6x1	19	30	16	14	HEX 14
P0490.060-020	M6x1	19	34	20	14	HEX 14
P0490.060-025	M6x1	19	39	25	14	HEX 14
P0490.060-030	M6x1	19	44	30	14	HEX 14
P0490.080-016	M8x1,25	24	33	16	17	HEX 17
P0490.080-020	M8x1,25	24	37	20	17	HEX 17
P0490.080-025	M8x1,25	24	42	25	17	HEX 17
P0490.080-030	M8x1,25	24	47	30	17	HEX 17
P0490.080-040	M8x1,25	24	57	40	17	HEX 17
P0490.100-020	M10x1,5	24	37	20	17	HEX 17
P0490.100-025	M10x1,5	24	42	25	17	HEX 17
P0490.100-030	M10x1,5	24	47	30	17	HEX 17
P0490.100-040	M10x1,5	24	57	40	17	HEX 17
P0490.100-050	M10x1,5	24	67	50	17	HEX 17
P0490.120-020	M12x1,75	24	27	20	7	HEX 17
P0490.120-025	M12x1,75	24	42	25	17	HEX 17
P0490.120-030	M12x1,75	24	47	30	17	HEX 17
P0490.120-040	M12x1,75	24	57	40	17	HEX 17
P0490.120-050	M12x1,75	24	67	50	17	HEX 17
P0490.160-030	M16x2	30	52	30	22	HEX 22
P0490.160-040	M16x2	30	62	40	22	HEX 22
P0490.160-050	M16x2	30	72	50	22	HEX 22
P0490.160-060	M16x2	30	82	60	22	HEX 22
P0490.160-070	M16x2	30	92	70	22	HEX 22
P0490.160-080	M16x2	30	102	80	22	HEX 22
P0490.200-030	M20x2,5	35	56	30	26	HEX 27
P0490.200-040	M20x2,5	35	66	40	26	HEX 27
P0490.200-050	M20x2,5	35	76	50	26	HEX 27



Hygienic Screws - Male

304 stainless steel



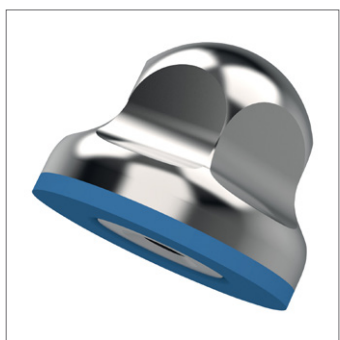
Thumb Screws

Order No.	d ₁	d ₂	h ₁	l ₁	h ₂	A/F
P0490.200-060	M20x2,5	35	86	60	26	HEX 27
P0490.200-070	M20x2,5	35	96	70	26	HEX 27
P0490.200-080	M20x2,5	35	106	80	26	HEX 27

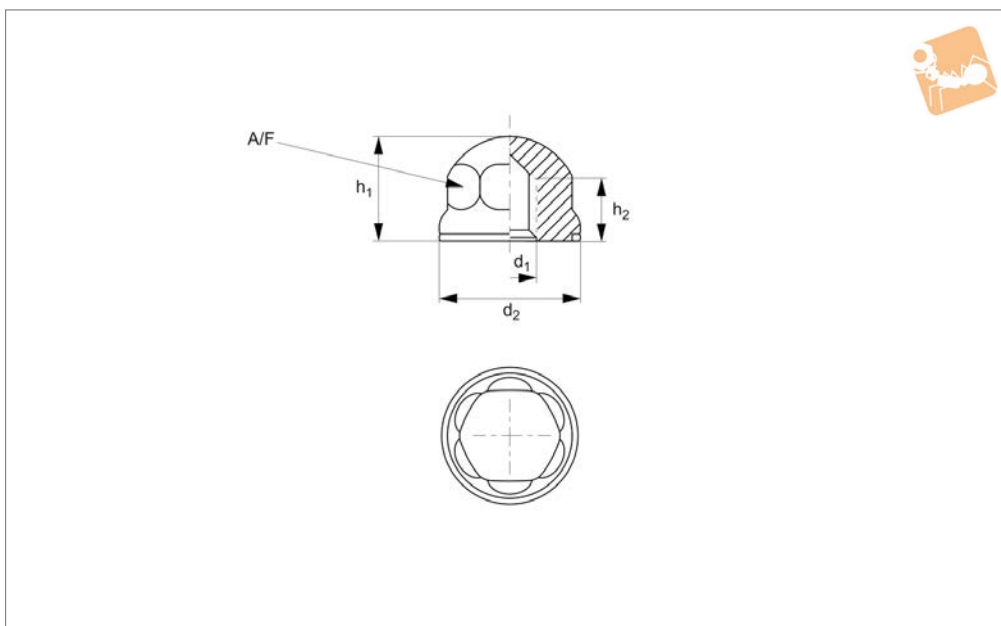
THUMB SCREWS



THUMB SCREWS



P0491



Material

AISI 304 stainless steel high-gloss polished dome-nut, FDA blue silicone gasket, 3-A accepted. Available on request in AISI 316.

Technical Notes

For use in hygienic areas, components can be mounted without dead spaces. Sealing ring is hydrogenated acrylonitrile butadiene rubber (H-NBR), hardness 85±5

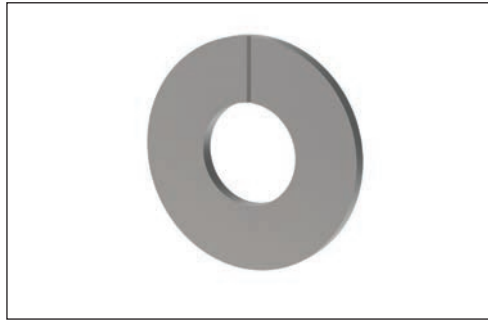
shore A, temp range -25°C to +150°C, blue.

Polished finish Ra < 0,8µ

Order No.	d ₁	d ₂	h ₁	h ₂	A/F
P0491.030	M 3x0,5	15	12	8	HEX 10
P0491.040	M 4x0,7	15	12	8	HEX 10
P0491.050	M 5x0,8	19	17	12	HEX 14
P0491.060	M 6x1	19	17	12	HEX 14
P0491.080	M 8x1,25	24	23	15	HEX 17
P0491.100	M10x1,5	24	23	15	HEX 17
P0491.120	M12x1,75	24	23	15	HEX 17
P0491.140	M14x2	30	28	20	HEX 22
P0491.160	M16x2	30	28	20	HEX 22
P0491.200	M20x2,5	35	34	25	HEX 27
P0491.240	M24x3	42	40	30	HEX 32



Vented screws are used to remove trapped gases (at the bottom of blind threads) in HV (high vacuum) and UHV (ultra-high vacuum) systems. They are precision cleaned.



They are at their most effective when used with vented washers.

Finishing Options



Silver plating



Gold plating



Nickel plating



Molybdenum coating



Tungsten coating

Typical Applications

- Semi-conductor industry (wafers & microelectronics in UHV)
- Clean rooms (ultra clean assembly processes)
- Energy/Solar energy (photovoltaic panel production)
- Vacuum applications (helping to seal vacuums effectively)
- R&D

Virtual Leaks

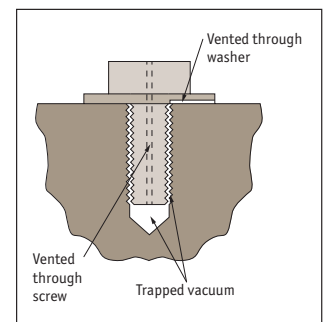
A blind tapped hole inside a vacuum system leaves residual air space at the bottom that cannot be fully evacuated in the vacuum cycle when a bolt, screw, or other fastener is threaded into the hole. The screw itself is a helix with a large surface area also containing voids of trapped air. This produces virtual leaks. Vented screws and fasteners ensure direct ventilation of these voids, allowing the trapped volumes of air within the threads and at the bottoms of the holes to be fully evacuated. This speeds pump-down and helps improve system performance.

Galling

In High Vacuum and Ultra High Vacuum systems, like materials can become cold-fused together (called galling) due to thermal expansion and the lack of moisture created by the vacuum. Screws threaded into blind tapped holes are commonly affected in this way, and components made of stainless steel are particularly susceptible. Finishes, coatings, and platings are uniquely formulated to prevent galling, making parts maintenance and replacement faster and easier. Without the hassle of galled, stuck fasteners, downtime is minimized.

Vacuum Contamination

Our vented and coated fasteners are inspected, cleaned, and packaged in a Class 100 cleanroom environment therefore particulate and organic surface contamination is significantly reduced or eliminated altogether.

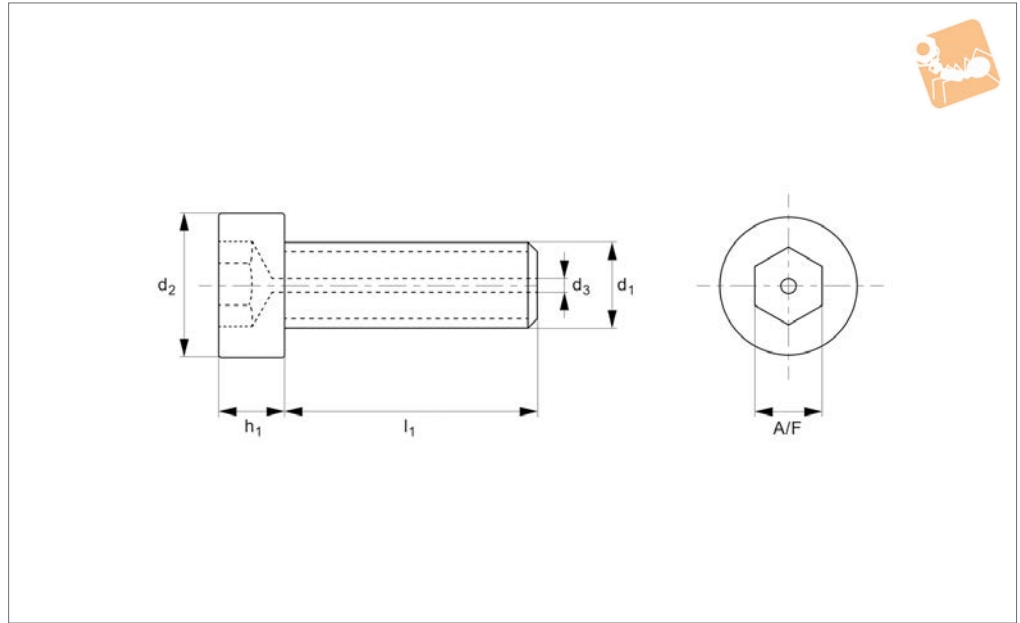




VENTED SCREWS



P0090.A2



Material

Stainless steel (AISI 304, 1.4301), strength class 60.
Ultrasonically cleaned.

Technical Notes

To DIN 912 (with central vent), precision

cleaned. Other sizes available on request.

Tips

These products help eliminate virtual leaks from high vacuum (HV and UHV) systems, thereby improving pump-down times. Trapped gases at the bottom of a tapped

hole are able to escape via the central vent in the middle of the screw.

Order No.	l_1	d_1	d_2	d_3	h_1	A/F
P0090.020-004-A2	4	M 2	3.8	0.7	2.0	1.5
P0090.020-005-A2	5	M 2	3.8	0.7	2.0	1.5
P0090.020-006-A2	6	M 2	3.8	0.7	2.0	1.5
P0090.020-008-A2	8	M 2	3.8	0.7	2.0	1.5
P0090.020-010-A2	10	M 2	3.8	0.7	2.0	1.5
P0090.020-012-A2	12	M 2	3.8	0.7	2.0	1.5
P0090.020-016-A2	16	M 2	3.8	0.7	2.0	1.5
P0090.025-004-A2	4	M 2,5	4.5	0.9	2.5	2.0
P0090.025-005-A2	5	M 2,5	4.5	0.9	2.5	2.0
P0090.025-006-A2	6	M 2,5	4.5	0.9	2.5	2.0
P0090.025-008-A2	8	M 2,5	4.5	0.9	2.5	2.0
P0090.025-010-A2	10	M 2,5	4.5	0.9	2.5	2.0
P0090.025-012-A2	12	M 2,5	4.5	0.9	2.5	2.0
P0090.025-016-A2	16	M 2,5	4.5	0.9	2.5	2.0
P0090.025-020-A2	20	M 2,5	4.5	0.9	2.5	2.0
P0090.030-005-A2	5	M 3	5.5	1.0	3.0	2.5
P0090.030-006-A2	6	M 3	5.5	1.0	3.0	2.5
P0090.030-008-A2	8	M 3	5.5	1.0	3.0	2.5
P0090.030-010-A2	10	M 3	5.5	1.0	3.0	2.5
P0090.030-012-A2	12	M 3	5.5	1.0	3.0	2.5
P0090.030-016-A2	16	M 3	5.5	1.0	3.0	2.5
P0090.040-005-A2	5	M 4	7.0	1.0	4.0	3.0
P0090.040-006-A2	6	M 4	7.0	1.0	4.0	3.0
P0090.040-008-A2	8	M 4	7.0	1.0	4.0	3.0
P0090.040-010-A2	10	M 4	7.0	1.0	4.0	3.0
P0090.040-012-A2	12	M 4	7.0	1.0	4.0	3.0
P0090.040-016-A2	16	M 4	7.0	1.0	4.0	3.0
P0090.040-020-A2	20	M 4	7.0	1.0	4.0	3.0
P0090.040-025-A2	25	M 4	7.0	1.0	4.0	3.0
P0090.040-030-A2	30	M 4	7.0	1.0	4.0	3.0
P0090.040-035-A2	35	M 4	7.0	1.0	4.0	3.0
P0090.050-006-A2	6	M 5	8.5	1.3	5.0	4.0



Vented Screws - Cap Head

hex. drive - 304 stainless

Vented Screws

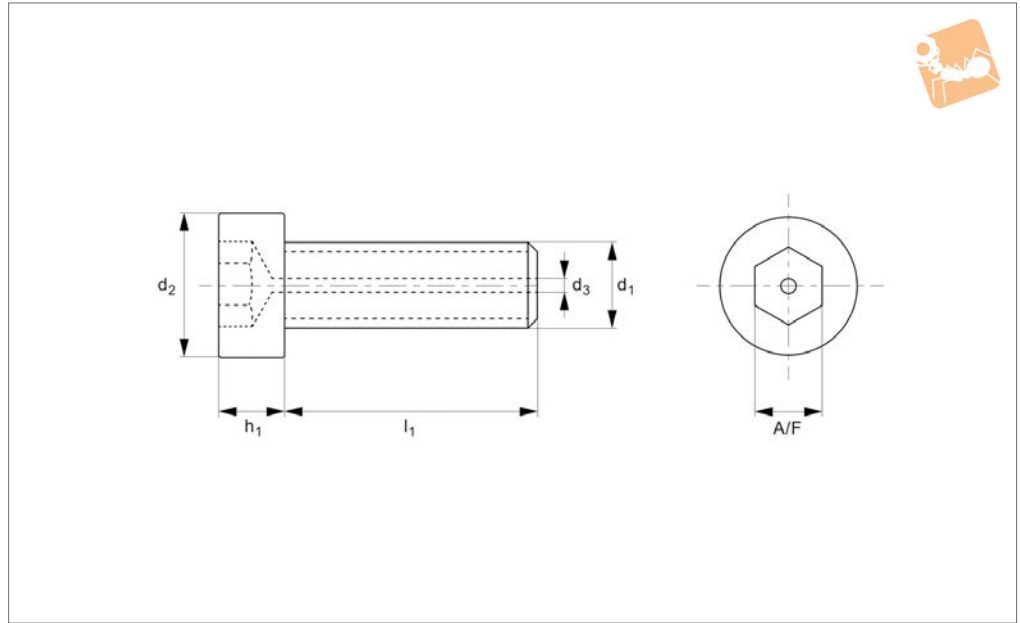


Order No.	l ₁	d ₁	d ₂	d ₃	h ₁	A/F
P0090.050-008-A2	8	M 5	8.5	1.3	5.0	4.0
P0090.050-010-A2	10	M 5	8.5	1.3	5.0	4.0
P0090.050-012-A2	12	M 5	8.5	1.3	5.0	4.0
P0090.050-016-A2	16	M 5	8.5	1.3	5.0	4.0
P0090.050-020-A2	20	M 5	8.5	1.3	5.0	4.0
P0090.050-025-A2	25	M 5	8.5	1.3	5.0	4.0
P0090.050-030-A2	30	M 5	8.5	1.3	5.0	4.0
P0090.050-035-A2	35	M 5	8.5	1.3	5.0	4.0
P0090.050-040-A2	40	M 5	8.5	1.3	5.0	4.0
P0090.060-008-A2	8	M 6	10.0	1.6	6.0	5.0
P0090.060-010-A2	10	M 6	10.0	1.6	6.0	5.0
P0090.060-012-A2	12	M 6	10.0	1.6	6.0	5.0
P0090.060-016-A2	16	M 6	10.0	1.6	6.0	5.0
P0090.060-020-A2	20	M 6	10.0	1.6	6.0	5.0
P0090.060-025-A2	25	M 6	10.0	1.6	6.0	5.0
P0090.060-030-A2	30	M 6	10.0	1.6	6.0	5.0
P0090.060-035-A2	35	M 6	10.0	1.6	6.0	5.0
P0090.060-040-A2	40	M 6	10.0	1.6	6.0	5.0
P0090.060-045-A2	45	M 6	10.0	1.6	6.0	5.0
P0090.060-050-A2	50	M 6	10.0	1.6	6.0	5.0
P0090.080-012-A2	12	M 8	13.0	1.8	8.0	6.0
P0090.080-016-A2	16	M 8	13.0	1.8	8.0	6.0
P0090.080-020-A2	20	M 8	13.0	1.8	8.0	6.0
P0090.080-025-A2	25	M 8	13.0	1.8	8.0	6.0
P0090.080-030-A2	30	M 8	13.0	1.8	8.0	6.0
P0090.080-035-A2	35	M 8	13.0	1.8	8.0	6.0
P0090.080-040-A2	40	M 8	13.0	1.8	8.0	6.0
P0090.080-045-A2	45	M 8	13.0	1.8	8.0	6.0
P0090.080-050-A2	50	M 8	13.0	1.8	8.0	6.0
P0090.080-060-A2	60	M 8	13.0	1.8	8.0	6.0
P0090.100-016-A2	16	M10	16.0	1.8	10.0	8.0
P0090.100-020-A2	20	M10	16.0	1.8	10.0	8.0
P0090.100-025-A2	25	M10	16.0	1.8	10.0	8.0
P0090.100-030-A2	30	M10	16.0	1.8	10.0	8.0
P0090.100-035-A2	35	M10	16.0	1.8	10.0	8.0
P0090.100-040-A2	40	M10	16.0	1.8	10.0	8.0
P0090.100-045-A2	45	M10	16.0	1.8	10.0	8.0
P0090.100-050-A2	50	M10	16.0	1.8	10.0	8.0
P0090.100-060-A2	60	M10	16.0	1.8	10.0	8.0
P0090.120-020-A2	20	M12	18.0	1.8	12.0	10.0
P0090.120-025-A2	25	M12	18.0	1.8	12.0	10.0
P0090.120-030-A2	30	M12	18.0	1.8	12.0	10.0
P0090.120-035-A2	35	M12	18.0	1.8	12.0	10.0
P0090.120-040-A2	40	M12	18.0	1.8	12.0	10.0
P0090.120-045-A2	45	M12	18.0	1.8	12.0	10.0
P0090.120-050-A2	50	M12	18.0	1.8	12.0	10.0
P0090.120-060-A2	60	M12	18.0	1.8	12.0	10.0
P0090.160-025-A2	25	M16	24.0	1.8	16.0	14.0
P0090.160-030-A2	30	M16	24.0	1.8	16.0	14.0
P0090.160-035-A2	35	M16	24.0	1.8	16.0	14.0
P0090.160-040-A2	40	M16	24.0	1.8	16.0	14.0
P0090.160-045-A2	45	M16	24.0	1.8	16.0	14.0
P0090.160-050-A2	50	M16	24.0	1.8	16.0	14.0
P0090.160-060-A2	60	M16	24.0	1.8	16.0	14.0

VENTED SCREWS



P0090.A4



Material

Stainless steel (AISI 316, 1.4401), strength class 60.
Ultrasonically cleaned.

Technical Notes

To DIN 912 (with central vent). Other sizes

can be produced on request.

Tips

These products help eliminate virtual leaks from high vacuum (HV and UHV) systems, thereby improving pump-down times. Trapped gases at the bottom of a tapped

hole are able to escape via the central vent down the middle of the screw.

Order No.	l_1	d_1	d_2	d_3	h_1	A/F
P0090.020-004-A4	4	M 2	3.8	0.7	2.0	1.5
P0090.020-005-A4	5	M 2	3.8	0.7	2.0	1.5
P0090.020-006-A4	6	M 2	3.8	0.7	2.0	1.5
P0090.020-008-A4	8	M 2	3.8	0.7	2.0	1.5
P0090.020-010-A4	10	M 2	3.8	0.7	2.0	1.5
P0090.020-012-A4	12	M 2	3.8	0.7	2.0	1.5
P0090.020-016-A4	16	M 2	3.8	0.7	2.0	1.5
P0090.025-004-A4	4	M 2,5	4.5	0.9	2.5	2.0
P0090.025-005-A4	5	M 2,5	4.5	0.9	2.5	2.0
P0090.025-006-A4	6	M 2,5	4.5	0.9	2.5	2.0
P0090.025-008-A4	8	M 2,5	4.5	0.9	2.5	2.0
P0090.025-010-A4	10	M 2,5	4.5	0.9	2.5	2.0
P0090.025-012-A4	12	M 2,5	4.5	0.9	2.5	2.0
P0090.025-016-A4	16	M 2,5	4.5	0.9	2.5	2.0
P0090.025-020-A4	20	M 2,5	4.5	0.9	2.5	2.0
P0090.030-005-A4	5	M 3	5.5	1.0	3.0	2.5
P0090.030-006-A4	6	M 3	5.5	1.0	3.0	2.5
P0090.030-008-A4	8	M 3	5.5	1.0	3.0	2.5
P0090.030-010-A4	10	M 3	5.5	1.0	3.0	2.5
P0090.030-012-A4	12	M 3	5.5	1.0	3.0	2.5
P0090.030-016-A4	16	M 3	5.5	1.0	3.0	2.5
P0090.040-005-A4	5	M 4	7.0	1.0	4.0	3.0
P0090.040-006-A4	6	M 4	7.0	1.0	4.0	3.0
P0090.040-008-A4	8	M 4	7.0	1.0	4.0	3.0
P0090.040-010-A4	10	M 4	7.0	1.0	4.0	3.0
P0090.040-012-A4	12	M 4	7.0	1.0	4.0	3.0
P0090.040-016-A4	16	M 4	7.0	1.0	4.0	3.0
P0090.040-020-A4	20	M 4	7.0	1.0	4.0	3.0
P0090.040-025-A4	25	M 4	7.0	1.0	4.0	3.0
P0090.040-030-A4	30	M 4	7.0	1.0	4.0	3.0
P0090.040-035-A4	35	M 4	7.0	1.0	4.0	3.0
P0090.050-006-A4	6	M 5	8.5	1.3	5.0	4.0



Vented Screws - Cap Head

hex. drive - 316 stainless

Vented Screws

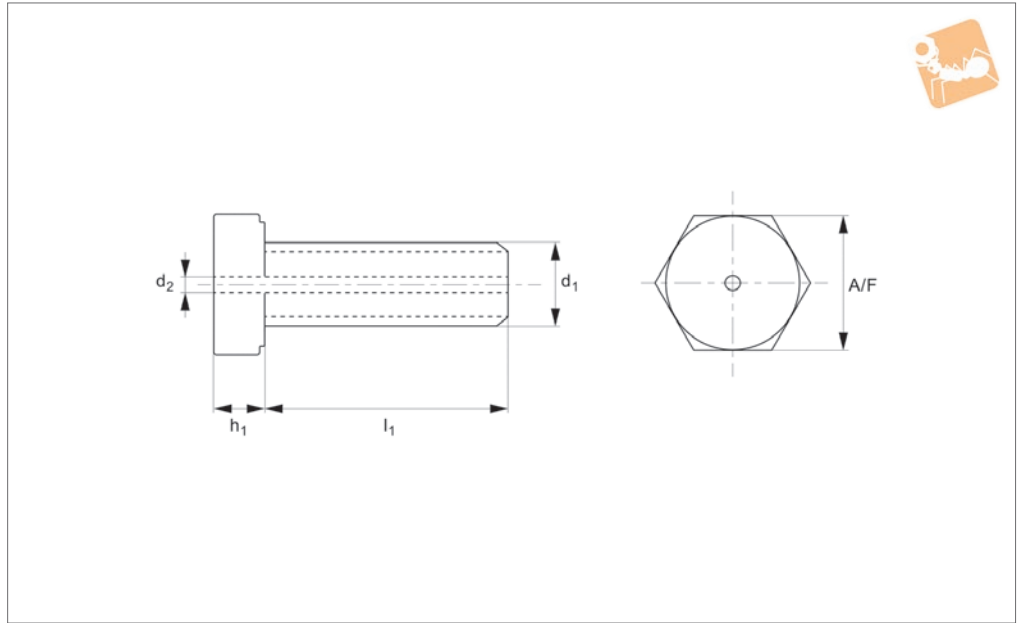


Order No.	l ₁	d ₁	d ₂	d ₃	h ₁	A/F
P0090.050-008-A4	8	M 5	8.5	1.3	5.0	4.0
P0090.050-010-A4	10	M 5	8.5	1.3	5.0	4.0
P0090.050-012-A4	12	M 5	8.5	1.3	5.0	4.0
P0090.050-016-A4	16	M 5	8.5	1.3	5.0	4.0
P0090.050-020-A4	20	M 5	8.5	1.3	5.0	4.0
P0090.050-025-A4	25	M 5	8.5	1.3	5.0	4.0
P0090.050-030-A4	30	M 5	8.5	1.3	5.0	4.0
P0090.050-035-A4	35	M 5	8.5	1.3	5.0	4.0
P0090.050-040-A4	40	M 5	8.5	1.3	5.0	4.0
P0090.060-008-A4	8	M 6	10.0	1.6	6.0	5.0
P0090.060-010-A4	10	M 6	10.0	1.6	6.0	5.0
P0090.060-012-A4	12	M 6	10.0	1.6	6.0	5.0
P0090.060-016-A4	16	M 6	10.0	1.6	6.0	5.0
P0090.060-020-A4	20	M 6	10.0	1.6	6.0	5.0
P0090.060-025-A4	25	M 6	10.0	1.6	6.0	5.0
P0090.060-030-A4	30	M 6	10.0	1.6	6.0	5.0
P0090.060-035-A4	35	M 6	10.0	1.6	6.0	5.0
P0090.060-040-A4	40	M 6	10.0	1.6	6.0	5.0
P0090.060-045-A4	45	M 6	10.0	1.6	6.0	5.0
P0090.060-050-A4	50	M 6	10.0	1.6	6.0	5.0
P0090.080-012-A4	12	M 8	13.0	1.8	8.0	6.0
P0090.080-016-A4	16	M 8	13.0	1.8	8.0	6.0
P0090.080-020-A4	20	M 8	13.0	1.8	8.0	6.0
P0090.080-025-A4	25	M 8	13.0	1.8	8.0	6.0
P0090.080-030-A4	30	M 8	13.0	1.8	8.0	6.0
P0090.080-035-A4	35	M 8	13.0	1.8	8.0	6.0
P0090.080-040-A4	40	M 8	13.0	1.8	8.0	6.0
P0090.080-045-A4	45	M 8	13.0	1.8	8.0	6.0
P0090.080-050-A4	50	M 8	13.0	1.8	8.0	6.0
P0090.080-060-A4	60	M 8	13.0	1.8	8.0	6.0
P0090.100-016-A4	16	M10	16.0	1.8	10.0	8.0
P0090.100-020-A4	20	M10	16.0	1.8	10.0	8.0
P0090.100-025-A4	25	M10	16.0	1.8	10.0	8.0
P0090.100-030-A4	30	M10	16.0	1.8	10.0	8.0
P0090.100-035-A4	35	M10	16.0	1.8	10.0	8.0
P0090.100-040-A4	40	M10	16.0	1.8	10.0	8.0
P0090.100-045-A4	45	M10	16.0	1.8	10.0	8.0
P0090.100-050-A4	50	M10	16.0	1.8	10.0	8.0
P0090.100-060-A4	60	M10	16.0	1.8	10.0	8.0
P0090.120-020-A4	20	M12	18.0	1.8	12.0	10.0
P0090.120-025-A4	25	M12	18.0	1.8	12.0	10.0
P0090.120-030-A4	30	M12	18.0	1.8	12.0	10.0
P0090.120-035-A4	35	M12	18.0	1.8	12.0	10.0
P0090.120-040-A4	40	M12	18.0	1.8	12.0	10.0
P0090.120-045-A4	45	M12	18.0	1.8	12.0	10.0
P0090.120-050-A4	50	M12	18.0	1.8	12.0	10.0
P0090.120-060-A4	60	M12	18.0	1.8	12.0	10.0
P0090.160-025-A4	25	M16	24.0	1.8	16.0	14.0
P0090.160-030-A4	30	M16	24.0	1.8	16.0	14.0
P0090.160-035-A4	35	M16	24.0	1.8	16.0	14.0
P0090.160-040-A4	40	M16	24.0	1.8	16.0	14.0
P0090.160-045-A4	45	M16	24.0	1.8	16.0	14.0
P0090.160-050-A4	50	M16	24.0	1.8	16.0	14.0
P0090.160-060-A4	60	M16	24.0	1.8	16.0	14.0

VENTED SCREWS



P0091.A2



Material

Stainless steel (AISI 304, 1.4301), strength class 60.
Ultrasonically cleaned.

Technical Notes

To DIN 933 (with central vent). Other sizes

available on request.

Tips

These products help eliminate virtual leaks from high vacuum (HV and UHV) systems, thereby improving pump-down times. Trapped gases at the bottom of a tapped

hole are able to escape via the central vent down the middle of the screw.

Order No.	l_1	d_1	d_2	h_1	A/F
P0091.030-005-A2	5	M 3	1.0	2.0	6
P0091.030-006-A2	6	M 3	1.0	2.0	6
P0091.030-008-A2	8	M 3	1.0	2.0	6
P0091.030-010-A2	10	M 3	1.0	2.0	6
P0091.030-012-A2	12	M 3	1.0	2.0	6
P0091.030-016-A2	16	M 3	1.0	2.0	6
P0091.040-005-A2	5	M 4	1.0	2.8	7
P0091.040-006-A2	6	M 4	1.0	2.8	7
P0091.040-008-A2	8	M 4	1.0	2.8	7
P0091.040-010-A2	10	M 4	1.0	2.8	7
P0091.040-012-A2	12	M 4	1.0	2.8	7
P0091.040-016-A2	16	M 4	1.0	2.8	7
P0091.040-020-A2	20	M 4	1.0	2.8	7
P0091.040-025-A2	25	M 4	1.0	2.8	7
P0091.040-030-A2	30	M 4	1.0	2.8	7
P0091.040-035-A2	35	M 4	1.0	2.8	7
P0091.050-006-A2	6	M 5	1.3	3.5	8
P0091.050-008-A2	8	M 5	1.3	3.5	8
P0091.050-010-A2	10	M 5	1.3	3.5	8
P0091.050-012-A2	12	M 5	1.3	3.5	8
P0091.050-016-A2	16	M 5	1.3	3.5	8
P0091.050-020-A2	20	M 5	1.3	3.5	8
P0091.050-025-A2	25	M 5	1.3	3.5	8
P0091.050-030-A2	30	M 5	1.3	3.5	8
P0091.050-035-A2	35	M 5	1.3	3.5	8
P0091.050-040-A2	40	M 5	1.3	3.5	8
P0091.060-008-A2	8	M 6	1.6	4.0	10
P0091.060-010-A2	10	M 6	1.6	4.0	10
P0091.060-012-A2	12	M 6	1.6	4.0	10
P0091.060-016-A2	16	M 6	1.6	4.0	10
P0091.060-020-A2	20	M 6	1.6	4.0	10
P0091.060-025-A2	25	M 6	1.6	4.0	10



Vented Screws - Hex. Head

304 stainless

Vented Screws

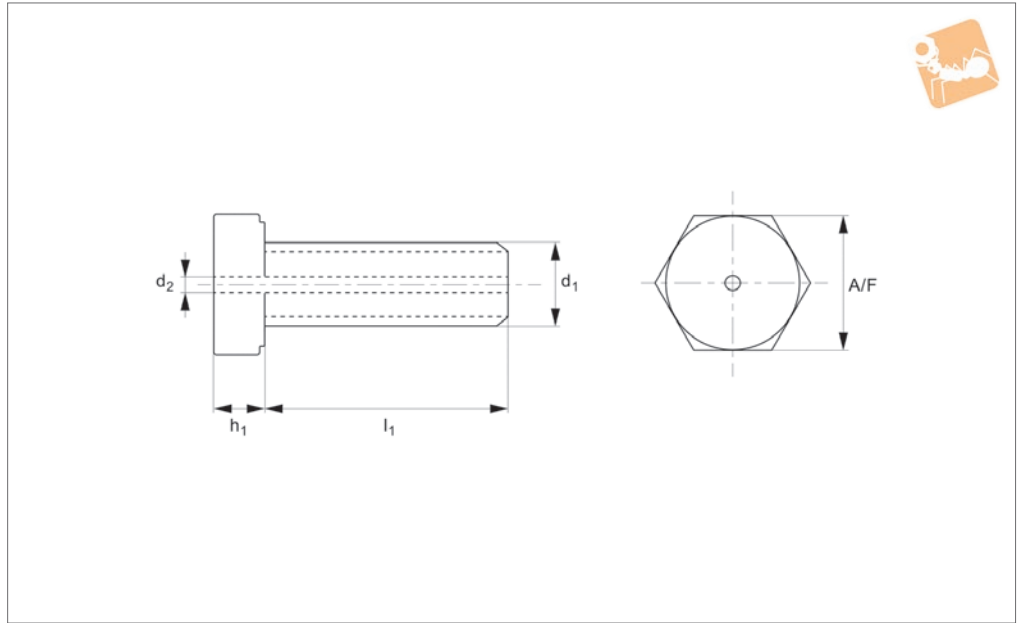


Order No.	l ₁	d ₁	d ₂	h ₁	A/F
P0091.060-030-A2	30	M 6	1.6	4.0	10
P0091.060-035-A2	35	M 6	1.6	4.0	10
P0091.060-040-A2	40	M 6	1.6	4.0	10
P0091.060-045-A2	45	M 6	1.6	4.0	10
P0091.060-050-A2	50	M 6	1.6	4.0	10
P0091.080-012-A2	12	M 8	1.8	5.3	13
P0091.080-016-A2	16	M 8	1.8	5.3	13
P0091.080-020-A2	20	M 8	1.8	5.3	13
P0091.080-025-A2	25	M 8	1.8	5.3	13
P0091.080-030-A2	30	M 8	1.8	5.3	13
P0091.080-035-A2	35	M 8	1.8	5.3	13
P0091.080-040-A2	40	M 8	1.8	5.3	13
P0091.080-045-A2	45	M 8	1.8	5.3	13
P0091.080-050-A2	50	M 8	1.8	5.3	13
P0091.080-055-A2	55	M 8	1.8	5.3	13
P0091.100-016-A2	16	M10	1.8	6.4	17
P0091.100-020-A2	20	M10	1.8	6.4	17
P0091.100-025-A2	25	M10	1.8	6.4	17
P0091.100-030-A2	30	M10	1.8	6.4	17
P0091.100-035-A2	35	M10	1.8	6.4	17
P0091.100-040-A2	40	M10	1.8	6.4	17
P0091.100-045-A2	45	M10	1.8	6.4	17
P0091.100-050-A2	50	M10	1.8	6.4	17
P0091.100-055-A2	55	M10	1.8	6.4	17
P0091.100-060-A2	60	M10	1.8	6.4	17
P0091.120-020-A2	20	M12	1.8	7.5	19
P0091.120-025-A2	25	M12	1.8	7.5	19
P0091.120-030-A2	30	M12	1.8	7.5	19
P0091.120-035-A2	35	M12	1.8	7.5	19
P0091.120-040-A2	40	M12	1.8	7.5	19
P0091.120-045-A2	45	M12	1.8	7.5	19
P0091.120-050-A2	50	M12	1.8	7.5	19
P0091.120-060-A2	60	M12	1.8	7.5	19
P0091.160-025-A2	25	M16	1.8	10.0	24
P0091.160-030-A2	30	M16	1.8	10.0	24
P0091.160-035-A2	35	M16	1.8	10.0	24
P0091.160-040-A2	40	M16	1.8	10.0	24
P0091.160-045-A2	45	M16	1.8	10.0	24
P0091.160-050-A2	50	M16	1.8	10.0	24
P0091.160-060-A2	60	M16	1.8	10.0	24

VENTED SCREWS



P0091.A4



Material

Stainless steel (AISI 316, 1.4401), strength class 60.
Ultrasonically cleaned.

Technical Notes

To DIN 933 (with central vent). Other sizes

available on request.

Tips

These products help eliminate virtual leaks from high vacuum (HV and UHV) systems, thereby improving pump-down times. Trapped gases at the bottom of a tapped

hole are able to escape via the central vent down the middle of the screw.

Order No.	l_1	d_1	d_2	h_1	A/F
P0091.030-005-A4	5	M 3	1.0	2.0	5
P0091.030-006-A4	6	M 3	1.0	2.0	5
P0091.030-008-A4	8	M 3	1.0	2.0	5
P0091.030-010-A4	10	M 3	1.0	2.0	5
P0091.030-012-A4	12	M 3	1.0	2.0	5
P0091.030-016-A4	16	M 3	1.0	2.0	5
P0091.040-005-A4	5	M 4	1.0	2.8	7
P0091.040-006-A4	6	M 4	1.0	2.8	7
P0091.040-008-A4	8	M 4	1.0	2.8	7
P0091.040-010-A4	10	M 4	1.0	2.8	7
P0091.040-012-A4	12	M 4	1.0	2.8	7
P0091.040-016-A4	16	M 4	1.0	2.8	7
P0091.040-020-A4	20	M 4	1.0	2.8	7
P0091.040-025-A4	25	M 4	1.0	2.8	7
P0091.040-030-A4	30	M 4	1.0	2.8	7
P0091.040-035-A4	35	M 4	1.0	2.8	7
P0091.050-006-A4	6	M 5	1.3	3.5	8
P0091.050-008-A4	8	M 5	1.3	3.5	8
P0091.050-010-A4	10	M 5	1.3	3.5	8
P0091.050-012-A4	12	M 5	1.3	3.5	8
P0091.050-016-A4	16	M 5	1.3	3.5	8
P0091.050-020-A4	20	M 5	1.3	3.5	8
P0091.050-025-A4	25	M 5	1.3	3.5	8
P0091.050-030-A4	30	M 5	1.3	3.5	8
P0091.050-035-A4	35	M 5	1.3	3.5	8
P0091.050-040-A4	40	M 5	1.3	3.5	8
P0091.060-008-A4	8	M 6	1.6	4.0	10
P0091.060-010-A4	10	M 6	1.6	4.0	10
P0091.060-012-A4	12	M 6	1.6	4.0	10
P0091.060-016-A4	16	M 6	1.6	4.0	10
P0091.060-020-A4	20	M 6	1.6	4.0	10
P0091.060-025-A4	25	M 6	1.6	4.0	10



Vented Screws - Hex. Head

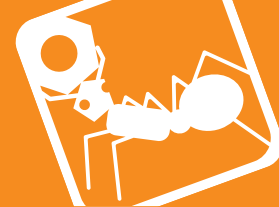
316 stainless

Vented Screws



Order No.	l ₁	d ₁	d ₂	h ₁	A/F
P0091.060-030-A4	30	M 6	1.6	4.0	10
P0091.060-035-A4	35	M 6	1.6	4.0	10
P0091.060-040-A4	40	M 6	1.6	4.0	10
P0091.060-045-A4	45	M 6	1.6	4.0	10
P0091.060-050-A4	50	M 6	1.6	4.0	10
P0091.080-012-A4	12	M 8	1.8	5.3	13
P0091.080-016-A4	16	M 8	1.8	5.3	13
P0091.080-020-A4	20	M 8	1.8	5.3	13
P0091.080-025-A4	25	M 8	1.8	5.3	13
P0091.080-030-A4	30	M 8	1.8	5.3	13
P0091.080-035-A4	35	M 8	1.8	5.3	13
P0091.080-040-A4	40	M 8	1.8	5.3	13
P0091.080-045-A4	45	M 8	1.8	5.3	13
P0091.080-050-A4	50	M 8	1.8	5.3	13
P0091.080-055-A4	55	M 8	1.8	5.3	13
P0091.100-016-A4	16	M10	1.8	6.4	17
P0091.100-020-A4	20	M10	1.8	6.4	17
P0091.100-025-A4	25	M10	1.8	6.4	17
P0091.100-030-A4	30	M10	1.8	6.4	17
P0091.100-035-A4	35	M10	1.8	6.4	17
P0091.100-040-A4	40	M10	1.8	6.4	17
P0091.100-045-A4	45	M10	1.8	6.4	17
P0091.100-050-A4	50	M10	1.8	6.4	17
P0091.100-055-A4	55	M10	1.8	6.4	17
P0091.100-060-A4	60	M10	1.8	6.4	17
P0091.120-020-A4	20	M12	1.8	7.5	19
P0091.120-025-A4	25	M12	1.8	7.5	19
P0091.120-030-A4	30	M12	1.8	7.5	19
P0091.120-035-A4	35	M12	1.8	7.5	19
P0091.120-040-A4	40	M12	1.8	7.5	19
P0091.120-045-A4	45	M12	1.8	7.5	19
P0091.120-050-A4	50	M12	1.8	7.5	19
P0091.120-060-A4	60	M12	1.8	7.5	19
P0091.160-025-A4	25	M16	1.8	10.0	24
P0091.160-030-A4	30	M16	1.8	10.0	24
P0091.160-035-A4	35	M16	1.8	10.0	24
P0091.160-040-A4	40	M16	1.8	10.0	24
P0091.160-045-A4	45	M16	1.8	10.0	24
P0091.160-050-A4	50	M16	1.8	10.0	24
P0091.160-060-A4	60	M16	1.8	10.0	24

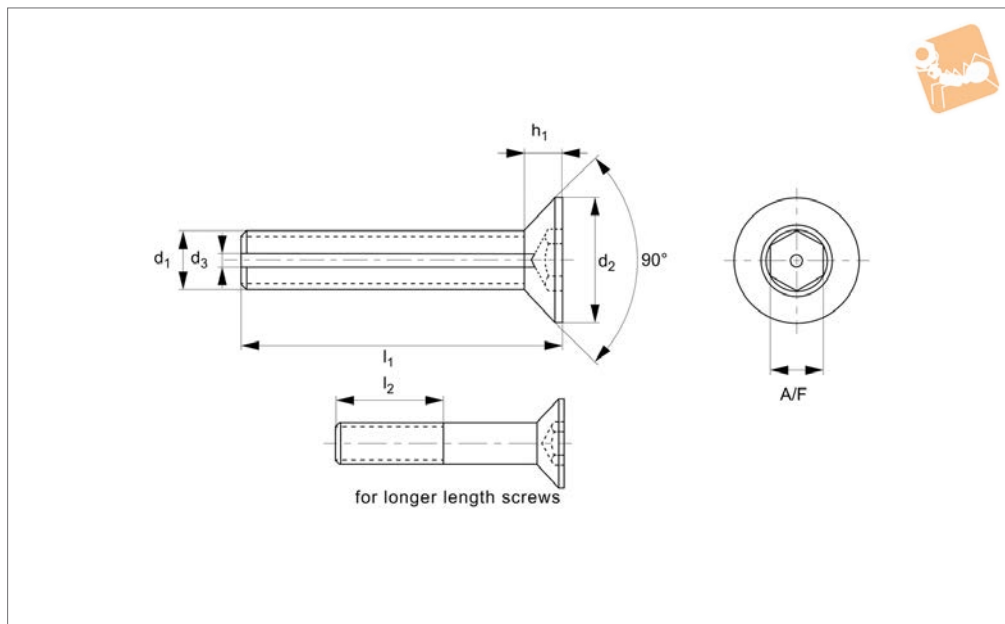
VENTED SCREWS



VENTED SCREWS



P0093.A2



Material

Stainless steel (AISI 304, 1.4301), strength class 60.

Technical Notes

To ISO 10642 with central vent. Other sizes

available on request.

Tips

These products help eliminate virtual leaks from high vacuum (HV and UHV) systems, thereby improving pump-down times.

Trapped gases at the bottom of a tapped hole are able to escape via the central vent down the middle of the screw.

Order No.	l_1	d_1	d_2	d_3	h_1	l_2	A/F
P0093.020-004-A2	4	M 2	3.8	0.8	1.3	-	1.3
P0093.020-005-A2	5	M 2	3.8	0.8	1.3	-	1.3
P0093.020-006-A2	6	M 2	3.8	0.8	1.3	-	1.3
P0093.020-008-A2	8	M 2	3.8	0.8	1.3	-	1.3
P0093.020-010-A2	10	M 2	3.8	0.8	1.3	-	1.3
P0093.020-012-A2	12	M 2	3.8	0.8	1.3	-	1.3
P0093.025-004-A2	4	M2,5	4.8	0.9	1.9	-	1.5
P0093.025-005-A2	5	M2,5	4.8	0.9	1.9	-	1.5
P0093.025-006-A2	6	M2,5	4.8	0.9	1.9	-	1.5
P0093.025-008-A2	8	M2,5	4.8	0.9	1.9	-	1.5
P0093.025-010-A2	10	M2,5	4.8	0.9	1.9	-	1.5
P0093.025-012-A2	12	M2,5	4.8	0.9	1.9	-	1.5
P0093.030-005-A2	5	M 3	6.0	1.0	1.7	-	2.0
P0093.030-006-A2	6	M 3	6.0	1.0	1.7	-	2.0
P0093.030-008-A2	8	M 3	6.0	1.0	1.7	-	2.0
P0093.030-010-A2	10	M 3	6.0	1.0	1.7	-	2.0
P0093.030-012-A2	12	M 3	6.0	1.0	1.7	-	2.0
P0093.030-016-A2	16	M 3	6.0	1.0	1.7	12	2.0
P0093.040-005-A2	5	M 4	8.0	1.0	2.3	-	2.5
P0093.040-006-A2	6	M 4	8.0	1.0	2.3	-	2.5
P0093.040-008-A2	8	M 4	8.0	1.0	2.3	-	2.5
P0093.040-010-A2	10	M 4	8.0	1.0	2.3	-	2.5
P0093.040-012-A2	12	M 4	8.0	1.0	2.3	-	2.5
P0093.040-016-A2	16	M 4	8.0	1.0	2.3	14	2.5
P0093.040-020-A2	20	M 4	8.0	1.0	2.3	14	2.5
P0093.040-025-A2	25	M 4	8.0	1.0	2.3	14	2.5
P0093.040-030-A2	30	M 4	8.0	1.0	2.3	14	2.5
P0093.040-035-A2	35	M 4	8.0	1.0	2.3	14	2.5
P0093.050-006-A2	6	M 5	10.0	1.3	2.8	-	3.0
P0093.050-008-A2	8	M 5	10.0	1.3	2.8	-	3.0
P0093.050-010-A2	10	M 5	10.0	1.3	2.8	-	3.0
P0093.050-012-A2	12	M 5	10.0	1.3	2.8	-	3.0
P0093.050-016-A2	16	M 5	10.0	1.3	2.8	-	3.0



Vented Countersunk Machine Screws

hex. drive - 304 stainless

Vented Screws

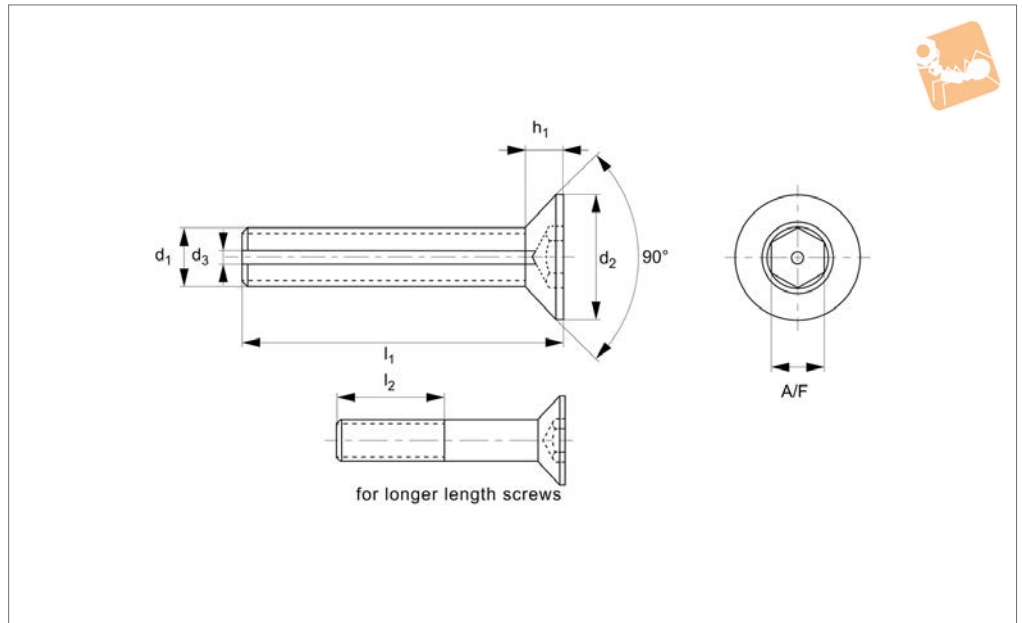


Order No.	l ₁	d ₁	d ₂	d ₃	h ₁	l ₂	A/F
P0093.050-020-A2	20	M 5	10.0	1.3	2.8	16	3.0
P0093.050-025-A2	25	M 5	10.0	1.3	2.8	16	3.0
P0093.050-030-A2	30	M 5	10.0	1.3	2.8	16	3.0
P0093.050-035-A2	35	M 5	10.0	1.3	2.8	16	3.0
P0093.050-040-A2	40	M 5	10.0	1.3	2.8	16	3.0
P0093.060-008-A2	8	M 6	12.0	1.6	3.3	-	4.0
P0093.060-010-A2	10	M 6	12.0	1.6	3.3	-	4.0
P0093.060-012-A2	12	M 6	12.0	1.6	3.3	-	4.0
P0093.060-016-A2	16	M 6	12.0	1.6	3.3	-	4.0
P0093.060-020-A2	20	M 6	12.0	1.6	3.3	18	4.0
P0093.060-025-A2	25	M 6	12.0	1.6	3.3	18	4.0
P0093.060-030-A2	30	M 6	12.0	1.6	3.3	18	4.0
P0093.060-035-A2	35	M 6	12.0	1.6	3.3	18	4.0
P0093.060-040-A2	40	M 6	12.0	1.6	3.3	18	4.0
P0093.060-045-A2	45	M 6	12.0	1.6	3.3	18	4.0
P0093.060-050-A2	50	M 6	12.0	1.6	3.3	18	4.0
P0093.080-012-A2	12	M 8	16.0	1.8	4.4	-	5.0
P0093.080-016-A2	16	M 8	16.0	1.8	4.4	-	5.0
P0093.080-020-A2	20	M 8	16.0	1.8	4.4	-	5.0
P0093.080-025-A2	25	M 8	16.0	1.8	4.4	22	5.0
P0093.080-030-A2	30	M 8	16.0	1.8	4.4	22	5.0
P0093.080-035-A2	35	M 8	16.0	1.8	4.4	22	5.0
P0093.080-040-A2	40	M 8	16.0	1.8	4.4	22	5.0
P0093.080-045-A2	45	M 8	16.0	1.8	4.4	22	5.0
P0093.080-050-A2	50	M 8	16.0	1.8	4.4	22	5.0
P0093.080-055-A2	55	M 8	16.0	1.8	4.4	22	5.0
P0093.100-016-A2	16	M10	20.0	1.8	5.5	-	6.0
P0093.100-020-A2	20	M10	20.0	1.8	5.5	-	6.0
P0093.100-025-A2	25	M10	20.0	1.8	5.5	-	6.0
P0093.100-030-A2	30	M10	20.0	1.8	5.5	26	6.0
P0093.100-035-A2	35	M10	20.0	1.8	5.5	26	6.0
P0093.100-040-A2	40	M10	20.0	1.8	5.5	26	6.0
P0093.100-045-A2	45	M10	20.0	1.8	5.5	26	6.0
P0093.100-050-A2	50	M10	20.0	1.8	5.5	26	6.0
P0093.100-055-A2	55	M10	20.0	1.8	5.5	26	6.0
P0093.100-060-A2	60	M10	20.0	1.8	5.5	26	6.0
P0093.120-020-A2	20	M12	24.0	1.8	6.5	-	8.0
P0093.120-025-A2	25	M12	24.0	1.8	6.5	-	8.0
P0093.120-030-A2	30	M12	24.0	1.8	6.5	-	8.0
P0093.120-035-A2	35	M12	24.0	1.8	6.5	30	8.0
P0093.120-040-A2	40	M12	24.0	1.8	6.5	30	8.0
P0093.120-045-A2	45	M12	24.0	1.8	6.5	30	8.0
P0093.120-050-A2	50	M12	24.0	1.8	6.5	30	8.0
P0093.120-060-A2	60	M12	24.0	1.8	6.5	30	8.0
P0093.160-025-A2	25	M16	30.0	1.8	7.5	-	10.0
P0093.160-030-A2	30	M16	30.0	1.8	7.5	-	10.0
P0093.160-035-A2	35	M16	30.0	1.8	7.5	-	10.0
P0093.160-040-A2	40	M16	30.0	1.8	7.5	38	10.0
P0093.160-045-A2	45	M16	30.0	1.8	7.5	38	10.0
P0093.160-050-A2	50	M16	30.0	1.8	7.5	38	10.0
P0093.160-060-A2	60	M16	30.0	1.8	7.5	38	10.0

VENTED SCREWS



P0093.A4



Material

Stainless steel (AISI 316, 1.4401), strength class 60.

Technical Notes

To ISO 10642 with central vent. Other sizes

can be produced to technical drawings.

Tips

These products help eliminate virtual leaks from high vacuum (HV and UHV) systems, thereby improving pump-down times.

Trapped gases at the bottom of a tapped hole are able to escape via the central vent down the middle of the screw.

Order No.	l_1	d_1	d_2	d_3	h_1	l_2	A/F
P0093.020-004-A4	4	M 2	3.8	0.8	1.3	-	1.3
P0093.020-005-A4	5	M 2	3.8	0.8	1.3	-	1.3
P0093.020-006-A4	6	M 2	3.8	0.8	1.3	-	1.3
P0093.020-008-A4	8	M 2	3.8	0.8	1.3	-	1.3
P0093.020-010-A4	10	M 2	3.8	0.8	1.3	-	1.3
P0093.020-012-A4	12	M 2	3.8	0.8	1.3	-	1.3
P0093.025-004-A4	4	M2,5	4.8	0.9	1.9	-	1.5
P0093.025-005-A4	5	M2,5	4.8	0.9	1.9	-	1.5
P0093.025-006-A4	6	M2,5	4.8	0.9	1.9	-	1.5
P0093.025-008-A4	8	M2,5	4.8	0.9	1.9	-	1.5
P0093.025-010-A4	10	M2,5	4.8	0.9	1.9	-	1.5
P0093.025-012-A4	12	M2,5	4.8	0.9	1.9	-	1.5
P0093.030-005-A4	5	M 3	6.0	1.0	1.7	-	2.0
P0093.030-006-A4	6	M 3	6.0	1.0	1.7	-	2.0
P0093.030-008-A4	8	M 3	6.0	1.0	1.7	-	2.0
P0093.030-010-A4	10	M 3	6.0	1.0	1.7	-	2.0
P0093.030-012-A4	12	M 3	6.0	1.0	1.7	-	2.0
P0093.030-016-A4	16	M 3	6.0	1.0	1.7	12	2.0
P0093.040-005-A4	5	M 4	8.0	1.0	2.3	-	2.5
P0093.040-006-A4	6	M 4	8.0	1.0	2.3	-	2.5
P0093.040-008-A4	8	M 4	8.0	1.0	2.3	-	2.5
P0093.040-010-A4	10	M 4	8.0	1.0	2.3	-	2.5
P0093.040-012-A4	12	M 4	8.0	1.0	2.3	-	2.5
P0093.040-016-A4	16	M 4	8.0	1.0	2.3	14	2.5
P0093.040-020-A4	20	M 4	8.0	1.0	2.3	14	2.5
P0093.040-025-A4	25	M 4	8.0	1.0	2.3	14	2.5
P0093.040-030-A4	30	M 4	8.0	1.0	2.3	14	2.5
P0093.040-035-A4	35	M 4	8.0	1.0	2.3	14	2.5
P0093.050-006-A4	6	M 5	10.0	1.3	2.8	-	3.0
P0093.050-008-A4	8	M 5	10.0	1.3	2.8	-	3.0
P0093.050-010-A4	10	M 5	10.0	1.3	2.8	-	3.0
P0093.050-012-A4	12	M 5	10.0	1.3	2.8	-	3.0
P0093.050-016-A4	16	M 5	10.0	1.3	2.8	-	3.0



Vented Countersunk Machine Screws

hex. drive - 316 stainless

Vented Screws



Order No.	l ₁	d ₁	d ₂	d ₃	h ₁	l ₂	A/F
P0093.050-020-A4	20	M 5	10.0	1.3	2.8	16	3.0
P0093.050-025-A4	25	M 5	10.0	1.3	2.8	16	3.0
P0093.050-030-A4	30	M 5	10.0	1.3	2.8	16	3.0
P0093.050-035-A4	35	M 5	10.0	1.3	2.8	16	3.0
P0093.050-040-A4	40	M 5	10.0	1.3	2.8	16	3.0
P0093.060-008-A4	8	M 6	12.0	1.6	3.3	-	4.0
P0093.060-010-A4	10	M 6	12.0	1.6	3.3	-	4.0
P0093.060-012-A4	12	M 6	12.0	1.6	3.3	-	4.0
P0093.060-016-A4	16	M 6	12.0	1.6	3.3	-	4.0
P0093.060-020-A4	20	M 6	12.0	1.6	3.3	18	4.0
P0093.060-025-A4	25	M 6	12.0	1.6	3.3	18	4.0
P0093.060-030-A4	30	M 6	12.0	1.6	3.3	18	4.0
P0093.060-035-A4	35	M 6	12.0	1.6	3.3	18	4.0
P0093.060-040-A4	40	M 6	12.0	1.6	3.3	18	4.0
P0093.060-045-A4	45	M 6	12.0	1.6	3.3	18	4.0
P0093.060-050-A4	50	M 6	12.0	1.6	3.3	18	4.0
P0093.080-012-A4	12	M 8	16.0	1.8	4.4	-	5.0
P0093.080-016-A4	16	M 8	16.0	1.8	4.4	-	5.0
P0093.080-020-A4	20	M 8	16.0	1.8	4.4	-	5.0
P0093.080-025-A4	25	M 8	16.0	1.8	4.4	22	5.0
P0093.080-030-A4	30	M 8	16.0	1.8	4.4	22	5.0
P0093.080-035-A4	35	M 8	16.0	1.8	4.4	22	5.0
P0093.080-040-A4	40	M 8	16.0	1.8	4.4	22	5.0
P0093.080-045-A4	45	M 8	16.0	1.8	4.4	22	5.0
P0093.080-050-A4	50	M 8	16.0	1.8	4.4	22	5.0
P0093.080-055-A4	55	M 8	16.0	1.8	4.4	22	5.0
P0093.100-016-A4	16	M10	20.0	1.8	5.5	-	6.0
P0093.100-020-A4	20	M10	20.0	1.8	5.5	-	6.0
P0093.100-025-A4	25	M10	20.0	1.8	5.5	-	6.0
P0093.100-030-A4	30	M10	20.0	1.8	5.5	26	6.0
P0093.100-035-A4	35	M10	20.0	1.8	5.5	26	6.0
P0093.100-040-A4	40	M10	20.0	1.8	5.5	26	6.0
P0093.100-045-A4	45	M10	20.0	1.8	5.5	26	6.0
P0093.100-050-A4	50	M10	20.0	1.8	5.5	26	6.0
P0093.100-055-A4	55	M10	20.0	1.8	5.5	26	6.0
P0093.100-060-A4	60	M10	20.0	1.8	5.5	26	6.0
P0093.120-020-A4	20	M12	24.0	1.8	6.5	-	8.0
P0093.120-025-A4	25	M12	24.0	1.8	6.5	-	8.0
P0093.120-030-A4	30	M12	24.0	1.8	6.5	-	8.0
P0093.120-035-A4	35	M12	24.0	1.8	6.5	30	8.0
P0093.120-040-A4	40	M12	24.0	1.8	6.5	30	8.0
P0093.120-045-A4	45	M12	24.0	1.8	6.5	30	8.0
P0093.120-050-A4	50	M12	24.0	1.8	6.5	30	8.0
P0093.120-060-A4	60	M12	24.0	1.8	6.5	30	8.0
P0093.160-025-A4	25	M16	30.0	1.8	7.5	-	10.0
P0093.160-030-A4	30	M16	30.0	1.8	7.5	-	10.0
P0093.160-035-A4	35	M16	30.0	1.8	7.5	-	10.0
P0093.160-040-A4	40	M16	30.0	1.8	7.5	38	10.0
P0093.160-045-A4	45	M16	30.0	1.8	7.5	38	10.0
P0093.160-050-A4	50	M16	30.0	1.8	7.5	38	10.0
P0093.160-060-A4	60	M16	30.0	1.8	7.5	38	10.0

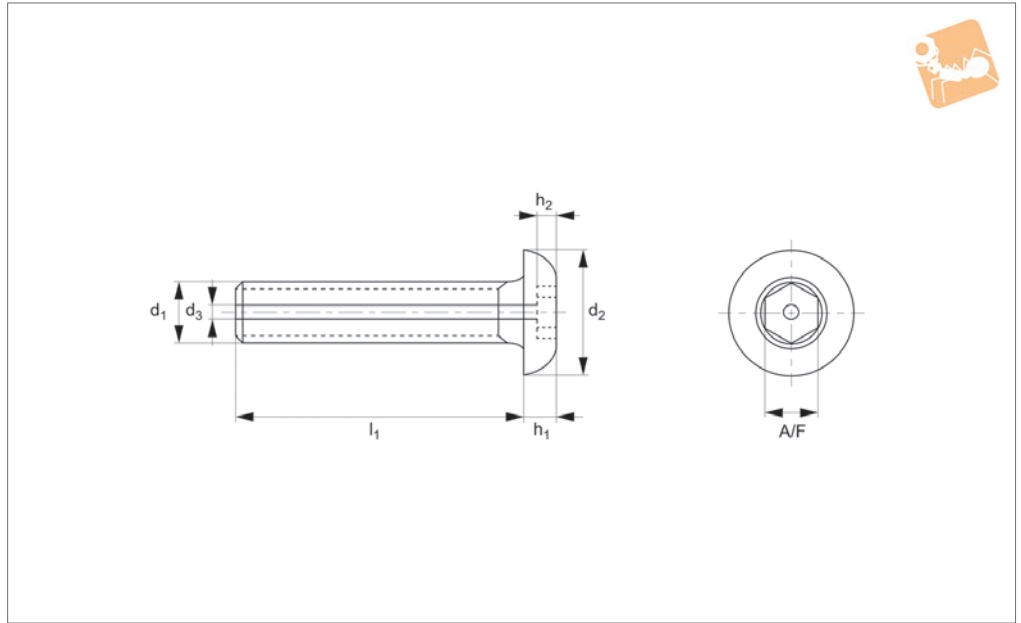
VENTED SCREWS



VENTED SCREWS



P0094.A2



Material

Stainless steel (AISI 304, 1.4301), strength class 60.
Ultrasonically cleaned.

Technical Notes

To ISO 7380 (with central vent). Other

sizes available on request.

Tips

These products help eliminate virtual leaks from high vacuum (HV and UHV) systems, thereby improving pump-down times. Trapped gases at the bottom of a tapped

hole are able to escape via the central vent down the middle of the screw.

Order No.	l_1	d_1	d_2	d_3	h_1	h_2	A/F
P0094.030-005-A2	5	M 3	5.7	1.0	1.7	1.0	2
P0094.030-006-A2	6	M 3	5.7	1.0	1.7	1.0	2
P0094.030-008-A2	8	M 3	5.7	1.0	1.7	1.0	2
P0094.030-010-A2	10	M 3	5.7	1.0	1.7	1.0	2
P0094.030-012-A2	12	M 3	5.7	1.0	1.7	1.0	2
P0094.030-016-A2	16	M 3	5.7	1.0	1.7	1.0	2
P0094.040-005-A2	5	M 4	7.6	1.0	2.2	1.3	3
P0094.040-006-A2	6	M 4	7.6	1.0	2.2	1.3	3
P0094.040-008-A2	8	M 4	7.6	1.0	2.2	1.3	3
P0094.040-010-A2	10	M 4	7.6	1.0	2.2	1.3	3
P0094.040-012-A2	12	M 4	7.6	1.0	2.2	1.3	3
P0094.040-016-A2	16	M 4	7.6	1.0	2.2	1.3	3
P0094.040-020-A2	20	M 4	7.6	1.0	2.2	1.3	3
P0094.040-025-A2	25	M 4	7.6	1.0	2.2	1.3	3
P0094.040-030-A2	30	M 4	7.6	1.0	2.2	1.3	3
P0094.040-035-A2	35	M 4	7.6	1.0	2.2	1.3	3
P0094.050-006-A2	6	M 5	9.5	1.3	2.8	1.6	3
P0094.050-008-A2	8	M 5	9.5	1.3	2.8	1.6	3
P0094.050-010-A2	10	M 5	9.5	1.3	2.8	1.6	3
P0094.050-012-A2	12	M 5	9.5	1.3	2.8	1.6	3
P0094.050-016-A2	16	M 5	9.5	1.3	2.8	1.6	3
P0094.050-020-A2	20	M 5	9.5	1.3	2.8	1.6	3
P0094.050-025-A2	25	M 5	9.5	1.3	2.8	1.6	3
P0094.050-030-A2	30	M 5	9.5	1.3	2.8	1.6	3
P0094.050-035-A2	35	M 5	9.5	1.3	2.8	1.6	3
P0094.050-040-A2	40	M 5	9.5	1.3	2.8	1.6	3
P0094.060-008-A2	8	M 6	10.5	1.6	3.3	2.1	4
P0094.060-010-A2	10	M 6	10.5	1.6	3.3	2.1	4
P0094.060-012-A2	12	M 6	10.5	1.6	3.3	2.1	4
P0094.060-016-A2	16	M 6	10.5	1.6	3.3	2.1	4
P0094.060-020-A2	20	M 6	10.5	1.6	3.3	2.1	4
P0094.060-025-A2	25	M 6	10.5	1.6	3.3	2.1	4



Vented Screws - Socket Button Head

hex. drive - 304 stainless

Vented Screws

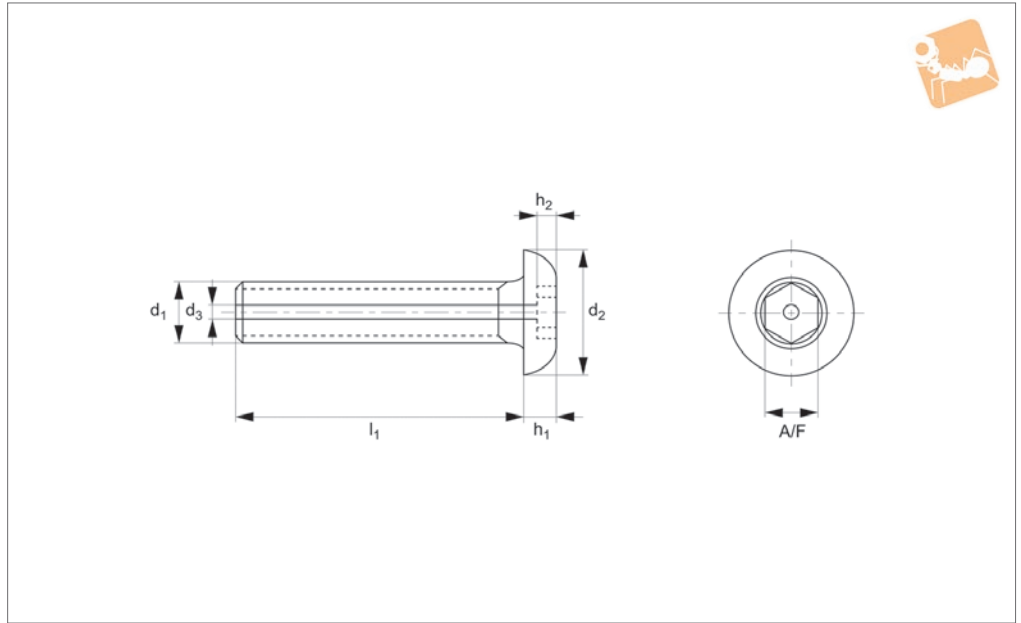


Order No.	l ₁	d ₁	d ₂	d ₃	h ₁	h ₂	A/F
P0094.060-030-A2	30	M 6	10.5	1.6	3.3	2.1	4
P0094.060-035-A2	35	M 6	10.5	1.6	3.3	2.1	4
P0094.060-040-A2	40	M 6	10.5	1.6	3.3	2.1	4
P0094.060-045-A2	45	M 6	10.5	1.6	3.3	2.1	4
P0094.060-050-A2	50	M 6	10.5	1.6	3.3	2.1	4
P0094.080-012-A2	12	M 8	14.0	1.8	4.4	2.6	5
P0094.080-016-A2	16	M 8	14.0	1.8	4.4	2.6	5
P0094.080-020-A2	20	M 8	14.0	1.8	4.4	2.6	5
P0094.080-025-A2	25	M 8	14.0	1.8	4.4	2.6	5
P0094.080-030-A2	30	M 8	14.0	1.8	4.4	2.6	5
P0094.080-035-A2	35	M 8	14.0	1.8	4.4	2.6	5
P0094.080-040-A2	40	M 8	14.0	1.8	4.4	2.6	5
P0094.080-045-A2	45	M 8	14.0	1.8	4.4	2.6	5
P0094.080-050-A2	50	M 8	14.0	1.8	4.4	2.6	5
P0094.080-060-A2	60	M 8	14.0	1.8	4.4	2.6	5
P0094.100-016-A2	16	M10	17.5	1.8	5.5	3.1	6
P0094.100-020-A2	20	M10	17.5	1.8	5.5	3.1	6
P0094.100-025-A2	25	M10	17.5	1.8	5.5	3.1	6
P0094.100-030-A2	30	M10	17.5	1.8	5.5	3.1	6
P0094.100-035-A2	35	M10	17.5	1.8	5.5	3.1	6
P0094.100-040-A2	40	M10	17.5	1.8	5.5	3.1	6
P0094.100-045-A2	45	M10	17.5	1.8	5.5	3.1	6
P0094.100-050-A2	50	M10	17.5	1.8	5.5	3.1	6
P0094.100-060-A2	60	M10	17.5	1.8	5.5	3.1	6
P0094.120-020-A2	20	M12	21.0	1.8	6.6	4.2	8
P0094.120-025-A2	25	M12	21.0	1.8	6.6	4.2	8
P0094.120-030-A2	30	M12	21.0	1.8	6.6	4.2	8
P0094.120-035-A2	35	M12	21.0	1.8	6.6	4.2	8
P0094.120-040-A2	40	M12	21.0	1.8	6.6	4.2	8
P0094.120-045-A2	45	M12	21.0	1.8	6.6	4.2	8
P0094.120-050-A2	50	M12	21.0	1.8	6.6	4.2	8
P0094.120-060-A2	60	M12	21.0	1.8	6.6	4.2	8

VENTED SCREWS



P0094.A4



Material

Stainless steel (AISI 316, 1.4401), strength class 50.
Ultrasonically cleaned.

Technical Notes

To ISO 7380 (with central vent). Other

sizes available on request.

Tips

These products help eliminate virtual leaks from high vacuum (HV and UHV) systems, thereby improving pump-down times. Trapped gases at the bottom of a tapped

hole are able to escape via the central vent down the middle of the screw.

Order No.	l_1	d_1	d_2	d_3	h_1	h_2	A/F
P0094.030-005-A4	5	M 3	5.7	1.0	1.7	1.0	2
P0094.030-006-A4	6	M 3	5.7	1.0	1.7	1.0	2
P0094.030-008-A4	8	M 3	5.7	1.0	1.7	1.0	2
P0094.030-010-A4	10	M 3	5.7	1.0	1.7	1.0	2
P0094.030-012-A4	12	M 3	5.7	1.0	1.7	1.0	2
P0094.030-016-A4	16	M 3	5.7	1.0	1.7	1.0	2
P0094.040-005-A4	5	M 4	7.6	1.0	2.2	1.3	3
P0094.040-006-A4	6	M 4	7.6	1.0	2.2	1.3	3
P0094.040-008-A4	8	M 4	7.6	1.0	2.2	1.3	3
P0094.040-010-A4	10	M 4	7.6	1.0	2.2	1.3	3
P0094.040-012-A4	12	M 4	7.6	1.0	2.2	1.3	3
P0094.040-016-A4	16	M 4	7.6	1.0	2.2	1.3	3
P0094.040-020-A4	20	M 4	7.6	1.0	2.2	1.3	3
P0094.040-025-A4	25	M 4	7.6	1.0	2.2	1.3	3
P0094.040-030-A4	30	M 4	7.6	1.0	2.2	1.3	3
P0094.040-035-A4	35	M 4	7.6	1.0	2.2	1.3	3
P0094.050-006-A4	6	M 5	9.5	1.3	2.8	1.6	3
P0094.050-008-A4	8	M 5	9.5	1.3	2.8	1.6	3
P0094.050-010-A4	10	M 5	9.5	1.3	2.8	1.6	3
P0094.050-012-A4	12	M 5	9.5	1.3	2.8	1.6	3
P0094.050-016-A4	16	M 5	9.5	1.3	2.8	1.6	3
P0094.050-020-A4	20	M 5	9.5	1.3	2.8	1.6	3
P0094.050-025-A4	25	M 5	9.5	1.3	2.8	1.6	3
P0094.050-030-A4	30	M 5	9.5	1.3	2.8	1.6	3
P0094.050-035-A4	35	M 5	9.5	1.3	2.8	1.6	3
P0094.050-040-A4	40	M 5	9.5	1.3	2.8	1.6	3
P0094.060-008-A4	8	M 6	10.5	1.6	3.3	2.1	4
P0094.060-010-A4	10	M 6	10.5	1.6	3.3	2.1	4
P0094.060-012-A4	12	M 6	10.5	1.6	3.3	2.1	4
P0094.060-016-A4	16	M 6	10.5	1.6	3.3	2.1	4
P0094.060-020-A4	20	M 6	10.5	1.6	3.3	2.1	4
P0094.060-025-A4	25	M 6	10.5	1.6	3.3	2.1	4



Vented Screws - Socket Button Head

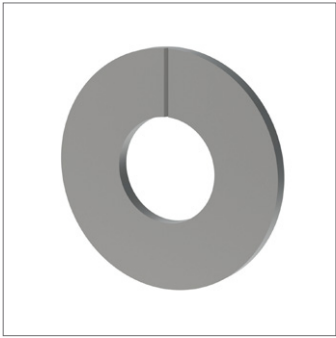
hex. drive - 316 stainless

Vented Screws

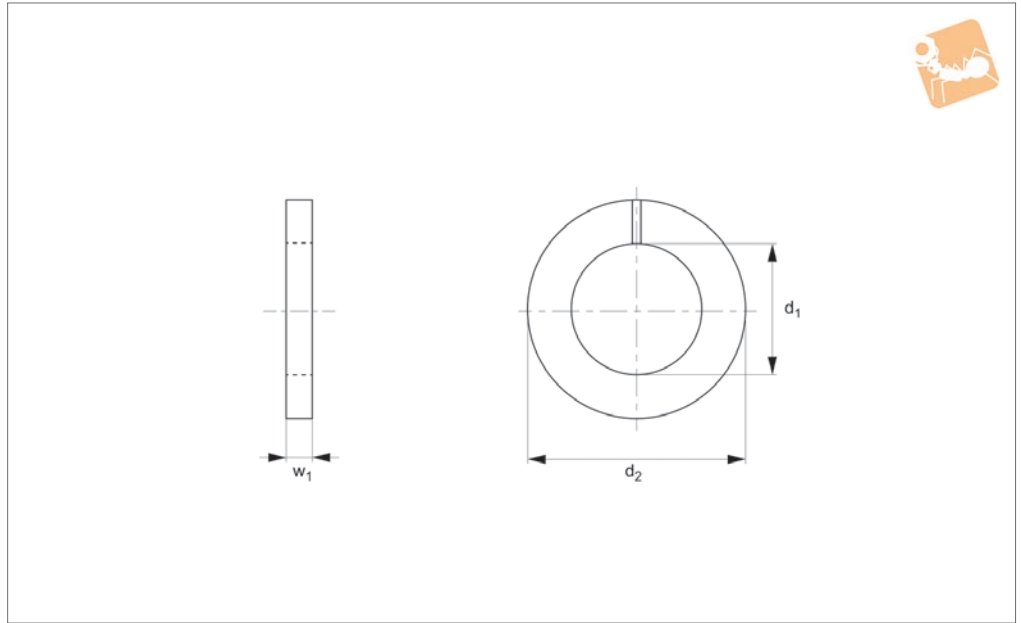


Order No.	l ₁	d ₁	d ₂	d ₃	h ₁	h ₂	A/F
P0094.060-030-A4	30	M 6	10.5	1.6	3.3	2.1	4
P0094.060-035-A4	35	M 6	10.5	1.6	3.3	2.1	4
P0094.060-040-A4	40	M 6	10.5	1.6	3.3	2.1	4
P0094.060-045-A4	45	M 6	10.5	1.6	3.3	2.1	4
P0094.060-050-A4	50	M 6	10.5	1.6	3.3	2.1	4
P0094.080-012-A4	12	M 8	14.0	1.8	4.4	2.6	5
P0094.080-016-A4	16	M 8	14.0	1.8	4.4	2.6	5
P0094.080-020-A4	20	M 8	14.0	1.8	4.4	2.6	5
P0094.080-025-A4	25	M 8	14.0	1.8	4.4	2.6	5
P0094.080-030-A4	30	M 8	14.0	1.8	4.4	2.6	5
P0094.080-035-A4	35	M 8	14.0	1.8	4.4	2.6	5
P0094.080-040-A4	40	M 8	14.0	1.8	4.4	2.6	5
P0094.080-045-A4	45	M 8	14.0	1.8	4.4	2.6	5
P0094.080-050-A4	50	M 8	14.0	1.8	4.4	2.6	5
P0094.080-060-A4	60	M 8	14.0	1.8	4.4	2.6	5
P0094.100-016-A4	16	M10	17.5	1.8	5.5	3.1	6
P0094.100-020-A4	20	M10	17.5	1.8	5.5	3.1	6
P0094.100-025-A4	25	M10	17.5	1.8	5.5	3.1	6
P0094.100-030-A4	30	M10	17.5	1.8	5.5	3.1	6
P0094.100-035-A4	35	M10	17.5	1.8	5.5	3.1	6
P0094.100-040-A4	40	M10	17.5	1.8	5.5	3.1	6
P0094.100-045-A4	45	M10	17.5	1.8	5.5	3.1	6
P0094.100-050-A4	50	M10	17.5	1.8	5.5	3.1	6
P0094.100-060-A4	60	M10	17.5	1.8	5.5	3.1	6
P0094.120-020-A4	20	M12	21.0	1.8	6.6	4.2	8
P0094.120-025-A4	25	M12	21.0	1.8	6.6	4.2	8
P0094.120-030-A4	30	M12	21.0	1.8	6.6	4.2	8
P0094.120-035-A4	35	M12	21.0	1.8	6.6	4.2	8
P0094.120-040-A4	40	M12	21.0	1.8	6.6	4.2	8
P0094.120-045-A4	45	M12	21.0	1.8	6.6	4.2	8
P0094.120-050-A4	50	M12	21.0	1.8	6.6	4.2	8
P0094.120-060-A4	60	M12	21.0	1.8	6.6	4.2	8

VENTED SCREWS



P0097.A2



Material

Stainless steel (AISI 303, 1.4305).
Ultrasonically cleaned.

Technical Notes

To DIN 125A (with vent). Coatings

available: silver, gold, nickel and others.

Tips

Vented flat washers are key components in helping to eliminate virtual leaks from high vacuum (HV and UHV) systems. They

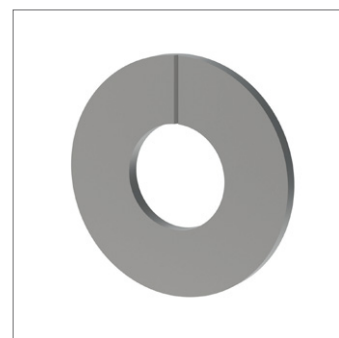
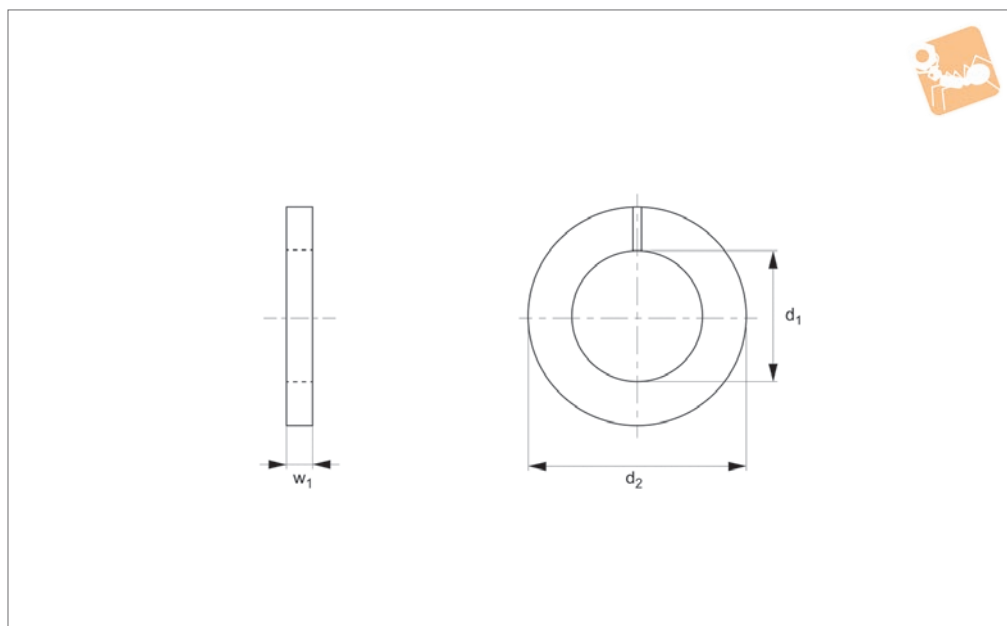
prevent gases being trapped beneath a fastener head along the screw shaft.

Order No.	For thread	d ₁	d ₂	w ₁
P0097.020-A2	M 2,0	2.2	5.0	0.3
P0097.025-A2	M 2,5	2.7	6.0	0.5
P0097.030-A2	M 3,0	3.2	7.0	0.5
P0097.040-A2	M 4,0	4.3	9.0	0.8
P0097.050-A2	M 5,0	5.3	10.0	1.0
P0097.060-A2	M 6,0	6.4	12.0	1.6
P0097.080-A2	M 8,0	8.4	16.0	1.6
P0097.100-A2	M10,0	10.5	20.0	2.0
P0097.120-A2	M12,0	13.0	24.0	2.5
P0097.160-A2	M16,0	17.0	30.0	3.0
P0097.200-A2	M20,0	21.0	37.0	3.0

Vented Plain Washers

316 stainless

Vented Screws



P0097.A4

VENTED SCREWS

Material

Stainless steel (AISI 316, 1.4401).
Ultrasonically cleaned.

or ultrasonic cleaning available on request. Coatings available: silver, gold, nickel and others.

helping to eliminate virtual leaks from high vacuum (HV and UHV) systems. They prevent gases being trapped beneath a fastener head along the screw shaft.

Technical Notes

To DIN 125A (with vent). Passivation and/

Tips

Vented flat washers are key components in

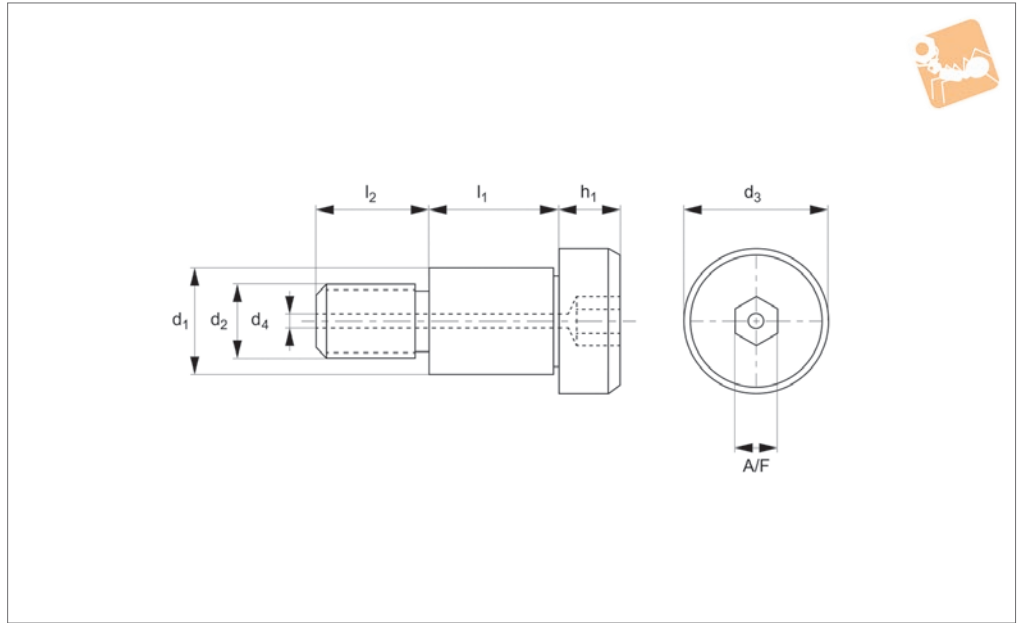
Order No.	For thread	d ₁	d ₂	w ₁
P0097.020-A4	M 2,0	2.2	4.0	0.3
P0097.025-A4	M 2,5	2.7	6.0	0.5
P0097.030-A4	M 3,0	3.2	7.0	0.5
P0097.040-A4	M 4,0	4.3	9.0	0.8
P0097.050-A4	M 5,0	5.3	10.0	1.0
P0097.060-A4	M 6,0	6.4	12.0	1.6
P0097.080-A4	M 8,0	8.4	16.0	1.6
P0097.100-A4	M10,0	10.5	20.0	2.0
P0097.120-A4	M12,0	13.0	24.0	2.5
P0097.160-A4	M16,0	17.0	30.0	3.0
P0097.200-A4	M20,0	21.0	37.0	3.0



VENTED SCREWS



P0098.A2



Material

Stainless steel (AISI 303, 1.4305), strength class 60.
Ultrasonically cleaned.

Technical Notes

Other sizes available on request.

Tips

These products help eliminate virtual leaks from high vacuum (HV and UHV) systems, thereby improving pump-down times. Trapped gases at the bottom of a tapped hole are able to escape via the central vent

down the middle of the screw.

Order No.	l_1 +0.05 -0.0	d_1 +0 -0.025	d_2	d_3	d_4	h_1	l_2	A/F
P0098.030-010-A2	10	3	M 2	5.0	0.7	2.0	4.0	2
P0098.030-016-A2	16	3	M 2	5.0	0.7	2.0	4.0	2
P0098.030-020-A2	20	3	M 2	5.0	0.7	2.0	4.0	2
P0098.040-004-A2	4	4	M 3	6.0	1.0	3.0	4.0	2
P0098.040-005-A2	5	4	M 3	6.0	1.0	3.0	4.0	2
P0098.040-006-A2	6	4	M 3	6.0	1.0	3.0	4.0	2
P0098.040-008-A2	8	4	M 3	6.0	1.0	3.0	4.0	2
P0098.040-010-A2	10	4	M 3	6.0	1.0	3.0	4.0	2
P0098.040-012-A2	12	4	M 3	6.0	1.0	3.0	4.0	2
P0098.040-016-A2	16	4	M 3	6.0	1.0	3.0	4.0	2
P0098.040-020-A2	20	4	M 3	6.0	1.0	3.0	4.0	2
P0098.040-035-A2	35	4	M 3	6.0	1.0	3.0	4.0	2
P0098.050-004-A2	4	5	M 4	8.0	1.0	4.0	5.0	3
P0098.050-005-A2	5	5	M 4	8.0	1.0	4.0	5.0	3
P0098.050-006-A2	6	5	M 4	8.0	1.0	4.0	5.0	3
P0098.050-007-A2	7	5	M 4	8.0	1.0	4.0	5.0	3
P0098.050-008-A2	8	5	M 4	8.0	1.0	4.0	5.0	3
P0098.050-010-A2	10	5	M 4	8.0	1.0	4.0	5.0	3
P0098.050-012-A2	12	5	M 4	8.0	1.0	4.0	5.0	3
P0098.050-014-A2	14	5	M 4	8.0	1.0	4.0	5.0	3
P0098.050-016-A2	16	5	M 4	8.0	1.0	4.0	5.0	3
P0098.050-020-A2	20	5	M 4	8.0	1.0	4.0	5.0	3
P0098.050-025-A2	25	5	M 4	8.0	1.0	4.0	5.0	3
P0098.050-030-A2	30	5	M 4	8.0	1.0	4.0	5.0	3
P0098.060-004-A2	4	6	M 5	10.0	1.3	5.0	6.0	3
P0098.060-005-A2	5	6	M 5	10.0	1.3	5.0	6.0	3
P0098.060-006-A2	6	6	M 5	10.0	1.3	5.0	6.0	3
P0098.060-008-A2	8	6	M 5	10.0	1.3	5.0	6.0	3
P0098.060-010-A2	10	6	M 5	10.0	1.3	5.0	6.0	3
P0098.060-012-A2	12	6	M 5	10.0	1.3	5.0	6.0	3
P0098.060-014-A2	14	6	M 5	10.0	1.3	5.0	6.0	3



Vented Shoulder Screws - Cap Head

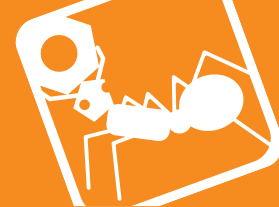
hex. drive - 303 stainless

Vented Screws



Order No.	l_1 +0.05 -0.0	d_1 +0 -0.025	d_2	d_3	d_4	h_1	l_2	A/F
P0098.060-020-A2	20	6	M 5	10.0	1.3	5.0	6.0	3
P0098.060-025-A2	25	6	M 5	10.0	1.3	5.0	6.0	3
P0098.060-030-A2	30	6	M 5	10.0	1.3	5.0	6.0	3
P0098.080-005-A2	5	8	M 6	12.0	1.6	6.0	11.0	4
P0098.080-006-A2	6	8	M 6	12.0	1.6	6.0	11.0	4
P0098.080-008-A2	8	8	M 6	12.0	1.6	6.0	11.0	4
P0098.080-010-A2	10	8	M 6	12.0	1.6	6.0	11.0	4
P0098.080-012-A2	12	8	M 6	12.0	1.6	6.0	11.0	4
P0098.080-014-A2	14	8	M 6	12.0	1.6	6.0	11.0	4
P0098.080-016-A2	16	8	M 6	12.0	1.6	6.0	11.0	4
P0098.080-020-A2	20	8	M 6	12.0	1.6	6.0	11.0	4
P0098.080-025-A2	25	8	M 6	12.0	1.6	6.0	11.0	4
P0098.080-045-A2	45	8	M 6	12.0	1.6	6.0	11.0	4
P0098.100-008-A2	8	10	M 8	14.0	1.8	7.0	12.0	5
P0098.100-010-A2	10	10	M 8	14.0	1.8	7.0	12.0	5
P0098.100-012-A2	12	10	M 8	14.0	1.8	7.0	12.0	5
P0098.100-016-A2	16	10	M 8	14.0	1.8	7.0	12.0	5
P0098.100-020-A2	20	10	M 8	14.0	1.8	7.0	12.0	5
P0098.100-030-A2	30	10	M 8	14.0	1.8	7.0	12.0	5
P0098.120-012-A2	12	12	M10	20.0	1.8	8.0	16.0	6
P0098.120-025-A2	25	12	M10	20.0	1.8	8.0	16.0	6
P0098.160-100-A2	100	16	M12	24.0	1.8	11.0	18.0	8

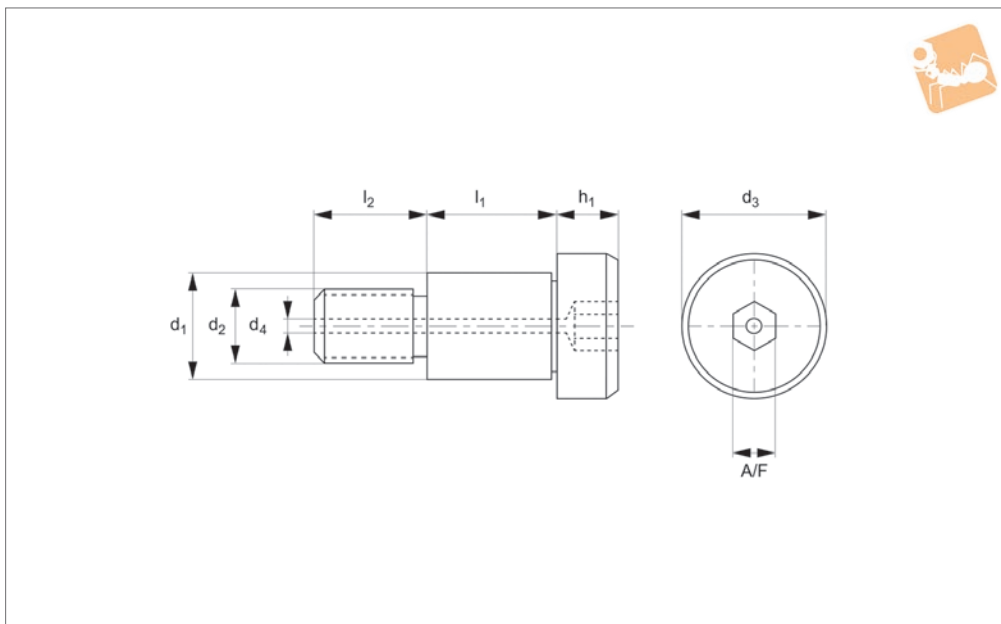
VENTED SCREWS



VENTED SCREWS



P0098.A4



Material

Stainless steel (AISI 316, 1.4401), strength class 60.
Ultrasonically cleaned.

Technical Notes

Other sizes available on request.

Tips

These products help eliminate virtual leaks from high vacuum (HV and UHV) systems, thereby improving pump-down times. Trapped gases at the bottom of a tapped hole are able to escape via the central vent

down the middle of the screw.

Order No.	l_1 +0.05 -0.0	d_1 +0 -0.025	d_2	d_3	d_4	h_1	l_2	A/F
P0098.030-010-A4	10	3	M 2	5.0	0.7	2.0	4.0	2
P0098.030-016-A4	16	3	M 2	5.0	0.7	2.0	4.0	2
P0098.030-020-A4	20	3	M 2	5.0	0.7	2.0	4.0	2
P0098.040-004-A4	4	4	M 3	6.0	1.0	3.0	4.0	2
P0098.040-005-A4	5	4	M 3	6.0	1.0	3.0	4.0	2
P0098.040-006-A4	6	4	M 3	6.0	1.0	3.0	4.0	2
P0098.040-008-A4	8	4	M 3	6.0	1.0	3.0	4.0	2
P0098.040-010-A4	10	4	M 3	6.0	1.0	3.0	4.0	2
P0098.040-012-A4	12	4	M 3	6.0	1.0	3.0	4.0	2
P0098.040-016-A4	16	4	M 3	6.0	1.0	3.0	4.0	2
P0098.040-020-A4	20	4	M 3	6.0	1.0	3.0	4.0	2
P0098.040-035-A4	35	4	M 3	6.0	1.0	3.0	4.0	2
P0098.050-004-A4	4	5	M 4	8.0	1.0	4.0	5.0	3
P0098.050-005-A4	5	5	M 4	8.0	1.0	4.0	5.0	3
P0098.050-006-A4	6	5	M 4	8.0	1.0	4.0	5.0	3
P0098.050-007-A4	7	5	M 4	8.0	1.0	4.0	5.0	3
P0098.050-008-A4	8	5	M 4	8.0	1.0	4.0	5.0	3
P0098.050-010-A4	10	5	M 4	8.0	1.0	4.0	5.0	3
P0098.050-012-A4	12	5	M 4	8.0	1.0	4.0	5.0	3
P0098.050-014-A4	14	5	M 4	8.0	1.0	4.0	5.0	3
P0098.050-016-A4	16	5	M 4	8.0	1.0	4.0	5.0	3
P0098.050-020-A4	20	5	M 4	8.0	1.0	4.0	5.0	3
P0098.050-025-A4	25	5	M 4	8.0	1.0	4.0	5.0	3
P0098.050-030-A4	30	5	M 4	8.0	1.0	4.0	5.0	3
P0098.060-004-A4	4	6	M 5	10.0	1.3	5.0	6.0	3
P0098.060-005-A4	5	6	M 5	10.0	1.3	5.0	6.0	3
P0098.060-006-A4	6	6	M 5	10.0	1.3	5.0	6.0	3
P0098.060-008-A4	8	6	M 5	10.0	1.3	5.0	6.0	3
P0098.060-010-A4	10	6	M 5	10.0	1.3	5.0	6.0	3
P0098.060-012-A4	12	6	M 5	10.0	1.3	5.0	6.0	3
P0098.060-014-A4	14	6	M 5	10.0	1.3	5.0	6.0	3



Vented Shoulder Screws - Cap Head

hex. drive - 316 stainless

Vented Screws

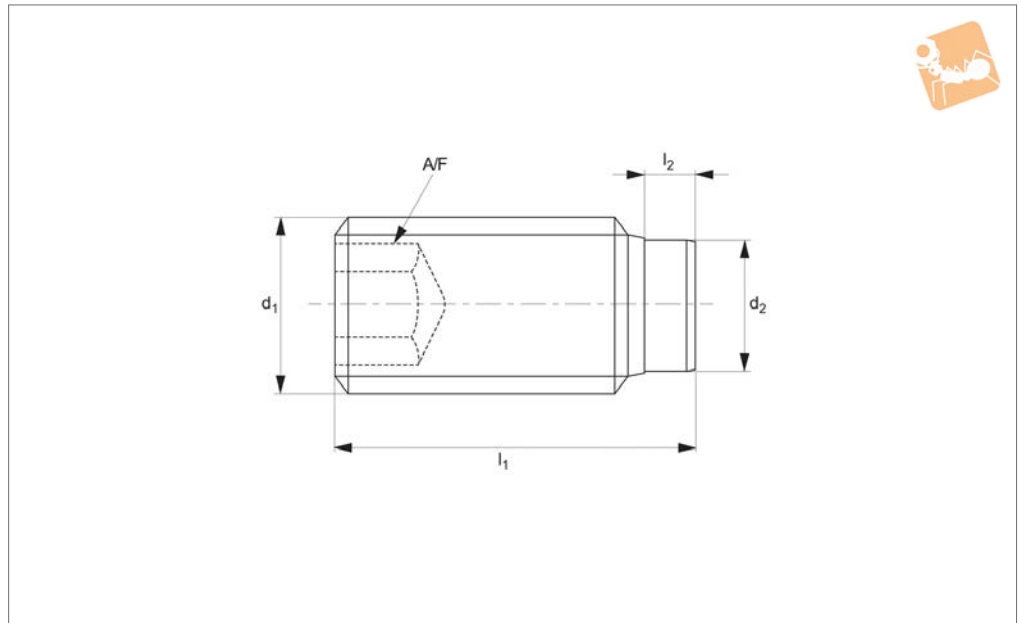


Order No.	l_1 +0.05 -0.0	d_1 +0 -0.025	d_2	d_3	d_4	h_1	l_2	A/F
P0098.060-020-A4	20	6	M 5	10.0	1.3	5.0	6.0	3
P0098.060-025-A4	25	6	M 5	10.0	1.3	5.0	6.0	3
P0098.060-030-A4	30	6	M 5	10.0	1.3	5.0	6.0	3
P0098.080-005-A4	5	8	M 6	12.0	1.6	6.0	11.0	4
P0098.080-006-A4	6	8	M 6	12.0	1.6	6.0	11.0	4
P0098.080-008-A4	8	8	M 6	12.0	1.6	6.0	11.0	4
P0098.080-010-A4	10	8	M 6	12.0	1.6	6.0	11.0	4
P0098.080-012-A4	12	8	M 6	12.0	1.6	6.0	11.0	4
P0098.080-014-A4	14	8	M 6	12.0	1.6	6.0	11.0	4
P0098.080-016-A4	16	8	M 6	12.0	1.6	6.0	11.0	4
P0098.080-020-A4	20	8	M 6	12.0	1.6	6.0	11.0	4
P0098.080-025-A4	25	8	M 6	12.0	1.6	6.0	11.0	4
P0098.080-045-A4	45	8	M 6	12.0	1.6	6.0	11.0	4
P0098.100-008-A4	8	10	M 8	14.0	1.8	7.0	12.0	5
P0098.100-010-A4	10	10	M 8	14.0	1.8	7.0	12.0	5
P0098.100-012-A4	12	10	M 8	14.0	1.8	7.0	12.0	5
P0098.100-016-A4	16	10	M 8	14.0	1.8	7.0	12.0	5
P0098.100-020-A4	20	10	M 8	14.0	1.8	7.0	12.0	5
P0098.100-030-A4	30	10	M 8	14.0	1.8	7.0	12.0	5
P0098.120-012-A4	12	12	M10	20.0	1.8	8.0	12.0	6
P0098.120-025-A4	25	12	M10	20.0	1.8	8.0	12.0	6
P0098.160-100-A4	100	16	M12	24.0	1.8	11.0	12.0	8

VENTED SCREWS



P0121



Material

Screw: heat treated steel, 1200 +/-100 N/mm².
Pad: brass.

Technical Notes

Brass pad pressed in. These thrust screws can be used for gentle clamping or pressing of threaded spindles, axles, shafts or

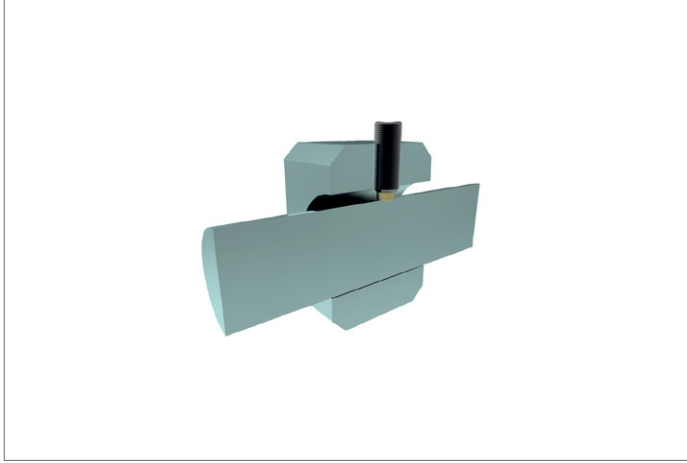
surface treated parts.

Order No.	Material	Type	d ₁	l ₁	l ₂	d ₂	A/F	Weight g
P0121.030-010	Steel	Brass Pad	M 3	10.0	1.0	1.5	1.5	0.5
P0121.040-006	Steel	Brass Pad	M 4	6.5	1.2	2.5	2.0	0.3
P0121.040-010	Steel	Brass Pad	M 4	10.5	1.2	2.5	2.0	0.8
P0121.040-016	Steel	Brass Pad	M 4	16.5	1.2	2.5	2.0	1.2
P0121.050-008	Steel	Brass Pad	M 5	8.5	1.3	3.0	2.5	0.9
P0121.050-012	Steel	Brass Pad	M 5	12.5	1.3	3.0	2.5	1.4
P0121.050-020	Steel	Brass Pad	M 5	20.5	1.3	3.0	2.5	2.1
P0121.060-012	Steel	Brass Pad	M 6	11.5	1.9	4.0	3.0	1.7
P0121.060-026	Steel	Brass Pad	M 6	26.5	1.9	4.0	3.0	4.2
P0121.080-012	Steel	Brass Pad	M 8	12.0	2.5	5.5	4.0	3.0
P0121.080-022	Steel	Brass Pad	M 8	22.0	2.5	5.5	4.0	5.8
P0121.080-032	Steel	Brass Pad	M 8	32.0	2.5	5.5	4.0	8.9
P0121.100-014	Steel	Brass Pad	M10	14.0	2.7	7.0	5.0	5.6
P0121.100-018	Steel	Brass Pad	M10	18.0	2.7	7.0	5.0	6.7
P0121.100-027	Steel	Brass Pad	M10	27.0	2.7	7.0	5.0	11.0
P0121.100-037	Steel	Brass Pad	M10	37.0	2.7	7.0	5.0	16.0
P0121.120-018	Steel	Brass Pad	M12	18.5	3.4	8.5	6.0	10.0
P0121.120-022	Steel	Brass Pad	M12	22.5	3.4	8.5	6.0	12.0
P0121.120-032	Steel	Brass Pad	M12	32.5	3.4	8.5	6.0	20.0
P0121.120-042	Steel	Brass Pad	M12	42.5	3.4	8.5	6.0	29.0



Thrust Screws - Brass Pad steel

Tipped Screws



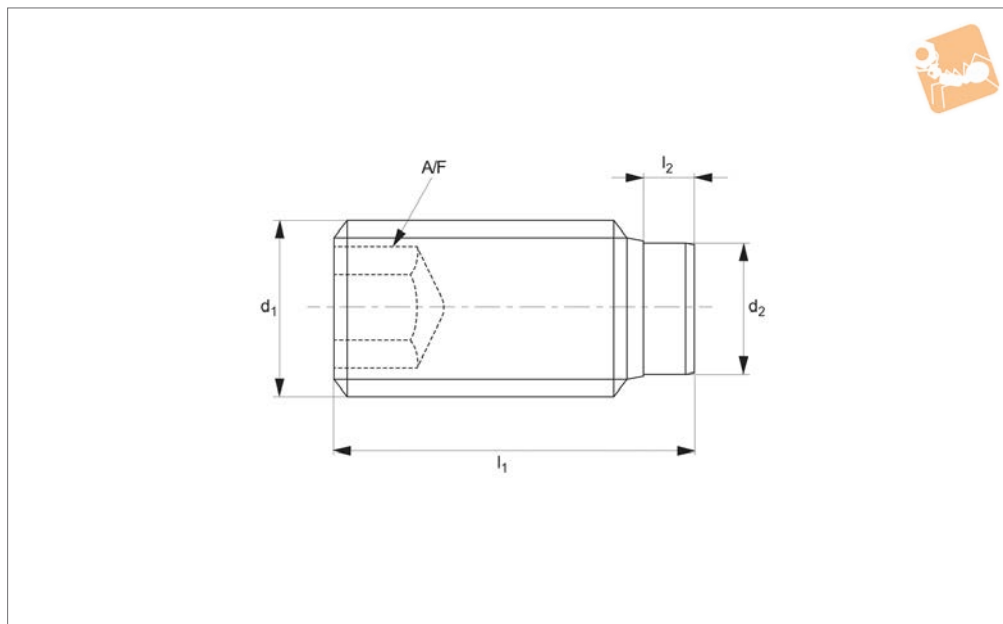
TIPPED SCREWS



TIPPED SCREWS



P0120



Material

Screw: stainless steel 1.4305 (AISI 303).
Pad: brass.

Technical Notes

Brass pad pressed in. These thrust screws can be used for gentle clamping or pres-

sing of threaded spindles, axles, shafts or surface treated parts.

Order No.	Material	Type	d ₁	l ₁	l ₂	d ₂	A/F	Weight g
P0120.030-004	Stainless	Brass Pad	M 3	5.0	1.0	1.5	1.5	0.2
P0120.030-006	Stainless	Brass Pad	M 3	7.5	1.0	1.5	1.5	0.3
P0120.040-006	Stainless	Brass Pad	M 4	6.5	1.2	2.5	2.0	0.3
P0120.040-010	Stainless	Brass Pad	M 4	10.5	1.2	2.5	2.0	0.8
P0120.040-016	Stainless	Brass Pad	M 4	16.5	1.2	2.5	2.0	1.2
P0120.050-008	Stainless	Brass Pad	M 5	8.5	1.3	3.0	2.5	0.9
P0120.050-012	Stainless	Brass Pad	M 5	12.5	1.3	3.0	2.5	1.4
P0120.050-020	Stainless	Brass Pad	M 5	20.5	1.3	3.0	2.5	2.1
P0120.060-012	Stainless	Brass Pad	M 6	11.5	1.9	4.0	3.0	1.7
P0120.060-018	Stainless	Brass Pad	M 6	17.5	1.9	4.0	3.0	2.7
P0120.060-026	Stainless	Brass Pad	M 6	26.5	1.9	4.0	3.0	4.2
P0120.080-012	Stainless	Brass Pad	M 8	12.0	2.5	5.5	4.0	3.0
P0120.080-022	Stainless	Brass Pad	M 8	22.0	2.5	5.5	4.0	5.8
P0120.080-032	Stainless	Brass Pad	M 8	32.0	2.5	5.5	4.0	8.9
P0120.100-014	Stainless	Brass Pad	M10	14.0	2.7	7.0	5.0	5.6
P0120.100-018	Stainless	Brass Pad	M10	18.0	2.7	7.0	5.0	6.7
P0120.100-027	Stainless	Brass Pad	M10	27.0	2.7	7.0	5.0	11.0
P0120.100-037	Stainless	Brass Pad	M10	37.0	2.7	7.0	5.0	16.0
P0120.120-018	Stainless	Brass Pad	M12	18.5	3.4	8.5	6.0	10.0
P0120.120-022	Stainless	Brass Pad	M12	22.5	3.4	8.5	6.0	12.0
P0120.120-032	Stainless	Brass Pad	M12	32.5	3.4	8.5	6.0	20.0
P0120.120-042	Stainless	Brass Pad	M12	42.5	3.4	8.5	6.0	29.0

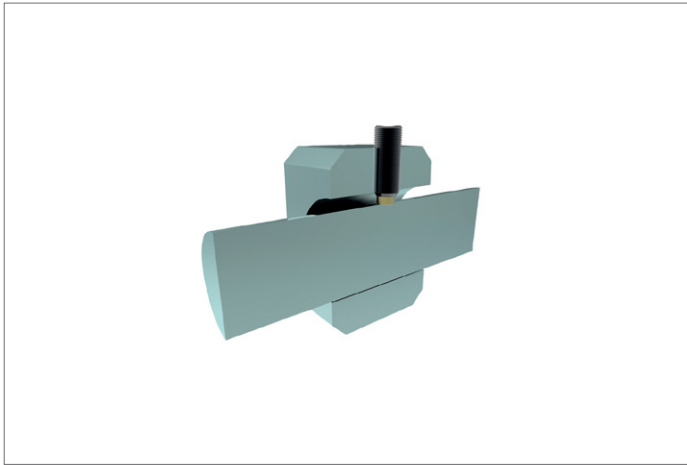


Thrust Screws - Brass Pad

stainless steel



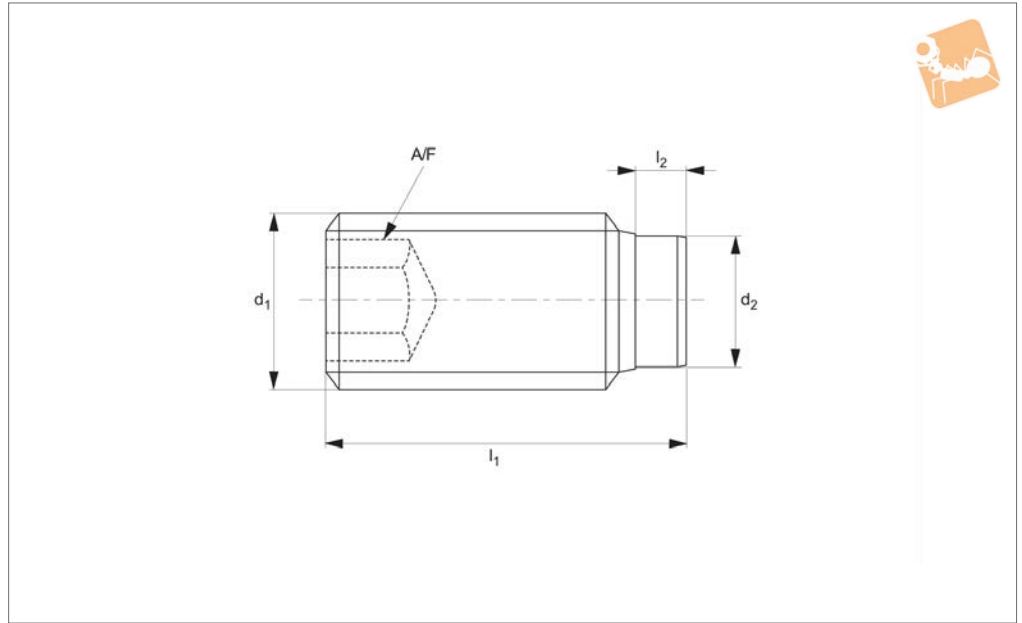
Tipped Screws



TIPPED SCREWS



P0125



Material

Screw: heat treated steel, 1200 +/-100 N/mm².
Pad: thermoplastic POM, white.

Technical Notes

Thermoplastic bolt pressed in.
For gentle clamping or pressing of thread spindles, axles, shafts and surface treated

parts.

Order No.	Material	Type	d ₁	l ₁	l ₂	d ₂	A/F	Weight g
P0125.040-007	Steel	Thermo Pad	M 4	7.0	1.0	2.0	2.0	0.3
P0125.040-009	Steel	Thermo Pad	M 4	9.0	1.0	2.0	2.0	0.4
P0125.040-011	Steel	Thermo Pad	M 4	11.0	1.0	2.0	2.0	0.6
P0125.040-013	Steel	Thermo Pad	M 4	13.0	1.0	2.0	2.0	0.7
P0125.040-017	Steel	Thermo Pad	M 4	17.0	1.0	2.0	2.0	1.0
P0125.040-021	Steel	Thermo Pad	M 4	21.0	1.0	2.0	2.0	1.3
P0125.050-009	Steel	Thermo Pad	M 5	9.0	1.0	3.0	2.5	0.7
P0125.050-011	Steel	Thermo Pad	M 5	11.0	1.0	3.0	2.5	0.8
P0125.050-013	Steel	Thermo Pad	M 5	13.0	1.0	3.0	2.5	1.0
P0125.050-017	Steel	Thermo Pad	M 5	17.0	1.0	3.0	2.5	1.2
P0125.050-021	Steel	Thermo Pad	M 5	21.0	1.0	3.0	2.5	2.0
P0125.050-026	Steel	Thermo Pad	M 5	26.0	1.0	3.0	2.5	2.6
P0125.060-011	Steel	Thermo Pad	M 6	11.3	1.3	3.5	3.0	1.2
P0125.060-013	Steel	Thermo Pad	M 6	13.3	1.3	3.5	3.0	1.5
P0125.060-017	Steel	Thermo Pad	M 6	17.3	1.3	3.5	3.0	2.2
P0125.060-021	Steel	Thermo Pad	M 6	21.3	1.3	3.5	3.0	2.8
P0125.060-026	Steel	Thermo Pad	M 6	26.3	1.3	3.5	3.0	3.8
P0125.060-033	Steel	Thermo Pad	M 6	33.3	1.3	3.5	3.0	4.9
P0125.060-041	Steel	Thermo Pad	M 6	41.3	1.3	3.5	3.0	6.3
P0125.060-051	Steel	Thermo Pad	M 6	51.3	1.3	3.5	3.0	7.9
P0125.080-013	Steel	Thermo Pad	M 8	13.6	1.6	5.0	4.0	2.6
P0125.080-017	Steel	Thermo Pad	M 8	17.6	1.6	5.0	4.0	3.6
P0125.080-021	Steel	Thermo Pad	M 8	21.6	1.6	5.0	4.0	5.0
P0125.080-026	Steel	Thermo Pad	M 8	26.6	1.6	5.0	4.0	6.4
P0125.080-033	Steel	Thermo Pad	M 8	33.6	1.6	5.0	4.0	8.5
P0125.080-041	Steel	Thermo Pad	M 8	41.6	1.6	5.0	4.0	11.0
P0125.080-051	Steel	Thermo Pad	M 8	51.6	1.6	5.0	4.0	14.0
P0125.080-064	Steel	Thermo Pad	M 8	64.6	1.6	5.0	4.0	18.0
P0125.100-018	Steel	Thermo Pad	M10	17.9	1.9	6.5	5.0	5.2
P0125.100-022	Steel	Thermo Pad	M10	21.9	1.9	6.5	5.0	7.1
P0125.100-027	Steel	Thermo Pad	M10	26.9	1.9	6.5	5.0	9.9
P0125.100-034	Steel	Thermo Pad	M10	33.9	1.9	6.5	5.0	13.0
P0125.100-042	Steel	Thermo Pad	M10	41.9	1.9	6.5	5.0	17.0
P0125.100-052	Steel	Thermo Pad	M10	51.9	1.9	6.5	5.0	22.0



Thrust Screws - Plastic Pad steel

Tipped Screws

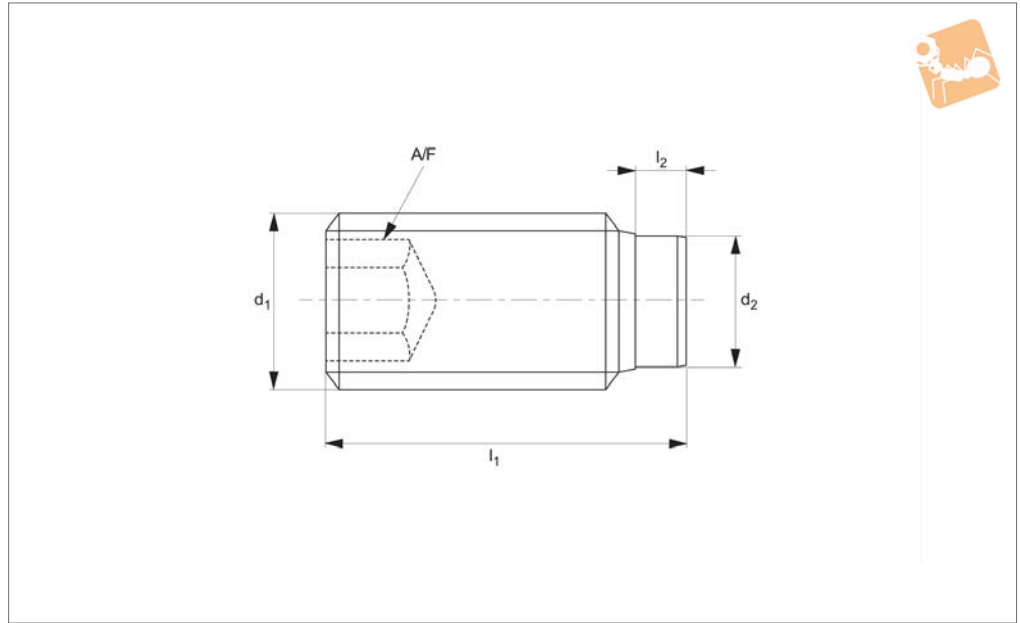


Order No.	Material	Type	d ₁	l ₁	l ₂	d ₂	A/F	Weight g
P0125.100-065	Steel	Thermo Pad	M10	64.9	1.9	6.5	5.0	28.0
P0125.100-082	Steel	Thermo Pad	M10	81.9	1.9	6.5	5.0	36.0
P0125.120-022	Steel	Thermo Pad	M12	22.1	2.1	8.0	6.0	9.0
P0125.120-027	Steel	Thermo Pad	M12	27.1	2.1	8.0	6.0	10.0
P0125.120-034	Steel	Thermo Pad	M12	34.1	2.1	8.0	6.0	19.0
P0125.120-042	Steel	Thermo Pad	M12	42.1	2.1	8.0	6.0	24.0
P0125.120-052	Steel	Thermo Pad	M12	52.1	2.1	8.0	6.0	31.0
P0125.120-065	Steel	Thermo Pad	M12	65.1	2.1	8.0	6.0	40.0
P0125.120-082	Steel	Thermo Pad	M12	82.1	2.1	8.0	6.0	51.0

TIPPED SCREWS



P0124



Material

Screw: stainless steel 1.4305 (AISI 303).
Pad: thermoplastic POM, white.

Technical Notes

Thermoplastic bolt pressed in.
For gentle clamping or pressing of thread

spindles, axles, shafts and surface treated parts.

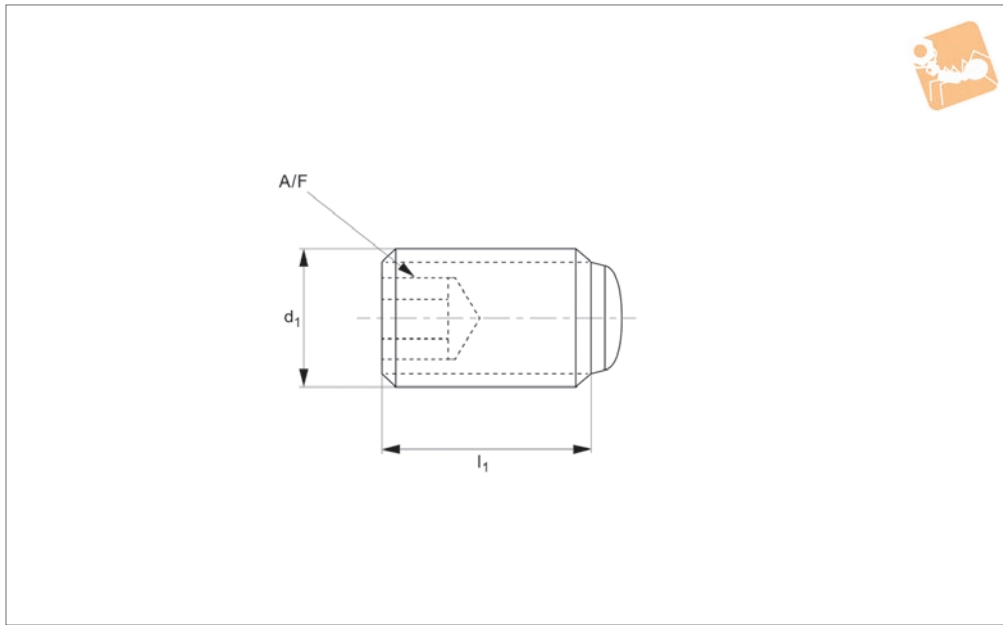
Order No.	Material	Type	d ₁	l ₁	l ₂	d ₂	A/F	Weight g
P0124.030-006	Stainless	Thermo Pad	M 3	5.8	0.8	1.5	1.5	0.3
P0124.040-007	Stainless	Thermo Pad	M 4	7.0	1.0	2.0	2.0	0.3
P0124.040-009	Stainless	Thermo Pad	M 4	9.0	1.0	2.0	2.0	0.4
P0124.040-011	Stainless	Thermo Pad	M 4	11.0	1.0	2.0	2.0	0.6
P0124.040-013	Stainless	Thermo Pad	M 4	13.0	1.0	2.0	2.0	0.7
P0124.040-017	Stainless	Thermo Pad	M 4	17.0	1.0	2.0	2.0	1.0
P0124.050-009	Stainless	Thermo Pad	M 5	9.0	1.0	3.0	2.5	0.7
P0124.050-011	Stainless	Thermo Pad	M 5	11.0	1.0	3.0	2.5	0.8
P0124.050-013	Stainless	Thermo Pad	M 5	13.0	1.0	3.0	2.5	1.0
P0124.050-017	Stainless	Thermo Pad	M 5	17.0	1.0	3.0	2.5	1.2
P0124.050-021	Stainless	Thermo Pad	M 5	21.0	1.0	3.0	2.5	2.0
P0124.060-013	Stainless	Thermo Pad	M 6	13.3	1.3	3.5	3.0	1.5
P0124.060-017	Stainless	Thermo Pad	M 6	17.3	1.3	3.5	3.0	2.2
P0124.060-021	Stainless	Thermo Pad	M 6	21.3	1.3	3.5	3.0	2.8
P0124.060-033	Stainless	Thermo Pad	M 6	33.3	1.3	3.5	3.0	4.9
P0124.080-013	Stainless	Thermo Pad	M 8	13.6	1.6	5.0	4.0	2.6
P0124.080-017	Stainless	Thermo Pad	M 8	17.6	1.6	5.0	4.0	3.6
P0124.080-021	Stainless	Thermo Pad	M 8	21.6	1.6	5.0	4.0	5.0
P0124.080-026	Stainless	Thermo Pad	M 8	26.6	1.6	5.0	4.0	6.4
P0124.080-033	Stainless	Thermo Pad	M 8	33.6	1.6	5.0	4.0	8.5
P0124.080-041	Stainless	Thermo Pad	M 8	41.6	1.6	5.0	4.0	11.0
P0124.100-018	Stainless	Thermo Pad	M10	17.9	1.9	6.5	5.0	5.2
P0124.100-022	Stainless	Thermo Pad	M10	21.9	1.9	6.5	5.0	7.1
P0124.100-027	Stainless	Thermo Pad	M10	26.9	1.9	6.5	5.0	9.9
P0124.100-034	Stainless	Thermo Pad	M10	33.9	1.9	6.5	5.0	13.0
P0124.100-042	Stainless	Thermo Pad	M10	41.9	1.9	6.5	5.0	17.0
P0124.100-052	Stainless	Thermo Pad	M10	51.9	1.9	6.5	5.0	22.0
P0124.120-022	Stainless	Thermo Pad	M12	22.1	2.1	8.0	6.0	9.0
P0124.120-027	Stainless	Thermo Pad	M12	27.1	2.1	8.0	6.0	10.0
P0124.120-034	Stainless	Thermo Pad	M12	34.1	2.1	8.0	6.0	19.0
P0124.120-042	Stainless	Thermo Pad	M12	42.1	2.1	8.0	6.0	24.0
P0124.120-052	Stainless	Thermo Pad	M12	52.1	2.1	8.0	6.0	31.0
P0124.120-065	Stainless	Thermo Pad	M12	65.1	2.1	8.0	6.0	40.0



Solder Tipped Set Screws

hex. socket

Tipped Screws



P0129

TIPPED SCREWS

Material

Stainless steel (A2), with silver solder (semi-soft) tip.

face control, will not mar or damage shaft or part.

Length of screw excludes length of silver solder tip.

Technical Notes

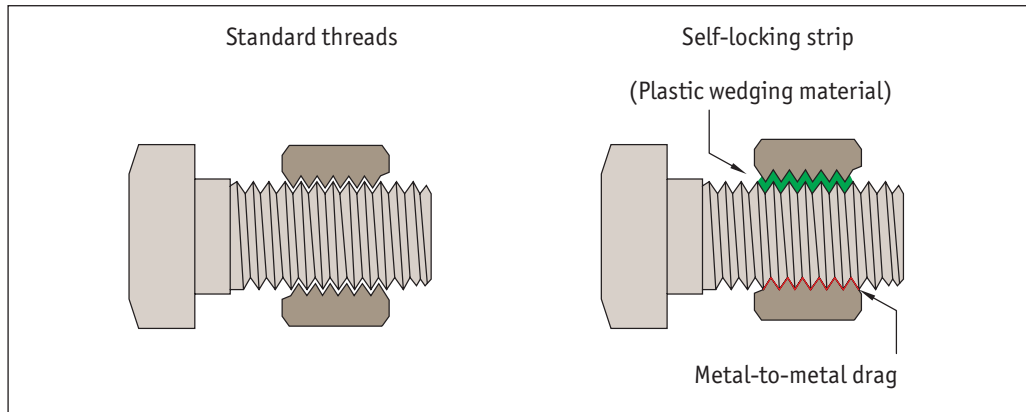
Self-locking, extra holding power for full

Order No.	d ₁	l ₁ nom.	A/F
P0129.020-003	M 2	3	0.9
P0129.020-004	M 2	4	0.9
P0129.020-005	M 2	5	0.9
P0129.020-006	M 2	6	0.9
P0129.030-003	M 3	3	1.5
P0129.030-004	M 3	4	1.5
P0129.030-005	M 3	5	1.5
P0129.030-006	M 3	6	1.5
P0129.040-004	M 4	4	2.0
P0129.040-006	M 4	6	2.0
P0129.040-010	M 4	10	2.0
P0129.040-014	M 4	14	2.0
P0129.050-006	M 5	6	2.5
P0129.050-010	M 5	10	2.5
P0129.050-014	M 5	14	2.5
P0129.050-020	M 5	20	2.5
P0129.060-006	M 6	6	3.0
P0129.060-010	M 6	10	3.0
P0129.060-016	M 6	16	3.0
P0129.060-025	M 6	25	3.0
P0129.080-010	M 8	10	4.0
P0129.080-016	M 8	16	4.0
P0129.080-025	M 8	25	4.0
P0129.100-012	M10	12	5.0
P0129.100-020	M10	20	5.0
P0129.100-030	M10	30	5.0



This type of fastener is the only fastener that retains its locking torque independent of an axial load. When pre-load is lost, the prevailing torque fastener can prevent the loosening of an assembly subjected to continued shock or vibration.

The nylon strip wedges the fastener against the opposite of the locking device, causing metal-to-metal drag.



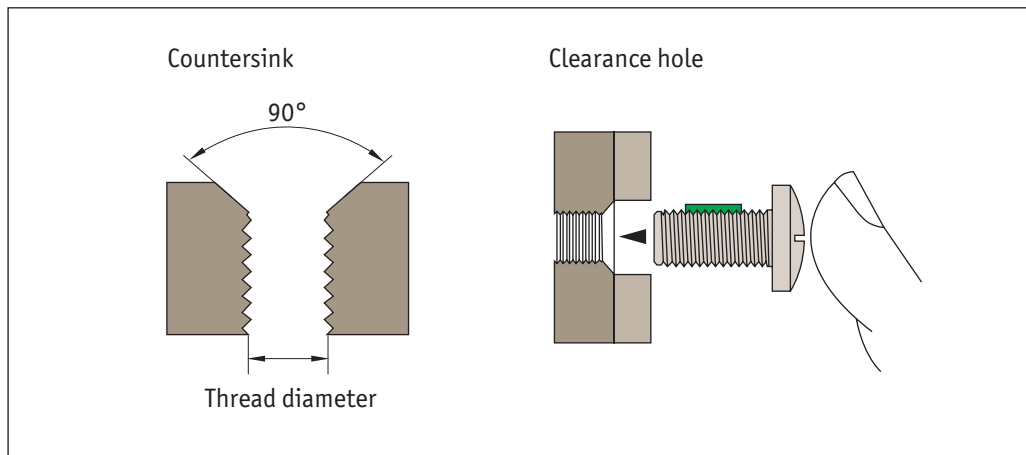
A resilient polymer (generally nylon) strip is inserted into a precisely machined slot that is milled into the thread. The strips are typically positioned one to three threads back from the end of the fastener to assure ease of starting.

When assembled with a mating part the strip is compressed and this provides a locking action in the thread. The locking strip is held in place on the thread without the use of adhesives or thread distortion. This results in a reusable fastener that is both locking and repeatedly adjustable.

These self-locking fasteners are produced to IFI 524 standard (requiring a re-usability of up to 15 on/off cycles). The strips will not dry, shrink or lose resiliency when exposed to commercial solvents, alcohol, oil etc.

Standard nylon temperature range (-50°C to +120°C). Other materials available which can offer -250°C to +300°C (with lower reusability cycles).

We recommend a countersunk or counter-bored clearance hole to aid installation.



Plating

Locking inserts can be damaged by some plating processes or surface treatments so should never be attempted after user installation.

Please advise Automation components of any plating requirements when ordering so that the appropriate process can be applied.

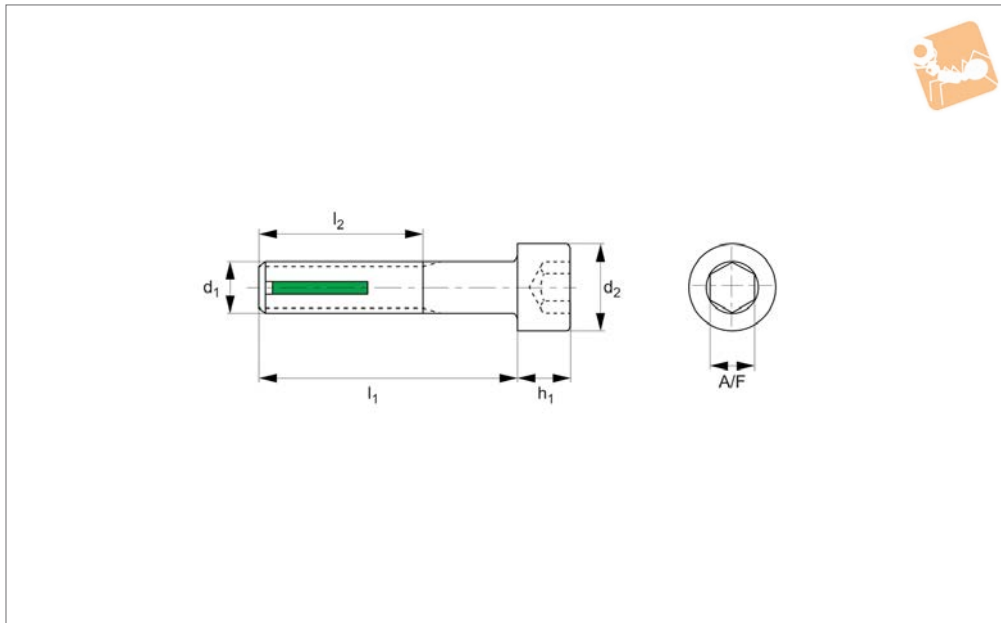
Locking insert patches should never be removed by the end user. Removal and replacement will destroy the effectiveness of the insert.



Self-Locking Cap Screws

Hex cap - nylon strip

Self Locking Screws



P0110

SELF LOCKING SCREWS

Material

Stainless steel A2, with nylon locking patch.
A4 available on request.

Technical Notes

Screw to DIN 912 with locking patch. Vibration proof.
Standard green locking patch. Breakaway torque values are complex and can be

calculated on request.
Can be manufactured to MIL spec on request (MIL-DTL-18240 and NAS1283).

Tips

Surface finishes such as cadmium plating, nickel plating, armalloy coating, black oxide coating - all available on request.
Due to the wide range of sizes, material grades and finishes, these parts are manu-

factured on demand - minimum batch size is 100 pieces.

Important Notes

For the majority of screw lengths the threads goes all the way to the head of the screw (i.e. $l_1 = l_2$).
For longer length screws the threaded portion $l_2 < l_1$.

Order No.	d ₁	l ₁	d ₂	l ₂ max.	h ₁	A/F
P0110.020-004L	M 2	4	3.8	-	2	1.5
P0110.020-005L	M 2	5	3.8	-	2	1.5
P0110.020-006L	M 2	6	3.8	-	2	1.5
P0110.020-008L	M 2	8	3.8	-	2	1.5
P0110.020-010L	M 2	10	3.8	-	2	1.5
P0110.020-012L	M 2	12	3.8	-	2	1.5
P0110.020-014L	M 2	14	3.8	-	2	1.5
P0110.020-016L	M 2	16	3.8	-	2	1.5
P0110.020-020L	M 2	20	3.8	-	2	1.5
P0110.025-004L	M2,5	4	4.5	-	2.5	2
P0110.025-005L	M2,5	5	4.5	-	2.5	2
P0110.025-006L	M2,5	6	4.5	-	2.5	2
P0110.025-008L	M2,5	8	4.5	-	2.5	2
P0110.025-010L	M2,5	10	4.5	-	2.5	2
P0110.025-012L	M2,5	12	4.5	-	2.5	2
P0110.025-014L	M2,5	14	4.5	-	2.5	2
P0110.025-016L	M2,5	16	4.5	-	2.5	2
P0110.025-020L	M2,5	20	4.5	-	2.5	2
P0110.030-004L	M 3	4	5.5	-	3	2.5
P0110.030-005L	M 3	5	5.5	-	3	2.5
P0110.030-006L	M 3	6	5.5	-	3	2.5
P0110.030-008L	M 3	8	5.5	-	3	2.5
P0110.030-010L	M 3	10	5.5	-	3	2.5
P0110.030-012L	M 3	12	5.5	-	3	2.5
P0110.030-014L	M 3	14	5.5	-	3	2.5
P0110.030-016L	M 3	16	5.5	-	3	2.5
P0110.030-018L	M 3	18	5.5	-	3	2.5
P0110.030-020L	M 3	20	5.5	-	3	2.5



Order No.	d ₁	l ₁	d ₂	l ₂ max.	h ₁	A/F
P0110.030-025L	M 3	25	5.5	18	3	2.5
P0110.030-030L	M 3	30	5.5	18	3	2.5
P0110.030-035L	M 3	35	5.5	18	3	2.5
P0110.030-040L	M 3	40	5.5	18	3	2.5
P0110.030-045L	M 3	45	5.5	18	3	2.5
P0110.030-050L	M 3	50	5.5	18	3	2.5
P0110.040-005L	M 4	5	7	-	4	3
P0110.040-006L	M 4	6	7	-	4	3
P0110.040-008L	M 4	8	7	-	4	3
P0110.040-010L	M 4	10	7	-	4	3
P0110.040-012L	M 4	12	7	-	4	3
P0110.040-014L	M 4	14	7	-	4	3
P0110.040-016L	M 4	16	7	-	4	3
P0110.040-018L	M 4	18	7	-	4	3
P0110.040-020L	M 4	20	7	-	4	3
P0110.040-025L	M 4	25	7	-	4	3
P0110.040-030L	M 4	30	7	20	4	3
P0110.040-035L	M 4	35	7	20	4	3
P0110.040-040L	M 4	40	7	20	4	3
P0110.040-045L	M 4	45	7	20	4	3
P0110.040-050L	M 4	50	7	20	4	3
P0110.040-055L	M 4	55	7	20	4	3
P0110.040-060L	M 4	60	7	20	4	3
P0110.040-070L	M 4	70	7	20	4	3
P0110.050-006L	M 5	6	8.5	-	5	4
P0110.050-008L	M 5	8	8.5	-	5	4
P0110.050-010L	M 5	10	8.5	-	5	4
P0110.050-012L	M 5	12	8.5	-	5	4
P0110.050-014L	M 5	14	8.5	-	5	4
P0110.050-016L	M 5	16	8.5	-	5	4
P0110.050-018L	M 5	18	8.5	-	5	4
P0110.050-020L	M 5	20	8.5	-	5	4
P0110.050-025L	M 5	25	8.5	-	5	4
P0110.050-030L	M 5	30	8.5	22	5	4
P0110.050-035L	M 5	35	8.5	22	5	4
P0110.050-040L	M 5	40	8.5	22	5	4
P0110.050-045L	M 5	45	8.5	22	5	4
P0110.050-050L	M 5	50	8.5	22	5	4
P0110.050-055L	M 5	55	8.5	22	5	4
P0110.050-060L	M 5	60	8.5	22	5	4
P0110.050-065L	M 5	65	8.5	22	5	4
P0110.050-070L	M 5	70	8.5	22	5	4
P0110.050-080L	M 5	80	8.5	22	5	4
P0110.050-090L	M 5	90	8.5	22	5	4
P0110.050-100L	M 5	100	8.5	22	5	4
P0110.060-006L	M 6	6	10	-	6	5
P0110.060-008L	M 6	8	10	-	6	5
P0110.060-010L	M 6	10	10	-	6	5
P0110.060-012L	M 6	12	10	-	6	5
P0110.060-014L	M 6	14	10	-	6	5
P0110.060-016L	M 6	16	10	-	6	5
P0110.060-018L	M 6	18	10	-	6	5
P0110.060-020L	M 6	20	10	-	6	5
P0110.060-025L	M 6	25	10	-	6	5
P0110.060-030L	M 6	30	10	-	6	5
P0110.060-035L	M 6	35	10	24	6	5
P0110.060-040L	M 6	40	10	24	6	5
P0110.060-045L	M 6	45	10	24	6	5
P0110.060-050L	M 6	50	10	24	6	5
P0110.060-055L	M 6	55	10	24	6	5
P0110.060-060L	M 6	60	10	24	6	5
P0110.060-065L	M 6	65	10	24	6	5
P0110.060-070L	M 6	70	10	24	6	5
P0110.060-080L	M 6	80	10	24	6	5
P0110.060-090L	M 6	90	10	24	6	5
P0110.060-100L	M 6	100	10	24	6	5
P0110.060-110L	M 6	110	10	24	6	5
P0110.060-120L	M 6	120	10	24	6	5



Self-Locking Cap Screws

Hex cap - nylon strip

Self Locking
Screws

Order No.	d ₁	l ₁	d ₂	l ₂ max.	h ₁	A/F
P0110.060-130L	M 6	130	10	24	6	5
P0110.060-140L	M 6	140	10	24	6	5
P0110.060-150L	M 6	150	10	24	6	5
P0110.080-010L	M 8	10	13	-	8	6
P0110.080-012L	M 8	12	13	-	8	6
P0110.080-014L	M 8	14	13	-	8	6
P0110.080-016L	M 8	16	13	-	8	6
P0110.080-018L	M 8	18	13	-	8	6
P0110.080-020L	M 8	20	13	-	8	6
P0110.080-025L	M 8	25	13	-	8	6
P0110.080-030L	M 8	30	13	-	8	6
P0110.080-035L	M 8	35	13	-	8	6
P0110.080-040L	M 8	40	13	28	8	6
P0110.080-045L	M 8	45	13	28	8	6
P0110.080-050L	M 8	50	13	28	8	6
P0110.080-055L	M 8	55	13	28	8	6
P0110.080-060L	M 8	60	13	28	8	6
P0110.080-065L	M 8	65	13	28	8	6
P0110.080-070L	M 8	70	13	28	8	6
P0110.080-080L	M 8	80	13	28	8	6
P0110.080-090L	M 8	90	13	28	8	6
P0110.080-100L	M 8	100	13	28	8	6
P0110.080-110L	M 8	110	13	28	8	6
P0110.080-120L	M 8	120	13	28	8	6
P0110.080-130L	M 8	130	13	28	8	6
P0110.080-140L	M 8	140	13	28	8	6
P0110.080-150L	M 8	150	13	28	8	6
P0110.080-160L	M 8	160	13	28	8	6
P0110.100-012L	M10	12	16	-	10	8
P0110.100-016L	M10	16	16	-	10	8
P0110.100-018L	M10	18	16	-	10	8
P0110.100-020L	M10	20	16	-	10	8
P0110.100-025L	M10	25	16	-	10	8
P0110.100-030L	M10	30	16	-	10	8
P0110.100-035L	M10	35	16	-	10	8
P0110.100-040L	M10	40	16	-	10	8
P0110.100-045L	M10	45	16	32	10	8
P0110.100-050L	M10	50	16	32	10	8
P0110.100-055L	M10	55	16	32	10	8
P0110.100-060L	M10	60	16	32	10	8
P0110.100-065L	M10	65	16	32	10	8
P0110.100-070L	M10	70	16	32	10	8
P0110.100-075L	M10	75	16	32	10	8
P0110.100-080L	M10	80	16	32	10	8
P0110.100-090L	M10	90	16	32	10	8
P0110.100-100L	M10	100	16	32	10	8
P0110.100-110L	M10	110	16	32	10	8
P0110.100-120L	M10	120	16	32	10	8
P0110.100-130L	M10	130	16	32	10	8
P0110.100-140L	M10	140	16	32	10	8
P0110.100-150L	M10	150	16	32	10	8
P0110.100-160L	M10	160	16	32	10	8
P0110.120-016L	M12	16	18	-	12	10
P0110.120-020L	M12	20	18	-	12	10
P0110.120-025L	M12	25	18	-	12	10
P0110.120-030L	M12	30	18	-	12	10
P0110.120-035L	M12	35	18	-	12	10
P0110.120-040L	M12	40	18	-	12	10
P0110.120-045L	M12	45	18	-	12	10
P0110.120-050L	M12	50	18	-	12	10
P0110.120-055L	M12	55	18	36	12	10
P0110.120-060L	M12	60	18	36	12	10
P0110.120-065L	M12	65	18	36	12	10
P0110.120-070L	M12	70	18	36	12	10
P0110.120-080L	M12	80	18	36	12	10
P0110.120-090L	M12	90	18	36	12	10
P0110.120-100L	M12	100	18	36	12	10
P0110.120-110L	M12	110	18	36	12	10

SELF LOCKING SCREWS



Order No.	d ₁	l ₁	d ₂	l ₂ max.	h ₁	A/F
P0110.120-120L	M12	120	18	36	12	10
P0110.120-130L	M12	130	18	36	12	10
P0110.120-140L	M12	140	18	36	12	10
P0110.120-150L	M12	150	18	36	12	10
P0110.120-160L	M12	160	18	36	12	10
P0110.140-020L	M14	20	21	-	14	12
P0110.140-025L	M14	25	21	-	14	12
P0110.140-030L	M14	30	21	-	14	12
P0110.140-035L	M14	35	21	-	14	12
P0110.140-040L	M14	40	21	-	14	12
P0110.140-045L	M14	45	21	-	14	12
P0110.140-050L	M14	50	21	-	14	12
P0110.140-055L	M14	55	21	-	14	12
P0110.140-060L	M14	60	21	40	14	12
P0110.140-065L	M14	65	21	40	14	12
P0110.140-070L	M14	70	21	40	14	12
P0110.140-080L	M14	80	21	40	14	12
P0110.140-090L	M14	90	21	40	14	12
P0110.140-100L	M14	100	21	40	14	12
P0110.140-110L	M14	110	21	40	14	12
P0110.140-120L	M14	120	21	40	14	12
P0110.140-130L	M14	130	21	40	14	12
P0110.140-140L	M14	140	21	40	14	12
P0110.140-150L	M14	150	21	40	14	12
P0110.140-160L	M14	160	21	40	14	12
P0110.160-020L	M16	20	24	-	16	14
P0110.160-025L	M16	25	24	-	16	14
P0110.160-030L	M16	30	24	-	16	14
P0110.160-035L	M16	35	24	-	16	14
P0110.160-040L	M16	40	24	-	16	14
P0110.160-045L	M16	45	24	-	16	14
P0110.160-050L	M16	50	24	-	16	14
P0110.160-055L	M16	55	24	-	16	14
P0110.160-060L	M16	60	24	-	16	14
P0110.160-065L	M16	65	24	40	16	14
P0110.160-070L	M16	70	24	40	16	14
P0110.160-080L	M16	80	24	40	16	14
P0110.160-090L	M16	90	24	40	16	14
P0110.160-100L	M16	100	24	40	16	14
P0110.160-110L	M16	110	24	40	16	14
P0110.160-120L	M16	120	24	40	16	14
P0110.160-130L	M16	130	24	40	16	14
P0110.160-140L	M16	140	24	40	16	14
P0110.160-150L	M16	150	24	40	16	14
P0110.160-160L	M16	160	24	40	16	14
P0110.180-030L	M18	30	27	-	18	14
P0110.180-035L	M18	35	27	-	18	14
P0110.180-040L	M18	40	27	-	18	14
P0110.180-045L	M18	45	27	-	18	14
P0110.180-050L	M18	50	27	-	18	14
P0110.180-055L	M18	55	27	-	18	14
P0110.180-060L	M18	60	27	-	18	14
P0110.180-065L	M18	65	27	-	18	14
P0110.180-070L	M18	70	27	48	18	14
P0110.180-075L	M18	75	27	48	18	14
P0110.180-080L	M18	80	27	48	18	14
P0110.180-090L	M18	90	27	48	18	14
P0110.180-100L	M18	100	27	48	18	14
P0110.180-110L	M18	110	27	48	18	14
P0110.180-120L	M18	120	27	48	18	14
P0110.180-130L	M18	130	27	48	18	14
P0110.180-140L	M18	140	27	48	18	14
P0110.180-150L	M18	150	27	48	18	14
P0110.180-160L	M18	160	27	48	18	14
P0110.200-030L	M20	30	30	-	20	17
P0110.200-035L	M20	35	30	-	20	17
P0110.200-040L	M20	40	30	-	20	17
P0110.200-045L	M20	45	30	-	20	17



Self-Locking Cap Screws

Hex cap - nylon strip

Self Locking
Screws

Order No.	d ₁	l ₁	d ₂	l ₂ max.	h ₁	A/F
P0110.200-050L	M20	50	30	-	20	17
P0110.200-055L	M20	55	30	-	20	17
P0110.200-060L	M20	60	30	-	20	17
P0110.200-065L	M20	65	30	-	20	17
P0110.200-070L	M20	70	30	-	20	17
P0110.200-080L	M20	80	30	52	20	17
P0110.200-090L	M20	90	30	52	20	17
P0110.200-100L	M20	100	30	52	20	17
P0110.200-110L	M20	110	30	52	20	17
P0110.200-120L	M20	120	30	52	20	17
P0110.200-130L	M20	130	30	52	20	17
P0110.200-140L	M20	140	30	52	20	17
P0110.200-150L	M20	150	30	52	20	17
P0110.200-160L	M20	160	30	52	20	17
P0110.240-040L	M24	40	36	-	24	19
P0110.240-045L	M24	45	36	-	24	19
P0110.240-050L	M24	50	36	-	24	19
P0110.240-055L	M24	55	36	-	24	19
P0110.240-060L	M24	60	36	-	24	19
P0110.240-065L	M24	65	36	-	24	19
P0110.240-070L	M24	70	36	-	24	19
P0110.240-080L	M24	80	36	-	24	19
P0110.240-090L	M24	90	36	-	24	19
P0110.240-100L	M24	100	36	66	24	19
P0110.240-110L	M24	110	36	66	24	19
P0110.240-120L	M24	120	36	66	24	19
P0110.240-130L	M24	130	36	66	24	19
P0110.240-140L	M24	140	36	66	24	19
P0110.240-150L	M24	150	36	66	24	19

SELF LOCKING SCREWS



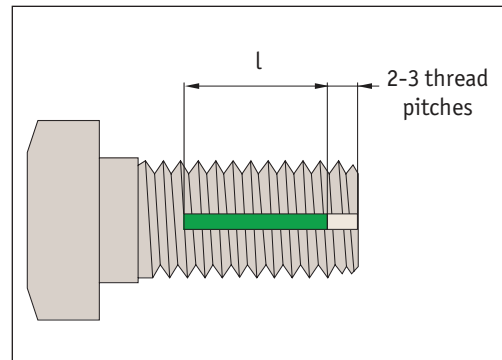
Strip materials

Materials	Colour code	Operating Temperature Range	Material Specification
Polycap Nylon	Green	-50°C to +120°C	ASTM-D-4066
Kel-F®*	Blue	-200°C to +200°C	AMS 3650
Vespel®	Brown	-250°C to +300°C	-
Hot-Lok™**	Silver	-250°C to +650°C	-

*These inserts are not recommended for reuse. Consult Automation Components for technical details.

Standard "L" dimensions

Thread size	Approx "L" insert length
1,5	3,5
1,8	3,5
2,2	4,5
2,5	4,5
3,0	6,0
3,5	7,5
4,0	8,5
5,0	8,5
6,5	11,0
8,0	10,7
9,5	12,0
11,0	13,5
12,5	14,0
14,0	14,5
16,0	16,0
19,0	19,0
22,0	19,0
25,0	19,0



Insert length can be affected by overall length of thread.

Self-Locking Fasteners from Automation Components

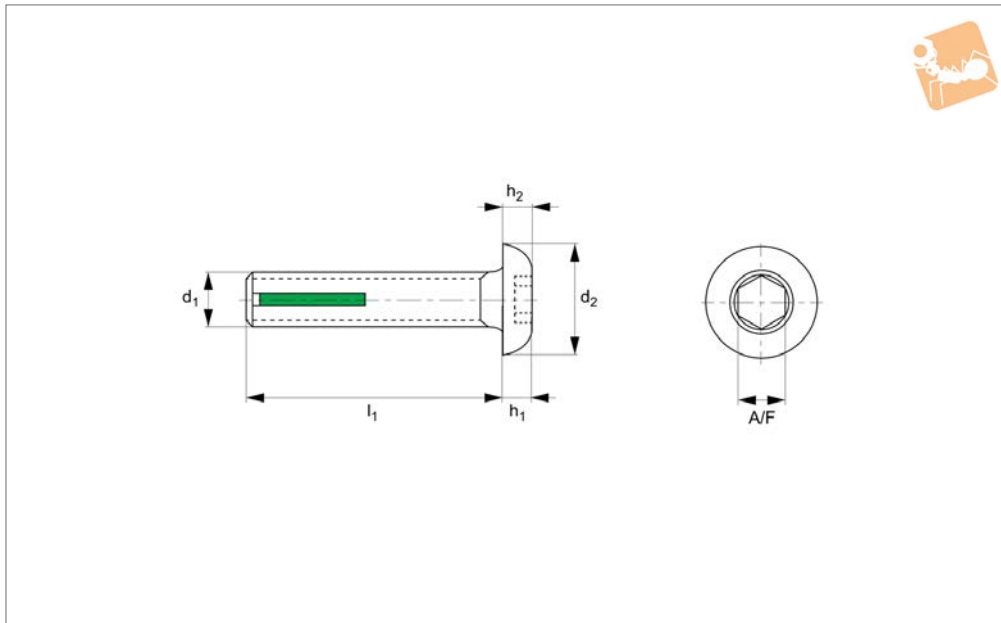
SELF-LOCKING SCREWS



Self-Locking Button Head Screws

Hex button head - nylon strip

Self Locking
Screws



P0111

SELF LOCKING SCREWS

Material

Stainless steel A2, with nylon locking patch.
A4 available on request.

Technical Notes

To ISO 7380 with nylon locking patch.
Vibration proof.
Threaded within 2,5 x pitch of head.

Screw to DIN 912 with locking patch.

Standard green locking patch. Breakaway torque values are complex and can be calculated on request.

Can be manufactured to MIL spec on request (MIL-DTL-18240 and NAS1283).

Tips

Surface finishes such as cadmium plating,

nickel plating, armalloy coating, black oxide coating - all available on request. Due to the wide range of sizes, material grades and finishes, these parts are manufactured on demand - minimum batch size is 100 pieces.

Order No.	d ₁	l ₁	d ₂	h ₁	h ₂	A/F
P0111.030-004L	M 3	4	5.7	1.65	1.04	2
P0111.030-005L	M 3	5	5.7	1.65	1.04	2
P0111.030-006L	M 3	6	5.7	1.65	1.04	2
P0111.030-008L	M 3	8	5.7	1.65	1.04	2
P0111.030-010L	M 3	10	5.7	1.65	1.04	2
P0111.030-012L	M 3	12	5.7	1.65	1.04	2
P0111.030-016L	M 3	16	5.7	1.65	1.04	2
P0111.030-020L	M 3	20	5.7	1.65	1.04	2
P0111.030-025L	M 3	25	5.7	1.65	1.04	2
P0111.030-030L	M 3	30	5.7	1.65	1.04	2
P0111.030-035L	M 3	35	5.7	1.65	1.04	2
P0111.030-040L	M 3	40	5.7	1.65	1.04	2
P0111.040-005L	M 4	5	7.6	2.2	1.3	2.5
P0111.040-006L	M 4	6	7.6	2.2	1.3	2.5
P0111.040-008L	M 4	8	7.6	2.2	1.3	2.5
P0111.040-010L	M 4	10	7.6	2.2	1.3	2.5
P0111.040-012L	M 4	12	7.6	2.2	1.3	2.5
P0111.040-014L	M 4	14	7.6	2.2	1.3	2.5
P0111.040-016L	M 4	16	7.6	2.2	1.3	2.5
P0111.040-020L	M 4	20	7.6	2.2	1.3	2.5
P0111.040-025L	M 4	25	7.6	2.2	1.3	2.5
P0111.040-030L	M 4	30	7.6	2.2	1.3	2.5
P0111.040-035L	M 4	35	7.6	2.2	1.3	2.5
P0111.040-040L	M 4	40	7.6	2.2	1.3	2.5
P0111.040-045L	M 4	45	7.6	2.2	1.3	2.5
P0111.040-050L	M 4	40	7.6	2.2	1.3	2.5
P0111.050-005L	M 5	5	9.5	2.75	1.56	3
P0111.050-006L	M 5	6	9.5	2.75	1.56	3
P0111.050-008L	M 5	8	9.5	2.75	1.56	3



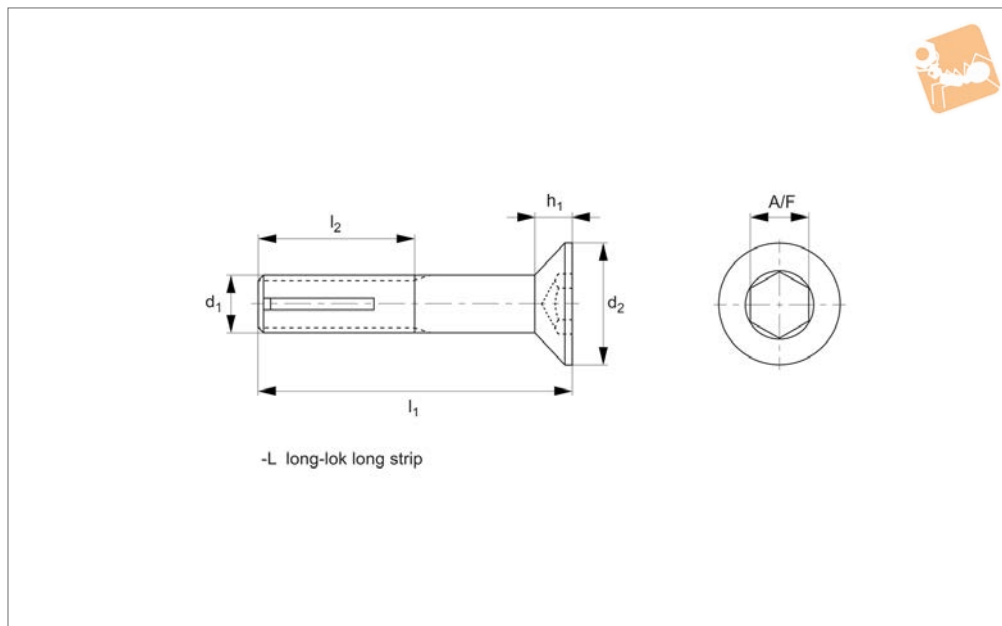
Order No.	d ₁	l ₁	d ₂	h ₁	h ₂	A/F
P0111.050-010L	M 5	10	9.5	2.75	1.56	3
P0111.050-012L	M 5	12	9.5	2.75	1.56	3
P0111.050-014L	M 5	14	9.5	2.75	1.56	3
P0111.050-016L	M 5	16	9.5	2.75	1.56	3
P0111.050-020L	M 5	20	9.5	2.75	1.56	3
P0111.050-025L	M 5	25	9.5	2.75	1.56	3
P0111.050-030L	M 5	30	9.5	2.75	1.56	3
P0111.050-035L	M 5	35	9.5	2.75	1.56	3
P0111.050-040L	M 5	40	9.5	2.75	1.56	3
P0111.050-045L	M 5	45	9.5	2.75	1.56	3
P0111.050-050L	M 5	50	9.5	2.75	1.56	3
P0111.050-055L	M 5	55	9.5	2.75	1.56	3
P0111.050-060L	M 5	60	9.5	2.75	1.56	3
P0111.060-008L	M 6	8	10.5	3.3	2.08	4
P0111.060-010L	M 6	10	10.5	3.3	2.08	4
P0111.060-012L	M 6	12	10.5	3.3	2.08	4
P0111.060-014L	M 6	14	10.5	3.3	2.08	4
P0111.060-016L	M 6	16	10.5	3.3	2.08	4
P0111.060-020L	M 6	20	10.5	3.3	2.08	4
P0111.060-025L	M 6	25	10.5	3.3	2.08	4
P0111.060-030L	M 6	30	10.5	3.3	2.08	4
P0111.060-035L	M 6	35	10.5	3.3	2.08	4
P0111.060-040L	M 6	40	10.5	3.3	2.08	4
P0111.060-045L	M 6	45	10.5	3.3	2.08	4
P0111.060-050L	M 6	50	10.5	3.3	2.08	4
P0111.060-055L	M 6	55	10.5	3.3	2.08	4
P0111.060-060L	M 6	60	10.5	3.3	2.08	4
P0111.060-070L	M 6	70	10.5	3.3	2.08	4
P0111.080-010L	M 8	10	14	4.4	2.6	5
P0111.080-012L	M 8	12	14	4.4	2.6	5
P0111.080-014L	M 8	14	14	4.4	2.6	5
P0111.080-016L	M 8	16	14	4.4	2.6	5
P0111.080-020L	M 8	20	14	4.4	2.6	5
P0111.080-025L	M 8	25	14	4.4	2.6	5
P0111.080-030L	M 8	30	14	4.4	2.6	5
P0111.080-035L	M 8	35	14	4.4	2.6	5
P0111.080-040L	M 8	40	14	4.4	2.6	5
P0111.080-045L	M 8	45	14	4.4	2.6	5
P0111.080-050L	M 8	50	14	4.4	2.6	5
P0111.080-055L	M 8	55	14	4.4	2.6	5
P0111.080-060L	M 8	60	14	4.4	2.6	5
P0111.080-070L	M 8	70	14	4.4	2.6	5
P0111.080-080L	M 8	80	14	4.4	2.6	5
P0111.100-012L	M10	12	17.5	5.5	3.12	6
P0111.100-016L	M10	16	17.5	5.5	3.12	6
P0111.100-020L	M10	20	17.5	5.5	3.12	6
P0111.100-025L	M10	25	17.5	5.5	3.12	6
P0111.100-030L	M10	30	17.5	5.5	3.12	6
P0111.100-035L	M10	35	17.5	5.5	3.12	6
P0111.100-040L	M10	40	17.5	5.5	3.12	6
P0111.100-045L	M10	45	17.5	5.5	3.12	6
P0111.100-050L	M10	50	17.5	5.5	3.12	6
P0111.100-055L	M10	55	17.5	5.5	3.12	6
P0111.100-060L	M10	60	17.5	5.5	3.12	6
P0111.100-070L	M10	70	17.5	5.5	3.12	6
P0111.100-080L	M10	80	17.5	5.5	3.12	6
P0111.120-020L	M12	20	21	6.6	4.16	8
P0111.120-025L	M12	25	21	6.6	4.16	8
P0111.120-030L	M12	30	21	6.6	4.16	8
P0111.120-035L	M12	35	21	6.6	4.16	8
P0111.120-040L	M12	40	21	6.6	4.16	8
P0111.120-045L	M12	45	21	6.6	4.16	8
P0111.120-050L	M12	50	21	6.6	4.16	8
P0111.120-055L	M12	55	21	6.6	4.16	8
P0111.120-060L	M12	60	21	6.6	4.16	8
P0111.120-070L	M12	70	21	6.6	4.16	8
P0111.120-080L	M12	80	21	6.6	4.16	8



Self-Locking Countersunk Screws

Hex. socket - nylon strip

Self Locking
Screws



P0112

SELF LOCKING SCREWS

Material

Stainless steel A2, with nylon locking patch.
A4 available on request.

Technical Notes

To DIN 7991, ISO 10642, with nylon locking patch. Vibration proof.

Standard green locking patch. Breakaway torque values are complex and can be calculated on request.
Can be manufactured to MIL spec on request (MIL-DTL-18240 and NAS1283).

Tips

Surface finishes such as cadmium plating,

nickel plating, armalloy coating, black oxide coating - all available on request.
Due to the wide range of sizes, material grades and finishes, these parts are manufactured on demand - minimum batch size is 100 pieces.

Order No.	d ₁	l ₁	d ₂	l ₂	h ₁	A/F
P0112.030-006L	M 3	6	6	-	1.7	2
P0112.030-008L	M 3	8	6	-	1.7	2
P0112.030-010L	M 3	10	6	-	1.7	2
P0112.030-012L	M 3	12	6	-	1.7	2
P0112.030-014L	M 3	14	6	-	1.7	2
P0112.030-016L	M 3	16	6	-	1.7	2
P0112.030-018L	M 3	18	6	-	1.7	2
P0112.030-020L	M 3	20	6	-	1.7	2
P0112.040-006L	M 4	6	8	-	2.3	2.5
P0112.040-008L	M 4	8	8	-	2.3	2.5
P0112.040-010L	M 4	10	8	-	2.3	2.5
P0112.040-012L	M 4	12	8	-	2.3	2.5
P0112.040-014L	M 4	14	8	-	2.3	2.5
P0112.040-016L	M 4	16	8	-	2.3	2.5
P0112.040-018L	M 4	18	8	-	2.3	2.5
P0112.040-020L	M 4	20	8	-	2.3	2.5
P0112.040-025L	M 4	25	8	-	2.3	2.5
P0112.040-030L	M 4	30	8	20	2.3	2.5
P0112.040-035L	M 4	35	8	20	2.3	2.5
P0112.040-040L	M 4	40	8	20	2.3	2.5
P0112.040-045L	M 4	45	8	20	2.3	2.5
P0112.040-050L	M 4	50	8	20	2.3	2.5
P0112.040-060L	M 4	60	8	20	2.3	2.5
P0112.050-006L	M 5	6	10	-	2.8	3
P0112.050-008L	M 5	8	10	-	2.8	3
P0112.050-010L	M 5	10	10	-	2.8	3
P0112.050-012L	M 5	12	10	-	2.8	3
P0112.050-014L	M 5	14	10	-	2.8	3
P0112.050-016L	M 5	16	10	-	2.8	3
P0112.050-018L	M 5	18	10	-	2.8	3
P0112.050-020L	M 5	20	10	-	2.8	3



Order No.	d ₁	l ₁	d ₂	l ₂	h ₁	A/F
P0112.050-022L	M 5	22	10	-	2.8	3
P0112.050-025L	M 5	25	10	-	2.8	3
P0112.050-030L	M 5	30	10	-	2.8	3
P0112.050-035L	M 5	35	10	22	2.8	3
P0112.050-040L	M 5	40	10	22	2.8	3
P0112.050-045L	M 5	45	10	22	2.8	3
P0112.050-050L	M 5	50	10	22	2.8	3
P0112.050-060L	M 5	60	10	22	2.8	3
P0112.050-070L	M 5	70	10	22	2.8	3
P0112.050-080L	M 5	80	10	22	2.8	3
P0112.050-090L	M 5	90	10	22	2.8	3
P0112.050-100L	M 5	60	10	22	2.8	3
P0112.060-008L	M 6	8	12	-	3.3	4
P0112.060-010L	M 6	10	12	-	3.3	4
P0112.060-012L	M 6	12	12	-	3.3	4
P0112.060-014L	M 6	14	12	-	3.3	4
P0112.060-016L	M 6	16	12	-	3.3	4
P0112.060-018L	M 6	18	12	-	3.3	4
P0112.060-020L	M 6	20	12	-	3.3	4
P0112.060-022L	M 6	22	12	-	3.3	4
P0112.060-025L	M 6	25	12	-	3.3	4
P0112.060-030L	M 6	30	12	-	3.3	4
P0112.060-035L	M 6	35	12	-	3.3	4
P0112.060-040L	M 6	40	12	24	3.3	4
P0112.060-045L	M 6	45	12	24	3.3	4
P0112.060-050L	M 6	50	12	24	3.3	4
P0112.060-055L	M 6	55	12	24	3.3	4
P0112.060-060L	M 6	60	12	24	3.3	4
P0112.060-070L	M 6	70	12	24	3.3	4
P0112.060-080L	M 6	80	12	24	3.3	4
P0112.060-090L	M 6	90	12	24	3.3	4
P0112.060-100L	M 6	100	12	24	3.3	4
P0112.080-010L	M 8	10	16	-	4.4	5
P0112.080-012L	M 8	12	16	-	4.4	5
P0112.080-014L	M 8	14	16	-	4.4	5
P0112.080-016L	M 8	16	16	-	4.4	5
P0112.080-018L	M 8	18	16	-	4.4	5
P0112.080-020L	M 8	20	16	-	4.4	5
P0112.080-022L	M 8	22	16	-	4.4	5
P0112.080-025L	M 8	25	16	-	4.4	5
P0112.080-030L	M 8	30	16	-	4.4	5
P0112.080-035L	M 8	35	16	-	4.4	5
P0112.080-040L	M 8	40	16	-	4.4	5
P0112.080-045L	M 8	45	16	-	4.4	5
P0112.080-050L	M 8	50	16	28	4.4	5
P0112.080-055L	M 8	55	16	28	4.4	5
P0112.080-060L	M 8	60	16	28	4.4	5
P0112.080-065L	M 8	65	16	28	4.4	5
P0112.080-070L	M 8	70	16	28	4.4	5
P0112.080-075L	M 8	75	16	28	4.4	5
P0112.080-080L	M 8	80	16	28	4.4	5
P0112.080-090L	M 8	90	16	28	4.4	5
P0112.080-100L	M 8	100	16	28	4.4	5
P0112.100-016L	M10	16	20	-	5.5	6
P0112.100-020L	M10	20	20	-	5.5	6
P0112.100-025L	M10	25	20	-	5.5	6
P0112.100-030L	M10	30	20	-	5.5	6
P0112.100-035L	M10	35	20	-	5.5	6
P0112.100-040L	M10	40	20	-	5.5	6
P0112.100-045L	M10	45	20	-	5.5	6
P0112.100-050L	M10	50	20	-	5.5	6
P0112.100-055L	M10	55	20	32	5.5	6
P0112.100-060L	M10	60	20	32	5.5	6
P0112.100-065L	M10	65	20	32	5.5	6
P0112.100-070L	M10	70	20	32	5.5	6
P0112.100-075L	M10	75	20	32	5.5	6
P0112.100-080L	M10	80	20	32	5.5	6
P0112.100-090L	M10	90	20	32	5.5	6
P0112.100-100L	M10	100	20	32	5.5	6



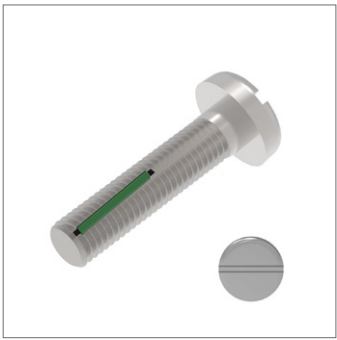
Self-Locking Countersunk Screws

Hex. socket - nylon strip

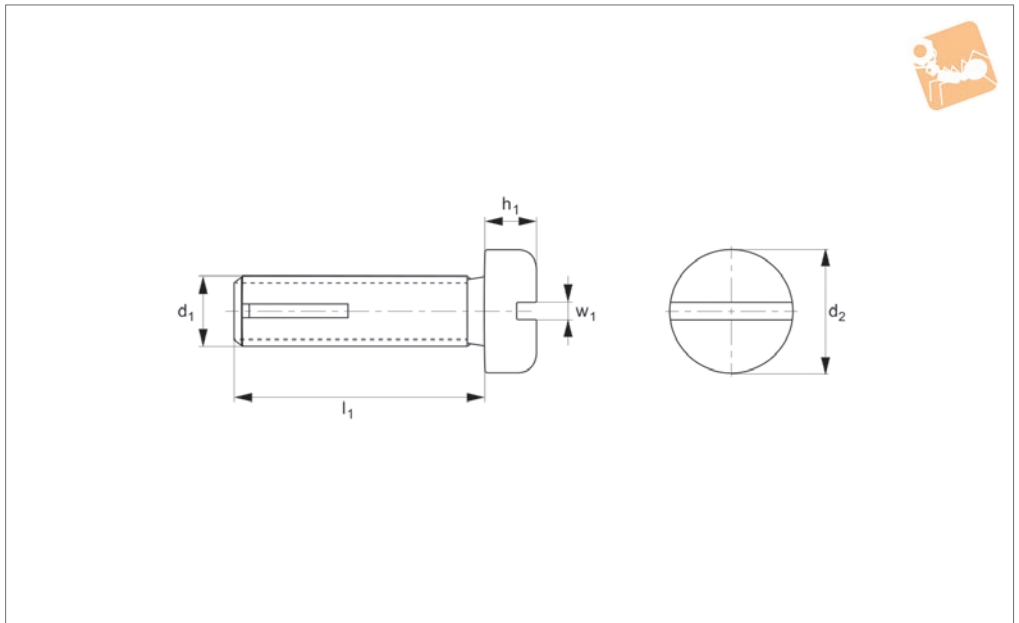
Self Locking
Screws

Order No.	d ₁	l ₁	d ₂	l ₂	h ₁	A/F
P0112.120-020L	M12	20	24	-	6.5	8
P0112.120-025L	M12	25	24	-	6.5	8
P0112.120-030L	M12	30	24	-	6.5	8
P0112.120-035L	M12	35	24	-	6.5	8
P0112.120-040L	M12	40	24	-	6.5	8
P0112.120-045L	M12	45	24	-	6.5	8
P0112.120-050L	M12	50	24	-	6.5	8
P0112.120-055L	M12	55	24	-	6.5	8
P0112.120-060L	M12	60	24	-	6.5	8
P0112.120-065L	M12	65	24	36	6.5	8
P0112.120-070L	M12	70	24	36	6.5	8
P0112.120-075L	M12	75	24	36	6.5	8
P0112.120-080L	M12	80	24	36	6.5	8
P0112.120-090L	M12	90	24	36	6.5	8
P0112.120-100L	M12	100	24	36	6.5	8
P0112.160-025L	M16	25	30	-	7.5	10
P0112.160-030L	M16	30	30	-	7.5	10
P0112.160-035L	M16	35	30	-	7.5	10
P0112.160-040L	M16	40	30	-	7.5	10
P0112.160-045L	M16	45	30	-	7.5	10
P0112.160-050L	M16	50	30	-	7.5	10
P0112.160-055L	M16	55	30	-	7.5	10
P0112.160-060L	M16	60	30	-	7.5	10
P0112.160-065L	M16	65	30	-	7.5	10
P0112.160-070L	M16	70	30	-	7.5	10
P0112.160-080L	M16	80	30	44	7.5	10
P0112.160-090L	M16	90	30	44	7.5	10
P0112.160-100L	M16	100	30	44	7.5	10
P0112.200-040L	M20	40	36	-	8.5	12
P0112.200-045L	M20	45	36	-	8.5	12
P0112.200-050L	M20	50	36	-	8.5	12
P0112.200-060L	M20	60	36	-	8.5	12
P0112.200-070L	M20	70	36	-	8.5	12
P0112.200-080L	M20	80	36	-	8.5	12
P0112.200-090L	M20	90	36	-	8.5	12
P0112.200-100L	M20	100	36	52	8.5	12

SELF LOCKING SCREWS



P0115



Material

Stainless steel A2, with green polycap nylon locking patch.
A4 available on request.

Technical Notes

To DIN 85, ISO 1580, with nylon locking patch. Vibration proof.

Standard green locking patch. Breakaway torque values are complex and can be calculated on request.

Can be manufactured to MIL spec on request (MIL-DTL-18240 and NAS1283).

Tips

Surface finishes such as cadmium plating,

nickel plating, armalloy coating, black oxide coating - all available on request. Due to the wide range of sizes, material grades and finishes, these parts are manufactured on demand - minimum batch size is 100 pieces.

Order No.	d ₁	l ₁	d ₂	h ₁	w ₁
P0115.016-005L	M1,6	5	3,2	1,0	0,4
P0115.016-006L	M1,6	6	3,2	1,0	0,4
P0115.016-008L	M1,6	8	3,2	1,0	0,4
P0115.016-010L	M1,6	10	3,2	1,0	0,4
P0115.020-004L	M 2	4	4	1,3	0,5
P0115.020-005L	M 2	5	4	1,3	0,5
P0115.020-006L	M 2	6	4	1,3	0,5
P0115.020-008L	M 2	8	4	1,3	0,5
P0115.020-010L	M 2	10	4	1,3	0,5
P0115.020-012L	M 2	12	4	1,3	0,5
P0115.020-016L	M 2	16	4	1,3	0,5
P0115.020-020L	M 2	20	4	1,3	0,5
P0115.025-003L	M2,5	3	5	1,5	0,6
P0115.025-004L	M2,5	4	5	1,5	0,6
P0115.025-005L	M2,5	5	5	1,5	0,6
P0115.025-006L	M2,5	6	5	1,5	0,6
P0115.025-008L	M2,5	8	5	1,5	0,6
P0115.025-010L	M2,5	10	5	1,5	0,6
P0115.025-012L	M2,5	12	5	1,5	0,6
P0115.025-016L	M2,5	16	5	1,5	0,6
P0115.025-020L	M2,5	20	5	1,5	0,6
P0115.025-025L	M2,5	25	5	1,5	0,6
P0115.030-003L	M 3	3	6	1,8	0,8
P0115.030-004L	M 3	4	6	1,8	0,8
P0115.030-005L	M 3	5	6	1,8	0,8
P0115.030-006L	M 3	6	6	1,8	0,8
P0115.030-008L	M 3	8	6	1,8	0,8
P0115.030-010L	M 3	10	6	1,8	0,8
P0115.030-012L	M 3	12	6	1,8	0,8
P0115.030-014L	M 3	14	6	1,8	0,8
P0115.030-016L	M 3	16	6	1,8	0,8



Self-Locking Pan Head Screws

Slotted pan head - nylon strip

Self Locking
Screws

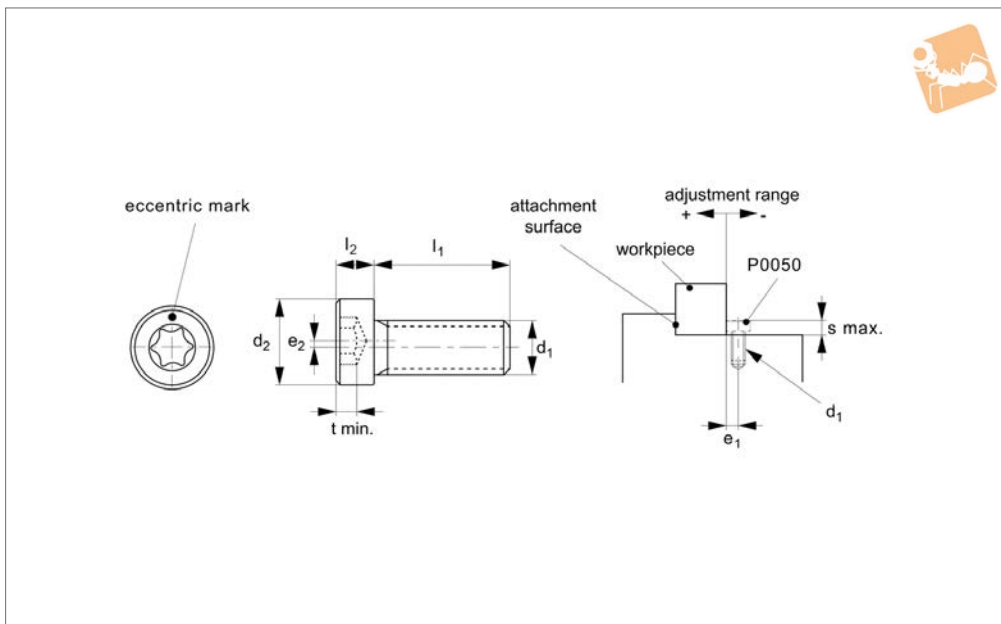


Order No.	d ₁	l ₁	d ₂	h ₁	w ₁
P0115.030-018L	M 3	18	6	1.8	0.8
P0115.030-020L	M 3	20	6	1.8	0.8
P0115.030-022L	M 3	22	6	1.8	0.8
P0115.030-025L	M 3	25	6	1.8	0.8
P0115.030-028L	M 3	28	6	1.8	0.8

SELF LOCKING SCREWS



P0050



Material

Steel, ferrosferric oxide coating or electroless nickel plated.

Technical Notes

For use when securing linear guideway rails or similar. The eccentricity of the clamping screw is formed as a result of the central

axis of the head being offset from the central axis of the shank. This offset ensures that the rail is firmly clamped by the head when the screw is tightened. The torx socket drive ensures the screw can withstand a high tightening torque.

Tips

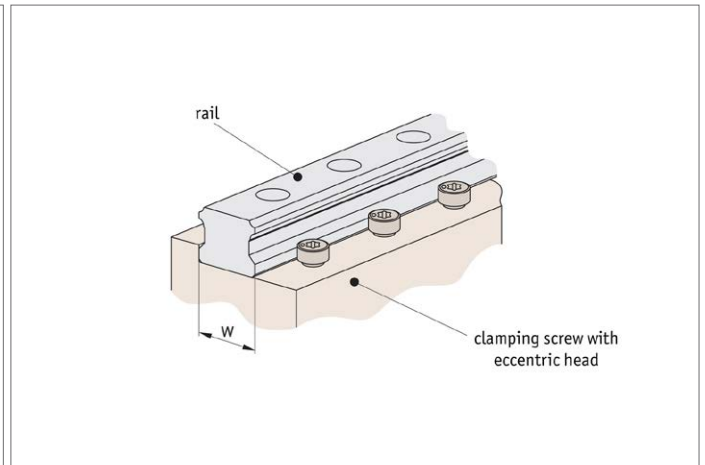
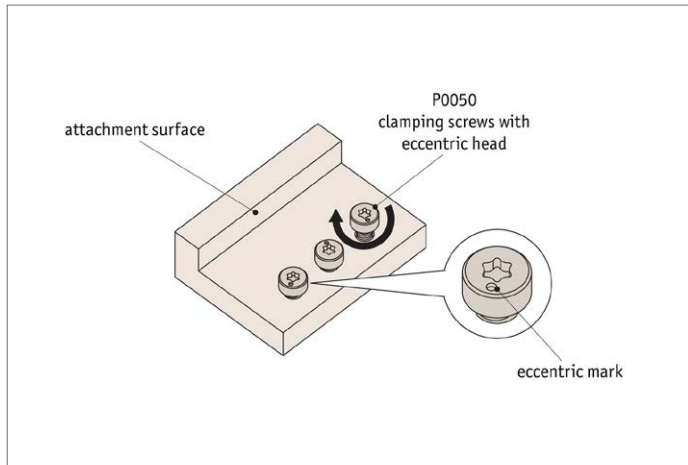
Use following suffixes to specify material when ordering:
BL - ferrosferric oxide coating
EN - electroless nickel plated, providing good corrosion resistance.

Order No.	d ₁	Adj. range min. max.	e ₁	d ₂ ±0.1	l ₁	l ₂	e ₂ +0.1 -0.0	t min.	TX size	For rail w	Weight g
P0050.030-BL	M 3	-0.10 / 0,70	3,10 ^{+0.3 - 0}	6.8	6	2.5	0.4	1.0	10	9, 12, 15	0.7
P0050.040-BL	M 4	-0,05 / 0,75	3,15 ^{+0.3 - 0}	7.0	8	3.0	0.4	1.2	15	9,12, 15, 20	1.6
P0050.050-BL	M 5	-0,05 / 0,75	3,90 ^{+0.3 - 0}	8.5	10	4.0	0.4	1.5	20	20, 25	2.6
P0050.060-BL	M 6	-0,15 / 0,85	4,65 ^{+0.3 - 0}	10.0	12	4.0	0.5	2.0	25	25, 30	5.1
P0050.080-BL	M 8	-0,35 / 1,25	6,05 ^{+0.5 - 0}	13.0	16	5.0	0.8	2.5	30	30, 35	11.0
P0050.100-BL	M10	-0,50 / 1,00	7,50 ^{+0.5 - 0}	16.0	20	7.0	1.0	3.0	40	35, 45	22.0
P0050.120-BL	M12	-0,50 / 1,00	8,50 ^{+0.5 - 0}	18.0	24	8.0	1.0	3.5	45	45, 55	32.0
P0050.030-EN	M 3	-0.10 / 0,70	3,10 ^{+0.3 - 0}	6.8	6	2.5	0.4	1.0	10	9, 12, 15	0.7
P0050.040-EN	M 4	-0,05 / 0,75	3,15 ^{+0.3 - 0}	7.0	8	3.0	0.4	1.2	15	9,12, 15, 20	1.6
P0050.050-EN	M 5	-0,05 / 0,75	3,90 ^{+0.3 - 0}	8.5	10	4.0	0.4	1.5	20	20, 25	2.6
P0050.060-EN	M 6	-0,15 / 0,85	4,65 ^{+0.3 - 0}	10.0	12	4.0	0.5	2.0	25	25, 30	5.1
P0050.080-EN	M 8	-0,35 / 1,25	6,05 ^{+0.5 - 0}	13.0	16	5.0	0.8	2.5	30	30, 35	11.0
P0050.100-EN	M10	-0,50 / 1,00	7,50 ^{+0.5 - 0}	16.0	20	7.0	1.0	3.0	40	35, 45	22.0
P0050.120-EN	M12	-0,50 / 1,00	8,50 ^{+0.5 - 0}	18.0	24	8.0	1.0	3.5	45	45, 55	32.0



Eccentric Clamp Screws for linear guideways

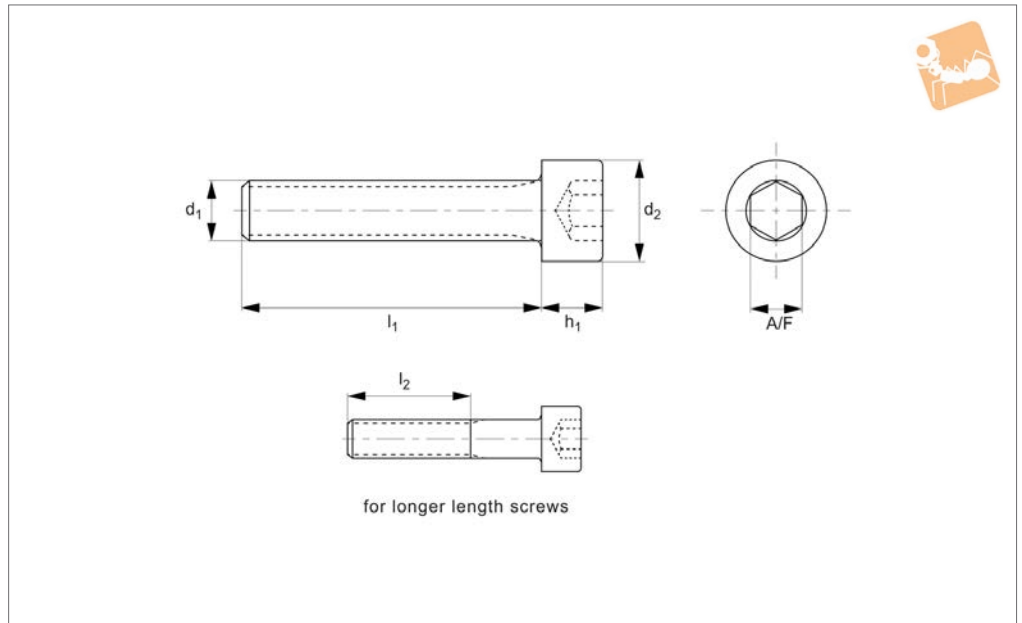
Clamping Screws



CLAMPING SCREWS



P0200.ZP



Material

Steel, zinc-plated (grade 12.9).
Tensile strength 1200 N/mm².

Technical Notes

To DIN 912, ISO 4762. For the majority of

screw lengths the threads goes all the way to the head of the screw (i.e. $l_1 = l_2$) less 2.5 thread pitches.

For longer length screws the threaded portion $l_2 < l_1$.

Order No.	d ₁	d ₂	h ₁	l ₁	l ₂	A/F	Material
P0200.020-003-ZP	M 2	3.8	2	3	-	1.5	Steel ZP
P0200.020-004-ZP	M 2	3.8	2	4	-	1.5	Steel ZP
P0200.020-005-ZP	M 2	3.8	2	5	-	1.5	Steel ZP
P0200.020-006-ZP	M 2	3.8	2	6	-	1.5	Steel ZP
P0200.020-008-ZP	M 2	3.8	2	8	-	1.5	Steel ZP
P0200.020-010-ZP	M 2	3.8	2	10	-	1.5	Steel ZP
P0200.020-012-ZP	M 2	3.8	2	12	-	1.5	Steel ZP
P0200.020-014-ZP	M 2	3.8	2	14	-	1.5	Steel ZP
P0200.020-016-ZP	M 2	3.8	2	16	-	1.5	Steel ZP
P0200.020-018-ZP	M 2	3.8	2	18	-	1.5	Steel ZP
P0200.020-020-ZP	M 2	3.8	2	20	-	1.5	Steel ZP
P0200.025-004-ZP	M2,5	4.5	2.5	4	-	2	Steel ZP
P0200.025-005-ZP	M2,5	4.5	2.5	5	-	2	Steel ZP
P0200.025-006-ZP	M2,5	4.5	2.5	6	-	2	Steel ZP
P0200.025-008-ZP	M2,5	4.5	2.5	8	-	2	Steel ZP
P0200.025-010-ZP	M2,5	4.5	2.5	10	-	2	Steel ZP
P0200.025-012-ZP	M2,5	4.5	2.5	12	-	2	Steel ZP
P0200.025-014-ZP	M2,5	4.5	2.5	14	-	2	Steel ZP
P0200.025-016-ZP	M2,5	4.5	2.5	16	-	2	Steel ZP
P0200.025-018-ZP	M2,5	4.5	2.5	18	-	2	Steel ZP
P0200.025-020-ZP	M2,5	4.5	2.5	20	-	2	Steel ZP
P0200.025-022-ZP	M2,5	4.5	2.5	22	-	2	Steel ZP
P0200.025-025-ZP	M2,5	4.5	2.5	25	-	2	Steel ZP
P0200.030-004-ZP	M 3	5.5	3	4	-	2.5	Steel ZP
P0200.030-005-ZP	M 3	5.5	3	5	-	2.5	Steel ZP
P0200.030-006-ZP	M 3	5.5	3	6	-	2.5	Steel ZP
P0200.030-008-ZP	M 3	5.5	3	8	-	2.5	Steel ZP
P0200.030-010-ZP	M 3	5.5	3	10	-	2.5	Steel ZP
P0200.030-012-ZP	M 3	5.5	3	12	-	2.5	Steel ZP
P0200.030-014-ZP	M 3	5.5	3	14	-	2.5	Steel ZP
P0200.030-016-ZP	M 3	5.5	3	16	-	2.5	Steel ZP
P0200.030-018-ZP	M 3	5.5	3	18	-	2.5	Steel ZP
P0200.030-020-ZP	M 3	5.5	3	20	18	2.5	Steel ZP



Socket Cap Screws

Steel - zinc-plated

Standard Screws



Order No.	d ₁	d ₂	h ₁	l ₁	l ₂	A/F	Material
P0200.030-025-ZP	M 3	5.5	3	25	18	2.5	Steel ZP
P0200.030-030-ZP	M 3	5.5	3	30	18	2.5	Steel ZP
P0200.030-035-ZP	M 3	5.5	3	35	18	2.5	Steel ZP
P0200.030-040-ZP	M 3	5.5	3	40	18	2.5	Steel ZP
P0200.030-045-ZP	M 3	5.5	3	45	18	2.5	Steel ZP
P0200.030-050-ZP	M 3	5.5	3	50	18	2.5	Steel ZP
P0200.040-005-ZP	M 4	7	4	5	-	3	Steel ZP
P0200.040-006-ZP	M 4	7	4	6	-	3	Steel ZP
P0200.040-008-ZP	M 4	7	4	8	-	3	Steel ZP
P0200.040-010-ZP	M 4	7	4	10	-	3	Steel ZP
P0200.040-012-ZP	M 4	7	4	12	-	3	Steel ZP
P0200.040-014-ZP	M 4	7	4	14	-	3	Steel ZP
P0200.040-016-ZP	M 4	7	4	16	-	3	Steel ZP
P0200.040-018-ZP	M 4	7	4	18	-	3	Steel ZP
P0200.040-020-ZP	M 4	7	4	20	20	3	Steel ZP
P0200.040-025-ZP	M 4	7	4	25	20	3	Steel ZP
P0200.040-030-ZP	M 4	7	4	30	20	3	Steel ZP
P0200.040-035-ZP	M 4	7	4	35	20	3	Steel ZP
P0200.040-040-ZP	M 4	7	4	40	20	3	Steel ZP
P0200.040-045-ZP	M 4	7	4	45	20	3	Steel ZP
P0200.040-050-ZP	M 4	7	4	50	20	3	Steel ZP
P0200.040-055-ZP	M 4	7	4	55	20	3	Steel ZP
P0200.040-060-ZP	M 4	7	4	60	20	3	Steel ZP
P0200.040-070-ZP	M 4	7	4	70	20	3	Steel ZP
P0200.040-075-ZP	M 4	7	4	75	20	3	Steel ZP
P0200.050-006-ZP	M 5	8.5	5	6	-	4	Steel ZP
P0200.050-008-ZP	M 5	8.5	5	8	-	4	Steel ZP
P0200.050-010-ZP	M 5	8.5	5	10	-	4	Steel ZP
P0200.050-012-ZP	M 5	8.5	5	12	-	4	Steel ZP
P0200.050-014-ZP	M 5	8.5	5	14	-	4	Steel ZP
P0200.050-016-ZP	M 5	8.5	5	16	-	4	Steel ZP
P0200.050-018-ZP	M 5	8.5	5	18	-	4	Steel ZP
P0200.050-020-ZP	M 5	8.5	5	20	-	4	Steel ZP
P0200.050-025-ZP	M 5	8.5	5	25	22	4	Steel ZP
P0200.050-030-ZP	M 5	8.5	5	30	22	4	Steel ZP
P0200.050-035-ZP	M 5	8.5	5	35	22	4	Steel ZP
P0200.050-040-ZP	M 5	8.5	5	40	22	4	Steel ZP
P0200.050-045-ZP	M 5	8.5	5	45	22	4	Steel ZP
P0200.050-050-ZP	M 5	8.5	5	50	22	4	Steel ZP
P0200.050-055-ZP	M 5	8.5	5	55	22	4	Steel ZP
P0200.050-060-ZP	M 5	8.5	5	60	22	4	Steel ZP
P0200.050-065-ZP	M 5	8.5	5	65	22	4	Steel ZP
P0200.050-070-ZP	M 5	8.5	5	70	22	4	Steel ZP
P0200.050-080-ZP	M 5	8.5	5	80	22	4	Steel ZP
P0200.050-090-ZP	M 5	8.5	5	90	22	4	Steel ZP
P0200.050-100-ZP	M 5	8.5	5	100	22	4	Steel ZP
P0200.060-006-ZP	M 6	10	6	6	-	5	Steel ZP
P0200.060-008-ZP	M 6	10	6	8	-	5	Steel ZP
P0200.060-010-ZP	M 6	10	6	10	-	5	Steel ZP
P0200.060-012-ZP	M 6	10	6	12	-	5	Steel ZP
P0200.060-014-ZP	M 6	10	6	14	-	5	Steel ZP
P0200.060-016-ZP	M 6	10	6	16	-	5	Steel ZP
P0200.060-018-ZP	M 6	10	6	18	-	5	Steel ZP
P0200.060-020-ZP	M 6	10	6	20	-	5	Steel ZP
P0200.060-025-ZP	M 6	10	6	25	24	5	Steel ZP
P0200.060-030-ZP	M 6	10	6	30	24	5	Steel ZP
P0200.060-035-ZP	M 6	10	6	35	24	5	Steel ZP
P0200.060-040-ZP	M 6	10	6	40	24	5	Steel ZP
P0200.060-045-ZP	M 6	10	6	45	24	5	Steel ZP
P0200.060-050-ZP	M 6	10	6	50	24	5	Steel ZP
P0200.060-055-ZP	M 6	10	6	55	24	5	Steel ZP
P0200.060-060-ZP	M 6	10	6	60	24	5	Steel ZP
P0200.060-065-ZP	M 6	10	6	65	24	5	Steel ZP
P0200.060-070-ZP	M 6	10	6	70	24	5	Steel ZP
P0200.060-080-ZP	M 6	10	6	80	24	5	Steel ZP
P0200.060-090-ZP	M 6	10	6	90	24	5	Steel ZP
P0200.060-100-ZP	M 6	10	6	100	24	5	Steel ZP
P0200.060-110-ZP	M 6	10	6	110	24	5	Steel ZP
P0200.060-120-ZP	M 6	10	6	120	24	5	Steel ZP

STANDARD SCREWS



STANDARD SCREWS

Order No.	d ₁	d ₂	h ₁	l ₁	l ₂	A/F	Material
P0200.060-130-ZP	M 6	10	6	130	24	5	Steel ZP
P0200.060-140-ZP	M 6	10	6	140	24	5	Steel ZP
P0200.060-150-ZP	M 6	10	6	150	24	5	Steel ZP
P0200.080-010-ZP	M 8	13	8	10	-	6	Steel ZP
P0200.080-012-ZP	M 8	13	8	12	-	6	Steel ZP
P0200.080-014-ZP	M 8	13	8	14	-	6	Steel ZP
P0200.080-016-ZP	M 8	13	8	16	-	6	Steel ZP
P0200.080-018-ZP	M 8	13	8	18	-	6	Steel ZP
P0200.080-020-ZP	M 8	13	8	20	-	6	Steel ZP
P0200.080-025-ZP	M 8	13	8	25	-	6	Steel ZP
P0200.080-030-ZP	M 8	13	8	30	28	6	Steel ZP
P0200.080-035-ZP	M 8	13	8	35	28	6	Steel ZP
P0200.080-040-ZP	M 8	13	8	40	28	6	Steel ZP
P0200.080-045-ZP	M 8	13	8	45	28	6	Steel ZP
P0200.080-050-ZP	M 8	13	8	50	28	6	Steel ZP
P0200.080-055-ZP	M 8	13	8	55	28	6	Steel ZP
P0200.080-060-ZP	M 8	13	8	60	28	6	Steel ZP
P0200.080-065-ZP	M 8	13	8	65	28	6	Steel ZP
P0200.080-070-ZP	M 8	13	8	70	28	6	Steel ZP
P0200.080-080-ZP	M 8	13	8	80	28	6	Steel ZP
P0200.080-090-ZP	M 8	13	8	90	28	6	Steel ZP
P0200.080-100-ZP	M 8	13	8	100	28	6	Steel ZP
P0200.080-110-ZP	M 8	13	8	110	28	6	Steel ZP
P0200.080-120-ZP	M 8	13	8	120	28	6	Steel ZP
P0200.080-130-ZP	M 8	13	8	130	28	6	Steel ZP
P0200.080-140-ZP	M 8	13	8	140	28	6	Steel ZP
P0200.080-150-ZP	M 8	13	8	150	28	6	Steel ZP
P0200.080-160-ZP	M 8	13	8	160	28	6	Steel ZP
P0200.080-170-ZP	M 8	13	8	170	28	6	Steel ZP
P0200.080-180-ZP	M 8	13	8	180	28	6	Steel ZP
P0200.080-190-ZP	M 8	13	8	190	28	6	Steel ZP
P0200.080-200-ZP	M 8	13	8	200	28	6	Steel ZP
P0200.100-012-ZP	M10	16	10	12	-	8	Steel ZP
P0200.100-016-ZP	M10	16	10	16	-	8	Steel ZP
P0200.100-018-ZP	M10	16	10	18	-	8	Steel ZP
P0200.100-020-ZP	M10	16	10	20	-	8	Steel ZP
P0200.100-025-ZP	M10	16	10	25	-	8	Steel ZP
P0200.100-030-ZP	M10	16	10	30	-	8	Steel ZP
P0200.100-035-ZP	M10	16	10	35	32	8	Steel ZP
P0200.100-040-ZP	M10	16	10	40	32	8	Steel ZP
P0200.100-045-ZP	M10	16	10	45	32	8	Steel ZP
P0200.100-050-ZP	M10	16	10	50	32	8	Steel ZP
P0200.100-055-ZP	M10	16	10	55	32	8	Steel ZP
P0200.100-060-ZP	M10	16	10	60	32	8	Steel ZP
P0200.100-065-ZP	M10	16	10	65	32	8	Steel ZP
P0200.100-070-ZP	M10	16	10	70	32	8	Steel ZP
P0200.100-075-ZP	M10	16	10	75	32	8	Steel ZP
P0200.100-080-ZP	M10	16	10	80	32	8	Steel ZP
P0200.100-090-ZP	M10	16	10	90	32	8	Steel ZP
P0200.100-100-ZP	M10	16	10	100	32	8	Steel ZP
P0200.100-110-ZP	M10	16	10	110	32	8	Steel ZP
P0200.100-120-ZP	M10	16	10	120	32	8	Steel ZP
P0200.100-130-ZP	M10	16	10	130	32	8	Steel ZP
P0200.100-140-ZP	M10	16	10	140	32	8	Steel ZP
P0200.100-150-ZP	M10	16	10	150	32	8	Steel ZP
P0200.100-160-ZP	M10	16	10	160	32	8	Steel ZP
P0200.100-170-ZP	M10	16	10	170	32	8	Steel ZP
P0200.100-180-ZP	M10	16	10	180	32	8	Steel ZP
P0200.100-190-ZP	M10	16	10	190	32	8	Steel ZP
P0200.100-200-ZP	M10	16	10	200	32	8	Steel ZP
P0200.120-016-ZP	M12	18	12	16	-	10	Steel ZP
P0200.120-020-ZP	M12	18	12	20	-	10	Steel ZP
P0200.120-025-ZP	M12	18	12	25	-	10	Steel ZP
P0200.120-030-ZP	M12	18	12	30	-	10	Steel ZP
P0200.120-035-ZP	M12	18	12	35	-	10	Steel ZP
P0200.120-040-ZP	M12	18	12	40	36	10	Steel ZP
P0200.120-045-ZP	M12	18	12	45	36	10	Steel ZP
P0200.120-050-ZP	M12	18	12	50	36	10	Steel ZP
P0200.120-055-ZP	M12	18	12	55	36	10	Steel ZP



Socket Cap Screws

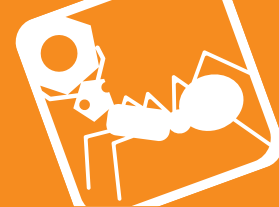
Steel - zinc-plated

Standard Screws



Order No.	d ₁	d ₂	h ₁	l ₁	l ₂	A/F	Material
P0200.120-060-ZP	M12	18	12	60	36	10	Steel ZP
P0200.120-065-ZP	M12	18	12	65	36	10	Steel ZP
P0200.120-070-ZP	M12	18	12	70	36	10	Steel ZP
P0200.120-080-ZP	M12	18	12	80	36	10	Steel ZP
P0200.120-090-ZP	M12	18	12	90	36	10	Steel ZP
P0200.120-100-ZP	M12	18	12	100	36	10	Steel ZP
P0200.120-110-ZP	M12	18	12	110	36	10	Steel ZP
P0200.120-120-ZP	M12	18	12	120	36	10	Steel ZP
P0200.120-130-ZP	M12	18	12	130	36	10	Steel ZP
P0200.120-140-ZP	M12	18	12	140	36	10	Steel ZP
P0200.120-150-ZP	M12	18	12	150	36	10	Steel ZP
P0200.120-160-ZP	M12	18	12	160	36	10	Steel ZP
P0200.120-170-ZP	M12	18	12	170	36	10	Steel ZP
P0200.120-180-ZP	M12	18	12	180	36	10	Steel ZP
P0200.120-190-ZP	M12	18	12	190	36	10	Steel ZP
P0200.120-200-ZP	M12	18	12	200	36	10	Steel ZP
P0200.140-020-ZP	M14	21	14	20	-	12	Steel ZP
P0200.140-025-ZP	M14	21	14	25	-	12	Steel ZP
P0200.140-030-ZP	M14	21	14	30	-	12	Steel ZP
P0200.140-035-ZP	M14	21	14	35	-	12	Steel ZP
P0200.140-040-ZP	M14	21	14	40	-	12	Steel ZP
P0200.140-045-ZP	M14	21	14	45	40	12	Steel ZP
P0200.140-050-ZP	M14	21	14	50	40	12	Steel ZP
P0200.140-055-ZP	M14	21	14	55	40	12	Steel ZP
P0200.140-060-ZP	M14	21	14	60	40	12	Steel ZP
P0200.140-065-ZP	M14	21	14	65	40	12	Steel ZP
P0200.140-070-ZP	M14	21	14	70	40	12	Steel ZP
P0200.140-080-ZP	M14	21	14	80	40	12	Steel ZP
P0200.140-090-ZP	M14	21	14	90	40	12	Steel ZP
P0200.140-100-ZP	M14	21	14	100	40	12	Steel ZP
P0200.140-110-ZP	M14	21	14	110	40	12	Steel ZP
P0200.140-120-ZP	M14	21	14	120	40	12	Steel ZP
P0200.140-130-ZP	M14	21	14	130	40	12	Steel ZP
P0200.140-140-ZP	M14	21	14	140	40	12	Steel ZP
P0200.140-150-ZP	M14	21	14	150	40	12	Steel ZP
P0200.140-160-ZP	M14	21	14	160	40	12	Steel ZP
P0200.140-170-ZP	M14	21	14	170	40	12	Steel ZP
P0200.140-180-ZP	M14	21	14	180	40	12	Steel ZP
P0200.140-190-ZP	M14	21	14	190	40	12	Steel ZP
P0200.140-200-ZP	M14	21	14	200	40	12	Steel ZP
P0200.160-020-ZP	M16	24	16	20	-	14	Steel ZP
P0200.160-025-ZP	M16	24	16	25	-	14	Steel ZP
P0200.160-030-ZP	M16	24	16	30	-	14	Steel ZP
P0200.160-035-ZP	M16	24	16	35	-	14	Steel ZP
P0200.160-040-ZP	M16	24	16	40	-	14	Steel ZP
P0200.160-045-ZP	M16	24	16	45	-	14	Steel ZP
P0200.160-050-ZP	M16	24	16	50	44	14	Steel ZP
P0200.160-055-ZP	M16	24	16	55	44	14	Steel ZP
P0200.160-060-ZP	M16	24	16	60	44	14	Steel ZP
P0200.160-065-ZP	M16	24	16	65	44	14	Steel ZP
P0200.160-070-ZP	M16	24	16	70	44	14	Steel ZP
P0200.016-080-ZP	M16	24	16	80	44	14	Steel ZP
P0200.160-090-ZP	M16	24	16	90	44	14	Steel ZP
P0200.160-100-ZP	M16	24	16	100	44	14	Steel ZP
P0200.160-110-ZP	M16	24	16	110	44	14	Steel ZP
P0200.160-120-ZP	M16	24	16	120	44	14	Steel ZP
P0200.160-130-ZP	M16	24	16	130	44	14	Steel ZP
P0200.160-140-ZP	M16	24	16	140	44	14	Steel ZP
P0200.160-150-ZP	M16	24	16	150	44	14	Steel ZP
P0200.160-160-ZP	M16	24	16	160	44	14	Steel ZP
P0200.160-170-ZP	M16	24	16	170	44	14	Steel ZP
P0200.160-180-ZP	M16	24	16	180	44	14	Steel ZP
P0200.160-190-ZP	M16	24	16	190	44	14	Steel ZP
P0200.160-200-ZP	M16	24	16	200	44	14	Steel ZP
P0200.180-030-ZP	M18	27	18	30	-	14	Steel ZP
P0200.180-035-ZP	M18	27	18	35	-	14	Steel ZP
P0200.180-040-ZP	M18	27	18	40	-	14	Steel ZP
P0200.180-045-ZP	M18	27	18	45	-	14	Steel ZP
P0200.180-050-ZP	M18	27	18	50	48	14	Steel ZP

STANDARD SCREWS



STANDARD SCREWS

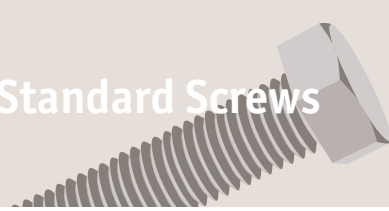
Order No.	d ₁	d ₂	h ₁	l ₁	l ₂	A/F	Material
P0200.180-055-ZP	M18	27	18	55	48	14	Steel ZP
P0200.180-060-ZP	M18	27	18	60	48	14	Steel ZP
P0200.180-065-ZP	M18	27	18	65	48	14	Steel ZP
P0200.180-070-ZP	M18	27	18	70	48	14	Steel ZP
P0200.180-075-ZP	M18	27	18	75	48	14	Steel ZP
P0200.180-080-ZP	M18	27	18	80	48	14	Steel ZP
P0200.180-090-ZP	M18	27	18	90	48	14	Steel ZP
P0200.180-100-ZP	M18	27	18	100	48	14	Steel ZP
P0200.180-110-ZP	M18	27	18	110	48	14	Steel ZP
P0200.180-120-ZP	M18	27	18	120	48	14	Steel ZP
P0200.180-130-ZP	M18	27	18	130	48	14	Steel ZP
P0200.180-140-ZP	M18	27	18	140	48	14	Steel ZP
P0200.180-150-ZP	M18	27	18	150	48	14	Steel ZP
P0200.180-160-ZP	M18	27	18	160	48	14	Steel ZP
P0200.180-170-ZP	M18	27	18	170	48	14	Steel ZP
P0200.180-180-ZP	M18	27	18	180	48	14	Steel ZP
P0200.180-190-ZP	M18	27	18	190	48	14	Steel ZP
P0200.180-200-ZP	M18	27	18	200	48	14	Steel ZP
P0200.200-030-ZP	M20	30	20	30	-	17	Steel ZP
P0200.200-035-ZP	M20	30	20	35	-	17	Steel ZP
P0200.200-040-ZP	M20	30	20	40	-	17	Steel ZP
P0200.200-045-ZP	M20	30	20	45	-	17	Steel ZP
P0200.200-050-ZP	M20	30	20	50	-	17	Steel ZP
P0200.200-055-ZP	M20	30	20	55	52	17	Steel ZP
P0200.200-060-ZP	M20	30	20	60	52	17	Steel ZP
P0200.200-065-ZP	M20	30	20	65	52	17	Steel ZP
P0200.200-070-ZP	M20	30	20	70	52	17	Steel ZP
P0200.200-080-ZP	M20	30	20	80	52	17	Steel ZP
P0200.200-090-ZP	M20	30	20	90	52	17	Steel ZP
P0200.200-100-ZP	M20	30	20	100	52	17	Steel ZP
P0200.200-110-ZP	M20	30	20	110	52	17	Steel ZP
P0200.200-120-ZP	M20	30	20	120	52	17	Steel ZP
P0200.200-130-ZP	M20	30	20	130	52	17	Steel ZP
P0200.200-140-ZP	M20	30	20	140	52	17	Steel ZP
P0200.200-150-ZP	M20	30	20	150	52	17	Steel ZP
P0200.200-160-ZP	M20	30	20	160	52	17	Steel ZP
P0200.200-170-ZP	M20	30	20	170	52	17	Steel ZP
P0200.200-180-ZP	M20	30	20	180	52	17	Steel ZP
P0200.200-190-ZP	M20	30	20	190	52	17	Steel ZP
P0200.200-200-ZP	M20	30	20	200	52	17	Steel ZP
P0200.270-050-ZP	M27	40	27	50	-	19	Steel ZP
P0200.270-055-ZP	M27	40	27	55	-	19	Steel ZP
P0200.270-060-ZP	M27	40	27	60	-	19	Steel ZP
P0200.270-065-ZP	M27	40	27	65	-	19	Steel ZP
P0200.270-070-ZP	M27	40	27	70	66	19	Steel ZP
P0200.270-080-ZP	M27	40	27	80	66	19	Steel ZP
P0200.270-090-ZP	M27	40	27	90	66	19	Steel ZP
P0200.270-100-ZP	M27	40	27	100	66	19	Steel ZP
P0200.270-110-ZP	M27	40	27	110	66	19	Steel ZP
P0200.270-120-ZP	M27	40	27	120	66	19	Steel ZP
P0200.270-130-ZP	M27	40	27	130	66	19	Steel ZP
P0200.270-140-ZP	M27	40	27	140	66	19	Steel ZP
P0200.270-150-ZP	M27	40	27	150	66	19	Steel ZP
P0200.270-160-ZP	M27	40	27	160	66	19	Steel ZP
P0200.270-170-ZP	M24	40	27	170	66	19	Steel ZP
P0200.270-180-ZP	M27	40	27	180	66	19	Steel ZP
P0200.270-190-ZP	M27	40	27	190	66	19	Steel ZP
P0200.270-200-ZP	M27	40	27	200	66	19	Steel ZP
P0200.240-040-ZP	M24	36	24	40	-	19	Steel ZP
P0200.240-045-ZP	M24	36	24	45	-	19	Steel ZP
P0200.240-050-ZP	M24	36	24	50	-	19	Steel ZP
P0200.240-055-ZP	M24	36	24	55	-	19	Steel ZP
P0200.240-060-ZP	M24	36	24	60	-	19	Steel ZP
P0200.240-065-ZP	M24	36	24	65	60	19	Steel ZP
P0200.240-070-ZP	M24	36	24	70	60	19	Steel ZP
P0200.240-080-ZP	M24	36	24	80	60	19	Steel ZP
P0200.240-090-ZP	M24	36	24	90	60	19	Steel ZP
P0200.240-100-ZP	M24	36	24	100	60	19	Steel ZP
P0200.240-110-ZP	M24	36	24	110	60	19	Steel ZP



Socket Cap Screws

Steel - zinc-plated

Standard Screws

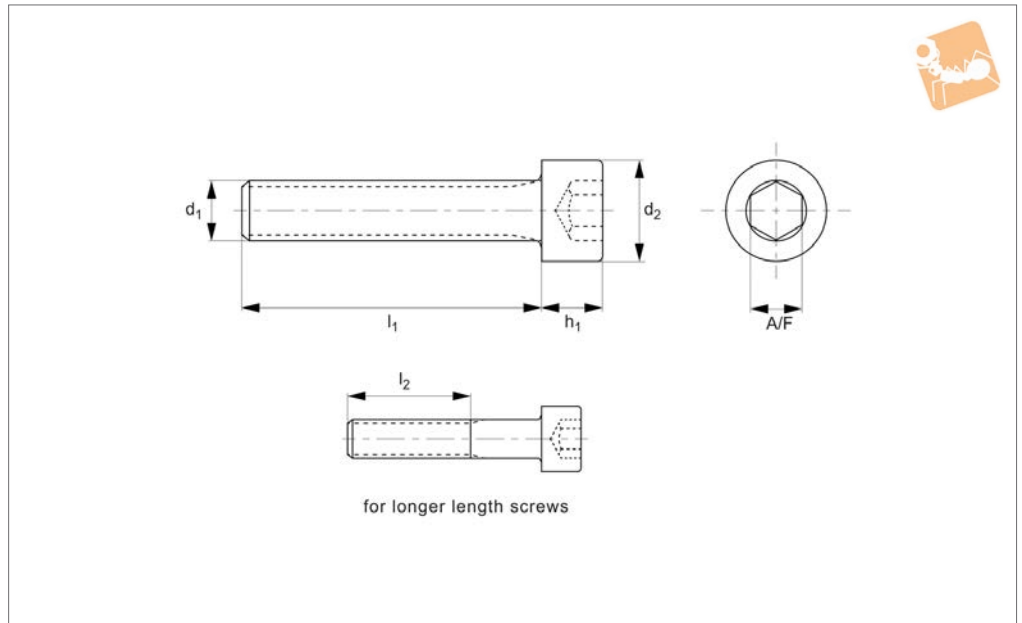


Order No.	d ₁	d ₂	h ₁	l ₁	l ₂	A/F	Material
P0200.240-120-ZP	M24	36	24	120	60	19	Steel ZP
P0200.240-130-ZP	M24	36	24	130	60	19	Steel ZP
P0200.240-140-ZP	M24	36	24	140	60	19	Steel ZP
P0200.240-150-ZP	M24	36	24	150	60	19	Steel ZP
P0200.240-160-ZP	M24	36	24	160	60	19	Steel ZP
P0200.240-170-ZP	M24	36	24	170	60	19	Steel ZP
P0200.240-180-ZP	M24	36	24	180	60	19	Steel ZP
P0200.240-190-ZP	M24	36	24	190	60	19	Steel ZP
P0200.240-200-ZP	M24	36	24	200	60	19	Steel ZP
P0200.300-050-ZP	M30	45	30	50	-	22	Steel ZP
P0200.300-055-ZP	M30	45	30	55	-	22	Steel ZP
P0200.300-060-ZP	M30	45	30	60	-	22	Steel ZP
P0200.300-065-ZP	M30	45	30	65	-	22	Steel ZP
P0200.300-070-ZP	M30	45	30	70	-	22	Steel ZP
P0200.300-080-ZP	M30	45	30	80	72	22	Steel ZP
P0200.300-090-ZP	M30	45	30	90	72	22	Steel ZP
P0200.300-100-ZP	M30	45	30	100	72	22	Steel ZP
P0200.300-110-ZP	M30	45	30	110	72	22	Steel ZP
P0200.300-120-ZP	M30	45	30	120	72	22	Steel ZP
P0200.300-130-ZP	M30	45	30	130	72	22	Steel ZP
P0200.300-140-ZP	M30	45	30	140	72	22	Steel ZP
P0200.300-150-ZP	M30	45	30	150	72	22	Steel ZP
P0200.300-160-ZP	M30	45	30	160	72	22	Steel ZP
P0200.300-170-ZP	M30	45	30	170	72	22	Steel ZP
P0200.300-180-ZP	M30	45	30	180	72	22	Steel ZP
P0200.300-190-ZP	M30	45	30	190	72	22	Steel ZP
P0200.300-200-ZP	M30	45	30	200	72	22	Steel ZP

STANDARD SCREWS



P0200.A2



Material

Stainless steel A2.

Technical Notes

To DIN 912, ISO 4762. For the majority of

screw lengths the threads goes all the way to the head of the screw (i.e. $l_2 = l_1$) less 2.5 thread pitches.

For longer length screws the threaded

portion $l_2 < l_1$.

See technical page for tightening torques.

Order No.	d ₁	d ₂	h ₁	l ₁	l ₂	A/F	Material
P0200.016-003-A2	M1,6	3.0	1.6	3	-	1.5	A2 s/s
P0200.016-004-A2	M1,6	3.0	1.6	4	-	1.5	A2 s/s
P0200.016-005-A2	M1,6	3.0	1.6	5	-	1.5	A2 s/s
P0200.016-006-A2	M1,6	3.0	1.6	6	-	1.5	A2 s/s
P0200.016-008-A2	M1,6	3.0	1.6	8	-	1.5	A2 s/s
P0200.016-010-A2	M1,6	3.0	1.6	10	-	1.5	A2 s/s
P0200.016-012-A2	M1,6	3.0	1.6	12	-	1.5	A2 s/s
P0200.016-014-A2	M1,6	3.0	1.6	14	-	1.5	A2 s/s
P0200.016-016-A2	M1,6	3.0	1.6	16	-	1.5	A2 s/s
P0200.020-003-A2	M 2	3.8	2	3	-	1.5	A2 s/s
P0200.020-004-A2	M 2	3.8	2	4	-	1.5	A2 s/s
P0200.020-005-A2	M 2	3.8	2	5	-	1.5	A2 s/s
P0200.020-006-A2	M 2	3.8	2	6	-	1.5	A2 s/s
P0200.020-008-A2	M 2	3.8	2	8	-	1.5	A2 s/s
P0200.020-010-A2	M 2	3.8	2	10	-	1.5	A2 s/s
P0200.020-012-A2	M 2	3.8	2	12	-	1.5	A2 s/s
P0200.020-014-A2	M 2	3.8	2	14	-	1.5	A2 s/s
P0200.020-016-A2	M 2	3.8	2	16	-	1.5	A2 s/s
P0200.020-018-A2	M 2	3.8	2	18	-	1.5	A2 s/s
P0200.020-020-A2	M 2	3.8	2	20	-	1.5	A2 s/s
P0200.025-004-A2	M2,5	4.5	2.5	4	-	2	A2 s/s
P0200.025-005-A2	M2,5	4.5	2.5	5	-	2	A2 s/s
P0200.025-006-A2	M2,5	4.5	2.5	6	-	2	A2 s/s
P0200.025-008-A2	M2,5	4.5	2.5	8	-	2	A2 s/s
P0200.025-010-A2	M2,5	4.5	2.5	10	-	2	A2 s/s
P0200.025-012-A2	M2,5	4.5	2.5	12	-	2	A2 s/s
P0200.025-014-A2	M2,5	4.5	2.5	14	-	2	A2 s/s
P0200.025-016-A2	M2,5	4.5	2.5	16	-	2	A2 s/s
P0200.025-018-A2	M2,5	4.5	2.5	18	-	2	A2 s/s
P0200.025-020-A2	M2,5	4.5	2.5	20	-	2	A2 s/s
P0200.025-022-A2	M2,5	4.5	2.5	22	-	2	A2 s/s
P0200.025-025-A2	M2,5	4.5	2.5	25	-	2	A2 s/s
P0200.030-004-A2	M 3	5.5	3	4	-	2.5	A2 s/s
P0200.030-005-A2	M 3	5.5	3	5	-	2.5	A2 s/s



Socket Cap Screws

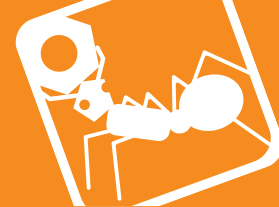
A2 stainless

Standard Screws



Order No.	d ₁	d ₂	h ₁	l ₁	l ₂	A/F	Material
P0200.030-006-A2	M 3	5.5	3	6	-	2.5	A2 s/s
P0200.030-008-A2	M 3	5.5	3	8	-	2.5	A2 s/s
P0200.030-010-A2	M 3	5.5	3	10	-	2.5	A2 s/s
P0200.030-012-A2	M 3	5.5	3	12	-	2.5	A2 s/s
P0200.030-014-A2	M 3	5.5	3	14	-	2.5	A2 s/s
P0200.030-016-A2	M 3	5.5	3	16	-	2.5	A2 s/s
P0200.030-018-A2	M 3	5.5	3	18	-	2.5	A2 s/s
P0200.030-020-A2	M 3	5.5	3	20	18	2.5	A2 s/s
P0200.030-025-A2	M 3	5.5	3	25	18	2.5	A2 s/s
P0200.030-030-A2	M 3	5.5	3	30	18	2.5	A2 s/s
P0200.030-035-A2	M 3	5.5	3	35	18	2.5	A2 s/s
P0200.030-040-A2	M 3	5.5	3	40	18	2.5	A2 s/s
P0200.030-045-A2	M 3	5.5	3	45	18	2.5	A2 s/s
P0200.030-050-A2	M 3	5.5	3	50	18	2.5	A2 s/s
P0200.040-005-A2	M 4	7	4	5	-	3	A2 s/s
P0200.040-006-A2	M 4	7	4	6	-	3	A2 s/s
P0200.040-008-A2	M 4	7	4	8	-	3	A2 s/s
P0200.040-010-A2	M 4	7	4	10	-	3	A2 s/s
P0200.040-012-A2	M 4	7	4	12	-	3	A2 s/s
P0200.040-014-A2	M 4	7	4	14	-	3	A2 s/s
P0200.040-016-A2	M 4	7	4	16	-	3	A2 s/s
P0200.040-018-A2	M 4	7	4	18	-	3	A2 s/s
P0200.040-020-A2	M 4	7	4	20	20	3	A2 s/s
P0200.040-025-A2	M 4	7	4	25	20	3	A2 s/s
P0200.040-030-A2	M 4	7	4	30	20	3	A2 s/s
P0200.040-035-A2	M 4	7	4	35	20	3	A2 s/s
P0200.040-040-A2	M 4	7	4	40	20	3	A2 s/s
P0200.040-045-A2	M 4	7	4	45	20	3	A2 s/s
P0200.040-050-A2	M 4	7	4	50	20	3	A2 s/s
P0200.040-055-A2	M 4	7	4	55	20	3	A2 s/s
P0200.040-060-A2	M 4	7	4	60	20	3	A2 s/s
P0200.040-070-A2	M 4	7	4	70	20	3	A2 s/s
P0200.040-075-A2	M 4	7	4	75	20	3	A2 s/s
P0200.050-006-A2	M 5	8.5	5	6	-	4	A2 s/s
P0200.050-008-A2	M 5	8.5	5	8	-	4	A2 s/s
P0200.050-010-A2	M 5	8.5	5	10	-	4	A2 s/s
P0200.050-012-A2	M 5	8.5	5	12	-	4	A2 s/s
P0200.050-014-A2	M 5	8.5	5	14	-	4	A2 s/s
P0200.050-016-A2	M 5	8.5	5	16	-	4	A2 s/s
P0200.050-018-A2	M 5	8.5	5	18	-	4	A2 s/s
P0200.050-020-A2	M 5	8.5	5	20	-	4	A2 s/s
P0200.050-025-A2	M 5	8.5	5	25	22	4	A2 s/s
P0200.050-030-A2	M 5	8.5	5	30	22	4	A2 s/s
P0200.050-035-A2	M 5	8.5	5	35	22	4	A2 s/s
P0200.050-040-A2	M 5	8.5	5	40	22	4	A2 s/s
P0200.050-045-A2	M 5	8.5	5	45	22	4	A2 s/s
P0200.050-050-A2	M 5	8.5	5	50	22	4	A2 s/s
P0200.050-055-A2	M 5	8.5	5	55	22	4	A2 s/s
P0200.050-060-A2	M 5	8.5	5	60	22	4	A2 s/s
P0200.050-065-A2	M 5	8.5	5	65	22	4	A2 s/s
P0200.050-070-A2	M 5	8.5	5	70	22	4	A2 s/s
P0200.050-080-A2	M 5	8.5	5	80	22	4	A2 s/s
P0200.050-090-A2	M 5	8.5	5	90	22	4	A2 s/s
P0200.050-100-A2	M 5	8.5	5	100	22	4	A2 s/s
P0200.060-006-A2	M 6	10	6	6	-	5	A2 s/s
P0200.060-008-A2	M 6	10	6	8	-	5	A2 s/s
P0200.060-010-A2	M 6	10	6	10	-	5	A2 s/s
P0200.060-012-A2	M 6	10	6	12	-	5	A2 s/s
P0200.060-014-A2	M 6	10	6	14	-	5	A2 s/s
P0200.060-016-A2	M 6	10	6	16	-	5	A2 s/s
P0200.060-018-A2	M 6	10	6	18	-	5	A2 s/s
P0200.060-020-A2	M 6	10	6	20	-	5	A2 s/s
P0200.060-025-A2	M 6	10	6	25	24	5	A2 s/s
P0200.060-030-A2	M 6	10	6	30	24	5	A2 s/s
P0200.060-035-A2	M 6	10	6	35	24	5	A2 s/s
P0200.060-040-A2	M 6	10	6	40	24	5	A2 s/s
P0200.060-045-A2	M 6	10	6	45	24	5	A2 s/s
P0200.060-050-A2	M 6	10	6	50	24	5	A2 s/s
P0200.060-055-A2	M 6	10	6	55	24	5	A2 s/s

STANDARD SCREWS



STANDARD SCREWS

Order No.	d ₁	d ₂	h ₁	l ₁	l ₂	A/F	Material
P0200.060-060-A2	M 6	10	6	60	24	5	A2 s/s
P0200.060-065-A2	M 6	10	6	65	24	5	A2 s/s
P0200.060-070-A2	M 6	10	6	70	24	5	A2 s/s
P0200.060-080-A2	M 6	10	6	80	24	5	A2 s/s
P0200.060-090-A2	M 6	10	6	90	24	5	A2 s/s
P0200.060-100-A2	M 6	10	6	100	24	5	A2 s/s
P0200.060-110-A2	M 6	10	6	110	24	5	A2 s/s
P0200.060-120-A2	M 6	10	6	120	24	5	A2 s/s
P0200.060-130-A2	M 6	10	6	130	24	5	A2 s/s
P0200.060-140-A2	M 6	10	6	140	24	5	A2 s/s
P0200.060-150-A2	M 6	10	6	150	24	5	A2 s/s
P0200.080-010-A2	M 8	13	8	10	-	6	A2 s/s
P0200.080-012-A2	M 8	13	8	12	-	6	A2 s/s
P0200.080-014-A2	M 8	13	8	14	-	6	A2 s/s
P0200.080-016-A2	M 8	13	8	16	-	6	A2 s/s
P0200.080-018-A2	M 8	13	8	18	-	6	A2 s/s
P0200.080-020-A2	M 8	13	8	20	-	6	A2 s/s
P0200.080-025-A2	M 8	13	8	25	-	6	A2 s/s
P0200.080-030-A2	M 8	13	8	30	28	6	A2 s/s
P0200.080-035-A2	M 8	13	8	35	28	6	A2 s/s
P0200.080-040-A2	M 8	13	8	40	28	6	A2 s/s
P0200.080-045-A2	M 8	13	8	45	28	6	A2 s/s
P0200.080-050-A2	M 8	13	8	50	28	6	A2 s/s
P0200.080-055-A2	M 8	13	8	55	28	6	A2 s/s
P0200.080-060-A2	M 8	13	8	60	28	6	A2 s/s
P0200.080-065-A2	M 8	13	8	65	28	6	A2 s/s
P0200.080-070-A2	M 8	13	8	70	28	6	A2 s/s
P0200.080-080-A2	M 8	13	8	80	28	6	A2 s/s
P0200.080-090-A2	M 8	13	8	90	28	6	A2 s/s
P0200.080-100-A2	M 8	13	8	100	28	6	A2 s/s
P0200.080-110-A2	M 8	13	8	110	28	6	A2 s/s
P0200.080-120-A2	M 8	13	8	120	28	6	A2 s/s
P0200.080-130-A2	M 8	13	8	130	28	6	A2 s/s
P0200.080-140-A2	M 8	13	8	140	28	6	A2 s/s
P0200.080-150-A2	M 8	13	8	150	28	6	A2 s/s
P0200.080-160-A2	M 8	13	8	160	28	6	A2 s/s
P0200.080-170-A2	M 8	13	8	170	28	6	A2 s/s
P0200.080-180-A2	M 8	13	8	180	28	6	A2 s/s
P0200.080-190-A2	M 8	13	8	190	28	6	A2 s/s
P0200.080-200-A2	M 8	13	8	200	28	6	A2 s/s
P0200.100-012-A2	M10	16	10	12	-	8	A2 s/s
P0200.100-016-A2	M10	16	10	16	-	8	A2 s/s
P0200.100-018-A2	M10	16	10	18	-	8	A2 s/s
P0200.100-020-A2	M10	16	10	20	-	8	A2 s/s
P0200.100-025-A2	M10	16	10	25	-	8	A2 s/s
P0200.100-030-A2	M10	16	10	30	-	8	A2 s/s
P0200.100-035-A2	M10	16	10	35	32	8	A2 s/s
P0200.100-040-A2	M10	16	10	40	32	8	A2 s/s
P0200.100-045-A2	M10	16	10	45	32	8	A2 s/s
P0200.100-050-A2	M10	16	10	50	32	8	A2 s/s
P0200.100-055-A2	M10	16	10	55	32	8	A2 s/s
P0200.100-060-A2	M10	16	10	60	32	8	A2 s/s
P0200.100-065-A2	M10	16	10	65	32	8	A2 s/s
P0200.100-070-A2	M10	16	10	70	32	8	A2 s/s
P0200.100-075-A2	M10	16	10	75	32	8	A2 s/s
P0200.100-080-A2	M10	16	10	80	32	8	A2 s/s
P0200.100-090-A2	M10	16	10	90	32	8	A2 s/s
P0200.100-100-A2	M10	16	10	100	32	8	A2 s/s
P0200.100-110-A2	M10	16	10	110	32	8	A2 s/s
P0200.100-120-A2	M10	16	10	120	32	8	A2 s/s
P0200.100-130-A2	M10	16	10	130	32	8	A2 s/s
P0200.100-140-A2	M10	16	10	140	32	8	A2 s/s
P0200.100-150-A2	M10	16	10	150	32	8	A2 s/s
P0200.100-160-A2	M10	16	10	160	32	8	A2 s/s
P0200.100-170-A2	M10	16	10	170	32	8	A2 s/s
P0200.100-180-A2	M10	16	10	180	32	8	A2 s/s
P0200.100-190-A2	M10	16	10	190	32	8	A2 s/s
P0200.100-200-A2	M10	16	10	200	32	8	A2 s/s
P0200.120-016-A2	M12	18	12	16	-	10	A2 s/s



Socket Cap Screws

A2 stainless

Standard Screws



Order No.	d ₁	d ₂	h ₁	l ₁	l ₂	A/F	Material
P0200.120-020-A2	M12	18	12	20	-	10	A2 s/s
P0200.120-025-A2	M12	18	12	25	-	10	A2 s/s
P0200.120-030-A2	M12	18	12	30	-	10	A2 s/s
P0200.120-035-A2	M12	18	12	35	-	10	A2 s/s
P0200.120-040-A2	M12	18	12	40	36	10	A2 s/s
P0200.120-045-A2	M12	18	12	45	36	10	A2 s/s
P0200.120-050-A2	M12	18	12	50	36	10	A2 s/s
P0200.120-055-A2	M12	18	12	55	36	10	A2 s/s
P0200.120-060-A2	M12	18	12	60	36	10	A2 s/s
P0200.120-065-A2	M12	18	12	65	36	10	A2 s/s
P0200.120-070-A2	M12	18	12	70	36	10	A2 s/s
P0200.120-080-A2	M12	18	12	80	36	10	A2 s/s
P0200.120-090-A2	M12	18	12	90	36	10	A2 s/s
P0200.120-100-A2	M12	18	12	100	36	10	A2 s/s
P0200.120-110-A2	M12	18	12	110	36	10	A2 s/s
P0200.120-120-A2	M12	18	12	120	36	10	A2 s/s
P0200.120-130-A2	M12	18	12	130	36	10	A2 s/s
P0200.120-140-A2	M12	18	12	140	36	10	A2 s/s
P0200.120-150-A2	M12	18	12	150	36	10	A2 s/s
P0200.120-160-A2	M12	18	12	160	36	10	A2 s/s
P0200.120-170-A2	M12	18	12	170	36	10	A2 s/s
P0200.120-180-A2	M12	18	12	180	36	10	A2 s/s
P0200.120-190-A2	M12	18	12	190	36	10	A2 s/s
P0200.120-200-A2	M12	18	12	200	36	10	A2 s/s
P0200.140-020-A2	M14	21	14	20	-	12	A2 s/s
P0200.140-025-A2	M14	21	14	25	-	12	A2 s/s
P0200.140-030-A2	M14	21	14	30	-	12	A2 s/s
P0200.140-035-A2	M14	21	14	35	-	12	A2 s/s
P0200.140-040-A2	M14	21	14	40	-	12	A2 s/s
P0200.140-045-A2	M14	21	14	45	40	12	A2 s/s
P0200.140-050-A2	M14	21	14	50	40	12	A2 s/s
P0200.140-055-A2	M14	21	14	55	40	12	A2 s/s
P0200.140-060-A2	M14	21	14	60	40	12	A2 s/s
P0200.140-065-A2	M14	21	14	65	40	12	A2 s/s
P0200.140-070-A2	M14	21	14	70	40	12	A2 s/s
P0200.140-080-A2	M14	21	14	80	40	12	A2 s/s
P0200.140-090-A2	M14	21	14	90	40	12	A2 s/s
P0200.140-100-A2	M14	21	14	100	40	12	A2 s/s
P0200.140-110-A2	M14	21	14	110	40	12	A2 s/s
P0200.140-120-A2	M14	21	14	120	40	12	A2 s/s
P0200.140-130-A2	M14	21	14	130	40	12	A2 s/s
P0200.140-140-A2	M14	21	14	140	40	12	A2 s/s
P0200.140-150-A2	M14	21	14	150	40	12	A2 s/s
P0200.140-160-A2	M14	21	14	160	40	12	A2 s/s
P0200.140-170-A2	M14	21	14	170	40	12	A2 s/s
P0200.140-180-A2	M14	21	14	180	40	12	A2 s/s
P0200.140-190-A2	M14	21	14	190	40	12	A2 s/s
P0200.140-200-A2	M14	21	14	200	40	12	A2 s/s
P0200.160-020-A2	M16	24	16	20	-	14	A2 s/s
P0200.160-025-A2	M16	24	16	25	-	14	A2 s/s
P0200.160-030-A2	M16	24	16	30	-	14	A2 s/s
P0200.160-035-A2	M16	24	16	35	-	14	A2 s/s
P0200.160-040-A2	M16	24	16	40	-	14	A2 s/s
P0200.160-045-A2	M16	24	16	45	-	14	A2 s/s
P0200.160-050-A2	M16	24	16	50	44	14	A2 s/s
P0200.160-055-A2	M16	24	16	55	44	14	A2 s/s
P0200.160-060-A2	M16	24	16	60	44	14	A2 s/s
P0200.160-065-A2	M16	24	16	65	44	14	A2 s/s
P0200.160-070-A2	M16	24	16	70	44	14	A2 s/s
P0200.016-080-A2	M16	24	16	80	44	14	A2 s/s
P0200.160-090-A2	M16	24	16	90	44	14	A2 s/s
P0200.160-100-A2	M16	24	16	100	44	14	A2 s/s
P0200.160-110-A2	M16	24	16	110	44	14	A2 s/s
P0200.160-120-A2	M16	24	16	120	44	14	A2 s/s
P0200.160-130-A2	M16	24	16	130	44	14	A2 s/s
P0200.160-140-A2	M16	24	16	140	44	14	A2 s/s
P0200.160-150-A2	M16	24	16	150	44	14	A2 s/s
P0200.160-160-A2	M16	24	16	160	44	14	A2 s/s
P0200.160-170-A2	M16	24	16	170	44	14	A2 s/s

STANDARD SCREWS



STANDARD SCREWS

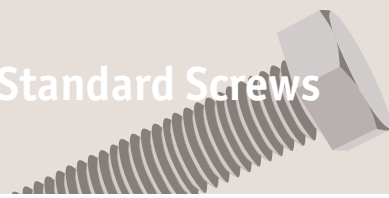
Order No.	d ₁	d ₂	h ₁	l ₁	l ₂	A/F	Material
P0200.160-180-A2	M16	24	16	180	44	14	A2 s/s
P0200.160-190-A2	M16	24	16	190	44	14	A2 s/s
P0200.160-200-A2	M16	24	16	200	44	14	A2 s/s
P0200.180-030-A2	M18	27	18	30	-	14	A2 s/s
P0200.180-035-A2	M18	27	18	35	-	14	A2 s/s
P0200.180-040-A2	M18	27	18	40	-	14	A2 s/s
P0200.180-045-A2	M18	27	18	45	-	14	A2 s/s
P0200.180-050-A2	M18	27	18	50	48	14	A2 s/s
P0200.180-055-A2	M18	27	18	55	48	14	A2 s/s
P0200.180-060-A2	M18	27	18	60	48	14	A2 s/s
P0200.180-065-A2	M18	27	18	65	48	14	A2 s/s
P0200.180-070-A2	M18	27	18	70	48	14	A2 s/s
P0200.180-075-A2	M18	27	18	75	48	14	A2 s/s
P0200.180-080-A2	M18	27	18	80	48	14	A2 s/s
P0200.180-090-A2	M18	27	18	90	48	14	A2 s/s
P0200.180-100-A2	M18	27	18	100	48	14	A2 s/s
P0200.180-110-A2	M18	27	18	110	48	14	A2 s/s
P0200.180-120-A2	M18	27	18	120	48	14	A2 s/s
P0200.180-130-A2	M18	27	18	130	48	14	A2 s/s
P0200.180-140-A2	M18	27	18	140	48	14	A2 s/s
P0200.180-150-A2	M18	27	18	150	48	14	A2 s/s
P0200.180-160-A2	M18	27	18	160	48	14	A2 s/s
P0200.180-170-A2	M18	27	18	170	48	14	A2 s/s
P0200.180-180-A2	M18	27	18	180	48	14	A2 s/s
P0200.180-190-A2	M18	27	18	190	48	14	A2 s/s
P0200.180-200-A2	M18	27	18	200	48	14	A2 s/s
P0200.200-030-A2	M20	30	20	30	-	17	A2 s/s
P0200.200-035-A2	M20	30	20	35	-	17	A2 s/s
P0200.200-040-A2	M20	30	20	40	-	17	A2 s/s
P0200.200-045-A2	M20	30	20	45	-	17	A2 s/s
P0200.200-050-A2	M20	30	20	50	-	17	A2 s/s
P0200.200-055-A2	M20	30	20	55	52	17	A2 s/s
P0200.200-060-A2	M20	30	20	60	52	17	A2 s/s
P0200.200-065-A2	M20	30	20	65	52	17	A2 s/s
P0200.200-070-A2	M20	30	20	70	52	17	A2 s/s
P0200.200-080-A2	M20	30	20	80	52	17	A2 s/s
P0200.200-090-A2	M20	30	20	90	52	17	A2 s/s
P0200.200-100-A2	M20	30	20	100	52	17	A2 s/s
P0200.200-110-A2	M20	30	20	110	52	17	A2 s/s
P0200.200-120-A2	M20	30	20	120	52	17	A2 s/s
P0200.200-130-A2	M20	30	20	130	52	17	A2 s/s
P0200.200-140-A2	M20	30	20	140	52	17	A2 s/s
P0200.200-150-A2	M20	30	20	150	52	17	A2 s/s
P0200.200-160-A2	M20	30	20	160	52	17	A2 s/s
P0200.200-170-A2	M20	30	20	170	52	17	A2 s/s
P0200.200-180-A2	M20	30	20	180	52	17	A2 s/s
P0200.200-190-A2	M20	30	20	190	52	17	A2 s/s
P0200.200-200-A2	M20	30	20	200	52	17	A2 s/s
P0200.240-040-A2	M24	36	24	40	-	19	A2 s/s
P0200.240-045-A2	M24	36	24	45	-	19	A2 s/s
P0200.240-050-A2	M24	36	24	50	-	19	A2 s/s
P0200.240-055-A2	M24	36	24	55	-	19	A2 s/s
P0200.240-060-A2	M24	36	24	60	-	19	A2 s/s
P0200.240-065-A2	M24	36	24	65	60	19	A2 s/s
P0200.240-070-A2	M24	36	24	70	60	19	A2 s/s
P0200.240-080-A2	M24	36	24	80	60	19	A2 s/s
P0200.240-090-A2	M24	36	24	90	60	19	A2 s/s
P0200.240-100-A2	M24	36	24	100	60	19	A2 s/s
P0200.240-110-A2	M24	36	24	110	60	19	A2 s/s
P0200.240-120-A2	M24	36	24	120	60	19	A2 s/s
P0200.240-130-A2	M24	36	24	130	60	19	A2 s/s
P0200.240-140-A2	M24	36	24	140	60	19	A2 s/s
P0200.240-150-A2	M24	36	24	150	60	19	A2 s/s
P0200.240-160-A2	M24	36	24	160	60	19	A2 s/s
P0200.240-170-A2	M24	36	24	170	60	19	A2 s/s
P0200.240-180-A2	M24	36	24	180	60	19	A2 s/s
P0200.240-190-A2	M24	36	24	190	60	19	A2 s/s
P0200.240-200-A2	M24	36	24	200	60	19	A2 s/s
P0200.270-050-A2	M27	40	27	50	-	19	A2 s/s



Socket Cap Screws

A2 stainless

Standard Screws

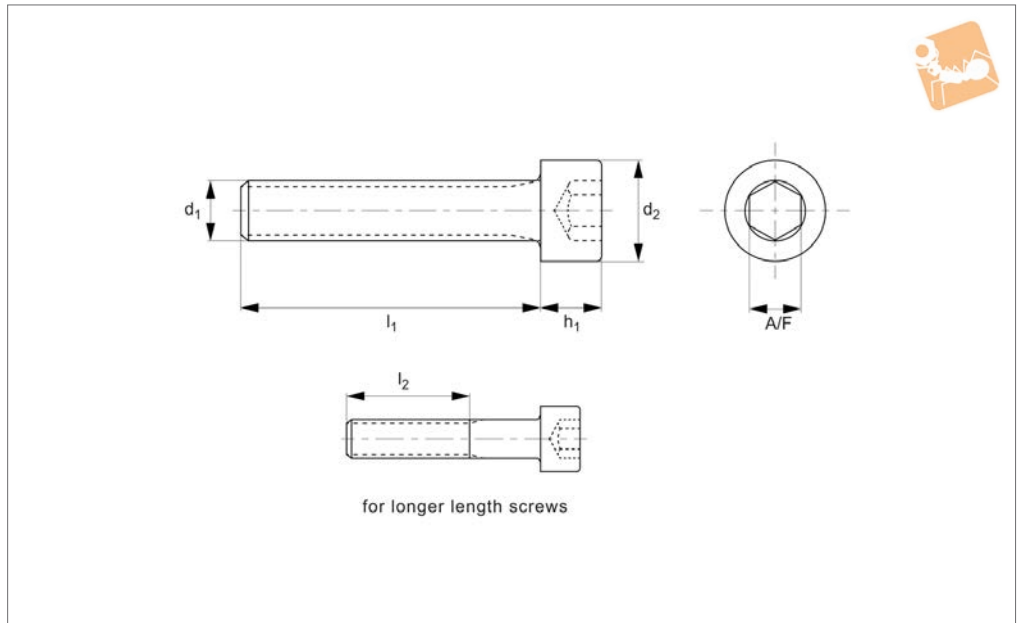


Order No.	d ₁	d ₂	h ₁	l ₁	l ₂	A/F	Material
P0200.270-055-A2	M27	40	27	55	-	19	A2 s/s
P0200.270-060-A2	M27	40	27	60	-	19	A2 s/s
P0200.270-065-A2	M27	40	27	65	-	19	A2 s/s
P0200.270-070-A2	M27	40	27	70	66	19	A2 s/s
P0200.270-080-A2	M27	40	27	80	66	19	A2 s/s
P0200.270-090-A2	M27	40	27	90	66	19	A2 s/s
P0200.270-100-A2	M27	40	27	100	66	19	A2 s/s
P0200.270-110-A2	M27	40	27	110	66	19	A2 s/s
P0200.270-120-A2	M27	40	27	120	66	19	A2 s/s
P0200.270-130-A2	M27	40	27	130	66	19	A2 s/s
P0200.270-140-A2	M27	40	27	140	66	19	A2 s/s
P0200.270-150-A2	M27	40	27	150	66	19	A2 s/s
P0200.270-160-A2	M27	40	27	160	66	19	A2 s/s
P0200.270-170-A2	M27	40	27	170	66	19	A2 s/s
P0200.270-180-A2	M27	40	27	180	66	19	A2 s/s
P0200.270-190-A2	M27	40	27	190	66	19	A2 s/s
P0200.270-200-A2	M27	40	27	200	66	19	A2 s/s
P0200.300-050-A2	M30	45	30	50	-	22	A2 s/s
P0200.300-055-A2	M30	45	30	55	-	22	A2 s/s
P0200.300-060-A2	M30	45	30	60	-	22	A2 s/s
P0200.300-065-A2	M30	45	30	65	-	22	A2 s/s
P0200.300-070-A2	M30	45	30	70	-	22	A2 s/s
P0200.300-080-A2	M30	45	30	80	72	22	A2 s/s
P0200.300-090-A2	M30	45	30	90	72	22	A2 s/s
P0200.300-100-A2	M30	45	30	100	72	22	A2 s/s
P0200.300-110-A2	M30	45	30	110	72	22	A2 s/s
P0200.300-120-A2	M30	45	30	120	72	22	A2 s/s
P0200.300-130-A2	M30	45	30	130	72	22	A2 s/s
P0200.300-140-A2	M30	45	30	140	72	22	A2 s/s
P0200.300-150-A2	M30	45	30	150	72	22	A2 s/s
P0200.300-160-A2	M30	45	30	160	72	22	A2 s/s
P0200.300-170-A2	M30	45	30	170	72	22	A2 s/s
P0200.300-180-A2	M30	45	30	180	72	22	A2 s/s
P0200.300-190-A2	M30	45	30	190	72	22	A2 s/s
P0200.300-200-A2	M30	45	30	200	72	22	A2 s/s

STANDARD SCREWS



P0200.A4



Material

Stainless steel (AISI 316, 1.440, class 70).

Technical Notes

To DIN 912, ISO 4762. For the majority of

screw lengths the threads goes all the way to the head of the screw (i.e. $l_1 = l_2$) less 2.5 thread pitches.

For longer length screws the threaded

portion l_2 is shown.

See technical page for tightening torques.

Order No.	d ₁	d ₂	h ₁	l ₁	l ₂	A/F	Material
P0200.016-003-A4	M1,6	3.0	1.6	3	-	1.5	A4 s/s
P0200.016-004-A4	M1,6	3.0	1.6	4	-	1.5	A4 s/s
P0200.016-005-A4	M1,6	3.0	1.6	5	-	1.5	A4 s/s
P0200.016-006-A4	M1,6	3.0	1.6	6	-	1.5	A4 s/s
P0200.016-008-A4	M1,6	3.0	1.6	8	-	1.5	A4 s/s
P0200.016-010-A4	M1,6	3.0	1.6	10	-	1.5	A4 s/s
P0200.016-012-A4	M1,6	3.0	1.6	12	-	1.5	A4 s/s
P0200.016-014-A4	M1,6	3.0	1.6	14	-	1.5	A4 s/s
P0200.016-016-A4	M1,6	3.0	1.6	16	-	1.5	A4 s/s
P0200.020-003-A4	M 2	3.8	2	3	-	1.5	A2 s/s
P0200.020-004-A4	M 2	3.8	2	4	-	1.5	A4 s/s
P0200.020-005-A4	M 2	3.8	2	5	-	1.5	A4 s/s
P0200.020-006-A4	M 2	3.8	2	6	-	1.5	A4 s/s
P0200.020-008-A4	M 2	3.8	2	8	-	1.5	A4 s/s
P0200.020-010-A4	M 2	3.8	2	10	-	1.5	A4 s/s
P0200.020-012-A4	M 2	3.8	2	12	-	1.5	A4 s/s
P0200.020-014-A4	M 2	3.8	2	14	-	1.5	A4 s/s
P0200.020-016-A4	M 2	3.8	2	16	-	1.5	A4 s/s
P0200.020-018-A4	M 2	3.8	2	18	-	1.5	A4 s/s
P0200.020-020-A4	M 2	3.8	2	20	-	1.5	A4 s/s
P0200.025-004-A4	M2,5	4.5	2.5	4	-	2	A4 s/s
P0200.025-005-A4	M2,5	4.5	2.5	5	-	2	A4 s/s
P0200.025-006-A4	M2,5	4.5	2.5	6	-	2	A4 s/s
P0200.025-008-A4	M2,5	4.5	2.5	8	-	2	A4 s/s
P0200.025-010-A4	M2,5	4.5	2.5	10	-	2	A4 s/s
P0200.025-012-A4	M2,5	4.5	2.5	12	-	2	A4 s/s
P0200.025-014-A4	M2,5	4.5	2.5	14	-	2	A4 s/s
P0200.025-016-A4	M2,5	4.5	2.5	16	-	2	A4 s/s
P0200.025-018-A4	M2,5	4.5	2.5	18	-	2	A4 s/s
P0200.025-020-A4	M2,5	4.5	2.5	20	-	2	A4 s/s
P0200.025-022-A4	M2,5	4.5	2.5	22	-	2	A4 s/s
P0200.025-025-A4	M2,5	4.5	2.5	25	-	2	A4 s/s
P0200.030-004-A4	M 3	5.5	3	4	-	2.5	A4 s/s
P0200.030-005-A4	M 3	5.5	3	5	-	2.5	A4 s/s



Socket Cap Screws

316 series, stainless steel

Standard Screws



Order No.	d ₁	d ₂	h ₁	l ₁	l ₂	A/F	Material
P0200.030-006-A4	M 3	5.5	3	6	-	2.5	A4 s/s
P0200.030-008-A4	M 3	5.5	3	8	-	2.5	A4 s/s
P0200.030-010-A4	M 3	5.5	3	10	-	2.5	A4 s/s
P0200.030-012-A4	M 3	5.5	3	12	-	2.5	A4 s/s
P0200.030-014-A4	M 3	5.5	3	14	-	2.5	A4 s/s
P0200.030-016-A4	M 3	5.5	3	16	-	2.5	A4 s/s
P0200.030-018-A4	M 3	5.5	3	18	-	2.5	A4 s/s
P0200.030-020-A4	M 3	5.5	3	20	18	2.5	A4 s/s
P0200.030-025-A4	M 3	5.5	3	25	18	2.5	A4 s/s
P0200.030-030-A4	M 3	5.5	3	30	18	2.5	A4 s/s
P0200.030-035-A4	M 3	5.5	3	35	18	2.5	A4 s/s
P0200.030-040-A4	M 3	5.5	3	40	18	2.5	A4 s/s
P0200.030-045-A4	M 3	5.5	3	45	18	2.5	A4 s/s
P0200.030-050-A4	M 3	5.5	3	50	18	2.5	A4 s/s
P0200.040-005-A4	M 4	7	4	5	-	3	A4 s/s
P0200.040-006-A4	M 4	7	4	6	-	3	A4 s/s
P0200.040-008-A4	M 4	7	4	8	-	3	A4 s/s
P0200.040-010-A4	M 4	7	4	10	-	3	A4 s/s
P0200.040-012-A4	M 4	7	4	12	-	3	A4 s/s
P0200.040-014-A4	M 4	7	4	14	-	3	A4 s/s
P0200.040-016-A4	M 4	7	4	16	-	3	A4 s/s
P0200.040-018-A4	M 4	7	4	18	-	3	A4 s/s
P0200.040-020-A4	M 4	7	4	20	20	3	A4 s/s
P0200.040-025-A4	M 4	7	4	25	20	3	A4 s/s
P0200.040-030-A4	M 4	7	4	30	20	3	A4 s/s
P0200.040-035-A4	M 4	7	4	35	20	3	A4 s/s
P0200.040-040-A4	M 4	7	4	40	20	3	A4 s/s
P0200.040-045-A4	M 4	7	4	45	20	3	A4 s/s
P0200.040-050-A4	M 4	7	4	50	20	3	A4 s/s
P0200.040-055-A4	M 4	7	4	55	20	3	A4 s/s
P0200.040-060-A4	M 4	7	4	60	20	3	A4 s/s
P0200.040-070-A4	M 4	7	4	70	20	3	A4 s/s
P0200.040-075-A4	M 4	7	4	75	20	3	A4 s/s
P0200.050-006-A4	M 5	8.5	5	6	-	4	A4 s/s
P0200.050-008-A4	M 5	8.5	5	8	-	4	A4 s/s
P0200.050-010-A4	M 5	8.5	5	10	-	4	A4 s/s
P0200.050-012-A4	M 5	8.5	5	12	-	4	A4 s/s
P0200.050-014-A4	M 5	8.5	5	14	-	4	A4 s/s
P0200.050-016-A4	M 5	8.5	5	16	-	4	A4 s/s
P0200.050-018-A4	M 5	8.5	5	18	-	4	A4 s/s
P0200.050-020-A4	M 5	8.5	5	20	-	4	A4 s/s
P0200.050-025-A4	M 5	8.5	5	25	22	4	A4 s/s
P0200.050-030-A4	M 5	8.5	5	30	22	4	A4 s/s
P0200.050-035-A4	M 5	8.5	5	35	22	4	A4 s/s
P0200.050-040-A4	M 5	8.5	5	40	22	4	A4 s/s
P0200.050-045-A4	M 5	8.5	5	45	22	4	A4 s/s
P0200.050-050-A4	M 5	8.5	5	50	22	4	A4 s/s
P0200.050-055-A4	M 5	8.5	5	55	22	4	A4 s/s
P0200.050-060-A4	M 5	8.5	5	60	22	4	A4 s/s
P0200.050-065-A4	M 5	8.5	5	65	22	4	A4 s/s
P0200.050-070-A4	M 5	8.5	5	70	22	4	A4 s/s
P0200.050-080-A4	M 5	8.5	5	80	22	4	A4 s/s
P0200.050-090-A4	M 5	8.5	5	90	22	4	A4 s/s
P0200.050-100-A4	M 5	8.5	5	100	22	4	A4 s/s
P0200.060-006-A4	M 6	10	6	6	-	5	A4 s/s
P0200.060-008-A4	M 6	10	6	8	-	5	A4 s/s
P0200.060-010-A4	M 6	10	6	10	-	5	A4 s/s
P0200.060-012-A4	M 6	10	6	12	-	5	A4 s/s
P0200.060-014-A4	M 6	10	6	14	-	5	A4 s/s
P0200.060-016-A4	M 6	10	6	16	-	5	A4 s/s
P0200.060-018-A4	M 6	10	6	18	-	5	A4 s/s
P0200.060-020-A4	M 6	10	6	20	-	5	A4 s/s
P0200.060-025-A4	M 6	10	6	25	24	5	A4 s/s
P0200.060-030-A4	M 6	10	6	30	24	5	A4 s/s
P0200.060-035-A4	M 6	10	6	35	24	5	A4 s/s
P0200.060-040-A4	M 6	10	6	40	24	5	A4 s/s
P0200.060-045-A4	M 6	10	6	45	24	5	A4 s/s
P0200.060-050-A4	M 6	10	6	50	24	5	A4 s/s
P0200.060-055-A4	M 6	10	6	55	24	5	A4 s/s

STANDARD SCREWS



STANDARD SCREWS

Order No.	d ₁	d ₂	h ₁	l ₁	l ₂	A/F	Material
P0200.060-060-A4	M 6	10	6	60	24	5	A4 s/s
P0200.060-065-A4	M 6	10	6	65	24	5	A4 s/s
P0200.060-070-A4	M 6	10	6	70	24	5	A4 s/s
P0200.060-080-A4	M 6	10	6	80	24	5	A4 s/s
P0200.060-090-A4	M 6	10	6	90	24	5	A4 s/s
P0200.060-100-A4	M 6	10	6	100	24	5	A4 s/s
P0200.060-110-A4	M 6	10	6	110	24	5	A4 s/s
P0200.060-120-A4	M 6	10	6	120	24	5	A4s/s
P0200.060-130-A4	M 6	10	6	130	24	5	A4 s/s
P0200.060-140-A4	M 6	10	6	140	24	5	A4 s/s
P0200.060-150-A4	M 6	10	6	150	24	5	A4 s/s
P0200.080-010-A4	M 8	13	8	10	-	6	A4 s/s
P0200.080-012-A4	M 8	13	8	12	-	6	A4 s/s
P0200.080-014-A4	M 8	13	8	14	-	6	A4 s/s
P0200.080-016-A4	M 8	13	8	16	-	6	A4 s/s
P0200.080-018-A4	M 8	13	8	18	-	6	A4 s/s
P0200.080-020-A4	M 8	13	8	20	-	6	A4 s/s
P0200.080-025-A4	M 8	13	8	25	-	6	A4 s/s
P0200.080-030-A4	M 8	13	8	30	28	6	A4 s/s
P0200.080-035-A4	M 8	13	8	35	28	6	A4 s/s
P0200.080-040-A4	M 8	13	8	40	28	6	A4 s/s
P0200.080-045-A4	M 8	13	8	45	28	6	A4 s/s
P0200.080-050-A4	M 8	13	8	50	28	6	A4 s/s
P0200.080-055-A4	M 8	13	8	55	28	6	A4 s/s
P0200.080-060-A4	M 8	13	8	60	28	6	A4 s/s
P0200.080-065-A4	M 8	13	8	65	28	6	A4 s/s
P0200.080-070-A4	M 8	13	8	70	28	6	A4 s/s
P0200.080-080-A4	M 8	13	8	80	28	6	A4 s/s
P0200.080-090-A4	M 8	13	8	90	28	6	A4 s/s
P0200.080-100-A4	M 8	13	8	100	28	6	A4 s/s
P0200.080-110-A4	M 8	13	8	110	28	6	A4 s/s
P0200.080-120-A4	M 8	13	8	120	28	6	A4 s/s
P0200.080-130-A4	M 8	13	8	130	28	6	A4 s/s
P0200.080-140-A4	M 8	13	8	140	28	6	A4 s/s
P0200.080-150-A4	M 8	13	8	150	28	6	A4 s/s
P0200.080-160-A4	M 8	13	8	160	28	6	A4 s/s
P0200.080-170-A4	M 8	13	8	170	28	6	A4 s/s
P0200.080-180-A4	M 8	13	8	180	28	6	A4 s/s
P0200.080-190-A4	M 8	13	8	190	28	6	A4 s/s
P0200.080-200-A4	M 8	13	8	200	28	6	A4 s/s
P0200.100-012-A4	M10	16	10	12	-	8	A4 s/s
P0200.100-016-A4	M10	16	10	16	-	8	A4 s/s
P0200.100-018-A4	M10	16	10	18	-	8	A4 s/s
P0200.100-020-A4	M10	16	10	20	-	8	A4 s/s
P0200.100-025-A4	M10	16	10	25	-	8	A4 s/s
P0200.100-030-A4	M10	16	10	30	-	8	A4 s/s
P0200.100-035-A4	M10	16	10	35	32	8	A4 s/s
P0200.100-040-A4	M10	16	10	40	32	8	A4 s/s
P0200.100-045-A4	M10	16	10	45	32	8	A4 s/s
P0200.100-050-A4	M10	16	10	50	32	8	A4 s/s
P0200.100-055-A4	M10	16	10	55	32	8	A4 s/s
P0200.100-060-A4	M10	16	10	60	32	8	A4 s/s
P0200.100-065-A4	M10	16	10	65	32	8	A4 s/s
P0200.100-070-A4	M10	16	10	70	32	8	A4 s/s
P0200.100-075-A4	M10	16	10	75	32	8	A4 s/s
P0200.100-080-A4	M10	16	10	80	32	8	A4 s/s
P0200.100-090-A4	M10	16	10	90	32	8	A4 s/s
P0200.100-100-A4	M10	16	10	100	32	8	A4 s/s
P0200.100-110-A4	M10	16	10	110	32	8	A4 s/s
P0200.100-120-A4	M10	16	10	120	32	8	A4 s/s
P0200.100-130-A4	M10	16	10	130	32	8	A4 s/s
P0200.100-140-A4	M10	16	10	140	32	8	A4 s/s
P0200.100-150-A4	M10	16	10	150	32	8	A4 s/s
P0200.100-160-A4	M10	16	10	160	32	8	A4 s/s
P0200.100-170-A4	M10	16	10	170	32	8	A4 s/s
P0200.100-180-A4	M10	16	10	180	32	8	A4 s/s
P0200.100-190-A4	M10	16	10	190	32	8	A4 s/s
P0200.100-200-A4	M10	16	10	200	32	8	A4 s/s
P0200.120-016-A4	M12	18	12	16	-	10	A4 s/s



Socket Cap Screws

316 series, stainless steel

Standard Screws



Order No.	d ₁	d ₂	h ₁	l ₁	l ₂	A/F	Material
P0200.120-020-A4	M12	18	12	20	-	10	A4 s/s
P0200.120-025-A4	M12	18	12	25	-	10	A4 s/s
P0200.120-030-A4	M12	18	12	30	-	10	A4 s/s
P0200.120-035-A4	M12	18	12	35	-	10	A4 s/s
P0200.120-040-A4	M12	18	12	40	36	10	A4 s/s
P0200.120-045-A4	M12	18	12	45	36	10	A4 s/s
P0200.120-050-A4	M12	18	12	50	36	10	A4 s/s
P0200.120-055-A4	M12	18	12	55	36	10	A4 s/s
P0200.120-060-A4	M12	18	12	60	36	10	A4 s/s
P0200.120-065-A4	M12	18	12	65	36	10	A4 s/s
P0200.120-070-A4	M12	18	12	70	36	10	A4 s/s
P0200.120-080-A4	M12	18	12	80	36	10	A4 s/s
P0200.120-090-A4	M12	18	12	90	36	10	A4 s/s
P0200.120-100-A4	M12	18	12	100	36	10	A4 s/s
P0200.120-110-A4	M12	18	12	110	36	10	A4 s/s
P0200.120-120-A4	M12	18	12	120	36	10	A4 s/s
P0200.120-130-A4	M12	18	12	130	36	10	A4 s/s
P0200.120-140-A4	M12	18	12	140	36	10	A4 s/s
P0200.120-150-A4	M12	18	12	150	36	10	A4 s/s
P0200.120-160-A4	M12	18	12	160	36	10	A4 s/s
P0200.120-170-A4	M12	18	12	170	36	10	A4 s/s
P0200.120-180-A4	M12	18	12	180	36	10	A4 s/s
P0200.120-190-A4	M12	18	12	190	36	10	A4 s/s
P0200.120-200-A4	M12	18	12	200	36	10	A4 s/s
P0200.140-020-A4	M14	21	14	20	-	12	A4 s/s
P0200.140-025-A4	M14	21	14	25	-	12	A4 s/s
P0200.140-030-A4	M14	21	14	30	-	12	A4 s/s
P0200.140-035-A4	M14	21	14	35	-	12	A4 s/s
P0200.140-040-A4	M14	21	14	40	-	12	A4 s/s
P0200.140-045-A4	M14	21	14	45	40	12	A4 s/s
P0200.140-050-A4	M14	21	14	50	40	12	A4 s/s
P0200.140-055-A4	M14	21	14	55	40	12	A4 s/s
P0200.140-060-A4	M14	21	14	60	40	12	A4 s/s
P0200.140-065-A4	M14	21	14	65	40	12	A4 s/s
P0200.140-070-A4	M14	21	14	70	40	12	A4 s/s
P0200.140-080-A4	M14	21	14	80	40	12	A4 s/s
P0200.140-090-A4	M14	21	14	90	40	12	A4 s/s
P0200.140-100-A4	M14	21	14	100	40	12	A4 s/s
P0200.140-110-A4	M14	21	14	110	40	12	A4 s/s
P0200.140-120-A4	M14	21	14	120	40	12	A4 s/s
P0200.140-130-A4	M14	21	14	130	40	12	A4 s/s
P0200.140-140-A4	M14	21	14	140	40	12	A4 s/s
P0200.140-150-A4	M14	21	14	150	40	12	A4 s/s
P0200.140-160-A4	M14	21	14	160	40	12	A4 s/s
P0200.140-170-A4	M14	21	14	170	40	12	A4 s/s
P0200.140-180-A4	M14	21	14	180	40	12	A4 s/s
P0200.140-190-A4	M14	21	14	190	40	12	A4 s/s
P0200.140-200-A4	M14	21	14	200	40	12	A4 s/s
P0200.160-020-A4	M16	24	16	20	-	14	A4 s/s
P0200.160-025-A4	M16	24	16	25	-	14	A4 s/s
P0200.160-030-A4	M16	24	16	30	-	14	A4 s/s
P0200.160-035-A4	M16	24	16	35	-	14	A4 s/s
P0200.160-040-A4	M16	24	16	40	-	14	A4 s/s
P0200.160-045-A4	M16	24	16	45	-	14	A4 s/s
P0200.160-050-A4	M16	24	16	50	44	14	A4 s/s
P0200.160-055-A4	M16	24	16	55	44	14	A4 s/s
P0200.160-060-A4	M16	24	16	60	44	14	A4 s/s
P0200.160-065-A4	M16	24	16	65	44	14	A4 s/s
P0200.160-070-A4	M16	24	16	70	44	14	A4 s/s
P0200.016-080-A4	M16	24	16	80	44	14	A4 s/s
P0200.160-090-A4	M16	24	16	90	44	14	A4 s/s
P0200.160-100-A4	M16	24	16	100	44	14	A4 s/s
P0200.160-110-A4	M16	24	16	110	44	14	A4 s/s
P0200.160-120-A4	M16	24	16	120	44	14	A4 s/s
P0200.160-130-A4	M16	24	16	130	44	14	A4 s/s
P0200.160-140-A4	M16	24	16	140	44	14	A4 s/s
P0200.160-150-A4	M16	24	16	150	44	14	A4 s/s
P0200.160-160-A4	M16	24	16	160	44	14	A4 s/s
P0200.160-170-A4	M16	24	16	170	44	14	A4 s/s

STANDARD SCREWS



STANDARD SCREWS

Order No.	d ₁	d ₂	h ₁	l ₁	l ₂	A/F	Material
P0200.160-180-A4	M16	24	16	180	44	14	A4 s/s
P0200.160-190-A4	M16	24	16	190	44	14	A4 s/s
P0200.160-200-A4	M16	24	16	200	44	14	A4 s/s
P0200.180-030-A4	M18	27	18	30	-	14	A4 s/s
P0200.180-035-A4	M18	27	18	35	-	14	A4 s/s
P0200.180-040-A4	M18	27	18	40	-	14	A4 s/s
P0200.180-045-A4	M18	27	18	45	-	14	A4 s/s
P0200.180-050-A4	M18	27	18	50	48	14	A4 s/s
P0200.180-055-A4	M18	27	18	55	48	14	A4 s/s
P0200.180-060-A4	M18	27	18	60	48	14	A4 s/s
P0200.180-065-A4	M18	27	18	65	48	14	A4 s/s
P0200.180-070-A4	M18	27	18	70	48	14	A4 s/s
P0200.180-075-A4	M18	27	18	75	48	14	A4 s/s
P0200.180-080-A4	M18	27	18	80	48	14	A4 s/s
P0200.180-090-A4	M18	27	18	90	48	14	A4 s/s
P0200.180-100-A4	M18	27	18	100	48	14	A4 s/s
P0200.180-110-A4	M18	27	18	110	48	14	A4 s/s
P0200.180-120-A4	M18	27	18	120	48	14	A4 s/s
P0200.180-130-A4	M18	27	18	130	48	14	A4 s/s
P0200.180-140-A4	M18	27	18	140	48	14	A4 s/s
P0200.180-150-A4	M18	27	18	150	48	14	A4 s/s
P0200.180-160-A4	M18	27	18	160	48	14	A4 s/s
P0200.180-170-A4	M18	27	18	170	48	14	A4 s/s
P0200.180-180-A4	M18	27	18	180	48	14	A4 s/s
P0200.180-190-A4	M18	27	18	190	48	14	A4 s/s
P0200.180-200-A4	M18	27	18	200	48	14	A4 s/s
P0200.200-030-A4	M20	30	20	30	-	17	A4 s/s
P0200.200-035-A4	M20	30	20	35	-	17	A4 s/s
P0200.200-040-A4	M20	30	20	40	-	17	A4 s/s
P0200.200-045-A4	M20	30	20	45	-	17	A4 s/s
P0200.200-050-A4	M20	30	20	50	-	17	A4 s/s
P0200.200-055-A4	M20	30	20	55	52	17	A4 s/s
P0200.200-060-A4	M20	30	20	60	52	17	A4 s/s
P0200.200-065-A4	M20	30	20	65	52	17	A4 s/s
P0200.200-070-A4	M20	30	20	70	52	17	A4 s/s
P0200.200-080-A4	M20	30	20	80	52	17	A4 s/s
P0200.200-090-A4	M20	30	20	90	52	17	A4 s/s
P0200.200-100-A4	M20	30	20	100	52	17	A4 s/s
P0200.200-110-A4	M20	30	20	110	52	17	A4 s/s
P0200.200-120-A4	M20	30	20	120	52	17	A4 s/s
P0200.200-130-A4	M20	30	20	130	52	17	A4 s/s
P0200.200-140-A4	M20	30	20	140	52	17	A4 s/s
P0200.200-150-A4	M20	30	20	150	52	17	A4 s/s
P0200.200-160-A4	M20	30	20	160	52	17	A4 s/s
P0200.200-170-A4	M20	30	20	170	52	17	A4 s/s
P0200.200-180-A4	M20	30	20	180	52	17	A4 s/s
P0200.200-190-A4	M20	30	20	190	52	17	A4 s/s
P0200.200-200-A4	M20	30	20	200	52	17	A4 s/s
P0200.240-040-A4	M24	36	24	40	-	19	A4 s/s
P0200.240-045-A4	M24	36	24	45	-	19	A4 s/s
P0200.240-050-A4	M24	36	24	50	-	19	A4 s/s
P0200.240-055-A4	M24	36	24	55	-	19	A4 s/s
P0200.240-060-A4	M24	36	24	60	-	19	A4 s/s
P0200.240-065-A4	M24	36	24	65	60	19	A4 s/s
P0200.240-070-A4	M24	36	24	70	60	19	A4 s/s
P0200.240-080-A4	M24	36	24	80	60	19	A2 s/s
P0200.240-090-A4	M24	36	24	90	60	19	A4 s/s
P0200.240-100-A4	M24	36	24	100	60	19	A4 s/s
P0200.240-110-A4	M24	36	24	110	60	19	A4 s/s
P0200.240-120-A4	M24	36	24	120	60	19	A4 s/s
P0200.240-130-A4	M24	36	24	130	60	19	A4 s/s
P0200.240-140-A4	M24	36	24	140	60	19	A4 s/s
P0200.240-150-A4	M24	36	24	150	60	19	A4 s/s
P0200.240-160-A4	M24	36	24	160	60	19	A4 s/s
P0200.240-170-A4	M24	36	24	170	60	19	A4 s/s
P0200.240-180-A4	M24	36	24	180	60	19	A4 s/s
P0200.240-190-A4	M24	36	24	190	60	19	A4 s/s
P0200.240-200-A4	M24	36	24	200	60	19	A4 s/s
P0200.270-050-A4	M27	40	27	50	-	19	A4 s/s



Socket Cap Screws

316 series, stainless steel

Standard Screws



Order No.	d ₁	d ₂	h ₁	l ₁	l ₂	A/F	Material
P0200.270-055-A4	M27	40	27	55	-	19	A4 s/s
P0200.270-060-A4	M27	40	27	60	-	19	A4 s/s
P0200.270-065-A4	M27	40	27	65	-	19	A4 s/s
P0200.270-070-A4	M27	40	27	70	66	19	A4 s/s
P0200.270-080-A4	M27	40	27	80	66	19	A4 s/s
P0200.270-090-A4	M27	40	27	90	66	19	A4 s/s
P0200.270-100-A4	M27	40	27	100	66	19	A4 s/s
P0200.270-110-A4	M27	40	27	110	66	19	A4 s/s
P0200.270-120-A4	M27	40	27	120	66	19	A4 s/s
P0200.270-130-A4	M27	40	27	130	66	19	A4 s/s
P0200.270-140-A4	M27	40	27	140	66	19	A4 s/s
P0200.270-150-A4	M27	40	27	150	66	19	A4 s/s
P0200.270-160-A4	M27	40	27	160	66	19	A4 s/s
P0200.270-170-A4	M24	40	27	170	66	19	A4 s/s
P0200.270-180-A4	M27	40	27	180	66	19	A4 s/s
P0200.270-190-A4	M27	40	27	190	66	19	A4 s/s
P0200.270-200-A4	M27	40	27	200	66	19	A4 s/s
P0200.300-050-A4	M30	45	30	50	-	22	A4 s/s
P0200.300-055-A4	M30	45	30	55	-	22	A4 s/s
P0200.300-060-A4	M30	45	30	60	-	22	A4 s/s
P0200.300-065-A4	M30	45	30	65	-	22	A4 s/s
P0200.300-070-A4	M30	45	30	70	-	22	A4 s/s
P0200.300-080-A4	M30	45	30	80	72	22	A4 s/s
P0200.300-090-A4	M30	45	30	90	72	22	A4 s/s
P0200.300-100-A4	M30	45	30	100	72	22	A4 s/s
P0200.300-110-A4	M30	45	30	110	72	22	A4 s/s
P0200.300-120-A4	M30	45	30	120	72	22	A4 s/s
P0200.300-130-A4	M30	45	30	130	72	22	A4 s/s
P0200.300-140-A4	M30	45	30	140	72	22	A4 s/s
P0200.300-150-A4	M30	45	30	150	72	22	A4 s/s
P0200.300-160-A4	M30	45	30	160	72	22	A4 s/s
P0200.300-170-A4	M30	45	30	170	72	22	A4 s/s
P0200.300-180-A4	M30	45	30	180	72	22	A4 s/s
P0200.300-190-A4	M30	45	30	190	72	22	A4 s/s
P0200.300-200-A4	M30	45	30	200	72	22	A4 s/s

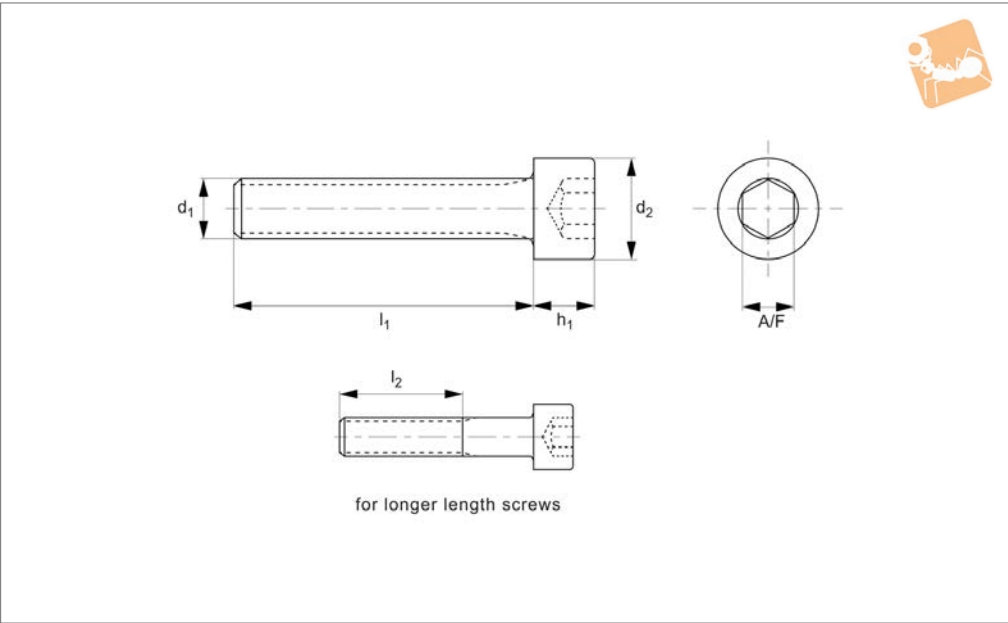
STANDARD SCREWS



STANDARD SCREWS



P0200.SC



Material

Steel, self-colour (grade 12.9).
Tensile strength 1200 N/mm².

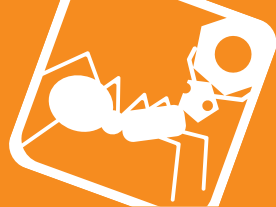
Technical Notes

To DIN 912, ISO 4762. For the majority of

screw lengths the threads goes all the way to the head of the screw (i.e. $l_1 = l_2$) less 2.5 thread pitches.

For longer length screws the threaded portion $l_2 < l_1$.

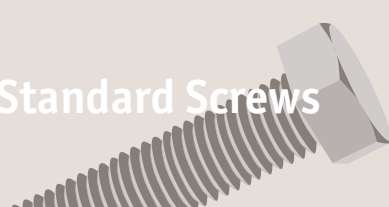
Order No.	d ₁	d ₂	h ₁	l ₁	l ₂	A/F	Material
P0200.016-003-SC	M1,6	3.0	1.6	3	-	1.5	Steel SC
P0200.016-004-SC	M1,6	3.0	1.6	4	-	1.5	Steel SC
P0200.016-005-SC	M1,6	3.0	1.6	5	-	1.5	Steel SC
P0200.016-006-SC	M1,6	3.0	1.6	6	-	1.5	Steel SC
P0200.016-008-SC	M1,6	3.0	1.6	8	-	1.5	Steel SC
P0200.016-010-SC	M1,6	3.0	1.6	10	-	1.5	Steel SC
P0200.016-012-SC	M1,6	3.0	1.6	12	-	1.5	Steel SC
P0200.016-014-SC	M1,6	3.0	1.6	14	-	1.5	Steel SC
P0200.016-016-SC	M1,6	3.0	1.6	16	-	1.5	Steel SC
P0200.020-003-SC	M 2	3.8	2	3	-	1.5	Steel SC
P0200.020-004-SC	M 2	3.8	2	4	-	1.5	Steel SC
P0200.020-005-SC	M 2	3.8	2	5	-	1.5	Steel SC
P0200.020-006-SC	M 2	3.8	2	6	-	1.5	Steel SC
P0200.020-008-SC	M 2	3.8	2	8	-	1.5	Steel SC
P0200.020-010-SC	M 2	3.8	2	10	-	1.5	Steel SC
P0200.020-012-SC	M 2	3.8	2	12	-	1.5	Steel SC
P0200.020-014-SC	M 2	3.8	2	14	-	1.5	Steel SC
P0200.020-016-SC	M 2	3.8	2	16	-	1.5	Steel SC
P0200.020-018-SC	M 2	3.8	2	18	-	1.5	Steel SC
P0200.020-020-SC	M 2	3.8	2	20	-	1.5	Steel SC
P0200.025-004-SC	M2,5	4.5	2.5	4	-	2	Steel SC
P0200.025-005-SC	M2,5	4.5	2.5	5	-	2	Steel SC
P0200.025-006-SC	M2,5	4.5	2.5	6	-	2	Steel SC
P0200.025-008-SC	M2,5	4.5	2.5	8	-	2	Steel SC
P0200.025-010-SC	M2,5	4.5	2.5	10	-	2	Steel SC
P0200.025-012-SC	M2,5	4.5	2.5	12	-	2	Steel SC
P0200.025-014-SC	M2,5	4.5	2.5	14	-	2	Steel SC
P0200.025-016-SC	M2,5	4.5	2.5	16	-	2	Steel SC
P0200.025-018-SC	M2,5	4.5	2.5	18	-	2	Steel SC
P0200.025-020-SC	M2,5	4.5	2.5	20	-	2	Steel SC
P0200.025-022-SC	M2,5	4.5	2.5	22	-	2	Steel SC
P0200.025-025-SC	M2,5	4.5	2.5	25	-	2	Steel SC
P0200.030-004-SC	M 3	5.5	3	4	-	2.5	Steel SC



Socket Cap Screws

Steel - self-colour

Standard Screws



Order No.	d ₁	d ₂	h ₁	l ₁	l ₂	A/F	Material
P0200.030-005-SC	M 3	5.5	3	5	-	2.5	Steel SC
P0200.030-006-SC	M 3	5.5	3	6	-	2.5	Steel SC
P0200.030-008-SC	M 3	5.5	3	8	-	2.5	Steel SC
P0200.030-010-SC	M 3	5.5	3	10	-	2.5	Steel SC
P0200.030-012-SC	M 3	5.5	3	12	-	2.5	Steel SC
P0200.030-014-SC	M 3	5.5	3	14	-	2.5	Steel SC
P0200.030-016-SC	M 3	5.5	3	16	-	2.5	Steel SC
P0200.030-018-SC	M 3	5.5	3	18	-	2.5	Steel SC
P0200.030-020-SC	M 3	5.5	3	20	18	2.5	Steel SC
P0200.030-025-SC	M 3	5.5	3	25	18	2.5	Steel SC
P0200.030-030-SC	M 3	5.5	3	30	18	2.5	Steel SC
P0200.030-035-SC	M 3	5.5	3	35	18	2.5	Steel SC
P0200.030-040-SC	M 3	5.5	3	40	18	2.5	Steel SC
P0200.030-045-SC	M 3	5.5	3	45	18	2.5	Steel SC
P0200.030-050-SC	M 3	5.5	3	50	18	2.5	Steel SC
P0200.040-005-SC	M 4	7	4	5	-	3	Steel SC
P0200.040-006-SC	M 4	7	4	6	-	3	Steel SC
P0200.040-008-SC	M 4	7	4	8	-	3	Steel SC
P0200.040-010-SC	M 4	7	4	10	-	3	Steel SC
P0200.040-012-SC	M 4	7	4	12	-	3	Steel SC
P0200.040-014-SC	M 4	7	4	14	-	3	Steel SC
P0200.040-016-SC	M 4	7	4	16	-	3	Steel SC
P0200.040-018-SC	M 4	7	4	18	-	3	Steel SC
P0200.040-020-SC	M 4	7	4	20	20	3	Steel SC
P0200.040-025-SC	M 4	7	4	25	20	3	Steel SC
P0200.040-030-SC	M 4	7	4	30	20	3	Steel SC
P0200.040-035-SC	M 4	7	4	35	20	3	Steel SC
P0200.040-040-SC	M 4	7	4	40	20	3	Steel SC
P0200.040-045-SC	M 4	7	4	45	20	3	Steel SC
P0200.040-050-SC	M 4	7	4	50	20	3	Steel SC
P0200.040-055-SC	M 4	7	4	55	20	3	Steel SC
P0200.040-060-SC	M 4	7	4	60	20	3	Steel SC
P0200.040-070-SC	M 4	7	4	70	20	3	Steel SC
P0200.040-075-SC	M 4	7	4	75	20	3	Steel SC
P0200.050-006-SC	M 5	8.5	5	6	-	4	Steel SC
P0200.050-008-SC	M 5	8.5	5	8	-	4	Steel SC
P0200.050-010-SC	M 5	8.5	5	10	-	4	Steel SC
P0200.050-012-SC	M 5	8.5	5	12	-	4	Steel SC
P0200.050-014-SC	M 5	8.5	5	14	-	4	Steel SC
P0200.050-016-SC	M 5	8.5	5	16	-	4	Steel SC
P0200.050-018-SC	M 5	8.5	5	18	-	4	Steel SC
P0200.050-020-SC	M 5	8.5	5	20	-	4	Steel SC
P0200.050-025-SC	M 5	8.5	5	25	22	4	Steel SC
P0200.050-030-SC	M 5	8.5	5	30	22	4	Steel SC
P0200.050-035-SC	M 5	8.5	5	35	22	4	Steel SC
P0200.050-040-SC	M 5	8.5	5	40	22	4	Steel SC
P0200.050-045-SC	M 5	8.5	5	45	22	4	Steel SC
P0200.050-050-SC	M 5	8.5	5	50	22	4	Steel SC
P0200.050-055-SC	M 5	8.5	5	55	22	4	Steel SC
P0200.050-060-SC	M 5	8.5	5	60	22	4	Steel SC
P0200.050-065-SC	M 5	8.5	5	65	22	4	Steel SC
P0200.050-070-SC	M 5	8.5	5	70	22	4	Steel SC
P0200.050-080-SC	M 5	8.5	5	80	22	4	Steel SC
P0200.050-090-SC	M 5	8.5	5	90	22	4	Steel SC
P0200.050-100-SC	M 5	8.5	5	100	22	4	Steel SC
P0200.060-006-SC	M 6	10	6	6	-	5	Steel SC
P0200.060-008-SC	M 6	10	6	8	-	5	Steel SC
P0200.060-010-SC	M 6	10	6	10	-	5	Steel SC
P0200.060-012-SC	M 6	10	6	12	-	5	Steel SC
P0200.060-014-SC	M 6	10	6	14	-	5	Steel SC
P0200.060-016-SC	M 6	10	6	16	-	5	Steel SC
P0200.060-018-SC	M 6	10	6	18	-	5	Steel SC
P0200.060-020-SC	M 6	10	6	20	-	5	Steel SC
P0200.060-025-SC	M 6	10	6	25	24	5	Steel SC
P0200.060-030-SC	M 6	10	6	30	24	5	Steel SC
P0200.060-035-SC	M 6	10	6	35	24	5	Steel SC
P0200.060-040-SC	M 6	10	6	40	24	5	Steel SC
P0200.060-045-SC	M 6	10	6	45	24	5	Steel SC
P0200.060-050-SC	M 6	10	6	50	24	5	Steel SC

STANDARD SCREWS



STANDARD SCREWS

Order No.	d ₁	d ₂	h ₁	l ₁	l ₂	A/F	Material
P0200.060-055-SC	M 6	10	6	55	24	5	Steel SC
P0200.060-060-SC	M 6	10	6	60	24	5	Steel SC
P0200.060-065-SC	M 6	10	6	65	24	5	Steel SC
P0200.060-070-SC	M 6	10	6	70	24	5	Steel SC
P0200.060-080-SC	M 6	10	6	80	24	5	Steel SC
P0200.060-090-SC	M 6	10	6	90	24	5	Steel SC
P0200.060-100-SC	M 6	10	6	100	24	5	Steel SC
P0200.060-110-SC	M 6	10	6	110	24	5	Steel SC
P0200.060-120-SC	M 6	10	6	120	24	5	Steel SC
P0200.060-130-SC	M 6	10	6	130	24	5	Steel SC
P0200.060-140-SC	M 6	10	6	140	24	5	Steel SC
P0200.060-150-SC	M 6	10	6	150	24	5	Steel SC
P0200.080-010-SC	M 8	13	8	10	-	6	Steel SC
P0200.080-012-SC	M 8	13	8	12	-	6	Steel SC
P0200.080-014-SC	M 8	13	8	14	-	6	Steel SC
P0200.080-016-SC	M 8	13	8	16	-	6	Steel SC
P0200.080-018-SC	M 8	13	8	18	-	6	Steel SC
P0200.080-020-SC	M 8	13	8	20	-	6	Steel SC
P0200.080-025-SC	M 8	13	8	25	-	6	Steel SC
P0200.080-030-SC	M 8	13	8	30	28	6	Steel SC
P0200.080-035-SC	M 8	13	8	35	28	6	Steel SC
P0200.080-040-SC	M 8	13	8	40	28	6	Steel SC
P0200.080-045-SC	M 8	13	8	45	28	6	Steel SC
P0200.080-050-SC	M 8	13	8	50	28	6	Steel SC
P0200.080-055-SC	M 8	13	8	55	28	6	Steel SC
P0200.080-060-SC	M 8	13	8	60	28	6	Steel SC
P0200.080-065-SC	M 8	13	8	65	28	6	Steel SC
P0200.080-070-SC	M 8	13	8	70	28	6	Steel SC
P0200.080-080-SC	M 8	13	8	80	28	6	Steel SC
P0200.080-090-SC	M 8	13	8	90	28	6	Steel SC
P0200.080-100-SC	M 8	13	8	100	28	6	Steel SC
P0200.080-110-SC	M 8	13	8	110	28	6	Steel SC
P0200.080-120-SC	M 8	13	8	120	28	6	Steel SC
P0200.080-130-SC	M 8	13	8	130	28	6	Steel SC
P0200.080-140-SC	M 8	13	8	140	28	6	Steel SC
P0200.080-150-SC	M 8	13	8	150	28	6	Steel SC
P0200.080-160-SC	M 8	13	8	160	28	6	Steel SC
P0200.080-170-SC	M 8	13	8	170	28	6	Steel SC
P0200.080-180-SC	M 8	13	8	180	28	6	Steel SC
P0200.080-190-SC	M 8	13	8	190	28	6	Steel SC
P0200.080-200-SC	M 8	13	8	200	28	6	Steel SC
P0200.100-012-SC	M10	16	10	12	-	8	Steel SC
P0200.100-016-SC	M10	16	10	16	-	8	Steel SC
P0200.100-018-SC	M10	16	10	18	-	8	Steel SC
P0200.100-020-SC	M10	16	10	20	-	8	Steel SC
P0200.100-025-SC	M10	16	10	25	-	8	Steel SC
P0200.100-030-SC	M10	16	10	30	-	8	Steel SC
P0200.100-035-SC	M10	16	10	35	32	8	Steel SC
P0200.100-040-SC	M10	16	10	40	32	8	Steel SC
P0200.100-045-SC	M10	16	10	45	32	8	Steel SC
P0200.100-050-SC	M10	16	10	50	32	8	Steel SC
P0200.100-055-SC	M10	16	10	55	32	8	Steel SC
P0200.100-060-SC	M10	16	10	60	32	8	Steel SC
P0200.100-065-SC	M10	16	10	65	32	8	Steel SC
P0200.100-070-SC	M10	16	10	70	32	8	Steel SC
P0200.100-075-SC	M10	16	10	75	32	8	Steel SC
P0200.100-080-SC	M10	16	10	80	32	8	Steel SC
P0200.100-090-SC	M10	16	10	90	32	8	Steel SC
P0200.100-100-SC	M10	16	10	100	32	8	Steel SC
P0200.100-110-SC	M10	16	10	110	32	8	Steel SC
P0200.100-120-SC	M10	16	10	120	32	8	Steel SC
P0200.100-130-SC	M10	16	10	130	32	8	Steel SC
P0200.100-140-SC	M10	16	10	140	32	8	Steel SC
P0200.100-150-SC	M10	16	10	150	32	8	Steel SC
P0200.100-160-SC	M10	16	10	160	32	8	Steel SC
P0200.100-170-SC	M10	16	10	170	32	8	Steel SC
P0200.100-180-SC	M10	16	10	180	32	8	Steel SC
P0200.100-190-SC	M10	16	10	190	32	8	Steel SC
P0200.100-200-SC	M10	16	10	200	32	8	Steel SC



Socket Cap Screws

Steel - self-colour

Standard Screws



Order No.	d ₁	d ₂	h ₁	l ₁	l ₂	A/F	Material
P0200.120-016-SC	M12	18	12	16	-	10	Steel SC
P0200.120-020-SC	M12	18	12	20	-	10	Steel SC
P0200.120-025-SC	M12	18	12	25	-	10	Steel SC
P0200.120-030-SC	M12	18	12	30	-	10	Steel SC
P0200.120-035-SC	M12	18	12	35	-	10	Steel SC
P0200.120-040-SC	M12	18	12	40	36	10	Steel SC
P0200.120-045-SC	M12	18	12	45	36	10	Steel SC
P0200.120-050-SC	M12	18	12	50	36	10	Steel SC
P0200.120-055-SC	M12	18	12	55	36	10	Steel SC
P0200.120-060-SC	M12	18	12	60	36	10	Steel SC
P0200.120-065-SC	M12	18	12	65	36	10	Steel SC
P0200.120-070-SC	M12	18	12	70	36	10	Steel SC
P0200.120-080-SC	M12	18	12	80	36	10	Steel SC
P0200.120-090-SC	M12	18	12	90	36	10	Steel SC
P0200.120-100-SC	M12	18	12	100	36	10	Steel SC
P0200.120-110-SC	M12	18	12	110	36	10	Steel SC
P0200.120-120-SC	M12	18	12	120	36	10	Steel SC
P0200.120-130-SC	M12	18	12	130	36	10	Steel SC
P0200.120-140-SC	M12	18	12	140	36	10	Steel SC
P0200.120-150-SC	M12	18	12	150	36	10	Steel SC
P0200.120-160-SC	M12	18	12	160	36	10	Steel SC
P0200.120-170-SC	M12	18	12	170	36	10	Steel SC
P0200.120-180-SC	M12	18	12	180	36	10	Steel SC
P0200.120-190-SC	M12	18	12	190	36	10	Steel SC
P0200.120-200-SC	M12	18	12	200	36	10	Steel SC
P0200.140-020-SC	M14	21	14	20	-	12	Steel SC
P0200.140-025-SC	M14	21	14	25	-	12	Steel SC
P0200.140-030-SC	M14	21	14	30	-	12	Steel SC
P0200.140-035-SC	M14	21	14	35	-	12	Steel SC
P0200.140-040-SC	M14	21	14	40	-	12	Steel SC
P0200.140-045-SC	M14	21	14	45	40	12	Steel SC
P0200.140-050-SC	M14	21	14	50	40	12	Steel SC
P0200.140-055-SC	M14	21	14	55	40	12	Steel SC
P0200.140-060-SC	M14	21	14	60	40	12	Steel SC
P0200.140-065-SC	M14	21	14	65	40	12	Steel SC
P0200.140-070-SC	M14	21	14	70	40	12	Steel SC
P0200.140-080-SC	M14	21	14	80	40	12	Steel SC
P0200.140-090-SC	M14	21	14	90	40	12	Steel SC
P0200.140-100-SC	M14	21	14	100	40	12	Steel SC
P0200.140-110-SC	M14	21	14	110	40	12	Steel SC
P0200.140-120-SC	M14	21	14	120	40	12	Steel SC
P0200.140-130-SC	M14	21	14	130	40	12	Steel SC
P0200.140-140-SC	M14	21	14	140	40	12	Steel SC
P0200.140-150-SC	M14	21	14	150	40	12	Steel SC
P0200.140-160-SC	M14	21	14	160	40	12	Steel SC
P0200.140-170-SC	M14	21	14	170	40	12	Steel SC
P0200.140-180-SC	M14	21	14	180	40	12	Steel SC
P0200.140-190-SC	M14	21	14	190	40	12	Steel SC
P0200.140-200-SC	M14	21	14	200	40	12	Steel SC
P0200.160-020-SC	M16	24	16	20	-	14	Steel SC
P0200.160-025-SC	M16	24	16	25	-	14	Steel SC
P0200.160-030-SC	M16	24	16	30	-	14	Steel SC
P0200.160-035-SC	M16	24	16	35	-	14	Steel SC
P0200.160-040-SC	M16	24	16	40	-	14	Steel SC
P0200.160-045-SC	M16	24	16	45	-	14	Steel SC
P0200.160-050-SC	M16	24	16	50	44	14	Steel SC
P0200.160-055-SC	M16	24	16	55	44	14	Steel SC
P0200.160-060-SC	M16	24	16	60	44	14	Steel SC
P0200.160-065-SC	M16	24	16	65	44	14	Steel SC
P0200.160-070-SC	M16	24	16	70	44	14	Steel SC
P0200.016-080-SC	M16	24	16	80	44	14	Steel SC
P0200.160-090-SC	M16	24	16	90	44	14	Steel SC
P0200.160-100-SC	M16	24	16	100	44	14	Steel SC
P0200.160-110-SC	M16	24	16	110	44	14	Steel SC
P0200.160-120-SC	M16	24	16	120	44	14	Steel SC
P0200.160-130-SC	M16	24	16	130	44	14	Steel SC
P0200.160-140-SC	M16	24	16	140	44	14	Steel SC
P0200.160-150-SC	M16	24	16	150	44	14	Steel SC
P0200.160-160-SC	M16	24	16	160	44	14	Steel SC

STANDARD SCREWS



STANDARD SCREWS

Order No.	d ₁	d ₂	h ₁	l ₁	l ₂	A/F	Material
P0200.160-170-SC	M16	24	16	170	44	14	Steel SC
P0200.160-180-SC	M16	24	16	180	44	14	Steel SC
P0200.160-190-SC	M16	24	16	190	44	14	Steel SC
P0200.160-200-SC	M16	24	16	200	44	14	Steel SC
P0200.180-030-SC	M18	27	18	30	-	14	Steel SC
P0200.180-035-SC	M18	27	18	35	-	14	Steel SC
P0200.180-040-SC	M18	27	18	40	-	14	Steel SC
P0200.180-045-SC	M18	27	18	45	-	14	Steel SC
P0200.180-050-SC	M18	27	18	50	48	14	Steel SC
P0200.180-055-SC	M18	27	18	55	48	14	Steel SC
P0200.180-060-SC	M18	27	18	60	48	14	Steel SC
P0200.180-065-SC	M18	27	18	65	48	14	Steel SC
P0200.180-070-SC	M18	27	18	70	48	14	Steel SC
P0200.180-075-SC	M18	27	18	75	48	14	Steel SC
P0200.180-080-SC	M18	27	18	80	48	14	Steel SC
P0200.180-090-SC	M18	27	18	90	48	14	Steel SC
P0200.180-100-SC	M18	27	18	100	48	14	Steel SC
P0200.180-110-SC	M18	27	18	110	48	14	Steel SC
P0200.180-120-SC	M18	27	18	120	48	14	Steel SC
P0200.180-130-SC	M18	27	18	130	48	14	Steel SC
P0200.180-140-SC	M18	27	18	140	48	14	Steel SC
P0200.180-150-SC	M18	27	18	150	48	14	Steel SC
P0200.180-160-SC	M18	27	18	160	48	14	Steel SC
P0200.180-170-SC	M18	27	18	170	48	14	Steel SC
P0200.180-180-SC	M18	27	18	180	48	14	Steel SC
P0200.180-190-SC	M18	27	18	190	48	14	Steel SC
P0200.180-200-SC	M18	27	18	200	48	14	Steel SC
P0200.200-030-SC	M20	30	20	30	-	17	Steel SC
P0200.200-035-SC	M20	30	20	35	-	17	Steel SC
P0200.200-040-SC	M20	30	20	40	-	17	Steel SC
P0200.200-045-SC	M20	30	20	45	-	17	Steel SC
P0200.200-050-SC	M20	30	20	50	-	17	Steel SC
P0200.200-055-SC	M20	30	20	55	52	17	Steel SC
P0200.200-060-SC	M20	30	20	60	52	17	Steel SC
P0200.200-065-SC	M20	30	20	65	52	17	Steel SC
P0200.200-070-SC	M20	30	20	70	52	17	Steel SC
P0200.200-080-SC	M20	30	20	80	52	17	Steel SC
P0200.200-090-SC	M20	30	20	90	52	17	Steel SC
P0200.200-100-SC	M20	30	20	100	52	17	Steel SC
P0200.200-110-SC	M20	30	20	110	52	17	Steel SC
P0200.200-120-SC	M20	30	20	120	52	17	Steel SC
P0200.200-130-SC	M20	30	20	130	52	17	Steel SC
P0200.200-140-SC	M20	30	20	140	52	17	Steel SC
P0200.200-150-SC	M20	30	20	150	52	17	Steel SC
P0200.200-160-SC	M20	30	20	160	52	17	Steel SC
P0200.200-170-SC	M20	30	20	170	52	17	Steel SC
P0200.200-180-SC	M20	30	20	180	52	17	Steel SC
P0200.200-190-SC	M20	30	20	190	52	17	Steel SC
P0200.200-200-SC	M20	30	20	200	52	17	Steel SC
P0200.270-050-SC	M27	40	27	50	-	19	Steel SC
P0200.270-055-SC	M27	40	27	55	-	19	Steel SC
P0200.270-060-SC	M27	40	27	60	-	19	Steel SC
P0200.270-065-SC	M27	40	27	65	-	19	Steel SC
P0200.270-070-SC	M27	40	27	70	66	19	Steel SC
P0200.270-080-SC	M27	40	27	80	66	19	Steel SC
P0200.270-090-SC	M27	40	27	90	66	19	Steel SC
P0200.270-100-SC	M27	40	27	100	66	19	Steel SC
P0200.270-110-SC	M27	40	27	110	66	19	Steel SC
P0200.270-120-SC	M27	40	27	120	66	19	Steel SC
P0200.270-130-SC	M27	40	27	130	66	19	Steel SC
P0200.270-140-SC	M27	40	27	140	66	19	Steel SC
P0200.270-150-SC	M27	40	27	150	66	19	Steel SC
P0200.270-160-SC	M27	40	27	160	66	19	Steel SC
P0200.270-170-SC	M27	40	27	170	66	19	Steel SC
P0200.270-180-SC	M27	40	27	180	66	19	Steel SC
P0200.270-190-SC	M27	40	27	190	66	19	Steel SC
P0200.270-200-SC	M27	40	27	200	66	19	Steel SC
P0200.240-040-SC	M24	36	24	40	-	19	Steel SC
P0200.240-045-SC	M24	36	24	45	-	19	Steel SC



Socket Cap Screws

Steel - self-colour

Standard Screws

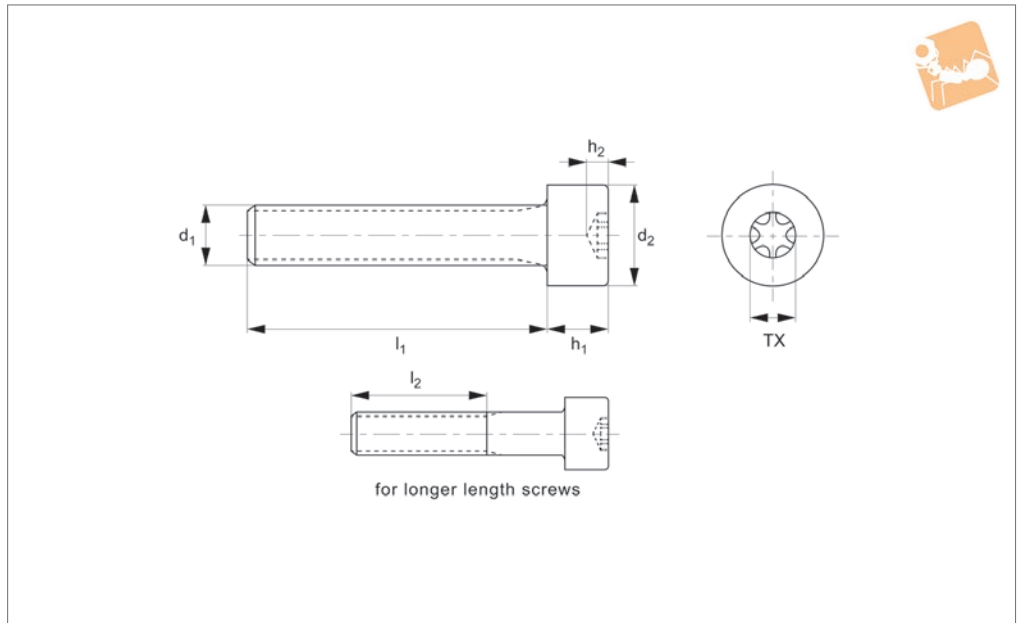


Order No.	d ₁	d ₂	h ₁	l ₁	l ₂	A/F	Material
P0200.240-050-SC	M24	36	24	50	-	19	Steel SC
P0200.240-055-SC	M24	36	24	55	-	19	Steel SC
P0200.240-060-SC	M24	36	24	60	-	19	Steel SC
P0200.240-065-SC	M24	36	24	65	60	19	Steel SC
P0200.240-070-SC	M24	36	24	70	60	19	Steel SC
P0200.240-080-SC	M24	36	24	80	60	19	Steel SC
P0200.240-090-SC	M24	36	24	90	60	19	Steel SC
P0200.240-100-SC	M24	36	24	100	60	19	Steel SC
P0200.240-110-SC	M24	36	24	110	60	19	Steel SC
P0200.240-120-SC	M24	36	24	120	60	19	Steel SC
P0200.240-130-SC	M24	36	24	130	60	19	Steel SC
P0200.240-140-SC	M24	36	24	140	60	19	Steel SC
P0200.240-150-SC	M24	36	24	150	60	19	Steel SC
P0200.240-160-SC	M24	36	24	160	60	19	Steel SC
P0200.240-170-SC	M24	36	24	170	60	19	Steel SC
P0200.240-180-SC	M24	36	24	180	60	19	Steel SC
P0200.240-190-SC	M24	36	24	190	60	19	Steel SC
P0200.240-200-SC	M24	36	24	200	60	19	Steel SC
P0200.300-050-SC	M30	45	30	50	-	22	Steel SC
P0200.300-055-SC	M30	45	30	55	-	22	Steel SC
P0200.300-060-SC	M30	45	30	60	-	22	Steel SC
P0200.300-065-SC	M30	45	30	65	-	22	Steel SC
P0200.300-070-SC	M30	45	30	70	-	22	Steel SC
P0200.300-080-SC	M30	45	30	80	72	22	Steel SC
P0200.300-090-SC	M30	45	30	90	72	22	Steel SC
P0200.300-100-SC	M30	45	30	100	72	22	Steel SC
P0200.300-110-SC	M30	45	30	110	72	22	Steel SC
P0200.300-120-SC	M30	45	30	120	72	22	Steel SC
P0200.300-130-SC	M30	45	30	130	72	22	Steel SC
P0200.300-140-SC	M30	45	30	140	72	22	Steel SC
P0200.300-150-SC	M30	45	30	150	72	22	Steel SC
P0200.300-160-SC	M30	45	30	160	72	22	Steel SC
P0200.300-170-SC	M30	45	30	170	72	22	Steel SC
P0200.300-180-SC	M30	45	30	180	72	22	Steel SC
P0200.300-190-SC	M30	45	30	190	72	22	Steel SC
P0200.300-200-SC	M30	45	30	200	72	22	Steel SC

STANDARD SCREWS



P0202.A2



Material

Stainless steel (A2 class 70, class 80 on request).

Technical Notes

To ISO 14579. For the majority of screw

lengths the threads goes all the way to the head of the screw (i.e. $l_1 = l_2$) less 2.5 thread pitches.

For longer length screws the threaded portion $l_2 < l_1$.

Order No.	d ₁	d ₂	h ₁	h ₂	l ₁	l ₂	TX
P0202.020-003-A2	M 2	3.8	2.0	1.0	3	-	TX- 6
P0202.020-004-A2	M 2	3.8	2.0	1.0	4	-	TX- 6
P0202.020-005-A2	M 2	3.8	2.0	1.0	5	-	TX- 6
P0202.020-006-A2	M 2	3.8	2.0	1.0	6	-	TX- 6
P0202.020-008-A2	M 2	3.8	2.0	1.0	8	-	TX- 6
P0202.020-010-A2	M 2	3.8	2.0	1.0	10	-	TX- 6
P0202.020-012-A2	M 2	3.8	2.0	1.0	12	-	TX- 6
P0202.020-014-A2	M 2	3.8	2.0	1.0	14	-	TX- 6
P0202.020-016-A2	M 2	3.8	2.0	1.0	16	-	TX- 6
P0202.020-018-A2	M 2	3.8	2.0	1.0	18	16	TX- 6
P0202.020-020-A2	M 2	3.8	2.0	1.0	20	16	TX- 6
P0202.025-003-A2	M2,5	4.5	2.5	1.1	3	-	TX- 8
P0202.025-004-A2	M2,5	4.5	2.5	1.1	4	-	TX- 8
P0202.025-005-A2	M2,5	4.5	2.5	1.1	5	-	TX- 8
P0202.025-006-A2	M2,5	4.5	2.5	1.1	6	-	TX- 8
P0202.025-008-A2	M2,5	4.5	2.5	1.1	8	-	TX- 8
P0202.025-010-A2	M2,5	4.5	2.5	1.1	10	-	TX- 8
P0202.025-012-A2	M2,5	4.5	2.5	1.1	12	-	TX- 8
P0202.025-014-A2	M2,5	4.5	2.5	1.1	14	-	TX- 8
P0202.025-016-A2	M2,5	4.5	2.5	1.1	16	-	TX- 8
P0202.025-018-A2	M2,5	4.5	2.5	1.1	18	17	TX- 8
P0202.025-020-A2	M2,5	4.5	2.5	1.1	20	17	TX- 8
P0202.030-004-A2	M 3	5.5	3	1.3	4	-	TX- 10
P0202.030-005-A2	M 3	5.5	3	1.3	5	-	TX- 10
P0202.030-006-A2	M 3	5.5	3	1.3	6	-	TX- 10
P0202.030-008-A2	M 3	5.5	3	1.3	8	-	TX- 10
P0202.030-010-A2	M 3	5.5	3	1.3	10	-	TX- 10
P0202.030-012-A2	M 3	5.5	3	1.3	12	-	TX- 10
P0202.030-014-A2	M 3	5.5	3	1.3	14	-	TX- 10
P0202.030-016-A2	M 3	5.5	3	1.3	16	-	TX- 10
P0202.030-018-A2	M 3	5.5	3	1.3	18	-	TX- 10
P0202.030-020-A2	M 3	5.5	3	1.3	20	18	TX- 10
P0202.030-022-A2	M 3	5.5	3	1.3	22	18	TX- 10



TX Cap Screws- hexalobular drive

A2 stainless

Standard Screws



Order No.	d ₁	d ₂	h ₁	h ₂	l ₁	l ₂	TX
P0202.030-025-A2	M 3	5.5	3	1.3	25	18	TX- 10
P0202.030-030-A2	M 3	5.5	3	1.3	30	18	TX- 10
P0202.040-005-A2	M 4	7.0	4	2.0	5	-	TX- 20
P0202.040-006-A2	M 4	7.0	4	2.0	6	-	TX- 20
P0202.040-008-A2	M 4	7.0	4	2.0	8	-	TX- 20
P0202.040-010-A2	M 4	7.0	4	2.0	10	-	TX- 20
P0202.040-012-A2	M 4	7.0	4	2.0	12	-	TX- 20
P0202.040-014-A2	M 4	7.0	4	2.0	14	-	TX- 20
P0202.040-016-A2	M 4	7.0	4	2.0	16	-	TX- 20
P0202.040-018-A2	M 4	7.0	4	2.0	18	-	TX- 20
P0202.040-020-A2	M 4	7.0	4	2.0	20	-	TX- 20
P0202.040-022-A2	M 4	7.0	4	2.0	22	20	TX- 20
P0202.040-025-A2	M 4	7.0	4	2.0	25	20	TX- 20
P0202.040-030-A2	M 4	7.0	4	2.0	30	20	TX- 20
P0202.040-035-A2	M 4	7.0	4	2.0	35	20	TX- 20
P0202.040-040-A2	M 4	7.0	4	2.0	40	20	TX- 20
P0202.040-045-A2	M 4	7.0	4	2.0	45	20	TX- 20
P0202.040-050-A2	M 4	7.0	4	2.0	50	20	TX- 20
P0202.040-060-A2	M 4	7.0	4	2.0	60	20	TX- 20
P0202.050-006-A2	M 5	8.5	5	2.5	6	-	TX- 25
P0202.050-008-A2	M 5	8.5	5	2.5	8	-	TX- 25
P0202.050-010-A2	M 5	8.5	5	2.5	10	-	TX- 25
P0202.050-012-A2	M 5	8.5	5	2.5	12	-	TX- 25
P0202.050-014-A2	M 5	8.5	5	2.5	30	-	TX- 25
P0202.050-016-A2	M 5	8.5	5	2.5	35	-	TX- 25
P0202.050-018-A2	M 5	8.5	5	2.5	40	-	TX- 25
P0202.050-020-A2	M 5	8.5	5	2.5	45	-	TX- 25
P0202.050-022-A2	M 5	8.5	5	2.5	50	-	TX- 25
P0202.050-025-A2	M 5	8.5	5	2.5	60	22	TX- 25
P0202.050-030-A2	M 5	8.5	5	2.5	30	22	TX- 25
P0202.050-035-A2	M 5	8.5	5	2.5	35	22	TX- 25
P0202.050-040-A2	M 5	8.5	5	2.5	40	22	TX- 25
P0202.050-045-A2	M 5	8.5	5	2.5	45	22	TX- 25
P0202.050-050-A2	M 5	8.5	5	2.5	50	22	TX- 25
P0202.050-060-A2	M 5	8.5	5	2.5	60	22	TX- 25
P0202.060-006-A2	M 6	10	6	3.0	6	-	TX- 30
P0202.060-008-A2	M 6	10	6	3.0	8	-	TX- 30
P0202.060-010-A2	M 6	10	6	3.0	10	-	TX- 30
P0202.060-012-A2	M 6	10	6	3.0	12	-	TX- 30
P0202.060-014-A2	M 6	10	6	3.0	30	-	TX- 30
P0202.060-016-A2	M 6	10	6	3.0	35	-	TX- 30
P0202.060-018-A2	M 6	10	6	3.0	40	-	TX- 30
P0202.060-020-A2	M 6	10	6	3.0	45	-	TX- 30
P0202.060-022-A2	M 6	10	6	3.0	50	-	TX- 30
P0202.060-025-A2	M 6	10	6	3.0	60	24	TX- 30
P0202.060-030-A2	M 6	10	6	3.0	30	24	TX- 30
P0202.060-035-A2	M 6	10	6	3.0	35	24	TX- 30
P0202.060-040-A2	M 6	10	6	3.0	40	24	TX- 30
P0202.060-045-A2	M 6	10	6	3.0	45	24	TX- 30
P0202.060-050-A2	M 6	10	6	3.0	50	24	TX- 30
P0202.060-060-A2	M 6	10	6	3.0	60	24	TX- 30
P0202.080-016-A2	M 8	13	8	4.0	16	-	TX- 45
P0202.080-018-A2	M 8	13	8	4.0	18	-	TX- 45
P0202.080-020-A2	M 8	13	8	4.0	20	-	TX- 45
P0202.080-022-A2	M 8	13	8	4.0	22	-	TX- 45
P0202.080-025-A2	M 8	13	8	4.0	25	-	TX- 45
P0202.080-030-A2	M 8	13	8	4.0	30	28	TX- 45
P0202.080-035-A2	M 8	13	8	4.0	35	28	TX- 45
P0202.080-040-A2	M 8	13	8	4.0	40	28	TX- 45
P0202.080-045-A2	M 8	13	8	4.0	45	28	TX- 45
P0202.080-050-A2	M 8	13	8	4.0	50	28	TX- 45
P0202.080-060-A2	M 8	13	8	4.0	60	28	TX- 45

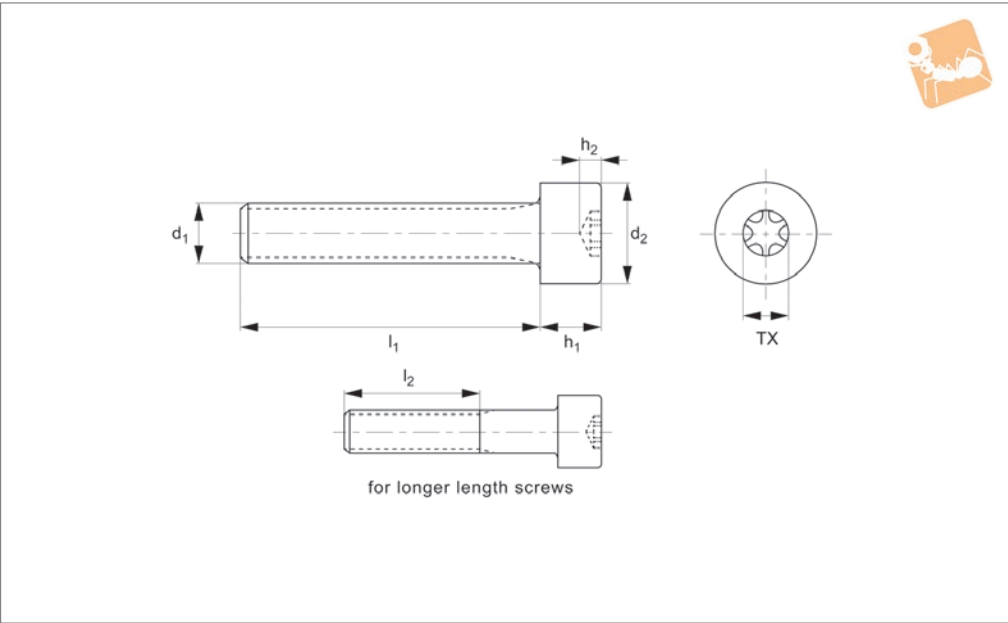
STANDARD SCREWS



STANDARD SCREWS



P0202.A4



Material

Stainless steel (A4 class 70, class 80 on request).

Technical Notes

To ISO 14579. For the majority of screw

lengths the threads goes all the way to the head of the screw (i.e. $l_1 = l_2$) less 2.5 thread pitches.

For longer length screws the threaded portion $l_2 < l_1$.

Order No.	d ₁	d ₂	h ₁	h ₂	l ₁	l ₂	TX
P0202.020-003-A4	M 2	3.8	2.0	1.0	3	-	TX- 6
P0202.020-004-A4	M 2	3.8	2.0	1.0	4	-	TX- 6
P0202.020-005-A4	M 2	3.8	2.0	1.0	5	-	TX- 6
P0202.020-006-A4	M 2	3.8	2.0	1.0	6	-	TX- 6
P0202.020-008-A4	M 2	3.8	2.0	1.0	8	-	TX- 6
P0202.020-010-A4	M 2	3.8	2.0	1.0	10	-	TX- 6
P0202.020-012-A4	M 2	3.8	2.0	1.0	12	-	TX- 6
P0202.020-014-A4	M 2	3.8	2.0	1.0	14	-	TX- 6
P0202.020-016-A4	M 2	3.8	2.0	1.0	16	-	TX- 6
P0202.020-018-A4	M 2	3.8	2.0	1.0	18	16	TX- 6
P0202.020-020-A4	M 2	3.8	2.0	1.0	20	16	TX- 6
P0202.025-003-A4	M2,5	4.5	2.5	1.1	3	-	TX- 8
P0202.025-004-A4	M2,5	4.5	2.5	1.1	4	-	TX- 8
P0202.025-005-A4	M2,5	4.5	2.5	1.1	5	-	TX- 8
P0202.025-006-A4	M2,5	4.5	2.5	1.1	6	-	TX- 8
P0202.025-008-A4	M2,5	4.5	2.5	1.1	8	-	TX- 8
P0202.025-010-A4	M2,5	4.5	2.5	1.1	10	-	TX- 8
P0202.025-012-A4	M2,5	4.5	2.5	1.1	12	-	TX- 8
P0202.025-014-A4	M2,5	4.5	2.5	1.1	14	-	TX- 8
P0202.025-016-A4	M2,5	4.5	2.5	1.1	16	-	TX- 8
P0202.025-018-A4	M2,5	4.5	2.5	1.1	18	17	TX- 8
P0202.025-020-A4	M2,5	4.5	2.5	1.1	20	17	TX- 8
P0202.030-004-A4	M 3	5.5	3	1.3	4	-	TX- 10
P0202.030-005-A4	M 3	5.5	3	1.3	5	-	TX- 10
P0202.030-006-A4	M 3	5.5	3	1.3	6	-	TX- 10
P0202.030-008-A4	M 3	5.5	3	1.3	8	-	TX- 10
P0202.030-010-A4	M 3	5.5	3	1.3	10	-	TX- 10
P0202.030-012-A4	M 3	5.5	3	1.3	12	-	TX- 10
P0202.030-014-A4	M 3	5.5	3	1.3	14	-	TX- 10
P0202.030-016-A4	M 3	5.5	3	1.3	16	-	TX- 10
P0202.030-018-A4	M 3	5.5	3	1.3	18	-	TX- 10
P0202.030-020-A4	M 3	5.5	3	1.3	20	18	TX- 10
P0202.030-022-A4	M 3	5.5	3	1.3	22	18	TX- 10



TX Cap Screws- hexalobular drive

A4 stainless

Standard Screws

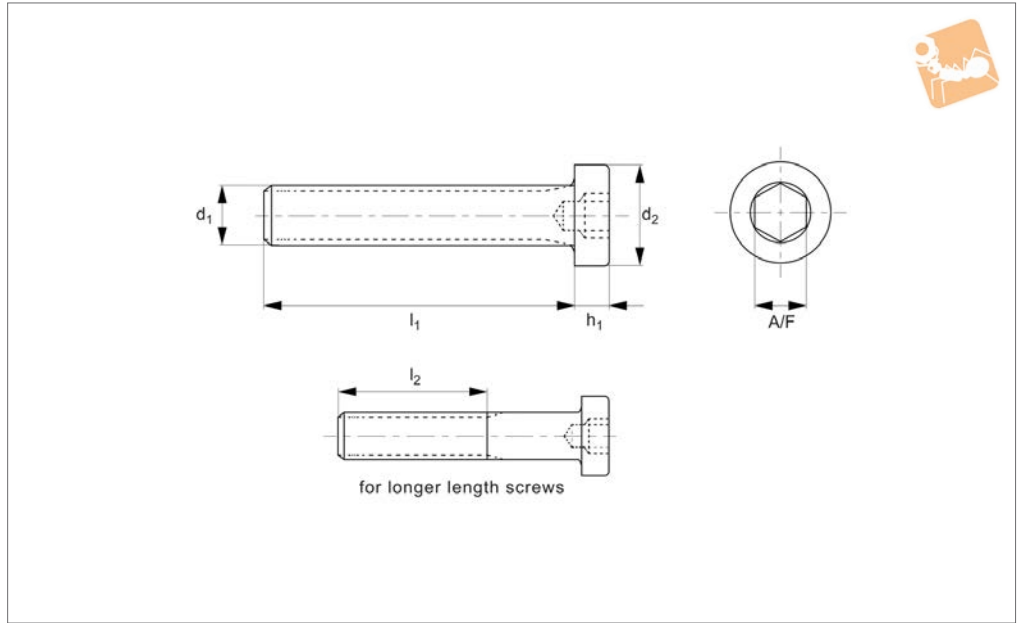


Order No.	d ₁	d ₂	h ₁	h ₂	l ₁	l ₂	TX
P0202.030-025-A4	M 3	5.5	3	1.3	25	18	TX- 10
P0202.030-030-A4	M 3	5.5	3	1.3	30	18	TX- 10
P0202.040-005-A4	M 4	7.0	4	2.0	5	-	TX- 20
P0202.040-006-A4	M 4	7.0	4	2.0	6	-	TX- 20
P0202.040-008-A4	M 4	7.0	4	2.0	8	-	TX- 20
P0202.040-010-A4	M 4	7.0	4	2.0	10	-	TX- 20
P0202.040-012-A4	M 4	7.0	4	2.0	12	-	TX- 20
P0202.040-014-A4	M 4	7.0	4	2.0	14	-	TX- 20
P0202.040-016-A4	M 4	7.0	4	2.0	16	-	TX- 20
P0202.040-018-A4	M 4	7.0	4	2.0	18	-	TX- 20
P0202.040-020-A4	M 4	7.0	4	2.0	20	-	TX- 20
P0202.040-022-A4	M 4	7.0	4	2.0	22	20	TX- 20
P0202.040-025-A4	M 4	7.0	4	2.0	25	20	TX- 20
P0202.040-030-A4	M 4	7.0	4	2.0	30	20	TX- 20
P0202.040-035-A4	M 4	7.0	4	2.0	35	20	TX- 20
P0202.040-040-A4	M 4	7.0	4	2.0	40	20	TX- 20
P0202.040-045-A4	M 4	7.0	4	2.0	45	20	TX- 20
P0202.040-050-A4	M 4	7.0	4	2.0	50	20	TX- 20
P0202.040-060-A4	M 4	7.0	4	2.0	60	20	TX- 20
P0202.050-006-A4	M 5	8.5	5	2.5	6	-	TX- 25
P0202.050-008-A4	M 5	8.5	5	2.5	8	-	TX- 25
P0202.050-010-A4	M 5	8.5	5	2.5	10	-	TX- 25
P0202.050-012-A4	M 5	8.5	5	2.5	12	-	TX- 25
P0202.050-014-A4	M 5	8.5	5	2.5	30	-	TX- 25
P0202.050-016-A4	M 5	8.5	5	2.5	35	-	TX- 25
P0202.050-018-A4	M 5	8.5	5	2.5	40	-	TX- 25
P0202.050-020-A4	M 5	8.5	5	2.5	45	-	TX- 25
P0202.050-022-A4	M 5	8.5	5	2.5	50	-	TX- 25
P0202.050-025-A4	M 5	8.5	5	2.5	60	22	TX- 25
P0202.050-030-A4	M 5	8.5	5	2.5	30	22	TX- 25
P0202.050-035-A4	M 5	8.5	5	2.5	35	22	TX- 25
P0202.050-040-A4	M 5	8.5	5	2.5	40	22	TX- 25
P0202.050-045-A4	M 5	8.5	5	2.5	45	22	TX- 25
P0202.050-050-A4	M 5	8.5	5	2.5	50	22	TX- 25
P0202.050-060-A4	M 5	8.5	5	2.5	60	22	TX- 25
P0202.060-006-A4	M 6	10	6	3.0	6	-	TX- 30
P0202.060-008-A4	M 6	10	6	3.0	8	-	TX- 30
P0202.060-010-A4	M 6	10	6	3.0	10	-	TX- 30
P0202.060-012-A4	M 6	10	6	3.0	12	-	TX- 30
P0202.060-014-A4	M 6	10	6	3.0	30	-	TX- 30
P0202.060-016-A4	M 6	10	6	3.0	35	-	TX- 30
P0202.060-018-A4	M 6	10	6	3.0	40	-	TX- 30
P0202.060-020-A4	M 6	10	6	3.0	45	-	TX- 30
P0202.060-022-A4	M 6	10	6	3.0	50	-	TX- 30
P0202.060-025-A4	M 6	10	6	3.0	60	24	TX- 30
P0202.060-030-A4	M 6	10	6	3.0	30	24	TX- 30
P0202.060-035-A4	M 6	10	6	3.0	35	24	TX- 30
P0202.060-040-A4	M 6	10	6	3.0	40	24	TX- 30
P0202.060-045-A4	M 6	10	6	3.0	45	24	TX- 30
P0202.060-050-A4	M 6	10	6	3.0	50	24	TX- 30
P0202.060-060-A4	M 6	10	6	3.0	60	24	TX- 30
P0202.080-016-A4	M 8	13	8	4.0	16	-	TX- 45
P0202.080-018-A4	M 8	13	8	4.0	18	-	TX- 45
P0202.080-020-A4	M 8	13	8	4.0	20	-	TX- 45
P0202.080-022-A4	M 8	13	8	4.0	22	-	TX- 45
P0202.080-025-A4	M 8	13	8	4.0	25	-	TX- 45
P0202.080-030-A4	M 8	13	8	4.0	30	28	TX- 45
P0202.080-035-A4	M 8	13	8	4.0	35	28	TX- 45
P0202.080-040-A4	M 8	13	8	4.0	40	28	TX- 45
P0202.080-045-A4	M 8	13	8	4.0	45	28	TX- 45
P0202.080-050-A4	M 8	13	8	4.0	50	28	TX- 45
P0202.080-060-A4	M 8	13	8	4.0	60	28	TX- 45

STANDARD SCREWS



P0205.A2



Material

Stainless steel A2.

lengths the threads goes all the way to the head of the screw (i.e. $l_1 = l_2$).

See technical page for tightening torques.

Technical Notes

To DIN 7984. For the majority of screw

For longer length screws the threaded portion $l_2 < l_1$.

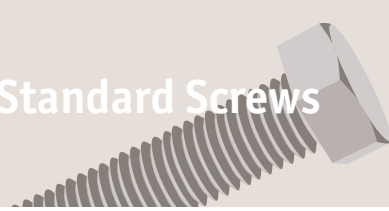
Order No.	d ₁	d ₂	h ₁	l ₁	l ₂	A/F	Material
P0205.030-005-A2	M 3	5.5	2	5	-	2	A2 s/s
P0205.030-006-A2	M 3	5.5	2	6	-	2	A2 s/s
P0205.030-008-A2	M 3	5.5	2	8	-	2	A2 s/s
P0205.030-010-A2	M 3	5.5	2	10	-	2	A2 s/s
P0205.030-012-A2	M 3	5.5	2	12	12	2	A2 s/s
P0205.030-016-A2	M 3	5.5	2	16	12	2	A2 s/s
P0205.030-020-A2	M 3	5.5	2	20	12	2	A2 s/s
P0205.030-025-A2	M 3	5.5	2	25	12	2	A2 s/s
P0205.030-030-A2	M 3	5.5	2	30	12	2	A2 s/s
P0205.030-035-A2	M 3	5.5	2	35	12	2	A2 s/s
P0205.030-040-A2	M 3	5.5	2	40	12	2	A2 s/s
P0205.040-006-A2	M 4	7	2.8	6	-	2.5	A2 s/s
P0205.040-008-A2	M 4	7	2.8	8	-	2.5	A2 s/s
P0205.040-010-A2	M 4	7	2.8	10	-	2.5	A2 s/s
P0205.040-012-A2	M 4	7	2.8	12	-	2.5	A2 s/s
P0205.040-014-A2	M 4	7	2.8	14	14	2.5	A2 s/s
P0205.040-016-A2	M 4	7	2.8	16	14	2.5	A2 s/s
P0205.040-020-A2	M 4	7	2.8	20	14	2.5	A2 s/s
P0205.040-025-A2	M 4	7	2.8	25	14	2.5	A2 s/s
P0205.040-030-A2	M 4	7	2.8	30	14	2.5	A2 s/s
P0205.040-035-A2	M 4	7	2.8	35	14	2.5	A2 s/s
P0205.040-040-A2	M 4	7	2.8	40	14	2.5	A2 s/s
P0205.050-006-A2	M 5	8.5	3.5	6	-	3	A2 s/s
P0205.050-008-A2	M 5	8.5	3.5	8	-	3	A2 s/s
P0205.050-010-A2	M 5	8.5	3.5	10	-	3	A2 s/s
P0205.050-012-A2	M 5	8.5	3.5	12	-	3	A2 s/s
P0205.050-014-A2	M 5	8.5	3.5	14	-	3	A2 s/s
P0205.050-016-A2	M 5	8.5	3.5	16	16	3	A2 s/s
P0205.050-018-A2	M 5	8.5	3.5	18	16	3	A2 s/s
P0205.050-020-A2	M 5	8.5	3.5	20	16	3	A2 s/s
P0205.050-025-A2	M 5	8.5	3.5	25	16	3	A2 s/s
P0205.050-030-A2	M 5	8.5	3.5	30	16	3	A2 s/s
P0205.050-035-A2	M 5	8.5	3.5	35	16	3	A2 s/s
P0205.050-040-A2	M 5	8.5	3.5	40	16	3	A2 s/s



Low Head Cap Screws

Low head - A2 stainless

Standard Screws



Order No.	d ₁	d ₂	h ₁	l ₁	l ₂	A/F	Material
P0205.050-045-A2	M 5	8,5	3,5	45	16	3	A2 s/s
P0205.050-050-A2	M 5	8,5	3,5	50	16	3	A2 s/s
P0205.050-060-A2	M 5	8,5	3,5	60	16	3	A2 s/s
P0205.050-070-A2	M 5	8,5	3,5	70	16	3	A2 s/s
P0205.060-008-A2	M 6	10	4	8	-	4	A2 s/s
P0205.060-010-A2	M 6	10	4	10	-	4	A2 s/s
P0205.060-012-A2	M 6	10	4	12	-	4	A2 s/s
P0205.060-016-A2	M 6	10	4	16	-	4	A2 s/s
P0205.060-020-A2	M 6	10	4	20	18	4	A2 s/s
P0205.060-025-A2	M 6	10	4	25	18	4	A2 s/s
P0205.060-030-A2	M 6	10	4	30	18	4	A2 s/s
P0205.060-035-A2	M 6	10	4	35	18	4	A2 s/s
P0205.060-040-A2	M 6	10	4	40	18	4	A2 s/s
P0205.060-045-A2	M 6	10	4	45	18	4	A2 s/s
P0205.060-050-A2	M 6	10	4	50	18	4	A2 s/s
P0205.060-055-A2	M 6	10	4	55	18	4	A2 s/s
P0205.060-060-A2	M 6	10	4	60	18	4	A2 s/s
P0205.060-070-A2	M 6	10	4	70	18	4	A2 s/s
P0205.080-010-A2	M 8	13	5	10	-	5	A2 s/s
P0205.080-012-A2	M 8	13	5	12	-	5	A2 s/s
P0205.080-016-A2	M 8	13	5	16	-	5	A2 s/s
P0205.080-020-A2	M 8	13	5	20	-	5	A2 s/s
P0205.080-025-A2	M 8	13	5	25	22	5	A2 s/s
P0205.080-030-A2	M 8	13	5	30	22	5	A2 s/s
P0205.080-035-A2	M 8	13	5	35	22	5	A2 s/s
P0205.080-040-A2	M 8	13	5	40	22	5	A2 s/s
P0205.080-045-A2	M 8	13	5	45	22	5	A2 s/s
P0205.080-050-A2	M 8	13	5	50	22	5	A2 s/s
P0205.080-055-A2	M 8	13	5	55	22	5	A2 s/s
P0205.080-060-A2	M 8	13	5	60	22	5	A2 s/s
P0205.080-070-A2	M 8	13	5	70	22	5	A2 s/s
P0205.080-080-A2	M 8	13	5	80	22	5	A2 s/s
P0205.080-090-A2	M 8	13	5	90	22	5	A2 s/s
P0205.080-100-A2	M 8	13	5	1000	22	5	A2 s/s
P0205.100-016-A2	M10	16	6	16	-	7	A2 s/s
P0205.100-020-A2	M10	16	6	20	-	7	A2 s/s
P0205.100-025-A2	M10	16	6	25	-	7	A2 s/s
P0205.100-030-A2	M10	16	6	30	26	7	A2 s/s
P0205.100-035-A2	M10	16	6	35	26	7	A2 s/s
P0205.100-040-A2	M10	16	6	40	26	7	A2 s/s
P0205.100-045-A2	M10	16	6	45	26	7	A2 s/s
P0205.100-050-A2	M10	16	6	50	26	7	A2 s/s
P0205.100-055-A2	M10	16	6	55	26	7	A2 s/s
P0205.100-060-A2	M10	16	6	60	26	7	A2 s/s
P0205.100-070-A2	M10	16	6	70	26	7	A2 s/s
P0205.100-080-A2	M10	16	6	80	26	7	A2 s/s
P0205.100-090-A2	M10	16	6	90	26	7	A2 s/s
P0205.100-100-A2	M10	16	6	100	26	7	A2 s/s
P0205.120-020-A2	M12	18	7	20	-	8	A2 s/s
P0205.120-025-A2	M12	18	7	25	-	8	A2 s/s
P0205.120-030-A2	M12	18	7	30	-	8	A2 s/s
P0205.120-035-A2	M12	18	7	35	30	8	A2 s/s
P0205.120-040-A2	M12	18	7	40	30	8	A2 s/s
P0205.120-045-A2	M12	18	7	45	30	8	A2 s/s
P0205.120-050-A2	M12	18	7	50	30	8	A2 s/s
P0205.120-055-A2	M12	18	7	55	30	8	A2 s/s
P0205.120-060-A2	M12	18	7	60	30	8	A2 s/s
P0205.120-070-A2	M12	18	7	70	30	8	A2 s/s
P0205.120-080-A2	M12	18	7	80	30	8	A2 s/s
P0205.120-090-A2	M12	18	7	90	30	8	A2 s/s
P0205.120-100-A2	M12	18	7	100	30	8	A2 s/s
P0205.160-025-A2	M16	24	9	25	-	12	A2 s/s
P0205.160-030-A2	M16	24	9	30	-	12	A2 s/s
P0205.160-035-A2	M16	24	9	35	-	12	A2 s/s
P0205.160-040-A2	M16	24	9	40	38	12	A2 s/s
P0205.160-045-A2	M16	24	9	45	38	12	A2 s/s
P0205.160-050-A2	M16	24	9	50	38	12	A2 s/s
P0205.160-055-A2	M16	24	9	55	38	12	A2 s/s
P0205.160-060-A2	M16	24	9	60	38	12	A2 s/s

STANDARD SCREWS



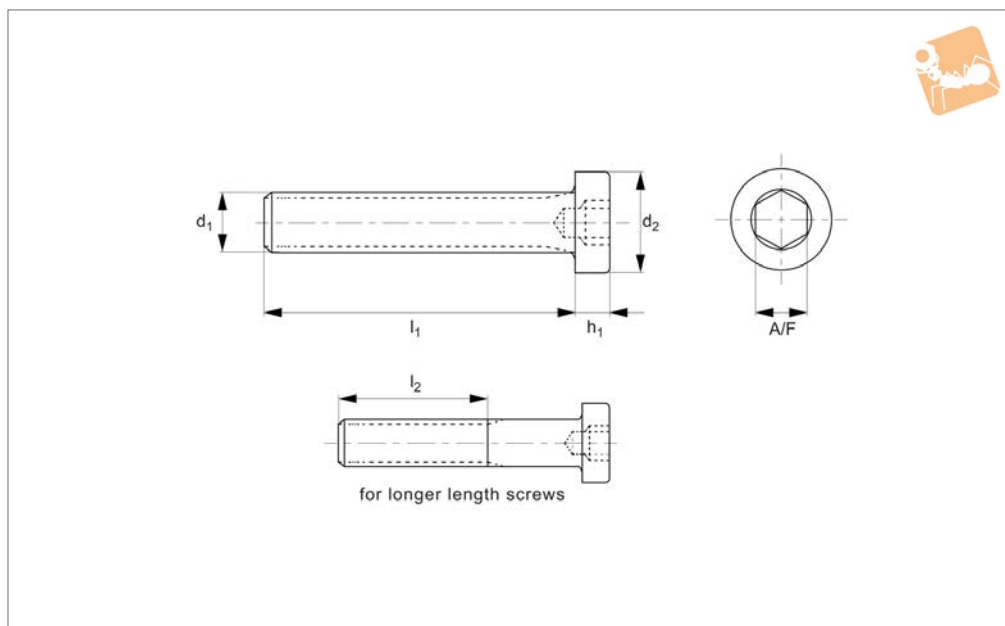
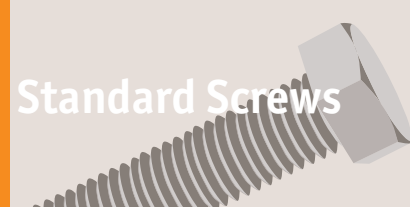
STANDARD SCREWS

Order No.	d ₁	d ₂	h ₁	l ₁	l ₂	A/F	Material
P0205.160-070-A2	M16	24	9	70	38	12	A2 s/s
P0205.160-080-A2	M16	24	9	80	38	12	A2 s/s
P0205.160-100-A2	M16	24	9	100	38	12	A2 s/s
P0205.160-120-A2	M16	24	9	120	38	12	A2 s/s
P0205.160-150-A2	M16	24	9	150	38	12	A2 s/s
P0205.200-035-A2	M20	30	11	35	-	14	A2 s/s
P0205.200-040-A2	M20	30	11	40	-	14	A2 s/s
P0205.200-045-A2	M20	30	11	45	-	14	A2 s/s
P0205.200-050-A2	M20	30	11	50	46	14	A2 s/s
P0205.200-055-A2	M20	30	11	55	46	14	A2 s/s
P0205.200-060-A2	M20	30	11	60	46	14	A2 s/s
P0205.200-070-A2	M20	30	11	70	46	14	A2 s/s
P0205.200-080-A2	M20	30	11	80	46	14	A2 s/s
P0205.200-100-A2	M20	30	11	100	46	14	A2 s/s
P0205.200-120-A2	M20	30	11	120	46	14	A2 s/s
P0205.200-150-A2	M20	30	11	150	46	14	A2 s/s
P0205.240-050-A2	M24	36	14	50	-	19	A2 s/s
P0205.240-055-A2	M24	36	14	55	54	19	A2 s/s
P0205.240-060-A2	M24	36	14	60	54	19	A2 s/s
P0205.240-065-A2	M24	36	14	65	54	19	A2 s/s
P0205.240-070-A2	M24	36	14	70	54	19	A2 s/s
P0205.240-080-A2	M24	36	14	80	54	19	A2 s/s
P0205.240-090-A2	M24	36	14	90	54	19	A2 s/s
P0205.240-100-A2	M24	36	14	100	54	19	A2 s/s
P0205.240-110-A2	M24	36	14	110	54	19	A2 s/s
P0205.240-120-A2	M24	36	14	120	54	19	A2 s/s
P0205.240-130-A2	M24	36	14	130	54	19	A2 s/s
P0205.240-140-A2	M24	36	14	140	54	19	A2 s/s
P0205.240-150-A2	M24	36	14	150	54	19	A2 s/s

Low Head Cap Screws

Low head - A4 stainless

Standard Screws



P0205.A4

STANDARD SCREWS

Material

Stainless steel A4.

lengths the threads goes all the way to the head of the screw (i.e. $l_1 = l_2$).

See technical page for tightening torques.

Technical Notes

To DIN 7984. For the majority of screw

For longer length screws the threaded portion $l_2 < l_1$.

Order No.	d_1	d_2	h_1	l_1	l_2	A/F	Material
P0205.030-005-A4	M 3	5.5	2	5	-	2	A4 s/s
P0205.030-006-A4	M 3	5.5	2	6	-	2	A4 s/s
P0205.030-008-A4	M 3	5.5	2	8	-	2	A4 s/s
P0205.030-010-A4	M 3	5.5	2	10	-	2	A4 s/s
P0205.030-012-A4	M 3	5.5	2	12	-	2	A4 s/s
P0205.030-014-A4	M 3	5.5	2	14	12	2	A4 s/s
P0205.030-016-A4	M 3	5.5	2	16	12	2	A4 s/s
P0205.030-020-A4	M 3	5.5	2	20	12	2	A4 s/s
P0205.030-025-A4	M 3	5.5	2	25	12	2	A4 s/s
P0205.030-030-A4	M 3	5.5	2	30	12	2	A4 s/s
P0205.030-035-A4	M 3	5.5	2	35	12	2	A4 s/s
P0205.030-040-A4	M 3	5.5	2	40	12	2	A4 s/s
P0205.040-060-A4	M 4	7	2.8	6	-	2.5	A4 s/s
P0205.040-080-A4	M 4	7	2.8	8	-	2.5	A4 s/s
P0205.040-010-A4	M 4	7	2.8	10	-	2.5	A4 s/s
P0205.040-012-A4	M 4	7	2.8	12	-	2.5	A4 s/s
P0205.040-014-A4	M 4	7	2.8	14	14	2.5	A4 s/s
P0205.040-016-A4	M 4	7	2.8	16	14	2.5	A4 s/s
P0205.040-020-A4	M 4	7	2.8	20	14	2.5	A4 s/s
P0205.040-025-A4	M 4	7	2.8	25	14	2.5	A4 s/s
P0205.040-030-A4	M 4	7	2.8	30	14	2.5	A4 s/s
P0205.040-035-A4	M 4	7	2.8	35	14	2.5	A4 s/s
P0205.040-040-A4	M 4	7	2.8	40	14	2.5	A4 s/s
P0205.050-006-A4	M 5	8.5	3.5	6	-	3	A4 s/s
P0205.050-008-A4	M 5	8.5	3.5	8	-	3	A4 s/s
P0205.050-010-A4	M 5	8.5	3.5	10	-	3	A4 s/s
P0205.050-012-A4	M 5	8.5	3.5	12	-	3	A4 s/s
P0205.050-014-A4	M 5	8.5	3.5	14	-	3	A4 s/s
P0205.050-016-A4	M 5	8.5	3.5	16	16	3	A4 s/s
P0205.050-020-A4	M 5	8.5	3.5	20	16	3	A4 s/s
P0205.050-025-A4	M 5	8.5	3.5	25	16	3	A4 s/s
P0205.050-030-A4	M 5	8.5	3.5	30	16	3	A4 s/s
P0205.050-035-A4	M 5	8.5	3.5	35	16	3	A4 s/s
P0205.050-040-A4	M 5	8.5	3.5	40	16	3	A4 s/s



STANDARD SCREWS

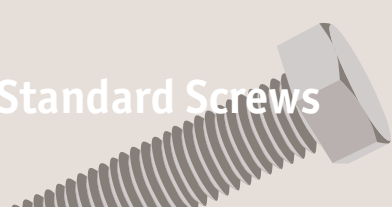
Order No.	d ₁	d ₂	h ₁	l ₁	l ₂	A/F	Material
P0205.050-045-A4	M 5	8.5	3.5	45	16	3	A4 s/s
P0205.050-050-A4	M 5	8.5	3.5	50	16	3	A4 s/s
P0205.050-055-A4	M 5	8.5	3.5	55	16	3	A4 s/s
P0205.050-060-A4	M 5	8.5	3.5	60	16	3	A4 s/s
P0205.050-070-A4	M 5	8.5	3.5	70	16	3	A4 s/s
P0205.060-008-A4	M 6	10	4	8	-	4	A4 s/s
P0205.060-010-A4	M 6	10	4	10	-	4	A4 s/s
P0205.060-012-A4	M 6	10	4	12	-	4	A4 s/s
P0205.060-016-A4	M 6	10	4	16	-	4	A4 s/s
P0205.060-018-A4	M 6	10	4	18	18	4	A4 s/s
P0205.060-020-A4	M 6	10	4	20	18	4	A4 s/s
P0205.060-025-A4	M 6	10	4	25	18	4	A4 s/s
P0205.060-030-A4	M 6	10	4	30	18	4	A4 s/s
P0205.060-035-A4	M 6	10	4	35	18	4	A4 s/s
P0205.060-040-A4	M 6	10	4	40	18	4	A4 s/s
P0205.060-045-A4	M 6	10	4	45	18	4	A4 s/s
P0205.060-050-A4	M 6	10	4	50	18	4	A4 s/s
P0205.060-055-A4	M 6	10	4	55	18	4	A4 s/s
P0205.060-060-A4	M 6	10	4	60	18	4	A4 s/s
P0205.060-070-A4	M 6	10	4	70	18	4	A4 s/s
P0205.080-010-A4	M 8	13	5	10	-	5	A4 s/s
P0205.080-012-A4	M 8	13	5	12	-	5	A4 s/s
P0205.080-016-A4	M 8	13	5	16	-	5	A4 s/s
P0205.080-020-A4	M 8	13	5	20	-	5	A4 s/s
P0205.080-025-A4	M 8	13	5	25	22	5	A4 s/s
P0205.080-030-A4	M 8	13	5	30	22	5	A4 s/s
P0205.080-035-A4	M 8	13	5	35	22	5	A4 s/s
P0205.080-040-A4	M 8	13	5	40	22	5	A4 s/s
P0205.080-045-A4	M 8	13	5	45	22	5	A4 s/s
P0205.080-050-A4	M 8	13	5	50	22	5	A4 s/s
P0205.080-055-A4	M 8	13	5	55	22	5	A4 s/s
P0205.080-060-A4	M 8	13	5	60	22	5	A4 s/s
P0205.080-070-A4	M 8	13	5	70	22	5	A4 s/s
P0205.080-080-A4	M 8	13	5	80	22	5	A4 s/s
P0205.080-090-A4	M 8	13	5	90	22	5	A4 s/s
P0205.080-100-A4	M 8	13	5	100	22	5	A4 s/s
P0205.100-016-A4	M10	16	6	16	-	7	A4 s/s
P0205.100-020-A4	M10	16	6	20	-	7	A4 s/s
P0205.100-025-A4	M10	16	6	25	-	7	A4 s/s
P0205.100-030-A4	M10	16	6	30	26	7	A4 s/s
P0205.100-035-A4	M10	16	6	35	26	7	A4 s/s
P0205.100-040-A4	M10	16	6	40	26	7	A4 s/s
P0205.100-045-A4	M10	16	6	45	26	7	A4 s/s
P0205.100-050-A4	M10	16	6	50	26	7	A4 s/s
P0205.100-055-A4	M10	16	6	55	26	7	A4 s/s
P0205.100-060-A4	M10	16	6	60	26	7	A4 s/s
P0205.100-070-A4	M10	16	6	70	26	7	A4 s/s
P0205.100-080-A4	M10	16	6	80	26	7	A4 s/s
P0205.100-090-A4	M10	16	6	90	26	7	A4 s/s
P0205.100-100-A4	M10	16	6	100	26	7	A4 s/s
P0205.120-020-A4	M12	18	7	20	-	8	A4 s/s
P0205.120-025-A4	M12	18	7	25	-	8	A4 s/s
P0205.120-030-A4	M12	18	7	30	-	8	A4 s/s
P0205.120-035-A4	M12	18	7	35	30	8	A4 s/s
P0205.120-040-A4	M12	18	7	40	30	8	A4 s/s
P0205.120-045-A4	M12	18	7	45	30	8	A4 s/s
P0205.120-050-A4	M12	18	7	50	30	8	A4 s/s
P0205.120-055-A4	M12	18	7	55	30	8	A4 s/s
P0205.120-060-A4	M12	18	7	60	30	8	A4 s/s
P0205.120-070-A4	M12	18	7	70	30	8	A4 s/s
P0205.120-080-A4	M12	18	7	80	30	8	A4 s/s
P0205.120-090-A4	M12	18	7	90	30	8	A4 s/s
P0205.120-100-A4	M12	18	7	100	30	8	A4 s/s
P0205.160-025-A4	M16	24	9	25	-	12	A4 s/s
P0205.160-030-A4	M16	24	9	30	-	12	A4 s/s
P0205.160-035-A4	M16	24	9	35	-	12	A4 s/s
P0205.160-040-A4	M16	24	9	40	38	12	A4 s/s
P0205.160-045-A4	M16	24	9	45	38	12	A4 s/s
P0205.160-050-A4	M16	24	9	50	38	12	A4 s/s



Low Head Cap Screws

Low head - A4 stainless

Standard Screws

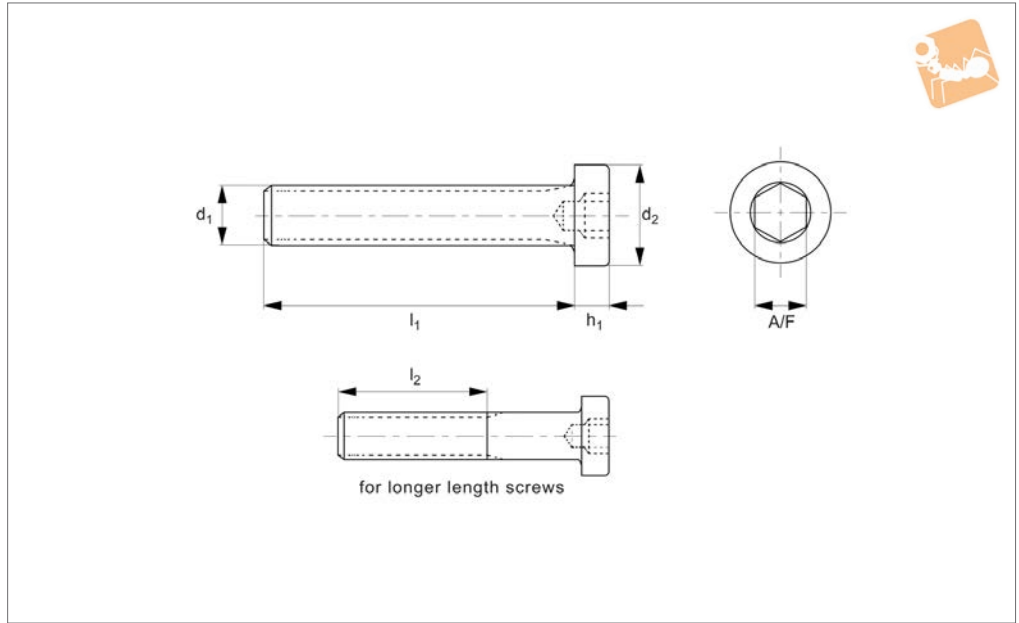


Order No.	d ₁	d ₂	h ₁	l ₁	l ₂	A/F	Material
P0205.160-055-A4	M16	24	9	55	38	12	A4 s/s
P0205.160-060-A4	M16	24	9	60	38	12	A4 s/s
P0205.160-070-A4	M16	24	9	70	38	12	A4 s/s
P0205.160-080-A4	M16	24	9	80	38	12	A4 s/s
P0205.160-090-A4	M16	24	9	90	38	12	A4 s/s
P0205.160-100-A4	M16	24	9	100	38	12	A4 s/s
P0205.160-110-A4	M16	24	9	110	38	12	A4 s/s
P0205.160-120-A4	M16	24	9	120	38	12	A4 s/s
P0205.160-130-A4	M16	24	9	130	38	12	A4 s/s
P0205.160-140-A4	M16	24	9	140	38	12	A4 s/s
P0205.160-150-A4	M16	24	9	150	38	12	A4 s/s
P0205.200-035-A4	M20	30	11	35	-	14	A4 s/s
P0205.200-040-A4	M20	30	11	40	-	14	A4 s/s
P0205.200-045-A4	M20	30	11	45	46	14	A4 s/s
P0205.200-050-A4	M20	30	11	50	46	14	A4 s/s
P0205.200-055-A4	M20	30	11	55	46	14	A4 s/s
P0205.200-060-A4	M20	30	11	60	46	14	A4 s/s
P0205.200-070-A4	M20	30	11	70	46	14	A4 s/s
P0205.200-080-A4	M20	30	11	80	46	14	A4 s/s
P0205.200-100-A4	M20	30	11	100	46	14	A4 s/s
P0205.200-110-A4	M20	30	11	110	46	14	A4 s/s
P0205.200-120-A4	M20	30	11	120	46	14	A4 s/s
P0205.200-130-A4	M20	30	11	130	46	14	A4 s/s
P0205.200-140-A4	M20	30	11	140	46	14	A4 s/s
P0205.200-150-A4	M20	30	11	150	46	14	A4 s/s

STANDARD SCREWS



P0205.ZP



Material

Steel, zinc-plated (grade 8.8, (08.8)).

Technical Notes

To DIN 7984. For the majority of screw

lengths the threads goes all the way to the head of the screw (i.e. $l_1 = l_2$).

For longer length screws the threaded portion $l_2 < l_1$.

Order No.	d ₁	d ₂	h ₁	l ₁	l ₂	A/F	Material
P0205.030-005-ZP	M 3	5.5	2	5	-	2	Steel ZP
P0205.030-006-ZP	M 3	5.5	2	6	-	2	Steel ZP
P0205.030-008-ZP	M 3	5.5	2	8	-	2	Steel ZP
P0205.030-010-ZP	M 3	5.5	2	10	-	2	Steel ZP
P0205.030-012-ZP	M 3	5.5	2	12	12	2	Steel ZP
P0205.030-016-ZP	M 3	5.5	2	16	12	2	Steel ZP
P0205.030-020-ZP	M 3	5.5	2	20	12	2	Steel ZP
P0205.030-025-ZP	M 3	5.5	2	25	12	2	Steel ZP
P0205.040-006-ZP	M 4	7	2.8	6	-	2.5	Steel ZP
P0205.040-008-ZP	M 4	7	2.8	8	-	2.5	Steel ZP
P0205.040-010-ZP	M 4	7	2.8	10	-	2.5	Steel ZP
P0205.040-012-ZP	M 4	7	2.8	12	-	2.5	Steel ZP
P0205.040-016-ZP	M 4	7	2.8	16	14	2.5	Steel ZP
P0205.040-020-ZP	M 4	7	2.8	20	14	2.5	Steel ZP
P0205.040-025-ZP	M 4	7	2.8	25	14	2.5	Steel ZP
P0205.040-030-ZP	M 4	7	2.8	30	14	2.5	Steel ZP
P0205.040-035-ZP	M 4	7	2.8	35	14	2.5	Steel ZP
P0205.040-040-ZP	M 4	7	2.8	40	14	2.5	Steel ZP
P0205.050-006-ZP	M 5	8.5	3.5	6	-	3	Steel ZP
P0205.050-008-ZP	M 5	8.5	3.5	8	-	3	Steel ZP
P0205.050-010-ZP	M 5	8.5	3.5	10	-	3	Steel ZP
P0205.050-012-ZP	M 5	8.5	3.5	12	-	3	Steel ZP
P0205.050-014-ZP	M 5	8.5	3.5	14	-	3	Steel ZP
P0205.050-016-ZP	M 5	8.5	3.5	16	16	3	Steel ZP
P0205.050-020-ZP	M 5	8.5	3.5	20	16	3	Steel ZP
P0205.050-025-ZP	M 5	8.5	3.5	25	16	3	Steel ZP
P0205.050-030-ZP	M 5	8.5	3.5	30	16	3	Steel ZP
P0205.050-035-ZP	M 5	8.5	3.5	35	16	3	Steel ZP
P0205.050-040-ZP	M 5	8.5	3.5	40	16	3	Steel ZP
P0205.050-045-ZP	M 5	8.5	3.5	45	16	3	Steel ZP
P0205.050-050-ZP	M 5	8.5	3.5	50	16	3	Steel ZP
P0205.050-060-ZP	M 5	8.5	3.5	60	16	3	Steel ZP
P0205.060-008-ZP	M 6	10	4	8	-	4	Steel ZP
P0205.060-010-ZP	M 6	10	4	10	-	4	Steel ZP



Low Head Cap Screws

Low head - steel, zinc-plated

Standard Screws



Order No.	d ₁	d ₂	h ₁	l ₁	l ₂	A/F	Material
P0205.060-012-ZP	M 6	10	4	12	-	4	Steel ZP
P0205.060-016-ZP	M 6	10	4	16	-	4	Steel ZP
P0205.060-020-ZP	M 6	10	4	20	18	4	Steel ZP
P0205.060-025-ZP	M 6	10	4	25	18	4	Steel ZP
P0205.060-030-ZP	M 6	10	4	30	18	4	Steel ZP
P0205.060-035-ZP	M 6	10	4	35	18	4	Steel ZP
P0205.060-040-ZP	M 6	10	4	40	18	4	Steel ZP
P0205.060-045-ZP	M 6	10	4	45	18	4	Steel ZP
P0205.060-050-ZP	M 6	10	4	50	18	4	Steel ZP
P0205.060-055-ZP	M 6	10	4	55	18	4	Steel ZP
P0205.060-060-ZP	M 6	10	4	60	18	4	Steel ZP
P0205.060-070-ZP	M 6	10	4	60	18	4	Steel ZP
P0205.080-010-ZP	M 8	13	5	10	-	5	Steel ZP
P0205.080-012-ZP	M 8	13	5	12	-	5	Steel ZP
P0205.080-016-ZP	M 8	13	5	16	-	5	Steel ZP
P0205.080-020-ZP	M 8	13	5	20	-	5	Steel ZP
P0205.080-025-ZP	M 8	13	5	25	22	5	Steel ZP
P0205.080-030-ZP	M 8	13	5	30	22	5	Steel ZP
P0205.080-035-ZP	M 8	13	5	35	22	5	Steel ZP
P0205.080-040-ZP	M 8	13	5	40	22	5	Steel ZP
P0205.080-045-ZP	M 8	13	5	45	22	5	Steel ZP
P0205.080-050-ZP	M 8	13	5	50	22	5	Steel ZP
P0205.080-055-ZP	M 8	13	5	55	22	5	Steel ZP
P0205.080-060-ZP	M 8	13	5	60	22	5	Steel ZP
P0205.080-070-ZP	M 8	13	5	70	22	5	Steel ZP
P0205.080-090-ZP	M 8	13	5	90	22	5	Steel ZP
P0205.080-100-ZP	M 8	13	5	100	22	5	Steel ZP
P0205.100-016-ZP	M10	16	6.5	16	-	7	Steel ZP
P0205.100-020-ZP	M10	16	6.5	20	-	7	Steel ZP
P0205.100-025-ZP	M10	16	6.5	25	-	7	Steel ZP
P0205.100-030-ZP	M10	16	6.5	30	26	7	Steel ZP
P0205.100-035-ZP	M10	16	6.5	35	26	7	Steel ZP
P0205.100-040-ZP	M10	16	6.5	40	26	7	Steel ZP
P0205.100-045-ZP	M10	16	6.5	45	26	7	Steel ZP
P0205.100-050-ZP	M10	16	6.5	50	26	7	Steel ZP
P0205.100-055-ZP	M10	16	6.5	55	26	7	Steel ZP
P0205.100-060-ZP	M10	16	6.5	60	26	7	Steel ZP
P0205.100-070-ZP	M10	16	6.5	70	26	7	Steel ZP
P0205.100-080-ZP	M10	16	6.5	80	26	7	Steel ZP
P0205.100-090-ZP	M10	16	6.5	90	26	7	Steel ZP
P0205.100-100-ZP	M10	16	6.5	100	26	7	Steel ZP
P0205.120-020-ZP	M12	18	7.5	20	-	8	Steel ZP
P0205.120-025-ZP	M12	18	7.5	25	-	8	Steel ZP
P0205.120-030-ZP	M12	18	7.5	30	-	8	Steel ZP
P0205.120-035-ZP	M12	18	7.5	35	30	8	Steel ZP
P0205.120-040-ZP	M12	18	7.5	40	30	8	Steel ZP
P0205.120-045-ZP	M12	18	7.5	45	30	8	Steel ZP
P0205.120-050-ZP	M12	18	7.5	50	30	8	Steel ZP
P0205.120-055-ZP	M12	18	7.5	55	30	8	Steel ZP
P0205.120-060-ZP	M12	18	7.5	60	30	8	Steel ZP
P0205.120-070-ZP	M12	18	7.5	70	30	8	Steel ZP
P0205.120-080-ZP	M12	18	7.5	80	30	8	Steel ZP
P0205.160-025-ZP	M16	24	10	25	-	12	Steel ZP
P0205.160-030-ZP	M16	24	10	30	-	12	Steel ZP
P0205.160-035-ZP	M16	24	10	35	-	12	Steel ZP
P0205.160-040-ZP	M16	24	10	40	38	12	Steel ZP
P0205.160-045-ZP	M16	24	10	45	38	12	Steel ZP
P0205.160-050-ZP	M16	24	10	50	38	12	Steel ZP
P0205.160-055-ZP	M16	24	10	55	38	12	Steel ZP
P0205.160-060-ZP	M16	24	10	60	38	12	Steel ZP
P0205.160-070-ZP	M16	24	10	70	38	12	Steel ZP
P0205.160-080-ZP	M16	24	10	80	38	12	Steel ZP
P0205.160-100-ZP	M16	24	10	100	38	12	Steel ZP
P0205.200-035-ZP	M20	30	12	35	-	14	Steel ZP
P0205.200-040-ZP	M20	30	12	40	-	14	Steel ZP
P0205.200-045-ZP	M20	30	12	45	-	14	Steel ZP
P0205.200-050-ZP	M20	30	12	50	46	14	Steel ZP
P0205.200-060-ZP	M20	30	12	60	46	14	Steel ZP
P0205.200-070-ZP	M20	30	12	70	46	14	Steel ZP

STANDARD SCREWS



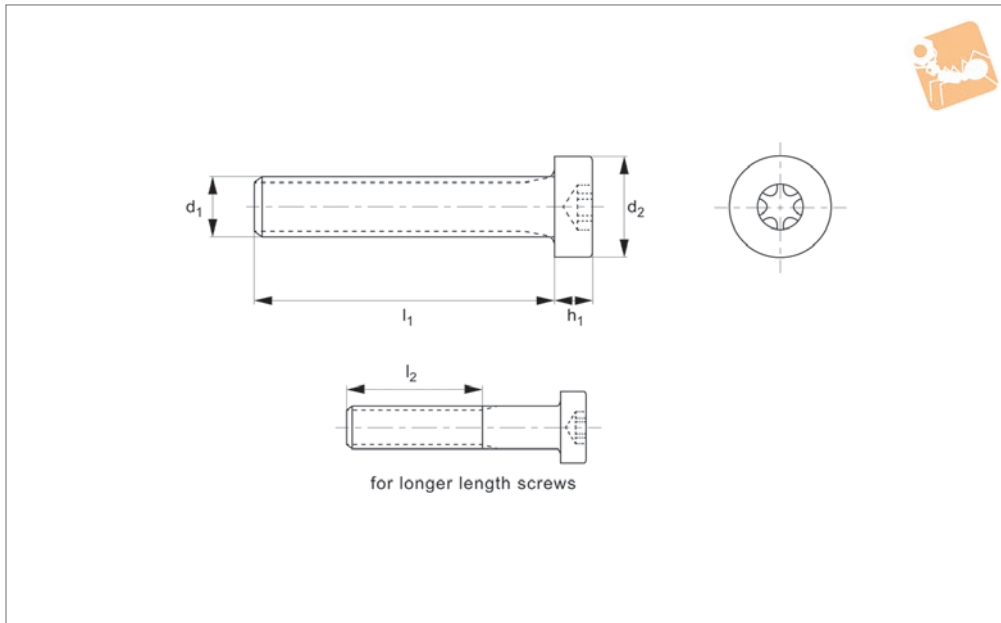
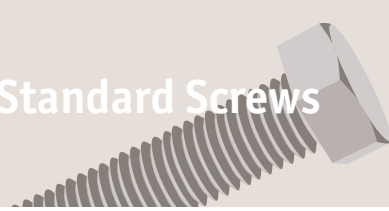
Order No.	d ₁	d ₂	h ₁	l ₁	l ₂	A/F	Material
P0205.200-080-ZP	M20	30	12	80	46	14	Steel ZP
P0205.240-050-ZP	M24	36	14	50	-	19	Steel ZP
P0205.240-070-ZP	M24	36	14	70	54	19	Steel ZP
P0205.240-080-ZP	M24	36	14	80	54	19	Steel ZP
P0205.240-100-ZP	M24	36	14	100	54	19	Steel ZP



TX Cap Screws

Low head

Standard Screws



P0206.A2

STANDARD SCREWS

Material

Stainless steel A2.

Technical Notes

To DIN 14580. For the majority of

screw lengths the threads goes all the way to the head of the screw (i.e. $l_1 = l_2$).
For longer length screws the

threaded portion l_2 1.

See technical page for tightening torques.

Order No.	Size	d ₁	d ₂	h ₁	l ₁	l ₂
P0206.050-008-A2	TX 25	M5	8.5	3.65	8	-
P0206.050-010-A2	TX 25	M5	8.5	3.65	10	-
P0206.050-012-A2	TX 25	M5	8.5	3.65	12	-
P0206.050-014-A2	TX 25	M5	8.5	3.65	14	-
P0206.050-016-A2	TX 25	M5	8.5	3.65	16	-
P0206.050-020-A2	TX 25	M5	8.5	3.65	20	16
P0206.050-025-A2	TX 25	M5	8.5	3.65	25	16
P0206.050-030-A2	TX 25	M5	8.5	3.65	30	16
P0206.050-035-A2	TX 25	M5	8.5	3.65	35	16
P0206.050-040-A2	TX 25	M5	8.5	3.65	40	16
P0206.050-045-A2	TX 25	M5	8.5	3.65	45	16
P0206.050-050-A2	TX 25	M5	8.5	3.65	50	16
P0206.050-055-A2	TX 25	M5	8.5	3.65	55	16
P0206.050-060-A2	TX 25	M5	8.5	3.65	60	16
P0206.050-065-A2	TX 25	M5	8.5	3.65	65	16
P0206.050-070-A2	TX 25	M5	8.5	3.65	70	16
P0206.060-008-A2	TX 30	M6	10	4.40	8	-
P0206.060-010-A2	TX 30	M6	10	4.40	10	-
P0206.060-012-A2	TX 30	M6	10	4.40	12	-
P0206.060-016-A2	TX 30	M6	10	4.40	16	-
P0206.060-020-A2	TX 30	M6	10	4.40	20	18
P0206.060-025-A2	TX 30	M6	10	4.40	25	18
P0206.060-030-A2	TX 30	M6	10	4.40	30	18
P0206.060-035-A2	TX 30	M6	10	4.40	35	18
P0206.060-040-A2	TX 30	M6	10	4.40	40	18
P0206.060-045-A2	TX 30	M6	10	4.40	45	18
P0206.060-050-A2	TX 30	M6	10	4.40	50	18
P0206.060-055-A2	TX 30	M6	10	4.40	55	18
P0206.060-060-A2	TX 30	M6	10	4.40	60	18
P0206.060-065-A2	TX 30	M6	10	4.40	65	18
P0206.060-070-A2	TX 30	M6	10	4.40	70	18
P0206.080-010-A2	TX 45	M8	13	5.80	10	-
P0206.080-012-A2	TX 45	M8	13	5.80	12	-
P0206.080-016-A2	TX 45	M8	13	5.80	16	-



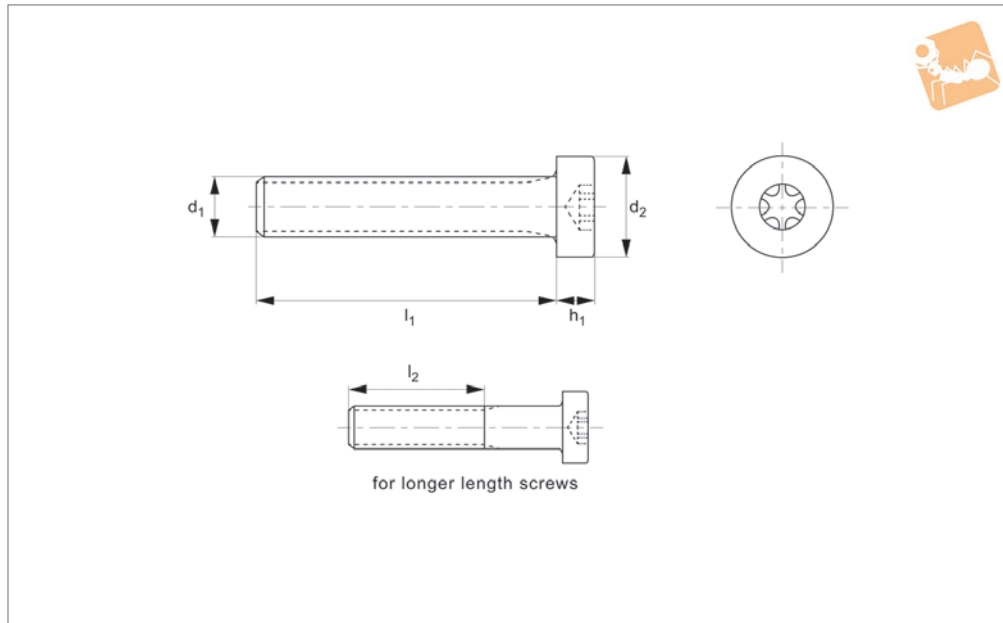
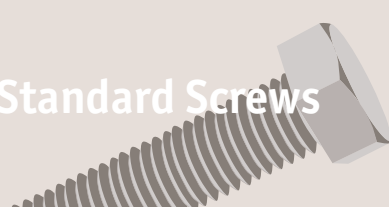
Order No.	Size	d ₁	d ₂	h ₁	l ₁	l ₂
P0206.080-020-A2	TX 45	M8	13	5.80	20	-
P0206.080-025-A2	TX 45	M8	13	5.80	25	22
P0206.080-030-A2	TX 45	M8	13	5.80	30	22
P0206.080-035-A2	TX 45	M8	13	5.80	35	22
P0206.080-040-A2	TX 45	M8	13	5.80	40	22
P0206.080-045-A2	TX 45	M8	13	5.80	45	22
P0206.080-050-A2	TX 45	M8	13	5.80	50	22
P0206.080-055-A2	TX 45	M8	13	5.80	55	22
P0206.080-060-A2	TX 45	M8	13	5.80	60	22
P0206.080-065-A2	TX 45	M8	13	5.80	65	22
P0206.080-070-A2	TX 45	M8	13	5.80	70	22
P0206.080-075-A2	TX 45	M8	13	5.80	75	22
P0206.080-080-A2	TX 45	M8	13	5.80	80	22



TX Cap Screws

Low head

Standard Screws



P0206.A4

STANDARD SCREWS

Material

Stainless steel A4.

Technical Notes

To DIN 14580. For the majority of

screw lengths the threads goes all the way to the head of the screw (i.e. $l_1 = l_2$).
For longer length screws the

threaded portion l_2 1.

See technical page for tightening torques.

Order No.	Size	d ₁	d ₂	h ₁	l ₁	l ₂
P0206.050-008-A4	TX 25	M5	8.5	3.65	8	-
P0206.050-010-A4	TX 25	M5	8.5	3.65	10	-
P0206.050-012-A4	TX 25	M5	8.5	3.65	12	-
P0206.050-014-A4	TX 25	M5	8.5	3.65	14	-
P0206.050-016-A4	TX 25	M5	8.5	3.65	16	-
P0206.050-020-A4	TX 25	M5	8.5	3.65	20	16
P0206.050-025-A4	TX 25	M5	8.5	3.65	25	16
P0206.050-030-A4	TX 25	M5	8.5	3.65	30	16
P0206.050-035-A4	TX 25	M5	8.5	3.65	35	16
P0206.050-040-A4	TX 25	M5	8.5	3.65	40	16
P0206.050-045-A4	TX 25	M5	8.5	3.65	45	16
P0206.050-050-A4	TX 25	M5	8.5	3.65	50	16
P0206.050-055-A4	TX 25	M5	8.5	3.65	55	16
P0206.050-060-A4	TX 25	M5	8.5	3.65	60	16
P0206.050-065-A4	TX 25	M5	8.5	3.65	65	16
P0206.050-070-A4	TX 25	M5	8.5	3.65	70	16
P0206.060-008-A4	TX 30	M6	10	4.40	8	-
P0206.060-012-A4	TX 30	M6	10	4.40	12	-
P0206.060-016-A4	TX 30	M6	10	4.40	16	-
P0206.060-020-A4	TX 30	M6	10	4.40	20	18
P0206.060-025-A4	TX 30	M6	10	4.40	25	18
P0206.060-030-A4	TX 30	M6	10	4.40	30	18
P0206.060-035-A4	TX 30	M6	10	4.40	35	18
P0206.060-040-A4	TX 30	M6	10	4.40	40	18
P0206.060-045-A4	TX 30	M6	10	4.40	45	18
P0206.060-050-A4	TX 30	M6	10	4.40	50	18
P0206.060-055-A4	TX 30	M6	10	4.40	55	18
P0206.060-060-A4	TX 30	M6	10	4.40	60	18
P0206.060-065-A4	TX 30	M6	10	4.40	65	18
P0206.060-070-A4	TX 30	M6	10	4.40	70	18
P0206.080-010-A4	TX 45	M8	13	5.80	10	-
P0206.080-012-A4	TX 45	M8	13	5.80	12	-
P0206.080-016-A4	TX 45	M8	13	5.80	16	-
P0206.080-020-A4	TX 45	M8	13	5.80	20	-



STANDARD SCREWS

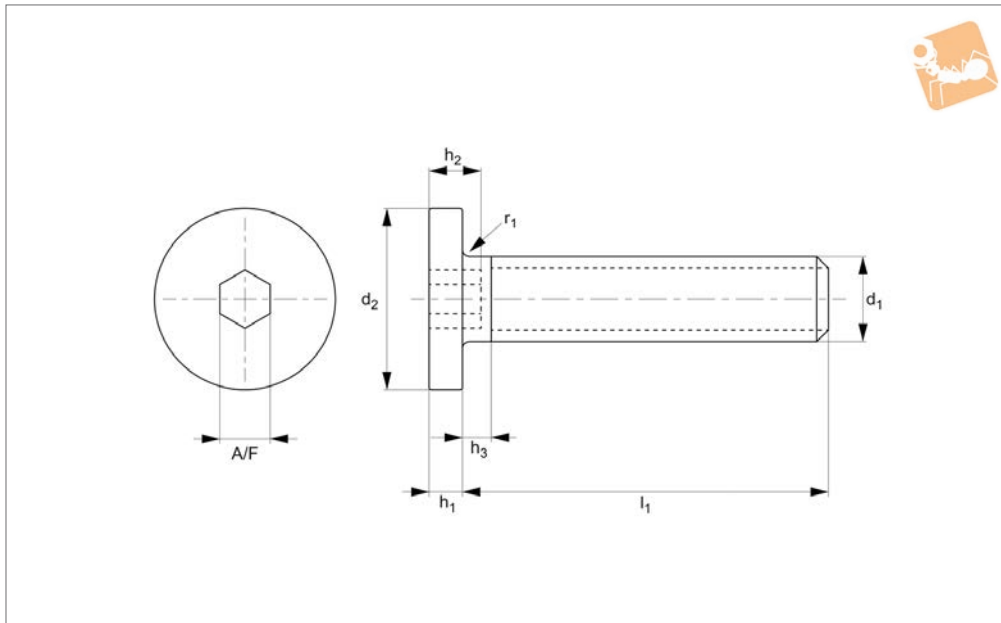
Order No.	Size	d ₁	d ₂	h ₁	l ₁	l ₂
P0206.080-025-A4	TX 45	M8	13	5.80	25	22
P0206.080-030-A4	TX 45	M8	13	5.80	30	22
P0206.080-035-A4	TX 45	M8	13	5.80	35	22
P0206.080-040-A4	TX 45	M8	13	5.80	40	22
P0206.080-045-A4	TX 45	M8	13	5.80	45	22
P0206.080-050-A4	TX 45	M8	13	5.80	50	22
P0206.080-055-A4	TX 45	M8	13	5.80	55	22
P0206.080-060-A4	TX 45	M8	13	5.80	60	22
P0206.080-065-A4	TX 45	M8	13	5.80	65	22
P0206.080-070-A4	TX 45	M8	13	5.80	70	22
P0206.080-075-A4	TX 45	M8	13	5.80	75	22
P0206.080-080-A4	TX 45	M8	13	5.80	80	22



Extra Low Head Cap Screws

hex. drive - 303 stainless

Standard Screws



P0207.A2

STANDARD SCREWS

Material

Stainless steel (AISI 303, 1.4305).
Tensile strength ~ 400N/mm²

(except for M2 ~ 220N/mm²).

Technical Notes

Extra low head cap screws reduce the screw

head height space. They require no countersinking unlike flat head screws.

Order No.	d ₁	d ₂	h ₁	h ₂ max.	h ₃ max.	l ₁	r ₁	A/F	Torque to Nm max.
P0207.020-003-A2	M 2	4	1.5	1.2	1.2	3	0.10	1.3	0.16
P0207.020-004-A2	M 2	4	1.5	1.2	1.2	4	0.10	1.3	0.16
P0207.020-005-A2	M 2	4	1.5	1.2	1.2	5	0.10	1.3	0.16
P0207.020-006-A2	M 2	4	1.5	1.2	1.2	6	0.10	1.3	0.16
P0207.020-008-A2	M 2	4	1.5	1.2	1.2	8	0.10	1.3	0.16
P0207.020-010-A2	M 2	4	1.5	1.2	1.2	10	0.10	1.3	0.16
P0207.020-012-A2	M 2	4	1.5	1.2	1.2	12	0.10	1.3	0.16
P0207.025-003-A2	M 2,5	5	1.5	1.5	1.5	3	0.10	1.3	0.35
P0207.025-004-A2	M 2,5	5	1.5	1.5	1.5	4	0.10	1.3	0.35
P0207.025-005-A2	M 2,5	5	1.5	1.5	1.5	5	0.10	1.3	0.35
P0207.025-006-A2	M 2,5	5	1.5	1.5	1.5	6	0.10	1.3	0.35
P0207.025-008-A2	M 2,5	5	1.5	1.5	1.5	8	0.10	1.3	0.35
P0207.025-010-A2	M 2,5	5	1.5	1.5	1.5	10	0.10	1.3	0.35
P0207.025-012-A2	M 2,5	5	1.5	1.5	1.5	12	0.10	1.3	0.35
P0207.030-004-A2	M 3	6	1.5	2.0	1.6	4	0.10	1.5	0.60
P0207.030-005-A2	M 3	6	1.5	2.0	1.6	5	0.10	1.5	0.60
P0207.030-006-A2	M 3	6	1.5	2.0	1.6	6	0.10	1.5	0.60
P0207.030-008-A2	M 3	6	1.5	2.0	1.6	8	0.10	1.5	0.60
P0207.030-010-A2	M 3	6	1.5	2.0	1.6	10	0.10	1.5	0.60
P0207.030-012-A2	M 3	6	1.5	2.0	1.6	12	0.10	1.5	0.60
P0207.030-014-A2	M 3	6	1.5	2.0	1.6	14	0.10	1.5	0.60
P0207.030-016-A2	M 3	6	1.5	2.0	1.6	16	0.10	1.5	0.60
P0207.040-005-A2	M 4	8	1.5	2.5	1.6	5	0.20	2.0	1.10
P0207.040-006-A2	M 4	8	1.5	2.5	1.6	6	0.20	2.0	1.10
P0207.040-008-A2	M 4	8	1.5	2.5	1.6	8	0.20	2.0	1.10
P0207.040-010-A2	M 4	8	1.5	2.5	1.6	10	0.20	2.0	1.10
P0207.040-012-A2	M 4	8	1.5	2.5	1.6	12	0.20	2.0	1.10
P0207.040-014-A2	M 4	8	1.5	2.5	1.6	14	0.20	2.0	1.10
P0207.040-016-A2	M 4	8	1.5	2.5	1.6	16	0.20	2.0	1.10
P0207.040-018-A2	M 4	8	1.5	2.5	1.6	18	0.20	2.0	1.10
P0207.040-020-A2	M 4	8	1.5	2.5	1.6	20	0.20	2.0	1.10
P0207.050-006-A2	M 5	9	1.5	3.0	2.0	6	0.20	3.0	2.20
P0207.050-008-A2	M 5	9	1.5	3.0	2.0	8	0.20	3.0	2.20
P0207.050-010-A2	M 5	9	1.5	3.0	2.0	10	0.20	3.0	2.20



STANDARD SCREWS

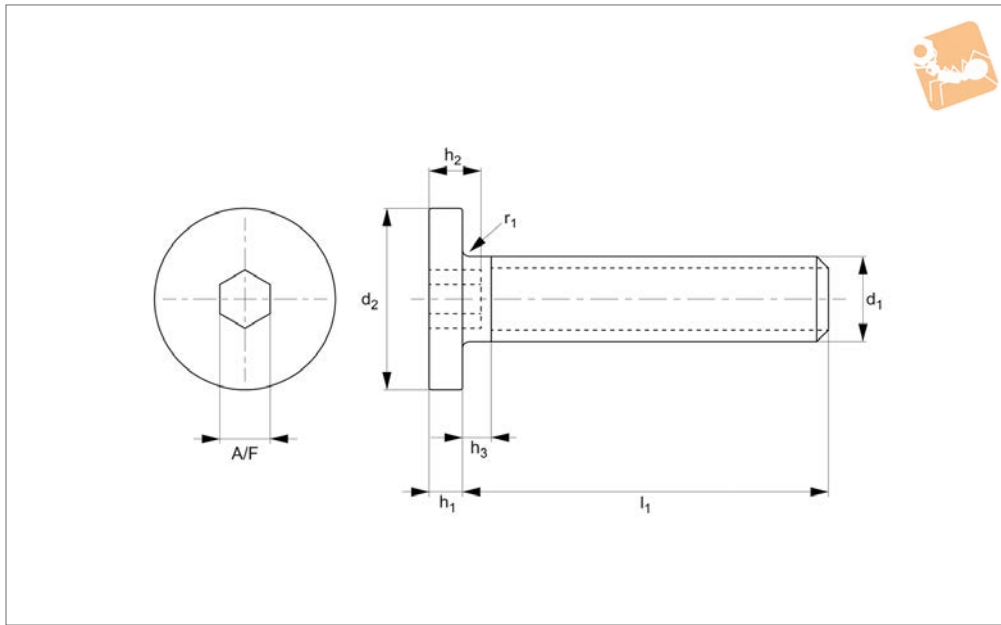
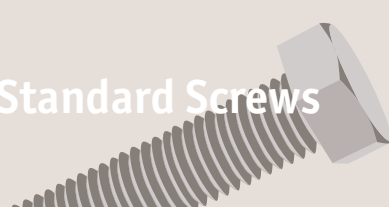
Order No.	d ₁	d ₂	h ₁	h ₂ max.	h ₃ max.	l ₁	r ₁	A/F	Torque to Nm max.
P0207.050-012-A2	M 5	9	1.5	3.0	2.0	12	0.20	3.0	2.20
P0207.050-014-A2	M 5	9	1.5	3.0	2.0	14	0.20	3.0	2.20
P0207.050-016-A2	M 5	9	1.5	3.0	2.0	16	0.20	3.0	2.20
P0207.050-018-A2	M 5	9	1.5	3.0	2.0	18	0.20	3.0	2.20
P0207.050-020-A2	M 5	9	1.5	3.0	2.0	20	0.20	3.0	2.20
P0207.050-025-A2	M 5	9	1.5	3.0	2.0	25	0.20	3.0	2.20
P0207.060-006-A2	M 6	10	1.5	4.0	2.5	6	0.25	3.0	5.00
P0207.060-008-A2	M 6	10	1.5	4.0	2.5	8	0.25	3.0	5.00
P0207.060-010-A2	M 6	10	1.5	4.0	2.5	10	0.25	3.0	5.00
P0207.060-012-A2	M 6	10	1.5	4.0	2.5	12	0.25	3.0	5.00
P0207.060-014-A2	M 6	10	1.5	4.0	2.5	14	0.25	3.0	5.00
P0207.060-016-A2	M 6	10	1.5	4.0	2.5	16	0.25	3.0	5.00
P0207.060-018-A2	M 6	10	1.5	4.0	2.5	18	0.25	3.0	5.00
P0207.060-020-A2	M 6	10	1.5	4.0	2.5	20	0.25	3.0	5.00
P0207.060-025-A2	M 6	10	1.5	4.0	2.5	25	0.25	3.0	5.00
P0207.060-030-A2	M 6	10	1.5	4.0	2.5	30	0.25	3.0	5.00
P0207.080-006-A2	M 8	13	1.5	5.0	3.0	6	0.40	4.0	10.1
P0207.080-008-A2	M 8	13	1.5	5.0	3.0	8	0.40	4.0	10.1
P0207.080-010-A2	M 8	13	1.5	5.0	3.0	10	0.40	4.0	10.1
P0207.080-012-A2	M 8	13	1.5	5.0	3.0	12	0.40	4.0	10.1
P0207.080-014-A2	M 8	13	1.5	5.0	3.0	14	0.40	4.0	10.1
P0207.080-016-A2	M 8	13	1.5	5.0	3.0	16	0.40	4.0	10.1
P0207.080-018-A2	M 8	13	1.5	5.0	3.0	18	0.40	4.0	10.1
P0207.080-020-A2	M 8	13	1.5	5.0	3.0	20	0.40	4.0	10.1
P0207.080-025-A2	M 8	13	1.5	5.0	3.0	25	0.40	4.0	10.1
P0207.080-030-A2	M 8	13	1.5	5.0	3.0	30	0.40	4.0	10.1
P0207.100-010-A2	M10	16	1.5	6.0	3.5	10	0.40	5.0	17.5
P0207.100-012-A2	M10	16	1.5	6.0	3.5	12	0.40	5.0	17.5
P0207.100-014-A2	M10	16	1.5	6.0	3.5	14	0.40	5.0	17.5
P0207.100-016-A2	M10	16	1.5	6.0	3.5	16	0.40	5.0	17.5
P0207.100-018-A2	M10	16	1.5	6.0	3.5	18	0.40	5.0	17.5
P0207.100-020-A2	M10	16	1.5	6.0	3.5	20	0.40	5.0	17.5
P0207.100-025-A2	M10	16	1.5	6.0	3.5	25	0.40	5.0	17.5
P0207.100-030-A2	M10	16	1.5	6.0	3.5	30	0.40	5.0	17.5



Extra Low Head Cap Screws

hex. drive - 316 series stainless

Standard Screws



P0207.A4

STANDARD SCREWS

Material

Stainless steel (AISI 316, 1.4401). This grade has a higher resistance to corrosion than 303 series stainless and is suitable for

outdoor use and marine environments.
Tensile strength ~500N/mm2 minimum.

Technical Notes

Extra low head cap screws reduce the screw head height space. They require no countersinking unlike flat head screws.

Order No.	d ₁	d ₂	h ₁	h ₂ max.	h ₃ max.	l ₁	r ₁	A/F	Torque to Nm max.
P0207.020-003-A4	M 2	4	1.5	1.2	1.2	3	0.10	1.3	0.16
P0207.020-004-A4	M 2	4	1.5	1.2	1.2	4	0.10	1.3	0.16
P0207.020-005-A4	M 2	4	1.5	1.2	1.2	5	0.10	1.3	0.16
P0207.020-006-A4	M 2	4	1.5	1.2	1.2	6	0.10	1.3	0.16
P0207.020-008-A4	M 2	4	1.5	1.2	1.2	8	0.10	1.3	0.16
P0207.020-010-A4	M 2	4	1.5	1.2	1.2	10	0.10	1.3	0.16
P0207.020-012-A4	M 2	4	1.5	1.2	1.2	12	0.10	1.3	0.16
P0207.025-003-A4	M 2,5	5	1.5	1.5	1.5	3	0.10	1.3	0.35
P0207.025-004-A4	M 2,5	5	1.5	1.5	1.5	4	0.10	1.3	0.35
P0207.025-005-A4	M 2,5	5	1.5	1.5	1.5	5	0.10	1.3	0.35
P0207.025-006-A4	M 2,5	5	1.5	1.5	1.5	6	0.10	1.3	0.35
P0207.025-008-A4	M 2,5	5	1.5	1.5	1.5	8	0.10	1.3	0.35
P0207.025-010-A4	M 2,5	5	1.5	1.5	1.5	10	0.10	1.3	0.35
P0207.025-012-A4	M 2,5	5	1.5	1.5	1.5	12	0.10	1.3	0.35
P0207.030-004-A4	M 3	6	1.5	2.0	1.6	4	0.10	1.5	0.60
P0207.030-005-A4	M 3	6	1.5	2.0	1.6	5	0.10	1.5	0.60
P0207.030-006-A4	M 3	6	1.5	2.0	1.6	6	0.10	1.5	0.60
P0207.030-008-A4	M 3	6	1.5	2.0	1.6	8	0.10	1.5	0.60
P0207.030-010-A4	M 3	6	1.5	2.0	1.6	10	0.10	1.5	0.60
P0207.030-012-A4	M 3	6	1.5	2.0	1.6	12	0.10	1.5	0.60
P0207.030-014-A4	M 3	6	1.5	2.0	1.6	14	0.10	1.5	0.60
P0207.030-016-A4	M 3	6	1.5	2.0	1.6	16	0.10	1.5	0.60
P0207.040-005-A4	M 4	8	1.5	2.5	1.6	5	0.20	2.0	1.10
P0207.040-006-A4	M 4	8	1.5	2.5	1.6	6	0.20	2.0	1.10
P0207.040-008-A4	M 4	8	1.5	2.5	1.6	8	0.20	2.0	1.10
P0207.040-010-A4	M 4	8	1.5	2.5	1.6	10	0.20	2.0	1.10
P0207.040-012-A4	M 4	8	1.5	2.5	1.6	12	0.20	2.0	1.10
P0207.040-014-A4	M 4	8	1.5	2.5	1.6	14	0.20	2.0	1.10
P0207.040-016-A4	M 4	8	1.5	2.5	1.6	16	0.20	2.0	1.10
P0207.040-018-A4	M 4	8	1.5	2.5	1.6	18	0.20	2.0	1.10
P0207.040-020-A4	M 4	8	1.5	2.5	1.6	20	0.20	2.0	1.10
P0207.050-006-A4	M 5	9	1.5	3.0	2.0	6	0.20	3.0	2.20
P0207.050-008-A4	M 5	9	1.5	3.0	2.0	8	0.20	3.0	2.20



STANDARD SCREWS

Order No.	d ₁	d ₂	h ₁	h ₂ max.	h ₃ max.	l ₁	r ₁	A/F	Torque to Nm max.
P0207.050-010-A4	M 5	9	1.5	3.0	2.0	10	0.20	3.0	2.20
P0207.050-012-A4	M 5	9	1.5	3.0	2.0	12	0.20	3.0	2.20
P0207.050-014-A4	M 5	9	1.5	3.0	2.0	14	0.20	3.0	2.20
P0207.050-016-A4	M 5	9	1.5	3.0	2.0	16	0.20	3.0	2.20
P0207.050-018-A4	M 5	9	1.5	3.0	2.0	18	0.20	3.0	2.20
P0207.050-020-A4	M 5	9	1.5	3.0	2.0	20	0.20	3.0	2.20
P0207.050-025-A4	M 5	9	1.5	3.0	2.0	25	0.20	3.0	2.20
P0207.060-006-A4	M 6	10	1.5	4.0	2.5	6	0.25	3.0	5.00
P0207.060-008-A4	M 6	10	1.5	4.0	2.5	8	0.25	3.0	5.00
P0207.060-010-A4	M 6	10	1.5	4.0	2.5	10	0.25	3.0	5.00
P0207.060-012-A4	M 6	10	1.5	4.0	2.5	12	0.25	3.0	5.00
P0207.060-014-A4	M 6	10	1.5	4.0	2.5	14	0.25	3.0	5.00
P0207.060-016-A4	M 6	10	1.5	4.0	2.5	16	0.25	3.0	5.00
P0207.060-018-A4	M 6	10	1.5	4.0	2.5	18	0.25	3.0	5.00
P0207.060-020-A4	M 6	10	1.5	4.0	2.5	20	0.25	3.0	5.00
P0207.060-025-A4	M 6	10	1.5	4.0	2.5	25	0.25	3.0	5.00
P0207.060-030-A4	M 6	10	1.5	4.0	2.5	30	0.25	3.0	5.00
P0207.080-006-A4	M 8	13	1.5	5.0	3.0	6	0.40	4.0	10.1
P0207.080-008-A4	M 8	13	1.5	5.0	3.0	8	0.40	4.0	10.1
P0207.080-010-A4	M 8	13	1.5	5.0	3.0	10	0.40	4.0	10.1
P0207.080-012-A4	M 8	13	1.5	5.0	3.0	12	0.40	4.0	10.1
P0207.080-014-A4	M 8	13	1.5	5.0	3.0	14	0.40	4.0	10.1
P0207.080-016-A4	M 8	13	1.5	5.0	3.0	16	0.40	4.0	10.1
P0207.080-018-A4	M 8	13	1.5	5.0	3.0	18	0.40	4.0	10.1
P0207.080-020-A4	M 8	13	1.5	5.0	3.0	20	0.40	4.0	10.1
P0207.080-025-A4	M 8	13	1.5	5.0	3.0	25	0.40	4.0	10.1
P0207.080-030-A4	M 8	13	1.5	5.0	3.0	30	0.40	4.0	10.1
P0207.100-010-A4	M10	16	1.5	6.0	3.5	10	0.40	5.0	17.5
P0207.100-012-A4	M10	16	1.5	6.0	3.5	12	0.40	5.0	17.5
P0207.100-014-A4	M10	16	1.5	6.0	3.5	14	0.40	5.0	17.5
P0207.100-016-A4	M10	16	1.5	6.0	3.5	16	0.40	5.0	17.5
P0207.100-018-A4	M10	16	1.5	6.0	3.5	18	0.40	5.0	17.5
P0207.100-020-A4	M10	16	1.5	6.0	3.5	20	0.40	5.0	17.5
P0207.100-025-A4	M10	16	1.5	6.0	3.5	25	0.40	5.0	17.5
P0207.100-030-A4	M10	16	1.5	6.0	3.5	30	0.40	5.0	17.5



Extra Low Head Cap Screws

hex. drive - 303 series stainless - blackened

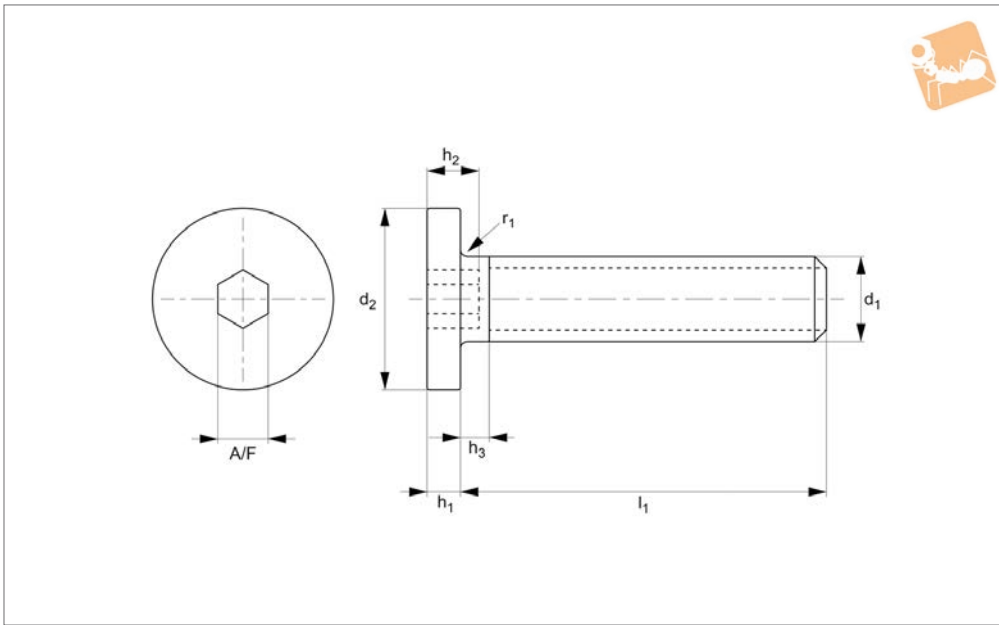
Standard Screws



P0207.B2

MADE IN BRITAIN

STANDARD SCREWS



Material

Stainless steel (AISI 303, 1.4305) with black oxide coating.
Tensile strength ~400N/mm²

(except for M2 ~220N/mm²).

Technical Notes

Extra low head cap screws reduce the screw

head height space. They require no countersinking unlike flat head screws.

Order No.	d ₁	d ₂	h ₁	h ₂ max.	h ₃ max.	l ₁	r ₁	A/F	Torque to Nm max.
P0207.020-003-B2	M 2	4	1.5	1.2	1.2	3	0.10	1.3	0.16
P0207.020-004-B2	M 2	4	1.5	1.2	1.2	4	0.10	1.3	0.16
P0207.020-005-B2	M 2	4	1.5	1.2	1.2	5	0.10	1.3	0.16
P0207.020-006-B2	M 2	4	1.5	1.2	1.2	6	0.10	1.3	0.16
P0207.020-008-B2	M 2	4	1.5	1.2	1.2	8	0.10	1.3	0.16
P0207.020-010-B2	M 2	4	1.5	1.2	1.2	10	0.10	1.3	0.16
P0207.020-012-B2	M 2	4	1.5	1.2	1.2	12	0.10	1.3	0.16
P0207.025-003-B2	M 2,5	5	1.5	1.5	1.5	3	0.10	1.3	0.35
P0207.025-004-B2	M 2,5	5	1.5	1.5	1.5	4	0.10	1.3	0.35
P0207.025-005-B2	M 2,5	5	1.5	1.5	1.5	5	0.10	1.3	0.35
P0207.025-006-B2	M 2,5	5	1.5	1.5	1.5	6	0.10	1.3	0.35
P0207.025-008-B2	M 2,5	5	1.5	1.5	1.5	8	0.10	1.3	0.35
P0207.025-010-B2	M 2,5	5	1.5	1.5	1.5	10	0.10	1.3	0.35
P0207.025-012-B2	M 2,5	5	1.5	1.5	1.5	12	0.10	1.3	0.35
P0207.030-004-B2	M 3	6	1.5	2.0	1.6	4	0.10	1.5	0.60
P0207.030-005-B2	M 3	6	1.5	2.0	1.6	5	0.10	1.5	0.60
P0207.030-006-B2	M 3	6	1.5	2.0	1.6	6	0.10	1.5	0.60
P0207.030-008-B2	M 3	6	1.5	2.0	1.6	8	0.10	1.5	0.60
P0207.030-010-B2	M 3	6	1.5	2.0	1.6	10	0.10	1.5	0.60
P0207.030-012-B2	M 3	6	1.5	2.0	1.6	12	0.10	1.5	0.60
P0207.030-014-B2	M 3	6	1.5	2.0	1.6	14	0.10	1.5	0.60
P0207.030-016-B2	M 3	6	1.5	2.0	1.6	16	0.10	1.5	0.60
P0207.040-005-B2	M 4	8	1.5	2.5	1.6	5	0.20	2.0	1.10
P0207.040-006-B2	M 4	8	1.5	2.5	1.6	6	0.20	2.0	1.10
P0207.040-008-B2	M 4	8	1.5	2.5	1.6	8	0.20	2.0	1.10
P0207.040-010-B2	M 4	8	1.5	2.5	1.6	10	0.20	2.0	1.10
P0207.040-012-B2	M 4	8	1.5	2.5	1.6	12	0.20	2.0	1.10
P0207.040-014-B2	M 4	8	1.5	2.5	1.6	14	0.20	2.0	1.10
P0207.040-016-B2	M 4	8	1.5	2.5	1.6	16	0.20	2.0	1.10
P0207.040-018-B2	M 4	8	1.5	2.5	1.6	18	0.20	2.0	1.10
P0207.040-020-B2	M 4	8	1.5	2.5	1.6	20	0.20	2.0	1.10
P0207.050-006-B2	M 5	9	1.5	3.0	2.0	6	0.20	3.0	2.20
P0207.050-008-B2	M 5	9	1.5	3.0	2.0	8	0.20	3.0	2.20



STANDARD SCREWS

Order No.	d ₁	d ₂	h ₁	h ₂ max.	h ₃ max.	l ₁	r ₁	A/F	Torque to Nm max.
P0207.050-010-B2	M 5	9	1.5	3.0	2.0	10	0.20	3.0	2.20
P0207.050-012-B2	M 5	9	1.5	3.0	2.0	12	0.20	3.0	2.20
P0207.050-014-B2	M 5	9	1.5	3.0	2.0	14	0.20	3.0	2.20
P0207.050-016-B2	M 5	9	1.5	3.0	2.0	16	0.20	3.0	2.20
P0207.050-018-B2	M 5	9	1.5	3.0	2.0	18	0.20	3.0	2.20
P0207.050-020-B2	M 5	9	1.5	3.0	2.0	20	0.20	3.0	2.20
P0207.050-025-B2	M 5	9	1.5	3.0	2.0	25	0.20	3.0	2.20
P0207.060-006-B2	M 6	10	1.5	4.0	2.5	6	0.25	3.0	5.00
P0207.060-008-B2	M 6	10	1.5	4.0	2.5	8	0.25	3.0	5.00
P0207.060-010-B2	M 6	10	1.5	4.0	2.5	10	0.25	3.0	5.00
P0207.060-012-B2	M 6	10	1.5	4.0	2.5	12	0.25	3.0	5.00
P0207.060-014-B2	M 6	10	1.5	4.0	2.5	14	0.25	3.0	5.00
P0207.060-016-B2	M 6	10	1.5	4.0	2.5	16	0.25	3.0	5.00
P0207.060-018-B2	M 6	10	1.5	4.0	2.5	18	0.25	3.0	5.00
P0207.060-020-B2	M 6	10	1.5	4.0	2.5	20	0.25	3.0	5.00
P0207.060-025-B2	M 6	10	1.5	4.0	2.5	25	0.25	3.0	5.00
P0207.060-030-B2	M 6	10	1.5	4.0	2.5	30	0.25	3.0	5.00
P0207.080-006-B2	M 8	13	1.5	5.0	3.0	6	0.40	4.0	10.1
P0207.080-008-B2	M 8	13	1.5	5.0	3.0	8	0.40	4.0	10.1
P0207.080-010-B2	M 8	13	1.5	5.0	3.0	10	0.40	4.0	10.1
P0207.080-012-B2	M 8	13	1.5	5.0	3.0	12	0.40	4.0	10.1
P0207.080-014-B2	M 8	13	1.5	5.0	3.0	14	0.40	4.0	10.1
P0207.080-016-B2	M 8	13	1.5	5.0	3.0	16	0.40	4.0	10.1
P0207.080-018-B2	M 8	13	1.5	5.0	3.0	18	0.40	4.0	10.1
P0207.080-020-B2	M 8	13	1.5	5.0	3.0	20	0.40	4.0	10.1
P0207.080-025-B2	M 8	13	1.5	5.0	3.0	25	0.40	4.0	10.1
P0207.080-030-B2	M 8	13	1.5	5.0	3.0	30	0.40	4.0	10.1
P0207.100-010-B2	M10	16	1.5	6.0	3.5	10	0.40	5.0	17.5
P0207.100-012-B2	M10	16	1.5	6.0	3.5	12	0.40	5.0	17.5
P0207.100-014-B2	M10	16	1.5	6.0	3.5	14	0.40	5.0	17.5
P0207.100-016-B2	M10	16	1.5	6.0	3.5	16	0.40	5.0	17.5
P0207.100-018-B2	M10	16	1.5	6.0	3.5	18	0.40	5.0	17.5
P0207.100-020-B2	M10	16	1.5	6.0	3.5	20	0.40	5.0	17.5
P0207.100-025-B2	M10	16	1.5	6.0	3.5	25	0.40	5.0	17.5
P0207.100-030-B2	M10	16	1.5	6.0	3.5	30	0.40	5.0	17.5



Extra Low Head Cap Screws

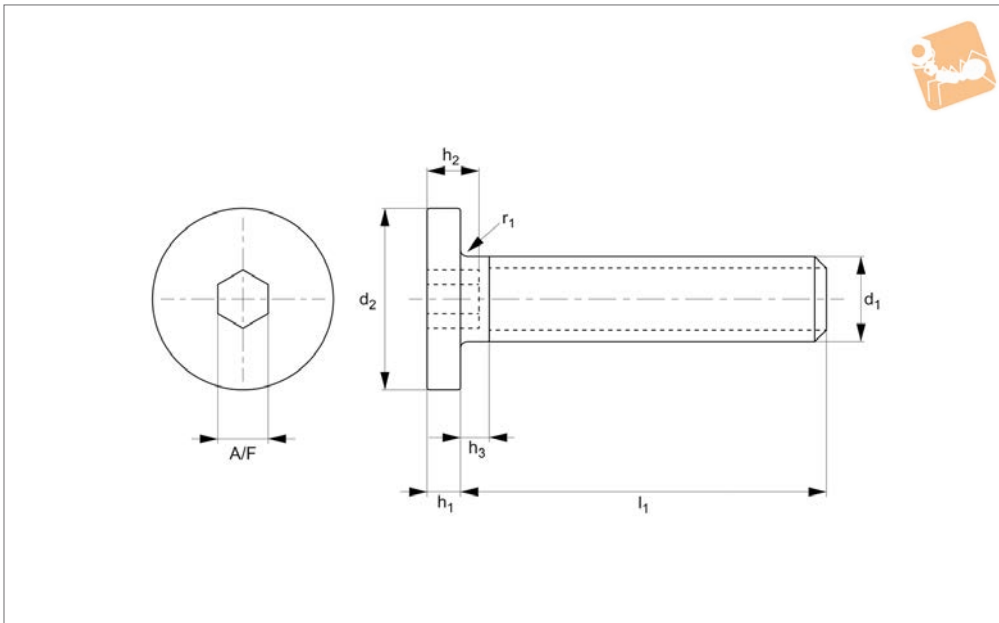
hex. drive - 316 series stainless - blackened

Standard Screws



P0207.B4

STANDARD SCREWS



Material

Stainless steel (AISI 316, 1.4401), blackened. This grade has a higher resistance to corrosion than 303 series stainless and is suitable for outdoor use and

marine environments.
Tensile strength ~500N/mm² minimum.

Technical Notes

Extra low head cap screws reduce the screw

head height space. They require no countersinking unlike flat head screws.

Order No.	d ₁	d ₂	h ₁	h ₂ max.	h ₃ max.	l ₁	r ₁	A/F	Torque to Nm max.
P0207.020-003-B4	M 2	4	1.5	1.2	1.2	3	0.10	1.3	0.16
P0207.020-004-B4	M 2	4	1.5	1.2	1.2	4	0.10	1.3	0.16
P0207.020-005-B4	M 2	4	1.5	1.2	1.2	5	0.10	1.3	0.16
P0207.020-006-B4	M 2	4	1.5	1.2	1.2	6	0.10	1.3	0.16
P0207.020-008-B4	M 2	4	1.5	1.2	1.2	8	0.10	1.3	0.16
P0207.020-010-B4	M 2	4	1.5	1.2	1.2	10	0.10	1.3	0.16
P0207.020-012-B4	M 2	4	1.5	1.2	1.2	12	0.10	1.3	0.16
P0207.025-003-B4	M 2,5	5	1.5	1.5	1.5	3	0.10	1.3	0.35
P0207.025-004-B4	M 2,5	5	1.5	1.5	1.5	4	0.10	1.3	0.35
P0207.025-005-B4	M 2,5	5	1.5	1.5	1.5	5	0.10	1.3	0.35
P0207.025-006-B4	M 2,5	5	1.5	1.5	1.5	6	0.10	1.3	0.35
P0207.025-008-B4	M 2,5	5	1.5	1.5	1.5	8	0.10	1.3	0.35
P0207.025-010-B4	M 2,5	5	1.5	1.5	1.5	10	0.10	1.3	0.35
P0207.025-012-B4	M 2,5	5	1.5	1.5	1.5	12	0.10	1.3	0.35
P0207.030-004-B4	M 3	6	1.5	2.0	1.6	4	0.10	1.5	0.60
P0207.030-005-B4	M 3	6	1.5	2.0	1.6	5	0.10	1.5	0.60
P0207.030-006-B4	M 3	6	1.5	2.0	1.6	6	0.10	1.5	0.60
P0207.030-008-B4	M 3	6	1.5	2.0	1.6	8	0.10	1.5	0.60
P0207.030-010-B4	M 3	6	1.5	2.0	1.6	10	0.10	1.5	0.60
P0207.030-012-B4	M 3	6	1.5	2.0	1.6	12	0.10	1.5	0.60
P0207.030-014-B4	M 3	6	1.5	2.0	1.6	14	0.10	1.5	0.60
P0207.030-016-B4	M 3	6	1.5	2.0	1.6	16	0.10	1.5	0.60
P0207.040-005-B4	M 4	8	1.5	2.5	1.6	5	0.20	2.0	1.10
P0207.040-006-B4	M 4	8	1.5	2.5	1.6	6	0.20	2.0	1.10
P0207.040-008-B4	M 4	8	1.5	2.5	1.6	8	0.20	2.0	1.10
P0207.040-010-B4	M 4	8	1.5	2.5	1.6	10	0.20	2.0	1.10
P0207.040-012-B4	M 4	8	1.5	2.5	1.6	12	0.20	2.0	1.10
P0207.040-014-B4	M 4	8	1.5	2.5	1.6	14	0.20	2.0	1.10
P0207.040-016-B4	M 4	8	1.5	2.5	1.6	16	0.20	2.0	1.10
P0207.040-018-B4	M 4	8	1.5	2.5	1.6	18	0.20	2.0	1.10
P0207.040-020-B4	M 4	8	1.5	2.5	1.6	20	0.20	2.0	1.10
P0207.050-006-B4	M 5	9	1.5	3.0	2.0	6	0.20	3.0	2.20



STANDARD SCREWS

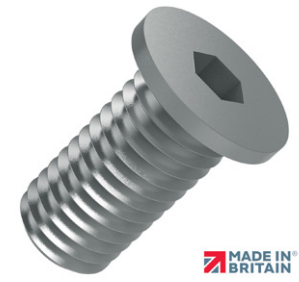
Order No.	d ₁	d ₂	h ₁	h ₂ max.	h ₃ max.	l ₁	r ₁	A/F	Torque to Nm max.
P0207.050-008-B4	M 5	9	1.5	3.0	2.0	8	0.20	3.0	2.20
P0207.050-010-B4	M 5	9	1.5	3.0	2.0	10	0.20	3.0	2.20
P0207.050-012-B4	M 5	9	1.5	3.0	2.0	12	0.20	3.0	2.20
P0207.050-014-B4	M 5	9	1.5	3.0	2.0	14	0.20	3.0	2.20
P0207.050-016-B4	M 5	9	1.5	3.0	2.0	16	0.20	3.0	2.20
P0207.050-018-B4	M 5	9	1.5	3.0	2.0	18	0.20	3.0	2.20
P0207.050-020-B4	M 5	9	1.5	3.0	2.0	20	0.20	3.0	2.20
P0207.050-025-B4	M 5	9	1.5	3.0	2.0	25	0.20	3.0	2.20
P0207.060-006-B4	M 6	10	1.5	4.0	2.5	6	0.25	3.0	5.0
P0207.060-008-B4	M 6	10	1.5	4.0	2.5	8	0.25	3.0	5.0
P0207.060-010-B4	M 6	10	1.5	4.0	2.5	10	0.25	3.0	5.0
P0207.060-012-B4	M 6	10	1.5	4.0	2.5	12	0.25	3.0	5.0
P0207.060-014-B4	M 6	10	1.5	4.0	2.5	14	0.25	3.0	5.0
P0207.060-016-B4	M 6	10	1.5	4.0	2.5	16	0.25	3.0	5.0
P0207.060-018-B4	M 6	10	1.5	4.0	2.5	18	0.25	3.0	5.0
P0207.060-020-B4	M 6	10	1.5	4.0	2.5	20	0.25	3.0	5.0
P0207.060-025-B4	M 6	10	1.5	4.0	2.5	25	0.25	3.0	5.0
P0207.060-030-B4	M 6	10	1.5	4.0	2.5	30	0.25	3.0	5.0
P0207.080-006-B4	M 8	13	1.5	5.0	3.0	6	0.40	4.0	10.1
P0207.080-008-B4	M 8	13	1.5	5.0	3.0	8	0.40	4.0	10.1
P0207.080-010-B4	M 8	13	1.5	5.0	3.0	10	0.40	4.0	10.1
P0207.080-012-B4	M 8	13	1.5	5.0	3.0	12	0.40	4.0	10.1
P0207.080-014-B4	M 8	13	1.5	5.0	3.0	14	0.40	4.0	10.1
P0207.080-016-B4	M 8	13	1.5	5.0	3.0	16	0.40	4.0	10.1
P0207.080-018-B4	M 8	13	1.5	5.0	3.0	18	0.40	4.0	10.1
P0207.080-020-B4	M 8	13	1.5	5.0	3.0	20	0.40	4.0	10.1
P0207.080-025-B4	M 8	13	1.5	5.0	3.0	25	0.40	4.0	10.1
P0207.080-030-B4	M 8	13	1.5	5.0	3.0	30	0.40	4.0	10.1
P0207.100-010-B4	M10	16	1.5	6.0	3.5	10	0.40	5.0	17.5
P0207.100-012-B4	M10	16	1.5	6.0	3.5	12	0.40	5.0	17.5
P0207.100-014-B4	M10	16	1.5	6.0	3.5	14	0.40	5.0	17.5
P0207.100-016-B4	M10	16	1.5	6.0	3.5	16	0.40	5.0	17.5
P0207.100-018-B4	M10	16	1.5	6.0	3.5	18	0.40	5.0	17.5
P0207.100-020-B4	M10	16	1.5	6.0	3.5	20	0.40	5.0	17.5
P0207.100-025-B4	M10	16	1.5	6.0	3.5	25	0.40	5.0	17.5
P0207.100-030-B4	M10	16	1.5	6.0	3.5	30	0.40	5.0	17.5



Extra Low Head Cap Screws

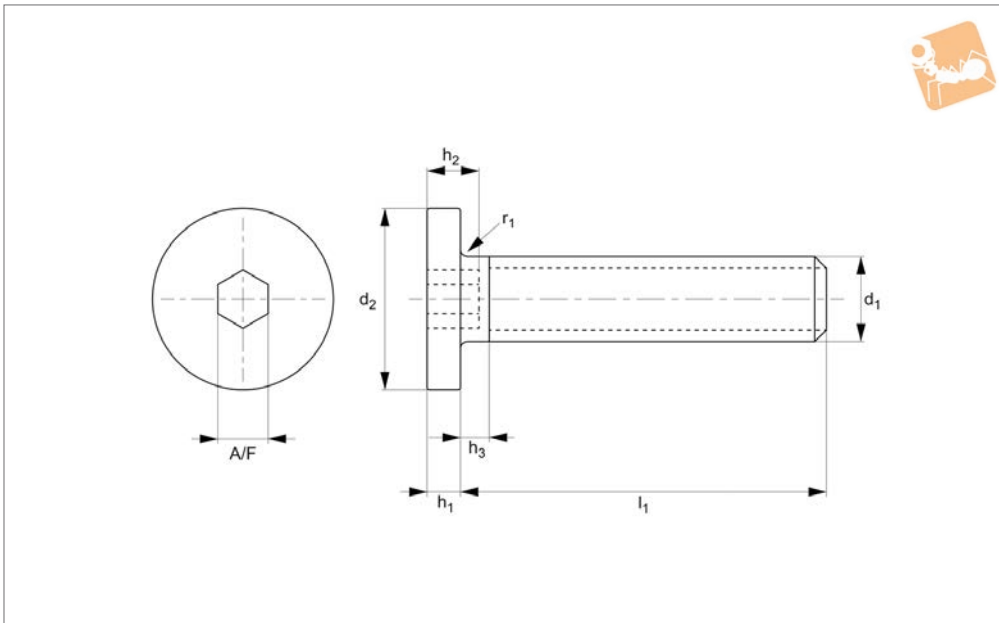
hex. drive - titanium

Standard Screws



P0207.Ti

STANDARD SCREWS



Material

Titanium (ASTM B348 grades 2 and 5). Titanium has outstanding corrosion resistance and a very high strength-to-weight ratio.

Grade 2 titanium is pure titanium and grade 5 titanium is the alloy Ti6Al4V.

Technical Notes

Extra low head cap screws reduce the screw head height space. They require no countersinking unlike flat head screws.

Order No.	d ₁	d ₂	h ₁	h ₂ max.	h ₃ max.	l ₁	r ₁	A/F	Torque to Nm max.	Material grade
P0207.020-003-T2	M 2	4	1.5	1.2	1.2	3	0.10	1.3	0.16	titanium grade 2
P0207.020-004-T2	M 2	4	1.5	1.2	1.2	4	0.10	1.3	0.16	titanium grade 2
P0207.020-005-T2	M 2	4	1.5	1.2	1.2	5	0.10	1.3	0.16	titanium grade 2
P0207.020-006-T2	M 2	4	1.5	1.2	1.2	6	0.10	1.3	0.16	titanium grade 2
P0207.020-008-T2	M 2	4	1.5	1.2	1.2	8	0.10	1.3	0.16	titanium grade 2
P0207.020-010-T2	M 2	4	1.5	1.2	1.2	10	0.10	1.3	0.16	titanium grade 2
P0207.020-012-T2	M 2	4	1.5	1.2	1.2	12	0.10	1.3	0.16	titanium grade 2
P0207.025-003-T2	M 2,5	5	1.5	1.5	1.5	3	0.10	1.3	0.35	titanium grade 2
P0207.025-004-T2	M 2,5	5	1.5	1.5	1.5	4	0.10	1.3	0.35	titanium grade 2
P0207.025-005-T2	M 2,5	5	1.5	1.5	1.5	5	0.10	1.3	0.35	titanium grade 2
P0207.025-006-T2	M 2,5	5	1.5	1.5	1.5	6	0.10	1.3	0.35	titanium grade 2
P0207.025-008-T2	M 2,5	5	1.5	1.5	1.5	8	0.10	1.3	0.35	titanium grade 2
P0207.025-010-T2	M 2,5	5	1.5	1.5	1.5	10	0.10	1.3	0.35	titanium grade 2
P0207.025-012-T2	M 2,5	5	1.5	1.5	1.5	12	0.10	1.3	0.35	titanium grade 2
P0207.030-004-T2	M 3	6	1.5	2.0	1.6	4	0.10	1.5	0.6	titanium grade 2
P0207.030-005-T2	M 3	6	1.5	2.0	1.6	5	0.10	1.5	0.6	titanium grade 2
P0207.030-006-T2	M 3	6	1.5	2.0	1.6	6	0.10	1.5	0.6	titanium grade 2
P0207.030-008-T2	M 3	6	1.5	2.0	1.6	8	0.10	1.5	0.6	titanium grade 2
P0207.030-010-T2	M 3	6	1.5	2.0	1.6	10	0.10	1.5	0.6	titanium grade 2
P0207.030-012-T2	M 3	6	1.5	2.0	1.6	12	0.10	1.5	0.6	titanium grade 2
P0207.030-014-T2	M 3	6	1.5	2.0	1.6	14	0.10	1.5	0.6	titanium grade 2
P0207.030-016-T2	M 3	6	1.5	2.0	1.6	16	0.10	1.5	0.6	titanium grade 2
P0207.040-005-T2	M 4	8	1.5	2.5	1.6	5	0.20	2.0	1.1	titanium grade 2
P0207.040-006-T2	M 4	8	1.5	2.5	1.6	6	0.20	2.0	1.1	titanium grade 2
P0207.040-008-T2	M 4	8	1.5	2.5	1.6	8	0.20	2.0	1.1	titanium grade 2
P0207.040-010-T2	M 4	8	1.5	2.5	1.6	10	0.20	2.0	1.1	titanium grade 2
P0207.040-012-T2	M 4	8	1.5	2.5	1.6	12	0.20	2.0	1.1	titanium grade 2
P0207.040-014-T2	M 4	8	1.5	2.5	1.6	14	0.20	2.0	1.1	titanium grade 2
P0207.040-016-T2	M 4	8	1.5	2.5	1.6	16	0.20	2.0	1.1	titanium grade 2
P0207.040-018-T2	M 4	8	1.5	2.5	1.6	18	0.20	2.0	1.1	titanium grade 2
P0207.040-020-T2	M 4	8	1.5	2.5	1.6	20	0.20	2.0	1.1	titanium grade 2
P0207.050-006-T2	M 5	9	1.5	3.0	2.0	6	0.20	3.0	2.2	titanium grade 2
P0207.050-008-T2	M 5	9	1.5	3.0	2.0	8	0.20	3.0	2.2	titanium grade 2



STANDARD SCREWS

Order No.	d ₁	d ₂	h ₁	h ₂ max.	h ₃ max.	l ₁	r ₁	A/F	Torque to Nm max.	Material grade
P0207.050-010-T2	M 5	9	1.5	3.0	2.0	10	0.20	3.0	2.2	titanium grade 2
P0207.050-012-T2	M 5	9	1.5	3.0	2.0	12	0.20	3.0	2.2	titanium grade 2
P0207.050-014-T2	M 5	9	1.5	3.0	2.0	14	0.20	3.0	2.2	titanium grade 2
P0207.050-016-T2	M 5	9	1.5	3.0	2.0	16	0.20	3.0	2.2	titanium grade 2
P0207.050-018-T2	M 5	9	1.5	3.0	2.0	18	0.20	3.0	2.2	titanium grade 2
P0207.050-020-T2	M 5	9	1.5	3.0	2.0	20	0.20	3.0	2.2	titanium grade 2
P0207.050-025-T2	M 5	9	1.5	3.0	2.0	25	0.20	3.0	2.2	titanium grade 2
P0207.060-006-T2	M 6	10	1.5	4.0	2.5	6	0.25	3.0	5.0	titanium grade 2
P0207.060-008-T2	M 6	10	1.5	4.0	2.5	8	0.25	3.0	5.0	titanium grade 2
P0207.060-010-T2	M 6	10	1.5	4.0	2.5	10	0.25	3.0	5.0	titanium grade 2
P0207.060-012-T2	M 6	10	1.5	4.0	2.5	12	0.25	3.0	5.0	titanium grade 2
P0207.060-014-T2	M 6	10	1.5	4.0	2.5	14	0.25	3.0	5.0	titanium grade 2
P0207.060-016-T2	M 6	10	1.5	4.0	2.5	16	0.25	3.0	5.0	titanium grade 2
P0207.060-018-T2	M 6	10	1.5	4.0	2.5	18	0.25	3.0	5.0	titanium grade 2
P0207.060-020-T2	M 6	10	1.5	4.0	2.5	20	0.25	3.0	5.0	titanium grade 2
P0207.060-025-T2	M 6	10	1.5	4.0	2.5	25	0.25	3.0	5.0	titanium grade 2
P0207.060-030-T2	M 6	10	1.5	4.0	2.5	30	0.25	3.0	5.0	titanium grade 2
P0207.080-006-T2	M 8	13	1.5	5.0	3.0	6	0.40	4.0	10.1	titanium grade 2
P0207.080-008-T2	M 8	13	1.5	5.0	3.0	8	0.40	4.0	10.1	titanium grade 2
P0207.080-010-T2	M 8	13	1.5	5.0	3.0	10	0.40	4.0	10.1	titanium grade 2
P0207.080-012-T2	M 8	13	1.5	5.0	3.0	12	0.40	4.0	10.1	titanium grade 2
P0207.080-014-T2	M 8	13	1.5	5.0	3.0	14	0.40	4.0	10.1	titanium grade 2
P0207.080-016-T2	M 8	13	1.5	5.0	3.0	16	0.40	4.0	10.1	titanium grade 2
P0207.080-018-T2	M 8	13	1.5	5.0	3.0	18	0.40	4.0	10.1	titanium grade 2
P0207.080-020-T2	M 8	13	1.5	5.0	3.0	20	0.40	4.0	10.1	titanium grade 2
P0207.080-025-T2	M 8	13	1.5	5.0	3.0	25	0.40	4.0	10.1	titanium grade 2
P0207.080-030-T2	M 8	13	1.5	5.0	3.0	30	0.40	4.0	10.1	titanium grade 2
P0207.100-010-T2	M10	16	1.5	6.0	3.5	10	0.40	5.0	17.5	titanium grade 2
P0207.100-012-T2	M10	16	1.5	6.0	3.5	12	0.40	5.0	17.5	titanium grade 2
P0207.100-014-T2	M10	16	1.5	6.0	3.5	14	0.40	5.0	17.5	titanium grade 2
P0207.100-016-T2	M10	16	1.5	6.0	3.5	16	0.40	5.0	17.5	titanium grade 2
P0207.100-018-T2	M10	16	1.5	6.0	3.5	18	0.40	5.0	17.5	titanium grade 2
P0207.100-020-T2	M10	16	1.5	6.0	3.5	20	0.40	5.0	17.5	titanium grade 2
P0207.100-025-T2	M10	16	1.5	6.0	3.5	25	0.40	5.0	17.5	titanium grade 2
P0207.100-030-T2	M10	16	1.5	6.0	3.5	30	0.40	5.0	17.5	titanium grade 2
P0207.020-003-T5	M 2	4	1.5	1.2	1.2	3	0.10	1.3	0.16	titanium grade 5
P0207.020-004-T5	M 2	4	1.5	1.2	1.2	4	0.10	1.3	0.16	titanium grade 5
P0207.020-005-T5	M 2	4	1.5	1.2	1.2	5	0.10	1.3	0.16	titanium grade 5
P0207.020-006-T5	M 2	4	1.5	1.2	1.2	6	0.10	1.3	0.16	titanium grade 5
P0207.020-008-T5	M 2	4	1.5	1.2	1.2	8	0.10	1.3	0.16	titanium grade 5
P0207.020-010-T5	M 2	4	1.5	1.2	1.2	10	0.10	1.3	0.16	titanium grade 5
P0207.020-012-T5	M 2	4	1.5	1.2	1.2	12	0.10	1.3	0.16	titanium grade 5
P0207.025-003-T5	M 2,5	5	1.5	1.5	1.5	3	0.10	1.3	0.35	titanium grade 5
P0207.025-004-T5	M 2,5	5	1.5	1.5	1.5	4	0.10	1.3	0.35	titanium grade 5
P0207.025-005-T5	M 2,5	5	1.5	1.5	1.5	5	0.10	1.3	0.35	titanium grade 5
P0207.025-006-T5	M 2,5	5	1.5	1.5	1.5	6	0.10	1.3	0.35	titanium grade 5
P0207.025-008-T5	M 2,5	5	1.5	1.5	1.5	8	0.10	1.3	0.35	titanium grade 5
P0207.025-010-T5	M 2,5	5	1.5	1.5	1.5	10	0.10	1.3	0.35	titanium grade 5
P0207.025-012-T5	M 2,5	5	1.5	1.5	1.5	12	0.10	1.3	0.35	titanium grade 5
P0207.030-004-T5	M 3	6	1.5	2.0	1.6	4	0.10	1.5	0.6	titanium grade 5
P0207.030-005-T5	M 3	6	1.5	2.0	1.6	5	0.10	1.5	0.6	titanium grade 5
P0207.030-006-T5	M 3	6	1.5	2.0	1.6	6	0.10	1.5	0.6	titanium grade 5
P0207.030-008-T5	M 3	6	1.5	2.0	1.6	8	0.10	1.5	0.6	titanium grade 5
P0207.030-010-T5	M 3	6	1.5	2.0	1.6	10	0.10	1.5	0.6	titanium grade 5
P0207.030-012-T5	M 3	6	1.5	2.0	1.6	12	0.10	1.5	0.6	titanium grade 5
P0207.030-014-T5	M 3	6	1.5	2.0	1.6	14	0.10	1.5	0.6	titanium grade 5
P0207.030-016-T5	M 3	6	1.5	2.0	1.6	16	0.10	1.5	0.6	titanium grade 5
P0207.040-005-T5	M 4	8	1.5	2.5	1.6	5	0.20	2.0	1.1	titanium grade 5
P0207.040-006-T5	M 4	8	1.5	2.5	1.6	6	0.20	2.0	1.1	titanium grade 5
P0207.040-008-T5	M 4	8	1.5	2.5	1.6	8	0.20	2.0	1.1	titanium grade 5
P0207.040-010-T5	M 4	8	1.5	2.5	1.6	10	0.20	2.0	1.1	titanium grade 5
P0207.040-012-T5	M 4	8	1.5	2.5	1.6	12	0.20	2.0	1.1	titanium grade 5
P0207.040-014-T5	M 4	8	1.5	2.5	1.6	14	0.20	2.0	1.1	titanium grade 5
P0207.040-016-T5	M 4	8	1.5	2.5	1.6	16	0.20	2.0	1.1	titanium grade 5
P0207.040-018-T5	M 4	8	1.5	2.5	1.6	18	0.20	2.0	1.1	titanium grade 5
P0207.040-020-T5	M 4	8	1.5	2.5	1.6	20	0.20	2.0	1.1	titanium grade 5
P0207.050-006-T5	M 5	9	1.5	3.0	2.0	6	0.20	3.0	2.2	titanium grade 5



Extra Low Head Cap Screws

hex. drive - titanium

Standard Screws



Order No.	d ₁	d ₂	h ₁	h ₂ max.	h ₃ max.	l ₁	r ₁	A/F	Torque to Nm max.	Material grade
P0207.050-008-T5	M 5	9	1.5	3.0	2.0	8	0.20	3.0	2.2	titanium grade 5
P0207.050-010-T5	M 5	9	1.5	3.0	2.0	10	0.20	3.0	2.2	titanium grade 5
P0207.050-012-T5	M 5	9	1.5	3.0	2.0	12	0.20	3.0	2.2	titanium grade 5
P0207.050-014-T5	M 5	9	1.5	3.0	2.0	14	0.20	3.0	2.2	titanium grade 5
P0207.050-016-T5	M 5	9	1.5	3.0	2.0	16	0.20	3.0	2.2	titanium grade 5
P0207.050-018-T5	M 5	9	1.5	3.0	2.0	18	0.20	3.0	2.2	titanium grade 5
P0207.050-020-T5	M 5	9	1.5	3.0	2.0	20	0.20	3.0	2.2	titanium grade 5
P0207.050-025-T5	M 5	9	1.5	3.0	2.0	25	0.20	3.0	2.2	titanium grade 5
P0207.060-006-T5	M 6	10	1.5	4.0	2.5	6	0.25	3.0	5.0	titanium grade 5
P0207.060-008-T5	M 6	10	1.5	4.0	2.5	8	0.25	3.0	5.0	titanium grade 5
P0207.060-010-T5	M 6	10	1.5	4.0	2.5	10	0.25	3.0	5.0	titanium grade 5
P0207.060-012-T5	M 6	10	1.5	4.0	2.5	12	0.25	3.0	5.0	titanium grade 5
P0207.060-014-T5	M 6	10	1.5	4.0	2.5	14	0.25	3.0	5.0	titanium grade 5
P0207.060-016-T5	M 6	10	1.5	4.0	2.5	16	0.25	3.0	5.0	titanium grade 5
P0207.060-018-T5	M 6	10	1.5	4.0	2.5	18	0.25	3.0	5.0	titanium grade 5
P0207.060-020-T5	M 6	10	1.5	4.0	2.5	20	0.25	3.0	5.0	titanium grade 5
P0207.060-025-T5	M 6	10	1.5	4.0	2.5	25	0.25	3.0	5.0	titanium grade 5
P0207.060-030-T5	M 6	10	1.5	4.0	2.5	30	0.25	3.0	5.0	titanium grade 5
P0207.080-006-T5	M 8	13	1.5	5.0	3.0	6	0.40	4.0	10.1	titanium grade 5
P0207.080-008-T5	M 8	13	1.5	5.0	3.0	8	0.40	4.0	10.1	titanium grade 5
P0207.080-010-T5	M 8	13	1.5	5.0	3.0	10	0.40	4.0	10.1	titanium grade 5
P0207.080-012-T5	M 8	13	1.5	5.0	3.0	12	0.40	4.0	10.1	titanium grade 5
P0207.080-014-T5	M 8	13	1.5	5.0	3.0	14	0.40	4.0	10.1	titanium grade 5
P0207.080-016-T5	M 8	13	1.5	5.0	3.0	16	0.40	4.0	10.1	titanium grade 5
P0207.080-018-T5	M 8	13	1.5	5.0	3.0	18	0.40	4.0	10.1	titanium grade 5
P0207.080-020-T5	M 8	13	1.5	5.0	3.0	20	0.40	4.0	10.1	titanium grade 5
P0207.080-025-T5	M 8	13	1.5	5.0	3.0	25	0.40	4.0	10.1	titanium grade 5
P0207.080-030-T5	M 8	13	1.5	5.0	3.0	30	0.40	4.0	10.1	titanium grade 5
P0207.100-010-T5	M10	16	1.5	6.0	3.5	10	0.40	5.0	17.5	titanium grade 5
P0207.100-012-T5	M10	16	1.5	6.0	3.5	12	0.40	5.0	17.5	titanium grade 5
P0207.100-014-T5	M10	16	1.5	6.0	3.5	14	0.40	5.0	17.5	titanium grade 5
P0207.100-016-T5	M10	16	1.5	6.0	3.5	16	0.40	5.0	17.5	titanium grade 5
P0207.100-018-T5	M10	16	1.5	6.0	3.5	18	0.40	5.0	17.5	titanium grade 5
P0207.100-020-T5	M10	16	1.5	6.0	3.5	20	0.40	5.0	17.5	titanium grade 5
P0207.100-025-T5	M10	16	1.5	6.0	3.5	25	0.40	5.0	17.5	titanium grade 5
P0207.100-030-T5	M10	16	1.5	6.0	3.5	30	0.40	5.0	17.5	titanium grade 5

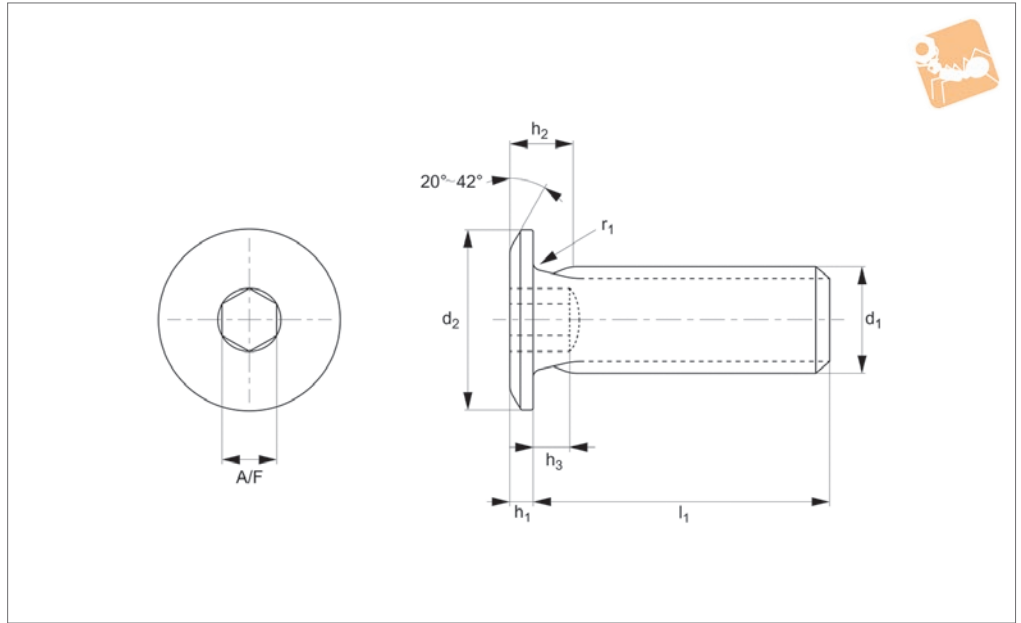
STANDARD SCREWS



STANDARD SCREWS



P0208.A2



Material

Stainless steel (AISI 303, 1.4305).
Tensile strength ~350N/mm²
(except for M2 ~200N/mm²).

Technical Notes

The ultra low head is extremely low profile.
These screws do not require a countersunk
location hole. Most suitable for machine

and equipment applications with minimal
clearance.

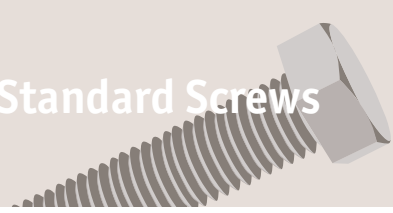
Order No.	d ₁	d ₂	h ₁	h ₂ max.	h ₃ max.	l ₁	r ₁ min.	A/F	Torque to Nm max.
P0208.020-003-A2	M 2	4	0.5	1.2	1.2	3	0.10	1.3	0.16
P0208.020-004-A2	M 2	4	0.5	1.2	1.2	4	0.10	1.3	0.16
P0208.020-005-A2	M 2	4	0.5	1.2	1.2	5	0.10	1.3	0.16
P0208.020-006-A2	M 2	4	0.5	1.2	1.2	6	0.10	1.3	0.16
P0208.020-008-A2	M 2	4	0.5	1.2	1.2	8	0.10	1.3	0.16
P0208.020-010-A2	M 2	4	0.5	1.2	1.2	10	0.10	1.3	0.16
P0208.025-003-A2	M 2,5	5	0.6	1.5	1.2	3	0.10	1.3	0.35
P0208.025-004-A2	M 2,5	5	0.6	1.5	1.2	4	0.10	1.3	0.35
P0208.025-005-A2	M 2,5	5	0.6	1.5	1.2	5	0.10	1.3	0.35
P0208.025-006-A2	M 2,5	5	0.6	1.5	1.2	6	0.10	1.3	0.35
P0208.030-005-A2	M 3	6	0.8	2.0	1.4	5	0.10	1.5	0.60
P0208.030-006-A2	M 3	6	0.8	2.0	1.4	6	0.10	1.5	0.60
P0208.030-008-A2	M 3	6	0.8	2.0	1.4	8	0.10	1.5	0.60
P0208.030-010-A2	M 3	6	0.8	2.0	1.4	10	0.10	1.5	0.60
P0208.030-012-A2	M 3	6	0.8	2.0	1.4	12	0.10	1.5	0.60
P0208.030-016-A2	M 3	6	0.8	2.0	1.4	16	0.10	1.5	0.60
P0208.040-005-A2	M 4	8	0.9	2.5	1.5	5	0.20	2.0	1.10
P0208.040-006-A2	M 4	8	0.9	2.5	1.5	6	0.20	2.0	1.10
P0208.040-008-A2	M 4	8	0.9	2.5	1.5	8	0.20	2.0	1.10
P0208.040-010-A2	M 4	8	0.9	2.5	1.5	10	0.20	2.0	1.10
P0208.040-012-A2	M 4	8	0.9	2.5	1.5	12	0.20	2.0	1.10
P0208.040-016-A2	M 4	8	0.9	2.5	1.5	16	0.20	2.0	1.10
P0208.040-020-A2	M 4	8	0.9	2.5	1.5	20	0.20	2.0	1.10
P0208.040-025-A2	M 4	8	0.9	2.5	1.5	25	0.20	2.0	1.10
P0208.050-006-A2	M 5	9	1.0	3.0	1.8	6	0.20	2.5	2.20
P0208.050-008-A2	M 5	9	1.0	3.0	1.8	8	0.20	2.5	2.20
P0208.050-010-A2	M 5	9	1.0	3.0	1.8	10	0.20	2.5	2.20
P0208.050-012-A2	M 5	9	1.0	3.0	1.8	12	0.20	2.5	2.20
P0208.050-016-A2	M 5	9	1.0	3.0	1.8	16	0.20	2.5	2.20
P0208.050-020-A2	M 5	9	1.0	3.0	1.8	20	0.20	2.5	2.20
P0208.050-025-A2	M 5	9	1.0	3.0	1.8	25	0.20	2.5	2.20
P0208.060-008-A2	M 6	10	1.2	4.0	2.2	8	0.25	3.0	5.00
P0208.060-010-A2	M 6	10	1.2	4.0	2.2	10	0.25	3.0	5.00



Ultra Low Head Cap Screws

hex. drive - 303 series stainless

Standard Screws



Order No.	d ₁	d ₂	h ₁	h ₂ max.	h ₃ max.	l ₁	r ₁ min.	A/F	Torque to Nm max.
P0208.060-012-A2	M 6	10	1.2	4.0	2.2	12	0.25	3.0	5.00
P0208.060-016-A2	M 6	10	1.2	4.0	2.2	16	0.25	3.0	5.00
P0208.060-020-A2	M 6	10	1.2	4.0	2.2	20	0.25	3.0	5.00
P0208.060-025-A2	M 6	10	1.2	4.0	2.2	25	0.25	3.0	5.00

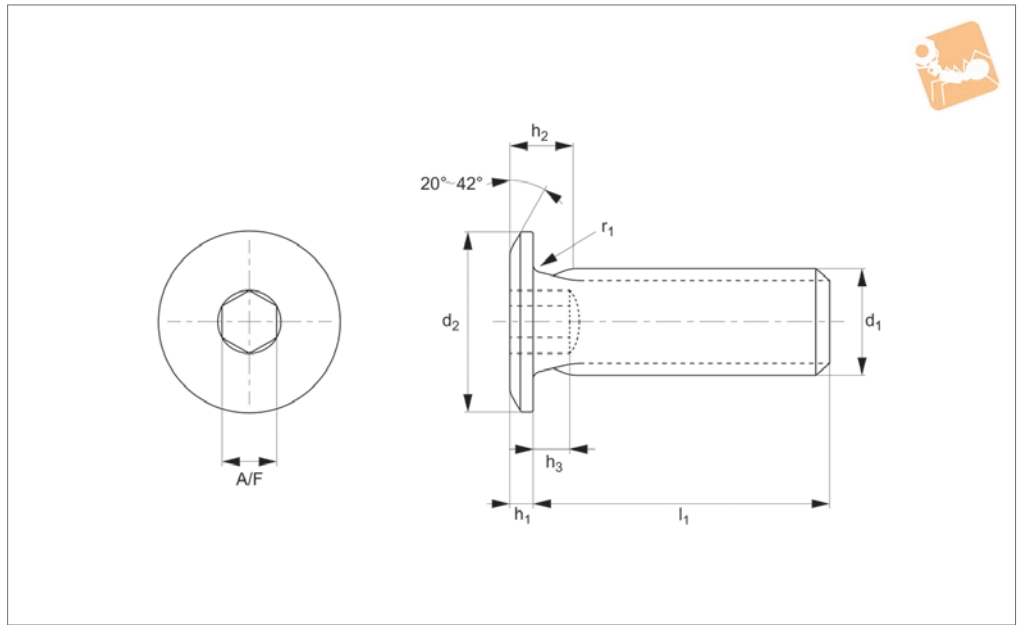
STANDARD SCREWS



STANDARD SCREWS



P0208.A4



Material

Stainless steel (AISI 316, 1.4401). This grade has a higher resistance to corrosion than 303 series stainless and is suitable for outdoor use and marine environments.

Tensile strength ~500N/mm² minimum.

Technical Notes

The ultra low head is extremely low profile. These screws do not require a countersunk

location hole. Most suitable for machine and equipment applications with minimal clearance.

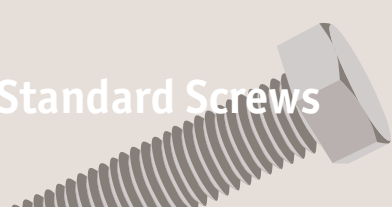
Order No.	d ₁	d ₂	h ₁	h ₂ max.	h ₃ max.	l ₁	r ₁ min.	A/F	Torque to Nm max.
P0208.020-003-A4	M 2	4	0.5	1.2	1.2	3	0.10	1.3	0.16
P0208.020-004-A4	M 2	4	0.5	1.2	1.2	4	0.10	1.3	0.16
P0208.020-005-A4	M 2	4	0.5	1.2	1.2	5	0.10	1.3	0.16
P0208.020-006-A4	M 2	4	0.5	1.2	1.2	6	0.10	1.3	0.16
P0208.020-008-A4	M 2	4	0.5	1.2	1.2	8	0.10	1.3	0.16
P0208.020-010-A4	M 2	4	0.5	1.2	1.2	10	0.10	1.3	0.16
P0208.025-003-A4	M 2,5	5	0.6	1.5	1.2	3	0.10	1.3	0.35
P0208.025-004-A4	M 2,5	5	0.6	1.5	1.2	4	0.10	1.3	0.35
P0208.025-005-A4	M 2,5	5	0.6	1.5	1.2	5	0.10	1.3	0.35
P0208.025-006-A4	M 2,5	5	0.6	1.5	1.2	6	0.10	1.3	0.35
P0208.030-005-A4	M 3	6	0.8	2.0	1.4	5	0.10	1.5	0.60
P0208.030-006-A4	M 3	6	0.8	2.0	1.4	6	0.10	1.5	0.60
P0208.030-008-A4	M 3	6	0.8	2.0	1.4	8	0.10	1.5	0.60
P0208.030-010-A4	M 3	6	0.8	2.0	1.4	10	0.10	1.5	0.60
P0208.030-012-A4	M 3	6	0.8	2.0	1.4	12	0.10	1.5	0.60
P0208.030-016-A4	M 3	6	0.8	2.0	1.4	16	0.10	1.5	0.60
P0208.040-005-A4	M 4	8	0.9	2.5	1.5	5	0.20	2.0	1.10
P0208.040-006-A4	M 4	8	0.9	2.5	1.5	6	0.20	2.0	1.10
P0208.040-008-A4	M 4	8	0.9	2.5	1.5	8	0.20	2.0	1.10
P0208.040-010-A4	M 4	8	0.9	2.5	1.5	10	0.20	2.0	1.10
P0208.040-012-A4	M 4	8	0.9	2.5	1.5	12	0.20	2.0	1.10
P0208.040-016-A4	M 4	8	0.9	2.5	1.5	16	0.20	2.0	1.10
P0208.040-020-A4	M 4	8	0.9	2.5	1.5	20	0.20	2.0	1.10
P0208.040-025-A4	M 4	8	0.9	2.5	1.5	25	0.20	2.0	1.10
P0208.050-006-A4	M 5	9	1.0	3.0	1.8	6	0.20	2.5	2.20
P0208.050-008-A4	M 5	9	1.0	3.0	1.8	8	0.20	2.5	2.20
P0208.050-010-A4	M 5	9	1.0	3.0	1.8	10	0.20	2.5	2.20
P0208.050-012-A4	M 5	9	1.0	3.0	1.8	12	0.20	2.5	2.20
P0208.050-016-A4	M 5	9	1.0	3.0	1.8	16	0.20	2.5	2.20
P0208.050-020-A4	M 5	9	1.0	3.0	1.8	20	0.20	2.5	2.20
P0208.050-025-A4	M 5	9	1.0	3.0	1.8	25	0.20	2.5	2.20
P0208.060-008-A4	M 6	10	1.2	4.0	2.2	8	0.25	3.0	5.00



Ultra Low Head Cap Screws

hex. drive - 316 series stainless

Standard Screws



Order No.	d ₁	d ₂	h ₁	h ₂ max.	h ₃ max.	l ₁	r ₁ min.	A/F	Torque to Nm max.
P0208.060-010-A4	M 6	10	1.2	4.0	2.2	10	0.25	3.0	5.00
P0208.060-012-A4	M 6	10	1.2	4.0	2.2	12	0.25	3.0	5.00
P0208.060-016-A4	M 6	10	1.2	4.0	2.2	16	0.25	3.0	5.00
P0208.060-020-A4	M 6	10	1.2	4.0	2.2	20	0.25	3.0	5.00
P0208.060-025-A4	M 6	10	1.2	4.0	2.2	25	0.25	3.0	5.00

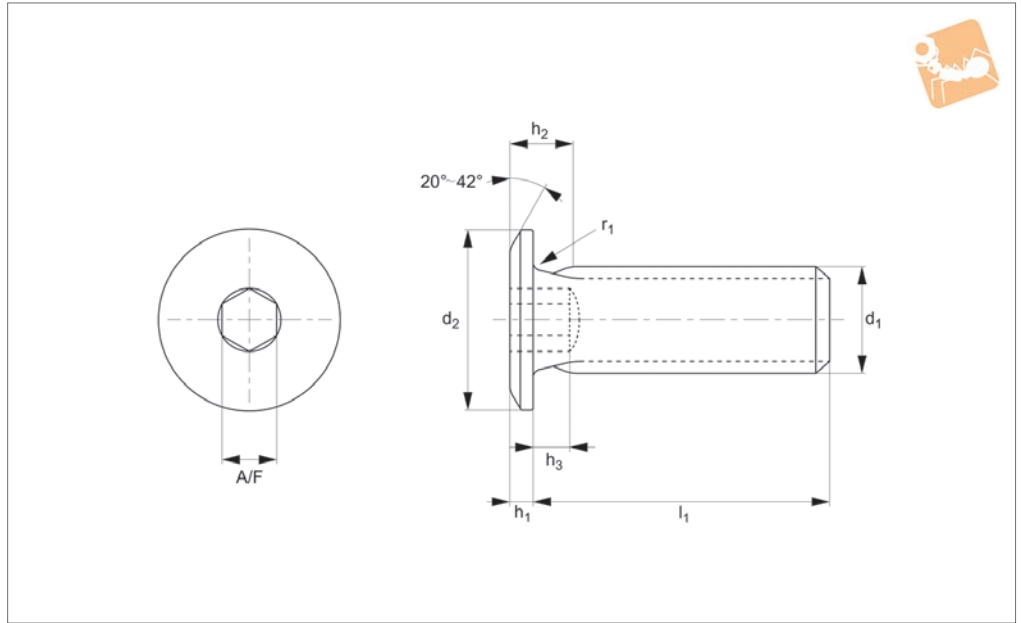
STANDARD SCREWS



STANDARD SCREWS



P0208.B2



Material

Stainless steel (AISI 303, 1.4305), with black oxide coating.
Tensile strength ~350N/mm²

(except for M2 ~200N/mm²).

Technical Notes

The ultra low head is extremely low profile.

These screws do not require a countersunk location hole. Most suitable for machine and equipment applications with minimal clearance.

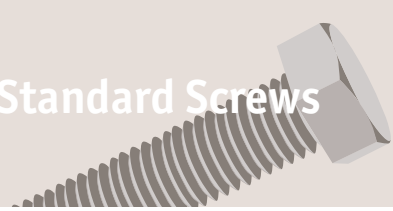
Order No.	d ₁	d ₂	h ₁	h ₂ max.	h ₃ max.	l ₁	r ₁ min.	A/F	Torque to Nm max.
P0208.020-003-B2	M 2	4	0.5	1.2	1.2	3	0.10	1.3	0.16
P0208.020-004-B2	M 2	4	0.5	1.2	1.2	4	0.10	1.3	0.16
P0208.020-005-B2	M 2	4	0.5	1.2	1.2	5	0.10	1.3	0.16
P0208.020-006-B2	M 2	4	0.5	1.2	1.2	6	0.10	1.3	0.16
P0208.020-008-B2	M 2	4	0.5	1.2	1.2	8	0.10	1.3	0.16
P0208.020-010-B2	M 2	4	0.5	1.2	1.2	10	0.10	1.3	0.16
P0208.025-003-B2	M 2,5	5	0.6	1.5	1.2	3	0.10	1.3	0.35
P0208.025-004-B2	M 2,5	5	0.6	1.5	1.2	4	0.10	1.3	0.35
P0208.025-005-B2	M 2,5	5	0.6	1.5	1.2	5	0.10	1.3	0.35
P0208.025-006-B2	M 2,5	5	0.6	1.5	1.2	6	0.10	1.3	0.35
P0208.030-005-B2	M 3	6	0.8	2.0	1.4	5	0.10	1.5	0.60
P0208.030-006-B2	M 3	6	0.8	2.0	1.4	6	0.10	1.5	0.60
P0208.030-008-B2	M 3	6	0.8	2.0	1.4	8	0.10	1.5	0.60
P0208.030-010-B2	M 3	6	0.8	2.0	1.4	10	0.10	1.5	0.60
P0208.030-012-B2	M 3	6	0.8	2.0	1.4	12	0.10	1.5	0.60
P0208.030-016-B2	M 3	6	0.8	2.0	1.4	16	0.10	1.5	0.60
P0208.040-005-B2	M 4	8	0.9	2.5	1.5	5	0.20	2.0	1.10
P0208.040-006-B2	M 4	8	0.9	2.5	1.5	6	0.20	2.0	1.10
P0208.040-008-B2	M 4	8	0.9	2.5	1.5	8	0.20	2.0	1.10
P0208.040-010-B2	M 4	8	0.9	2.5	1.5	10	0.20	2.0	1.10
P0208.040-012-B2	M 4	8	0.9	2.5	1.5	12	0.20	2.0	1.10
P0208.040-016-B2	M 4	8	0.9	2.5	1.5	16	0.20	2.0	1.10
P0208.040-020-B2	M 4	8	0.9	2.5	1.5	20	0.20	2.0	1.10
P0208.040-025-B2	M 4	8	0.9	2.5	1.5	25	0.20	2.0	1.10
P0208.050-006-B2	M 5	9	1.0	3.0	1.8	6	0.20	2.5	2.20
P0208.050-008-B2	M 5	9	1.0	3.0	1.8	8	0.20	2.5	2.20
P0208.050-010-B2	M 5	9	1.0	3.0	1.8	10	0.20	2.5	2.20
P0208.050-012-B2	M 5	9	1.0	3.0	1.8	12	0.20	2.5	2.20
P0208.050-016-B2	M 5	9	1.0	3.0	1.8	16	0.20	2.5	2.20
P0208.050-020-B2	M 5	9	1.0	3.0	1.8	20	0.20	2.5	2.20
P0208.050-025-B2	M 5	9	1.0	3.0	1.8	25	0.20	2.5	2.20
P0208.060-008-B2	M 6	10	1.2	4.0	2.2	8	0.25	3.0	5.00
P0208.060-010-B2	M 6	10	1.2	4.0	2.2	10	0.25	3.0	5.00



Ultra Low Head Cap Screws

hex. drive - 303 stainless - blackened

Standard Screws



Order No.	d ₁	d ₂	h ₁	h ₂ max.	h ₃ max.	l ₁	r ₁ min.	A/F	Torque to Nm max.
P0208.060-012-B2	M 6	10	1.2	4.0	2.2	12	0.25	3.0	5.00
P0208.060-016-B2	M 6	10	1.2	4.0	2.2	16	0.25	3.0	5.00
P0208.060-020-B2	M 6	10	1.2	4.0	2.2	20	0.25	3.0	5.00
P0208.060-025-B2	M 6	10	1.2	4.0	2.2	25	0.25	3.0	5.00

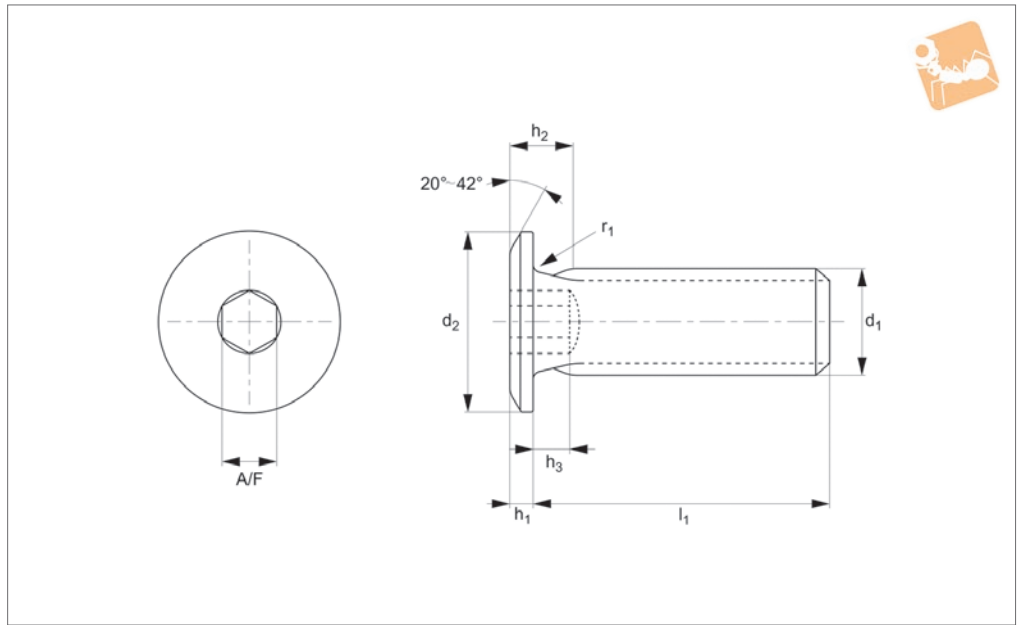
STANDARD SCREWS



STANDARD SCREWS



P0208.B4



Material

Stainless steel (AISI 316, 1.4401), with black oxide coating. This grade has a higher resistance to corrosion than 303 series stainless and is suitable for outdoor

use and marine environments. Tensile strength ~500N/mm² minimum.

Technical Notes

The ultra low head is extremely low profile.

These screws do not require a countersunk location hole. Most suitable for machine and equipment applications with minimal clearance.

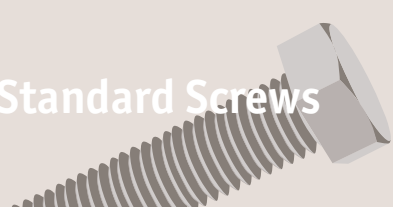
Order No.	d ₁	d ₂	h ₁	h ₂ max.	h ₃ max.	l ₁	r ₁ min.	A/F	Torque to Nm max.
P0208.020-003-B4	M 2	4	0.5	1.2	1.2	3	0.10	1.3	0.16
P0208.020-004-B4	M 2	4	0.5	1.2	1.2	4	0.10	1.3	0.16
P0208.020-005-B4	M 2	4	0.5	1.2	1.2	5	0.10	1.3	0.16
P0208.020-006-B4	M 2	4	0.5	1.2	1.2	6	0.10	1.3	0.16
P0208.020-008-B4	M 2	4	0.5	1.2	1.2	8	0.10	1.3	0.16
P0208.020-010-B4	M 2	4	0.5	1.2	1.2	10	0.10	1.3	0.16
P0208.025-003-B4	M 2,5	5	0.6	1.5	1.2	3	0.10	1.3	0.35
P0208.025-004-B4	M 2,5	5	0.6	1.5	1.2	4	0.10	1.3	0.35
P0208.025-005-B4	M 2,5	5	0.6	1.5	1.2	5	0.10	1.3	0.35
P0208.025-006-B4	M 2,5	5	0.6	1.5	1.2	6	0.10	1.3	0.35
P0208.030-005-B4	M 3	6	0.8	2.0	1.4	5	0.10	1.5	0.60
P0208.030-006-B4	M 3	6	0.8	2.0	1.4	6	0.10	1.5	0.60
P0208.030-008-B4	M 3	6	0.8	2.0	1.4	8	0.10	1.5	0.60
P0208.030-010-B4	M 3	6	0.8	2.0	1.4	10	0.10	1.5	0.60
P0208.030-012-B4	M 3	6	0.8	2.0	1.4	12	0.10	1.5	0.60
P0208.030-016-B4	M 3	6	0.8	2.0	1.4	16	0.10	1.5	0.60
P0208.040-005-B4	M 4	8	0.9	2.5	1.5	5	0.20	2.0	1.10
P0208.040-006-B4	M 4	8	0.9	2.5	1.5	6	0.20	2.0	1.10
P0208.040-008-B4	M 4	8	0.9	2.5	1.5	8	0.20	2.0	1.10
P0208.040-010-B4	M 4	8	0.9	2.5	1.5	10	0.20	2.0	1.10
P0208.040-012-B4	M 4	8	0.9	2.5	1.5	12	0.20	2.0	1.10
P0208.040-016-B4	M 4	8	0.9	2.5	1.5	16	0.20	2.0	1.10
P0208.040-020-B4	M 4	8	0.9	2.5	1.5	20	0.20	2.0	1.10
P0208.040-025-B4	M 4	8	0.9	2.5	1.5	25	0.20	2.0	1.10
P0208.050-006-B4	M 5	9	1.0	3.0	1.8	6	0.20	2.5	2.20
P0208.050-008-B4	M 5	9	1.0	3.0	1.8	8	0.20	2.5	2.20
P0208.050-010-B4	M 5	9	1.0	3.0	1.8	10	0.20	2.5	2.20
P0208.050-012-B4	M 5	9	1.0	3.0	1.8	12	0.20	2.5	2.20
P0208.050-016-B4	M 5	9	1.0	3.0	1.8	16	0.20	2.5	2.20
P0208.050-020-B4	M 5	9	1.0	3.0	1.8	20	0.20	2.5	2.20
P0208.050-025-B4	M 5	9	1.0	3.0	1.8	25	0.20	2.5	2.20
P0208.060-008-B4	M 6	10	1.2	4.0	2.2	8	0.25	3.0	5.00



Ultra Low Head Cap Screws

hex. drive - 316 series stainless - blackened

Standard Screws

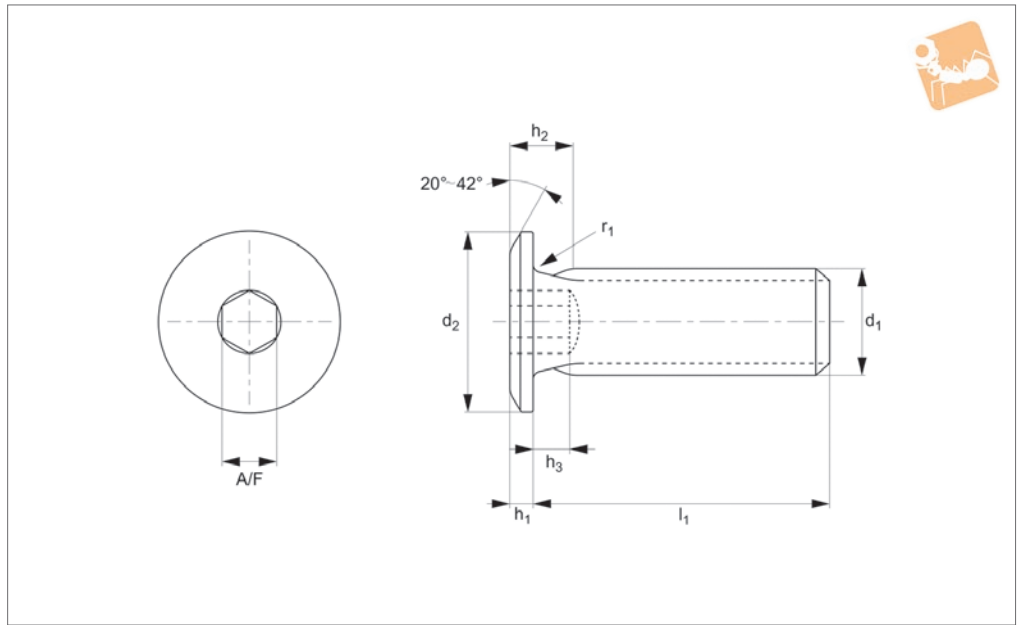


Order No.	d ₁	d ₂	h ₁	h ₂ max.	h ₃ max.	l ₁	r ₁ min.	A/F	Torque to Nm max.
P0208.060-010-B4	M 6	10	1.2	4.0	2.2	10	0.25	3.0	5.00
P0208.060-012-B4	M 6	10	1.2	4.0	2.2	12	0.25	3.0	5.00
P0208.060-016-B4	M 6	10	1.2	4.0	2.2	16	0.25	3.0	5.00
P0208.060-020-B4	M 6	10	1.2	4.0	2.2	20	0.25	3.0	5.00
P0208.060-025-B4	M 6	10	1.2	4.0	2.2	25	0.25	3.0	5.00

STANDARD SCREWS



P0208.Ti



Material

Titanium (ASTM B348 grades 2 and 5). Titanium has outstanding corrosion resistance and a very high strength-to-weight ratio. Grade 2 titanium is pure titanium and

grade 5 titanium is the alloy Ti6Al4V.

Technical Notes

The ultra low head is extremely low profile. These screws do not require a countersunk

location hole. Most suitable for machine and equipment applications with minimal clearance.

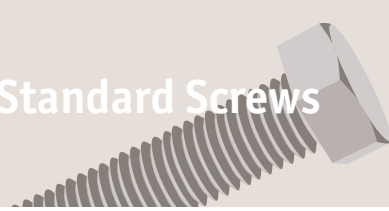
Order No.	d ₁	d ₂	h ₁	h ₂ max.	h ₃ max.	l ₁	r ₁ min.	A/F	Torque to Nm max.	Material grade
P0208.020-003-T2	M 2	4	0.5	1.2	1.2	3	0.10	1.3	0.16	titanium grade 2
P0208.020-004-T2	M 2	4	0.5	1.2	1.2	4	0.10	1.3	0.16	titanium grade 2
P0208.020-005-T2	M 2	4	0.5	1.2	1.2	5	0.10	1.3	0.16	titanium grade 2
P0208.020-006-T2	M 2	4	0.5	1.2	1.2	6	0.10	1.3	0.16	titanium grade 2
P0208.020-008-T2	M 2	4	0.5	1.2	1.2	8	0.10	1.3	0.16	titanium grade 2
P0208.020-010-T2	M 2	4	0.5	1.2	1.2	10	0.10	1.3	0.16	titanium grade 2
P0208.025-003-T2	M 2,5	5	0.6	1.5	1.2	3	0.10	1.3	0.35	titanium grade 2
P0208.025-004-T2	M 2,5	5	0.6	1.5	1.2	4	0.10	1.3	0.35	titanium grade 2
P0208.025-005-T2	M 2,5	5	0.6	1.5	1.2	5	0.10	1.3	0.35	titanium grade 2
P0208.025-006-T2	M 2,5	5	0.6	1.5	1.2	6	0.10	1.3	0.35	titanium grade 2
P0208.030-005-T2	M 3	6	0.8	2.0	1.4	5	0.10	1.5	0.60	titanium grade 2
P0208.030-006-T2	M 3	6	0.8	2.0	1.4	6	0.10	1.5	0.60	titanium grade 2
P0208.030-008-T2	M 3	6	0.8	2.0	1.4	8	0.10	1.5	0.60	titanium grade 2
P0208.030-010-T2	M 3	6	0.8	2.0	1.4	10	0.10	1.5	0.60	titanium grade 2
P0208.030-012-T2	M 3	6	0.8	2.0	1.4	12	0.10	1.5	0.60	titanium grade 2
P0208.030-016-T2	M 3	6	0.8	2.0	1.4	16	0.10	1.5	0.60	titanium grade 2
P0208.040-005-T2	M 4	8	0.9	2.5	1.5	5	0.20	2.0	1.10	titanium grade 2
P0208.040-006-T2	M 4	8	0.9	2.5	1.5	6	0.20	2.0	1.10	titanium grade 2
P0208.040-008-T2	M 4	8	0.9	2.5	1.5	8	0.20	2.0	1.10	titanium grade 2
P0208.040-010-T2	M 4	8	0.9	2.5	1.5	10	0.20	2.0	1.10	titanium grade 2
P0208.040-012-T2	M 4	8	0.9	2.5	1.5	12	0.20	2.0	1.10	titanium grade 2
P0208.040-016-T2	M 4	8	0.9	2.5	1.5	16	0.20	2.0	1.10	titanium grade 2
P0208.040-020-T2	M 4	8	0.9	2.5	1.5	20	0.20	2.0	1.10	titanium grade 2
P0208.040-025-T2	M 4	8	0.9	2.5	1.5	25	0.20	2.0	1.10	titanium grade 2
P0208.050-006-T2	M 5	9	1.0	3.0	1.8	6	0.20	2.5	2.20	titanium grade 2
P0208.050-008-T2	M 5	9	1.0	3.0	1.8	8	0.20	2.5	2.20	titanium grade 2
P0208.050-010-T2	M 5	9	1.0	3.0	1.8	10	0.20	2.5	2.20	titanium grade 2
P0208.050-012-T2	M 5	9	1.0	3.0	1.8	12	0.20	2.5	2.20	titanium grade 2
P0208.050-016-T2	M 5	9	1.0	3.0	1.8	16	0.20	2.5	2.20	titanium grade 2
P0208.050-020-T2	M 5	9	1.0	3.0	1.8	20	0.20	2.5	2.20	titanium grade 2
P0208.050-025-T2	M 5	9	1.0	3.0	1.8	25	0.20	2.5	2.20	titanium grade 2
P0208.060-008-T2	M 6	10	1.2	4.0	2.2	8	0.25	3.0	5.00	titanium grade 2



Ultra Low Head Cap Screws

hex. drive - titanium

Standard Screws



Order No.	d ₁	d ₂	h ₁	h ₂ max.	h ₃ max.	l ₁	r ₁ min.	A/F	Torque to Nm max.	Material grade
P0208.060-010-T2	M 6	10	1.2	4.0	2.2	10	0.25	3.0	5.00	titanium grade 2
P0208.060-012-T2	M 6	10	1.2	4.0	2.2	12	0.25	3.0	5.00	titanium grade 2
P0208.060-016-T2	M 6	10	1.2	4.0	2.2	16	0.25	3.0	5.00	titanium grade 2
P0208.060-020-T2	M 6	10	1.2	4.0	2.2	20	0.25	3.0	5.00	titanium grade 2
P0208.060-025-T2	M 6	10	1.2	4.0	2.2	25	0.25	3.0	5.00	titanium grade 2
P0208.020-003-T5	M 2	4	0.5	1.2	1.2	3	0.10	1.3	0.16	titanium grade 5
P0208.020-004-T5	M 2	4	0.5	1.2	1.2	4	0.10	1.3	0.16	titanium grade 5
P0208.020-005-T5	M 2	4	0.5	1.2	1.2	5	0.10	1.3	0.16	titanium grade 5
P0208.020-006-T5	M 2	4	0.5	1.2	1.2	6	0.10	1.3	0.16	titanium grade 5
P0208.020-008-T5	M 2	4	0.5	1.2	1.2	8	0.10	1.3	0.16	titanium grade 5
P0208.020-010-T5	M 2	4	0.5	1.2	1.2	10	0.10	1.3	0.16	titanium grade 5
P0208.025-003-T5	M 2,5	5	0.6	1.5	1.2	3	0.10	1.3	0.35	titanium grade 5
P0208.025-004-T5	M 2,5	5	0.6	1.5	1.2	4	0.10	1.3	0.35	titanium grade 5
P0208.025-005-T5	M 2,5	5	0.6	1.5	1.2	5	0.10	1.3	0.35	titanium grade 5
P0208.025-006-T5	M 2,5	5	0.6	1.5	1.2	6	0.10	1.3	0.35	titanium grade 5
P0208.030-005-T5	M 3	6	0.8	2.0	1.4	5	0.10	1.5	0.60	titanium grade 5
P0208.030-006-T5	M 3	6	0.8	2.0	1.4	6	0.10	1.5	0.60	titanium grade 5
P0208.030-008-T5	M 3	6	0.8	2.0	1.4	8	0.10	1.5	0.60	titanium grade 5
P0208.030-010-T5	M 3	6	0.8	2.0	1.4	10	0.10	1.5	0.60	titanium grade 5
P0208.030-012-T5	M 3	6	0.8	2.0	1.4	12	0.10	1.5	0.60	titanium grade 5
P0208.030-016-T5	M 3	6	0.8	2.0	1.4	16	0.10	1.5	0.60	titanium grade 5
P0208.040-005-T5	M 4	8	0.9	2.5	1.5	5	0.20	2.0	1.10	titanium grade 5
P0208.040-006-T5	M 4	8	0.9	2.5	1.5	6	0.20	2.0	1.10	titanium grade 5
P0208.040-008-T5	M 4	8	0.9	2.5	1.5	8	0.20	2.0	1.10	titanium grade 5
P0208.040-010-T5	M 4	8	0.9	2.5	1.5	10	0.20	2.0	1.10	titanium grade 5
P0208.040-012-T5	M 4	8	0.9	2.5	1.5	12	0.20	2.0	1.10	titanium grade 5
P0208.040-016-T5	M 4	8	0.9	2.5	1.5	16	0.20	2.0	1.10	titanium grade 5
P0208.040-020-T5	M 4	8	0.9	2.5	1.5	20	0.20	2.0	1.10	titanium grade 5
P0208.040-025-T5	M 4	8	0.9	2.5	1.5	25	0.20	2.0	1.10	titanium grade 5
P0208.050-006-T5	M 5	9	1.0	3.0	1.8	6	0.20	2.5	2.20	titanium grade 5
P0208.050-008-T5	M 5	9	1.0	3.0	1.8	8	0.20	2.5	2.20	titanium grade 5
P0208.050-010-T5	M 5	9	1.0	3.0	1.8	10	0.20	2.5	2.20	titanium grade 5
P0208.050-012-T5	M 5	9	1.0	3.0	1.8	12	0.20	2.5	2.20	titanium grade 5
P0208.050-016-T5	M 5	9	1.0	3.0	1.8	16	0.20	2.5	2.20	titanium grade 5
P0208.050-020-T5	M 5	9	1.0	3.0	1.8	20	0.20	2.5	2.20	titanium grade 5
P0208.050-025-T5	M 5	9	1.0	3.0	1.8	25	0.20	2.5	2.20	titanium grade 5
P0208.060-008-T5	M 6	10	1.2	4.0	2.2	8	0.25	3.0	5.00	titanium grade 5
P0208.060-010-T5	M 6	10	1.2	4.0	2.2	10	0.25	3.0	5.00	titanium grade 5
P0208.060-012-T5	M 6	10	1.2	4.0	2.2	12	0.25	3.0	5.00	titanium grade 5
P0208.060-016-T5	M 6	10	1.2	4.0	2.2	16	0.25	3.0	5.00	titanium grade 5
P0208.060-020-T5	M 6	10	1.2	4.0	2.2	20	0.25	3.0	5.00	titanium grade 5
P0208.060-025-T5	M 6	10	1.2	4.0	2.2	25	0.25	3.0	5.00	titanium grade 5

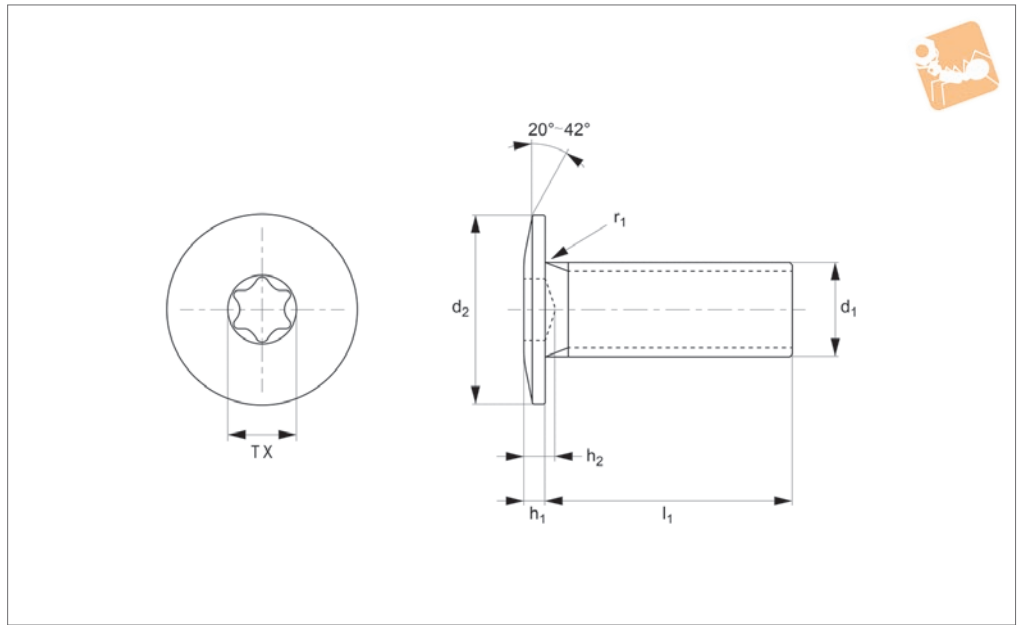
STANDARD SCREWS



STANDARD SCREWS



P0209.A2



Material

Stainless steel (AISI 303, 1.4305).
Tensile strength ~ 350N/mm²
(except for M2 ~ 200Nmm²).

Technical Notes

Ultra low head is extremely low profile.
They do not require a countersunk location hole.

Most suitable for machine and equipment applications with minimal clearance.

Order No.	d ₁	d ₂	h ₁	h ₂ max.	l ₁	r ₁ max.	TX size	Torque Nm max.
P0209.020-003-A2	M 2	4	0.5	1.5	3	0.3	TX-4	0.18
P0209.020-004-A2	M 2	4	0.5	1.5	4	0.3	TX-4	0.18
P0209.020-005-A2	M 2	4	0.5	1.5	5	0.3	TX-4	0.18
P0209.020-006-A2	M 2	4	0.5	1.5	6	0.3	TX-4	0.18
P0209.020-008-A2	M 2	4	0.5	1.5	8	0.3	TX-4	0.18
P0209.020-010-A2	M 2	4	0.5	1.5	10	0.3	TX-4	0.18
P0209.020-012-A2	M 2	4	0.5	1.5	12	0.3	TX-4	0.18
P0209.025-003-A2	M 2,5	6	0.6	1.6	3	0.3	TX-5	0.36
P0209.025-004-A2	M 2,5	6	0.6	1.6	4	0.3	TX-5	0.36
P0209.025-005-A2	M 2,5	6	0.6	1.6	5	0.3	TX-5	0.36
P0209.025-006-A2	M 2,5	6	0.6	1.6	6	0.3	TX-5	0.36
P0209.025-008-A2	M 2,5	6	0.6	1.6	8	0.3	TX-5	0.36
P0209.025-010-A2	M 2,5	6	0.6	1.6	10	0.3	TX-5	0.36
P0209.025-012-A2	M 2,5	6	0.6	1.6	12	0.3	TX-5	0.36
P0209.030-005-A2	M 3	7	0.8	2.0	5	0.4	TX-6	0.63
P0209.030-006-A2	M 3	7	0.8	2.0	6	0.4	TX-6	0.63
P0209.030-008-A2	M 3	7	0.8	2.0	8	0.4	TX-6	0.63
P0209.030-010-A2	M 3	7	0.8	2.0	10	0.4	TX-6	0.63
P0209.030-012-A2	M 3	7	0.8	2.0	12	0.4	TX-6	0.63
P0209.030-016-A2	M 3	7	0.8	2.0	16	0.4	TX-6	0.63
P0209.040-006-A2	M 4	8	0.9	2.5	6	0.5	TX-8	1.50
P0209.040-008-A2	M 4	8	0.9	2.5	8	0.5	TX-8	1.50
P0209.040-010-A2	M 4	8	0.9	2.5	10	0.5	TX-8	1.50
P0209.040-012-A2	M 4	8	0.9	2.5	12	0.5	TX-8	1.50
P0209.040-016-A2	M 4	8	0.9	2.5	16	0.5	TX-8	1.50
P0209.040-020-A2	M 4	8	0.9	2.5	20	0.5	TX-8	1.50
P0209.040-025-A2	M 4	8	0.9	2.5	25	0.5	TX-8	1.50
P0209.050-008-A2	M 5	9	1.0	3.0	8	0.6	TX-10	3.00
P0209.050-010-A2	M 5	9	1.0	3.0	10	0.6	TX-10	3.00
P0209.050-012-A2	M 5	9	1.0	3.0	12	0.6	TX-10	3.00
P0209.050-016-A2	M 5	9	1.0	3.0	16	0.6	TX-10	3.00
P0209.050-020-A2	M 5	9	1.0	3.0	20	0.6	TX-10	3.00
P0209.050-025-A2	M 5	9	1.0	3.0	25	0.6	TX-10	3.00



Ultra Low Head Cap Screws

TX drive - 303 stainless

Standard Screws

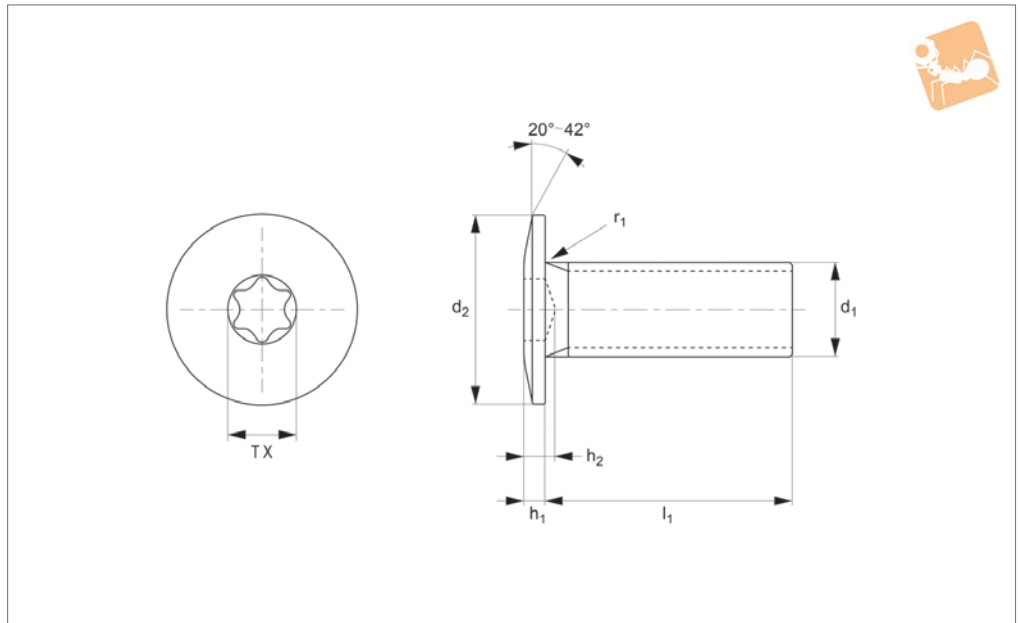


Order No.	d ₁	d ₂	h ₁	h ₂ max.	l ₁	r ₁ max.	TX size	Torque Nm max.
P0209.050-030-A2	M 5	9	1.0	3.0	30	0.6	TX-10	3.00
P0209.050-035-A2	M 5	9	1.0	3.0	35	0.6	TX-10	3.00
P0209.060-008-A2	M 6	12	1.2	3.5	8	0.7	TX-20	5.20
P0209.060-010-A2	M 6	12	1.2	3.5	10	0.7	TX-20	5.20
P0209.060-012-A2	M 6	12	1.2	3.5	12	0.7	TX-20	5.20
P0209.060-016-A2	M 6	12	1.2	3.5	16	0.7	TX-20	5.20
P0209.060-020-A2	M 6	12	1.2	3.5	20	0.7	TX-20	5.20
P0209.060-025-A2	M 6	12	1.2	3.5	25	0.7	TX-20	5.20
P0209.060-030-A2	M 6	12	1.2	3.5	30	0.7	TX-20	5.20
P0209.060-035-A2	M 6	12	1.2	3.5	35	0.7	TX-20	5.20
P0209.060-040-A2	M 6	12	1.2	3.5	40	0.7	TX-20	5.20

STANDARD SCREWS



P0209.A4



Material

Stainless steel (AISI 303, 1.4305).
Tensile strength ~ 350N/mm²
(except for M2 ~ 200Nmm²).

Technical Notes

Ultra low head is extremely low profile.
They do not require a countersunk location hole.

Most suitable for machine and equipment applications with minimal clearance.

Order No.	d ₁	d ₂	h ₁	h ₂ max.	l ₁	r ₁ max.	TX size	Torque to Nm max.
P0209.020-003-A4	M 2	4	0.5	1.5	3	0.3	TX-4	0.18
P0209.020-004-A4	M 2	4	0.5	1.5	4	0.3	TX-4	0.18
P0209.020-005-A4	M 2	4	0.5	1.5	5	0.3	TX-4	0.18
P0209.020-006-A4	M 2	4	0.5	1.5	6	0.3	TX-4	0.18
P0209.020-008-A4	M 2	4	0.5	1.5	8	0.3	TX-4	0.18
P0209.020-010-A4	M 2	4	0.5	1.5	10	0.3	TX-4	0.18
P0209.020-012-A4	M 2	4	0.5	1.5	12	0.3	TX-4	0.18
P0209.025-003-A4	M 2,5	6	0.6	1.6	3	0.3	TX-5	0.36
P0209.025-004-A4	M 2,5	6	0.6	1.6	4	0.3	TX-5	0.36
P0209.025-005-A4	M 2,5	6	0.6	1.6	5	0.3	TX-5	0.36
P0209.025-006-A4	M 2,5	6	0.6	1.6	6	0.3	TX-5	0.36
P0209.025-008-A4	M 2,5	6	0.6	1.6	8	0.3	TX-5	0.36
P0209.025-010-A4	M 2,5	6	0.6	1.6	10	0.3	TX-5	0.36
P0209.025-012-A4	M 2,5	6	0.6	1.6	12	0.3	TX-5	0.36
P0209.030-005-A4	M 3	7	0.8	2.0	5	0.4	TX-6	0.63
P0209.030-006-A4	M 3	7	0.8	2.0	6	0.4	TX-6	0.63
P0209.030-008-A4	M 3	7	0.8	2.0	8	0.4	TX-6	0.63
P0209.030-010-A4	M 3	7	0.8	2.0	10	0.4	TX-6	0.63
P0209.030-012-A4	M 3	7	0.8	2.0	12	0.4	TX-6	0.63
P0209.030-016-A4	M 3	7	0.8	2.0	16	0.4	TX-6	0.63
P0209.040-006-A4	M 4	8	0.9	2.5	6	0.5	TX-8	1.50
P0209.040-008-A4	M 4	8	0.9	2.5	8	0.5	TX-8	1.50
P0209.040-010-A4	M 4	8	0.9	2.5	10	0.5	TX-8	1.50
P0209.040-012-A4	M 4	8	0.9	2.5	12	0.5	TX-8	1.50
P0209.040-016-A4	M 4	8	0.9	2.5	16	0.5	TX-8	1.50
P0209.040-020-A4	M 4	8	0.9	2.5	20	0.5	TX-8	1.50
P0209.040-025-A4	M 4	8	0.9	2.5	25	0.5	TX-8	1.50
P0209.050-008-A4	M 5	9	1.0	3.0	8	0.6	TX-10	3.00
P0209.050-010-A4	M 5	9	1.0	3.0	10	0.6	TX-10	3.00
P0209.050-012-A4	M 5	9	1.0	3.0	12	0.6	TX-10	3.00
P0209.050-016-A4	M 5	9	1.0	3.0	16	0.6	TX-10	3.00
P0209.050-020-A4	M 5	9	1.0	3.0	20	0.6	TX-10	3.00
P0209.050-025-A4	M 5	9	1.0	3.0	25	0.6	TX-10	3.00



Ultra Low Head Cap Screws

TX drive - 316 stainless

Standard Screws



Order No.	d ₁	d ₂	h ₁	h ₂ max.	l ₁	r ₁ max.	TX size	Torque to Nm max.
P0209.050-030-A4	M 5	9	1.0	3.0	30	0.6	TX-10	3.00
P0209.050-035-A4	M 5	9	1.0	3.0	35	0.6	TX-10	3.00
P0209.060-008-A4	M 6	12	1.2	3.5	8	0.7	TX-20	5.20
P0209.060-010-A4	M 6	12	1.2	3.5	10	0.7	TX-20	5.20
P0209.060-012-A4	M 6	12	1.2	3.5	12	0.7	TX-20	5.20
P0209.060-016-A4	M 6	12	1.2	3.5	16	0.7	TX-20	5.20
P0209.060-020-A4	M 6	12	1.2	3.5	20	0.7	TX-20	5.20
P0209.060-025-A4	M 6	12	1.2	3.5	25	0.7	TX-20	5.20
P0209.060-030-A4	M 6	12	1.2	3.5	30	0.7	TX-20	5.20
P0209.060-035-A4	M 6	12	1.2	3.5	35	0.7	TX-20	5.20
P0209.060-040-A4	M 6	12	1.2	3.5	40	0.7	TX-20	5.20

STANDARD SCREWS

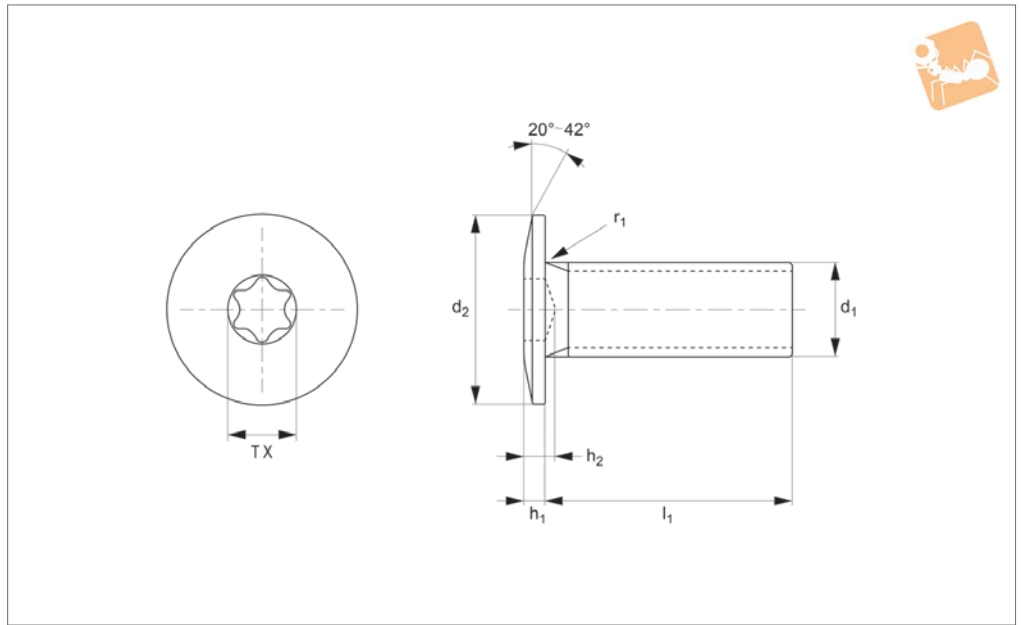


STANDARD SCREWS



P0209.B2

MADE IN BRITAIN



Material

Stainless steel (AISI 303, 1.4305), with black oxide coating. Tensile strength ~ 350N/mm²

(except for M2 ~ 200Nmm²).

Technical Notes

Ultra low head is extremely low profile.

They do not require a countersunk location hole.

Most suitable for machine and equipment applications with minimal clearance.

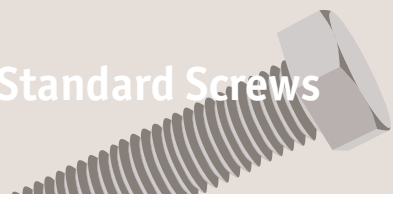
Order No.	d ₁	d ₂	h ₁	h ₂ max.	l ₁	r ₁ max.	TX size	Torque to Nm max.
P0209.020-003-B2	M 2	4	0.5	1.5	3	0.3	TX-4	0.18
P0209.020-004-B2	M 2	4	0.5	1.5	4	0.3	TX-4	0.18
P0209.020-005-B2	M 2	4	0.5	1.5	5	0.3	TX-4	0.18
P0209.020-006-B2	M 2	4	0.5	1.5	6	0.3	TX-4	0.18
P0209.020-008-B2	M 2	4	0.5	1.5	8	0.3	TX-4	0.18
P0209.020-010-B2	M 2	4	0.5	1.5	10	0.3	TX-4	0.18
P0209.020-012-B2	M 2	4	0.5	1.5	12	0.3	TX-4	0.18
P0209.025-003-B2	M 2,5	6	0.6	1.6	3	0.3	TX-5	0.36
P0209.025-004-B2	M 2,5	6	0.6	1.6	4	0.3	TX-5	0.36
P0209.025-005-B2	M 2,5	6	0.6	1.6	5	0.3	TX-5	0.36
P0209.025-006-B2	M 2,5	6	0.6	1.6	6	0.3	TX-5	0.36
P0209.025-008-B2	M 2,5	6	0.6	1.6	8	0.3	TX-5	0.36
P0209.025-010-B2	M 2,5	6	0.6	1.6	10	0.3	TX-5	0.36
P0209.025-012-B2	M 2,5	6	0.6	1.6	12	0.3	TX-5	0.36
P0209.030-005-B2	M 3	7	0.8	2.0	5	0.4	TX-6	0.63
P0209.030-006-B2	M 3	7	0.8	2.0	6	0.4	TX-6	0.63
P0209.030-008-B2	M 3	7	0.8	2.0	8	0.4	TX-6	0.63
P0209.030-010-B2	M 3	7	0.8	2.0	10	0.4	TX-6	0.63
P0209.030-012-B2	M 3	7	0.8	2.0	12	0.4	TX-6	0.63
P0209.030-016-B2	M 3	7	0.8	2.0	16	0.4	TX-6	0.63
P0209.040-006-B2	M 4	8	0.9	2.5	6	0.5	TX-8	1.50
P0209.040-008-B2	M 4	8	0.9	2.5	8	0.5	TX-8	1.50
P0209.040-010-B2	M 4	8	0.9	2.5	10	0.5	TX-8	1.50
P0209.040-012-B2	M 4	8	0.9	2.5	12	0.5	TX-8	1.50
P0209.040-016-B2	M 4	8	0.9	2.5	16	0.5	TX-8	1.50
P0209.040-020-B2	M 4	8	0.9	2.5	20	0.5	TX-8	1.50
P0209.040-025-B2	M 4	8	0.9	2.5	25	0.5	TX-8	1.50
P0209.050-008-B2	M 5	9	1.0	3.0	8	0.6	TX-10	3.00
P0209.050-010-B2	M 5	9	1.0	3.0	10	0.6	TX-10	3.00
P0209.050-012-B2	M 5	9	1.0	3.0	12	0.6	TX-10	3.00
P0209.050-016-B2	M 5	9	1.0	3.0	16	0.6	TX-10	3.00
P0209.050-020-B2	M 5	9	1.0	3.0	20	0.6	TX-10	3.00
P0209.050-025-B2	M 5	9	1.0	3.0	25	0.6	TX-10	3.00



Ultra Low Head Cap Screws

TX drive - 303 stainless - blackened

Standard Screws



Order No.	d ₁	d ₂	h ₁	h ₂ max.	l ₁	r ₁ max.	TX size	Torque to Nm max.
P0209.050-030-B2	M 5	9	1.0	3.0	30	0.6	TX-10	3.00
P0209.050-035-B2	M 5	9	1.0	3.0	35	0.6	TX-10	3.00
P0209.060-008-B2	M 6	12	1.2	3.5	8	0.7	TX-20	5.20
P0209.060-010-B2	M 6	12	1.2	3.5	10	0.7	TX-20	5.20
P0209.060-012-B2	M 6	12	1.2	3.5	12	0.7	TX-20	5.20
P0209.060-016-B2	M 6	12	1.2	3.5	16	0.7	TX-20	5.20
P0209.060-020-B2	M 6	12	1.2	3.5	20	0.7	TX-20	5.20
P0209.060-025-B2	M 6	12	1.2	3.5	25	0.7	TX-20	5.20
P0209.060-030-B2	M 6	12	1.2	3.5	30	0.7	TX-20	5.20
P0209.060-035-B2	M 6	12	1.2	3.5	35	0.7	TX-20	5.20
P0209.060-040-B2	M 6	12	1.2	3.5	40	0.7	TX-20	5.20

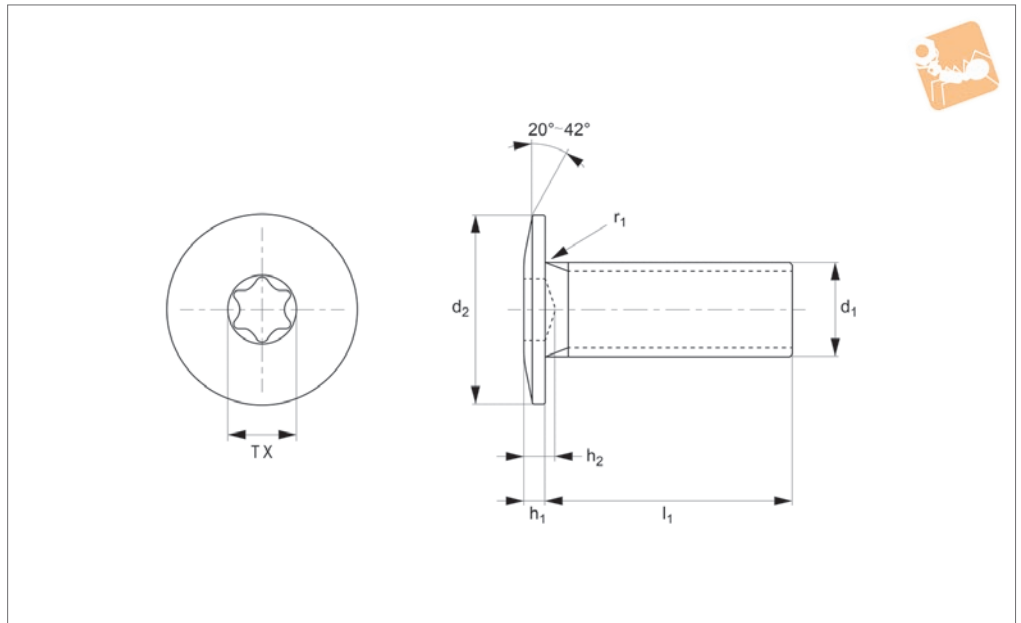
STANDARD SCREWS



STANDARD SCREWS



P0209.B4



Material

Stainless steel (AISI 316, 1.440), with black oxide coating. Tensile strength ~ 350N/mm²

(except for M2 ~ 200Nmm²).

Technical Notes

Ultra low head is extremely low profile.

They do not require a countersunk location hole.

Most suitable for machine and equipment applications with minimal clearance.

Order No.	d ₁	d ₂	h ₁	h ₂ max.	l ₁	r ₁ max.	TX size	Torque to Nm max.
P0209.020-003-B4	M 2	4	0.5	1.5	3	0.3	TX-4	0.18
P0209.020-004-B4	M 2	4	0.5	1.5	4	0.3	TX-4	0.18
P0209.020-005-B4	M 2	4	0.5	1.5	5	0.3	TX-4	0.18
P0209.020-006-B4	M 2	4	0.5	1.5	6	0.3	TX-4	0.18
P0209.020-008-B4	M 2	4	0.5	1.5	8	0.3	TX-4	0.18
P0209.020-010-B4	M 2	4	0.5	1.5	10	0.3	TX-4	0.18
P0209.020-012-B4	M 2	4	0.5	1.5	12	0.3	TX-4	0.18
P0209.025-003-B4	M 2,5	6	0.6	1.6	3	0.3	TX-5	0.36
P0209.025-004-B4	M 2,5	6	0.6	1.6	4	0.3	TX-5	0.36
P0209.025-005-B4	M 2,5	6	0.6	1.6	5	0.3	TX-5	0.36
P0209.025-006-B4	M 2,5	6	0.6	1.6	6	0.3	TX-5	0.36
P0209.025-008-B4	M 2,5	6	0.6	1.6	8	0.3	TX-5	0.36
P0209.025-010-B4	M 2,5	6	0.6	1.6	10	0.3	TX-5	0.36
P0209.025-012-B4	M 2,5	6	0.6	1.6	12	0.3	TX-5	0.36
P0209.030-005-B4	M 3	7	0.8	2.0	5	0.4	TX-6	0.63
P0209.030-006-B4	M 3	7	0.8	2.0	6	0.4	TX-6	0.63
P0209.030-008-B4	M 3	7	0.8	2.0	8	0.4	TX-6	0.63
P0209.030-010-B4	M 3	7	0.8	2.0	10	0.4	TX-6	0.63
P0209.030-012-B4	M 3	7	0.8	2.0	12	0.4	TX-6	0.63
P0209.030-016-B4	M 3	7	0.8	2.0	16	0.4	TX-6	0.63
P0209.040-006-B4	M 4	8	0.9	2.5	6	0.5	TX-8	1.50
P0209.040-008-B4	M 4	8	0.9	2.5	8	0.5	TX-8	1.50
P0209.040-010-B4	M 4	8	0.9	2.5	10	0.5	TX-8	1.50
P0209.040-012-B4	M 4	8	0.9	2.5	12	0.5	TX-8	1.50
P0209.040-016-B4	M 4	8	0.9	2.5	16	0.5	TX-8	1.50
P0209.040-020-B4	M 4	8	0.9	2.5	20	0.5	TX-8	1.50
P0209.040-025-B4	M 4	8	0.9	2.5	25	0.5	TX-8	1.50
P0209.050-008-B4	M 5	9	1.0	3.0	8	0.6	TX-10	3.00
P0209.050-010-B4	M 5	9	1.0	3.0	10	0.6	TX-10	3.00
P0209.050-012-B4	M 5	9	1.0	3.0	12	0.6	TX-10	3.00
P0209.050-016-B4	M 5	9	1.0	3.0	16	0.6	TX-10	3.00
P0209.050-020-B4	M 5	9	1.0	3.0	20	0.6	TX-10	3.00
P0209.050-025-B4	M 5	9	1.0	3.0	25	0.6	TX-10	3.00



Ultra Low Head Cap Screws

TX head - 316 stainless - blackened

Standard Screws

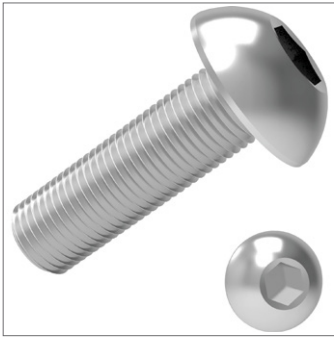


Order No.	d ₁	d ₂	h ₁	h ₂ max.	l ₁	r ₁ max.	TX size	Torque to Nm max.
P0209.050-030-B4	M 5	9	1.0	3.0	30	0.6	TX-10	3.00
P0209.050-035-B4	M 5	9	1.0	3.0	35	0.6	TX-10	3.00
P0209.060-008-B4	M 6	12	1.2	3.5	8	0.7	TX-20	5.20
P0209.060-010-B4	M 6	12	1.2	3.5	10	0.7	TX-20	5.20
P0209.060-012-B4	M 6	12	1.2	3.5	12	0.7	TX-20	5.20
P0209.060-016-B4	M 6	12	1.2	3.5	16	0.7	TX-20	5.20
P0209.060-020-B4	M 6	12	1.2	3.5	20	0.7	TX-20	5.20
P0209.060-025-B4	M 6	12	1.2	3.5	25	0.7	TX-20	5.20
P0209.060-030-B4	M 6	12	1.2	3.5	30	0.7	TX-20	5.20
P0209.060-035-B4	M 6	12	1.2	3.5	35	0.7	TX-20	5.20
P0209.060-040-B4	M 6	12	1.2	3.5	40	0.7	TX-20	5.20

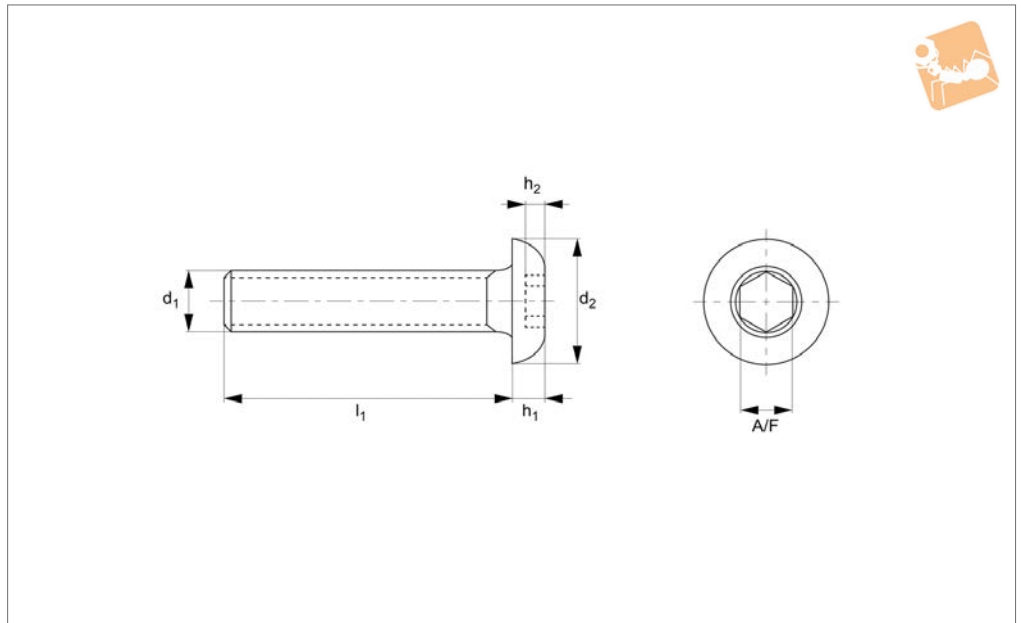
STANDARD SCREWS



STANDARD SCREWS



P0210.A2



Material

Stainless steel A2.

head.

Technical Notes

To ISO 7380. Threaded within 2,5 x pitch of

See technical page for tightening torques.

Order No.	d ₁	l ₁	d ₂	h ₁	h ₂	A/F
P0210.030-004-A2	M 3	4	5.7	1.65	1.04	2
P0210.030-005-A2	M 3	5	5.7	1.65	1.04	2
P0210.030-006-A2	M 3	6	5.7	1.65	1.04	2
P0210.030-008-A2	M 3	8	5.7	1.65	1.04	2
P0210.030-010-A2	M 3	10	5.7	1.65	1.04	2
P0210.030-012-A2	M 3	12	5.7	1.65	1.04	2
P0210.030-014-A2	M 3	14	5.7	1.65	1.04	2
P0210.030-016-A2	M 3	16	5.7	1.65	1.04	2
P0210.030-020-A2	M 3	20	5.7	1.65	1.04	2
P0210.030-025-A2	M 3	25	5.7	1.65	1.04	2
P0210.030-030-A2	M 3	30	5.7	1.65	1.04	2
P0210.030-035-A2	M 3	35	5.7	1.65	1.04	2
P0210.030-040-A2	M 3	40	5.7	1.65	1.04	2
P0210.040-004-A2	M 4	4	7.6	2.2	1.3	2.5
P0210.040-005-A2	M 4	5	7.6	2.2	1.3	2.5
P0210.040-006-A2	M 4	6	7.6	2.2	1.3	2.5
P0210.040-008-A2	M 4	8	7.6	2.2	1.3	2.5
P0210.040-010-A2	M 4	10	7.6	2.2	1.3	2.5
P0210.040-012-A2	M 4	12	7.6	2.2	1.3	2.5
P0210.040-014-A2	M 4	14	7.6	2.2	1.3	2.5
P0210.040-016-A2	M 4	16	7.6	2.2	1.3	2.5
P0210.040-020-A2	M 4	20	7.6	2.2	1.3	2.5
P0210.040-025-A2	M 4	25	7.6	2.2	1.3	2.5
P0210.040-030-A2	M 4	30	7.6	2.2	1.3	2.5
P0210.040-035-A2	M 4	35	7.6	2.2	1.3	2.5
P0210.040-040-A2	M 4	40	7.6	2.2	1.3	2.5
P0210.040-045-A2	M 4	45	7.6	2.2	1.3	2.5
P0210.040-050-A2	M 4	50	7.6	2.2	1.3	2.5
P0210.050-006-A2	M 5	6	9.5	2.75	1.56	3
P0210.050-008-A2	M 5	8	9.5	2.75	1.56	3
P0210.050-010-A2	M 5	10	9.5	2.75	1.56	3
P0210.050-012-A2	M 5	12	9.5	2.75	1.56	3
P0210.050-014-A2	M 5	14	9.5	2.75	1.56	3
P0210.050-016-A2	M 5	16	9.5	2.75	1.56	3



Socket Button Screws

A2 stainless

Standard Screws



Order No.	d ₁	l ₁	d ₂	h ₁	h ₂	A/F
P0210.050-020-A2	M 5	20	9.5	2.75	1.56	3
P0210.050-025-A2	M 5	25	9.5	2.75	1.56	3
P0210.050-030-A2	M 5	30	9.5	2.75	1.56	3
P0210.050-035-A2	M 5	35	9.5	2.75	1.56	3
P0210.050-040-A2	M 5	40	9.5	2.75	1.56	3
P0210.050-045-A2	M 5	45	9.5	2.75	1.56	3
P0210.050-050-A2	M 5	50	9.5	2.75	1.56	3
P0210.050-055-A2	M 5	55	9.5	2.75	1.56	3
P0210.050-060-A2	M 5	60	9.5	2.75	1.56	3
P0210.060-008-A2	M 6	8	10.5	3.3	2.08	4
P0210.060-010-A2	M 6	10	10.5	3.3	2.08	4
P0210.060-012-A2	M 6	12	10.5	3.3	2.08	4
P0210.060-014-A2	M 6	14	10.5	3.3	2.08	4
P0210.060-016-A2	M 6	16	10.5	3.3	2.08	4
P0210.060-020-A2	M 6	20	10.5	3.3	2.08	4
P0210.060-025-A2	M 6	25	10.5	3.3	2.08	4
P0210.060-030-A2	M 6	30	10.5	3.3	2.08	4
P0210.060-035-A2	M 6	35	10.5	3.3	2.08	4
P0210.060-040-A2	M 6	40	10.5	3.3	2.08	4
P0210.060-045-A2	M 6	45	10.5	3.3	2.08	4
P0210.060-050-A2	M 6	50	10.5	3.3	2.08	4
P0210.060-055-A2	M 6	55	10.5	3.3	2.08	4
P0210.060-060-A2	M 6	60	10.5	3.3	2.08	4
P0210.060-070-A2	M 6	70	10.5	3.3	2.08	4
P0210.060-080-A2	M 6	80	10.5	3.3	2.08	4
P0210.080-010-A2	M 8	10	14	4.4	2.6	5
P0210.080-012-A2	M 8	12	14	4.4	2.6	5
P0210.080-014-A2	M 8	14	14	4.4	2.6	5
P0210.080-016-A2	M 8	16	14	4.4	2.6	5
P0210.080-020-A2	M 8	20	14	4.4	2.6	5
P0210.080-025-A2	M 8	25	14	4.4	2.6	5
P0210.080-030-A2	M 8	30	14	4.4	2.6	5
P0210.080-035-A2	M 8	35	14	4.4	2.6	5
P0210.080-040-A2	M 8	40	14	4.4	2.6	5
P0210.080-045-A2	M 8	45	14	4.4	2.6	5
P0210.080-050-A2	M 8	50	14	4.4	2.6	5
P0210.080-055-A2	M 8	55	14	4.4	2.6	5
P0210.080-060-A2	M 8	60	14	4.4	2.6	5
P0210.080-070-A2	M 8	70	14	4.4	2.6	5
P0210.080-080-A2	M 8	80	14	4.4	2.6	5
P0210.100-012-A2	M10	12	17.5	5.5	3.12	6
P0210.100-016-A2	M10	16	17.5	5.5	3.12	6
P0210.100-020-A2	M10	20	17.5	5.5	3.12	6
P0210.100-025-A2	M10	25	17.5	5.5	3.12	6
P0210.100-030-A2	M10	30	17.5	5.5	3.12	6
P0210.100-035-A2	M10	35	17.5	5.5	3.12	6
P0210.100-040-A2	M10	40	17.5	5.5	3.12	6
P0210.100-045-A2	M10	45	17.5	5.5	3.12	6
P0210.100-050-A2	M10	50	17.5	5.5	3.12	6
P0210.100-055-A2	M10	55	17.5	5.5	3.12	6
P0210.100-060-A2	M10	60	17.5	5.5	3.12	6
P0210.100-070-A2	M10	70	17.5	5.5	3.12	6
P0210.100-080-A2	M10	80	17.5	5.5	3.12	6
P0210.120-020-A2	M12	20	21	6.6	4.16	8
P0210.120-025-A2	M12	25	21	6.6	4.16	8
P0210.120-030-A2	M12	30	21	6.6	4.16	8
P0210.120-035-A2	M12	35	21	6.6	4.16	8
P0210.120-040-A2	M12	40	21	6.6	4.16	8
P0210.120-045-A2	M12	45	21	6.6	4.16	8
P0210.120-050-A2	M12	50	21	6.6	4.16	8
P0210.120-055-A2	M12	55	21	6.6	4.16	8
P0210.120-060-A2	M12	60	21	6.6	4.16	8
P0210.120-070-A2	M12	70	21	6.6	4.16	8
P0210.120-080-A2	M12	80	21	6.6	4.16	8

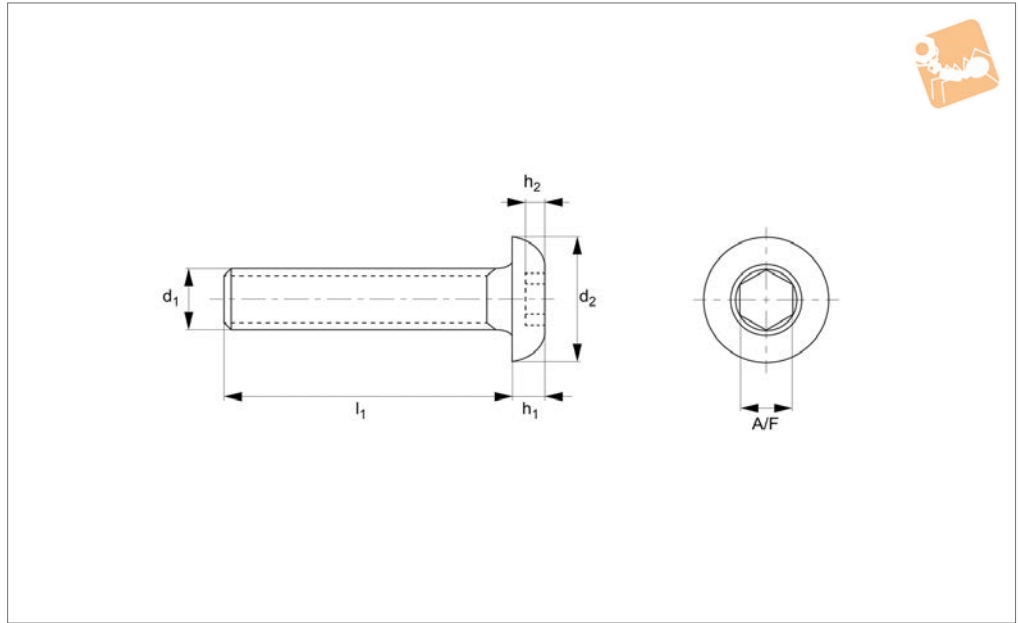
STANDARD SCREWS



STANDARD SCREWS



P0210.A4



Material

Stainless steel A4.

head.

Technical Notes

To ISO 7380. Threaded within 2,5 x pitch of

See technical page for tightening torques.

Order No.	d ₁	l ₁	d ₂	h ₁	h ₂	A/F
P0210.030-005-A4	M 3	5	5.7	1.65	1.04	2
P0210.030-006-A4	M 3	6	5.7	1.65	1.04	2
P0210.030-008-A4	M 3	8	5.7	1.65	1.04	2
P0210.030-010-A4	M 3	10	5.7	1.65	1.04	2
P0210.030-012-A4	M 3	12	5.7	1.65	1.04	2
P0210.030-016-A4	M 3	16	5.7	1.65	1.04	2
P0210.030-020-A4	M 3	20	5.7	1.65	1.04	2
P0210.030-025-A4	M 3	25	5.7	1.65	1.04	2
P0210.030-030-A4	M 3	30	5.7	1.65	1.04	2
P0210.030-035-A4	M 3	35	5.7	1.65	1.04	2
P0210.030-040-A4	M 3	40	5.7	1.65	1.04	2
P0210.040-050-A4	M 4	5	7.6	2.2	1.3	2.5
P0210.040-060-A4	M 4	6	7.6	2.2	1.3	2.5
P0210.040-080-A4	M 4	8	7.6	2.2	1.3	2.5
P0210.040-010-A4	M 4	10	7.6	2.2	1.3	2.5
P0210.040-012-A4	M 4	12	7.6	2.2	1.3	2.5
P0210.040-016-A4	M 4	16	7.6	2.2	1.3	2.5
P0210.040-020-A4	M 4	20	7.6	2.2	1.3	2.5
P0210.040-025-A4	M 4	25	7.6	2.2	1.3	2.5
P0210.040-030-A4	M 4	30	7.6	2.2	1.3	2.5
P0210.040-035-A4	M 4	35	7.6	2.2	1.3	2.5
P0210.040-040-A4	M 4	40	7.6	2.2	1.3	2.5
P0210.050-006-A4	M 5	6	9.5	2.75	1.56	3
P0210.050-008-A4	M 5	8	9.5	2.75	1.56	3
P0210.050-010-A4	M 5	10	9.5	2.75	1.56	3
P0210.050-012-A4	M 5	12	9.5	2.75	1.56	3
P0210.050-016-A4	M 5	16	9.5	2.75	1.56	3
P0210.050-020-A4	M 5	20	9.5	2.75	1.56	3
P0210.050-025-A4	M 5	25	9.5	2.75	1.56	3
P0210.050-030-A4	M 5	30	9.5	2.75	1.56	3
P0210.050-035-A4	M 5	35	9.5	2.75	1.56	3
P0210.050-040-A4	M 5	40	9.5	2.75	1.56	3
P0210.050-045-A4	M 5	45	9.5	2.75	1.56	3
P0210.050-060-A4	M 5	60	9.5	2.75	1.56	3



Socket Button Screws

A4 stainless

Standard Screws



Order No.	d ₁	l ₁	d ₂	h ₁	h ₂	A/F
P0210.060-008-A4	M 6	8	10.5	3.3	2.08	4
P0210.060-010-A4	M 6	10	10.5	3.3	2.08	4
P0210.060-012-A4	M 6	12	10.5	3.3	2.08	4
P0210.060-016-A4	M 6	16	10.5	3.3	2.08	4
P0210.060-020-A4	M 6	20	10.5	3.3	2.08	4
P0210.060-025-A4	M 6	25	10.5	3.3	2.08	4
P0210.060-030-A4	M 6	30	10.5	3.3	2.08	4
P0210.060-035-A4	M 6	35	10.5	3.3	2.08	4
P0210.060-040-A4	M 6	40	10.5	3.3	2.08	4
P0210.060-045-A4	M 6	45	10.5	3.3	2.08	4
P0210.060-050-A4	M 6	50	10.5	3.3	2.08	4
P0210.080-010-A4	M 8	10	14	4.4	2.60	5
P0210.080-012-A4	M 8	12	14	4.4	2.60	5
P0210.080-016-A4	M 8	16	14	4.4	2.60	5
P0210.080-020-A4	M 8	20	14	4.4	2.60	5
P0210.080-025-A4	M 8	25	14	4.4	2.60	5
P0210.080-030-A4	M 8	30	14	4.4	2.60	5
P0210.080-035-A4	M 8	35	14	4.4	2.60	5
P0210.080-040-A4	M 8	40	14	4.4	2.60	5
P0210.080-045-A4	M 8	45	14	4.4	2.60	5
P0210.080-050-A4	M 8	50	14	4.4	2.60	5
P0210.080-055-A4	M 8	55	14	4.4	2.60	5
P0210.080-060-A4	M 8	60	14	4.4	2.60	5
P0210.100-016-A4	M10	16	17.5	5.5	3.12	6
P0210.100-020-A4	M10	20	17.5	5.5	3.12	6
P0210.100-025-A4	M10	25	17.5	5.5	3.12	6
P0210.100-030-A4	M10	30	17.5	5.5	3.12	6
P0210.100-035-A4	M10	35	17.5	5.5	3.12	6
P0210.100-040-A4	M10	40	17.5	5.5	3.12	6
P0210.100-045-A4	M10	45	17.5	5.5	3.12	6
P0210.100-050-A4	M10	50	17.5	5.5	3.12	6
P0210.100-055-A4	M10	55	17.5	5.5	3.12	6
P0210.100-060-A4	M10	60	17.5	5.5	3.12	6
P0210.120-020-A4	M12	20	21	6.6	4.16	8
P0210.120-025-A4	M12	25	21	6.6	4.16	8
P0210.120-030-A4	M12	30	21	6.6	4.16	8
P0210.120-035-A4	M12	35	21	6.6	4.16	8
P0210.120-040-A4	M12	40	21	6.6	4.16	8
P0210.120-045-A4	M12	45	21	6.6	4.16	8
P0210.120-050-A4	M12	50	21	6.6	4.16	8
P0210.120-055-A4	M12	55	21	6.6	4.16	8
P0210.120-060-A4	M12	60	21	6.6	4.16	8

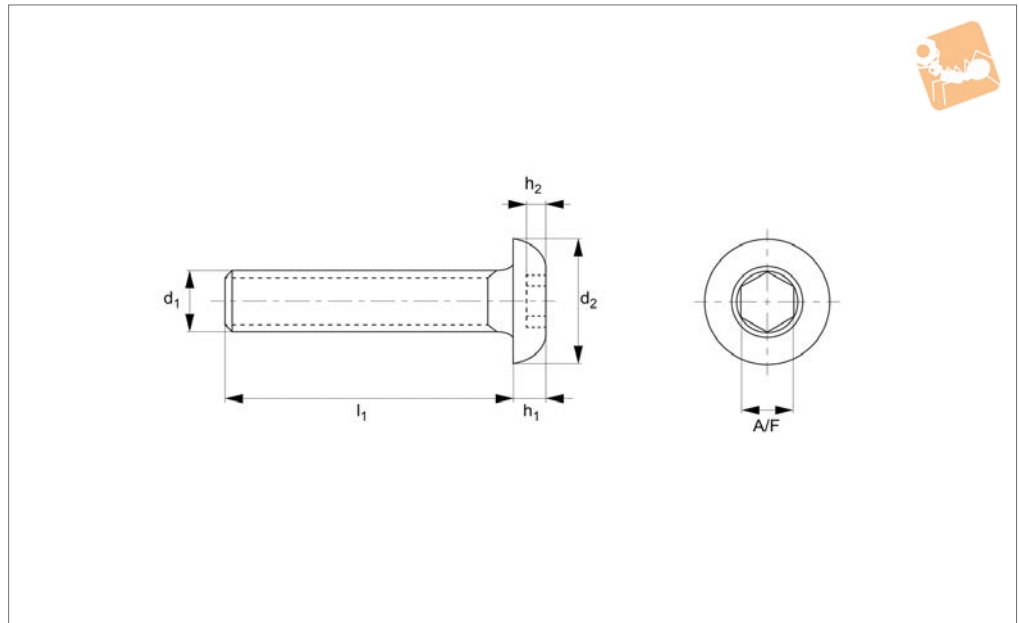
STANDARD SCREWS



STANDARD SCREWS



P0210.ZP



Material

Steel, zinc-plated (grade 10.9).

Technical Notes

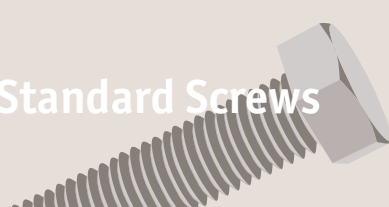
To ISO 7380. Threaded within 2,5 x pitch of head.

Order No.	d ₁	l ₁	d ₂	h ₁	h ₂	A/F
P0210.030-004-ZP	M 3	4	5.7	1.65	1.04	2
P0210.030-005-ZP	M 3	5	5.7	1.65	1.04	2
P0210.030-006-ZP	M 3	6	5.7	1.65	1.04	2
P0210.030-008-ZP	M 3	8	5.7	1.65	1.04	2
P0210.030-010-ZP	M 3	10	5.7	1.65	1.04	2
P0210.030-012-ZP	M 3	12	5.7	1.65	1.04	2
P0210.030-016-ZP	M 3	16	5.7	1.65	1.04	2
P0210.030-020-ZP	M 3	20	5.7	1.65	1.04	2
P0210.030-025-ZP	M 3	25	5.7	1.65	1.04	2
P0210.030-030-ZP	M 3	30	5.7	1.65	1.04	2
P0210.030-035-ZP	M 3	35	5.7	1.65	1.04	2
P0210.030-040-ZP	M 3	40	5.7	1.65	1.04	2
P0210.040-005-ZP	M 4	5	7.6	2.2	1.3	2.5
P0210.040-006-ZP	M 4	6	7.6	2.2	1.3	2.5
P0210.040-008-ZP	M 4	8	7.6	2.2	1.3	2.5
P0210.040-010-ZP	M 4	10	7.6	2.2	1.3	2.5
P0210.040-012-ZP	M 4	12	7.6	2.2	1.3	2.5
P0210.040-014-ZP	M 4	14	7.6	2.2	1.3	2.5
P0210.040-016-ZP	M 4	16	7.6	2.2	1.3	2.5
P0210.040-020-ZP	M 4	20	7.6	2.2	1.3	2.5
P0210.040-025-ZP	M 4	25	7.6	2.2	1.3	2.5
P0210.040-030-ZP	M 4	30	7.6	2.2	1.3	2.5
P0210.040-035-ZP	M 4	35	7.6	2.2	1.3	2.5
P0210.040-040-ZP	M 4	40	7.6	2.2	1.3	2.5
P0210.040-045-ZP	M 4	45	7.6	2.2	1.3	2.5
P0210.040-050-ZP	M 4	40	7.6	2.2	1.3	2.5
P0210.050-006-ZP	M 5	6	9.5	2.75	1.56	3
P0210.050-008-ZP	M 5	8	9.5	2.75	1.56	3
P0210.050-010-ZP	M 5	10	9.5	2.75	1.56	3
P0210.050-012-ZP	M 5	12	9.5	2.75	1.56	3
P0210.050-014-ZP	M 5	14	9.5	2.75	1.56	3
P0210.050-016-ZP	M 5	16	9.5	2.75	1.56	3
P0210.050-020-ZP	M 5	20	9.5	2.75	1.56	3
P0210.050-025-ZP	M 5	25	9.5	2.75	1.56	3
P0210.050-030-ZP	M 5	30	9.5	2.75	1.56	3

Socket Button Screws

Steel - zinc-plated

Standard Screws

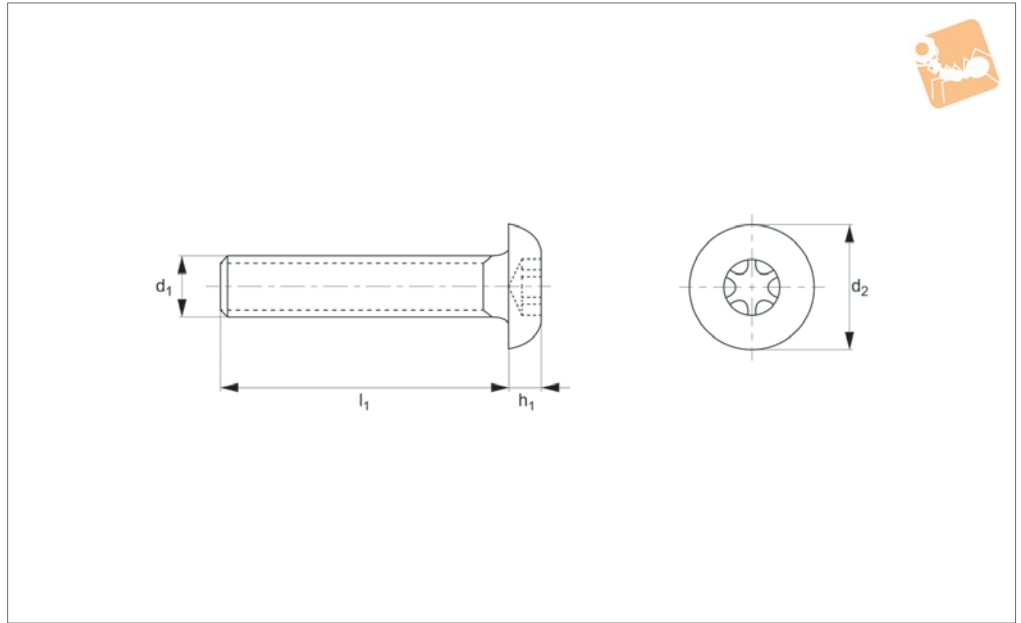


Order No.	d ₁	l ₁	d ₂	h ₁	h ₂	A/F
P0210.050-035-ZP	M 5	35	9.5	2.75	1.56	3
P0210.050-040-ZP	M 5	40	9.5	2.75	1.56	3
P0210.050-045-ZP	M 5	45	9.5	2.75	1.56	3
P0210.050-050-ZP	M 5	50	9.5	2.75	1.56	3
P0210.050-055-ZP	M 5	55	9.5	2.75	1.56	3
P0210.050-060-ZP	M 5	60	9.5	2.75	1.56	3
P0210.060-008-ZP	M 6	8	10.5	3.3	2.08	4
P0210.060-010-ZP	M 6	10	10.5	3.3	2.08	4
P0210.060-012-ZP	M 6	12	10.5	3.3	2.08	4
P0210.060-014-ZP	M 6	14	10.5	3.3	2.08	4
P0210.060-016-ZP	M 6	16	10.5	3.3	2.08	4
P0210.060-020-ZP	M 6	20	10.5	3.3	2.08	4
P0210.060-025-ZP	M 6	25	10.5	3.3	2.08	4
P0210.060-030-ZP	M 6	30	10.5	3.3	2.08	4
P0210.060-035-ZP	M 6	35	10.5	3.3	2.08	4
P0210.060-040-ZP	M 6	40	10.5	3.3	2.08	4
P0210.060-045-ZP	M 6	45	10.5	3.3	2.08	4
P0210.060-050-ZP	M 6	50	10.5	3.3	2.08	4
P0210.060-055-ZP	M 6	55	10.5	3.3	2.08	4
P0210.060-060-ZP	M 6	60	10.5	3.3	2.08	4
P0210.060-070-ZP	M 6	70	10.5	3.3	2.08	4
P0210.080-010-ZP	M 8	10	14	4.4	2.6	5
P0210.080-012-ZP	M 8	12	14	4.4	2.6	5
P0210.080-014-ZP	M 8	14	14	4.4	2.6	5
P0210.080-016-ZP	M 8	16	14	4.4	2.6	5
P0210.080-020-ZP	M 8	20	14	4.4	2.6	5
P0210.080-025-ZP	M 8	25	14	4.4	2.6	5
P0210.080-030-ZP	M 8	30	14	4.4	2.6	5
P0210.080-035-ZP	M 8	35	14	4.4	2.6	5
P0210.080-040-ZP	M 8	40	14	4.4	2.6	5
P0210.080-045-ZP	M 8	45	14	4.4	2.6	5
P0210.080-050-ZP	M 8	50	14	4.4	2.6	5
P0210.080-055-ZP	M 8	55	14	4.4	2.6	5
P0210.080-060-ZP	M 8	60	14	4.4	2.6	5
P0210.080-070-ZP	M 8	70	14	4.4	2.6	5
P0210.080-080-ZP	M 8	80	14	4.4	2.6	5
P0210.100-012-ZP	M10	12	17.5	5.5	3.12	6
P0210.100-016-ZP	M10	16	17.5	5.5	3.12	6
P0210.100-020-ZP	M10	20	17.5	5.5	3.12	6
P0210.100-025-ZP	M10	25	17.5	5.5	3.12	6
P0210.100-030-ZP	M10	30	17.5	5.5	3.12	6
P0210.100-035-ZP	M10	35	17.5	5.5	3.12	6
P0210.100-040-ZP	M10	40	17.5	5.5	3.12	6
P0210.100-045-ZP	M10	45	17.5	5.5	3.12	6
P0210.100-050-ZP	M10	50	17.5	5.5	3.12	6
P0210.100-055-ZP	M10	55	17.5	5.5	3.12	6
P0210.100-060-ZP	M10	60	17.5	5.5	3.12	6
P0210.100-070-ZP	M10	70	17.5	5.5	3.12	6
P0210.100-080-ZP	M10	80	17.5	5.5	3.12	6
P0210.120-020-ZP	M12	20	21	6.6	4.16	8
P0210.120-025-ZP	M12	25	21	6.6	4.16	8
P0210.120-030-ZP	M12	30	21	6.6	4.16	8
P0210.120-035-ZP	M12	35	21	6.6	4.16	8
P0210.120-040-ZP	M12	40	21	6.6	4.16	8
P0210.120-045-ZP	M12	45	21	6.6	4.16	8
P0210.120-050-ZP	M12	50	21	6.6	4.16	8
P0210.120-055-ZP	M12	55	21	6.6	4.16	8
P0210.120-060-ZP	M12	60	21	6.6	4.16	8
P0210.120-070-ZP	M12	70	21	6.6	4.16	8
P0210.120-080-ZP	M12	80	21	6.6	4.16	8

STANDARD SCREWS



P0212.A2



Material

Stainless steel A2.

head.

Technical Notes

To ISO 7380. Threaded within 2,5 x pitch of

See technical page for tightening torques.

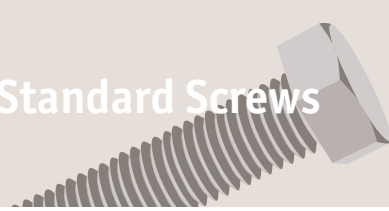
Order No.	d ₁	l ₁	d ₂	h ₁	Size
P0212.030-003-A2	M 3	3	5.7	1.65	TX-10
P0212.030-004-A2	M 3	4	5.7	1.65	TX-10
P0212.030-005-A2	M 3	5	5.7	1.65	TX-10
P0212.030-006-A2	M 3	6	5.7	1.65	TX-10
P0212.030-008-A2	M 3	8	5.7	1.65	TX-10
P0212.030-010-A2	M 3	10	5.7	1.65	TX-10
P0212.030-012-A2	M 3	12	5.7	1.65	TX-10
P0212.030-014-A2	M 3	14	5.7	1.65	TX-10
P0212.030-016-A2	M 3	16	5.7	1.65	TX-10
P0212.030-020-A2	M 3	20	5.7	1.65	TX-10
P0212.030-022-A2	M 3	22	5.7	1.65	TX-10
P0212.030-025-A2	M 3	25	5.7	1.65	TX-10
P0212.030-030-A2	M 3	30	5.7	1.65	TX-10
P0212.030-035-A2	M 3	35	5.7	1.65	TX-10
P0212.030-040-A2	M 3	40	5.7	1.65	TX-10
P0212.030-045-A2	M 3	45	5.7	1.65	TX-10
P0212.030-050-A2	M 3	50	5.7	1.65	TX-10
P0212.040-004-A2	M 4	4	7.6	2.2	TX-20
P0212.040-005-A2	M 4	5	7.6	2.2	TX-20
P0212.040-006-A2	M 4	6	7.6	2.2	TX-20
P0212.040-008-A2	M 4	8	7.6	2.2	TX-20
P0212.040-010-A2	M 4	10	7.6	2.2	TX-20
P0212.040-012-A2	M 4	12	7.6	2.2	TX-20
P0212.040-014-A2	M 4	14	7.6	2.2	TX-20
P0212.040-016-A2	M 4	16	7.6	2.2	TX-20
P0212.040-018-A2	M 4	18	7.6	2.2	TX-20
P0212.040-020-A2	M 4	20	7.6	2.2	TX-20
P0212.040-022-A2	M 4	22	7.6	2.2	TX-20
P0212.040-025-A2	M 4	25	7.6	2.2	TX-20
P0212.040-030-A2	M 4	30	7.6	2.2	TX-20
P0212.040-035-A2	M 4	35	7.6	2.2	TX-20
P0212.040-040-A2	M 4	40	7.6	2.2	TX-20
P0212.040-045-A2	M 4	45	7.6	2.2	TX-20
P0212.040-050-A2	M 4	50	7.6	2.2	TX-20



TX Button Screws

TX - A2 stainless

Standard Screws



Order No.	d ₁	l ₁	d ₂	h ₁	Size
P0212.040-055-A2	M 4	55	7.6	2.2	TX-20
P0212.040-060-A2	M 4	60	7.6	2.2	TX-20
P0212.050-005-A2	M 5	5	9.5	2.75	TX-25
P0212.050-006-A2	M 5	6	9.5	2.75	TX-25
P0212.050-008-A2	M 5	8	9.5	2.75	TX-25
P0212.050-010-A2	M 5	10	9.5	2.75	TX-25
P0212.050-012-A2	M 5	12	9.5	2.75	TX-25
P0212.050-014-A2	M 5	14	9.5	2.75	TX-25
P0212.050-016-A2	M 5	16	9.5	2.75	TX-25
P0212.050-018-A2	M 5	18	9.5	2.75	TX-25
P0212.050-020-A2	M 5	20	9.5	2.75	TX-25
P0212.050-022-A2	M 5	22	9.5	2.75	TX-25
P0212.050-025-A2	M 5	25	9.5	2.75	TX-25
P0212.050-030-A2	M 5	30	9.5	2.75	TX-25
P0212.050-035-A2	M 5	35	9.5	2.75	TX-25
P0212.050-040-A2	M 5	40	9.5	2.75	TX-25
P0212.050-045-A2	M 5	45	9.5	2.75	TX-25
P0212.050-050-A2	M 5	50	9.5	2.75	TX-25
P0212.050-055-A2	M 5	55	9.5	2.75	TX-25
P0212.050-060-A2	M 5	60	9.5	2.75	TX-25
P0212.050-065-A2	M 5	65	9.5	2.75	TX-25
P0212.050-070-A2	M 5	70	9.5	2.75	TX-25
P0212.050-075-A2	M 5	75	9.5	2.75	TX-25
P0212.050-080-A2	M 5	80	9.5	2.75	TX-25
P0212.060-006-A2	M 6	6	10.5	3.3	TX-30
P0212.060-008-A2	M 6	8	10.5	3.3	TX-30
P0212.060-010-A2	M 6	10	10.5	3.3	TX-30
P0212.060-012-A2	M 6	12	10.5	3.3	TX-30
P0212.060-014-A2	M 6	14	10.5	3.3	TX-30
P0212.060-016-A2	M 6	16	10.5	3.3	TX-30
P0212.060-018-A2	M 6	18	10.5	3.3	TX-30
P0212.060-020-A2	M 6	20	10.5	3.3	TX-30
P0212.060-022-A2	M 6	22	10.5	3.3	TX-30
P0212.060-025-A2	M 6	25	10.5	3.3	TX-30
P0212.060-030-A2	M 6	30	10.5	3.3	TX-30
P0212.060-035-A2	M 6	35	10.5	3.3	TX-30
P0212.060-040-A2	M 6	40	10.5	3.3	TX-30
P0212.060-045-A2	M 6	45	10.5	3.3	TX-30
P0212.060-050-A2	M 6	50	10.5	3.3	TX-30
P0212.060-055-A2	M 6	55	10.5	3.3	TX-30
P0212.060-060-A2	M 6	60	10.5	3.3	TX-30
P0212.060-065-A2	M 6	65	10.5	3.3	TX-30
P0212.060-070-A2	M 6	70	10.5	3.3	TX-30
P0212.060-075-A2	M 6	75	10.5	3.3	TX-30
P0212.060-080-A2	M 6	80	10.5	3.3	TX-30
P0212.060-090-A2	M 6	90	10.5	3.3	TX-30
P0212.060-100-A2	M 6	100	10.5	3.3	TX-30
P0212.080-008-A2	M 8	8	14	4.4	TX-40
P0212.080-010-A2	M 8	10	14	4.4	TX-40
P0212.080-012-A2	M 8	12	14	4.4	TX-40
P0212.080-014-A2	M 8	14	14	4.4	TX-40
P0212.080-016-A2	M 8	16	14	4.4	TX-40
P0212.080-018-A2	M 8	18	14	4.4	TX-40
P0212.080-020-A2	M 8	20	14	4.4	TX-40
P0212.080-022-A2	M 8	22	14	4.4	TX-40
P0212.080-025-A2	M 8	25	14	4.4	TX-40
P0212.080-030-A2	M 8	30	14	4.4	TX-40
P0212.080-035-A2	M 8	35	14	4.4	TX-40
P0212.080-040-A2	M 8	40	14	4.4	TX-40
P0212.080-045-A2	M 8	45	14	4.4	TX-40
P0212.080-050-A2	M 8	50	14	4.4	TX-40
P0212.080-055-A2	M 8	55	14	4.4	TX-40
P0212.080-060-A2	M 8	60	14	4.4	TX-40
P0212.080-065-A2	M 8	65	14	4.4	TX-40
P0212.080-070-A2	M 8	70	14	4.4	TX-40
P0212.080-075-A2	M 8	75	14	4.4	TX-40
P0212.080-080-A2	M 8	80	14	4.4	TX-40
P0212.080-090-A2	M 8	90	14	4.4	TX-40
P0212.080-100-A2	M 8	100	14	4.4	TX-40

STANDARD SCREWS



STANDARD SCREWS

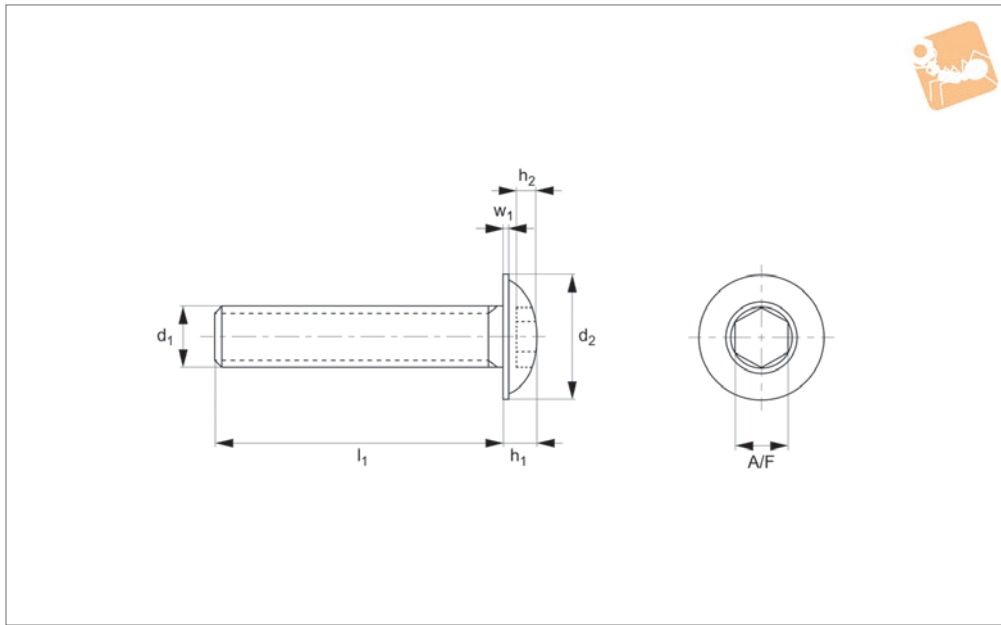
Order No.	d ₁	l ₁	d ₂	h ₁	Size
P0212.080-110-A2	M 8	110	14	4.4	TX-40
P0212.080-120-A2	M 8	120	14	4.4	TX-40
P0212.100-012-A2	M10	12	17.5	5.5	TX-50
P0212.100-014-A2	M10	14	17.5	5.5	TX-50
P0212.100-016-A2	M10	16	17.5	5.5	TX-50
P0212.100-018-A2	M10	18	17.5	5.5	TX-50
P0212.100-020-A2	M10	20	17.5	5.5	TX-50
P0212.100-022-A2	M10	22	17.5	5.5	TX-50
P0212.100-025-A2	M10	25	17.5	5.5	TX-50
P0212.100-030-A2	M10	30	17.5	5.5	TX-50
P0212.100-035-A2	M10	35	17.5	5.5	TX-50
P0212.100-040-A2	M10	40	17.5	5.5	TX-50
P0212.100-045-A2	M10	45	17.5	5.5	TX-50
P0212.100-050-A2	M10	50	17.5	5.5	TX-50
P0212.100-055-A2	M10	55	17.5	5.5	TX-50
P0212.100-060-A2	M10	60	17.5	5.5	TX-50
P0212.100-065-A2	M10	65	17.5	5.5	TX-50
P0212.100-070-A2	M10	70	17.5	5.5	TX-50
P0212.100-075-A2	M10	75	17.5	5.5	TX-50
P0212.100-080-A2	M10	80	17.5	5.5	TX-50
P0212.100-090-A2	M10	90	17.5	5.5	TX-50
P0212.100-100-A2	M10	100	17.5	5.5	TX-50
P0212.100-110-A2	M10	110	17.5	5.5	TX-50
P0212.100-120-A2	M10	120	17.5	5.5	TX-50
P0212.120-016-A2	M12	16	21.0	6.6	TX-55
P0212.120-018-A2	M12	18	21.0	6.6	TX-55
P0212.120-020-A2	M12	20	21.0	6.6	TX-55
P0212.120-022-A2	M12	22	21.0	6.6	TX-55
P0212.120-025-A2	M12	25	21.0	6.6	TX-55
P0212.120-030-A2	M12	30	21.0	6.6	TX-55
P0212.120-035-A2	M12	35	21.0	6.6	TX-55
P0212.120-040-A2	M12	40	21.0	6.6	TX-55
P0212.120-045-A2	M12	45	21.0	6.6	TX-55
P0212.120-050-A2	M12	50	21.0	6.6	TX-55
P0212.120-055-A2	M12	55	21.0	6.6	TX-55
P0212.120-060-A2	M12	60	21.0	6.6	TX-55
P0212.120-065-A2	M12	65	21.0	6.6	TX-55
P0212.120-070-A2	M12	70	21.0	6.6	TX-55
P0212.120-075-A2	M12	75	21.0	6.6	TX-55
P0212.120-080-A2	M12	80	21.0	6.6	TX-55
P0212.120-085-A2	M12	85	21.0	6.6	TX-55
P0212.120-090-A2	M12	90	21.0	6.6	TX-55
P0212.120-095-A2	M12	95	21.0	6.6	TX-55
P0212.120-100-A2	M12	100	21.0	6.6	TX-55
P0212.120-110-A2	M12	110	21.0	6.6	TX-55
P0212.120-120-A2	M12	120	21.0	6.6	TX-55



Flanged Button Screws

Flanged - A2 stainless

Standard Screws



P0214.A2

STANDARD SCREWS

Material

Stainless steel A2.

as the non-flanged variant.

See technical page for tightening torques.

Technical Notes

Manufactured to ISO 7380, the same stan-

Threaded within 2,5 x pitch of head.

Order No.	d ₁	l ₁	d ₂	h ₁	h ₂	w ₁	A/F
P0214.030-003-A2	M 3	3	6.9	1.65	1.4	0.7	2.0
P0214.030-004-A2	M 3	4	6.9	1.65	1.4	0.7	2.0
P0214.030-005-A2	M 3	5	6.9	1.65	1.4	0.7	2.0
P0214.030-006-A2	M 3	6	6.9	1.65	1.4	0.7	2.0
P0214.030-008-A2	M 3	8	6.9	1.65	1.4	0.7	2.0
P0214.030-010-A2	M 3	10	6.9	1.65	1.4	0.7	2.0
P0214.030-012-A2	M 3	12	6.9	1.65	1.4	0.7	2.0
P0214.030-014-A2	M 3	14	6.9	1.65	1.4	0.7	2.0
P0214.030-016-A2	M 3	16	6.9	1.65	1.4	0.7	2.0
P0214.030-018-A2	M 3	18	6.9	1.65	1.4	0.7	2.0
P0214.030-020-A2	M 3	20	6.9	1.65	1.4	0.7	2.0
P0214.030-022-A2	M 3	22	6.9	1.65	1.4	0.7	2.0
P0214.030-025-A2	M 3	25	6.9	1.65	1.4	0.7	2.0
P0214.030-030-A2	M 3	30	6.9	1.65	1.4	0.7	2.0
P0214.030-035-A2	M 3	35	6.9	1.65	1.4	0.7	2.0
P0214.030-040-A2	M 3	40	6.9	1.65	1.4	0.7	2.0
P0214.030-045-A2	M 3	45	6.9	1.65	1.4	0.7	2.0
P0214.030-050-A2	M 3	50	6.9	1.65	1.4	0.7	2.0
P0214.040-004-A2	M 4	4	9.4	2.20	1.7	0.8	2.5
P0214.040-005-A2	M 4	5	9.4	2.20	1.7	0.8	2.5
P0214.040-006-A2	M 4	6	9.4	2.20	1.7	0.8	2.5
P0214.040-008-A2	M 4	8	9.4	2.20	1.7	0.8	2.5
P0214.040-010-A2	M 4	10	9.4	2.20	1.7	0.8	2.5
P0214.040-012-A2	M 4	12	9.4	2.20	1.7	0.8	2.5
P0214.040-014-A2	M 4	14	9.4	2.20	1.7	0.8	2.5
P0214.040-016-A2	M 4	16	9.4	2.20	1.7	0.8	2.5
P0214.040-018-A2	M 4	18	9.4	2.20	1.7	0.8	2.5
P0214.040-020-A2	M 4	20	9.4	2.20	1.7	0.8	2.5
P0214.040-022-A2	M 4	22	9.4	2.20	1.7	0.8	2.5
P0214.040-025-A2	M 4	25	9.4	2.20	1.7	0.8	2.5
P0214.040-030-A2	M 4	30	9.4	2.20	1.7	0.8	2.5
P0214.040-035-A2	M 4	35	9.4	2.20	1.7	0.8	2.5
P0214.040-040-A2	M 4	40	9.4	2.20	1.7	0.8	2.5
P0214.040-045-A2	M 4	45	9.4	2.20	1.7	0.8	2.5



STANDARD SCREWS

Order No.	d ₁	l ₁	d ₂	h ₁	h ₂	w ₁	A/F
P0214.040-050-A2	M 4	50	9.4	2.20	1.7	0.8	2.5
P0214.040-055-A2	M 4	55	9.4	2.20	1.7	0.8	2.5
P0214.040-060-A2	M 4	60	9.4	2.20	1.7	0.8	2.5
P0214.050-005-A2	M 5	5	11.8	2.75	2.2	0.9	3.0
P0214.050-006-A2	M 5	6	11.8	2.75	2.2	0.9	3.0
P0214.050-008-A2	M 5	8	11.8	2.75	2.2	0.9	3.0
P0214.050-010-A2	M 5	10	11.8	2.75	2.2	0.9	3.0
P0214.050-012-A2	M 5	12	11.8	2.75	2.2	0.9	3.0
P0214.050-014-A2	M 5	14	11.8	2.75	2.2	0.9	3.0
P0214.050-016-A2	M 5	16	11.8	2.75	2.2	0.9	3.0
P0214.050-018-A2	M 5	18	11.8	2.75	2.2	0.9	3.0
P0214.050-020-A2	M 5	20	11.8	2.75	2.2	0.9	3.0
P0214.050-022-A2	M 5	22	11.8	2.75	2.2	0.9	3.0
P0214.050-025-A2	M 5	25	11.8	2.75	2.2	0.9	3.0
P0214.050-030-A2	M 5	30	11.8	2.75	2.2	0.9	3.0
P0214.050-035-A2	M 5	35	11.8	2.75	2.2	0.9	3.0
P0214.050-040-A2	M 5	40	11.8	2.75	2.2	0.9	3.0
P0214.050-045-A2	M 5	45	11.8	2.75	2.2	0.9	3.0
P0214.050-050-A2	M 5	50	11.8	2.75	2.2	0.9	3.0
P0214.050-055-A2	M 5	55	11.8	2.75	2.2	0.9	3.0
P0214.050-060-A2	M 5	60	11.8	2.75	2.2	0.9	3.0
P0214.050-065-A2	M 5	65	11.8	2.75	2.2	0.9	3.0
P0214.050-070-A2	M 5	70	11.8	2.75	2.2	0.9	3.0
P0214.050-075-A2	M 5	75	11.8	2.75	2.2	0.9	3.0
P0214.050-080-A2	M 5	80	11.8	2.75	2.2	0.9	3.0
P0214.060-006-A2	M 6	6	13.6	3.30	2.4	1.2	4.0
P0214.060-008-A2	M 6	8	13.6	3.30	2.4	1.2	4.0
P0214.060-010-A2	M 6	10	13.6	3.30	2.4	1.2	4.0
P0214.060-012-A2	M 6	12	13.6	3.30	2.4	1.2	4.0
P0214.060-014-A2	M 6	14	13.6	3.30	2.4	1.2	4.0
P0214.060-016-A2	M 6	16	13.6	3.30	2.4	1.2	4.0
P0214.060-018-A2	M 6	18	13.6	3.30	2.4	1.2	4.0
P0214.060-020-A2	M 6	20	13.6	3.30	2.4	1.2	4.0
P0214.060-022-A2	M 6	22	13.6	3.30	2.4	1.2	4.0
P0214.060-025-A2	M 6	25	13.6	3.30	2.4	1.2	4.0
P0214.060-030-A2	M 6	30	13.6	3.30	2.4	1.2	4.0
P0214.060-035-A2	M 6	35	13.6	3.30	2.4	1.2	4.0
P0214.060-040-A2	M 6	40	13.6	3.30	2.4	1.2	4.0
P0214.060-045-A2	M 6	45	13.6	3.30	2.4	1.2	4.0
P0214.060-050-A2	M 6	50	13.6	3.30	2.4	1.2	4.0
P0214.060-055-A2	M 6	55	13.6	3.30	2.4	1.2	4.0
P0214.060-060-A2	M 6	60	13.6	3.30	2.4	1.2	4.0
P0214.060-065-A2	M 6	65	13.6	3.30	2.4	1.2	4.0
P0214.060-070-A2	M 6	70	13.6	3.30	2.4	1.2	4.0
P0214.060-075-A2	M 6	75	13.6	3.30	2.4	1.2	4.0
P0214.060-080-A2	M 6	80	13.6	3.30	2.4	1.2	4.0
P0214.060-090-A2	M 6	90	13.6	3.30	2.4	1.2	4.0
P0214.060-100-A2	M 6	100	13.6	3.30	2.4	1.2	4.0
P0214.060-120-A2	M 6	120	13.6	3.30	2.4	1.2	4.0
P0214.080-008-A2	M 8	8	17.8	4.40	3.2	1.5	5.0
P0214.080-010-A2	M 8	10	17.8	4.40	3.2	1.5	5.0
P0214.080-012-A2	M 8	12	17.8	4.40	3.2	1.5	5.0
P0214.080-014-A2	M 8	14	17.8	4.40	3.2	1.5	5.0
P0214.080-016-A2	M 8	16	17.8	4.40	3.2	1.5	5.0
P0214.080-018-A2	M 8	18	17.8	4.40	3.2	1.5	5.0
P0214.080-020-A2	M 8	20	17.8	4.40	3.2	1.5	5.0
P0214.080-022-A2	M 8	22	17.8	4.40	3.2	1.5	5.0
P0214.080-025-A2	M 8	25	17.8	4.40	3.2	1.5	5.0
P0214.080-030-A2	M 8	30	17.8	4.40	3.2	1.5	5.0
P0214.080-035-A2	M 8	35	17.8	4.40	3.2	1.5	5.0
P0214.080-040-A2	M 8	40	17.8	4.40	3.2	1.5	5.0
P0214.080-045-A2	M 8	45	17.8	4.40	3.2	1.5	5.0
P0214.080-050-A2	M 8	50	17.8	4.40	3.2	1.5	5.0
P0214.080-055-A2	M 8	55	17.8	4.40	3.2	1.5	5.0
P0214.080-060-A2	M 8	60	17.8	4.40	3.2	1.5	5.0
P0214.080-065-A2	M 8	65	17.8	4.40	3.2	1.5	5.0
P0214.080-070-A2	M 8	70	17.8	4.40	3.2	1.5	5.0
P0214.080-075-A2	M 8	75	17.8	4.40	3.2	1.5	5.0
P0214.080-080-A2	M 8	80	17.8	4.40	3.2	1.5	5.0



Flanged Button Screws

Flanged - A2 stainless

Standard Screws



Order No.	d ₁	l ₁	d ₂	h ₁	h ₂	w ₁	A/F
P0214.080-090-A2	M 8	90	17.8	4.40	3.2	1.5	5.0
P0214.080-100-A2	M 8	100	17.8	4.40	3.2	1.5	5.0
P0214.080-120-A2	M 8	120	17.8	4.40	3.2	1.5	5.0
P0214.100-012-A2	M10	12	21.9	5.50	3.8	1	6.0
P0214.100-014-A2	M10	14	21.9	5.50	3.8	1	6.0
P0214.100-016-A2	M10	16	21.9	5.50	3.8	1	6.0
P0214.100-018-A2	M10	18	21.9	5.50	3.8	1	6.0
P0214.100-020-A2	M10	20	21.9	5.50	3.8	1	6.0
P0214.100-022-A2	M10	22	21.9	5.50	3.8	1	6.0
P0214.100-025-A2	M10	25	21.9	5.50	3.8	1	6.0
P0214.100-030-A2	M10	30	21.9	5.50	3.8	1	6.0
P0214.100-035-A2	M10	35	21.9	5.50	3.8	1	6.0
P0214.100-040-A2	M10	40	21.9	5.50	3.8	1	6.0
P0214.100-045-A2	M10	45	21.9	5.50	3.8	1	6.0
P0214.100-050-A2	M10	50	21.9	5.50	3.8	1	6.0
P0214.100-055-A2	M10	55	21.9	5.50	3.8	1	6.0
P0214.100-060-A2	M10	60	21.9	5.50	3.8	1	6.0
P0214.100-065-A2	M10	65	21.9	5.50	3.8	1	6.0
P0214.100-070-A2	M10	70	21.9	5.50	3.8	1	6.0
P0214.100-075-A2	M10	75	21.9	5.50	3.8	1	6.0
P0214.100-080-A2	M10	80	21.9	5.50	3.8	1	6.0
P0214.100-090-A2	M10	90	21.9	5.50	3.8	1	6.0
P0214.100-100-A2	M10	100	21.9	5.50	3.8	1	6.0
P0214.100-110-A2	M10	110	21.9	5.50	3.8	1	6.0
P0214.100-120-A2	M10	120	21.9	5.50	3.8	1	6.0

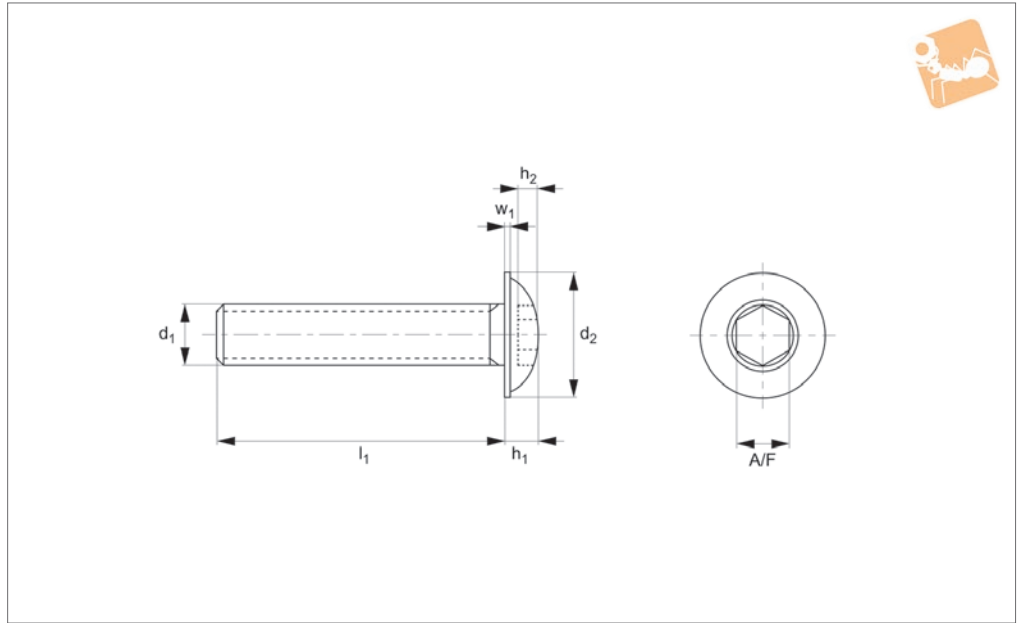
STANDARD SCREWS



STANDARD SCREWS



P0214.A4



Material

Stainless steel A4.

Standard as the non-flanged variant.

See technical page for tightening torques.

Technical Notes

Manufactured to ISO 7380, the same stan-

Threaded within 2,5 x pitch of head.

Order No.	d ₁	l ₁	d ₂	h ₁	h ₂	w ₁	A/F
P0214.030-003-A4	M 3	3	6.9	1.65	1.4	0.7	2.0
P0214.030-004-A4	M 3	4	6.9	1.65	1.4	0.7	2.0
P0214.030-005-A4	M 3	5	6.9	1.65	1.4	0.7	2.0
P0214.030-006-A4	M 3	6	6.9	1.65	1.4	0.7	2.0
P0214.030-008-A4	M 3	8	6.9	1.65	1.4	0.7	2.0
P0214.030-010-A4	M 3	10	6.9	1.65	1.4	0.7	2.0
P0214.030-012-A4	M 3	12	6.9	1.65	1.4	0.7	2.0
P0214.030-014-A4	M 3	14	6.9	1.65	1.4	0.7	2.0
P0214.030-016-A4	M 3	16	6.9	1.65	1.4	0.7	2.0
P0214.030-018-A4	M 3	18	6.9	1.65	1.4	0.7	2.0
P0214.030-020-A4	M 3	20	6.9	1.65	1.4	0.7	2.0
P0214.030-022-A4	M 3	22	6.9	1.65	1.4	0.7	2.0
P0214.030-025-A4	M 3	25	6.9	1.65	1.4	0.7	2.0
P0214.030-030-A4	M 3	30	6.9	1.65	1.4	0.7	2.0
P0214.030-035-A4	M 3	35	6.9	1.65	1.4	0.7	2.0
P0214.030-040-A4	M 3	40	6.9	1.65	1.4	0.7	2.0
P0214.030-045-A4	M 3	45	6.9	1.65	1.4	0.7	2.0
P0214.030-050-A4	M 3	50	6.9	1.65	1.4	0.7	2.0
P0214.040-004-A4	M 4	4	9.4	2.20	1.7	0.8	2.5
P0214.040-005-A4	M 4	5	9.4	2.20	1.7	0.8	2.5
P0214.040-006-A4	M 4	6	9.4	2.20	1.7	0.8	2.5
P0214.040-008-A4	M 4	8	9.4	2.20	1.7	0.8	2.5
P0214.040-010-A4	M 4	10	9.4	2.20	1.7	0.8	2.5
P0214.040-012-A4	M 4	12	9.4	2.20	1.7	0.8	2.5
P0214.040-014-A4	M 4	14	9.4	2.20	1.7	0.8	2.5
P0214.040-016-A4	M 4	16	9.4	2.20	1.7	0.8	2.5
P0214.040-018-A4	M 4	18	9.4	2.20	1.7	0.8	2.5
P0214.040-020-A4	M 4	20	9.4	2.20	1.7	0.8	2.5
P0214.040-022-A4	M 4	22	9.4	2.20	1.7	0.8	2.5
P0214.040-025-A4	M 4	25	9.4	2.20	1.7	0.8	2.5
P0214.040-030-A4	M 4	30	9.4	2.20	1.7	0.8	2.5
P0214.040-035-A4	M 4	35	9.4	2.20	1.7	0.8	2.5
P0214.040-040-A4	M 4	40	9.4	2.20	1.7	0.8	2.5
P0214.040-045-A4	M 4	45	9.4	2.20	1.7	0.8	2.5



Flanged Button Screws

Flanged - A4 stainless

Standard Screws



Order No.	d ₁	l ₁	d ₂	h ₁	h ₂	w ₁	A/F
P0214.040-050-A4	M 4	50	9.4	2.20	1.7	0.8	2.5
P0214.040-055-A4	M 4	55	9.4	2.20	1.7	0.8	2.5
P0214.040-060-A4	M 4	60	9.4	2.20	1.7	0.8	2.5
P0214.050-005-A4	M 5	5	11.8	2.75	2.2	0.9	3.0
P0214.050-006-A4	M 5	6	11.8	2.75	2.2	0.9	3.0
P0214.050-008-A4	M 5	8	11.8	2.75	2.2	0.9	3.0
P0214.050-010-A4	M 5	10	11.8	2.75	2.2	0.9	3.0
P0214.050-012-A4	M 5	12	11.8	2.75	2.2	0.9	3.0
P0214.050-014-A4	M 5	14	11.8	2.75	2.2	0.9	3.0
P0214.050-016-A4	M 5	16	11.8	2.75	2.2	0.9	3.0
P0214.050-018-A4	M 5	18	11.8	2.75	2.2	0.9	3.0
P0214.050-020-A4	M 5	20	11.8	2.75	2.2	0.9	3.0
P0214.050-022-A4	M 5	22	11.8	2.75	2.2	0.9	3.0
P0214.050-025-A4	M 5	25	11.8	2.75	2.2	0.9	3.0
P0214.050-030-A4	M 5	30	11.8	2.75	2.2	0.9	3.0
P0214.050-035-A4	M 5	35	11.8	2.75	2.2	0.9	3.0
P0214.050-040-A4	M 5	40	11.8	2.75	2.2	0.9	3.0
P0214.050-045-A4	M 5	45	11.8	2.75	2.2	0.9	3.0
P0214.050-050-A4	M 5	50	11.8	2.75	2.2	0.9	3.0
P0214.050-055-A4	M 5	55	11.8	2.75	2.2	0.9	3.0
P0214.050-060-A4	M 5	60	11.8	2.75	2.2	0.9	3.0
P0214.050-065-A4	M 5	65	11.8	2.75	2.2	0.9	3.0
P0214.050-070-A4	M 5	70	11.8	2.75	2.2	0.9	3.0
P0214.050-075-A4	M 5	75	11.8	2.75	2.2	0.9	3.0
P0214.050-080-A4	M 5	80	11.8	2.75	2.2	0.9	3.0
P0214.060-006-A4	M 6	6	13.6	3.30	2.4	1.2	4.0
P0214.060-008-A4	M 6	8	13.6	3.30	2.4	1.2	4.0
P0214.060-010-A4	M 6	10	13.6	3.30	2.4	1.2	4.0
P0214.060-012-A4	M 6	12	13.6	3.30	2.4	1.2	4.0
P0214.060-014-A4	M 6	14	13.6	3.30	2.4	1.2	4.0
P0214.060-016-A4	M 6	16	13.6	3.30	2.4	1.2	4.0
P0214.060-018-A4	M 6	18	13.6	3.30	2.4	1.2	4.0
P0214.060-020-A4	M 6	20	13.6	3.30	2.4	1.2	4.0
P0214.060-022-A4	M 6	22	13.6	3.30	2.4	1.2	4.0
P0214.060-025-A4	M 6	25	13.6	3.30	2.4	1.2	4.0
P0214.060-030-A4	M 6	30	13.6	3.30	2.4	1.2	4.0
P0214.060-035-A4	M 6	35	13.6	3.30	2.4	1.2	4.0
P0214.060-040-A4	M 6	40	13.6	3.30	2.4	1.2	4.0
P0214.060-045-A4	M 6	45	13.6	3.30	2.4	1.2	4.0
P0214.060-050-A4	M 6	50	13.6	3.30	2.4	1.2	4.0
P0214.060-055-A4	M 6	55	13.6	3.30	2.4	1.2	4.0
P0214.060-060-A4	M 6	60	13.6	3.30	2.4	1.2	4.0
P0214.060-065-A4	M 6	65	13.6	3.30	2.4	1.2	4.0
P0214.060-070-A4	M 6	70	13.6	3.30	2.4	1.2	4.0
P0214.060-075-A4	M 6	75	13.6	3.30	2.4	1.2	4.0
P0214.060-080-A4	M 6	80	13.6	3.30	2.4	1.2	4.0
P0214.060-090-A4	M 6	90	13.6	3.30	2.4	1.2	4.0
P0214.060-100-A4	M 6	100	13.6	3.30	2.4	1.2	4.0
P0214.060-120-A4	M 6	120	13.6	3.30	2.4	1.2	4.0
P0214.080-008-A4	M 8	8	17.8	4.40	3.2	1.5	5.0
P0214.080-010-A4	M 8	10	17.8	4.40	3.2	1.5	5.0
P0214.080-012-A4	M 8	12	17.8	4.40	3.2	1.5	5.0
P0214.080-014-A4	M 8	14	17.8	4.40	3.2	1.5	5.0
P0214.080-016-A4	M 8	16	17.8	4.40	3.2	1.5	5.0
P0214.080-018-A4	M 8	18	17.8	4.40	3.2	1.5	5.0
P0214.080-020-A4	M 8	20	17.8	4.40	3.2	1.5	5.0
P0214.080-022-A4	M 8	22	17.8	4.40	3.2	1.5	5.0
P0214.080-025-A4	M 8	25	17.8	4.40	3.2	1.5	5.0
P0214.080-030-A4	M 8	30	17.8	4.40	3.2	1.5	5.0
P0214.080-035-A4	M 8	35	17.8	4.40	3.2	1.5	5.0
P0214.080-040-A4	M 8	40	17.8	4.40	3.2	1.5	5.0
P0214.080-045-A4	M 8	45	17.8	4.40	3.2	1.5	5.0
P0214.080-050-A4	M 8	50	17.8	4.40	3.2	1.5	5.0
P0214.080-055-A4	M 8	55	17.8	4.40	3.2	1.5	5.0
P0214.080-060-A4	M 8	60	17.8	4.40	3.2	1.5	5.0
P0214.080-065-A4	M 8	65	17.8	4.40	3.2	1.5	5.0
P0214.080-070-A4	M 8	70	17.8	4.40	3.2	1.5	5.0
P0214.080-075-A4	M 8	75	17.8	4.40	3.2	1.5	5.0
P0214.080-080-A4	M 8	80	17.8	4.40	3.2	1.5	5.0

STANDARD SCREWS



STANDARD SCREWS

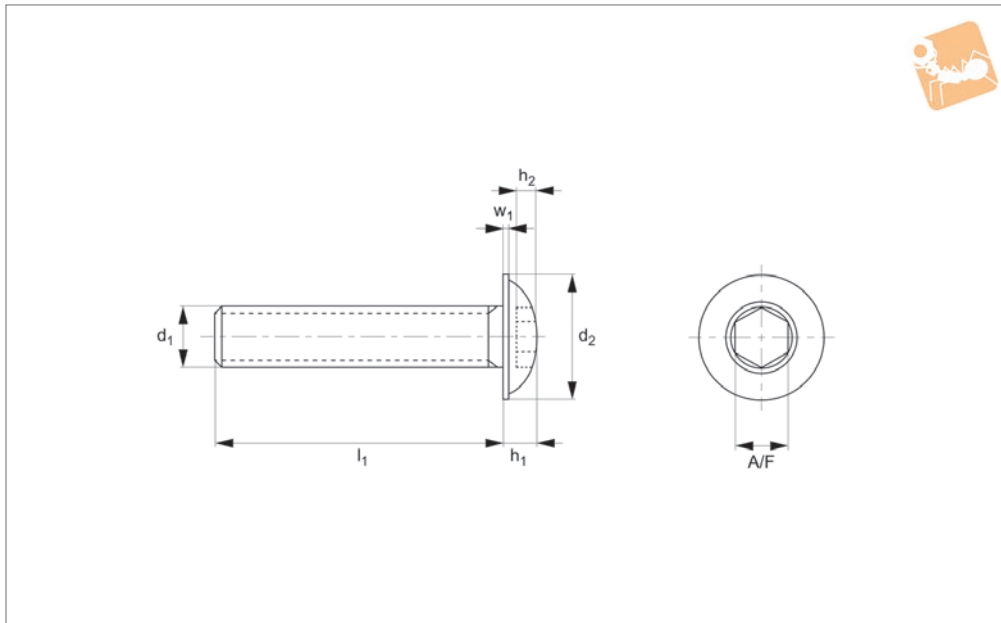
Order No.	d ₁	l ₁	d ₂	h ₁	h ₂	w ₁	A/F
P0214.080-090-A4	M 8	90	17.8	4.40	3.2	1.5	5.0
P0214.080-100-A4	M 8	100	17.8	4.40	3.2	1.5	5.0
P0214.080-120-A4	M 8	120	17.8	4.40	3.2	1.5	5.0
P0214.100-012-A4	M10	12	21.9	5.50	3.8	1	6.0
P0214.100-014-A4	M10	14	21.9	5.50	3.8	1	6.0
P0214.100-016-A4	M10	16	21.9	5.50	3.8	1	6.0
P0214.100-018-A4	M10	18	21.9	5.50	3.8	1	6.0
P0214.100-020-A4	M10	20	21.9	5.50	3.8	1	6.0
P0214.100-022-A4	M10	22	21.9	5.50	3.8	1	6.0
P0214.100-025-A4	M10	25	21.9	5.50	3.8	1	6.0
P0214.100-030-A4	M10	30	21.9	5.50	3.8	1	6.0
P0214.100-035-A4	M10	35	21.9	5.50	3.8	1	6.0
P0214.100-040-A4	M10	40	21.9	5.50	3.8	1	6.0
P0214.100-045-A4	M10	45	21.9	5.50	3.8	1	6.0
P0214.100-050-A4	M10	50	21.9	5.50	3.8	1	6.0
P0214.100-055-A4	M10	55	21.9	5.50	3.8	1	6.0
P0214.100-060-A4	M10	60	21.9	5.50	3.8	1	6.0
P0214.100-065-A4	M10	65	21.9	5.50	3.8	1	6.0
P0214.100-070-A4	M10	70	21.9	5.50	3.8	1	6.0
P0214.100-075-A4	M10	75	21.9	5.50	3.8	1	6.0
P0214.100-080-A4	M10	80	21.9	5.50	3.8	1	6.0
P0214.100-090-A4	M10	90	21.9	5.50	3.8	1	6.0
P0214.100-100-A4	M10	100	21.9	5.50	3.8	1	6.0
P0214.100-110-A4	M10	110	21.9	5.50	3.8	1	6.0
P0214.100-120-A4	M10	120	21.9	5.50	3.8	1	6.0



Flanged Button Screws

Flanged - Steel - zinc-plated

Standard Screws



P0214.ZP

STANDARD SCREWS

Material

Steel, zinc-plated (grade 10.9 (010.9)).

Technical Notes

Threaded within 2,5 x pitch of head.

Order No.	d ₁	l ₁	d ₂	h ₁	h ₂	w ₁	A/F
P0214.030-003-ZP	M 3	3	6.9	1.65	1.4	0.7	2.0
P0214.030-004-ZP	M 3	4	6.9	1.65	1.4	0.7	2.0
P0214.030-005-ZP	M 3	5	6.9	1.65	1.4	0.7	2.0
P0214.030-006-ZP	M 3	6	6.9	1.65	1.4	0.7	2.0
P0214.030-008-ZP	M 3	8	6.9	1.65	1.4	0.7	2.0
P0214.030-010-ZP	M 3	10	6.9	1.65	1.4	0.7	2.0
P0214.030-012-ZP	M 3	12	6.9	1.65	1.4	0.7	2.0
P0214.030-014-ZP	M 3	14	6.9	1.65	1.4	0.7	2.0
P0214.030-016-ZP	M 3	16	6.9	1.65	1.4	0.7	2.0
P0214.030-018-ZP	M 3	18	6.9	1.65	1.4	0.7	2.0
P0214.030-020-ZP	M 3	20	6.9	1.65	1.4	0.7	2.0
P0214.030-022-ZP	M 3	22	6.9	1.65	1.4	0.7	2.0
P0214.030-025-ZP	M 3	25	6.9	1.65	1.4	0.7	2.0
P0214.030-030-ZP	M 3	30	6.9	1.65	1.4	0.7	2.0
P0214.030-035-ZP	M 3	35	6.9	1.65	1.4	0.7	2.0
P0214.030-040-ZP	M 3	40	6.9	1.65	1.4	0.7	2.0
P0214.030-045-ZP	M 3	45	6.9	1.65	1.4	0.7	2.0
P0214.030-050-ZP	M 3	20	6.9	1.65	1.4	0.7	2.0
P0214.040-004-ZP	M 4	4	9.4	2.20	1.7	0.8	2.5
P0214.040-005-ZP	M 4	5	9.4	2.20	1.7	0.8	2.5
P0214.040-006-ZP	M 4	6	9.4	2.20	1.7	0.8	2.5
P0214.040-008-ZP	M 4	8	9.4	2.20	1.7	0.8	2.5
P0214.040-010-ZP	M 4	10	9.4	2.20	1.7	0.8	2.5
P0214.040-012-ZP	M 4	12	9.4	2.20	1.7	0.8	2.5
P0214.040-014-ZP	M 4	14	9.4	2.20	1.7	0.8	2.5
P0214.040-016-ZP	M 4	16	9.4	2.20	1.7	0.8	2.5
P0214.040-018-ZP	M 4	18	9.4	2.20	1.7	0.8	2.5
P0214.040-020-ZP	M 4	20	9.4	2.20	1.7	0.8	2.5
P0214.040-022-ZP	M 4	22	9.4	2.20	1.7	0.8	2.5
P0214.040-025-ZP	M 4	25	9.4	2.20	1.7	0.8	2.5
P0214.040-030-ZP	M 4	30	9.4	2.20	1.7	0.8	2.5
P0214.040-035-ZP	M 4	35	9.4	2.20	1.7	0.8	2.5
P0214.040-040-ZP	M 4	40	9.4	2.20	1.7	0.8	2.5
P0214.040-045-ZP	M 4	45	9.4	2.20	1.7	0.8	2.5
P0214.040-050-ZP	M 4	50	9.4	2.20	1.7	0.8	2.5



STANDARD SCREWS

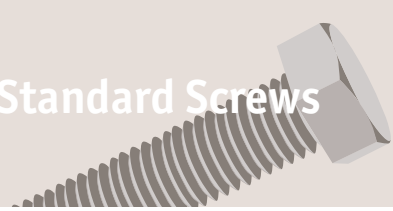
Order No.	d ₁	l ₁	d ₂	h ₁	h ₂	w ₁	A/F
P0214.040-055-ZP	M 4	55	9.4	2.20	1.7	0.8	2.5
P0214.040-060-ZP	M 4	60	9.4	2.20	1.7	0.8	2.5
P0214.050-005-ZP	M 5	5	11.8	2.75	2.2	0.9	3.0
P0214.050-006-ZP	M 5	6	11.8	2.75	2.2	0.9	3.0
P0214.050-008-ZP	M 5	8	11.8	2.75	2.2	0.9	3.0
P0214.050-010-ZP	M 5	10	11.8	2.75	2.2	0.9	3.0
P0214.050-012-ZP	M 5	12	11.8	2.75	2.2	0.9	3.0
P0214.050-014-ZP	M 5	14	11.8	2.75	2.2	0.9	3.0
P0214.050-016-ZP	M 5	16	11.8	2.75	2.2	0.9	3.0
P0214.050-018-ZP	M 5	18	11.8	2.75	2.2	0.9	3.0
P0214.050-020-ZP	M 5	20	11.8	2.75	2.2	0.9	3.0
P0214.050-022-ZP	M 5	22	11.8	2.75	2.2	0.9	3.0
P0214.050-025-ZP	M 5	25	11.8	2.75	2.2	0.9	3.0
P0214.050-030-ZP	M 5	30	11.8	2.75	2.2	0.9	3.0
P0214.050-035-ZP	M 5	35	11.8	2.75	2.2	0.9	3.0
P0214.050-040-ZP	M 5	40	11.8	2.75	2.2	0.9	3.0
P0214.050-045-ZP	M 5	45	11.8	2.75	2.2	0.9	3.0
P0214.050-050-ZP	M 5	50	11.8	2.75	2.2	0.9	3.0
P0214.050-055-ZP	M 5	55	11.8	2.75	2.2	0.9	3.0
P0214.050-060-ZP	M 5	60	11.8	2.75	2.2	0.9	3.0
P0214.050-065-ZP	M 5	65	11.8	2.75	2.2	0.9	3.0
P0214.050-070-ZP	M 5	70	11.8	2.75	2.2	0.9	3.0
P0214.050-075-ZP	M 5	75	11.8	2.75	2.2	0.9	3.0
P0214.050-080-ZP	M 5	80	11.8	2.75	2.2	0.9	3.0
P0214.060-006-ZP	M 6	6	13.6	3.30	2.4	1.2	4.0
P0214.060-008-ZP	M 6	8	13.6	3.30	2.4	1.2	4.0
P0214.060-010-ZP	M 6	10	13.6	3.30	2.4	1.2	4.0
P0214.060-012-ZP	M 6	12	13.6	3.30	2.4	1.2	4.0
P0214.060-014-ZP	M 6	14	13.6	3.30	2.4	1.2	4.0
P0214.060-016-ZP	M 6	16	13.6	3.30	2.4	1.2	4.0
P0214.060-018-ZP	M 6	18	13.6	3.30	2.4	1.2	4.0
P0214.060-020-ZP	M 6	20	13.6	3.30	2.4	1.2	4.0
P0214.060-022-ZP	M 6	22	13.6	3.30	2.4	1.2	4.0
P0214.060-025-ZP	M 6	25	13.6	3.30	2.4	1.2	4.0
P0214.060-030-ZP	M 6	30	13.6	3.30	2.4	1.2	4.0
P0214.060-035-ZP	M 6	35	13.6	3.30	2.4	1.2	4.0
P0214.060-040-ZP	M 6	40	13.6	3.30	2.4	1.2	4.0
P0214.060-045-ZP	M 6	45	13.6	3.30	2.4	1.2	4.0
P0214.060-050-ZP	M 6	50	13.6	3.30	2.4	1.2	4.0
P0214.060-055-ZP	M 6	55	13.6	3.30	2.4	1.2	4.0
P0214.060-060-ZP	M 6	60	13.6	3.30	2.4	1.2	4.0
P0214.060-065-ZP	M 6	65	13.6	3.30	2.4	1.2	4.0
P0214.060-070-ZP	M 6	70	13.6	3.30	2.4	1.2	4.0
P0214.060-075-ZP	M 6	75	13.6	3.30	2.4	1.2	4.0
P0214.060-080-ZP	M 6	80	13.6	3.30	2.4	1.2	4.0
P0214.060-090-ZP	M 6	90	13.6	3.30	2.4	1.2	4.0
P0214.060-100-ZP	M 6	100	13.6	3.30	2.4	1.2	4.0
P0214.060-120-ZP	M 6	120	13.6	3.30	2.4	1.2	4.0
P0214.080-008-ZP	M 8	8	17.8	4.40	3.2	1.5	5.0
P0214.080-010-ZP	M 8	10	17.8	4.40	3.2	1.5	5.0
P0214.080-012-ZP	M 8	12	17.8	4.40	3.2	1.5	5.0
P0214.080-014-ZP	M 8	14	17.8	4.40	3.2	1.5	5.0
P0214.080-016-ZP	M 8	16	17.8	4.40	3.2	1.5	5.0
P0214.080-018-ZP	M 8	18	17.8	4.40	3.2	1.5	5.0
P0214.080-020-ZP	M 8	20	17.8	4.40	3.2	1.5	5.0
P0214.080-022-ZP	M 8	22	17.8	4.40	3.2	1.5	5.0
P0214.080-025-ZP	M 8	25	17.8	4.40	3.2	1.5	5.0
P0214.080-030-ZP	M 8	30	17.8	4.40	3.2	1.5	5.0
P0214.080-035-ZP	M 8	35	17.8	4.40	3.2	1.5	5.0
P0214.080-040-ZP	M 8	40	17.8	4.40	3.2	1.5	5.0
P0214.080-045-ZP	M 8	45	17.8	4.40	3.2	1.5	5.0
P0214.080-050-ZP	M 8	50	17.8	4.40	3.2	1.5	5.0
P0214.080-055-ZP	M 8	55	17.8	4.40	3.2	1.5	5.0
P0214.080-060-ZP	M 8	60	17.8	4.40	3.2	1.5	5.0
P0214.080-065-ZP	M 8	65	17.8	4.40	3.2	1.5	5.0
P0214.080-070-ZP	M 8	70	17.8	4.40	3.2	1.5	5.0
P0214.080-075-ZP	M 8	75	17.8	4.40	3.2	1.5	5.0
P0214.080-080-ZP	M 8	80	17.8	4.40	3.2	1.5	5.0
P0214.080-090-ZP	M 8	90	17.8	4.40	3.2	1.5	5.0



Flanged Button Screws

Flanged - Steel - zinc-plated

Standard Screws



Order No.	d ₁	l ₁	d ₂	h ₁	h ₂	w ₁	A/F
P0214.080-100-ZP	M 8	100	17.8	4.40	3.2	1.5	5.0
P0214.080-120-ZP	M 8	120	17.8	4.40	3.2	1.5	5.0
P0214.100-012-ZP	M10	12	21.9	5.50	3.8	1	6.0
P0214.100-015-ZP	M10	14	21.9	5.50	3.8	1	6.0
P0214.100-016-ZP	M10	16	21.9	5.50	3.8	1	6.0
P0214.100-018-ZP	M10	18	21.9	5.50	3.8	1	6.0
P0214.100-020-ZP	M10	20	21.9	5.50	3.8	1	6.0
P0214.100-022-ZP	M10	22	21.9	5.50	3.8	1	6.0
P0214.100-025-ZP	M10	25	21.9	5.50	3.8	1	6.0
P0214.100-030-ZP	M10	30	21.9	5.50	3.8	1	6.0
P0214.100-035-ZP	M10	35	21.9	5.50	3.8	1	6.0
P0214.100-040-ZP	M10	40	21.9	5.50	3.8	1	6.0
P0214.100-045-ZP	M10	45	21.9	5.50	3.8	1	6.0
P0214.100-050-ZP	M10	50	21.9	5.50	3.8	1	6.0
P0214.100-055-ZP	M10	55	21.9	5.50	3.8	1	6.0
P0214.100-060-ZP	M10	60	21.9	5.50	3.8	1	6.0
P0214.100-065-ZP	M10	65	21.9	5.50	3.8	1	6.0
P0214.100-070-ZP	M10	70	21.9	5.50	3.8	1	6.0
P0214.100-075-ZP	M10	75	21.9	5.50	3.8	1	6.0
P0214.100-080-ZP	M10	80	21.9	5.50	3.8	1	6.0
P0214.100-090-ZP	M10	90	21.9	5.50	3.8	1	6.0
P0214.100-100-ZP	M10	100	21.9	5.50	3.8	1	6.0
P0214.100-110-ZP	M10	110	21.9	5.50	3.8	1	6.0
P0214.100-120-ZP	M10	120	21.9	5.50	3.8	1	6.0

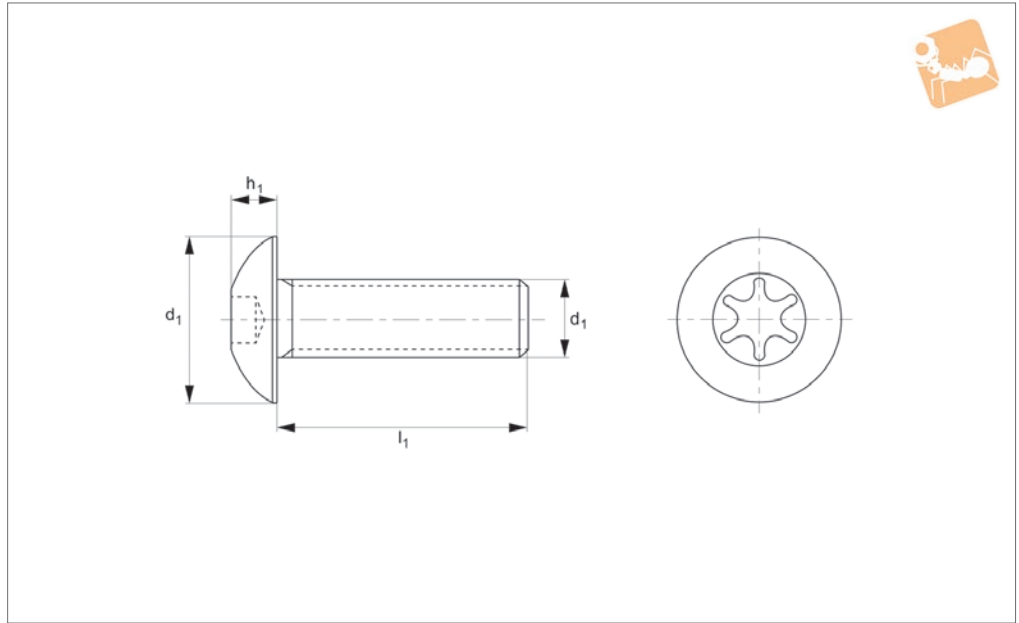
STANDARD SCREWS



STANDARD SCREWS



P0217.A2



Material

Stainless steel A2.

Technical Notes

To ISO 7380, but with pin TX feature.

These are security screw. The TX head has a special pin, preventing tampering with the screw.

A special security TX head key is needed to

tighten or loosen the screw.

See technical page for tightening torques.

Order No.	d ₁	l ₁	d ₂	h ₁	Size
P0217.030-006-A2	M 3	6	5.5	1.6	TX-10
P0217.030-008-A2	M 3	8	5.5	1.6	TX-10
P0217.030-010-A2	M 3	10	5.5	1.6	TX-10
P0217.030-012-A2	M 3	12	5.5	1.6	TX-10
P0217.030-016-A2	M 3	16	5.5	1.6	TX-10
P0217.030-020-A2	M 3	20	5.5	1.6	TX-10
P0217.030-025-A2	M 3	25	5.5	1.6	TX-10
P0217.030-030-A2	M 3	30	5.5	1.6	TX10
P0217.040-006-A2	M 4	6	7.4	2.1	TX-20
P0217.040-008-A2	M 4	8	7.4	2.1	TX-20
P0217.040-010-A2	M 4	10	7.4	2.1	TX-20
P0217.040-012-A2	M 4	12	7.4	2.1	TX-20
P0217.040-016-A2	M 4	16	7.4	2.1	TX-20
P0217.040-020-A2	M 4	20	7.4	2.1	TX-20
P0217.040-025-A2	M 4	25	7.4	2.1	TX-20
P0217.040-030-A2	M 4	30	7.4	2.1	TX-20
P0217.040-035-A2	M 4	35	7.4	2.1	TX-20
P0217.040-040-A2	M 4	40	7.4	2.1	TX-20
P0217.040-045-A2	M 4	45	7.4	2.1	TX-20
P0217.040-050-A2	M 4	50	7.4	2.1	TX-20
P0217.040-060-A2	M 4	60	7.4	2.1	TX-20
P0217.050-008-A2	M 5	8	9.3	2.7	TX-25
P0217.050-010-A2	M 5	10	9.3	2.7	TX-25
P0217.050-012-A2	M 5	12	9.3	2.7	TX-25
P0217.050-016-A2	M 5	16	9.3	2.7	TX-25
P0217.050-020-A2	M 5	20	9.3	2.7	TX-25
P0217.050-025-A2	M 5	25	9.3	2.7	TX-25
P0217.050-030-A2	M 5	30	9.3	2.7	TX25
P0217.050-035-A2	M 5	35	9.3	2.7	TX-25
P0217.050-040-A2	M 5	40	9.3	2.7	TX-25
P0217.050-045-A2	M 5	45	9.3	2.7	TX-25
P0217.050-050-A2	M 5	50	9.3	2.7	TX-25
P0217.050-060-A2	M 5	60	9.3	2.7	TX-25
P0217.060-008-A2	M 6	8	10.4	3.2	TX-30



Pin TX Security Screws

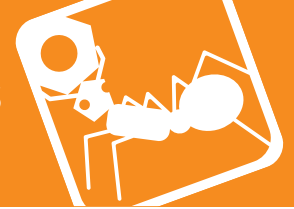
Security - A2 stainless

Standard Screws



Order No.	d ₁	l ₁	d ₂	h ₁	Size
P0217.060-010-A2	M 6	10	10.4	3.2	TX-30
P0217.060-012-A2	M 6	12	10.4	3.2	TX-30
P0217.060-016-A2	M 6	16	10.4	3.2	TX-30
P0217.060-020-A2	M 6	20	10.4	3.2	TX-30
P0217.060-025-A2	M 6	25	10.4	3.2	TX-30
P0217.060-030-A2	M 6	30	10.4	3.2	TX-30
P0217.060-040-A2	M 6	40	10.4	3.2	TX-30
P0217.060-050-A2	M 6	50	10.4	3.2	TX-30
P0217.060-060-A2	M 6	60	10.4	3.2	TX-30
P0217.060-080-A2	M 6	80	10.4	3.2	TX-30
P0217.080-010-A2	M 8	10	13.7	4.3	TX-40
P0217.080-012-A2	M 8	12	13.7	4.3	TX-40
P0217.080-016-A2	M 8	16	13.7	4.3	TX-40
P0217.080-020-A2	M 8	20	13.7	4.3	TX-40
P0217.080-025-A2	M 8	25	13.7	4.3	TX-40
P0217.080-030-A2	M 8	30	13.7	4.3	TX-40
P0217.080-035-A2	M 8	35	13.7	4.3	TX-40
P0217.080-040-A2	M 8	40	13.7	4.3	TX-40
P0217.080-050-A2	M 8	50	13.7	4.3	TX-40
P0217.080-060-A2	M 8	60	13.7	4.3	TX-40
P0217.080-070-A2	M 8	70	13.7	4.3	TX-40
P0217.080-080-A2	M 8	80	13.7	4.3	TX-40
P0217.080-100-A2	M 8	100	13.7	4.3	TX-40
P0217.100-016-A2	M10	16	17.0	5.8	TX-45
P0217.100-020-A2	M10	20	17.0	5.8	TX-45
P0217.100-025-A2	M10	25	17.0	5.8	TX-45
P0217.100-030-A2	M10	30	17.0	5.8	TX-45
P0217.100-035-A2	M10	35	17.0	5.8	TX-45
P0217.100-040-A2	M10	40	17.0	5.8	TX-45
P0217.100-050-A2	M10	50	17.0	5.8	TX-45
P0217.100-060-A2	M10	60	17.0	5.8	TX-45
P0217.100-065-A2	M10	65	17.0	5.8	TX-45
P0217.100-070-A2	M10	70	17.0	5.8	TX-45
P0217.100-080-A2	M10	80	17.0	5.8	TX-45

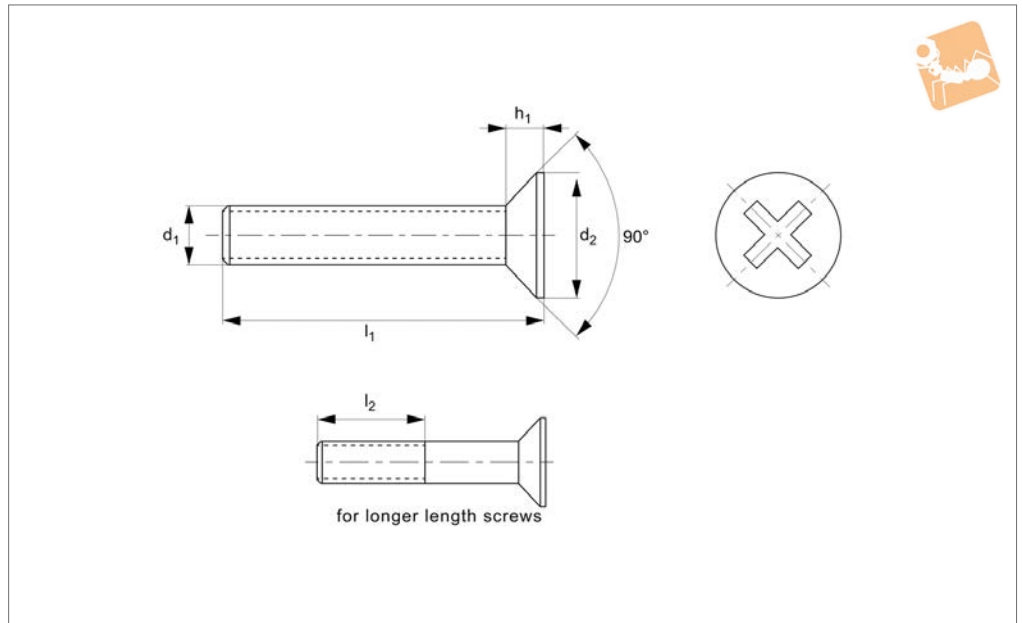
STANDARD SCREWS



STANDARD SCREWS



P0220.A2



Material

Stainless steel A2.

Technical Notes

To DIN 965 H, ISO 7046. For the majority of

screw lengths the threads goes all the way to the head of the screw (i.e. $l_1 = l_2$) less 2.5 thread pitches.

For longer length screws the threaded

portion $l_2 < l_1$.

See technical page for tightening torques.

Order No.	d ₁	l ₁	d ₂	l ₂	h ₁	Size
P0220.016-003-A2	M1,6	3	3.0	-	0.96	PH-0
P0220.016-004-A2	M1,6	4	3.0	-	0.96	PH-0
P0220.016-005-A2	M1,6	5	3.0	-	0.96	PH-0
P0220.016-006-A2	M1,6	6	3.0	-	0.96	PH-0
P0220.016-008-A2	M1,6	8	3.0	-	0.96	PH-0
P0220.016-010-A2	M1,6	10	3.0	-	0.96	PH-0
P0220.016-012-A2	M1,6	12	3.0	-	0.96	PH-0
P0220.016-014-A2	M1,6	14	3.0	-	0.96	PH-0
P0220.016-016-A2	M1,6	16	3.0	-	0.96	PH-0
P0220.020-003-A2	M 2	3	3.8	-	1.20	PH-1
P0220.020-004-A2	M 2	4	3.8	-	1.20	PH-1
P0220.020-005-A2	M 2	5	3.8	-	1.20	PH-1
P0220.020-006-A2	M 2	6	3.8	-	1.20	PH-1
P0220.020-008-A2	M 2	8	3.8	-	1.20	PH-1
P0220.020-010-A2	M 2	10	3.8	-	1.20	PH-1
P0220.020-012-A2	M 2	12	3.8	-	1.20	PH-1
P0220.020-014-A2	M 2	14	3.8	-	1.20	PH-1
P0220.020-016-A2	M 2	16	3.8	-	1.20	PH-1
P0220.020-018-A2	M 2	18	3.8	-	1.20	PH-1
P0220.020-020-A2	M 2	20	3.8	-	1.20	PH-1
P0220.025-004-A2	M2,5	4	4.7	-	1.50	PH-1
P0220.025-005-A2	M2,5	5	4.7	-	1.50	PH-1
P0220.025-006-A2	M2,5	6	4.7	-	1.50	PH-1
P0220.025-008-A2	M2,5	8	4.7	-	1.50	PH-1
P0220.025-010-A2	M2,5	10	4.7	-	1.50	PH-1
P0220.025-012-A2	M2,5	12	4.7	-	1.50	PH-1
P0220.025-014-A2	M2,5	14	4.7	-	1.50	PH-1
P0220.025-016-A2	M2,5	16	4.7	-	1.50	PH-1
P0220.025-018-A2	M2,5	18	4.7	-	1.50	PH-1
P0220.025-020-A2	M2,5	20	4.7	-	1.50	PH-1
P0220.030-004-A2	M 3	4	5.6	-	1.65	PH-1
P0220.030-005-A2	M 3	5	5.6	-	1.65	PH-1
P0220.030-006-A2	M 3	6	5.6	-	1.65	PH-1
P0220.030-008-A2	M 3	8	5.6	-	1.65	PH-1



Phillips Countersunk Machine Screws

Phillips - A2 stainless

Standard Screws



Order No.	d ₁	l ₁	d ₂	l ₂	h ₁	Size
P0220.030-010-A2	M 3	10	5.6	-	1.65	PH-1
P0220.030-012-A2	M 3	12	5.6	-	1.65	PH-1
P0220.030-014-A2	M 3	14	5.6	-	1.65	PH-1
P0220.030-016-A2	M 3	16	5.6	-	1.65	PH-1
P0220.030-018-A2	M 3	18	5.6	-	1.65	PH-1
P0220.030-020-A2	M 3	20	5.6	-	1.65	PH-1
P0220.030-022-A2	M 3	22	5.6	19	1.65	PH-1
P0220.030-025-A2	M 3	25	5.6	19	1.65	PH-1
P0220.030-030-A2	M 3	30	5.6	19	1.65	PH-1
P0220.030-035-A2	M 3	35	5.6	19	1.65	PH-1
P0220.030-040-A2	M 3	40	5.6	19	1.65	PH-1
P0220.030-045-A2	M 3	45	5.6	19	1.65	PH-1
P0220.030-050-A2	M 3	50	5.6	19	1.65	PH-1
P0220.030-055-A2	M 3	55	5.6	19	1.65	PH-1
P0220.030-060-A2	M 3	60	5.6	19	1.65	PH-1
P0220.040-005-A2	M 4	5	7.5	-	2.2	PH-2
P0220.040-006-A2	M 4	6	7.5	-	2.2	PH-2
P0220.040-008-A2	M 4	8	7.5	-	2.2	PH-2
P0220.040-010-A2	M 4	10	7.5	-	2.2	PH-2
P0220.040-012-A2	M 4	12	7.5	-	2.2	PH-2
P0220.040-014-A2	M 4	14	7.5	-	2.2	PH-2
P0220.040-016-A2	M 4	16	7.5	-	2.2	PH-2
P0220.040-018-A2	M 4	18	7.5	-	2.2	PH-2
P0220.040-020-A2	M 4	20	7.5	-	2.2	PH-2
P0220.040-025-A2	M 4	25	7.5	-	2.2	PH-2
P0220.040-030-A2	M 4	30	7.5	22	2.2	PH-2
P0220.040-035-A2	M 4	35	7.5	22	2.2	PH-2
P0220.040-040-A2	M 4	40	7.5	22	2.2	PH-2
P0220.040-045-A2	M 4	45	7.5	22	2.2	PH-2
P0220.040-050-A2	M 4	50	7.5	22	2.2	PH-2
P0220.040-060-A2	M 4	60	7.5	22	2.2	PH-2
P0220.040-065-A2	M 4	65	7.5	22	2.2	PH-2
P0220.040-070-A2	M 4	70	7.5	22	2.2	PH-2
P0220.040-075-A2	M 4	75	7.5	22	2.2	PH-2
P0220.040-080-A2	M 4	80	7.5	22	2.2	PH-2
P0220.040-085-A2	M 4	85	7.5	22	2.2	PH-2
P0220.040-090-A2	M 4	90	7.5	22	2.2	PH-2
P0220.040-095-A2	M 4	95	7.5	22	2.2	PH-2
P0220.040-100-A2	M 4	100	7.5	22	2.2	PH-2
P0220.050-006-A2	M 5	6	9.2	-	2.5	PH-2
P0220.050-008-A2	M 5	8	9.2	-	2.5	PH-2
P0220.050-010-A2	M 5	10	9.2	-	2.5	PH-2
P0220.050-012-A2	M 5	12	9.2	-	2.5	PH-2
P0220.050-014-A2	M 5	14	9.2	-	2.5	PH-2
P0220.050-016-A2	M 5	16	9.2	-	2.5	PH-2
P0220.050-018-A2	M 5	18	9.2	-	2.5	PH-2
P0220.050-020-A2	M 5	20	9.2	-	2.5	PH-2
P0220.050-022-A2	M 5	22	9.2	-	2.5	PH-2
P0220.050-025-A2	M 5	25	9.2	-	2.5	PH-2
P0220.050-030-A2	M 5	30	9.2	-	2.5	PH-2
P0220.050-035-A2	M 5	35	9.2	25	2.5	PH-2
P0220.050-040-A2	M 5	40	9.2	25	2.5	PH-2
P0220.050-045-A2	M 5	45	9.2	25	2.5	PH-2
P0220.050-050-A2	M 5	50	9.2	25	2.5	PH-2
P0220.050-055-A2	M 4	55	9.2	25	2.5	PH-2
P0220.050-060-A2	M 5	60	9.2	25	2.5	PH-2
P0220.050-065-A2	M 5	65	9.2	25	2.5	PH-2
P0220.050-070-A2	M 5	70	9.2	25	2.5	PH-2
P0220.050-075-A2	M 5	75	9.2	25	2.5	PH-2
P0220.050-080-A2	M 5	80	9.2	25	2.5	PH-2
P0220.050-085-A2	M 5	85	9.2	25	2.5	PH-2
P0220.050-090-A2	M 5	90	9.2	25	2.5	PH-2
P0220.050-095-A2	M 5	95	9.2	25	2.5	PH-2
P0220.050-100-A2	M 5	100	9.2	25	2.5	PH-2
P0220.060-008-A2	M 6	8	11	-	3.0	PH-3
P0220.060-010-A2	M 6	10	11	-	3.0	PH-3
P0220.060-012-A2	M 6	12	11	-	3.0	PH-3
P0220.060-014-A2	M 6	14	11	-	3.0	PH-3
P0220.060-016-A2	M 6	16	11	-	3.0	PH-3

STANDARD SCREWS



STANDARD SCREWS

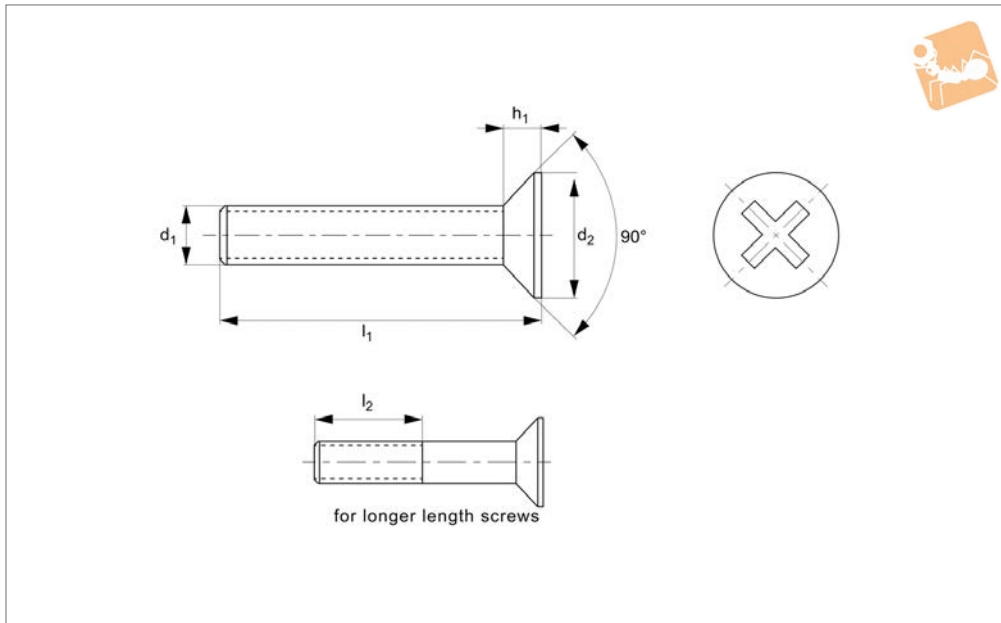
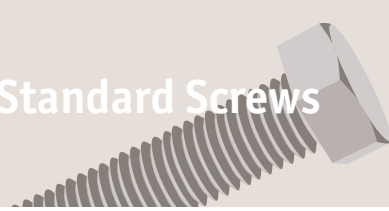
Order No.	d ₁	l ₁	d ₂	l ₂	h ₁	Size
P0220.060-018-A2	M 6	18	11	-	3.0	PH-3
P0220.060-020-A2	M 6	20	11	-	3.0	PH-3
P0220.060-022-A2	M 6	22	11	-	3.0	PH-3
P0220.060-025-A2	M 6	25	11	-	3.0	PH-3
P0220.060-030-A2	M 6	30	11	-	3.0	PH-3
P0220.060-035-A2	M 6	35	11	-	3.0	PH-3
P0220.060-040-A2	M 6	40	12	28	3.0	PH-3
P0220.060-045-A2	M 6	45	11	28	3.0	PH-3
P0220.060-050-A2	M 6	50	11	28	3.0	PH-3
P0220.060-055-A2	M 6	55	11	28	3.0	PH-3
P0220.060-060-A2	M 6	60	11	28	3.0	PH-3
P0220.060-065-A2	M 6	65	11	28	3.0	PH-3
P0220.060-070-A2	M 6	70	11	28	3.0	PH-3
P0220.060-075-A2	M 6	75	11	28	3.0	PH-3
P0220.060-080-A2	M 6	80	11	28	3.0	PH-3
P0220.060-085-A2	M 6	85	11	28	3.0	PH-3
P0220.060-090-A2	M 6	90	11	28	3.0	PH-3
P0220.060-095-A2	M 6	95	11	28	3.0	PH-3
P0220.060-100-A2	M 6	100	11	28	3.0	PH-3
P0220.080-010-A2	M 8	10	14.5	-	4.0	PH-4
P0220.080-012-A2	M 8	12	14.5	-	4.0	PH-4
P0220.080-014-A2	M 8	14	14.5	-	4.0	PH-4
P0220.080-016-A2	M 8	16	14.5	-	4.0	PH-4
P0220.080-018-A2	M 8	18	14.5	-	4.0	PH-4
P0220.080-020-A2	M 8	20	14.5	-	4.0	PH-4
P0220.080-022-A2	M 8	22	14.5	-	4.0	PH-4
P0220.080-025-A2	M 8	25	14.5	-	4.0	PH-4
P0220.080-030-A2	M 8	30	14.5	-	4.0	PH-4
P0220.080-035-A2	M 8	35	14.5	-	4.0	PH-4
P0220.080-040-A2	M 8	40	14.5	34	4.0	PH-4
P0220.080-045-A2	M 8	45	14.5	34	4.0	PH-4
P0220.080-050-A2	M 8	50	14.5	34	4.0	PH-4
P0220.080-055-A2	M 8	55	14.5	34	4.0	PH-4
P0220.080-060-A2	M 8	60	14.5	34	4.0	PH-4
P0220.080-065-A2	M 8	65	14.5	34	4.0	PH-4
P0220.080-070-A2	M 8	70	14.5	34	4.0	PH-4
P0220.080-075-A2	M 8	75	14.5	34	4.0	PH-4
P0220.080-080-A2	M 8	80	14.5	34	4.0	PH-4
P0220.080-085-A2	M 8	85	14.5	34	4.0	PH-4
P0220.080-090-A2	M 8	90	14.5	34	4.0	PH-4
P0220.080-095-A2	M 8	95	14.5	34	4.0	PH-4
P0220.080-100-A2	M 8	100	14.5	34	4.0	PH-4
P0220.100-016-A2	M10	16	18	-	5.0	PH-4
P0220.100-020-A2	M10	20	18	-	5.0	PH-4
P0220.100-025-A2	M10	25	18	-	5.0	PH-4
P0220.100-030-A2	M10	30	18	-	5.0	PH-4
P0220.100-035-A2	M10	35	18	-	5.0	PH-4
P0220.100-040-A2	M10	40	18	-	5.0	PH-4
P0220.100-045-A2	M10	45	18	-	5.0	PH-4
P0220.100-050-A2	M10	50	18	40	5.0	PH-4
P0220.100-055-A2	M10	55	18	40	5.0	PH-4
P0220.100-060-A2	M10	60	18	40	5.0	PH-4
P0220.100-065-A2	M10	65	18	40	5.0	PH-4
P0220.100-070-A2	M10	70	18	40	5.0	PH-4
P0220.100-075-A2	M10	75	18	40	5.0	PH-4
P0220.100-080-A2	M10	80	18	40	5.0	PH-4
P0220.100-085-A2	M10	85	18	40	5.0	PH-4
P0220.100-090-A2	M10	90	18	40	5.0	PH-4
P0220.100-095-A2	M10	95	18	40	5.0	PH-4
P0220.100-100-A2	M10	100	18	40	5.0	PH-4



Phillips Countersunk Machine Screws

Phillips - A4 stainless

Standard Screws



P0220.A4

STANDARD SCREWS

Material

Stainless steel A4.

Technical Notes

To DIN 965 H, ISO 7046. For the majority of

screw lengths the threads goes all the way to the head of the screw (i.e. $l_2 = l_1$) less 2.5 thread pitches.

For longer length screws the threaded

portion $l_2 < l_1$.

See technical page for tightening torques.

Order No.	d ₁	l ₁	d ₂	l ₂	h ₁	Size
P0220.016-003-A4	M1,6	3	3.0	-	0.96	PH-0
P0220.016-004-A4	M1,6	4	3.0	-	0.96	PH-0
P0220.016-005-A4	M1,6	5	3.0	-	0.96	PH-0
P0220.016-006-A4	M1,6	6	3.0	-	0.96	PH-0
P0220.016-008-A4	M1,6	8	3.0	-	0.96	PH-0
P0220.016-010-A4	M1,6	10	3.0	-	0.96	PH-0
P0220.016-012-A4	M1,6	12	3.0	-	0.96	PH-0
P0220.016-014-A4	M1,6	14	3.0	-	0.96	PH-0
P0220.016-016-A4	M1,6	16	3.0	-	0.96	PH-0
P0220.020-003-A4	M 2	3	3.8	-	1.20	PH-1
P0220.020-004-A4	M 2	4	3.8	-	1.20	PH-1
P0220.020-005-A4	M 2	5	3.8	-	1.20	PH-1
P0220.020-006-A4	M 2	6	3.8	-	1.20	PH-1
P0220.020-008-A4	M 2	8	3.8	-	1.20	PH-1
P0220.020-010-A4	M 2	10	3.8	-	1.20	PH-1
P0220.020-012-A4	M 2	12	3.8	-	1.20	PH-1
P0220.020-014-A4	M 2	14	3.8	-	1.20	PH-1
P0220.020-016-A4	M 2	16	3.8	-	1.20	PH-1
P0220.020-018-A4	M 2	18	3.8	-	1.20	PH-1
P0220.020-020-A4	M 2	20	3.8	-	1.20	PH-1
P0220.025-004-A4	M2,5	4	4.7	-	1.50	PH-1
P0220.025-005-A4	M2,5	5	4.7	-	1.50	PH-1
P0220.025-006-A4	M2,5	6	4.7	-	1.50	PH-1
P0220.025-008-A4	M2,5	8	4.7	-	1.50	PH-1
P0220.025-010-A4	M2,5	10	4.7	-	1.50	PH-1
P0220.025-012-A4	M2,5	12	4.7	-	1.50	PH-1
P0220.025-014-A4	M2,5	14	4.7	-	1.50	PH-1
P0220.025-016-A4	M2,5	16	4.7	-	1.50	PH-1
P0220.025-018-A4	M2,5	18	4.7	-	1.50	PH-1
P0220.025-020-A4	M2,5	20	4.7	-	1.50	PH-1
P0220.030-004-A4	M 3	4	5.6	-	1.65	PH-1
P0220.030-005-A4	M 3	5	5.6	-	1.65	PH-1
P0220.030-006-A4	M 3	6	5.6	-	1.65	PH-1
P0220.030-008-A4	M 3	8	5.6	-	1.65	PH-1



STANDARD SCREWS

Order No.	d ₁	l ₁	d ₂	l ₂	h ₁	Size
P0220.030-010-A4	M 3	10	5.6	-	1.65	PH-1
P0220.030-012-A4	M 3	12	5.6	-	1.65	PH-1
P0220.030-014-A4	M 3	14	5.6	-	1.65	PH-1
P0220.030-016-A4	M 3	16	5.6	-	1.65	PH-1
P0220.030-018-A4	M 3	18	5.6	-	1.65	PH-1
P0220.030-020-A4	M 3	20	5.6	-	1.65	PH-1
P0220.030-022-A4	M 3	22	5.6	19	1.65	PH-1
P0220.030-025-A4	M 3	25	5.6	19	1.65	PH-1
P0220.030-030-A4	M 3	30	5.6	19	1.65	PH-1
P0220.030-035-A4	M 3	35	5.6	19	1.65	PH-1
P0220.030-040-A4	M 3	40	5.6	19	1.65	PH-1
P0220.030-045-A4	M 3	45	5.6	19	1.65	PH-1
P0220.030-050-A4	M 3	50	5.6	19	1.65	PH-1
P0220.030-055-A4	M 3	55	5.6	19	1.65	PH-1
P0220.030-060-A4	M 3	60	5.6	19	1.65	PH-1
P0220.040-005-A4	M 4	5	7.5	-	2.2	PH-2
P0220.040-006-A4	M 4	6	7.5	-	2.2	PH-2
P0220.040-008-A4	M 4	8	7.5	-	2.2	PH-2
P0220.040-010-A4	M 4	10	7.5	-	2.2	PH-2
P0220.040-012-A4	M 4	12	7.5	-	2.2	PH-2
P0220.040-014-A4	M 4	14	7.5	-	2.2	PH-2
P0220.040-016-A4	M 4	16	7.5	-	2.2	PH-2
P0220.040-018-A4	M 4	18	7.5	-	2.2	PH-2
P0220.040-020-A4	M 4	20	7.5	-	2.2	PH-2
P0220.040-025-A4	M 4	25	7.5	-	2.2	PH-2
P0220.040-030-A4	M 4	30	7.5	22	2.2	PH-2
P0220.040-035-A4	M 4	35	7.5	22	2.2	PH-2
P0220.040-040-A4	M 4	40	7.5	22	2.2	PH-2
P0220.040-045-A4	M 4	45	7.5	22	2.2	PH-2
P0220.040-050-A4	M 4	50	7.5	22	2.2	PH-2
P0220.040-060-A4	M 4	60	7.5	22	2.2	PH-2
P0220.040-065-A4	M 4	65	7.5	22	2.2	PH-2
P0220.040-070-A4	M 4	70	7.5	22	2.2	PH-2
P0220.040-075-A4	M 4	75	7.5	22	2.2	PH-2
P0220.040-080-A4	M 4	80	7.5	22	2.2	PH-2
P0220.040-085-A4	M 4	85	7.5	22	2.2	PH-2
P0220.040-090-A4	M 4	90	7.5	22	2.2	PH-2
P0220.040-095-A4	M 4	95	7.5	22	2.2	PH-2
P0220.040-100-A4	M 4	100	7.5	22	2.2	PH-2
P0220.050-006-A4	M 5	6	9.2	-	2.5	PH-2
P0220.050-008-A4	M 5	8	9.2	-	2.5	PH-2
P0220.050-010-A4	M 5	10	9.2	-	2.5	PH-2
P0220.050-012-A4	M 5	12	9.2	-	2.5	PH-2
P0220.050-014-A4	M 5	14	9.2	-	2.5	PH-2
P0220.050-016-A4	M 5	16	9.2	-	2.5	PH-2
P0220.050-018-A4	M 5	18	9.2	-	2.5	PH-2
P0220.050-020-A4	M 5	20	9.2	-	2.5	PH-2
P0220.050-022-A4	M 5	22	9.2	-	2.5	PH-2
P0220.050-025-A4	M 5	25	9.2	-	2.5	PH-2
P0220.050-030-A4	M 5	30	9.2	-	2.5	PH-2
P0220.050-035-A4	M 5	35	9.2	25	2.5	PH-2
P0220.050-040-A4	M 5	40	9.2	25	2.5	PH-2
P0220.050-045-A4	M 5	45	9.2	25	2.5	PH-2
P0220.050-050-A4	M 5	50	9.2	25	2.5	PH-2
P0220.050-055-A4	M 4	55	9.2	25	2.5	PH-2
P0220.050-060-A4	M 5	60	9.2	25	2.5	PH-2
P0220.050-065-A4	M 5	65	9.2	25	2.5	PH-2
P0220.050-070-A4	M 5	70	9.2	25	2.5	PH-2
P0220.050-075-A4	M 5	75	9.2	25	2.5	PH-2
P0220.050-080-A4	M 5	80	9.2	25	2.5	PH-2
P0220.050-085-A4	M 5	85	9.2	25	2.5	PH-2
P0220.050-090-A4	M 5	90	9.2	25	2.5	PH-2
P0220.050-095-A4	M 5	95	9.2	25	2.5	PH-2
P0220.050-100-A4	M 5	100	9.2	25	2.5	PH-2
P0220.060-008-A4	M 6	8	11	-	3.0	PH-3
P0220.060-010-A4	M 6	10	11	-	3.0	PH-3
P0220.060-012-A4	M 6	12	11	-	3.0	PH-3
P0220.060-014-A4	M 6	14	11	-	3.0	PH-3
P0220.060-016-A4	M 6	16	11	-	3.0	PH-3



Phillips Countersunk Machine Screws

Phillips - A4 stainless

Standard Screws



Order No.	d ₁	l ₁	d ₂	l ₂	h ₁	Size
P0220.060-018-A4	M 6	18	11	-	3.0	PH-3
P0220.060-020-A4	M 6	20	11	-	3.0	PH-3
P0220.060-022-A4	M 6	22	11	-	3.0	PH-3
P0220.060-025-A4	M 6	25	11	-	3.0	PH-3
P0220.060-030-A4	M 6	30	11	-	3.0	PH-3
P0220.060-035-A4	M 6	35	11	-	3.0	PH-3
P0220.060-040-A4	M 6	40	12	28	3.0	PH-3
P0220.060-045-A4	M 6	45	11	28	3.0	PH-3
P0220.060-050-A4	M 6	50	11	28	3.0	PH-3
P0220.060-055-A4	M 6	55	11	28	3.0	PH-3
P0220.060-060-A4	M 6	60	11	28	3.0	PH-3
P0220.060-065-A4	M 6	65	11	28	3.0	PH-3
P0220.060-070-A4	M 6	70	11	28	3.0	PH-3
P0220.060-075-A4	M 6	75	11	28	3.0	PH-3
P0220.060-080-A4	M 6	80	11	28	3.0	PH-3
P0220.060-085-A4	M 6	85	11	28	3.0	PH-3
P0220.060-090-A4	M 6	90	11	28	3.0	PH-3
P0220.060-095-A4	M 6	95	11	28	3.0	PH-3
P0220.060-100-A4	M 6	100	11	28	3.0	PH-3
P0220.080-010-A4	M 8	10	14.5	-	4.0	PH-4
P0220.080-012-A4	M 8	12	14.5	-	4.0	PH-4
P0220.080-014-A4	M 8	14	14.5	-	4.0	PH-4
P0220.080-016-A4	M 8	16	14.5	-	4.0	PH-4
P0220.080-018-A4	M 8	18	14.5	-	4.0	PH-4
P0220.080-020-A4	M 8	20	14.5	-	4.0	PH-4
P0220.080-022-A4	M 8	22	14.5	-	4.0	PH-4
P0220.080-025-A4	M 8	25	14.5	-	4.0	PH-4
P0220.080-030-A4	M 8	30	14.5	-	4.0	PH-4
P0220.080-035-A4	M 8	35	14.5	-	4.0	PH-4
P0220.080-040-A4	M 8	40	14.5	34	4.0	PH-4
P0220.080-045-A4	M 8	45	14.5	34	4.0	PH-4
P0220.080-050-A4	M 8	50	14.5	34	4.0	PH-4
P0220.080-055-A4	M 8	55	14.5	34	4.0	PH-4
P0220.080-060-A4	M 8	60	14.5	34	4.0	PH-4
P0220.080-065-A4	M 8	65	14.5	34	4.0	PH-4
P0220.080-070-A4	M 8	70	14.5	34	4.0	PH-4
P0220.080-075-A4	M 8	75	14.5	34	4.0	PH-4
P0220.080-080-A4	M 8	80	14.5	34	4.0	PH-4
P0220.080-085-A4	M 8	85	14.5	34	4.0	PH-4
P0220.080-090-A4	M 8	90	14.5	34	4.0	PH-4
P0220.080-095-A4	M 8	95	14.5	34	4.0	PH-4
P0220.080-100-A4	M 8	100	14.5	34	4.0	PH-4
P0220.100-016-A4	M10	16	18	-	5.0	PH-4
P0220.100-020-A4	M10	20	18	-	5.0	PH-4
P0220.100-025-A4	M10	25	18	-	5.0	PH-4
P0220.100-030-A4	M10	30	18	-	5.0	PH-4
P0220.100-035-A4	M10	35	18	-	5.0	PH-4
P0220.100-040-A4	M10	40	18	-	5.0	PH-4
P0220.100-045-A4	M10	45	18	-	5.0	PH-4
P0220.100-050-A4	M10	50	18	40	5.0	PH-4
P0220.100-055-A4	M10	55	18	40	5.0	PH-4
P0220.100-060-A4	M10	60	18	40	5.0	PH-4
P0220.100-065-A4	M10	65	18	40	5.0	PH-4
P0220.100-070-A4	M10	70	18	40	5.0	PH-4
P0220.100-075-A4	M10	75	18	40	5.0	PH-4
P0220.100-080-A4	M10	80	18	40	5.0	PH-4
P0220.100-085-A4	M10	85	18	40	5.0	PH-4
P0220.100-090-A4	M10	90	18	40	5.0	PH-4
P0220.100-095-A4	M10	95	18	40	5.0	PH-4
P0220.100-100-A4	M10	100	18	40	5.0	PH-4

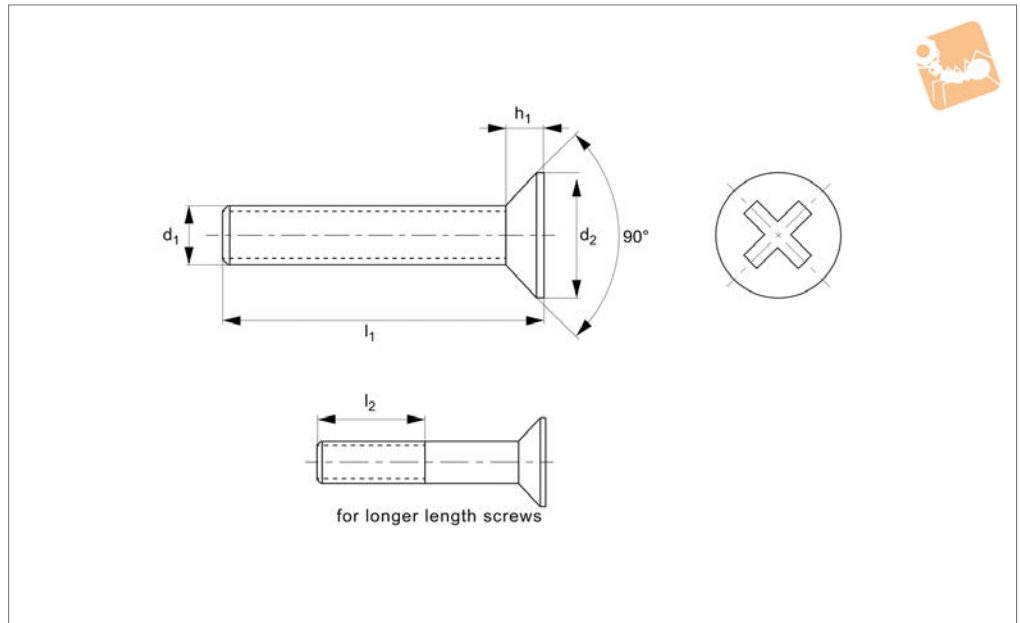
STANDARD SCREWS



STANDARD SCREWS



P0220.ZP



Material

Steel, zinc-plated (grade 4.8).

Technical Notes

To DIN 965 H, ISO 7046. For the majority of

screw lengths the threads goes all the way to the head of the screw (i.e. $l_1 = l_2$) less 2.5 thread pitches.

For longer length screws the threaded

portion $l_2 < l_1$.

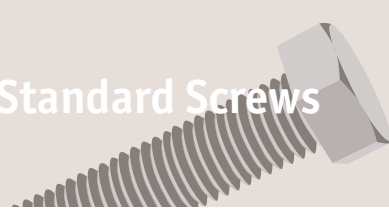
Order No.	d ₁	l ₁	d ₂	l ₂	h ₁	Size
P0220.016-003-ZP	M 1,6	3	3.0	-	0.96	PH-0
P0220.016-004-ZP	M 1,6	4	3.0	-	0.96	PH-0
P0220.016-005-ZP	M 1,6	5	3.0	-	0.96	PH-0
P0220.016-006-ZP	M 1,6	6	3.0	-	0.96	PH-0
P0220.016-008-ZP	M 1,6	8	3.0	-	0.96	PH-0
P0220.016-010-ZP	M 1,6	10	3.0	-	0.96	PH-0
P0220.016-012-ZP	M 1,6	12	3.0	-	0.96	PH-0
P0220.016-014-ZP	M 1,6	14	3.0	-	0.96	PH-0
P0220.016-016-ZP	M 1,6	16	3.0	-	0.96	PH-0
P0220.020-003-ZP	M 2	3	3.8	-	1.20	PH-1
P0220.020-004-ZP	M 2	4	3.8	-	1.20	PH-1
P0220.020-005-ZP	M 2	5	3.8	-	1.20	PH-1
P0220.020-006-ZP	M 2	6	3.8	-	1.20	PH-1
P0220.020-008-ZP	M 2	8	3.8	-	1.20	PH-1
P0220.020-010-ZP	M 2	10	3.8	-	1.20	PH-1
P0220.020-012-ZP	M 2	12	3.8	-	1.20	PH-1
P0220.020-014-ZP	M 2	14	3.8	-	1.20	PH-1
P0220.020-016-ZP	M 2	16	3.8	-	1.20	PH-1
P0220.020-018-ZP	M 2	18	3.8	-	1.20	PH-1
P0220.020-020-ZP	M 2	20	3.8	-	1.20	PH-1
P0220.025-004-ZP	M 2,5	4	4.7	-	1.50	PH-1
P0220.025-005-ZP	M 2,5	5	4.7	-	1.50	PH-1
P0220.025-006-ZP	M 2,5	6	4.7	-	1.50	PH-1
P0220.025-008-ZP	M 2,5	8	4.7	-	1.50	PH-1
P0220.025-010-ZP	M 2,5	10	4.7	-	1.50	PH-1
P0220.025-012-ZP	M 2,5	12	4.7	-	1.50	PH-1
P0220.025-014-ZP	M 2,5	14	4.7	-	1.50	PH-1
P0220.025-016-ZP	M 2,5	16	4.7	-	1.50	PH-1
P0220.025-018-ZP	M 2,5	18	4.7	-	1.50	PH-1
P0220.025-020-ZP	M 2,5	20	4.7	-	1.50	PH-1
P0220.030-004-ZP	M 3	4	5.6	-	1.65	PH-1
P0220.030-005-ZP	M 3	5	5.6	-	1.65	PH-1
P0220.030-006-ZP	M 3	6	5.6	-	1.65	PH-1
P0220.030-008-ZP	M 3	8	5.6	-	1.65	PH-1



Phillips Countersunk Machine Screws

Phillips - Steel, zinc-plated

Standard Screws



Order No.	d ₁	l ₁	d ₂	l ₂	h ₁	Size
P0220.030-010-ZP	M 3	10	5.6	-	1.65	PH-1
P0220.030-012-ZP	M 3	12	5.6	-	1.65	PH-1
P0220.030-014-ZP	M 3	14	5.6	-	1.65	PH-1
P0220.030-016-ZP	M 3	16	5.6	-	1.65	PH-1
P0220.030-018-ZP	M 3	18	5.6	-	1.65	PH-1
P0220.030-020-ZP	M 3	20	5.6	-	1.65	PH-1
P0220.030-022-ZP	M 3	22	5.6	19	1.65	PH-1
P0220.030-025-ZP	M 3	25	5.6	19	1.65	PH-1
P0220.030-030-ZP	M 3	30	5.6	19	1.65	PH-1
P0220.030-035-ZP	M 3	35	5.6	19	1.65	PH-1
P0220.030-040-ZP	M 3	40	5.6	19	1.65	PH-1
P0220.030-045-ZP	M 3	45	5.6	19	1.65	PH-1
P0220.030-050-ZP	M 3	50	5.6	19	1.65	PH-1
P0220.030-055-ZP	M 3	55	5.6	19	1.65	PH-1
P0220.030-060-ZP	M 3	60	5.6	19	1.65	PH-1
P0220.040-005-ZP	M 4	5	7.5	-	2.2	PH-2
P0220.040-006-ZP	M 4	6	7.5	-	2.2	PH-2
P0220.040-008-ZP	M 4	8	7.5	-	2.2	PH-2
P0220.040-010-ZP	M 4	10	7.5	-	2.2	PH-2
P0220.040-012-ZP	M 4	12	7.5	-	2.2	PH-2
P0220.040-014-ZP	M 4	14	7.5	-	2.2	PH-2
P0220.040-016-ZP	M 4	16	7.5	-	2.2	PH-2
P0220.040-018-ZP	M 4	18	7.5	-	2.2	PH-2
P0220.040-020-ZP	M 4	20	7.5	-	2.2	PH-2
P0220.040-025-ZP	M 4	25	7.5	-	2.2	PH-2
P0220.040-030-ZP	M 4	30	7.5	22	2.2	PH-2
P0220.040-035-ZP	M 4	35	7.5	22	2.2	PH-2
P0220.040-040-ZP	M 4	40	7.5	22	2.2	PH-2
P0220.040-045-ZP	M 4	45	7.5	22	2.2	PH-2
P0220.040-050-ZP	M 4	50	7.5	22	2.2	PH-2
P0220.040-060-ZP	M 4	60	7.5	22	2.2	PH-2
P0220.040-065-ZP	M 4	65	7.5	22	2.2	PH-2
P0220.040-070-ZP	M 4	70	7.5	22	2.2	PH-2
P0220.040-075-ZP	M 4	75	7.5	22	2.2	PH-2
P0220.040-080-ZP	M 4	80	7.5	22	2.2	PH-2
P0220.040-085-ZP	M 4	85	7.5	22	2.2	PH-2
P0220.040-090-ZP	M 4	90	7.5	22	2.2	P2
P0220.040-095-ZP	M 4	95	7.5	22	2.2	PH-2
P0220.040-100-ZP	M 4	100	7.5	22	2.2	PH-2
P0220.050-006-ZP	M 5	6	9.2	-	2.5	PH-2
P0220.050-008-ZP	M 5	8	9.2	-	2.5	PH-2
P0220.050-010-ZP	M 5	10	9.2	-	2.5	PH-2
P0220.050-012-ZP	M 5	12	9.2	-	2.5	PH-2
P0220.050-014-ZP	M 5	14	9.2	-	2.5	PH-2
P0220.050-016-ZP	M 5	16	9.2	-	2.5	PH-2
P0220.050-018-ZP	M 5	18	9.2	-	2.5	PH-2
P0220.050-020-ZP	M 5	20	9.2	-	2.5	PH-2
P0220.050-022-ZP	M 5	22	9.2	-	2.5	PH-2
P0220.050-025-ZP	M 5	25	9.2	-	2.5	PH-2
P0220.050-030-ZP	M 5	30	9.2	-	2.5	PH-2
P0220.050-035-ZP	M 5	35	9.2	25	2.5	PH-2
P0220.050-040-ZP	M 5	40	9.2	25	2.5	PH-2
P0220.050-045-ZP	M 5	45	9.2	25	2.5	PH-2
P0220.050-050-ZP	M 5	50	9.2	25	2.5	PH-2
P0220.050-055-ZP	M 4	55	9.2	25	2.5	PH-2
P0220.050-060-ZP	M 5	60	9.2	25	2.5	PH-2
P0220.050-065-ZP	M 5	65	9.2	25	2.5	PH-2
P0220.050-070-ZP	M 5	70	9.2	25	2.5	PH-2
P0220.050-075-ZP	M 5	75	9.2	25	2.5	PH-2
P0220.050-080-ZP	M 5	80	9.2	25	2.5	PH-2
P0220.050-085-ZP	M 5	85	9.2	25	2.5	PH-2
P0220.050-090-ZP	M 5	90	9.2	25	2.5	PH-2
P0220.050-095-ZP	M 5	95	9.2	25	2.5	PH-2
P0220.050-100-ZP	M 5	100	9.2	25	2.5	PH-2
P0220.060-008-ZP	M 6	8	11	-	3.0	PH-3
P0220.060-010-ZP	M 6	10	11	-	3.0	PH-3
P0220.060-012-ZP	M 6	12	11	-	3.0	PH-3
P0220.060-014-ZP	M 6	14	11	-	3.0	PH-3
P0220.060-016-ZP	M 6	16	11	-	3.0	PH-3

STANDARD SCREWS



STANDARD SCREWS

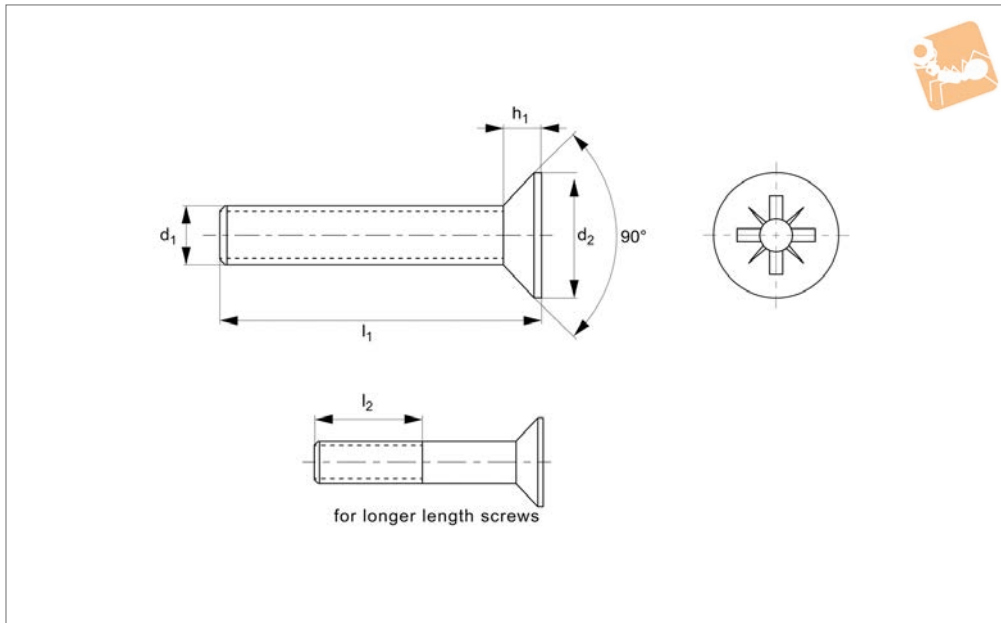
Order No.	d ₁	l ₁	d ₂	l ₂	h ₁	Size
P0220.060-018-ZP	M 6	18	11	-	3.0	PH-3
P0220.060-020-ZP	M 6	20	11	-	3.0	PH-3
P0220.060-022-ZP	M 6	22	11	-	3.0	PH-3
P0220.060-025-ZP	M 6	25	11	-	3.0	PH-3
P0220.060-030-ZP	M 6	30	11	-	3.0	PH-3
P0220.060-035-ZP	M 6	35	11	-	3.0	PH-3
P0220.060-040-ZP	M 6	40	12	28	3.0	PH-3
P0220.060-045-ZP	M 6	45	11	28	3.0	PH-3
P0220.060-050-ZP	M 6	50	11	28	3.0	PH-3
P0220.060-055-ZP	M 6	55	11	28	3.0	PH-3
P0220.060-060-ZP	M 6	60	11	28	3.0	PH-3
P0220.060-065-ZP	M 6	65	11	28	3.0	PH-3
P0220.060-070-ZP	M 6	70	11	28	3.0	PH-3
P0220.060-075-ZP	M 6	75	11	28	3.0	PH-3
P0220.060-080-ZP	M 6	80	11	28	3.0	PH-3
P0220.060-085-ZP	M 6	85	11	28	3.0	PH-3
P0220.060-090-ZP	M 6	90	11	28	3.0	PH-3
P0220.060-095-ZP	M 6	95	11	28	3.0	PH-3
P0220.060-100-ZP	M 6	100	11	28	3.0	PH-3
P0220.080-010-ZP	M 8	10	14.5	-	4.0	PH-4
P0220.080-012-ZP	M 8	12	14.5	-	4.0	PH-4
P0220.080-014-ZP	M 8	14	14.5	-	4.0	PH-4
P0220.080-016-ZP	M 8	16	14.5	-	4.0	PH-4
P0220.080-018-ZP	M 8	18	14.5	-	4.0	PH-4
P0220.080-020-ZP	M 8	20	14.5	-	4.0	PH-4
P0220.080-022-ZP	M 8	22	14.5	-	4.0	PH-4
P0220.080-025-ZP	M 8	25	14.5	-	4.0	PH-4
P0220.080-030-ZP	M 8	30	14.5	-	4.0	PH-4
P0220.080-035-ZP	M 8	35	14.5	-	4.0	PH-4
P0220.080-040-ZP	M 8	40	14.5	34	4.0	PH-4
P0220.080-045-ZP	M 8	45	14.5	34	4.0	PH-4
P0220.080-050-ZP	M 8	50	14.5	34	4.0	PH-4
P0220.080-055-ZP	M 8	55	14.5	34	4.0	PH-4
P0220.080-060-ZP	M 8	60	14.5	34	4.0	PH-4
P0220.080-065-ZP	M 8	65	14.5	34	4.0	PH-4
P0220.080-070-ZP	M 8	70	14.5	34	4.0	PH-4
P0220.080-075-ZP	M 8	75	14.5	34	4.0	PH-4
P0220.080-080-ZP	M 8	80	14.5	34	4.0	PH-4
P0220.080-085-ZP	M 8	85	14.5	34	4.0	PH-4
P0220.080-090-ZP	M 8	90	14.5	34	4.0	PH-4
P0220.080-095-ZP	M 8	95	14.5	34	4.0	PH-4
P0220.080-100-ZP	M 8	100	14.5	34	4.0	PH-4
P0220.100-016-ZP	M10	16	18	-	5.0	PH-4
P0220.100-020-ZP	M10	20	18	-	5.0	PH-4
P0220.100-025-ZP	M10	25	18	-	5.0	PH-4
P0220.100-030-ZP	M10	30	18	-	5.0	PH-4
P0220.100-035-ZP	M10	35	18	-	5.0	PH-4
P0220.100-040-ZP	M10	40	18	-	5.0	PH-4
P0220.100-045-ZP	M10	45	18	-	5.0	PH-4
P0220.100-050-ZP	M10	50	18	40	5.0	PH-4
P0220.100-055-ZP	M10	55	18	40	5.0	PH-4
P0220.100-060-ZP	M10	60	18	40	5.0	PH-4
P0220.100-065-ZP	M10	65	18	40	5.0	PH-4
P0220.100-070-ZP	M10	70	18	40	5.0	PH-4
P0220.100-075-ZP	M10	75	18	40	5.0	PH-4
P0220.100-080-ZP	M10	80	18	40	5.0	PH-4
P0220.100-085-ZP	M10	85	18	40	5.0	PH-4
P0220.100-090-ZP	M10	90	18	40	5.0	PH-4
P0220.100-095-ZP	M10	95	18	40	5.0	PH-4
P0220.100-100-ZP	M10	100	18	40	5.0	PH-4



Pozi Countersunk Machine Screws

Pozi - A2 stainless

Standard Screws



P0221.A2

STANDARD SCREWS

Material

Stainless steel A2.

Technical Notes

To DIN 965 H, ISO 7046. For the majority of

screw lengths the threads goes all the way to the head of the screw (i.e. $l_1 = l_2$) less 2.5 thread pitches.

For longer length screws the threaded

portion $l_2 < l_1$.

See technical page for tightening torques.

Order No.	d_1	l_1	d_2	l_2	h_1	Size
P0221.016-003-A2	M1,6	3	3.0	-	0.96	PZ-0
P0221.016-004-A2	M1,6	4	3.0	-	0.96	PZ-0
P0221.016-005-A2	M1,6	5	3.0	-	0.96	PZ-0
P0221.016-006-A2	M1,6	6	3.0	-	0.96	PZ-0
P0221.016-008-A2	M1,6	8	3.0	-	0.96	PZ-0
P0221.016-010-A2	M1,6	10	3.0	-	0.96	PZ-0
P0221.016-012-A2	M1,6	12	3.0	-	0.96	PZ-0
P0221.016-014-A2	M1,6	14	3.0	-	0.96	PZ-0
P0221.016-016-A2	M1,6	16	3.0	-	0.96	PZ-0
P0221.020-003-A2	M 2	3	3.8	-	1.20	PZ-1
P0221.020-004-A2	M 2	4	3.8	-	1.20	PZ-1
P0221.020-005-A2	M 2	5	3.8	-	1.20	PZ-1
P0221.020-006-A2	M 2	6	3.8	-	1.20	PZ-1
P0221.020-008-A2	M 2	8	3.8	-	1.20	PZ-1
P0221.020-010-A2	M 2	10	3.8	-	1.20	PZ-1
P0221.020-012-A2	M 2	12	3.8	-	1.20	PZ-1
P0221.020-014-A2	M 2	14	3.8	-	1.20	PZ-1
P0221.020-016-A2	M 2	16	3.8	-	1.20	PZ-1
P0221.020-018-A2	M 2	18	3.8	16	1.20	PZ-1
P0221.020-020-A2	M 2	20	3.8	16	1.20	PZ-1
P0221.025-004-A2	M2,5	4	4.7	-	1.50	PZ-1
P0221.025-005-A2	M2,5	5	4.7	-	1.50	PZ-1
P0221.025-006-A2	M2,5	6	4.7	-	1.50	PZ-1
P0221.025-008-A2	M2,5	8	4.7	-	1.50	PZ-1
P0221.025-010-A2	M2,5	10	4.7	-	1.50	PZ-1
P0221.025-012-A2	M2,5	12	4.7	-	1.50	PZ-1
P0221.025-014-A2	M2,5	14	4.7	-	1.50	PZ-1
P0221.025-016-A2	M2,5	16	4.7	-	1.50	PZ-1
P0221.025-018-A2	M2,5	18	4.7	-	1.50	PZ-1
P0221.025-020-A2	M2,5	20	4.7	18	1.50	PZ-1
P0221.025-022-A2	M2,5	20	4.7	18	1.50	PZ-1
P0221.025-025-A2	M2,5	25	4.7	18	1.50	PZ-1
P0221.030-004-A2	M 3	4	5.6	-	1.65	PZ-1
P0221.030-005-A2	M 3	5	5.6	-	1.65	PZ-1



STANDARD SCREWS

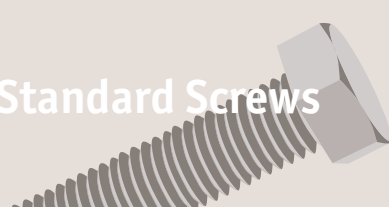
Order No.	d ₁	l ₁	d ₂	l ₂	h ₁	Size
P0221.030-006-A2	M 3	6	5.6	-	1.65	PZ-1
P0221.030-008-A2	M 3	8	5.6	-	1.65	PZ-1
P0221.030-010-A2	M 3	10	5.6	-	1.65	PZ-1
P0221.030-012-A2	M 3	12	5.6	-	1.65	PZ-1
P0221.030-014-A2	M 3	14	5.6	-	1.65	PZ-1
P0221.030-016-A2	M 3	16	5.6	-	1.65	PZ-1
P0221.030-018-A2	M 3	18	5.6	-	1.65	PZ-1
P0221.030-020-A2	M 3	20	5.6	-	1.65	PZ-1
P0221.030-022-A2	M 3	22	5.6	-	1.65	PZ-1
P0221.030-025-A2	M 3	25	5.6	22	1.65	PZ-1
P0221.030-030-A2	M 3	30	5.6	22	1.65	PZ-1
P0221.030-035-A2	M 3	35	5.6	22	1.65	PZ-1
P0221.030-040-A2	M 3	40	5.6	22	1.65	PZ-1
P0221.030-045-A2	M 3	45	5.6	22	1.65	PZ-1
P0221.030-050-A2	M 3	50	5.6	22	1.65	PZ-1
P0221.030-055-A2	M 3	55	5.6	22	1.65	PZ-1
P0221.030-060-A2	M 3	60	5.6	22	1.65	PZ-1
P0221.040-005-A2	M 4	5	7.5	-	2.20	PZ-2
P0221.040-006-A2	M 4	6	7.5	-	2.20	PZ-2
P0221.040-008-A2	M 4	8	7.5	-	2.20	PZ-2
P0221.040-010-A2	M 4	10	7.5	-	2.20	PZ-2
P0221.040-012-A2	M 4	12	7.5	-	2.20	PZ-2
P0221.040-014-A2	M 4	14	7.5	-	2.20	PZ-2
P0221.040-016-A2	M 4	16	7.5	-	2.20	PZ-2
P0221.040-018-A2	M 4	18	7.5	-	2.20	PZ-2
P0221.040-020-A2	M 4	20	7.5	-	2.20	PZ-2
P0221.040-022-A2	M 4	22	7.5	-	2.20	PZ-2
P0221.040-025-A2	M 4	25	7.5	-	2.20	PZ-2
P0221.040-030-A2	M 4	30	7.5	-	2.20	PZ-2
P0221.040-035-A2	M 4	35	7.5	28	2.20	PZ-2
P0221.040-040-A2	M 4	40	7.5	28	2.20	PZ-2
P0221.040-045-A2	M 4	45	7.5	28	2.20	PZ-2
P0221.040-050-A2	M 4	50	7.5	28	2.20	PZ-2
P0221.040-055-A2	M 4	55	7.5	28	2.20	PZ-2
P0221.040-060-A2	M 4	60	7.5	28	2.20	PZ-2
P0221.040-065-A2	M 4	65	7.5	28	2.20	PZ-2
P0221.040-070-A2	M 4	70	7.5	28	2.20	PZ-2
P0221.040-075-A2	M 4	75	7.5	28	2.20	PZ-2
P0221.040-080-A2	M 4	80	7.5	28	2.20	PZ-2
P0221.040-085-A2	M 4	85	7.5	28	2.20	PZ-2
P0221.040-090-A2	M 4	90	7.5	28	2.20	PZ-2
P0221.040-100-A2	M 4	100	7.5	28	2.20	PZ-2
P0221.040-110-A2	M 4	110	7.5	28	2.20	PZ-2
P0221.050-006-A2	M 5	6	9.2	-	2.50	PZ-2
P0221.050-008-A2	M 5	8	9.2	-	2.50	PZ-2
P0221.050-010-A2	M 5	10	9.2	-	2.50	PZ-2
P0221.050-012-A2	M 5	12	9.2	-	2.50	PZ-2
P0221.050-014-A2	M 5	14	9.2	-	2.50	PZ-2
P0221.050-016-A2	M 5	16	9.2	-	2.50	PZ-2
P0221.050-018-A2	M 5	18	9.2	-	2.50	PZ-2
P0221.050-020-A2	M 5	20	9.2	-	2.50	PZ-2
P0221.050-022-A2	M 5	22	9.2	25	2.50	PZ-2
P0221.050-025-A2	M 5	25	9.2	25	2.50	PZ-2
P0221.050-030-A2	M 5	30	9.2	25	2.50	PZ-2
P0221.050-035-A2	M 5	35	9.2	25	2.50	PZ-2
P0221.050-040-A2	M 5	40	9.2	25	2.50	PZ-2
P0221.050-045-A2	M 5	45	9.2	25	2.50	PZ-2
P0221.050-050-A2	M 5	50	9.2	25	2.50	PZ-2
P0221.050-055-A2	M 5	55	9.2	25	2.50	PZ-2
P0221.050-060-A2	M 5	60	9.2	25	2.50	PZ-2
P0221.050-065-A2	M 5	65	9.2	25	2.50	PZ-2
P0221.050-070-A2	M 5	70	9.2	25	2.50	PZ-2
P0221.050-075-A2	M 5	75	9.2	25	2.50	PZ-2
P0221.050-080-A2	M 5	80	9.2	25	2.50	PZ-2
P0221.050-085-A2	M 5	85	9.2	25	2.50	PZ-2
P0221.050-090-A2	M 5	90	9.2	25	2.50	PZ-2
P0221.050-095-A2	M 5	95	9.2	25	2.50	PZ-2
P0221.050-100-A2	M 5	100	9.2	25	2.50	PZ-2
P0221.060-008-A2	M 6	8	11.0	-	3.00	PZ-3



Pozi Countersunk Machine Screws

Pozi - A2 stainless

Standard Screws



Order No.	d ₁	l ₁	d ₂	l ₂	h ₁	Size
P0221.060-010-A2	M 6	10	11.0	-	3.00	PZ-3
P0221.060-012-A2	M 6	12	11.0	-	3.00	PZ-3
P0221.060-014-A2	M 6	14	11.0	-	3.00	PZ-3
P0221.060-016-A2	M 6	16	11.0	-	3.00	PZ-3
P0221.060-018-A2	M 6	18	11.0	-	3.00	PZ-3
P0221.060-020-A2	M 6	20	11.0	-	3.00	PZ-3
P0221.060-022-A2	M 6	22	11.0	-	3.00	PZ-3
P0221.060-025-A2	M 6	25	11.0	-	3.00	PZ-3
P0221.060-030-A2	M 6	30	11.0	-	3.00	PZ-3
P0221.060-035-A2	M 6	35	11.0	28	3.00	PZ-3
P0221.060-040-A2	M 6	40	11.0	28	3.00	PZ-3
P0221.060-045-A2	M 6	45	11.0	28	3.00	PZ-3
P0221.060-050-A2	M 6	50	11.0	28	3.00	PZ-3
P0221.060-055-A2	M 6	55	11.0	28	3.00	PZ-3
P0221.060-060-A2	M 6	60	11.0	28	3.00	PZ-3
P0221.060-065-A2	M 6	65	11.0	28	3.00	PZ-3
P0221.060-070-A2	M 6	70	11.0	28	3.00	PZ-3
P0221.060-075-A2	M 6	75	11.0	28	3.00	PZ-3
P0221.060-080-A2	M 6	80	11.0	28	3.00	PZ-3
P0221.060-085-A2	M 6	85	11.0	28	3.00	PZ-3
P0221.060-090-A2	M 6	90	11.0	28	3.00	PZ-3
P0221.060-095-A2	M 6	95	11.0	28	3.00	PZ-3
P0221.060-100-A2	M 6	100	11.0	28	3.00	PZ-3
P0221.080-012-A2	M 8	12	14.5	-	4.00	PZ-4
P0221.080-014-A2	M 8	14	14.5	-	4.00	PZ-4
P0221.080-016-A2	M 8	16	14.5	-	4.00	PZ-4
P0221.080-018-A2	M 8	18	14.5	-	4.00	PZ-4
P0221.080-020-A2	M 8	20	14.5	-	4.00	PZ-4
P0221.080-022-A2	M 8	22	14.5	-	4.00	PZ-4
P0221.080-025-A2	M 8	25	14.5	-	4.00	PZ-4
P0221.080-030-A2	M 8	30	14.5	-	4.00	PZ-4
P0221.080-035-A2	M 8	35	14.5	-	4.00	PZ-4
P0221.080-040-A2	M 8	40	14.5	34	4.00	PZ-4
P0221.080-045-A2	M 8	45	14.5	34	4.00	PZ-4
P0221.080-050-A2	M 8	50	14.5	34	4.00	PZ-4
P0221.080-055-A2	M 8	55	14.5	34	4.00	PZ-4
P0221.080-060-A2	M 8	60	14.5	34	4.00	PZ-4
P0221.080-065-A2	M 8	65	14.5	34	4.00	PZ-4
P0221.080-070-A2	M 8	70	14.5	34	4.00	PZ-4
P0221.080-075-A2	M 8	75	14.5	34	4.00	PZ-4
P0221.080-080-A2	M 8	80	14.5	34	4.00	PZ-4
P0221.080-085-A2	M 8	85	14.5	34	4.00	PZ-4
P0221.080-090-A2	M 8	90	14.5	34	4.00	PZ-4
P0221.080-095-A2	M 8	95	14.5	34	4.00	PZ-4
P0221.080-100-A2	M 8	100	14.5	34	4.00	PZ-4
P0221.100-020-A2	M10	20	18.0	-	5.00	PZ-4
P0221.100-022-A2	M10	22	18.0	-	5.00	PZ-4
P0221.100-025-A2	M10	25	18.0	-	5.00	PZ-4
P0221.100-030-A2	M10	30	18.0	-	5.00	PZ-4
P0221.100-035-A2	M10	35	18.0	-	5.00	PZ-4
P0221.100-040-A2	M10	40	18.0	-	5.00	PZ-4
P0221.100-045-A2	M10	45	18.0	-	5.00	PZ-4
P0221.100-050-A2	M10	50	18.0	40	5.00	PZ-4
P0221.100-055-A2	M10	55	18.0	40	5.00	PZ-4
P0221.100-060-A2	M10	60	18.0	40	5.00	PZ-4
P0221.100-065-A2	M10	65	18.0	40	5.00	PZ-4
P0221.100-070-A2	M10	70	18.0	40	5.00	PZ-4
P0221.100-075-A2	M10	75	18.0	40	5.00	PZ-4
P0221.100-080-A2	M10	80	18.0	40	5.00	PZ-4
P0221.100-085-A2	M10	85	18.0	40	5.00	PZ-4
P0221.100-090-A2	M10	90	18.0	40	5.00	PZ-4
P0221.100-095-A2	M10	95	18.0	40	5.00	PZ-4
P0221.100-100-A2	M10	100	18.0	40	5.00	PZ-4

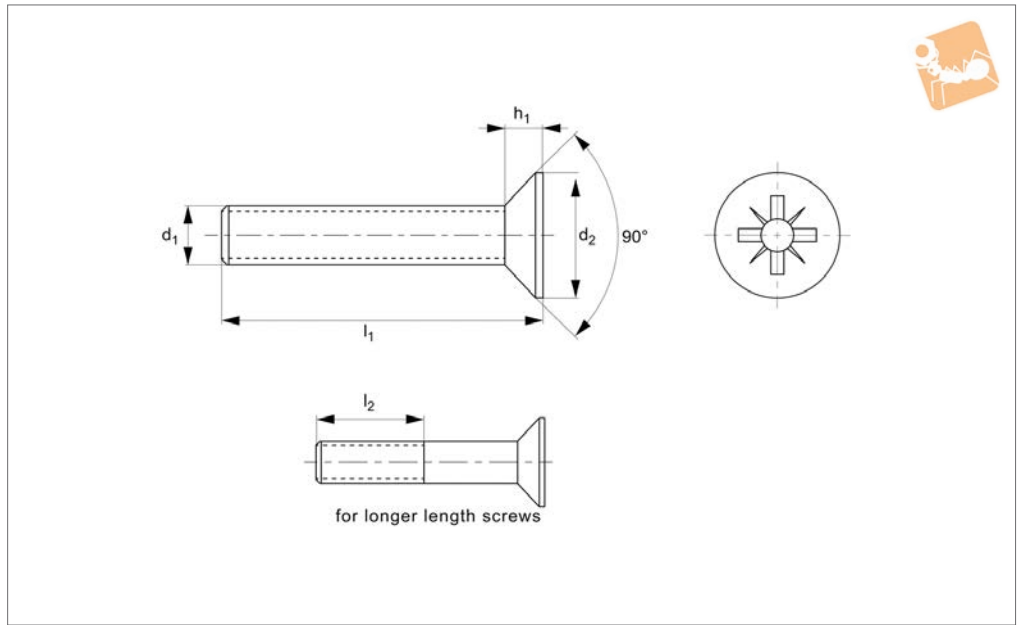
STANDARD SCREWS



STANDARD SCREWS



P0221.A4



Material

Stainless steel A4.

Technical Notes

To DIN 965 H, ISO 7046. For the majority of

screw lengths the threads goes all the way to the head of the screw (i.e. $l_1 = l_2$) less 2.5 thread pitches.
For longer length screws the threaded

portion $l_2 < l_1$.

See technical page for tightening torques.

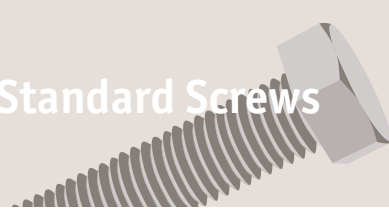
Order No.	d ₁	l ₁	d ₂	l ₂	h ₁	Drive
P0221.016-003-A4	M1,6	3	3.0	-	0.96	PZ-0
P0221.016-004-A4	M1,6	4	3.0	-	0.96	PZ-0
P0221.016-005-A4	M1,6	5	3.0	-	0.96	PZ-0
P0221.016-006-A4	M1,6	6	3.0	-	0.96	PZ-0
P0221.016-008-A4	M1,6	8	3.0	-	0.96	PZ-0
P0221.016-010-A4	M1,6	10	3.0	-	0.96	PZ-0
P0221.016-012-A4	M1,6	12	3.0	-	0.96	PZ-0
P0221.016-014-A4	M1,6	14	3.0	-	0.96	PZ-0
P0221.016-016-A4	M1,6	16	3.0	-	0.96	PZ-0
P0221.020-003-A4	M 2	3	3.8	-	1.20	PZ-1
P0221.020-004-A4	M 2	4	3.8	-	1.20	PZ-1
P0221.020-005-A4	M 2	5	3.8	-	1.20	PZ-1
P0221.020-006-A4	M 2	6	3.8	-	1.20	PZ-1
P0221.020-008-A4	M 2	8	3.8	-	1.20	PZ-1
P0221.020-010-A4	M 2	10	3.8	-	1.20	PZ-1
P0221.020-012-A4	M 2	12	3.8	-	1.20	PZ-1
P0221.020-014-A4	M 2	14	3.8	-	1.20	PZ-1
P0221.020-016-A4	M 2	16	3.8	-	1.20	PZ-1
P0221.020-018-A4	M 2	18	3.8	16	1.20	PZ-1
P0221.020-020-A4	M 2	20	3.8	16	1.20	PZ-1
P0221.025-004-A4	M2,5	4	4.7	-	1.50	PZ-1
P0221.025-005-A4	M2,5	5	4.7	-	1.50	PZ-1
P0221.025-006-A4	M2,5	6	4.7	-	1.50	PZ-1
P0221.025-008-A4	M2,5	8	4.7	-	1.50	PZ-1
P0221.025-010-A4	M2,5	10	4.7	-	1.50	PZ-1
P0221.025-012-A4	M2,5	12	4.7	-	1.50	PZ-1
P0221.025-014-A4	M2,5	14	4.7	-	1.50	PZ-1
P0221.025-016-A4	M2,5	16	4.7	-	1.50	PZ-1
P0221.025-018-A4	M2,5	18	4.7	-	1.50	PZ-1
P0221.025-020-A4	M2,5	20	4.7	18	1.50	PZ-1
P0221.025-025-A4	M2,5	25	4.7	18	1.50	PZ-1
P0221.030-004-A4	M 3	4	5.6	-	1.65	PZ-1
P0221.030-005-A4	M 3	5	5.6	-	1.65	PZ-1
P0221.030-006-A4	M 3	6	5.6	-	1.65	PZ-1



Pozi Countersunk Machine Screws

Pozi - A4 stainless

Standard Screws



Order No.	d ₁	l ₁	d ₂	l ₂	h ₁	Drive
P0221.030-008-A4	M 3	8	5.6	-	1.65	PZ-1
P0221.030-010-A4	M 3	10	5.6	-	1.65	PZ-1
P0221.030-012-A4	M 3	12	5.6	-	1.65	PZ-1
P0221.030-014-A4	M 3	14	5.6	-	1.65	PZ-1
P0221.030-016-A4	M 3	16	5.6	-	1.65	PZ-1
P0221.030-018-A4	M 3	18	5.6	-	1.65	PZ-1
P0221.030-020-A4	M 3	20	5.6	-	1.65	PZ-1
P0221.030-022-A4	M 3	22	5.6	19	1.65	PZ-1
P0221.030-025-A4	M 3	25	5.6	19	1.65	PZ-1
P0221.030-030-A4	M 3	30	5.6	19	1.65	PZ-1
P0221.030-035-A4	M 3	35	5.6	19	1.65	PZ-1
P0221.030-040-A4	M 3	40	5.6	19	1.65	PZ-1
P0221.030-045-A4	M 3	45	5.6	19	1.65	PZ-1
P0221.030-050-A4	M 3	50	5.6	19	1.65	PZ-1
P0221.030-055-A4	M 3	55	5.6	19	1.65	PZ-1
P0221.030-060-A4	M 3	60	5.6	19	1.65	PZ-1
P0221.040-005-A4	M 4	5	7.5	-	2.20	PZ-2
P0221.040-006-A4	M 4	6	7.5	-	2.20	PZ-2
P0221.040-008-A4	M 4	8	7.5	-	2.20	PZ-2
P0221.040-010-A4	M 4	10	7.5	-	2.20	PZ-2
P0221.040-012-A4	M 4	12	7.5	-	2.20	PZ-2
P0221.040-014-A4	M 4	14	7.5	-	2.20	PZ-2
P0221.040-016-A4	M 4	16	7.5	-	2.20	PZ-2
P0221.040-018-A4	M 4	18	7.5	-	2.20	PZ-2
P0221.040-020-A4	M 4	20	7.5	-	2.20	PZ-2
P0221.040-022-A4	M 4	22	7.5	-	2.20	PZ-2
P0221.040-025-A4	M 4	25	7.5	-	2.20	PZ-2
P0221.040-030-A4	M 4	30	7.5	22	2.20	PZ-2
P0221.040-035-A4	M 4	35	7.5	22	2.20	PZ-2
P0221.040-040-A4	M 4	40	7.5	22	2.20	PZ-2
P0221.040-045-A4	M 4	45	7.5	22	2.20	PZ-2
P0221.040-050-A4	M 4	50	7.5	22	2.20	PZ-2
P0221.040-055-A4	M 4	55	7.5	22	2.20	PZ-2
P0221.040-060-A4	M 4	60	7.5	22	2.20	PZ-2
P0221.040-065-A4	M 4	65	7.5	22	2.20	PZ-2
P0221.040-070-A4	M 4	70	7.5	22	2.20	PZ-2
P0221.040-075-A4	M 4	75	7.5	22	2.20	PZ-2
P0221.040-080-A4	M 4	80	7.5	22	2.20	PZ-2
P0221.040-085-A4	M 4	85	7.5	22	2.20	PZ-2
P0221.040-090-A4	M 4	90	7.5	22	2.20	PZ-2
P0221.040-095-A4	M 4	95	7.5	22	2.20	PZ-2
P0221.040-100-A4	M 4	100	7.5	22	2.20	PZ-2
P0221.050-006-A4	M 5	6	9.2	-	2.50	PZ-2
P0221.050-008-A4	M 5	8	9.2	-	2.50	PZ-2
P0221.050-010-A4	M 5	10	9.2	-	2.50	PZ-2
P0221.050-012-A4	M 5	12	9.2	-	2.50	PZ-2
P0221.050-014-A4	M 5	14	9.2	-	2.50	PZ-2
P0221.050-016-A4	M 5	16	9.2	-	2.50	PZ-2
P0221.050-018-A4	M 5	18	9.2	-	2.50	PZ-2
P0221.050-020-A4	M 5	20	9.2	-	2.50	PZ-2
P0221.050-022-A4	M 5	22	9.2	-	2.50	PZ-2
P0221.050-025-A4	M 5	25	9.2	-	2.50	PZ-2
P0221.050-030-A4	M 5	30	9.2	25	2.50	PZ-2
P0221.050-035-A4	M 5	35	9.2	25	2.50	PZ-2
P0221.050-040-A4	M 5	40	9.2	25	2.50	PZ-2
P0221.050-045-A4	M 5	45	9.2	25	2.50	PZ-2
P0221.050-050-A4	M 5	50	9.2	25	2.50	PZ-2
P0221.050-055-A4	M 5	55	9.2	25	2.50	PZ-2
P0221.050-060-A4	M 5	60	9.2	25	2.50	PZ-2
P0221.050-065-A4	M 5	65	9.2	25	2.50	PZ-2
P0221.050-070-A4	M 5	70	9.2	25	2.50	PZ-2
P0221.050-075-A4	M 5	75	9.2	25	2.50	PZ-2
P0221.050-080-A4	M 5	80	9.2	25	2.50	PZ-2
P0221.050-085-A4	M 5	85	9.2	25	2.50	PZ-2
P0221.050-090-A4	M 5	90	9.2	25	2.50	PZ-2
P0221.050-095-A4	M 5	95	9.2	25	2.50	PZ-2
P0221.050-100-A4	M 5	100	9.2	25	2.50	PZ-2
P0221.060-008-A4	M 6	8	11.0	-	3.00	PZ-3
P0221.060-010-A4	M 6	10	11.0	-	3.00	PZ-3

STANDARD SCREWS



STANDARD SCREWS

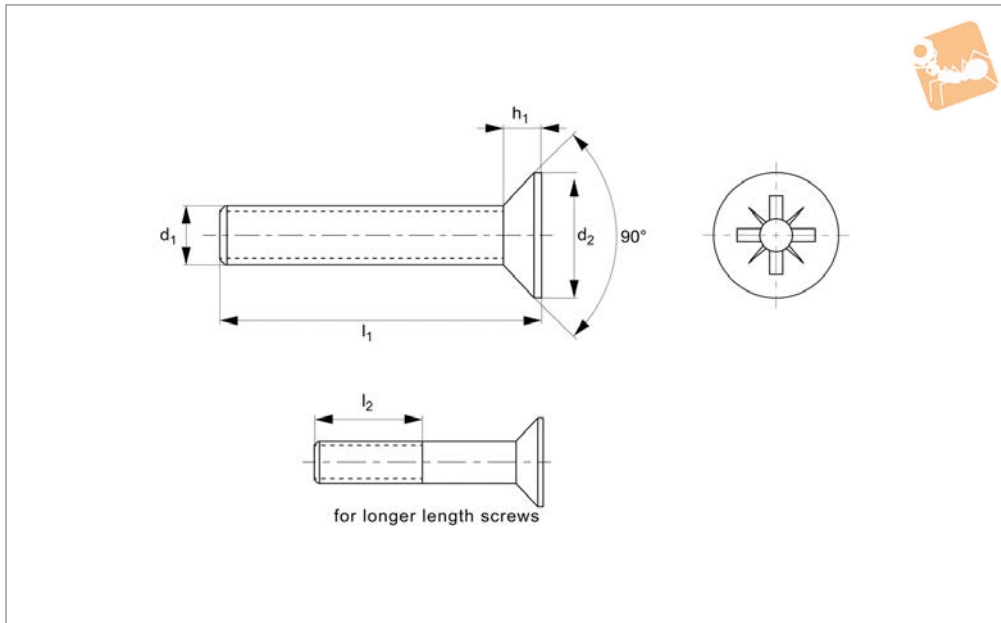
Order No.	d ₁	l ₁	d ₂	l ₂	h ₁	Drive
P0221.060-012-A4	M 6	12	11.0	-	3.00	PZ-3
P0221.060-014-A4	M 6	14	11.0	-	3.00	PZ-3
P0221.060-016-A4	M 6	16	11.0	-	3.00	PZ-3
P0221.060-018-A4	M 6	18	11.0	-	3.00	PZ-3
P0221.060-020-A4	M 6	20	11.0	-	3.00	PZ-3
P0221.060-022-A4	M 6	22	11.0	-	3.00	PZ-3
P0221.060-025-A4	M 6	25	11.0	-	3.00	PZ-3
P0221.060-030-A4	M 6	30	11.0	-	3.00	PZ-3
P0221.060-035-A4	M 6	35	11.0	28	3.00	PZ-3
P0221.060-040-A4	M 6	40	11.0	28	3.00	PZ-3
P0221.060-045-A4	M 6	45	11.0	28	3.00	PZ-3
P0221.060-050-A4	M 6	50	11.0	28	3.00	PZ-3
P0221.060-055-A4	M 6	55	11.0	28	3.00	PZ-3
P0221.060-060-A4	M 6	60	11.0	28	3.00	PZ-3
P0221.060-065-A4	M 6	65	11.0	28	3.00	PZ-3
P0221.060-070-A4	M 6	70	11.0	28	3.00	PZ-3
P0221.060-075-A4	M 6	75	11.0	28	3.00	PZ-3
P0221.060-080-A4	M 6	80	11.0	28	3.00	PZ-3
P0221.060-085-A4	M 6	85	11.0	28	3.00	PZ-3
P0221.060-090-A4	M 6	90	11.0	28	3.00	PZ-3
P0221.060-095-A4	M 6	95	11.0	28	3.00	PZ-3
P0221.060-100-A4	M 6	100	11.0	28	3.00	PZ-3
P0221.080-012-A4	M 8	12	14.5	-	4.00	PZ-4
P0221.080-014-A4	M 8	14	14.5	-	4.00	PZ-4
P0221.080-016-A4	M 8	16	14.5	-	4.00	PZ-4
P0221.080-018-A4	M 8	18	14.5	-	4.00	PZ-4
P0221.080-020-A4	M 8	20	14.5	-	4.00	PZ-4
P0221.080-022-A4	M 8	22	14.5	-	4.00	PZ-4
P0221.080-025-A4	M 8	25	14.5	-	4.00	PZ-4
P0221.080-030-A4	M 8	30	14.5	-	4.00	PZ-4
P0221.080-035-A4	M 8	35	14.5	-	4.00	PZ-4
P0221.080-040-A4	M 8	40	14.5	34	4.00	PZ-4
P0221.080-045-A4	M 8	45	14.5	34	4.00	PZ-4
P0221.080-050-A4	M 8	50	14.5	34	4.00	PZ-4
P0221.080-055-A4	M 8	55	14.5	34	4.00	PZ-4
P0221.080-060-A4	M 8	60	14.5	34	4.00	PZ-4
P0221.080-065-A4	M 8	65	14.5	34	4.00	PZ-4
P0221.080-070-A4	M 8	70	14.5	34	4.00	PZ-4
P0221.080-075-A4	M 8	75	14.5	34	4.00	PZ-4
P0221.080-080-A4	M 8	80	14.5	34	4.00	PZ-4
P0221.080-085-A4	M 8	85	14.5	34	4.00	PZ-4
P0221.080-090-A4	M 8	90	14.5	34	4.00	PZ-4
P0221.080-095-A4	M 8	95	14.5	34	4.00	PZ-4
P0221.080-100-A4	M 8	100	14.5	34	4.00	PZ-4
P0221.100-020-A4	M10	20	18.0	-	5.00	PZ-4
P0221.100-022-A4	M10	22	18.0	-	5.00	PZ-4
P0221.100-025-A4	M10	25	18.0	-	5.00	PZ-4
P0221.100-030-A4	M10	30	18.0	-	5.00	PZ-4
P0221.100-035-A4	M10	35	18.0	-	5.00	PZ-4
P0221.100-040-A4	M10	40	18.0	-	5.00	PZ-4
P0221.100-045-A4	M10	45	18.0	-	5.00	PZ-4
P0221.100-050-A4	M10	50	18.0	40	5.00	PZ-4
P0221.100-055-A4	M10	55	18.0	40	5.00	PZ-4
P0221.100-060-A4	M10	60	18.0	40	5.00	PZ-4
P0221.100-065-A4	M10	65	18.0	40	5.00	PZ-4
P0221.100-070-A4	M10	70	18.0	40	5.00	PZ-4
P0221.100-075-A4	M10	75	18.0	40	5.00	PZ-4
P0221.100-080-A4	M10	80	18.0	40	5.00	PZ-4
P0221.100-085-A4	M10	85	18.0	40	5.00	PZ-4
P0221.100-090-A4	M10	90	18.0	40	5.00	PZ-4
P0221.100-095-A4	M10	95	18.0	40	5.00	PZ-4
P0221.100-100-A4	M10	100	18.0	40	5.00	PZ-4



Pozi Countersunk Machine Screws

Pozi - Steel, zinc-plated

Standard Screws



P0221.ZP

STANDARD SCREWS

Material

Steel, zinc-plated (grade 4.8).

Technical Notes

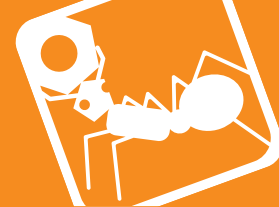
To DIN 965 H, ISO 7046. For the majority of

screw lengths the threads goes all the way to the head of the screw (i.e. $l_2 = l_1$) less 2.5 thread pitches.

For longer length screws the threaded

portion $l_2 < l_1$.

Order No.	d_1	l_1	d_2	l_2	h_1	Drive
P0221.016-003-ZP	M1,6	3	3.0	-	0.96	PZ-0
P0221.016-004-ZP	M1,6	4	3.0	-	0.96	PZ-0
P0221.016-005-ZP	M1,6	5	3.0	-	0.96	PZ-0
P0221.016-006-ZP	M1,6	6	3.0	-	0.96	PZ-0
P0221.016-008-ZP	M1,6	8	3.0	-	0.96	PZ-0
P0221.016-010-ZP	M1,6	10	3.0	-	0.96	PZ-0
P0221.016-012-ZP	M1,6	12	3.0	-	0.96	PZ-0
P0221.016-014-ZP	M1,6	14	3.0	-	0.96	PZ-0
P0221.016-016-ZP	M1,6	16	3.0	-	0.96	PZ-0
P0221.020-003-ZP	M 2	3	3.8	-	1.20	PZ-1
P0221.020-004-ZP	M 2	4	3.8	-	1.20	PZ-1
P0221.020-005-ZP	M 2	5	3.8	-	1.20	PZ-1
P0221.020-006-ZP	M 2	6	3.8	-	1.20	PZ-1
P0221.020-008-ZP	M 2	8	3.8	-	1.20	PZ-1
P0221.020-010-ZP	M 2	10	3.8	-	1.20	PZ-1
P0221.020-012-ZP	M 2	12	3.8	-	1.20	PZ-1
P0221.020-014-ZP	M 2	14	3.8	-	1.20	PZ-1
P0221.020-016-ZP	M 2	16	3.8	-	1.20	PZ-1
P0221.020-018-ZP	M 2	18	3.8	16	1.20	PZ-1
P0221.020-020-ZP	M 2	20	3.8	16	1.20	PZ-1
P0221.025-006-ZP	M2,5	6	4.7	-	1.50	PZ-1
P0221.025-008-ZP	M2,5	8	4.7	-	1.50	PZ-1
P0221.025-010-ZP	M2,5	10	4.7	-	1.50	PZ-1
P0221.025-012-ZP	M2,5	12	4.7	-	1.50	PZ-1
P0221.025-014-ZP	M2,5	14	4.7	-	1.50	PZ-1
P0221.025-016-ZP	M2,5	16	4.7	-	1.50	PZ-1
P0221.025-018-ZP	M2,5	18	4.7	-	1.50	PZ-1
P0221.025-020-ZP	M2,5	20	4.7	-	1.50	PZ-1
P0221.025-022-ZP	M2,5	22	4.7	-	1.50	PZ-1
P0221.030-004-ZP	M 3	4	5.6	-	1.65	PZ-1
P0221.030-005-ZP	M 3	5	5.6	-	1.65	PZ-1
P0221.030-006-ZP	M 3	6	5.6	-	1.65	PZ-1
P0221.030-008-ZP	M 3	8	5.6	-	1.65	PZ-1
P0221.030-010-ZP	M 3	10	5.6	-	1.65	PZ-1



STANDARD SCREWS

Order No.	d ₁	l ₁	d ₂	l ₂	h ₁	Drive
P0221.030-012-ZP	M 3	12	5.6	-	1.65	PZ-1
P0221.030-014-ZP	M 3	14	5.6	-	1.65	PZ-1
P0221.030-016-ZP	M 3	16	5.6	-	1.65	PZ-1
P0221.030-018-ZP	M 3	18	5.6	-	1.65	PZ-1
P0221.030-020-ZP	M 3	20	5.6	-	1.65	PZ-1
P0221.030-022-ZP	M 3	22	5.6	-	1.65	PZ-1
P0221.030-025-ZP	M 3	25	5.6	19	1.65	PZ-1
P0221.030-030-ZP	M 3	30	5.6	19	1.65	PZ-1
P0221.030-035-ZP	M 3	35	5.6	19	1.65	PZ-1
P0221.030-040-ZP	M 3	40	5.6	19	1.65	PZ-1
P0221.030-045-ZP	M 3	45	5.6	19	1.65	PZ-1
P0221.030-050-ZP	M 3	50	5.6	19	1.65	PZ-1
P0221.030-055-ZP	M 3	55	5.6	19	1.65	PZ-1
P0221.030-060-ZP	M 3	60	5.6	19	1.65	PZ-1
P0221.040-010-ZP	M 4	10	7.5	-	2.20	PZ-2
P0221.040-012-ZP	M 4	12	7.5	-	2.20	PZ-2
P0221.040-014-ZP	M 4	14	7.5	-	2.20	PZ-2
P0221.040-016-ZP	M 4	16	7.5	-	2.20	PZ-2
P0221.040-018-ZP	M 4	18	7.5	-	2.20	PZ-2
P0221.040-020-ZP	M 4	20	7.5	-	2.20	PZ-2
P0221.040-022-ZP	M 4	22	7.5	-	2.20	PZ-2
P0221.040-025-ZP	M 4	25	7.5	-	2.20	PZ-2
P0221.040-030-ZP	M 4	30	7.5	22	2.20	PZ-2
P0221.040-035-ZP	M 4	35	7.5	22	2.20	PZ-2
P0221.040-040-ZP	M 4	40	7.5	22	2.20	PZ-2
P0221.040-045-ZP	M 4	45	7.5	22	2.20	PZ-2
P0221.040-050-ZP	M 4	50	7.5	22	2.20	PZ-2
P0221.040-055-ZP	M 4	55	7.5	22	2.20	PZ-2
P0221.040-060-ZP	M 4	60	7.5	22	2.20	PZ-2
P0221.040-065-ZP	M 4	65	7.5	22	2.20	PZ-2
P0221.040-070-ZP	M 4	70	7.5	22	2.20	PZ-2
P0221.040-075-ZP	M 4	75	7.5	22	2.20	PZ-2
P0221.040-080-ZP	M 4	80	7.5	22	2.20	PZ-2
P0221.040-090-ZP	M 4	90	7.5	22	2.20	PZ-2
P0221.040-100-ZP	M 4	100	7.5	22	2.20	PZ-2
P0221.050-006-ZP	M 5	6	9.2	-	2.50	PZ-2
P0221.050-008-ZP	M 5	8	9.2	-	2.50	PZ-2
P0221.050-010-ZP	M 5	10	9.2	-	2.50	PZ-2
P0221.050-012-ZP	M 5	12	9.2	-	2.50	PZ-2
P0221.050-014-ZP	M 5	14	9.2	-	2.50	PZ-2
P0221.050-016-ZP	M 5	16	9.2	-	2.50	PZ-2
P0221.050-018-ZP	M 5	18	9.2	-	2.50	PZ-2
P0221.050-020-ZP	M 5	20	9.2	-	2.50	PZ-2
P0221.050-022-ZP	M 5	22	9.2	-	2.50	PZ-2
P0221.050-025-ZP	M 5	25	9.2	-	2.50	PZ-2
P0221.050-030-ZP	M 5	30	9.2	25	2.50	PZ-2
P0221.050-035-ZP	M 5	35	9.2	25	2.50	PZ-2
P0221.050-040-ZP	M 5	40	9.2	25	2.50	PZ-2
P0221.050-045-ZP	M 5	45	9.2	25	2.50	PZ-2
P0221.050-050-ZP	M 5	50	9.2	25	2.50	PZ-2
P0221.050-055-ZP	M 5	55	9.2	25	2.50	PZ-2
P0221.050-060-ZP	M 5	60	9.2	25	2.50	PZ-2
P0221.050-065-ZP	M 5	65	9.2	25	2.50	PZ-2
P0221.050-070-ZP	M 5	70	9.2	25	2.50	PZ-2
P0221.050-075-ZP	M 5	75	9.2	25	2.50	PZ-2
P0221.050-080-ZP	M 5	80	9.2	25	2.50	PZ-2
P0221.050-085-ZP	M 5	85	9.2	25	2.50	PZ-2
P0221.050-090-ZP	M 5	90	9.2	25	2.50	PZ-2
P0221.050-095-ZP	M 5	95	9.2	25	2.50	PZ-2
P0221.050-100-ZP	M 5	100	9.2	25	2.50	PZ-2
P0221.060-008-ZP	M 6	8	11.0	-	3.00	PZ-3
P0221.060-010-ZP	M 6	10	11.0	-	3.00	PZ-3
P0221.060-012-ZP	M 6	12	11.0	-	3.00	PZ-3
P0221.060-014-ZP	M 6	14	11.0	-	3.00	PZ-3
P0221.060-016-ZP	M 6	16	11.0	-	3.00	PZ-3
P0221.060-018-ZP	M 6	18	11.0	-	3.00	PZ-3
P0221.060-020-ZP	M 6	20	11.0	-	3.00	PZ-3
P0221.060-022-ZP	M 6	22	11.0	-	3.00	PZ-3
P0221.060-025-ZP	M 6	25	11.0	-	3.00	PZ-3



Pozi Countersunk Machine Screws

Pozi - Steel, zinc-plated

Standard Screws



Order No.	d ₁	l ₁	d ₂	l ₂	h ₁	Drive
P0221.060-030-ZP	M 6	30	11.0	-	3.00	PZ-3
P0221.060-035-ZP	M 6	35	11.0	28	3.00	PZ-3
P0221.060-040-ZP	M 6	40	11.0	28	3.00	PZ-3
P0221.060-045-ZP	M 6	45	11.0	28	3.00	PZ-3
P0221.060-050-ZP	M 6	50	11.0	28	3.00	PZ-3
P0221.060-055-ZP	M 6	55	11.0	28	3.00	PZ-3
P0221.060-060-ZP	M 6	60	11.0	28	3.00	PZ-3
P0221.060-065-ZP	M 6	65	11.0	28	3.00	PZ-3
P0221.060-070-ZP	M 6	70	11.0	28	3.00	PZ-3
P0221.060-075-ZP	M 6	75	11.0	28	3.00	PZ-3
P0221.060-080-ZP	M 6	80	11.0	28	3.00	PZ-3
P0221.060-085-ZP	M 6	85	11.0	28	3.00	PZ-3
P0221.060-090-ZP	M 6	90	11.0	28	3.00	PZ-3
P0221.060-095-ZP	M 6	95	11.0	28	3.00	PZ-3
P0221.060-100-ZP	M 6	100	11.0	28	3.00	PZ-3
P0221.080-012-ZP	M 8	12	14.5	-	4.00	PZ-4
P0221.080-014-ZP	M 8	14	14.5	-	4.00	PZ-4
P0221.080-016-ZP	M 8	16	14.5	-	4.00	PZ-4
P0221.080-018-ZP	M 8	18	14.5	-	4.00	PZ-4
P0221.080-020-ZP	M 8	20	14.5	-	4.00	PZ-4
P0221.080-022-ZP	M 8	22	14.5	-	4.00	PZ-4
P0221.080-025-ZP	M 8	25	14.5	-	4.00	PZ-4
P0221.080-030-ZP	M 8	30	14.5	-	4.00	PZ-4
P0221.080-035-ZP	M 8	35	14.5	-	4.00	PZ-4
P0221.080-040-ZP	M 8	40	14.5	34	4.00	PZ-4
P0221.080-045-ZP	M 8	45	14.5	34	4.00	PZ-4
P0221.080-050-ZP	M 8	50	14.5	34	4.00	PZ-4
P0221.080-055-ZP	M 8	55	14.5	34	4.00	PZ-4
P0221.080-060-ZP	M 8	60	14.5	34	4.00	PZ-4
P0221.080-065-ZP	M 8	65	14.5	34	4.00	PZ-4
P0221.080-070-ZP	M 8	70	14.5	34	4.00	PZ-4
P0221.080-075-ZP	M 8	75	14.5	34	4.00	PZ-4
P0221.080-080-ZP	M 8	80	14.5	34	4.00	PZ-4
P0221.080-085-ZP	M 8	85	14.5	34	4.00	PZ-4
P0221.080-090-ZP	M 8	90	14.5	34	4.00	PZ-4
P0221.080-095-ZP	M 8	95	14.5	34	4.00	PZ-4
P0221.080-100-ZP	M 8	100	14.5	34	4.00	PZ-4
P0221.100-020-ZP	M10	20	18.0	-	5.00	PZ-4
P0221.100-022-ZP	M10	22	18.0	-	5.00	PZ-4
P0221.100-025-ZP	M10	25	18.0	-	5.00	PZ-4
P0221.100-030-ZP	M10	30	18.0	-	5.00	PZ-4
P0221.100-035-ZP	M10	35	18.0	-	5.00	PZ-4
P0221.100-040-ZP	M10	40	18.0	-	5.00	PZ-4
P0221.100-045-ZP	M10	45	18.0	-	5.00	PZ-4
P0221.100-050-ZP	M10	50	18.0	40	5.00	PZ-4
P0221.100-055-ZP	M10	55	18.0	40	5.00	PZ-4
P0221.100-060-ZP	M10	60	18.0	40	5.00	PZ-4
P0221.100-065-ZP	M10	65	18.0	40	5.00	PZ-4
P0221.100-070-ZP	M10	70	18.0	40	5.00	PZ-4
P0221.100-075-ZP	M10	75	18.0	40	5.00	PZ-4
P0221.100-080-ZP	M10	80	18.0	40	5.00	PZ-4
P0221.100-085-ZP	M10	85	18.0	40	5.00	PZ-4
P0221.100-090-ZP	M10	90	18.0	40	5.00	PZ-4
P0221.100-095-ZP	M10	95	18.0	40	5.00	PZ-4
P0221.100-100-ZP	M10	100	18.0	40	5.00	PZ-4

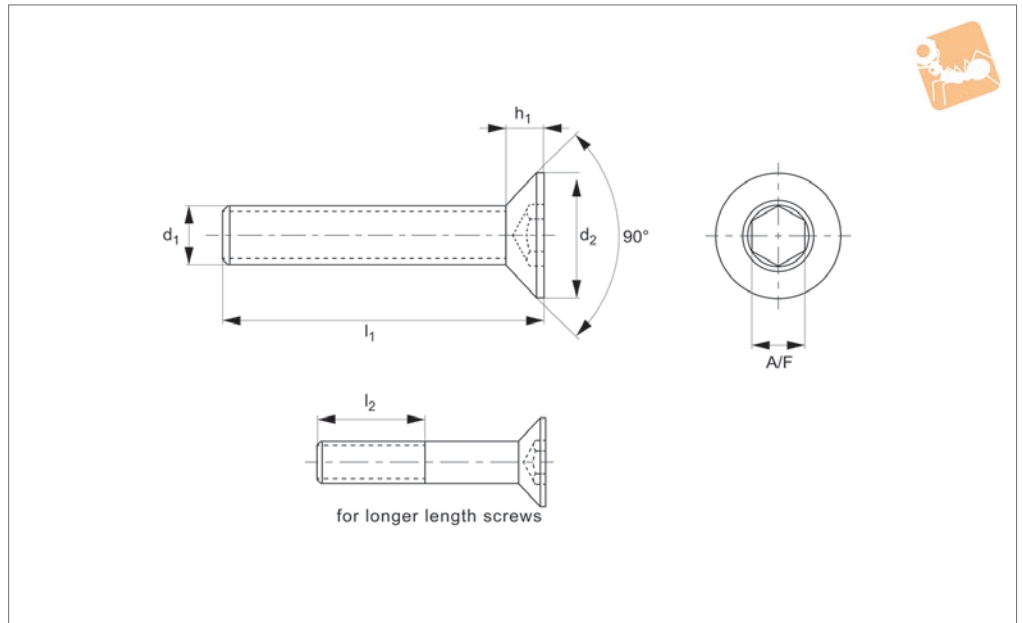
STANDARD SCREWS



STANDARD SCREWS



P0222.A2



Material

Stainless steel A2.

Technical Notes

To DIN 7991, ISO 10642. For the majority

of screw lengths the threads goes all the way to the head of the screw (i.e. $l_1 = l_2$) less 2.5 thread pitches.

For longer length screws the threaded

portion $l_2 < l_1$.

See technical page for tightening torques.

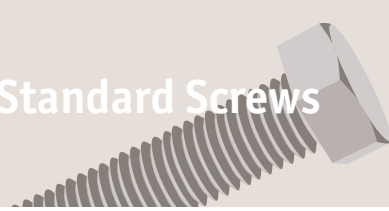
Order No.	d_1	l_1	d_2	l_2	h_1	A/F
P0222.030-006-A2	M 3	6	6	-	1.7	2.0
P0222.030-008-A2	M 3	8	6	-	1.7	2.0
P0222.030-010-A2	M 3	10	6	-	1.7	2.0
P0222.030-012-A2	M 3	12	6	-	1.7	2.0
P0222.030-014-A2	M 3	14	6	12	1.7	2.0
P0222.030-016-A2	M 3	16	6	12	1.7	2.0
P0222.030-018-A2	M 3	18	6	12	1.7	2.0
P0222.030-020-A2	M 3	20	6	12	1.7	2.0
P0222.030-022-A2	M 3	22	6	12	1.7	2.0
P0222.030-025-A2	M 3	25	6	12	1.7	2.0
P0222.030-030-A2	M 3	30	6	12	1.7	2.0
P0222.030-035-A2	M 3	35	6	12	1.7	2.0
P0222.030-040-A2	M 3	40	6	12	1.7	2.0
P0222.040-006-A2	M 4	6	8	-	2.3	2.5
P0222.040-008-A2	M 4	8	8	-	2.3	2.5
P0222.040-010-A2	M 4	10	8	-	2.3	2.5
P0222.040-012-A2	M 4	12	8	-	2.3	2.5
P0222.040-014-A2	M 4	14	8	-	2.3	2.5
P0222.040-016-A2	M 4	16	8	14	2.3	2.5
P0222.040-018-A2	M 4	18	8	14	2.3	2.5
P0222.040-020-A2	M 4	20	8	14	2.3	2.5
P0222.040-022-A2	M 4	22	8	14	2.3	2.5
P0222.040-025-A2	M 4	25	8	14	2.3	2.5
P0222.040-030-A2	M 4	30	8	14	2.3	2.5
P0222.040-035-A2	M 4	35	8	14	2.3	2.5
P0222.040-040-A2	M 4	40	8	14	2.3	2.5
P0222.040-045-A2	M 4	45	8	14	2.3	2.5
P0222.040-050-A2	M 4	50	8	14	2.3	2.5
P0222.040-055-A2	M 4	55	8	14	2.3	2.5
P0222.040-060-A2	M 4	60	8	14	2.3	2.5
P0222.040-065-A2	M 4	65	8	14	2.3	2.5
P0222.040-070-A2	M 4	70	8	14	2.3	2.5
P0222.050-006-A2	M 5	6	10	-	2.8	3.0
P0222.050-008-A2	M 5	8	10	-	2.8	3.0



Socket Countersunk Machine Screws

Socket - A2 stainless

Standard Screws



Order No.	d ₁	l ₁	d ₂	l ₂	h ₁	A/F
P0222.050-010-A2	M 5	10	10	-	2.8	3.0
P0222.050-012-A2	M 5	12	10	-	2.8	3.0
P0222.050-014-A2	M 5	14	10	-	2.8	3.0
P0222.050-016-A2	M 5	16	10	-	2.8	3.0
P0222.050-018-A2	M 5	18	10	16	2.8	3.0
P0222.050-020-A2	M 5	20	10	16	2.8	3.0
P0222.050-022-A2	M 5	22	10	16	2.8	3.0
P0222.050-025-A2	M 5	25	10	16	2.8	3.0
P0222.050-030-A2	M 5	30	10	16	2.8	3.0
P0222.050-035-A2	M 5	35	10	16	2.8	3.0
P0222.050-040-A2	M 5	40	10	16	2.8	3.0
P0222.050-045-A2	M 5	45	10	16	2.8	3.0
P0222.050-050-A2	M 5	50	10	16	2.8	3.0
P0222.050-055-A2	M 5	55	10	16	2.8	3.0
P0222.050-060-A2	M 5	60	10	16	2.8	3.0
P0222.050-065-A2	M 5	65	10	16	2.8	3.0
P0222.050-070-A2	M 5	70	10	16	2.8	3.0
P0222.050-075-A2	M 5	75	10	16	2.8	3.0
P0222.050-080-A2	M 5	80	10	16	2.8	3.0
P0222.050-085-A2	M 5	85	10	16	2.8	3.0
P0222.050-090-A2	M 5	90	10	16	2.8	3.0
P0222.050-095-A2	M 5	95	10	16	2.8	3.0
P0222.050-100-A2	M 5	100	10	16	2.8	3.0
P0222.060-008-A2	M 6	8	12.0	-	3.30	4.0
P0222.060-010-A2	M 6	10	12.0	-	3.30	4.0
P0222.060-012-A2	M 6	12	12.0	-	3.30	4.0
P0222.060-014-A2	M 6	14	12.0	-	3.30	4.0
P0222.060-016-A2	M 6	16	12.0	-	3.30	4.0
P0222.060-018-A2	M 6	18	12.0	-	3.30	4.0
P0222.060-020-A2	M 6	20	12.0	18	3.30	4.0
P0222.060-022-A2	M 6	22	12.0	18	3.30	4.0
P0222.060-025-A2	M 6	25	12.0	18	3.30	4.0
P0222.060-030-A2	M 6	30	12.0	18	3.30	4.0
P0222.060-035-A2	M 6	35	12.0	18	3.30	4.0
P0222.060-040-A2	M 6	40	12.0	18	3.30	4.0
P0222.060-045-A2	M 6	45	12.0	18	3.30	4.0
P0222.060-050-A2	M 6	50	12.0	18	3.30	4.0
P0222.060-055-A2	M 6	55	12.0	18	3.30	4.0
P0222.060-060-A2	M 6	60	12.0	18	3.30	4.0
P0222.060-065-A2	M 6	65	12.0	18	3.30	4.0
P0222.060-070-A2	M 6	70	12.0	18	3.30	4.0
P0222.060-075-A2	M 6	75	12.0	18	3.30	4.0
P0222.060-080-A2	M 6	80	12.0	18	3.30	4.0
P0222.060-085-A2	M 6	85	12.0	18	3.30	4.0
P0222.060-090-A2	M 6	90	12.0	18	3.30	4.0
P0222.060-095-A2	M 6	95	12.0	18	3.30	4.0
P0222.060-100-A2	M 6	100	12.0	18	3.30	4.0
P0222.080-010-A2	M 8	10	16.0	-	4.40	5.0
P0222.080-012-A2	M 8	12	16.0	-	4.40	5.0
P0222.080-014-A2	M 8	14	16.0	-	4.40	5.0
P0222.080-016-A2	M 8	16	16.0	-	4.40	5.0
P0222.080-018-A2	M 8	18	16.0	-	4.40	5.0
P0222.080-020-A2	M 8	20	16.0	-	4.40	5.0
P0222.080-022-A2	M 8	22	16.0	-	4.40	5.0
P0222.080-025-A2	M 8	25	16.0	22	4.40	5.0
P0222.080-030-A2	M 8	30	16.0	22	4.40	5.0
P0222.080-035-A2	M 8	35	16.0	22	4.40	5.0
P0222.080-040-A2	M 8	40	16.0	22	4.40	5.0
P0222.080-045-A2	M 8	45	16.0	22	4.40	5.0
P0222.080-050-A2	M 8	50	16.0	22	4.40	5.0
P0222.080-055-A2	M 8	55	16.0	22	4.40	5.0
P0222.080-060-A2	M 8	60	16.0	22	4.40	5.0
P0222.080-065-A2	M 8	65	16.0	22	4.40	5.0
P0222.080-070-A2	M 8	70	16.0	22	4.40	5.0
P0222.080-075-A2	M 8	75	16.0	22	4.40	5.0
P0222.080-080-A2	M 8	80	16.0	22	4.40	5.0
P0222.080-085-A2	M 8	85	16.0	22	4.40	5.0
P0222.080-090-A2	M 8	90	16.0	22	4.40	5.0
P0222.080-095-A2	M 8	95	16.0	22	4.40	5.0

STANDARD SCREWS



STANDARD SCREWS

Order No.	d ₁	l ₁	d ₂	l ₂	h ₁	A/F
P0222.080-100-A2	M 8	100	16.0	22	4.40	5.0
P0222.080-110-A2	M 8	110	16.0	22	4.40	5.0
P0222.080-120-A2	M 8	120	16.0	22	4.40	5.0
P0222.080-130-A2	M 8	130	16.0	22	4.40	5.0
P0222.080-140-A2	M 8	140	16.0	22	4.40	5.0
P0222.080-150-A2	M 8	150	16.0	22	4.40	5.0
P0222.080-160-A2	M 8	160	16.0	22	4.40	5.0
P0222.100-016-A2	M10	16	20.0	-	5.50	6.0
P0222.100-018-A2	M10	18	20.0	-	5.50	6.0
P0222.100-020-A2	M10	20	20.0	-	5.50	6.0
P0222.100-022-A2	M10	22	20.0	-	5.50	6.0
P0222.100-025-A2	M10	25	20.0	-	5.50	6.0
P0222.100-030-A2	M10	30	20.0	26	5.50	6.0
P0222.100-035-A2	M10	35	20.0	26	5.50	6.0
P0222.100-040-A2	M10	40	20.0	26	5.50	6.0
P0222.100-045-A2	M10	45	20.0	26	5.50	6.0
P0222.100-050-A2	M10	50	20.0	26	5.50	6.0
P0222.100-055-A2	M10	55	20.0	26	5.50	6.0
P0222.100-060-A2	M10	60	20.0	26	5.50	6.0
P0222.100-065-A2	M10	65	20.0	26	5.50	6.0
P0222.100-070-A2	M10	70	20.0	26	5.50	6.0
P0222.100-075-A2	M10	75	20.0	26	5.50	6.0
P0222.100-080-A2	M10	80	20.0	26	5.50	6.0
P0222.100-085-A2	M10	85	20.0	26	5.50	6.0
P0222.100-090-A2	M10	90	20.0	26	5.50	6.0
P0222.100-095-A2	M10	95	20.0	26	5.50	6.0
P0222.100-100-A2	M10	100	20.0	26	5.50	6.0
P0222.100-110-A2	M10	110	20.0	26	5.50	6.0
P0222.100-120-A2	M10	120	20.0	26	5.50	6.0
P0222.100-130-A2	M10	130	20.0	26	5.50	6.0
P0222.100-140-A2	M10	140	20.0	26	5.50	6.0
P0222.100-150-A2	M10	150	20.0	26	5.50	6.0
P0222.100-160-A2	M10	160	20.0	26	5.50	6.0
P0222.120-016-A2	M12	16	24.0	-	6.50	8.0
P0222.120-018-A2	M12	18	24.0	-	6.50	8.0
P0222.120-020-A2	M12	20	24.0	-	6.50	8.0
P0222.120-022-A2	M12	22	24.0	-	6.50	8.0
P0222.120-025-A2	M12	25	24.0	-	6.50	8.0
P0222.120-030-A2	M12	30	24.0	-	6.50	8.0
P0222.120-035-A2	M12	35	24.0	30	6.50	8.0
P0222.120-040-A2	M12	40	24.0	30	6.50	8.0
P0222.120-045-A2	M12	45	24.0	30	6.50	8.0
P0222.120-050-A2	M12	50	24.0	30	6.50	8.0
P0222.120-055-A2	M12	55	24.0	30	6.50	8.0
P0222.120-060-A2	M12	60	24.0	30	6.50	8.0
P0222.120-065-A2	M12	65	24.0	30	6.50	8.0
P0222.120-070-A2	M12	70	24.0	30	6.50	8.0
P0222.120-075-A2	M12	75	24.0	30	6.50	8.0
P0222.120-080-A2	M12	80	24.0	30	6.50	8.0
P0222.120-085-A2	M12	85	24.0	30	6.50	8.0
P0222.120-090-A2	M12	90	24.0	30	6.50	8.0
P0222.120-095-A2	M12	95	24.0	30	6.50	8.0
P0222.120-100-A2	M12	100	24.0	30	6.50	8.0
P0222.120-110-A2	M12	110	24.0	30	6.50	8.0
P0222.120-120-A2	M12	120	24.0	30	6.50	8.0
P0222.120-130-A2	M12	130	24.0	30	6.50	8.0
P0222.120-140-A2	M12	140	24.0	30	6.50	8.0
P0222.120-150-A2	M12	150	24.0	30	6.50	8.0
P0222.120-160-A2	M12	160	24.0	30	6.50	8.0
P0222.160-025-A2	M16	25	30.0	-	7.50	10.0
P0222.160-030-A2	M16	30	30.0	-	7.50	10.0
P0222.160-035-A2	M16	35	30.0	-	7.50	10.0
P0222.160-040-A2	M16	40	30.0	38	7.50	10.0
P0222.160-045-A2	M16	45	30.0	38	7.50	10.0
P0222.160-050-A2	M16	50	30.0	38	7.50	10.0
P0222.160-055-A2	M16	55	30.0	38	7.50	10.0
P0222.160-060-A2	M16	60	30.0	38	7.50	10.0
P0222.160-065-A2	M16	65	30.0	38	7.50	10.0
P0222.160-070-A2	M16	70	30.0	38	7.50	10.0



Socket Countersunk Machine Screws

Socket - A2 stainless

Standard Screws



Order No.	d ₁	l ₁	d ₂	l ₂	h ₁	A/F
P0222.160-075-A2	M16	75	30.0	38	7.50	10.0
P0222.160-080-A2	M16	80	30.0	38	7.50	10.0
P0222.160-085-A2	M16	85	30.0	38	7.50	10.0
P0222.160-090-A2	M16	90	30.0	38	7.50	10.0
P0222.160-095-A2	M16	95	30.0	38	7.50	10.0
P0222.160-100-A2	M16	100	30.0	38	7.50	10.0
P0222.160-110-A2	M16	110	30.0	38	7.50	10.0
P0222.160-120-A2	M16	120	30.0	38	7.50	10.0
P0222.160-130-A2	M16	130	30.0	38	7.50	10.0
P0222.160-140-A2	M16	140	30.0	38	7.50	10.0
P0222.160-150-A2	M16	150	30.0	38	7.50	10.0
P0222.160-160-A2	M16	160	30.0	38	7.50	10.0
P0222.200-035-A2	M20	35	36.0	-	8.50	12.0
P0222.200-040-A2	M20	40	36.0	-	8.50	12.0
P0222.200-045-A2	M20	45	36.0	-	8.50	12.0
P0222.200-050-A2	M20	50	36.0	46	8.50	12.0
P0222.200-055-A2	M20	55	36.0	46	8.50	12.0
P0222.200-060-A2	M20	60	36.0	46	8.50	12.0
P0222.200-065-A2	M20	65	36.0	46	8.50	12.0
P0222.200-070-A2	M20	70	36.0	46	8.50	12.0
P0222.200-075-A2	M20	75	36.0	46	8.50	12.0
P0222.200-080-A2	M20	80	36.0	46	8.50	12.0
P0222.200-085-A2	M20	85	36.0	46	8.50	12.0
P0222.200-090-A2	M20	90	36.0	46	8.50	12.0
P0222.200-095-A2	M20	95	36.0	46	8.50	12.0
P0222.200-100-A2	M20	100	36.0	46	8.50	12.0
P0222.200-110-A2	M20	110	36.0	46	8.50	12.0
P0222.200-120-A2	M20	120	36.0	46	8.50	12.0
P0222.200-130-A2	M20	130	36.0	46	8.50	12.0
P0222.200-140-A2	M20	140	36.0	46	8.50	12.0
P0222.200-150-A2	M20	150	36.0	46	8.50	12.0
P0222.200-160-A2	M20	160	36.0	46	8.50	12.0
P0222.240-050-A2	M24	50	39.0	-	14.0	14.0
P0222.240-055-A2	M24	55	39.0	-	14.0	14.0
P0222.240-060-A2	M24	60	39.0	54	14.0	14.0
P0222.240-065-A2	M24	65	39.0	54	14.0	14.0
P0222.240-070-A2	M24	70	39.0	54	14.0	14.0
P0222.240-075-A2	M24	75	39.0	54	14.0	14.0
P0222.240-080-A2	M24	80	39.0	54	14.0	14.0
P0222.240-085-A2	M24	85	39.0	54	14.0	14.0
P0222.240-090-A2	M24	90	39.0	54	14.0	14.0
P0222.240-095-A2	M24	95	39.0	54	14.0	14.0
P0222.240-100-A2	M24	100	39.0	54	14.0	14.0
P0222.240-110-A2	M24	110	39.0	54	14.0	14.0
P0222.240-120-A2	M24	120	39.0	54	14.0	14.0
P0222.240-130-A2	M24	130	39.0	54	14.0	14.0
P0222.240-140-A2	M24	140	39.0	54	14.0	14.0
P0222.240-150-A2	M24	150	39.0	54	14.0	14.0
P0222.240-160-A2	M24	160	39.0	54	14.0	14.0

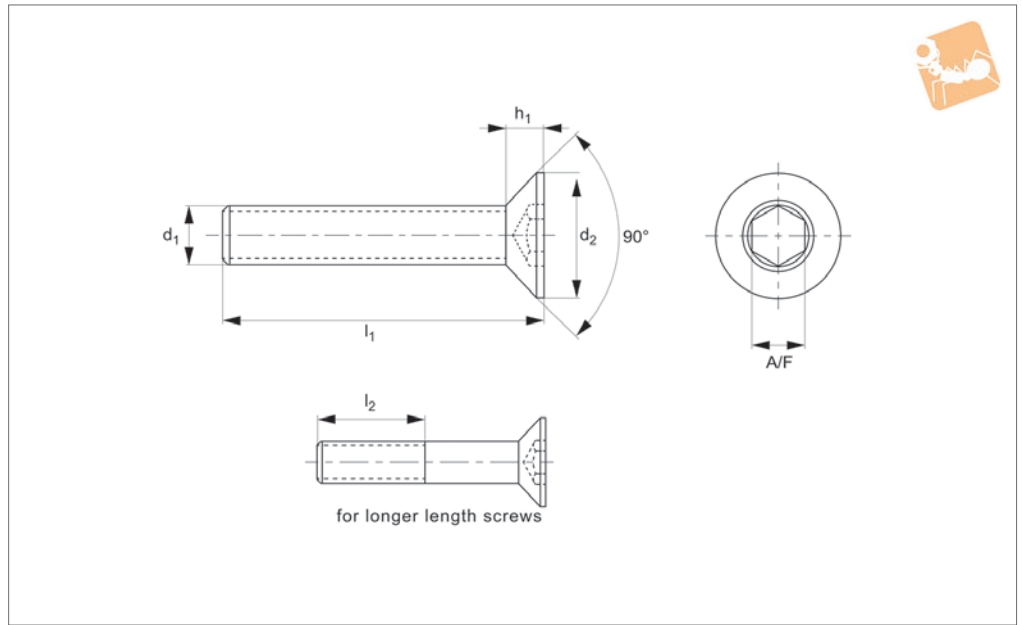
STANDARD SCREWS



STANDARD SCREWS



P0222.A4



Material

Stainless steel A4.

Technical Notes

To DIN 7991, ISO 10642. For the majority

of screw lengths the threads goes all the way to the head of the screw (i.e. $l_1 = l_2$) less 2.5 thread pitches.

For longer length screws the threaded

portion $l_2 < l_1$.

See technical page for tightening torques.

Order No.	d ₁	l ₁	d ₂	l ₂	h ₁	A/F
P0222.030-006-A4	M 3	6	6	-	1.7	2.0
P0222.030-008-A4	M 3	8	6	-	1.7	2.0
P0222.030-010-A4	M 3	10	6	-	1.7	2.0
P0222.030-012-A4	M 3	12	6	-	1.7	2.0
P0222.030-014-A4	M 3	14	6	12	1.7	2.0
P0222.030-016-A4	M 3	16	6	12	1.7	2.0
P0222.030-018-A4	M 3	18	6	12	1.7	2.0
P0222.030-020-A4	M 3	20	6	12	1.7	2.0
P0222.030-022-A4	M 3	22	6	12	1.7	2.0
P0222.030-025-A4	M 3	25	6	12	1.7	2.0
P0222.030-030-A4	M 3	30	6	12	1.7	2.0
P0222.030-035-A4	M 3	35	6	12	1.7	2.0
P0222.030-040-A4	M 3	40	6	12	1.7	2.0
P0222.040-006-A4	M 4	6	8	-	2.3	2.5
P0222.040-008-A4	M 4	8	8	-	2.3	2.5
P0222.040-010-A4	M 4	10	8	-	2.3	2.5
P0222.040-012-A4	M 4	12	8	-	2.3	2.5
P0222.040-014-A4	M 4	14	8	-	2.3	2.5
P0222.040-016-A4	M 4	16	8	14	2.3	2.5
P0222.040-018-A4	M 4	18	8	14	2.3	2.5
P0222.040-020-A4	M 4	20	8	14	2.3	2.5
P0222.040-022-A4	M 4	22	8	14	2.3	2.5
P0222.040-025-A4	M 4	25	8	14	2.3	2.5
P0222.040-030-A4	M 4	30	8	14	2.3	2.5
P0222.040-035-A4	M 4	35	8	14	2.3	2.5
P0222.040-040-A4	M 4	40	8	14	2.3	2.5
P0222.040-045-A4	M 4	45	8	14	2.3	2.5
P0222.040-050-A4	M 4	50	8	14	2.3	2.5
P0222.040-055-A4	M 4	55	8	14	2.3	2.5
P0222.040-060-A4	M 4	60	8	14	2.3	2.5
P0222.040-065-A4	M 4	65	8	14	2.3	2.5
P0222.040-070-A4	M 4	70	8	14	2.3	2.5
P0222.050-006-A4	M 5	6	10	-	2.8	3.0
P0222.050-008-A4	M 5	8	10	-	2.8	3.0



Socket Countersunk Machine Screws

Socket - A4 stainless

Standard Screws



Order No.	d ₁	l ₁	d ₂	l ₂	h ₁	A/F
P0222.050-010-A4	M 5	10	10	-	2.8	3.0
P0222.050-012-A4	M 5	12	10	-	2.8	3.0
P0222.050-014-A4	M 5	14	10	-	2.8	3.0
P0222.050-016-A4	M 5	16	10	-	2.8	3.0
P0222.050-018-A4	M 5	18	10	16	2.8	3.0
P0222.050-020-A4	M 5	20	10	16	2.8	3.0
P0222.050-022-A4	M 5	22	10	16	2.8	3.0
P0222.050-025-A4	M 5	25	10	16	2.8	3.0
P0222.050-030-A4	M 5	30	10	16	2.8	3.0
P0222.050-035-A4	M 5	35	10	16	2.8	3.0
P0222.050-040-A4	M 5	40	10	16	2.8	3.0
P0222.050-045-A4	M 5	45	10	16	2.8	3.0
P0222.050-050-A4	M 5	50	10	16	2.8	3.0
P0222.050-055-A4	M 5	55	10	16	2.8	3.0
P0222.050-060-A4	M 5	60	10	16	2.8	3.0
P0222.050-065-A4	M 5	65	10	16	2.8	3.0
P0222.050-070-A4	M 5	70	10	16	2.8	3.0
P0222.050-075-A4	M 5	75	10	16	2.8	3.0
P0222.050-080-A4	M 5	80	10	16	2.8	3.0
P0222.050-085-A4	M 5	85	10	16	2.8	3.0
P0222.050-090-A4	M 5	90	10	16	2.8	3.0
P0222.050-095-A4	M 5	95	10	16	2.8	3.0
P0222.050-100-A4	M 5	100	10	16	2.8	3.0
P0222.060-008-A4	M 6	8	12.0	-	3.30	4.0
P0222.060-010-A4	M 6	10	12.0	-	3.30	4.0
P0222.060-012-A4	M 6	12	12.0	-	3.30	4.0
P0222.060-014-A4	M 6	14	12.0	-	3.30	4.0
P0222.060-016-A4	M 6	16	12.0	-	3.30	4.0
P0222.060-018-A4	M 6	18	12.0	-	3.30	4.0
P0222.060-020-A4	M 6	20	12.0	18	3.30	4.0
P0222.060-022-A4	M 6	22	12.0	18	3.30	4.0
P0222.060-025-A4	M 6	25	12.0	18	3.30	4.0
P0222.060-030-A4	M 6	30	12.0	18	3.30	4.0
P0222.060-035-A4	M 6	35	12.0	18	3.30	4.0
P0222.060-040-A4	M 6	40	12.0	18	3.30	4.0
P0222.060-045-A4	M 6	45	12.0	18	3.30	4.0
P0222.060-050-A4	M 6	50	12.0	18	3.30	4.0
P0222.060-055-A4	M 6	55	12.0	18	3.30	4.0
P0222.060-060-A4	M 6	60	12.0	18	3.30	4.0
P0222.060-065-A4	M 6	65	12.0	18	3.30	4.0
P0222.060-070-A4	M 6	70	12.0	18	3.30	4.0
P0222.060-075-A4	M 6	75	12.0	18	3.30	4.0
P0222.060-080-A4	M 6	80	12.0	18	3.30	4.0
P0222.060-085-A4	M 6	85	12.0	18	3.30	4.0
P0222.060-090-A4	M 6	90	12.0	18	3.30	4.0
P0222.060-095-A4	M 6	95	12.0	18	3.30	4.0
P0222.060-100-A4	M 6	100	12.0	18	3.30	4.0
P0222.080-010-A4	M 8	10	16.0	-	4.40	5.0
P0222.080-012-A4	M 8	12	16.0	-	4.40	5.0
P0222.080-014-A4	M 8	14	16.0	-	4.40	5.0
P0222.080-016-A4	M 8	16	16.0	-	4.40	5.0
P0222.080-018-A4	M 8	18	16.0	-	4.40	5.0
P0222.080-020-A4	M 8	20	16.0	-	4.40	5.0
P0222.080-022-A4	M 8	22	16.0	-	4.40	5.0
P0222.080-025-A4	M 8	25	16.0	22	4.40	5.0
P0222.080-030-A4	M 8	30	16.0	22	4.40	5.0
P0222.080-035-A4	M 8	35	16.0	22	4.40	5.0
P0222.080-040-A4	M 8	40	16.0	22	4.40	5.0
P0222.080-045-A4	M 8	45	16.0	22	4.40	5.0
P0222.080-050-A4	M 8	50	16.0	22	4.40	5.0
P0222.080-055-A4	M 8	55	16.0	22	4.40	5.0
P0222.080-060-A4	M 8	60	16.0	22	4.40	5.0
P0222.080-065-A4	M 8	65	16.0	22	4.40	5.0
P0222.080-070-A4	M 8	70	16.0	22	4.40	5.0
P0222.080-075-A4	M 8	75	16.0	22	4.40	5.0
P0222.080-080-A4	M 8	80	16.0	22	4.40	5.0
P0222.080-085-A4	M 8	85	16.0	22	4.40	5.0
P0222.080-090-A4	M 8	90	16.0	22	4.40	5.0
P0222.080-095-A4	M 8	95	16.0	22	4.40	5.0

STANDARD SCREWS



STANDARD SCREWS

Order No.	d ₁	l ₁	d ₂	l ₂	h ₁	A/F
P0222.080-100-A4	M 8	100	16.0	22	4.40	5.0
P0222.080-110-A4	M 8	110	16.0	22	4.40	5.0
P0222.080-120-A4	M 8	120	16.0	22	4.40	5.0
P0222.080-130-A4	M 8	130	16.0	22	4.40	5.0
P0222.080-140-A4	M 8	140	16.0	22	4.40	5.0
P0222.080-150-A4	M 8	150	16.0	22	4.40	5.0
P0222.080-160-A4	M 8	160	16.0	22	4.40	5.0
P0222.100-016-A4	M10	16	20.0	-	5.50	6.0
P0222.100-018-A4	M10	18	20.0	-	5.50	6.0
P0222.100-020-A4	M10	20	20.0	-	5.50	6.0
P0222.100-022-A4	M10	22	20.0	-	5.50	6.0
P0222.100-025-A4	M10	25	20.0	-	5.50	6.0
P0222.100-030-A4	M10	30	20.0	26	5.50	6.0
P0222.100-035-A4	M10	35	20.0	26	5.50	6.0
P0222.100-040-A4	M10	40	20.0	26	5.50	6.0
P0222.100-045-A4	M10	45	20.0	26	5.50	6.0
P0222.100-050-A4	M10	50	20.0	26	5.50	6.0
P0222.100-055-A4	M10	55	20.0	26	5.50	6.0
P0222.100-060-A4	M10	60	20.0	26	5.50	6.0
P0222.100-065-A4	M10	65	20.0	26	5.50	6.0
P0222.100-070-A4	M10	70	20.0	26	5.50	6.0
P0222.100-075-A4	M10	75	20.0	26	5.50	6.0
P0222.100-080-A4	M10	80	20.0	26	5.50	6.0
P0222.100-085-A4	M10	85	20.0	26	5.50	6.0
P0222.100-090-A4	M10	90	20.0	26	5.50	6.0
P0222.100-095-A4	M10	95	20.0	26	5.50	6.0
P0222.100-100-A4	M10	100	20.0	26	5.50	6.0
P0222.100-110-A4	M10	110	20.0	26	5.50	6.0
P0222.100-120-A4	M10	120	20.0	26	5.50	6.0
P0222.100-130-A4	M10	130	20.0	26	5.50	6.0
P0222.100-140-A4	M10	140	20.0	26	5.50	6.0
P0222.100-150-A4	M10	150	20.0	26	5.50	6.0
P0222.100-160-A4	M10	160	20.0	26	5.50	6.0
P0222.120-016-A4	M12	16	24.0	-	6.50	8.0
P0222.120-018-A4	M12	18	24.0	-	6.50	8.0
P0222.120-020-A4	M12	20	24.0	-	6.50	8.0
P0222.120-022-A4	M12	22	24.0	-	6.50	8.0
P0222.120-025-A4	M12	25	24.0	-	6.50	8.0
P0222.120-030-A4	M12	30	24.0	-	6.50	8.0
P0222.120-035-A4	M12	35	24.0	30	6.50	8.0
P0222.120-040-A4	M12	40	24.0	30	6.50	8.0
P0222.120-045-A4	M12	45	24.0	30	6.50	8.0
P0222.120-050-A4	M12	50	24.0	30	6.50	8.0
P0222.120-055-A4	M12	55	24.0	30	6.50	8.0
P0222.120-060-A4	M12	60	24.0	30	6.50	8.0
P0222.120-065-A4	M12	65	24.0	30	6.50	8.0
P0222.120-070-A4	M12	70	24.0	30	6.50	8.0
P0222.120-075-A4	M12	75	24.0	30	6.50	8.0
P0222.120-080-A4	M12	80	24.0	30	6.50	8.0
P0222.120-085-A4	M12	85	24.0	30	6.50	8.0
P0222.120-090-A4	M12	90	24.0	30	6.50	8.0
P0222.120-095-A4	M12	95	24.0	30	6.50	8.0
P0222.120-100-A4	M12	100	24.0	30	6.50	8.0
P0222.120-110-A4	M12	110	24.0	30	6.50	8.0
P0222.120-120-A4	M12	120	24.0	30	6.50	8.0
P0222.120-130-A4	M12	130	24.0	30	6.50	8.0
P0222.120-140-A4	M12	140	24.0	30	6.50	8.0
P0222.120-150-A4	M12	150	24.0	30	6.50	8.0
P0222.120-160-A4	M12	160	24.0	30	6.50	8.0
P0222.160-025-A4	M16	25	30.0	-	7.50	10.0
P0222.160-030-A4	M16	30	30.0	-	7.50	10.0
P0222.160-035-A4	M16	35	30.0	-	7.50	10.0
P0222.160-040-A4	M16	40	30.0	38	7.50	10.0
P0222.160-045-A4	M16	45	30.0	38	7.50	10.0
P0222.160-050-A4	M16	50	30.0	38	7.50	10.0
P0222.160-055-A4	M16	55	30.0	38	7.50	10.0
P0222.160-060-A4	M16	60	30.0	38	7.50	10.0
P0222.160-065-A4	M16	65	30.0	38	7.50	10.0
P0222.160-070-A4	M16	70	30.0	38	7.50	10.0



Socket Countersunk Machine Screws

Socket - A4 stainless

Standard Screws



Order No.	d ₁	l ₁	d ₂	l ₂	h ₁	A/F
P0222.160-075-A4	M16	75	30.0	38	7.50	10.0
P0222.160-080-A4	M16	80	30.0	38	7.50	10.0
P0222.160-085-A4	M16	85	30.0	38	7.50	10.0
P0222.160-090-A4	M16	90	30.0	38	7.50	10.0
P0222.160-095-A4	M16	95	30.0	38	7.50	10.0
P0222.160-100-A4	M16	100	30.0	38	7.50	10.0
P0222.160-110-A4	M16	110	30.0	38	7.50	10.0
P0222.160-120-A4	M16	120	30.0	38	7.50	10.0
P0222.160-130-A4	M16	130	30.0	38	7.50	10.0
P0222.160-140-A4	M16	140	30.0	38	7.50	10.0
P0222.160-150-A4	M16	150	30.0	38	7.50	10.0
P0222.160-160-A4	M16	160	30.0	38	7.50	10.0
P0222.200-035-A4	M20	35	36.0	-	8.50	12.0
P0222.200-040-A4	M20	40	36.0	-	8.50	12.0
P0222.200-045-A4	M20	45	36.0	-	8.50	12.0
P0222.200-050-A4	M20	50	36.0	46	8.50	12.0
P0222.200-055-A4	M20	55	36.0	46	8.50	12.0
P0222.200-060-A4	M20	60	36.0	46	8.50	12.0
P0222.200-065-A4	M20	65	36.0	46	8.50	12.0
P0222.200-070-A4	M20	70	36.0	46	8.50	12.0
P0222.200-075-A4	M20	75	36.0	46	8.50	12.0
P0222.200-080-A4	M20	80	36.0	46	8.50	12.0
P0222.200-085-A4	M20	85	36.0	46	8.50	12.0
P0222.200-090-A4	M20	90	36.0	46	8.50	12.0
P0222.200-095-A4	M20	95	36.0	46	8.50	12.0
P0222.200-100-A4	M20	100	36.0	46	8.50	12.0
P0222.200-110-A4	M20	110	36.0	46	8.50	12.0
P0222.200-120-A4	M20	120	36.0	46	8.50	12.0
P0222.200-130-A4	M20	130	36.0	46	8.50	12.0
P0222.200-140-A4	M20	140	36.0	46	8.50	12.0
P0222.200-150-A4	M20	150	36.0	46	8.50	12.0
P0222.200-160-A4	M20	160	36.0	46	8.50	12.0
P0222.240-050-A4	M24	50	39.0	-	14.0	14.0
P0222.240-055-A4	M24	55	39.0	-	14.0	14.0
P0222.240-060-A4	M24	60	39.0	54	14.0	14.0
P0222.240-065-A4	M24	65	39.0	54	14.0	14.0
P0222.240-070-A4	M24	70	39.0	54	14.0	14.0
P0222.240-075-A4	M24	75	39.0	54	14.0	14.0
P0222.240-080-A4	M24	80	39.0	54	14.0	14.0
P0222.240-085-A4	M24	85	39.0	54	14.0	14.0
P0222.240-090-A4	M24	90	39.0	54	14.0	14.0
P0222.240-095-A4	M24	95	39.0	54	14.0	14.0
P0222.240-100-A4	M24	100	39.0	54	14.0	14.0
P0222.240-110-A4	M24	110	39.0	54	14.0	14.0
P0222.240-120-A4	M24	120	39.0	54	14.0	14.0
P0222.240-130-A4	M24	130	39.0	54	14.0	14.0
P0222.240-140-A4	M24	140	39.0	54	14.0	14.0
P0222.240-150-A4	M24	150	39.0	54	14.0	14.0
P0222.240-160-A4	M24	160	39.0	54	14.0	14.0

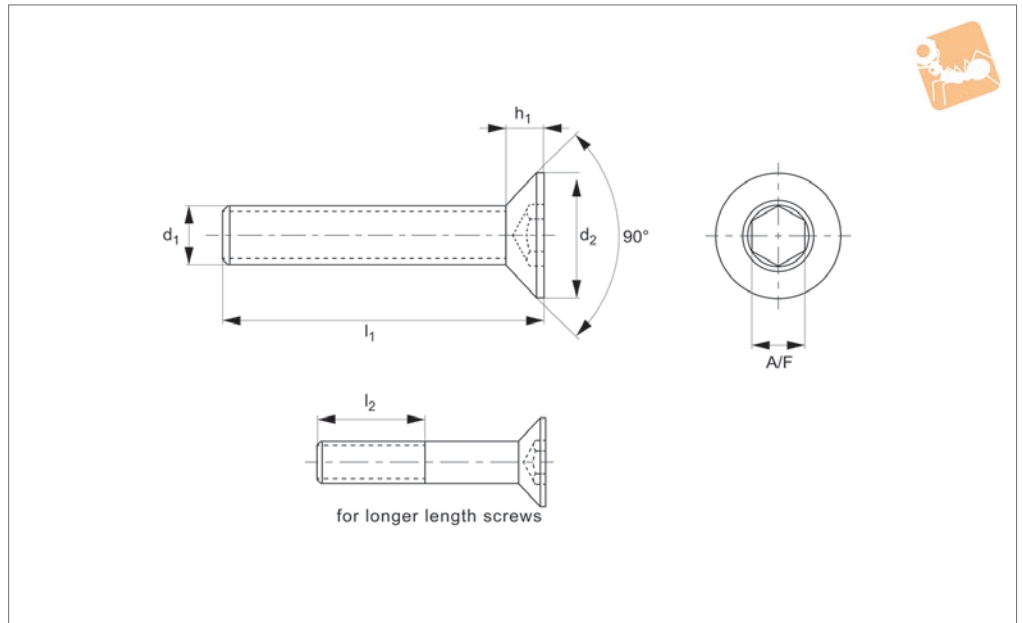
STANDARD SCREWS



STANDARD SCREWS



P0222.ZP



Material

Steel, zinc-plated (grade 10.9).

Technical Notes

To DIN 7991, ISO 10642. For the majority

of screw lengths the threads goes all the way to the head of the screw (i.e. $l_1 = l_2$) less 2.5 thread pitches.

For longer length screws the threaded

portion $l_2 < l_1$.

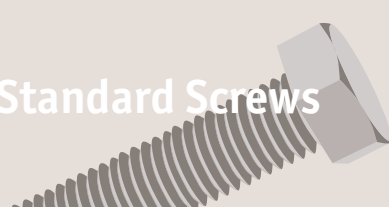
Order No.	d ₁	l ₁	d ₂	l ₂	h ₁	A/F
P0222.030-006-ZP	M 3	6	6	-	1.7	2.0
P0222.030-008-ZP	M 3	8	6	-	1.7	2.0
P0222.030-010-ZP	M 3	10	6	-	1.7	2.0
P0222.030-012-ZP	M 3	12	6	-	1.7	2.0
P0222.030-014-ZP	M 3	14	6	12	1.7	2.0
P0222.030-016-ZP	M 3	16	6	12	1.7	2.0
P0222.030-018-ZP	M 3	18	6	12	1.7	2.0
P0222.030-020-ZP	M 3	20	6	12	1.7	2.0
P0222.030-022-ZP	M 3	22	6	12	1.7	2.0
P0222.030-025-ZP	M 3	25	6	12	1.7	2.0
P0222.030-030-ZP	M 3	30	6	12	1.7	2.0
P0222.030-035-ZP	M 3	35	6	12	1.7	2.0
P0222.030-040-ZP	M 3	40	6	12	1.7	2.0
P0222.040-006-ZP	M 4	6	8	-	2.3	2.5
P0222.040-008-ZP	M 4	8	8	-	2.3	2.5
P0222.040-010-ZP	M 4	10	8	-	2.3	2.5
P0222.040-012-ZP	M 4	12	8	-	2.3	2.5
P0222.040-014-ZP	M 4	14	8	-	2.3	2.5
P0222.040-016-ZP	M 4	16	8	14	2.3	2.5
P0222.040-020-ZP	M 4	20	8	14	2.3	2.5
P0222.040-022-ZP	M 4	22	8	14	2.3	2.5
P0222.040-025-ZP	M 4	25	8	14	2.3	2.5
P0222.040-030-ZP	M 4	30	8	14	2.3	2.5
P0222.040-035-ZP	M 4	35	8	14	2.3	2.5
P0222.040-040-ZP	M 4	40	8	14	2.3	2.5
P0222.040-045-ZP	M 4	45	8	14	2.3	2.5
P0222.040-050-ZP	M 4	50	8	14	2.3	2.5
P0222.040-055-ZP	M 4	55	8	14	2.3	2.5
P0222.040-060-ZP	M 4	60	8	14	2.3	2.5
P0222.040-065-ZP	M 4	65	8	14	2.3	2.5
P0222.040-070-ZP	M 4	70	8	14	2.3	2.5
P0222.050-006-ZP	M 5	6	10	-	2.8	3.0
P0222.050-008-ZP	M 5	8	10	-	2.8	3.0
P0222.050-010-ZP	M 5	10	10	-	2.8	3.0



Socket Countersunk Machine Screws

Socket - Steel, zinc-plated

Standard Screws



Order No.	d ₁	l ₁	d ₂	l ₂	h ₁	A/F
P0222.050-012-ZP	M 5	12	10	-	2.8	3.0
P0222.050-014-ZP	M 5	14	10	-	2.8	3.0
P0222.050-016-ZP	M 5	16	10	-	2.8	3.0
P0222.050-018-ZP	M 5	18	10	16	2.8	3.0
P0222.050-020-ZP	M 5	20	10	16	2.8	3.0
P0222.050-022-ZP	M 5	22	10	16	2.8	3.0
P0222.050-025-ZP	M 5	25	10	16	2.8	3.0
P0222.050-030-ZP	M 5	30	10	16	2.8	3.0
P0222.050-035-ZP	M 5	35	10	16	2.8	3.0
P0222.050-040-ZP	M 5	40	10	16	2.8	3.0
P0222.050-045-ZP	M 5	45	10	16	2.8	3.0
P0222.050-050-ZP	M 5	50	10	16	2.8	3.0
P0222.050-055-ZP	M 5	55	10	16	2.8	3.0
P0222.050-060-ZP	M 5	60	10	16	2.8	3.0
P0222.050-065-ZP	M 5	65	10	16	2.8	3.0
P0222.050-070-ZP	M 5	70	10	16	2.8	3.0
P0222.050-075-ZP	M 5	75	10	16	2.8	3.0
P0222.050-080-ZP	M 5	80	10	16	2.8	3.0
P0222.050-085-ZP	M 5	85	10	16	2.8	3.0
P0222.050-090-ZP	M 5	90	10	16	2.8	3.0
P0222.050-095-ZP	M 5	95	10	16	2.8	3.0
P0222.050-100-ZP	M 5	100	10	16	2.8	3.0
P0222.060-008-ZP	M 6	8	12.0	-	3.30	4.0
P0222.060-010-ZP	M 6	10	12.0	-	3.30	4.0
P0222.060-012-ZP	M 6	12	12.0	-	3.30	4.0
P0222.060-014-ZP	M 6	14	12.0	-	3.30	4.0
P0222.060-016-ZP	M 6	16	12.0	-	3.30	4.0
P0222.060-018-ZP	M 6	18	12.0	-	3.30	4.0
P0222.060-020-ZP	M 6	20	12.0	18	3.30	4.0
P0222.060-022-ZP	M 6	22	12.0	18	3.30	4.0
P0222.060-025-ZP	M 6	25	12.0	18	3.30	4.0
P0222.060-030-ZP	M 6	30	12.0	18	3.30	4.0
P0222.060-035-ZP	M 6	35	12.0	18	3.30	4.0
P0222.060-040-ZP	M 6	40	12.0	18	3.30	4.0
P0222.060-045-ZP	M 6	45	12.0	18	3.30	4.0
P0222.060-050-ZP	M 6	50	12.0	18	3.30	4.0
P0222.060-055-ZP	M 6	55	12.0	18	3.30	4.0
P0222.060-060-ZP	M 6	60	12.0	18	3.30	4.0
P0222.060-065-ZP	M 6	65	12.0	18	3.30	4.0
P0222.060-070-ZP	M 6	70	12.0	18	3.30	4.0
P0222.060-075-ZP	M 6	75	12.0	18	3.30	4.0
P0222.060-080-ZP	M 6	80	12.0	18	3.30	4.0
P0222.060-085-ZP	M 6	85	12.0	18	3.30	4.0
P0222.060-090-ZP	M 6	90	12.0	18	3.30	4.0
P0222.060-095-ZP	M 6	95	12.0	18	3.30	4.0
P0222.060-100-ZP	M 6	100	12.0	18	3.30	4.0
P0222.080-010-ZP	M 8	10	16.0	-	4.40	5.0
P0222.080-012-ZP	M 8	12	16.0	-	4.40	5.0
P0222.080-014-ZP	M 8	14	16.0	-	4.40	5.0
P0222.080-016-ZP	M 8	16	16.0	-	4.40	5.0
P0222.080-018-ZP	M 8	18	16.0	-	4.40	5.0
P0222.080-020-ZP	M 8	20	16.0	-	4.40	5.0
P0222.080-022-ZP	M 8	22	16.0	-	4.40	5.0
P0222.080-025-ZP	M 8	25	16.0	22	4.40	5.0
P0222.080-030-ZP	M 8	30	16.0	22	4.40	5.0
P0222.080-035-ZP	M 8	35	16.0	22	4.40	5.0
P0222.080-040-ZP	M 8	40	16.0	22	4.40	5.0
P0222.080-045-ZP	M 8	45	16.0	22	4.40	5.0
P0222.080-050-ZP	M 8	50	16.0	22	4.40	5.0
P0222.080-055-ZP	M 8	55	16.0	22	4.40	5.0
P0222.080-060-ZP	M 8	60	16.0	22	4.40	5.0
P0222.080-065-ZP	M 8	65	16.0	22	4.40	5.0
P0222.080-070-ZP	M 8	70	16.0	22	4.40	5.0
P0222.080-075-ZP	M 8	75	16.0	22	4.40	5.0
P0222.080-080-ZP	M 8	80	16.0	22	4.40	5.0
P0222.080-085-ZP	M 8	85	16.0	22	4.40	5.0
P0222.080-090-ZP	M 8	90	16.0	22	4.40	5.0
P0222.080-095-ZP	M 8	95	16.0	22	4.40	5.0
P0222.080-100-ZP	M 8	100	16.0	22	4.40	5.0

STANDARD SCREWS



STANDARD SCREWS

Order No.	d ₁	l ₁	d ₂	l ₂	h ₁	A/F
P0222.080-110-ZP	M 8	110	16.0	22	4.40	5.0
P0222.080-120-ZP	M 8	120	16.0	22	4.40	5.0
P0222.080-130-ZP	M 8	130	16.0	22	4.40	5.0
P0222.080-140-ZP	M 8	140	16.0	22	4.40	5.0
P0222.080-150-ZP	M 8	150	16.0	22	4.40	5.0
P0222.080-160-ZP	M 8	160	16.0	22	4.40	5.0
P0222.100-016-ZP	M10	16	20.0	-	5.50	6.0
P0222.100-018-ZP	M10	18	20.0	-	5.50	6.0
P0222.100-020-ZP	M10	20	20.0	-	5.50	6.0
P0222.100-022-ZP	M10	22	20.0	-	5.50	6.0
P0222.100-025-ZP	M10	25	20.0	-	5.50	6.0
P0222.100-030-ZP	M10	30	20.0	26	5.50	6.0
P0222.100-035-ZP	M10	35	20.0	26	5.50	6.0
P0222.100-040-ZP	M10	40	20.0	26	5.50	6.0
P0222.100-045-ZP	M10	45	20.0	26	5.50	6.0
P0222.100-050-ZP	M10	50	20.0	26	5.50	6.0
P0222.100-055-ZP	M10	55	20.0	26	5.50	6.0
P0222.100-060-ZP	M10	60	20.0	26	5.50	6.0
P0222.100-065-ZP	M10	65	20.0	26	5.50	6.0
P0222.100-070-ZP	M10	70	20.0	26	5.50	6.0
P0222.100-075-ZP	M10	75	20.0	26	5.50	6.0
P0222.100-080-ZP	M10	80	20.0	26	5.50	6.0
P0222.100-085-ZP	M10	85	20.0	26	5.50	6.0
P0222.100-090-ZP	M10	90	20.0	26	5.50	6.0
P0222.100-095-ZP	M10	95	20.0	26	5.50	6.0
P0222.100-100-ZP	M10	100	20.0	26	5.50	6.0
P0222.100-110-ZP	M10	110	20.0	26	5.50	6.0
P0222.100-120-ZP	M10	120	20.0	26	5.50	6.0
P0222.100-130-ZP	M10	130	20.0	26	5.50	6.0
P0222.100-140-ZP	M10	140	20.0	26	5.50	6.0
P0222.100-150-ZP	M10	150	20.0	26	5.50	6.0
P0222.100-160-ZP	M10	160	20.0	26	5.50	6.0
P0222.120-016-ZP	M12	16	24.0	-	6.50	8.0
P0222.120-018-ZP	M12	18	24.0	-	6.50	8.0
P0222.120-020-ZP	M12	20	24.0	-	6.50	8.0
P0222.120-022-ZP	M12	22	24.0	-	6.50	8.0
P0222.120-025-ZP	M12	25	24.0	-	6.50	8.0
P0222.120-030-ZP	M12	30	24.0	-	6.50	8.0
P0222.120-035-ZP	M12	35	24.0	30	6.50	8.0
P0222.120-040-ZP	M12	40	24.0	30	6.50	8.0
P0222.120-045-ZP	M12	45	24.0	30	6.50	8.0
P0222.120-050-ZP	M12	50	24.0	30	6.50	8.0
P0222.120-055-ZP	M12	55	24.0	30	6.50	8.0
P0222.120-060-ZP	M12	60	24.0	30	6.50	8.0
P0222.120-065-ZP	M12	65	24.0	30	6.50	8.0
P0222.120-070-ZP	M12	70	24.0	30	6.50	8.0
P0222.120-075-ZP	M12	75	24.0	30	6.50	8.0
P0222.120-080-ZP	M12	80	24.0	30	6.50	8.0
P0222.120-085-ZP	M12	85	24.0	30	6.50	8.0
P0222.120-090-ZP	M12	90	24.0	30	6.50	8.0
P0222.120-095-ZP	M12	95	24.0	30	6.50	8.0
P0222.120-100-ZP	M12	100	24.0	30	6.50	8.0
P0222.120-110-ZP	M12	110	24.0	30	6.50	8.0
P0222.120-120-ZP	M12	120	24.0	30	6.50	8.0
P0222.120-130-ZP	M12	130	24.0	30	6.50	8.0
P0222.120-140-ZP	M12	140	24.0	30	6.50	8.0
P0222.120-150-ZP	M12	150	24.0	30	6.50	8.0
P0222.120-160-ZP	M12	160	24.0	30	6.50	8.0
P0222.160-025-ZP	M16	25	30.0	-	7.50	10.0
P0222.160-030-ZP	M16	30	30.0	-	7.50	10.0
P0222.160-035-ZP	M16	35	30.0	-	7.50	10.0
P0222.160-040-ZP	M16	40	30.0	38	7.50	10.0
P0222.160-045-ZP	M16	45	30.0	38	7.50	10.0
P0222.160-050-ZP	M16	50	30.0	38	7.50	10.0
P0222.160-055-ZP	M16	55	30.0	38	7.50	10.0
P0222.160-060-ZP	M16	60	30.0	38	7.50	10.0
P0222.160-065-ZP	M16	65	30.0	38	7.50	10.0
P0222.160-070-ZP	M16	70	30.0	38	7.50	10.0
P0222.160-075-ZP	M16	75	30.0	38	7.50	10.0



Socket Countersunk Machine Screws

Socket - Steel, zinc-plated

Standard Screws



Order No.	d ₁	l ₁	d ₂	l ₂	h ₁	A/F
P0222.160-080-ZP	M16	80	30.0	38	7.50	10.0
P0222.160-085-ZP	M16	85	30.0	38	7.50	10.0
P0222.160-090-ZP	M16	90	30.0	38	7.50	10.0
P0222.160-095-ZP	M16	95	30.0	38	7.50	10.0
P0222.160-100-ZP	M16	100	30.0	38	7.50	10.0
P0222.160-110-ZP	M16	110	30.0	38	7.50	10.0
P0222.160-120-ZP	M16	120	30.0	38	7.50	10.0
P0222.160-130-ZP	M16	130	30.0	38	7.50	10.0
P0222.160-140-ZP	M16	140	30.0	38	7.50	10.0
P0222.160-150-ZP	M16	150	30.0	38	7.50	10.0
P0222.160-160-ZP	M16	160	30.0	38	7.50	10.0
P0222.200-035-ZP	M20	35	36.0	-	8.50	12.0
P0222.200-040-ZP	M20	40	36.0	-	8.50	12.0
P0222.200-045-ZP	M20	45	36.0	-	8.50	12.0
P0222.200-050-ZP	M20	50	36.0	46	8.50	12.0
P0222.200-055-ZP	M20	55	36.0	46	8.50	12.0
P0222.200-060-ZP	M20	60	36.0	46	8.50	12.0
P0222.200-065-ZP	M20	65	36.0	46	8.50	12.0
P0222.200-070-ZP	M20	70	36.0	46	8.50	12.0
P0222.200-075-ZP	M20	75	36.0	46	8.50	12.0
P0222.200-080-ZP	M20	80	36.0	46	8.50	12.0
P0222.200-085-ZP	M20	85	36.0	46	8.50	12.0
P0222.200-090-ZP	M20	90	36.0	46	8.50	12.0
P0222.200-095-ZP	M20	95	36.0	46	8.50	12.0
P0222.200-100-ZP	M20	100	36.0	46	8.50	12.0
P0222.200-110-ZP	M20	110	36.0	46	8.50	12.0
P0222.200-120-ZP	M20	120	36.0	46	8.50	12.0
P0222.200-130-ZP	M20	130	36.0	46	8.50	12.0
P0222.200-140-ZP	M20	140	36.0	46	8.50	12.0
P0222.200-150-ZP	M20	150	36.0	46	8.50	12.0
P0222.200-160-ZP	M20	160	36.0	46	8.50	12.0
P0222.240-050-ZP	M24	50	39.0	-	14.0	14.0
P0222.240-055-ZP	M24	55	39.0	-	14.0	14.0
P0222.240-060-ZP	M24	60	39.0	54	14.0	14.0
P0222.240-065-ZP	M24	65	39.0	54	14.0	14.0
P0222.240-070-ZP	M24	70	39.0	54	14.0	14.0
P0222.240-075-ZP	M24	75	39.0	54	14.0	14.0
P0222.240-080-ZP	M24	80	39.0	54	14.0	14.0
P0222.240-085-ZP	M24	85	39.0	54	14.0	14.0
P0222.240-090-ZP	M24	90	39.0	54	14.0	14.0
P0222.240-095-ZP	M24	95	39.0	54	14.0	14.0
P0222.240-100-ZP	M24	100	39.0	54	14.0	14.0
P0222.240-110-ZP	M24	110	39.0	54	14.0	14.0
P0222.240-120-ZP	M24	120	39.0	54	14.0	14.0
P0222.240-130-ZP	M24	130	39.0	54	14.0	14.0
P0222.240-140-ZP	M24	140	39.0	54	14.0	14.0
P0222.240-150-ZP	M24	150	39.0	54	14.0	14.0
P0222.240-160-ZP	M24	160	39.0	54	14.0	14.0

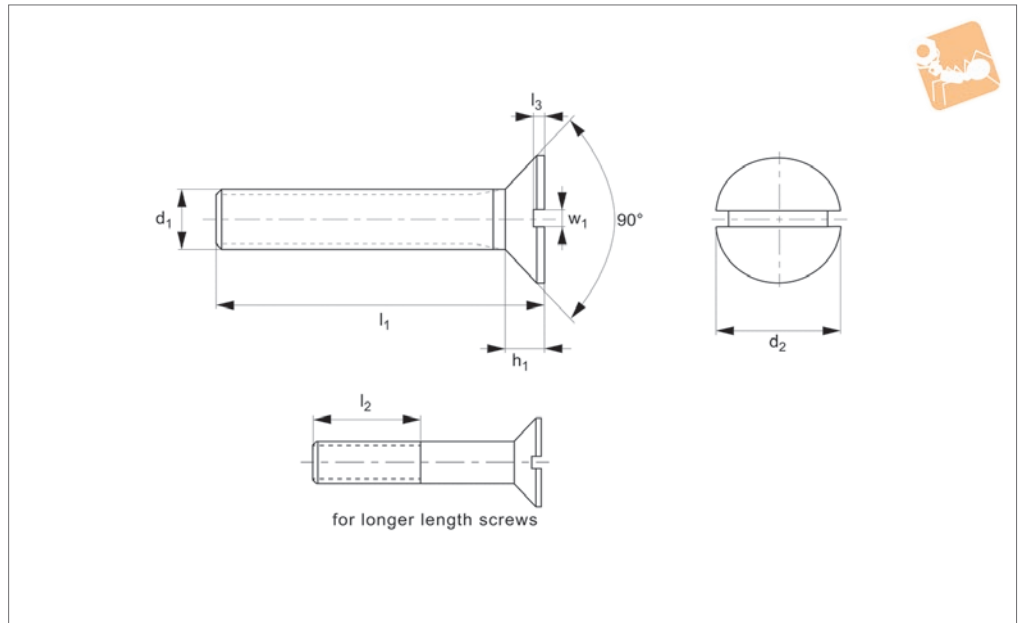
STANDARD SCREWS



STANDARD SCREWS



P0224.A2



Material

Stainless steel A2.

Technical Notes

To DIN 963, ISO 2009. For the majority of

screw lengths the threads goes all the way to the head of the screw (i.e. $l_1 = l_2$) less 2.5 thread pitches.
For longer length screws the threaded

portion $l_2 < l_1$.

See technical page for tightening torques.

Order No.	d_1	l_1	d_2	l_2	l_3	h_1	w_1
P0224.016-003-A2	M1,6	3	3	-	0.32	0.96	0.4
P0224.016-004-A2	M1,6	4	3	-	0.32	0.96	0.4
P0224.016-005-A2	M1,6	5	3	-	0.32	0.96	0.4
P0224.016-006-A2	M1,6	6	3	-	0.32	0.96	0.4
P0224.016-008-A2	M1,6	8	3	-	0.32	0.96	0.4
P0224.016-010-A2	M1,6	10	3	-	0.32	0.96	0.4
P0224.016-012-A2	M1,6	12	3	-	0.32	0.96	0.4
P0224.016-014-A2	M1,6	14	3	-	0.32	0.96	0.4
P0224.016-016-A2	M1,6	16	3	-	0.32	0.96	0.4
P0224.020-004-A2	M 2	4	3.8	-	0.40	1.20	0.5
P0224.020-005-A2	M 2	5	3.8	-	0.40	1.20	0.5
P0224.020-006-A2	M 2	6	3.8	-	0.40	1.20	0.5
P0224.020-008-A2	M 2	8	3.8	-	0.40	1.20	0.5
P0224.020-010-A2	M 2	10	3.8	-	0.40	1.20	0.5
P0224.020-012-A2	M 2	12	3.8	-	0.40	1.20	0.5
P0224.020-014-A2	M 2	14	3.8	-	0.40	1.20	0.5
P0224.020-016-A2	M 2	16	3.8	16	0.40	1.20	0.5
P0224.020-018-A2	M 2	18	3.8	16	0.40	1.20	0.5
P0224.020-020-A2	M 2	20	3.8	16	0.40	1.20	0.5
P0224.020-022-A2	M 2	22	3.8	16	0.40	1.20	0.5
P0224.020-025-A2	M 2	25	3.8	16	0.40	1.20	0.5
P0224.020-030-A2	M 2	30	3.8	16	0.40	1.20	0.5
P0224.025-004-A2	M2,5	4	4.7	-	0.50	1.50	0.6
P0224.025-005-A2	M2,5	5	4.7	-	0.50	1.50	0.6
P0224.025-006-A2	M2,5	5	4.7	-	0.50	1.50	0.6
P0224.025-008-A2	M2,5	8	4.7	-	0.50	1.50	0.6
P0224.025-010-A2	M2,5	10	4.7	-	0.50	1.50	0.6
P0224.025-012-A2	M2,5	12	4.7	-	0.50	1.50	0.6
P0224.025-014-A2	M2,5	14	4.7	-	0.50	1.50	0.6
P0224.025-016-A2	M2,5	16	4.7	-	0.50	1.50	0.6
P0224.025-018-A2	M2,5	18	4.7	18	0.50	1.50	0.6
P0224.025-020-A2	M2,5	20	4.7	18	0.50	1.50	0.6
P0224.025-022-A2	M2,5	22	4.7	18	0.50	1.50	0.6
P0224.025-025-A2	M2,5	25	4.7	18	0.50	1.50	0.6



Slot Countersunk Machine Screws

Slot - A2 stainless

Standard Screws



Order No.	d ₁	l ₁	d ₂	l ₂	l ₃	h ₁	w ₁
P0224.025-030-A2	M2,5	30	4.7	18	0.50	1.50	0.6
P0224.030-004-A2	M 3	4	5.6	-	0.60	1.65	0.8
P0224.030-005-A2	M 3	5	5.6	-	0.60	1.65	0.8
P0224.030-006-A2	M 3	6	5.6	-	0.60	1.65	0.8
P0224.030-008-A2	M 3	8	5.6	-	0.60	1.65	0.8
P0224.030-010-A2	M 3	10	5.6	-	0.60	1.65	0.8
P0224.030-012-A2	M 3	12	5.6	-	0.60	1.65	0.8
P0224.030-014-A2	M 3	14	5.6	-	0.60	1.65	0.8
P0224.030-016-A2	M 3	16	5.6	-	0.60	1.65	0.8
P0224.030-018-A2	M 3	18	5.6	-	0.60	1.65	0.8
P0224.030-020-A2	M 3	20	5.6	19	0.60	1.65	0.8
P0224.030-022-A2	M 3	22	5.6	19	0.60	1.65	0.8
P0224.030-025-A2	M 3	25	5.6	19	0.60	1.65	0.8
P0224.030-030-A2	M 3	30	5.6	19	0.60	1.65	0.8
P0224.030-035-A2	M 3	35	5.6	19	0.60	1.65	0.8
P0224.030-040-A2	M 3	40	5.6	19	0.60	1.65	0.8
P0224.030-045-A2	M 3	45	5.6	19	0.60	1.65	0.8
P0224.030-050-A2	M 3	50	5.6	19	0.60	1.65	0.8
P0224.030-055-A2	M 3	55	5.6	19	0.60	1.65	0.8
P0224.030-060-A2	M 3	60	5.6	19	0.60	1.65	0.8
P0224.035-005-A2	M3,5	5	6.5	-	0.70	1.93	0.8
P0224.035-006-A2	M3,5	6	6.5	-	0.70	1.93	0.8
P0224.035-008-A2	M3,5	8	6.5	-	0.70	1.93	0.8
P0224.035-010-A2	M3,5	10	6.5	-	0.70	1.93	0.8
P0224.035-012-A2	M3,5	12	6.5	-	0.70	1.93	0.8
P0224.035-014-A2	M3,5	14	6.5	-	0.70	1.93	0.8
P0224.035-016-A2	M3,5	16	6.5	-	0.70	1.93	0.8
P0224.035-018-A2	M3,5	18	6.5	-	0.70	1.93	0.8
P0224.035-020-A2	M3,5	20	6.5	20	0.70	1.93	0.8
P0224.035-022-A2	M3,5	22	6.5	20	0.70	1.93	0.8
P0224.035-025-A2	M3,5	25	6.5	20	0.70	1.93	0.8
P0224.035-030-A2	M3,5	30	6.5	20	0.70	1.93	0.8
P0224.035-035-A2	M3,5	35	6.5	20	0.70	1.93	0.8
P0224.040-005-A2	M 4	5	7.5	-	0.80	2.20	1.0
P0224.040-006-A2	M 4	6	7.5	-	0.80	2.20	1.0
P0224.040-008-A2	M 4	8	7.5	-	0.80	2.20	1.0
P0224.040-010-A2	M 4	10	7.5	-	0.80	2.20	1.0
P0224.040-012-A2	M 4	12	7.5	-	0.80	2.20	1.0
P0224.040-014-A2	M 4	14	7.5	-	0.80	2.20	1.0
P0224.040-016-A2	M 4	16	7.5	-	0.80	2.20	1.0
P0224.040-018-A2	M 4	18	7.5	-	0.80	2.20	1.0
P0224.040-020-A2	M 4	20	7.5	-	0.80	2.20	1.0
P0224.040-022-A2	M 4	22	7.5	22	0.80	2.20	1.0
P0224.040-025-A2	M 4	25	7.5	22	0.80	2.20	1.0
P0224.040-030-A2	M 4	30	7.5	22	0.80	2.20	1.0
P0224.040-035-A2	M 4	35	7.5	22	0.80	2.20	1.0
P0224.040-040-A2	M 4	40	7.5	22	0.80	2.20	1.0
P0224.040-045-A2	M 4	45	7.5	22	0.80	2.20	1.0
P0224.040-050-A2	M 4	50	7.5	22	0.80	2.20	1.0
P0224.040-055-A2	M 4	55	7.5	22	0.80	2.20	1.0
P0224.040-060-A2	M 4	60	7.5	22	0.80	2.20	1.0
P0224.040-065-A2	M 4	85	7.5	22	0.80	2.20	1.0
P0224.040-070-A2	M 4	80	7.5	22	0.80	2.20	1.0
P0224.040-075-A2	M 4	85	7.5	22	0.80	2.20	1.0
P0224.040-080-A2	M 4	80	7.5	22	0.80	2.20	1.0
P0224.050-006-A2	M 5	6	9.2	-	1.00	2.50	1.2
P0224.050-008-A2	M 5	8	9.2	-	1.00	2.50	1.2
P0224.050-010-A2	M 5	10	9.2	-	1.00	2.50	1.2
P0224.050-012-A2	M 5	12	9.2	-	1.00	2.50	1.2
P0224.050-014-A2	M 5	14	9.2	-	1.00	2.50	1.2
P0224.050-016-A2	M 5	16	9.2	-	1.00	2.50	1.2
P0224.050-018-A2	M 5	18	9.2	-	1.00	2.50	1.2
P0224.050-020-A2	M 5	20	9.2	-	1.00	2.50	1.2
P0224.050-022-A2	M 5	22	9.2	-	1.00	2.50	1.2
P0224.050-025-A2	M 5	25	9.2	25	1.00	2.50	1.2
P0224.050-030-A2	M 5	30	9.2	25	1.00	2.50	1.2
P0224.050-035-A2	M 5	35	9.2	25	1.00	2.50	1.2
P0224.050-040-A2	M 5	40	9.2	25	1.00	2.50	1.2
P0224.050-045-A2	M 5	45	9.2	25	1.00	2.50	1.2

STANDARD SCREWS



STANDARD SCREWS

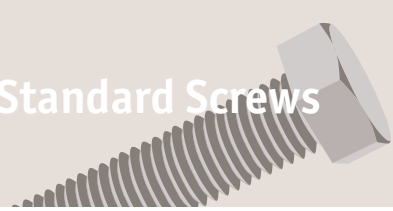
Order No.	d ₁	l ₁	d ₂	l ₂	l ₃	h ₁	w ₁
P0224.050-050-A2	M 5	50	9.2	25	1.00	2.50	1.2
P0224.050-055-A2	M 5	55	9.2	25	1.00	2.50	1.2
P0224.050-060-A2	M 5	60	9.2	25	1.00	2.50	1.2
P0224.050-065-A2	M 5	65	9.2	25	1.00	2.50	1.2
P0224.050-070-A2	M 5	70	9.2	25	1.00	2.50	1.2
P0224.050-075-A2	M 5	75	9.2	25	1.00	2.50	1.2
P0224.050-080-A2	M 5	80	9.2	25	1.00	2.50	1.2
P0224.050-090-A2	M 5	90	9.2	25	1.00	2.50	1.2
P0224.050-100-A2	M 5	100	9.2	25	1.00	2.50	1.2
P0224.060-008-A2	M 6	8	11.0	-	1.20	3.00	1.6
P0224.060-010-A2	M 6	10	11.0	-	1.20	3.00	1.6
P0224.060-012-A2	M 6	12	11.0	-	1.20	3.00	1.6
P0224.060-014-A2	M 6	14	11.0	-	1.20	3.00	1.6
P0224.060-016-A2	M 6	16	11.0	-	1.20	3.00	1.6
P0224.060-018-A2	M 6	18	11.0	-	1.20	3.00	1.6
P0224.060-020-A2	M 6	20	11.0	-	1.20	3.00	1.6
P0224.060-022-A2	M 6	22	11.0	-	1.20	3.00	1.6
P0224.060-025-A2	M 6	25	11.0	-	1.20	3.00	1.6
P0224.060-030-A2	M 6	30	11.0	28	1.20	3.00	1.6
P0224.060-035-A2	M 6	35	11.0	28	1.20	3.00	1.6
P0224.060-040-A2	M 6	40	11.0	28	1.20	3.00	1.6
P0224.060-045-A2	M 6	45	11.0	28	1.20	3.00	1.6
P0224.060-050-A2	M 6	50	11.0	28	1.20	3.00	1.6
P0224.060-055-A2	M 6	55	11.0	28	1.20	3.00	1.6
P0224.060-060-A2	M 6	60	11.0	28	1.20	3.00	1.6
P0224.060-065-A2	M 6	65	11.0	28	1.20	3.00	1.6
P0224.060-070-A2	M 6	70	11.0	28	1.20	3.00	1.6
P0224.060-075-A2	M 6	75	11.0	28	1.20	3.00	1.6
P0224.060-080-A2	M 6	80	11.0	28	1.20	3.00	1.6
P0224.060-090-A2	M 6	90	11.0	28	1.20	3.00	1.6
P0224.060-100-A2	M 6	100	11.0	28	1.20	3.00	1.6
P0224.060-110-A2	M 6	110	11.0	28	1.20	3.00	1.6
P0224.060-120-A2	M 6	120	11.0	28	1.20	3.00	1.6
P0224.080-010-A2	M 8	10	14.5	-	1.60	4.00	2.0
P0224.080-012-A2	M 8	12	14.5	-	1.60	4.00	2.0
P0224.080-014-A2	M 8	14	14.5	-	1.60	4.00	2.0
P0224.080-016-A2	M 8	16	14.5	-	1.60	4.00	2.0
P0224.080-018-A2	M 8	18	14.5	-	1.60	4.00	2.0
P0224.080-020-A2	M 8	20	14.5	-	1.60	4.00	2.0
P0224.080-022-A2	M 8	22	14.5	-	1.60	4.00	2.0
P0224.080-025-A2	M 8	25	14.5	-	1.60	4.00	2.0
P0224.080-030-A2	M 8	30	14.5	-	1.60	4.00	2.0
P0224.080-035-A2	M 8	35	14.5	34	1.60	4.00	2.0
P0224.080-040-A2	M 8	40	14.5	34	1.60	4.00	2.0
P0224.080-045-A2	M 8	45	14.5	34	1.60	4.00	2.0
P0224.080-050-A2	M 8	50	14.5	34	1.60	4.00	2.0
P0224.080-055-A2	M 8	55	14.5	34	1.60	4.00	2.0
P0224.080-060-A2	M 8	60	14.5	34	1.60	4.00	2.0
P0224.080-065-A2	M 8	65	14.5	34	1.60	4.00	2.0
P0224.080-070-A2	M 8	70	14.5	34	1.60	4.00	2.0
P0224.080-075-A2	M 8	75	14.5	34	1.60	4.00	2.0
P0224.080-080-A2	M 8	80	14.5	34	1.60	4.00	2.0
P0224.080-090-A2	M 8	90	14.5	34	1.60	4.00	2.0
P0224.080-100-A2	M 8	100	14.5	34	1.60	4.00	2.0
P0224.080-110-A2	M 8	110	14.5	34	1.60	4.00	2.0
P0224.080-120-A2	M 8	120	14.5	34	1.60	4.00	2.0
P0224.100-016-A2	M10	16	18.0	-	2.00	5.00	2.5
P0224.100-018-A2	M10	18	18.0	-	2.00	5.00	2.5
P0224.100-020-A2	M10	20	18.0	-	2.00	5.00	2.5
P0224.100-022-A2	M10	22	18.0	-	2.00	5.00	2.5
P0224.100-025-A2	M10	25	18.0	-	2.00	5.00	2.5
P0224.100-030-A2	M10	30	18.0	-	2.00	5.00	2.5
P0224.100-035-A2	M10	35	18.0	-	2.00	5.00	2.5
P0224.100-040-A2	M10	40	18.0	40	2.00	5.00	2.5
P0224.100-045-A2	M10	45	18.0	40	2.00	5.00	2.5
P0224.100-050-A2	M10	50	18.0	40	2.00	5.00	2.5
P0224.100-055-A2	M10	55	18.0	40	2.00	5.00	2.5
P0224.100-060-A2	M10	60	18.0	40	2.00	5.00	2.5
P0224.100-065-A2	M10	65	18.0	40	2.00	5.00	2.5



Slot Countersunk Machine Screws

Slot - A2 stainless

Standard Screws

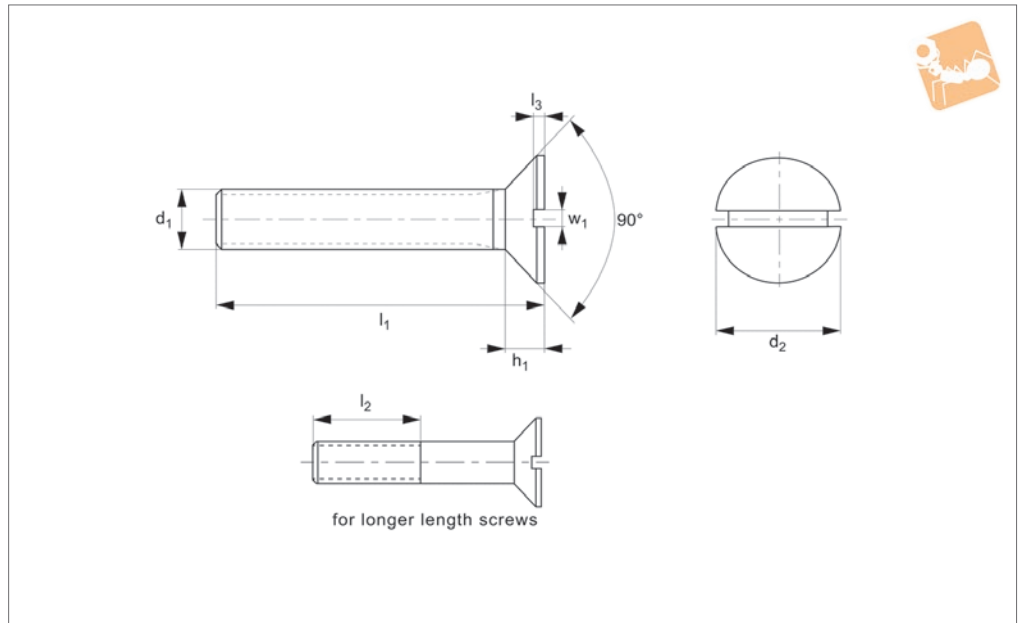


Order No.	d ₁	l ₁	d ₂	l ₂	l ₃	h ₁	w ₁
P0224.100-070-A2	M10	70	18.0	40	2.00	5.00	2.5
P0224.100-075-A2	M10	75	18.0	40	2.00	5.00	2.5
P0224.100-080-A2	M10	80	18.0	40	2.00	5.00	2.5
P0224.100-090-A2	M10	90	18.0	40	2.00	5.00	2.5
P0224.100-100-A2	M10	100	18.0	40	2.00	5.00	2.5
P0224.100-110-A2	M10	110	18.0	40	2.00	5.00	2.5
P0224.100-120-A2	M10	120	18.0	40	2.00	5.00	2.5
P0224.120-020-A2	M12	20	22.0	-	2.40	6.00	3.0
P0224.120-022-A2	M12	22	22.0	-	2.40	6.00	3.0
P0224.120-025-A2	M12	25	22.0	-	2.40	6.00	3.0
P0224.120-030-A2	M12	30	22.0	-	2.40	6.00	3.0
P0224.120-035-A2	M12	35	22.0	-	2.40	6.00	3.0
P0224.120-040-A2	M12	40	22.0	-	2.40	6.00	3.0
P0224.120-045-A2	M12	45	22.0	-	2.40	6.00	3.0
P0224.120-050-A2	M12	50	22.0	46	2.40	6.00	3.0
P0224.120-055-A2	M12	55	22.0	46	2.40	6.00	3.0
P0224.120-060-A2	M12	60	22.0	46	2.40	6.00	3.0
P0224.120-065-A2	M12	65	22.0	46	2.40	6.00	3.0
P0224.120-070-A2	M12	70	22.0	46	2.40	6.00	3.0
P0224.120-075-A2	M12	75	22.0	46	2.40	6.00	3.0
P0224.120-080-A2	M12	80	22.0	46	2.40	6.00	3.0
P0224.120-090-A2	M12	90	22.0	46	2.40	6.00	3.0
P0224.120-100-A2	M12	100	22.0	46	2.40	6.00	3.0
P0224.120-110-A2	M12	110	22.0	46	2.40	6.00	3.0
P0224.120-120-A2	M12	120	22.0	46	2.40	6.00	3.0

STANDARD SCREWS



P0224.A4



Material
Stainless steel A4.

Technical Notes
To DIN 963, ISO 2009. For the majority of

screw lengths the threads goes all the way to the head of the screw (i.e. $l_1 = l_2$) less 2.5 thread pitches.
For longer length screws the threaded

portion $l_2 < l_1$.

See technical page for tightening torques.

Order No.	d ₁	l ₁	d ₂	l ₂	l ₃	h ₁	w ₁
P0224.016-003-A4	M1,6	3	3	-	0.32	0.96	0.4
P0224.016-004-A4	M1,6	4	3	-	0.32	0.96	0.4
P0224.016-005-A4	M1,6	5	3	-	0.32	0.96	0.4
P0224.016-006-A4	M1,6	6	3	-	0.32	0.96	0.4
P0224.016-008-A4	M1,6	8	3	-	0.32	0.96	0.4
P0224.016-010-A4	M1,6	10	3	-	0.32	0.96	0.4
P0224.016-012-A4	M1,6	12	3	-	0.32	0.96	0.4
P0224.016-014-A4	M1,6	14	3	-	0.32	0.96	0.4
P0224.016-016-A4	M1,6	16	3	-	0.32	0.96	0.4
P0224.020-004-A4	M 2	4	3.8	-	0.40	1.20	0.5
P0224.020-005-A4	M 2	5	3.8	-	0.40	1.20	0.5
P0224.020-006-A4	M 2	6	3.8	-	0.40	1.20	0.5
P0224.020-008-A4	M 2	8	3.8	-	0.40	1.20	0.5
P0224.020-010-A4	M 2	10	3.8	-	0.40	1.20	0.5
P0224.020-012-A4	M 2	12	3.8	-	0.40	1.20	0.5
P0224.020-014-A4	M 2	14	3.8	-	0.40	1.20	0.5
P0224.020-016-A4	M 2	16	3.8	16	0.40	1.20	0.5
P0224.020-018-A4	M 2	18	3.8	16	0.40	1.20	0.5
P0224.020-020-A4	M 2	20	3.8	16	0.40	1.20	0.5
P0224.020-022-A4	M 2	22	3.8	16	0.40	1.20	0.5
P0224.020-025-A4	M 2	25	3.8	16	0.40	1.20	0.5
P0224.020-030-A4	M 2	30	3.8	16	0.40	1.20	0.5
P0224.025-004-A4	M2,5	4	4.7	-	0.50	1.50	0.6
P0224.025-005-A4	M2,5	5	4.7	-	0.50	1.50	0.6
P0224.025-006-A4	M2,5	5	4.7	-	0.50	1.50	0.6
P0224.025-008-A4	M2,5	8	4.7	-	0.50	1.50	0.6
P0224.025-010-A4	M2,5	10	4.7	-	0.50	1.50	0.6
P0224.025-012-A4	M2,5	12	4.7	-	0.50	1.50	0.6
P0224.025-014-A4	M2,5	14	4.7	-	0.50	1.50	0.6
P0224.025-016-A4	M2,5	16	4.7	-	0.50	1.50	0.6
P0224.025-018-A4	M2,5	18	4.7	18	0.50	1.50	0.6
P0224.025-020-A4	M2,5	20	4.7	18	0.50	1.50	0.6
P0224.025-022-A4	M2,5	22	4.7	18	0.50	1.50	0.6
P0224.025-025-A4	M2,5	25	4.7	18	0.50	1.50	0.6



Slot Countersunk Machine Screws

Slot - A4 stainless

Standard Screws



Order No.	d ₁	l ₁	d ₂	l ₂	l ₃	h ₁	w ₁
P0224.025-030-A4	M2,5	30	4.7	18	0.50	1.50	0.6
P0224.030-004-A4	M 3	4	5.6	-	0.60	1.65	0.8
P0224.030-005-A4	M 3	5	5.6	-	0.60	1.65	0.8
P0224.030-006-A4	M 3	6	5.6	-	0.60	1.65	0.8
P0224.030-008-A4	M 3	8	5.6	-	0.60	1.65	0.8
P0224.030-010-A4	M 3	10	5.6	-	0.60	1.65	0.8
P0224.030-012-A4	M 3	12	5.6	-	0.60	1.65	0.8
P0224.030-014-A4	M 3	14	5.6	-	0.60	1.65	0.8
P0224.030-016-A4	M 3	16	5.6	-	0.60	1.65	0.8
P0224.030-018-A4	M 3	18	5.6	-	0.60	1.65	0.8
P0224.030-020-A4	M 3	20	5.6	19	0.60	1.65	0.8
P0224.030-022-A4	M 3	22	5.6	19	0.60	1.65	0.8
P0224.030-025-A4	M 3	25	5.6	19	0.60	1.65	0.8
P0224.030-030-A4	M 3	30	5.6	19	0.60	1.65	0.8
P0224.030-035-A4	M 3	35	5.6	19	0.60	1.65	0.8
P0224.030-040-A4	M 3	40	5.6	19	0.60	1.65	0.8
P0224.030-045-A4	M 3	45	5.6	19	0.60	1.65	0.8
P0224.030-050-A4	M 3	50	5.6	19	0.60	1.65	0.8
P0224.030-055-A4	M 3	55	5.6	19	0.60	1.65	0.8
P0224.030-060-A4	M 3	60	5.6	19	0.60	1.65	0.8
P0224.035-005-A4	M3,5	5	6.5	-	0.70	1.93	0.8
P0224.035-006-A4	M3,5	6	6.5	-	0.70	1.93	0.8
P0224.035-008-A4	M3,5	8	6.5	-	0.70	1.93	0.8
P0224.035-010-A4	M3,5	10	6.5	-	0.70	1.93	0.8
P0224.035-012-A4	M3,5	12	6.5	-	0.70	1.93	0.8
P0224.035-014-A4	M3,5	14	6.5	-	0.70	1.93	0.8
P0224.035-016-A4	M3,5	16	6.5	-	0.70	1.93	0.8
P0224.035-018-A4	M3,5	18	6.5	-	0.70	1.93	0.8
P0224.035-020-A4	M3,5	20	6.5	20	0.70	1.93	0.8
P0224.035-022-A4	M3,5	22	6.5	20	0.70	1.93	0.8
P0224.035-025-A4	M3,5	25	6.5	20	0.70	1.93	0.8
P0224.035-030-A4	M3,5	30	6.5	20	0.70	1.93	0.8
P0224.035-035-A4	M3,5	35	6.5	20	0.70	1.93	0.8
P0224.040-005-A4	M 4	5	7.5	-	0.80	2.20	1.0
P0224.040-006-A4	M 4	6	7.5	-	0.80	2.20	1.0
P0224.040-008-A4	M 4	8	7.5	-	0.80	2.20	1.0
P0224.040-010-A4	M 4	10	7.5	-	0.80	2.20	1.0
P0224.040-012-A4	M 4	12	7.5	-	0.80	2.20	1.0
P0224.040-014-A4	M 4	14	7.5	-	0.80	2.20	1.0
P0224.040-016-A4	M 4	16	7.5	-	0.80	2.20	1.0
P0224.040-018-A4	M 4	18	7.5	-	0.80	2.20	1.0
P0224.040-020-A4	M 4	20	7.5	-	0.80	2.20	1.0
P0224.040-022-A4	M 4	22	7.5	22	0.80	2.20	1.0
P0224.040-025-A4	M 4	25	7.5	22	0.80	2.20	1.0
P0224.040-030-A4	M 4	30	7.5	22	0.80	2.20	1.0
P0224.040-035-A4	M 4	35	7.5	22	0.80	2.20	1.0
P0224.040-040-A4	M 4	40	7.5	22	0.80	2.20	1.0
P0224.040-045-A4	M 4	45	7.5	22	0.80	2.20	1.0
P0224.040-050-A4	M 4	50	7.5	22	0.80	2.20	1.0
P0224.040-055-A4	M 4	55	7.5	22	0.80	2.20	1.0
P0224.040-060-A4	M 4	60	7.5	22	0.80	2.20	1.0
P0224.040-065-A4	M 4	85	7.5	22	0.80	2.20	1.0
P0224.040-070-A4	M 4	80	7.5	22	0.80	2.20	1.0
P0224.040-075-A4	M 4	85	7.5	22	0.80	2.20	1.0
P0224.040-080-A4	M 4	80	7.5	22	0.80	2.20	1.0
P0224.050-006-A4	M 5	6	9.2	-	1.00	2.50	1.2
P0224.050-008-A4	M 5	8	9.2	-	1.00	2.50	1.2
P0224.050-010-A4	M 5	10	9.2	-	1.00	2.50	1.2
P0224.050-012-A4	M 5	12	9.2	-	1.00	2.50	1.2
P0224.050-014-A4	M 5	14	9.2	-	1.00	2.50	1.2
P0224.050-016-A4	M 5	16	9.2	-	1.00	2.50	1.2
P0224.050-018-A4	M 5	18	9.2	-	1.00	2.50	1.2
P0224.050-020-A4	M 5	20	9.2	-	1.00	2.50	1.2
P0224.050-022-A4	M 5	22	9.2	-	1.00	2.50	1.2
P0224.050-025-A4	M 5	25	9.2	25	1.00	2.50	1.2
P0224.050-030-A4	M 5	30	9.2	25	1.00	2.50	1.2
P0224.050-035-A4	M 5	35	9.2	25	1.00	2.50	1.2
P0224.050-040-A4	M 5	40	9.2	25	1.00	2.50	1.2
P0224.050-045-A4	M 5	45	9.2	25	1.00	2.50	1.2

STANDARD SCREWS



STANDARD SCREWS

Order No.	d ₁	l ₁	d ₂	l ₂	l ₃	h ₁	w ₁
P0224.050-050-A4	M 5	50	9.2	25	1.00	2.50	1.2
P0224.050-055-A4	M 5	55	9.2	25	1.00	2.50	1.2
P0224.050-060-A4	M 5	60	9.2	25	1.00	2.50	1.2
P0224.050-065-A4	M 5	65	9.2	25	1.00	2.50	1.2
P0224.050-070-A4	M 5	70	9.2	25	1.00	2.50	1.2
P0224.050-075-A4	M 5	75	9.2	25	1.00	2.50	1.2
P0224.050-080-A4	M 5	80	9.2	25	1.00	2.50	1.2
P0224.050-090-A4	M 5	90	9.2	25	1.00	2.50	1.2
P0224.050-100-A4	M 5	100	9.2	25	1.00	2.50	1.2
P0224.060-008-A4	M 6	8	11.0	-	1.20	3.00	1.6
P0224.060-010-A4	M 6	10	11.0	-	1.20	3.00	1.6
P0224.060-012-A4	M 6	12	11.0	-	1.20	3.00	1.6
P0224.060-014-A4	M 6	14	11.0	-	1.20	3.00	1.6
P0224.060-016-A4	M 6	16	11.0	-	1.20	3.00	1.6
P0224.060-018-A4	M 6	18	11.0	-	1.20	3.00	1.6
P0224.060-020-A4	M 6	20	11.0	-	1.20	3.00	1.6
P0224.060-022-A4	M 6	22	11.0	-	1.20	3.00	1.6
P0224.060-025-A4	M 6	25	11.0	-	1.20	3.00	1.6
P0224.060-030-A4	M 6	30	11.0	28	1.20	3.00	1.6
P0224.060-035-A4	M 6	35	11.0	28	1.20	3.00	1.6
P0224.060-040-A4	M 6	40	11.0	28	1.20	3.00	1.6
P0224.060-045-A4	M 6	45	11.0	28	1.20	3.00	1.6
P0224.060-050-A4	M 6	50	11.0	28	1.20	3.00	1.6
P0224.060-055-A4	M 6	55	11.0	28	1.20	3.00	1.6
P0224.060-060-A4	M 6	60	11.0	28	1.20	3.00	1.6
P0224.060-065-A4	M 6	65	11.0	28	1.20	3.00	1.6
P0224.060-070-A4	M 6	70	11.0	28	1.20	3.00	1.6
P0224.060-075-A4	M 6	75	11.0	28	1.20	3.00	1.6
P0224.060-080-A4	M 6	80	11.0	28	1.20	3.00	1.6
P0224.060-090-A4	M 6	90	11.0	28	1.20	3.00	1.6
P0224.060-100-A4	M 6	100	11.0	28	1.20	3.00	1.6
P0224.060-110-A4	M 6	110	11.0	28	1.20	3.00	1.6
P0224.060-120-A4	M 6	120	11.0	28	1.20	3.00	1.6
P0224.080-010-A4	M 8	10	14.5	-	1.60	4.00	2.0
P0224.080-012-A4	M 8	12	14.5	-	1.60	4.00	2.0
P0224.080-014-A4	M 8	14	14.5	-	1.60	4.00	2.0
P0224.080-016-A4	M 8	16	14.5	-	1.60	4.00	2.0
P0224.080-018-A4	M 8	18	14.5	-	1.60	4.00	2.0
P0224.080-020-A4	M 8	20	14.5	-	1.60	4.00	2.0
P0224.080-022-A4	M 8	22	14.5	-	1.60	4.00	2.0
P0224.080-025-A4	M 8	25	14.5	-	1.60	4.00	2.0
P0224.080-030-A4	M 8	30	14.5	-	1.60	4.00	2.0
P0224.080-035-A4	M 8	35	14.5	34	1.60	4.00	2.0
P0224.080-040-A4	M 8	40	14.5	34	1.60	4.00	2.0
P0224.080-045-A4	M 8	45	14.5	34	1.60	4.00	2.0
P0224.080-050-A4	M 8	50	14.5	34	1.60	4.00	2.0
P0224.080-055-A4	M 8	55	14.5	34	1.60	4.00	2.0
P0224.080-060-A4	M 8	60	14.5	34	1.60	4.00	2.0
P0224.080-065-A4	M 8	65	14.5	34	1.60	4.00	2.0
P0224.080-070-A4	M 8	70	14.5	34	1.60	4.00	2.0
P0224.080-075-A4	M 8	75	14.5	34	1.60	4.00	2.0
P0224.080-080-A4	M 8	80	14.5	34	1.60	4.00	2.0
P0224.080-090-A4	M 8	90	14.5	34	1.60	4.00	2.0
P0224.080-100-A4	M 8	100	14.5	34	1.60	4.00	2.0
P0224.080-110-A4	M 8	110	14.5	34	1.60	4.00	2.0
P0224.080-120-A4	M 8	120	14.5	34	1.60	4.00	2.0
P0224.100-016-A4	M10	16	18.0	-	2.00	5.00	2.5
P0224.100-018-A4	M10	18	18.0	-	2.00	5.00	2.5
P0224.100-020-A4	M10	20	18.0	-	2.00	5.00	2.5
P0224.100-022-A4	M10	22	18.0	-	2.00	5.00	2.5
P0224.100-025-A4	M10	25	18.0	-	2.00	5.00	2.5
P0224.100-030-A4	M10	30	18.0	-	2.00	5.00	2.5
P0224.100-035-A4	M10	35	18.0	-	2.00	5.00	2.5
P0224.100-040-A4	M10	40	18.0	40	2.00	5.00	2.5
P0224.100-045-A4	M10	45	18.0	40	2.00	5.00	2.5
P0224.100-050-A4	M10	50	18.0	40	2.00	5.00	2.5
P0224.100-055-A4	M10	55	18.0	40	2.00	5.00	2.5
P0224.100-060-A4	M10	60	18.0	40	2.00	5.00	2.5
P0224.100-065-A4	M10	65	18.0	40	2.00	5.00	2.5



Slot Countersunk Machine Screws

Slot - A4 stainless

Standard Screws



Order No.	d ₁	l ₁	d ₂	l ₂	l ₃	h ₁	w ₁
P0224.100-070-A4	M10	70	18.0	40	2.00	5.00	2.5
P0224.100-075-A4	M10	75	18.0	40	2.00	5.00	2.5
P0224.100-080-A4	M10	80	18.0	40	2.00	5.00	2.5
P0224.100-090-A4	M10	90	18.0	40	2.00	5.00	2.5
P0224.100-100-A4	M10	100	18.0	40	2.00	5.00	2.5
P0224.100-110-A4	M10	110	18.0	40	2.00	5.00	2.5
P0224.100-120-A4	M10	120	18.0	40	2.00	5.00	2.5
P0224.120-020-A4	M12	20	22.0	-	2.40	6.00	3.0
P0224.120-022-A4	M12	22	22.0	-	2.40	6.00	3.0
P0224.120-025-A4	M12	25	22.0	-	2.40	6.00	3.0
P0224.120-030-A4	M12	30	22.0	-	2.40	6.00	3.0
P0224.120-035-A4	M12	35	22.0	-	2.40	6.00	3.0
P0224.120-040-A4	M12	40	22.0	-	2.40	6.00	3.0
P0224.120-045-A4	M12	45	22.0	46	2.40	6.00	3.0
P0224.120-050-A4	M12	50	22.0	46	2.40	6.00	3.0
P0224.120-055-A4	M12	55	22.0	46	2.40	6.00	3.0
P0224.120-060-A4	M12	60	22.0	46	2.40	6.00	3.0
P0224.120-065-A4	M12	65	22.0	46	2.40	6.00	3.0
P0224.120-070-A4	M12	70	22.0	46	2.40	6.00	3.0
P0224.120-075-A4	M12	75	22.0	46	2.40	6.00	3.0
P0224.120-080-A4	M12	80	22.0	46	2.40	6.00	3.0
P0224.120-090-A4	M12	90	22.0	46	2.40	6.00	3.0
P0224.120-100-A4	M12	100	22.0	46	2.40	6.00	3.0
P0224.120-110-A4	M12	110	22.0	46	2.40	6.00	3.0
P0224.120-120-A4	M12	120	22.0	46	2.40	6.00	3.0

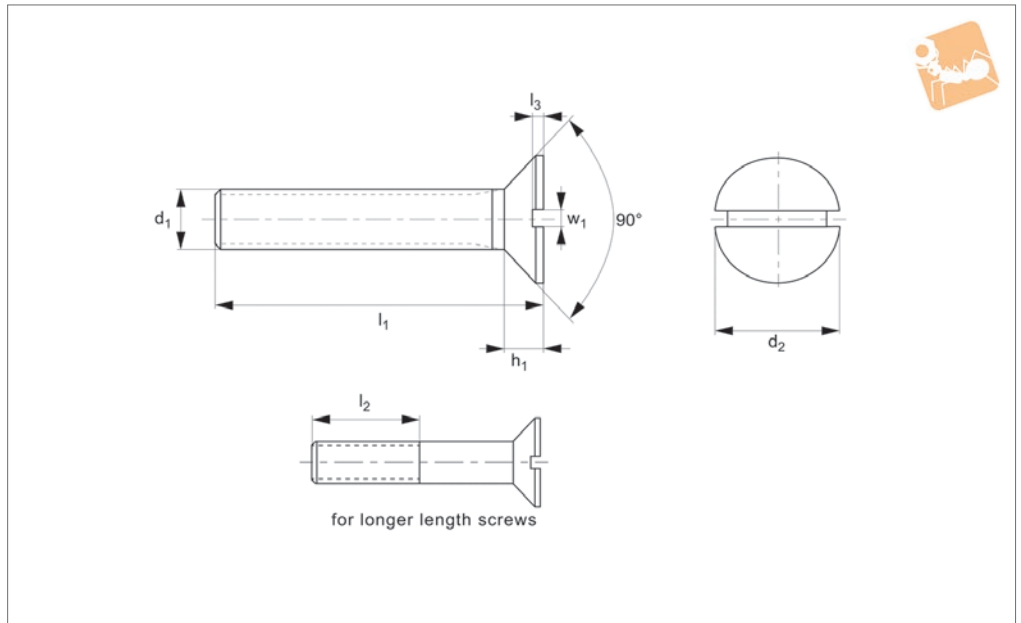
STANDARD SCREWS



STANDARD SCREWS



P0224.ZP



Material

Steel, zinc-plated (grade 4.8).

screw lengths the threads goes all the way to the head of the screw (i.e. $l_1 = l_2$) less 2.5 thread pitches.

portion $l_2 < l_1$.

Technical Notes

To DIN 963, ISO 2009. For the majority of

For longer length screws the threaded

Order No.	d_1	l_1	d_2	l_2	l_3	h_1	w_1
P0224.016-003-ZP	M1,6	3	3	-	0.32	0.96	0.4
P0224.016-004-ZP	M1,6	4	3	-	0.32	0.96	0.4
P0224.016-005-ZP	M1,6	5	3	-	0.32	0.96	0.4
P0224.016-006-ZP	M1,6	6	3	-	0.32	0.96	0.4
P0224.016-008-ZP	M1,6	8	3	-	0.32	0.96	0.4
P0224.016-010-ZP	M1,6	10	3	-	0.32	0.96	0.4
P0224.016-012-ZP	M1,6	12	3	-	0.32	0.96	0.4
P0224.016-014-ZP	M1,6	14	3	-	0.32	0.96	0.4
P0224.016-016-ZP	M1,6	16	3	-	0.32	0.96	0.4
P0224.020-004-ZP	M 2	4	3.8	-	0.40	1.20	0.5
P0224.020-005-ZP	M 2	5	3.8	-	0.40	1.20	0.5
P0224.020-006-ZP	M 2	6	3.8	-	0.40	1.20	0.5
P0224.020-008-ZP	M 2	8	3.8	-	0.40	1.20	0.5
P0224.020-010-ZP	M 2	10	3.8	-	0.40	1.20	0.5
P0224.020-012-ZP	M 2	12	3.8	-	0.40	1.20	0.5
P0224.020-014-ZP	M 2	14	3.8	-	0.40	1.20	0.5
P0224.020-016-ZP	M 2	16	3.8	16	0.40	1.20	0.5
P0224.020-018-ZP	M 2	18	3.8	16	0.40	1.20	0.5
P0224.020-020-ZP	M 2	20	3.8	16	0.40	1.20	0.5
P0224.020-022-ZP	M 2	22	3.8	16	0.40	1.20	0.5
P0224.020-025-ZP	M 2	25	3.8	16	0.40	1.20	0.5
P0224.020-030-ZP	M 2	30	3.8	16	0.40	1.20	0.5
P0224.025-004-ZP	M2,5	4	4.7	-	0.50	1.50	0.6
P0224.025-005-ZP	M2,5	5	4.7	-	0.50	1.50	0.6
P0224.025-006-ZP	M2,5	5	4.7	-	0.50	1.50	0.6
P0224.025-008-ZP	M2,5	8	4.7	-	0.50	1.50	0.6
P0224.025-010-ZP	M2,5	10	4.7	-	0.50	1.50	0.6
P0224.025-012-ZP	M2,5	12	4.7	-	0.50	1.50	0.6
P0224.025-014-ZP	M2,5	14	4.7	-	0.50	1.50	0.6
P0224.025-016-ZP	M2,5	16	4.7	-	0.50	1.50	0.6
P0224.025-018-ZP	M2,5	18	4.7	18	0.50	1.50	0.6
P0224.025-020-ZP	M2,5	20	4.7	18	0.50	1.50	0.6
P0224.025-022-ZP	M2,5	22	4.7	18	0.50	1.50	0.6
P0224.025-025-ZP	M2,5	25	4.7	18	0.50	1.50	0.6



Slot Countersunk Machine Screws

Slot - steel, zinc-plated

Standard Screws



Order No.	d ₁	l ₁	d ₂	l ₂	l ₃	h ₁	w ₁
P0224.025-030-ZP	M2,5	30	4.7	18	0.50	1.50	0.6
P0224.030-004-ZP	M 3	4	5.6	-	0.60	1.65	0.8
P0224.030-005-ZP	M 3	5	5.6	-	0.60	1.65	0.8
P0224.030-006-ZP	M 3	6	5.6	-	0.60	1.65	0.8
P0224.030-008-ZP	M 3	8	5.6	-	0.60	1.65	0.8
P0224.030-010-ZP	M 3	10	5.6	-	0.60	1.65	0.8
P0224.030-012-ZP	M 3	12	5.6	-	0.60	1.65	0.8
P0224.030-014-ZP	M 3	14	5.6	-	0.60	1.65	0.8
P0224.030-016-ZP	M 3	16	5.6	-	0.60	1.65	0.8
P0224.030-018-ZP	M 3	18	5.6	-	0.60	1.65	0.8
P0224.030-020-ZP	M 3	20	5.6	19	0.60	1.65	0.8
P0224.030-022-ZP	M 3	22	5.6	19	0.60	1.65	0.8
P0224.030-025-ZP	M 3	25	5.6	19	0.60	1.65	0.8
P0224.030-030-ZP	M 3	30	5.6	19	0.60	1.65	0.8
P0224.030-035-ZP	M 3	35	5.6	19	0.60	1.65	0.8
P0224.030-040-ZP	M 3	40	5.6	19	0.60	1.65	0.8
P0224.030-045-ZP	M 3	45	5.6	19	0.60	1.65	0.8
P0224.030-050-ZP	M 3	50	5.6	19	0.60	1.65	0.8
P0224.030-055-ZP	M 3	55	5.6	19	0.60	1.65	0.8
P0224.030-060-ZP	M 3	60	5.6	19	0.60	1.65	0.8
P0224.035-005-ZP	M3,5	5	6.5	-	0.70	1.93	0.8
P0224.035-006-ZP	M3,5	6	6.5	-	0.70	1.93	0.8
P0224.035-008-ZP	M3,5	8	6.5	-	0.70	1.93	0.8
P0224.035-010-ZP	M3,5	10	6.5	-	0.70	1.93	0.8
P0224.035-012-ZP	M3,5	12	6.5	-	0.70	1.93	0.8
P0224.035-014-ZP	M3,5	14	6.5	-	0.70	1.93	0.8
P0224.035-016-ZP	M3,5	16	6.5	-	0.70	1.93	0.8
P0224.035-018-ZP	M3,5	18	6.5	-	0.70	1.93	0.8
P0224.035-020-ZP	M3,5	20	6.5	20	0.70	1.93	0.8
P0224.035-022-ZP	M3,5	22	6.5	20	0.70	1.93	0.8
P0224.035-025-ZP	M3,5	25	6.5	20	0.70	1.93	0.8
P0224.035-030-ZP	M3,5	30	6.5	20	0.70	1.93	0.8
P0224.035-035-ZP	M3,5	35	6.5	20	0.70	1.93	0.8
P0224.040-005-ZP	M 4	5	7.5	-	0.80	2.20	1.0
P0224.040-006-ZP	M 4	6	7.5	-	0.80	2.20	1.0
P0224.040-008-ZP	M 4	8	7.5	-	0.80	2.20	1.0
P0224.040-010-ZP	M 4	10	7.5	-	0.80	2.20	1.0
P0224.040-012-ZP	M 4	12	7.5	-	0.80	2.20	1.0
P0224.040-014-ZP	M 4	14	7.5	-	0.80	2.20	1.0
P0224.040-016-ZP	M 4	16	7.5	-	0.80	2.20	1.0
P0224.040-018-ZP	M 4	18	7.5	-	0.80	2.20	1.0
P0224.040-020-ZP	M 4	20	7.5	-	0.80	2.20	1.0
P0224.040-022-ZP	M 4	22	7.5	22	0.80	2.20	1.0
P0224.040-025-ZP	M 4	25	7.5	22	0.80	2.20	1.0
P0224.040-030-ZP	M 4	30	7.5	22	0.80	2.20	1.0
P0224.040-035-ZP	M 4	35	7.5	22	0.80	2.20	1.0
P0224.040-040-ZP	M 4	40	7.5	22	0.80	2.20	1.0
P0224.040-045-ZP	M 4	45	7.5	22	0.80	2.20	1.0
P0224.040-050-ZP	M 4	50	7.5	22	0.80	2.20	1.0
P0224.040-055-ZP	M 4	55	7.5	22	0.80	2.20	1.0
P0224.040-060-ZP	M 4	60	7.5	22	0.80	2.20	1.0
P0224.040-065-ZP	M 4	65	7.5	22	0.80	2.20	1.0
P0224.040-070-ZP	M 4	70	7.5	22	0.80	2.20	1.0
P0224.040-075-ZP	M 4	75	7.5	22	0.80	2.20	1.0
P0224.040-080-ZP	M 4	80	7.5	22	0.80	2.20	1.0
P0224.050-006-ZP	M 5	6	9.2	-	1.00	2.50	1.2
P0224.050-008-ZP	M 5	8	9.2	-	1.00	2.50	1.2
P0224.050-010-ZP	M 5	10	9.2	-	1.00	2.50	1.2
P0224.050-012-ZP	M 5	12	9.2	-	1.00	2.50	1.2
P0224.050-014-ZP	M 5	14	9.2	-	1.00	2.50	1.2
P0224.050-016-ZP	M 5	16	9.2	-	1.00	2.50	1.2
P0224.050-018-ZP	M 5	18	9.2	-	1.00	2.50	1.2
P0224.050-020-ZP	M 5	20	9.2	-	1.00	2.50	1.2
P0224.050-022-ZP	M 5	22	9.2	-	1.00	2.50	1.2
P0224.050-025-ZP	M 5	25	9.2	25	1.00	2.50	1.2
P0224.050-030-ZP	M 5	30	9.2	25	1.00	2.50	1.2
P0224.050-035-ZP	M 5	35	9.2	25	1.00	2.50	1.2
P0224.050-040-ZP	M 5	40	9.2	25	1.00	2.50	1.2
P0224.050-045-ZP	M 5	45	9.2	25	1.00	2.50	1.2

STANDARD SCREWS



STANDARD SCREWS

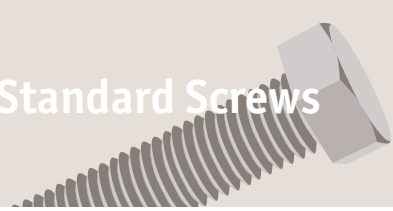
Order No.	d ₁	l ₁	d ₂	l ₂	l ₃	h ₁	w ₁
P0224.050-050-ZP	M 5	50	9.2	25	1.00	2.50	1.2
P0224.050-055-ZP	M 5	55	9.2	25	1.00	2.50	1.2
P0224.050-060-ZP	M 5	60	9.2	25	1.00	2.50	1.2
P0224.050-065-ZP	M 5	65	9.2	25	1.00	2.50	1.2
P0224.050-070-ZP	M 5	70	9.2	25	1.00	2.50	1.2
P0224.050-075-ZP	M 5	75	9.2	25	1.00	2.50	1.2
P0224.050-080-ZP	M 5	80	9.2	25	1.00	2.50	1.2
P0224.050-090-ZP	M 5	90	9.2	25	1.00	2.50	1.2
P0224.050-100-ZP	M 5	100	9.2	25	1.00	2.50	1.2
P0224.060-008-ZP	M 6	8	11.0	-	1.20	3.00	1.6
P0224.060-010-ZP	M 6	10	11.0	-	1.20	3.00	1.6
P0224.060-012-ZP	M 6	12	11.0	-	1.20	3.00	1.6
P0224.060-014-ZP	M 6	14	11.0	-	1.20	3.00	1.6
P0224.060-016-ZP	M 6	16	11.0	-	1.20	3.00	1.6
P0224.060-018-ZP	M 6	18	11.0	-	1.20	3.00	1.6
P0224.060-020-ZP	M 6	20	11.0	-	1.20	3.00	1.6
P0224.060-022-ZP	M 6	22	11.0	-	1.20	3.00	1.6
P0224.060-025-ZP	M 6	25	11.0	-	1.20	3.00	1.6
P0224.060-030-ZP	M 6	30	11.0	28	1.20	3.00	1.6
P0224.060-035-ZP	M 6	35	11.0	28	1.20	3.00	1.6
P0224.060-040-ZP	M 6	40	11.0	28	1.20	3.00	1.6
P0224.060-045-ZP	M 6	45	11.0	28	1.20	3.00	1.6
P0224.060-050-ZP	M 6	50	11.0	28	1.20	3.00	1.6
P0224.060-055-ZP	M 6	55	11.0	28	1.20	3.00	1.6
P0224.060-060-ZP	M 6	60	11.0	28	1.20	3.00	1.6
P0224.060-065-ZP	M 6	65	11.0	28	1.20	3.00	1.6
P0224.060-070-ZP	M 6	70	11.0	28	1.20	3.00	1.6
P0224.060-075-ZP	M 6	75	11.0	28	1.20	3.00	1.6
P0224.060-080-ZP	M 6	80	11.0	28	1.20	3.00	1.6
P0224.060-090-ZP	M 6	90	11.0	28	1.20	3.00	1.6
P0224.060-100-ZP	M 6	100	11.0	28	1.20	3.00	1.6
P0224.060-110-ZP	M 6	110	11.0	28	1.20	3.00	1.6
P0224.060-120-ZP	M 6	120	11.0	28	1.20	3.00	1.6
P0224.080-010-ZP	M 8	10	14.5	-	1.60	4.00	2.0
P0224.080-012-ZP	M 8	12	14.5	-	1.60	4.00	2.0
P0224.080-014-ZP	M 8	14	14.5	-	1.60	4.00	2.0
P0224.080-016-ZP	M 8	16	14.5	-	1.60	4.00	2.0
P0224.080-018-ZP	M 8	18	14.5	-	1.60	4.00	2.0
P0224.080-020-ZP	M 8	20	14.5	-	1.60	4.00	2.0
P0224.080-022-ZP	M 8	22	14.5	-	1.60	4.00	2.0
P0224.080-025-ZP	M 8	25	14.5	-	1.60	4.00	2.0
P0224.080-030-ZP	M 8	30	14.5	-	1.60	4.00	2.0
P0224.080-035-ZP	M 8	35	14.5	34	1.60	4.00	2.0
P0224.080-040-ZP	M 8	40	14.5	34	1.60	4.00	2.0
P0224.080-045-ZP	M 8	45	14.5	34	1.60	4.00	2.0
P0224.080-050-ZP	M 8	50	14.5	34	1.60	4.00	2.0
P0224.080-055-ZP	M 8	55	14.5	34	1.60	4.00	2.0
P0224.080-060-ZP	M 8	60	14.5	34	1.60	4.00	2.0
P0224.080-065-ZP	M 8	65	14.5	34	1.60	4.00	2.0
P0224.080-070-ZP	M 8	70	14.5	34	1.60	4.00	2.0
P0224.080-075-ZP	M 8	75	14.5	34	1.60	4.00	2.0
P0224.080-080-ZP	M 8	80	14.5	34	1.60	4.00	2.0
P0224.080-090-ZP	M 8	90	14.5	34	1.60	4.00	2.0
P0224.080-100-ZP	M 8	100	14.5	34	1.60	4.00	2.0
P0224.080-110-ZP	M 8	110	14.5	34	1.60	4.00	2.0
P0224.080-120-ZP	M 8	120	14.5	34	1.60	4.00	2.0
P0224.100-016-ZP	M10	16	18.0	-	2.00	5.00	2.5
P0224.100-018-ZP	M10	18	18.0	-	2.00	5.00	2.5
P0224.100-020-ZP	M10	20	18.0	-	2.00	5.00	2.5
P0224.100-022-ZP	M10	22	18.0	-	2.00	5.00	2.5
P0224.100-025-ZP	M10	25	18.0	-	2.00	5.00	2.5
P0224.100-030-ZP	M10	30	18.0	-	2.00	5.00	2.5
P0224.100-035-ZP	M10	35	18.0	-	2.00	5.00	2.5
P0224.100-040-ZP	M10	40	18.0	40	2.00	5.00	2.5
P0224.100-045-ZP	M10	45	18.0	40	2.00	5.00	2.5
P0224.100-050-ZP	M10	50	18.0	40	2.00	5.00	2.5
P0224.100-055-ZP	M10	55	18.0	40	2.00	5.00	2.5
P0224.100-060-ZP	M10	60	18.0	40	2.00	5.00	2.5
P0224.100-065-ZP	M10	65	18.0	40	2.00	5.00	2.5



Slot Countersunk Machine Screws

Slot - steel, zinc-plated

Standard Screws



Order No.	d ₁	l ₁	d ₂	l ₂	l ₃	h ₁	w ₁
P0224.100-070-ZP	M10	70	18.0	40	2.00	5.00	2.5
P0224.100-075-ZP	M10	75	18.0	40	2.00	5.00	2.5
P0224.100-080-ZP	M10	80	18.0	40	2.00	5.00	2.5
P0224.100-090-ZP	M10	90	18.0	40	2.00	5.00	2.5
P0224.100-100-ZP	M10	100	18.0	40	2.00	5.00	2.5
P0224.100-110-ZP	M10	110	18.0	40	2.00	5.00	2.5
P0224.100-120-ZP	M10	120	18.0	40	2.00	5.00	2.5
P0224.120-020-ZP	M12	20	22.0	-	2.40	6.00	3.0
P0224.120-022-ZP	M12	22	22.0	-	2.40	6.00	3.0
P0224.120-025-ZP	M12	25	22.0	-	2.40	6.00	3.0
P0224.120-030-ZP	M12	30	22.0	-	2.40	6.00	3.0
P0224.120-035-ZP	M12	35	22.0	-	2.40	6.00	3.0
P0224.120-040-ZP	M12	40	22.0	-	2.40	6.00	3.0
P0224.120-045-ZP	M12	45	22.0	46	2.40	6.00	3.0
P0224.120-050-ZP	M12	50	22.0	46	2.40	6.00	3.0
P0224.120-055-ZP	M12	55	22.0	46	2.40	6.00	3.0
P0224.120-060-ZP	M12	60	22.0	46	2.40	6.00	3.0
P0224.120-065-ZP	M12	65	22.0	46	2.40	6.00	3.0
P0224.120-070-ZP	M12	70	22.0	46	2.40	6.00	3.0
P0224.120-075-ZP	M12	75	22.0	46	2.40	6.00	3.0
P0224.120-080-ZP	M12	80	22.0	46	2.40	6.00	3.0
P0224.120-090-ZP	M12	90	22.0	46	2.40	6.00	3.0
P0224.120-100-ZP	M12	100	22.0	46	2.40	6.00	3.0
P0224.120-110-ZP	M12	110	22.0	46	2.40	6.00	3.0
P0224.120-120-ZP	M12	120	22.0	46	2.40	6.00	3.0

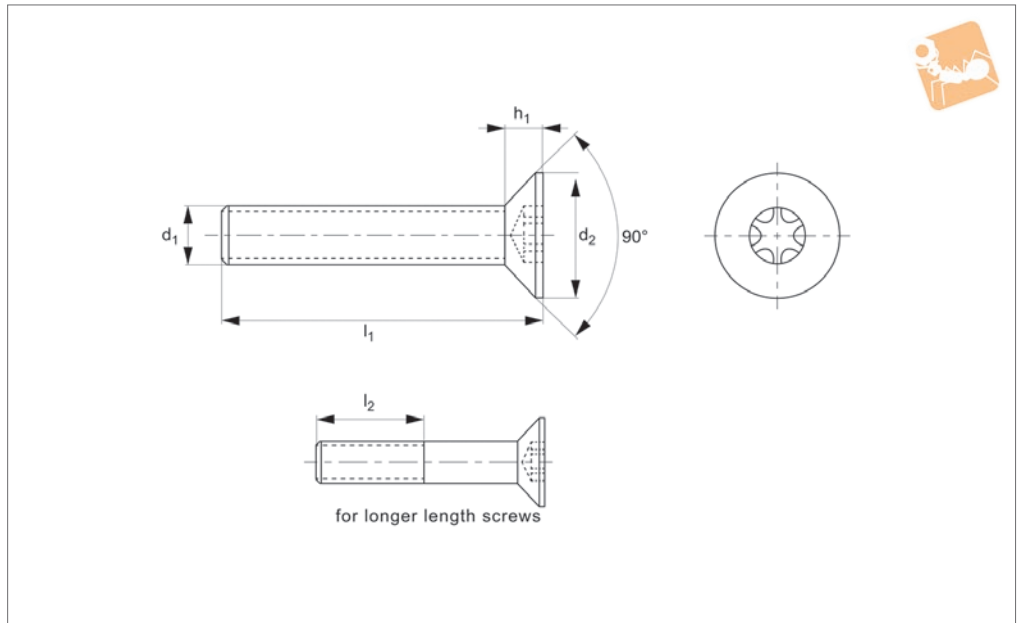
STANDARD SCREWS



STANDARD SCREWS



P0225.A2



Material

Stainless steel A2.

Technical Notes

To DIN 965. For the majority of screw

lengths the threads goes all the way to the head of the screw (i.e. $l_1 = l_2$) less 2.5 thread pitches.

For longer length screws the threaded

portion $l_2 < l_1$.

See technical page for tightening torques.

Order No.	d_1	l_1	d_2	l_2	h_1	Size
P0225.016-002-A2	M1,6	2	3.0	-	0.96	TX-5
P0225.016-003-A2	M1,6	3	3.0	-	0.96	TX-5
P0225.016-004-A2	M1,6	4	3.0	-	0.96	TX-5
P0225.016-005-A2	M1,6	5	3.0	-	0.96	TX-5
P0225.016-006-A2	M1,6	6	3.0	-	0.96	TX-5
P0225.016-008-A2	M1,6	8	3.0	-	0.96	TX-5
P0225.016-010-A2	M1,6	10	3.0	-	0.96	TX-5
P0225.016-012-A2	M1,6	12	3.0	-	0.96	TX-5
P0225.016-014-A2	M1,6	14	3.0	-	0.96	TX-5
P0225.016-016-A2	M1,6	16	3.0	15	0.96	TX-5
P0225.016-020-A2	M1,6	20	3.0	15	0.96	TX-5
P0225.016-018-A2	M1,6	18	3.0	15	0.96	TX-5
P0225.020-003-A2	M2	3	3.8	-	1.20	TX-6
P0225.020-004-A2	M2	4	3.8	-	1.20	TX-6
P0225.020-005-A2	M2	5	3.8	-	1.20	TX-6
P0225.020-006-A2	M2	6	3.8	-	1.20	TX-6
P0225.020-008-A2	M2	8	3.8	-	1.20	TX-6
P0225.020-010-A2	M2	10	3.8	-	1.20	TX-6
P0225.020-012-A2	M2	12	3.8	-	1.20	TX-6
P0225.020-014-A2	M2	14	3.8	-	1.20	TX-6
P0225.020-016-A2	M2	16	3.8	16	1.20	TX-6
P0225.020-018-A2	M2	18	3.8	16	1.20	TX-6
P0225.020-020-A2	M2	20	3.8	16	1.20	TX-6
P0225.025-003-A2	M2,5	3	4.7	-	1.50	TX-8
P0225.025-004-A2	M2,5	4	4.7	-	1.50	TX-8
P0225.025-005-A2	M2,5	5	4.7	-	1.50	TX-8
P0225.025-006-A2	M2,5	6	4.7	-	1.50	TX-8
P0225.025-008-A2	M2,5	8	4.7	-	1.50	TX-8
P0225.025-010-A2	M2,5	10	4.7	-	1.50	TX-8
P0225.025-012-A2	M2,5	12	4.7	-	1.50	TX-8
P0225.025-014-A2	M2,5	14	4.7	-	1.50	TX-8
P0225.025-016-A2	M2,5	16	4.7	-	1.50	TX-8
P0225.025-018-A2	M2,5	18	4.7	18	1.50	TX-8
P0225.025-020-A2	M2,5	20	4.7	18	1.50	TX-8



TX Countersunk Machine Screws

TX - A2 stainless

Standard Screws



Order No.	d ₁	l ₁	d ₂	l ₂	h ₁	Size
P0225.025-022-A2	M2,5	22	4.7	18	1.50	TX-8
P0225.025-025-A2	M2,5	25	4.7	18	1.50	TX-8
P0225.030-004-A2	M3	4	5.6	-	1.65	TX-10
P0225.030-005-A2	M3	5	5.6	-	1.65	TX-10
P0225.030-006-A2	M3	6	5.6	-	1.65	TX-10
P0225.030-008-A2	M3	8	5.6	-	1.65	TX-10
P0225.030-010-A2	M3	10	5.6	-	1.65	TX-10
P0225.030-012-A2	M3	12	5.6	-	1.65	TX-10
P0225.030-014-A2	M3	14	5.6	-	1.65	TX-10
P0225.030-016-A2	M3	16	5.6	-	1.65	TX-10
P0225.030-018-A2	M3	18	5.6	-	1.65	TX-10
P0225.030-020-A2	M3	20	5.6	19	1.65	TX-10
P0225.030-022-A2	M3	22	5.6	19	1.65	TX-10
P0225.030-025-A2	M3	25	5.6	19	1.65	TX-10
P0225.030-030-A2	M3	30	5.6	19	1.65	TX-10
P0225.030-035-A2	M3	35	5.6	19	1.65	TX-10
P0225.030-040-A2	M3	40	5.6	19	1.65	TX-10
P0225.030-045-A2	M3	45	5.6	19	1.65	TX-10
P0225.030-050-A2	M3	50	5.6	19	1.65	TX-10
P0225.030-055-A2	M3	55	5.6	19	1.65	TX-10
P0225.030-060-A2	M3	60	5.6	19	1.65	TX-10
P0225.040-005-A2	M4	5	7.5	-	2.20	TX-20
P0225.040-006-A2	M4	6	7.5	-	2.20	TX-20
P0225.040-008-A2	M4	8	7.5	-	2.20	TX-20
P0225.040-010-A2	M4	10	7.5	-	2.20	TX-20
P0225.040-012-A2	M4	12	7.5	-	2.20	TX-20
P0225.040-014-A2	M4	14	7.5	-	2.20	TX-20
P0225.040-016-A2	M4	16	7.5	-	2.20	TX-20
P0225.040-018-A2	M4	18	7.5	-	2.20	TX-20
P0225.040-020-A2	M4	20	7.5	-	2.20	TX-20
P0225.040-022-A2	M4	22	7.5	22	2.20	TX-20
P0225.040-025-A2	M4	25	7.5	22	2.20	TX-20
P0225.040-030-A2	M4	30	7.5	22	2.20	TX-20
P0225.040-035-A2	M4	35	7.5	22	2.20	TX-20
P0225.040-040-A2	M4	40	7.5	22	2.20	TX-20
P0225.040-045-A2	M4	45	7.5	22	2.20	TX-20
P0225.040-050-A2	M4	50	7.5	22	2.20	TX-20
P0225.040-055-A2	M4	55	7.5	22	2.20	TX-20
P0225.040-060-A2	M4	60	7.5	22	2.20	TX-20
P0225.040-065-A2	M4	65	7.5	22	2.20	TX-20
P0225.040-070-A2	M4	70	7.5	22	2.20	TX-20
P0225.040-075-A2	M4	75	7.5	22	2.20	TX-20
P0225.040-080-A2	M4	80	7.5	22	2.20	TX-20
P0225.040-085-A2	M4	85	7.5	22	2.20	TX-20
P0225.040-090-A2	M4	90	7.5	22	2.20	TX-20
P0225.040-095-A2	M4	95	7.5	22	2.20	TX-20
P0225.040-100-A2	M4	100	7.5	22	2.20	TX-20
P0225.050-006-A2	M5	6	9.2	-	2.50	TX-25
P0225.050-008-A2	M5	8	9.2	-	2.50	TX-25
P0225.050-010-A2	M5	10	9.2	-	2.50	TX-25
P0225.050-012-A2	M5	12	9.2	-	2.50	TX-25
P0225.050-014-A2	M5	14	9.2	-	2.50	TX-25
P0225.050-016-A2	M5	16	9.2	-	2.50	TX-25
P0225.050-018-A2	M5	18	9.2	-	2.50	TX-25
P0225.050-020-A2	M5	20	9.2	-	2.50	TX-25
P0225.050-022-A2	M5	22	9.2	-	2.50	TX-25
P0225.050-025-A2	M5	25	9.2	25	2.50	TX-25
P0225.050-030-A2	M5	30	9.2	25	2.50	TX-25
P0225.050-035-A2	M5	35	9.2	25	2.50	TX-25
P0225.050-040-A2	M5	40	9.2	25	2.50	TX-25
P0225.050-045-A2	M5	45	9.2	25	2.50	TX-25
P0225.050-050-A2	M5	50	9.2	25	2.50	TX-25
P0225.050-055-A2	M5	55	9.2	25	2.50	TX-25
P0225.050-060-A2	M5	60	9.2	25	2.50	TX-25
P0225.050-065-A2	M5	65	9.2	25	2.50	TX-25
P0225.050-070-A2	M5	70	9.2	25	2.50	TX-25
P0225.050-075-A2	M5	75	9.2	25	2.50	TX-25
P0225.050-080-A2	M5	80	9.2	25	2.50	TX-25
P0225.050-085-A2	M5	85	9.2	25	2.50	TX-25

STANDARD SCREWS



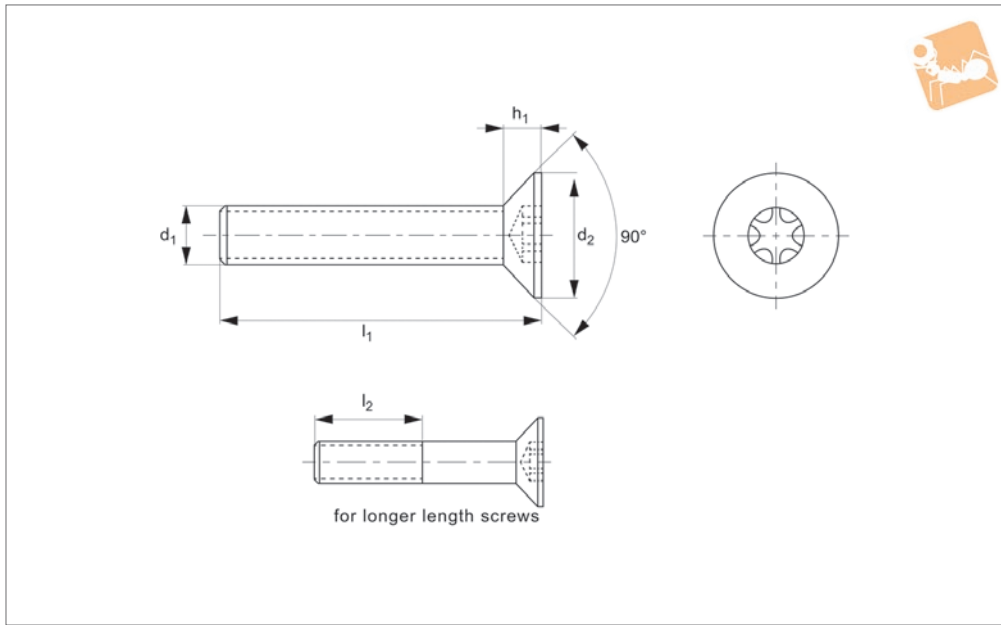
Order No.	d ₁	l ₁	d ₂	l ₂	h ₁	Size
P0225.050-090-A2	M5	90	9.2	25	2.50	TX-25
P0225.050-095-A2	M5	95	9.2	25	2.50	TX-25
P0225.050-100-A2	M5	100	9.2	25	2.50	TX-25
P0225.060-008-A2	M6	8	11.0	-	3.00	TX-30
P0225.060-010-A2	M6	10	11.0	-	3.00	TX-30
P0225.060-012-A2	M6	12	11.0	-	3.00	TX-30
P0225.060-014-A2	M6	14	11.0	-	3.00	TX-30
P0225.060-016-A2	M6	16	11.0	-	3.00	TX-30
P0225.060-018-A2	M6	18	11.0	-	3.00	TX-30
P0225.060-020-A2	M6	20	11.0	-	3.00	TX-30
P0225.060-022-A2	M6	22	11.0	-	3.00	TX-30
P0225.060-025-A2	M6	25	11.0	-	3.00	TX-30
P0225.060-030-A2	M6	30	11.0	28	3.00	TX-30
P0225.060-035-A2	M6	35	11.0	28	3.00	TX-30
P0225.060-040-A2	M6	40	11.0	28	3.00	TX-30
P0225.060-045-A2	M6	45	11.0	28	3.00	TX-30
P0225.060-050-A2	M6	50	11.0	28	3.00	TX-30
P0225.060-055-A2	M6	55	11.0	28	3.00	TX-30
P0225.060-060-A2	M6	60	11.0	28	3.00	TX-30
P0225.060-065-A2	M6	65	11.0	28	3.00	TX-30
P0225.060-070-A2	M6	70	11.0	28	3.00	TX-30
P0225.060-075-A2	M6	75	11.0	28	3.00	TX-30
P0225.060-080-A2	M6	80	11.0	28	3.00	TX-30
P0225.060-085-A2	M6	85	11.0	28	3.00	TX-30
P0225.060-090-A2	M6	90	11.0	28	3.00	TX-30
P0225.060-095-A2	M6	95	11.0	28	3.00	TX-30
P0225.060-100-A2	M6	100	11.0	28	3.00	TX-30
P0225.060-110-A2	M6	110	11.0	28	3.00	TX-30
P0225.060-120-A2	M6	120	11.0	28	3.00	TX-30
P0225.060-130-A2	M6	130	11.0	28	3.00	TX-30
P0225.060-140-A2	M6	140	11.0	28	3.00	TX-30
P0225.080-010-A2	M8	10	14.5	-	4.00	TX-35
P0225.080-012-A2	M8	12	14.5	-	4.00	TX-35
P0225.080-014-A2	M8	14	14.5	-	4.00	TX-35
P0225.080-016-A2	M8	16	14.5	-	4.00	TX-35
P0225.080-018-A2	M8	18	14.5	-	4.00	TX-35
P0225.080-020-A2	M8	20	14.5	-	4.00	TX-35
P0225.080-022-A2	M8	22	14.5	-	4.00	TX-35
P0225.080-025-A2	M8	25	14.5	-	4.00	TX-35
P0225.080-030-A2	M8	30	14.5	-	4.00	TX-35
P0225.080-035-A2	M8	35	14.5	34	4.00	TX-35
P0225.080-040-A2	M8	40	14.5	34	4.00	TX-35
P0225.080-045-A2	M8	45	14.5	34	4.00	TX-35
P0225.080-050-A2	M8	50	14.5	34	4.00	TX-35
P0225.080-055-A2	M8	55	14.5	34	4.00	TX-35
P0225.080-060-A2	M8	60	14.5	34	4.00	TX-35
P0225.080-065-A2	M8	65	14.5	34	4.00	TX-35
P0225.080-070-A2	M8	70	14.5	34	4.00	TX-35
P0225.080-075-A2	M8	75	14.5	34	4.00	TX-35
P0225.080-080-A2	M8	80	14.5	34	4.00	TX-35



TX Countersunk Machine Screws

TX - A4 stainless

Standard Screws



P0225.A4

STANDARD SCREWS

Material

Stainless steel A4.

Technical Notes

To DIN 965. For the majority of screw

lengths the threads goes all the way to the head of the screw (i.e. $l_1 = l_2$) less 2.5 thread pitches.
For longer length screws the threaded

portion $l_2 < l_1$.

See technical page for tightening torques.

Order No.	d ₁	l ₁	d ₂	l ₂	h ₁	Size
P0225.016-002-A4	M1,6	2	3.0	-	0.96	TX-5
P0225.016-003-A4	M1,6	3	3.0	-	0.96	TX-5
P0225.016-004-A4	M1,6	4	3.0	-	0.96	TX-5
P0225.016-005-A4	M1,6	5	3.0	-	0.96	TX-5
P0225.016-006-A4	M1,6	6	3.0	-	0.96	TX-5
P0225.016-008-A4	M1,6	8	3.0	-	0.96	TX-5
P0225.016-010-A4	M1,6	10	3.0	-	0.96	TX-5
P0225.016-012-A4	M1,6	12	3.0	-	0.96	TX-5
P0225.016-014-A4	M1,6	14	3.0	-	0.96	TX-5
P0225.016-016-A4	M1,6	16	3.0	15	0.96	TX-5
P0225.016-018-A4	M1,6	18	3.0	15	0.96	TX-5
P0225.016-020-A4	M1,6	20	3.0	15	0.96	TX-5
P0225.020-003-A4	M2	3	3.8	-	1.20	TX-6
P0225.020-004-A4	M2	4	3.8	-	1.20	TX-6
P0225.020-005-A4	M2	5	3.8	-	1.20	TX-6
P0225.020-006-A4	M2	6	3.8	-	1.20	TX-6
P0225.020-008-A4	M2	8	3.8	-	1.20	TX-6
P0225.020-010-A4	M2	10	3.8	-	1.20	TX-6
P0225.020-012-A4	M2	12	3.8	-	1.20	TX-6
P0225.020-014-A4	M2	14	3.8	-	1.20	TX-6
P0225.020-016-A4	M2	16	3.8	16	1.20	TX-6
P0225.020-018-A4	M2	18	3.8	16	1.20	TX-6
P0225.020-020-A4	M2	20	3.8	16	1.20	TX-6
P0225.025-003-A4	M2,5	3	4.7	-	1.50	TX-8
P0225.025-004-A4	M2,5	4	4.7	-	1.50	TX-8
P0225.025-005-A4	M2,5	5	4.7	-	1.50	TX-8
P0225.025-006-A4	M2,5	6	4.7	-	1.50	TX-8
P0225.025-008-A4	M2,5	8	4.7	-	1.50	TX-8
P0225.025-010-A4	M2,5	10	4.7	-	1.50	TX-8
P0225.025-012-A4	M2,5	12	4.7	-	1.50	TX-8
P0225.025-014-A4	M2,5	14	4.7	-	1.50	TX-8
P0225.025-016-A4	M2,5	16	4.7	-	1.50	TX-8
P0225.025-018-A4	M2,5	18	4.7	18	1.50	TX-8
P0225.025-020-A4	M2,5	20	4.7	18	1.50	TX-8



STANDARD SCREWS

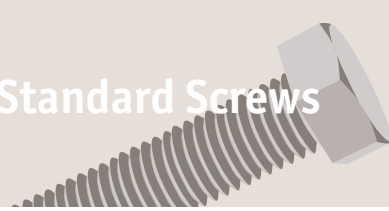
Order No.	d ₁	l ₁	d ₂	l ₂	h ₁	Size
P0225.025-022-A4	M2,5	22	4.7	18	1.50	TX-8
P0225.025-025-A4	M2,5	25	4.7	18	1.50	TX-8
P0225.030-004-A4	M3	4	5.6	-	1.65	TX-10
P0225.030-005-A4	M3	5	5.6	-	1.65	TX-10
P0225.030-006-A4	M3	6	5.6	-	1.65	TX-10
P0225.030-008-A4	M3	8	5.6	-	1.65	TX-10
P0225.030-010-A4	M3	10	5.6	-	1.65	TX-10
P0225.030-012-A4	M3	12	5.6	-	1.65	TX-10
P0225.030-014-A4	M3	14	5.6	-	1.65	TX-10
P0225.030-016-A4	M3	16	5.6	-	1.65	TX-10
P0225.030-018-A4	M3	18	5.6	-	1.65	TX-10
P0225.030-020-A4	M3	20	5.6	19	1.65	TX-10
P0225.030-022-A4	M3	22	5.6	19	1.65	TX-10
P0225.030-025-A4	M3	25	5.6	19	1.65	TX-10
P0225.030-030-A4	M3	30	5.6	19	1.65	TX-10
P0225.030-035-A4	M3	35	5.6	19	1.65	TX-10
P0225.030-040-A4	M3	40	5.6	19	1.65	TX-10
P0225.030-045-A4	M3	45	5.6	19	1.65	TX-10
P0225.030-050-A4	M3	50	5.6	19	1.65	TX-10
P0225.030-055-A4	M3	55	5.6	19	1.65	TX-10
P0225.030-060-A4	M3	60	5.6	19	1.65	TX-10
P0225.040-005-A4	M4	5	7.5	-	2.20	TX-20
P0225.040-006-A4	M4	6	7.5	-	2.20	TX-20
P0225.040-008-A4	M4	8	7.5	-	2.20	TX-20
P0225.040-010-A4	M4	10	7.5	-	2.20	TX-20
P0225.040-012-A4	M4	12	7.5	-	2.20	TX-20
P0225.040-014-A4	M4	14	7.5	-	2.20	TX-20
P0225.040-016-A4	M4	16	7.5	-	2.20	TX-20
P0225.040-018-A4	M4	18	7.5	-	2.20	TX-20
P0225.040-020-A4	M4	20	7.5	-	2.20	TX-20
P0225.040-022-A4	M4	22	7.5	22	2.20	TX-20
P0225.040-025-A4	M4	25	7.5	22	2.20	TX-20
P0225.040-030-A4	M4	30	7.5	22	2.20	TX-20
P0225.040-035-A4	M4	35	7.5	22	2.20	TX-20
P0225.040-040-A4	M4	40	7.5	22	2.20	TX-20
P0225.040-045-A4	M4	45	7.5	22	2.20	TX-20
P0225.040-050-A4	M4	50	7.5	22	2.20	TX-20
P0225.040-055-A4	M4	55	7.5	22	2.20	TX-20
P0225.040-060-A4	M4	60	7.5	22	2.20	TX-20
P0225.040-065-A4	M4	65	7.5	22	2.20	TX-20
P0225.040-070-A4	M4	70	7.5	22	2.20	TX-20
P0225.040-075-A4	M4	75	7.5	22	2.20	TX-20
P0225.040-080-A4	M4	80	7.5	22	2.20	TX-20
P0225.040-085-A4	M4	85	7.5	22	2.20	TX-20
P0225.040-090-A4	M4	90	7.5	22	2.20	TX-20
P0225.040-095-A4	M4	95	7.5	22	2.20	TX-20
P0225.040-100-A4	M4	100	7.5	22	2.20	TX-20
P0225.050-006-A4	M5	6	9.2	-	2.50	TX-25
P0225.050-008-A4	M5	8	9.2	-	2.50	TX-25
P0225.050-010-A4	M5	10	9.2	-	2.50	TX-25
P0225.050-012-A4	M5	12	9.2	-	2.50	TX-25
P0225.050-014-A4	M5	14	9.2	-	2.50	TX-25
P0225.050-016-A4	M5	16	9.2	-	2.50	TX-25
P0225.050-018-A4	M5	18	9.2	-	2.50	TX-25
P0225.050-020-A4	M5	20	9.2	-	2.50	TX-25
P0225.050-022-A4	M5	22	9.2	-	2.50	TX-25
P0225.050-025-A4	M5	25	9.2	25	2.50	TX-25
P0225.050-030-A4	M5	30	9.2	25	2.50	TX-25
P0225.050-035-A4	M5	35	9.2	25	2.50	TX-25
P0225.050-040-A4	M5	40	9.2	25	2.50	TX-25
P0225.050-045-A4	M5	45	9.2	25	2.50	TX-25
P0225.050-050-A4	M5	50	9.2	25	2.50	TX-25
P0225.050-055-A4	M5	55	9.2	25	2.50	TX-25
P0225.050-060-A4	M5	60	9.2	25	2.50	TX-25
P0225.050-065-A4	M5	65	9.2	25	2.50	TX-25
P0225.050-070-A4	M5	70	9.2	25	2.50	TX-25
P0225.050-075-A4	M5	75	9.2	25	2.50	TX-25
P0225.050-080-A4	M5	80	9.2	25	2.50	TX-25
P0225.050-085-A4	M5	85	9.2	25	2.50	TX-25



TX Countersunk Machine Screws

TX - A4 stainless

Standard Screws



Order No.	d ₁	l ₁	d ₂	l ₂	h ₁	Size
P0225.050-090-A4	M5	90	9.2	25	2.50	TX-25
P0225.050-095-A4	M5	95	9.2	25	2.50	TX-25
P0225.050-100-A4	M5	100	9.2	25	2.50	TX-25
P0225.060-008-A4	M6	8	11.0	-	3.00	TX-30
P0225.060-010-A4	M6	10	11.0	-	3.00	TX-30
P0225.060-012-A4	M6	12	11.0	-	3.00	TX-30
P0225.060-014-A4	M6	14	11.0	-	3.00	TX-30
P0225.060-016-A4	M6	16	11.0	-	3.00	TX-30
P0225.060-018-A4	M6	18	11.0	-	3.00	TX-30
P0225.060-020-A4	M6	20	11.0	-	3.00	TX-30
P0225.060-022-A4	M6	22	11.0	-	3.00	TX-30
P0225.060-025-A4	M6	25	11.0	-	3.00	TX-30
P0225.060-030-A4	M6	30	11.0	28	3.00	TX-30
P0225.060-035-A4	M6	35	11.0	28	3.00	TX-30
P0225.060-040-A4	M6	40	11.0	28	3.00	TX-30
P0225.060-045-A4	M6	45	11.0	28	3.00	TX-30
P0225.060-050-A4	M6	50	11.0	28	3.00	TX-30
P0225.060-055-A4	M6	55	11.0	28	3.00	TX-30
P0225.060-060-A4	M6	60	11.0	28	3.00	TX-30
P0225.060-065-A4	M6	65	11.0	28	3.00	TX-30
P0225.060-070-A4	M6	70	11.0	28	3.00	TX-30
P0225.060-075-A4	M6	75	11.0	28	3.00	TX-30
P0225.060-080-A4	M6	80	11.0	28	3.00	TX-30
P0225.060-085-A4	M6	85	11.0	28	3.00	TX-30
P0225.060-090-A4	M6	90	11.0	28	3.00	TX-30
P0225.060-095-A4	M6	95	11.0	28	3.00	TX-30
P0225.060-100-A4	M6	100	11.0	28	3.00	TX-30
P0225.060-110-A4	M6	110	11.0	28	3.00	TX-30
P0225.060-120-A4	M6	120	11.0	28	3.00	TX-30
P0225.060-130-A4	M6	130	11.0	28	3.00	TX-30
P0225.060-140-A4	M6	140	11.0	28	3.00	TX-30
P0225.080-010-A4	M8	12	14.5	-	4.00	TX-40
P0225.080-012-A4	M8	12	14.5	-	4.00	TX-40
P0225.080-016-A4	M8	16	14.5	-	4.00	TX-40
P0225.080-020-A4	M8	20	14.5	-	4.00	TX-40
P0225.080-025-A4	M8	25	14.5	-	4.00	TX-40
P0225.080-030-A4	M8	30	14.5	-	4.00	TX-40
P0225.080-035-A4	M8	35	14.5	34	4.00	TX-40
P0225.080-040-A4	M8	40	14.5	34	4.00	TX-40
P0225.080-045-A4	M8	45	14.5	34	4.00	TX-40
P0225.080-050-A4	M8	50	14.5	34	4.00	TX-40
P0225.080-055-A4	M8	55	14.5	34	4.00	TX-40
P0225.080-060-A4	M8	60	14.5	34	4.00	TX-40
P0225.080-065-A4	M8	65	14.5	34	4.00	TX-40
P0225.080-070-A4	M8	70	14.5	34	4.00	TX-40
P0225.080-075-A4	M8	75	14.5	34	4.00	TX-40
P0225.080-080-A4	M8	80	14.5	34	4.00	TX-40

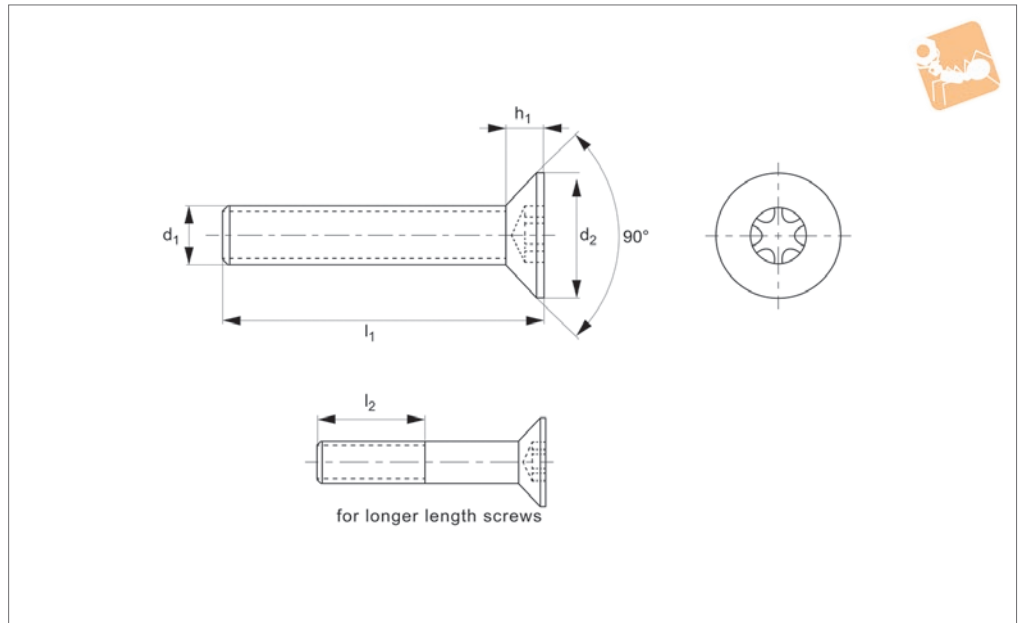
STANDARD SCREWS



STANDARD SCREWS



P0225.ZP



Material

Steel, zinc-plated (grade 4.8).

Technical Notes

To DIN 965. For the majority of screw

lengths the threads goes all the way to the head of the screw (i.e. $l_1 = l_2$) less 2.5 thread pitches.

For longer length screws the threaded

portion $l_2 < l_1$.

Order No.	d_1	l_1	d_2	l_2	h_1	Size
P0225.016-002-ZP	M1,6	2	3.0	-	0.96	TX-5
P0225.016-003-ZP	M1,6	3	3.0	-	0.96	TX-5
P0225.016-004-ZP	M1,6	4	3.0	-	0.96	TX-5
P0225.016-005-ZP	M1,6	5	3.0	-	0.96	TX-5
P0225.016-006-ZP	M1,6	6	3.0	-	0.96	TX-5
P0225.016-008-ZP	M1,6	8	3.0	-	0.96	TX-5
P0225.016-010-ZP	M1,6	10	3.0	-	0.96	TX-5
P0225.016-012-ZP	M1,6	12	3.0	-	0.96	TX-5
P0225.016-014-ZP	M1,6	14	3.0	-	0.96	TX-5
P0225.016-016-ZP	M1,6	16	3.0	15	0.96	TX-5
P0225.016-018-ZP	M1,6	18	3.0	15	0.96	TX-5
P0225.016-020-ZP	M1,6	20	3.0	15	0.96	TX-5
P0225.020-003-ZP	M2	3	3.8	-	1.20	TX-6
P0225.020-004-ZP	M2	4	3.8	-	1.20	TX-6
P0225.020-005-ZP	M2	5	3.8	-	1.20	TX-6
P0225.020-006-ZP	M2	6	3.8	-	1.20	TX-6
P0225.020-008-ZP	M2	8	3.8	-	1.20	TX-6
P0225.020-010-ZP	M2	10	3.8	-	1.20	TX-6
P0225.020-012-ZP	M2	12	3.8	-	1.20	TX-6
P0225.020-014-ZP	M2	14	3.8	-	1.20	TX-6
P0225.020-016-ZP	M2	16	3.8	16	1.20	TX-6
P0225.020-018-ZP	M2	18	3.8	16	1.20	TX-6
P0225.020-020-ZP	M2	20	3.8	16	1.20	TX-6
P0225.025-003-ZP	M2,5	3	4.7	-	1.50	TX-8
P0225.025-004-ZP	M2,5	4	4.7	-	1.50	TX-8
P0225.025-005-ZP	M2,5	5	4.7	-	1.50	TX-8
P0225.025-006-ZP	M2,5	6	4.7	-	1.50	TX-8
P0225.025-008-ZP	M2,5	8	4.7	-	1.50	TX-8
P0225.025-010-ZP	M2,5	10	4.7	-	1.50	TX-8
P0225.025-012-ZP	M2,5	12	4.7	-	1.50	TX-8
P0225.025-014-ZP	M2,5	14	4.7	-	1.50	TX-8
P0225.025-016-ZP	M2,5	16	4.7	-	1.50	TX-8
P0225.025-018-ZP	M2,5	18	4.7	18	1.50	TX-8
P0225.025-020-ZP	M2,5	20	4.7	18	1.50	TX-8



TX Countersunk Machine Screws

TX - steel, zinc-plated

Standard Screws



Order No.	d ₁	l ₁	d ₂	l ₂	h ₁	Size
P0225.025-022-ZP	M2,5	22	4.7	18	1.50	TX-8
P0225.025-025-ZP	M2,5	25	4.7	18	1.50	TX-8
P0225.030-004-ZP	M 3	4	5.6	-	1.65	TX-10
P0225.030-005-ZP	M3	5	5.6	-	1.65	TX-10
P0225.030-006-ZP	M3	6	5.6	-	1.65	TX-10
P0225.030-008-ZP	M3	8	5.6	-	1.65	TX-10
P0225.030-010-ZP	M3	10	5.6	-	1.65	TX-10
P0225.030-012-ZP	M3	12	5.6	-	1.65	TX-10
P0225.030-014-ZP	M3	14	5.6	-	1.65	TX-10
P0225.030-016-ZP	M3	16	5.6	-	1.65	TX-10
P0225.030-018-ZP	M3	18	5.6	-	1.65	TX-10
P0225.030-020-ZP	M3	20	5.6	19	1.65	TX-10
P0225.030-022-ZP	M3	22	5.6	19	1.65	TX-10
P0225.030-025-ZP	M3	25	5.6	19	1.65	TX-10
P0225.030-030-ZP	M3	30	5.6	19	1.65	TX-10
P0225.030-035-ZP	M3	35	5.6	19	1.65	TX-10
P0225.030-040-ZP	M3	40	5.6	19	1.65	TX-10
P0225.030-045-ZP	M3	45	5.6	19	1.65	TX-10
P0225.030-050-ZP	M3	50	5.6	19	1.65	TX-10
P0225.030-055-ZP	M3	55	5.6	19	1.65	TX-10
P0225.030-060-ZP	M3	60	5.6	19	1.65	TX-10
P0225.040-005-ZP	M4	5	7.5	-	2.20	TX-20
P0225.040-006-ZP	M4	6	7.5	-	2.20	TX-20
P0225.040-008-ZP	M4	8	7.5	-	2.20	TX-20
P0225.040-010-ZP	M4	10	7.5	-	2.20	TX-20
P0225.040-012-ZP	M4	12	7.5	-	2.20	TX-20
P0225.040-014-ZP	M4	14	7.5	-	2.20	TX-20
P0225.040-016-ZP	M4	16	7.5	-	2.20	TX-20
P0225.040-018-ZP	M4	18	7.5	-	2.20	TX-20
P0225.040-020-ZP	M4	20	7.5	-	2.20	TX-20
P0225.040-022-ZP	M4	22	7.5	22	2.20	TX-20
P0225.040-025-ZP	M4	25	7.5	22	2.20	TX-20
P0225.040-030-ZP	M4	30	7.5	22	2.20	TX-20
P0225.040-035-ZP	M4	35	7.5	22	2.20	TX-20
P0225.040-040-ZP	M4	40	7.5	22	2.20	TX-20
P0225.040-045-ZP	M4	45	7.5	22	2.20	TX-20
P0225.040-050-ZP	M4	50	7.5	22	2.20	TX-20
P0225.040-055-ZP	M4	55	7.5	22	2.20	TX-20
P0225.040-060-ZP	M4	60	7.5	22	2.20	TX-20
P0225.040-065-ZP	M4	65	7.5	22	2.20	TX-20
P0225.040-070-ZP	M4	70	7.5	22	2.20	TX-20
P0225.040-075-ZP	M4	75	7.5	22	2.20	TX-20
P0225.040-080-ZP	M4	80	7.5	22	2.20	TX-20
P0225.040-085-ZP	M4	85	7.5	22	2.20	TX-20
P0225.040-090-ZP	M4	90	7.5	22	2.20	TX-20
P0225.040-095-ZP	M4	95	7.5	22	2.20	TX-20
P0225.040-100-ZP	M4	100	7.5	22	2.20	TX-20
P0225.050-006-ZP	M5	6	9.2	-	2.50	TX-25
P0225.050-008-ZP	M5	8	9.2	-	2.50	TX-25
P0225.050-010-ZP	M5	10	9.2	-	2.50	TX-25
P0225.050-012-ZP	M5	12	9.2	-	2.50	TX-25
P0225.050-014-ZP	M5	14	9.2	-	2.50	TX-25
P0225.050-016-ZP	M5	16	9.2	-	2.50	TX-25
P0225.050-018-ZP	M5	18	9.2	-	2.50	TX-25
P0225.050-020-ZP	M5	20	9.2	-	2.50	TX-25
P0225.050-022-ZP	M5	22	9.2	-	2.50	TX25
P0225.050-025-ZP	M5	25	9.2	25	2.50	TX-25
P0225.050-030-ZP	M5	30	9.2	25	2.50	TX-25
P0225.050-035-ZP	M5	35	9.2	25	2.50	TX-25
P0225.050-040-ZP	M5	40	9.2	25	2.50	TX-25
P0225.050-045-ZP	M5	45	9.2	25	2.50	TX-25
P0225.050-050-ZP	M5	50	9.2	25	2.50	TX-25
P0225.050-055-ZP	M5	55	9.2	25	2.50	TX-25
P0225.050-060-ZP	M5	60	9.2	25	2.50	TX-25
P0225.050-065-ZP	M5	65	9.2	25	2.50	TX-25
P0225.050-070-ZP	M5	70	9.2	25	2.50	TX-25
P0225.050-075-ZP	M5	75	9.2	25	2.50	TX-25
P0225.050-080-ZP	M5	80	9.2	25	2.50	TX-25
P0225.050-085-ZP	M5	85	9.2	25	2.50	TX-25

STANDARD SCREWS



Order No.	d ₁	l ₁	d ₂	l ₂	h ₁	Size
P0225.050-090-ZP	M5	90	9.2	25	2.50	TX-25
P0225.050-095-ZP	M5	95	9.2	25	2.50	TX-25
P0225.050-100-ZP	M5	100	9.2	25	2.50	TX-25
P0225.060-008-ZP	M6	8	11.0	-	3.00	TX-30
P0225.060-010-ZP	M6	10	11.0	-	3.00	TX-30
P0225.060-012-ZP	M6	12	11.0	-	3.00	TX-30
P0225.060-014-ZP	M6	14	11.0	-	3.00	TX-30
P0225.060-016-ZP	M6	16	11.0	-	3.00	TX-30
P0225.060-018-ZP	M6	18	11.0	-	3.00	TX-30
P0225.060-020-ZP	M6	20	11.0	-	3.00	TX-30
P0225.060-022-ZP	M6	22	11.0	-	3.00	TX-30
P0225.060-025-ZP	M6	25	11.0	-	3.00	TX-30
P0225.060-030-ZP	M6	30	11.0	28	3.00	TX-30
P0225.060-035-ZP	M6	35	11.0	28	3.00	TX-30
P0225.060-040-ZP	M6	40	11.0	28	3.00	TX-30
P0225.060-045-ZP	M6	45	11.0	28	3.00	TX-30
P0225.060-050-ZP	M6	50	11.0	28	3.00	TX-30
P0225.060-055-ZP	M6	55	11.0	28	3.00	TX-30
P0225.060-060-ZP	M6	60	11.0	28	3.00	TX-30
P0225.060-065-ZP	M6	65	11.0	28	3.00	TX-30
P0225.060-070-ZP	M6	70	11.0	28	3.00	TX-30
P0225.060-075-ZP	M6	75	11.0	28	3.00	TX-30
P0225.060-080-ZP	M6	80	11.0	28	3.00	TX-30
P0225.060-085-ZP	M6	85	11.0	28	3.00	TX-30
P0225.060-090-ZP	M6	90	11.0	28	3.00	TX-30
P0225.060-095-ZP	M6	95	11.0	28	3.00	TX-30
P0225.060-100-ZP	M6	100	11.0	28	3.00	TX-30
P0225.060-110-ZP	M6	110	11.0	28	3.00	TX-30
P0225.060-120-ZP	M6	120	11.0	28	3.00	TX-30
P0225.060-130-ZP	M6	130	11.0	28	3.00	TX-30
P0225.060-140-ZP	M6	140	11.0	28	3.00	TX-30
P0225.080-010-ZP	M8	12	14.5	-	4.00	TX-40
P0225.080-012-ZP	M8	12	14.5	-	4.00	TX-40
P0225.080-016-ZP	M8	16	14.5	-	4.00	TX-40
P0225.080-020-ZP	M8	20	14.5	-	4.00	TX-40
P0225.080-025-ZP	M8	25	14.5	-	4.00	TX-40
P0225.080-030-ZP	M8	30	14.5	-	4.00	TX-40
P0225.080-035-ZP	M8	35	14.5	34	4.00	TX-40
P0225.080-040-ZP	M8	40	14.5	34	4.00	TX-40
P0225.080-045-ZP	M8	45	14.5	34	4.00	TX-40
P0225.080-050-ZP	M8	50	14.5	34	4.00	TX-40
P0225.080-055-ZP	M8	55	14.5	34	4.00	TX-40
P0225.080-060-ZP	M8	60	14.5	34	4.00	TX-40
P0225.080-065-ZP	M8	65	14.5	34	4.00	TX-40
P0225.080-070-ZP	M8	70	14.5	34	4.00	TX-40
P0225.080-075-ZP	M8	75	14.5	34	4.00	TX-40
P0225.080-080-ZP	M8	80	14.5	34	4.00	TX-40



Phillip Raised C'sunk Machine Screws

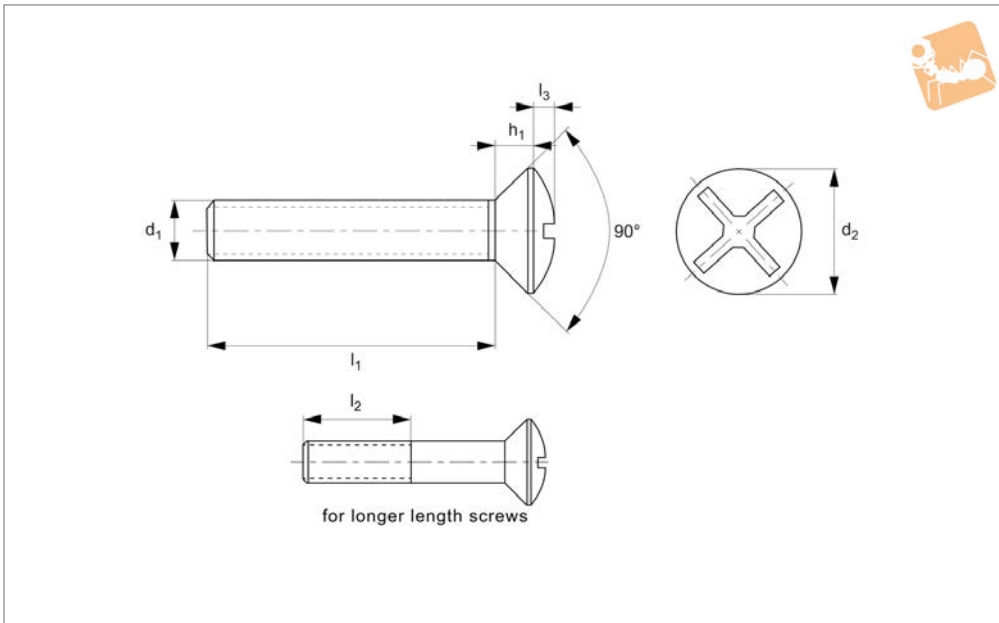
Phillips raised - A2 stainless

Standard Screws



P0226.A2

STANDARD SCREWS



Material

Stainless steel A2.

lengths the threads goes all the way to the head of the screw (i.e. $l_1 = l_2$) less 2.5 thread pitches.

portion $l_2 < l_1$.

Technical Notes

To DIN 966. For the majority of screw

For longer length screws the threaded

See technical page for tightening torques.

Order No.	d ₁	l ₁	d ₂	l ₂	l ₃	h ₁	Size
P0226.025-004-A2	M2,5	4	4.7	-	0.6	1.5	PH-1
P0226.025-005-A2	M2,5	5	4.7	-	0.6	1.5	PH-1
P0226.025-006-A2	M2,5	6	4.7	-	0.6	1.5	PH-1
P0226.025-008-A2	M2,5	8	4.7	-	0.6	1.5	PH-1
P0226.025-010-A2	M2,5	10	4.7	-	0.6	1.5	PH-1
P0226.025-012-A2	M2,5	12	4.7	-	0.6	1.5	PH-1
P0226.025-014-A2	M2,5	14	4.7	-	0.6	1.5	PH-1
P0226.025-016-A2	M2,5	16	4.7	-	0.6	1.5	PH-1
P0226.025-018-A2	M2,5	18	4.7	18	0.6	1.5	PH-1
P0226.025-020-A2	M2,5	20	4.7	18	0.6	1.5	PH-1
P0226.030-004-A2	M 3	4	5.6	-	0.75	1.65	PH-1
P0226.030-005-A2	M 3	5	5.6	-	0.75	1.65	PH-1
P0226.030-006-A2	M 3	6	5.6	-	0.75	1.65	PH-1
P0226.030-008-A2	M 3	8	5.6	-	0.75	1.65	PH-1
P0226.030-010-A2	M 3	10	5.6	-	0.75	1.65	PH-1
P0226.030-012-A2	M 3	12	5.6	-	0.75	1.65	PH-1
P0226.030-014-A2	M 3	14	5.6	-	0.75	1.65	PH-1
P0226.030-016-A2	M 3	16	5.6	-	0.75	1.65	PH-1
P0226.030-018-A2	M 3	18	5.6	-	0.75	1.65	PH-1
P0226.030-020-A2	M 3	20	5.6	19	0.75	1.65	PH-1
P0226.030-022-A2	M 3	22	5.6	19	0.75	1.65	PH-1
P0226.030-025-A2	M 3	25	5.6	19	0.75	1.65	PH-1
P0226.030-028-A2	M 3	28	5.6	19	0.75	1.65	PH-1
P0226.030-030-A2	M 3	30	5.6	19	0.75	1.65	PH-1
P0226.030-035-A2	M 3	35	5.6	19	0.75	1.65	PH-1
P0226.030-040-A2	M 3	40	5.6	19	0.75	1.65	PH-1
P0226.030-045-A2	M 3	45	5.6	19	0.75	1.65	PH-1
P0226.030-050-A2	M 3	50	5.6	19	0.75	1.65	PH-1
P0226.040-005-A2	M 4	5	7.5	-	1.0	2.2	PH-2
P0226.040-006-A2	M 4	6	7.5	-	1.0	2.2	PH-2
P0226.040-008-A2	M 4	8	7.5	-	1.0	2.2	PH-2
P0226.040-010-A2	M 4	10	7.5	-	1.0	2.2	PH-2
P0226.040-012-A2	M 4	12	7.5	-	1.0	2.2	PH-2
P0226.040-014-A2	M 4	14	7.5	-	1.0	2.2	PH-2



STANDARD SCREWS

Order No.	d ₁	l ₁	d ₂	l ₂	l ₃	h ₁	Size
P0226.040-016-A2	M 4	16	7.5	-	1.0	2.2	PH-2
P0226.040-018-A2	M 4	18	7.5	-	1.0	2.2	PH-2
P0226.040-020-A2	M 4	20	7.5	-	1.0	2.2	PH-2
P0226.040-022-A2	M 4	22	7.5	22	1.0	2.2	PH-2
P0226.040-025-A2	M 4	25	7.5	22	1.0	2.2	PH-2
P0226.040-028-A2	M 4	28	7.5	22	1.0	2.2	PH-2
P0226.040-030-A2	M 4	30	7.5	22	1.0	2.2	PH-2
P0226.040-035-A2	M 4	35	7.5	22	1.0	2.2	PH-2
P0226.040-040-A2	M 4	40	7.5	22	1.0	2.2	PH-2
P0226.040-045-A2	M 4	45	7.5	22	1.0	2.2	PH-2
P0226.040-050-A2	M 4	50	7.5	22	1.0	2.2	PH-2
P0226.040-055-A2	M 4	55	7.5	22	1.0	2.2	PH-2
P0226.040-060-A2	M 4	60	7.5	22	1.0	2.2	PH-2
P0226.040-065-A2	M 4	65	7.5	22	1.0	2.2	PH-2
P0226.040-070-A2	M 4	70	7.5	22	1.0	2.2	PH-2
P0226.050-006-A2	M 5	6	9.2	-	1.25	2.5	PH-2
P0226.050-008-A2	M 5	8	9.2	-	1.25	2.5	PH-2
P0226.050-010-A2	M 5	10	9.2	-	1.25	2.5	PH-2
P0226.050-012-A2	M 5	12	9.2	-	1.25	2.5	PH-2
P0226.050-014-A2	M 5	14	9.2	-	1.25	2.5	PH-2
P0226.050-016-A2	M 5	16	9.2	-	1.25	2.5	PH-2
P0226.050-018-A2	M 5	18	9.2	-	1.25	2.5	PH-2
P0226.050-020-A2	M 5	20	9.2	-	1.25	2.5	PH-2
P0226.050-022-A2	M 5	22	9.2	-	1.25	2.5	PH-2
P0226.050-025-A2	M 5	25	9.2	25	1.25	2.5	PH-2
P0226.050-028-A2	M 5	28	9.2	25	1.25	2.5	PH-2
P0226.050-030-A2	M 5	30	9.2	25	1.25	2.5	PH-2
P0226.050-035-A2	M 5	35	9.2	25	1.25	2.5	PH-2
P0226.050-040-A2	M 5	40	9.2	25	1.25	2.5	PH-2
P0226.050-045-A2	M 5	45	9.2	25	1.25	2.5	PH-2
P0226.050-050-A2	M 5	50	9.2	25	1.25	2.5	PH-2
P0226.050-055-A2	M 5	55	9.2	25	1.25	2.5	PH-2
P0226.050-060-A2	M 5	60	9.2	25	1.25	2.5	PH-2
P0226.050-065-A2	M 5	65	9.2	25	1.25	2.5	PH-2
P0226.050-070-A2	M 5	70	9.2	25	1.25	2.5	PH-2
P0226.050-075-A2	M 5	75	9.2	25	1.25	2.5	PH-2
P0226.050-080-A2	M 5	80	9.2	25	1.25	2.5	PH-2
P0226.050-085-A2	M 5	85	9.2	25	1.25	2.5	PH-2
P0226.050-090-A2	M 5	90	9.2	25	1.25	2.5	PH-2
P0226.050-095-A2	M 5	95	9.2	25	1.25	2.5	PH-2
P0226.050-100-A2	M 5	100	9.2	25	1.25	2.5	PH-2
P0226.060-008-A2	M 6	8	11.0	-	1.5	3.0	PH-3
P0226.060-010-A2	M 6	10	11.0	-	1.5	3.0	PH-3
P0226.060-012-A2	M 6	12	11.0	-	1.5	3.0	PH-3
P0226.060-014-A2	M 6	14	11.0	-	1.5	3.0	PH-3
P0226.060-016-A2	M 6	16	11.0	-	1.5	3.0	PH-3
P0226.060-018-A2	M 6	18	11.0	-	1.5	3.0	PH-3
P0226.060-020-A2	M 6	20	11.0	-	1.5	3.0	PH-3
P0226.060-022-A2	M 6	22	11.0	-	1.5	3.0	PH-3
P0226.060-025-A2	M 6	25	11.0	-	1.5	3.0	PH-3
P0226.060-028-A2	M 6	28	11.0	28	1.5	3.0	PH-3
P0226.060-030-A2	M 6	30	11.0	28	1.5	3.0	PH-3
P0226.060-035-A2	M 6	35	11.0	28	1.5	3.0	PH-3
P0226.060-040-A2	M 6	40	11.0	28	1.5	3.0	PH-3
P0226.060-045-A2	M 6	45	11.0	28	1.5	3.0	PH-3
P0226.060-050-A2	M 6	50	11.0	28	1.5	3.0	PH-3
P0226.060-055-A2	M 6	55	11.0	28	1.5	3.0	PH-3
P0226.060-060-A2	M 6	60	11.0	28	1.5	3.0	PH-3
P0226.060-065-A2	M 6	65	11.0	28	1.5	3.0	PH-3
P0226.060-070-A2	M 6	70	11.0	28	1.5	3.0	PH-3
P0226.060-075-A2	M 6	75	11.0	28	1.5	3.0	PH-3
P0226.060-080-A2	M 6	80	11.0	28	1.5	3.0	PH-3
P0226.060-085-A2	M 6	85	11.0	28	1.5	3.0	PH-3
P0226.060-090-A2	M 6	90	11.0	28	1.5	3.0	PH-3
P0226.060-095-A2	M 6	95	11.0	28	1.5	3.0	PH-3
P0226.060-100-A2	M 6	100	11.0	28	1.5	3.0	PH-3
P0226.080-010-A2	M 8	10	14.5	-	2.0	4.0	PH-4
P0226.080-012-A2	M 8	12	14.5	-	2.0	4.0	PH-4
P0226.080-014-A2	M 8	14	14.5	-	2.0	4.0	PH-4



Phillip Raised C'sunk Machine Screws

Phillips raised - A2 stainless

Standard Screws



Order No.	d ₁	l ₁	d ₂	l ₂	l ₃	h ₁	Size
P0226.080-016-A2	M 8	16	14.5	-	2.0	4.0	PH-4
P0226.080-018-A2	M 8	18	14.5	-	2.0	4.0	PH-4
P0226.080-020-A2	M 8	20	14.5	-	2.0	4.0	PH-4
P0226.080-022-A2	M 8	22	14.5	-	2.0	4.0	PH-4
P0226.080-025-A2	M 8	25	14.5	-	2.0	4.0	PH-4
P0226.080-028-A2	M 8	28	14.5	-	2.0	4.0	PH-4
P0226.080-030-A2	M 8	30	14.5	-	2.0	4.0	PH-4
P0226.080-035-A2	M 8	35	14.5	34	2.0	4.0	PH-4
P0226.080-040-A2	M 8	40	14.5	34	2.0	4.0	PH-4
P0226.080-045-A2	M 8	45	14.5	34	2.0	4.0	PH-4
P0226.080-050-A2	M 8	50	14.5	34	2.0	4.0	PH-4
P0226.080-055-A2	M 8	55	14.5	34	2.0	4.0	PH-4
P0226.080-060-A2	M 8	60	14.5	34	2.0	4.0	PH-4
P0226.080-065-A2	M 8	65	14.5	34	2.0	4.0	PH-4
P0226.080-070-A2	M 8	70	14.5	34	2.0	4.0	PH-4
P0226.080-075-A2	M 8	75	14.5	34	2.0	4.0	PH-4
P0226.080-080-A2	M 8	80	14.5	34	2.0	4.0	PH-4
P0226.080-085-A2	M 8	85	14.5	34	2.0	4.0	PH-4
P0226.080-090-A2	M 8	90	14.5	34	2.0	4.0	PH-4
P0226.080-095-A2	M 8	95	14.5	34	2.0	4.0	PH-4
P0226.080-100-A2	M 8	100	14.5	34	2.0	4.0	PH-4
P0226.100-020-A2	M10	20	18.0	-	2.5	5.0	PH-4
P0226.100-022-A2	M10	22	18.0	-	2.5	5.0	PH-4
P0226.100-025-A2	M10	25	18.0	-	2.5	5.0	PH-4
P0226.100-028-A2	M10	28	18.0	-	2.5	5.0	PH-4
P0226.100-030-A2	M10	30	18.0	-	2.5	5.0	PH-4
P0226.100-035-A2	M10	35	18.0	-	2.5	5.0	PH-4
P0226.100-040-A2	M10	40	18.0	40	2.5	5.0	PH-4
P0226.100-045-A2	M10	45	18.0	40	2.5	5.0	PH-4
P0226.100-050-A2	M10	50	18.0	40	2.5	5.0	PH-4
P0226.100-055-A2	M10	55	18.0	40	2.5	5.0	PH-4
P0226.100-060-A2	M10	60	18.0	40	2.5	5.0	PH-4

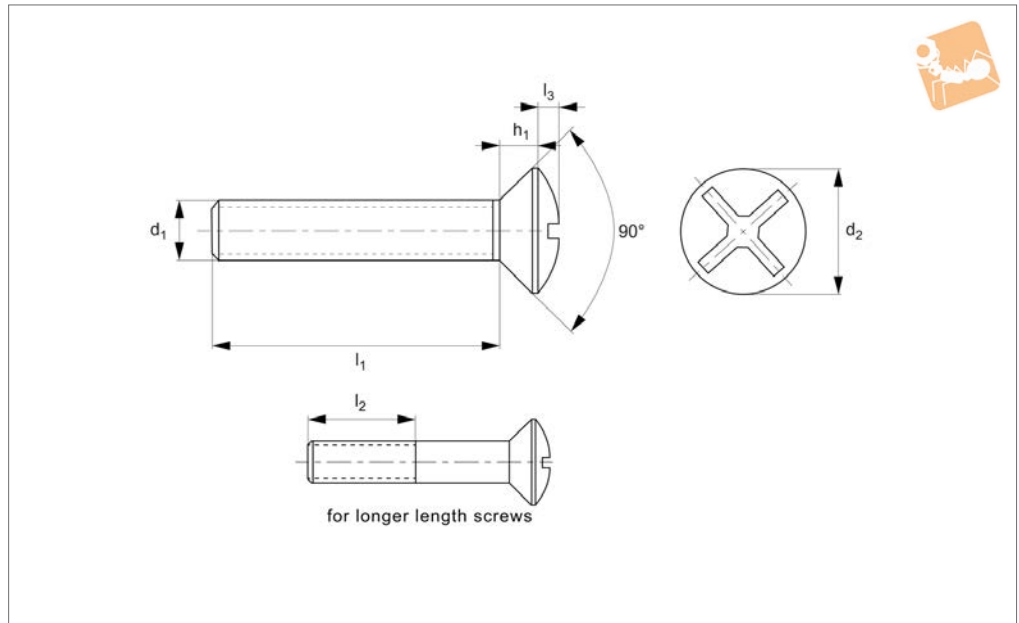
STANDARD SCREWS



STANDARD SCREWS



P0226.A4



Material

Stainless steel A4.

Technical Notes

To DIN 966. For the majority of screw

lengths the threads goes all the way to the head of the screw (i.e. $l_1 = l_2$) less 2.5 thread pitches.
For longer length screws the threaded

portion $l_2 < l_1$.

See technical page for tightening torques.

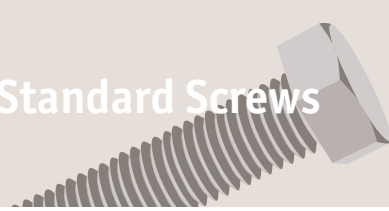
Order No.	d ₁	l ₁	d ₂	l ₂	l ₃	h ₁	Size
P0226.025-004-A4	M2,5	4	4.7	-	0.6	1.5	PH-1
P0226.025-005-A4	M2,5	5	4.7	-	0.6	1.5	PH-1
P0226.025-006-A4	M2,5	6	4.7	-	0.6	1.5	PH-1
P0226.025-008-A4	M2,5	8	4.7	-	0.6	1.5	PH-1
P0226.025-010-A4	M2,5	10	4.7	-	0.6	1.5	PH-1
P0226.025-012-A4	M2,5	12	4.7	-	0.6	1.5	PH-1
P0226.025-014-A4	M2,5	14	4.7	-	0.6	1.5	PH-1
P0226.025-016-A4	M2,5	16	4.7	-	0.6	1.5	PH-1
P0226.025-018-A4	M2,5	18	4.7	18	0.6	1.5	PH-1
P0226.025-020-A4	M2,5	20	4.7	18	0.6	1.5	PH-1
P0226.030-004-A4	M 3	4	5.6	-	0.75	1.65	PH-1
P0226.030-005-A4	M 3	5	5.6	-	0.75	1.65	PH-1
P0226.030-006-A4	M 3	6	5.6	-	0.75	1.65	PH-1
P0226.030-008-A4	M 3	8	5.6	-	0.75	1.65	PH-1
P0226.030-010-A4	M 3	10	5.6	-	0.75	1.65	PH-1
P0226.030-012-A4	M 3	12	5.6	-	0.75	1.65	PH-1
P0226.030-014-A4	M 3	14	5.6	-	0.75	1.65	PH-1
P0226.030-016-A4	M 3	16	5.6	-	0.75	1.65	PH-1
P0226.030-018-A4	M 3	18	5.6	-	0.75	1.65	PH-1
P0226.030-020-A4	M 3	20	5.6	19	0.75	1.65	PH-1
P0226.030-022-A4	M 3	22	5.6	19	0.75	1.65	PH-1
P0226.030-025-A4	M 3	25	5.6	19	0.75	1.65	PH-1
P0226.030-028-A4	M 3	28	5.6	19	0.75	1.65	PH-1
P0226.030-030-A4	M 3	30	5.6	19	0.75	1.65	PH-1
P0226.030-035-A4	M 3	35	5.6	19	0.75	1.65	PH-1
P0226.030-040-A4	M 3	40	5.6	19	0.75	1.65	PH-1
P0226.030-045-A4	M 3	45	5.6	19	0.75	1.65	PH-1
P0226.030-050-A4	M 3	50	5.6	19	0.75	1.65	PH-1
P0226.040-005-A4	M 4	5	7.5	-	1.0	2.2	PH-2
P0226.040-006-A4	M 4	6	7.5	-	1.0	2.2	PH-2
P0226.040-008-A4	M 4	8	7.5	-	1.0	2.2	PH-2
P0226.040-010-A4	M 4	10	7.5	-	1.0	2.2	PH-2
P0226.040-012-A4	M 4	12	7.5	-	1.0	2.2	PH-2
P0226.040-014-A4	M 4	14	7.5	-	1.0	2.2	PH-2



Raised C'sunk Phillips Machine Screws

Phillips raised - A4 stainless

Standard Screws



Order No.	d ₁	l ₁	d ₂	l ₂	l ₃	h ₁	Size
P0226.040-016-A4	M 4	16	7.5	-	1.0	2.2	PH-2
P0226.040-018-A4	M 4	18	7.5	-	1.0	2.2	PH-2
P0226.040-020-A4	M 4	20	7.5	-	1.0	2.2	PH-2
P0226.040-022-A4	M 4	22	7.5	22	1.0	2.2	PH-2
P0226.040-025-A4	M 4	25	7.5	22	1.0	2.2	PH-2
P0226.040-028-A4	M 4	28	7.5	22	1.0	2.2	PH-2
P0226.040-030-A4	M 4	30	7.5	22	1.0	2.2	PH-2
P0226.040-035-A4	M 4	35	7.5	22	1.0	2.2	PH-2
P0226.040-040-A4	M 4	40	7.5	22	1.0	2.2	PH-2
P0226.040-045-A4	M 4	45	7.5	22	1.0	2.2	PH-2
P0226.040-050-A4	M 4	50	7.5	22	1.0	2.2	PH-2
P0226.040-055-A4	M 4	55	7.5	22	1.0	2.2	PH-2
P0226.040-060-A4	M 4	60	7.5	22	1.0	2.2	PH-2
P0226.040-065-A4	M 4	65	7.5	22	1.0	2.2	PH-2
P0226.040-070-A4	M 4	70	7.5	22	1.0	2.2	PH-2
P0226.050-006-A4	M 5	6	9.2	-	1.25	2.5	PH-2
P0226.050-008-A4	M 5	8	9.2	-	1.25	2.5	PH-2
P0226.050-010-A4	M 5	10	9.2	-	1.25	2.5	PH-2
P0226.050-012-A4	M 5	12	9.2	-	1.25	2.5	PH-2
P0226.050-014-A4	M 5	14	9.2	-	1.25	2.5	PH-2
P0226.050-016-A4	M 5	16	9.2	-	1.25	2.5	PH-2
P0226.050-018-A4	M 5	18	9.2	-	1.25	2.5	PH-2
P0226.050-020-A4	M 5	20	9.2	-	1.25	2.5	PH-2
P0226.050-022-A4	M 5	22	9.2	-	1.25	2.5	PH-2
P0226.050-025-A4	M 5	25	9.2	25	1.25	2.5	PH-2
P0226.050-028-A4	M 5	28	9.2	25	1.25	2.5	PH-2
P0226.050-030-A4	M 5	30	9.2	25	1.25	2.5	PH-2
P0226.050-035-A4	M 5	35	9.2	25	1.25	2.5	PH-2
P0226.050-040-A4	M 5	40	9.2	25	1.25	2.5	PH-2
P0226.050-045-A4	M 5	45	9.2	25	1.25	2.5	PH-2
P0226.050-050-A4	M 5	50	9.2	25	1.25	2.5	PH-2
P0226.050-055-A4	M 5	55	9.2	25	1.25	2.5	PH-2
P0226.050-060-A4	M 5	60	9.2	25	1.25	2.5	PH-2
P0226.050-065-A4	M 5	65	9.2	25	1.25	2.5	PH-2
P0226.050-070-A4	M 5	70	9.2	25	1.25	2.5	PH-2
P0226.050-075-A4	M 5	75	9.2	25	1.25	2.5	PH-2
P0226.050-080-A4	M 5	80	9.2	25	1.25	2.5	PH-2
P0226.050-085-A4	M 5	85	9.2	25	1.25	2.5	PH-2
P0226.050-090-A4	M 5	90	9.2	25	1.25	2.5	PH-2
P0226.050-095-A4	M 5	95	9.2	25	1.25	2.5	PH-2
P0226.050-100-A4	M 5	100	9.2	25	1.25	2.5	PH-2
P0226.060-008-A4	M 6	8	11.0	-	1.5	3.0	PH-3
P0226.060-010-A4	M 6	10	11.0	-	1.5	3.0	PH-3
P0226.060-012-A4	M 6	12	11.0	-	1.5	3.0	PH-3
P0226.060-014-A4	M 6	14	11.0	-	1.5	3.0	PH-3
P0226.060-016-A4	M 6	16	11.0	-	1.5	3.0	PH-3
P0226.060-018-A4	M 6	18	11.0	-	1.5	3.0	PH-3
P0226.060-020-A4	M 6	20	11.0	-	1.5	3.0	PH-3
P0226.060-022-A4	M 6	22	11.0	-	1.5	3.0	PH-3
P0226.060-025-A4	M 6	25	11.0	-	1.5	3.0	PH-3
P0226.060-028-A4	M 6	28	11.0	28	1.5	3.0	PH-3
P0226.060-030-A4	M 6	30	11.0	28	1.5	3.0	PH-3
P0226.060-035-A4	M 6	35	11.0	28	1.5	3.0	PH-3
P0226.060-040-A4	M 6	40	11.0	28	1.5	3.0	PH-3
P0226.060-045-A4	M 6	45	11.0	28	1.5	3.0	PH-3
P0226.060-050-A4	M 6	50	11.0	28	1.5	3.0	PH-3
P0226.060-055-A4	M 6	55	11.0	28	1.5	3.0	PH-3
P0226.060-060-A4	M 6	60	11.0	28	1.5	3.0	PH-3
P0226.060-065-A4	M 6	65	11.0	28	1.5	3.0	PH-3
P0226.060-070-A4	M 6	70	11.0	28	1.5	3.0	PH-3
P0226.060-075-A4	M 6	75	11.0	28	1.5	3.0	PH-3
P0226.060-080-A4	M 6	80	11.0	28	1.5	3.0	PH-3
P0226.060-085-A4	M 6	85	11.0	28	1.5	3.0	PH-3
P0226.060-090-A4	M 6	90	11.0	28	1.5	3.0	PH-3
P0226.060-095-A4	M 6	95	11.0	28	1.5	3.0	PH-3
P0226.060-100-A4	M 6	100	11.0	28	1.5	3.0	PH-3
P0226.080-010-A4	M 8	10	14.5	-	2.0	4.0	PH-4
P0226.080-012-A4	M 8	12	14.5	-	2.0	4.0	PH-4
P0226.080-014-A4	M 8	14	14.5	-	2.0	4.0	PH-4

STANDARD SCREWS



STANDARD SCREWS

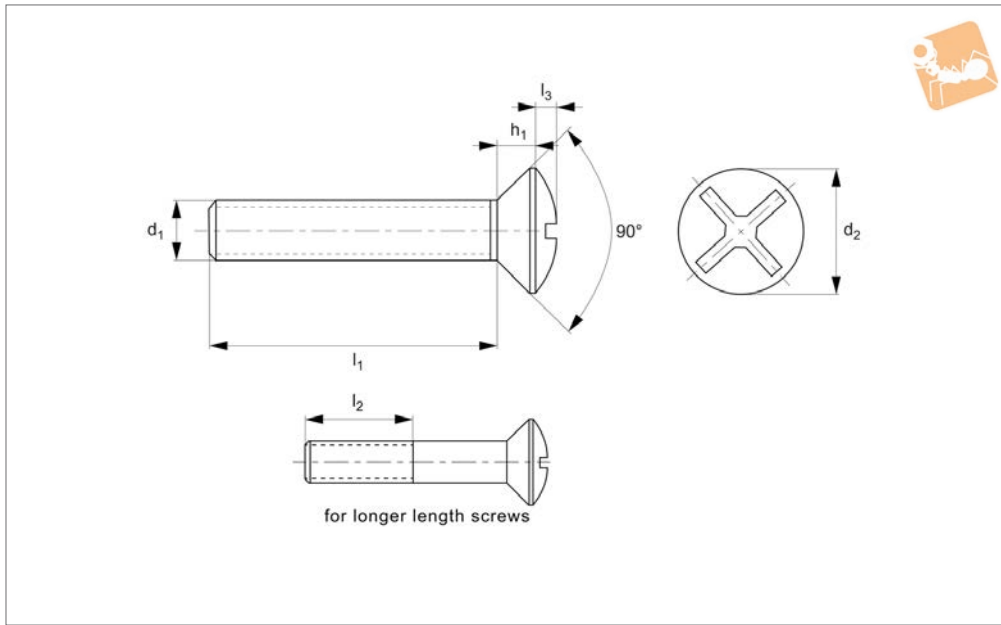
Order No.	d ₁	l ₁	d ₂	l ₂	l ₃	h ₁	Size
P0226.080-016-A4	M 8	16	14.5	-	2.0	4.0	PH-4
P0226.080-018-A4	M 8	18	14.5	-	2.0	4.0	PH-4
P0226.080-020-A4	M 8	20	14.5	-	2.0	4.0	PH-4
P0226.080-022-A4	M 8	22	14.5	-	2.0	4.0	PH-4
P0226.080-025-A4	M 8	25	14.5	-	2.0	4.0	PH-4
P0226.080-028-A4	M 8	28	14.5	-	2.0	4.0	PH-4
P0226.080-030-A4	M 8	30	14.5	-	2.0	4.0	PH-4
P0226.080-035-A4	M 8	35	14.5	34	2.0	4.0	PH-4
P0226.080-040-A4	M 8	40	14.5	34	2.0	4.0	PH-4
P0226.080-045-A4	M 8	45	14.5	34	2.0	4.0	PH-4
P0226.080-050-A4	M 8	50	14.5	34	2.0	4.0	PH-4
P0226.080-055-A4	M 8	55	14.5	34	2.0	4.0	PH-4
P0226.080-060-A4	M 8	60	14.5	34	2.0	4.0	PH-4
P0226.080-065-A4	M 8	65	14.5	34	2.0	4.0	PH-4
P0226.080-070-A4	M 8	70	14.5	34	2.0	4.0	PH-4
P0226.080-075-A4	M 8	75	14.5	34	2.0	4.0	PH-4
P0226.080-080-A4	M 8	80	14.5	34	2.0	4.0	PH-4
P0226.080-085-A4	M 8	85	14.5	34	2.0	4.0	PH-4
P0226.080-090-A4	M 8	90	14.5	34	2.0	4.0	PH-4
P0226.080-095-A4	M 8	95	14.5	34	2.0	4.0	PH-4
P0226.080-100-A4	M 8	100	14.5	34	2.0	4.0	PH-4
P0226.100-020-A4	M10	20	18.0	-	2.5	5.0	PH-4
P0226.100-022-A4	M10	22	18.0	-	2.5	5.0	PH-4
P0226.100-025-A4	M10	25	18.0	-	2.5	5.0	PH-4
P0226.100-028-A4	M10	28	18.0	-	2.5	5.0	PH-4
P0226.100-030-A4	M10	30	18.0	-	2.5	5.0	PH-4
P0226.100-035-A4	M10	35	18.0	-	2.5	5.0	PH-4
P0226.100-040-A4	M10	40	18.0	40	2.5	5.0	PH-4
P0226.100-045-A4	M10	45	18.0	40	2.5	5.0	PH-4
P0226.100-050-A4	M10	50	18.0	40	2.5	5.0	PH-4
P0226.100-055-A4	M10	55	18.0	40	2.5	5.0	PH-4
P0226.100-060-A4	M10	60	18.0	40	2.5	5.0	PH-4



Raised C'sunk Phillips Machine Screws

Phillips raised - steel, zinc-plated

Standard Screws



P0226.ZP

STANDARD SCREWS

Material

Steel, zinc-plated (grade 4.8).

Technical Notes

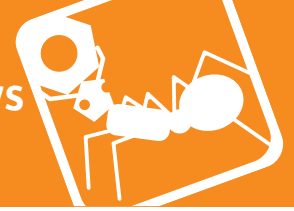
To DIN 966. For the majority of screw

lengths the threads goes all the way to the head of the screw (i.e. $l_1 = l_2$) less 2.5 thread pitches.

For longer length screws the threaded

portion $l_2 < l_1$.

Order No.	d ₁	l ₁	d ₂	l ₂	l ₃	h ₁	Size
P0226.025-004-ZP	M2,5	4	4.7	-	0.6	1.5	PH-1
P0226.025-005-ZP	M2,5	5	4.7	-	0.6	1.5	PH-1
P0226.025-006-ZP	M2,5	6	4.7	-	0.6	1.5	PH-1
P0226.025-008-ZP	M2,5	8	4.7	-	0.6	1.5	PH-1
P0226.025-010-ZP	M2,5	10	4.7	-	0.6	1.5	PH-1
P0226.025-012-ZP	M2,5	12	4.7	-	0.6	1.5	PH-1
P0226.025-014-ZP	M2,5	14	4.7	-	0.6	1.5	PH-1
P0226.025-016-ZP	M2,5	16	4.7	-	0.6	1.5	PH-1
P0226.025-018-ZP	M2,5	18	4.7	18	0.6	1.5	PH-1
P0226.025-020-ZP	M2,5	20	4.7	18	0.6	1.5	PH-1
P0226.030-004-ZP	M 3	4	5.6	-	0.75	1.65	PH-1
P0226.030-005-ZP	M 3	5	5.6	-	0.75	1.65	PH-1
P0226.030-006-ZP	M 3	6	5.6	-	0.75	1.65	PH-1
P0226.030-008-ZP	M 3	8	5.6	-	0.75	1.65	PH-1
P0226.030-010-ZP	M 3	10	5.6	-	0.75	1.65	PH-1
P0226.030-012-ZP	M 3	12	5.6	-	0.75	1.65	PH-1
P0226.030-014-ZP	M 3	14	5.6	-	0.75	1.65	PH-1
P0226.030-016-ZP	M 3	16	5.6	-	0.75	1.65	PH-1
P0226.030-018-ZP	M 3	18	5.6	-	0.75	1.65	PH-1
P0226.030-020-ZP	M 3	20	5.6	19	0.75	1.65	PH-1
P0226.030-022-ZP	M 3	22	5.6	19	0.75	1.65	PH-1
P0226.030-025-ZP	M 3	25	5.6	19	0.75	1.65	PH-1
P0226.030-028-ZP	M 3	28	5.6	19	0.75	1.65	PH-1
P0226.030-030-ZP	M 3	30	5.6	19	0.75	1.65	PH-1
P0226.030-035-ZP	M 3	35	5.6	19	0.75	1.65	PH-1
P0226.030-040-ZP	M 3	40	5.6	19	0.75	1.65	PH-1
P0226.030-045-ZP	M 3	45	5.6	19	0.75	1.65	PH-1
P0226.030-050-ZP	M 3	50	5.6	19	0.75	1.65	PH-1
P0226.040-005-ZP	M 4	5	7.5	-	1.0	2.2	PH-2
P0226.040-006-ZP	M 4	6	7.5	-	1.0	2.2	PH-2
P0226.040-008-ZP	M 4	8	7.5	-	1.0	2.2	PH-2
P0226.040-010-ZP	M 4	10	7.5	-	1.0	2.2	PH-2
P0226.040-012-ZP	M 4	12	7.5	-	1.0	2.2	PH-2
P0226.040-014-ZP	M 4	14	7.5	-	1.0	2.2	PH-2



STANDARD SCREWS

Order No.	d ₁	l ₁	d ₂	l ₂	l ₃	h ₁	Size
P0226.040-016-ZP	M 4	16	7.5	-	1.0	2.2	PH-2
P0226.040-018-ZP	M 4	18	7.5	-	1.0	2.2	PH-2
P0226.040-020-ZP	M 4	20	7.5	-	1.0	2.2	PH-2
P0226.040-022-ZP	M 4	22	7.5	22	1.0	2.2	PH-2
P0226.040-025-ZP	M 4	25	7.5	22	1.0	2.2	PH-2
P0226.040-028-ZP	M 4	28	7.5	22	1.0	2.2	PH-2
P0226.040-030-ZP	M 4	30	7.5	22	1.0	2.2	PH-2
P0226.040-035-ZP	M 4	35	7.5	22	1.0	2.2	PH-2
P0226.040-040-ZP	M 4	40	7.5	22	1.0	2.2	PH-2
P0226.040-045-ZP	M 4	45	7.5	22	1.0	2.2	PH-2
P0226.040-050-ZP	M 4	50	7.5	22	1.0	2.2	PH-2
P0226.040-055-ZP	M 4	55	7.5	22	1.0	2.2	PH-2
P0226.040-060-ZP	M 4	60	7.5	22	1.0	2.2	PH-2
P0226.040-065-ZP	M 4	65	7.5	22	1.0	2.2	PH-2
P0226.040-070-ZP	M 4	70	7.5	22	1.0	2.2	PH-2
P0226.050-006-ZP	M 5	6	9.2	-	1.25	2.5	PH-2
P0226.050-008-ZP	M 5	8	9.2	-	1.25	2.5	PH-2
P0226.050-010-ZP	M 5	10	9.2	-	1.25	2.5	PH-2
P0226.050-012-ZP	M 5	12	9.2	-	1.25	2.5	PH-2
P0226.050-014-ZP	M 5	14	9.2	-	1.25	2.5	PH-2
P0226.050-016-ZP	M 5	16	9.2	-	1.25	2.5	PH-2
P0226.050-018-ZP	M 5	18	9.2	-	1.25	2.5	PH-2
P0226.050-020-ZP	M 5	20	9.2	-	1.25	2.5	PH-2
P0226.050-022-ZP	M 5	22	9.2	-	1.25	2.5	PH-2
P0226.050-025-ZP	M 5	25	9.2	25	1.25	2.5	PH-2
P0226.050-028-ZP	M 5	28	9.2	25	1.25	2.5	PH-2
P0226.050-030-ZP	M 5	30	9.2	25	1.25	2.5	PH-2
P0226.050-035-ZP	M 5	35	9.2	25	1.25	2.5	PH-2
P0226.050-040-ZP	M 5	40	9.2	25	1.25	2.5	PH-2
P0226.050-045-ZP	M 5	45	9.2	25	1.25	2.5	PH-2
P0226.050-050-ZP	M 5	50	9.2	25	1.25	2.5	PH-2
P0226.050-055-ZP	M 5	55	9.2	25	1.25	2.5	PH-2
P0226.050-060-ZP	M 5	60	9.2	25	1.25	2.5	PH-2
P0226.050-065-ZP	M 5	65	9.2	25	1.25	2.5	PH-2
P0226.050-070-ZP	M 5	70	9.2	25	1.25	2.5	PH-2
P0226.050-075-ZP	M 5	75	9.2	25	1.25	2.5	PH-2
P0226.050-080-ZP	M 5	80	9.2	25	1.25	2.5	PH-2
P0226.050-085-ZP	M 5	85	9.2	25	1.25	2.5	PH-2
P0226.050-090-ZP	M 5	90	9.2	25	1.25	2.5	PH-2
P0226.050-095-ZP	M 5	95	9.2	25	1.25	2.5	PH-2
P0226.050-100-ZP	M 5	100	9.2	25	1.25	2.5	PH-2
P0226.060-008-ZP	M 6	8	11.0	-	1.5	3.0	PH-3
P0226.060-010-ZP	M 6	10	11.0	-	1.5	3.0	PH-3
P0226.060-012-ZP	M 6	12	11.0	-	1.5	3.0	PH-3
P0226.060-014-ZP	M 6	14	11.0	-	1.5	3.0	PH-3
P0226.060-016-ZP	M 6	16	11.0	-	1.5	3.0	PH-3
P0226.060-018-ZP	M 6	18	11.0	-	1.5	3.0	PH-3
P0226.060-020-ZP	M 6	20	11.0	-	1.5	3.0	PH-3
P0226.060-022-ZP	M 6	22	11.0	-	1.5	3.0	PH-3
P0226.060-025-ZP	M 6	25	11.0	-	1.5	3.0	PH-3
P0226.060-028-ZP	M 6	28	11.0	28	1.5	3.0	PH-3
P0226.060-030-ZP	M 6	30	11.0	28	1.5	3.0	PH-3
P0226.060-035-ZP	M 6	35	11.0	28	1.5	3.0	PH-3
P0226.060-040-ZP	M 6	40	11.0	28	1.5	3.0	PH-3
P0226.060-045-ZP	M 6	45	11.0	28	1.5	3.0	PH-3
P0226.060-050-ZP	M 6	50	11.0	28	1.5	3.0	PH-3
P0226.060-055-ZP	M 6	55	11.0	28	1.5	3.0	PH-3
P0226.060-060-ZP	M 6	60	11.0	28	1.5	3.0	PH-3
P0226.060-065-ZP	M 6	65	11.0	28	1.5	3.0	PH-3
P0226.060-070-ZP	M 6	70	11.0	28	1.5	3.0	PH-3
P0226.060-075-ZP	M 6	75	11.0	28	1.5	3.0	PH-3
P0226.060-080-ZP	M 6	80	11.0	28	1.5	3.0	PH-3
P0226.060-085-ZP	M 6	85	11.0	28	1.5	3.0	PH-3
P0226.060-090-ZP	M 6	90	11.0	28	1.5	3.0	PH-3
P0226.060-095-ZP	M 6	95	11.0	28	1.5	3.0	PH-3
P0226.060-100-ZP	M 6	100	11.0	28	1.5	3.0	PH-3
P0226.080-010-ZP	M 8	10	14.5	-	2.0	4.0	PH-4
P0226.080-012-ZP	M 8	12	14.5	-	2.0	4.0	PH-4
P0226.080-014-ZP	M 8	14	14.5	-	2.0	4.0	PH-4



Raised C'sunk Phillips Machine Screws

Phillips raised - steel, zinc-plated

Standard Screws



Order No.	d ₁	l ₁	d ₂	l ₂	l ₃	h ₁	Size
P0226.080-016-ZP	M 8	16	14.5	-	2.0	4.0	PH-4
P0226.080-018-ZP	M 8	18	14.5	-	2.0	4.0	PH-4
P0226.080-020-ZP	M 8	20	14.5	-	2.0	4.0	PH-4
P0226.080-022-ZP	M 8	22	14.5	-	2.0	4.0	PH-4
P0226.080-025-ZP	M 8	25	14.5	-	2.0	4.0	PH-4
P0226.080-028-ZP	M 8	28	14.5	-	2.0	4.0	PH-4
P0226.080-030-ZP	M 8	30	14.5	-	2.0	4.0	PH-4
P0226.080-035-ZP	M 8	35	14.5	34	2.0	4.0	PH-4
P0226.080-040-ZP	M 8	40	14.5	34	2.0	4.0	PH-4
P0226.080-045-ZP	M 8	45	14.5	34	2.0	4.0	PH-4
P0226.080-050-ZP	M 8	50	14.5	34	2.0	4.0	PH-4
P0226.080-055-ZP	M 8	55	14.5	34	2.0	4.0	PH-4
P0226.080-060-ZP	M 8	60	14.5	34	2.0	4.0	PH-4
P0226.080-065-ZP	M 8	65	14.5	34	2.0	4.0	PH-4
P0226.080-070-ZP	M 8	70	14.5	34	2.0	4.0	PH-4
P0226.080-075-ZP	M 8	75	14.5	34	2.0	4.0	PH-4
P0226.080-080-ZP	M 8	80	14.5	34	2.0	4.0	PH-4
P0226.080-085-ZP	M 8	85	14.5	34	2.0	4.0	PH-4
P0226.080-090-ZP	M 8	90	14.5	34	2.0	4.0	PH-4
P0226.080-095-ZP	M 8	95	14.5	34	2.0	4.0	PH-4
P0226.080-100-ZP	M 8	100	14.5	34	2.0	4.0	PH-4
P0226.100-020-ZP	M10	20	18.0	-	2.5	5.0	PH-4
P0226.100-022-ZP	M10	22	18.0	-	2.5	5.0	PH-4
P0226.100-025-ZP	M10	25	18.0	-	2.5	5.0	PH-4
P0226.100-028-ZP	M10	28	18.0	-	2.5	5.0	PH-4
P0226.100-030-ZP	M10	30	18.0	-	2.5	5.0	PH-4
P0226.100-035-ZP	M10	35	18.0	-	2.5	5.0	PH-4
P0226.100-040-ZP	M10	40	18.0	40	2.5	5.0	PH-4
P0226.100-045-ZP	M10	45	18.0	40	2.5	5.0	PH-4
P0226.100-050-ZP	M10	50	18.0	40	2.5	5.0	PH-4
P0226.100-055-ZP	M10	55	18.0	40	2.5	5.0	PH-4
P0226.100-060-ZP	M10	60	18.0	40	2.5	5.0	PH-4

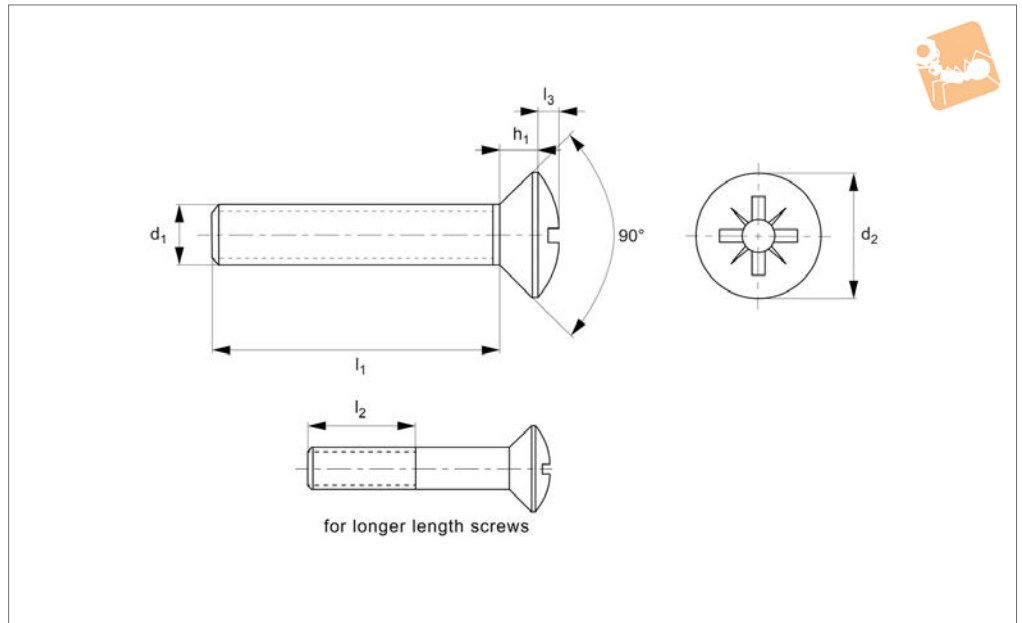
STANDARD SCREWS



STANDARD SCREWS



P0227.A2



Material

Stainless steel A2.

Technical Notes

To DIN 966. For the majority of screw

lengths the threads goes all the way to the head of the screw (i.e. $l_1 = l_2$) less 2.5 thread pitches.

For longer length screws the threaded

portion $l_2 < l_1$.

See technical page for tightening torques.

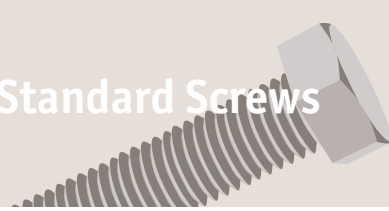
Order No.	d ₁	l ₁	d ₂	l ₂	l ₃	h ₁	Size
P0227.020-004-A2	M2	4	3.8	-	0.4	1.2	PZ-1
P0227.020-005-A2	M2	5	3.8	-	0.4	1.2	PZ-1
P0227.020-006-A2	M2	6	3.8	-	0.4	1.2	PZ-1
P0227.020-008-A2	M2	8	3.8	-	0.4	1.2	PZ-1
P0227.020-010-A2	M2	10	3.8	-	0.4	1.2	PZ-1
P0227.020-012-A2	M2	12	3.8	-	0.4	1.2	PZ-1
P0227.025-004-A2	M2,5	4	4.7	-	0.5	1.5	PZ-1
P0227.025-005-A2	M2,5	5	4.7	-	0.5	1.5	PZ-1
P0227.025-006-A2	M2,5	6	4.7	-	0.5	1.5	PZ-1
P0227.025-008-A2	M2,5	8	4.7	-	0.5	1.5	PZ-1
P0227.025-010-A2	M2,5	10	4.7	-	0.5	1.5	PZ-1
P0227.025-012-A2	M2,5	12	4.7	-	0.5	1.5	PZ-1
P0227.025-014-A2	M2,5	14	4.7	-	0.5	1.5	PZ-1
P0227.025-016-A2	M2,5	16	4.7	-	0.5	1.5	PZ-1
P0227.025-018-A2	M2,5	18	4.7	-	0.5	1.5	PZ-1
P0227.025-020-A2	M2,5	20	4.7	-	0.5	1.5	PZ-1
P0227.030-004-A2	M3	4	5.6	-	0.6	1.65	PZ-1
P0227.030-005-A2	M3	5	5.6	-	0.6	1.65	PZ-1
P0227.030-006-A2	M3	6	5.6	-	0.6	1.65	PZ-1
P0227.030-008-A2	M3	8	5.6	-	0.6	1.65	PZ-1
P0227.030-010-A2	M3	10	5.6	-	0.6	1.65	PZ-1
P0227.030-012-A2	M3	12	5.6	-	0.6	1.65	PZ-1
P0227.030-014-A2	M3	14	5.6	-	0.6	1.65	PZ-1
P0227.030-016-A2	M3	16	5.6	-	0.6	1.65	PZ-1
P0227.030-018-A2	M3	18	5.6	-	0.6	1.65	PZ-1
P0227.030-020-A2	M3	20	5.6	19	0.6	1.65	PZ-1
P0227.030-025-A2	M3	25	5.6	19	0.6	1.65	PZ-1
P0227.030-028-A2	M3	28	5.6	19	0.6	1.65	PZ-1
P0227.030-030-A2	M3	30	5.6	19	0.6	1.65	PZ-1
P0227.030-035-A2	M3	35	5.6	19	0.6	1.65	PZ-1
P0227.030-040-A2	M3	40	5.6	19	0.6	1.65	PZ-1
P0227.030-045-A2	M3	45	5.6	19	0.6	1.65	PZ-1
P0227.030-050-A2	M3	50	5.6	19	0.6	1.65	PZ-1
P0227.040-005-A2	M4	5	7.5	-	0.8	2.2	PZ-2



Pozi Raised C'sunk Machine Screws

Pozi raised - A2 stainless

Standard Screws



Order No.	d ₁	l ₁	d ₂	l ₂	l ₃	h ₁	Size
P0227.040-006-A2	M4	6	7.5	-	0.8	2.2	PZ-2
P0227.040-008-A2	M4	8	7.5	-	0.8	2.2	PZ-2
P0227.040-010-A2	M4	10	7.5	-	0.8	2.2	PZ-2
P0227.040-012-A2	M4	12	7.5	-	0.8	2.2	PZ-2
P0227.040-014-A2	M4	14	7.5	-	0.8	2.2	PZ-2
P0227.040-016-A2	M4	16	7.5	-	0.8	2.2	PZ-2
P0227.040-018-A2	M4	18	7.5	-	0.8	2.2	PZ-2
P0227.040-020-A2	M4	20	7.5	-	0.8	2.2	PZ-2
P0227.040-025-A2	M4	25	7.5	-	0.8	2.2	PZ-2
P0227.040-028-A2	M4	28	7.5	22	0.8	2.2	PZ-2
P0227.040-030-A2	M4	30	7.5	22	0.8	2.2	PZ-2
P0227.040-035-A2	M4	35	7.5	22	0.8	2.2	PZ-2
P0227.040-040-A2	M4	40	7.5	22	0.8	2.2	PZ-2
P0227.040-045-A2	M4	45	7.5	22	0.8	2.2	PZ-2
P0227.040-050-A2	M4	50	7.5	22	0.8	2.2	PZ-2
P0227.040-055-A2	M4	55	7.5	22	0.8	2.2	PZ-2
P0227.040-060-A2	M4	60	7.5	22	0.8	2.2	PZ-2
P0227.040-065-A2	M4	65	7.5	22	0.8	2.2	PZ-2
P0227.040-070-A2	M4	70	7.5	22	0.8	2.2	Z 2
P0227.050-006-A2	M5	6	9.2	-	1.0	2.5	PZ-2
P0227.050-008-A2	M5	8	9.2	-	1.0	2.5	PZ-2
P0227.050-010-A2	M5	10	9.2	-	1.0	2.5	PZ-2
P0227.050-012-A2	M5	12	9.2	-	1.0	2.5	PZ-2
P0227.050-014-A2	M5	14	9.2	-	1.0	2.5	PZ-2
P0227.050-016-A2	M5	16	9.2	-	1.0	2.5	PZ-2
P0227.050-018-A2	M5	18	9.2	-	1.0	2.5	PZ-2
P0227.050-020-A2	M5	20	9.2	-	1.0	2.5	PZ-2
P0227.050-025-A2	M5	25	9.2	-	1.0	2.5	PZ-2
P0227.050-028-A2	M5	28	9.2	-	1.0	2.5	PZ-2
P0227.050-030-A2	M5	30	9.2	-	1.0	2.5	PZ-2
P0227.050-035-A2	M5	35	9.2	25	1.0	2.5	PZ-2
P0227.050-040-A2	M5	40	9.2	25	1.0	2.5	PZ-2
P0227.050-045-A2	M5	45	9.2	25	1.0	2.5	PZ-2
P0227.050-050-A2	M5	50	9.2	25	1.0	2.5	PZ-2
P0227.050-055-A2	M5	55	9.2	25	1.0	2.5	PZ-2
P0227.050-060-A2	M5	60	9.2	25	1.0	2.5	PZ-2
P0227.050-065-A2	M5	65	9.2	25	1.0	2.5	PZ-2
P0227.050-070-A2	M5	70	9.2	25	1.0	2.5	PZ-2
P0227.050-075-A2	M5	75	9.2	25	1.0	2.5	PZ-2
P0227.050-080-A2	M5	80	9.2	25	1.0	2.5	PZ-2
P0227.050-085-A2	M5	85	9.2	25	1.0	2.5	PZ-2
P0227.050-090-A2	M5	90	9.2	25	1.0	2.5	PZ-2
P0227.050-095-A2	M5	95	9.2	25	1.0	2.5	PZ-2
P0227.050-100-A2	M5	100	9.2	25	1.0	2.5	PZ-2
P0227.060-008-A2	M6	8	11	-	1.2	3.0	PZ-3
P0227.060-010-A2	M6	10	11	-	1.2	3.0	PZ-3
P0227.060-012-A2	M6	12	11	-	1.2	3.0	PZ-3
P0227.060-014-A2	M6	14	11	-	1.2	3.0	PZ-3
P0227.060-016-A2	M6	16	11	-	1.2	3.0	PZ-3
P0227.060-018-A2	M6	18	11	-	1.2	3.0	PZ-3
P0227.060-020-A2	M6	20	11	-	1.2	3.0	PZ-3
P0227.060-022-A2	M6	22	11	-	1.2	3.0	PZ-3
P0227.060-025-A2	M6	25	11	-	1.2	3.0	PZ-3
P0227.060-030-A2	M6	30	11	28	1.2	3.0	PZ-3
P0227.060-035-A2	M6	35	11	28	1.2	3.0	PZ-3
P0227.060-040-A2	M6	40	11	28	1.2	3.0	PZ-3
P0227.060-045-A2	M6	45	11	28	1.2	3.0	PZ-3
P0227.060-050-A2	M6	50	11	28	1.2	3.0	PZ-3
P0227.060-055-A2	M6	55	11	28	1.2	3.0	PZ-3
P0227.060-060-A2	M6	60	11	28	1.2	3.0	PZ-3
P0227.060-065-A2	M6	65	11	28	1.2	3.0	PZ-3
P0227.060-070-A2	M6	70	11	28	1.2	3.0	PZ-3
P0227.060-075-A2	M6	75	11	28	1.2	3.0	PZ-3
P0227.060-080-A2	M6	80	11	28	1.2	3.0	PZ-3
P0227.060-090-A2	M6	90	11	28	1.2	3.0	PZ-3
P0227.060-100-A2	M6	100	11	28	1.2	3.0	PZ-3

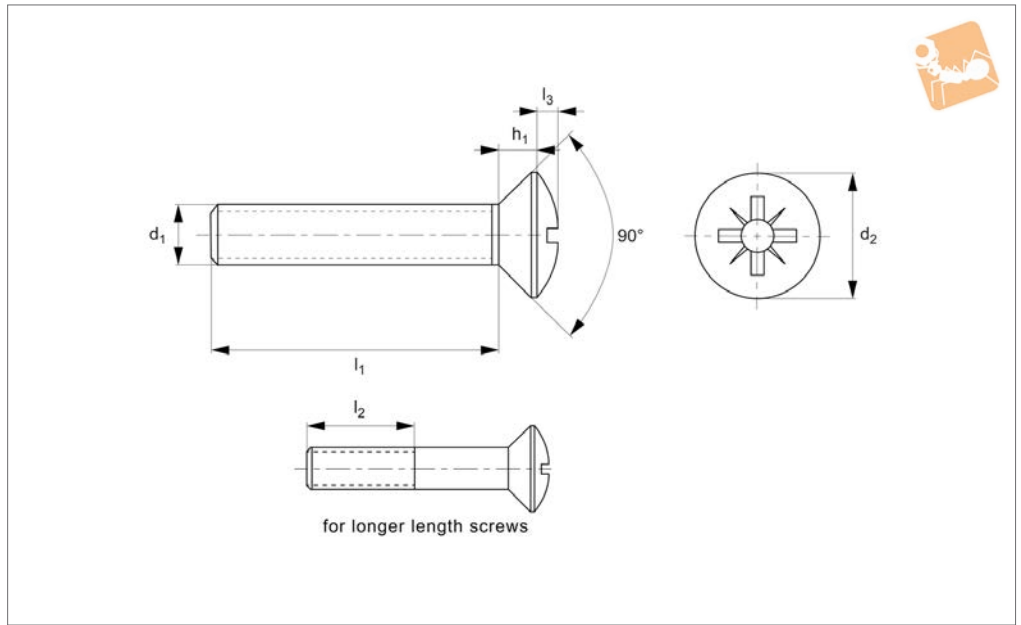
STANDARD SCREWS



STANDARD SCREWS



P0227.A4



Material

Stainless steel A4.

Technical Notes

To DIN 966. For the majority of screw

lengths the threads goes all the way to the head of the screw (i.e. $l_1 = l_2$) less 2.5 thread pitches.

For longer length screws the threaded

portion $l_2 < l_1$.

See technical page for tightening torques.

Order No.	d_1	l_1	d_2	l_2	l_3	h_1	Size
P0227.020-004-A4	M2	4	3.8	-	0.4	1.2	PZ-1
P0227.020-005-A4	M2	5	3.8	-	0.4	1.2	PZ-1
P0227.020-006-A4	M2	6	3.8	-	0.4	1.2	PZ-1
P0227.020-008-A4	M2	8	3.8	-	0.4	1.2	PZ-1
P0227.020-010-A4	M2	10	3.8	-	0.4	1.2	PZ-1
P0227.020-012-A4	M2	12	3.8	-	0.4	1.2	PZ-1
P0227.025-004-A4	M2,5	4	4.7	-	0.5	1.5	PZ-1
P0227.025-005-A4	M2,5	5	4.7	-	0.5	1.5	PZ-1
P0227.025-006-A4	M2,5	6	4.7	-	0.5	1.5	PZ-1
P0227.025-008-A4	M2,5	8	4.7	-	0.5	1.5	PZ-1
P0227.025-010-A4	M2,5	10	4.7	-	0.5	1.5	PZ-1
P0227.025-012-A4	M2,5	12	4.7	-	0.5	1.5	PZ-1
P0227.025-014-A4	M2,5	14	4.7	-	0.5	1.5	PZ-1
P0227.025-016-A4	M2,5	16	4.7	-	0.5	1.5	PZ-1
P0227.025-018-A4	M2,5	18	4.7	-	0.5	1.5	PZ-1
P0227.025-020-A4	M2,5	20	4.7	-	0.5	1.5	PZ-1
P0227.030-004-A4	M3	4	5.6	-	0.6	1.65	PZ-1
P0227.030-005-A4	M3	5	5.6	-	0.6	1.65	PZ-1
P0227.030-006-A4	M3	6	5.6	-	0.6	1.65	PZ-1
P0227.030-008-A4	M3	8	5.6	-	0.6	1.65	PZ-1
P0227.030-010-A4	M3	10	5.6	-	0.6	1.65	PZ-1
P0227.030-012-A4	M3	12	5.6	-	0.6	1.65	PZ-1
P0227.030-014-A4	M3	14	5.6	-	0.6	1.65	PZ-1
P0227.030-016-A4	M3	16	5.6	-	0.6	1.65	PZ-1
P0227.030-018-A4	M3	18	5.6	-	0.6	1.65	PZ-1
P0227.030-020-A4	M3	20	5.6	19	0.6	1.65	PZ-1
P0227.030-025-A4	M3	25	5.6	19	0.6	1.65	PZ-1
P0227.030-028-A4	M3	28	5.6	19	0.6	1.65	PZ-1
P0227.030-030-A4	M3	30	5.6	19	0.6	1.65	PZ-1
P0227.030-035-A4	M3	35	5.6	19	0.6	1.65	PZ-1
P0227.030-040-A4	M3	40	5.6	19	0.6	1.65	PZ-1
P0227.030-045-A4	M3	45	5.6	19	0.6	1.65	PZ-1
P0227.030-050-A4	M3	50	5.6	19	0.6	1.65	PZ-1
P0227.040-005-A4	M4	5	7.5	-	0.8	2.2	PZ-2



Pozi Raised C'sunk Machine Screws

Pozi raised - A4 stainless

Standard Screws



Order No.	d ₁	l ₁	d ₂	l ₂	l ₃	h ₁	Size
P0227.040-006-A4	M4	6	7.5	-	0.8	2.2	PZ-2
P0227.040-008-A4	M4	8	7.5	-	0.8	2.2	PZ-2
P0227.040-010-A4	M4	10	7.5	-	0.8	2.2	PZ-2
P0227.040-012-A4	M4	12	7.5	-	0.8	2.2	PZ-2
P0227.040-014-A4	M4	14	7.5	-	0.8	2.2	PZ-2
P0227.040-016-A4	M4	16	7.5	-	0.8	2.2	PZ-2
P0227.040-018-A4	M4	18	7.5	-	0.8	2.2	PZ-2
P0227.040-020-A4	M4	20	7.5	-	0.8	2.2	PZ-2
P0227.040-025-A4	M4	25	7.5	-	0.8	2.2	PZ-2
P0227.040-028-A4	M4	28	7.5	22	0.8	2.2	PZ-2
P0227.040-030-A4	M4	30	7.5	22	0.8	2.2	PZ-2
P0227.040-035-A4	M4	35	7.5	22	0.8	2.2	PZ-2
P0227.040-040-A4	M4	40	7.5	22	0.8	2.2	PZ-2
P0227.040-045-A4	M4	45	7.5	22	0.8	2.2	PZ-2
P0227.040-050-A4	M4	50	7.5	22	0.8	2.2	PZ-2
P0227.040-055-A4	M4	55	7.5	22	0.8	2.2	PZ-2
P0227.040-060-A4	M4	60	7.5	22	0.8	2.2	PZ-2
P0227.040-065-A4	M4	65	7.5	22	0.8	2.2	PZ-2
P0227.040-070-A4	M4	70	7.5	22	0.8	2.2	PZ-2
P0227.050-006-A4	M5	6	9.2	-	1.0	2.5	PZ-2
P0227.050-008-A4	M5	8	9.2	-	1.0	2.5	PZ-2
P0227.050-010-A4	M5	10	9.2	-	1.0	2.5	PZ-2
P0227.050-012-A4	M5	12	9.2	-	1.0	2.5	PZ-2
P0227.050-014-A4	M5	14	9.2	-	1.0	2.5	PZ-2
P0227.050-016-A4	M5	16	9.2	-	1.0	2.5	PZ-2
P0227.050-018-A4	M5	18	9.2	-	1.0	2.5	PZ-2
P0227.050-020-A4	M5	20	9.2	-	1.0	2.5	PZ-2
P0227.050-025-A4	M5	25	9.2	-	1.0	2.5	PZ-2
P0227.050-028-A4	M5	28	9.2	-	1.0	2.5	PZ-2
P0227.050-030-A4	M5	30	9.2	-	1.0	2.5	PZ-2
P0227.050-035-A4	M5	35	9.2	25	1.0	2.5	PZ-2
P0227.050-040-A4	M5	40	9.2	25	1.0	2.5	PZ-2
P0227.050-045-A4	M5	45	9.2	25	1.0	2.5	PZ-2
P0227.050-050-A4	M5	50	9.2	25	1.0	2.5	PZ-2
P0227.050-055-A4	M5	55	9.2	25	1.0	2.5	PZ-2
P0227.050-060-A4	M5	60	9.2	25	1.0	2.5	PZ-2
P0227.050-065-A4	M5	65	9.2	25	1.0	2.5	PZ-2
P0227.050-070-A4	M5	70	9.2	25	1.0	2.5	PZ-2
P0227.050-075-A4	M5	75	9.2	25	1.0	2.5	PZ-2
P0227.050-080-A4	M5	80	9.2	25	1.0	2.5	PZ-2
P0227.050-085-A4	M5	85	9.2	25	1.0	2.5	PZ-2
P0227.050-090-A4	M5	90	9.2	25	1.0	2.5	PZ-2
P0227.050-095-A4	M5	90	9.2	25	1.0	2.5	PZ-2
P0227.050-100-A4	M5	100	9.2	25	1.0	2.5	PZ-2
P0227.060-008-A4	M6	8	11	-	1.2	3.0	PZ-3
P0227.060-010-A4	M6	10	11	-	1.2	3.0	PZ-3
P0227.060-012-A4	M6	12	11	-	1.2	3.0	PZ-3
P0227.060-014-A4	M6	14	11	-	1.2	3.0	PZ-3
P0227.060-016-A4	M6	16	11	-	1.2	3.0	PZ-3
P0227.060-018-A4	M6	18	11	-	1.2	3.0	PZ-3
P0227.060-020-A4	M6	20	11	-	1.2	3.0	PZ-3
P0227.060-022-A4	M6	22	11	-	1.2	3.0	PZ-3
P0227.060-025-A4	M6	25	11	-	1.2	3.0	PZ-3
P0227.060-030-A4	M6	30	11	28	1.2	3.0	PZ-3
P0227.060-035-A4	M6	35	11	28	1.2	3.0	PZ-3
P0227.060-040-A4	M6	40	11	28	1.2	3.0	PZ-3
P0227.060-045-A4	M6	45	11	28	1.2	3.0	PZ-3
P0227.060-050-A4	M6	50	11	28	1.2	3.0	PZ-3
P0227.060-055-A4	M6	55	11	28	1.2	3.0	PZ-3
P0227.060-060-A4	M6	60	11	28	1.2	3.0	PZ-3
P0227.060-065-A4	M6	65	11	28	1.2	3.0	PZ-3
P0227.060-070-A4	M6	70	11	28	1.2	3.0	PZ-3
P0227.060-075-A4	M6	75	11	28	1.2	3.0	PZ-3
P0227.060-080-A4	M6	80	11	28	1.2	3.0	PZ-3
P0227.060-090-A4	M6	90	11	28	1.2	3.0	PZ-3
P0227.060-100-A4	M6	100	11	28	1.2	3.0	PZ-3

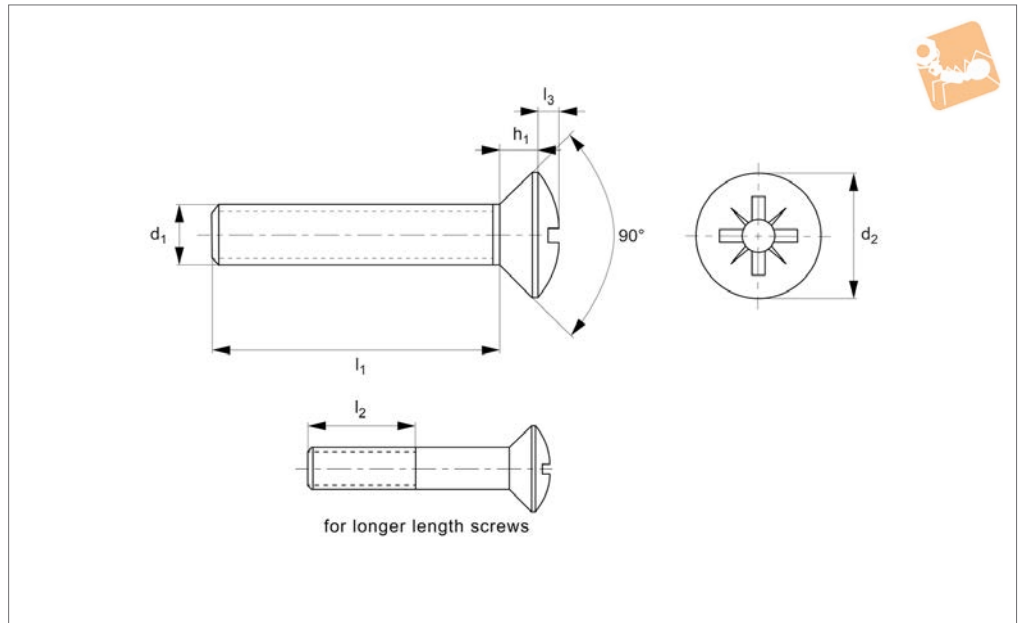
STANDARD SCREWS



STANDARD SCREWS



P0227.ZP



Material

Steel, zinc-plated (grade 4.8).

lengths the threads goes all the way to the head of the screw (i.e. $l_1 = l_2$) less 2.5 thread pitches.

portion $l_2 < l_1$.

Technical Notes

To DIN 966. For the majority of screw

For longer length screws the threaded

Order No.	d_1	l_1	d_2	l_2	l_3	h_1	Size
P0227.020-004-ZP	M2	4	3.8	-	0.4	1.2	PZ-1
P0227.020-005-ZP	M2	5	3.8	-	0.4	1.2	PZ-1
P0227.020-006-ZP	M2	6	3.8	-	0.4	1.2	PZ-1
P0227.020-008-ZP	M2	8	3.8	-	0.4	1.2	PZ-1
P0227.020-010-ZP	M2	10	3.8	-	0.4	1.2	PZ-1
P0227.020-012-ZP	M2	12	3.8	-	0.4	1.2	PZ-1
P0227.025-004-ZP	M2,5	4	4.7	-	0.5	1.5	PZ-1
P0227.025-005-ZP	M2,5	5	4.7	-	0.5	1.5	PZ-1
P0227.025-006-ZP	M2,5	6	4.7	-	0.5	1.5	PZ-1
P0227.025-008-ZP	M2,5	8	4.7	-	0.5	1.5	PZ-1
P0227.025-010-ZP	M2,5	10	4.7	-	0.5	1.5	PZ-1
P0227.025-012-ZP	M2,5	12	4.7	-	0.5	1.5	PZ-1
P0227.025-014-ZP	M2,5	14	4.7	-	0.5	1.5	PZ-1
P0227.025-016-ZP	M2,5	16	4.7	-	0.5	1.5	PZ-1
P0227.025-018-ZP	M2,5	18	4.7	-	0.5	1.5	PZ-1
P0227.025-020-ZP	M2,5	20	4.7	-	0.5	1.5	PZ-1
P0227.030-004-ZP	M3	4	5.6	-	0.6	1.65	PZ-1
P0227.030-005-ZP	M3	5	5.6	-	0.6	1.65	PZ-1
P0227.030-006-ZP	M3	6	5.6	-	0.6	1.65	PZ-1
P0227.030-008-ZP	M3	8	5.6	-	0.6	1.65	PZ-1
P0227.030-010-ZP	M3	10	5.6	-	0.6	1.65	PZ-1
P0227.030-012-ZP	M3	12	5.6	-	0.6	1.65	PZ-1
P0227.030-014-ZP	M3	14	5.6	-	0.6	1.65	PZ-1
P0227.030-016-ZP	M3	16	5.6	-	0.6	1.65	PZ-1
P0227.030-018-ZP	M3	18	5.6	-	0.6	1.65	PZ-1
P0227.030-020-ZP	M3	20	5.6	19	0.6	1.65	PZ-1
P0227.030-025-ZP	M3	25	5.6	19	0.6	1.65	PZ-1
P0227.030-028-ZP	M3	28	5.6	19	0.6	1.65	PZ-1
P0227.030-030-ZP	M3	30	5.6	19	0.6	1.65	PZ-1
P0227.030-035-ZP	M3	35	5.6	19	0.6	1.65	PZ-1
P0227.030-040-ZP	M3	40	5.6	19	0.6	1.65	PZ-1
P0227.030-045-ZP	M3	45	5.6	19	0.6	1.65	PZ-1
P0227.030-050-ZP	M3	50	5.6	19	0.6	1.65	PZ-1
P0227.040-005-ZP	M4	5	7.5	-	0.8	2.2	PZ-2



Pozi Raised C'sunk Machine Screws

Pozi raised - steel, zinc-plated

Standard Screws

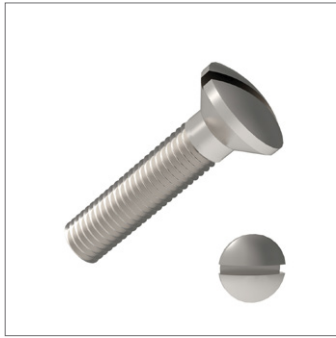


Order No.	d ₁	l ₁	d ₂	l ₂	l ₃	h ₁	Size
P0227.040-006-ZP	M4	6	7.5	-	0.8	2.2	PZ-2
P0227.040-008-ZP	M4	8	7.5	-	0.8	2.2	PZ-2
P0227.040-010-ZP	M4	10	7.5	-	0.8	2.2	PZ-2
P0227.040-012-ZP	M4	12	7.5	-	0.8	2.2	PZ-2
P0227.040-014-ZP	M4	14	7.5	-	0.8	2.2	PZ-2
P0227.040-016-ZP	M4	16	7.5	-	0.8	2.2	PZ-2
P0227.040-018-ZP	M4	18	7.5	-	0.8	2.2	PZ-2
P0227.040-020-ZP	M4	20	7.5	-	0.8	2.2	PZ-2
P0227.040-025-ZP	M4	25	7.5	-	0.8	2.2	PZ-2
P0227.040-028-ZP	M4	28	7.5	22	0.8	2.2	PZ-2
P0227.040-030-ZP	M4	30	7.5	22	0.8	2.2	PZ-2
P0227.040-035-ZP	M4	35	7.5	22	0.8	2.2	PZ-2
P0227.040-040-ZP	M4	40	7.5	22	0.8	2.2	PZ-2
P0227.040-045-ZP	M4	45	7.5	22	0.8	2.2	PZ-2
P0227.040-050-ZP	M4	50	7.5	22	0.8	2.2	PZ-2
P0227.040-055-ZP	M4	55	7.5	22	0.8	2.2	PZ-2
P0227.040-060-ZP	M4	60	7.5	22	0.8	2.2	PZ-2
P0227.040-065-ZP	M4	65	7.5	22	0.8	2.2	PZ-2
P0227.040-070-ZP	M4	70	7.5	22	0.8	2.2	PZ-2
P0227.050-006-ZP	M5	6	9.2	-	1.0	2.5	PZ-2
P0227.050-008-ZP	M5	8	9.2	-	1.0	2.5	PZ-2
P0227.050-010-ZP	M5	10	9.2	-	1.0	2.5	PZ-2
P0227.050-012-ZP	M5	12	9.2	-	1.0	2.5	PZ-2
P0227.050-014-ZP	M5	14	9.2	-	1.0	2.5	PZ-2
P0227.050-016-ZP	M5	16	9.2	-	1.0	2.5	PZ-2
P0227.050-018-ZP	M5	18	9.2	-	1.0	2.5	PZ-2
P0227.050-020-ZP	M5	20	9.2	-	1.0	2.5	PZ-2
P0227.050-025-ZP	M5	25	9.2	-	1.0	2.5	PZ-2
P0227.050-028-ZP	M5	28	9.2	-	1.0	2.5	PZ-2
P0227.050-030-ZP	M5	30	9.2	-	1.0	2.5	PZ-2
P0227.050-035-ZP	M5	35	9.2	25	1.0	2.5	PZ-2
P0227.050-040-ZP	M5	40	9.2	25	1.0	2.5	PZ-2
P0227.050-045-ZP	M5	45	9.2	25	1.0	2.5	PZ-2
P0227.050-050-ZP	M5	50	9.2	25	1.0	2.5	PZ-2
P0227.050-055-ZP	M5	55	9.2	25	1.0	2.5	PZ-2
P0227.050-060-ZP	M5	60	9.2	25	1.0	2.5	PZ-2
P0227.050-065-ZP	M5	65	9.2	25	1.0	2.5	PZ-2
P0227.050-070-ZP	M5	70	9.2	25	1.0	2.5	PZ-2
P0227.050-075-ZP	M5	75	9.2	25	1.0	2.5	PZ-2
P0227.050-080-ZP	M5	80	9.2	25	1.0	2.5	PZ-2
P0227.050-085-ZP	M5	85	9.2	25	1.0	2.5	PZ-2
P0227.050-090-ZP	M5	90	9.2	25	1.0	2.5	PZ-2
P0227.050-095-ZP	M5	90	9.2	25	1.0	2.5	PZ-2
P0227.050-100-ZP	M5	100	9.2	25	1.0	2.5	PZ-2
P0227.060-008-ZP	M6	8	11	-	1.2	3.0	PZ-3
P0227.060-010-ZP	M6	10	11	-	1.2	3.0	PZ-3
P0227.060-012-ZP	M6	12	11	-	1.2	3.0	PZ-3
P0227.060-014-ZP	M6	14	11	-	1.2	3.0	PZ-3
P0227.060-016-ZP	M6	16	11	-	1.2	3.0	PZ-3
P0227.060-018-ZP	M6	18	11	-	1.2	3.0	PZ-3
P0227.060-020-ZP	M6	20	11	-	1.2	3.0	PZ-3
P0227.060-022-ZP	M6	22	11	-	1.2	3.0	PZ-3
P0227.060-025-ZP	M6	25	11	-	1.2	3.0	PZ-3
P0227.060-030-ZP	M6	30	11	28	1.2	3.0	PZ-3
P0227.060-035-ZP	M6	35	11	28	1.2	3.0	PZ-3
P0227.060-040-ZP	M6	40	11	28	1.2	3.0	PZ-3
P0227.060-045-ZP	M6	45	11	28	1.2	3.0	PZ-3
P0227.060-050-ZP	M6	50	11	28	1.2	3.0	PZ-3
P0227.060-055-ZP	M6	55	11	28	1.2	3.0	PZ-3
P0227.060-060-ZP	M6	60	11	28	1.2	3.0	PZ-3
P0227.060-065-ZP	M6	65	11	28	1.2	3.0	PZ-3
P0227.060-070-ZP	M6	70	11	28	1.2	3.0	PZ-3
P0227.060-075-ZP	M6	75	11	28	1.2	3.0	PZ-3
P0227.060-080-ZP	M6	80	11	28	1.2	3.0	PZ-3
P0227.060-090-ZP	M6	90	11	28	1.2	3.0	PZ-3
P0227.060-100-ZP	M6	100	11	28	1.2	3.0	PZ-3

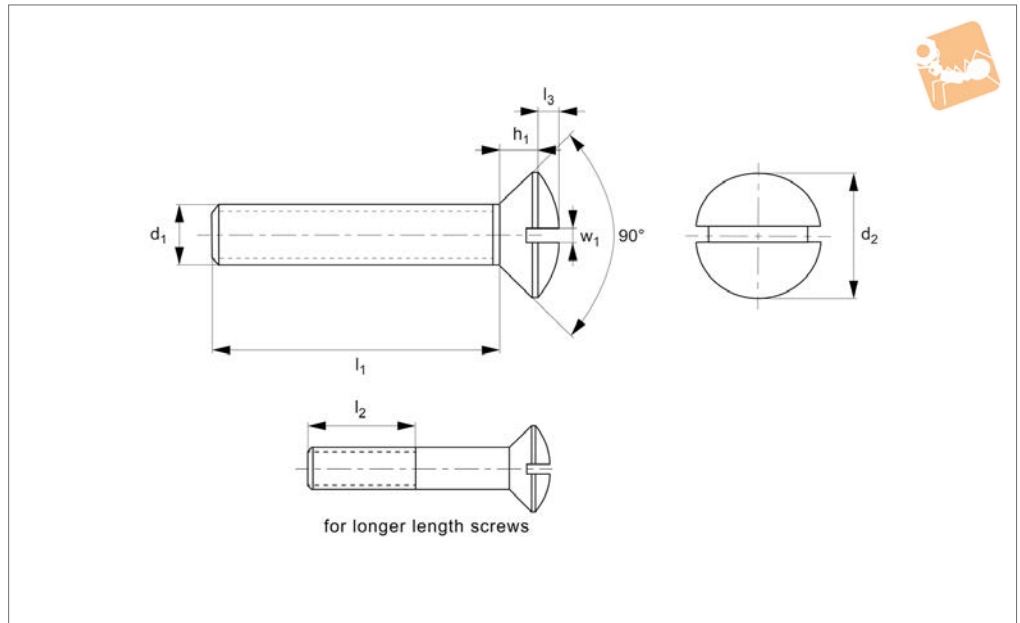
STANDARD SCREWS



STANDARD SCREWS



P0228.A2



Material

Stainless steel A2.

lengths the threads goes all the way to the head of the screw (i.e. $l_1 = l_2$) less 2.5 thread pitches.

portion $l_2 < l_1$.

Technical Notes

To DIN 964. For the majority of screw

For longer length screws the threaded

See technical page for tightening torques.

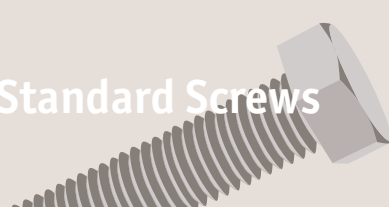
Order No.	d ₁	l ₁	d ₂	l ₂	l ₃	h ₁	w ₁
P0228.020-004-A2	M 2	4	3	-	0.32	1.20	0.4
P0228.020-005-A2	M 2	5	3	-	0.32	1.20	0.4
P0228.020-006-A2	M 2	6	3	-	0.32	1.20	0.4
P0228.020-008-A2	M 2	8	3	-	0.32	1.20	0.4
P0228.020-010-A2	M 2	10	3	-	0.32	1.20	0.4
P0228.020-012-A2	M 2	12	3	-	0.32	1.20	0.4
P0228.020-014-A2	M 2	14	3	-	0.32	1.20	0.4
P0228.020-016-A2	M 2	16	3	15	0.32	1.20	0.4
P0228.020-018-A2	M 2	18	3	15	0.32	1.20	0.4
P0228.020-020-A2	M 2	20	3	15	0.32	1.20	0.4
P0228.025-004-A2	M2,5	5	3.8	-	0.4	1.2	0.5
P0228.025-005-A2	M2,5	6	3.8	-	0.4	1.2	0.5
P0228.025-006-A2	M2,5	8	3.8	-	0.4	1.2	0.5
P0228.025-008-A2	M2,5	10	3.8	-	0.4	1.2	0.5
P0228.025-010-A2	M2,5	12	3.8	-	0.4	1.2	0.5
P0228.025-012-A2	M2,5	14	3.8	-	0.4	1.2	0.5
P0228.025-014-A2	M2,5	16	3.8	16	0.4	1.2	0.5
P0228.025-016-A2	M2,5	18	3.8	16	0.4	1.2	0.5
P0228.025-018-A2	M2,5	20	3.8	16	0.4	1.2	0.5
P0228.030-005-A2	M 3	5	4.7	-	0.5	1.5	0.6
P0228.030-006-A2	M 3	6	4.7	-	0.5	1.5	0.6
P0228.030-008-A2	M 3	8	4.7	-	0.5	1.5	0.6
P0228.030-010-A2	M 3	10	4.7	-	0.5	1.5	0.6
P0228.030-012-A2	M 3	12	4.7	-	0.5	1.5	0.6
P0228.030-014-A2	M 3	14	4.7	-	0.5	1.5	0.6
P0228.030-016-A2	M 3	16	4.7	-	0.5	1.5	0.6
P0228.030-018-A2	M 3	18	4.7	-	0.5	1.5	0.6
P0228.030-020-A2	M 3	20	4.7	18	0.5	1.5	0.6
P0228.030-022-A2	M 3	22	4.7	18	0.5	1.5	0.6
P0228.030-025-A2	M 3	25	4.7	18	0.5	1.5	0.6
P0228.030-030-A2	M 3	30	4.7	18	0.5	1.5	0.6
P0228.030-035-A2	M 3	35	4.7	18	0.5	1.5	0.6
P0228.030-040-A2	M 3	40	4.7	18	0.5	1.5	0.6
P0228.030-045-A2	M 3	45	4.7	18	0.5	1.5	0.6



Slot Raised Countersunk Screws

Slot raised - A2 stainless

Standard Screws



Order No.	d ₁	l ₁	d ₂	l ₂	l ₃	h ₁	w ₁
P0228.030-050-A2	M 3	50	4.7	18	0.5	1.5	0.6
P0228.040-005-A2	M 4	5	7.5	-	0.8	2.2	1.0
P0228.040-006-A2	M 4	6	7.5	-	0.8	2.2	1.0
P0228.040-008-A2	M 4	8	7.5	-	0.8	2.2	1.0
P0228.040-010-A2	M 4	10	7.5	-	0.8	2.2	1.0
P0228.040-012-A2	M 4	12	7.5	-	0.8	2.2	1.0
P0228.040-014-A2	M 4	14	7.5	-	0.8	2.2	1.0
P0228.040-016-A2	M 4	16	7.5	-	0.8	2.2	1.0
P0228.040-018-A2	M 4	18	7.5	-	0.8	2.2	1.0
P0228.040-020-A2	M 4	20	7.5	-	0.8	2.2	1.0
P0228.040-022-A2	M 4	22	7.5	22	0.8	2.2	1.0
P0228.040-025-A2	M 4	25	7.5	22	0.8	2.2	1.0
P0228.040-030-A2	M 4	30	7.5	22	0.8	2.2	1.0
P0228.040-035-A2	M 4	35	7.5	22	0.8	2.2	1.0
P0228.040-040-A2	M 4	40	7.5	22	0.8	2.2	1.0
P0228.040-045-A2	M 4	45	7.5	22	0.8	2.2	1.0
P0228.040-050-A2	M 4	50	7.5	22	0.8	2.2	1.0
P0228.040-055-A2	M 4	55	7.5	22	0.8	2.2	1.0
P0228.040-060-A2	M 4	60	7.5	22	0.8	2.2	1.0
P0228.040-065-A2	M 4	65	7.5	22	0.8	2.2	1.0
P0228.040-070-A2	M 4	70	7.5	22	0.8	2.2	1.0
P0228.040-075-A2	M 4	75	7.5	22	0.8	2.2	1.0
P0228.040-080-A2	M 4	80	7.5	22	0.8	2.2	1.0
P0228.050-006-A2	M 5	6	9.2	-	1.0	2.5	1.2
P0228.050-008-A2	M 5	8	9.2	-	1.0	2.5	1.2
P0228.050-010-A2	M 5	10	9.2	-	1.0	2.5	1.2
P0228.050-012-A2	M 5	12	9.2	-	1.0	2.5	1.2
P0228.050-014-A2	M 5	14	9.2	-	1.0	2.5	1.2
P0228.050-016-A2	M 5	16	9.2	-	1.0	2.5	1.2
P0228.050-018-A2	M 5	18	9.2	-	1.0	2.5	1.2
P0228.050-020-A2	M 5	20	9.2	-	1.0	2.5	1.2
P0228.050-022-A2	M 5	22	9.2	-	1.0	2.5	1.2
P0228.050-025-A2	M 5	25	9.2	25	1.0	2.5	1.2
P0228.050-030-A2	M 5	30	9.2	25	1.0	2.5	1.2
P0228.050-035-A2	M 5	35	9.2	25	1.0	2.5	1.2
P0228.050-040-A2	M 5	40	9.2	25	1.0	2.5	1.2
P0228.050-045-A2	M 5	45	9.2	25	1.0	2.5	1.2
P0228.050-050-A2	M 5	50	9.2	25	1.0	2.5	1.2
P0228.050-055-A2	M 5	55	9.2	25	1.0	2.5	1.2
P0228.050-060-A2	M 5	60	9.2	25	1.0	2.5	1.2
P0228.050-065-A2	M 5	65	9.2	25	1.0	2.5	1.2
P0228.050-070-A2	M 5	70	9.2	25	1.0	2.5	1.2
P0228.050-075-A2	M 5	75	9.2	25	1.0	2.5	1.2
P0228.050-080-A2	M 5	80	9.2	25	1.0	2.5	1.2
P0228.050-090-A2	M 5	90	9.2	25	1.0	2.5	1.2
P0228.050-095-A2	M 5	95	9.2	25	1.0	2.5	1.2
P0228.050-100-A2	M 5	100	9.2	25	1.0	2.5	1.2
P0228.060-008-A2	M 6	8	11	-	1.2	3.0	1.6
P0228.060-010-A2	M 6	10	11	-	1.2	3.0	1.6
P0228.060-012-A2	M 6	12	11	-	1.2	3.0	1.6
P0228.060-014-A2	M 6	14	11	-	1.2	3.0	1.6
P0228.060-016-A2	M 6	16	11	-	1.2	3.0	1.6
P0228.060-018-A2	M 6	18	11	-	1.2	3.0	1.6
P0228.060-020-A2	M 6	20	11	-	1.2	3.0	1.6
P0228.060-022-A2	M 6	22	11	-	1.2	3.0	1.6
P0228.060-025-A2	M 6	25	11	-	1.2	3.0	1.6
P0228.060-030-A2	M 6	30	11	28	1.2	3.0	1.6
P0228.060-035-A2	M 6	35	11	28	1.2	3.0	1.6
P0228.060-040-A2	M 6	40	11	28	1.2	3.0	1.6
P0228.060-045-A2	M 6	45	11	28	1.2	3.0	1.6
P0228.060-050-A2	M 6	50	11	28	1.2	3.0	1.6
P0228.060-055-A2	M 6	55	11	28	1.2	3.0	1.6
P0228.060-060-A2	M 6	60	11	28	1.2	3.0	1.6
P0228.060-065-A2	M 6	65	11	28	1.2	3.0	1.6
P0228.060-070-A2	M 6	70	11	28	1.2	3.0	1.6
P0228.060-075-A2	M 6	75	11	28	1.2	3.0	1.6
P0228.060-080-A2	M 6	80	11	28	1.2	3.0	1.6
P0228.060-090-A2	M 6	90	11	28	1.2	3.0	1.6
P0228.060-095-A2	M 6	95	11	28	1.2	3.0	1.6

STANDARD SCREWS



STANDARD SCREWS

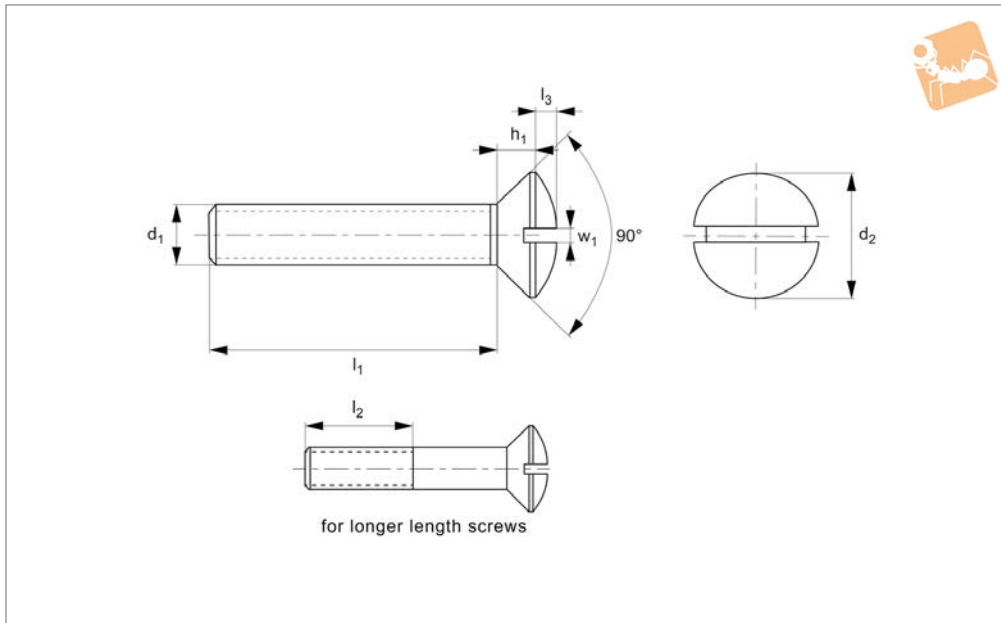
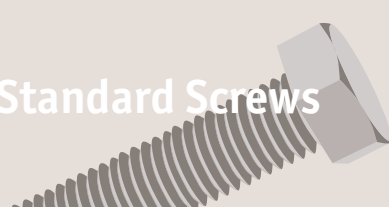
Order No.	d ₁	l ₁	d ₂	l ₂	l ₃	h ₁	w ₁
P0228.060-100-A2	M 6	100	11	28	1.2	3.0	1.6
P0228.080-010-A2	M 8	10	14.5	-	1.6	4.0	2.0
P0228.080-012-A2	M 8	12	14.5	-	1.6	4.0	2.0
P0228.080-014-A2	M 8	14	14.5	-	1.6	4.0	2.0
P0228.080-016-A2	M 8	16	14.5	-	1.6	4.0	2.0
P0228.080-018-A2	M 8	18	14.5	-	1.6	4.0	2.0
P0228.080-020-A2	M 8	20	14.5	-	1.6	4.0	2.0
P0228.080-022-A2	M 8	22	14.5	-	1.6	4.0	2.0
P0228.080-025-A2	M 8	25	14.5	-	1.6	4.0	2.0
P0228.080-030-A2	M 8	30	14.5	-	1.6	4.0	2.0
P0228.080-035-A2	M 8	35	14.5	34	1.6	4.0	2.0
P0228.080-040-A2	M 8	40	14.5	34	1.6	4.0	2.0
P0228.080-045-A2	M 8	45	14.5	34	1.6	4.0	2.0
P0228.080-050-A2	M 8	50	14.5	34	1.6	4.0	2.0
P0228.080-055-A2	M 8	55	14.5	34	1.6	4.0	2.0
P0228.080-060-A2	M 8	60	14.5	34	1.6	4.0	2.0
P0228.080-065-A2	M 8	65	14.5	34	1.6	4.0	2.0
P0228.080-070-A2	M 8	70	14.5	34	1.6	4.0	2.0
P0228.080-075-A2	M 8	75	14.5	34	1.6	4.0	2.0
P0228.080-080-A2	M 8	80	14.5	34	1.6	4.0	2.0
P0228.080-090-A2	M 8	90	14.5	34	1.6	4.0	2.0
P0228.080-095-A2	M 8	95	14.5	34	1.6	4.0	2.0
P0228.080-100-A2	M 8	100	14.5	34	1.6	4.0	2.0
P0228.100-020-A2	M10	20	18.0	-	2.0	5.0	2.5
P0228.100-022-A2	M10	22	18.0	-	2.0	5.0	2.5
P0228.100-025-A2	M10	25	18.0	-	2.0	5.0	2.5
P0228.100-030-A2	M10	30	18.0	-	2.0	5.0	2.5
P0228.100-035-A2	M10	35	18.0	-	2.0	5.0	2.5
P0228.100-040-A2	M10	40	18.0	40	2.0	5.0	2.5
P0228.100-045-A2	M10	45	18.0	40	2.0	5.0	2.5
P0228.100-050-A2	M10	50	18.0	40	2.0	5.0	2.5
P0228.100-055-A2	M10	55	18.0	40	2.0	5.0	2.5
P0228.100-060-A2	M10	60	18.0	40	2.0	5.0	2.5
P0228.100-065-A2	M10	65	18.0	40	2.0	5.0	2.5
P0228.100-070-A2	M10	70	18.0	40	2.0	5.0	2.5
P0228.100-075-A2	M10	75	18.0	40	2.0	5.0	2.5
P0228.100-080-A2	M10	80	18.0	40	2.0	5.0	2.5
P0228.100-090-A2	M10	90	18.0	40	2.0	5.0	2.5
P0228.100-095-A2	M10	95	18.0	40	2.0	5.0	2.5
P0228.100-100-A2	M10	100	18.0	40	2.0	5.0	2.5



Slot Raised Countersunk Screws

Slot raised - A4 stainless

Standard Screws



P0228.A4

STANDARD SCREWS

Material

Stainless steel (A4).

lengths the threads goes all the way to the head of the screw (i.e. $l_1 = l_2$) less 2.5 thread pitches.

portion $l_2 < l_1$.

Technical Notes

To DIN 964. For the majority of screw

For longer length screws the threaded

See technical page for tightening torques.

Order No.	d_1	l_1	d_2	l_2	l_3	h_1	w_1
P0228.020-004-A4	M 2	4	3	-	0.32	1.20	0.4
P0228.020-005-A4	M 2	5	3	-	0.32	1.20	0.4
P0228.020-006-A4	M 2	6	3	-	0.32	1.20	0.4
P0228.020-008-A4	M 2	8	3	-	0.32	1.20	0.4
P0228.020-010-A4	M 2	10	3	-	0.32	1.20	0.4
P0228.020-012-A4	M 2	12	3	-	0.32	1.20	0.4
P0228.020-014-A4	M 2	14	3	-	0.32	1.20	0.4
P0228.020-016-A4	M 2	16	3	15	0.32	1.20	0.4
P0228.020-018-A4	M 2	18	3	15	0.32	1.20	0.4
P0228.020-020-A4	M 2	20	3	15	0.32	1.20	0.4
P0228.025-004-A4	M2,5	5	3.8	-	0.4	1.2	0.5
P0228.025-005-A4	M2,5	6	3.8	-	0.4	1.2	0.5
P0228.025-006-A4	M2,5	8	3.8	-	0.4	1.2	0.5
P0228.025-008-A4	M2,5	10	3.8	-	0.4	1.2	0.5
P0228.025-010-A4	M2,5	12	3.8	-	0.4	1.2	0.5
P0228.025-012-A4	M2,5	14	3.8	-	0.4	1.2	0.5
P0228.025-014-A4	M2,5	16	3.8	16	0.4	1.2	0.5
P0228.025-016-A4	M2,5	18	3.8	16	0.4	1.2	0.5
P0228.025-018-A4	M2,5	20	3.8	16	0.4	1.2	0.5
P0228.030-005-A4	M 3	5	4.7	-	0.5	1.5	0.6
P0228.030-006-A4	M 3	6	4.7	-	0.5	1.5	0.6
P0228.030-008-A4	M 3	8	4.7	-	0.5	1.5	0.6
P0228.030-010-A4	M 3	10	4.7	-	0.5	1.5	0.6
P0228.030-012-A4	M 3	12	4.7	-	0.5	1.5	0.6
P0228.030-014-A4	M 3	14	4.7	-	0.5	1.5	0.6
P0228.030-016-A4	M 3	16	4.7	-	0.5	1.5	0.6
P0228.030-018-A4	M 3	18	4.7	-	0.5	1.5	0.6
P0228.030-020-A4	M 3	20	4.7	18	0.5	1.5	0.6
P0228.030-022-A4	M 3	22	4.7	18	0.5	1.5	0.6
P0228.030-025-A4	M 3	25	4.7	18	0.5	1.5	0.6
P0228.030-030-A4	M 3	30	4.7	18	0.5	1.5	0.6
P0228.030-035-A4	M 3	35	4.7	18	0.5	1.5	0.6
P0228.030-040-A4	M 3	40	4.7	18	0.5	1.5	0.6
P0228.030-045-A4	M 3	45	4.7	18	0.5	1.5	0.6



STANDARD SCREWS

Order No.	d ₁	l ₁	d ₂	l ₂	l ₃	h ₁	w ₁
P0228.030-050-A4	M 3	50	4.7	18	0.5	1.5	0.6
P0228.040-005-A4	M 4	5	7.5	-	0.8	2.2	1.0
P0228.040-006-A4	M 4	6	7.5	-	0.8	2.2	1.0
P0228.040-008-A4	M 4	8	7.5	-	0.8	2.2	1.0
P0228.040-010-A4	M 4	10	7.5	-	0.8	2.2	1.0
P0228.040-012-A4	M 4	12	7.5	-	0.8	2.2	1.0
P0228.040-014-A4	M 4	14	7.5	-	0.8	2.2	1.0
P0228.040-016-A4	M 4	16	7.5	-	0.8	2.2	1.0
P0228.040-018-A4	M 4	18	7.5	-	0.8	2.2	1.0
P0228.040-020-A4	M 4	20	7.5	-	0.8	2.2	1.0
P0228.040-022-A4	M 4	22	7.5	-	0.8	2.2	1.0
P0228.040-025-A4	M 4	25	7.5	22	0.8	2.2	1.0
P0228.040-030-A4	M 4	30	7.5	22	0.8	2.2	1.0
P0228.040-035-A4	M 4	35	7.5	22	0.8	2.2	1.0
P0228.040-040-A4	M 4	40	7.5	22	0.8	2.2	1.0
P0228.040-045-A4	M 4	45	7.5	22	0.8	2.2	1.0
P0228.040-050-A4	M 4	50	7.5	22	0.8	2.2	1.0
P0228.040-055-A4	M 4	55	7.5	22	0.8	2.2	1.0
P0228.040-060-A4	M 4	60	7.5	22	0.8	2.2	1.0
P0228.040-065-A4	M 4	65	7.5	22	0.8	2.2	1.0
P0228.040-070-A4	M 4	70	7.5	22	0.8	2.2	1.0
P0228.040-075-A4	M 4	75	7.5	22	0.8	2.2	1.0
P0228.040-080-A4	M 4	80	7.5	22	0.8	2.2	1.0
P0228.050-006-A4	M 5	6	9.2	-	1.0	2.5	1.2
P0228.050-008-A4	M 5	8	9.2	-	1.0	2.5	1.2
P0228.050-010-A4	M 5	10	9.2	-	1.0	2.5	1.2
P0228.050-012-A4	M 5	12	9.2	-	1.0	2.5	1.2
P0228.050-014-A4	M 5	14	9.2	-	1.0	2.5	1.2
P0228.050-016-A4	M 5	16	9.2	-	1.0	2.5	1.2
P0228.050-018-A4	M 5	18	9.2	-	1.0	2.5	1.2
P0228.050-020-A4	M 5	20	9.2	-	1.0	2.5	1.2
P0228.050-022-A4	M 5	22	9.2	-	1.0	2.5	1.2
P0228.050-025-A4	M 5	25	9.2	25	1.0	2.5	1.2
P0228.050-030-A4	M 5	30	9.2	25	1.0	2.5	1.2
P0228.050-035-A4	M 5	35	9.2	25	1.0	2.5	1.2
P0228.050-040-A4	M 5	40	9.2	25	1.0	2.5	1.2
P0228.050-045-A4	M 5	45	9.2	25	1.0	2.5	1.2
P0228.050-050-A4	M 5	50	9.2	25	1.0	2.5	1.2
P0228.050-055-A4	M 5	55	9.2	25	1.0	2.5	1.2
P0228.050-060-A4	M 5	60	9.2	25	1.0	2.5	1.2
P0228.050-065-A4	M 5	65	9.2	25	1.0	2.5	1.2
P0228.050-070-A4	M 5	70	9.2	25	1.0	2.5	1.2
P0228.050-075-A4	M 5	75	9.2	25	1.0	2.5	1.2
P0228.050-080-A4	M 5	80	9.2	25	1.0	2.5	1.2
P0228.050-090-A4	M 5	90	9.2	25	1.0	2.5	1.2
P0228.050-095-A4	M 5	95	9.2	25	1.0	2.5	1.2
P0228.050-100-A4	M 5	100	9.2	25	1.0	2.5	1.2
P0228.060-008-A4	M 6	8	11	-	1.2	3.0	1.6
P0228.060-010-A4	M 6	10	11	-	1.2	3.0	1.6
P0228.060-012-A4	M 6	12	11	-	1.2	3.0	1.6
P0228.060-014-A4	M 6	14	11	-	1.2	3.0	1.6
P0228.060-016-A4	M 6	16	11	-	1.2	3.0	1.6
P0228.060-018-A4	M 6	18	11	-	1.2	3.0	1.6
P0228.060-020-A4	M 6	20	11	-	1.2	3.0	1.6
P0228.060-022-A4	M 6	22	11	-	1.2	3.0	1.6
P0228.060-025-A4	M 6	25	11	-	1.2	3.0	1.6
P0228.060-030-A4	M 6	30	11	28	1.2	3.0	1.6
P0228.060-035-A4	M 6	35	11	28	1.2	3.0	1.6
P0228.060-040-A4	M 6	40	11	28	1.2	3.0	1.6
P0228.060-045-A4	M 6	45	11	28	1.2	3.0	1.6
P0228.060-050-A4	M 6	50	11	28	1.2	3.0	1.6
P0228.060-055-A4	M 6	55	11	28	1.2	3.0	1.6
P0228.060-060-A4	M 6	60	11	28	1.2	3.0	1.6
P0228.060-065-A4	M 6	65	11	28	1.2	3.0	1.6
P0228.060-070-A4	M 6	70	11	28	1.2	3.0	1.6
P0228.060-075-A4	M 6	75	11	28	1.2	3.0	1.6
P0228.060-080-A4	M 6	80	11	28	1.2	3.0	1.6
P0228.060-090-A4	M 6	90	11	28	1.2	3.0	1.6
P0228.060-095-A4	M 6	95	11	28	1.2	3.0	1.6



Slot Raised Countersunk Screws

Slot raised - A4 stainless

Standard Screws

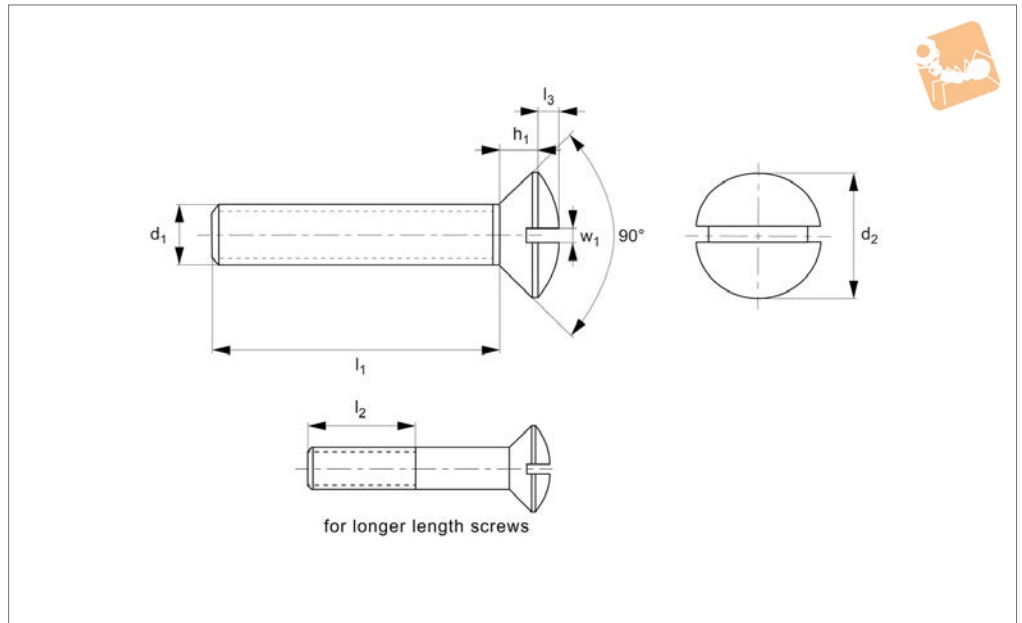


Order No.	d ₁	l ₁	d ₂	l ₂	l ₃	h ₁	w ₁
P0228.060-100-A4	M 6	100	11	28	1.2	3.0	1.6
P0228.080-010-A4	M 8	10	14.5	-	1.6	4.0	2.0
P0228.080-012-A4	M 8	12	14.5	-	1.6	4.0	2.0
P0228.080-014-A4	M 8	14	14.5	-	1.6	4.0	2.0
P0228.080-016-A4	M 8	16	14.5	-	1.6	4.0	2.0
P0228.080-018-A4	M 8	18	14.5	-	1.6	4.0	2.0
P0228.080-020-A4	M 8	20	14.5	-	1.6	4.0	2.0
P0228.080-022-A4	M 8	22	14.5	-	1.6	4.0	2.0
P0228.080-025-A4	M 8	25	14.5	-	1.6	4.0	2.0
P0228.080-030-A4	M 8	30	14.5	-	1.6	4.0	2.0
P0228.080-035-A4	M 8	35	14.5	34	1.6	4.0	2.0
P0228.080-040-A4	M 8	40	14.5	34	1.6	4.0	2.0
P0228.080-045-A4	M 8	45	14.5	34	1.6	4.0	2.0
P0228.080-050-A4	M 8	50	14.5	34	1.6	4.0	2.0
P0228.080-055-A4	M 8	55	14.5	34	1.6	4.0	2.0
P0228.080-060-A4	M 8	60	14.5	34	1.6	4.0	2.0
P0228.080-065-A4	M 8	65	14.5	34	1.6	4.0	2.0
P0228.080-070-A4	M 8	70	14.5	34	1.6	4.0	2.0
P0228.080-075-A4	M 8	75	14.5	34	1.6	4.0	2.0
P0228.080-080-A4	M 8	80	14.5	34	1.6	4.0	2.0
P0228.080-090-A4	M 8	90	14.5	34	1.6	4.0	2.0
P0228.080-095-A4	M 8	95	14.5	34	1.6	4.0	2.0
P0228.080-100-A4	M 8	100	14.5	34	1.6	4.0	2.0
P0228.100-020-A4	M10	20	18.0	-	2.0	5.0	2.5
P0228.100-022-A4	M10	22	18.0	-	2.0	5.0	2.5
P0228.100-025-A4	M10	25	18.0	-	2.0	5.0	2.5
P0228.100-030-A4	M10	30	18.0	-	2.0	5.0	2.5
P0228.100-035-A4	M10	35	18.0	-	2.0	5.0	2.5
P0228.100-040-A4	M10	40	18.0	40	2.0	5.0	2.5
P0228.100-045-A4	M10	45	18.0	40	2.0	5.0	2.5
P0228.100-050-A4	M10	50	18.0	40	2.0	5.0	2.5
P0228.100-055-A4	M10	55	18.0	40	2.0	5.0	2.5
P0228.100-060-A4	M10	60	18.0	40	2.0	5.0	2.5
P0228.100-065-A4	M10	65	18.0	40	2.0	5.0	2.5
P0228.100-070-A4	M10	70	18.0	40	2.0	5.0	2.5
P0228.100-075-A4	M10	75	18.0	40	2.0	5.0	2.5
P0228.100-080-A4	M10	80	18.0	40	2.0	5.0	2.5
P0228.100-090-A4	M10	90	18.0	40	2.0	5.0	2.5
P0228.100-095-A4	M10	95	18.0	40	2.0	5.0	2.5
P0228.100-100-A4	M10	100	18.0	40	2.0	5.0	2.5

STANDARD SCREWS



P0228.ZP



Material

Steel, zinc-plated (grade 4.8).

Technical Notes

To DIN 964. For the majority of screw

lengths the threads goes all the way to the head of the screw (i.e. $l_1 = l_2$) less 2.5 thread pitches.

For longer length screws the threaded

portion $l_2 < l_1$.

Order No.	d ₁	l ₁	d ₂	l ₂	l ₃	h ₁	w ₁
P0228.020-004-ZP	M 2	4	3	-	0.32	1.20	0.4
P0228.020-005-ZP	M 2	5	3	-	0.32	1.20	0.4
P0228.020-006-ZP	M 2	6	3	-	0.32	1.20	0.4
P0228.020-008-ZP	M 2	8	3	-	0.32	1.20	0.4
P0228.020-010-ZP	M 2	10	3	-	0.32	1.20	0.4
P0228.020-012-ZP	M 2	12	3	-	0.32	1.20	0.4
P0228.020-014-ZP	M 2	14	3	-	0.32	1.20	0.4
P0228.020-016-ZP	M 2	16	3	15	0.32	1.20	0.4
P0228.020-018-ZP	M 2	18	3	15	0.32	1.20	0.4
P0228.020-020-ZP	M 2	20	3	15	0.32	1.20	0.4
P0228.025-004-ZP	M2,5	5	3.8	-	0.4	1.2	0.5
P0228.025-005-ZP	M2,5	6	3.8	-	0.4	1.2	0.5
P0228.025-006-ZP	M2,5	8	3.8	-	0.4	1.2	0.5
P0228.025-008-ZP	M2,5	10	3.8	-	0.4	1.2	0.5
P0228.025-010-ZP	M2,5	12	3.8	-	0.4	1.2	0.5
P0228.025-012-ZP	M2,5	14	3.8	-	0.4	1.2	0.5
P0228.025-014-ZP	M2,5	16	3.8	16	0.4	1.2	0.5
P0228.025-016-ZP	M2,5	18	3.8	16	0.4	1.2	0.5
P0228.025-018-ZP	M2,5	20	3.8	16	0.4	1.2	0.5
P0228.030-005-ZP	M 3	5	4.7	-	0.5	1.5	0.6
P0228.030-006-ZP	M 3	6	4.7	-	0.5	1.5	0.6
P0228.030-008-ZP	M 3	8	4.7	-	0.5	1.5	0.6
P0228.030-010-ZP	M 3	10	4.7	-	0.5	1.5	0.6
P0228.030-012-ZP	M 3	12	4.7	-	0.5	1.5	0.6
P0228.030-014-ZP	M 3	14	4.7	-	0.5	1.5	0.6
P0228.030-016-ZP	M 3	16	4.7	-	0.5	1.5	0.6
P0228.030-018-ZP	M 3	18	4.7	18	0.5	1.5	0.6
P0228.030-020-ZP	M 3	20	4.7	18	0.5	1.5	0.6
P0228.030-022-ZP	M 3	22	4.7	18	0.5	1.5	0.6
P0228.030-025-ZP	M 3	25	4.7	18	0.5	1.5	0.6
P0228.030-030-ZP	M 3	30	4.7	18	0.5	1.5	0.6
P0228.030-035-ZP	M 3	35	4.7	18	0.5	1.5	0.6
P0228.030-040-ZP	M 3	40	4.7	18	0.5	1.5	0.6
P0228.030-045-ZP	M 3	45	4.7	18	0.5	1.5	0.6



Slot Raised Countersunk Screws

Slot raised - steel, zinc-plated

Standard Screws



Order No.	d ₁	l ₁	d ₂	l ₂	l ₃	h ₁	w ₁
P0228.030-050-ZP	M 3	50	4.7	18	0.5	1.5	0.6
P0228.040-005-ZP	M 4	5	7.5	-	0.8	2.2	1.0
P0228.040-006-ZP	M 4	6	7.5	-	0.8	2.2	1.0
P0228.040-008-ZP	M 4	8	7.5	-	0.8	2.2	1.0
P0228.040-010-ZP	M 4	10	7.5	-	0.8	2.2	1.0
P0228.040-012-ZP	M 4	12	7.5	-	0.8	2.2	1.0
P0228.040-014-ZP	M 4	14	7.5	-	0.8	2.2	1.0
P0228.040-016-ZP	M 4	16	7.5	-	0.8	2.2	1.0
P0228.040-018-ZP	M 4	18	7.5	-	0.8	2.2	1.0
P0228.040-020-ZP	M 4	20	7.5	-	0.8	2.2	1.0
P0228.040-022-ZP	M 4	22	7.5	22	0.8	2.2	1.0
P0228.040-025-ZP	M 4	25	7.5	22	0.8	2.2	1.0
P0228.040-030-ZP	M 4	30	7.5	22	0.8	2.2	1.0
P0228.040-035-ZP	M 4	35	7.5	22	0.8	2.2	1.0
P0228.040-040-ZP	M 4	40	7.5	22	0.8	2.2	1.0
P0228.040-045-ZP	M 4	45	7.5	22	0.8	2.2	1.0
P0228.040-050-ZP	M 4	50	7.5	22	0.8	2.2	1.0
P0228.040-055-ZP	M 4	55	7.5	22	0.8	2.2	1.0
P0228.040-060-ZP	M 4	60	7.5	22	0.8	2.2	1.0
P0228.040-065-ZP	M 4	65	7.5	22	0.8	2.2	1.0
P0228.040-070-ZP	M 4	70	7.5	22	0.8	2.2	1.0
P0228.040-075-ZP	M 4	75	7.5	22	0.8	2.2	1.0
P0228.040-080-ZP	M 4	80	7.5	22	0.8	2.2	1.0
P0228.050-006-ZP	M 5	6	9.2	-	1.0	2.5	1.2
P0228.050-008-ZP	M 5	8	9.2	-	1.0	2.5	1.2
P0228.050-010-ZP	M 5	10	9.2	-	1.0	2.5	1.2
P0228.050-012-ZP	M 5	12	9.2	-	1.0	2.5	1.2
P0228.050-014-ZP	M 5	14	9.2	-	1.0	2.5	1.2
P0228.050-016-ZP	M 5	16	9.2	-	1.0	2.5	1.2
P0228.050-018-ZP	M 5	18	9.2	-	1.0	2.5	1.2
P0228.050-020-ZP	M 5	20	9.2	-	1.0	2.5	1.2
P0228.050-022-ZP	M 5	22	9.2	-	1.0	2.5	1.2
P0228.050-025-ZP	M 5	25	9.2	25	1.0	2.5	1.2
P0228.050-030-ZP	M 5	30	9.2	25	1.0	2.5	1.2
P0228.050-035-ZP	M 5	35	9.2	25	1.0	2.5	1.2
P0228.050-040-ZP	M 5	40	9.2	25	1.0	2.5	1.2
P0228.050-045-ZP	M 5	45	9.2	25	1.0	2.5	1.2
P0228.050-050-ZP	M 5	50	9.2	25	1.0	2.5	1.2
P0228.050-055-ZP	M 5	55	9.2	25	1.0	2.5	1.2
P0228.050-060-ZP	M 5	60	9.2	25	1.0	2.5	1.2
P0228.050-065-ZP	M 5	65	9.2	25	1.0	2.5	1.2
P0228.050-070-ZP	M 5	70	9.2	25	1.0	2.5	1.2
P0228.050-075-ZP	M 5	75	9.2	25	1.0	2.5	1.2
P0228.050-080-ZP	M 5	80	9.2	25	1.0	2.5	1.2
P0228.050-090-ZP	M 5	90	9.2	25	1.0	2.5	1.2
P0228.050-095-ZP	M 5	95	9.2	25	1.0	2.5	1.2
P0228.050-100-ZP	M 5	100	9.2	25	1.0	2.5	1.2
P0228.060-008-ZP	M 6	8	11	-	1.2	3.0	1.6
P0228.060-010-ZP	M 6	10	11	-	1.2	3.0	1.6
P0228.060-012-ZP	M 6	12	11	-	1.2	3.0	1.6
P0228.060-014-ZP	M 6	14	11	-	1.2	3.0	1.6
P0228.060-016-ZP	M 6	16	11	-	1.2	3.0	1.6
P0228.060-018-ZP	M 6	18	11	-	1.2	3.0	1.6
P0228.060-020-ZP	M 6	20	11	-	1.2	3.0	1.6
P0228.060-022-ZP	M 6	22	11	-	1.2	3.0	1.6
P0228.060-025-ZP	M 6	25	11	-	1.2	3.0	1.6
P0228.060-030-ZP	M 6	30	11	28	1.2	3.0	1.6
P0228.060-035-ZP	M 6	35	11	28	1.2	3.0	1.6
P0228.060-040-ZP	M 6	40	11	28	1.2	3.0	1.6
P0228.060-045-ZP	M 6	45	11	28	1.2	3.0	1.6
P0228.060-050-ZP	M 6	50	11	28	1.2	3.0	1.6
P0228.060-055-ZP	M 6	55	11	28	1.2	3.0	1.6
P0228.060-060-ZP	M 6	60	11	28	1.2	3.0	1.6
P0228.060-065-ZP	M 6	65	11	28	1.2	3.0	1.6
P0228.060-070-ZP	M 6	70	11	28	1.2	3.0	1.6
P0228.060-075-ZP	M 6	75	11	28	1.2	3.0	1.6
P0228.060-080-ZP	M 6	80	11	28	1.2	3.0	1.6
P0228.060-090-ZP	M 6	90	11	28	1.2	3.0	1.6
P0228.060-095-ZP	M 6	95	11	28	1.2	3.0	1.6

STANDARD SCREWS



STANDARD SCREWS

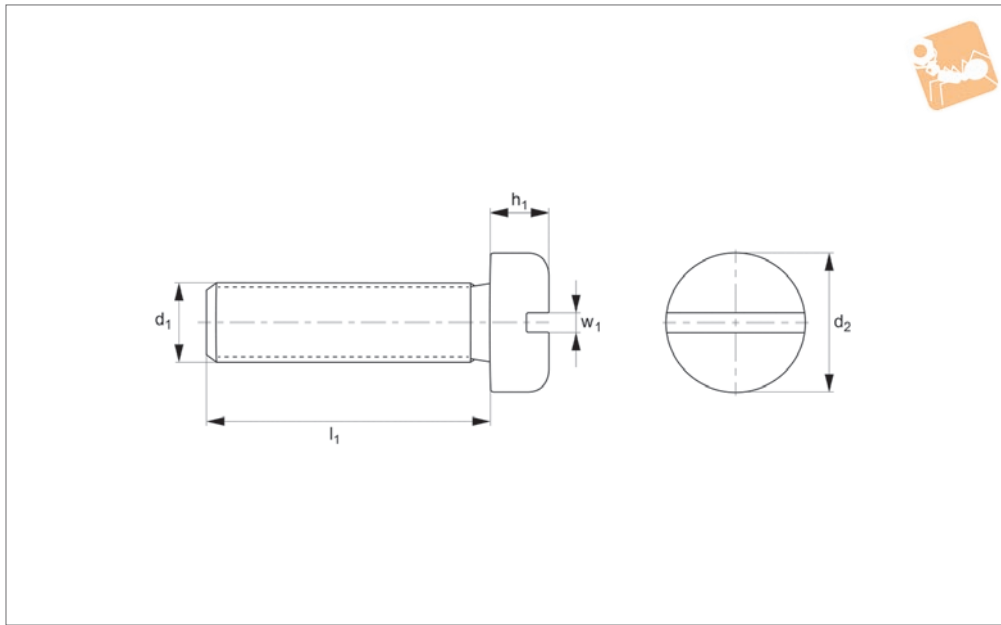
Order No.	d ₁	l ₁	d ₂	l ₂	l ₃	h ₁	w ₁
P0228.060-100-ZP	M 6	100	11	28	1.2	3.0	1.6
P0228.080-010-ZP	M 8	10	14.5	-	1.6	4.0	2.0
P0228.080-012-ZP	M 8	12	14.5	-	1.6	4.0	2.0
P0228.080-014-ZP	M 8	14	14.5	-	1.6	4.0	2.0
P0228.080-016-ZP	M 8	16	14.5	-	1.6	4.0	2.0
P0228.080-018-ZP	M 8	18	14.5	-	1.6	4.0	2.0
P0228.080-020-ZP	M 8	20	14.5	-	1.6	4.0	2.0
P0228.080-022-ZP	M 8	22	14.5	-	1.6	4.0	2.0
P0228.080-025-ZP	M 8	25	14.5	-	1.6	4.0	2.0
P0228.080-030-ZP	M 8	30	14.5	-	1.6	4.0	2.0
P0228.080-035-ZP	M 8	35	14.5	34	1.6	4.0	2.0
P0228.080-040-ZP	M 8	40	14.5	34	1.6	4.0	2.0
P0228.080-045-ZP	M 8	45	14.5	34	1.6	4.0	2.0
P0228.080-050-ZP	M 8	50	14.5	34	1.6	4.0	2.0
P0228.080-055-ZP	M 8	55	14.5	34	1.6	4.0	2.0
P0228.080-060-ZP	M 8	60	14.5	34	1.6	4.0	2.0
P0228.080-065-ZP	M 8	65	14.5	34	1.6	4.0	2.0
P0228.080-070-ZP	M 8	70	14.5	34	1.6	4.0	2.0
P0228.080-075-ZP	M 8	75	14.5	34	1.6	4.0	2.0
P0228.080-080-ZP	M 8	80	14.5	34	1.6	4.0	2.0
P0228.080-090-ZP	M 8	90	14.5	34	1.6	4.0	2.0
P0228.080-095-ZP	M 8	95	14.5	34	1.6	4.0	2.0
P0228.080-100-ZP	M 8	100	14.5	34	1.6	4.0	2.0
P0228.100-020-ZP	M10	20	18.0	-	2.0	5.0	2.5
P0228.100-022-ZP	M10	22	18.0	-	2.0	5.0	2.5
P0228.100-025-ZP	M10	25	18.0	-	2.0	5.0	2.5
P0228.100-030-ZP	M10	30	18.0	-	2.0	5.0	2.5
P0228.100-035-ZP	M10	35	18.0	-	2.0	5.0	2.5
P0228.100-040-ZP	M10	40	18.0	40	2.0	5.0	2.5
P0228.100-045-ZP	M10	45	18.0	40	2.0	5.0	2.5
P0228.100-050-ZP	M10	50	18.0	40	2.0	5.0	2.5
P0228.100-055-ZP	M10	55	18.0	40	2.0	5.0	2.5
P0228.100-060-ZP	M10	60	18.0	40	2.0	5.0	2.5
P0228.100-065-ZP	M10	65	18.0	40	2.0	5.0	2.5
P0228.100-070-ZP	M10	70	18.0	40	2.0	5.0	2.5
P0228.100-075-ZP	M10	75	18.0	40	2.0	5.0	2.5
P0228.100-080-ZP	M10	80	18.0	40	2.0	5.0	2.5
P0228.100-090-ZP	M10	90	18.0	40	2.0	5.0	2.5
P0228.100-095-ZP	M10	95	18.0	40	2.0	5.0	2.5
P0228.100-100-ZP	M10	100	18.0	40	2.0	5.0	2.5



Slot Pan Head Screws

Slot - A2 stainless

Standard Screws



P0230.A2

STANDARD SCREWS

Material

Stainless steel (A2).

pitch of head.

Technical Notes

To DIN 85, ISO 1580. Threaded within 2,5 x

See technical page for tightening torques.

Order No.	d ₁	l ₁	d ₂	h ₁	w ₁
P0230.016-005-A2	M1,6	5	3.2	1.0	0.4
P0230.016-006-A2	M1,6	6	3.2	1.0	0.4
P0230.016-008-A2	M1,6	8	3.2	1.0	0.4
P0230.016-010-A2	M1,6	10	3.2	1.0	0.4
P0230.020-003-A2	M 2	3	4	1.3	0.5
P0230.020-004-A2	M 2	4	4	1.3	0.5
P0230.020-005-A2	M 2	5	4	1.3	0.5
P0230.020-006-A2	M 2	6	4	1.3	0.5
P0230.020-008-A2	M 2	8	4	1.3	0.5
P0230.020-010-A2	M 2	10	4	1.3	0.5
P0230.020-012-A2	M 2	12	4	1.3	0.5
P0230.020-016-A2	M 2	16	4	1.3	0.5
P0230.020-020-A2	M 2	20	4	1.3	0.5
P0230.025-003-A2	M2,5	3	5	1.5	0.6
P0230.025-004-A2	M2,5	4	5	1.5	0.6
P0230.025-005-A2	M2,5	5	5	1.5	0.6
P0230.025-006-A2	M2,5	6	5	1.5	0.6
P0230.025-008-A2	M2,5	8	5	1.5	0.6
P0230.025-010-A2	M2,5	10	5	1.5	0.6
P0230.025-012-A2	M2,5	12	5	1.5	0.6
P0230.025-016-A2	M2,5	16	5	1.5	0.6
P0230.025-020-A2	M2,5	20	5	1.5	0.6
P0230.025-025-A2	M2,5	25	5	1.5	0.6
P0230.030-003-A2	M 3	3	6	1.8	0.8
P0230.030-004-A2	M 3	4	6	1.8	0.8
P0230.030-005-A2	M 3	5	6	1.8	0.8
P0230.030-006-A2	M 3	6	6	1.8	0.8
P0230.030-008-A2	M 3	8	6	1.8	0.8
P0230.030-010-A2	M 3	10	6	1.8	0.8
P0230.030-012-A2	M 3	12	6	1.8	0.8
P0230.030-014-A2	M 3	14	6	1.8	0.8
P0230.030-016-A2	M 3	16	6	1.8	0.8
P0230.030-018-A2	M 3	18	6	1.8	0.8
P0230.030-020-A2	M 3	20	6	1.8	0.8



Order No.	d ₁	l ₁	d ₂	h ₁	w ₁
P0230.030-022-A2	M 3	22	6	1.8	0.8
P0230.030-025-A2	M 3	25	6	1.8	0.8
P0230.030-028-A2	M 3	28	6	1.8	0.8
P0230.030-030-A2	M 3	30	6	1.8	0.8
P0230.030-035-A2	M 3	35	6	1.8	0.8
P0230.030-040-A2	M 3	40	6	1.8	0.8
P0230.030-045-A2	M 3	45	6	1.8	0.8
P0230.030-050-A2	M 3	50	6	1.8	0.8
P0230.035-005-A2	M3,5	5	7	2.1	1.0
P0230.035-006-A2	M3,5	6	7	2.1	1.0
P0230.035-008-A2	M3,5	8	7	2.1	1.0
P0230.035-010-A2	M3,5	10	7	2.1	1.0
P0230.035-012-A2	M3,5	12	7	2.1	1.0
P0230.035-016-A2	M3,5	16	7	2.1	1.0
P0230.035-020-A2	M3,5	20	7	2.1	1.0
P0230.035-025-A2	M3,5	25	7	2.1	1.0
P0230.035-030-A2	M3,5	30	7	2.1	1.0
P0230.035-035-A2	M3,5	35	7	2.1	1.0
P0230.035-040-A2	M3,5	40	7	2.1	1.0
P0230.035-050-A2	M3,5	50	7	2.1	1.0
P0230.040-005-A2	M 4	5	8	2.4	1.2
P0230.040-006-A2	M 4	6	8	2.4	1.2
P0230.040-008-A2	M 4	8	8	2.4	1.2
P0230.040-010-A2	M 4	10	8	2.4	1.2
P0230.040-012-A2	M 4	12	8	2.4	1.2
P0230.040-014-A2	M 4	14	8	2.4	1.2
P0230.040-016-A2	M 4	16	8	2.4	1.2
P0230.040-018-A2	M 4	18	8	2.4	1.2
P0230.040-020-A2	M 4	20	8	2.4	1.2
P0230.040-022-A2	M 4	22	8	2.4	1.2
P0230.040-025-A2	M 4	25	8	2.4	1.2
P0230.040-028-A2	M 4	28	8	2.4	1.2
P0230.040-030-A2	M 4	30	8	2.4	1.2
P0230.040-035-A2	M 4	35	8	2.4	1.2
P0230.040-040-A2	M 4	40	8	2.4	1.2
P0230.040-045-A2	M 4	45	8	2.4	1.2
P0230.040-050-A2	M 4	50	8	2.4	1.2
P0230.040-055-A2	M 4	55	8	2.4	1.2
P0230.040-060-A2	M 4	60	8	2.4	1.2
P0230.050-006-A2	M 5	6	10	3.0	1.2
P0230.050-008-A2	M 5	8	10	3.0	1.2
P0230.050-010-A2	M 5	10	10	3.0	1.2
P0230.050-012-A2	M 5	12	10	3.0	1.2
P0230.050-014-A2	M 5	14	10	3.0	1.2
P0230.050-016-A2	M 5	16	10	3.0	1.2
P0230.050-018-A2	M 5	18	10	3.0	1.2
P0230.050-020-A2	M 5	20	10	3.0	1.2
P0230.050-022-A2	M 5	22	10	3.0	1.2
P0230.050-025-A2	M 5	25	10	3.0	1.2
P0230.050-030-A2	M 5	30	10	3.0	1.2
P0230.050-035-A2	M 5	35	10	3.0	1.2
P0230.050-040-A2	M 5	40	10	3.0	1.2
P0230.050-045-A2	M 5	45	10	3.0	1.2
P0230.050-050-A2	M 5	50	10	3.0	1.2
P0230.050-055-A2	M 5	55	10	3.0	1.2
P0230.050-060-A2	M 5	60	10	3.0	1.2
P0230.050-065-A2	M 5	65	10	3.0	1.2
P0230.050-070-A2	M 5	70	10	3.0	1.2
P0230.050-075-A2	M 5	75	10	3.0	1.2
P0230.050-080-A2	M 5	80	10	3.0	1.2
P0230.050-090-A2	M 5	90	10	3.0	1.2
P0230.050-100-A2	M 5	100	10	3.0	1.2
P0230.060-008-A2	M 6	8	12	3.6	1.6
P0230.060-010-A2	M 6	10	12	3.6	1.6
P0230.060-012-A2	M 6	12	12	3.6	1.6
P0230.060-014-A2	M 6	14	12	3.6	1.6
P0230.060-016-A2	M 6	16	12	3.6	1.6
P0230.060-018-A2	M 6	18	12	3.6	1.6
P0230.060-020-A2	M 6	20	12	3.6	1.6



Slot Pan Head Screws

Slot - A2 stainless

Standard Screws

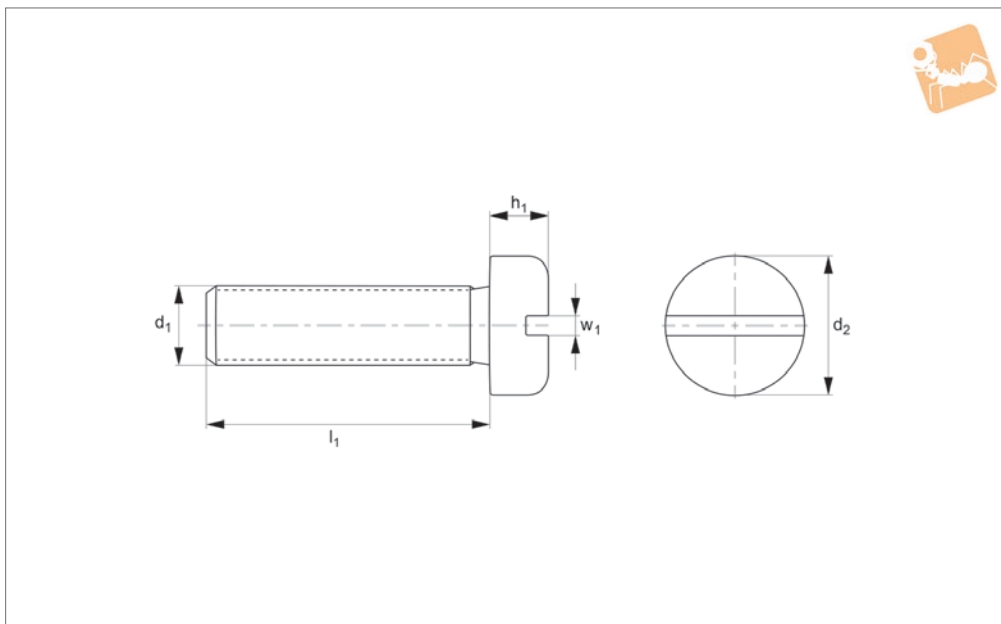


Order No.	d ₁	l ₁	d ₂	h ₁	w ₁
P0230.060-022-A2	M 6	22	12	3.6	1.6
P0230.060-025-A2	M 6	25	12	3.6	1.6
P0230.060-028-A2	M 6	28	12	3.6	1.6
P0230.060-030-A2	M 6	30	12	3.6	1.6
P0230.060-035-A2	M 6	35	12	3.6	1.6
P0230.060-040-A2	M 6	40	12	3.6	1.6
P0230.060-045-A2	M 6	45	12	3.6	1.6
P0230.060-050-A2	M 6	50	12	3.6	1.6
P0230.060-055-A2	M 6	55	12	3.6	1.6
P0230.060-060-A2	M 6	60	12	3.6	1.6
P0230.060-065-A2	M 6	65	12	3.6	1.6
P0230.060-070-A2	M 6	70	12	3.6	1.6
P0230.060-075-A2	M 6	75	12	3.6	1.6
P0230.060-080-A2	M 6	80	12	3.6	1.6
P0230.060-090-A2	M 6	90	12	3.6	1.6
P0230.060-100-A2	M 6	100	12	3.6	1.6
P0230.080-008-A2	M 8	8	16	4.8	2.0
P0230.080-010-A2	M 8	10	16	4.8	2.0
P0230.080-012-A2	M 8	12	16	4.8	2.0
P0230.080-016-A2	M 8	16	16	4.8	2.0
P0230.080-020-A2	M 8	20	16	4.8	2.0
P0230.080-025-A2	M 8	25	16	4.8	2.0
P0230.080-030-A2	M 8	30	16	4.8	2.0
P0230.080-035-A2	M 8	35	16	4.8	2.0
P0230.080-040-A2	M 8	40	16	4.8	2.0
P0230.080-045-A2	M 8	45	16	4.8	2.0
P0230.080-050-A2	M 8	50	16	4.8	2.0
P0230.080-055-A2	M 8	55	16	4.8	2.0
P0230.080-060-A2	M 8	60	16	4.8	2.0
P0230.080-065-A2	M 8	65	16	4.8	2.0
P0230.080-070-A2	M 8	70	16	4.8	2.0
P0230.080-075-A2	M 8	75	16	4.8	2.0
P0230.080-080-A2	M 8	80	16	4.8	2.0
P0230.080-090-A2	M 8	90	16	4.8	2.0
P0230.080-100-A2	M 8	100	16	4.8	2.0
P0230.100-016-A2	M10	16	20	6	2.5
P0230.100-020-A2	M10	20	20	6	2.5
P0230.100-025-A2	M10	25	20	6	2.5
P0230.100-030-A2	M10	30	20	6	2.5
P0230.100-035-A2	M10	35	20	6	2.5
P0230.100-040-A2	M10	40	20	6	2.5
P0230.100-045-A2	M10	45	20	6	2.5
P0230.100-050-A2	M10	50	20	6	2.5
P0230.100-055-A2	M10	55	20	6	2.5
P0230.100-060-A2	M10	60	20	6	2.5
P0230.100-065-A2	M10	65	20	6	2.5
P0230.100-070-A2	M10	70	20	6	2.5
P0230.100-080-A2	M10	80	20	6	2.5
P0230.100-090-A2	M10	90	20	6	2.5
P0230.100-100-A2	M10	100	20	6	2.5

STANDARD SCREWS



P0230.A4



Material

Stainless steel (A4).

pitch of head.

Technical Notes

To DIN 85, ISO 1580. Threaded within 2,5 x

See technical page for tightening torques.

Order No.	d ₁	l ₁	d ₂	h ₁	w ₁
P0230.016-005-A4	M1,6	5	3,2	1,0	0,4
P0230.016-006-A4	M1,6	6	3,2	1,0	0,4
P0230.016-008-A4	M1,6	8	3,2	1,0	0,4
P0230.016-010-A4	M1,6	10	3,2	1,0	0,4
P0230.020-003-A4	M 2	3	4	1,3	0,5
P0230.020-004-A4	M 2	4	4	1,3	0,5
P0230.020-005-A4	M 2	5	4	1,3	0,5
P0230.020-006-A4	M 2	6	4	1,3	0,5
P0230.020-008-A4	M 2	8	4	1,3	0,5
P0230.020-010-A4	M 2	10	4	1,3	0,5
P0230.020-012-A4	M 2	12	4	1,3	0,5
P0230.020-016-A4	M 2	16	4	1,3	0,5
P0230.020-020-A4	M 2	20	4	1,3	0,5
P0230.025-003-A4	M2,5	3	5	1,5	0,6
P0230.025-004-A4	M2,5	4	5	1,5	0,6
P0230.025-005-A4	M2,5	5	5	1,5	0,6
P0230.025-006-A4	M2,5	6	5	1,5	0,6
P0230.025-008-A4	M2,5	8	5	1,5	0,6
P0230.025-010-A4	M2,5	10	5	1,5	0,6
P0230.025-012-A4	M2,5	12	5	1,5	0,6
P0230.025-016-A4	M2,5	16	5	1,5	0,6
P0230.025-020-A4	M2,5	20	5	1,5	0,6
P0230.025-025-A4	M2,5	25	5	1,5	0,6
P0230.030-003-A4	M 3	3	6	1,8	0,8
P0230.030-004-A4	M 3	4	6	1,8	0,8
P0230.030-005-A4	M 3	5	6	1,8	0,8
P0230.030-006-A4	M 3	6	6	1,8	0,8
P0230.030-008-A4	M 3	8	6	1,8	0,8
P0230.030-010-A4	M 3	10	6	1,8	0,8
P0230.030-012-A4	M 3	12	6	1,8	0,8
P0230.030-014-A4	M 3	14	6	1,8	0,8
P0230.030-016-A4	M 3	16	6	1,8	0,8
P0230.030-018-A4	M 3	18	6	1,8	0,8
P0230.030-020-A4	M 3	20	6	1,8	0,8



Slot Pan Head Screws

Slot - A4 stainless

Standard Screws



Order No.	d ₁	l ₁	d ₂	h ₁	w ₁
P0230.030-022-A4	M 3	22	6	1.8	0.8
P0230.030-025-A4	M 3	25	6	1.8	0.8
P0230.030-028-A4	M 3	28	6	1.8	0.8
P0230.030-030-A4	M 3	30	6	1.8	0.8
P0230.030-035-A4	M 3	35	6	1.8	0.8
P0230.030-040-A4	M 3	40	6	1.8	0.8
P0230.030-045-A4	M 3	45	6	1.8	0.8
P0230.030-050-A4	M 3	50	6	1.8	0.8
P0230.035-005-A4	M3,5	5	7	2.1	1.0
P0230.035-006-A4	M3,5	6	7	2.1	1.0
P0230.035-008-A4	M3,5	8	7	2.1	1.0
P0230.035-010-A4	M3,5	10	7	2.1	1.0
P0230.035-012-A4	M3,5	12	7	2.1	1.0
P0230.035-016-A4	M3,5	16	7	2.1	1.0
P0230.035-020-A4	M3,5	20	7	2.1	1.0
P0230.035-025-A4	M3,5	25	7	2.1	1.0
P0230.035-030-A4	M3,5	30	7	2.1	1.0
P0230.035-035-A4	M3,5	35	7	2.1	1.0
P0230.035-040-A4	M3,5	40	7	2.1	1.0
P0230.035-050-A4	M3,5	50	7	2.1	1.0
P0230.040-005-A4	M 4	5	8	2.4	1.2
P0230.040-006-A4	M 4	6	8	2.4	1.2
P0230.040-008-A4	M 4	8	8	2.4	1.2
P0230.040-010-A4	M 4	10	8	2.4	1.2
P0230.040-012-A4	M 4	12	8	2.4	1.2
P0230.040-014-A4	M 4	14	8	2.4	1.2
P0230.040-016-A4	M 4	16	8	2.4	1.2
P0230.040-018-A4	M 4	18	8	2.4	1.2
P0230.040-020-A4	M 4	20	8	2.4	1.2
P0230.040-022-A4	M 4	22	8	2.4	1.2
P0230.040-025-A4	M 4	25	8	2.4	1.2
P0230.040-028-A4	M 4	28	8	2.4	1.2
P0230.040-030-A4	M 4	30	8	2.4	1.2
P0230.040-035-A4	M 4	35	8	2.4	1.2
P0230.040-040-A4	M 4	40	8	2.4	1.2
P0230.040-045-A4	M 4	45	8	2.4	1.2
P0230.040-050-A4	M 4	50	8	2.4	1.2
P0230.040-055-A4	M 4	55	8	2.4	1.2
P0230.040-060-A4	M 4	60	8	2.4	1.2
P0230.050-006-A4	M 5	6	10	3.0	1.2
P0230.050-008-A4	M 5	8	10	3.0	1.2
P0230.050-010-A4	M 5	10	10	3.0	1.2
P0230.050-012-A4	M 5	12	10	3.0	1.2
P0230.050-014-A4	M 5	14	10	3.0	1.2
P0230.050-016-A4	M 5	16	10	3.0	1.2
P0230.050-018-A4	M 5	18	10	3.0	1.2
P0230.050-020-A4	M 5	20	10	3.0	1.2
P0230.050-022-A4	M 5	22	10	3.0	1.2
P0230.050-025-A4	M 5	25	10	3.0	1.2
P0230.050-030-A4	M 5	30	10	3.0	1.2
P0230.050-035-A4	M 5	35	10	3.0	1.2
P0230.050-040-A4	M 5	40	10	3.0	1.2
P0230.050-045-A4	M 5	45	10	3.0	1.2
P0230.050-050-A4	M 5	50	10	3.0	1.2
P0230.050-055-A4	M 5	55	10	3.0	1.2
P0230.050-060-A4	M 5	60	10	3.0	1.2
P0230.050-065-A4	M 5	65	10	3.0	1.2
P0230.050-070-A4	M 5	70	10	3.0	1.2
P0230.050-075-A4	M 5	75	10	3.0	1.2
P0230.050-080-A4	M 5	80	10	3.0	1.2
P0230.050-090-A4	M 5	90	10	3.0	1.2
P0230.050-100-A4	M 5	100	10	3.0	1.2
P0230.060-008-A4	M 6	8	12	3.6	1.6
P0230.060-010-A4	M 6	10	12	3.6	1.6
P0230.060-012-A4	M 6	12	12	3.6	1.6
P0230.060-014-A4	M 6	14	12	3.6	1.6
P0230.060-016-A4	M 6	16	12	3.6	1.6
P0230.060-018-A4	M 6	18	12	3.6	1.6
P0230.060-020-A4	M 6	20	12	3.6	1.6

STANDARD SCREWS



Order No.	d ₁	l ₁	d ₂	h ₁	w ₁
P0230.060-022-A4	M 6	22	12	3.6	1.6
P0230.060-025-A4	M 6	25	12	3.6	1.6
P0230.060-028-A4	M 6	28	12	3.6	1.6
P0230.060-030-A4	M 6	30	12	3.6	1.6
P0230.060-035-A4	M 6	35	12	3.6	1.6
P0230.060-040-A4	M 6	40	12	3.6	1.6
P0230.060-045-A4	M 6	45	12	3.6	1.6
P0230.060-050-A4	M 6	50	12	3.6	1.6
P0230.060-055-A4	M 6	55	12	3.6	1.6
P0230.060-060-A4	M 6	60	12	3.6	1.6
P0230.060-065-A4	M 6	65	12	3.6	1.6
P0230.060-070-A4	M 6	70	12	3.6	1.6
P0230.060-075-A4	M 6	75	12	3.6	1.6
P0230.060-080-A4	M 6	80	12	3.6	1.6
P0230.060-090-A4	M 6	90	12	3.6	1.6
P0230.060-100-A4	M 6	100	12	3.6	1.6
P0230.080-008-A4	M 8	8	16	4.8	2.0
P0230.080-010-A4	M 8	10	16	4.8	2.0
P0230.080-012-A4	M 8	12	16	4.8	2.0
P0230.080-016-A4	M 8	16	16	4.8	2.0
P0230.080-020-A4	M 8	20	16	4.8	2.0
P0230.080-025-A4	M 8	25	16	4.8	2.0
P0230.080-030-A4	M 8	30	16	4.8	2.0
P0230.080-035-A4	M 8	35	16	4.8	2.0
P0230.080-040-A4	M 8	40	16	4.8	2.0
P0230.080-045-A4	M 8	45	16	4.8	2.0
P0230.080-050-A4	M 8	50	16	4.8	2.0
P0230.080-055-A4	M 8	55	16	4.8	2.0
P0230.080-060-A4	M 8	60	16	4.8	2.0
P0230.080-065-A4	M 8	65	16	4.8	2.0
P0230.080-070-A4	M 8	70	16	4.8	2.0
P0230.080-075-A4	M 8	75	16	4.8	2.0
P0230.080-080-A4	M 8	80	16	4.8	2.0
P0230.080-090-A4	M 8	90	16	4.8	2.0
P0230.080-100-A4	M 8	100	16	4.8	2.0
P0230.100-016-A4	M10	16	20	6	2.5
P0230.100-020-A4	M10	20	20	6	2.5
P0230.100-025-A4	M10	25	20	6	2.5
P0230.100-030-A4	M10	30	20	6	2.5
P0230.100-035-A4	M10	35	20	6	2.5
P0230.100-040-A4	M10	40	20	6	2.5
P0230.100-045-A4	M10	45	20	6	2.5
P0230.100-050-A4	M10	50	20	6	2.5
P0230.100-055-A4	M10	55	20	6	2.5
P0230.100-060-A4	M10	60	20	6	2.5
P0230.100-065-A4	M10	65	20	6	2.5
P0230.100-070-A4	M10	70	20	6	2.5
P0230.100-080-A4	M10	80	20	6	2.5
P0230.100-090-A4	M10	90	20	6	2.5
P0230.100-100-A4	M10	100	20	6	2.5

Slot Pan Head Screws

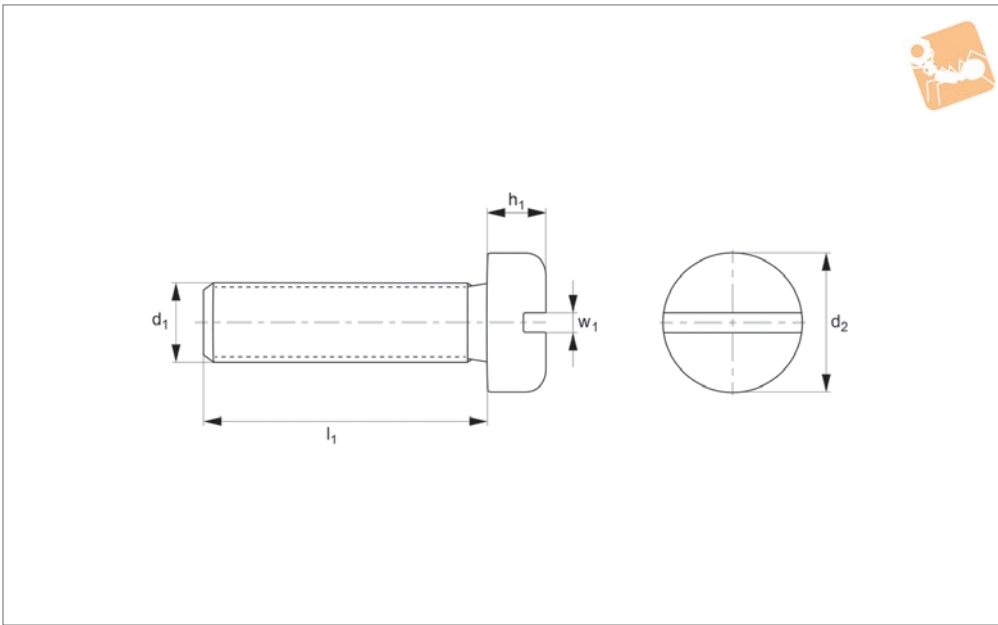
Slot - steel, zinc-plated

Standard Screws



P0230.ZP

STANDARD SCREWS



Material

Steel, zinc-plated (grade 4.8).

Technical Notes

To DIN 85, ISO 1580. Threaded within 2,5 x pitch of head.

Order No.	d ₁	l ₁	d ₂	h ₁	w ₁
P0230.016-005-ZP	M1,6	5	3.2	1.0	0.4
P0230.016-006-ZP	M1,6	6	3.2	1.0	0.4
P0230.016-008-ZP	M1,6	8	3.2	1.0	0.4
P0230.016-010-ZP	M1,6	10	3.2	1.0	0.4
P0230.020-003-ZP	M 2	3	4	1.3	0.5
P0230.020-004-ZP	M 2	4	4	1.3	0.5
P0230.020-005-ZP	M 2	5	4	1.3	0.5
P0230.020-006-ZP	M 2	6	4	1.3	0.5
P0230.020-008-ZP	M 2	8	4	1.3	0.5
P0230.020-010-ZP	M 2	10	4	1.3	0.5
P0230.020-012-ZP	M 2	12	4	1.3	0.5
P0230.020-016-ZP	M 2	16	4	1.3	0.5
P0230.020-020-ZP	M 2	20	4	1.3	0.5
P0230.025-003-ZP	M2,5	3	5	1.5	0.6
P0230.025-004-ZP	M2,5	4	5	1.5	0.6
P0230.025-005-ZP	M2,5	5	5	1.5	0.6
P0230.025-006-ZP	M2,5	6	5	1.5	0.6
P0230.025-008-ZP	M2,5	8	5	1.5	0.6
P0230.025-010-ZP	M2,5	10	5	1.5	0.6
P0230.025-012-ZP	M2,5	12	5	1.5	0.6
P0230.025-016-ZP	M2,5	16	5	1.5	0.6
P0230.025-020-ZP	M2,5	20	5	1.5	0.6
P0230.025-025-ZP	M2,5	25	5	1.5	0.6
P0230.030-003-ZP	M 3	3	6	1.8	0.8
P0230.030-004-ZP	M 3	4	6	1.8	0.8
P0230.030-005-ZP	M 3	5	6	1.8	0.8
P0230.030-006-ZP	M 3	6	6	1.8	0.8
P0230.030-008-ZP	M 3	8	6	1.8	0.8
P0230.030-010-ZP	M 3	10	6	1.8	0.8
P0230.030-012-ZP	M 3	12	6	1.8	0.8
P0230.030-014-ZP	M 3	14	6	1.8	0.8
P0230.030-016-ZP	M 3	16	6	1.8	0.8
P0230.030-018-ZP	M 3	18	6	1.8	0.8
P0230.030-020-ZP	M 3	20	6	1.8	0.8
P0230.030-022-ZP	M 3	22	6	1.8	0.8



STANDARD SCREWS

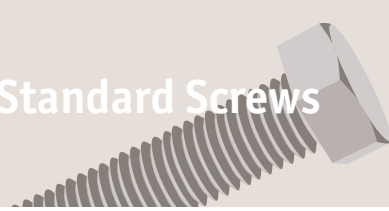
Order No.	d ₁	l ₁	d ₂	h ₁	w ₁
P0230.030-025-ZP	M 3	25	6	1.8	0.8
P0230.030-028-ZP	M 3	28	6	1.8	0.8
P0230.030-030-ZP	M 3	30	6	1.8	0.8
P0230.030-035-ZP	M 3	35	6	1.8	0.8
P0230.030-040-ZP	M 3	40	6	1.8	0.8
P0230.030-045-ZP	M 3	45	6	1.8	0.8
P0230.030-050-ZP	M 3	50	6	1.8	0.8
P0230.035-005-ZP	M3,5	5	7	2.1	1.0
P0230.035-006-ZP	M3,5	6	7	2.1	1.0
P0230.035-008-ZP	M3,5	8	7	2.1	1.0
P0230.035-010-ZP	M3,5	10	7	2.1	1.0
P0230.035-012-ZP	M3,5	12	7	2.1	1.0
P0230.035-016-ZP	M3,5	16	7	2.1	1.0
P0230.035-020-ZP	M3,5	20	7	2.1	1.0
P0230.035-025-ZP	M3,5	25	7	2.1	1.0
P0230.035-030-ZP	M3,5	30	7	2.1	1.0
P0230.035-035-ZP	M3,5	35	7	2.1	1.0
P0230.035-040-ZP	M3,5	40	7	2.1	1.0
P0230.035-050-ZP	M3,5	50	7	2.1	1.0
P0230.040-005-ZP	M 4	5	8	2.4	1.2
P0230.040-006-ZP	M 4	6	8	2.4	1.2
P0230.040-008-ZP	M 4	8	8	2.4	1.2
P0230.040-010-ZP	M 4	10	8	2.4	1.2
P0230.040-012-ZP	M 4	12	8	2.4	1.2
P0230.040-014-ZP	M 4	14	8	2.4	1.2
P0230.040-016-ZP	M 4	16	8	2.4	1.2
P0230.040-018-ZP	M 4	18	8	2.4	1.2
P0230.040-020-ZP	M 4	20	8	2.4	1.2
P0230.040-022-ZP	M 4	22	8	2.4	1.2
P0230.040-025-ZP	M 4	25	8	2.4	1.2
P0230.040-028-ZP	M 4	28	8	2.4	1.2
P0230.040-030-ZP	M 4	30	8	2.4	1.2
P0230.040-035-ZP	M 4	35	8	2.4	1.2
P0230.040-040-ZP	M 4	40	8	2.4	1.2
P0230.040-045-ZP	M 4	45	8	2.4	1.2
P0230.040-050-ZP	M 4	50	8	2.4	1.2
P0230.040-055-ZP	M 4	55	8	2.4	1.2
P0230.040-060-ZP	M 4	60	8	2.4	1.2
P0230.050-006-ZP	M 5	6	10	3.0	1.2
P0230.050-008-ZP	M 5	8	10	3.0	1.2
P0230.050-010-ZP	M 5	10	10	3.0	1.2
P0230.050-012-ZP	M 5	12	10	3.0	1.2
P0230.050-014-ZP	M 5	14	10	3.0	1.2
P0230.050-016-ZP	M 5	16	10	3.0	1.2
P0230.050-018-ZP	M 5	18	10	3.0	1.2
P0230.050-020-ZP	M 5	20	10	3.0	1.2
P0230.050-022-ZP	M 5	22	10	3.0	1.2
P0230.050-025-ZP	M 5	25	10	3.0	1.2
P0230.050-030-ZP	M 5	30	10	3.0	1.2
P0230.050-035-ZP	M 5	35	10	3.0	1.2
P0230.050-040-ZP	M 5	40	10	3.0	1.2
P0230.050-045-ZP	M 5	45	10	3.0	1.2
P0230.050-050-ZP	M 5	50	10	3.0	1.2
P0230.050-055-ZP	M 5	55	10	3.0	1.2
P0230.050-060-ZP	M 5	60	10	3.0	1.2
P0230.050-065-ZP	M 5	65	10	3.0	1.2
P0230.050-070-ZP	M 5	70	10	3.0	1.2
P0230.050-075-ZP	M 5	75	10	3.0	1.2
P0230.050-080-ZP	M 5	80	10	3.0	1.2
P0230.050-090-ZP	M 5	90	10	3.0	1.2
P0230.050-100-ZP	M 5	100	10	3.0	1.2
P0230.060-008-ZP	M 6	8	12	3.6	1.6
P0230.060-010-ZP	M 6	10	12	3.6	1.6
P0230.060-012-ZP	M 6	12	12	3.6	1.6
P0230.060-014-ZP	M 6	14	12	3.6	1.6
P0230.060-016-ZP	M 6	16	12	3.6	1.6
P0230.060-018-ZP	M 6	18	12	3.6	1.6
P0230.060-020-ZP	M 6	20	12	3.6	1.6
P0230.060-022-ZP	M 6	22	12	3.6	1.6



Slot Pan Head Screws

Slot - steel, zinc-plated

Standard Screws

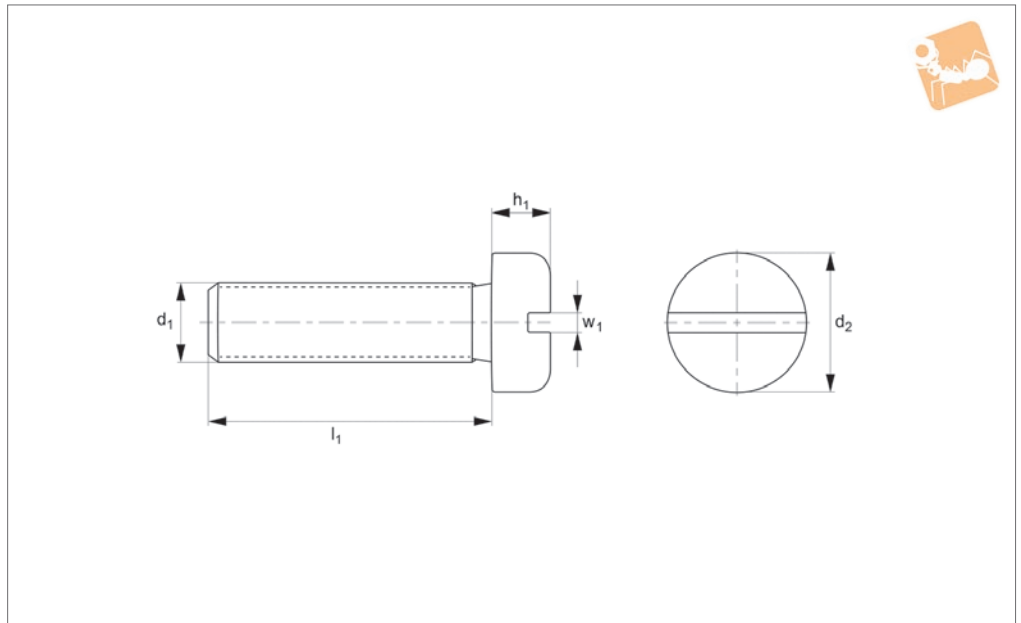


Order No.	d ₁	l ₁	d ₂	h ₁	w ₁
P0230.060-025-ZP	M 6	25	12	3.6	1.6
P0230.060-028-ZP	M 6	28	12	3.6	1.6
P0230.060-030-ZP	M 6	30	12	3.6	1.6
P0230.060-035-ZP	M 6	35	12	3.6	1.6
P0230.060-040-ZP	M 6	40	12	3.6	1.6
P0230.060-045-ZP	M 6	45	12	3.6	1.6
P0230.060-050-ZP	M 6	50	12	3.6	1.6
P0230.060-055-ZP	M 6	55	12	3.6	1.6
P0230.060-060-ZP	M 6	60	12	3.6	1.6
P0230.060-065-ZP	M 6	65	12	3.6	1.6
P0230.060-070-ZP	M 6	70	12	3.6	1.6
P0230.060-075-ZP	M 6	75	12	3.6	1.6
P0230.060-080-ZP	M 6	80	12	3.6	1.6
P0230.060-090-ZP	M 6	90	12	3.6	1.6
P0230.060-100-ZP	M 6	100	12	3.6	1.6
P0230.080-008-ZP	M 8	8	16	4.8	2.0
P0230.080-010-ZP	M 8	10	16	4.8	2.0
P0230.080-012-ZP	M 8	12	16	4.8	2.0
P0230.080-016-ZP	M 8	16	16	4.8	2.0
P0230.080-020-ZP	M 8	20	16	4.8	2.0
P0230.080-025-ZP	M 8	25	16	4.8	2.0
P0230.080-030-ZP	M 8	30	16	4.8	2.0
P0230.080-035-ZP	M 8	35	16	4.8	2.0
P0230.080-040-ZP	M 8	40	16	4.8	2.0
P0230.080-045-ZP	M 8	45	16	4.8	2.0
P0230.080-050-ZP	M 8	50	16	4.8	2.0
P0230.080-055-ZP	M 8	55	16	4.8	2.0
P0230.080-060-ZP	M 8	60	16	4.8	2.0
P0230.080-065-ZP	M 8	65	16	4.8	2.0
P0230.080-070-ZP	M 8	70	16	4.8	2.0
P0230.080-075-ZP	M 8	75	16	4.8	2.0
P0230.080-080-ZP	M 8	80	16	4.8	2.0
P0230.080-090-ZP	M 8	90	16	4.8	2.0
P0230.080-100-ZP	M 8	100	16	4.8	2.0
P0230.100-016-ZP	M10	16	20	6	2.5
P0230.100-020-ZP	M10	20	20	6	2.5
P0230.100-025-ZP	M10	25	20	6	2.5
P0230.100-030-ZP	M10	30	20	6	2.5
P0230.100-035-ZP	M10	35	20	6	2.5
P0230.100-040-ZP	M10	40	20	6	2.5
P0230.100-045-ZP	M10	45	20	6	2.5
P0230.100-050-ZP	M10	50	20	6	2.5
P0230.100-055-ZP	M10	55	20	6	2.5
P0230.100-060-ZP	M10	60	20	6	2.5
P0230.100-065-ZP	M10	65	20	6	2.5
P0230.100-070-ZP	M10	70	20	6	2.5
P0230.100-080-ZP	M10	80	20	6	2.5
P0230.100-090-ZP	M10	90	20	6	2.5
P0230.100-100-ZP	M10	100	20	6	2.5

STANDARD SCREWS



P0232.NL



Material
Nylon.

Technical Notes
To DIN 85, ISO 1580. Threaded within 2,5 x pitch of head.

Order No.	d ₁	l ₁	d ₂	h ₁	w ₁
P0232.020-003-NL	M2	3	4	1.2	0.6
P0232.020-004-NL	M2	4	4	1.2	0.6
P0232.020-005-NL	M2	5	4	1.2	0.6
P0232.020-006-NL	M2	6	4	1.2	0.6
P0232.020-008-NL	M2	8	4	1.2	0.6
P0232.020-010-NL	M2	10	4	1.2	0.6
P0232.020-012-NL	M2	12	4	1.2	0.6
P0232.020-014-NL	M2	14	4	1.2	0.6
P0232.020-016-NL	M2	16	4	1.2	0.6
P0232.020-018-NL	M2	18	4	1.2	0.6
P0232.020-020-NL	M2	20	4	1.2	0.6
P0232.025-005-NL	M2,5	5	5	1.5	0.6
P0232.025-006-NL	M2,5	6	5	1.5	0.6
P0232.025-008-NL	M2,5	8	5	1.5	0.6
P0232.025-010-NL	M2,5	10	5	1.5	0.6
P0232.025-012-NL	M2,5	12	5	1.5	0.6
P0232.025-016-NL	M2,5	16	5	1.5	0.6
P0232.030-005-NL	M3	5	6	1.8	0.8
P0232.030-006-NL	M3	6	6	1.8	0.8
P0232.030-008-NL	M3	8	6	1.8	0.8
P0232.030-010-NL	M3	10	6	1.8	0.8
P0232.030-012-NL	M3	12	6	1.8	0.8
P0232.030-016-NL	M3	16	6	1.8	0.8
P0232.030-020-NL	M3	20	6	1.8	0.8
P0232.030-025-NL	M3	25	6	1.8	0.8
P0232.040-006-NL	M4	6	8	2.4	1.0
P0232.040-008-NL	M4	8	8	2.4	1.0
P0232.040-010-NL	M4	10	8	2.4	1.0
P0232.040-012-NL	M4	12	8	2.4	1.0
P0232.040-016-NL	M4	16	8	2.4	1.0
P0232.040-020-NL	M4	20	8	2.4	1.0
P0232.040-025-NL	M4	25	8	2.4	1.0
P0232.040-030-NL	M4	30	8	2.4	1.0
P0232.040-035-NL	M4	35	8	2.4	1.0
P0232.040-040-NL	M4	40	8	2.4	1.0



Nylon Slot Pan Head Screws

Nylon Slot

Standard Screws

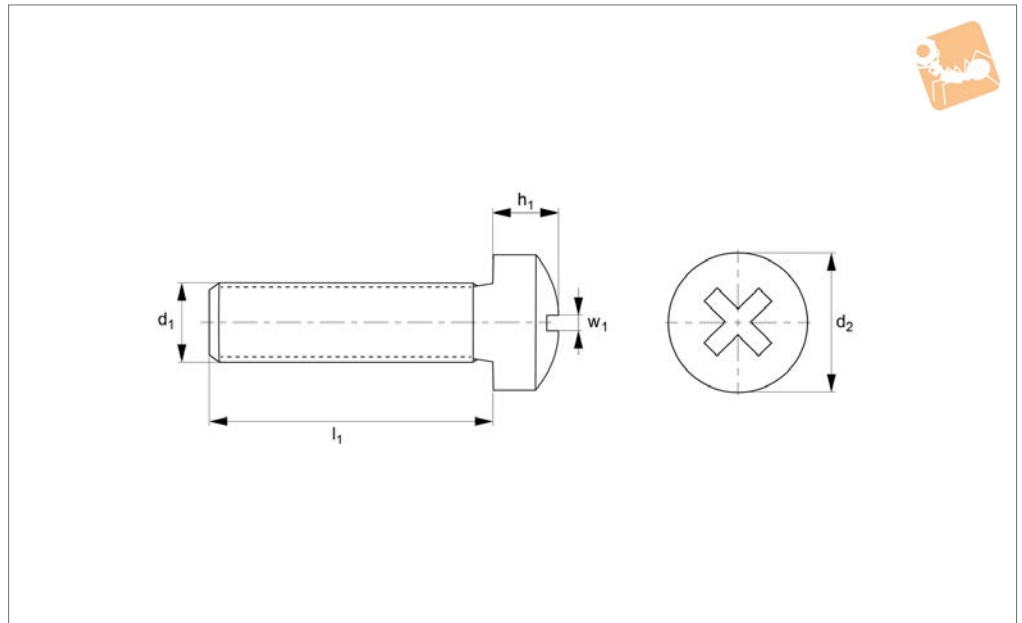


Order No.	d ₁	l ₁	d ₂	h ₁	w ₁
P0232.050-008-NL	M5	8	10	3.0	1.2
P0232.050-010-NL	M5	10	10	3.0	1.2
P0232.050-012-NL	M5	12	10	3.0	1.2
P0232.050-016-NL	M5	16	10	3.0	1.2
P0232.050-020-NL	M5	20	10	3.0	1.2
P0032.050-025-NL	M5	25	10	3.0	1.2
P0232.050-030-NL	M5	30	10	3.0	1.2
P0232.050-035-NL	M5	35	10	3.0	1.2
P0232.050-040-NL	M5	40	10	3.0	1.2
P0232.060-010-NL	M6	10	12	3.6	1.5
P0232.060-012-NL	M6	12	12	3.6	1.5
P0232.060-016-NL	M6	16	12	3.6	1.5
P0232.060-020-NL	M6	20	12	3.6	1.5
P0232.060-025-NL	M6	25	12	3.6	1.5
P0232.060-030-NL	M6	30	12	3.6	1.5
P0232.060-035-NL	M6	35	12	3.6	1.5
P0232.060-040-NL	M6	40	12	3.6	1.5
P0232.080-016-NL	M8	16	16	4.8	1.9

STANDARD SCREWS



P0234.A2



Material

Stainless steel (A2).

Technical Notes

To DIN 7985 H, ISO 7045. Threaded within 2,5 x pitch of head.

Order No.	d ₁	l ₁	d ₂	h ₁	Size
P0234.016-003-A2	M1,6	3	3,2	1,3	PH-0
P0234.016-004-A2	M1,6	4	3,2	1,3	PH-0
P0234.016-005-A2	M1,6	5	3,2	1,3	PH-0
P0234.016-006-A2	M1,6	6	3,2	1,3	PH-0
P0234.016-008-A2	M1,6	8	3,2	1,3	PH-0
P0234.016-010-A2	M1,6	10	3,2	1,3	PH-0
P0234.016-012-A2	M1,6	12	3,2	1,3	PH-0
P0234.016-014-A2	M1,6	14	3,2	1,3	PH-0
P0234.016-016-A2	M1,6	16	3,2	1,3	PH-0
P0234.016-018-A2	M1,6	18	3,2	1,3	PH-0
P0234.020-003-A2	M 2	3	4	1,6	PH-1
P0234.020-004-A2	M 2	4	4	1,6	PH-1
P0234.020-005-A2	M 2	5	4	1,6	PH-1
P0234.020-006-A2	M 2	6	4	1,6	PH-1
P0234.020-008-A2	M 2	8	4	1,6	PH-1
P0234.020-010-A2	M 2	10	4	1,6	PH-1
P0234.020-012-A2	M 2	12	4	1,6	PH-1
P0234.020-014-A2	M 2	14	4	1,6	PH-1
P0234.020-016-A2	M 2	16	4	1,6	PH-1
P0234.020-018-A2	M 2	18	4	1,6	PH-1
P0234.020-020-A2	M 2	20	4	1,6	PH-1
P0234.025-003-A2	M2,5	3	5	2,0	PH-1
P0234.025-004-A2	M2,5	4	5	2,0	PH-1
P0234.025-005-A2	M2,5	5	5	2,0	PH-1
P0234.025-006-A2	M2,5	6	5	2,0	PH-1
P0234.025-008-A2	M2,5	8	5	2,0	PH-1
P0234.025-010-A2	M2,5	10	5	2,0	PH-1
P0234.025-012-A2	M2,5	12	5	2,0	PH-1
P0234.025-016-A2	M2,5	16	5	2,0	PH-1
P0234.025-020-A2	M2,5	20	5	2,0	PH-1
P0234.025-025-A2	M2,5	25	5	2,0	PH-1
P0234.030-004-A2	M 3	4	6	2,4	PH-1
P0234.030-005-A2	M 3	5	6	2,4	PH-1
P0234.030-006-A2	M 3	6	6	2,4	PH-1
P0234.030-008-A2	M 3	8	6	2,4	PH-1



Phillips Pan Head Screws

Phillips - A2 stainless

Standard Screws



Order No.	d ₁	l ₁	d ₂	h ₁	Size
P0234.030-010-A2	M 3	10	6	2.4	PH-1
P0234.030-012-A2	M 3	12	6	2.4	PH-1
P0234.030-014-A2	M 3	14	6	2.4	PH-1
P0234.030-016-A2	M 3	16	6	2.4	PH-1
P0234.030-018-A2	M 3	18	6	2.4	PH-1
P0234.030-020-A2	M 3	20	6	2.4	PH-1
P0234.030-022-A2	M 3	22	6	2.4	PH-1
P0234.030-025-A2	M 3	25	6	2.4	PH-1
P0234.030-028-A2	M 3	28	6	2.4	PH-1
P0234.030-030-A2	M 3	30	6	2.4	PH-1
P0234.030-035-A2	M 3	35	6	2.4	PH-1
P0234.030-040-A2	M 3	40	6	2.4	PH-1
P0234.030-045-A2	M 3	45	6	2.4	PH-1
P0234.030-050-A2	M 3	50	6	2.4	PH-1
P0234.030-055-A2	M 3	55	6	2.4	PH-1
P0234.030-060-A2	M 3	60	6	2.4	PH-1
P0234.040-004-A2	M 4	4	6	3.1	PH-2
P0234.040-005-A2	M 4	5	6	3.1	PH-2
P0234.040-006-A2	M 4	6	6	3.1	PH-2
P0234.040-008-A2	M 4	8	6	3.1	PH-2
P0234.040-010-A2	M 4	10	6	3.1	PH-2
P0234.040-012-A2	M 4	12	6	3.1	PH-2
P0234.040-014-A2	M 4	14	6	3.1	PH-2
P0234.040-016-A2	M 4	16	6	3.1	PH-2
P0234.040-018-A2	M 4	18	6	3.1	PH-2
P0234.040-020-A2	M 4	20	6	3.1	PH-2
P0234.040-022-A2	M 4	22	6	3.1	PH-2
P0234.040-025-A2	M 4	25	6	3.1	PH-2
P0234.040-028-A2	M 4	28	6	3.1	PH-2
P0234.040-030-A2	M 4	30	6	3.1	PH-2
P0234.040-035-A2	M 4	35	6	3.1	PH-2
P0234.040-040-A2	M 4	40	6	3.1	PH-2
P0234.040-045-A2	M 4	45	6	3.1	PH-2
P0234.040-050-A2	M 4	50	6	3.1	PH-2
P0234.040-055-A2	M 4	55	6	3.1	PH-2
P0234.040-060-A2	M 4	60	6	3.1	PH-2
P0234.040-065-A2	M 4	65	6	3.1	PH-2
P0234.040-070-A2	M 4	70	6	3.1	PH-2
P0234.040-080-A2	M 4	80	6	3.1	PH-2
P0234.040-090-A2	M 4	90	6	3.1	PH-2
P0234.040-100-A2	M 4	100	6	3.1	PH-2
P0234.050-006-A2	M 5	6	6	3.8	PH-2
P0234.050-008-A2	M 5	8	6	3.8	PH-2
P0234.050-010-A2	M 5	10	6	3.8	PH-2
P0234.050-012-A2	M 5	12	6	3.8	PH-2
P0234.050-014-A2	M 5	14	6	3.8	PH-2
P0234.050-016-A2	M 5	16	6	3.8	PH-2
P0234.050-018-A2	M 5	18	6	3.8	PH-2
P0234.050-020-A2	M 5	20	6	3.8	PH-2
P0234.050-022-A2	M 5	22	6	3.8	PH-2
P0234.050-025-A2	M 5	25	6	3.8	PH-2
P0234.050-028-A2	M 5	28	6	3.8	PH-2
P0234.050-030-A2	M 5	30	6	3.8	PH-2
P0234.050-035-A2	M 5	35	6	3.8	PH-2
P0234.050-040-A2	M 5	40	6	3.8	PH-2
P0234.050-045-A2	M 5	45	6	3.8	PH-2
P0234.050-050-A2	M 5	50	6	3.8	PH-2
P0234.050-055-A2	M 5	55	6	3.8	PH-2
P0234.050-060-A2	M 5	60	6	3.8	PH-2
P0234.050-065-A2	M 5	65	6	3.8	PH-2
P0234.050-070-A2	M 5	70	6	3.8	PH-2
P0234.050-080-A2	M 5	80	6	3.8	PH-2
P0234.050-090-A2	M 5	90	6	3.8	PH-2
P0234.050-100-A2	M 5	100	6	3.8	PH-2
P0234.060-008-A2	M 6	8	6	4.6	PH-3
P0234.060-010-A2	M 6	10	6	4.6	PH-3
P0234.060-012-A2	M 6	12	6	4.6	PH-3
P0234.060-014-A2	M 6	14	6	4.6	PH-3
P0234.060-016-A2	M 6	16	6	4.6	PH-3

STANDARD SCREWS



STANDARD SCREWS

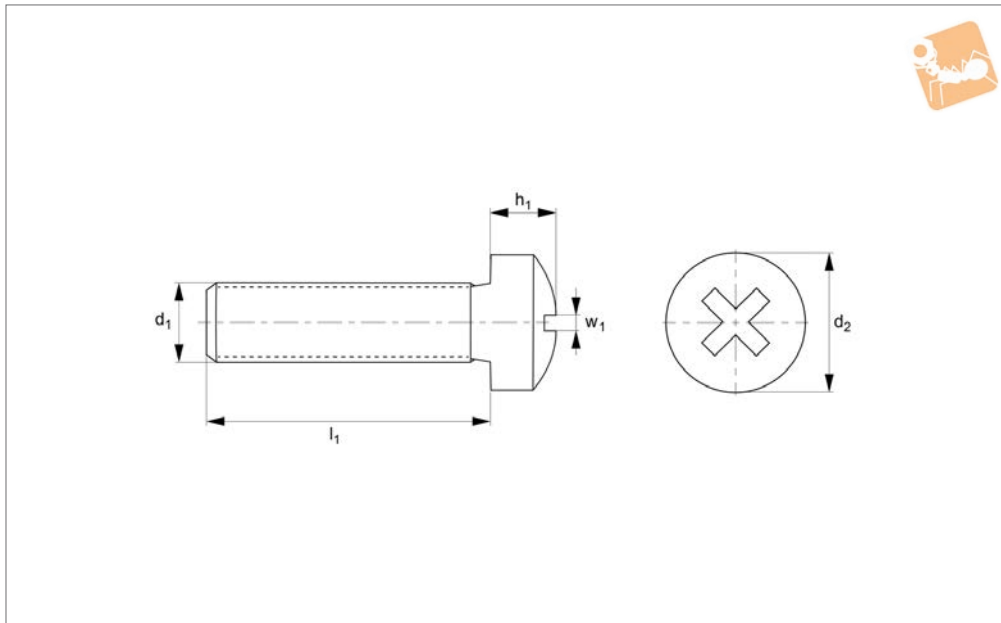
Order No.	d ₁	l ₁	d ₂	h ₁	Size
P0234.060-018-A2	M 6	18	6	4.6	PH-3
P0234.060-020-A2	M 6	20	6	4.6	PH-3
P0234.060-022-A2	M 6	22	6	4.6	PH-3
P0234.060-025-A2	M 6	25	6	4.6	PH-3
P0234.060-028-A2	M 6	28	6	4.6	PH-3
P0234.060-030-A2	M 6	30	6	4.6	PH-3
P0234.060-035-A2	M 6	35	6	4.6	PH-3
P0234.060-040-A2	M 6	40	6	4.6	PH-3
P0234.060-045-A2	M 6	45	6	4.6	PH-3
P0234.060-050-A2	M 6	50	6	4.6	PH-3
P0234.060-055-A2	M 6	55	6	4.6	PH-3
P0234.060-060-A2	M 6	60	6	4.6	PH-3
P0234.060-065-A2	M 6	65	6	4.6	PH-3
P0234.060-070-A2	M 6	70	6	4.6	PH-3
P0234.060-080-A2	M 6	80	6	4.6	PH-3
P0234.060-090-A2	M 6	90	6	4.6	PH-3
P0234.060-100-A2	M 6	100	6	4.6	PH-3
P0234.080-010-A2	M 8	10	6	6.0	PH-4
P0234.080-012-A2	M 8	12	6	6.0	PH-4
P0234.080-014-A2	M 8	14	6	6.0	PH-4
P0234.080-016-A2	M 8	16	6	6.0	PH-4
P0234.080-018-A2	M 8	18	6	6.0	PH-4
P0234.080-020-A2	M 8	20	6	6.0	PH-4
P0234.080-022-A2	M 8	22	6	6.0	PH-4
P0234.080-025-A2	M 8	25	6	6.0	PH-4
P0234.080-028-A2	M 8	28	6	6.0	PH-4
P0234.080-030-A2	M 8	30	6	6.0	PH-4
P0234.080-035-A2	M 8	35	6	6.0	PH-4
P0234.080-040-A2	M 8	40	6	6.0	PH-4
P0234.080-045-A2	M 8	45	6	6.0	PH-4
P0234.080-050-A2	M 8	50	6	6.0	PH-4
P0234.080-055-A2	M 8	55	6	6.0	PH-4
P0234.080-060-A2	M 8	60	6	6.0	PH-4
P0234.080-065-A2	M 8	65	6	6.0	PH-4
P0234.080-070-A2	M 8	70	6	6.0	PH-4
P0234.080-080-A2	M 8	80	6	6.0	PH-4
P0234.080-090-A2	M 8	90	6	6.0	PH-4
P0234.080-100-A2	M 8	100	6	6.0	PH-4



Phillips Pan Head Screws

Phillips - A4 stainless

Standard Screws



P0234.A4

STANDARD SCREWS

Material
Stainless steel (A4).

2,5 x pitch of head.

Technical Notes
To DIN 7985 H, ISO 7045. Threaded within

See technical page for tightening torques.

Order No.	d ₁	l ₁	d ₂	h ₁	Size
P0234.016-003-A4	M1,6	3	3.2	1.3	PH-0
P0234.016-004-A4	M1,6	4	3.2	1.3	PH-0
P0234.016-005-A4	M1,6	5	3.2	1.3	PH-0
P0234.016-006-A4	M1,6	6	3.2	1.3	PH-0
P0234.016-008-A4	M1,6	8	3.2	1.3	PH-0
P0234.016-010-A4	M1,6	10	3.2	1.3	PH-0
P0234.016-012-A4	M1,6	12	3.2	1.3	PH-0
P0234.016-014-A4	M1,6	14	3.2	1.3	PH-0
P0234.016-016-A4	M1,6	16	3.2	1.3	PH-0
P0234.016-018-A4	M1,6	18	3.2	1.3	PH-0
P0234.020-003-A4	M 2	3	4	1.6	PH-1
P0234.020-004-A4	M 2	4	4	1.6	PH-1
P0234.020-005-A4	M 2	5	4	1.6	PH-1
P0234.020-006-A4	M 2	6	4	1.6	PH-1
P0234.020-008-A4	M 2	8	4	1.6	PH-1
P0234.020-010-A4	M 2	10	4	1.6	PH-1
P0234.020-012-A4	M 2	12	4	1.6	PH-1
P0234.020-014-A4	M 2	14	4	1.6	PH-1
P0234.020-016-A4	M 2	16	4	1.6	PH-1
P0234.020-018-A4	M 2	18	4	1.6	PH-1
P0234.020-020-A4	M2	20	4	1.6	PH-1
P0234.025-003-A4	M2,5	3	5	2.0	PH-1
P0234.025-004-A4	M2,5	4	5	2.0	PH-1
P0234.025-005-A4	M2,5	5	5	2.0	PH-1
P0234.025-006-A4	M2,5	6	5	2.0	PH-1
P0234.025-008-A4	M2,5	8	5	2.0	PH-1
P0234.025-010-A4	M2,5	10	5	2.0	PH-1
P0234.025-012-A4	M2,5	12	5	2.0	PH-1
P0234.025-016-A4	M2,5	16	5	2.0	PH-1
P0234.025-020-A4	M2,5	20	5	2.0	PH-1
P0234.025-025-A4	M2,5	25	5	2.0	PH-1
P0234.030-004-A4	M 3	4	6	2.4	PH-1
P0234.030-005-A4	M 3	5	6	2.4	PH-1
P0234.030-006-A4	M 3	6	6	2.4	PH-1



STANDARD SCREWS

Order No.	d ₁	l ₁	d ₂	h ₁	Size
P0234.030-008-A4	M 3	8	6	2.4	PH-1
P0234.030-010-A4	M 3	10	6	2.4	PH-1
P0234.030-012-A4	M 3	12	6	2.4	PH-1
P0234.030-014-A4	M 3	14	6	2.4	PH-1
P0234.030-016-A4	M 3	16	6	2.4	PH-1
P0234.030-018-A4	M 3	18	6	2.4	PH-1
P0234.030-020-A4	M 3	20	6	2.4	PH-1
P0234.030-022-A4	M 3	22	6	2.4	PH-1
P0234.030-025-A4	M 3	25	6	2.4	PH-1
P0234.030-028-A4	M 3	28	6	2.4	PH-1
P0234.030-030-A4	M 3	30	6	2.4	PH-1
P0234.030-035-A4	M 3	35	6	2.4	PH-1
P0234.030-040-A4	M 3	40	6	2.4	PH-1
P0234.030-045-A4	M 3	45	6	2.4	PH-1
P0234.030-050-A4	M 3	50	6	2.4	PH-1
P0234.030-055-A4	M 3	55	6	2.4	PH-1
P0234.030-060-A4	M 3	60	6	2.4	PH-1
P0234.040-004-A4	M 4	4	8	3.1	PH-2
P0234.040-005-A4	M 4	5	8	3.1	PH-2
P0234.040-006-A4	M 4	6	8	3.1	PH-2
P0234.040-008-A4	M 4	8	8	3.1	PH-2
P0234.040-010-A4	M 4	10	8	3.1	PH-2
P0234.040-012-A4	M 4	12	8	3.1	PH-2
P0234.040-014-A4	M 4	14	8	3.1	PH-2
P0234.040-016-A4	M 4	16	8	3.1	PH-2
P0234.040-018-A4	M 4	18	8	3.1	PH-2
P0234.040-020-A4	M 4	20	8	3.1	PH-2
P0234.040-022-A4	M 4	22	8	3.1	PH-2
P0234.040-025-A4	M 4	25	8	3.1	PH-2
P0234.040-028-A4	M 4	28	8	3.1	PH-2
P0234.040-030-A4	M 4	30	8	3.1	PH-2
P0234.040-035-A4	M 4	35	8	3.1	PH-2
P0234.040-040-A4	M 4	40	8	3.1	PH-2
P0234.040-045-A4	M 4	45	8	3.1	PH-2
P0234.040-050-A4	M 4	50	8	3.1	PH-2
P0234.040-055-A4	M 4	55	8	3.1	PH-2
P0234.040-060-A4	M 4	60	8	3.1	PH-2
P0234.040-065-A4	M 4	65	8	3.1	PH-2
P0234.040-070-A4	M 4	70	8	3.1	PH-2
P0234.040-080-A4	M 4	80	8	3.1	PH-2
P0234.040-090-A4	M 4	90	8	3.1	PH-2
P0234.040-100-A4	M 4	100	8	3.1	PH-2
P0234.050-006-A4	M 5	6	10	3.8	PH-2
P0234.050-008-A4	M 5	8	10	3.8	PH-2
P0234.050-010-A4	M 5	10	10	3.8	PH-2
P0234.050-012-A4	M 5	12	10	3.8	PH-2
P0234.050-014-A4	M 5	14	10	3.8	PH-2
P0234.050-016-A4	M 5	16	10	3.8	PH-2
P0234.050-018-A4	M 5	18	10	3.8	PH-2
P0234.050-020-A4	M 5	20	10	3.8	PH-2
P0234.050-022-A4	M 5	22	10	3.8	PH-2
P0234.050-025-A4	M 5	25	10	3.8	PH-2
P0234.050-028-A4	M 5	28	10	3.8	PH-2
P0234.050-030-A4	M 5	30	10	3.8	PH-2
P0234.050-035-A4	M 5	35	10	3.8	PH-2
P0234.050-040-A4	M 5	40	10	3.8	PH-2
P0234.050-045-A4	M 5	45	10	3.8	PH-2
P0234.050-050-A4	M 5	50	10	3.8	PH-2
P0234.050-055-A4	M 5	55	10	3.8	PH-2
P0234.050-060-A4	M 5	60	10	3.8	PH-2
P0234.050-065-A4	M 5	65	10	3.8	PH-2
P0234.050-070-A4	M 5	70	10	3.8	PH-2
P0234.050-080-A4	M 5	80	10	3.8	PH-2
P0234.050-090-A4	M 5	90	10	3.8	PH-2
P0234.050-100-A4	M 5	100	10	3.8	PH-2
P0234.060-008-A4	M 6	8	12	4.6	PH-3
P0234.060-010-A4	M 6	10	12	4.6	PH-3
P0234.060-012-A4	M 6	12	12	4.6	PH-3
P0234.060-014-A4	M 6	14	12	4.6	PH-3



Phillips Pan Head Screws

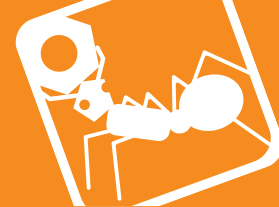
Phillips - A4 stainless

Standard Screws

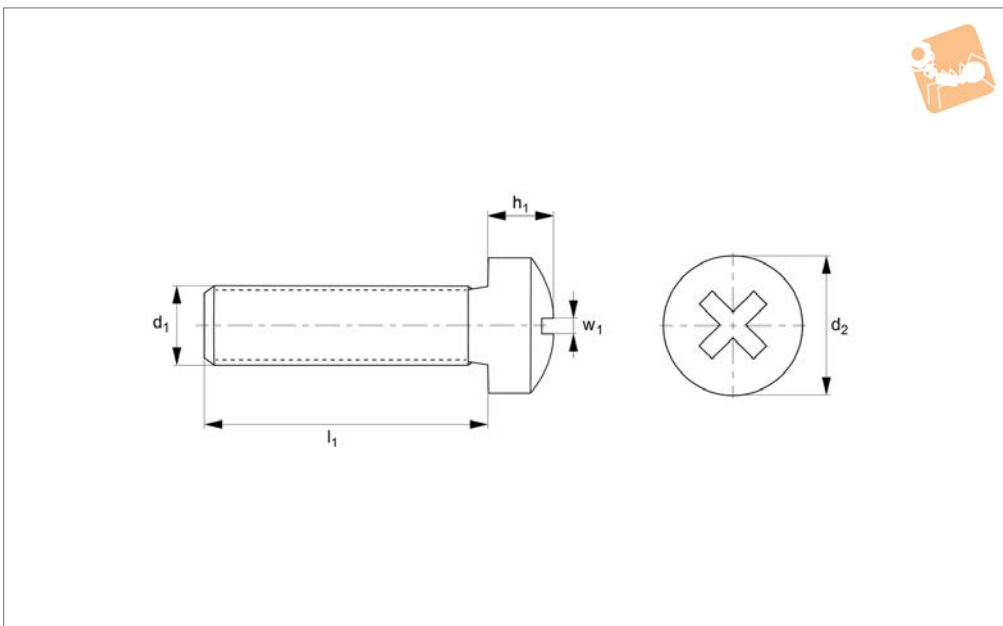


Order No.	d ₁	l ₁	d ₂	h ₁	Size
P0234.060-016-A4	M 6	16	12	4.6	PH-3
P0234.060-018-A4	M 6	18	12	4.6	PH-3
P0234.060-020-A4	M 6	20	12	4.6	PH-3
P0234.060-022-A4	M 6	22	12	4.6	PH-3
P0234.060-025-A4	M 6	25	12	4.6	PH-3
P0234.060-028-A4	M 6	28	12	4.6	PH-3
P0234.060-030-A4	M 6	30	12	4.6	PH-3
P0234.060-035-A4	M 6	35	12	4.6	PH-3
P0234.060-040-A4	M 6	40	12	4.6	PH-3
P0234.060-045-A4	M 6	45	12	4.6	PH-3
P0234.060-050-A4	M 6	50	12	4.6	PH-3
P0234.060-055-A4	M 6	55	12	4.6	PH-3
P0234.060-060-A4	M 6	60	12	4.6	PH-3
P0234.060-065-A4	M 6	65	12	4.6	PH-3
P0234.060-070-A4	M 6	70	12	4.6	PH-3
P0234.060-080-A4	M 6	80	12	4.6	PH-3
P0234.060-090-A4	M 6	90	12	4.6	PH-3
P0234.060-100-A4	M 6	100	12	4.6	PH-3
P0234.080-010-A4	M 8	10	16	6.0	PH-4
P0234.080-012-A4	M 8	12	16	6.0	PH-4
P0234.080-014-A4	M 8	14	16	6.0	PH-4
P0234.080-016-A4	M 8	16	16	6.0	PH-4
P0234.080-018-A4	M 8	18	16	6.0	PH-4
P0234.080-020-A4	M 8	20	16	6.0	PH-4
P0234.080-022-A4	M 8	22	16	6.0	PH-4
P0234.080-025-A4	M 8	25	16	6.0	PH-4
P0234.080-028-A4	M 8	28	16	6.0	PH-4
P0234.080-030-A4	M 8	30	16	6.0	PH-4
P0234.080-035-A4	M 8	35	16	6.0	PH-4
P0234.080-040-A4	M 8	40	16	6.0	PH-4
P0234.080-045-A4	M 8	45	16	6.0	PH-4
P0234.080-050-A4	M 8	50	16	6.0	PH-4
P0234.080-055-A4	M 8	55	16	6.0	PH-4
P0234.080-060-A4	M 8	60	16	6.0	PH-4
P0234.080-065-A4	M 8	65	16	6.0	PH-4
P0234.080-070-A4	M 8	70	16	6.0	PH-4
P0234.080-080-A4	M 8	80	16	6.0	PH-4
P0234.080-090-A4	M 8	90	16	6.0	PH-4
P0234.080-100-A4	M 8	100	16	6.0	PH-4

STANDARD SCREWS



P0234.ZP



Material

Steel, zinc-plated (grade 4.8).

Technical Notes

To DIN 7985 H, ISO 7045. Threaded within 2,5 x pitch of head.

Order No.	d ₁	l ₁	d ₂	h ₁	Size
P0234.016-003-ZP	M1,6	3	3.2	1.3	PH-0
P0234.016-004-ZP	M1,6	4	3.2	1.3	PH-0
P0234.016-005-ZP	M1,6	5	3.2	1.3	PH-0
P0234.016-006-ZP	M1,6	6	3.2	1.3	PH-0
P0234.016-008-ZP	M1,6	8	3.2	1.3	PH-0
P0234.016-010-ZP	M1,6	10	3.2	1.3	PH-0
P0234.016-012-ZP	M1,6	12	3.2	1.3	PH-0
P0234.016-014-ZP	M1,6	14	3.2	1.3	PH-0
P0234.016-016-ZP	M1,6	16	3.2	1.3	PH-0
P0234.016-018-ZP	M1,6	18	3.2	1.3	PH-0
P0234.020-003-ZP	M 2	3	4	1.6	PH-1
P0234.020-004-ZP	M 2	4	4	1.6	PH-1
P0234.020-005-ZP	M 2	5	4	1.6	PH-1
P0234.020-006-ZP	M 2	6	4	1.6	PH-1
P0234.020-008-ZP	M 2	8	4	1.6	PH-1
P0234.020-010-ZP	M 2	10	4	1.6	PH-1
P0234.020-012-ZP	M 2	12	4	1.6	PH-1
P0234.020-014-ZP	M 2	14	4	1.6	PH-1
P0234.020-016-ZP	M 2	16	4	1.6	PH-1
P0234.020-018-ZP	M 2	18	4	1.6	PH-1
P0234.020-020-ZP	M 2	20	4	1.6	PH-1
P0234.025-003-ZP	M2,5	3	5	2.0	PH-1
P0234.025-004-ZP	M2,5	4	5	2.0	PH-1
P0234.025-005-ZP	M2,5	5	5	2.0	PH-1
P0234.025-006-ZP	M2,5	6	5	2.0	PH-1
P0234.025-008-ZP	M2,5	8	5	2.0	PH-1
P0234.025-010-ZP	M2,5	10	5	2.0	PH-1
P0234.025-012-ZP	M2,5	12	5	2.0	PH-1
P0234.025-016-ZP	M2,5	16	5	2.0	PH-1
P0234.025-020-ZP	M2,5	20	5	2.0	PH-1
P0234.025-025-ZP	M2,5	25	5	2.0	PH-1
P0234.030-004-ZP	M 3	4	6	2.4	PH-1
P0234.030-005-ZP	M 3	5	6	2.4	PH-1
P0234.030-006-ZP	M 3	6	6	2.4	PH-1
P0234.030-008-ZP	M 3	8	6	2.4	PH-1



Phillips Pan Head Screws

Phillips - steel, zinc-plated

Standard Screws



Order No.	d ₁	l ₁	d ₂	h ₁	Size
P0234.030-010-ZP	M 3	10	6	2.4	PH-1
P0234.030-012-ZP	M 3	12	6	2.4	PH-1
P0234.030-014-ZP	M 3	14	6	2.4	PH-1
P0234.030-016-ZP	M 3	16	6	2.4	PH-1
P0234.030-018-ZP	M 3	18	6	2.4	PH-1
P0234.030-020-ZP	M 3	20	6	2.4	PH-1
P0234.030-022-ZP	M 3	22	6	2.4	PH-1
P0234.030-025-ZP	M 3	25	6	2.4	PH-1
P0234.030-028-ZP	M 3	28	6	2.4	PH-1
P0234.030-030-ZP	M 3	30	6	2.4	PH-1
P0234.030-035-ZP	M 3	35	6	2.4	PH-1
P0234.030-040-ZP	M 3	40	6	2.4	PH-1
P0234.040-004-ZP	M 4	4	6	3.1	PH-2
P0234.040-005-ZP	M 4	5	6	3.1	PH-2
P0234.040-006-ZP	M 4	6	6	3.1	PH-2
P0234.040-008-ZP	M 4	8	6	3.1	PH-2
P0234.040-010-ZP	M 4	10	6	3.1	PH-2
P0234.040-012-ZP	M 4	12	6	3.1	PH-2
P0234.040-014-ZP	M 4	14	6	3.1	PH-2
P0234.040-016-ZP	M 4	16	6	3.1	PH-2
P0234.040-018-ZP	M 4	18	6	3.1	PH-2
P0234.040-020-ZP	M 4	20	6	3.1	PH-2
P0234.040-022-ZP	M 4	22	6	3.1	PH-2
P0234.040-025-ZP	M 4	25	6	3.1	PH-2
P0234.040-028-ZP	M 4	28	6	3.1	PH-2
P0234.040-030-ZP	M 4	30	6	3.1	PH-2
P0234.040-035-ZP	M 4	35	6	3.1	PH-2
P0234.040-040-ZP	M 4	40	6	3.1	PH-2
P0234.040-045-ZP	M 4	45	6	3.1	PH-2
P0234.040-050-ZP	M 4	50	6	3.1	PH-2
P0234.040-055-ZP	M 4	55	6	3.1	PH-2
P0234.040-060-ZP	M 4	60	6	3.1	PH-2
P0234.040-065-ZP	M 4	65	6	3.1	PH-2
P0234.040-070-ZP	M 4	70	6	3.1	PH-2
P0234.040-080-ZP	M 4	80	6	3.1	PH-2
P0234.040-090-ZP	M 4	90	6	3.1	PH-2
P0234.040-100-ZP	M 4	100	6	3.1	PH-2
P0234.050-006-ZP	M 5	6	6	3.8	PH-2
P0234.050-008-ZP	M 5	8	6	3.8	PH-2
P0234.050-010-ZP	M 5	10	6	3.8	PH-2
P0234.050-012-ZP	M 5	12	6	3.8	PH-2
P0234.050-014-ZP	M 5	14	6	3.8	PH-2
P0234.050-016-ZP	M 5	16	6	3.8	PH-2
P0234.050-018-ZP	M 5	18	6	3.8	PH-2
P0234.050-020-ZP	M 5	20	6	3.8	PH-2
P0234.050-022-ZP	M 5	22	6	3.8	PH-2
P0234.050-025-ZP	M 5	25	6	3.8	PH-2
P0234.050-028-ZP	M 5	28	6	3.8	PH-2
P0234.050-030-ZP	M 5	30	6	3.8	PH-2
P0234.050-035-ZP	M 5	35	6	3.8	PH-2
P0234.050-040-ZP	M 5	40	6	3.8	PH-2
P0234.050-045-ZP	M 5	45	6	3.8	PH-2
P0234.050-050-ZP	M 5	50	6	3.8	PH-2
P0234.050-055-ZP	M 5	55	6	3.8	PH-2
P0234.050-060-ZP	M 5	60	6	3.8	PH-2
P0234.050-065-ZP	M 5	65	6	3.8	PH-2
P0234.050-070-ZP	M 5	70	6	3.8	PH-2
P0234.050-080-ZP	M 5	80	6	3.8	PH-2
P0234.050-090-ZP	M 5	90	6	3.8	PH-2
P0234.050-100-ZP	M 5	100	6	3.8	PH-2
P0234.060-008-ZP	M 6	8	6	4.6	PH-3
P0234.060-010-ZP	M 6	10	6	4.6	PH-3
P0234.060-012-ZP	M 6	12	6	4.6	PH-3
P0234.060-014-ZP	M 6	14	6	4.6	PH-3
P0234.060-016-ZP	M 6	16	6	4.6	PH-3
P0234.060-018-ZP	M 6	18	6	4.6	PH-3
P0234.060-020-ZP	M 6	20	6	4.6	PH-3
P0234.060-022-ZP	M 6	22	6	4.6	PH-3
P0234.060-025-ZP	M 6	25	6	4.6	PH-3

STANDARD SCREWS



STANDARD SCREWS

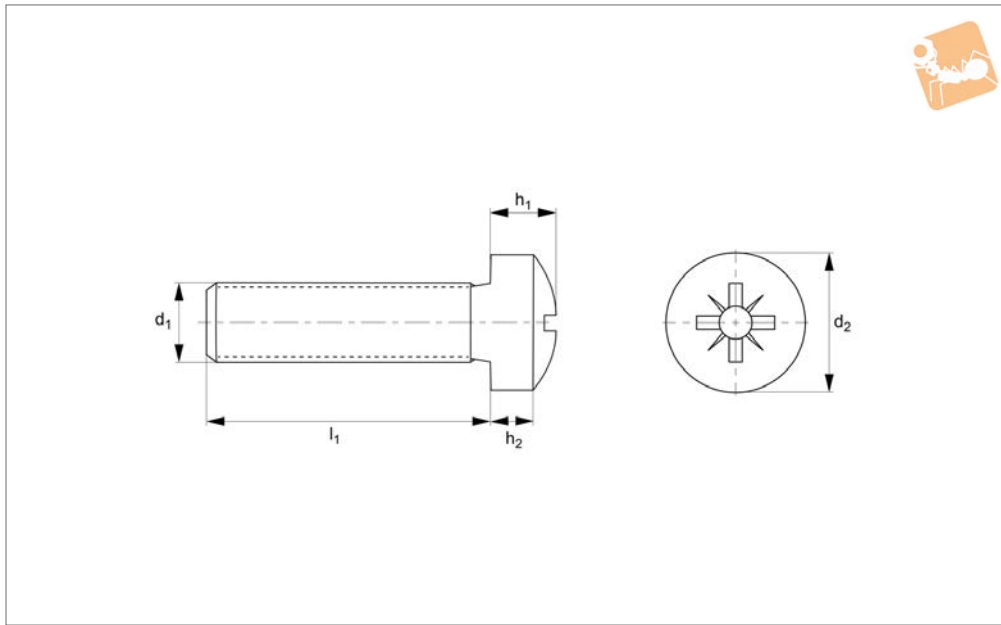
Order No.	d ₁	l ₁	d ₂	h ₁	Size
P0234.060-028-ZP	M 6	28	6	4.6	PH-3
P0234.060-030-ZP	M 6	30	6	4.6	PH-3
P0234.060-035-ZP	M 6	35	6	4.6	PH-3
P0234.060-040-ZP	M 6	40	6	4.6	PH-3
P0234.060-045-ZP	M 6	45	6	4.6	PH-3
P0234.060-050-ZP	M 6	50	6	4.6	PH-3
P0234.060-055-ZP	M 6	55	6	4.6	PH-3
P0234.060-060-ZP	M 6	60	6	4.6	PH-3
P0234.060-065-ZP	M 6	65	6	4.6	PH-3
P0234.060-070-ZP	M 6	70	6	4.6	PH-3
P0234.060-080-ZP	M 6	80	6	4.6	PH-3
P0234.060-090-ZP	M 6	90	6	4.6	PH-3
P0234.060-100-ZP	M 6	100	6	4.6	PH-3
P0234.080-010-ZP	M 8	10	6	6.0	PH-4
P0234.080-012-ZP	M 8	12	6	6.0	PH-4
P0234.080-014-ZP	M 8	14	6	6.0	PH-4
P0234.080-016-ZP	M 8	16	6	6.0	PH-4
P0234.080-018-ZP	M 8	18	6	6.0	PH-4
P0234.080-020-ZP	M 8	20	6	6.0	PH-4
P0234.080-022-ZP	M 8	22	6	6.0	PH-4
P0234.080-025-ZP	M 8	25	6	6.0	PH-4
P0234.080-028-ZP	M 8	28	6	6.0	PH-4
P0234.080-030-ZP	M 8	30	6	6.0	PH-4
P0234.080-035-ZP	M 8	35	6	6.0	PH-4
P0234.080-040-ZP	M 8	40	6	6.0	PH-4
P0234.080-045-ZP	M 8	45	6	6.0	PH-4
P0234.080-050-ZP	M 8	50	6	6.0	PH-4
P0234.080-055-ZP	M 8	55	6	6.0	PH-4
P0234.080-060-ZP	M 8	60	6	6.0	PH-4
P0234.080-065-ZP	M 8	65	6	6.0	PH-4
P0234.080-070-ZP	M 8	70	6	6.0	PH-4
P0234.080-080-ZP	M 8	80	6	6.0	PH-4
P0234.080-090-ZP	M 8	90	6	6.0	PH-4
P0234.080-100-ZP	M 8	100	6	6.0	PH-4



Pozi Pan Head Screws

Pozi - A2 stainless

Standard Screws



P0235.A2

STANDARD SCREWS

Material
Stainless steel (A2).

2,5 x pitch of head.

Technical Notes

See technical page for tightening torques.

To DIN 7985 Z, ISO 7045. Threaded within

Order No.	d ₁	l ₁	d ₂	h ₁	Size	h ₂
P0235.016-003-A2	M1,6	3	3,2	1,3	PZ-0	0,8
P0235.016-004-A2	M1,6	4	3,2	1,3	PZ-0	0,8
P0235.016-005-A2	M1,6	5	3,2	1,3	PZ-0	0,8
P0235.016-006-A2	M1,6	6	3,2	1,3	PZ-0	0,8
P0235.016-008-A2	M1,6	8	3,2	1,3	PZ-0	0,8
P0235.016-010-A2	M1,6	10	3,2	1,3	PZ-0	0,8
P0235.016-012-A2	M1,6	12	3,2	1,3	PZ-0	0,8
P0235.016-014-A2	M1,6	14	3,2	1,3	PZ-0	0,8
P0235.016-016-A2	M1,6	16	3,2	1,3	PZ-0	0,8
P0235.016-018-A2	M1,6	18	3,2	1,3	PZ-0	0,8
P0235.020-003-A2	M 2	3	4	1,6	PZ-1	1,1
P0235.020-004-A2	M 2	4	4	1,6	PZ-1	1,1
P0235.020-005-A2	M 2	5	4	1,6	PZ-1	1,1
P0235.020-006-A2	M 2	6	4	1,6	PZ-1	1,1
P0235.020-008-A2	M 2	8	4	1,6	PZ-1	1,1
P0235.020-010-A2	M 2	10	4	1,6	PZ-1	1,1
P0235.020-012-A2	M 2	12	4	1,6	PZ-1	1,1
P0235.020-014-A2	M 2	14	4	1,6	PZ-1	1,1
P0235.020-016-A2	M 2	16	4	1,6	PZ-1	1,1
P0235.020-018-A2	M 2	18	4	1,6	PZ-1	1,1
P0235.020-020-A2	M 2	20	4	1,6	PZ-1	1,1
P0235.025-003-A2	M2,5	3	5	2,0	PZ-1	1,3
P0235.025-004-A2	M2,5	4	5	2,0	PZ-1	1,3
P0235.025-005-A2	M2,5	5	5	2,0	PZ-1	1,3
P0235.025-006-A2	M2,5	6	5	2,0	PZ-1	1,3
P0235.025-008-A2	M2,5	8	5	2,0	PZ-1	1,3
P0235.025-010-A2	M2,5	10	5	2,0	PZ-1	1,3
P0235.025-012-A2	M2,5	12	5	2,0	PZ-1	1,3
P0235.025-016-A2	M2,5	16	5	2,0	PZ-1	1,3
P0235.025-020-A2	M2,5	20	5	2,0	PZ-1	1,3
P0235.025-025-A2	M2,5	25	5	2,0	PZ-1	1,3
P0235.025-030-A2	M2,5	30	5	2,0	PZ-1	1,3
P0235.030-004-A2	M 3	4	6	2,4	PZ-1	1,6
P0235.030-005-A2	M 3	5	6	2,4	PZ-1	1,6



STANDARD SCREWS

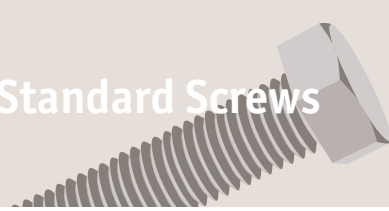
Order No.	d ₁	l ₁	d ₂	h ₁	Size	h ₂
P0235.030-006-A2	M 3	6	6	2.4	PZ-1	1.6
P0235.030-008-A2	M 3	8	6	2.4	PZ-1	1.6
P0235.030-010-A2	M 3	10	6	2.4	PZ-1	1.6
P0235.030-012-A2	M 3	12	6	2.4	PZ-1	1.6
P0235.030-014-A2	M 3	14	6	2.4	PZ-1	1.6
P0235.030-016-A2	M 3	16	6	2.4	PZ-1	1.6
P0235.030-018-A2	M 3	18	6	2.4	PZ-1	1.6
P0235.030-020-A2	M 3	20	6	2.4	PZ-1	1.6
P0235.030-022-A2	M 3	22	6	2.4	PZ-1	1.6
P0235.030-025-A2	M 3	25	6	2.4	PZ-1	1.6
P0235.030-028-A2	M 3	28	6	2.4	PZ-1	1.6
P0235.030-030-A2	M 3	30	6	2.4	PZ-1	1.6
P0235.030-035-A2	M 3	35	6	2.4	PZ-1	1.6
P0235.030-040-A2	M 3	40	6	2.4	PZ-1	1.6
P0235.030-045-A2	M 3	45	6	2.4	PZ-1	1.6
P0235.030-050-A2	M 3	50	6	2.4	PZ-1	1.6
P0235.030-055-A2	M 3	55	6	2.4	PZ-1	1.6
P0235.030-060-A2	M 3	60	6	2.4	PZ-1	1.6
P0235.040-004-A2	M 4	4	8	3.1	PZ-2	2.0
P0235.040-005-A2	M 4	5	8	3.1	PZ-2	2.0
P0235.040-006-A2	M 4	6	8	3.1	PZ-2	2.0
P0235.040-008-A2	M 4	8	8	3.1	PZ-2	2.0
P0235.040-010-A2	M 4	10	8	3.1	PZ-2	2.0
P0235.040-012-A2	M 4	12	8	3.1	PZ-2	2.0
P0235.040-014-A2	M 4	14	8	3.1	PZ-2	2.0
P0235.040-016-A2	M 4	16	8	3.1	PZ-2	2.0
P0235.040-018-A2	M 4	18	8	3.1	PZ-2	2.0
P0235.040-020-A2	M 4	20	8	3.1	PZ-2	2.0
P0235.040-022-A2	M 4	22	8	3.1	PZ-2	0.8
P0235.040-025-A2	M 4	25	8	3.1	PZ-2	2.0
P0235.040-028-A2	M 4	28	8	3.1	PZ-2	2.0
P0235.040-030-A2	M 4	30	8	3.1	PZ-2	2.0
P0235.040-035-A2	M 4	35	8	3.1	PZ-2	2.0
P0235.040-040-A2	M 4	40	8	3.1	PZ-2	2.0
P0235.040-045-A2	M 4	45	8	3.1	PZ-2	2.0
P0235.040-050-A2	M 4	50	8	3.1	PZ-2	2.0
P0235.040-055-A2	M 4	55	8	3.1	PZ-2	2.0
P0235.040-060-A2	M 4	60	8	3.1	PZ-2	2.0
P0235.040-065-A2	M 4	65	8	3.1	PZ-2	2.0
P0235.040-070-A2	M 4	70	8	3.1	PZ-2	2.0
P0235.040-080-A2	M 4	80	8	3.1	PZ-2	2.0
P0235.040-090-A2	M 4	90	8	3.1	PZ-2	2.0
P0235.040-100-A2	M 4	100	8	3.1	PZ-2	2.0
P0235.050-006-A2	M 5	6	10	3.8	PZ-2	2.5
P0235.050-008-A2	M 5	8	10	3.8	PZ-2	2.5
P0235.050-010-A2	M 5	10	10	3.8	PZ-2	2.5
P0235.050-012-A2	M 5	12	10	3.8	PZ-2	2.5
P0235.050-014-A2	M 5	14	10	3.8	PZ-2	2.5
P0235.050-016-A2	M 5	16	10	3.8	PZ-2	2.5
P0235.050-018-A2	M 5	18	10	3.8	PZ-2	2.5
P0235.050-020-A2	M 5	20	10	3.8	PZ-2	2.5
P0235.050-022-A2	M 5	22	10	3.8	PZ-2	2.5
P0235.050-025-A2	M 5	25	10	3.8	PZ-2	2.5
P0235.050-028-A2	M 5	28	10	3.8	PZ-2	2.5
P0235.050-030-A2	M 5	30	10	3.8	PZ-2	2.5
P0235.050-035-A2	M 5	35	10	3.8	PZ-2	2.5
P0235.050-040-A2	M 5	40	10	3.8	PZ-2	2.5
P0235.050-045-A2	M 5	45	10	3.8	PZ-2	2.5
P0235.050-050-A2	M 5	50	10	3.8	PZ-2	2.5
P0235.050-055-A2	M 5	55	10	3.8	PZ-2	2.5
P0235.050-060-A2	M 5	60	10	3.8	PZ-2	2.5
P0235.050-065-A2	M 5	65	10	3.8	PZ-2	2.5
P0235.050-070-A2	M 5	70	10	3.8	PZ-2	2.5
P0235.050-080-A2	M 5	80	10	3.8	PZ-2	2.5
P0235.050-090-A2	M 5	90	10	3.8	PZ-2	2.5
P0235.050-100-A2	M5	100	10	3.8	PZ-2	2.5
P0235.060-008-A2	M 6	8	12	4.6	PZ-3	3.0
P0235.060-010-A2	M 6	10	12	4.6	PZ-3	3.0
P0235.060-012-A2	M 6	12	12	4.6	PZ-3	3.0



Pozi Pan Head Screws

Pozi - A2 stainless

Standard Screws

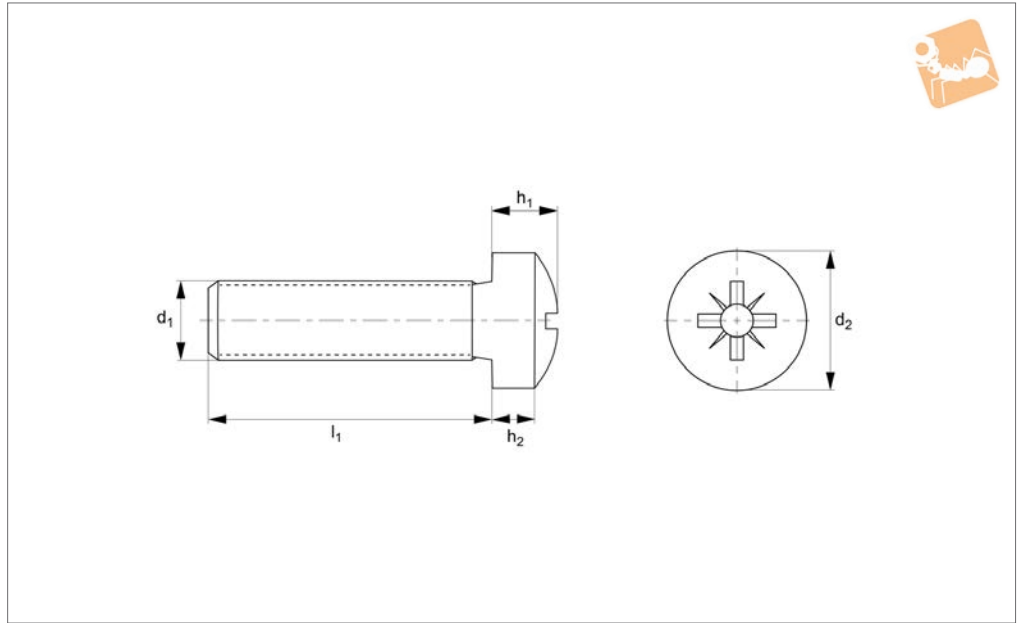


Order No.	d ₁	l ₁	d ₂	h ₁	Size	h ₂
P0235.060-014-A2	M 6	14	12	4.6	PZ-3	3.0
P0235.060-016-A2	M 6	16	12	4.6	PZ-3	3.0
P0235.060-018-A2	M 6	18	12	4.6	PZ-3	3.0
P0235.060-020-A2	M 6	20	12	4.6	PZ-3	3.0
P0235.060-022-A2	M 6	22	12	4.6	PZ-3	3.0
P0235.060-025-A2	M 6	25	12	4.6	PZ-3	3.0
P0235.060-028-A2	M 6	28	12	4.6	PZ-3	3.0
P0235.060-030-A2	M 6	30	12	4.6	PZ-3	3.0
P0235.060-035-A2	M 6	35	12	4.6	PZ-3	3.0
P0235.060-040-A2	M 6	40	12	4.6	PZ-3	3.0
P0235.060-045-A2	M 6	45	12	4.6	PZ-3	3.0
P0235.060-050-A2	M 6	50	12	4.6	PZ-3	3.0
P0235.060-055-A2	M 6	55	12	4.6	PZ-3	3.0
P0235.060-060-A2	M 6	60	12	4.6	PZ-3	3.0
P0235.060-065-A2	M 6	65	12	4.6	PZ-3	3.0
P0235.060-070-A2	M 6	70	12	4.6	PZ-3	3.0
P0235.060-080-A2	M 6	80	12	4.6	PZ-3	3.0
P0235.060-090-A2	M 6	90	12	4.6	PZ-3	3.0
P0235.060-100-A2	M 6	100	12	4.6	Z 3	3.0
P0235.080-010-A2	M 8	10	16	6.0	PZ-4	3.7
P0235.080-012-A2	M 8	12	16	6.0	PZ-4	3.7
P0235.080-014-A2	M 8	14	16	6.0	PZ-4	3.7
P0235.080-016-A2	M 8	16	16	6.0	PZ-4	3.7
P0235.080-018-A2	M 8	18	16	6.0	PZ-4	3.7
P0235.080-020-A2	M 8	20	16	6.0	PZ-4	3.7
P0235.080-022-A2	M 8	22	16	6.0	PZ-4	3.7
P0235.080-025-A2	M 8	25	16	6.0	PZ-4	3.7
P0235.080-028-A2	M 8	28	16	6.0	PZ-4	3.7
P0235.080-030-A2	M 8	30	16	6.0	PZ-4	3.7
P0235.080-035-A2	M 8	35	16	6.0	PZ-4	3.7
P0235.080-040-A2	M 8	40	16	6.0	PZ-4	3.7
P0235.080-045-A2	M 8	45	16	6.0	PZ-4	3.7
P0235.080-050-A2	M 8	50	16	6.0	PZ-4	3.7
P0235.080-055-A2	M 8	55	16	6.0	PZ-4	3.7
P0235.080-060-A2	M 8	60	16	6.0	PZ-4	3.7
P0235.080-065-A2	M 8	65	16	6.0	PZ-4	3.7
P0235.080-070-A2	M 8	70	16	6.0	PZ-4	3.7
P0235.080-080-A2	M 8	80	16	6.0	PZ-4	3.7
P0235.080-090-A2	M 8	90	16	6.0	PZ-4	3.7
P0235.080-100-A2	M 8	100	16	6.0	PZ-4	3.7

STANDARD SCREWS



P0235.A4



Material

Stainless steel (A4).

2,5 x pitch of head.

Technical Notes

To DIN 7985 Z, ISO 7045. Threaded within

See technical page for tightening torques.

Order No.	d ₁	l ₁	d ₂	h ₁	Size	h ₂
P0235.016-003-A4	M1,6	3	3.2	1.3	PZ-0	0.8
P0235.016-004-A4	M1,6	4	3.2	1.3	PZ-0	0.8
P0235.016-005-A4	M1,6	5	3.2	1.3	PZ-0	0.8
P0235.016-006-A4	M1,6	6	3.2	1.3	PZ-0	0.8
P0235.016-008-A4	M1,6	8	3.2	1.3	PZ-0	0.8
P0235.016-010-A4	M1,6	10	3.2	1.3	PZ-0	0.8
P0235.016-012-A4	M1,6	12	3.2	1.3	PZ-0	0.8
P0235.016-014-A4	M1,6	14	3.2	1.3	PZ-0	0.8
P0235.016-016-A4	M1,6	16	3.2	1.3	PZ-0	0.8
P0235.016-018-A4	M1,6	18	3.2	1.3	PZ-0	0.8
P0235.020-003-A4	M 2	3	4	1.6	PZ-1	1.1
P0235.020-004-A4	M 2	4	4	1.6	PZ-1	1.1
P0235.020-005-A4	M 2	5	4	1.6	PZ-1	1.1
P0235.020-006-A4	M 2	6	4	1.6	PZ-1	1.1
P0235.020-008-A4	M 2	8	4	1.6	PZ-1	1.1
P0235.020-010-A4	M 2	10	4	1.6	PZ-1	1.1
P0235.020-012-A4	M 2	12	4	1.6	PZ-1	1.1
P0235.020-014-A4	M 2	14	4	1.6	PZ-1	1.1
P0235.020-016-A4	M 2	16	4	1.6	PZ-1	1.1
P0235.020-018-A4	M 2	18	4	1.6	PZ-1	1.1
P0235.020-020-A4	M 2	20	4	1.6	PZ-1	1.1
P0235.025-003-A4	M2,5	3	5	2.0	PZ-1	1.3
P0235.025-004-A4	M2,5	4	5	2.0	PZ-1	1.3
P0235.025-005-A4	M2,5	5	5	2.0	PZ-1	1.3
P0235.025-006-A4	M2,5	6	5	2.0	PZ-1	1.3
P0235.025-008-A4	M2,5	8	5	2.0	PZ-1	1.3
P0235.025-010-A4	M2,5	10	5	2.0	PZ-1	1.3
P0235.025-012-A4	M2,5	12	5	2.0	PZ-1	1.3
P0235.025-016-A4	M2,5	16	5	2.0	PZ-1	1.3
P0235.025-020-A4	M2,5	20	5	2.0	PZ-1	1.3
P0235.025-025-A4	M2,5	25	5	2.0	PZ-1	1.3
P0235.025-030-A4	M2,5	30	5	2.0	PZ-1	1.3
P0235.030-004-A4	M 3	4	6	2.4	PZ-1	1.6
P0235.030-005-A4	M 3	5	6	2.4	PZ-1	1.6



Pozi Pan Head Screws

Pozi - A4 stainless

Standard Screws



Order No.	d ₁	l ₁	d ₂	h ₁	Size	h ₂
P0235.030-006-A4	M 3	6	6	2.4	PZ-1	1.6
P0235.030-008-A4	M 3	8	6	2.4	PZ-1	1.6
P0235.030-010-A4	M 3	10	6	2.4	PZ-1	1.6
P0235.030-012-A4	M 3	12	6	2.4	PZ-1	1.6
P0235.030-014-A4	M 3	14	6	2.4	PZ-1	1.6
P0235.030-016-A4	M 3	16	6	2.4	PZ-1	1.6
P0235.030-018-A4	M 3	18	6	2.4	PZ-1	1.6
P0235.030-020-A4	M 3	20	6	2.4	PZ-1	1.6
P0235.030-022-A4	M 3	22	6	2.4	PZ-1	1.6
P0235.030-025-A4	M 3	25	6	2.4	PZ-1	1.6
P0235.030-028-A4	M 3	28	6	2.4	PZ-1	1.6
P0235.030-030-A4	M 3	30	6	2.4	PZ-1	1.6
P0235.030-035-A4	M 3	35	6	2.4	PZ-1	1.6
P0235.030-040-A4	M 3	40	6	2.4	PZ-1	1.6
P0235.030-045-A4	M 3	45	6	2.4	PZ-1	1.6
P0235.030-050-A4	M 3	50	6	2.4	PZ-1	1.6
P0235.030-055-A4	M 3	55	6	2.4	PZ-1	1.6
P0235.030-060-A4	M 3	60	6	2.4	PZ-1	1.6
P0235.040-004-A4	M 4	4	8	3.1	PZ-2	2.0
P0235.040-005-A4	M 4	5	8	3.1	PZ-2	2.0
P0235.040-006-A4	M 4	6	8	3.1	PZ-2	2.0
P0235.040-008-A4	M 4	8	8	3.1	PZ-2	2.0
P0235.040-010-A4	M 4	10	8	3.1	PZ-2	2.0
P0235.040-012-A4	M 4	12	8	3.1	PZ-2	2.0
P0235.040-014-A4	M 4	14	8	3.1	PZ-2	2.0
P0235.040-016-A4	M 4	16	8	3.1	PZ-2	2.0
P0235.040-018-A4	M 4	18	8	3.1	PZ-2	2.0
P0235.040-020-A4	M 4	20	8	3.1	PZ-2	2.0
P0235.040-022-A4	M 4	22	8	3.1	PZ-2	0.8
P0235.040-025-A4	M 4	25	8	3.1	PZ-2	2.0
P0235.040-028-A4	M 4	28	8	3.1	PZ-2	2.0
P0235.040-030-A4	M 4	30	8	3.1	PZ-2	2.0
P0235.040-035-A4	M 4	35	8	3.1	PZ-2	2.0
P0235.040-040-A4	M 4	40	8	3.1	PZ-2	2.0
P0235.040-045-A4	M 4	45	8	3.1	PZ-2	2.0
P0235.040-050-A4	M 4	50	8	3.1	PZ-2	2.0
P0235.040-055-A4	M 4	55	8	3.1	PZ-2	2.0
P0235.040-060-A4	M 4	60	8	3.1	PZ-2	2.0
P0235.040-065-A4	M 4	65	8	3.1	PZ-2	2.0
P0235.040-070-A4	M 4	70	8	3.1	PZ-2	2.0
P0235.040-080-A4	M 4	80	8	3.1	PZ-2	2.0
P0235.040-090-A4	M 4	90	8	3.1	PZ-2	2.0
P0235.040-100-A4	M 4	100	8	3.1	PZ-2	2.0
P0235.050-006-A4	M 5	6	10	3.8	PZ-2	2.5
P0235.050-008-A4	M 5	8	10	3.8	PZ-2	2.5
P0235.050-010-A4	M 5	10	10	3.8	PZ-2	2.5
P0235.050-012-A4	M 5	12	10	3.8	PZ-2	2.5
P0235.050-014-A4	M 5	14	10	3.8	PZ-2	2.5
P0235.050-016-A4	M 5	16	10	3.8	PZ-2	2.5
P0235.050-018-A4	M 5	18	10	3.8	PZ-2	2.5
P0235.050-020-A4	M 5	20	10	3.8	PZ-2	2.5
P0235.050-022-A4	M 5	22	10	3.8	PZ-2	2.5
P0235.050-025-A4	M 5	25	10	3.8	PZ-2	2.5
P0235.050-028-A4	M 5	28	10	3.8	PZ-2	2.5
P0235.050-030-A4	M 5	30	10	3.8	PZ-2	2.5
P0235.050-035-A4	M 5	35	10	3.8	PZ-2	2.5
P0235.050-040-A4	M 5	40	10	3.8	PZ-2	2.5
P0235.050-045-A4	M 5	45	10	3.8	PZ-2	2.5
P0235.050-050-A4	M 5	50	10	3.8	PZ-2	2.5
P0235.050-055-A4	M 5	55	10	3.8	PZ-2	2.5
P0235.050-060-A4	M 5	60	10	3.8	PZ-2	2.5
P0235.050-065-A4	M 5	65	10	3.8	PZ-2	2.5
P0235.050-070-A4	M 5	70	10	3.8	PZ-2	2.5
P0235.050-080-A4	M 5	80	10	3.8	PZ-2	2.5
P0235.050-090-A4	M 5	90	10	3.8	PZ-2	2.5
P0235.050-100-A4	M 5	100	10	3.8	PZ-2	2.5
P0235.060-008-A4	M 6	8	12	4.6	PZ-3	3.0
P0235.060-010-A4	M 6	10	12	4.6	PZ-3	3.0
P0235.060-012-A4	M 6	12	12	4.6	PZ-3	3.0

STANDARD SCREWS



STANDARD SCREWS

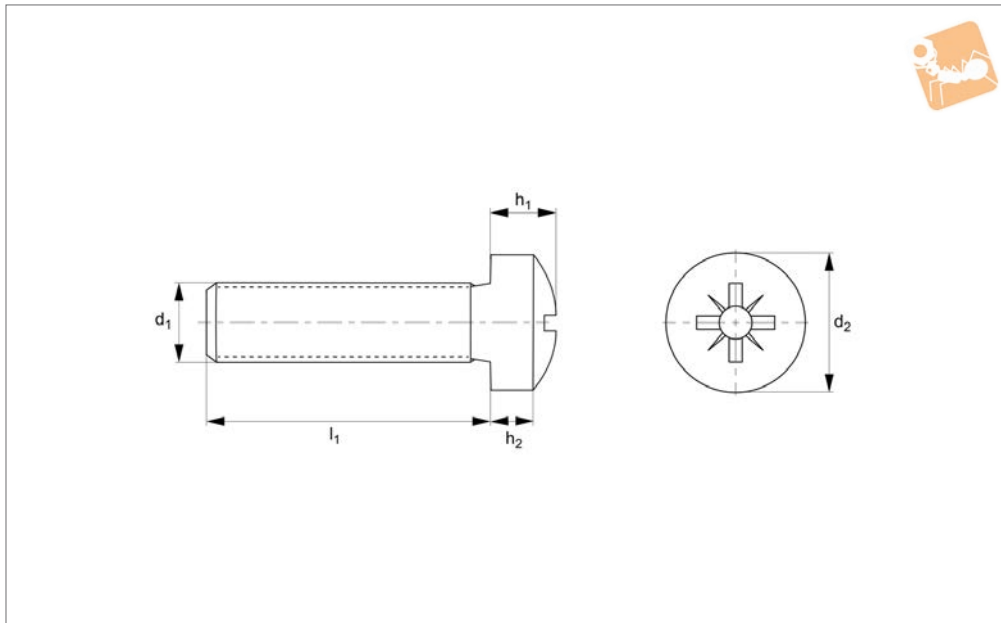
Order No.	d ₁	l ₁	d ₂	h ₁	Size	h ₂
P0235.060-014-A4	M 6	14	12	4.6	PZ-3	3.0
P0235.060-016-A4	M 6	16	12	4.6	PZ-3	3.0
P0235.060-018-A4	M 6	18	12	4.6	PZ-3	3.0
P0235.060-020-A4	M 6	20	12	4.6	PZ-3	3.0
P0235.060-022-A4	M 6	22	12	4.6	PZ-3	3.0
P0235.060-025-A4	M 6	25	12	4.6	PZ-3	3.0
P0235.060-028-A4	M 6	28	12	4.6	PZ-3	3.0
P0235.060-030-A4	M 6	30	12	4.6	PZ-3	3.0
P0235.060-035-A4	M 6	35	12	4.6	PZ-3	3.0
P0235.060-040-A4	M 6	40	12	4.6	PZ-3	3.0
P0235.060-045-A4	M 6	45	12	4.6	PZ-3	3.0
P0235.060-050-A4	M 6	50	12	4.6	PZ-3	3.0
P0235.060-055-A4	M 6	55	12	4.6	PZ-3	3.0
P0235.060-060-A4	M 6	60	12	4.6	PZ-3	3.0
P0235.060-065-A4	M 6	65	12	4.6	PZ-3	3.0
P0235.060-070-A4	M 6	70	12	4.6	PZ-3	3.0
P0235.060-080-A4	M 6	80	12	4.6	PZ-3	3.0
P0235.060-090-A4	M 6	90	12	4.6	PZ-3	3.0
P0235.060-100-A4	M 6	100	12	4.6	PZ-3	3.0
P0235.080-010-A4	M 8	10	16	6.0	PZ-4	3.7
P0235.080-012-A4	M 8	12	16	6.0	PZ-4	3.7
P0235.080-014-A4	M 8	14	16	6.0	PZ-4	3.7
P0235.080-016-A4	M 8	16	16	6.0	PZ-4	3.7
P0235.080-018-A4	M 8	18	16	6.0	PZ-4	3.7
P0235.080-020-A4	M 8	20	16	6.0	PZ-4	3.7
P0235.080-022-A4	M 8	22	16	6.0	PZ-4	3.7
P0235.080-025-A4	M 8	25	16	6.0	PZ-4	3.7
P0235.080-028-A4	M 8	28	16	6.0	PZ-4	3.7
P0235.080-030-A4	M 8	30	16	6.0	PZ-4	3.7
P0235.080-035-A4	M 8	35	16	6.0	PZ-4	3.7
P0235.080-040-A4	M 8	40	16	6.0	PZ-4	3.7
P0235.080-045-A4	M 8	45	16	6.0	PZ-4	3.7
P0235.080-050-A4	M 8	50	16	6.0	PZ-4	3.7
P0235.080-055-A4	M 8	55	16	6.0	PZ-4	3.7
P0235.080-060-A4	M 8	60	16	6.0	PZ-4	3.7
P0235.080-065-A4	M 8	65	16	6.0	PZ-4	3.7
P0235.080-070-A4	M 8	70	16	6.0	PZ-4	3.7
P0235.080-080-A4	M 8	80	16	6.0	PZ-4	3.7
P0235.080-090-A4	M 8	90	16	6.0	PZ-4	3.7
P0235.080-100-A4	M 8	100	16	6.0	PZ-4	3.7



Pozi Pan Head Screws

Pozi - steel, zinc-plated

Standard Screws



P0235.ZP

STANDARD SCREWS

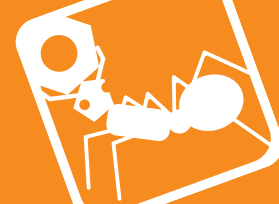
Material

Steel, zinc-plated (grade 4.8).

Technical Notes

To DIN 7985 Z, ISO 7045. Threaded within 2,5 x pitch of head.

Order No.	d ₁	l ₁	d ₂	h ₁	Size	h ₂
P0235.016-003-ZP	M1,6	3	3,2	1,3	PZ-0	0,8
P0235.016-004-ZP	M1,6	4	3,2	1,3	PZ-0	0,8
P0235.016-005-ZP	M1,6	5	3,2	1,3	PZ-0	0,8
P0235.016-006-ZP	M1,6	6	3,2	1,3	PZ-0	0,8
P0235.016-008-ZP	M1,6	8	3,2	1,3	PZ-0	0,8
P0235.016-010-ZP	M1,6	10	3,2	1,3	PZ-0	0,8
P0235.016-012-ZP	M1,6	12	3,2	1,3	PZ-0	0,8
P0235.016-014-ZP	M1,6	14	3,2	1,3	PZ-0	0,8
P0235.016-016-ZP	M1,6	16	3,2	1,3	PZ-0	0,8
P0235.016-018-ZP	M1,6	18	3,2	1,3	PZ-0	0,8
P0235.020-003-ZP	M 2	3	4	1,6	PZ-1	1,1
P0235.020-004-ZP	M 2	4	4	1,6	PZ-1	1,1
P0235.020-005-ZP	M 2	5	4	1,6	PZ-1	1,1
P0235.020-006-ZP	M 2	6	4	1,6	PZ-1	1,1
P0235.020-008-ZP	M 2	8	4	1,6	PZ-1	1,1
P0235.020-010-ZP	M 2	10	4	1,6	PZ-1	1,1
P0235.020-012-ZP	M 2	12	4	1,6	PZ-1	1,1
P0235.020-014-ZP	M 2	14	4	1,6	PZ-1	1,1
P0235.020-016-ZP	M 2	16	4	1,6	PZ-1	1,1
P0235.020-018-ZP	M 2	18	4	1,6	PZ-1	1,1
P0235.020-020-ZP	M 2	20	4	1,6	PZ-1	1,1
P0235.025-003-ZP	M2,5	3	5	2,0	PZ-1	1,3
P0235.025-004-ZP	M2,5	4	5	2,0	PZ-1	1,3
P0235.025-005-ZP	M2,5	5	5	2,0	PZ-1	1,3
P0235.025-006-ZP	M2,5	6	5	2,0	PZ-1	1,3
P0235.025-008-ZP	M2,5	8	5	2,0	PZ-1	1,3
P0235.025-010-ZP	M2,5	10	5	2,0	PZ-1	1,3
P0235.025-012-ZP	M2,5	12	5	2,0	PZ-1	1,3
P0235.025-016-ZP	M2,5	16	5	2,0	PZ-1	1,3
P0235.025-020-ZP	M2,5	20	5	2,0	PZ-1	1,3
P0235.025-025-ZP	M2,5	25	5	2,0	PZ-1	1,3
P0235.025-030-ZP	M2,5	30	5	2,0	PZ-1	1,3
P0235.030-004-ZP	M 3	4	6	2,4	PZ-1	1,6
P0235.030-005-ZP	M 3	5	6	2,4	PZ-1	1,6
P0235.030-006-ZP	M 3	6	6	2,4	PZ-1	1,6



STANDARD SCREWS

Order No.	d ₁	l ₁	d ₂	h ₁	Size	h ₂
P0235.030-008-ZP	M 3	8	6	2.4	PZ-1	1.6
P0235.030-010-ZP	M 3	10	6	2.4	PZ-1	1.6
P0235.030-012-ZP	M 3	12	6	2.4	PZ-1	1.6
P0235.030-014-ZP	M 3	14	6	2.4	PZ-1	1.6
P0235.030-016-ZP	M 3	16	6	2.4	PZ-1	1.6
P0235.030-018-ZP	M 3	18	6	2.4	PZ-1	1.6
P0235.030-020-ZP	M 3	20	6	2.4	PZ-1	1.6
P0235.030-022-ZP	M 3	22	6	2.4	PZ-1	1.6
P0235.030-025-ZP	M 3	25	6	2.4	PZ-1	1.6
P0235.030-028-ZP	M 3	28	6	2.4	PZ-1	1.6
P0235.030-030-ZP	M 3	30	6	2.4	PZ-1	1.6
P0235.030-035-ZP	M 3	35	6	2.4	PZ-1	1.6
P0235.030-040-ZP	M 3	40	6	2.4	PZ-1	1.6
P0235.040-004-ZP	M 4	4	8	3.1	PZ-2	2.0
P0235.040-005-ZP	M 4	5	8	3.1	PZ-2	2.0
P0235.040-006-ZP	M 4	6	8	3.1	PZ-2	2.0
P0235.040-008-ZP	M 4	8	8	3.1	PZ-2	2.0
P0235.040-010-ZP	M 4	10	8	3.1	PZ-2	2.0
P0235.040-012-ZP	M 4	12	8	3.1	PZ-2	2.0
P0235.040-014-ZP	M 4	14	8	3.1	PZ-2	2.0
P0235.040-016-ZP	M 4	16	8	3.1	PZ-2	2.0
P0235.040-018-ZP	M 4	18	8	3.1	PZ-2	2.0
P0235.040-020-ZP	M 4	20	8	3.1	PZ-2	2.0
P0235.040-022-ZP	M 4	22	8	3.1	PZ-2	0.8
P0235.040-025-ZP	M 4	25	8	3.1	PZ-2	2.0
P0235.040-028-ZP	M 4	28	8	3.1	PZ-2	2.0
P0235.040-030-ZP	M 4	30	8	3.1	PZ-2	2.0
P0235.040-035-ZP	M 4	35	8	3.1	PZ-2	2.0
P0235.040-040-ZP	M 4	40	8	3.1	PZ-2	2.0
P0235.040-045-ZP	M 4	45	8	3.1	PZ-2	2.0
P0235.040-050-ZP	M 4	50	8	3.1	PZ-2	2.0
P0235.040-055-ZP	M 4	55	8	3.1	PZ-2	2.0
P0235.040-060-ZP	M 4	60	8	3.1	PZ-2	2.0
P0235.040-065-ZP	M 4	65	8	3.1	PZ-2	2.0
P0235.040-070-ZP	M 4	70	8	3.1	PZ-2	2.0
P0235.040-080-ZP	M 4	80	8	3.1	PZ-2	2.0
P0235.040-090-ZP	M 4	90	8	3.1	PZ-2	2.0
P0235.040-100-ZP	M 4	100	8	3.1	PZ-2	2.0
P0235.050-006-ZP	M 5	6	10	3.8	PZ-2	2.5
P0235.050-008-ZP	M 5	8	10	3.8	PZ-2	2.5
P0235.050-010-ZP	M 5	10	10	3.8	PZ-2	2.5
P0235.050-012-ZP	M 5	12	10	3.8	PZ-2	2.5
P0235.050-014-ZP	M 5	14	10	3.8	PZ-2	2.5
P0235.050-016-ZP	M 5	16	10	3.8	PZ-2	2.5
P0235.050-018-ZP	M 5	18	10	3.8	PZ-2	2.5
P0235.050-020-ZP	M 5	20	10	3.8	PZ-2	2.5
P0235.050-022-ZP	M 5	22	10	3.8	PZ-2	2.5
P0235.050-025-ZP	M 5	25	10	3.8	PZ-2	2.5
P0235.050-028-ZP	M 5	28	10	3.8	PZ-2	2.5
P0235.050-030-ZP	M 5	30	10	3.8	PZ-2	2.5
P0235.050-035-ZP	M 5	35	10	3.8	PZ-2	2.5
P0235.050-040-ZP	M 5	40	10	3.8	PZ-2	2.5
P0235.050-045-ZP	M 5	45	10	3.8	PZ-2	2.5
P0235.050-050-ZP	M 5	50	10	3.8	PZ-2	2.5
P0235.050-055-ZP	M 5	55	10	3.8	PZ-2	2.5
P0235.050-060-ZP	M 5	60	10	3.8	PZ-2	2.5
P0235.050-065-ZP	M 5	65	10	3.8	PZ-2	2.5
P0235.050-070-ZP	M 5	70	10	3.8	PZ-2	2.5
P0235.050-080-ZP	M 5	80	10	3.8	PZ-2	2.5
P0235.050-090-ZP	M 5	90	10	3.8	PZ-2	2.5
P0235.050-100-ZP	M 5	100	10	3.8	PZ-2	2.5
P0235.060-008-ZP	M 6	8	12	4.6	PZ-3	3.0
P0235.060-010-ZP	M 6	10	12	4.6	PZ-3	3.0
P0235.060-012-ZP	M 6	12	12	4.6	PZ-3	3.0
P0235.060-014-ZP	M 6	14	12	4.6	PZ-3	3.0
P0235.060-016-ZP	M 6	16	12	4.6	PZ-3	3.0
P0235.060-018-ZP	M 6	18	12	4.6	PZ-3	3.0
P0235.060-020-ZP	M 6	20	12	4.6	PZ-3	3.0
P0235.060-022-ZP	M 6	22	12	4.6	PZ-3	3.0



Pozi Pan Head Screws

Pozi - steel, zinc-plated

Standard Screws



Order No.	d ₁	l ₁	d ₂	h ₁	Size	h ₂
P0235.060-025-ZP	M 6	25	12	4.6	PZ-3	3.0
P0235.060-028-ZP	M 6	28	12	4.6	PZ-3	3.0
P0235.060-030-ZP	M 6	30	12	4.6	PZ-3	3.0
P0235.060-035-ZP	M 6	35	12	4.6	PZ-3	3.0
P0235.060-040-ZP	M 6	40	12	4.6	PZ-3	3.0
P0235.060-045-ZP	M 6	45	12	4.6	PZ-3	3.0
P0235.060-050-ZP	M 6	50	12	4.6	PZ-3	3.0
P0235.060-055-ZP	M 6	55	12	4.6	PZ-3	3.0
P0235.060-060-ZP	M 6	60	12	4.6	PZ-3	3.0
P0235.060-065-ZP	M 6	65	12	4.6	PZ-3	3.0
P0235.060-070-ZP	M 6	70	12	4.6	PZ-3	3.0
P0235.060-075-ZP	M 6	75	12	4.6	PZ-3	3.0
P0235.060-080-ZP	M 6	80	12	4.6	PZ-3	3.0
P0235.060-090-ZP	M 6	90	12	4.6	PZ-3	3.0
P0235.060-100-ZP	M 6	100	12	4.6	PZ-3	3.0
P0235.080-010-ZP	M 8	10	16	6.0	PZ-4	3.7
P0235.080-012-ZP	M 8	12	16	6.0	PZ-4	3.7
P0235.080-014-ZP	M 8	14	16	6.0	PZ-4	3.7
P0235.080-016-ZP	M 8	16	16	6.0	PZ-4	3.7
P0235.080-018-ZP	M 8	18	16	6.0	PZ-4	3.7
P0235.080-020-ZP	M 8	20	16	6.0	PZ-4	3.7
P0235.080-022-ZP	M 8	22	16	6.0	PZ-4	3.7
P0235.080-025-ZP	M 8	25	16	6.0	PZ-4	3.7
P0235.080-028-ZP	M 8	28	16	6.0	PZ-4	3.7
P0235.080-030-ZP	M 8	30	16	6.0	PZ-4	3.7
P0235.080-035-ZP	M 8	35	16	6.0	PZ-4	3.7
P0235.080-040-ZP	M 8	40	16	6.0	PZ-4	3.7
P0235.080-045-ZP	M 8	45	16	6.0	PZ-4	3.7
P0235.080-050-ZP	M 8	50	16	6.0	PZ-4	3.7
P0235.080-055-ZP	M 8	55	16	6.0	PZ-4	3.7
P0235.080-060-ZP	M 8	60	16	6.0	PZ-4	3.7
P0235.080-065-ZP	M 8	65	16	6.0	PZ-4	3.7
P0235.080-070-ZP	M 8	70	16	6.0	PZ-4	3.7
P0235.080-080-ZP	M 8	80	16	6.0	PZ-4	3.7
P0235.080-090-ZP	M 8	90	16	6.0	PZ-4	3.7
P0235.080-100-ZP	M 8	100	16	6.0	PZ-4	3.7

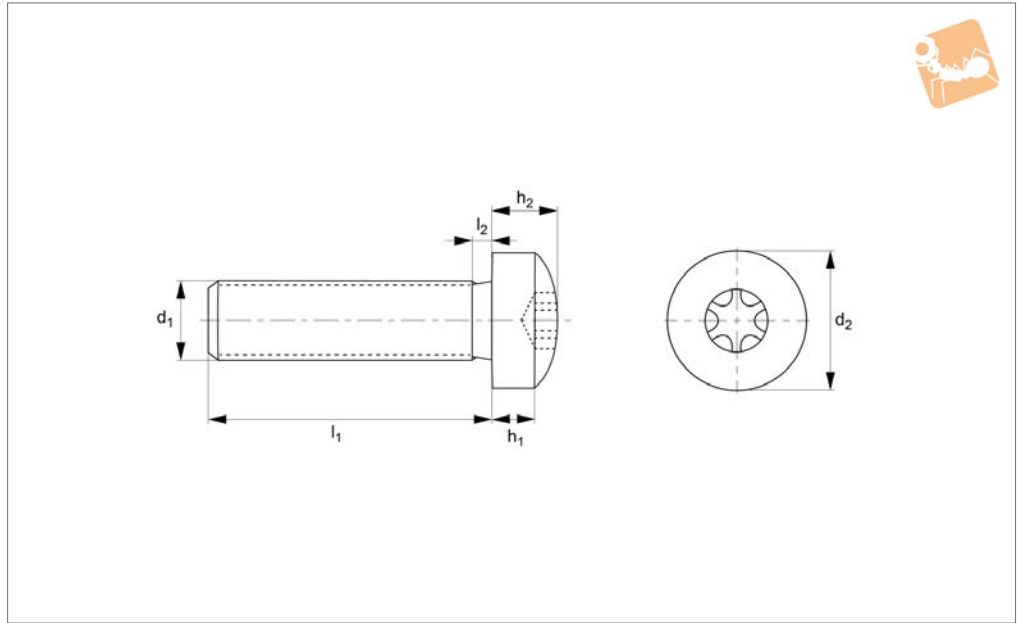
STANDARD SCREWS



STANDARD SCREWS



P0236.A2



Material

Stainless steel (A2).

2,5 x pitch of head.

Technical Notes

To DIN 7985, ISO 7045. Threaded within

See technical page for tightening torques.

Order No.	d ₁	l ₁	d ₂	h ₁	Size	h ₂	l ₂
P0236.016-003-A2	M1,6	3	3.2	1.3	TX-5	0.8	0.7
P0236.016-004-A2	M1,6	4	3.2	1.3	TX-5	0.8	0.7
P0236.016-005-A2	M1,6	5	3.2	1.3	TX-5	0.8	0.7
P0236.016-006-A2	M1,6	6	3.2	1.3	TX-5	0.8	0.7
P0236.016-008-A2	M1,6	8	3.2	1.3	TX-5	0.8	0.7
P0236.016-010-A2	M1,6	10	3.2	1.3	TX-5	0.8	0.7
P0236.016-012-A2	M1,6	12	3.2	1.3	TX-5	0.8	0.7
P0236.016-014-A2	M1,6	14	3.2	1.3	TX-5	0.8	0.7
P0236.016-016-A2	M1,6	16	3.2	1.3	TX-5	0.8	0.7
P0236.016-018-A2	M1,6	18	3.2	1.3	TX-5	0.8	0.7
P0236.020-003-A2	M 2	3	4.0	1.6	TX-6	1.1	0.8
P0236.020-004-A2	M 2	4	4.0	1.6	TX-6	1.1	0.8
P0236.020-005-A2	M 2	5	4.0	1.6	TX-6	1.1	0.8
P0236.020-006-A2	M 2	6	4.0	1.6	TX-6	1.1	0.8
P0236.020-008-A2	M 2	8	4.0	1.6	TX-6	1.1	0.8
P0236.020-010-A2	M 2	10	4.0	1.6	TX-6	1.1	0.8
P0236.020-012-A2	M 2	12	4.0	1.6	TX-6	1.1	0.8
P0236.020-014-A2	M 2	14	4.0	1.6	TX-6	1.1	0.8
P0236.020-016-A2	M 2	16	4.0	1.6	TX-6	1.1	0.8
P0236.020-018-A2	M 2	18	4.0	1.6	TX-6	1.1	0.8
P0236.020-020-A2	M 2	20	4.0	1.6	TX-6	1.1	0.8
P0236.025-003-A2	M2,5	3	5.0	2.0	TX-8	1.3	0.9
P0236.025-004-A2	M2,5	4	5.0	2.0	TX-8	1.3	0.9
P0236.025-005-A2	M2,5	5	5.0	2.0	TX-8	1.3	0.9
P0236.025-006-A2	M2,5	6	5.0	2.0	TX-8	1.3	0.9
P0236.025-008-A2	M2,5	8	5.0	2.0	TX-8	1.3	0.9
P0236.025-010-A2	M2,5	10	5.0	2.0	TX-8	1.3	0.9
P0236.025-012-A2	M2,5	12	5.0	2.0	TX-8	1.3	0.9
P0236.025-014-A2	M2,5	14	5.0	2.0	TX-8	1.3	0.9
P0236.025-016-A2	M2,5	16	5.0	2.0	TX-8	1.3	0.9
P0236.025-018-A2	M2,5	18	5.0	2.0	TX-8	1.3	0.9
P0236.025-020-A2	M2,5	20	5.0	2.0	TX-8	1.3	0.9
P0236.025-022-A2	M2,5	22	5.0	2.0	TX-8	1.3	0.9
P0236.025-025-A2	M2,5	25	5.0	2.0	TX-8	1.3	0.9



TX Pan Head Screws

TX - A2 stainless

Standard Screws



Order No.	d ₁	l ₁	d ₂	h ₁	Size	h ₂	l ₂
P0236.025-028-A2	M2,5	28	5.0	2.0	TX-8	1.3	0.9
P0236.025-030-A2	M2,5	30	5.0	2.0	TX-8	1.3	0.9
P0236.030-004-A2	M 3	4	6.0	2.4	TX-10	1.6	1.0
P0236.030-005-A2	M 3	5	6.0	2.4	TX-10	1.6	1.0
P0236.030-006-A2	M 3	6	6.0	2.4	TX-10	1.6	1.0
P0236.030-008-A2	M 3	8	6.0	2.4	TX-10	1.6	1.0
P0236.030-010-A2	M 3	10	6.0	2.4	TX-10	1.6	1.0
P0236.030-012-A2	M 3	12	6.0	2.4	TX-10	1.6	1.0
P0236.030-014-A2	M 3	14	6.0	2.4	TX-10	1.6	1.0
P0236.030-016-A2	M 3	16	6.0	2.4	TX-10	1.6	1.0
P0236.030-018-A2	M 3	18	6.0	2.4	TX-10	1.6	1.0
P0236.030-020-A2	M 3	20	6.0	2.4	TX-10	1.6	1.0
P0236.030-022-A2	M 3	22	6.0	2.4	TX-10	1.6	1.0
P0236.030-025-A2	M 3	25	6.0	2.4	TX-10	1.6	1.0
P0236.030-028-A2	M 3	28	6.0	2.4	TX-10	1.6	1.0
P0236.030-030-A2	M 3	30	6.0	2.4	TX-10	1.6	1.0
P0236.030-035-A2	M 3	35	6.0	2.4	TX-10	1.6	1.0
P0236.030-040-A2	M 3	40	6.0	2.4	TX-10	1.6	1.0
P0236.030-045-A2	M 3	45	6.0	2.4	TX-10	1.6	1.0
P0236.030-050-A2	M 3	50	6.0	2.4	TX-10	1.6	1.0
P0236.030-055-A2	M 3	55	6.0	2.4	TX-10	1.6	1.0
P0236.030-060-A2	M 3	60	6.0	2.4	TX-10	1.6	1.0
P0236.040-004-A2	M 4	4	8.0	3.1	TX-20	2.0	1.4
P0236.040-005-A2	M 4	5	8.0	3.1	TX-20	2.0	1.4
P0236.040-006-A2	M 4	6	8.0	3.1	TX-20	2.0	1.4
P0236.040-008-A2	M 4	8	8.0	3.1	TX-20	2.0	1.4
P0236.040-010-A2	M 4	10	8.0	3.1	TX-20	2.0	1.4
P0236.040-012-A2	M 4	12	8.0	3.1	TX-20	2.0	1.4
P0236.040-014-A2	M 4	14	8.0	3.1	TX-20	2.0	1.4
P0236.040-016-A2	M 4	16	8.0	3.1	TX-20	2.0	1.4
P0236.040-018-A2	M 4	18	8.0	3.1	TX-20	2.0	1.4
P0236.040-020-A2	M 4	20	8.0	3.1	TX-20	2.0	1.4
P0236.040-022-A2	M 4	22	8.0	3.1	TX-20	2.0	1.4
P0236.040-025-A2	M 4	25	8.0	3.1	TX-20	2.0	1.4
P0236.040-028-A2	M 4	28	8.0	3.1	TX-20	2.0	1.4
P0236.040-030-A2	M 4	30	8.0	3.1	TX-20	2.0	1.4
P0236.040-035-A2	M 4	35	8.0	3.1	TX-20	2.0	1.4
P0236.040-040-A2	M 4	40	8.0	3.1	TX-20	2.0	1.4
P0236.040-045-A2	M 4	45	8.0	3.1	TX-20	2.0	1.4
P0236.040-050-A2	M 4	50	8.0	3.1	TX-20	2.0	1.4
P0236.040-055-A2	M 4	55	8.0	3.1	TX-20	2.0	1.4
P0236.040-060-A2	M 4	60	8.0	3.1	TX-20	2.0	1.4
P0236.040-065-A2	M 4	65	8.0	3.1	TX-20	2.0	1.4
P0236.040-070-A2	M 4	70	8.0	3.1	TX-20	2.0	1.4
P0236.040-075-A2	M 4	75	8.0	3.1	TX-20	2.0	1.4
P0236.040-080-A2	M 4	80	8.0	3.1	TX-20	2.0	1.4
P0236.040-090-A2	M 4	90	8.0	3.1	TX-20	2.0	1.4
P0236.040-100-A2	M 4	100	8.0	3.1	TX-20	2.0	1.4
P0236.050-006-A2	M 5	6	10.0	3.8	TX-25	2.5	1.6
P0236.050-008-A2	M 5	8	10.0	3.8	TX-25	2.5	1.6
P0236.050-012-A2	M 5	12	10.0	3.8	TX-25	2.5	1.6
P0236.050-014-A2	M 5	14	10.0	3.8	TX-25	2.5	1.6
P0236.050-016-A2	M 5	16	10.0	3.8	TX-25	2.5	1.6
P0236.050-018-A2	M 5	18	10.0	3.8	TX-25	2.5	1.6
P0236.050-020-A2	M 5	20	10.0	3.8	TX-25	2.5	1.6
P0236.050-022-A2	M 5	22	10.0	3.8	TX-25	2.5	1.6
P0236.050-025-A2	M 5	25	10.0	3.8	TX-25	2.5	1.6
P0236.050-028-A2	M 5	28	10.0	3.8	TX-25	2.5	1.6
P0236.050-030-A2	M 5	30	10.0	3.8	TX-25	2.5	1.6
P0236.050-035-A2	M 5	35	10.0	3.8	TX-25	2.5	1.6
P0236.050-040-A2	M 5	40	10.0	3.8	TX-25	2.5	1.6
P0236.050-045-A2	M 5	45	10.0	3.8	TX-25	2.5	1.6
P0236.050-050-A2	M 5	50	10.0	3.8	TX-25	2.5	1.6
P0236.050-055-A2	M 5	55	10.0	3.8	TX-25	2.5	1.6
P0236.050-060-A2	M 5	60	10.0	3.8	TX-25	2.5	1.6
P0236.050-065-A2	M 5	65	10.0	3.8	TX-25	2.5	1.6
P0236.050-070-A2	M 5	70	10.0	3.8	TX-25	2.5	1.6
P0236.050-075-A2	M 5	75	10.0	3.8	TX-25	2.5	1.6
P0236.050-080-A2	M 5	80	10.0	3.8	TX-25	2.5	1.6

STANDARD SCREWS



STANDARD SCREWS

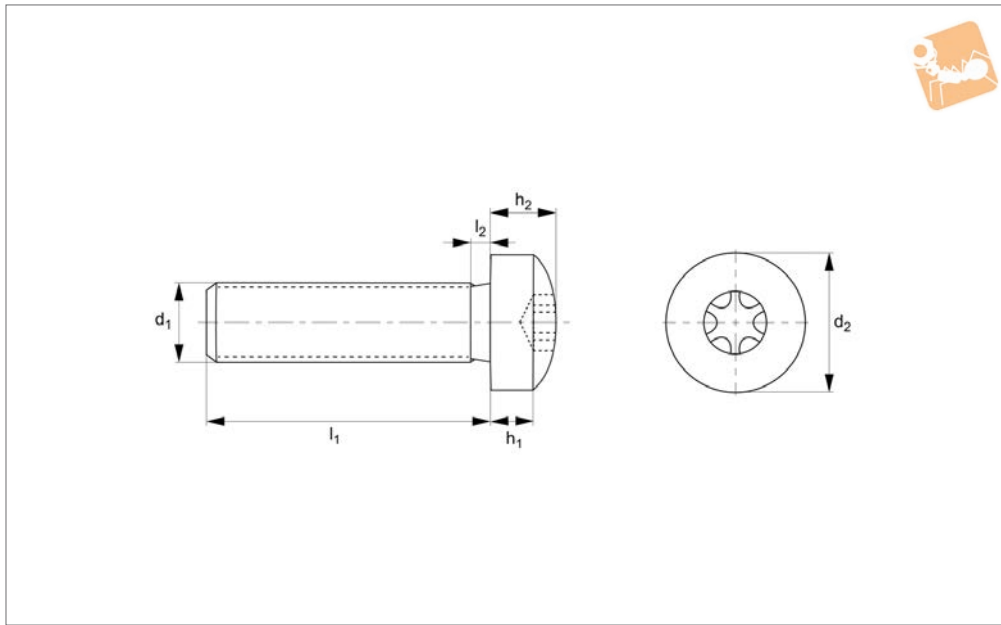
Order No.	d ₁	l ₁	d ₂	h ₁	Size	h ₂	l ₂
P0236.050-090-A2	M 5	90	10.0	3.8	TX-25	2.5	1.6
P0236.050-100-A2	M 5	100	10.0	3.8	TX-25	2.5	1.6
P0236.060-008-A2	M 6	8	12.0	4.6	TX-30	3.0	2.0
P0236.060-010-A2	M 6	10	12.0	4.6	TX-30	3.0	2.0
P0236.060-012-A2	M 6	12	12.0	4.6	TX-30	3.0	2.0
P0236.060-014-A2	M 6	14	12.0	4.6	TX-30	3.0	2.0
P0236.060-016-A2	M 6	16	12.0	4.6	TX-30	3.0	2.0
P0236.060-018-A2	M 6	18	12.0	4.6	TX-30	3.0	2.0
P0236.060-020-A2	M 6	20	12.0	4.6	TX-30	3.0	2.0
P0236.060-022-A2	M 6	22	12.0	4.6	TX-30	3.0	2.0
P0236.060-025-A2	M 6	25	12.0	4.6	TX-30	3.0	2.0
P0236.060-028-A2	M 6	28	12.0	4.6	TX-30	3.0	2.0
P0236.060-030-A2	M 6	30	12.0	4.6	TX-30	3.0	2.0
P0236.060-035-A2	M 6	35	12.0	4.6	TX-30	3.0	2.0
P0236.060-040-A2	M 6	40	12.0	4.6	TX-30	3.0	2.0
P0236.060-045-A2	M 6	45	12.0	4.6	TX-30	3.0	2.0
P0236.060-050-A2	M 6	50	12.0	4.6	TX-30	3.0	2.0
P0236.060-055-A2	M 6	55	12.0	4.6	TX-30	3.0	2.0
P0236.060-060-A2	M 6	60	12.0	4.6	TX-30	3.0	2.0
P0236.060-065-A2	M 6	65	12.0	4.6	TX-30	3.0	2.0
P0236.060-070-A2	M 6	70	12.0	4.6	TX-30	3.0	2.0
P0236.060-075-A2	M 6	75	12.0	4.6	TX-30	3.0	2.0
P0236.060-080-A2	M 6	80	12.0	4.6	TX-30	3.0	2.0
P0236.060-090-A2	M 6	90	12.0	4.6	TX-30	3.0	2.0
P0236.060-100-A2	M 6	100	12.0	4.6	TX-30	3.0	2.0
P0236.080-010-A2	M 8	10	16.0	6.0	TX-40	3.7	2.5
P0236.080-012-A2	M 8	12	16.0	6.0	TX-40	3.7	2.5
P0236.080-014-A2	M 8	14	16.0	6.0	TX-40	3.7	2.5
P0236.080-016-A2	M 8	16	16.0	6.0	TX-40	3.7	2.5
P0236.080-018-A2	M 8	18	16.0	6.0	TX-40	3.7	2.5
P0236.080-020-A2	M 8	20	16.0	6.0	TX-40	3.7	2.5
P0236.080-022-A2	M 8	22	16.0	6.0	TX-40	3.7	2.5
P0236.080-025-A2	M 8	25	16.0	6.0	TX-40	3.7	2.5
P0236.080-028-A2	M 8	28	16.0	6.0	TX-40	3.7	2.5
P0236.080-030-A2	M 8	30	16.0	6.0	TX-40	3.7	2.5
P0236.080-035-A2	M 8	35	16.0	6.0	TX-40	3.7	2.5
P0236.080-040-A2	M 8	40	16.0	6.0	TX-40	3.7	2.5
P0236.080-045-A2	M 8	45	16.0	6.0	TX-40	3.7	2.5
P0236.080-050-A2	M 8	50	16.0	6.0	TX-40	3.7	2.5
P0236.080-055-A2	M 8	55	16.0	6.0	TX-40	3.7	2.5
P0236.080-060-A2	M 8	60	16.0	6.0	TX-40	3.7	2.5
P0236.080-065-A2	M 8	65	16.0	6.0	TX-40	3.7	2.5
P0236.080-070-A2	M 8	70	16.0	6.0	TX-40	3.7	2.5
P0236.080-075-A2	M 8	75	16.0	6.0	TX-40	3.7	2.5
P0236.080-080-A2	M 8	80	16.0	6.0	TX-40	3.7	2.5
P0236.080-090-A2	M 8	90	16.0	6.0	TX-40	3.7	2.5
P0236.080-100-A2	M 8	100	16.0	6.0	TX-40	3.7	2.5



TX Pan Head Screws

TX - A4 stainless

Standard Screws



P0236.A4

STANDARD SCREWS

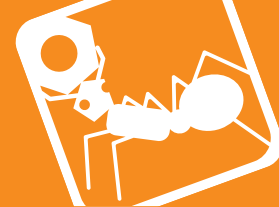
Material
Stainless steel (A4).

2,5 x pitch of head.

Technical Notes
To DIN 7985, ISO 7045. Threaded within

See technical page for tightening torques.

Order No.	d ₁	l ₁	d ₂	h ₁	Size	h ₂	l ₂
P0236.016-003-A4	M1,6	3	3.2	1.3	TX-5	0.8	0.7
P0236.016-004-A4	M1,6	4	3.2	1.3	TX-5	0.8	0.7
P0236.016-005-A4	M1,6	5	3.2	1.3	TX-5	0.8	0.7
P0236.016-006-A4	M1,6	6	3.2	1.3	TX-5	0.8	0.7
P0236.016-008-A4	M1,6	8	3.2	1.3	TX-5	0.8	0.7
P0236.016-010-A4	M1,6	10	3.2	1.3	TX-5	0.8	0.7
P0236.016-012-A4	M1,6	12	3.2	1.3	TX-5	0.8	0.7
P0236.016-014-A4	M1,6	14	3.2	1.3	TX-5	0.8	0.7
P0236.016-016-A4	M1,6	16	3.2	1.3	TX-5	0.8	0.7
P0236.016-018-A4	M1,6	18	3.2	1.3	TX-5	0.8	0.7
P0236.020-003-A4	M 2	3	4.0	1.6	TX-6	1.1	0.8
P0236.020-004-A4	M 2	4	4.0	1.6	TX-6	1.1	0.8
P0236.020-005-A4	M 2	5	4.0	1.6	TX-6	1.1	0.8
P0236.020-006-A4	M 2	6	4.0	1.6	TX-6	1.1	0.8
P0236.020-008-A4	M 2	8	4.0	1.6	TX-6	1.1	0.8
P0236.020-010-A4	M 2	10	4.0	1.6	TX-6	1.1	0.8
P0236.020-012-A4	M 2	12	4.0	1.6	TX-6	1.1	0.8
P0236.020-014-A4	M 2	14	4.0	1.6	TX-6	1.1	0.8
P0236.020-016-A4	M 2	16	4.0	1.6	TX-6	1.1	0.8
P0236.020-018-A4	M 2	18	4.0	1.6	TX-6	1.1	0.8
P0236.020-020-A4	M 2	20	4.0	1.6	TX-6	1.1	0.8
P0236.025-003-A4	M2,5	3	5.0	2.0	TX-8	1.3	0.9
P0236.025-004-A4	M2,5	4	5.0	2.0	TX-8	1.3	0.9
P0236.025-005-A4	M2,5	5	5.0	2.0	TX-8	1.3	0.9
P0236.025-006-A4	M2,5	6	5.0	2.0	TX-8	1.3	0.9
P0236.025-008-A4	M2,5	8	5.0	2.0	TX-8	1.3	0.9
P0236.025-010-A4	M2,5	10	5.0	2.0	TX-8	1.3	0.9
P0236.025-012-A4	M2,5	12	5.0	2.0	TX-8	1.3	0.9
P0236.025-014-A4	M2,5	14	5.0	2.0	TX-8	1.3	0.9
P0236.025-016-A4	M2,5	16	5.0	2.0	TX-8	1.3	0.9
P0236.025-018-A4	M2,5	18	5.0	2.0	TX-8	1.3	0.9
P0236.025-020-A4	M2,5	20	5.0	2.0	TX-8	1.3	0.9
P0236.025-022-A4	M2,5	22	5.0	2.0	TX-8	1.3	0.9
P0236.025-025-A4	M2,5	25	5.0	2.0	TX-8	1.3	0.9



STANDARD SCREWS

Order No.	d ₁	l ₁	d ₂	h ₁	Size	h ₂	l ₂
P0236.025-028-A4	M2,5	28	5.0	2.0	TX-8	1.3	0.9
P0236.025-030-A4	M2,5	30	5.0	2.0	TX-8	1.3	0.9
P0236.030-004-A4	M 3	4	6.0	2.4	TX-10	1.6	1.0
P0236.030-005-A4	M 3	5	6.0	2.4	TX-10	1.6	1.0
P0236.030-006-A4	M 3	6	6.0	2.4	TX-10	1.6	1.0
P0236.030-008-A4	M 3	8	6.0	2.4	TX-10	1.6	1.0
P0236.030-010-A4	M 3	10	6.0	2.4	TX-10	1.6	1.0
P0236.030-012-A4	M 3	12	6.0	2.4	TX-10	1.6	1.0
P0236.030-014-A4	M 3	14	6.0	2.4	TX-10	1.6	1.0
P0236.030-016-A4	M 3	16	6.0	2.4	TX-10	1.6	1.0
P0236.030-018-A4	M 3	18	6.0	2.4	TX-10	1.6	1.0
P0236.030-020-A4	M 3	20	6.0	2.4	TX-10	1.6	1.0
P0236.030-022-A4	M 3	22	6.0	2.4	TX-10	1.6	1.0
P0236.030-025-A4	M 3	25	6.0	2.4	TX-10	1.6	1.0
P0236.030-028-A4	M 3	28	6.0	2.4	TX-10	1.6	1.0
P0236.030-030-A4	M 3	30	6.0	2.4	TX-10	1.6	1.0
P0236.030-035-A4	M 3	35	6.0	2.4	TX-10	1.6	1.0
P0236.030-040-A4	M 3	40	6.0	2.4	TX-10	1.6	1.0
P0236.030-045-A4	M 3	45	6.0	2.4	TX-10	1.6	1.0
P0236.030-050-A4	M 3	50	6.0	2.4	TX-10	1.6	1.0
P0236.030-055-A4	M 3	55	6.0	2.4	TX-10	1.6	1.0
P0236.030-060-A4	M 3	60	6.0	2.4	TX-10	1.6	1.0
P0236.040-004-A4	M 4	4	8.0	3.1	TX-20	2.0	1.4
P0236.040-005-A4	M 4	5	8.0	3.1	TX-20	2.0	1.4
P0236.040-006-A4	M 4	6	8.0	3.1	TX-20	2.0	1.4
P0236.040-008-A4	M 4	8	8.0	3.1	TX-20	2.0	1.4
P0236.040-010-A4	M 4	10	8.0	3.1	TX-20	2.0	1.4
P0236.040-012-A4	M 4	12	8.0	3.1	TX-20	2.0	1.4
P0236.040-014-A4	M 4	14	8.0	3.1	TX-20	2.0	1.4
P0236.040-016-A4	M 4	16	8.0	3.1	TX-20	2.0	1.4
P0236.040-018-A4	M 4	18	8.0	3.1	TX-20	2.0	1.4
P0236.040-020-A4	M 4	20	8.0	3.1	TX-20	2.0	1.4
P0236.040-022-A4	M 4	22	8.0	3.1	TX-20	2.0	1.4
P0236.040-025-A4	M4	25	8.0	3.1	TX-20	2.0	1.4
P0236.040-028-A4	M 4	28	8.0	3.1	TX-20	2.0	1.4
P0236.040-030-A4	M 4	30	8.0	3.1	TX-20	2.0	1.4
P0236.040-035-A4	M 4	35	8.0	3.1	TX-20	2.0	1.4
P0236.040-040-A4	M 4	40	8.0	3.1	TX-20	2.0	1.4
P0236.040-045-A4	M 4	45	8.0	3.1	TX-20	2.0	1.4
P0236.040-050-A4	M 4	50	8.0	3.1	TX-20	2.0	1.4
P0236.040-055-A4	M 4	55	8.0	3.1	TX-20	2.0	1.4
P0236.040-060-A4	M 4	60	8.0	3.1	TX-20	2.0	1.4
P0236.040-065-A4	M 4	65	8.0	3.1	TX-20	2.0	1.4
P0236.040-070-A4	M 4	70	8.0	3.1	TX-20	2.0	1.4
P0236.040-075-A4	M 4	75	8.0	3.1	TX-20	2.0	1.4
P0236.040-080-A4	M 4	80	8.0	3.1	TX-20	2.0	1.4
P0236.040-090-A4	M 4	90	8.0	3.1	TX-20	2.0	1.4
P0236.040-100-A4	M 4	100	8.0	3.1	TX-20	2.0	1.4
P0236.050-006-A4	M 5	6	10.0	3.8	TX-25	2.5	1.6
P0236.050-008-A4	M 5	8	10.0	3.8	TX-25	2.5	1.6
P0236.050-012-A4	M 5	12	10.0	3.8	TX-25	2.5	1.6
P0236.050-014-A4	M 5	14	10.0	3.8	TX-25	2.5	1.6
P0236.050-016-A4	M 5	16	10.0	3.8	TX-25	2.5	1.6
P0236.050-018-A4	M 5	18	10.0	3.8	TX-25	2.5	1.6
P0236.050-020-A4	M 5	20	10.0	3.8	TX-25	2.5	1.6
P0236.050-022-A4	M 5	22	10.0	3.8	TX-25	2.5	1.6
P0236.050-025-A4	M 5	25	10.0	3.8	TX-25	2.5	1.6
P0236.050-028-A4	M 5	28	10.0	3.8	TX-25	2.5	1.6
P0236.050-030-A4	M 5	30	10.0	3.8	TX-25	2.5	1.6
P0236.050-035-A4	M 5	35	10.0	3.8	TX-25	2.5	1.6
P0236.050-040-A4	M 5	40	10.0	3.8	TX-25	2.5	1.6
P0236.050-045-A4	M 5	45	10.0	3.8	TX-25	2.5	1.6
P0236.050-050-A4	M 5	50	10.0	3.8	TX-25	2.5	1.6
P0236.050-055-A4	M 5	55	10.0	3.8	TX-25	2.5	1.6
P0236.050-060-A4	M 5	60	10.0	3.8	TX-25	2.5	1.6
P0236.050-065-A4	M 5	65	10.0	3.8	TX-25	2.5	1.6
P0236.050-070-A4	M 5	70	10.0	3.8	TX-25	2.5	1.6
P0236.050-075-A4	M 5	75	10.0	3.8	TX-25	2.5	1.6
P0236.050-080-A4	M 5	80	10.0	3.8	TX-25	2.5	1.6



TX Pan Head Screws

TX - A4 stainless

Standard Screws

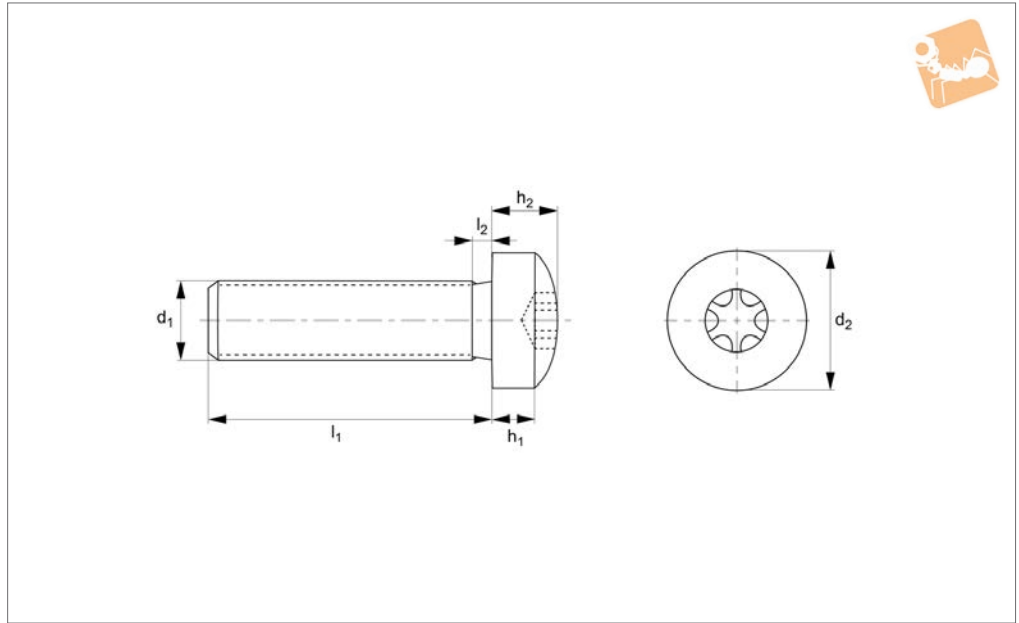


Order No.	d ₁	l ₁	d ₂	h ₁	Size	h ₂	l ₂
P0236.050-090-A4	M 5	90	10.0	3.8	TX-25	2.5	1.6
P0236.050-100-A4	M 5	100	10.0	3.8	TX-25	2.5	1.6
P0236.060-008-A4	M 6	8	12.0	4.6	TX-30	3.0	2.0
P0236.060-010-A4	M 6	10	12.0	4.6	TX-30	3.0	2.0
P0236.060-012-A4	M 6	12	12.0	4.6	TX-30	3.0	2.0
P0236.060-014-A4	M 6	14	12.0	4.6	TX-30	3.0	2.0
P0236.060-016-A4	M 6	16	12.0	4.6	TX-30	3.0	2.0
P0236.060-018-A4	M 6	18	12.0	4.6	TX-30	3.0	2.0
P0236.060-020-A4	M 6	20	12.0	4.6	TX-30	3.0	2.0
P0236.060-022-A4	M 6	22	12.0	4.6	TX-30	3.0	2.0
P0236.060-025-A4	M 6	25	12.0	4.6	TX-30	3.0	2.0
P0236.060-028-A4	M 6	28	12.0	4.6	TX-30	3.0	2.0
P0236.060-030-A4	M 6	30	12.0	4.6	TX-30	3.0	2.0
P0236.060-035-A4	M 6	35	12.0	4.6	TX-30	3.0	2.0
P0236.060-040-A4	M 6	40	12.0	4.6	TX-30	3.0	2.0
P0236.060-045-A4	M 6	45	12.0	4.6	TX-30	3.0	2.0
P0236.060-050-A4	M 6	50	12.0	4.6	TX-30	3.0	2.0
P0236.060-055-A4	M 6	55	12.0	4.6	TX-30	3.0	2.0
P0236.060-060-A4	M 6	60	12.0	4.6	TX-30	3.0	2.0
P0236.060-065-A4	M 6	65	12.0	4.6	TX-30	3.0	2.0
P0236.060-070-A4	M 6	70	12.0	4.6	TX-30	3.0	2.0
P0236.060-075-A4	M 6	75	12.0	4.6	TX-30	3.0	2.0
P0236.060-080-A4	M 6	80	12.0	4.6	TX-30	3.0	2.0
P0236.060-090-A4	M 6	90	12.0	4.6	TX-30	3.0	2.0
P0236.060-100-A4	M 6	100	12.0	4.6	TX-30	3.0	2.0
P0236.080-010-A4	M 8	10	16.0	6.0	TX-40	3.7	2.5
P0236.080-012-A4	M 8	12	16.0	6.0	TX-40	3.7	2.5
P0236.080-014-A4	M 8	14	16.0	6.0	TX-40	3.7	2.5
P0236.080-016-A4	M 8	16	16.0	6.0	TX-40	3.7	2.5
P0236.080-018-A4	M 8	18	16.0	6.0	TX-40	3.7	2.5
P0236.080-020-A4	M 8	20	16.0	6.0	TX-40	3.7	2.5
P0236.080-022-A4	M 8	22	16.0	6.0	TX-40	3.7	2.5
P0236.080-025-A4	M 8	25	16.0	6.0	TX-40	3.7	2.5
P0236.080-028-A4	M 8	28	16.0	6.0	TX-40	3.7	2.5
P0236.080-030-A4	M 8	30	16.0	6.0	TX-40	3.7	2.5
P0236.080-035-A4	M 8	35	16.0	6.0	TX-40	3.7	2.5
P0236.080-040-A4	M 8	40	16.0	6.0	TX-40	3.7	2.5
P0236.080-045-A4	M 8	45	16.0	6.0	TX-40	3.7	2.5
P0236.080-050-A4	M 8	50	16.0	6.0	TX-40	3.7	2.5
P0236.080-055-A4	M 8	55	16.0	6.0	TX-40	3.7	2.5
P0236.080-060-A4	M 8	60	16.0	6.0	TX-40	3.7	2.5
P0236.080-065-A4	M 8	65	16.0	6.0	TX-40	3.7	2.5
P0236.080-070-A4	M 8	70	16.0	6.0	TX-40	3.7	2.5
P0236.080-075-A4	M 8	75	16.0	6.0	TX-40	3.7	2.5
P0236.080-080-A4	M 8	80	16.0	6.0	TX-40	3.7	2.5
P0236.080-090-A4	M 8	90	16.0	6.0	TX-40	3.7	2.5
P0236.080-100-A4	M 8	100	16.0	6.0	TX-40	3.7	2.5

STANDARD SCREWS



P0236.ZP



Material

Steel, zinc-plated (grade 4.8).

Technical Notes

To DIN 7985, ISO 7045. Threaded within 2,5 x pitch of head.

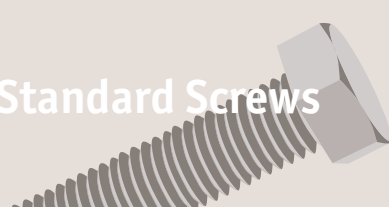
Order No.	d ₁	l ₁	d ₂	h ₁	Size	h ₂	l ₂
P0236.016-003-ZP	M1,6	3	3.2	1.3	TX-5	0.8	0.7
P0236.016-004-ZP	M1,6	4	3.2	1.3	TX-5	0.8	0.7
P0236.016-005-ZP	M1,6	5	3.2	1.3	TX-5	0.8	0.7
P0236.016-006-ZP	M1,6	6	3.2	1.3	TX-5	0.8	0.7
P0236.016-008-ZP	M1,6	8	3.2	1.3	TX-5	0.8	0.7
P0236.016-010-ZP	M1,6	10	3.2	1.3	TX-5	0.8	0.7
P0236.016-012-ZP	M1,6	12	3.2	1.3	TX-5	0.8	0.7
P0236.016-014-ZP	M1,6	14	3.2	1.3	TX-5	0.8	0.7
P0236.016-016-ZP	M1,6	16	3.2	1.3	TX-5	0.8	0.7
P0236.016-018-ZP	M1,6	18	3.2	1.3	TX-5	0.8	0.7
P0236.020-003-ZP	M 2	3	4.0	1.6	TX-6	1.1	0.8
P0236.020-004-ZP	M 2	4	4.0	1.6	TX-6	1.1	0.8
P0236.020-005-ZP	M 2	5	4.0	1.6	TX-6	1.1	0.8
P0236.020-006-ZP	M 2	6	4.0	1.6	TX-6	1.1	0.8
P0236.020-008-ZP	M 2	8	4.0	1.6	TX-6	1.1	0.8
P0236.020-010-ZP	M 2	10	4.0	1.6	TX-6	1.1	0.8
P0236.020-012-ZP	M 2	12	4.0	1.6	TX-6	1.1	0.8
P0236.020-014-ZP	M 2	14	4.0	1.6	TX-6	1.1	0.8
P0236.020-016-ZP	M 2	16	4.0	1.6	TX-6	1.1	0.8
P0236.020-018-ZP	M 2	18	4.0	1.6	TX-6	1.1	0.8
P0236.020-020-ZP	M 2	20	4.0	1.6	TX-6	1.1	0.8
P0236.025-003-ZP	M2,5	3	5.0	2.0	TX-8	1.3	0.9
P0236.025-004-ZP	M2,5	4	5.0	2.0	TX-8	1.3	0.9
P0236.025-005-ZP	M2,5	5	5.0	2.0	TX-8	1.3	0.9
P0236.025-006-ZP	M2,5	6	5.0	2.0	TX-8	1.3	0.9
P0236.025-008-ZP	M2,5	8	5.0	2.0	TX-8	1.3	0.9
P0236.025-010-ZP	M2,5	10	5.0	2.0	TX-8	1.3	0.9
P0236.025-012-ZP	M2,5	12	5.0	2.0	TX-8	1.3	0.9
P0236.025-014-ZP	M2,5	14	5.0	2.0	TX-8	1.3	0.9
P0236.025-016-ZP	M2,5	16	5.0	2.0	TX-8	1.3	0.9
P0236.025-018-ZP	M2,5	18	5.0	2.0	TX-8	1.3	0.9
P0236.025-020-ZP	M2,5	20	5.0	2.0	TX-8	1.3	0.9
P0236.025-022-ZP	M2,5	22	5.0	2.0	TX-8	1.3	0.9
P0236.025-025-ZP	M2,5	25	5.0	2.0	TX-8	1.3	0.9
P0236.025-028-ZP	M2,5	28	5.0	2.0	TX-8	1.3	0.9



TX Pan Head Screws

TX - steel, zinc-plated

Standard Screws



Order No.	d ₁	l ₁	d ₂	h ₁	Size	h ₂	l ₂
P0236.025-030-ZP	M2,5	30	5.0	2.0	TX-8	1.3	0.9
P0236.030-004-ZP	M 3	4	6.0	2.4	TX-10	1.6	1.0
P0236.030-005-ZP	M 3	5	6.0	2.4	TX-10	1.6	1.0
P0236.030-006-ZP	M 3	6	6.0	2.4	TX-10	1.6	1.0
P0236.030-008-ZP	M 3	8	6.0	2.4	TX-10	1.6	1.0
P0236.030-010-ZP	M 3	10	6.0	2.4	TX-10	1.6	1.0
P0236.030-012-ZP	M 3	12	6.0	2.4	TX-10	1.6	1.0
P0236.030-014-ZP	M 3	14	6.0	2.4	TX-10	1.6	1.0
P0236.030-016-ZP	M 3	16	6.0	2.4	TX-10	1.6	1.0
P0236.030-018-ZP	M 3	18	6.0	2.4	TX-10	1.6	1.0
P0236.030-020-ZP	M 3	20	6.0	2.4	TX-10	1.6	1.0
P0236.030-022-ZP	M 3	22	6.0	2.4	TX-10	1.6	1.0
P0236.030-025-ZP	M 3	25	6.0	2.4	TX-10	1.6	1.0
P0236.030-028-ZP	M 3	28	6.0	2.4	TX-10	1.6	1.0
P0236.030-030-ZP	M 3	30	6.0	2.4	TX-10	1.6	1.0
P0236.030-035-ZP	M 3	35	6.0	2.4	TX-10	1.6	1.0
P0236.030-040-ZP	M 3	40	6.0	2.4	TX-10	1.6	1.0
P0236.030-045-ZP	M 3	45	6.0	2.4	TX-10	1.6	1.0
P0236.030-050-ZP	M 3	50	6.0	2.4	TX-10	1.6	1.0
P0236.030-055-ZP	M 3	55	6.0	2.4	TX-10	1.6	1.0
P0236.030-060-ZP	M 3	60	6.0	2.4	TX-10	1.6	1.0
P0236.040-005-ZP	M 4	4	8.0	3.1	TX-20	2.0	1.4
P0236.040-006-ZP	M 4	4	8.0	3.1	TX-20	2.0	1.4
P0236.040-008-ZP	M 4	4	8.0	3.1	TX-20	2.0	1.4
P0236.040-010-ZP	M 4	4	8.0	3.1	TX-20	2.0	1.4
P0236.040-012-ZP	M 4	4	8.0	3.1	TX-20	2.0	1.4
P0236.040-014-ZP	M 4	4	8.0	3.1	TX-20	2.0	1.4
P0236.040-016-ZP	M 4	4	8.0	3.1	TX-20	2.0	1.4
P0236.040-018-ZP	M 4	4	8.0	3.1	TX-20	2.0	1.4
P0236.040-020-ZP	M 4	4	8.0	3.1	TX-20	2.0	1.4
P0236.040-022-ZP	M 4	4	8.0	3.1	TX-20	2.0	1.4
P0236.040-025-ZP	M 4	4	8.0	3.1	TX-20	2.0	1.4
P0236.040-028-ZP	M 4	4	8.0	3.1	TX-20	2.0	1.4
P0236.040-030-ZP	M 4	4	8.0	3.1	TX-20	2.0	1.4
P0236.040-035-ZP	M 4	4	8.0	3.1	TX-20	2.0	1.4
P0236.040-040-ZP	M 4	4	8.0	3.1	TX-20	2.0	1.4
P0236.040-045-ZP	M 4	4	8.0	3.1	TX-20	2.0	1.4
P0236.040-050-ZP	M 4	4	8.0	3.1	TX-20	2.0	1.4
P0236.040-055-ZP	M 4	4	8.0	3.1	TX-20	2.0	1.4
P0236.040-060-ZP	M 4	4	8.0	3.1	TX-20	2.0	1.4
P0236.040-065-ZP	M 4	4	8.0	3.1	TX-20	2.0	1.4
P0236.040-070-ZP	M 4	4	8.0	3.1	TX-20	2.0	1.4
P0236.040-075-ZP	M 4	4	8.0	3.1	TX-20	2.0	1.4
P0236.040-080-ZP	M 4	4	8.0	3.1	TX-20	2.0	1.4
P0236.040-090-ZP	M 4	4	8.0	3.1	TX-20	2.0	1.4
P0236.040-100-ZP	M 4	4	8.0	3.1	TX-20	2.0	1.4
P0236.050-012-ZP	M 5	12	10.0	3.8	TX-25	2.5	1.6
P0236.050-014-ZP	M 5	14	10.0	3.8	TX-25	2.5	1.6
P0236.050-016-ZP	M 5	16	10.0	3.8	TX-25	2.5	1.6
P0236.050-018-ZP	M 5	18	10.0	3.8	TX-25	2.5	1.6
P0236.050-020-ZP	M 5	20	10.0	3.8	TX-25	2.5	1.6
P0236.050-022-ZP	M 5	22	10.0	3.8	TX-25	2.5	1.6
P0236.050-025-ZP	M 5	25	10.0	3.8	TX-25	2.5	1.6
P0236.050-028-ZP	M 5	28	10.0	3.8	TX-25	2.5	1.6
P0236.050-030-ZP	M 5	30	10.0	3.8	TX-25	2.5	1.6
P0236.050-035-ZP	M 5	35	10.0	3.8	TX-25	2.5	1.6
P0236.050-040-ZP	M 5	40	10.0	3.8	TX-25	2.5	1.6
P0236.050-045-ZP	M 5	45	10.0	3.8	TX-25	2.5	1.6
P0236.050-050-ZP	M 5	50	10.0	3.8	TX-25	2.5	1.6
P0236.050-055-ZP	M 5	55	10.0	3.8	TX-25	2.5	1.6
P0236.050-060-ZP	M 5	60	10.0	3.8	TX-25	2.5	1.6
P0236.050-065-ZP	M 5	65	10.0	3.8	TX-25	2.5	1.6
P0236.050-070-ZP	M 5	70	10.0	3.8	TX-25	2.5	1.6
P0236.050-075-ZP	M 5	75	10.0	3.8	TX-25	2.5	1.6
P0236.050-080-ZP	M 5	80	10.0	3.8	TX-25	2.5	1.6
P0236.050-090-ZP	M 5	90	10.0	3.8	TX-25	2.5	1.6
P0236.050-100-ZP	M 5	100	10.0	3.8	TX-25	2.5	1.6
P0236.060-008-ZP	M 6	8	12.0	4.6	TX-30	3.0	2.0
P0236.060-010-ZP	M 6	10	12.0	4.6	TX-30	3.0	2.0

STANDARD SCREWS



STANDARD SCREWS

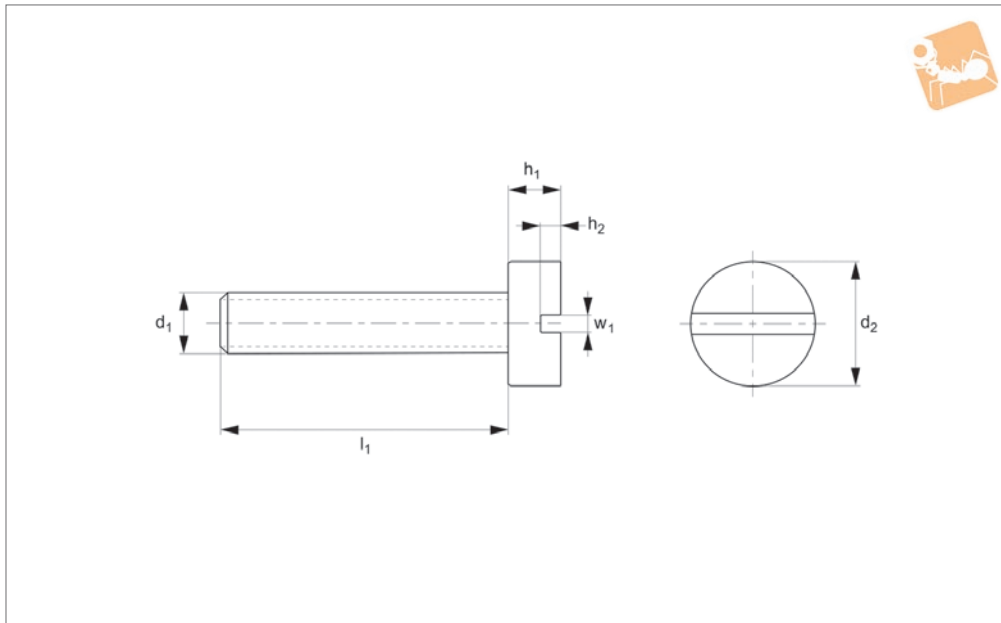
Order No.	d ₁	l ₁	d ₂	h ₁	Size	h ₂	l ₂
P0236.060-012-ZP	M 6	12	12.0	4.6	TX-30	3.0	2.0
P0236.060-014-ZP	M 6	14	12.0	4.6	TX-30	3.0	2.0
P0236.060-016-ZP	M 6	16	12.0	4.6	TX-30	3.0	2.0
P0236.060-018-ZP	M 6	18	12.0	4.6	TX-30	3.0	2.0
P0236.060-020-ZP	M 6	20	12.0	4.6	TX-30	3.0	2.0
P0236.060-022-ZP	M 6	22	12.0	4.6	TX-30	3.0	2.0
P0236.060-025-ZP	M 6	25	12.0	4.6	TX-30	3.0	2.0
P0236.060-028-ZP	M 6	28	12.0	4.6	TX-30	3.0	2.0
P0236.060-030-ZP	M 6	30	12.0	4.6	TX-30	3.0	2.0
P0236.060-035-ZP	M 6	35	12.0	4.6	TX-30	3.0	2.0
P0236.060-040-ZP	M 6	40	12.0	4.6	TX-30	3.0	2.0
P0236.060-045-ZP	M 6	45	12.0	4.6	TX-30	3.0	2.0
P0236.060-050-ZP	M 6	50	12.0	4.6	TX-30	3.0	2.0
P0236.060-055-ZP	M 6	55	12.0	4.6	TX-30	3.0	2.0
P0236.060-060-ZP	M 6	60	12.0	4.6	TX-30	3.0	2.0
P0236.060-065-ZP	M 6	65	12.0	4.6	TX-30	3.0	2.0
P0236.060-070-ZP	M 6	70	12.0	4.6	TX-30	3.0	2.0
P0236.060-075-ZP	M 6	75	12.0	4.6	TX-30	3.0	2.0
P0236.060-080-ZP	M 6	80	12.0	4.6	TX-30	3.0	2.0
P0236.060-090-ZP	M 6	90	12.0	4.6	TX-30	3.0	2.0
P0236.060-100-ZP	M 6	100	12.0	4.6	TX-30	3.0	2.0
P0236.080-010-ZP	M 8	10	16.0	6.0	TX-40	3.7	2.5
P0236.080-012-ZP	M 8	12	16.0	6.0	TX-40	3.7	2.5
P0236.080-014-ZP	M 8	14	16.0	6.0	TX-40	3.7	2.5
P0236.080-016-ZP	M 8	16	16.0	6.0	TX-40	3.7	2.5
P0236.080-018-ZP	M 8	18	16.0	6.0	TX-40	3.7	2.5
P0236.080-020-ZP	M 8	20	16.0	6.0	TX-40	3.7	2.5
P0236.080-022-ZP	M 8	22	16.0	6.0	TX-40	3.7	2.5
P0236.080-025-ZP	M 8	25	16.0	6.0	TX-40	3.7	2.5
P0236.080-028-ZP	M 8	28	16.0	6.0	TX-40	3.7	2.5
P0236.080-030-ZP	M 8	30	16.0	6.0	TX-40	3.7	2.5
P0236.080-035-ZP	M 8	35	16.0	6.0	TX-40	3.7	2.5
P0236.080-040-ZP	M 8	40	16.0	6.0	TX-40	3.7	2.5
P0236.080-045-ZP	M 8	45	16.0	6.0	TX-40	3.7	2.5
P0236.080-050-ZP	M 8	50	16.0	6.0	TX-40	3.7	2.5
P0236.080-055-ZP	M 8	55	16.0	6.0	TX-40	3.7	2.5
P0236.080-060-ZP	M 8	60	16.0	6.0	TX-40	3.7	2.5
P0236.080-065-ZP	M 8	65	16.0	6.0	TX-40	3.7	2.5
P0236.080-070-ZP	M 8	70	16.0	6.0	TX-40	3.7	2.5
P0236.080-075-ZP	M 8	75	16.0	6.0	TX-40	3.7	2.5
P0236.080-080-ZP	M 8	80	16.0	6.0	TX-40	3.7	2.5
P0236.080-090-ZP	M 8	90	16.0	6.0	TX-40	3.7	2.5
P0236.080-100-ZP	M 8	100	16.0	6.0	TX-40	3.7	2.5



Slot Cheese Head Screws

Slot - A2 stainless

Standard Screws



P0239.A2

STANDARD SCREWS

Material

Stainless steel (A2).

See technical page for tightening torques.

Technical Notes

To DIN 84.

Order No.	d ₁	l ₁	w ₁	h ₁	h ₂	d ₂	Material
P0239.016-003-A2	M1,6	3	0.40	1.0	0.45	3.0	A2 s/s
P0239.016-004-A2	M1,6	4	0.40	1.0	0.45	3.0	A2 s/s
P0239.016-005-A2	M1,6	5	0.40	1.0	0.45	3.0	A2 s/s
P0239.016-006-A2	M1,6	6	0.40	1.0	0.45	3.0	A2 s/s
P0239.016-008-A2	M1,6	8	0.40	1.0	0.45	3.0	A2 s/s
P0239.016-010-A2	M1,6	10	0.40	1.0	0.45	3.0	A2 s/s
P0239.016-012-A2	M1,6	12	0.40	1.0	0.45	3.0	A2 s/s
P0239.016-014-A2	M1,6	14	0.40	1.0	0.45	3.0	A2 s/s
P0239.016-016-A2	M1,6	16	0.40	1.0	0.45	3.0	A2 s/s
P0239.016-018-A2	M1,6	18	0.40	1.0	0.45	3.0	A2 s/s
P0239.020-003-A2	M 2	3	0.50	1.3	0.60	3.8	A2 s/s
P0239.020-004-A2	M 2	4	0.50	1.3	0.60	3.8	A2 s/s
P0239.020-005-A2	M 2	5	0.50	1.3	0.60	3.8	A2 s/s
P0239.020-006-A2	M 2	6	0.50	1.3	0.60	3.8	A2 s/s
P0239.020-008-A2	M 2	8	0.50	1.3	0.60	3.8	A2 s/s
P0239.020-010-A2	M 2	10	0.50	1.3	0.60	3.8	A2 s/s
P0239.020-012-A2	M 2	12	0.50	1.3	0.60	3.8	A2 s/s
P0239.020-014-A2	M 2	14	0.50	1.3	0.60	3.8	A2 s/s
P0239.020-016-A2	M 2	16	0.50	1.3	0.60	3.8	A2 s/s
P0239.020-018-A2	M 2	18	0.50	1.3	0.60	3.8	A2 s/s
P0239.020-020-A2	M 2	20	0.50	1.3	0.60	3.8	A2 s/s
P0239.020-022-A2	M 2	22	0.50	1.3	0.60	3.8	A2 s/s
P0239.020-025-A2	M 2	25	0.50	1.3	0.60	3.8	A2 s/s
P0239.020-028-A2	M 2	28	0.50	1.3	0.60	3.8	A2 s/s
P0239.020-030-A2	M 2	30	0.50	1.3	0.60	3.8	A2 s/s
P0239.025-003-A2	M2,5	3	0.60	1.6	0.70	4.5	A2 s/s
P0239.025-004-A2	M2,5	4	0.60	1.6	0.70	4.5	A2 s/s
P0239.025-005-A2	M2,5	5	0.60	1.6	0.70	4.5	A2 s/s
P0239.025-006-A2	M2,5	6	0.60	1.6	0.70	4.5	A2 s/s
P0239.025-008-A2	M2,5	8	0.60	1.6	0.70	4.5	A2 s/s
P0239.025-010-A2	M2,5	10	0.60	1.6	0.70	4.5	A2 s/s
P0239.025-012-A2	M2,5	12	0.60	1.6	0.70	4.5	A2 s/s
P0239.025-014-A2	M2,5	14	0.60	1.6	0.70	4.5	A2 s/s
P0239.025-016-A2	M2,5	16	0.60	1.6	0.70	4.5	A2 s/s



STANDARD SCREWS

Order No.	d ₁	l ₁	w ₁	h ₁	h ₂	d ₂	Material
P0239.025-018-A2	M2,5	18	0.60	1.6	0.70	4.5	A2 s/s
P0239.025-020-A2	M2,5	20	0.60	1.6	0.70	4.5	A2 s/s
P0239.025-022-A2	M2,5	22	0.60	1.6	0.70	4.5	A2 s/s
P0239.025-025-A2	M2,5	25	0.60	1.6	0.70	4.5	A2 s/s
P0239.025-028-A2	M2,5	28	0.60	1.6	0.70	4.5	A2 s/s
P0239.025-030-A2	M2,5	30	0.60	1.6	0.70	4.5	A2 s/s
P0239.030-003-A2	M 3	3	0.80	2.0	0.85	5.5	Steel
P0239.030-004-A2	M 3	4	0.80	2.0	0.85	5.5	Steel
P0239.030-005-A2	M 3	5	0.80	2.0	0.85	5.5	Steel
P0239.030-006-A2	M 3	6	0.80	2.0	0.85	5.5	Steel
P0239.030-008-A2	M 3	8	0.80	2.0	0.85	5.5	Steel
P0239.030-010-A2	M 3	10	0.80	2.0	0.85	5.5	Steel
P0239.030-012-A2	M 3	12	0.80	2.0	0.85	5.5	Steel
P0239.030-014-A2	M 3	14	0.80	2.0	0.85	5.5	Steel
P0239.030-016-A2	M 3	16	0.80	2.0	0.85	5.5	Steel
P0239.030-018-A2	M 3	18	0.80	2.0	0.85	5.5	Steel
P0239.030-020-A2	M 3	20	0.80	2.0	0.85	5.5	Steel
P0239.030-022-A2	M 3	22	0.80	2.0	0.85	5.5	Steel
P0239.030-025-A2	M 3	25	0.80	2.0	0.85	5.5	Steel
P0239.030-028-A2	M 3	28	0.80	2.0	0.85	5.5	Steel
P0239.030-030-A2	M 3	30	0.80	2.0	0.85	5.5	A2 s/s
P0239.030-035-A2	M 3	35	0.80	2.0	0.85	5.5	A2 s/s
P0239.030-040-A2	M 3	40	0.80	2.0	0.85	5.5	A2 s/s
P0239.030-045-A2	M 3	45	0.80	2.0	0.85	5.5	A2 s/s
P0239.030-050-A2	M 3	50	0.80	2.0	0.85	5.5	A2 s/s
P0239.030-055-A2	M 3	55	0.80	2.0	0.85	5.5	A2 s/s
P0239.030-060-A2	M 3	60	0.80	2.0	0.85	5.5	A2 s/s
P0239.035-004-A2	M3,5	4	1.00	2.4	1.00	6.0	A2 s/s
P0239.035-005-A2	M3,5	5	1.00	2.4	1.00	6.0	A2 s/s
P0239.035-006-A2	M3,5	6	1.00	2.4	1.00	6.0	A2 s/s
P0239.035-008-A2	M3,5	8	1.00	2.4	1.00	6.0	A2 s/s
P0239.035-010-A2	M3,5	10	1.00	2.4	1.00	6.0	A2 s/s
P0239.035-012-A2	M3,5	12	1.00	2.4	1.00	6.0	A2 s/s
P0239.035-014-A2	M3,5	14	1.00	2.4	1.00	6.0	A2 s/s
P0239.035-016-A2	M3,5	16	1.00	2.4	1.00	6.0	A2 s/s
P0239.035-018-A2	M3,5	18	1.00	2.4	1.00	6.0	A2 s/s
P0239.035-020-A2	M3,5	20	1.00	2.4	1.00	6.0	A2 s/s
P0239.035-022-A2	M3,5	22	1.00	2.4	1.00	6.0	A2 s/s
P0239.035-025-A2	M3,5	25	1.00	2.4	1.00	6.0	A2 s/s
P0239.035-028-A2	M3,5	28	1.00	2.4	1.00	6.0	A2 s/s
P0239.035-030-A2	M3,5	30	1.00	2.4	1.00	6.0	A2 s/s
P0239.035-035-A2	M3,5	35	1.00	2.4	1.00	6.0	A2 s/s
P0239.035-040-A2	M3,5	40	1.00	2.4	1.00	6.0	A2 s/s
P0239.035-045-A2	M3,5	45	1.00	2.4	1.00	6.0	A2 s/s
P0239.035-050-A2	M3,5	50	1.00	2.4	1.00	6.0	A2 s/s
P0239.035-055-A2	M3,5	55	1.00	2.4	1.00	6.0	A2 s/s
P0239.035-060-A2	M3,5	60	1.00	2.4	1.00	6.0	A2 s/s
P0239.040-004-A2	M 4	4	1.20	2.6	1.10	7.0	A2 s/s
P0239.040-005-A2	M 4	5	1.20	2.6	1.10	7.0	A2 s/s
P0239.040-006-A2	M 4	6	1.20	2.6	1.10	7.0	A2 s/s
P0239.040-008-A2	M 4	8	1.20	2.6	1.10	7.0	A2 s/s
P0239.040-010-A2	M 4	10	1.20	2.6	1.10	7.0	A2 s/s
P0239.040-012-A2	M 4	12	1.20	2.6	1.10	7.0	A2 s/s
P0239.040-014-A2	M 4	14	1.20	2.6	1.10	7.0	A2 s/s
P0239.040-016-A2	M 4	16	1.20	2.6	1.10	7.0	A2 s/s
P0239.040-018-A2	M 4	18	1.20	2.6	1.10	7.0	A2 s/s
P0239.040-020-A2	M 4	20	1.20	2.6	1.10	7.0	A2 s/s
P0239.040-022-A2	M 4	22	1.20	2.6	1.10	7.0	A2 s/s
P0239.040-025-A2	M 4	25	1.20	2.6	1.10	7.0	A2 s/s
P0239.040-028-A2	M 4	28	1.20	2.6	1.10	7.0	A2 s/s
P0239.040-030-A2	M 4	30	1.20	2.6	1.10	7.0	A2 s/s
P0239.040-035-A2	M 4	35	1.20	2.6	1.10	7.0	A2 s/s
P0239.040-040-A2	M 4	40	1.20	2.6	1.10	7.0	A2 s/s
P0239.040-045-A2	M 4	45	1.20	2.6	1.10	7.0	A2 s/s
P0239.040-050-A2	M 4	50	1.20	2.6	1.10	7.0	A2 s/s
P0239.040-055-A2	M 4	55	1.20	2.6	1.10	7.0	A2 s/s
P0239.040-060-A2	M 4	60	1.20	2.6	1.10	7.0	A2 s/s
P0239.040-065-A2	M 4	65	1.20	2.6	1.10	7.0	A2 s/s
P0239.040-070-A2	M 4	70	1.20	2.6	1.10	7.0	A2 s/s



Slot Cheese Head Screws

Slot - A2 stainless

Standard Screws



Order No.	d ₁	l ₁	w ₁	h ₁	h ₂	d ₂	Material
P0239.040-075-A2	M 4	75	1.20	2.6	1.10	7.0	A2 s/s
P0239.040-080-A2	M 4	80	1.20	2.6	1.10	7.0	A2 s/s
P0239.040-085-A2	M 4	85	1.20	2.6	1.10	7.0	A2 s/s
P0239.040-090-A2	M 4	90	1.20	2.6	1.10	7.0	A2 s/s
P0239.040-100-A2	M 4	100	1.20	2.6	1.10	7.0	A2 s/s
P0239.050-006-A2	M 5	6	1.20	3.3	1.30	8.5	A2 s/s
P0239.050-008-A2	M 5	8	1.20	3.3	1.30	8.5	A2 s/s
P0239.050-010-A2	M 5	10	1.20	3.3	1.30	8.5	A2 s/s
P0239.050-012-A2	M 5	12	1.20	3.3	1.30	8.5	A2 s/s
P0239.050-014-A2	M 5	14	1.20	3.3	1.30	8.5	A2 s/s
P0239.050-016-A2	M 5	16	1.20	3.3	1.30	8.5	A2 s/s
P0239.050-018-A2	M 5	18	1.20	3.3	1.30	8.5	A2 s/s
P0239.050-020-A2	M 5	20	1.20	3.3	1.30	8.5	A2 s/s
P0239.050-022-A2	M 5	22	1.20	3.3	1.30	8.5	A2 s/s
P0239.050-025-A2	M 5	25	1.20	3.3	1.30	8.5	A2 s/s
P0239.050-028-A2	M 5	28	1.20	3.3	1.30	8.5	A2 s/s
P0239.050-030-A2	M 5	30	1.20	3.3	1.30	8.5	A2 s/s
P0239.050-035-A2	M 5	35	1.20	3.3	1.30	8.5	A2 s/s
P0239.050-040-A2	M 5	40	1.20	3.3	1.30	8.5	A2 s/s
P0239.050-045-A2	M 5	45	1.20	3.3	1.30	8.5	A2 s/s
P0239.050-050-A2	M 5	50	1.20	3.3	1.30	8.5	A2 s/s
P0239.050-055-A2	M 5	55	1.20	3.3	1.30	8.5	A2 s/s
P0239.050-060-A2	M 5	60	1.20	3.3	1.30	8.5	A2 s/s
P0239.050-065-A2	M 5	65	1.20	3.3	1.30	8.5	A2 s/s
P0239.050-070-A2	M 5	70	1.20	3.3	1.30	8.5	A2 s/s
P0239.050-075-A2	M 5	75	1.20	3.3	1.30	8.5	A2 s/s
P0239.050-080-A2	M 5	80	1.20	3.3	1.30	8.5	A2 s/s
P0239.050-085-A2	M 5	85	1.20	3.3	1.30	8.5	A2 s/s
P0239.050-090-A2	M 5	90	1.20	3.3	1.30	8.5	A2 s/s
P0239.050-100-A2	M 5	100	1.20	3.3	1.30	8.5	A2 s/s
P0239.060-006-A2	M 6	6	1.60	3.9	1.60	10.0	A2 s/s
P0239.060-008-A2	M 6	8	1.60	3.9	1.60	10.0	A2 s/s
P0239.060-010-A2	M 6	10	1.60	3.9	1.60	10.0	A2 s/s
P0239.060-012-A2	M 6	12	1.60	3.9	1.60	10.0	A2 s/s
P0239.060-014-A2	M 6	14	1.60	3.9	1.60	10.0	A2 s/s
P0239.060-016-A2	M 6	16	1.60	3.9	1.60	10.0	A2 s/s
P0239.060-018-A2	M 6	18	1.60	3.9	1.60	10.0	A2 s/s
P0239.060-020-A2	M 6	20	1.60	3.9	1.60	10.0	A2 s/s
P0239.060-022-A2	M 6	22	1.60	3.9	1.60	10.0	A2 s/s
P0239.060-025-A2	M 6	25	1.60	3.9	1.60	10.0	A2 s/s
P0239.060-028-A2	M 6	28	1.60	3.9	1.60	10.0	A2 s/s
P0239.060-030-A2	M 6	30	1.60	3.9	1.60	10.0	A2 s/s
P0239.060-035-A2	M 6	35	1.60	3.9	1.60	10.0	A2 s/s
P0239.060-040-A2	M 6	40	1.60	3.9	1.60	10.0	A2 s/s
P0239.060-045-A2	M 6	45	1.60	3.9	1.60	10.0	A2 s/s
P0239.060-050-A2	M 6	50	1.60	3.9	1.60	10.0	A2 s/s
P0239.060-055-A2	M 6	55	1.60	3.9	1.60	10.0	A2 s/s
P0239.060-060-A2	M 6	60	1.60	3.9	1.60	10.0	A2 s/s
P0239.060-065-A2	M 6	65	1.60	3.9	1.60	10.0	A2 s/s
P0239.060-070-A2	M 6	70	1.60	3.9	1.60	10.0	A2 s/s
P0239.060-075-A2	M 6	75	1.60	3.9	1.60	10.0	A2 s/s
P0239.060-080-A2	M 6	80	1.60	3.9	1.60	10.0	A2 s/s
P0239.060-085-A2	M 6	85	1.60	3.9	1.60	10.0	A2 s/s
P0239.060-090-A2	M 6	90	1.60	3.9	1.60	10.0	A2 s/s
P0239.060-100-A2	M 6	100	1.60	3.9	1.60	10.0	A2 s/s
P0239.080-010-A2	M 8	10	2.00	5.0	2.00	13.0	A2 s/s
P0239.080-012-A2	M 8	12	2.00	5.0	2.00	13.0	A2 s/s
P0239.080-014-A2	M 8	14	2.00	5.0	2.00	13.0	A2 s/s
P0239.080-016-A2	M 8	16	2.00	5.0	2.00	13.0	A2 s/s
P0239.080-018-A2	M 8	18	2.00	5.0	2.00	13.0	A2 s/s
P0239.080-020-A2	M 8	20	2.00	5.0	2.00	13.0	A2 s/s
P0239.080-022-A2	M 8	22	2.00	5.0	2.00	13.0	A2 s/s
P0239.080-025-A2	M 8	25	2.00	5.0	2.00	13.0	A2 s/s
P0239.080-028-A2	M 8	28	2.00	5.0	2.00	13.0	A2 s/s
P0239.080-030-A2	M 8	30	2.00	5.0	2.00	13.0	A2 s/s
P0239.080-035-A2	M 8	35	2.00	5.0	2.00	13.0	A2 s/s
P0239.080-040-A2	M 8	40	2.00	5.0	2.00	13.0	A2 s/s
P0239.080-045-A2	M 8	45	2.00	5.0	2.00	13.0	A2 s/s
P0239.080-050-A2	M 8	50	2.00	5.0	2.00	13.0	A2 s/s

STANDARD SCREWS



STANDARD SCREWS

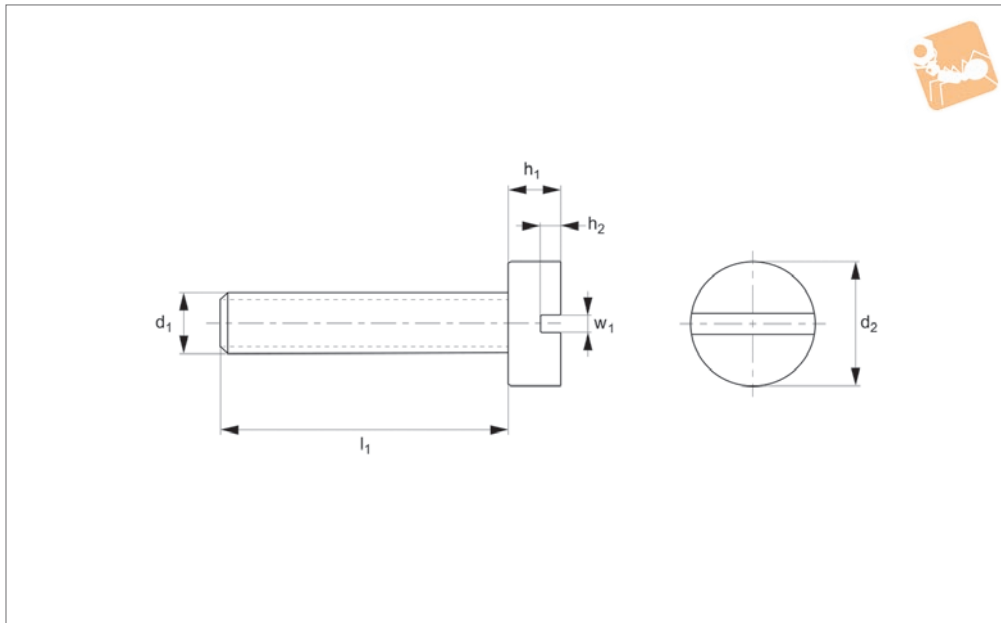
Order No.	d ₁	l ₁	w ₁	h ₁	h ₂	d ₂	Material
P0239.080-055-A2	M 8	55	2.00	5.0	2.00	13.0	A2 s/s
P0239.080-060-A2	M 8	60	2.00	5.0	2.00	13.0	A2 s/s
P0239.080-065-A2	M 8	65	2.00	5.0	2.00	13.0	A2 s/s
P0239.080-070-A2	M 8	70	2.00	5.0	2.00	13.0	A2 s/s
P0239.080-075-A2	M 8	75	2.00	5.0	2.00	13.0	A2 s/s
P0239.080-080-A2	M 8	80	2.00	5.0	2.00	13.0	A2 s/s
P0239.080-085-A2	M 8	85	2.00	5.0	2.00	13.0	A2 s/s
P0239.080-090-A2	M 8	90	2.00	5.0	2.00	13.0	A2 s/s
P0239.080-100-A2	M 8	100	2.00	5.0	2.00	13.0	A2 s/s
P0239.100-016-A2	M10	16	2.50	6.0	2.40	16.0	A2 s/s
P0239.100-018-A2	M10	18	2.50	6.0	2.40	16.0	A2 s/s
P0239.100-020-A2	M10	20	2.50	6.0	2.40	16.0	A2 s/s
P0239.100-022-A2	M10	22	2.50	6.0	2.40	16.0	A2 s/s
P0239.100-025-A2	M10	25	2.50	6.0	2.40	16.0	A2 s/s
P0239.100-028-A2	M10	28	2.50	6.0	2.40	16.0	A2 s/s
P0239.100-030-A2	M10	30	2.50	6.0	2.40	16.0	A2 s/s
P0239.100-035-A2	M10	35	2.50	6.0	2.40	16.0	A2 s/s
P0239.100-040-A2	M10	40	2.50	6.0	2.40	16.0	A2 s/s
P0239.100-045-A2	M10	45	2.50	6.0	2.40	16.0	A2 s/s
P0239.100-050-A2	M10	50	2.50	6.0	2.40	16.0	A2 s/s
P0239.100-055-A2	M10	55	2.50	6.0	2.40	16.0	A2 s/s
P0239.100-060-A2	M10	60	2.50	6.0	2.40	16.0	A2 s/s
P0239.100-065-A2	M10	65	2.50	6.0	2.40	16.0	A2 s/s
P0239.100-070-A2	M10	70	2.50	6.0	2.40	16.0	A2 s/s
P0239.100-075-A2	M10	75	2.50	6.0	2.40	16.0	A2 s/s
P0239.100-080-A2	M10	80	2.50	6.0	2.40	16.0	A2 s/s
P0239.100-085-A2	M10	85	2.50	6.0	2.40	16.0	A2 s/s
P0239.100-090-A2	M10	90	2.50	6.0	2.40	16.0	A2 s/s
P0239.100-100-A2	M10	100	2.50	6.0	2.40	16.0	A2 s/s



Slot Cheese Head Screws

Slot - A4 stainless

Standard Screws



P0239.A4

STANDARD SCREWS

Material

Stainless steel (A4).

See technical page for tightening torques.

Technical Notes

To DIN 84.

Order No.	d ₁	l ₁	w ₁	h ₁	h ₂	d ₂	Material
P0239.016-003-A4	M1,6	3	0.40	1.0	0.45	3.0	A4 s/s
P0239.016-004-A4	M1,6	4	0.40	1.0	0.45	3.0	A4 s/s
P0239.016-005-A4	M1,6	5	0.40	1.0	0.45	3.0	A4 s/s
P0239.016-006-A4	M1,6	6	0.40	1.0	0.45	3.0	A4 s/s
P0239.016-008-A4	M1,6	8	0.40	1.0	0.45	3.0	A4 s/s
P0239.016-010-A4	M1,6	10	0.40	1.0	0.45	3.0	A4 s/s
P0239.016-012-A4	M1,6	12	0.40	1.0	0.45	3.0	A4 s/s
P0239.016-014-A4	M1,6	14	0.40	1.0	0.45	3.0	A4 s/s
P0239.016-016-A4	M1,6	16	0.40	1.0	0.45	3.0	A4 s/s
P0239.016-018-A4	M1,6	18	0.40	1.0	0.45	3.0	A4 s/s
P0239.020-003-A4	M 2	3	0.50	1.3	0.60	3.8	A4 s/s
P0239.020-004-A4	M 2	4	0.50	1.3	0.60	3.8	A4 s/s
P0239.020-005-A4	M 2	5	0.50	1.3	0.60	3.8	A4 s/s
P0239.020-006-A4	M 2	6	0.50	1.3	0.60	3.8	A4 s/s
P0239.020-008-A4	M 2	8	0.50	1.3	0.60	3.8	A4 s/s
P0239.020-010-A4	M 2	10	0.50	1.3	0.60	3.8	A4 s/s
P0239.020-012-A4	M 2	12	0.50	1.3	0.60	3.8	A4 s/s
P0239.020-014-A4	M 2	14	0.50	1.3	0.60	3.8	A4 s/s
P0239.020-016-A4	M 2	16	0.50	1.3	0.60	3.8	A4 s/s
P0239.020-018-A4	M 2	18	0.50	1.3	0.60	3.8	A4 s/s
P0239.020-020-A4	M 2	20	0.50	1.3	0.60	3.8	A4 s/s
P0239.020-022-A4	M 2	22	0.50	1.3	0.60	3.8	A4 s/s
P0239.020-025-A4	M 2	25	0.50	1.3	0.60	3.8	A4 s/s
P0239.020-028-A4	M 2	28	0.50	1.3	0.60	3.8	A4 s/s
P0239.020-030-A4	M 2	30	0.50	1.3	0.60	3.8	A4 s/s
P0239.025-003-A4	M2,5	3	0.60	1.6	0.70	4.5	A4 s/s
P0239.025-004-A4	M2,5	4	0.60	1.6	0.70	4.5	A4 s/s
P0239.025-005-A4	M2,5	5	0.60	1.6	0.70	4.5	A4 s/s
P0239.025-006-A4	M2,5	6	0.60	1.6	0.70	4.5	A4 s/s
P0239.025-008-A4	M2,5	8	0.60	1.6	0.70	4.5	A4 s/s
P0239.025-010-A4	M2,5	10	0.60	1.6	0.70	4.5	A4 s/s
P0239.025-012-A4	M2,5	12	0.60	1.6	0.70	4.5	A4 s/s
P0239.025-014-A4	M2,5	14	0.60	1.6	0.70	4.5	A4 s/s
P0239.025-016-A4	M2,5	16	0.60	1.6	0.70	4.5	A4 s/s



STANDARD SCREWS

Order No.	d ₁	l ₁	w ₁	h ₁	h ₂	d ₂	Material
P0239.025-018-A4	M2,5	18	0.60	1.6	0.70	4.5	A4 s/s
P0239.025-020-A4	M2,5	20	0.60	1.6	0.70	4.5	A4 s/s
P0239.025-022-A4	M2,5	22	0.60	1.6	0.70	4.5	A4 s/s
P0239.025-025-A4	M2,5	25	0.60	1.6	0.70	4.5	A4 s/s
P0239.025-028-A4	M2,5	28	0.60	1.6	0.70	4.5	A4 s/s
P0239.025-030-A4	M2,5	30	0.60	1.6	0.70	4.5	A4 s/s
P0239.030-003-A4	M 3	3	0.80	2.0	0.85	5.5	A4 s/s
P0239.030-004-A4	M 3	4	0.80	2.0	0.85	5.5	A4 s/s
P0239.030-005-A4	M 3	5	0.80	2.0	0.85	5.5	A4 s/s
P0239.030-006-A4	M 3	6	0.80	2.0	0.85	5.5	A4 s/s
P0239.030-008-A4	M 3	8	0.80	2.0	0.85	5.5	A4 s/s
P0239.030-010-A4	M 3	10	0.80	2.0	0.85	5.5	A4 s/s
P0239.030-012-A4	M 3	12	0.80	2.0	0.85	5.5	A4 s/s
P0239.030-014-A4	M 3	14	0.80	2.0	0.85	5.5	A4 s/s
P0239.030-016-A4	M 3	16	0.80	2.0	0.85	5.5	A4 s/s
P0239.030-018-A4	M 3	18	0.80	2.0	0.85	5.5	A4 s/s
P0239.030-020-A4	M 3	20	0.80	2.0	0.85	5.5	A4 s/s
P0239.030-022-A4	M 3	22	0.80	2.0	0.85	5.5	A4 s/s
P0239.030-025-A4	M 3	25	0.80	2.0	0.85	5.5	A4 s/s
P0239.030-028-A4	M 3	28	0.80	2.0	0.85	5.5	A4 s/s
P0239.030-030-A4	M 3	30	0.80	2.0	0.85	5.5	A4 s/s
P0239.030-035-A4	M 3	35	0.80	2.0	0.85	5.5	A4 s/s
P0239.030-040-A4	M 3	40	0.80	2.0	0.85	5.5	A4 s/s
P0239.030-045-A4	M 3	45	0.80	2.0	0.85	5.5	A4 s/s
P0239.030-050-A4	M 3	50	0.80	2.0	0.85	5.5	A4 s/s
P0239.030-055-A4	M 3	55	0.80	2.0	0.85	5.5	A4 s/s
P0239.030-060-A4	M 3	60	0.80	2.0	0.85	5.5	A4 s/s
P0239.035-004-A4	M3,5	4	1.00	2.4	1.00	6.0	A4 s/s
P0239.035-005-A4	M3,5	5	1.00	2.4	1.00	6.0	A4 s/s
P0239.035-006-A4	M3,5	6	1.00	2.4	1.00	6.0	A4 s/s
P0239.035-008-A4	M3,5	8	1.00	2.4	1.00	6.0	A4 s/s
P0239.035-010-A4	M3,5	10	1.00	2.4	1.00	6.0	A4 s/s
P0239.035-012-A4	M3,5	12	1.00	2.4	1.00	6.0	A4 s/s
P0239.035-014-A4	M3,5	14	1.00	2.4	1.00	6.0	A4 s/s
P0239.035-016-A4	M3,5	16	1.00	2.4	1.00	6.0	A4 s/s
P0239.035-018-A4	M3,5	18	1.00	2.4	1.00	6.0	A4 s/s
P0239.035-020-A4	M3,5	20	1.00	2.4	1.00	6.0	A4 s/s
P0239.035-022-A4	M3,5	22	1.00	2.4	1.00	6.0	A4 s/s
P0239.035-025-A4	M3,5	25	1.00	2.4	1.00	6.0	A4 s/s
P0239.035-028-A4	M3,5	28	1.00	2.4	1.00	6.0	A4 s/s
P0239.035-030-A4	M3,5	30	1.00	2.4	1.00	6.0	A4 s/s
P0239.035-035-A4	M3,5	35	1.00	2.4	1.00	6.0	A4 s/s
P0239.035-040-A4	M3,5	40	1.00	2.4	1.00	6.0	A4 s/s
P0239.035-045-A4	M3,5	45	1.00	2.4	1.00	6.0	A4 s/s
P0239.035-050-A4	M3,5	50	1.00	2.4	1.00	6.0	A4 s/s
P0239.035-055-A4	M3,5	55	1.00	2.4	1.00	6.0	A4 s/s
P0239.035-060-A4	M3,5	60	1.00	2.4	1.00	6.0	A4 s/s
P0239.040-004-A4	M 4	4	1.20	2.6	1.10	7.0	A4 s/s
P0239.040-005-A4	M 4	5	1.20	2.6	1.10	7.0	A4 s/s
P0239.040-006-A4	M 4	6	1.20	2.6	1.10	7.0	A4 s/s
P0239.040-008-A4	M 4	8	1.20	2.6	1.10	7.0	A4 s/s
P0239.040-010-A4	M 4	10	1.20	2.6	1.10	7.0	A4 s/s
P0239.040-012-A4	M 4	12	1.20	2.6	1.10	7.0	A4 s/s
P0239.040-014-A4	M 4	14	1.20	2.6	1.10	7.0	A4 s/s
P0239.040-016-A4	M 4	16	1.20	2.6	1.10	7.0	A4 s/s
P0239.040-018-A4	M 4	18	1.20	2.6	1.10	7.0	A4 s/s
P0239.040-020-A4	M 4	20	1.20	2.6	1.10	7.0	A4 s/s
P0239.040-022-A4	M 4	22	1.20	2.6	1.10	7.0	A4 s/s
P0239.040-025-A4	M 4	25	1.20	2.6	1.10	7.0	A4 s/s
P0239.040-028-A4	M 4	28	1.20	2.6	1.10	7.0	A4 s/s
P0239.040-030-A4	M 4	30	1.20	2.6	1.10	7.0	A4 s/s
P0239.040-035-A4	M 4	35	1.20	2.6	1.10	7.0	A4 s/s
P0239.040-040-A4	M 4	40	1.20	2.6	1.10	7.0	A4 s/s
P0239.040-045-A4	M 4	45	1.20	2.6	1.10	7.0	A4 s/s
P0239.040-050-A4	M 4	50	1.20	2.6	1.10	7.0	A4 s/s
P0239.040-055-A4	M 4	55	1.20	2.6	1.10	7.0	A4 s/s
P0239.040-060-A4	M 4	60	1.20	2.6	1.10	7.0	A4 s/s
P0239.040-065-A4	M 4	65	1.20	2.6	1.10	7.0	A4 s/s
P0239.040-070-A4	M 4	70	1.20	2.6	1.10	7.0	A4 s/s



Slot Cheese Head Screws

Slot - A4 stainless

Standard Screws



Order No.	d ₁	l ₁	w ₁	h ₁	h ₂	d ₂	Material
P0239.040-075-A4	M 4	75	1.20	2.6	1.10	7.0	A4 s/s
P0239.040-080-A4	M 4	80	1.20	2.6	1.10	7.0	A4 s/s
P0239.040-085-A4	M 4	85	1.20	2.6	1.10	7.0	A4 s/s
P0239.040-090-A4	M 4	90	1.20	2.6	1.10	7.0	A4 s/s
P0239.040-100-A4	M 4	100	1.20	2.6	1.10	7.0	A4 s/s
P0239.050-006-A4	M 5	6	1.20	3.3	1.30	8.5	A4 s/s
P0239.050-008-A4	M 5	8	1.20	3.3	1.30	8.5	A4 s/s
P0239.050-010-A4	M 5	10	1.20	3.3	1.30	8.5	A4 s/s
P0239.050-012-A4	M 5	12	1.20	3.3	1.30	8.5	A4 s/s
P0239.050-014-A4	M 5	14	1.20	3.3	1.30	8.5	A4 s/s
P0239.050-016-A4	M 5	16	1.20	3.3	1.30	8.5	A4 s/s
P0239.050-018-A4	M 5	18	1.20	3.3	1.30	8.5	A4 s/s
P0239.050-020-A4	M 5	20	1.20	3.3	1.30	8.5	A4 s/s
P0239.050-022-A4	M 5	22	1.20	3.3	1.30	8.5	A4 s/s
P0239.050-025-A4	M 5	25	1.20	3.3	1.30	8.5	A4 s/s
P0239.050-028-A4	M 5	28	1.20	3.3	1.30	8.5	A4 s/s
P0239.050-030-A4	M 5	30	1.20	3.3	1.30	8.5	A4 s/s
P0239.050-035-A4	M 5	35	1.20	3.3	1.30	8.5	A4 s/s
P0239.050-040-A4	M 5	40	1.20	3.3	1.30	8.5	A4 s/s
P0239.050-045-A4	M 5	45	1.20	3.3	1.30	8.5	A4 s/s
P0239.050-050-A4	M 5	50	1.20	3.3	1.30	8.5	A4 s/s
P0239.050-055-A4	M 5	55	1.20	3.3	1.30	8.5	A4 s/s
P0239.050-060-A4	M 5	60	1.20	3.3	1.30	8.5	A4 s/s
P0239.050-065-A4	M 5	65	1.20	3.3	1.30	8.5	A4 s/s
P0239.050-070-A4	M 5	70	1.20	3.3	1.30	8.5	A4 s/s
P0239.050-075-A4	M 5	75	1.20	3.3	1.30	8.5	A4 s/s
P0239.050-080-A4	M 5	80	1.20	3.3	1.30	8.5	A4 s/s
P0239.050-085-A4	M 5	85	1.20	3.3	1.30	8.5	A4 s/s
P0239.050-090-A4	M 5	90	1.20	3.3	1.30	8.5	A4 s/s
P0239.050-100-A4	M 5	100	1.20	3.3	1.30	8.5	A4 s/s
P0239.060-006-A4	M 6	6	1.60	3.9	1.60	10.0	A4 s/s
P0239.060-008-A4	M 6	8	1.60	3.9	1.60	10.0	A4 s/s
P0239.060-010-A4	M 6	10	1.60	3.9	1.60	10.0	A4 s/s
P0239.060-012-A4	M 6	12	1.60	3.9	1.60	10.0	A4 s/s
P0239.060-014-A4	M 6	14	1.60	3.9	1.60	10.0	A4 s/s
P0239.060-016-A4	M 6	16	1.60	3.9	1.60	10.0	A4 s/s
P0239.060-018-A4	M 6	18	1.60	3.9	1.60	10.0	A4 s/s
P0239.060-020-A4	M 6	20	1.60	3.9	1.60	10.0	A4 s/s
P0239.060-022-A4	M 6	22	1.60	3.9	1.60	10.0	A4 s/s
P0239.060-025-A4	M 6	25	1.60	3.9	1.60	10.0	A4 s/s
P0239.060-028-A4	M 6	28	1.60	3.9	1.60	10.0	A4 s/s
P0239.060-030-A4	M 6	30	1.60	3.9	1.60	10.0	A4 s/s
P0239.060-035-A4	M 6	35	1.60	3.9	1.60	10.0	A4 s/s
P0239.060-040-A4	M 6	40	1.60	3.9	1.60	10.0	A4 s/s
P0239.060-045-A4	M 6	45	1.60	3.9	1.60	10.0	A4 s/s
P0239.060-050-A4	M 6	50	1.60	3.9	1.60	10.0	A4 s/s
P0239.060-055-A4	M 6	55	1.60	3.9	1.60	10.0	A4 s/s
P0239.060-060-A4	M 6	60	1.60	3.9	1.60	10.0	A4 s/s
P0239.060-065-A4	M 6	65	1.60	3.9	1.60	10.0	A4 s/s
P0239.060-070-A4	M 6	70	1.60	3.9	1.60	10.0	A4 s/s
P0239.060-075-A4	M 6	75	1.60	3.9	1.60	10.0	A4 s/s
P0239.060-080-A4	M 6	80	1.60	3.9	1.60	10.0	A4 s/s
P0239.060-085-A4	M 6	85	1.60	3.9	1.60	10.0	A4 s/s
P0239.060-090-A4	M 6	90	1.60	3.9	1.60	10.0	A4 s/s
P0239.060-100-A4	M 6	100	1.60	3.9	1.60	10.0	A4 s/s
P0239.080-010-A4	M 8	10	2.00	5.0	2.00	13.0	A4 s/s
P0239.080-012-A4	M 8	12	2.00	5.0	2.00	13.0	A4 s/s
P0239.080-014-A4	M 8	14	2.00	5.0	2.00	13.0	A4 s/s
P0239.080-016-A4	M 8	16	2.00	5.0	2.00	13.0	A4 s/s
P0239.080-018-A4	M 8	18	2.00	5.0	2.00	13.0	A4 s/s
P0239.080-020-A4	M 8	20	2.00	5.0	2.00	13.0	A4 s/s
P0239.080-022-A4	M 8	22	2.00	5.0	2.00	13.0	A4 s/s
P0239.080-025-A4	M 8	25	2.00	5.0	2.00	13.0	A4 s/s
P0239.080-028-A4	M 8	28	2.00	5.0	2.00	13.0	A4 s/s
P0239.080-030-A4	M 8	30	2.00	5.0	2.00	13.0	A4 s/s
P0239.080-035-A4	M 8	35	2.00	5.0	2.00	13.0	A4 s/s
P0239.080-040-A4	M 8	40	2.00	5.0	2.00	13.0	A4 s/s
P0239.080-045-A4	M 8	45	2.00	5.0	2.00	13.0	A4 s/s
P0239.080-050-A4	M 8	50	2.00	5.0	2.00	13.0	A4 s/s

STANDARD SCREWS



STANDARD SCREWS

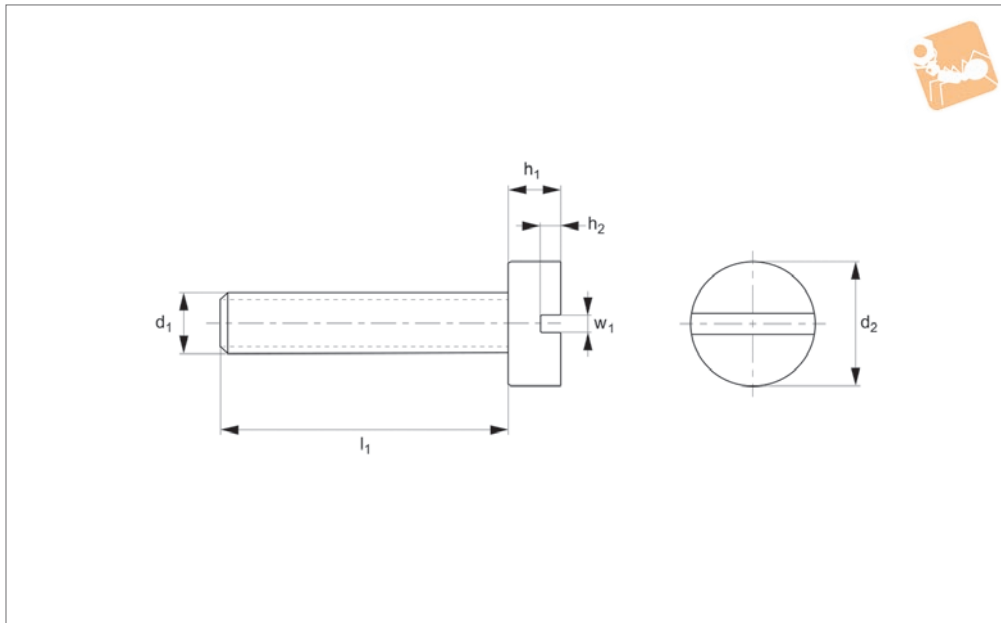
Order No.	d ₁	l ₁	w ₁	h ₁	h ₂	d ₂	Material
P0239.080-055-A4	M 8	55	2.00	5.0	2.00	13.0	A4 s/s
P0239.080-060-A4	M 8	60	2.00	5.0	2.00	13.0	A4 s/s
P0239.080-065-A4	M 8	65	2.00	5.0	2.00	13.0	A4 s/s
P0239.080-070-A4	M 8	70	2.00	5.0	2.00	13.0	A4 s/s
P0239.080-075-A4	M 8	75	2.00	5.0	2.00	13.0	A4 s/s
P0239.080-080-A4	M 8	80	2.00	5.0	2.00	13.0	A4 s/s
P0239.080-085-A4	M 8	85	2.00	5.0	2.00	13.0	A4 s/s
P0239.080-090-A4	M 8	90	2.00	5.0	2.00	13.0	A4 s/s
P0239.080-100-A4	M 8	100	2.00	5.0	2.00	-	A4 s/s
P0239.100-016-A4	M10	16	2.50	6.0	2.40	16.0	A4 s/s
P0239.100-018-A4	M10	18	2.50	6.0	2.40	16.0	A4 s/s
P0239.100-020-A4	M10	20	2.50	6.0	2.40	16.0	A4 s/s
P0239.100-022-A4	M10	22	2.50	6.0	2.40	16.0	A4 s/s
P0239.100-025-A4	M10	25	2.50	6.0	2.40	16.0	A4 s/s
P0239.100-028-A4	M10	28	2.50	6.0	2.40	16.0	A4 s/s
P0239.100-030-A4	M10	30	2.50	6.0	2.40	16.0	A4 s/s
P0239.100-035-A4	M10	35	2.50	6.0	2.40	16.0	A4 s/s
P0239.100-040-A4	M10	40	2.50	6.0	2.40	16.0	A4 s/s
P0239.100-045-A4	M10	45	2.50	6.0	2.40	16.0	A4 s/s
P0239.100-050-A4	M10	50	2.50	6.0	2.40	16.0	A4 s/s
P0239.100-055-A4	M10	55	2.50	6.0	2.40	16.0	A4 s/s
P0239.100-060-A4	M10	60	2.50	6.0	2.40	16.0	A4 s/s
P0239.100-065-A4	M10	65	2.50	6.0	2.40	16.0	A4 s/s
P0239.100-070-A4	M10	70	2.50	6.0	2.40	16.0	A4 s/s
P0239.100-075-A4	M10	75	2.50	6.0	2.40	16.0	A4 s/s
P0239.100-080-A4	M10	80	2.50	6.0	2.40	16.0	A4 s/s
P0239.100-085-A4	M10	85	2.50	6.0	2.40	16.0	A4 s/s
P0239.100-090-A4	M10	90	2.50	6.0	2.40	16.0	A4 s/s
P0239.100-100-A4	M10	100	2.50	6.0	2.40	16.0	A4 s/s



Slot Cheese Head Screws

Slot - steel, zinc-plated

Standard Screws



P0239.ZP

STANDARD SCREWS

Material

Steel, zinc-plated (grade 4.8).

Technical Notes

To DIN 84.

Order No.	d ₁	l ₁	w ₁	h ₁	h ₂	d ₂	Material
P0239.016-003-ZP	M1,6	3	0.40	1.0	0.45	3.0	Steel
P0239.016-004-ZP	M1,6	4	0.40	1.0	0.45	3.0	Steel
P0239.016-005-ZP	M1,6	5	0.40	1.0	0.45	3.0	Steel
P0239.016-006-ZP	M1,6	6	0.40	1.0	0.45	3.0	Steel
P0239.016-008-ZP	M1,6	8	0.40	1.0	0.45	3.0	Steel
P0239.016-010-ZP	M1,6	10	0.40	1.0	0.45	3.0	Steel
P0239.016-012-ZP	M1,6	12	0.40	1.0	0.45	3.0	Steel
P0239.016-014-ZP	M1,6	14	0.40	1.0	0.45	3.0	Steel
P0239.016-016-ZP	M1,6	16	0.40	1.0	0.45	3.0	Steel
P0239.016-018-ZP	M1,6	18	0.40	1.0	0.45	3.0	Steel
P0239.020-003-ZP	M 2	3	0.50	1.3	0.60	3.8	Steel
P0239.020-004-ZP	M 2	4	0.50	1.3	0.60	3.8	Steel
P0239.020-005-ZP	M 2	5	0.50	1.3	0.60	3.8	Steel
P0239.020-006-ZP	M 2	6	0.50	1.3	0.60	3.8	Steel
P0239.020-008-ZP	M 2	8	0.50	1.3	0.60	3.8	Steel
P0239.020-010-ZP	M 2	10	0.50	1.3	0.60	3.8	Steel
P0239.020-012-ZP	M 2	12	0.50	1.3	0.60	3.8	Steel
P0239.020-014-ZP	M 2	14	0.50	1.3	0.60	3.8	Steel
P0239.020-016-ZP	M 2	16	0.50	1.3	0.60	3.8	Steel
P0239.020-018-ZP	M 2	18	0.50	1.3	0.60	3.8	Steel
P0239.020-020-ZP	M 2	20	0.50	1.3	0.60	3.8	Steel
P0239.020-022-ZP	M 2	22	0.50	1.3	0.60	3.8	Steel
P0239.020-025-ZP	M 2	25	0.50	1.3	0.60	3.8	Steel
P0239.020-028-ZP	M 2	28	0.50	1.3	0.60	3.8	Steel
P0239.020-030-ZP	M 2	30	0.50	1.3	0.60	3.8	Steel
P0239.025-003-ZP	M2,5	3	0.60	1.6	0.70	4.5	Steel
P0239.025-004-ZP	M2,5	4	0.60	1.6	0.70	4.5	Steel
P0239.025-005-ZP	M2,5	5	0.60	1.6	0.70	4.5	Steel
P0239.025-006-ZP	M2,5	6	0.60	1.6	0.70	4.5	Steel
P0239.025-008-ZP	M2,5	8	0.60	1.6	0.70	4.5	Steel
P0239.025-010-ZP	M2,5	10	0.60	1.6	0.70	4.5	Steel
P0239.025-012-ZP	M2,5	12	0.60	1.6	0.70	4.5	Steel
P0239.025-014-ZP	M2,5	14	0.60	1.6	0.70	4.5	Steel
P0239.025-016-ZP	M2,5	16	0.60	1.6	0.70	4.5	Steel
P0239.025-018-ZP	M2,5	18	0.60	1.6	0.70	4.5	Steel



STANDARD SCREWS

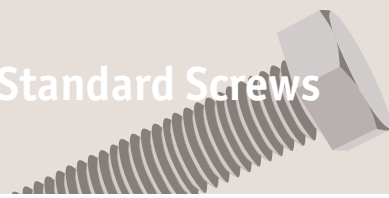
Order No.	d ₁	l ₁	w ₁	h ₁	h ₂	d ₂	Material
P0239.025-020-ZP	M2,5	20	0.60	1.6	0.70	4.5	Steel
P0239.025-022-ZP	M2,5	22	0.60	1.6	0.70	4.5	Steel
P0239.025-025-ZP	M2,5	25	0.60	1.6	0.70	4.5	Steel
P0239.025-028-ZP	M2,5	28	0.60	1.6	0.70	4.5	Steel
P0239.025-030-ZP	M2,5	30	0.60	1.6	0.70	4.5	Steel
P0239.030-003-ZP	M 3	3	0.80	2.0	0.85	5.5	Steel
P0239.030-004-ZP	M 3	4	0.80	2.0	0.85	5.5	Steel
P0239.030-005-ZP	M 3	5	0.80	2.0	0.85	5.5	Steel
P0239.030-006-ZP	M 3	6	0.80	2.0	0.85	5.5	Steel
P0239.030-008-ZP	M 3	8	0.80	2.0	0.85	5.5	Steel
P0239.030-010-ZP	M 3	10	0.80	2.0	0.85	5.5	Steel
P0239.030-012-ZP	M 3	12	0.80	2.0	0.85	5.5	Steel
P0239.030-014-ZP	M 3	14	0.80	2.0	0.85	5.5	Steel
P0239.030-016-ZP	M 3	16	0.80	2.0	0.85	5.5	Steel
P0239.030-018-ZP	M 3	18	0.80	2.0	0.85	5.5	Steel
P0239.030-020-ZP	M 3	20	0.80	2.0	0.85	5.5	Steel
P0239.030-022-ZP	M 3	22	0.80	2.0	0.85	5.5	Steel
P0239.030-025-ZP	M 3	25	0.80	2.0	0.85	5.5	Steel
P0239.030-028-ZP	M 3	28	0.80	2.0	0.85	5.5	Steel
P0239.030-030-ZP	M 3	30	0.80	2.0	0.85	5.5	Steel
P0239.030-035-ZP	M 3	35	0.80	2.0	0.85	5.5	Steel
P0239.030-040-ZP	M 3	40	0.80	2.0	0.85	5.5	Steel
P0239.030-045-ZP	M 3	45	0.80	2.0	0.85	5.5	Steel
P0239.030-050-ZP	M 3	50	0.80	2.0	0.85	5.5	Steel
P0239.030-055-ZP	M 3	55	0.80	2.0	0.85	5.5	Steel
P0239.030-060-ZP	M 3	60	0.80	2.0	0.85	5.5	Steel
P0239.035-004-ZP	M3,5	4	1.00	2.4	1.00	6.0	Steel
P0239.035-005-ZP	M3,5	5	1.00	2.4	1.00	6.0	Steel
P0239.035-006-ZP	M3,5	6	1.00	2.4	1.00	6.0	Steel
P0239.035-008-ZP	M3,5	8	1.00	2.4	1.00	6.0	Steel
P0239.035-010-ZP	M3,5	10	1.00	2.4	1.00	6.0	Steel
P0239.035-012-ZP	M3,5	12	1.00	2.4	1.00	6.0	Steel
P0239.035-014-ZP	M3,5	14	1.00	2.4	1.00	6.0	Steel
P0239.035-016-ZP	M3,5	16	1.00	2.4	1.00	6.0	Steel
P0239.035-018-ZP	M3,5	18	1.00	2.4	1.00	6.0	Steel
P0239.035-020-ZP	M3,5	20	1.00	2.4	1.00	6.0	Steel
P0239.035-022-ZP	M3,5	22	1.00	2.4	1.00	6.0	Steel
P0239.035-025-ZP	M3,5	25	1.00	2.4	1.00	6.0	Steel
P0239.035-028-ZP	M3,5	28	1.00	2.4	1.00	6.0	Steel
P0239.035-030-ZP	M3,5	30	1.00	2.4	1.00	6.0	Steel
P0239.035-035-ZP	M3,5	35	1.00	2.4	1.00	6.0	Steel
P0239.035-040-ZP	M3,5	40	1.00	2.4	1.00	6.0	Steel
P0239.035-045-ZP	M3,5	45	1.00	2.4	1.00	6.0	Steel
P0239.035-050-ZP	M3,5	50	1.00	2.4	1.00	6.0	Steel
P0239.035-055-ZP	M3,5	55	1.00	2.4	1.00	6.0	Steel
P0239.035-060-ZP	M3,5	60	1.00	2.4	1.00	6.0	Steel
P0239.040-004-ZP	M 4	4	1.20	2.6	1.10	7.0	Steel
P0239.040-005-ZP	M 4	5	1.20	2.6	1.10	7.0	Steel
P0239.040-006-ZP	M 4	6	1.20	2.6	1.10	7.0	Steel
P0239.040-008-ZP	M 4	8	1.20	2.6	1.10	7.0	Steel
P0239.040-010-ZP	M 4	10	1.20	2.6	1.10	7.0	Steel
P0239.040-012-ZP	M 4	12	1.20	2.6	1.10	7.0	Steel
P0239.040-014-ZP	M 4	14	1.20	2.6	1.10	7.0	Steel
P0239.040-016-ZP	M 4	16	1.20	2.6	1.10	7.0	Steel
P0239.040-018-ZP	M 4	18	1.20	2.6	1.10	7.0	Steel
P0239.040-020-ZP	M 4	20	1.20	2.6	1.10	7.0	Steel
P0239.040-022-ZP	M 4	22	1.20	2.6	1.10	7.0	Steel
P0239.040-025-ZP	M 4	25	1.20	2.6	1.10	7.0	Steel
P0239.040-028-ZP	M 4	28	1.20	2.6	1.10	7.0	Steel
P0239.040-030-ZP	M 4	30	1.20	2.6	1.10	7.0	Steel
P0239.040-035-ZP	M 4	35	1.20	2.6	1.10	7.0	Steel
P0239.040-040-ZP	M 4	40	1.20	2.6	1.10	7.0	Steel
P0239.040-045-ZP	M 4	45	1.20	2.6	1.10	7.0	Steel
P0239.040-050-ZP	M 4	50	1.20	2.6	1.10	7.0	Steel
P0239.040-055-ZP	M 4	55	1.20	2.6	1.10	7.0	Steel
P0239.040-060-ZP	M 4	60	1.20	2.6	1.10	7.0	Steel
P0239.040-065-ZP	M 4	65	1.20	2.6	1.10	7.0	Steel
P0239.040-070-ZP	M 4	70	1.20	2.6	1.10	7.0	Steel
P0239.040-075-ZP	M 4	75	1.20	2.6	1.10	7.0	Steel



Slot Cheese Head Screws

Slot - steel, zinc-plated

Standard Screws



Order No.	d ₁	l ₁	w ₁	h ₁	h ₂	d ₂	Material
P0239.040-080-ZP	M 4	80	1.20	2.6	1.10	7.0	Steel
P0239.040-085-ZP	M 4	85	1.20	2.6	1.10	7.0	Steel
P0239.040-090-ZP	M 4	90	1.20	2.6	1.10	7.0	Steel
P0239.040-100-ZP	M 4	100	1.20	2.6	1.10	7.0	Steel
P0239.050-006-ZP	M 5	6	1.20	3.3	1.30	8.5	Steel
P0239.050-008-ZP	M 5	8	1.20	3.3	1.30	8.5	Steel
P0239.050-010-ZP	M 5	10	1.20	3.3	1.30	8.5	Steel
P0239.050-012-ZP	M 5	12	1.20	3.3	1.30	8.5	Steel
P0239.050-014-ZP	M 5	14	1.20	3.3	1.30	8.5	Steel
P0239.050-016-ZP	M 5	16	1.20	3.3	1.30	8.5	Steel
P0239.050-018-ZP	M 5	18	1.20	3.3	1.30	8.5	Steel
P0239.050-020-ZP	M 5	20	1.20	3.3	1.30	8.5	Steel
P0239.050-022-ZP	M 5	22	1.20	3.3	1.30	8.5	Steel
P0239.050-025-ZP	M 5	25	1.20	3.3	1.30	8.5	Steel
P0239.050-028-ZP	M 5	28	1.20	3.3	1.30	8.5	Steel
P0239.050-030-ZP	M 5	30	1.20	3.3	1.30	8.5	Steel
P0239.050-035-ZP	M 5	35	1.20	3.3	1.30	8.5	Steel
P0239.050-040-ZP	M 5	40	1.20	3.3	1.30	8.5	Steel
P0239.050-045-ZP	M 5	45	1.20	3.3	1.30	8.5	Steel
P0239.050-050-ZP	M 5	50	1.20	3.3	1.30	8.5	Steel
P0239.050-055-ZP	M 5	55	1.20	3.3	1.30	8.5	Steel
P0239.050-060-ZP	M 5	60	1.20	3.3	1.30	8.5	Steel
P0239.050-065-ZP	M 5	65	1.20	3.3	1.30	8.5	Steel
P0239.050-070-ZP	M 5	70	1.20	3.3	1.30	8.5	Steel
P0239.050-075-ZP	M 5	75	1.20	3.3	1.30	8.5	Steel
P0239.050-080-ZP	M 5	80	1.20	3.3	1.30	8.5	Steel
P0239.050-085-ZP	M 5	85	1.20	3.3	1.30	8.5	Steel
P0239.050-090-ZP	M 5	90	1.20	3.3	1.30	8.5	Steel
P0239.050-100-ZP	M 5	100	1.20	3.3	1.30	8.5	Steel
P0239.060-006-ZP	M 6	6	1.60	3.9	1.60	10.0	Steel
P0239.060-008-ZP	M 6	8	1.60	3.9	1.60	10.0	Steel
P0239.060-010-ZP	M 6	10	1.60	3.9	1.60	10.0	Steel
P0239.060-012-ZP	M 6	12	1.60	3.9	1.60	10.0	Steel
P0239.060-014-ZP	M 6	14	1.60	3.9	1.60	10.0	Steel
P0239.060-016-ZP	M 6	16	1.60	3.9	1.60	10.0	Steel
P0239.060-018-ZP	M 6	18	1.60	3.9	1.60	10.0	Steel
P0239.060-020-ZP	M 6	20	1.60	3.9	1.60	10.0	Steel
P0239.060-022-ZP	M 6	22	1.60	3.9	1.60	10.0	Steel
P0390.060-025-ZP	M 6	25	1.60	3.9	1.60	10.0	Steel
P0239.060-028-ZP	M 6	28	1.60	3.9	1.60	10.0	Steel
P0239.060-030-ZP	M 6	30	1.60	3.9	1.60	10.0	Steel
P0239.060-035-ZP	M 6	35	1.60	3.9	1.60	10.0	Steel
P0239.060-040-ZP	M 6	40	1.60	3.9	1.60	10.0	Steel
P0239.060-045-ZP	M 6	45	1.60	3.9	1.60	10.0	Steel
P0239.060-050-ZP	M 6	50	1.60	3.9	1.60	10.0	Steel
P0239.060-055-ZP	M 6	55	1.60	3.9	1.60	10.0	Steel
P0239.060-060-ZP	M 6	60	1.60	3.9	1.60	10.0	Steel
P0239.060-065-ZP	M 6	65	1.60	3.9	1.60	10.0	Steel
P0239.060-070-ZP	M 6	70	1.60	3.9	1.60	10.0	Steel
P0239.060-075-ZP	M 6	75	1.60	3.9	1.60	10.0	Steel
P0239.060-080-ZP	M 6	80	1.60	3.9	1.60	10.0	Steel
P0239.060-085-ZP	M 6	85	1.60	3.9	1.60	10.0	Steel
P0239.060-090-ZP	M 6	90	1.60	3.9	1.60	10.0	Steel
P0239.060-100-ZP	M 6	100	1.60	3.9	1.60	10.0	Steel
P0239.080-010-ZP	M 8	10	2.00	5.0	2.00	13.0	Steel
P0239.080-012-ZP	M 8	12	2.00	5.0	2.00	13.0	Steel
P0239.080-014-ZP	M 8	14	2.00	5.0	2.00	13.0	Steel
P0239.080-016-ZP	M 8	16	2.00	5.0	2.00	13.0	Steel
P0239.080-018-ZP	M 8	18	2.00	5.0	2.00	13.0	Steel
P0239.080-020-ZP	M 8	20	2.00	5.0	2.00	13.0	Steel
P0239.080-022-ZP	M 8	22	2.00	5.0	2.00	13.0	Steel
P0239.080-025-ZP	M 8	25	2.00	5.0	2.00	13.0	Steel
P0239.080-028-ZP	M 8	28	2.00	5.0	2.00	13.0	Steel
P0239.080-030-ZP	M 8	30	2.00	5.0	2.00	13.0	Steel
P0239.080-035-ZP	M 8	35	2.00	5.0	2.00	13.0	Steel
P0239.080-040-ZP	M 8	40	2.00	5.0	2.00	13.0	Steel
P0239.080-045-ZP	M 8	45	2.00	5.0	2.00	13.0	Steel
P0239.080-050-ZP	M 8	50	2.00	5.0	2.00	13.0	Steel
P0239.080-055-ZP	M 8	55	2.00	5.0	2.00	13.0	Steel

STANDARD SCREWS



STANDARD SCREWS

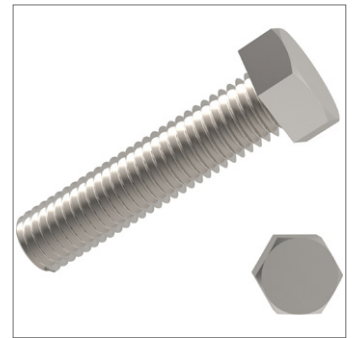
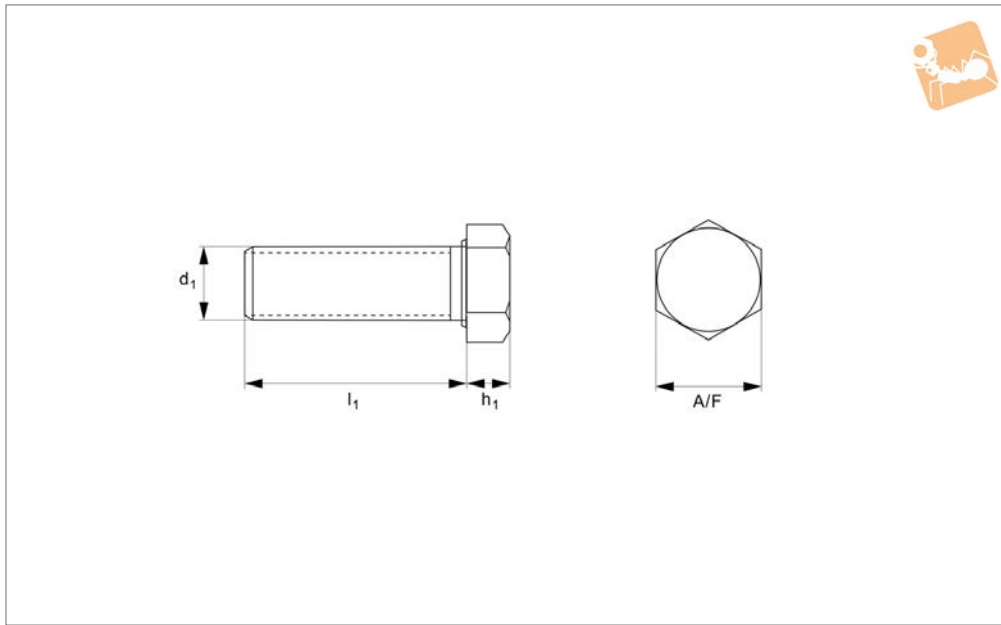
Order No.	d ₁	l ₁	w ₁	h ₁	h ₂	d ₂	Material
P0239.080-060-ZP	M 8	60	2.00	5.0	2.00	13.0	Steel
P0239.080-065-ZP	M 8	65	2.00	5.0	2.00	13.0	Steel
P0239.080-070-ZP	M 8	70	2.00	5.0	2.00	13.0	Steel
P0239.080-075-ZP	M 8	75	2.00	5.0	2.00	13.0	Steel
P0239.080-080-ZP	M 8	80	2.00	5.0	2.00	13.0	Steel
P0239.080-085-ZP	M 8	85	2.00	5.0	2.00	13.0	Steel
P0239.080-090-ZP	M 8	90	2.00	5.0	2.00	13.0	Steel
P0239.080-100-ZP	M 8	100	2.00	5.0	2.00	13.0	Steel
P0239.100-016-ZP	M10	16	2.50	6.0	2.40	16.0	Steel
P0239.100-018-ZP	M10	18	2.50	6.0	2.40	16.0	Steel
P0239.100-020-ZP	M10	20	2.50	6.0	2.40	16.0	Steel
P0239.100-022-ZP	M10	22	2.50	6.0	2.40	16.0	Steel
P0239.100-025-ZP	M10	25	2.50	6.0	2.40	16.0	Steel
P0239.100-028-ZP	M10	28	2.50	6.0	2.40	16.0	Steel
P0239.100-030-ZP	M10	30	2.50	6.0	2.40	16.0	Steel
P0239.100-035-ZP	M10	35	2.50	6.0	2.40	16.0	Steel
P0239.100-040-ZP	M10	40	2.50	6.0	2.40	16.0	Steel
P0239.100-045-ZP	M10	45	2.50	6.0	2.40	16.0	Steel
P0239.100-050-ZP	M10	50	2.50	6.0	2.40	16.0	Steel
P0239.100-055-ZP	M10	55	2.50	6.0	2.40	16.0	Steel
P0239.100-060-ZP	M10	60	2.50	6.0	2.40	16.0	Steel
P0239.100-065-ZP	M10	65	2.50	6.0	2.40	16.0	Steel
P0239.100-070-ZP	M10	70	2.50	6.0	2.40	16.0	Steel
P0239.100-075-ZP	M10	75	2.50	6.0	2.40	16.0	Steel
P0239.100-080-ZP	M10	80	2.50	6.0	2.40	16.0	Steel
P0239.100-085-ZP	M10	85	2.50	6.0	2.40	16.0	Steel
P0239.100-090-ZP	M10	90	2.50	6.0	2.40	16.0	Steel
P0239.100-100-ZP	M10	100	2.50	6.0	2.40	16.0	Steel



Hexagon Head Set Screws

A2 stainless

Standard Screws



P0260.A2

STANDARD SCREWS

Material

Stainless steel (A2, class 70, class 80 on request).

Technical Notes

To DIN 933, ISO 4017.

Order No.	d ₁	l ₁	h ₁	A/F
P0260.020-003-A2	M 2	3	1.4	4
P0260.020-004-A2	M 2	4	1.4	4
P0260.020-005-A2	M 2	5	1.4	4
P0260.020-006-A2	M 2	6	1.4	4
P0260.020-008-A2	M 2	8	1.4	4
P0260.020-010-A2	M 2	10	1.4	4
P0260.020-012-A2	M 2	12	1.4	4
P0260.020-014-A2	M 2	14	1.4	4
P0260.020-016-A2	M 2	16	1.4	4
P0260.020-018-A2	M 2	18	1.4	4
P0260.020-020-A2	M 2	20	1.4	4
P0260.025-003-A2	M2,5	3	1.7	5
P0260.025-004-A2	M2,5	4	1.7	5
P0260.025-005-A2	M2,5	5	1.7	5
P0260.025-006-A2	M2,5	6	1.7	5
P0260.025-008-A2	M2,5	8	1.7	5
P0260.025-010-A2	M2,5	10	1.7	5
P0260.025-012-A2	M2,5	12	1.7	5
P0260.025-014-A2	M2,5	14	1.7	5
P0260.025-016-A2	M2,5	16	1.7	5
P0260.025-018-A2	M2,5	18	1.7	5
P0260.025-020-A2	M2,5	20	1.7	5
P0260.030-005-A2	M 3	5	2.0	5.5
P0260.030-006-A2	M 3	6	2.0	5.5
P0260.030-008-A2	M 3	8	2.0	5.5
P0260.030-010-A2	M 3	10	2.0	5.5
P0260.030-012-A2	M 3	12	2.0	5.5
P0260.030-014-A2	M 3	14	2.0	5.5
P0260.030-016-A2	M 3	16	2.0	5.5
P0260.030-018-A2	M 3	18	2.0	5.5
P0260.030-020-A2	M 3	20	2.0	5.5
P0260.030-022-A2	M 3	22	2.0	5.5
P0260.030-025-A2	M 3	25	2.0	5.5
P0260.030-030-A2	M 3	30	2.0	5.5
P0260.030-035-A2	M 3	35	2.0	5.5



STANDARD SCREWS

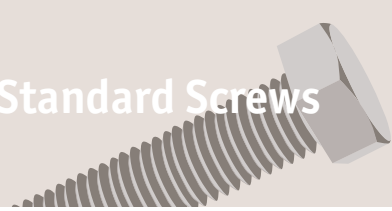
Order No.	d ₁	l ₁	h ₁	A/F
P0260.030-040-A2	M 3	40	2.0	5.5
P0260.030-045-A2	M 3	45	2.0	5.5
P0260.030-050-A2	M 3	50	2.0	5.5
P0260.040-005-A2	M 4	5	2.8	7
P0260.040-006-A2	M 4	6	2.8	7
P0260.040-008-A2	M 4	8	2.8	7
P0260.040-010-A2	M 4	10	2.8	7
P0260.040-012-A2	M 4	12	2.8	7
P0260.040-014-A2	M 4	14	2.8	7
P0260.040-016-A2	M 4	16	2.8	7
P0260.040-018-A2	M 4	18	2.8	7
P0260.040-020-A2	M 4	20	2.8	7
P0260.040-022-A2	M 4	22	2.8	7
P0260.040-025-A2	M 4	25	2.8	7
P0260.040-030-A2	M 4	30	2.8	7
P0260.040-035-A2	M 4	35	2.8	7
P0260.040-040-A2	M 4	40	2.8	7
P0260.040-045-A2	M 4	45	2.8	7
P0260.040-050-A2	M 4	50	2.8	7
P0260.040-055-A2	M 4	55	2.8	7
P0260.040-060-A2	M 4	60	2.8	7
P0260.040-065-A2	M 4	65	2.8	7
P0260.040-070-A2	M 4	70	2.8	7
P0260.050-006-A2	M 5	6	3.5	8
P0260.050-008-A2	M 5	8	3.5	8
P0260.050-010-A2	M 5	10	3.5	8
P0260.050-012-A2	M 5	12	3.5	8
P0260.050-014-A2	M 5	14	3.5	8
P0260.050-016-A2	M 5	16	3.5	8
P0260.050-018-A2	M 5	18	3.5	8
P0260.050-020-A2	M 5	20	3.5	8
P0260.050-022-A2	M 5	22	3.5	8
P0260.050-025-A2	M 5	25	3.5	8
P0260.050-030-A2	M 5	30	3.5	8
P0260.050-035-A2	M 5	35	3.5	8
P0260.050-040-A2	M 5	40	3.5	8
P0260.050-045-A2	M 5	45	3.5	8
P0260.050-050-A2	M 5	50	3.5	8
P0260.050-055-A2	M 5	55	3.5	8
P0260.050-060-A2	M 5	60	3.5	8
P0260.050-065-A2	M 5	65	3.5	8
P0260.050-070-A2	M 5	70	3.5	8
P0260.050-075-A2	M 5	75	3.5	8
P0260.050-080-A2	M 5	80	3.5	8
P0260.060-006-A2	M 6	6	4.0	10
P0260.060-008-A2	M 6	8	4.0	10
P0260.060-010-A2	M 6	10	4.0	10
P0260.060-012-A2	M 6	12	4.0	10
P0260.060-014-A2	M 6	14	4.0	10
P0260.060-016-A2	M 6	16	4.0	10
P0260.060-018-A2	M 6	18	4.0	10
P0260.060-020-A2	M 6	20	4.0	10
P0260.060-022-A2	M 6	22	4.0	10
P0260.060-025-A2	M 6	25	4.0	10
P0260.060-030-A2	M 6	30	4.0	10
P0260.060-035-A2	M 6	35	4.0	10
P0260.060-040-A2	M 6	40	4.0	10
P0260.060-045-A2	M 6	45	4.0	10
P0260.060-050-A2	M 6	50	4.0	10
P0260.060-055-A2	M 6	55	4.0	10
P0260.060-060-A2	M 6	60	4.0	10
P0260.060-065-A2	M 6	65	4.0	10
P0260.060-070-A2	M 6	70	4.0	10
P0260.060-075-A2	M 6	75	4.0	10
P0260.060-080-A2	M 6	80	4.0	10
P0260.060-085-A2	M 6	85	4.0	10
P0260.060-090-A2	M 6	90	4.0	10
P0260.060-095-A2	M 6	95	4.0	10
P0260.060-100-A2	M 6	100	4.0	10



Hexagon Head Set Screws

A2 stainless

Standard Screws



Order No.	d ₁	l ₁	h ₁	A/F
P0260.060-110-A2	M 6	110	4.0	10
P0260.060-120-A2	M 6	120	4.0	10
P0260.080-008-A2	M 8	8	5.3	13
P0260.080-010-A2	M 8	10	5.3	13
P0260.080-012-A2	M 8	12	5.3	13
P0260.080-014-A2	M 8	14	5.3	13
P0260.080-016-A2	M 8	16	5.3	13
P0260.080-018-A2	M 8	18	5.3	13
P0260.080-020-A2	M 8	20	5.3	13
P0260.080-022-A2	M 8	22	5.3	13
P0260.080-025-A2	M 8	25	5.3	13
P0260.080-030-A2	M 8	30	5.3	13
P0260.080-035-A2	M 8	35	5.3	13
P0260.080-040-A2	M 8	40	5.3	13
P0260.080-045-A2	M 8	45	5.3	13
P0260.080-050-A2	M 8	50	5.3	13
P0260.080-055-A2	M 8	55	5.3	13
P0260.080-060-A2	M 8	60	5.3	13
P0260.080-065-A2	M 8	65	5.3	13
P0260.080-070-A2	M 8	70	5.3	13
P0260.080-075-A2	M 8	75	5.3	13
P0260.080-080-A2	M 8	80	5.3	13
P0260.080-085-A2	M 8	85	5.3	13
P0260.080-090-A2	M 8	90	5.3	13
P0260.080-095-A2	M 8	95	5.3	13
P0260.080-100-A2	M 8	100	5.3	13
P0260.080-110-A2	M 8	110	5.3	13
P0260.080-120-A2	M 8	120	5.3	13
P0260.080-130-A2	M 8	130	5.3	13
P0260.080-140-A2	M 8	140	5.3	13
P0260.080-150-A2	M 8	150	5.3	13
P0260.080-160-A2	M 8	160	5.3	13
P0260.080-170-A2	M 8	170	5.3	13
P0260.080-180-A2	M 8	180	5.3	13
P0260.080-190-A2	M 8	190	5.3	13
P0260.080-200-A2	M 8	200	5.3	13
P0260.100-010-A2	M10	10	6.4	17
P0260.100-012-A2	M10	12	6.4	17
P0260.100-014-A2	M10	14	6.4	17
P0260.100-016-A2	M10	16	6.4	17
P0260.100-018-A2	M10	18	6.4	17
P0260.100-020-A2	M10	20	6.4	17
P0260.100-025-A2	M10	25	6.4	17
P0260.100-030-A2	M10	30	6.4	17
P0260.100-035-A2	M10	35	6.4	17
P0260.100-040-A2	M10	40	6.4	17
P0260.100-045-A2	M10	45	6.4	17
P0260.100-050-A2	M10	50	6.4	17
P0260.100-055-A2	M10	55	6.4	17
P0260.100-060-A2	M10	60	6.4	17
P0260.100-065-A2	M10	65	6.4	17
P0260.100-070-A2	M10	70	6.4	17
P0260.100-075-A2	M10	75	6.4	17
P0260.100-080-A2	M10	80	6.4	17
P0260.100-085-A2	M10	85	6.4	17
P0260.100-090-A2	M10	90	6.4	17
P0260.100-095-A2	M10	95	6.4	17
P0260.100-100-A2	M10	100	6.4	17
P0260.100-110-A2	M10	110	6.4	17
P0260.100-120-A2	M10	120	6.4	17
P0260.100-130-A2	M10	130	6.4	17
P0260.100-140-A2	M10	140	6.4	17
P0260.100-150-A2	M10	150	6.4	17
P0260.100-160-A2	M10	160	6.4	17
P0260.100-170-A2	M10	170	6.4	17
P0260.100-180-A2	M10	180	6.4	17
P0260.100-190-A2	M10	190	6.4	17
P0260.100-200-A2	M10	200	6.4	17
P0260.120-016-A2	M12	16	7.5	19

STANDARD SCREWS



STANDARD SCREWS

Order No.	d ₁	l ₁	h ₁	A/F
P0260.120-018-A2	M12	18	7.5	19
P0260.120-020-A2	M12	20	7.5	19
P0260.120-022-A2	M12	22	7.5	19
P0260.120-025-A2	M12	25	7.5	19
P0260.120-030-A2	M12	30	7.5	19
P0260.120-035-A2	M12	35	7.5	19
P0260.120-040-A2	M12	40	7.5	19
P0260.120-045-A2	M12	45	7.5	19
P0260.120-050-A2	M12	50	7.5	19
P0260.120-055-A2	M12	55	7.5	19
P0260.120-060-A2	M12	60	7.5	19
P0260.120-065-A2	M12	65	7.5	19
P0260.120-070-A2	M12	70	7.5	19
P0260.120-075-A2	M12	75	7.5	19
P0260.120-080-A2	M12	80	7.5	19
P0260.120-085-A2	M12	85	7.5	19
P0260.120-090-A2	M12	90	7.5	19
P0260.120-095-A2	M12	95	7.5	19
P0260.120-100-A2	M12	100	7.5	19
P0260.120-110-A2	M12	110	7.5	19
P0260.120-120-A2	M12	120	7.5	19
P0260.120-130-A2	M12	130	7.5	19
P0260.120-140-A2	M12	140	7.5	19
P0260.120-150-A2	M12	150	7.5	19
P0260.120-160-A2	M12	160	7.5	19
P0260.120-170-A2	M12	170	7.5	19
P0260.120-180-A2	M12	180	7.5	19
P0260.120-190-A2	M12	190	7.5	19
P0260.120-200-A2	M12	200	7.5	19
P0260.120-250-A2	M12	250	7.5	19
P0260.140-020-A2	M14	20	8.8	22
P0260.140-022-A2	M14	22	8.8	22
P0260.140-025-A2	M14	25	8.8	22
P0260.140-030-A2	M14	30	8.8	22
P0260.140-035-A2	M14	35	8.8	22
P0260.140-040-A2	M14	40	8.8	22
P0260.140-045-A2	M14	45	8.8	22
P0260.140-050-A2	M14	50	8.8	22
P0260.140-055-A2	M14	55	8.8	22
P0260.140-060-A2	M14	60	8.8	22
P0260.140-065-A2	M14	65	8.8	22
P0260.140-070-A2	M14	70	8.8	22
P0260.140-075-A2	M14	75	8.8	22
P0260.140-080-A2	M14	80	8.8	22
P0260.140-085-A2	M14	85	8.8	22
P0260.140-090-A2	M14	90	8.8	22
P0260.140-095-A2	M14	95	8.8	22
P0260.140-100-A2	M14	100	8.8	22
P0260.140-110-A2	M14	110	8.8	22
P0260.140-120-A2	M14	120	8.8	22
P0260.140-130-A2	M14	130	8.8	22
P0260.140-140-A2	M14	140	8.8	22
P0260.140-150-A2	M14	150	8.8	22
P0260.160-020-A2	M16	20	10	24
P0260.160-022-A2	M16	22	10	24
P0260.160-025-A2	M16	25	10	24
P0260.160-030-A2	M16	30	10	24
P0260.160-035-A2	M16	35	10	24
P0260.160-040-A2	M16	40	10	24
P0260.160-045-A2	M16	45	10	24
P0260.160-050-A2	M16	50	10	24
P0260.160-055-A2	M16	55	10	24
P0260.160-060-A2	M16	60	10	24
P0260.160-065-A2	M16	65	10	24
P0260.160-070-A2	M16	70	10	24
P0260.160-075-A2	M16	75	10	24
P0260.160-080-A2	M16	80	10	24
P0260.160-085-A2	M16	85	10	24
P0260.160-090-A2	M16	90	10	24



Hexagon Head Set Screws

A2 stainless

Standard Screws



Order No.	d ₁	l ₁	h ₁	A/F
P0260.160-095-A2	M16	95	10	24
P0260.160-100-A2	M16	100	10	24
P0260.160-110-A2	M16	110	10	24
P0260.160-120-A2	M16	120	10	24
P0260.160-130-A2	M16	130	10	24
P0260.160-140-A2	M16	140	10	24
P0260.160-150-A2	M16	150	10	24
P0260.160-160-A2	M16	160	10	24
P0260.160-170-A2	M16	170	10	24
P0260.160-180-A2	M16	180	10	24
P0260.160-190-A2	M16	190	10	24
P0260.160-200-A2	M16	200	10	24
P0260.160-250-A2	M16	250	10	24
P0260.180-025-A2	M18	25	11.5	27
P0260.180-030-A2	M18	30	11.5	27
P0260.180-035-A2	M18	35	11.5	27
P0260.180-040-A2	M18	40	11.5	27
P0260.180-045-A2	M18	45	11.5	27
P0260.180-050-A2	M18	50	11.5	27
P0260.180-055-A2	M18	55	11.5	27
P0260.180-060-A2	M18	60	11.5	27
P0260.180-065-A2	M18	65	11.5	27
P0260.180-070-A2	M18	70	11.5	27
P0260.180-075-A2	M18	75	11.5	27
P0260.180-080-A2	M18	80	11.5	27
P0260.180-085-A2	M18	85	11.5	27
P0260.180-090-A2	M18	90	11.5	27
P0260.180-095-A2	M18	95	11.5	27
P0260.180-100-A2	M18	100	11.5	27
P0260.180-110-A2	M18	110	11.5	27
P0260.180-120-A2	M18	120	11.5	27
P0260.180-130-A2	M18	130	11.5	27
P0260.180-140-A2	M18	120	11.5	27
P0260.180-150-A2	M18	150	11.5	27
P0260.200-030-A2	M20	30	12.5	30
P0260.200-035-A2	M20	35	12.5	30
P0260.200-040-A2	M20	40	12.5	30
P0260.200-045-A2	M20	45	12.5	30
P0260.200-050-A2	M20	50	12.5	30
P0260.200-055-A2	M20	55	12.5	30
P0260.200-060-A2	M20	60	12.5	30
P0260.200-065-A2	M20	65	12.5	30
P0260.200-070-A2	M20	70	12.5	30
P0260.200-075-A2	M20	75	12.5	30
P0260.200-080-A2	M20	80	12.5	30
P0260.200-085-A2	M20	85	12.5	30
P0260.200-090-A2	M20	90	12.5	30
P0260.200-095-A2	M20	95	12.5	30
P0260.200-100-A2	M20	100	12.5	30
P0260.200-110-A2	M20	110	12.5	30
P0260.200-120-A2	M20	120	12.5	30
P0260.200-130-A2	M20	130	12.5	30
P0260.200-140-A2	M20	140	12.5	30
P0260.200-150-A2	M20	150	12.5	30
P0260.200-160-A2	M20	160	12.5	30
P0260.200-170-A2	M20	170	12.5	30
P0260.200-180-A2	M20	180	12.5	30
P0260.200-190-A2	M20	190	12.5	30
P0260.200-200-A2	M20	200	12.5	30
P0260.200-250-A2	M20	250	12.5	30
P0260.220-030-A2	M22	30	14.0	32
P0260.220-035-A2	M22	35	14.0	32
P0260.220-040-A2	M22	40	14.0	32
P0260.220-045-A2	M22	45	14.0	32
P0260.220-050-A2	M22	50	14.0	32
P0260.220-060-A2	M22	60	14.0	32
P0260.220-065-A2	M22	65	14.0	32
P0260.220-070-A2	M22	70	14.0	32
P0260.220-075-A2	M22	75	14.0	32

STANDARD SCREWS



Order No.	d ₁	l ₁	h ₁	A/F
P0260.220-080-A2	M22	80	14.0	32
P0260.220-085-A2	M22	85	14.0	32
P0260.220-090-A2	M22	90	14.0	32
P0260.220-095-A2	M22	95	14.0	32
P0260.220-100-A2	M22	100	14.0	32
P0260.220-110-A2	M22	110	14.0	32
P0260.220-120-A2	M22	120	14.0	32
P0260.220-130-A2	M22	130	14.0	32
P0260.220-140-A2	M22	140	14.0	32
P0260.220-150-A2	M22	150	14.0	32
P0260.240-030-A2	M24	30	15.0	36
P0260.240-035-A2	M24	35	15.0	36
P0260.240-040-A2	M24	40	15.0	36
P0260.240-045-A2	M24	45	15.0	36
P0260.240-050-A2	M24	50	15.0	36
P0260.240-055-A2	M24	55	15.0	36
P0260.240-060-A2	M24	60	15.0	36
P0260.240-065-A2	M24	65	15.0	36
P0260.240-070-A2	M24	70	15.0	36
P0260.240-075-A2	M24	75	15.0	36
P0260.240-080-A2	M24	80	15.0	36
P0260.240-085-A2	M24	85	15.0	36
P0260.240-090-A2	M24	90	15.0	36
P0260.240-095-A2	M24	95	15.0	36
P0260.240-100-A2	M24	100	15.0	36
P0260.240-110-A2	M24	110	15.0	36
P0260.240-120-A2	M24	120	15.0	36
P0260.240-130-A2	M24	130	15.0	36
P0260.240-140-A2	M24	140	15.0	36
P0260.240-150-A2	M24	150	15.0	36
P0260.240-160-A2	M24	160	15.0	36
P0260.240-170-A2	M24	170	15.0	36
P0260.240-190-A2	M24	190	15.0	36
P0260.240-200-A2	M24	200	15.0	36
P0260.240-250-A2	M24	250	15.0	36
P0260.270-050-A2	M27	50	17.0	41
P0260.270-055-A2	M27	55	17.0	41
P0260.270-060-A2	M27	60	17.0	41
P0260.270-065-A2	M27	65	17.0	41
P0260.270-070-A2	M27	70	17.0	41
P0260.270-075-A2	M27	75	17.0	41
P0260.270-080-A2	M27	80	17.0	41
P0260.270-085-A2	M27	85	17.0	41
P0260.270-090-A2	M27	90	17.0	41
P0260.270-095-A2	M27	95	17.0	41
P0260.270-100-A2	M27	100	17.0	41
P0260.270-110-A2	M27	110	17.0	41
P0260.270-120-A2	M27	120	17.0	41
P0260.270-130-A2	M27	130	17.0	41
P0260.270-140-A2	M27	140	17.0	41
P0260.270-150-A2	M27	150	17.0	41
P0260.300-050-A2	M30	50	18.7	46
P0260.300-055-A2	M30	55	18.7	46
P0260.300-060-A2	M30	60	18.7	46
P0260.300-065-A2	M30	65	18.7	46
P0260.300-070-A2	M30	70	18.7	46
P0260.300-075-A2	M30	75	18.7	46
P0260.300-080-A2	M30	80	18.7	46
P0260.300-085-A2	M30	85	18.7	46
P0260.300-090-A2	M30	90	18.7	46
P0260.300-095-A2	M30	95	18.7	46
P0260.300-100-A2	M30	100	18.7	46
P0260.300-110-A2	M30	110	18.7	46
P0260.300-120-A2	M30	120	18.7	46
P0260.300-130-A2	M30	130	18.7	46
P0260.300-140-A2	M30	140	18.7	46
P0260.300-150-A2	M30	150	18.7	46
P0260.330-050-A2	M33	50	21.0	50
P0260.330-055-A2	M33	55	21.0	50



Hexagon Head Set Screws

A2 stainless

Standard Screws

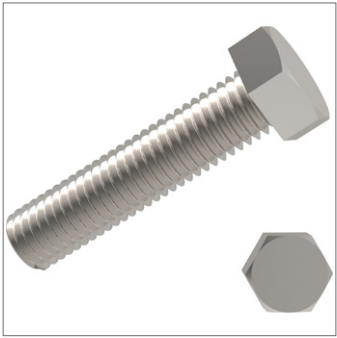


Order No.	d ₁	l ₁	h ₁	A/F
P0260.330-060-A2	M33	60	21.0	50
P0260.330-065-A2	M33	65	21.0	50
P0260.330-070-A2	M33	70	21.0	50
P0260.330-075-A2	M33	75	21.0	50
P0260.330-080-A2	M33	80	21.0	50
P0260.330-085-A2	M33	85	21.0	50
P0260.330-090-A2	M33	90	21.0	50
P0260.330-095-A2	M33	95	21.0	50
P0260.330-100-A2	M33	100	21.0	50
P0260.330-110-A2	M33	110	21.0	50
P0260.330-120-A2	M33	120	21.0	50
P0260.330-130-A2	M33	130	21.0	50
P0260.330-140-A2	M33	140	21.0	50
P0260.330-150-A2	M33	150	12.5	50
P0260.360-050-A2	M36	50	22.5	55
P0260.360-055-A2	M36	55	22.5	55
P0260.360-060-A2	M36	60	22.5	55
P0260.360-065-A2	M36	65	22.5	55
P0260.360-070-A2	M36	70	22.5	55
P0260.360-075-A2	M36	75	22.5	55
P0260.360-080-A2	M36	80	22.5	55
P0260.360-085-A2	M36	85	22.5	55
P0260.360-090-A2	M36	90	22.5	55
P0260.360-095-A2	M36	95	22.5	55
P0260.360-100-A2	M36	100	22.5	55
P0260.360-110-A2	M36	110	22.5	55
P0260.360-120-A2	M36	120	22.5	55
P0260.360-130-A2	M36	130	22.5	55
P0260.360-140-A2	M36	140	22.5	55
P0260.360-150-A2	M36	150	12.5	55
P0260.360-160-A2	M36	160	22.5	55
P0260.360-170-A2	M36	170	22.5	55
P0260.360-180-A2	M36	180	22.5	55

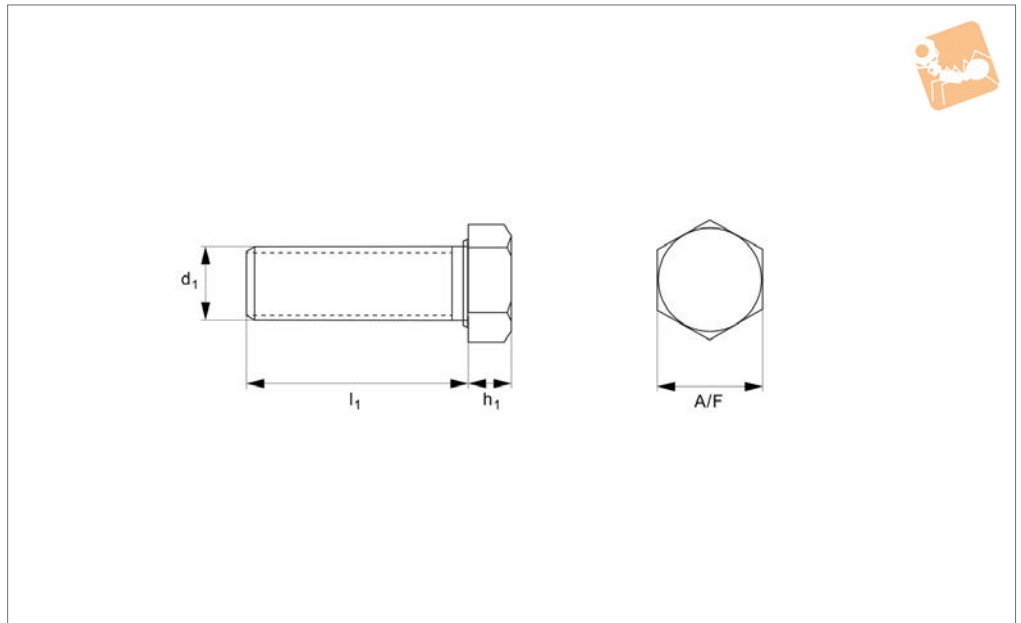
STANDARD SCREWS



STANDARD SCREWS



P0260.A4



Material

Stainless steel (A4, class 70, class 80 on request).

Technical Notes

To DIN 933, ISO 4017.

Order No.	d ₁	l ₁	h ₁	A/F
P0260.020-003-A4	M 2	3	1.4	4
P0260.020-004-A4	M 2	4	1.4	4
P0260.020-005-A4	M 2	5	1.4	4
P0260.020-006-A4	M 2	6	1.4	4
P0260.020-008-A4	M 2	8	1.4	4
P0260.020-010-A4	M 2	10	1.4	4
P0260.020-012-A4	M 2	12	1.4	4
P0260.020-014-A4	M 2	14	1.4	4
P0260.020-016-A4	M 2	16	1.4	4
P0260.020-018-A4	M 2	18	1.4	4
P0260.020-020-A4	M 2	20	1.4	4
P0260.025-003-A4	M2,5	3	1.7	5
P0260.025-004-A4	M2,5	4	1.7	5
P0260.025-005-A4	M2,5	5	1.7	5
P0260.025-006-A4	M2,5	6	1.7	5
P0260.025-008-A4	M2,5	8	1.7	5
P0260.025-010-A4	M2,5	10	1.7	5
P0260.025-012-A4	M2,5	12	1.7	5
P0260.025-014-A4	M2,5	14	1.7	5
P0260.025-016-A4	M2,5	16	1.7	5
P0260.025-018-A4	M2,5	18	1.7	5
P0260.025-020-A4	M2,5	20	1.7	5
P0260.030-005-A4	M 3	5	2.0	5.5
P0260.030-006-A4	M 3	6	2.0	5.5
P0260.030-008-A4	M 3	8	2.0	5.5
P0260.030-010-A4	M 3	10	2.0	5.5
P0260.030-012-A4	M 3	12	2.0	5.5
P0260.030-014-A4	M 3	14	2.0	5.5
P0260.030-016-A4	M 3	16	2.0	5.5
P0260.030-018-A4	M 3	18	2.0	5.5
P0260.030-020-A4	M 3	20	2.0	5.5
P0260.030-022-A4	M 3	22	2.0	5.5
P0260.030-025-A4	M 3	25	2.0	5.5
P0260.030-030-A4	M 3	30	2.0	5.5
P0260.030-035-A4	M 3	35	2.0	5.5



Hexagon Head Set Screws

A4 stainless

Standard Screws



Order No.	d ₁	l ₁	h ₁	A/F
P0260.030-040-A4	M 3	40	2.0	5.5
P0260.030-045-A4	M 3	45	2.0	5.5
P0260.030-050-A4	M 3	50	2.0	5.5
P0260.040-005-A4	M 4	5	2.8	7
P0260.040-006-A4	M 4	6	2.8	7
P0260.040-008-A4	M 4	8	2.8	7
P0260.040-010-A4	M 4	10	2.8	7
P0260.040-012-A4	M 4	12	2.8	7
P0260.040-014-A4	M 4	14	2.8	7
P0260.040-016-A4	M 4	16	2.8	7
P0260.040-018-A4	M 4	18	2.8	7
P0260.040-020-A4	M 4	20	2.8	7
P0260.040-022-A4	M 4	22	2.8	7
P0260.040-025-A4	M 4	25	2.8	7
P0260.040-030-A4	M 4	30	2.8	7
P0260.040-035-A4	M 4	35	2.8	7
P0260.040-040-A4	M 4	40	2.8	7
P0260.040-045-A4	M 4	45	2.8	7
P0260.040-050-A4	M 4	50	2.8	7
P0260.040-055-A4	M 4	55	2.8	7
P0260.040-060-A4	M 4	60	2.8	7
P0260.040-065-A4	M 4	65	2.8	7
P0260.040-070-A4	M 4	70	2.8	7
P0260.050-006-A4	M 5	6	3.5	8
P0260.050-008-A4	M 5	8	3.5	8
P0260.050-010-A4	M 5	10	3.5	8
P0260.050-012-A4	M 5	12	3.5	8
P0260.050-014-A4	M 5	14	3.5	8
P0260.050-016-A4	M 5	16	3.5	8
P0260.050-018-A4	M 5	18	3.5	8
P0260.050-020-A4	M 5	20	3.5	8
P0260.050-022-A4	M 5	22	3.5	8
P0260.050-025-A4	M 5	25	3.5	8
P0260.050-030-A4	M 5	30	3.5	8
P0260.050-035-A4	M 5	35	3.5	8
P0260.050-040-A4	M 5	40	3.5	8
P0260.050-045-A4	M 5	45	3.5	8
P0260.050-050-A4	M 5	50	3.5	8
P0260.050-055-A4	M 5	55	3.5	8
P0260.050-060-A4	M 5	60	3.5	8
P0260.050-065-A4	M 5	65	3.5	8
P0260.050-070-A4	M 5	70	3.5	8
P0260.050-075-A4	M 5	75	3.5	8
P0260.050-080-A4	M 5	80	3.5	8
P0260.060-006-A4	M 6	6	4.0	10
P0260.060-008-A4	M 6	8	4.0	10
P0260.060-010-A4	M 6	10	4.0	10
P0260.060-012-A4	M 6	12	4.0	10
P0260.060-014-A4	M 6	14	4.0	10
P0260.060-016-A4	M 6	16	4.0	10
P0260.060-018-A4	M 6	18	4.0	10
P0260.060-020-A4	M 6	20	4.0	10
P0260.060-022-A4	M 6	22	4.0	10
P0260.060-025-A4	M 6	25	4.0	10
P0260.060-030-A4	M 6	30	4.0	10
P0260.060-035-A4	M 6	35	4.0	10
P0260.060-040-A4	M 6	40	4.0	10
P0260.060-045-A4	M 6	45	4.0	10
P0260.060-050-A4	M 6	50	4.0	10
P0260.060-055-A4	M 6	55	4.0	10
P0260.060-060-A4	M 6	60	4.0	10
P0260.060-065-A4	M 6	65	4.0	10
P0260.060-070-A4	M 6	70	4.0	10
P0260.060-075-A4	M 6	75	4.0	10
P0260.060-080-A4	M 6	80	4.0	10
P0260.060-085-A4	M 6	85	4.0	10
P0260.060-090-A4	M 6	90	4.0	10
P0260.060-095-A4	M 6	95	4.0	10
P0260.060-100-A4	M 6	100	4.0	10

STANDARD SCREWS



STANDARD SCREWS

Order No.	d ₁	l ₁	h ₁	A/F
P0260.060-110-A4	M 6	110	4.0	10
P0260.060-120-A4	M 6	120	4.0	10
P0260.080-008-A4	M 8	8	5.3	13
P0260.080-010-A4	M 8	10	5.3	13
P0260.080-012-A4	M 8	12	5.3	13
P0260.080-014-A4	M 8	14	5.3	13
P0260.080-016-A4	M 8	16	5.3	13
P0260.080-018-A4	M 8	18	5.3	13
P0260.080-020-A4	M 8	20	5.3	13
P0260.080-022-A4	M 8	22	5.3	13
P0260.080-025-A4	M 8	25	5.3	13
P0260.080-030-A4	M 8	30	5.3	13
P0260.080-035-A4	M 8	35	5.3	13
P0260.080-040-A4	M 8	40	5.3	13
P0260.080-045-A4	M 8	45	5.3	13
P0260.080-050-A4	M 8	50	5.3	13
P0260.080-055-A4	M 8	55	5.3	13
P0260.080-060-A4	M 8	60	5.3	13
P0260.080-065-A4	M 8	65	5.3	13
P0260.080-070-A4	M 8	70	5.3	13
P0260.080-075-A4	M 8	75	5.3	13
P0260.080-080-A4	M 8	80	5.3	13
P0260.080-085-A4	M 8	85	5.3	13
P0260.080-090-A4	M 8	90	5.3	13
P0260.080-095-A4	M 8	95	5.3	13
P0260.080-100-A4	M 8	100	5.3	13
P0260.080-110-A4	M 8	110	5.3	13
P0260.080-120-A4	M 8	120	5.3	13
P0260.080-130-A4	M 8	130	5.3	13
P0260.080-140-A4	M 8	140	5.3	13
P0260.080-150-A4	M 8	150	5.3	13
P0260.080-160-A4	M 8	160	5.3	13
P0260.080-170-A4	M 8	170	5.3	13
P0260.080-180-A4	M 8	180	5.3	13
P0260.080-190-A4	M 8	190	5.3	13
P0260.080-200-A4	M 8	200	5.3	13
P0260.100-010-A4	M10	10	6.4	17
P0260.100-012-A4	M10	12	6.4	17
P0260.100-014-A4	M10	14	6.4	17
P0260.100-016-A4	M10	16	6.4	17
P0260.100-018-A4	M10	18	6.4	17
P0260.100-020-A4	M10	20	6.4	17
P0260.100-025-A4	M10	25	6.4	17
P0260.100-030-A4	M10	30	6.4	17
P0260.100-035-A4	M10	35	6.4	17
P0260.100-040-A4	M10	40	6.4	17
P0260.100-045-A4	M10	45	6.4	17
P0260.100-050-A4	M10	50	6.4	17
P0260.100-055-A4	M10	55	6.4	17
P0260.100-060-A4	M10	60	6.4	17
P0260.100-065-A4	M10	65	6.4	17
P0260.100-070-A4	M10	70	6.4	17
P0260.100-075-A4	M10	75	6.4	17
P0260.100-080-A4	M10	80	6.4	17
P0260.100-085-A4	M10	85	6.4	17
P0260.100-090-A4	M10	90	6.4	17
P0260.100-095-A4	M10	95	6.4	17
P0260.100-100-A4	M10	100	6.4	17
P0260.100-110-A4	M10	110	6.4	17
P0260.100-120-A4	M10	120	6.4	17
P0260.100-130-A4	M10	130	6.4	17
P0260.100-140-A4	M10	140	6.4	17
P0260.100-150-A4	M10	150	6.4	17
P0260.100-160-A4	M10	160	6.4	17
P0260.100-170-A4	M10	170	6.4	17
P0260.100-180-A4	M10	180	6.4	17
P0260.100-190-A4	M10	190	6.4	17
P0260.100-200-A4	M10	200	6.4	17
P0260.120-016-A4	M12	16	7.5	19



Hexagon Head Set Screws

A4 stainless

Standard Screws



Order No.	d ₁	l ₁	h ₁	A/F
P0260.120-018-A4	M12	18	7.5	19
P0260.120-020-A4	M12	20	7.5	19
P0260.120-022-A4	M12	22	7.5	19
P0260.120-025-A4	M12	25	7.5	19
P0260.120-030-A4	M12	30	7.5	19
P0260.120-035-A4	M12	35	7.5	19
P0260.120-040-A4	M12	40	7.5	19
P0260.120-045-A4	M12	45	7.5	19
P0260.120-050-A4	M12	50	7.5	19
P0260.120-055-A4	M12	55	7.5	19
P0260.120-060-A4	M12	60	7.5	19
P0260.120-065-A4	M12	65	7.5	19
P0260.120-070-A4	M12	70	7.5	19
P0260.120-075-A4	M12	75	7.5	19
P0260.120-080-A4	M12	80	7.5	19
P0260.120-085-A4	M12	85	7.5	19
P0260.120-090-A4	M12	90	7.5	19
P0260.120-095-A4	M12	95	7.5	19
P0260.120-100-A4	M12	100	7.5	19
P0260.120-110-A4	M12	110	7.5	19
P0260.120-120-A4	M12	120	7.5	19
P0260.120-130-A4	M12	130	7.5	19
P0260.120-140-A4	M12	140	7.5	19
P0260.120-150-A4	M12	150	7.5	19
P0260.120-160-A4	M12	160	7.5	19
P0260.120-170-A4	M12	170	7.5	19
P0260.120-180-A4	M12	180	7.5	19
P0260.120-190-A4	M12	190	7.5	19
P0260.120-200-A4	M12	200	7.5	19
P0260.120-250-A4	M12	250	7.5	19
P0260.140-020-A4	M14	20	8.8	22
P0260.140-022-A4	M14	22	8.8	22
P0260.140-025-A4	M14	25	8.8	22
P0260.140-030-A4	M14	30	8.8	22
P0260.140-035-A4	M14	35	8.8	22
P0260.140-040-A4	M14	40	8.8	22
P0260.140-045-A4	M14	45	8.8	22
P0260.140-050-A4	M14	50	8.8	22
P0260.140-055-A4	M14	55	8.8	22
P0260.140-060-A4	M14	60	8.8	22
P0260.140-065-A4	M14	65	8.8	22
P0260.140-070-A4	M14	70	8.8	22
P0260.140-075-A4	M14	75	8.8	22
P0260.140-080-A4	M14	80	8.8	22
P0260.140-085-A4	M14	85	8.8	22
P0260.140-090-A4	M14	90	8.8	22
P0260.140-095-A4	M14	95	8.8	22
P0260.140-100-A4	M14	100	8.8	22
P0260.140-110-A4	M14	110	8.8	22
P0260.140-120-A4	M14	120	8.8	22
P0260.140-130-A4	M14	130	8.8	22
P0260.140-140-A4	M14	140	8.8	22
P0260.140-150-A4	M14	150	8.8	22
P0260.160-020-A4	M16	20	10	24
P0260.160-022-A4	M16	22	10	24
P0260.160-025-A4	M16	25	10	24
P0260.160-030-A4	M16	30	10	24
P0260.160-035-A4	M16	35	10	24
P0260.160-040-A4	M16	40	10	24
P0260.160-045-A4	M16	45	10	24
P0260.160-050-A4	M16	50	10	24
P0260.160-055-A4	M16	55	10	24
P0260.160-060-A4	M16	60	10	24
P0260.160-065-A4	M16	65	10	24
P0260.160-070-A4	M16	70	10	24
P0260.160-075-A4	M16	75	10	24
P0260.160-080-A4	M16	80	10	24
P0260.160-085-A4	M16	85	10	24
P0260.160-090-A4	M16	90	10	24

STANDARD SCREWS



STANDARD SCREWS

Order No.	d ₁	l ₁	h ₁	A/F
P0260.160-095-A4	M16	95	10	24
P0260.160-100-A4	M16	100	10	24
P0260.160-110-A4	M16	110	10	24
P0260.160-120-A4	M16	120	10	24
P0260.160-130-A4	M16	130	10	24
P0260.160-140-A4	M16	140	10	24
P0260.160-150-A4	M16	150	10	24
P0260.160-160-A4	M16	160	10	24
P0260.160-170-A4	M16	170	10	24
P0260.160-180-A4	M16	180	10	24
P0260.160-190-A4	M16	190	10	24
P0260.160-200-A4	M16	200	10	24
P0260.160-250-A4	M16	250	10	24
P0260.180-025-A4	M18	25	11.5	27
P0260.180-030-A4	M18	30	11.5	27
P0260.180-035-A4	M18	35	11.5	27
P0260.180-040-A4	M18	40	11.5	27
P0260.180-045-A4	M18	45	11.5	27
P0260.180-050-A4	M18	50	11.5	27
P0260.180-055-A4	M18	55	11.5	27
P0260.180-060-A4	M18	60	11.5	27
P0260.180-065-A4	M18	65	11.5	27
P0260.180-070-A4	M18	70	11.5	27
P0260.180-075-A4	M18	75	11.5	27
P0260.180-080-A4	M18	80	11.5	27
P0260.180-085-A4	M18	85	11.5	27
P0260.180-090-A4	M18	90	11.5	27
P0260.180-095-A4	M18	95	11.5	27
P0260.180-100-A4	M18	100	11.5	27
P0260.180-110-A4	M18	110	11.5	27
P0260.180-120-A4	M18	120	11.5	27
P0260.180-130-A4	M18	130	11.5	27
P0260.180-140-A4	M18	120	11.5	27
P0260.180-150-A4	M18	150	11.5	27
P0260.200-030-A4	M20	30	12.5	30
P0260.200-035-A4	M20	35	12.5	30
P0260.200-040-A4	M20	40	12.5	30
P0260.200-045-A4	M20	45	12.5	30
P0260.200-050-A4	M20	50	12.5	30
P0260.200-055-A4	M20	55	12.5	30
P0260.200-060-A4	M20	60	12.5	30
P0260.200-065-A4	M20	65	12.5	30
P0260.200-070-A4	M20	70	12.5	30
P0260.200-075-A4	M20	75	12.5	30
P0260.200-080-A4	M20	80	12.5	30
P0260.200-085-A4	M20	85	12.5	30
P0260.200-090-A4	M20	90	12.5	30
P0260.200-095-A4	M20	95	12.5	30
P0260.200-100-A4	M20	100	12.5	30
P0260.200-110-A4	M20	110	12.5	30
P0260.200-120-A4	M20	120	12.5	30
P0260.200-130-A4	M20	130	12.5	30
P0260.200-140-A4	M20	140	12.5	30
P0260.200-150-A4	M20	150	12.5	30
P0260.200-160-A4	M20	160	12.5	30
P0260.200-170-A4	M20	170	12.5	30
P0260.200-180-A4	M20	180	12.5	30
P0260.200-190-A4	M20	190	12.5	30
P0260.200-200-A4	M20	200	12.5	30
P0260.200-250-A4	M20	250	12.5	30
P0260.220-030-A4	M22	30	14.0	32
P0260.220-035-A4	M22	35	14.0	32
P0260.220-040-A4	M22	40	14.0	32
P0260.220-045-A4	M22	45	14.0	32
P0260.220-050-A4	M22	50	14.0	32
P0260.220-055-A4	M22	55	14.0	32
P0260.220-060-A4	M22	60	14.0	32
P0260.220-065-A4	M22	65	14.0	32
P0260.220-070-A4	M22	70	14.0	32



Hexagon Head Set Screws

A4 stainless

Standard Screws



Order No.	d ₁	l ₁	h ₁	A/F
P0260.220-075-A4	M22	75	14.0	32
P0260.220-080-A4	M22	80	14.0	32
P0260.220-085-A4	M22	85	14.0	32
P0260.220-090-A4	M22	90	14.0	32
P0260.220-095-A4	M22	95	14.0	32
P0260.220-100-A4	M22	100	14.0	32
P0260.220-110-A4	M22	110	14.0	32
P0260.220-120-A4	M22	120	14.0	32
P0260.220-130-A4	M22	130	14.0	32
P0260.220-140-A4	M22	140	14.0	32
P0260.220-150-A4	M22	150	14.0	32
P0260.240-030-A4	M24	30	15.0	36
P0260.240-035-A4	M24	35	15.0	36
P0260.240-040-A4	M24	40	15.0	36
P0260.240-045-A4	M24	45	15.0	36
P0260.240-050-A4	M24	50	15.0	36
P0260.240-055-A4	M24	55	15.0	36
P0260.240-060-A4	M24	60	15.0	36
P0260.240-065-A4	M24	65	15.0	36
P0260.240-070-A4	M24	70	15.0	36
P0260.240-075-A4	M24	75	15.0	36
P0260.240-080-A4	M24	80	15.0	36
P0260.240-085-A4	M24	85	15.0	36
P0260.240-090-A4	M24	90	15.0	36
P0260.240-095-A4	M24	95	15.0	36
P0260.240-100-A4	M24	100	15.0	36
P0260.240-110-A4	M24	110	15.0	36
P0260.240-120-A4	M24	120	15.0	36
P0260.240-130-A4	M24	130	15.0	36
P0260.240-140-A4	M24	140	15.0	36
P0260.240-150-A4	M24	150	15.0	36
P0260.240-160-A4	M24	160	15.0	36
P0260.240-170-A4	M24	170	15.0	36
P0260.240-180-A4	M24	180	15.0	36
P0260.240-190-A4	M24	190	15.0	36
P0260.240-200-A4	M24	200	15.0	36
P0260.240-250-A4	M24	250	15.0	36
P0260.270-050-A4	M27	50	17.0	41
P0260.270-055-A4	M27	55	17.0	41
P0260.270-060-A4	M27	60	17.0	41
P0260.270-065-A4	M27	65	17.0	41
P0260.270-070-A4	M27	70	17.0	41
P0260.270-075-A4	M27	75	17.0	41
P0260.270-080-A4	M27	80	17.0	41
P0260.270-085-A4	M27	85	17.0	41
P0260.270-090-A4	M27	90	17.0	41
P0260.270-095-A4	M27	95	17.0	41
P0260.270-100-A4	M27	100	17.0	41
P0260.270-110-A4	M27	110	17.0	41
P0260.270-120-A4	M27	120	17.0	41
P0260.270-130-A4	M27	130	17.0	41
P0260.270-140-A4	M27	140	17.0	41
P0260.270-150-A4	M27	150	17.0	41
P0260.300-050-A4	M30	50	18.7	46
P0260.300-055-A4	M30	55	18.7	46
P0260.300-060-A4	M30	60	18.7	46
P0260.300-065-A4	M30	65	18.7	46
P0260.300-070-A4	M30	70	18.7	46
P0260.300-075-A4	M30	75	18.7	46
P0260.300-080-A4	M30	80	18.7	46
P0260.300-085-A4	M30	85	18.7	46
P0260.300-090-A4	M30	90	18.7	46
P0260.300-095-A4	M30	95	18.7	46
P0260.300-100-A4	M30	100	18.7	46
P0260.300-110-A4	M30	110	18.7	46
P0260.300-120-A4	M30	120	18.7	46
P0260.300-130-A4	M30	130	18.7	46
P0260.300-140-A4	M30	140	18.7	46
P0260.300-150-A4	M20	150	18.7	46

STANDARD SCREWS



STANDARD SCREWS

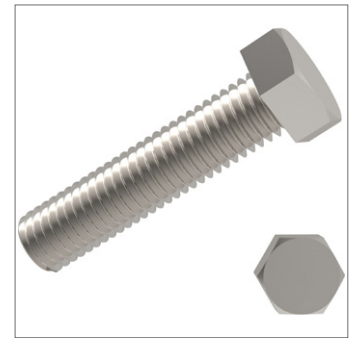
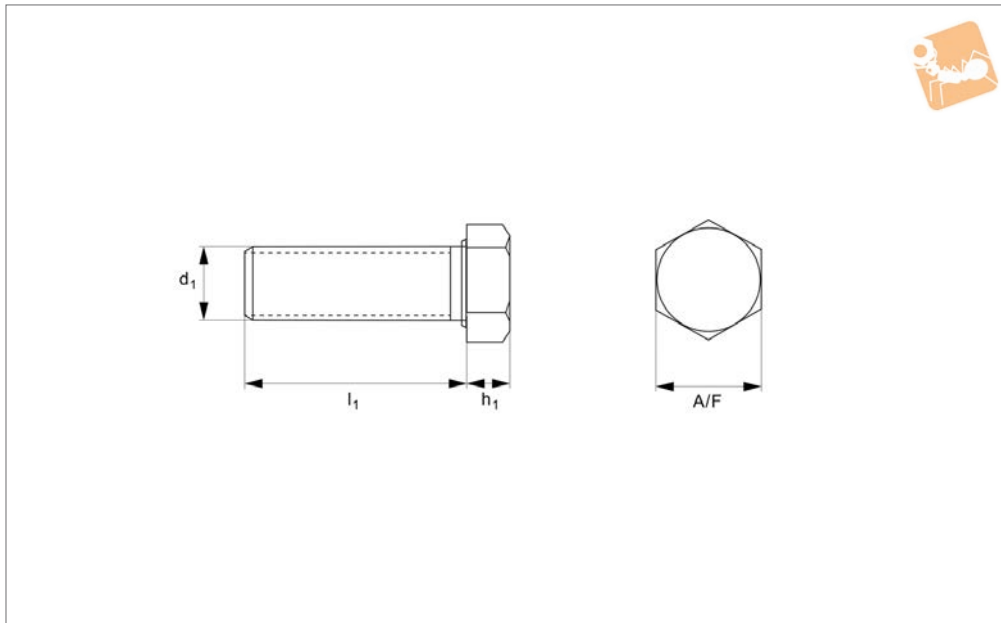
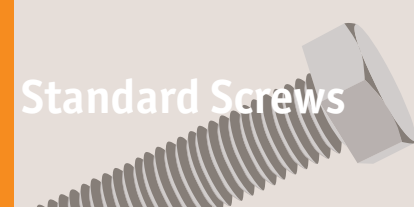
Order No.	d ₁	l ₁	h ₁	A/F
P0260.330-050-A4	M33	50	21.0	50
P0260.330-055-A4	M33	55	21.0	50
P0260.330-060-A4	M33	60	21.0	50
P0260.330-065-A4	M33	65	21.0	50
P0260.330-070-A4	M33	70	21.0	50
P0260.330-075-A4	M33	75	21.0	50
P0260.330-080-A4	M33	80	21.0	50
P0260.330-085-A4	M33	85	21.0	50
P0260.330-090-A4	M33	90	21.0	50
P0260.330-095-A4	M33	95	21.0	50
P0260.330-100-A4	M33	100	21.0	50
P0260.330-110-A4	M33	110	21.0	50
P0260.330-120-A4	M33	120	21.0	50
P0260.330-130-A4	M33	130	21.0	50
P0260.330-140-A4	M33	140	21.0	50
P0260.330-150-A4	M33	150	22.5	50
P0260.360-050-A4	M36	50	22.5	55
P0260.360-055-A4	M36	55	22.5	55
P0260.360-060-A4	M36	60	22.5	55
P0260.360-065-A4	M36	65	22.5	55
P0260.360-070-A4	M36	70	22.5	55
P0260.360-075-A4	M36	75	22.5	55
P0260.360-080-A4	M36	80	22.5	55
P0260.360-085-A4	M36	85	22.5	55
P0260.360-090-A4	M36	90	22.5	55
P0260.360-095-A4	M36	95	22.5	55
P0260.360-100-A4	M36	100	22.5	55
P0260.360-110-A4	M36	110	22.5	55
P0260.360-120-A4	M36	120	22.5	55
P0260.360-130-A4	M36	130	22.5	55
P0260.360-140-A4	M36	140	22.5	55
P0260.360-150-A4	M36	150	22.5	55
P0260.360-160-A4	M36	160	22.5	55
P0260.360-170-A4	M36	170	22.5	55
P0260.360-180-A4	M36	180	22.5	55



Hexagon Head Set Screws

Steel, zinc-plated

Standard Screws



P0260.ZP

STANDARD SCREWS

Material

Steel, zinc-plated (grade 8.8).

Technical Notes

To DIN 933, ISO 4017.

Order No.	d ₁	l ₁	h ₁	A/F	Material
P0260.020-003-ZP	M 2	3	1.4	4	Steel ZP
P0260.020-004-ZP	M 2	4	1.4	4	Steel ZP
P0260.020-005-ZP	M 2	5	1.4	4	Steel ZP
P0260.020-006-ZP	M 2	6	1.4	4	Steel ZP
P0260.020-008-ZP	M 2	8	1.4	4	Steel ZP
P0260.020-010-ZP	M 2	10	1.4	4	Steel ZP
P0260.020-012-ZP	M 2	12	1.4	4	Steel ZP
P0260.020-014-ZP	M 2	14	1.4	4	Steel ZP
P0260.020-016-ZP	M 2	16	1.4	4	Steel ZP
P0260.020-018-ZP	M 2	18	1.4	4	Steel ZP
P0260.020-020-ZP	M 2	20	1.4	4	Steel ZP
P0260.025-003-ZP	M2,5	3	1.7	5	Steel ZP
P0260.025-004-ZP	M2,5	4	1.7	5	Steel ZP
P0260.025-005-ZP	M2,5	5	1.7	5	Steel ZP
P0260.025-006-ZP	M2,5	6	1.7	5	Steel ZP
P0260.025-008-ZP	M2,5	8	1.7	5	Steel ZP
P0260.025-010-ZP	M2,5	10	1.7	5	Steel ZP
P0260.025-012-ZP	M2,5	12	1.7	5	Steel ZP
P0260.025-014-ZP	M2,5	14	1.7	5	Steel ZP
P0260.025-016-ZP	M2,5	16	1.7	5	Steel ZP
P0260.025-018-ZP	M2,5	18	1.7	5	Steel ZP
P0260.025-020-ZP	M2,5	20	1.7	5	Steel ZP
P0260.030-005-ZP	M 3	5	2.0	5.5	Steel ZP
P0260.030-006-ZP	M 3	6	2.0	5.5	Steel ZP
P0260.030-008-ZP	M 3	8	2.0	5.5	Steel ZP
P0260.030-010-ZP	M 3	10	2.0	5.5	Steel ZP
P0260.030-012-ZP	M 3	12	2.0	5.5	Steel ZP
P0260.030-014-ZP	M 3	14	2.0	5.5	Steel ZP
P0260.030-016-ZP	M 3	16	2.0	5.5	Steel ZP
P0260.030-018-ZP	M 3	18	2.0	5.5	Steel ZP
P0260.030-020-ZP	M 3	20	2.0	5.5	Steel ZP
P0260.030-022-ZP	M 3	22	2.0	5.5	Steel ZP
P0260.030-025-ZP	M 3	25	2.0	5.5	Steel ZP
P0260.030-030-ZP	M 3	30	2.0	5.5	Steel ZP
P0260.030-035-ZP	M 3	35	2.0	5.5	Steel ZP



STANDARD SCREWS

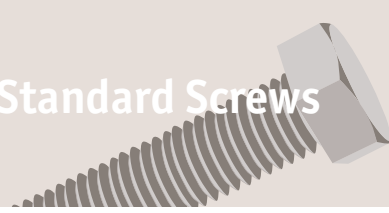
Order No.	d ₁	l ₁	h ₁	A/F	Material
P0260.030-040-ZP	M 3	40	2.0	5.5	Steel ZP
P0260.030-045-ZP	M 3	45	2.0	5.5	Steel ZP
P0260.030-050-ZP	M 3	50	2.0	5.5	Steel ZP
P0260.040-005-ZP	M 4	5	2.8	7	Steel ZP
P0260.040-006-ZP	M 4	6	2.8	7	Steel ZP
P0260.040-008-ZP	M 4	8	2.8	7	Steel ZP
P0260.040-010-ZP	M 4	10	2.8	7	Steel ZP
P0260.040-012-ZP	M 4	12	2.8	7	Steel ZP
P0260.040-014-ZP	M 4	14	2.8	7	Steel ZP
P0260.040-016-ZP	M 4	16	2.8	7	Steel ZP
P0260.040-018-ZP	M 4	18	2.8	7	Steel ZP
P0260.040-020-ZP	M 4	20	2.8	7	Steel ZP
P0260.040-022-ZP	M 4	22	2.8	7	Steel ZP
P0260.040-025-ZP	M 4	25	2.8	7	Steel ZP
P0260.040-030-ZP	M 4	30	2.8	7	Steel ZP
P0260.040-035-ZP	M 4	35	2.8	7	Steel ZP
P0260.040-040-ZP	M 4	40	2.8	7	Steel ZP
P0260.040-045-ZP	M 4	45	2.8	7	Steel ZP
P0260.040-050-ZP	M 4	50	2.8	7	Steel ZP
P0260.040-055-ZP	M 4	55	2.8	7	Steel ZP
P0260.040-060-ZP	M 4	60	2.8	7	Steel ZP
P0260.040-065-ZP	M 4	65	2.8	7	Steel ZP
P0260.040-070-ZP	M 4	70	2.8	7	Steel ZP
P0260.050-006-ZP	M 5	6	3.5	8	Steel ZP
P0260.050-008-ZP	M 5	8	3.5	8	Steel ZP
P0260.050-010-ZP	M 5	10	3.5	8	Steel ZP
P0260.050-012-ZP	M 5	12	3.5	8	Steel ZP
P0260.050-014-ZP	M 5	14	3.5	8	Steel ZP
P0260.050-016-ZP	M 5	16	3.5	8	Steel ZP
P0260.050-018-ZP	M 5	18	3.5	8	Steel ZP
P0260.050-020-ZP	M 5	20	3.5	8	Steel ZP
P0260.050-022-ZP	M 5	22	3.5	8	Steel ZP
P0260.050-025-ZP	M 5	25	3.5	8	Steel ZP
P0260.050-030-ZP	M 5	30	3.5	8	Steel ZP
P0260.050-035-ZP	M 5	35	3.5	8	Steel ZP
P0260.050-040-ZP	M 5	40	3.5	8	Steel ZP
P0260.050-045-ZP	M 5	45	3.5	8	Steel ZP
P0260.050-050-ZP	M 5	50	3.5	8	Steel ZP
P0260.050-055-ZP	M 5	55	3.5	8	Steel ZP
P0260.050-060-ZP	M 5	60	3.5	8	Steel ZP
P0260.050-065-ZP	M 5	65	3.5	8	Steel ZP
P0260.050-070-ZP	M 5	70	3.5	8	Steel ZP
P0260.050-075-ZP	M 5	75	3.5	8	Steel ZP
P0260.050-080-ZP	M 5	80	3.5	8	Steel ZP
P0260.060-006-ZP	M 6	6	4.0	10	Steel ZP
P0260.060-008-ZP	M 6	8	4.0	10	Steel ZP
P0260.060-010-ZP	M 6	10	4.0	10	Steel ZP
P0260.060-012-ZP	M 6	12	4.0	10	Steel ZP
P0260.060-014-ZP	M 6	14	4.0	10	Steel ZP
P0260.060-016-ZP	M 6	16	4.0	10	Steel ZP
P0260.060-018-ZP	M 6	18	4.0	10	Steel ZP
P0260.060-020-ZP	M 6	20	4.0	10	Steel ZP
P0260.060-022-ZP	M 6	22	4.0	10	Steel ZP
P0260.060-025-ZP	M 6	25	4.0	10	Steel ZP
P0260.060-030-ZP	M 6	30	4.0	10	Steel ZP
P0260.060-035-ZP	M 6	35	4.0	10	Steel ZP
P0260.060-040-ZP	M 6	40	4.0	10	Steel ZP
P0260.060-045-ZP	M 6	45	4.0	10	Steel ZP
P0260.060-050-ZP	M 6	50	4.0	10	Steel ZP
P0260.060-055-ZP	M 6	55	4.0	10	Steel ZP
P0260.060-060-ZP	M 6	60	4.0	10	Steel ZP
P0260.060-065-ZP	M 6	65	4.0	10	Steel ZP
P0260.060-070-ZP	M 6	70	4.0	10	Steel ZP
P0260.060-075-ZP	M 6	75	4.0	10	Steel ZP
P0260.060-080-ZP	M 6	80	4.0	10	Steel ZP
P0260.060-085-ZP	M 6	85	4.0	10	Steel ZP
P0260.060-090-ZP	M 6	90	4.0	10	Steel ZP
P0260.060-095-ZP	M 6	95	4.0	10	Steel ZP
P0260.060-100-ZP	M 6	100	4.0	10	Steel ZP



Hexagon Head Set Screws

Steel, zinc-plated

Standard Screws



Order No.	d ₁	l ₁	h ₁	A/F	Material
P0260.060-110-ZP	M 6	110	4.0	10	Steel ZP
P0260.060-120-ZP	M 6	120	4.0	10	Steel ZP
P0260.080-008-ZP	M 8	8	5.3	13	Steel ZP
P0260.080-010-ZP	M 8	10	5.3	13	Steel ZP
P0260.080-012-ZP	M 8	12	5.3	13	Steel ZP
P0260.080-014-ZP	M 8	14	5.3	13	Steel ZP
P0260.080-016-ZP	M 8	16	5.3	13	Steel ZP
P0260.080-018-ZP	M 8	18	5.3	13	Steel ZP
P0260.080-020-ZP	M 8	20	5.3	13	Steel ZP
P0260.080-022-ZP	M 8	22	5.3	13	Steel ZP
P0260.080-025-ZP	M 8	25	5.3	13	Steel ZP
P0260.080-030-ZP	M 8	30	5.3	13	Steel ZP
P0260.080-035-ZP	M 8	35	5.3	13	Steel ZP
P0260.080-040-ZP	M 8	40	5.3	13	Steel ZP
P0260.080-045-ZP	M 8	45	5.3	13	Steel ZP
P0260.080-050-ZP	M 8	50	5.3	13	Steel ZP
P0260.080-055-ZP	M 8	55	5.3	13	Steel ZP
P0260.080-060-ZP	M 8	60	5.3	13	Steel ZP
P0260.080-065-ZP	M 8	65	5.3	13	Steel ZP
P0260.080-070-ZP	M 8	70	5.3	13	Steel ZP
P0260.080-075-ZP	M 8	75	5.3	13	Steel ZP
P0260.080-080-ZP	M 8	80	5.3	13	Steel ZP
P0260.080-085-ZP	M 8	85	5.3	13	Steel ZP
P0260.080-090-ZP	M 8	90	5.3	13	Steel ZP
P0260.080-095-ZP	M 8	95	5.3	13	Steel ZP
P0260.080-100-ZP	M 8	100	5.3	13	Steel ZP
P0260.080-110-ZP	M 8	110	5.3	13	Steel ZP
P0260.080-120-ZP	M 8	120	5.3	13	Steel ZP
P0260.080-130-ZP	M 8	130	5.3	13	Steel ZP
P0260.080-140-ZP	M 8	140	5.3	13	Steel ZP
P0260.100-010-ZP	M10	10	6.4	17	Steel ZP
P0260.100-012-ZP	M10	12	6.4	17	Steel ZP
P0260.100-014-ZP	M10	14	6.4	17	Steel ZP
P0260.100-016-ZP	M10	16	6.4	17	Steel ZP
P0260.100-018-ZP	M10	18	6.4	17	Steel ZP
P0260.100-020-ZP	M10	20	6.4	17	Steel ZP
P0260.100-025-ZP	M10	25	6.4	17	Steel ZP
P0260.100-030-ZP	M10	30	6.4	17	Steel ZP
P0260.100-035-ZP	M10	35	6.4	17	Steel ZP
P0260.100-040-ZP	M10	40	6.4	17	Steel ZP
P0260.100-045-ZP	M10	45	6.4	17	Steel ZP
P0260.100-050-ZP	M10	50	6.4	17	Steel ZP
P0260.100-055-ZP	M10	55	6.4	17	Steel ZP
P0260.100-060-ZP	M10	60	6.4	17	Steel ZP
P0260.100-065-ZP	M10	65	6.4	17	Steel ZP
P0260.100-070-ZP	M10	70	6.4	17	Steel ZP
P0260.100-075-ZP	M10	75	6.4	17	Steel ZP
P0260.100-080-ZP	M10	80	6.4	17	Steel ZP
P0260.100-085-ZP	M10	85	6.4	17	Steel ZP
P0260.100-090-ZP	M10	90	6.4	17	Steel ZP
P0260.100-095-ZP	M10	95	6.4	17	Steel ZP
P0260.100-100-ZP	M10	100	6.4	17	Steel ZP
P0260.100-110-ZP	M10	110	6.4	17	Steel ZP
P0260.100-120-ZP	M10	120	6.4	17	Steel ZP
P0260.100-130-ZP	M10	130	6.4	17	Steel ZP
P0260.100-140-ZP	M10	140	6.4	17	Steel ZP
P0260.100-150-ZP	M10	150	6.4	17	Steel ZP
P0260.100-160-ZP	M10	160	6.4	17	Steel ZP
P0260.100-170-ZP	M10	170	6.4	17	Steel ZP
P0260.100-180-ZP	M10	180	6.4	17	Steel ZP
P0260.100-190-ZP	M10	190	6.4	17	Steel ZP
P0260.100-200-ZP	M10	200	6.4	17	Steel ZP
P0260.120-016-ZP	M12	16	7.5	19	Steel ZP
P0260.120-018-ZP	M12	18	7.5	19	Steel ZP
P0260.120-020-ZP	M12	20	7.5	19	Steel ZP
P0260.120-022-ZP	M12	22	7.5	19	Steel ZP
P0260.120-025-ZP	M12	25	7.5	19	Steel ZP
P0260.120-030-ZP	M12	30	7.5	19	Steel ZP
P0260.120-035-ZP	M12	35	7.5	19	Steel ZP

STANDARD SCREWS



Order No.	d ₁	l ₁	h ₁	A/F	Material
P0260.120-040-ZP	M12	40	7.5	19	Steel ZP
P0260.120-045-ZP	M12	45	7.5	19	Steel ZP
P0260.120-050-ZP	M12	50	7.5	19	Steel ZP
P0260.120-055-ZP	M12	55	7.5	19	Steel ZP
P0260.120-060-ZP	M12	60	7.5	19	Steel ZP
P0260.120-065-ZP	M12	65	7.5	19	Steel ZP
P0260.120-070-ZP	M12	70	7.5	19	Steel ZP
P0260.120-075-ZP	M12	75	7.5	19	Steel ZP
P0260.120-080-ZP	M12	80	7.5	19	Steel ZP
P0260.120-085-ZP	M12	85	7.5	19	Steel ZP
P0260.120-090-ZP	M12	90	7.5	19	Steel ZP
P0260.120-095-ZP	M12	95	7.5	19	Steel ZP
P0260.120-100-ZP	M12	100	7.5	19	Steel ZP
P0260.120-110-ZP	M12	110	7.5	19	Steel ZP
P0260.120-120-ZP	M12	120	7.5	19	Steel ZP
P0260.120-130-ZP	M12	130	7.5	19	Steel ZP
P0260.120-140-ZP	M12	140	7.5	19	Steel ZP
P0260.120-150-ZP	M12	150	7.5	19	Steel ZP
P0260.120-160-ZP	M12	160	7.5	19	Steel ZP
P0260.120-170-ZP	M12	170	7.5	19	Steel ZP
P0260.120-180-ZP	M12	180	7.5	19	Steel ZP
P0260.120-190-ZP	M12	190	7.5	19	Steel ZP
P0260.120-200-ZP	M12	200	7.5	19	Steel ZP
P0260.120-250-ZP	M12	250	7.5	19	Steel ZP
P0260.140-020-ZP	M14	20	8.8	22	Steel ZP
P0260.140-022-ZP	M14	22	8.8	22	Steel ZP
P0260.140-025-ZP	M14	25	8.8	22	Steel ZP
P0260.140-030-ZP	M14	30	8.8	22	Steel ZP
P0260.140-035-ZP	M14	35	8.8	22	Steel ZP
P0260.140-040-ZP	M14	40	8.8	22	Steel ZP
P0260.140-045-ZP	M14	45	8.8	22	Steel ZP
P0260.140-050-ZP	M14	50	8.8	22	Steel ZP
P0260.140-055-ZP	M14	55	8.8	22	Steel ZP
P0260.140-060-ZP	M14	60	8.8	22	Steel ZP
P0260.140-065-ZP	M14	65	8.8	22	Steel ZP
P0260.140-070-ZP	M14	70	8.8	22	Steel ZP
P0260.140-075-ZP	M14	75	8.8	22	Steel ZP
P0260.140-080-ZP	M14	80	8.8	22	Steel ZP
P0260.140-085-ZP	M14	85	8.8	22	Steel ZP
P0260.140-090-ZP	M14	90	8.8	22	Steel ZP
P0260.140-095-ZP	M14	95	8.8	22	Steel ZP
P0260.140-100-ZP	M14	100	8.8	22	Steel ZP
P0260.140-110-ZP	M14	110	8.8	22	Steel ZP
P0260.140-120-ZP	M14	120	8.8	22	Steel ZP
P0260.140-130-ZP	M14	130	8.8	22	Steel ZP
P0260.140-140-ZP	M14	140	8.8	22	Steel ZP
P0260.140-150-ZP	M14	150	8.8	22	Steel ZP
P0260.160-020-ZP	M16	20	10	24	Steel ZP
P0260.160-022-ZP	M16	22	10	24	Steel ZP
P0260.160-025-ZP	M16	25	10	24	Steel ZP
P0260.160-030-ZP	M16	30	10	24	Steel ZP
P0260.160-035-ZP	M16	35	10	24	Steel ZP
P0260.160-040-ZP	M16	40	10	24	Steel ZP
P0260.160-045-ZP	M16	45	10	24	Steel ZP
P0260.160-050-ZP	M16	50	10	24	Steel ZP
P0260.160-055-ZP	M16	55	10	24	Steel ZP
P0260.160-060-ZP	M16	60	10	24	Steel ZP
P0260.160-065-ZP	M16	65	10	24	Steel ZP
P0260.160-070-ZP	M16	70	10	24	Steel ZP
P0260.160-075-ZP	M16	75	10	24	Steel ZP
P0260.160-080-ZP	M16	80	10	24	Steel ZP
P0260.160-085-ZP	M16	85	10	24	Steel ZP
P0260.160-090-ZP	M16	90	10	24	Steel ZP
P0260.160-095-ZP	M16	95	10	24	Steel ZP
P0260.160-100-ZP	M16	100	10	24	Steel ZP
P0260.160-110-ZP	M16	110	10	24	Steel ZP
P0260.160-120-ZP	M16	120	10	24	Steel ZP
P0260.160-130-ZP	M16	130	10	24	Steel ZP
P0260.160-140-ZP	M16	140	10	24	Steel ZP



Hexagon Head Set Screws

Steel, zinc-plated

Standard Screws



Order No.	d ₁	l ₁	h ₁	A/F	Material
P0260.160-150-ZP	M16	150	10	24	Steel ZP
P0260.160-160-ZP	M16	160	10	24	Steel ZP
P0260.160-170-ZP	M16	170	10	24	Steel ZP
P0260.160-180-ZP	M16	180	10	24	Steel ZP
P0260.160-190-ZP	M16	190	10	24	Steel ZP
P0260.160-200-ZP	M16	200	10	24	Steel ZP
P0260.160-250-ZP	M16	250	10	24	Steel ZP
P0260.180-025-ZP	M18	25	11.5	27	Steel ZP
P0260.180-030-ZP	M18	30	11.5	27	Steel ZP
P0260.180-035-ZP	M18	35	11.5	27	Steel ZP
P0260.180-040-ZP	M18	40	11.5	27	Steel ZP
P0260.180-045-ZP	M18	45	11.5	27	Steel ZP
P0260.180-050-ZP	M18	50	11.5	27	Steel ZP
P0260.180-055-ZP	M18	55	11.5	27	Steel ZP
P0260.180-060-ZP	M18	60	11.5	27	Steel ZP
P0260.180-065-ZP	M18	65	11.5	27	Steel ZP
P0260.180-070-ZP	M18	70	11.5	27	Steel ZP
P0260.180-075-ZP	M18	75	11.5	27	Steel ZP
P0260.180-080-ZP	M18	80	11.5	27	Steel ZP
P0260.180-085-ZP	M18	85	11.5	27	Steel ZP
P0260.180-090-ZP	M18	90	11.5	27	Steel ZP
P0260.180-095-ZP	M18	95	11.5	27	Steel ZP
P0260.180-100-ZP	M18	100	11.5	27	Steel ZP
P0260.180-110-ZP	M18	110	11.5	27	Steel ZP
P0260.180-120-ZP	M18	120	11.5	27	Steel ZP
P0260.180-130-ZP	M18	130	11.5	27	Steel ZP
P0260.180-140-ZP	M18	120	11.5	27	Steel ZP
P0260.180-150-ZP	M18	150	11.5	27	Steel ZP
P0260.200-030-ZP	M20	30	12.5	30	Steel ZP
P0260.200-035-ZP	M20	35	12.5	30	Steel ZP
P0260.200-040-ZP	M20	40	12.5	30	Steel ZP
P0260.200-045-ZP	M20	45	12.5	30	Steel ZP
P0260.200-050-ZP	M20	50	12.5	30	Steel ZP
P0260.200-055-ZP	M20	55	12.5	30	Steel ZP
P0260.200-060-ZP	M20	60	12.5	30	Steel ZP
P0260.200-065-ZP	M20	65	12.5	30	Steel ZP
P0260.200-070-ZP	M20	70	12.5	30	Steel ZP
P0260.200-075-ZP	M20	75	12.5	30	Steel ZP
P0260.200-080-ZP	M20	80	12.5	30	Steel ZP
P0260.200-085-ZP	M20	85	12.5	30	Steel ZP
P0260.200-090-ZP	M20	90	12.5	30	Steel ZP
P0260.200-095-ZP	M20	95	12.5	30	Steel ZP
P0260.200-100-ZP	M20	100	12.5	30	Steel ZP
P0260.200-110-ZP	M20	110	12.5	30	Steel ZP
P0260.200-120-ZP	M20	120	12.5	30	Steel ZP
P0260.200-130-ZP	M20	130	12.5	30	Steel ZP
P0260.200-140-ZP	M20	140	12.5	30	Steel ZP
P0260.200-150-ZP	M20	150	12.5	30	Steel ZP
P0260.200-160-ZP	M20	160	12.5	30	Steel ZP
P0260.200-170-ZP	M20	170	12.5	30	Steel ZP
P0260.200-180-ZP	M20	180	12.5	30	Steel ZP
P0260.200-190-ZP	M20	190	12.5	30	Steel ZP
P0260.200-200-ZP	M20	200	12.5	30	Steel ZP
P0260.200-250-ZP	M20	250	12.5	30	Steel ZP
P0260.220-030-ZP	M22	30	14.0	32	Steel ZP
P0260.220-035-ZP	M22	35	14.0	32	Steel ZP
P0260.220-040-ZP	M22	40	14.0	32	Steel ZP
P0260.220-045-ZP	M22	45	14.0	32	Steel ZP
P0260.220-050-ZP	M22	50	14.0	32	Steel ZP
P0260.220-060-ZP	M22	60	14.0	32	Steel ZP
P0260.220-065-ZP	M22	65	14.0	32	Steel ZP
P0260.220-070-ZP	M22	70	14.0	32	Steel ZP
P0260.220-075-ZP	M22	75	14.0	32	Steel ZP
P0260.220-080-ZP	M22	80	14.0	32	Steel ZP
P0260.220-085-ZP	M22	85	14.0	32	Steel ZP
P0260.220-090-ZP	M22	90	14.0	32	Steel ZP
P0260.220-095-ZP	M22	95	14.0	32	Steel ZP
P0260.220-100-ZP	M22	100	14.0	32	Steel ZP
P0260.220-110-ZP	M22	110	14.0	32	Steel ZP

STANDARD SCREWS



STANDARD SCREWS

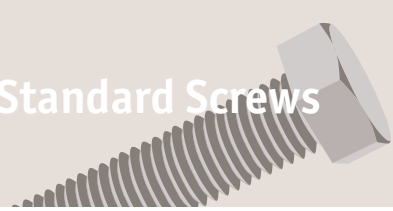
Order No.	d ₁	l ₁	h ₁	A/F	Material
P0260.220-120-ZP	M22	120	14.0	32	Steel ZP
P0260.220-130-ZP	M22	130	14.0	32	Steel ZP
P0260.220-140-ZP	M22	140	14.0	32	Steel ZP
P0260.220-150-ZP	M22	150	14.0	32	Steel ZP
P0260.240-030-ZP	M24	30	15.0	36	Steel ZP
P0260.240-035-ZP	M24	35	15.0	36	Steel ZP
P0260.240-040-ZP	M24	40	15.0	36	Steel ZP
P0260.240-045-ZP	M24	45	15.0	36	Steel ZP
P0260.240-050-ZP	M24	50	15.0	36	Steel ZP
P0260.240-055-ZP	M24	55	15.0	36	Steel ZP
P0260.240-060-ZP	M24	60	15.0	36	Steel ZP
P0260.240-065-ZP	M24	65	15.0	36	Steel ZP
P0260.240-070-ZP	M24	70	15.0	36	Steel ZP
P0260.240-075-ZP	M24	75	15.0	36	Steel ZP
P0260.240-080-ZP	M24	80	15.0	36	Steel ZP
P0260.240-085-ZP	M24	85	15.0	36	Steel ZP
P0260.240-090-ZP	M24	90	15.0	36	Steel ZP
P0260.240-095-ZP	M24	95	15.0	36	Steel ZP
P0260.240-100-ZP	M24	100	15.0	36	Steel ZP
P0260.240-110-ZP	M24	110	15.0	36	Steel ZP
P0260.240-120-ZP	M24	120	15.0	36	Steel ZP
P0260.240-130-ZP	M24	130	15.0	36	Steel ZP
P0260.240-140-ZP	M24	140	15.0	36	Steel ZP
P0260.240-150-ZP	M24	150	15.0	36	Steel ZP
P0260.240-160-ZP	M24	160	15.0	36	Steel ZP
P0260.240-170-ZP	M24	170	15.0	36	Steel ZP
P0260.240-190-ZP	M24	190	15.0	36	Steel ZP
P0260.240-200-ZP	M24	200	15.0	36	Steel ZP
P0260.240-250-ZP	M24	250	15.0	36	Steel ZP
P0260.270-050-ZP	M27	50	17.0	41	Steel ZP
P0260.270-055-ZP	M27	55	17.0	41	Steel ZP
P0260.270-060-ZP	M27	60	17.0	41	Steel ZP
P0260.270-065-ZP	M27	65	17.0	41	Steel ZP
P0260.270-070-ZP	M27	70	17.0	41	Steel ZP
P0260.270-075-ZP	M27	75	17.0	41	Steel ZP
P0260.270-080-ZP	M27	80	17.0	41	Steel ZP
P0260.270-085-ZP	M27	85	17.0	41	Steel ZP
P0260.270-090-ZP	M27	90	17.0	41	Steel ZP
P0260.270-095-ZP	M27	95	17.0	41	Steel ZP
P0260.270-100-ZP	M27	100	17.0	41	Steel ZP
P0260.270-110-ZP	M27	110	17.0	41	Steel ZP
P0260.270-120-ZP	M27	120	17.0	41	Steel ZP
P0260.270-130-ZP	M27	130	17.0	41	Steel ZP
P0260.270-140-ZP	M27	140	17.0	41	Steel ZP
P0260.300-050-ZP	M30	50	18.7	46	Steel ZP
P0260.300-055-ZP	M30	55	18.7	46	Steel ZP
P0260.300-060-ZP	M30	60	18.7	46	Steel ZP
P0260.300-065-ZP	M30	65	18.7	46	Steel ZP
P0260.300-070-ZP	M30	70	18.7	46	Steel ZP
P0260.300-075-ZP	M30	75	18.7	46	Steel ZP
P0260.300-080-ZP	M30	80	18.7	46	Steel ZP
P0260.300-085-ZP	M30	85	18.7	46	Steel ZP
P0260.300-090-ZP	M30	90	18.7	46	Steel ZP
P0260.300-095-ZP	M30	95	18.7	46	Steel ZP
P0260.300-100-ZP	M30	100	18.7	46	Steel ZP
P0260.300-110-ZP	M30	110	18.7	46	Steel ZP
P0260.300-120-ZP	M30	120	18.7	46	Steel ZP
P0260.300-130-ZP	M30	130	18.7	46	Steel ZP
P0260.300-140-ZP	M30	140	18.7	46	Steel ZP
P0260.300-150-ZP	M20	150	18.7	46	Steel ZP
P0260.330-050-ZP	M33	50	21.0	50	Steel ZP
P0260.330-055-ZP	M33	55	21.0	50	Steel ZP
P0260.330-060-ZP	M33	60	21.0	50	Steel ZP
P0260.330-065-ZP	M33	65	21.0	50	Steel ZP
P0260.330-070-ZP	M33	70	21.0	50	Steel ZP
P0260.330-075-ZP	M33	75	21.0	50	Steel ZP
P0260.330-080-ZP	M33	80	21.0	50	Steel ZP
P0260.330-085-ZP	M33	85	21.0	50	Steel ZP
P0260.330-090-ZP	M33	90	21.0	50	Steel ZP



Hexagon Head Set Screws

Steel, zinc-plated

Standard Screws

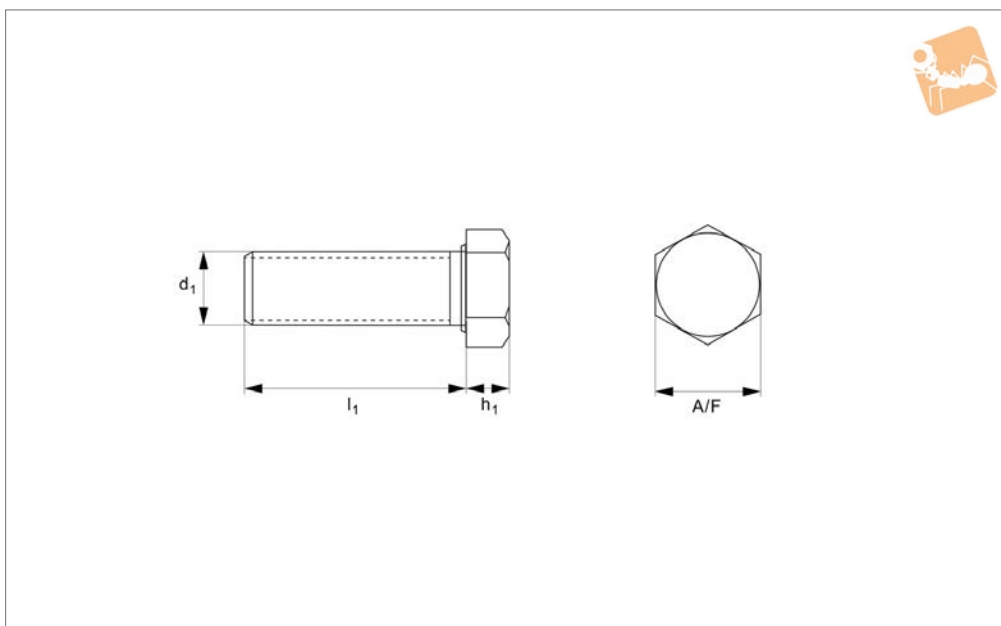


Order No.	d ₁	l ₁	h ₁	A/F	Material
P0260.330-095-ZP	M33	95	21.0	50	Steel ZP
P0260.330-100-ZP	M33	100	21.0	50	Steel ZP
P0260.330-110-ZP	M33	110	21.0	50	Steel ZP
P0260.330-120-ZP	M33	120	21.0	50	Steel ZP
P0260.330-130-ZP	M33	130	21.0	50	Steel ZP
P0260.330-140-ZP	M33	140	21.0	50	Steel ZP
P0260.330-150-ZP	M33	150	12.5	50	Steel ZP
P0260.360-050-ZP	M36	50	22.5	55	Steel ZP
P0260.360-055-ZP	M36	55	22.5	55	Steel ZP
P0260.360-060-ZP	M36	60	22.5	55	Steel ZP
P0260.360-065-ZP	M36	65	22.5	55	Steel ZP
P0260.360-070-ZP	M36	70	22.5	55	Steel ZP
P0260.360-075-ZP	M36	75	22.5	55	Steel ZP
P0260.360-080-ZP	M36	80	22.5	55	Steel ZP
P0260.360-090-ZP	M36	90	22.5	55	Steel ZP
P0260.360-095-ZP	M36	95	22.5	55	Steel ZP
P0260.360-100-ZP	M36	100	22.5	55	Steel ZP
P0260.360-110-ZP	M36	110	22.5	55	Steel ZP
P0260.360-120-ZP	M36	120	22.5	55	Steel ZP
P0260.360-130-ZP	M36	130	22.5	55	Steel ZP
P0260.360-140-ZP	M36	140	22.5	55	Steel ZP
P0260.360-150-ZP	M36	150	12.5	55	Steel ZP
P0260.360-160-ZP	M36	160	22.5	55	Steel ZP
P0260.360-170-ZP	M36	170	22.5	55	Steel ZP
P0260.360-180-ZP	M36	180	22.5	55	Steel ZP

STANDARD SCREWS



P0260.BR



Material

Brass.

Technical Notes

To DIN 933, ISO 4017.

Order No.	d ₁	l ₁	h ₁	A/F	Material
P0260.030-005-BR	M 3	5	2.0	5.5	Brass
P0260.030-006-BR	M 3	6	2.0	5.5	Brass
P0260.030-008-BR	M 3	8	2.0	5.5	Brass
P0260.030-010-BR	M 3	10	2.0	5.5	Brass
P0260.030-012-BR	M 3	12	2.0	5.5	Brass
P0260.030-014-BR	M 3	14	2.0	5.5	Brass
P0260.030-016-BR	M 3	16	2.0	5.5	Brass
P0260.030-018-BR	M 3	18	2.0	5.5	Brass
P0260.030-020-BR	M 3	20	2.0	5.5	Brass
P0260.030-022-BR	M 3	22	2.0	5.5	Brass
P0260.030-025-BR	M 3	25	2.0	5.5	Brass
P0260.030-030-BR	M 3	30	2.0	5.5	Brass
P0260.040-006-BR	M 4	6	2.8	7	Brass
P0260.040-008-BR	M 4	8	2.8	7	Brass
P0260.040-010-BR	M 4	10	2.8	7	Brass
P0260.040-012-BR	M 4	12	2.8	7	Brass
P0260.040-014-BR	M 4	14	2.8	7	Brass
P0260.040-016-BR	M 4	16	2.8	7	Brass
P0260.040-018-BR	M 4	18	2.8	7	Brass
P0260.040-020-BR	M 4	20	2.8	7	Brass
P0260.040-022-BR	M 4	22	2.8	7	Brass
P0260.040-025-BR	M 4	25	2.8	7	Brass
P0260.040-030-BR	M 4	30	2.8	7	Brass
P0260.040-035-BR	M 4	35	2.8	7	Brass
P0260.040-040-BR	M 4	40	2.8	7	Brass
P0260.040-045-BR	M 4	45	2.8	7	Brass
P0260.040-050-BR	M 4	50	2.8	7	Brass
P0260.040-060-BR	M 4	60	2.8	7	Brass
P0260.050-006-BR	M 5	6	3.5	8	Brass
P0260.050-008-BR	M 5	8	3.5	8	Brass
P0260.050-010-BR	M 5	10	3.5	8	Brass
P0260.050-012-BR	M 5	12	3.5	8	Brass
P0260.050-014-BR	M 5	14	3.5	8	Brass
P0260.050-016-BR	M 5	16	3.5	8	Brass
P0260.050-018-BR	M 5	18	3.5	8	Brass



Hexagon Head Set Screws

Brass

Standard Screws



Order No.	d ₁	l ₁	h ₁	A/F	Material
P0260.050-020-BR	M 5	20	3.5	8	Brass
P0260.050-022-BR	M 5	22	3.5	8	Brass
P0260.050-025-BR	M 5	25	3.5	8	Brass
P0260.050-030-BR	M 5	30	3.5	8	Brass
P0260.050-035-BR	M 5	35	3.5	8	Brass
P0260.050-040-BR	M 5	40	3.5	8	Brass
P0260.050-045-BR	M 5	45	3.5	8	Brass
P0260.050-050-BR	M 5	50	3.5	8	Brass
P0260.050-060-BR	M 5	60	3.5	8	Brass
P0260.060-008-BR	M 6	8	4.0	10	Brass
P0260.060-010-BR	M 6	10	4.0	10	Brass
P0260.060-012-BR	M 6	12	4.0	10	Brass
P0260.060-014-BR	M 6	14	4.0	10	Brass
P0260.060-016-BR	M 6	16	4.0	10	Brass
P0260.060-018-BR	M 6	18	4.0	10	Brass
P0260.060-020-BR	M 6	20	4.0	10	Brass
P0260.060-022-BR	M 6	22	4.0	10	Brass
P0260.060-025-BR	M 6	25	4.0	10	Brass
P0260.060-030-BR	M 6	30	4.0	10	Brass
P0260.060-035-BR	M 6	35	4.0	10	Brass
P0260.060-040-BR	M 6	40	4.0	10	Brass
P0260.060-045-BR	M 6	45	4.0	10	Brass
P0260.060-050-BR	M 6	50	4.0	10	Brass
P0260.060-060-BR	M 6	60	4.0	10	Brass
P0260.060-065-BR	M 6	65	4.0	10	Brass
P0260.060-070-BR	M 6	70	4.0	10	Brass
P0260.060-075-BR	M 6	75	4.0	10	Brass
P0260.060-080-BR	M 6	80	4.0	10	Brass
P0260.060-090-BR	M 6	90	4.0	10	Brass
P0260.060-100-BR	M 6	100	4.0	10	Brass
P0260.080-010-BR	M 8	10	5.3	13	Brass
P0260.080-012-BR	M 8	12	5.3	13	Brass
P0260.080-014-BR	M 8	14	5.3	13	Brass
P0260.080-016-BR	M 8	16	5.3	13	Brass
P0260.080-018-BR	M 8	18	5.3	13	Brass
P0260.080-020-BR	M 8	20	5.3	13	Brass
P0260.080-022-BR	M 8	22	5.3	13	Brass
P0260.080-025-BR	M 8	25	5.3	13	Brass
P0260.080-030-BR	M 8	30	5.3	13	Brass
P0260.080-035-BR	M 8	35	5.3	13	Brass
P0260.080-040-BR	M 8	40	5.3	13	Brass
P0260.080-045-BR	M 8	45	5.3	13	Brass
P0260.080-050-BR	M 8	50	5.3	13	Brass
P0260.080-055-BR	M 8	55	5.3	13	Brass
P0260.080-060-BR	M 8	60	5.3	13	Brass
P0260.080-065-BR	M 8	65	5.3	13	Brass
P0260.080-070-BR	M 8	70	5.3	13	Brass
P0260.080-075-BR	M 8	75	5.3	13	Brass
P0260.080-080-BR	M 8	80	5.3	13	Brass
P0260.080-090-BR	M 8	90	5.3	13	Brass
P0260.080-100-BR	M 8	100	5.3	13	Brass
P0260.100-012-BR	M10	12	6.4	17	Brass
P0260.100-014-BR	M10	14	6.4	17	Brass
P0260.100-016-BR	M10	16	6.4	17	Brass
P0260.100-018-BR	M10	18	6.4	17	Brass
P0260.100-020-BR	M10	20	6.4	17	Brass
P0260.100-025-BR	M10	25	6.4	17	Brass
P0260.100-030-BR	M10	30	6.4	17	Brass
P0260.100-035-BR	M10	35	6.4	17	Brass
P0260.100-040-BR	M10	40	6.4	17	Brass
P0260.100-045-BR	M10	45	6.4	17	Brass
P0260.100-050-BR	M10	50	6.4	17	Brass
P0260.100-055-BR	M10	55	6.4	17	Brass
P0260.100-060-BR	M10	60	6.4	17	Brass
P0260.100-065-BR	M10	65	6.4	17	Brass
P0260.100-070-BR	M10	70	6.4	17	Brass
P0260.100-075-BR	M10	75	6.4	17	Brass
P0260.100-080-BR	M10	80	6.4	17	Brass
P0260.100-090-BR	M10	90	6.4	17	Brass

STANDARD SCREWS



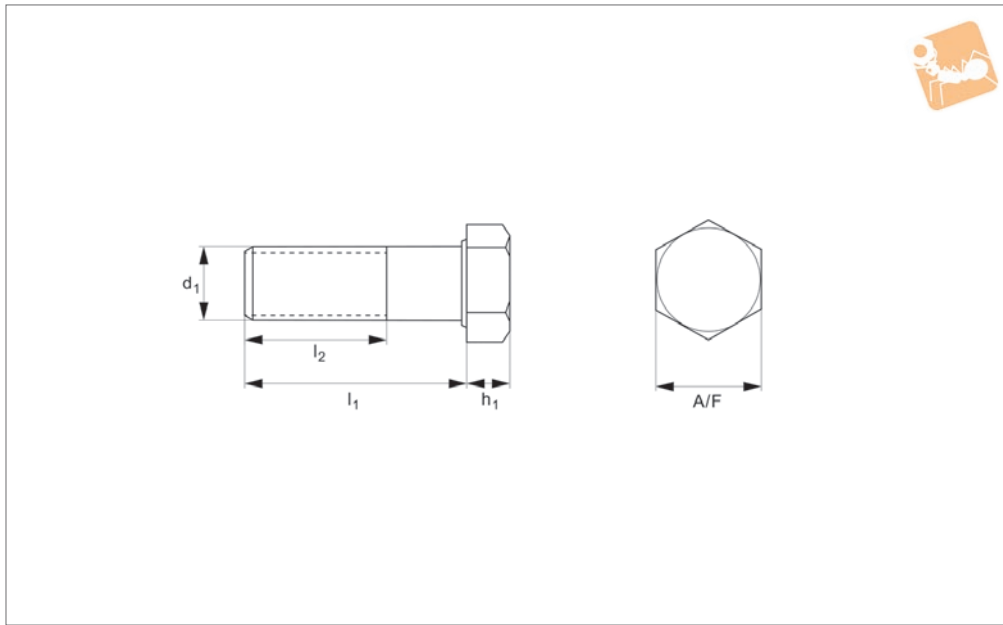
Order No.	d ₁	l ₁	h ₁	A/F	Material
P0260.100-100-BR	M10	100	6.4	17	Brass
P0260.120-016-BR	M12	16	7.5	19	Brass
P0260.120-018-BR	M12	18	7.5	19	Brass
P0260.120-020-BR	M12	20	7.5	19	Brass
P0260.120-022-BR	M12	22	7.5	19	Brass
P0260.120-025-BR	M12	25	7.5	19	Brass
P0260.120-030-BR	M12	30	7.5	19	Brass
P0260.120-035-BR	M12	35	7.5	19	Brass
P0260.120-040-BR	M12	40	7.5	19	Brass
P0260.120-045-BR	M12	45	7.5	19	Brass
P0260.120-050-BR	M12	50	7.5	19	Brass
P0260.120-055-BR	M12	55	7.5	19	Brass
P0260.120-060-BR	M12	60	7.5	19	Brass
P0260.120-065-BR	M12	65	7.5	19	Brass
P0260.120-070-BR	M12	70	7.5	19	Brass
P0260.120-075-BR	M12	75	7.5	19	Brass
P0260.120-080-BR	M12	80	7.5	19	Brass
P0260.120-090-BR	M12	90	7.5	19	Brass
P0260.120-100-BR	M12	100	7.5	19	Brass
P0260.140-020-BR	M14	20	8.8	22	Brass
P0260.140-022-BR	M14	22	8.8	22	Brass
P0260.140-025-BR	M14	25	8.8	22	Brass
P0260.140-030-BR	M14	30	8.8	22	Brass
P0260.140-035-BR	M14	35	8.8	22	Brass
P0260.140-040-BR	M14	40	8.8	22	Brass
P0260.140-045-BR	M14	45	8.8	22	Brass
P0260.140-050-BR	M14	50	8.8	22	Brass
P0260.140-060-BR	M14	60	8.8	22	Brass
P0260.140-065-BR	M14	65	8.8	22	Brass
P0260.140-070-BR	M14	70	8.8	22	Brass
P0260.140-080-BR	M14	80	8.8	22	Brass
P0260.140-090-BR	M14	90	8.8	22	Brass
P0260.140-100-BR	M14	100	8.8	22	Brass
P0260.160-020-BR	M16	20	10	24	Brass
P0260.160-022-BR	M16	22	10	24	Brass
P0260.160-025-BR	M16	25	10	24	Brass
P0260.160-030-BR	M16	30	10	24	Brass
P0260.160-035-BR	M16	35	10	24	Brass
P0260.160-040-BR	M16	40	10	24	Brass
P0260.160-045-BR	M16	45	10	24	Brass
P0260.160-050-BR	M16	50	10	24	Brass
P0260.160-055-BR	M16	55	10	24	Brass
P0260.160-060-BR	M16	60	10	24	Brass
P0260.160-065-BR	M16	65	10	24	Brass
P0260.160-070-BR	M16	70	10	24	Brass
P0260.160-075-BR	M16	75	10	24	Brass
P0260.160-080-BR	M16	80	10	24	Brass
P0260.160-090-BR	M16	90	10	24	Brass
P0260.160-100-BR	M16	100	10	24	Brass
P0260.160-110-BR	M16	110	10	24	Brass
P0260.160-120-BR	M16	120	10	24	Brass
P0260.200-030-BR	M20	30	12.5	30	Brass
P0260.200-035-BR	M20	35	12.5	30	Brass
P0260.200-040-BR	M20	40	12.5	30	Brass
P0260.200-045-BR	M20	45	12.5	30	Brass
P0260.200-050-BR	M20	50	12.5	30	Brass
P0260.200-055-BR	M20	55	12.5	30	Brass
P0260.200-060-BR	M20	60	12.5	30	Brass
P0260.200-065-BR	M20	65	12.5	30	Brass
P0260.200-070-BR	M20	70	12.5	30	Brass
P0260.200-075-BR	M20	75	12.5	30	Brass
P0260.200-080-BR	M20	80	12.5	30	Brass
P0260.200-090-BR	M20	90	12.5	30	Brass
P0260.200-100-BR	M20	100	12.5	30	Brass
P0260.200-110-BR	M20	110	12.5	30	Brass
P0260.200-120-BR	M20	120	12.5	30	Brass



Hexagon Head Bolts

A2 stainless

Standard Screws



P0262.A2

STANDARD SCREWS

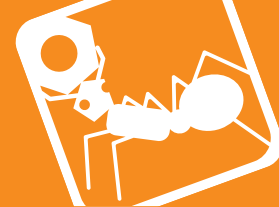
Material

Stainless steel (A2 class 70, class 80 on request).

Technical Notes

To DIN 931, ISO 4014.

Order No.	d ₁	l ₁	h ₁	l ₂	A/F	Material
P0262.050-025-A2	M 5	25	3.35	16	8	A2 s/s
P0262.050-030-A2	M 5	30	3.35	16	8	A2 s/s
P0262.050-035-A2	M 5	35	3.35	16	8	A2 s/s
P0262.050-040-A2	M 5	40	3.35	16	8	A2 s/s
P0262.050-045-A2	M 5	45	3.35	16	8	A2 s/s
P0262.050-050-A2	M 5	50	3.35	16	8	A2 s/s
P0262.050-055-A2	M 5	55	3.35	16	8	A2 s/s
P0262.050-060-A2	M 5	60	3.35	16	8	A2 s/s
P0262.050-065-A2	M 5	65	3.35	16	8	A2 s/s
P0262.050-070-A2	M 5	70	3.35	16	8	A2 s/s
P0262.050-075-A2	M 5	75	3.35	16	8	A2 s/s
P0262.050-080-A2	M 5	80	3.35	16	8	A2 s/s
P0262.050-085-A2	M 5	85	3.35	16	8	A2 s/s
P0262.050-090-A2	M 5	90	3.35	16	8	A2 s/s
P0262.050-095-A2	M 5	95	3.35	16	8	A2 s/s
P0262.050-100-A2	M 5	100	3.35	16	8	A2 s/s
P0262.060-025-A2	M 6	25	3.85	18	10	A2 s/s
P0262.060-030-A2	M 6	30	3.85	18	10	A2 s/s
P0262.060-035-A2	M 6	35	3.85	18	10	A2 s/s
P0262.060-040-A2	M 6	40	3.85	18	10	A2 s/s
P0262.060-045-A2	M 6	45	3.85	18	10	A2 s/s
P0262.060-050-A2	M 6	50	3.85	18	10	A2 s/s
P0262.060-055-A2	M 6	55	3.85	18	10	A2 s/s
P0262.060-060-A2	M 6	60	3.85	18	10	A2 s/s
P0262.060-065-A2	M 6	65	3.85	18	10	A2 s/s
P0262.060-070-A2	M 6	70	3.85	18	10	A2 s/s
P0262.060-075-A2	M 6	75	3.85	18	10	A2 s/s
P0262.060-080-A2	M 6	80	3.85	18	10	A2 s/s
P0262.060-085-A2	M 6	85	3.85	18	10	A2 s/s
P0262.060-090-A2	M 6	90	3.85	18	10	A2 s/s
P0262.060-100-A2	M 6	100	3.85	18	10	A2 s/s
P0262.060-110-A2	M 6	110	3.85	18	10	A2 s/s
P0262.060-120-A2	M 6	120	3.85	18	10	A2 s/s
P0262.060-130-A2	M 6	130	3.85	24	10	A2 s/s
P0262.060-140-A2	M 6	140	3.85	24	10	A2 s/s



STANDARD SCREWS

Order No.	d ₁	l ₁	h ₁	l ₂	A/F	Material
P0262.060-150-A2	M 6	150	3.85	24	10	A2 s/s
P0262.060-160-A2	M 6	160	3.85	24	10	A2 s/s
P0262.060-170-A2	M 6	170	3.85	24	10	A2 s/s
P0262.060-180-A2	M 6	180	3.85	24	10	A2 s/s
P0262.060-190-A2	M 6	190	3.85	24	10	A2 s/s
P0262.060-200-A2	M 6	200	3.85	24	10	A2 s/s
P0262.080-030-A2	M 8	30	5.15	22	13	A2 s/s
P0262.080-035-A2	M 8	35	5.15	22	13	A2 s/s
P0262.080-040-A2	M 8	40	5.15	22	13	A2 s/s
P0262.080-045-A2	M 8	45	5.15	22	13	A2 s/s
P0262.080-050-A2	M 8	50	5.15	22	13	A2 s/s
P0262.080-055-A2	M 8	55	5.15	22	13	A2 s/s
P0262.080-060-A2	M 8	60	5.15	22	13	A2 s/s
P0262.080-065-A2	M 8	65	5.15	22	13	A2 s/s
P0262.080-070-A2	M 8	70	5.15	22	13	A2 s/s
P0262.080-075-A2	M 8	75	5.15	22	13	A2 s/s
P0262.080-080-A2	M 8	80	5.15	22	13	A2 s/s
P0262.080-085-A2	M 8	85	5.15	22	13	A2 s/s
P0262.080-090-A2	M 8	90	5.15	22	13	A2 s/s
P0262.080-095-A2	M 8	95	5.15	22	13	A2 s/s
P0262.080-100-A2	M 8	100	5.15	22	13	A2 s/s
P0262.080-110-A2	M 8	110	5.15	22	13	A2 s/s
P0262.080-120-A2	M 8	120	5.15	22	13	A2 s/s
P0262.080-130-A2	M 8	130	5.15	28	13	A2 s/s
P0262.080-140-A2	M 8	140	5.15	28	13	A2 s/s
P0262.080-150-A2	M 8	150	5.15	28	13	A2 s/s
P0262.080-160-A2	M 8	160	5.15	28	13	A2 s/s
P0262.080-170-A2	M 8	170	5.15	28	13	A2 s/s
P0262.080-180-A2	M 8	180	5.15	28	13	A2 s/s
P0262.080-190-A2	M 8	190	5.15	28	13	A2 s/s
P0262.080-200-A2	M 8	200	5.15	28	13	A2 s/s
P0262.080-210-A2	M 8	210	5.15	41	13	A2 s/s
P0262.080-220-A2	M 8	220	5.15	41	13	A2 s/s
P0262.080-230-A2	M 8	230	5.15	41	13	A2 s/s
P0262.080-240-A2	M 8	240	5.15	41	13	A2 s/s
P0262.100-035-A2	M10	35	6.22	26	17	A2 s/s
P0262.100-040-A2	M10	40	6.22	26	17	A2 s/s
P0262.100-045-A2	M10	45	6.22	26	17	A2 s/s
P0262.100-050-A2	M10	50	6.22	26	17	A2 s/s
P0262.100-055-A2	M10	55	6.22	26	17	A2 s/s
P0262.100-060-A2	M10	60	6.22	26	17	A2 s/s
P0262.100-065-A2	M10	65	6.22	26	17	A2 s/s
P0262.100-070-A2	M10	70	6.22	26	17	A2 s/s
P0262.100-075-A2	M10	75	6.22	26	17	A2 s/s
P0262.100-080-A2	M10	80	6.22	26	17	A2 s/s
P0262.100-085-A2	M10	85	6.22	26	17	A2 s/s
P0262.100-090-A2	M10	90	6.22	26	17	A2 s/s
P0262.100-095-A2	M10	95	6.22	26	17	A2 s/s
P0262.100-100-A2	M10	100	6.22	26	17	A2 s/s
P0262.100-110-A2	M10	110	6.22	26	17	A2 s/s
P0262.100-120-A2	M10	120	6.22	26	17	A2 s/s
P0262.100-130-A2	M10	130	6.22	32	17	A2 s/s
P0262.100-140-A2	M10	140	6.22	32	17	A2 s/s
P0262.100-150-A2	M10	150	6.22	32	17	A2 s/s
P0262.100-160-A2	M10	160	6.22	32	17	A2 s/s
P0262.100-170-A2	M10	170	6.22	32	17	A2 s/s
P0262.100-180-A2	M10	180	6.22	32	17	A2 s/s
P0262.100-190-A2	M10	190	6.22	32	17	A2 s/s
P0262.100-200-A2	M10	200	6.22	32	17	A2 s/s
P0262.100-210-A2	M10	210	6.22	45	17	A2 s/s
P0262.100-220-A2	M10	220	6.22	45	17	A2 s/s
P0262.100-230-A2	M10	230	6.22	45	17	A2 s/s
P0262.100-240-A2	M10	240	6.22	45	17	A2 s/s
P0262.100-250-A2	M10	250	6.22	45	17	A2 s/s
P0262.100-260-A2	M10	260	6.22	45	17	A2 s/s
P0262.100-270-A2	M10	270	6.22	45	17	A2 s/s
P0262.100-280-A2	M10	280	6.22	45	17	A2 s/s
P0262.100-290-A2	M10	290	6.22	45	17	A2 s/s
P0262.100-300-A2	M10	300	6.22	45	17	A2 s/s



Hexagon Head Bolts

A2 stainless

Standard Screws



Order No.	d ₁	l ₁	h ₁	l ₂	A/F	Material
P0262.100-320-A2	M10	320	6.22	45	17	A2 s/s
P0262.100-340-A2	M10	340	6.22	45	17	A2 s/s
P0262.100-360-A2	M10	360	6.22	45	17	A2 s/s
P0262.100-380-A2	M10	380	6.22	45	17	A2 s/s
P0262.100-400-A2	M10	400	6.22	45	17	A2 s/s
P0262.100-420-A2	M10	420	6.22	45	17	A2 s/s
P0262.100-440-A2	M10	440	6.22	45	17	A2 s/s
P0262.100-460-A2	M10	460	6.22	45	17	A2 s/s
P0262.100-480-A2	M10	480	6.22	45	17	A2 s/s
P0262.100-500-A2	M10	500	6.22	45	17	A2 s/s
P0262.120-040-A2	M12	40	7.32	30	19	A2 s/s
P0262.120-045-A2	M12	45	7.32	30	19	A2 s/s
P0262.120-050-A2	M12	50	7.32	30	19	A2 s/s
P0262.120-055-A2	M12	55	7.32	30	19	A2 s/s
P0262.120-060-A2	M12	60	7.32	30	19	A2 s/s
P0262.120-065-A2	M12	65	7.32	30	19	A2 s/s
P0262.120-070-A2	M12	70	7.32	30	19	A2 s/s
P0262.120-075-A2	M12	75	7.32	30	19	A2 s/s
P0262.120-080-A2	M12	80	7.32	30	19	A2 s/s
P0262.120-085-A2	M12	85	7.32	30	19	A2 s/s
P0262.120-090-A2	M12	90	7.32	30	19	A2 s/s
P0262.120-100-A2	M12	100	7.32	30	19	A2 s/s
P0262.120-110-A2	M12	110	7.32	30	19	A2 s/s
P0262.120-120-A2	M12	120	7.32	30	19	A2 s/s
P0262.120-130-A2	M12	130	7.32	36	19	A2 s/s
P0262.120-140-A2	M12	140	7.32	36	19	A2 s/s
P0262.120-150-A2	M12	150	7.32	36	19	A2 s/s
P0262.120-160-A2	M12	160	7.32	36	19	A2 s/s
P0262.120-170-A2	M12	170	7.32	36	19	A2 s/s
P0262.120-180-A2	M12	180	7.32	36	19	A2 s/s
P0262.120-190-A2	M12	190	7.32	36	19	A2 s/s
P0262.120-200-A2	M12	200	7.32	36	19	A2 s/s
P0262.120-210-A2	M12	210	7.32	49	19	A2 s/s
P0262.120-220-A2	M12	220	7.32	49	19	A2 s/s
P0262.120-230-A2	M12	230	7.32	49	19	A2 s/s
P0262.120-240-A2	M12	240	7.32	49	19	A2 s/s
P0262.120-250-A2	M12	250	7.32	49	19	A2 s/s
P0262.120-260-A2	M12	260	7.32	49	19	A2 s/s
P0262.120-270-A2	M12	270	7.32	49	19	A2 s/s
P0262.120-280-A2	M12	280	7.32	49	19	A2 s/s
P0262.120-290-A2	M12	290	7.32	49	19	A2 s/s
P0262.120-300-A2	M12	300	7.32	49	19	A2 s/s
P0262.120-320-A2	M12	320	7.32	49	19	A2 s/s
P0262.120-340-A2	M12	340	7.32	49	19	A2 s/s
P0262.120-360-A2	M12	360	7.32	49	19	A2 s/s
P0262.120-380-A2	M12	380	7.32	49	19	A2 s/s
P0262.120-400-A2	M12	400	7.32	49	19	A2 s/s
P0262.120-420-A2	M12	420	7.32	49	19	A2 s/s
P0262.120-440-A2	M12	440	7.32	49	19	A2 s/s
P0262.120-460-A2	M12	460	7.32	49	19	A2 s/s
P0262.120-480-A2	M12	480	7.32	49	19	A2 s/s
P0262.120-500-A2	M12	500	7.32	49	19	A2 s/s
P0262.140-050-A2	M14	50	8.62	34	22	A2 s/s
P0262.140-055-A2	M14	55	8.62	34	22	A2 s/s
P0262.140-060-A2	M14	60	8.62	34	22	A2 s/s
P0262.140-065-A2	M14	65	8.62	34	22	A2 s/s
P0262.140-070-A2	M14	70	8.62	34	22	A2 s/s
P0262.140-075-A2	M14	75	8.62	34	22	A2 s/s
P0262.140-080-A2	M14	80	8.62	34	22	A2 s/s
P0262.140-085-A2	M14	85	8.62	34	22	A2 s/s
P0262.140-090-A2	M14	90	8.62	34	22	A2 s/s
P0262.140-095-A2	M14	95	8.62	34	22	A2 s/s
P0262.140-100-A2	M14	100	8.62	34	22	A2 s/s
P0262.140-110-A2	M14	110	8.62	34	22	A2 s/s
P0262.140-120-A2	M14	120	8.62	34	22	A2 s/s
P0262.140-130-A2	M14	130	8.62	40	22	A2 s/s
P0262.140-140-A2	M14	140	8.62	40	22	A2 s/s
P0262.140-150-A2	M14	150	8.62	40	22	A2 s/s
P0262.140-160-A2	M14	160	8.62	40	22	A2 s/s

STANDARD SCREWS



STANDARD SCREWS

Order No.	d ₁	l ₁	h ₁	l ₂	A/F	Material
P0262.140-170-A2	M14	170	8.62	40	22	A2 s/s
P0262.140-180-A2	M14	180	8.62	40	22	A2 s/s
P0262.140-190-A2	M14	190	8.62	40	22	A2 s/s
P0262.140-200-A2	M14	200	8.62	40	22	A2 s/s
P0262.140-210-A2	M14	210	8.62	53	22	A2 s/s
P0262.140-220-A2	M14	220	8.62	53	22	A2 s/s
P0262.140-230-A2	M14	230	8.62	53	22	A2 s/s
P0262.140-240-A2	M14	240	8.62	53	22	A2 s/s
P0262.140-250-A2	M14	250	8.62	53	22	A2 s/s
P0262.140-260-A2	M14	260	8.62	53	22	A2 s/s
P0262.140-270-A2	M14	270	8.62	53	22	A2 s/s
P0262.140-280-A2	M14	280	8.62	53	22	A2 s/s
P0262.160-050-A2	M16	50	9.82	38	24	A2 s/s
P0262.160-055-A2	M16	55	9.82	38	24	A2 s/s
P0262.160-060-A2	M16	60	9.82	38	24	A2 s/s
P0262.160-065-A2	M16	65	9.82	38	24	A2 s/s
P0262.160-070-A2	M16	70	9.82	38	24	A2 s/s
P0262.160-075-A2	M16	75	9.82	38	24	A2 s/s
P0262.160-080-A2	M16	80	9.82	38	24	A2 s/s
P0262.160-085-A2	M16	85	9.82	38	24	A2 s/s
P0262.160-090-A2	M16	90	9.82	38	24	A2 s/s
P0262.160-095-A2	M16	95	9.82	38	24	A2 s/s
P0262.160-100-A2	M16	100	9.82	38	24	A2 s/s
P0262.160-110-A2	M16	110	9.82	38	24	A2 s/s
P0262.160-120-A2	M16	120	9.82	38	24	A2 s/s
P0262.160-130-A2	M16	130	9.82	44	24	A2 s/s
P0262.160-140-A2	M16	140	9.82	44	24	A2 s/s
P0262.160-150-A2	M16	150	9.82	44	24	A2 s/s
P0262.160-160-A2	M16	160	9.82	44	24	A2 s/s
P0262.160-170-A2	M16	170	9.82	44	24	A2 s/s
P0262.160-180-A2	M16	180	9.82	44	24	A2 s/s
P0262.160-190-A2	M16	190	9.82	44	24	A2 s/s
P0262.160-200-A2	M16	200	9.82	44	24	A2 s/s
P0262.160-210-A2	M16	210	9.82	57	24	A2 s/s
P0262.160-220-A2	M16	220	9.82	57	24	A2 s/s
P0262.160-230-A2	M16	230	9.82	57	24	A2 s/s
P0262.160-240-A2	M16	240	9.82	57	24	A2 s/s
P0262.160-250-A2	M16	250	9.82	57	24	A2 s/s
P0262.160-260-A2	M16	260	9.82	57	24	A2 s/s
P0262.160-270-A2	M16	270	9.82	57	24	A2 s/s
P0262.160-280-A2	M16	280	9.82	57	24	A2 s/s
P0262.160-290-A2	M16	290	9.82	57	24	A2 s/s
P0262.160-300-A2	M16	300	9.82	57	24	A2 s/s
P0262.160-320-A2	M16	320	9.82	57	24	A2 s/s
P0262.160-340-A2	M16	340	9.82	57	24	A2 s/s
P0262.160-360-A2	M16	360	9.82	57	24	A2 s/s
P0262.160-380-A2	M16	380	9.82	57	24	A2 s/s
P0262.160-400-A2	M16	400	9.82	57	24	A2 s/s
P0262.160-420-A2	M16	420	9.82	57	24	A2 s/s
P0262.160-440-A2	M16	440	9.82	57	24	A2 s/s
P0262.160-460-A2	M16	460	9.82	57	24	A2 s/s
P0262.160-480-A2	M16	480	9.82	57	24	A2 s/s
P0262.160-500-A2	M16	500	9.82	57	24	A2 s/s
P0262.180-060-A2	M18	60	11.28	42	27	A2 s/s
P0262.180-065-A2	M18	65	11.28	42	27	A2 s/s
P0262.180-070-A2	M18	70	11.28	42	27	A2 s/s
P0262.180-075-A2	M18	75	11.28	42	27	A2 s/s
P0262.180-080-A2	M18	80	11.28	42	27	A2 s/s
P0262.180-085-A2	M18	85	11.28	42	27	A2 s/s
P0262.180-090-A2	M18	90	11.28	42	27	A2 s/s
P0262.180-095-A2	M18	95	11.28	42	27	A2 s/s
P0262.180-100-A2	M18	100	11.28	42	27	A2 s/s
P0262.180-110-A2	M18	110	11.28	42	27	A2 s/s
P0262.180-120-A2	M18	120	11.28	42	27	A2 s/s
P0262.180-130-A2	M18	130	11.28	48	27	A2 s/s
P0262.180-140-A2	M18	140	11.28	48	27	A2 s/s
P0262.180-150-A2	M18	150	11.28	48	27	A2 s/s
P0262.180-160-A2	M18	160	11.28	48	27	A2 s/s
P0262.180-170-A2	M18	170	11.28	48	27	A2 s/s



Hexagon Head Bolts

A2 stainless

Standard Screws



Order No.	d ₁	l ₁	h ₁	l ₂	A/F	Material
P0262.180-180-A2	M18	180	11.28	48	27	A2 s/s
P0262.180-190-A2	M18	190	11.28	48	27	A2 s/s
P0262.180-200-A2	M18	200	11.28	48	27	A2 s/s
P0262.180-210-A2	M18	210	11.28	61	27	A2 s/s
P0262.180-220-A2	M18	220	11.28	61	27	A2 s/s
P0262.180-230-A2	M18	230	11.28	61	27	A2 s/s
P0262.180-240-A2	M18	240	11.28	61	27	A2 s/s
P0262.180-250-A2	M18	250	11.28	61	27	A2 s/s
P0262.180-260-A2	M18	260	11.28	61	27	A2 s/s
P0262.180-270-A2	M18	270	11.28	61	27	A2 s/s
P0262.180-280-A2	M18	280	11.28	61	27	A2 s/s
P0262.200-060-A2	M20	60	12.28	52	30	A2 s/s
P0262.200-065-A2	M20	65	12.28	52	30	A2 s/s
P0262.200-070-A2	M20	70	12.28	52	30	A2 s/s
P0262.200-075-A2	M20	75	12.28	52	30	A2 s/s
P0262.200-080-A2	M20	80	12.28	52	30	A2 s/s
P0262.200-085-A2	M20	85	12.28	52	30	A2 s/s
P0262.200-090-A2	M20	90	12.28	52	30	A2 s/s
P0262.200-095-A2	M20	95	12.28	52	30	A2 s/s
P0262.200-100-A2	M20	100	12.28	52	30	A2 s/s
P0262.200-110-A2	M20	110	12.28	52	30	A2 s/s
P0262.200-120-A2	M20	120	12.28	52	30	A2 s/s
P0262.200-130-A2	M20	130	12.28	52	30	A2 s/s
P0262.200-140-A2	M20	140	12.28	52	30	A2 s/s
P0262.200-150-A2	M20	150	12.28	52	30	A2 s/s
P0262.200-160-A2	M20	160	12.28	52	30	A2 s/s
P0262.200-170-A2	M20	170	12.28	52	30	A2 s/s
P0262.200-180-A2	M20	180	12.28	52	30	A2 s/s
P0262.200-190-A2	M20	190	12.28	52	30	A2 s/s
P0262.200-200-A2	M20	200	12.28	52	30	A2 s/s
P0262.200-210-A2	M20	210	12.28	65	30	A2 s/s
P0262.200-220-A2	M20	22	12.28	65	30	A2 s/s
P0262.200-230-A2	M20	230	12.28	65	30	A2 s/s
P0262.200-240-A2	M20	240	12.28	65	30	A2 s/s
P0262.200-250-A2	M20	250	12.28	65	30	A2 s/s
P0262.200-260-A2	M20	260	12.28	65	30	A2 s/s
P0262.200-270-A2	M20	270	12.28	65	30	A2 s/s
P0262.200-280-A2	M20	280	12.28	65	30	A2 s/s
P0262.200-290-A2	M20	290	12.28	65	30	A2 s/s
P0262.200-300-A2	M20	300	12.28	65	30	A2 s/s
P0262.200-320-A2	M20	320	12.28	65	30	A2 s/s
P0262.200-340-A2	M20	340	12.28	65	30	A2 s/s
P0262.200-360-A2	M20	360	12.28	65	30	A2 s/s
P0262.200-380-A2	M20	380	12.28	65	30	A2 s/s
P0262.200-400-A2	M20	400	12.28	65	30	A2 s/s
P0262.200-420-A2	M20	420	12.28	65	30	A2 s/s
P0262.200-440-A2	M20	440	12.28	65	30	A2 s/s
P0262.200-460-A2	M20	460	12.28	65	30	A2 s/s
P0262.200-480-A2	M20	480	12.28	65	30	A2 s/s
P0262.200-500-A2	M20	500	12.28	65	30	A2 s/s
P0262.220-070-A2	M22	70	13.78	50	32	A2 s/s
P0262.220-075-A2	M22	75	13.78	50	32	A2 s/s
P0262.220-080-A2	M22	80	13.78	50	32	A2 s/s
P0262.220-085-A2	M22	85	13.78	50	32	A2 s/s
P0262.220-090-A2	M22	90	13.78	50	32	A2 s/s
P0262.220-095-A2	M22	95	13.78	50	32	A2 s/s
P0262.220-100-A2	M22	100	13.78	50	32	A2 s/s
P0262.220-110-A2	M22	110	13.78	50	32	A2 s/s
P0262.220-120-A2	M22	120	13.78	50	32	A2 s/s
P0262.220-130-A2	M22	130	13.78	56	32	A2 s/s
P0262.220-140-A2	M22	140	13.78	56	32	A2 s/s
P0262.220-150-A2	M22	150	13.78	56	32	A2 s/s
P0262.220-160-A2	M22	160	13.78	56	32	A2 s/s
P0262.220-170-A2	M22	170	13.78	56	32	A2 s/s
P0262.220-180-A2	M22	180	13.78	56	32	A2 s/s
P0262.220-190-A2	M22	190	13.78	56	32	A2 s/s
P0262.220-200-A2	M22	200	13.78	56	32	A2 s/s
P0262.220-210-A2	M22	210	13.78	69	32	A2 s/s
P0262.220-220-A2	M22	220	13.78	69	32	A2 s/s

STANDARD SCREWS



STANDARD SCREWS

Order No.	d ₁	l ₁	h ₁	l ₂	A/F	Material
P0262.220-230-A2	M22	230	13.78	69	32	A2 s/s
P0262.220-240-A2	M22	240	13.78	69	32	A2 s/s
P0262.220-250-A2	M22	250	13.78	69	32	A2 s/s
P0262.220-260-A2	M22	260	13.78	69	32	A2 s/s
P0262.220-270-A2	M22	270	13.78	69	32	A2 s/s
P0262.220-280-A2	M22	280	13.78	69	32	A2 s/s
P0262.240-070-A2	M24	70	14.78	54	36	A2 s/s
P0262.240-075-A2	M24	75	14.78	54	36	A2 s/s
P0262.240-080-A2	M24	80	14.78	54	36	A2 s/s
P0262.240-085-A2	M24	85	14.78	54	36	A2 s/s
P0262.240-090-A2	M24	90	14.78	54	36	A2 s/s
P0262.240-100-A2	M24	100	14.78	54	36	A2 s/s
P0262.240-110-A2	M24	110	14.78	54	36	A2 s/s
P0262.240-120-A2	M24	120	14.78	54	36	A2 s/s
P0262.240-130-A2	M24	130	14.78	60	36	A2 s/s
P0262.240-140-A2	M24	140	14.78	60	36	A2 s/s
P0262.240-150-A2	M24	150	14.78	60	36	A2 s/s
P0262.240-160-A2	M24	160	14.78	60	36	A2 s/s
P0262.240-170-A2	M24	170	14.78	60	36	A2 s/s
P0262.240-180-A2	M24	180	14.78	60	36	A2 s/s
P0262.240-190-A2	M24	190	14.78	60	36	A2 s/s
P0262.240-200-A2	M24	200	14.78	60	36	A2 s/s
P0262.240-210-A2	M24	210	14.78	73	36	A2 s/s
P0262.240-220-A2	M24	220	14.78	73	36	A2 s/s
P0262.240-230-A2	M24	230	14.78	73	36	A2 s/s
P0262.240-240-A2	M24	240	14.78	73	36	A2 s/s
P0262.240-250-A2	M24	250	14.78	73	36	A2 s/s
P0262.240-260-A2	M24	260	14.78	73	36	A2 s/s
P0262.240-270-A2	M24	270	14.78	73	36	A2 s/s
P0262.240-280-A2	M24	280	14.78	73	36	A2 s/s
P0262.240-290-A2	M24	290	14.78	73	36	A2 s/s
P0262.240-300-A2	M24	300	14.78	73	36	A2 s/s
P0262.240-320-A2	M24	320	14.78	73	36	A2 s/s
P0262.240-340-A2	M24	340	14.78	73	36	A2 s/s
P0262.240-360-A2	M24	360	14.78	73	36	A2 s/s
P0262.240-380-A2	M24	380	14.78	73	36	A2 s/s
P0262.240-400-A2	M24	400	14.78	73	36	A2 s/s
P0262.240-420-A2	M24	420	14.78	73	36	A2 s/s
P0262.240-440-A2	M24	440	14.78	73	36	A2 s/s
P0262.240-460-A2	M24	460	14.78	73	36	A2 s/s
P0262.240-480-A2	M24	480	14.78	73	36	A2 s/s
P0262.240-500-A2	M24	500	14.78	73	36	A2 s/s
P0262.270-080-A2	M27	80	16.65	60	41	A2 s/s
P0262.270-085-A2	M27	85	16.65	60	41	A2 s/s
P0262.270-090-A2	M27	90	16.65	60	41	A2 s/s
P0262.270-095-A2	M27	95	16.65	60	41	A2 s/s
P0262.270-100-A2	M27	100	16.65	60	41	A2 s/s
P0262.270-110-A2	M27	110	16.65	60	41	A2 s/s
P0262.270-120-A2	M27	120	16.65	60	41	A2 s/s
P0262.270-130-A2	M27	130	16.65	66	41	A2 s/s
P0262.270-140-A2	M27	140	16.65	66	41	A2 s/s
P0262.270-150-A2	M27	150	16.65	66	41	A2 s/s
P0262.270-160-A2	M27	160	16.65	66	41	A2 s/s
P0262.270-170-A2	M27	170	16.65	66	41	A2 s/s
P0262.270-180-A2	M27	180	16.65	66	41	A2 s/s
P0262.270-190-A2	M27	190	16.65	66	41	A2 s/s
P0262.270-200-A2	M27	200	16.65	66	41	A2 s/s
P0262.270-210-A2	M27	210	16.65	79	41	A2 s/s
P0262.270-220-A2	M27	220	16.65	79	41	A2 s/s
P0262.270-230-A2	M27	230	16.65	79	41	A2 s/s
P0262.270-240-A2	M27	240	16.65	79	41	A2 s/s
P0262.270-250-A2	M27	250	16.65	79	41	A2 s/s
P0262.270-260-A2	M27	260	16.65	79	41	A2 s/s
P0262.270-270-A2	M27	270	16.65	79	41	A2 s/s
P0262.270-280-A2	M27	280	16.65	79	41	A2 s/s
P0262.270-290-A2	M27	290	16.65	79	41	A2 s/s
P0262.270-300-A2	M27	300	16.65	79	41	A2 s/s
P0262.270-320-A2	M27	320	16.65	79	41	A2 s/s
P0262.270-340-A2	M27	340	16.65	79	41	A2 s/s



Hexagon Head Bolts

A2 stainless

Standard Screws

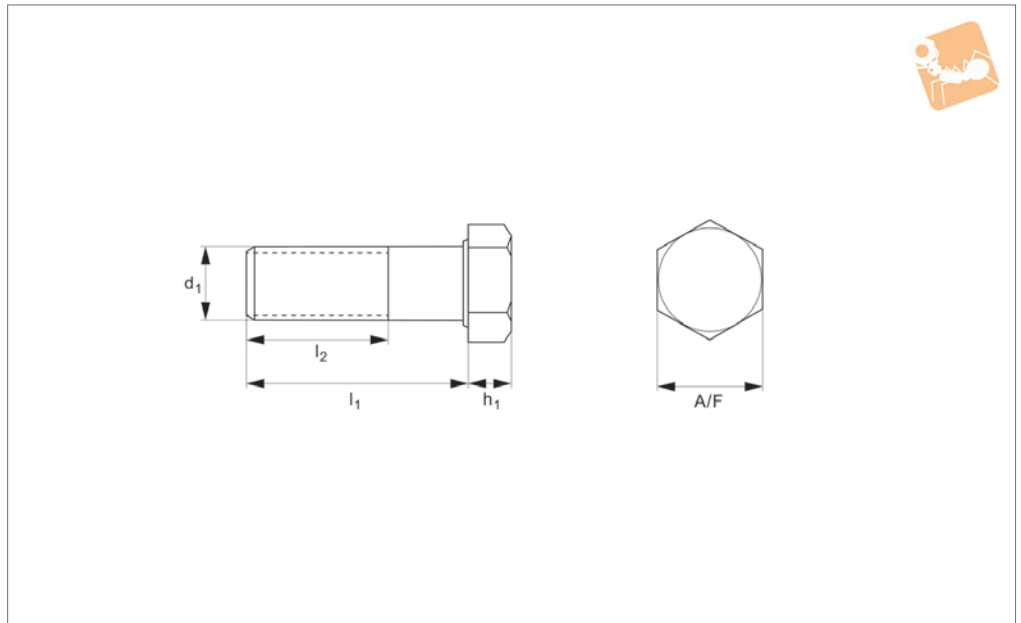


Order No.	d ₁	l ₁	h ₁	l ₂	A/F	Material
P0262.300-080-A2	M30	80	18.28	66	46	A2 s/s
P0262.300-085-A2	M30	85	18.28	66	46	A2 s/s
P0262.300-090-A2	M30	90	18.28	66	46	A2 s/s
P0262.300-095-A2	M30	95	18.28	66	46	A2 s/s
P0262.300-100-A2	M30	100	18.28	66	46	A2 s/s
P0262.300-110-A2	M30	110	18.28	66	46	A2 s/s
P0262.300-120-A2	M30	120	18.28	66	46	A2 s/s
P0262.300-130-A2	M30	130	18.28	72	46	A2 s/s
P0262.300-140-A2	M30	140	18.28	72	46	A2 s/s
P0262.300-150-A2	M30	150	18.28	72	46	A2 s/s
P0262.300-160-A2	M30	160	18.28	72	46	A2 s/s
P0262.300-170-A2	M30	170	18.28	72	46	A2 s/s
P0262.300-180-A2	M30	180	18.28	72	46	A2 s/s
P0262.300-190-A2	M30	190	18.28	72	46	A2 s/s
P0262.300-200-A2	M30	200	18.28	72	46	A2 s/s
P0262.300-210-A2	M30	210	18.28	85	46	A2 s/s
P0262.300-220-A2	M30	220	18.28	85	46	A2 s/s
P0262.300-230-A2	M30	230	18.28	85	46	A2 s/s
P0262.300-240-A2	M30	240	18.28	85	46	A2 s/s
P0262.300-250-A2	M30	250	18.28	85	46	A2 s/s
P0262.300-260-A2	M30	260	18.28	85	46	A2 s/s
P0262.300-270-A2	M30	270	18.28	85	46	A2 s/s
P0262.300-280-A2	M30	280	18.28	85	46	A2 s/s
P0262.300-290-A2	M30	290	18.28	85	46	A2 s/s
P0262.300-300-A2	M30	300	18.28	85	46	A2 s/s
P0262.330-090-A2	M33	90	20.58	72	50	A2 s/s
P0262.330-095-A2	M33	95	20.58	72	50	A2 s/s
P0262.330-100-A2	M33	100	20.58	72	50	A2 s/s
P0262.330-110-A2	M33	110	20.58	72	50	A2 s/s
P0262.330-120-A2	M33	120	20.58	72	50	A2 s/s
P0262.330-130-A2	M33	130	20.58	78	50	A2 s/s
P0262.330-140-A2	M33	140	20.58	78	50	A2 s/s
P0262.330-150-A2	M33	150	20.58	78	50	A2 s/s
P0262.330-160-A2	M33	160	20.58	78	50	A2 s/s
P0262.330-170-A2	M33	170	20.58	78	50	A2 s/s
P0262.330-180-A2	M33	180	20.58	78	50	A2 s/s
P0262.330-190-A2	M33	190	20.58	78	50	A2 s/s
P0262.330-200-A2	M33	200	20.58	78	50	A2 s/s
P0262.330-210-A2	M33	210	20.58	91	50	A2 s/s
P0262.330-220-A2	M33	220	20.58	91	50	A2 s/s
P0262.330-230-A2	M33	230	20.58	91	50	A2 s/s
P0262.330-240-A2	M33	240	20.58	91	50	A2 s/s
P0262.330-250-A2	M33	250	20.58	91	50	A2 s/s
P0262.330-260-A2	M33	260	20.58	91	50	A2 s/s
P0262.330-270-A2	M33	270	20.58	91	50	A2 s/s
P0262.330-280-A2	M33	280	20.58	91	50	A2 s/s
P0262.360-100-A2	M36	100	22.08	78	55	A2 s/s
P0262.360-110-A2	M36	110	22.08	78	55	A2 s/s
P0262.360-120-A2	M36	120	22.08	78	55	A2 s/s
P0262.360-130-A2	M36	130	22.08	84	55	A2 s/s
P0262.360-140-A2	M36	140	22.08	84	55	A2 s/s
P0262.360-150-A2	M36	150	22.08	84	55	A2 s/s
P0262.360-160-A2	M36	160	22.08	84	55	A2 s/s
P0262.360-170-A2	M36	170	22.08	84	55	A2 s/s
P0262.360-180-A2	M36	180	22.08	84	55	A2 s/s
P0262.360-190-A2	M36	190	22.08	84	55	A2 s/s
P0262.360-200-A2	M36	200	22.08	84	55	A2 s/s
P0262.360-210-A2	M36	210	22.08	97	55	A2 s/s
P0262.360-220-A2	M36	220	22.08	97	55	A2 s/s
P0262.360-230-A2	M36	230	22.08	97	55	A2 s/s
P0262.360-240-A2	M36	240	22.08	97	55	A2 s/s
P0262.360-250-A2	M36	250	22.08	97	55	A2 s/s
P0262.360-260-A2	M36	260	22.08	97	55	A2 s/s
P0262.360-270-A2	M36	270	22.08	97	55	A2 s/s
P0262.360-280-A2	M36	280	22.08	97	55	A2 s/s

STANDARD SCREWS



P0262.A4



Material

Stainless steel (A4 class 70, class 80 on request).

Technical Notes

To DIN 931, ISO 4014.

Order No.	d ₁	l ₁	h ₁	l ₂	A/F	Material
P0262.050-025-A4	M 5	25	3.35	16	8	A4 s/s
P0262.050-030-A4	M 5	30	3.35	16	8	A4 s/s
P0262.050-035-A4	M 5	35	3.35	16	8	A4 s/s
P0262.050-040-A4	M 5	40	3.35	16	8	A4 s/s
P0262.050-045-A4	M 5	45	3.35	16	8	A4 s/s
P0262.050-050-A4	M 5	50	3.35	16	8	A4 s/s
P0262.050-055-A4	M 5	55	3.35	16	8	A4 s/s
P0262.050-060-A4	M 5	60	3.35	16	8	A4 s/s
P0262.050-065-A4	M 5	65	3.35	16	8	A4 s/s
P0262.050-070-A4	M 5	70	3.35	16	8	A4 s/s
P0262.050-075-A4	M 5	75	3.35	16	8	A4 s/s
P0262.050-080-A4	M 5	80	3.35	16	8	A4 s/s
P0262.050-085-A4	M 5	85	3.35	16	8	A4 s/s
P0262.050-090-A4	M 5	90	3.35	16	8	A4 s/s
P0262.050-095-A4	M 5	95	3.35	16	8	A4 s/s
P0262.050-100-A4	M 5	100	3.35	16	8	A4 s/s
P0262.060-025-A4	M 6	25	3.85	18	10	A4 s/s
P0262.060-030-A4	M 6	30	3.85	18	10	A4 s/s
P0262.060-035-A4	M 6	35	3.85	18	10	A4 s/s
P0262.060-040-A4	M 6	40	3.85	18	10	A4 s/s
P0262.060-045-A4	M 6	45	3.85	18	10	A4 s/s
P0262.060-050-A4	M 6	50	3.85	18	10	A4 s/s
P0262.060-055-A4	M 6	55	3.85	18	10	A4 s/s
P0262.060-060-A4	M 6	60	3.85	18	10	A4 s/s
P0262.060-065-A4	M 6	65	3.85	18	10	A4 s/s
P0262.060-070-A4	M 6	70	3.85	18	10	A4 s/s
P0262.060-075-A4	M 6	75	3.85	18	10	A4 s/s
P0262.060-080-A4	M 6	80	3.85	18	10	A4 s/s
P0262.060-085-A4	M 6	85	3.85	18	10	A4 s/s
P0262.060-090-A4	M 6	90	3.85	18	10	A4 s/s
P0262.060-100-A4	M 6	100	3.85	18	10	A4 s/s
P0262.060-110-A4	M 6	110	3.85	18	10	A4 s/s
P0262.060-120-A4	M 6	120	3.85	18	10	A4 s/s
P0262.060-130-A4	M 6	130	3.85	24	10	A4 s/s
P0262.060-140-A4	M 6	140	3.85	24	10	A4 s/s



Hexagon Head Bolts

A4 stainless

Standard Screws



Order No.	d ₁	l ₁	h ₁	l ₂	A/F	Material
P0262.060-150-A4	M 6	150	3.85	24	10	A4 s/s
P0262.060-160-A4	M 6	160	3.85	24	10	A4 s/s
P0262.060-170-A4	M 6	170	3.85	24	10	A4 s/s
P0262.060-180-A4	M 6	180	3.85	24	10	A4 s/s
P0262.060-190-A4	M 6	190	3.85	24	10	A4 s/s
P0262.060-200-A4	M 6	200	3.85	24	10	A4 s/s
P0262.080-030-A4	M 8	30	5.15	22	13	A4 s/s
P0262.080-035-A4	M 8	35	5.15	22	13	A4 s/s
P0262.080-040-A4	M 8	40	5.15	22	13	A4 s/s
P0262.080-045-A4	M 8	45	5.15	22	13	A4 s/s
P0262.080-050-A4	M 8	50	5.15	22	13	A4 s/s
P0262.080-055-A4	M 8	55	5.15	22	13	A4 s/s
P0262.080-060-A4	M 8	60	5.15	22	13	A4 s/s
P0262.080-065-A4	M 8	65	5.15	22	13	A4 s/s
P0262.080-070-A4	M 8	70	5.15	22	13	A4 s/s
P0262.080-075-A4	M 8	75	5.15	22	13	A4 s/s
P0262.080-080-A4	M 8	80	5.15	22	13	A4 s/s
P0262.080-085-A4	M 8	85	5.15	22	13	A4 s/s
P0262.080-090-A4	M 8	90	5.15	22	13	A4 s/s
P0262.080-095-A4	M 8	95	5.15	22	13	A4 s/s
P0262.080-100-A4	M 8	100	5.15	22	13	A4 s/s
P0262.080-110-A4	M 8	110	5.15	22	13	A4 s/s
P0262.080-120-A4	M 8	120	5.15	22	13	A4 s/s
P0262.080-130-A4	M 8	130	5.15	28	13	A4 s/s
P0262.080-140-A4	M 8	140	5.15	28	13	A4 s/s
P0262.080-150-A4	M 8	150	5.15	28	13	A4 s/s
P0262.080-160-A4	M 8	160	5.15	28	13	A4 s/s
P0262.080-170-A4	M 8	170	5.15	28	13	A4 s/s
P0262.080-180-A4	M 8	180	5.15	28	13	A4 s/s
P0262.080-190-A4	M 8	190	5.15	28	13	A4 s/s
P0262.080-200-A4	M 8	200	5.15	28	13	A4 s/s
P0262.080-210-A4	M 8	210	5.15	41	13	A4 s/s
P0262.080-220-A4	M 8	220	5.15	41	13	A4 s/s
P0262.080-230-A4	M 8	230	5.15	41	13	A4 s/s
P0262.080-240-A4	M 8	240	5.15	41	13	A4 s/s
P0262.100-035-A4	M10	35	6.22	26	17	A4 s/s
P0262.100-040-A4	M10	40	6.22	26	17	A4 s/s
P0262.100-045-A4	M10	45	6.22	26	17	A4 s/s
P0262.100-050-A4	M10	50	6.22	26	17	A4 s/s
P0262.100-055-A4	M10	55	6.22	26	17	A4 s/s
P0262.100-060-A4	M10	60	6.22	26	17	A4 s/s
P0262.100-065-A4	M10	65	6.22	26	17	A4 s/s
P0262.100-070-A4	M10	70	6.22	26	17	A4 s/s
P0262.100-075-A4	M10	75	6.22	26	17	A4 s/s
P0262.100-080-A4	M10	80	6.22	26	17	A4 s/s
P0262.100-085-A4	M10	85	6.22	26	17	A4 s/s
P0262.100-090-A4	M10	90	6.22	26	17	A4 s/s
P0262.100-095-A4	M10	95	6.22	26	17	A4 s/s
P0262.100-100-A4	M10	100	6.22	26	17	A4 s/s
P0262.100-110-A4	M10	110	6.22	26	17	A4 s/s
P0262.100-120-A4	M10	120	6.22	26	17	A4 s/s
P0262.100-130-A4	M10	130	6.22	32	17	A4 s/s
P0262.100-140-A4	M10	140	6.22	32	17	A4 s/s
P0262.100-150-A4	M10	150	6.22	32	17	A4 s/s
P0262.100-160-A4	M10	160	6.22	32	17	A4 s/s
P0262.100-170-A4	M10	170	6.22	32	17	A4 s/s
P0262.100-180-A4	M10	180	6.22	32	17	A4 s/s
P0262.100-190-A4	M10	190	6.22	32	17	A4 s/s
P0262.100-200-A4	M10	200	6.22	32	17	A4 s/s
P0262.100-210-A4	M10	210	6.22	45	17	A4 s/s
P0262.100-220-A4	M10	220	6.22	45	17	A4 s/s
P0262.100-230-A4	M10	230	6.22	45	17	A4 s/s
P0262.100-240-A4	M10	240	6.22	45	17	A4 s/s
P0262.100-250-A4	M10	250	6.22	45	17	A4 s/s
P0262.100-260-A4	M10	260	6.22	45	17	A4 s/s
P0262.100-270-A4	M10	270	6.22	45	17	A4 s/s
P0262.100-280-A4	M10	280	6.22	45	17	A4 s/s
P0262.100-290-A4	M10	290	6.22	45	17	A4 s/s
P0262.100-300-A4	M10	300	6.22	45	17	A4 s/s

STANDARD SCREWS



STANDARD SCREWS

Order No.	d ₁	l ₁	h ₁	l ₂	A/F	Material
P0262.100-320-A4	M10	320	6.22	45	17	A4 s/s
P0262.100-340-A4	M10	340	6.22	45	17	A4 s/s
P0262.100-360-A4	M10	360	6.22	45	17	A4 s/s
P0262.100-380-A4	M10	380	6.22	45	17	A4 s/s
P0262.100-400-A4	M10	400	6.22	45	17	A4 s/s
P0262.100-430-A4	M10	420	6.22	45	17	A4 s/s
P0262.100-440-A4	M10	440	6.22	45	17	A4 s/s
P0262.100-460-A4	M10	460	6.22	45	17	A4 s/s
P0262.100-480-A4	M10	480	6.22	45	17	A4 s/s
P0262.100-500-A4	M10	500	6.22	45	17	A4 s/s
P0262.120-040-A4	M12	40	7.32	30	19	A4 s/s
P0262.120-045-A4	M12	45	7.32	30	19	A4 s/s
P0262.120-050-A4	M12	50	7.32	30	19	A4 s/s
P0262.120-055-A4	M12	55	7.32	30	19	A4 s/s
P0262.120-060-A4	M12	60	7.32	30	19	A4 s/s
P0262.120-065-A4	M12	65	7.32	30	19	A4 s/s
P0262.120-070-A4	M12	70	7.32	30	19	A4 s/s
P0262.120-075-A4	M12	75	7.32	30	19	A4 s/s
P0262.120-080-A4	M12	80	7.32	30	19	A4 s/s
P0262.120-085-A4	M12	85	7.32	30	19	A4 s/s
P0262.120-090-A4	M12	90	7.32	30	19	A4 s/s
P0262.120-100-A4	M12	100	7.32	30	19	A4 s/s
P0262.120-110-A4	M12	110	7.32	30	19	A4 s/s
P0262.120-120-A4	M12	120	7.32	30	19	A4 s/s
P0262.120-130-A4	M12	130	7.32	36	19	A4 s/s
P0262.120-140-A4	M12	140	7.32	36	19	A4 s/s
P0262.120-150-A4	M12	150	7.32	36	19	A4 s/s
P0262.120-160-A4	M12	160	7.32	36	19	A4 s/s
P0262.120-170-A4	M12	170	7.32	36	19	A4 s/s
P0262.120-180-A4	M12	180	7.32	36	19	A4 s/s
P0262.120-190-A4	M12	190	7.32	36	19	A4 s/s
P0262.120-200-A4	M12	200	7.32	36	19	A4 s/s
P0262.120-210-A4	M12	210	7.32	49	19	A4 s/s
P0262.120-220-A4	M12	220	7.32	49	19	A4 s/s
P0262.120-230-A4	M12	230	7.32	49	19	A4 s/s
P0262.120-240-A4	M12	240	7.32	49	19	A4 s/s
P0262.120-250-A4	M12	250	7.32	49	19	A4 s/s
P0262.120-260-A4	M12	260	7.32	49	19	A4 s/s
P0262.120-270-A4	M12	270	7.32	49	19	A4 s/s
P0262.120-280-A4	M12	280	7.32	49	19	A4 s/s
P0262.120-290-A4	M12	290	7.32	49	19	A4 s/s
P0262.120-300-A4	M12	300	7.32	49	19	A4 s/s
P0262.120-320-A4	M12	320	7.32	49	19	A4 s/s
P0262.120-330-A4	M12	330	7.32	49	19	A4 s/s
P0262.120-340-A4	M12	340	7.32	49	19	A4 s/s
P0262.120-360-A4	M12	360	7.32	49	19	A4 s/s
P0262.120-380-A4	M12	380	7.32	49	19	A4 s/s
P0262.120-400-A4	M12	400	7.32	49	19	A4 s/s
P0262.120-420-A4	M12	420	7.32	49	19	A4 s/s
P0262.120-440-A4	M12	440	7.32	49	19	A4 s/s
P0262.120-460-A4	M12	460	7.32	49	19	A4 s/s
P0262.120-480-A4	M12	480	7.32	49	19	A4 s/s
P0262.120-500-A4	M12	500	7.32	49	19	A4 s/s
P0262.140-050-A4	M14	50	8.62	34	22	A4 s/s
P0262.140-055-A4	M14	55	8.62	34	22	A4 s/s
P0262.140-060-A4	M14	60	8.62	34	22	A4 s/s
P0262.140-065-A4	M14	65	8.62	34	22	A4 s/s
P0262.140-070-A4	M14	70	8.62	34	22	A4 s/s
P0262.140-075-A4	M14	75	8.62	34	22	A4 s/s
P0262.140-080-A4	M14	80	8.62	34	22	A4 s/s
P0262.140-085-A4	M14	85	8.62	34	22	A4 s/s
P0262.140-090-A4	M14	90	8.62	34	22	A4 s/s
P0262.140-095-A4	M14	95	8.62	34	22	A4 s/s
P0262.140-100-A4	M14	100	8.62	34	22	A4 s/s
P0262.140-110-A4	M14	110	8.62	34	22	A4 s/s
P0262.140-120-A4	M14	120	8.62	34	22	A4 s/s
P0262.140-130-A4	M14	130	8.62	40	22	A4 s/s
P0262.140-140-A4	M14	140	8.62	40	22	A4 s/s
P0262.140-150-A4	M14	150	8.62	40	22	A4 s/s



Hexagon Head Bolts

A4 stainless

Standard Screws



Order No.	d ₁	l ₁	h ₁	l ₂	A/F	Material
P0262.140-160-A4	M14	160	8.62	40	22	A4 s/s
P0262.140-170-A4	M14	170	8.62	40	22	-
P0262.140-180-A4	M14	180	8.62	40	22	A4 s/s
P0262.140-190-A4	M14	190	8.62	40	22	A4 s/s
P0262.140-200-A4	M14	200	8.62	40	22	A4 s/s
P0262.140-210-A4	M14	210	8.62	53	22	A4 s/s
P0262.140-220-A4	M14	220	8.62	53	22	-
P0262.140-230-A4	M14	230	8.62	53	22	-
P0262.140-240-A4	M14	240	8.62	53	22	A4 s/s
P0262.140-250-A4	M14	250	8.62	53	22	A4 s/s
P0262.140-260-A4	M14	260	8.62	53	22	A4 s/s
P0262.140-270-A4	M14	270	8.62	53	22	A4 s/s
P0262.140-280-A4	M14	280	8.62	53	22	-
P0262.160-050-A4	M16	50	9.82	38	24	A4 s/s
P0262.160-055-A4	M16	55	9.82	38	24	A4 s/s
P0262.160-060-A4	M16	60	9.82	38	24	A4 s/s
P0262.160-065-A4	M16	65	9.82	38	24	A4 s/s
P0262.160-070-A4	M16	70	9.82	38	24	A4 s/s
P0262.160-075-A4	M16	75	9.82	38	24	A4 s/s
P0262.160-080-A4	M16	80	9.82	38	24	A4 s/s
P0262.160-085-A4	M16	85	9.82	38	24	A4 s/s
P0262.160-090-A4	M16	90	9.82	38	24	A4 s/s
P0262.160-095-A4	M16	95	9.82	38	24	A4 s/s
P0262.160-100-A4	M16	100	9.82	38	24	A4 s/s
P0262.160-110-A4	M16	110	9.82	38	24	A4 s/s
P0262.160-120-A4	M16	120	9.82	38	24	A4 s/s
P0262.160-130-A4	M16	130	9.82	44	24	A4 s/s
P0262.160-140-A4	M16	140	9.82	44	24	A4 s/s
P0262.160-150-A4	M16	150	9.82	44	24	A4 s/s
P0262.160-160-A4	M16	160	9.82	44	24	A4 s/s
P0262.160-170-A4	M16	170	9.82	44	24	A4 s/s
P0262.160-180-A4	M16	180	9.82	44	24	A4 s/s
P0262.160-190-A4	M16	190	9.82	44	24	A4 s/s
P0262.160-200-A4	M16	200	9.82	44	24	A4 s/s
P0262.160-210-A4	M16	210	9.82	57	24	A4 s/s
P0262.160-220-A4	M16	220	9.82	57	24	A4 s/s
P0262.160-230-A4	M16	230	9.82	57	24	A4 s/s
P0262.160-240-A4	M16	240	9.82	57	24	A4 s/s
P0262.160-250-A4	M16	250	9.82	57	24	A4 s/s
P0262.160-260-A4	M16	260	9.82	57	24	A4 s/s
P0262.160-270-A4	M16	270	9.82	57	24	A4 s/s
P0262.160-280-A4	M16	280	9.82	57	24	A4 s/s
P0262.160-290-A4	M16	290	9.82	57	24	A4 s/s
P0262.160-300-A4	M16	300	9.82	57	24	A4 s/s
P0262.160-320-A4	M16	320	9.82	57	24	A4 s/s
P0262.160-340-A4	M16	340	9.82	57	24	A4 s/s
P0262.160-360-A4	M16	360	9.82	57	24	A4 s/s
P0262.160-380-A4	M16	380	9.82	57	24	A4 s/s
P0262.160-400-A4	M16	400	9.82	57	24	A4 s/s
P0262.160-420-A4	M16	420	9.82	57	24	A4 s/s
P0262.160-440-A4	M16	440	9.82	57	24	A4 s/s
P0262.160-460-A4	M16	460	9.82	57	24	A4 s/s
P0262.160-480-A4	M16	480	9.82	57	24	A4 s/s
P0262.160-500-A4	M16	500	9.82	57	24	A4 s/s
P0262.180-060-A4	M18	60	11.28	42	27	A4 s/s
P0262.180-065-A4	M18	65	11.28	42	27	A4 s/s
P0262.180-070-A4	M18	70	11.28	42	27	A4 s/s
P0262.180-075-A4	M18	75	11.28	42	27	A4 s/s
P0262.180-080-A4	M18	80	11.28	42	27	A4 s/s
P0262.180-085-A4	M18	85	11.28	42	27	A4 s/s
P0262.180-090-A4	M18	90	11.28	42	27	A4 s/s
P0262.180-095-A4	M18	95	11.28	42	27	A4 s/s
P0262.180-100-A4	M18	100	11.28	42	27	A4 s/s
P0262.180-110-A4	M18	110	11.28	42	27	A4 s/s
P0262.180-120-A4	M18	120	11.28	42	27	A4 s/s
P0262.180-130-A4	M18	130	11.28	48	27	A4 s/s
P0262.180-140-A4	M18	140	11.28	48	27	A4 s/s
P0262.180-150-A4	M18	150	11.28	48	27	A4 s/s
P0262.180-160-A4	M18	160	11.28	48	27	A4 s/s

STANDARD SCREWS



STANDARD SCREWS

Order No.	d ₁	l ₁	h ₁	l ₂	A/F	Material
P0262.180-170-A4	M18	170	11.28	48	27	A4 s/s
P0262.180-180-A4	M18	180	11.28	48	27	A4 s/s
P0262.180-190-A4	M18	190	11.28	48	27	A4 s/s
P0262.180-200-A4	M18	200	11.28	48	27	A4 s/s
P0262.180-210-A4	M18	210	11.28	61	27	A4 s/s
P0262.180-220-A4	M18	220	11.28	61	27	A4 s/s
P0262.180-230-A4	M18	230	11.28	61	27	A4 s/s
P0262.180-240-A4	M18	240	11.28	61	27	A4 s/s
P0262.180-250-A4	M18	250	11.28	61	27	A4 s/s
P0262.180-260-A4	M18	260	11.28	61	27	A4 s/s
P0262.180-270-A4	M18	270	11.28	61	27	A4 s/s
P0262.180-280-A4	M18	280	11.28	61	27	A4 s/s
P0262.200-060-A4	M20	60	12.28	52	30	A4 s/s
P0262.200-065-A4	M20	65	12.28	52	30	A4 s/s
P0262.200-070-A4	M20	70	12.28	52	30	A4 s/s
P0262.200-075-A4	M20	75	12.28	52	30	A4 s/s
P0262.200-080-A4	M20	80	12.28	52	30	A4 s/s
P0262.200-085-A4	M20	85	12.28	52	30	A4 s/s
P0262.200-090-A4	M20	90	12.28	52	30	A4 s/s
P0262.200-095-A4	M20	95	12.28	52	30	A4 s/s
P0262.200-100-A4	M20	100	12.28	52	30	A4 s/s
P0262.200-110-A4	M20	110	12.28	52	30	A4 s/s
P0262.200-120-A4	M20	120	12.28	52	30	A4 s/s
P0262.200-130-A4	M20	130	12.28	52	30	A4 s/s
P0262.200-140-A4	M20	140	12.28	52	30	A4 s/s
P0262.200-150-A4	M20	150	12.28	52	30	A4 s/s
P0262.200-160-A4	M20	160	12.28	52	30	A4 s/s
P0262.200-170-A4	M20	170	12.28	52	30	A4 s/s
P0262.200-180-A4	M20	180	12.28	52	30	A4 s/s
P0262.200-190-A4	M20	190	12.28	52	30	A4 s/s
P0262.200-200-A4	M20	200	12.28	52	30	A4 s/s
P0262.200-210-A4	M20	210	12.28	65	30	A4 s/s
P0262.200-220-A4	M20	220	12.28	65	30	A4 s/s
P0262.200-230-A4	M20	230	12.28	65	30	A4 s/s
P0262.200-240-A4	M20	240	12.28	65	30	A4 s/s
P0262.200-250-A4	M20	250	12.28	65	30	A4 s/s
P0262.200-260-A4	M20	260	12.28	65	30	A4 s/s
P0262.200-270-A4	M20	270	12.28	65	30	A4 s/s
P0262.200-280-A4	M20	280	12.28	65	30	A4 s/s
P0262.200-290-A4	M20	290	12.28	65	30	A4 s/s
P0262.200-300-A4	M20	300	12.28	65	30	A4 s/s
P0262.200-320-A4	M20	320	12.28	65	30	A4 s/s
P0262.200-340-A4	M20	340	12.28	65	30	A4 s/s
P0262.200-360-A4	M20	360	12.28	65	30	A4 s/s
P0262.200-380-A4	M20	300	12.28	65	30	A4 s/s
P0262.200-400-A4	M20	400	12.28	65	30	A4 s/s
P0262.200-420-A4	M20	420	12.28	65	30	A4 s/s
P0262.200-440-A4	M20	440	12.28	65	30	A4 s/s
P0262.200-460-A4	M20	460	12.28	65	30	A4 s/s
P0262.200-480-A4	M20	480	12.28	65	30	A4 s/s
P0262.200-500-A4	M20	500	12.28	65	30	A4 s/s
P0262.220-070-A4	M22	70	13.78	50	32	A4 s/s
P0262.220-075-A4	M22	75	13.78	50	32	A4 s/s
P0262.220-080-A4	M22	80	13.78	50	32	A4 s/s
P0262.220-085-A4	M22	85	13.78	50	32	A4 s/s
P0262.220-090-A4	M22	90	13.78	50	32	A4 s/s
P0262.220-095-A4	M22	95	13.78	50	32	A4 s/s
P0262.220-100-A4	M22	100	13.78	50	32	A4 s/s
P0262.220-110-A4	M22	110	13.78	50	32	A4 s/s
P0262.220-120-A4	M22	120	13.78	50	32	A4 s/s
P0262.220-130-A4	M22	130	13.78	56	32	A4 s/s
P0262.220-140-A4	M22	140	13.78	56	32	A4 s/s
P0262.220-150-A4	M22	150	13.78	56	32	A4 s/s
P0262.220-160-A4	M22	160	13.78	56	32	A4 s/s
P0262.220-170-A4	M22	170	13.78	56	32	A4 s/s
P0262.220-180-A4	M22	180	13.78	56	32	A4 s/s
P0262.220-190-A4	M22	190	13.78	56	32	A4 s/s
P0262.220-200-A4	M22	200	13.78	56	32	A4 s/s
P0262.220-210-A4	M22	210	13.78	69	32	A4 s/s



Hexagon Head Bolts

A4 stainless

Standard Screws



Order No.	d ₁	l ₁	h ₁	l ₂	A/F	Material
P0262.220-220-A4	M22	220	13.78	69	32	A4 s/s
P0262.220-230-A4	M22	230	13.78	69	32	A4 s/s
P0262.220-240-A4	M22	240	13.78	69	32	A4 s/s
P0262.220-250-A4	M22	250	13.78	69	32	A4 s/s
P0262.220-260-A4	M22	260	13.78	69	32	A4 s/s
P0262.220-270-A4	M22	270	13.78	69	32	A4 s/s
P0262.220-280-A4	M22	280	13.78	69	32	A4 s/s
P0262.240-070-A4	M24	70	14.78	54	36	A4 s/s
P0262.240-075-A4	M24	75	14.78	54	36	A4 s/s
P0262.240-080-A4	M24	80	14.78	54	36	A4 s/s
P0262.240-085-A4	M24	85	14.78	54	36	A4 s/s
P0262.240-090-A4	M24	90	14.78	54	36	A4 s/s
P0262.240-100-A4	M24	100	14.78	54	36	A4 s/s
P0262.240-110-A4	M24	110	14.78	54	36	A4 s/s
P0262.240-120-A4	M24	120	14.78	54	36	A4 s/s
P0262.240-130-A4	M24	130	14.78	60	36	A4 s/s
P0262.240-140-A4	M24	140	14.78	60	36	A4 s/s
P0262.240-150-A4	M24	150	14.78	60	36	A4 s/s
P0262.240-160-A4	M24	160	14.78	60	36	A4 s/s
P0262.240-170-A4	M24	170	14.78	60	36	A4 s/s
P0262.240-180-A4	M24	180	14.78	60	36	A4 s/s
P0262.240-200-A4	M24	200	14.78	60	36	A4 s/s
P0262.240-210-A4	M24	210	14.78	73	36	A4 s/s
P0262.240-220-A4	M24	220	14.78	73	36	A4 s/s
P0262.240-230-A4	M24	230	14.78	73	36	A4 s/s
P0262.240-240-A4	M24	240	14.78	73	36	A4 s/s
P0262.240-250-A4	M24	250	14.78	73	36	A4 s/s
P0262.240-260-A4	M24	260	14.78	73	36	A4 s/s
P0262.240-270-A4	M24	270	14.78	73	36	A4 s/s
P0262.240-280-A4	M24	280	14.78	73	36	A4 s/s
P0262.240-290-A4	M24	290	14.78	73	36	A4 s/s
P0262.240-300-A4	M24	300	14.78	73	36	A4 s/s
P0262.240-320-A4	M24	320	14.78	73	36	A4 s/s
P0262.240-340-A4	M24	340	14.78	73	36	A4 s/s
P0262.240-360-A4	M24	360	14.78	73	36	A4 s/s
P0262.240-380-A4	M24	380	14.78	73	36	A4 s/s
P0262.240-400-A4	M24	400	14.78	73	36	A4 s/s
P0262.240-420-A4	M24	420	14.78	73	36	A4 s/s
P0262.240-440-A4	M24	440	14.78	73	36	A4 s/s
P0262.240-460-A4	M24	460	14.78	73	36	A4 s/s
P0262.240-480-A4	M24	480	14.78	73	36	A4 s/s
P0262.240-500-A4	M24	500	14.78	73	36	A4 s/s
P0262.270-075-A4	M27	75	16.65	60	41	A4 s/s
P0262.270-080-A4	M27	80	16.65	60	41	A4 s/s
P0262.270-085-A4	M27	85	16.65	60	41	A4 s/s
P0262.270-090-A4	M27	90	16.65	60	41	A4 s/s
P0262.270-095-A4	M27	95	16.65	60	41	A4 s/s
P0262.270-100-A4	M27	100	16.65	60	41	A4 s/s
P0262.270-110-A4	M27	110	16.65	60	41	A4 s/s
P0262.270-120-A4	M27	120	16.65	60	41	A4 s/s
P0262.270-130-A4	M27	130	16.65	66	41	A4 s/s
P0262.270-140-A4	M27	140	16.65	66	41	A4 s/s
P0262.270-150-A4	M27	150	16.65	66	41	A4 s/s
P0262.270-160-A4	M27	160	16.65	66	41	A4 s/s
P0262.270-170-A4	M27	170	16.65	66	41	A4 s/s
P0262.270-180-A4	M27	180	16.65	66	41	A4 s/s
P0262.270-190-A4	M27	190	16.65	66	41	A4 s/s
P0262.270-200-A4	M27	200	16.65	66	41	A4 s/s
P0262.270-210-A4	M27	210	16.65	79	41	A4 s/s
P0262.270-220-A4	M27	220	16.65	79	41	A4 s/s
P0262.270-230-A4	M27	230	16.65	79	41	A4 s/s
P0262.270-240-A4	M27	240	16.65	79	41	A4 s/s
P0262.270-250-A4	M27	250	16.65	79	41	A4 s/s
P0262.270-260-A4	M27	260	16.65	79	41	A4 s/s
P0262.270-270-A4	M27	270	16.65	79	41	A4 s/s
P0262.270-280-A4	M27	280	16.65	79	41	A4 s/s
P0262.270-290-A4	M27	290	16.65	79	41	A4 s/s
P0262.270-300-A4	M27	300	16.65	79	41	A4 s/s
P0262.270-320-A4	M27	320	16.65	79	41	A4 s/s

STANDARD SCREWS



STANDARD SCREWS

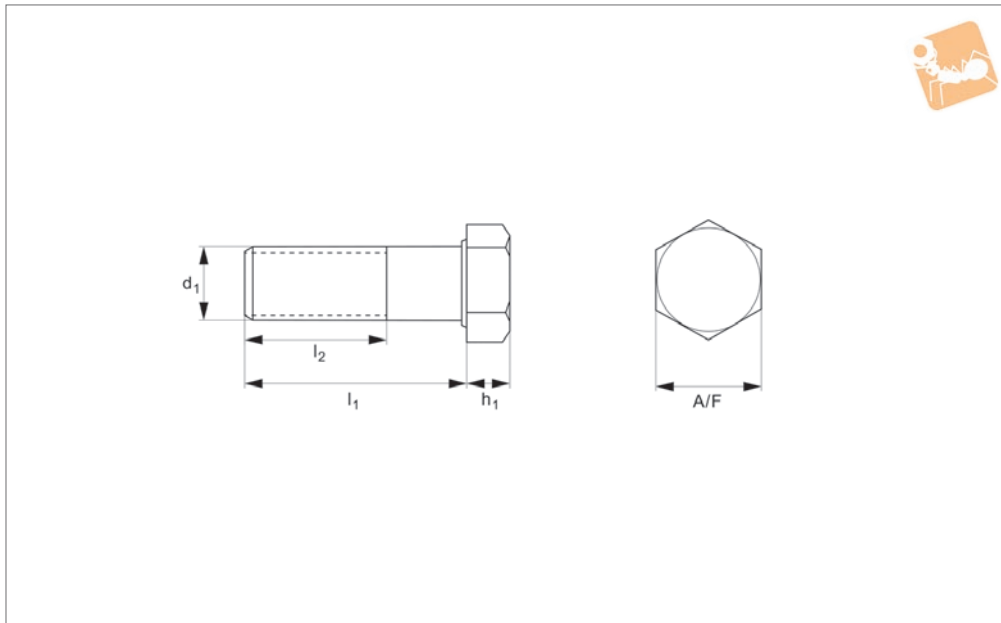
Order No.	d ₁	l ₁	h ₁	l ₂	A/F	Material
P0262.270-340-A4	M27	340	16.65	79	41	A4 s/s
P0262.300-080-A4	M30	80	18.28	66	46	A4 s/s
P0262.300-085-A4	M30	85	18.28	66	46	A4 s/s
P0262.300-090-A4	M30	90	18.28	66	46	A4 s/s
P0262.300-095-A4	M30	95	18.28	66	46	A4 s/s
P0262.300-100-A4	M30	100	18.28	66	46	A4 s/s
P0262.300-110-A4	M30	110	18.28	66	46	A4 s/s
P0262.300-120-A4	M30	120	18.28	66	46	A4 s/s
P0262.300-130-A4	M30	130	18.28	72	46	A4 s/s
P0262.300-140-A4	M30	140	18.28	72	46	A4 s/s
P0262.300-150-A4	M30	150	18.28	72	46	A4 s/s
P0262.300-160-A4	M30	160	18.28	72	46	A4 s/s
P0262.300-170-A4	M30	170	18.28	72	46	-
P0262.300-180-A4	M30	180	18.28	72	46	A4 s/s
P0262.300-190-A4	M30	190	18.28	72	46	A4 s/s
P0262.300-200-A4	M30	200	18.28	72	46	A4 s/s
P0262.300-210-A4	M30	210	18.28	85	46	A4 s/s
P0262.300-220-A4	M30	220	18.28	85	46	-
P0262.300-230-A4	M30	230	18.28	85	46	A4 s/s
P0262.300-240-A4	M30	240	18.28	85	46	A4 s/s
P0262.300-250-A4	M30	250	18.28	85	46	-
P0262.300-260-A4	M30	260	18.28	85	46	A4 s/s
P0262.300-270-A4	M30	270	18.28	85	46	A4 s/s
P0262.300-280-A4	M30	280	18.28	85	46	A4 s/s
P0262.300-290-A4	M30	290	18.28	85	46	A4 s/s
P0262.300-300-A4	M30	300	18.28	85	46	-
P0262.330-090-A4	M33	90	20.58	72	50	A4 s/s
P0262.330-095-A4	M33	95	20.58	72	50	A4 s/s
P0262.330-100-A4	M33	100	20.58	72	50	A4 s/s
P0262.330-110-A4	M33	110	20.58	72	50	A4 s/s
P0262.330-120-A4	M33	120	20.58	72	50	A4 s/s
P0262.330-130-A4	M33	130	20.58	78	50	A4 s/s
P0262.330-140-A4	M33	140	20.58	78	50	A4 s/s
P0262.330-150-A4	M33	150	20.58	78	50	A4 s/s
P0262.330-160-A4	M33	160	20.58	78	50	A4 s/s
P0262.330-170-A4	M33	170	20.58	78	50	A4 s/s
P0262.330-180-A4	M33	180	20.58	78	50	A4 s/s
P0262.330-190-A4	M33	190	20.58	78	50	A4 s/s
P0262.330-200-A4	M33	200	20.58	78	50	A4 s/s
P0262.330-210-A4	M33	210	20.58	91	50	A4 s/s
P0262.330-220-A4	M33	220	20.58	91	50	A4 s/s
P0262.330-230-A4	M33	230	20.58	91	50	A4 s/s
P0262.330-240-A4	M33	240	20.58	91	50	A4 s/s
P0262.330-250-A4	M33	250	20.58	91	50	A4 s/s
P0262.330-260-A4	M33	260	20.58	91	50	A4 s/s
P0262.330-270-A4	M33	270	20.58	91	50	A4 s/s
P0262.330-280-A4	M33	280	20.58	91	50	A4 s/s
P0262.360-100-A4	M36	100	22.08	78	55	A4 s/s
P0262.360-110-A4	M36	110	22.08	78	55	A4 s/s
P0262.360-120-A4	M36	120	22.08	78	55	A4 s/s
P0262.360-130-A4	M36	130	22.08	84	55	A4 s/s
P0262.360-140-A4	M36	140	22.08	84	55	A4 s/s
P0262.360-150-A4	M36	150	22.08	84	55	A4 s/s
P0262.360-160-A4	M36	160	22.08	84	55	A4 s/s
P0262.360-170-A4	M36	170	22.08	84	55	A4 s/s
P0262.360-180-A4	M36	180	22.08	84	55	A4 s/s
P0262.360-190-A4	M36	190	22.08	84	55	A4 s/s
P0262.360-200-A4	M36	200	22.08	84	55	A4 s/s
P0262.360-210-A4	M36	210	22.08	97	55	A4 s/s
P0262.360-220-A4	M36	220	22.08	97	55	A4 s/s
P0262.360-230-A4	M36	230	22.08	97	55	A4 s/s
P0262.360-240-A4	M36	240	22.08	97	55	A4 s/s
P0262.360-250-A4	M36	250	22.08	97	55	A4 s/s
P0262.360-280-A4	M36	280	22.08	97	55	A4 s/s



Hexagon Head Bolts

Steel, zinc-plated

Standard Screws



P0262.ZP

STANDARD SCREWS

Material

Steel, zinc-plated (grade 8.8).

Technical Notes

To DIN 931, ISO 4014.

Order No.	d ₁	l ₁	h ₁	l ₂	A/F
P0262.050-025-ZP	M 5	25	3.35	16	8
P0262.050-030-ZP	M 5	30	3.35	16	8
P0262.050-035-ZP	M 5	35	3.35	16	8
P0262.050-040-ZP	M 5	40	3.35	16	8
P0262.050-045-ZP	M 5	45	3.35	16	8
P0262.050-050-ZP	M 5	50	3.35	16	8
P0262.050-055-ZP	M 5	55	3.35	16	8
P0262.050-060-ZP	M 5	60	3.35	16	8
P0262.050-065-ZP	M 5	65	3.35	16	8
P0262.050-070-ZP	M 5	70	3.35	16	8
P0262.050-075-ZP	M 5	75	3.35	16	8
P0262.050-080-ZP	M 5	80	3.35	16	8
P0262.050-085-ZP	M 5	85	3.35	16	8
P0262.050-090-ZP	M 5	90	3.35	16	8
P0262.050-095-ZP	M 5	95	3.35	16	8
P0262.050-100-ZP	M 5	100	3.35	16	8
P0262.060-025-ZP	M 6	25	3.85	18	10
P0262.060-030-ZP	M 6	30	3.85	18	10
P0262.060-035-ZP	M 6	35	3.85	18	10
P0262.060-040-ZP	M 6	40	3.85	18	10
P0262.060-045-ZP	M 6	45	3.85	18	10
P0262.060-050-ZP	M 6	50	3.85	18	10
P0262.060-055-ZP	M 6	55	3.85	18	10
P0262.060-060-ZP	M 6	60	3.85	18	10
P0262.060-065-ZP	M 6	65	3.85	18	10
P0262.060-070-ZP	M 6	70	3.85	18	10
P0262.060-075-ZP	M 6	75	3.85	18	10
P0262.060-080-ZP	M 6	80	3.85	18	10
P0262.060-085-ZP	M 6	85	3.85	18	10
P0262.060-090-ZP	M 6	90	3.85	18	10
P0262.060-100-ZP	M 6	100	3.85	18	10
P0262.060-110-ZP	M 6	110	3.85	18	10
P0262.060-120-ZP	M 6	120	3.85	18	10
P0262.060-130-ZP	M 6	130	3.85	24	10
P0262.060-140-ZP	M 6	140	3.85	24	10



STANDARD SCREWS

Order No.	d ₁	l ₁	h ₁	l ₂	A/F
P0262.060-150-ZP	M 6	150	3.85	24	10
P0262.060-160-ZP	M 6	160	3.85	24	10
P0262.060-170-ZP	M 6	170	3.85	24	10
P0262.060-180-ZP	M 6	180	3.85	24	10
P0262.060-190-ZP	M 6	190	3.85	24	10
P0262.060-200-ZP	M 6	200	3.85	24	10
P0262.080-030-ZP	M 8	30	5.15	22	13
P0262.080-035-ZP	M 8	35	5.15	22	13
P0262.080-040-ZP	M 8	40	5.15	22	13
P0262.080-045-ZP	M 8	45	5.15	22	13
P0262.080-050-ZP	M 8	50	5.15	22	13
P0262.080-055-ZP	M 8	55	5.15	22	13
P0262.080-060-ZP	M 8	60	5.15	22	13
P0262.080-065-ZP	M 8	65	5.15	22	13
P0262.080-070-ZP	M 8	70	5.15	22	13
P0262.080-075-ZP	M 8	75	5.15	22	13
P0262.080-080-ZP	M 8	80	5.15	22	13
P0262.080-085-ZP	M 8	85	5.15	22	13
P0262.080-090-ZP	M 8	90	5.15	22	13
P0262.080-095-ZP	M 8	95	5.15	22	13
P0262.080-100-ZP	M 8	100	5.15	22	13
P0262.080-110-ZP	M 8	110	5.15	22	13
P0262.080-120-ZP	M 8	120	5.15	22	13
P0262.080-130-ZP	M 8	130	5.15	28	13
P0262.080-140-ZP	M 8	140	5.15	28	13
P0262.080-150-ZP	M 8	150	5.15	28	13
P0262.080-160-ZP	M 8	160	5.15	28	13
P0262.080-170-ZP	M 8	170	5.15	28	13
P0262.080-180-ZP	M 8	180	5.15	28	13
P0262.080-190-ZP	M 8	190	5.15	28	13
P0262.080-200-ZP	M 8	200	5.15	28	13
P0262.080-210-ZP	M 8	210	5.15	41	13
P0262.080-220-ZP	M 8	220	5.15	41	13
P0262.080-230-ZP	M 8	230	5.15	41	13
P0262.080-240-ZP	M 8	240	5.15	41	13
P0262.100-035-ZP	M10	35	6.22	26	17
P0262.100-040-ZP	M10	40	6.22	26	17
P0262.100-045-ZP	M10	45	6.22	26	17
P0262.100-050-ZP	M10	50	6.22	26	17
P0262.100-055-ZP	M10	55	6.22	26	17
P0262.100-060-ZP	M10	60	6.22	26	17
P0262.100-065-ZP	M10	65	6.22	26	17
P0262.100-070-ZP	M10	70	6.22	26	17
P0262.100-075-ZP	M10	75	6.22	26	17
P0262.100-080-ZP	M10	80	6.22	26	17
P0262.100-085-ZP	M10	85	6.22	26	17
P0262.100-090-ZP	M10	90	6.22	26	17
P0262.100-095-ZP	M10	95	6.22	26	17
P0262.100-100-ZP	M10	100	6.22	26	17
P0262.100-110-ZP	M10	110	6.22	26	17
P0262.100-120-ZP	M10	120	6.22	26	17
P0262.100-130-ZP	M10	130	6.22	32	17
P0262.100-140-ZP	M10	140	6.22	32	17
P0262.100-150-ZP	M10	150	6.22	32	17
P0262.100-160-ZP	M10	160	6.22	32	17
P0262.100-170-ZP	M10	170	6.22	32	17
P0262.100-180-ZP	M10	180	6.22	32	17
P0262.100-190-ZP	M10	190	6.22	32	17
P0262.100-200-ZP	M10	200	6.22	32	17
P0262.100-210-ZP	M10	210	6.22	45	17
P0262.100-220-ZP	M10	220	6.22	45	17
P0262.100-230-ZP	M10	230	6.22	45	17
P0262.100-240-ZP	M10	240	6.22	45	17
P0262.100-250-ZP	M10	250	6.22	45	17
P0262.100-260-ZP	M10	260	6.22	45	17
P0262.100-270-ZP	M10	270	6.22	45	17
P0262.100-280-ZP	M10	280	6.22	45	17
P0262.100-290-ZP	M10	290	6.22	45	17
P0262.100-300-ZP	M10	300	6.22	45	17



Hexagon Head Bolts

Steel, zinc-plated

Standard Screws



Order No.	d ₁	l ₁	h ₁	l ₂	A/F
P0262.100-320-ZP	M10	320	6.22	45	17
P0262.100-340-ZP	M10	340	6.22	45	17
P0262.100-360-ZP	M10	360	6.22	45	17
P0262.100-380-ZP	M10	380	6.22	45	17
P0262.100-400-ZP	M10	400	6.22	45	17
P0262.100-430-ZP	M10	420	6.22	45	17
P0262.100-440-ZP	M10	440	6.22	45	17
P0262.100-460-ZP	M10	460	6.22	45	17
P0262.100-480-ZP	M10	480	6.22	45	17
P0262.100-500-ZP	M10	500	6.22	45	17
P0262.120-040-ZP	M12	40	7.32	30	19
P0262.120-045-ZP	M12	45	7.32	30	19
P0262.120-050-ZP	M12	50	7.32	30	19
P0262.120-055-ZP	M12	55	7.32	30	19
P0262.120-060-ZP	M12	60	7.32	30	19
P0262.120-065-ZP	M12	65	7.32	30	19
P0262.120-070-ZP	M12	70	7.32	30	19
P0262.120-075-ZP	M12	75	7.32	30	19
P0262.120-080-ZP	M12	80	7.32	30	19
P0262.120-085-ZP	M12	85	7.32	30	19
P0262.120-090-ZP	M12	90	7.32	30	19
P0262.120-100-ZP	M12	100	7.32	30	19
P0262.120-110-ZP	M12	110	7.32	30	19
P0262.120-120-ZP	M12	120	7.32	30	19
P0262.120-130-ZP	M12	130	7.32	36	19
P0262.120-140-ZP	M12	140	7.32	36	19
P0262.120-150-ZP	M12	150	7.32	36	19
P0262.120-160-ZP	M12	160	7.32	36	19
P0262.120-170-ZP	M12	170	7.32	36	19
P0262.120-180-ZP	M12	180	7.32	36	19
P0262.120-190-ZP	M12	190	7.32	36	19
P0262.120-200-ZP	M12	200	7.32	36	19
P0262.120-210-ZP	M12	210	7.32	49	19
P0262.120-220-ZP	M12	220	7.32	49	19
P0262.120-230-ZP	M12	230	7.32	49	19
P0262.120-240-ZP	M12	240	7.32	49	19
P0262.120-250-ZP	M12	250	7.32	49	19
P0262.120-260-ZP	M12	260	7.32	49	19
P0262.120-270-ZP	M12	270	7.32	49	19
P0262.120-280-ZP	M12	280	7.32	49	19
P0262.120-290-ZP	M12	290	7.32	49	19
P0262.120-300-ZP	M12	300	7.32	49	19
P0262.120-320-ZP	M12	320	7.32	49	19
P0262.120-330-ZP	M12	330	7.32	49	19
P0262.120-340-ZP	M12	340	7.32	49	19
P0262.120-360-ZP	M12	360	7.32	49	19
P0262.120-380-ZP	M12	380	7.32	49	19
P0262.120-400-ZP	M12	400	7.32	49	19
P0262.120-420-ZP	M12	420	7.32	49	19
P0262.120-440-ZP	M12	440	7.32	49	19
P0262.120-460-ZP	M12	460	7.32	49	19
P0262.120-480-ZP	M12	480	7.32	49	19
P0262.120-500-ZP	M12	500	7.32	49	19
P0262.140-050-ZP	M14	50	8.62	34	22
P0262.140-055-ZP	M14	55	8.62	34	22
P0262.140-060-ZP	M14	60	8.62	34	22
P0262.140-065-ZP	M14	65	8.62	34	22
P0262.140-070-ZP	M14	70	8.62	34	22
P0262.140-075-ZP	M14	75	8.62	34	22
P0262.140-080-ZP	M14	80	8.62	34	22
P0262.140-085-ZP	M14	85	8.62	34	22
P0262.140-090-ZP	M14	90	8.62	34	22
P0262.140-095-ZP	M14	95	8.62	34	22
P0262.140-100-ZP	M14	100	8.62	34	22
P0262.140-110-ZP	M14	110	8.62	34	22
P0262.140-120-ZP	M14	120	8.62	34	22
P0262.140-130-ZP	M14	130	8.62	40	22
P0262.140-140-ZP	M14	140	8.62	40	22
P0262.140-150-ZP	M14	150	8.62	40	22

STANDARD SCREWS



STANDARD SCREWS

Order No.	d ₁	l ₁	h ₁	l ₂	A/F
P0262.140-160-ZP	M14	160	8.62	40	22
P0262.140-170-ZP	M14	170	8.62	40	22
P0262.140-180-ZP	M14	180	8.62	40	22
P0262.140-190-ZP	M14	190	8.62	40	22
P0262.140-200-ZP	M14	200	8.62	40	22
P0262.140-210-ZP	M14	210	8.62	53	22
P0262.140-220-ZP	M14	220	8.62	53	22
P0262.140-230-ZP	M14	230	8.62	53	22
P0262.140-240-ZP	M14	240	8.62	53	22
P0262.140-250-ZP	M14	250	8.62	53	22
P0262.140-260-ZP	M14	260	8.62	53	22
P0262.140-270-ZP	M14	270	8.62	53	22
P0262.140-280-ZP	M14	280	8.62	53	22
P0262.160-050-ZP	M16	50	9.82	38	24
P0262.160-055-ZP	M16	55	9.82	38	24
P0262.160-060-ZP	M16	60	9.82	38	24
P0262.160-065-ZP	M16	65	9.82	38	24
P0262.160-070-ZP	M16	70	9.82	38	24
P0262.160-075-ZP	M16	75	9.82	38	24
P0262.160-080-ZP	M16	80	9.82	38	24
P0262.160-085-ZP	M16	85	9.82	38	24
P0262.160-090-ZP	M16	90	9.82	38	24
P0262.160-095-ZP	M16	95	9.82	38	24
P0262.160-100-ZP	M16	100	9.82	38	24
P0262.160-110-ZP	M16	110	9.82	38	24
P0262.160-120-ZP	M16	120	9.82	38	24
P0262.160-130-ZP	M16	130	9.82	44	24
P0262.160-140-ZP	M16	140	9.82	44	24
P0262.160-150-ZP	M16	150	9.82	44	24
P0262.160-160-ZP	M16	160	9.82	44	24
P0262.160-170-ZP	M16	170	9.82	44	24
P0262.160-180-ZP	M16	180	9.82	44	24
P0262.160-190-ZP	M16	190	9.82	44	24
P0262.160-200-ZP	M16	200	9.82	44	24
P0262.160-210-ZP	M16	210	9.82	57	24
P0262.160-220-ZP	M16	220	9.82	57	24
P0262.160-230-ZP	M16	230	9.82	57	24
P0262.160-240-ZP	M16	240	9.82	57	24
P0262.160-250-ZP	M16	250	9.82	57	24
P0262.160-260-ZP	M16	260	9.82	57	24
P0262.160-270-ZP	M16	270	9.82	57	24
P0262.160-280-ZP	M16	280	9.82	57	24
P0262.160-290-ZP	M16	290	9.82	57	24
P0262.160-300-ZP	M16	300	9.82	57	24
P0262.160-320-ZP	M16	320	9.82	57	24
P0262.160-340-ZP	M16	340	9.82	57	24
P0262.160-360-ZP	M16	360	9.82	57	24
P0262.160-380-ZP	M16	380	9.82	57	24
P0262.160-400-ZP	M16	400	9.82	57	24
P0262.160-420-ZP	M16	420	9.82	57	24
P0262.160-440-ZP	M16	440	9.82	57	24
P0262.160-460-ZP	M16	460	9.82	57	24
P0262.160-480-ZP	M16	480	9.82	57	24
P0262.160-500-ZP	M16	500	9.82	57	24
P0262.180-060-ZP	M18	60	11.28	42	27
P0262.180-065-ZP	M18	65	11.28	42	27
P0262.180-070-ZP	M18	70	11.28	42	27
P0262.180-075-ZP	M18	75	11.28	42	27
P0262.180-080-ZP	M18	80	11.28	42	27
P0262.180-085-ZP	M18	85	11.28	42	27
P0262.180-090-ZP	M18	90	11.28	42	27
P0262.180-095-ZP	M18	95	11.28	42	27
P0262.180-100-ZP	M18	100	11.28	42	27
P0262.180-110-ZP	M18	110	11.28	42	27
P0262.180-120-ZP	M18	120	11.28	42	27
P0262.180-130-ZP	M18	130	11.28	48	27
P0262.180-140-ZP	M18	140	11.28	48	27
P0262.180-150-ZP	M18	150	11.28	48	27
P0262.180-160-ZP	M18	160	11.28	48	27



Hexagon Head Bolts

Steel, zinc-plated

Standard Screws



Order No.	d ₁	l ₁	h ₁	l ₂	A/F
P0262.180-170-ZP	M18	170	11.28	48	27
P0262.180-180-ZP	M18	180	11.28	48	27
P0262.180-190-ZP	M18	190	11.28	48	27
P0262.180-200-ZP	M18	200	11.28	48	27
P0262.180-210-ZP	M18	210	11.28	61	27
P0262.180-220-ZP	M18	220	11.28	61	27
P0262.180-230-ZP	M18	230	11.28	61	27
P0262.180-240-ZP	M18	240	11.28	61	27
P0262.180-250-ZP	M18	250	11.28	61	27
P0262.180-260-ZP	M18	260	11.28	61	27
P0262.180-270-ZP	M18	270	11.28	61	27
P0262.180-280-ZP	M18	280	11.28	61	27
P0262.200-060-ZP	M20	60	12.28	52	30
P0262.200-065-ZP	M20	65	12.28	52	30
P0262.200-070-ZP	M20	70	12.28	52	30
P0262.200-075-ZP	M20	75	12.28	52	30
P0262.200-080-ZP	M20	80	12.28	52	30
P0262.200-085-ZP	M20	85	12.28	52	30
P0262.200-090-ZP	M20	90	12.28	52	30
P0262.200-095-ZP	M20	95	12.28	52	30
P0262.200-100-ZP	M20	100	12.28	52	30
P0262.200-110-ZP	M20	110	12.28	52	30
P0262.200-120-ZP	M20	120	12.28	52	30
P0262.200-130-ZP	M20	130	12.28	52	30
P0262.200-140-ZP	M20	140	12.28	52	30
P0262.200-150-ZP	M20	150	12.28	52	30
P0262.200-160-ZP	M20	160	12.28	52	30
P0262.200-170-ZP	M20	170	12.28	52	30
P0262.200-180-ZP	M20	180	12.28	52	30
P0262.200-190-ZP	M20	190	12.28	52	30
P0262.200-200-ZP	M20	200	12.28	52	30
P0262.200-210-ZP	M20	210	12.28	65	30
P0262.200-220-ZP	M20	220	12.28	65	30
P0262.200-230-ZP	M20	230	12.28	65	30
P0262.200-240-ZP	M20	240	12.28	65	30
P0262.200-250-ZP	M20	250	12.28	65	30
P0262.200-260-ZP	M20	260	12.28	65	30
P0262.200-270-ZP	M20	270	12.28	65	30
P0262.200-280-ZP	M20	280	12.28	65	30
P0262.200-290-ZP	M20	290	12.28	65	30
P0262.200-300-ZP	M20	300	12.28	65	30
P0262.200-320-ZP	M20	320	12.28	65	30
P0262.200-340-ZP	M20	340	12.28	65	30
P0262.200-360-ZP	M20	360	12.28	65	30
P0262.200-380-ZP	M20	300	12.28	65	30
P0262.200-400-ZP	M20	400	12.28	65	30
P0262.200-420-ZP	M20	420	12.28	65	30
P0262.200-440-ZP	M20	440	12.28	65	30
P0262.200-460-ZP	M20	460	12.28	65	30
P0262.200-480-ZP	M20	480	12.28	65	30
P0262.200-500-ZP	M20	500	12.28	65	30
P0262.220-070-ZP	M22	70	13.78	50	32
P0262.220-075-ZP	M22	75	13.78	50	32
P0262.220-080-ZP	M22	80	13.78	50	32
P0262.220-085-ZP	M22	85	13.78	50	32
P0262.220-090-ZP	M22	90	13.78	50	32
P0262.220-095-ZP	M22	95	13.78	50	32
P0262.220-100-ZP	M22	100	13.78	50	32
P0262.220-110-ZP	M22	110	13.78	50	32
P0262.220-120-ZP	M22	120	13.78	50	32
P0262.220-130-ZP	M22	130	13.78	56	32
P0262.220-140-ZP	M22	140	13.78	56	32
P0262.220-150-ZP	M22	150	13.78	56	32
P0262.220-160-ZP	M22	160	13.78	56	32
P0262.220-170-ZP	M22	170	13.78	56	32
P0262.220-180-ZP	M22	180	13.78	56	32
P0262.220-190-ZP	M22	190	13.78	56	32
P0262.220-200-ZP	M22	200	13.78	56	32
P0262.220-210-ZP	M22	210	13.78	69	32

STANDARD SCREWS



STANDARD SCREWS

Order No.	d ₁	l ₁	h ₁	l ₂	A/F
P0262.220-220-ZP	M22	220	13.78	69	32
P0262.220-230-ZP	M22	230	13.78	69	32
P0262.220-240-ZP	M22	240	13.78	69	32
P0262.220-250-ZP	M22	250	13.78	69	32
P0262.220-260-ZP	M22	260	13.78	69	32
P0262.220-270-ZP	M22	270	13.78	69	32
P0262.220-280-ZP	M22	280	13.78	69	32
P0262.240-070-ZP	M24	70	14.78	54	36
P0262.240-075-ZP	M24	75	14.78	54	36
P0262.240-080-ZP	M24	80	14.78	54	36
P0262.240-085-ZP	M24	85	14.78	54	36
P0262.240-090-ZP	M24	90	14.78	54	36
P0262.240-100-ZP	M24	100	14.78	54	36
P0262.240-110-ZP	M24	110	14.78	54	36
P0262.240-120-ZP	M24	120	14.78	54	36
P0262.240-130-ZP	M24	130	14.78	60	36
P0262.240-140-ZP	M24	140	14.78	60	36
P0262.240-150-ZP	M24	150	14.78	60	36
P0262.240-160-ZP	M24	160	14.78	60	36
P0262.240-170-ZP	M24	170	14.78	60	36
P0262.240-180-ZP	M24	180	14.78	60	36
P0262.240-200-ZP	M24	200	14.78	60	36
P0262.240-210-ZP	M24	210	14.78	73	36
P0262.240-220-ZP	M24	220	14.78	73	36
P0262.240-230-ZP	M24	230	14.78	73	36
P0262.240-240-ZP	M24	240	14.78	73	36
P0262.240-250-ZP	M24	250	14.78	73	36
P0262.240-260-ZP	M24	260	14.78	73	36
P0262.240-270-ZP	M24	270	14.78	73	36
P0262.240-280-ZP	M24	280	14.78	73	36
P0262.240-290-ZP	M24	290	14.78	73	36
P0262.240-300-ZP	M24	300	14.78	73	36
P0262.240-320-ZP	M24	320	14.78	73	36
P0262.240-340-ZP	M24	340	14.78	73	36
P0262.240-360-ZP	M24	360	14.78	73	36
P0262.240-380-ZP	M24	380	14.78	73	36
P0262.240-400-ZP	M24	400	14.78	73	36
P0262.240-420-ZP	M24	420	14.78	73	36
P0262.240-440-ZP	M24	440	14.78	73	36
P0262.240-460-ZP	M24	460	14.78	73	36
P0262.240-480-ZP	M24	480	14.78	73	36
P0262.240-500-ZP	M24	500	14.78	73	36
P0262.270-075-ZP	M27	75	16.65	60	41
P0262.270-080-ZP	M27	80	16.65	60	41
P0262.270-085-ZP	M27	85	16.65	60	41
P0262.270-090-ZP	M27	90	16.65	60	41
P0262.270-095-ZP	M27	95	16.65	60	41
P0262.270-100-ZP	M27	100	16.65	60	41
P0262.270-110-ZP	M27	110	16.65	60	41
P0262.270-120-ZP	M27	120	16.65	60	41
P0262.270-130-ZP	M27	130	16.65	66	41
P0262.270-140-ZP	M27	140	16.65	66	41
P0262.270-150-ZP	M27	150	16.65	66	41
P0262.270-160-ZP	M27	160	16.65	66	41
P0262.270-170-ZP	M27	170	16.65	66	41
P0262.270-180-ZP	M27	180	16.65	66	41
P0262.270-190-ZP	M27	190	16.65	66	41
P0262.270-200-ZP	M27	200	16.65	66	41
P0262.270-210-ZP	M27	210	16.65	79	41
P0262.270-220-ZP	M27	220	16.65	79	41
P0262.270-230-ZP	M27	230	16.65	79	41
P0262.270-240-ZP	M27	240	16.65	79	41
P0262.270-250-ZP	M27	250	16.65	79	41
P0262.270-260-ZP	M27	260	16.65	79	41
P0262.270-270-ZP	M27	270	16.65	79	41
P0262.270-280-ZP	M27	280	16.65	79	41
P0262.270-290-ZP	M27	290	16.65	79	41
P0262.270-300-ZP	M27	300	16.65	79	41
P0262.270-320-ZP	M27	320	16.65	79	41



Hexagon Head Bolts

Steel, zinc-plated

Standard Screws

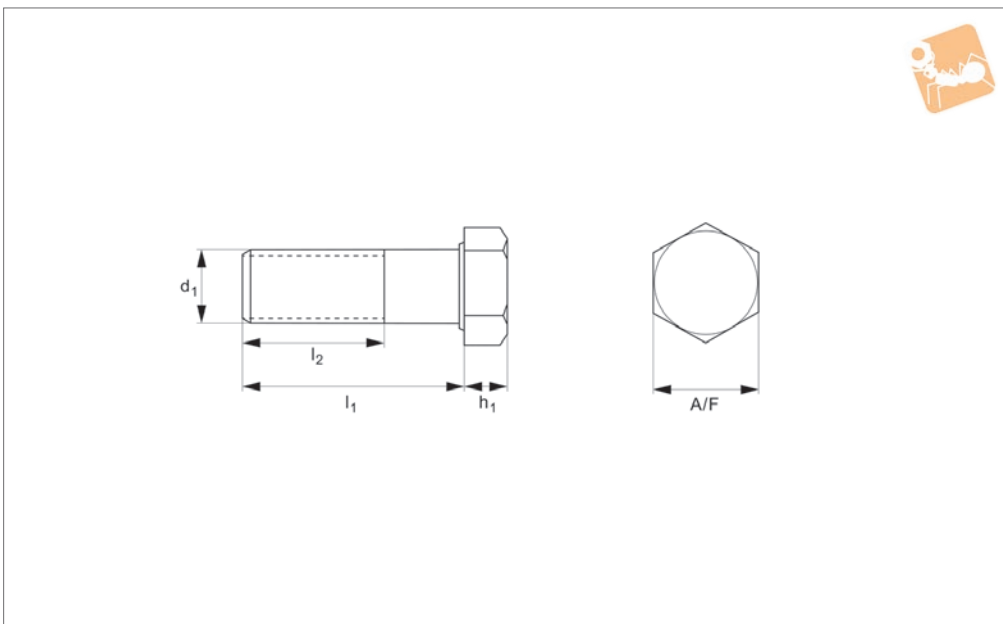


Order No.	d ₁	l ₁	h ₁	l ₂	A/F
P0262.270-340-ZP	M27	340	16.65	79	41
P0262.300-080-ZP	M30	80	18.28	66	46
P0262.300-085-ZP	M30	85	18.28	66	46
P0262.300-090-ZP	M30	90	18.28	66	46
P0262.300-095-ZP	M30	95	18.28	66	46
P0262.300-100-ZP	M30	100	18.28	66	46
P0262.300-110-ZP	M30	110	18.28	66	46
P0262.300-120-ZP	M30	120	18.28	66	46
P0262.300-130-ZP	M30	130	18.28	72	46
P0262.300-140-ZP	M30	140	18.28	72	46
P0262.300-150-ZP	M30	150	18.28	72	46
P0262.300-160-ZP	M30	160	18.28	72	46
P0262.300-170-ZP	M30	170	18.28	72	46
P0262.300-180-ZP	M30	180	18.28	72	46
P0262.300-190-ZP	M30	190	18.28	72	46
P0262.300-200-ZP	M30	200	18.28	72	46
P0262.300-210-ZP	M30	210	18.28	85	46
P0262.300-220-ZP	M30	220	18.28	85	46
P0262.300-230-ZP	M30	230	18.28	85	46
P0262.300-240-ZP	M30	240	18.28	85	46
P0262.300-250-ZP	M30	250	18.28	85	46
P0262.300-260-ZP	M30	260	18.28	85	46
P0262.300-270-ZP	M30	270	18.28	85	46
P0262.300-280-ZP	M30	280	18.28	85	46
P0262.300-290-ZP	M30	290	18.28	85	46
P0262.300-300-ZP	M30	300	18.28	85	46
P0262.330-090-ZP	M33	90	20.58	72	50
P0262.330-095-ZP	M33	95	20.58	72	50
P0262.330-100-ZP	M33	100	20.58	72	50
P0262.330-110-ZP	M33	110	20.58	72	50
P0262.330-120-ZP	M33	120	20.58	72	50
P0262.330-130-ZP	M33	130	20.58	78	50
P0262.330-140-ZP	M33	140	20.58	78	50
P0262.330-150-ZP	M33	150	20.58	78	50
P0262.330-160-ZP	M33	160	20.58	78	50
P0262.330-170-ZP	M33	170	20.58	78	50
P0262.330-180-ZP	M33	180	20.58	78	50
P0262.330-190-ZP	M33	190	20.58	78	50
P0262.330-200-ZP	M33	200	20.58	78	50
P0262.330-210-ZP	M33	210	20.58	91	50
P0262.330-220-ZP	M33	220	20.58	91	50
P0262.330-230-ZP	M33	230	20.58	91	50
P0262.330-240-ZP	M33	240	20.58	91	50
P0262.330-250-ZP	M33	250	20.58	91	50
P0262.330-260-ZP	M33	260	20.58	91	50
P0262.330-270-ZP	M33	270	20.58	91	50
P0262.330-280-ZP	M33	280	20.58	91	50
P0262.360-100-ZP	M36	100	22.08	78	55
P0262.360-110-ZP	M36	110	22.08	78	55
P0262.360-120-ZP	M36	120	22.08	78	55
P0262.360-130-ZP	M36	130	22.08	84	55
P0262.360-140-ZP	M36	140	22.08	84	55
P0262.360-150-ZP	M36	150	22.08	84	55
P0262.360-160-ZP	M36	160	22.08	84	55
P0262.360-170-ZP	M36	170	22.08	84	55
P0262.360-180-ZP	M36	180	22.08	84	55
P0262.360-190-ZP	M36	190	22.08	84	55
P0262.360-200-ZP	M36	200	22.08	84	55
P0262.360-210-ZP	M36	210	22.08	97	55
P0262.360-220-ZP	M36	220	22.08	97	55
P0262.360-230-ZP	M36	230	22.08	97	55
P0262.360-240-ZP	M36	240	22.08	97	55
P0262.360-250-ZP	M36	250	22.08	97	55
P0262.360-280-ZP	M36	280	22.08	97	55

STANDARD SCREWS



P0262.SC



Material

Steel, self-colour (grade 8.8).

Technical Notes

To DIN 931, ISO 4014.

Order No.	d ₁	l ₁	h ₁	l ₂	A/F	Material
P0262.050-025-SC	M 5	25	3.35	16	8	Steel SC
P0262.050-030-SC	M 5	30	3.35	16	8	Steel SC
P0262.050-035-SC	M 5	35	3.35	16	8	Steel SC
P0262.050-040-SC	M 5	40	3.35	16	8	Steel SC
P0262.050-045-SC	M 5	45	3.35	16	8	Steel SC
P0262.050-050-SC	M 5	50	3.35	16	8	Steel SC
P0262.050-055-SC	M 5	55	3.35	16	8	Steel SC
P0262.050-060-SC	M 5	60	3.35	16	8	Steel SC
P0262.050-065-SC	M 5	65	3.35	16	8	Steel SC
P0262.050-070-SC	M 5	70	3.35	16	8	Steel SC
P0262.050-075-SC	M 5	75	3.35	16	8	Steel SC
P0262.050-080-SC	M 5	80	3.35	16	8	Steel SC
P0262.050-085-SC	M 5	85	3.35	16	8	Steel SC
P0262.050-090-SC	M 5	90	3.35	16	8	Steel SC
P0262.050-095-SC	M 5	95	3.35	16	8	Steel SC
P0262.050-100-SC	M 5	100	3.35	16	8	Steel SC
P0262.060-025-SC	M 6	25	3.85	18	10	Steel SC
P0262.060-030-SC	M 6	30	3.85	18	10	Steel SC
P0262.060-035-SC	M 6	35	3.85	18	10	Steel SC
P0262.060-040-SC	M 6	40	3.85	18	10	Steel SC
P0262.060-045-SC	M 6	45	3.85	18	10	Steel SC
P0262.060-050-SC	M 6	50	3.85	18	10	Steel SC
P0262.060-055-SC	M 6	55	3.85	18	10	Steel SC
P0262.060-060-SC	M 6	60	3.85	18	10	Steel SC
P0262.060-065-SC	M 6	65	3.85	18	10	Steel SC
P0262.060-070-SC	M 6	70	3.85	18	10	Steel SC
P0262.060-075-SC	M 6	75	3.85	18	10	Steel SC
P0262.060-080-SC	M 6	80	3.85	18	10	Steel SC
P0262.060-085-SC	M 6	85	3.85	18	10	Steel SC
P0262.060-090-SC	M 6	90	3.85	18	10	Steel SC
P0262.060-100-SC	M 6	100	3.85	18	10	Steel SC
P0262.060-110-SC	M 6	110	3.85	18	10	Steel SC
P0262.060-120-SC	M 6	120	3.85	18	10	Steel SC
P0262.060-130-SC	M 6	130	3.85	24	10	Steel SC
P0262.060-140-SC	M 6	140	3.85	24	10	Steel SC



Hexagon Head Bolts

Steel, self-colour

Standard Screws



Order No.	d ₁	l ₁	h ₁	l ₂	A/F	Material
P0262.060-150-SC	M 6	150	3.85	24	10	Steel SC
P0262.060-160-SC	M 6	160	3.85	24	10	Steel SC
P0262.060-170-SC	M 6	170	3.85	24	10	Steel SC
P0262.060-180-SC	M 6	180	3.85	24	10	Steel SC
P0262.060-190-SC	M 6	190	3.85	24	10	Steel SC
P0262.060-200-SC	M 6	200	3.85	24	10	Steel SC
P0262.080-030-SC	M 8	30	5.15	22	13	Steel SC
P0262.080-035-SC	M 8	35	5.15	22	13	Steel SC
P0262.080-040-SC	M 8	40	5.15	22	13	Steel SC
P0262.080-045-SC	M 8	45	5.15	22	13	Steel SC
P0262.080-050-SC	M 8	50	5.15	22	13	Steel SC
P0262.080-055-SC	M 8	55	5.15	22	13	Steel SC
P0262.080-060-SC	M 8	60	5.15	22	13	Steel SC
P0262.080-065-SC	M 8	65	5.15	22	13	Steel SC
P0262.080-070-SC	M 8	70	5.15	22	13	Steel SC
P0262.080-075-SC	M 8	75	5.15	22	13	Steel SC
P0262.080-080-SC	M 8	80	5.15	22	13	Steel SC
P0262.080-085-SC	M 8	85	5.15	22	13	Steel SC
P0262.080-090-SC	M 8	90	5.15	22	13	Steel SC
P0262.080-095-SC	M 8	95	5.15	22	13	Steel SC
P0262.080-100-SC	M 8	100	5.15	22	13	Steel SC
P0262.080-110-SC	M 8	110	5.15	22	13	Steel SC
P0262.080-120-SC	M 8	120	5.15	22	13	Steel SC
P0262.080-130-SC	M 8	130	5.15	28	13	Steel SC
P0262.080-140-SC	M 8	140	5.15	28	13	Steel SC
P0262.080-150-SC	M 8	150	5.15	28	13	Steel SC
P0262.080-160-SC	M 8	160	5.15	28	13	Steel SC
P0262.080-170-SC	M 8	170	5.15	28	13	Steel SC
P0262.080-180-SC	M 8	180	5.15	22	13	Steel SC
P0262.080-190-SC	M 8	190	5.15	22	13	Steel SC
P0262.080-200-SC	M 8	200	5.15	28	13	Steel SC
P0262.080-210-SC	M 8	210	5.15	41	13	Steel SC
P0262.080-220-SC	M 8	220	5.15	41	13	Steel SC
P0262.080-230-SC	M 8	230	5.15	41	13	Steel SC
P0262.080-240-SC	M 8	240	5.15	41	13	Steel SC
P0262.100-035-SC	M10	35	6.22	26	17	Steel SC
P0262.100-040-SC	M10	40	6.22	26	17	Steel SC
P0262.100-045-SC	M10	45	6.22	26	17	Steel SC
P0262.100-050-SC	M10	50	6.22	26	17	Steel SC
P0262.100-055-SC	M10	55	6.22	26	17	Steel SC
P0262.100-060-SC	M10	60	6.22	26	17	Steel SC
P0262.100-065-SC	M10	65	6.22	26	17	Steel SC
P0262.100-070-SC	M10	70	6.22	26	17	Steel SC
P0262.100-075-SC	M10	75	6.22	26	17	Steel SC
P0262.100-080-SC	M10	80	6.22	26	17	Steel SC
P0262.100-085-SC	M10	85	6.22	26	17	Steel SC
P0262.100-090-SC	M10	90	6.22	26	17	Steel SC
P0262.100-095-SC	M10	95	6.22	26	17	Steel SC
P0262.100-100-SC	M10	100	6.22	26	17	Steel SC
P0262.100-110-SC	M10	110	6.22	26	17	Steel SC
P0262.100-120-SC	M10	120	6.22	26	17	Steel SC
P0262.100-130-SC	M10	130	6.22	32	17	Steel SC
P0262.100-140-SC	M10	140	6.22	32	17	Steel SC
P0262.100-150-SC	M10	150	6.22	32	17	Steel SC
P0262.100-160-SC	M10	160	6.22	32	17	Steel SC
P0262.100-170-SC	M10	170	6.22	32	17	Steel SC
P0262.100-180-SC	M10	180	6.22	32	17	Steel SC
P0262.100-200-SC	M10	200	6.22	32	17	Steel SC
P0262.100-210-SC	M10	210	6.22	45	17	Steel SC
P0262.100-220-SC	M10	220	6.22	45	17	Steel SC
P0262.100-230-SC	M10	230	6.22	45	17	Steel SC
P0262.100-240-SC	M10	240	6.22	45	17	Steel SC
P0262.100-250-SC	M10	250	6.22	45	17	Steel SC
P0262.100-260-SC	M10	260	6.22	45	17	Steel SC
P0262.100-270-SC	M10	270	6.22	45	17	Steel SC
P0262.100-280-SC	M10	280	6.22	45	17	Steel SC
P0262.100-290-SC	M10	290	6.22	45	17	Steel SC
P0262.100-300-SC	M10	300	6.22	45	17	Steel SC
P0262.100-320-SC	M10	320	6.22	45	17	Steel SC

STANDARD SCREWS



STANDARD SCREWS

Order No.	d ₁	l ₁	h ₁	l ₂	A/F	Material
P0262.100-340-SC	M10	340	6.22	45	17	Steel SC
P0262.100-360-SC	M10	360	6.22	45	17	Steel SC
P0262.100-380-SC	M10	380	6.22	45	17	Steel SC
P0262.100-400-SC	M10	400	6.22	45	17	Steel SC
P0262.100-420-SC	M10	420	6.22	45	17	Steel SC
P0262.100-440-SC	M10	440	6.22	45	17	Steel SC
P0262.100-460-SC	M10	460	6.22	45	17	Steel SC
P0262.100-480-SC	M10	480	6.22	45	17	Steel SC
P0262.100-500-SC	M10	500	6.22	45	17	Steel SC
P0262.120-040-SC	M12	40	7.32	30	19	Steel SC
P0262.120-045-SC	M12	45	7.32	30	19	Steel SC
P0262.120-050-SC	M12	50	7.32	30	19	Steel SC
P0262.120-055-SC	M12	55	7.32	30	19	Steel SC
P0262.120-060-SC	M12	60	7.32	30	19	Steel SC
P0262.120-065-SC	M12	65	7.32	30	19	Steel SC
P0262.120-070-SC	M12	70	7.32	30	19	Steel SC
P0262.120-075-SC	M12	75	7.32	30	19	Steel SC
P0262.120-080-SC	M12	80	7.32	30	19	Steel SC
P0262.120-085-SC	M12	85	7.32	30	19	Steel SC
P0262.120-090-SC	M12	90	7.32	30	19	Steel SC
P0262.120-100-SC	M12	100	7.32	30	19	Steel SC
P0262.120-110-SC	M12	110	7.32	30	19	Steel SC
P0262.120-120-SC	M12	120	7.32	30	19	Steel SC
P0262.120-130-SC	M12	130	7.32	36	19	Steel SC
P0262.120-140-SC	M12	140	7.32	36	19	Steel SC
P0262.120-150-SC	M12	150	7.32	36	19	Steel SC
P0262.120-160-SC	M12	160	7.32	36	19	Steel SC
P0262.120-170-SC	M12	170	7.32	36	19	Steel SC
P0262.120-180-SC	M12	180	7.32	36	19	Steel SC
P0262.120-190-SC	M12	190	7.32	36	19	Steel SC
P0262.120-200-SC	M12	200	7.32	36	19	Steel SC
P0262.120-210-SC	M12	210	7.32	49	19	Steel SC
P0262.120-220-SC	M12	220	7.32	49	19	Steel SC
P0262.120-230-SC	M12	230	7.32	49	19	Steel SC
P0262.120-240-SC	M12	240	7.32	49	19	Steel SC
P0262.120-250-SC	M12	250	7.32	49	19	Steel SC
P0262.120-260-SC	M12	260	7.32	49	19	Steel SC
P0262.120-270-SC	M12	270	7.32	49	19	Steel SC
P0262.120-280-SC	M12	280	7.32	49	19	Steel SC
P0262.120-290-SC	M12	290	7.32	49	19	Steel SC
P0262.120-300-SC	M12	300	7.32	49	19	Steel SC
P0262.120-320-SC	M12	320	7.32	49	19	Steel SC
P0262.120-340-SC	M12	340	7.32	49	19	Steel SC
P0262.120-360-SC	M12	360	7.32	49	19	Steel SC
P0262.120-380-SC	M12	380	7.32	49	19	Steel SC
P0262.120-400-SC	M12	400	7.32	49	19	Steel SC
P0262.120-420-SC	M12	420	7.32	49	19	Steel SC
P0262.120-440-SC	M12	440	7.32	49	19	Steel SC
P0262.120-460-SC	M12	460	7.32	49	19	Steel SC
P0262.120-480-SC	M12	480	7.32	49	19	Steel SC
P0262.120-500-SC	M12	500	7.32	49	19	Steel SC
P0262.140-050-SC	M14	50	8.62	34	22	Steel SC
P0262.140-055-SC	M14	55	8.62	34	22	Steel SC
P0262.140-060-SC	M14	60	8.62	34	22	Steel SC
P0262.140-065-SC	M14	65	8.62	34	22	Steel SC
P0262.140-070-SC	M14	70	8.62	34	22	Steel SC
P0262.140-075-SC	M14	75	8.62	34	22	Steel SC
P0262.140-080-SC	M14	80	8.62	34	22	Steel SC
P0262.140-085-SC	M14	85	8.62	34	22	Steel SC
P0262.140-090-SC	M14	90	8.62	34	22	Steel SC
P0262.140-095-SC	M14	95	8.62	34	22	Steel SC
P0262.140-100-SC	M14	100	8.62	34	22	Steel SC
P0262.140-110-SC	M14	110	8.62	34	22	Steel SC
P0262.140-120-SC	M14	120	8.62	34	22	Steel SC
P0262.140-130-SC	M14	130	8.62	40	22	Steel SC
P0262.140-140-SC	M14	140	8.62	40	22	Steel SC
P0262.140-150-SC	M14	150	8.62	40	22	Steel SC
P0262.140-160-SC	M14	160	8.62	40	22	Steel SC
P0262.140-170-SC	M14	170	8.62	40	22	Steel SC



Hexagon Head Bolts

Steel, self-colour

Standard Screws



Order No.	d ₁	l ₁	h ₁	l ₂	A/F	Material
P0262.140-180-SC	M14	180	8.62	40	22	Steel SC
P0262.140-190-SC	M14	190	8.62	40	22	Steel SC
P0262.140-200-SC	M14	200	8.62	40	22	Steel SC
P0262.140-210-SC	M14	210	8.62	53	22	Steel SC
P0262.140-220-SC	M14	220	8.62	53	22	Steel SC
P0262.140-230-SC	M14	230	8.62	53	22	Steel SC
P0262.140-240-SC	M14	240	8.62	53	22	Steel SC
P0262.140-250-SC	M14	250	8.62	53	22	Steel SC
P0262.140-260-SC	M14	260	8.62	53	22	Steel SC
P0262.140-270-SC	M14	270	8.62	53	22	Steel SC
P0262.140-280-SC	M14	280	8.62	53	22	Steel SC
P0262.160-050-SC	M16	50	9.82	38	24	Steel SC
P0262.160-055-SC	M16	55	9.82	38	24	Steel SC
P0262.160-060-SC	M16	60	9.82	38	24	Steel SC
P0262.160-065-SC	M16	65	9.82	38	24	Steel SC
P0262.160-070-SC	M16	70	9.82	38	24	Steel SC
P0262.160-075-SC	M16	75	9.82	38	24	Steel SC
P0262.160-080-SC	M16	80	9.82	38	24	Steel SC
P0262.160-085-SC	M16	85	9.82	38	24	Steel SC
P0262.160-090-SC	M16	90	9.82	38	24	Steel SC
P0262.160-095-SC	M16	95	9.82	38	24	Steel SC
P0262.160-100-SC	M16	100	9.82	38	24	Steel SC
P0262.160-110-SC	M16	110	9.82	38	24	Steel SC
P0262.160-120-SC	M16	120	9.82	38	24	Steel SC
P0262.160-130-SC	M16	130	9.82	44	24	Steel SC
P0262.160-140-SC	M16	140	9.82	44	24	Steel SC
P0262.160-150-SC	M16	150	9.82	44	24	Steel SC
P0262.160-160-SC	M16	160	9.82	44	24	Steel SC
P0262.160-170-SC	M16	170	9.82	44	24	Steel SC
P0262.160-180-SC	M16	180	9.82	44	24	Steel SC
P0262.160-190-SC	M16	190	9.82	44	24	Steel SC
P0262.160-200-SC	M16	200	9.82	44	24	Steel SC
P0262.160-210-SC	M16	210	9.82	57	24	Steel SC
P0262.160-220-SC	M16	220	9.82	57	24	Steel SC
P0262.160-230-SC	M16	230	9.82	57	24	Steel SC
P0262.160-240-SC	M16	240	9.82	57	24	Steel SC
P0262.160-250-SC	M16	250	9.82	57	24	Steel SC
P0262.160-260-SC	M16	260	9.82	57	24	Steel SC
P0262.160-270-SC	M16	270	9.82	57	24	Steel SC
P0262.160-280-SC	M16	280	9.82	57	24	Steel SC
P0262.160-290-SC	M16	290	9.82	57	24	Steel SC
P0262.160-300-SC	M16	300	9.82	57	24	Steel SC
P0262.160-320-SC	M16	320	9.82	57	24	Steel SC
P0262.160-340-SC	M16	340	9.82	57	24	Steel SC
P0262.160-360-SC	M16	360	9.82	57	24	Steel SC
P0262.160-380-SC	M16	380	9.82	57	24	Steel SC
P0262.160-400-SC	M16	400	9.82	57	24	Steel SC
P0262.160-420-SC	M16	420	9.82	57	24	Steel SC
P0262.160-440-SC	M16	440	9.82	57	24	Steel SC
P0262.160-460-SC	M16	460	9.82	57	24	Steel SC
P0262.160-480-SC	M16	480	9.82	57	24	Steel SC
P0262.160-500-SC	M16	500	9.82	57	24	Steel SC
P0262.180-060-SC	M18	60	11.28	42	27	Steel SC
P0262.180-065-SC	M18	65	11.28	42	27	Steel SC
P0262.180-070-SC	M18	70	11.28	42	27	Steel SC
P0262.180-075-SC	M18	75	11.28	42	27	Steel SC
P0262.180-080-SC	M18	80	11.28	42	27	Steel SC
P0262.180-085-SC	M18	85	11.28	42	27	Steel SC
P0262.180-090-SC	M18	90	11.28	42	27	Steel SC
P0262.180-095-SC	M18	95	11.28	42	27	Steel SC
P0262.180-100-SC	M18	100	11.28	42	27	Steel SC
P0262.180-110-SC	M18	110	11.28	42	27	Steel SC
P0262.180-120-SC	M18	120	11.28	42	27	Steel SC
P0262.180-130-SC	M18	130	11.28	48	27	Steel SC
P0262.180-140-SC	M18	140	11.28	48	27	Steel SC
P0262.180-150-SC	M18	150	11.28	48	27	Steel SC
P0262.180-160-SC	M18	160	11.28	48	27	Steel SC
P0262.180-170-SC	M18	170	11.28	48	27	Steel SC
P0262.180-180-SC	M18	180	11.28	48	27	Steel SC

STANDARD SCREWS



STANDARD SCREWS

Order No.	d ₁	l ₁	h ₁	l ₂	A/F	Material
P0262.180-190-SC	M18	190	11.28	48	27	Steel SC
P0262.180-200-SC	M18	200	11.28	48	27	Steel SC
P0262.180-210-SC	M18	210	11.28	61	27	Steel SC
P0262.180-220-SC	M18	220	11.28	61	27	Steel SC
P0262.180-230-SC	M18	230	11.28	61	27	Steel SC
P0262.180-240-SC	M18	240	11.28	61	27	Steel SC
P0262.180-250-SC	M18	250	11.28	61	27	Steel SC
P0262.180-260-SC	M18	260	11.28	61	27	Steel SC
P0262.180-270-SC	M18	270	11.28	61	27	Steel SC
P0262.180-280-SC	M18	280	11.28	61	27	Steel SC
P0262.200-060-SC	M20	60	12.28	52	30	Steel SC
P0262.200-065-SC	M20	65	12.28	52	30	Steel SC
P0262.200-070-SC	M20	70	12.28	52	30	Steel SC
P0262.200-075-SC	M20	75	12.28	52	30	Steel SC
P0262.200-080-SC	M20	80	12.28	52	30	Steel SC
P0262.200-085-SC	M20	85	12.28	52	30	Steel SC
P0262.200-090-SC	M20	90	12.28	52	30	Steel SC
P0262.200-095-SC	M20	95	12.28	52	30	Steel SC
P0262.200-100-SC	M20	100	12.28	52	30	Steel SC
P0262.200-110-SC	M20	110	12.28	52	30	Steel SC
P0262.200-120-SC	M20	120	12.28	52	30	Steel SC
P0262.200-130-SC	M20	130	12.28	52	30	Steel SC
P0262.200-140-SC	M20	140	12.28	52	30	Steel SC
P0262.200-150-SC	M20	150	12.28	52	30	Steel SC
P0262.200-160-SC	M20	160	12.28	52	30	Steel SC
P0262.200-170-SC	M20	170	12.28	52	30	Steel SC
P0262.200-180-SC	M20	180	12.28	52	30	Steel SC
P0262.200-200-SC	M20	200	12.28	52	30	Steel SC
P0262.200-210-SC	M20	210	12.28	65	30	Steel SC
P0262.200-220-SC	M20	220	12.28	65	30	Steel SC
P0262.200-230-SC	M20	230	12.28	65	30	Steel SC
P0262.200-240-SC	M20	240	12.28	65	30	Steel SC
P0262.200-250-SC	M20	250	12.28	65	30	Steel SC
P0262.200-260-SC	M20	260	12.28	65	30	Steel SC
P0262.200-270-SC	M20	270	12.28	65	30	Steel SC
P0262.200-280-SC	M20	280	12.28	65	30	Steel SC
P0262.200-290-SC	M20	290	12.28	65	30	Steel SC
P0262.200-300-SC	M20	300	12.28	65	30	Steel SC
P0262.200-320-SC	M20	320	12.28	65	30	Steel SC
P0262.200-340-SC	M20	340	12.28	65	30	Steel SC
P0262.200-360-SC	M20	360	12.28	65	30	Steel SC
P0262.200-380-SC	M20	380	12.28	65	30	Steel SC
P0262.200-400-SC	M20	400	12.28	65	30	Steel SC
P0262.200-420-SC	M20	420	12.28	65	30	Steel SC
P0262.200-440-SC	M20	440	12.28	65	30	Steel SC
P0262.200-460-SC	M20	460	12.28	65	30	Steel SC
P0262.200-480-SC	M20	480	12.28	65	30	Steel SC
P0262.200-500-SC	M20	500	12.28	65	30	Steel SC
P0262.220-070-SC	M22	70	13.78	50	32	Steel SC
P0262.220-075-SC	M22	75	13.78	50	32	Steel SC
P0262.220-080-SC	M22	80	13.78	50	32	Steel SC
P0262.220-085-SC	M22	85	13.78	50	32	Steel SC
P0262.220-090-SC	M22	90	13.78	50	32	Steel SC
P0262.220-095-SC	M22	95	13.78	50	32	Steel SC
P0262.220-100-SC	M22	100	13.78	50	32	Steel SC
P0262.220-110-SC	M22	110	13.78	50	32	Steel SC
P0262.220-120-SC	M22	120	13.78	50	32	Steel SC
P0262.220-130-SC	M22	130	13.78	56	32	Steel SC
P0262.220-140-SC	M22	140	13.78	56	32	Steel SC
P0262.220-150-SC	M22	150	13.78	56	32	Steel SC
P0262.220-160-SC	M22	160	13.78	56	32	Steel SC
P0224.220-170-SC	M22	170	13.78	56	32	Steel SC
P0262.220-180-SC	M22	180	13.78	56	32	Steel SC
P0262.220-190-SC	M22	190	13.78	56	32	Steel SC
P0262.220-200-SC	M22	200	13.78	56	32	Steel SC
P0262.220-210-SC	M22	210	13.78	69	32	Steel SC
P0224.220-220-SC	M22	220	13.78	69	32	Steel SC
P0224.220-230-SC	M22	230	13.78	69	32	Steel SC
P0262.220-240-SC	M22	240	13.78	69	32	Steel SC



Hexagon Head Bolts

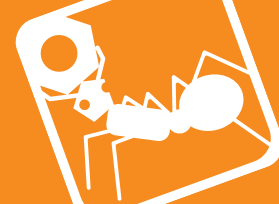
Steel, self-colour

Standard Screws



Order No.	d ₁	l ₁	h ₁	l ₂	A/F	Material
P0262.220-250-SC	M22	250	13.78	69	32	Steel SC
P0262.220-260-SC	M22	260	13.78	69	32	Steel SC
P0262.220-270-SC	M22	270	13.78	69	32	Steel SC
P0224.220-280-SC	M22	280	13.78	69	32	Steel SC
P0262.240-070-SC	M24	70	14.78	54	36	Steel SC
P0262.240-075-SC	M24	75	14.78	54	36	Steel SC
P0262.240-080-SC	M24	80	14.78	54	36	Steel SC
P0262.240-085-SC	M24	85	14.78	54	36	Steel SC
P0262.240-090-SC	M24	90	14.78	54	36	Steel SC
P0262.240-100-SC	M24	100	14.78	54	36	Steel SC
P0262.240-110-SC	M24	110	14.78	54	36	Steel SC
P0262.240-120-SC	M24	120	14.78	54	36	Steel SC
P0262.240-130-SC	M24	130	14.78	60	36	Steel SC
P0262.240-140-SC	M24	140	14.78	60	36	Steel SC
P0262.240-150-SC	M24	150	14.78	60	36	Steel SC
P0262.240-160-SC	M24	160	14.78	60	36	Steel SC
P0262.240-170-SC	M24	170	14.78	60	36	Steel SC
P0262.240-180-SC	M24	180	14.78	60	36	Steel SC
P0262.240-200-SC	M24	200	14.78	60	36	Steel SC
P0262.240-210-SC	M24	210	14.78	73	36	Steel SC
P0262.240-220-SC	M24	220	14.78	73	36	Steel SC
P0262.240-230-SC	M24	230	14.78	73	36	Steel SC
P0262.240-240-SC	M24	240	14.78	73	36	Steel SC
P0262.240-250-SC	M24	250	14.78	73	36	Steel SC
P0262.240-260-SC	M24	260	14.78	73	36	Steel SC
P0262.240-270-SC	M24	270	14.78	73	36	Steel SC
P0262.240-280-SC	M24	280	14.78	73	36	Steel SC
P0262.240-290-SC	M24	290	14.78	73	36	Steel SC
P0262.240-300-SC	M24	300	14.78	73	36	Steel SC
P0262.240-320-SC	M24	320	14.78	73	36	Steel SC
P0262.240-340-SC	M24	340	14.78	73	36	Steel SC
P0262.240-360-SC	M24	360	14.78	73	36	Steel SC
P0262.240-380-SC	M24	380	14.78	73	36	Steel SC
P0262.240-400-SC	M24	400	14.78	73	36	Steel SC
P0262.240-420-SC	M24	420	14.78	73	36	Steel SC
P0262.240-440-SC	M24	440	14.78	73	36	Steel SC
P0262.240-460-SC	M24	460	14.78	73	36	Steel SC
P0262.240-480-SC	M24	480	14.78	73	36	Steel SC
P0262.240-500-SC	M24	500	14.78	73	36	Steel SC
P0262.270-080-SC	M27	80	16.65	60	41	Steel SC
P0262.270-085-SC	M27	85	16.65	60	41	Steel SC
P0262.270-090-SC	M27	90	16.65	60	41	Steel SC
P0262.270-095-SC	M27	95	16.65	60	41	Steel SC
P0262.270-100-SC	M27	100	16.65	60	41	Steel SC
P0262.270-110-SC	M27	110	16.65	60	41	Steel SC
P0262.270-120-SC	M27	120	16.65	60	41	Steel SC
P0262.270-130-SC	M27	130	16.65	66	41	Steel SC
P0262.270-140-SC	M27	140	16.65	66	41	Steel SC
P0262.270-150-SC	M27	150	16.65	66	41	Steel SC
P0262.270-160-SC	M27	160	16.65	66	41	Steel SC
P0262.270-170-SC	M27	170	16.65	66	41	Steel SC
P0262.270-180-SC	M27	180	16.65	66	41	Steel SC
P0262.270-190-SC	M27	190	16.65	66	41	Steel SC
P0262.270-200-SC	M27	200	16.65	66	41	Steel SC
P0262.270-210-SC	M27	210	16.65	79	41	Steel SC
P0262.270-220-SC	M27	220	16.65	79	41	Steel SC
P0262.270-230-SC	M27	230	16.65	79	41	Steel SC
P0262.270-240-SC	M27	240	16.65	79	41	Steel SC
P0262.270-250-SC	M27	250	16.65	79	41	Steel SC
P0262.270-260-SC	M27	260	16.65	79	41	Steel SC
P0262.270-270-SC	M27	270	16.65	79	41	Steel SC
P0262.270-280-SC	M27	280	16.65	79	41	Steel SC
P0262.270-290-SC	M27	290	16.65	79	41	Steel SC
P0262.270-300-SC	M27	300	16.65	79	41	Steel SC
P0262.270-320-SC	M27	320	16.65	79	41	Steel SC
P0262.270-340-SC	M27	340	16.65	79	41	Steel SC
P0262.300-080-SC	M30	80	18.28	66	46	Steel SC
P0262.300-085-SC	M30	85	18.28	66	46	Steel SC
P0262.300-090-SC	M30	90	18.28	66	46	Steel SC

STANDARD SCREWS



STANDARD SCREWS

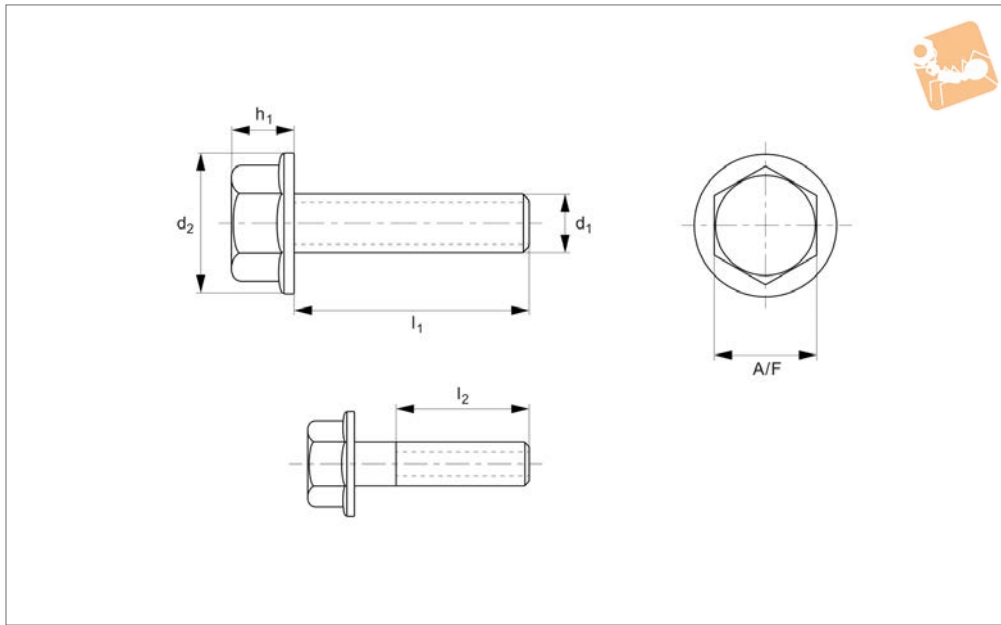
Order No.	d ₁	l ₁	h ₁	l ₂	A/F	Material
P0262.300-095-SC	M30	95	18.28	66	46	Steel SC
P0262.300-100-SC	M30	100	18.28	66	46	Steel SC
P0262.300-110-SC	M30	110	18.28	66	46	Steel SC
P0262.300-120-SC	M30	120	18.28	66	46	Steel SC
P0262.300-130-SC	M30	130	18.28	72	46	Steel SC
P0262.300-140-SC	M30	140	18.28	72	46	Steel SC
P0262.300-150-SC	M30	150	18.28	72	46	Steel SC
P0262.300-160-SC	M30	160	18.28	72	46	Steel SC
P0262.300-170-SC	M30	170	18.28	72	46	Steel SC
P0262.300-180-SC	M30	180	18.28	72	46	Steel SC
P0262.300-190-SC	M30	190	18.28	72	46	Steel SC
P0262.300-200-SC	M30	200	18.28	72	46	Steel SC
P0262.300-210-SC	M30	210	18.28	85	46	Steel SC
P0262.300-220-SC	M30	220	18.28	85	46	Steel SC
P0262.300-230-SC	M30	230	18.28	85	46	Steel SC
P0262.300-240-SC	M30	240	18.28	85	46	Steel SC
P0262.300-250-SC	M30	250	18.28	85	46	Steel SC
P0262.300-260-SC	M30	260	18.28	85	46	Steel SC
P0262.300-270-SC	M30	270	18.28	85	46	Steel SC
P0262.300-280-SC	M30	280	18.28	85	46	Steel SC
P0262.300-290-SC	M30	290	18.28	85	46	Steel SC
P0262.300-300-SC	M30	300	18.28	85	46	Steel SC
P0262.330-090-SC	M33	90	20.58	72	50	Steel SC
P0262.330-095-SC	M33	95	20.58	72	50	Steel SC
P0262.330-100-SC	M33	100	20.58	72	50	Steel SC
P0262.330-110-SC	M33	110	20.58	72	50	Steel SC
P0262.330-120-SC	M33	120	20.58	72	50	Steel SC
P0262.330-130-SC	M33	130	20.58	78	50	Steel SC
P0262.330-140-SC	M33	140	20.58	78	50	Steel SC
P0262.330-150-SC	M33	150	20.58	78	50	Steel SC
P0262.330-160-SC	M33	160	20.58	78	50	Steel SC
P0262.330-170-SC	M33	170	20.58	78	50	Steel SC
P0262.330-180-SC	M33	180	20.58	78	50	Steel SC
P0262.330-190-SC	M33	190	20.58	78	50	Steel SC
P0262.330-200-SC	M33	200	20.58	78	50	Steel SC
P0262.330-210-SC	M33	210	20.58	91	50	Steel SC
P0262.330-220-SC	M33	220	20.58	91	50	Steel SC
P0262.330-230-SC	M33	230	20.58	91	50	Steel SC
P0262.330-240-SC	M33	240	20.58	91	50	Steel SC
P0262.330-250-SC	M33	250	20.58	91	50	Steel SC
P0262.330-260-SC	M33	260	20.58	91	50	Steel SC
P0262.330-270-SC	M33	270	20.58	91	50	Steel SC
P0262.330-280-SC	M33	280	20.58	91	50	Steel SC
P0262.360-100-SC	M36	100	22.08	78	55	Steel SC
P0262.360-110-SC	M36	110	22.08	78	55	Steel SC
P0262.360-120-SC	M36	120	22.08	78	55	Steel SC
P0262.360-130-SC	M36	130	22.08	84	55	Steel SC
P0262.360-140-SC	M36	140	22.08	84	55	Steel SC
P0262.360-150-SC	M36	150	22.08	84	55	Steel SC
P0262.360-160-SC	M36	160	22.08	84	55	Steel SC
P0262.360-170-SC	M36	170	22.08	84	55	Steel SC
P0262.360-180-SC	M36	180	22.08	84	55	Steel SC
P0262.360-190-SC	M36	190	22.08	84	55	Steel SC
P0262.360-200-SC	M36	200	22.08	84	55	Steel SC
P0262.360-210-SC	M36	210	22.08	97	55	Steel SC
P0262.360-220-SC	M36	220	22.08	97	55	Steel SC
P0262.360-230-SC	M36	230	22.08	97	55	Steel SC
P0262.360-240-SC	M36	240	22.08	97	55	Steel SC
P0262.360-250-SC	M36	1425	22.08	97	55	Steel SC
P0262.360-260-SC	M36	260	22.08	97	55	Steel SC
P0262.360-270-SC	M36	270	22.08	97	55	Steel SC
P0262.360-280-SC	M36	280	22.08	97	55	Steel SC



Flanged Hexagon Bolts

Flanged - A2 stainless

Standard Screws



P0266.A2

STANDARD SCREWS

Material

Stainless steel (A2).

See technical page for tightening torques.

Technical Notes

To DIN 6921.

Order No.	d ₁	l ₁	h ₁	l ₂	d ₂	A/F
P0266.050-010-A2	M 5	10	5.4	-	11.8	8
P0266.050-012-A2	M 5	12	5.4	-	11.8	8
P0266.050-016-A2	M 5	16	5.4	16	11.8	8
P0266.050-020-A2	M 5	20	5.4	16	11.8	8
P0266.050-025-A2	M 5	25	5.4	16	11.8	8
P0266.050-030-A2	M 5	30	5.4	16	11.8	8
P0266.050-035-A2	M 5	35	5.4	16	11.8	8
P0266.050-040-A2	M 5	40	5.4	16	11.8	8
P0266.060-010-A2	M 6	10	6.6	-	14.2	10
P0266.060-012-A2	M 6	12	6.6	-	14.2	10
P0266.060-016-A2	M 6	16	6.6	-	14.2	10
P0266.060-020-A2	M 6	20	6.6	18	14.2	10
P0266.060-025-A2	M 6	25	6.6	18	14.2	10
P0266.060-030-A2	M 6	30	6.6	18	14.2	10
P0266.060-035-A2	M 6	35	6.6	18	14.2	10
P0266.060-040-A2	M 6	40	6.6	18	14.2	10
P0266.060-045-A2	M 6	45	6.6	18	14.2	10
P0266.060-050-A2	M 6	50	6.6	18	14.2	10
P0266.060-060-A2	M 6	60	6.6	18	14.2	10
P0266.080-030-A2	M 8	30	8.1	-	18.0	13
P0266.080-035-A2	M 8	35	8.1	-	18.0	13
P0266.080-040-A2	M 8	40	8.1	22	18.0	13
P0266.080-045-A2	M 8	45	8.1	22	18.0	13
P0266.080-050-A2	M 8	50	8.1	22	18.0	13
P0266.080-055-A2	M 8	55	8.1	22	18.0	13
P0266.080-060-A2	M 8	60	8.1	22	18.0	13
P0266.080-065-A2	M 8	65	8.1	22	18.0	13
P0266.080-070-A2	M 8	70	8.1	22	18.0	13
P0266.100.016-A2	M 10	16	9.2	-	22.3	15
P0266.100.020-A2	M 10	20	9.2	-	22.3	15
P0266.100.025-A2	M 10	25	9.2	-	22.3	15
P0266.100.030-A2	M 10	30	9.2	26	22.3	15
P0266.100.035-A2	M 10	35	9.2	26	22.3	15
P0266.100.040-A2	M 10	40	9.2	26	22.3	15



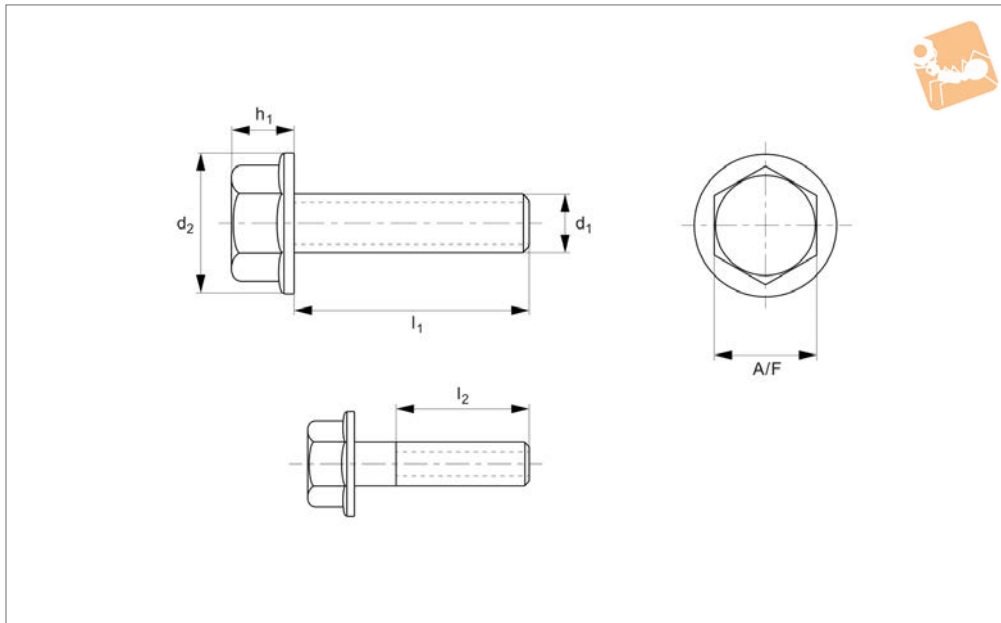
Order No.	d ₁	l ₁	h ₁	l ₂	d ₂	A/F
P0266.100.045-A2	M 10	45	9.2	26	22.3	15
P0266.100.050-A2	M 10	50	9.2	26	22.3	15
P0266.010.060-A2	M 10	60	9.2	26	22.3	15
P0266.120.025-A2	M12	25	11.5	-	26.6	16
P0266.120.030-A2	M12	30	11.5	30	26.6	16
P0266.120.035-A2	M 12	35	11.5	30	26.6	16
P0266.120.040-A2	M 12	40	11.5	30	26.6	16
P0266.120.045-A2	M 12	45	11.5	30	26.6	16
P0266.120.050-A2	M 12	50	11.5	30	26.6	16
P0266.120.060-A2	M12	60	11.5	30	26.6	16
P0266.160.030-A2	M16	30	14.4	-	35.0	21
P0266.160.035-A2	M16	35	14.4	-	35.0	21
P0266.160.040-A2	M16	40	14.4	38	35.0	21
P0266.160.045-A2	M16	45	14.4	38	35.0	21
P0266.160.050-A2	M16	50	14.4	38	35.0	21
P0266.160.060-A2	M16	60	14.4	38	35.0	21
P0266.160.070-A2	M16	70	14.4	38	35.0	21



Flanged Hexagon Bolts

Flanged - steel, zinc-plated

Standard Screws



P0266.ZP

STANDARD SCREWS

Material

Steel, zinc-plated (grade 8.8).

Technical Notes

To DIN 6921.

Order No.	d ₁	l ₁	h ₁	l ₂	d ₂	A/F
P0266.050-010-ZP	M 5	10	5.4	-	11.8	8
P0266.050-012-ZP	M 5	12	5.4	-	11.8	8
P0266.050-016-ZP	M 5	16	5.4	16	11.8	8
P0266.050-020-ZP	M 5	20	5.4	16	11.8	8
P0266.050-025-ZP	M 5	25	5.4	16	11.8	8
P0266.050-030-ZP	M 5	30	5.4	16	11.8	8
P0266.050-035-ZP	M 5	35	5.4	16	11.8	8
P0266.050-040-ZP	M 5	40	5.4	16	11.8	8
P0266.060-010-ZP	M 6	10	6.6	-	14.2	10
P0266.060-012-ZP	M 6	12	6.6	-	14.2	10
P0266.060-016-ZP	M 6	16	6.6	-	14.2	10
P0266.060-020-ZP	M 6	20	6.6	18	14.2	10
P0266.060-025-ZP	M 6	25	6.6	18	14.2	10
P0266.060-030-ZP	M 6	30	6.6	18	14.2	10
P0266.060-035-ZP	M 6	35	6.6	18	14.2	10
P0266.060-040-ZP	M 6	40	6.6	18	14.2	10
P0266.060-045-ZP	M 6	45	6.6	18	14.2	10
P0266.060-050-ZP	M 6	50	6.6	18	14.2	10
P0266.060-060-ZP	M 6	60	6.6	18	14.2	10
P0266.080-016-ZP	M 8	16	8.1	-	18.0	13
P0266.080-020-ZP	M 8	20	8.1	-	18.0	13
P0266.080-025-ZP	M 8	25	8.1	22	18.0	13
P0266.080-030-ZP	M 8	30	8.1	22	18.0	13
P0266.080-035-ZP	M 8	35	8.1	22	18.0	13
P0266.080-040-ZP	M 8	40	8.1	22	18.0	13
P0266.080-045-ZP	M 8	45	8.1	22	18.0	13
P0266.080-050-ZP	M 8	50	8.1	22	18.0	13
P0266.080-060-ZP	M 8	60	8.1	22	18.0	13
P0266.100-016-ZP	M10	16	9.2	-	22.3	15
P0266.100-020-ZP	M10	20	9.2	-	22.3	15
P0266.100-025-ZP	M10	25	9.2	-	22.3	15
P0266.100-030-ZP	M10	30	9.2	26	22.3	15
P0266.100-035-ZP	M10	35	9.2	26	22.3	15
P0266.100-040-ZP	M10	40	9.2	26	22.3	15
P0266.100-045-ZP	M10	45	9.2	26	22.3	15



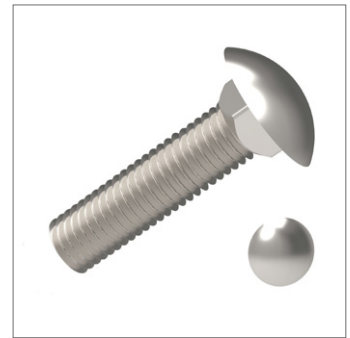
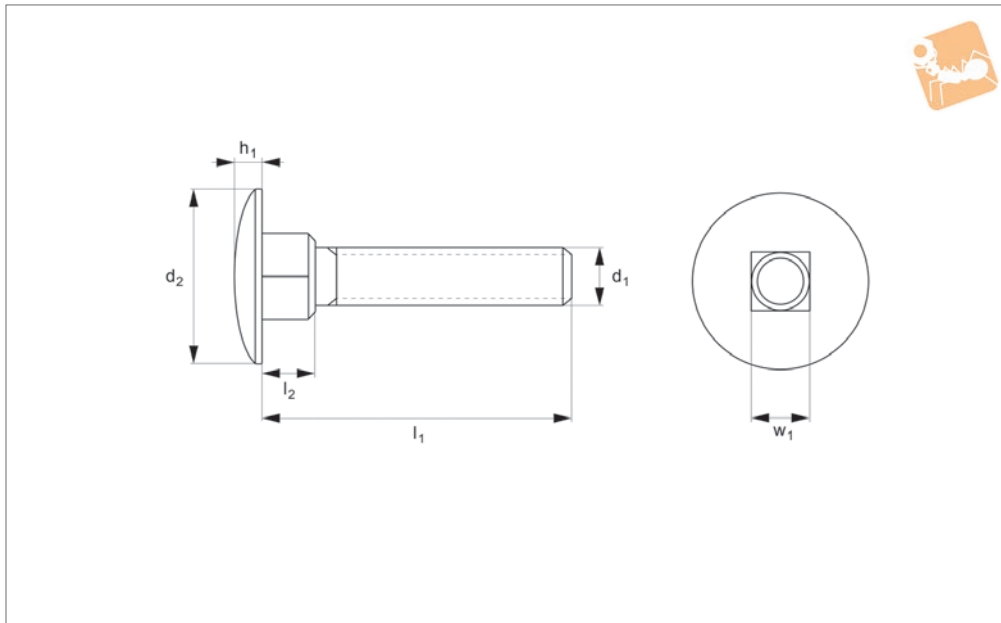
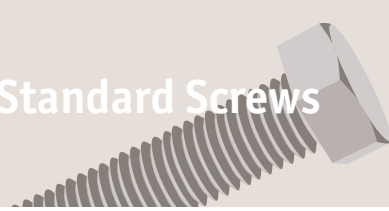
Order No.	d ₁	l ₁	h ₁	l ₂	d ₂	A/F
P0266.100-050-ZP	M10	50	9.2	26	22.3	15
P0266.100-060-ZP	M10	60	9.2	26	22.3	15
P0266.120-025-ZP	M12	25	11.5	-	26.6	16
P0266.120-030-ZP	M12	30	11.5	30	26.6	16
P0266.120-035-ZP	M12	35	11.5	30	26.6	16
P0266.120-040-ZP	M12	40	11.5	30	26.6	16
P0266.120-045-ZP	M12	45	11.5	30	26.6	16
P0266.120-050-ZP	M12	50	11.5	30	26.6	16
P0266.120-055-ZP	M12	55	11.5	30	26.6	16
P0266.120-060-ZP	M12	60	11.5	30	26.6	16
P0266.160-030-ZP	M16	30	14.4	-	35.0	21
P0266.160-035-ZP	M16	35	14.4	-	35.0	21
P0266.160-040-ZP	M16	40	14.4	38	35.0	21
P0266.160-045-ZP	M16	45	14.4	38	35.0	21
P0266.160-050-ZP	M16	50	14.4	38	35.0	21
P0266.160-055-ZP	M16	55	14.4	38	35.0	21
P0266.160-060-ZP	M16	60	14.4	38	35.0	21
P0266.160-070-ZP	M16	70	14.4	38	35.0	21



Carriage Bolts - Full Thread

Full thread - A2 stainless

Standard Screws



P0264.A2

STANDARD SCREWS

Material

Stainless steel (A2).

See technical page for tightening torques.

Technical Notes

To DIN 603.

Order No.	d ₁	l ₁	h ₁ min.	d ₂	l ₂	h ₁ max.
P0264.050-016-A2	M 5	16	2.7	12.45	2.9	5.48
P0264.050-020-A2	M 5	20	2.7	12.45	2.9	5.48
P0264.050-025-A2	M 5	25	2.7	12.45	2.9	5.48
P0264.050-030-A2	M 5	30	2.7	12.45	2.9	5.48
P0264.050-035-A2	M 5	35	2.7	12.45	2.9	5.48
P0264.050-040-A2	M 5	40	2.7	12.45	2.9	5.48
P0264.050-045-A2	M 5	45	2.7	12.45	2.9	5.48
P0264.050-050-A2	M 5	50	2.7	12.45	2.9	5.48
P0264.050-055-A2	M 5	55	2.7	12.45	2.9	5.48
P0264.050-060-A2	M 5	60	2.7	12.45	2.9	5.48
P0264.050-065-A2	M 5	65	2.7	12.45	2.9	5.48
P0264.050-070-A2	M 5	70	2.7	12.45	2.9	5.48
P0264.050-075-A2	M 5	75	2.7	12.45	2.9	5.48
P0264.050-080-A2	M5	80	2.7	12.45	2.9	5.48
P0264.060-012-A2	M 6	12	3.12	15.45	3.4	6.48
P0264.060-016-A2	M 6	16	3.12	15.45	3.4	6.48
P0264.060-020-A2	M 6	20	3.12	15.45	3.4	6.48
P0264.060-025-A2	M 6	25	3.12	15.45	3.4	6.48
P0264.060-030-A2	M 6	30	3.12	15.45	3.4	6.48
P0264.060-035-A2	M 6	35	3.12	15.45	3.4	6.48
P0264.060-040-A2	M 6	40	3.12	15.45	3.4	6.48
P0264.060-045-A2	M 6	45	3.12	15.45	3.4	6.48
P0264.060-050-A2	M 6	50	3.12	15.45	3.4	6.48
P0264.060-055-A2	M 6	55	3.12	15.45	3.4	6.48
P0264.060-060-A2	M 6	60	3.12	15.45	3.4	6.48
P0264.060-065-A2	M 6	65	3.12	15.45	3.4	6.48
P0264.060-070-A2	M 6	70	3.12	15.45	3.4	6.48
P0264.060-075-A2	M 6	75	3.12	15.45	3.4	6.48
P0264.060-080-A2	M 6	80	3.12	15.45	3.4	6.48
P0264.060-090-A2	M 6	90	3.12	15.45	3.4	6.48
P0264.060-100-A2	M 6	100	3.12	15.45	3.4	6.48
P0264.060-110-A2	M 6	110	3.12	15.45	3.4	6.48
P0264.060-120-A2	M 6	120	3.12	15.45	3.4	6.48
P0264.060-130-A2	M 6	130	3.12	15.45	3.4	6.48



STANDARD SCREWS

Order No.	d ₁	l ₁	h ₁ min.	d ₂	l ₂	w ₁ max.
P0264.060-140-A2	M 6	140	3.12	15.45	3.4	6.48
P0264.080-016-A2	M 8	16	4.12	19.35	4.4	8.58
P0264.080-020-A2	M 8	20	4.12	19.35	4.4	8.58
P0264.080-025-A2	M 8	25	4.12	19.35	4.4	8.58
P0264.080-030-A2	M 8	30	4.12	19.35	4.4	8.58
P0264.080-035-A2	M 8	35	4.12	19.35	4.4	8.58
P0264.080-040-A2	M 8	40	4.12	19.35	4.4	8.58
P0264.080-045-A2	M 8	45	4.12	19.35	4.4	8.58
P0264.080-050-A2	M 8	50	4.12	19.35	4.4	8.58
P0264.080-055-A2	M 8	55	4.12	19.35	4.4	8.58
P0264.080-060-A2	M 8	60	4.12	19.35	4.4	8.58
P0264.080-065-A2	M 8	65	4.12	19.35	4.4	8.58
P0264.080-070-A2	M 8	70	4.12	19.35	4.4	8.58
P0264.080-075-A2	M 8	75	4.12	19.35	4.4	8.58
P0264.080-080-A2	M 8	80	4.12	19.35	4.4	8.58
P0264.080-090-A2	M 8	90	4.12	19.35	4.4	8.58
P0264.080-100-A2	M 8	100	4.12	19.35	4.4	8.58
P0264.080-110-A2	M 8	110	4.12	19.35	4.4	8.58
P0264.080-120-A2	M 8	120	4.12	19.35	4.4	8.58
P0264.080-130-A2	M 8	130	4.12	19.35	4.4	8.58
P0264.080-140-A2	M 8	140	4.12	19.35	4.4	8.58
P0264.080-150-A2	M 8	150	4.12	19.35	4.4	8.58
P0264.080-160-A2	M 8	160	4.12	19.35	4.4	8.58
P0264.080-170-A2	M 8	170	4.12	19.35	4.4	8.58
P0264.080-180-A2	M 8	180	4.12	19.35	4.4	8.58
P0264.080-200-A2	M 8	200	4.12	19.35	4.4	8.58
P0264.100-016-A2	M10	16	4.62	23.25	5.4	10.58
P0264.100-020-A2	M10	20	4.62	23.25	5.4	10.58
P0264.100-025-A2	M10	25	4.62	23.25	5.4	10.58
P0264.100-030-A2	M10	30	4.62	23.25	5.4	10.58
P0264.100-035-A2	M10	35	4.62	23.25	5.4	10.58
P0264.100-040-A2	M10	40	4.62	23.25	5.4	10.58
P0264.100-045-A2	M10	45	4.62	23.25	5.4	10.58
P0264.100-050-A2	M10	50	4.62	23.25	5.4	10.58
P0264.100-055-A2	M10	55	4.62	23.25	5.4	10.58
P0264.100-060-A2	M10	60	4.62	23.25	5.4	10.58
P0264.100-065-A2	M10	65	4.62	23.25	5.4	10.58
P0264.100-070-A2	M10	70	4.62	23.25	5.4	10.58
P0264.100-075-A2	M10	75	4.62	23.25	5.4	10.58
P0264.100-080-A2	M10	80	4.62	23.25	5.4	10.58
P0264.100-090-A2	M10	90	4.62	23.25	5.4	10.58
P0264.100-100-A2	M10	100	4.62	23.25	5.4	10.58
P0264.100-110-A2	M10	110	4.62	23.25	5.4	10.58
P0264.100-120-A2	M10	120	4.62	23.25	5.4	10.58
P0264.100-130-A2	M10	130	4.62	23.25	5.4	10.58
P0264.100-140-A2	M10	140	4.62	23.25	5.4	10.58
P0264.100-150-A2	M10	150	4.62	23.25	5.4	10.58
P0264.100-160-A2	M10	160	4.62	23.25	5.4	10.58
P0264.100-170-A2	M10	170	4.62	23.25	5.4	10.58
P0264.100-180-A2	M10	180	4.62	23.25	5.4	10.58
P0264.100-200-A2	M10	200	4.62	23.25	5.4	10.58
P0264.120-025-A2	M12	25	6.05	29.25	7.25	12.7
P0264.120-030-A2	M12	30	6.05	29.25	7.25	12.7
P0264.120-035-A2	M12	35	6.05	29.25	7.25	12.7
P0264.120-040-A2	M12	40	6.05	29.25	7.25	12.7
P0264.120-045-A2	M12	45	6.05	29.25	7.25	12.7
P0264.120-050-A2	M12	50	6.05	29.25	7.25	12.7
P0264.120-055-A2	M12	55	6.05	29.25	7.25	12.7
P0264.120-060-A2	M12	60	6.05	29.25	7.25	12.7
P0264.120-065-A2	M12	65	6.05	29.25	7.25	12.7
P0264.120-070-A2	M12	70	6.05	29.25	7.25	12.7
P0264.120-075-A2	M12	75	6.05	29.25	7.25	12.7
P0264.120-080-A2	M12	80	6.05	29.25	7.25	12.7
P0264.120-090-A2	M12	90	6.05	29.25	7.25	12.7
P0264.120-100-A2	M12	100	6.05	29.25	7.25	12.7
P0264.120-110-A2	M12	110	6.05	29.25	7.25	12.7
P0264.120-120-A2	M12	120	6.05	29.25	7.25	12.7
P0264.120-130-A2	M12	130	6.05	29.25	7.25	12.7



Carriage Bolts - Full Thread

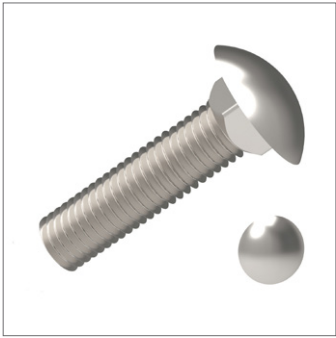
Full thread - A2 stainless

Standard Screws

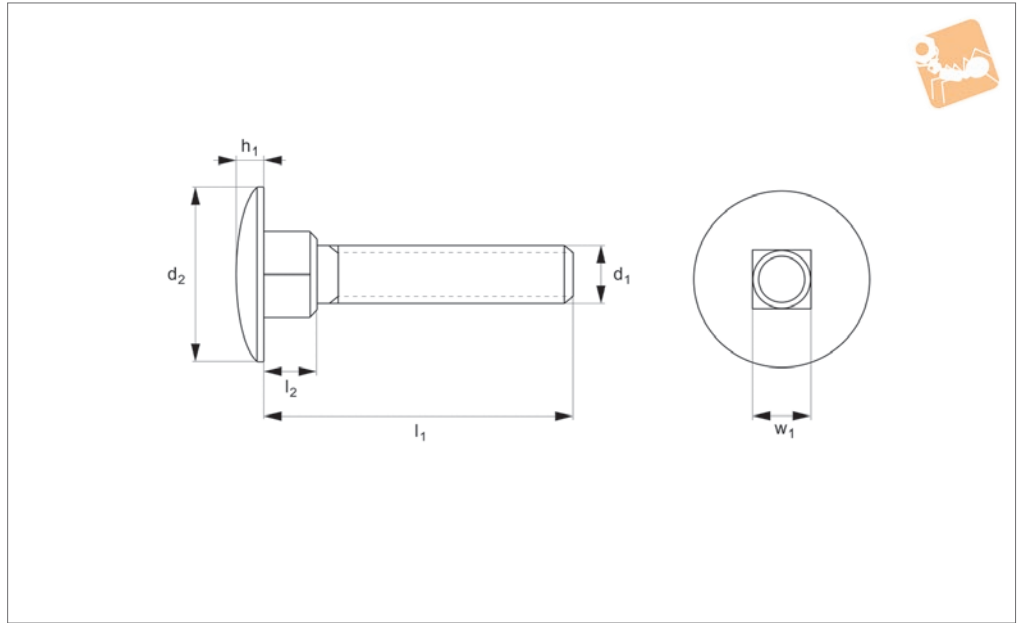


Order No.	d ₁	l ₁	h ₁ min.	d ₂	l ₂	w ₁ max.
P0264.120-140-A2	M12	140	6.05	29.25	7.25	12.7
P0264.120-150-A2	M12	150	6.05	29.25	7.25	12.7
P0264.120-160-A2	M12	160	6.05	29.25	7.25	12.7
P0264.120-170-A2	M12	170	6.05	29.25	7.25	12.7
P0264.120-180-A2	M12	180	6.05	29.25	7.25	12.7
P0264.120-200-A2	M12	200	6.05	29.25	7.25	12.7
P0264.160-040-A2	M16	40	8.05	37.20	11.10	15.3
P0264.160-045-A2	M16	45	8.05	37.20	11.10	15.3
P0264.160-050-A2	M16	50	8.05	37.20	11.10	15.3
P0264.160-055-A2	M16	55	8.05	37.20	11.10	15.3
P0264.160-060-A2	M16	60	8.05	37.20	11.10	15.3
P0264.160-065-A2	M16	65	8.05	37.20	11.10	15.3
P0264.160-070-A2	M16	70	8.05	37.20	11.10	15.3
P0264.160-075-A2	M16	75	8.05	37.20	11.10	15.3
P0264.160-080-A2	M16	80	8.05	37.20	11.10	15.3
P0264.160-090-A2	M16	90	8.05	37.20	11.10	15.3
P0264.160-100-A2	M16	100	8.05	37.20	11.10	15.3
P0264.160-110-A2	M16	110	8.05	37.20	11.10	15.3
P0264.160-120-A2	M16	120	8.05	37.20	11.10	15.3
P0264.160-130-A2	M16	130	8.05	37.20	11.10	15.3
P0264.160-140-A2	M16	140	8.05	37.20	11.10	15.3
P0264.160-150-A2	M16	150	8.05	37.20	11.10	15.3
P0264.160-160-A2	M16	160	8.05	37.20	11.10	15.3
P0264.160-170-A2	M16	170	8.05	37.20	11.10	15.3
P0264.160-180-A2	M16	180	8.05	37.20	11.10	15.3
P0264.160-200-A2	M16	200	8.05	37.20	11.10	15.3

STANDARD SCREWS



P0264.A4



Material

Stainless steel (A4).

See technical page for tightening torques.

Technical Notes

To DIN 603.

Order No.	d ₁	l ₁	h ₁	d ₂	l ₂	w ₁
P0264.050-016-A4	M 5	16	2.7	12.45	2.9	4.52
P0264.050-020-A4	M 5	20	2.7	12.45	2.9	4.52
P0264.050-025-A4	M 5	25	2.7	12.45	2.9	4.52
P0264.050-030-A4	M 5	30	2.7	12.45	2.9	4.52
P0264.050-035-A4	M 5	35	2.7	12.45	2.9	4.52
P0264.050-040-A4	M 5	40	2.7	12.45	2.9	4.52
P0264.050-045-A4	M 5	45	2.7	12.45	2.9	4.52
P0264.050-050-A4	M 5	50	2.7	12.45	2.9	4.52
P0264.050-055-A4	M 5	55	2.7	12.45	2.9	4.52
P0264.050-060-A4	M 5	60	2.7	12.45	2.9	4.52
P0264.050-065-A4	M 5	65	2.7	12.45	2.9	4.52
P0264.050-070-A4	M 5	70	2.7	12.45	2.9	4.52
P0264.050-075-A4	M 5	75	2.7	12.45	2.9	4.52
P0264.050-080-A4	M 5	80	2.7	12.45	2.9	4.52
P0264.060-012-A4	M 6	12	3.12	15.45	3.4	5.52
P0264.060-016-A4	M 6	16	3.12	15.45	3.4	5.52
P0264.060-020-A4	M 6	20	3.12	15.45	3.4	5.52
P0264.060-025-A4	M 6	25	3.12	15.45	3.4	5.52
P0264.060-030-A4	M 6	30	3.12	15.45	3.4	5.52
P0264.060-035-A4	M 6	35	3.12	15.45	3.4	5.52
P0264.060-040-A4	M 6	40	3.12	15.45	3.4	5.52
P0264.060-045-A4	M 6	45	3.12	15.45	3.4	5.52
P0264.060-050-A4	M 6	50	3.12	15.45	3.4	5.52
P0264.060-055-A4	M 6	55	3.12	15.45	3.4	5.52
P0264.060-060-A4	M 6	60	3.12	15.45	3.4	5.52
P0264.060-065-A4	M 6	65	3.12	15.45	3.4	5.52
P0264.060-070-A4	M 6	70	3.12	15.45	3.4	5.52
P0264.060-075-A4	M 6	75	3.12	15.45	3.4	5.52
P0264.060-080-A4	M 6	80	3.12	15.45	3.4	5.52
P0264.060-090-A4	M 6	90	3.12	15.45	3.4	5.52
P0264.060-100-A4	M 6	100	3.12	15.45	3.4	5.52
P0264.060-110-A4	M 6	110	3.12	15.45	3.4	5.52
P0264.060-120-A4	M 6	120	3.12	15.45	3.4	5.52
P0264.060-130-A4	M 6	130	3.12	15.45	3.4	5.52



Carriage Bolts - Full Thread

Full Thread - A4 stainless

Standard Screws



Order No.	d ₁	l ₁	h ₁	d ₂	l ₂	w ₁
P0264.060-140-A4	M 6	140	3.12	15.45	3.4	5.52
P0264.080-016-A4	M 8	16	4.12	19.35	4.4	7.42
P0264.080-020-A4	M 8	20	4.12	19.35	4.4	7.42
P0264.080-025-A4	M 8	25	4.12	19.35	4.4	7.42
P0264.080-030-A4	M 8	30	4.12	19.35	4.4	7.42
P0264.080-035-A4	M 8	35	4.12	19.35	4.4	7.42
P0264.080-040-A4	M 8	40	4.12	19.35	4.4	7.42
P0264.080-045-A4	M 8	45	4.12	19.35	4.4	7.42
P0264.080-050-A4	M 8	50	4.12	19.35	4.4	7.42
P0264.080-055-A4	M 8	55	4.12	19.35	4.4	7.42
P0264.080-060-A4	M 8	60	4.12	19.35	4.4	7.42
P0264.080-065-A4	M 8	65	4.12	19.35	4.4	7.42
P0264.080-070-A4	M 8	70	4.12	19.35	4.4	7.42
P0264.080-075-A4	M 8	75	4.12	19.35	4.4	7.42
P0264.080-080-A4	M 8	80	4.12	19.35	4.4	7.42
P0264.080-090-A4	M 8	90	4.12	19.35	4.4	7.42
P0264.080-100-A4	M 8	100	4.12	19.35	4.4	7.42
P0264.080-110-A4	M 8	110	4.12	19.35	4.4	7.42
P0264.080-120-A4	M 8	120	4.12	19.35	4.4	7.42
P0264.080-130-A4	M 8	130	4.12	19.35	4.4	7.42
P0264.080-140-A4	M 8	140	4.12	19.35	4.4	7.42
P0264.080-150-A4	M 8	150	4.12	19.35	4.4	7.42
P0264.080-160-A4	M 8	160	4.12	19.35	4.4	7.42
P0264.080-170-A4	M 8	170	4.12	19.35	4.4	7.42
P0264.080-180-A4	M 8	180	4.12	19.35	4.4	7.42
P0264.080-200-A4	M 8	200	4.12	19.35	4.4	7.42
P0264.100-016-A4	M10	16	4.62	23.25	5.4	9.42
P0264.100-020-A4	M10	20	4.62	23.25	5.4	9.42
P0264.100-025-A4	M10	25	4.62	23.25	5.4	9.42
P0264.100-030-A4	M10	30	4.62	23.25	5.4	9.42
P0264.100-035-A4	M10	35	4.62	23.25	5.4	9.42
P0264.100-040-A4	M10	40	4.62	23.25	5.4	9.42
P0264.100-045-A4	M10	45	4.62	23.25	5.4	9.42
P0264.100-050-A4	M10	50	4.62	23.25	5.4	9.42
P0264.100-055-A4	M10	55	4.62	23.25	5.4	9.42
P0264.100-060-A4	M10	60	4.62	23.25	5.4	9.42
P0264.100-065-A4	M10	65	4.62	23.25	5.4	9.42
P0264.100-070-A4	M10	70	4.62	23.25	5.4	9.42
P0264.100-075-A4	M10	75	4.62	23.25	5.4	9.42
P0264.100-080-A4	M10	80	4.62	23.25	5.4	9.42
P0264.100-090-A4	M10	90	4.62	23.25	5.4	9.42
P0264.100-100-A4	M10	100	4.62	23.25	5.4	9.42
P0264.100-110-A4	M10	110	4.62	23.25	5.4	9.42
P0264.100-120-A4	M10	120	4.62	23.25	5.4	9.42
P0264.100-130-A4	M10	130	4.62	23.25	5.4	9.42
P0264.100-140-A4	M10	140	4.62	23.25	5.4	9.42
P0264.100-150-A4	M10	150	4.62	23.25	5.4	9.42
P0264.100-160-A4	M10	160	4.62	23.25	5.4	9.42
P0264.100-170-A4	M10	170	4.62	23.25	5.4	9.42
P0264.100-180-A4	M10	180	4.62	23.25	5.4	9.42
P0264.100-200-A4	M10	200	4.62	23.25	5.4	9.42
P0264.120-025-A4	M12	25	6.05	29.25	7.25	11.3
P0264.120-030-A4	M12	30	6.05	29.25	7.25	11.3
P0264.120-035-A4	M12	35	6.05	29.25	7.25	11.3
P0264.120-040-A4	M12	40	6.05	29.25	7.25	11.3
P0264.120-045-A4	M12	45	6.05	29.25	7.25	11.3
P0264.120-050-A4	M12	50	6.05	29.25	7.25	11.3
P0264.120-055-A4	M12	55	6.05	29.25	7.25	11.3
P0264.120-060-A4	M12	60	6.05	29.25	7.25	11.3
P0264.120-065-A4	M12	65	6.05	29.25	7.25	11.3
P0264.120-070-A4	M12	70	6.05	29.25	7.25	11.3
P0264.120-075-A4	M12	75	6.05	29.25	7.25	11.3
P0264.120-080-A4	M12	80	6.05	29.25	7.25	11.3
P0264.120-090-A4	M12	90	6.05	29.25	7.25	11.3
P0264.120-100-A4	M12	100	6.05	29.25	7.25	11.3
P0264.120-110-A4	M12	110	6.05	29.25	7.25	11.3
P0264.120-120-A4	M12	120	6.05	29.25	7.25	11.3
P0264.120-130-A4	M12	130	6.05	29.25	7.25	11.3
P0264.120-140-A4	M12	140	6.05	29.25	7.25	11.3

STANDARD SCREWS



STANDARD SCREWS

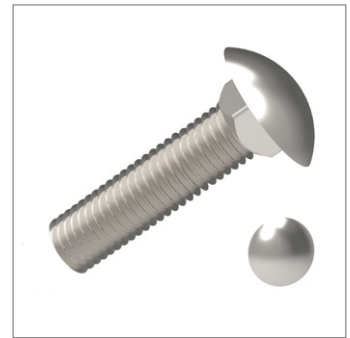
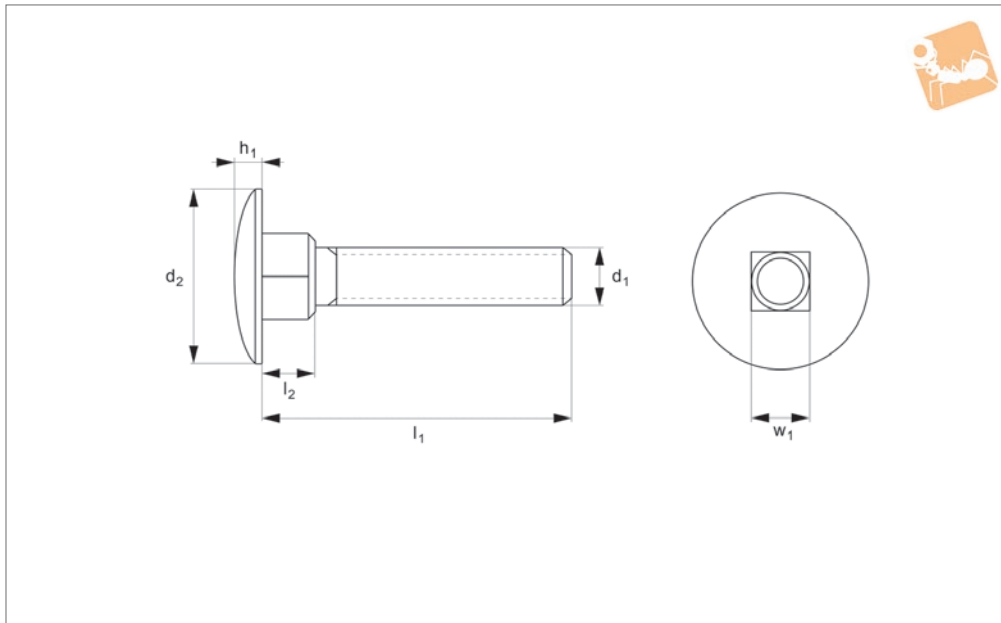
Order No.	d ₁	l ₁	h ₁	d ₂	l ₂	w ₁
P0264.120-150-A4	M12	150	6.05	29.25	7.25	11.3
P0264.120-160-A4	M12	160	6.05	29.25	7.25	11.3
P0264.120-170-A4	M12	170	6.05	29.25	7.25	11.3
P0264.120-180-A4	M12	180	6.05	29.25	7.25	11.3
P0264.120-200-A4	M12	200	6.05	29.25	7.25	11.3
P0264.160-040-A4	M16	40	8.05	37.20	11.10	15.3
P0264.160-045-A4	M16	45	8.05	37.20	11.10	15.3
P0264.160-050-A4	M16	50	8.05	37.20	11.10	15.3
P0264.160-055-A4	M16	55	8.05	37.20	11.10	15.3
P0264.160-060-A4	M16	60	8.05	37.20	11.10	15.3
P0264.160-065-A4	M16	65	8.05	37.20	11.10	15.3
P0264.160-070-A4	M16	70	8.05	37.20	11.10	15.3
P0264.160-075-A4	M16	75	8.05	37.20	11.10	15.3
P0264.160-080-A4	M16	80	8.05	37.20	11.10	15.3
P0264.160-090-A4	M16	90	8.05	37.20	11.10	15.3
P0264.160-100-A4	M16	100	8.05	37.20	11.10	15.3
P0264.160-110-A4	M16	110	8.05	37.20	11.10	15.3
P0264.160-120-A4	M16	120	8.05	37.20	11.10	15.3
P0264.160-130-A4	M16	130	8.05	37.20	11.10	15.3
P0264.160-140-A4	M16	140	8.05	37.20	11.10	15.3
P0264.160-150-A4	M16	150	8.05	37.20	11.10	15.3
P0264.160-160-A4	M16	160	8.05	37.20	11.10	15.3
P0264.160-170-A4	M16	170	8.05	37.20	11.10	15.3
P0264.160-180-A4	M16	180	8.05	37.20	11.10	15.3
P0264.160-200-A4	M16	200	8.05	37.20	11.10	15.3



Carriage Bolts - Full Thread

Full Thread - steel, zinc-plated

Standard Screws



P0264.ZP

STANDARD SCREWS

Material

Steel, zinc-plated (grade 8.8).

Technical Notes

To DIN 603.

Order No.	d ₁	l ₁	h ₁	d ₂	l ₂	w ₁
P0264.050-016-ZP	M 5	16	2.7	12.45	2.9	4.52
P0264.050-020-ZP	M 5	20	2.7	12.45	2.9	4.52
P0264.050-025-ZP	M 5	25	2.7	12.45	2.9	4.52
P0264.050-030-ZP	M 5	30	2.7	12.45	2.9	4.52
P0264.050-035-ZP	M 5	35	2.7	12.45	2.9	4.52
P0264.050-040-ZP	M 5	40	2.7	12.45	2.9	4.52
P0264.050-045-ZP	M 5	45	2.7	12.45	2.9	4.52
P0264.050-050-ZP	M 5	50	2.7	12.45	2.9	4.52
P0264.050-055-ZP	M 5	55	2.7	12.45	2.9	4.52
P0264.050-060-ZP	M 5	60	2.7	12.45	2.9	4.52
P0264.050-065-ZP	M 5	65	2.7	12.45	2.9	4.52
P0264.050-070-ZP	M 5	70	2.7	12.45	2.9	4.52
P0264.050-075-ZP	M 5	75	2.7	12.45	2.9	4.52
P0264.050-080-ZP	M 5	80	2.7	12.45	2.9	4.52
P0264.060-012-ZP	M 6	12	3.12	15.45	3.4	5.52
P0264.060-016-ZP	M 6	16	3.12	15.45	3.4	5.52
P0264.060-020-ZP	M 6	20	3.12	15.45	3.4	5.52
P0264.060-025-ZP	M 6	25	3.12	15.45	3.4	5.52
P0264.060-030-ZP	M 6	30	3.12	15.45	3.4	5.52
P0264.060-035-ZP	M 6	35	3.12	15.45	3.4	5.52
P0264.060-040-ZP	M 6	40	3.12	15.45	3.4	5.52
P0264.060-045-ZP	M 6	45	3.12	15.45	3.4	5.52
P0264.060-050-ZP	M 6	50	3.12	15.45	3.4	5.52
P0264.060-055-ZP	M 6	55	3.12	15.45	3.4	5.52
P0264.060-060-ZP	M 6	60	3.12	15.45	3.4	5.52
P0264.060-065-ZP	M 6	65	3.12	15.45	3.4	5.52
P0264.060-070-ZP	M 6	70	3.12	15.45	3.4	5.52
P0264.060-075-ZP	M 6	75	3.12	15.45	3.4	5.52
P0264.060-080-ZP	M 6	80	3.12	15.45	3.4	5.52
P0264.060-090-ZP	M 6	90	3.12	15.45	3.4	5.52
P0264.060-100-ZP	M 6	100	3.12	15.45	3.4	5.52
P0264.080-016-ZP	M 8	16	4.12	19.35	4.4	7.42
P0264.080-020-ZP	M 8	20	4.12	19.35	4.4	7.42
P0264.080-025-ZP	M 8	25	4.12	19.35	4.4	7.42
P0264.080-030-ZP	M 8	30	4.12	19.35	4.4	7.42



STANDARD SCREWS

Order No.	d ₁	l ₁	h ₁	d ₂	l ₂	w ₁
P0264.080-035-ZP	M 8	35	4.12	19.35	4.4	7.42
P0264.080-040-ZP	M 8	40	4.12	19.35	4.4	7.42
P0264.080-045-ZP	M 8	45	4.12	19.35	4.4	7.42
P0264.080-050-ZP	M 8	50	4.12	19.35	4.4	7.42
P0264.080-055-ZP	M 8	55	4.12	19.35	4.4	7.42
P0264.080-060-ZP	M 8	60	4.12	19.35	4.4	7.42
P0264.080-065-ZP	M 8	65	4.12	19.35	4.4	7.42
P0264.080-070-ZP	M 8	70	4.12	19.35	4.4	7.42
P0264.080-075-ZP	M 8	75	4.12	19.35	4.4	7.42
P0264.080-080-ZP	M 8	80	4.12	19.35	4.4	7.42
P0264.080-090-ZP	M 8	90	4.12	19.35	4.4	7.42
P0264.080-100-ZP	M 8	100	4.12	19.35	4.4	7.42
P0264.100-016-ZP	M10	16	4.62	23.25	5.4	9.42
P0264.100-020-ZP	M10	20	4.62	23.25	5.4	9.42
P0264.100-025-ZP	M10	25	4.62	23.25	5.4	9.42
P0264.100-030-ZP	M10	30	4.62	23.25	5.4	9.42
P0264.100-035-ZP	M10	35	4.62	23.25	5.4	9.42
P0264.100-040-ZP	M10	40	4.62	23.25	5.4	9.42
P0264.100-045-ZP	M10	45	4.62	23.25	5.4	9.42
P0264.100-050-ZP	M10	50	4.62	23.25	5.4	9.42
P0264.100-055-ZP	M10	55	4.62	23.25	5.4	9.42
P0264.100-060-ZP	M10	60	4.62	23.25	5.4	9.42
P0264.100-065-ZP	M10	65	4.62	23.25	5.4	9.42
P0264.100-070-ZP	M10	70	4.62	23.25	5.4	9.42
P0264.100-075-ZP	M10	75	4.62	23.25	5.4	9.42
P0264.100-080-ZP	M10	80	4.62	23.25	5.4	9.42
P0264.100-090-ZP	M10	90	4.62	23.25	5.4	9.42
P0264.100-100-ZP	M10	100	4.62	23.25	5.4	9.42
P0264.120-025-ZP	M12	25	6.05	29.25	7.25	11.3
P0264.120-030-ZP	M12	30	6.05	29.25	7.25	11.3
P0264.120-035-ZP	M12	35	6.05	29.25	7.25	11.3
P0264.120-040-ZP	M12	40	6.05	29.25	7.25	11.3
P0264.120-045-ZP	M12	45	6.05	29.25	7.25	11.3
P0264.120-050-ZP	M12	50	6.05	29.25	7.25	11.3
P0264.120-055-ZP	M12	55	6.05	29.25	7.25	11.3
P0264.120-060-ZP	M12	60	6.05	29.25	7.25	11.3
P0264.120-065-ZP	M12	65	6.05	29.25	7.25	11.3
P0264.120-070-ZP	M12	70	6.05	29.25	7.25	11.3
P0264.120-075-ZP	M12	75	6.05	29.25	7.25	11.3
P0264.120-080-ZP	M12	80	6.05	29.25	7.25	11.3
P0264.120-090-ZP	M12	90	6.05	29.25	7.25	11.3
P0264.120-100-ZP	M12	100	6.05	29.25	7.25	11.3
P0264.160-040-ZP	M16	40	8.05	37.20	11.10	15.3
P0264.160-045-ZP	M16	45	8.05	37.20	11.10	15.3
P0264.160-050-ZP	M16	50	8.05	37.20	11.10	15.3
P0264.160-055-ZP	M16	55	8.05	37.20	11.10	15.3
P0264.160-060-ZP	M16	60	8.05	37.20	11.10	15.3
P0264.160-065-ZP	M16	65	8.05	37.20	11.10	15.3
P0264.160-070-ZP	M16	70	8.05	37.20	11.10	15.3
P0264.160-075-ZP	M16	75	8.05	37.20	11.10	15.3
P0264.160-080-ZP	M16	80	8.05	37.20	11.10	15.3
P0264.160-090-ZP	M16	90	8.05	37.20	11.10	15.3
P0264.160-100-ZP	M16	100	8.05	37.20	11.10	15.3



Carriage Bolts - Partial Thread

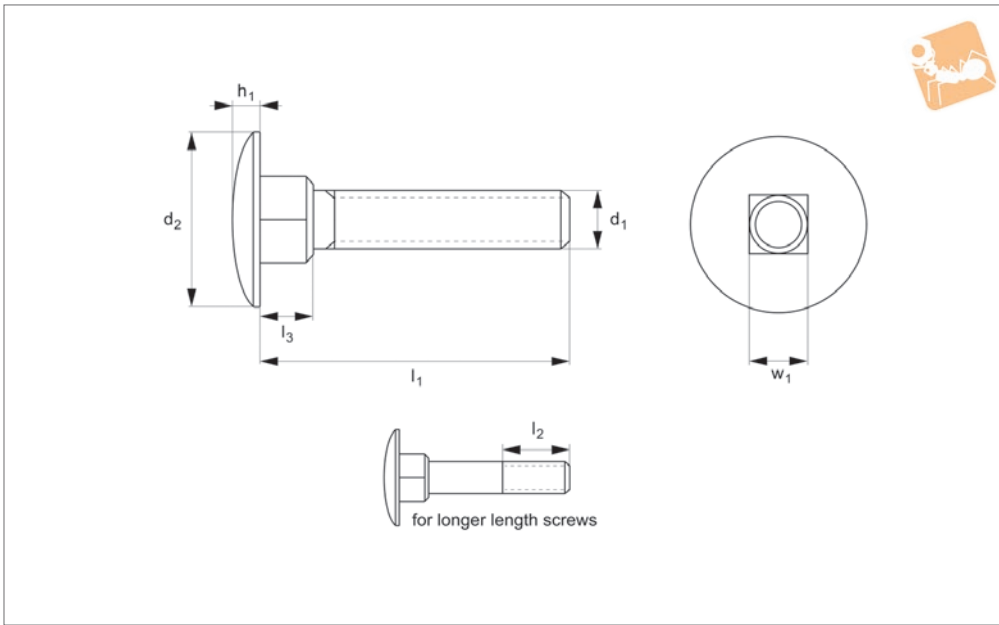
Part thread - A2 stainless

Standard Screws



P0265.A2

STANDARD SCREWS



Material

Stainless steel (A2).

See technical page for tightening torques.

Technical Notes

To DIN 603.

Order No.	d ₁	l ₁	h ₁	d ₂	l ₂	w ₁
P0265.050-016-A2	M5	16	2.7	12.45	16	4.52
P0265.050-020-A2	M5	20	2.7	12.45	16	4.52
P0265.050-025-A2	M5	25	2.7	12.45	16	4.52
P0265.050-030-A2	M5	30	2.7	12.45	16	4.52
P0265.050-035-A2	M5	35	2.7	12.45	16	4.52
P0265.050-040-A2	M5	40	2.7	12.45	16	4.52
P0265.050-045-A2	M5	45	2.7	12.45	16	4.52
P0265.050-050-A2	M5	50	2.7	12.45	16	4.52
P0265.050-055-A2	M5	55	2.7	12.45	16	4.52
P0265.050-060-A2	M5	60	2.7	12.45	16	4.52
P0265.050-065-A2	M5	65	2.7	12.45	16	4.52
P0265.050-070-A2	M5	70	2.7	12.45	16	4.52
P0265.050-075-A2	M5	75	2.7	12.45	16	4.52
P0265.050-080-A2	M5	80	2.7	12.45	16	4.52
P0265.060-012-A2	M6	12	3.12	15.45	18	5.52
P0265.060-016-A2	M6	16	3.12	15.45	18	5.52
P0265.060-020-A2	M6	20	3.12	15.45	18	5.52
P0265.060-025-A2	M6	25	3.12	15.45	18	5.52
P0265.060-030-A2	M6	30	3.12	15.45	18	5.52
P0265.060-035-A2	M6	35	3.12	15.45	18	5.52
P0265.060-040-A2	M6	40	3.12	15.45	18	5.52
P0265.060-045-A2	M6	45	3.12	15.45	18	5.52
P0265.060-050-A2	M6	50	3.12	15.45	18	5.52
P0265.060-055-A2	M6	55	3.12	15.45	18	5.52
P0265.060-060-A2	M6	60	3.12	15.45	18	5.52
P0265.060-065-A2	M6	65	3.12	15.45	18	5.52
P0265.060-070-A2	M6	70	3.12	15.45	18	5.52
P0265.060-075-A2	M6	75	3.12	15.45	18	5.52
P0265.060-080-A2	M6	80	3.12	15.45	18	5.52
P0265.060-090-A2	M6	90	3.12	15.45	18	5.52
P0265.060-100-A2	M6	100	3.12	15.45	18	5.52
P0265.060-110-A2	M6	110	3.12	15.45	18	5.52
P0265.060-120-A2	M6	120	3.12	15.45	18	5.52
P0265.060-130-A2	M6	130	3.12	15.45	24	5.52



STANDARD SCREWS

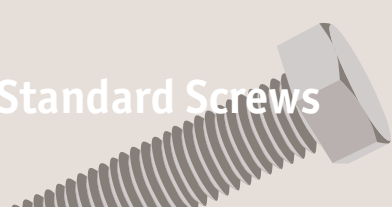
Order No.	d ₁	l ₁	h ₁	d ₂	l ₂	w ₁
P0265.060-140-A2	M6	140	3.12	15.45	24	5.52
P0265.080-016-A2	M8	16	4.12	19.35	22	7.42
P0265.080-020-A2	M8	20	4.12	19.35	22	7.42
P0265.080-025-A2	M8	25	4.12	19.35	22	7.42
P0265.080-030-A2	M8	30	4.12	19.35	22	7.42
P0265.080-035-A2	M8	35	4.12	19.35	22	7.42
P0265.080-040-A2	M8	40	4.12	19.35	22	7.42
P0265.080-045-A2	M8	45	4.12	19.35	22	7.42
P0265.080-050-A2	M8	50	4.12	19.35	22	7.42
P0265.080-055-A2	M8	55	4.12	19.35	22	7.42
P0265.080-060-A2	M8	60	4.12	19.35	22	7.42
P0265.080-065-A2	M8	65	4.12	19.35	22	7.42
P0265.080-070-A2	M8	70	4.12	19.35	22	7.42
P0265.080-075-A2	M8	75	4.12	19.35	22	7.42
P0265.080-080-A2	M8	80	4.12	19.35	22	7.42
P0265.080-090-A2	M8	90	4.12	19.35	22	7.42
P0265.080-100-A2	M8	100	4.12	19.35	22	7.42
P0265.080-110-A2	M8	110	4.12	19.35	22	7.42
P0265.080-120-A2	M8	120	4.12	19.35	22	7.42
P0265.080-130-A2	M8	130	4.12	19.35	28	7.42
P0265.080-140-A2	M8	140	4.12	19.35	28	7.42
P0265.080-150-A2	M8	150	4.12	19.35	28	7.42
P0265.080-160-A2	M8	160	4.12	19.35	28	7.42
P0265.080-170-A2	M8	170	4.12	19.35	28	7.42
P0265.080-180-A2	M8	180	4.12	19.35	28	7.42
P0265.080-200-A2	M8	200	4.12	19.35	28	7.42
P0265.100-016-A2	M10	16	4.62	23.25	26	9.42
P0265.100-020-A2	M10	20	4.62	23.25	26	9.42
P0265.100-025-A2	M10	25	4.62	23.25	26	9.42
P0265.100-030-A2	M10	30	4.62	23.25	26	9.42
P0265.100-035-A2	M10	35	4.62	23.25	26	9.42
P0265.100-040-A2	M10	40	4.62	23.25	26	9.42
P0265.100-045-A2	M10	45	4.62	23.25	26	9.42
P0265.100-050-A2	M10	50	4.62	23.25	26	9.42
P0265.100-055-A2	M10	55	4.62	23.25	26	9.42
P0265.100-060-A2	M10	60	4.62	23.25	26	9.42
P0265.100-065-A2	M10	65	4.62	23.25	26	9.42
P0265.100-070-A2	M10	70	4.62	23.25	26	9.42
P0265.100-075-A2	M10	75	4.62	23.25	26	9.42
P0265.100-080-A2	M10	80	4.62	23.25	26	9.42
P0265.100-090-A2	M10	90	4.62	23.25	26	9.42
P0265.100-100-A2	M10	100	4.62	23.25	26	9.42
P0265.100-110-A2	M10	110	4.62	23.25	26	9.42
P0265.100-120-A2	M10	120	4.62	23.25	26	9.42
P0265.100-130-A2	M10	130	4.62	23.25	32	9.42
P0265.100-140-A2	M10	140	4.62	23.25	32	9.42
P0265.100-150-A2	M10	150	4.62	23.25	32	9.42
P0265.100-160-A2	M10	160	4.62	23.25	32	9.42
P0265.100-170-A2	M10	170	4.62	23.25	32	9.42
P0265.100-180-A2	M10	180	4.62	23.25	32	9.42
P0265.100-200-A2	M10	200	4.62	23.25	32	9.42
P0265.120-025-A2	M12	25	6.05	29.25	30	11.3
P0265.120-030-A2	M12	30	6.05	29.25	30	11.3
P0265.120-035-A2	M12	35	6.05	29.25	30	11.3
P0265.120-040-A2	M12	40	6.05	29.25	30	11.3
P0265.120-045-A2	M12	45	6.05	29.25	30	11.3
P0265.120-050-A2	M12	50	6.05	29.25	30	11.3
P0265.120-055-A2	M12	55	6.05	29.25	30	11.3
P0265.120-060-A2	M12	60	6.05	29.25	30	11.3
P0265.120-065-A2	M12	65	6.05	29.25	30	11.3
P0265.120-070-A2	M12	70	6.05	29.25	30	11.3
P0265.120-075-A2	M12	75	6.05	29.25	30	11.3
P0265.120-080-A2	M12	80	6.05	29.25	30	11.3
P0265.120-090-A2	M12	90	6.05	29.25	30	11.3
P0265.120-100-A2	M12	100	6.05	29.25	30	11.3
P0265.120-110-A2	M12	110	6.05	29.25	30	11.3
P0265.120-120-A2	M12	120	6.05	29.25	30	11.3
P0265.120-130-A2	M12	130	6.05	29.25	36	11.3
P0265.120-140-A2	M12	140	6.05	29.25	36	11.3



Carriage Bolts - Partial Thread

Part thread - A2 stainless

Standard Screws



Order No.	d ₁	l ₁	h ₁	d ₂	l ₂	w ₁
P0265.120-150-A2	M12	150	6.05	29.25	36	11.3
P0265.120-160-A2	M12	160	6.05	29.25	36	11.3
P0265.120-170-A2	M12	170	6.05	29.25	36	11.3
P0265.120-180-A2	M12	180	6.05	29.25	36	11.3
P0265.120-200-A2	M12	200	6.05	29.25	36	11.3
P0265.160-040-A2	M16	40	8.05	37.20	38	15.3
P0265.160-045-A2	M16	45	8.05	37.20	38	15.3
P0265.160-050-A2	M16	50	8.05	37.20	38	15.3
P0265.160-055-A2	M16	55	8.05	37.20	38	15.3
P0265.160-060-A2	M16	60	8.05	37.20	38	15.3
P0265.160-065-A2	M16	65	8.05	37.20	38	15.3
P0265.160-070-A2	M16	70	8.05	37.20	38	15.3
P0265.160-075-A2	M16	75	8.05	37.20	38	15.3
P0265.160-080-A2	M16	80	8.05	37.20	38	15.3
P0265.160-090-A2	M16	90	8.05	37.20	38	15.3
P0265.160-100-A2	M16	100	8.05	37.20	38	15.3
P0265.160-110-A2	M16	110	8.05	37.20	38	15.3
P0265.160-120-A2	M16	120	8.05	37.20	38	15.3
P0265.160-130-A2	M16	130	8.05	37.20	44	15.3
P0265.160-140-A2	M16	140	8.05	37.20	44	15.3
P0265.160-150-A2	M16	150	8.05	37.20	44	15.3
P0265.160-160-A2	M16	160	8.05	37.20	44	15.3
P0265.160-170-A2	M16	170	8.05	37.20	44	15.3
P0265.160-180-A2	M16	180	8.05	37.20	44	15.3
P0265.160-200-A2	M16	200	8.05	37.20	44	15.3

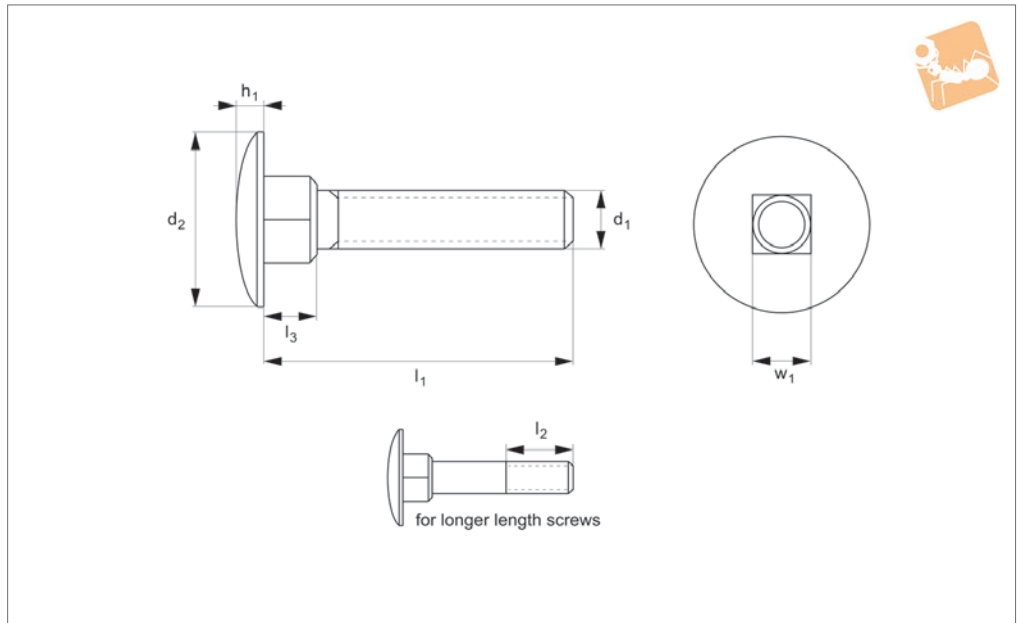
STANDARD SCREWS



STANDARD SCREWS



P0265.A4



Material

Stainless steel (A4).

See technical page for tightening torques.

Technical Notes

To DIN 603.

Order No.	d ₁	l ₁	h ₁	d ₂	l ₂	w ₁
P0265.050-016-A4	M5	16	2.7	12.45	16	4.52
P0265.050-020-A4	M5	20	2.7	12.45	16	4.52
P0265.050-025-A4	M5	25	2.7	12.45	16	4.52
P0265.050-030-A4	M5	30	2.7	12.45	16	4.52
P0265.050-035-A4	M5	35	2.7	12.45	16	4.52
P0265.050-040-A4	M5	40	2.7	12.45	16	4.52
P0265.050-045-A4	M5	45	2.7	12.45	16	4.52
P0265.050-050-A4	M5	50	2.7	12.45	16	4.52
P0265.050-055-A4	M5	55	2.7	12.45	16	4.52
P0265.050-060-A4	M5	60	2.7	12.45	16	4.52
P0265.050-065-A4	M5	65	2.7	12.45	16	4.52
P0265.050-070-A4	M5	70	2.7	12.45	16	4.52
P0265.050-075-A4	M5	75	2.7	12.45	16	4.52
P0265.050-080-A4	M5	80	2.7	12.45	16	4.52
P0265.060-012-A4	M6	12	3.12	15.45	18	5.52
P0265.060-016-A4	M6	16	3.12	15.45	18	5.52
P0265.060-020-A4	M6	20	3.12	15.45	18	5.52
P0265.060-025-A4	M6	25	3.12	15.45	18	5.52
P0265.060-030-A4	M6	30	3.12	15.45	18	5.52
P0265.060-035-A4	M6	35	3.12	15.45	18	5.52
P0265.060-040-A4	M6	40	3.12	15.45	18	5.52
P0265.060-045-A4	M6	45	3.12	15.45	18	5.52
P0265.060-050-A4	M6	50	3.12	15.45	18	5.52
P0265.060-055-A4	M6	55	3.12	15.45	18	5.52
P0265.060-060-A4	M6	60	3.12	15.45	18	5.52
P0265.060-065-A4	M6	65	3.12	15.45	18	5.52
P0265.060-070-A4	M6	70	3.12	15.45	18	5.52
P0265.060-075-A4	M6	75	3.12	15.45	18	5.52
P0265.060-080-A4	M6	80	3.12	15.45	18	5.52
P0265.060-090-A4	M6	90	3.12	15.45	18	5.52
P0265.060-100-A4	M6	100	3.12	15.45	18	5.52
P0265.060-110-A4	M6	110	3.12	15.45	18	5.52
P0265.060-120-A4	M6	120	3.12	15.45	18	5.52
P0265.060-130-A4	M6	130	3.12	15.45	24	5.52



Carriage Bolts - Partial Thread

Part thread - A4 stainless

Standard Screws



Order No.	d ₁	l ₁	h ₁	d ₂	l ₂	w ₁
P0265.060-140-A4	M6	140	3.12	15.45	24	5.52
P0265.080-016-A4	M8	16	4.12	19.35	22	7.42
P0265.080-020-A4	M8	20	4.12	19.35	22	7.42
P0265.080-025-A4	M8	25	4.12	19.35	22	7.42
P0265.080-030-A4	M8	30	4.12	19.35	22	7.42
P0265.080-035-A4	M8	35	4.12	19.35	22	7.42
P0265.080-040-A4	M8	40	4.12	19.35	22	7.42
P0265.080-045-A4	M8	45	4.12	19.35	22	7.42
P0265.080-050-A4	M8	50	4.12	19.35	22	7.42
P0265.080-055-A4	M8	55	4.12	19.35	22	7.42
P0265.080-060-A4	M8	60	4.12	19.35	22	7.42
P0265.080-065-A4	M8	65	4.12	19.35	22	7.42
P0265.080-070-A4	M8	70	4.12	19.35	22	7.42
P0265.080-075-A4	M8	75	4.12	19.35	22	7.42
P0265.080-080-A4	M8	80	4.12	19.35	22	7.42
P0265.080-090-A4	M8	90	4.12	19.35	22	7.42
P0265.080-100-A4	M8	100	4.12	19.35	22	7.42
P0265.080-110-A4	M8	110	4.12	19.35	22	7.42
P0265.080-120-A4	M8	120	4.12	19.35	22	7.42
P0265.080-130-A4	M8	130	4.12	19.35	28	7.42
P0265.080-140-A4	M8	140	4.12	19.35	28	7.42
P0265.080-150-A4	M8	150	4.12	19.35	28	7.42
P0265.080-160-A4	M8	160	4.12	19.35	28	7.42
P0265.080-170-A4	M8	170	4.12	19.35	28	7.42
P0265.080-180-A4	M8	180	4.12	19.35	28	7.42
P0265.080-200-A4	M8	200	4.12	19.35	28	7.42
P0265.100-016-A4	M10	16	4.62	23.25	26	9.42
P0265.100-020-A4	M10	20	4.62	23.25	26	9.42
P0265.100-025-A4	M10	25	4.62	23.25	26	9.42
P0265.100-030-A4	M10	30	4.62	23.25	26	9.42
P0265.100-035-A4	M10	35	4.62	23.25	26	9.42
P0265.100-040-A4	M10	40	4.62	23.25	26	9.42
P0265.100-045-A4	M10	45	4.62	23.25	26	9.42
P0265.100-050-A4	M10	50	4.62	23.25	26	9.42
P0265.100-055-A4	M10	55	4.62	23.25	26	9.42
P0265.100-060-A4	M10	60	4.62	23.25	26	9.42
P0265.100-065-A4	M10	65	4.62	23.25	26	9.42
P0265.100-070-A4	M10	70	4.62	23.25	26	9.42
P0265.100-075-A4	M10	75	4.62	23.25	26	9.42
P0265.100-080-A4	M10	80	4.62	23.25	26	9.42
P0265.100-090-A4	M10	90	4.62	23.25	26	9.42
P0265.100-100-A4	M10	100	4.62	23.25	26	9.42
P0265.100-110-A4	M10	110	4.62	23.25	26	9.42
P0265.100-120-A4	M10	120	4.62	23.25	26	9.42
P0265.100-130-A4	M10	130	4.62	23.25	32	9.42
P0265.100-140-A4	M10	140	4.62	23.25	32	9.42
P0265.100-150-A4	M10	150	4.62	23.25	32	9.42
P0265.100-160-A4	M10	160	4.62	23.25	32	9.42
P0265.100-170-A4	M10	170	4.62	23.25	32	9.42
P0265.100-180-A4	M10	180	4.62	23.25	32	9.42
P0265.100-200-A4	M10	200	4.62	23.25	32	9.42
P0265.120-025-A4	M12	25	6.05	29.25	30	11.3
P0265.120-030-A4	M12	30	6.05	29.25	30	11.3
P0265.120-035-A4	M12	35	6.05	29.25	30	11.3
P0265.120-040-A4	M12	40	6.05	29.25	30	11.3
P0265.120-045-A4	M12	45	6.05	29.25	30	11.3
P0265.120-050-A4	M12	50	6.05	29.25	30	11.3
P0265.120-055-A4	M12	55	6.05	29.25	30	11.3
P0265.120-060-A4	M12	60	6.05	29.25	30	11.3
P0265.120-065-A4	M12	65	6.05	29.25	30	11.3
P0265.120-070-A4	M12	70	6.05	29.25	30	11.3
P0265.120-075-A4	M12	75	6.05	29.25	30	11.3
P0265.120-080-A4	M12	80	6.05	29.25	30	11.3
P0265.120-090-A4	M12	90	6.05	29.25	30	11.3
P0265.120-100-A4	M12	100	6.05	29.25	30	11.3
P0265.120-110-A4	M12	110	6.05	29.25	30	11.3
P0265.120-120-A4	M12	120	6.05	29.25	30	11.3
P0265.120-130-A4	M12	130	6.05	29.25	36	11.3
P0265.120-140-A4	M12	140	6.05	29.25	36	11.3

STANDARD SCREWS



STANDARD SCREWS

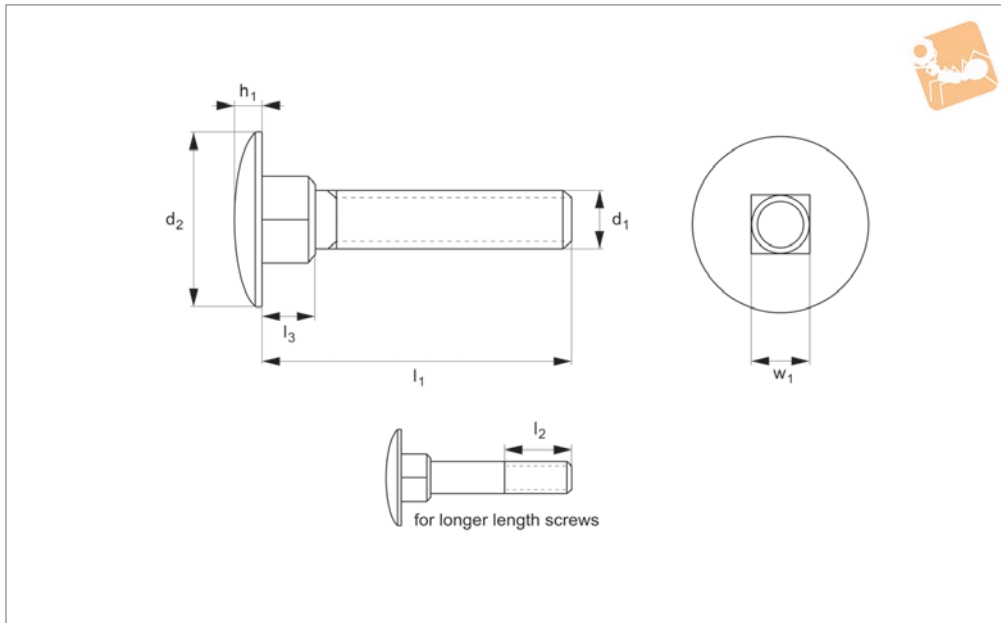
Order No.	d ₁	l ₁	h ₁	d ₂	l ₂	w ₁
P0265.120-150-A4	M12	150	6.05	29.25	36	11.3
P0265.120-160-A4	M12	160	6.05	29.25	36	11.3
P0265.120-170-A4	M12	170	6.05	29.25	36	11.3
P0265.120-180-A4	M12	180	6.05	29.25	36	11.3
P0265.120-200-A4	M12	200	6.05	29.25	36	11.3
P0265.160-040-A4	M16	40	8.05	37.20	38	15.3
P0265.160-045-A4	M16	45	8.05	37.20	38	15.3
P0265.160-050-A4	M16	50	8.05	37.20	38	15.3
P0265.160-055-A4	M16	55	8.05	37.20	38	15.3
P0265.160-060-A4	M16	60	8.05	37.20	38	15.3
P0265.160-065-A4	M16	65	8.05	37.20	38	15.3
P0265.160-070-A4	M16	70	8.05	37.20	38	15.3
P0265.160-075-A4	M16	75	8.05	37.20	38	15.3
P0265.160-080-A4	M16	80	8.05	37.20	38	15.3
P0265.160-090-A4	M16	90	8.05	37.20	38	15.3
P0265.160-100-A4	M16	100	8.05	37.20	38	15.3
P0265.160-110-A4	M16	110	8.05	37.20	38	15.3
P0265.160-120-A4	M16	120	8.05	37.20	38	15.3
P0265.160-130-A4	M16	130	8.05	37.20	44	15.3
P0265.160-140-A4	M16	140	8.05	37.20	44	15.3
P0265.160-150-A4	M16	150	8.05	37.20	44	15.3
P0265.160-160-A4	M16	160	8.05	37.20	44	15.3
P0265.160-170-A4	M16	170	8.05	37.20	44	15.3
P0265.160-180-A4	M16	180	8.05	37.20	44	15.3
P0265.160-200-A4	M16	200	8.05	37.20	44	15.3



Carriage Bolts - Partial Thread

Part thread - steel, zinc-plated

Standard Screws



P0265.ZP

STANDARD SCREWS

Material

Steel, zinc-plated (grade 8.8).

Technical Notes

To DIN 603.

Order No.	d ₁	l ₁	h ₁	d ₂	l ₂	w ₁
P0265.050-016-ZP	M5	16	2.7	12.45	16	4.52
P0265.050-020-ZP	M5	20	2.7	12.45	16	4.52
P0265.050-025-ZP	M5	25	2.7	12.45	16	4.52
P0265.050-030-ZP	M5	30	2.7	12.45	16	4.52
P0265.050-035-ZP	M5	35	2.7	12.45	16	4.52
P0265.050-040-ZP	M5	40	2.7	12.45	16	4.52
P0265.050-045-ZP	M5	45	2.7	12.45	16	4.52
P0265.050-050-ZP	M5	50	2.7	12.45	16	4.52
P0265.050-055-ZP	M5	55	2.7	12.45	16	4.52
P0265.050-060-ZP	M5	60	2.7	12.45	16	4.52
P0265.050-065-ZP	M5	65	2.7	12.45	16	4.52
P0265.050-070-ZP	M5	70	2.7	12.45	16	4.52
P0265.050-075-ZP	M5	75	2.7	12.45	16	4.52
P0265.050-080-ZP	M5	80	2.7	12.45	16	4.52
P0265.060-012-ZP	M6	12	3.12	15.45	18	5.52
P0265.060-016-ZP	M6	16	3.12	15.45	18	5.52
P0265.060-020-ZP	M6	20	3.12	15.45	18	5.52
P0265.060-025-ZP	M6	25	3.12	15.45	18	5.52
P0265.060-030-ZP	M6	30	3.12	15.45	18	5.52
P0265.060-035-ZP	M6	35	3.12	15.45	18	5.52
P0265.060-040-ZP	M6	40	3.12	15.45	18	5.52
P0265.060-045-ZP	M6	45	3.12	15.45	18	5.52
P0265.060-050-ZP	M6	50	3.12	15.45	18	5.52
P0265.060-055-ZP	M6	55	3.12	15.45	18	5.52
P0265.060-060-ZP	M6	60	3.12	15.45	18	5.52
P0265.060-065-ZP	M6	65	3.12	15.45	18	5.52
P0265.060-070-ZP	M6	70	3.12	15.45	18	5.52
P0265.060-075-ZP	M6	75	3.12	15.45	18	5.52
P0265.060-080-ZP	M6	80	3.12	15.45	18	5.52
P0265.060-090-ZP	M6	90	3.12	15.45	18	5.52
P0265.060-100-ZP	M6	100	3.12	15.45	18	5.52
P0265.060-110-ZP	M6	110	3.12	15.45	18	5.52
P0265.060-120-ZP	M6	120	3.12	15.45	18	5.52
P0265.060-130-ZP	M6	130	3.12	15.45	24	5.52
P0265.060-140-ZP	M6	140	3.12	15.45	24	5.52



STANDARD SCREWS

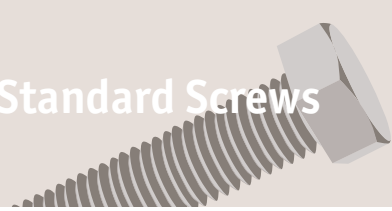
Order No.	d ₁	l ₁	h ₁	d ₂	l ₂	w ₁
P0265.080-016-ZP	M8	16	4.12	19.35	22	7.42
P0265.080-020-ZP	M8	20	4.12	19.35	22	7.42
P0265.080-025-ZP	M8	25	4.12	19.35	22	7.42
P0265.080-030-ZP	M8	30	4.12	19.35	22	7.42
P0265.080-035-ZP	M8	35	4.12	19.35	22	7.42
P0265.080-040-ZP	M8	40	4.12	19.35	22	7.42
P0265.080-045-ZP	M8	45	4.12	19.35	22	7.42
P0265.080-050-ZP	M8	50	4.12	19.35	22	7.42
P0265.080-055-ZP	M8	55	4.12	19.35	22	7.42
P0265.080-060-ZP	M8	60	4.12	19.35	22	7.42
P0265.080-065-ZP	M8	65	4.12	19.35	22	7.42
P0265.080-070-ZP	M8	70	4.12	19.35	22	7.42
P0265.080-075-ZP	M8	75	4.12	19.35	22	7.42
P0265.080-080-ZP	M8	80	4.12	19.35	22	7.42
P0265.080-090-ZP	M8	90	4.12	19.35	22	7.42
P0265.080-100-ZP	M8	100	4.12	19.35	22	7.42
P0265.080-110-ZP	M8	110	4.12	19.35	22	7.42
P0265.080-120-ZP	M8	120	4.12	19.35	22	7.42
P0265.080-130-ZP	M8	130	4.12	19.35	28	7.42
P0265.080-140-ZP	M8	140	4.12	19.35	28	7.42
P0265.080-150-ZP	M8	150	4.12	19.35	28	7.42
P0265.080-160-ZP	M8	160	4.12	19.35	28	7.42
P0265.080-170-ZP	M8	170	4.12	19.35	28	7.42
P0265.080-180-ZP	M8	180	4.12	19.35	28	7.42
P0265.080-200-ZP	M8	200	4.12	19.35	28	7.42
P0265.100-016-ZP	M10	16	4.62	23.25	26	9.42
P0265.100-020-ZP	M10	20	4.62	23.25	26	9.42
P0265.100-025-ZP	M10	25	4.62	23.25	26	9.42
P0265.100-030-ZP	M10	30	4.62	23.25	26	9.42
P0265.100-035-ZP	M10	35	4.62	23.25	26	9.42
P0265.100-040-ZP	M10	40	4.62	23.25	26	9.42
P0265.100-045-ZP	M10	45	4.62	23.25	26	9.42
P0265.100-050-ZP	M10	50	4.62	23.25	26	9.42
P0265.100-055-ZP	M10	55	4.62	23.25	26	9.42
P0265.100-060-ZP	M10	60	4.62	23.25	26	9.42
P0265.100-065-ZP	M10	65	4.62	23.25	26	9.42
P0265.100-070-ZP	M10	70	4.62	23.25	26	9.42
P0265.100-075-ZP	M10	75	4.62	23.25	26	9.42
P0265.100-080-ZP	M10	80	4.62	23.25	26	9.42
P0265.100-090-ZP	M10	90	4.62	23.25	26	9.42
P0265.100-100-ZP	M10	100	4.62	23.25	26	9.42
P0265.100-110-ZP	M10	110	4.62	23.25	26	9.42
P0265.100-120-ZP	M10	120	4.62	23.25	26	9.42
P0265.100-130-ZP	M10	130	4.62	23.25	32	9.42
P0265.100-140-ZP	M10	140	4.62	23.25	32	9.42
P0265.100-150-ZP	M10	150	4.62	23.25	32	9.42
P0265.100-160-ZP	M10	160	4.62	23.25	32	9.42
P0265.100-170-ZP	M10	170	4.62	23.25	32	9.42
P0265.100-180-ZP	M10	180	4.62	23.25	32	9.42
P0265.100-200-ZP	M10	200	4.62	23.25	32	9.42
P0265.120-025-ZP	M12	25	6.05	29.25	30	11.3
P0265.120-030-ZP	M12	30	6.05	29.25	30	11.3
P0265.120-035-ZP	M12	35	6.05	29.25	30	11.3
P0265.120-040-ZP	M12	40	6.05	29.25	30	11.3
P0265.120-045-ZP	M12	45	6.05	29.25	30	11.3
P0265.120-050-ZP	M12	50	6.05	29.25	30	11.3
P0265.120-055-ZP	M12	55	6.05	29.25	30	11.3
P0265.120-060-ZP	M12	60	6.05	29.25	30	11.3
P0265.120-065-ZP	M12	65	6.05	29.25	30	11.3
P0265.120-070-ZP	M12	70	6.05	29.25	30	11.3
P0265.120-075-ZP	M12	75	6.05	29.25	30	11.3
P0265.120-080-ZP	M12	80	6.05	29.25	30	11.3
P0265.120-090-ZP	M12	90	6.05	29.25	30	11.3
P0265.120-100-ZP	M12	100	6.05	29.25	30	11.3
P0265.120-110-ZP	M12	110	6.05	29.25	30	11.3
P0265.120-120-ZP	M12	120	6.05	29.25	30	11.3
P0265.120-130-ZP	M12	130	6.05	29.25	36	11.3
P0265.120-140-ZP	M12	140	6.05	29.25	36	11.3
P0265.120-150-ZP	M12	150	6.05	29.25	36	11.3



Carriage Bolts - Partial Thread

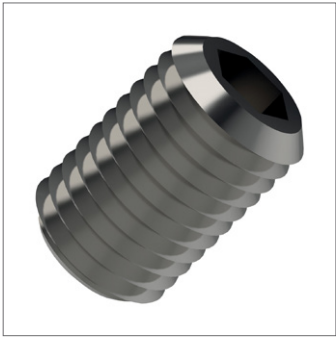
Part thread - steel, zinc-plated

Standard Screws

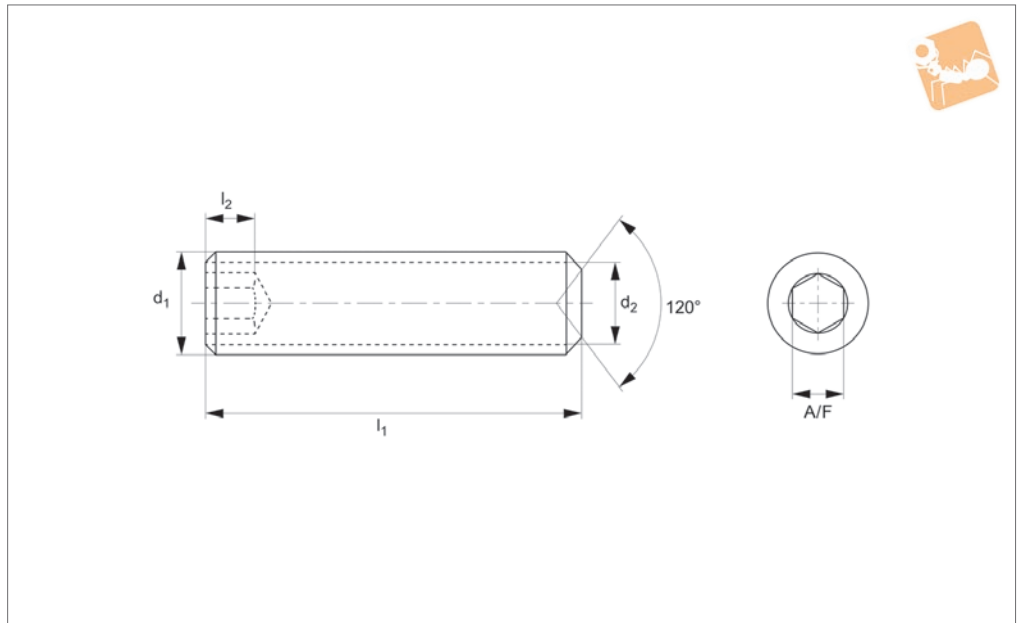


Order No.	d ₁	l ₁	h ₁	d ₂	l ₂	w ₁
P0265.120-160-ZP	M12	160	6.05	29.25	36	11.3
P0265.120-170-ZP	M12	170	6.05	29.25	36	11.3
P0265.120-180-ZP	M12	180	6.05	29.25	36	11.3
P0265.120-200-ZP	M12	200	6.05	29.25	36	11.3
P0265.160-040-ZP	M16	40	8.05	37.20	38	15.3
P0265.160-045-ZP	M16	45	8.05	37.20	38	15.3
P0265.160-050-ZP	M16	50	8.05	37.20	38	15.3
P0265.160-055-ZP	M16	55	8.05	37.20	38	15.3
P0265.160-060-ZP	M16	60	8.05	37.20	38	15.3
P0265.160-065-ZP	M16	65	8.05	37.20	38	15.3
P0265.160-070-ZP	M16	70	8.05	37.20	38	15.3
P0265.160-075-ZP	M16	75	8.05	37.20	38	15.3
P0265.160-080-ZP	M16	80	8.05	37.20	38	15.3
P0265.160-090-ZP	M16	90	8.05	37.20	38	15.3
P0265.160-100-ZP	M16	100	8.05	37.20	38	15.3
P0265.160-110-ZP	M16	110	8.05	37.20	38	15.3
P0265.160-120-ZP	M16	120	8.05	37.20	38	15.3
P0265.160-130-ZP	M16	130	8.05	37.20	44	15.3
P0265.160-140-ZP	M16	140	8.05	37.20	44	15.3
P0265.160-150-ZP	M16	150	8.05	37.20	44	15.3
P0265.160-160-ZP	M16	160	8.05	37.20	44	15.3
P0265.160-170-ZP	M16	170	8.05	37.20	44	15.3
P0265.160-180-ZP	M16	180	8.05	37.20	44	15.3
P0265.160-200-ZP	M16	200	8.05	37.20	44	15.3

STANDARD SCREWS



P0270.A4



Material

Stainless steel (A4).

See technical page for tightening torques.

Technical Notes

To DIN 916, cup point.

Order No.	d ₁	l ₁	d ₂	l ₂ min.	A/F
P0270.020-003-A4	M 2	3	0.75	0.8	0.9
P0270.020-004-A4	M 2	4	0.75	0.8	0.9
P0270.020-005-A4	M 2	5	0.75	0.8	0.9
P0270.020-006-A4	M 2	6	0.75	0.8	0.9
P0270.020-008-A4	M 2	8	0.75	0.8	0.9
P0270.020-010-A4	M 2	10	0.75	0.8	0.9
P0270.020-012-A4	M 2	12	0.75	0.8	0.9
P0270.020-016-A4	M 2	16	0.75	0.8	0.9
P0270.025-003-A4	M2,5	3	1.25	1.0	1.3
P0270.025-004-A4	M2,5	4	1.25	1.0	1.3
P0270.025-005-A4	M2,5	5	1.25	1.0	1.3
P0270.025-006-A4	M2,5	6	1.25	1.0	1.3
P0270.025-008-A4	M2,5	8	1.25	1.0	1.3
P0270.025-010-A4	M2,5	10	1.25	1.0	1.3
P0270.025-012-A4	M2,5	12	1.25	1.0	1.3
P0270.025-016-A4	M2,5	16	1.25	1.0	1.3
P0270.030-003-A4	M 3	3	1.75	1.0	1.5
P0270.030-004-A4	M 3	4	1.75	1.0	1.5
P0270.030-005-A4	M 3	5	1.75	1.0	1.5
P0270.030-006-A4	M 3	6	1.75	1.0	1.5
P0270.030-008-A4	M 3	8	1.75	1.0	1.5
P0270.030-010-A4	M 3	10	1.75	1.0	1.5
P0270.030-012-A4	M 3	12	1.75	1.0	1.5
P0270.030-016-A4	M 3	16	1.75	1.0	1.5
P0270.030-020-A4	M 3	20	1.75	1.0	1.5
P0270.030-025-A4	M 3	25	1.75	1.0	1.5
P0270.030-030-A4	M 3	30	1.75	1.0	1.5
P0270.040-003-A4	M 4	3	2.25	1.5	2.35
P0270.040-004-A4	M 4	4	2.25	1.5	2.35
P0270.040-005-A4	M 4	5	2.25	1.5	2.35
P0270.040-006-A4	M 4	6	2.25	1.5	2.35
P0270.040-008-A4	M 4	8	2.25	1.5	2.35
P0270.040-010-A4	M 4	10	2.25	1.5	2.35
P0270.040-012-A4	M 4	12	2.25	1.5	2.35



Socket Set Screws Cup Point

Cup Point - A4 stainless

Standard Screws



Order No.	d ₁	l ₁	d ₂	l ₂ min.	A/F
P0270.040-016-A4	M 4	16	2.25	1.5	2.35
P0270.040-020-A4	M 4	20	2.25	1.5	2.35
P0270.040-025-A4	M 4	25	2.25	1.5	2.35
P0270.040-030-A4	M 4	30	2.25	1.5	2.35
P0270.040-035-A4	M 4	35	2.25	1.5	2.35
P0270.040-040-A4	M 4	40	2.25	1.5	2.35
P0270.050-005-A4	M 5	5	3.20	2.0	2.5
P0270.050-006-A4	M 5	6	3.20	2.0	2.5
P0270.050-008-A4	M 5	8	3.20	2.0	2.5
P0270.050-010-A4	M 5	10	3.20	2.0	2.5
P0270.050-012-A4	M 5	12	3.20	2.0	2.5
P0270.050-016-A4	M 5	16	3.20	2.0	2.5
P0270.050-020-A4	M 5	20	3.20	2.0	2.5
P0270.050-025-A4	M 5	25	3.20	2.0	2.5
P0270.050-030-A4	M 5	30	3.20	2.0	2.5
P0270.050-035-A4	M 5	35	3.20	2.0	2.5
P0270.050-040-A4	M 5	40	3.20	2.0	2.5
P0270.050-050-A4	M 5	50	3.20	2.0	2.5
P0270.060-004-A4	M 6	4	3.70	2.0	3.0
P0270.060-005-A4	M 6	5	3.70	2.0	3.0
P0270.060-006-A4	M 6	6	3.70	2.0	3.0
P0270.060-008-A4	M 6	8	3.70	2.0	3.0
P0270.060-010-A4	M 6	10	3.70	2.0	3.0
P0270.060-012-A4	M 6	12	3.70	2.0	3.0
P0270.060-016-A4	M 6	16	3.70	2.0	3.0
P0270.060-020-A4	M 6	20	3.70	2.0	3.0
P0270.060-025-A4	M 6	25	3.70	2.0	3.0
P0270.060-030-A4	M 6	30	3.70	2.0	3.0
P0270.060-035-A4	M 6	35	3.70	2.0	3.0
P0270.060-040-A4	M 6	40	3.70	2.0	3.0
P0270.060-045-A4	M 6	45	3.70	2.0	3.0
P0270.060-050-A4	M 6	50	3.70	2.0	3.0
P0270.060-055-A4	M 6	55	3.70	2.0	3.0
P0270.060-060-A4	M 6	60	3.70	2.0	3.0
P0270.060-070-A4	M 6	70	3.70	2.0	3.0
P0270.080-006-A4	M 8	6	5.20	3.0	4.0
P0270.080-008-A4	M 8	8	5.20	3.0	4.0
P0270.080-010-A4	M 8	10	5.20	3.0	4.0
P0270.080-012-A4	M 8	12	5.20	3.0	4.0
P0270.080-016-A4	M 8	16	5.20	3.0	4.0
P0270.080-020-A4	M 8	20	5.20	3.0	4.0
P0270.080-025-A4	M 8	25	5.20	3.0	4.0
P0270.080-030-A4	M 8	30	5.20	3.0	4.0
P0270.080-035-A4	M 8	35	5.20	3.0	4.0
P0270.080-040-A4	M 8	40	5.20	3.0	4.0
P0270.080-050-A4	M 8	50	5.20	3.0	4.0
P0270.080-060-A4	M 8	60	5.20	3.0	4.0
P0270.080-070-A4	M 8	70	5.20	3.0	4.0
P0270.080-080-A4	M 8	80	5.20	3.0	4.0
P0270.100-010-A4	M10	10	6.64	4.0	5.0
P0270.100-012-A4	M10	12	6.64	4.0	5.0
P0270.100-016-A4	M10	16	6.64	4.0	5.0
P0270.100-020-A4	M10	20	6.64	4.0	5.0
P0270.100-025-A4	M10	25	6.64	4.0	5.0
P0270.100-030-A4	M10	30	6.64	4.0	5.0
P0270.100-035-A4	M10	35	6.64	4.0	5.0
P0270.100-040-A4	M10	40	6.64	4.0	5.0
P0270.100-045-A4	M10	45	6.64	4.0	5.0
P0270.100-050-A4	M10	50	6.64	4.0	5.0
P0270.100-055-A4	M10	55	6.64	4.0	5.0
P0270.100-060-A4	M10	60	6.64	4.0	5.0
P0270.100-070-A4	M10	70	6.64	4.0	5.0
P0270.100-080-A4	M10	80	6.64	4.0	5.0
P0270.100-090-A4	M10	90	6.64	4.0	5.0
P0270.120-010-A4	M12	10	8.14	4.8	5.0
P0270.120-012-A4	M12	12	8.14	4.8	5.0
P0270.120-016-A4	M12	16	8.14	4.8	5.0
P0270.120-020-A4	M12	20	8.14	4.8	5.0

STANDARD SCREWS



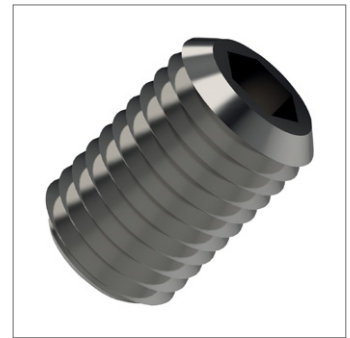
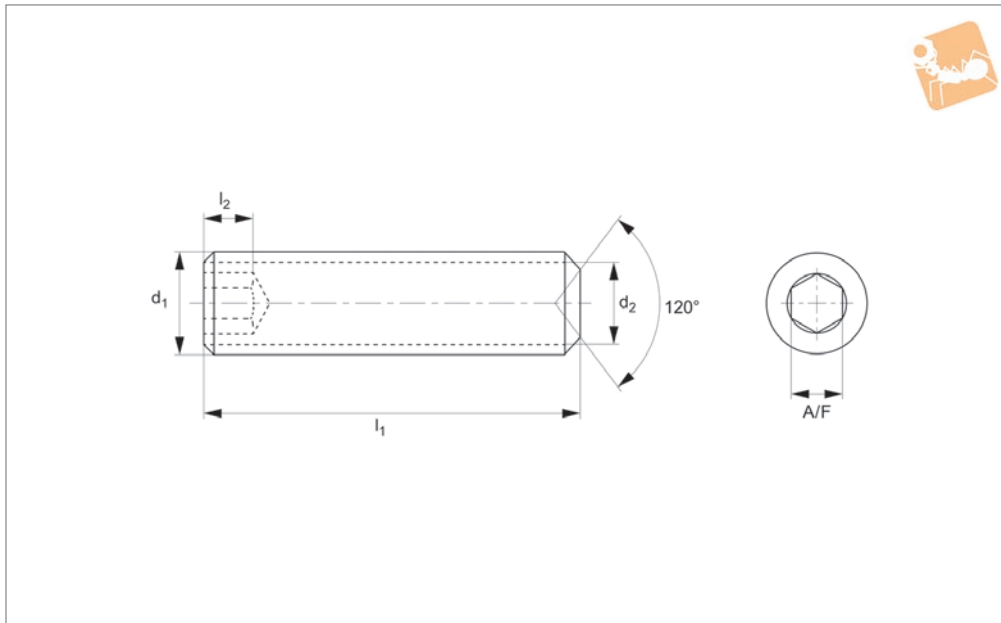
Order No.	d ₁	l ₁	d ₂	l ₂ min.	A/F
P0270.120-025-A4	M12	25	8.14	4.8	5.0
P0270.120-030-A4	M12	30	8.14	4.8	5.0
P0270.120-035-A4	M12	35	8.14	4.8	5.0
P0270.120-040-A4	M12	40	8.14	4.8	5.0
P0270.120-045-A4	M12	45	8.14	4.8	5.0
P0270.120-050-A4	M12	50	8.14	4.8	5.0
P0270.120-055-A4	M12	55	8.14	4.8	5.0
P0270.120-060-A4	M12	60	8.14	4.8	5.0
P0270.120-070-A4	M12	70	8.14	4.8	5.0
P0270.120-080-A4	M12	80	8.14	4.8	5.0
P0270.120-090-A4	M12	90	8.14	4.8	5.0
P0270.160-016-A4	M16	16	9.64	6.4	8.0
P0270.160-020-A4	M16	20	9.64	6.4	8.0
P0270.160-025-A4	M16	25	9.64	6.4	8.0
P0270.160-030-A4	M16	30	9.64	6.4	8.0
P0270.160-035-A4	M16	35	9.64	6.4	8.0
P0270.160-040-A4	M16	40	9.64	6.4	8.0
P0270.160-045-A4	M16	45	9.64	6.4	8.0
P0270.160-050-A4	M16	50	9.64	6.4	8.0
P0270.160-055-A4	M16	55	9.64	6.4	8.0
P0270.160-060-A4	M16	60	9.64	6.4	8.0
P0270.160-070-A4	M16	70	9.64	6.4	8.0
P0270.160-080-A4	M16	80	9.64	6.4	8.0
P0270.160-090-A4	M16	90	9.64	6.4	8.0
P0270.160-100-A4	M16	100	9.64	6.4	8.0
P0270.200-020-A4	M20	20	13.57	8.0	10
P0270.200-025-A4	M20	25	13.57	8.0	10
P0270.200-030-A4	M20	30	13.57	8.0	10
P0270.200-035-A4	M20	35	13.57	8.0	10
P0270.200-040-A4	M20	40	13.57	8.0	10
P0270.200-045-A4	M20	45	13.57	8.0	10
P0270.200-050-A4	M20	50	13.57	8.0	10
P0270.200-055-A4	M20	55	13.57	8.0	10
P0270.200-060-A4	M20	60	13.57	8.0	10
P0270.200-070-A4	M20	70	13.57	8.0	10
P0270.200-080-A4	M20	80	13.57	8.0	10
P0270.200-090-A4	M20	90	13.57	8.0	10
P0270.200-100-A4	M20	100	13.57	8.0	10



Socket Set Screws Cup Point

Cup Point - steel, zinc-plated

Standard Screws



P0270.ZP

STANDARD SCREWS

Material

Steel, zinc-plated (class 45H).

Technical Notes

To DIN 916, cup point.

Order No.	d ₁	l ₁	d ₂	l ₂ min.	A/F
P0270.020-003-ZP	M 2	3	0.75	0.8	0.9
P0270.020-004-ZP	M 2	4	0.75	0.8	0.9
P0270.020-005-ZP	M 2	5	0.75	0.8	0.9
P0270.020-006-ZP	M 2	6	0.75	0.8	0.9
P0270.020-008-ZP	M 2	8	0.75	0.8	0.9
P0270.020-010-ZP	M 2	10	0.75	0.8	0.9
P0270.020-012-ZP	M 2	12	0.75	0.8	0.9
P0270.020-016-ZP	M 2	16	0.75	0.8	0.9
P0270.025-003-ZP	M2,5	3	1.25	1.0	1.3
P0270.025-004-ZP	M2,5	4	1.25	1.0	1.3
P0270.025-005-ZP	M2,5	5	1.25	1.0	1.3
P0270.025-006-ZP	M2,5	6	1.25	1.0	1.3
P0270.025-008-ZP	M2,5	8	1.25	1.0	1.3
P0270.025-010-ZP	M2,5	10	1.25	1.0	1.3
P0270.025-012-ZP	M2,5	12	1.25	1.0	1.3
P0270.025-016-ZP	M2,5	16	1.25	1.0	1.3
P0270.030-003-ZP	M 3	3	1.75	1.0	1.5
P0270.030-004-ZP	M 3	4	1.75	1.0	1.5
P0270.030-005-ZP	M 3	5	1.75	1.0	1.5
P0270.030-006-ZP	M 3	6	1.75	1.0	1.5
P0270.030-008-ZP	M 3	8	1.75	1.0	1.5
P0270.030-010-ZP	M 3	10	1.75	1.0	1.5
P0270.030-012-ZP	M 3	12	1.75	1.0	1.5
P0270.030-016-ZP	M 3	16	1.75	1.0	1.5
P0270.030-020-ZP	M 3	20	1.75	1.0	1.5
P0270.030-025-ZP	M 3	25	1.75	1.0	1.5
P0270.030-030-ZP	M 3	30	1.75	1.0	1.5
P0270.040-003-ZP	M 4	3	2.25	1.5	2.35
P0270.040-004-ZP	M 4	4	2.25	1.5	2.35
P0270.040-005-ZP	M 4	5	2.25	1.5	2.35
P0270.040-006-ZP	M 4	6	2.25	1.5	2.35
P0270.040-008-ZP	M 4	8	2.25	1.5	2.35
P0270.040-010-ZP	M 4	10	2.25	1.5	2.35
P0270.040-012-ZP	M 4	12	2.25	1.5	2.35



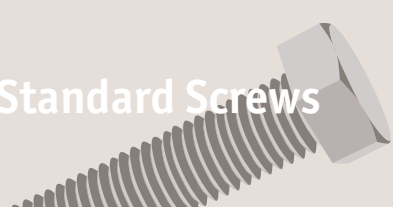
Order No.	d ₁	l ₁	d ₂	l ₂ min.	A/F
P0270.040-016-ZP	M 4	16	2.25	1.5	2.35
P0270.040-020-ZP	M 4	20	2.25	1.5	2.35
P0270.040-025-ZP	M 4	25	2.25	1.5	2.35
P0270.040-030-ZP	M 4	30	2.25	1.5	2.35
P0270.040-035-ZP	M 4	35	2.25	1.5	2.35
P0270.040-040-ZP	M 4	40	2.25	1.5	2.35
P0270.050-005-ZP	M 5	5	3.20	2.0	2.5
P0270.050-006-ZP	M 5	6	3.20	2.0	2.5
P0270.050-008-ZP	M 5	8	3.20	2.0	2.5
P0270.050-010-ZP	M 5	10	3.20	2.0	2.5
P0270.050-012-ZP	M 5	12	3.20	2.0	2.5
P0270.050-016-ZP	M 5	16	3.20	2.0	2.5
P0270.050-020-ZP	M 5	20	3.20	2.0	2.5
P0270.050-025-ZP	M 5	25	3.20	2.0	2.5
P0270.050-030-ZP	M 5	30	3.20	2.0	2.5
P0270.050-035-ZP	M 5	35	3.20	2.0	2.5
P0270.050-040-ZP	M 5	40	3.20	2.0	2.5
P0270.050-050-ZP	M 5	50	3.20	2.0	2.5
P0270.060-004-ZP	M 6	4	3.70	2.0	3.0
P0270.060-005-ZP	M 6	5	3.70	2.0	3.0
P0270.060-006-ZP	M 6	6	3.70	2.0	3.0
P0270.060-008-ZP	M 6	8	3.70	2.0	3.0
P0270.060-010-ZP	M 6	10	3.70	2.0	3.0
P0270.060-012-ZP	M 6	12	3.70	2.0	3.0
P0270.060-016-ZP	M 6	16	3.70	2.0	3.0
P0270.060-020-ZP	M 6	20	3.70	2.0	3.0
P0270.060-025-ZP	M 6	25	3.70	2.0	3.0
P0270.060-030-ZP	M 6	30	3.70	2.0	3.0
P0270.060-035-ZP	M 6	35	3.70	2.0	3.0
P0270.060-040-ZP	M 6	40	3.70	2.0	3.0
P0270.060-045-ZP	M 6	45	3.70	2.0	3.0
P0270.060-050-ZP	M 6	50	3.70	2.0	3.0
P0270.060-055-ZP	M 6	55	3.70	2.0	3.0
P0270.060-060-ZP	M 6	60	3.70	2.0	3.0
P0270.060-070-ZP	M 6	70	3.70	2.0	3.0
P0270.080-006-ZP	M 8	6	5.20	3.0	4.0
P0270.080-008-ZP	M 8	8	5.20	3.0	4.0
P0270.080-010-ZP	M 8	10	5.20	3.0	4.0
P0270.080-012-ZP	M 8	12	5.20	3.0	4.0
P0270.080-016-ZP	M 8	16	5.20	3.0	4.0
P0270.080-020-ZP	M 8	20	5.20	3.0	4.0
P0270.080-025-ZP	M 8	25	5.20	3.0	4.0
P0270.080-030-ZP	M 8	30	5.20	3.0	4.0
P0270.080-035-ZP	M 8	35	5.20	3.0	4.0
P0270.080-040-ZP	M 8	40	5.20	3.0	4.0
P0270.080-050-ZP	M 8	50	5.20	3.0	4.0
P0270.080-060-ZP	M 8	60	5.20	3.0	4.0
P0270.080-070-ZP	M 8	70	5.20	3.0	4.0
P0270.080-080-ZP	M 8	80	5.20	3.0	4.0
P0270.100-010-ZP	M10	10	6.64	4.0	5.0
P0270.100-012-ZP	M10	12	6.64	4.0	5.0
P0270.100-016-ZP	M10	16	6.64	4.0	5.0
P0270.100-020-ZP	M10	20	6.64	4.0	5.0
P0270.100-025-ZP	M10	25	6.64	4.0	5.0
P0270.100-030-ZP	M10	30	6.64	4.0	5.0
P0270.100-035-ZP	M10	35	6.64	4.0	5.0
P0270.100-040-ZP	M10	40	6.64	4.0	5.0
P0270.100-045-ZP	M10	45	6.64	4.0	5.0
P0270.100-050-ZP	M10	50	6.64	4.0	5.0
P0270.100-055-ZP	M10	55	6.64	4.0	5.0
P0270.100-060-ZP	M10	60	6.64	4.0	5.0
P0270.100-070-ZP	M10	70	6.64	4.0	5.0
P0270.100-080-ZP	M10	80	6.64	4.0	5.0
P0270.100-090-ZP	M10	90	6.64	4.0	5.0
P0270.120-010-ZP	M12	10	8.14	4.8	5.0
P0270.120-012-ZP	M12	12	8.14	4.8	5.0
P0270.120-016-ZP	M12	16	8.14	4.8	5.0
P0270.120-020-ZP	M12	20	8.14	4.8	5.0



Socket Set Screws Cup Point

Cup Point - steel, zinc-plated

Standard Screws

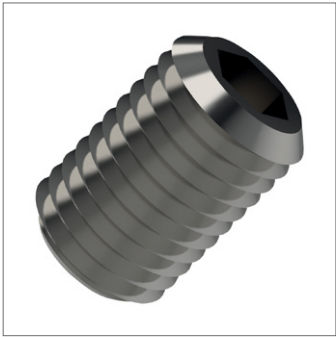


Order No.	d ₁	l ₁	d ₂	l ₂ min.	A/F
P0270.120-025-ZP	M12	25	8.14	4.8	5.0
P0270.120-030-ZP	M12	30	8.14	4.8	5.0
P0270.120-035-ZP	M12	35	8.14	4.8	5.0
P0270.120-040-ZP	M12	40	8.14	4.8	5.0
P0270.120-045-ZP	M12	45	8.14	4.8	5.0
P0270.120-050-ZP	M12	50	8.14	4.8	5.0
P0270.120-055-ZP	M12	55	8.14	4.8	5.0
P0270.120-060-ZP	M12	60	8.14	4.8	5.0
P0270.120-070-ZP	M12	70	8.14	4.8	5.0
P0270.120-080-ZP	M12	80	8.14	4.8	5.0
P0270.120-090-ZP	M12	90	8.14	4.8	5.0
P0270.160-016-ZP	M16	16	9.64	6.4	8.0
P0270.160-020-ZP	M16	20	9.64	6.4	8.0
P0270.160-025-ZP	M16	25	9.64	6.4	8.0
P0270.160-030-ZP	M16	30	9.64	6.4	8.0
P0270.160-035-ZP	M16	35	9.64	6.4	8.0
P0270.160-040-ZP	M16	40	9.64	6.4	8.0
P0270.160-045-ZP	M16	45	9.64	6.4	8.0
P0270.160-050-ZP	M16	50	9.64	6.4	8.0
P0270.160-055-ZP	M16	55	9.64	6.4	8.0
P0270.160-060-ZP	M16	60	9.64	6.4	8.0
P0270.160-070-ZP	M16	70	9.64	6.4	8.0
P0270.160-080-ZP	M16	80	9.64	6.4	8.0
P0270.160-090-ZP	M16	90	9.64	6.4	8.0
P0270.160-100-ZP	M16	100	9.64	6.4	8.0
P0270.200-020-ZP	M20	20	13.57	8.0	10
P0270.200-025-ZP	M20	25	13.57	8.0	10
P0270.200-030-ZP	M20	30	13.57	8.0	10
P0270.200-035-ZP	M20	35	13.57	8.0	10
P0270.200-040-ZP	M20	40	13.57	8.0	10
P0270.200-045-ZP	M20	45	13.57	8.0	10
P0270.200-050-ZP	M20	50	13.57	8.0	10
P0270.200-055-ZP	M20	55	13.57	8.0	10
P0270.200-060-ZP	M20	60	13.57	8.0	10
P0270.200-070-ZP	M20	70	13.57	8.0	10
P0270.200-080-ZP	M20	80	13.57	8.0	10
P0270.200-090-ZP	M20	90	13.57	8.0	10
P0270.200-100-ZP	M20	100	13.57	8.0	10

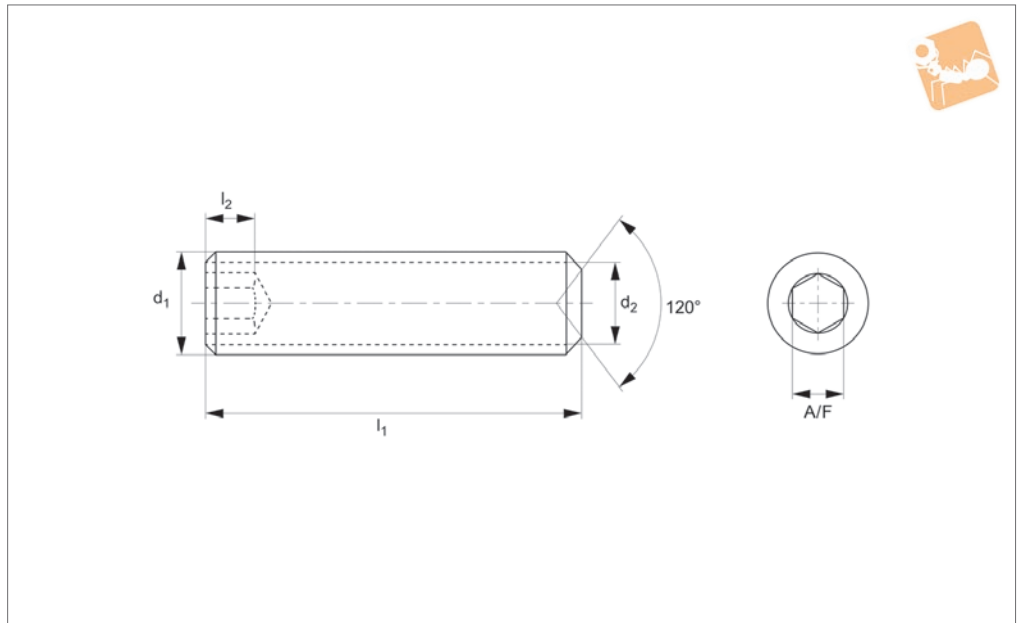
STANDARD SCREWS



STANDARD SCREWS



P0270.A2



Material

Stainless steel (A2).

See technical page for tightening torques.

Technical Notes

To DIN 916, cup point.

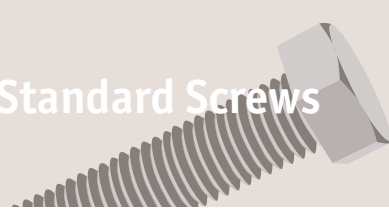
Order No.	d ₁	l ₁	d ₂	l ₂ min.	A/F
P0270.020-003-A2	M 2	3	0.75	0.8	0.9
P0270.020-004-A2	M 2	4	0.75	0.8	0.9
P0270.020-005-A2	M 2	5	0.75	0.8	0.9
P0270.020-006-A2	M 2	6	0.75	0.8	0.9
P0270.020-008-A2	M 2	8	0.75	0.8	0.9
P0270.020-010-A2	M 2	10	0.75	0.8	0.9
P0270.020-012-A2	M 2	12	0.75	0.8	0.9
P0270.020-016-A2	M 2	16	0.75	0.8	0.9
P0270.025-003-A2	M2,5	3	1.25	1.0	1.3
P0270.025-004-A2	M2,5	4	1.25	1.0	1.3
P0270.025-005-A2	M2,5	5	1.25	1.0	1.3
P0270.025-006-A2	M2,5	6	1.25	1.0	1.3
P0270.025-008-A2	M2,5	8	1.25	1.0	1.3
P0270.025-010-A2	M2,5	10	1.25	1.0	1.3
P0270.025-012-A2	M2,5	12	1.25	1.0	1.3
P0270.025-016-A2	M2,5	16	1.25	1.0	1.3
P0270.030-003-A2	M 3	3	1.75	1.0	1.5
P0270.030-004-A2	M 3	4	1.75	1.0	1.5
P0270.030-005-A2	M 3	5	1.75	1.0	1.5
P0270.030-006-A2	M 3	6	1.75	1.0	1.5
P0270.030-008-A2	M 3	8	1.75	1.0	1.5
P0270.030-010-A2	M 3	10	1.75	1.0	1.5
P0270.030-012-A2	M 3	12	1.75	1.0	1.5
P0270.030-016-A2	M 3	16	1.75	1.0	1.5
P0270.030-020-A2	M 3	20	1.75	1.0	1.5
P0270.030-025-A2	M 3	25	1.75	1.0	1.5
P0270.030-030-A2	M 3	30	1.75	1.0	1.5
P0270.040-003-A2	M 4	3	2.25	1.5	2.35
P0270.040-004-A2	M 4	4	2.25	1.5	2.35
P0270.040-005-A2	M 4	5	2.25	1.5	2.35
P0270.040-006-A2	M 4	6	2.25	1.5	2.35
P0270.040-008-A2	M 4	8	2.25	1.5	2.35
P0270.040-010-A2	M 4	10	2.25	1.5	2.35
P0270.040-012-A2	M 4	12	2.25	1.5	2.35



Socket Set Screws Cup Point

Cup Point - A2 stainless

Standard Screws



Order No.	d ₁	l ₁	d ₂	l ₂ min.	A/F
P0270.040-016-A2	M 4	16	2.25	1.5	2.35
P0270.040-020-A2	M 4	20	2.25	1.5	2.35
P0270.040-025-A2	M 4	25	2.25	1.5	2.35
P0270.040-030-A2	M 4	30	2.25	1.5	2.35
P0270.040-035-A2	M 4	35	2.25	1.5	2.35
P0270.040-040-A2	M 4	40	2.25	1.5	2.35
P0270.050-005-A2	M 5	5	3.20	2.0	2.5
P0270.050-006-A2	M 5	6	3.20	2.0	2.5
P0270.050-008-A2	M 5	8	3.20	2.0	2.5
P0270.050-010-A2	M 5	10	3.20	2.0	2.5
P0270.050-012-A2	M 5	12	3.20	2.0	2.5
P0270.050-016-A2	M 5	16	3.20	2.0	2.5
P0270.050-020-A2	M 5	20	3.20	2.0	2.5
P0270.050-025-A2	M 5	25	3.20	2.0	2.5
P0270.050-030-A2	M 5	30	3.20	2.0	2.5
P0270.050-035-A2	M 5	35	3.20	2.0	2.5
P0270.050-040-A2	M 5	40	3.20	2.0	2.5
P0270.050-050-A2	M 5	50	3.20	2.0	2.5
P0270.060-004-A2	M 6	4	3.70	2.0	3.0
P0270.060-005-A2	M 6	5	3.70	2.0	3.0
P0270.060-006-A2	M 6	6	3.70	2.0	3.0
P0270.060-008-A2	M 6	8	3.70	2.0	3.0
P0270.060-010-A2	M 6	10	3.70	2.0	3.0
P0270.060-012-A2	M 6	12	3.70	2.0	3.0
P0270.060-016-A2	M 6	16	3.70	2.0	3.0
P0270.060-020-A2	M 6	20	3.70	2.0	3.0
P0270.060-025-A2	M 6	25	3.70	2.0	3.0
P0270.060-030-A2	M 6	30	3.70	2.0	3.0
P0270.060-035-A2	M 6	35	3.70	2.0	3.0
P0270.060-040-A2	M 6	40	3.70	2.0	3.0
P0270.060-045-A2	M 6	45	3.70	2.0	3.0
P0270.060-050-A2	M 6	50	3.70	2.0	3.0
P0270.060-055-A2	M 6	55	3.70	2.0	3.0
P0270.060-060-A2	M 6	60	3.70	2.0	3.0
P0270.060-070-A2	M 6	70	3.70	2.0	3.0
P0270.080-006-A2	M 8	6	5.20	3.0	4.0
P0270.080-008-A2	M 8	8	5.20	3.0	4.0
P0270.080-010-A2	M 8	10	5.20	3.0	4.0
P0270.080-012-A2	M 8	12	5.20	3.0	4.0
P0270.080-016-A2	M 8	16	5.20	3.0	4.0
P0270.080-020-A2	M 8	20	5.20	3.0	4.0
P0270.080-025-A2	M 8	25	5.20	3.0	4.0
P0270.080-030-A2	M 8	30	5.20	3.0	4.0
P0270.080-035-A2	M 8	35	5.20	3.0	4.0
P0270.080-040-A2	M 8	40	5.20	3.0	4.0
P0270.080-050-A2	M 8	50	5.20	3.0	4.0
P0270.080-060-A2	M 8	60	5.20	3.0	4.0
P0270.080-070-A2	M 8	70	5.20	3.0	4.0
P0270.080-080-A2	M 8	80	5.20	3.0	4.0
P0270.100-010-A2	M10	10	6.64	4.0	5.0
P0270.100-012-A2	M10	12	6.64	4.0	5.0
P0270.100-016-A2	M10	16	6.64	4.0	5.0
P0270.100-020-A2	M10	20	6.64	4.0	5.0
P0270.100-025-A2	M10	25	6.64	4.0	5.0
P0270.100-030-A2	M10	30	6.64	4.0	5.0
P0270.100-035-A2	M10	35	6.64	4.0	5.0
P0270.100-040-A2	M10	40	6.64	4.0	5.0
P0270.100-045-A2	M10	45	6.64	4.0	5.0
P0270.100-050-A2	M10	50	6.64	4.0	5.0
P0270.100-055-A2	M10	55	6.64	4.0	5.0
P0270.100-060-A2	M10	60	6.64	4.0	5.0
P0270.100-070-A2	M10	70	6.64	4.0	5.0
P0270.100-080-A2	M10	80	6.64	4.0	5.0
P0270.100-090-A2	M10	90	6.64	4.0	5.0
P0270.120-010-A2	M12	10	8.14	4.8	5.0
P0270.120-012-A2	M12	12	8.14	4.8	5.0
P0270.120-016-A2	M12	16	8.14	4.8	5.0
P0270.120-020-A2	M12	20	8.14	4.8	5.0

STANDARD SCREWS



STANDARD SCREWS

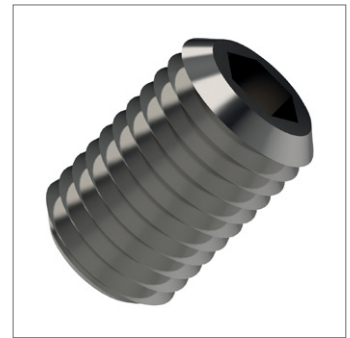
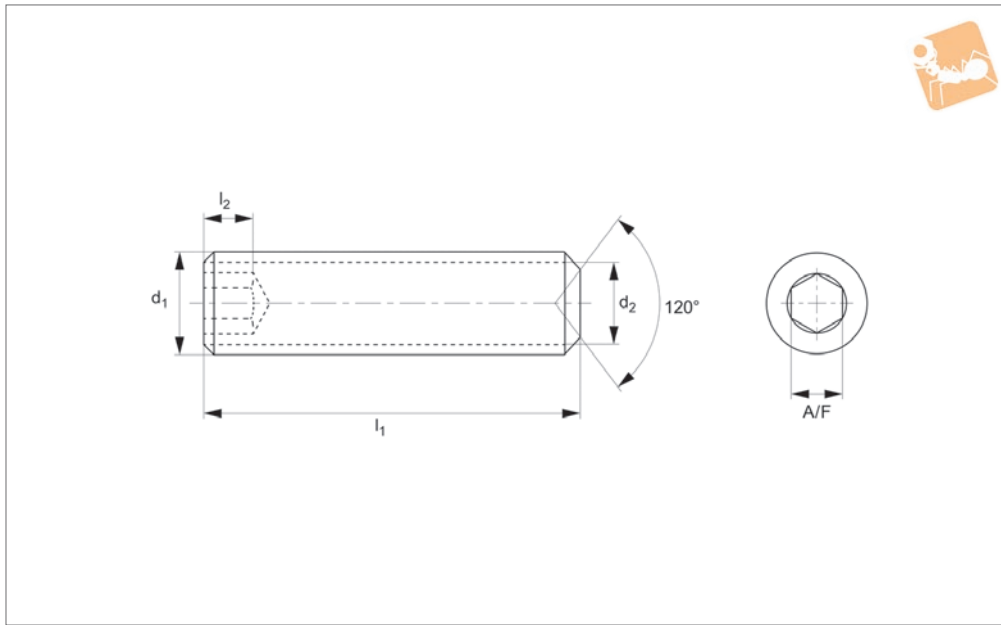
Order No.	d ₁	l ₁	d ₂	l ₂ min.	A/F
P0270.120-025-A2	M12	25	8.14	4.8	5.0
P0270.120-030-A2	M12	30	8.14	4.8	5.0
P0270.120-035-A2	M12	35	8.14	4.8	5.0
P0270.120-040-A2	M12	40	8.14	4.8	5.0
P0270.120-045-A2	M12	45	8.14	4.8	5.0
P0270.120-050-A2	M12	50	8.14	4.8	5.0
P0270.120-055-A2	M12	55	8.14	4.8	5.0
P0270.120-060-A2	M12	60	8.14	4.8	5.0
P0270.120-070-A2	M12	70	8.14	4.8	5.0
P0270.120-080-A2	M12	80	8.14	4.8	5.0
P0270.120-090-A2	M12	90	8.14	4.8	5.0
P0270.160-016-A2	M16	16	9.64	6.4	8.0
P0270.160-020-A2	M16	20	9.64	6.4	8.0
P0270.160-025-A2	M16	25	9.64	6.4	8.0
P0270.160-030-A2	M16	30	9.64	6.4	8.0
P0270.160-035-A2	M16	35	9.64	6.4	8.0
P0270.160-040-A2	M16	40	9.64	6.4	8.0
P0270.160-045-A2	M16	45	9.64	6.4	8.0
P0270.160-050-A2	M16	50	9.64	6.4	8.0
P0270.160-055-A2	M16	55	9.64	6.4	8.0
P0270.160-060-A2	M16	60	9.64	6.4	8.0
P0270.160-070-A2	M16	70	9.64	6.4	8.0
P0270.160-080-A2	M16	80	9.64	6.4	8.0
P0270.160-090-A2	M16	90	9.64	6.4	8.0
P0270.160-100-A2	M16	100	9.64	6.4	8.0
P0270.200-020-A2	M20	20	13.57	8.0	10
P0270.200-025-A2	M20	25	13.57	8.0	10
P0270.200-030-A2	M20	30	13.57	8.0	10
P0270.200-035-A2	M20	35	13.57	8.0	10
P0270.200-040-A2	M20	40	13.57	8.0	10
P0270.200-045-A2	M20	45	13.57	8.0	10
P0270.200-050-A2	M20	50	13.57	8.0	10
P0270.200-055-A2	M20	55	13.57	8.0	10
P0270.200-060-A2	M20	60	13.57	8.0	10
P0270.200-070-A2	M20	70	13.57	8.0	10
P0270.200-080-A2	M20	80	13.57	8.0	10
P0270.200-090-A2	M20	90	13.57	8.0	10
P0270.200-100-A2	M20	100	13.57	8.0	10



Socket Set Screws Flat Point

Flat Point - A2 stainless

Standard Screws



P0272.A2

STANDARD SCREWS

Material

Stainless steel (A2).

See technical page for tightening torques.

Technical Notes

To DIN 913, flat point.

Order No.	d ₁	l ₁	d ₂	l ₂ min.	A/F
P0272.020-002-A2	M 2	2	0.75	0.8	0.9
P0272.020-003-A2	M 2	3	0.75	0.8	0.9
P0272.020-004-A2	M 2	4	0.75	0.8	0.9
P0272.020-005-A2	M 2	5	0.75	0.8	0.9
P0272.020-006-A2	M 2	6	0.75	0.8	0.9
P0272.020-008-A2	M 2	8	0.75	0.8	0.9
P0272.020-010-A2	M 2	10	0.75	0.8	0.9
P0272.020-012-A2	M 2	12	0.75	0.8	0.9
P0272.020-014-A2	M 2	14	0.75	0.8	0.9
P0272.020-016-A2	M 2	16	0.75	0.8	0.9
P0272.025-003-A2	M2,5	3	1.25	1.2	1.3
P0272.025-004-A2	M2,5	4	1.25	1.2	1.3
P0272.025-005-A2	M2,5	5	1.25	1.2	1.3
P0272.025-006-A2	M2,5	6	1.25	1.2	1.3
P0272.025-008-A2	M2,5	8	1.25	1.2	1.3
P0272.025-010-A2	M2,5	10	1.25	1.2	1.3
P0272.025-012-A2	M2,5	12	1.25	1.2	1.3
P0272.025-014-A2	M 2,5	14	1.25	1.2	1.3
P0272.025-016-A2	M2,5	16	1.25	1.2	1.3
P0272.030-003-A2	M 3	3	1.75	1.2	1.5
P0272.030-004-A2	M 3	4	1.75	1.2	1.5
P0272.030-005-A2	M 3	5	1.75	1.2	1.5
P0272.030-006-A2	M 3	6	1.75	1.2	1.5
P0272.030-008-A2	M 3	8	1.75	1.2	1.5
P0272.030-010-A2	M 3	10	1.75	1.2	1.5
P0272.030-012-A2	M 3	12	1.75	1.2	1.5
P0272.030-014-A2	M 3	14	1.75	1.2	1.5
P0272.030-016-A2	M 3	16	1.75	1.2	1.5
P0272.030-020-A2	M 3	20	1.75	1.2	1.5
P0272.030-025-A2	M 3	25	1.75	1.2	1.5
P0272.030-030-A2	M 3	30	1.75	1.2	1.5
P0272.040-003-A2	M 4	3	2.25	1.5	2.0
P0272.040-004-A2	M 4	4	2.25	1.5	2.0
P0272.040-005-A2	M 4	5	2.25	1.5	2.0



STANDARD SCREWS

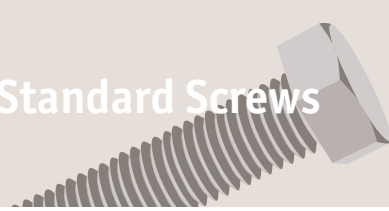
Order No.	d ₁	l ₁	d ₂	l ₂ min.	A/F
P0272.040-006-A2	M 4	6	2.25	1.5	2.0
P0272.040-008-A2	M 4	8	2.25	1.5	2.0
P0272.040-010-A2	M 4	10	2.25	1.5	2.0
P0272.040-012-A2	M 4	12	2.25	1.5	2.0
P0272.040-014-A2	M 4	14	2.25	1.5	2.0
P0272.040-016-A2	M 4	16	2.25	1.5	2.0
P0272.040-020-A2	M 4	20	2.25	1.5	2.0
P0272.040-025-A2	M 4	25	2.25	1.5	2.0
P0272.040-030-A2	M 4	30	2.25	1.5	2.0
P0272.040-035-A2	M 4	35	2.25	1.5	2.0
P0272.040-040-A2	M 4	40	2.25	1.5	2.0
P0272.050-005-A2	M 5	5	3.20	2.0	2.5
P0272.050-006-A2	M 5	6	3.20	2.0	2.5
P0272.050-008-A2	M 5	8	3.20	2.0	2.5
P0272.050-010-A2	M 5	10	3.20	2.0	2.5
P0272.050-012-A2	M 5	12	3.20	2.0	2.5
P0272.050-014-A2	M 5	14	3.20	2.0	2.5
P0272.050-016-A2	M 5	16	3.20	2.0	2.5
P0272.050-020-A2	M 5	20	3.20	2.0	2.5
P0272.050-025-A2	M 5	25	3.20	2.0	2.5
P0272.050-030-A2	M 5	30	3.20	2.0	2.5
P0272.050-035-A2	M 5	35	3.20	2.0	2.5
P0272.050-040-A2	M 5	40	3.20	2.0	2.5
P0272.050-050-A2	M 5	50	3.20	2.0	2.5
P0272.060-004-A2	M 6	4	3.70	2.0	3.0
P0272.060-005-A2	M 6	5	3.70	2.0	3.0
P0272.060-006-A2	M 6	6	3.70	2.0	3.0
P0272.060-008-A2	M 6	8	3.70	2.0	3.0
P0272.060-010-A2	M 6	10	3.70	2.0	3.0
P0272.060-012-A2	M 6	12	3.70	2.0	3.0
P0272.060-014-A2	M 6	14	3.70	2.0	3.0
P0272.060-016-A2	M 6	16	3.70	2.0	3.0
P0272.060-020-A2	M 6	20	3.70	2.0	3.0
P0272.060-025-A2	M 6	25	3.70	2.0	3.0
P0272.060-030-A2	M 6	30	3.70	2.0	3.0
P0272.060-035-A2	M 6	35	3.70	2.0	3.0
P0272.060-040-A2	M 6	40	3.70	2.0	3.0
P0272.060-045-A2	M 6	45	3.70	2.0	3.0
P0272.060-050-A2	M 6	50	3.70	2.0	3.0
P0272.060-055-A2	M 6	55	3.70	2.0	3.0
P0272.060-060-A2	M 6	60	3.70	2.0	3.0
P0272.060-070-A2	M 6	70	3.70	2.0	3.0
P0272.080-006-A2	M 8	6	5.20	3.0	4.0
P0272.080-008-A2	M 8	8	5.20	3.0	4.0
P0272.080-010-A2	M 8	10	5.20	3.0	4.0
P0272.080-012-A2	M 8	12	5.20	3.0	4.0
P0272.080-014-A2	M 8	14	5.20	3.0	4.0
P0272.080-016-A2	M 8	16	5.20	3.0	4.0
P0272.080-020-A2	M 8	20	5.20	3.0	4.0
P0272.080-025-A2	M 8	25	5.20	3.0	4.0
P0272.080-030-A2	M 8	30	5.20	3.0	4.0
P0272.080-035-A2	M 8	35	5.20	3.0	4.0
P0272.080-040-A2	M 8	40	5.20	3.0	4.0
P0272.080-050-A2	M 8	50	5.20	3.0	4.0
P0272.080-060-A2	M 8	60	5.20	3.0	4.0
P0272.080-070-A2	M 8	70	5.20	3.0	4.0
P0272.080-080-A2	M 8	80	5.20	3.0	4.0
P0272.100-010-A2	M10	10	6.64	4.0	5.0
P0272.100-012-A2	M10	12	6.64	4.0	5.0
P0272.100-016-A2	M10	16	6.64	4.0	5.0
P0272.100-020-A2	M10	20	6.64	4.0	5.0
P0272.100-025-A2	M10	25	6.64	4.0	5.0
P0272.100-030-A2	M10	30	6.64	4.0	5.0
P0272.100-035-A2	M10	35	6.64	4.0	5.0
P0272.100-040-A2	M10	40	6.64	4.0	5.0
P0272.100-045-A2	M10	45	6.64	4.0	5.0
P0272.100-050-A2	M10	50	6.64	4.0	5.0
P0272.100-055-A2	M10	55	6.64	4.0	5.0



Socket Set Screws Flat Point

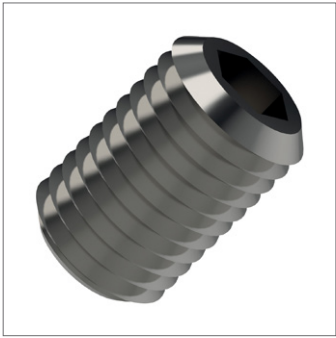
Flat Point - A2 stainless

Standard Screws

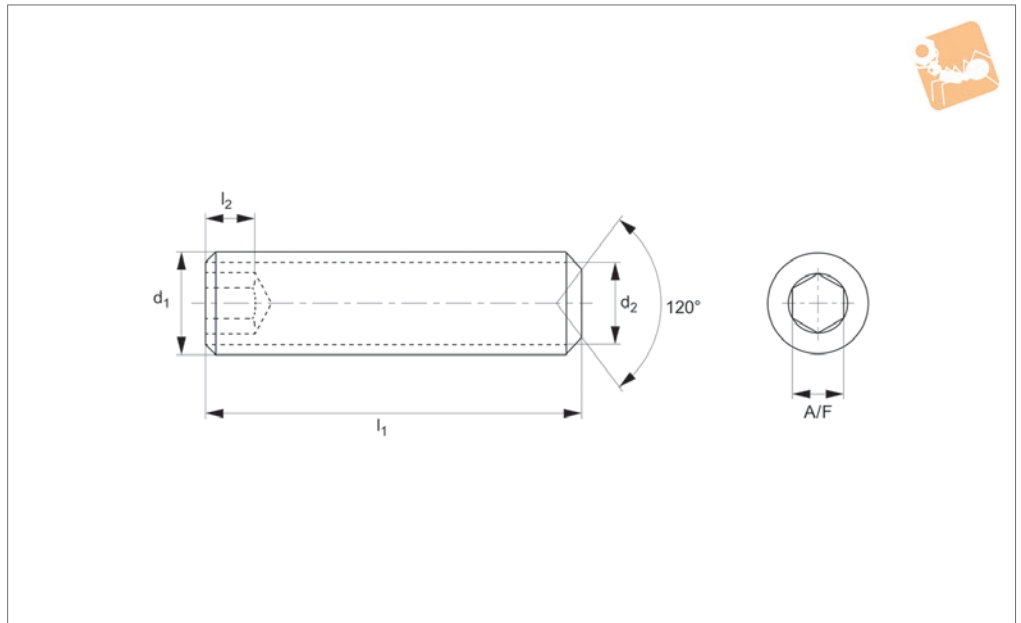


Order No.	d ₁	l ₁	d ₂	l ₂ min.	A/F
P0272.100-060-A2	M10	60	6.64	4.0	5.0
P0272.100-070-A2	M10	70	6.64	4.0	5.0
P0272.100-080-A2	M10	80	6.64	4.0	5.0
P0272.100-090-A2	M10	90	6.64	4.0	5.0
P0272.120-012-A2	M12	12	8.14	4.8	6.0
P0272.120-016-A2	M12	16	8.14	4.8	6.0
P0272.120-020-A2	M12	20	8.14	4.8	6.0
P0272.120-025-A2	M12	25	8.14	4.8	6.0
P0272.120-030-A2	M12	30	8.14	4.8	6.0
P0272.120-035-A2	M12	35	8.14	4.8	6.0
P0272.120-040-A2	M12	40	8.14	4.8	6.0
P0272.120-045-A2	M12	45	8.14	4.8	6.0
P0272.120-050-A2	M12	50	8.14	4.8	6.0
P0272.120-055-A2	M12	55	8.14	4.8	6.0
P0272.120-060-A2	M12	60	8.14	4.8	6.0
P0272.120-070-A2	M12	70	8.14	4.8	6.0
P0272.120-080-A2	M12	80	8.14	4.8	6.0
P0272.120-090-A2	M12	90	8.14	4.8	6.0
P0272.120-100-A2	M12	100	8.14	4.8	5.0
P0272.160-016-A2	M16	16	11.57	6.4	8.0
P0272.160-020-A2	M16	20	11.57	6.4	8.0
P0272.160-025-A2	M16	25	11.57	6.4	8.0
P0272.160-030-A2	M16	30	11.57	6.4	8.0
P0272.160-035-A2	M16	35	11.57	6.4	8.0
P0272.160-040-A2	M16	40	11.57	6.4	8.0
P0272.160-045-A2	M16	45	11.57	6.4	8.0
P0272.160-050-A2	M16	50	11.57	6.4	8.0
P0272.160-055-A2	M16	55	11.57	6.4	8.0
P0272.160-060-A2	M16	60	11.57	6.4	8.0
P0272.160-070-A2	M16	70	11.57	6.4	8.0
P0272.160-080-A2	M16	80	11.57	6.4	8.0
P0272.160-090-A2	M16	90	11.57	6.4	8.0
P0272.160-100-A2	M16	100	11.57	6.4	8.0
P0272.200-020-A2	M20	20	14.57	8.0	10
P0272.200-025-A2	M20	25	14.57	8.0	10
P0272.200-030-A2	M20	30	14.57	8.0	10
P0272.200-035-A2	M20	35	14.57	8.0	10
P0272.200-040-A2	M20	40	14.57	8.0	10
P0272.200-045-A2	M20	45	14.57	8.0	10
P0272.200-050-A2	M20	50	14.57	8.0	10
P0272.200-055-A2	M20	55	14.57	8.0	10
P0272.200-060-A2	M20	60	14.57	8.0	10
P0272.200-070-A2	M20	70	14.57	8.0	10
P0272.200-080-A2	M20	80	14.57	8.0	10
P0272.200-090-A2	M20	90	14.57	8.0	10
P0272.200-100-A2	M20	100	14.57	8.0	10

STANDARD SCREWS



P0272.A4



Material

Stainless steel (A4).

See technical page for tightening torques.

Technical Notes

To DIN 913, flat point.

Order No.	d ₁	l ₁	d ₂	l ₂ min.	A/F
P0272.020-002-A4	M 2	2	0.75	0.8	0.9
P0272.020-003-A4	M 2	3	0.75	0.8	0.9
P0272.020-004-A4	M 2	4	0.75	0.8	0.9
P0272.020-005-A4	M 2	5	0.75	0.8	0.9
P0272.020-006-A4	M 2	6	0.75	0.8	0.9
P0272.020-008-A4	M 2	8	0.75	0.8	0.9
P0272.020-010-A4	M 2	10	0.75	0.8	0.9
P0272.020-012-A4	M 2	12	0.75	0.8	0.9
P0272.020-014-A4	M 2	14	0.75	0.8	0.9
P0272.020-016-A4	M 2	16	0.75	0.8	0.9
P0272.025-003-A4	M2,5	3	1.25	1.2	1.3
P0272.025-004-A4	M2,5	4	1.25	1.2	1.3
P0272.025-005-A4	M2,5	5	1.25	1.2	1.3
P0272.025-006-A4	M2,5	6	1.25	1.2	1.3
P0272.025-008-A4	M2,5	8	1.25	1.2	1.3
P0272.025-010-A4	M2,5	10	1.25	1.2	1.3
P0272.025-012-A4	M2,5	12	1.25	1.2	1.3
P0272.025-014-A4	M2,5	14	1.25	1.2	1.3
P0272.025-016-A4	M2,5	16	1.25	1.2	1.3
P0272.030-003-A4	M 3	3	1.75	1.2	1.5
P0272.030-004-A4	M 3	4	1.75	1.2	1.5
P0272.030-005-A4	M 3	5	1.75	1.2	1.5
P0272.030-006-A4	M 3	6	1.75	1.2	1.5
P0272.030-008-A4	M 3	8	1.75	1.2	1.5
P0272.030-010-A4	M 3	10	1.75	1.2	1.5
P0272.030-012-A4	M 3	12	1.75	1.2	1.5
P0272.030-014-A4	M 3	14	1.75	1.2	1.5
P0272.030-016-A4	M 3	16	1.75	1.2	1.5
P0272.030-020-A4	M 3	20	1.75	1.2	1.5
P0272.030-025-A4	M 3	25	1.75	1.2	1.5
P0272.030-030-A4	M 3	30	1.75	1.2	1.5
P0272.040-003-A4	M 4	3	2.25	1.5	2.0
P0272.040-004-A4	M 4	4	2.25	1.5	2.0
P0272.040-005-A4	M 4	5	2.25	1.5	2.0



Socket Set Screws Flat Point

Flat Point - A4 stainless

Standard Screws



Order No.	d ₁	l ₁	d ₂	l ₂ min.	A/F
P0272.040-006-A4	M 4	6	2.25	1.5	2.0
P0272.040-008-A4	M 4	8	2.25	1.5	2.0
P0272.040-010-A4	M 4	10	2.25	1.5	2.0
P0272.040-012-A4	M 4	12	2.25	1.5	2.0
P0272.040-014-A4	M 4	14	2.25	1.5	2.0
P0272.040-016-A4	M 4	16	2.25	1.5	2.0
P0272.040-020-A4	M 4	20	2.25	1.5	2.0
P0272.040-025-A4	M 4	25	2.25	1.5	2.0
P0272.040-030-A4	M 4	30	2.25	1.5	2.0
P0272.040-035-A4	M 4	35	2.25	1.5	2.0
P0272.040-040-A4	M 4	40	2.25	1.5	2.0
P0272.050-005-A4	M 5	5	3.20	2.0	2.5
P0272.050-006-A4	M 5	6	3.20	2.0	2.5
P0272.050-008-A4	M 5	8	3.20	2.0	2.5
P0272.050-010-A4	M 5	10	3.20	2.0	2.5
P0272.050-012-A4	M 5	12	3.20	2.0	2.5
P0272.050-014-A4	M 5	14	3.20	2.0	2.5
P0272.050-016-A4	M 5	16	3.20	2.0	2.5
P0272.050-020-A4	M 5	20	3.20	2.0	2.5
P0272.050-025-A4	M 5	25	3.20	2.0	2.5
P0272.050-030-A4	M 5	30	3.20	2.0	2.5
P0272.050-035-A4	M 5	35	3.20	2.0	2.5
P0272.050-040-A4	M 5	40	3.20	2.0	2.5
P0272.050-050-A4	M 5	50	3.20	2.0	2.5
P0272.060-004-A4	M 6	4	3.70	2.0	3.0
P0272.060-005-A4	M 6	5	3.70	2.0	3.0
P0272.060-006-A4	M 6	6	3.70	2.0	3.0
P0272.060-008-A4	M 6	8	3.70	2.0	3.0
P0272.060-010-A4	M 6	10	3.70	2.0	3.0
P0272.060-012-A4	M 6	12	3.70	2.0	3.0
P0272.060-014-A4	M 6	14	3.70	2.0	3.0
P0272.060-016-A4	M 6	16	3.70	2.0	3.0
P0272.060-020-A4	M 6	20	3.70	2.0	3.0
P0272.060-025-A4	M 6	25	3.70	2.0	3.0
P0272.060-030-A4	M 6	30	3.70	2.0	3.0
P0272.060-035-A4	M 6	35	3.70	2.0	3.0
P0272.060-040-A4	M 6	40	3.70	2.0	3.0
P0272.060-045-A4	M 6	45	3.70	2.0	3.0
P0272.060-050-A4	M 6	50	3.70	2.0	3.0
P0272.060-055-A4	M 6	55	3.70	2.0	3.0
P0272.060-060-A4	M 6	60	3.70	2.0	3.0
P0272.060-070-A4	M 6	70	3.70	2.0	3.0
P0272.080-006-A4	M 8	6	5.20	3.0	4.0
P0272.080-008-A4	M 8	8	5.20	3.0	4.0
P0272.080-010-A4	M 8	10	5.20	3.0	4.0
P0272.080-012-A4	M 8	12	5.20	3.0	4.0
P0272.080-014-A4	M 8	14	5.20	3.0	4.0
P0272.080-016-A4	M 8	16	5.20	3.0	4.0
P0272.080-020-A4	M 8	20	5.20	3.0	4.0
P0272.080-025-A4	M 8	25	5.20	3.0	4.0
P0272.080-030-A4	M 8	30	5.20	3.0	4.0
P0272.080-035-A4	M 8	35	5.20	3.0	4.0
P0272.080-040-A4	M 8	40	5.20	3.0	4.0
P0272.080-050-A4	M 8	50	5.20	3.0	4.0
P0272.080-060-A4	M 8	60	5.20	3.0	4.0
P0272.080-070-A4	M 8	70	5.20	3.0	4.0
P0272.080-080-A4	M 8	80	5.20	3.0	4.0
P0272.100-008-A4	M10	8	6.64	4.0	5.0
P0272.100-010-A4	M10	10	6.64	4.0	5.0
P0272.100-012-A4	M10	12	6.64	4.0	5.0
P0272.100-014-A4	M10	14	6.64	4.0	5.0
P0272.100-016-A4	M10	16	6.64	4.0	5.0
P0272.100-020-A4	M10	20	6.64	4.0	5.0
P0272.100-025-A4	M10	25	6.64	4.0	5.0
P0272.100-030-A4	M10	30	6.64	4.0	5.0
P0272.100-035-A4	M10	35	6.64	4.0	5.0
P0272.100-040-A4	M10	40	6.64	4.0	5.0
P0272.100-045-A4	M10	45	6.64	4.0	5.0

STANDARD SCREWS



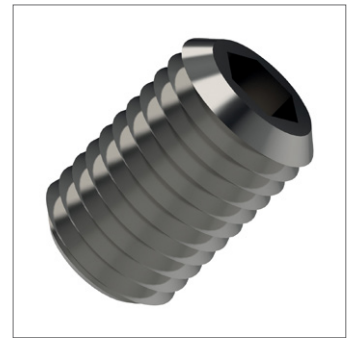
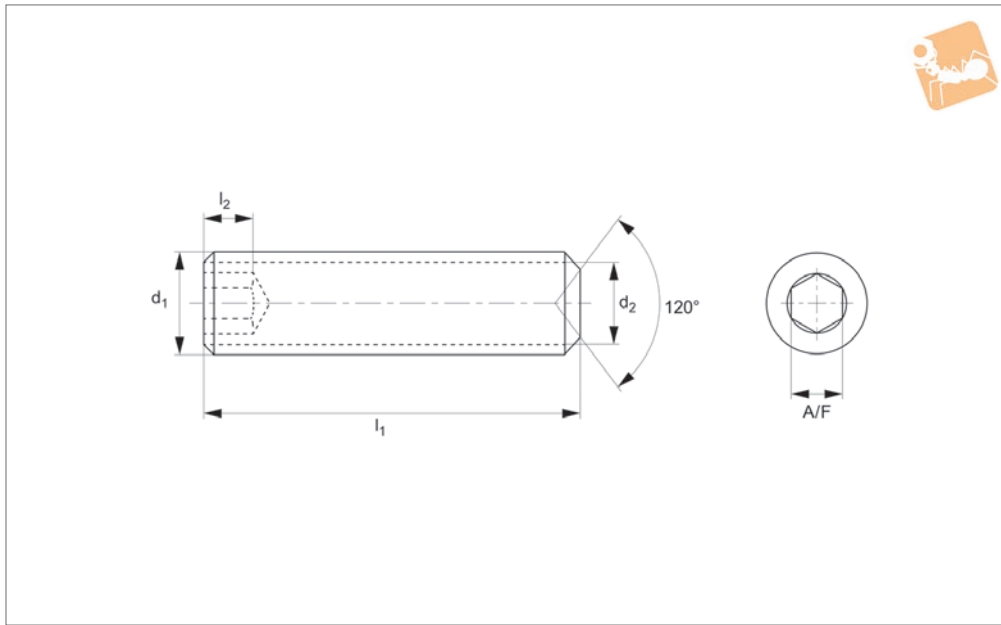
Order No.	d ₁	l ₁	d ₂	l ₂ min.	A/F
P0272.100-050-A4	M10	50	6.64	4.0	5.0
P0272.100-055-A4	M10	55	6.64	4.0	5.0
P0272.100-060-A4	M10	60	6.64	4.0	5.0
P0272.100-070-A4	M10	70	6.64	4.0	5.0
P0272.100-080-A4	M10	80	6.64	4.0	5.0
P0272.100-090-A4	M10	90	6.64	4.0	5.0
P0272.100-100-A4	M10	100	6.64	4.0	5.0
P0272.120-012-A4	M12	12	8.14	4.8	6.0
P0272.120-014-A4	M12	14	8.14	4.8	6.0
P0272.120-016-A4	M12	16	8.14	4.8	6.0
P0272.120-020-A4	M12	20	8.14	4.8	6.0
P0272.120-025-A4	M12	25	8.14	4.8	6.0
P0272.120-030-A4	M12	30	8.14	4.8	6.0
P0272.120-035-A4	M12	35	8.14	4.8	6.0
P0272.120-040-A4	M12	40	8.14	4.8	6.0
P0272.120-045-A4	M12	45	8.14	4.8	6.0
P0272.120-050-A4	M12	50	8.14	4.8	6.0
P0272.120-055-A4	M12	55	8.14	4.8	6.0
P0272.120-060-A4	M12	60	8.14	4.8	6.0
P0272.120-070-A4	M12	70	8.14	4.8	6.0
P0272.120-080-A4	M12	80	8.14	4.8	6.0
P0272.120-090-A4	M12	90	8.14	4.8	6.0
P0272.120-100-A4	M12	100	8.14	4.8	6.0
P0272.160-016-A4	M16	16	11.57	6.4	8.0
P0272.160-020-A4	M16	20	11.57	6.4	8.0
P0272.160-025-A4	M16	25	11.57	6.4	8.0
P0272.160-030-A4	M16	30	11.57	6.4	8.0
P0272.160-035-A4	M16	35	11.57	6.4	8.0
P0272.160-040-A4	M16	40	11.57	6.4	8.0
P0272.160-045-A4	M16	45	11.57	6.4	8.0
P0272.160-050-A4	M16	50	11.57	6.4	8.0
P0272.160-055-A4	M16	55	11.57	6.4	8.0
P0272.160-060-A4	M16	60	11.57	6.4	8.0
P0272.160-070-A4	M16	70	11.57	6.4	8.0
P0272.160-080-A4	M16	80	11.57	6.4	8.0
P0272.160-090-A4	M16	90	11.57	6.4	8.0
P0272.160-100-A4	M16	100	11.57	6.4	8.0
P0272.200-020-A4	M20	20	14.57	8.0	10
P0272.200-025-A4	M20	25	14.57	8.0	10
P0272.200-030-A4	M20	30	14.57	8.0	10
P0272.200-035-A4	M20	35	14.57	8.0	10
P0272.200-040-A4	M20	40	14.57	8.0	10
P0272.200-045-A4	M20	45	14.57	8.0	10
P0272.200-050-A4	M20	50	14.57	8.0	10
P0272.200-055-A4	M20	55	14.57	8.0	10
P0272.200-060-A4	M20	60	14.57	8.0	10
P0272.200-070-A4	M20	70	14.57	8.0	10
P0272.200-080-A4	M20	80	14.57	8.0	10
P0272.200-090-A4	M20	90	14.57	8.0	10
P0272.200-100-A4	M20	100	14.57	8.0	10



Socket Set Screws Flat Point

Flat Point - steel, zinc-plated

Standard Screws



P0272.ZP

STANDARD SCREWS

Material

Steel, zinc-plated (class 45H).

Technical Notes

To DIN 913, flat point.

Order No.	d ₁	l ₁	d ₂	l ₂ min.	A/F
P0272.020-002-ZP	M 2	2	0.75	0.8	0.9
P0272.020-003-ZP	M 2	3	0.75	0.8	0.9
P0272.020-004-ZP	M 2	4	0.75	0.8	0.9
P0272.020-005-ZP	M 2	5	0.75	0.8	0.9
P0272.020-006-ZP	M 2	6	0.75	0.8	0.9
P0272.020-008-ZP	M 2	8	0.75	0.8	0.9
P0272.020-010-ZP	M 2	10	0.75	0.8	0.9
P0272.020-012-ZP	M 2	12	0.75	0.8	0.9
P0272.020-014-ZP	M 2	14	0.75	0.8	0.9
P0272.020-016-ZP	M 2	16	0.75	0.8	0.9
P0272.025-003-ZP	M2,5	3	1.25	1.2	1.3
P0272.025-004-ZP	M2,5	4	1.25	1.2	1.3
P0272.025-005-ZP	M2,5	5	1.25	1.2	1.3
P0272.025-006-ZP	M2,5	6	1.25	1.2	1.3
P0272.025-008-ZP	M2,5	8	1.25	1.2	1.3
P0272.025-010-ZP	M2,5	10	1.25	1.2	1.3
P0272.025-012-ZP	M2,5	12	1.25	1.2	1.3
P0272.025-014-ZP	M2,5	14	1.25	1.2	1.3
P0272.025-016-ZP	M2,5	16	1.25	1.2	1.3
P0272.030-003-ZP	M 3	3	1.75	1.2	1.5
P0272.030-004-ZP	M 3	4	1.75	1.2	1.5
P0272.030-005-ZP	M 3	5	1.75	1.2	1.5
P0272.030-006-ZP	M 3	6	1.75	1.2	1.5
P0272.030-008-ZP	M 3	8	1.75	1.2	1.5
P0272.030-010-ZP	M 3	10	1.75	1.2	1.5
P0272.030-012-ZP	M 3	12	1.75	1.2	1.5
P0272.030-014-ZP	M 3	14	1.75	1.2	1.5
P0272.030-016-ZP	M 3	16	1.75	1.2	1.5
P0272.030-020-ZP	M 3	20	1.75	1.2	1.5
P0272.030-025-ZP	M 3	25	1.75	1.2	1.5
P0272.030-030-ZP	M 3	30	1.75	1.2	1.5
P0272.040-003-ZP	M 4	3	2.25	1.5	2.0
P0272.040-004-ZP	M 4	4	2.25	1.5	2.0
P0272.040-005-ZP	M 4	5	2.25	1.5	2.0



STANDARD SCREWS

Order No.	d ₁	l ₁	d ₂	l ₂ min.	A/F
P0272.040-006-ZP	M 4	6	2.25	1.5	2.0
P0272.040-008-ZP	M 4	8	2.25	1.5	2.0
P0272.040-010-ZP	M 4	10	2.25	1.5	2.0
P0272.040-012-ZP	M 4	12	2.25	1.5	2.0
P0272.040-014-ZP	M 4	14	2.25	1.5	2.0
P0272.040-016-ZP	M 4	16	2.25	1.5	2.0
P0272.040-020-ZP	M 4	20	2.25	1.5	2.0
P0272.040-025-ZP	M 4	25	2.25	1.5	2.0
P0272.040-030-ZP	M 4	30	2.25	1.5	2.0
P0272.040-035-ZP	M 4	35	2.25	1.5	2.0
P0272.040-040-ZP	M 4	40	2.25	1.5	2.0
P0272.050-005-ZP	M 5	5	3.20	2.0	2.5
P0272.050-006-ZP	M 5	6	3.20	2.0	2.5
P0272.050-008-ZP	M 5	8	3.20	2.0	2.5
P0272.050-010-ZP	M 5	10	3.20	2.0	2.5
P0272.050-012-ZP	M 5	12	3.20	2.0	2.5
P0272.050-014-ZP	M 5	14	3.20	2.0	2.5
P0272.050-016-ZP	M 5	16	3.20	2.0	2.5
P0272.050-020-ZP	M 5	20	3.20	2.0	2.5
P0272.050-025-ZP	M 5	25	3.20	2.0	2.5
P0272.050-030-ZP	M 5	30	3.20	2.0	2.5
P0272.050-035-ZP	M 5	35	3.20	2.0	2.5
P0272.050-040-ZP	M 5	40	3.20	2.0	2.5
P0272.050-050-ZP	M 5	50	3.20	2.0	2.5
P0272.060-004-ZP	M 6	4	3.70	2.0	3.0
P0272.060-005-ZP	M 6	5	3.70	2.0	3.0
P0272.060-006-ZP	M 6	6	3.70	2.0	3.0
P0272.060-008-ZP	M 6	8	3.70	2.0	3.0
P0272.060-010-ZP	M 6	10	3.70	2.0	3.0
P0272.060-012-ZP	M 6	12	3.70	2.0	3.0
P0272.060-014-ZP	M 6	14	3.70	2.0	3.0
P0272.060-016-ZP	M 6	16	3.70	2.0	3.0
P0272.060-020-ZP	M 6	20	3.70	2.0	3.0
P0272.060-025-ZP	M 6	25	3.70	2.0	3.0
P0272.060-030-ZP	M 6	30	3.70	2.0	3.0
P0272.060-035-ZP	M 6	35	3.70	2.0	3.0
P0272.060-040-ZP	M 6	40	3.70	2.0	3.0
P0272.060-045-ZP	M 6	45	3.70	2.0	3.0
P0272.060-050-ZP	M 6	50	3.70	2.0	3.0
P0272.060-055-ZP	M 6	55	3.70	2.0	3.0
P0272.060-060-ZP	M 6	60	3.70	2.0	3.0
P0272.060-070-ZP	M 6	70	3.70	2.0	3.0
P0272.080-006-ZP	M 8	6	5.20	3.0	4.0
P0272.080-008-ZP	M 8	8	5.20	3.0	4.0
P0272.080-010-ZP	M 8	10	5.20	3.0	4.0
P0272.080-012-ZP	M 8	12	5.20	3.0	4.0
P0272.080-014-ZP	M 8	14	5.20	3.0	4.0
P0272.080-016-ZP	M 8	16	5.20	3.0	4.0
P0272.080-020-ZP	M 8	20	5.20	3.0	4.0
P0272.080-025-ZP	M 8	25	5.20	3.0	4.0
P0272.080-030-ZP	M 8	30	5.20	3.0	4.0
P0272.080-035-ZP	M 8	35	5.20	3.0	4.0
P0272.080-040-ZP	M 8	40	5.20	3.0	4.0
P0272.080-050-ZP	M 8	50	5.20	3.0	4.0
P0272.080-060-ZP	M 8	60	5.20	3.0	4.0
P0272.080-070-ZP	M 8	70	5.20	3.0	4.0
P0272.080-080-ZP	M 8	80	5.20	3.0	4.0
P0272.100-008-ZP	M10	8	6.64	4.0	5.0
P0272.100-010-ZP	M10	10	6.64	4.0	5.0
P0272.100-012-ZP	M10	12	6.64	4.0	5.0
P0272.100-014-ZP	M10	14	6.64	4.0	5.0
P0272.100-016-ZP	M10	16	6.64	4.0	5.0
P0272.100-020-ZP	M10	20	6.64	4.0	5.0
P0272.100-025-ZP	M10	25	6.64	4.0	5.0
P0272.100-030-ZP	M10	30	6.64	4.0	5.0
P0272.100-035-ZP	M10	35	6.64	4.0	5.0
P0272.100-040-ZP	M10	40	6.64	4.0	5.0
P0272.100-045-ZP	M10	45	6.64	4.0	5.0



Socket Set Screws Flat Point

Flat Point - steel, zinc-plated

Standard Screws

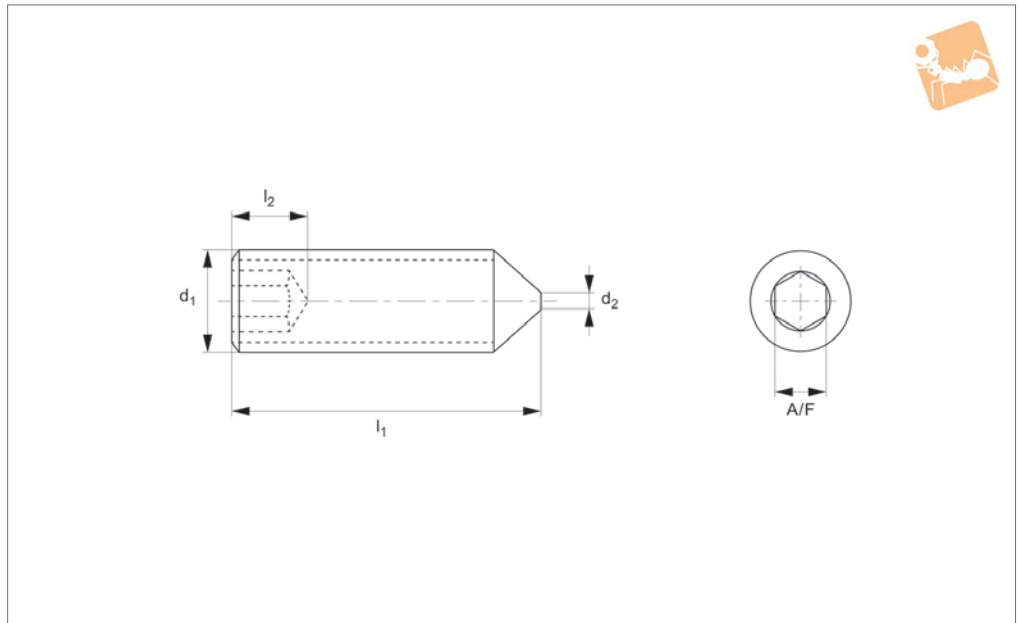


Order No.	d ₁	l ₁	d ₂	l ₂ min.	A/F
P0272.100-050-ZP	M10	50	6.64	4.0	5.0
P0272.100-055-ZP	M10	55	6.64	4.0	5.0
P0272.100-060-ZP	M10	60	6.64	4.0	5.0
P0272.100-070-ZP	M10	70	6.64	4.0	5.0
P0272.100-080-ZP	M10	80	6.64	4.0	5.0
P0272.100-090-ZP	M10	90	6.64	4.0	5.0
P0272.100-100-ZP	M10	100	6.64	4.0	5.0
P0272.120-012-ZP	M12	12	8.14	4.8	6.0
P0272.120-014-ZP	M12	14	8.14	4.8	6.0
P0272.120-016-ZP	M12	16	8.14	4.8	6.0
P0272.120-020-ZP	M12	20	8.14	4.8	6.0
P0272.120-025-ZP	M12	25	8.14	4.8	6.0
P0272.120-030-ZP	M12	30	8.14	4.8	6.0
P0272.120-035-ZP	M12	35	8.14	4.8	6.0
P0272.120-040-ZP	M12	40	8.14	4.8	6.0
P0272.120-045-ZP	M12	45	8.14	4.8	6.0
P0272.120-050-ZP	M12	50	8.14	4.8	6.0
P0272.120-055-ZP	M12	55	8.14	4.8	6.0
P0272.120-060-ZP	M12	60	8.14	4.8	6.0
P0272.120-070-ZP	M12	70	8.14	4.8	6.0
P0272.120-080-ZP	M12	80	8.14	4.8	6.0
P0272.120-090-ZP	M12	90	8.14	4.8	6.0
P0272.120-100-ZP	M12	100	8.14	4.8	6.0
P0272.160-016-ZP	M16	16	11.57	6.4	8.0
P0272.160-020-ZP	M16	20	11.57	6.4	8.0
P0272.160-025-ZP	M16	25	11.57	6.4	8.0
P0272.160-030-ZP	M16	30	11.57	6.4	8.0
P0272.160-035-ZP	M16	35	11.57	6.4	8.0
P0272.160-040-ZP	M16	40	11.57	6.4	8.0
P0272.160-045-ZP	M16	45	11.57	6.4	8.0
P0272.160-050-ZP	M16	50	11.57	6.4	8.0
P0272.160-055-ZP	M16	55	11.57	6.4	8.0
P0272.160-060-ZP	M16	60	11.57	6.4	8.0
P0272.160-070-ZP	M16	70	11.57	6.4	8.0
P0272.160-080-ZP	M16	80	11.57	6.4	8.0
P0272.160-090-ZP	M16	90	11.57	6.4	8.0
P0272.160-100-ZP	M16	100	11.57	6.4	8.0
P0272.200-020-ZP	M20	20	14.57	8.0	10
P0272.200-025-ZP	M20	25	14.57	8.0	10
P0272.200-030-ZP	M20	30	14.57	8.0	10
P0272.200-035-ZP	M20	35	14.57	8.0	10
P0272.200-040-ZP	M20	40	14.57	8.0	10
P0272.200-045-ZP	M20	45	14.57	8.0	10
P0272.200-050-ZP	M20	50	14.57	8.0	10
P0272.200-055-ZP	M20	55	14.57	8.0	10
P0272.200-060-ZP	M20	60	14.57	8.0	10
P0272.200-070-ZP	M20	70	14.57	8.0	10
P0272.200-080-ZP	M20	80	14.57	8.0	10
P0272.200-090-ZP	M20	90	14.57	8.0	10
P0272.200-100-ZP	M20	100	14.57	8.0	10

STANDARD SCREWS



P0273.A2



Material

Stainless steel (A2).

See technical page for tightening torques.

Technical Notes

To DIN 914, cone point.

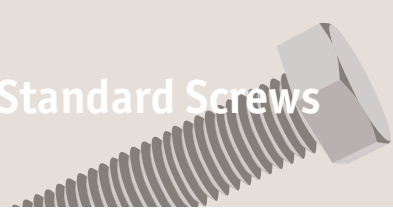
Order No.	d ₁	l ₁	d ₂	l ₂ min.	A/F
P0273.020-002-A2	M 2	2	-	0.8	0.9
P0273.020-003-A2	M 2	3	-	0.8	0.9
P0273.020-004-A2	M 2	4	-	0.8	0.9
P0273.020-005-A2	M 2	5	-	0.8	0.9
P0273.020-006-A2	M 2	6	-	0.8	0.9
P0273.020-008-A2	M 2	8	-	0.8	0.9
P0273.020-010-A2	M 2	10	-	0.8	0.9
P0273.020-012-A2	M 2	12	-	0.8	0.9
P0273.020-014-A2	M 2	14	-	0.8	0.9
P0273.020-016-A2	M 2	16	-	0.8	0.9
P0273.025-003-A2	M2,5	3	-	1.2	1.3
P0273.025-004-A2	M2,5	4	-	1.2	1.3
P0273.025-005-A2	M2,5	5	-	1.2	1.3
P0273.025-006-A2	M2,5	6	-	1.2	1.3
P0273.025-008-A2	M2,5	8	-	1.2	1.3
P0273.025-010-A2	M2,5	10	-	1.2	1.3
P0273.025-012-A2	M2,5	12	-	1.2	1.3
P0273.025-014-A2	M2,5	12	-	1.2	1.3
P0273.025-016-A2	M2,5	16	-	1.2	1.3
P0273.030-003-A2	M 3	3	-	1.2	1.5
P0273.030-004-A2	M 3	4	-	1.2	1.5
P0273.030-005-A2	M 3	5	-	1.2	1.5
P0273.030-006-A2	M 3	6	-	1.2	1.5
P0273.030-008-A2	M 3	8	-	1.2	1.5
P0273.030-010-A2	M 3	10	-	1.2	1.5
P0273.030-012-A2	M 3	12	-	1.2	1.5
P0273.030-014-A2	M 3	14	-	1.2	1.5
P0273.030-016-A2	M 3	16	-	1.2	1.5
P0273.030-020-A2	M 3	20	-	1.2	1.5
P0273.030-025-A2	M 3	25	-	1.2	1.5
P0273.030-030-A2	M 3	30	-	1.2	1.5
P0273.040-003-A2	M 4	3	-	1.5	2.0
P0273.040-004-A2	M 4	4	-	1.5	2.0
P0273.040-005-A2	M 4	5	-	1.5	2.0



Socket Set Screws Cone Point

Cone Point - A2 stainless

Standard Screws



Order No.	d ₁	l ₁	d ₂	l ₂ min.	A/F
P0273.040-006-A2	M 4	6	-	1.5	2.0
P0273.040-008-A2	M 4	8	-	1.5	2.0
P0273.040-010-A2	M 4	10	-	1.5	2.0
P0273.040-012-A2	M 4	12	-	1.5	2.0
P0273.040-014-A2	M 4	14	-	1.5	2.0
P0273.040-016-A2	M 4	16	-	1.5	2.0
P0273.040-020-A2	M 4	20	-	1.5	2.0
P0273.040-025-A2	M 4	25	-	1.5	2.0
P0273.040-030-A2	M 4	30	-	1.5	2.0
P0273.040-035-A2	M 4	35	-	1.5	2.0
P0273.040-040-A2	M 4	40	-	1.5	2.0
P0273.050-005-A2	M 5	5	-	2.0	2.5
P0273.050-006-A2	M 5	6	-	2.0	2.5
P0273.050-008-A2	M 5	8	-	2.0	2.5
P0273.050-010-A2	M 5	10	-	2.0	2.5
P0273.050-012-A2	M 5	12	-	2.0	2.5
P0273.050-014-A2	M 5	14	-	2.0	2.5
P0273.050-016-A2	M 5	16	-	2.0	2.5
P0273.050-020-A2	M 5	20	-	2.0	2.5
P0273.050-025-A2	M 5	25	-	2.0	2.5
P0273.050-030-A2	M 5	30	-	2.0	2.5
P0273.050-035-A2	M 5	35	-	2.0	2.5
P0273.050-040-A2	M 5	40	-	2.0	2.5
P0273.050-050-A2	M 5	50	-	2.0	2.5
P0273.060-004-A2	M 6	4	1.5	2.0	3.0
P0273.060-005-A2	M 6	5	1.5	2.0	3.0
P0273.060-006-A2	M 6	6	1.5	2.0	3.0
P0273.060-008-A2	M 6	8	1.5	2.0	3.0
P0273.060-010-A2	M 6	10	1.5	2.0	3.0
P0273.060-012-A2	M 6	12	1.5	2.0	3.0
P0273.060-014-A2	M 6	14	1.5	2.0	3.0
P0273.060-016-A2	M 6	16	1.5	2.0	3.0
P0273.060-018-A2	M 6	18	1.5	2.0	3.0
P0273.060-020-A2	M 6	20	1.5	2.0	3.0
P0273.060-025-A2	M 6	25	1.5	2.0	3.0
P0273.060-030-A2	M 6	30	1.5	2.0	3.0
P0273.060-035-A2	M 6	35	1.5	2.0	3.0
P0273.060-040-A2	M 6	40	1.5	2.0	3.0
P0273.060-045-A2	M 6	45	1.5	2.0	3.0
P0273.060-050-A2	M 6	50	1.5	2.0	3.0
P0273.080-006-A2	M 8	6	2.0	3.0	4.0
P0273.080-008-A2	M 8	8	2.0	3.0	4.0
P0273.080-010-A2	M 8	10	2.0	3.0	4.0
P0273.080-012-A2	M 8	12	2.0	3.0	4.0
P0273.080-014-A2	M 8	14	2.0	3.0	4.0
P0273.080-016-A2	M 8	16	2.0	3.0	4.0
P0273.080-018-A2	M 8	18	2.0	3.0	4.0
P0273.080-020-A2	M 8	20	2.0	3.0	4.0
P0273.080-025-A2	M 8	25	2.0	3.0	4.0
P0273.080-030-A2	M 8	30	2.0	3.0	4.0
P0273.080-035-A2	M 8	35	2.0	3.0	4.0
P0273.080-040-A2	M 8	40	2.0	3.0	4.0
P0273.080-050-A2	M 8	50	2.0	3.0	4.0
P0273.080-060-A2	M 8	60	2.0	3.0	4.0
P0273.100-010-A2	M10	10	2.5	4.0	5.0
P0273.100-012-A2	M10	12	2.5	4.0	5.0
P0273.100-016-A2	M10	16	2.5	4.0	5.0
P0273.100-020-A2	M10	20	2.5	4.0	5.0
P0273.100-025-A2	M10	25	2.5	4.0	5.0
P0273.100-030-A2	M10	30	2.5	4.0	5.0
P0273.100-035-A2	M10	35	2.5	4.0	5.0
P0273.100-040-A2	M10	40	2.5	4.0	5.0
P0273.100-045-A2	M10	45	2.5	4.0	5.0
P0273.100-050-A2	M10	50	2.5	4.0	5.0
P0273.100-055-A2	M10	55	2.5	4.0	5.0
P0273.100-060-A2	M10	60	2.5	4.0	5.0
P0273.100-070-A2	M10	70	2.5	4.0	5.0
P0273.100-080-A2	M10	80	2.5	4.0	5.0

STANDARD SCREWS



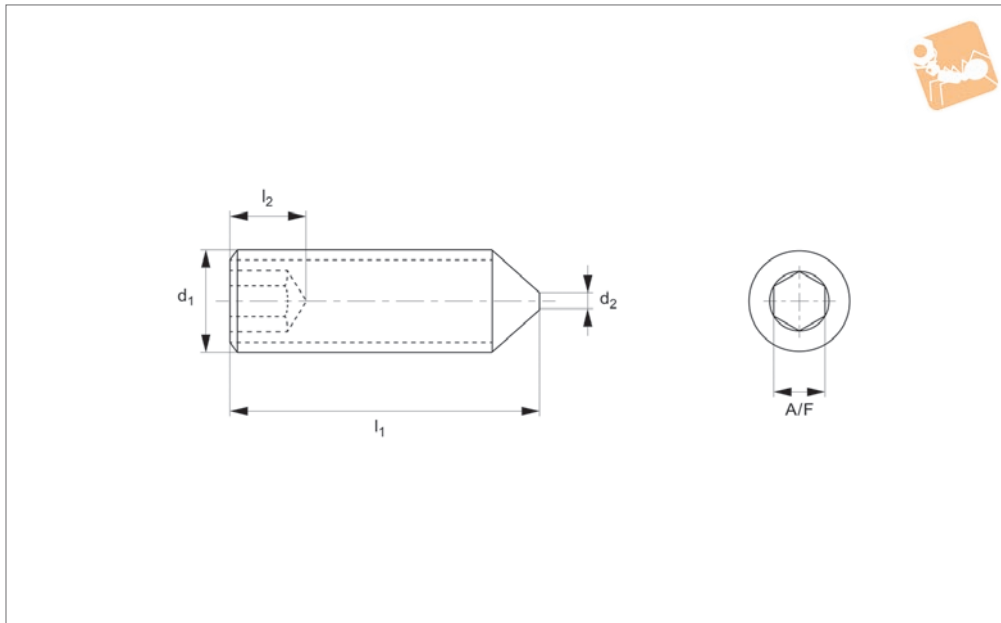
Order No.	d ₁	l ₁	d ₂	l ₂ min.	A/F
P0273.120-012-A2	M12	12	3.0	4.8	5.0
P0273.120-016-A2	M12	16	3.0	4.8	5.0
P0273.120-020-A2	M12	20	3.0	4.8	5.0
P0273.120-025-A2	M12	25	3.0	4.8	5.0
P0273.120-030-A2	M12	30	3.0	4.8	5.0
P0273.120-035-A2	M12	35	3.0	4.8	5.0
P0273.120-040-A2	M12	40	3.0	4.8	5.0
P0273.120-045-A2	M12	45	3.0	4.8	5.0
P0273.120-050-A2	M12	50	3.0	4.8	5.0
P0273.120-055-A2	M12	55	3.0	4.8	5.0
P0273.120-060-A2	M12	60	3.0	4.8	5.0
P0273.120-070-A2	M12	70	3.0	4.8	5.0
P0273.120-080-A2	M12	80	3.0	4.8	5.0
P0273.120-090-A2	M12	90	3.0	4.8	5.0
P0273.160-016-A2	M16	16	4.0	6.4	8.0
P0273.160-020-A2	M16	20	4.0	6.4	8.0
P0273.160-025-A2	M16	25	4.0	6.4	8.0
P0273.160-030-A2	M16	30	4.0	6.4	8.0
P0273.160-035-A2	M16	35	4.0	6.4	8.0
P0273.160-040-A2	M16	40	4.0	6.4	8.0
P0273.160-045-A2	M16	45	4.0	6.4	8.0
P0273.160-050-A2	M16	50	4.0	6.4	8.0
P0273.160-055-A2	M16	55	4.0	6.4	8.0
P0273.160-060-A2	M16	60	4.0	6.4	8.0
P0273.160-070-A2	M16	70	4.0	6.4	8.0
P0273.160-080-A2	M16	80	4.0	6.4	8.0
P0273.160-090-A2	M16	90	4.0	6.4	8.0
P0273.160-100-A2	M16	100	4.0	6.4	8.0
P0273.200-020-A2	M20	20	5.0	8.0	10.0
P0273.200-025-A2	M20	25	5.0	8.0	10.0
P0273.200-030-A2	M20	30	5.0	8.0	10.0
P0273.200-035-A2	M20	35	5.0	8.0	10.0
P0273.200-040-A2	M20	40	5.0	8.0	10.0
P0273.200-045-A2	M20	45	5.0	8.0	10.0
P0273.200-050-A2	M20	50	5.0	8.0	10.0
P0273.200-055-A2	M20	55	5.0	8.0	10.0
P0273.200-060-A2	M20	60	5.0	8.0	10.0
P0273.200-070-A2	M20	70	5.0	8.0	10.0
P0273.200-080-A2	M20	80	5.0	8.0	10.0
P0273.200-090-A2	M20	90	5.0	8.0	10.0
P0273.200-100-A2	M20	100	5.0	8.0	10.0



Socket Set Screws Cone Point

Cone Point - A4 stainless

Standard Screws



P0273.A4

STANDARD SCREWS

Material

Stainless steel (A4).

See technical page for tightening torques.

Technical Notes

To DIN 914, cone point.

Order No.	d ₁	l ₁	d ₂	l ₂ min.	A/F
P0273.020-002-A4	M 2	2	-	0.8	0.9
P0273.020-003-A4	M 2	3	-	0.8	0.9
P0273.020-004-A4	M 2	4	-	0.8	0.9
P0273.020-005-A4	M 2	5	-	0.8	0.9
P0273.020-006-A4	M 2	6	-	0.8	0.9
P0273.020-008-A4	M 2	8	-	0.8	0.9
P0273.020-010-A4	M 2	10	-	0.8	0.9
P0273.020-012-A4	M 2	12	-	0.8	0.9
P0273.020-014-A4	M 2	14	-	0.8	0.9
P0273.020-016-A4	M 2	16	-	0.8	0.9
P0273.025-003-A4	M2,5	3	-	1.2	1.3
P0273.025-004-A4	M2,5	4	-	1.2	1.3
P0273.025-005-A4	M2,5	5	-	1.2	1.3
P0273.025-006-A4	M2,5	6	-	1.2	1.3
P0273.025-008-A4	M2,5	8	-	1.2	1.3
P0273.025-010-A4	M2,5	10	-	1.2	1.3
P0273.025-012-A4	M2,5	12	-	1.2	1.3
P0273.025-014-A4	M2,5	14	-	1.2	1.3
P0273.025-016-A4	M2,5	16	-	1.2	1.3
P0273.030-003-A4	M 3	3	-	1.2	1.5
P0273.030-004-A4	M 3	4	-	1.2	1.5
P0273.030-005-A4	M 3	5	-	1.2	1.5
P0273.030-006-A4	M 3	6	-	1.2	1.5
P0273.030-008-A4	M 3	8	-	1.2	1.5
P0273.030-010-A4	M 3	10	-	1.2	1.5
P0273.030-012-A4	M 3	12	-	1.2	1.5
P0273.030-014-A4	M 3	14	-	1.2	1.5
P0273.030-016-A4	M 3	16	-	1.2	1.5
P0273.030-020-A4	M 3	20	-	1.2	1.5
P0273.030-025-A4	M 3	25	-	1.2	1.5
P0273.030-030-A4	M 3	30	-	1.2	1.5
P0273.040-003-A4	M 4	3	-	1.5	2.0
P0273.040-004-A4	M 4	4	-	1.5	2.0
P0273.040-005-A4	M 4	5	-	1.5	2.0



STANDARD SCREWS

Order No.	d ₁	l ₁	d ₂	l ₂ min.	A/F
P0273.040-006-A4	M 4	6	-	1.5	2.0
P0273.040-008-A4	M 4	8	-	1.5	2.0
P0273.040-010-A4	M 4	10	-	1.5	2.0
P0273.040-012-A4	M 4	12	-	1.5	2.0
P0273.040-014-A4	M 4	14	-	1.5	2.0
P0273.040-016-A4	M 4	16	-	1.5	2.0
P0273.040-020-A4	M 4	20	-	1.5	2.0
P0273.040-025-A4	M 4	25	-	1.5	2.0
P0273.040-030-A4	M 4	30	-	1.5	2.0
P0273.040-035-A4	M 4	35	-	1.5	2.0
P0273.040-040-A4	M 4	40	-	1.5	2.0
P0273.050-005-A4	M 5	5	-	2.0	2.5
P0273.050-006-A4	M 5	6	-	2.0	2.5
P0273.050-008-A4	M 5	8	-	2.0	2.5
P0273.050-010-A4	M 5	10	-	2.0	2.5
P0273.050-012-A4	M 5	12	-	2.0	2.5
P0273.050-014-A4	M 5	14	-	2.0	2.5
P0273.050-016-A4	M 5	16	-	2.0	2.5
P0273.050-020-A4	M 5	20	-	2.0	2.5
P0273.050-025-A4	M 5	25	-	2.0	2.5
P0273.050-030-A4	M 5	30	-	2.0	2.5
P0273.050-035-A4	M 5	35	-	2.0	2.5
P0273.050-040-A4	M 5	40	-	2.0	2.5
P0273.050-050-A4	M 5	50	-	2.0	2.5
P0273.060-004-A4	M 6	4	1.5	2.0	3.0
P0273.060-005-A4	M 6	5	1.5	2.0	3.0
P0273.060-006-A4	M 6	6	1.5	2.0	3.0
P0273.060-008-A4	M 6	8	1.5	2.0	3.0
P0273.060-010-A4	M 6	10	1.5	2.0	3.0
P0273.060-012-A4	M 6	12	1.5	2.0	3.0
P0273.060-014-A4	M 6	14	1.5	2.0	3.0
P0273.060-016-A4	M 6	16	1.5	2.0	3.0
P0273.060-018-A4	M 6	18	1.5	2.0	3.0
P0273.060-020-A4	M 6	20	1.5	2.0	3.0
P0273.060-025-A4	M 6	25	1.5	2.0	3.0
P0273.060-030-A4	M 6	30	1.5	2.0	3.0
P0273.060-035-A4	M 6	35	1.5	2.0	3.0
P0273.060-040-A4	M 6	40	1.5	2.0	3.0
P0273.060-045-A4	M 6	45	1.5	2.0	3.0
P0273.060-050-A4	M 6	50	1.5	2.0	3.0
P0273.080-006-A4	M 8	6	2.0	3.0	4.0
P0273.080-008-A4	M 8	8	2.0	3.0	4.0
P0273.080-010-A4	M 8	10	2.0	3.0	4.0
P0273.080-012-A4	M 8	12	2.0	3.0	4.0
P0273.080-014-A4	M 8	14	2.0	3.0	4.0
P0273.080-016-A4	M 8	16	2.0	3.0	4.0
P0273.080-018-A4	M 8	18	2.0	3.0	4.0
P0273.080-020-A4	M 8	20	2.0	3.0	4.0
P0273.080-025-A4	M 8	25	2.0	3.0	4.0
P0273.080-030-A4	M 8	30	2.0	3.0	4.0
P0273.080-035-A4	M 8	35	2.0	3.0	4.0
P0273.080-040-A4	M 8	40	2.0	3.0	4.0
P0273.080-050-A4	M 8	50	2.0	3.0	4.0
P0273.080-060-A4	M 8	60	2.0	3.0	4.0
P0273.100-010-A4	M10	10	2.5	4.0	5.0
P0273.100-012-A4	M10	12	2.5	4.0	5.0
P0273.100-016-A4	M10	16	2.5	4.0	5.0
P0273.100-020-A4	M10	20	2.5	4.0	5.0
P0273.100-025-A4	M10	25	2.5	4.0	5.0
P0273.100-030-A4	M10	30	2.5	4.0	5.0
P0273.100-035-A4	M10	35	2.5	4.0	5.0
P0273.100-040-A4	M10	40	2.5	4.0	5.0
P0273.100-045-A4	M10	45	2.5	4.0	5.0
P0273.100-050-A4	M10	50	2.5	4.0	5.0
P0273.100-055-A4	M10	55	2.5	4.0	5.0
P0273.100-060-A4	M10	60	2.5	4.0	5.0
P0273.100-070-A4	M10	70	2.5	4.0	5.0
P0273.100-080-A4	M10	80	2.5	4.0	5.0



Socket Set Screws Cone Point

Cone Point - A4 stainless

Standard Screws



Order No.	d ₁	l ₁	d ₂	l ₂ min.	A/F
P0273.120-012-A4	M12	12	3.0	4.8	5.0
P0273.120-016-A4	M12	16	3.0	4.8	5.0
P0273.120-020-A4	M12	20	3.0	4.8	5.0
P0273.120-025-A4	M12	25	3.0	4.8	5.0
P0273.120-030-A4	M12	30	3.0	4.8	5.0
P0273.120-035-A4	M12	35	3.0	4.8	5.0
P0273.120-040-A4	M12	40	3.0	4.8	5.0
P0273.120-045-A4	M12	45	3.0	4.8	5.0
P0273.120-050-A4	M12	50	3.0	4.8	5.0
P0273.120-055-A4	M12	55	3.0	4.8	5.0
P0273.120-060-A4	M12	60	3.0	4.8	5.0
P0273.120-070-A4	M12	70	3.0	4.8	5.0
P0273.120-080-A4	M12	80	3.0	4.8	5.0
P0273.120-090-A4	M12	90	3.0	4.8	5.0
P0273.160-016-A4	M16	16	4.0	6.4	8.0
P0273.160-020-A4	M16	20	4.0	6.4	8.0
P0273.160-025-A4	M16	25	4.0	6.4	8.0
P0273.160-030-A4	M16	30	4.0	6.4	8.0
P0273.160-035-A4	M16	35	4.0	6.4	8.0
P0273.160-040-A4	M16	40	4.0	6.4	8.0
P0273.160-045-A4	M16	45	4.0	6.4	8.0
P0273.160-050-A4	M16	50	4.0	6.4	8.0
P0273.160-055-A4	M16	55	4.0	6.4	8.0
P0273.160-060-A4	M16	60	4.0	6.4	8.0
P0273.160-070-A4	M16	70	4.0	6.4	8.0
P0273.160-080-A4	M16	80	4.0	6.4	8.0
P0273.160-090-A4	M16	90	4.0	6.4	8.0
P0273.160-100-A4	M16	100	4.0	6.4	8.0
P0273.200-020-A4	M20	20	5.0	8.0	10.0
P0273.200-025-A4	M20	25	5.0	8.0	10.0
P0273.200-030-A4	M20	30	5.0	8.0	10.0
P0273.200-035-A4	M20	35	5.0	8.0	10.0
P0273.200-040-A4	M20	40	5.0	8.0	10.0
P0273.200-045-A4	M20	45	5.0	8.0	10.0
P0273.200-050-A4	M20	50	5.0	8.0	10.0
P0273.200-055-A4	M20	55	5.0	8.0	10.0
P0273.200-060-A4	M20	60	5.0	8.0	10.0
P0273.200-070-A4	M20	70	5.0	8.0	10.0
P0273.200-080-A4	M20	80	5.0	8.0	10.0
P0273.200-090-A4	M20	90	5.0	8.0	10.0
P0273.200-100-A4	M20	100	5.0	8.0	10.0

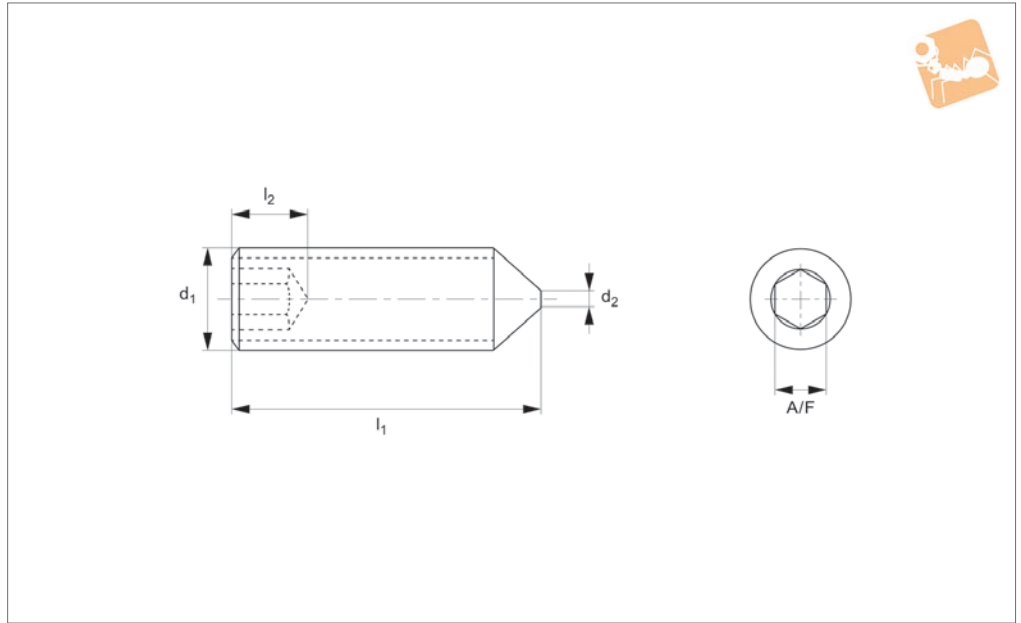
STANDARD SCREWS



STANDARD SCREWS



P0273.ZP



Material

Steel, zinc-plated (class 45H).

Technical Notes

To DIN 914, cone point.

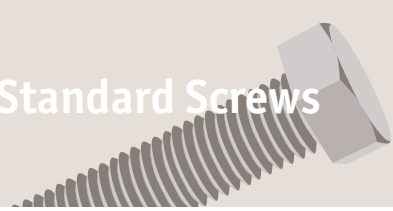
Order No.	d ₁	l ₁	d ₂	l ₂ min.	A/F
P0273.020-002-ZP	M 2	2	-	0.8	0.9
P0273.020-003-ZP	M 2	3	-	0.8	0.9
P0273.020-004-ZP	M 2	4	-	0.8	0.9
P0273.020-005-ZP	M 2	5	-	0.8	0.9
P0273.020-006-ZP	M 2	6	-	0.8	0.9
P0273.020-008-ZP	M 2	8	-	0.8	0.9
P0273.020-010-ZP	M 2	10	-	0.8	0.9
P0273.020-012-ZP	M 2	12	-	0.8	0.9
P0273.020-014-ZP	M 2	14	-	0.8	0.9
P0273.020-016-ZP	M 2	16	-	0.8	0.9
P0273.025-003-ZP	M2,5	3	-	1.2	1.3
P0273.025-004-ZP	M2,5	4	-	1.2	1.3
P0273.025-005-ZP	M2,5	5	-	1.2	1.3
P0273.025-006-ZP	M2,5	6	-	1.2	1.3
P0273.025-008-ZP	M2,5	8	-	1.2	1.3
P0273.025-010-ZP	M2,5	10	-	1.2	1.3
P0273.025-012-ZP	M2,5	12	-	1.2	1.3
P0273.025-014-ZP	M2,5	14	-	1.2	1.3
P0273.025-016-ZP	M2,5	16	-	1.2	1.3
P0273.030-003-ZP	M 3	3	-	1.2	1.5
P0273.030-004-ZP	M 3	4	-	1.2	1.5
P0273.030-005-ZP	M 3	5	-	1.2	1.5
P0273.030-006-ZP	M 3	6	-	1.2	1.5
P0273.030-008-ZP	M 3	8	-	1.2	1.5
P0273.030-010-ZP	M 3	10	-	1.2	1.5
P0273.030-012-ZP	M 3	12	-	1.2	1.5
P0273.030-014-ZP	M 3	14	-	1.2	1.5
P0273.030-016-ZP	M 3	16	-	1.2	1.5
P0273.030-020-ZP	M 3	20	-	1.2	1.5
P0273.030-025-ZP	M 3	25	-	1.2	1.5
P0273.030-030-ZP	M 3	30	-	1.2	1.5
P0273.040-003-ZP	M 4	3	-	1.5	2.0
P0273.040-004-ZP	M 4	4	-	1.5	2.0
P0273.040-005-ZP	M 4	5	-	1.5	2.0



Socket Set Screws Cone Point

Cone Point - steel, zinc-plated

Standard Screws



Order No.	d ₁	l ₁	d ₂	l ₂ min.	A/F
P0273.040-006-ZP	M 4	6	-	1.5	2.0
P0273.040-008-ZP	M 4	8	-	1.5	2.0
P0273.040-010-ZP	M 4	10	-	1.5	2.0
P0273.040-012-ZP	M 4	12	-	1.5	2.0
P0273.040-014-ZP	M 4	14	-	1.5	2.0
P0273.040-016-ZP	M 4	16	-	1.5	2.0
P0273.040-020-ZP	M 4	20	-	1.5	2.0
P0273.040-025-ZP	M 4	25	-	1.5	2.0
P0273.040-030-ZP	M 4	30	-	1.5	2.0
P0273.040-035-ZP	M 4	35	-	1.5	2.0
P0273.040-040-ZP	M 4	40	-	1.5	2.0
P0273.050-005-ZP	M 5	5	-	2.0	2.5
P0273.050-006-ZP	M 5	6	-	2.0	2.5
P0273.050-008-ZP	M 5	8	-	2.0	2.5
P0273.050-010-ZP	M 5	10	-	2.0	2.5
P0273.050-012-ZP	M 5	12	-	2.0	2.5
P0273.050-014-ZP	M 5	14	-	2.0	2.5
P0273.050-016-ZP	M 5	16	-	2.0	2.5
P0273.050-020-ZP	M 5	20	-	2.0	2.5
P0273.050-025-ZP	M 5	25	-	2.0	2.5
P0273.050-030-ZP	M 5	30	-	2.0	2.5
P0273.050-035-ZP	M 5	35	-	2.0	2.5
P0273.050-040-ZP	M 5	40	--	2.0	2.5
P0273.050-050-ZP	M 5	50	-	2.0	2.5
P0273.060-004-ZP	M 6	4	1.5	2.0	3.0
P0273.060-005-ZP	M 6	5	1.5	2.0	3.0
P0273.060-006-ZP	M 6	6	1.5	2.0	3.0
P0273.060-008-ZP	M 6	8	1.5	2.0	3.0
P0273.060-010-ZP	M 6	10	1.5	2.0	3.0
P0273.060-012-ZP	M 6	12	1.5	2.0	3.0
P0273.060-014-ZP	M 6	14	1.5	2.0	3.0
P0273.060-016-ZP	M 6	16	1.5	2.0	3.0
P0273.060-018-ZP	M 6	18	1.5	2.0	3.0
P0273.060-020-ZP	M 6	20	1.5	2.0	3.0
P0273.060-025-ZP	M 6	25	1.5	2.0	3.0
P0273.060-030-ZP	M 6	30	1.5	2.0	3.0
P0273.060-035-ZP	M 6	35	1.5	2.0	3.0
P0273.060-040-ZP	M 6	40	1.5	2.0	3.0
P0273.060-045-ZP	M 6	45	1.5	2.0	3.0
P0273.060-050-ZP	M 6	50	1.5	2.0	3.0
P0273.080-006-ZP	M 8	6	2.0	3.0	4.0
P0273.080-008-ZP	M 8	8	2.0	3.0	4.0
P0273.080-010-ZP	M 8	10	2.0	3.0	4.0
P0273.080-012-ZP	M 8	12	2.0	3.0	4.0
P0273.080-014-ZP	M 8	14	2.0	3.0	4.0
P0273.080-016-ZP	M 8	16	2.0	3.0	4.0
P0273.080-018-ZP	M 8	18	2.0	3.0	4.0
P0273.080-020-ZP	M 8	20	2.0	3.0	4.0
P0273.080-025-ZP	M 8	25	2.0	3.0	4.0
P0273.080-030-ZP	M 8	30	2.0	3.0	4.0
P0273.080-035-ZP	M 8	35	2.0	3.0	4.0
P0273.080-040-ZP	M 8	40	2.0	3.0	4.0
P0273.080-050-ZP	M 8	50	2.0	3.0	4.0
P0273.080-060-ZP	M 8	60	2.0	3.0	4.0
P0273.100-010-ZP	M10	10	2.5	4.0	5.0
P0273.100-012-ZP	M10	12	2.5	4.0	5.0
P0273.100-016-ZP	M10	16	2.5	4.0	5.0
P0273.100-020-ZP	M10	20	2.5	4.0	5.0
P0273.100-025-ZP	M10	25	2.5	4.0	5.0
P0273.100-030-ZP	M10	30	2.5	4.0	5.0
P0273.100-035-ZP	M10	35	2.5	4.0	5.0
P0273.100-040-ZP	M10	40	2.5	4.0	5.0
P0273.100-045-ZP	M10	45	2.5	4.0	5.0
P0273.100-050-ZP	M10	50	2.5	4.0	5.0
P0273.100-055-ZP	M10	55	2.5	4.0	5.0
P0273.100-060-ZP	M10	60	2.5	4.0	5.0
P0273.100-070-ZP	M10	70	2.5	4.0	5.0
P0273.100-080-ZP	M10	80	2.5	4.0	5.0

STANDARD SCREWS



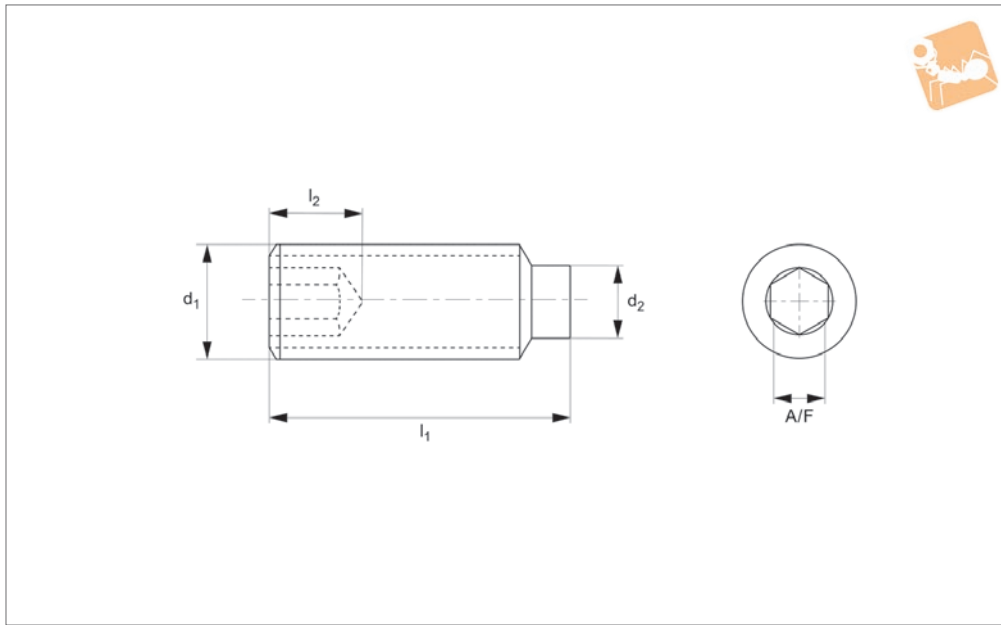
Order No.	d ₁	l ₁	d ₂	l ₂ min.	A/F
P0273.120-012-ZP	M12	12	3.0	4.8	5.0
P0273.120-016-ZP	M12	16	3.0	4.8	5.0
P0273.120-020-ZP	M12	20	3.0	4.8	5.0
P0273.120-025-ZP	M12	25	3.0	4.8	5.0
P0273.120-030-ZP	M12	30	3.0	4.8	5.0
P0273.120-035-ZP	M12	35	3.0	4.8	5.0
P0273.120-040-ZP	M12	40	3.0	4.8	5.0
P0273.120-045-ZP	M12	45	3.0	4.8	5.0
P0273.120-050-ZP	M12	50	3.0	4.8	5.0
P0273.120-055-ZP	M12	55	3.0	4.8	5.0
P0273.120-060-ZP	M12	60	3.0	4.8	5.0
P0273.120-070-ZP	M12	70	3.0	4.8	5.0
P0273.120-080-ZP	M12	80	3.0	4.8	5.0
P0273.120-090-ZP	M12	90	3.0	4.8	5.0
P0273.160-016-ZP	M16	16	4.0	6.4	8.0
P0273.160-020-ZP	M16	20	4.0	6.4	8.0
P0273.160-025-ZP	M16	25	4.0	6.4	8.0
P0273.160-030-ZP	M16	30	4.0	6.4	8.0
P0273.160-035-ZP	M16	35	4.0	6.4	8.0
P0273.160-040-ZP	M16	40	4.0	6.4	8.0
P0273.160-045-ZP	M16	45	4.0	6.4	8.0
P0273.160-050-ZP	M16	50	4.0	6.4	8.0
P0273.160-055-ZP	M16	55	4.0	6.4	8.0
P0273.160-060-ZP	M16	60	4.0	6.4	8.0
P0273.160-070-ZP	M16	70	4.0	6.4	8.0
P0273.160-080-ZP	M16	80	4.0	6.4	8.0
P0273.160-090-ZP	M16	90	4.0	6.4	8.0
P0273.160-100-ZP	M16	100	4.0	6.4	8.0
P0273.200-020-ZP	M20	20	5.0	8.0	10.0
P0273.200-025-ZP	M20	25	5.0	8.0	10.0
P0273.200-030-ZP	M20	30	5.0	8.0	10.0
P0273.200-035-ZP	M20	35	5.0	8.0	10.0
P0273.200-040-ZP	M20	40	5.0	8.0	10.0
P0273.200-045-ZP	M20	45	5.0	8.0	10.0
P0273.200-050-ZP	M20	50	5.0	8.0	10.0
P0273.200-055-ZP	M20	55	5.0	8.0	10.0
P0273.200-060-ZP	M20	60	5.0	8.0	10.0
P0273.200-070-ZP	M20	70	5.0	8.0	10.0
P0273.200-080-ZP	M20	80	5.0	8.0	10.0
P0273.200-090-ZP	M20	90	5.0	8.0	10.0
P0273.200-100-ZP	M20	100	5.0	8.0	10.0



Socket Set Screws Dog Point

Dog Point - A2 stainless

Standard Screws



P0274.A2

STANDARD SCREWS

Material

Stainless steel (A2).

See technical page for tightening torques.

Technical Notes

To DIN 915, dog point.

Order No.	d ₁	l ₁	d ₂	l ₂ min.	A/F
P0274.020-003-A2	M 2	3	0.75	0.8	0.9
P0274.020-004-A2	M 2	4	0.75	0.8	0.9
P0274.020-005-A2	M 2	5	0.75	0.8	0.9
P0274.020-006-A2	M 2	6	0.75	0.8	0.9
P0274.020-008-A2	M 2	8	0.75	0.8	0.9
P0274.020-010-A2	M 2	10	0.75	0.8	0.9
P0274.020-012-A2	M 2	12	0.75	0.8	0.9
P0274.020-014-A2	M 2	12	0.75	0.8	0.9
P0274.020-016-A2	M 2	16	0.75	0.8	0.9
P0274.025-003-A2	M2,5	3	1.25	1.2	1.3
P0274.025-004-A2	M2,5	4	1.25	1.2	1.3
P0274.025-005-A2	M2,5	5	1.25	1.2	1.3
P0274.025-006-A2	M2,5	6	1.25	1.2	1.3
P0274.025-008-A2	M2,5	8	1.25	1.2	1.3
P0274.025-010-A2	M2,5	10	1.25	1.2	1.3
P0274.025-012-A2	M2,5	12	1.25	1.2	1.3
P0274.025-014-A2	M2,5	12	1.25	1.2	1.3
P0274.025-016-A2	M2,5	16	1.25	1.2	1.3
P0274.030-003-A2	M 3	3	1.75	1.2	1.5
P0274.030-004-A2	M 3	4	1.75	1.2	1.5
P0274.030-005-A2	M 3	5	1.75	1.2	1.5
P0274.030-006-A2	M 3	6	1.75	1.2	1.5
P0274.030-008-A2	M 3	8	1.75	1.2	1.5
P0274.030-010-A2	M 3	10	1.75	1.2	1.5
P0274.030-012-A2	M 3	12	1.75	1.2	1.5
P0274.030-014-A2	M 3	14	1.75	1.2	1.5
P0274.030-016-A2	M 3	16	1.75	1.2	1.5
P0274.030-020-A2	M 3	20	1.75	1.2	1.5
P0274.030-025-A2	M 3	25	1.75	1.2	1.5
P0274.030-030-A2	M 3	30	1.75	1.2	1.5
P0274.040-004-A2	M 4	4	2.25	1.5	2.0
P0274.040-005-A2	M 4	5	2.25	1.5	2.0
P0274.040-006-A2	M 4	6	2.25	1.5	2.0
P0274.040-008-A2	M 4	8	2.25	1.5	2.0



STANDARD SCREWS

Order No.	d ₁	l ₁	d ₂	l ₂ min.	A/F
P0274.040-010-A2	M 4	10	2.25	1.5	2.0
P0274.040-012-A2	M 4	12	2.25	1.5	2.0
P0274.040-014-A2	M 4	14	2.25	1.5	2.0
P0274.040-016-A2	M 4	16	2.25	1.5	2.0
P0274.040-020-A2	M 4	20	2.25	1.5	2.0
P0274.040-025-A2	M 4	25	2.25	1.5	2.0
P0274.040-030-A2	M 4	30	2.25	1.5	2.0
P0274.040-035-A2	M 4	35	2.25	1.5	2.0
P0274.040-040-A2	M 4	40	2.25	1.5	2.0
P0274.050-005-A2	M 5	5	3.20	2.0	2.5
P0274.050-006-A2	M 5	6	3.20	2.0	2.5
P0274.050-008-A2	M 5	8	3.20	2.0	2.5
P0274.050-010-A2	M 5	10	3.20	2.0	2.5
P0274.050-012-A2	M 5	12	3.20	2.0	2.5
P0274.050-014-A2	M 5	14	3.20	2.0	2.5
P0274.050-016-A2	M 5	16	3.20	2.0	2.5
P0274.050-020-A2	M 5	20	3.20	2.0	2.5
P0274.050-025-A2	M 5	25	3.20	2.0	2.5
P0274.050-030-A2	M 5	30	3.20	2.0	2.5
P0274.060-006-A2	M 6	6	3.70	2.0	3.0
P0274.060-008-A2	M 6	8	3.70	2.0	3.0
P0274.060-010-A2	M 6	10	3.70	2.0	3.0
P0274.060-012-A2	M 6	12	3.70	2.0	3.0
P0274.060-014-A2	M 6	14	3.70	2.0	3.0
P0274.060-016-A2	M 6	16	3.70	2.0	3.0
P0274.060-018-A2	M 6	18	3.70	2.0	3.0
P0274.060-020-A2	M 6	20	3.70	2.0	3.0
P0274.060-025-A2	M 6	25	3.70	2.0	3.0
P0274.060-030-A2	M 6	30	3.70	2.0	3.0
P0274.060-035-A2	M 6	35	3.70	2.0	3.0
P0274.060-040-A2	M 6	40	3.70	2.0	3.0
P0274.060-045-A2	M 6	45	3.70	2.0	3.0
P0274.060-050-A2	M 6	50	3.70	2.0	3.0
P0274.060-055-A2	M 6	55	3.70	2.0	3.0
P0274.060-060-A2	M 6	60	3.70	2.0	3.0
P0274.080-008-A2	M 8	8	5.20	3.0	4.0
P0274.080-010-A2	M 8	10	5.20	3.0	4.0
P0274.080-012-A2	M 8	12	5.20	3.0	4.0
P0274.080-014-A2	M 8	14	5.20	3.0	4.0
P0274.080-016-A2	M 8	16	5.20	3.0	4.0
P0274.080-018-A2	M 8	18	5.20	3.0	4.0
P0274.080-020-A2	M 8	20	5.20	3.0	4.0
P0274.080-025-A2	M 8	25	5.20	3.0	4.0
P0274.080-030-A2	M 8	30	5.20	3.0	4.0
P0274.080-035-A2	M 8	35	5.20	3.0	4.0
P0274.080-040-A2	M 8	40	5.20	3.0	4.0
P0274.080-050-A2	M 8	50	5.20	3.0	4.0
P0274.080-060-A2	M 8	60	5.20	3.0	4.0
P0274.100-010-A2	M10	10	6.64	4.0	5.0
P0274.100-012-A2	M10	12	6.64	4.0	5.0
P0274.100-016-A2	M10	16	6.64	4.0	5.0
P0274.100-020-A2	M10	20	6.64	4.0	5.0
P0274.100-025-A2	M10	25	6.64	4.0	5.0
P0274.100-030-A2	M10	30	6.64	4.0	5.0
P0274.100-035-A2	M10	35	6.64	4.0	5.0
P0274.100-040-A2	M10	40	6.64	4.0	5.0
P0274.100-045-A2	M10	45	6.64	4.0	5.0
P0274.100-050-A2	M10	50	6.64	4.0	5.0
P0274.100-055-A2	M10	55	6.64	4.0	5.0
P0274.100-060-A2	M10	60	6.64	4.0	5.0
P0274.120-012-A2	M12	12	8.14	4.8	6.0
P0274.120-016-A2	M12	16	8.14	4.8	6.0
P0274.120-020-A2	M12	20	8.14	4.8	6.0
P0274.120-025-A2	M12	25	8.14	4.8	6.0
P0274.120-030-A2	M12	30	8.14	4.8	6.0
P0274.120-035-A2	M12	35	8.14	4.8	6.0
P0274.120-040-A2	M12	40	8.14	4.8	6.0
P0274.120-045-A2	M12	45	8.14	4.8	6.0



Socket Set Screws Dog Point

Dog Point - A2 stainless

Standard Screws

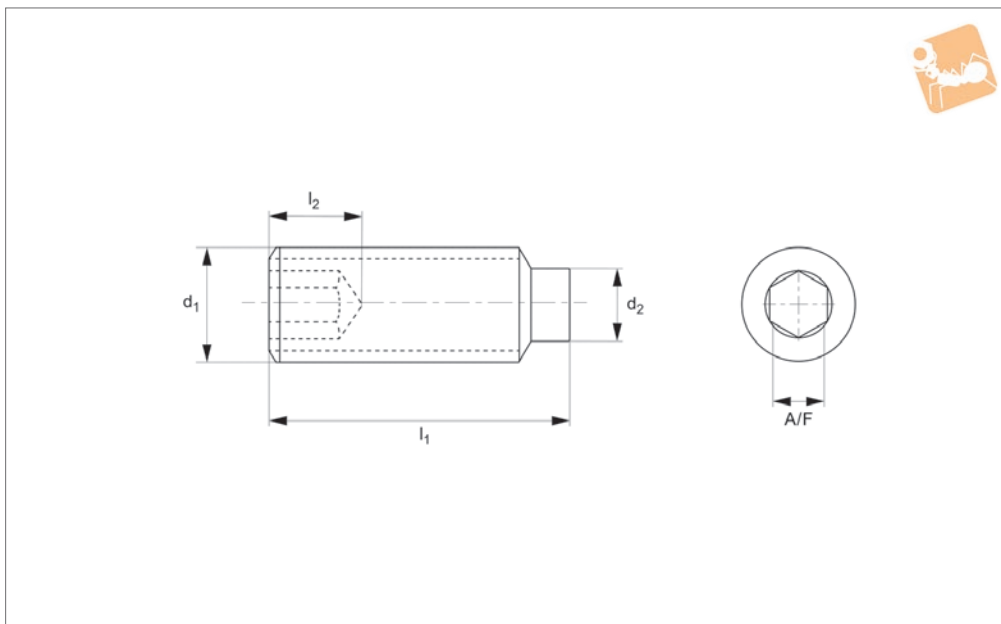


Order No.	d ₁	l ₁	d ₂	l ₂ min.	A/F
P0274.120-050-A2	M12	50	8.14	4.8	6.0
P0274.120-055-A2	M12	55	8.14	4.8	6.0
P0274.120-060-A2	M12	60	8.14	4.8	6.0
P0274.120-070-A2	M12	70	8.14	4.8	6.0
P0274.160-016-A2	M16	16	11.57	6.4	8.0
P0274.160-020-A2	M16	20	11.57	6.4	8.0
P0274.160-025-A2	M16	25	11.57	6.4	8.0
P0274.160-030-A2	M16	30	11.57	6.4	8.0
P0274.160-035-A2	M16	35	11.57	6.4	8.0
P0274.160-040-A2	M16	40	11.57	6.4	8.0
P0274.160-045-A2	M16	45	11.57	6.4	8.0
P0274.160-050-A2	M16	50	11.57	6.4	8.0
P0274.160-060-A2	M16	60	11.57	6.4	8.0
P0274.160-070-A2	M16	70	11.57	6.4	8.0
P0274.160-100-A2	M16	100	11.57	6.4	8.0
P0274.200-020-A2	M20	20	14.57	8.0	10
P0274.200-025-A2	M20	25	14.57	8.0	10
P0274.200-030-A2	M20	30	14.57	8.0	10
P0274.200-035-A2	M20	35	14.57	8.0	10
P0274.200-040-A2	M20	40	14.57	8.0	10
P0274.200-045-A2	M20	45	14.57	8.0	10
P0274.200-050-A2	M20	50	14.57	8.0	10
P0274.200-060-A2	M20	60	14.57	8.0	10
P0274.200-070-A2	M20	70	14.57	8.0	10
P0274.200-090-A2	M20	90	14.57	8.0	10
P0274.200-100-A2	M20	100	14.57	8.0	10

STANDARD SCREWS



P0274.A4



Material

Stainless steel (A4).

See technical page for tightening torques.

Technical Notes

To DIN 915, dog point.

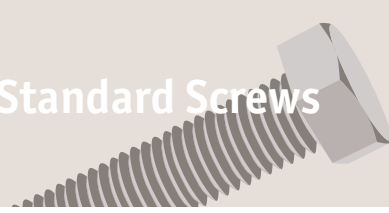
Order No.	d ₁	l ₁	d ₂	l ₂ min.	A/F
P0274.020-003-A4	M 2	3	0.75	0.8	0.9
P0274.020-004-A4	M 2	4	0.75	0.8	0.9
P0274.020-005-A4	M 2	5	0.75	0.8	0.9
P0274.020-006-A4	M 2	6	0.75	0.8	0.9
P0274.020-008-A4	M 2	8	0.75	0.8	0.9
P0274.020-010-A4	M 2	10	0.75	0.8	0.9
P0274.020-012-A4	M 2	12	0.75	0.8	0.9
P0274.020-014-A4	M 2	12	0.75	0.8	0.9
P0274.020-016-A4	M 2	16	0.75	0.8	0.9
P0274.025-003-A4	M2,5	3	1.25	1.2	1.3
P0274.025-004-A4	M2,5	4	1.25	1.2	1.3
P0274.025-005-A4	M2,5	5	1.25	1.2	1.3
P0274.025-006-A4	M2,5	6	1.25	1.2	1.3
P0274.025-008-A4	M2,5	8	1.25	1.2	1.3
P0274.025-010-A4	M2,5	10	1.25	1.2	1.3
P0274.025-012-A4	M2,5	12	1.25	1.2	1.3
P0274.025-014-A4	M2,5	12	1.25	1.2	1.3
P0274.025-016-A4	M2,5	16	1.25	1.2	1.3
P0274.030-003-A4	M 3	3	1.75	1.2	1.5
P0274.030-004-A4	M 3	4	1.75	1.2	1.5
P0274.030-005-A4	M 3	5	1.75	1.2	1.5
P0274.030-006-A4	M 3	6	1.75	1.2	1.5
P0274.030-008-A4	M 3	8	1.75	1.2	1.5
P0274.030-010-A4	M 3	10	1.75	1.2	1.5
P0274.030-012-A4	M 3	12	1.75	1.2	1.5
P0274.030-014-A4	M 3	14	1.75	1.2	1.5
P0274.030-016-A4	M 3	16	1.75	1.2	1.5
P0274.030-020-A4	M 3	20	1.75	1.2	1.5
P0274.030-025-A4	M 3	25	1.75	1.2	1.5
P0274.030-030-A4	M 3	30	1.75	1.2	1.5
P0274.040-004-A4	M 4	4	2.25	1.5	2.0
P0274.040-005-A4	M 4	5	2.25	1.5	2.0
P0274.040-006-A4	M 4	6	2.25	1.5	2.0
P0274.040-008-A4	M 4	8	2.25	1.5	2.0



Socket Set Screws Dog Point

Dog Point - A4 stainless

Standard Screws



Order No.	d ₁	l ₁	d ₂	l ₂ min.	A/F
P0274.040-010-A4	M 4	10	2.25	1.5	2.0
P0274.040-012-A4	M 4	12	2.25	1.5	2.0
P0274.040-014-A4	M 4	14	2.25	1.5	2.0
P0274.040-016-A4	M 4	16	2.25	1.5	2.0
P0274.040-020-A4	M 4	20	2.25	1.5	2.0
P0274.040-025-A4	M 4	25	2.25	1.5	2.0
P0274.040-030-A4	M 4	30	2.25	1.5	2.0
P0274.040-035-A4	M 4	35	2.25	1.5	2.0
P0274.040-040-A4	M 4	40	2.25	1.5	2.0
P0274.050-005-A4	M 5	5	3.20	2.0	2.5
P0274.050-006-A4	M 5	6	3.20	2.0	2.5
P0274.050-008-A4	M 5	8	3.20	2.0	2.5
P0274.050-010-A4	M 5	10	3.20	2.0	2.5
P0274.050-012-A4	M 5	12	3.20	2.0	2.5
P0274.050-014-A4	M 5	14	3.20	2.0	2.5
P0274.050-016-A4	M 5	16	3.20	2.0	2.5
P0274.050-020-A4	M 5	20	3.20	2.0	2.5
P0274.050-025-A4	M 5	25	3.20	2.0	2.5
P0274.050-030-A4	M 5	30	3.20	2.0	2.5
P0274.060-006-A4	M 6	6	3.70	2.0	3.0
P0274.060-008-A4	M 6	8	3.70	2.0	3.0
P0274.060-010-A4	M 6	10	3.70	2.0	3.0
P0274.060-012-A4	M 6	12	3.70	2.0	3.0
P0274.060-014-A4	M 6	14	3.70	2.0	3.0
P0274.060-016-A4	M 6	16	3.70	2.0	3.0
P0274.060-018-A4	M 6	18	3.70	2.0	3.0
P0274.060-020-A4	M 6	20	3.70	2.0	3.0
P0274.060-025-A4	M 6	25	3.70	2.0	3.0
P0274.060-030-A4	M 6	30	3.70	2.0	3.0
P0274.060-035-A4	M 6	35	3.70	2.0	3.0
P0274.060-040-A4	M 6	40	3.70	2.0	3.0
P0274.060-045-A4	M 6	45	3.70	2.0	3.0
P0274.060-050-A4	M 6	50	3.70	2.0	3.0
P0274.060-055-A4	M 6	55	3.70	2.0	3.0
P0274.060-060-A4	M 6	60	3.70	2.0	3.0
P0274.080-008-A4	M 8	8	5.20	3.0	4.0
P0274.080-010-A4	M 8	10	5.20	3.0	4.0
P0274.080-012-A4	M 8	12	5.20	3.0	4.0
P0274.080-014-A4	M 8	14	5.20	3.0	4.0
P0274.080-016-A4	M 8	16	5.20	3.0	4.0
P0274.080-018-A4	M 8	18	5.20	3.0	4.0
P0274.080-020-A4	M 8	20	5.20	3.0	4.0
P0274.080-025-A4	M 8	25	5.20	3.0	4.0
P0274.080-030-A4	M 8	30	5.20	3.0	4.0
P0274.080-035-A4	M 8	35	5.20	3.0	4.0
P0274.080-040-A4	M 8	40	5.20	3.0	4.0
P0274.080-050-A4	M 8	50	5.20	3.0	4.0
P0274.080-060-A4	M 8	60	5.20	3.0	4.0
P0274.100-010-A4	M10	10	6.64	4.0	5.0
P0274.100-012-A4	M10	12	6.64	4.0	5.0
P0274.100-016-A4	M10	16	6.64	4.0	5.0
P0274.100-020-A4	M10	20	6.64	4.0	5.0
P0274.100-025-A4	M10	25	6.64	4.0	5.0
P0274.100-030-A4	M10	30	6.64	4.0	5.0
P0274.100-035-A4	M10	35	6.64	4.0	5.0
P0274.100-040-A4	M10	40	6.64	4.0	5.0
P0274.100-045-A4	M10	45	6.64	4.0	5.0
P0274.100-050-A4	M10	50	6.64	4.0	5.0
P0274.100-055-A4	M10	55	6.64	4.0	5.0
P0274.100-060-A4	M10	60	6.64	4.0	5.0
P0274.120-012-A4	M12	12	8.14	4.8	6.0
P0274.120-016-A4	M12	16	8.14	4.8	6.0
P0274.120-020-A4	M12	20	8.14	4.8	6.0
P0274.120-025-A4	M12	25	8.14	4.8	6.0
P0274.120-030-A4	M12	30	8.14	4.8	6.0
P0274.120-035-A4	M12	35	8.14	4.8	6.0
P0274.120-040-A4	M12	40	8.14	4.8	6.0
P0274.120-045-A4	M12	45	8.14	4.8	6.0

STANDARD SCREWS



STANDARD SCREWS

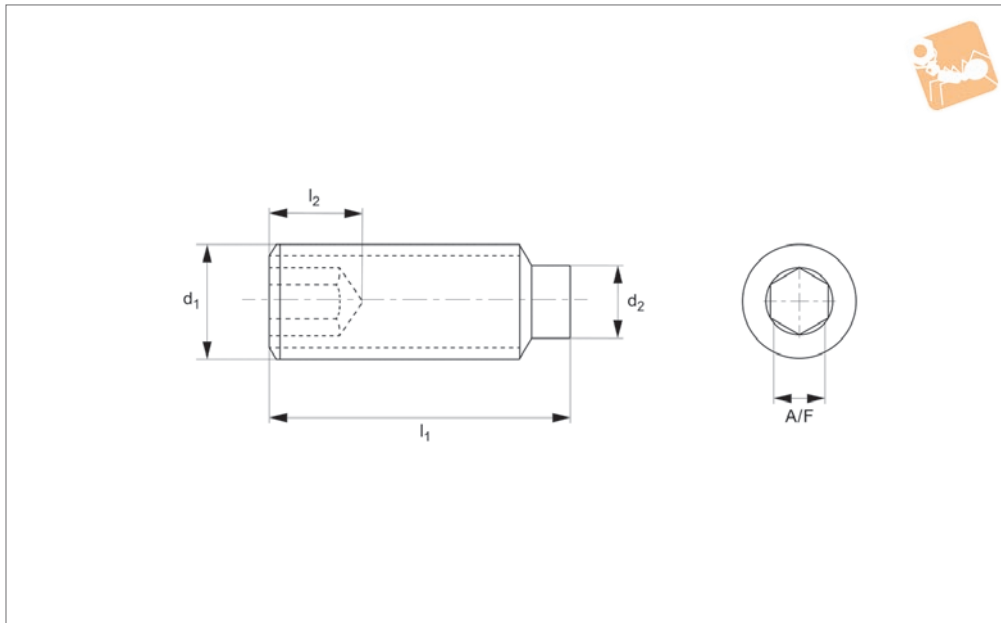
Order No.	d ₁	l ₁	d ₂	l ₂ min.	A/F
P0274.120-050-A4	M12	50	8.14	4.8	6.0
P0274.120-055-A4	M12	55	8.14	4.8	6.0
P0274.120-060-A4	M12	60	8.14	4.8	6.0
P0274.120-070-A4	M12	70	8.14	4.8	6.0
P0274.160-016-A4	M16	16	11.57	6.4	8.0
P0274.160-020-A4	M16	20	11.57	6.4	8.0
P0274.160-025-A4	M16	25	11.57	6.4	8.0
P0274.160-030-A4	M16	30	11.57	6.4	8.0
P0274.160-035-A4	M16	35	11.57	6.4	8.0
P0274.160-040-A4	M16	40	11.57	6.4	8.0
P0274.160-045-A4	M16	45	11.57	6.4	8.0
P0274.160-050-A4	M16	50	11.57	6.4	8.0
P0274.160-060-A4	M16	60	11.57	6.4	8.0
P0274.160-070-A4	M16	70	11.57	6.4	8.0
P0274.160-100-A4	M16	100	11.57	6.4	8.0
P0274.200-020-A4	M20	20	14.57	8.0	10
P0274.200-025-A4	M20	25	14.57	8.0	10
P0274.200-030-A4	M20	30	14.57	8.0	10
P0274.200-035-A4	M20	35	14.57	8.0	10
P0274.200-040-A4	M20	40	14.57	8.0	10
P0274.200-045-A4	M20	45	14.57	8.0	10
P0274.200-050-A4	M20	50	14.57	8.0	10
P0274.200-060-A4	M20	60	14.57	8.0	10
P0274.200-070-A4	M20	70	14.57	8.0	10
P0274.200-090-A4	M20	90	14.57	8.0	10
P0274.200-100-A4	M20	100	14.57	8.0	10



Socket Set Screws Dog Point

Dog Point - steel, zinc-plated

Standard Screws



P0274.ZP

STANDARD SCREWS

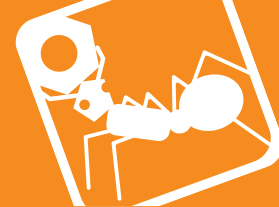
Material

Steel, zinc-plated (class 45H).

Technical Notes

To DIN 915, dog point.

Order No.	d ₁	l ₁	d ₂	l ₂ min.	A/F
P0274.020-003-ZP	M 2	3	0.75	0.8	0.9
P0274.020-004-ZP	M 2	4	0.75	0.8	0.9
P0274.020-005-ZP	M 2	5	0.75	0.8	0.9
P0274.020-006-ZP	M 2	6	0.75	0.8	0.9
P0274.020-008-ZP	M 2	8	0.75	0.8	0.9
P0274.020-010-ZP	M 2	10	0.75	0.8	0.9
P0274.020-012-ZP	M 2	12	0.75	0.8	0.9
P0274.020-014-ZP	M 2	14	0.75	0.8	0.9
P0274.020-016-ZP	M 2	16	0.75	0.8	0.9
P0274.025-003-ZP	M2,5	3	1.25	1.2	1.3
P0274.025-004-ZP	M2,5	4	1.25	1.2	1.3
P0274.025-005-ZP	M2,5	5	1.25	1.2	1.3
P0274.025-006-ZP	M 2,5	6	1.25	1.2	1.3
P0274.025-008-ZP	M 2,5	8	1.25	1.2	1.3
P0274.025-010-ZP	M2,5	10	1.25	1.2	1.3
P0274.025-012-ZP	M2,5	12	1.25	1.2	1.3
P0274.025-014-ZP	M2,5	12	1.25	1.2	1.3
P0274.025-016-ZP	M2,5	16	1.25	1.2	1.3
P0274.030-003-ZP	M 3	3	1.75	1.2	1.5
P0274.030-004-ZP	M 3	4	1.75	1.2	1.5
P0274.030-005-ZP	M 3	5	1.75	1.2	1.5
P0274.030-006-ZP	M 3	6	1.75	1.2	1.5
P0274.030-008-ZP	M 3	8	1.75	1.2	1.5
P0274.030-010-ZP	M 3	10	1.75	1.2	1.5
P0274.030-012-ZP	M 3	12	1.75	1.2	1.5
P0274.030-014-ZP	M 3	14	1.75	1.2	1.5
P0274.030-016-ZP	M 3	16	1.75	1.2	1.5
P0274.030-020-ZP	M 3	20	1.75	1.2	1.5
P0274.030-025-ZP	M 3	25	1.75	1.2	1.5
P0274.030-030-ZP	M 3	30	1.75	1.2	1.5
P0274.040-004-ZP	M 4	4	2.25	1.5	2.0
P0274.040-005-ZP	M 4	5	2.25	1.5	2.0
P0274.040-006-ZP	M 4	6	2.25	1.5	2.0
P0274.040-008-ZP	M 4	8	2.25	1.5	2.0



STANDARD SCREWS

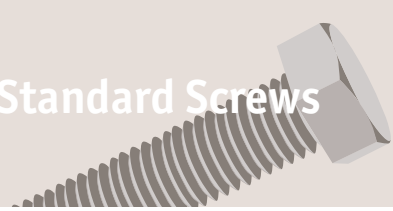
Order No.	d ₁	l ₁	d ₂	l ₂ min.	A/F
P0274.040-010-ZP	M 4	10	2.25	1.5	2.0
P0274.040-012-ZP	M 4	12	2.25	1.5	2.0
P0274.040-014-ZP	M 4	14	2.25	1.5	2.0
P0274.040-016-ZP	M 4	16	2.25	1.5	2.0
P0274.040-020-ZP	M 4	20	2.25	1.5	2.0
P0274.040-025-ZP	M 4	25	2.25	1.5	2.0
P0274.040-030-ZP	M 4	30	2.25	1.5	2.0
P0274.040-035-ZP	M 4	35	2.25	1.5	2.0
P0274.040-040-ZP	M 4	40	2.25	1.5	2.0
P0274.050-005-ZP	M 5	5	3.20	2.0	2.5
P0274.050-006-ZP	M 5	6	3.20	2.0	2.5
P0274.050-008-ZP	M 5	8	3.20	2.0	2.5
P0274.050-010-ZP	M 5	10	3.20	2.0	2.5
P0274.050-012-ZP	M 5	12	3.20	2.0	2.5
P0274.050-014-ZP	M 5	14	3.20	2.0	2.5
P0274.050-016-ZP	M 5	16	3.20	2.0	2.5
P0274.050-020-ZP	M 5	20	3.20	2.0	2.5
P0274.050-025-ZP	M 5	25	3.20	2.0	2.5
P0274.050-030-ZP	M 5	30	3.20	2.0	2.5
P0274.060-006-ZP	M 6	6	3.70	2.0	3.0
P0274.060-008-ZP	M 6	8	3.70	2.0	3.0
P0274.060-010-ZP	M 6	10	3.70	2.0	3.0
P0274.060-012-ZP	M 6	12	3.70	2.0	3.0
P0274.060-014-ZP	M 6	14	3.70	2.0	3.0
P0274.060-016-ZP	M 6	16	3.70	2.0	3.0
P0274.060-018-ZP	M 6	18	3.70	2.0	3.0
P0274.060-020-ZP	M 6	20	3.70	2.0	3.0
P0274.060-025-ZP	M 6	25	3.70	2.0	3.0
P0274.060-030-ZP	M 6	30	3.70	2.0	3.0
P0274.060-035-ZP	M 6	35	3.70	2.0	3.0
P0274.060-040-ZP	M 6	40	3.70	2.0	3.0
P0274.060-045-ZP	M 6	45	3.70	2.0	3.0
P0274.060-050-ZP	M 6	50	3.70	2.0	3.0
P0274.060-055-ZP	M 6	55	3.70	2.0	3.0
P0274.060-060-ZP	M 6	60	3.70	2.0	3.0
P0274.080-008-ZP	M 8	8	5.20	3.0	4.0
P0274.080-010-ZP	M 8	10	5.20	3.0	4.0
P0274.080-012-ZP	M 8	12	5.20	3.0	4.0
P0274.080-014-ZP	M 8	14	5.20	3.0	4.0
P0274.080-016-ZP	M 8	16	5.20	3.0	4.0
P0274.080-018-ZP	M 8	18	5.20	3.0	4.0
P0274.080-020-ZP	M 8	20	5.20	3.0	4.0
P0274.080-025-ZP	M 8	25	5.20	3.0	4.0
P0274.080-030-ZP	M 8	30	5.20	3.0	4.0
P0274.080-035-ZP	M 8	35	5.20	3.0	4.0
P0274.080-040-ZP	M 8	40	5.20	3.0	4.0
P0274.080-050-ZP	M 8	50	5.20	3.0	4.0
P0274.080-060-ZP	M 8	60	5.20	3.0	4.0
P0274.100-010-ZP	M10	10	6.64	4.0	5.0
P0274.100-012-ZP	M10	12	6.64	4.0	5.0
P0274.100-016-ZP	M10	16	6.64	4.0	5.0
P0274.100-020-ZP	M10	20	6.64	4.0	5.0
P0274.100-025-ZP	M10	25	6.64	4.0	5.0
P0274.100-030-ZP	M10	30	6.64	4.0	5.0
P0274.100-035-ZP	M10	35	6.64	4.0	5.0
P0274.100-040-ZP	M10	40	6.64	4.0	5.0
P0274.100-045-ZP	M10	45	6.64	4.0	5.0
P0274.100-050-ZP	M10	50	6.64	4.0	5.0
P0274.100-055-ZP	M10	55	6.64	4.0	5.0
P0274.100-060-ZP	M10	60	6.64	4.0	5.0
P0274.120-012-ZP	M12	12	8.14	4.8	6.0
P0274.120-016-ZP	M12	16	8.14	4.8	6.0
P0274.120-020-ZP	M12	20	8.14	4.8	6.0
P0274.120-025-ZP	M12	25	8.14	4.8	6.0
P0274.120-030-ZP	M12	30	8.14	4.8	6.0
P0274.120-035-ZP	M12	35	8.14	4.8	6.0
P0274.120-040-ZP	M12	40	8.14	4.8	6.0
P0274.120-045-ZP	M12	45	8.14	4.8	6.0



Socket Set Screws Dog Point

Dog Point - steel, zinc-plated

Standard Screws

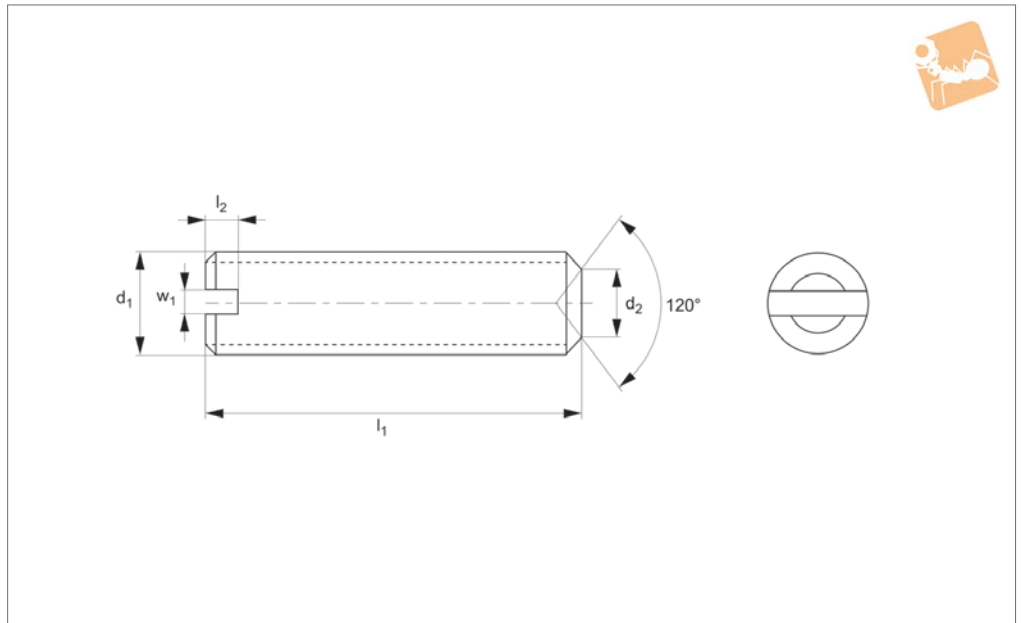


Order No.	d ₁	l ₁	d ₂	l ₂ min.	A/F
P0274.120-050-ZP	M12	50	8.14	4.8	6.0
P0274.120-055-ZP	M12	55	8.14	4.8	6.0
P0274.120-060-ZP	M12	60	8.14	4.8	6.0
P0274.120-070-ZP	M12	70	8.14	4.8	6.0
P0274.160-016-ZP	M16	16	11.57	6.4	8.0
P0274.160-020-ZP	M16	20	11.57	6.4	8.0
P0274.160-025-ZP	M16	25	11.57	6.4	8.0
P0274.160-030-ZP	M16	30	11.57	6.4	8.0
P0274.160-035-ZP	M16	35	11.57	6.4	8.0
P0274.160-040-ZP	M16	40	11.57	6.4	8.0
P0274.160-045-ZP	M16	45	11.57	6.4	8.0
P0274.160-050-ZP	M16	50	11.57	6.4	8.0
P0274.160-060-ZP	M16	60	11.57	6.4	8.0
P0274.160-070-ZP	M16	70	11.57	6.4	8.0
P0274.160-100-ZP	M16	100	11.57	6.4	8.0
P0274.200-020-ZP	M20	20	14.57	8.0	10
P0274.200-025-ZP	M20	25	14.57	8.0	10
P0274.200-030-ZP	M20	30	14.57	8.0	10
P0274.200-035-ZP	M20	35	14.57	8.0	10
P0274.200-040-ZP	M20	40	14.57	8.0	10
P0274.200-045-ZP	M20	45	14.57	8.0	10
P0274.200-050-ZP	M20	50	14.57	8.0	10
P0274.200-060-ZP	M20	60	14.57	8.0	10
P0274.200-070-ZP	M20	70	14.57	8.0	10
P0274.200-090-ZP	M20	90	14.57	8.0	10
P0274.200-100-ZP	M20	100	14.57	8.0	10

STANDARD SCREWS



P0276.A2



Material

Stainless steel (A2).

See technical page for tightening torques.

Technical Notes

To DIN 438, cup point.

Order No.	d ₁	l ₁	d ₂	l ₂ min.	w ₁
P0276.020-003-A2	M 2	3	0.75	0.8	0.25
P0276.020-004-A2	M 2	4	0.75	0.8	0.25
P0276.020-005-A2	M 2	5	0.75	0.8	0.25
P0276.020-006-A2	M 2	6	0.75	0.8	0.25
P0276.020-008-A2	M 2	8	0.75	0.8	0.25
P0276.020-010-A2	M 2	10	0.75	0.8	0.25
P0276.020-012-A2	M 2	12	0.75	0.8	0.25
P0276.020-016-A2	M 2	16	0.75	0.8	0.25
P0276.025-003-A2	M2,5	3	0.95	1.2	0.4
P0276.025-004-A2	M2,5	4	0.95	1.2	0.4
P0276.025-005-A2	M2,5	5	0.95	1.2	0.4
P0276.025-006-A2	M2,5	6	0.95	1.2	0.4
P0276.025-008-A2	M2,5	8	0.95	1.2	0.4
P0276.025-010-A2	M2,5	10	0.95	1.2	0.4
P0276.025-012-A2	M2,5	12	0.95	1.2	0.4
P0276.025-016-A2	M2,5	16	0.95	1.2	0.4
P0276.030-003-A2	M 3	3	1.15	1.2	0.4
P0276.030-004-A2	M 3	4	1.15	1.2	0.4
P0276.030-005-A2	M 3	5	1.15	1.2	0.4
P0276.030-006-A2	M 3	6	1.15	1.2	0.4
P0276.030-008-A2	M 3	8	1.15	1.2	0.4
P0276.030-010-A2	M 3	10	1.15	1.2	0.4
P0276.030-012-A2	M 3	12	1.15	1.2	0.4
P0276.030-014-A2	M 3	14	1.15	1.2	0.4
P0276.030-016-A2	M 3	16	1.15	1.2	0.4
P0276.030-020-A2	M 3	20	1.15	1.2	0.4
P0276.030-025-A2	M 3	25	1.15	1.2	0.4
P0276.030-030-A2	M 3	30	1.15	1.2	0.4
P0276.040-003-A2	M 4	3	1.75	1.5	0.6
P0276.040-004-A2	M 4	4	1.75	1.5	0.6
P0276.040-005-A2	M 4	5	1.75	1.5	0.6
P0276.040-006-A2	M 4	6	1.75	1.5	0.6
P0276.040-008-A2	M 4	8	1.75	1.5	0.6
P0276.040-010-A2	M 4	10	1.75	1.5	0.6



Slotted Set Screws Cup Point

Cup Point - A2 stainless

Standard Screws



Order No.	d ₁	l ₁	d ₂	l ₂ min.	w ₁
P0276.040-012-A2	M 4	12	1.75	1.5	0.6
P0276.040-014-A2	M 4	14	1.75	1.5	0.6
P0276.040-016-A2	M 4	16	1.75	1.5	0.6
P0276.040-020-A2	M 4	20	1.75	1.5	0.6
P0276.040-025-A2	M 4	25	1.75	1.5	0.6
P0276.040-030-A2	M 4	30	1.75	1.5	0.6
P0276.040-035-A2	M 4	35	1.75	1.5	0.6
P0276.040-040-A2	M 4	40	1.75	1.5	0.6
P0276.050-004-A2	M 5	4	2.25	2.0	0.8
P0276.050-005-A2	M 5	5	2.25	2.0	0.8
P0276.050-006-A2	M 5	6	2.25	2.0	0.8
P0276.050-008-A2	M 5	8	2.25	2.0	0.8
P0276.050-010-A2	M 5	10	2.25	2.0	0.8
P0276.050-012-A2	M 5	12	2.25	2.0	0.8
P0276.050-014-A2	M 5	14	2.25	2.0	0.8
P0276.050-016-A2	M 5	16	2.25	2.0	0.8
P0276.050-020-A2	M 5	20	2.25	2.0	0.8
P0276.050-025-A2	M 5	25	2.25	2.0	0.8
P0276.050-030-A2	M 5	30	2.25	2.0	0.8
P0276.050-035-A2	M 5	35	2.25	2.0	0.8
P0276.050-040-A2	M 5	40	2.25	2.0	0.8
P0276.060-005-A2	M 6	5	2.75	2.0	1.0
P0276.060-006-A2	M 6	6	2.75	2.0	1.0
P0276.060-008-A2	M 6	8	2.75	2.0	1.0
P0276.060-010-A2	M 6	10	2.75	2.0	1.0
P0276.060-012-A2	M 6	12	2.75	2.0	1.0
P0276.060-014-A2	M 6	14	2.75	2.0	1.0
P0276.060-016-A2	M 6	16	2.75	2.0	1.0
P0276.060-018-A2	M 6	18	2.75	2.0	1.0
P0276.060-020-A2	M 6	20	2.75	2.0	1.0
P0276.060-025-A2	M 6	25	2.75	2.0	1.0
P0276.060-030-A2	M 6	30	2.75	2.0	1.0
P0276.060-035-A2	M 6	35	2.75	2.0	1.0
P0276.060-040-A2	M 6	40	2.75	2.0	1.0
P0276.060-045-A2	M 6	45	2.75	2.0	1.0
P0276.060-050-A2	M 6	50	2.75	2.0	1.0
P0276.060-055-A2	M 6	55	2.75	2.0	1.0
P0276.060-060-A2	M 6	60	2.75	2.0	1.0
P0276.080-006-A2	M 8	6	4.70	3.0	1.2
P0276.080-008-A2	M 8	8	4.70	3.0	1.2
P0276.080-010-A2	M 8	10	4.70	3.0	1.2
P0276.080-012-A2	M 8	12	4.70	3.0	1.2
P0276.080-014-A2	M 8	14	4.70	3.0	1.2
P0276.080-016-A2	M 8	16	4.70	3.0	1.2
P0276.080-018-A2	M 8	18	4.70	3.0	1.2
P0276.080-020-A2	M 8	20	4.70	3.0	1.2
P0276.080-025-A2	M 8	25	4.70	3.0	1.2
P0276.080-030-A2	M 8	30	4.70	3.0	1.2
P0276.080-035-A2	M 8	35	4.70	3.0	1.2
P0276.080-040-A2	M 8	40	4.70	3.0	1.2
P0276.080-050-A2	M 8	50	4.70	3.0	1.2
P0276.080-060-A2	M 8	60	4.70	3.0	1.2
P0276.080-070-A2	M 8	70	4.70	3.0	1.2
P0276.080-080-A2	M 8	80	4.70	3.0	1.2
P0276.100-010-A2	M10	10	5.70	4.0	1.6
P0276.100-012-A2	M10	12	5.70	4.0	1.6
P0276.100-016-A2	M10	16	5.70	4.0	1.6
P0276.100-020-A2	M10	20	5.70	4.0	1.6
P0276.100-025-A2	M10	25	5.70	4.0	1.6
P0276.100-030-A2	M10	30	5.70	4.0	1.6
P0276.100-035-A2	M10	35	5.70	4.0	1.6
P0276.100-040-A2	M10	40	5.70	4.0	1.6
P0276.100-045-A2	M10	45	5.70	4.0	1.6
P0276.100-050-A2	M10	50	5.70	4.0	1.6
P0276.100-055-A2	M10	55	5.70	4.0	1.6
P0276.100-060-A2	M10	60	5.70	4.0	1.6
P0276.100-070-A2	M10	70	5.70	4.0	1.6
P0276.100-080-A2	M10	80	5.70	4.0	1.6

STANDARD SCREWS



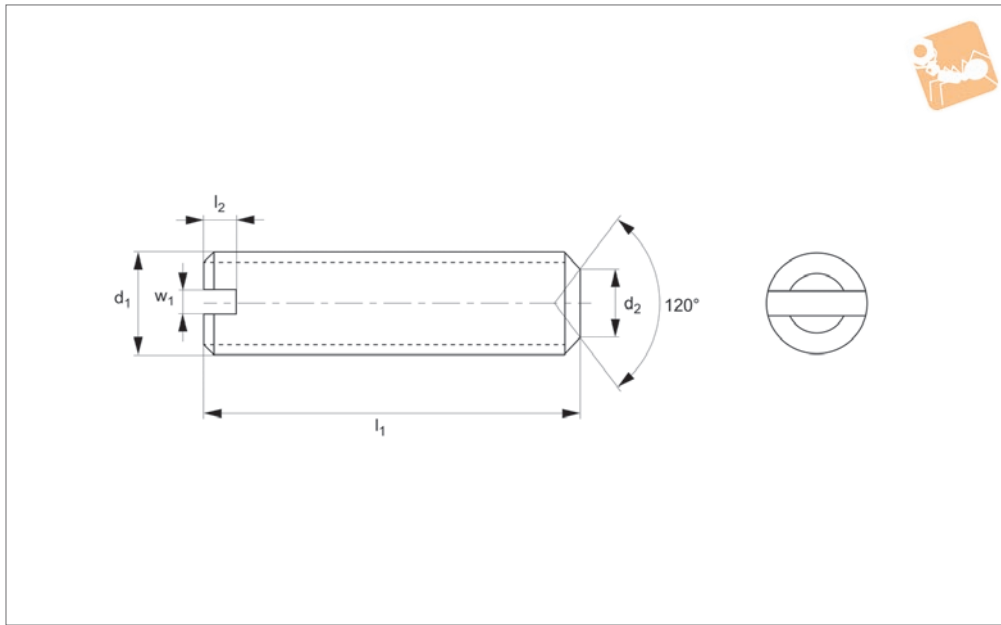
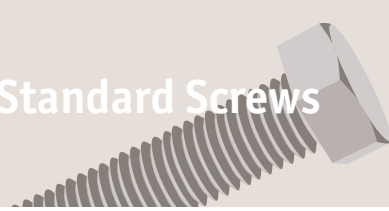
Order No.	d ₁	l ₁	d ₂	l ₂ min.	w ₁
P0276.120-010-A2	M12	10	7.64	4.8	2.0
P0276.120-012-A2	M12	12	7.64	4.8	2.0
P0276.120-016-A2	M12	16	7.64	4.8	2.0
P0276.120-020-A2	M12	20	7.64	4.8	2.0
P0276.120-025-A2	M12	25	7.64	4.8	2.0
P0276.120-030-A2	M12	30	7.64	4.8	2.0
P0276.120-035-A2	M12	35	7.64	4.8	2.0
P0276.120-040-A2	M12	40	7.64	4.8	2.0
P0276.120-045-A2	M12	45	7.64	4.8	2.0
P0276.120-050-A2	M12	50	7.64	4.8	2.0
P0276.120-055-A2	M12	55	7.64	4.8	2.0
P0276.120-060-A2	M12	60	7.64	4.8	2.0
P0276.120-070-A2	M12	70	7.64	4.8	2.0
P0276.120-080-A2	M12	80	7.64	4.8	2.0
P0276.120-090-A2	M12	90	7.64	4.8	2.0
P0276.120-100-A2	M12	100	7.64	4.8	2.0
P0276.160-016-A2	M16	16	9.64	6.4	2.2
P0276.160-020-A2	M16	20	9.64	6.4	2.2
P0276.160-025-A2	M16	25	9.64	6.4	2.2
P0276.160-030-A2	M16	30	9.64	6.4	2.2
P0276.160-035-A2	M16	35	9.64	6.4	2.2
P0276.160-040-A2	M16	40	9.64	6.4	2.2
P0276.160-045-A2	M16	45	9.64	6.4	2.2
P0276.160-050-A2	M16	50	9.64	6.4	2.2
P0276.160-055-A2	M16	55	9.64	6.4	2.2
P0276.160-060-A2	M16	60	9.64	6.4	2.2
P0276.160-070-A2	M16	70	9.64	6.4	2.2
P0276.160-080-A2	M16	80	9.64	6.4	2.2
P0276.160-090-A2	M16	90	9.64	6.4	2.2
P0276.160-100-A2	M16	100	9.64	6.4	2.2
P0276.200-020-A2	M20	20	13.57	8.0	2.6
P0276.200-025-A2	M20	25	13.57	8.0	2.6
P0276.200-030-A2	M20	30	13.57	8.0	2.6
P0276.200-035-A2	M20	35	13.57	8.0	2.6
P0276.200-040-A2	M20	40	13.57	8.0	2.6
P0276.200-045-A2	M20	45	13.57	8.0	2.6
P0276.200-050-A2	M20	50	13.57	8.0	2.6
P0276.200-055-A2	M20	55	13.57	8.0	2.6
P0276.200-060-A2	M20	60	13.57	8.0	2.6
P0276.200-070-A2	M20	70	13.57	8.0	2.6
P0276.200-080-A2	M20	80	13.57	8.0	2.6
P0276.200-090-A2	M20	90	13.57	8.0	2.6
P0276.200-100-A2	M20	100	13.57	8.0	2.6



Slotted Set Screws Cup Point

Cup Point - A4 stainless

Standard Screws



P0276.A4

STANDARD SCREWS

Material

Stainless steel (A4).

See technical page for tightening torques.

Technical Notes

To DIN 438, cup point.

Order No.	d ₁	l ₁	d ₂	l ₂ min.	w ₁
P0276.020-003-A4	M 2	3	0.75	0.8	0.25
P0276.020-004-A4	M 2	4	0.75	0.8	0.25
P0276.020-005-A4	M 2	5	0.75	0.8	0.25
P0276.020-006-A4	M 2	6	0.75	0.8	0.25
P0276.020-008-A4	M 2	8	0.75	0.8	0.25
P0276.020-010-A4	M 2	10	0.75	0.8	0.25
P0276.020-012-A4	M 2	12	0.75	0.8	0.25
P0276.020-016-A4	M 2	16	0.75	0.8	0.25
P0276.025-003-A4	M2,5	3	0.95	1.2	0.4
P0276.025-004-A4	M2,5	4	0.95	1.2	0.4
P0276.025-005-A4	M2,5	5	0.95	1.2	0.4
P0276.025-006-A4	M2,5	6	0.95	1.2	0.4
P0276.025-008-A4	M2,5	8	0.95	1.2	0.4
P0276.025-010-A4	M2,5	10	0.95	1.2	0.4
P0276.025-012-A4	M2,5	12	0.95	1.2	0.4
P0276.025-016-A4	M2,5	16	0.95	1.2	0.4
P0276.030-003-A4	M 3	3	1.15	1.2	0.4
P0276.030-004-A4	M 3	4	1.15	1.2	0.4
P0276.030-005-A4	M 3	5	1.15	1.2	0.4
P0276.030-006-A4	M 3	6	1.15	1.2	0.4
P0276.030-008-A4	M 3	8	1.15	1.2	0.4
P0276.030-010-A4	M 3	10	1.15	1.2	0.4
P0276.030-012-A4	M 3	12	1.15	1.2	0.4
P0276.030-014-A4	M 3	14	1.15	1.2	0.4
P0276.030-016-A4	M 3	16	1.15	1.2	0.4
P0276.030-020-A4	M 3	20	1.15	1.2	0.4
P0276.030-025-A4	M 3	25	1.15	1.2	0.4
P0276.030-030-A4	M 3	30	1.15	1.2	0.4
P0276.040-003-A4	M 4	3	1.75	1.5	0.6
P0276.040-004-A4	M 4	4	1.75	1.5	0.6
P0276.040-005-A4	M 4	5	1.75	1.5	0.6
P0276.040-006-A4	M 4	6	1.75	1.5	0.6
P0276.040-008-A4	M 4	8	1.75	1.5	0.6
P0276.040-010-A4	M 4	10	1.75	1.5	0.6



STANDARD SCREWS

Order No.	d ₁	l ₁	d ₂	l ₂ min.	w ₁
P0276.040-012-A4	M 4	12	1.75	1.5	0.6
P0276.040-014-A4	M 4	14	1.75	1.5	0.6
P0276.040-016-A4	M 4	16	1.75	1.5	0.6
P0276.040-020-A4	M 4	20	1.75	1.5	0.6
P0276.040-025-A4	M 4	25	1.75	1.5	0.6
P0276.040-030-A4	M 4	30	1.75	1.5	0.6
P0276.040-035-A4	M 4	35	1.75	1.5	0.6
P0276.040-040-A4	M 4	40	1.75	1.5	0.6
P0276.050-004-A4	M 5	4	2.25	2.0	0.8
P0276.050-005-A4	M 5	5	2.25	2.0	0.8
P0276.050-006-A4	M 5	6	2.25	2.0	0.8
P0276.050-008-A4	M 5	8	2.25	2.0	0.8
P0276.050-010-A4	M 5	10	2.25	2.0	0.8
P0276.050-012-A4	M 5	12	2.25	2.0	0.8
P0276.050-014-A4	M 5	14	2.25	2.0	0.8
P0276.050-016-A4	M 5	16	2.25	2.0	0.8
P0276.050-020-A4	M 5	20	2.25	2.0	0.8
P0276.050-025-A4	M 5	25	2.25	2.0	0.8
P0276.050-030-A4	M 5	30	2.25	2.0	0.8
P0276.050-035-A4	M 5	35	2.25	2.0	0.8
P0276.050-040-A4	M 5	40	2.25	2.0	0.8
P0276.060-005-A4	M 6	5	2.75	2.0	1.0
P0276.060-006-A4	M 6	6	2.75	2.0	1.0
P0276.060-008-A4	M 6	8	2.75	2.0	1.0
P0276.060-010-A4	M 6	10	2.75	2.0	1.0
P0276.060-012-A4	M 6	12	2.75	2.0	1.0
P0276.060-014-A4	M 6	14	2.75	2.0	1.0
P0276.060-016-A4	M 6	16	2.75	2.0	1.0
P0276.060-018-A4	M 6	18	2.75	2.0	1.0
P0276.060-020-A4	M 6	20	2.75	2.0	1.0
P0276.060-025-A4	M 6	25	2.75	2.0	1.0
P0276.060-030-A4	M 6	30	2.75	2.0	1.0
P0276.060-035-A4	M 6	35	2.75	2.0	1.0
P0276.060-040-A4	M 6	40	2.75	2.0	1.0
P0276.060-045-A4	M 6	45	2.75	2.0	1.0
P0276.060-050-A4	M 6	50	2.75	2.0	1.0
P0276.060-055-A4	M 6	55	2.75	2.0	1.0
P0276.060-060-A4	M 6	60	2.75	2.0	1.0
P0276.080-006-A4	M 8	6	4.70	3.0	1.2
P0276.080-008-A4	M 8	8	4.70	3.0	1.2
P0276.080-010-A4	M 8	10	4.70	3.0	1.2
P0276.080-012-A4	M 8	12	4.70	3.0	1.2
P0276.080-014-A4	M 8	14	4.70	3.0	1.2
P0276.080-016-A4	M 8	16	4.70	3.0	1.2
P0276.080-018-A4	M 8	18	4.70	3.0	1.2
P0276.080-020-A4	M 8	20	4.70	3.0	1.2
P0276.080-025-A4	M 8	25	4.70	3.0	1.2
P0276.080-030-A4	M 8	30	4.70	3.0	1.2
P0276.080-035-A4	M 8	35	4.70	3.0	1.2
P0276.080-040-A4	M 8	40	4.70	3.0	1.2
P0276.080-050-A4	M 8	50	4.70	3.0	1.2
P0276.080-060-A4	M 8	60	4.70	3.0	1.2
P0276.080-070-A4	M 8	70	4.70	3.0	1.2
P0276.080-080-A4	M 8	80	4.70	3.0	1.2
P0276.100-010-A4	M10	10	5.70	4.0	1.6
P0276.100-012-A4	M10	12	5.70	4.0	1.6
P0276.100-016-A4	M10	16	5.70	4.0	1.6
P0276.100-020-A4	M10	20	5.70	4.0	1.6
P0276.100-025-A4	M10	25	5.70	4.0	1.6
P0276.100-030-A4	M10	30	5.70	4.0	1.6
P0276.100-035-A4	M10	35	5.70	4.0	1.6
P0276.100-040-A4	M10	40	5.70	4.0	1.6
P0276.100-045-A4	M10	45	5.70	4.0	1.6
P0276.100-050-A4	M10	50	5.70	4.0	1.6
P0276.100-055-A4	M10	55	5.70	4.0	1.6
P0276.100-060-A4	M10	60	5.70	4.0	1.6
P0276.100-070-A4	M10	70	5.70	4.0	1.6
P0276.100-080-A4	M10	80	5.70	4.0	1.6



Slotted Set Screws Cup Point

Cup Point - A4 stainless

Standard Screws

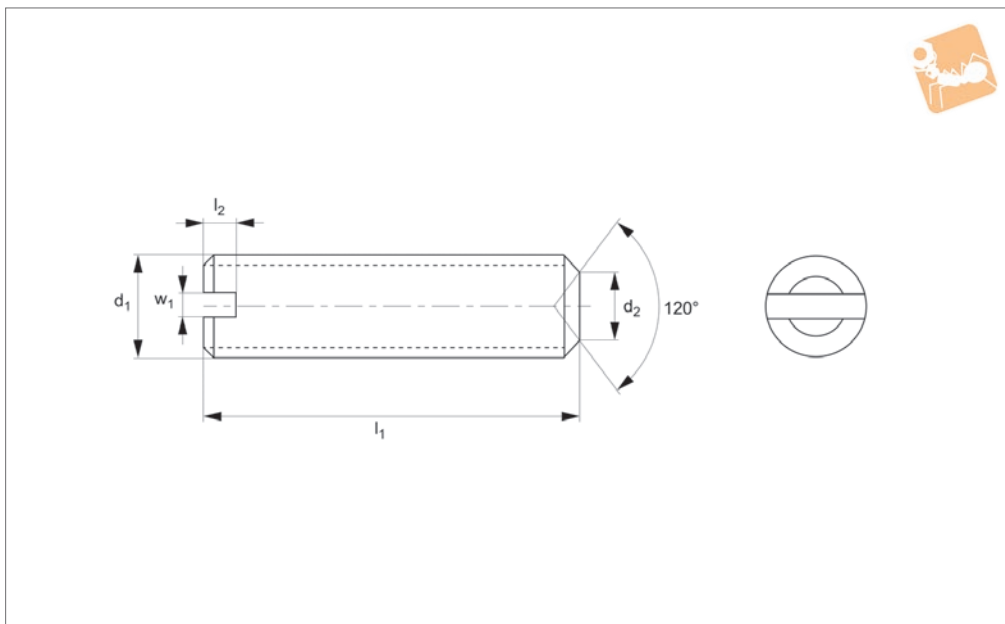


Order No.	d ₁	l ₁	d ₂	l ₂ min.	w ₁
P0276.120-010-A4	M12	10	7.64	4.8	2.0
P0276.120-012-A4	M12	12	7.64	4.8	2.0
P0276.120-016-A4	M12	16	7.64	4.8	2.0
P0276.120-020-A4	M12	20	7.64	4.8	2.0
P0276.120-025-A4	M12	25	7.64	4.8	2.0
P0276.120-030-A4	M12	30	7.64	4.8	2.0
P0276.120-035-A4	M12	35	7.64	4.8	2.0
P0276.120-040-A4	M12	40	7.64	4.8	2.0
P0276.120-045-A4	M12	45	7.64	4.8	2.0
P0276.120-050-A4	M12	50	7.64	4.8	2.0
P0276.120-055-A4	M12	55	7.64	4.8	2.0
P0276.120-060-A4	M12	60	7.64	4.8	2.0
P0276.120-070-A4	M12	70	7.64	4.8	2.0
P0276.120-080-A4	M12	80	7.64	4.8	2.0
P0276.120-090-A4	M12	90	7.64	4.8	2.0
P0276.120-100-A4	M12	100	7.64	4.8	2.0
P0276.160-016-A4	M16	16	9.64	6.4	2.2
P0276.160-020-A4	M16	20	9.64	6.4	2.2
P0276.160-025-A4	M16	25	9.64	6.4	2.2
P0276.160-030-A4	M16	30	9.64	6.4	2.2
P0276.160-035-A4	M16	35	9.64	6.4	2.2
P0276.160-040-A4	M16	40	9.64	6.4	2.2
P0276.160-045-A4	M16	45	9.64	6.4	2.2
P0276.160-050-A4	M16	50	9.64	6.4	2.2
P0276.160-055-A4	M16	55	9.64	6.4	2.2
P0276.160-060-A4	M16	60	9.64	6.4	2.2
P0276.160-070-A4	M16	70	9.64	6.4	2.2
P0276.160-080-A4	M16	80	9.64	6.4	2.2
P0276.160-090-A4	M16	90	9.64	6.4	2.2
P0276.160-100-A4	M16	100	9.64	6.4	2.2
P0276.200-020-A4	M20	20	13.57	8.0	2.6
P0276.200-025-A4	M20	25	13.57	8.0	2.6
P0276.200-030-A4	M20	30	13.57	8.0	2.6
P0276.200-035-A4	M20	35	13.57	8.0	2.6
P0276.200-040-A4	M20	40	13.57	8.0	2.6
P0276.200-045-A4	M20	45	13.57	8.0	2.6
P0276.200-050-A4	M20	50	13.57	8.0	2.6
P0276.200-055-A4	M20	55	13.57	8.0	2.6
P0276.200-060-A4	M20	60	13.57	8.0	2.6
P0276.200-070-A4	M20	70	13.57	8.0	2.6
P0276.200-080-A4	M20	80	13.57	8.0	2.6
P0276.200-090-A4	M20	90	13.57	8.0	2.6
P0276.200-100-A4	M20	100	13.57	8.0	2.6

STANDARD SCREWS



P0276.ZP



Material

Steel, zinc-plated (class 14H).

Technical Notes

To DIN 438, cup point.

Order No.	d ₁	l ₁	d ₂	l ₂ min.	w ₁
P0276.020-003-ZP	M 2	3	0.75	0.8	0.25
P0276.020-004-ZP	M 2	4	0.75	0.8	0.25
P0276.020-005-ZP	M 2	5	0.75	0.8	0.25
P0276.020-006-ZP	M 2	6	0.75	0.8	0.25
P0276.020-008-ZP	M 2	8	0.75	0.8	0.25
P0276.020-010-ZP	M 2	10	0.75	0.8	0.25
P0276.020-012-ZP	M 2	12	0.75	0.8	0.25
P0276.020-016-ZP	M 2	16	0.75	0.8	0.25
P0276.025-003-ZP	M2,5	3	0.95	1.2	0.4
P0276.025-004-ZP	M2,5	4	0.95	1.2	0.4
P0276.025-005-ZP	M2,5	5	0.95	1.2	0.4
P0276.025-006-ZP	M2,5	6	0.95	1.2	0.4
P0276.025-008-ZP	M2,5	8	0.95	1.2	0.4
P0276.025-010-ZP	M2,5	10	0.95	1.2	0.4
P0276.025-012-ZP	M2,5	12	0.95	1.2	0.4
P0276.025-016-ZP	M2,5	16	0.95	1.2	0.4
P0276.030-003-ZP	M 3	3	1.15	1.2	0.4
P0276.030-004-ZP	M 3	4	1.15	1.2	0.4
P0276.030-005-ZP	M 3	5	1.15	1.2	0.4
P0276.030-006-ZP	M 3	6	1.15	1.2	0.4
P0276.030-008-ZP	M 3	8	1.15	1.2	0.4
P0276.030-010-ZP	M 3	10	1.15	1.2	0.4
P0276.030-012-ZP	M 3	12	1.15	1.2	0.4
P0276.030-014-ZP	M 3	14	1.15	1.2	0.4
P0276.030-016-ZP	M 3	16	1.15	1.2	0.4
P0276.030-020-ZP	M 3	20	1.15	1.2	0.4
P0276.030-025-ZP	M 3	25	1.15	1.2	0.4
P0276.030-030-ZP	M 3	30	1.15	1.2	0.4
P0276.040-003-ZP	M 4	3	1.75	1.5	0.6
P0276.040-004-ZP	M 4	4	1.75	1.5	0.6
P0276.040-005-ZP	M 4	5	1.75	1.5	0.6
P0276.040-006-ZP	M 4	6	1.75	1.5	0.6
P0276.040-008-ZP	M 4	8	1.75	1.5	0.6
P0276.040-010-ZP	M 4	10	1.75	1.5	0.6



Slotted Set Screws Cup Point

Cup Point - steel, zinc-plated

Standard Screws



Order No.	d ₁	l ₁	d ₂	l ₂ min.	w ₁
P0276.040-012-ZP	M 4	12	1.75	1.5	0.6
P0276.040-014-ZP	M 4	14	1.75	1.5	0.6
P0276.040-016-ZP	M 4	16	1.75	1.5	0.6
P0276.040-020-ZP	M 4	20	1.75	1.5	0.6
P0276.040-025-ZP	M 4	25	1.75	1.5	0.6
P0276.040-030-ZP	M 4	30	1.75	1.5	0.6
P0276.040-035-ZP	M 4	35	1.75	1.5	0.6
P0276.040-040-ZP	M 4	40	1.75	1.5	0.6
P0276.050-004-ZP	M 5	4	2.25	2.0	0.8
P0276.050-005-ZP	M 5	5	2.25	2.0	0.8
P0276.050-006-ZP	M 5	6	2.25	2.0	0.8
P0276.050-008-ZP	M 5	8	2.25	2.0	0.8
P0276.050-010-ZP	M 5	10	2.25	2.0	0.8
P0276.050-012-ZP	M 5	12	2.25	2.0	0.8
P0276.050-014-ZP	M 5	14	2.25	2.0	0.8
P0276.050-016-ZP	M 5	16	2.25	2.0	0.8
P0276.050-020-ZP	M 5	20	2.25	2.0	0.8
P0276.050-025-ZP	M 5	25	2.25	2.0	0.8
P0276.050-030-ZP	M 5	30	2.25	2.0	0.8
P0276.050-035-ZP	M 5	35	2.25	2.0	0.8
P0276.050-040-ZP	M 5	40	2.25	2.0	0.8
P0276.060-005-ZP	M 6	5	2.75	2.0	1.0
P0276.060-006-ZP	M 6	6	2.75	2.0	1.0
P0276.060-008-ZP	M 6	8	2.75	2.0	1.0
P0276.060-010-ZP	M 6	10	2.75	2.0	1.0
P0276.060-012-ZP	M 6	12	2.75	2.0	1.0
P0276.060-014-ZP	M 6	14	2.75	2.0	1.0
P0276.060-016-ZP	M 6	16	2.75	2.0	1.0
P0276.060-018-ZP	M 6	18	2.75	2.0	1.0
P0276.060-020-ZP	M 6	20	2.75	2.0	1.0
P0276.060-025-ZP	M 6	25	2.75	2.0	1.0
P0276.060-030-ZP	M 6	30	2.75	2.0	1.0
P0276.060-035-ZP	M 6	35	2.75	2.0	1.0
P0276.060-040-ZP	M 6	40	2.75	2.0	1.0
P0276.060-045-ZP	M 6	45	2.75	2.0	1.0
P0276.060-050-ZP	M 6	50	2.75	2.0	1.0
P0276.060-055-ZP	M 6	55	2.75	2.0	1.0
P0276.060-060-ZP	M 6	60	2.75	2.0	1.0
P0276.080-006-ZP	M 8	6	4.70	3.0	1.2
P0276.080-008-ZP	M 8	8	4.70	3.0	1.2
P0276.080-010-ZP	M 8	10	4.70	3.0	1.2
P0276.080-012-ZP	M 8	12	4.70	3.0	1.2
P0276.080-014-ZP	M 8	14	4.70	3.0	1.2
P0276.080-016-ZP	M 8	16	4.70	3.0	1.2
P0276.080-018-ZP	M 8	18	4.70	3.0	1.2
P0276.080-020-ZP	M 8	20	4.70	3.0	1.2
P0276.080-025-ZP	M 8	25	4.70	3.0	1.2
P0276.080-030-ZP	M 8	30	4.70	3.0	1.2
P0276.080-035-ZP	M 8	35	4.70	3.0	1.2
P0276.080-040-ZP	M 8	40	4.70	3.0	1.2
P0276.080-050-ZP	M 8	50	4.70	3.0	1.2
P0276.080-060-ZP	M 8	60	4.70	3.0	1.2
P0276.080-070-ZP	M 8	70	4.70	3.0	1.2
P0276.080-080-ZP	M 8	80	4.70	3.0	1.2
P0276.100-010-ZP	M10	10	5.70	4.0	1.6
P0276.100-012-ZP	M10	12	5.70	4.0	1.6
P0276.100-016-ZP	M10	16	5.70	4.0	1.6
P0276.100-020-ZP	M10	20	5.70	4.0	1.6
P0276.100-025-ZP	M10	25	5.70	4.0	1.6
P0276.100-030-ZP	M10	30	5.70	4.0	1.6
P0276.100-035-ZP	M10	35	5.70	4.0	1.6
P0276.100-040-ZP	M10	40	5.70	4.0	1.6
P0276.100-045-ZP	M10	45	5.70	4.0	1.6
P0276.100-050-ZP	M10	50	5.70	4.0	1.6
P0276.100-055-ZP	M10	55	5.70	4.0	1.6
P0276.100-060-ZP	M10	60	5.70	4.0	1.6
P0276.100-070-ZP	M10	70	5.70	4.0	1.6
P0276.100-080-ZP	M10	80	5.70	4.0	1.6

STANDARD SCREWS



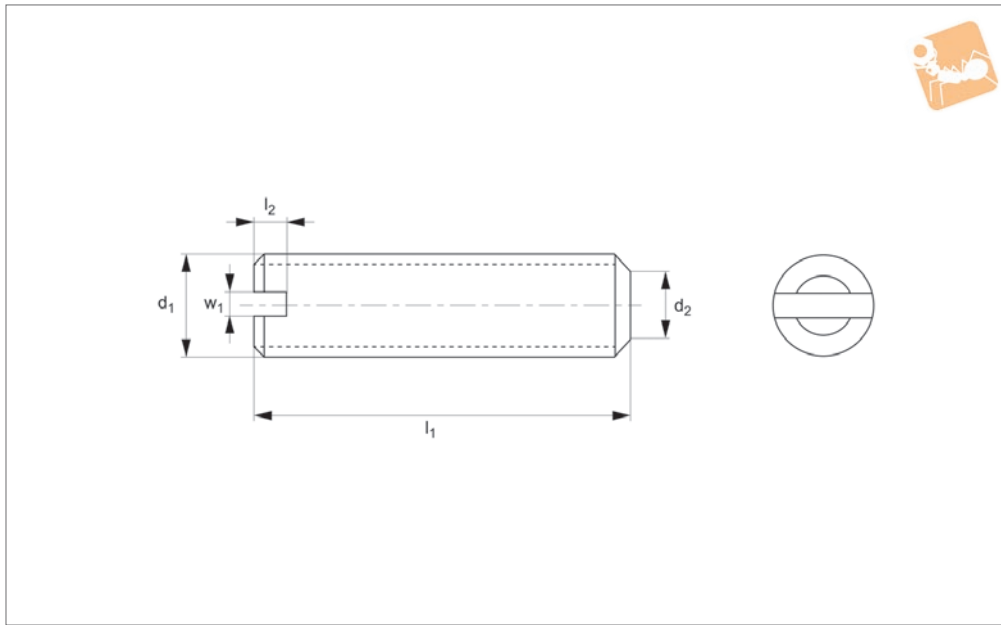
Order No.	d ₁	l ₁	d ₂	l ₂ min.	w ₁
P0276.120-010-ZP	M12	12	7.64	4.8	2.0
P0276.120-012-ZP	M12	12	7.64	4.8	2.0
P0276.120-016-ZP	M12	16	7.64	4.8	2.0
P0276.120-020-ZP	M12	20	7.64	4.8	2.0
P0276.120-025-ZP	M12	25	7.64	4.8	2.0
P0276.120-030-ZP	M12	30	7.64	4.8	2.0
P0276.120-035-ZP	M12	35	7.64	4.8	2.0
P0276.120-040-ZP	M12	40	7.64	4.8	2.0
P0276.120-045-ZP	M12	45	7.64	4.8	2.0
P0276.120-050-ZP	M12	50	7.64	4.8	2.0
P0276.120-055-ZP	M12	55	7.64	4.8	2.0
P0276.120-060-ZP	M12	60	7.64	4.8	2.0
P0276.120-070-ZP	M12	70	7.64	4.8	2.0
P0276.120-080-ZP	M12	80	7.64	4.8	2.0
P0276.120-090-ZP	M12	90	7.64	4.8	2.0
P0276.120-100-ZP	M12	100	7.64	4.8	2.0
P0276.160-016-ZP	M16	16	9.64	6.4	2.2
P0276.160-020-ZP	M16	20	9.64	6.4	2.2
P0276.160-025-ZP	M16	25	9.64	6.4	2.2
P0276.160-030-ZP	M16	30	9.64	6.4	2.2
P0276.160-035-ZP	M16	35	9.64	6.4	2.2
P0276.160-040-ZP	M16	40	9.64	6.4	2.2
P0276.160-045-ZP	M16	45	9.64	6.4	2.2
P0276.160-050-ZP	M16	50	9.64	6.4	2.2
P0276.160-055-ZP	M16	55	9.64	6.4	2.2
P0276.160-060-ZP	M16	60	9.64	6.4	2.2
P0276.160-070-ZP	M16	70	9.64	6.4	2.2
P0276.160-080-ZP	M16	80	9.64	6.4	2.2
P0276.160-090-ZP	M16	90	9.64	6.4	2.2
P0276.160-100-ZP	M16	100	9.64	6.4	2.2
P0276.200-020-ZP	M20	20	13.57	8.0	2.6
P0276.200-025-ZP	M20	25	13.57	8.0	2.6
P0276.200-030-ZP	M20	30	13.57	8.0	2.6
P0276.200-035-ZP	M20	35	13.57	8.0	2.6
P0276.200-040-ZP	M20	40	13.57	8.0	2.6
P0276.200-045-ZP	M20	45	13.57	8.0	2.6
P0276.200-050-ZP	M20	50	13.57	8.0	2.6
P0276.200-055-ZP	M20	55	13.57	8.0	2.6
P0276.200-060-ZP	M20	60	13.57	8.0	2.6
P0276.200-070-ZP	M20	70	13.57	8.0	2.6
P0276.200-080-ZP	M20	80	13.57	8.0	2.6
P0276.200-090-ZP	M20	90	13.57	8.0	2.6
P0276.200-100-ZP	M20	100	13.57	8.0	2.6



Slotted Set Screws Flat Point

Flat Point - A2 stainless

Standard Screws



P0277.A2

STANDARD SCREWS

Material

Stainless steel (A2).

See technical page for tightening torques.

Technical Notes

To DIN 551, flat point.

Order No.	d ₁	l ₁	d ₂	l ₂ min.	w ₁	Size
P0277.016-002-A2	M1,6	2	0.55	0.74	0.25	0,16X0,8
P0277.016-003-A2	M1,6	3	0.55	0.74	0.25	0,16X0,8
P0277.016-004-A2	M1,6	4	0.55	0.74	0.25	0,16X0,8
P0277.016-005-A2	M1,6	5	0.55	0.74	0.25	0,16X0,8
P0277.016-006-A2	M1,6	6	0.55	0.74	0.25	0,16X0,8
P0277.016-008-A2	M1,6	8	0.55	0.74	0.25	0,16X0,8
P0277.016-010-A2	M1,6	10	0.55	0.74	0.25	0,16X0,8
P0277.020-002-A2	M 2	2	0.75	0.84	0.25	0,25X1,2
P0277.020-003-A2	M 2	3	0.75	0.84	0.25	0,25X1,2
P0277.020-004-A2	M 2	4	0.75	0.84	0.25	0,25X1,2
P0277.020-005-A2	M 2	5	0.75	0.84	0.25	0,25X1,2
P0277.020-006-A2	M 2	6	0.75	0.84	0.25	0,25X1,2
P0277.020-008-A2	M 2	8	0.75	0.84	0.25	0,25X1,2
P0277.020-010-A2	M 2	10	0.75	0.84	0.25	0,25X1,2
P0277.025-003-A2	M2,5	3	1.25	0.95	0.40	0,4X2,0
P0277.025-004-A2	M2,5	4	1.25	0.95	0.40	0,4X2,0
P0277.025-005-A2	M2,5	5	1.25	0.95	0.40	0,4X2,0
P0277.025-006-A2	M2,5	6	1.25	0.95	0.40	0,4X2,0
P0277.025-008-A2	M2,5	8	1.25	0.95	0.40	0,4X2,0
P0277.025-010-A2	M2,5	10	1.25	0.95	0.40	0,4X2,0
P0277.030-003-A2	M 3	3	1.75	1.05	0.40	0,4X2,0
P0277.030-004-A2	M 3	4	1.75	1.05	0.40	0,4X2,0
P0277.030-005-A2	M 3	5	1.75	1.05	0.40	0,4X2,0
P0277.030-006-A2	M 3	6	1.75	1.05	0.40	0,4X2,0
P0277.030-008-A2	M 3	8	1.75	1.05	0.40	0,4X2,0
P0277.030-010-A2	M 3	10	1.75	1.05	0.40	0,4X2,0
P0277.030-012-A2	M 3	12	1.75	1.05	0.40	0,4X2,0
P0277.030-016-A2	M 3	16	1.75	1.05	0.40	0,4X2,0
P0277.030-020-A2	M 3	20	1.75	1.05	0.40	0,4X2,0
P0277.040-004-A2	M 4	4	2.25	1.42	0.60	0,6X3,5
P0277.040-005-A2	M 4	5	2.25	1.42	0.60	0,6X3,5
P0277.040-006-A2	M 4	6	2.25	1.42	0.60	0,6X3,5
P0277.040-008-A2	M 4	8	2.25	1.42	0.60	0,6X3,5
P0277.040-010-A2	M 4	10	2.25	1.42	0.60	0,6X3,5



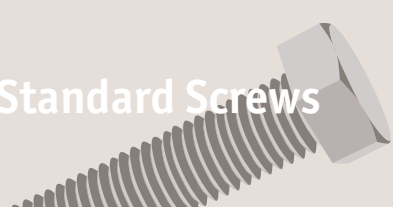
Order No.	d ₁	l ₁	d ₂	l ₂ min.	w ₁	Size
P0277.040-012-A2	M 4	12	2.25	1.42	0.60	0,6X3,5
P0277.040-016-A2	M 4	16	2.25	1.42	0.60	0,6X3,5
P0277.040-020-A2	M 4	20	2.25	1.42	0.60	0,6X3,5
P0277.040-025-A2	M 4	25	2.25	1.42	0.60	0,6X3,5
P0277.040-030-A2	M 4	30	2.25	1.42	0.60	0,6X3,5
P0277.040-035-A2	M 4	35	2.25	1.42	0.60	0,6X3,5
P0277.040-040-A2	M 4	40	2.25	1.42	0.60	0,6X3,5
P0277.040-045-A2	M 4	45	2.25	1.42	0.60	0,6X3,5
P0277.040-050-A2	M 4	50	2.25	1.42	0.60	0,6X3,5
P0277.050-005-A2	M 5	5	3.20	1.63	0.80	0,8X4,0
P0277.050-006-A2	M 5	6	3.20	1.63	0.80	0,8X4,0
P0277.050-008-A2	M 5	8	3.20	1.63	0.80	0,8X4,0
P0277.050-010-A2	M 5	10	3.20	1.63	0.80	0,8X4,0
P0277.050-012-A2	M 5	12	3.20	1.63	0.80	0,8X4,0
P0277.050-016-A2	M 5	16	3.20	1.63	0.80	0,8X4,0
P0277.050-020-A2	M 5	20	3.20	1.63	0.80	0,8X4,0
P0277.050-025-A2	M 5	25	3.20	1.63	0.80	0,8X4,0
P0277.050-030-A2	M 5	30	3.20	1.63	0.80	0,8X4,0
P0277.050-035-A2	M 5	35	3.20	1.63	0.80	0,8X4,0
P0277.050-040-A2	M 5	40	3.20	1.63	0.80	0,8X4,0
P0277.050-045-A2	M 5	45	3.20	1.63	0.80	0,8X4,0
P0277.050-050-A2	M 5	50	3.20	1.63	0.80	0,8X4,0
P0277.060-006-A2	M 6	6	3.70	2.00	1.00	1,0X5,5
P0277.060-008-A2	M 6	8	3.70	2.00	1.00	1,0X5,5
P0277.060-010-A2	M 6	10	3.70	2.00	1.00	1,0X5,5
P0277.060-012-A2	M 6	12	3.70	2.00	1.00	1,0X5,5
P0277.060-016-A2	M 6	16	3.70	2.00	1.00	1,0X5,5
P0277.060-020-A2	M 6	20	3.70	2.00	1.00	1,0X5,5
P0277.060-025-A2	M 6	25	3.70	2.00	1.00	1,0X5,5
P0277.060-030-A2	M 6	30	3.70	2.00	1.00	1,0X5,5
P0277.060-035-A2	M 6	35	3.70	2.00	1.00	1,0X5,5
P0277.060-040-A2	M 6	40	3.70	2.00	1.00	1,0X5,5
P0277.060-050-A2	M 6	50	3.70	2.00	1.00	1,0X5,5
P0277.060-060-A2	M 6	60	3.70	2.00	1.00	1,0X5,5
P0277.080-008-A2	M 8	8	5.20	2.50	1.20	1,2X7,0
P0277.080-010-A2	M 8	10	5.20	2.50	1.20	1,2X7,0
P0277.080-012-A2	M 8	12	5.20	2.50	1.20	1,2X7,0
P0277.080-016-A2	M 8	16	5.20	2.50	1.20	1,2X7,0
P0277.080-020-A2	M 8	20	5.20	2.50	1.20	1,2X7,0
P0277.080-025-A2	M 8	25	5.20	2.50	1.20	1,2X7,0
P0277.080-030-A2	M 8	30	5.20	2.50	1.20	1,2X7,0
P0277.080-035-A2	M 8	35	5.20	2.50	1.20	1,2X7,0
P0277.080-040-A2	M 8	40	5.20	2.50	1.20	1,2X7,0
P0277.080-045-A2	M 8	45	5.20	2.50	1.20	1,2X7,0
P0277.080-050-A2	M 8	50	5.20	2.50	1.20	1,2X7,0
P0277.080-055-A2	M 8	55	5.20	2.50	1.20	1,2X7,0
P0277.080-060-A2	M 8	60	5.20	2.50	1.20	1,2X7,0
P0277.080-070-A2	M 8	70	5.20	2.50	1.20	1,2X7,0
P0277.100-010-A2	M10	10	6.64	3.00	1.60	1,6X9,0
P0277.100-012-A2	M10	12	6.64	3.00	1.60	1,6X9,0
P0277.120-012-A2	M12	12	8.14	3.60	2.00	2,0X12,0
P0277.120-016-A2	M12	16	8.14	3.60	2.00	2,0X12,0
P0277.120-020-A2	M12	20	8.14	3.60	2.00	2,0X12,0
P0277.120-025-A2	M12	25	8.14	3.60	2.00	2,0X12,0
P0277.120-030-A2	M12	30	8.14	3.60	2.00	2,0X12,0
P0277.120-035-A2	M12	35	8.14	3.60	2.00	2,0X12,0
P0277.120-040-A2	M12	40	8.14	3.60	2.00	2,0X12,0
P0277.120-045-A2	M12	45	8.14	3.60	2.00	2,0X12,0
P0277.120-050-A2	M12	50	8.14	3.60	2.00	2,0X12,0
P0277.120-055-A2	M12	55	8.14	3.60	2.00	2,0X12,0
P0277.120-060-A2	M12	60	8.14	3.60	2.00	2,0X12,0
P0277.120-070-A2	M12	70	8.14	3.60	2.00	2,0X12,0
P0277.120-080-A2	M12	80	8.14	3.60	2.00	2,0X12,0
P0277.100-016-A2	M10	16	6.64	3.00	1.60	1,6X9,0
P0277.100-020-A2	M10	20	6.64	3.00	1.60	1,6X9,0
P0277.100-025-A2	M10	25	6.64	3.00	1.60	1,6X9,0
P0277.100-030-A2	M10	30	6.64	3.00	1.60	1,6X9,0
P0277.100-035-A2	M10	35	6.64	3.00	1.60	1,6X9,0



Slotted Set Screws Flat Point

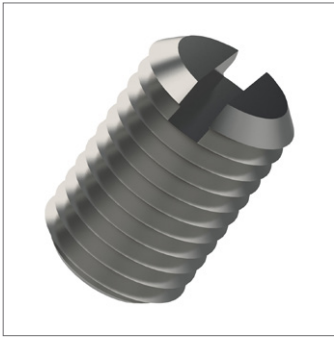
Flat Point - A2 stainless

Standard Screws

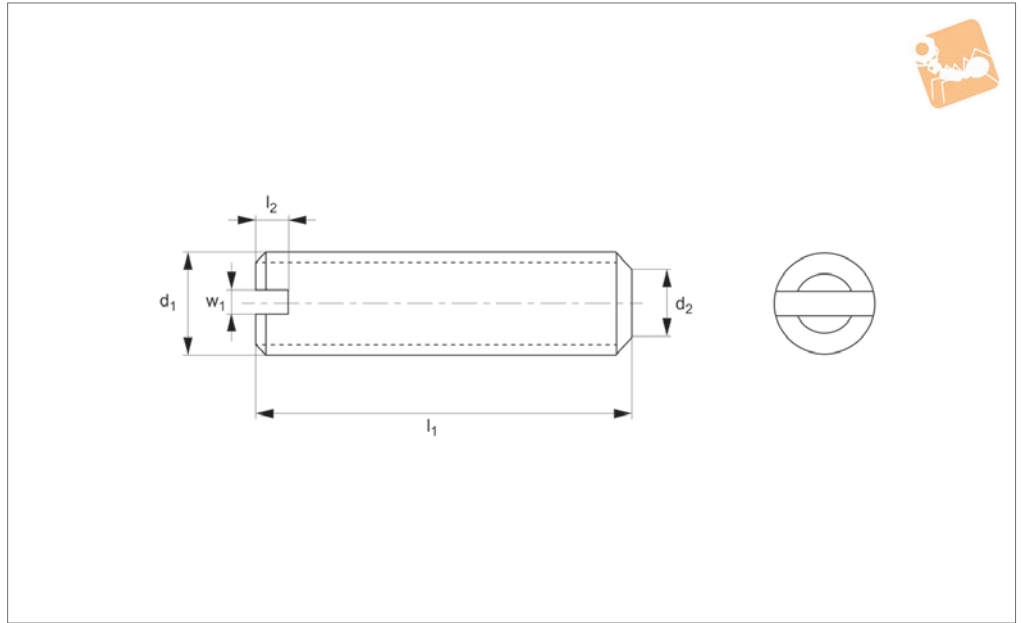


Order No.	d ₁	l ₁	d ₂	l ₂ min.	w ₁	Size
P0277.100-040-A2	M10	40	6.64	3.00	1.60	1,6X9,0
P0277.100-045-A2	M10	45	6.64	3.00	1.60	1,6X9,0
P0277.100-050-A2	M10	50	6.64	3.00	1.60	1,6X9,0
P0277.100-055-A2	M10	55	6.64	3.00	1.60	1,6X9,0
P0277.100-060-A2	M10	60	6.64	3.00	1.60	1,6X9,0
P0277.100-070-A2	M10	70	6.64	3.00	1.60	1,6X9,0
P0277.100-080-A2	M10	80	6.64	3.00	1.60	1,6X9,0

STANDARD SCREWS



P0277.A4



Material

Stainless steel (A4).

See technical page for tightening torques.

Technical Notes

To DIN 551, flat point.

Order No.	d ₁	l ₁	d ₂	l ₂ min.	w ₁	Size
P0277.016-002-A4	M1,6	2	0.55	0.74	0.25	0,16X0,8
P0277.016-003-A4	M1,6	3	0.55	0.74	0.25	0,16X0,8
P0277.016-004-A4	M1,6	4	0.55	0.74	0.25	0,16X0,8
P0277.016-005-A4	M1,6	5	0.55	0.74	0.25	0,16X0,8
P0277.016-006-A4	M1,6	6	0.55	0.74	0.25	0,16X0,8
P0277.016-008-A4	M1,6	8	0.55	0.74	0.25	0,16X0,8
P0277.016-010-A4	M1,6	10	0.55	0.74	0.25	0,16X0,8
P0277.020-002-A4	M 2	2	0.75	0.84	0.25	0,25X1,2
P0277.020-003-A4	M 2	3	0.75	0.84	0.25	0,25X1,2
P0277.020-004-A4	M 2	4	0.75	0.84	0.25	0,25X1,2
P0277.020-005-A4	M 2	5	0.75	0.84	0.25	0,25X1,2
P0277.020-006-A4	M 2	6	0.75	0.84	0.25	0,25X1,2
P0277.020-008-A4	M 2	8	0.75	0.84	0.25	0,25X1,2
P0277.020-010-A4	M 2	10	0.75	0.84	0.25	0,25X1,2
P0277.025-003-A4	M2,5	3	1.25	0.95	0.40	0,4X2,0
P0277.025-004-A4	M2,5	4	1.25	0.95	0.40	0,4X2,0
P0277.025-005-A4	M2,5	5	1.25	0.95	0.40	0,4X2,0
P0277.025-006-A4	M2,5	6	1.25	0.95	0.40	0,4X2,0
P0277.025-008-A4	M2,5	8	1.25	0.95	0.40	0,4X2,0
P0277.025-010-A4	M2,5	10	1.25	0.95	0.40	0,4X2,0
P0277.030-003-A4	M 3	3	1.75	1.05	0.40	0,4X2,0
P0277.030-004-A4	M 3	4	1.75	1.05	0.40	0,4X2,0
P0277.030-005-A4	M 3	5	1.75	1.05	0.40	0,4X2,0
P0277.030-006-A4	M 3	6	1.75	1.05	0.40	0,4X2,0
P0277.030-008-A4	M 3	8	1.75	1.05	0.40	0,4X2,0
P0277.030-010-A4	M 3	10	1.75	1.05	0.40	0,4X2,0
P0277.030-012-A4	M 3	12	1.75	1.05	0.40	0,4X2,0
P0277.030-016-A4	M 3	16	1.75	1.05	0.40	0,4X2,0
P0277.030-020-A4	M 3	20	1.75	1.05	0.40	0,4X2,0
P0277.040-004-A4	M 4	4	2.25	1.42	0.60	0,6X3,5
P0277.040-005-A4	M 4	5	2.25	1.42	0.60	0,6X3,5
P0277.040-006-A4	M 4	6	2.25	1.42	0.60	0,6X3,5
P0277.040-008-A4	M 4	8	2.25	1.42	0.60	0,6X3,5
P0277.040-010-A4	M 4	10	2.25	1.42	0.60	0,6X3,5



Slotted Set Screws Flat Point

Flat Point - A4 stainless

Standard Screws



Order No.	d ₁	l ₁	d ₂	l ₂ min.	w ₁	Size
P0277.040-012-A4	M 4	12	2.25	1.42	0.60	0,6X3,5
P0277.040-016-A4	M 4	16	2.25	1.42	0.60	0,6X3,5
P0277.040-020-A4	M 4	20	2.25	1.42	0.60	0,6X3,5
P0277.040-025-A4	M 4	25	2.25	1.42	0.60	0,6X3,5
P0277.040-030-A4	M 4	30	2.25	1.42	0.60	0,6X3,5
P0277.040-035-A4	M 4	35	2.25	1.42	0.60	0,6X3,5
P0277.040-040-A4	M 4	40	2.25	1.42	0.60	0,6X3,5
P0277.040-045-A4	M 4	45	2.25	1.42	0.60	0,6X3,5
P0277.040-050-A4	M 4	50	2.25	1.42	0.60	0,6X3,5
P0277.050-005-A4	M 5	5	3.20	1.63	0.80	0,8X4,0
P0277.050-006-A4	M 5	6	3.20	1.63	0.80	0,8X4,0
P0277.050-008-A4	M 5	8	3.20	1.63	0.80	0,8X4,0
P0277.050-010-A4	M 5	10	3.20	1.63	0.80	0,8X4,0
P0277.050-012-A4	M 5	12	3.20	1.63	0.80	0,8X4,0
P0277.050-016-A4	M 5	16	3.20	1.63	0.80	0,8X4,0
P0277.050-020-A4	M 5	20	3.20	1.63	0.80	0,8X4,0
P0277.050-025-A4	M 5	25	3.20	1.63	0.80	0,8X4,0
P0277.050-030-A4	M 5	30	3.20	1.63	0.80	0,8X4,0
P0277.050-035-A4	M 5	35	3.20	1.63	0.80	0,8X4,0
P0277.050-040-A4	M 5	40	3.20	1.63	0.80	0,8X4,0
P0277.050-045-A4	M 5	45	3.20	1.63	0.80	0,8X4,0
P0277.050-050-A4	M 5	50	3.20	1.63	0.80	0,8X4,0
P0277.060-006-A4	M 6	6	3.70	2.00	1.00	1,0X5,5
P0277.060-008-A4	M 6	8	3.70	2.00	1.00	1,0X5,5
P0277.060-010-A4	M 6	10	3.70	2.00	1.00	1,0X5,5
P0277.060-012-A4	M 6	12	3.70	2.00	1.00	1,0X5,5
P0277.060-016-A4	M 6	16	3.70	2.00	1.00	1,0X5,5
P0277.060-020-A4	M 6	20	3.70	2.00	1.00	1,0X5,5
P0277.060-025-A4	M 6	25	3.70	2.00	1.00	1,0X5,5
P0277.060-030-A4	M 6	30	3.70	2.00	1.00	1,0X5,5
P0277.060-035-A4	M 6	35	3.70	2.00	1.00	1,0X5,5
P0277.060-040-A4	M 6	40	3.70	2.00	1.00	1,0X5,5
P0277.060-050-A4	M 6	50	3.70	2.00	1.00	1,0X5,5
P0277.060-060-A4	M 6	60	3.70	2.00	1.00	1,0X5,5
P0277.080-008-A4	M8	8	5.20	2.50	1.20	1,2X7,0
P0277.080-010-A4	M8	10	5.20	2.50	1.20	1,2X7,0
P0277.080-012-A4	M8	12	5.20	2.50	1.20	1,2X7,0
P0277.080-016-A4	M8	16	5.20	2.50	1.20	1,2X7,0
P0277.080-020-A4	M8	20	5.20	2.50	1.20	1,2X7,0
P0277.080-025-A4	M8	25	5.20	2.50	1.20	1,2X7,0
P0277.080-030-A4	M8	30	5.20	2.50	1.20	1,2X7,0
P0277.080-035-A4	M8	35	5.20	2.50	1.20	1,2X7,0
P0277.080-040-A4	M8	40	5.20	2.50	1.20	1,2X7,0
P0277.080-045-A4	M8	45	5.20	2.50	1.20	1,2X7,0
P0277.080-050-A4	M8	50	5.20	2.50	1.20	1,2X7,0
P0277.080-055-A4	M8	55	5.20	2.50	1.20	1,2X7,0
P0277.080-060-A4	M8	60	5.20	2.50	1.20	1,2X7,0
P0277.080-070-A4	M8	70	5.20	2.50	1.20	1,2X7,0
P0277.100-010-A4	M10	10	6.64	3.00	1.60	1,6X9,0
P0277.100-012-A4	M10	12	6.64	3.00	1.60	1,6X9,0
P0277.120-012-A4	M12	12	8.14	3.60	2.00	2,0X12,0
P0277.120-016-A4	M12	16	8.14	3.60	2.00	2,0X12,0
P0277.120-020-A4	M12	20	8.14	3.60	2.00	2,0X12,0
P0277.120-025-A4	M12	25	8.14	3.60	2.00	2,0X12,0
P0277.120-030-A4	M12	30	8.14	3.60	2.00	2,0X12,0
P0277.120-035-A4	M12	35	8.14	3.60	2.00	2,0X12,0
P0277.120-040-A4	M12	40	8.14	3.60	2.00	2,0X12,0
P0277.120-045-A4	M12	45	8.14	3.60	2.00	2,0X12,0
P0277.120-050-A4	M12	50	8.14	3.60	2.00	2,0X12,0
P0277.120-055-A4	M12	55	8.14	3.60	2.00	2,0X12,0
P0277.120-060-A4	M12	60	8.14	3.60	2.00	2,0X12,0
P0277.120-070-A4	M12	70	8.14	3.60	2.00	2,0X12,0
P0277.120-080-A4	M12	80	8.14	3.60	2.00	2,0X12,0
P0277.100-016-A4	M10	16	6.64	3.00	1.60	1,6X9,0
P0277.100-020-A4	M10	20	6.64	3.00	1.60	1,6X9,0
P0277.100-025-A4	M10	25	6.64	3.00	1.60	1,6X9,0
P0277.100-030-A4	M10	30	6.64	3.00	1.60	1,6X9,0
P0277.100-035-A4	M10	35	6.64	3.00	1.60	1,6X9,0

STANDARD SCREWS



Order No.	d ₁	l ₁	d ₂	l ₂ min.	w ₁	Size
P0277.100-040-A4	M10	40	6.64	3.00	1.60	1,6X9,0
P0277.100-045-A4	M10	45	6.64	3.00	1.60	1,6X9,0
P0277.100-050-A4	M10	50	6.64	3.00	1.60	1,6X9,0
P0277.100-055-A4	M10	55	6.64	3.00	1.60	1,6X9,0
P0277.100-060-A4	M10	60	6.64	3.00	1.60	1,6X9,0
P0277.100-070-A4	M10	70	6.64	3.00	1.60	1,6X9,0
P0277.100-080-A4	M10	80	6.64	3.00	1.60	1,6X9,0

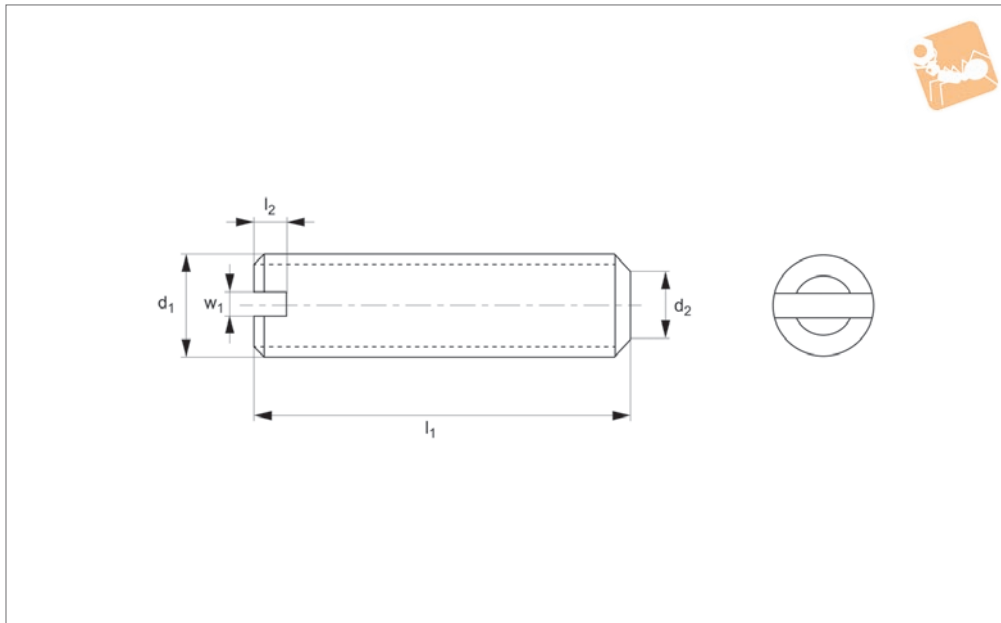
STANDARD SCREWS



Slotted Set Screws Flat Point

Flat Point - steel, zinc-plated

Standard Screws



P0277.ZP

STANDARD SCREWS

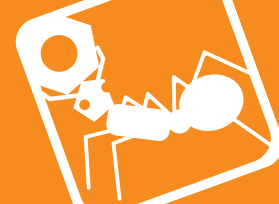
Material

Steel, zinc-plated (class 14H).

Technical Notes

To DIN 551, flat point.

Order No.	d ₁	l ₁	d ₂	l ₂ min.	w ₁	Size
P0277.016-002-ZP	M1,6	2	0.55	0.74	0.25	0,16X0,8
P0277.016-003-ZP	M1,6	3	0.55	0.74	0.25	0,16X0,8
P0277.016-004-ZP	M1,6	4	0.55	0.74	0.25	0,16X0,8
P0277.016-005-ZP	M1,6	5	0.55	0.74	0.25	0,16X0,8
P0277.016-006-ZP	M1,6	6	0.55	0.74	0.25	0,16X0,8
P0277.016-008-ZP	M1,6	8	0.55	0.74	0.25	0,16X0,8
P0277.016-010-ZP	M1,6	10	0.55	0.74	0.25	0,16X0,8
P0277.020-002-ZP	M 2	2	0.75	0.84	0.25	0,25X1,2
P0277.020-003-ZP	M 2	3	0.75	0.84	0.25	0,25X1,2
P0277.020-004-ZP	M 2	4	0.75	0.84	0.25	0,25X1,2
P0277.020-005-ZP	M 2	5	0.75	0.84	0.25	0,25X1,2
P0277.020-006-ZP	M 2	6	0.75	0.84	0.25	0,25X1,2
P0277.020-008-ZP	M 2	8	0.75	0.84	0.25	0,25X1,2
P0277.020-010-ZP	M 2	10	0.75	0.84	0.25	0,25X1,2
P0277.025-003-ZP	M2,5	3	1.25	0.95	0.40	0,4X2,0
P0277.025-004-ZP	M2,5	4	1.25	0.95	0.40	0,4X2,0
P0277.025-005-ZP	M2,5	5	1.25	0.95	0.40	0,4X2,0
P0277.025-006-ZP	M2,5	6	1.25	0.95	0.40	0,4X2,0
P0277.025-008-ZP	M2,5	8	1.25	0.95	0.40	0,4X2,0
P0277.025-010-ZP	M2,5	10	1.25	0.95	0.40	0,4X2,0
P0277.030-003-ZP	M 3	3	1.75	1.05	0.40	0,4X2,0
P0277.030-004-ZP	M 3	4	1.75	1.05	0.40	0,4X2,0
P0277.030-005-ZP	M 3	5	1.75	1.05	0.40	0,4X2,0
P0277.030-006-ZP	M 3	6	1.75	1.05	0.40	0,4X2,0
P0277.030-008-ZP	M 3	8	1.75	1.05	0.40	0,4X2,0
P0277.030-010-ZP	M 3	10	1.75	1.05	0.40	0,4X2,0
P0277.030-012-ZP	M 3	12	1.75	1.05	0.40	0,4X2,0
P0277.030-016-ZP	M 3	16	1.75	1.05	0.40	0,4X2,0
P0277.030-020-ZP	M 3	20	1.75	1.05	0.40	0,4X2,0
P0277.040-004-ZP	M 4	4	2.25	1.42	0.60	0,6X3,5
P0277.040-005-ZP	M 4	5	2.25	1.42	0.60	0,6X3,5
P0277.040-006-ZP	M 4	6	2.25	1.42	0.60	0,6X3,5
P0277.040-008-ZP	M 4	8	2.25	1.42	0.60	0,6X3,5
P0277.040-010-ZP	M 4	10	2.25	1.42	0.60	0,6X3,5



STANDARD SCREWS

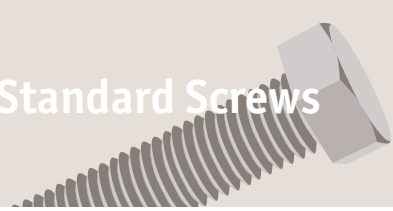
Order No.	d ₁	l ₁	d ₂	l ₂ min.	w ₁	Size
P0277.040-012-ZP	M 4	12	2.25	1.42	0.60	0,6X3,5
P0277.040-016-ZP	M 4	16	2.25	1.42	0.60	0,6X3,5
P0277.040-020-ZP	M 4	20	2.25	1.42	0.60	0,6X3,5
P0277.040-025-ZP	M 4	25	2.25	1.42	0.60	0,6X3,5
P0277.040-030-ZP	M 4	30	2.25	1.42	0.60	0,6X3,5
P0277.040-035-ZP	M 4	35	2.25	1.42	0.60	0,6X3,5
P0277.040-040-ZP	M 4	40	2.25	1.42	0.60	0,6X3,5
P0277.040-045-ZP	M 4	45	2.25	1.42	0.60	0,6X3,5
P0277.040-050-ZP	M 4	50	2.25	1.42	0.60	0,6X3,5
P0277.050-005-ZP	M 5	5	3.20	1.63	0.80	0,8X4,0
P0277.050-006-ZP	M 5	6	3.20	1.63	0.80	0,8X4,0
P0277.050-008-ZP	M 5	8	3.20	1.63	0.80	0,8X4,0
P0277.050-010-ZP	M 5	10	3.20	1.63	0.80	0,8X4,0
P0277.050-012-ZP	M 5	12	3.20	1.63	0.80	0,8X4,0
P0277.050-016-ZP	M 5	16	3.20	1.63	0.80	0,8X4,0
P0277.050-020-ZP	M 5	20	3.20	1.63	0.80	0,8X4,0
P0277.050-025-ZP	M 5	25	3.20	1.63	0.80	0,8X4,0
P0277.050-030-ZP	M 5	30	3.20	1.63	0.80	0,8X4,0
P0277.050-035-ZP	M 5	35	3.20	1.63	0.80	0,8X4,0
P0277.050-040-ZP	M 5	40	3.20	1.63	0.80	0,8X4,0
P0277.050-045-ZP	M 5	45	3.20	1.63	0.80	0,8X4,0
P0277.050-050-ZP	M 5	50	3.20	1.63	0.80	0,8X4,0
P0277.060-006-ZP	M 6	6	3.70	2.00	1.00	1,0X5,5
P0277.060-008-ZP	M 6	8	3.70	2.00	1.00	1,0X5,5
P0277.060-010-ZP	M 6	10	3.70	2.00	1.00	1,0X5,5
P0277.060-012-ZP	M 6	12	3.70	2.00	1.00	1,0X5,5
P0277.060-016-ZP	M 6	16	3.70	2.00	1.00	1,0X5,5
P0277.060-020-ZP	M 6	20	3.70	2.00	1.00	1,0X5,5
P0277.060-025-ZP	M 6	25	3.70	2.00	1.00	1,0X5,5
P0277.060-030-ZP	M 6	30	3.70	2.00	1.00	1,0X5,5
P0277.060-035-ZP	M 6	35	3.70	2.00	1.00	1,0X5,5
P0277.060-040-ZP	M 6	40	3.70	2.00	1.00	1,0X5,5
P0277.060-050-ZP	M 6	50	3.70	2.00	1.00	1,0X5,5
P0277.060-060-ZP	M 6	60	3.70	2.00	1.00	1,0X5,5
P0277.080-008-ZP	M 8	8	5.20	2.50	1.20	1,2X7,0
P0277.080-010-ZP	M 8	10	5.20	2.50	1.20	1,2X7,0
P0277.080-012-ZP	M 8	12	5.20	2.50	1.20	1,2X7,0
P0277.080-016-ZP	M 8	16	5.20	2.50	1.20	1,2X7,0
P0277.080-020-ZP	M 8	20	5.20	2.50	1.20	1,2X7,0
P0277.080-025-ZP	M 8	25	5.20	2.50	1.20	1,2X7,0
P0277.080-030-ZP	M 8	30	5.20	2.50	1.20	1,2X7,0
P0277.080-035-ZP	M 8	35	5.20	2.50	1.20	1,2X7,0
P0277.080-040-ZP	M 8	40	5.20	2.50	1.20	1,2X7,0
P0277.080-045-ZP	M 8	45	5.20	2.50	1.20	1,2X7,0
P0277.080-050-ZP	M 8	50	5.20	2.50	1.20	1,2X7,0
P0277.080-055-ZP	M 8	55	5.20	2.50	1.20	1,2X7,0
P0277.080-060-ZP	M 8	60	5.20	2.50	1.20	1,2X7,0
P0277.080-070-ZP	M 8	70	5.20	2.50	1.20	1,2X7,0
P0277.100-010-ZP	M10	10	6.64	3.00	1.60	1,6X9,0
P0277.100-012-ZP	M10	12	6.64	3.00	1.60	1,6X9,0
P0277.120-012-ZP	M12	12	8.14	3.60	2.00	2,0X12,0
P0277.120-016-ZP	M12	16	8.14	3.60	2.00	2,0X12,0
P0277.120-020-ZP	M12	20	8.14	3.60	2.00	2,0X12,0
P0277.120-025-ZP	M12	25	8.14	3.60	2.00	2,0X12,0
P0277.120-030-ZP	M12	30	8.14	3.60	2.00	2,0X12,0
P0277.120-035-ZP	M12	35	8.14	3.60	2.00	2,0X12,0
P0277.120-040-ZP	M12	40	8.14	3.60	2.00	2,0X12,0
P0277.120-045-ZP	M12	45	8.14	3.60	2.00	2,0X12,0
P0277.120-050-ZP	M12	50	8.14	3.60	2.00	2,0X12,0
P0277.120-055-ZP	M12	55	8.14	3.60	2.00	2,0X12,0
P0277.120-060-ZP	M12	60	8.14	3.60	2.00	2,0X12,0
P0277.120-070-ZP	M12	70	8.14	3.60	2.00	2,0X12,0
P0277.120-080-ZP	M12	80	8.14	3.60	2.00	2,0X12,0
P0277.100-016-ZP	M10	16	6.64	3.00	1.60	1,6X9,0
P0277.100-020-ZP	M10	20	6.64	3.00	1.60	1,6X9,0
P0277.100-025-ZP	M10	25	6.64	3.00	1.60	1,6X9,0
P0277.100-030-ZP	M10	30	6.64	3.00	1.60	1,6X9,0
P0277.100-035-ZP	M10	35	6.64	3.00	1.60	1,6X9,0



Slotted Set Screws Flat Point

Flat Point - steel, zinc-plated

Standard Screws



Order No.	d ₁	l ₁	d ₂	l ₂ min.	w ₁	Size
P0277.100-040-ZP	M10	40	6.64	3.00	1.60	1,6X9,0
P0277.100-045-ZP	M10	45	6.64	3.00	1.60	1,6X9,0
P0277.100-050-ZP	M10	50	6.64	3.00	1.60	1,6X9,0
P0277.100-055-ZP	M10	55	6.64	3.00	1.60	1,6X9,0
P0277.100-060-ZP	M10	60	6.64	3.00	1.60	1,6X9,0
P0277.100-070-ZP	M10	70	6.64	3.00	1.60	1,6X9,0
P0277.100-080-ZP	M10	80	6.64	3.00	1.60	1,6X9,0

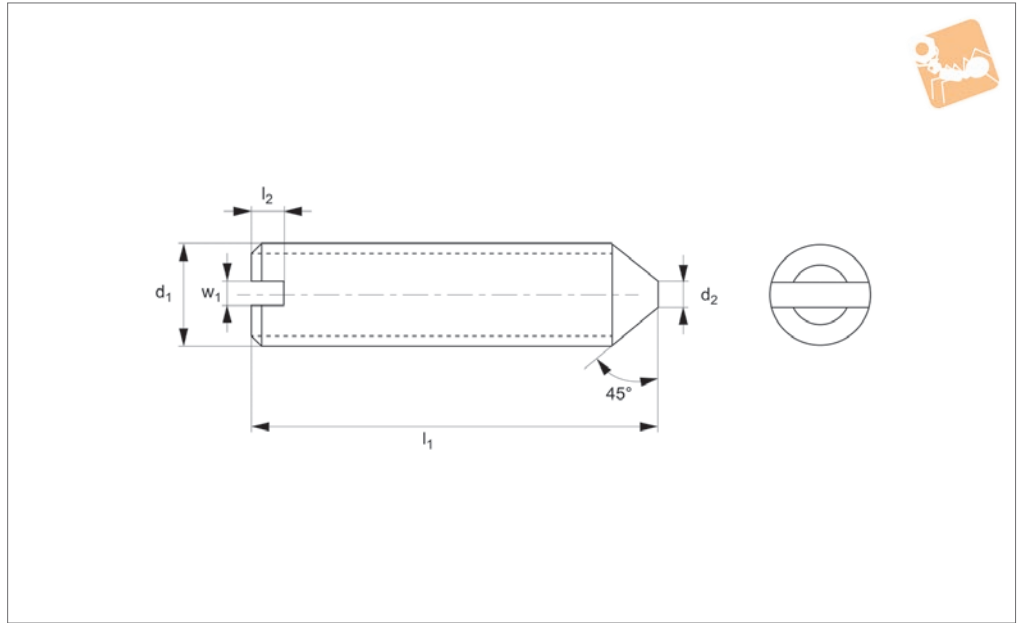
STANDARD SCREWS



STANDARD SCREWS



P0278.ZP



Material

Steel, zinc-plated (class 14H).

Technical Notes

To DIN 553, cone point.

Order No.	d ₁	l ₁	d ₂	l ₂ min.	w ₁	Size
P0278.025-005-ZP	M2,5	5	0.25	0.95	0.4	0,4X2,0
P0278.025-006-ZP	M2,5	6	0.25	0.95	0.4	0,4X2,0
P0278.025-008-ZP	M2,5	8	0.25	0.95	0.4	0,4X2,0
P0278.025-010-ZP	M2,5	10	0.25	0.95	0.4	0,4X2,0
P0278.025-012-ZP	M2,5	12	0.25	0.95	0.4	0,4X2,0
P0278.025-016-ZP	M2,5	16	0.25	0.95	0.4	0,4X2,0
P0278.030-004-ZP	M 3	4	0.30	1.05	0.4	0,4X2,0
P0278.030-005-ZP	M 3	5	0.30	1.05	0.4	0,4X2,0
P0278.030-006-ZP	M 3	6	0.30	1.05	0.4	0,4X2,0
P0278.030-008-ZP	M 3	8	0.30	1.05	0.4	0,4X2,0
P0278.030-010-ZP	M 3	10	0.30	1.05	0.4	0,4X2,0
P0278.030-012-ZP	M 3	12	0.30	1.05	0.4	0,4X2,0
P0278.030-016-ZP	M 3	16	0.30	1.05	0.4	0,4X2,0
P0278.030-020-ZP	M 3	20	0.30	1.05	0.4	0,4X2,0
P0278.040-004-ZP	M 4	4	0.40	1.42	0.6	0,6X3,5
P0278.040-005-ZP	M 4	5	0.40	1.42	0.6	0,6X3,5
P0278.040-006-ZP	M 4	6	0.40	1.42	0.6	0,6X3,5
P0278.040-008-ZP	M 4	8	0.40	1.42	0.6	0,6X3,5
P0278.040-010-ZP	M 4	10	0.40	1.42	0.6	0,6X3,5
P0278.040-012-ZP	M 4	12	0.40	1.42	0.6	0,6X3,5
P0278.040-014-ZP	M 4	14	0.40	1.42	0.6	0,6X3,5
P0278.040-016-ZP	M 4	16	0.40	1.42	0.6	0,6X3,5
P0278.040-020-ZP	M 4	20	0.40	1.42	0.6	0,6X3,5
P0278.040-025-ZP	M 4	25	0.40	1.42	0.6	0,6X3,5
P0278.040-030-ZP	M 4	30	0.40	1.42	0.6	0,6X3,5
P0278.040-035-ZP	M 4	35	0.40	1.42	0.6	0,6X3,5
P0278.040-040-ZP	M 4	40	0.40	1.42	0.6	0,6X3,5
P0278.050-005-ZP	M 5	5	0.50	1.63	0.8	0,8X4,0
P0278.050-006-ZP	M 5	6	0.50	1.63	0.8	0,8X4,0
P0278.050-008-ZP	M 5	8	0.50	1.63	0.8	0,8X4,0
P0278.050-010-ZP	M 5	10	0.50	1.63	0.8	0,8X4,0
P0278.050-012-ZP	M 5	12	0.50	1.63	0.8	0,8X4,0
P0278.050-014-ZP	M 5	14	0.50	1.63	0.8	0,8X4,0
P0278.050-016-ZP	M 5	16	0.50	1.63	0.8	0,8X4,0



Slotted Set Screws Cone Point

Cone Point - steel, zinc-plated

Standard Screws

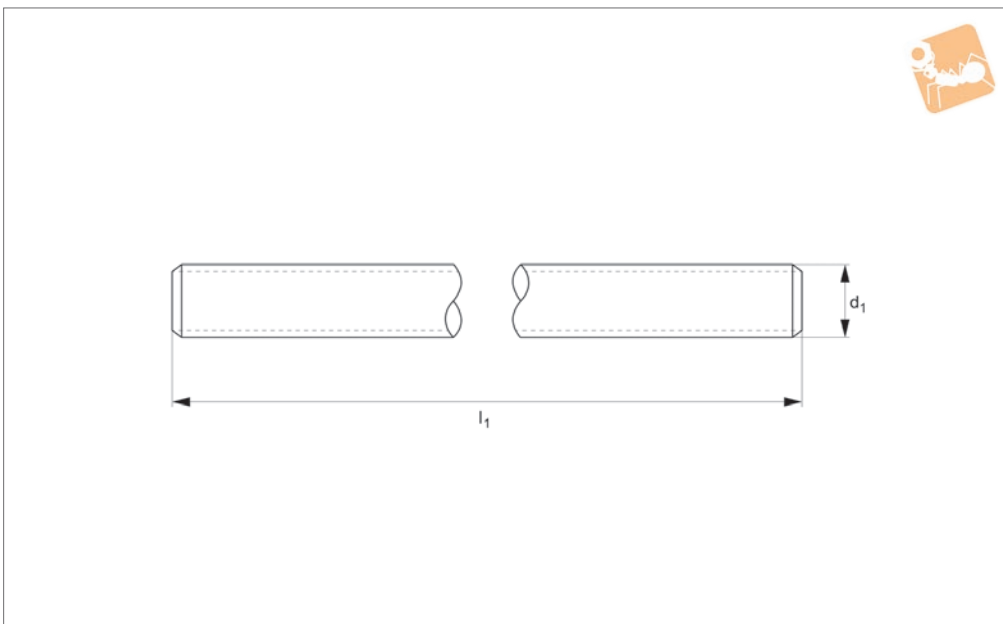


Order No.	d ₁	l ₁	d ₂	l ₂ min.	w ₁	Size
P0278.050-020-ZP	M 5	20	0.50	1.63	0.8	0,8X4,0
P0286.050-025-ZP	M 5	25	0.50	1.63	0.8	0,8X4,0
P0278.050-030-ZP	M 5	30	0.50	1.63	0.8	0,8X4,0
P0278.050-035-ZP	M 5	35	0.50	1.63	0.8	0,8X4,0
P0278.050-040-ZP	M 5	40	0.50	1.63	0.8	0,8X4,0
P0278.060-006-ZP	M 6	6	1.50	2.0	1.0	1,0X5,5
P0278.060-008-ZP	M 6	8	1.50	2.0	1.0	1,0X5,5
P0278.060-010-ZP	M 6	10	1.50	2.0	1.0	1,0X5,5
P0278.060-012-ZP	M 6	12	1.50	2.0	1.0	1,0X5,5
P0278.060-014-ZP	M 6	14	1.50	2.0	1.0	1,0X5,5
P0278.060-016-ZP	M 6	16	1.50	2.0	1.0	1,0X5,5
P0278.060-018-ZP	M 6	18	1.50	2.0	1.0	1,0X5,5
P0278.060-020-ZP	M 6	20	1.50	2.0	1.0	1,0X5,5
P0278.060-025-ZP	M 6	25	1.50	2.0	1.0	1,0X5,5
P0278.060-030-ZP	M 6	30	1.50	2.0	1.0	1,0X5,5
P0278.060-035-ZP	M 6	35	1.50	2.0	1.0	1,0X5,5
P0278.060-040-ZP	M 6	40	1.50	2.0	1.0	1,0X5,5
P0278.060-045-ZP	M 6	45	1.50	2.0	1.0	1,0X5,5
P0278.060-050-ZP	M 6	50	1.50	2.0	1.0	1,0X5,5
P0278.080-008-ZP	M 8	8	2.00	2.50	1.2	1,2X7,0
P0278.080-010-ZP	M 8	10	2.00	2.50	1.2	1,2X7,0
P0278.080-012-ZP	M 8	12	2.00	2.50	1.2	1,2X7,0
P0278.080-014-ZP	M 8	14	2.00	2.50	1.2	1,2X7,0
P0278.080-016-ZP	M 8	16	2.00	2.50	1.2	1,2X7,0
P0278.080-018-ZP	M 8	18	2.00	2.50	1.2	1,2X7,0
P0278.080-020-ZP	M 8	20	2.00	2.50	1.2	1,2X7,0
P0278.080-025-ZP	M 8	25	2.00	2.50	1.2	1,2X7,0
P0278.080-030-ZP	M 8	30	2.00	2.50	1.2	1,2X7,0
P0278.080-035-ZP	M 8	35	2.00	2.50	1.2	1,2X7,0
P0278.080-040-ZP	M 8	40	2.00	2.50	1.2	1,2X7,0
P0278.080-050-ZP	M 8	50	2.00	2.50	1.2	1,2X7,0
P0278.100-010-ZP	M10	10	2.50	3.00	1.6	1,6X9,0
P0278.100-012-ZP	M10	12	2.50	3.00	1.6	1,6X9,0
P0278.100-016-ZP	M10	16	2.50	3.00	1.6	1,6X9,0
P0278.100-020-ZP	M10	20	2.50	3.00	1.6	1,6X9,0
P0278.100-025-ZP	M10	25	2.50	3.00	1.6	1,6X9,0
P0278.100-030-ZP	M10	30	2.50	3.00	1.6	1,6X9,0
P0278.100-035-ZP	M10	35	2.50	3.00	1.6	1,6X9,0
P0278.100-040-ZP	M10	40	2.50	3.00	1.6	1,6X9,0
P0278.100-045-ZP	M10	45	2.50	3.00	1.6	1,6X9,0
P0278.100-050-ZP	M10	50	2.50	3.00	1.6	1,6X9,0
P0278.120-012-ZP	M12	12	3.00	3.60	2.0	2,0X12,0
P0278.120-016-ZP	M12	16	3.00	3.60	2.0	2,0X12,0
P0278.120-020-ZP	M12	20	3.00	3.60	2.0	2,0X12,0
P0278.120-025-ZP	M12	25	3.00	3.60	2.0	2,0X12,0
P0278.120-030-ZP	M12	30	3.00	3.60	2.0	2,0X12,0
P0278.120-035-ZP	M12	35	3.00	3.60	2.0	2,0X12,0
P0278.120-040-ZP	M12	40	3.00	3.60	2.0	2,0X12,0
P0278.120-045-ZP	M12	45	3.00	3.60	2.0	2,0X12,0
P0278.120-050-ZP	M12	50	3.00	3.60	2.0	2,0X12,0

STANDARD SCREWS



P0290.SS



Material

Stainless steel (A2 class 70 & A4 class 70).

Technical Notes

To DIN 976-1.

Order No.	d ₁	l ₁ ±10	Material
P0290.020-01-A2	M 2	1000	A2 s/s
P0290.030-01-A2	M 3	1000	A2 s/s
P0290.040-01-A2	M 4	1000	A2 s/s
P0290.050-01-A2	M 5	1000	A2 s/s
P0290.050-02-A2	M 5	2000	A2 s/s
P0290.050-03-A2	M 5	3000	A2 s/s
P0290.060-01-A2	M 6	1000	A2 s/s
P0290.060-02-A2	M 6	2000	A2 s/s
P0290.060-03-A2	M 6	3000	A2 s/s
P0290.080-01-A2	M 8	1000	A2 s/s
P0290.080-02-A2	M 8	2000	A2 s/s
P0290.080-03-A2	M 8	3000	A2 s/s
P0290.100-01-A2	M10	1000	A2 s/s
P0290.100-02-A2	M10	2000	A2 s/s
P0290.100-03-A2	M10	3000	A2 s/s
P0290.120-01-A2	M12	1000	A2 s/s
P0290.120-02-A2	M12	2000	A2 s/s
P0290.120-03-A2	M12	3000	A2 s/s
P0290.140-01-A2	M14	1000	A2 s/s
P0290.140-02-A2	M14	2000	A2 s/s
P0290.140-03-A2	M14	3000	A2 s/s
P0290.160-01-A2	M16	1000	A2 s/s
P0290.160-02-A2	M16	2000	A2 s/s
P0290.160-03-A2	M16	3000	A2 s/s
P0290.180-01-A2	M18	1000	A2 s/s
P0290.180-02-A2	M18	2000	A2 s/s
P0290.180-03-A2	M18	3000	A2 s/s
P0290.200-01-A2	M20	1000	A2 s/s
P0290.200-02-A2	M20	2000	A2 s/s
P0290.200-03-A2	M20	3000	A2 s/s
P0290.220-01-A2	M22	1000	A2 s/s
P0290.220-02-A2	M22	2000	A2 s/s
P0290.220-03-A2	M22	3000	A2 s/s
P0290.240-01-A2	M24	1000	A2 s/s



Stainless Threaded Rod

Stainless

Standard Screws

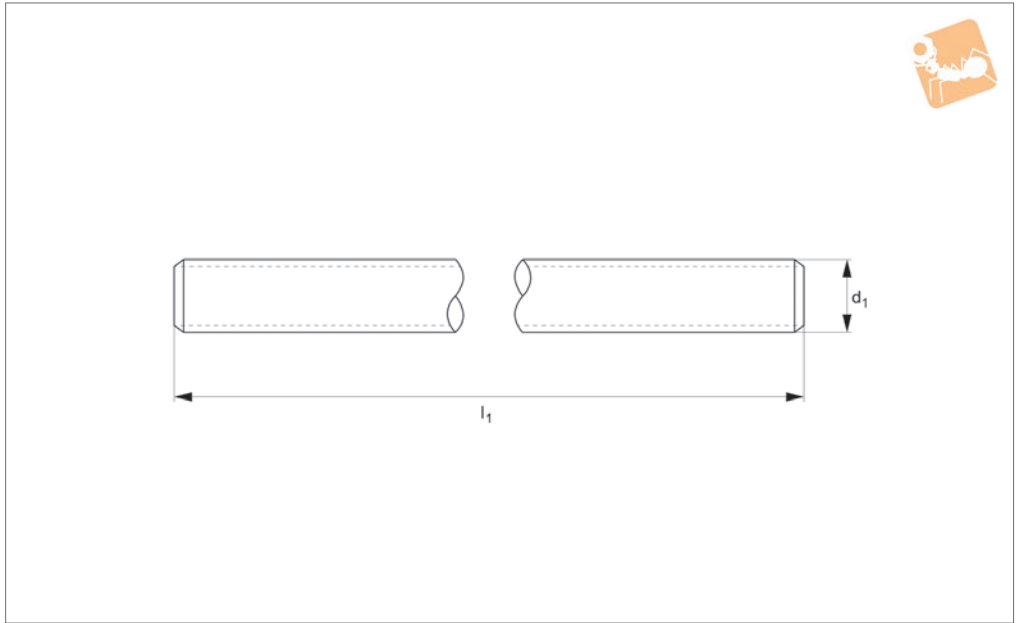


Order No.	d ₁	l ₁ ±10	Material
P0290.240-02-A2	M24	2000	A2 s/s
P0290.240-03-A2	M24	3000	A2 s/s
P0290.270-01-A2	M27	1000	A2 s/s
P0290.270-02-A2	M27	2000	A2 s/s
P0290.270-03-A2	M27	3000	A2 s/s
P0290.300-01-A2	M30	1000	A2 s/s
P0290.300-02-A2	M30	2000	A2 s/s
P0290.300-03-A2	M30	3000	A2 s/s
P0290.330-01-A2	M33	1000	A2 s/s
P0290.330-02-A2	M33	2000	A2 s/s
P0290.330-03-A2	M33	3000	A2 s/s
P0290.360-01-A2	M36	1000	A2 s/s
P0290.360-02-A2	M36	2000	A2 s/s
P0290.360-03-A2	M36	3000	A2 s/s
P0290.420-01-A2	M42	1000	A2 s/s
P0290.480-01-A2	M48	1000	A2 s/s
P0290.020-01-A4	M 2	1000	A4 s/s
P0290.030-01-A4	M 3	1000	A4 s/s
P0290.040-01-A4	M 4	1000	A4 s/s
P0290.050-01-A4	M 5	1000	A4 s/s
P0290.050-02-A4	M 5	2000	A4 s/s
P0290.050-03-A4	M 5	3000	A4 s/s
P0290.060-01-A4	M 6	1000	A4 s/s
P0290.060-02-A4	M 6	2000	A4 s/s
P0290.060-03-A4	M 6	3000	A4 s/s
P0290.080-01-A4	M 8	1000	A4 s/s
P0290.080-02-A4	M 8	2000	A4 s/s
P0290.080-03-A4	M 8	3000	A4 s/s
P0290.100-01-A4	M10	1000	A4 s/s
P0290.100-02-A4	M10	2000	A4 s/s
P0290.100-03-A4	M10	3000	A4 s/s
P0290.120-01-A4	M12	1000	A4 s/s
P0290.120-02-A4	M12	2000	A4 s/s
P0290.120-03-A4	M12	3000	A4 s/s
P0290.140-01-A4	M14	1000	A4 s/s
P0290.140-02-A4	M14	2000	A4 s/s
P0290.140-03-A4	M14	3000	A4 s/s
P0290.160-01-A4	M16	1000	A4 s/s
P0290.160-02-A4	M16	2000	A4 s/s
P0290.160-03-A4	M16	3000	A4 s/s
P0290.180-01-A4	M18	1000	A4 s/s
P0290.180-02-A4	M18	2000	A4 s/s
P0290.180-03-A4	M18	3000	A4 s/s
P0290.200-01-A4	M20	1000	A4 s/s
P0290.200-02-A4	M20	2000	A4 s/s
P0290.200-03-A4	M20	3000	A4 s/s
P0290.220-01-A4	M22	1000	A4 s/s
P0290.220-02-A4	M22	2000	A4 s/s
P0290.220-03-A4	M22	3000	A4 s/s
P0290.240-01-A4	M24	1000	A4 s/s
P0290.240-02-A4	M24	2000	A4 s/s
P0290.240-03-A4	M24	3000	A4 s/s
P0290.270-01-A4	M27	1000	A4 s/s
P0290.270-02-A4	M27	2000	A4 s/s
P0290.270-03-A4	M27	3000	A4 s/s
P0290.300-01-A4	M30	1000	A4 s/s
P0290.300-03-A4	M30	3000	A4 s/s
P0290.330-01-A4	M33	1000	A4 s/s
P0290.330-02-A4	M33	2000	A4 s/s
P0290.330-03-A4	M33	3000	A4 s/s
P0290.360-01-A4	M36	1000	A4 s/s
P0290.360-02-A4	M36	2000	A4 s/s
P0290.360-03-A4	M36	3000	A4 s/s
P0290.420-01-A4	M42	1000	A4 s/s
P0290.480-01-A4	M48	1000	A4 s/s

STANDARD SCREWS



P0290.LH



Material

Stainless steel (A2 class 70) or steel, zinc-plated (grade 8.8).

Technical Notes

To DIN 976-1. Please note this is a left hand thread.

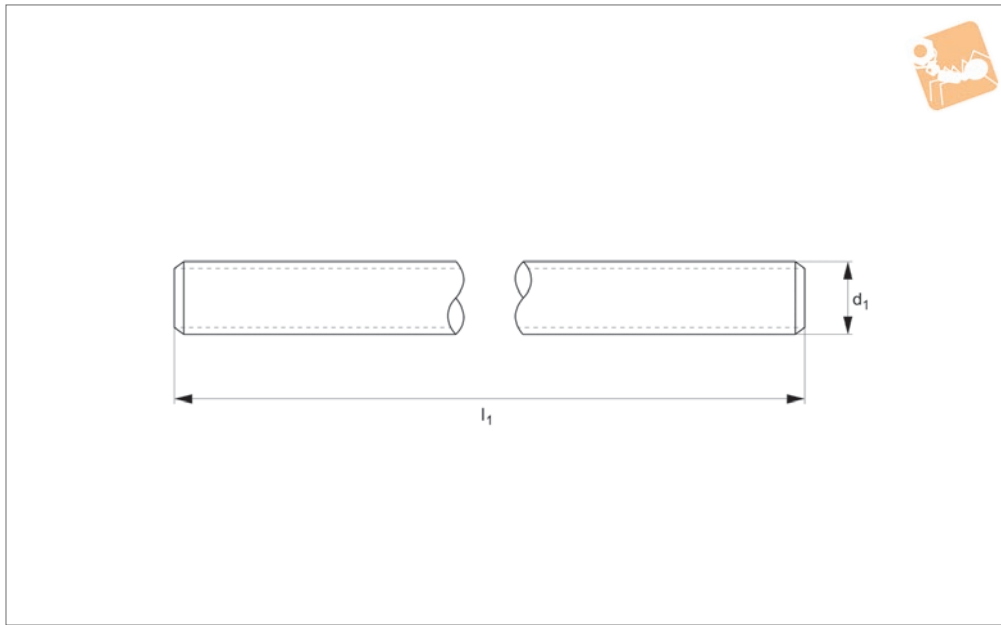
Order No.	d ₁	l ₁ ±10	Grade
P0290.L060-01-ZP	M 6	1000	Steel ZP
P0290.L080-01-ZP	M 8	1000	Steel ZP
P0290.L100-01-ZP	M10	1000	Steel ZP
P0290.L120-01-ZP	M12	1000	Steel ZP
P0290.L160-01-ZP	M16	1000	Steel ZP
P0290.L200-01-ZP	M20	1000	Steel ZP
P0290.L240-01-ZP	M24	1000	Steel ZP
P0290.L300-01-ZP	M30	1000	Steel ZP
P0290.L050-01-A2	M 5	1000	A2 s/s
P0290.L060-01-A2	M 6	1000	A2 s/s
P0290.L080-01-A2	M 8	1000	A2 s/s
P0290.L100-01-A2	M10	1000	A2 s/s
P0290.L120-01-A2	M12	1000	A2 s/s
P0290.L160-01-A2	M16	1000	A2 s/s
P0290.L200-01-A2	M20	1000	A2 s/s
P0290.L240-01-A2	M24	1000	A2 s/s



Steel Threaded Rod

Steel

Standard Screws



P0290.ST

STANDARD SCREWS

Material

Steel zinc-plated or self-colour (grade 8.8).

Technical Notes

To DIN 976-1.

Order No.	d ₁	l ₁ ±10	Material
P0290.020-01-SC	M 2	1000	Steel SC
P0290.020-01-ZP	M 2	1000	Steel ZP
P0290.030-01-ZP	M 3	1000	Steel ZP
P0290.040-01-ZP	M 4	1000	Steel ZP
P0290.050-01-ZP	M 5	1000	Steel ZP
P0290.050-02-ZP	M 5	2000	Steel ZP
P0290.050-03-ZP	M 5	3000	Steel ZP
P0290.060-01-ZP	M 6	1000	Steel ZP
P0290.060-02-ZP	M 6	2000	Steel ZP
P0290.060-03-ZP	M 6	3000	Steel ZP
P0290.080-01-ZP	M 8	1000	Steel ZP
P0290.080-02-ZP	M 8	2000	Steel ZP
P0290.080-03-ZP	M 8	3000	Steel ZP
P0290.100-01-ZP	M10	1000	Steel ZP
P0290.100-02-ZP	M10	2000	Steel ZP
P0290.100-03-ZP	M10	3000	Steel ZP
P0290.120-01-ZP	M12	1000	Steel ZP
P0290.120-02-ZP	M12	2000	Steel ZP
P0290.120-03-ZP	M12	3000	Steel ZP
P0290.140-01-ZP	M14	1000	Steel ZP
P0290.140-02-ZP	M14	2000	Steel ZP
P0290.140-03-ZP	M14	3000	Steel ZP
P0290.160-01-ZP	M16	1000	Steel ZP
P0290.160-02-ZP	M16	2000	Steel ZP
P0290.160-03-ZP	M16	3000	Steel ZP
P0290.180-01-ZP	M18	1000	Steel ZP
P0290.180-02-ZP	M18	2000	Steel ZP
P0290.180-03-ZP	M18	3000	Steel ZP
P0290.200-01-ZP	M20	1000	Steel ZP
P0290.200-02-ZP	M20	2000	Steel ZP
P0290.200-03-ZP	M20	3000	Steel ZP
P0290.220-01-ZP	M22	1000	Steel ZP
P0290.220-02-ZP	M22	2000	Steel ZP
P0290.220-03-ZP	M22	3000	Steel ZP



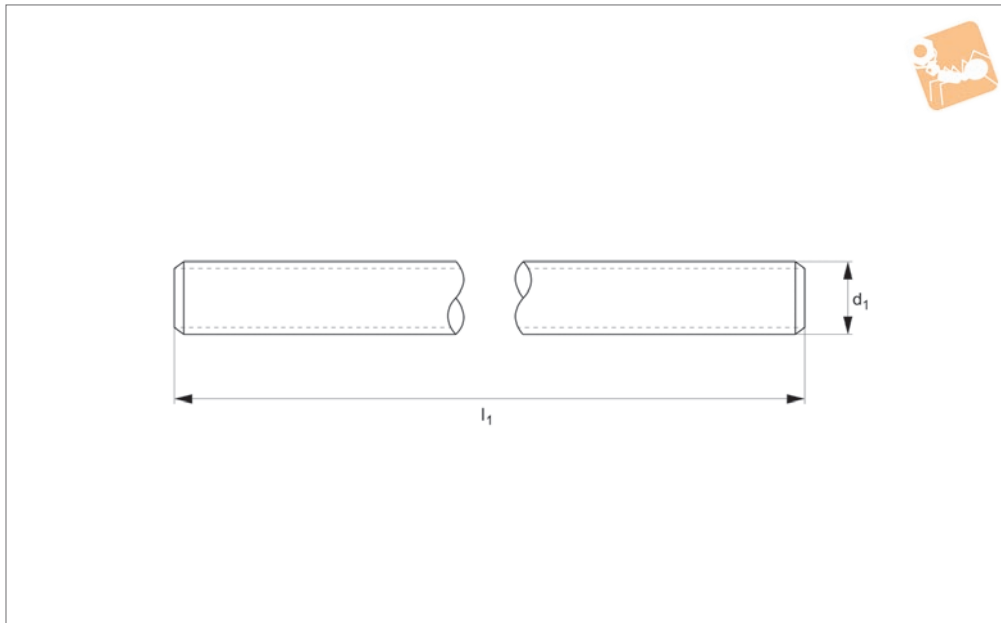
Order No.	d ₁	l ₁ ±10	Material
P0290.240-01-ZP	M24	1000	Steel ZP
P0290.240-02-ZP	M24	2000	Steel ZP
P0290.240-03-ZP	M24	3000	Steel ZP
P0290.270-01-ZP	M27	1000	Steel ZP
P0290.270-02-ZP	M27	2000	Steel ZP
P0290.270-03-ZP	M27	3000	Steel ZP
P0290.300-01-ZP	M30	1000	Steel ZP
P0290.300-02-ZP	M30	2000	Steel ZP
P0290.300-03-ZP	M30	3000	Steel ZP
P0290.330-01-ZP	M33	1000	Steel ZP
P0290.330-02-ZP	M33	2000	Steel ZP
P0290.330-03-ZP	M33	3000	Steel ZP
P0290.360-01-ZP	M36	1000	Steel ZP
P0290.360-02-ZP	M36	2000	Steel ZP
P0290.360-03-ZP	M36	3000	Steel ZP
P0290.420-01-ZP	M42	1000	Steel ZP
P0290.480-01-ZP	M48	1000	Steel ZP
P0290.030-01-SC	M 3	1000	Steel SC
P0290.040-01-SC	M 4	1000	Steel SC
P0290.050-01-SC	M 5	1000	Steel SC
P0290.050-02-SC	M 5	2000	Steel SC
P0290.050-03-SC	M 5	3000	Steel SC
P0290.060-01-SC	M 6	1000	Steel SC
P0290.060-02-SC	M 6	2000	Steel SC
P0290.060-03-SC	M 6	3000	Steel SC
P0290.080-01-SC	M 8	1000	Steel SC
P0290.080-02-SC	M 8	2000	Steel SC
P0290.080-03-SC	M 8	3000	Steel SC
P0290.100-01-SC	M10	1000	Steel SC
P0290.100-02-SC	M10	2000	Steel SC
P0290.100-03-SC	M10	3000	Steel SC
P0290.120-01-SC	M12	1000	Steel SC
P0290.120-02-SC	M12	2000	Steel SC
P0290.120-03-SC	M12	3000	Steel SC
P0290.140-01-SC	M14	1000	Steel SC
P0290.140-02-SC	M14	2000	Steel SC
P0290.140-03-SC	M14	3000	Steel SC
P0290.160-01-SC	M16	1000	Steel SC
P0290.160-02-SC	M16	2000	Steel SC
P0290.160-03-SC	M16	3000	Steel SC
P0290.180-01-SC	M18	1000	Steel SC
P0290.180-02-SC	M18	2000	Steel SC
P0290.180-03-SC	M18	3000	Steel SC
P0290.200-01-SC	M20	1000	Steel SC
P0290.200-02-SC	M20	2000	Steel SC
P0290.200-03-SC	M20	3000	Steel SC
P0290.220-01-SC	M22	1000	Steel SC
P0290.220-02-SC	M22	2000	Steel SC
P0290.220-03-SC	M22	3000	Steel SC
P0290.240-01-SC	M24	1000	Steel SC
P0290.240-02-SC	M24	2000	Steel SC
P0290.240-03-SC	M24	3000	Steel SC
P0290.270-01-SC	M27	1000	Steel SC
P0290.270-02-SC	M27	2000	Steel SC
P0290.270-03-SC	M27	3000	Steel SC
P0290.300-01-SC	M30	1000	Steel SC
P0290.300-02-SC	M30	2000	Steel SC
P0290.300-03-SC	M30	3000	Steel SC
P0290.330-01-SC	M33	1000	Steel SC
P0290.330-02-SC	M33	2000	Steel SC
P0290.330-03-SC	M33	3000	Steel SC
P0290.360-01-SC	M36	1000	Steel SC
P0290.360-02-SC	M36	2000	Steel SC
P0290.360-03-SC	M36	3000	Steel SC
P0290.420-01-SC	M42	1000	Steel SC
P0290.480-01-SC	M48	1000	Steel SC



Threaded Studs

Steel, zinc-plated

Standard Screws



P0291.ZP

STANDARD SCREWS

Material

Steel, zinc-plated (grade 8.8).

Technical Notes

To DIN 976B.

Order No.	d ₁	l ₁
P0291.060-012-ZP	M 6	12
P0291.060-016-ZP	M 6	16
P0291.060-020-ZP	M 6	20
P0291.060-025-ZP	M 6	25
P0291.060-030-ZP	M 6	30
P0291.060-040-ZP	M 6	40
P0291.060-050-ZP	M 6	50
P0291.060-055-ZP	M 6	55
P0291.060-060-ZP	M 6	60
P0291.060-080-ZP	M 6	80
P0291.060-100-ZP	M 6	100
P0291.060-120-ZP	M 6	120
P0291.080-020-ZP	M 8	20
P0291.080-025-ZP	M 8	25
P0291.080-030-ZP	M 8	30
P0291.080-040-ZP	M 8	40
P0291.080-050-ZP	M 8	50
P0291.080-055-ZP	M 8	55
P0291.080-060-ZP	M 8	60
P0291.080-080-ZP	M 8	80
P0291.080-100-ZP	M 8	100
P0291.080-120-ZP	M 8	120
P0291.080-150-ZP	M 8	150
P0291.100-020-ZP	M10	20
P0291.100-022-ZP	M10	22
P0291.100-025-ZP	M10	25
P0291.100-028-ZP	M10	28
P0291.100-030-ZP	M10	30
P0291.100-035-ZP	M10	35
P0291.100-040-ZP	M10	40
P0291.100-045-ZP	M10	45
P0291.100-050-ZP	M10	50
P0291.100-055-ZP	M10	55
P0291.100-060-ZP	M10	60
P0291.100-065-ZP	M10	65



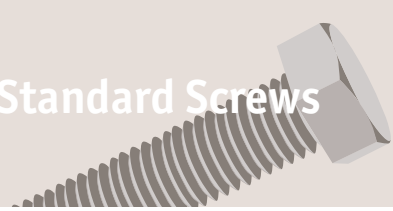
Order No.	d ₁	l ₁
P0291.100-070-ZP	M10	70
P0291.100-075-ZP	M10	75
P0291.100-080-ZP	M10	80
P0291.100-085-ZP	M10	85
P0291.100-090-ZP	M10	90
P0291.100-095-ZP	M10	95
P0291.100-100-ZP	M10	100
P0291.100-110-ZP	M10	110
P0291.100-120-ZP	M10	120
P0291.100-130-ZP	M10	130
P0291.100-140-ZP	M10	140
P0291.100-150-ZP	M10	150
P0291.100-160-ZP	M10	160
P0291.100-170-ZP	M10	170
P0291.100-180-ZP	M10	180
P0291.100-190-ZP	M10	190
P0291.100-200-ZP	M10	200
P0291.120-025-ZP	M12	25
P0291.120-028-ZP	M12	28
P0291.120-030-ZP	M12	30
P0291.120-035-ZP	M12	35
P0291.120-040-ZP	M12	40
P0291.120-045-ZP	M12	45
P0291.120-050-ZP	M12	50
P0291.120-055-ZP	M12	55
P0291.120-060-ZP	M12	60
P0291.120-065-ZP	M12	65
P0291.120-070-ZP	M12	70
P0291.120-075-ZP	M12	75
P0291.120-080-ZP	M12	80
P0291.120-085-ZP	M12	85
P0291.120-090-ZP	M12	90
P0291.120-095-ZP	M12	95
P0291.120-100-ZP	M12	100
P0291.120-110-ZP	M12	110
P0291.120-120-ZP	M12	120
P0291.120-130-ZP	M12	130
P0291.120-140-ZP	M12	140
P0291.120-150-ZP	M12	150
P0291.120-160-ZP	M12	160
P0291.120-170-ZP	M12	170
P0291.120-180-ZP	M12	180
P0291.120-190-ZP	M12	190
P0291.120-200-ZP	M12	200
P0291.120-220-ZP	M12	220
P0291.120-240-ZP	M12	240
P0291.140-030-ZP	M14	30
P0291.140-035-ZP	M14	35
P0291.140-040-ZP	M14	40
P0291.140-045-ZP	M14	45
P0291.140-050-ZP	M14	50
P0291.140-055-ZP	M14	55
P0291.140-060-ZP	M14	60
P0291.140-065-ZP	M14	65
P0291.140-070-ZP	M14	70
P0291.140-075-ZP	M14	75
P0291.140-080-ZP	M14	80
P0291.140-085-ZP	M14	85
P0291.140-090-ZP	M14	90
P0291.140-095-ZP	M14	95
P0291.140-100-ZP	M14	100
P0291.140-110-ZP	M14	110
P0291.140-120-ZP	M14	120
P0291.140-130-ZP	M14	130
P0291.140-140-ZP	M14	140
P0291.140-150-ZP	M14	150
P0291.140-160-ZP	M14	160
P0291.140-170-ZP	M14	170
P0291.140-180-ZP	M14	180



Threaded Studs

Steel, zinc-plated

Standard Screws



Order No.	d _i	l _i
P0291.140-190-ZP	M14	190
P0291.140-200-ZP	M14	200
P0291.140-220-ZP	M14	220
P0291.140-240-ZP	M14	240
P0291.140-260-ZP	M14	260
P0291.140-280-ZP	M14	280
P0291.160-030-ZP	M16	30
P0291.160-035-ZP	M16	35
P0291.160-040-ZP	M16	40
P0291.160-045-ZP	M16	45
P0291.160-050-ZP	M16	50
P0291.160-055-ZP	M16	55
P0291.160-060-ZP	M16	60
P0291.160-065-ZP	M16	65
P0291.160-070-ZP	M16	70
P0291.160-075-ZP	M16	75
P0291.160-080-ZP	M16	80
P0291.160-085-ZP	M16	85
P0291.160-090-ZP	M16	90
P0291.160-095-ZP	M16	95
P0291.160-100-ZP	M16	100
P0291.160-110-ZP	M16	110
P0291.160-120-ZP	M16	120
P0291.160-130-ZP	M16	130
P0291.160-140-ZP	M16	140
P0291.160-150-ZP	M16	150
P0291.160-160-ZP	M16	160
P0291.160-170-ZP	M16	170
P0291.160-180-ZP	M16	180
P0291.160-190-ZP	M16	190
P0291.160-200-ZP	M16	200
P0291.160-220-ZP	M16	220
P0291.160-240-ZP	M16	240
P0291.160-260-ZP	M16	260
P0291.160-280-ZP	M16	280
P0291.160-300-ZP	M16	300
P0291.160-320-ZP	M16	320
P0291.180-035-ZP	M18	35
P0291.180-040-ZP	M18	40
P0291.180-045-ZP	M18	45
P0291.180-050-ZP	M18	50
P0291.180-055-ZP	M18	55
P0291.180-060-ZP	M18	60
P0291.180-065-ZP	M18	65
P0291.180-070-ZP	M18	70
P0291.180-075-ZP	M18	75
P0291.180-080-ZP	M18	80
P0291.180-085-ZP	M18	85
P0291.180-090-ZP	M18	90
P0291.180-095-ZP	M18	95
P0291.180-100-ZP	M18	100
P0291.180-110-ZP	M18	110
P0291.180-120-ZP	M18	120
P0291.180-130-ZP	M18	130
P0291.180-140-ZP	M18	140
P0291.180-150-ZP	M18	150
P0291.180-160-ZP	M18	160
P0291.180-170-ZP	M18	170
P0291.180-180-ZP	M18	180
P0291.180-190-ZP	M18	190
P0291.180-200-ZP	M18	200
P0291.180-220-ZP	M18	220
P0291.180-240-ZP	M18	240
P0291.180-260-ZP	M18	260
P0291.180-280-ZP	M18	280
P0291.180-300-ZP	M18	300
P0291.180-320-ZP	M18	320
P0291.180-340-ZP	M18	340
P0291.180-360-ZP	M18	360



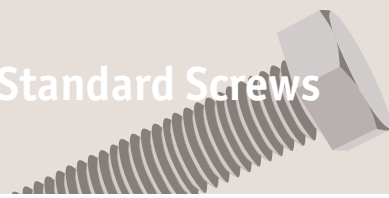
Order No.	d ₁	l ₁
P0291.200-040-ZP	M20	40
P0291.200-045-ZP	M20	45
P0291.200-050-ZP	M20	50
P0291.200-055-ZP	M20	55
P0291.200-060-ZP	M20	60
P0291.200-065-ZP	M20	65
P0291.200-070-ZP	M20	70
P0291.200-075-ZP	M20	75
P0291.200-080-ZP	M20	80
P0291.200-085-ZP	M20	85
P0291.200-090-ZP	M20	90
P0291.200-095-ZP	M20	95
P0291.200-100-ZP	M20	100
P0291.200-110-ZP	M20	110
P0291.200-120-ZP	M20	120
P0291.200-130-ZP	M20	130
P0291.200-140-ZP	M20	140
P0291.200-150-ZP	M20	150
P0291.200-160-ZP	M20	160
P0291.200-170-ZP	M20	170
P0291.200-180-ZP	M20	180
P0291.200-190-ZP	M20	190
P0291.200-200-ZP	M20	200
P0291.200-220-ZP	M20	220
P0291.200-240-ZP	M20	240
P0291.200-260-ZP	M20	260
P0291.200-280-ZP	M20	280
P0291.200-300-ZP	M20	300
P0291.200-320-ZP	M20	320
P0291.200-340-ZP	M20	340
P0291.200-360-ZP	M20	360
P0291.200-380-ZP	M20	380
P0291.200-400-ZP	M20	400
P0291.220-045-ZP	M22	45
P0291.220-050-ZP	M22	50
P0291.220-055-ZP	M22	55
P0291.220-060-ZP	M22	60
P0291.220-065-ZP	M22	65
P0291.220-070-ZP	M22	70
P0291.220-075-ZP	M22	75
P0291.220-080-ZP	M22	80
P0291.220-085-ZP	M22	85
P0291.220-090-ZP	M22	90
P0291.220-095-ZP	M22	95
P0291.220-100-ZP	M22	100
P0291.220-110-ZP	M22	110
P0291.220-120-ZP	M22	120
P0291.220-130-ZP	M22	130
P0291.220-140-ZP	M22	140
P0291.220-150-ZP	M22	150
P0291.220-160-ZP	M22	160
P0291.220-170-ZP	M22	170
P0291.220-180-ZP	M22	180
P0291.220-190-ZP	M22	190
P0291.220-200-ZP	M22	200
P0291.220-220-ZP	M22	220
P0291.220-240-ZP	M22	240
P0291.220-260-ZP	M22	260
P0291.220-280-ZP	M22	280
P0291.220-300-ZP	M22	300
P0291.220-320-ZP	M22	320
P0291.220-340-ZP	M22	340
P0291.220-360-ZP	M22	360
P0291.220-380-ZP	M22	380
P0291.220-400-ZP	M22	400
P0291.220-420-ZP	M22	420
P0291.220-440-ZP	M22	440
P0291.240-045-ZP	M24	45
P0291.240-050-ZP	M24	50



Threaded Studs

Steel, zinc-plated

Standard Screws



Order No.	d _i	l ₁
P0291.240-055-ZP	M24	55
P0291.240-060-ZP	M24	60
P0291.240-065-ZP	M24	65
P0291.240-070-ZP	M24	70
P0291.240-075-ZP	M24	75
P0291.240-080-ZP	M24	80
P0291.240-085-ZP	M24	85
P0291.240-090-ZP	M24	90
P0291.240-095-ZP	M24	95
P0291.240-100-ZP	M24	100
P0291.240-110-ZP	M24	110
P0291.240-120-ZP	M24	120
P0291.240-130-ZP	M24	130
P0291.240-140-ZP	M24	140
P0291.240-150-ZP	M24	150
P0291.240-160-ZP	M24	160
P0291.240-170-ZP	M24	170
P0291.240-180-ZP	M24	180
P0291.240-190-ZP	M24	190
P0291.240-200-ZP	M24	200
P0291.240-220-ZP	M24	220
P0291.240-240-ZP	M24	240
P0291.240-260-ZP	M24	260
P0291.240-280-ZP	M24	280
P0291.240-300-ZP	M24	300
P0291.240-320-ZP	M24	320
P0291.240-340-ZP	M24	340
P0291.240-360-ZP	M24	360
P0291.240-380-ZP	M24	380
P0291.240-400-ZP	M24	400
P0291.240-420-ZP	M24	420
P0291.240-440-ZP	M24	440
P0291.240-460-ZP	M24	460
P0291.240-480-ZP	M24	480
P0291.270-055-ZP	M27	55
P0291.270-060-ZP	M27	60
P0291.270-065-ZP	M27	65
P0291.270-070-ZP	M27	70
P0291.270-075-ZP	M27	75
P0291.270-080-ZP	M27	80
P0291.270-085-ZP	M27	85
P0291.270-090-ZP	M27	90
P0291.270-095-ZP	M27	95
P0291.270-100-ZP	M27	100
P0291.270-110-ZP	M27	110
P0291.270-120-ZP	M27	120
P0291.270-130-ZP	M27	130
P0291.270-140-ZP	M27	140
P0291.270-150-ZP	M27	150
P0291.270-160-ZP	M27	160
P0291.270-170-ZP	M27	170
P0291.270-180-ZP	M27	180
P0291.270-190-ZP	M27	190
P0291.270-200-ZP	M27	200
P0291.270-220-ZP	M27	220
P0291.270-240-ZP	M27	240
P0291.270-260-ZP	M27	260
P0291.270-280-ZP	M27	280
P0291.270-300-ZP	M27	300
P0291.270-320-ZP	M27	320
P0291.270-340-ZP	M27	340
P0291.270-360-ZP	M27	360
P0291.270-380-ZP	M27	380
P0291.270-400-ZP	M27	400
P0291.270-420-ZP	M27	420
P0291.270-440-ZP	M27	440
P0291.270-460-ZP	M27	460
P0291.270-480-ZP	M27	480
P0291.270-500-ZP	M27	500

STANDARD SCREWS



STANDARD SCREWS

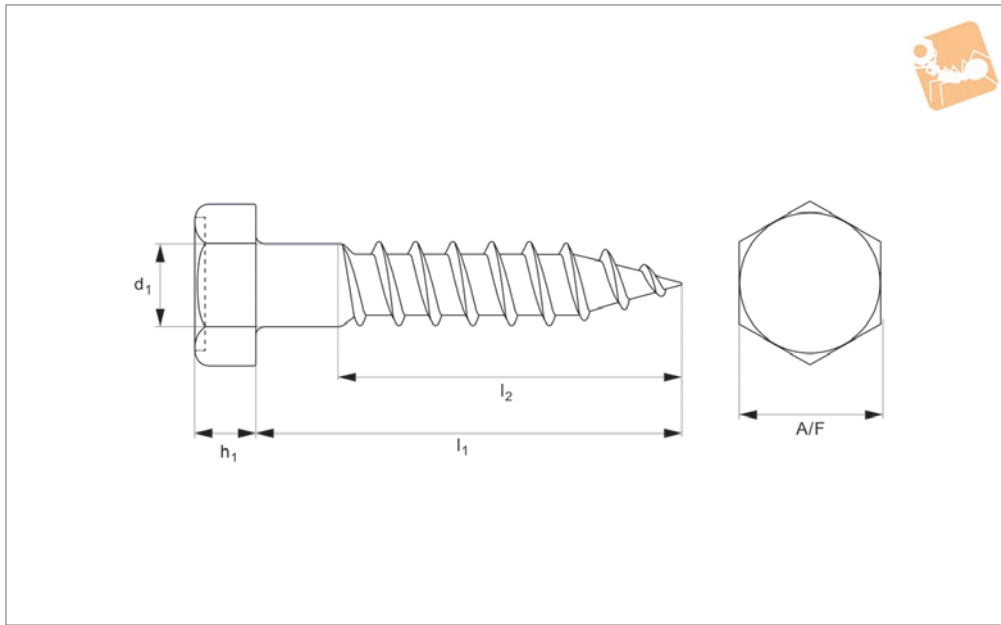
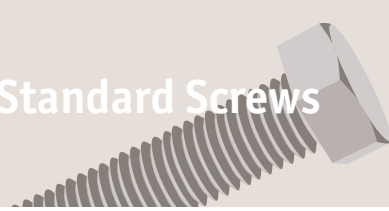
Order No.	d ₁	l ₁
P0291.300-060-ZP	M30	60
P0291.300-065-ZP	M30	65
P0291.300-070-ZP	M30	70
P0291.300-075-ZP	M30	75
P0291.300-080-ZP	M30	80
P0291.300-085-ZP	M30	85
P0291.300-090-ZP	M30	90
P0291.300-095-ZP	M30	95
P0291.300-100-ZP	M30	100
P0291.300-110-ZP	M30	110
P0291.300-120-ZP	M30	120
P0291.300-130-ZP	M30	130
P0291.300-140-ZP	M30	140
P0291.300-150-ZP	M30	150
P0291.300-160-ZP	M30	160
P0291.300-170-ZP	M30	170
P0291.300-180-ZP	M30	180
P0291.300-190-ZP	M30	190
P0291.300-200-ZP	M30	200
P0291.300-220-ZP	M30	220
P0291.300-240-ZP	M30	240
P0291.300-260-ZP	M30	260
P0291.300-280-ZP	M30	280
P0291.300-300-ZP	M30	300
P0291.300-320-ZP	M30	320
P0291.300-340-ZP	M30	340
P0291.300-360-ZP	M30	360
P0291.300-380-ZP	M30	380
P0291.300-400-ZP	M30	400
P0291.300-420-ZP	M30	420
P0291.300-440-ZP	M30	440
P0291.300-460-ZP	M30	460
P0291.300-480-ZP	M30	480
P0291.300-500-ZP	M30	500



Hexagon Head Coach Screws

Coach Screws - A2 stainless

Standard Screws



P0268.A2

STANDARD SCREWS

Material

Stainless steel (A2).

See technical page for tightening torques.

Technical Notes

To DIN 571. l_2 is $0.6 \times l_1$.

Order No.	d_1	l_1	h_1	A/F
P0268.050-020-A2	5	20	3.5	8
P0268.050-025-A2	5	25	3.5	8
P0268.050-030-A2	5	30	3.5	8
P0268.050-035-A2	5	35	3.5	8
P0268.050-040-A2	5	40	3.5	8
P0268.050-045-A2	5	45	3.5	8
P0268.050-050-A2	5	50	3.5	8
P0268.050-055-A2	5	55	3.5	8
P0268.050-060-A2	5	60	3.5	8
P0268.050-065-A2	5	65	3.5	8
P0268.050-070-A2	5	70	3.5	8
P0268.050-080-A2	5	80	3.5	8
P0268.060-020-A2	6	20	4.0	10
P0268.060-025-A2	6	25	4.0	10
P0268.060-030-A2	6	30	4.0	10
P0268.060-035-A2	6	35	4.0	10
P0268.060-040-A2	6	40	4.0	10
P0268.060-045-A2	6	45	4.0	10
P0268.060-050-A2	6	50	4.0	10
P0268.060-055-A2	6	55	4.0	10
P0268.060-060-A2	6	60	4.0	10
P0268.060-065-A2	6	65	4.0	10
P0268.060-070-A2	6	70	4.0	10
P0268.060-080-A2	6	80	4.0	10
P0268.060-090-A2	6	90	4.0	10
P0268.060-100-A2	6	100	4.0	10
P0268.060-110-A2	6	110	4.0	10
P0268.060-120-A2	6	120	4.0	10
P0268.060-130-A2	6	130	4.0	10
P0268.060-140-A2	6	140	4.0	10
P0268.070-025-A2	7	25	5.0	12
P0268.070-030-A2	7	30	5.0	12
P0268.070-035-A2	7	35	5.0	12
P0268.070-040-A2	7	40	5.0	12



STANDARD SCREWS

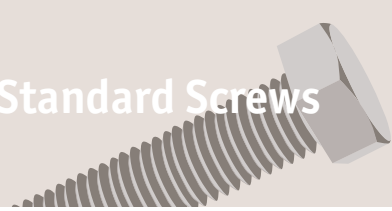
Order No.	d ₁	l ₁	h ₁	A/F
P0268.070-045-A2	7	45	5.0	12
P0268.070-050-A2	7	50	5.0	12
P0268.070-055-A2	7	55	5.0	12
P0268.070-060-A2	7	60	5.0	12
P0268.070-065-A2	7	65	5.0	12
P0268.070-070-A2	7	70	5.0	12
P0268.070-080-A2	7	80	5.0	12
P0268.070-090-A2	7	90	5.0	12
P0268.070-100-A2	7	100	5.0	12
P0268.070-110-A2	7	110	5.0	12
P0268.070-120-A2	7	120	5.0	12
P0268.070-130-A2	7	130	5.0	12
P0268.070-140-A2	7	140	5.0	12
P0268.070-150-A2	7	150	5.0	12
P0268.070-160-A2	7	160	5.0	12
P0268.070-170-A2	7	170	5.0	12
P0268.080-025-A2	8	25	5.5	13
P0268.080-030-A2	8	30	5.5	13
P0268.080-035-A2	8	35	5.5	13
P0268.080-040-A2	8	40	5.5	13
P0268.080-045-A2	8	45	5.5	13
P0268.080-050-A2	8	50	5.5	13
P0268.080-055-A2	8	55	5.5	13
P0268.080-060-A2	8	60	5.5	13
P0268.080-065-A2	8	65	5.5	13
P0268.080-070-A2	8	70	5.5	13
P0268.080-080-A2	8	80	5.5	13
P0268.080-090-A2	8	90	5.5	13
P0268.080-100-A2	8	100	5.5	13
P0268.080-110-A2	8	110	5.5	13
P0268.080-120-A2	8	120	5.5	13
P0268.080-130-A2	8	130	5.5	13
P0268.080-140-A2	8	140	5.5	13
P0268.080-150-A2	8	150	5.5	13
P0268.080-160-A2	8	160	5.5	13
P0268.080-170-A2	8	170	5.5	13
P0268.080-180-A2	8	180	5.5	13
P0268.080-200-A2	8	200	5.5	13
P0268.100-040-A2	10	40	7.0	17
P0268.100-045-A2	10	45	7.0	17
P0268.100-050-A2	10	50	7.0	17
P0268.100-055-A2	10	55	7.0	17
P0268.100-060-A2	10	60	7.0	17
P0268.100-065-A2	10	65	7.0	17
P0268.100-070-A2	10	70	7.0	17
P0268.100-080-A2	10	80	7.0	17
P0268.100-090-A2	10	90	7.0	17
P0268.100-100-A2	10	100	7.0	17
P0268.100-110-A2	10	110	7.0	17
P0268.100-120-A2	10	120	7.0	17
P0268.100-130-A2	10	130	7.0	17
P0268.100-140-A2	10	140	7.0	17
P0268.100-150-A2	10	150	7.0	17
P0268.100-160-A2	10	160	7.0	17
P0268.100-170-A2	10	170	7.0	17
P0268.100-180-A2	10	180	7.0	17
P0268.100-200-A2	10	200	7.0	17
P0268.120-050-A2	12	50	8.0	19
P0268.120-055-A2	12	55	8.0	19
P0268.120-060-A2	12	60	8.0	19
P0268.120-065-A2	12	65	8.0	19
P0268.120-070-A2	12	70	8.0	19
P0268.120-080-A2	12	80	8.0	19
P0268.120-090-A2	12	90	8.0	19
P0268.120-100-A2	12	100	8.0	19
P0268.120-110-A2	12	110	8.0	19
P0268.120-120-A2	12	120	8.0	19
P0268.120-130-A2	12	130	8.0	19
P0268.120-140-A2	12	140	8.0	19



Hexagon Head Coach Screws

Coach Screws - A2 stainless

Standard Screws

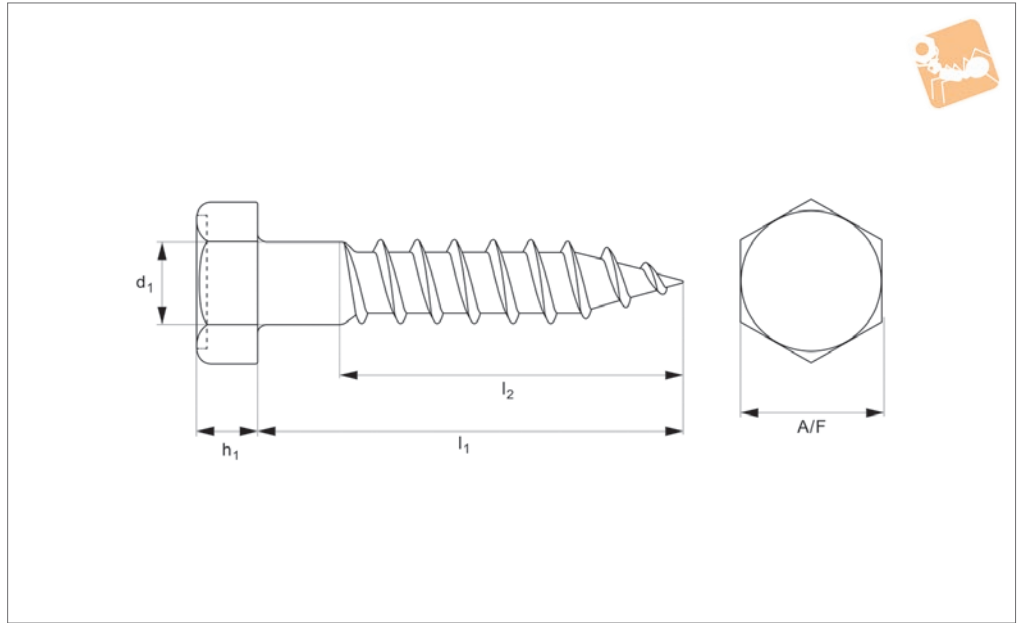


Order No.	d ₁	l ₁	h ₁	A/F
P0268.120-150-A2	12	150	8.0	19
P0268.120-160-A2	12	160	8.0	19
P0268.120-170-A2	12	170	8.0	19
P0268.120-180-A2	12	180	8.0	19
P0268.120-200-A2	12	200	8.0	19
P0268.120-220-A2	12	220	8.0	19
P0268.120-240-A2	12	240	8.0	19
P0268.120-250-A2	12	250	8.0	19
P0268.120-260-A2	12	260	8.0	19
P0268.120-280-A2	12	280	8.0	19
P0268.120-300-A2	12	300	8.0	19
P0268.160-050-A2	16	50	10.0	24
P0268.160-055-A2	16	55	10.0	24
P0268.160-060-A2	16	60	10.0	24
P0268.160-065-A2	16	65	10.0	24
P0268.160-070-A2	16	70	10.0	24
P0268.160-080-A2	16	80	10.0	24
P0268.160-090-A2	16	90	10.0	24
P0268.160-100-A2	16	100	10.0	24
P0268.160-110-A2	16	110	10.0	24
P0268.160-120-A2	16	120	10.0	24
P0268.160-130-A2	16	130	10.0	24
P0268.160-140-A2	16	140	10.0	24
P0268.160-150-A2	16	150	10.0	24
P0268.160-160-A2	16	160	10.0	24
P0268.160-170-A2	16	170	10.0	24
P0268.160-180-A2	16	180	10.0	24
P0268.160-200-A2	16	200	10.0	24

STANDARD SCREWS



P0268.A4



Material

Stainless steel (A4).

See technical page for tightening torques.

Technical Notes

To DIN 571. l_2 is $0.6 \times l_1$.

Order No.	d_1	l_1	h_1	A/F
P0268.050-020-A4	5	20	3.5	8
P0268.050-025-A4	5	25	3.5	8
P0268.050-030-A4	5	30	3.5	8
P0268.050-035-A4	5	35	3.5	8
P0268.050-040-A4	5	40	3.5	8
P0268.050-045-A4	5	45	3.5	8
P0268.050-050-A4	5	50	3.5	8
P0268.050-055-A4	5	55	3.5	8
P0268.050-060-A4	5	60	3.5	8
P0268.050-065-A4	5	65	3.5	8
P0268.050-070-A4	5	70	3.5	8
P0268.050-080-A4	5	80	3.5	8
P0268.060-020-A4	6	20	4.0	10
P0268.060-025-A4	6	25	4.0	10
P0268.060-030-A4	6	30	4.0	10
P0268.060-035-A4	6	35	4.0	10
P0268.060-040-A4	6	40	4.0	10
P0268.060-045-A4	6	45	4.0	10
P0268.060-050-A4	6	50	4.0	10
P0268.060-055-A4	6	55	4.0	10
P0268.060-060-A4	6	60	4.0	10
P0268.060-065-A4	6	65	4.0	10
P0268.060-070-A4	6	70	4.0	10
P0268.060-080-A4	6	80	4.0	10
P0268.060-090-A4	6	90	4.0	10
P0268.060-100-A4	6	100	4.0	10
P0268.060-110-A4	6	110	4.0	10
P0268.060-120-A4	6	120	4.0	10
P0268.060-130-A4	6	130	4.0	10
P0268.060-140-A4	6	140	4.0	10
P0268.070-025-A4	7	25	5.0	12
P0268.070-030-A4	7	30	5.0	12
P0268.070-035-A4	7	35	5.0	12
P0268.070-040-A4	7	40	5.0	12



Hexagon Head Coach Screws

Coach Screws - A4 stainless

Standard Screws



Order No.	d ₁	l ₁	h ₁	A/F
P0268.070-045-A4	7	45	5.0	12
P0268.070-050-A4	7	50	5.0	12
P0268.070-055-A4	7	55	5.0	12
P0268.070-060-A4	7	60	5.0	12
P0268.070-065-A4	7	65	5.0	12
P0268.070-070-A4	7	70	5.0	12
P0268.070-080-A4	7	80	5.0	12
P0268.070-090-A4	7	90	5.0	12
P0268.070-100-A4	7	100	5.0	12
P0268.070-110-A4	7	110	5.0	12
P0268.070-120-A4	7	120	5.0	12
P0268.070-130-A4	7	130	5.0	12
P0268.070-140-A4	7	140	5.0	12
P0268.070-150-A4	7	150	5.0	12
P0268.070-160-A4	7	160	5.0	12
P0268.070-170-A4	7	170	5.0	12
P0268.080-025-A4	25	25	5.5	13
P0268.080-030-A4	30	30	5.5	13
P0268.080-035-A4	35	35	5.5	13
P0268.080-040-A4	40	40	5.5	13
P0268.080-045-A4	45	45	5.5	13
P0268.080-050-A4	50	50	5.5	13
P0268.080-055-A4	55	55	5.5	13
P0268.080-060-A4	60	60	5.5	13
P0268.080-065-A4	65	65	5.5	13
P0268.080-070-A4	70	70	5.5	13
P0268.080-080-A4	80	80	5.5	13
P0268.080-090-A4	90	90	5.5	13
P0268.080-100-A4	100	100	5.5	13
P0268.080-110-A4	110	110	5.5	13
P0268.080-120-A4	120	120	5.5	13
P0268.080-130-A4	130	130	5.5	13
P0268.080-140-A4	140	140	5.5	13
P0268.080-150-A4	150	150	5.5	13
P0268.080-160-A4	160	160	5.5	13
P0268.080-170-A4	170	170	5.5	13
P0268.080-180-A4	180	180	5.5	13
P0268.080-200-A4	200	200	5.5	13
P0268.100-040-A4	10	40	7.0	17
P0268.100-045-A4	10	45	7.0	17
P0268.100-050-A4	10	50	7.0	17
P0268.100-055-A4	10	55	7.0	17
P0268.100-060-A4	10	60	7.0	17
P0268.100-065-A4	10	65	7.0	17
P0268.100-070-A4	10	70	7.0	17
P0268.100-080-A4	10	80	7.0	17
P0268.100-090-A4	10	90	7.0	17
P0268.100-100-A4	10	100	7.0	17
P0268.100-110-A4	10	110	7.0	17
P0268.100-120-A4	10	120	7.0	17
P0268.100-130-A4	10	130	7.0	17
P0268.100-140-A4	10	140	7.0	17
P0268.100-150-A4	10	150	7.0	17
P0268.100-160-A4	10	160	7.0	17
P0268.100-170-A4	10	170	7.0	17
P0268.100-180-A4	10	180	7.0	17
P0268.100-200-A4	10	200	7.0	17
P0268.120-050-A4	12	50	8.0	19
P0268.120-055-A4	12	55	8.0	19
P0268.120-060-A4	12	60	8.0	19
P0268.120-065-A4	12	65	8.0	19
P0268.120-070-A4	12	70	8.0	19
P0268.120-080-A4	12	80	8.0	19
P0268.120-090-A4	12	90	8.0	19
P0268.120-100-A4	12	100	8.0	19
P0268.120-110-A4	12	110	8.0	19
P0268.120-120-A4	12	120	8.0	19
P0268.120-130-A4	12	130	8.0	19
P0268.120-140-A4	12	140	8.0	19

STANDARD SCREWS



STANDARD SCREWS

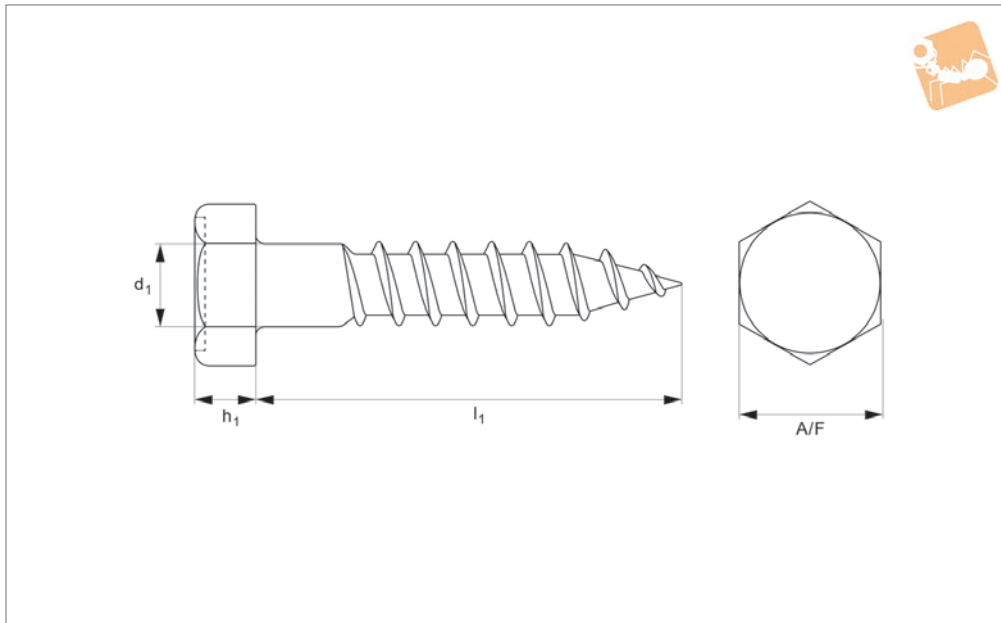
Order No.	d ₁	l ₁	h ₁	A/F
P0268.120-150-A4	12	150	8.0	19
P0268.120-160-A4	12	160	8.0	19
P0268.120-170-A4	12	170	8.0	19
P0268.120-180-A4	12	180	8.0	19
P0268.120-200-A4	12	200	8.0	19
P0268.120-220-A4	12	220	8.0	19
P0268.120-240-A4	12	240	8.0	19
P0268.120-250-A4	12	250	8.0	19
P0268.120-260-A4	12	260	8.0	19
P0268.120-280-A4	12	280	8.0	19
P0268.120-300-A4	12	300	8.0	19
P0268.160-050-A4	16	50	10.0	24
P0268.160-055-A4	16	55	10.0	24
P0268.160-060-A4	16	60	10.0	24
P0268.160-065-A4	16	65	10.0	24
P0268.160-070-A4	16	70	10.0	24
P0268.160-080-A4	16	80	10.0	24
P0268.160-090-A4	16	90	10.0	24
P0268.160-100-A4	16	100	10.0	24
P0268.160-110-A4	16	110	10.0	24
P0268.160-120-A4	16	120	10.0	24
P0268.160-130-A4	16	130	10.0	24
P0268.160-140-A4	16	140	10.0	24
P0268.160-150-A4	16	150	10.0	24
P0268.160-160-A4	16	160	10.0	24
P0268.160-170-A4	16	170	10.0	24
P0268.160-180-A4	16	180	10.0	24
P0268.160-200-A4	16	200	10.0	24



Hexagon Head Coach Screws

Coach Screws - steel, zinc-plated

Standard Screws



P0268.ZP

STANDARD SCREWS

Material

Steel, zinc-plated.

Technical Notes

To DIN 571. l_2 is $0.6 \times l_1$.

Order No.	d_1	l_1	h_1	A/F
P0268.050-020-ZP	5	20	3.5	8
P0268.050-025-ZP	5	25	3.5	8
P0268.050-030-ZP	5	30	3.5	8
P0268.050-035-ZP	5	35	3.5	8
P0268.050-040-ZP	5	40	3.5	8
P0268.050-045-ZP	5	45	3.5	8
P0268.050-050-ZP	5	50	3.5	8
P0268.050-060-ZP	5	60	3.5	8
P0268.060-020-ZP	6	20	4.0	10
P0268.060-025-ZP	6	25	4.0	10
P0268.060-030-ZP	6	30	4.0	10
P0268.060-035-ZP	6	35	4.0	10
P0268.060-040-ZP	6	40	4.0	10
P0268.060-045-ZP	6	45	4.0	10
P0268.060-050-ZP	6	50	4.0	10
P0268.060-055-ZP	6	55	4.0	10
P0268.060-060-ZP	6	60	4.0	10
P0268.060-065-ZP	6	65	4.0	10
P0268.060-070-ZP	6	70	4.0	10
P0268.060-080-ZP	6	80	4.0	10
P0268.060-090-ZP	6	90	4.0	10
P0268.060-100-ZP	6	100	4.0	10
P0268.060-110-ZP	6	110	4.0	10
P0268.060-120-ZP	6	120	4.0	10
P0268.060-130-ZP	6	130	4.0	10
P0268.060-140-ZP	6	140	4.0	10
P0268.070-035-ZP	7	35	5.0	12
P0268.070-040-ZP	7	40	5.0	12
P0268.070-050-ZP	7	50	5.0	12
P0268.070-060-ZP	7	60	5.0	12
P0268.070-070-ZP	7	70	5.0	12
P0268.070-080-ZP	7	80	5.0	12
P0268.070-090-ZP	7	90	5.0	12
P0268.070-100-ZP	7	100	5.0	12
P0268.070-110-ZP	7	110	5.0	12



STANDARD SCREWS

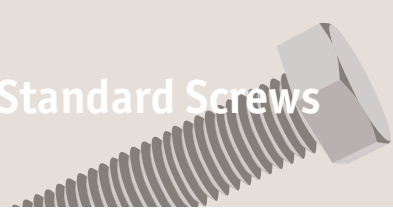
Order No.	d ₁	l ₁	h ₁	A/F
P0268.070-120-ZP	7	120	5.0	12
P0268.070-130-ZP	7	130	5.0	12
P0268.070-140-ZP	7	140	5.0	12
P0268.070-150-ZP	7	150	5.0	12
P0268.070-170-ZP	7	170	5.0	12
P0268.080-025-ZP	8	25	5.5	13
P0268.080-030-ZP	8	30	5.5	13
P0268.080-035-ZP	8	35	5.5	13
P0268.080-040-ZP	8	40	5.5	13
P0268.080-045-ZP	8	45	5.5	13
P0268.080-050-ZP	8	50	5.5	13
P0268.080-055-ZP	8	55	5.5	13
P0268.080-060-ZP	8	60	5.5	13
P0268.080-065-ZP	8	65	5.5	13
P0268.080-070-ZP	8	70	5.5	13
P0268.080-080-ZP	8	80	5.5	13
P0268.080-090-ZP	8	90	5.5	13
P0268.080-100-ZP	8	100	5.5	13
P0268.080-110-ZP	8	110	5.5	13
P0268.080-120-ZP	8	120	5.5	13
P0268.080-130-ZP	8	130	5.5	13
P0268.080-140-ZP	8	140	5.5	13
P0268.080-150-ZP	8	150	5.5	13
P0268.080-160-ZP	8	160	5.5	13
P0268.080-180-ZP	8	180	5.5	13
P0268.080-200-ZP	8	200	5.5	13
P0268.100-040-ZP	10	40	7.0	17
P0268.100-045-ZP	10	45	7.0	17
P0268.100-050-ZP	10	50	7.0	17
P0268.100-055-ZP	10	55	7.0	17
P0268.100-060-ZP	10	60	7.0	17
P0268.100-065-ZP	10	65	7.0	17
P0268.100-070-ZP	10	70	7.0	17
P0268.100-080-ZP	10	80	7.0	17
P0268.100-090-ZP	10	90	7.0	17
P0268.100-100-ZP	10	100	7.0	17
P0268.100-110-ZP	10	110	7.0	17
P0268.100-120-ZP	10	120	7.0	17
P0268.100-130-ZP	10	130	7.0	17
P0268.100-140-ZP	10	140	7.0	17
P0268.100-150-ZP	10	150	7.0	17
P0268.100-160-ZP	10	160	7.0	17
P0268.100-180-ZP	10	180	7.0	17
P0268.100-200-ZP	10	200	7.0	17
P0268.120-050-ZP	12	50	8.0	19
P0268.120-060-ZP	12	60	8.0	19
P0268.120-065-ZP	12	65	8.0	19
P0268.120-070-ZP	12	70	8.0	19
P0268.120-080-ZP	12	80	8.0	19
P0268.120-090-ZP	12	90	8.0	19
P0268.120-100-ZP	12	100	8.0	19
P0268.120-110-ZP	12	110	8.0	19
P0268.120-120-ZP	12	120	8.0	19
P0268.120-130-ZP	12	130	8.0	19
P0268.120-140-ZP	12	140	8.0	19
P0268.120-150-ZP	12	150	8.0	19
P0268.120-160-ZP	12	160	8.0	19
P0268.120-180-ZP	12	180	8.0	19
P0268.120-200-ZP	12	200	8.0	19
P0268.120-220-ZP	12	220	8.0	19
P0268.120-240-ZP	12	240	8.0	19
P0268.120-260-ZP	12	260	8.0	19
P0268.120-280-ZP	12	280	8.0	19
P0268.120-300-ZP	12	300	8.0	19
P0268.160-060-ZP	16	60	10.0	24
P0268.160-070-ZP	16	70	10.0	24
P0268.160-080-ZP	16	80	10.0	24
P0268.160-090-ZP	16	90	10.0	24
P0268.160-100-ZP	16	100	10.0	24



Hexagon Head Coach Screws

Coach Screws - steel, zinc-plated

Standard Screws



Order No.	d ₁	l ₁	h ₁	A/F
P0268.160-110-ZP	16	110	10.0	24
P0268.160-120-ZP	16	120	10.0	24
P0268.160-130-ZP	16	130	10.0	24
P0268.160-140-ZP	16	140	10.0	24
P0268.160-150-ZP	16	150	10.0	24
P0268.160-160-ZP	16	160	10.0	24
P0268.160-180-ZP	16	180	10.0	24
P0268.160-200-ZP	16	200	10.0	24

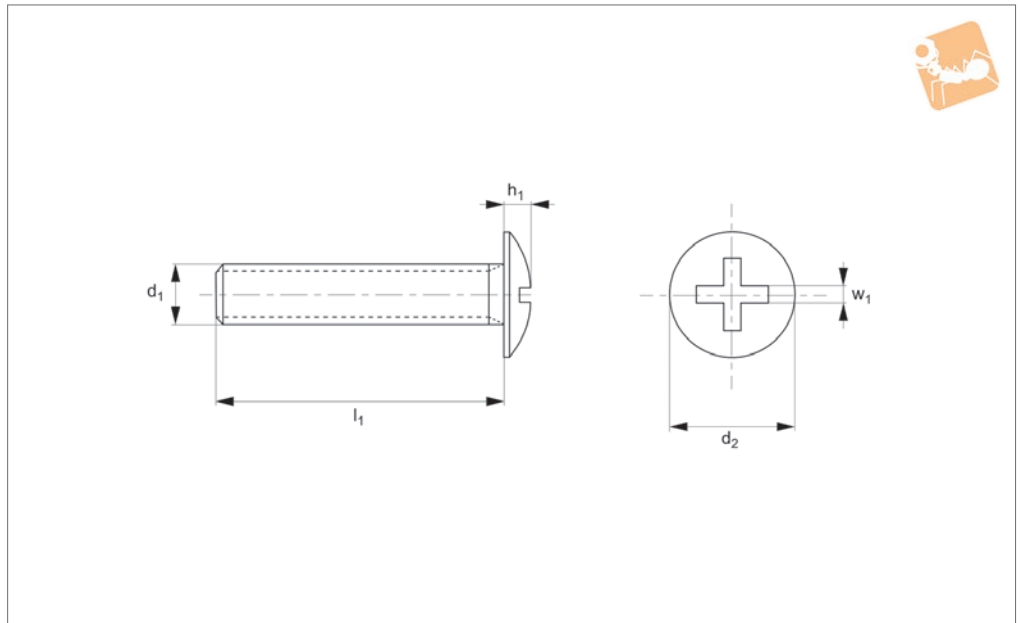
STANDARD SCREWS



STANDARD SCREWS



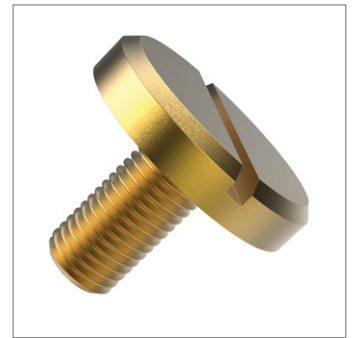
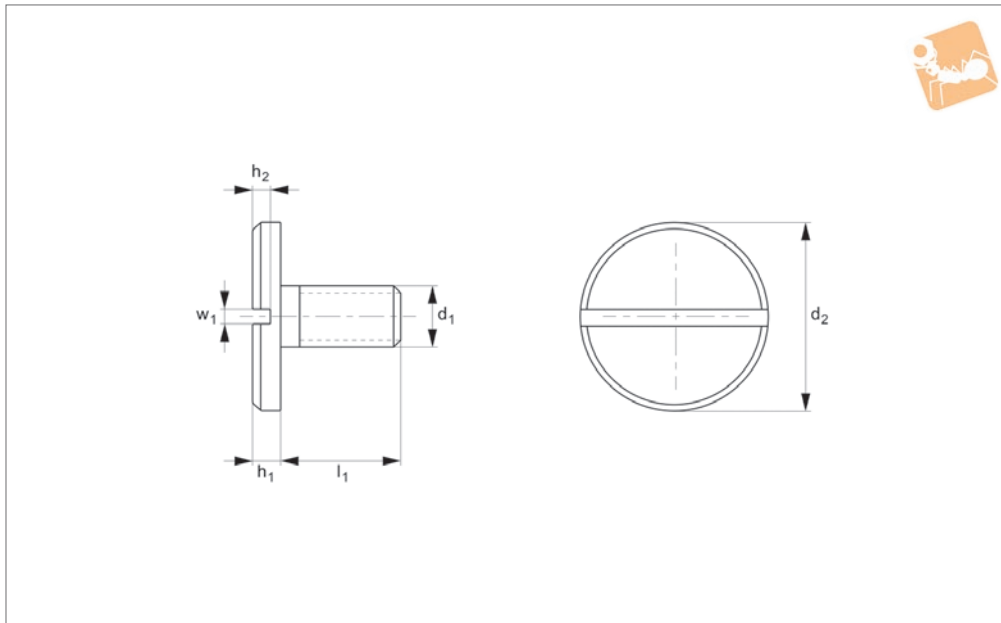
P0269.ZP



Material

Steel, zinc-plated.

Order No.	d_1	l_1	d_2 max.	h_1 max.	w_1
P0269.040-016-ZP	M 4	16	10.0	2.2	1.2
P0269.040-020-ZP	M 4	20	10.0	2.2	1.2
P0269.040-025-ZP	M 4	25	10.0	2.2	1.2
P0269.040-030-ZP	M 4	30	10.0	2.2	1.2
P0269.050-010-ZP	M 5	10	12.5	2.7	1.2
P0269.050-016-ZP	M 5	16	12.5	2.7	1.2
P0269.050-020-ZP	M 5	20	12.5	2.7	1.2
P0269.050-025-ZP	M 5	25	12.5	2.7	1.2
P0269.050-030-ZP	M 5	30	12.5	2.7	1.2
P0269.060-010-ZP	M 6	10	15.0	3.3	1.6
P0269.060-012-ZP	M 6	12	15.0	3.3	1.6
P0269.060-016-ZP	M 6	16	15.0	3.3	1.6
P0269.060-020-ZP	M 6	20	15.0	3.3	1.6
P0269.060-025-ZP	M 6	25	15.0	3.3	1.6
P0269.060-030-ZP	M 6	30	15.0	3.3	1.6
P0269.060-040-ZP	M 6	40	15.0	3.3	1.6
P0269.060-050-ZP	M 6	50	15.0	3.3	1.6
P0269.060-060-ZP	M 6	60	15.0	3.3	1.6
P0269.060-070-ZP	M 6	70	15.0	3.3	1.6
P0269.060-100-ZP	M 6	100	15.0	3.3	1.6
P0269.080-016-ZP	M 8	16	20.0	4.4	2.0
P0269.080-020-ZP	M 8	20	20.0	4.4	2.0
P0269.080-025-ZP	M 8	25	20.0	4.4	2.0
P0269.080-030-ZP	M 8	30	20.0	4.4	2.0
P0269.080-035-ZP	M 8	35	20.0	4.4	2.0
P0269.080-040-ZP	M 8	40	20.0	4.4	2.0
P0269.080-050-ZP	M 8	50	20.0	4.4	2.0
P0269.100-050-ZP	M10	50	25.0	5.5	2.5
P0269.100-060-ZP	M10	60	25.0	5.5	2.5



P0238

STANDARD SCREWS

Material

Steel (zinc-plated), stainless steel (A2), or brass.

Technical Notes

To DIN 921.

Order No.	d ₁	l ₁	d ₂	h ₁	h ₂	w ₁	Material
P0238.030-004-A2	M 3	4	8	1.8	0.9	0.8	A2 s/s
P0238.030-005-A2	M 3	5	8	1.8	0.9	0.8	A2 s/s
P0238.030-006-A2	M 3	6	8	1.8	0.9	0.8	A2 s/s
P0238.030-008-A2	M 3	8	8	1.8	0.9	0.8	A2 s/s
P0229.030-010-A2	M 3	10	8	1.8	0.9	0.8	A2 s/s
P0238.030-012-A2	M 3	12	8	1.8	0.9	0.8	A2 s/s
P0238.030-016-A2	M 3	16	8	1.8	0.9	0.8	A2 s/s
P0238.040-005-A2	M 4	5	12	2.4	1.2	1.0	A2 s/s
P0238.040-006-A2	M 4	6	12	2.4	1.2	1.0	A2 s/s
P0238.040-008-A2	M 4	8	12	2.4	1.2	1.0	A2 s/s
P0238.040-010-A2	M 4	10	12	2.4	1.2	1.0	A2 s/s
P0238.040-012-A2	M 4	12	12	2.4	1.2	1.0	A2 s/s
P0238.040-016-A2	M 4	16	12	2.4	1.2	1.0	A2 s/s
P0238.040-020-A2	M 4	20	12	2.4	1.2	1.0	A2 s/s
P0238.050-006-A2	M 5	6	16	2.7	1.3	1.2	A2 s/s
P0238.050-008-A2	M 5	8	16	2.7	1.3	1.2	A2 s/s
P0238.050-010-A2	M 5	10	16	2.7	1.3	1.2	A2 s/s
P0238.050-012-A2	M 5	12	16	2.7	1.3	1.2	A2 s/s
P0238.050-016-A2	M 5	16	16	2.7	1.3	1.2	A2 s/s
P0238.050-020-A2	M 5	20	16	2.7	1.3	1.2	A2 s/s
P0238.050-025-A2	M 5	25	16	2.7	1.3	1.2	A2 s/s
P0238.060-008-A2	M 6	8	20	3.1	1.5	1.6	A2 s/s
P0238.060-010-A2	M 6	10	20	3.1	1.5	1.6	A2 s/s
P0238.060-012-A2	M 6	12	20	3.1	1.5	1.6	A2 s/s
P0238.060-016-A2	M 6	16	20	3.1	1.5	1.6	A2 s/s
P0238.060-020-A2	M 6	20	20	3.1	1.5	1.6	A2 s/s
P0238.060-025-A2	M 6	25	20	3.1	1.5	1.6	A2 s/s
P0238.060-030-A2	M 6	30	20	3.1	1.5	1.6	A2 s/s
P0238.080-020-A2	M 8	20	25	3.8	1.9	2.0	A2 s/s
P0238.080-025-A2	M 8	25	25	3.8	1.9	2.0	A2 s/s
P0238.080-030-A2	M 8	30	25	3.8	1.9	2.0	A2 s/s
P0238.030-004-BR	M 3	4	8	1.8	0.9	0.8	Brass
P0238.030-005-BR	M 3	5	8	1.8	0.9	0.8	Brass
P0238.030-006-BR	M 3	6	8	1.8	0.9	0.8	Brass
P0238.030-008-BR	M 3	8	8	1.8	0.9	0.8	Brass



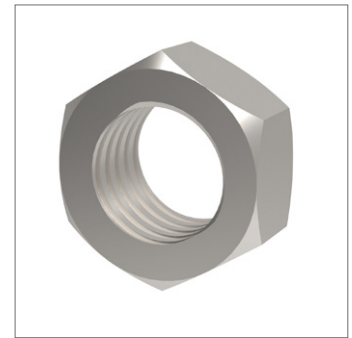
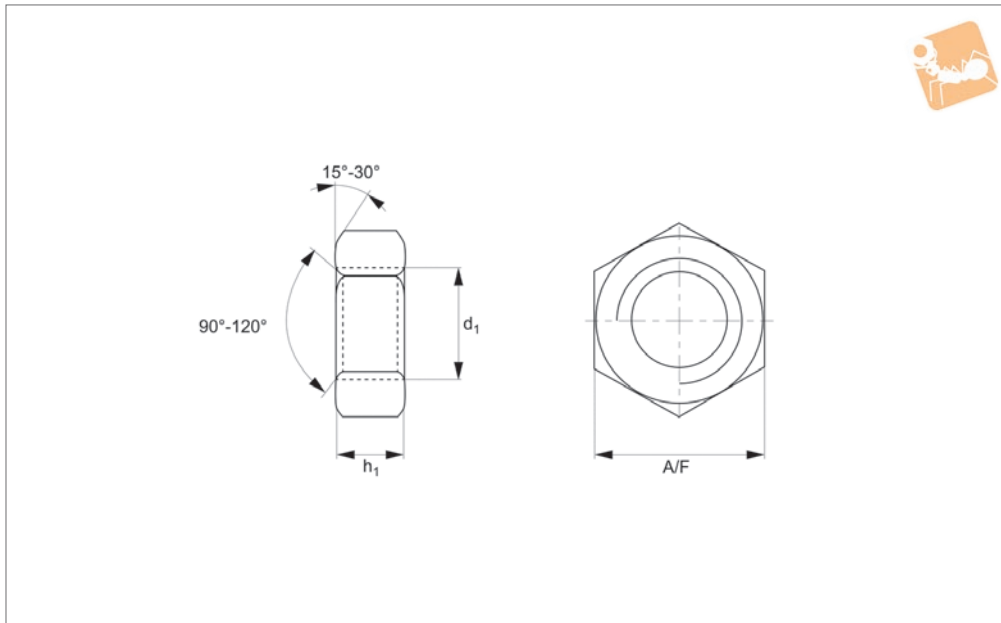
STANDARD SCREWS

Order No.	d ₁	l ₁	d ₂	h ₁	h ₂	w ₁	Material
P0238.030-010-BR	M 3	10	8	1.8	0.9	0.8	Brass
P0238.040-005-BR	M 4	5	12	2.4	1.2	1.0	Brass
P0238.040-006-BR	M 4	6	12	2.4	1.2	1.0	Brass
P0238.040-008-BR	M 4	8	12	2.4	1.2	1.0	Brass
P0238.040-010-BR	M 4	10	12	2.4	1.2	1.0	Brass
P0238.040-012-BR	M 4	12	12	2.4	1.2	1.0	Brass
P0238.040-016-BR	M 4	16	12	2.4	1.2	1.0	Brass
P0238.040-020-BR	M 4	20	12	2.4	1.2	1.0	Brass
P0238.050-008-BR	M 5	8	16	2.7	1.3	1.2	Brass
P0238.050-010-BR	M 5	10	16	2.7	1.3	1.2	Brass
P0238.050-012-BR	M 5	12	16	2.7	1.3	1.2	Brass
P0238.050-016-BR	M 5	16	16	2.7	1.3	1.2	Brass
P0238.050-020-BR	M 5	20	16	2.7	1.3	1.2	Brass
P0238.060-010-BR	M 6	10	20	3.1	1.5	1.6	Brass
P0238.060-012-BR	M 6	12	20	3.1	1.5	1.6	Brass
P0238.060-016-BR	M 6	16	20	3.1	1.5	1.6	Brass
P0238.060-020-BR	M 6	20	20	3.1	1.5	1.6	Brass
P0238.060-025-BR	M 6	25	20	3.1	1.5	1.6	Brass
P0238.020-003-ZP	M 2	3	6	1.2	0.6	0.5	Steel ZP
P0238.020-004-ZP	M 2	4	6	1.2	0.6	0.5	Steel ZP
P0238.020-005-ZP	M 2	5	6	1.2	0.6	0.5	Steel ZP
P0238.020-006-ZP	M 2	6	6	1.2	0.6	0.5	Steel ZP
P0238.020-008-ZP	M 2	8	6	1.2	0.6	0.5	Steel ZP
P0238.020-010-ZP	M 2	10	6	1.2	0.6	0.5	Steel ZP
P0238.030-004-ZP	M 3	4	8	1.8	0.9	0.8	Steel ZP
P0238.030-005-ZP	M 3	5	8	1.8	0.9	0.8	Steel ZP
P0238.030-006-ZP	M 3	6	8	1.8	0.9	0.8	Steel ZP
P0238.030-008-ZP	M 3	8	8	1.8	0.9	0.8	Steel ZP
P0238.030-010-ZP	M 3	10	8	1.8	0.9	0.8	Steel ZP
P0238.030-012-ZP	M 3	12	8	1.8	0.9	0.8	Steel ZP
P0238.040-005-ZP	M 4	5	12	2.4	1.2	1.0	Steel ZP
P0238.040-006-ZP	M 4	6	12	2.4	1.2	1.0	Steel ZP
P0238.040-008-ZP	M 4	8	12	2.4	1.2	1.0	Steel ZP
P0238.040-010-ZP	M 4	10	12	2.4	1.2	1.0	Steel ZP
P0238.040-012-ZP	M 4	12	12	2.4	1.2	1.0	Steel ZP
P0238.040-016-ZP	M 4	16	12	2.4	1.2	1.0	Steel ZP
P0238.040-020-ZP	M 4	20	12	2.4	1.2	1.0	Steel ZP
P0238.050-006-ZP	M 5	6	16	2.7	1.3	1.2	Steel ZP
P0238.050-008-ZP	M 5	8	16	2.7	1.3	1.2	Steel ZP
P0238.050-010-ZP	M 5	10	16	2.7	1.3	1.2	Steel ZP
P0238.050-012-ZP	M 5	12	16	2.7	1.3	1.2	Steel ZP
P0238.050-016-ZP	M 5	16	16	2.7	1.3	1.2	Steel ZP
P0238.050-020-ZP	M 5	20	16	2.7	1.3	1.2	Steel ZP
P0238.060-006-ZP	M 6	6	20	3.1	1.5	1.6	Steel ZP
P0238.060-008-ZP	M 6	8	20	3.1	1.5	1.6	Steel ZP
P0238.060-010-ZP	M 6	10	20	3.1	1.5	1.6	Steel ZP
P0238.060-012-ZP	M 6	12	20	3.1	1.5	1.6	Steel ZP
P0238.060-016-ZP	M 6	16	20	3.1	1.5	1.6	Steel ZP
P0238.060-020-ZP	M 6	20	20	3.1	1.5	1.6	Steel ZP
P0238.060-025-ZP	M 6	25	20	3.1	1.5	1.6	Steel ZP
P0238.060-030-ZP	M 6	30	20	3.1	1.5	1.6	Steel ZP
P0238.060-035-ZP	M 6	35	20	3.1	1.5	1.6	Steel ZP
P0238.080-010-ZP	M 8	10	25	3.8	1.9	2.0	Steel ZP
P0238.080-012-ZP	M 8	12	25	3.8	1.9	2.0	Steel ZP
P0238.080-016-ZP	M 8	16	25	3.8	1.9	2.0	Steel ZP
P0238.080-020-ZP	M 8	20	25	3.8	1.9	2.0	Steel ZP
P0238.080-025-ZP	M 8	25	25	3.8	1.9	2.0	Steel ZP
P0238.080-030-ZP	M 8	30	25	3.8	1.9	2.0	Steel ZP
P0238.080-040-ZP	M 8	40	25	3.8	1.9	2.0	Steel ZP
P0238.100-008-ZP	M10	8	30	4.7	2.8	2.8	Steel ZP
P0238.100-012-ZP	M10	12	30	4.7	2.8	2.8	Steel ZP
P0238.100-016-ZP	M10	16	30	4.7	2.8	2.8	Steel ZP
P0238.100-020-ZP	M10	20	30	4.7	2.8	2.8	Steel ZP
P0238.100-025-ZP	M10	25	30	4.7	2.8	2.8	Steel ZP



Full Nuts Coarse Thread

A2 stainless



P0301.A2

NUTS

Material

Stainless steel (A2).

threads.

For fine thread full nuts see P0302.

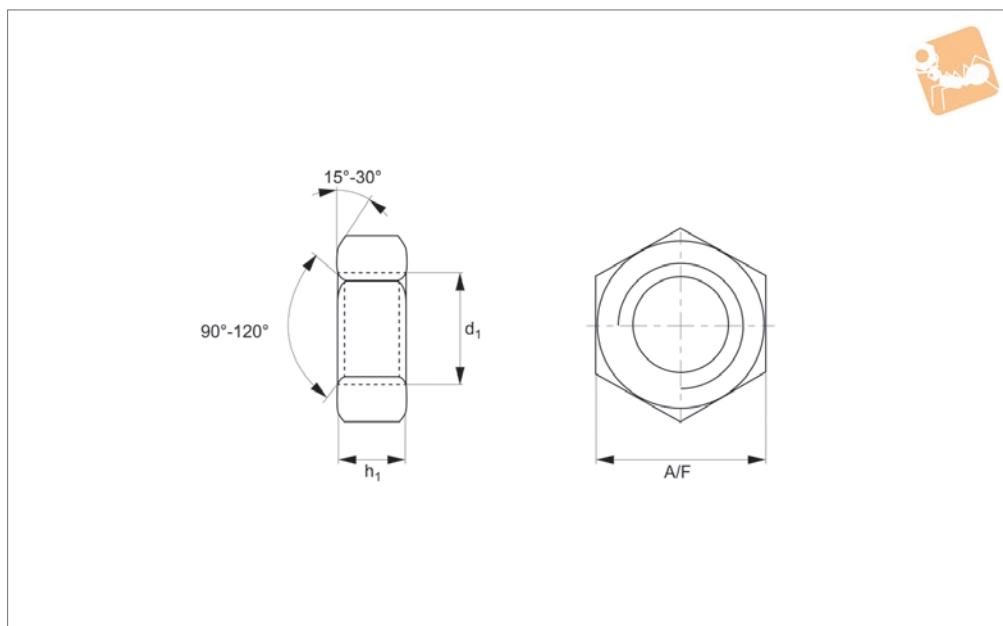
Technical Notes

To DIN 934. Standard metric coarse pitch

Order No.	d ₁	h ₁ min.	A/F	Material
P0301.014-A2	M1,4	0.95	3	A2 s/s
P0301.016-A2	M1,6	1.05	3.2	A2 s/s
P0301.020-A2	M 2	1.35	4	A2 s/s
P0301.025-A2	M2,5	1.75	5	A2 s/s
P0301.030-A2	M 3	2.15	5.5	A2 s/s
P0301.035-A2	M3,5	2.55	6	A2 s/s
P0301.040-A2	M 4	2.9	7	A2 s/s
P0301.050-A2	M 5	3.7	8	A2 s/s
P0301.060-A2	M 6	4.7	10	A2 s/s
P0301.070-A2	M 7	5.2	11	A2 s/s
P0301.080-A2	M 8	6.14	13	A2 s/s
P0301.100-A2	M10	7.64	17	A2 s/s
P0301.120-A2	M12	9.64	19	A2 s/s
P0301.140-A2	M14	10.3	22	A2 s/s
P0301.160-A2	M16	12.3	24	A2 s/s
P0301.180-A2	M18	14.3	27	A2 s/s
P0301.200-A2	M20	14.9	30	A2 s/s
P0301.220-A2	M22	16.9	32	A2 s/s
P0301.240-A2	M24	17.7	36	A2 s/s
P0301.270-A2	M27	20.7	41	A2 s/s
P0301.300-A2	M30	22.7	46	A2 s/s
P0301.330-A2	M33	24.7	50	A2 s/s
P0301.360-A2	M36	27.4	55	A2 s/s
P0301.420-A2	M42	32.4	65	A2 s/s
P0301.480-A2	M48	36.4	75	A2 s/s



P0301.A4



Material

Stainless steel (A4).

threads.

For fine thread full nuts see P0302.

Technical Notes

To DIN 934. Standard metric coarse pitch

Order No.	d_1	h_1 min.	A/F	Material
P0301.014-A4	M1,4	0.95	3	A4 s/s
P0301.016-A4	M1,6	1.05	3.2	A4 s/s
P0301.020-A4	M 2	1.35	4	A4 s/s
P0301.025-A4	M2,5	1.75	5	A4 s/s
P0301.030-A4	M 3	2.15	5.5	A4 s/s
P0301.035-A4	M3,5	2.55	6	A4 s/s
P0301.040-A4	M 4	2.9	7	A4 s/s
P0301.050-A4	M 5	3.7	8	A4 s/s
P0301.060-A4	M 6	4.7	10	A4 s/s
P0301.070-A4	M 7	5.2	11	A4 s/s
P0301.080-A4	M 8	6.14	13	A4 s/s
P0301.100-A4	M10	7.64	17	A4 s/s
P0301.120-A4	M12	9.64	19	A4 s/s
P0301.140-A4	M14	10.3	22	A4 s/s
P0301.160-A4	M16	12.3	24	A4 s/s
P0301.180-A4	M18	14.3	27	A4 s/s
P0301.200-A4	M20	14.9	30	A4 s/s
P0301.220-A4	M22	16.9	32	A4 s/s
P0301.240-A4	M24	17.7	36	A4 s/s
P0301.270-A4	M27	20.7	41	A4 s/s
P0301.300-A4	M30	22.7	46	A4 s/s
P0301.330-A4	M33	24.7	50	A4 s/s
P0301.360-A4	M36	27.4	55	A4 s/s
P0301.420-A4	M42	32.4	65	A4 s/s
P0301.480-A4	M48	36.4	75	A4 s/s

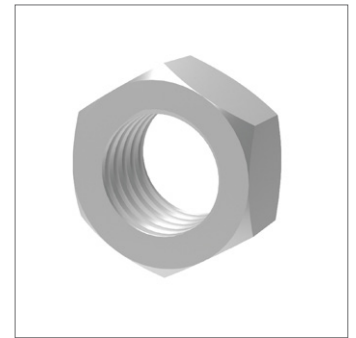
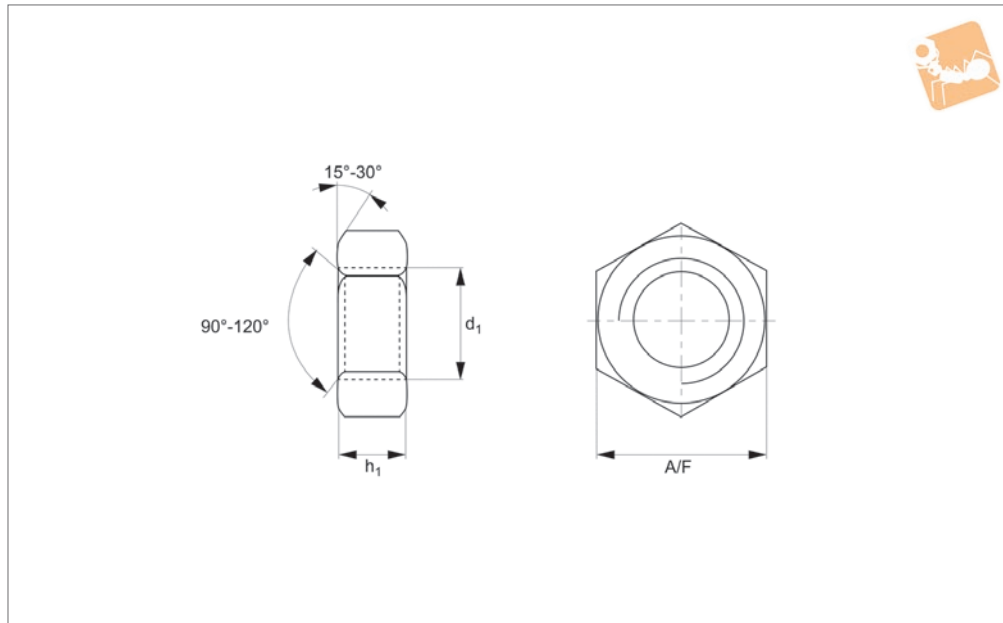


Full Nuts Coarse Thread

Steel, zinc-plated



Nuts



P0301.ZP

NUTS

Material

Steel (class 8), zinc plated.

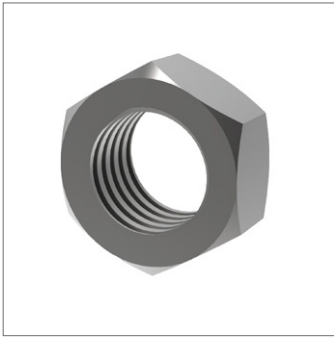
threads.

For fine thread full nuts see P0302.

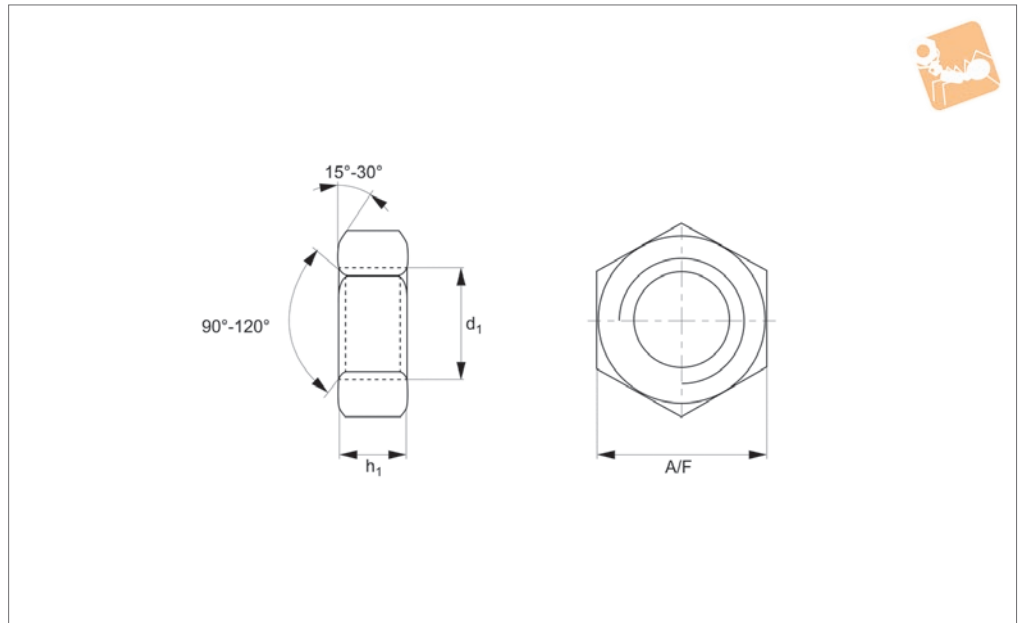
Technical Notes

To DIN 934. Standard metric coarse pitch

Order No.	d ₁	h ₁ min.	A/F	Material
P0301.020-ZP	M 2	1.35	4	Steel ZP
P0301.025-ZP	M2,5	1.75	5	Steel ZP
P0301.030-ZP	M 3	2.15	5.5	Steel ZP
P0301.035-ZP	M3,5	2.55	6	Steel ZP
P0301.040-ZP	M 4	2.9	7	Steel ZP
P0301.050-ZP	M 5	3.7	8	Steel ZP
P0301.060-ZP	M 6	4.7	10	Steel ZP
P0301.080-ZP	M 8	6.14	13	Steel ZP
P0301.100-ZP	M10	7.64	17	Steel ZP
P0301.120-ZP	M12	9.64	19	Steel ZP
P0301.140-ZP	M14	10.3	22	Steel ZP
P0301.160-ZP	M16	12.3	24	Steel ZP
P0301.180-ZP	M18	14.3	27	Steel ZP
P0301.200-ZP	M20	14.9	30	Steel ZP
P0301.220-ZP	M22	16.9	32	Steel ZP
P0301.240-ZP	M24	17.7	36	Steel ZP
P0301.300-ZP	M30	22.7	46	Steel ZP
P0301.330-ZP	M33	24.7	50	Steel ZP
P0301.360-ZP	M36	27.4	55	Steel ZP
P0301.420-ZP	M42	32.4	65	Steel ZP
P0301.480-ZP	M48	36.4	75	Steel ZP
P0301.520-ZP	M52	42	80	Steel ZP
P0301.560-ZP	M56	45	85	Steel ZP
P0301.600-ZP	M60	48	90	Steel ZP
P0301.640-ZP	M64	51	95	Steel ZP
P0301.680-ZP	M68	54	100	Steel ZP
P0301.720-ZP	M72x6,0	58	105	Steel ZP
P0301.800-ZP	M80x6,0	64	115	Steel ZP



P0301.SC



Material

Steel (class 8), self-colour.

threads.

For fine thread full nuts see P0302.

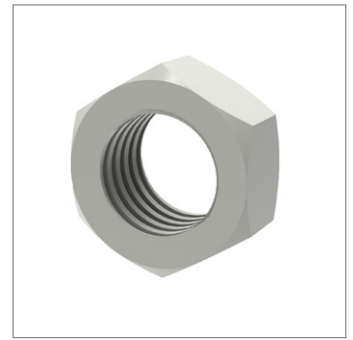
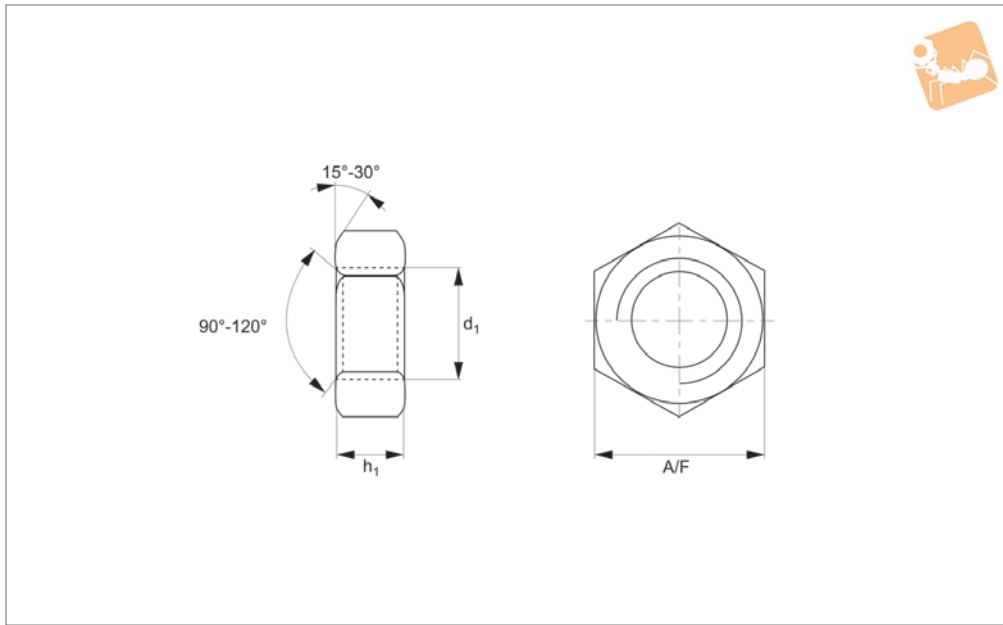
Technical Notes

To DIN 934. Standard metric coarse pitch

Order No.	d_1	h_1 min.	A/F	Material
P0301.020-SC	M 2	1.35	4	Steel SC
P0301.025-SC	M2,5	1.75	5	Steel SC
P0301.030-SC	M 3	2.15	5.5	Steel SC
P0301.035-SC	M3,5	2.55	6	Steel SC
P0301.040-SC	M 4	2.9	7	Steel SC
P0301.050-SC	M 5	3.7	8	Steel SC
P0301.060-SC	M 6	4.7	10	Steel SC
P0301.070-SC	M 7	5.5	11	Steel SC
P0301.080-SC	M 8	6.14	13	Steel SC
P0301.100-SC	M10	7.64	17	Steel SC
P0301.120-SC	M12	9.64	19	Steel SC
P0301.140-SC	M14	10.3	22	Steel SC
P0301.160-SC	M16	12.3	24	Steel SC
P0301.180-SC	M18	14.3	27	Steel SC
P0301.200-SC	M20	14.9	30	Steel SC
P0301.220-SC	M22	16.9	32	Steel SC
P0301.240-SC	M24	17.7	36	Steel SC
P0301.270-SC	M27	20.7	41	Steel SC
P0301.300-SC	M30	22.7	46	Steel SC
P0301.330-SC	M33	24.7	50	Steel SC
P0301.360-SC	M36	27.4	55	Steel SC
P0301.420-SC	M42	32.4	65	Steel SC
P0301.480-SC	M48	36.4	75	Steel SC
P0301.520-SC	M52	42	80	Steel SC
P0301.560-SC	M56	45	85	Steel SC
P0301.600-SC	M60	48	90	Steel SC
P0301.640-SC	M64	51	95	Steel SC
P0301.680-SC	M68	54	100	Steel SC
P0301.720-SC	M72x6,0	58	105	Steel SC
P0301.800-SC	M80x6,0	64	115	Steel SC



Full Nuts Coarse Thread Nylon



P0301.NL

NUTS

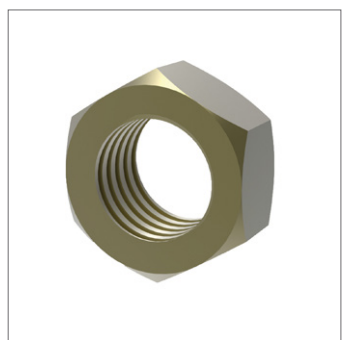
Material
Nylon.

threads.
For fine thread full nuts see P0302.

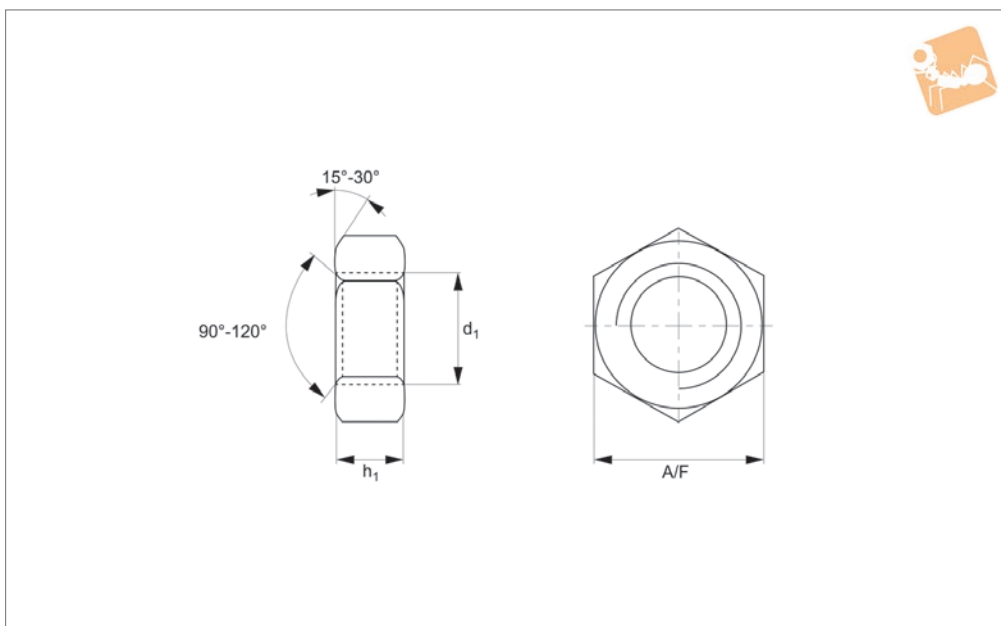
Technical Notes

To DIN 934. Standard metric coarse pitch

Order No.	d ₁	h ₁ min.	A/F	Material
P0301.030-NL	M 3	2.15	5.5	Nylon
P0301.040-NL	M 4	2.9	7	Nylon
P0301.050-NL	M 5	3.7	8	Nylon
P0301.060-NL	M 6	4.7	10	Nylon
P0301.080-NL	M 8	6.14	13	Nylon
P0301.100-NL	M10	7.64	17	Nylon
P0301.120-NL	M12	9.64	19	Nylon



P0301.BR



Material
Brass.

threads.
For fine thread full nuts see P0302.

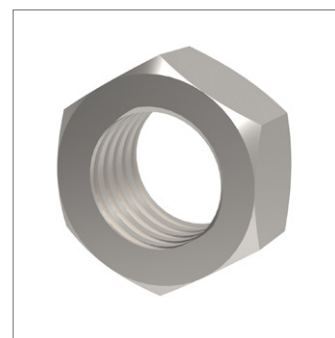
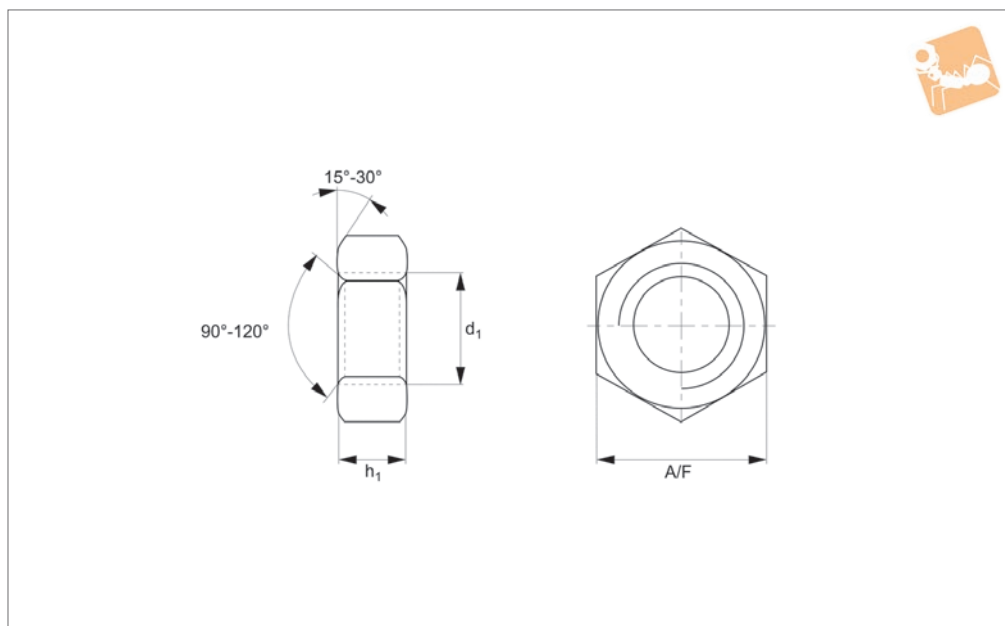
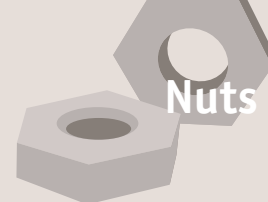
Technical Notes

To DIN 934. Standard metric coarse pitch

Order No.	d_1	h_1 min.	A/F	Material
P0301.020-BR	M 2	1.35	4	Brass
P0301.030-BR	M 3	2.15	5.5	Brass
P0301.040-BR	M 4	2.9	7	Brass
P0301.050-BR	M 5	3.7	8	Brass
P0301.060-BR	M 6	4.7	10	Brass
P0301.080-BR	M 8	6.14	13	Brass
P0301.100-BR	M10	7.64	17	Brass
P0301.120-BR	M12	9.64	19	Brass
P0301.140-BR	M14	10.3	22	Brass
P0301.160-BR	M16	12.3	24	Brass
P0301.180-BR	M18	14.3	27	Brass
P0301.200-BR	M20	14.9	30	Brass
P0301.220-BR	M22	16.9	32	Brass
P0301.240-BR	M24	17.7	36	Brass
P0301.270-BR	M27	20.7	41	Brass
P0301.300-BR	M30	22.7	46	Brass
P0301.360-BR	M36	27.4	55	Brass
P0301.390-BR	M39	29.4	60	Brass
P0301.035-BR	M3,5	2.55	6	Brass
P0301.070-BR	M 7	5.5	11	Brass
P0301.025-BR	M2,5	1.75	5	Brass

Full Nuts Fine Thread

A2 stainless



P0302.A2

NUTS

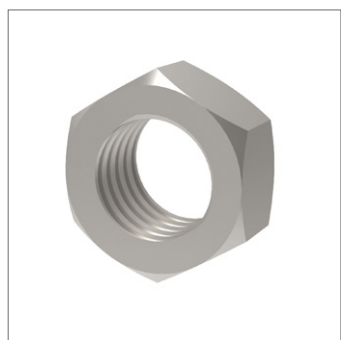
Material

Stainless steel (A2).

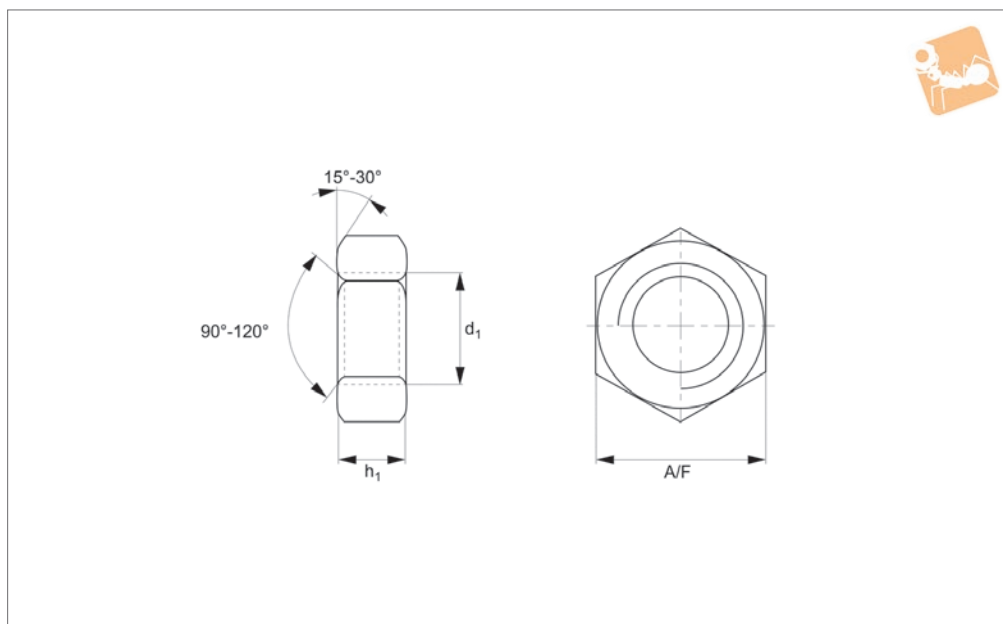
Technical Notes

DIN 934. Fine pitch threads.
For coarse thread full nuts see P0301.

Order No.	d ₁	h ₁ min.	A/F	Material
P0302.080-100-A2	M08x1,0	6.14	13	A2 s/s
P0302.100-100-A2	M10x1,0	7.64	17	A2 s/s
P0302.100-125-A2	M10x1,25	7.64	17	A2 s/s
P0302.120-125-A2	M12x1,25	9.64	19	A2 s/s
P0302.120-150-A2	M12x1,5	9.64	19	A2 s/s
P0302.140-150-A2	M14x1,5	10.3	22	A2 s/s
P0302.160-150-A2	M16x1,5	12.3	24	A2 s/s
P0302.180-150-A2	M18x1,5	14.3	27	A2 s/s
P0302.200-150-A2	M20x1,5	14.9	30	A2 s/s
P0302.200-200-A2	M20x2,0	14.9	30	A2 s/s
P0302.220-150-A2	M22x1,5	16.9	32	A2 s/s
P0302.240-150-A2	M24x1,5	17.7	36	A2 s/s
P0302.240-200-A2	M24x2,0	17.7	36	A2 s/s
P0302.270-150-A2	M27x1,5	20.7	41	A2 s/s
P0302.270-200-A2	M27x2,0	20.7	41	A2 s/s
P0302.300-200-A2	M30x2,0	22.7	46	A2 s/s
P0302.300-150-A2	M30x1,5	22.7	46	A2 s/s
P0302.360-150-A2	M36x1,5	27.4	55	A2 s/s
P0302.360-300-A2	M36x3,0	27.4	55	A2 s/s



P0302.A4



Material

Stainless steel (A4).

Technical Notes

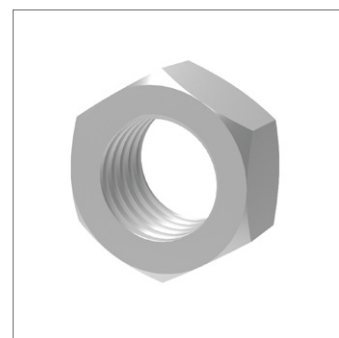
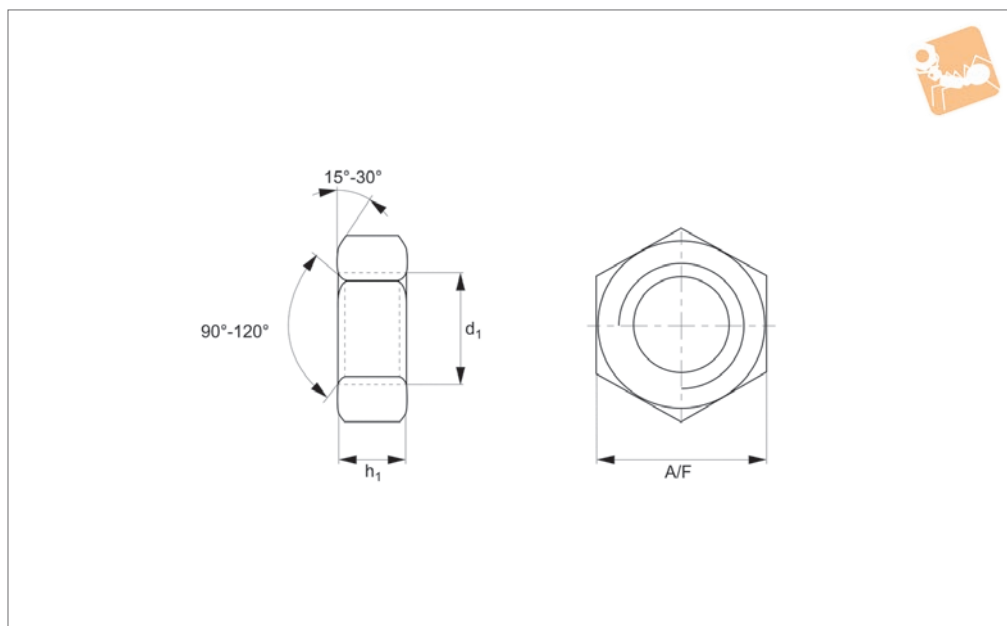
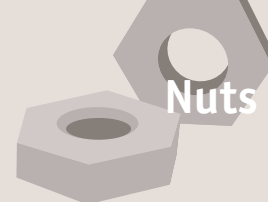
DIN 934. Fine pitch threads.

For coarse thread full nuts see P0301.

Order No.	d_1	h_1 min.	A/F	Material
P0302.080-100-A4	M08x1,0	6.14	13	A4 s/s
P0302.100-100-A4	M10x1,0	7.64	17	A4 s/s
P0302.100-125-A4	M10x1,25	7.64	17	A4 s/s
P0302.120-125-A4	M12x1,25	9.64	19	A4 s/s
P0302.120-150-A4	M12x1,5	9.64	19	A4 s/s
P0302.140-150-A4	M14x1,5	10.3	22	A4 s/s
P0302.160-150-A4	M16x1,5	12.3	24	A4 s/s
P0302.180-150-A4	M18x1,5	14.3	27	A4 s/s
P0302.200-150-A4	M20x1,5	14.9	30	A4 s/s
P0302.200-200-A4	M20x2,0	14.9	30	A4 s/s
P0302.220-150-A4	M22x1,5	16.9	32	A4 s/s
P0302.240-150-A4	M24x1,5	17.7	36	A4 s/s
P0302.240-200-A4	M24x2,0	17.7	36	A4 s/s
P0302.270-150-A4	M27x1,5	20.7	41	A4 s/s
P0302.270-200-A4	M27x2,0	20.7	41	A4 s/s
P0302.300-150-A4	M30x1,5	22.7	46	A4 s/s
P0302.300-200-A4	M30x2,0	22.7	46	A4 s/s
P0302.360-150-A4	M36x1,50	27.4	55	A4 s/s
P0302.360-300-A4	M36x3,0	27.4	55	A4 s/s

Full Nuts Fine Thread

Steel, zinc-plated



P0302.ZP

NUTS

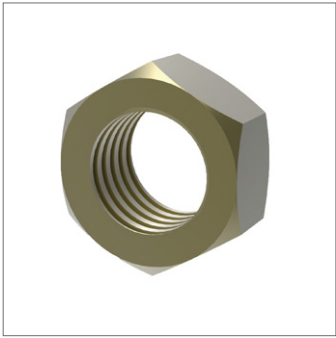
Material

Steel (class 8), zinc-plated.

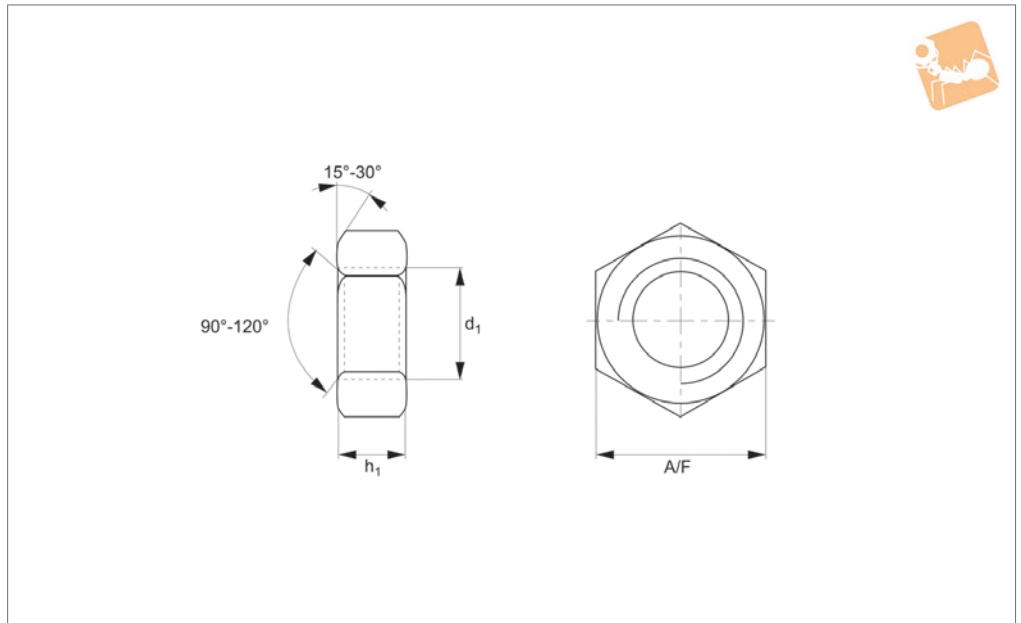
Technical Notes

DIN 934. Fine pitch threads.
For coarse thread full nuts see P0301.

Order No.	d ₁	h min.	A/F	Material
P0302.080-100-ZP	M08x1,0	6.14	13	Steel ZP
P0302.100-100-ZP	M10x1,0	7.64	17	Steel ZP
P0302.100-125-ZP	M10x1,25	7.64	17	Steel ZP
P0302.120-150-ZP	M12x1,5	9.64	19	Steel ZP
P0302.120-125-ZP	M12x1,25	9.64	19	Steel ZP
P0302.140-150-ZP	M14x1,5	10.3	22	Steel ZP
P0302.160-150-ZP	M16x1,5	12.3	24	Steel ZP
P0302.180-150-ZP	M18x1,5	14.3	27	Steel ZP
P0302.200-150-ZP	M20x1,5	14.9	30	Steel ZP
P0302.200-200-ZP	M20x2,0	14.9	30	Steel ZP
P0302.220-150-ZP	M22x1,5	16.9	32	Steel ZP
P0302.240-150-ZP	M24x1,5	17.7	36	Steel ZP
P0302.240-200-ZP	M24x2,0	17.7	36	Steel ZP
P0302.270-150-ZP	M27x1,5	20.7	41	Steel ZP
P0302.270-200-ZP	M27x2,0	20.7	41	Steel ZP
P0302.300-150-ZP	M30x1,5	22.7	46	Steel ZP
P0302.300-200-ZP	M30x2,0	22.7	46	Steel ZP
P0302.360-150-ZP	M36x1,5	27.4	55	Steel ZP
P0302.360-300-ZP	M36x3,0	27.4	55	Steel ZP



P0302.BR



Material

Brass.

Technical Notes

DIN 934. Fine pitch threads.

For coarse thread full nuts see P0301.

Order No.	d_1	h_1 min.	A/F	Material
P0302.080-100-BR	M8x1	6.14	13	Brass
P0302.100-100-BR	M10x1	7.64	17	Brass
P0302.120-150-BR	M12x1,5	9.64	19	Brass
P0302.140-150-BR	M14x1,5	10.3	22	Brass
P0302.160-150-BR	M16x1,5	12.3	24	Brass
P0302.180-150-BR	M18x1,5	14.3	27	Brass
P0302.200-150-BR	M20x1,5	14.9	30	Brass
P0302.220-150-BR	M22x1,5	16.9	32	Brass
P0302.240-150-BR	M24x1,5	17.7	36	Brass
P0302.270-150-BR	M27x1,5	20.7	41	Brass
P0302.300-150-BR	M30x1,5	22.7	46	Brass
P0302.300-200-BR	M30x2,0	22.7	46	Brass

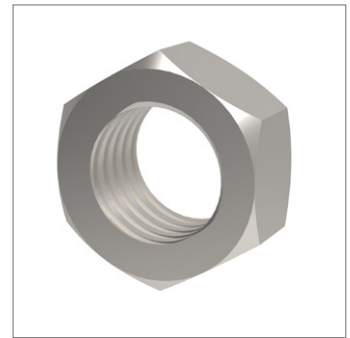
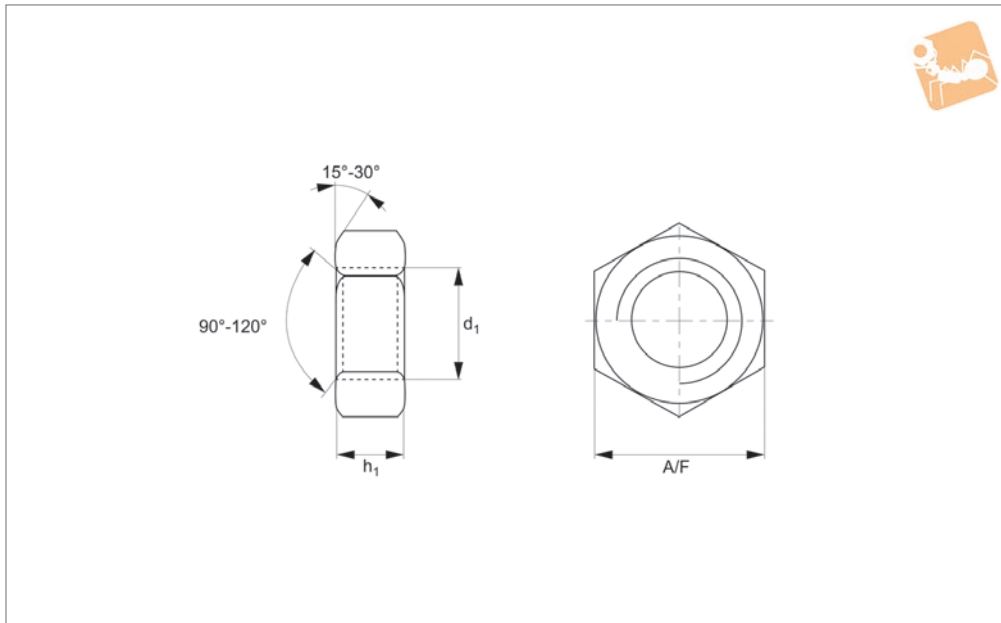


Full Nuts Left Hand Thread

A2 stainless



Nuts



P0303.A2

NUTS

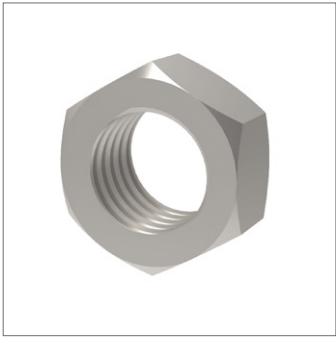
Material

Stainless steel (A2)

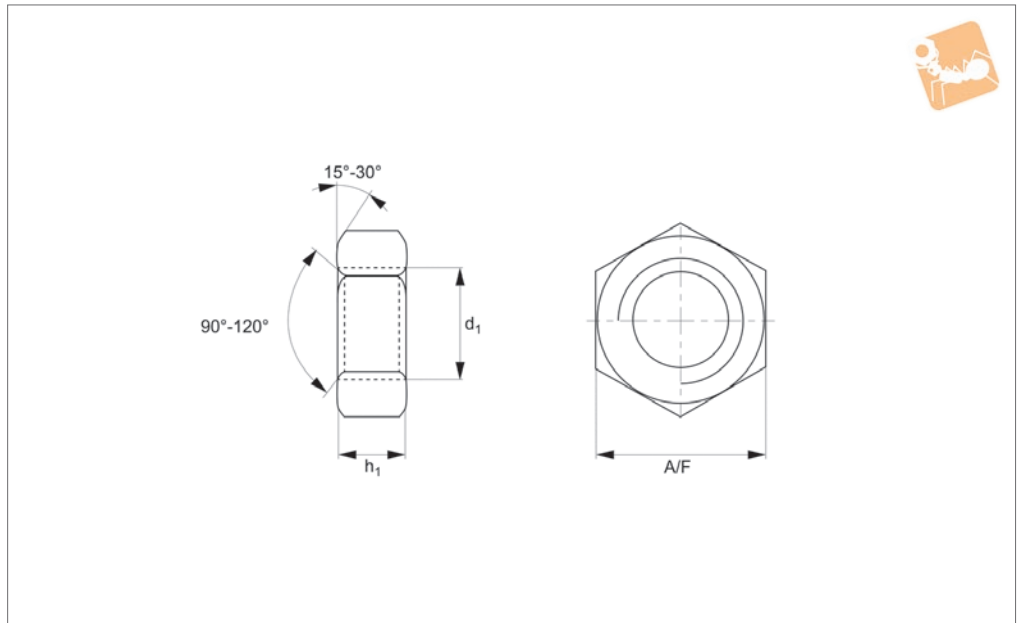
Technical Notes

To DIN 934. These are the left hand thread versions.

Order No.	d ₁	h ₁ min.	A/F	Material
P0303.030-A2	M 3	2.15	5.5	A2 s/s
P0303.040-A2	M 4	2.9	7	A2 s/s
P0303.050-A2	M 5	3.7	8	A2 s/s
P0303.060-A2	M 6	4.7	10	A2 s/s
P0303.080-A2	M 8	6.14	13	A2 s/s
P0303.100-100-A2	M10x1,0	7.64	17	A2 s/s
P0303.100-125-A2	M10x1,25	7.64	17	A2 s/s
P0303.100-A2	M10	7.64	17	A2 s/s
P0303.120-A2	M12	9.64	19	A2 s/s
P0303.120-125-A2	M12x1,25	9.64	19	A2 s/s
P0303.120-150-A2	M12x1,5	9.64	19	A2 s/s
P0303.140-A2	M14	10.3	22	A2 s/s
P0303.160-A2	M16	12.3	24	A2 s/s
P0303.160-150-A2	M16x1,5	12.3	24	A2 s/s
P0303.180-A2	M18	14.3	27	A2 s/s
P0303.200-A2	M20	14.9	30	A2 s/s
P0303.200-150-A2	M20x1,5	14.9	30	A2 s/s
P0303.220-A2	M22	16.9	32	A2 s/s
P0303.220-150-A2	M22x1,5	16.9	32	A2 s/s
P0303.240-A2	M24	17.7	36	A2 s/s
P0303.270-A2	M27	20.7	41	A2 s/s
P0303.270-200-A2	M27x2,0	20.7	41	A2 s/s
P0303.300-A2	M30	22.7	46	A2 s/s
P0303.300-200-A2	M30x2,0	22.7	46	A2 s/s



P0303.A4



Material

Stainless steel (A4).

Technical Notes

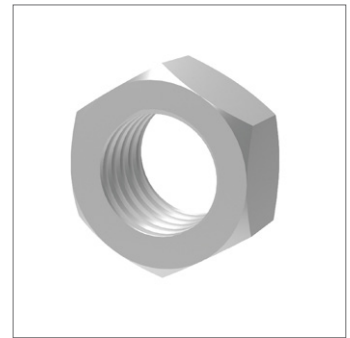
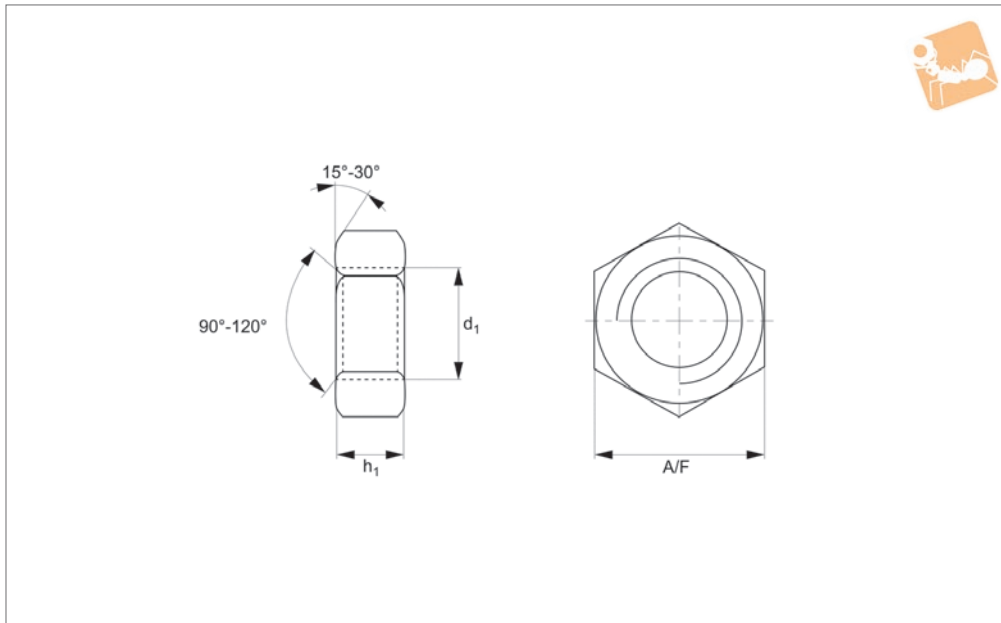
To DIN 934. These are the left hand thread versions.

Order No.	d_1	h_1 min.	A/F	Material
P0303.030-A4	M 3	2.15	5.5	A4 s/s
P0303.040-A4	M 4	2.9	7	A4 s/s
P0303.050-A4	M 5	3.7	8	A4 s/s
P0303.060-A4	M 6	4.7	10	A4 s/s
P0303.080-A4	M 8	6.14	13	A4 s/s
P0303.100-A4	M10	7.64	17	A4 s/s
P0303.120-A4	M12	9.64	19	A4 s/s
P0303.140-A4	M14	10.3	22	A4 s/s
P0303.160-A4	M16	12.3	24	A4 s/s
P0303.180-A4	M18	14.3	27	A4 s/s
P0303.200-A4	M20	14.9	30	A4 s/s
P0303.220-A4	M22	16.9	32	A4 s/s
P0303.240-A4	M24	17.7	36	A4 s/s
P0303.270-A4	M27	20.7	41	A4 s/s
P0303.300-A4	M30	22.7	46	A4 s/s



Full Nuts Left Hand Thread

Steel, zinc-plated



P0303.ZP

NUTS

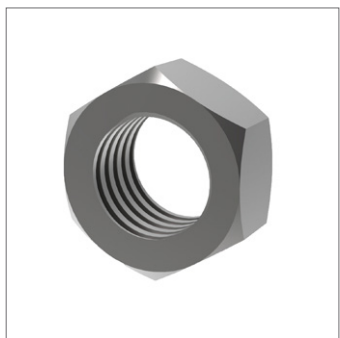
Material

Steel (class 8), zinc plated.

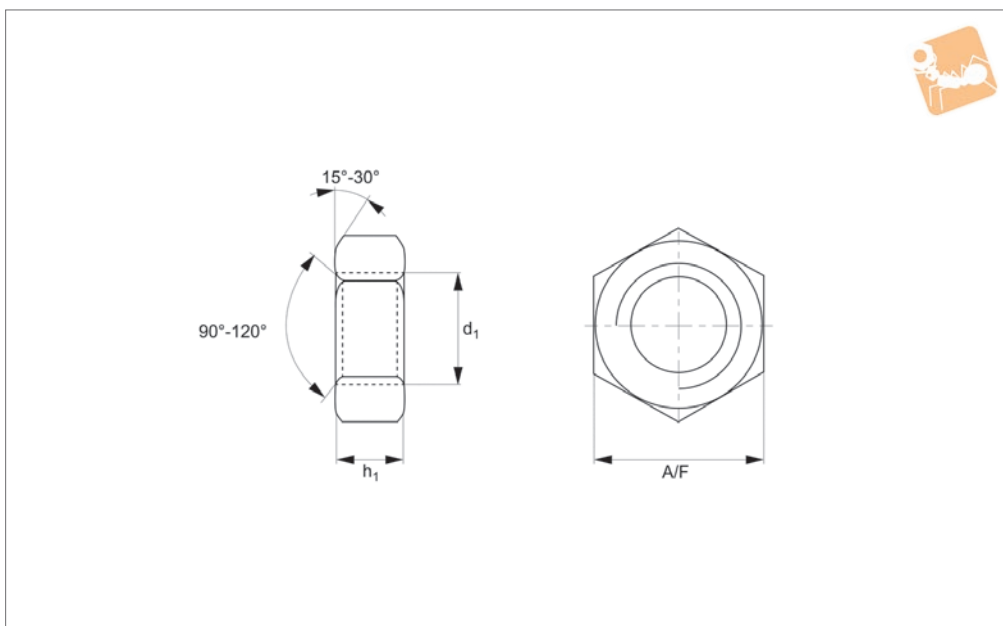
Technical Notes

To DIN 934. These are the left hand thread versions.

Order No.	d ₁	h ₁ min.	A/F	Material
P0303.050-ZP	M 5	3.7	8	Steel ZP
P0303.060-ZP	M 6	4.7	10	Steel ZP
P0303.080-ZP	M 8	6.14	13	Steel ZP
P0303.100-ZP	M10	7.64	17	Steel ZP
P0303.120-ZP	M12	9.64	19	Steel ZP
P0303.140-ZP	M14	10.3	22	Steel ZP
P0303.160-ZP	M16	12.3	24	Steel ZP
P0303.180-ZP	M18	14.3	27	Steel ZP
P0303.200-ZP	M20	14.9	30	Steel ZP
P0303.220-ZP	M22	16.9	32	Steel ZP
P0303.240-ZP	M24	17.7	36	Steel ZP
P0303.270-ZP	M27	20.7	41	Steel ZP
P0303.300-ZP	M30	22.7	46	Steel ZP



P0303.SC



Material

Steel (class 8), self-colour.

Technical Notes

To DIN 934. These are the left hand thread versions.

Order No.	d_1	h_1 min.	A/F	Material
P0303.060-SC	M 6	4.7	10	Steel SC
P0303.080-SC	M 8	6.14	13	Steel SC
P0303.100-SC	M10	7.64	17	Steel SC
P0303.120-SC	M12	9.64	19	Steel SC
P0303.160-SC	M16	12.3	24	Steel SC
P0303.200-SC	M20	14.9	30	Steel SC
P0303.240-SC	M24	17.7	36	Steel SC

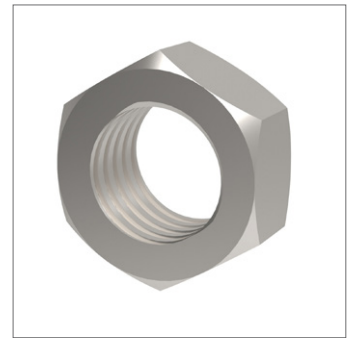
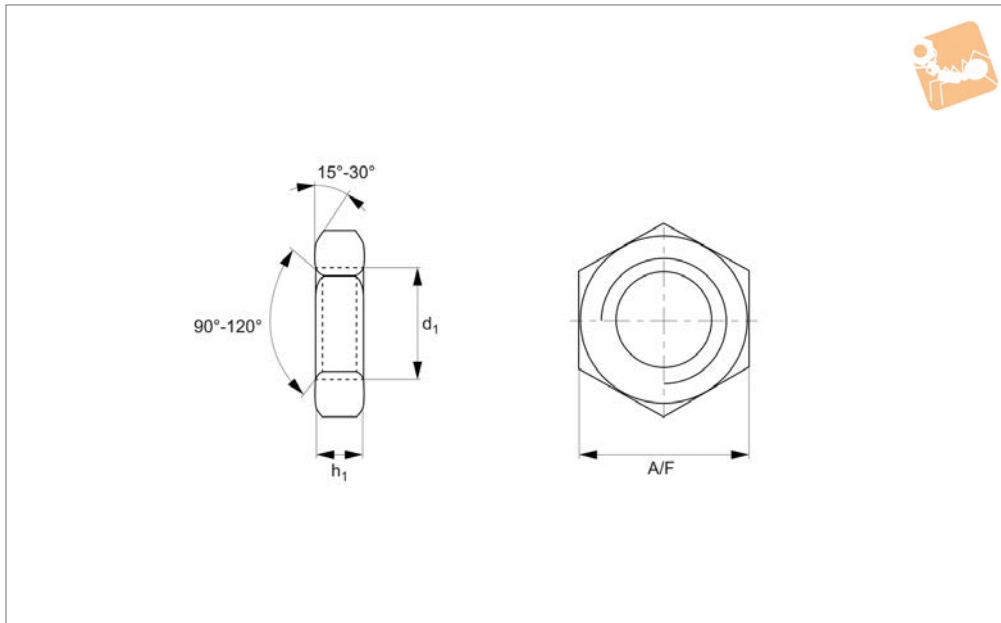


Lock Nuts Coarse Thread

A2 stainless



Nuts



P0305.A2

NUTS

Material

Stainless steel (A2).

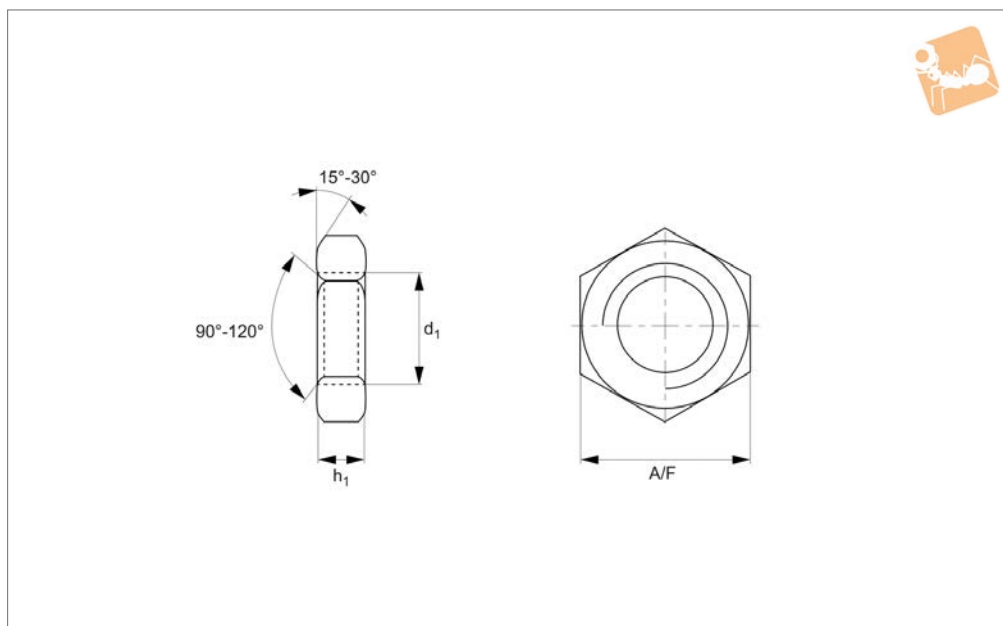
Technical Notes

To DIN 439. Standard metric coarse pitch threads.

Order No.	d ₁	h ₁	A/F	Material
P0305.016-A2	M1,6	0.75	3.2	A2 s/s
P0305.017-A2	M1,7	0.75	3.5	A2 s/s
P0305.020-A2	M 2	0.95	4	A2 s/s
P0305.023-A2	M2,3	0.95	4.5	A2 s/s
P0305.025-A2	M2,5	1.35	5	A2 s/s
P0305.026-A2	M2,6	1.35	5	A2 s/s
P0305.030-A2	M 3	1.55	5.5	A2 s/s
P0305.040-A2	M 4	1.95	7	A2 s/s
P0305.050-A2	M 5	2.45	8	A2 s/s
P0305.060-A2	M 6	2.9	10	A2 s/s
P0305.080-A2	M 8	3.7	13	A2 s/s
P0305.100-A2	M10	4.7	17	A2 s/s
P0305.120-A2	M12	5.7	19	A2 s/s
P0305.140-A2	M14	6.42	22	A2 s/s
P0305.160-A2	M16	7.42	24	A2 s/s
P0305.180-A2	M18	8.42	27	A2 s/s
P0305.200-A2	M20	9.1	30	A2 s/s
P0305.220-A2	M22	9.9	34	A2 s/s
P0305.240-A2	M24	10.9	36	A2 s/s
P0305.270-A2	M27	12.4	41	A2 s/s
P0305.300-A2	M30	13.9	46	A2 s/s
P0305.330-A2	M33	15.4	50	A2 s/s
P0305.360-A2	M36	16.9	55	A2 s/s
P0305.420-A2	M42	19.7	65	A2 s/s
P0305.480-A2	M48	22.7	75	A2 s/s



P0305.A4



Material

Stainless steel (A4).

threads.

For fine thread lock nuts see P0306.

Technical Notes

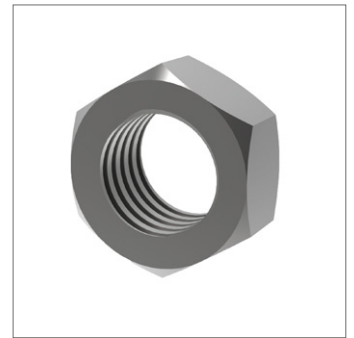
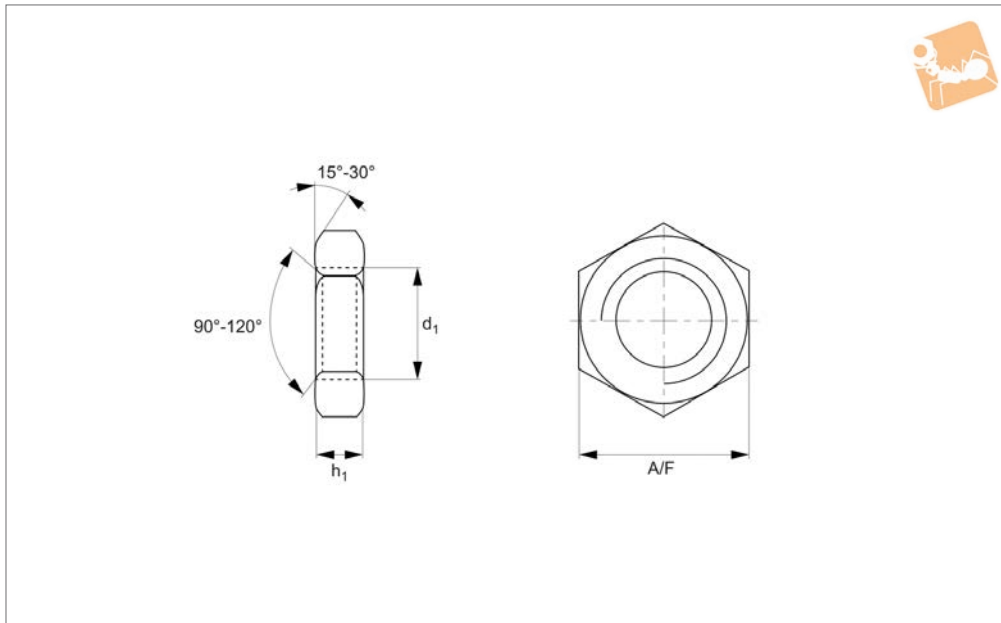
To DIN 439. Standard metric coarse pitch

Order No.	d_1	h_1	A/F	Material
P0305.016-A4	M1,6	0.75	3.2	A4 s/s
P0305.017-A4	M1,7	0.75	3.5	A4 s/s
P0305.020-A4	M 2	0.95	4	A4 s/s
P0305.023-A4	M2,3	0.95	4.5	A4 s/s
P0305.025-A4	M2,5	1.35	5	A4 s/s
P0305.026-A4	M2,6	1.35	5	A4 s/s
P0305.030-A4	M 3	1.55	5.5	A4 s/s
P0305.040-A4	M 4	1.95	7	A4 s/s
P0305.050-A4	M 5	2.45	8	A4 s/s
P0305.060-A4	M 6	2.9	10	A4 s/s
P0305.080-A4	M 8	3.7	13	A4 s/s
P0305.100-A4	M10	4.7	17	A4 s/s
P0305.120-A4	M12	5.7	19	A4 s/s
P0305.140-A4	M14	6.42	22	A4 s/s
P0305.160-A4	M16	7.42	24	A4 s/s
P0305.180-A4	M18	8.42	27	A4 s/s
P0305.200-A4	M20	9.1	30	A4 s/s
P0305.220-A4	M22	9.9	34	A4 s/s
P0305.240-A4	M24	10.9	36	A4 s/s
P0305.270-A4	M27	12.4	41	A4 s/s
P0305.300-A4	M30	13.9	46	A4 s/s
P0305.330-A4	M33	15.4	50	A4 s/s
P0305.360-A4	M36	16.9	55	A4 s/s
P0305.420-A4	M42	19.7	65	A4 s/s
P0305.480-A4	M48	22.7	75	A4 s/s



Lock Nuts Coarse Thread

Steel, self-colour



P0305.SC

NUTS

Material

Steel (class 4), self-colour.

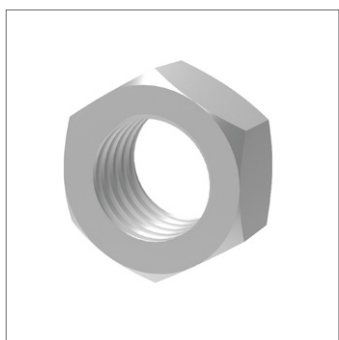
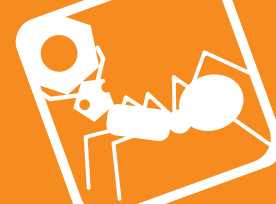
threads.

For fine thread lock nuts see P0306.

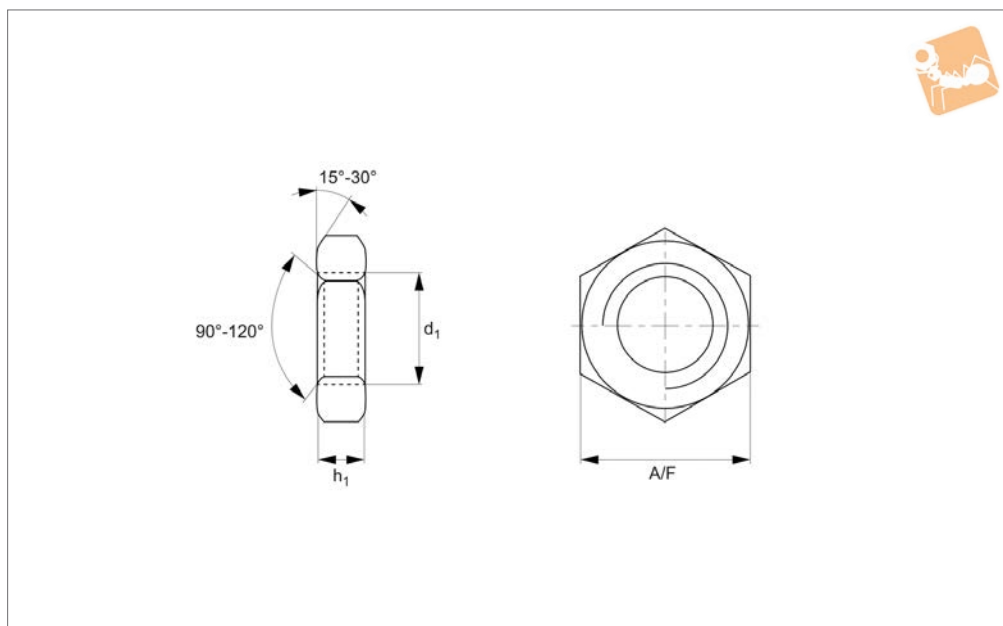
Technical Notes

To DIN 439. Standard metric coarse pitch

Order No.	d ₁	h ₁	A/F	Material
P0305.020-SC	M 2	0.95	4	Steel SC
P0305.025-SC	M2,6	1.35	5	Steel SC
P0305.030-SC	M 3	1.55	5.5	Steel SC
P0305.040-SC	M 4	1.95	7	Steel SC
P0305.050-SC	M 5	2.45	8	Steel SC
P0305.060-SC	M 6	2.9	10	Steel SC
P0305.080-SC	M 8	3.7	13	Steel SC
P0305.100-SC	M10	4.7	17	Steel SC
P0305.120-SC	M12	5.7	19	Steel SC
P0305.140-SC	M14	6.42	22	Steel SC
P0305.160-SC	M16	7.42	24	Steel SC
P0305.180-SC	M18	8.42	27	Steel SC
P0305.200-SC	M20	9.1	30	Steel SC
P0305.220-SC	M22	9.9	34	Steel SC
P0305.240-SC	M24	10.9	36	Steel SC
P0305.270-SC	M27	12.4	41	Steel SC
P0305.300-SC	M30	13.9	46	Steel SC
P0305.330-SC	M33	15.4	50	Steel SC
P0305.360-SC	M36	16.9	55	Steel SC
P0305.390-SC	M39	19.5	60	Steel SC
P0305.420-SC	M42	21	65	Steel SC
P0305.450-SC	M45	22.5	70	Steel SC
P0305.480-SC	M48	24	75	Steel SC
P0305.520-SC	M52	26	80	Steel SC
P0305.560-SC	M56	28	85	Steel SC
P0305.600-SC	M60	30	90	Steel SC



P0305.ZP



Material

Steel (class 4), zinc-plated.

threads.

For fine thread lock nuts see P0306.

Technical Notes

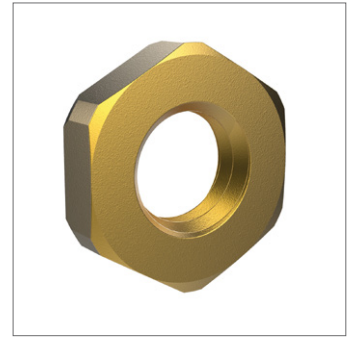
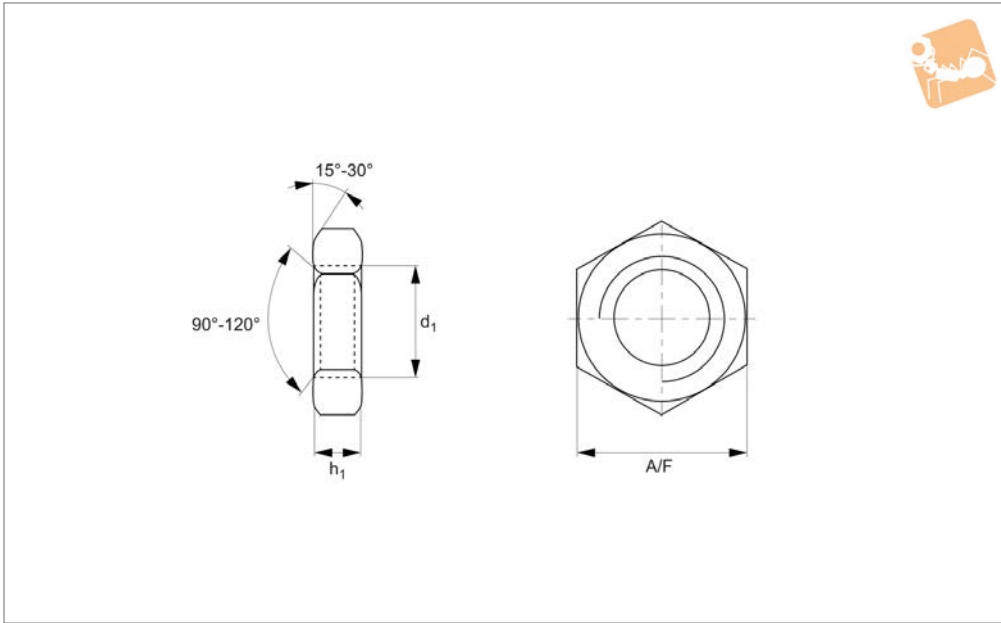
To DIN 439. Standard metric coarse pitch

Order No.	d_1	h_1 min.	A/F	Material
P0305.020-ZP	M 2	0.95	4	Steel ZP
P0305.025-ZP	M2,5	1.35	5	Steel ZP
P0305.030-ZP	M 3	1.55	5.5	Steel ZP
P0305.040-ZP	M 4	1.95	7	Steel ZP
P0305.050-ZP	M 5	2.45	8	Steel ZP
P0305.060-ZP	M 6	2.9	10	Steel ZP
P0305.080-ZP	M 8	3.7	13	Steel ZP
P0305.100-ZP	M10	4.7	17	Steel ZP
P0305.120-ZP	M12	5.7	19	Steel ZP
P0305.140-ZP	M14	6.42	22	Steel ZP
P0305.160-ZP	M16	7.42	24	Steel ZP
P0305.180-ZP	M18	8.42	27	Steel ZP
P0305.200-ZP	M20	9.1	30	Steel ZP
P0305.220-ZP	M22	9.9	34	Steel ZP
P0305.240-ZP	M24	10.9	36	Steel ZP
P0305.270-ZP	M27	12.4	41	Steel ZP
P0305.300-ZP	M30	13.9	46	Steel ZP
P0305.330-ZP	M33	15.4	50	Steel ZP
P0305.360-ZP	M36	16.9	55	Steel ZP
P0305.420-ZP	M42	19.7	65	Steel ZP



Hexagon thin nuts

unchamfered, DIN 439



P0305.BR

NUTS

Material

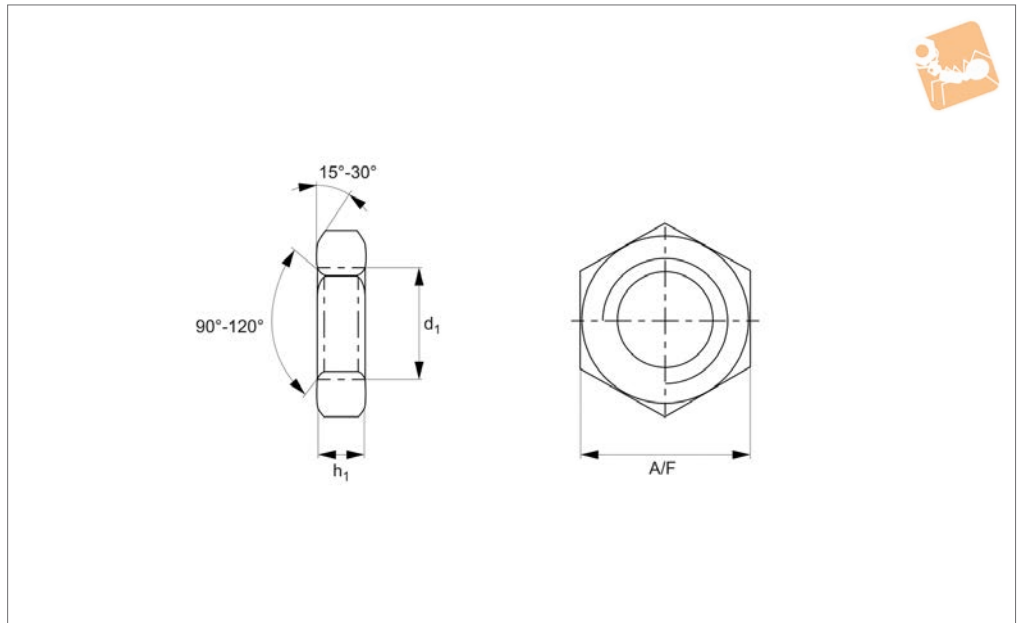
Brass, Cu3 (CuZn39Pb3).

Technical Notes

To DIN 439. Standard metric coarse pitch threads.



P0306.A2



Material

Stainless steel (AISI 303, 1.4305).

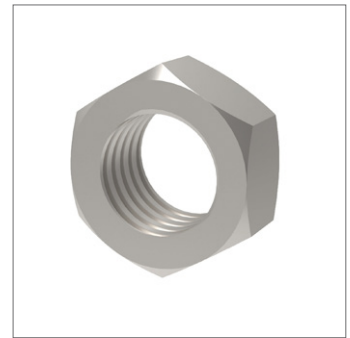
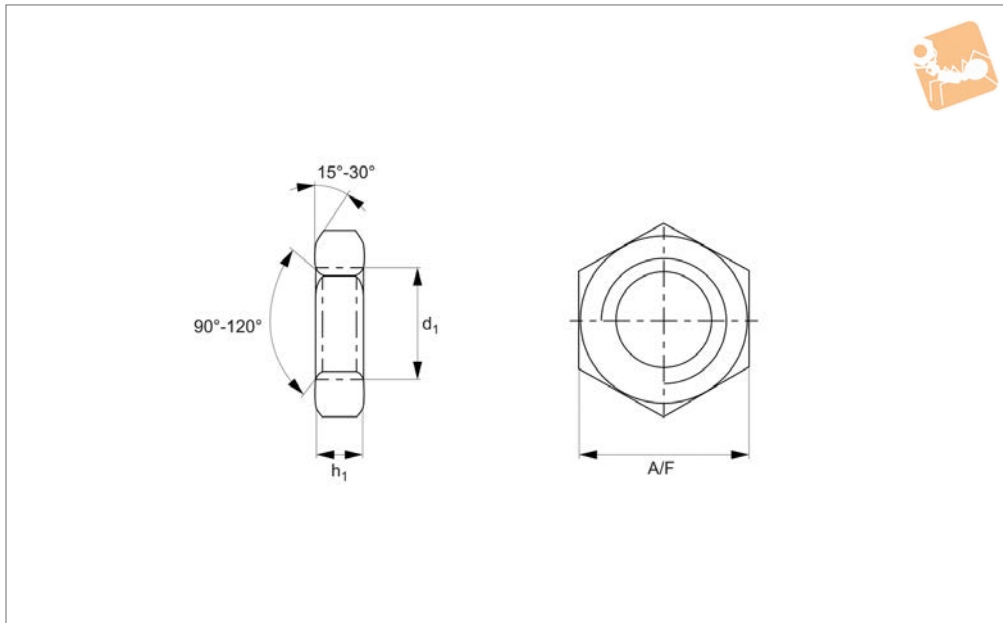
Technical Notes

To DIN 439. Fine pitch threads.
For coarse thread lock nuts see P0305.

Order No.	d_1	h_1 min.	A/F	Material
P0306.080-100-A2	M 8x1,0	3.7	13	A2 s/s
P0306.100-100-A2	M10x1,0	4.7	17	A2 s/s
P0306.100-125-A2	M10x1,25	4.7	17	A2 s/s
P0306.120-125-A2	M12x1,25	5.7	19	A2 s/s
P0306.120-150-A2	M12x1,5	5.7	19	A2 s/s
P0306.140-150-A2	M14x1,5	6.42	22	A2 s/s
P0306.160-150-A2	M16x1,5	7.42	24	A2 s/s
P0306.180-150-A2	M18x1,5	8.42	27	A2 s/s
P0306.200-150-A2	M20x1,5	9.1	30	A2 s/s
P0306.220-150-A2	M22x1,5	9.9	34	A2 s/s
P0306.240-150-A2	M24x1,5	10.9	36	A2 s/s
P0306.240-200-A2	M24x2,0	10.9	36	A2 s/s
P0306.270-150-A2	M27x1,5	12.4	41	A2 s/s
P0306.270-200-A2	M27x2,0	12.4	41	A2 s/s
P0306.300-150-A2	M30x1,5	13.9	46	A2 s/s
P0306.300-200-A2	M30x2,0	13.9	46	A2 s/s
P0306.330-200-A2	M33x2,0	15.4	49	A2 s/s
P0306.360-150-A2	M36x1,5	16.9	55	A2 s/s

Lock Nuts Fine Thread

A4 stainless



P0306.A4

NUTS

Material

Stainless steel (A4).

Technical Notes

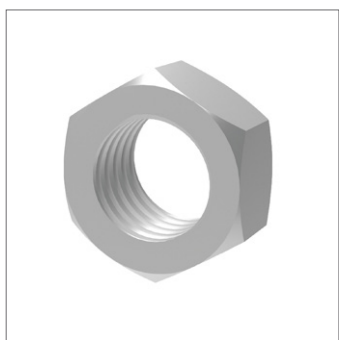
To DIN 439. Fine pitch threads.
For coarse thread lock nuts see P0305.

Order No.	d_1	h_1	A/F	Material
P0306.080-100-A4	M 8x1,0	3.7	13	A4 s/s
P0306.100-100-A4	M10x1,0	4.7	17	A4 s/s
P0306.100-125-A4	M10x1,25	4.7	17	A4 s/s
P0306.120-125-A4	M12x1,25	5.7	19	A4 s/s
P0306.120-150-A4	M12x1,5	5.7	19	A4 s/s
P0306.140-150-A4	M14x1,5	6.42	22	A4 s/s
P0306.160-150-A4	M16x1,5	7.42	24	A4 s/s
P0306.180-150-A4	M18x1,5	8.42	27	A4 s/s
P0306.200-150-A4	M20x1,5	9.1	30	A4 s/s
P0306.220-150-A4	M22x1,5	9.9	34	A4 s/s
P0306.240-150-A4	M24x1,5	10.9	36	A4 s/s
P0306.240-200-A4	M24x2,0	10.9	36	A4 s/s
P0306.270-150-A4	M27x1,5	12.4	41	A4 s/s
P0306.270-200-A4	M27x2,0	12.4	41	A4 s/s
P0306.300-150-A4	M30x1,5	13.9	46	A4 s/s
P0306.300-200-A4	M30x2,0	13.9	46	A4 s/s
P0306.330-200-A4	M33x2,0	15.4	49	A4 s/s
P0306.360-150-A4	M36x1,5	16.9	55	A4 s/s

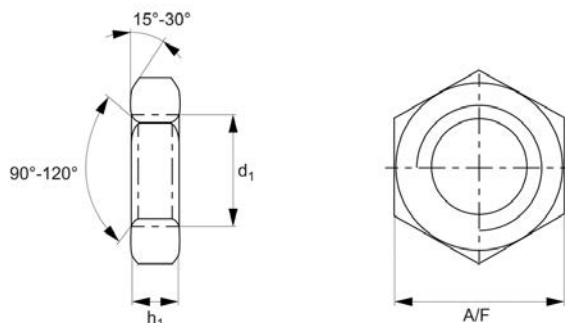


Lock Nuts Fine Thread

Steel, zinc-plated



P0306.ZP



Material

Steel (class 4), zinc-plated.

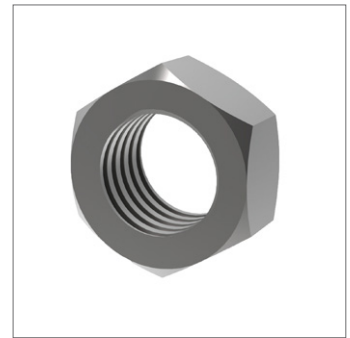
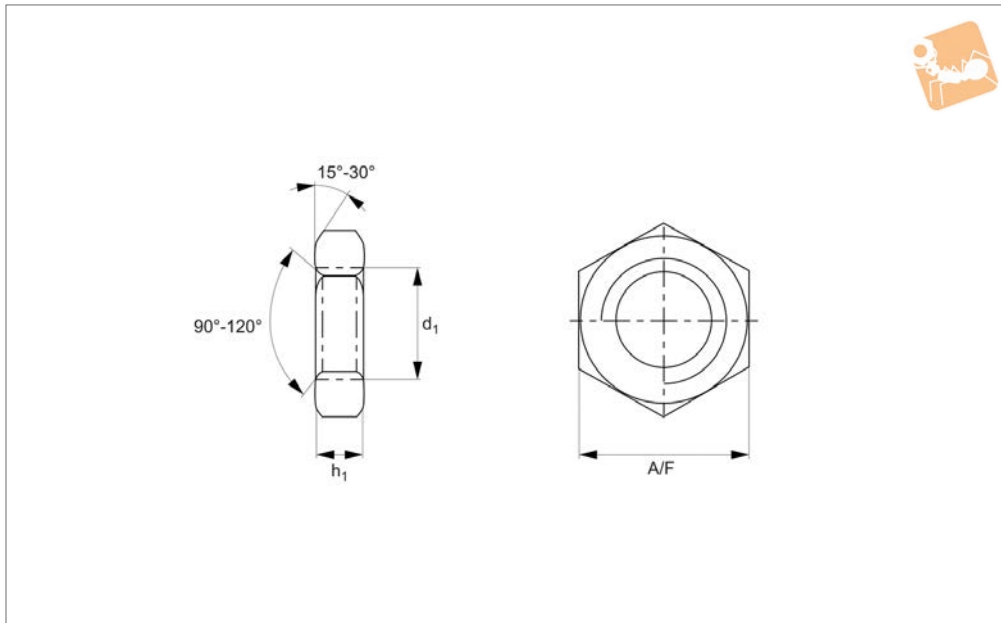
Technical Notes

To DIN 439. Fine pitch threads.
For coarse thread lock nuts see P0305.

Order No.	d_1	h_1	A/F	Material
P0306.080-100-ZP	M 8x1,0	3.7	13	Steel ZP
P0306.100-100-ZP	M10x1,0	4.7	17	Steel ZP
P0306.100-125-ZP	M10x1,25	4.7	17	Steel ZP
P0306.120-125-ZP	M12x1,25	5.7	19	Steel ZP
P0306.120-150-ZP	M12x1,5	5.7	19	Steel ZP
P0306.140-150-ZP	M14x1,5	6.42	22	Steel ZP
P0306.160-150-ZP	M16x1,5	7.42	24	Steel ZP
P0306.180-150-ZP	M18x1,5	8.42	27	Steel ZP
P0306.200-150-ZP	M20x1,5	9.1	30	Steel ZP
P0306.200-200-ZP	M20x2,0	9.1	30	Steel ZP
P0306.220-150-ZP	M22x1,5	9.9	34	Steel ZP
P0306.240-150-ZP	M24x1,5	10.9	36	Steel ZP
P0306.240-200-ZP	M24x2,0	10.9	36	Steel ZP
P0306.270-150-ZP	M27x1,5	12.4	41	Steel ZP
P0306.270-200-ZP	M27x2,0	12.4	41	Steel ZP
P0306.300-150-ZP	M30x1,5	13.9	46	Steel ZP
P0306.300-200-ZP	M30x2,0	13.9	46	Steel ZP
P0306.330-200-ZP	M33x2,0	15.4	49	Steel ZP
P0306.360-150-ZP	M36x1,5	16.9	55	Steel ZP
P0306.360-200-ZP	M36x2,0	16.9	55	Steel ZP
P0306.360-300-ZP	M36x3,0	16.9	55	Steel ZP

Lock Nuts Fine Thread

Steel, self-colour



P0306.SC

NUTS

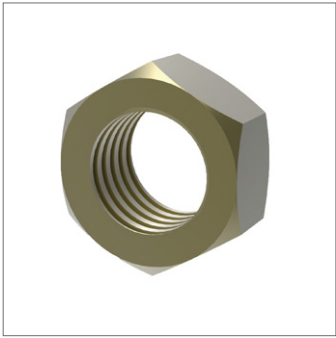
Material

Steel (class 4), self-colour.

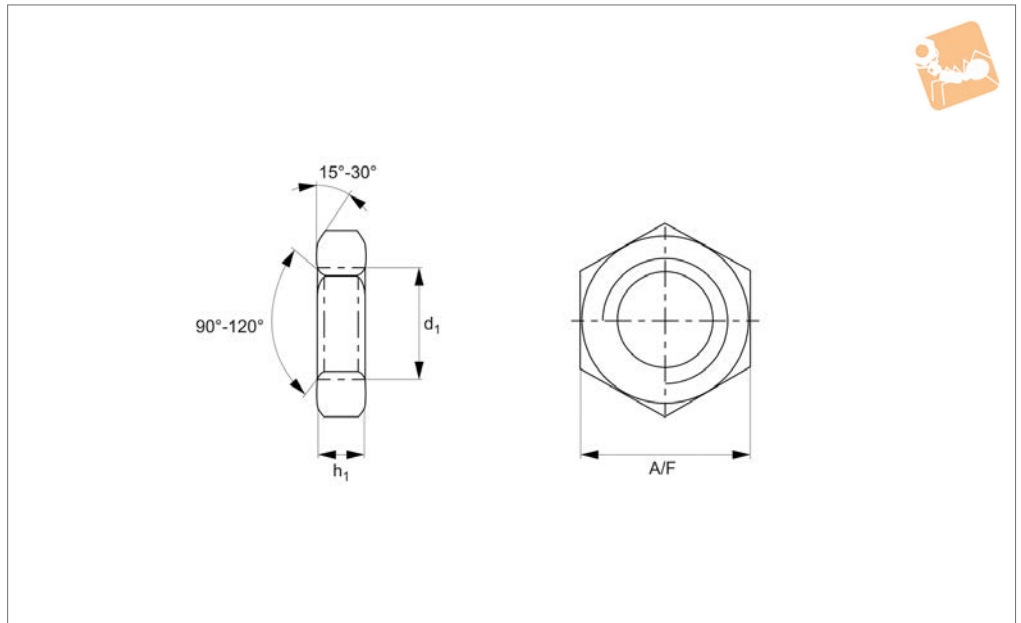
Technical Notes

To DIN 439. Fine pitch threads.
For coarse thread lock nuts see P0305.

Order No.	d ₁	h ₁	A/F	Material
P0306.080-100-SC	M 8x1,0	3.7	13	Steel SC
P0306.100-100-SC	M10x1,0	4.7	17	Steel SC
P0306.100-125-SC	M10x1,25	4.7	17	Steel SC
P0306.120-125-SC	M12x1,25	5.7	19	Steel SC
P0306.120-150-SC	M12x1,5	5.7	19	Steel SC
P0306.140-150-SC	M14x1,5	6.42	22	Steel SC
P0306.160-150-SC	M16x1,5	7.42	24	Steel SC
P0306.180-150-SC	M18x1,5	8.42	27	Steel SC
P0306.200-150-SC	M20x1,5	9.1	30	Steel SC
P0306.220-150-SC	M22x1,5	9.9	34	Steel SC
P0306.240-150-SC	M24x1,5	10.9	36	Steel SC
P0306.240-200-SC	M24x2,0	10.9	36	Steel SC
P0306.270-150-SC	M27x1,5	12.4	41	Steel SC
P0306.270-200-SC	M27x2,0	12.4	41	Steel SC
P0306.300-150-SC	M30x1,5	13.9	46	Steel SC
P0306.300-200-SC	M30x2,0	13.9	46	Steel SC
P0306.330-200-SC	M33x2,0	15.4	49	Steel SC
P0306.360-150-SC	M36x1,5	16.9	55	Steel SC
P0306.360-300-SC	M36x1,5	16.9	55	Steel SC
P0306.390-150-SC	M39x1,5	19.5	60	Steel SC
P0306.420-150-SC	M42x1,5	21	65	Steel SC
P0306.450-300-SC	M45x3,0	22.5	70	Steel SC
P0306.480-150-SC	M48x1,5	24	75	Steel SC
P0306.520-150-SC	M52x1,5	26	80	Steel SC
P0306.560-200-SC	M56x2,0	28	85	Steel SC



P0306.BR



Material

Brass.

Technical Notes

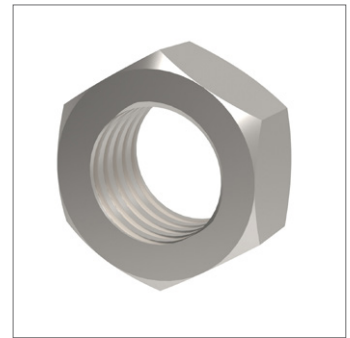
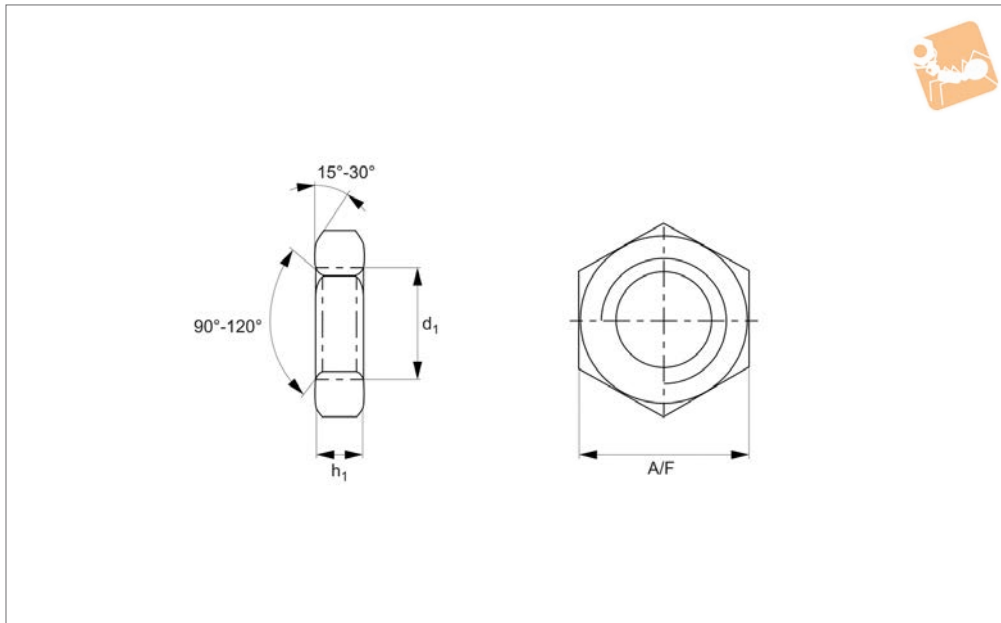
To DIN 439. Fine pitch threads.
For coarse thread lock nuts see P0305.

Order No.	d	h	A/F	Material
P0306.080-100-BR	M 8x1,0	3.7	13	Brass
P0306.100-100-BR	M10x1,0	4.7	17	Brass
P0306.120-150-BR	M12x1,5	5.7	19	Brass
P0306.140-150-BR	M14x1,5	6.42	22	Brass
P0306.160-150-BR	M16x1,5	7.42	24	Brass
P0306.180-150-BR	M18x1,5	8.42	27	Brass
P0306.200-150-BR	M20x1,5	9.1	30	Brass
P0306.220-150-BR	M22x1,5	9.9	34	Brass
P0306.240-150-BR	M24x1,5	10.9	36	Brass
P0306.270-150-BR	M27x1,5	12.4	41	Brass
P0306.300-150-BR	M30x1,5	13.9	46	Brass



Lock Nuts Left Hand Thread

303 series stainless



P0307.A2

NUTS

Material

Stainless steel (AISI 303, 1.4305).

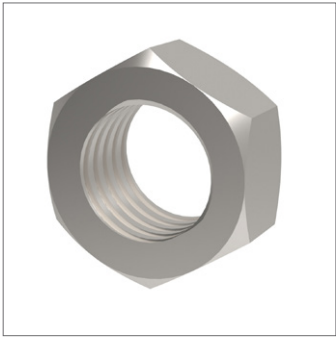
Standard threads are coarse pitch.

Fine threads are indicated by an A & B suffix.

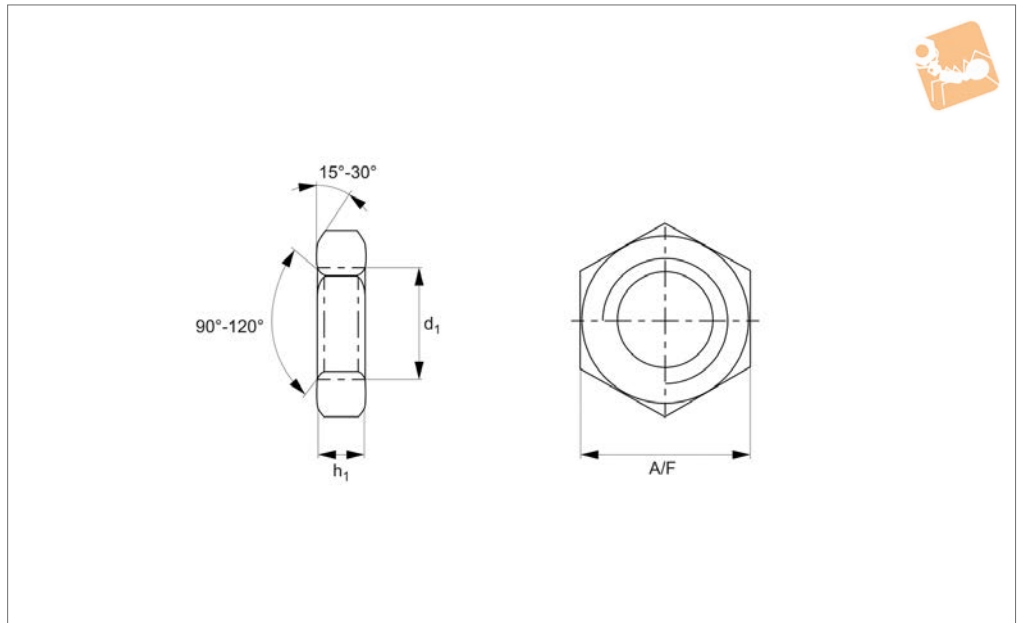
Technical Notes

To DIN 439. Left hand threads.

Order No.	d ₁	h ₁ min.	A/F	Material
P0307.060-A2	M 6	2.9	10	A2 s/s
P0307.080-A2	M 8	3.7	13	A2 s/s
P0307.100-A2	M10	4.7	17	A2 s/s
P0307.100-100-A2	M10x1,0	4.7	17	A2 s/s
P0307.100-125-A2	M10x1,25	4.7	17	A2 s/s
P0307.120-A2	M12	5.7	19	A2 s/s
P0307.120-100-A2	M12x1,0	5.7	19	A2 s/s
P0307.120-125-A2	M12x1,25	5.7	19	A2 s/s
P0307.120-150-A2	M12x1,5	5.7	19	A2 s/s
P0307.140-A2	M14	7	22	A2 s/s
P0307.160-A2	M16	7.42	24	A2 s/s
P0307.160-150-A2	M16x1,5	7.42	24	A2 s/s
P0307.180-A2	M18	9	27	A2 s/s
P0307.180-150-A2	M18x1,5	9	27	A2 s/s
P0307.200-A2	M20	9.1	30	A2 s/s
P0307.200-150-A2	M20x1,5	9.1	30	A2 s/s
P0307.220-A2	M22	9.1	32	A2 s/s
P0307.220-150-A2	M22x1,5	9.1	32	A2 s/s
P0307.240-A2	M24	10.9	36	A2 s/s
P0307.240-150-A2	M24x1,5	10.9	36	A2 s/s
P0307.240-200-A2	M24x2,0	10.9	36	A2 s/s
P0307.270-A2	M27	13.5	41	A2 s/s
P0307.270-150-A2	M27x1,5	13.5	41	A2 s/s
P0307.300-A2	M30	13.9	46	A2 s/s
P0307.300-150-A2	M30x1,5	13.9	46	A2 s/s
P0307.360-A2	M36	16.9	55	A2 s/s



P0307.A4



Material

Stainless steel (A4).

Standard threads are coarse pitch.

Fine threads are indicated by an A & B suffix.

Technical Notes

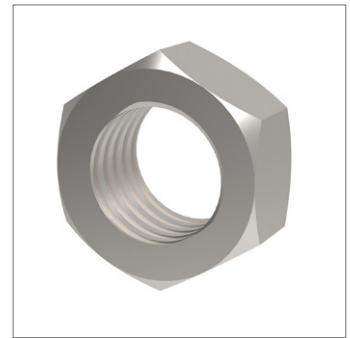
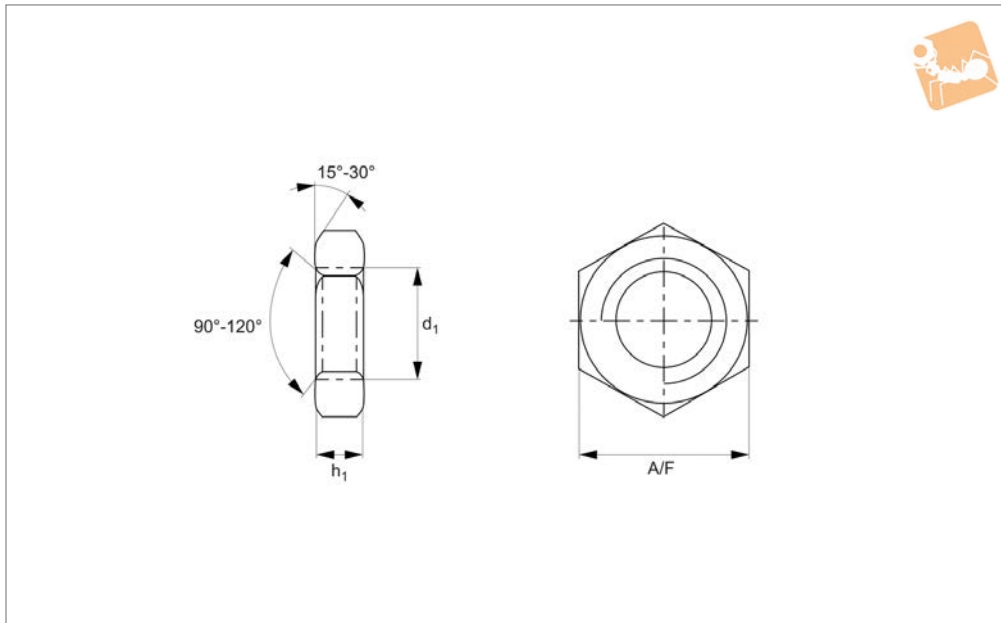
To DIN 439. Left hand threads.

Order No.	d_1	h_1	A/F	Material
P0307.060-A4	M 6	2.9	10	A4 s/s
P0307.080-A4	M 8	3.7	13	A4 s/s
P0307.100-A4	M10	4.7	17	A4 s/s
P0307.120-A4	M12	5.7	19	A4 s/s
P0307.160-A4	M16	7.42	24	A4 s/s
P0307.200-A4	M20	9.1	30	A4 s/s
P0307.240-A4	M24	10.9	36	A4 s/s
P0307.300-A4	M30	13.9	46	A4 s/s
P0307.360-A4	M36	16.9	55	A4 s/s



Lock Nuts Left Hand Thread

Steel, zinc-plated



P0307.ZP

NUTS

Material

Steel (class 4), zinc-plated.

Standard threads are coarse pitch.

Fine threads are indicated by an A & B suffix.

Technical Notes

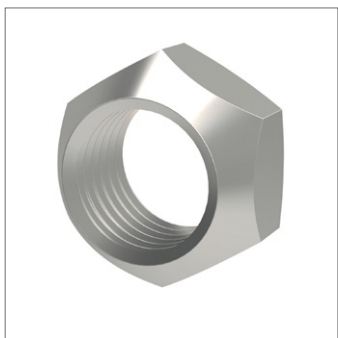
To DIN 439. Left hand threads.

Order No.	d ₁	h ₁	A/F	Material
P0307.050-ZP	M 5	2.7	8	Steel ZP
P0307.060-ZP	M 6	2.9	10	Steel ZP
P0307.080-ZP	M 8	3.7	13	Steel ZP
P0307.100-ZP	M10	4.7	17	Steel ZP
P0307.100-100-ZP	M10x1,0	4.7	17	Steel ZP
P0307.100-125-ZP	M10x1,25	4.7	17	Steel ZP
P0307.120-ZP	M12	5.7	19	Steel ZP
P0307.120-100-ZP	M12x1,0	5.7	19	Steel ZP
P0307.120-125-ZP	M12x1,25	5.7	19	Steel ZP
P0307.120-150-ZP	M12x1,5	5.7	19	Steel ZP
P0307.160-ZP	M16	7.42	24	Steel ZP
P0307.160-150-ZP	M16x1,5	7.42	24	Steel ZP
P0307.180-150-ZP	M18x1,5	9	27	Steel ZP
P0307.200-ZP	M20	9.1	30	Steel ZP
P0307.200-150-ZP	M20x1,5	9.1	30	Steel ZP
P0307.220-150-ZP	M22x1,5	9.1	32	Steel ZP
P0307.240-ZP	M24	10.9	36	Steel ZP
P0307.240-150-ZP	M24x1,5	10.9	36	Steel ZP
P0307.240-200-ZP	M24x2,0	10.9	36	Steel ZP
P0307.270-ZP	M27	13.5	41	Steel ZP
P0307.270-150-ZP	M27x1,5	13.5	41	Steel ZP
P0307.300-ZP	M30	13.9	46	Steel ZP
P0307.300-150-ZP	M30x1,5	13.9	46	Steel ZP
P0307.300-200-ZP	M30x2,0	13.9	46	Steel ZP
P0307.360-150-ZP	M36x1,5	18	55	Steel ZP
P0307.360-300-ZP	M36x3,0	18	55	Steel ZP

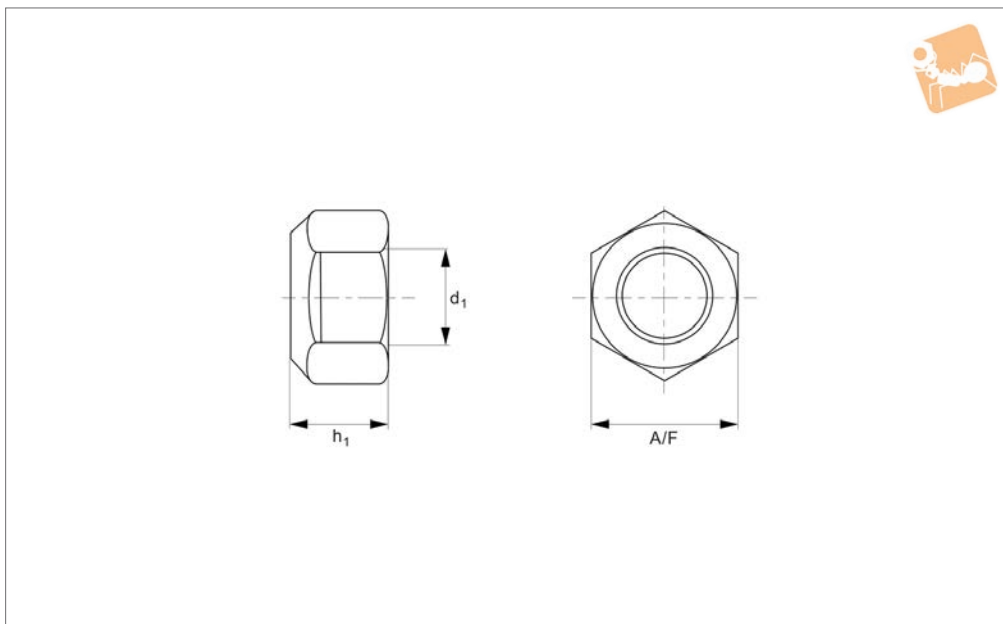


Stover Nuts

oval lock nuts



P0308.A2



Material

Stainless steel (A2).

Technical Notes

To DIN 980 V.

Reusable, resistant to shocks, vibrations and dynamic loads.

The locking function is achieved by the deformation of part of the nut. The nut will

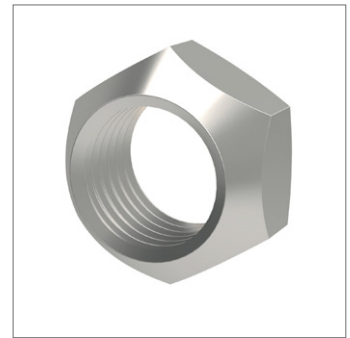
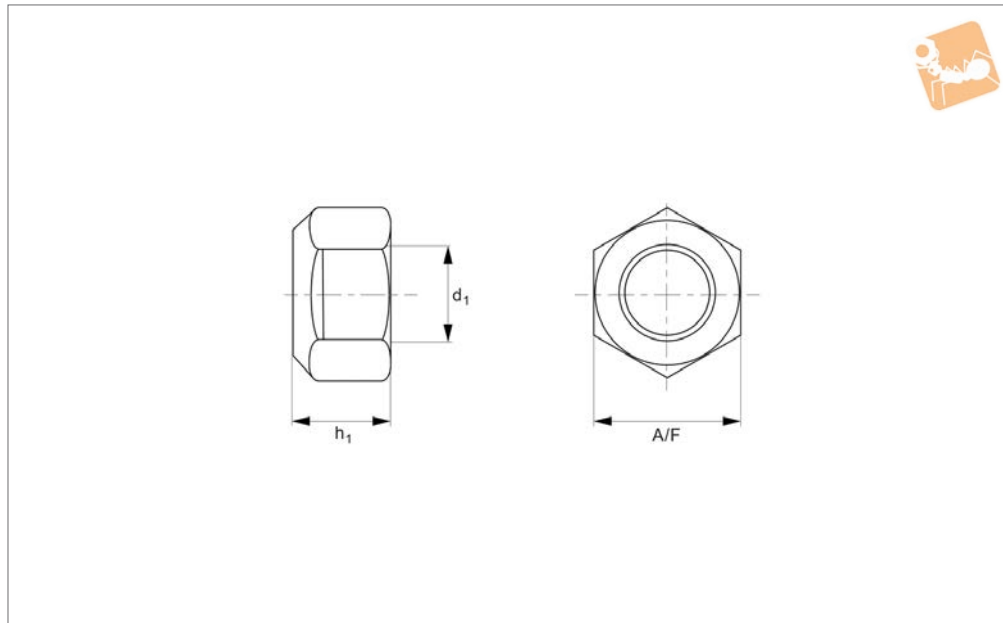
run smoothly until it reaches the deformed part at which point the clamping force will increase.

Order No.	d_1	h_1	A/F	Material
P0308.030-A2	M 3	3	5.5	A2 s/s
P0308.040-A2	M 4	4	7	A2 s/s
P0308.050-A2	M 5	5	8	A2 s/s
P0308.060-A2	M 6	6	10	A2 s/s
P0308.080-A2	M 8	8	13	A2 s/s
P0308.100-A2	M10	10	17	A2 s/s
P0308.120-A2	M12	12	19	A2 s/s
P0308.160-A2	M16	16	24	A2 s/s
P0308.200-A2	M20	20	30	A2 s/s
P0308.220-A2	M22	22	32	A2 s/s
P0308.240-A2	M24	24	36	A2 s/s



Stover Nuts

oval lock nuts



P0308.ZP

NUTS

Material

Steel (class 8), zinc-plated.

Reusable, resistant to shocks, vibrations and dynamic loads.

run smoothly until it reaches the deformed part at which point the clamping force will increase.

Technical Notes

To DIN 980 V.

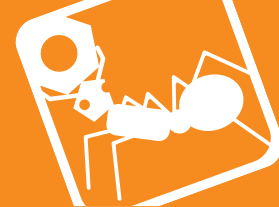
The locking function is achieved by the deformation of part of the nut. The nut will

Order No.	d ₁	h ₁	A/F	Material
P0308.050-ZP	M 5	5	8	Steel ZP
P0308.060-ZP	M 6	6	10	Steel ZP
P0308.080-ZP	M 8	8	13	Steel ZP
P0308.100-ZP	M10	10	17	Steel ZP
P0308.120-ZP	M12	12	19	Steel ZP
P0308.140-ZP	M14	14	22	Steel ZP
P0308.160-ZP	M16	16	24	Steel ZP
P0308.200-ZP	M20	20	30	Steel ZP
P0308.240-ZP	M24	24	36	Steel ZP
P0308.300-ZP	M30	30	46	Steel ZP



Serrated Flanged Nuts

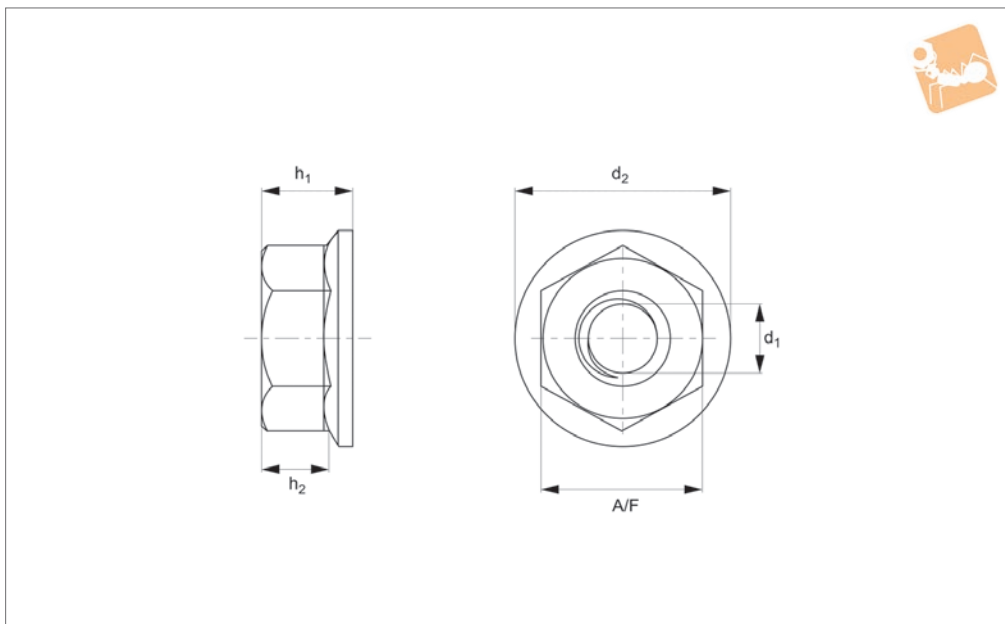
Serrated - A2 stainless



NUTS



P0309.A2



Material

Stainless steel (A2).

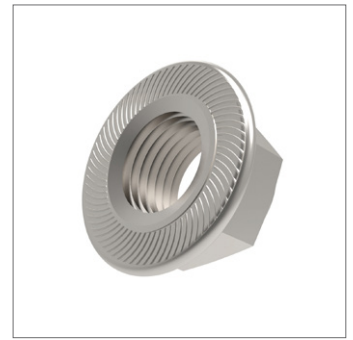
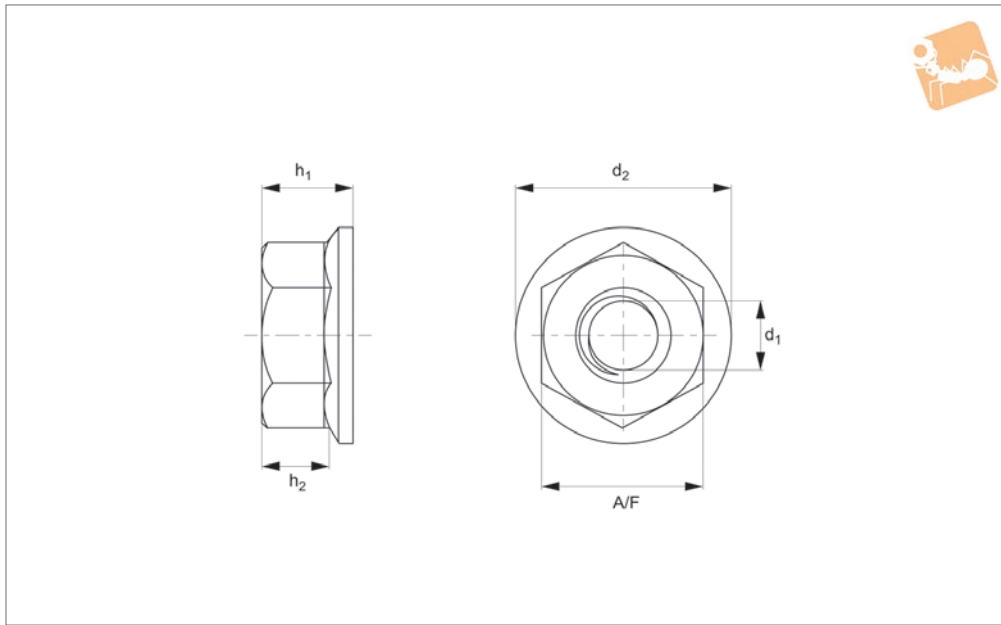
Technical Notes

To DIN 6923, serrated.

Order No.	d ₁	d ₂ max.	h ₁ max.	h ₂ min.	A/F	Material
P0309.040-A2	M 4	10	4.65	1.9	7	A2 s/s
P0309.030-A2	M 3	8	3.7	-	5.5	A2 s/s
P0309.050-A2	M 5	11.8	5.0	2.2	8	A2 s/s
P0309.060-A2	M 6	14.2	6.0	3.1	10	A2 s/s
P0309.080-A2	M 8	17.9	8.0	4.5	13	A2 s/s
P0309.100-A2	M10	21.8	10.0	5.5	15	A2 s/s
P0309.120-A2	M12	26.0	12.0	6.7	18	A2 s/s
P0309.160-A2	M16	34.5	16.0	-	24	A2 s/s

Serrated Flanged Nuts

Serrated - A4 stainless



P0309.A4

NUTS

Material
Stainless steel (A4).

Technical Notes
To DIN 6923, serrated.

Order No.	d ₁	d ₂ max.	h ₁ max.	h ₂ min.	A/F	Material
P0309.030-A4	M 3	8	3.7	-	5.5	A4 s/s
P0309.040-A4	M 4	10	4.65	1.9	7	A4 s/s
P0309.050-A4	M 5	11.8	5.0	2.2	8	A4 s/s
P0309.060-A4	M 6	14.2	6.0	3.1	10	A4 s/s
P0309.080-A4	M 8	17.9	8.0	4.5	13	A4 s/s
P0309.100-A4	M10	21.8	10.0	5.5	15	A4 s/s
P0309.120-A4	M12	26.0	12.0	6.7	18	A4 s/s
P0309.160-A4	M16	34.5	16.0	-	24	A4 s/s

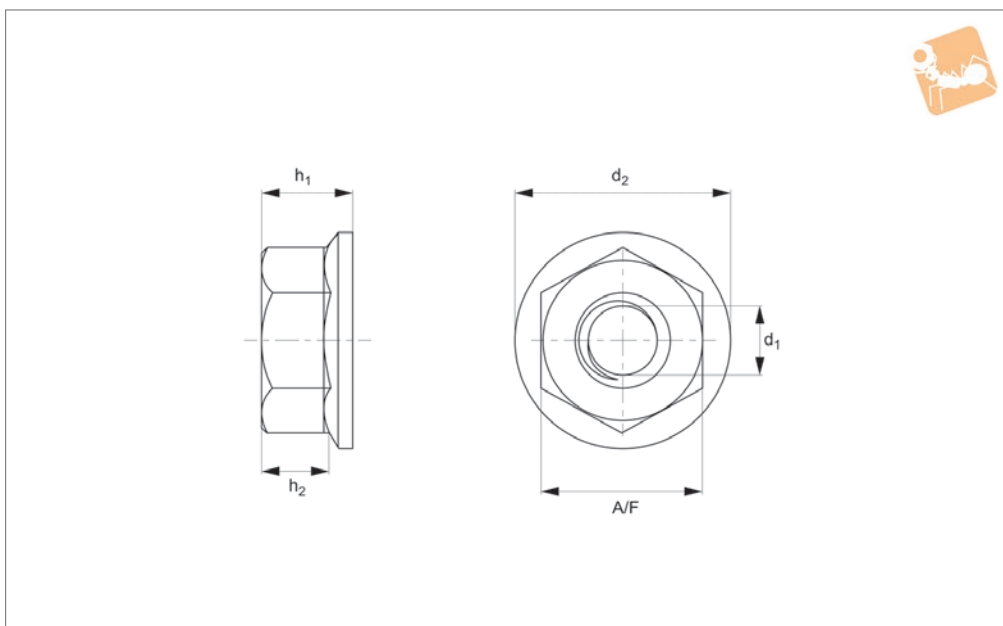


Serrated Flanged Nuts

Serrated - zinc-plated



P0309.ZP



Material

Steel (class 8), zinc-plated.

Technical Notes

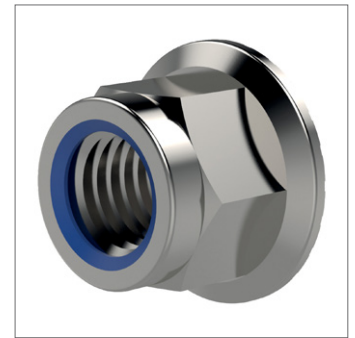
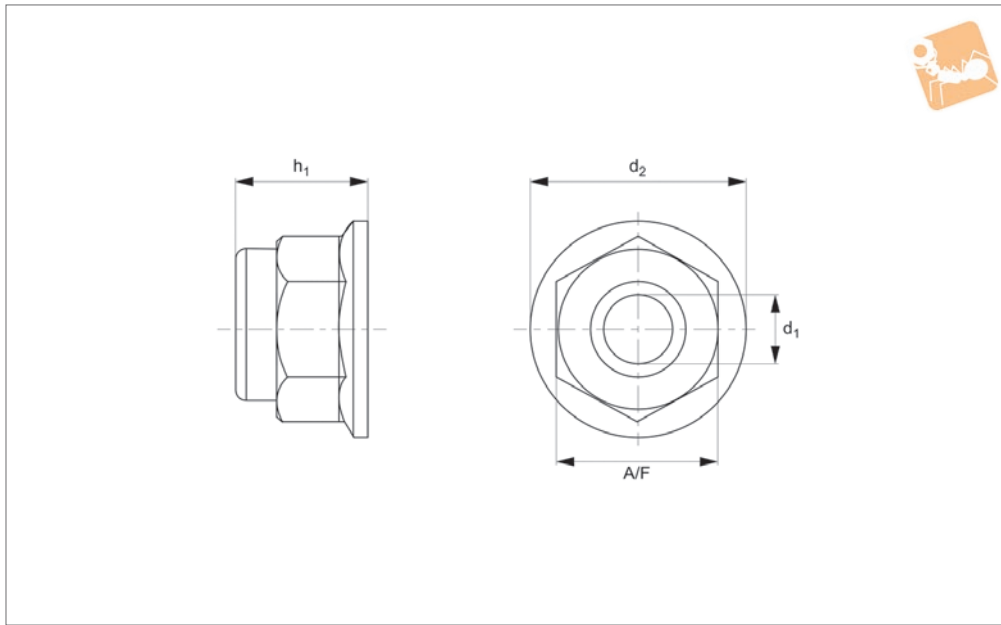
To DIN 6923, serrated.

Order No.	d ₁	d ₂ max.	h ₁ max.	h ₂ min.	A/F	Material
P0309.040-ZP	M 4	10	4.65	1.9	7	Steel ZP
P0309.050-ZP	M 5	11.8	5.0	2.2	8	Steel ZP
P0309.060-ZP	M 6	14.2	6.0	3.1	10	Steel ZP
P0309.080-ZP	M 8	17.9	8.0	4.5	13	Steel ZP
P0309.100-ZP	M10	21.8	10.0	5.5	15	Steel ZP
P0309.120-ZP	M12	26.0	12.0	6.7	18	Steel ZP
P0309.160-ZP	M16	34.5	16.0	-	24	Steel ZP
P0309.200-ZP	M20	42.8	20.0	-	30	Steel ZP



Nylon Insert Serrated Flanged Nuts

Serrated - A2 stainless nylon insert



P0310.A2

NUTS

Material

Stainless steel (A2).

Technical Notes

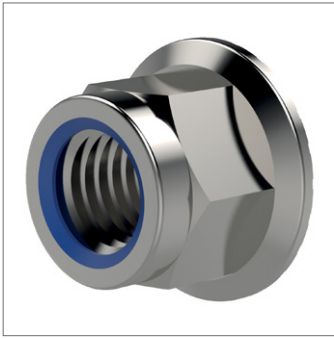
To DIN 6926, serrated.

Order No.	d ₁	d ₂ max.	h ₁	A/F	Material
P0310.040-A2	M 4	10	6,10 - 5,74	7	A2 stainless steel
P0310.050-A2	M 5	11.8	7,10 - 6,74	8	A2 stainless steel
P0310.060-A2	M 6	14.2	9,10 - 8,74	10	A2 stainless steel
P0310.080-A2	M 8	17.9	11,10 - 10,67	13	A2 stainless steel
P0310.100-A2	M10	21.8	13,50 - 13,07	15	A2 stainless steel
P0310.120-A2	M12	26.0	16,10 - 15,67	18	A2 stainless steel

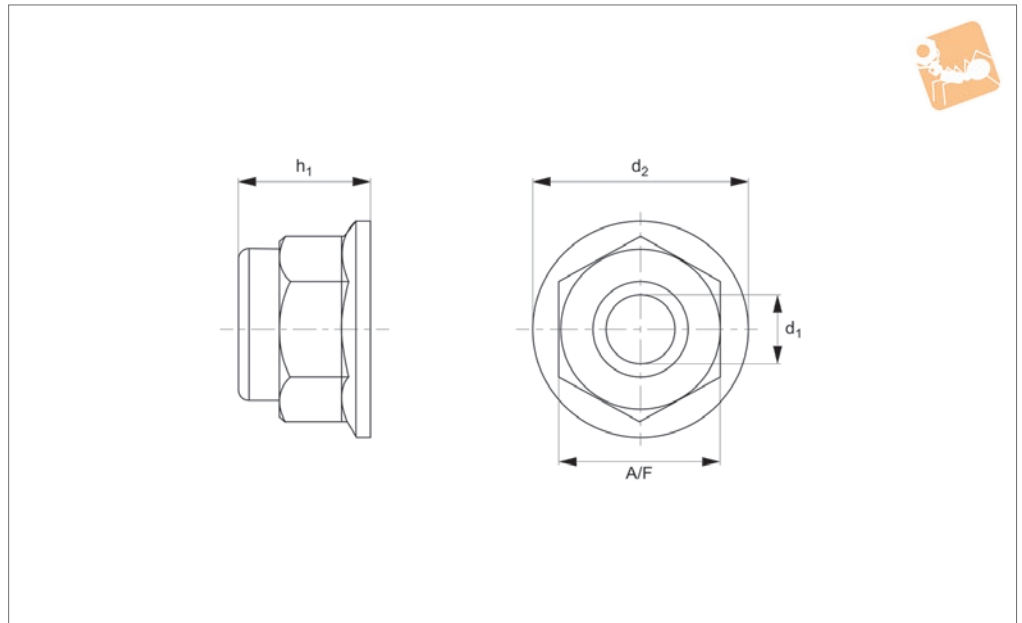


Nylon Insert Serrated Flanged Nuts

Serrated - A4 stainless nylon insert



P0310.A4



Material

Stainless steel (A4).

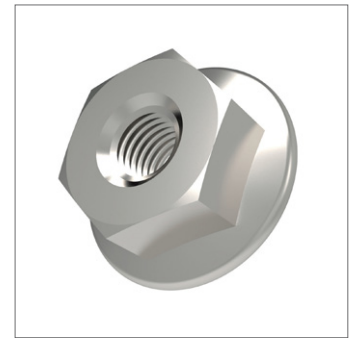
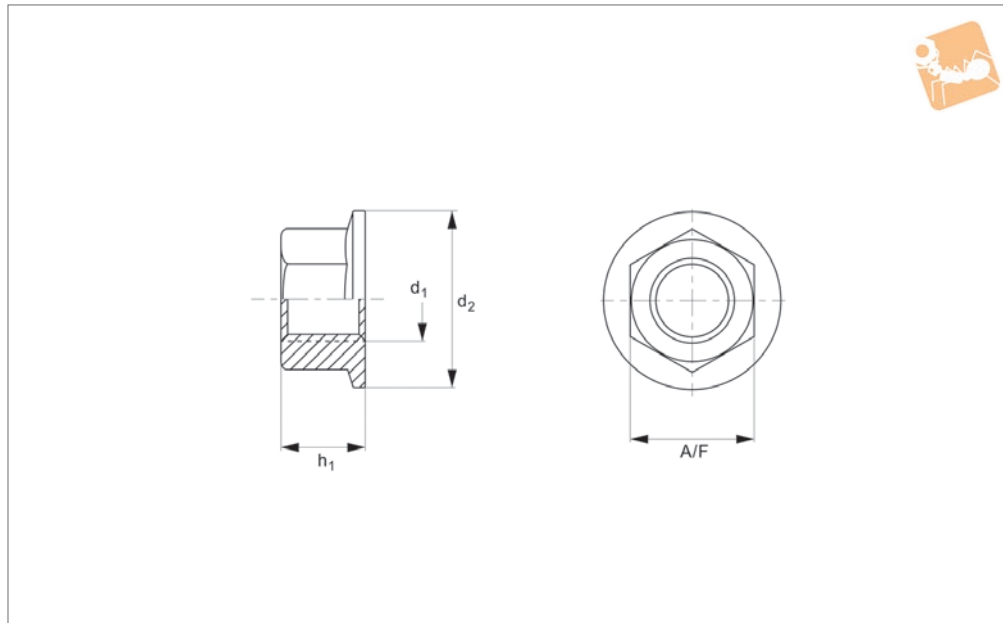
Technical Notes

To DIN 6926, serrated.

Order No.	d_1	d_2 max.	h_1	A/F	Material
P0310.040-A4	M 4	10	6,10 - 5,74	7	A4 stainless steel
P0310.050-A4	M 5	11.8	7,10 - 6,74	8	A4 stainless steel
P0310.060-A4	M 6	14.2	9,10 - 8,74	10	A4 stainless steel
P0310.080-A4	M 8	17.9	11,10 - 10,67	13	A4 stainless steel
P0310.100-A4	M10	21.8	13,50 - 13,07	15	A4 stainless steel
P0310.120-A4	M12	26.0	16,10 - 15,67	18	A4 stainless steel



Flanged Nuts A2 Stainless



P0311.A2

NUTS

Material

Stainless steel (A2).

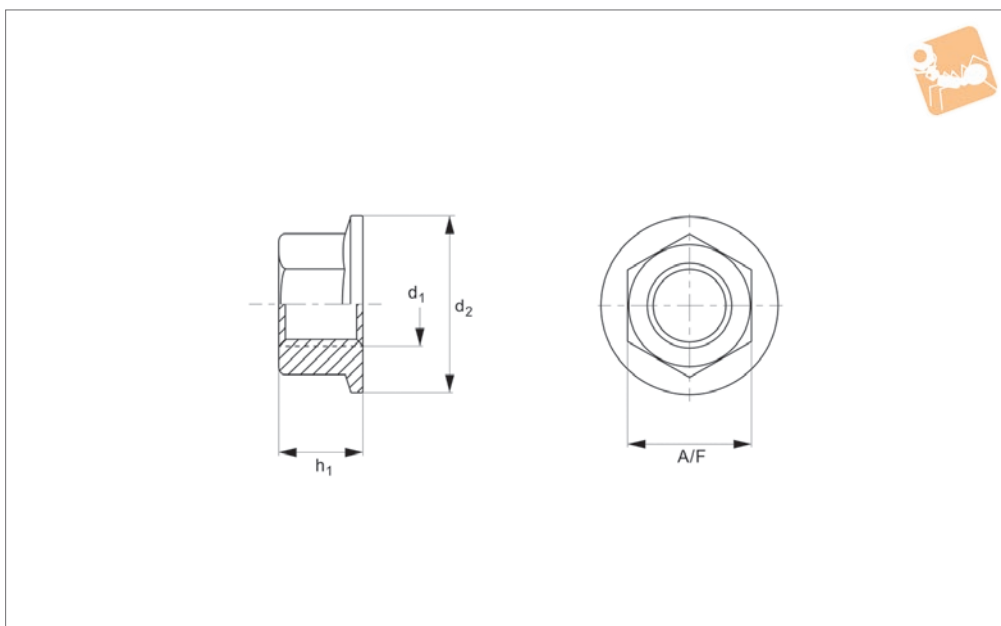
Technical Notes

To DIN 6923.

Order No.	d ₁	d ₂ max.	h ₁ max.	A/F	Material
P0311.040-A2	M 4	10.0	4.5	7	A2 s/s
P0311.050-A2	M 5	11.8	5.0	8	A2 s/s
P0311.060-A2	M 6	14.2	6.0	10	A2 s/s
P0311.080-A2	M 8	17.9	8.0	13	A2 s/s
P0311.100-A2	M10	21.8	10.0	15	A2 s/s
P0311.120-A2	M12	26.0	12.0	18	A2 s/s
P0311.160-A2	M16	34.5	16.0	24	A2 s/s
P0311.200-A2	M20	43.0	20.0	30	A2 s/s
P0311.240-A2	M24	51.0	24.0	36	A2 s/s



P0311.ZP



Material

Steel (class 8), zinc-plated.

Technical Notes

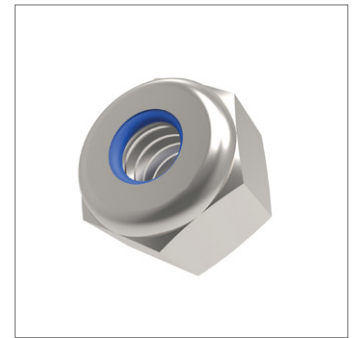
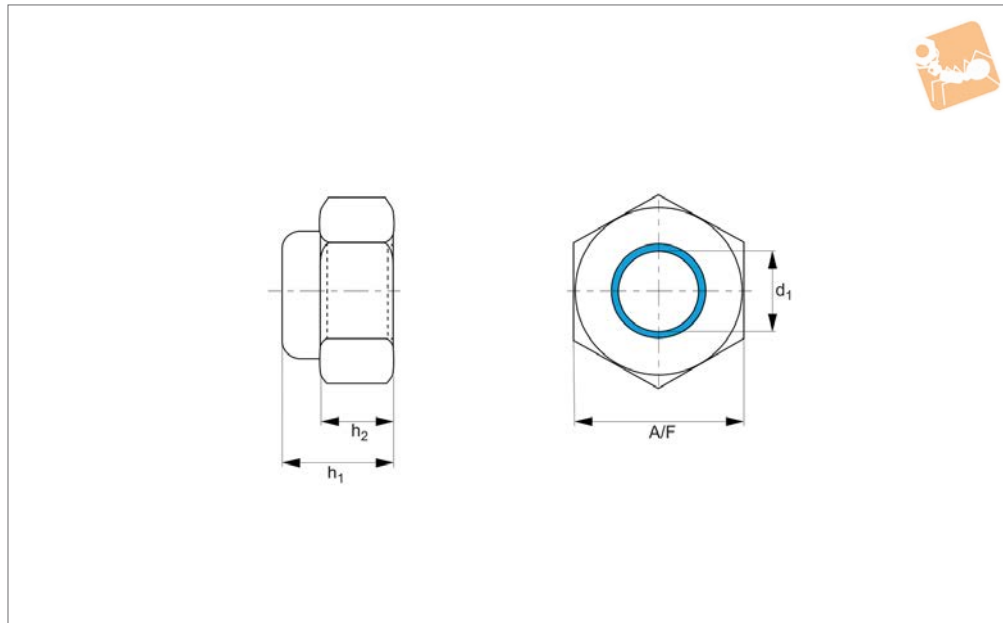
To DIN 6923.

Order No.	d_1	d_2 max.	h_1 max.	A/F	Material
P0311.040-ZP	M 4	10.0	4.5	7	Steel ZP
P0311.050-ZP	M 5	11.8	5.0	8	Steel ZP
P0311.060-ZP	M 6	14.2	6.0	10	Steel ZP
P0311.080-ZP	M 8	17.9	8.0	13	Steel ZP
P0311.100-ZP	M10	21.8	10.0	15	Steel ZP
P0311.120-ZP	M12	26.0	12.0	18	Steel ZP
P0311.160-ZP	M16	34.5	16.0	24	Steel ZP
P0311.200-ZP	M20	43.0	20.0	30	Steel ZP
P0311.240-ZP	M24	51.0	24.0	36	Steel ZP



Nylon Insert Nuts

Type T - A2 stainless



P0314.A2

NUTS

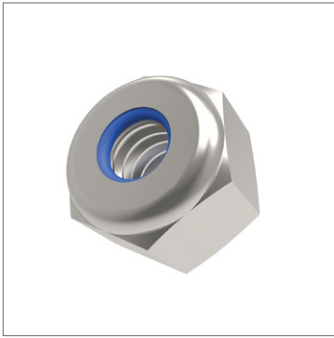
Material

Stainless steel (A2).

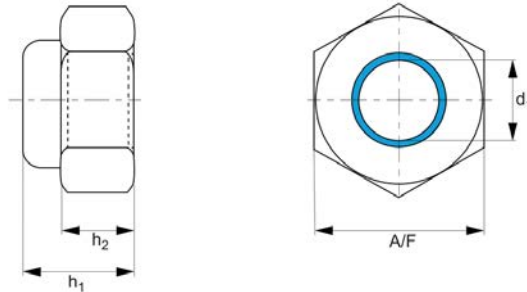
Technical Notes

To DIN 985.

Order No.	d ₁	h ₁	h ₂	A/F	Material
P0314.025-A2	M 2,5	3.8	2.0	5	A2 s/s
P0314.030-A2	M 3	4.0	2.4	5.5	A2 s/s
P0314.040-A2	M 4	5.0	3.2	7	A2 s/s
P0314.050-A2	M 5	5.0	4.0	8	A2 s/s
P0314.060-A2	M 6	6.0	5.0	10	A2 s/s
P0314.080-A2	M 8	8.0	6.5	13	A2 s/s
P0314.080-100-A2	M 8x1,0	8.0	6.5	13	A2 s/s
P0314.100-A2	M10	10	8.0	17	A2 s/s
P0314.100-100-A2	M10x1,0	10	8.0	17	A2 s/s
P0314.120-A2	M12	12	10	19	A2 s/s
P0314.120-150-A2	M12x1,5	12	10	19	A2 s/s
P0314.140-A2	M14	14	11	22	A2 s/s
P0314.160-A2	M16	16	13	24	A2 s/s
P0314.160-150-A2	M16x1,5	16	13	24	A2 s/s
P0314.180-A2	M18	18.5	15	27	A2 s/s
P0314.200-A2	M20	20	16	30	A2 s/s
P0314.200-150-A2	M20x1,5	20	16	30	A2 s/s
P0314.220-A2	M22	22	18	32	A2 s/s
P0314.240-A2	M24	24	19	36	A2 s/s
P0314.240-150-A2	M24x1,5	24	19	36	A2 s/s
P0314.270-A2	M27	27	22	41	A2 s/s
P0314.300-A2	M30	30	24	46	A2 s/s
P0314.330-A2	M33	33	26	50	A2 s/s
P0314.360-A2	M36	36	29	55	A2 s/s



P0314.A4



Material
Stainless steel (A4).

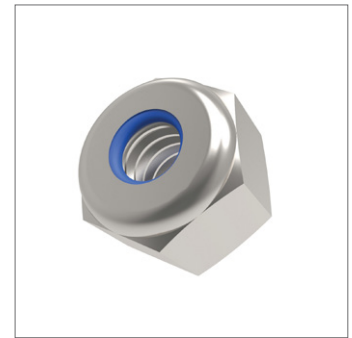
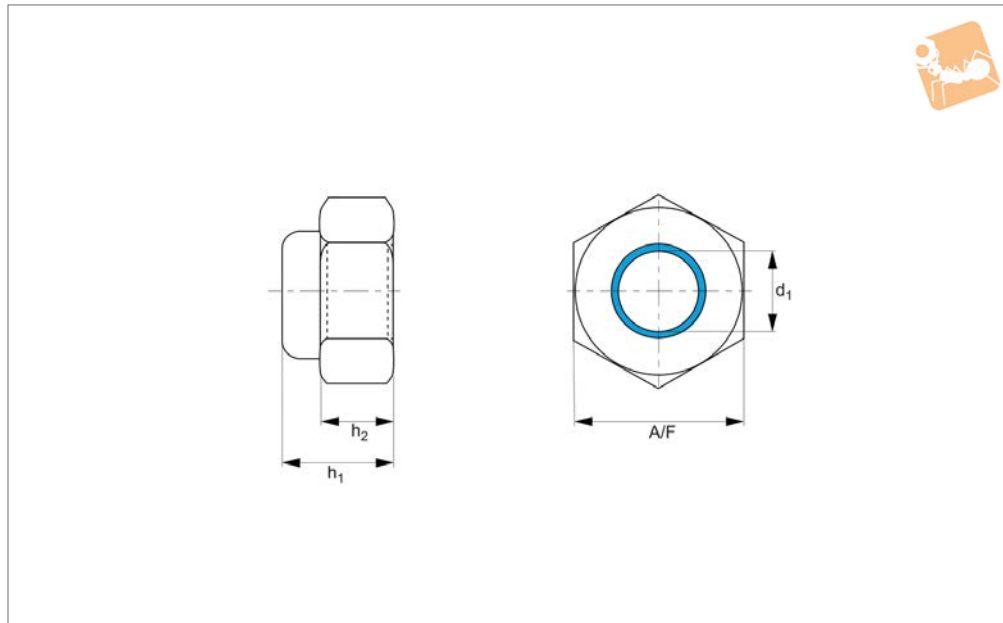
Technical Notes
To DIN 985.

Order No.	d_1	h_1	h_2	A/F	Material
P0314.025-A4	M 2,5	3.8	2.0	5	A4 s/s
P0314.030-A4	M 3	4.0	2.4	5.5	A4 s/s
P0314.040-A4	M 4	5.0	3.2	7	A4 s/s
P0314.050-A4	M 5	5.0	4.0	8	A4 s/s
P0314.060-A4	M 6	6.0	5.0	10	A4 s/s
P0314.080-A4	M 8	8.0	6.5	13	A4 s/s
P0314.080-100-A4	M 8x1,0	8.0	6.5	13	A4 s/s
P0314.100-A4	M10	10	8.0	17	A4 s/s
P0314.100-100-A4	M10x1,0	10	8.0	17	A4 s/s
P0314.120-A4	M12	12	10	19	A4 s/s
P0314.120-150-A4	M12x1,5	12	10	19	A4 s/s
P0314.140-A4	M14	14	11	22	A4 s/s
P0314.160-A4	M16	16	13	24	A4 s/s
P0314.160-150-A4	M16x1,5	16	13	24	A4 s/s
P0314.180-A4	M18	18.5	15	27	A4 s/s
P0314.200-A4	M20	20	16	30	A4 s/s
P0314.200-150-A4	M20x1,5	20	16	30	A4 s/s
P0314.220-A4	M22	22	18	32	A4 s/s
P0314.240-A4	M24	24	19	36	A4 s/s
P0314.240-150-A4	M24x1,5	24	19	36	A4 s/s
P0314.270-A4	M27	27	22	41	A4 s/s
P0314.300-A4	M30	30	24	46	A4 s/s
P0314.330-A4	M33	33	26	50	A4 s/s
P0314.360-A4	M36	36	29	55	A4 s/s



Nylon Insert Nuts

Type T - steel, zinc-plated



P0314.ZP

NUTS

Material

Steel (class>5), zinc-plated.

Technical Notes

To DIN 985.

Order No.	d ₁	h ₁	h ₂	A/F	Material
P0314.025-ZP	M 2,5	3.8	2.0	5	Steel ZP
P0314.030-ZP	M 3	4.0	2.4	5.5	Steel ZP
P0314.040-ZP	M 4	5.0	3.2	7	Steel ZP
P0314.050-ZP	M 5	5.0	4.0	8	Steel ZP
P0314.060-ZP	M 6	6.0	5.0	10	Steel ZP
P0314.080-ZP	M 8	8.0	6.5	13	Steel ZP
P0314.080-100-ZP	M 8x1,0	8.0	6.5	13	Steel ZP
P0314.100-ZP	M10	10	8.0	17	Steel ZP
P0314.100-100-ZP	M10x1,0	10	8.0	17	Steel ZP
P0314.100-125-ZP	M10x1,25	10	8.0	17	Steel ZP
P0314.120-ZP	M12	12	10	19	Steel ZP
P0314.120-125-ZP	M12x1,25	12	10	19	Steel ZP
P0314.120-150-ZP	M12x1,5	12	10	19	Steel ZP
P0314.140-ZP	M14	14	11	22	Steel ZP
P0314.140-150-ZP	M14x1,5	14	11	22	Steel ZP
P0314.160-ZP	M16	16	13	24	Steel ZP
P0314.160-150-ZP	M16x1,5	16	13	24	Steel ZP
P0314.180-ZP	M18	18.5	15	27	Steel ZP
P0314.180-150-ZP	M18x1,5	18.5	15	27	Steel ZP
P0314.200-ZP	M20	20	16	30	Steel ZP
P0314.200-150-ZP	M20x1,5	20	16	30	Steel ZP
P0314.200-200-ZP	M20x2,0	20	16	30	Steel ZP
P0314.220-ZP	M22	22	18	32	Steel ZP
P0314.220-150-ZP	M22x1,5	22	18	32	Steel ZP
P0314.240-ZP	M24	24	19	36	Steel ZP
P0314.240-150-ZP	M24x1,5	24	19	36	Steel ZP
P0314.240-200-ZP	M24x2,0	24	19	36	Steel ZP
P0314.270-ZP	M27	27	22	41	Steel ZP
P0314.270-150-ZP	M27x1,5	27	22	41	Steel ZP
P0314.270-200-ZP	M27x2,0	27	22	41	Steel ZP
P0314.300-ZP	M30	30	24	46	Steel ZP
P0314.300-150-ZP	M30x1,5	30	24	46	Steel ZP
P0314.300-200-ZP	M30x2,0	30	24	46	Steel ZP
P0314.330-ZP	M33	33	26	50	Steel ZP
P0314.330-150-ZP	M33x1,5	33	26	50	Steel ZP



Nylon Insert Nuts

Type T - steel, zinc-plated

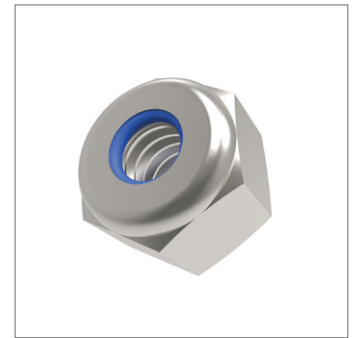
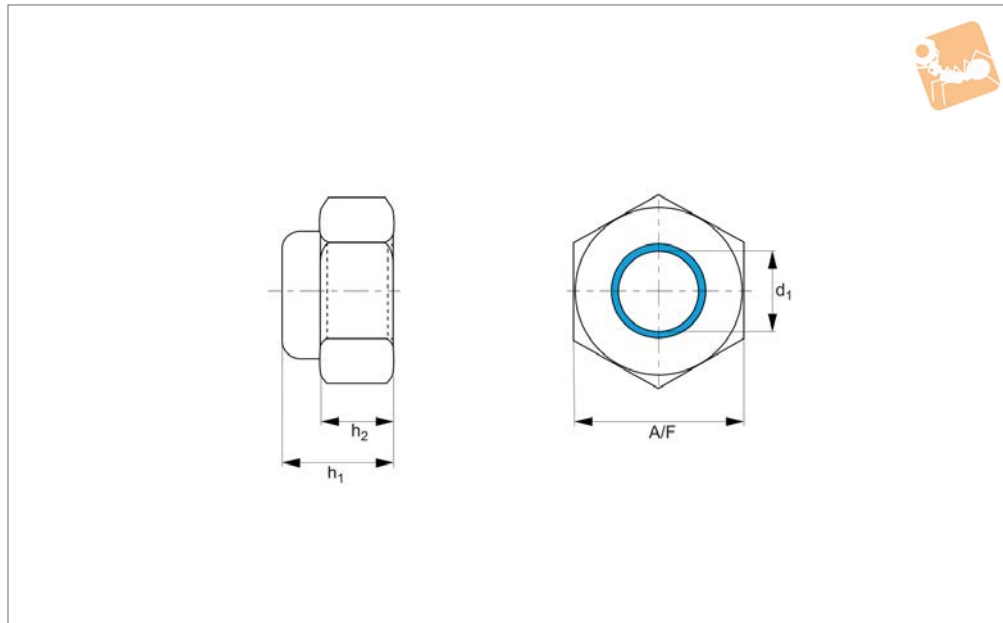


Order No.	d ₁	h ₁	h ₂	A/F	Material
P0314.330-200-ZP	M33x2,0	33	26	50	Steel ZP
P0314.360-ZP	M36	36	29	55	Steel ZP
P0314.360-150-ZP	M36x1,5	36	29	55	Steel ZP
P0314.360-300-ZP	M36x3,0	36	29	55	Steel ZP
P0314.420-ZP	M42	42	34	65	Steel ZP
P0314.420-300-ZP	M42x3,0	42	34	65	Steel ZP
P0314.480-ZP	M48	48	38	75	Steel ZP



Nylon Insert Nuts - High Type

High type - A2 stainless



P0315.A2

NUTS

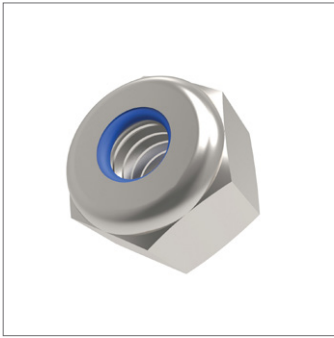
Material

Stainless steel (A2).

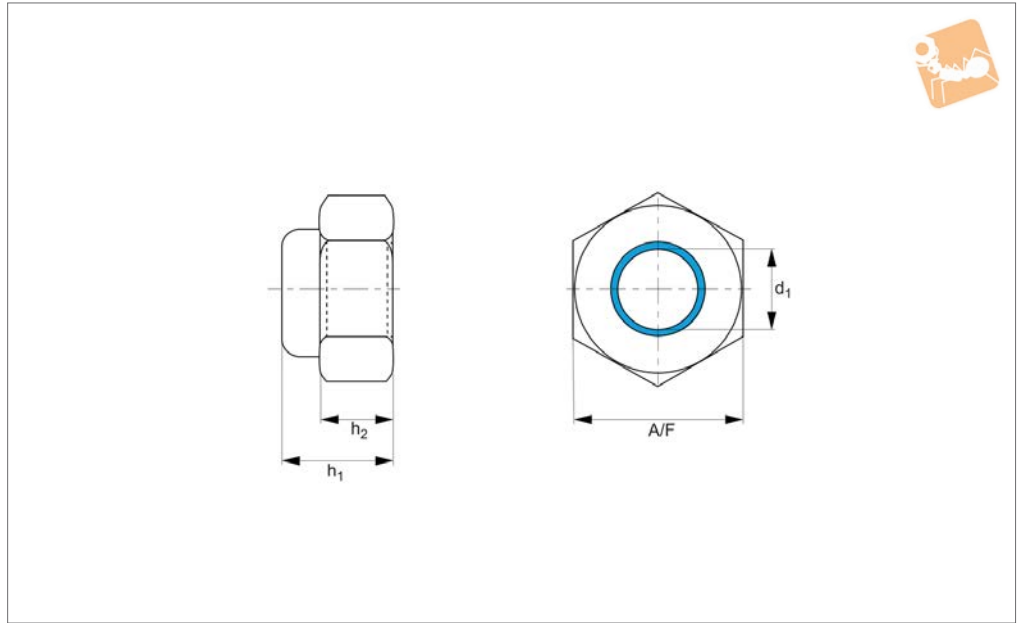
Technical Notes

To DIN 982.

Order No.	d ₁	h ₁	h ₂	A/F	Material
P0315.040-A2	M 4	6.0	3.6	7	A2 s/s
P0315.050-A2	M 5	6.3	4.4	8	A2 s/s
P0315.060-A2	M 6	8.0	4.9	10	A2 s/s
P0315.080-A2	M 8	9.5	6.4	13	A2 s/s
P0315.100-A2	M10	11.5	8.0	17	A2 s/s
P0315.120-A2	M12	19	14	19	A2 s/s
P0315.140-A2	M14	16	12	22	A2 s/s
P0315.160-A2	M16	18	14	24	A2 s/s
P0315.200-A2	M20	22	17	30	A2 s/s
P0315.240-A2	M24	28	20	36	A2 s/s



P0315.A4



Material

Stainless steel (A4).

Technical Notes

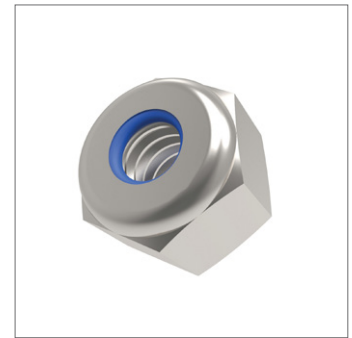
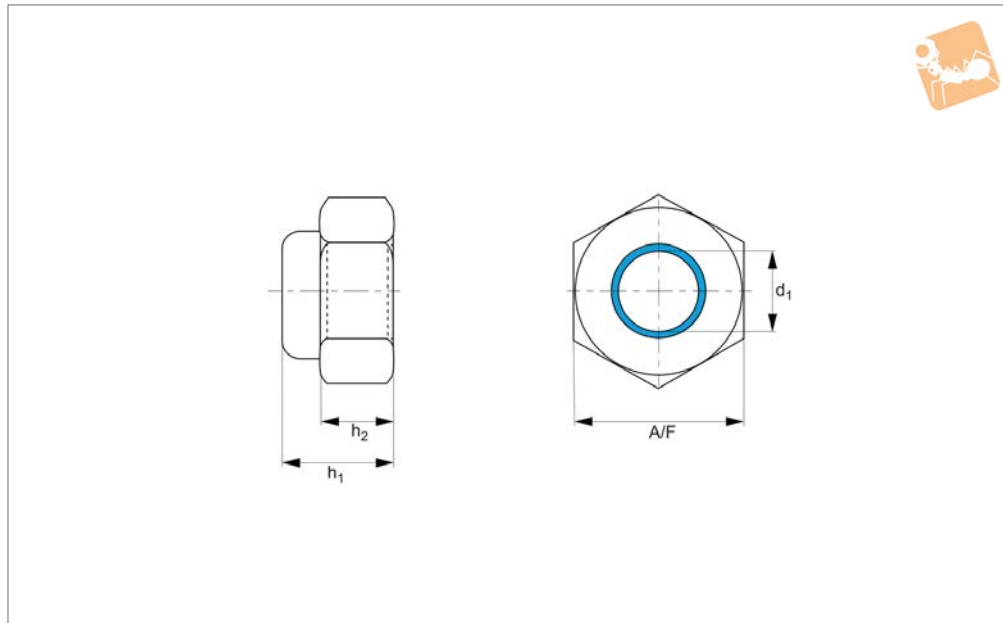
To DIN 982.

Order No.	d_1	h_1	h_2	A/F	Material
P0315.050-A4	M 5	6.3	4.4	8	A4 s/s
P0315.040-A4	M 4	6.0	3.6	7	A4 s/s
P0315.060-A4	M 6	8.0	4.9	10	A4 s/s
P0315.080-A4	M 8	9.5	6.4	13	A4 s/s
P0315.100-A4	M10	11.5	8.0	17	A4 s/s
P0315.120-A4	M12	19	14	19	A4 s/s
P0315.140-A4	M14	16	12	22	A4 s/s
P0315.160-A4	M16	18	14	24	A4 s/s
P0315.200-A4	M20	22	17	30	A4 s/s
P0315.240-A4	M24	28	20	36	A4 s/s



Nylon Insert Nuts - High Type

Hight type - steel, zinc-plated



P0315.ZP

NUTS

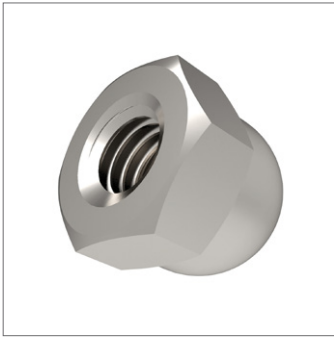
Material

Steel (class 8), zinc-plated.

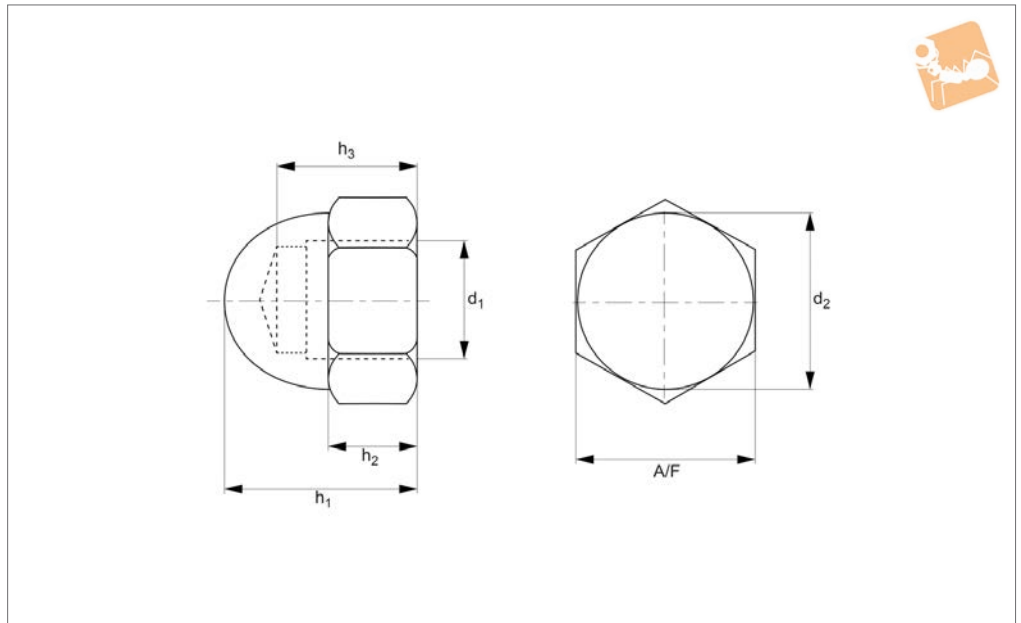
Technical Notes

To DIN 982.

Order No.	d ₁	h ₁	h ₂	A/F	Material
P0315.050-ZP	M 5	6.3	4.4	8	Steel ZP
P0315.060-ZP	M 6	8.0	4.9	10	Steel ZP
P0315.080-ZP	M 8	9.5	6.4	13	Steel ZP
P0315.100-ZP	M10	11.5	8.0	17	Steel ZP
P0315.120-ZP	M12	19	14	19	Steel ZP
P0315.140-ZP	M14	16	12	22	Steel ZP
P0315.160-ZP	M16	18	14	24	Steel ZP
P0315.200-ZP	M20	22	17	30	Steel ZP
P0315.240-ZP	M24	28	20	36	Steel ZP



P0318.A2



Material

Stainless steel (A2).

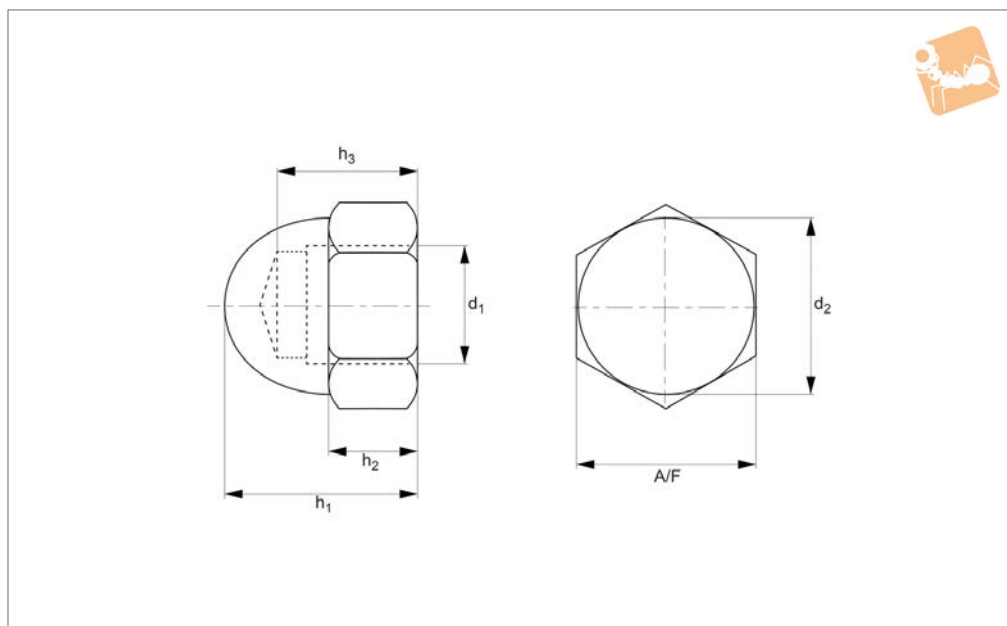
Technical Notes

To DIN 1587.

Order No.	d_1	h_1 max.	h_2 max.	h_3	d_2	A/F	Material
P0318.030-A2	M 3	7	2.4	4.5	5.5	5.5	A2 s/s
P0318.040-A2	M 4	8	3.2	5.5	6.5	7.0	A2 s/s
P0318.050-A2	M 5	10	4.0	7.5	7.5	8.0	A2 s/s
P0318.060-A2	M 6	12	5.0	8.0	9.5	10	A2 s/s
P0318.080-A2	M 8	15	6.5	11.0	12.5	13	A2 s/s
P0318.100-A2	M10	18	8.0	13.0	15.0	16	A2 s/s
P0318.120-A2	M12	22	10	16.0	17.0	18	A2 s/s
P0318.140-A2	M14	25	11	18.0	20.0	22	A2 s/s
P0318.160-A2	M16	28	13	21.0	23.0	24	A2 s/s
P0318.180-A2	M18	32	15	25.0	26.0	27	A2 s/s
P0318.200-A2	M20	34	16	26.0	28.0	30	A2 s/s
P0318.220-A2	M22	39	18	29.0	33.0	34	A2 s/s
P0318.240-A2	M24	42	19	31.0	34.0	36	A2 s/s
P0318.270-A2	M27	47	22	35.0	40.0	41	A2 s/s
P0318.300-A2	M30	52	24	38.0	42.0	46	A2 s/s

Hexagon Domed Nuts

A4 Stainless



P0318.A4

NUTS

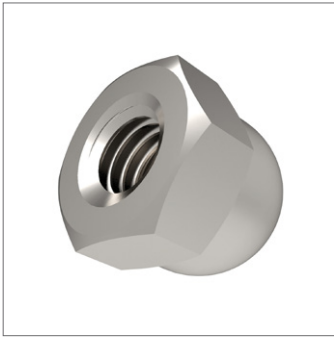
Material

Stainless steel (A4).

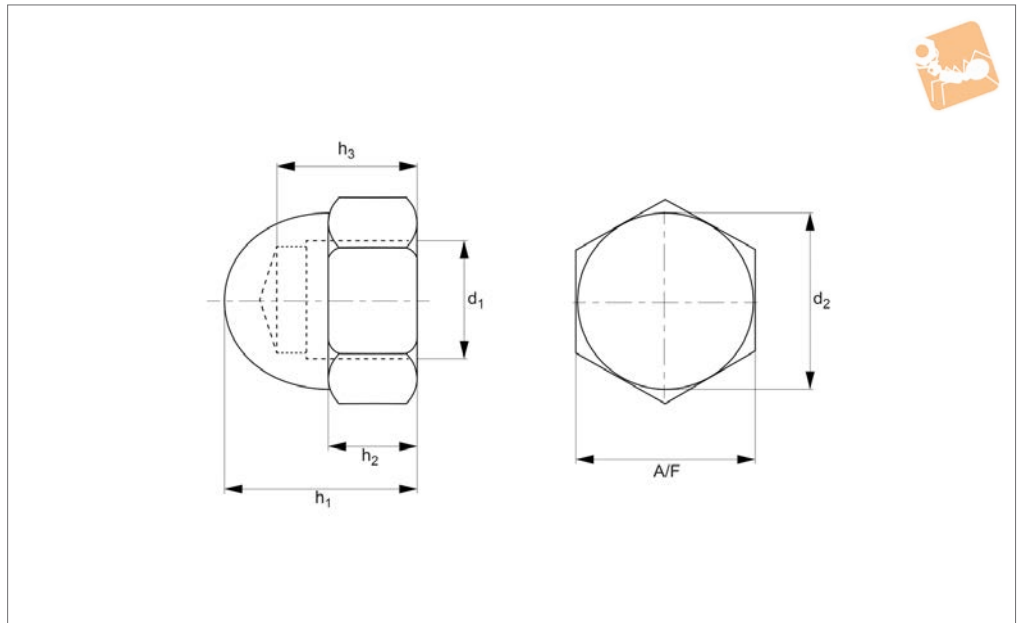
Technical Notes

To DIN 1587.

Order No.	d ₁	h ₁ max.	h ₂ max.	h ₃	d ₂	A/F	Material
P0318.030-A4	M 3	6	2.4	4.5	5.5	5.5	A4 s/s
P0318.040-A4	M 4	8	3.2	5.5	6.5	7.0	A4 s/s
P0318.050-A4	M 5	10	4.0	7.5	7.5	8.0	A4 s/s
P0318.060-A4	M 6	12	5.0	8.0	9.5	10.0	A4 s/s
P0318.080-A4	M 8	15	6.5	11.0	12.5	13.0	A4 s/s
P0318.100-A4	M10	18	8.0	13.0	16.0	17.0	A4 s/s
P0318.120-A4	M12	22	10	16.0	18.0	19.0	A4 s/s
P0318.140-A4	M14	25	11	18.0	21.0	22.0	A4 s/s
P0318.160-A4	M16	28	13	21.0	23.0	24.0	A4 s/s
P0318.180-A4	M18	32	15	25.0	26.0	27.0	A4 s/s
P0318.200-A4	M20	34	16	26.0	28.0	30.0	A4 s/s
P0318.220-A4	M22	39	18	29.0	33.0	34.0	A4 s/s
P0318.240-A4	M24	42	19	31.0	36.0	36.0	A4 s/s
P0318.270-A4	M27	47	22	35.0	40.0	41.0	A4 s/s
P0318.300-A4	M30	52	24	38.0	42.0	46.0	A4 s/s



P0318.BR



Material

Brass.

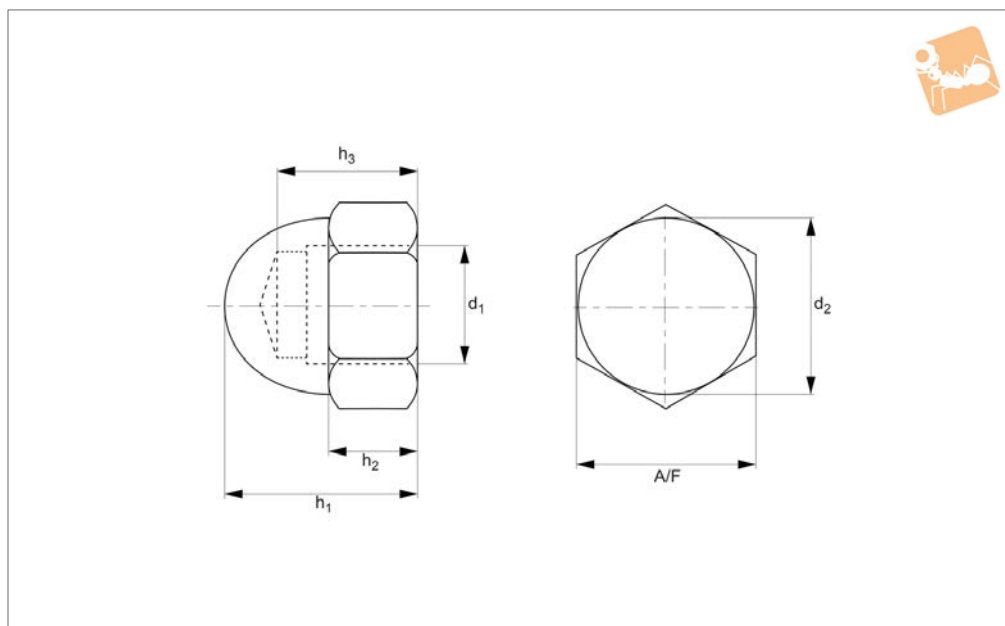
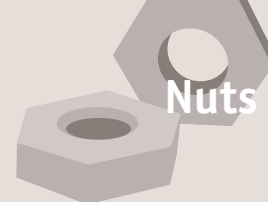
Technical Notes

To DIN 1587.

Order No.	d_1	h_1 max.	h_2 max.	h_3	d_2	A/F	Material
P0318.030-BR	M 3	6	2.4	4.5	5.5	5.5	Brass
P0318.040-BR	M 4	8	3.2	5.5	6.5	7.0	Brass
P0318.050-BR	M 5	10	4.0	7.5	7.5	8.0	Brass
P0318.060-BR	M 6	12	5.0	8.0	9.5	10.0	Brass
P0318.080-BR	M 8	15	6.5	11.0	12.5	13.0	Brass
P0318.100-BR	M10	18	8.0	13.0	16.0	17.0	Brass
P0318.120-BR	M12	22	10	16.0	18.0	19.0	Brass
P0318.160-BR	M16	28	13	21.0	23.0	24.0	Brass
P0318.200-BR	M20	34	16	26.0	28.0	30.0	Brass

Hexagon Domed Nuts

Nylon



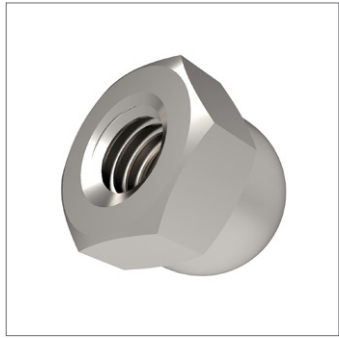
P0318.NL

NUTS

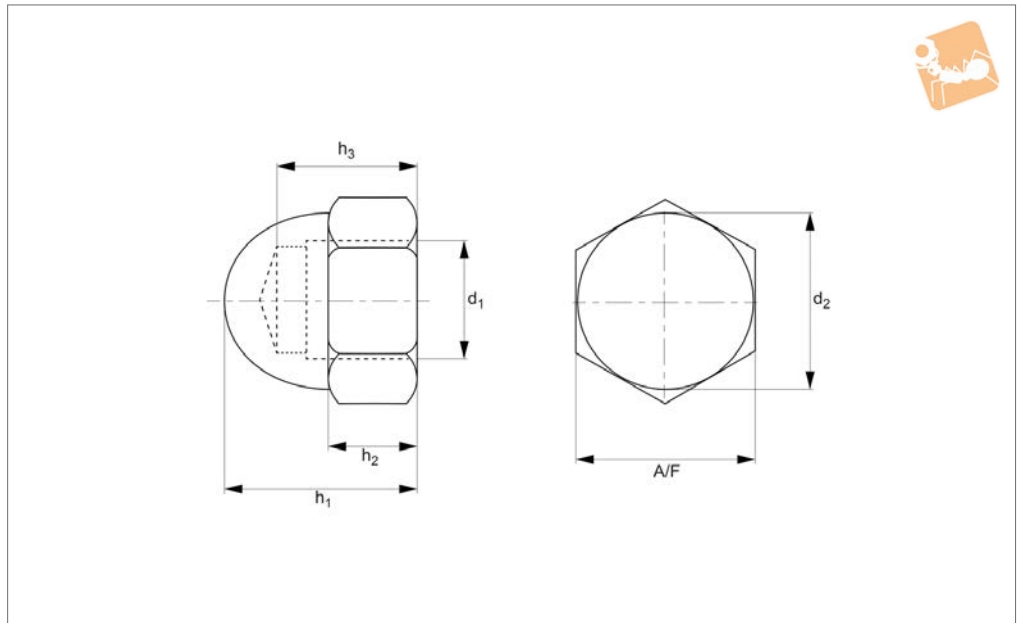
Material
Nylon.

Technical Notes
To DIN 1587.

Order No.	d_1	h_1 max.	h_2 max.	h_3	d_2	A/F	Material
P0318.030-NL	M 3	6	2.4	4.5	5.5	5.5	Nylon
P0318.040-NL	M 4	8	3.2	4.5	6.5	7.0	Nylon
P0318.050-NL	M 5	10	7.5	7.5	7.5	8.0	Nylon
P0318.060-NL	M 6	12	8.0	8.0	9.5	10.0	Nylon
P0318.080-NL	M 8	15	6.5	11.0	12.5	13.0	Nylon
P0318.100-NL	M10	18	8.0	13.0	16.0	17.0	Nylon



P0318.SC



Material

Steel (class 8), self-colour.

Technical Notes

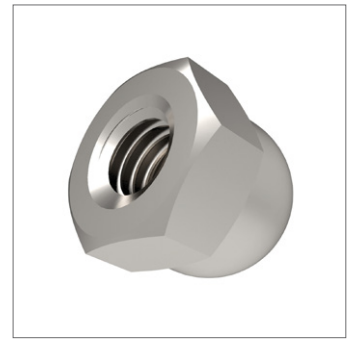
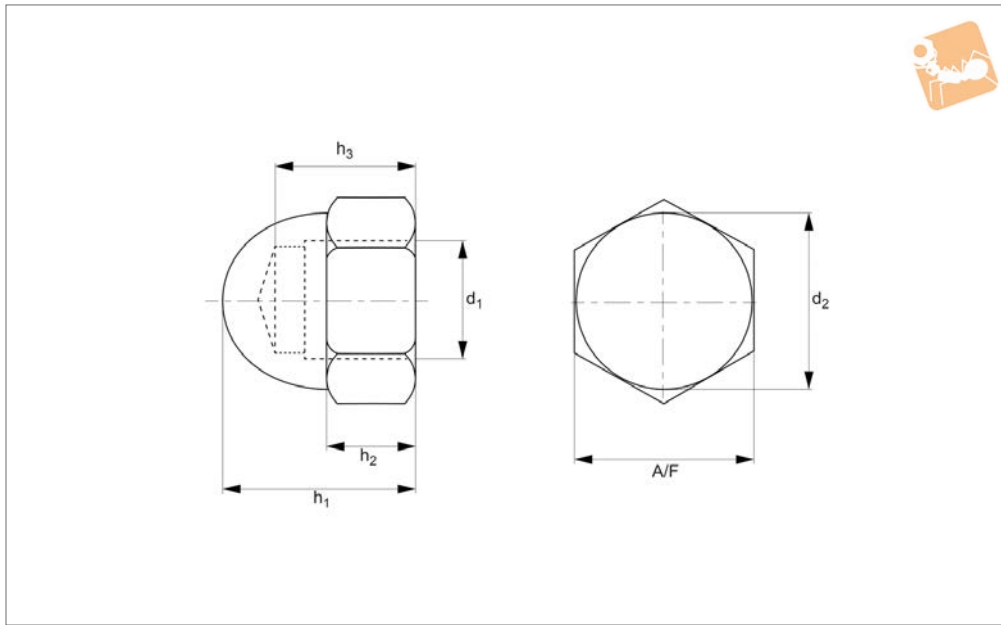
To DIN 1587.

Order No.	d_1	h_1 max.	h_2 max.	h_3	d_2	A/F	Material
P0318.060-SC	M 6	12	5.0	8.0	9.5	10.0	Steel SC
P0318.080-SC	M 8	15	6.5	11.0	12.5	13.0	Steel SC
P0318.100-SC	M10	18	8.0	13.0	16.0	17.0	Steel SC
P0318.120-SC	M12	22	10	16.0	18.0	19.0	Steel SC
P0318.160-SC	M16	28	13	21.0	23.0	24.0	Steel SC
P0318.200-SC	M20	34	16	26.0	30.0	30.0	Steel SC
P0318.240-SC	M24	42	19	31.0	34.0	36.0	Steel SC
P0318.270-SC	M27	47	22	35.0	40.0	41.0	Steel SC
P0318.300-SC	M30	52	24	38.0	42.0	46.0	Steel SC



Hexagon Domed Nuts

Steel, zinc-plated



P0318.ZP

NUTS

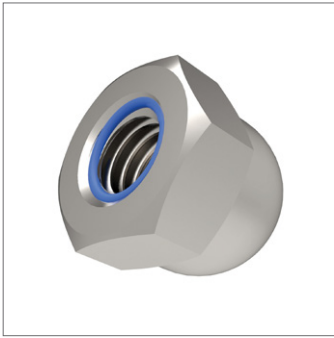
Material

Steel (class 8), zinc-plated.

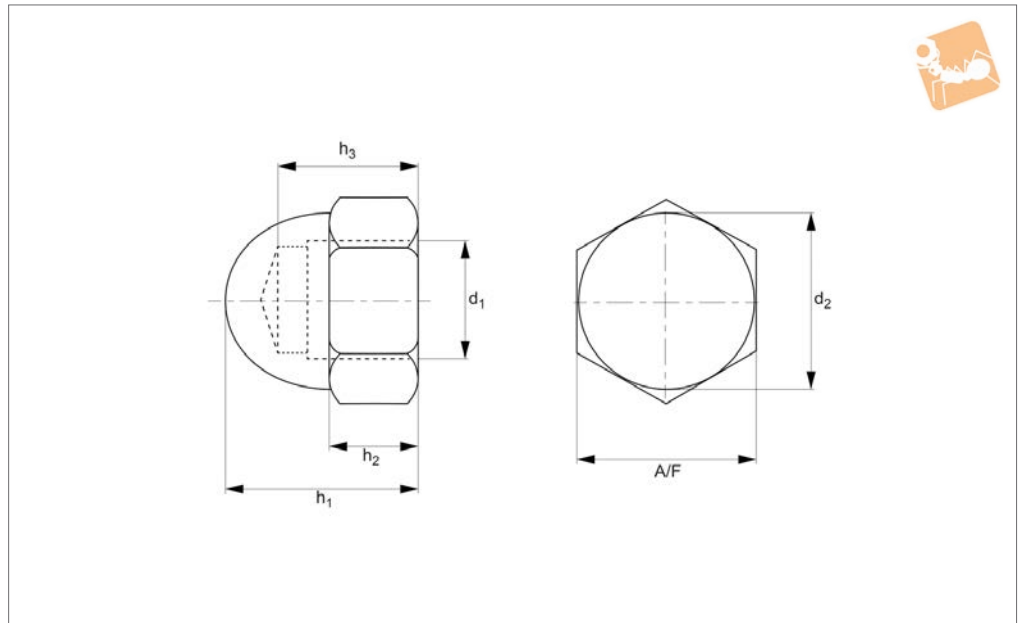
Technical Notes

To DIN 1587.

Order No.	d ₁	h ₁ max.	h ₂ max.	h ₃	d ₂	A/F	Material
P0318.040-ZP	M 4	8	3.2	5.5	7.0	8.0	Steel ZP
P0318.050-ZP	M 5	10	4.0	7.5	8.0	10.0	Steel ZP
P0318.060-ZP	M 6	12	5.0	8.0	10.0	12.0	Steel ZP
P0318.080-ZP	M 8	15	6.5	11.0	13.0	15.0	Steel ZP
P0318.100-ZP	M10	18	8.0	13.0	17.0	20.0	Steel ZP
P0318.120-ZP	M12	22	10	16.0	19.0	25.0	Steel ZP
P0318.160-ZP	M16	28	13	21.0	24.0	30.0	Steel ZP
P0318.200-ZP	M20	34	16	26.0	30.0	35.0	Steel ZP
P0318.240-ZP	M24	42	19	31.0	36.0	40.0	Steel ZP
P0318.270-ZP	M27	47	22	35.0	41.0	50.0	Steel ZP



P0319.A2



Material

Stainless steel (A2, AISI 303).

Technical Notes

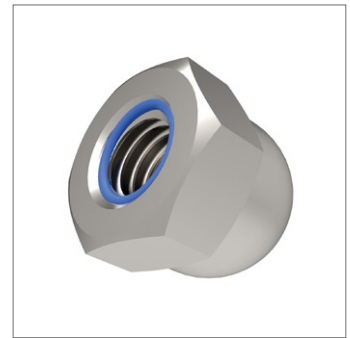
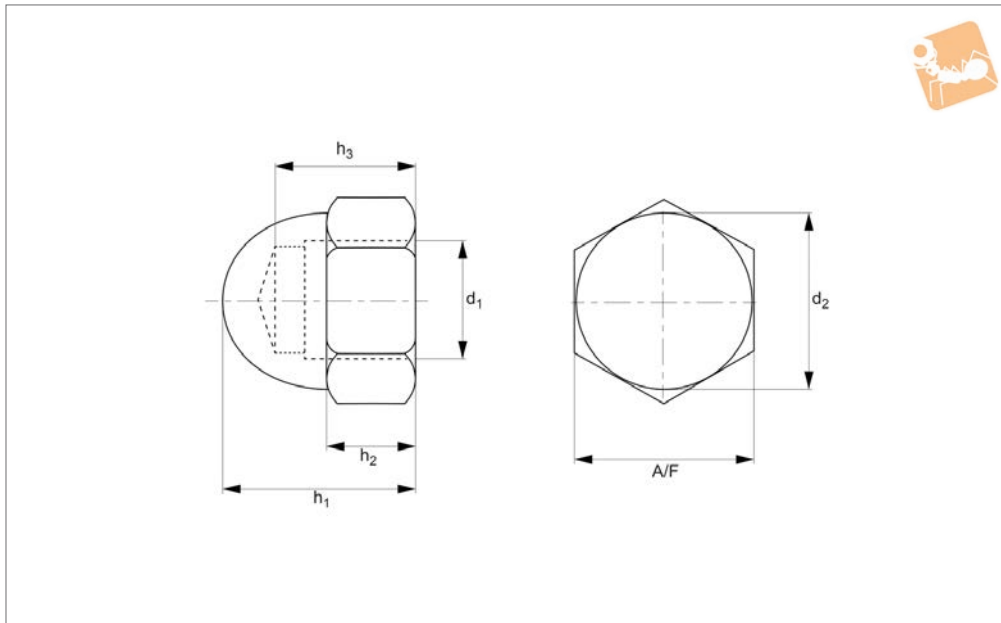
To DIN 986.

Order No.	d_1	h_1 max.	h_2 max.	A/F	Material
P0319.040-A2	M 4	9.6	2.90	7	A2 s/s
P0319.050-A2	M 5	10.5	4.40	8	A2 s/s
P0319.060-A2	M 6	12.0	4.90	10	A2 s/s
P0319.080-A2	M 8	14.0	6.44	13	A2 s/s
P0319.100-A2	M10	18.1	8.04	17	A2 s/s
P0319.120-A2	M12	22.5	10.37	19	A2 s/s
P0319.160-A2	M16	27.5	14.10	24	A2 s/s



Nylon Insert Domed Nuts

Nylon insert - steel, zinc-plated



P0319.ZP

NUTS

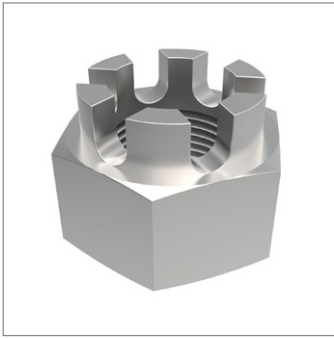
Material

Steel (class 6 or over), zinc-plated.

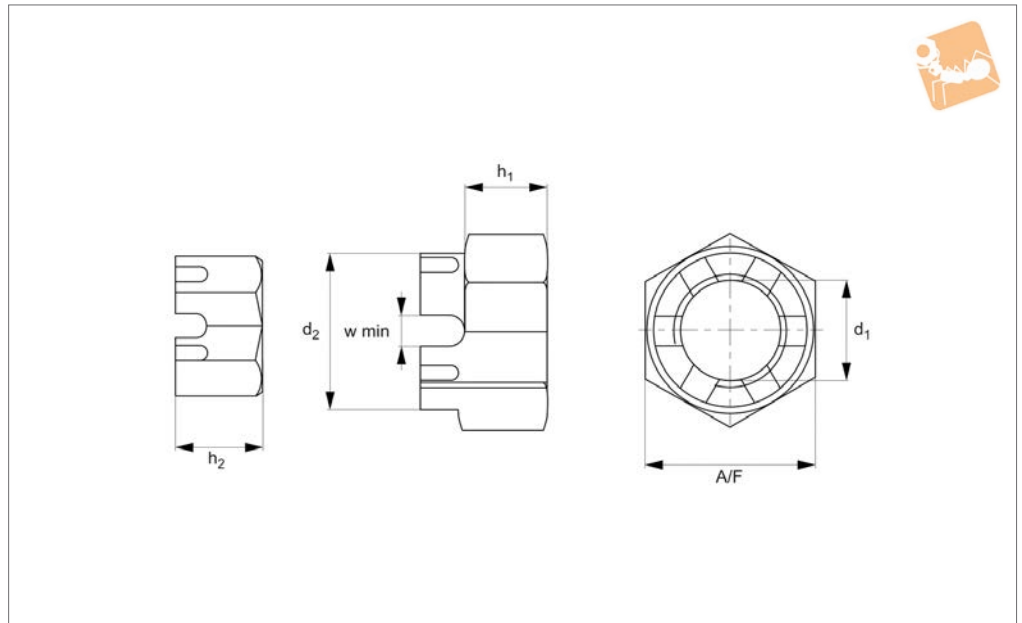
Technical Notes

To DIN 986.

Order No.	d_1	h_1 max.	h_2 max.	A/F	Material
P0319.040-ZP	M 4	9.6	2.90	7	Steel ZP
P0319.050-ZP	M 5	10.5	4.40	8	Steel ZP
P0319.060-ZP	M 6	12.0	4.90	10	Steel ZP
P0319.080-ZP	M 8	14.0	6.44	13	Steel ZP
P0319.100-ZP	M10	18.1	8.04	17	Steel ZP
P0319.120-ZP	M12	22.5	10.37	19	Steel ZP
P0319.160-ZP	M16	27.5	14.10	24	Steel ZP



P0320.A2



Material

Stainless steel (A2).

Technical Notes

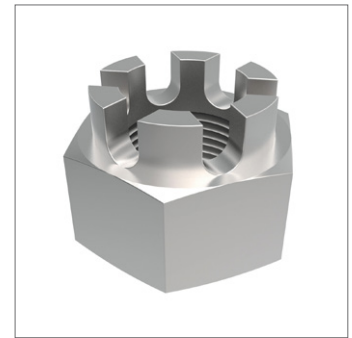
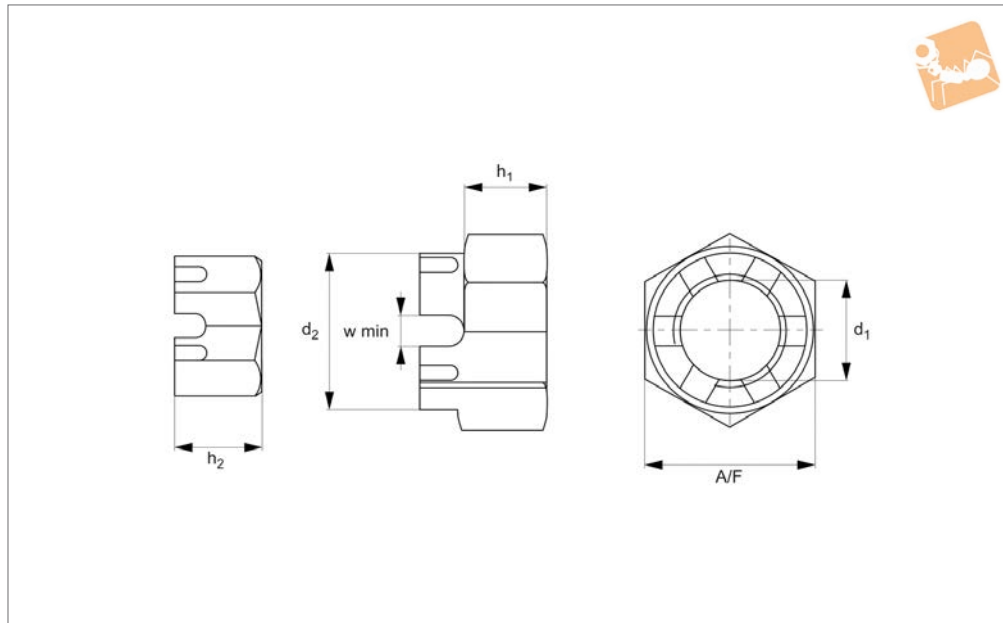
To DIN 935.

Order No.	d_1	h_1	h_2	d_2	w min.	A/F	Material
P0320.050-A2	M 5	4.0	6.0	-	1.4	8	A2 s/s
P0320.060-A2	M 6	5.0	7.5	-	2.0	10	A2 s/s
P0320.080-A2	M 8	6.5	9.5	-	2.5	13	A2 s/s
P0320.100-A2	M10	8.0	12.0	-	2.8	17	A2 s/s
P0320.120-A2	M12	10.0	15.0	17	3.5	19	A2 s/s
P0320.140-A2	M14	11.0	16.0	19	3.5	22	A2 s/s
P0320.160-A2	M16	13.0	19.0	22	4.5	24	A2 s/s
P0320.180-A2	M18	15.0	21.0	25	4.5	27	A2 s/s
P0320.200-A2	M20	16.0	22.0	28	4.5	30	A2 s/s
P0320.240-A2	M24	19.0	27.0	34	5.5	36	A2 s/s
P0320.270-A2	M27	22.0	30.0	38	5.5	41	A2 s/s
P0320.300-A2	M30	24.0	33.0	42	7.0	46	A2 s/s
P0320.360-A2	M36	29.0	38.0	50	7.0	55	A2 s/s



Hexagon Castle Nuts

A4 Stainless



P0320.A4

NUTS

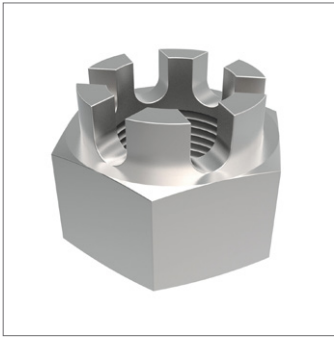
Material

Stainless steel (A4).

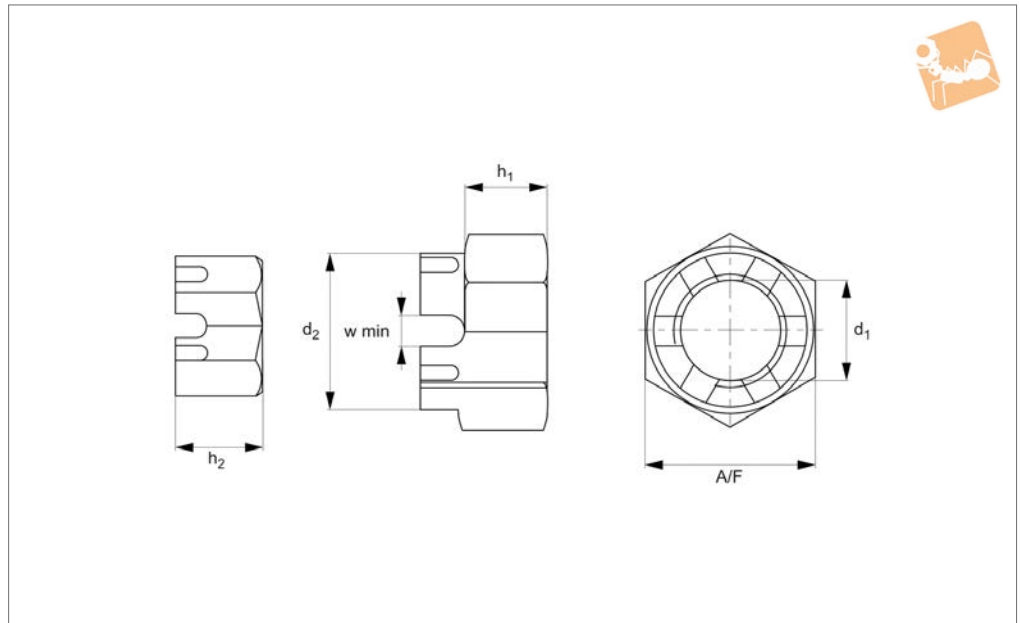
Technical Notes

To DIN 935.

Order No.	d ₁	h ₁	h ₂	d ₂	w min.	A/F	Material
P0320.050-A4	M 5	4.0	6.0	-	1.4	8	A4 s/s
P0320.060-A4	M 6	5.0	7.5	-	2.0	10	A4 s/s
P0320.080-A4	M 8	6.5	9.5	-	2.5	13	A4 s/s
P0320.100-A4	M10	8.0	12.0	-	2.8	17	A4 s/s
P0320.120-A4	M12	10.0	15.0	17	3.5	19	A4 s/s
P0320.140-A4	M14	11.0	16.0	19	3.5	22	A4 s/s
P0320.160-A4	M16	13.0	19.0	22	4.5	24	A4 s/s
P0320.180-A4	M18	15.0	21.0	25	4.5	27	A4 s/s
P0320.200-A4	M20	16.0	22.0	28	4.5	30	A4 s/s
P0320.240-A4	M24	19.0	27.0	34	5.5	36	A4 s/s
P0320.270-A4	M27	22.0	30.0	38	5.5	41	A4 s/s
P0320.300-A4	M30	24.0	33.0	42	7.0	46	A4 s/s
P0320.360-A4	M36	29.0	38.0	50	7.0	55	A4 s/s



P0320.ZP



Material

Steel (class 4), zinc-plated.

Technical Notes

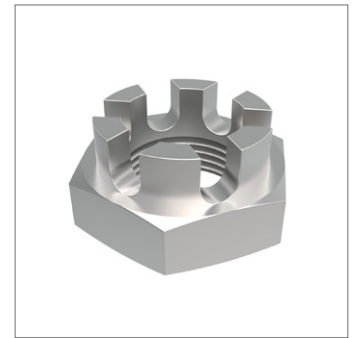
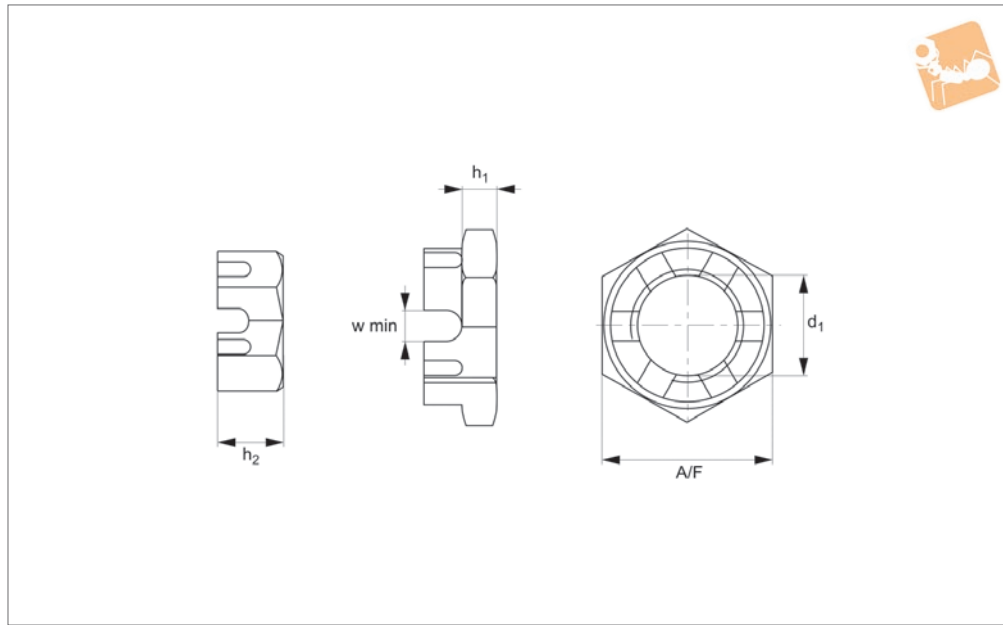
To DIN 935.

Order No.	d_1	h_1	h_2	d_2	w min.	A/F	Material
P0320.050-ZP	M 5	4.0	6.0	-	1.4	8	Steel ZP
P0320.060-ZP	M 6	5.0	7.5	-	2.0	10	Steel ZP
P0320.080-ZP	M 8	6.5	9.5	-	2.5	13	Steel ZP
P0320.100-ZP	M10	8.0	12.0	-	2.8	17	Steel ZP
P0320.120-ZP	M12	10.0	15.0	17	3.5	19	Steel ZP
P0320.140-ZP	M14	11.0	16.0	19	3.5	22	Steel ZP
P0320.160-ZP	M16	13.0	19.0	22	4.5	24	Steel ZP
P0320.180-ZP	M18	15.0	21.0	25	4.5	27	Steel ZP
P0320.200-ZP	M20	16.0	22.0	28	4.5	30	Steel ZP
P0320.240-ZP	M24	19.0	27.0	34	5.5	36	Steel ZP
P0320.270-ZP	M27	22.0	30.0	38	5.5	41	Steel ZP
P0320.300-ZP	M30	24.0	33.0	42	7.0	46	Steel ZP
P0320.360-ZP	M36	29.0	38.0	50	7.0	55	Steel ZP



Hexagon Castle Nuts Thin Type

Thin Type - A2 stainless



P0321.A2

NUTS

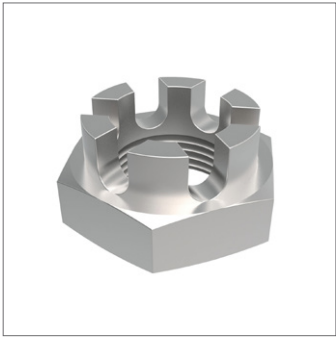
Material

Stainless steel (A2).

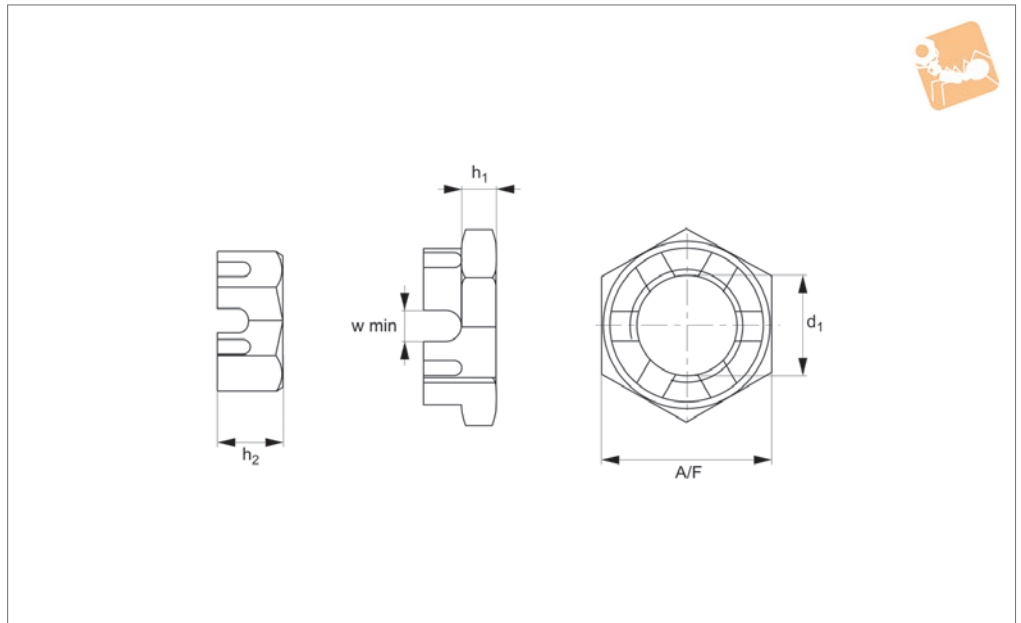
Technical Notes

To DIN 937.

Order No.	d ₁	h ₁	h ₂	w min.	A/F	Material
P0321.060-A2	M 6	3.5	5.70	2.0	10	A2 s/s
P0321.080-A2	M 8	4.5	7.64	2.5	13	A2 s/s
P0312.100-A2	M10	5.0	8.64	2.8	17	A2 s/s
P0321.120-A2	M12	6.0	9.64	3.5	19	A2 s/s
P0321.140-A2	M14	7.0	10.57	3.5	22	A2 s/s
P0321.160-A2	M16	7.0	11.57	4.5	24	A2 s/s
P0321.180-A2	M18	8.0	12.30	4.5	27	A2 s/s
P0321.200-A2	M20	8.0	12.30	4.5	30	A2 s/s
P0321.240-A2	M24	9.0	14.30	5.5	36	A2 s/s
P0321.270-A2	M27	11.0	16.30	5.5	41	A2 s/s
P0321.300-A2	M30	11.0	17.30	7.0	46	A2 s/s



P0321.A4



Material

Stainless steel (A4).

Technical Notes

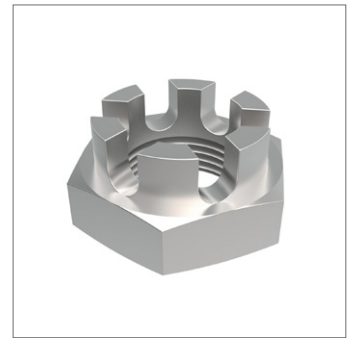
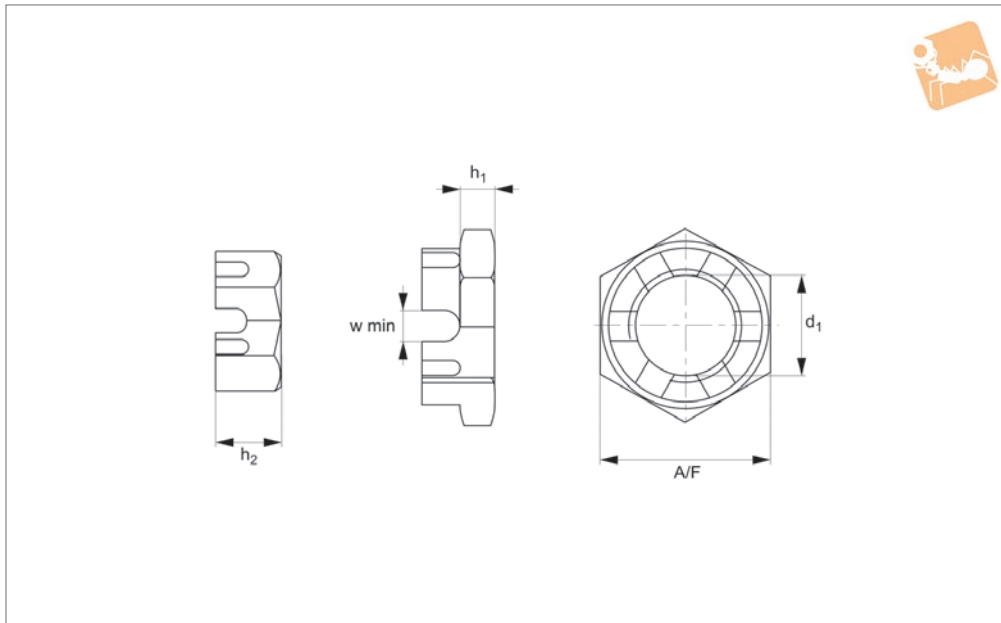
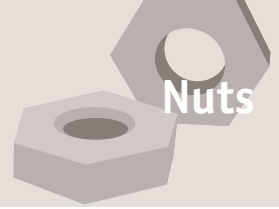
To DIN 937.

Order No.	d_1	h_1	h_2	w min.	A/F	Material
P0321.060-A4	M 6	3.5	5.70	2.0	10	A4 s/s
P0321.080-A4	M 8	4.5	7.64	2.5	13	A4 s/s
P0312.100-A4	M10	5.0	8.64	2.8	17	A4 s/s
P0321.120-A4	M12	6.0	9.64	3.5	19	A4 s/s
P0321.140-A4	M14	7.0	10.57	3.5	22	A4 s/s
P0321.160-A4	M16	7.0	11.57	4.5	24	A4 s/s
P0321.180-A4	M18	8.0	12.30	4.5	27	A4 s/s
P0321.200-A4	M20	8.0	12.30	4.5	30	A4 s/s
P0321.240-A4	M24	9.0	14.30	5.5	36	A4 s/s
P0321.270-A4	M27	11.0	16.30	5.5	41	A4 s/s
P0321.300-A4	M30	11.0	17.30	7.0	46	A4 s/s



Hexagon Castle Nuts Thin Type

Thin Type - steel, zinc-plated



P0321.ZP

NUTS

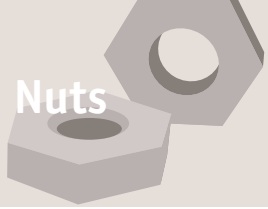
Material

Steel, zinc-plated.

Technical Notes

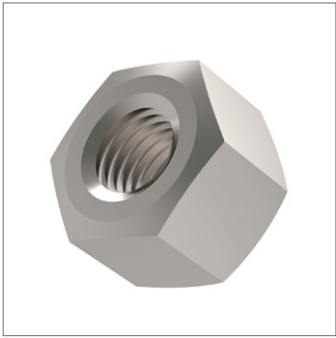
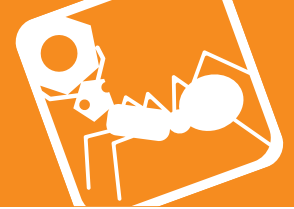
To DIN 937.

Order No.	d_1	h_1	h_2	w min.	A/F	Material
P0321.060-ZP	M 6	3.5	5.70	2.0	10	Steel ZP
P0321.080-ZP	M 8	4.5	7.64	2.5	13	Steel ZP
P0321.100-ZP	M10	5.0	8.64	2.8	17	Steel ZP
P0321.120-ZP	M12	6.0	9.64	3.5	19	Steel ZP
P0321.140-ZP	M14	7.0	10.57	3.5	22	Steel ZP
P0321.160-ZP	M16	7.0	11.57	4.5	24	Steel ZP
P0321.180-ZP	M18	8.0	12.30	4.5	27	Steel ZP
P0321.200-ZP	M20	8.0	12.30	4.5	30	Steel ZP
P0321.240-ZP	M24	9.0	14.30	5.5	36	Steel ZP
P0321.270-ZP	M27	11.0	16.30	5.5	41	Steel ZP
P0321.300-ZP	M30	11.0	17.30	7.0	46	Steel ZP

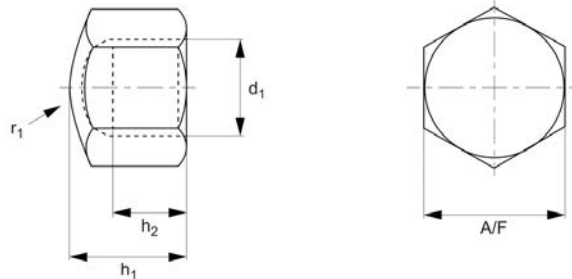


Hexagon Cap Nuts

A2 stainless



P0317.A2



Material

Stainless steel (A2).

Technical Notes

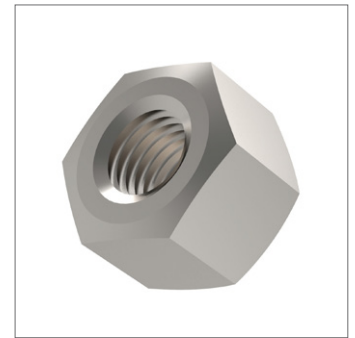
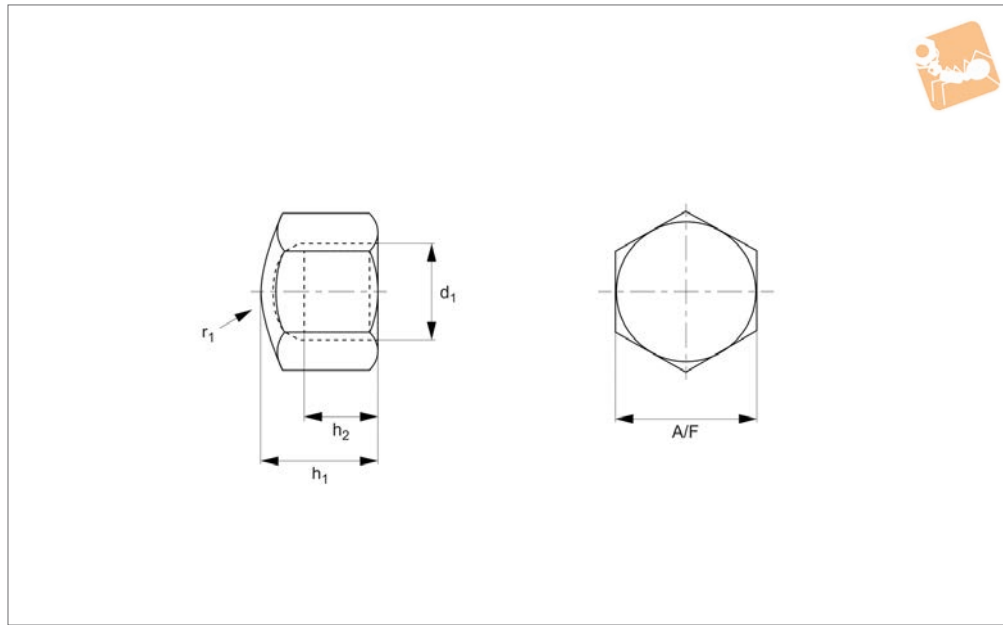
To DIN 917.

Order No.	d_1	h_1	h_2 min.	A/F	r_1	Material
P0317.030-A2	M 3	5	3	5.5	-	A2 s/s
P0317.040-A2	M 4	5.5	4.4	7	8	A2 s/s
P0317.050-A2	M 5	7	5.2	8	10	A2 s/s
P0317.060-A2	M 6	9	7	10	12	A2 s/s
P0317.080-A2	M 8	12	9.5	13	15	A2 s/s
P0317.100-A2	M10	14	11	17	20	A2 s/s
P0317.120-A2	M12	16	13.5	19	25	A2 s/s
P0317.140-A2	M14	18	15	22	28	A2 s/s
P0317.160-A2	M16	20	17	24	30	A2 s/s
P0317.180-A2	M18	22	19	27	32	A2 s/s
P0317.200-A2	M20	25	21	30	35	A2 s/s
P0317.220-A2	M22	28	22	32	35	A2 s/s
P0317.240-A2	M24	30	24	36	40	A2 s/s
P0317.270-A2	M27	32	26	41	50	A2 s/s
P0317.300-A2	M30	34	28	46	60	A2 s/s



Hexagon Cap Nuts

A4 stainless



P0317.A4

NUTS

Material

Stainless steel (A4).

Technical Notes

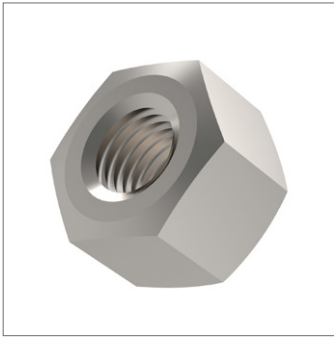
To DIN 917.

Order No.	d ₁	h ₁	h ₂ min.	A/F	r ₁	Material
P0317.030-A4	M 3	5	3	5.5	-	A4 s/s
P0317.040-A4	M 4	5.5	4.4	7	8	A4 s/s
P0317.050-A4	M 5	7	5.2	8	10	A4 s/s
P0317.060-A4	M 6	9	7	10	12	A4 s/s
P0317.080-A4	M 8	12	9.5	13	15	A4 s/s
P0317.100-A4	M10	14	11	17	20	A4 s/s
P0317.120-A4	M12	16	13.5	19	25	A4 s/s
P0317.140-A4	M14	18	15	22	28	A4 s/s
P0317.160-A4	M16	20	17	24	30	A4 s/s
P0317.180-A4	M18	22	19	27	32	A4 s/s
P0317.200-A4	M20	25	21	30	35	A4 s/s
P0317.220-A4	M22	28	22	32	35	A4 s/s
P0317.240-A4	M24	30	24	36	40	A4 s/s
P0317.270-A4	M27	32	26	41	50	A4 s/s
P0317.300-A4	M30	34	28	46	60	A4 s/s

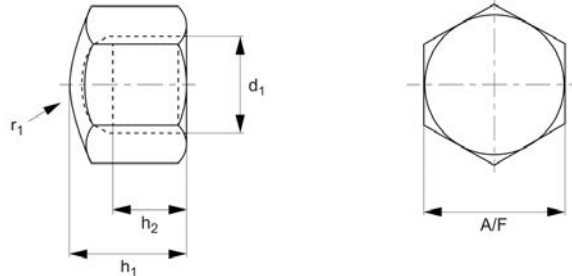


Hexagon Cap Nuts

Steel, zinc-plated



P0317.ZP



Material

Steel (class 6), zinc-plated.

Technical Notes

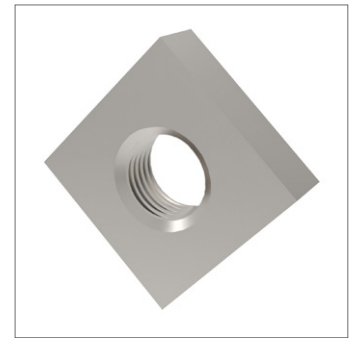
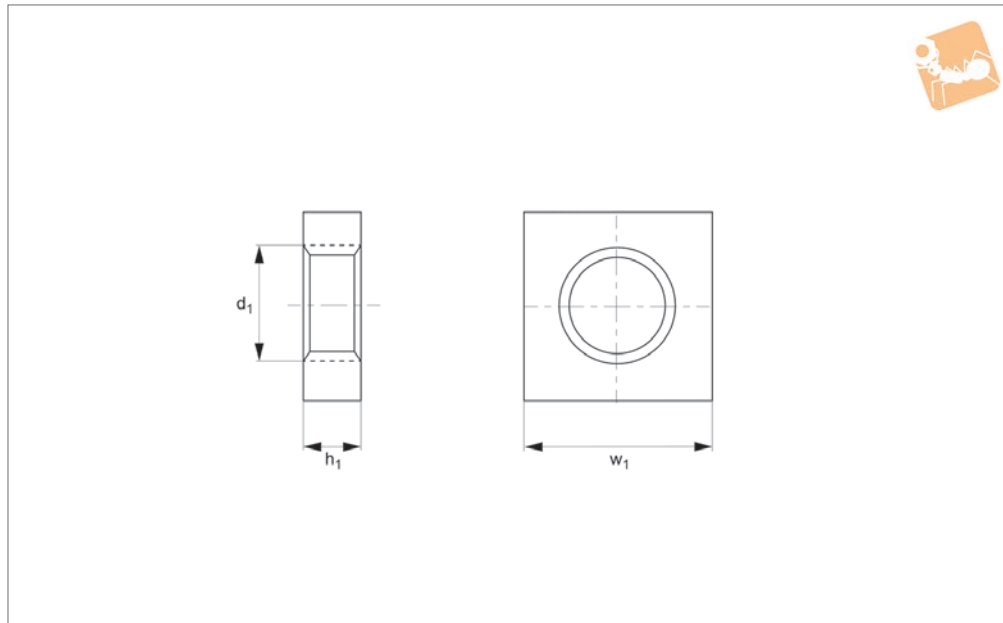
To DIN 917.

Order No.	d_1	h_1	h_2 min.	A/F	r_1	Material
P0317.030-ZP	M 3	5	3	5.5	-	Steel ZP
P0317.040-ZP	M 4	5.5	4.4	7	8	Steel ZP
P0317.050-ZP	M 5	7	5.2	8	10	Steel ZP
P0317.060-ZP	M 6	9	7	10	12	Steel ZP
P0317.080-ZP	M 8	12	9.5	13	15	Steel ZP
P0317.100-ZP	M10	14	11	17	20	Steel ZP
P0317.120-ZP	M12	16	13.5	19	25	Steel ZP
P0317.140-ZP	M14	18	15	22	28	Steel ZP
P0317.160-ZP	M16	20	17	24	30	Steel ZP
P0317.180-ZP	M18	22	19	27	32	Steel ZP
P0317.200-ZP	M20	25	21	30	35	Steel ZP
P0317.220-ZP	M22	28	22	32	35	Steel ZP
P0317.240-ZP	M24	30	24	36	40	Steel ZP
P0317.270-ZP	M27	32	26	41	50	Steel ZP
P0317.300-ZP	M30	34	28	46	60	Steel ZP



Square Nuts

A2 stainless



P0323.A2

NUTS

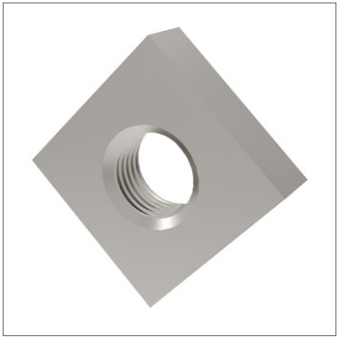
Material

Stainless steel (A2).

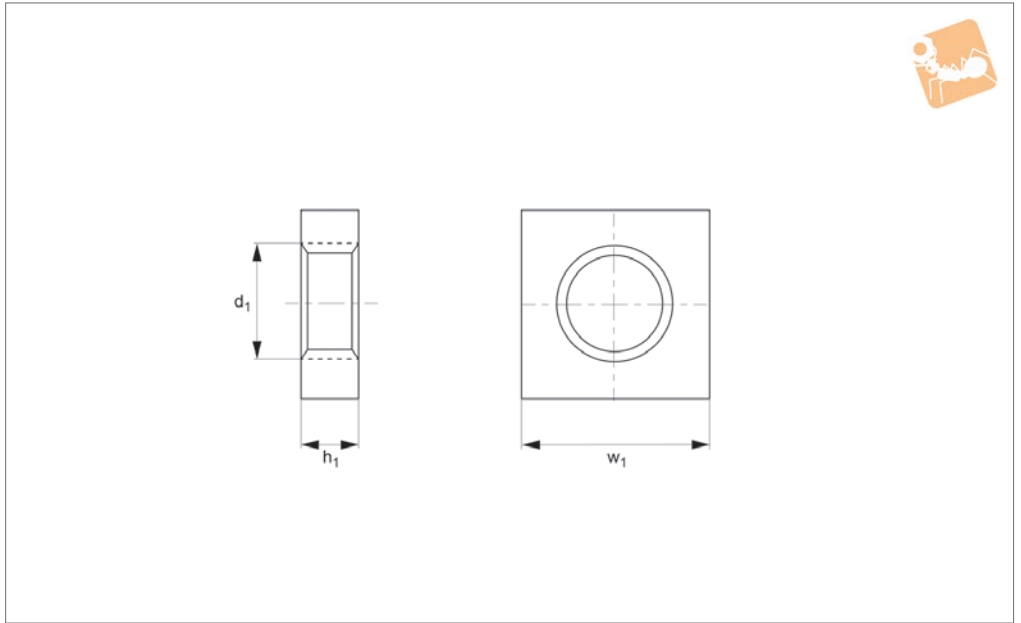
Technical Notes

To DIN 562. Standard metric coarse threads.

Order No.	d ₁	w ₁	h ₁ min.	Material
P0323.020-A2	M 2	4	1.2	A2 s/s
P0323.025-A2	M2,5	5	1.6	A2 s/s
P0323.030-A2	M 3	5.5	1.8	A2 s/s
P0323.040-A2	M 4	7	2.2	A2 s/s
P0323.050-A2	M 5	8	2.7	A2 s/s
P0323.060-A2	M 6	10	3.2	A2 s/s
P0323.080-A2	M 8	13	4.0	A2 s/s
P0323.100-A2	M10	16	5.0	A2 s/s



P0323.A4



Material

Stainless steel (A4).

Technical Notes

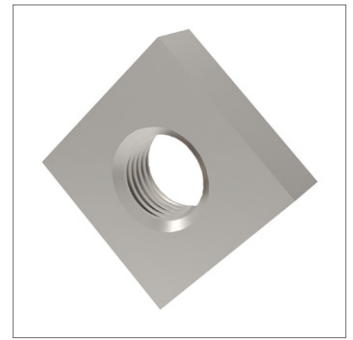
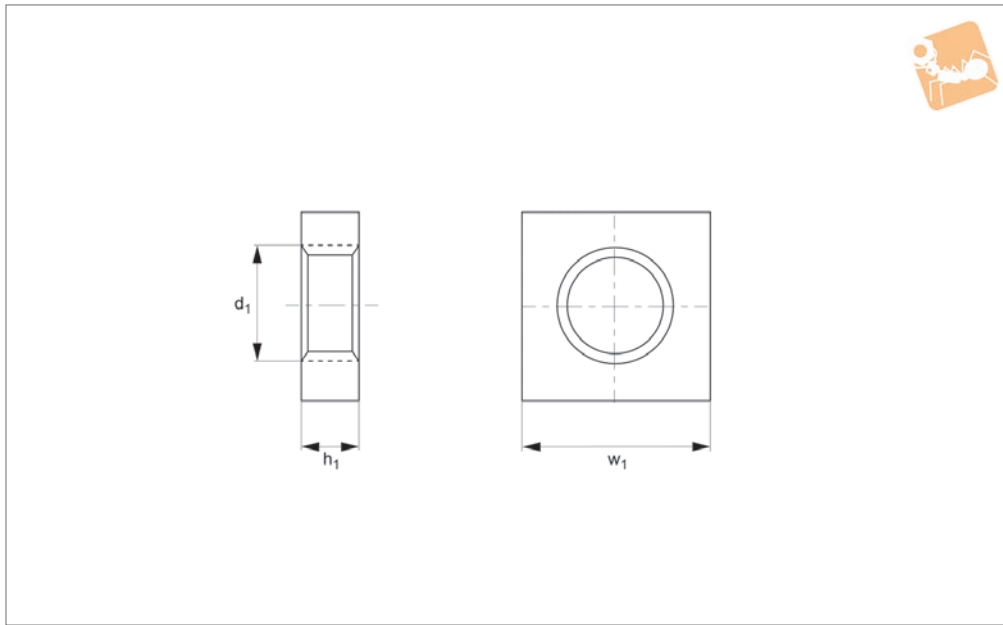
To DIN 562. Standard metric coarse threads.

Order No.	d_1	w_1	h_1 min.	Material
P0323.016-A4	M1,6	3,2	1,0	A4 s/s
P0323.020-A4	M 2	4	1,2	A4 s/s
P0323.025-A4	M2,5	5	1,6	A4 s/s
P0323.030-A4	M 3	5,5	1,8	A4 s/s
P0323.040-A4	M 4	7	2,2	A4 s/s
P0323.050-A4	M 5	8	2,7	A4 s/s
P0323.060-A4	M 6	10	3,2	A4 s/s
P0323.080-A4	M 8	13	4,0	A4 s/s
P0323.100-A4	M10	16	5,0	A4 s/s



Square Nuts

Steel, zinc-plated



P0323.ZP

NUTS

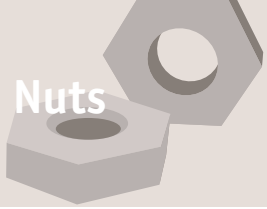
Material

Steel (class 4), zinc-plated.

Technical Notes

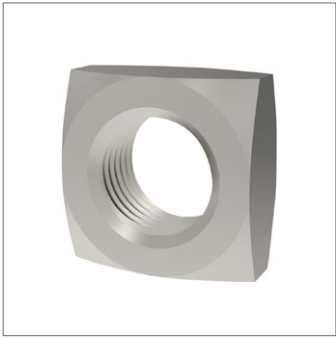
To DIN 562. Standard metric coarse threads.

Order No.	d ₁	w ₁	h ₁ min.	Material
P0323.030-ZP	M 3	5.5	1.8	Steel ZP
P0323.040-ZP	M 4	7	2.2	Steel ZP
P0323.050-ZP	M 5	8	2.7	Steel ZP
P0323.060-ZP	M 6	10	3.2	Steel ZP
P0323.080-ZP	M 8	13	4.0	Steel ZP
P0323.100-ZP	M10	16	5.0	Steel ZP

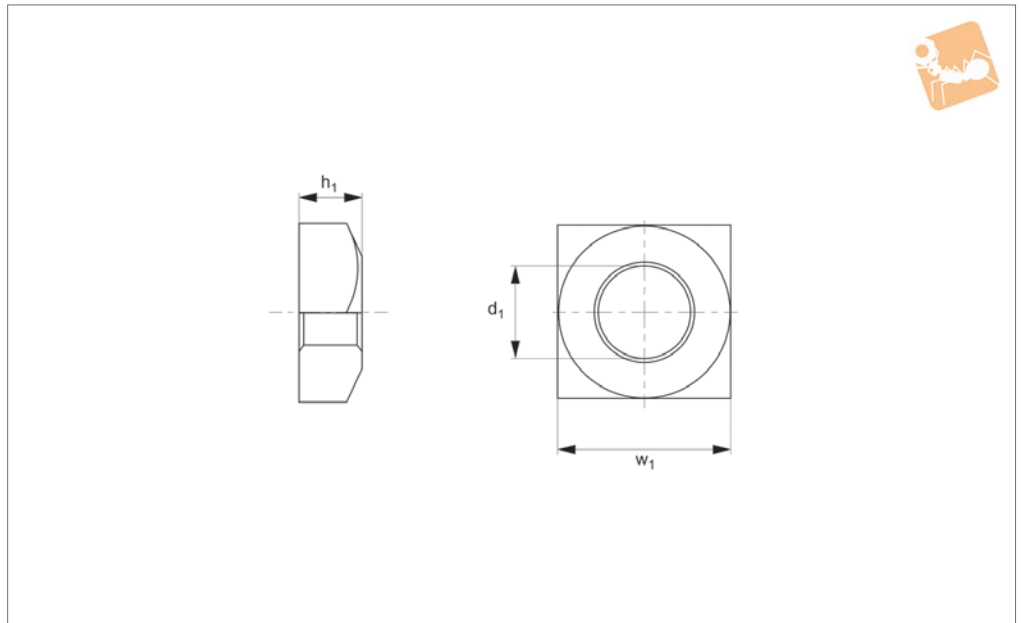


Chamfered Square Nuts

Chamfered - A2 stainless



P0324.A2



Material

Stainless steel (A2).

Technical Notes

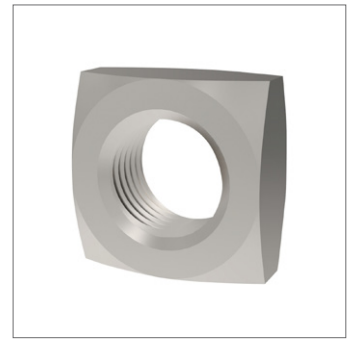
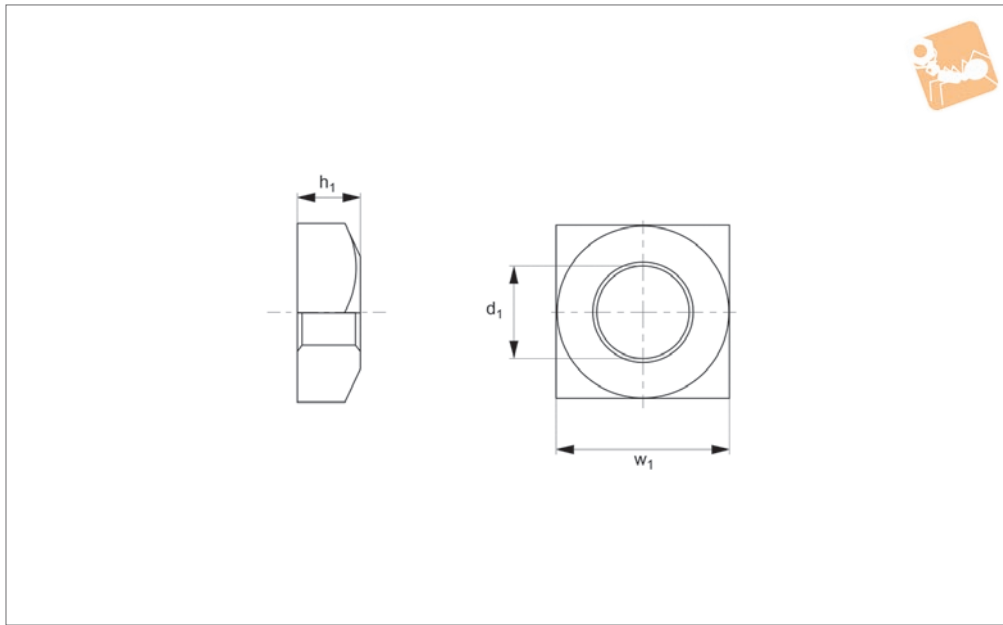
To DIN 557. Standard metric coarse threads.

Order No.	d_1	w_1	h_1	Material
P0324.050-A2	M 5	8	4.0	A2 s/s
P0324.060-A2	M 6	10	5.0	A2 s/s
P0324.080-A2	M 8	13	6.0	A2 s/s
P0324.100-A2	M10	17	8.0	A2 s/s
P0324.120-A2	M12	19	10	A2 s/s
P0324.160-A2	M16	24	13	A2 s/s



Chamfered Square Nuts

Chamfered - A4 stainless



P0324.A4

NUTS

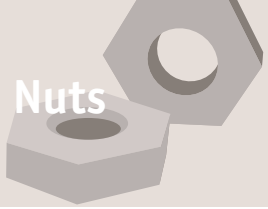
Material

Stainless steel (A4).

Technical Notes

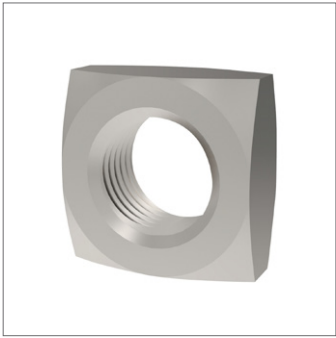
To DIN 557. Standard metric coarse threads.

Order No.	d_1	w_1	h_1	Material
P0324.050-A4	M 5	8	4.0	A4 s/s
P0324.060-A4	M 6	10	5.0	A4 s/s
P0324.080-A4	M 8	13	6.0	A4 s/s
P0324.100-A4	M10	17	8.0	A4 s/s
P0324.120-A4	M12	19	10	A4 s/s
P0324.160-A4	M16	24	13	A4 s/s

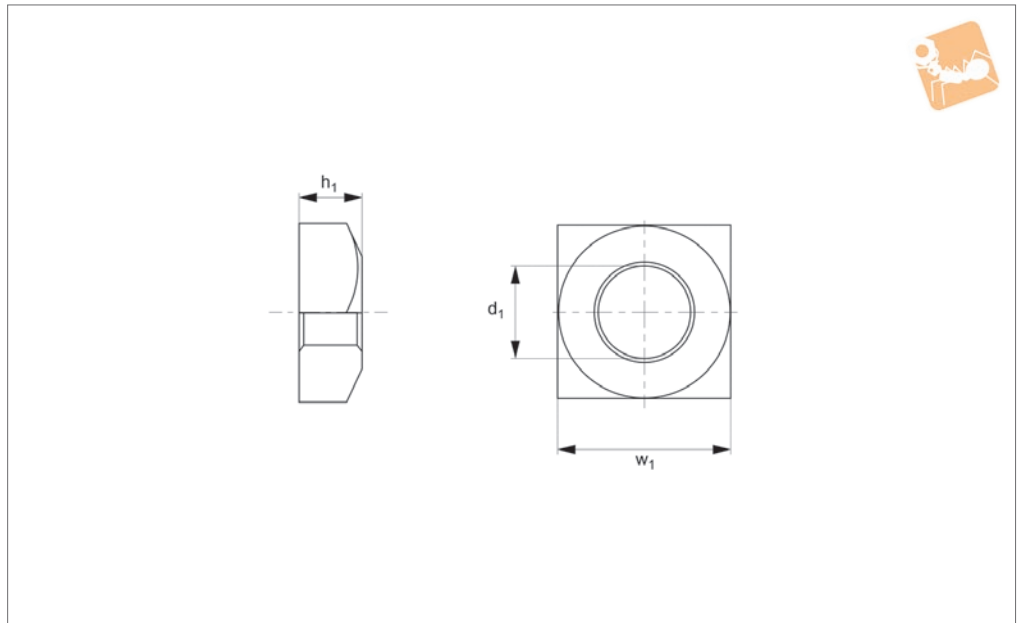


Chamfered Square Nuts

Chamfered - steel, self-colour



P0324.SC



Material

Steel (class 5 or over), self-colour

Technical Notes

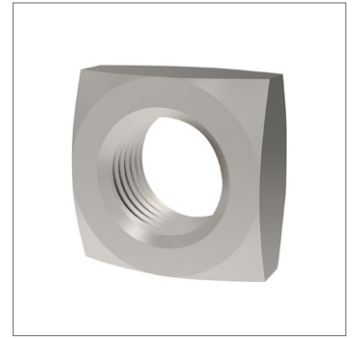
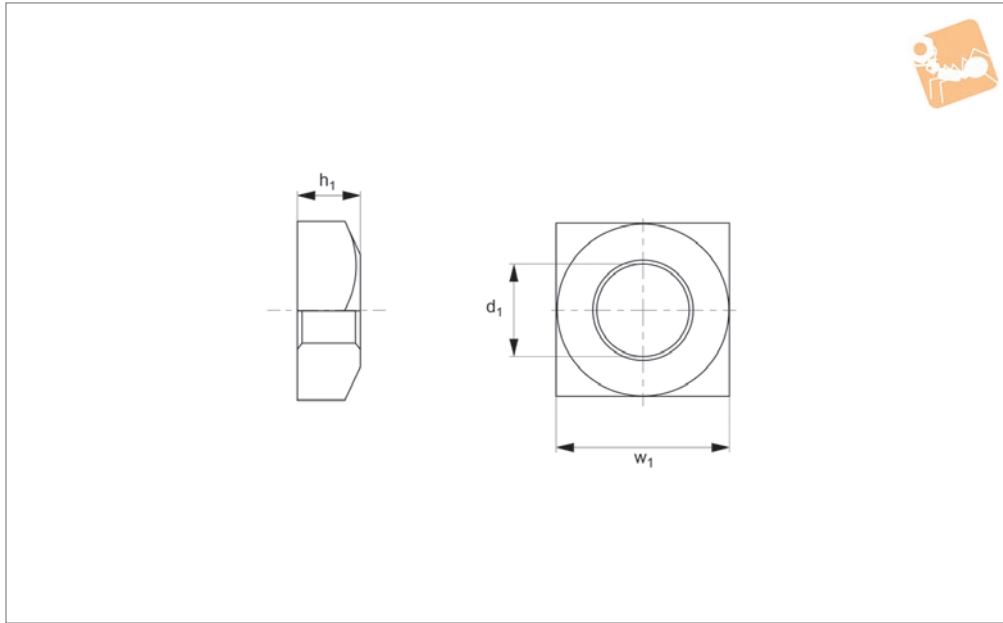
To DIN 557. Standard metric coarse threads.

Order No.	d_1	w_1	h_1	Material
P0324.040-SC	M 4	7	3.2	Steel SC
P0324.050-SC	M 5	8	4.0	Steel SC
P0324.060-SC	M 6	10	5.0	Steel SC
P0324.080-SC	M 8	13	6.0	Steel SC
P0324.100-SC	M10	17	8.0	Steel SC
P0324.120-SC	M12	19	10	Steel SC



Chamfered Square Nuts

Chamfered - steel, zinc-plated



P0324.ZP

NUTS

Material

Steel (class 5 or over), zinc-plated.

Technical Notes

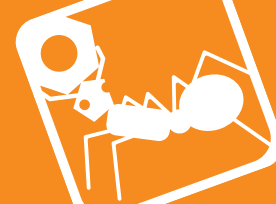
To DIN 557. Standard metric coarse threads.

Order No.	d ₁	w ₁	h ₁	Material
P0324.050-ZP	M 5	8	4.0	Steel ZP
P0324.060-ZP	M 6	10	5.0	Steel ZP
P0324.080-ZP	M 8	13	6.0	Steel ZP
P0324.100-ZP	M10	17	8.0	Steel ZP
P0324.120-ZP	M12	19	10	Steel ZP
P0324.040-ZP	M 4	7	3.2	Steel ZP

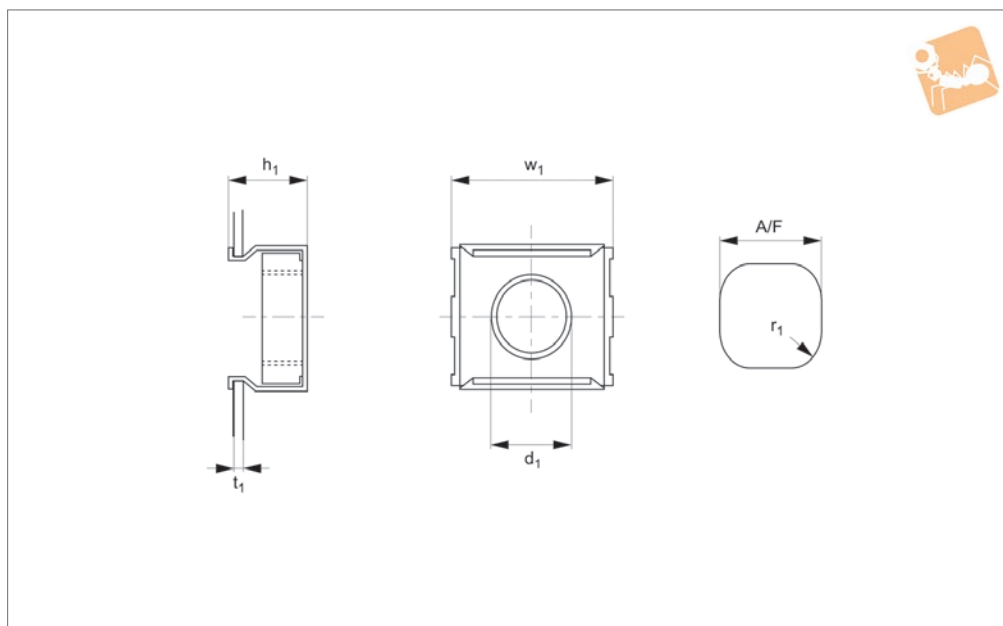


Cage Nuts

Cage nuts - A2 stainless



P0325.A2



Material

Stainless steel (A2, AISI 303).

Technical Notes

A/F is hole size across flats.

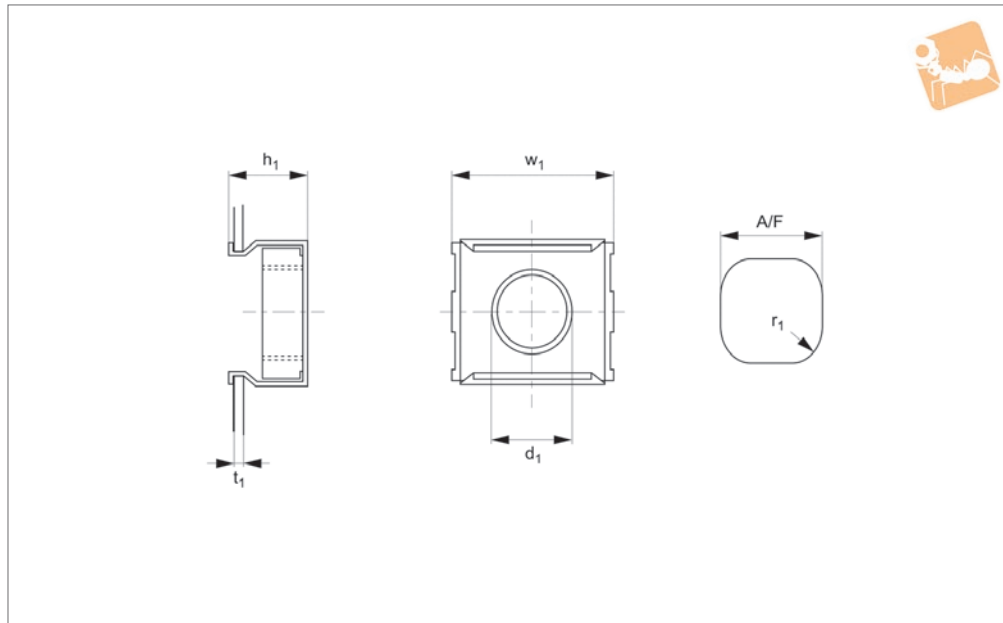
$r = 0,5$. Select the part number according to the thread required and the thickness of the preferred material.

Order No.	For panel t_1	d_1	w_1 $\pm 0,5$	A/F	h_1 $\pm 0,3$
P0325.040-016-A2	0,7-1,6	M 4	13,2	9,5	8,5
P0325.040-026-A2	1,7-2,6	M 4	13,2	9,5	9,5
P0325.040-035-A2	2,7-3,5	M 4	13,2	9,5	10,5
P0325.050-016-A2	0,7-1,6	M 5	13,2	9,5	8,5
P0325.050-026-A2	1,7-2,6	M 5	13,2	9,5	9,5
P0325.050-035-A2	2,7-3,5	M 5	13,2	9,5	10,5
P0325.060-016-A2	0,7-1,6	M 6	13,2	9,5	8,5
P0325.060-026-A2	1,7-2,6	M 6	13,2	9,5	9,5
P0325.060-035-A2	2,7-3,5	M 6	13,2	9,5	10,5
P0325.080-017-A2	0,7-1,7	M 8	16,5	12,8	10,5
P0325.080-031-A2	1,8-3,1	M 8	16,5	12,8	12,0
P0325.080-043-A2	3,2-4,3	M 8	16,5	12,8	13,5
P0325.100-017-A2	0,7-1,7	M10	16,5	12,8	10,5
P0325.100-031-A2	1,8-3,1	M10	16,5	12,8	12,0
P0325.100-043-A2	3,2-4,3	M10	16,5	12,8	13,5



Cage Nuts

Cage nuts, steel zinc-plated



P0325.ZP

NUTS

Material

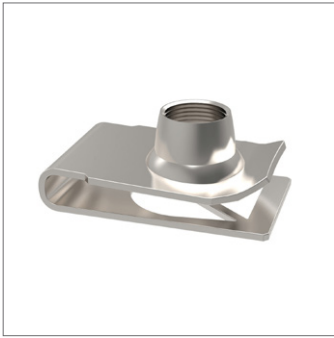
Steel, zinc-plated.

$r = 0,5$. Select the part number according to the thread required and the thickness of the preferred material.

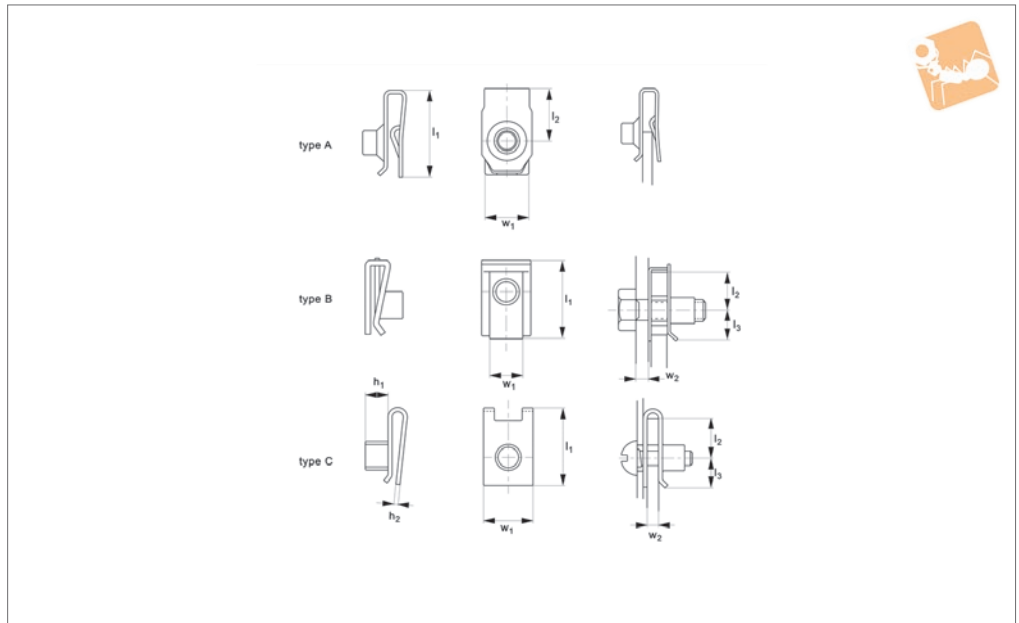
Technical Notes

A/F is hole size across flats.

Order No.	For panel t_1	d_1	w_1 $\pm 0,5$	A/F	h_1 $\pm 0,3$
P0325.030-016-ZP	0,7-1,6	M 3	10,5	6,8	7,2
P0325.040-016-ZP	0,7-1,6	M 4	13,2	9,5	8,6
P0325.040-026-ZP	1,7-2,6	M 4	13,2	9,5	9,5
P0325.040-032-ZP	2,0-3,2	M 4	13,2	9,5	10,2
P0325.050-016-ZP	0,7-1,6	M 5	13,2	9,5	8,6
P0325.050-026-ZP	1,7-2,6	M 5	13,2	9,5	9,5
P0325.050-032-ZP	2,0-3,2	M 5	13,2	9,5	10,2
P0325.060-016-ZP	0,7-1,6	M 6	13,2	9,5	8,6
P0325.060-026-ZP	1,7-2,6	M 6	13,2	9,5	9,5
P0325.060-032-ZP	2,0-3,2	M 6	13,2	9,5	10,2
P0325.080-016-ZP	0,7-1,6	M 8	17,8	12,8	10,6
P0325.080-026-ZP	1,7-2,6	M 8	17,8	12,8	11,5
P0325.080-043-ZP	2,7-4,3	M 8	17,8	12,8	13,0
P0325.100-016-ZP	0,7-1,6	M10	17,8	12,8	10,6
P0325.100-026-ZP	1,7-2,6	M10	17,8	12,8	11,5
P0325.100-043-ZP	2,7-4,3	M10	17,8	12,8	13,0



P0326



Material
Steel, zinc-plated.

Technical Notes
Lug nuts are used where U nuts are not

strong enough. They provide a degree of adjustment to assist screw alignment. Select the part number according to the thread required, the thickness of the

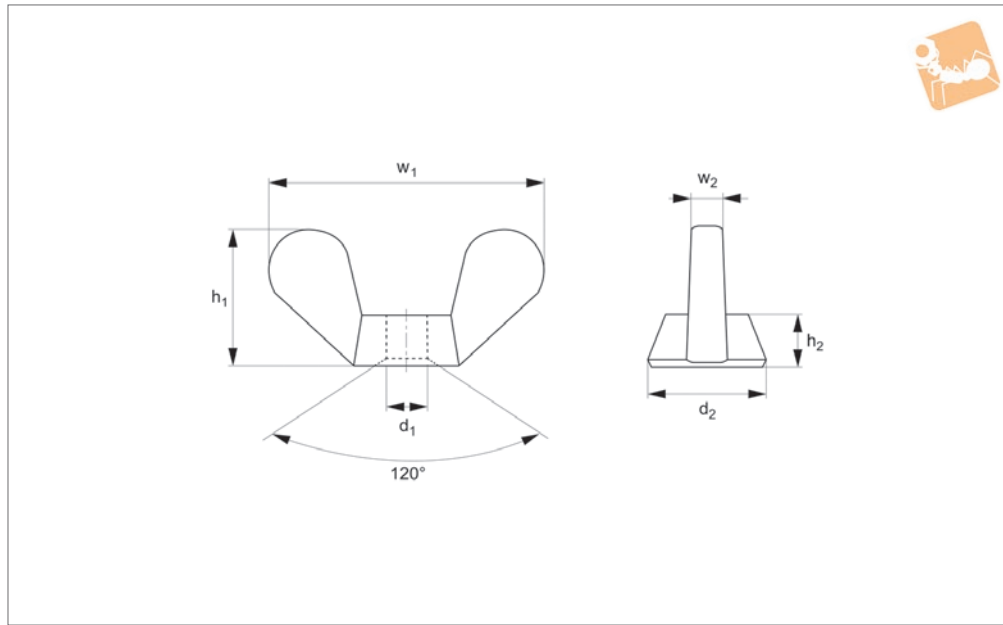
preferred material and the type of nut required.

Order No.	For thread	w_1	l_1	l_2	l_3	h_1	h_2	w_2	Type
P0326.060-040-A1	M 6	0,8-4,0	24,0	12,5	-	-	-	14,2	A
P0326.080-040-A1	M 8	0,8-4,0	26,0	12,0	-	-	-	17,2	A
P0326.100-055-A1	M10	1,5-5,5	32,7	18,0	-	-	-	18,5	A
P0326.040-040-B1	M 4	0,5-4,0	15,0	7,3	7,0	5,0	0,6	10,0	B
P0326.050-040-B2	M 5	0,5-4,0	20,0	11,0	8,8	5,5	0,7	14,0	B
P0326.060-040-B1	M 6	0,5-4,0	18,8	8,4	8,4	7,5	0,8	16,0	B
P0326.060-040-B2	M 6	0,5-4,0	22,2	12,0	9,8	7,0	0,8	15,0	B
P0326.080-040-B2	M 8	0,5-4,0	24,3	13,0	10,8	9,0	1,0	17,0	B
P0326.040-015-C1	M 4	0,5-1,5	15,5	7,5	6,5	4,5	0,8	12,0	C
P0326.040-020-C1	M 4	0,5-2,0	15,5	7,5	6,5	4,5	0,8	12,0	C
P0326.050-015-C1	M 5	0,5-1,5	15,5	7,5	6,5	5,0	0,8	12,0	C
P0326.050-020-C1	M 5	0,5-2,0	15,5	7,5	6,5	5,0	0,8	12,0	C
P0326.060-015-C1	M 6	0,5-1,5	15,5	7,5	6,5	5,5	0,8	12,0	C
P0326.060-020-C1	M 6	0,5-2,0	15,5	7,5	6,5	5,5	0,8	12,0	C
P0326.050-040-B1	M 5	0,5-4,0	15,0	7,3	7,0	5,5	0,6	12,0	B



Wing Nuts

Female thread - A2 stainless



P0328.A2

NUTS

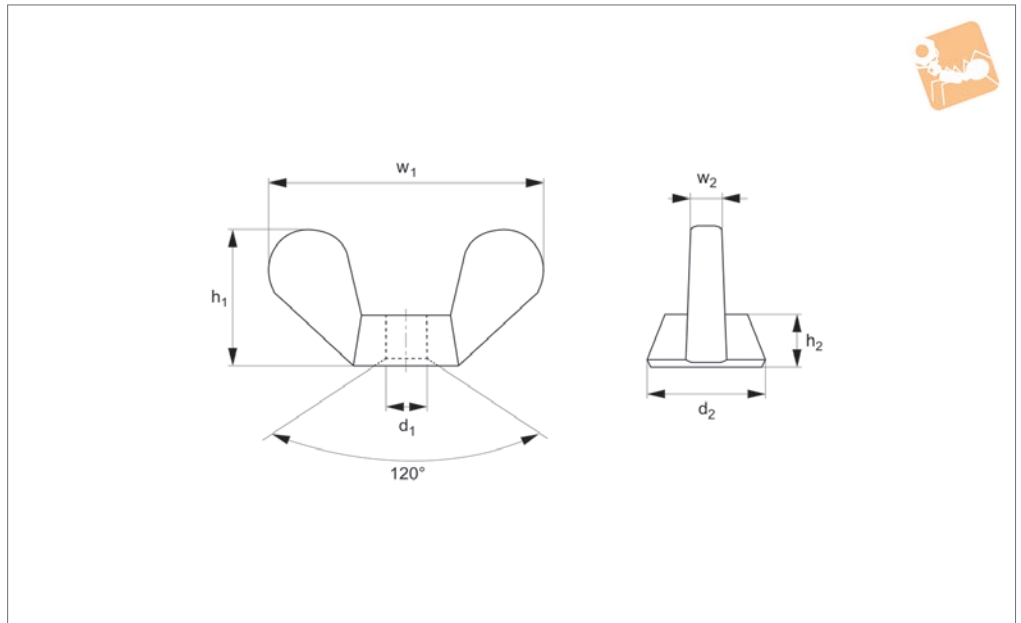
Material
Stainless steel (A2).

Technical Notes
To DIN 315 AF.

Order No.	d ₁	w ₁	h ₁	h ₂ max.	Material
P0328.030-A2	M 3	18.5	8.8	3.0	A2 s/s
P0328.040-A2	M 4	18.5	8.8	3.0	A2 s/s
P0328.050-A2	M 5	22.0	10.5	4.0	A2 s/s
P0328.060-A2	M 6	26.8	12.9	4.9	A2 s/s
P0328.080-A2	M 8	30.3	14.8	5.4	A2 s/s
P0328.100-A2	M10	35.3	17.3	6.3	A2 s/s
P0328.120-A2	M12	47.5	22.5	7.9	A2 s/s
P0328.160-A2	M16	65.0	30.8	10.6	A2 s/s
P0328.200-A2	M20	67.0	31.2	12.2	A2 s/s



P0328.A4



Material

Stainless steel (A4).

Technical Notes

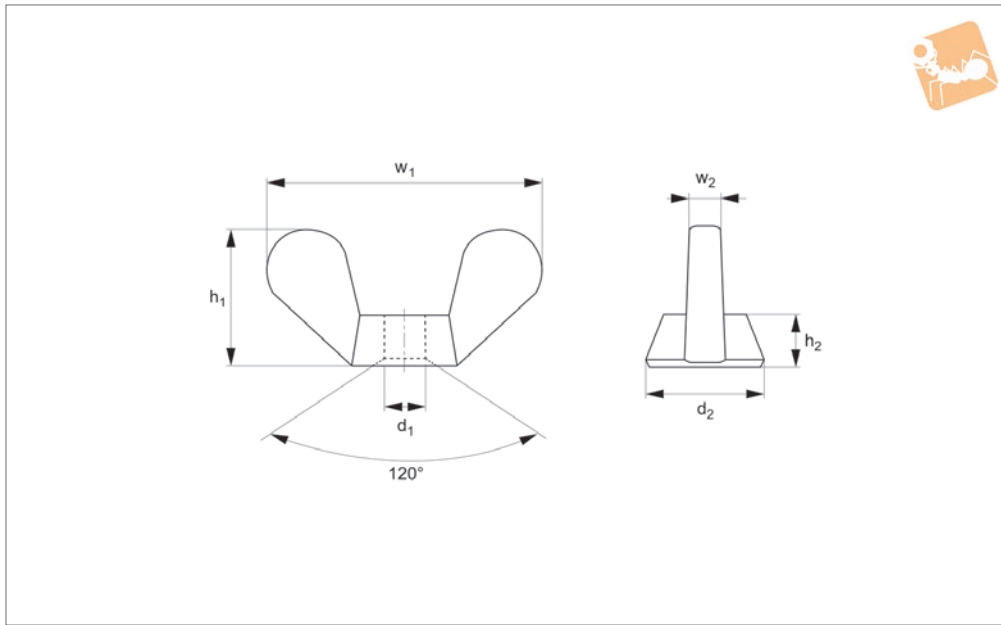
To DIN 315 AF.

Order No.	d_1	w_1	h_1	h_2 max.	Material
P0328.030-A4	M 3	18.5	8.8	3.0	A4 s/s
P0328.040-A4	M 4	18.5	8.8	3.0	A4 s/s
P0328.050-A4	M 5	22.0	10.5	4.0	A4 s/s
P0328.060-A4	M 6	26.8	12.9	4.9	A4 s/s
P0328.080-A4	M 8	30.3	14.8	5.4	A4 s/s
P0328.100-A4	M10	35.3	17.3	6.3	A4 s/s
P0328.120-A4	M12	47.5	22.5	7.9	A4 s/s
P0328.160-A4	M16	65.0	30.8	10.6	A4 s/s
P0328.200-A4	M20	67.0	31.2	12.2	A4 s/s



Wing Nuts

Female thread - brass



P0328.BR

NUTS

Material
Brass.

Technical Notes
To DIN 315 AF.

Order No.	d ₁	w ₁	h ₁	h ₂ max.	Material
P0328.030-BR	M 3	18.5	8.8	3.0	Brass
P0328.040-BR	M 4	18.5	8.8	3.0	Brass
P0328.050-BR	M 5	22.0	10.5	4.0	Brass
P0328.060-BR	M 6	26.8	12.9	4.9	Brass
P0328.080-BR	M 8	30.3	14.8	5.4	Brass
P0328.100-BR	M10	35.3	17.3	6.3	Brass
P0328.120-BR	M12	47.5	22.5	7.9	Brass
P0328.160-BR	M16	65.0	30.8	10.6	Brass
P0328.200-BR	M20	67.0	31.2	12.2	Brass

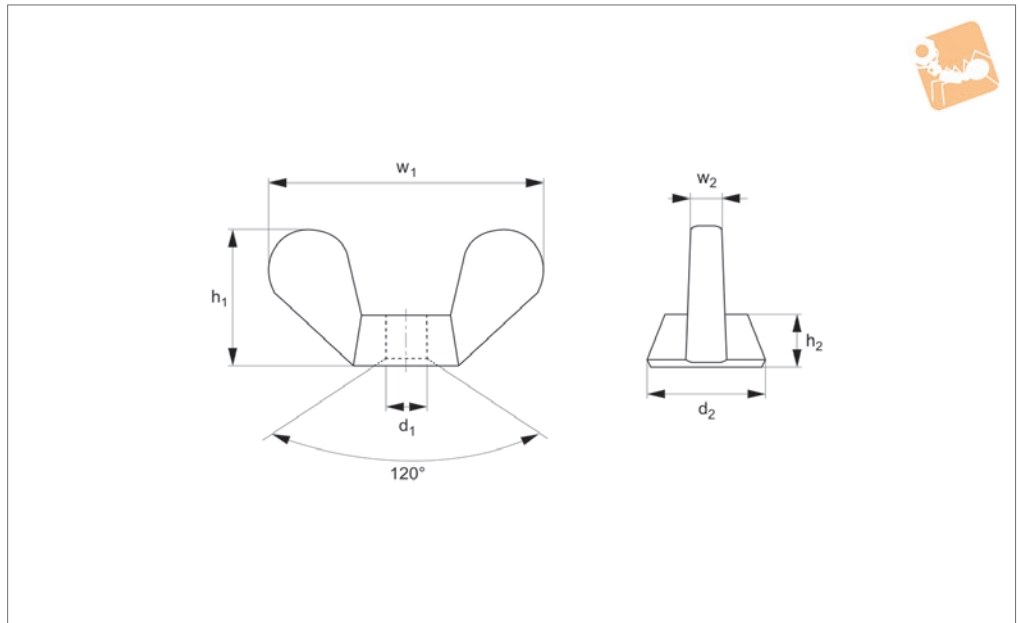


Wing Nuts

Female thread - steel, zinc-plated



P0328.ZP



Material

Steel, zinc-plated.

Technical Notes

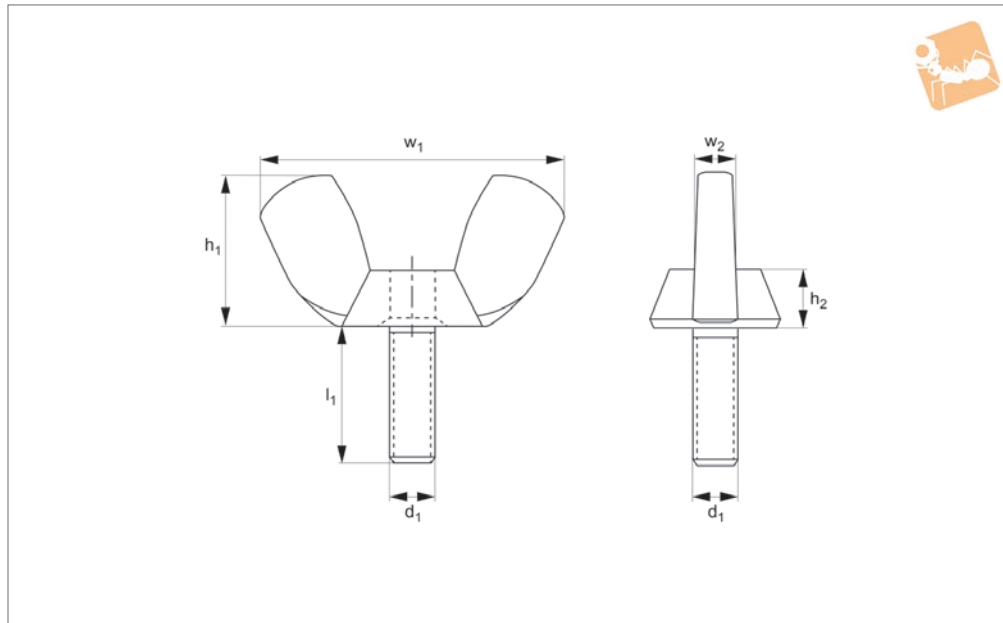
To DIN 315 AF.

Order No.	d_1	w_1	h_1	h_2 max.	Material
P0328.030-ZP	M 3	18.5	8.8	3.0	Steel ZP
P0328.040-ZP	M 4	18.5	8.8	3.0	Steel ZP
P0328.050-ZP	M 5	22.0	10.5	4.0	Steel ZP
P0328.060-ZP	M 6	26.8	12.9	4.9	Steel ZP
P0328.080-ZP	M 8	30.3	14.8	5.4	Steel ZP
P0328.100-ZP	M10	35.3	17.3	6.3	Steel ZP
P0328.120-ZP	M12	47.5	22.5	7.9	Steel ZP
P0328.160-ZP	M16	65.0	30.8	10.6	Steel ZP
P0328.200-ZP	M20	67.0	31.2	12.2	Steel ZP



Wing Screws

Male thread - A2 stainless



P0329.A2

NUTS

Material

Stainless steel (A2, AISI 303).

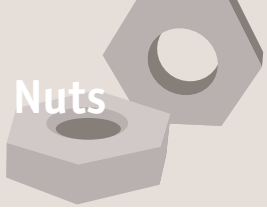
Tips

Other sizes available on request.

Technical Notes

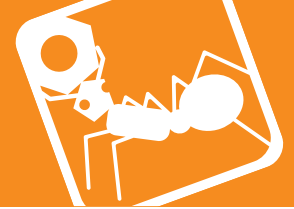
To DIN 316 AF.

Order No.	d ₁	w ₁	w ₂	h ₁	h ₂	l ₁	Material
P0329.030-010-A2	M 3	17.6	1.2	8.6	2.4	10	A2 s/s
P0329.030-012-A2	M 3	17.6	1.2	8.6	2.4	12	A2 s/s
P0329.030-016-A2	M 3	17.6	1.2	8.6	2.4	16	A2 s/s
P0329.030-020-A2	M 3	17.6	1.2	8.6	2.4	20	A2 s/s
P0329.030-025-A2	M 3	17.6	1.2	8.6	2.4	25	A2 s/s
P0329.030-030-A2	M 3	17.6	1.2	8.6	2.4	30	A2 s/s
P0329.040-010-A2	M 4	18.0	1.6	8.5	3.2	10	A2 s/s
P0329.040-012-A2	M 4	18.0	1.6	8.5	3.2	12	A2 s/s
P0329.040-016-A2	M 4	18.0	1.6	8.5	3.2	16	A2 s/s
P0329.040-020-A2	M 4	18.0	1.6	8.5	3.2	20	A2 s/s
P0329.040-025-A2	M 4	18.0	1.6	8.5	3.2	25	A2 s/s
P0329.040-030-A2	M 4	18.0	1.6	8.5	3.2	30	A2 s/s
P0329.040-035-A2	M 4	18.0	1.6	8.5	3.2	35	A2 s/s
P0329.040-040-A2	M 4	18.0	1.6	8.5	3.2	40	A2 s/s
P0329.050-010-A2	M 5	24.0	2.1	11.0	4.0	10	A2 s/s
P0329.050-012-A2	M 5	24.0	2.1	11.0	4.0	12	A2 s/s
P0329.050-016-A2	M 5	24.0	2.1	11.0	4.0	16	A2 s/s
P0329.050-020-A2	M 5	24.0	2.1	11.0	4.0	20	A2 s/s
P0329.050-025-A2	M 5	24.0	2.1	11.0	4.0	25	A2 s/s
P0329.050-030-A2	M 5	24.0	2.1	11.0	4.0	30	A2 s/s
P0329.050-035-A2	M 5	24.0	2.1	11.0	4.0	35	A2 s/s
P0329.050-040-A2	M 5	24.0	2.1	11.0	4.0	40	A2 s/s
P0329.050-045-A2	M 5	24.0	2.1	11.0	4.0	45	A2 s/s
P0329.050-050-A2	M 5	24.0	2.1	11.0	4.0	50	A2 s/s
P0329.060-010-A2	M 6	30.0	2.5	15.0	5.0	10	A2 s/s
P0329.060-012-A2	M 6	30.0	2.5	15.0	5.0	12	A2 s/s
P0329.060-016-A2	M 6	30.0	2.5	15.0	5.0	16	A2 s/s
P0329.060-020-A2	M 6	30.0	2.5	15.0	5.0	20	A2 s/s
P0329.060-025-A2	M 6	30.0	2.5	15.0	5.0	25	A2 s/s
P0329.060-030-A2	M 6	30.0	2.5	15.0	5.0	30	A2 s/s
P0329.060-035-A2	M 6	30.0	2.5	15.0	5.0	35	A2 s/s
P0329.060-040-A2	M 6	30.0	2.5	15.0	5.0	40	A2 s/s
P0329.060-045-A2	M 6	30.0	2.5	15.0	5.0	45	A2 s/s
P0329.060-050-A2	M 6	30.0	2.5	15.0	5.0	50	A2 s/s



Wing Screws

Male thread - A2 stainless

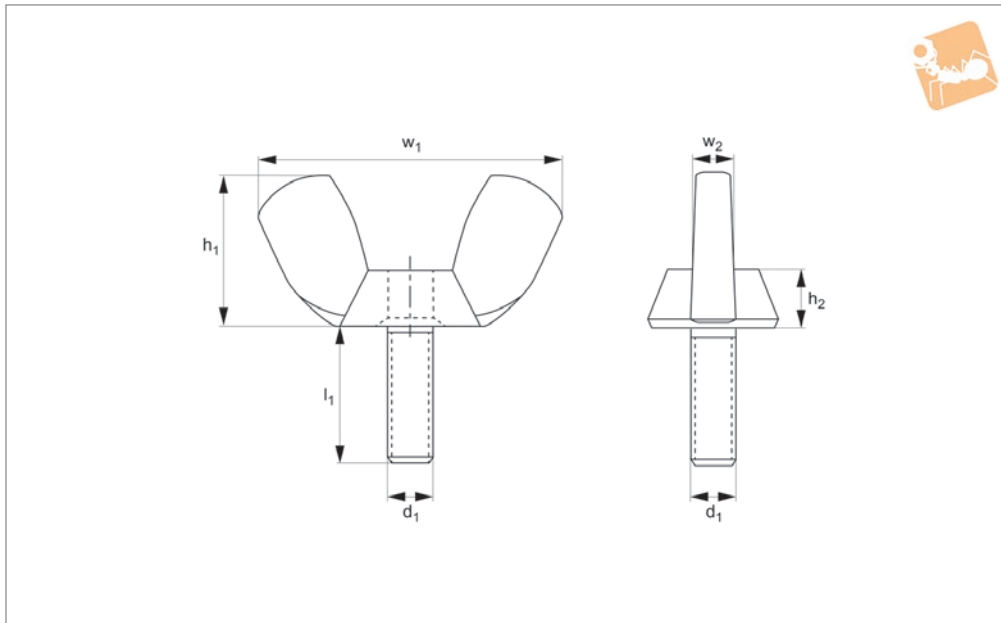


Order No.	d ₁	w ₁	w ₂	h ₁	h ₂	l ₁	Material
P0329.080-010-A2	M 8	36.0	2.8	18.0	6.5	10	A2 s/s
P0329.080-012-A2	M 8	36.0	2.8	18.0	6.5	12	A2 s/s
P0329.080-016-A2	M 8	36.0	2.8	18.0	6.5	16	A2 s/s
P0329.080-020-A2	M 8	36.0	2.8	18.0	6.5	20	A2 s/s
P0329.080-025-A2	M 8	36.0	2.8	18.0	6.5	25	A2 s/s
P0329.080-030-A2	M 8	36.0	2.8	18.0	6.5	30	A2 s/s
P0329.080-035-A2	M 8	36.0	2.8	18.0	6.5	35	A2 s/s
P0329.080-040-A2	M 8	36.0	2.8	18.0	6.5	40	A2 s/s
P0329.080-045-A2	M 8	36.0	2.8	18.0	6.5	45	A2 s/s
P0329.080-050-A2	M 8	36.0	2.8	18.0	6.5	50	A2 s/s
P0329.080-055-A2	M 8	36.0	2.8	18.0	6.5	55	A2 s/s
P0329.080-060-A2	M 8	36.0	2.8	18.0	6.5	60	A2 s/s
P0329.100-016-A2	M10	48.0	3.3	23.0	8.0	16	A2 s/s
P0329.100-020-A2	M10	48.0	3.3	23.0	8.0	20	A2 s/s
P0329.100-025-A2	M10	48.0	3.3	23.0	8.0	25	A2 s/s
P0329.100-030-A2	M10	48.0	3.3	23.0	8.0	30	A2 s/s
P0329.100-035-A2	M10	48.0	3.3	23.0	8.0	35	A2 s/s
P0329.100-040-A2	M10	48.0	3.3	23.0	8.0	40	A2 s/s
P0329.100-045-A2	M10	48.0	3.3	23.0	8.0	45	A2 s/s
P0329.100-050-A2	M10	48.0	3.3	23.0	8.0	50	A2 s/s
P0329.100-055-A2	M10	48.0	3.3	23.0	8.0	55	A2 s/s
P0329.100-060-A2	M10	48.0	3.3	23.0	8.0	60	A2 s/s
P0329.120-020-A2	M12	62.0	4.5	31.0	10.0	20	A2 s/s
P0329.120-025-A2	M12	62.0	4.5	31.0	10.0	25	A2 s/s
P0329.120-030-A2	M12	62.0	4.5	31.0	10.0	30	A2 s/s



Wing Screws

Male thread - A4 stainless



P0329.A4

NUTS

Material

Stainless steel (A4, AISI 316).

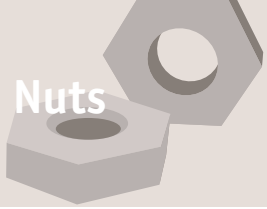
Tips

Other sizes available on request.

Technical Notes

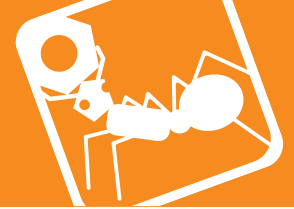
To DIN 316 AF.

Order No.	d ₁	w ₁	w ₂	h ₁	h ₂	l ₁	Material
P0329.030-010-A4	M 3	17.6	1.2	8.6	2.4	10	A4 s/s
P0329.030-012-A4	M 3	17.6	1.2	8.6	2.4	12	A4 s/s
P0329.030-016-A4	M 3	17.6	1.2	8.6	2.4	16	A4 s/s
P0329.030-020-A4	M 3	17.6	1.2	8.6	2.4	20	A4 s/s
P0329.030-025-A4	M 3	17.6	1.2	8.6	2.4	25	A4 s/s
P0329.030-030-A4	M 3	17.6	1.2	8.6	2.4	30	A4 s/s
P0329.040-010-A4	M 4	18.0	1.6	8.5	3.2	10	A4 s/s
P0329.040-012-A4	M 4	18.0	1.6	8.5	3.2	12	A4 s/s
P0329.040-016-A4	M 4	18.0	1.6	8.5	3.2	16	A4 s/s
P0329.040-020-A4	M 4	18.0	1.6	8.5	3.2	20	A4 s/s
P0329.040-025-A4	M 4	18.0	1.6	8.5	3.2	25	A4 s/s
P0329.040-030-A4	M 4	18.0	1.6	8.5	3.2	30	A4 s/s
P0329.040-035-A4	M 4	18.0	1.6	8.5	3.2	35	A4 s/s
P0329.040-040-A4	M 4	18.0	1.6	8.5	3.2	40	A4 s/s
P0329.050-010-A4	M 5	24.0	2.1	11.0	4.0	10	A4 s/s
P0329.050-012-A4	M 5	24.0	2.1	11.0	4.0	12	A4 s/s
P0329.050-016-A4	M 5	24.0	2.1	11.0	4.0	16	A4 s/s
P0329.050-020-A4	M 5	24.0	2.1	11.0	4.0	20	A4 s/s
P0329.050-025-A4	M 5	24.0	2.1	11.0	4.0	25	A4 s/s
P0329.050-030-A4	M 5	24.0	2.1	11.0	4.0	30	A4 s/s
P0329.050-035-A4	M 5	24.0	2.1	11.0	4.0	35	A4 s/s
P0329.050-040-A4	M 5	24.0	2.1	11.0	4.0	40	A4 s/s
P0329.050-045-A4	M 5	24.0	2.1	11.0	4.0	45	A4 s/s
P0329.050-050-A4	M 5	24.0	2.1	11.0	4.0	50	A4 s/s
P0329.060-010-A4	M 6	30.0	2.5	15.0	5.0	10	A4 s/s
P0329.060-012-A4	M 6	30.0	2.5	15.0	5.0	12	A4 s/s
P0329.060-016-A4	M 6	30.0	2.5	15.0	5.0	16	A4 s/s
P0329.060-020-A4	M 6	30.0	2.5	15.0	5.0	20	A4 s/s
P0329.060-025-A4	M 6	30.0	2.5	15.0	5.0	25	A4 s/s
P0329.060-030-A4	M 6	30.0	2.5	15.0	5.0	30	A4 s/s
P0329.060-035-A4	M 6	30.0	2.5	15.0	5.0	35	A4 s/s
P0329.060-040-A4	M 6	30.0	2.5	15.0	5.0	40	A4 s/s
P0329.060-045-A4	M 6	30.0	2.5	15.0	5.0	45	A4 s/s
P0329.060-050-A4	M 6	30.0	2.5	15.0	5.0	50	A4 s/s



Wing Screws

Male thread - A4 stainless

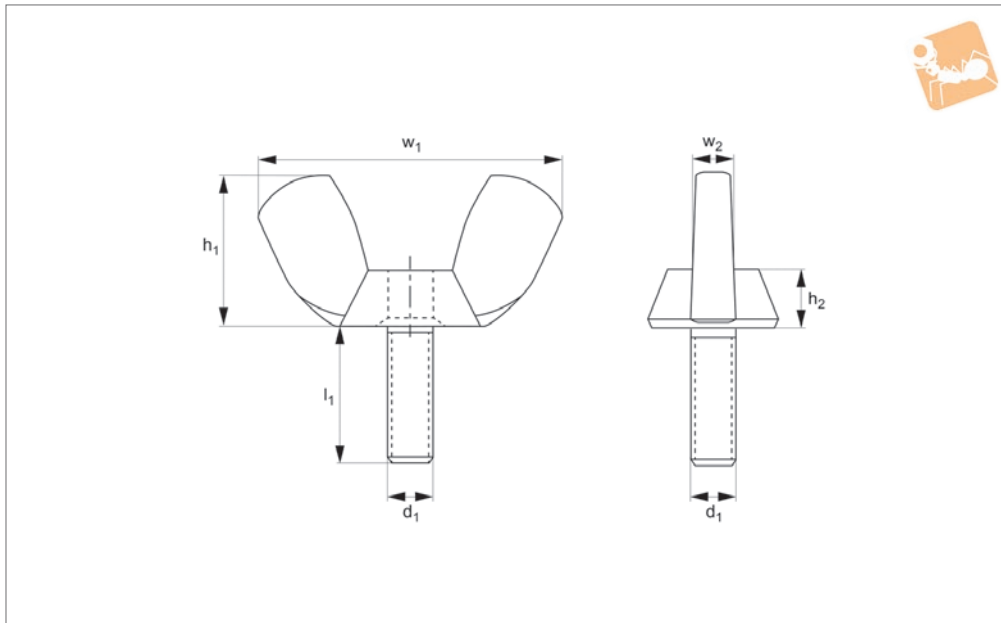


Order No.	d ₁	w ₁	w ₂	h ₁	h ₂	l ₁	Material
P0329.080-010-A4	M 8	36.0	2.8	18.0	6.5	10	A4 s/s
P0329.080-012-A4	M 8	36.0	2.8	18.0	6.5	12	A4 s/s
P0329.080-016-A4	M 8	36.0	2.8	18.0	6.5	16	A4 s/s
P0329.080-020-A4	M 8	36.0	2.8	18.0	6.5	20	A4 s/s
P0329.080-025-A4	M 8	36.0	2.8	18.0	6.5	25	A4 s/s
P0329.080-030-A4	M 8	36.0	2.8	18.0	6.5	30	A4 s/s
P0329.080-035-A4	M 8	36.0	2.8	18.0	6.5	35	A4 s/s
P0329.080-040-A4	M 8	36.0	2.8	18.0	6.5	40	A4 s/s
P0329.080-045-A4	M 8	36.0	2.8	18.0	6.5	45	A4 s/s
P0329.080-050-A4	M 8	36.0	2.8	18.0	6.5	50	A4 s/s
P0329.080-055-A4	M 8	36.0	2.8	18.0	6.5	55	A4 s/s
P0329.080-060-A4	M 8	36.0	2.8	18.0	6.5	60	A4 s/s
P0329.100-016-A4	M10	48.0	3.3	23.0	8.0	16	A4 s/s
P0329.100-020-A4	M10	48.0	3.3	23.0	8.0	20	A4 s/s
P0329.100-025-A4	M10	48.0	3.3	23.0	8.0	25	A4 s/s
P0329.100-030-A4	M10	48.0	3.3	23.0	8.0	30	A4 s/s
P0329.100-035-A4	M10	48.0	3.3	23.0	8.0	35	A4 s/s
P0329.100-040-A4	M10	48.0	3.3	23.0	8.0	40	A4 s/s
P0329.100-045-A4	M10	48.0	3.3	23.0	8.0	45	A4 s/s
P0329.100-050-A4	M10	48.0	3.3	23.0	8.0	50	A4 s/s
P0329.100-055-A4	M10	48.0	3.3	23.0	8.0	55	A4 s/s
P0329.100-060-A4	M10	48.0	3.3	23.0	8.0	60	A4 s/s
P0329.120-020-A4	M12	62.0	4.5	31.0	10.0	20	A4 s/s
P0329.120-025-A4	M12	62.0	4.5	31.0	10.0	25	A4 s/s
P0329.120-030-A4	M12	62.0	4.5	31.0	10.0	30	A4 s/s



Wing Screws

Male thread - steel, zinc-plated



P0329.ZP

NUTS

Material

Steel, zinc-plated.

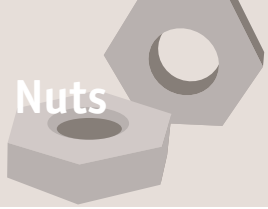
Tips

Other sizes available on request.

Technical Notes

To DIN 316 AF.

Order No.	d ₁	w ₁	w ₂	h ₁	h ₂	l ₁	Material
P0329.040-010-ZP	M 4	18.0	1.6	8.5	3.2	10	Steel ZP
P0329.040-012-ZP	M 4	18.0	1.6	8.5	3.2	12	Steel ZP
P0329.040-016-ZP	M 4	18.0	1.6	8.5	3.2	16	Steel ZP
P0329.040-020-ZP	M 4	18.0	1.6	8.5	3.2	20	Steel ZP
P0329.040-025-ZP	M 4	18.0	1.6	8.5	3.2	25	Steel ZP
P0329.040-030-ZP	M 4	18.0	1.6	8.5	3.2	30	Steel ZP
P0329.050-010-ZP	M 5	24.0	2.1	11.0	4.0	10	Steel ZP
P0329.050-012-ZP	M 5	24.0	2.1	11.0	4.0	12	Steel ZP
P0329.050-016-ZP	M 5	24.0	2.1	11.0	4.0	16	Steel ZP
P0329.050-020-ZP	M 5	24.0	2.1	11.0	4.0	20	Steel ZP
P0329.050-025-ZP	M 5	24.0	2.1	11.0	4.0	25	Steel ZP
P0329.050-030-ZP	M 5	24.0	2.1	11.0	4.0	30	Steel ZP
P0329.050-035-ZP	M 5	24.0	2.1	11.0	4.0	35	Steel ZP
P0329.050-040-ZP	M 5	24.0	2.1	11.0	4.0	40	Steel ZP
P0329.050-045-ZP	M 5	24.0	2.1	11.0	4.0	45	Steel ZP
P0329.050-050-ZP	M 5	24.0	2.1	11.0	4.0	50	Steel ZP
P0329.060-010-ZP	M 6	30.0	2.5	15.0	5.0	10	Steel ZP
P0329.060-012-ZP	M 6	30.0	2.5	15.0	5.0	12	Steel ZP
P0329.060-016-ZP	M 6	30.0	2.5	15.0	5.0	16	Steel ZP
P0329.060-020-ZP	M 6	30.0	2.5	15.0	5.0	20	Steel ZP
P0329.060-025-ZP	M 6	30.0	2.5	15.0	5.0	25	Steel ZP
P0329.060-030-ZP	M 6	30.0	2.5	15.0	5.0	30	Steel ZP
P0329.060-035-ZP	M 6	30.0	2.5	15.0	5.0	35	Steel ZP
P0329.060-040-ZP	M 6	30.0	2.5	15.0	5.0	40	Steel ZP
P0329.060-045-ZP	M 6	30.0	2.5	15.0	5.0	45	Steel ZP
P0329.060-050-ZP	M 6	30.0	2.5	15.0	5.0	50	Steel ZP
P0329.080-010-ZP	M 8	36.0	2.8	18.0	6.5	10	Steel ZP
P0329.080-012-ZP	M 8	36.0	2.8	18.0	6.5	12	Steel ZP
P0329.080-016-ZP	M 8	36.0	2.8	18.0	6.5	16	Steel ZP
P0329.080-020-ZP	M 8	36.0	2.8	18.0	6.5	20	Steel ZP
P0329.080-025-ZP	M 8	36.0	2.8	18.0	6.5	25	Steel ZP
P0329.080-030-ZP	M 8	36.0	2.8	18.0	6.5	30	Steel ZP
P0329.080-035-ZP	M 8	36.0	2.8	18.0	6.5	35	Steel ZP
P0329.080-040-ZP	M 8	36.0	2.8	18.0	6.5	40	Steel ZP



Wing Screws

Male thread - steel, zinc-plated

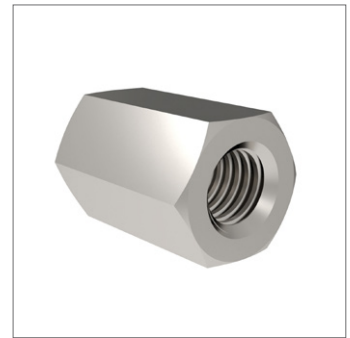
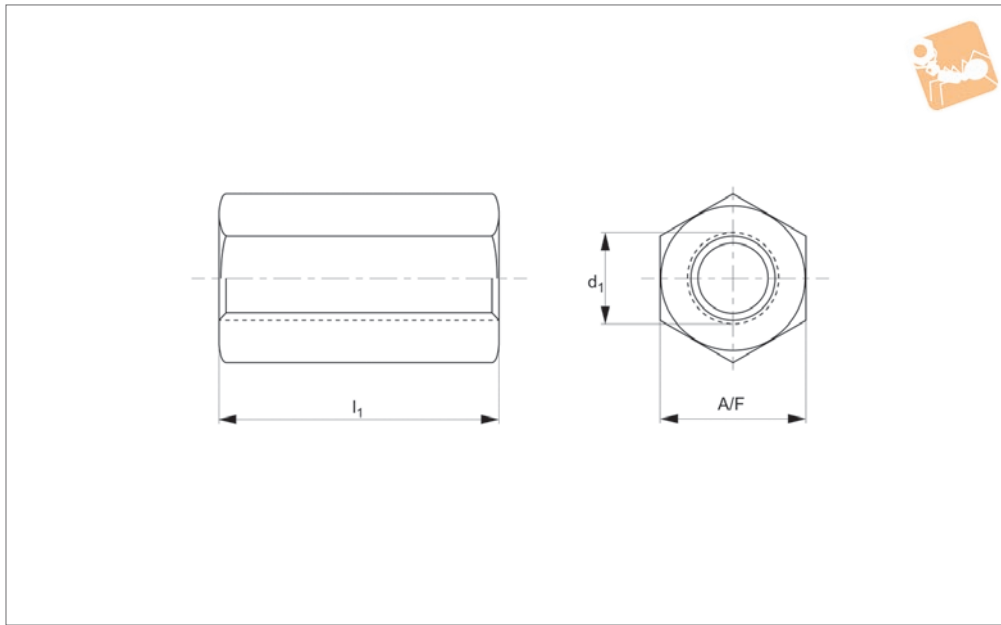


Order No.	d ₁	w ₁	w ₂	h ₁	h ₂	l ₁	Material
P0329.080-045-ZP	M 8	36.0	2.8	18.0	6.5	45	Steel ZP
P0329.080-050-ZP	M 8	36.0	2.8	18.0	6.5	50	Steel ZP
P0329.080-055-ZP	M 8	36.0	2.8	18.0	6.5	55	Steel ZP
P0329.080-060-ZP	M 8	36.0	2.8	18.0	6.5	60	Steel ZP
P0329.100-016-ZP	M10	48.0	3.3	23.0	8.0	16	Steel ZP
P0329.100-020-ZP	M10	48.0	3.3	23.0	8.0	20	Steel ZP
P0329.100-025-ZP	M10	48.0	3.3	23.0	8.0	25	Steel ZP
P0329.100-030-ZP	M10	48.0	3.3	23.0	8.0	30	Steel ZP
P0329.100-035-ZP	M10	48.0	3.3	23.0	8.0	35	Steel ZP
P0329.100-040-ZP	M10	48.0	3.3	23.0	8.0	40	Steel ZP
P0329.100-045-ZP	M10	48.0	3.3	23.0	8.0	45	Steel ZP
P0329.100-050-ZP	M10	48.0	3.3	23.0	8.0	50	Steel ZP
P0329.100-055-ZP	M10	48.0	3.3	23.0	8.0	55	Steel ZP
P0329.100-060-ZP	M10	48.0	3.3	23.0	8.0	60	Steel ZP
P0329.120-020-ZP	M12	62.0	4.5	31.0	10.0	20	Steel ZP
P0329.120-025-ZP	M12	62.0	4.5	31.0	10.0	25	Steel ZP
P0329.120-030-ZP	M12	62.0	4.5	31.0	10.0	30	Steel ZP



Hexagonal Coupler Nuts

A2 & A4 stainless



P0322.H

NUTS

Material

Stainless steel (A2 & A4)

Order No.	d ₁	l ₁	A/F	Material
P0322.060-020-H2	M 6	20	10	A2 s/s
P0322.060-025-H2	M 6	25	10	A2 s/s
P0322.060-030-H2	M 6	30	10	A2 s/s
P0322.060-035-H2	M 6	35	10	A2 s/s
P0322.060-040-H2	M 6	40	10	A2 s/s
P0322.080-020-H2	M 8	20	13	A2 s/s
P0322.080-025-H2	M 8	25	13	A2 s/s
P0322.080-030-H2	M 8	30	13	A2 s/s
P0322.080-035-H2	M 8	35	13	A2 s/s
P0322.080-040-H2	M 8	40	13	A2 s/s
P0322.080-050-H2	M 8	50	13	A2 s/s
P0322.100-020-H2	M10	20	17	A2 s/s
P0322.100-025-H2	M10	25	17	A2 s/s
P0322.100-030-H2	M10	30	17	A2 s/s
P0322.100-035-H2	M10	35	17	A2 s/s
P0322.100-040-H2	M10	40	17	A2 s/s
P0322.100-050-H2	M10	50	17	A2 s/s
P0322.120-030-H2	M12	30	19	A2 s/s
P0322.120-035-H2	M12	35	19	A2 s/s
P0322.120-040-H2	M12	40	19	A2 s/s
P0322.120-050-H2	M12	50	19	A2 s/s
P0322.160-040-H2	M16	40	24	A2 s/s
P0322.160-050-H2	M16	50	24	A2 s/s
P0322.200-050-H2	M20	50	30	A2 s/s
P0322.240-050-H2	M24	50	36	A2 s/s
P0322.300-060-H2	M30	60	46	A2 s/s
P0322.060-020-H4	M 6	20	10	A4 s/s
P0322.060-025-H4	M 6	25	10	A4 s/s
P0322.060-030-H4	M 6	30	10	A4 s/s
P0322.060-035-H4	M 6	35	10	A4 s/s
P0322.060-040-H4	M 6	40	10	A4 s/s
P0322.080-020-H4	M 8	20	13	A4 s/s
P0322.080-025-H4	M 8	25	13	A4 s/s
P0322.080-030-H4	M 8	30	13	A4 s/s
P0322.080-035-H4	M 8	35	13	A4 s/s



Hexagonal Coupler Nuts

A2 & A4 stainless

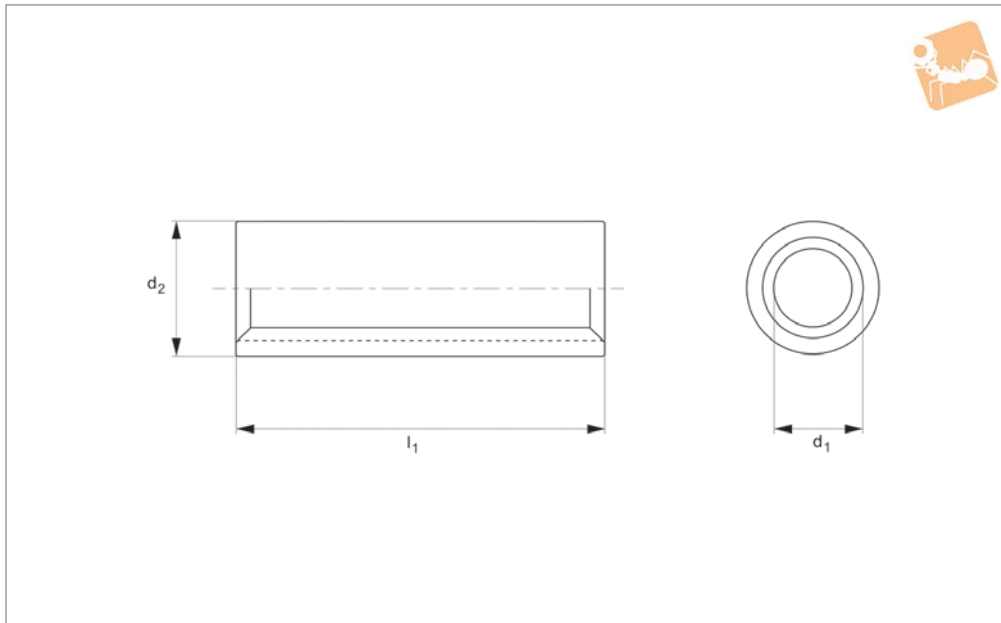


Order No.	d ₁	l ₁	A/F	Material
P0322.080-040-H4	M 8	40	13	A4 s/s
P0322.080-050-H4	M 8	50	13	A4 s/s
P0322.100-020-H4	M10	20	17	A4 s/s
P0322.100-025-H4	M10	25	17	A4 s/s
P0322.100-030-H4	M10	30	17	A4 s/s
P0322.100-035-H4	M10	35	17	A4 s/s
P0322.100-040-H4	M10	40	17	A4 s/s
P0322.120-030-H4	M12	30	19	A4 s/s
P0322.120-035-H4	M12	35	19	A4 s/s
P0322.120-040-H4	M12	40	19	A4 s/s
P0322.120-050-H4	M12	50	19	A4 s/s
P0322.160-040-H4	M16	40	24	A4 s/s
P0322.160-050-H4	M16	50	24	A4 s/s
P0322.200-050-H4	M20	50	30	A4 s/s
P0322.240-050-H4	M24	50	36	A4 s/s
P0322.300-060-H4	M30	60	46	A4 s/s



Round Coupler Nuts

A2 & A4 stainless



P0322.R

NUTS

Material

Stainless steel (A2 & A4)

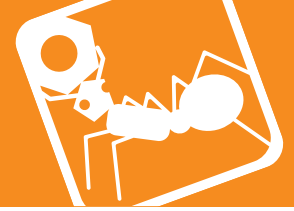
Order No.	d ₁	d ₂	l ₁	Material
P0322.060-020-R2	M 6	10	20	A2 s/s
P0322.060-025-R2	M 6	10	25	A2 s/s
P0322.060-030-R2	M 6	10	30	A2 s/s
P0322.080-020-R2	M 8	11	20	A2 s/s
P0322.080-025-R2	M 8	11	25	A2 s/s
P0322.080-030-R2	M 8	11	30	A2 s/s
P0322.080-035-R2	M 8	11	35	A2 s/s
P0322.080-040-R2	M 8	11	40	A2 s/s
P0322.080-050-R2	M 8	11	50	A2 s/s
P0322.100-025-R2	M10	13	25	A2 s/s
P0322.100-030-R2	M10	13	30	A2 s/s
P0322.100-035-R2	M10	13	35	A2 s/s
P0322.100-040-R2	M10	13	40	A2 s/s
P0322.100-050-R2	M10	13	50	A2 s/s
P0322.120-030-R2	M12	15	30	A2 s/s
P0322.120-035-R2	M12	15	35	A2 s/s
P0322.120-040-R2	M12	15	40	A2 s/s
P0322.120-050-R2	M12	15	50	A2 s/s
P0322.160-040-R2	M16	22	40	A2 s/s
P0322.160-050-R2	M16	22	50	A2 s/s
P0322.200-050-R2	M20	28	5	A2 s/s
P0322.060-020-R4	M 6	10	20	A4 s/s
P0322.060-025-R4	M 6	10	25	A4 s/s
P0322.060-030-R4	M 6	10	30	A4 s/s
P0322.080-020-R4	M 8	11	20	A4 s/s
P0322.080-025-R4	M 8	11	25	A4 s/s
P0322.080-030-R4	M 8	11	30	A4 s/s
P0322.080-035-R4	M 8	11	35	A4 s/s
P0322.080-040-R4	M 8	11	40	A4 s/s
P0322.080-050-R4	M 8	11	50	A4 s/s
P0322.100-025-R4	M10	13	25	A4 s/s
P0322.100-030-R4	M10	13	30	A4 s/s
P0322.100-035-R4	M10	13	35	A4 s/s
P0322.100-040-R4	M10	13	40	A4 s/s
P0322.100-050-R4	M10	13	50	A4 s/s

Nuts



Round Coupler Nuts

A2 & A4 stainless



Order No.	d ₁	d ₂	l ₁	Material
P0322.120-030-R4	M12	15	30	A4 s/s
P0322.120-035-R4	M12	15	35	A4 s/s
P0322.120-040-R4	M12	15	40	A4 s/s
P0322.120-050-R4	M12	15	50	A4 s/s
P0322.160-040-R4	M16	22	40	A4 s/s
P0322.160-050-R4	M16	22	50	A4 s/s
P0322.200-050-R4	M20	28	50	A4 s/s

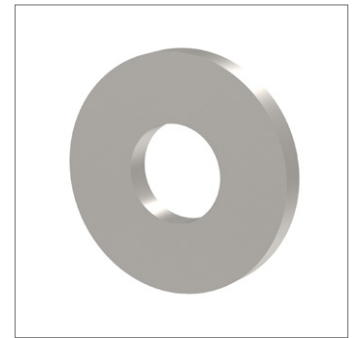
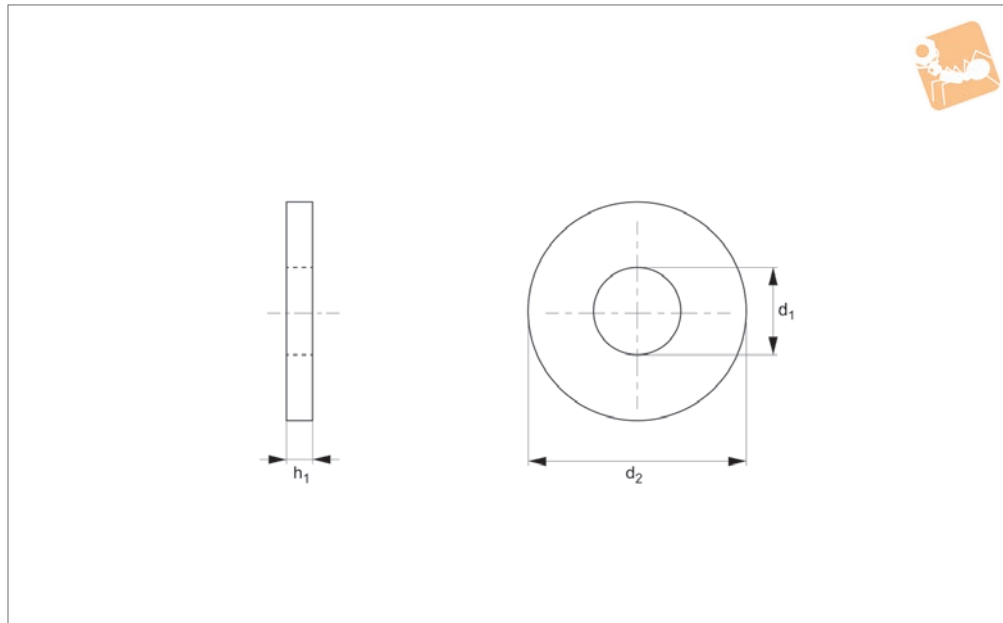
NUTS



Flat Washers Form A

A4 stainless

Flat Washers



P0330.A4

FLAT WASHERS

Material

Stainless steel (A4).

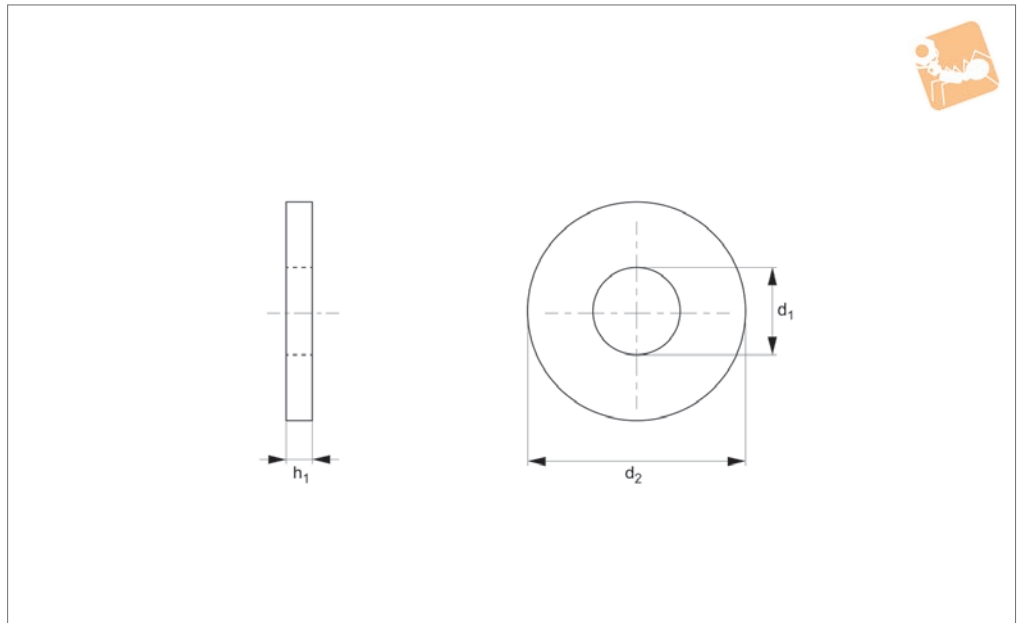
Technical Notes

To DIN 125 A.

Order No.	For thread	d ₁	d ₂	h ₁	Material
P0330.016-A4	M1,6	1.7	4	0.3	A4 s/s
P0330.020-A4	M 2	2.2	5	0.3	A4 s/s
P0330.023-A4	M2,3	2.5	6	0.5	A4 s/s
P0330.025-A4	M2,5	2.7	6	0.5	A4 s/s
P0330.030-A4	M 3	3.2	7	0.5	A4 s/s
P0330.035-A4	M3,5	3.7	8	0.5	A4 s/s
P0330.040-A4	M 4	4.3	9	0.8	A4 s/s
P0330.050-A4	M 5	5.3	10	1.0	A4 s/s
P0330.060-A4	M 6	6.4	12	1.6	A4 s/s
P0330.070-A4	M 7	7.4	14	1.6	A4 s/s
P0330.080-A4	M 8	8.4	16	1.6	A4 s/s
P0330.100-A4	M10	10.5	20	2.0	A4 s/s
P0330.120-A4	M12	13.0	24	2.5	A4 s/s
P0330.140-A4	M14	15.0	28	2.5	A4 s/s
P0330.160-A4	M16	17.0	30	3.0	A4 s/s
P0330.180-A4	M18	19.0	34	3.0	A4 s/s
P0330.200-A4	M20	21.0	37	3.0	A4 s/s
P0330.220-A4	M22	23.0	39	3.0	A4 s/s
P0330.240-A4	M24	25.0	44	4.0	A4 s/s
P0330.270-A4	M27	28.0	50	4.0	A4 s/s
P0330.300-A4	M30	31.0	56	4.0	A4 s/s



P0330.SC



Material
Steel, self-colour.

Technical Notes
To DIN 125 A.

Order No.	For thread	d_1	d_2	h_1	Material
P0330.016-SC	M1,6	1.7	4	0.3	Steel SC
P0330.020-SC	M 2	2.2	5	0.3	Steel SC
P0330.023-SC	M2,3	2.5	6	0.5	Steel SC
P0330.025-SC	M2,5	2.7	6	0.5	Steel SC
P0330.030-SC	M 3	3.2	7	0.5	Steel SC
P0330.035-SC	M3,5	3.7	8	0.5	Steel SC
P0330.040-SC	M 4	4.3	9	0.8	Steel SC
P0330.050-SC	M 5	5.3	10	1.0	Steel SC
P0330.060-SC	M 6	6.4	12	1.6	Steel SC
P0330.070-SC	M 7	7.4	14	1.6	Steel SC
P0330.080-SC	M 8	8.4	16	1.6	Steel SC
P0330.100-SC	M10	10.5	20	2.0	Steel SC
P0330.120-SC	M12	13.0	24	2.5	Steel SC
P0330.140-SC	M14	15.0	28	2.5	Steel SC
P0330.160-SC	M16	17.0	30	3.0	Steel SC
P0330.180-SC	M18	19.0	34	3.0	Steel SC
P0330.200-SC	M20	21.0	37	3.0	Steel SC
P0330.220-SC	M22	23.0	39	3.0	Steel SC
P0330.240-SC	M24	25.0	44	4.0	Steel SC
P0330.270-SC	M27	28.0	50	4.0	Steel SC
P0330.300-SC	M30	31.0	56	4.0	Steel SC

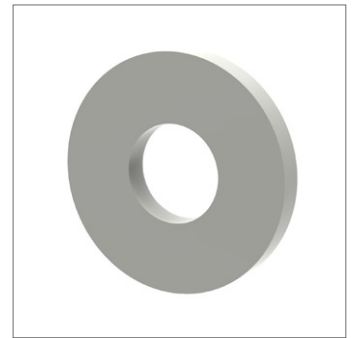
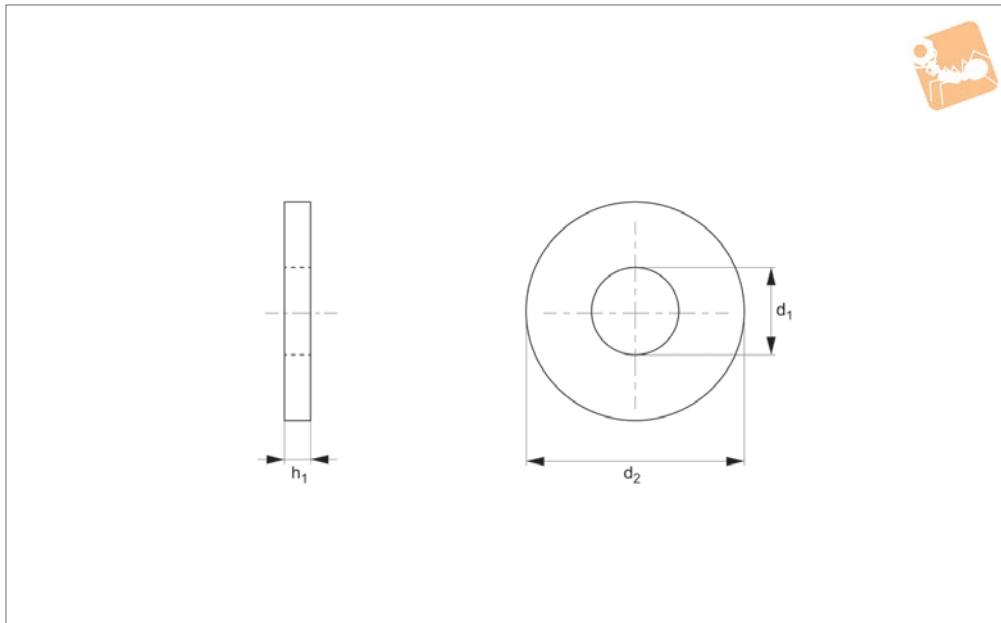


Flat Washers Form A

Nylon



Flat Washers



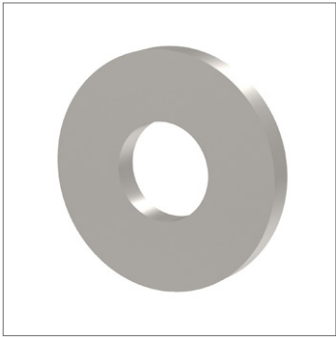
P0330.NL

FLAT WASHERS

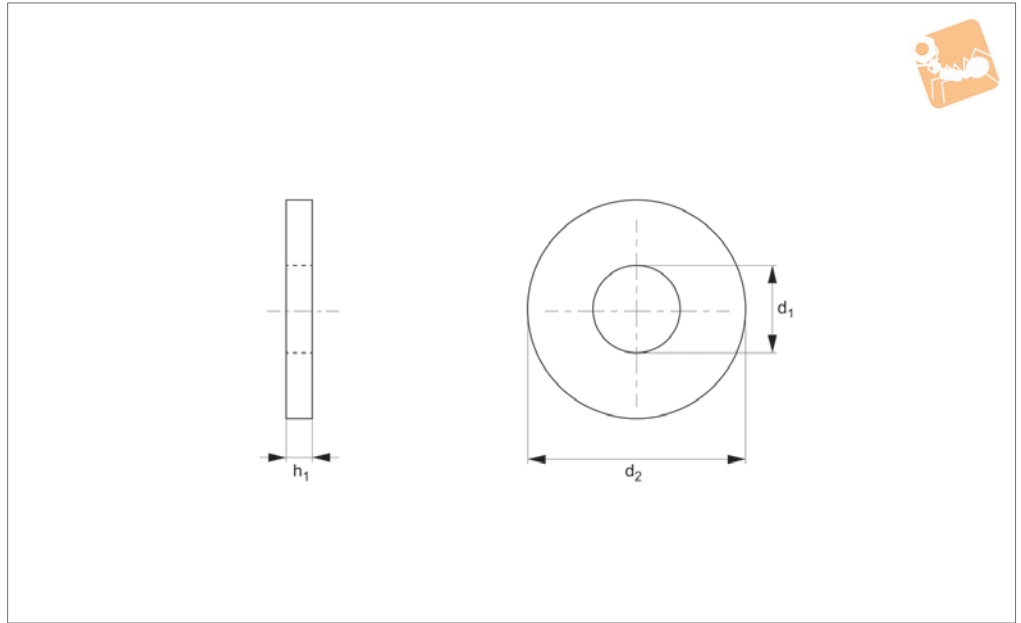
Material
Nylon.

Technical Notes
To DIN 125 A.

Order No.	For thread	d_1	d_2	h_1	Material
P0330.025-NL	M2,5	2.7	6	0.5	Nylon
P0330.030-NL	M 3	3.2	7	0.5	Nylon
P0330.040-NL	M 4	4.3	9	0.8	Nylon
P0330.050-NL	M 5	5.3	10	1.0	Nylon
P0330.060-NL	M 6	6.4	12	1.6	Nylon
P0330.080-NL	M 8	8.4	16	1.6	Nylon
P0330.100-NL	M10	10.5	20	2.0	Nylon
P0330.120-NL	M12	13.0	24	2.5	Nylon
P0330.160-NL	M16	17.0	30	3.0	Nylon
P0330.200-NL	M20	21.0	37	3.0	Nylon
P0330.240-NL	M24	25.0	44	4.0	Nylon
P0330.300-NL	M30	31.0	56	4.0	Nylon



P0330.A2



Material
Stainless steel (A2).

Technical Notes
To DIN 125 A.

Order No.	For thread	d_1	d_2	h_1	Material
P0330.016-A2	M1,6	1.7	4	0.3	A2 s/s
P0330.020-A2	M 2	2.2	5	0.3	A2 s/s
P0330.023-A2	M2,3	2.5	6	0.5	A2 s/s
P0330.025-A2	M2,5	2.7	6	0.5	A2 s/s
P0330.030-A2	M 3	3.2	7	0.5	A2 s/s
P0330.035-A2	M3,5	3.7	8	0.5	A2 s/s
P0330.040-A2	M 4	4.3	9	0.8	A2 s/s
P0330.050-A2	M 5	5.3	10	1.0	A2 s/s
P0330.060-A2	M 6	6.4	12	1.6	A2 s/s
P0330.070-A2	M 7	7.4	14	1.6	A2 s/s
P0330.080-A2	M 8	8.4	16	1.6	A2 s/s
P0330.100-A2	M10	10.5	20	2.0	A2 s/s
P0330.120-A2	M12	13.0	24	2.5	A2 s/s
P0330.140-A2	M14	15.0	28	2.5	A2 s/s
P0330.160-A2	M16	17.0	30	3.0	A2 s/s
P0330.180-A2	M18	19.0	34	3.0	A2 s/s
P0330.200-A2	M20	21.0	37	3.0	A2 s/s
P0330.220-A2	M22	23.0	39	3.0	A2 s/s
P0330.240-A2	M24	25.0	44	4.0	A2 s/s
P0330.270-A2	M27	28.0	50	4.0	A2 s/s
P0330.300-A2	M30	31.0	56	4.0	A2 s/s

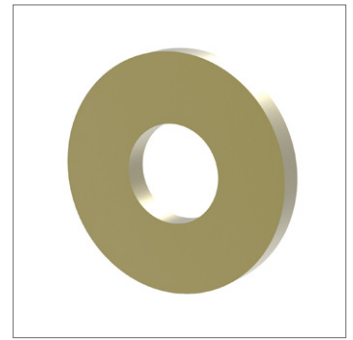
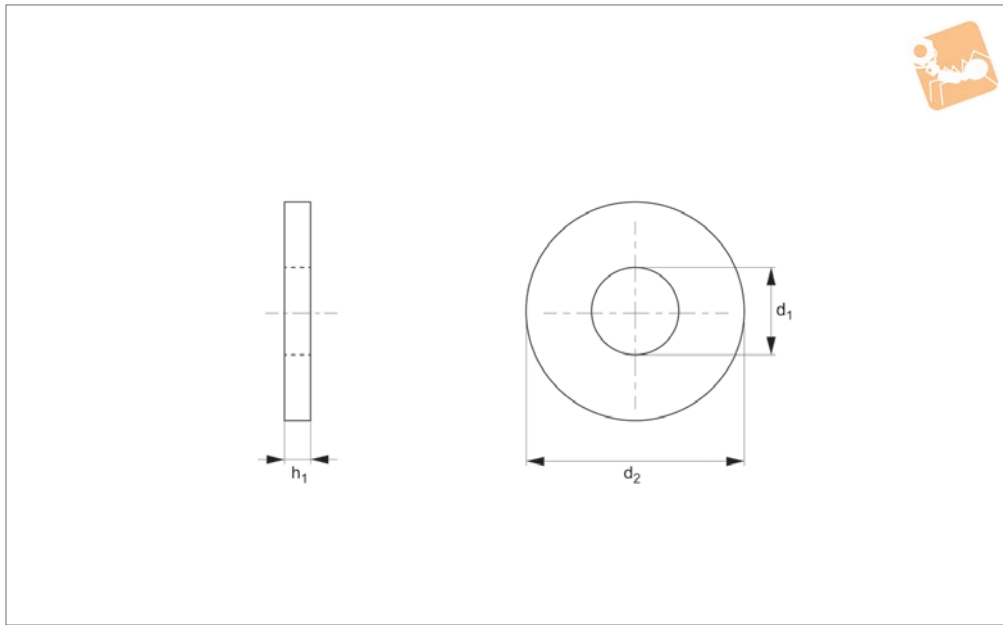


Flat Washers Form A

Brass



Flat Washers



P0330.BR

FLAT WASHERS

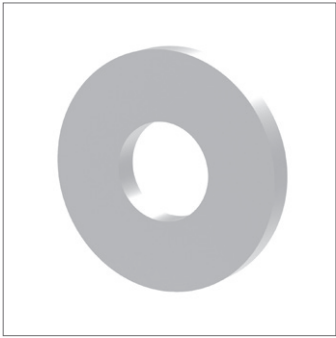
Material

Brass.

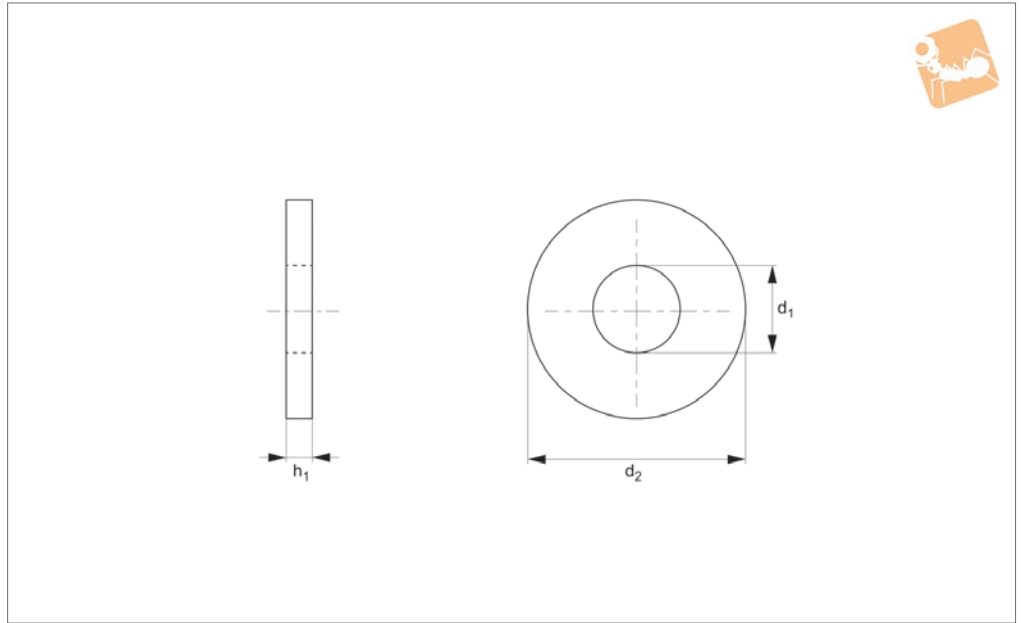
Technical Notes

To DIN 125 A.

Order No.	For thread	d ₁	d ₂	h ₁	Material
P0330.025-BR	M2,5	2.7	6	0.5	Brass
P0330.030-BR	M 3	3.2	7	0.5	Brass
P0330.053-BR	M5-3	5.3	10	1.0	Brass
P0330.043-BR	M4-5	4.3	9	0.8	Brass
P0330.064-BR	M 6	6.4	12	1.6	Brass
P0330.074-BR	M7-9	7.4	14	1.6	Brass
P0330.084-BR	M8-5	8.4	16	1.6	Brass
P0330.250-BR	M24	25	44	4.0	Brass
P0330.027-BR	M2,5	2.7	6	0.5	Brass
P0330.032-BR	M3	3.2	7	0.5	Brass
P0330.022-BR	M2-5	2.2	5	0.3	Brass



P0330.ZP



Material

Steel, zinc-plated.

Technical Notes

To DIN 125 A.

Order No.	For thread	d_1	d_2	h_1	Material
P0330.016-ZP	M1,6	1.7	4	0.3	Steel ZP
P0330.020-ZP	M 2	2.2	5	0.3	Steel ZP
P0330.023-ZP	M2,3	2.5	6	0.5	Steel ZP
P0330.025-ZP	M2,5	2.7	6	0.5	Steel ZP
P0330.030-ZP	M 3	3.2	7	0.5	Steel ZP
P0330.035-ZP	M3,5	3.7	8	0.5	Steel ZP
P0330.040-ZP	M 4	4.3	9	0.8	Steel ZP
P0330.050-ZP	M 5	5.3	10	1.0	Steel ZP
P0330.060-ZP	M 6	6.4	12	1.6	Steel ZP
P0330.070-ZP	M 7	7.4	14	1.6	Steel ZP
P0330.080-ZP	M 8	8.4	16	1.6	Steel ZP
P0330.100-ZP	M10	10.5	20	2.0	Steel ZP
P0330.120-ZP	M12	13.0	24	2.5	Steel ZP
P0330.140-ZP	M14	15.0	28	2.5	Steel ZP
P0330.160-ZP	M16	17.0	30	3.0	Steel ZP
P0330.180-ZP	M18	19.0	34	3.0	Steel ZP
P0330.200-ZP	M20	21.0	37	3.0	Steel ZP
P0330.220-ZP	M22	23.0	39	3.0	Steel ZP
P0330.240-ZP	M24	25.0	44	4.0	Steel ZP
P0330.270-ZP	M27	28.0	50	4.0	Steel ZP
P0330.300-ZP	M30	31.0	56	4.0	Steel ZP

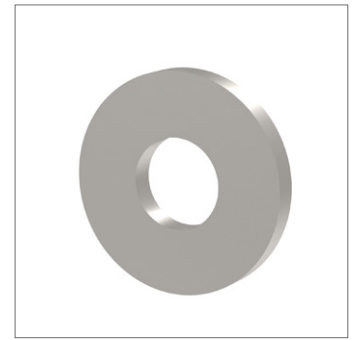
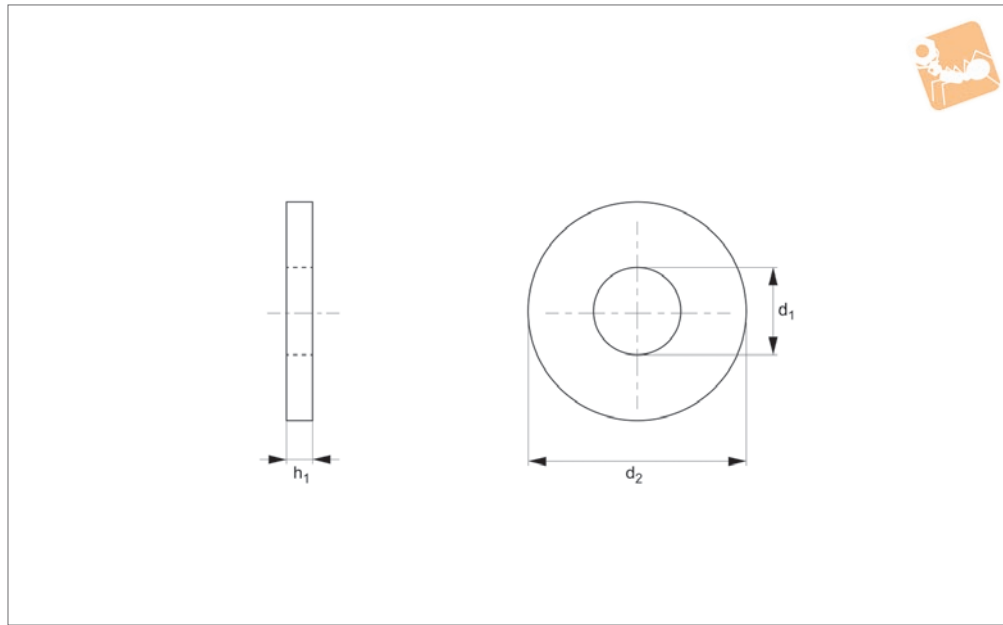


Flat Washers Form B

A2 stainless



Flat Washers



P0331.A2

FLAT WASHERS

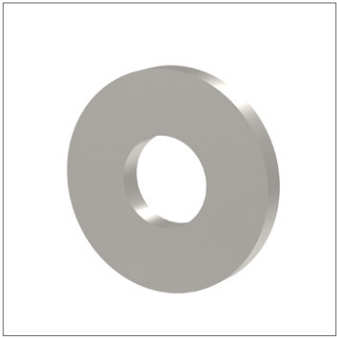
Material

Stainless steel (A2).

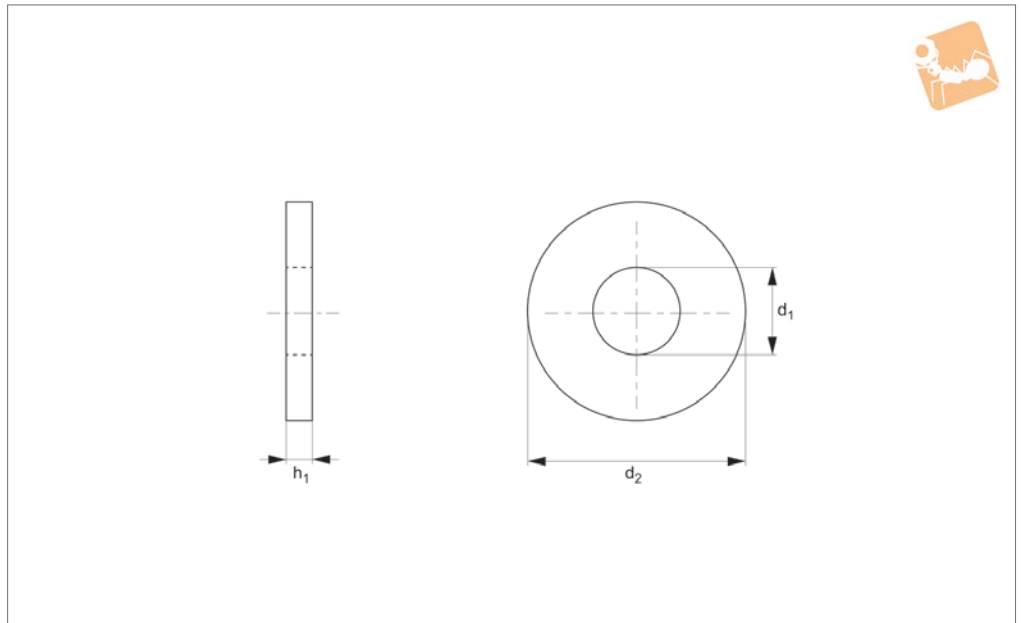
Technical Notes

To DIN 125 B, BS4320B.

Order No.	For thread	d_1	h_1	d_2	Material
P0331.050-A2	M 5	5.3	0.8	10	A2 s/s
P0331.060-A2	M 6	6.4	0.8	12.5	A2 s/s
P0331.070-A2	M 7	7.4	0.8	14	A2 s/s
P0331.080-A2	M 8	8.4	1.0	17	A2 s/s
P0331.100-A2	M10	10.5	1.25	21	A2 s/s
P0331.120-A2	M12	13.0	1.6	24	A2 s/s
P0331.140-A2	M14	15.0	1.6	28	A2 s/s
P0331.160-A2	M16	17.0	2.0	30	A2 s/s
P0331.180-A2	M18	19.0	2.0	34	A2 s/s
P0331.200-A2	M20	21.0	2.0	37	A2 s/s
P0331.220-A2	M22	23.0	2.0	39	A2 s/s
P0331.240-A2	M24	25.0	2.5	44	A2 s/s
P0331.270-A2	M27	28.0	2.5	50	A2 s/s
P0331.300-A2	M30	31.0	2.5	56	A2 s/s



P0331.A4



Material

Stainless steel (A4).

Technical Notes

To DIN 125 B, BS4320B.

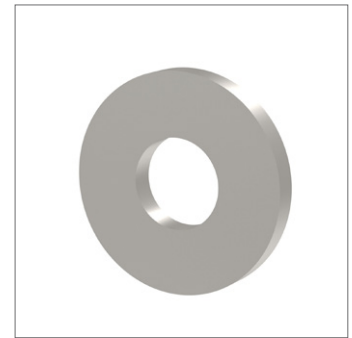
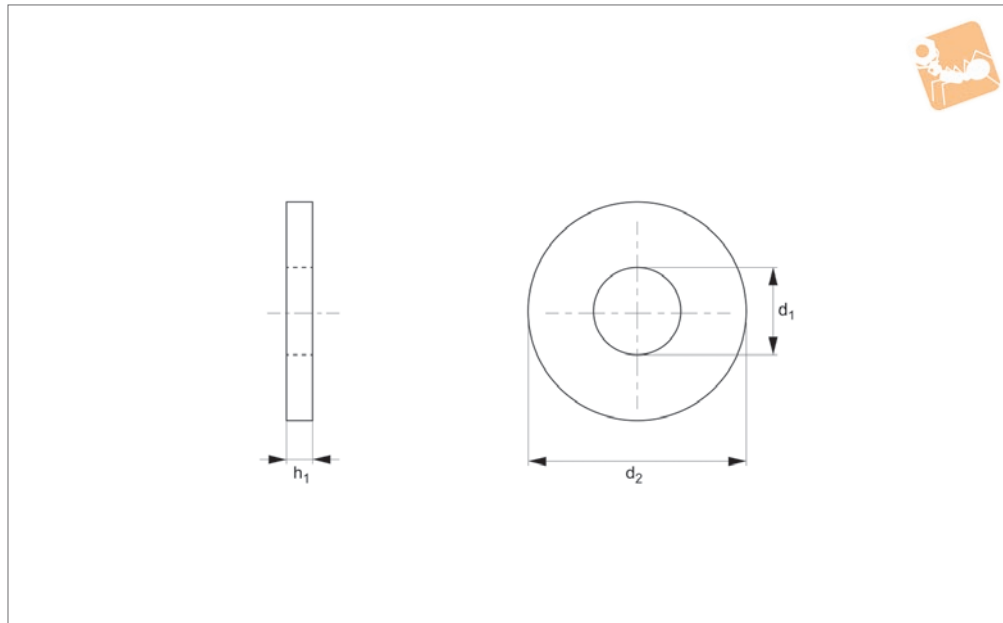
Order No.	For thread	d_1	h_1	d_2	Material
P0331.050-A4	M 5	5.3	0.8	10	A4 s/s
P0331.060-A4	M 6	6.4	0.8	12.5	A4 s/s
P0331.070-A4	M 7	7.4	0.8	14	A4 s/s
P0331.080-A4	M 8	8.4	1.0	17	A4 s/s
P0331.100-A4	M10	10.5	1.25	21	A4 s/s
P0331.120-A4	M12	13.0	1.6	24	A4 s/s
P0331.140-A4	M14	15.0	1.6	28	A4 s/s
P0331.160-A4	M16	17.0	2.0	30	A4 s/s
P0331.180-A4	M18	19.0	2.0	34	A4 s/s
P0331.200-A4	M20	21.0	2.0	37	A4 s/s
P0331.220-A4	M22	23.0	2.0	39	A4 s/s
P0331.240-A4	M24	25.0	2.5	44	A4 s/s
P0331.270-A4	M27	28.0	2.5	50	A4 s/s
P0331.300-A4	M30	31.0	2.5	56	A4 s/s



Flat Washers Form B

Steel, zinc-plated

Flat Washers



P0331.ZP

FLAT WASHERS

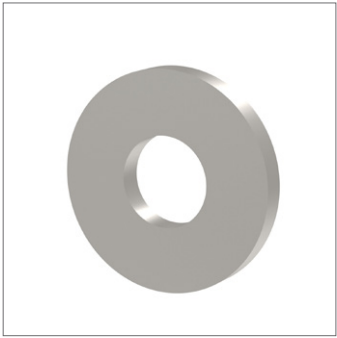
Material

Steel, zinc-plated.

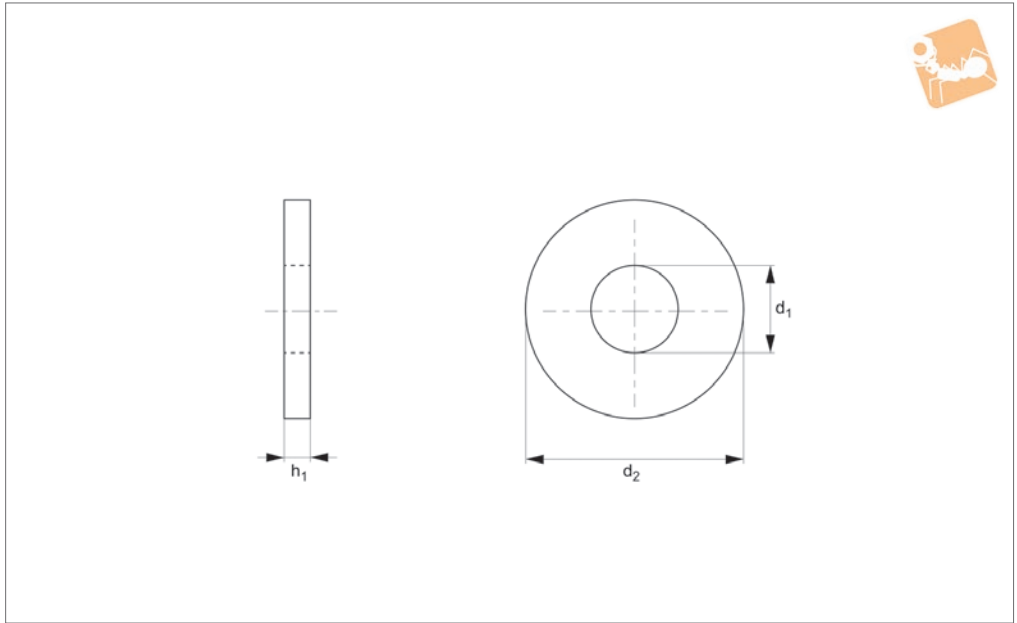
Technical Notes

To DIN 125 B, BS4320B.

Order No.	For thread	d_1	h_1	d_2	Material
P0331.050-ZP	M 5	5.3	0.8	10	Steel ZP
P0331.060-ZP	M 6	6.4	0.8	12.5	Steel ZP
P0331.070-ZP	M 7	7.4	0.8	14	Steel ZP
P0331.080-ZP	M 8	8.4	1.0	17	Steel ZP
P0331.100-ZP	M10	10.5	1.25	21	Steel ZP
P0331.120-ZP	M12	13.0	1.6	24	Steel ZP
P0331.140-ZP	M14	15.0	1.6	28	Steel ZP
P0331.160-ZP	M16	17.0	2.0	30	Steel ZP
P0331.180-ZP	M18	19.0	2.0	34	Steel ZP
P0331.200-ZP	M20	21.0	2.0	37	Steel ZP
P0331.220-ZP	M22	23.0	2.0	39	Steel ZP
P0331.240-ZP	M24	25.0	2.5	44	Steel ZP
P0331.270-ZP	M27	28.0	2.5	50	Steel ZP
P0331.300-ZP	M30	31.0	2.5	56	Steel ZP



P0331.BR



Material

Brass.

Technical Notes

To DIN 125 B, BS4320B.

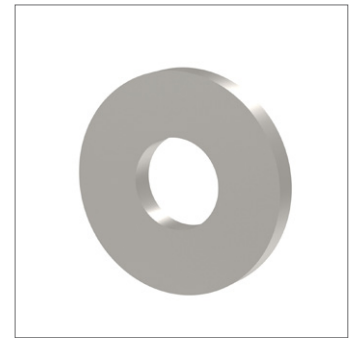
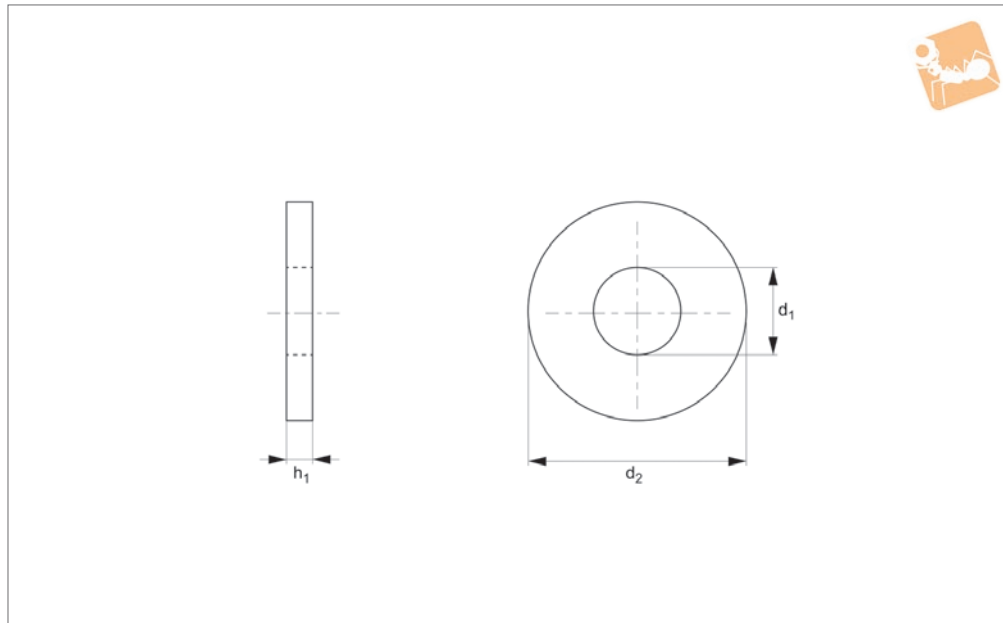
Order No.	For thread	d_1	h_1	d_2	Material
P0331.080-BR	M 8	8.4	1.6	16	Brass
P0331.100-BR	M10	10.5	2.0	20	Brass
P0331.120-BR	M12	13.0	2.5	24	Brass
P0331.160-BR	M16	17.0	3.0	30	Brass
P0331.180-BR	M18	19.0	3.0	34	Brass
P0331.200-BR	M20	21.0	3.0	37	Brass
P0331.220-BR	M22	23.0	3.0	39	Brass
P0331.240-BR	M24	25.0	4.0	44	Brass
P0331.270-BR	M27	28.0	4.0	50	Brass
P0331.300-BR	M30	31.0	4.0	56	Brass



Flat Washers Form C

A2 stainless

Flat Washers



P0332.A2

FLAT WASHERS

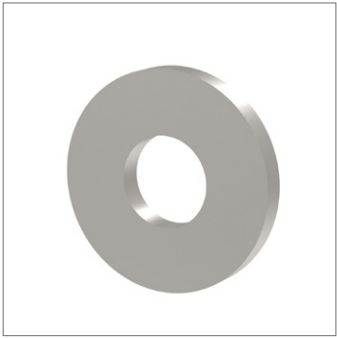
Material

Stainless steel (A2).

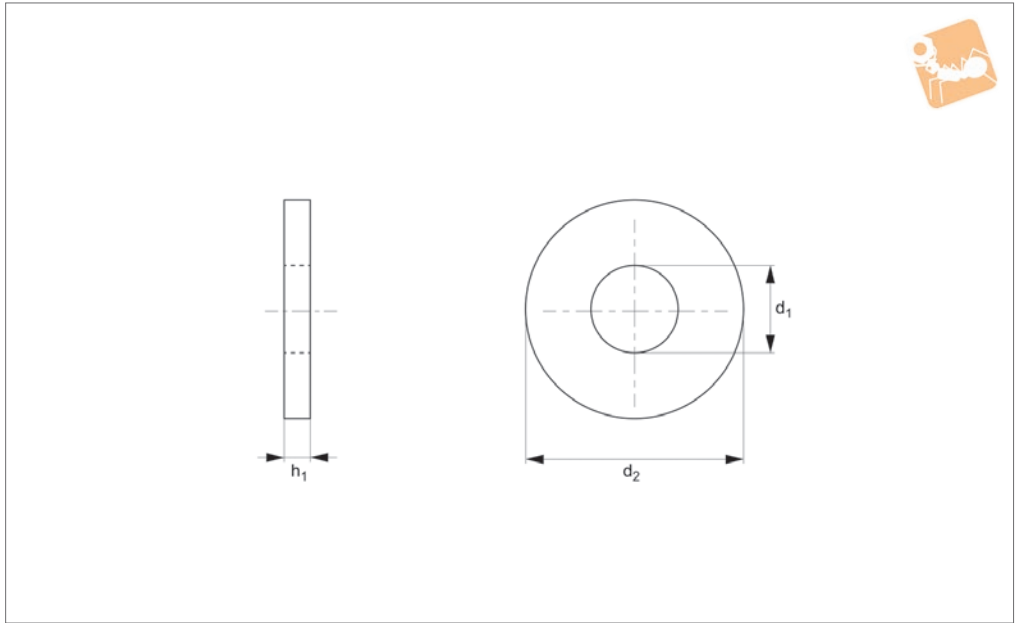
Technical Notes

To DIN 125 C, BS4320C.

Order No.	For thread	d_1	d_2	h	Material
P0332.040-A2	M 4	4.3	10	0.8	A2 s/s
P0332.050-A2	M 5	5.3	12.5	1.0	A2 s/s
P0332.060-A2	M 6	6.4	14	1.6	A2 s/s
P0332.070-A2	M 7	7.4	16	1.6	A2 s/s
P0332.080-A2	M 8	8.4	21	1.6	A2 s/s
P0332.100-A2	M10	10.5	24	2.0	A2 s/s
P0332.120-A2	M12	13.0	28	2.5	A2 s/s
P0332.140-A2	M14	15.0	30	2.5	A2 s/s
P0332.160-A2	M16	17.0	34	3.0	A2 s/s
P0332.180-A2	M18	19.0	37	3.0	A2 s/s
P0332.200-A2	M20	21.0	39	3.0	A2 s/s
P0332.220-A2	M22	23.0	44	3.0	A2 s/s
P0332.240-A2	M24	25.0	50	4.0	A2 s/s
P0332.270-A2	M27	28.0	56	4.0	A2 s/s
P0332.300-A2	M30	31.0	60	4.0	A2 s/s



P0332.A4



Material
Stainless steel (A4).

Technical Notes
To DIN 125 C, BS4320C.

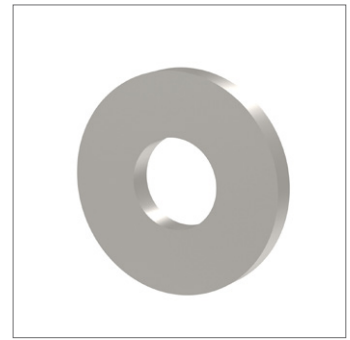
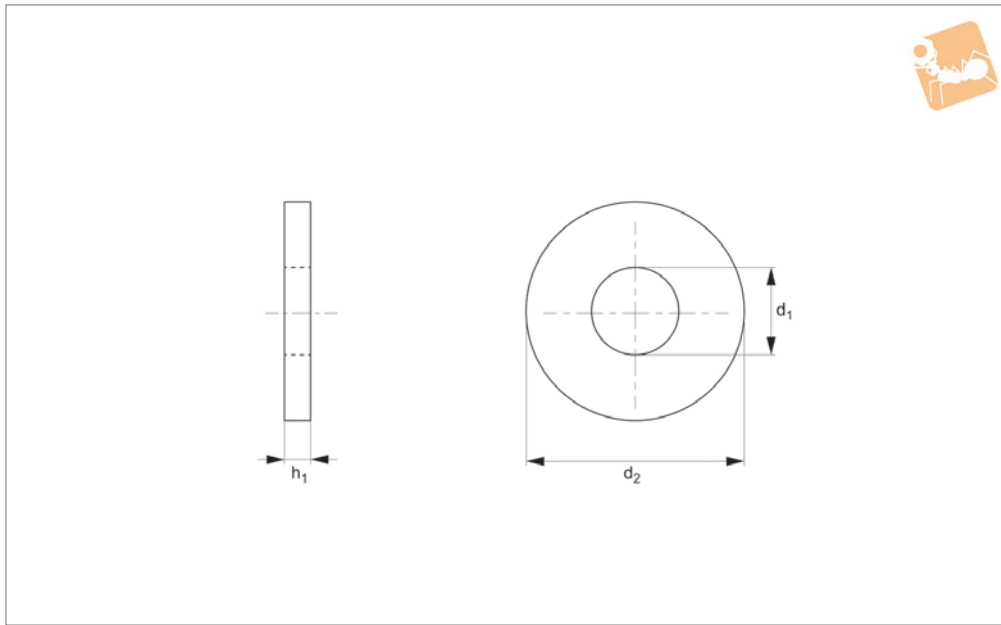
Order No.	For thread	d_1	d_2	h	Material
P0332.040-A4	M 4	4.3	10	0.8	A4 s/s
P0332.050-A4	M 5	5.3	12.5	1.0	A4 s/s
P0332.060-A4	M 6	6.4	14	1.6	A4 s/s
P0332.070-A4	M 7	7.4	16	1.6	A4 s/s
P0332.080-A4	M 8	8.4	21	1.6	A4 s/s
P0332.100-A4	M10	10.5	24	2.0	A4 s/s
P0332.120-A4	M12	13.0	28	2.5	A4 s/s
P0332.140-A4	M14	15.0	30	2.5	A4 s/s
P0332.160-A4	M16	17.0	34	3.0	A4 s/s
P0332.180-A4	M18	19.0	37	3.0	A4 s/s
P0332.200-A4	M20	21.0	39	3.0	A4 s/s
P0332.220-A4	M22	23.0	44	3.0	A4 s/s
P0332.240-A4	M24	25.0	50	4.0	A4 s/s
P0332.270-A4	M27	28.0	56	4.0	A4 s/s
P0332.300-A4	M30	31.0	60	4.0	A4 s/s



Flat Washers Form C

Steel, zinc-plated

Flat Washers



P0332.ZP

FLAT WASHERS

Material

Steel, zinc-plated.

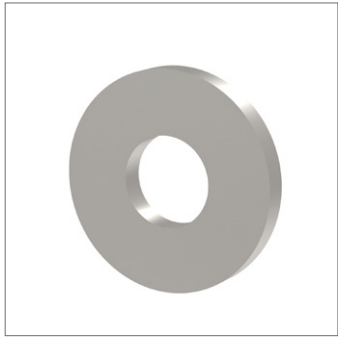
Technical Notes

To DIN 125 C, BS4320C.

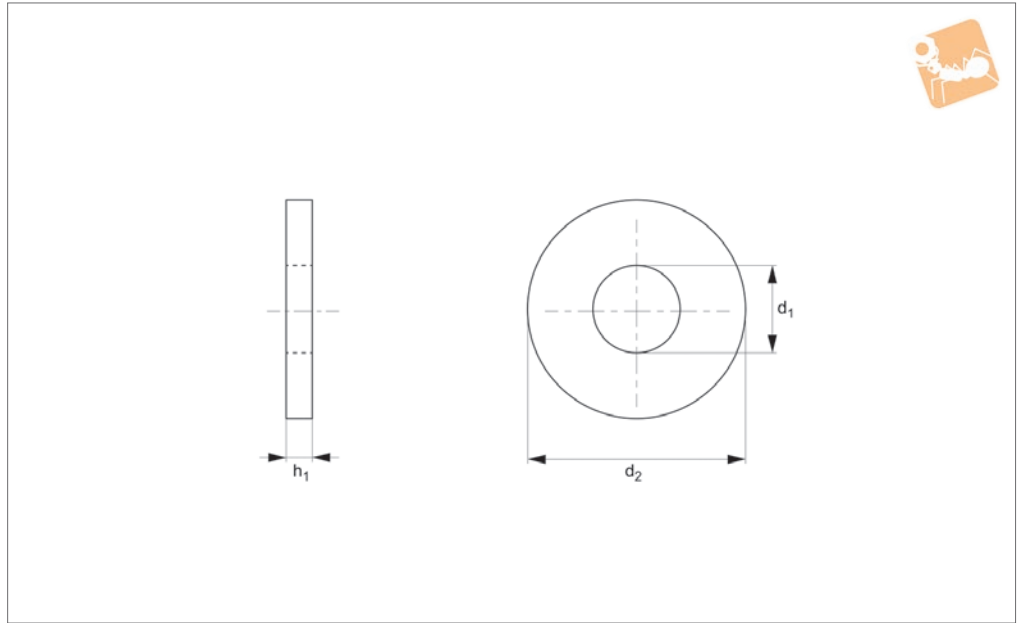
Order No.	For thread	d ₁	d ₂	h	Material
P0332.040-ZP	M 4	4.3	10	0.8	Steel ZP
P0332.050-ZP	M 5	5.3	12.5	1.0	Steel ZP
P0332.060-ZP	M 6	6.4	14	1.6	Steel ZP
P0332.070-ZP	M 7	7.4	16	1.6	Steel ZP
P0332.080-ZP	M 8	8.4	21	1.6	Steel ZP
P0332.100-ZP	M10	10.5	24	2.0	Steel ZP
P0332.120-ZP	M12	13.0	28	2.5	Steel ZP
P0332.140-ZP	M14	15.0	30	2.5	Steel ZP
P0332.160-ZP	M16	17.0	34	3.0	Steel ZP
P0332.180-ZP	M18	19.0	37	3.0	Steel ZP
P0332.200-ZP	M20	21.0	39	3.0	Steel ZP
P0332.220-ZP	M22	23.0	44	3.0	Steel ZP
P0332.240-ZP	M24	25.0	50	4.0	Steel ZP
P0332.270-ZP	M27	28.0	56	4.0	Steel ZP
P0332.300-ZP	M30	31.0	60	4.0	Steel ZP



FLAT WASHERS



P0333.A2



Material

Stainless steel (A2).

Technical Notes

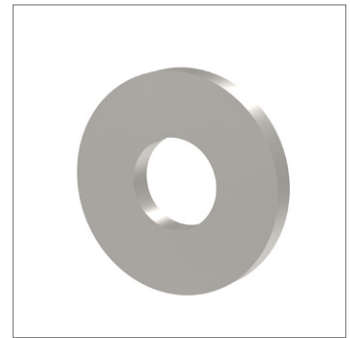
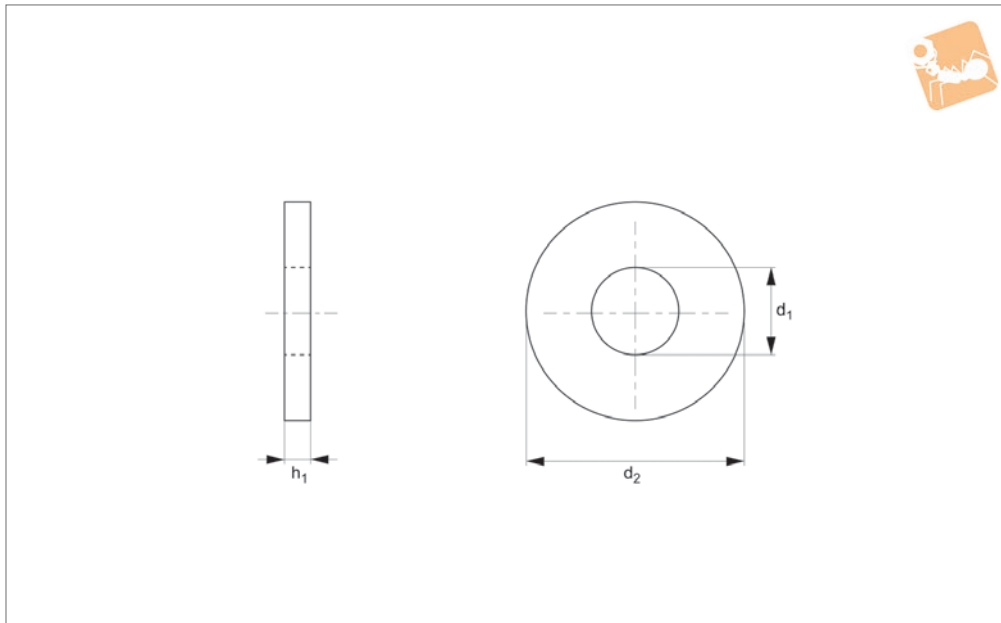
Also known as Mudguard washers.

Order No.	For thread	d_1	d_2	h_1	Material
P0333.030-010-A2	M 3	3.3	10	0.8	A2 s/s
P0333.040-020-A2	M 4	4.2	20	1.0	A2 s/s
P0333.050-020-A2	M 5	5.2	20	1.3	A2 s/s
P0333.050-025-A2	M 5	5.2	25	1.3	A2 s/s
P0333.050-030-A2	M 5	5.2	30	1.3	A2 s/s
P0333.060-025-A2	M 6	6.5	25	1.5	A2 s/s
P0333.060-030-A2	M 6	6.5	30	1.5	A2 s/s
P0333.060-040-A2	M 6	6.5	40	1.5	A2 s/s
P0333.070-040-A2	M 7	7.4	40	1.5	A2 s/s
P0333.080-025-A2	M 8	8.4	25	1.5	A2 s/s
P0333.080-030-A2	M 8	8.4	30	1.5	A2 s/s
P0333.080-040-A2	M 8	8.4	40	1.5	A2 s/s
P0333.100-030-A2	M10	10.5	30	1.5	A2 s/s
P0333.120-036-A2	M12	12.5	36	2.0	A2 s/s
P0333.140-036-A2	M14	14.5	36	2.0	A2 s/s
P0333.160-050-A2	M16	16.5	50	2.5	A2 s/s
P0333.200-055-A2	M20	20.2	55	2.5	A2 s/s
P0333.240-085-A2	M24	25.0	85	4.0	A2 s/s



Penny Washers mudguard washers

Flat Washers



P0333.A4

FLAT WASHERS

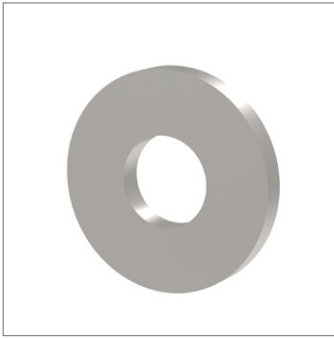
Material

Stainless steel (A4).

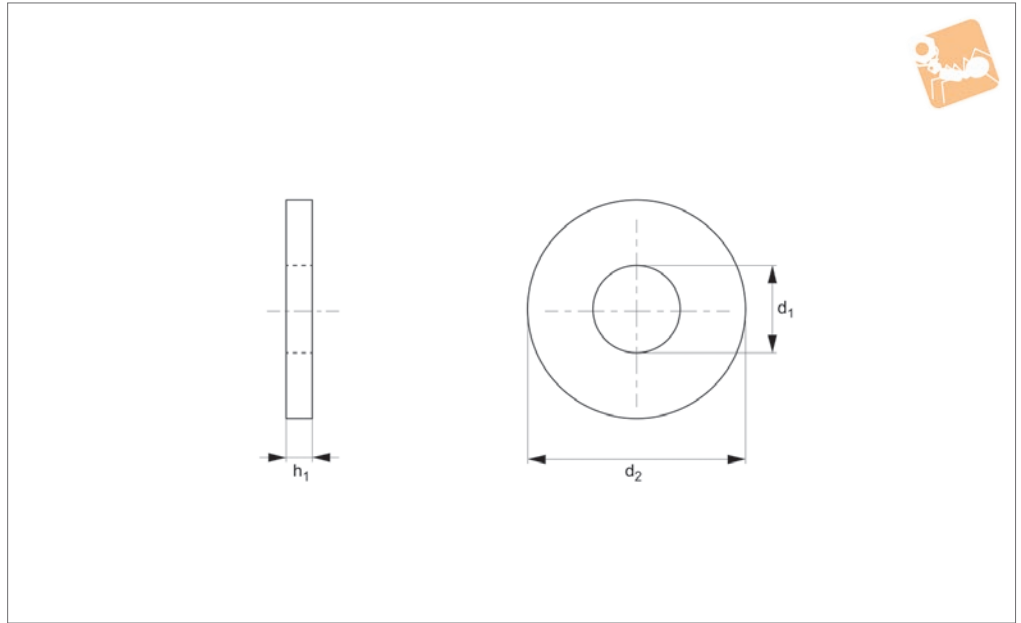
Technical Notes

Also known as Mudguard washers.

Order No.	For thread	d_1	d_2	h_1	Material
P0333.040-020-A4	M 4	4.2	20	1.2	A4 s/s
P0333.050-020-A4	M 5	5.2	20	1.3	A4 s/s
P0333.060-018-A4	M 6	6.5	18	1.5	A4 s/s
P0333.060-020-A4	M 6	6.5	20	1.5	A4 s/s
P0333.060-025-A4	M 6	6.5	25	1.5	A4s/s
P0333.060-030-A4	M 6	6.5	30	1.5	A4 s/s
P0333.080-025-A4	M 8	8.4	25	1.5	A4 s/s
P0333.080-030-A4	M 8	8.4	30	1.5	A4 s/s
P0333.100-025-A4	M10	10.5	25	1.5	A4 s/s
P0333.100-030-A4	M10	10.5	30	1.5	A4 s/s
P0333.100-035-A4	M10	10.5	35	1.5	A4 s/s
P0333.120-036-A4	M12	13.0	36	2.0	A4 s/s
P0333.160-036-A4	M16	16.5	36	2.5	A4 s/s



P0333.ZP



Material
Steel, zinc-plated.

Technical Notes
Also known as Mudguard washers.

Order No.	For thread	d ₁	d ₂	h ₁	Material
P0333.030-010-ZP	M 3	3.3	10	0.8	Steel ZP
P0333.040-020-ZP	M 4	4.2	20	1.2	Steel ZP
P0333.050-020-ZP	M 5	5.2	20	1.3	Steel ZP
P0333.050-025-ZP	M 5	5.2	25	1.3	Steel ZP
P0333.050-030-ZP	M 5	5.2	30	1.3	Steel ZP
P0333.060-014-ZP	M 6	6.5	14	1.5	Steel ZP
P0333.060-020-ZP	M 6	6.5	20	1.5	Steel ZP
P0333.060-025-ZP	M 6	6.5	25	1.5	Steel ZP
P0333.060-027-ZP	M 6	6.5	27	1.5	Steel ZP
P0333.060-030-ZP	M 6	6.5	30	1.5	Steel ZP
P0333.060-035-ZP	M 6	6.5	35	1.5	Steel ZP
P0333.060-038-ZP	M 6	6.5	38	1.5	Steel ZP
P0333.060-040-ZP	M 6	6.5	40	1.5	Steel ZP
P0333.070-020-ZP	M 7	7.4	20	1.5	Steel ZP
P0333.070-025-ZP	M 7	7.4	25	1.5	Steel ZP
P0333.070-030-ZP	M 7	7.4	30	1.5	Steel ZP
P0333.080-025-ZP	M 8	8.4	25	1.5	Steel ZP
P0333.080-030-ZP	M 8	8.4	30	1.5	Steel ZP
P0333.080-035-ZP	M 8	8.4	35	1.5	Steel ZP
P0333.080-038-ZP	M 8	8.4	38	1.5	Steel ZP
P0333.080-040-ZP	M 8	8.4	40	1.5	Steel ZP
P0333.080-045-ZP	M 8	8.4	45	1.5	Steel ZP
P0333.080-050-ZP	M 8	8.4	50	1.5	Steel ZP
P0333.100-030-ZP	M10	10.5	30	1.5	Steel ZP
P0333.100-035-ZP	M10	10.5	35	1.5	Steel ZP
P0333.100-038-ZP	M10	10.5	38	1.5	Steel ZP
P0333.100-040-ZP	M10	10.5	40	1.5	Steel ZP
P0333.100-050-ZP	M10	10.5	50	1.5	Steel ZP
P0333.100-060-ZP	M10	10.5	60	1.5	Steel ZP
P0333.110-035-ZP	M11	11.5	35	1.5	Steel ZP
P0333.120-030-ZP	M12	12.5	30	2.0	Steel ZP
P0333.120-036-ZP	M12	12.5	36	2.0	Steel ZP
P0333.120-040-ZP	M12	12.5	40	2.0	Steel ZP
P0333.120-060-ZP	M12	12.5	60	2.0	Steel ZP
P0333.140-036-ZP	M14	14.5	36	2.0	Steel ZP



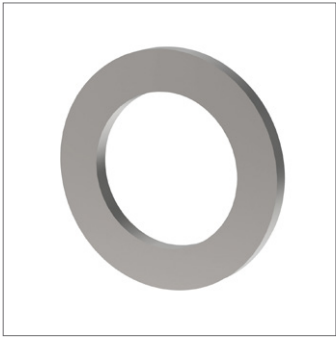
Penny Washers mudguard washers

Flat Washers

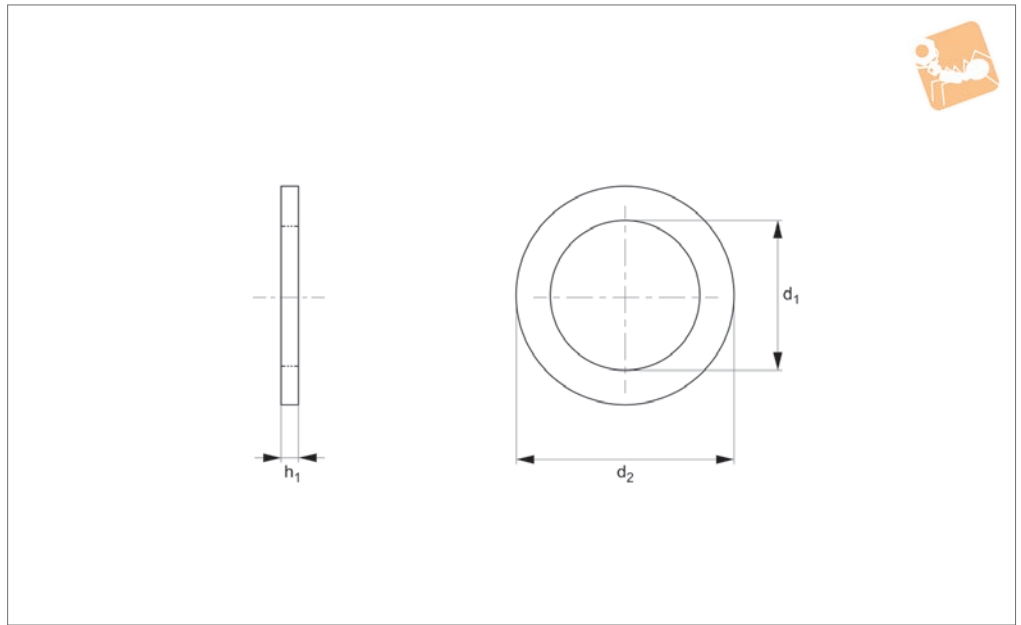


Order No.	For thread	d ₁	d ₂	h ₁	Material
P0333.140-040-ZP	M14	14.5	40	2.0	Steel ZP
P0333.140-045-ZP	M14	14.5	45	2.0	Steel ZP
P0333.160-040-ZP	M16	16.5	40	2.5	Steel ZP
P0333.160-045-ZP	M16	16.5	45	2.5	Steel ZP
P0333.160-050-ZP	M16	16.5	50	2.5	Steel ZP
P0333.170-040-ZP	M17	17.2	40	2.5	Steel ZP
P0333.170-045-ZP	M17	17.2	45	2.5	Steel ZP
P0333.200-050-ZP	M20	20.2	50	2.5	Steel ZP
P0333.200-055-ZP	M20	20.2	55	2.5	Steel ZP
P0333.220-075-ZP	M22	24.0	75	4.0	Steel ZP
P0333.240-080-ZP	M24	25.0	80	4.0	Steel ZP
P0333.240-085-ZP	M24	25.0	85	4.0	Steel ZP
P0333.270-085-ZP	M27	28.0	85	4.0	Steel ZP
P0333.300-095-ZP	M30	32.0	95	4.0	Steel ZP

FLAT WASHERS



P0335.A2



Material

Stainless steel (A2, AISI 303).

Technical Notes

To DIN 433.

Order No.	d ₁	d ₂	For thread	h ₁	Material
P0335.014-A2	1.5	3	M1,4	0.3	A2 s/s
P0335.016-A2	1.7	3.5	M1,6	0.3	A2 s/s
P0335.020-A2	2.2	4.5	M 2	0.3	A2 s/s
P0335.025-A2	2.7	5	M2,5	0.5	A2 s/s
P0335.030-A2	3.2	6	M 3	0.5	A2 s/s
P0335.035-A2	3.7	7	M3,5	0.5	A2 s/s
P0335.040-A2	4.3	8	M 4	0.5	A2 s/s
P0335.050-A2	5.3	9	M 5	1.0	A2 s/s
P0335.060-A2	6.4	11	M 6	1.6	A2 s/s
P0335.080-A2	8.4	15	M 8	1.6	A2 s/s
P0335.100-A2	10.5	18	M10	1.6	A2 s/s
P0335.120-A2	13	20	M12	2.0	A2 s/s
P0335.140-A2	15	24	M14	2.5	A2 s/s
P0335.160-A2	17	28	M16	2.5	A2 s/s
P0335.180-A2	19	30	M18	2.5	A2 s/s
P0335.200-A2	21	34	M20	3.0	A2 s/s

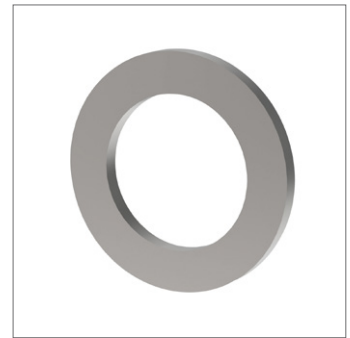
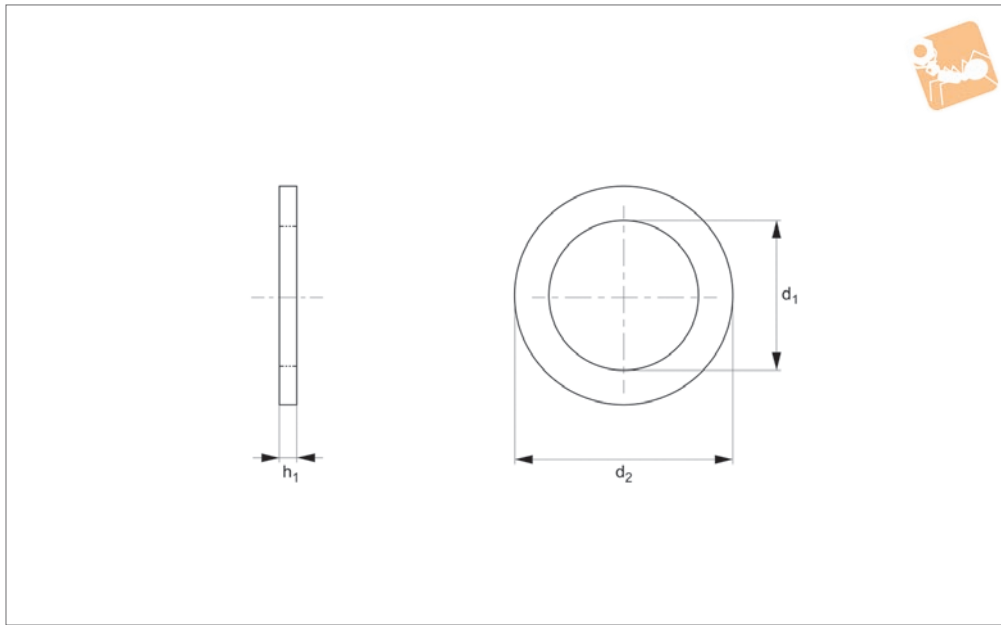


Flat Washer

A4 stainless



Flat Washers



P0335.A4

FLAT WASHERS

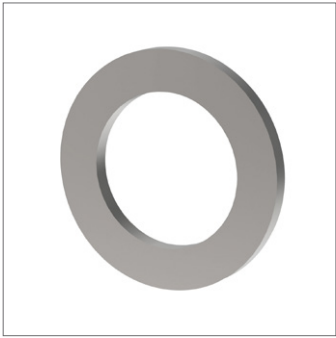
Material

Stainless steel (A4, AISI 316).

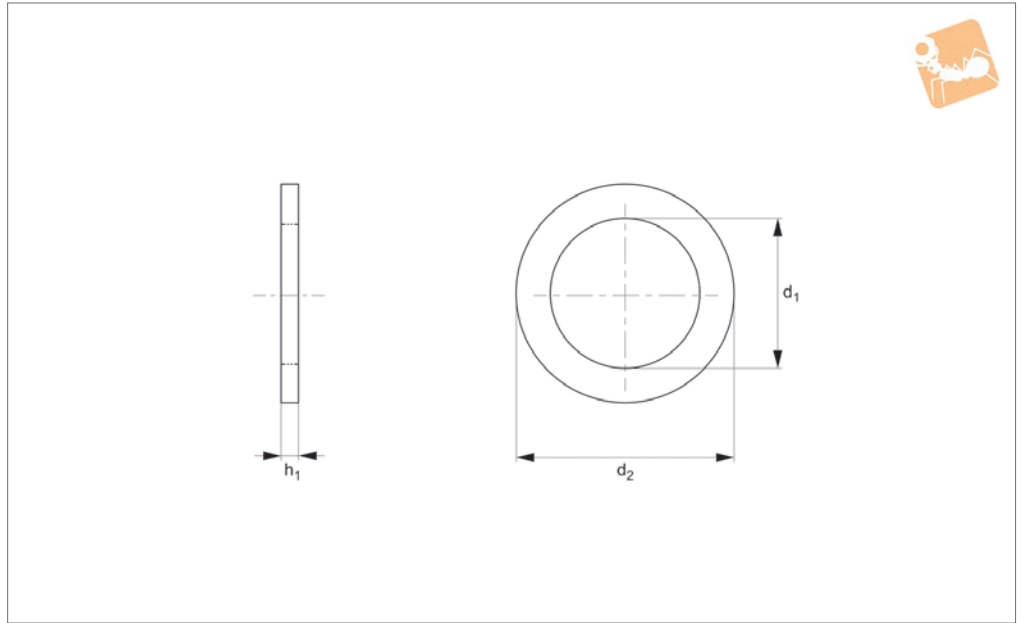
Technical Notes

To DIN 433.

Order No.	d ₁	d ₂	For thread	h ₁	Material
P0335.014-A4	1.5	3	M1,4	0.3	A4 s/s
P0335.016-A4	1.7	3.5	M1,6	0.3	A4 s/s
P0335.020-A4	2.2	4.5	M 2	0.3	A4 s/s
P0335.025-A4	2.7	5	M2,5	0.5	A4 s/s
P0335.030-A4	3.2	6	M 3	0.5	A4 s/s
P0335.035-A4	3.7	7	M3,5	0.5	A4 s/s
P0335.040-A4	4.3	8	M 4	0.5	A4 s/s
P0335.050-A4	5.3	9	M 5	1.0	A4 s/s
P0335.060-A4	6.4	11	M 6	1.6	A4 s/s
P0335.080-A4	8.4	15	M 8	1.6	A4 s/s
P0335.100-A4	10.5	18	M10	1.6	A4 s/s
P0335.120-A4	13	20	M12	2.0	A4 s/s
P0335.140-A4	15	24	M14	2.5	A4 s/s
P0335.160-A4	17	28	M16	2.5	A4 s/s
P0335.180-A4	19	30	M18	2.5	A4 s/s
P0335.200-A4	21	34	M20	3.0	A4 s/s



P0335.ZP



FLAT WASHERS

Material

Steel, zinc plated.

Technical Notes

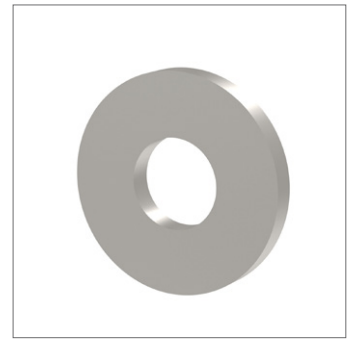
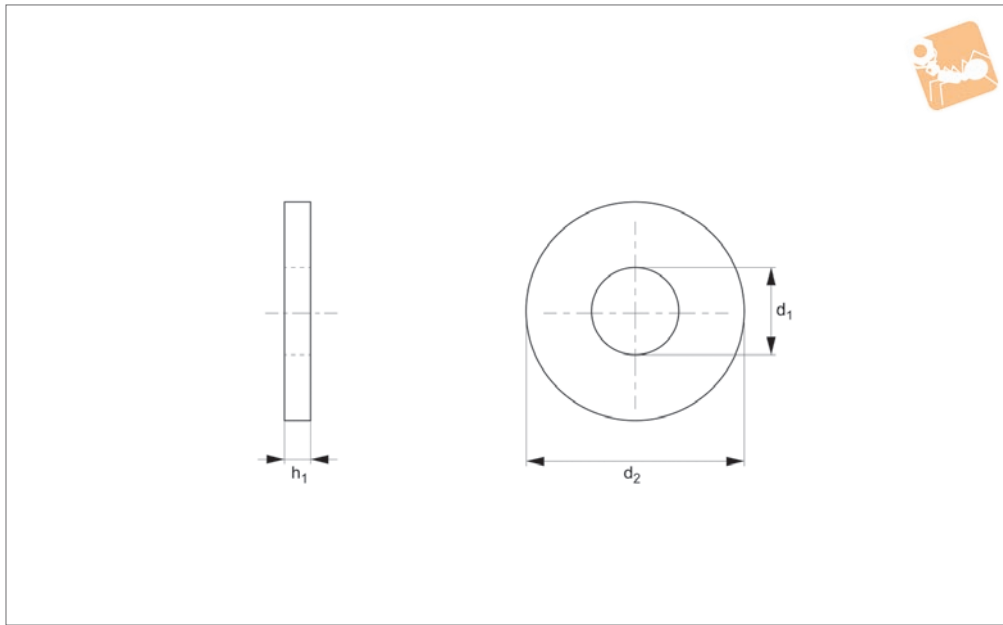
To DIN 433.

Order No.	d_1	d_2	For thread	h_1	Material
P0335.014-ZP	1.5	3	M1,4	0.3	Steel ZP
P0335.016-ZP	1.7	3.5	M1,6	0.3	Steel ZP
P0335.020-ZP	2.2	4.5	M 2	0.3	Steel ZP
P0335.025-ZP	2.7	5	M2,5	0.5	Steel ZP
P0335.030-ZP	3.2	6	M 3	0.5	Steel ZP
P0335.035-ZP	3.7	7	M3,5	0.5	Steel ZP
P0335.040-ZP	4.3	8	M 4	0.5	Steel ZP
P0335.050-ZP	5.3	9	M 5	1.0	Steel ZP
P0335.060-ZP	6.4	11	M 6	1.6	Steel ZP
P0335.080-ZP	8.4	15	M 8	1.6	Steel ZP
P0335.100-ZP	10.5	18	M10	1.6	Steel ZP
P0335.120-ZP	13	20	M12	2.0	Steel ZP
P0335.140-ZP	15	24	M14	2.5	Steel ZP
P0335.160-ZP	17	28	M16	2.5	Steel ZP
P0335.180-ZP	19	30	M18	2.5	Steel ZP
P0335.200-ZP	21	34	M20	3.0	Steel ZP



Heavy Flat Washers

Heavy - A2 stainless



P0336.A2

FLAT WASHERS

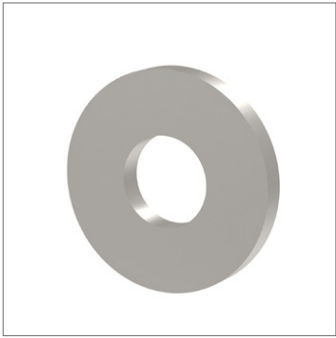
Material

Stainless steel (A2).

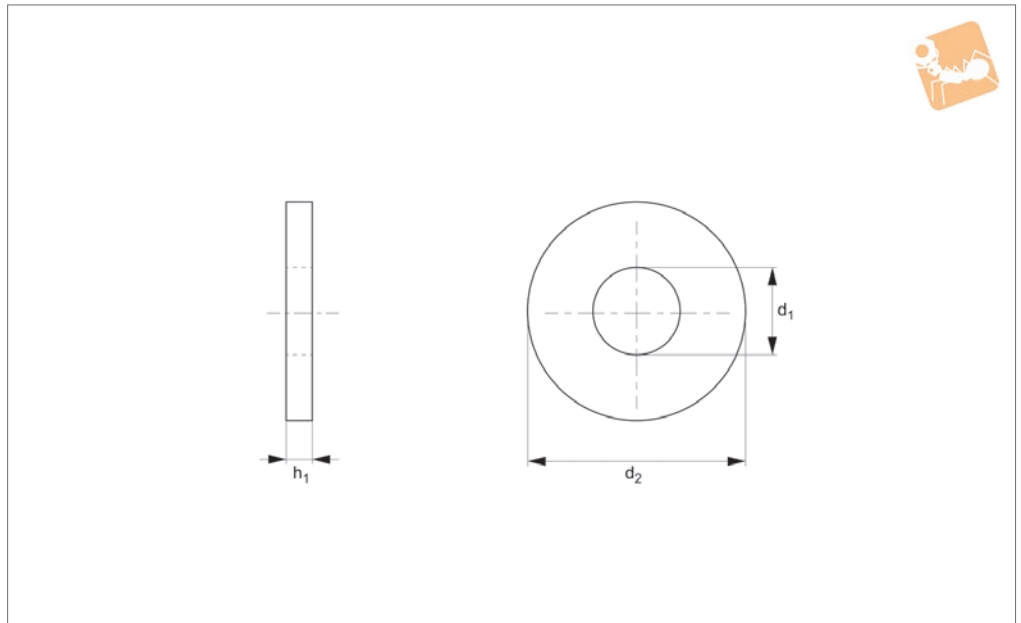
Technical Notes

To DIN 7349.

Order No.	d ₁	d ₂	For thread	h	Material
P0336.030-A2	3.2	9	M 3	1.0	A2 s/s
P0336.040-A2	4.3	12	M 4	1.6	A2 s/s
P0336.050-A2	5.3	15	M 5	2.0	A2 s/s
P0336.060-A2	6.4	17	M 6	3.0	A2 s/s
P0336.080-A2	8.4	21	M 8	4.0	A2 s/s
P0336.100-A2	10.5	25	M10	4.0	A2 s/s
P0336.120-A2	13.0	30	M12	6.0	A2 s/s
P0336.140-A2	15.0	36	M14	6.0	A2 s/s
P0336.160-A2	17.0	40	M16	6.0	A2 s/s
P0336.180-A2	19.0	44	M18	8.0	A2 s/s
P0336.200-A2	21.0	44	M20	8.0	A2 s/s
P0336.220-A2	23.0	50	M22	8.0	A2 s/s
P0336.240-A2	25.0	50	M24	10.0	A2 s/s
P0336.270-A2	28.0	60	M27	10.0	A2 s/s
P0336.300-A2	31.0	68	M30	10.0	A2 s/s



P0336.A4



Material

Stainless steel (A4).

Technical Notes

To DIN 7349.

Order No.	d_1	d_2	For thread	h	Material
P0336.030-A4	3.2	9	M 3	1.0	A4 s/s
P0336.040-A4	4.3	12	M 4	1.6	A4 s/s
P0336.050-A4	5.3	15	M 5	2.0	A4 s/s
P0336.060-A4	6.4	17	M 6	3.0	A4 s/s
P0336.080-A4	8.4	21	M 8	4.0	A4 s/s
P0336.100-A4	10.5	25	M10	4.0	A4 s/s
P0336.120-A4	13.0	30	M12	6.0	A4 s/s
P0336.140-A4	15.0	36	M14	6.0	A4 s/s
P0336.160-A4	17.0	40	M16	6.0	A4 s/s
P0336.180-A4	19.0	44	M18	8.0	A4 s/s
P0336.200-A4	21.0	44	M20	8.0	A4 s/s
P0336.220-A4	23.0	50	M22	8.0	A4 s/s
P0336.240-A4	25.0	50	M24	10.0	A4 s/s
P0336.270-A4	28.0	60	M27	10.0	A4 s/s
P0336.300-A4	31.0	68	M30	10.0	A4 s/s

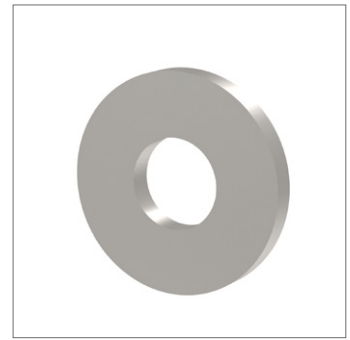
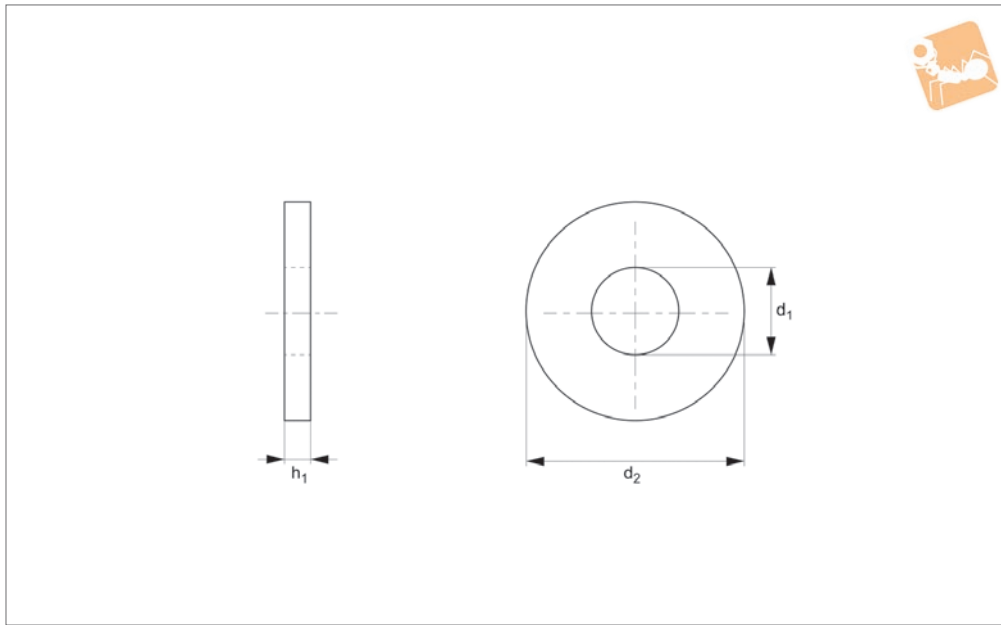


Heavy Flat Washers

Heavy - steel, zinc-plated



Flat Washers



P0336.ZP

FLAT WASHERS

Material

Steel, zinc-plated.

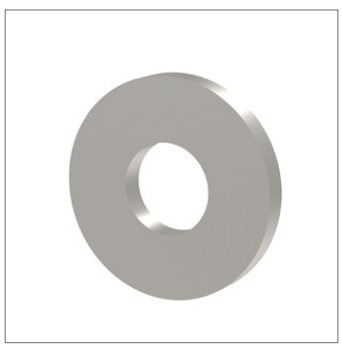
Technical Notes

To DIN 7349.

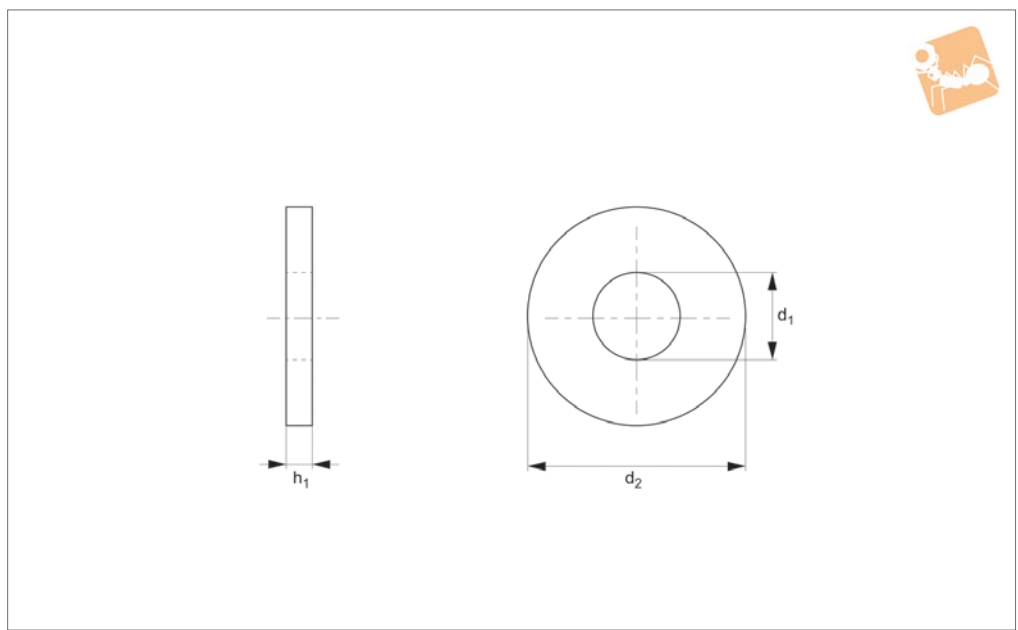
Order No.	d ₁	d ₂	For thread	h	Material
P0336.030-ZP	3.2	9	M 3	1.0	Steel ZP
P0336.040-ZP	4.3	12	M 4	1.6	Steel ZP
P0336.050-ZP	5.3	15	M 5	2.0	Steel ZP
P0336.060-ZP	6.4	17	M 6	3.0	Steel ZP
P0336.080-ZP	8.4	21	M 8	4.0	Steel ZP
P0336.100-ZP	10.5	25	M10	4.0	Steel ZP
P0336.120-ZP	13.0	30	M12	6.0	Steel ZP
P0336.140-ZP	15.0	36	M14	6.0	Steel ZP
P0336.160-ZP	17.0	40	M16	6.0	Steel ZP
P0336.180-ZP	19.0	44	M18	8.0	Steel ZP
P0336.200-ZP	21.0	44	M20	8.0	Steel ZP
P0336.220-ZP	23.0	50	M22	8.0	Steel ZP
P0336.240-ZP	25.0	50	M24	10.0	Steel ZP
P0336.270-ZP	28.0	60	M27	10.0	Steel ZP
P0336.300-ZP	31.0	68	M30	10.0	Steel ZP



FLAT WASHERS



P0336.SC



Material
Steel, self-coloured.

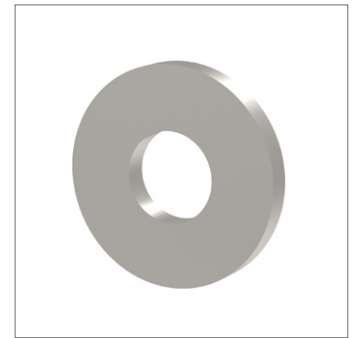
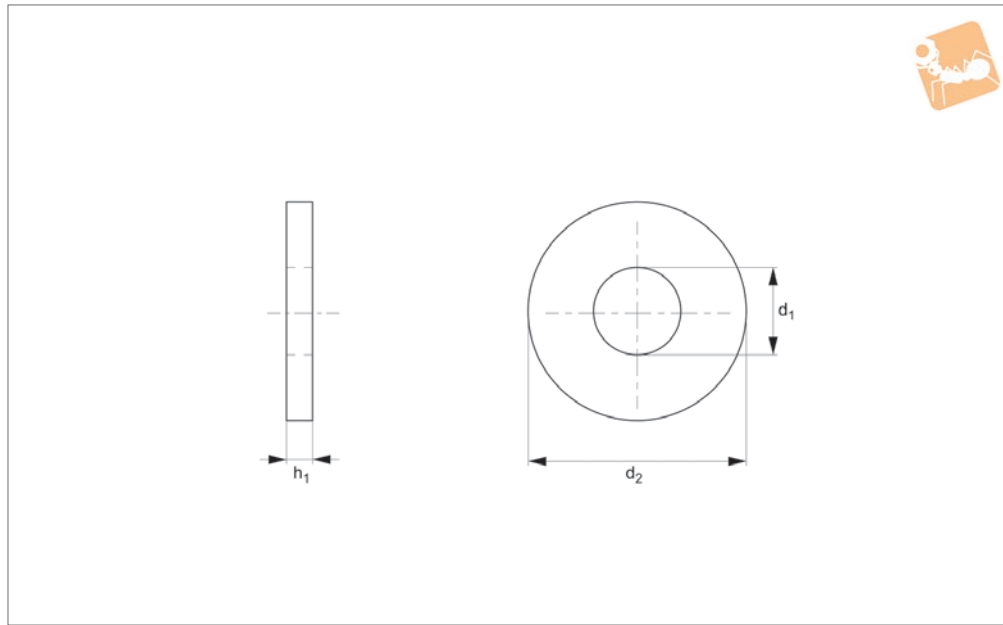
Technical Notes
To DIN 7349.

Order No.	d_1	d_2	For thread	h	Material
P0336.030-SC	3.2	9	M 3	1.0	Steel SC
P0336.040-SC	4.3	12	M 4	1.6	Steel SC
P0336.050-SC	5.3	15	M 5	2.0	Steel SC
P0336.060-SC	6.4	17	M 6	3.0	Steel SC
P0336.080-SC	8.4	21	M 8	4.0	Steel SC
P0336.100-SC	10.5	25	M10	4.0	Steel SC
P0336.120-SC	13.0	30	M12	6.0	Steel SC
P0336.140-SC	15.0	36	M14	6.0	Steel SC
P0336.160-SC	17.0	40	M16	6.0	Steel SC
P0336.180-SC	19.0	44	M18	8.0	Steel SC
P0336.200-SC	21.0	44	M20	8.0	Steel SC
P0336.220-SC	23.0	50	M22	8.0	Steel SC
P0336.240-SC	25.0	50	M24	10.0	Steel SC
P0336.270-SC	28.0	60	M27	10.0	Steel SC
P0336.300-SC	31.0	68	M30	10.0	Steel SC



Large Diameter Washers

Large diameter - A2 stainless



P0337.A2

FLAT WASHERS

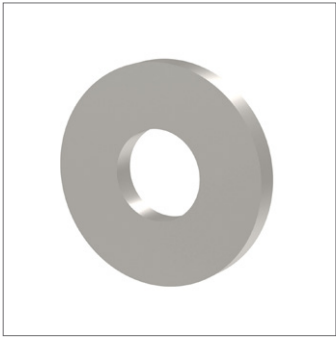
Material

Stainless steel (A2).

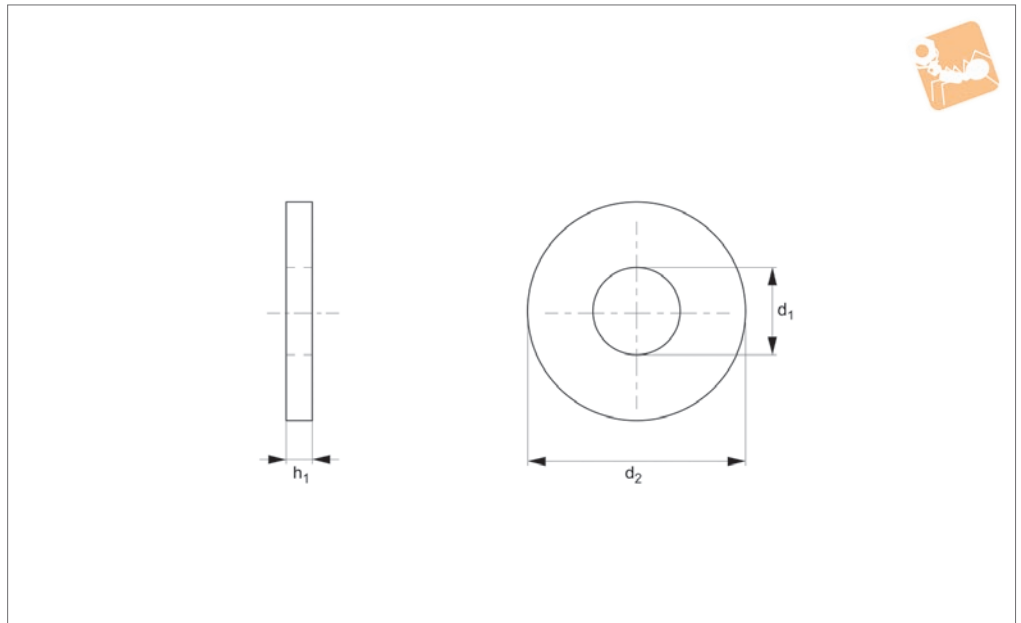
Technical Notes

To DIN 9021, ISO 7093.

Order No.	For thread	d_1	d_2	h_1	Material
P0337.020-A2	M 2	2.2	6	0.8	A2 s/s
P0337.025-A2	M2,5	2.7	8	0.8	A2 s/s
P0337.030-A2	M 3	3.2	9	0.8	A2 s/s
P0337.035-A2	M3,5	3.7	11	0.8	A2 s/s
P0337.040-A2	M 4	4.3	12	1.0	A2 s/s
P0337.050-A2	M 5	5.3	15	1.2	A2 s/s
P0337.060-A2	M 6	6.4	18	1.6	A2 s/s
P0337.070-A2	M 7	7.4	22	2.0	A2 s/s
P0337.080-A2	M 8	8.4	24	2.0	A2 s/s
P0337.100-A2	M10	10.5	30	2.5	A2 s/s
P0337.120-A2	M12	13.0	37	3.0	A2 s/s
P0337.140-A2	M14	15.0	44	3.0	A2 s/s
P0337.160-A2	M16	17.0	50	3.0	A2 s/s
P0337.180-A2	M18	20.0	56	4.0	A2 s/s
P0337.200-A2	M20	22.0	60	4.0	A2 s/s
P0337.240-A2	M24	26.0	72	5.0	A2 s/s
P0337.300-A2	M30	33.0	92	6.0	A2 s/s
P0337.360-A2	M36	39.0	110	8.0	A2 s/s



P0337.A4



Material

Stainless steel (A4).

Technical Notes

To DIN 9021, ISO 7093.

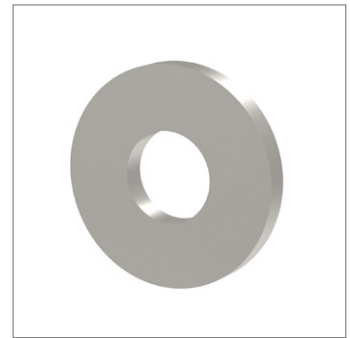
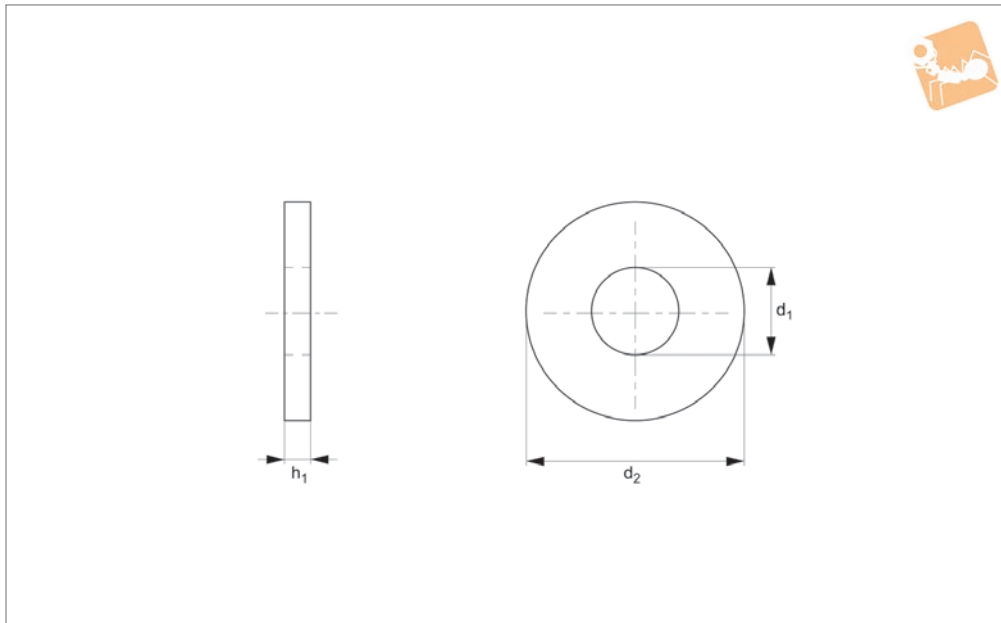
Order No.	For thread	d_1	d_2	h_1	Material
P0337.020-A4	M 2	2.2	6	0.8	A4 s/s
P0337.025-A4	M2,5	2.7	8	0.8	A4 s/s
P0337.030-A4	M 3	3.2	9	0.8	A4 s/s
P0337.035-A4	M3,5	3.7	11	0.8	A4 s/s
P0337.040-A4	M 4	4.3	12	1.0	A4 s/s
P0337.050-A4	M 5	5.3	15	1.2	A4 s/s
P0337.060-A4	M 6	6.4	18	1.6	A4 s/s
P0337.070-A4	M 7	7.4	22	2.0	A4 s/s
P0337.080-A4	M 8	8.4	24	2.0	A4 s/s
P0337.100-A4	M10	10.5	30	2.5	A4 s/s
P0337.120-A4	M12	13.0	37	3.0	A4 s/s
P0337.140-A4	M14	15.0	44	3.0	A4 s/s
P0337.160-A4	M16	17.0	50	3.0	A4 s/s
P0337.180-A4	M18	20.0	56	4.0	A4 s/s
P0337.200-A4	M20	22.0	60	4.0	A4 s/s
P0337.240-A4	M24	26.0	72	5.0	A4 s/s
P0337.300-A4	M30	33.0	92	6.0	A4 s/s
P0337.360-A4	M36	39.0	110	8.0	A4 s/s



Large Diameter Washers

Large Diameter- Brass

Flat Washers



P0337.BR

FLAT WASHERS

Material

Brass.

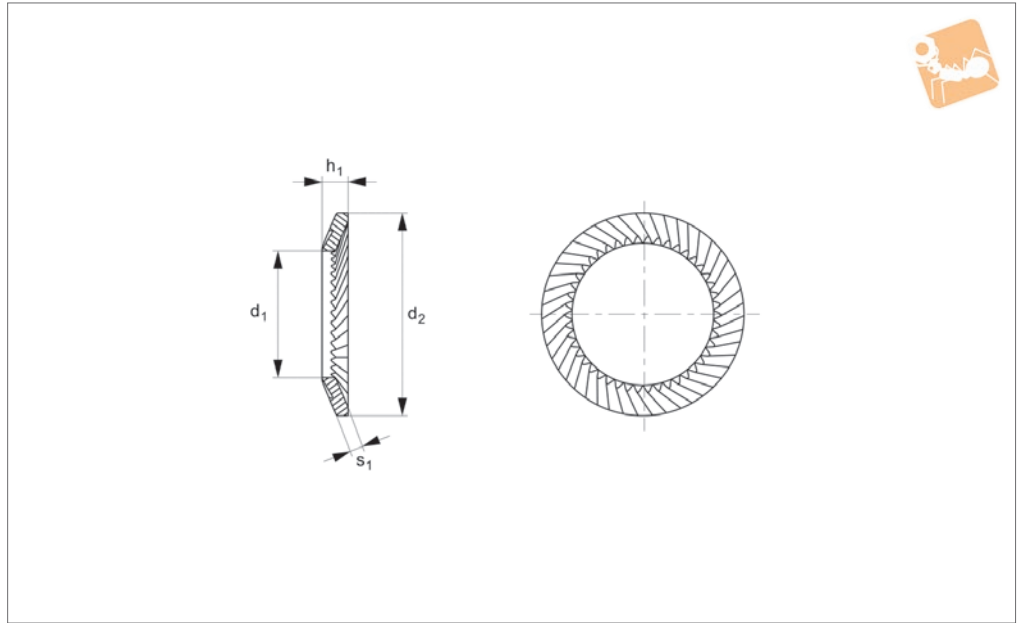
Technical Notes

To DIN 9021, ISO 7093.

Order No.	For thread	d ₁	d ₂	h ₁	Material
P0337.030-BR	M 3	3.2	9	0.8	Brass
P0337.040-BR	M 4	4.3	12	1.0	Brass
P0337.050-BR	M 5	5.3	15	1.2	Brass
P0337.060-BR	M 6	6.4	18	1.6	Brass
P0337.080-BR	M 8	8.4	24	2.0	Brass
P0337.100-BR	M10	10.5	30	2.5	Brass
P0337.120-BR	M12	13.0	37	3.0	Brass
P0337.140-BR	M14	15.0	44	3.0	Brass
P0337.160-BR	M16	17.0	50	3.0	Brass
P0337.200-BR	M20	22.0	60	4.0	Brass



P0363.A2



Material

Stainless steel (A2).

Technical Notes

To DIN 17222. Can be used with screws of class 8 and 8.8

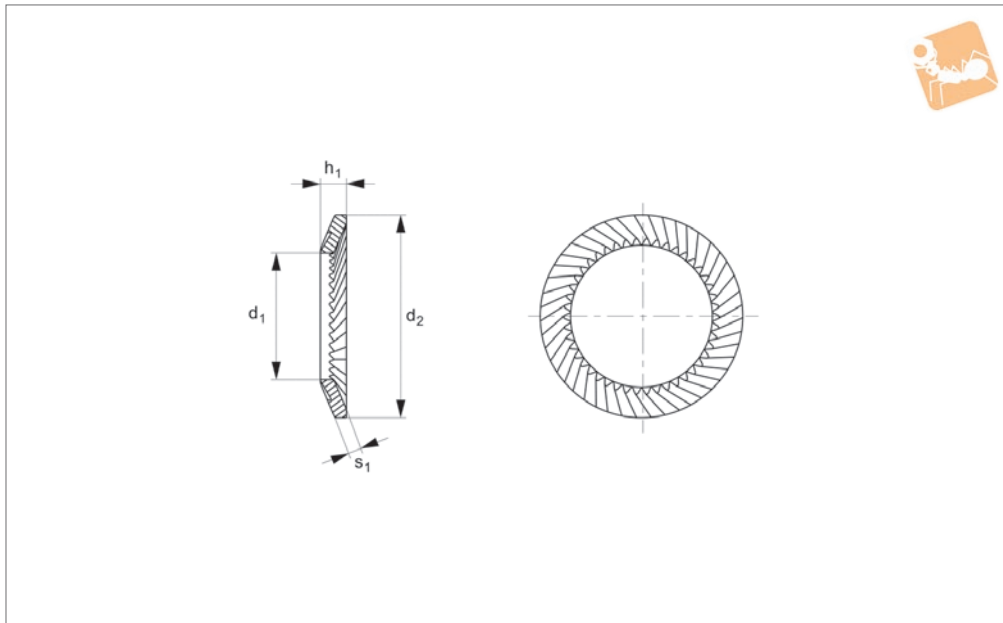
Order No.	For thread	d ₁	d ₂	h ₁	s ₁	Material
P0363.025-A2	M2,5	2.7	4.8	0.90	0.45	A2 s/s
P0363.030-A2	M 3	3.2	5.5	0.85	0.45	A2 s/s
P0363.040-A2	M 4	4.3	7.0	0.95	0.50	A2 s/s
P0363.050-A2	M 5	5.3	9.0	1.05	0.60	A2 s/s
P0363.060-A2	M 6	6.4	10.0	1.20	0.70	A2 s/s
P0363.080-A2	M 8	8.4	13.0	1.40	0.80	A2 s/s
P0363.100-A2	M10	10.5	16.0	1.60	1.00	A2 s/s
P0363.120-A2	M12	13.0	18.0	1.70	1.00	A2 s/s
P0363.140-A2	M14	15.0	21.0	2.00	1.20	A2 s/s
P0363.160-A2	M16	17.0	24.0	2.10	1.20	A2 s/s
P0363.200-A2	M20	21.0	30.0	2.50	1.40	A2 s/s
P0363.240-A2	M24	26.0	36.0	2.90	1.60	A2 s/s
P0363.300-A2	M30	32.0	45.0	3.60	2.00	A2 s/s



Schnorr Safety Washers

Steel, self-coloured

Flat Washers



P0363.SC

FLAT WASHERS

Material

Steel, self-coloured.

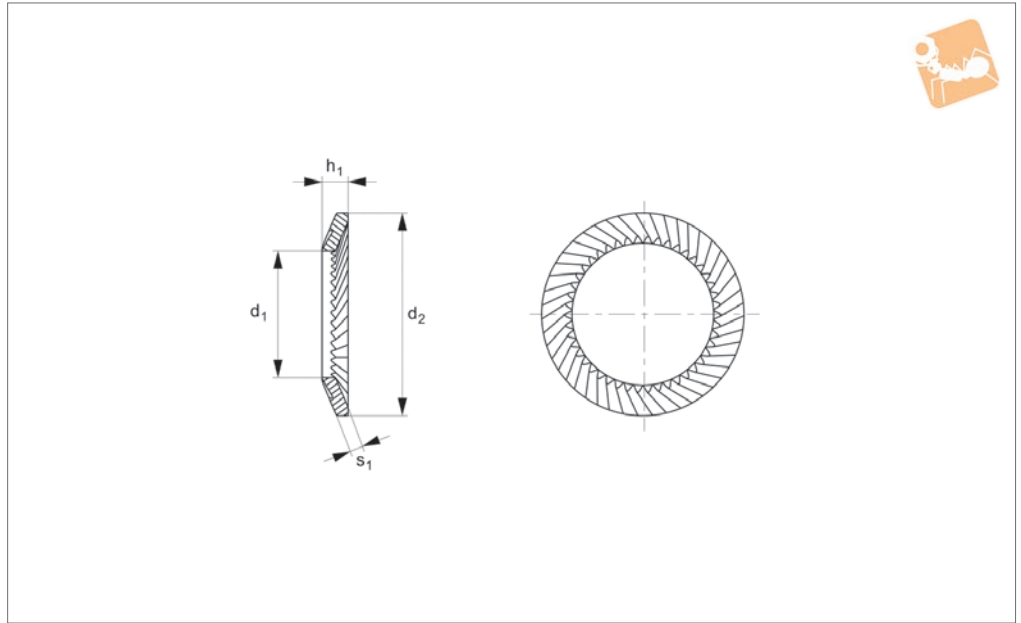
Technical Notes

To DIN 17222. Can be used with screws of class 8 and 8.8

Order No.	For thread	d ₁	d ₂	h	Material
P0363.030-SC	M 3	3.2	5.5	0.9	Steel SC
P0363.040-SC	M 4	4.3	7.0	1.0	Steel SC
P0363.050-SC	M 5	5.3	9.0	1.1	Steel SC
P0363.060-SC	M 6	6.4	10.0	1.2	Steel SC
P0363.080-SC	M 8	8.4	13.0	1.4	Steel SC
P0363.100-SC	M10	10.5	16.0	1.6	Steel SC
P0363.120-SC	M12	13.0	18.0	1.7	Steel SC
P0363.140-SC	M14	15.0	22.0	2.0	Steel SC
P0363.160-SC	M16	17.0	24.0	2.1	Steel SC
P0363.180-SC	M18	19.0	27.0	2.3	Steel SC
P0363.200-SC	M20	21.0	30.0	2.5	Steel SC
P0363.220-SC	M22	23.0	33.0	2.7	Steel SC
P0363.240-SC	M24	26.0	36.0	2.9	Steel SC
P0363.270-SC	M27	29.0	39.0	3.1	Steel SC
P0363.300-SC	M30	32.0	45.0	3.6	Steel SC



P0363.GV



Material

Steel, galvanised.

Technical Notes

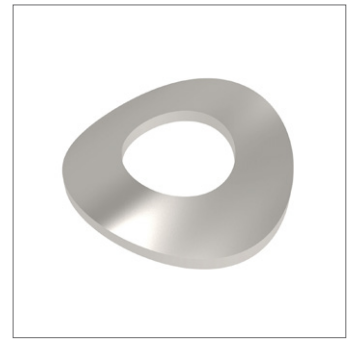
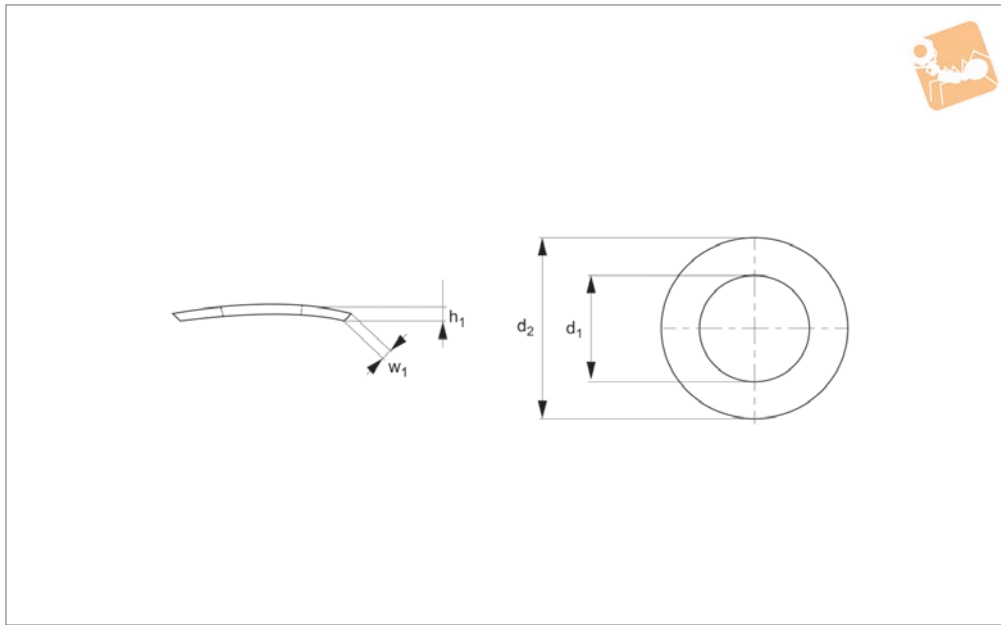
To DIN 17222. Can be used with screws of class 8 and 8.8

Order No.	For thread	d ₁	d ₂	h ₁	s ₁	Material
P0363.030-GV	M 3	3.2	5.5	0.85	0.45	Steel GV
P0363.040-GV	M 4	4.3	7.0	0.95	0.50	Steel GV
P0363.050-GV	M 5	5.3	9.0	1.05	0.60	Steel GV
P0363.060-GV	M 6	6.4	10.0	1.20	0.70	Steel GV
P0363.080-GV	M 8	8.4	13.0	1.40	0.80	Steel GV
P0363.100-GV	M10	10.5	16.0	1.60	1.00	Steel GV
P0363.120-GV	M12	13.0	18.0	1.70	1.00	Steel GV
P0363.140-GV	M14	15.0	21.0	2.00	1.20	Steel GV
P0363.160-GV	M16	17.0	24.0	2.10	1.20	Steel GV
P0363.180-GV	M18	19.0	27.0	2.30	1.40	Steel GV
P0363.200-GV	M20	21.0	30.0	2.50	1.40	Steel GV
P0363.220-GV	M22	23.0	33.0	2.70	1.40	Steel GV
P0363.240-GV	M24	25.6	36.0	2.90	1.60	Steel GV
P0363.270-GV	M27	28.6	39.0	3.10	2.00	Steel GV
P0363.300-GV	M30	31.6	45.0	3.60	2.00	Steel GV



Curved Spring Washers

A2 stainless



P0360.A2

FLAT WASHERS

Material

Stainless steel (A2, AISI 303).

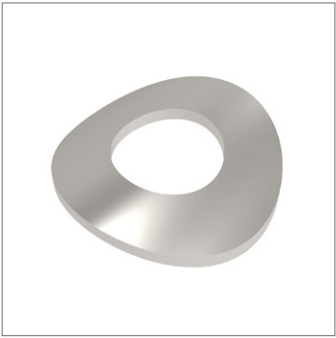
loads.

Use with fasteners >5.8 class.

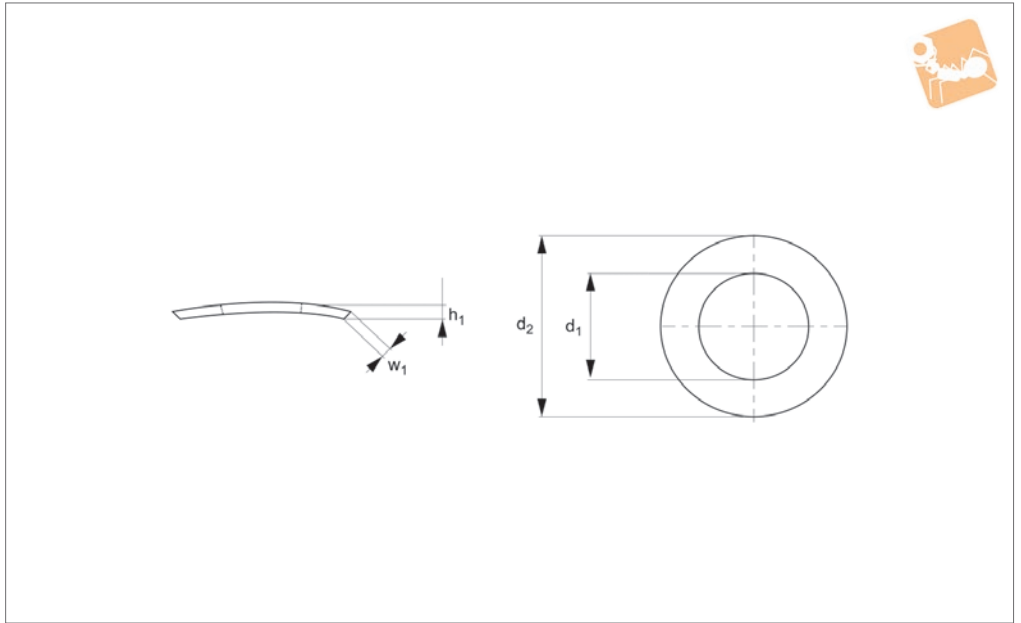
Technical Notes

To DIN 137 A. Not for use under dynamic

Order No.	For thread	d ₁	d ₂	w ₁	h ₁ min.	Material
P0360.012-A2	M1,2	1.3	3.0	0.2	0.7	A2 s/s
P0360.014-A2	M1,4	1.5	3.0	0.25	0.7	A2 s/s
P0360.017-A2	M1,7	1.8	4.0	0.25	0.9	A2 s/s
P0360.020-A2	M 2	2.2	4.5	0.3	1.0	A2 s/s
P0360.025-A2	M2,5	2.8	5.5	0.3	1.1	A2 s/s
P0360.026-A2	M2,6	2.8	5.5	0.3	1.1	A2 s/s
P0360.030-A2	M 3	3.2	6	0.4	1.3	A2 s/s
P0360.035-A2	M3,5	3.7	7	0.4	1.3	A2 s/s
P0360.040-A2	M 4	4.3	8	0.5	1.6	A2 s/s
P0360.050-A2	M 5	5.3	10	0.5	1.8	A2 s/s
P0360.060-A2	M 6	6.4	11	0.5	2.2	A2 s/s
P0360.070-A2	M 7	7.4	12	0.5	2.4	A2 s/s
P0360.080-A2	M 8	8.4	15	0.5	3.4	A2 s/s
P0360.100-A2	M10	10.5	18	0.8	4.0	A2 s/s



P0360.ZP



Material

Spring steel, zinc-plated.

loads.

Use with fasteners >5.8 class.

Technical Notes

To DIN 137 A. Not for use under dynamic

Order No.	For thread	d ₁	d ₂	w ₁	h ₁ min.	Material
P0360.020-ZP	M 2	2.2	4.5	0.3	1.0	Steel ZP
P0360.025-ZP	M2,5	2.8	5.5	0.3	1.1	Steel ZP
P0360.030-ZP	M 3	3.2	6	0.4	1.3	Steel ZP
P0360.035-ZP	M3,5	3.7	7	0.4	1.3	Steel ZP
P0360.040-ZP	M 4	4.3	8	0.5	1.6	Steel ZP
P0360.050-ZP	M 5	5.3	10	0.5	1.8	Steel ZP
P0360.060-ZP	M 6	6.4	11	0.5	2.2	Steel ZP
P0360.070-ZP	M 7	7.4	12	0.5	2.4	Steel ZP
P0360.080-ZP	M 8	8.4	15	0.5	3.4	Steel ZP
P0360.100-ZP	M10	10.5	18	0.8	4.0	Steel ZP

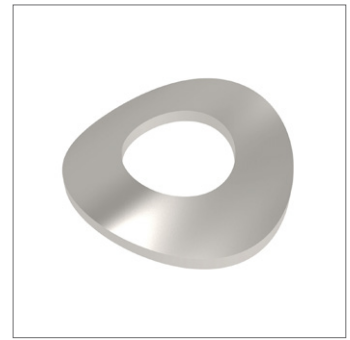
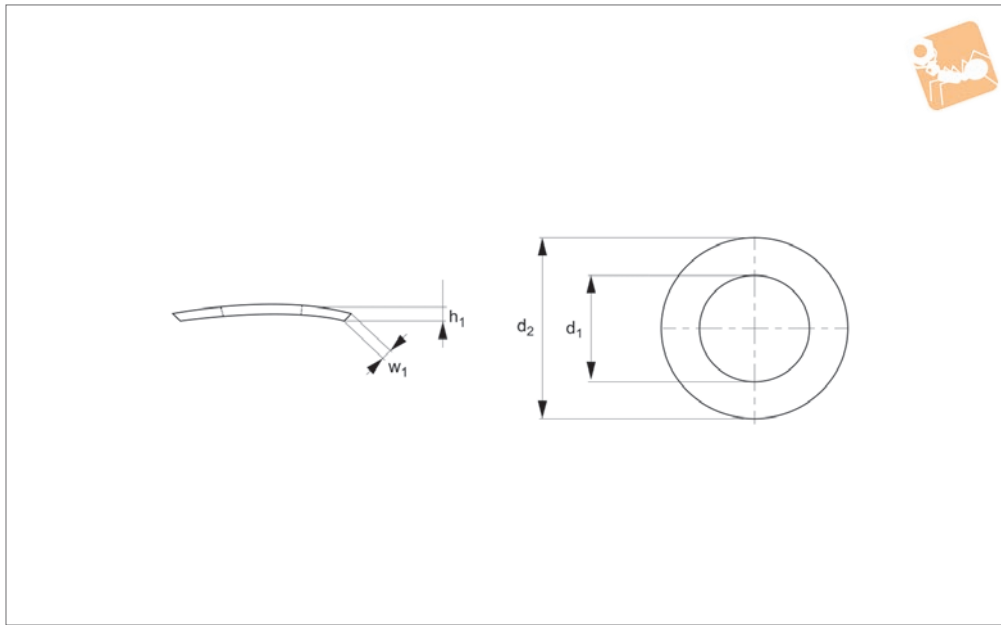


Curved Spring Washers

Steel, self-coloured



Flat Washers



P0360.SC

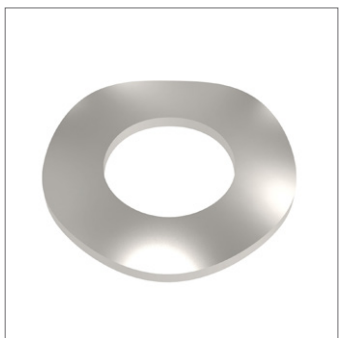
FLAT WASHERS

Material
Spring steel, self-colour.

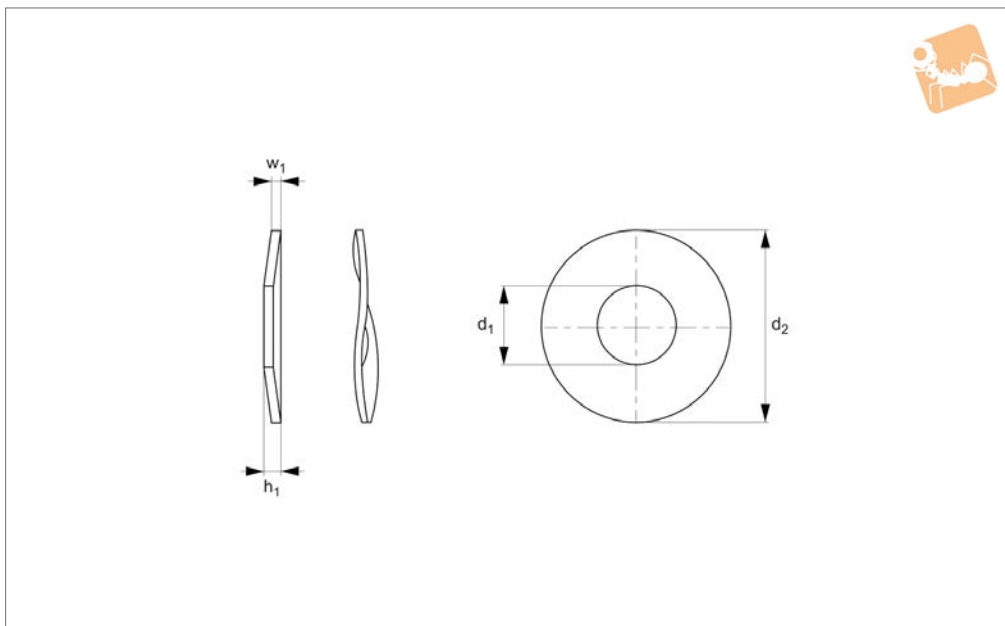
loads.
Use with fasteners >5.8 class.

Technical Notes
To DIN 137 A. Not for use under dynamic

Order No.	For thread	d ₁	d ₂	w ₁	h ₁ min.	Material
P0360.020-SC	M 2	2.2	4.5	0.3	1.0	Steel SC
P0360.025-SC	M2,5	2.8	5.5	0.3	1.1	Steel SC
P0360.030-SC	M 3	3.2	6	0.4	1.3	Steel SC
P0360.035-SC	M3,5	3.7	7	0.4	1.3	Steel SC
P0360.040-SC	M 4	4.3	8	0.5	1.6	Steel SC
P0360.050-SC	M 5	5.3	10	0.5	1.8	Steel SC
P0360.060-SC	M 6	6.4	11	0.5	2.2	Steel SC
P0360.070-SC	M 7	7.4	12	0.5	2.4	Steel SC
P0360.080-SC	M 8	8.4	15	0.5	3.4	Steel SC
P0360.100-SC	M10	10.5	18	0.8	4.0	Steel SC



P0361.A2



Material

Stainless steel (A2, AISI 303).

Technical Notes

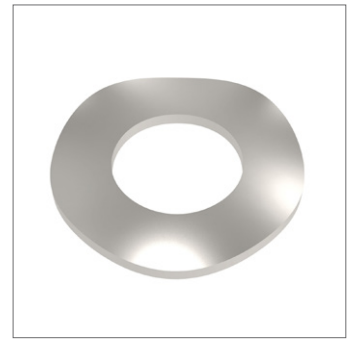
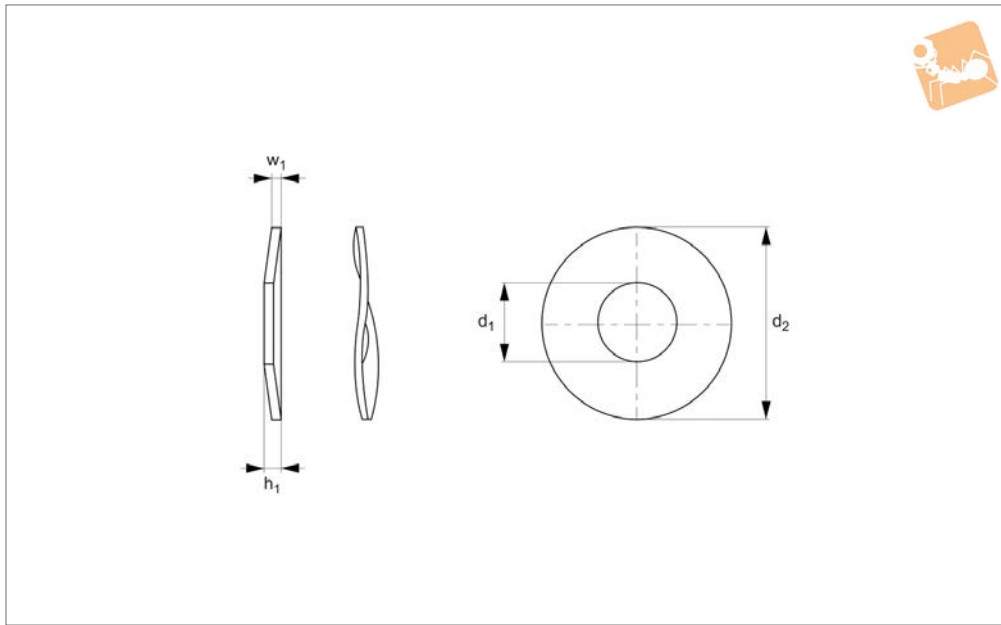
To DIN 137 B.

Order No.	For thread	d ₁	d ₂	w ₁	h ₁ max.	Material
P0361.030-A2	M 3	3.2	8	0.5	1.6	A2 s/s
P0361.035-A2	M3,5	3.7	8	0.5	1.8	A2 s/s
P0361.040-A2	M 4	4.3	9	0.5	2.0	A2 s/s
P0361.050-A2	M 5	5.3	11	0.5	2.2	A2 s/s
P0361.060-A2	M 6	6.4	12	0.5	2.6	A2 s/s
P0361.070-A2	M 7	7.4	14	0.8	3.0	A2 s/s
P0361.080-A2	M 8	8.4	15	0.8	3.0	A2 s/s
P0361.100-A2	M10	10.5	21	1.0	4.2	A2 s/s
P0361.120-A2	M12	13	24	1.2	5.0	A2 s/s
P0361.140-A2	M14	15	28	1.6	6.0	A2 s/s
P0361.160-A2	M16	17	30	1.6	6.4	A2 s/s
P0361.180-A2	M18	19	34	1.6	6.6	A2 s/s
P0361.200-A2	M20	21	36	1.6	7.4	A2 s/s
P0361.220-A2	M22	23	40	1.8	7.8	A2 s/s
P0361.240-A2	M24	25	44	1.8	8.2	A2 s/s



Wave Spring Washers

A4 stainless



P0361.A4

FLAT WASHERS

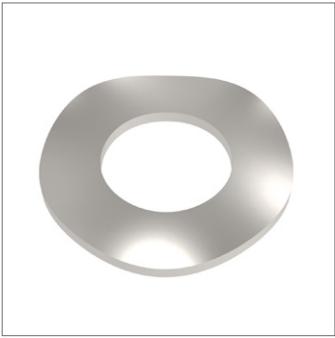
Material

Stainless steel (A4, AISI 316).

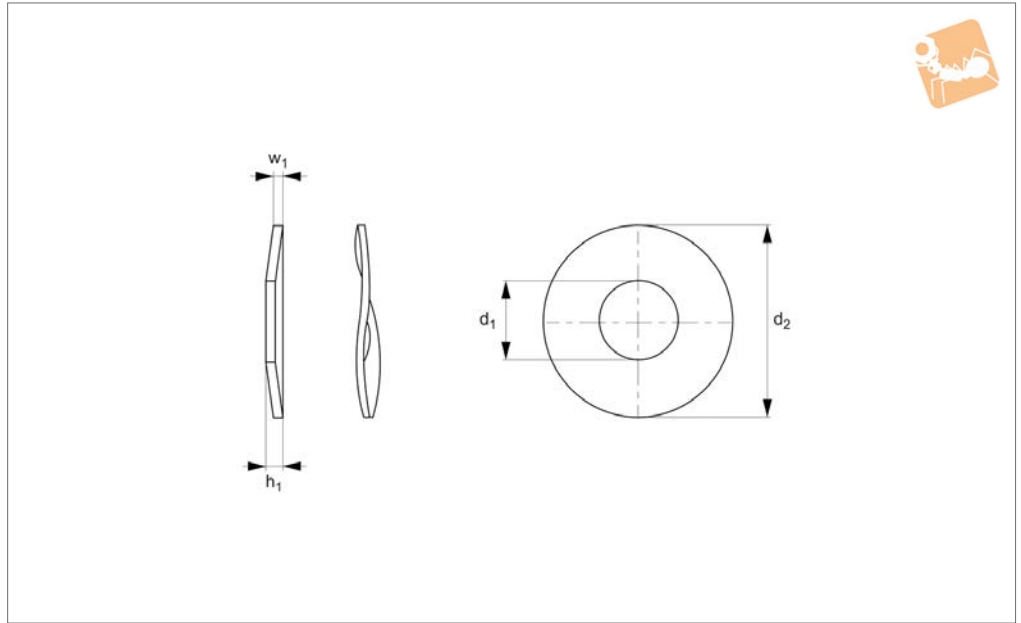
Technical Notes

To DIN 137 B.

Order No.	For thread	d ₁	d ₂	w ₁	h ₁ max.	Material
P0361.030-A4	M 3	3.2	8	0.5	1.6	A4 s/s
P0361.035-A4	M3,5	3.7	8	0.5	1.8	A4 s/s
P0361.040-A4	M 4	4.3	9	0.5	2.0	A4 s/s
P0361.050-A4	M 5	5.3	11	0.5	2.2	A4 s/s
P0361.060-A4	M 6	6.4	12	0.5	2.6	A4 s/s
P0361.070-A4	M 7	7.4	14	0.8	3.0	A4 s/s
P0361.080-A4	M 8	8.4	15	0.8	3.0	A4 s/s
P0361.100-A4	M10	10.5	21	1.0	4.2	A4 s/s
P0361.120-A4	M12	13	24	1.2	5.0	A4 s/s
P0361.140-A4	M14	15	28	1.6	6.0	A4 s/s
P0361.160-A4	M16	17	30	1.6	6.4	A4 s/s
P0361.180-A4	M18	19	34	1.6	6.6	A4 s/s
P0361.200-A4	M20	21	36	1.6	7.4	A4 s/s
P0361.220-A4	M22	23	40	1.8	7.8	A4 s/s
P0361.240-A4	M24	25	44	1.8	8.2	A4 s/s



P0361.ZP



Material
Steel, zinc-plated.

Technical Notes
To DIN 137 B.

Order No.	For thread	d ₁	d ₂	w ₁	h ₁ max.	Material
P0361.030-ZP	M 3	3.2	8	0.5	1.6	Steel SC
P0361.040-ZP	M 4	4.3	9	0.5	2.0	Steel SC
P0361.050-ZP	M 5	5.3	11	0.5	2.2	Steel SC
P0361.060-ZP	M 6	6.4	12	0.5	2.6	Steel SC
P0361.070-ZP	M 7	7.4	14	0.8	3.0	Steel SC
P0361.080-ZP	M 8	8.4	15	0.8	3.0	Steel SC
P0361.100-ZP	M10	10.5	21	1.0	4.2	Steel SC
P0361.120-ZP	M12	13	24	1.2	5.0	Steel SC
P0361.140-ZP	M14	15	28	1.6	6.0	Steel SC
P0361.160-ZP	M16	17	30	1.6	6.4	Steel SC

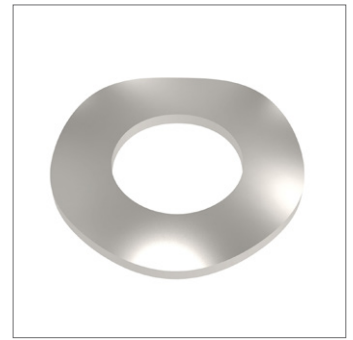
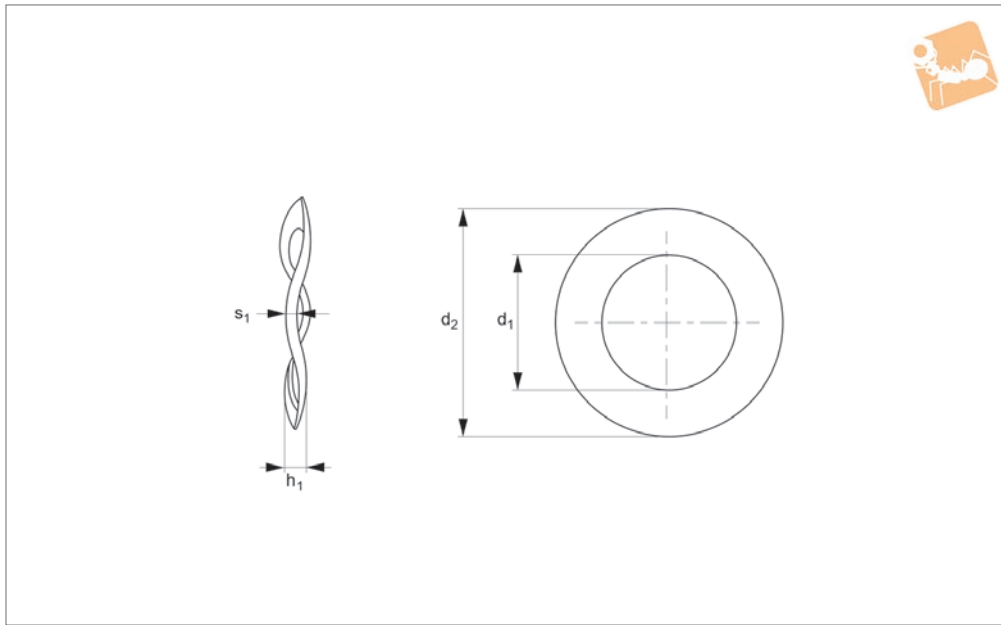


Crinkle Washers

A2 stainless



Flat Washers



P0368.A2

FLAT WASHERS

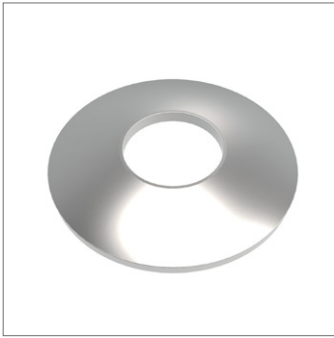
Material

Stainless steel (A2, AISI 303).

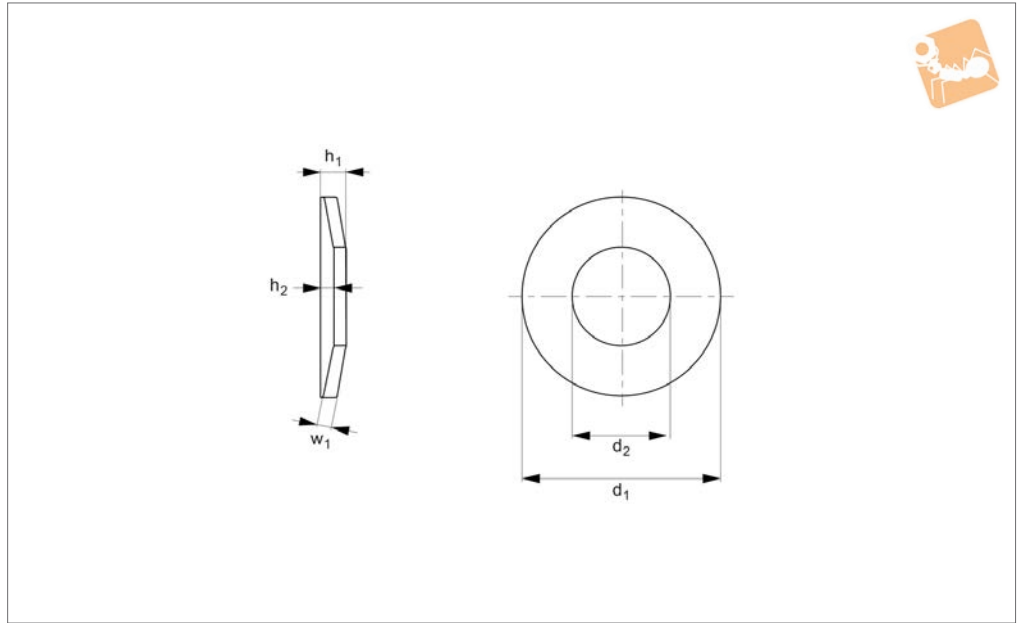
Technical Notes

To BS 4463.

Order No.	For thread	d_1	d_2	h_1	s_1	Material
P0368.016-A2	M1,6	1.7	3.7	0.51	0.16	A2 s/s
P0368.020-A2	M 2	2.2	4.6	0.53	0.16	A2 s/s
P0368.025-A2	M2,5	2.7	5.8	0.53	0.16	A2 s/s
P0368.030-A2	M 3	3.2	6.4	0.61	0.16	A2 s/s
P0368.035-A2	M3,5	3.7	6.9	0.79	0.20	A2 s/s
P0368.040-A2	M 4	4.3	8.1	0.84	0.28	A2 s/s
P0368.050-A2	M 5	5.3	9.2	0.89	0.30	A2 s/s
P0368.060-A2	M 6	6.4	11.5	1.14	0.40	A2 s/s
P0368.080-A2	M 8	8.4	15	1.4	0.40	A2 s/s
P0368.100-A2	M 10	10.5	19.6	1.7	0.55	A2 s/s
P0368.120-A2	M 12	13	22	1.9	0.55	A2 s/s
P0368.160-A2	M 16	17	27.8	2.41	0.70	A2 s/s
P0368.200-A2	M 20	21	34.7	2.66	0.70	A2 s/s



P0369.A2



Material
Stainless steel (DIN 1.4310).

Force F = spring force (N) at deflection of $0.75 \times h_2$ (ie 75% of stroke).
 h_2 is total stroke available.

Technical Notes
To DIN 2093. For general applications.

Order No.	d_1	d_2	w_1	h_1	h_2	F N
P0369.08-32-03-A2	8	3.2	0.3	0.55	0.25	96
P0369.08-32-04-A2	8	3.2	0.4	0.60	0.20	171
P0369.08-32-05-A2	8	3.2	0.5	0.70	0.20	329
P0369.08-42-02-A2	8	4.2	0.2	0.45	0.25	36
P0369.08-42-03-A2	8	4.2	0.3	0.55	0.25	109
P0369.08-42-04-A2	8	4.2	0.4	0.60	0.20	192
P0369.10-42-04-A2	10	4.2	0.4	0.70	0.30	174
P0369.10-42-05-A2	10	4.2	0.5	0.75	0.25	270
P0369.10-42-06-A2	10	4.2	0.6	0.85	0.25	462
P0369.10-52-04-A2	10	5.2	0.4	0.70	0.30	192
P0369.10-52-05-A2	10	5.2	0.5	0.75	0.25	299
P0369.12-42-04-A2	12	4.2	0.4	0.80	0.40	164
P0369.12-42-05-A2	12	4.2	0.5	0.90	0.40	305
P0369.12-42-06-A2	12	4.2	0.6	1.00	0.40	512
P0369.12-52-05-A2	12	5.2	0.5	0.90	0.40	321
P0369.12-52-06-A2	12	5.2	0.6	0.95	0.35	465
P0369.12-62-05-A2	12	6.2	0.5	0.85	0.35	300
P0369.12-62-06-A2	12	6.2	0.6	0.95	0.35	508
P0369.15-52-04-A2	15	5.2	0.4	0.95	0.55	162
P0369.15-52-05-A2	15	5.2	0.5	1.00	0.50	265
P0369.15-52-06-A2	15	5.2	0.6	1.05	0.45	374
P0369.15-52-07-A2	15	5.2	0.7	1.25	0.55	733
P0369.15-62-05-A2	15	6.2	0.5	1.00	0.50	266
P0369.15-62-06-A2	15	6.2	0.6	1.05	0.45	389
P0369.15-62-07-A2	15	6.2	0.7	1.10	0.40	532
P0369.15-82-07-A2	15	8.2	0.7	1.10	0.40	613
P0369.15-82-08-A2	15	8.2	0.8	1.20	0.40	903
P0369.16-82-04-A2	16	8.2	0.4	0.90	0.50	142
P0369.16-82-06-A2	16	8.2	0.6	1.05	0.45	377
P0369.18-62-04-A2	18	6.2	0.4	1.00	0.60	128
P0369.18-62-05-A2	18	6.2	0.5	1.10	0.60	225
P0369.18-62-06-A2	18	6.2	0.6	1.20	0.60	368
P0369.18-62-07-A2	18	6.2	0.7	1.40	0.70	683
P0369.18-62-08-A2	18	6.2	0.8	1.50	0.70	986



Disc Springs A2 stainless

Flat Washers

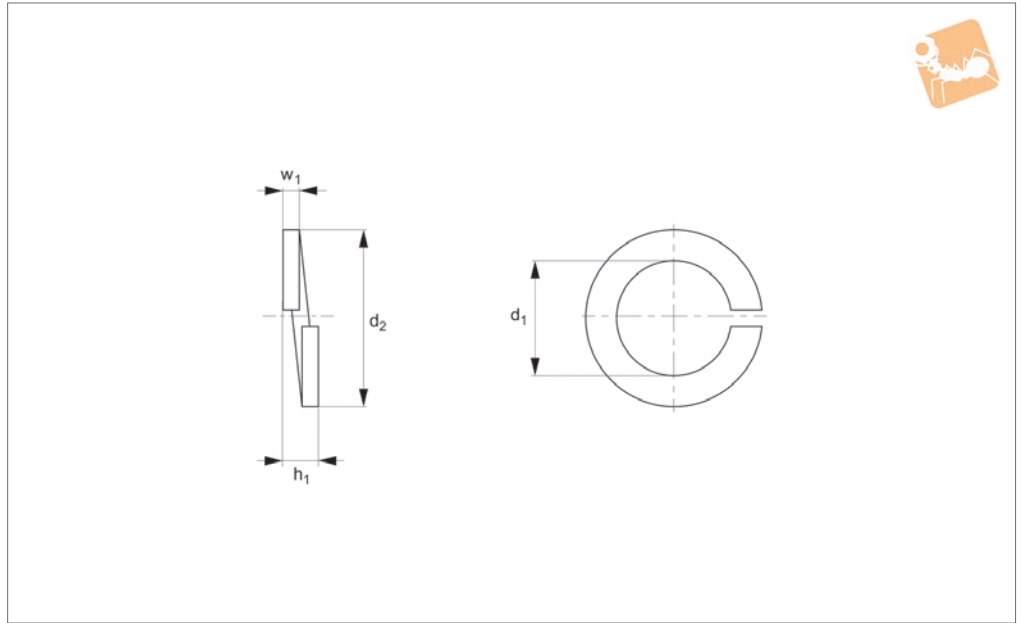


Order No.	d ₁	d ₂	w ₁	h ₁	h ₂	F N
P0369.18-82-07-A2	18	8.2	0.7	1.25	0.55	549
P0369.18-82-08-A2	18	8.2	0.8	1.30	0.50	720
P0369.18-82-10-A2	18	8.2	1.0	1.50	0.50	1377
P0369.18-92-07-A2	18	9.2	0.7	1.20	0.50	521
P0369.18-92-10-A2	18	9.2	1.0	1.40	0.40	1154
P0369.20-82-05-A2	20	8.2	0.5	1.15	0.65	212
P0369.20-82-06-A2	20	8.2	0.6	1.30	0.70	379
P0369.20-82-07-A2	20	8.2	0.7	1.35	0.65	523
P0369.20-82-08-A2	20	8.2	0.8	1.40	0.60	691
P0369.20-82-10-A2	20	8.2	1.0	1.60	0.60	967

FLAT WASHERS



P0370.A2



Material

Stainless steel (A2, AISI 303).

Technical Notes

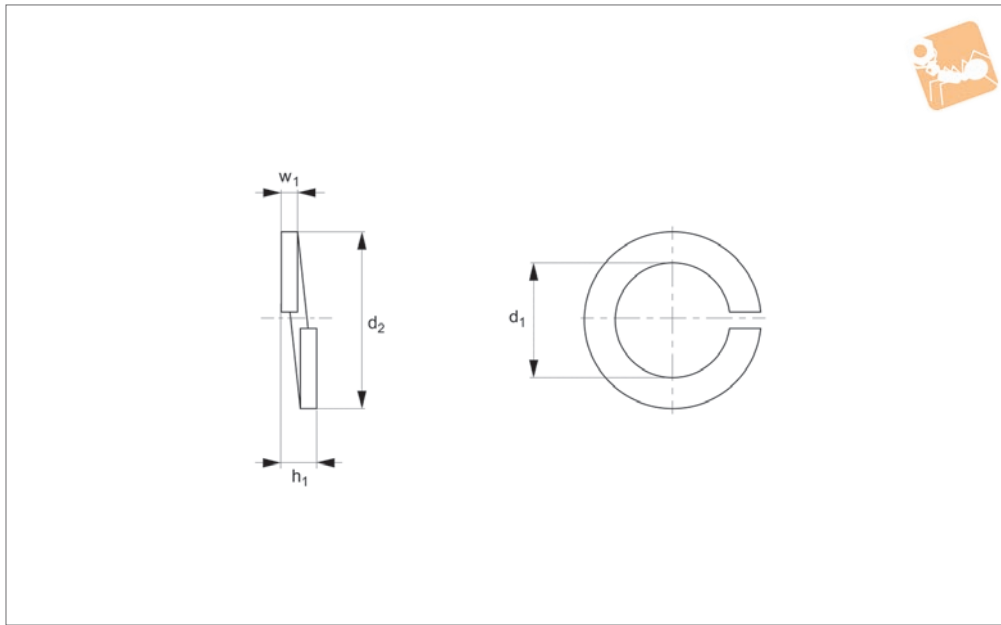
To DIN 127 B.

Order No.	For thread	d ₁	d ₂	h ₁ min.	w ₁	Material
P0370.020-A2	M 2	2.1	4.4	1.0	0.5	A2 s/s
P0370.025-A2	M2,5	2.6	5.1	1.2	0.6	A2 s/s
P0370.030-A2	M 3	3.1	5.2	1.6	0.8	A2 s/s
P0370.035-A2	M3,5	3.6	6.7	1.6	0.8	A2 s/s
P0370.040-A2	M 4	4.1	7.6	1.8	0.9	A2 s/s
P0370.050-A2	M 5	5.1	9.2	2.4	1.2	A2 s/s
P0370.060-A2	M 6	6.1	11.8	3.2	1.6	A2 s/s
P0370.080-A2	M 8	8.1	14.8	4.0	2.0	A2 s/s
P0370.100-A2	M10	10.2	18.1	4.4	2.2	A2 s/s
P0370.120-A2	M12	12.2	21.1	5.0	2.5	A2 s/s
P0370.140-A2	M14	14.2	24.1	6.0	3.0	A2 s/s
P0370.160-A2	M16	16.2	27.4	7.0	3.5	A2 s/s
P0370.180-A2	M18	18.2	29.4	7.0	3.5	A2 s/s
P0370.200-A2	M20	20.2	33.6	8.0	4.0	A2 s/s
P0370.220-A2	M22	22.5	35.9	8.0	4.0	A2 s/s
P0370.240-A2	M24	24.5	40.0	10.0	5.0	A2 s/s
P0370.270-A2	M27	27.5	43.0	10.0	6.0	A2 s/s
P0370.300-A2	M30	30.5	48.2	12.0	6.0	A2 s/s
P0370.360-A2	M36	36.5	58.2	12.0	6.0	A2 s/s
P0370.400-A2	M40	40.5	63.5	14.0	7.0	A2 s/s
P0370.420-A2	M42	42.5	68.2	14.0	7.0	A2 s/s
P0370.480-A2	M48	49.0	75.0	14.0	7.0	A2 s/s



Spring Washers Rectangular Section

A4 stainless



P0370.A4

FLAT WASHERS

Material

Stainless steel (A4, AISI 316).

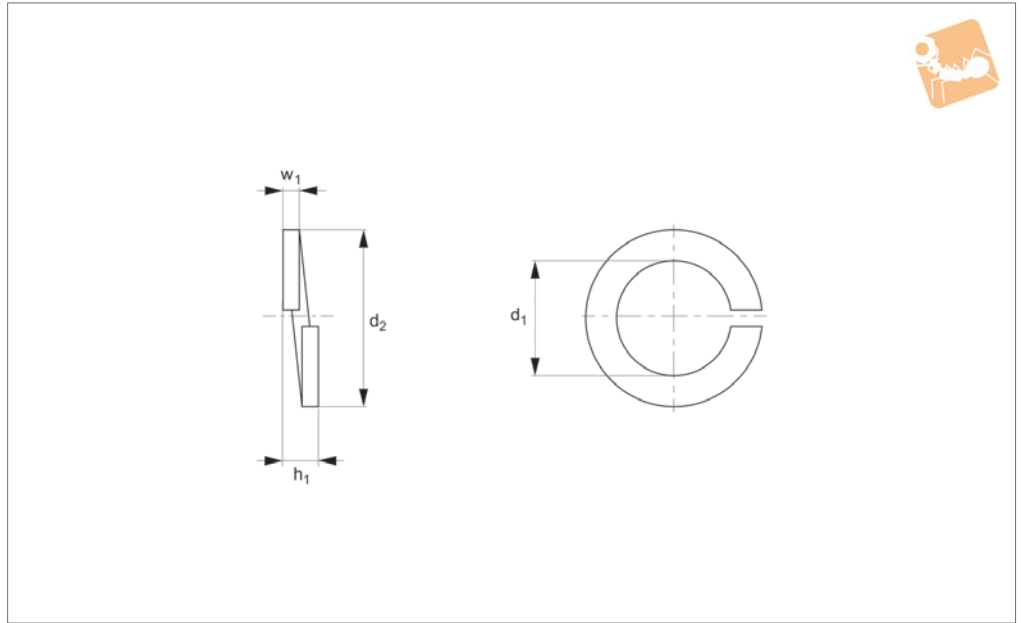
Technical Notes

To DIN 127 B.

Order No.	For thread	d_1	d_2	h_1 min.	w_1	Material
P0370.020-A4	M 2	2.1	4.4	1.0	0.5	A4 s/s
P0370.023-A4	M2,3	2.4	4.9	1.2	0.6	A4 s/s
P0370.025-A4	M2,5	2.6	5.1	1.2	0.6	A4 s/s
P0370.026-A4	M2,6	2.7	5.2	1.2	0.6	A4 s/s
P0370.030-A4	M 3	3.1	5.2	1.6	0.8	A4 s/s
P0370.035-A4	M3,5	3.6	6.7	1.6	0.8	A4 s/s
P0370.040-A4	M 4	4.1	7.6	1.8	0.9	A4 s/s
P0370.050-A4	M 5	5.1	9.2	2.4	1.2	A4 s/s
P0370.060-A4	M 6	6.1	11.8	3.2	1.6	A4 s/s
P0370.080-A4	M 8	8.1	14.8	4.0	2.0	A4 s/s
P0370.100-A4	M10	10.2	18.1	4.4	2.2	A4 s/s
P0370.120-A4	M12	12.2	21.1	5.0	2.5	A4 s/s
P0370.140-A4	M14	14.2	24.1	6.0	3.0	A4 s/s
P0370.160-A4	M16	16.2	27.4	7.0	3.5	A4 s/s
P0370.180-A4	M18	18.2	29.4	7.0	3.5	A4 s/s
P0370.200-A4	M20	20.2	33.6	8.0	4.0	A4 s/s
P0370.220-A4	M22	22.5	35.9	8.0	4.0	A4 s/s
P0370.240-A4	M24	24.5	40.0	10.0	5.0	A4 s/s
P0370.270-A4	M27	27.5	43.0	10.0	6.0	A4 s/s
P0370.300-A4	M30	30.5	48.2	12.0	6.0	A4 s/s
P0370.360-A4	M36	36.5	58.2	12.0	6.0	A4 s/s
P0370.400-A4	M40	40.5	63.5	14.0	7.0	A4 s/s
P0370.420-A4	M42	42.5	68.2	14.0	7.0	A4 s/s
P0370.480-A4	M48	49.0	75.0	14.0	7.0	A4 s/s



P0370.ZP



Material
Spring steel, zinc-plated.

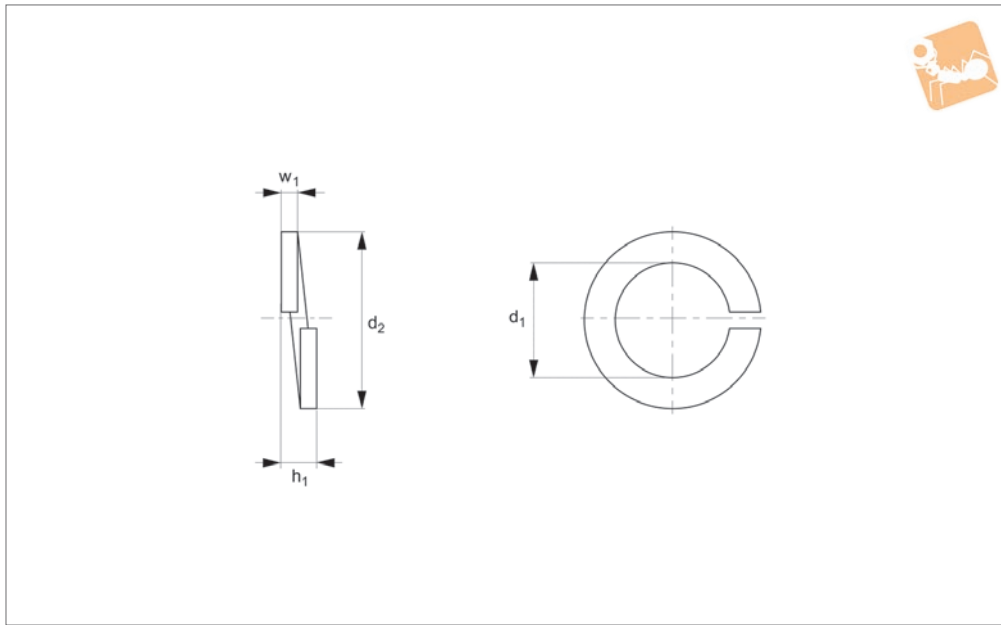
Technical Notes
To DIN 127 B.

Order No.	For thread	d ₁	d ₂	h ₁ min.	w ₁	Material
P0370.020-ZP	M 2	2.1	4.4	1.0	0.5	Steel ZP
P0370.025-ZP	M2,5	2.6	5.1	1.2	0.6	Steel ZP
P0370.030-ZP	M 3	3.1	5.2	1.6	0.8	Steel ZP
P0370.035-ZP	M3,5	3.6	6.7	1.6	0.8	Steel ZP
P0370.040-ZP	M 4	4.1	7.6	1.8	0.9	Steel ZP
P0370.050-ZP	M 5	5.1	9.2	2.4	1.2	Steel ZP
P0370.060-ZP	M 6	6.1	11.8	3.2	1.6	Steel ZP
P0370.080-ZP	M 8	8.1	14.8	4.0	2.0	Steel ZP
P0370.100-ZP	M10	10.2	18.1	4.4	2.2	Steel ZP
P0370.120-ZP	M12	12.2	21.1	5.0	2.5	Steel ZP
P0370.140-ZP	M14	14.2	24.1	6.0	3.0	Steel ZP
P0370.160-ZP	M16	16.2	27.4	7.0	3.5	Steel ZP
P0370.180-ZP	M18	18.2	29.4	7.0	3.5	Steel ZP
P0370.200-ZP	M20	20.2	33.6	8.0	4.0	Steel ZP
P0370.220-ZP	M22	22.5	35.9	8.0	4.0	Steel ZP
P0370.240-ZP	M24	24.5	40.0	10.0	5.0	Steel ZP
P0370.270-ZP	M27	27.5	43.0	10.0	6.0	Steel ZP
P0370.300-ZP	M30	30.5	48.2	12.0	6.0	Steel ZP
P0370.360-ZP	M36	36.5	58.2	12.0	6.0	Steel ZP



Spring Washers Rectangular Section

Steel, self-coloured



P0370.SC

FLAT WASHERS

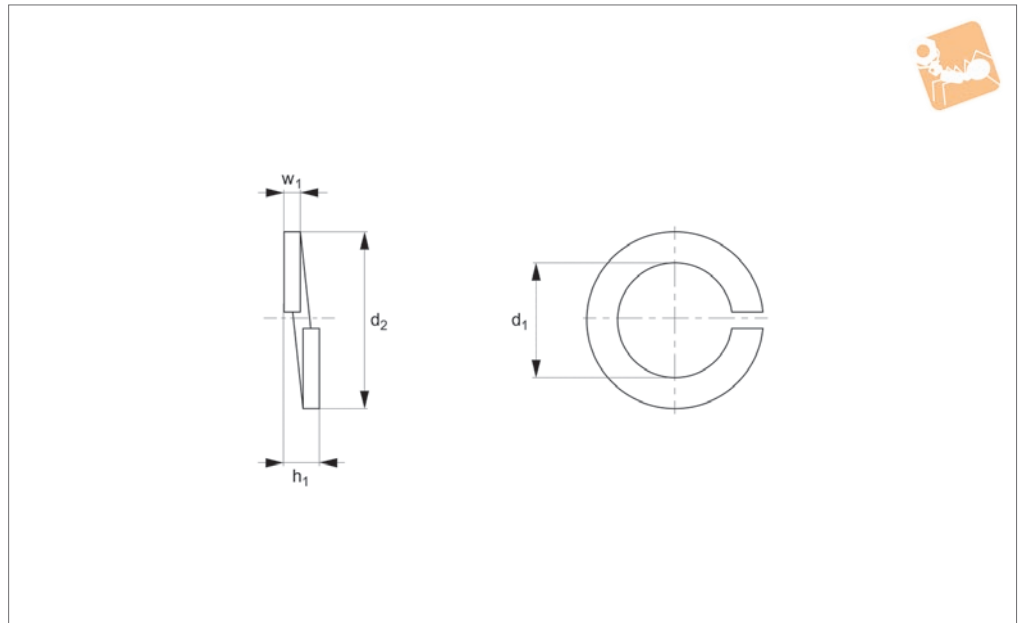
Material
Spring steel, self-colour.

Technical Notes
To DIN 127 B.

Order No.	For thread	d ₁	d ₂	h ₁ min.	w ₁	Material
P0370.020-SC	M 2	2.1	4.4	1.0	0.5	Steel SC
P0370.025-SC	M2,5	2.6	5.1	1.2	0.6	Steel SC
P0370.030-SC	M 3	3.1	5.2	1.6	0.8	Steel SC
P0370.035-SC	M3,5	3.6	6.7	1.6	0.8	Steel SC
P0370.040-SC	M 4	4.1	7.6	1.8	0.9	Steel SC
P0370.050-SC	M 5	5.1	9.2	2.4	1.2	Steel SC
P0370.060-SC	M 6	6.1	11.8	3.2	1.6	Steel SC
P0370.080-SC	M 8	8.1	14.8	4.0	2.0	Steel SC
P0370.100-SC	M10	10.2	18.1	4.4	2.2	Steel SC
P0370.120-SC	M12	12.2	21.1	5.0	2.5	Steel SC
P0370.140-SC	M14	14.2	24.1	6.0	3.0	Steel SC
P0370.160-SC	M16	16.2	27.4	7.0	3.5	Steel SC
P0370.180-SC	M18	18.2	29.4	7.0	3.5	Steel SC
P0370.200-SC	M20	20.2	33.6	8.0	4.0	Steel SC
P0370.220-SC	M22	22.5	35.9	8.0	4.0	Steel SC
P0370.240-SC	M24	24.5	40.0	10.0	5.0	Steel SC
P0370.270-SC	M27	27.5	43.0	10.0	6.0	Steel SC
P0370.300-SC	M30	30.5	48.2	12.0	6.0	Steel SC
P0370.360-SC	M36	36.5	58.2	12.0	6.0	Steel SC
P0370.400-SC	M40	40.5	63.5	14.0	7.0	Steel SC
P0370.420-SC	M42	42.5	68.2	14.0	7.0	Steel SC
P0370.480-SC	M48	49.0	75.0	14.0	7.0	Steel SC



P0371.A2



Material

Stainless steel (A2, AISI 303).

Technical Notes

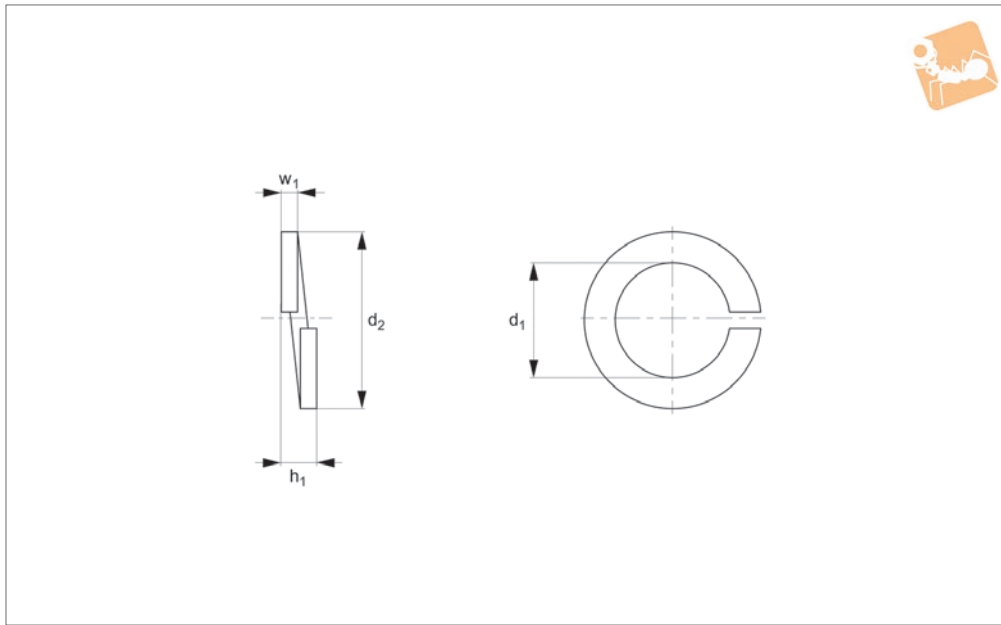
To DIN 7980. For screws with cylindrical heads.

Order No.	Thread	d ₁	d ₂	h ₁ min.	w ₁	Material
P0371.030-A2	M 3	3.1	5.6	2.0	1.0	A2 s/s
P0371.035-A2	M3,5	3.6	6.1	2.0	1.0	A2 s/s
P0371.040-A2	M 4	4.1	7.0	2.4	1.2	A2 s/s
P0371.050-A2	M 5	5.1	8.8	3.2	1.6	A2 s/s
P0371.060-A2	M 6	6.1	9.9	3.2	1.6	A2 s/s
P0371.080-A2	M 8	8.1	12.7	4.0	2.0	A2 s/s
P0371.100-A2	M10	10.2	16.0	5.0	2.5	A2 s/s
P0371.120-A2	M12	12.2	18.0	5.0	2.5	A2 s/s
P0371.140-A2	M14	14.2	21.1	6.0	3.0	A2 s/s
P0371.160-A2	M16	24.4	24.4	7.0	3.5	A2 s/s
P0371.180-A2	M18	18.2	26.4	7.0	3.5	A2 s/s
P0371.200-A2	M20	20.2	30.6	9.0	4.5	A2 s/s
P0371.220-A2	M22	22.5	32.9	9.0	4.5	A2 s/s
P0371.240-A2	M24	24.4	35.9	10.0	5.0	A2 s/s
P0371.270-A2	M27	27.5	38.9	10.0	5.0	A2 s/s
P0371.300-A2	M30	30.5	44.1	12.0	6.0	A2 s/s



Spring Washers Square Section

A4 stainless



P0371.A4

FLAT WASHERS

Material

Stainless steel (A4, AISI 316)

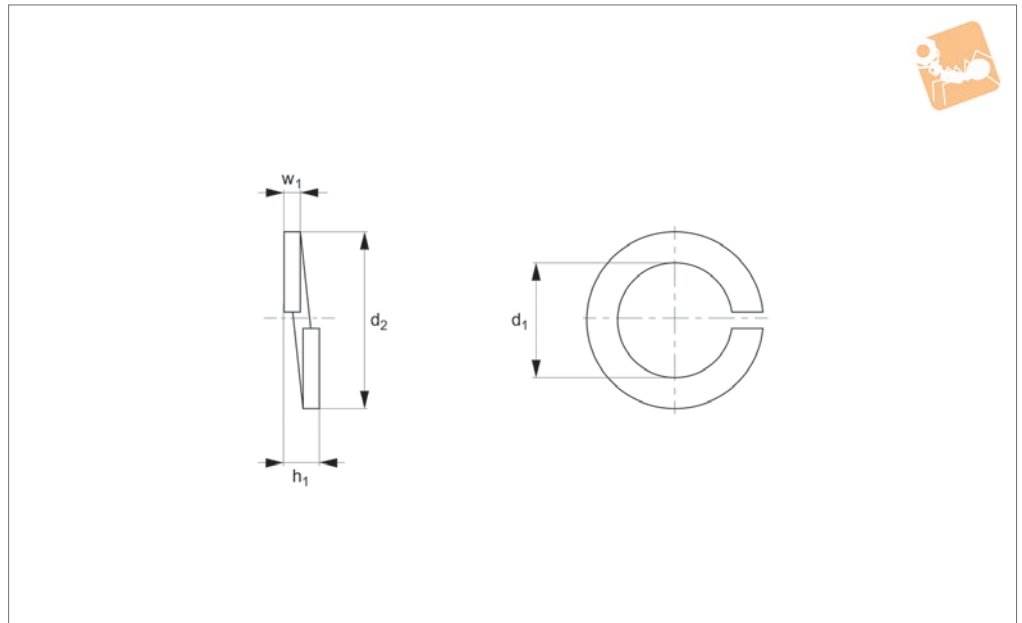
Technical Notes

To DIN 7980. For screws with cylindrical heads.

Order No.	Thread	d ₁	d ₂	h ₁ min.	w ₁	Material
P0371.030-A4	M 3	3.1	5.6	2.0	1.0	A4 s/s
P0371.040-A4	M 4	4.1	7.0	2.4	1.2	A4 s/s
P0371.050-A4	M 5	5.1	8.8	3.2	1.6	A4 s/s
P0371.060-A4	M 6	6.1	9.9	3.2	1.6	A4 s/s
P0371.080-A4	M 8	8.1	12.7	4.0	2.0	A4 s/s
P0371.100-A4	M10	10.2	16.0	5.0	2.5	A4 s/s
P0371.120-A4	M12	12.2	18.0	5.0	2.5	A4 s/s
P0371.140-A4	M14	14.2	21.1	6.0	3.0	A4 s/s
P0371.160-A4	M16	16.2	24.4	7.0	3.5	A4 s/s
P0371.180-A4	M18	18.2	26.4	7.0	3.5	A4 s/s
P0371.200-A4	M20	20.2	30.6	9.0	4.5	A4 s/s
P0371.220-A4	M22	22.5	32.9	9.0	4.5	A4 s/s
P0371.240-A4	M24	24.4	35.9	10.0	5.0	A4 s/s
P0371.270-A4	M27	27.5	38.9	10.0	5.0	A4 s/s
P0371.300-A4	M30	30.5	44.1	12.0	6.0	A4 s/s



P0371.ZP



Material

Spring steel, zinc-plated.

Technical Notes

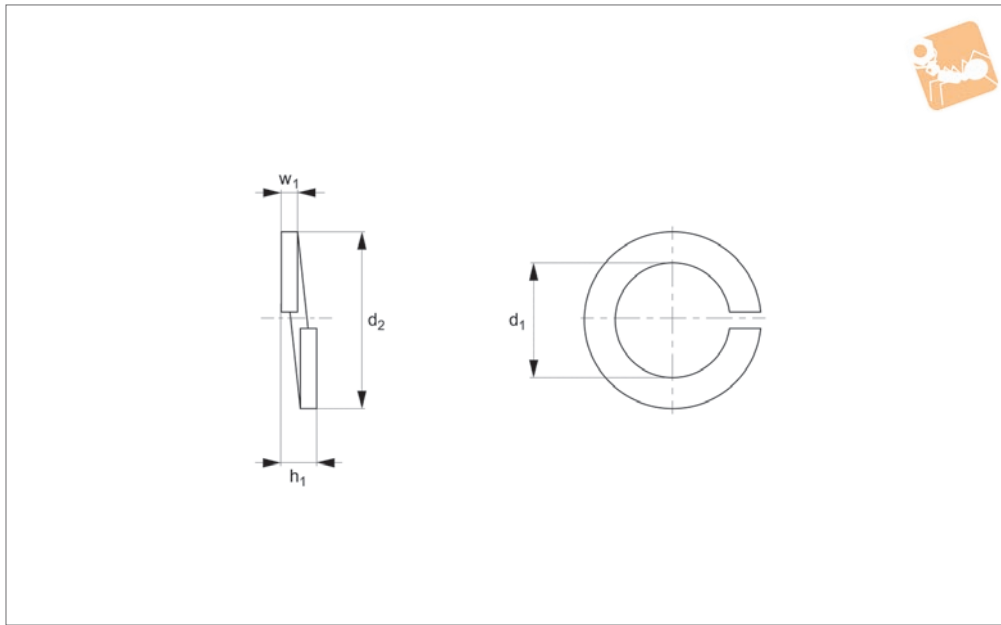
To DIN 7980. For screws with cylindrical heads.

Order No.	Thread	d ₁	d ₂	h ₁ min.	w ₁	Material
P0371.030-ZP	M 3	3.1	5.6	2.0	1.0	Steel ZP
P0371.035-ZP	M3,5	3.6	6.1	2.0	1.0	Steel ZP
P0371.040-ZP	M 4	4.1	7.0	2.4	1.2	Steel ZP
P0371.050-ZP	M 5	5.1	8.8	3.2	1.6	Steel ZP
P0371.060-ZP	M 6	6.1	9.9	3.2	1.6	Steel ZP
P0371.080-ZP	M 8	8.1	12.7	4.0	2.0	Steel ZP
P0371.100-ZP	M10	10.2	16.0	5.0	2.5	Steel ZP
P0371.120-ZP	M12	12.2	18.0	5.0	2.5	Steel ZP
P0371.140-ZP	M14	14.2	21.1	6.0	3.0	Steel ZP
P0371.160-ZP	M16	24.4	24.4	7.0	3.5	Steel ZP
P0371.180-ZP	M18	18.2	26.4	7.0	3.5	Steel ZP
P0371.200-ZP	M20	20.2	30.6	9.0	4.5	Steel ZP
P0371.220-ZP	M22	22.5	32.9	9.0	4.5	Steel ZP
P0371.240-ZP	M24	24.4	35.9	10.0	5.0	Steel ZP



Spring Washers Square Section

Steel, self-coloured



P0371.SC

FLAT WASHERS

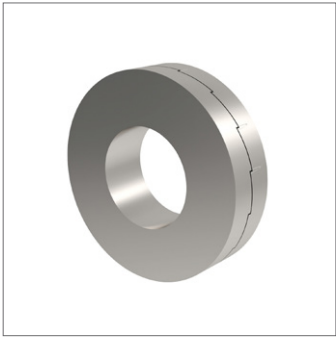
Material

Spring steel, self-colour.

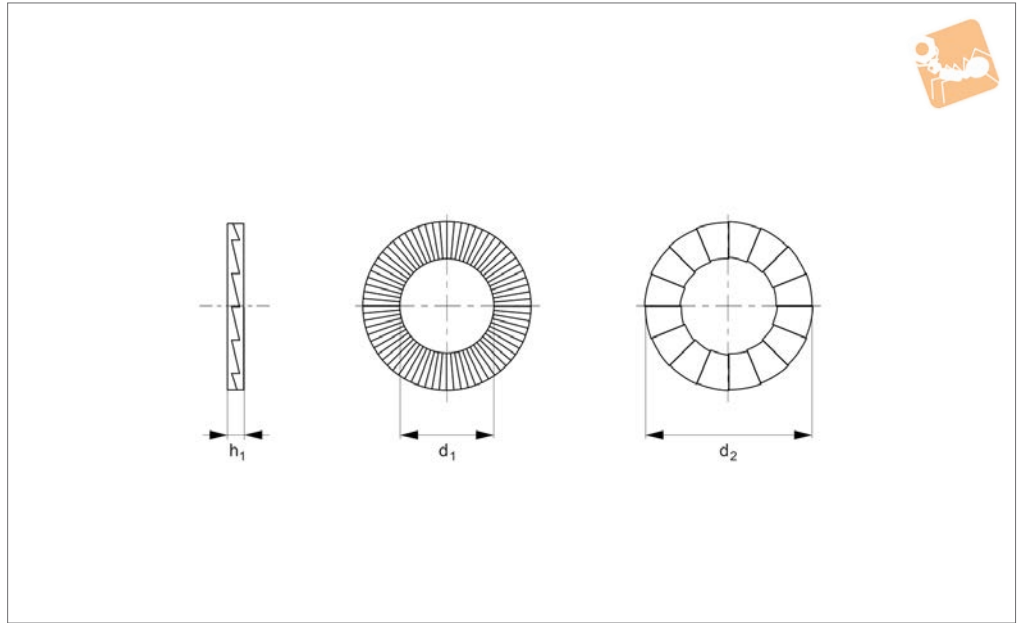
Technical Notes

To DIN 7980. For screws with cylindrical heads.

Order No.	Thread	d ₁	d ₂	h ₁ min.	w ₁	Material
P0371.030-SC	M 3	3.1	5.6	2.0	1.0	Steel SC
P0371.035-SC	M3,5	3.6	6.1	2.0	1.0	Steel SC
P0371.040-SC	M 4	4.1	7.0	2.4	1.2	Steel SC
P0371.050-SC	M 5	5.1	8.8	3.2	1.6	Steel SC
P0371.060-SC	M 6	6.1	9.9	3.2	1.6	Steel SC
P0371.080-SC	M 8	8.1	12.7	4.0	2.0	Steel SC
P0371.100-SC	M10	10.2	16.0	5.0	2.5	Steel SC
P0371.120-SC	M12	12.2	18.0	5.0	2.5	Steel SC
P0371.140-SC	M14	14.2	21.1	6.0	3.0	Steel SC
P0361.160-SC	M16	24.4	24.4	7.0	3.5	Steel SC
P0371.180-SC	M18	18.2	26.4	7.0	3.5	Steel SC
P0371.200-SC	M20	20.2	30.6	9.0	4.5	Steel SC
P0371.220-SC	M22	22.5	32.9	9.0	4.5	Steel SC
P0371.240-SC	M24	24.4	35.9	10.0	5.0	Steel SC
P0371.270-SC	M27	27.5	38.9	10.0	5.0	Steel SC
P0371.300-SC	M30	30.5	44.1	12.0	6.0	Steel SC



P0367.A4



Material

Stainless steel (A4, AISI 316).

dynamic loads. Washers are installed in pairs, wedge face to wedge face.

Technical Notes

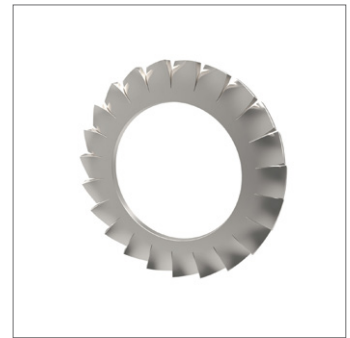
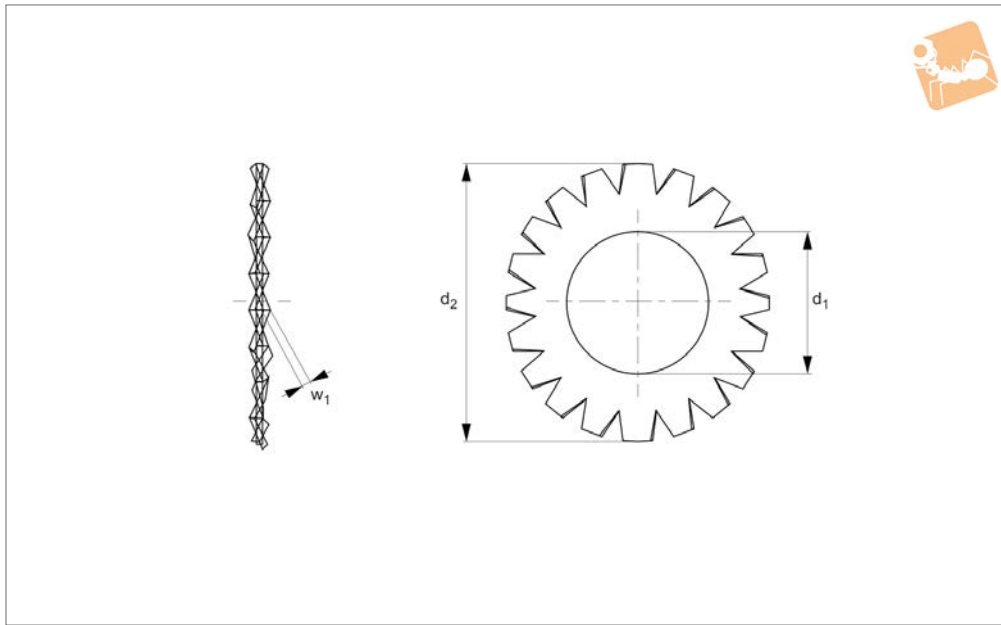
Locking washer for vibration proofing and

Order No.	For thread	d ₁	d ₂	h ₁	Material
P0367.030-A4	M 3	3.4	7.0	1.8	A4 s/s
P0367.040-A4	M 4	4.4	7.6	1.8	A4 s/s
P0367.050-A4	M 5	5.4	9.0	1.8	A4 s/s
P0367.060-A4	M 6	6.5	10.8	1.8	A4 s/s
P0367.080-A4	M 8	8.7	13.5	2.5	A4 s/s
P0367.100-A4	M10	10.7	16.6	2.5	A4 s/s
P0367.120-A4	M12	13	19.5	2.5	A4 s/s
P0367.140-A4	M14	15.2	23.0	3.4	A4 s/s
P0367.160-A4	M16	17	25.4	3.4	A4 s/s
P0367.180-A4	M18	19.5	29.0	3.4	A4 s/s
P0367.200-A4	M20	21.4	30.7	3.4	A4 s/s
P0367.220-A4	M22	23.4	34.5	3.4	A4 s/s
P0367.240-A4	M24	25.3	39.0	3.4	A4 s/s
P0367.270-A4	M27	28.4	42.0	6.6	A4 s/s
P0367.300-A4	M30	31.4	47.0	6.6	A4 s/s
P0367.330-A4	M33	34.4	48.5	6.3	A4 s/s
P0367.360-A4	M36	37.4	55.0	6.6	A4 s/s
P0367.420-A4	M42	43.2	63.0	6.6	A4 s/s



External Serrated Lock Washers

A2 stainless



P0372.A2

FLAT WASHERS

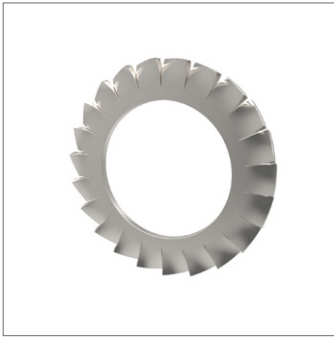
Material

Stainless steel (A2, AISI 303).

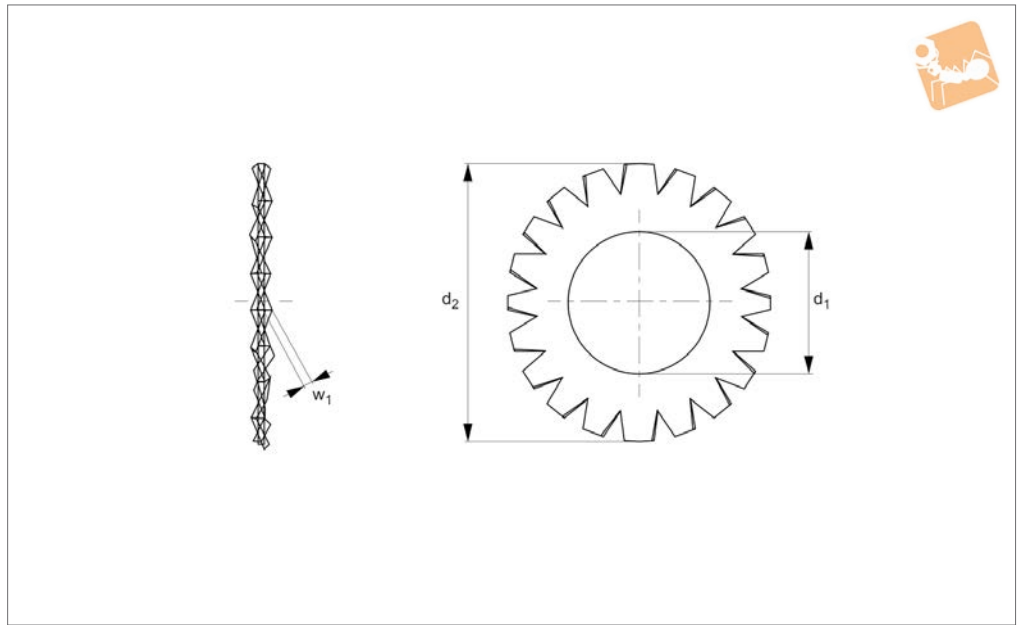
Technical Notes

To DIN 6798 A.

Order No.	d ₁ for thread	d ₂	w ₁	Material
P0372.020-A2	M 2	4.5	0.3	A2 s/s
P0372.025-A2	M2,5	5.5	0.4	A2 s/s
P0372.030-A2	M 3	6.0	0.4	A2 s/s
P0372.035-A2	M3,5	7.0	0.5	A2 s/s
P0372.040-A2	M 4	8.0	0.5	A2 s/s
P0372.050-A2	M 5	9.0	0.6	A2 s/s
P0372.051-A2	M 5	10.0	0.6	A2 s/s
P0372.060-A2	M 6	11.0	0.7	A2 s/s
P0372.070-A2	M 7	12.5	0.8	A2 s/s
P0372.080-A2	M 8	14.0	0.8	A2 s/s
P0372.081-A2	M 8	15.0	0.9	A2 s/s
P0372.100-A2	M10	18.0	1.0	A2 s/s
P0372.120-A2	M12	20.5	1.0	A2 s/s
P0372.140-A2	M14	24.0	1.2	A2 s/s
P0372.160-A2	M16	26.0	1.4	A2 s/s
P0372.180-A2	M18	30.0	1.4	A2 s/s
P0372.200-A2	M20	33.0	1.5	A2 s/s
P0372.220-A2	M22	36.0	1.5	A2 s/s
P0372.240-A2	M24	38.0	1.6	A2 s/s
P0372.270-A2	M27	44.0	1.6	A2 s/s
P0372.300-A2	M30	48.0	1.6	A2 s/s



P0372.A4



Material

Stainless steel (A4, AISI 316)

Technical Notes

To DIN 6798 A.

Order No.	d ₁ for thread	d ₂	w ₁	Material
P0372.020-A4	M 2	4.5	0.3	A4 s/s
P0372.025-A4	M2,5	5.5	0.4	A4 s/s
P0372.030-A4	M 3	6.0	0.4	A4 s/s
P0372.035-A4	M3,5	7.0	0.5	A4 s/s
P0372.040-A4	M 4	8.0	0.5	A4 s/s
P0372.050-A4	M 5	9.0	0.6	A4 s/s
P0372.051-A4	M 5	10.0	0.6	A4 s/s
P0372.060-A4	M 6	11.0	0.7	A4 s/s
P0372.070-A4	M 7	12.5	0.8	A4 s/s
P0372.080-A4	M 8	14.0	0.8	A4 s/s
P0372.081-A4	M 8	15.0	0.8	A4 s/s
P0372.090-A4	M 9	15.0	0.9	A4 s/s
P0372.100-A4	M10	18.0	1.0	A4 s/s
P0372.120-A4	M12	20.5	1.0	A4 s/s
P0372.140-A4	M14	24.0	1.2	A4 s/s
P0372.160-A4	M16	26.0	1.4	A4 s/s
P0372.180-A4	M18	30.0	1.4	A4 s/s
P0372.200-A4	M20	33.0	1.5	A4 s/s
P0372.220-A4	M22	36.0	1.5	A4 s/s
P0372.240-A4	M24	38.0	1.6	A4 s/s
P0372.270-A4	M27	44.0	1.6	A4 s/s
P0372.300-A4	M30	48.0	1.6	A4 s/s

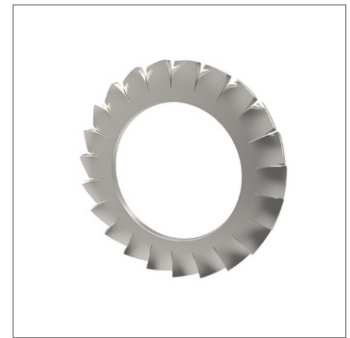
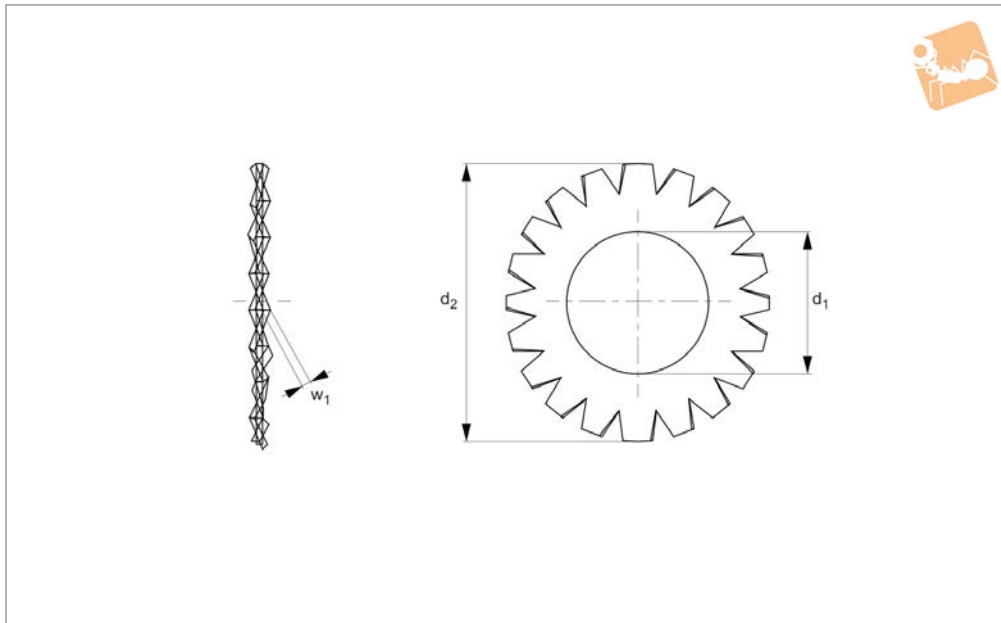


External Serrated Lock Washers

Steel, zinc-plated



Flat Washers



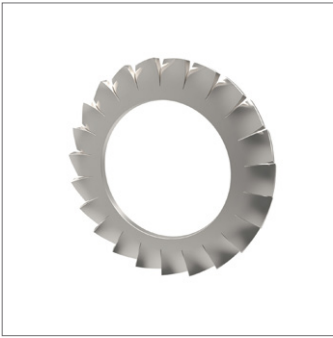
P0372.ZP

FLAT WASHERS

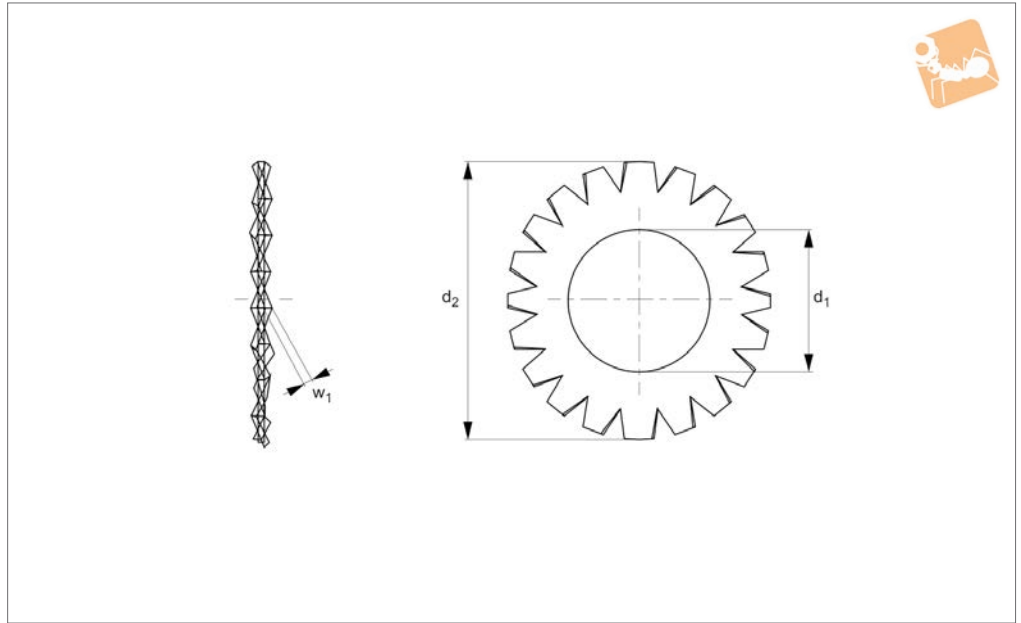
Material
Spring steel, zinc-plated.

Technical Notes
To DIN 6798 A.

Order No.	d ₁ for thread	d ₂	w ₁	Material
P0372.020-ZP	M 2	4.5	0.3	Steel ZP
P0372.025-ZP	M2,5	5.5	0.4	Steel ZP
P0372.030-ZP	M 3	6.0	0.4	Steel ZP
P0372.035-ZP	M3,5	7.0	0.5	Steel ZP
P0372.040-ZP	M 4	8.0	0.5	Steel ZP
P0372.050-ZP	M 5	9.0	0.6	Steel ZP
P0372.051-ZP	M 5	10.0	0.6	Steel ZP
P0372.060-ZP	M 6	11.0	0.7	Steel ZP
P0372.070-ZP	M 7	12.5	0.8	Steel ZP
P0372.080-ZP	M 8	14.0	0.8	Steel ZP
P0372.081-ZP	M 8	14.0	0.8	Steel ZP
P0372.090-ZP	M 9	15.0	0.9	Steel ZP
P0372.100-ZP	M10	18.0	1.0	Steel ZP
P0372.120-ZP	M12	20.5	1.0	Steel ZP
P0372.140-ZP	M14	24.0	1.2	Steel ZP
P0372.160-ZP	M16	26.0	1.4	Steel ZP
P0372.180-ZP	M18	30.0	1.4	Steel ZP
P0372.200-ZP	M20	33.0	1.5	Steel ZP
P0372.220-ZP	M22	36.0	1.5	Steel ZP
P0372.240-ZP	M24	38.0	1.6	Steel ZP



P0372.SC



Material
Spring steel, self-colour.

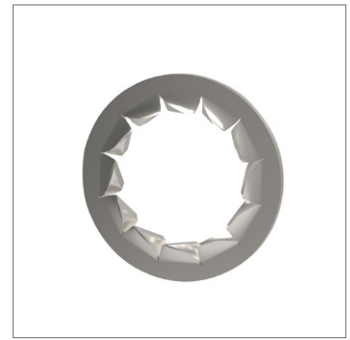
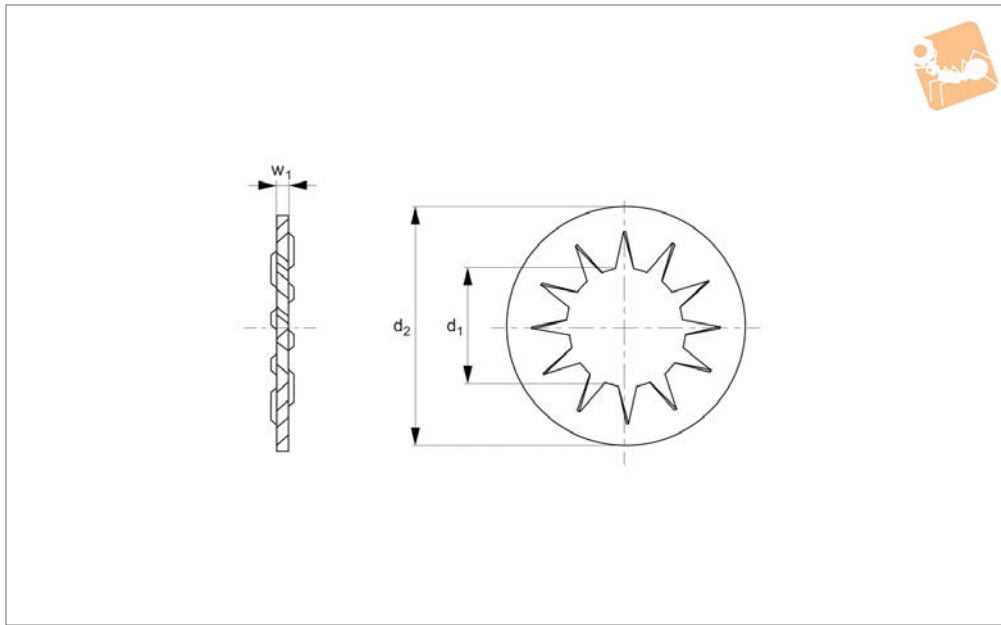
Technical Notes
To DIN 6798 A.

Order No.	d ₁ for thread	d ₂	w ₁	Material
P0372.020-SC	M 2	4.5	0.3	Steel SC
P0372.025-SC	M2,5	5.5	0.4	Steel SC
P0372.030-SC	M 3	6.0	0.4	Steel SC
P0372.035-SC	M3,5	7.0	0.5	Steel SC
P0372.040-SC	M 4	8.0	0.5	Steel SC
P0372.050-SC	M 5	9.0	0.6	Steel SC
P0372.051-SC	M 5	10.0	0.6	Steel SC
P0372.060-SC	M 6	11.0	0.7	Steel SC
P0372.070-SC	M 7	12.5	0.8	Steel SC
P0372.080-SC	M 8	14.0	0.8	Steel SC
P0372.081-SC	M 8	14.0	0.8	Steel SC
P0372.090-SC	M 9	15.0	0.9	Steel SC
P0372.100-SC	M10	18.0	1.0	Steel SC
P0372.120-SC	M12	20.5	1.0	Steel SC
P0372.140-SC	M14	24.0	1.2	Steel SC
P0372.160-SC	M16	26.0	1.4	Steel SC
P0372.180-SC	M18	30.0	1.4	Steel SC
P0372.200-SC	M20	33.0	1.5	Steel SC
P0372.220-SC	M22	36.0	1.5	Steel SC
P0372.240-SC	M24	38.0	1.6	Steel SC
P0372.270-SC	M27	44.0	1.6	Steel SC
P0372.300-SC	M30	48.0	1.6	Steel SC



Internal Serrated Lock Washers

A2 stainless



P0373.A2

FLAT WASHERS

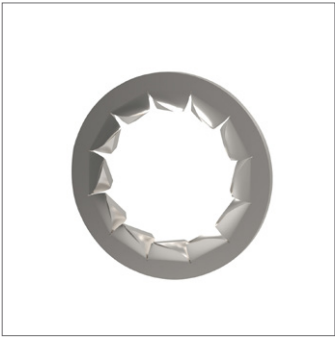
Material

Stainless steel (A2, AISI 303).

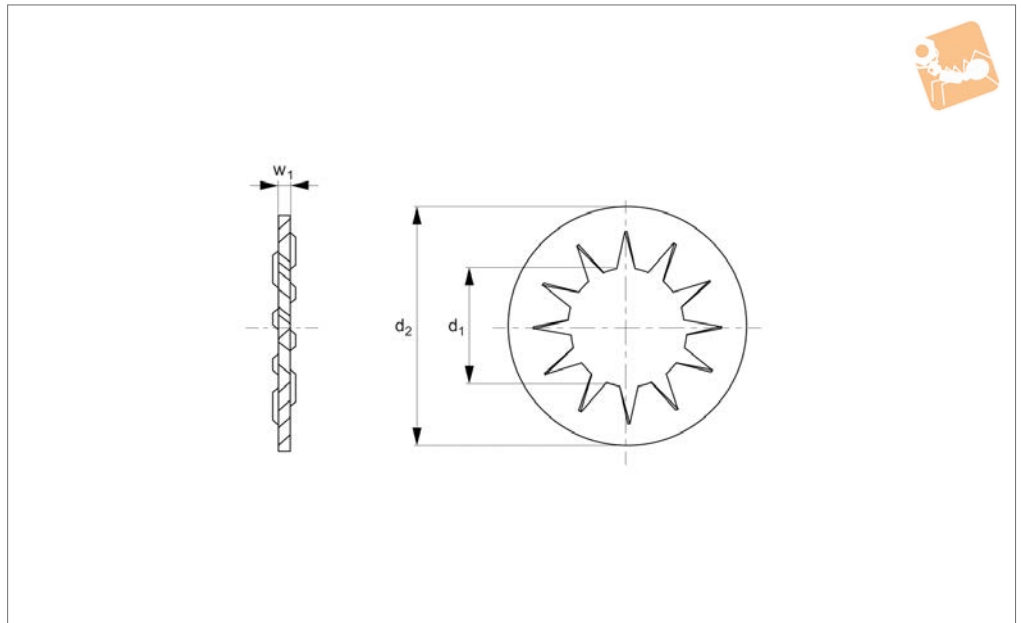
Technical Notes

To DIN 6798 B.

Order No.	d ₁ for thread	d ₂	w ₁	Material
P0373.020-A2	M 2	4.5	0.3	A2 s/s
P0373.025-A2	M2,5	5.5	0.4	A2 s/s
P0373.030-A2	M 3	6.0	0.4	A2 s/s
P0373.035-A2	M3,5	7.0	0.5	A2 s/s
P0373.040-A2	M 4	8.0	0.5	A2 s/s
P0373.050-A2	M 5	10.0	0.6	A2 s/s
P0373.060-A2	M 6	11.0	0.7	A2 s/s
P0373.070-A2	M 7	12.5	0.8	A2 s/s
P0373.080-A2	M 8	15.0	0.8	A2 s/s
P0373.100-A2	M10	18.0	0.9	A2 s/s
P0373.120-A2	M12	20.5	1.0	A2 s/s
P0373.140-A2	M14	24.0	1.0	A2 s/s
P0373.160-A2	M16	26.0	1.2	A2 s/s
P0373.180-A2	M18	30.0	1.4	A2 s/s
P0373.200-A2	M20	33.0	1.4	A2 s/s
P0373.220-A2	M22	36.0	1.5	A2 s/s
P0373.240-A2	M24	38.0	1.5	A2 s/s
P0373.270-A2	M27	44.0	1.6	A2 s/s
P0373.300-A2	M30	48.0	1.6	A2 s/s



P0373.A4



Material

Stainless steel (A4, AISI 316).

Technical Notes

To DIN 6798 B.

Order No.	d ₁ for thread	d ₂	w ₁	Material
P0373.020-A4	M 2	4.5	0.3	A4 s/s
P0373.025-A4	M2,5	5.5	0.4	A4 s/s
P0373.030-A4	M 3	6.0	0.4	A4 s/s
P0373.035-A4	M3,5	7.0	0.5	A4 s/s
P0373.040-A4	M 4	8.0	0.5	A4 s/s
P0373.050-A4	M 5	10.0	0.6	A4 s/s
P0373.060-A4	M 6	11.0	0.7	A4 s/s
P0373.070-A4	M 7	12.5	0.8	A4 s/s
P0373.080-A4	M 8	15.0	0.8	A4 s/s
P0373.100-A4	M10	18.0	0.9	A4 s/s
P0373.120-A4	M12	20.5	1.0	A4 s/s
P0373.140-A4	M14	24.0	1.0	A4 s/s
P0373.160-A4	M16	26.0	1.2	A4 s/s
P0373.180-A4	M18	30.0	1.4	A4 s/s
P0373.200-A4	M20	33.0	1.4	A4 s/s
P0373.220-A4	M22	36.0	1.5	A4 s/s
P0373.240-A4	M24	38.0	1.5	A4 s/s
P0373.270-A4	M27	44.0	1.6	A4 s/s
P0373.300-A4	M30	48.0	1.6	A4 s/s

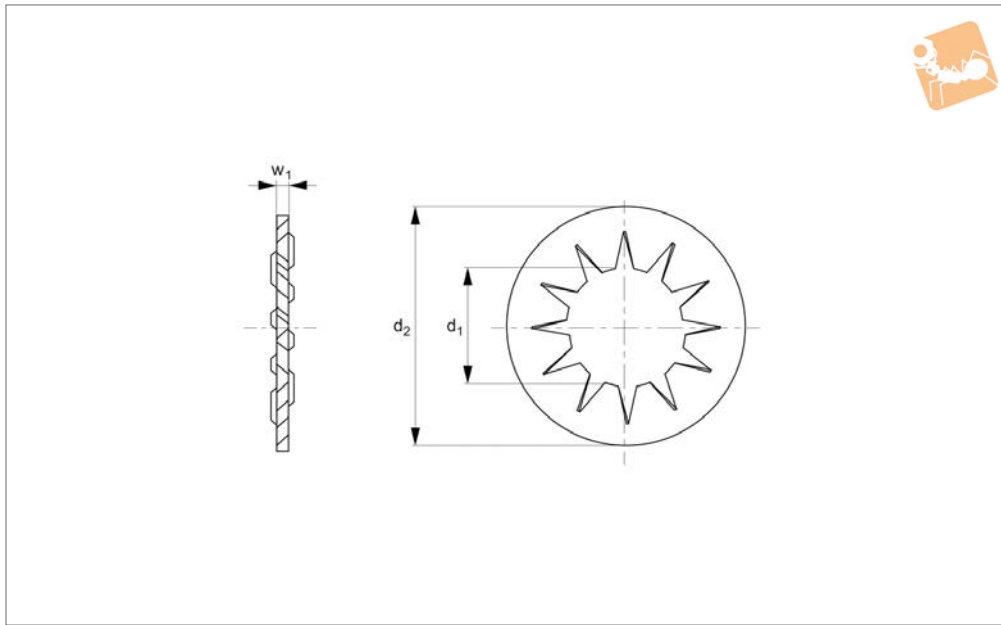


Internal Serrated Lock Washers

Steel, zinc-plated



Flat Washers



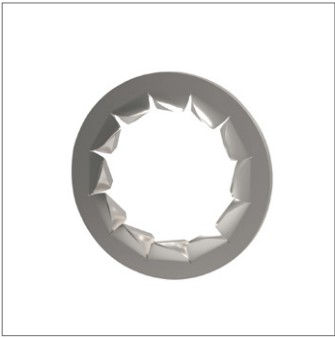
P0373.ZP

FLAT WASHERS

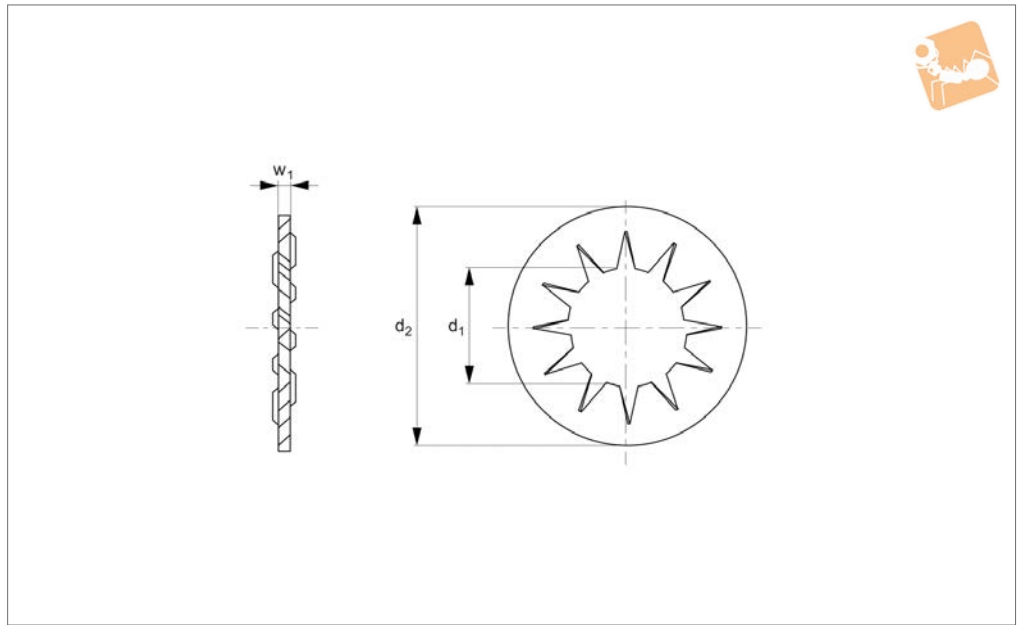
Material
Spring steel, zinc-plated.

Technical Notes
To DIN 6798 B.

Order No.	d ₁ for thread	d ₂	w ₁	Material
P0373.020-ZP	M 2	4.5	0.3	Steel ZP
P0373.025-ZP	M2,5	5.5	0.4	Steel ZP
P0373.030-ZP	M 3	6.0	0.4	Steel ZP
P0373.035-ZP	M3,5	7.0	0.5	Steel ZP
P0373.040-ZP	M 4	8.0	0.5	Steel ZP
P0373.050-ZP	M 5	10.0	0.6	Steel ZP
P0373.060-ZP	M 6	11.0	0.7	Steel ZP
P0373.070-ZP	M 7	12.5	0.8	Steel ZP
P0373.080-ZP	M 8	15.0	0.8	Steel ZP
P0373.100-ZP	M10	18.0	0.9	Steel ZP
P0373.120-ZP	M12	20.5	1.0	Steel ZP
P0373.140-ZP	M14	24.0	1.0	Steel ZP
P0373.160-ZP	M16	26.0	1.2	Steel ZP
P0373.180-ZP	M18	30.0	1.4	Steel ZP
P0373.200-ZP	M20	33.0	1.4	Steel ZP
P0373.220-ZP	M22	36.0	1.5	Steel ZP
P0373.240-ZP	M24	38.0	1.5	Steel ZP



P0373.SC



Material

Spring steel, self-colour.

Technical Notes

To DIN 6798 B.

Order No.	d ₁ for thread	d ₂	w ₁	Material
P0373.020-SC	M 2	4.5	0.3	Steel SC
P0373.025-SC	M2,5	5.5	0.4	Steel SC
P0373.030-SC	M 3	6.0	0.4	Steel SC
P0373.035-SC	M3,5	7.0	0.5	Steel SC
P0373.040-SC	M 4	8.0	0.5	Steel SC
P0373.050-SC	M 5	10.0	0.6	Steel SC
P0373.060-SC	M 6	11.0	0.7	Steel SC
P0373.070-SC	M 7	12.5	0.8	Steel SC
P0373.080-SC	M 8	15.0	0.8	Steel SC
P0373.100-SC	M10	18.0	0.9	Steel SC
P0373.120-SC	M12	20.5	1.0	Steel SC
P0373.140-SC	M14	24.0	1.0	Steel SC
P0373.160-SC	M16	26.0	1.2	Steel SC
P0373.180-SC	M18	30.0	1.4	Steel SC
P0373.200-SC	M20	33.0	1.4	Steel SC
P0373.220-SC	M22	36.0	1.5	Steel SC
P0373.240-SC	M24	38.0	1.5	Steel SC
P0373.270-SC	M27	44.0	1.6	Steel SC
P0373.300-SC	M30	48.0	1.6	Steel SC

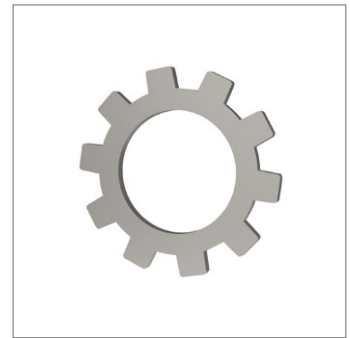
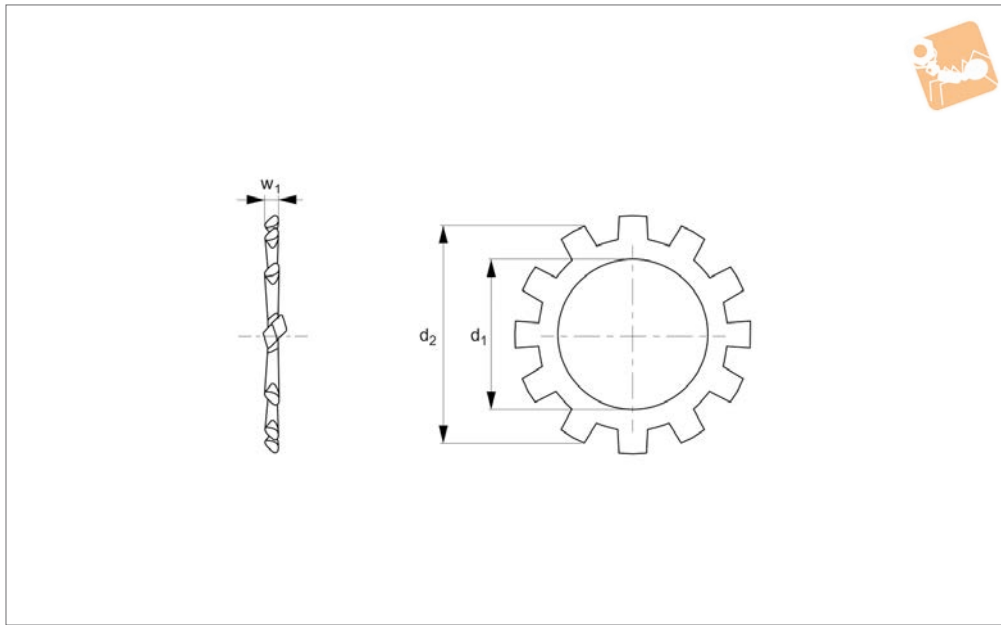


External A2 Tooth Washers

A2 stainless



Flat Washers



P0374.A2

FLAT WASHERS

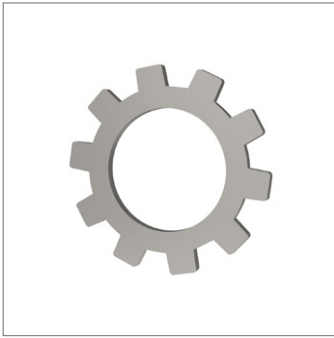
Material

Stainless steel (A2, AISI 303).

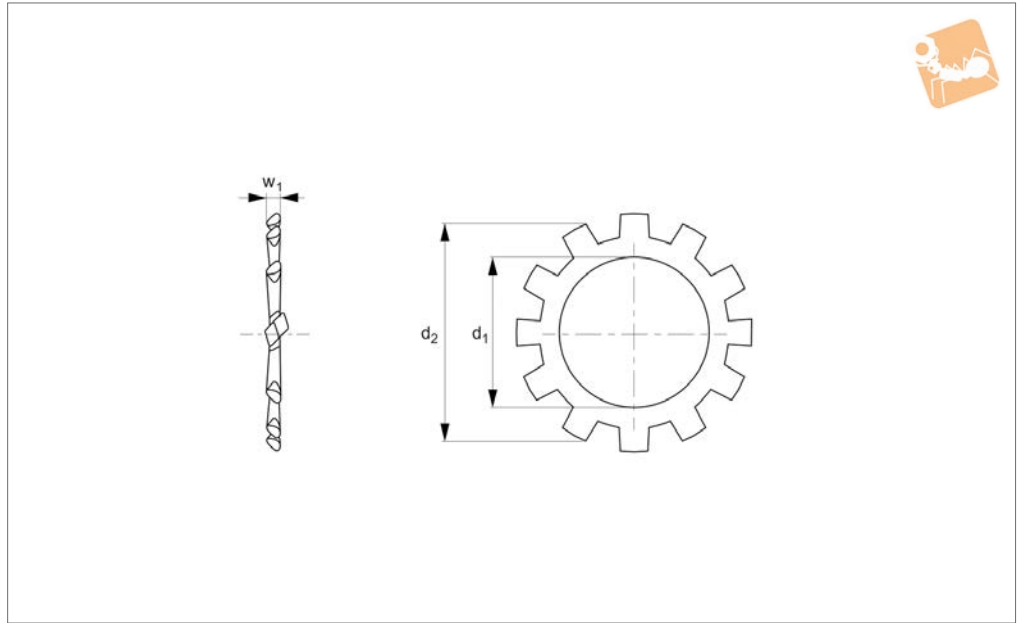
Technical Notes

To DIN 6797 AZ.

Order No.	d ₁ for thread	d ₂	w ₁	Material
P0374.020-A2	M 2	4.5	0.3	A2 s/s
P0374.025-A2	M2,5	5.5	0.4	A2 s/s
P0374.030-A2	M 3	5.5	0.4	A2 s/s
P0374.035-A2	M3,5	6.0	0.4	A2 s/s
P0374.040-A2	M 4	7.0	0.5	A2 s/s
P0374.050-A2	M 5	8.0	0.5	A2 s/s
P0374.060-A2	M 6	11.0	0.7	A2 s/s
P0374.070-A2	M 7	12.5	0.8	A2 s/s
P0374.080-A2	M 8	15.0	0.8	A2 s/s
P0374.100-A2	M10	18.0	0.9	A2 s/s
P0374.120-A2	M12	20.5	1.0	A2 s/s
P0374.140-A2	M14	24.0	1.0	A2 s/s
P0374.160-A2	M 16	26.0	1.2	A2 s/s
P0374.180-A2	M18	30.0	1.4	A2 s/s
P0374.200-A2	M20	33.0	1.4	A2 s/s
P0374.220-A2	M22	36.0	1.5	A2 s/s
P0374.240-A2	M24	38.0	1.5	A2 s/s
P0374.270-A2	M27	44.0	1.6	A2 s/s
P0374.300-A2	M30	48.0	1.6	A2 s/s



P0374.A4



Material

Stainless steel (A4, AISI 316).

Technical Notes

To DIN 6798A.

Order No.	d ₁ for thread	d ₂	w ₁	Material
P0374.020-A4	M 2	4.5	0.3	A4 s/s
P0374.025-A4	M2,5	5.5	0.4	A4 s/s
P0374.030-A4	M 3	5.5	0.4	A4 s/s
P0374.035-A4	M3,5	6.0	0.4	A4 s/s
P0374.040-A4	M 4	7.0	0.5	A4 s/s
P0374.050-A4	M 5	8.0	0.5	A4 s/s
P0374.060-A4	M 6	11.0	0.7	A4 s/s
P0374.070-A4	M 7	12.5	0.8	A4 s/s
P0374.080-A4	M 8	15.0	0.8	A4 s/s
P0374.100-A4	M10	18.0	0.9	A4 s/s
P0374.120-A4	M12	20.5	1.0	A4 s/s
P0374.140-A4	M14	24.0	1.0	A4 s/s
P0374.160-A4	M 16	26.0	1.2	A4 s/s
P0374.180-A4	M18	30.0	1.4	A4 s/s
P0374.200-A4	M20	33.0	1.4	A4 s/s
P0374.220-A4	M22	36.0	1.5	A4 s/s
P0374.240-A4	M24	38.0	1.5	A4 s/s
P0374.270-A4	M27	44.0	1.6	A4 s/s
P0374.300-A4	M30	48.0	1.6	A4 s/s

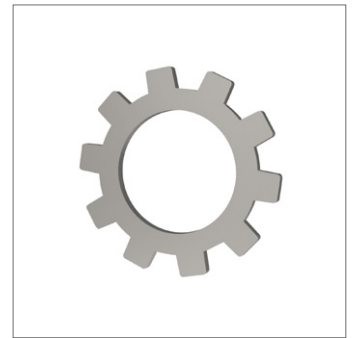
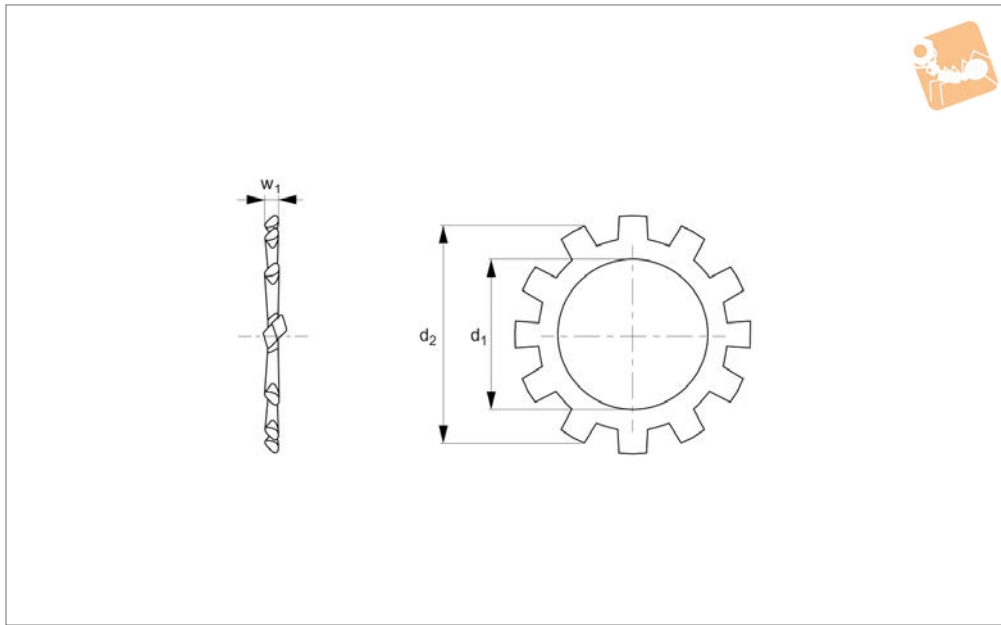


External ZP Tooth Washers

Steel, zinc-plated



Flat Washers



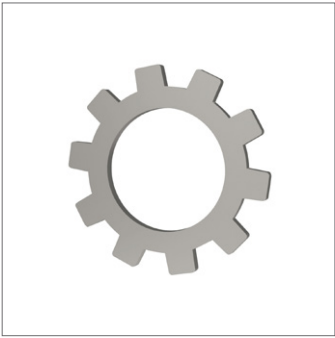
P0374.ZP

FLAT WASHERS

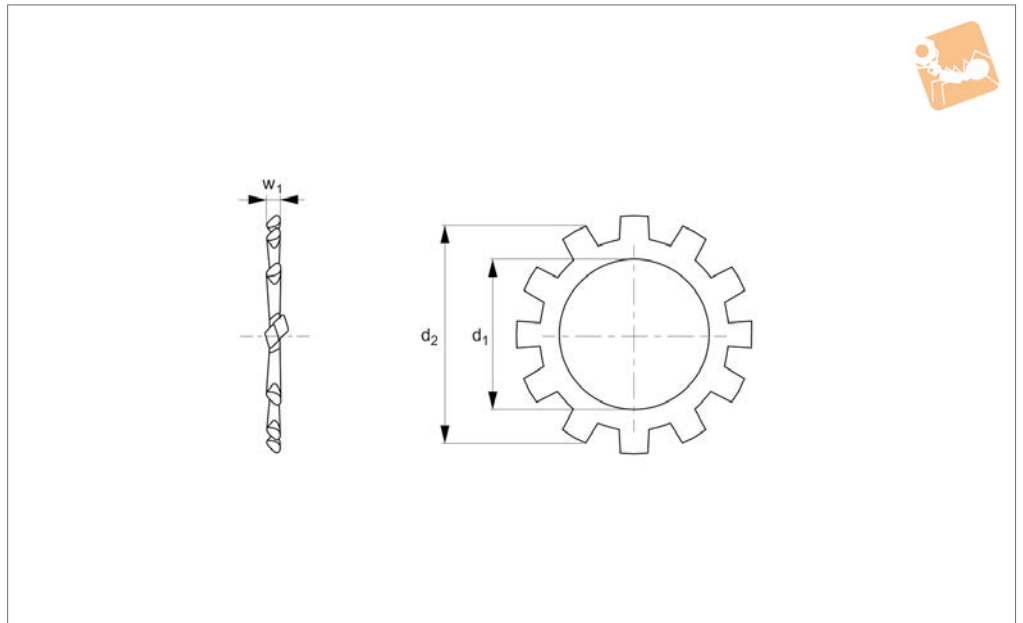
Material
Spring steel, zinc-plated.

Technical Notes
To DIN 6797 AZ.

Order No.	d ₁ for thread	d ₂	w ₁	Material
P0374.030-ZP	M 3	5.5	0.4	Steel ZP
P0374.040-ZP	M 4	7.0	0.5	Steel ZP
P0374.050-ZP	M 5	8.0	0.5	Steel ZP
P0374.060-ZP	M 6	11.0	0.7	Steel ZP
P0374.080-ZP	M 8	15.0	0.8	Steel ZP
P0374.100-ZP	M10	18.0	0.9	Steel ZP



P0374.SC



Material

Spring steel, self-colour.

Technical Notes

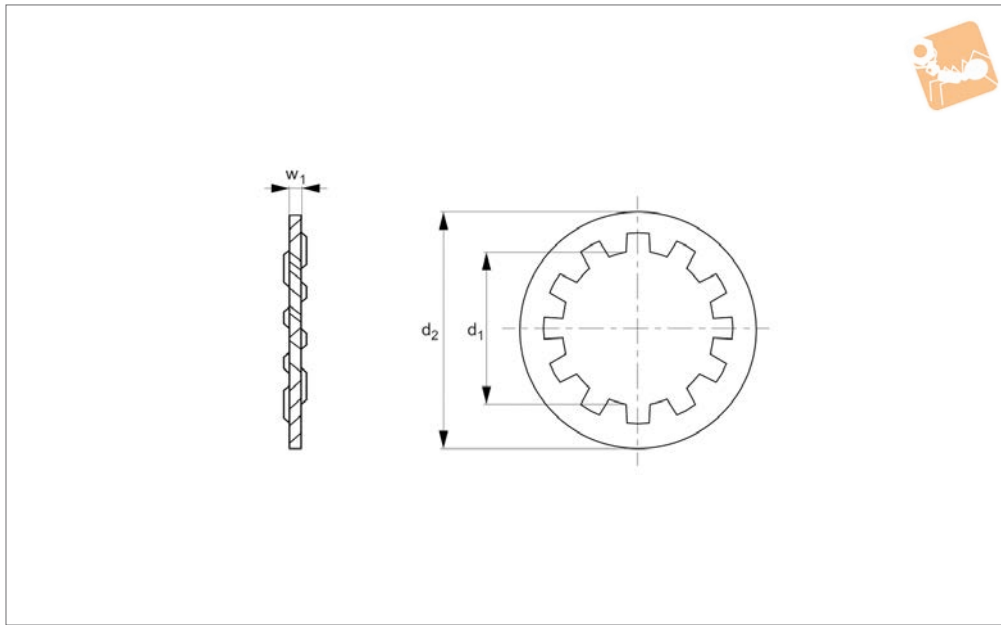
To DIN 6797 AZ.

Order No.	d ₁ for thread	d ₂	w ₁	Material
P0374.030-SC	M 3	5.5	0.4	Steel SC
P0374.040-SC	M 4	7.0	0.5	Steel SC
P0374.050-SC	M 5	8.0	0.5	Steel SC
P0374.060-SC	M 6	11.0	0.7	Steel SC
P0374.080-SC	M 8	15.0	0.8	Steel SC
P0374.100-SC	M10	18.0	0.9	Steel SC
P0374.120-SC	M12	20.5	1.0	Steel SC
P0374.140-SC	M14	24.0	1.0	Steel SC
P0374.160-SC	M16	26.0	1.2	Steel SC
P0374.200-SC	M20	33.0	1.4	Steel SC
P0374.240-SC	M24	38.0	1.5	Steel SC



Internal A2 Tooth Washers

A2 stainless



P0375.A2

FLAT WASHERS

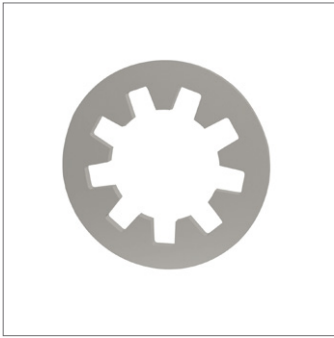
Material

Stainless steel (A2, AISI 303).

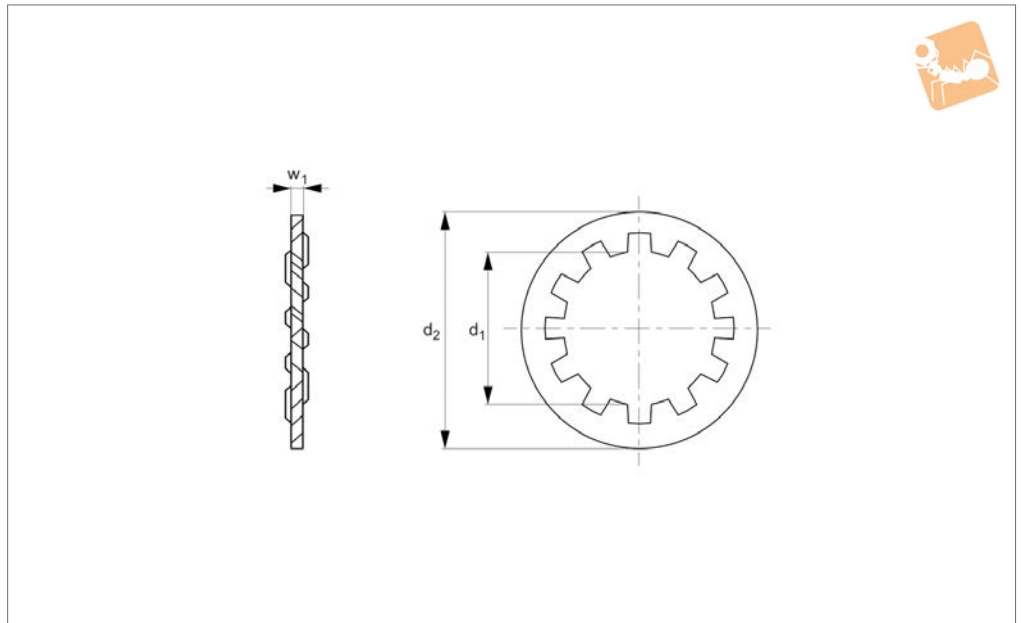
Technical Notes

To DIN 6797 IZ.

Order No.	d ₁ for thread	d ₂	w ₁	Material
P0375.020-A2	M 2	4.5	0.3	A2 s/s
P0375.025-A2	M2,5	5.5	0.4	A2 s/s
P0375.030-A2	M 3	6.0	0.4	A2 s/s
P0375.035-A2	M3,5	7.0	0.5	A2 s/s
P0375.040-A2	M 4	8.0	0.5	A2 s/s
P0375.050-A2	M 5	10.0	0.6	A2 s/s
P0375.060-A2	M 6	11.0	0.7	A2 s/s
P0375.070-A2	M 7	12.5	0.8	A2 s/s
P0375.080-A2	M 8	15.0	0.8	A2 s/s
P0375.100-A2	M10	18.0	0.9	A2 s/s
P0375.120-A2	M12	20.5	1.0	A2 s/s
P0375.140-A2	M14	24.0	1.0	A2 s/s
P0375.160-A2	M16	26.0	1.2	A2 s/s
P0375.180-A2	M18	30.0	1.4	A2 s/s
P0375.200-A2	M20	33.0	1.4	A2 s/s
P0375.220-A2	M22	36.0	1.5	A2 s/s
P0375.240-A2	M24	38.0	1.5	A2 s/s
P0375.270-A2	M27	44.0	1.6	A2 s/s
P0375.300-A2	M30	48.0	1.6	A2 s/s



P0375.A4



Material

Stainless steel (A4, AISI 316).

Technical Notes

To DIN 6798 J.

Order No.	d ₁ for thread	d ₂	w ₁	Material
P0375.020-A4	M 2	4.5	0.3	A4 s/s
P0375.025-A4	M2,5	5.5	0.4	A4 s/s
P0375.030-A4	M 3	6.0	0.4	A4 s/s
P0375.035-A4	M3,5	7.0	0.5	A4 s/s
P0375.040-A4	M 4	8.0	0.5	A4 s/s
P0375.050-A4	M 5	10.0	0.6	A4 s/s
P0375.060-A4	M 6	11.0	0.7	A4 s/s
P0375.070-A4	M 7	12.5	0.8	A4 s/s
P0375.080-A4	M 8	15.0	0.8	A4 s/s
P0375.100-A4	M10	18.0	0.9	A4 s/s
P0375.120-A4	M12	20.5	1.0	A4 s/s
P0375.140-A4	M14	24.0	1.0	A4 s/s
P0375.160-A4	M16	26.0	1.2	A4 s/s
P0375.180-A4	M18	30.0	1.4	A4 s/s
P0375.200-A4	M20	33.0	1.4	A4 s/s
P0375.220-A4	M22	36.0	1.5	A4 s/s
P0375.240-A4	M24	38.0	1.5	A4 s/s
P0375.270-A4	M27	44.0	1.6	A4 s/s
P0375.300-A4	M30	48.0	1.6	A4 s/s

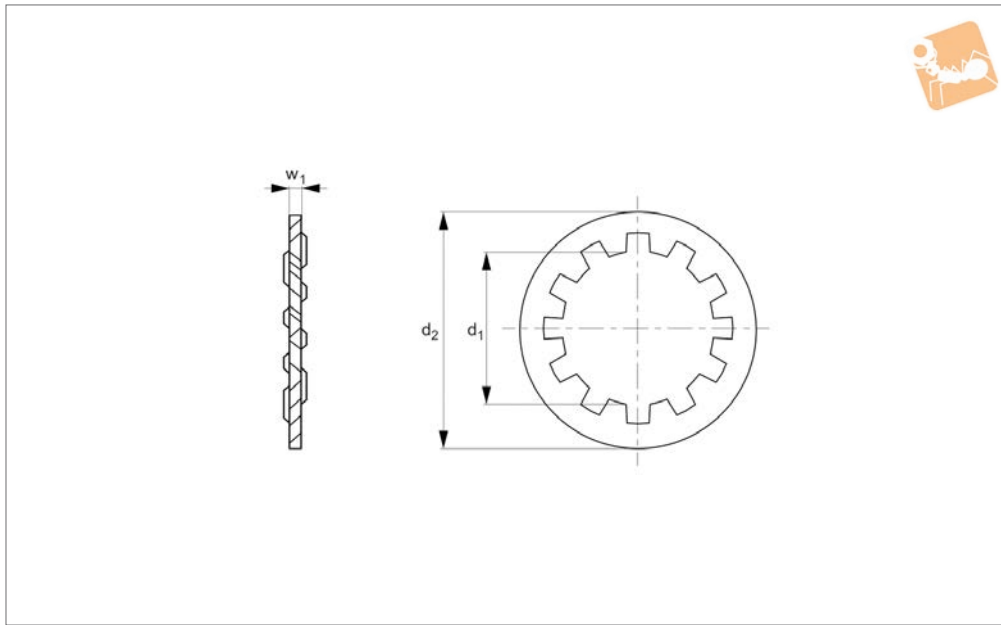


Internal ZP Tooth Washers

Steel, zinc-plated



Flat Washers



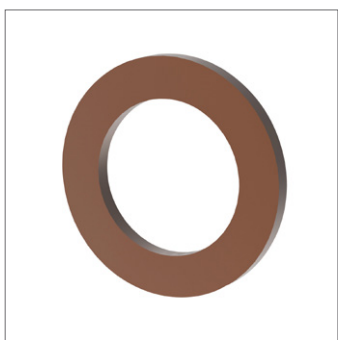
P0375.ZP

FLAT WASHERS

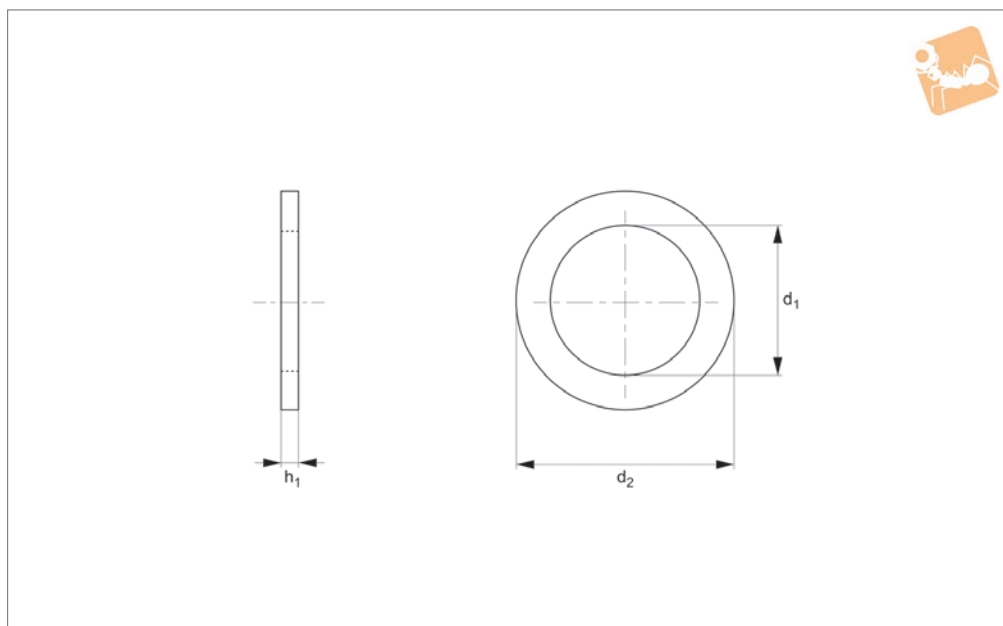
Material
Spring steel, zinc-plated.

Technical Notes
To DIN 6797 IZ.

Order No.	d ₁ for thread	d ₂	w ₁	Material
P0375.020-ZP	M 2	4.5	0.3	Steel ZP
P0375.025-ZP	M2,5	5.5	0.4	Steel ZP
P0375.030-ZP	M 3	6.0	0.4	Steel ZP
P0375.035-ZP	M3,5	7.0	0.5	Steel ZP
P0375.040-ZP	M 4	8.0	0.5	Steel ZP
P0375.050-ZP	M 5	10.0	0.6	Steel ZP
P0375.060-ZP	M 6	11.0	0.7	Steel ZP
P0375.070-ZP	M 7	12.5	0.8	Steel ZP
P0375.080-ZP	M 8	15.0	0.8	Steel ZP
P0375.100-ZP	M10	18.0	0.9	Steel ZP
P0375.120-ZP	M12	20.5	1.0	Steel ZP
P0375.140-ZP	M14	24.0	1.0	Steel ZP
P0375.160-ZP	M16	26.0	1.2	Steel ZP
P0375.180-ZP	M18	30.0	1.4	Steel ZP
P0375.200-ZP	M20	33.0	1.4	Steel ZP
P0375.220-ZP	M22	36.0	1.5	Steel ZP
P0375.240-ZP	M24	38.0	1.5	Steel ZP
P0375.270-ZP	M27	44.0	1.6	Steel ZP
P0375.300-ZP	M30	48.0	1.6	Steel ZP



P0334.CU



Material
Copper.

Technical Notes
To DIN 7603 A. Used as sealing ring for pipe connections and blanking plugs.

Order No.	d ₁	d ₂	h ₁	Suitable for DIN 908 thread	Suitable for pipe thread
P0334.05-10-010	5	10	1.0	-	-
P0334.06-10-010	6	10	1.0	-	-
P0334.07-10-010	7	10	1.0	-	-
P0334.08-12-010	8	12	1.0	M 8 x 1,0	-
P0334.09-14-010	9	14	1.0	-	-
P0334.10-14-010	10	14	1.0	M10 x 1,0	G1/8"
P0334.10-15-010	10	15	1.0	M10 x 1,0	-
P0334.10-16-010	10	16	1.0	M10 x 1,0	-
P0334.12-16-010	12	16	1.0	M12 x 1,5	-
P0334.14-18-010	14	18	1.0	M14 x 1,5	G1/4"
P0334.14-20-010	14	20	1.0	-	-
P0334.15-20-010	15	20	1.0	-	-
P0334.06-10-015	6	10	1.5	-	-
P0334.08-14-015	8	14	1.5	M 8 x 1,0	-
P0334.09-14-015	9	14	1.5	M10 x 1,0	-
P0334.10-14-015	10	14	1.5	M10 x 1,0	G1/8"
P0334.10-16-015	10	16	1.5	M10 x 1,0	-
P0334.10-20-015	10	20	1.5	-	-
P0334.11-17-015	11	17	1.5	-	-
P0334.12-16-015	12	16	1.5	M12 x 1,5	-
P0334.12-17-015	12	17	1.5	-	-
P0334.12-18-015	12	18	1.5	-	-
P0334.12-20-015	12	20	1.5	-	-
P0334.13-18-015	13	18	1.5	-	-
P0334.14-18-015	14	18	1.5	M14 x 1,5	G1/4"
P0334.14-20-015	14	20	1.5	-	-
P0334.14-22-015	14	22	1.5	-	-
P0334.15-20-015	15	20	1.5	-	-
P0334.16-20-015	16	20	1.5	M16 x 1,5	-
P0334.16-22-015	16	22	1.5	-	-
P0334.17-21-015	17	21	1.5	-	G3/8"
P0334.17-22-015	17	22	1.5	-	-
P0334.18-24-015	18	24	1.5	M18 x 1,5	-
P0334.20-24-015	20	24	1.5	M20 x 1,5	-
P0334.20-26-015	20	26	1.5	-	-



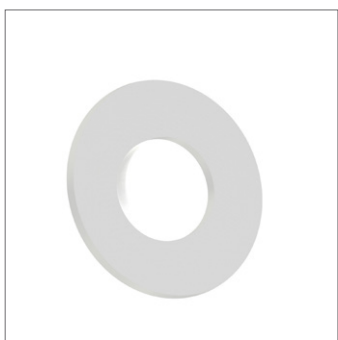
Sealing Rings copper

Flat Washers

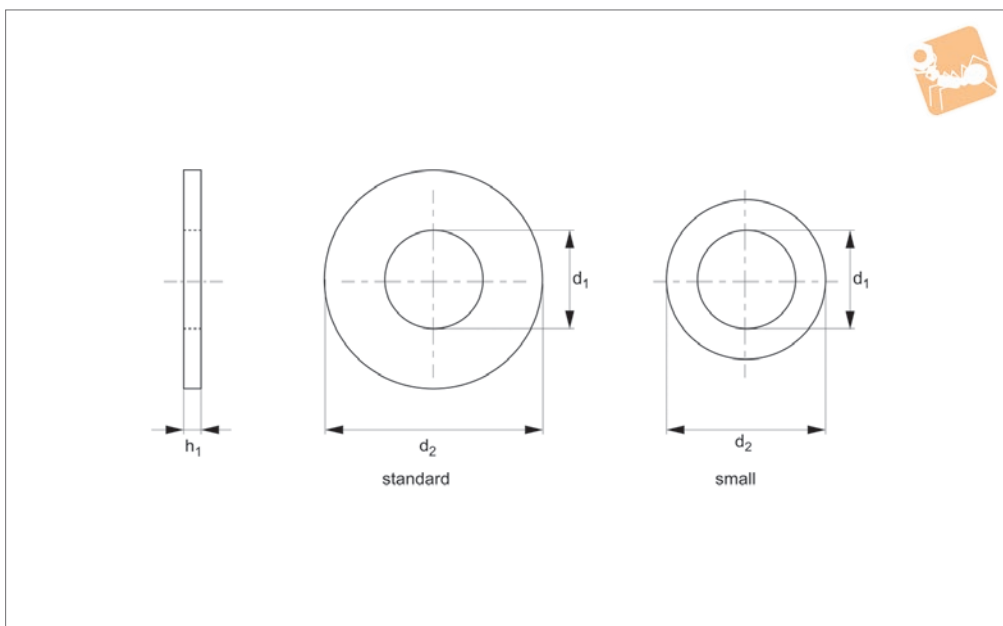


Order No.	d ₁	d ₂	h ₁	Suitable for DIN 908 thread	Suitable for pipe thread
P0334.21-26-015	21	26	1.5	-	G1/2"
P0334.21-28-015	21	28	1.5	-	-
P0334.22-27-015	22	27	1.5	M22 x 1,5	-
P0334.22-29-015	22	29	1.5	-	-
P0334.10-19-020	10	19	2.0	-	-
P0334.13-18-020	13	18	2.0	-	-
P0334.14-18-020	14	18	2.0	M14 x 1,5	G1/4"
P0334.14-20-020	14	20	2.0	-	-
P0334.15-20-020	15	20	2.0	-	-
P0334.16-20-020	16	20	2.0	M16 x 1,5	-
P0334.16-21-020	16	21	2.0	-	-
P0334.16-22-020	16	22	2.0	-	-
P0334.17-24-020	17	24	2.0	-	-
P0334.18-24-020	18	24	2.0	M18 x 1,5	-
P0334.19-26-020	19	26	2.0	-	-
P0334.20-24-020	20	24	2.0	M20 x 1,5	-
P0334.21-26-020	21	26	2.0	-	G1/2"
P0334.21-28-020	21	28	2.0	-	-
P0334.22-26-020	22	26	2.0	M22 x 1,5	-
P0334.22-29-020	22	29	2.0	-	-
P0334.24-30-020	24	30	2.0	M24 x 1,5	-
P0334.24-32-020	24	32	2.0	-	-
P0334.26-32-020	26	32	2.0	M26 x 1,5	G3/4"
P0334.26-33-020	26	33	2.0	-	-
P0334.26-34-020	26	34	2.0	-	-
P0334.28-34-020	28	34	2.0	-	-
P0334.30-36-020	30	36	2.0	M30 x 1,5	G7/8"
P0334.30-38-020	30	38	2.0	-	-
P0334.32-38-020	32	38	2.0	-	-
P0334.32-40-020	32	40	2.0	-	-
P0334.33-39-020	33	39	2.0	-	G1"
P0334.35-45-020	35	45	2.0	-	-
P0334.36-42-020	36	42	2.0	M36 x 2,0	G1-1/8"
P0334.38-44-020	38	44	2.0	M38 x 2,0	-
P0334.40-47-020	40	47	2.0	-	-
P0334.42-49-020	42	49	2.0	M42 x 2	G1-1/4"
P0334.45-52-020	45	52	2.0	-	-
P0334.48-55-020	48	55	2.0	M48 x 2	G1-1/2"
P0334.50-57-020	50	57	2.0	-	-

FLAT WASHERS



P0339



Material
Polyamide.

diameter).
Type 2 - to DIN 125, without chamfer.

Technical Notes

Type 1 - to DIN 9021, ISO 7093 (3x thread

Order No.	For thread	Type	d ₁	d ₂	h ₁ min.
P0339.030-009	M 3	Standard	3.2	9	0.8
P0339.040-012	M 4	Standard	4.3	12	0.8
P0339.050-015	M 5	Standard	5.3	15	1.0
P0339.060-018	M 6	Standard	6.4	18	1.5
P0339.080-024	M 8	Standard	8.4	24	2.0
P0339.100-030	M10	Standard	10.5	30	2.5
P0339.120-037	M12	Standard	13.0	37	3.0
P0339.160-050	M16	Standard	17.0	50	3.0
P0339.180-056	M18	Standard	20.0	56	4.0
P0339.200-060	M20	Standard	22.0	60	4.0
P0339.240-072	M24	Standard	26.0	72	5.0
P0339.300-092	M30	Standard	33.0	92	6.0
P0339.360-110	M36	Standard	39.0	110	8.0
P0339.020-005	M 2	Small	2.2	5	0.3
P0339.025-006	M2,5	Small	2.7	6	0.5
P0339.030-007	M 3	Small	3.2	7	0.5
P0339.040-009	M 4	Small	4.3	9	0.8
P0339.050-010	M 5	Small	5.3	10	1.0
P0339.060-012	M 6	Small	6.4	12	1.6
P0339.080-016	M 8	Small	8.4	16	1.6
P0339.100-020	M10	Small	10.5	20	2.0
P0339.120-024	M12	Small	13.0	24	2.5
P0339.140-028	M14	Small	15.0	28	2.5
P0339.160-030	M16	Small	17.0	30	3.0
P0339.180-034	M18	Small	19.0	34	3.0
P0339.200-037	M20	Small	21.0	37	3.0
P0339.240-044	M24	Small	25.0	44	4.0
P0339.270-050	M27	Small	28.0	50	4.0
P0339.300-086	M30	Small	31.0	56	4.0

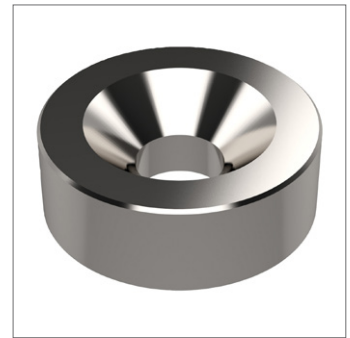
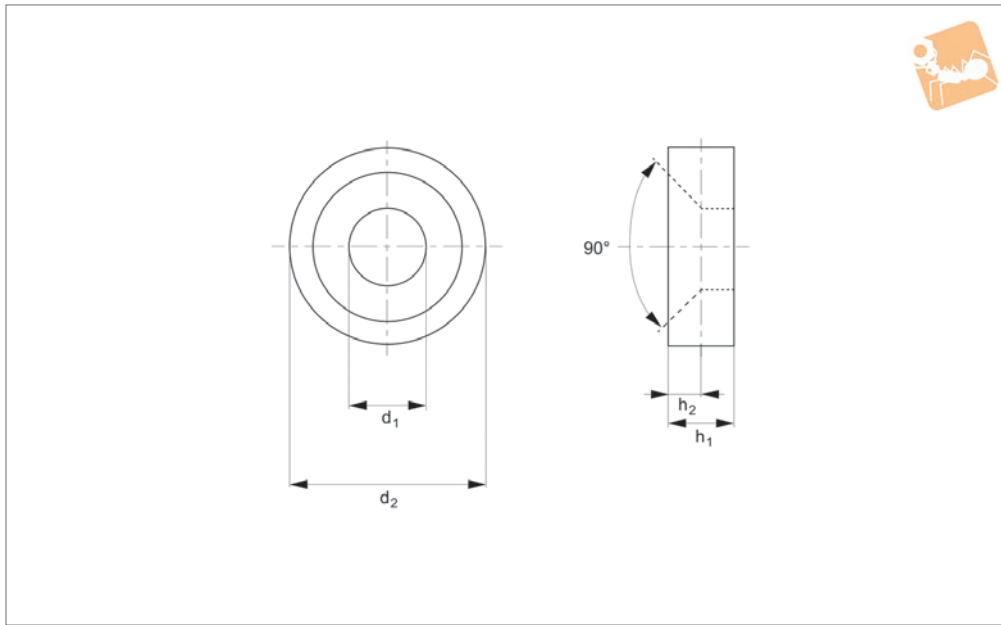


Solid Countersunk Washers

303 stainless



Flat Washers



P0341.A2

FLAT WASHERS

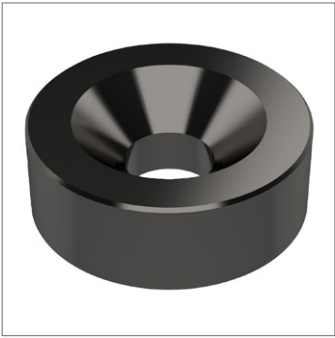
Material

Stainless steel (AISI 303, 1.4305).

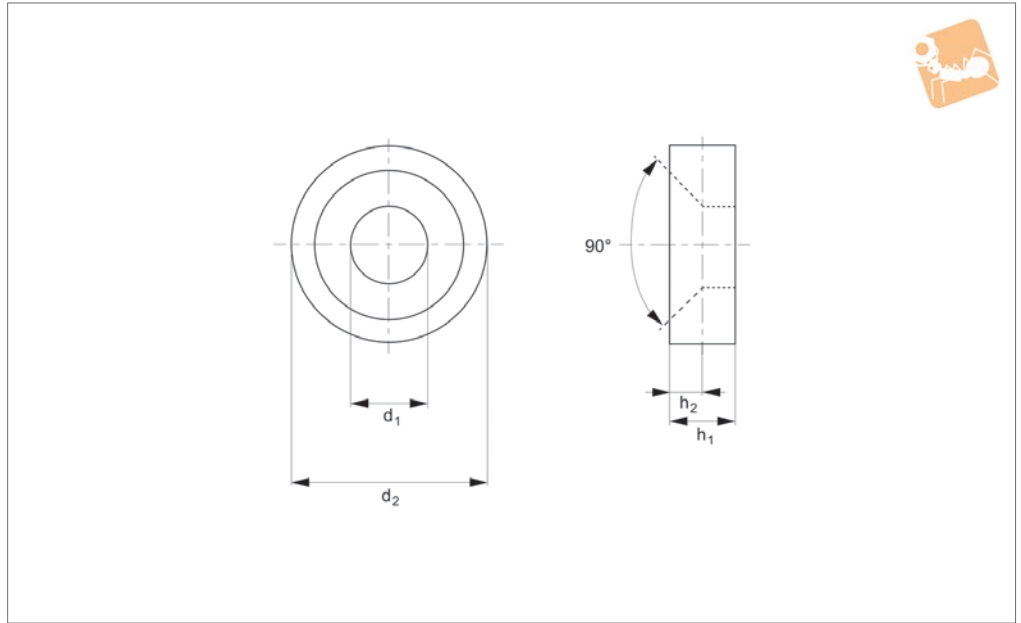
Technical Notes

Machined washers made from stainless steel to fit countersunk screws.

Order No.	For thread	d_1 $+0.3 +0.1$	d_2 $+0 -0.2$	h_1 ± 0.1	h_2 ± 0.1
P0341.025-025-A2	M 2,5	2.8	8	2.5	1.8
P0341.025-030-A2	M 2,5	2.8	8	3.0	1.8
P0341.025-040-A2	M 2,5	2.8	8	4.0	1.8
P0341.030-025-A2	M 3	3.5	10	2.5	2.0
P0341.030-030-A2	M 3	3.5	10	3.0	2.0
P0341.030-040-A2	M 3	3.5	10	4.0	2.0
P0341.030-050-A2	M 3	3.5	10	5.0	2.0
P0341.040-025-A2	M 4	4.5	14	2.5	2.7
P0341.040-030-A2	M 4	4.5	14	3.0	2.7
P0341.040-040-A2	M 4	4.5	14	4.0	2.7
P0341.040-050-A2	M 4	4.5	14	5.0	2.7
P0341.050-030-A2	M 5	5.5	16	3.0	3.5
P0341.050-040-A2	M 5	5.5	16	4.0	3.5
P0341.050-050-A2	M 5	5.5	16	5.0	3.5
P0341.050-060-A2	M 5	5.5	16	6.0	3.5
P0341.050-080-A2	M 5	5.5	16	8.0	3.5
P0341.060-035-A2	M 6	6.6	20	3.5	4.0
P0341.060-040-A2	M 6	6.6	20	4.0	4.0
P0341.060-050-A2	M 6	6.6	20	5.0	4.0
P0341.060-060-A2	M 6	6.6	20	6.0	4.0
P0341.060-080-A2	M 6	6.6	20	8.0	4.0
P0341.080-035-A2	M 8	8.4	20	3.5	5.2
P0341.080-040-A2	M 8	8.4	20	4.0	5.2
P0341.080-050-A2	M 8	8.4	20	5.0	5.2
P0341.080-060-A2	M 8	8.4	20	6.0	5.2
P0341.080-080-A2	M 8	8.4	20	8.0	5.2



P0341.B2



Material

Stainless steel (AISI 303 series, 1.4305), black oxide finish.

Technical Notes

Machined washers made from stainless steel to fit countersunk screws.

Order No.	For thread	d_1 $+0.3 +0.1$	d_2 $+0 -0.2$	h_1 ± 0.1	h_2 ± 0.1
P0341.025-025-B2	M 2,5	2.8	8	2.5	1.8
P0341.025-030-B2	M 2,5	2.8	8	3.0	1.8
P0341.025-040-B2	M 2,5	2.8	8	4.0	1.8
P0341.030-025-B2	M 3	3.5	10	2.5	2.0
P0341.030-030-B2	M 3	3.5	10	3.0	2.0
P0341.030-040-B2	M 3	3.5	10	4.0	2.0
P0341.030-050-B2	M 3	3.5	10	5.0	2.0
P0341.040-025-B2	M 4	4.5	14	2.5	2.7
P0341.040-030-B2	M 4	4.5	14	3.0	2.7
P0341.040-040-B2	M 4	4.5	14	4.0	2.7
P0341.040-050-B2	M 4	4.5	14	5.0	2.7
P0341.050-030-B2	M 5	5.5	16	3.0	3.5
P0341.050-040-B2	M 5	5.5	16	4.0	3.5
P0341.050-050-B2	M 5	5.5	16	5.0	3.5
P0341.050-060-B2	M 5	5.5	16	6.0	3.5
P0341.050-080-B2	M 5	5.5	16	8.0	3.5
P0341.060-035-B2	M 6	6.6	20	3.5	4.0
P0341.060-040-B2	M 6	6.6	20	4.0	4.0
P0341.060-050-B2	M 6	6.6	20	5.0	4.0
P0341.060-060-B2	M 6	6.6	20	6.0	4.0
P0341.060-080-B2	M 6	6.6	20	8.0	4.0
P0341.080-035-B2	M 8	8.4	20	3.5	5.2
P0341.080-040-B2	M 8	8.4	20	4.0	5.2
P0341.080-050-B2	M 8	8.4	20	5.0	5.2
P0341.080-060-B2	M 8	8.4	20	6.0	5.2
P0341.080-080-B2	M 8	8.4	20	8.0	5.2

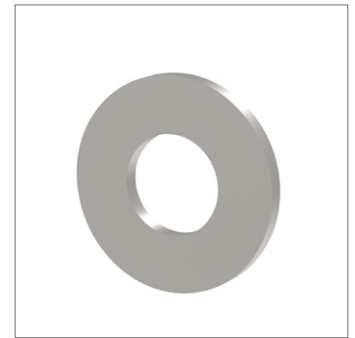
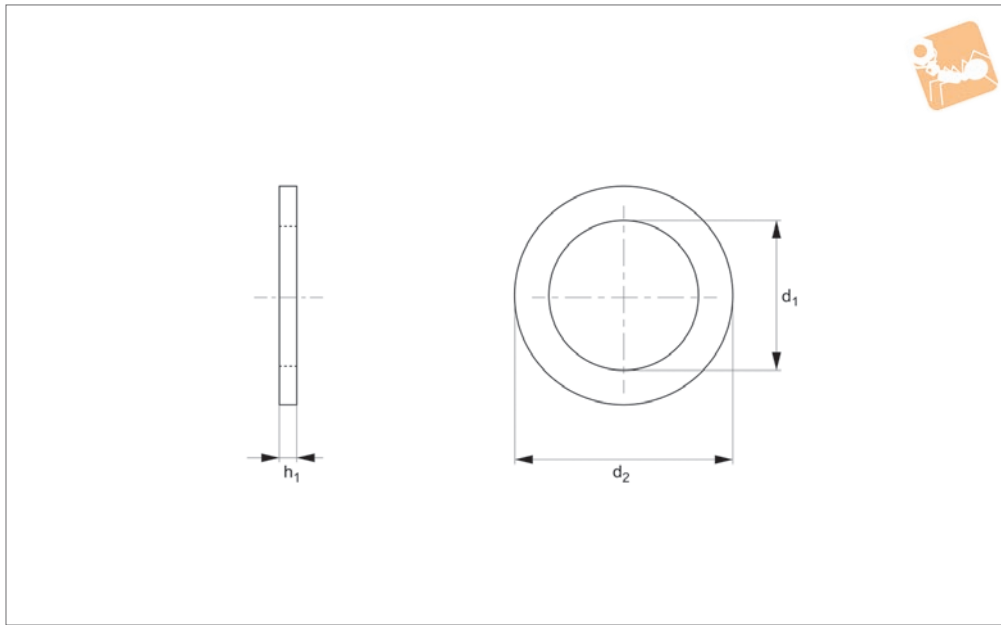


Shim Washers

304 stainless



Flat Washers



P0342.A2

FLAT WASHERS

Material

Stainless steel (A2, AISI 304).

Technical Notes

To DIN 988.

Order No.	d ₁ tol. D12	d ₂ tol. d12	h ₁ -0.05
P0342.03-06-01	3.0	6.0	0.1
P0342.03-06-02	3.0	6.0	0.2
P0342.03-06-03	3.0	6.0	0.3
P0342.03-06-04	3.0	6.0	0.4
P0342.03-06-05	3.0	6.0	0.5
P0342.04-08-01	4.0	8.0	0.1
P0342.04-08-02	4.0	8.0	0.2
P0342.04-08-03	4.0	8.0	0.3
P0342.04-08-05	4.0	8.0	0.5
P0342.04-08-10	4.0	8.0	1.0
P0342.05-10-02	5.0	10.0	0.2
P0342.05-10-03	5.0	10.0	0.3
P0342.05-10-05	5.0	10.0	0.5
P0342.05-10-10	5.0	10.0	1.0
P0342.05-10-01	5.0	10.0	0.1
P0342.06-12-01	6.0	12.0	0.1
P0342.06-12-03	6.0	12.0	0.3
P0342.06-12-02	6.0	12.0	0.2
P0342.06-12-05	6.0	12.0	0.5
P0342.06-12-10	6.0	12.0	1.0
P0342.08-14-01	8.0	14.0	0.1
P0342.08-14-02	8.0	14.0	0.2
P0342.08-14-03	8.0	14.0	0.3
P0342.08-14-05	8.0	14.0	0.5
P0342.08-14-10	8.0	14.0	1.0
P0342.10-16-02	10.0	16.0	0.2
P0342.10-16-05	10.0	16.0	0.5
P0342.10-16-10	10.0	16.0	1.0
P0342.10-16-01	10.0	16.0	0.1
P0342.10-16-03	10.0	16.0	0.3
P0342.12-18-01	12.0	18.0	0.1
P0342.12-18-02	12.0	18.0	0.2
P0342.12-18-03	12.0	18.0	0.3
P0342.12-18-05	12.0	18.0	0.5



FLAT WASHERS

Order No.	d ₁ tol. D12	d ₂ tol. d12	h ₁ -0.05
P0342.12-18-10	12.0	18.0	1.0
P0342.14-20-01	14.0	20.0	0.1
P0342.14-20-02	14.0	20.0	0.2
P0342.14-20-03	14.0	20.0	0.3
P0342.14-20-05	14.0	20.0	0.5
P0342.14-20-10	14.0	20.0	1.0
P0342.15-21-01	15.0	21.0	0.1
P0342.15-21-02	15.0	21.0	0.2
P0342.15-21-03	15.0	21.0	0.3
P0342.15-21-05	15.0	21.0	0.5
P0342.15-21-10	15.0	21.0	1.0
P0342.15-21-20	15.0	21.0	2.0
P0342.15-22-05	15.0	22.0	0.5
P0342.15-22-10	15.0	22.0	1.0
P0342.16-22-01	16.0	22.0	0.1
P0342.16-22-02	16.0	22.0	0.2
P0342.16-22-03	16.0	22.0	0.3
P0342.16-22-05	16.0	22.0	0.5
P0342.16-22-10	16.0	22.0	1.0
P0342.17-24-03	17.0	24.0	0.3
P0342.17-24-05	17.0	24.0	0.5
P0342.17-24-10	17.0	24.0	1.0
P0342.17-24-15	17.0	24.0	1.5
P0342.18-25-02	18.0	25.0	0.2
P0342.18-25-03	18.0	25.0	0.3
P0342.18-25-10	18.0	25.0	1.0
P0342.20-28-01	20.0	28.0	0.1
P0342.20-28-02	20.0	28.0	0.2
P0342.20-28-03	20.0	28.0	0.3
P0342.20-28-05	20.0	28.0	0.5
P0342.20-28-10	20.0	28.0	1.0
P0342.22-30-01	22.0	30.0	0.1
P0342.22-30-05	22.0	30.0	0.5
P0342.25-35-01	25.0	35.0	0.1
P0342.25-35-02	25.0	35.0	0.2
P0342.25-35-03	25.0	35.0	0.3
P0342.25-35-05	25.0	35.0	0.5
P0342.25-35-10	25.0	35.0	1.0
P0342.25-35-15	25.0	35.0	1.5
P0342.28-40-01	28.0	40.0	0.1
P0342.28-40-05	28.0	40.0	0.5
P0342.30-42-01	30.0	42.0	0.1
P0342.30-42-05	30.0	42.0	0.5
P0342.30-42-10	30.0	42.0	1.0
P0342.35-45-03	35.0	45.0	0.3
P0342.35-45-05	35.0	45.0	0.5
P0342.35-45-10	35.0	45.0	1.0
P0342.40-50-01	40.0	50.0	0.1
P0342.40-50-05	40.0	50.0	0.5
P0342.40-50-10	40.0	50.0	1.0
P0342.50-62-02	50.0	62.0	0.2

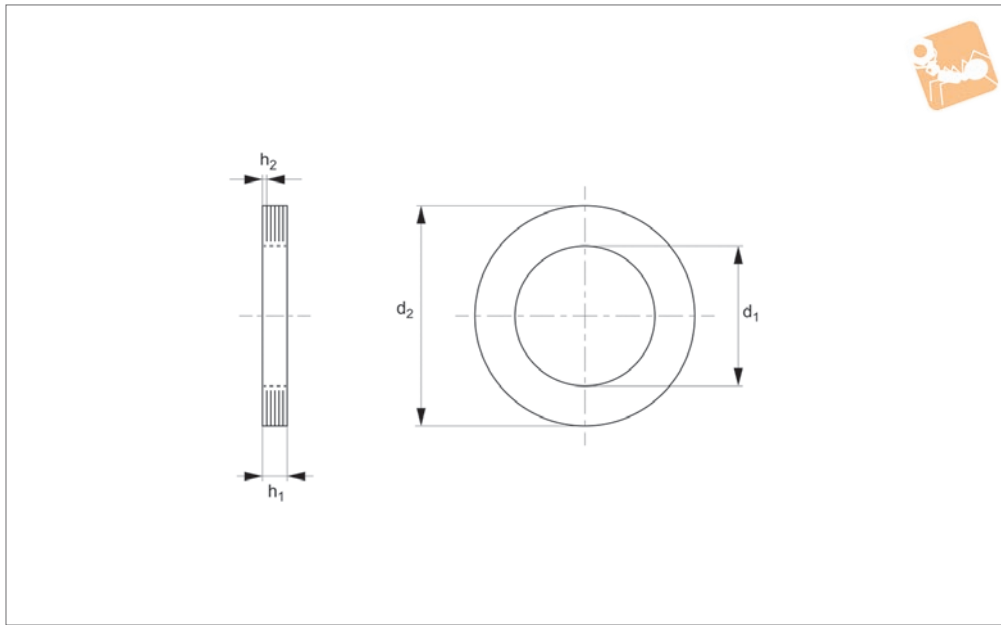


Laminated Shim Spacers

brass



Flat Washers



P0344.BR

FLAT WASHERS

Material

Brass, with 0,05mm laminations.

Technical Notes

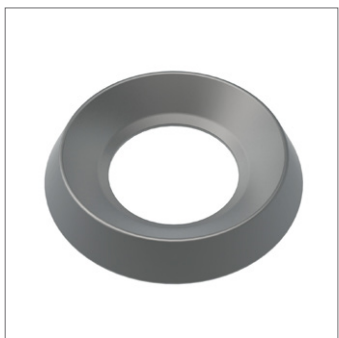
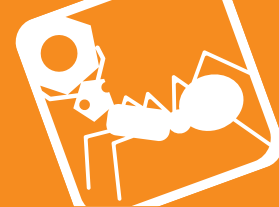
The inner race spacers fits onto shafts and

preloads inner race of ball bearing.
The outer race fits into the housing and preloads outer race of ball bearing.

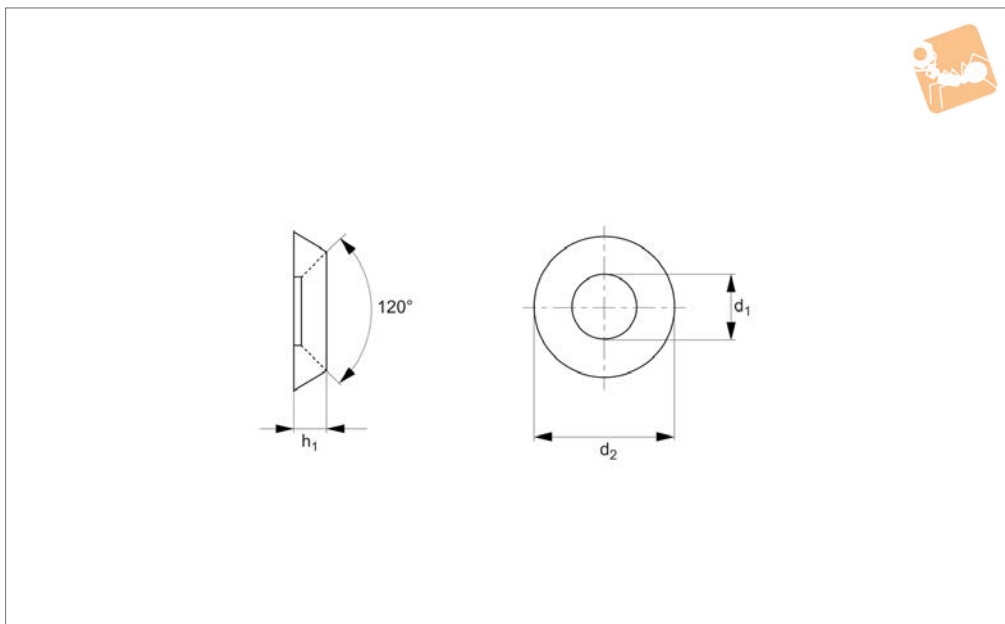
Tips

The laminations can be peeled off as required.

Order No.	For shaft	d_1 ± 0.1	d_2 $+0.0 -0.1$	h_1 ± 0.1	h_2
P0344.030-I	3	3.2	5.9	0.8	0.05
P0344.050-I	5	5.2	9.5	0.8	0.05
P0344.060-I	6	6.2	12.7	0.8	0.05
P0344.100-I	10	10.2	15.9	0.8	0.05
P0344.100-O	10	7.9	10.0	0.8	0.05
P0344.130-O	13	9.5	13.0	0.8	0.05



P0346



Material

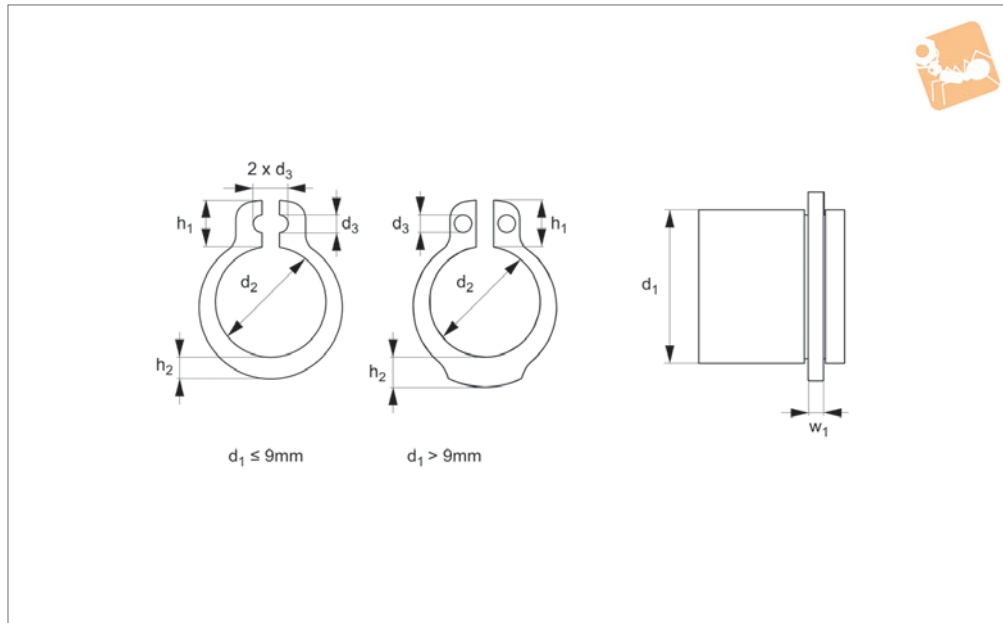
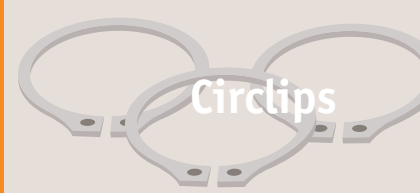
Stainless steel (A2 AISI 303 or A4 AISI 316).

Order No.	For	d ₁	d ₂	h ₁	Material
P0346.030-A2	M 3	3	9	2.0	A2 s/s
P0346.040-A2	M 4	4	11	2.5	A2 s/s
P0346.050-A2	M 5	5	14	3.0	A2 s/s
P0346.060-A2	M 6	6	16	3.5	A2 s/s
P0346.080-A2	M 8	8	22	4.5	A2 s/s
P0346.100-A2	M10	10	28	5.5	A2 s/s
P0346.030-A4	M 3	3	9	2.0	A4 s/s
P0346.040-A4	M 4	4	11	2.5	A4 s/s
P0346.050-A4	M 5	5	14	3.0	A4 s/s
P0346.060-A4	M 6	6	16	3.5	A4 s/s
P0346.080-A4	M 8	8	22	4.5	A4 s/s
P0346.100-A4	M10	10	28	5.5	A4 s/s



External PH Circlips

Steel phosphated



P0380.PH

CIRCLIPS

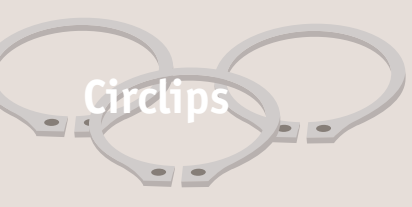
Material

Steel, phosphated.

Technical Notes

To DIN 471.

Order No.	d ₁	d ₂	d ₃ min.	h ₁ max.	h ₂	w ₁	Material
P0380.003-PH	3	2.7	1.0	1.9	0.8	0.40	Steel PH
P0380.004-PH	4	3.7	1.0	2.2	0.9	0.40	Steel PH
P0380.005-PH	5	3.7	1.0	2.5	1.1	0.60	Steel PH
P0380.006-PH	6	5.6	1.2	2.7	1.3	0.70	Steel PH
P0380.007-PH	7	6.5	1.2	3.1	1.4	0.80	Steel PH
P0380.008-PH	8	7.4	1.2	3.2	1.5	0.80	Steel PH
P0380.009-PH	9	8.4	1.2	3.3	1.7	1.00	Steel PH
P0380.010-PH	10	9.3	1.5	3.3	1.8	1.00	Steel PH
P0380.011-PH	11	10.2	1.5	3.3	1.8	1.00	Steel PH
P0380.012-PH	12	11.0	1.7	3.3	1.8	1.00	Steel PH
P0380.013-PH	13	11.9	1.7	3.4	2.0	1.00	Steel PH
P0380.014-PH	14	12.9	1.7	3.5	2.1	1.00	Steel PH
P0380.015-PH	15	13.8	1.7	3.6	0.8	1.00	Steel PH
P0380.016-PH	16	14.7	1.7	3.7	2.2	1.00	Steel PH
P0380.017-PH	17	15.7	1.7	3.8	2.3	1.00	Steel PH
P0380.018-PH	18	16.5	2.0	3.9	2.4	1.20	Steel PH
P0380.019-PH	19	17.5	2.0	3.9	2.5	1.20	Steel PH
P0380.020-PH	20	18.5	2.0	4.0	2.6	1.20	Steel PH
P0380.022-PH	22	20.5	2.0	4.2	2.8	1.20	Steel PH
P0380.023-PH	23	21.4	2.0	4.3	2.9	1.20	Steel PH
P0380.024-PH	24	22.2	2.0	4.4	3.0	1.20	Steel PH
P0380.025-PH	25	23.2	2.0	4.4	3.0	1.20	Steel PH
P0380.026-PH	26	24.2	2.0	4.5	3.1	1.20	Steel PH
P0380.027-PH	27	25.1	2.0	4.6	3.1	1.20	Steel PH
P0380.028-PH	28	25.9	2.0	4.7	3.2	1.50	Steel PH
P0380.029-PH	29	26.9	2.0	4.8	3.4	1.50	Steel PH
P0380.030-PH	30	27.9	2.0	5.0	3.5	1.50	Steel PH
P0380.032-PH	32	29.6	2.5	5.2	3.6	1.50	Steel PH
P0380.034-PH	34	31.5	2.5	5.4	3.8	1.50	Steel PH
P0380.035-PH	35	32.2	2.5	5.6	3.9	1.50	Steel PH
P0380.036-PH	36	33.2	2.5	5.6	4.0	1.75	Steel PH
P0380.038-PH	38	35.2	2.5	5.8	4.2	1.75	Steel PH
P0380.039-PH	39	36.0	2.5	5.9	4.3	1.75	Steel PH
P0380.040-PH	40	36.0	2.5	6.0	4.4	1.75	Steel PH



Circlips

External PH Circlips Steel phosphated



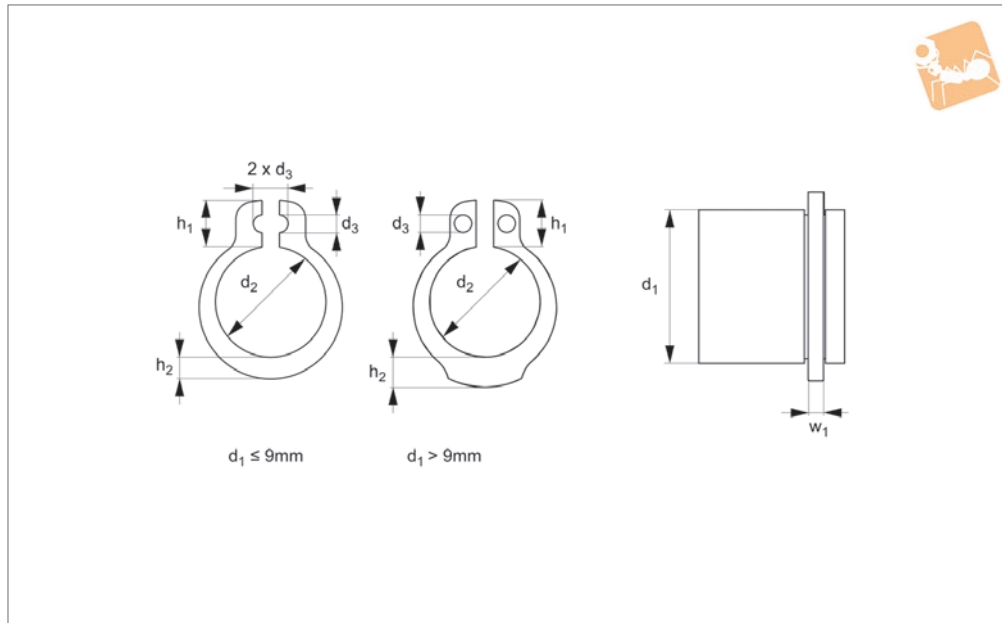
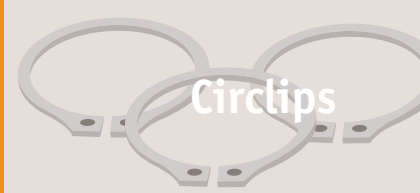
CIRCLIPS

Order No.	d ₁	d ₂	d ₃ min.	h ₁ max.	h ₂	w ₁	Material
P0380.042-PH	42	36.5	2.5	6.5	4.5	1.75	Steel PH
P0380.045-PH	45	41.5	2.5	6.7	4.7	1.75	Steel PH
P0380.048-PH	48	44.5	2.5	6.9	5.0	1.75	Steel PH
P0380.050-PH	50	45.8	2.5	6.9	5.1	2.00	Steel PH
P0380.052-PH	52	47.8	2.5	7.0	5.2	2.00	Steel PH
P0380.055-PH	55	50.8	2.5	7.2	5.4	2.00	Steel PH
P0380.060-PH	60	55.8	2.5	7.4	5.8	2.00	Steel PH
P0380.065-PH	65	60.8	3.0	7.8	6.3	2.50	Steel PH
P0380.070-PH	70	65.5	3.0	8.1	6.6	2.50	Steel PH
P0380.075-PH	75	70.5	3.0	8.4	7.0	2.50	Steel PH
P0380.080-PH	80	74.5	3.0	8.6	7.4	2.50	Steel PH
P0380.085-PH	85	79.5	3.5	8.7	7.8	3.00	Steel PH
P0380.090-PH	90	84.5	3.5	8.8	8.2	3.00	Steel PH
P0380.095-PH	95	89.5	3.5	9.4	8.6	3.00	Steel PH
P0380.100-PH	100	94.5	3.5	9.6	9.0	3.00	Steel PH
P0380.105-PH	105	98.0	3.5	9.9	9.3	4.00	Steel PH
P0380.110-PH	110	103.0	3.5	10.1	9.6	4.00	Steel PH
P0380.120-PH	120	113.0	3.5	11.0	10.2	4.00	Steel PH
P0380.130-PH	130	123.0	4.0	11.6	10.7	4.00	Steel PH
P0380.140-PH	140	133.0	4.0	12.0	11.2	4.00	Steel PH



External A2 Circlips

A2 stainless



P0380.A2

CIRCLIPS

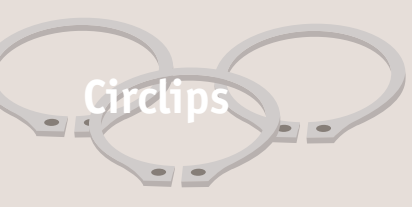
Material

Stainless steel (A2, AISI 303).

Technical Notes

To DIN 471.

Order No.	d ₁	d ₂	d ₃ min.	h ₁ max.	h ₂	w ₁	Material
P0380.003-A2	3	2.7	1.0	1.9	0.8	0.40	A2 s/s
P0380.004-A2	4	3.7	1.0	2.2	0.9	0.40	A2 s/s
P0380.005-A2	5	3.7	1.0	2.5	1.1	0.60	A2 s/s
P0380.006-A2	6	5.6	1.2	2.7	1.3	0.70	A2 s/s
P0380.007-A2	7	6.5	1.2	3.1	1.4	0.80	A2 s/s
P0380.008-A2	8	7.4	1.2	3.2	1.5	0.80	A2 s/s
P0380.009-A2	9	8.4	1.2	3.3	1.7	1.00	A2 s/s
P0380.010-A2	10	9.3	1.5	3.3	1.8	1.00	A2 s/s
P0380.011-A2	11	10.2	1.5	3.3	1.8	1.00	A2 s/s
P0380.012-A2	12	11.0	1.7	3.3	1.8	1.00	A2 s/s
P0380.013-A2	13	11.9	1.7	3.4	2.0	1.00	A2 s/s
P0380.014-A2	14	12.9	1.7	3.5	2.1	1.00	A2 s/s
P0380.015-A2	15	13.8	1.7	3.6	0.8	1.00	A2 s/s
P0380.016-A2	16	14.7	1.7	3.7	2.2	1.00	A2 s/s
P0380.017-A2	17	15.7	1.7	3.8	2.3	1.00	A2 s/s
P0380.018-A2	18	16.5	2.0	3.9	2.4	1.20	A2 s/s
P0380.019-A2	19	17.5	2.0	3.9	2.5	1.20	A2 s/s
P0380.020-A2	20	18.5	2.0	4.0	2.6	1.20	A2 s/s
P0380.022-A2	22	20.5	2.0	4.2	2.8	1.20	A2 s/s
P0380.023-A2	23	21.4	2.0	4.3	2.9	1.20	A2 s/s
P0380.024-A2	24	22.2	2.0	4.4	3.0	1.20	A2 s/s
P0380.025-A2	25	23.2	2.0	4.4	3.0	1.20	A2 s/s
P0380.026-A2	26	24.2	2.0	4.5	3.1	1.20	A2 s/s
P0380.027-A2	27	25.1	2.0	4.6	3.1	1.20	A2 s/s
P0380.028-A2	28	25.9	2.0	4.7	3.2	1.50	A2 s/s
P0380.029-A2	29	26.9	2.0	4.8	3.4	1.50	A2 s/s
P0380.030-A2	30	27.9	2.0	5.0	3.5	1.50	A2 s/s
P0380.032-A2	32	29.6	2.5	5.2	3.6	1.50	A2 s/s
P0380.034-A2	34	31.5	2.5	5.4	3.8	1.50	A2 s/s
P0380.035-A2	35	32.2	2.5	5.6	3.9	1.50	A2 s/s
P0380.036-A2	36	33.2	2.5	5.6	4.0	1.75	A2 s/s
P0380.038-A2	38	35.2	2.5	5.8	4.2	1.75	A2 s/s
P0380.039-A2	39	36.0	2.5	5.9	4.3	1.75	A2 s/s
P0380.040-A2	40	36.0	2.5	6.0	4.4	1.75	A2 s/s



Circlips

External A2 Circlips A2 stainless



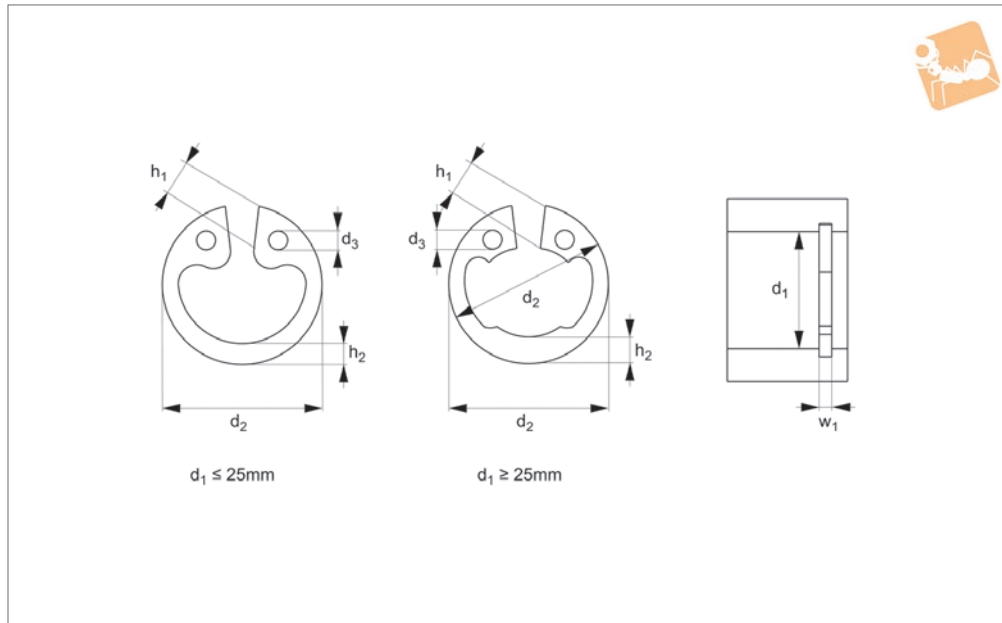
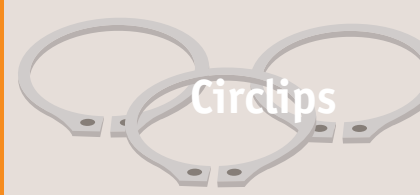
CIRCLIPS

Order No.	d ₁	d ₂	d ₃ min.	h ₁ max.	h ₂	w ₁	Material
P0380.042-A2	42	36.5	2.5	6.5	4.5	1.75	A2 s/s
P0380.045-A2	45	41.5	2.5	6.7	4.7	1.75	A2 s/s
P0380.048-A2	48	44.5	2.5	6.9	5.0	1.75	A2 s/s
P0380.050-A2	50	45.8	2.5	6.9	5.1	2.00	A2 s/s
P0380.052-A2	52	47.8	2.5	7.0	5.2	2.00	A2 s/s
P0380.055-A2	55	50.8	2.5	7.2	5.4	2.00	A2 s/s
P0380.060-A2	60	55.8	2.5	7.4	5.8	2.00	A2 s/s
P0380.065-A2	65	60.8	3.0	7.8	6.3	2.50	A2 s/s
P0380.070-A2	70	65.5	3.0	8.1	6.6	2.50	A2 s/s
P0380.075-A2	75	70.5	3.0	8.4	7.0	2.50	A2 s/s
P0380.080-A2	80	74.5	3.0	8.6	7.4	2.50	A2 s/s
P0380.085-A2	85	79.5	3.5	8.7	7.8	3.00	A2 s/s
P0380.090-A2	90	84.5	3.5	8.8	8.2	3.00	A2 s/s
P0380.095-A2	95	89.5	3.5	9.4	8.6	3.00	A2 s/s
P0380.100-A2	100	94.5	3.5	9.6	9.0	3.00	A2 s/s
P0380.105-A2	105	98.0	3.5	9.9	9.3	4.00	A2 s/s
P0380.110-A2	110	103.0	3.5	10.1	9.6	4.00	A2 s/s
P0380.120-A2	120	113.0	3.5	11.0	10.2	4.00	A2 s/s
P0380.130-A2	130	123.0	4.0	11.6	10.7	4.00	A2 s/s
P0380.140-A2	140	133.0	4.0	12.0	11.2	4.00	A2 s/s



Internal Circlips

A2 stainless



P0381.A2

CIRCLIPS

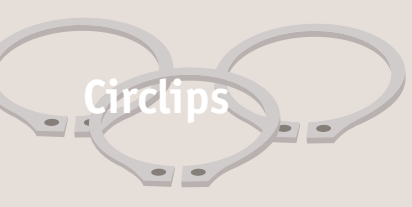
Material

Stainless steel (A2, AISI 303).

Technical Notes

To DIN 472.

Order No.	d ₁	d ₂	d ₃ min.	h ₁ max.	h ₂	w ₁	Material
P0381.008-A2	8	8.7	1.0	2.4	1.1	0.8	A2 s/s
P0381.009-A2	9	9.8	1.0	2.5	1.3	0.8	A2 s/s
P0381.010-A2	10	10.8	1.2	3.2	1.4	1.0	A2 s/s
P0381.011-A2	11	11.8	1.2	3.3	1.5	1.0	A2 s/s
P0381.012-A2	12	13.0	1.5	3.4	1.7	1.0	A2 s/s
P0381.013-A2	13	14.1	1.5	3.6	1.8	1.0	A2 s/s
P0381.014-A2	14	15.1	1.7	3.7	1.9	1.0	A2 s/s
P0381.015-A2	15	16.2	1.7	3.7	2.0	1.0	A2 s/s
P0381.016-A2	16	17.3	1.7	3.8	2.0	1.0	A2 s/s
P0381.017-A2	17	18.3	1.7	3.9	2.1	1.0	A2 s/s
P0381.018-A2	18	19.5	2.0	4.1	2.2	1.0	A2 s/s
P0381.019-A2	19	20.5	2.0	4.1	2.2	1.0	A2 s/s
P0381.020-A2	20	21.5	2.0	4.2	2.3	1.0	A2 s/s
P0381.021-A2	21	22.5	2.0	4.2	2.4	1.0	A2 s/s
P0381.022-A2	22	23.5	2.0	4.2	2.5	1.0	A2 s/s
P0381.023-A2	23	24.6	2.0	4.3	2.5	1.2	A2 s/s
P0381.024-A2	24	25.9	2.0	4.4	2.6	1.2	A2 s/s
P0381.025-A2	25	26.9	2.0	4.5	2.7	1.2	A2 s/s
P0381.026-A2	26	27.9	2.0	4.6	2.8	1.2	A2 s/s
P0381.027-A2	27	28.9	2.0	4.7	2.9	1.2	A2 s/s
P0381.028-A2	28	30.1	2.0	4.8	2.9	1.2	A2 s/s
P0381.029-A2	29	31.1	2.0	4.8	3.0	1.2	A2 s/s
P0381.030-A2	30	32.1	2.0	4.8	3.0	1.2	A2 s/s
P0381.031-A2	31	33.4	2.5	5.2	3.2	1.2	A2 s/s
P0381.032-A2	32	34.4	2.5	5.4	3.2	1.2	A2 s/s
P0381.034-A2	34	36.5	2.5	5.4	3.3	1.2	A2 s/s
P0381.035-A2	35	37.8	2.5	5.4	3.4	1.5	A2 s/s
P0381.036-A2	36	38.8	2.5	5.4	3.5	1.5	A2 s/s
P0381.037-A2	37	39.8	2.5	5.5	3.6	1.5	A2 s/s
P0381.038-A2	38	40.8	2.5	5.5	3.7	1.5	A2 s/s
P0381.039-A2	39	42.0	2.5	5.6	3.8	1.75	A2 s/s
P0381.040-A2	40	43.5	2.5	5.8	3.9	1.75	A2 s/s
P0381.041-A2	41	44.5	2.5	5.9	4.0	1.75	A2 s/s
P0381.042-A2	42	45.5	2.5	5.9	4.1	1.75	A2 s/s



Circlips

Internal Circlips A2 stainless



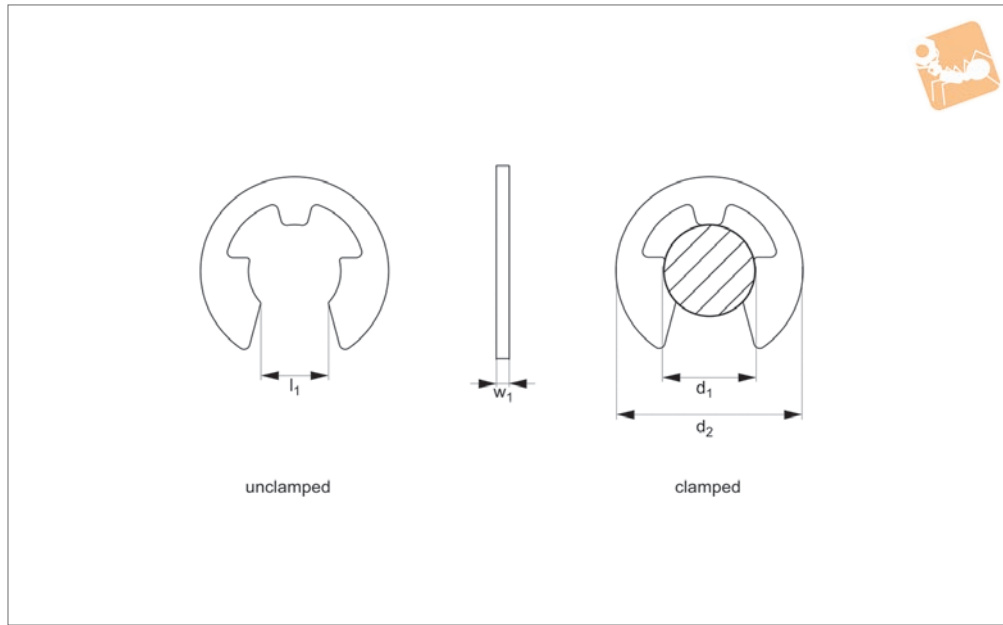
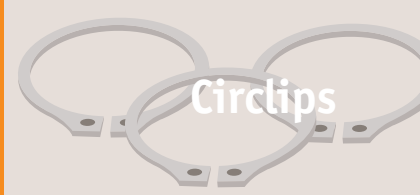
CIRCLIPS

Order No.	d ₁	d ₂	d ₃ min.	h ₁ max.	h ₂	w ₁	Material
P0381.045-A2	45	48.5	2.5	6.2	4.3	1.75	A2 s/s
P0381.047-A2	47	50.5	2.5	6.4	4.4	1.75	A2 s/s
P0381.048-A2	48	51.5	2.5	6.4	4.5	1.75	A2 s/s
P0381.050-A2	50	54.2	2.5	6.5	4.6	2.0	A2 s/s
P0381.052-A2	52	56.2	2.5	6.7	4.7	2.0	A2 s/s
P0381.055-A2	55	59.2	2.5	6.8	5.0	2.0	A2 s/s
P0381.058-A2	58	62.2	2.5	6.9	5.2	2.0	A2 s/s
P0381.060-A2	60	64.2	2.5	7.3	5.4	2.0	A2 s/s
P0381.062-A2	62	66.2	2.5	7.3	5.5	2.0	A2 s/s
P0381.065-A2	65	69.2	3.0	7.6	5.8	2.5	A2 s/s
P0381.068-A2	68	72.5	3.0	7.8	6.1	2.5	A2 s/s
P0381.070-A2	70	74.5	3.0	7.8	6.2	2.5	A2 s/s
P0381.072-A2	72	76.5	3.0	7.8	6.4	2.5	A2 s/s
P0381.075-A2	75	79.5	3.0	7.8	6.6	2.5	A2 s/s
P0381.080-A2	80	85.5	3.0	8.5	7.0	2.5	A2 s/s
P0381.085-A2	85	90.5	3.5	8.6	7.2	3.0	A2 s/s
P0381.090-A2	90	95.5	3.5	8.6	7.6	3.0	A2 s/s
P0381.095-A2	95	100.5	3.5	8.6	8.1	3.0	A2 s/s
P0381.100-A2	100	105.5	3.5	9.2	8.4	3.0	A2 s/s
P0381.105-A2	105	112.0	3.5	9.5	8.7	4.0	A2 s/s
P0381.110-A2	110	117.0	3.5	10.4	9.0	4.0	A2 s/s
P0381.120-A2	120	127.0	3.5	11.0	9.7	4.0	A2 s/s
P0381.130-A2	130	137.0	4.0	11.0	10.2	4.0	A2 s/s
P0381.140-A2	140	147.0	4.0	11.2	10.7	4.0	A2 s/s



E Clips

A2 stainless



P0382.A2

CIRCLIPS

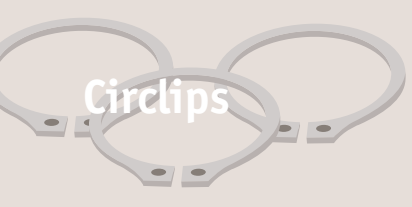
Material

Stainless steel (A2, AISI 303).

Technical Notes

To DIN 6799.

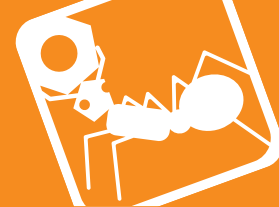
Order No.	d ₁	For shaft dia.	d ₂	l ₁	w ₁	Material
P0382.012-A2	1.2	1,4-2,0	3.25	1.01	0.30	A2 s/s
P0382.015-A2	1.5	2,0-2,5	4.25	1.28	0.40	A2 s/s
P0382.019-A2	1.9	2,5-3,0	4.80	1.61	0.50	A2 s/s
P0382.023-A2	2.3	3,0-4,0	6.30	1.94	0.60	A2 s/s
P0382.032-A2	3.2	4,0-5,0	7.30	2.70	0.60	A2 s/s
P0382.040-A2	4.0	5,0-7,0	9.30	3.34	0.70	A2 s/s
P0382.050-A2	5.0	6,0-8,0	11.30	4.11	0.70	A2 s/s
P0382.060-A2	6.0	7,0-9,0	12.30	5.26	0.70	A2 s/s
P0382.070-A2	7.0	8,0-11,0	14.30	5.84	0.90	A2 s/s
P0382.080-A2	8.0	9,0-12,0	16.30	6.52	1.00	A2 s/s
P0382.090-A2	9.0	10,0-14,0	18.80	7.63	1.10	A2 s/s
P0382.100-A2	10.0	11,0-15,0	20.40	8.32	1.20	A2 s/s
P0382.120-A2	12.0	13,0-18,0	23.40	10.45	1.30	A2 s/s
P0382.150-A2	15.0	16,0-24,0	29.40	12.61	1.50	A2 s/s
P0382.190-A2	19.0	20,0-31,0	37.60	15.92	1.75	A2 s/s
P0382.240-A2	24.0	25,0-38,0	44.60	21.88	2.00	A2 s/s



Circlips

E Clips

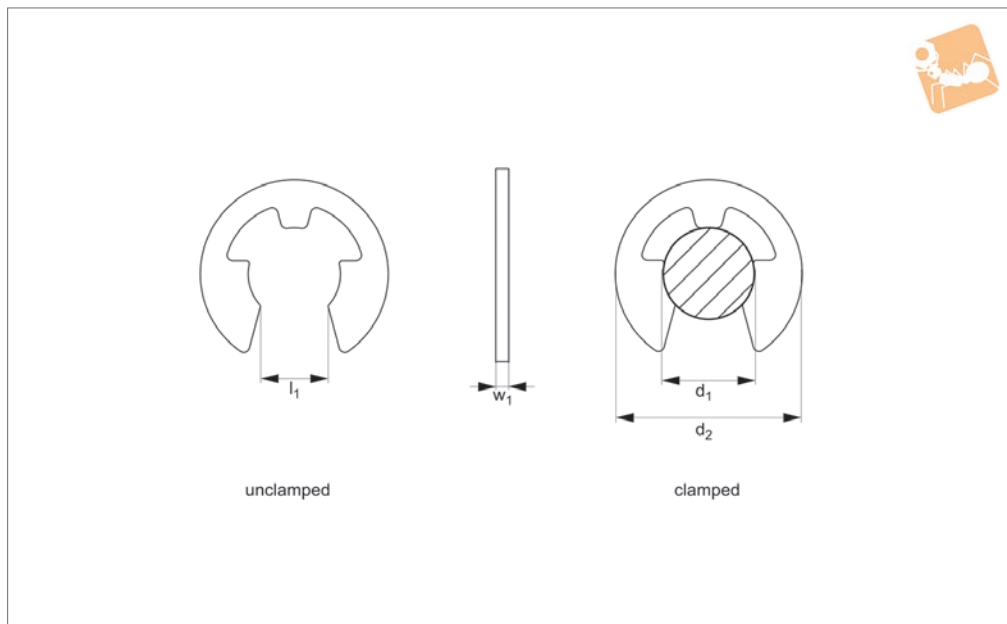
Steel phosphated



CIRCLIPS



P0382.PH



Material
Steel, phosphated.

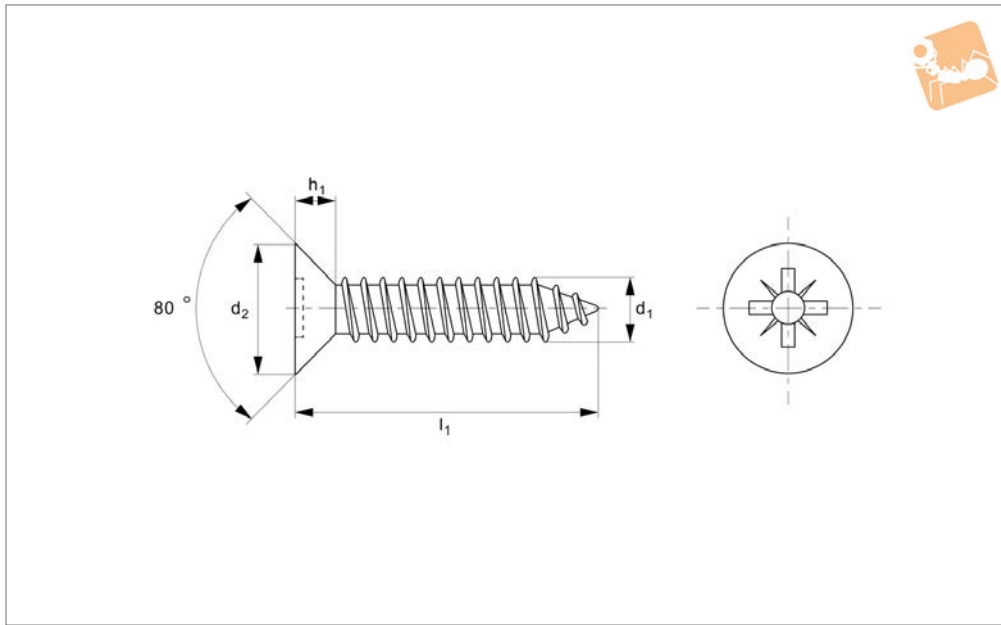
Technical Notes
To DIN 6799.

Order No.	d ₁	For shaft dia.	d ₂	l ₁	w ₁	Material
P0382.012-PH	1.2	1,4-2,0	3.25	1.01	0.30	Steel PH
P0382.015-PH	1.5	2,0-2,5	4.25	1.28	0.40	Steel PH
P0382.019-PH	1.9	2,5-3,0	4.80	1.61	0.50	Steel PH
P0382.023-PH	2.3	3,0-4,0	6.30	1.94	0.60	Steel PH
P0382.032-PH	3.2	4,0-5,0	7.30	2.70	0.60	Steel PH
P0382.040-PH	4.0	5,0-7,0	9.30	3.34	0.70	Steel PH
P0382.050-PH	5.0	6,0-8,0	11.30	4.11	0.70	Steel PH
P0382.060-PH	6.0	7,0-9,0	12.30	5.26	0.70	Steel PH
P0382.070-PH	7.0	8,0-11,0	14.30	5.84	0.90	Steel PH
P0382.080-PH	8.0	9,0-12,0	16.30	6.52	1.00	Steel PH
P0382.090-PH	9.0	10,0-14,0	18.80	7.63	1.10	Steel PH
P0382.100-PH	10.0	11,0-15,0	20.40	8.32	1.20	Steel PH
P0382.120-PH	12.0	13,0-18,0	23.40	10.45	1.30	Steel PH
P0382.150-PH	15.0	16,0-24,0	29.40	12.61	1.50	Steel PH
P0382.190-PH	19.0	20,0-31,0	37.60	15.92	1.75	Steel PH
P0382.240-PH	24.0	25,0-38,0	44.60	21.88	2.00	Steel PH



Countersunk Pozi AB Tappers

Pozi - steel, zinc-plated



P0600.ZP

SELF TAPPERS

Material

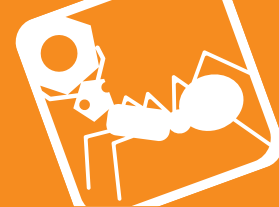
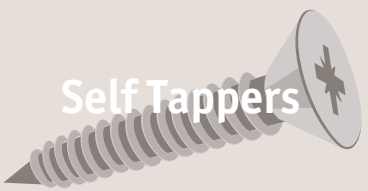
Steel, zinc-plated.
Also available as zinc-plated, black passi-

vated.

Technical Notes

To DIN 7982C-Z, ISO 7050 type C.

Order No.	d ₁	l ₁	d ₂	h ₁	Size
P0600.022-006-ZP	2.2	6.5	4.3	1.3	PZ-1
P0600.022-009-ZP	2.2	9.5	4.3	1.3	PZ-1
P0600.022-013-ZP	2.2	13	4.3	1.3	PZ-1
P0600.022-016-ZP	2.2	16	4.3	1.3	PZ-1
P0600.022-019-ZP	2.2	19	4.3	1.3	PZ-1
P0600.022-022-ZP	2.2	22	4.3	1.3	PZ-1
P0600.022-025-ZP	2.2	25	4.3	1.3	PZ-1
P0600.029-006-ZP	2.9	6.5	5.5	1.7	PZ-1
P0600.029-009-ZP	2.9	9.5	5.5	1.7	PZ-1
P0600.029-013-ZP	2.9	13	5.5	1.7	PZ-1
P0600.029-016-ZP	2.9	16	5.5	1.7	PZ-1
P0600.029-019-ZP	2.9	19	5.5	1.7	PZ-1
P0600.029-022-ZP	2.9	22	5.5	1.7	PZ-1
P0600.029-025-ZP	2.9	25	5.5	1.7	PZ-1
P0600.029-032-ZP	2.9	32	5.5	1.7	PZ-1
P0600.029-038-ZP	2.9	38	5.5	1.7	PZ-1
P0600.035-006-ZP	3.5	6.5	6.8	2.1	PZ-2
P0600.035-009-ZP	3.5	9.5	6.8	2.1	PZ-2
P0600.035-013-ZP	3.5	13	6.8	2.1	PZ-2
P0600.035-016-ZP	3.5	16	6.8	2.1	PZ-2
P0600.035-019-ZP	3.5	19	6.8	2.1	PZ-2
P0600.035-022-ZP	3.5	22	6.8	2.1	PZ-2
P0600.035-025-ZP	3.5	25	6.8	2.1	PZ-2
P0600.035-032-ZP	3.5	32	6.8	2.1	PZ-2
P0600.035-038-ZP	3.5	38	6.8	2.1	PZ-2
P0600.035-045-ZP	3.5	45	6.8	2.1	PZ-2
P0600.035-050-ZP	3.5	50	6.8	2.1	PZ-2
P0600.035-060-ZP	3.5	60	6.8	2.1	PZ-2
P0600.039-006-ZP	3.9	6.5	7.5	2.3	PZ-2
P0600.039-009-ZP	3.9	9.5	7.5	2.3	PZ-2
P0600.039-013-ZP	3.9	13	7.5	2.3	PZ-2
P0600.039-016-ZP	3.9	16	7.5	2.3	PZ-2
P0600.039-019-ZP	3.9	19	7.5	2.3	PZ-2
P0600.039-022-ZP	3.9	22	7.5	2.3	PZ-2
P0600.039-025-ZP	3.9	25	7.5	2.3	PZ-2



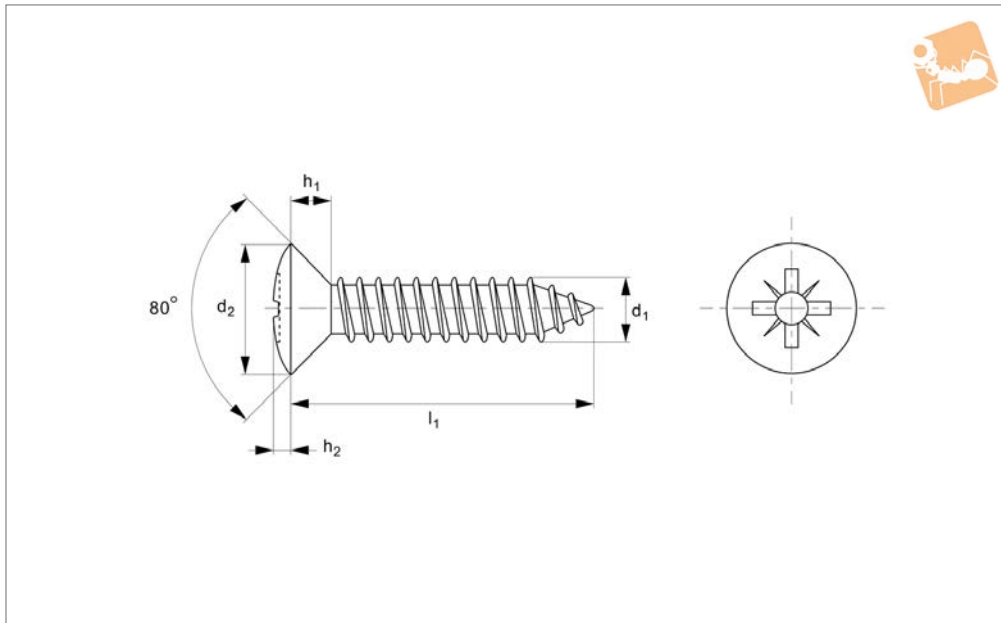
SELF TAPPERS

Order No.	d ₁	l ₁	d ₂	h ₁	Size
P0600.039-032-ZP	3.9	32	7.5	2.3	PZ-2
P0600.039-038-ZP	3.9	38	7.5	2.3	PZ-2
P0600.039-045-ZP	3.9	45	7.5	2.3	PZ-2
P0600.039-050-ZP	3.9	50	7.5	2.3	PZ-2
P0600.039-060-ZP	3.9	60	7.5	2.3	PZ-2
P0600.039-070-ZP	3.9	70	7.5	2.3	PZ-2
P0600.039-080-ZP	3.9	80	7.5	2.3	PZ-2
P0600.042-009-ZP	4.2	9.5	8.1	2.5	PZ-2
P0600.042-013-ZP	4.2	13	8.1	2.5	PZ-2
P0600.042-016-ZP	4.2	16	8.1	2.5	PZ-2
P0600.042-019-ZP	4.2	19	8.1	2.5	PZ-2
P0600.042-022-ZP	4.2	22	8.1	2.5	PZ-2
P0600.042-025-ZP	4.2	25	8.1	2.5	PZ-2
P0600.042-032-ZP	4.2	32	8.1	2.5	PZ-2
P0600.042-038-ZP	4.2	38	8.1	2.5	PZ-2
P0600.042-045-ZP	4.2	45	8.1	2.5	PZ-2
P0600.042-050-ZP	4.2	50	8.1	2.5	PZ-2
P0600.042-060-ZP	4.2	60	8.1	2.5	PZ-2
P0600.042-070-ZP	4.2	70	8.1	2.5	PZ-2
P0600.042-080-ZP	4.2	80	8.1	2.5	PZ-2
P0600.048-009-ZP	4.8	9.5	9.5	3.0	PZ-2
P0600.048-013-ZP	4.8	13	9.5	3.0	PZ-2
P0600.048-016-ZP	4.8	16	9.5	3.0	PZ-2
P0600.048-019-ZP	4.8	19	9.5	3.0	PZ-2
P0600.048-022-ZP	4.8	22	9.5	3.0	PZ-2
P0600.048-025-ZP	4.8	25	9.5	3.0	PZ-2
P0600.048-032-ZP	4.8	32	9.5	3.0	PZ-2
P0600.048-038-ZP	4.8	38	9.5	3.0	PZ-2
P0600.048-045-ZP	4.8	45	9.5	3.0	PZ-2
P0600.048-050-ZP	4.8	50	9.5	3.0	PZ-2
P0600.048-060-ZP	4.8	60	9.5	3.0	PZ-2
P0600.048-070-ZP	4.8	70	9.5	3.0	PZ-2
P0600.048-080-ZP	4.8	80	9.5	3.0	PZ-2
P0600.048-090-ZP	4.8	90	9.5	3.0	PZ-2
P0600.048-100-ZP	4.8	100	9.5	3.0	PZ-2
P0600.055-013-ZP	5.5	13	10.8	3.4	PZ-3
P0600.055-016-ZP	5.5	16	10.8	3.4	PZ-3
P0600.055-019-ZP	5.5	19	10.8	3.4	PZ-3
P0600.055-022-ZP	5.5	22	10.8	3.4	PZ-3
P0600.055-025-ZP	5.5	25	10.8	3.4	PZ-3
P0600.055-032-ZP	5.5	32	10.8	3.4	PZ-3
P0600.055-038-ZP	5.5	38	10.8	3.4	PZ-3
P0600.055-045-ZP	5.5	45	10.8	3.4	PZ-3
P0600.055-050-ZP	5.5	50	10.8	3.4	PZ-3
P0600.055-060-ZP	5.5	60	10.8	3.4	PZ-3
P0600.055-070-ZP	5.5	70	10.8	3.4	PZ-3
P0600.055-080-ZP	5.5	80	10.8	3.4	PZ-3
P0600.055-900-ZP	5.5	90	10.8	3.4	PZ-3
P0600.055-100-ZP	5.5	100	10.8	3.4	PZ-3
P0600.063-013-ZP	6.3	13	12.4	3.8	PZ-3
P0600.063-016-ZP	6.3	16	12.4	3.8	PZ-3
P0600.063-019-ZP	6.3	19	12.4	3.8	PZ-3
P0600.063-022-ZP	6.3	22	12.4	3.8	PZ-3
P0600.063-025-ZP	6.3	25	12.4	3.8	PZ-3
P0600.063-032-ZP	6.3	32	12.4	3.8	PZ-3
P0600.063-038-ZP	6.3	38	12.4	3.8	PZ-3
P0600.063-045-ZP	6.3	45	12.4	3.8	PZ-3
P0600.063-050-ZP	6.3	50	12.4	3.8	PZ-3
P0600.063-060-ZP	6.3	60	12.4	3.8	PZ-3
P0600.063-070-ZP	6.3	70	12.4	3.8	PZ-3
P0600.063-080-ZP	6.3	80	12.4	3.8	PZ-3
P0600.063-090-ZP	6.3	90	12.4	3.8	PZ-3
P0600.063-100-ZP	6.3	100	12.4	3.8	PZ-3



Raised C'sk Pozi AB Tappers

Raised pozi - steel, zinc-plated



P0601.ZP

SELF TAPPERS

Material

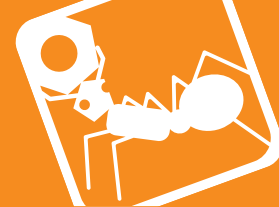
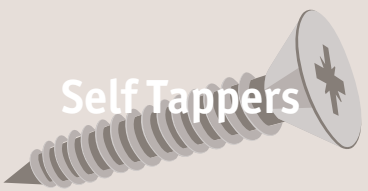
Steel, zinc-plated.
Also available as zinc-plated, black passi-

vated.

Technical Notes

To DIN 7983C-Z, ISO 7051 type C.

Order No.	d ₁	l ₁	d ₂	h ₁	h ₂	Size
P0601.022-006-ZP	2.2	6.5	4.3	1.3	0.7	PZ-1
P0601.022-009-ZP	2.2	9.5	4.3	1.3	0.7	PZ-1
P0601.022-013-ZP	2.2	13	4.3	1.3	0.7	PZ-1
P0601.022-016-ZP	2.2	16	4.3	1.3	0.7	PZ-1
P0601.022-019-ZP	2.2	19	4.3	1.3	0.7	PZ-1
P0601.022-022-ZP	2.2	22	4.3	1.3	0.7	PZ-1
P0601.022-025-ZP	2.2	25	4.3	1.3	0.7	PZ-1
P0601.022-032-ZP	2.2	32	4.3	1.3	0.7	PZ-1
P0601.029-006-ZP	2.9	6.5	5.5	1.7	0.9	PZ-1
P0601.029-009-ZP	2.9	9.5	5.5	1.7	0.9	PZ-1
P0601.029-013-ZP	2.9	13	5.5	1.7	0.9	PZ-1
P0601.029-016-ZP	2.9	16	5.5	1.7	0.9	PZ-1
P0601.029-019-ZP	2.9	19	5.5	1.7	0.9	PZ-1
P0601.029-022-ZP	2.9	22	5.5	1.7	0.9	PZ-1
P0601.029-025-ZP	2.9	25	5.5	1.7	0.9	PZ-1
P0601.029-032-ZP	2.9	32	5.5	1.7	0.9	PZ-1
P0601.029-038-ZP	2.9	38	5.5	1.7	0.9	PZ-1
P0601.035-006-ZP	3.5	6.5	6.8	2.1	1.2	PZ-2
P0601.035-009-ZP	3.5	9.5	6.8	2.1	1.2	PZ-2
P0601.035-013-ZP	3.5	13	6.8	2.1	1.2	PZ-2
P0601.035-016-ZP	3.5	16	6.8	2.1	1.2	PZ-2
P0601.035-019-ZP	3.5	19	6.8	2.1	1.2	PZ-2
P0601.035-022-ZP	3.5	22	6.8	2.1	1.2	PZ-2
P0601.035-025-ZP	3.5	25	6.8	2.1	1.2	PZ-2
P0601.035-032-ZP	3.5	32	6.8	2.1	1.2	PZ-2
P0601.035-038-ZP	3.5	38	6.8	2.1	1.2	PZ-2
P0601.035-045-ZP	3.5	45	6.8	2.1	1.2	PZ-2
P0601.035-050-ZP	3.5	50	6.8	2.1	1.2	PZ-2
P0601.039-006-ZP	3.9	6.5	7.5	2.3	1.3	PZ-2
P0601.039-009-ZP	3.9	9.5	7.5	2.3	1.3	PZ-2
P0601.039-013-ZP	3.9	13	7.5	2.3	1.3	PZ-2
P0601.039-016-ZP	3.9	16	7.5	2.3	1.3	PZ-2
P0601.039-019-ZP	3.9	19	7.5	2.3	1.3	PZ-2
P0601.039-022-ZP	3.9	22	7.5	2.3	1.3	PZ-2
P0601.039-025-ZP	3.9	25	7.5	2.3	1.3	PZ-2



SELF TAPPERS

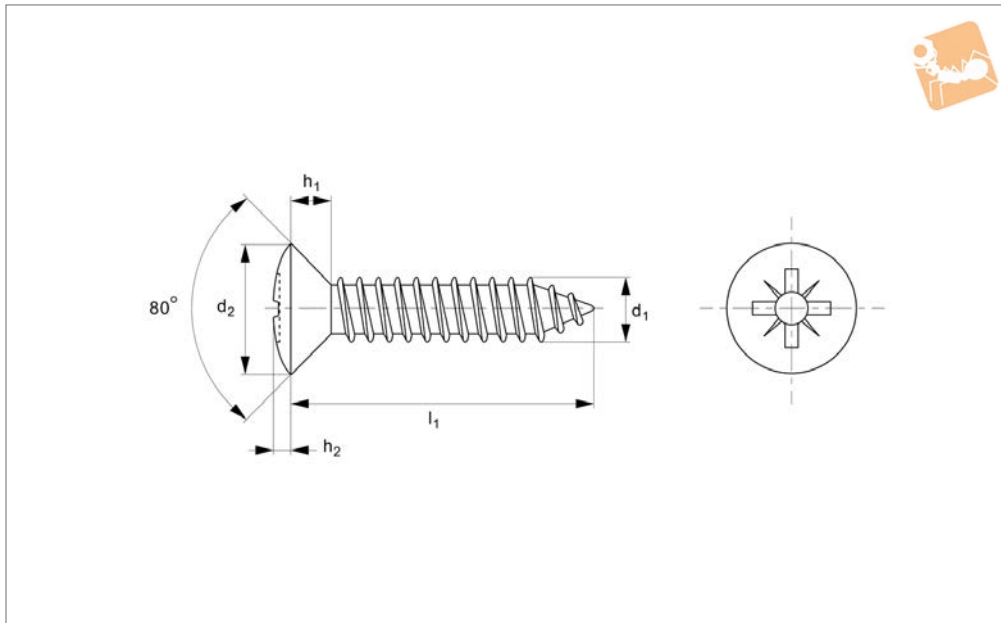
Order No.	d ₁	l ₁	d ₂	h ₁	h ₂	Size
P0601.039-032-ZP	3.9	32	7.5	2.3	1.3	PZ-2
P0601.039-038-ZP	3.9	38	7.5	2.3	1.3	PZ-2
P0601.039-045-ZP	3.9	45	7.5	2.3	1.3	PZ-2
P0601.039-050-ZP	3.9	50	7.5	2.3	1.3	PZ-2
P0601.039-060-ZP	3.9	60	7.5	2.3	1.3	PZ-2
P0601.039-070-ZP	3.9	70	7.5	2.3	1.3	PZ-2
P0601.042-009-ZP	4.2	9.5	8.1	2.5	1.4	PZ-2
P0601.042-013-ZP	4.2	13	8.1	2.5	1.4	PZ-2
P0601.042-016-ZP	4.2	16	8.1	2.5	1.4	PZ-2
P0601.042-019-ZP	4.2	19	8.1	2.5	1.4	PZ-2
P0601.042-022-ZP	4.2	22	8.1	2.5	1.4	PZ-2
P0601.042-025-ZP	4.2	25	8.1	2.5	1.4	PZ-2
P0601.042-032-ZP	4.2	32	8.1	2.5	1.4	PZ-2
P0601.042-038-ZP	4.2	38	8.1	2.5	1.4	PZ-2
P0601.042-045-ZP	4.2	45	8.1	2.5	1.4	PZ-2
P0601.042-050-ZP	4.2	50	8.1	2.5	1.4	PZ-2
P0601.042-060-ZP	4.2	60	8.1	2.5	1.4	PZ-2
P0601.042-070-ZP	4.2	70	8.1	2.5	1.4	PZ-2
P0601.042-080-ZP	4.2	80	8.1	2.5	1.4	PZ-2
P0601.048-009-ZP	4.8	9.5	9.5	3.0	1.5	PZ-2
P0601.048-013-ZP	4.8	13	9.5	3.0	1.5	PZ-2
P0601.048-016-ZP	4.8	16	9.5	3.0	1.5	PZ-2
P0601.048-019-ZP	4.8	19	9.5	3.0	1.5	PZ-2
P0601.048-022-ZP	4.8	22	9.5	3.0	1.5	PZ-2
P0601.048-025-ZP	4.8	25	9.5	3.0	1.5	PZ-2
P0601.048-032-ZP	4.8	32	9.5	3.0	1.5	PZ-2
P0601.048-038-ZP	4.8	38	9.5	3.0	1.5	PZ-2
P0601.048-045-ZP	4.8	45	9.5	3.0	1.5	PZ-2
P0601.048-050-ZP	4.8	50	9.5	3.0	1.5	PZ-2
P0601.048-060-ZP	4.8	60	9.5	3.0	1.5	PZ-2
P0601.048-070-ZP	4.8	70	9.5	3.0	1.5	PZ-2
P0601.048-080-ZP	4.8	80	9.5	3.0	1.5	PZ-2
P0601.048-090-ZP	4.8	90	9.5	3.0	1.5	PZ-2
P0601.048-100-ZP	4.8	100	9.5	3.0	1.5	PZ-2
P0601.055-009-ZP	5.5	9.5	10.8	3.4	1.7	PZ-3
P0601.055-013-ZP	5.5	13	10.8	3.4	1.7	PZ-3
P0601.055-016-ZP	5.5	16	10.8	3.4	1.7	PZ-3
P0601.055-019-ZP	5.5	19	10.8	3.4	1.7	PZ-3
P0601.055-022-ZP	5.5	22	10.8	3.4	1.7	PZ-3
P0601.055-025-ZP	5.5	25	10.8	3.4	1.7	PZ-3
P0601.055-032-ZP	5.5	32	10.8	3.4	1.7	PZ-3
P0601.055-038-ZP	5.5	38	10.8	3.4	1.7	PZ-3
P0601.055-045-ZP	5.5	45	10.8	3.4	1.7	PZ-3
P0601.055-050-ZP	5.5	50	10.8	3.4	1.7	PZ-3
P0601.055-060-ZP	5.5	60	10.8	3.4	1.7	PZ-3
P0601.055-070-ZP	5.5	70	10.8	3.4	1.7	PZ-3
P0601.055-080-ZP	5.5	80	10.8	3.4	1.7	PZ-3
P0601.055-090-ZP	5.5	90	10.8	3.4	1.7	PZ-3
P0601.055-100-ZP	5.5	100	10.8	3.4	1.7	PZ-3
P0601.063-013-ZP	6.3	13	12.4	3.8	2.0	PZ-3
P0601.063-016-ZP	6.3	16	12.4	3.8	2.0	PZ-3
P0601.063-019-ZP	6.3	19	12.4	3.8	2.0	PZ-3
P0601.063-022-ZP	6.3	22	12.4	3.8	2.0	PZ-3
P0601.063-025-ZP	6.3	25	12.4	3.8	2.0	PZ-3
P0601.063-032-ZP	6.3	32	12.4	3.8	2.0	PZ-3
P0601.063-038-ZP	6.3	38	12.4	3.8	2.0	PZ-3
P0601.063-045-ZP	6.3	45	12.4	3.8	2.0	PZ-3
P0601.063-050-ZP	6.3	50	12.4	3.8	2.0	PZ-3
P0601.063-060-ZP	6.3	60	12.4	3.8	2.0	PZ-3
P0601.063-070-ZP	6.3	70	12.4	3.8	2.0	PZ-3
P0601.063-080-ZP	6.3	80	12.4	3.8	2.0	PZ-3
P0601.063-090-ZP	6.3	90	12.4	3.8	2.0	PZ-3
P0601.063-100-ZP	6.3	100	12.4	3.8	2.0	PZ-3



Stainless Raised C'sk Pozi AB Tappers

Raised pozi - A2 stainless

Self Tappers



P0601.A2

SELF TAPPERS

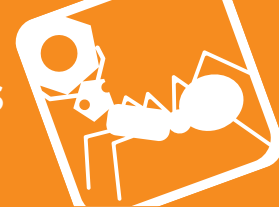
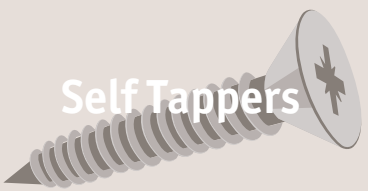
Material

Stainless steel (A2, AISI 303).

Technical Notes

To DIN 7983C-Z, ISO 7051 type C.

Order No.	d ₁	l ₁	d ₂	h ₁	h ₂	Size
P0601.022-006-A2	2.2	6.5	4.3	1.3	0.7	PZ-1
P0601.022-009-A2	2.2	9.5	4.3	1.3	0.7	PZ-1
P0601.022-013-A2	2.2	13	4.3	1.3	0.7	PZ-1
P0601.022-016-A2	2.2	16	4.3	1.3	0.7	PZ-1
P0601.022-019-A2	2.2	19	4.3	1.3	0.7	PZ-1
P0601.022-022-A2	2.2	22	4.3	1.3	0.7	PZ-1
P0601.022-025-A2	2.2	5	4.3	1.3	0.7	PZ-1
P0601.022-032-A2	2.2	32	4.3	1.3	0.7	PZ-1
P0601.029-006-A2	2.9	6.5	5.5	1.7	0.9	PZ-1
P0601.029-009-A2	2.9	9.5	5.5	1.7	0.9	PZ-1
P0601.029-013-A2	2.9	13	5.5	1.7	0.9	PZ-1
P0601.029-016-A2	2.9	6	5.5	1.7	0.9	PZ-1
P0601.029-019-A2	2.9	9	5.5	1.7	0.9	PZ-1
P0601.029-022-A2	2.9	22	5.5	1.7	0.9	PZ-1
P0601.029-025-A2	2.9	25	5.5	1.7	0.9	PZ-1
P0601.029-032-A2	2.9	32	5.5	1.7	0.9	PZ-1
P0601.029-038-A2	2.9	38	5.5	1.7	0.9	PZ-1
P0601.035-006-A2	3.5	6.5	6.8	2.1	1.2	PZ-2
P0601.035-009-A2	3.5	9.5	6.8	2.1	1.2	PZ-2
P0601.035-013-A2	3.5	13	6.8	2.1	1.2	PZ-2
P0601.035-016-A2	3.5	16	6.8	2.1	1.2	PZ-2
P0601.035-019-A2	3.5	19	6.8	2.1	1.2	PZ-2
P0601.035-022-A2	3.5	22	6.8	2.1	1.2	PZ-2
P0601.035-025-A2	3.5	25	6.8	2.1	1.2	PZ-2
P0601.035-032-A2	3.5	32	6.8	2.1	1.2	PZ-2
P0601.035-038-A2	3.5	38	6.8	2.1	1.2	PZ-2
P0601.035-045-A2	3.5	45	6.8	2.1	1.2	PZ-2
P0601.035-050-A2	3.5	50	6.8	2.1	1.2	PZ-2
P0601.039-006-A2	3.9	6.5	7.5	2.3	1.3	PZ-2
P0601.039-009-A2	3.9	9.5	7.5	2.3	1.3	PZ-2
P0601.039-013-A2	3.9	13	7.5	2.3	1.3	PZ-2
P0601.039-016-A2	3.9	16	7.5	2.3	1.3	PZ-2
P0601.039-019-A2	3.9	19	7.5	2.3	1.3	PZ-2
P0601.039-022-A2	3.9	22	7.5	2.3	1.3	PZ-2
P0601.039-025-A2	3.9	25	7.5	2.3	1.3	PZ-2



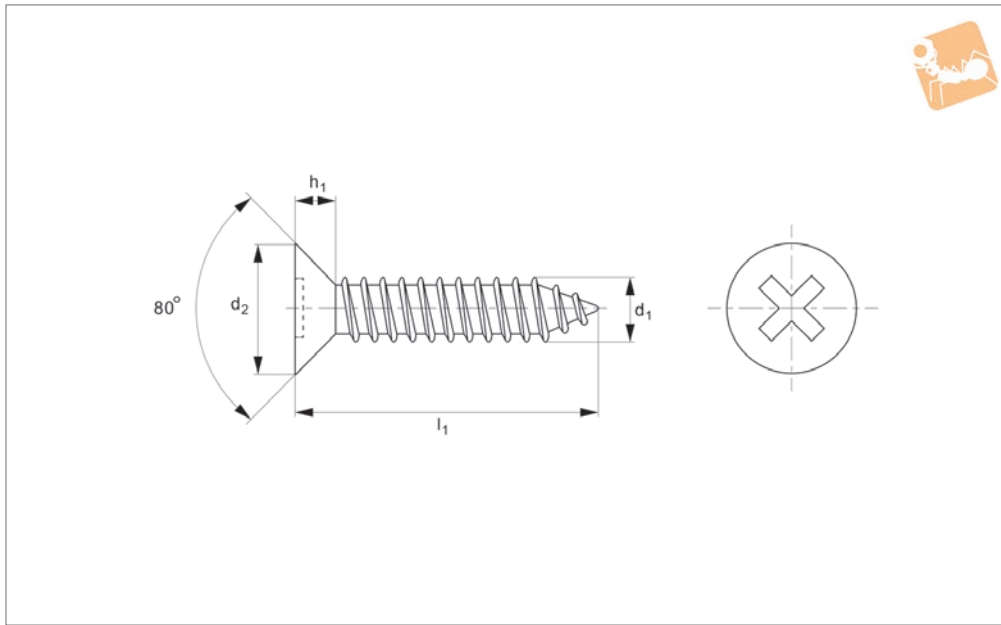
SELF TAPPERS

Order No.	d ₁	l ₁	d ₂	h ₁	h ₂	Size
P0601.039-032-A2	3.9	32	7.5	2.3	1.3	PZ-2
P0601.039-038-A2	3.9	38	7.5	2.3	1.3	PZ-2
P0601.039-045-A2	3.9	45	7.5	2.3	1.3	PZ-2
P0601.039-050-A2	3.9	50	7.5	2.3	1.3	PZ-2
P0601.039-060-A2	3.9	60	7.5	2.3	1.3	PZ-2
P0601.039-070-A2	3.9	70	7.5	2.3	1.3	PZ-2
P0601.042-009-A2	4.2	9.5	8.1	2.5	1.4	PZ-2
P0601.042-013-A2	4.2	13	8.1	2.5	1.4	PZ-2
P0601.042-016-A2	4.2	16	8.1	2.5	1.4	PZ-2
P0601.042-019-A2	4.2	19	8.1	2.5	1.4	PZ-2
P0601.042-022-A2	4.2	22	8.1	2.5	1.4	PZ-2
P0601.042-025-A2	4.2	25	8.1	2.5	1.4	PZ-2
P0601.042-032-A2	4.2	32	8.1	2.5	1.4	PZ-2
P0601.042-038-A2	4.2	38	8.1	2.5	1.4	PZ-2
P0601.042-045-A2	4.2	45	8.1	2.5	1.4	PZ-2
P0601.042-050-A2	4.2	50	8.1	2.5	1.4	PZ-2
P0601.042-060-A2	4.2	60	8.1	2.5	1.4	PZ-2
P0601.042-070-A2	4.2	70	8.1	2.5	1.4	PZ-2
P0601.042-080-A2	4.2	80	8.1	2.5	1.4	PZ-2
P0601.048-009-A2	4.8	9.5	9.5	3.0	1.5	PZ-2
P0601.048-013-A2	4.8	13	9.5	3.0	1.5	PZ-2
P0601.048-016-A2	4.8	16	9.5	3.0	1.5	PZ-2
P0601.048-019-A2	4.8	19	9.5	3.0	1.5	PZ-2
P0601.048-022-A2	4.8	22	9.5	3.0	1.5	PZ-2
P0601.048-025-A2	4.8	5	9.5	3.0	1.5	PZ-2
P0601.048-032-A2	4.8	32	9.5	3.0	1.5	PZ-2
P0601.048-038-A2	4.8	38	9.5	3.0	1.5	PZ-2
P0601.048-045-A2	4.8	45	9.5	3.0	1.5	PZ-2
P0601.048-050-A2	4.8	50	9.5	3.0	1.5	PZ-2
P0601.048-060-A2	4.8	60	9.5	3.0	1.5	PZ-2
P0601.048-070-A2	4.8	70	9.5	3.0	1.5	PZ-2
P0601.048-080-A2	4.8	80	9.5	3.0	1.5	PZ-2
P0601.048-090-A2	4.8	90	9.5	3.0	1.5	PZ-2
P0601.048-100-A2	4.8	100	9.5	3.0	1.5	PZ-2
P0601.055-009-A2	5.5	9.5	10.8	3.4	1.7	PZ-3
P0601.055-013-A2	5.5	13	10.8	3.4	1.7	PZ-3
P0601.055-016-A2	5.5	16	10.8	3.4	1.7	PZ-3
P0601.055-019-A2	5.5	19	10.8	3.4	1.7	PZ-3
P0601.055-022-A2	5.5	22	10.8	3.4	1.7	PZ-3
P0601.055-025-A2	5.5	25	10.8	3.4	1.7	PZ-3
P0601.055-032-A2	5.5	32	10.8	3.4	1.7	PZ-3
P0601.055-038-A2	5.5	38	10.8	3.4	1.7	PZ-3
P0601.055-045-A2	5.5	45	10.8	3.4	1.7	PZ-3
P0601.055-050-A2	5.5	50	10.8	3.4	1.7	PZ-3
P0601.055-060-A2	5.5	60	10.8	3.4	1.7	PZ-3
P0601.055-070-A2	5.5	70	10.8	3.4	1.7	PZ-3
P0601.055-080-A2	5.5	80	10.8	3.4	1.7	PZ-3
P0601.055-090-A2	5.5	90	10.8	3.4	1.7	PZ-3
P0601.055-100-A2	5.5	100	10.8	3.4	1.7	PZ-3
P0601.063-013-A2	6.3	13	12.4	3.8	2.0	PZ-3
P0601.063-016-A2	6.3	16	12.4	3.8	2.0	PZ-3
P0601.063-019-A2	6.3	19	12.4	3.8	2.0	PZ-3
P0601.063-022-A2	6.3	22	12.4	3.8	2.0	PZ-3
P0601.063-025-A2	6.3	25	12.4	3.8	2.0	PZ-3
P0601.063-032-A2	6.3	32	12.4	3.8	2.0	PZ-3
P0601.063-038-A2	6.3	38	12.4	3.8	2.0	PZ-3
P0601.063-045-A2	6.3	45	12.4	3.8	2.0	PZ-3
P0601.063-050-A2	6.3	50	12.4	3.8	2.0	PZ-3
P0601.063-060-A2	6.3	60	12.4	3.8	2.0	PZ-3
P0601.063-070-A2	6.3	70	12.4	3.8	2.0	PZ-3
P0601.063-080-A2	6.3	80	12.4	3.8	2.0	PZ-3
P0601.063-090-A2	6.3	90	12.4	3.8	2.0	PZ-3
P0601.063-100-A2	6.3	100	12.4	3.8	2.0	v



C'sunk Phillips AB Tappers

Phillips - steel, zinc-plated



P0604.ZP

SELF TAPPERS

Material

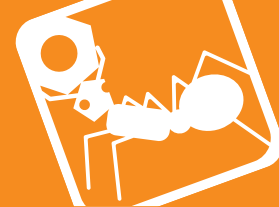
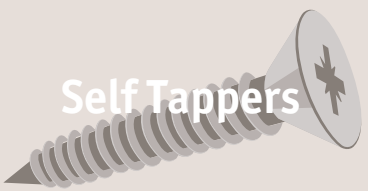
Steel, zinc-plated.
Also available as zinc-plated, black passi-

vated.

Technical Notes

To DIN 7982C-H, ISO 7050 type C.

Order No.	d ₁	l ₁	d ₂	h ₁	Size
P0604.022-006-ZP	2.2	6.5	4.3	1.3	PH-1
P0604.022-009-ZP	2.2	9.5	4.3	1.3	PH-1
P0604.022-013-ZP	2.2	13	4.3	1.3	PH-1
P0604.022-016-ZP	2.2	16	4.3	1.3	PH-1
P0604.022-019-ZP	2.2	19	4.3	1.3	PH-1
P0604.022-022-ZP	2.2	22	4.3	1.3	PH-1
P0604.022-025-ZP	2.2	25	4.3	1.3	PH-1
P0604.022-032-ZP	2.2	32	4.3	1.3	PH-1
P0604.029-006-ZP	2.9	6.5	5.5	1.7	PH-1
P0604.029-009-ZP	2.9	9.5	5.5	1.7	PH-1
P0604.029-013-ZP	2.9	13	5.5	1.7	PH-1
P0604.029-016-ZP	2.9	16	5.5	1.7	PH-1
P0604.029-019-ZP	2.9	19	5.5	1.7	PH-1
P0604.029-022-ZP	2.9	22	5.5	1.7	PH-1
P0604.029-025-ZP	2.9	25	5.5	1.7	PH-1
P0604.029-032-ZP	2.9	32	5.5	1.7	PH-1
P0604.029-038-ZP	2.9	38	5.5	1.7	PH-1
P0604.035-006-ZP	3.5	6.5	6.8	2.1	PH-2
P0604.035-009-ZP	3.5	9.5	6.8	2.1	PH-2
P0604.035-013-ZP	3.5	13	6.8	2.1	PH-2
P0604.035-016-ZP	3.5	16	6.8	2.1	PH-2
P0604.035-019-ZP	3.5	19	6.8	2.1	PH-2
P0604.035-022-ZP	3.5	22	6.8	2.1	PH-2
P0604.035-025-ZP	3.5	25	6.8	2.1	PH-2
P0604.035-032-ZP	3.5	32	6.8	2.1	PH-2
P0604.035-038-ZP	3.5	38	6.8	2.1	PH-2
P0604.035-045-ZP	3.5	45	6.8	2.1	PH-2
P0604.035-050-ZP	3.5	50	6.8	2.1	PH-2
P0604.035-060-ZP	3.5	60	6.8	2.1	PH-2
P0604.035-070-ZP	3.5	70	6.8	2.1	PH-2
P0604.039-006-ZP	3.9	6.5	7.5	2.3	PH-2
P0604.039-009-ZP	3.9	9.5	7.5	2.3	PH-2
P0604.039-013-ZP	3.9	13	7.5	2.3	PH-2
P0604.039-016-ZP	3.9	16	7.5	2.3	PH-2
P0604.039-019-ZP	3.9	19	7.5	2.3	PH-2



SELF TAPPERS

Order No.	d ₁	l ₁	d ₂	h ₁	Size
P0604.039-022-ZP	3.9	22	7.5	2.3	PH-2
P0604.039-025-ZP	3.9	25	7.5	2.3	PH-2
P0604.039-032-ZP	3.9	32	7.5	2.3	PH-2
P0604.039-038-ZP	3.9	38	7.5	2.3	PH-2
P0604.039-045-ZP	3.9	45	7.5	2.3	PH-2
P0604.039-050-ZP	3.9	50	7.5	2.3	PH-2
P0604.039-060-ZP	3.9	60	7.5	2.3	PH-2
P0604.039-070-ZP	3.9	70	7.5	2.3	PH-2
P0604.042-009-ZP	4.2	9.5	8.1	2.5	PH-2
P0604.042-013-ZP	4.2	13	8.1	2.5	PH-2
P0604.042-016-ZP	4.2	16	8.1	2.5	PH-2
P0604.042-019-ZP	4.2	19	8.1	2.5	PH-2
P0604.042-022-ZP	4.2	22	8.1	2.5	PH-2
P0604.042-025-ZP	4.2	25	8.1	2.5	PH-2
P0604.042-032-ZP	4.2	32	8.1	2.5	PH-2
P0604.042-038-ZP	4.2	38	8.1	2.5	PH-2
P0604.042-045-ZP	4.2	45	8.1	2.5	PH-2
P0604.042-050-ZP	4.2	50	8.1	2.5	PH-2
P0604.042-060-ZP	4.2	60	8.1	2.5	PH-2
P0604.042-070-ZP	4.2	70	8.1	2.5	PH-2
P0604.042-080-ZP	4.2	80	8.1	2.5	PH-2
P0604.042-090-ZP	4.2	90	8.1	2.5	PH-2
P0604.042-100-ZP	4.2	100	8.1	2.5	PH-2
P0604.048-009-ZP	4.8	9.5	9.5	3.0	PH-2
P0604.048-013-ZP	4.8	13	9.5	3.0	PH-2
P0604.048-016-ZP	4.8	16	9.5	3.0	PH-2
P0604.048-019-ZP	4.8	19	9.5	3.0	PH-2
P0604.048-022-ZP	4.8	22	9.5	3.0	PH-2
P0604.048-025-ZP	4.8	25	9.5	3.0	PH-2
P0604.048-032-ZP	4.8	32	9.5	3.0	PH-2
P0604.048-038-ZP	4.8	38	9.5	3.0	PH-2
P0604.048-045-ZP	4.8	45	9.5	3.0	PH-2
P0604.048-050-ZP	4.8	50	9.5	3.0	PH-2
P0604.048-060-ZP	4.8	60	9.5	3.0	PH-2
P0604.048-070-ZP	4.8	70	9.5	3.0	PH-2
P0604.048-080-ZP	4.8	80	9.5	3.0	PH-2
P0604.048-090-ZP	4.8	90	9.5	3.0	PH-2
P0604.048-100-ZP	4.8	100	9.5	3.0	PH-2
P0604.048-120-ZP	4.8	120	9.5	3.0	PH-2
P0604.055-013-ZP	5.5	13	10.8	3.4	PH-3
P0604.055-016-ZP	5.5	16	10.8	3.4	PH-3
P0604.055-019-ZP	5.5	19	10.8	3.4	PH-3
P0604.055-022-ZP	5.5	22	10.8	3.4	PH-3
P0604.055-025-ZP	5.5	25	10.8	3.4	PH-3
P0604.055-032-ZP	5.5	32	10.8	3.4	PH-3
P0604.055-038-ZP	5.5	38	10.8	3.4	PH-3
P0604.055-045-ZP	5.5	45	10.8	3.4	PH-3
P0604.055-050-ZP	5.5	50	10.8	3.4	PH-3
P0604.055-060-ZP	5.5	60	10.8	3.4	PH-3
P0604.055-070-ZP	5.5	70	10.8	3.4	PH-3
P0604.055-080-ZP	5.5	80	10.8	3.4	PH-3
P0604.055-090-ZP	5.5	90	10.8	3.4	PH-3
P0604.055-100-ZP	5.5	100	10.8	3.4	PH-3
P0604.055-120-ZP	5.5	120	10.8	3.4	PH-3
P0604.063-013-ZP	6.3	13	12.4	3.8	PH-3
P0604.063-016-ZP	6.3	16	12.4	3.8	PH-3
P0604.063-019-ZP	6.3	19	12.4	3.8	PH-3
P0604.063-022-ZP	6.3	22	12.4	3.8	PH-3
P0604.063-025-ZP	6.3	25	12.4	3.8	PH-3
P0604.063-032-ZP	6.3	32	12.4	3.8	PH-3
P0604.063-038-ZP	6.3	38	12.4	3.8	PH-3
P0604.063-045-ZP	6.3	45	12.4	3.8	PH-3
P0604.063-050-ZP	6.3	50	12.4	3.8	PH-3
P0604.063-060-ZP	6.3	60	12.4	3.8	PH-3
P0604.063-070-ZP	6.3	70	12.4	3.8	PH-3
P0604.063-080-ZP	6.3	80	12.4	3.8	PH-3
P0604.063-090-ZP	6.3	90	12.4	3.8	PH-3
P0604.063-100-ZP	6.3	100	12.4	3.8	PH-3
P0604.063-120-ZP	6.3	120	12.4	3.8	PH-3

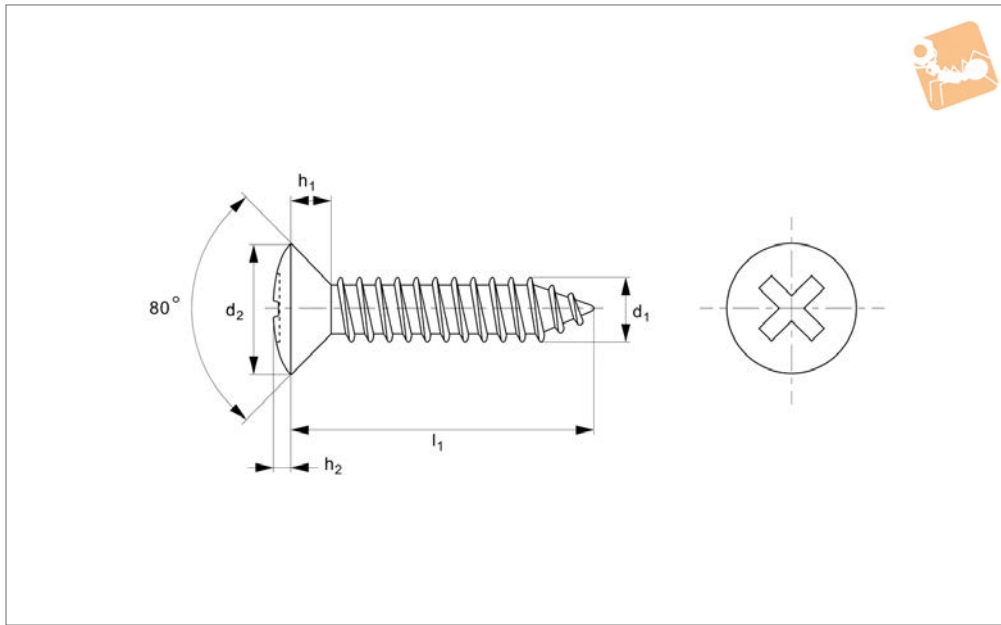


Raised C'sk Phillips AB Tappers

Raised phillips - steel, zinc-plated



Self Tappers



P0605.ZP

SELF TAPPERS

Material

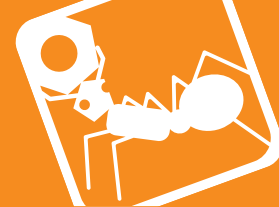
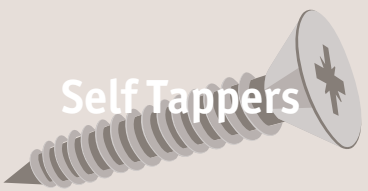
Steel, zinc-plated.
Also available as zinc-plated, black passi-

vated.

Technical Notes

To DIN 7983C-H, ISO 7051 type C.

Order No.	d ₁	l ₁	d ₂	h ₁	h ₂	Size
P0605.022-006-ZP	2.2	6.5	4.3	1.3	0.7	PH-1
P0605.022-009-ZP	2.2	9.5	4.3	1.3	0.7	PH-1
P0605.022-013-ZP	2.2	13	4.3	1.3	0.7	PH-1
P0605.022-016-ZP	2.2	16	4.3	1.3	0.7	PH-1
P0605.022-019-ZP	2.2	19	4.3	1.3	0.7	PH-1
P0605.022-022-ZP	2.2	22	4.3	1.3	0.7	PH-1
P0605.022-025-ZP	2.2	25	4.3	1.3	0.7	PH-1
P0605.022-032-ZP	2.2	32	4.3	1.3	0.7	PH-1
P0605.029-006-ZP	2.9	6.5	5.5	1.7	0.9	PH-1
P0605.029-009-ZP	2.9	9.5	5.5	1.7	0.9	PH-1
P0605.029-013-ZP	2.9	13	5.5	1.7	0.9	PH-1
P0605.029-016-ZP	2.9	16	5.5	1.7	0.9	PH-1
P0605.029-019-ZP	2.9	19	5.5	1.7	0.9	PH-1
P0605.029-022-ZP	2.9	22	5.5	1.7	0.9	PH-1
P0605.029-025-ZP	2.9	25	5.5	1.7	0.9	PH-1
P0605.029-032-ZP	2.9	32	5.5	1.7	0.9	PH-1
P0605.029-038-ZP	2.9	38	5.5	1.7	0.9	PH-1
P0605.035-006-ZP	3.5	6.5	6.8	2.1	1.2	PH-2
P0605.035-009-ZP	3.5	9.5	6.8	2.1	1.2	PH-2
P0605.035-013-ZP	3.5	13	6.8	2.1	1.2	PH-2
P0605.035-016-ZP	3.5	16	6.8	2.1	1.2	PH-2
P0605.035-019-ZP	3.5	19	6.8	2.1	1.2	PH-2
P0605.035-022-ZP	3.5	22	6.8	2.1	1.2	PH-2
P0605.035-025-ZP	3.5	25	6.8	2.1	1.2	PH-2
P0605.035-032-ZP	3.5	32	6.8	2.1	1.2	PH-2
P0605.035-038-ZP	3.5	38	6.8	2.1	1.2	PH-2
P0605.035-045-ZP	3.5	45	6.8	2.1	1.2	PH-2
P0605.035-050-ZP	3.5	50	6.8	2.1	1.2	PH-2
P0605.039-006-ZP	3.9	6.5	7.5	2.3	1.3	PH-2
P0605.039-009-ZP	3.9	9.5	7.5	2.3	1.3	PH-2
P0605.039-013-ZP	3.9	13	7.5	2.3	1.3	PH-2
P0605.039-016-ZP	3.9	16	7.5	2.3	1.3	PH-2
P0605.039-019-ZP	3.9	19	7.5	2.3	1.3	PH-2
P0605.039-022-ZP	3.9	22	7.5	2.3	1.3	PH-2
P0605.039-025-ZP	3.9	25	7.5	2.3	1.3	PH-2



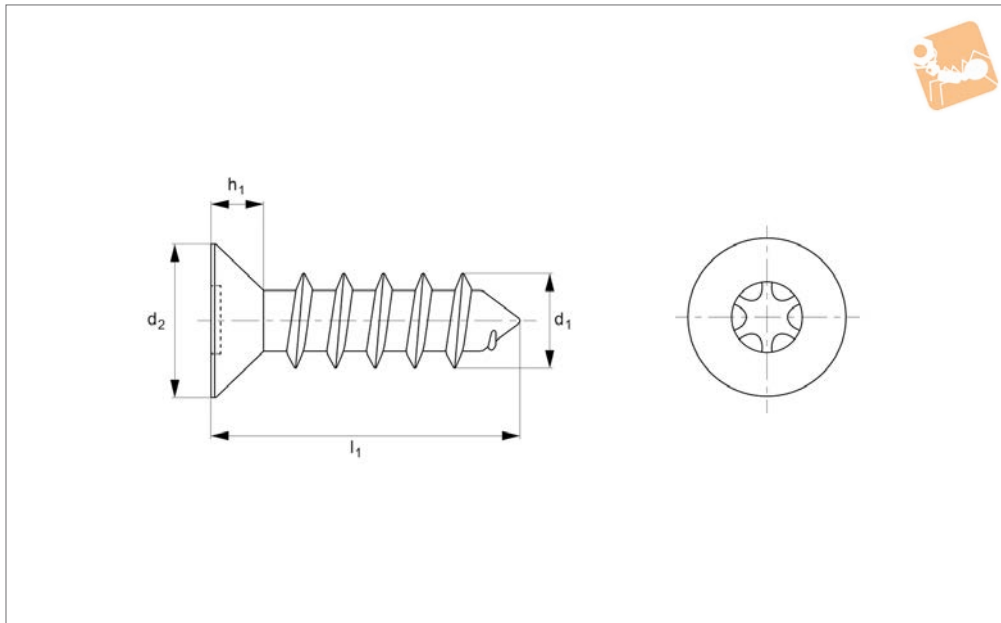
SELF TAPPERS

Order No.	d ₁	l ₁	d ₂	h ₁	h ₂	Size
P0605.039-032-ZP	3.9	32	7.5	2.3	1.3	PH-2
P0605.039-038-ZP	3.9	38	7.5	2.3	1.3	PH-2
P0605.039-045-ZP	3.9	45	7.5	2.3	1.3	PH-2
P0605.039-050-ZP	3.9	50	7.5	2.3	1.3	PH-2
P0605.039-060-ZP	3.9	60	7.5	2.3	1.3	PH-2
P0605.039-070-ZP	3.9	70	7.5	2.3	1.3	PH-2
P0605.042-009-ZP	4.2	9.5	8.1	2.5	1.4	PH-2
P0605.042-013-ZP	4.2	13	8.1	2.5	1.4	PH-2
P0605.042-016-ZP	4.2	16	8.1	2.5	1.4	PH-2
P0605.042-019-ZP	4.2	19	8.1	2.5	1.4	PH-2
P0605.042-022-ZP	4.2	22	8.1	2.5	1.4	PH-2
P0605.042-025-ZP	4.2	25	8.1	2.5	1.4	PH-2
P0605.042-032-ZP	4.2	32	8.1	2.5	1.4	PH-2
P0605.042-038-ZP	4.2	38	8.1	2.5	1.4	PH-2
P0605.042-045-ZP	4.2	45	8.1	2.5	1.4	PH-2
P0605.042-050-ZP	4.2	50	8.1	2.5	1.4	PH-2
P0605.042-060-ZP	4.2	60	8.1	2.5	1.4	PH-2
P0605.042-070-ZP	4.2	70	8.1	2.5	1.4	PH-2
P0605.042-080-ZP	4.2	80	8.1	2.5	1.4	PH-2
P0605.048-009-ZP	4.8	9.5	9.5	3.0	1.5	PH-2
P0605.048-013-ZP	4.8	13	9.5	3.0	1.5	PH-2
P0605.048-016-ZP	4.8	16	9.5	3.0	1.5	PH-2
P0605.048-019-ZP	4.8	19	9.5	3.0	1.5	PH-2
P0605.048-022-ZP	4.8	22	9.5	3.0	1.5	PH-2
P0605.048-025-ZP	4.8	25	9.5	3.0	1.5	PH-2
P0605.048-032-ZP	4.8	32	9.5	3.0	1.5	PH-2
P0605.048-038-ZP	4.8	38	9.5	3.0	1.5	PH-2
P0605.048-045-ZP	4.8	45	9.5	3.0	1.5	PH-2
P0605.048-050-ZP	4.8	50	9.5	3.0	1.5	PH-2
P0605.048-600-ZP	4.8	60	9.5	3.0	1.5	PH-2
P0605.048-070-ZP	4.8	70	9.5	3.0	1.5	PH-2
P0605.048-080-ZP	4.8	80	9.5	3.0	1.5	PH-2
P0605.048-090-ZP	4.8	90	9.5	3.0	1.5	PH-2
P0605.048-100-ZP	4.8	100	9.5	3.0	1.5	PH-2
P0605.055-009-ZP	5.5	9.5	10.8	3.4	1.7	PH-3
P0605.055-013-ZP	5.5	13	10.8	3.4	1.7	PH-3
P0605.055-016-ZP	5.5	16	10.8	3.4	1.7	PH-3
P0605.055-019-ZP	5.5	19	10.8	3.4	1.7	PH-3
P0605.055-022-ZP	5.5	22	10.8	3.4	1.7	PH-3
P0605.055-025-ZP	5.5	25	10.8	3.4	1.7	PH-3
P0605.055-032-ZP	5.5	32	10.8	3.4	1.7	PH-3
P0605.055-038-ZP	5.5	38	10.8	3.4	1.7	PH-3
P0605.055-045-ZP	5.5	45	10.8	3.4	1.7	PH-3
P0605.055-050-ZP	5.5	50	10.8	3.4	1.7	PH-3
P0605.055-060-ZP	5.5	60	10.8	3.4	1.7	PH-3
P0605.055-070-ZP	5.5	70	10.8	3.4	1.7	PH-3
P0605.055-080-ZP	5.5	80	10.8	3.4	1.7	PH-3
P0605.055-090-ZP	5.5	90	10.8	3.4	1.7	PH-3
P0605.055-100-ZP	5.5	100	10.8	3.4	1.7	PH-3
P0605.063-013-ZP	6.3	13	12.4	3.8	2.0	PH-3
P0605.063-016-ZP	6.3	16	12.4	3.8	2.0	PH-3
P0605.063-019-ZP	6.3	19	12.4	3.8	2.0	PH-3
P0605.063-022-ZP	6.3	22	12.4	3.8	2.0	PH-3
P0605.063-025-ZP	6.3	25	12.4	3.8	2.0	PH-3
P0605.063-032-ZP	6.3	32	12.4	3.8	2.0	PH-3
P0605.063-038-ZP	6.3	38	12.4	3.8	2.0	PH-3
P0605.063-045-ZP	6.3	45	12.4	3.8	2.0	PH-3
P0605.063-050-ZP	6.3	50	12.4	3.8	2.0	PH-3
P0605.063-060-ZP	6.3	60	12.4	3.8	2.0	PH-3
P0605.063-070-ZP	6.3	70	12.4	3.8	2.0	PH-3
P0605.063-080-ZP	6.3	80	12.4	3.8	2.0	PH-3
P0605.063-090-ZP	6.3	90	12.4	3.8	2.0	PH-3
P0605.063-100-ZP	6.3	100	12.4	3.8	2.0	PH-3



Countersunk TX AB Tappers

TX AB - steel, zinc-plated



P0607.ZP

SELF TAPPERS

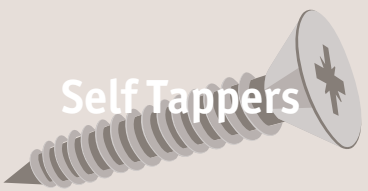
Material

Steel, zinc-plated.

Technical Notes

To DIN 7982C-TX.

Order No.	d ₁	l ₁	d ₂	h ₁	Size
P0607.029-009-ZP	2.9	9.5	5.5	1.7	TX-10
P0607.029-013-ZP	2.9	13	5.5	1.7	TX-10
P0607.029-016-ZP	2.9	16	5.5	1.7	TX-10
P0607.029-019-ZP	2.9	19	5.5	1.7	TX-10
P0607.029-022-ZP	2.9	22	5.5	1.7	TX-10
P0607.029-025-ZP	2.9	25	5.5	1.7	TX-10
P0607.035-009-ZP	3.5	9.5	6.8	2.1	TX-15
P0607.035-013-ZP	3.5	13	6.8	2.1	TX-15
P0607.035-016-ZP	3.5	16	6.8	2.1	TX-15
P0607.035-019-ZP	3.5	19	6.8	2.1	TX-15
P0607.035-022-ZP	3.5	22	6.8	2.1	TX-15
P0607.035-025-ZP	3.5	25	6.8	2.1	TX-15
P0607.035-032-ZP	3.5	32	6.8	2.1	TX-15
P0607.035-038-ZP	3.5	38	6.8	2.1	TX-15
P0607.035-045-ZP	3.5	45	6.8	2.1	TX-15
P0607.035-050-ZP	3.5	50	6.8	2.1	TX-15
P0607.039-009-ZP	3.9	9.5	7.5	2.3	TX-15
P0607.039-013-ZP	3.9	13	7.5	2.3	TX-15
P0607.039-016-ZP	3.9	16	7.5	2.3	TX-15
P0607.039-019-ZP	3.9	19	7.5	2.3	TX-15
P0607.039-022-ZP	3.9	22	7.5	2.3	TX-15
P0607.039-025-ZP	3.9	25	7.5	2.3	TX-15
P0607.039-032-ZP	3.9	32	7.5	2.3	TX-15
P0607.039-038-ZP	3.9	38	7.5	2.3	TX-15
P0607.039-045-ZP	3.9	45	7.5	2.3	TX-15
P0607.039-050-ZP	3.9	50	7.5	2.3	TX-15
P0607.039-060-ZP	3.9	60	7.5	2.3	TX-15
P0607.042-009-ZP	4.2	9.5	8.1	2.5	TX-20
P0607.042-013-ZP	4.2	13	8.1	2.5	TX-20
P0607.042-016-ZP	4.2	16	8.1	2.5	TX-20
P0607.042-019-ZP	4.2	19	8.1	2.5	TX-20
P0607.042-022-ZP	4.2	22	8.1	2.5	TX-20
P0607.042-025-ZP	4.2	25	8.1	2.5	TX-20
P0607.042-032-ZP	4.2	32	8.1	2.5	TX-20
P0607.042-038-ZP	4.2	38	8.1	2.5	TX-20



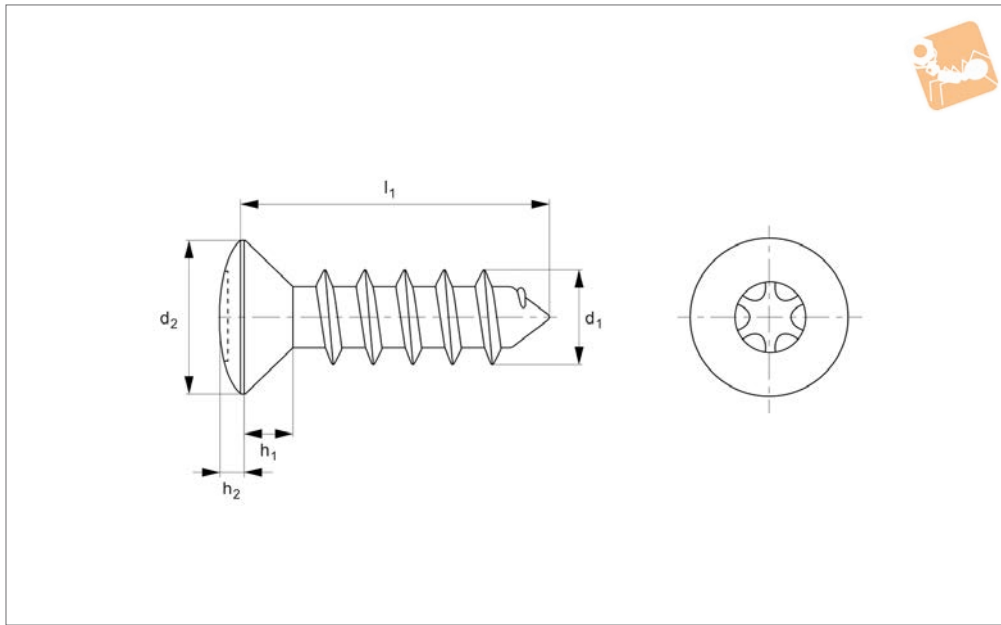
SELF TAPPERS

Order No.	d ₁	l ₁	d ₂	h ₁	Size
P0607.042-045-ZP	4.2	45	8.1	2.5	TX-20
P0607.042-050-ZP	4.2	50	8.1	2.5	TX-20
P0607.042-060-ZP	4.2	60	8.1	2.5	TX-20
P0607.048-013-ZP	4.8	13	9.5	3.0	TX-25
P0607.048-016-ZP	4.8	16	9.5	3.0	TX-25
P0607.048-019-ZP	4.8	19	9.5	3.0	TX-25
P0607.048-022-ZP	4.8	22	9.5	3.0	TX-25
P0607.048-025-ZP	4.8	25	9.5	3.0	TX-25
P0607.048-032-ZP	4.8	32	9.5	3.0	TX-25
P0607.048-038-ZP	4.8	38	9.5	3.0	TX-25
P0607.048-045-ZP	4.8	45	9.5	3.0	TX-25
P0607.048-050-ZP	4.8	50	9.5	3.0	TX-25
P0607.048-060-ZP	4.8	60	9.5	3.0	TX-25
P0607.055-013-ZP	5.5	13	10.8	3.4	TX-25
P0607.055-016-ZP	5.5	16	10.8	3.4	TX-25
P0607.055-019-ZP	5.5	19	10.8	3.4	TX-25
P0607.055-022-ZP	5.5	22	10.8	3.4	TX-25
P0607.055-025-ZP	5.5	25	10.8	3.4	TX-25
P0607.055-032-ZP	5.5	32	10.8	3.4	TX-25
P0607.055-038-ZP	5.5	38	10.8	3.4	TX-25
P0607.055-045-ZP	5.5	45	10.8	3.4	TX-25
P0607.055-050-ZP	5.5	50	10.8	3.4	TX-25
P0607.055-060-ZP	5.5	60	10.8	3.4	TX-25
P0607.063-013-ZP	6.3	13	12.4	3.8	TX-30
P0607.063-016-ZP	6.3	16	12.4	3.8	TX-30
P0607.063-019-ZP	6.3	19	12.4	3.8	TX-30
P0607.063-022-ZP	6.3	22	12.4	3.8	TX-30
P0607.063-025-ZP	6.3	25	12.4	3.8	TX-30
P0607.063-032-ZP	6.3	32	12.4	3.8	TX-30
P0607.063-038-ZP	6.3	38	12.4	3.8	TX-30
P0607.063-045-ZP	6.3	45	12.4	3.8	TX-30
P0607.063-050-ZP	6.3	50	12.4	3.8	TX-30
P0607.063-060-ZP	6.3	60	12.4	3.8	TX-30



Raised C'sunk TX AB Tappers

Raised TX AB - steel, zinc-plated



P0608.ZP

SELF TAPPERS

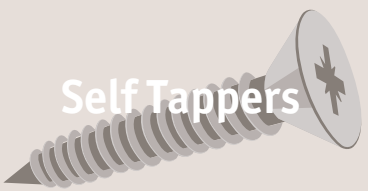
Material

Steel, zinc-plated.

Technical Notes

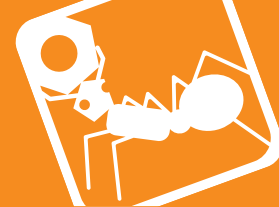
To DIN 7983C-TX.

Order No.	d ₁	l ₁	d ₂	h ₁	h ₂	Size
P0608.035-013-ZP	3.5	13	6.8	2.1	1.2	TX-15
P0608.035-016-ZP	3.5	16	6.8	2.1	1.2	TX-15
P0608.035-019-ZP	3.5	19	6.8	2.1	1.2	TX-15
P0608.035-022-ZP	3.5	22	6.8	2.1	1.2	TX-15
P0608.035-025-ZP	3.5	25	6.8	2.1	1.2	TX-15
P0608.035-032-ZP	3.5	32	6.8	2.1	1.2	TX-15
P0608.035-038-ZP	3.5	38	6.8	2.1	1.2	TX-15
P0608.039-013-ZP	3.9	13	7.5	2.3	1.3	TX-15
P0608.039-016-ZP	3.9	16	7.5	2.3	1.3	TX-15
P0608.039-019-ZP	3.9	19	7.5	2.3	1.3	TX-15
P0608.039-022-ZP	3.9	22	7.5	2.3	1.3	TX-15
P0608.039-025-ZP	3.9	25	7.5	2.3	1.3	TX-15
P0608.039-032-ZP	3.9	32	7.5	2.3	1.3	TX-15
P0608.039-038-ZP	3.9	38	7.5	2.3	1.3	TX-15
P0608.039-045-ZP	3.9	45	7.5	2.3	1.3	TX-15
P0608.039-050-ZP	3.9	50	7.5	2.3	1.3	TX-15
P0608.042-013-ZP	4.2	13	8.1	2.5	1.4	TX-20
P0608.042-016-ZP	4.2	16	8.1	2.5	1.4	TX-20
P0608.042-019-ZP	4.2	19	8.1	2.5	1.4	TX-20
P0608.042-022-ZP	4.2	22	8.1	2.5	1.4	TX-20
P0608.042-025-ZP	4.2	25	8.1	2.5	1.4	TX-20
P0608.042-032-ZP	4.2	32	8.1	2.5	1.4	TX-20
P0608.042-038-ZP	4.2	38	8.1	2.5	1.4	TX-20
P0608.042-045-ZP	4.2	45	8.1	2.5	1.4	TX-20
P0608.042-050-ZP	4.2	50	8.1	2.5	1.4	TX-20
P0608.042-060-ZP	4.2	60	8.1	2.5	1.4	TX-20
P0608.048-013-ZP	4.8	13	9.5	3.0	1.5	TX-20
P0608.048-016-ZP	4.8	16	9.5	3.0	1.5	TX-20
P0608.048-019-ZP	4.8	19	9.5	3.0	1.5	TX-20
P0608.048-022-ZP	4.8	22	9.5	3.0	1.5	TX-20
P0608.048-025-ZP	4.8	25	9.5	3.0	1.5	TX-20
P0608.048-032-ZP	4.8	32	9.5	3.0	1.5	TX-20
P0608.048-038-ZP	4.8	38	9.5	3.0	1.5	TX-20
P0608.048-045-ZP	4.8	45	9.5	3.0	1.5	TX-20
P0608.048-050-ZP	4.8	50	9.5	3.0	1.5	TX-20



Raised C'sunk TX AB Tappers

Raised TX AB - steel, zinc-plated



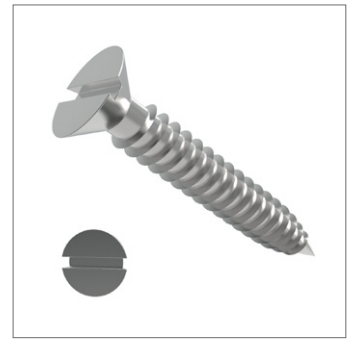
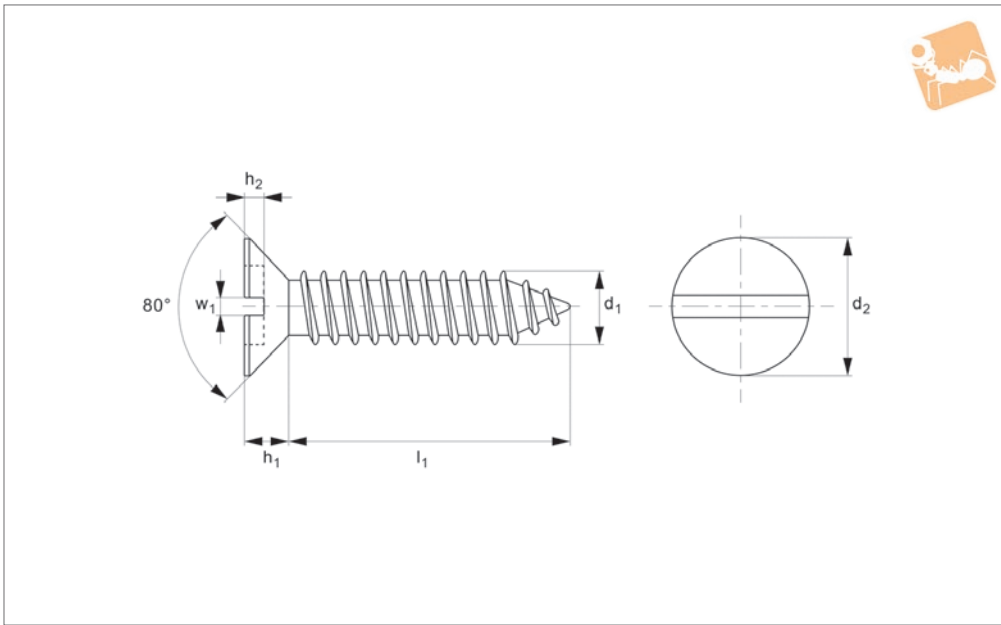
SELF TAPPERS

Order No.	d ₁	l ₁	d ₂	h ₁	h ₂	Size
P0608.048-060-ZP	4.8	60	9.5	3.0	1.5	TX-20
P0608.055-013-ZP	5.5	13	10.8	3.4	1.7	TX-25
P0608.055-016-ZP	5.5	16	10.8	3.4	1.7	TX-25
P0608.055-019-ZP	5.5	19	10.8	3.4	1.7	TX-25
P0608.055-022-ZP	5.5	22	10.8	3.4	1.7	TX-25
P0608.055-025-ZP	5.5	25	10.8	3.4	1.7	TX-25
P0608.055-032-ZP	5.5	32	10.8	3.4	1.7	TX-25
P0608.055-038-ZP	5.5	38	10.8	3.4	1.7	TX-25
P0608.055-050-ZP	5.5	50	10.8	3.4	1.7	TX-25
P0608.055-060-ZP	5.5	60	10.8	3.4	1.7	TX-25
P0608.063-025-ZP	6.3	25	12.4	3.8	2.0	TX-30
P0608.063-032-ZP	6.3	32	12.4	3.8	2.0	TX-30
P0608.063-038-ZP	6.3	38	12.4	3.8	2.0	TX-30
P0608.063-045-ZP	6.3	45	12.4	3.8	2.0	TX-30
P0608.063-050-ZP	6.3	50	12.4	3.8	2.0	TX-30
P0608.063-060-ZP	6.3	60	12.4	3.8	2.0	TX-30



C'sunk Slot AB Tappers

Slot AB - steel, zinc-plated



P0610.ZP

SELF TAPPERS

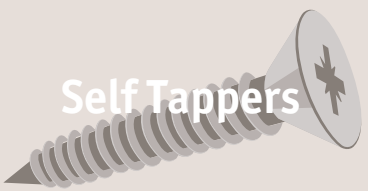
Material

Steel, zinc-plated.

Technical Notes

To DIN 7972C, ISO 1482 type C.

Order No.	d ₁	l ₁	d ₂	h ₁	h ₂ max.	w ₁
P0610.022-006-ZP	2.2	6.5	4.3	1.3	0.60	0.6
P0610.022-009-ZP	2.2	9.5	4.3	1.3	0.60	0.6
P0610.022-013-ZP	2.2	13.0	4.3	1.3	0.60	0.6
P0610.022-016-ZP	2.2	16.0	4.3	1.3	0.60	0.6
P0610.022-019-ZP	2.2	19.0	4.3	1.3	0.60	0.6
P0610.022-022-ZP	2.2	22.0	4.3	1.3	0.60	0.6
P0610.022-025-ZP	2.2	25.0	4.3	1.3	0.60	0.6
P0610.029-006-ZP	2.9	6.5	5.5	1.7	0.75	0.8
P0610.029-009-ZP	2.9	9.5	5.5	1.7	0.75	0.8
P0610.029-013-ZP	2.9	13.0	5.5	1.7	0.75	0.8
P0610.029-016-ZP	2.9	16.0	5.5	1.7	0.75	0.8
P0610.029-019-ZP	2.9	19.0	5.5	1.7	0.75	0.8
P0610.029-022-ZP	2.9	22.0	5.5	1.7	0.75	0.8
P0610.029-025-ZP	2.9	25.0	5.5	1.7	0.75	0.8
P0610.035-009-ZP	3.5	9.5	6.8	2.1	0.95	1.0
P0610.035-013-ZP	3.5	13.0	6.8	2.1	0.95	1.0
P0610.035-016-ZP	3.5	16.0	6.8	2.1	0.95	1.0
P0610.035-019-ZP	3.5	19.0	6.8	2.1	0.95	1.0
P0610.035-022-ZP	3.5	22.0	6.8	2.1	0.95	1.0
P0610.035-025-ZP	3.5	25.0	6.8	2.1	0.95	1.0
P0610.035-032-ZP	3.5	32.0	6.8	2.1	0.95	1.0
P0610.035-038-ZP	3.5	38.0	6.8	2.1	0.95	1.0
P0610.039-009-ZP	3.9	9.5	7.5	2.3	1.05	1.0
P0610.039-013-ZP	3.9	13.0	7.5	2.3	1.05	1.0
P0610.039-016-ZP	3.9	16.0	7.5	2.3	1.05	1.0
P0610.039-019-ZP	3.9	19.0	7.5	2.3	1.05	1.0
P0610.039-022-ZP	3.9	22.0	7.5	2.3	1.05	1.0
P0610.039-025-ZP	3.9	25.0	7.5	2.3	1.05	1.0
P0610.039-032-ZP	3.9	32.0	7.5	2.3	1.05	1.0
P0610.039-038-ZP	3.9	38.0	7.5	2.3	1.05	1.0
P0610.039-045-ZP	3.9	45.0	7.5	2.3	1.05	1.0
P0610.042-009-ZP	4.2	9.5	8.1	2.5	1.15	1.2
P0610.042-013-ZP	4.2	13.0	8.1	2.5	1.15	1.2
P0610.042-016-ZP	4.2	16.0	8.1	2.5	1.15	1.2



C'sunk Slot AB Tappers

Slot AB - steel, zinc-plated



SELF TAPPERS

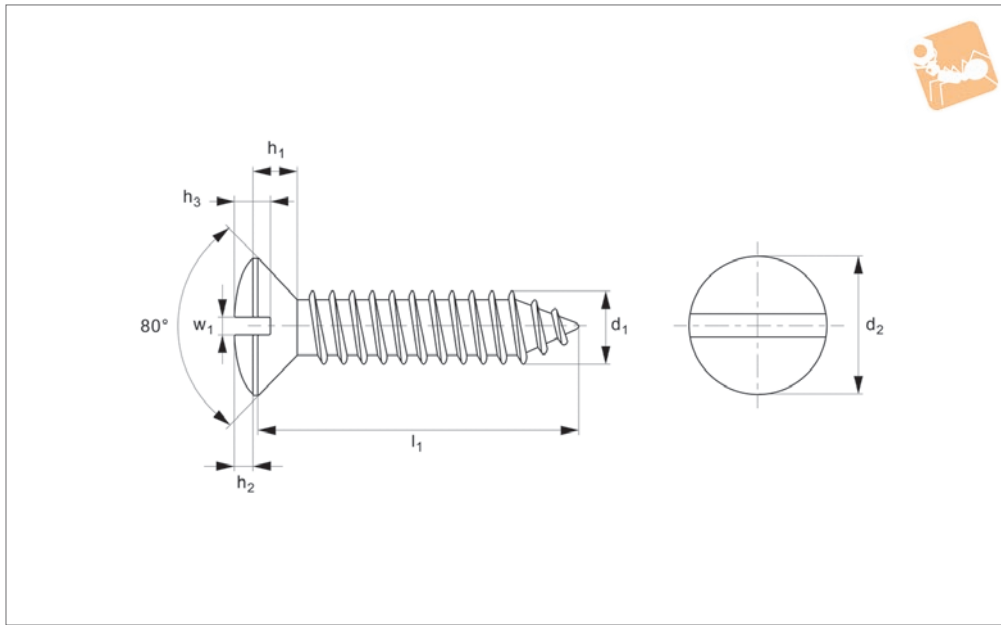
Order No.	d ₁	l ₁	d ₂	h ₁	h ₂ max.	w ₁
P0610.042-019-ZP	4.2	19.0	8.1	2.5	1.15	1.2
P0610.042-022-ZP	4.2	22.0	8.1	2.5	1.15	1.2
P0610.042-025-ZP	4.2	25.0	8.1	2.5	1.15	1.2
P0610.042-032-ZP	4.2	32.0	8.1	2.5	1.15	1.2
P0610.042-038-ZP	4.2	38.0	8.1	2.5	1.15	1.2
P0610.042-045-ZP	4.2	45.0	8.1	2.5	1.15	1.2
P0610.048-016-ZP	4.8	16.0	9.5	3.0	1.35	1.2
P0610.048-034-ZP	4.8	19.0	9.5	3.0	1.35	1.2
P0610.048-022-ZP	4.8	22.0	9.5	3.0	1.35	1.2
P0610.048-025-ZP	4.8	25.0	9.5	3.0	1.35	1.2
P0610.048-032-ZP	4.8	32.0	9.5	3.0	1.35	1.2
P0610.048-038-ZP	4.8	38.0	9.5	3.0	1.35	1.2
P0610.048-045-ZP	4.8	45.0	9.5	3.0	1.35	1.2
P0610.048-050-ZP	4.8	50.0	9.5	3.0	1.35	1.2
P0610.048-060-ZP	4.8	60.0	9.5	3.0	1.35	1.2
P0610.048-070-ZP	4.8	70.0	9.5	3.0	1.35	1.2
P0610.055-016-ZP	5.5	16.0	10.8	3.4	1.50	1.6
P0610.055-019-ZP	5.5	19.0	10.8	3.4	1.50	1.6
P0610.055-025-ZP	5.5	25.0	10.8	3.4	1.50	1.6
P0610.055-032-ZP	5.5	32.0	10.8	3.4	1.50	1.6
P0610.055-038-ZP	5.5	38.0	10.8	3.4	1.50	1.6
P0610.055-045-ZP	5.5	45.0	10.8	3.4	1.50	1.6
P0610.055-050-ZP	5.5	50.0	10.8	3.4	1.50	1.6
P0610.055-060-ZP	5.5	60.0	10.8	3.4	1.50	1.6
P0610.055-070-ZP	5.5	70.0	10.8	3.4	1.50	1.6
P0610.063-025-ZP	6.3	25.0	12.4	3.8	1.75	1.6
P0610.063-032-ZP	6.3	32.0	12.4	3.8	1.75	1.6
P0610.063-038-ZP	6.3	38.0	12.4	3.8	1.75	1.6
P0610.063-045-ZP	6.3	45.0	12.4	3.8	1.75	1.6
P0610.063-050-ZP	6.3	50.0	12.4	3.8	1.75	1.6
P0610.063-060-ZP	6.3	60.0	12.4	3.8	1.75	1.6
P0610.063-070-ZP	6.3	70.0	12.4	3.8	1.75	1.6



Raised C'sk Slot AB Tappers

Raised Slot AB - steel, zinc-plated

Self Tappers



P0611.ZP

SELF TAPPERS

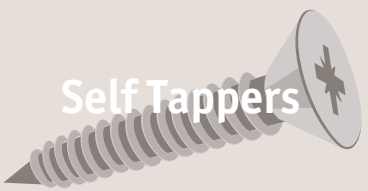
Material

Steel, zinc-plated.

Technical Notes

To DIN 7973C, ISO 1483 type C.

Order No.	d ₁	l ₁	d ₂	h ₁	h ₂	h ₃ max.	w ₁
P0611.022-006-ZP	2.2	6.5	4.3	1.3	0.7	1.15	0.6
P0611.022-009-ZP	2.2	9.5	4.3	1.3	0.7	1.15	0.6
P0611.022-013-ZP	2.2	13.0	4.3	1.3	0.7	1.15	0.6
P0611.022-016-ZP	2.2	16.0	4.3	1.3	0.7	1.15	0.6
P0611.022-019-ZP	2.2	19.0	4.3	1.3	0.7	1.15	0.6
P0611.022-022-ZP	2.2	22.0	4.3	1.3	0.7	1.15	0.6
P0611.022-025-ZP	2.2	25.0	4.3	1.3	0.7	1.15	0.6
P0611.029-006-ZP	2.9	6.5	5.5	1.7	0.9	1.50	0.8
P0611.029-009-ZP	2.9	9.5	5.5	1.7	0.9	1.50	0.8
P0611.029-013-ZP	2.9	13.0	5.5	1.7	0.9	1.50	0.8
P0611.029-016-ZP	2.9	16.0	5.5	1.7	0.9	1.50	0.8
P0611.029-019-ZP	2.9	19.0	5.5	1.7	0.9	1.50	0.8
P0611.029-022-ZP	2.9	22.0	5.5	1.7	0.9	1.50	0.8
P0611.029-025-ZP	2.9	25.0	5.5	1.7	0.9	1.50	0.8
P0611.029-032-ZP	2.9	32.0	5.5	1.7	0.9	1.50	0.8
P0611.035-009-ZP	3.5	9.5	6.8	2.1	1.2	1.90	1.0
P0611.035-013-ZP	3.5	13.0	6.8	2.1	1.2	1.90	1.0
P0611.035-016-ZP	3.5	16.0	6.8	2.1	1.2	1.90	1.0
P0611.035-019-ZP	3.5	19.0	6.8	2.1	1.2	1.90	1.0
P0611.035-022-ZP	3.5	22.0	6.8	2.1	1.2	1.90	1.0
P0611.035-025-ZP	3.5	25.0	6.8	2.1	1.2	1.90	1.0
P0611.035-032-ZP	3.5	32.0	6.8	2.1	1.2	1.90	1.0
P0611.035-038-ZP	3.5	38.0	6.8	2.1	1.2	1.90	1.0
P0611.035-045-ZP	3.5	45.0	6.8	2.1	1.2	1.90	1.0
P0611.039-009-ZP	3.9	9.5	7.5	2.3	1.3	2.05	1.0
P0611.039-013-ZP	3.9	13.0	7.5	2.3	1.3	2.05	1.0
P0611.039-016-ZP	3.9	16.0	7.5	2.3	1.3	2.05	1.0
P0611.039-019-ZP	3.9	19.0	7.5	2.3	1.3	2.05	1.0
P0611.039-022-ZP	3.9	22.0	7.5	2.3	1.3	2.05	1.0
P0611.039-025-ZP	3.9	25.0	7.5	2.3	1.3	2.05	1.0
P0611.039-032-ZP	3.9	32.0	7.5	2.3	1.3	2.05	1.0
P0611.039-038-ZP	3.9	38.0	7.5	2.3	1.3	2.05	1.0
P0611.039-045-ZP	3.9	45.0	7.5	2.3	1.3	2.05	1.0
P0611.042-009-ZP	4.2	9.5	8.1	2.5	1.4	2.25	1.2



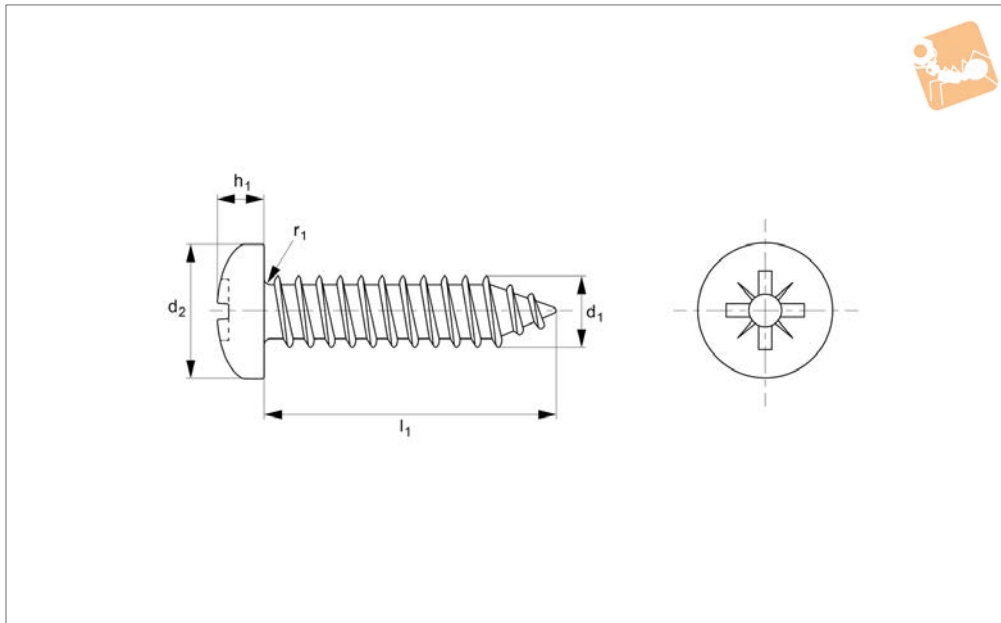
SELF TAPPERS

Order No.	d ₁	l ₁	d ₂	h ₁	h ₂	h ₃ max.	w ₁
P0611.042-013-ZP	4.2	13.0	8.1	2.5	1.4	2.25	1.2
P0611.042-016-ZP	4.2	16.0	8.1	2.5	1.4	2.25	1.2
P0611.042-019-ZP	4.2	19.0	8.1	2.5	1.4	2.25	1.2
P0611.042-022-ZP	4.2	22.0	8.1	2.5	1.4	2.25	1.2
P0611.042-025-ZP	4.2	25.0	8.1	2.5	1.4	2.25	1.2
P0611.042-032-ZP	4.2	32.0	8.1	2.5	1.4	2.25	1.2
P0611.042-038-ZP	4.2	38.0	8.1	2.5	1.4	2.25	1.2
P0611.042-045-ZP	4.2	45.0	8.1	2.5	1.4	2.25	1.2
P0611.048-009-ZP	4.8	9.5	9.5	3.0	1.5	2.60	1.2
P0611.048-013-ZP	4.8	13.0	9.5	3.0	1.5	2.60	1.2
P0611.048-016-ZP	4.8	16.0	9.5	3.0	1.5	2.60	1.2
P0611.048-019-ZP	4.8	19.0	9.5	3.0	1.5	2.60	1.2
P0611.048-022-ZP	4.8	22.0	9.5	3.0	1.5	2.60	1.2
P0611.048-025-ZP	4.8	25.0	9.5	3.0	1.5	2.60	1.2
P0611.048-032-ZP	4.8	32.0	9.5	3.0	1.5	2.60	1.2
P0611.048-038-ZP	4.8	38.0	9.5	3.0	1.5	2.60	1.2
P0611.048-045-ZP	4.8	45.0	9.5	3.0	1.5	2.60	1.2
P0611.048-050-ZP	4.8	50.0	9.5	3.0	1.5	2.60	1.2
P0611.048-060-ZP	4.8	60.0	9.5	3.0	1.5	2.60	1.2
P0611.055-009-ZP	5.5	9.5	10.8	3.4	1.7	2.95	1.6
P0611.055-013-ZP	5.5	13.0	10.8	3.4	1.7	2.95	1.6
P0611.055-016-ZP	5.5	16.0	10.8	3.4	1.7	2.95	1.6
P0611.055-019-ZP	5.5	19.0	10.8	3.4	1.7	2.95	1.6
P0611.055-022-ZP	5.5	22.0	10.8	3.4	1.7	2.95	1.6
P0611.055-025-ZP	5.5	25.0	10.8	3.4	1.7	2.95	1.6
P0611.055-032-ZP	5.5	32.0	10.8	3.4	1.7	2.95	1.6
P0611.055-038-ZP	5.5	38.0	10.8	3.4	1.7	2.95	1.6
P0611.055-045-ZP	5.5	45.0	10.8	3.4	1.7	2.95	1.6
P0611.055-050-ZP	5.5	50.0	10.8	3.4	1.7	2.95	1.6
P0611.055-060-ZP	5.5	60.0	10.8	3.4	1.7	2.95	1.6
P0611.063-009-ZP	6.3	9.5	12.4	3.8	2.0	2.95	1.6
P0611.063-013-ZP	6.3	13.0	12.4	3.8	2.0	2.95	1.6
P0611.063-016-ZP	6.3	16.0	12.4	3.8	2.0	2.95	1.6
P0611.063-019-ZP	6.3	19.0	12.4	3.8	2.0	2.95	1.6
P0611.063-022-ZP	6.3	22.0	12.4	3.8	2.0	2.95	1.6
P0611.063-025-ZP	6.3	25.0	12.4	3.8	2.0	2.95	1.6
P0611.063-032-ZP	6.3	32.0	12.4	3.8	2.0	2.95	1.6
P0611.063-038-ZP	6.3	38.0	12.4	3.8	2.0	2.95	1.6
P0611.063-045-ZP	6.3	45.0	12.4	3.8	2.0	2.95	1.6
P0611.063-050-ZP	6.3	50.0	12.4	3.8	2.0	2.95	1.6
P0611.063-060-ZP	6.3	60.0	12.4	3.8	2.0	2.95	1.6



Pan Head Pozi AB Tappers

Pozi AB - steel, zinc-plated



P0620.ZP

SELF TAPPERS

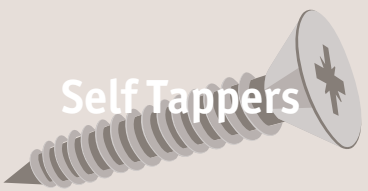
Material

Steel, zinc-plated (also available zinc-plated black passivated).

Technical Notes

To DIN 7981C-Z, ISO 7049 type C.

Order No.	d ₁	l ₁	d ₂	h ₁ max.	Size
P0620.022-006-ZP	2.2	6.5	4.2	1.8	PZ-1
P0620.022-009-ZP	2.2	9.5	4.2	1.8	PZ-1
P0620.022-013-ZP	2.2	13.0	4.2	1.8	PZ-1
P0620.022-016-ZP	2.2	16.0	4.2	1.8	PZ-1
P0620.022-019-ZP	2.2	19.0	4.2	1.8	PZ-1
P0620.022-022-ZP	2.2	22.0	4.2	1.8	PZ-1
P0620.022-025-ZP	2.2	25.0	4.2	1.8	PZ-1
P0620.022-032-ZP	2.2	32.0	4.2	1.8	PZ-1
P0620.029-006-ZP	2.9	6.5	5.6	2.2	PZ-1
P0620.029-009-ZP	2.9	9.5	5.6	2.2	PZ-1
P0620.029-013-ZP	2.9	13.0	5.6	2.2	PZ-1
P0620.029-016-ZP	2.9	16.0	5.6	2.2	PZ-1
P0620.029-019-ZP	2.9	19.0	5.6	2.2	PZ-1
P0620.029-022-ZP	2.9	22.0	5.6	2.2	PZ-1
P0620.029-025-ZP	2.9	25.0	5.6	2.2	PZ-1
P0620.029-032-ZP	2.9	32.0	5.6	2.2	PZ-1
P0620.029-038-ZP	2.9	38.0	5.6	2.2	PZ-1
P0620.035-006-ZP	3.5	6.5	6.9	2.6	PZ-2
P0620.035-009-ZP	3.5	9.5	6.9	2.6	PZ-2
P0620.035-013-ZP	3.5	13.0	6.9	2.6	PZ-2
P0620.035-016-ZP	3.5	16.0	6.9	2.6	PZ-2
P0620.035-019-ZP	3.5	19.0	6.9	2.6	PZ-2
P0620.035-022-ZP	3.5	22.0	6.9	2.6	PZ-2
P0620.035-025-ZP	3.5	25.0	6.9	2.6	PZ-2
P0620.035-032-ZP	3.5	32.0	6.9	2.6	PZ-2
P0620.035-038-ZP	3.5	38.0	6.9	2.6	PZ-2
P0620.035-045-ZP	3.5	45.0	6.9	2.6	PZ-2
P0620.035-050-ZP	3.5	50.0	6.9	2.6	PZ-2
P0620.035-060-ZP	3.5	60.0	6.9	2.6	PZ-2
P0620.039-006-ZP	3.9	6.5	7.5	2.8	PZ-2
P0620.039-009-ZP	3.9	9.5	7.5	2.8	PZ-2
P0620.039-013-ZP	3.9	13.0	7.5	2.8	PZ-2
P0620.039-016-ZP	3.9	16.0	7.5	2.8	PZ-2
P0620.039-019-ZP	3.9	19.0	7.5	2.8	PZ-2



SELF TAPPERS

Order No.	d ₁	l ₁	d ₂	h ₁ max.	Size
P0620.039-022-ZP	3.9	22.0	7.5	2.8	PZ-2
P0620.039-025-ZP	3.9	25.0	7.5	2.8	PZ-2
P0620.039-032-ZP	3.9	32.0	7.5	2.8	PZ-2
P0620.039-038-ZP	3.9	38.0	7.5	2.8	PZ-2
P0620.039-045-ZP	3.9	45.0	7.5	2.8	PZ-2
P0620.039-050-ZP	3.9	50.0	7.5	2.8	PZ-2
P0620.039-060-ZP	3.9	60.0	7.5	2.8	PZ-2
P0620.039-070-ZP	3.9	70.0	7.5	2.8	PZ-2
P0620.039-080-ZP	3.9	80.0	7.5	2.8	PZ-2
P0620.042-006-ZP	4.2	6.5	8.2	3.05	PZ-2
P0620.042-009-ZP	4.2	9.5	8.2	3.05	PZ-2
P0620.042-013-ZP	4.2	13.0	8.2	3.05	PZ-2
P0620.042-016-ZP	4.2	16.0	8.2	3.05	PZ-2
P0620.042-019-ZP	4.2	19.0	8.2	3.05	PZ-2
P0620.042-022-ZP	4.2	22.0	8.2	3.05	PZ-2
P0620.042-025-ZP	4.2	25.0	8.2	3.05	PZ-2
P0620.042-032-ZP	4.2	32.0	8.2	3.05	PZ-2
P0620.042-038-ZP	4.2	38.0	8.2	3.05	PZ-2
P0620.042-045-ZP	4.2	45.0	8.2	3.05	PZ-2
P0620.042-050-ZP	4.2	50.0	8.2	3.05	PZ-2
P0620.042-060-ZP	4.2	60.0	8.2	3.05	PZ-2
P0620.042-070-ZP	4.2	70.0	8.2	3.05	PZ-2
P0620.042-080-ZP	4.2	80.0	8.2	3.05	PZ-2
P0620.048-006-ZP	4.8	6.5	9.5	3.55	PZ-2
P0620.048-009-ZP	4.8	9.5	9.5	3.55	PZ-2
P0620.048-013-ZP	4.8	13.0	9.5	3.55	PZ-2
P0620.048-016-ZP	4.8	16.0	9.5	3.55	PZ-2
P0620.048-019-ZP	4.8	19.0	9.5	3.55	PZ-2
P0620.048-022-ZP	4.8	22.0	9.5	3.55	PZ-2
P0620.048-025-ZP	4.8	25.0	9.5	3.55	PZ-2
P0620.048-032-ZP	4.8	32.0	9.5	3.55	PZ-2
P0620.048-038-ZP	4.8	38.0	9.5	3.55	PZ-2
P0620.048-045-ZP	4.8	45.0	9.5	3.55	PZ-2
P0620.048-050-ZP	4.8	50.0	9.5	3.55	PZ-2
P0620.048-060-ZP	4.8	60.0	9.5	3.55	PZ-2
P0620.048-070-ZP	4.8	70.0	9.5	3.55	PZ-2
P0620.048-080-ZP	4.8	80.0	9.5	3.55	PZ-2
P0620.048-090-ZP	4.8	90.0	9.5	3.55	PZ-2
P0620.048-100-ZP	4.8	100.0	9.5	3.55	PZ-2
P0620.055-006-ZP	5.5	6.5	10.8	3.95	PZ-3
P0620.055-009-ZP	5.5	9.5	10.8	3.95	PZ-3
P0620.055-013-ZP	5.5	13.0	10.8	3.95	PZ-3
P0620.055-016-ZP	5.5	16.0	10.8	3.95	PZ-3
P0620.055-019-ZP	5.5	19.0	10.8	3.95	PZ-3
P0620.055-022-ZP	5.5	22.0	10.8	3.95	PZ-3
P0620.055-025-ZP	5.5	25.0	10.8	3.95	PZ-3
P0620.055-032-ZP	5.5	32.0	10.8	3.95	PZ-3
P0620.055-038-ZP	5.5	38.0	10.8	3.95	PZ-3
P0620.055-045-ZP	5.5	45.0	10.8	3.95	PZ-3
P0620.055-050-ZP	5.5	50.0	10.8	3.95	PZ-3
P0620.055-060-ZP	5.5	60.0	10.8	3.95	PZ-3
P0620.055-070-ZP	5.5	70.0	10.8	3.95	PZ-3
P0620.055-080-ZP	5.5	80.0	10.8	3.95	PZ-3
P0620.055-090-ZP	5.5	90.0	10.8	3.95	PZ-3
P0620.055-100-ZP	5.5	100.0	10.8	3.95	PZ-3
P0620.063-013-ZP	6.3	13.0	12.5	4.55	PZ-3
P0620.063-016-ZP	6.3	16.0	12.5	4.55	PZ-3
P0620.063-019-ZP	6.3	19.0	12.5	4.55	PZ-3
P0620.063-022-ZP	6.3	22.0	12.5	4.55	PZ-3
P0620.063-025-ZP	6.3	25.0	12.5	4.55	PZ-3
P0620.063-032-ZP	6.3	32.0	12.5	4.55	PZ-3
P0620.063-038-ZP	6.3	38.0	12.5	4.55	PZ-3
P0620.063-045-ZP	6.3	45.0	12.5	4.55	PZ-3
P0620.063-050-ZP	6.3	50.0	12.5	4.55	PZ-3
P0620.063-060-ZP	6.3	60.0	12.5	4.55	PZ-3
P0620.063-070-ZP	6.3	70.0	12.5	4.55	PZ-3
P0620.063-080-ZP	6.3	80.0	12.5	4.55	PZ-3
P0620.063-090-ZP	6.3	90.0	12.5	4.55	PZ-3



Pan Head Pozi AB Tappers

Pozi AB - steel, zinc-plated

Self Tappers

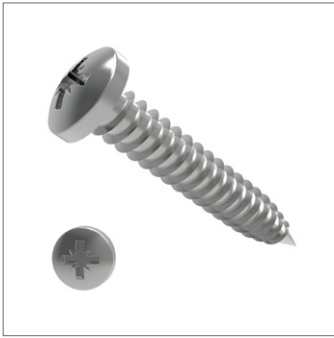


Order No.	d_1	l_1	d_2	h_1 max.	Size
P0620.063-100-ZP	6.3	100.0	12.5	4.55	PZ-3

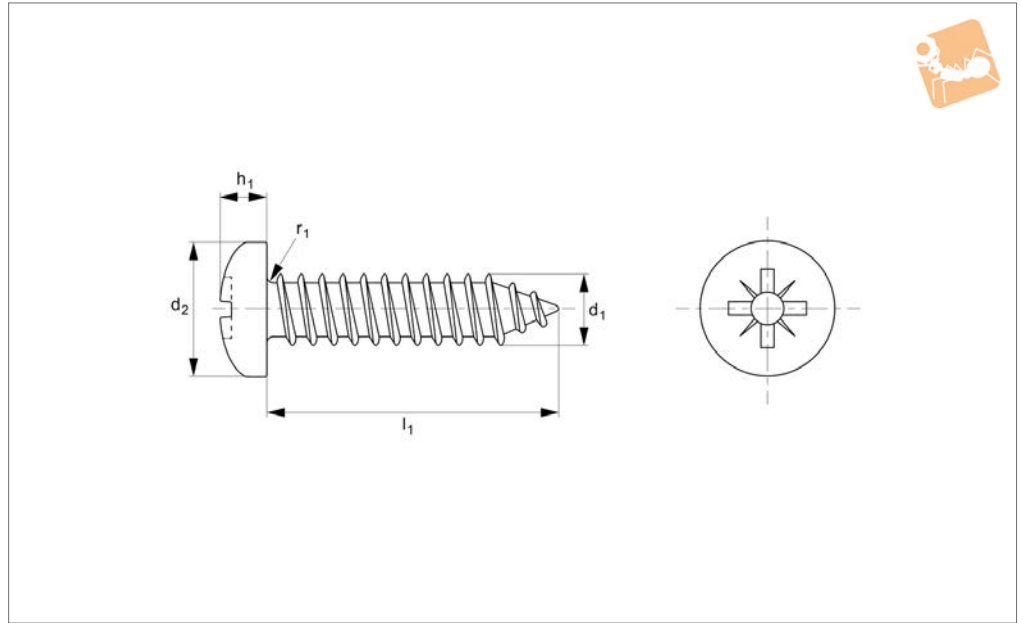
SELF TAPPERS



SELF TAPPERS



P0620.A4



Material

Stainless steel (A4, AISI 316).

Technical Notes

To DIN 7981C-Z, ISO 7049 type C.

Order No.	d ₁	l ₁	d ₂	h ₁ max.	Size
P0620.022-006-A4	2.2	6.5	4.2	1.8	PZ-1
P0620.022-009-A4	2.2	9.5	4.2	1.8	PZ-1
P0620.022-013-A4	2.2	13.0	4.2	1.8	PZ-1
P0620.022-016-A4	2.2	16.0	4.2	1.8	PZ-1
P0620.022-019-A4	2.2	19.0	4.2	1.8	PZ-1
P0620.022-022-A4	2.2	22.0	4.2	1.8	PZ-1
P0620.022-025-A4	2.2	25.0	4.2	1.8	PZ-1
P0620.022-032-A4	2.2	32.0	4.2	1.8	PZ-1
P0620.029-006-A4	2.9	6.5	5.6	2.2	PZ-1
P0620.029-009-A4	2.9	9.5	5.6	2.2	PZ-1
P0620.029-013-A4	2.9	13.0	5.6	2.2	PZ-1
P0620.029-016-A4	2.9	16.0	5.6	2.2	PZ-1
P0620.029-019-A4	2.9	19.0	5.6	2.2	PZ-1
P0620.029-022-A4	2.9	22.0	5.6	2.2	PZ-1
P0620.029-025-A4	2.9	25.0	5.6	2.2	PZ-1
P0620.029-032-A4	2.9	32.0	5.6	2.2	PZ-1
P0620.029-038-A4	2.9	38.0	5.6	2.2	PZ-1
P0620.035-006-A4	3.5	6.5	6.9	2.6	PZ-2
P0620.035-009-A4	3.5	9.5	6.9	2.6	PZ-2
P0620.035-013-A4	3.5	13.0	6.9	2.6	PZ-2
P0620.035-016-A4	3.5	16.0	6.9	2.6	PZ-2
P0620.035-019-A4	3.5	19.0	6.9	2.6	PZ-2
P0620.035-022-A4	3.5	22.0	6.9	2.6	PZ-2
P0620.035-025-A4	3.5	25.0	6.9	2.6	PZ-2
P0620.035-032-A4	3.5	32.0	6.9	2.6	PZ-2
P0620.035-038-A4	3.5	38.0	6.9	2.6	PZ-2
P0620.035-045-A4	3.5	45.0	6.9	2.6	PZ-2
P0620.035-050-A4	3.5	50.0	6.9	2.6	PZ-2
P0620.035-060-A4	3.5	60.0	6.9	2.6	PZ-2
P0620.039-006-A4	3.9	6.5	7.5	2.8	PZ-2
P0620.039-009-A4	3.9	9.5	7.5	2.8	PZ-2
P0620.039-013-A4	3.9	13.0	7.5	2.8	PZ-2
P0620.039-016-A4	3.9	16.0	7.5	2.8	PZ-2
P0620.039-019-A4	3.9	19.0	7.5	2.8	PZ-2



Stainless Pan Head Pozi AB Tappers

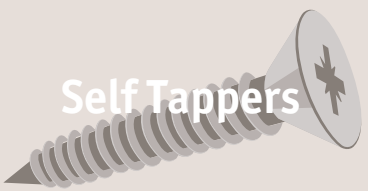
Pozi AB - A4 stainless



Order No.	d ₁	l ₁	d ₂	h ₁ max.	Size
P0620.039-022-A4	3.9	22.0	7.5	2.8	PZ-2
P0620.039-025-A4	3.9	25.0	7.5	2.8	PZ-2
P0620.039-032-A4	3.9	32.0	7.5	2.8	PZ-2
P0620.039-038-A4	3.9	38.0	7.5	2.8	PZ-2
P0620.039-045-A4	3.9	45.0	7.5	2.8	PZ-2
P0620.039-050-A4	3.9	50.0	7.5	2.8	PZ-2
P0620.039-060-A4	3.9	60.0	7.5	2.8	PZ-2
P0620.039-070-A4	3.9	70.0	7.5	2.8	PZ-2
P0620.039-080-A4	3.9	80.0	7.5	2.8	PZ-2
P0620.042-006-A4	4.2	6.5	8.2	3.05	PZ-2
P0620.042-009-A4	4.2	9.5	8.2	3.05	PZ-2
P0620.042-013-A4	4.2	13.0	8.2	3.05	PZ-2
P0620.042-016-A4	4.2	16.0	8.2	3.05	PZ-2
P0620.042-019-A4	4.2	19.0	8.2	3.05	PZ-2
P0620.042-022-A4	4.2	22.0	8.2	3.05	PZ-2
P0620.042-025-A4	4.2	25.0	8.2	3.05	PZ-2
P0620.042-032-A4	4.2	32.0	8.2	3.05	PZ-2
P0620.042-038-A4	4.2	38.0	8.2	3.05	PZ-2
P0620.042-045-A4	4.2	45.0	8.2	3.05	PZ-2
P0620.042-050-A4	4.2	50.0	8.2	3.05	PZ-2
P0620.042-060-A4	4.2	60.0	8.2	3.05	PZ-2
P0620.042-070-A4	4.2	70.0	8.2	3.05	PZ-2
P0620.042-080-A4	4.2	80.0	8.2	3.05	PZ-2
P0620.048-006-A4	4.8	6.5	9.5	3.55	PZ-2
P0620.048-009-A4	4.8	9.5	9.5	3.55	PZ-2
P0620.048-013-A4	4.8	13.0	9.5	3.55	PZ-2
P0620.048-016-A4	4.8	16.0	9.5	3.55	PZ-2
P0620.048-019-A4	4.8	19.0	9.5	3.55	PZ-2
P0620.048-022-A4	4.8	22.0	9.5	3.55	PZ-2
P0620.048-025-A4	4.8	25.0	9.5	3.55	PZ-2
P0620.048-032-A4	4.8	32.0	9.5	3.55	PZ-2
P0620.048-038-A4	4.8	38.0	9.5	3.55	PZ-2
P0620.048-045-A4	4.8	45.0	9.5	3.55	PZ-2
P0620.048-050-A4	4.8	50.0	9.5	3.55	PZ-2
P0620.048-060-A4	4.8	60.0	9.5	3.55	PZ-2
P0620.048-070-A4	4.8	70.0	9.5	3.55	PZ-2
P0620.048-080-A4	4.8	80.0	9.5	3.55	PZ-2
P0620.048-090-A4	4.8	90.0	9.5	3.55	PZ-2
P0620.048-100-A4	4.8	100.0	9.5	3.55	PZ-2
P0620.055-006-A4	5.5	6.5	10.8	3.95	PZ-3
P0620.055-009-A4	5.5	9.5	10.8	3.95	PZ-3
P0620.055-013-A4	5.5	13.0	10.8	3.95	PZ-3
P0620.055-016-A4	5.5	16.0	10.8	3.95	PZ-3
P0620.055-019-A4	5.5	19.0	10.8	3.95	PZ-3
P0620.055-022-A4	5.5	22.0	10.8	3.95	PZ-3
P0620.055-025-A4	5.5	25.0	10.8	3.95	PZ-3
P0620.055-032-A4	5.5	32.0	10.8	3.95	PZ-3
P0620.055-038-A4	5.5	38.0	10.8	3.95	PZ-3
P0620.055-045-A4	5.5	45.0	10.8	3.95	PZ-3
P0620.055-050-A4	5.5	50.0	10.8	3.95	PZ-3
P0620.055-060-A4	5.5	60.0	10.8	3.95	PZ-3
P0620.055-070-A4	5.5	70.0	10.8	3.95	PZ-3
P0620.055-080-A4	5.5	80.0	10.8	3.95	PZ-3
P0620.055-090-A4	5.5	90.0	10.8	3.95	PZ-3
P0620.055-100-A4	5.5	100.0	10.8	3.95	PZ-3
P0620.063-013-A4	6.3	13.0	12.5	4.55	PZ-3
P0620.063-016-A4	6.3	16.0	12.5	4.55	PZ-3
P0620.063-019-A4	6.3	19.0	12.5	4.55	PZ-3
P0620.063-022-A4	6.3	22.0	12.5	4.55	PZ-3
P0620.063-025-A4	6.3	25.0	12.5	4.55	PZ-3
P0620.063-032-A4	6.3	32.0	12.5	4.55	PZ-3
P0620.063-038-A4	6.3	38.0	12.5	4.55	PZ-3
P0620.063-045-A4	6.3	45.0	12.5	4.55	PZ-3
P0620.063-050-A4	6.3	50.0	12.5	4.55	PZ-3
P0620.063-060-A4	6.3	60.0	12.5	4.55	PZ-3
P0620.063-070-A4	6.3	70.0	12.5	4.55	PZ-3
P0620.063-080-A4	6.3	80.0	12.5	4.55	PZ-3
P0620.063-090-A4	6.3	90.0	12.5	4.55	PZ-3

SELF TAPPERS

Self Tappers



Stainless Pan Head Pozi AB Tappers

Pozi AB - A4 stainless



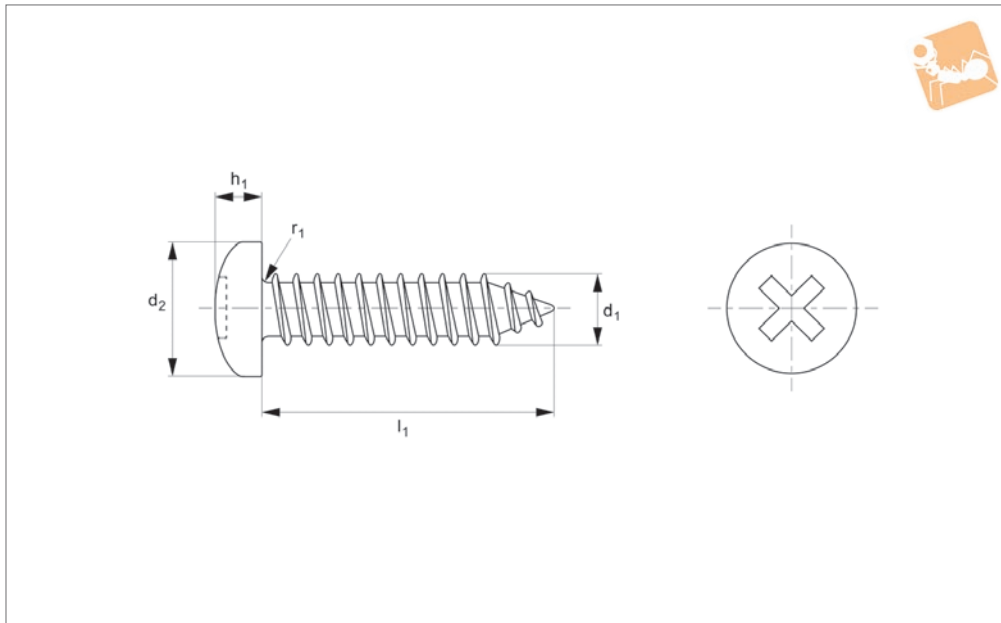
Order No.	d_1	l_1	d_2	h_1 max.	Size
P0620.063-100-A4	6.3	100.0	12.5	4.55	PZ-3

SELF TAPPERS



Pan Head Phillips AB Tappers

Phillips AB - steel, zinc-plated



P0621.ZP

SELF TAPPERS

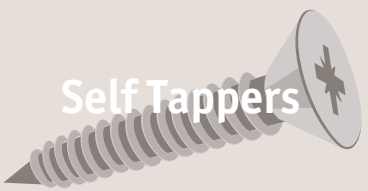
Material

Steel, zinc-plated (also available zinc-plated black passivated).

Technical Notes

To DIN 7981C-H, ISO 7049 type C.

Order No.	d ₁	l ₁	d ₂	h ₁ max.	Size
P0621.022-004-ZP	2.2	4.5	4.2	1.8	PH-1
P0621.022-006-ZP	2.2	6.5	4.2	1.8	PH-1
P0621.022-009-ZP	2.2	9.5	4.2	1.8	PH-1
P0621.022-013-ZP	2.2	13.0	4.2	1.8	PH-1
P0621.022-016-ZP	2.2	16.0	4.2	1.8	PH-1
P0621.022-019-ZP	2.2	19.0	4.2	1.8	PH-1
P0621.022-022-ZP	2.2	22.0	4.2	1.8	PH-1
P0621.022-025-ZP	2.2	25.0	4.2	1.8	PH-1
P0621.022-032-ZP	2.2	32.0	4.2	1.8	PH-1
P0621.029-006-ZP	2.9	6.5	5.6	2.2	PH-1
P0621.029-009-ZP	2.9	9.5	5.6	2.2	PH-1
P0621.029-013-ZP	2.9	13.0	5.6	2.2	PH-1
P0621.029-016-ZP	2.9	16.0	5.6	2.2	PH-1
P0621.029-019-ZP	2.9	19.0	5.6	2.2	PH-1
P0621.029-022-ZP	2.9	22.0	5.6	2.2	PH-1
P0621.029-025-ZP	2.9	25.0	5.6	2.2	PH-1
P0621.029-032-ZP	2.9	32.0	5.6	2.2	PH-1
P0621.029-038-ZP	2.9	38.0	5.6	2.2	PH-1
P0621.035-006-ZP	3.5	6.5	6.9	2.6	PH-2
P0621.035-009-ZP	3.5	9.5	6.9	2.6	PH-2
P0621.035-013-ZP	3.5	13.0	6.9	2.6	PH-2
P0621.035-016-ZP	3.5	16.0	6.9	2.6	PH-2
P0621.035-019-ZP	3.5	19.0	6.9	2.6	PH-2
P0621.035-022-ZP	3.5	22.0	6.9	2.6	PH-2
P0621.035-025-ZP	3.5	25.0	6.9	2.6	PH-2
P0621.035-032-ZP	3.5	32.0	6.9	2.6	PH-2
P0621.035-038-ZP	3.5	38.0	6.9	2.6	PH-2
P0621.035-045-ZP	3.5	45.0	6.9	2.6	PH-2
P0621.035-050-ZP	3.5	50.0	6.9	2.6	PH-2
P0621.035-060-ZP	3.5	60.0	6.9	2.6	PH-2
P0621.035-070-ZP	3.5	70.0	6.9	2.6	PH-2
P0621.039-006-ZP	3.9	6.5	7.5	2.8	PH-2
P0621.039-009-ZP	3.9	9.5	7.5	2.8	PH-2
P0621.039-013-ZP	3.9	13.0	7.5	2.8	PH-2



SELF TAPPERS

Order No.	d ₁	l ₁	d ₂	h ₁ max.	Size
P0621.039-016-ZP	3.9	16.0	7.5	2.8	PH-2
P0621.039-019-ZP	3.9	19.0	7.5	2.8	PH-2
P0621.039-022-ZP	3.9	22.0	7.5	2.8	PH-2
P0621.039-025-ZP	3.9	25.0	7.5	2.8	PH-2
P0621.039-032-ZP	3.9	32.0	7.5	2.8	PH-2
P0621.039-038-ZP	3.9	38.0	7.5	2.8	PH-2
P0621.039-045-ZP	3.9	45.0	7.5	2.8	PH-2
P0621.039-050-ZP	3.9	50.0	7.5	2.8	PH-2
P0621.039-060-ZP	3.9	60.0	7.5	2.8	PH-2
P0621.039-070-ZP	3.9	70.0	7.5	2.8	PH-2
P0621.039-080-ZP	3.9	80.0	7.5	2.8	PH-2
P0621.042-006-ZP	4.2	6.5	8.2	3.05	PH-2
P0621.042-009-ZP	4.2	9.5	8.2	3.05	PH-2
P0621.042-013-ZP	4.2	13.0	8.2	3.05	PH-2
P0621.042-016-ZP	4.2	16.0	8.2	3.05	PH-2
P0621.042-019-ZP	4.2	19.0	8.2	3.05	PH-2
P0621.042-022-ZP	4.2	22.0	8.2	3.05	PH-2
P0621.042-025-ZP	4.2	25.0	8.2	3.05	PH-2
P0621.042-032-ZP	4.2	32.0	8.2	3.05	PH-2
P0621.042-038-ZP	4.2	38.0	8.2	3.05	PH-2
P0621.042-045-ZP	4.2	45.0	8.2	3.05	PH-2
P0621.042-050-ZP	4.2	50.0	8.2	3.05	PH-2
P0621.042-060-ZP	4.2	60.0	8.2	3.05	PH-2
P0621.042-070-ZP	4.2	70.0	8.2	3.05	PH-2
P0621.042-080-ZP	4.2	80.0	8.2	3.05	PH-2
P0621.042-090-ZP	4.2	90.0	8.2	3.05	PH-2
P0621.042-100-ZP	4.2	100.0	8.2	3.05	PH-2
P0621.048-009-ZP	4.8	9.5	9.5	3.55	PH-2
P0621.048-013-ZP	4.8	13.0	9.5	3.55	PH-2
P0621.048-016-ZP	4.8	16.0	9.5	3.55	PH-2
P0621.048-019-ZP	4.8	19.0	9.5	3.55	PH-2
P0621.048-022-ZP	4.8	22.0	9.5	3.55	PH-2
P0621.048-025-ZP	4.8	25.0	9.5	3.55	PH-2
P0621.048-032-ZP	4.8	32.0	9.5	3.55	PH-2
P0621.048-038-ZP	4.8	38.0	9.5	3.55	PH-2
P0621.048-045-ZP	4.8	45.0	9.5	3.55	PH-2
P0621.048-050-ZP	4.8	50.0	9.5	3.55	PH-2
P0621.048-060-ZP	4.8	60.0	9.5	3.55	PH-2
P0621.048-070-ZP	4.8	70.0	9.5	3.55	PH-2
P0621.048-080-ZP	4.8	80.0	9.5	3.55	PH-2
P0621.048-090-ZP	4.8	90.0	9.5	3.55	PH-2
P0621.048-100-ZP	4.8	100.0	9.5	3.55	PH-2
P0621.048-120-ZP	4.8	120.0	9.5	3.55	PH-2
P0621.055-009-ZP	5.5	9.5	10.8	3.95	PH-3
P0621.055-013-ZP	5.5	13.0	10.8	3.95	PH-3
P0621.055-016-ZP	5.5	16.0	10.8	3.95	PH-3
P0621.055-019-ZP	5.5	19.0	10.8	3.95	PH-3
P0621.055-022-ZP	5.5	22.0	10.8	3.95	PH-3
P0621.055-025-ZP	5.5	25.0	10.8	3.95	PH-3
P0621.055-032-ZP	5.5	32.0	10.8	3.95	PH-3
P0621.055-038-ZP	5.5	38.0	10.8	3.95	PH-3
P0621.055-045-ZP	5.5	45.0	10.8	3.95	PH-3
P0621.055-050-ZP	5.5	50.0	10.8	3.95	PH-3
P0621.055-060-ZP	5.5	60.0	10.8	3.95	PH-3
P0621.055-070-ZP	5.5	70.0	10.8	3.95	PH-3
P0621.055-080-ZP	5.5	80.0	10.8	3.95	PH-3
P0621.055-090-ZP	5.5	90.0	10.8	3.95	PH-3
P0621.055-100-ZP	5.5	100.0	10.8	3.95	PH-3
P0621.055-120-ZP	5.5	120.0	10.8	3.95	PH-3
P0621.063-013-ZP	6.3	13.0	12.5	4.55	PH-3
P0621.063-016-ZP	6.3	16.0	12.5	4.55	PH-3
P0621.063-019-ZP	6.3	19.0	12.5	4.55	PH-3
P0621.063-022-ZP	6.3	22.0	12.5	4.55	PH-3
P0621.063-025-ZP	6.3	25.0	12.5	4.55	PH-3
P0621.063-032-ZP	6.3	32.0	12.5	4.55	PH-3
P0621.063-038-ZP	6.3	38.0	12.5	4.55	PH-3
P0621.063-045-ZP	6.3	45.0	12.5	4.55	PH-3
P0621.063-050-ZP	6.3	50.0	12.5	4.55	PH-3



Pan Head Phillips AB Tappers

Phillips AB - steel, zinc-plated



Self Tappers

Order No.	d ₁	l ₁	d ₂	h ₁ max.	Size
P0621.063-060-ZP	6.3	60.0	12.5	4.55	PH-3
P0621.063-070-ZP	6.3	70.0	12.5	4.55	PH-3
P0621.063-080-ZP	6.3	80.0	12.5	4.55	PH-3
P0621.063-090-ZP	6.3	90.0	12.5	4.55	PH-3
P0621.063-100-ZP	6.3	100.0	12.5	4.55	PH-3
P0621.063-120-ZP	6.3	120.0	12.5	4.55	PH-3

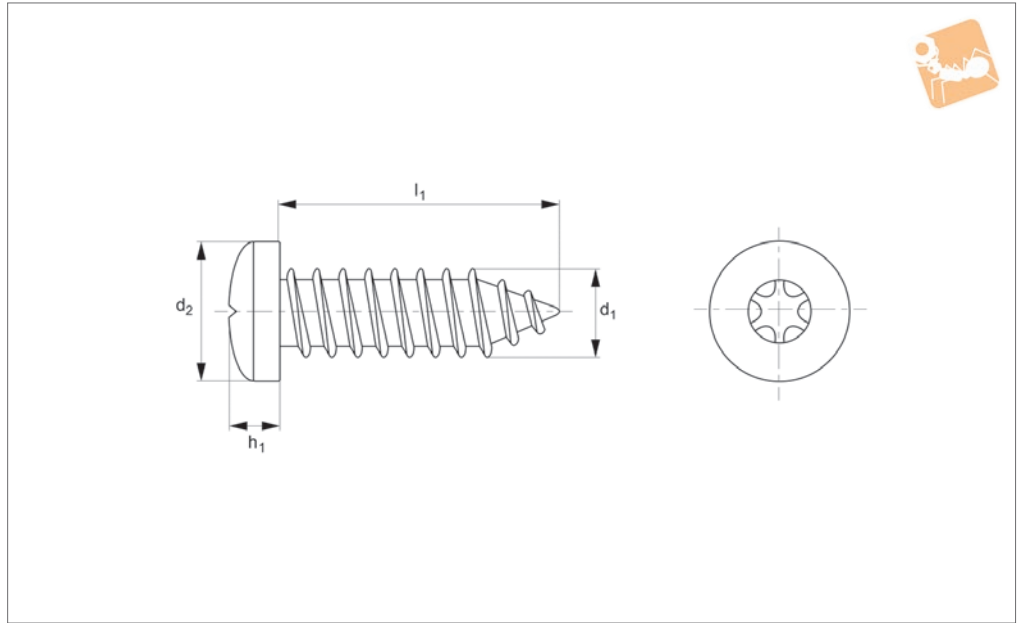
SELF TAPPERS



SELF TAPPERS



P0623.ZP



Material

Steel, zinc-plated.

Technical Notes

To DIN 7981C-TX, ISO 7049 type C.

Order No.	d ₁	l ₁	d ₂	h ₁ max.	Size
P0623.029-006-ZP	2.9	6.5	5.6	2.2	TX-10
P0623.029-009-ZP	2.9	9.5	5.6	2.2	TX-10
P0623.029-013-ZP	2.9	13.0	5.6	2.2	TX-10
P0623.029-016-ZP	2.9	16.0	5.6	2.2	TX-10
P0623.029-019-ZP	2.9	19.0	5.6	2.2	TX-10
P0623.029-022-ZP	2.9	22.0	5.6	2.2	TX-10
P0623.029-025-ZP	2.9	25.0	5.6	2.2	TX-10
P0623.029-032-ZP	2.9	32.0	5.6	2.2	TX-10
P0623.029-038-ZP	2.9	38.0	5.6	2.2	TX-10
P0623.035-009-ZP	3.5	9.5	6.9	2.6	TX-15
P0623.035-013-ZP	3.5	13.0	6.9	2.6	TX-15
P0623.035-016-ZP	3.5	16.0	6.9	2.6	TX-15
P0623.035-019-ZP	3.5	19.0	6.9	2.6	TX-15
P0623.035-022-ZP	3.5	22.0	6.9	2.6	TX-15
P0623.035-025-ZP	3.5	25.0	6.9	2.6	TX-15
P0623.035-032-ZP	3.5	32.0	6.9	2.6	TX-15
P0623.035-038-ZP	3.5	38.0	6.9	2.6	TX-15
P0623.035-045-ZP	3.5	45.0	6.9	2.6	TX-15
P0623.035-050-ZP	3.5	50.0	6.9	2.6	TX-15
P0623.039-009-ZP	3.9	9.5	7.5	2.8	TX-15
P0623.039-013-ZP	3.9	13.0	7.5	2.8	TX-15
P0623.039-016-ZP	3.9	16.0	7.5	2.8	TX-15
P0623.039-019-ZP	3.9	19.0	7.5	2.8	TX-15
P0623.039-022-ZP	3.9	22.0	7.5	2.8	TX-15
P0623.039-025-ZP	3.9	25.0	7.5	2.8	TX-15
P0623.039-032-ZP	3.9	32.0	7.5	2.8	TX-15
P0623.039-038-ZP	3.9	38.0	7.5	2.8	TX-15
P0623.039-045-ZP	3.9	45.0	7.5	2.8	TX-15
P0623.039-050-ZP	3.9	50.0	7.5	2.8	TX-15
P0623.039-060-ZP	3.9	60.0	7.5	2.8	TX-15
P0623.042-009-ZP	4.2	9.5	8.2	3.05	TX-20
P0623.042-013-ZP	4.2	13.0	8.2	3.05	TX-20
P0623.042-016-ZP	4.2	16.0	8.2	3.05	TX-20
P0623.042-019-ZP	4.2	19.0	8.2	3.05	TX-20



Pan Head TX AB Tappers

TX AB - steel, zinc-plated



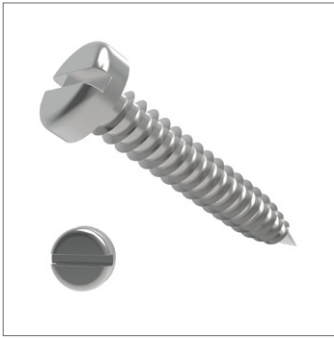
Self Tappers

Order No.	d ₁	l ₁	d ₂	h ₁ max.	Size
P0623.042-022-ZP	4.2	22.0	8.2	3.05	TX-20
P0623.042-025-ZP	4.2	25.0	8.2	3.05	TX-20
P0623.042-032-ZP	4.2	32.0	8.2	3.05	TX-20
P0623.042-038-ZP	4.2	38.0	8.2	3.05	TX-20
P0623.042-045-ZP	4.2	45.0	8.2	3.05	TX-20
P0623.042-050-ZP	4.2	50.0	8.2	3.05	TX-20
P0623.042-060-ZP	4.2	60.0	8.2	3.05	TX-20
P0623.048-013-ZP	4.8	13.0	9.5	3.55	TX-25
P0623.048-016-ZP	4.8	16.0	9.5	3.55	TX-25
P0623.048-019-ZP	4.8	19.0	9.5	3.55	TX-25
P0623.048-022-ZP	4.8	22.0	9.5	3.55	TX-25
P0623.048-025-ZP	4.8	25.0	9.5	3.55	TX-25
P0623.048-032-ZP	4.8	32.0	9.5	3.55	TX-25
P0623.048-038-ZP	4.8	38.0	9.5	3.55	TX-25
P0623.048-045-ZP	4.8	45.0	9.5	3.55	TX-25
P0623.048-050-ZP	4.8	50.0	9.5	3.55	TX-25
P0623.048-060-ZP	4.8	60.0	9.5	3.55	TX-25
P0623.055-013-ZP	5.5	13.0	10.8	3.95	TX-25
P0623.055-016-ZP	5.5	16.0	10.8	3.95	TX-25
P0623.055-019-ZP	5.5	19.0	10.8	3.95	TX-25
P0623.055-022-ZP	5.5	22.0	10.8	3.95	TX-25
P0623.055-025-ZP	5.5	25.0	10.8	3.95	TX-25
P0623.055-032-ZP	5.5	32.0	10.8	3.95	TX-25
P0623.055-038-ZP	5.5	38.0	10.8	3.95	TX-25
P0623.055-045-ZP	5.5	45.0	10.8	3.95	TX-25
P0623.055-050-ZP	5.5	50.0	10.8	3.95	TX-25
P0623.055-060-ZP	5.5	60.0	10.8	3.95	TX-25
P0623.063-013-ZP	6.3	13.0	12.5	4.55	TX-30
P0623.063-016-ZP	6.3	16.0	12.5	4.55	TX-30
P0623.063-019-ZP	6.3	19.0	12.5	4.55	TX-30
P0623.063-022-ZP	6.3	22.0	12.5	4.55	TX-30
P0623.063-025-ZP	6.3	25.0	12.5	4.55	TX-30
P0623.063-032-ZP	6.3	32.0	12.5	4.55	TX-30
P0623.063-038-ZP	6.3	38.0	12.5	4.55	TX-30
P0623.063-045-ZP	6.3	45.0	12.5	4.55	TX-30
P0623.063-050-ZP	6.3	50.0	12.5	4.55	TX-30
P0623.063-060-ZP	6.3	60.0	12.5	4.55	TX-30

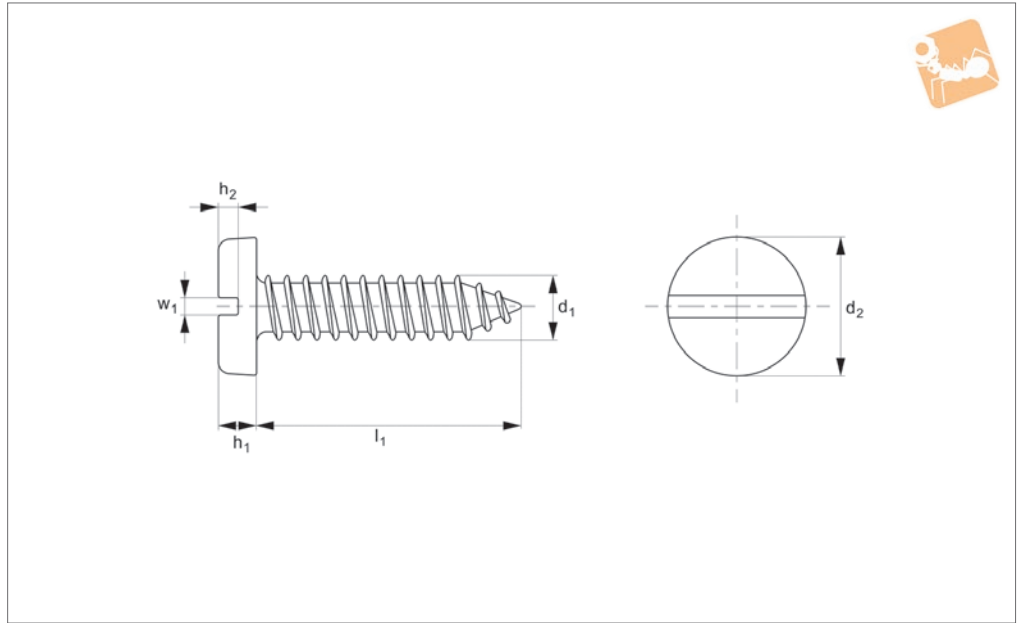
SELF TAPPERS



SELF TAPPERS



P0624.ZP



Material
Steel, zinc-plated.

Technical Notes
To DIN 7971C, ISO 1481 type C.

Order No.	d ₁	l ₁	d ₂	h ₁ max.	h ₂ max.	w ₁
P0624.022-004-ZP	2.2	4.5	4.2	1.35	0.8	0.6
P0624.022-006-ZP	2.2	6.5	4.2	1.35	0.8	0.6
P0624.022-009-ZP	2.2	9.5	4.2	1.35	0.8	0.6
P0624.022-013-ZP	2.2	13.0	4.2	1.35	0.8	0.6
P0624.022-016-ZP	2.2	16.0	4.2	1.35	0.8	0.6
P0624.022-019-ZP	2.2	19.0	4.2	1.35	0.8	0.6
P0624.022-022-ZP	2.2	22.0	4.2	1.35	0.8	0.6
P0624.022-025-ZP	2.2	25.0	4.2	1.35	0.8	0.6
P0624.029-006-ZP	2.9	6.5	5.6	1.75	1.0	0.8
P0624.029-009-ZP	2.9	9.5	5.6	1.75	1.0	0.8
P0624.029-013-ZP	2.9	13.0	5.6	1.75	1.0	0.8
P0624.029-016-ZP	2.9	16.0	5.6	1.75	1.0	0.8
P0624.029-019-ZP	2.9	19.0	5.6	1.75	1.0	0.8
P0624.029-022-ZP	2.9	22.0	5.6	1.75	1.0	0.8
P0624.029-025-ZP	2.9	25.0	5.6	1.75	1.0	0.8
P0624.029-032-ZP	2.9	32.0	5.6	1.75	1.0	0.8
P0624.035-006-ZP	3.5	6.5	6.9	2.1	1.25	1.0
P0624.035-009-ZP	3.5	9.5	6.9	2.1	1.25	1.0
P0624.035-013-ZP	3.5	13.0	6.9	2.1	1.25	1.0
P0624.035-016-ZP	3.5	16.0	6.9	2.1	1.25	1.0
P0624.035-019-ZP	3.5	19.0	6.9	2.1	1.25	1.0
P0624.035-022-ZP	3.5	22.0	6.9	2.1	1.25	1.0
P0624.035-025-ZP	3.5	25.0	6.9	2.1	1.25	1.0
P0624.035-032-ZP	3.5	32.0	6.9	2.1	1.25	1.0
P0624.035-038-ZP	3.5	38.0	6.9	2.1	1.25	1.0
P0624.042-006-ZP	4.2	6.5	8.2	2.45	1.5	1.2
P0624.042-009-ZP	4.2	9.5	8.2	2.45	1.5	1.2
P0624.042-013-ZP	4.2	13.0	8.2	2.45	1.5	1.2
P0624.042-016-ZP	4.2	16.0	8.2	2.45	1.5	1.2
P0624.042-019-ZP	4.2	19.0	8.2	2.45	1.5	1.2
P0624.042-022-ZP	4.2	22.0	8.2	2.45	1.5	1.2
P0624.042-025-ZP	4.2	25.0	8.2	2.45	1.5	1.2
P0624.042-032-ZP	4.2	32.0	8.2	2.45	1.5	1.2
P0624.042-038-ZP	4.2	38.0	8.2	2.45	1.5	1.2



Pan Head Slot AB Tappers

Slot AB - steel, zinc-plated

Self Tappers

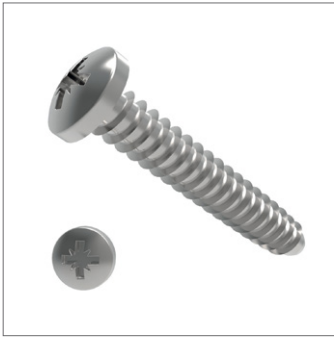


Order No.	d ₁	l ₁	d ₂	h ₁ max.	h ₂ max.	w ₁
P0624.042-045-ZP	4.2	45.0	8.2	2.45	1.5	1.2
P0624.042-500-ZP	4.2	50.0	8.2	2.45	1.5	1.2
P0624.048-009-ZP	4.8	9.5	9.5	2.80	1.7	1.2
P0624.048-013-ZP	4.8	13.0	9.5	2.80	1.7	1.2
P0624.048-016-ZP	4.8	16.0	9.5	2.80	1.7	1.2
P0624.048-019-ZP	4.8	19.0	9.5	2.80	1.7	1.2
P0624.048-022-ZP	4.8	22.0	9.5	2.80	1.7	1.2
P0624.048-025-ZP	4.8	25.0	9.5	2.80	1.7	1.2
P0624.048-032-ZP	4.8	32.0	9.5	2.80	1.7	1.2
P0624.048-038-ZP	4.8	38.0	9.5	2.80	1.7	1.2
P0624.048-045-ZP	4.8	45.0	9.5	2.80	1.7	1.2
P0624.048-050-ZP	4.8	50.0	9.5	2.80	1.7	1.2
P0624.048-060-ZP	4.8	60.0	9.5	2.80	1.7	1.2
P0624.048-070-ZP	4.8	70.0	9.5	2.80	1.7	1.2
P0624.048-080-ZP	4.8	80.0	9.5	2.80	1.7	1.2
P0624.055-013-ZP	5.5	13.0	10.8	3.20	1.95	1.6
P0624.055-016-ZP	5.5	16.0	10.8	3.20	1.95	1.6
P0624.055-019-ZP	5.5	19.0	10.8	3.20	1.95	1.6
P0624.055-022-ZP	5.5	22.0	10.8	3.20	1.95	1.6
P0624.055-025-ZP	5.5	25.0	10.8	3.20	1.95	1.6
P0624.055-032-ZP	5.5	32.0	10.8	3.20	1.95	1.6
P0624.055-038-ZP	5.5	38.0	10.8	3.20	1.95	1.6
P0624.055-045-ZP	5.5	45.0	10.8	3.20	1.95	1.6
P0624.055-050-ZP	5.5	50.0	10.8	3.20	1.95	1.6
P0624.055-060-ZP	5.5	60.0	10.8	3.20	1.95	1.6
P0624.055-070-ZP	5.5	70.0	10.8	3.20	1.95	1.6
P0624.055-080-ZP	5.5	80.0	10.8	3.20	1.95	1.6
P0624.063-013-ZP	6.3	13.0	12.5	3.65	2.20	1.6
P0624.063-016-ZP	6.3	16.0	12.5	3.65	2.20	1.6
P0624.063-019-ZP	6.3	19.0	12.5	3.65	2.20	1.6
P0624.063-022-ZP	6.3	22.0	12.5	3.65	2.20	1.6
P0624.063-025-ZP	6.3	25.0	12.5	3.65	2.20	1.6
P0624.063-032-ZP	6.3	32.0	12.5	3.65	2.20	1.6
P0624.063-038-ZP	6.3	38.0	12.5	3.65	2.20	1.6
P0624.063-045-ZP	6.3	45.0	12.5	3.65	2.20	1.6
P0624.063-050-ZP	6.3	50.0	12.5	3.65	2.20	1.6
P0624.063-060-ZP	6.3	60.0	12.5	3.65	2.20	1.6
P0624.063-070-ZP	6.3	70.0	12.5	3.65	2.20	1.6
P0624.063-080-ZP	6.3	80.0	12.5	3.65	2.20	1.6
P0624.039-006-ZP	3.9	6.5	7.5	2.25	1.4	1.0
P0624.039-009-ZP	3.9	9.5	7.5	2.25	1.4	1.0
P0624.039-013-ZP	3.9	13.0	7.5	2.25	1.4	1.0
P0624.039-016-ZP	3.9	16.0	7.5	2.25	1.4	1.0
P0624.039-019-ZP	3.9	19.0	7.5	2.25	1.4	1.0
P0624.039-022-ZP	3.9	22.0	7.5	2.25	1.4	1.0
P0624.039-025-ZP	3.9	25.0	7.5	2.25	1.4	1.0
P0624.039-032-ZP	3.9	32.0	7.5	2.25	1.4	1.0
P0624.039-038-ZP	3.9	38.0	7.5	2.25	1.4	1.0
P0624.039-045-ZP	3.9	45.0	7.5	2.25	1.4	1.0
P0624.039-050-ZP	3.9	50.0	7.5	2.25	1.4	1.0

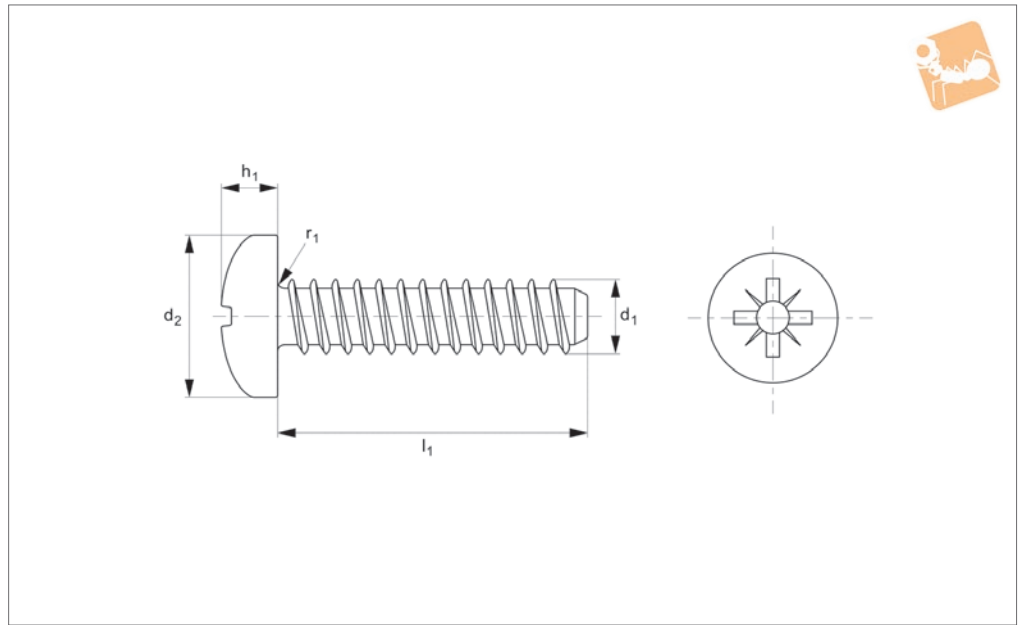
SELF TAPPERS



SELF TAPPERS



P0637.ZP



Material

Steel, zinc-plated.

Technical Notes

To DIN 7981F-Z, ISO 7049 type F (with dog point).

Order No.	d ₁	l ₁	d ₂	h ₁	Size
P0637.022-006-ZP	2.2	6.5	4.2	1.8	PZ-1
P0637.022-009-ZP	2.2	9.5	4.2	1.8	PZ-1
P0637.022-013-ZP	2.2	13.0	4.2	1.8	PZ-1
P0637.022-016-ZP	2.2	16.0	4.2	1.8	PZ-1
P0637.022-019-ZP	2.2	19.0	4.2	1.8	PZ-1
P0637.022-022-ZP	2.2	22.0	4.2	1.8	PZ-1
P0637.022-025-ZP	2.2	25.0	4.2	1.8	PZ-1
P0637.022-032-ZP	2.2	32.0	4.2	1.8	PZ-1
P0637.029-006-ZP	2.9	6.5	5.6	2.2	PZ-1
P0637.029-009-ZP	2.9	9.5	5.6	2.2	PZ-1
P0637.029-013-ZP	2.9	13.0	5.6	2.2	PZ-1
P0637.029-016-ZP	2.9	16.0	5.6	2.2	PZ-1
P0637.029-019-ZP	2.9	19.0	5.6	2.2	PZ-1
P0637.029-022-ZP	2.9	22.0	5.6	2.2	PZ-1
P0637.029-025-ZP	2.9	25.0	5.6	2.2	PZ-1
P0637.029-032-ZP	2.9	32.0	5.6	2.2	PZ-1
P0637.035-006-ZP	3.5	6.5	6.9	2.6	PZ-2
P0637.035-009-ZP	3.5	9.5	6.9	2.6	PZ-2
P0637.035-013-ZP	3.5	13.0	6.9	2.6	PZ-2
P0637.035-016-ZP	3.5	16.0	6.9	2.6	PZ-2
P0637.035-019-ZP	3.5	19.0	6.9	2.6	PZ-2
P0637.035-022-ZP	3.5	22.0	6.9	2.6	PZ-2
P0637.035-025-ZP	3.5	25.0	6.9	2.6	PZ-2
P0637.035-032-ZP	3.5	32.0	6.9	2.6	PZ-2
P0637.035-045-ZP	3.5	45.0	6.9	2.6	PZ-2
P0637.035-050-ZP	3.5	50.0	6.9	2.6	PZ-2
P0637.035-060-ZP	3.5	60.0	6.9	2.6	PZ-2
P0637.039-006-ZP	3.9	6.5	7.5	2.8	PZ-2
P0637.039-009-ZP	3.9	9.5	7.5	2.8	PZ-2
P0637.039-013-ZP	3.9	13.0	7.5	2.8	PZ-2
P0637.039-016-ZP	3.9	16.0	7.5	2.8	PZ-2
P0637.039-019-ZP	3.9	19.0	7.5	2.8	PZ-2
P0637.039-022-ZP	3.9	22.0	7.5	2.8	PZ-2
P0637.039-025-ZP	3.9	25.0	7.5	2.8	PZ-2
P0637.039-032-ZP	3.9	32.0	7.5	2.8	PZ-2



Pan Head Pozi Tappers

Pozi dog point - steel, zinc-plated



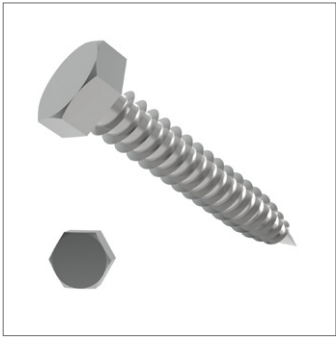
Self Tappers

Order No.	d ₁	l ₁	d ₂	h ₁	Size
P0637.039-045-ZP	3.9	45.0	7.5	2.8	PZ-2
P0637.039-050-ZP	3.9	50.0	7.5	2.8	PZ-2
P0637.039-060-ZP	3.9	60.0	7.5	2.8	PZ-2
P0637.039-070-ZP	3.9	70.0	7.5	2.8	PZ-2
P0637.039-080-ZP	3.9	80.0	7.5	2.8	PZ-2
P0637.042-006-ZP	4.2	6.5	8.2	3.05	PZ-2
P0637.042-009-ZP	4.2	9.5	8.2	3.05	PZ-2
P0637.042-013-ZP	4.2	13.0	8.2	3.05	PZ-2
P0637.042-016-ZP	4.2	16.0	8.2	3.05	PZ-2
P0637.042-019-ZP	4.2	19.0	8.2	3.05	PZ-2
P0637.042-022-ZP	4.2	22.0	8.2	3.05	PZ-2
P0637.042-025-ZP	4.2	25.0	8.2	3.05	PZ-2
P0637.042-032-ZP	4.2	32.0	8.2	3.05	PZ-2
P0637.042-045-ZP	4.2	45.0	8.2	3.05	PZ-2
P0637.042-050-ZP	4.2	50.0	8.2	3.05	PZ-2
P0637.042-060-ZP	4.2	60.0	8.2	3.05	PZ-2
P0637.042-070-ZP	4.2	70.0	8.2	3.05	PZ-2
P0637.042-080-ZP	4.2	80.0	8.2	3.05	PZ-2
P0637.048-006-ZP	4.8	6.5	9.5	3.55	PZ-2
P0637.048-009-ZP	4.8	9.5	9.5	3.55	PZ-2
P0637.048-013-ZP	4.8	13.0	9.5	3.55	PZ-2
P0637.048-016-ZP	4.8	16.0	9.5	3.55	PZ-2
P0637.048-019-ZP	4.8	19.0	9.5	3.55	PZ-2
P0637.048-022-ZP	4.8	22.0	9.5	3.55	PZ-2
P0637.048-025-ZP	4.8	25.0	9.5	3.55	PZ-2
P0637.048-032-ZP	4.8	32.0	9.5	3.55	PZ-2
P0637.048-045-ZP	4.8	45.0	9.5	3.55	PZ-2
P0637.048-050-ZP	4.8	50.0	9.5	3.55	PZ-2
P0637.048-060-ZP	4.8	60.0	9.5	3.55	PZ-2
P0637.048-070-ZP	4.8	70.0	9.5	3.55	PZ-2
P0637.048-080-ZP	4.8	80.0	9.5	3.55	PZ-2
P0637.048-090-ZP	4.8	90.0	9.5	3.55	PZ-2
P0637.048-100-ZP	4.8	100.0	9.5	3.55	PZ-2
P0637.055-006-ZP	5.5	6.5	10.8	3.95	PZ-3
P0637.055-009-ZP	5.5	9.5	10.8	3.95	PZ-3
P0637.055-013-ZP	5.5	13.0	10.8	3.95	PZ-3
P0637.055-016-ZP	5.5	16.0	10.8	3.95	PZ-3
P0637.055-019-ZP	5.5	19.0	10.8	3.95	PZ-3
P0637.055-022-ZP	5.5	22.0	10.8	3.95	PZ-3
P0637.055-025-ZP	5.5	25.0	10.8	3.95	PZ-3
P0637.055-032-ZP	5.5	32.0	10.8	3.95	PZ-3
P0637.055-045-ZP	5.5	45.0	10.8	3.95	PZ-3
P0637.055-050-ZP	5.5	50.0	10.8	3.95	PZ-3
P0637.055-060-ZP	5.5	60.0	10.8	3.95	PZ-3
P0637.055-070-ZP	5.5	70.0	10.8	3.95	PZ-3
P0637.055-080-ZP	5.5	80.0	10.8	3.95	PZ-3
P0637.055-090-ZP	5.5	90.0	10.8	3.95	PZ-3
P0637.055-100-ZP	5.5	100.0	10.8	3.95	PZ-3
P0637.063-013-ZP	6.3	13.0	12.5	4.55	PZ-3
P0637.063-016-ZP	6.3	16.0	12.5	4.55	PZ-3
P0637.063-019-ZP	6.3	19.0	12.5	4.55	PZ-3
P0637.063-022-ZP	6.3	22.0	12.5	4.55	PZ-3
P0637.063-025-ZP	6.3	25.0	12.5	4.55	PZ-3
P0637.063-032-ZP	6.3	32.0	12.5	4.55	PZ-3
P0637.063-038-ZP	6.3	38.0	12.5	4.55	PZ-3
P0637.063-045-ZP	6.3	45.0	12.5	4.55	PZ-3
P0637.063-050-ZP	6.3	50.0	12.5	4.55	PZ-3
P0637.063-060-ZP	6.3	60.0	12.5	4.55	PZ-3
P0637.063-070-ZP	6.3	70.0	12.5	4.55	PZ-3
P0637.063-080-ZP	6.3	80.0	12.5	4.55	PZ-3
P0637.063-090-ZP	6.3	90.0	12.5	4.55	PZ-3
P0637.063-100-ZP	6.3	100.0	12.5	4.55	PZ-3

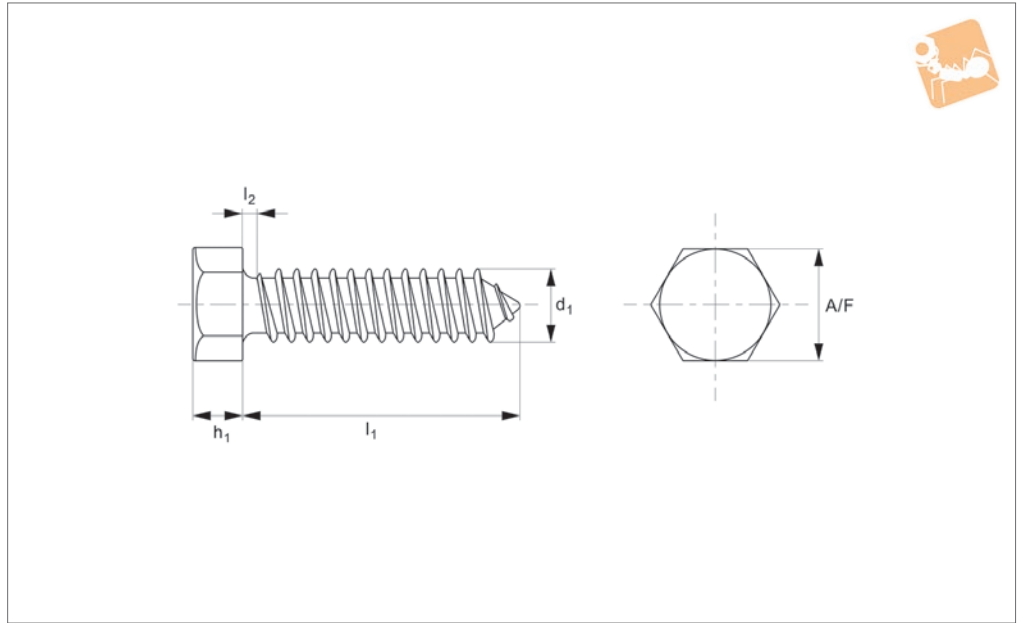
SELF TAPPERS



SELF TAPPERS



P0630.ZP



Material
Steel, zinc-plated.

Technical Notes
To DIN 7976C, ISO 1479 type C.

Order No.	d ₁	l ₁	l ₂	h ₁	A/F
P0630.029-009-ZP	2.9	9.5	1.1	1.5	5
P0630.029-013-ZP	2.9	13.0	1.1	1.5	5
P0630.029-016-ZP	2.9	16.0	1.1	1.5	5
P0630.029-019-ZP	2.9	19.0	1.1	1.5	5
P0630.029-022-ZP	2.9	22.0	1.1	1.5	5
P0630.029-025-ZP	2.9	25.0	1.1	1.5	5
P0630.029-032-ZP	2.9	32.0	1.1	1.5	5
P0630.029-038-ZP	2.9	38.0	1.1	1.5	5
P0630.035-009-ZP	3.5	9.5	1.3	2.3	5.5
P0630.035-013-ZP	3.5	13.0	1.3	2.3	5.5
P0630.035-016-ZP	3.5	16.0	1.3	2.3	5.5
P0630.035-019-ZP	3.5	19.0	1.3	2.3	5.5
P0630.035-022-ZP	3.5	22.0	1.3	2.3	5.5
P0630.035-025-ZP	3.5	25.0	1.3	2.3	5.5
P0630.035-032-ZP	3.5	32.0	1.3	2.3	5.5
P0630.035-038-ZP	3.5	38.0	1.3	2.3	5.5
P0630.035-045-ZP	3.5	45.0	1.3	2.3	5.5
P0630.035-050-ZP	3.5	50.0	1.3	2.3	5.5
P0630.039-009-ZP	3.9	9.5	1.3	2.3	7
P0630.039-013-ZP	3.9	13.0	1.3	2.3	7
P0630.039-016-ZP	3.9	16.0	1.3	2.3	7
P0630.039-019-ZP	3.9	19.0	1.3	2.3	7
P0630.039-022-ZP	3.9	22.0	1.3	2.3	7
P0630.039-025-ZP	3.9	25.0	1.3	2.3	7
P0630.039-032-ZP	3.9	32.0	1.3	2.3	7
P0630.039-038-ZP	3.9	38.0	1.3	2.3	7
P0630.039-045-ZP	3.9	45.0	1.3	2.3	7
P0630.039-050-ZP	3.9	50.0	1.3	2.3	7
P0630.039-055-ZP	3.9	55.0	1.3	2.3	7
P0630.039-060-ZP	3.9	60.0	1.3	2.3	7
P0630.042-009-ZP	4.2	9.5	1.4	2.8	7
P0630.042-013-ZP	4.2	13.0	1.4	2.8	7
P0630.042-016-ZP	4.2	16.0	1.4	2.8	7
P0630.042-019-ZP	4.2	19.0	1.4	2.8	7
P0630.042-022-ZP	4.2	22.0	1.4	2.8	7



Hex Head AB Tappers

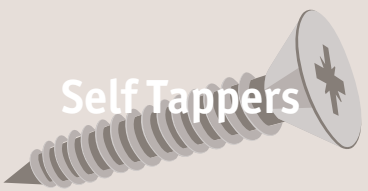
AB Tappers - steel, zinc-plated



Self Tappers

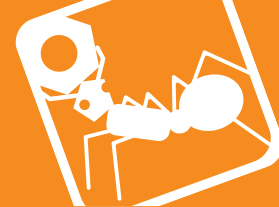
SELF TAPPERS

Order No.	d ₁	l ₁	l ₂	h ₁	A/F
P0630.042-025-ZP	4.2	25.0	1.4	2.8	7
P0630.042-032-ZP	4.2	32.0	1.4	2.8	7
P0630.042-038-ZP	4.2	38.0	1.4	2.8	7
P0630.042-045-ZP	4.2	45.0	1.4	2.8	7
P0630.042-050-ZP	4.2	50.0	1.4	2.8	7
P0630.042-055-ZP	4.2	55.0	1.4	2.8	7
P0630.042-060-ZP	4.2	60.0	1.4	2.8	7
P0630.048-009-ZP	4.8	9.5	1.6	3.0	8
P0630.048-013-ZP	4.8	13.0	1.6	3.0	8
P0630.048-016-ZP	4.8	16.0	1.6	3.0	8
P0630.048-019-ZP	4.8	19.0	1.6	3.0	8
P0630.048-022-ZP	4.8	22.0	1.6	3.0	8
P0630.048-025-ZP	4.8	25.0	1.6	3.0	8
P0630.048-032-ZP	4.8	32.0	1.6	3.0	8
P0630.048-038-ZP	4.8	38.0	1.6	3.0	8
P0630.048-045-ZP	4.8	45.0	1.6	3.0	8
P0630.048-050-ZP	4.8	50.0	1.6	3.0	8
P0630.048-055-ZP	4.8	55.0	1.6	3.0	8
P0630.048-060-ZP	4.8	60.0	1.6	3.0	8
P0630.048-070-ZP	4.8	70.0	1.6	3.0	8
P0630.048-080-ZP	4.8	80.0	1.6	3.0	8
P0630.048-090-ZP	4.8	90.0	1.6	3.0	8
P0630.048-100-ZP	4.8	100.0	1.6	3.0	8
P0630.048-110-ZP	4.8	110.0	1.6	3.0	8
P0630.048-120-ZP	4.8	120.0	1.6	3.0	8
P0630.055-009-ZP	5.5	9.5	1.8	4.0	8
P0630.055-013-ZP	5.5	13.0	1.8	4.0	8
P0630.055-016-ZP	5.5	16.0	1.8	4.0	8
P0630.055-019-ZP	5.5	19.0	1.8	4.0	8
P0630.055-022-ZP	5.5	22.0	1.8	4.0	8
P0630.055-025-ZP	5.5	25.0	1.8	4.0	8
P0630.055-032-ZP	5.5	32.0	1.8	4.0	8
P0630.055-038-ZP	5.5	38.0	1.8	4.0	8
P0630.055-045-ZP	5.5	45.0	1.8	4.0	8
P0630.055-050-ZP	5.5	50.0	1.8	4.0	8
P0630.055-055-ZP	5.5	55.0	1.8	4.0	8
P0630.055-060-ZP	5.5	60.0	1.8	4.0	8
P0630.055-070-ZP	5.5	70.0	1.8	4.0	8
P0630.055-080-ZP	5.5	80.0	1.8	4.0	8
P0630.055-090-ZP	5.5	90.0	1.8	4.0	8
P0630.055-100-ZP	5.5	100.0	1.8	4.0	8
P0630.055-110-ZP	5.5	110.0	1.8	4.0	8
P0630.055-120-ZP	5.5	120.0	1.8	4.0	8
P0630.063-013-ZP	6.3	13.0	1.8	4.8	10
P0630.063-016-ZP	6.3	16.0	1.8	4.8	10
P0630.063-019-ZP	6.3	19.0	1.8	4.8	10
P0630.063-022-ZP	6.3	22.0	1.8	4.8	10
P0630.063-025-ZP	6.3	25.0	1.8	4.8	10
P0630.063-032-ZP	6.3	32.0	1.8	4.8	10
P0630.063-038-ZP	6.3	38.0	1.8	4.8	10
P0630.063-045-ZP	6.3	45.0	1.8	4.8	10
P0630.063-050-ZP	6.3	50.0	1.8	4.8	10
P0630.063-055-ZP	6.3	55.0	1.8	4.8	10
P0630.063-060-ZP	6.3	60.0	1.8	4.8	10
P0630.063-070-ZP	6.3	70.0	1.8	4.8	10
P0630.063-080-ZP	6.3	80.0	1.8	4.8	10
P0630.063-090-ZP	6.3	90.0	1.8	4.8	10
P0630.063-100-ZP	6.3	100.0	1.8	4.8	10
P0630.063-110-ZP	6.3	110.0	1.8	4.8	10
P0630.063-120-ZP	6.3	120.0	1.8	4.8	10
P0630.080-013-ZP	8.0	13.0	2.1	5.8	13
P0630.080-016-ZP	8.0	16.0	2.1	5.8	13
P0630.080-019-ZP	8.0	19.0	2.1	5.8	13
P0630.080-022-ZP	8.0	22.0	2.1	5.8	13
P0630.080-025-ZP	8.0	25.0	2.1	5.8	13
P0630.080-032-ZP	8.0	32.0	2.1	5.8	13
P0630.080-038-ZP	8.0	38.0	2.1	5.8	13
P0630.080-045-ZP	8.0	45.0	2.1	5.8	13
P0630.080-050-ZP	8.0	50.0	2.1	5.8	13



Hex Head AB Tappers

AB Tappers - steel, zinc-plated



Order No.	d ₁	l ₁	l ₂	h ₁	A/F
P0630.080-055-ZP	8.0	55.0	2.1	5.8	13
P0630.080-060-ZP	8.0	60.0	2.1	5.8	13
P0630.080-070-ZP	8.0	70.0	2.1	5.8	13

SELF TAPPERS

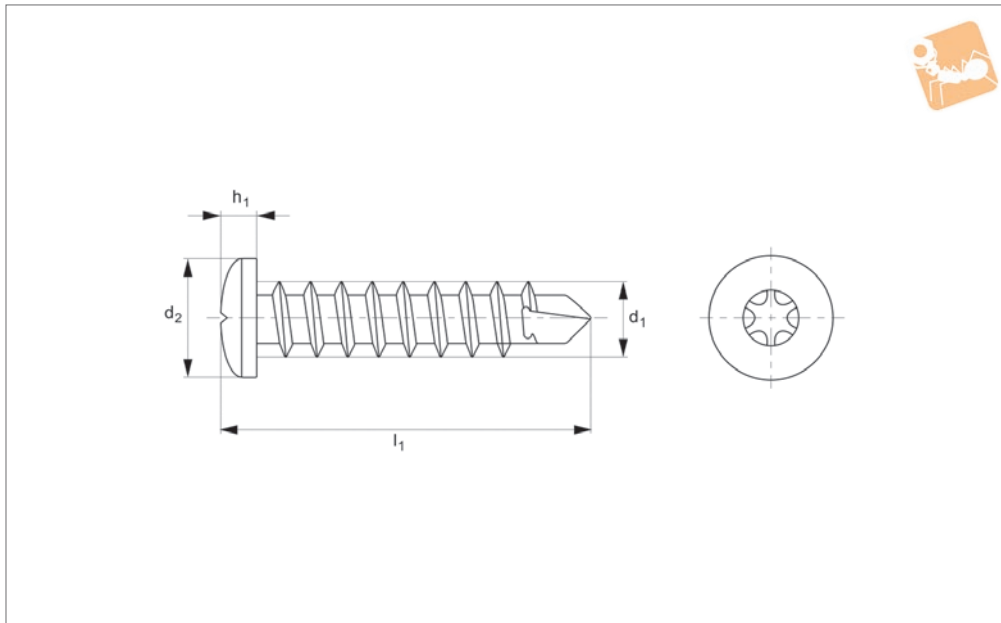


Pan Head TX Self-Drilling

TX - steel, zinc-plated



Self Drilling



P0644.ZP

SELF DRILLING

Material

Steel, zinc plated.

Technical Notes

To DIN 7504-TX. Self-drilling thread.

Order No.	d ₁	l ₁	d ₂	h ₁	Size
P0644.035-009-ZP	3.5	9.5	6.9	2.6	TX-10
P0644.035-013-ZP	3.5	13	6.9	2.6	TX-10
P0644.035-016-ZP	3.5	16	6.9	2.6	TX-10
P0644.035-019-ZP	3.5	19	6.9	2.6	TX-10
P0644.035-022-ZP	3.5	22	6.9	2.6	TX-10
P0644.035-025-ZP	3.5	25	6.9	2.6	TX-10
P0644.039-013-ZP	3.9	13	7.5	2.8	TX-20
P0644.039-016-ZP	3.9	16	7.5	2.8	TX-20
P0644.039-019-ZP	3.9	19	7.5	2.8	TX-20
P0644.039-022-ZP	3.9	22	7.5	2.8	TX-20
P0644.039-025-ZP	3.9	25	7.5	2.8	TX-20
P0644.039-032-ZP	3.9	32	7.5	2.8	TX-20
P0644.039-038-ZP	3.9	38	7.5	2.8	TX-20
P0644.042-013-ZP	4.2	13	8.2	3.05	TX-20
P0644.042-016-ZP	4.2	16	8.2	3.05	TX-20
P0644.042-019-ZP	4.2	19	8.2	3.05	TX-20
P0644.042-022-ZP	4.2	22	8.2	3.05	TX-20
P0644.042-025-ZP	4.2	25	8.2	3.05	TX-20
P0644.042-032-ZP	4.2	32	8.2	3.05	TX-20
P0644.042-038-ZP	4.2	38	8.2	3.05	TX-20
P0644.048-013-ZP	4.8	13	9.8	3.55	TX-25
P0644.048-016-ZP	4.8	16	9.8	3.55	TX-25
P0644.048-019-ZP	4.8	19	9.8	3.55	TX-25
P0644.048-022-ZP	4.8	22	9.8	3.55	TX-25
P0644.048-025-ZP	4.8	25	9.8	3.55	TX-25
P0644.048-032-ZP	4.8	32	9.8	3.55	TX-25
P0644.048-038-ZP	4.8	38	9.8	3.55	TX-25
P0644.048-045-ZP	4.8	45	9.8	3.55	TX-25
P0644.048-050-ZP	4.8	50	9.8	3.55	TX-25
P0644.048-060-ZP	4.8	60	9.8	3.55	TX-25



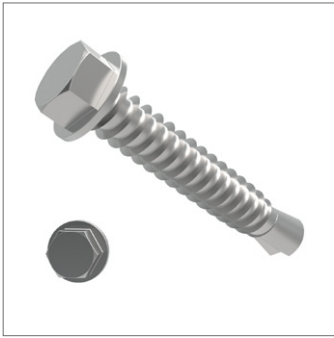
Self Drilling

Hex Seal Washer Head Self-Drilling

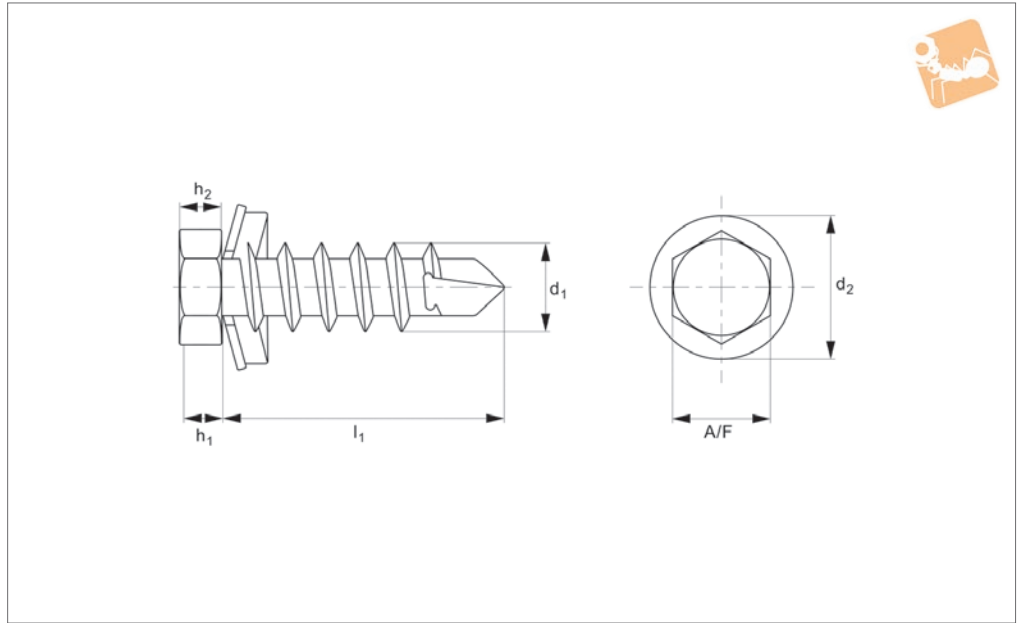
Seal - steel, zinc-plated



SELF DRILLING



P0646.ZP



Material

Steel, zinc-plated.

Technical Notes

To DIN 7504-K, with 16mm sealing washer.

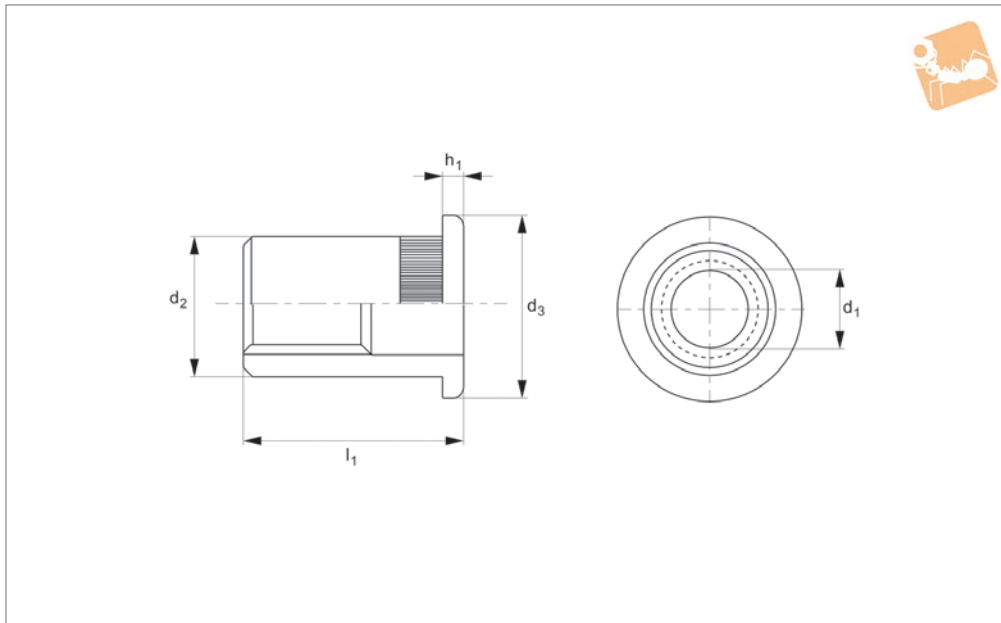
Order No.	d_1	l_1	d_2	h_1	s_1
P0646.055-019-ZP	5.5	19	11.0	5.4	SW8
P0646.055-022-ZP	5.5	22	11.0	5.4	SW8
P0646.055-025-ZP	5.5	25	11.0	5.4	SW8
P0646.055-032-ZP	5.5	32	11.0	5.4	SW8
P0646.055-035-ZP	5.5	35	11.0	5.4	SW8
P0646.055-038-ZP	5.5	38	11.0	5.4	SW8
P0646.055-045-ZP	5.5	45	11.0	5.4	SW8
P0646.055-050-ZP	5.5	50	11.0	5.4	SW8
P0646.055-060-ZP	5.5	60	11.0	5.4	SW8
P0646.055-070-ZP	5.5	70	11.0	5.4	SW8



Flange Head Knurled Insert Nuts

A2 stainless

Insert Nuts



P0820.A2

INSERT NUTS

Material

Stainless steel (A2, AISI 303).

Technical Notes

Knurled body type, plain available on request.

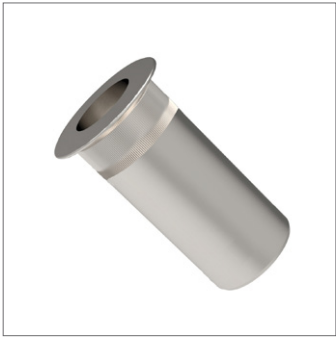
Flange head insert nuts are recommended for use in load bearing applications. The larger sized head acts as a reinforcement to the hole and provides resistance to push-out.

The knurled body provides extra turning resistance and the head acts as a spacer.

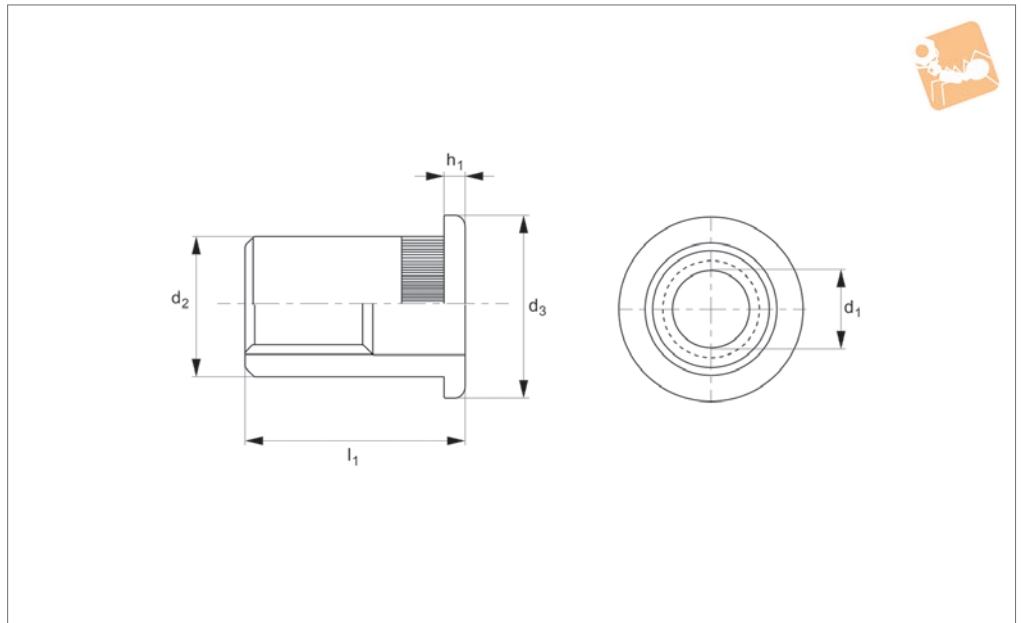
Tips

Also known as blind rivet nuts or grip nuts.

Order No.	d ₁	Grip range	d ₂ +0 -0.2	d ₃	h ₁	l ₁
P0820.030-020-A2	M 3	0,5-2,0	4.9	8.0	0.8	9.8
P0820.040-025-A2	M 4	0,5-2,5	5.9	9.0	1.0	12.0
P0820.040-040-A2	M 4	2,5-4,0	5.9	9.0	1.0	13.5
P0820.050-025-A2	M 5	0,5-3,0	6.9	10.0	1.0	13.0
P0820.050-055-A2	M 5	3,0-5,5	6.9	10.0	1.0	16.0
P0820.060-030-A2	M 6	0,5-3,0	8.9	12.0	1.5	15.5
P0820.060-055-A2	M 6	3,0-5,5	8.9	12.0	1.5	18.5
P0820.080-030-A2	M 8	0,5-3,0	10.9	15.0	1.5	17.5
P0820.080-055-A2	M 8	3,0-5,5	10.9	15.0	1.5	20.0
P0820.100-035-A2	M10	1,0-3,5	12.9	17.0	2.0	21.0
P0820.100-060-A2	M10	3,5-6,0	12.9	17.0	2.0	23.5
P0820.120-040-A2	M12	1,0-4,0	15.9	23.0	2.0	25.0



P0820.AL



Material
Aluminium.

Technical Notes
Knurled body type, plain available on request.

Flange head insert nuts are recommended for use in load bearing applications. The larger sized head acts as a reinforcement to the hole and provides resistance to push-out.

The knurled body provides extra turning resistance and the head acts as a spacer.

Tips
Also known as blind rivet nuts or grip nuts.

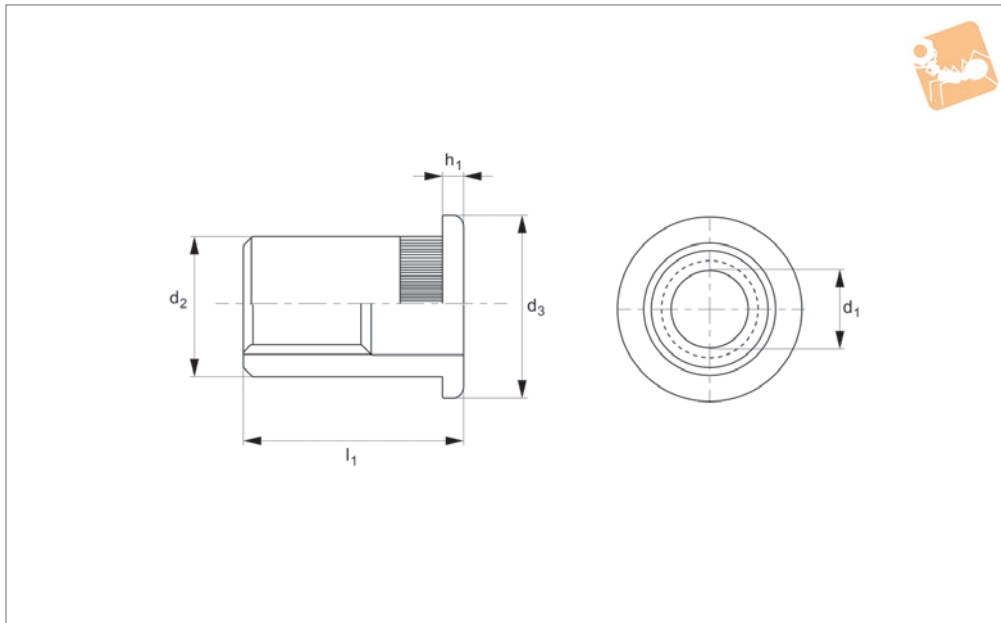
Order No.	d ₁	Grip range	d ₂ +0 -0.2	d ₃	h ₁	l ₁
P0820.030-025-AL	M 3	0,5-2,5	4.9	7.0	0.8	10.5
P0820.030-035-AL	M 3	2,5-3,5	4.9	7.0	0.8	11.5
P0820.040-030-AL	M 4	0,5-3,0	5.9	9.0	1.0	11.0
P0820.040-045-AL	M 4	3,0-4,0	5.9	9.0	1.0	14.0
P0820.050-025-AL	M 5	0,5-3,0	6.9	10.0	1.0	13.0
P0820.050-055-AL	M 5	3,0-5,5	6.9	10.0	1.0	16.0
P0820.050-080-AL	M 5	5,5-8,0	6.9	10.0	1.0	19.0
P0820.060-030-AL	M 6	0,5-3,0	8.9	12.0	1.5	16.0
P0820.060-055-AL	M 6	3,0-5,5	8.9	12.0	1.5	18.5
P0820.060-080-AL	M 6	5,5-8,0	8.9	12.0	1.5	21.0
P0820.080-030-AL	M 8	0,5-3,0	10.9	15.0	1.5	17.5
P0820.080-055-AL	M 8	3,0-5,5	10.9	15.0	1.5	20.0
P0820.080-080-AL	M 8	5,5-8,0	10.9	15.0	1.5	22.5
P0820.080-105-AL	M 8	8,0-10,5	10.9	15.0	1.5	25.0
P0820.100-030-AL	M10	0,5-3,0	11.9	16.0	2.0	19.0
P0820.100-060-AL	M10	3,0-6,0	11.9	16.0	2.0	24.0
P0820.100-090-AL	M10	6,0-9,0	11.9	16.0	2.0	27.0
P0820.100-120-AL	M10	9,0-12,0	11.9	16.0	2.0	30.0
P0820.120-040-AL	M12	1,0-4,0	15.9	22.0	2.0	25.0
P0820.120-070-AL	M12	4,0-7,0	15.9	22.0	2.0	28.0
P0820.120-100-AL	M12	7,0-10,0	15.9	22.0	2.0	31.0



Flange Head Knurled Insert Nuts

Steel, zinc-plated

Insert Nuts



P0820.ZP

INSERT NUTS

Material

Steel, zinc-plated.

Technical Notes

Knurled body type, plain available on request.

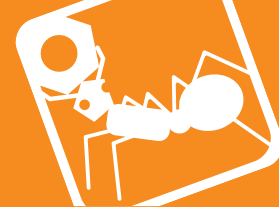
Flange head insert nuts are recommended for use in load bearing applications. The larger sized head acts as a reinforcement to the hole and provides resistance to push-out.

The knurled body provides extra turning resistance and the head acts as a spacer.

Tips

Also known as blind rivet nuts or grip nuts.

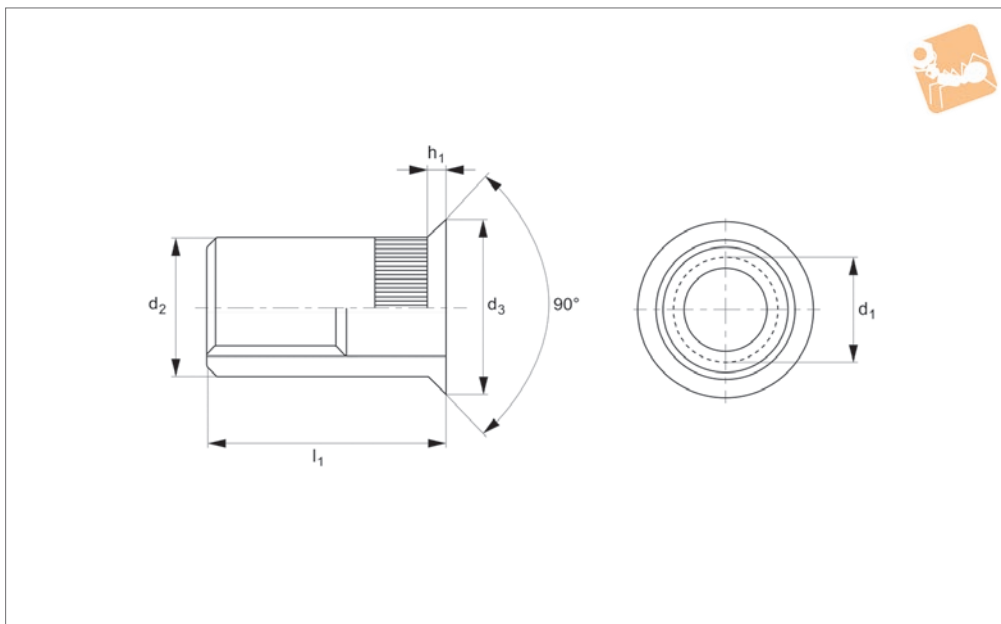
Order No.	d ₁	Grip range	d ₂ +0 -0.2	d ₃	h ₁	l ₁
P0820.030-025-ZP	M 3	0,5-2,5	4.9	7.0	0.9	10.9
P0820.030-040-ZP	M 3	2,5-4,0	4.9	7.0	0.9	11.5
P0820.040-025-ZP	M 4	0,5-2,5	5.9	9.0	0.9	11.6
P0820.040-055-ZP	M 4	3,0-5,5	5.9	9.0	1.0	14.0
P0820.050-025-ZP	M 5	0,5-2,5	6.9	10.0	1.0	13.0
P0820.060-030-ZP	M 6	0,5-3,0	8.9	12.3	1.3	15.5
P0820.060-055-ZP	M 6	3,0-5,5	8.9	12.3	1.3	19.5
P0820.060-080-ZP	M 6	5,5-8,0	8.9	12.3	1.5	21.0
P0820.080-030-ZP	M 8	0,7-3,0	10.9	16.0	1.5	17.5
P0820.080-055-ZP	M 8	3,0-5,5	10.9	16.0	1.5	20.0
P0820.080-060-ZP	M 8	3,5-6,0	10.9	15.0	1.5	21.0
P0820.080-080-ZP	M 8	5,5-8,0	10.9	15.0	1.6	24.0
P0820.080-105-ZP	M 8	8,0-10,5	10.9	15.0	1.6	25.0
P0820.100-030-ZP	M10	1,0-3,0	11.9	16.0	2.0	19.0
P0820.100-060-ZP	M10	3,0-6,0	11.9	16.0	2.0	24.0
P0820.100-090-ZP	M10	6,0-9,0	11.9	16.0	2.0	27.0
P0820.100-120-ZP	M10	9,0-12,0	11.9	16.0	2.0	30.0
P0820.100-035-ZP	M10	1,0-3,5	12.9	19.0	2.0	21.0
P0820.100-060A-ZP	M10	3,5-6,0	12.9	19.0	2.0	23.5
P0820.120-040-ZP	M12	1,0-4,0	15.9	22.0	2.1	25.0
P0820.120-070-ZP	M12	4,0-7,0	15.9	22.0	2.1	28.0
P0820.120-100-ZP	M12	7,0-10,0	15.9	22.0	2.1	31.0
P0820.050-055-ZP	M 5	3,0-5,5	6.9	10.0	1.0	16.0
P0820.050-080-ZP	M 5	5,5-8,0	6.9	10.0	1.0	19.0



INSERT NUTS



P0821.ZP



Material

Steel, zinc-plated.

Technical Notes

Knurled body type.

The countersunk head is a stronger type of

head and will ensure a flush finish in a countersunk hole. The knurled body provides extra turning resistance.

Tips

Also known as blind rivet nuts or grip nuts.

Important Notes

Lip Height:

M3-M8: 0<1.5

M10: 1.5<1.7

M12: 1.7<1.9

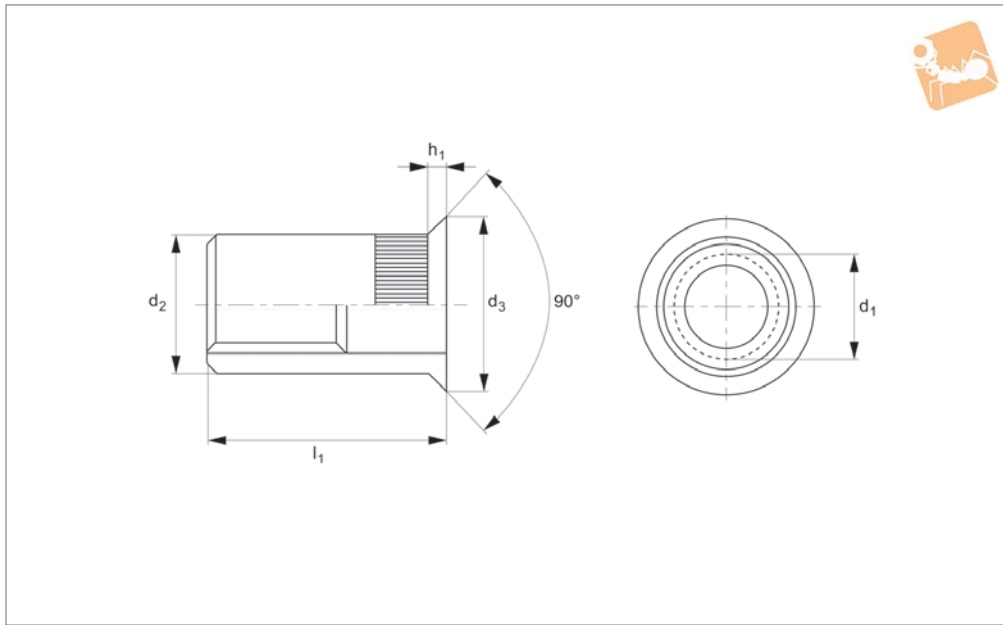
Order No.	d ₁	Grip range	d ₂ +0 -0.2	d ₃	h ₁	l ₁
P0821.030-035-ZP	M 3	1,5-3,5	4,9	7,5	1,5	11,5
P0821.030-050-ZP	M 3	3,5-5,0	4,9	7,5	1,5	12,5
P0821.040-035-ZP	M 4	1,5-3,5	5,9	8,5	1,5	12,0
P0821.040-065-ZP	M 4	3,5-6,5	5,9	8,5	1,5	15,0
P0821.050-040-ZP	M 5	1,5-4,0	6,9	9,5	1,5	13,0
P0821.050-065-ZP	M 5	4,0-6,5	6,9	9,5	1,5	16,0
P0821.050-090-ZP	M 5	6,5-9,0	6,9	9,5	1,5	18,5
P0821.060-040-ZP	M 6	1,5-4,0	8,9	11,5	1,5	15,5
P0821.060-065-ZP	M 6	4,0-6,5	8,9	11,5	1,5	18,0
P0821.060-090-ZP	M 6	6,5-9,0	8,9	11,5	1,5	20,5
P0821.080-045-ZP	M 8	1,7-4,5	10,9	13,5	1,5	18,5
P0821.080-065-ZP	M 8	4,0-6,5	10,9	13,5	1,5	21,0
P0821.080-090-ZP	M 8	6,5-9,0	10,9	13,5	1,5	23,5
P0821.100-045-ZP	M10	2,0-4,5	11,9	14,5	1,7	21,0
P0821.100-075-ZP	M10	4,5-7,5	11,9	14,5	1,7	24,0
P0821.100-105-ZP	M10	7,5-10,5	11,9	14,5	1,7	27,0
P0821.120-045-ZP	M12	2,0-4,5	15,9	19,0	1,9	24,5
P0821.120-075-ZP	M12	4,5-7,5	15,9	19,0	1,9	27,5
P0821.120-105-ZP	M12	7,5-10,5	15,9	19,0	1,9	31,0



Countersunk Insert Nuts

A2 stainless

Insert Nuts



P0821.A2

INSERT NUTS

Material

Stainless steel (A2, AISI 303).

Technical Notes

Knurled body type, plain available on request.

The countersunk head is a stronger type of

head and will ensure a flush finish in a countersunk hole. The knurled body provides extra turning resistance.

Tips

Also known as blind rivet nuts or grip nuts.

Important Notes

Lip Height:

M3-M8: 0<1.5

M10: 1.5<1.7

M12: 1.7<1.9

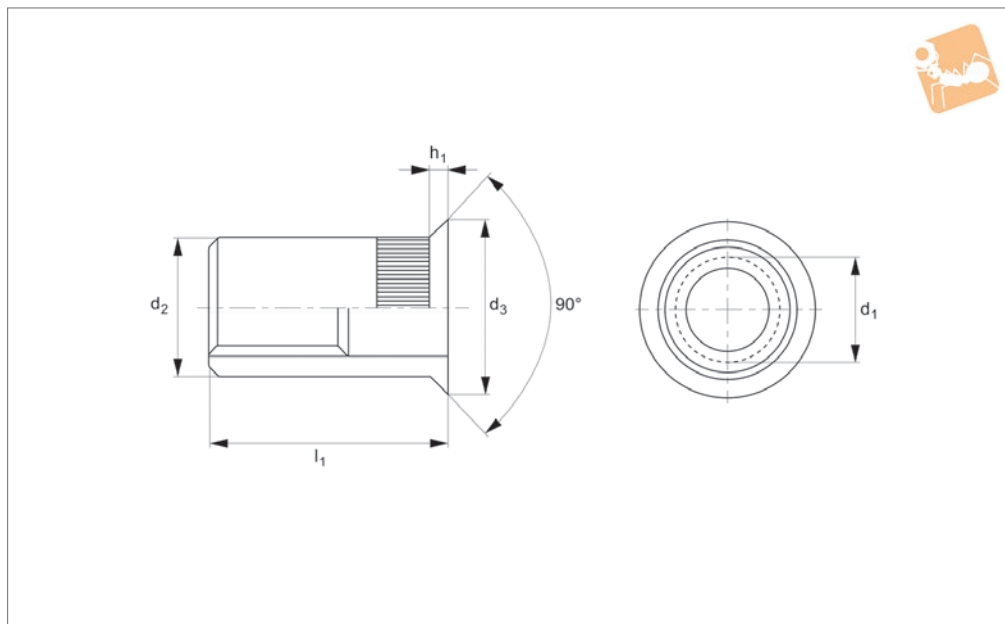
Order No.	d ₁	Grip range	d ₂ +0 -0.2	d ₃	h ₁	l ₁
P0821.030-035-A2	M 3	1,5-3,5	4.9	7.5	1.5	11.5
P0821.040-040-A2	M 4	1,5-4,0	5.9	8.5	1.5	12.5
P0821.050-040-A2	M 5	1,5-4,0	6.9	9.5	1.5	13.5
P0821.050-065-A2	M 5	4,0-6,5	6.9	9.5	1.5	16.0
P0821.060-045-A2	M 6	1,5-4,5	8.9	11.5	1.5	16.0
P0821.060-065-A2	M 6	4,0-6,5	8.9	11.5	1.5	18.0
P0821.080-040-A2	M 8	1,5-4,0	10.9	13.5	1.5	18.0
P0821.080-065-A2	M 8	4,0-6,5	10.9	13.5	1.5	21.0
P0821.100-045-A2	M10	2,0-4,5	12.9	15.5	1.8	21.0
P0821.100-075-A2	M10	4,5-7,5	12.9	15.5	1.8	24.0
P0821.120-045-A2	M12	2,0-4,5	15.9	19.0	2.0	24.5
P0821.120-075-A2	M12	4,5-7,5	15.9	19.0	2.0	27.5



INSERT NUTS



P0821.AL



Material
Aluminium.

Technical Notes
Knurled body type, plain available on request.
The countersunk head is a stronger type of

head and will ensure a flush finish in a countersunk hole. The knurled body provides extra turning resistance.

Tips
Also known as blind rivet nuts or grip nuts.

Important Notes
Lip Height:
M3-M8: 0<1.5
M10: 1.5<1.7
M12: 1.7<1.9

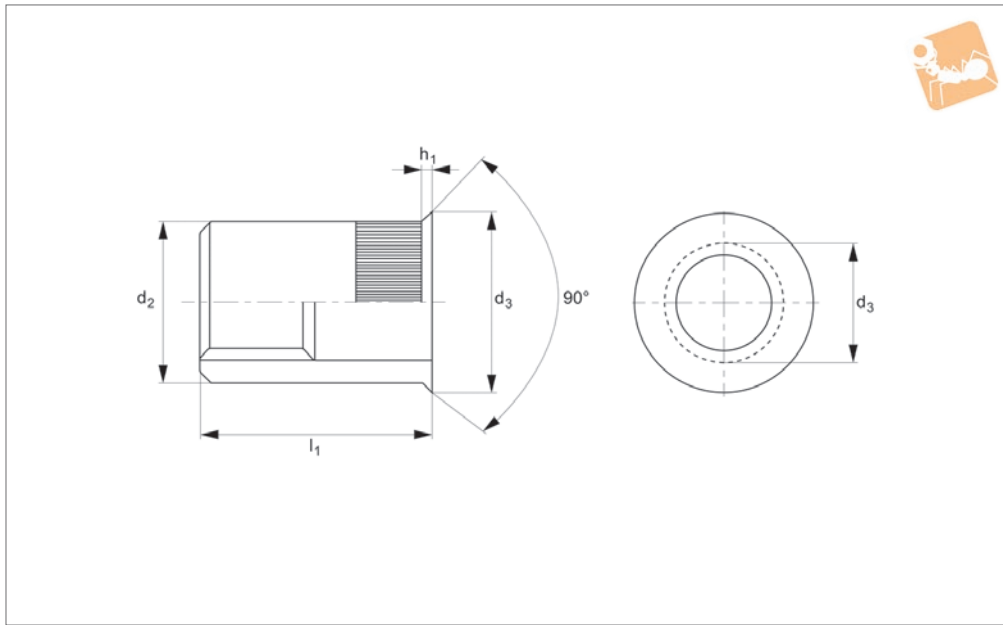
Order No.	d ₁	Grip range	d ₂ +0 -0.2	d ₃	h ₁	l ₁
P0821.030-035-AL	M 3	1,5-3,5	4.9	7.5	1.5	11.5
P0821.030-045-AL	M 3	3,5-4,5	4.9	7.5	1.5	12.5
P0821.040-040-AL	M 4	1,5-4,0	5.9	8.5	1.5	12.5
P0821.040-055-AL	M 4	4,0-5,5	5.9	8.5	1.5	15.0
P0821.050-040-AL	M 5	1,5-4,0	6.9	9.5	1.5	13.5
P0821.050-065-AL	M 5	4,0-6,5	6.9	9.5	1.5	16.0
P0821.050-090-AL	M 5	6,5-9,0	6.9	9.5	1.5	18.5
P0821.060-040-AL	M 6	1,5-4,0	8.9	11.5	1.5	15.5
P0821.060-065-AL	M 6	4,0-6,5	8.9	11.5	1.5	18.0
P0821.060-090-AL	M 6	6,5-9,0	8.9	11.5	1.5	20.5
P0821.080-040-AL	M 8	1,5-4,0	10.9	13.5	1.5	18.5
P0821.080-065-AL	M 8	4,0-6,5	10.9	13.5	1.5	21.0
P0821.080-090-AL	M 8	6,5-9,0	10.9	13.5	1.5	23.5
P0821.100-045-AL	M10	2,0-4,5	11.9	14.5	1.7	21.0
P0821.100-075-AL	M10	4,5-7,5	11.9	14.5	1.7	24.0
P0821.100-105-AL	M10	7,5-10,5	11.9	14.5	1.7	27.0
P0821.120-045-AL	M12	2,0-4,5	15.9	19.0	1.9	24.5
P0821.120-075-AL	M12	4,5-7,5	15.9	19.0	1.9	27.5
P0821.120-105-AL	M12	7,5-10,5	15.9	19.0	1.9	31.0



Reduced C'snk Head Insert Nuts

Reduced - steel, zinc-plated

Insert Nuts



P0824.ZP

INSERT NUTS

Material

Steel, zinc-plated.

Technical Notes

Knurled body type, plain available on request.
Provides near flush installation in thin

materials.

The knurled body provides extra turning resistance.

Tips

Also known as blind rivet nuts or grip nuts.

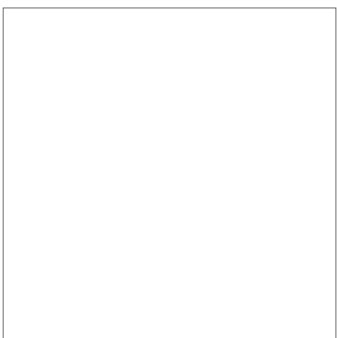
Important Notes

Reduced height head.
M3-M8: 0<0.7
M10: 0.7<0.9

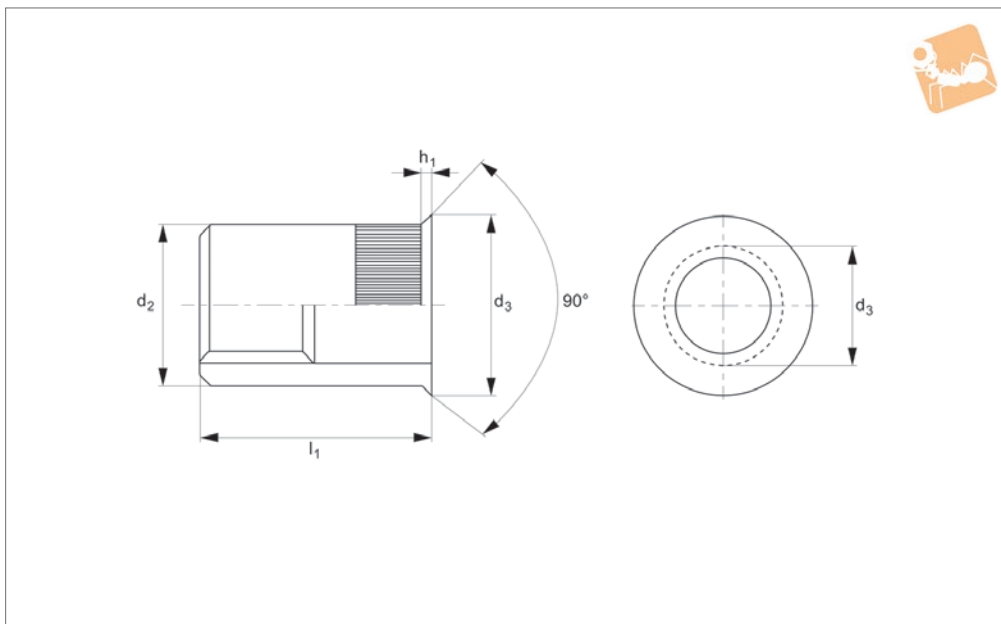
Order No.	d ₁	Grip range	d ₂ +0 -0.2	d ₃	h ₁	l ₁
P0824.030-020-ZP	M 3	0,5-2,0	4.9	6.0	0.5	9.0
P0824.040-025-ZP	M 4	0,5-2,5	5.9	6.7	0.5	11.3
P0824.040-040-ZP	M 4	2,0-4,0	5.9	7.0	0.5	13.0
P0824.050-030-ZP	M 5	0,5-3,0	6.9	8.0	0.5	12.0
P0824.050-040-ZP	M 5	2,0-4,0	6.9	8.0	0.5	13.0
P0824.060-030-ZP	M 6	0,5-3,0	8.9	10.0	0.6	14.0
P0824.060-045-ZP	M 6	2,5-4,5	8.9	10.0	0.6	16.0
P0824.080-038-ZP	M 8	0,5-3,8	10.9	12.0	0.6	17.3
P0824.080-050-ZP	M 8	3,0-5,0	10.9	12.0	0.6	18.5
P0824.100-035-ZP	M10	0,7-3,5	11.9	13.0	0.7	20.0
P0824.100-035A-ZP	M10	0,7-3,5	12.9	14.0	0.8	21.0
P0824.100-060-ZP	M10	3,5-6,0	12.9	14.0	0.8	22.0
P0824.120-035-ZP	M12	1,0-3,5	15.9	17.0	1.0	24.2



INSERT NUTS



P0824.A4



Material
Stainless steel (A4, AISI 316).

Provides near flush installation in thin materials.

Important Notes
Reduced height head.
M3-M8: 0<0.7
M10: 0.7<0.9

Technical Notes
Plain body type.

Tips
Also known as blind rivet nuts or grip nuts.

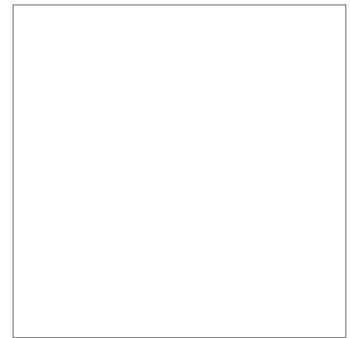
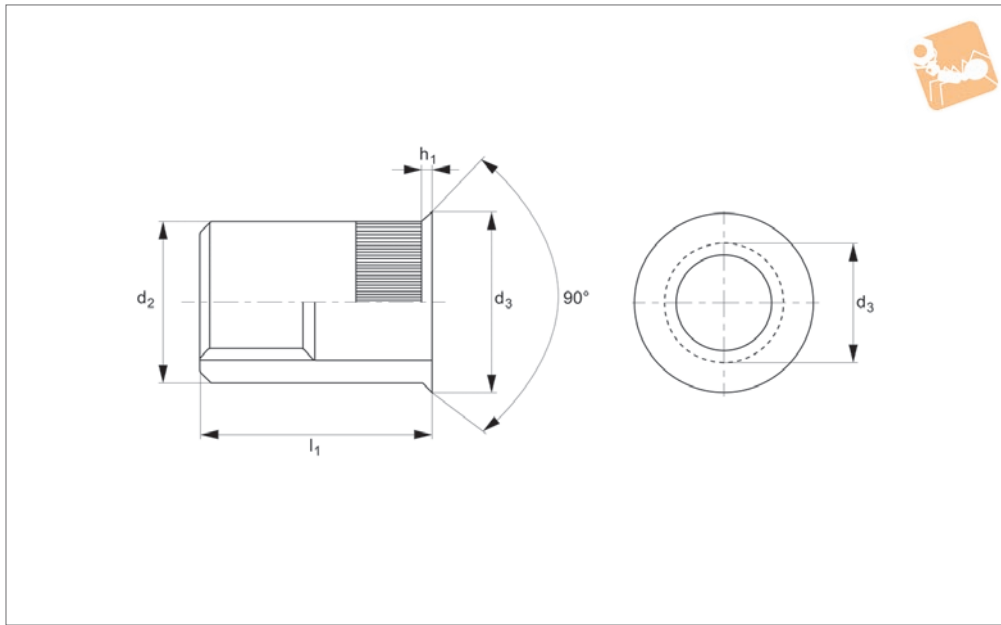
Order No.	d ₁	Grip range	d ₂ +0 -0.2	d ₃	h ₁	l ₁
P0824.040-020-A4	M 4	0,5-2,0	6.0	6.5	0.5	11.0
P0824.050-030-A4	M 5	0,5-3,0	7.0	7.5	0.5	12.0
P0824.060-030-A4	M 6	0,5-3,0	9.0	9.50	0.5	14.5
P0824.080-030-A4	M 8	0,5-3,0	11.0	11.5	0.5	16.0



Reduced C'snk Head Insert Nuts

Reduced - Aluminium

Insert Nuts



P0824.AL

INSERT NUTS

Material

Aluminium.

Technical Notes

Knurled body type, plain available on request.

Provides near flush installation in thin

materials.

The knurled body provides extra turning resistance.

Tips

Also known as blind rivet nuts or grip nuts.

Important Notes

Reduced height head.

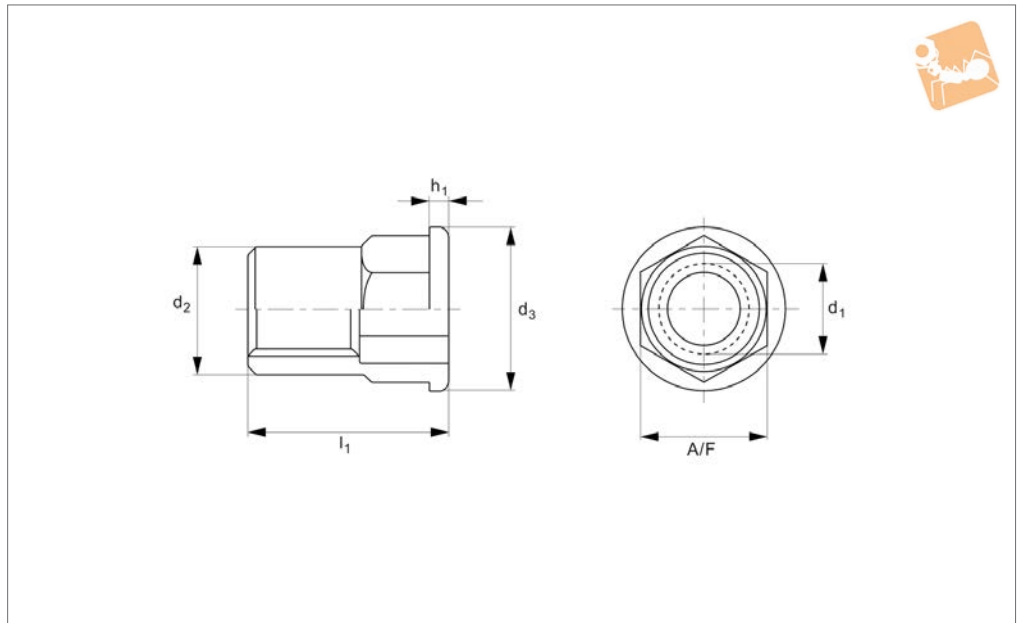
M3-M8: $0 < 0.7$

M10: $0.7 < 0.9$

Order No.	d_1	Grip range	d_2 $+0 -0.2$	d_3	h_1	l_1
P0824.030-025-AL	M3	0,5-2,5	4.9	6.0	0.6	9.5
P0824.040-030-AL	M4	0,5-3,0	5.9	7.0	0.6	10.0
P0824.050-030-AL	M5	0,5-3,0	6.9	8.0	0.6	11.5
P0824.060-030-AL	M6	0,5-3,0	8.9	10.0	0.6	14.0
P0824.080-030-AL	M8	0,5-3,0	10.9	12.0	0.6	15.5



P0823.A2



Material

Stainless steel (A2, AISI 303).

Technical Notes

Plain body type.
Hexagon body insert nuts prevent the

problem of a nut turning after being installed. Flange head insert nuts are recommended for use in load bearing applications. The larger sized head acts as a reinforcement to the hole, provides resi-

stance to push-out and acts as a spacer.

Tips

Also known as blind rivet nuts or grip nuts.

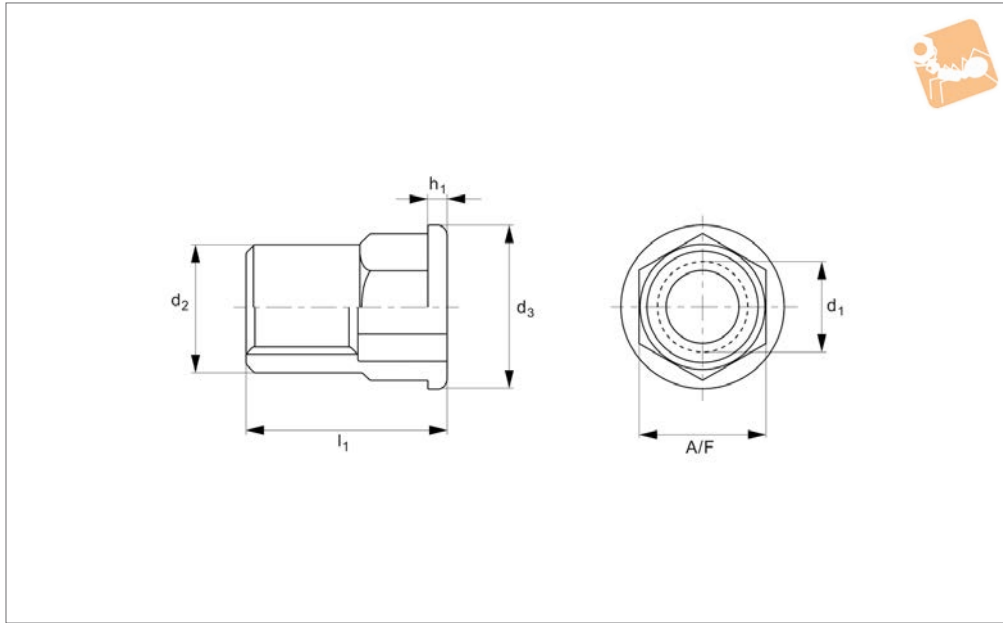
Order No.	d ₁	Grip range	A/F	d ₂	h ₁	l ₁
P0823.040-025-A2	M 4	0,5-2,5	6.0	9.0	1.0	11.5
P0823.050-030-A2	M 5	0,5-3,0	7.0	10.0	1.0	13.0
P0823.060-030-A2	M 6	0,5-3,0	9.0	12.0	1.5	15.5
P0823.080-030-A2	M 8	0,5-3,0	11.0	14.5	1.5	17.5
P0823.100-035-A2	M10	1,0-3,5	13.0	16.5	2.0	21.5



Flat Half Hex Insert Nuts

A4 stainless

Insert Nuts



P0823.A4

INSERT NUTS

Material

Stainless steel (A4, AISI 316).

Technical Notes

Plain body type.

Hexagon body insert nuts prevent the

problem of a nut turning after being installed. Flange head insert nuts are recommended for use in load bearing applications. The larger sized head acts as a reinforcement to the hole, provides resi-

stance to push-out and acts as a spacer.

Tips

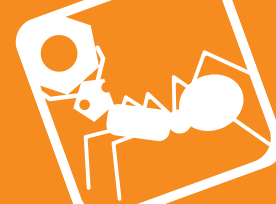
Also known as blind rivet nuts or grip nuts.

Order No.	d ₁	Grip range	A/F	d ₂	h ₁	l ₁
P0823.040-025-A4	M4	0,5-2,5	6.0	9.0	1.0	12.0
P0823.050-030-A4	M5	0,5-3,0	7.0	10.0	1.0	12.5
P0823.060-030-A4	M6	0,5-3,0	9.0	12.0	1.5	16.0
P0823.080-030-A4	M8	0,5-3,0	11.0	15.0	1.5	17.5

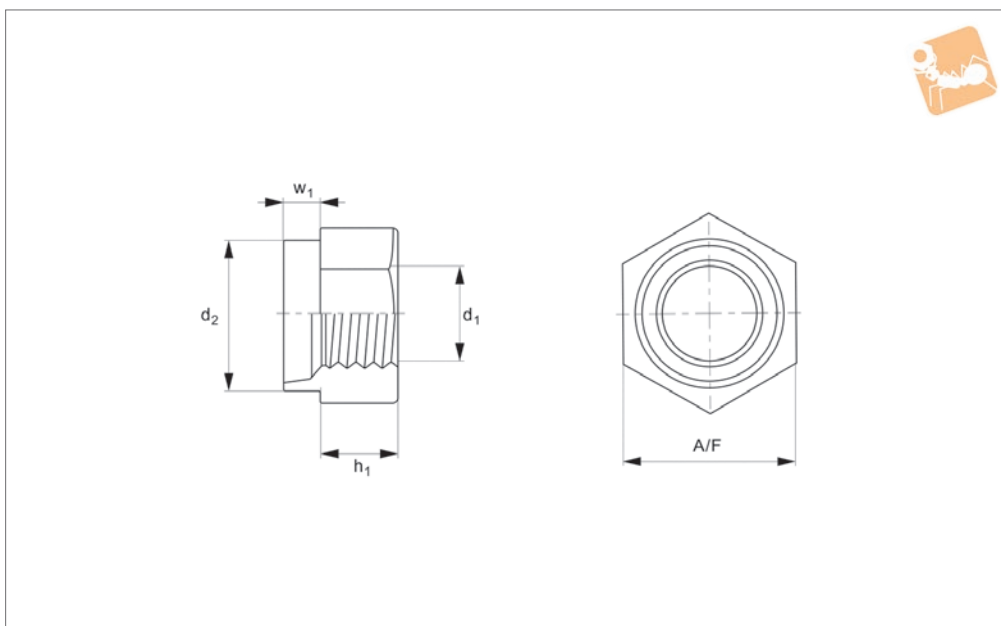
Rivet Bushes

Hexagon Rivet Bushes

A2 stainless



P0827.A2



RIVET BUSHES

Material

Stainless steel (A2, AISI 303).

of a thin spigot. For hexagon rivet bushes, the presence of undercut points provides further turning resistance.

using a hammer.

Technical Notes

Rivet bushes are securely locked by means

These bushes can be installed by a press or

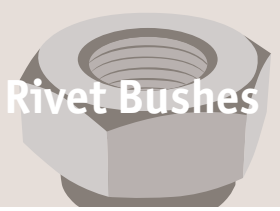
Order No.	d ₁	Panel thickness	w ₁	d ₂	A/F	h ₁	For gauge
P0827.030-22G-A2	M 3	0.8	1,3-1,5	5.54	7.92	3.17	22G
P0827.030-20G-A2	M 3	1.0	1,5-1,7	5.54	7.92	3.17	20G
P0827.030-18G-A2	M 3	1.2	1,7-1,9	5.54	7.92	3.17	18G
P0827.030-16G-A2	M 3	1.5	2,0-2,2	5.54	7.92	3.17	16G
P0827.030-14G-A2	M 3	2.0	2,5-2,7	5.54	7.92	3.17	14G
P0827.030-12G-A2	M 3	2.5	3,0-3,2	5.54	7.92	3.17	12G
P0827.030-10G-A2	M 3	3.0	3,5-3,7	5.54	7.92	3.17	10G
P0827.030-08G-A2	M 3	4.0	4,5-4,7	5.54	7.92	3.17	8G
P0827.040-22G-A2	M 4	0.8	1,3-1,5	6.73	7.92	3.17	22G
P0827.040-20G-A2	M 4	1.0	1,5-1,7	6.73	7.92	3.17	20G
P0827.040-18G-A2	M 4	1.2	1,7-1,9	6.73	7.92	3.17	18G
P0827.040-16G-A2	M 4	1.5	2,0-2,2	6.73	7.92	3.17	16G
P0827.040-14G-A2	M 4	2.0	2,5-2,7	6.73	7.92	3.17	14G
P0827.040-12G-A2	M 4	2.5	3,0-3,2	6.73	7.92	3.17	12G
P0827.040-10G-A2	M 4	3.0	3,5-3,7	6.73	7.92	3.17	10G
P0827.040-08G-A2	M 4	4.0	4,5-4,7	6.73	7.92	3.17	8G
P0827.050-22G-A2	M 5	0.8	1,3-1,5	7.92	9.52	3.81	22G
P0827.050-20G-A2	M 5	1.0	1,5-1,7	7.92	9.52	3.81	20G
P0827.050-18G-A2	M 5	1.2	1,7-1,9	7.92	9.52	3.81	18G
P0827.050-16G-A2	M 5	1.5	2,0-2,2	7.92	9.52	3.81	16G
P0827.050-14G-A2	M 5	2.0	2,5-2,7	7.92	9.52	3.81	14G
P0827.050-12G-A2	M 5	2.5	3,0-3,2	7.92	9.52	3.81	12G
P0827.050-10G-A2	M 5	3.0	3,5-3,7	7.92	9.52	3.81	10G
P0827.050-08G-A2	M 5	4.0	4,5-4,7	7.92	9.52	3.81	8G
P0827.060-22G-A2	M 6	0.8	1,3-1,5	9.52	11.1	5.08	22G
P0827.060-20G-A2	M 6	1.0	1,5-1,7	9.52	11.1	5.08	20G
P0827.060-18G-A2	M 6	1.2	1,7-1,9	9.52	11.1	5.08	18G
P0827.060-16G-A2	M 6	1.5	2,0-2,2	9.52	11.1	5.08	16G
P0827.060-14G-A2	M 6	2.0	2,5-2,7	9.52	11.1	5.08	14G
P0827.060-12G-A2	M 6	2.5	3,0-3,2	9.52	11.1	5.08	12G
P0827.060-10G-A2	M 6	3.0	3,5-3,7	9.52	11.1	5.08	10G
P0827.060-08G-A2	M 6	4.0	4,5-4,7	9.52	11.1	5.08	8G
P0827.080-22G-A2	M 8	0.8	1,3-1,5	12.7	14.27	6.35	22G
P0827.080-20G-A2	M 8	1.0	1,5-1,7	12.7	14.27	6.35	20G



Hexagon Rivet Bushes

A2 stainless

Rivet Bushes

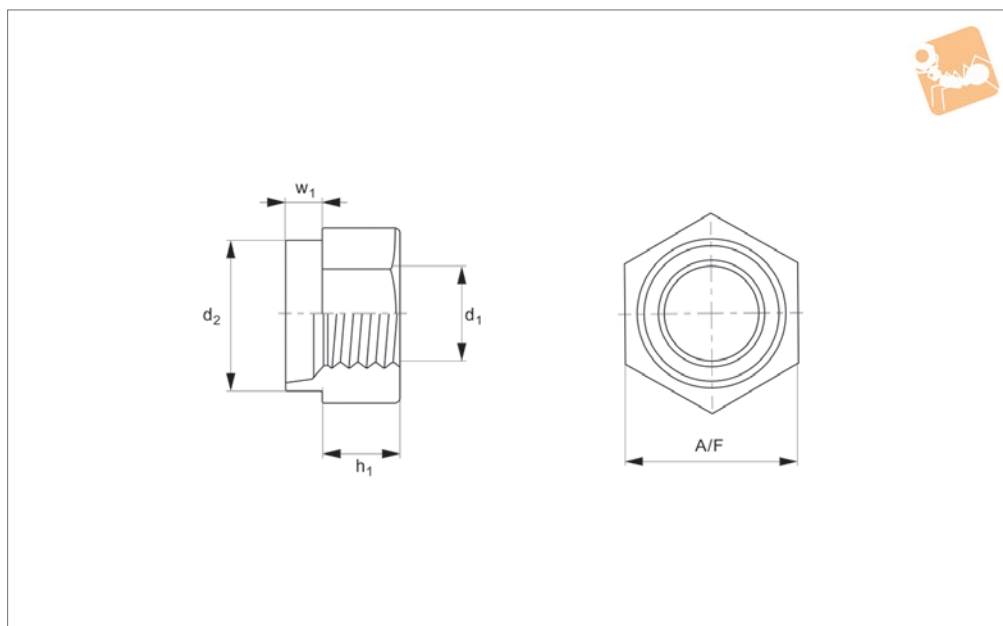


Order No.	d ₁	Panel thickness	w ₁	d ₂	A/F	h ₁	For gauge
P0827.080-18G-A2	M 8	1.2	1,7-1,9	12.7	14.27	6.35	18G
P0827.080-16G-A2	M 8	1.5	2,0-2,2	12.7	14.27	6.35	16G
P0827.080-14G-A2	M 8	2.0	2,5-2,7	12.7	14.27	6.35	14G
P0827.080-12G-A2	M 8	2.5	3,0-3,2	12.7	14.27	6.35	12G
P0827.080-10G-A2	M 8	3.0	3,5-3,7	12.7	14.27	6.35	10G
P0827.080-08G-A2	M 8	4.0	4,5-4,7	12.7	14.27	6.35	8G
P0827.100-22G-A2	M10	0.8	1,3-1,5	15.87	19.05	7.62	22G
P0827.100-20G-A2	M10	1.0	1,5-1,7	15.87	19.05	7.62	20G
P0827.100-18G-A2	M10	1.2	1,7-1,9	15.87	19.05	7.62	18G
P0827.100-16G-A2	M10	1.5	2,0-2,2	15.87	19.05	7.62	16G
P0827.100-14G-A2	M10	2.0	2,5-2,7	15.87	19.05	7.62	14G
P0827.100-12G-A2	M10	2.5	3,0-3,2	15.87	19.05	7.62	12G
P0827.100-10G-A2	M10	3.0	3,5-3,7	15.87	19.05	7.62	10G
P0827.100-08G-A2	M10	4.0	4,5-4,7	15.87	19.05	7.62	8G
P0827.120-22G-A2	M12	0.8	1,3-1,5	19.05	22.22	10.16	22G
P0827.120-20G-A2	M12	1.0	1,5-1,7	19.05	22.22	10.16	20G
P0827.120-18G-A2	M12	1.2	1,7-1,9	19.05	22.22	10.16	18G
P0827.120-16G-A2	M12	1.5	2,0-2,2	19.05	22.22	10.16	16G
P0827.120-14G-A2	M12	2.0	2,5-2,7	19.05	22.22	10.16	14G
P0827.120-12G-A2	M12	2.5	3,0-3,2	19.05	22.22	10.16	12G
P0827.120-10G-A2	M12	3.0	3,5-3,7	19.05	22.22	10.16	10G
P0827.120-08G-A2	M12	4.0	4,5-4,7	19.05	22.22	10.16	8G

RIVET BUSHES



P0827.A4



RIVET BUSHES

Material

Stainless steel (A4, AISI 316).

Technical Notes

Rivet bushes are securely locked by means

of a thin spigot. For hexagon rivet bushes, the presence of undercut points provides further turning resistance.

These bushes can be installed by a press or

using a hammer.

Order No.	d ₁	Panel thickness	w ₁	d ₂	A/F	h ₁	For gauge
P0827.030-22G-A4	M 3	0.8	1,3-1,5	5.54	7.92	3.17	22G
P0827.030-20G-A4	M 3	1.0	1,5-1,7	5.54	7.92	3.17	20G
P0827.030-18G-A4	M 3	1.2	1,7-1,9	5.54	7.92	3.17	18G
P0827.030-16G-A4	M 3	1.5	2,0-2,2	5.54	7.92	3.17	16G
P0827.030-14G-A4	M 3	2.0	2,5-2,7	5.54	7.92	3.17	14G
P0827.030-12G-A4	M 3	2.5	3,0-3,2	5.54	7.92	3.17	12G
P0827.030-10G-A4	M 3	3.0	3,5-3,7	5.54	7.92	3.17	10G
P0827.030-08G-A4	M 3	4.0	4,5-4,7	5.54	7.92	3.17	8G
P0827.040-22G-A4	M 4	0.8	1,3-1,5	6.73	7.92	3.17	22G
P0827.040-20G-A4	M 4	1.0	1,5-1,7	6.73	7.92	3.17	20G
P0827.040-18G-A4	M 4	1.2	1,7-1,9	6.73	7.92	3.17	18G
P0827.040-16G-A4	M 4	1.5	2,0-2,2	6.73	7.92	3.17	16G
P0827.040-14G-A4	M 4	2.0	2,5-2,7	6.73	7.92	3.17	14G
P0827.040-12G-A4	M 4	2.5	3,0-3,2	6.73	7.92	3.17	12G
P0827.040-10G-A4	M 4	3.0	3,5-3,7	6.73	7.92	3.17	10G
P0827.040-08G-A4	M 4	4.0	4,5-4,7	6.73	7.92	3.17	8G
P0827.050-22G-A4	M 5	0.8	1,3-1,5	7.92	9.52	3.81	22G
P0827.050-20G-A4	M 5	1.0	1,5-1,7	7.92	9.52	3.81	20G
P0827.050-18G-A4	M 5	1.2	1,7-1,9	7.92	9.52	3.81	18G
P0827.050-16G-A4	M 5	1.5	2,0-2,2	7.92	9.52	3.81	16G
P0827.050-14G-A4	M 5	2.0	2,5-2,7	7.92	9.52	3.81	14G
P0827.050-12G-A4	M 5	2.5	3,0-3,2	7.92	9.52	3.81	12G
P0827.050-10G-A4	M 5	3.0	3,5-3,7	7.92	9.52	3.81	10G
P0827.050-08G-A4	M 5	4.0	4,5-4,7	7.92	9.52	3.81	8G
P0827.060-22G-A4	M 6	0.8	1,3-1,5	9.52	11.1	5.08	22G
P0827.060-20G-A4	M 6	1.0	1,5-1,7	9.52	11.1	5.08	20G
P0827.060-18G-A4	M 6	1.2	1,7-1,9	9.52	11.1	5.08	18G
P0827.060-16G-A4	M 6	1.5	2,0-2,2	9.52	11.1	5.08	16G
P0827.060-14G-A4	M 6	2.0	2,5-2,7	9.52	11.1	5.08	14G
P0827.060-12G-A4	M 6	2.5	3,0-3,2	9.52	11.1	5.08	12G
P0827.060-10G-A4	M 6	3.0	3,5-3,7	9.52	11.1	5.08	10G
P0827.060-08G-A4	M 6	4.0	4,5-4,7	9.52	11.1	5.08	8G
P0827.080-22G-A4	M 8	0.8	1,3-1,5	12.7	14.27	6.35	22G
P0827.080-20G-A4	M 8	1.0	1,5-1,7	12.7	14.27	6.35	20G



Hexagon Rivet Bushes

A4 stainless

Rivet Bushes



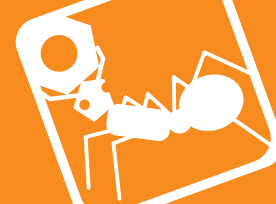
Order No.	d ₁	Panel thickness	w ₁	d ₂	A/F	h ₁	For gauge
P0827.080-18G-A4	M 8	1.2	1,7-1,9	12.7	14.27	6.35	18G
P0827.080-16G-A4	M 8	1.5	2,0-2,2	12.7	14.27	6.35	16G
P0827.080-14G-A4	M 8	2.0	2,5-2,7	12.7	14.27	6.35	14G
P0827.080-12G-A4	M 8	2.5	3,0-3,2	12.7	14.27	6.35	12G
P0827.080-10G-A4	M 8	3.0	3,5-3,7	12.7	14.27	6.35	10G
P0827.080-08G-A4	M 8	4.0	4,5-4,7	12.7	14.27	6.35	8G
P0827.100-22G-A4	M10	0.8	1,3-1,5	15.87	19.05	7.62	22G
P0827.100-20G-A4	M10	1.0	1,5-1,7	15.87	19.05	7.62	20G
P0827.100-18G-A4	M10	1.2	1,7-1,9	15.87	19.05	7.62	18G
P0827.100-16G-A4	M10	1.5	2,0-2,2	15.87	19.05	7.62	16G
P0827.100-14G-A4	M10	2.0	2,5-2,7	15.87	19.05	7.62	14G
P0827.100-12G-A4	M10	2.5	3,0-3,2	15.87	19.05	7.62	12G
P0827.100-10G-A4	M10	3.0	3,5-3,7	15.87	19.05	7.62	10G
P0827.100-08G-A4	M10	4.0	4,5-4,7	15.87	19.05	7.62	8G
P0827.120-22G-A4	M12	0.8	1,3-1,5	19.05	22.22	10.16	22G
P0827.120-20G-A4	M12	1.0	1,5-1,7	19.05	22.22	10.16	20G
P0827.120-18G-A4	M12	1.2	1,7-1,9	19.05	22.22	10.16	18G
P0827.120-16G-A4	M12	1.5	2,0-2,2	19.05	22.22	10.16	16G
P0827.120-14G-A4	M12	2.0	2,5-2,7	19.05	22.22	10.16	14G
P0827.120-12G-A4	M12	2.5	3,0-3,2	19.05	22.22	10.16	12G
P0827.120-10G-A4	M12	3.0	3,5-3,7	19.05	22.22	10.16	10G
P0827.120-08G-A4	M12	4.0	4,5-4,7	19.05	22.22	10.16	8G

RIVET BUSHES

Rivet Bushes

Hexagon Rivet Bushes

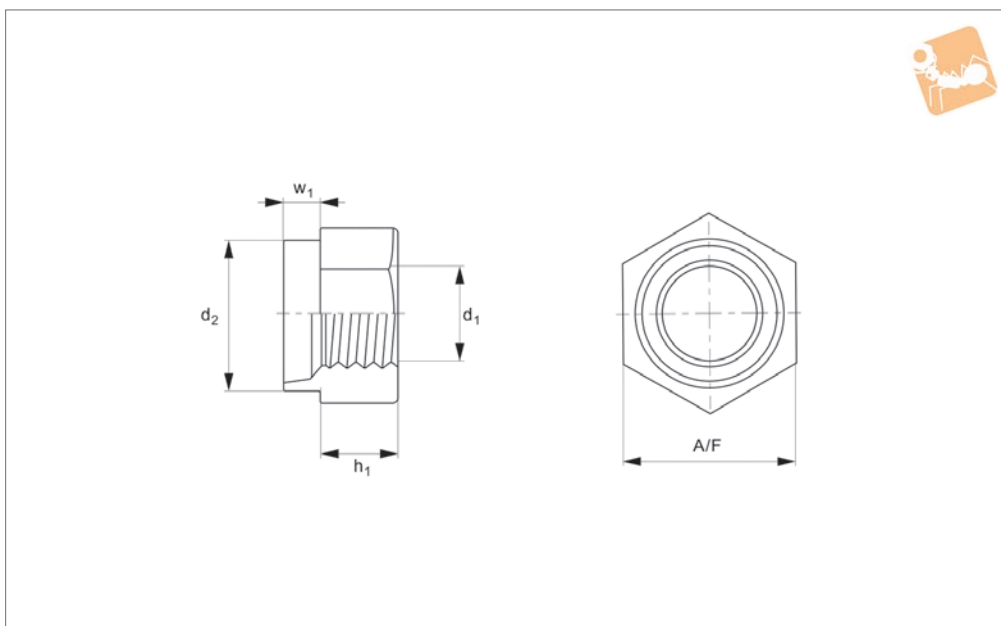
Steel, zinc-plated



RIVET BUSHES



P0827.ZP



Material

Steel, zinc-plated.

Technical Notes

Rivet bushes are securely locked by means

of a thin spigot. For hexagon rivet bushes, the presence of undercut points provides further turning resistance.

These bushes can be installed by a press or

using a hammer.

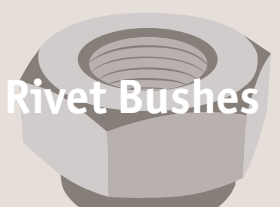
Order No.	d ₁	Panel thickness	w ₁	d ₂	A/F	h ₁	For gauge
P0827.030-22G-ZP	M 3	0.8	1,3-1,5	5.54	7.92	3.17	22G
P0827.030-20G-ZP	M 3	1.0	1,5-1,7	5.54	7.92	3.17	20G
P0827.030-18G-ZP	M 3	1.2	1,7-1,9	5.54	7.92	3.17	18G
P0827.030-16G-ZP	M 3	1.5	2,0-2,2	5.54	7.92	3.17	16G
P0827.030-14G-ZP	M 3	2.0	2,5-2,7	5.54	7.92	3.17	14G
P0827.030-12G-ZP	M 3	2.5	3,0-3,2	5.54	7.92	3.17	12G
P0827.030-10G-ZP	M 3	3.0	3,5-3,7	5.54	7.92	3.17	10G
P0827.030-08G-ZP	M 3	4.0	4,5-4,7	5.54	7.92	3.17	8G
P0827.040-22G-ZP	M 4	0.8	1,3-1,5	6.73	7.92	3.17	22G
P0827.040-20G-ZP	M 4	1.0	1,5-1,7	6.73	7.92	3.17	20G
P0827.040-18G-ZP	M 4	1.2	1,7-1,9	6.73	7.92	3.17	18G
P0827.040-16G-ZP	M 4	1.5	2,0-2,2	6.73	7.92	3.17	16G
P0827.040-14G-ZP	M 4	2.0	2,5-2,7	6.73	7.92	3.17	14G
P0827.040-12G-ZP	M 4	2.5	3,0-3,2	6.73	7.92	3.17	12G
P0827.040-10G-ZP	M 4	3.0	3,5-3,7	6.73	7.92	3.17	10G
P0827.040-08G-ZP	M 4	4.0	4,5-4,7	6.73	7.92	3.17	8G
P0827.050-22G-ZP	M 5	0.8	1,3-1,5	7.92	9.52	3.81	22G
P0827.050-20G-ZP	M 5	1.0	1,5-1,7	7.92	9.52	3.81	20G
P0827.050-18G-ZP	M 5	1.2	1,7-1,9	7.92	9.52	3.81	18G
P0827.050-16G-ZP	M 5	1.5	2,0-2,2	7.92	9.52	3.81	16G
P0827.050-14G-ZP	M 5	2.0	2,5-2,7	7.92	9.52	3.81	14G
P0827.050-12G-ZP	M 5	2.5	3,0-3,2	7.92	9.52	3.81	12G
P0827.050-10G-ZP	M 5	3.0	3,5-3,7	7.92	9.52	3.81	10G
P0827.050-08G-ZP	M 5	4.0	4,5-4,7	7.92	9.52	3.81	8G
P0827.060-22G-ZP	M 6	0.8	1,3-1,5	9.52	11.1	5.08	22G
P0827.060-20G-ZP	M 6	1.0	1,5-1,7	9.52	11.1	5.08	20G
P0827.060-18G-ZP	M 6	1.2	1,7-1,9	9.52	11.1	5.08	18G
P0827.060-16G-ZP	M 6	1.5	2,0-2,2	9.52	11.1	5.08	16G
P0827.060-14G-ZP	M 6	2.0	2,5-2,7	9.52	11.1	5.08	14G
P0827.060-12G-ZP	M 6	2.5	3,0-3,2	9.52	11.1	5.08	12G
P0827.060-10G-ZP	M 6	3.0	3,5-3,7	9.52	11.1	5.08	10G
P0827.060-08G-ZP	M 6	4.0	4,5-4,7	9.52	11.1	5.08	8G
P0827.080-22G-ZP	M 8	0.8	1,3-1,5	12.7	14.27	6.35	22G
P0827.080-20G-ZP	M 8	1.0	1,5-1,7	12.7	14.27	6.35	20G



Hexagon Rivet Bushes

Steel, zinc-plated

Rivet Bushes



Order No.	d ₁	Panel thickness	w ₁	d ₂	A/F	h ₁	For gauge
P0827.080-18G-ZP	M 8	1.2	1,7-1,9	12.7	14.27	6.35	18G
P0827.080-16G-ZP	M 8	1.5	2,0-2,2	12.7	14.27	6.35	16G
P0827.080-14G-ZP	M 8	2.0	2,5-2,7	12.7	14.27	6.35	14G
P0827.080-12G-ZP	M 8	2.5	3,0-3,2	12.7	14.27	6.35	12G
P0827.080-10G-ZP	M 8	3.0	3,5-3,7	12.7	14.27	6.35	10G
P0827.080-08G-ZP	M 8	4.0	4,5-4,7	12.7	14.27	6.35	8G
P0827.100-22G-ZP	M10	0.8	1,3-1,5	15.87	19.05	7.62	22G
P0827.100-20G-ZP	M10	1.0	1,5-1,7	15.87	19.05	7.62	20G
P0827.100-18G-ZP	M10	1.2	1,7-1,9	15.87	19.05	7.62	18G
P0827.100-16G-ZP	M10	1.5	2,0-2,2	15.87	19.05	7.62	16G
P0827.100-14G-ZP	M10	2.0	2,5-2,7	15.87	19.05	7.62	14G
P0827.100-12G-ZP	M10	2.5	3,0-3,2	15.87	19.05	7.62	12G
P0827.100-10G-ZP	M10	3.0	3,5-3,7	15.87	19.05	7.62	10G
P0827.100-08G-ZP	M10	4.0	4,5-4,7	15.87	19.05	7.62	8G
P0827.120-22G-ZP	M12	0.8	1,3-1,5	19.05	22.22	10.16	22G
P0827.120-20G-ZP	M12	1.0	1,5-1,7	19.05	22.22	10.16	20G
P0827.120-18G-ZP	M12	1.2	1,7-1,9	19.05	22.22	10.16	18G
P0827.120-16G-ZP	M12	1.5	2,0-2,2	19.05	22.22	10.16	16G
P0827.120-14G-ZP	M12	2.0	2,5-2,7	19.05	22.22	10.16	14G
P0827.120-12G-ZP	M12	2.5	3,0-3,2	19.05	22.22	10.16	12G
P0827.120-10G-ZP	M12	3.0	3,5-3,7	19.05	22.22	10.16	10G
P0827.120-08G-ZP	M12	4.0	4,5-4,7	19.05	22.22	10.16	8G

RIVET BUSHES

Rivet Bushes

Round Rivet Bushes

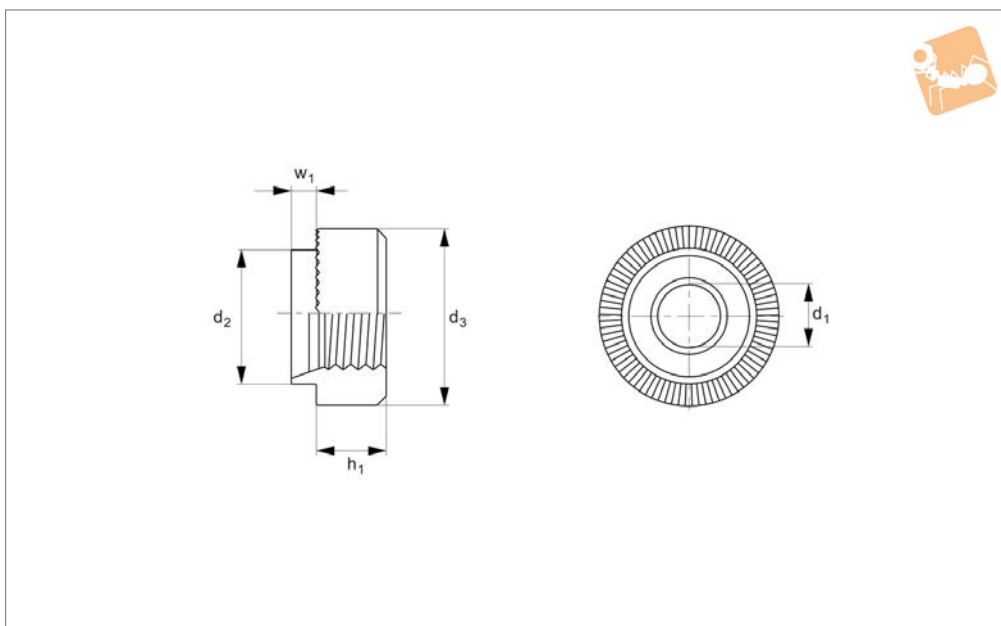
Steel, zinc-plated



RIVET BUSHES



P0828.ZP



Material

Steel, zinc-plated.

of a thin spigot. The presence of serrations provide additional anchorage.

Technical Notes

Rivet bushes are securely locked by means

of a thin spigot. The presence of serrations provide additional anchorage. These bushes can be installed by a press or using a hammer.

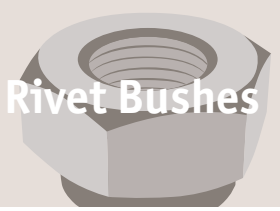
Order No.	d ₁	Panel thickness	w ₁	d ₂	d ₃	h ₁	For gauge
P0828.030-22G-ZP	M 3	0.8	1,3-1,5	5.54	7.92	3.17	22G
P0828.030-20G-ZP	M 3	1.0	1,5-1,7	5.54	7.92	3.17	20G
P0828.030-18G-ZP	M 3	1.2	1,7-1,9	5.54	7.92	3.17	18G
P0828.030-16G-ZP	M 3	1.5	2,0-2,2	5.54	7.92	3.17	16G
P0828.030-14G-ZP	M 3	2.0	2,5-2,7	5.54	7.92	3.17	14G
P0828.030-12G-ZP	M 3	2.5	3,0-3,2	5.54	7.92	3.17	12G
P0828.030-10G-ZP	M 3	3.0	3,5-3,7	5.54	7.92	3.17	10G
P0828.030-08G-ZP	M 3	4.0	4,5-4,7	5.54	7.92	3.17	8G
P0828.035-22G-ZP	M3,5	0.8	1,3-1,5	5.54	7.92	3.17	22G
P0828.035-20G-ZP	M3,5	1.0	1,5-1,7	5.54	7.92	3.17	20G
P0828.035-18G-ZP	M3,5	1.2	1,7-1,9	5.54	7.92	3.17	18G
P0828.035-16G-ZP	M3,5	1.5	2,0-2,2	5.54	7.92	3.17	16G
P0828.035-14G-ZP	M3,5	2.0	2,5-2,7	5.54	7.92	3.17	14G
P0828.035-12G-ZP	M3,5	2.5	3,0-3,2	5.54	7.92	3.17	12G
P0828.035-10G-ZP	M3,5	3.0	3,5-3,7	5.54	7.92	3.17	10G
P0828.035-08G-ZP	M3,5	4.0	4,5-4,7	5.54	7.92	3.17	8G
P0828.040-22G-ZP	M 4	0.8	1,3-1,5	6.73	7.92	3.17	22G
P0828.040-20G-ZP	M 4	1.0	1,5-1,7	6.73	7.92	3.17	20G
P0828.040-18G-ZP	M 4	1.2	1,7-1,9	6.73	7.92	3.17	18G
P0828.040-16G-ZP	M 4	1.5	2,0-2,2	6.73	7.92	3.17	16G
P0828.040-14G-ZP	M 4	2.0	2,5-2,7	6.73	7.92	3.17	14G
P0828.040-12G-ZP	M 4	2.5	3,0-3,2	6.73	7.92	3.17	12G
P0828.040-10G-ZP	M 4	3.0	3,5-3,7	6.73	7.92	3.17	10G
P0828.040-08G-ZP	M 4	4.0	4,5-4,7	6.73	7.92	3.17	8G
P0828.050-22G-ZP	M 5	0.8	1,3-1,5	7.92	9.52	3.81	22G
P0828.050-20G-ZP	M 5	1.0	1,5-1,7	7.92	9.52	3.81	20G
P0828.050-18G-ZP	M 5	1.2	1,7-1,9	7.92	9.52	3.81	18G
P0828.050-16G-ZP	M 5	1.5	2,0-2,2	7.92	9.52	3.81	16G
P0828.050-14G-ZP	M 5	2.0	2,5-2,7	7.92	9.52	3.81	14G
P0828.050-12G-ZP	M 5	2.5	3,0-3,2	7.92	9.52	3.81	12G
P0828.050-10G-ZP	M 5	3.0	3,5-3,7	7.92	9.52	3.81	10G
P0828.050-08G-ZP	M 5	4.0	4,5-4,7	7.92	9.52	3.81	8G
P0828.060-22G-ZP	M 6	0.8	1,3-1,5	9.52	11.1	5.08	22G
P0828.060-20G-ZP	M 6	1.0	1,5-1,7	9.52	11.1	5.08	20G



Round Rivet Bushes

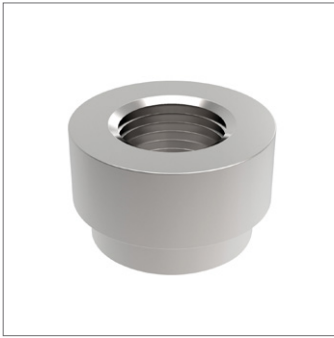
Steel, zinc-plated

Rivet Bushes

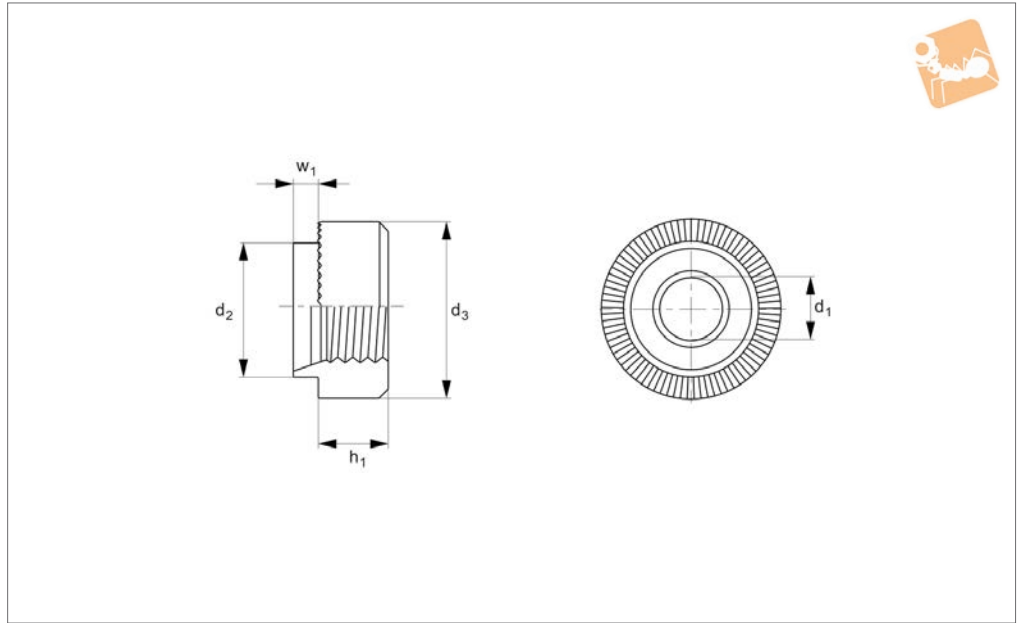


Order No.	d ₁	Panel thickness	w ₁	d ₂	d ₃	h ₁	For gauge
P0828.060-18G-ZP	M 6	1.2	1,7-1,9	9.52	11.1	5.08	18G
P0828.060-16G-ZP	M 6	1.5	2,0-2,2	9.52	11.1	5.08	16G
P0828.060-14G-ZP	M 6	2.0	2,5-2,7	9.52	11.1	5.08	14G
P0828.060-12G-ZP	M 6	2.5	3,0-3,2	9.52	11.1	5.08	12G
P0828.060-10G-ZP	M 6	3.0	3,5-3,7	9.52	11.1	5.08	10G
P0828.060-08G-ZP	M 6	4.0	4,5-4,7	9.52	11.1	5.08	8G
P0828.080-22G-ZP	M 8	0.8	1,3-1,5	12.7	14.27	6.35	22G
P0828.080-20G-ZP	M 8	1.0	1,5-1,7	12.7	14.27	6.35	20G
P0828.080-18G-ZP	M 8	1.2	1,7-1,9	12.7	14.27	6.35	18G
P0828.080-16G-ZP	M 8	1.5	2,0-2,2	12.7	14.27	6.35	16G
P0828.080-14G-ZP	M 8	2.0	2,5-2,7	12.7	14.27	6.35	14G
P0828.080-12G-ZP	M 8	2.5	3,0-3,2	12.7	14.27	6.35	12G
P0828.080-10G-ZP	M 8	3.0	3,5-3,7	12.7	14.27	6.35	10G
P0828.080-08G-ZP	M 8	4.0	4,5-4,7	12.7	14.27	6.35	8G
P0828.100-22G-ZP	M10	0.8	1,3-1,5	15.87	19.05	7.62	22G
P0828.100-20G-ZP	M10	1.0	1,5-1,7	15.87	19.05	7.62	20G
P0828.100-18G-ZP	M10	1.2	1,7-1,9	15.87	19.05	7.62	18G
P0828.100-16G-ZP	M10	1.5	2,0-2,2	15.87	19.05	7.62	16G
P0828.100-14G-ZP	M10	2.0	2,5-2,7	15.87	19.05	7.62	14G
P0828.100-12G-ZP	M10	2.5	3,0-3,2	15.87	19.05	7.62	12G
P0828.100-10G-ZP	M10	3.0	3,5-3,7	15.87	19.05	7.62	10G
P0828.100-08G-ZP	M10	4.0	4,5-4,7	15.87	19.05	7.62	8G
P0828.120-22G-ZP	M12	0.8	1,3-1,5	19.05	22.22	10.16	22G
P0828.120-20G-ZP	M12	1.0	1,5-1,7	19.05	22.22	10.16	20G
P0828.120-18G-ZP	M12	1.2	1,7-1,9	19.05	22.22	10.16	18G
P0828.120-16G-ZP	M12	1.5	2,0-2,2	19.05	22.22	10.16	16G
P0828.120-14G-ZP	M12	2.0	2,5-2,7	19.05	22.22	10.16	14G
P0828.120-12G-ZP	M12	2.5	3,0-3,2	19.05	22.22	10.16	12G
P0828.120-10G-ZP	M12	3.0	3,5-3,7	19.05	22.22	10.16	10G
P0828.120-08G-ZP	M12	4.0	4,5-4,7	19.05	22.22	10.16	8G

RIVET BUSHES



P0828.A2



Material

Stainless steel (A2, AISI 303).

of a thin spigot. The presence of serrations provide additional anchorage.

Technical Notes

Rivet bushes are securely locked by means

These bushes can be installed by a press or using a hammer.

Order No.	d ₁	Panel thickness	w ₁	d ₂	d ₃	h ₁	For gauge
P0828.030-22G-A2	M 3	0.8	1,3-1,5	5.54	7.92	3.17	22G
P0828.030-20G-A2	M 3	1.0	1,5-1,7	5.54	7.92	3.17	20G
P0828.030-18G-A2	M 3	1.2	1,7-1,9	5.54	7.92	3.17	18G
P0828.030-16G-A2	M 3	1.5	2,0-2,2	5.54	7.92	3.17	16G
P0828.030-14G-A2	M 3	2.0	2,5-2,7	5.54	7.92	3.17	14G
P0828.030-12G-A2	M 3	2.5	3,0-3,2	5.54	7.92	3.17	12G
P0828.030-10G-A2	M 3	3.0	3,5-3,7	5.54	7.92	3.17	10G
P0828.030-08G-A2	M 3	4.0	4,5-4,7	5.54	7.92	3.17	8G
P0828.035-22G-A2	M3,5	0.8	1,3-1,5	5.54	7.92	3.17	22G
P0828.035-20G-A2	M3,5	1.0	1,5-1,7	5.54	7.92	3.17	20G
P0828.035-18G-A2	M3,5	1.2	1,7-1,9	5.54	7.92	3.17	18G
P0828.035-16G-A2	M3,5	1.5	2,0-2,2	5.54	7.92	3.17	16G
P0828.035-14G-A2	M3,5	2.0	2,5-2,7	5.54	7.92	3.17	14G
P0828.035-12G-A2	M3,5	2.5	3,0-3,2	5.54	7.92	3.17	12G
P0828.035-10G-A2	M3,5	3.0	3,5-3,7	5.54	7.92	3.17	10G
P0828.035-08G-A2	M3,5	4.0	4,5-4,7	5.54	7.92	3.17	8G
P0828.040-22G-A2	M 4	0.8	1,3-1,5	6.73	7.92	3.17	22G
P0828.040-20G-A2	M 4	1.0	1,5-1,7	6.73	7.92	3.17	20G
P0828.040-18G-A2	M 4	1.2	1,7-1,9	6.73	7.92	3.17	18G
P0828.040-16G-A2	M 4	1.5	2,0-2,2	6.73	7.92	3.17	16G
P0828.040-14G-A2	M 4	2.0	2,5-2,7	6.73	7.92	3.17	14G
P0828.040-12G-A2	M 4	2.5	3,0-3,2	6.73	7.92	3.17	12G
P0828.040-10G-A2	M 4	3.0	3,5-3,7	6.73	7.92	3.17	10G
P0828.040-08G-A2	M 4	4.0	4,5-4,7	6.73	7.92	3.17	8G
P0828.050-22G-A2	M 5	0.8	1,3-1,5	7.92	9.52	3.81	22G
P0828.050-20G-A2	M 5	1.0	1,5-1,7	7.92	9.52	3.81	20G
P0828.050-18G-A2	M 5	1.2	1,7-1,9	7.92	9.52	3.81	18G
P0828.050-16G-A2	M 5	1.5	2,0-2,2	7.92	9.52	3.81	16G
P0828.050-14G-A2	M 5	2.0	2,5-2,7	7.92	9.52	3.81	14G
P0828.050-12G-A2	M 5	2.5	3,0-3,2	7.92	9.52	3.81	12G
P0828.050-10G-A2	M 5	3.0	3,5-3,7	7.92	9.52	3.81	10G
P0828.050-08G-A2	M 5	4.0	4,5-4,7	7.92	9.52	3.81	8G
P0828.060-22G-A2	M 6	0.8	1,3-1,5	9.52	11.1	5.08	22G
P0828.060-20G-A2	M 6	1.0	1,5-1,7	9.52	11.1	5.08	20G



Round Rivet Bushes

A2 stainless

Rivet Bushes

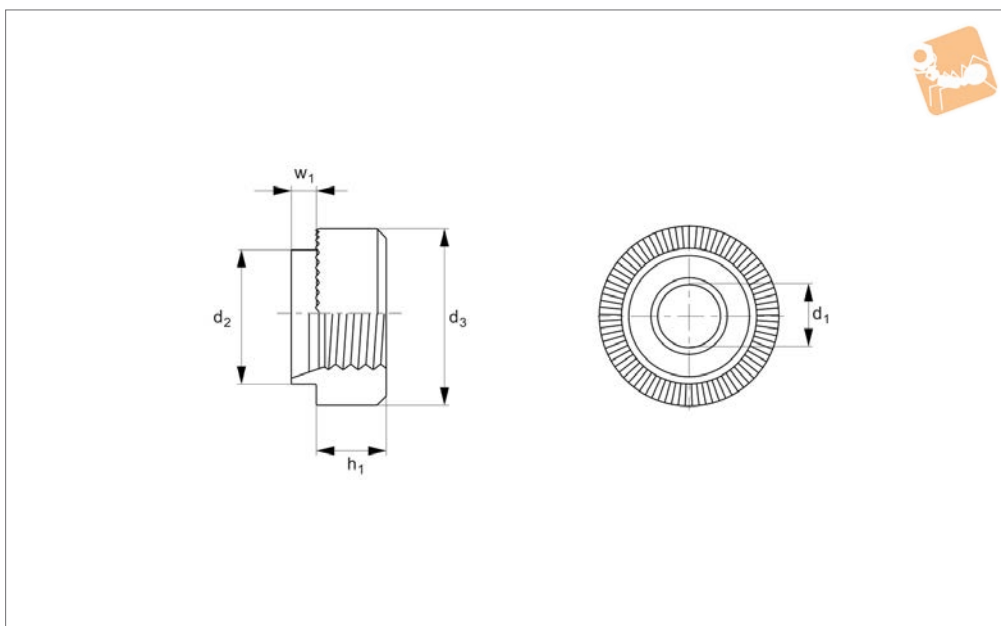


Order No.	d ₁	Panel thickness	w ₁	d ₂	d ₃	h ₁	For gauge
P0828.060-18G-A2	M 6	1.2	1,7-1,9	9.52	11.1	5.08	18G
P0828.060-16G-A2	M 6	1.5	2,0-2,2	9.52	11.1	5.08	16G
P0828.060-14G-A2	M 6	2.0	2,5-2,7	9.52	11.1	5.08	14G
P0828.060-12G-A2	M 6	2.5	3,0-3,2	9.52	11.1	5.08	12G
P0828.060-10G-A2	M 6	3.0	3,5-3,7	9.52	11.1	5.08	10G
P0828.060-08G-A2	M 6	4.0	4,5-4,7	9.52	11.1	5.08	8G
P0828.080-22G-A2	M 8	0.8	1,3-1,5	12.7	14.27	6.35	22G
P0828.080-20G-A2	M 8	1.0	1,5-1,7	12.7	14.27	6.35	20G
P0828.080-18G-A2	M 8	1.2	1,7-1,9	12.7	14.27	6.35	18G
P0828.080-16G-A2	M 8	1.5	2,0-2,2	12.7	14.27	6.35	16G
P0828.080-14G-A2	M 8	2.0	2,5-2,7	12.7	14.27	6.35	14G
P0828.080-12G-A2	M 8	2.5	3,0-3,2	12.7	14.27	6.35	12G
P0828.080-10G-A2	M 8	3.0	3,5-3,7	12.7	14.27	6.35	10G
P0828.080-08G-A2	M 8	4.0	4,5-4,7	12.7	14.27	6.35	8G
P0828.100-22G-A2	M10	0.8	1,3-1,5	15.87	19.05	7.62	22G
P0828.100-20G-A2	M10	1.0	1,5-1,7	15.87	19.05	7.62	20G
P0828.100-18G-A2	M10	1.2	1,7-1,9	15.87	19.05	7.62	18G
P0828.100-16G-A2	M10	1.5	2,0-2,2	15.87	19.05	7.62	16G
P0828.100-14G-A2	M10	2.0	2,5-2,7	15.87	19.05	7.62	14G
P0828.100-12G-A2	M10	2.5	3,0-3,2	15.87	19.05	7.62	12G
P0828.100-10G-A2	M10	3.0	3,5-3,7	15.87	19.05	7.62	10G
P0828.100-08G-A2	M10	4.0	4,5-4,7	15.87	19.05	7.62	8G
P0828.120-22G-A2	M12	0.8	1,3-1,5	19.05	22.22	10.16	22G
P0828.120-20G-A2	M12	1.0	1,5-1,7	19.05	22.22	10.16	20G
P0828.120-18G-A2	M12	1.2	1,7-1,9	19.05	22.22	10.16	18G
P0828.120-16G-A2	M12	1.5	2,0-2,2	19.05	22.22	10.16	16G
P0828.120-14G-A2	M12	2.0	2,5-2,7	19.05	22.22	10.16	14G
P0828.120-12G-A2	M12	2.5	3,0-3,2	19.05	22.22	10.16	12G
P0828.120-10G-A2	M12	3.0	3,5-3,7	19.05	22.22	10.16	10G
P0828.120-08G-A2	M12	4.0	4,5-4,7	19.05	22.22	10.16	8G

RIVET BUSHES



P0828.A4



Material

Stainless steel (A4, AISI 316).

of a thin spigot. The presence of serrations provide additional anchorage.

Technical Notes

Rivet bushes are securely locked by means

using a hammer.

Order No.	d ₁	Panel thickness	w ₁	d ₂	d ₃	h ₁	For gauge
P0828.030-22G-A4	M 3	0.8	1,3-1,5	5.54	7.92	3.17	22G
P0828.030-20G-A4	M 3	1.0	1,5-1,7	5.54	7.92	3.17	20G
P0828.030-18G-A4	M 3	1.2	1,7-1,9	5.54	7.92	3.17	18G
P0828.030-16G-A4	M 3	1.5	2,0-2,2	5.54	7.92	3.17	16G
P0828.030-14G-A4	M 3	2.0	2,5-2,7	5.54	7.92	3.17	14G
P0828.030-12G-A4	M 3	2.5	3,0-3,2	5.54	7.92	3.17	12G
P0828.030-10G-A4	M 3	3.0	3,5-3,7	5.54	7.92	3.17	10G
P0828.030-08G-A4	M 3	4.0	4,5-4,7	5.54	7.92	3.17	8G
P0828.035-22G-A4	M3,5	0.8	1,3-1,5	5.54	7.92	3.17	22G
P0828.035-20G-A4	M3,5	1.0	1,5-1,7	5.54	7.92	3.17	20G
P0828.035-18G-A4	M3,5	1.2	1,7-1,9	5.54	7.92	3.17	18G
P0828.035-16G-A4	M3,5	1.5	2,0-2,2	5.54	7.92	3.17	16G
P0828.035-14G-A4	M3,5	2.0	2,5-2,7	5.54	7.92	3.17	14G
P0828.035-12G-A4	M3,5	2.5	3,0-3,2	5.54	7.92	3.17	12G
P0828.035-10G-A4	M3,5	3.0	3,5-3,7	5.54	7.92	3.17	10G
P0828.035-08G-A4	M3,5	4.0	4,5-4,7	5.54	7.92	3.17	8G
P0828.040-22G-A4	M 4	0.8	1,3-1,5	6.73	7.92	3.17	22G
P0828.040-20G-A4	M 4	1.0	1,5-1,7	6.73	7.92	3.17	20G
P0828.040-18G-A4	M 4	1.2	1,7-1,9	6.73	7.92	3.17	18G
P0828.040-16G-A4	M 4	1.5	2,0-2,2	6.73	7.92	3.17	16G
P0828.040-14G-A4	M 4	2.0	2,5-2,7	6.73	7.92	3.17	14G
P0828.040-12G-A4	M 4	2.5	3,0-3,2	6.73	7.92	3.17	12G
P0828.040-10G-A4	M 4	3.0	3,5-3,7	6.73	7.92	3.17	10G
P0828.040-08G-A4	M 4	4.0	4,5-4,7	6.73	7.92	3.17	8G
P0828.050-22G-A4	M 5	0.8	1,3-1,5	7.92	9.52	3.81	22G
P0828.050-20G-A4	M 5	1.0	1,5-1,7	7.92	9.52	3.81	20G
P0828.050-18G-A4	M 5	1.2	1,7-1,9	7.92	9.52	3.81	18G
P0828.050-16G-A4	M 5	1.5	2,0-2,2	7.92	9.52	3.81	16G
P0828.050-14G-A4	M 5	2.0	2,5-2,7	7.92	9.52	3.81	14G
P0828.050-12G-A4	M 5	2.5	3,0-3,2	7.92	9.52	3.81	12G
P0828.050-10G-A4	M 5	3.0	3,5-3,7	7.92	9.52	3.81	10G
P0828.050-08G-A4	M 5	4.0	4,5-4,7	7.92	9.52	3.81	8G
P0828.060-22G-A4	M 6	0.8	1,3-1,5	9.52	11.1	5.08	22G
P0828.060-20G-A4	M 6	1.0	1,5-1,7	9.52	11.1	5.08	20G



Round Rivet Bushes

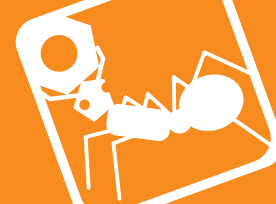
A4 stainless

Rivet Bushes

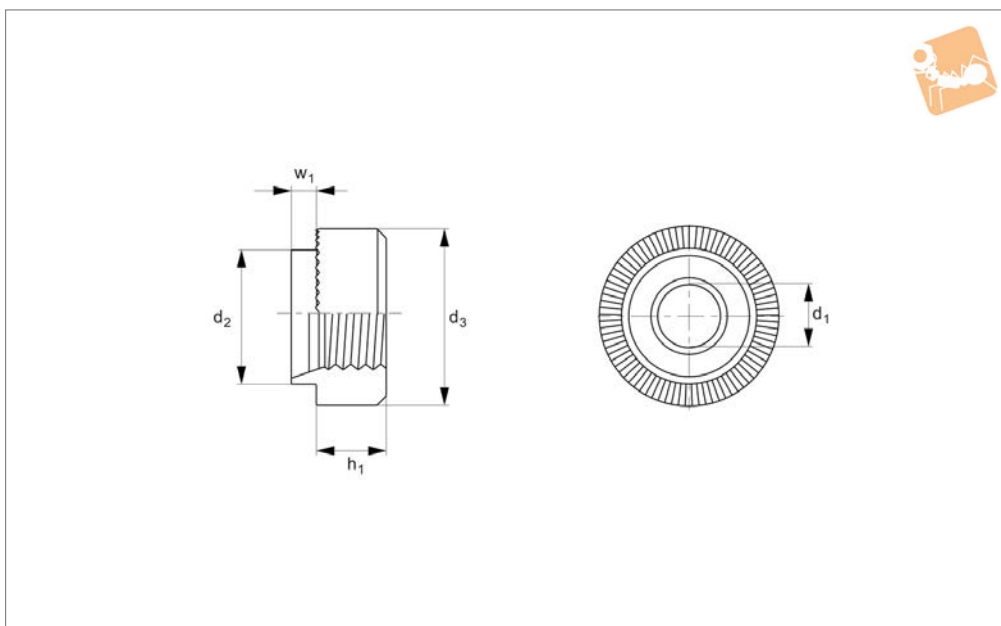


Order No.	d ₁	Panel thickness	w ₁	d ₂	d ₃	h ₁	For gauge
P0828.060-18G-A4	M 6	1.2	1,7-1,9	9.52	11.1	5.08	18G
P0828.060-16G-A4	M 6	1.5	2,0-2,2	9.52	11.1	5.08	16G
P0828.060-14G-A4	M 6	2.0	2,5-2,7	9.52	11.1	5.08	14G
P0828.060-12G-A4	M 6	2.5	3,0-3,2	9.52	11.1	5.08	12G
P0828.060-10G-A4	M 6	3.0	3,5-3,7	9.52	11.1	5.08	10G
P0828.060-08G-A4	M 6	4.0	4,5-4,7	9.52	11.1	5.08	8G
P0828.080-22G-A4	M 8	0.8	1,3-1,5	12.7	14.27	6.35	22G
P0828.080-20G-A4	M 8	1.0	1,5-1,7	12.7	14.27	6.35	20G
P0828.080-18G-A4	M 8	1.2	1,7-1,9	12.7	14.27	6.35	18G
P0828.080-16G-A4	M 8	1.5	2,0-2,2	12.7	14.27	6.35	16G
P0828.080-14G-A4	M 8	2.0	2,5-2,7	12.7	14.27	6.35	14G
P0828.080-12G-A4	M 8	2.5	3,0-3,2	12.7	14.27	6.35	12G
P0828.080-10G-A4	M 8	3.0	3,5-3,7	12.7	14.27	6.35	10G
P0828.080-08G-A4	M 8	4.0	4,5-4,7	12.7	14.27	6.35	8G
P0828.100-22G-A4	M10	0.8	1,3-1,5	15.87	19.05	7.62	22G
P0828.100-20G-A4	M10	1.0	1,5-1,7	15.87	19.05	7.62	20G
P0828.100-18G-A4	M10	1.2	1,7-1,9	15.87	19.05	7.62	18G
P0828.100-16G-A4	M10	1.5	2,0-2,2	15.87	19.05	7.62	16G
P0828.100-14G-A4	M10	2.0	2,5-2,7	15.87	19.05	7.62	14G
P0828.100-12G-A4	M10	2.5	3,0-3,2	15.87	19.05	7.62	12G
P0828.100-10G-A4	M10	3.0	3,5-3,7	15.87	19.05	7.62	10G
P0828.100-08G-A4	M10	4.0	4,5-4,7	15.87	19.05	7.62	8G
P0828.120-22G-A4	M12	0.8	1,3-1,5	19.05	22.22	10.16	22G
P0828.120-20G-A4	M12	1.0	1,5-1,7	19.05	22.22	10.16	20G
P0828.120-18G-A4	M12	1.2	1,7-1,9	19.05	22.22	10.16	18G
P0828.120-16G-A4	M12	1.5	2,0-2,2	19.05	22.22	10.16	16G
P0828.120-14G-A4	M12	2.0	2,5-2,7	19.05	22.22	10.16	14G
P0828.120-12G-A4	M12	2.5	3,0-3,2	19.05	22.22	10.16	12G
P0828.120-10G-A4	M12	3.0	3,5-3,7	19.05	22.22	10.16	10G
P0828.120-08G-A4	M12	4.0	4,5-4,7	19.05	22.22	10.16	8G

RIVET BUSHES



P0828.AL



Material
Aluminium.

of a thin spigot. The presence of serrations provide additional anchorage.

Technical Notes

Rivet bushes are securely locked by means

using a hammer.

Order No.	d ₁	Panel thickness	w ₁	d ₂	d ₃	h ₁	For gauge
P0828.030-22G-AL	M 3	0.8	1,3-1,5	5.54	7.92	3.17	22G
P0828.030-20G-AL	M 3	1.0	1,5-1,7	5.54	7.92	3.17	20G
P0828.030-18G-AL	M 3	1.2	1,7-1,9	5.54	7.92	3.17	18G
P0828.030-16G-AL	M 3	1.5	2,0-2,2	5.54	7.92	3.17	16G
P0828.030-14G-AL	M 3	2.0	2,5-2,7	5.54	7.92	3.17	14G
P0828.030-12G-AL	M 3	2.5	3,0-3,2	5.54	7.92	3.17	12G
P0828.030-10G-AL	M 3	3.0	3,5-3,7	5.54	7.92	3.17	10G
P0828.030-08G-AL	M 3	4.0	4,5-4,7	5.54	7.92	3.17	8G
P0828.035-22G-AL	M3,5	0.8	1,3-1,5	5.54	7.92	3.17	22G
P0828.035-20G-AL	M3,5	1.0	1,5-1,7	5.54	7.92	3.17	20G
P0828.035-18G-AL	M3,5	1.2	1,7-1,9	5.54	7.92	3.17	18G
P0828.035-16G-AL	M3,5	1.5	2,0-2,2	5.54	7.92	3.17	16G
P0828.035-14G-AL	M3,5	2.0	2,5-2,7	5.54	7.92	3.17	14G
P0828.035-12G-AL	M3,5	2.5	3,0-3,2	5.54	7.92	3.17	12G
P0828.035-10G-AL	M3,5	3.0	3,5-3,7	5.54	7.92	3.17	10G
P0828.035-08G-AL	M3,5	4.0	4,5-4,7	5.54	7.92	3.17	8G
P0828.040-22G-AL	M 4	0.8	1,3-1,5	6.73	7.92	3.17	22G
P0828.040-20G-AL	M 4	1.0	1,5-1,7	6.73	7.92	3.17	20G
P0828.040-18G-AL	M 4	1.2	1,7-1,9	6.73	7.92	3.17	18G
P0828.040-16G-AL	M 4	1.5	2,0-2,2	6.73	7.92	3.17	16G
P0828.040-14G-AL	M 4	2.0	2,5-2,7	6.73	7.92	3.17	14G
P0828.040-12G-AL	M 4	2.5	3,0-3,2	6.73	7.92	3.17	12G
P0828.040-10G-AL	M 4	3.0	3,5-3,7	6.73	7.92	3.17	10G
P0828.040-08G-AL	M 4	4.0	4,5-4,7	6.73	7.92	3.17	8G
P0828.050-22G-AL	M 5	0.8	1,3-1,5	7.92	9.52	3.81	22G
P0828.050-20G-AL	M 5	1.0	1,5-1,7	7.92	9.52	3.81	20G
P0828.050-18G-AL	M 5	1.2	1,7-1,9	7.92	9.52	3.81	18G
P0828.050-16G-AL	M 5	1.5	2,0-2,2	7.92	9.52	3.81	16G
P0828.050-14G-AL	M 5	2.0	2,5-2,7	7.92	9.52	3.81	14G
P0828.050-12G-AL	M 5	2.5	3,0-3,2	7.92	9.52	3.81	12G
P0828.050-10G-AL	M 5	3.0	3,5-3,7	7.92	9.52	3.81	10G
P0828.050-08G-AL	M 5	4.0	4,5-4,7	7.92	9.52	3.81	8G
P0828.060-22G-AL	M 6	0.8	1,3-1,5	9.52	11.1	5.08	22G
P0828.060-20G-AL	M 6	1.0	1,5-1,7	9.52	11.1	5.08	20G



Round Rivet Bushes

Aluminium

Rivet Bushes



Order No.	d ₁	Panel thickness	w ₁	d ₂	d ₃	h ₁	For gauge
P0828.060-18G-AL	M 6	1.2	1,7-1,9	9.52	11.1	5.08	18G
P0828.060-16G-AL	M 6	1.5	2,0-2,2	9.52	11.1	5.08	16G
P0828.060-14G-AL	M 6	2.0	2,5-2,7	9.52	11.1	5.08	14G
P0828.060-12G-AL	M 6	2.5	3,0-3,2	9.52	11.1	5.08	12G
P0828.060-10G-AL	M 6	3.0	3,5-3,7	9.52	11.1	5.08	10G
P0828.060-08G-AL	M 6	4.0	4,5-4,7	9.52	11.1	5.08	8G
P0828.080-22G-AL	M 8	0.8	1,3-1,5	12.7	14.27	6.35	22G
P0828.080-20G-AL	M 8	1.0	1,5-1,7	12.7	14.27	6.35	20G
P0828.080-18G-AL	M 8	1.2	1,7-1,9	12.7	14.27	6.35	18G
P0828.080-16G-AL	M 8	1.5	2,0-2,2	12.7	14.27	6.35	16G
P0828.080-14G-AL	M 8	2.0	2,5-2,7	12.7	14.27	6.35	14G
P0828.080-12G-AL	M 8	2.5	3,0-3,2	12.7	14.27	6.35	12G
P0828.080-10G-AL	M 8	3.0	3,5-3,7	12.7	14.27	6.35	10G
P0828.080-08G-AL	M 8	4.0	4,5-4,7	12.7	14.27	6.35	8G
P0828.100-22G-AL	M10	0.8	1,3-1,5	15.87	19.05	7.62	22G
P0828.100-20G-AL	M10	1.0	1,5-1,7	15.87	19.05	7.62	20G
P0828.100-18G-AL	M10	1.2	1,7-1,9	15.87	19.05	7.62	18G
P0828.100-16G-AL	M10	1.5	2,0-2,2	15.87	19.05	7.62	16G
P0828.100-14G-AL	M10	2.0	2,5-2,7	15.87	19.05	7.62	14G
P0828.100-12G-AL	M10	2.5	3,0-3,2	15.87	19.05	7.62	12G
P0828.100-10G-AL	M10	3.0	3,5-3,7	15.87	19.05	7.62	10G
P0828.100-08G-AL	M10	4.0	4,5-4,7	15.87	19.05	7.62	8G
P0828.120-22G-AL	M12	0.8	1,3-1,5	19.05	22.22	10.16	22G
P0828.120-20G-AL	M12	1.0	1,5-1,7	19.05	22.22	10.16	20G
P0828.120-18G-AL	M12	1.2	1,7-1,9	19.05	22.22	10.16	18G
P0828.120-16G-AL	M12	1.5	2,0-2,2	19.05	22.22	10.16	16G
P0828.120-14G-AL	M12	2.0	2,5-2,7	19.05	22.22	10.16	14G
P0828.120-12G-AL	M12	2.5	3,0-3,2	19.05	22.22	10.16	12G
P0828.120-10G-AL	M12	3.0	3,5-3,7	19.05	22.22	10.16	10G
P0828.120-08G-AL	M12	4.0	4,5-4,7	19.05	22.22	10.16	8G

RIVET BUSHES

Rivet Bushes

Mini Rivet Bushes

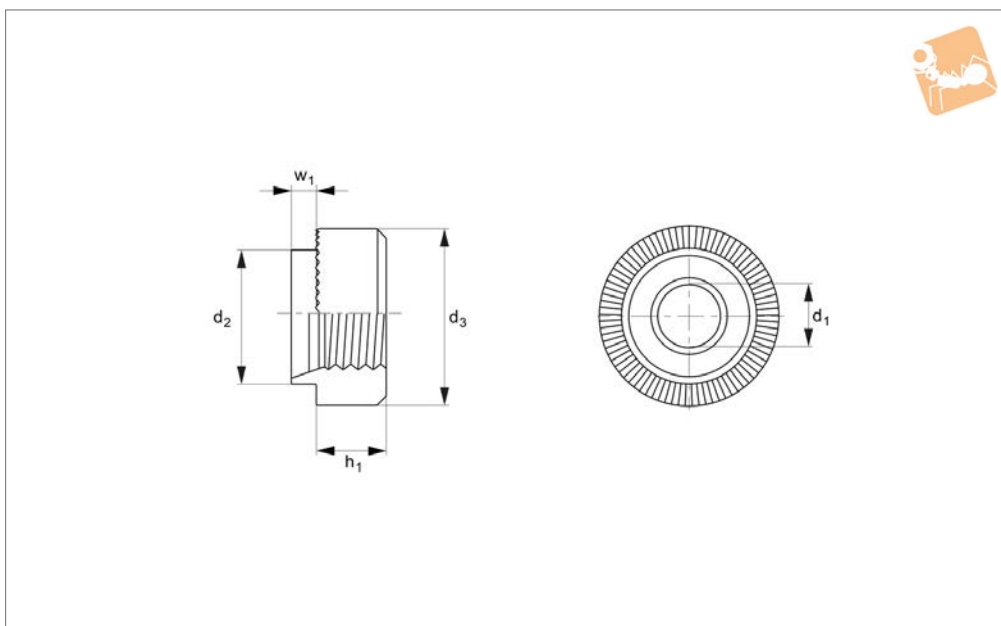
Steel, zinc-plated



RIVET BUSHES



P0829.ZP



Material

Steel, zinc-plated.

Technical Notes

Mini rivet bushes are used where space is

limited. They are securely locked by means of a thin spigot. The presence of serrations provide additional anchorage.

These bushes can be installed by a press or

using a hammer.

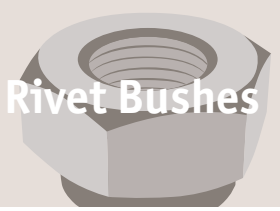
Order No.	d ₁	Panel thickness	w ₁	d ₂	d ₃	h ₁	For gauge
P0829.020-22G-ZP	M2	0.8	1,3-1,5	3,5	5,0	2,3	22G
P0829.020-20G-ZP	M2	1.0	1,5-1,7	3,5	5,0	2,3	20G
P0829.020-18G-ZP	M2	1.2	1,7-1,9	3,5	5,0	2,3	18G
P0829.020-16G-ZP	M2	1.5	2,0-2,2	3,5	5,0	2,3	16G
P0829.020-14G-ZP	M2	2.0	2,5-2,7	3,5	5,0	2,3	14G
P0829.020-12G-ZP	M2	2.5	3,0-3,2	3,5	5,0	2,3	12G
P0829.020-10G-ZP	M2	3.0	3,5-3,7	3,5	5,0	2,3	10G
P0829.020-08G-ZP	M2	4.0	4,5-4,7	3,5	5,0	2,3	8G
P0829.025-22G-ZP	M2,5	0.8	1,3-1,5	4,19	5,5	2,8	22G
P0829.025-20G-ZP	M2,5	1.0	1,5-1,7	4,19	5,5	2,8	20G
P0829.025-18G-ZP	M2,5	1.2	1,7-1,9	4,19	5,5	2,8	18G
P0829.025-16G-ZP	M2,5	1.5	2,0-2,2	4,19	5,5	2,8	16G
P0829.025-14G-ZP	M2,5	2.0	2,5-2,7	4,19	5,5	2,8	14G
P0829.025-12G-ZP	M2,5	2.5	3,0-3,2	4,19	5,5	2,8	12G
P0829.025-10G-ZP	M2,5	3.0	3,5-3,7	4,19	5,5	2,8	10G
P0829.025-08G-ZP	M2,5	4.0	4,5-4,7	4,19	5,5	2,8	8G
P0829.030-22G-ZP	M3	0.8	1,3-1,5	4,19	5,5	2,8	22G
P0829.030-20G-ZP	M3	1.0	1,5-1,7	4,19	5,5	2,8	20G
P0829.030-18G-ZP	M3	1.2	1,7-1,9	4,19	5,5	2,8	18G
P0829.030-16G-ZP	M3	1.5	2,0-2,2	4,19	5,5	2,8	16G
P0829.030-14G-ZP	M3	2.0	2,5-2,7	4,19	5,5	2,8	14G
P0829.030-12G-ZP	M3	2.5	3,0-3,2	4,19	5,5	2,8	12G
P0829.030-10G-ZP	M3	3.0	3,5-3,7	4,19	5,5	2,8	10G
P0829.030-08G-ZP	M3	4.0	4,5-4,7	4,19	5,5	2,8	8G
P0829.040-22G-ZP	M4	0.8	1,3-1,5	5,41	7,0	3,2	22G
P0829.040-20G-ZP	M4	1.0	1,5-1,7	5,41	7,0	3,2	20G
P0829.040-18G-ZP	M4	1.2	1,7-1,9	5,41	7,0	3,2	18G
P0829.040-16G-ZP	M4	1.5	2,0-2,2	5,41	7,0	3,2	16G
P0829.040-14G-ZP	M4	2.0	2,5-2,7	5,41	7,0	3,2	14G
P0829.040-12G-ZP	M4	2.5	3,0-3,2	5,41	7,0	3,2	12G
P0829.040-10G-ZP	M4	3.0	3,5-3,7	5,41	7,0	3,2	10G
P0829.040-08G-ZP	M4	4.0	4,5-4,7	5,41	7,0	3,2	8G
P0829.050-22G-ZP	M5	0.8	1,3-1,5	6,4	8,5	3,8	22G
P0829.050-20G-ZP	M5	1.0	1,5-1,7	6,4	8,5	3,8	20G



Mini Rivet Bushes

Steel, zinc-plated

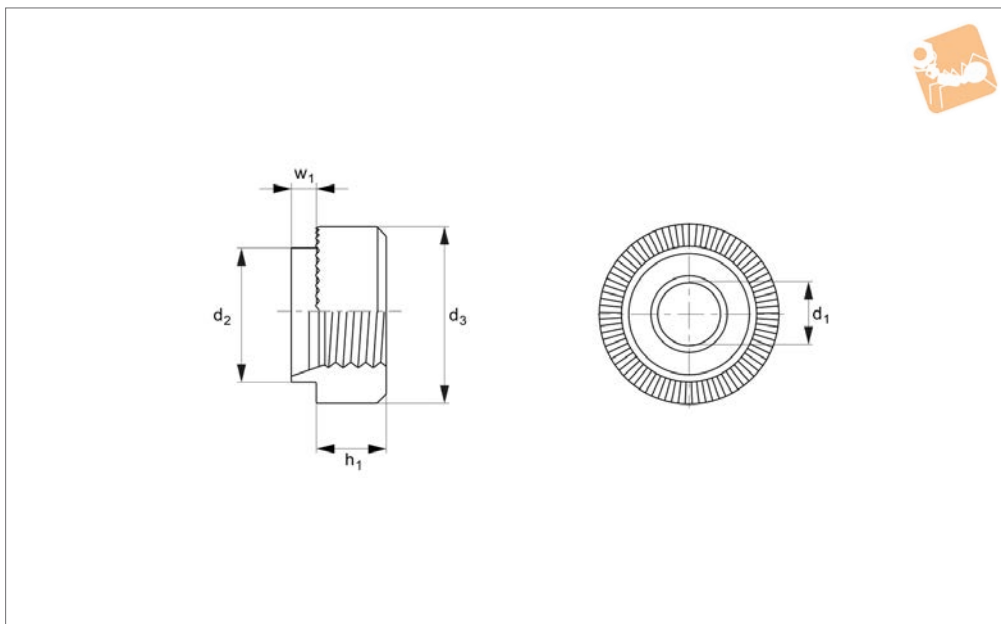
Rivet Bushes



Order No.	d ₁	Panel thickness	w ₁	d ₂	d ₃	h ₁	For gauge
P0829.050-18G-ZP	M5	1.2	1,7-1,9	6.4	8.5	3.8	18G
P0829.050-16G-ZP	M5	1.5	2,0-2,2	6.4	8.5	3.8	16G
P0829.050-14G-ZP	M5	2.0	2,5-2,7	6.4	8.5	3.8	14G
P0829.050-12G-ZP	M5	2.5	3,0-3,2	6.4	8.5	3.8	12G
P0829.050-10G-ZP	M5	3.0	3,5-3,7	6.4	8.5	3.8	10G
P0829.050-08G-ZP	M5	4.0	4,5-4,7	6.4	8.5	3.8	8G
P0829.060-22G-ZP	M6	0.8	1,3-1,5	7.7	10	5.1	22G
P0829.060-20G-ZP	M6	1.0	1,5-1,7	7.7	10	5.1	20G
P0829.060-18G-ZP	M6	1.2	1,7-1,9	7.7	10	5.1	18G
P0829.060-16G-ZP	M6	1.5	2,0-2,2	7.7	10	5.1	16G
P0829.060-14G-ZP	M6	2.0	2,5-2,7	7.7	10	5.1	14G
P0829.060-12G-ZP	M6	2.5	3,0-3,2	7.7	10	5.1	12G
P0829.060-10G-ZP	M6	3.0	3,5-3,7	7.7	10	5.1	10G
P0829.060-08G-ZP	M6	4.0	4,5-4,7	7.7	10	5.1	8G



P0829.A2



Material

Stainless steel (A2, AISI 303).

Technical Notes

Mini rivet bushes are used where space is

limited. They are securely locked by means of a thin spigot. The presence of serrations provide additional anchorage. These bushes can be installed by a press or

using a hammer.

Order No.	d ₁	Panel thickness	w ₁	d ₂	d ₃	h ₁	For gauge
P0829.020-22G-A2	M2	0.8	1,3-1,5	3,5	5,0	2,3	22G
P0829.020-20G-A2	M2	1.0	1,5-1,7	3,5	5,0	2,3	20G
P0829.020-18G-A2	M2	1.2	1,7-1,9	3,5	5,0	2,3	18G
P0829.020-16G-A2	M2	1.5	2,0-2,2	3,5	5,0	2,3	16G
P0829.020-14G-A2	M2	2.0	2,5-2,7	3,5	5,0	2,3	14G
P0829.020-12G-A2	M2	2.5	3,0-3,2	3,5	5,0	2,3	12G
P0829.020-10G-A2	M2	3.0	3,5-3,7	3,5	5,0	2,3	10G
P0829.020-08G-A2	M2	4.0	4,5-4,7	3,5	5,0	2,3	8G
P0829.025-22G-A2	M2,5	0.8	1,3-1,5	4,19	5,5	2,8	22G
P0829.025-20G-A2	M2,5	1.0	1,5-1,7	4,19	5,5	2,8	20G
P0829.025-18G-A2	M2,5	1.2	1,7-1,9	4,19	5,5	2,8	18G
P0829.025-16G-A2	M2,5	1.5	2,0-2,2	4,19	5,5	2,8	16G
P0829.025-14G-A2	M2,5	2.0	2,5-2,7	4,19	5,5	2,8	14G
P0829.025-12G-A2	M2,5	2.5	3,0-3,2	4,19	5,5	2,8	12G
P0829.025-10G-A2	M2,5	3.0	3,5-3,7	4,19	5,5	2,8	10G
P0829.025-08G-A2	M2,5	4.0	4,5-4,7	4,19	5,5	2,8	8G
P0829.030-22G-A2	M3	0.8	1,3-1,5	4,19	5,5	2,8	22G
P0829.030-20G-A2	M3	1.0	1,5-1,7	4,19	5,5	2,8	20G
P0829.030-18G-A2	M3	1.2	1,7-1,9	4,19	5,5	2,8	18G
P0829.030-16G-A2	M3	1.5	2,0-2,2	4,19	5,5	2,8	16G
P0829.030-14G-A2	M3	2.0	2,5-2,7	4,19	5,5	2,8	14G
P0829.030-12G-A2	M3	2.5	3,0-3,2	4,19	5,5	2,8	12G
P0829.030-10G-A2	M3	3.0	3,5-3,7	4,19	5,5	2,8	10G
P0829.030-08G-A2	M3	4.0	4,5-4,7	4,19	5,5	2,8	8G
P0829.040-22G-A2	M4	0.8	1,3-1,5	5,41	7,0	3,2	22G
P0829.040-20G-A2	M4	1.0	1,5-1,7	5,41	7,0	3,2	20G
P0829.040-18G-A2	M4	1.2	1,7-1,9	5,41	7,0	3,2	18G
P0829.040-16G-A2	M4	1.5	2,0-2,2	5,41	7,0	3,2	16G
P0829.040-14G-A2	M4	2.0	2,5-2,7	5,41	7,0	3,2	14G
P0829.040-12G-A2	M4	2.5	3,0-3,2	5,41	7,0	3,2	12G
P0829.040-10G-A2	M4	3.0	3,5-3,7	5,41	7,0	3,2	10G
P0829.040-08G-A2	M4	4.0	4,5-4,7	5,41	7,0	3,2	8G
P0829.050-22G-A2	M5	0.8	1,3-1,5	6,4	8,5	3,8	22G
P0829.050-20G-A2	M5	1.0	1,5-1,7	6,4	8,5	3,8	20G

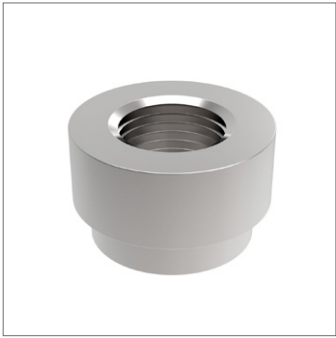


Mini Rivet Bushes A2 stainless

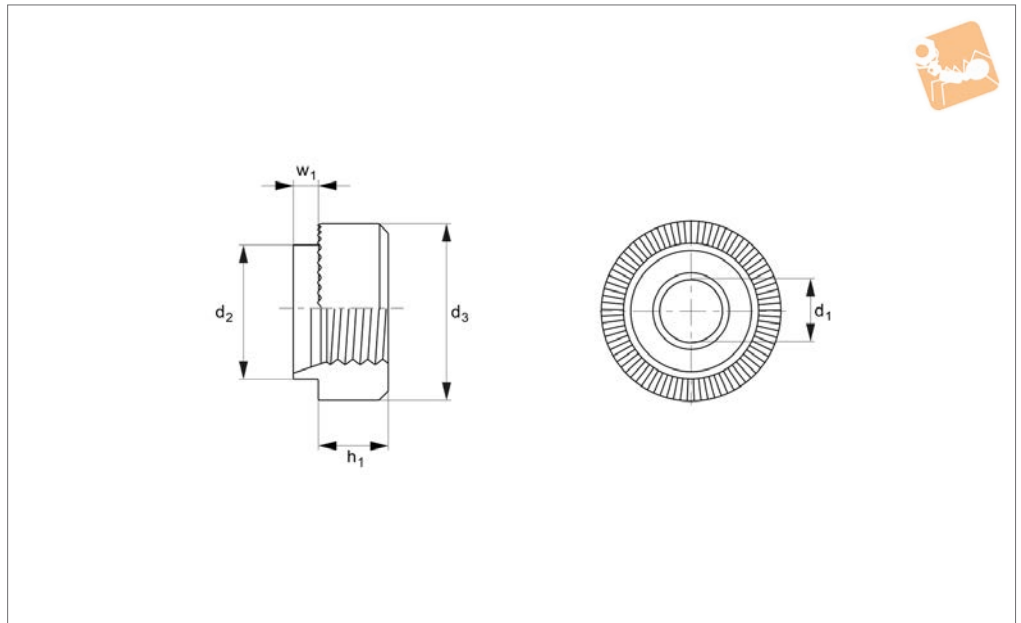
Rivet Bushes



Order No.	d ₁	Panel thickness	w ₁	d ₂	d ₃	h ₁	For gauge
P0829.050-18G-A2	M5	1.2	1,7-1,9	6.4	8.5	3.8	18G
P0829.050-16G-A2	M5	1.5	2,0-2,2	6.4	8.5	3.8	16G
P0829.050-14G-A2	M5	2.0	2,5-2,7	6.4	8.5	3.8	14G
P0829.050-12G-A2	M5	2.5	3,0-3,2	6.4	8.5	3.8	12G
P0829.050-10G-A2	M5	3.0	3,5-3,7	6.4	8.5	3.8	10G
P0829.050-08G-A2	M5	4.0	4,5-4,7	6.4	8.5	3.8	8G
P0829.060-22G-A2	M6	0.8	1,3-1,5	7.7	10	5.1	22G
P0829.060-20G-A2	M6	1.0	1,5-1,7	7.7	10	5.1	20G
P0829.060-18G-A2	M6	1.2	1,7-1,9	7.7	10	5.1	18G
P0829.060-16G-A2	M6	1.5	2,0-2,2	7.7	10	5.1	16G
P0829.060-14G-A2	M6	2.0	2,5-2,7	7.7	10	5.1	14G
P0829.060-12G-A2	M6	2.5	3,0-3,2	7.7	10	5.1	12G
P0829.060-10G-A2	M6	3.0	3,5-3,7	7.7	10	5.1	10G
P0829.060-08G-A2	M6	4.0	4,5-4,7	7.7	10	5.1	8G



P0829.A4



Material

Stainless Steel (A4, AISI 316).

Technical Notes

Mini rivet bushes are used where space is

limited. They are securely locked by means of a thin spigot. The presence of serrations provide additional anchorage. These bushes can be installed by a press or

using a hammer.

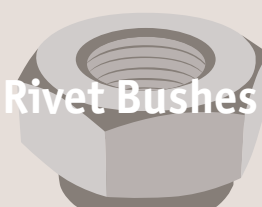
Order No.	d ₁	Panel thickness	w ₁	d ₂	d ₃	h ₁	For gauge
P0829.020-22G-A4	M2	0.8	1,3-1,5	3,5	5,0	2,3	22G
P0829.020-20G-A4	M2	1.0	1,5-1,7	3,5	5,0	2,3	20G
P0829.020-18G-A4	M2	1.2	1,7-1,9	3,5	5,0	2,3	18G
P0829.020-16G-A4	M2	1.5	2,0-2,2	3,5	5,0	2,3	16G
P0829.020-14G-A4	M2	2.0	2,5-2,7	3,5	5,0	2,3	14G
P0829.020-12G-A4	M2	2.5	3,0-3,2	3,5	5,0	2,3	12G
P0829.020-10G-A4	M2	3.0	3,5-3,7	3,5	5,0	2,3	10G
P0829.020-08G-A4	M2	4.0	4,5-4,7	3,5	5,0	2,3	8G
P0829.025-22G-A4	M2,5	0.8	1,3-1,5	4,19	5,5	2,8	22G
P0829.025-20G-A4	M2,5	1.0	1,5-1,7	4,19	5,5	2,8	20G
P0829.025-18G-A4	M2,5	1.2	1,7-1,9	4,19	5,5	2,8	18G
P0829.025-16G-A4	M2,5	1.5	2,0-2,2	4,19	5,5	2,8	16G
P0829.025-14G-A4	M2,5	2.0	2,5-2,7	4,19	5,5	2,8	14G
P0829.025-12G-A4	M2,5	2.5	3,0-3,2	4,19	5,5	2,8	12G
P0829.025-10G-A4	M2,5	3.0	3,5-3,7	4,19	5,5	2,8	10G
P0829.025-08G-A4	M2,5	4.0	4,5-4,7	4,19	5,5	2,8	8G
P0829.030-22G-A4	M3	0.8	1,3-1,5	4,19	5,5	2,8	22G
P0829.030-20G-A4	M3	1.0	1,5-1,7	4,19	5,5	2,8	20G
P0829.030-18G-A4	M3	1.2	1,7-1,9	4,19	5,5	2,8	18G
P0829.030-16G-A4	M3	1.5	2,0-2,2	4,19	5,5	2,8	16G
P0829.030-14G-A4	M3	2.0	2,5-2,7	4,19	5,5	2,8	14G
P0829.030-12G-A4	M3	2.5	3,0-3,2	4,19	5,5	2,8	12G
P0829.030-10G-A4	M3	3.0	3,5-3,7	4,19	5,5	2,8	10G
P0829.030-08G-A4	M3	4.0	4,5-4,7	4,19	5,5	2,8	8G
P0829.040-22G-A4	M4	0.8	1,3-1,5	5,41	7,0	3,2	22G
P0829.040-20G-A4	M4	1.0	1,5-1,7	5,41	7,0	3,2	20G
P0829.040-18G-A4	M4	1.2	1,7-1,9	5,41	7,0	3,2	18G
P0829.040-16G-A4	M4	1.5	2,0-2,2	5,41	7,0	3,2	16G
P0829.040-14G-A4	M4	2.0	2,5-2,7	5,41	7,0	3,2	14G
P0829.040-12G-A4	M4	2.5	3,0-3,2	5,41	7,0	3,2	12G
P0829.040-10G-A4	M4	3.0	3,5-3,7	5,41	7,0	3,2	10G
P0829.040-08G-A4	M4	4.0	4,5-4,7	5,41	7,0	3,2	8G
P0829.050-22G-A4	M5	0.8	1,3-1,5	6,4	8,5	3,8	22G
P0829.050-20G-A4	M5	1.0	1,5-1,7	6,4	8,5	3,8	20G



Mini Rivet Bushes

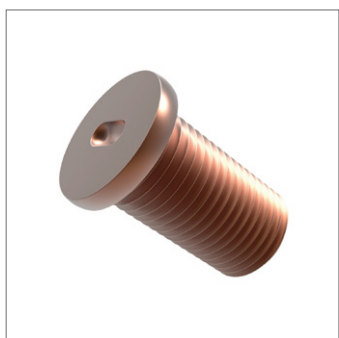
A4 stainless

Rivet Bushes

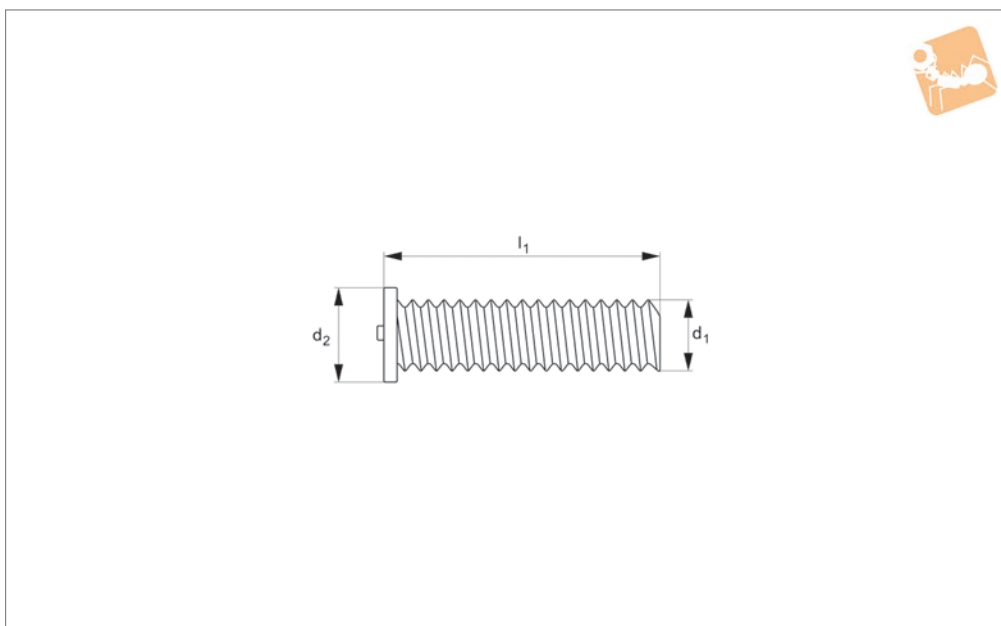


Order No.	d ₁	Panel thickness	w ₁	d ₂	d ₃	h ₁	For gauge
P0829.050-18G-A4	M5	1.2	1,7-1,9	6.4	8.5	3.8	18G
P0829.050-16G-A4	M5	1.5	2,0-2,2	6.4	8.5	3.8	16G
P0829.050-14G-A4	M5	2.0	2,5-2,7	6.4	8.5	3.8	14G
P0829.050-12G-A4	M5	2.5	3,0-3,2	6.4	8.5	3.8	12G
P0829.050-10G-A4	M5	3.0	3,5-3,7	6.4	8.5	3.8	10G
P0829.050-08G-A4	M5	4.0	4,5-4,7	6.4	8.5	3.8	8G
P0829.060-22G-A4	M6	0.8	1,3-1,5	7.7	10	5.1	22G
P0829.060-20G-A4	M6	1.0	1,5-1,7	7.7	10	5.1	20G
P0829.060-18G-A4	M6	1.2	1,7-1,9	7.7	10	5.1	18G
P0829.060-16G-A4	M6	1.5	2,0-2,2	7.7	10	5.1	16G
P0829.060-14G-A4	M6	2.0	2,5-2,7	7.7	10	5.1	14G
P0829.060-12G-A4	M6	2.5	3,0-3,2	7.7	10	5.1	12G
P0829.060-10G-A4	M6	3.0	3,5-3,7	7.7	10	5.1	10G
P0829.060-08G-A4	M6	4.0	4,5-4,7	7.7	10	5.1	8G

RIVET BUSHES



P0830.CU



Material
Steel, copper coated.

Technical Notes
CD weld studs have a small nub under their

end which melts to form the weld. When the nub disintegrates it melts and helps solidify the weld to the base material. CD stud welding is often used for smaller

diameter studs and pins, as well as on non-standard materials and for accuracy.

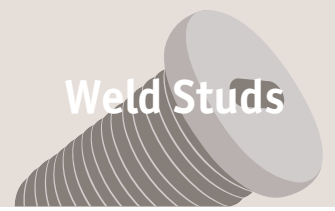
Order No.	d ₁	d ₂	l ₁
P0830.030-006-CU	M3	4.5	6
P0830.030-008-CU	M3	4.5	8
P0830.030-010-CU	M3	4.5	10
P0830.030-012-CU	M3	4.5	12
P0830.030-015-CU	M3	4.5	15
P0830.030-016-CU	M3	4.5	16
P0830.030-020-CU	M3	4.5	20
P0830.030-025-CU	M3	4.5	25
P0830.030-030-CU	M3	4.5	30
P0830.030-035-CU	M3	4.5	35
P0830.030-040-CU	M3	4.5	40
P0830.030-050-CU	M3	4.5	50
P0830.040-006-CU	M4	5.5	6
P0830.040-008-CU	M4	5.5	8
P0830.040-010-CU	M4	5.5	10
P0830.040-012-CU	M4	5.5	12
P0830.040-015-CU	M4	5.5	15
P0830.040-016-CU	M4	5.5	16
P0830.040-020-CU	M4	5.5	20
P0830.040-025-CU	M4	5.5	25
P0830.040-030-CU	M4	5.5	30
P0830.040-035-CU	M4	5.5	35
P0830.040-040-CU	M4	5.5	40
P0830.040-045-CU	M4	5.5	45
P0830.040-050-CU	M4	5.5	50
P0830.050-006-CU	M5	6.5	6
P0830.050-008-CU	M5	6.5	8
P0830.050-010-CU	M5	6.5	10
P0830.050-012-CU	M5	6.5	12
P0830.050-015-CU	M5	6.5	15
P0830.050-016-CU	M5	6.5	16
P0830.050-020-CU	M5	6.5	20
P0830.050-025-CU	M5	6.5	25
P0830.050-030-CU	M5	6.5	30



CD Weldstud

Copper coated

Weld Studs

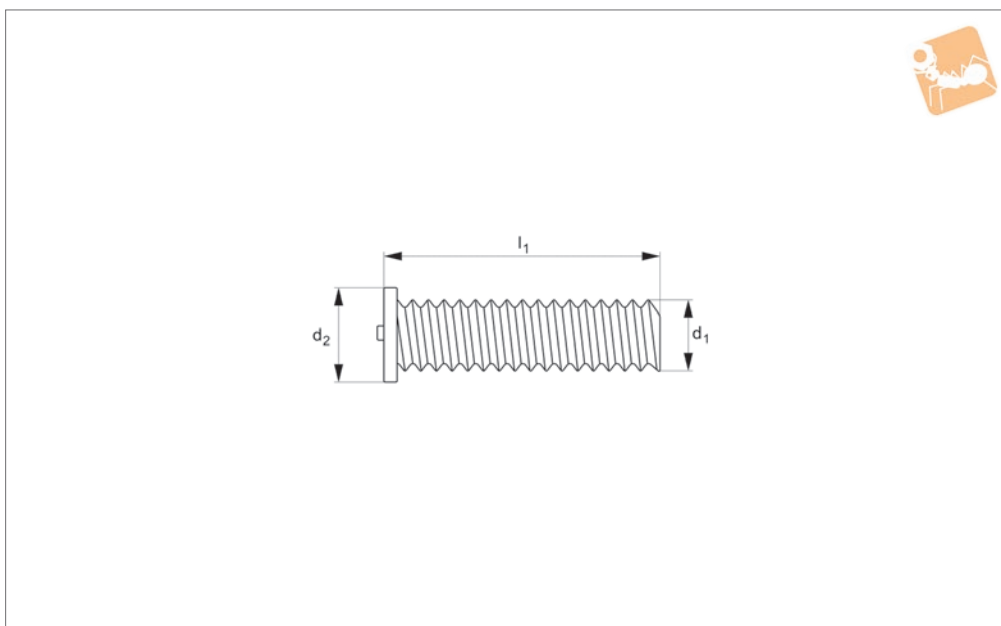


Order No.	d ₁	d ₂	l ₁
P0830.050-035-CU	M5	6.5	35
P0830.050-040-CU	M5	6.5	40
P0830.050-045-CU	M5	6.5	45
P0830.050-050-CU	M5	6.5	50
P0830.050-060-CU	M5	6.5	60
P0830.060-008-CU	M6	7.5	8
P0830.060-010-CU	M6	7.5	10
P0830.060-012-CU	M6	7.5	12
P0830.060-014-CU	M6	7.5	14
P0830.060-015-CU	M6	7.5	15
P0830.060-016-CU	M6	7.5	16
P0830.060-020-CU	M6	7.5	20
P0830.060-025-CU	M6	7.5	25
P0830.060-030-CU	M6	7.5	30
P0830.060-035-CU	M6	7.5	35
P0830.060-040-CU	M6	7.5	40
P0830.060-045-CU	M6	7.5	45
P0830.060-050-CU	M6	7.5	50
P0830.060-055-CU	M6	7.5	55
P0830.060-060-CU	M6	7.5	60
P0830.080-010-CU	M8	9.0	10
P0830.080-012-CU	M8	9.0	12
P0830.080-014-CU	M8	9.0	14
P0830.080-015-CU	M8	9.0	15
P0830.080-016-CU	M8	9.0	16
P0830.080-020-CU	M8	9.0	20
P0830.080-025-CU	M8	9.0	25
P0830.080-030-CU	M8	9.0	30
P0830.080-035-CU	M8	9.0	35
P0830.080-040-CU	M8	9.0	40
P0830.080-045-CU	M8	9.0	45
P0830.080-050-CU	M8	9.0	50
P0830.080-055-CU	M8	9.0	55
P0830.080-060-CU	M8	9.0	60

WELD STUDS



P0830.A2



Material

Stainless steel (A2, AISI 303).

Technical Notes

CD weld studs have a small nub under their

end which melts to form the weld. When the nub disintegrates it melts and helps solidify the weld to the base material.

CD stud welding is often used for smaller

diameter studs and pins, as well as on non-standard materials and for accuracy.

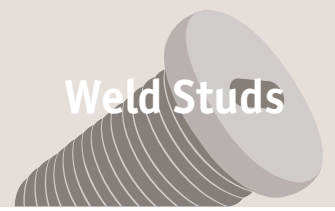
Order No.	d ₁	d ₂	l ₁
P0830.030-006-A2	M3	4.5	6
P0830.030-008-A2	M3	4.5	8
P0830.030-010-A2	M3	4.5	10
P0830.030-012-A2	M3	4.5	12
P0830.030-015-A2	M3	4.5	15
P0830.030-016-A2	M3	4.5	16
P0830.030-020-A2	M3	4.5	20
P0830.030-025-A2	M3	4.5	25
P0830.030-030-A2	M3	4.5	30
P0830.030-035-A2	M3	4.5	35
P0830.030-040-A2	M3	4.5	40
P0830.030-050-A2	M3	4.5	50
P0830.040-006-A2	M4	5.5	6
P0830.040-008-A2	M4	5.5	8
P0830.040-010-A2	M4	5.5	10
P0830.040-012-A2	M4	5.5	12
P0830.040-015-A2	M4	5.5	15
P0830.040-016-A2	M4	5.5	16
P0830.040-020-A2	M4	5.5	20
P0830.040-025-A2	M4	5.5	25
P0830.040-030-A2	M4	5.5	30
P0830.040-035-A2	M4	5.5	35
P0830.040-040-A2	M4	5.5	40
P0830.040-045-A2	M4	5.5	45
P0830.040-050-A2	M4	5.5	50
P0830.050-006-A2	M5	6.5	6
P0830.050-008-A2	M5	6.5	8
P0830.050-010-A2	M5	6.5	10
P0830.050-012-A2	M5	6.5	12
P0830.050-015-A2	M5	6.5	15
P0830.050-016-A2	M5	6.5	16
P0830.050-020-A2	M5	6.5	20
P0830.050-025-A2	M5	6.5	25
P0830.050-030-A2	M5	6.5	30



CD Weldstud

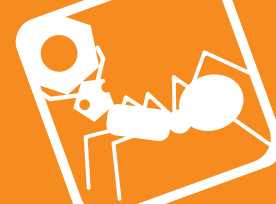
A2 stainless

Weld Studs

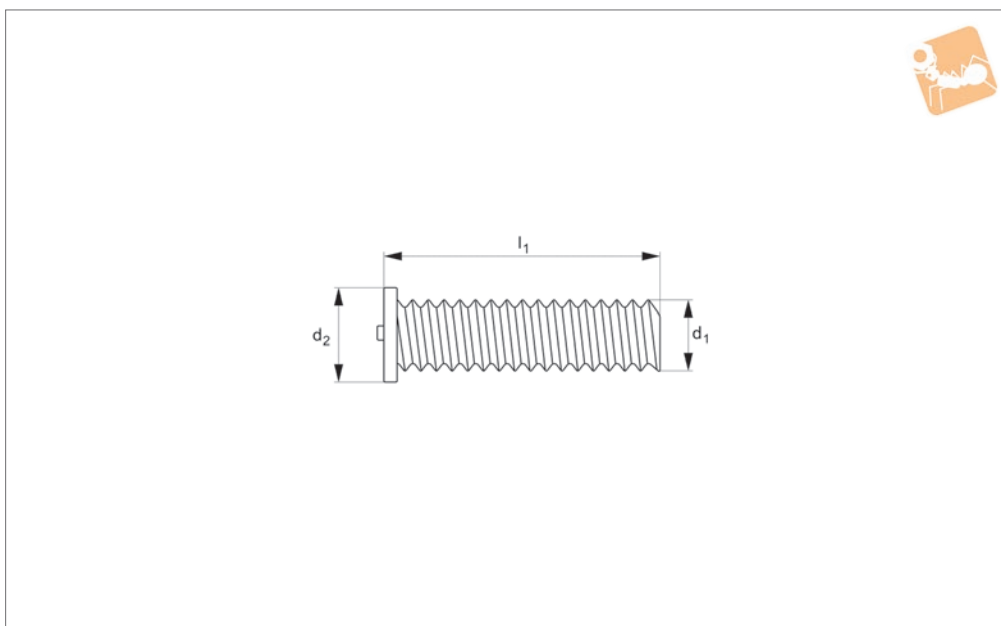


Order No.	d ₁	d ₂	l ₁
P0830.050-035-A2	M5	6.5	35
P0830.050-040-A2	M5	6.5	40
P0830.050-045-A2	M5	6.5	45
P0830.050-050-A2	M5	6.5	50
P0830.060-008-A2	M6	7.5	8
P0830.060-010-A2	M6	7.5	10
P0830.060-012-A2	M6	7.5	12
P0830.060-015-A2	M6	7.5	15
P0830.060-016-A2	M6	7.5	16
P0830.060-020-A2	M6	7.5	20
P0830.060-025-A2	M6	7.5	25
P0830.060-030-A2	M6	7.5	30
P0830.060-035-A2	M6	7.5	35
P0830.060-040-A2	M6	7.5	40
P0830.060-045-A2	M6	7.5	45
P0830.060-050-A2	M6	7.5	50
P0830.060-055-A2	M6	7.5	55
P0830.060-060-A2	M6	7.5	60
P0830.080-010-A2	M8	9.0	10
P0830.080-012-A2	M8	9.0	12
P0830.080-015-A2	M8	9.0	15
P0830.080-016-A2	M8	9.0	16
P0830.080-020-A2	M8	9.0	20
P0830.080-025-A2	M8	9.0	25
P0830.080-030-A2	M8	9.0	30
P0830.080-035-A2	M8	9.0	35
P0830.080-040-A2	M8	9.0	40
P0830.080-045-A2	M8	9.0	45
P0830.080-050-A2	M8	9.0	50
P0830.080-055-A2	M8	9.0	55
P0830.080-060-A2	M8	9.0	60

WELD STUDS



P0830.AL



Material
Aluminium.

Technical Notes

CD weld studs have a small nub under their

end which melts to form the weld. When the nub disintegrates it melts and helps solidify the weld to the base material. CD stud welding is often used for smaller

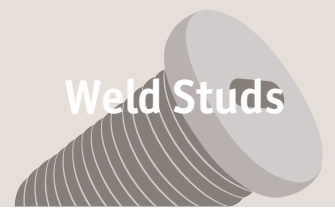
diameter studs and pins, as well as on non-standard materials and for accuracy.

Order No.	d ₁	d ₂	l ₁
P0830.030-006-AL	M3	4.5	6
P0830.030-008-AL	M3	4.5	8
P0830.030-010-AL	M3	4.5	10
P0830.030-012-AL	M3	4.5	12
P0830.030-015-AL	M3	4.5	15
P0830.030-016-AL	M3	4.5	16
P0830.030-020-AL	M3	4.5	20
P0830.030-025-AL	M3	4.5	25
P0830.030-030-AL	M3	4.5	30
P0830.030-035-AL	M3	4.5	35
P0830.030-040-AL	M3	4.5	40
P0830.030-050-AL	M3	4.5	50
P0830.030-060-AL	M3	4.5	60
P0830.040-006-AL	M4	5.5	6
P0830.040-008-AL	M4	5.5	8
P0830.040-010-AL	M4	5.5	10
P0830.040-012-AL	M4	5.5	12
P0830.040-015-AL	M4	5.5	15
P0830.040-016-AL	M4	5.5	16
P0830.040-020-AL	M4	5.5	20
P0830.040-025-AL	M4	5.5	25
P0830.040-030-AL	M4	5.5	30
P0830.040-035-AL	M4	5.5	35
P0830.040-040-AL	M4	5.5	40
P0830.040-050-AL	M4	5.5	50
P0830.040-060-AL	M4	5.5	60
P0830.050-006-AL	M5	6.5	6
P0830.050-008-AL	M5	6.5	8
P0830.050-010-AL	M5	6.5	10
P0830.050-012-AL	M5	6.5	12
P0830.050-015-AL	M5	6.5	15
P0830.050-016-AL	M5	6.5	16
P0830.050-020-AL	M5	6.5	20
P0830.050-025-AL	M5	6.5	25



CD Weldstud Aluminium

Weld Studs

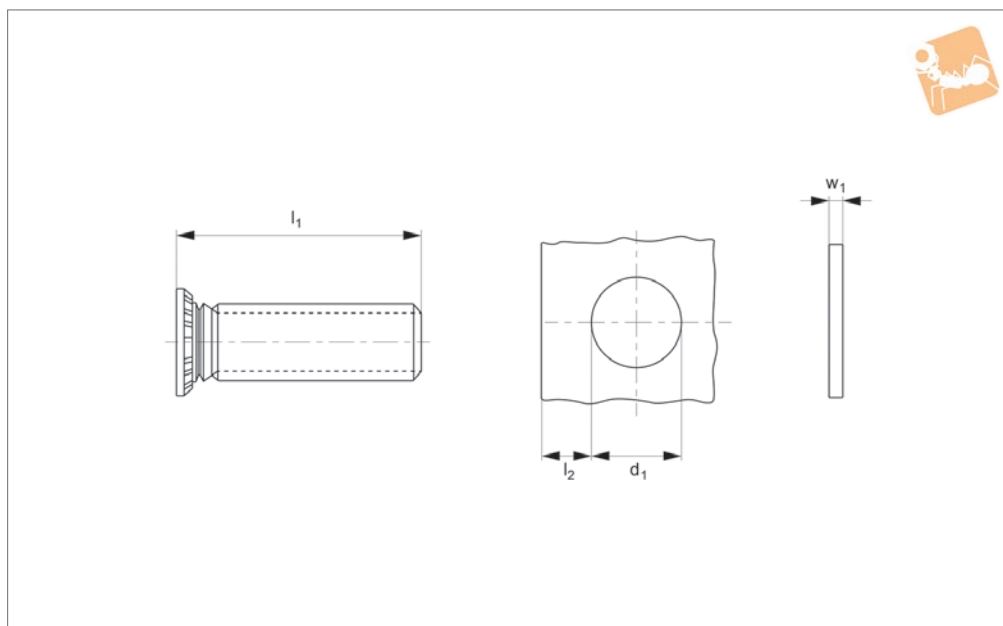


Order No.	d ₁	d ₂	l ₁
P0830.050-030-AL	M5	6.5	30
P0830.050-035-AL	M5	6.5	35
P0830.050-040-AL	M5	6.5	40
P0830.050-045-AL	M5	6.5	45
P0830.050-050-AL	M5	6.5	50
P0830.050-060-AL	M5	6.5	60
P0830.060-008-AL	M6	7.5	8
P0830.060-010-AL	M6	7.5	10
P0830.060-012-AL	M6	7.5	12
P0830.060-015-AL	M6	7.5	15
P0830.060-016-AL	M6	7.5	16
P0830.060-020-AL	M6	7.5	20
P0830.060-025-AL	M6	7.5	25
P0830.060-030-AL	M6	7.5	30
P0830.060-035-AL	M6	7.5	35
P0830.060-040-AL	M6	7.5	40
P0830.060-045-AL	M6	7.5	45
P0830.060-050-AL	M6	7.5	50
P0830.060-055-AL	M6	7.5	55
P0830.060-060-AL	M6	7.5	60
P0830.080-015-AL	M8	9.0	15
P0830.080-016-AL	M8	9.0	16
P0830.080-020-AL	M8	9.0	20
P0830.080-025-AL	M8	9.0	25
P0830.080-030-AL	M8	9.0	30

WELD STUDS



P0835.ZP



CLINCH STUDS

Material

Steel, zinc-plated.

Technical Notes

Clinch studs provide a strong male thread

in sheet metal materials. They are squeezed into place using a press whilst supporting the reverse side. They provide a flush finish on the reverse side.

l_2 - minimum distance from edge of metal.

Order No.	For thread	d_1	l_1	l_2	w_1 min.	Material
P0835.020-006-ZP	M2	2.0	6	5.0	1.0	Steel ZP
P0835.020-008-ZP	M2	2.0	8	5.0	1.0	Steel ZP
P0835.020-010-ZP	M2	2.0	10	5.0	1.0	Steel ZP
P0835.020-012-ZP	M2	2.0	12	5.0	1.0	Steel ZP
P0835.020-014-ZP	M2	2.0	14	5.0	1.0	Steel ZP
P0835.020-015-ZP	M2	2.0	15	5.0	1.0	Steel ZP
P0835.020-016-ZP	M2	2.0	16	5.0	1.0	Steel ZP
P0835.025-006-ZP	M2,5	2.5	6	5.4	1.0	Steel ZP
P0835.025-008-ZP	M2,5	2.5	8	5.4	1.0	Steel ZP
P0835.025-010-ZP	M2,5	2.5	10	5.4	1.0	Steel ZP
P0835.025-012-ZP	M2,5	2.5	12	5.4	1.0	Steel ZP
P0835.025-014-ZP	M2,5	2.5	14	5.4	1.0	Steel ZP
P0835.025-015-ZP	M2,5	2.5	15	5.4	1.0	Steel ZP
P0835.025-016-ZP	M2,5	2.5	16	5.4	1.0	Steel ZP
P0835.025-018-ZP	M2,5	2.5	18	5.4	1.0	Steel ZP
P0835.030-006-ZP	M3	3.0	6	5.6	1.0	Steel ZP
P0835.030-008-ZP	M3	3.0	8	5.6	1.0	Steel ZP
P0835.030-010-ZP	M3	3.0	10	5.6	1.0	Steel ZP
P0835.030-012-ZP	M3	3.0	12	5.6	1.0	Steel ZP
P0835.030-014-ZP	M3	3.0	14	5.6	1.0	Steel ZP
P0835.030-015-ZP	M3	3.0	15	5.6	1.0	Steel ZP
P0835.030-016-ZP	M3	3.0	16	5.6	1.0	Steel ZP
P0835.030-018-ZP	M3	3.0	18	5.6	1.0	Steel ZP
P0835.030-020-ZP	M3	3.0	20	5.6	1.0	Steel ZP
P0835.030-022-ZP	M3	3.0	22	5.6	1.0	Steel ZP
P0835.030-025-ZP	M3	3.0	25	5.6	1.0	Steel ZP
P0835.030-030-ZP	M3	3.0	30	5.6	1.0	Steel ZP
P0835.030-035-ZP	M3	3.0	35	5.6	1.0	Steel ZP
P0835.035-008-ZP	M3,5	3.5	8	6.4	1.0	Steel ZP
P0835.035-010-ZP	M3,5	3.5	10	6.4	1.0	Steel ZP
P0835.035-012-ZP	M3,5	3.5	12	6.4	1.0	Steel ZP
P0835.035-014-ZP	M3,5	3.5	14	6.4	1.0	Steel ZP
P0835.035-015-ZP	M3,5	3.5	15	6.4	1.0	Steel ZP
P0835.035-016-ZP	M3,5	3.5	16	6.4	1.0	Steel ZP



Clinch Studs

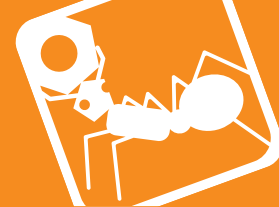
Steel, zinc-plated

Clinch Studs

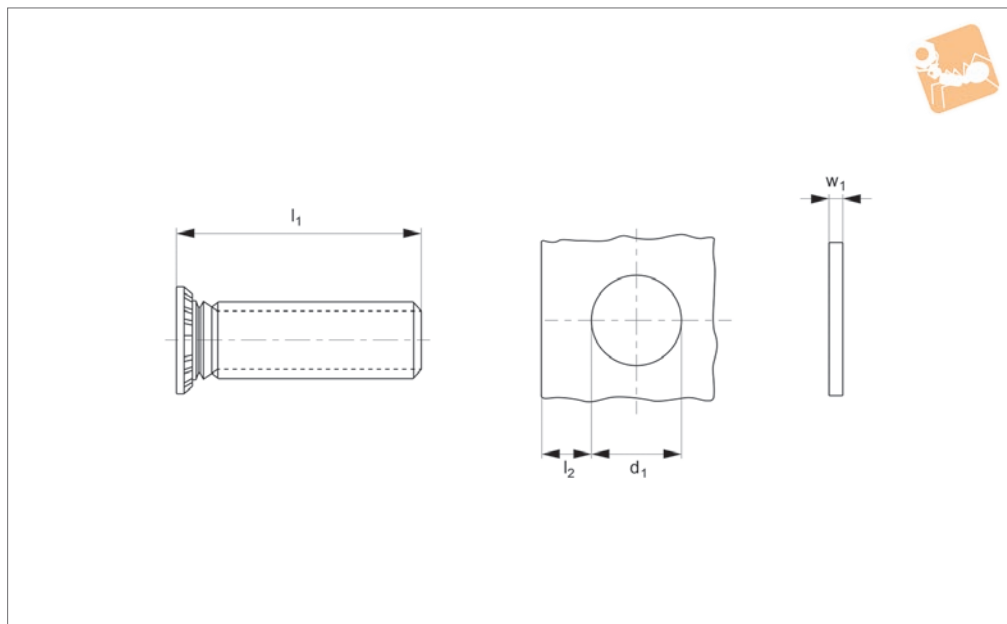


Order No.	For thread	d ₁	l ₁	l ₂	w ₁ min.	Material
P0835.035-018-ZP	M3,5	3.5	18	6.4	1.0	Steel ZP
P0835.040-006-ZP	M4	4.0	6	7.2	1.0	Steel ZP
P0835.040-008-ZP	M4	4.0	8	7.2	1.0	Steel ZP
P0835.040-010-ZP	M4	4.0	10	7.2	1.0	Steel ZP
P0835.040-012-ZP	M4	4.0	12	7.2	1.0	Steel ZP
P0835.040-014-ZP	M4	4.0	14	7.2	1.0	Steel ZP
P0835.040-015-ZP	M4	4.0	15	7.2	1.0	Steel ZP
P0835.040-016-ZP	M4	4.0	16	7.2	1.0	Steel ZP
P0835.040-018-ZP	M4	4.0	18	7.2	1.0	Steel ZP
P0835.040-020-ZP	M4	4.0	20	7.2	1.0	Steel ZP
P0835.040-022-ZP	M4	4.0	22	7.2	1.0	Steel ZP
P0835.040-025-ZP	M4	4.0	25	7.2	1.0	Steel ZP
P0835.040-030-ZP	M4	4.0	30	7.2	1.0	Steel ZP
P0835.040-035-ZP	M4	4.0	35	7.2	1.0	Steel ZP
P0835.040-038-ZP	M4	4.0	38	7.2	1.0	Steel ZP
P0835.040-040-ZP	M4	4.0	40	7.2	1.0	Steel ZP
P0835.040-045-ZP	M4	4.0	45	7.2	1.0	Steel ZP
P0835.040-050-ZP	M4	4.0	50	7.2	1.0	Steel ZP
P0835.050-008-ZP	M5	5.0	8	7.2	1.0	Steel ZP
P0835.050-010-ZP	M5	5.0	10	7.2	1.0	Steel ZP
P0835.050-012-ZP	M5	5.0	12	7.2	1.0	Steel ZP
P0835.050-014-ZP	M5	5.0	14	7.2	1.0	Steel ZP
P0835.050-015-ZP	M5	5.0	15	7.2	1.0	Steel ZP
P0835.050-016-ZP	M5	5.0	16	7.2	1.0	Steel ZP
P0835.050-018-ZP	M5	5.0	18	7.2	1.0	Steel ZP
P0835.050-020-ZP	M5	5.0	20	7.2	1.0	Steel ZP
P0835.050-022-ZP	M5	5.0	22	7.2	1.0	Steel ZP
P0835.050-025-ZP	M5	5.0	25	7.2	1.0	Steel ZP
P0835.050-030-ZP	M5	5.0	30	7.2	1.0	Steel ZP
P0835.050-035-ZP	M5	5.0	35	7.2	1.0	Steel ZP
P0835.050-038-ZP	M5	5.0	38	7.2	1.0	Steel ZP
P0835.050-040-ZP	M5	5.0	40	7.2	1.0	Steel ZP
P0835.050-045-ZP	M5	5.0	45	7.2	1.0	Steel ZP
P0835.050-050-ZP	M5	5.0	50	7.2	1.0	Steel ZP
P0835.060-008-ZP	M6	6.0	8	7.9	1.6	Steel ZP
P0835.060-010-ZP	M6	6.0	10	7.9	1.6	Steel ZP
P0835.060-012-ZP	M6	6.0	12	7.9	1.6	Steel ZP
P0835.060-014-ZP	M6	6.0	14	7.9	1.6	Steel ZP
P0835.060-015-ZP	M6	6.0	15	7.9	1.6	Steel ZP
P0835.060-016-ZP	M6	6.0	16	7.9	1.6	Steel ZP
P0835.060-018-ZP	M6	6.0	18	7.9	1.6	Steel ZP
P0835.060-020-ZP	M6	6.0	20	7.9	1.6	Steel ZP
P0835.060-022-ZP	M6	6.0	22	7.9	1.6	Steel ZP
P0835.060-025-ZP	M6	6.0	25	7.9	1.6	Steel ZP
P0835.060-030-ZP	M6	6.0	30	7.9	1.6	Steel ZP
P0835.060-035-ZP	M6	6.0	35	7.9	1.6	Steel ZP
P0835.060-038-ZP	M6	6.0	38	7.9	1.6	Steel ZP
P0835.060-040-ZP	M6	6.0	40	7.9	1.6	Steel ZP
P0835.060-045-ZP	M6	6.0	45	7.9	1.6	Steel ZP
P0835.060-050-ZP	M6	6.0	50	7.9	1.6	Steel ZP
P0835.080-012-ZP	M8	8.0	12	9.6	2.4	Steel ZP
P0835.080-014-ZP	M8	8.0	14	9.6	2.4	Steel ZP
P0835.080-015-ZP	M8	8.0	15	9.6	2.4	Steel ZP
P0835.080-016-ZP	M8	8.0	16	9.6	2.4	Steel ZP
P0835.080-018-ZP	M8	8.0	18	9.6	2.4	Steel ZP
P0835.080-020-ZP	M8	8.0	20	9.6	2.4	Steel ZP
P0835.080-022-ZP	M8	8.0	22	9.6	2.4	Steel ZP
P0835.080-025-ZP	M8	8.0	25	9.6	2.4	Steel ZP
P0835.080-030-ZP	M8	8.0	30	9.6	2.4	Steel ZP
P0835.080-035-ZP	M8	8.0	35	9.6	2.4	Steel ZP
P0835.080-038-ZP	M8	8.0	38	9.6	2.4	Steel ZP
P0835.080-040-ZP	M8	8.0	40	9.6	2.4	Steel ZP
P0835.080-045-ZP	M8	8.0	45	9.6	2.4	Steel ZP
P0835.080-050-ZP	M8	8.0	50	9.6	2.4	Steel ZP
P0835.080-060-ZP	M8	8.0	60	9.6	2.4	Steel ZP

CLINCH STUDS



P0835.A2



Material

Stainless steel (A2, AISI 303).

Technical Notes

Clinch studs provide a strong male thread

in sheet metal materials. They are squeezed into place using a press whilst supporting the reverse side. They provide a flush finish on the reverse side.

Stainless clinch studs are suitable for use with material up to HRB 70 hardness. l_2 - minimum distance from edge of metal.

Order No.	For thread	d_1	l_1	l_2	w_1 min.	Material
P0835.025-006-A2	M2,5	2.5	6	5.4	1.0	A2 s/s
P0835.025-008-A2	M2,5	2.5	8	5.4	1.0	A2 s/s
P0835.025-010-A2	M2,5	2.5	10	5.4	1.0	A2 s/s
P0835.025-012-A2	M2,5	2.5	12	5.4	1.0	A2 s/s
P0835.025-014-A2	M2,5	2.5	14	5.4	1.0	A2 s/s
P0835.025-015-A2	M2,5	2.5	15	5.4	1.0	A2 s/s
P0835.025-016-A2	M2,5	2.5	16	5.4	1.0	A2 s/s
P0835.025-018-A2	M2,5	2.5	18	5.4	1.0	A2 s/s
P0835.030-006-A2	M3	3.0	6	5.6	1.0	A2 s/s
P0835.030-008-A2	M3	3.0	8	5.6	1.0	A2 s/s
P0835.030-010-A2	M3	3.0	10	5.6	1.0	A2 s/s
P0835.030-012-A2	M3	3.0	12	5.6	1.0	A2 s/s
P0835.030-014-A2	M3	3.0	14	5.6	1.0	A2 s/s
P0835.030-015-A2	M3	3.0	15	5.6	1.0	A2 s/s
P0835.030-016-A2	M3	3.0	16	5.6	1.0	A2 s/s
P0835.030-018-A2	M3	3.0	18	5.6	1.0	A2 s/s
P0835.030-020-A2	M3	3.0	20	5.6	1.0	A2 s/s
P0835.030-022-A2	M3	3.0	22	5.6	1.0	A2 s/s
P0835.030-025-A2	M3	3.0	25	5.6	1.0	A2 s/s
P0835.030-030-A2	M3	3.0	30	5.6	1.0	A2 s/s
P0835.030-035-A2	M3	3.0	35	5.6	1.0	A2 s/s
P0835.035-008-A2	M3,5	3.5	8	6.4	1.0	A2 s/s
P0835.035-010-A2	M3,5	3.5	10	6.4	1.0	A2 s/s
P0835.035-012-A2	M3,5	3.5	12	6.4	1.0	A2 s/s
P0835.035-014-A2	M3,5	3.5	14	6.4	1.0	A2 s/s
P0835.035-015-A2	M3,5	3.5	15	6.4	1.0	A2 s/s
P0835.035-016-A2	M3,5	3.5	16	6.4	1.0	A2 s/s
P0835.035-018-A2	M3,5	3.5	18	6.4	1.0	A2 s/s
P0835.040-006-A2	M4	4.0	6	7.2	1.0	A2 s/s
P0835.040-008-A2	M4	4.0	8	7.2	1.0	A2 s/s
P0835.040-010-A2	M4	4.0	10	7.2	1.0	A2 s/s
P0835.040-012-A2	M4	4.0	12	7.2	1.0	A2 s/s
P0835.040-014-A2	M4	4.0	14	7.2	1.0	A2 s/s
P0835.040-015-A2	M4	4.0	15	7.2	1.0	A2 s/s



Clinch Studs

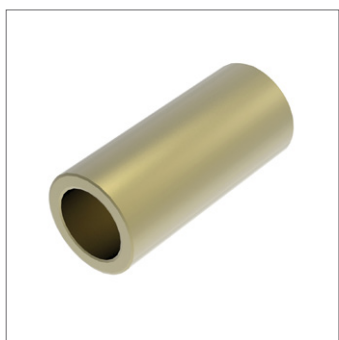
A2 Stainless

Clinch Studs

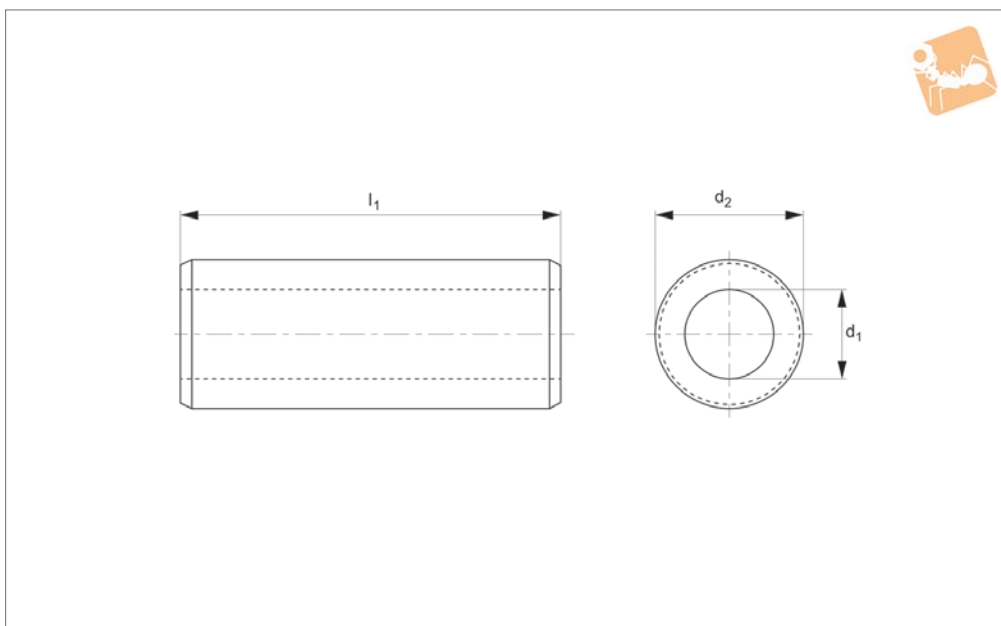


Order No.	For thread	d ₁	l ₁	l ₂	w ₁ min.	Material
P0835.040-016-A2	M4	4.0	16	7.2	1.0	A2 s/s
P0835.040-018-A2	M4	4.0	18	7.2	1.0	A2 s/s
P0835.040-020-A2	M4	4.0	20	7.2	1.0	A2 s/s
P0835.040-022-A2	M4	4.0	22	7.2	1.0	A2 s/s
P0835.040-025-A2	M4	4.0	25	7.2	1.0	A2 s/s
P0835.040-030-A2	M4	4.0	30	7.2	1.0	A2 s/s
P0835.040-035-A2	M4	4.0	35	7.2	1.0	A2 s/s
P0835.040-038-A2	M4	4.0	38	7.2	1.0	A2 s/s
P0835.040-040-A2	M4	4.0	40	7.2	1.0	A2 s/s
P0835.040-045-A2	M4	4.0	45	7.2	1.0	A2 s/s
P0835.040-050-A2	M4	4.0	50	7.2	1.0	A2 s/s
P0835.050-008-A2	M5	5.0	8	7.2	1.0	A2 s/s
P0835.050-010-A2	M5	5.0	10	7.2	1.0	A2 s/s
P0835.050-012-A2	M5	5.0	12	7.2	1.0	A2 s/s
P0835.050-014-A2	M5	5.0	14	7.2	1.0	A2 s/s
P0835.050-015-A2	M5	5.0	15	7.2	1.0	A2 s/s
P0835.050-016-A2	M5	5.0	16	7.2	1.0	A2 s/s
P0835.050-018-A2	M5	5.0	18	7.2	1.0	A2 s/s
P0835.050-020-A2	M5	5.0	20	7.2	1.0	A2 s/s
P0835.050-022-A2	M5	5.0	22	7.2	1.0	A2 s/s
P0835.050-025-A2	M5	5.0	25	7.2	1.0	A2 s/s
P0835.050-030-A2	M5	5.0	30	7.2	1.0	A2 s/s
P0835.050-035-A2	M5	5.0	35	7.2	1.0	A2 s/s
P0835.050-038-A2	M5	5.0	38	7.2	1.0	A2 s/s
P0835.060-010-A2	M6	6.0	10	7.9	1.6	A2 s/s
P0835.060-012-A2	M6	6.0	12	7.9	1.6	A2 s/s
P0835.060-014-A2	M6	6.0	14	7.9	1.6	A2 s/s
P0835.060-015-A2	M6	6.0	15	7.9	1.6	A2 s/s
P0835.060-016-A2	M6	6.0	16	7.9	1.6	A2 s/s
P0835.060-018-A2	M6	6.0	18	7.9	1.6	A2 s/s
P0835.060-020-A2	M6	6.0	20	7.9	1.6	A2 s/s
P0835.060-022-A2	M6	6.0	22	7.9	1.6	A2 s/s
P0835.060-025-A2	M6	6.0	25	7.9	1.6	A2 s/s
P0835.060-030-A2	M6	6.0	30	7.9	1.6	A2 s/s
P0835.060-035-A2	M6	6.0	35	7.9	1.6	A2 s/s
P0835.060-038-A2	M6	6.0	38	7.9	1.6	A2 s/s
P0835.060-040-A2	M6	6.0	40	7.9	1.6	A2 s/s
P0835.060-045-A2	M6	6.0	45	7.9	1.6	A2 s/s
P0835.060-050-A2	M6	6.0	50	7.9	1.6	A2 s/s
P0835.080-012-A2	M8	8.0	12	9.6	2.4	A2 s/s
P0835.080-014-A2	M8	8.0	14	9.6	2.4	A2 s/s
P0835.080-015-A2	M8	8.0	15	9.6	2.4	A2 s/s
P0835.080-016-A2	M8	8.0	16	9.6	2.4	A2 s/s
P0835.080-018-A2	M8	8.0	18	9.6	2.4	A2 s/s
P0835.080-020-A2	M8	8.0	20	9.6	2.4	A2 s/s
P0835.080-022-A2	M8	8.0	22	9.6	2.4	A2 s/s
P0835.080-025-A2	M8	8.0	25	9.6	2.4	A2 s/s
P0835.080-030-A2	M8	8.0	30	9.6	2.4	A2 s/s
P0835.080-035-A2	M8	8.0	35	9.6	2.4	A2 s/s
P0835.080-038-A2	M8	8.0	38	9.6	2.4	A2 s/s
P0835.080-040-A2	M8	8.0	40	9.6	2.4	A2 s/s
P0835.080-045-A2	M8	8.0	45	9.6	2.4	A2 s/s
P0835.080-050-A2	M8	8.0	50	9.6	2.4	A2 s/s

CLINCH STUDS



P1330



Material

Brass, nickel plated.

Relatively large wall thicknesses result in high compression strengths.

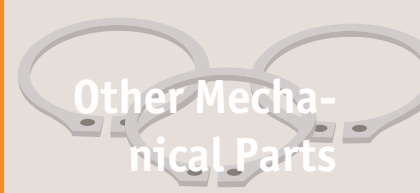
Technical Notes

Precision turned on outside diameter.

Order No.	d ₁ nom.	d ₁ max.	l ₁ tol. js13	d ₂ tol. h9
P1330.020-001	2	2.2	1	4
P1330.020-002	2	2.2	2	4
P1330.020-003	2	2.2	3	4
P1330.020-004	2	2.2	4	4
P1330.020-005	2	2.2	5	4
P1330.020-006	2	2.2	6	4
P1330.020-008	2	2.2	8	4
P1330.020-010	2	2.2	10	4
P1330.020-012	2	2.2	12	4
P1330.020-015	2	2.2	15	4
P1330.020-018	2	2.2	18	4
P1330.020-020	2	2.2	20	4
P1330.020-025	2	2.2	25	4
P1330.020-030	2	2.2	30	4
P1330.025-001	2.5	2.5	1	5
P1330.025-002	2.5	2.5	2	5
P1330.025-003	2.5	2.5	3	5
P1330.025-004	2.5	2.5	4	5
P1330.025-005	2.5	2.5	5	5
P1330.025-006	2.5	2.5	6	5
P1330.025-008	2.5	2.5	8	5
P1330.025-010	2.5	2.5	10	5
P1330.025-012	2.5	2.5	12	5
P1330.025-015	2.5	2.5	15	5
P1330.025-018	2.5	2.5	18	5
P1330.025-020	2.5	2.5	20	5
P1330.025-025	2.5	2.5	25	5
P1330.025-030	2.5	2.5	30	5
P1330.030-001	3	3.2	1	6
P1330.030-002	3	3.2	2	6
P1330.030-003	3	3.2	3	6
P1330.030-004	3	3.2	4	6
P1330.030-005	3	3.2	5	6
P1330.030-006	3	3.2	6	6



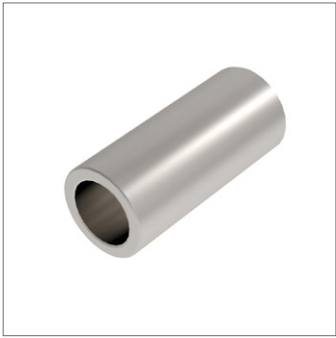
Cylindrical Spacers - Brass



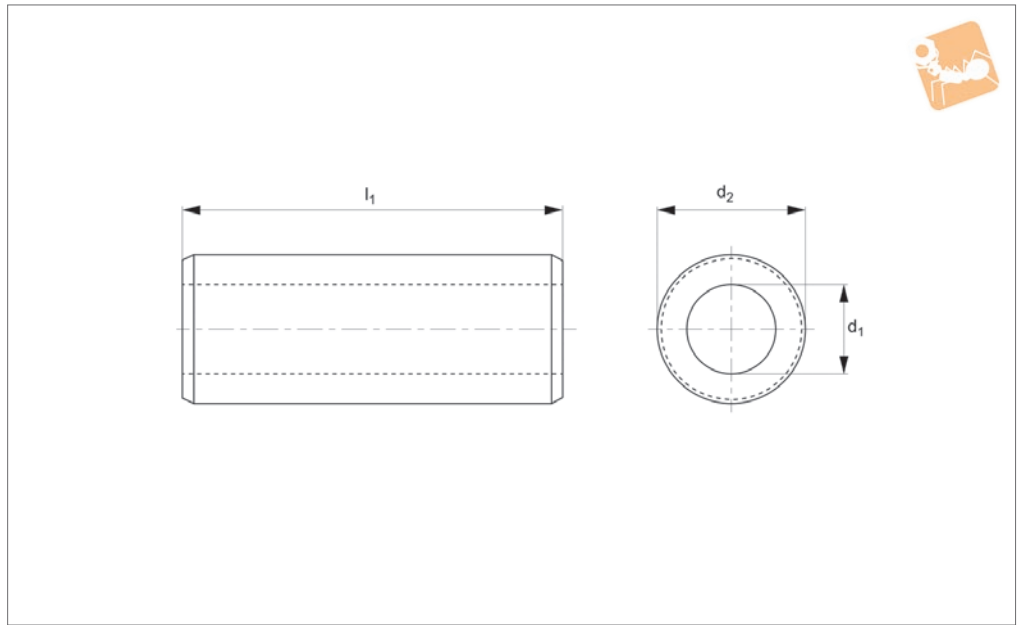
Other Mechanical Parts

Order No.	d ₁ nom.	d ₁ max.	l ₁ tol. js13	d ₂ tol. h9
P1330.030-008	3	3.2	8	6
P1330.030-010	3	3.2	10	6
P1330.030-012	3	3.2	12	6
P1330.030-015	3	3.2	15	6
P1330.030-018	3	3.2	18	6
P1330.030-020	3	3.2	20	6
P1330.030-025	3	3.2	25	6
P1330.030-030	3	3.2	30	6
P1330.040-001	4	4.3	1	8
P1330.040-002	4	4.3	2	8
P1330.040-003	4	4.3	3	8
P1330.040-004	4	4.3	4	8
P1330.040-005	4	4.3	5	8
P1330.040-006	4	4.3	6	8
P1330.040-008	4	4.3	8	8
P1330.040-010	4	4.3	10	8
P1330.040-012	4	4.3	12	8
P1330.040-015	4	4.3	15	8
P1330.040-018	4	4.3	18	8
P1330.040-020	4	4.3	20	8
P1330.040-025	4	4.3	25	8
P1330.040-030	4	4.3	30	8
P1330.050-001	5	5.3	1	10
P1330.050-002	5	5.3	2	10
P1330.050-003	5	5.3	3	10
P1330.050-004	5	5.3	4	10
P1330.050-005	5	5.3	5	10
P1330.050-006	5	5.3	6	10
P1330.050-008	5	5.3	8	10
P1330.050-010	5	5.3	10	10
P1330.050-012	5	5.3	12	10
P1330.050-015	5	5.3	15	10
P1330.050-018	5	5.3	18	10
P1330.050-020	5	5.3	20	10
P1330.050-025	5	5.3	25	10
P1330.050-030	5	5.3	30	10

OTHER MECHANICAL PARTS



P1331



Material

Stainless steel (AISI 303).

Relatively large wall thicknesses result in high compression strengths.

Technical Notes

Precision turned on outside diameter.

Order No.	d ₁ nom.	d ₁ max.	l ₁ tol. js13	d ₂ tol. h9
P1331.020-001	2	2.2	1	4
P1331.020-002	2	2.2	2	4
P1331.020-003	2	2.2	3	4
P1331.020-004	2	2.2	4	4
P1331.020-005	2	2.2	5	4
P1331.020-006	2	2.2	6	4
P1331.020-008	2	2.2	8	4
P1331.020-010	2	2.2	10	4
P1331.020-012	2	2.2	12	4
P1331.020-015	2	2.2	15	4
P1331.020-018	2	2.2	18	4
P1331.020-020	2	2.2	20	4
P1331.020-025	2	2.2	25	4
P1331.020-030	2	2.2	30	4
P1331.025-001	2.5	2.5	1	5
P1331.025-002	2.5	2.5	2	5
P1331.025-003	2.5	2.5	3	5
P1331.025-004	2.5	2.5	4	5
P1331.025-005	2.5	2.5	5	5
P1331.025-006	2.5	2.5	6	5
P1331.025-008	2.5	2.5	8	5
P1331.025-010	2.5	2.5	10	5
P1331.025-012	2.5	2.5	12	5
P1331.025-015	2.5	2.5	15	5
P1331.025-018	2.5	2.5	18	5
P1331.025-020	2.5	2.5	20	5
P1331.025-025	2.5	2.5	25	5
P1331.025-030	2.5	2.5	30	5
P1331.030-001	3	3.2	1	6
P1331.030-002	3	3.2	2	6
P1331.030-003	3	3.2	3	6
P1331.030-004	3	3.2	4	6
P1331.030-005	3	3.2	5	6
P1331.030-006	3	3.2	6	6



Cylindrical Spacers - Stainless



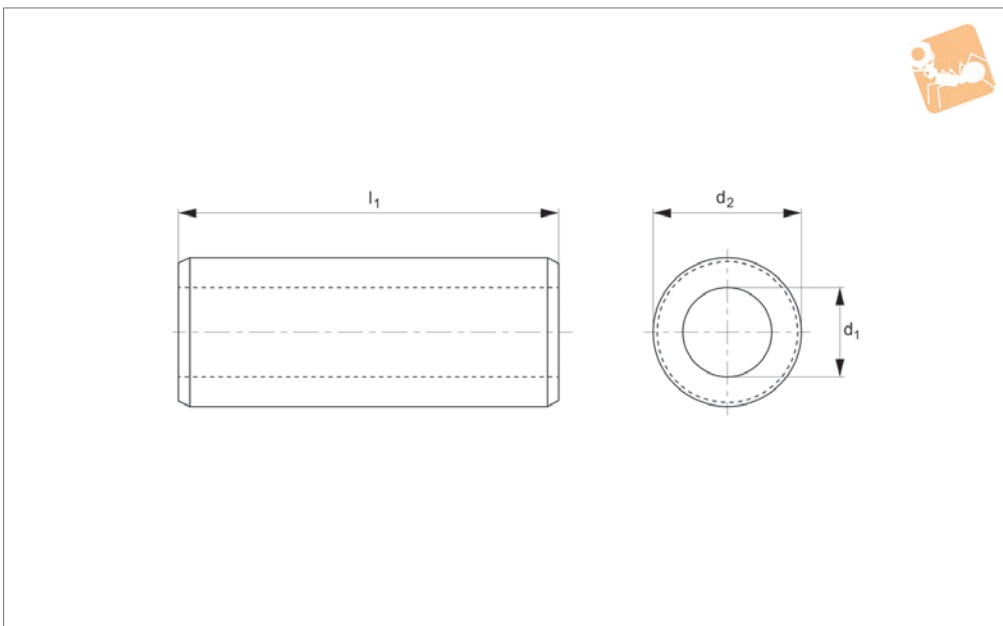
Other Mechanical Parts

Order No.	d ₁ nom.	d ₁ max.	l ₁ tol. js13	d ₂ tol. h9
P1331.030-008	3	3.2	8	6
P1331.030-010	3	3.2	10	6
P1331.030-012	3	3.2	12	6
P1331.030-015	3	3.2	15	6
P1331.030-018	3	3.2	18	6
P1331.030-020	3	3.2	20	6
P1331.030-025	3	3.2	25	6
P1331.030-030	3	3.2	30	6
P1331.040-001	4	4.3	1	8
P1331.040-002	4	4.3	2	8
P1331.040-003	4	4.3	3	8
P1331.040-004	4	4.3	4	8
P1331.040-005	4	4.3	5	8
P1331.040-006	4	4.3	6	8
P1331.040-008	4	4.3	8	8
P1331.040-010	4	4.3	10	8
P1331.040-012	4	4.3	12	8
P1331.040-015	4	4.3	15	8
P1331.040-018	4	4.3	18	8
P1331.040-020	4	4.3	20	8
P1331.040-025	4	4.3	25	8
P1331.040-030	4	4.3	30	8
P1331.050-001	5	5.3	1	10
P1331.050-002	5	5.3	2	10
P1331.050-003	5	5.3	3	10
P1331.050-004	5	5.3	4	10
P1331.050-005	5	5.3	5	10
P1331.050-006	5	5.3	6	10
P1331.050-008	5	5.3	8	10
P1331.050-010	5	5.3	10	10
P1331.050-012	5	5.3	12	10
P1331.050-015	5	5.3	15	10
P1331.050-018	5	5.3	18	10
P1331.050-020	5	5.3	20	10
P1331.050-025	5	5.3	25	10
P1331.050-030	5	5.3	30	10

OTHER MECHANICAL PARTS



P1332



Material
Nylon, PA66

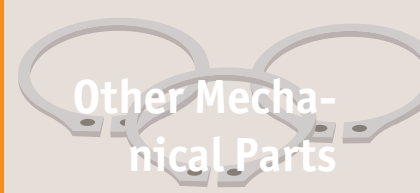
Technical Notes
Precision turned on outside diameter.

Economical means of spacing components where high compression strength is not required. Provides corrosion resistance and electrical insulation.

Order No.	d ₁ nom.	d ₁ max.	l ₁ tol. js13	d ₂ tol. h9
P1332.030-001	3	3.2	1	6
P1332.030-002	3	3.2	2	6
P1332.030-003	3	3.2	3	6
P1332.030-004	3	3.2	4	6
P1332.030-005	3	3.2	5	6
P1332.030-006	3	3.2	6	6
P1332.030-008	3	3.2	8	6
P1332.030-010	3	3.2	10	6
P1332.030-012	3	3.2	12	6
P1332.030-015	3	3.2	15	6
P1332.030-018	3	3.2	18	6
P1332.030-020	3	3.2	20	6
P1332.030-025	3	3.2	25	6
P1332.030-030	3	3.2	30	6
P1332.040-001	4	4.3	1	8
P1332.040-002	4	4.3	2	8
P1332.040-003	4	4.3	3	8
P1332.040-004	4	4.3	4	8
P1332.040-005	4	4.3	5	8
P1332.040-006	4	4.3	6	8
P1332.040-008	4	4.3	8	8
P1332.040-010	4	4.3	10	8
P1332.040-012	4	4.3	12	8
P1332.040-016	4	4.3	16	8
P1332.040-018	4	4.3	18	8
P1332.040-020	4	4.3	20	8
P1332.040-025	4	4.3	25	8
P1332.040-030	4	4.3	30	8
P1332.050-001	5	5.3	1	10
P1332.050-002	5	5.3	2	10
P1332.050-003	5	5.3	3	10
P1332.050-004	5	5.3	4	10
P1332.050-005	5	5.3	5	10
P1332.050-006	5	5.3	6	10



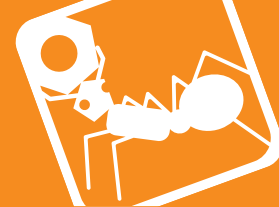
Cylindrical Spacers - Nylon



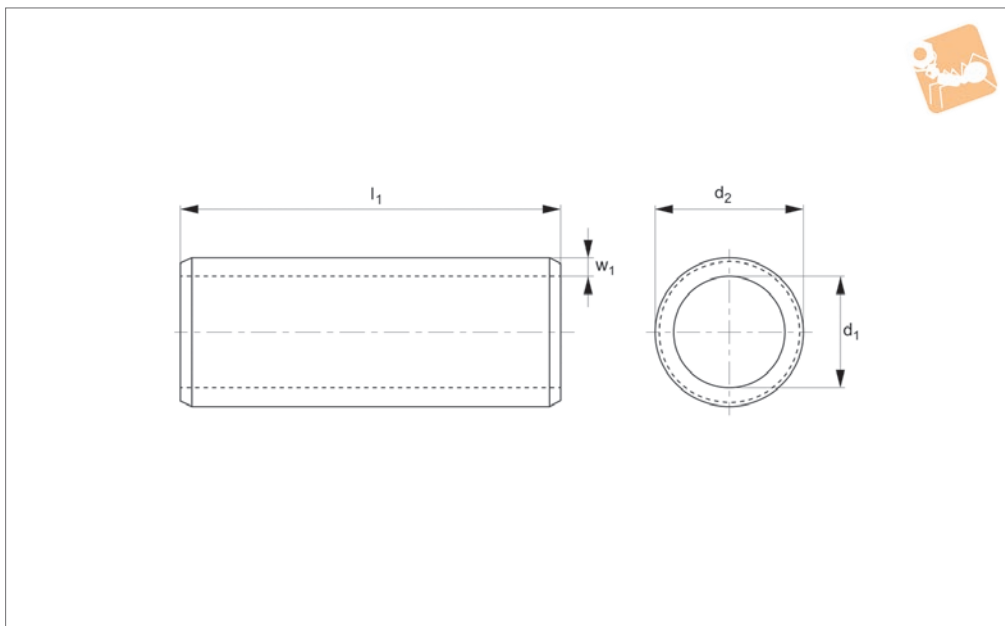
Other Mechanical Parts

Order No.	d ₁ nom.	d ₁ max.	l ₁ tol. js13	d ₂ tol. h9
P1332.050-008	5	5.3	8	10
P1332.050-010	5	5.3	10	10
P1332.050-012	5	5.3	12	10
P1332.050-015	5	5.3	15	10
P1332.050-018	5	5.3	18	10
P1332.050-020	5	5.3	20	10
P1332.050-025	5	5.3	25	10
P1332.050-030	5	5.3	30	10
P1332.060-001	6	6.4	1	10
P1332.060-002	6	6.4	2	10
P1332.060-003	6	6.4	3	10
P1332.060-004	6	6.4	4	10
P1332.060-005	6	6.4	5	10
P1332.060-006	6	6.4	6	10
P1332.060-008	6	6.4	8	10
P1332.060-010	6	6.4	10	10
P1332.060-012	6	6.4	12	10
P1332.060-015	6	6.4	15	10
P1332.060-018	6	6.4	18	10
P1332.060-020	6	6.4	20	10
P1332.060-025	6	6.4	25	10
P1332.060-030	6	6.4	30	10
P1332.080-001	8	8.2	1	12
P1332.080-002	8	8.2	2	12
P1332.080-003	8	8.2	3	12
P1332.080-004	8	8.2	4	12
P1332.080-005	8	8.2	5	12
P1332.080-006	8	8.2	6	12
P1332.080-008	8	8.2	8	12
P1332.080-010	8	8.2	10	12
P1332.080-012	8	8.2	12	12
P1332.080-015	8	8.2	15	12
P1332.080-018	8	8.2	18	12
P1332.080-020	8	8.2	20	12
P1332.080-025	8	8.2	25	12
P1332.080-030	8	8.2	30	12

OTHER MECHANICAL PARTS



P1335



Material

Mild steel (AISI 1010, CS4), zinc plated.

ring process makes them very cost-effective.

Technical Notes

These are rolled spacers - the manufactu-

Order No.	d ₁ nom.	d ₁ min.	d ₁ max.	l ₁ ±0.15	d ₂	w ₁
P1335.030-004	3	3.15	3.3	4	4.4	0.5
P1335.030-006	3	3.15	3.3	6	4.4	0.5
P1335.030-008	3	3.15	3.3	8	4.4	0.5
P1335.030-010	3	3.15	3.3	10	4.4	0.5
P1335.030-012	3	3.15	3.3	12	4.4	0.5
P1335.030-014	3	3.15	3.3	14	4.4	0.5
P1335.030-016	3	3.15	3.3	16	4.4	0.5
P1335.030-018	3	3.15	3.3	18	4.4	0.5
P1335.030-020	3	3.15	3.3	20	4.4	0.5
P1335.040-004	4	4.15	4.3	4	5.8	0.7
P1335.040-006	4	4.15	4.3	6	5.8	0.7
P1335.040-008	4	4.15	4.3	8	5.8	0.7
P1335.040-010	4	4.15	4.3	10	5.8	0.7
P1335.040-012	4	4.15	4.3	12	5.8	0.7
P1335.040-014	4	4.15	4.3	14	5.8	0.7
P1335.040-016	4	4.15	4.3	16	5.8	0.7
P1335.040-018	4	4.15	4.3	18	5.8	0.7
P1335.040-020	4	4.15	4.3	20	5.8	0.7
P1335.040-022	4	4.15	4.3	22	5.8	0.7
P1335.040-024	4	4.15	4.3	24	5.8	0.7
P1335.040-026	4	4.15	4.3	26	5.8	0.7
P1335.040-028	4	4.15	4.3	28	5.8	0.7
P1335.040-030	4	4.15	4.3	30	5.8	0.7
P1335.050-006	5	5.2	5.4	6	6.9	0.7
P1335.050-008	5	5.2	5.4	8	6.9	0.7
P1335.050-010	5	5.2	5.4	10	6.9	0.7
P1335.050-012	5	5.2	5.4	12	6.9	0.7
P1335.050-014	5	5.2	5.4	14	6.9	0.7
P1335.050-016	5	5.2	5.4	16	6.9	0.7
P1335.050-018	5	5.2	5.4	18	6.9	0.7
P1335.050-020	5	5.2	5.4	20	6.9	0.7
P1335.050-022	5	5.2	5.4	22	6.9	0.7
P1335.050-024	5	5.2	5.4	24	6.9	0.7
P1335.050-026	5	5.2	5.4	26	6.9	0.7



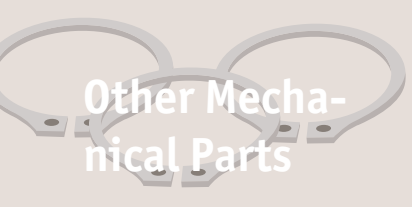
Clearance Spacers - Steel



Other Mechanical Parts

Order No.	d ₁ nom.	d ₁ min.	d ₁ max.	l ₁ ±0.15	d ₂	w ₁
P1335.050-028	5	5.2	5.4	28	6.9	0.7
P1335.050-030	5	5.2	5.4	30	6.9	0.7
P1335.050-035	5	5.2	5.4	35	6.9	0.7
P1335.060-006	6	6.2	6.4	6	8.2	0.9
P1335.060-008	6	6.2	6.4	8	8.2	0.9
P1335.060-010	6	6.2	6.4	10	8.2	0.9
P1335.060-012	6	6.2	6.4	12	8.2	0.9
P1335.060-014	6	6.2	6.4	14	8.2	0.9
P1335.060-016	6	6.2	6.4	16	8.2	0.9
P1335.060-018	6	6.2	6.4	18	8.2	0.9
P1335.060-020	6	6.2	6.4	20	8.2	0.9
P1335.060-022	6	6.2	6.4	22	8.2	0.9
P1335.060-024	6	6.2	6.4	24	8.2	0.9
P1335.060-026	6	6.2	6.4	26	8.2	0.9
P1335.060-028	6	6.2	6.4	28	8.2	0.9
P1335.060-030	6	6.2	6.4	30	8.2	0.9
P1335.060-035	6	6.2	6.4	35	8.2	0.9
P1335.060-040	6	6.2	6.4	40	8.2	0.9
P1335.080-006	8	8.2	8.5	6	10.7	1.1
P1335.080-008	8	8.2	8.5	8	10.7	1.1
P1335.080-010	8	8.2	8.5	10	10.7	1.1
P1335.080-012	8	8.2	8.5	12	10.7	1.1
P1335.080-014	8	8.2	8.5	14	10.7	1.1
P1335.080-016	8	8.2	8.5	16	10.7	1.1
P1335.080-018	8	8.2	8.5	18	10.7	1.1
P1335.080-020	8	8.2	8.5	20	10.7	1.1
P1335.080-022	8	8.2	8.5	22	10.7	1.1
P1335.080-024	8	8.2	8.5	24	10.7	1.1
P1335.080-026	8	8.2	8.5	26	10.7	1.1
P1335.080-028	8	8.2	8.5	28	10.7	1.1
P1335.080-030	8	8.2	8.5	30	10.7	1.1
P1335.080-035	8	8.2	8.5	35	10.7	1.1
P1335.080-040	8	8.2	8.5	40	10.7	1.1
P1335.080-045	8	8.2	8.5	45	10.7	1.1
P1335.080-050	8	8.2	8.5	50	10.7	1.1
P1335.100-006	10	10.2	10.5	6	13.0	1.2
P1335.100-008	10	10.2	10.5	8	13.0	1.2
P1335.100-010	10	10.2	10.5	10	13.0	1.2
P1335.100-012	10	10.2	10.5	12	13.0	1.2
P1335.100-014	10	10.2	10.5	14	13.0	1.2
P1335.100-016	10	10.2	10.5	16	13.0	1.2
P1335.100-018	10	10.2	10.5	18	13.0	1.2
P1335.100-020	10	10.2	10.5	20	13.0	1.2
P1335.100-022	10	10.2	10.5	22	13.0	1.2
P1335.100-024	10	10.2	10.5	24	13.0	1.2
P1335.100-026	10	10.2	10.5	26	13.0	1.2
P1335.100-028	10	10.2	10.5	28	13.0	1.2
P1335.100-030	10	10.2	10.5	30	13.0	1.2
P1335.100-035	10	10.2	10.5	35	13.0	1.2
P1335.100-040	10	10.2	10.5	40	13.0	1.2
P1335.100-045	10	10.2	10.5	45	13.0	1.2
P1335.100-050	10	10.2	10.5	50	13.0	1.2
P1335.100-055	10	10.2	10.5	55	13.0	1.2
P1335.100-060	10	10.2	10.5	60	13.0	1.2
P1335.120-012	12	12.25	12.7	12	15.9	1.6
P1335.120-014	12	12.25	12.7	14	15.9	1.6
P1335.120-016	12	12.25	12.7	16	15.9	1.6
P1335.120-018	12	12.25	12.7	18	15.9	1.6
P1335.120-020	12	12.25	12.7	20	15.9	1.6
P1335.120-022	12	12.25	12.7	22	15.9	1.6
P1335.120-024	12	12.25	12.7	24	15.9	1.6
P1335.120-026	12	12.25	12.7	26	15.9	1.6
P1335.120-028	12	12.25	12.7	28	15.9	1.6
P1335.120-030	12	12.25	12.7	30	15.9	1.6
P1335.120-035	12	12.25	12.7	35	15.9	1.6
P1335.120-040	12	12.25	12.7	40	15.9	1.6
P1335.120-045	12	12.25	12.7	45	15.9	1.6
P1335.120-050	12	12.25	12.7	50	15.9	1.6

OTHER MECHANICAL PARTS



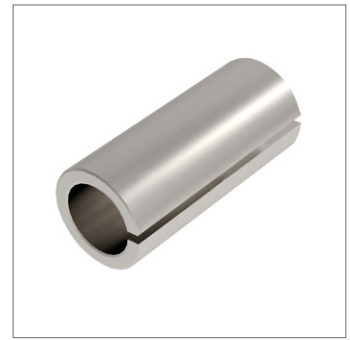
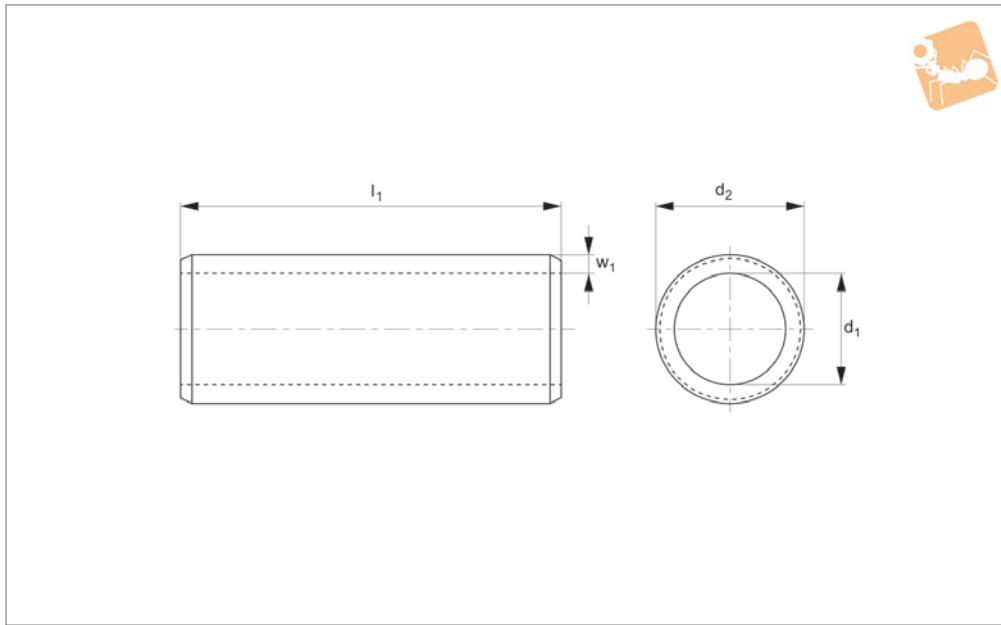
Other Mechanical Parts

Clearance Spacers - Steel



Order No.	d ₁ nom.	d ₁ min.	d ₁ max.	l ₁ ±0.15	d ₂	w ₁
P1335.120-055	12	12.25	12.7	55	15.9	1.6
P1335.120-060	12	12.25	12.7	60	15.9	1.6

OTHER MECHANICAL PARTS



P1336

OTHER MECHANICAL PARTS

Material

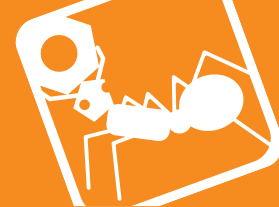
Mild steel (AISI 1010, CS4), zinc plated.

ring process makes them very cost effective.

Technical Notes

These are rolled spacers - the manufactu-

Order No.	d ₁ nom.	d ₁ min.	d ₁ max.	l ₁ ±0.15	d ₂	w ₁
P1336.030-004	3	3.1	3.3	4	4.8	0.7
P1336.030-006	3	3.1	3.3	6	4.8	0.7
P1336.030-008	3	3.1	3.3	8	4.8	0.7
P1336.030-010	3	3.1	3.3	10	4.8	0.7
P1336.030-012	3	3.1	3.3	12	4.8	0.7
P1336.030-014	3	3.1	3.3	14	4.8	0.7
P1336.030-016	3	3.1	3.3	16	4.8	0.7
P1336.030-018	3	3.1	3.3	18	4.8	0.7
P1336.030-020	3	3.1	3.3	20	4.8	0.7
P1336.040-004	4	4.1	4.35	4	6.4	1.0
P1336.040-006	4	4.1	4.35	6	6.4	1.0
P1336.040-008	4	4.1	4.35	8	6.4	1.0
P1336.040-010	4	4.1	4.35	10	6.4	1.0
P1336.040-012	4	4.1	4.35	12	6.4	1.0
P1336.040-014	4	4.1	4.35	14	6.4	1.0
P1336.040-016	4	4.1	4.35	16	6.4	1.0
P1336.040-018	4	4.1	4.35	18	6.4	1.0
P1336.040-020	4	4.1	4.35	20	6.4	1.0
P1336.040-022	4	4.1	4.35	22	6.4	1.0
P1336.040-024	4	4.1	4.35	24	6.4	1.0
P1336.040-026	4	4.1	4.35	26	6.4	1.0
P1336.040-028	4	4.1	4.35	28	6.4	1.0
P1336.040-030	4	4.1	4.35	30	6.4	1.0
P1336.050-006	5	5.1	5.4	6	7.8	1.2
P1336.050-008	5	5.1	5.4	8	7.8	1.2
P1336.050-010	5	5.1	5.4	10	7.8	1.2
P1336.050-012	5	5.1	5.4	12	7.8	1.2
P1336.050-014	5	5.1	5.4	14	7.8	1.2
P1336.050-016	5	5.1	5.4	16	7.8	1.2
P1336.050-018	5	5.1	5.4	18	7.8	1.2
P1336.050-020	5	5.1	5.4	20	7.8	1.2
P1336.050-022	5	5.1	5.4	22	7.8	1.2
P1336.050-024	5	5.1	5.4	24	7.8	1.2
P1336.050-026	5	5.1	5.4	26	7.8	1.2



Order No.	d ₁ nom.	d ₁ min.	d ₁ max.	l ₁ ±0.15	d ₂	w ₁
P1336.050-028	5	5.1	5.4	28	7.8	1.2
P1336.050-030	5	5.1	5.4	30	7.8	1.2
P1336.050-035	5	5.1	5.4	35	7.8	1.2
P1336.060-006	6	6.1	6.4	6	9.4	1.5
P1336.060-008	6	6.1	6.4	8	9.4	1.5
P1336.060-010	6	6.1	6.4	10	9.4	1.5
P1336.060-012	6	6.1	6.4	12	9.4	1.5
P1336.060-014	6	6.1	6.4	14	9.4	1.5
P1336.060-016	6	6.1	6.4	16	9.4	1.5
P1336.060-018	6	6.1	6.4	18	9.4	1.5
P1336.060-020	6	6.1	6.4	20	9.4	1.5
P1336.060-022	6	6.1	6.4	22	9.4	1.5
P1336.060-024	6	6.1	6.4	24	9.4	1.5
P1336.060-026	6	6.1	6.4	26	9.4	1.5
P1336.060-028	6	6.1	6.4	28	9.4	1.5
P1336.060-030	6	6.1	6.4	30	9.4	1.5
P1336.060-035	6	6.1	6.4	35	9.4	1.5
P1336.060-040	6	6.1	6.4	40	9.4	1.5
P1336.080-006	8	8.1	8.6	6	11.9	1.7
P1336.080-008	8	8.1	8.6	8	11.9	1.7
P1336.080-010	8	8.1	8.6	10	11.9	1.7
P1336.080-012	8	8.1	8.6	12	11.9	1.7
P1336.080-014	8	8.1	8.6	14	11.9	1.7
P1336.080-016	8	8.1	8.6	16	11.9	1.7
P1336.080-018	8	8.1	8.6	18	11.9	1.7
P1336.080-020	8	8.1	8.6	20	11.9	1.7
P1336.080-022	8	8.1	8.6	22	11.9	1.7
P1336.080-024	8	8.1	8.6	24	11.9	1.7
P1336.080-026	8	8.1	8.6	26	11.9	1.7
P1336.080-028	8	8.1	8.6	28	11.9	1.7
P1336.080-030	8	8.1	8.6	30	11.9	1.7
P1336.080-035	8	8.1	8.6	35	11.9	1.7
P1336.080-040	8	8.1	8.6	40	11.9	1.7
P1336.080-045	8	8.1	8.6	45	11.9	1.7
P1336.080-050	8	8.1	8.6	50	11.9	1.7
P1336.100-008	10	10.1	10.6	8	14.6	2.0
P1336.100-010	10	10.1	10.6	10	14.6	2.0
P1336.100-012	10	10.1	10.6	12	14.6	2.0
P1336.100-014	10	10.1	10.6	14	14.6	2.0
P1336.100-016	10	10.1	10.6	16	14.6	2.0
P1336.100-018	10	10.1	10.6	18	14.6	2.0
P1336.100-020	10	10.1	10.6	20	14.6	2.0
P1336.100-022	10	10.1	10.6	22	14.6	2.0
P1336.100-024	10	10.1	10.6	24	14.6	2.0
P1336.100-026	10	10.1	10.6	26	14.6	2.0
P1336.100-028	10	10.1	10.6	28	14.6	2.0
P1336.100-030	10	10.1	10.6	30	14.6	2.0
P1336.100-035	10	10.1	10.6	35	14.6	2.0
P1336.100-040	10	10.1	10.6	40	14.6	2.0
P1336.100-045	10	10.1	10.6	45	14.6	2.0
P1336.100-050	10	10.1	10.6	50	14.6	2.0
P1336.100-055	10	10.1	10.6	55	14.6	2.0
P1336.100-060	10	10.1	10.6	60	14.6	2.0
P1336.120-012	12	12.15	13.0	12	17.2	2.2
P1336.120-014	12	12.15	13.0	14	17.2	2.2
P1336.120-016	12	12.15	13.0	16	17.2	2.2
P1336.120-018	12	12.15	13.0	18	17.2	2.2
P1336.120-020	12	12.15	13.0	20	17.2	2.2
P1336.120-022	12	12.15	13.0	22	17.2	2.2
P1336.120-024	12	12.15	13.0	24	17.2	2.2
P1336.120-026	12	12.15	13.0	26	17.2	2.2
P1336.120-028	12	12.15	13.0	28	17.2	2.2
P1336.120-030	12	12.15	13.0	30	17.2	2.2
P1336.120-035	12	12.15	13.0	35	17.2	2.2
P1336.120-040	12	12.15	13.0	40	17.2	2.2
P1336.120-045	12	12.15	13.0	45	17.2	2.2
P1336.120-050	12	12.15	13.0	50	17.2	2.2
P1336.120-055	12	12.15	13.0	55	17.2	2.2



Steel Clearance Spacers

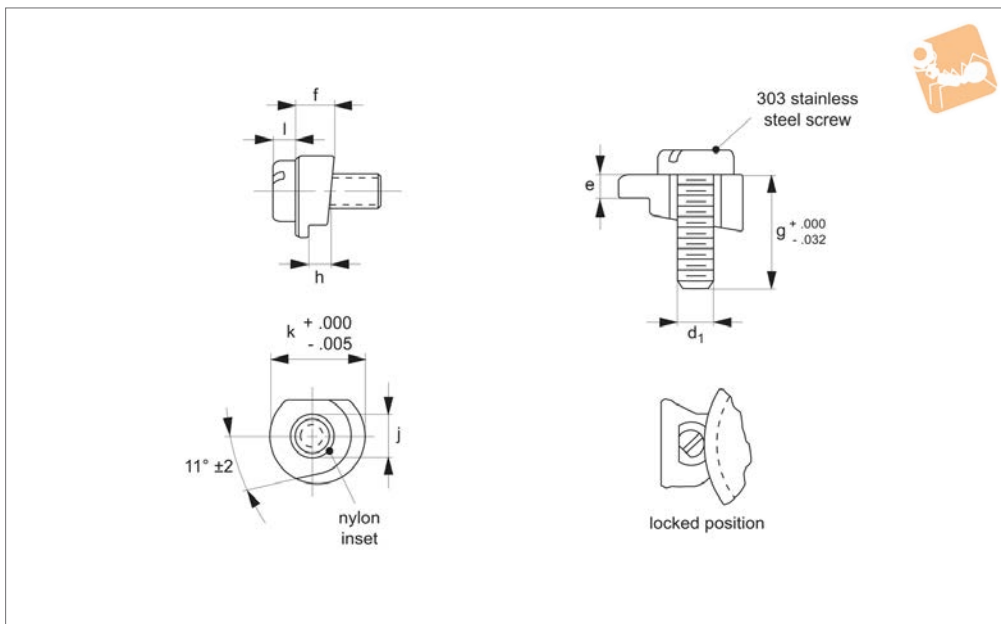


Order No.	d ₁ nom.	d ₁ min.	d ₁ max.	l ₁ ±0.15	d ₂	w ₁
P1336.120-060	12	12.15	13.0	60	17.2	2.2
P1336.120-065	12	12.15	13.0	65	17.2	2.2
P1336.120-070	12	12.15	13.0	70	17.2	2.2

OTHER MECHANICAL PARTS



P0292



Material

Stainless steel (A4, AISI316, DIN 1.4401), with nylon insert.

Supplied with A2 (AISI303) stainless steel screw (screws not supplied with P1092.019, .020, or .026).

Technical Notes

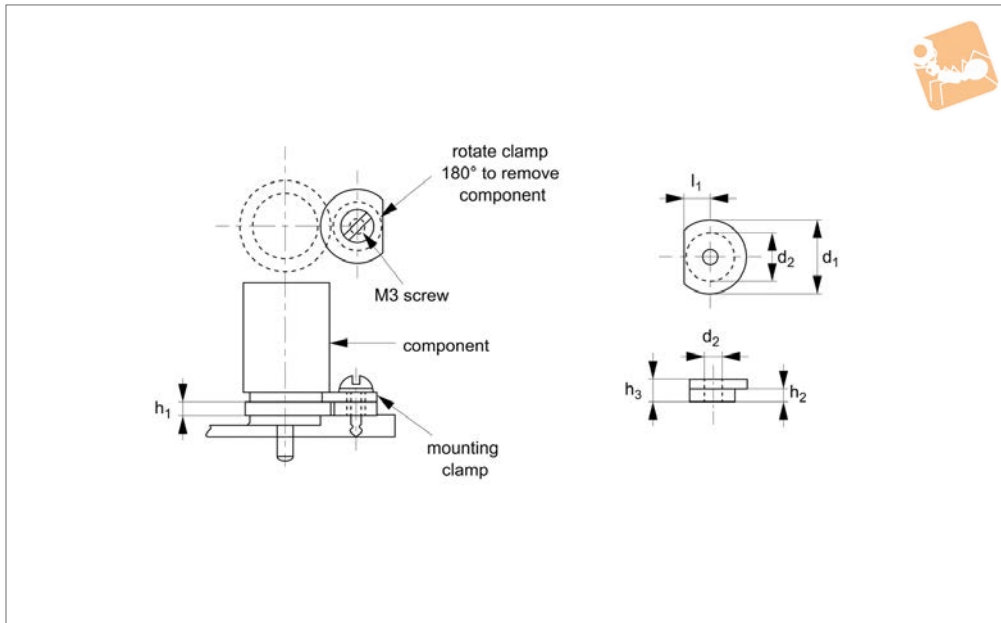
Quick release, faster clamping and self-locking.

Tips

Bolt circle: use the larger of the following two bolt circles:

add 6,86 to max. flange diameter or add 10,16 to max. groove base diameter.

Order No.	h_1 $\pm 6,08$	d_1	h_2 $\pm 0,08$	h_3	h_4	l_1 $+0 -0,8$	w_1	w_2 $+0 -0,15$
P0292.079	0.79	M3	1.02	1.80	1.73	8.0	9.90	3.18
P0292.157	1.57	M3	1.02	2.59	1.73	8.0	9.90	3.18
P0292.158	1.58	M3	1.27	2.84	1.73	10.0	9.90	3.18
P0292.159	1.57	M3	1.60	3.18	1.73	10.0	9.90	3.18
P0292.198	1.98	M3	1.60	3.58	1.73	10.0	9.90	3.18
P0292.236	2.36	M3	1.02	3.38	1.73	10.0	9.90	3.18
P0292.237	2.36	M3	1.27	3.63	1.73	10.0	9.90	3.18
P0292.238	2.36	M3	1.60	3.96	1.73	10.0	9.90	3.18
P0292.318	3.18	M3	1.27	4.45	1.73	10.0	9.90	3.18
P0292.396	3.96	M3	1.02	4.98	1.73	10.0	9.90	3.18
P0292.572	5.72	M3	1.60	7.32	1.73	12.0	9.90	3.18
P0292.635	6.35	M3	1.60	7.92	1.73	16.0	9.90	3.18



P0294

OTHER MECHANICAL PARTS

Material

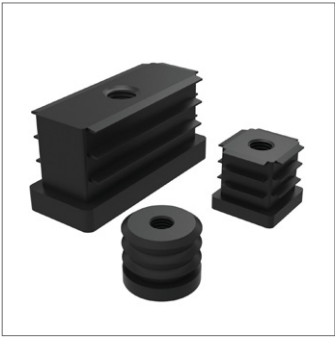
Stainless steel (A2, AISI 303 or 416) or aluminium.

Technical Notes

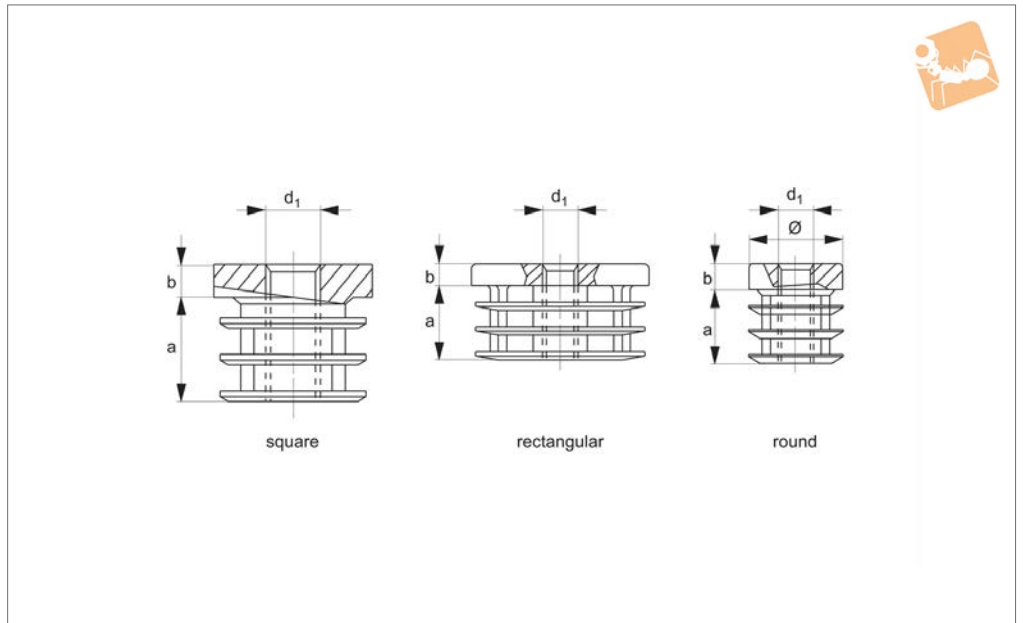
416 stainless steel is a less expensive stainless steel version as it is less corrosion

resistant than the A2 (AISI 303) grade.

Order No.	h_1	d_1	d_2	d_3	h_2	h_3	l_1	Material
P0294.015	1.57	9.5	6.3	3.2	1.32	2.54	3.2	Stainless 416
P0294.018	1.83	9.5	6.3	3.2	1.60	2.87	3.2	Stainless 416
P0294.023	2.36	9.5	6.3	3.2	2.08	3.33	3.2	Stainless 416
P0294.031	3.18	9.5	6.3	3.2	2.77	4.60	3.2	Stainless 416
P0294.032	3.18	9.5	6.3	3.2	2.84	4.11	3.2	Stainless 416
P0294.039	3.96	9.5	6.3	3.2	3.63	4.90	3.2	Stainless 416
P0294.057	5.72	9.5	6.3	3.2	5.41	6.68	3.2	Stainless 416
P0294.063	6.35	9.5	6.3	3.2	6.05	7.32	3.2	Stainless 416
P0294.015-A2	1.57	9.5	6.3	3.2	1.32	2.54	3.2	Stainless A2
P0294.018-A2	1.83	9.5	6.3	3.2	1.60	2.87	3.2	Stainless A2
P0294.023-A2	2.36	9.5	6.3	3.2	2.08	3.33	3.2	Stainless A2
P0294.031-A2	3.18	9.5	6.3	3.2	2.77	4.60	3.2	Stainless A2
P0294.032-A2	3.18	9.5	6.3	3.2	2.84	4.11	3.2	Stainless A2
P0294.1039-A2	3.96	9.5	6.3	3.2	3.63	4.90	3.2	Stainless A2
P0294.057-A2	5.72	9.5	6.3	3.2	5.41	6.68	3.2	Stainless A2
P0294.063-A2	6.35	9.5	6.3	3.2	6.05	7.32	3.2	Stainless A2
P0294.015-AL	1.57	9.5	6.3	3.2	1.32	2.54	3.2	Aluminium
P0294.023-AL	2.36	9.5	6.3	3.2	2.08	3.33	3.2	Aluminium
P0294.031-AL	3.18	9.5	6.3	3.2	2.77	4.60	3.2	Aluminium
P0294.063-AL	6.35	9.5	6.3	3.2	6.05	7.32	3.2	Aluminium



P1970



Material

Thermoplastic, black. Moulded thread.

Technical Notes

For use with fixed feet.

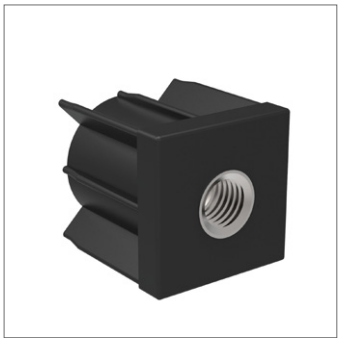
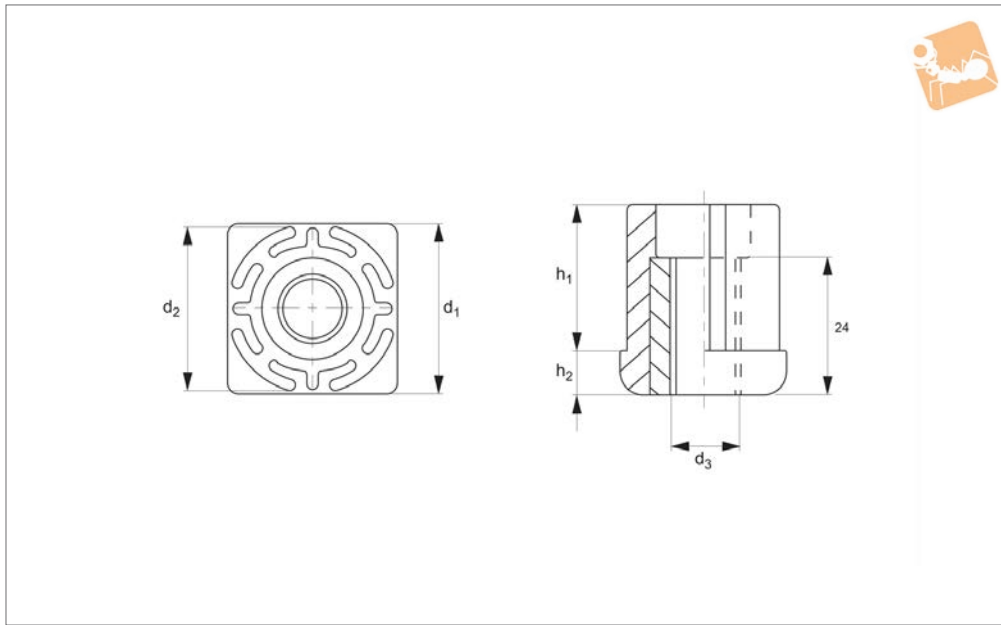
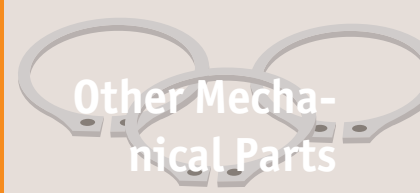
Tips

M 8 available on request, subject to minimum order quantity.

Order No.	Type	Tube size mm	d ₁	a	b
P1970.40-40	Square	40x40	M10	22	6



Threaded Plastic Inserts for Hollow with brass bush



P1974

OTHER MECHANICAL PARTS

Material

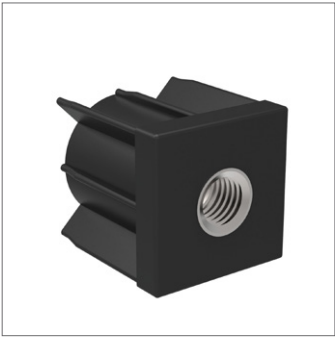
Body: polyamide reinforced nylon.
Bush: brass, nickel plated.

Technical Notes

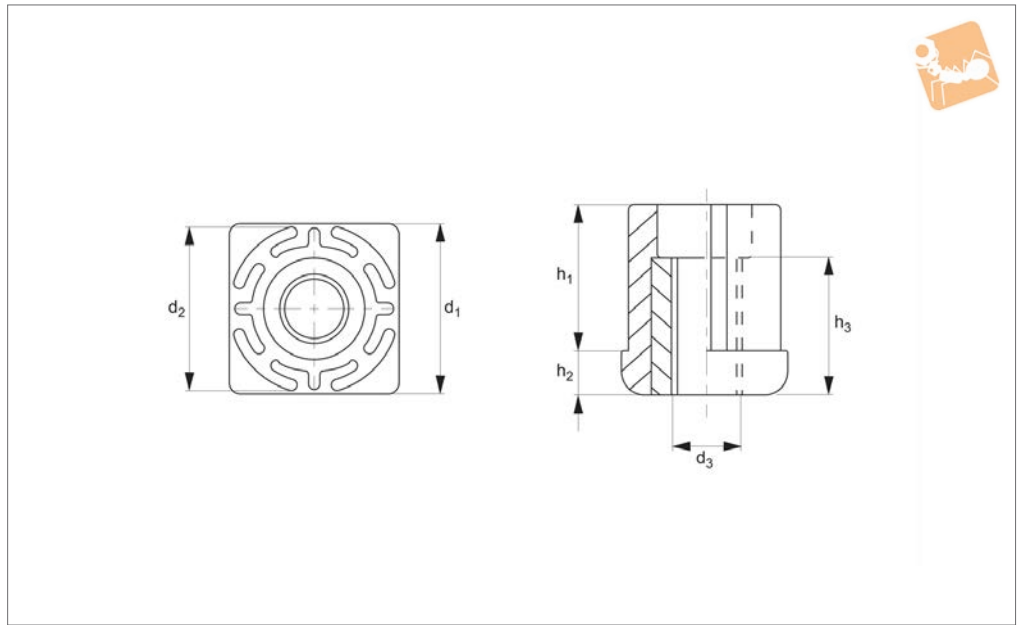
For use with levelling feet parts.

Order No.	Outerbox d_1	Innerbox d_2	d_3	h_1	h_2	Rec. load kg max.
P1974.212	40x40x1,5	37	M12	35	8	1000





P1975



Material

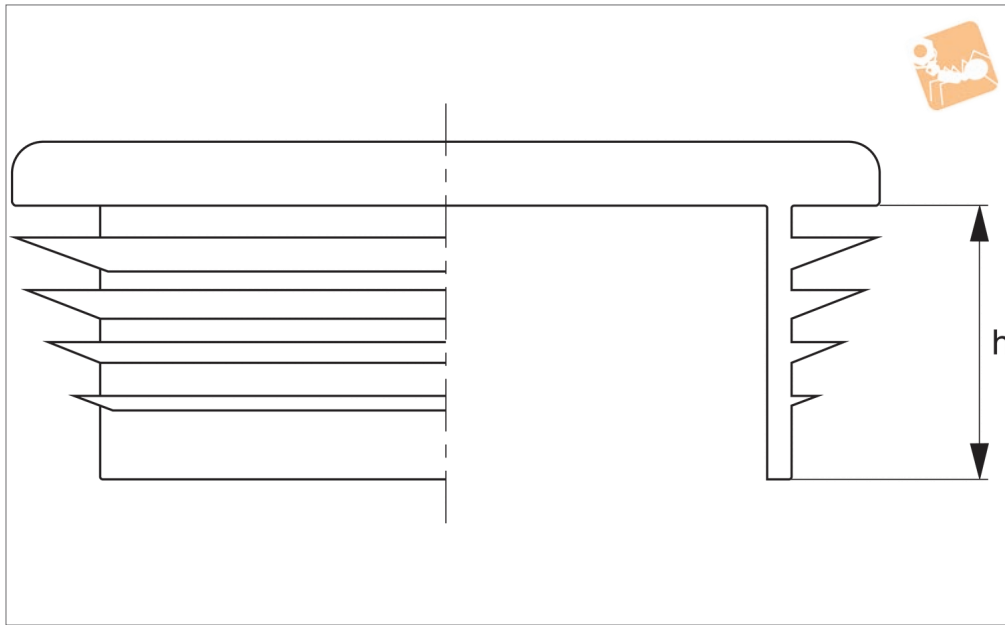
Bush: stainless steel, type AISI 303.

Moulding: polyamide reinforced nylon.

Order No.	Outerbox d_1	Innerbox d_2	d_3	h_1	h_2	h_3	Load capacity for static load kg max.
P1975.112	30x30x1,5	27	M12	35	8	24	500
P1975.210	40x40x1,5	37	M10	35	8	24	1000



Insert ribbed - oval



P1982

OTHER MECHANICAL PARTS

Material

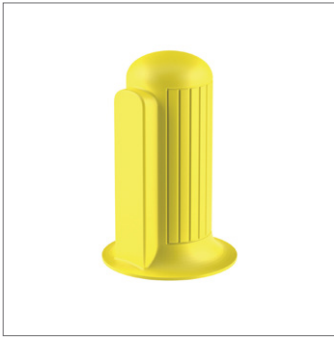
Low density polyethylene, black.

Important Notes

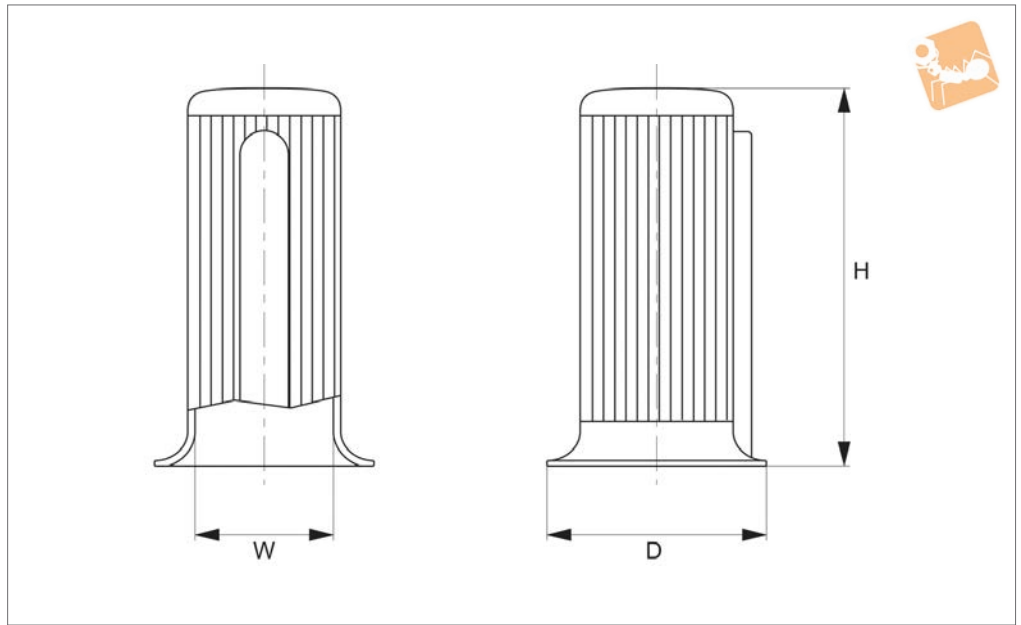
Sold subject to minimum pack quantity.

Technical Notes

Insert ribs provide secure fitting.



P1984



Material

Low density polyethylene, yellow.

Important Notes

Sold subject to minimum pack quantity.

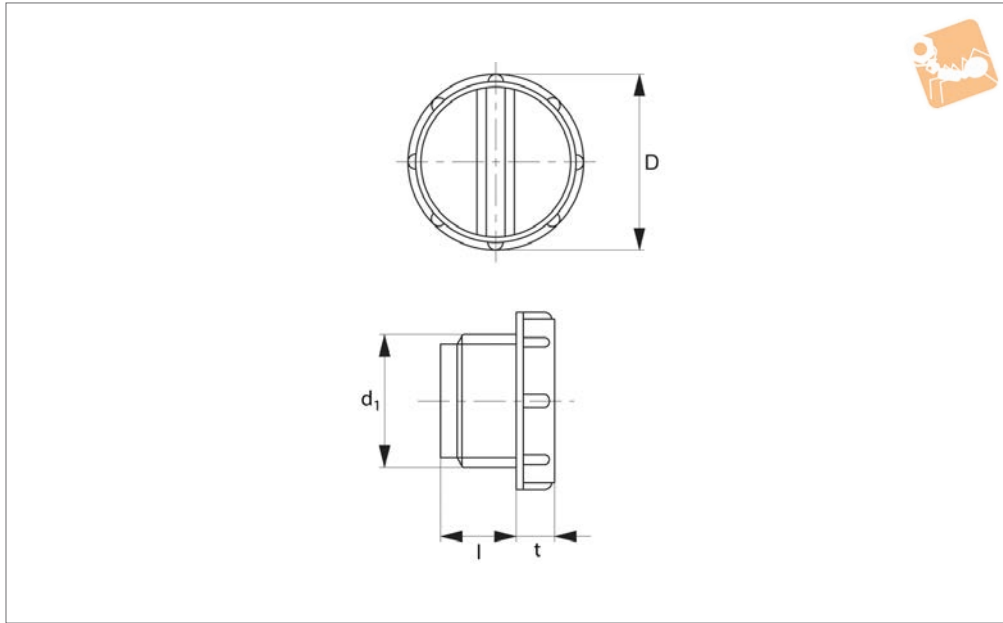
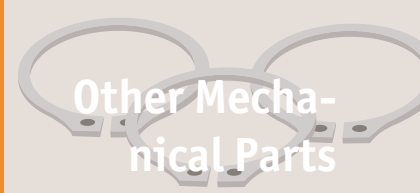
Technical Notes

For protection of drive shafts to DIN 748.

Order No.	w	d	h
P1984.009	9.0	14.5	24.0
P1984.011	11.0	17.5	27.5
P1984.014	14.0	22.5	35.0
P1984.015	15.0	25.5	32.0
P1984.016	16.0	25.5	47.0
P1984.019	19.0	30.5	47.0
P1984.020	20.0	32.0	58.5
P1984.022	22.0	35.5	58.5
P1984.024	24.0	38.5	58.5
P1984.025	25.0	40.0	70.0
P1984.028	28.0	45.0	70.0
P1984.030	30.0	48.0	93.5
P1984.032	32.0	51.0	93.5
P1984.035	35.0	56.0	93.5
P1984.038	38.0	61.0	93.5
P1984.042	42.0	67.0	127.5
P1984.045	45.0	72.0	117.5
P1984.048	48.0	77.0	127.5
P1984.055	55.0	88.0	127.5
P1984.060	60.0	96.0	164.0
P1984.065	65.0	104.0	164.0
P1984.075	75.0	112.0	164.0



Sealing Slotex Plugs threaded



P1990

OTHER MECHANICAL PARTS

Material

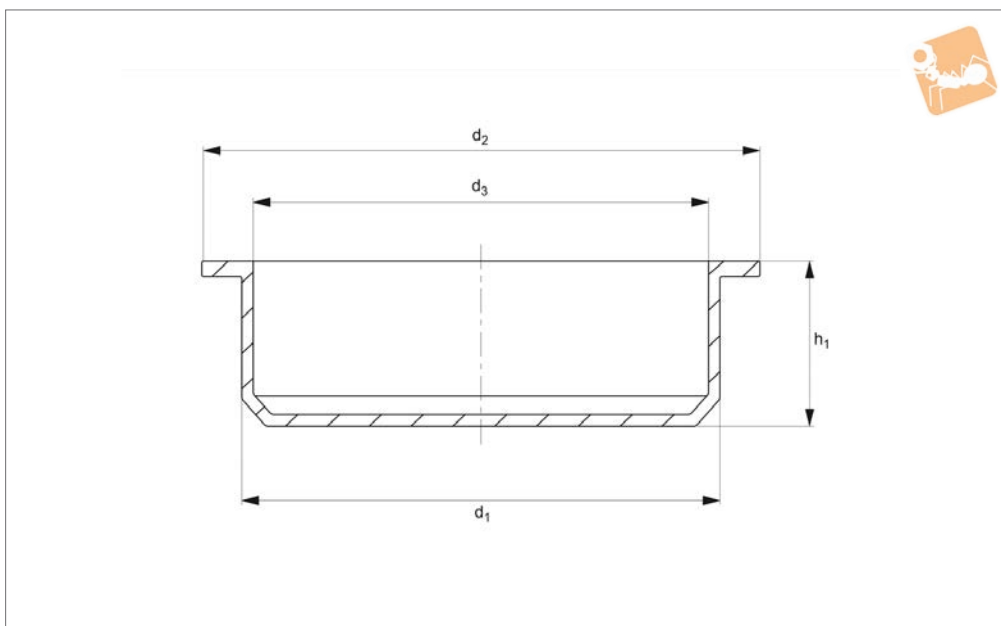
Low density polyethylene, yellow.

Important Notes

Sold subject to minimum pack quantity.



P1980



Material

Polyethylene, natural colour.

applications.

Technical Notes

General purpose for a wide range of appli-

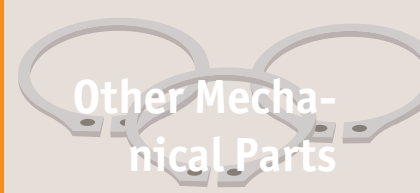
Important Notes

Sold subject to minimum pack quantity.

Order No.	d_1	d_2	d_3	h_1	Thread	Thread inch
P1980.035	3.5	6.9	2.0	5.5	M 4	-
P1980.055	5.5	9.0	4.5	7.0	-	-
P1980.065	6.5	9.9	5.5	8.0	-	-
P1980.075	7.5	10.5	6.3	7.5	-	-
P1980.085	8.5	11.5	7.5	8.7	M10	-
P1980.095	9.5	12.3	8.5	8.2	-	-
P1980.026	26.0	30.9	24.5	11.6	-	-
P1980.026.5	26.5	30.4	25.0	11.5	-	-
P1980.027	27.0	31.0	25.2	10.4	M30	-
P1980.028	28.0	31.3	26.0	11.5	-	-
P1980.029	29.0	32.0	27.0	10.5	-	7/8"
P1980.031	31.0	35.0	29.0	11.8	-	1"
P1980.032	32.0	36.9	30.0	11.6	-	-
P1980.032.5	32.5	37.4	30.5	11.6	M36	-
P1980.033	33.0	37.7	31.0	11.4	-	-
P1980.034	34.0	38.5	32.0	11.7	-	-
P1980.036	36.0	41.2	34.0	12.0	M39	-
P1980.037	37.0	41.6	35.0	11.5	-	-
P1980.038	38.0	42.0	36.0	11.5	M42	-
P1980.039	39.0	43.8	37.0	11.3	-	-
P1980.046	46.0	50.6	44.0	11.3	-	1,1/2"
P1980.047	47.0	51.3	45.0	11.3	-	-
P1980.048	48.0	53.2	46.0	11.5	-	-
P1980.049	49.0	53.7	47.0	11.5	-	-
P1980.050	50.0	54.1	48.0	11.0	-	-
P1980.051	51.0	54.5	49.0	10.8	-	-
P1980.052	52.0	60.0	50.0	12.0	-	-
P1980.053	53.0	59.0	51.0	11.9	-	-
P1980.054	54.0	60.5	52.0	12.0	-	-
P1980.056	56.0	62.4	54.0	13.0	-	-
P1980.057	57.0	60.2	55.0	10.8	-	-
P1980.058	58.0	64.6	56.0	11.7	-	-
P1980.059	59.0	66.7	57.0	10.7	-	-
P1980.060	60.0	67.3	58.0	12.0	-	-



Parallel Protection Plug push fit



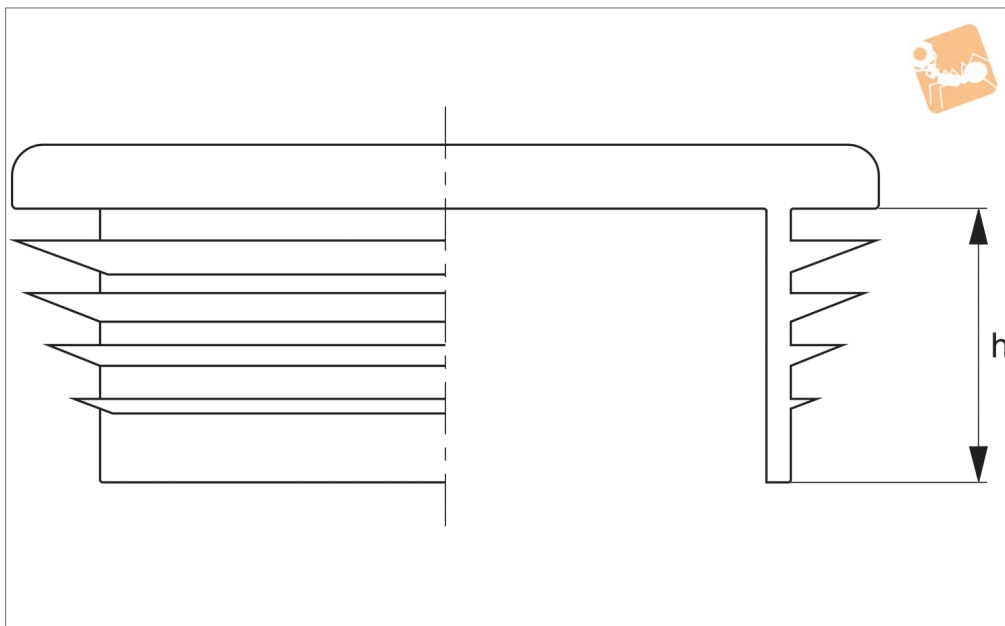
Other Mechanical Parts

Order No.	d ₁	d ₂	d ₃	h ₁	Thread	Thread inch
P1980.061	61.0	67.1	59.0	12.5	-	-
P1980.062	62.0	68.7	60.0	12.2	-	-
P1980.063	63.0	66.5	61.0	11.0	-	-
P1980.063.5	63.5	69.5	61.0	11.5	-	-
P1980.064	64.0	67.2	62.0	10.7	-	-
P1980.066	66.0	71.5	64.0	11.7	-	-
P1980.067	67.0	73.0	65.0	11.5	-	-
P1980.068	68.0	74.2	66.0	11.8	-	-
P1980.069	69.0	75.0	67.0	11.9	-	-
P1980.070	70.0	74.2	68.0	12.1	-	-
P1980.071	71.0	75.0	69.0	12.5	-	-
P1980.072	72.0	79.0	70.0	13.0	-	-
P1980.073	73.0	76.5	71.0	12.0	-	-
P1980.074	74.0	77.0	72.0	11.8	-	-
P1980.076	76.0	78.8	74.0	11.5	-	-
P1980.077	77.0	80.5	75.0	11.0	-	-
P1980.078	78.0	81.7	76.0	11.7	-	-
P1980.079	79.0	82.0	77.0	11.0	-	-
P1980.080	80.0	83.5	78.0	10.7	-	-
P1980.081	81.0	84.0	79.0	10.7	-	-
P1980.082	82.0	85.5	80.0	10.5	-	-
P1980.083	83.0	86.0	81.0	10.7	-	-
P1980.084	84.0	90.0	82.0	12.0	-	-
P1980.084.5	84.5	90.0	82.0	9.2	-	-
P1980.086	86.0	89.0	83.5	11.0	-	-
P1980.086.5	86.5	90.0	84.0	11.0	-	-
P1980.087	87.0	90.0	85.0	10.7	-	-
P1980.088	88.0	91.0	86.0	10.5	-	-
P1980.089	89.0	92.5	87.0	12.0	-	-
P1980.090	90.0	93.5	88.0	11.0	-	-
P1980.091	91.0	94.3	89.0	11.0	-	-
P1980.092	92.0	95.8	90.0	10.8	-	-
P1980.093	93.0	95.6	91.0	10.8	-	-
P1980.094	94.0	97.5	92.0	10.7	-	-
P1980.096	96.0	99.5	94.0	10.8	-	-
P1980.097	97.0	100.1	95.0	10.7	-	-
P1980.098	98.0	101.8	96.0	10.8	-	-
P1980.099	99.0	102.5	97.0	10.7	-	-
P1980.100	100.0	104.5	98.0	11.5	-	-

OTHER MECHANICAL PARTS



P1987



Material

Low density polyethylene, black.

Important Notes

Sold subject to minimum pack quantity.

Technical Notes

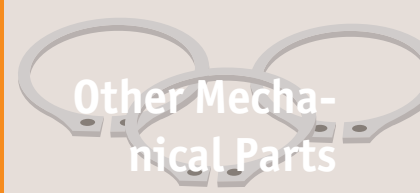
Insert ribs provide secure fitting.

Order No.	External cap dim.	Tube wall thickness	h
P1987.020-10-0	20x10	1,0-2,0	11,0
P1987.020-15-0	20x15	1,0-2,0	11,5
P1987.025-10-0	25x10	1,0-1,5	11,5
P1987.025-15-0	25x15	1,0-2,5	11,5
P1987.025-20-0	25x20	1,0-3,0	11,5
P1987.030-10-0	30x10	1,0-1,5	11,5
P1987.030-15-0	30x15	1,0-2,5	11,5
P1987.030-20-0	30x20	1,5-3,0	11,5
P1987.030-25-0	30x25	1,5	13,0
P1987.035-10-0	35x10	1,0-2,0	11,5
P1987.035-20-1	35x20	1,0-2,5	11,5
P1987.035-25-0	35x25	1,0-3,0	11,5
P1987.040-10-0	40x10	1,5	10,5
P1987.040-15-0	40x15	1,0-1,5	12,0
P1987.040-20-0	40x20	1,0-2,0	12,0
P1987.040-25-0	40x25	1,0-3,0	11,5
P1987.040-30-0	40x30	1,0-3,0	12,0
P1987.040-35-0	40x35	1,0-3,0	12,0
P1987.045-15-0	45x15	1,5-2,0	11,0
P1987.045-20-0	45x20	1,5-2,0	11,5
P1987.045-25-0	45x25	1,5-2,0	14,0
P1987.045-30-0	45x30	1,0-2,5	12,0
P1987.045-35-0	45x35	1,0-3,5	12,0
P1987.050-10-0	50x10	1,0-1,5	12,0
P1987.050-20-0	50x20	1,0-3,0	14,0
P1987.050-25-0	50x25	1,5-2,5	14,5
P1987.050-30-0	50x30	1,5-2,0	13,5
P1987.050-35-0	50x35	1,0-3,5	14,5
P1987.050-40-0	50x40	1,5-2,5	12,5
P1987.055-34-0	55x34	1,5	14,0
P1987.055-40-0	55x40	1,5-4,0	14,5
P1987.060-15-0	60x15	1,0-2,0	14,5
P1987.060-20-0	60x20	1,0-3,0	14,5
P1987.060-25-0	60x25	1,0-2,5	14,0



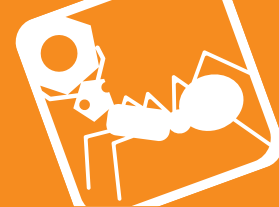
Inserts

ribbed - rectangular

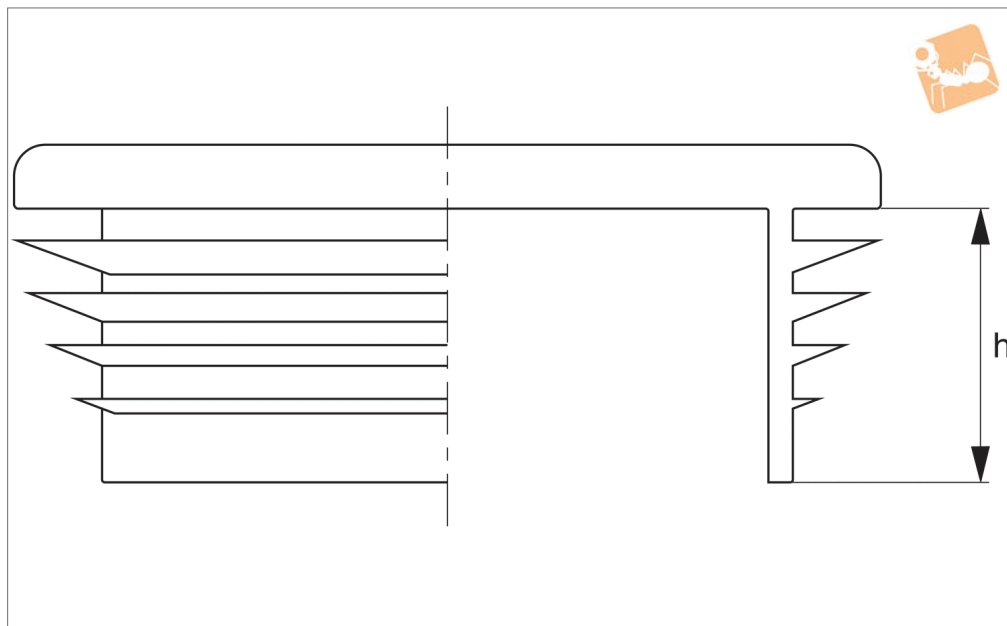


Other Mechanical Parts

Order No.	External cap dim.	Tube wall thickness	h
P1987.060-30-0	60x30	1,5-2,0	15,0
P1987.060-35-0	60x35	1,5-3,5	15,0
P1987.060-40-0	60x40	1,0-3,0	14,0
P1987.060-50-0	60x50	1,5-3,5	14,5
P1987.070-20-0	70x20	1,0-2,0	17,0
P1987.070-25-0	70x25	1,5-2,0	17,0
P1987.070-30-0	70x30	1,5-2,0	18,0
P1987.070-40-0	70x40	1,5-2,0	18,0
P1987.080-20-0	80x20	1,5-2,0	18,0
P1987.080-30-0	80x30	1,0-2,5	14,5
P1987.080-40-0	80x40	1,0-3,0	14,5
P1987.080-50-0	80x50	2,0-4,0	24,0
P1987.080-60-0	80x60	2,5-3,0	24,0
P1987.100-40-0	100x40	2,0-4,0	14,5
P1987.100-50-0	100x50	2,0-3,0	24,0
P1987.100-50-1	100x50	3,2-5,0	24,0
P1987.120-30-0	120x30	1,5-2,0	14,5
P1987.120-40-0	120x40	2,0	-
P1987.120-60-0	120x60	2,0-4,0	24,5
P1987.120-80-0	120x80	2,0-3,0	24,0
P1987.140-80-0	140x80	2,0-4,5	20,0
P1987.150-100-0	150x100	3,0-8,0	27,0



P1988



Material

Low density polyethylene, black.

Important Notes

Sold subject to minimum pack quantity.

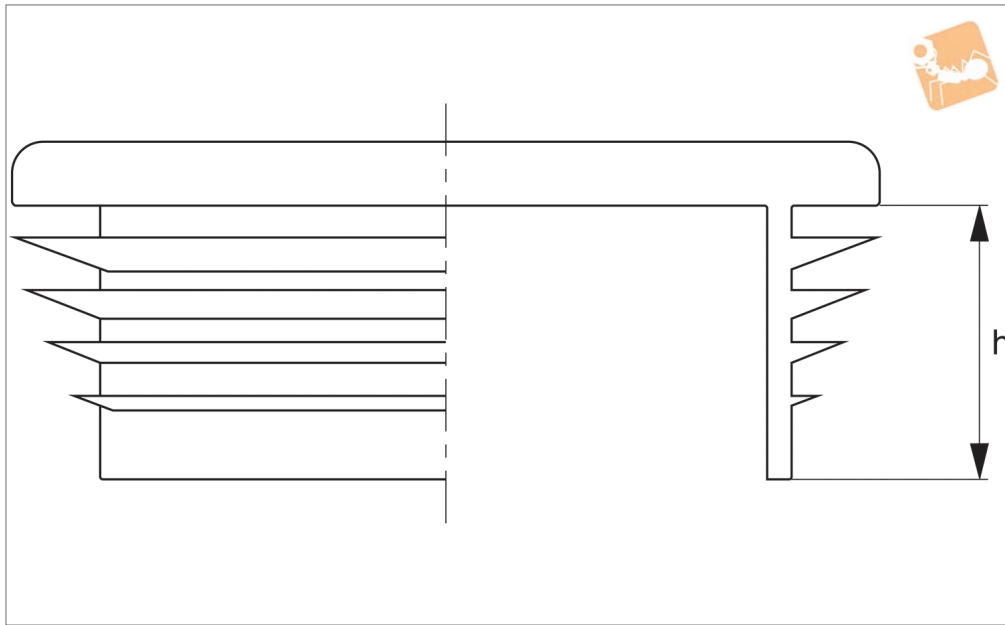
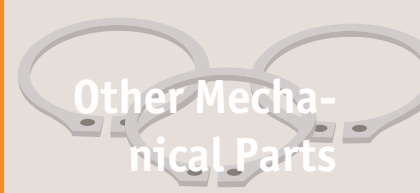
Technical Notes

Insert ribs provide secure fitting.

Order No.	External cap dim.	Tube wall thickness	h
P1988.010-10-0	10x10	1,5-2,0	12,0
P1988.012-12-0	12x12	1,5-2,0	12,0
P1988.013-13-0	13x13	1,5-2,0	12,0
P1988.015-15-0	15x15	1,5-2,0	14,0
P1988.016-16-0	16x16	1,5-2,0	11,5
P1988.018-18-0	18x18	1,5-2,0	11,5
P1988.020-20-0	20x20	1,0-3,0	11,0
P1988.022-22-0	22x22	1,0-3,0	12,0
P1988.025-25-0	25x25	1,0-3,0	11,5
P1988.028-28-0	28x28	1,5-3,0	11,5
P1988.030-30-0	30x30	1,0-2,5	11,5
P1988.030-30-1	30x30	2,5-4,5	11,5
P1988.035-35-0	35x35	1,0-3,0	14,5
P1988.035-35-1	35x35	2,5-5,0	12,0
P1988.040-40-0	40x40	1,0-3,0	14,0
P1988.040-40-1	40x40	2,5-4,0	18,0
P1988.040-40-2	40x40	5,0-5,5	14,0
P1988.045-45-0	45x45	1,0-3,0	14,5
P1988.050-50-1	50x50	2,6-4,0	25,0
P1988.050-50-2	50x50	3,5-6,0	14,5
P1988.060-60-0	60x60	1,5-3,5	24,0
P1988.060-60-1	60x60	3,0-5,0	17,5
P1988.070-70-0	70x70	2,0-4,0	19,0
P1988.080-80-1	80x80	3,0-5,0	24,0
P1988.100-100-0	100x100	1,0-4,0	24,0
P1988.100-100-1	100x100	5,0-8,0	24,0
P1988.120-120-0	120x120	2,5-5,0	25,0
P1988.150-150-0	150x150	5,0-8,0	-
P1988.150-150-1	150x150	10,0-12,5	27,0



Inserts ribbed - round



P1989

OTHER MECHANICAL PARTS

Material

Low density polyethylene, black.

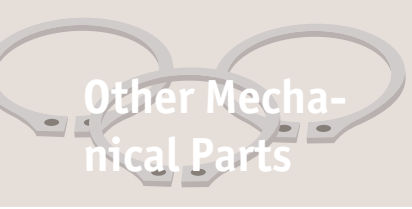
Important Notes

Sold subject to minimum pack quantity.

Technical Notes

insert ribs provide secure fitting.

Order No.	External cap dia.	Tube wall thickness	h
P1989.010	10	1,0-2,0	11,0
P1989.012	12	1,0-2,0	11,0
P1989.013	13	1,0-2,0	11,0
P1989.014	14	1,0-2,0	11,5
P1989.015	15	1,0-2,0	13,0
P1989.016	16	1,0-2,0	11,0
P1989.018	18	1,0-2,0	11,4
P1989.019	19	1,0-2,0	11,4
P1989.020	20	1,0-2,0	11,4
P1989.021	21	1,0-2,0	11,5
P1989.022	22	1,0-2,0	11,5
P1989.023	23	1,0-2,5	11,5
P1989.025	25	1,0-3,0	11,5
P1989.027	27	1,0-3,0	11,5
P1989.028	28	1,0-2,0	11,5
P1989.030	30	1,0-2,0	11,6
P1989.032	32	1,0-2,0	11,5
P1989.034	34	1,0-3,0	11,5
P1989.035	35	1,0-2,0	11,5
P1989.036	36	1,0-2,0	11,5
P1989.038	38	1,0-3,5	11,5
P1989.040	40	1,0-3,0	11,5
P1989.042	42	1,0-2,0	11,5
P1989.045	45	1,0-3,5	11,0
P1989.048	48	1,2-3,6	11,5
P1989.050	50	1,0-2,0	11,5
P1989.052	52	1,5-3,5	14,5
P1989.055	55	1,0-3,0	11,5
P1989.060	60	1,5-3,0	18,5
P1989.065	65	1,5-3,5	21,0
P1989.070	70	2,0-4,5	21,0
P1989.076	76	1,6-4,0	21,5
P1989.080	80	1,5-3,0	21,0
P1989.090	90	2,5-5,0	19,9

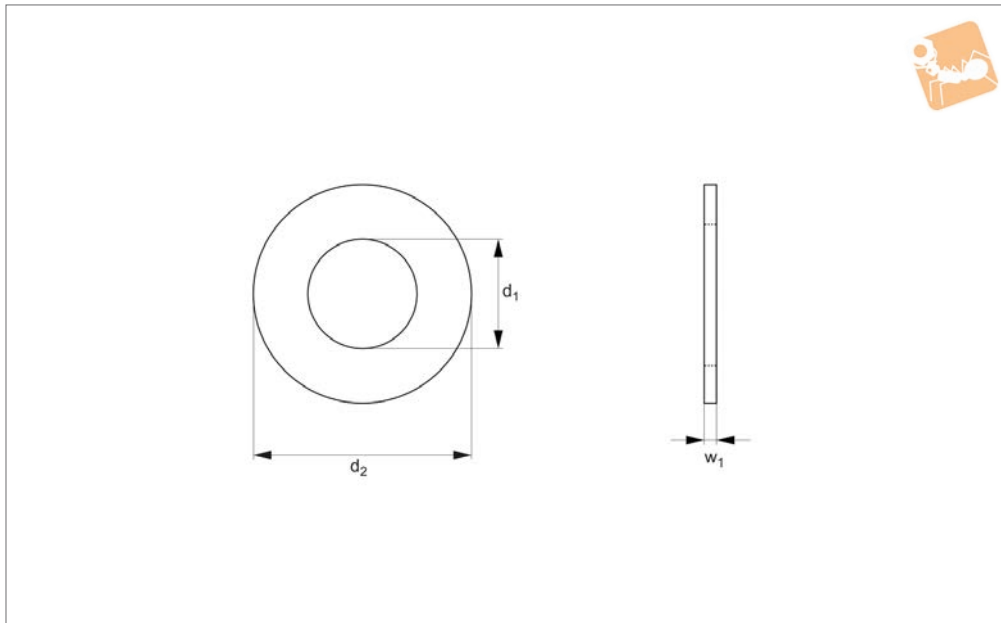


Inserts

ribbed - round



Order No.	External cap dia.	Tube wall thickness	h
P1989.095	95	1,5-4,0	21.0
P1989.102	102	2,0-4,0	20.2
P1989.100	100	2,0-4,5	28.5
P1989.105	105	2,0-4,5	29.0
P1989.110	110	2,0-4,5	28.5
P1989.120	120	2,0-4,0	28.5



P1260

OTHER MECHANICAL PARTS

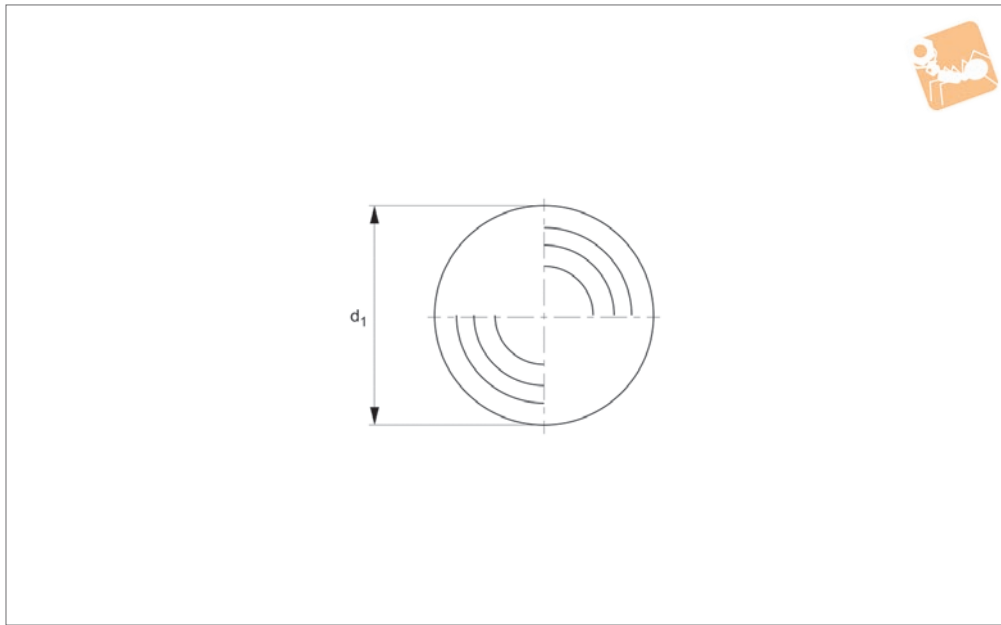
Material impregnated).

Carbon steel, stainless steel (AISI 410, DIN 1.4006), nylon, teflon or bronze (oil

Order No.	d_1 +0.03 -0.00	d_2 +0.00 -0.31	w_1 ± 0.05	Shaft size	Material
P1260.08	8.00	16.00	1.30	8	Steel
P1260.10	10.00	21.00	1.60	10	Steel
P1260.12	12.00	24.00	1.60	12	Steel
P1260.16	16.00	28.00	2.40	16	Steel
P1260.19	19.00	32.00	2.40	19	Steel
P1260.25	25.00	41.00	3.18	25	Steel
P1260.07-SS	7.00	17.00	1.30	7	Stainless
P1260.08-SS	8.00	16.00	1.30	8	Stainless
P1260.10-SS	10.00	21.00	1.60	10	Stainless
P1260.12-SS	12.00	24.00	1.60	12	Stainless
P1260.05	5.00	12.00	1.30	5	Steel
P1260.06	6.00	14.00	1.30	6	Steel
P1260.07	7.00	17.00	1.30	7	Steel
P1260.06-SS	6.00	14.00	1.30	6	Stainless
P1260.05-SS	5.00	12.00	1.30	5	Stainless
P1260.16-SS	16.00	28.00	2.40	16	Stainless
P1260.19-SS	19.00	32.00	2.40	19	Stainless
P1260.25-SS	25.00	41.00	3.18	25	Stainless
P1260.03-NY	3.00	9.00	2.50	3	Nylon
P1261.04-NY	4.00	12.00	2.50	4	Nylon
P1261.05-NY	5.00	13.00	2.50	5	Nylon
P1261.06-NY	6.00	15.00	2.50	6	Nylon
P1261.08-NY	8.00	19.00	2.50	8	Nylon
P1261.10-NY	10.00	24.00	2.50	10	Nylon
P1261.12-NY	12.00	30.00	2.50	12	Nylon
P1261.20-NY	20.00	40.00	2.50	20	Nylon
P1261.25-NY	25.00	40.00	2.50	25	Nylon
P1261.05-TF	5.00	9.00	2.50	3	Teflon
P1261.06-TF	6.00	12.00	2.50	4	Teflon
P1261.07-TF	7.00	13.00	2.50	5	Teflon
P1261.08-TF	8.00	15.00	2.50	6	Teflon
P1261.10-TF	10.00	19.00	2.50	8	Teflon
P1261.12-TF	12.00	24.00	2.50	10	Teflon
P1261.16-TF	16.00	30.00	2.50	12	Teflon



Order No.	d_1 +0.03 -0.00	d_2 +0.00 -0.31	w_1 ±0.05	Shaft size	Material
P1261.19-TF	19.00	40.00	2.50	20	Teflon
P1261.25-TF	25.00	40.00	2.50	25	Teflon
P1262.03-BR	3.1	8.9	1.5	3	Bronze
P1262.04-BR	4.1	11.9	1.5	4	Bronze
P1262.06-BR	6.1	14.9	1.5	6	Bronze
P1262.08-BR	8.1	18.9	2.2	8	Bronze
P1262.10-BR	10.1	23.9	3.0	10	Bronze
P1262.11-BR	11.1	28.9	4.7	11	Bronze



P1350

OTHER MECHANICAL PARTS

Material

Stainless steel (AISI 440B, DIN 1.4112),
hardness C55-60.
Chrome steel (DIN 1.3505, AISI 52100,

100Cr6), hardness C32-60.

Diameter tolerance Grade 10, $\pm 6\mu$.
Diameter tolerance Grade 25, $\pm 12\mu$.

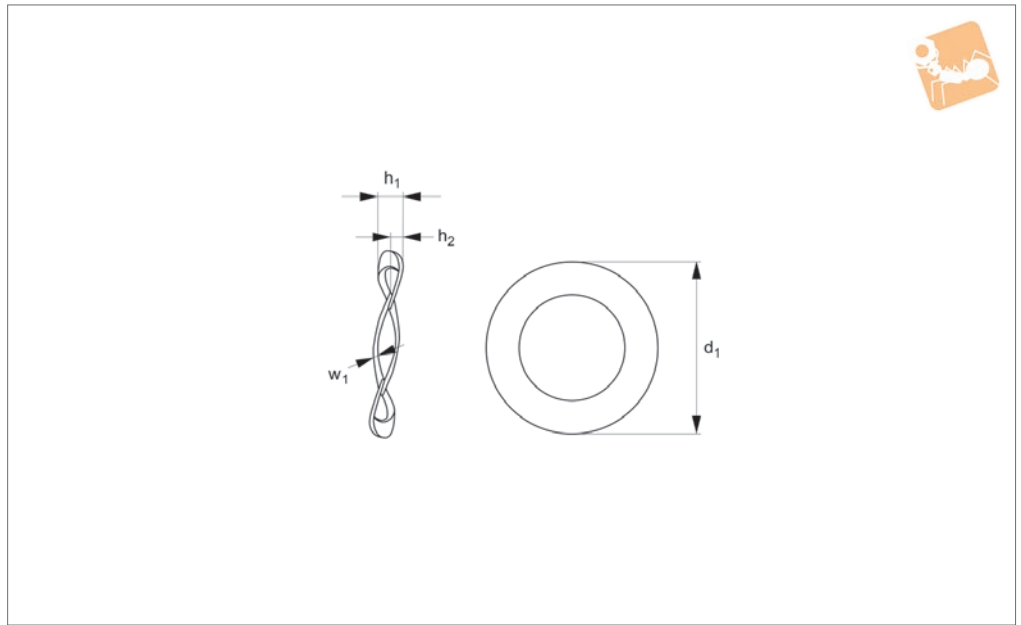
Technical Notes

Other tolerances and material on request.

Order No.	Material	d_1
P1350.002-SS	Stainless Steel	$2 \pm 0,012$
P1350.003-SS	Stainless Steel	$3 \pm 0,012$
P1350.004-SS	Stainless Steel	$4 \pm 0,012$
P1350.005-SS	Stainless Steel	$5 \pm 0,012$
P1350.006-SS	Stainless Steel	$6 \pm 0,012$
P1350.007-SS	Stainless Steel	$7 \pm 0,012$
P1350.008-SS	Stainless Steel	$8 \pm 0,012$
P1350.009-SS	Stainless Steel	$9 \pm 0,012$
P1350.010-SS	Stainless Steel	$10 \pm 0,012$
P1350.011-SS	Stainless Steel	$11 \pm 0,012$
P1350.002-CS	Chrome Steel	$2 \pm 0,006$
P1350.003-CS	Chrome Steel	$3 \pm 0,006$
P1350.004-CS	Chrome Steel	$4 \pm 0,006$
P1350.005-CS	Chrome Steel	$5 \pm 0,006$
P1350.006-CS	Chrome Steel	$6 \pm 0,006$
P1350.007-CS	Chrome Steel	$7 \pm 0,006$
P1350.008-CS	Chrome Steel	$8 \pm 0,006$
P1350.009-CS	Chrome Steel	$9 \pm 0,006$
P1350.010-CS	Chrome Steel	$10 \pm 0,006$
P1350.011-CS	Chrome Steel	$11 \pm 0,006$



P1300



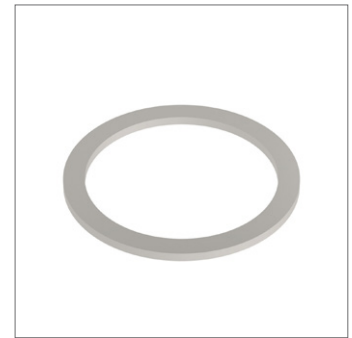
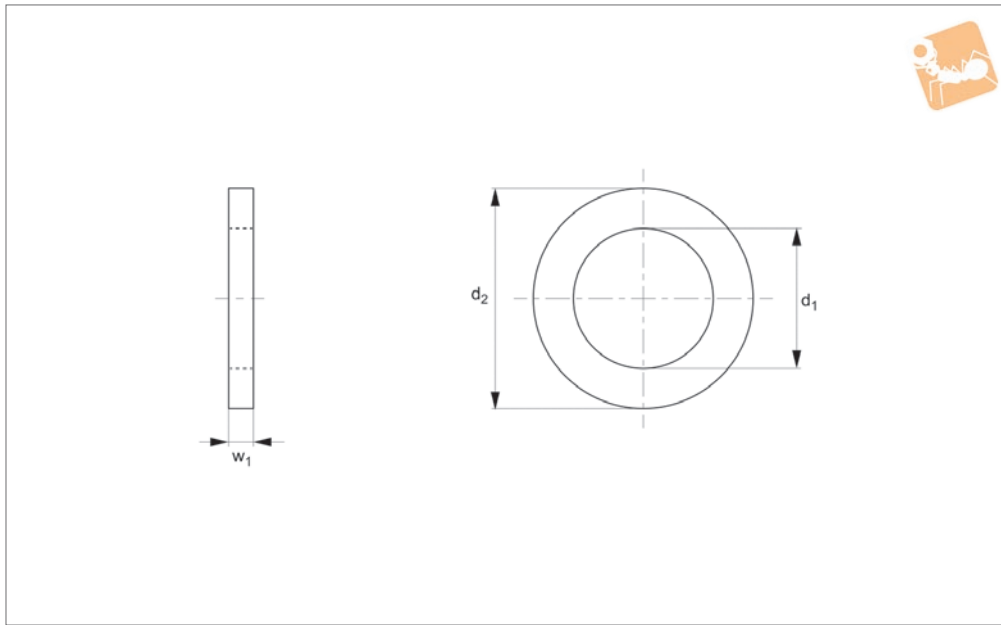
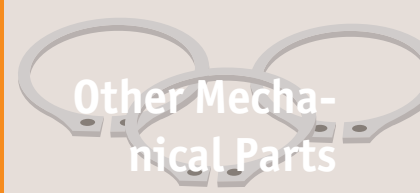
Material

Stainless steel (DIN 1,43).

Order No.	Bearing O.D. (ref)	a	b	c	Force to deflect to B	Radial wall
P1300.016	16	2.3	1.6	0.25	45N	1.98
P1300.019	19	3.0	1.6	0.25	50N	1.98
P1300.022	22	2.8	1.6	0.30	60N	2.39
P1300.024	24	3.6	1.6	0.30	70N	2.39



Inner Race Shaft Spacers stainless



P1320

OTHER MECHANICAL PARTS

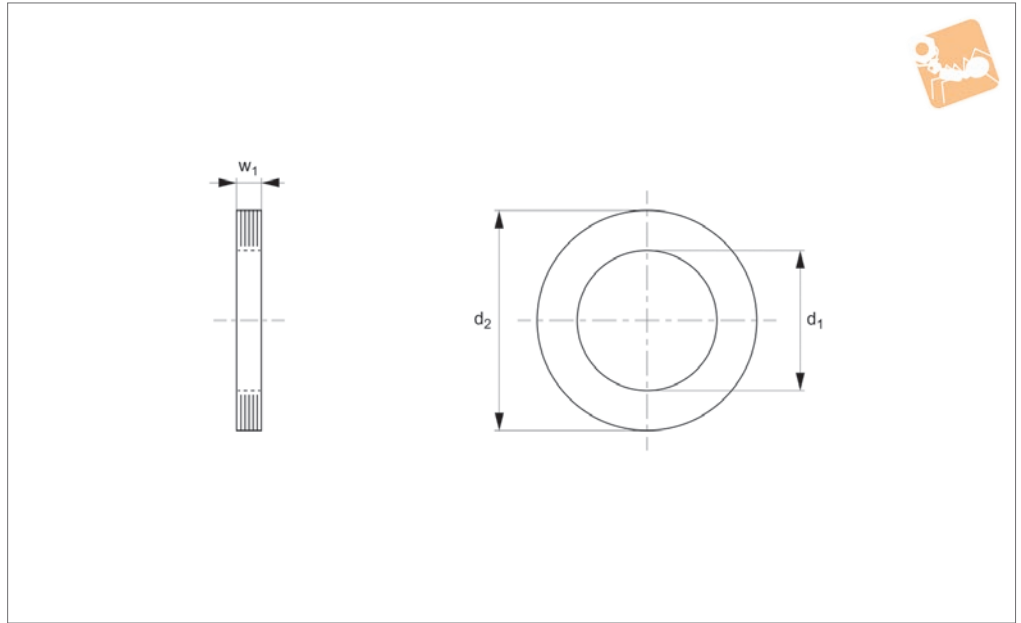
Material

Stainless steel (DIN 1.4310).

Order No.	Shaft or bearing i/d	d_1 +0.13 -0.00	d_2 ±0.13	w_1 ±0.025
P1320.030-010	3.0	3.05	3.73	0.10
P1320.030-015	3.0	3.05	3.73	0.15
P1320.040-010	4.0	4.05	5.30	0.10
P1320.040-015	4.0	4.05	5.30	0.15
P1320.040-025	4.0	4.05	5.30	0.25
P1320.040-040	4.0	4.05	5.30	0.40
P1320.050-010	5.0	5.05	5.93	0.10
P1320.050-015	5.0	5.05	5.93	0.15
P1320.050-025	5.0	5.05	5.93	0.25
P1320.050-040	5.0	5.05	5.93	0.40
P1320.060-010	6.0	6.05	7.90	0.10
P1320.060-015	6.0	6.05	7.90	0.15
P1320.060-025	6.0	6.05	7.90	0.25
P1320.060-040	6.0	6.05	7.90	0.40
P1320.080-010	8.0	8.05	10.20	0.10
P1320.080-015	8.0	8.05	10.20	0.15
P1320.080-025	8.0	8.05	10.20	0.25
P1320.080-040	8.0	8.05	10.20	0.40
P1320.100-010	10.0	10.05	12.30	0.10
P1320.100-015	10.0	10.05	12.30	0.15
P1320.100-025	10.0	10.05	12.30	0.25



P1322



Material

Stainless steel (DIN 1.4300).

Order No.	d_1 +0.00 -0.13	d_2 +0.13 -0.00	w_1 ± 0.025
P1322.070-15	7.0	6.25	0.15
P1322.070-25	7.0	6.25	0.25
P1322.080-15	8.0	6.75	0.15
P1322.080-25	8.0	6.75	0.25
P1322.090-15	9.0	7.85	0.15
P1322.090-25	9.0	7.85	0.25
P1322.090-40	9.0	7.85	0.40
P1322.100-15	10.0	8.25	0.15
P1322.100-25	10.0	8.25	0.25
P1322.110-15	11.0	10.00	0.15
P1322.110-25	11.0	10.00	0.25
P1322.130-15	13.0	11.15	0.15
P1322.130-25	13.0	11.15	0.25
P1322.130-40	13.0	11.15	0.40
P1322.150-15	15.0	13.00	0.15
P1322.150-25	15.0	13.00	0.25
P1322.160-15	16.0	13.85	0.15
P1322.160-25	16.0	13.85	0.25
P1322.160-40	16.0	13.85	0.40
P1322.190-15	19.0	16.65	0.15
P1322.190-25	19.0	16.65	0.25
P1322.190-40	19.0	16.65	0.40