



Clevis Joints

Stocked to DIN 71752 in steel and stainless steel. Plain clevis joints or clevis joints and pin assemblies available in right and left hand threads zinc plated steel and stainless steel.

Sizes Steel from M4 up to M48, stainless from M4 up to M27.



Pages 16 - 38

Male Clevis Joints

Stocked in zinc plated steel and stainless steel, right and left hand threads.

Sizes M6 up to M20.

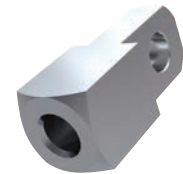


Pages 40 - 43

Clevis Mating Pieces

These are designed to fit in between our clevis joints to create a linkage where an angular offset is required. Available in zinc plated steel and stainless steel.

Sizes M4 up to M20.



Pages 44 - 47

Clevis Retention Clips

These are the most popular type of clip used with our clevis joints. They create a neat compact assembly, only available in zinc plated steel.

Sizes Available for clevis joints from 4mm up to 20mm.



Pages 49- 50

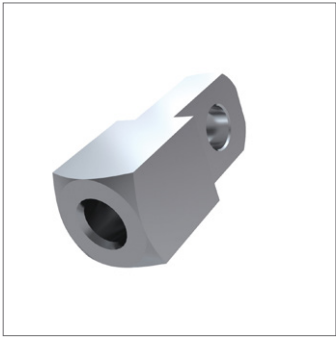
Clevis Pins and Clips

Various styles of pins and clips to suit clevis joints in zinc plated steel and stainless steel.

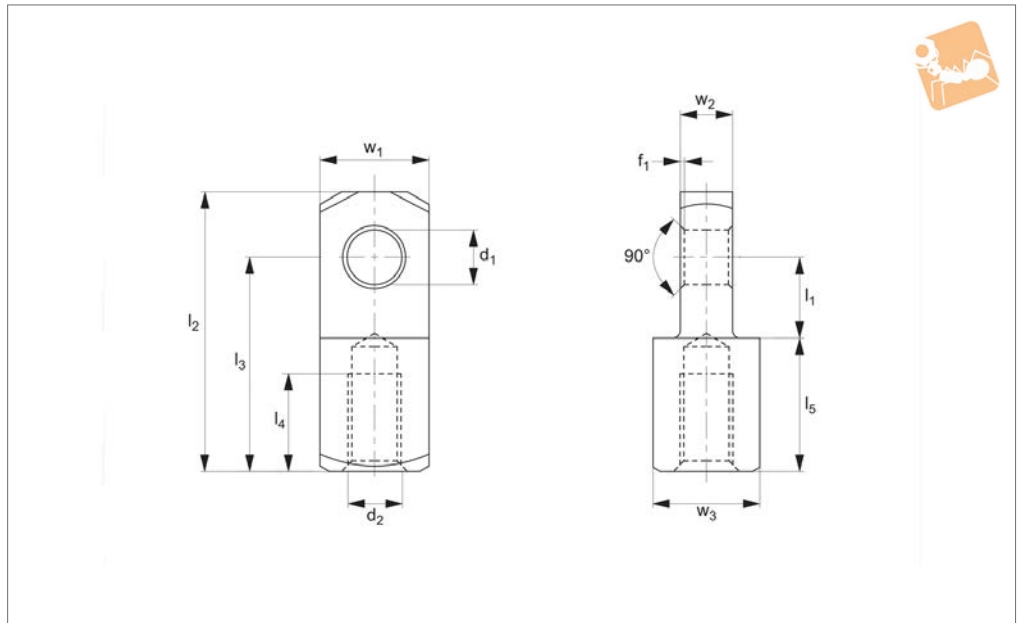
Sizes Available to suit all sizes of clevis joints we offer.



Pages 51 - 62



R3420



Material

Steel (1.0718), silver zinc plated.

Tips

Standard thread is right hand, (for left

hand thread, see R3421).

Thin end of mating piece is designed to fit in between forks of clevis joint.

Designed so thread size matches clevis

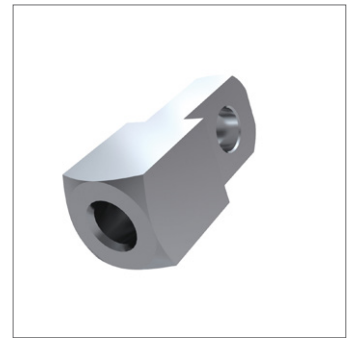
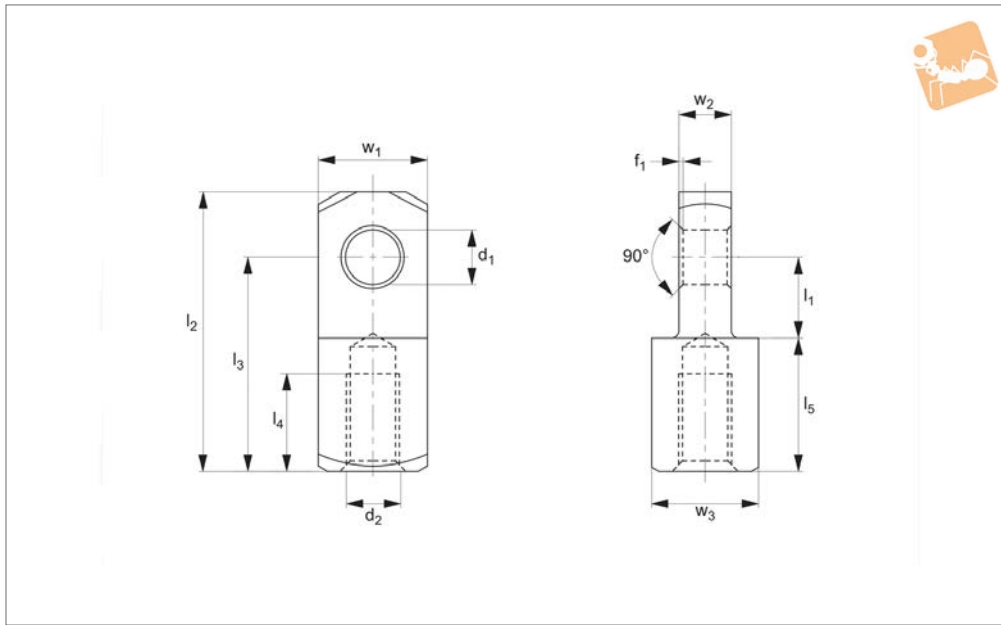
joint, (e.g. M5 mating piece will fit on M5 clevis joint).

Order No.	Thread hand	Thread type	d ₁ tol. H9	l ₁ ±0.5	d ₂	l ₂ ±0.5	l ₃ ±0.5	l ₄	l ₅ ±0.2	w ₁ tol. h11	w ₂ -0.2	w ₃ tol. h11	f ₁ ±0.2	Weight g
R3420.R004	Right	Coarse	4	6.0	M4	21	16	6	10	8	4	8	0.5	6
R3420.R005	Right	Coarse	5	7.5	M5	26	20	8	12.5	10	5	10	0.5	12
R3420.R006	Right	Coarse	6	9.0	M6	31	24	11	15	12	6	12	0.5	21
R3420.R008	Right	Coarse	8	12.0	M8	42	32	14	20	16	8	16	0.5	51
R3420.R009	Right	Fine	8	12.0	M8x1	42	32	14	20	16	8	16	0.5	51
R3420.R010	Right	Coarse	10	15.0	M10	52	40	18	25	20	10	20	0.5	98
R3420.R011	Right	Fine	10	15.0	M10x1,25	52	40	18	25	20	10	20	0.5	98
R3420.R012	Right	Coarse	12	18.0	M12	62	48	22	30	24	12	24	0.5	168
R3420.R013	Right	Fine	12	18.0	M12x1,25	62	48	22	30	24	12	24	0.5	167
R3420.R014	Right	Coarse	14	21.0	M14	72	56	25	35	27	14	27	1.0	247
R3420.R015	Right	Fine	14	21.0	M14x1,5	72	56	25	35	27	14	27	1.0	245
R3420.R016	Right	Coarse	16	24.0	M16	83	64	30	40	32	16	32	1.0	397
R3420.R017	Right	Fine	16	24.0	M16x1,5	83	64	30	40	32	16	32	1.0	395
R3420.R020	Right	Coarse	20	30.0	M20	105	80	38	50	40	20	40	1.0	783
R3420.R021	Right	Fine	20	30.0	M20x1,5	105	80	38	50	40	20	40	1.0	776



Mating Piece for Clevis Joints

left hand thread - silver zinc plated



R3421

Material

Steel (1.0718), silver zinc plated.

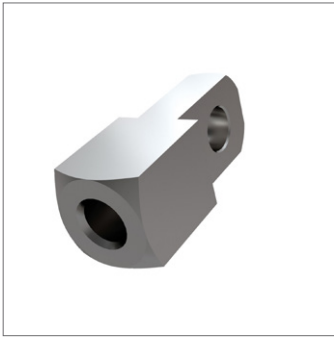
Tips

Thin end of mating piece is designed to fit

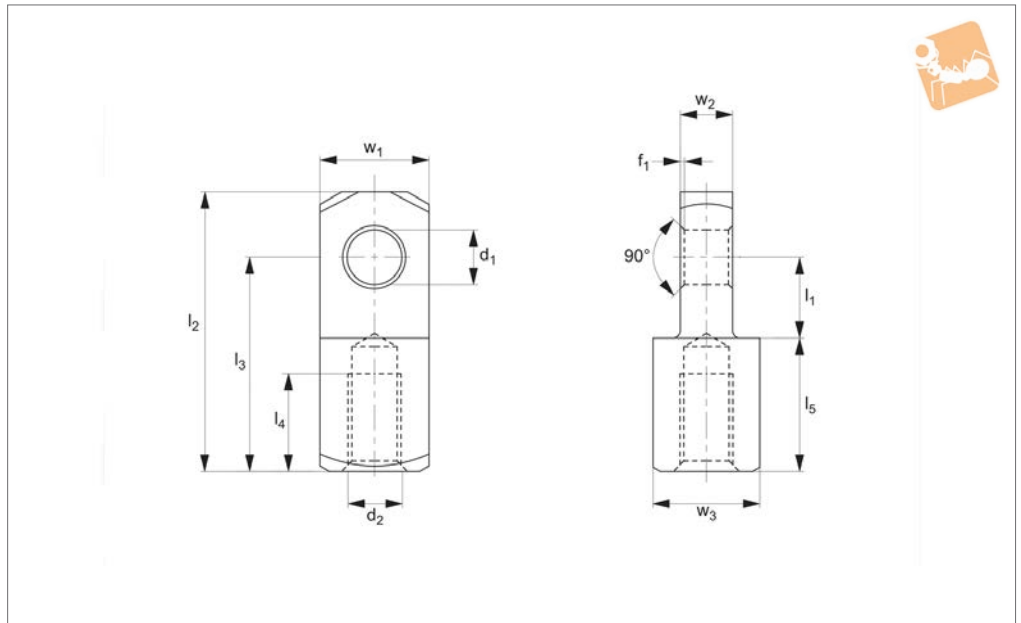
in between forks of clevis joint.

Designed so thread size matches clevis joint, (e.g. M5 mating piece will fit on M5 clevis joint).

Order No.	Thread hand	Thread type	d ₁ tol. H9	l ₁ ±0.5	d ₂	l ₂ ±0.5	l ₃ ±0.5	l ₄	l ₅ ±0.2	w ₁ tol. h11	w ₂ -0,2	w ₃ tol. h11	f ₁ ±0.2	Weight g
R3421.L004	Left	Coarse	4	6	M4	21	16	6	10.0	8	4	8	0.5	6
R3421.L005	Left	Coarse	5	7.5	M5	26	20	8	12.5	10	5	10	0.5	12
R3421.L006	Left	Coarse	6	9	M6	31	24	11	15.0	12	6	12	0.5	21
R3421.L008	Left	Coarse	8	12	M8	42	32	14	20.0	16	8	16	0.5	51
R3421.L009	Left	Fine	8	12	M8x1	42	32	14	20.0	16	8	16	0.5	51
R3421.L010	Left	Coarse	10	15	M10	52	40	18	25.0	20	10	20	0.5	98
R3421.L011	Left	Fine	10	15	M10x1,25	52	40	18	25.0	20	10	20	0.5	98
R3421.L012	Left	Coarse	12	18	M12	62	48	22	30.0	24	12	24	0.5	168
R3421.L013	Left	Fine	12	18	M12x1,25	62	48	22	30.0	24	12	24	0.5	167
R3421.L014	Left	Coarse	14	21	M14	72	56	25	35.0	27	14	27	1.0	247
R3421.L015	Left	Fine	14	21	M14x1,5	72	56	25	35.0	27	14	27	1.0	245
R3421.L016	Left	Coarse	16	24	M16	83	64	30	40.0	32	16	32	1.0	397
R3421.L017	Left	Fine	16	24	M16x1,5	83	64	30	40.0	32	16	32	1.0	395
R3421.L020	Left	Coarse	20	30	M20	105	80	38	50.0	40	20	40	1.0	783
R3421.L021	Left	Fine	20	30	M20x1,5	105	80	38	50.0	40	20	40	1.0	776



R3426



Material

Stainless steel (AISI 303 1.4305).

hand thread see R3427).

clevis joint).

Thin end of mating piece is designed to fit in between forks of clevis joint.

Tips

Standard thread is right hand, (for left

joint, (e.g. M5 mating piece will fit on M5

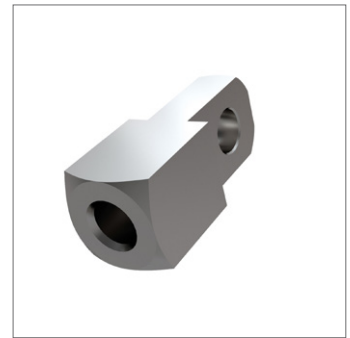
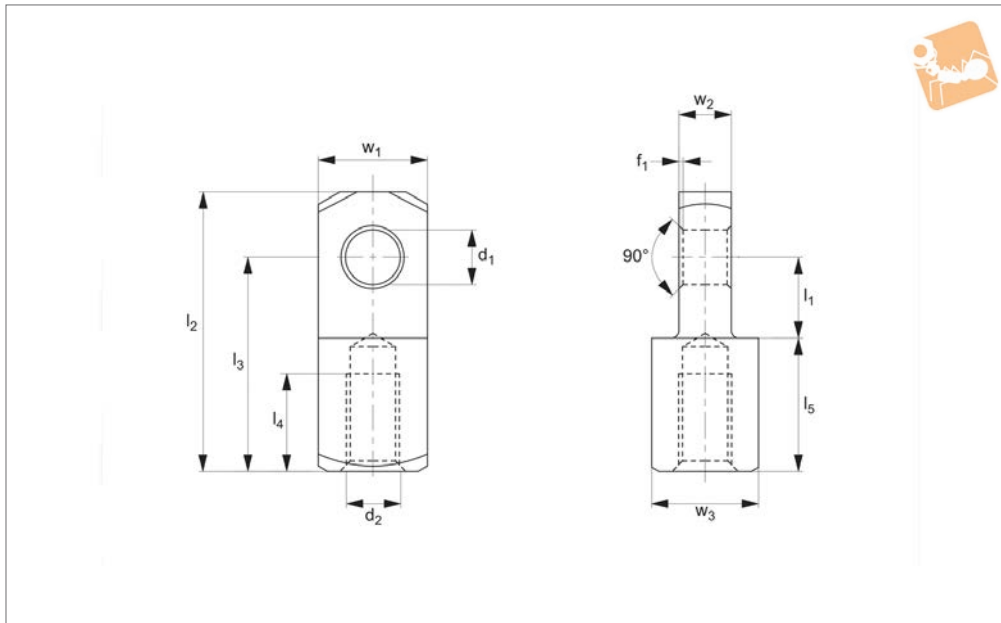
Order No.	Thread hand	Thread type	d ₁ tol. H9	l ₁ ±0.5	d ₂	l ₂ ±0.5	l ₃ ±0.5	l ₄	l ₅ ±0.2	w ₁ tol. h11	w ₂ -0,2	w ₃ tol. h11	f ₁ ±0.2	Weight g
R3426.R004	Right	Coarse	4	6	M4	21	16	6	10.0	8	4	8	0.5	6
R3426.R005	Right	Coarse	5	7.5	M5	26	20	8	12.5	10	5	10	0.5	12
R3426.R006	Right	Coarse	6	9	M6	31	24	11	15.0	12	6	12	0.5	21
R3426.R008	Right	Coarse	8	12	M8	42	32	14	20.0	16	8	16	0.5	51
R3426.R009	Right	Fine	8	12	M8x1	42	32	14	20.0	16	8	16	0.5	51
R3426.R010	Right	Coarse	10	15	M10	52	40	18	25.0	20	10	20	0.5	98
R3426.R011	Right	Fine	10	15	M10x1,25	52	40	18	25.0	20	10	20	0.5	98
R3426.R012	Right	Coarse	12	18	M12	62	48	22	30.0	24	12	24	0.5	168
R3426.R013	Right	Fine	12	18	M12x1,25	62	48	22	30.0	24	12	24	0.5	167
R3426.R014	Right	Coarse	14	21	M14	72	56	25	35.0	27	14	27	1.0	247
R3426.R015	Right	Fine	14	21	M14x1,5	72	56	25	35.0	27	14	27	1.0	245
R3426.R016	Right	Coarse	16	24	M16	83	64	30	40.0	32	16	32	1.0	397
R3426.R017	Right	Fine	16	24	M16x1,5	83	64	30	40.0	32	16	32	1.0	395
R3426.R020	Right	Coarse	20	30	M20	105	80	38	50.0	40	20	40	1.0	783
R3426.R021	Right	Fine	20	30	M20x1,5	105	80	38	50.0	40	20	40	1.0	776



Stainless Mating Piece for Clevis

left hand thread

Clevis Joints & Clips



R3427

CLEVIS JOINTS & CLIPS

Material

Stainless steel (AISI 303 1.4305).

Tips

Thin end of mating piece is designed to fit

in between forks of clevis joint.

Designed so thread size matches clevis joint, (e.g. M5 mating piece will fit on M5 clevis joint).

Order No.	Thread hand	Thread type	d ₁ tol. H9	l ₁ ±0.5	d ₂	l ₂ ±0.5	l ₃ ±0.5	l ₄	l ₅ ±0.2	w ₁ tol. h11	w ₂ -0,2	w ₃ tol. h11	f ₁ ±0.2	Weight g
R3427.L004	Left	Coarse	4	6	M4	21	16	6	10.0	8	4	8	0.5	6
R3427.L005	Left	Coarse	5	7.5	M5	26	20	8	12.5	10	5	10	0.5	12
R3427.L006	Left	Coarse	6	9	M6	31	24	11	15.0	12	6	12	0.5	21
R3427.L008	Left	Coarse	8	12	M8	42	32	14	20.0	16	8	16	0.5	51
R3427.L009	Left	Fine	8	12	M8x1	42	32	14	20.0	16	8	16	0.5	51
R3427.L010	Left	Coarse	10	15	M10	52	40	18	25.0	20	10	20	0.5	98
R3427.L011	Left	Fine	10	15	M10x1,25	52	40	18	25.0	20	10	20	0.5	98
R3427.L012	Left	Coarse	12	18	M12	62	48	22	30.0	24	12	24	0.5	168
R3427.L013	Left	Fine	12	18	M12x1,25	62	48	22	30.0	24	12	24	0.5	167
R3427.L014	Left	Coarse	14	21	M14	72	56	25	35.0	27	14	27	1.0	247
R3427.L015	Left	Fine	14	21	M14x1,5	72	56	25	35.0	27	14	27	1.0	245
R3427.L016	Left	Coarse	16	24	M16	83	64	30	40.0	32	16	32	1.0	397
R3427.L017	Left	Fine	16	24	M16x1,5	83	64	30	40.0	32	16	32	1.0	395
R3427.L020	Left	Coarse	20	30	M20	105	80	38	50.0	40	20	40	1.0	783
R3427.L021	Left	Fine	20	30	M20x1,5	105	80	38	50.0	40	20	40	1.0	776