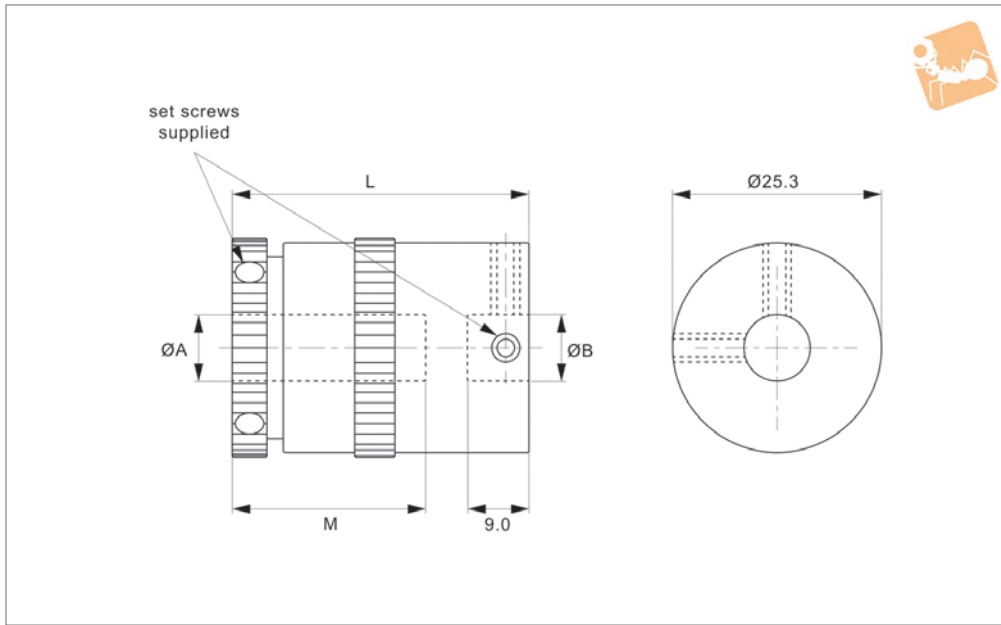
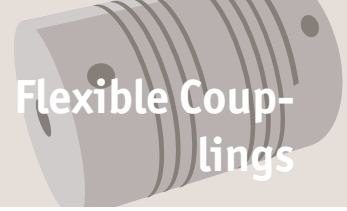




# Slip Couplings

Adjustable 2,4 to 130Ncm

# Flexible Couplings



**R3080**

FLEXIBLE COUPLINGS

**Material**  
Aluminium with alocrom finish.  
Hubs and plates - heat treated steel.

Sintered bronze bearing.

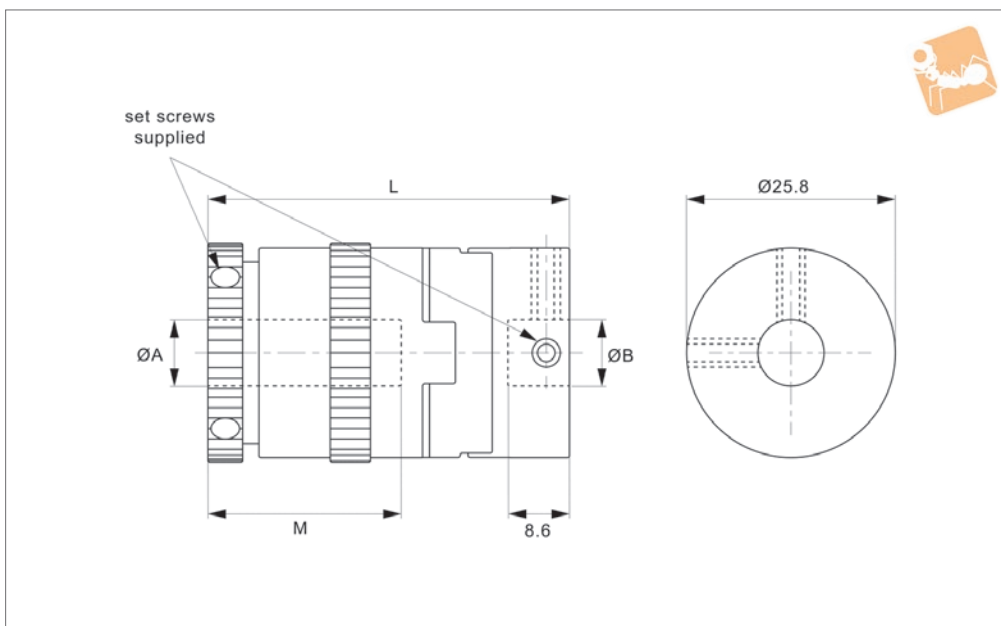
**Technical Notes**  
Bi-directional.

Max. backlash 2°.  
Max. operating temperature +80°C.

Order No.	Type	Ø A +0.03	Ø B +0.03	Adj. torque range Ncm min.	Adj. torque range Ncm max.	I <sub>1</sub>	I <sub>2</sub>
R3080.006-25	Slip	6	6	2.4	53.0	36.0	25
R3080.008-25	Slip	8	8	2.4	53.0	36.0	25
R3080.006-31	Slip	6	6	7.8	132.4	42.5	31
R3080.008-31	Slip	8	8	7.8	132.4	42.5	31



**R3081**



**Material**

Aluminium with alocrom finish.  
Hubs and plates - heat treated steel.

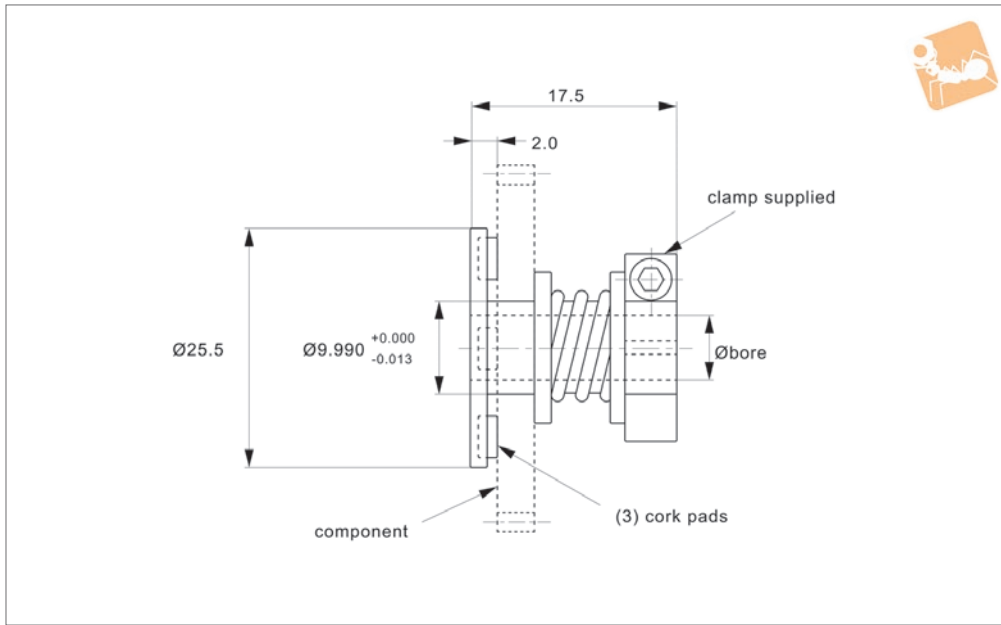
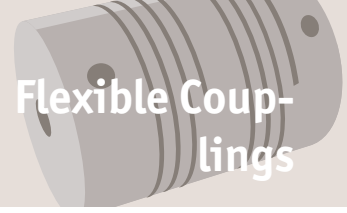
Sintered bronze bearing.

**Technical Notes**  
Bi-directional.

Max. backlash 2°.

Max. operating temperature +80°C.

Order No.	Type	Ø A +0.03	Ø B +0.03	Adj. torque range Ncm min.	Adj. torque range Ncm max.	l	m
R3081.006-25	Oldham Slip	6	6	2.4	53.0	36.0	25
R3081.008-25	Oldham Slip	8	8	2.4	53.0	36.0	25
R3081.006-31	Oldham Slip	6	6	7.8	132.4	42.5	31
R3081.008-31	Oldham Slip	8	8	7.8	132.4	42.5	31



## R3092

FLEXIBLE COUPLINGS

### Material

Stainless steel DIN 1,4305.

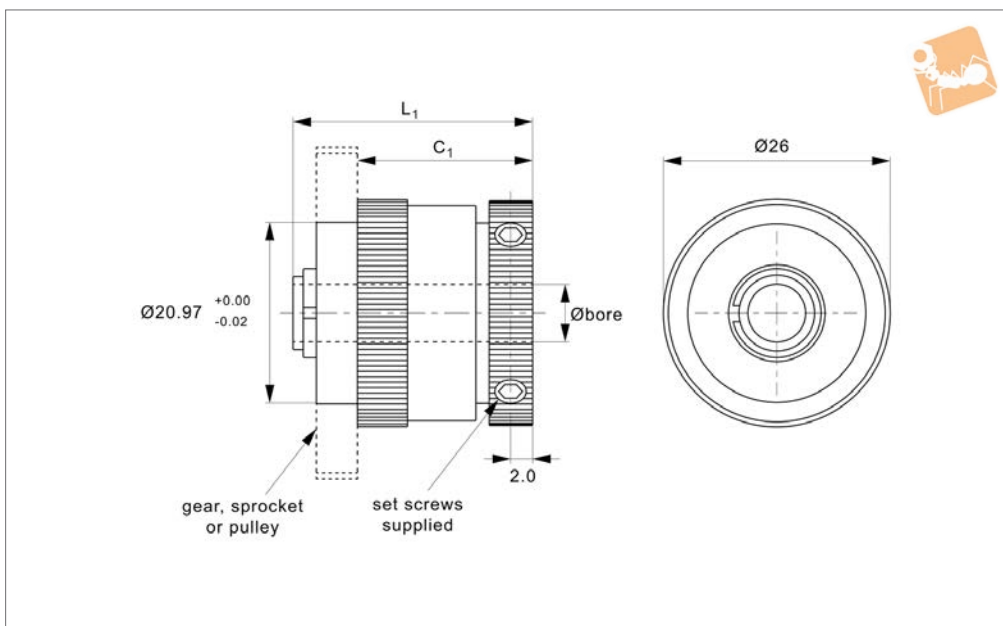
### Technical Notes

Adjustable by varying spring force.

Order No.	Bore dia. +0.013	Component thickness	Adjustable slip torque Ncm
R3092.004	3.995	1,5 to 3,0	1,5 (0 to 10); 3,0 (3 to 20)
R3092.005	4.995	1,5 to 3,0	1,5 (0 to 10); 3,0 (3 to 20)
R3092.006	5.995	1,5 to 3,0	1,5 (0 to 10); 3,0 (3 to 20)



## R3093

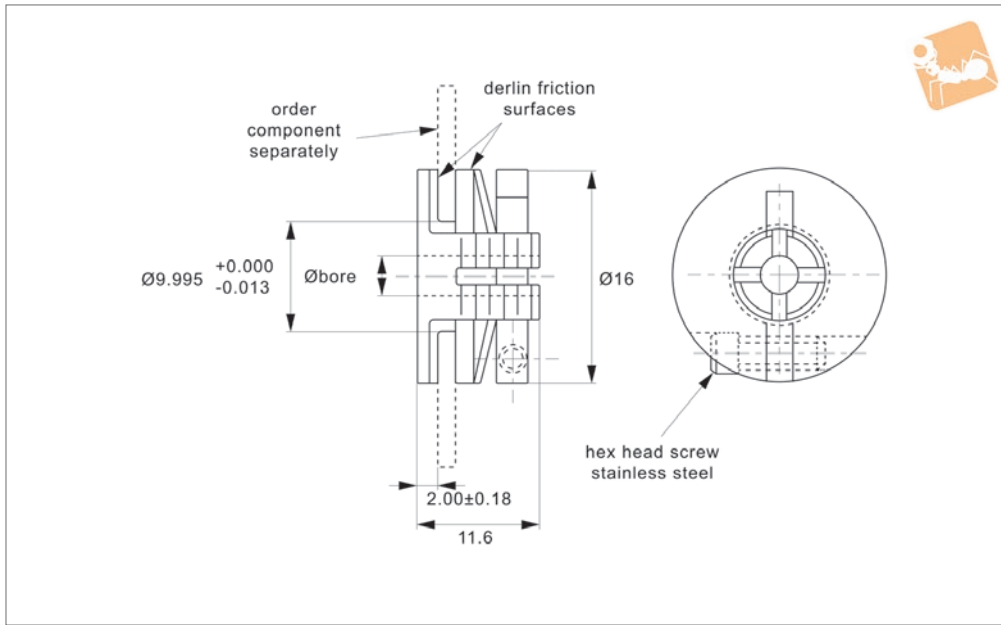


**Material**  
Aluminium housing, adjuster ring and adapters.  
Hub and plates - steel.

Sintered bronze bearing.  
**Technical Notes**  
Maximum backlash  $2^\circ$ , bi-directional.

Fine knurled torque adjustment rings.  
Max. operating temperature  $80^\circ\text{C}$ .

Order No.	$d_1$ $+0.03$	$l_1$	$l_2$	Torque range Ncm min.	Torque range Ncm max.
R3093.006-020	6.00	26.4	20.0	2.5	53.5
R3093.008-020	8.00	26.4	20.0	2.5	53.5
R3093.006-026	6.00	32.4	25.6	7.8	132.0
R3093.008-026	8.00	32.4	25.6	7.8	132.0



**R3095.1**

FLEXIBLE COUPLINGS

**Material**

Anodized aluminium.

**Tips**

Special bore sizes available on request.

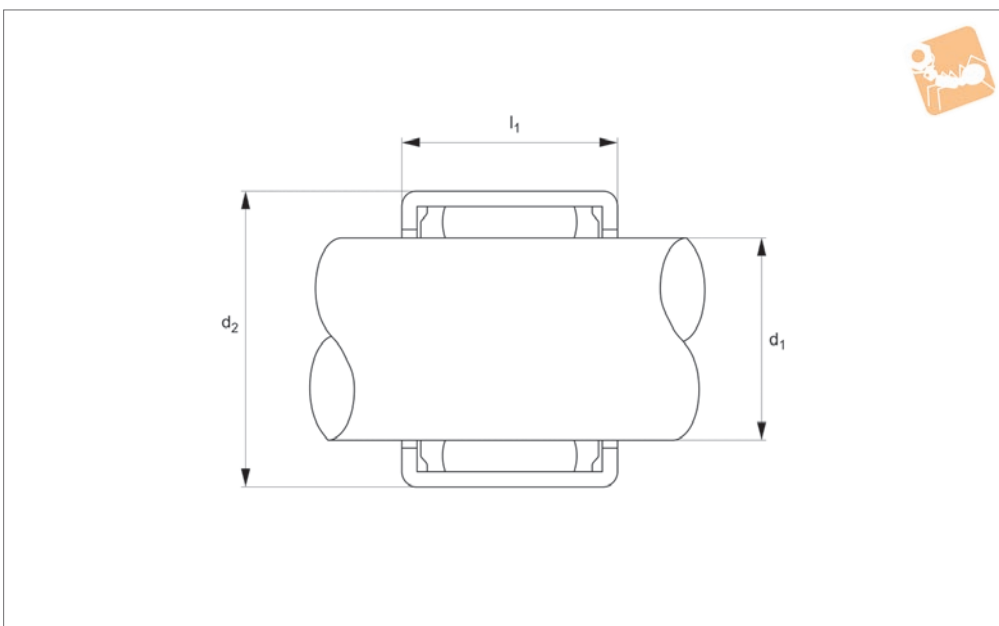
**Technical Notes**

Adjustable by varying spring force.

Order No.	Component thickness	d <sub>1</sub>
R3095.004	1,5 to 3,0	+0.005 3.995
R3095.005	1,5 to 3,0	4.995



## R3098.1



### Material

Case hardened steel roller cup. Needle bearings hardened chrome steel.  
Springs - stainless. Cage - nylon 66. Drawn cup design.

### Technical Notes

Free rolling one way, drives in opposite direction, minimum backlash.  
Max. operating temperature 70°C (plastic spring). Temperature range -45°C to +70°C

(grease).

### Tips

For shaft tolerance h6.

Order No.	$d_1$	$d_2$	$l_2$ +0.000 -0.008	Housing diameter N7 steel R7 al.	Overrun speed rpm max.	Torque Ncm max.
R3098.004	4	8.00	6.00	8.00	17000	0.34
R3098.006	6	10.00	12.00	10.00	23060	1.76
R3098.008	8	12.00	12.00	12.00	17000	3.15
R3098.010	10	14.00	12.00	14.00	14000	5.30
R3098.012	12	18.00	16.00	18.00	11000	12.20
R3098.020	20	26.00	16.00	26.00	7000	28.50

