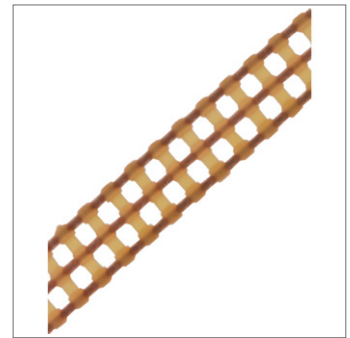
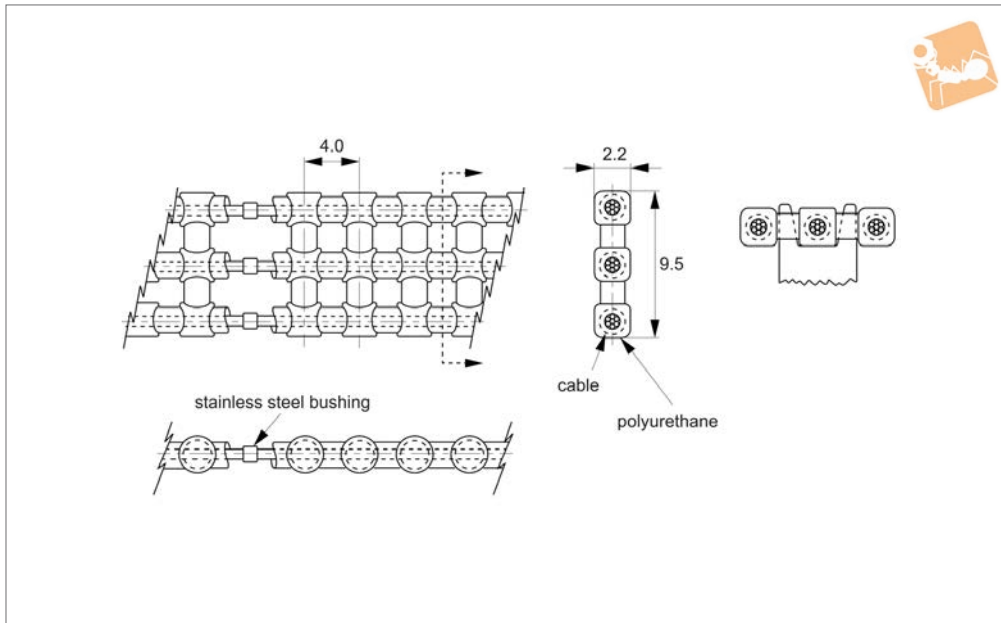




Dual Chains

4mm nominal circular pitch

Chains, Belts & Pulleys



R1040

CHAINS, BELTS & PULLEYS

Material

Triple 0,8mm Ø stainless steel cable encased in polyurethane (brown). This series is not available with aramid core configuration.

Technical Notes

Infinite lengths, silent drive, mass 20 grams/metre, non-magnetic, positive drive, zero backlash, no lubrication, 90A

Durometer.

Ultimate tensile strength 533N-133N/PIN when belt is used in open loop configuration (without splice, no crimp bushings). Temperature range +80°C to -25°C, recommended operating load 133N. Recommended max. operating speed 1,91m/s.

Tips

Reduce operating load rating by 50% for self splices
Self splice kit available (order no. R1010. SSK).

Important Notes

Operates with R1042 and R1043 series sprockets.

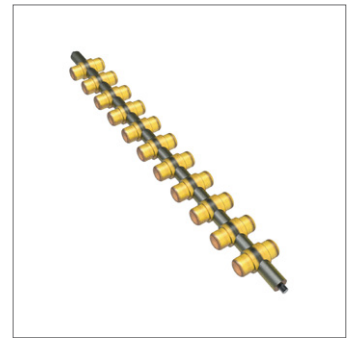
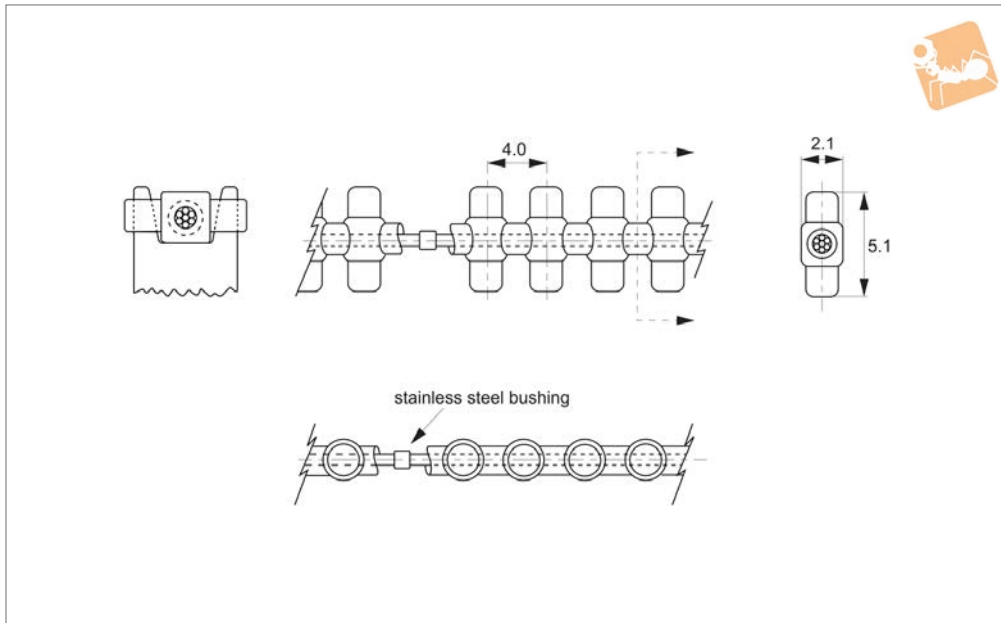
Order No.	No. of pitches	Length ref.
R1040.D030	30	120.0
R1040.D035	35	140.0
R1040.D040	40	160.0
R1040.D045	45	180.0
R1040.D050	50	200.0
R1040.D055	55	220.0
R1040.D060	60	240.0
R1040.D070	70	280.0
R1040.D080	80	320.0
R1040.D090	90	360.0
R1040.D100	100	400.0
R1040.D110	110	440.0
R1040.D120	120	480.0
R1040.D130	130	520.0
R1040.D140	140	560.0
R1040.D150	150	600.0
R1040.D160	160	640.0
R1040.D170	170	680.0
R1040.D180	180	720.0
R1040.D190	190	760.0
R1040.D200	200	800.0
R1040.D210	210	840.0
R1040.D220	220	880.0
R1040.D230	230	920.0
R1040.D240	240	960.0
R1040.D250	250	1000.0
R1040.D260	260	1040.0
R1040.D270	270	1080.0

Dual Chains

4mm nominal circular pitch



Order No.	No. of pitches	Length ref.
R1040.D280	280	1120.0
R1040.D290	290	1160.0
R1040.D300	300	1200.0
R1040.D310	310	1240.0
R1040.D320	320	1280.0
R1040.D330	330	1320.0
R1040.D340	340	1360.0
R1040.D350	350	1520.0
R1040.D370	370	1600.0
R1040.D400	400	1680.0
R1040.D440	440	1760.0
R1040-1.5M	-	1,5 metres not spliced
R1040-3.0M	-	3,0 metres not spliced
R1040-7.5M	-	7,5 metres not spliced
R1040-15M	-	15,0 metres not spliced
R1040-30M	-	30,0 metres not spliced



R1040.1

CHAINS, BELTS & PULLEYS

Material

Single 0,8mm Ø stainless steel cable encased in polyurethane (yellow).

This series is not available with aramid core configuration.

Technical Notes

Zero backlash.
Odd angles.
Mass 11 grams/metre.

Silent drive.
No lubrication.
Infinite lengths.
90A Durometer.
Positive drive.
Ultimate tensile strength 222N-40N/PIN when belt is used in open loop configuration (without splice, no crimp bushing).
Temperature range +82°C to -26°C.
Recommended operating load 53N.

Recommended max operating speed 1,91 m/s.

Tips

Reduce operating load rating by 50% for field splices.
Self splice kit available R1040.SSK.

Important Notes

Operate with R1040 series chain.

Order No.	No. of pitches	Length ref.
R1040.S030	30	120.0
R1040.S035	35	140.0
R1040.S040	40	160.0
R1040.S045	45	180.0
R1040.S050	50	200.0
R1040.S055	55	220.0
R1040.S060	60	240.0
R1040.S070	70	280.0
R1040.S080	80	320.0
R1040.S090	90	360.0
R1040.S100	100	400.0
R1040.S110	110	440.0
R1040.S120	120	480.0
R1040.S130	130	520.0
R1040.S140	140	560.0
R1040.S150	150	600.0
R1040.S160	160	640.0
R1040.S170	170	680.0
R1040.S180	180	720.0
R1040.S190	190	760.0
R1040.S200	200	800.0
R1040.S210	210	840.0
R1040.S220	220	880.0
R1040.S230	230	920.0
R1040.S240	240	960.0
R1040.S250	250	1000.0
R1040.S260	260	1040.0

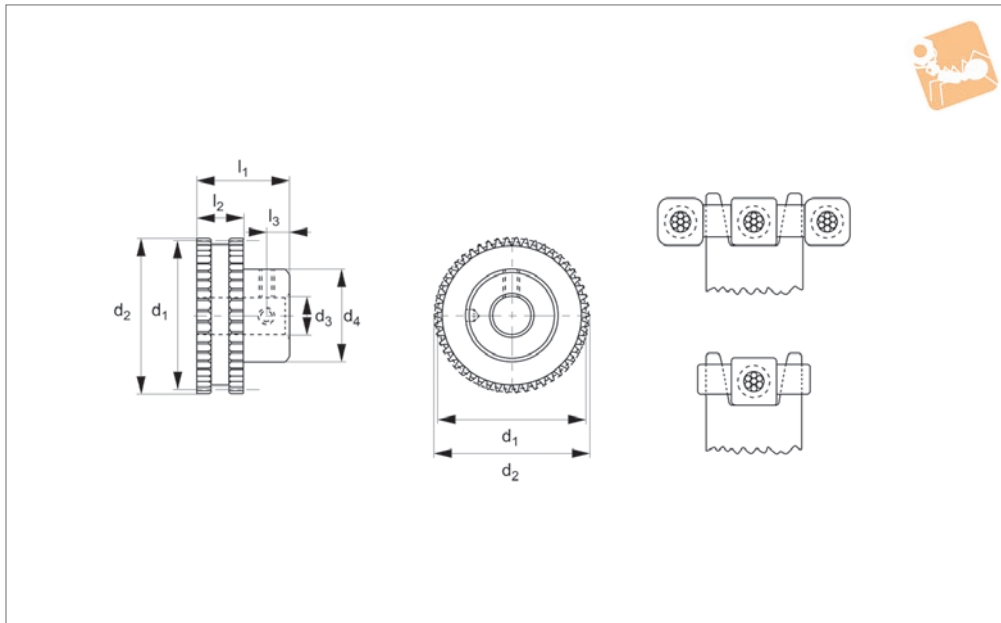


Order No.	No. of pitches	Length ref.
R1040.S270	270	1080.0
R1040.S280	280	1120.0
R1040.S290	290	1160.0
R1040.S300	300	1200.0
R1040.S310	310	1240.0
R1040.S320	320	1280.0
R1040.S330	330	1320.0
R1040.S340	340	1360.0
R1040.S350	350	1520.0
R1040.S370	370	1600.0
R1040.S400	400	1680.0
R1040.S440	440	1760.0
R1040.1.5M	-	1,5 metres not spliced
R1040.3.0M	-	3,0 metres not spliced
R1040.7.5M	-	7,5 metres not spliced
R1040.15M	-	15,0 metres not spliced
R1040.30M	-	30,0 metres not spliced



Double Sprockets

4mm nominal circular pitch



R1042

CHAINS, BELTS & PULLEYS

Material

Aluminium DIN 3,1355 anodized.

Technical Notes

¹ Sprockets with Ø19.0 PD and smaller are

recommended for idler use only.

² For 12-14 teeth, hub diameter equals 12,9.

Other no.'s of teeth available on request.

Stainless steel equivalent available.

Important Notes

Operate with R1040 and R1041 series chain.

Order No.	Bore dia.	No. of teeth	Pitch diameter	Outside dia.
R1042.012-04-AL	Ø4	12 ^{1,2}	15.33	16.79
R1042.013-04-AL	Ø4	13 ^{1,2}	16.49	18.06
R1042.014-04-AL	Ø4	14 ^{1,2}	17.76	19.33
R1042.015-04-AL	Ø4	15 ¹	19.02	20.57
R1042.016-04-AL	Ø4	16	20.29	21.87
R1042.017-04-AL	Ø4	17	21.56	23.11
R1042.018-04-AL	Ø4	18	22.83	24.38
R1042.019-04-AL	Ø4	19	24.10	25.65
R1042.020-04-AL	Ø4	20	25.37	26.92
R1042.022-04-AL	Ø4	22	27.90	29.46
R1042.024-04-AL	Ø4	24	30.44	32.00
R1042.025-04-AL	Ø4	25	31.71	33.27
R1042.026-04-AL	Ø4	26	32.98	34.54
R1042.028-04-AL	Ø4	28	35.51	37.08
R1042.030-04-AL	Ø4	30	38.05	39.62
R1042.032-04-AL	Ø4	32	40.59	42.16
R1042.035-04-AL	Ø4	35	44.39	45.95
R1042.036-04-AL	Ø4	36	45.66	47.22
R1042.040-04-AL	Ø4	40	50.73	52.30
R1042.045-04-AL	Ø4	45	57.08	58.65
R1042.050-04-AL	Ø4	50	63.42	64.97
R1042.055-04-AL	Ø4	55	69.76	71.32
R1042.060-04-AL	Ø4	60	76.10	77.67
R1042.065-04-AL	Ø4	65	82.44	84.00
R1042.070-04-AL	Ø4	70	88.79	90.35
R1042.075-04-AL	Ø4	75	95.13	96.70
R1042.080-04-AL	Ø4	80	101.47	103.20
R1042.012-06-AL	Ø6	12 ^{1,2}	15.33	16.79
R1042.013-06-AL	Ø6	13 ^{1,2}	16.49	18.06
R1042.014-06-AL	Ø6	14 ^{1,2}	17.76	19.33
R1042.015-06-AL	Ø6	15 ¹	19.02	20.57
R1042.016-06-AL	Ø6	16	20.29	21.87
R1042.017-06-AL	Ø6	17	21.56	23.11
R1042.018-06-AL	Ø6	18	22.83	24.38



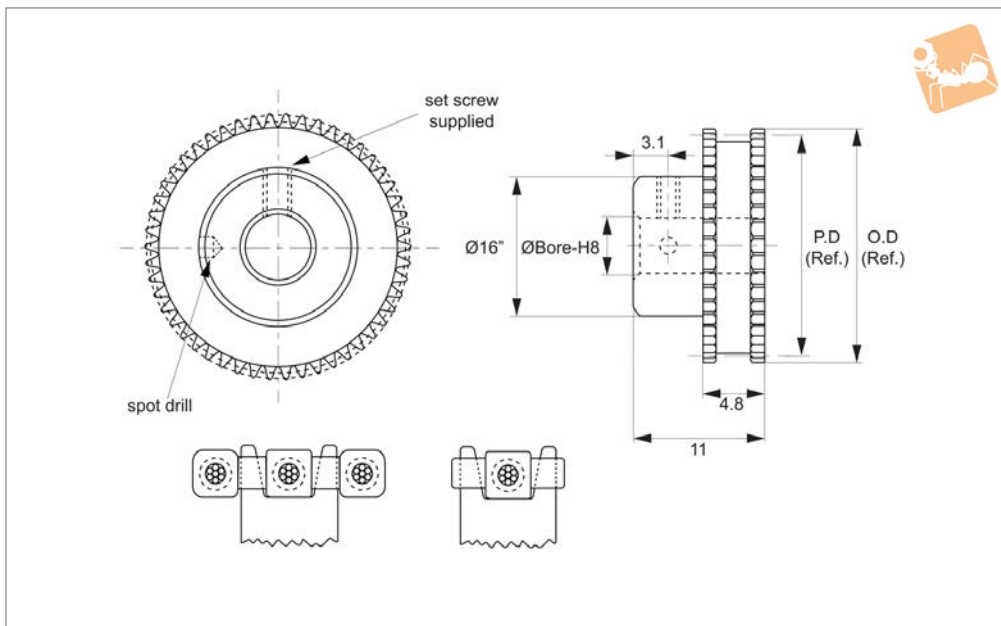
Order No.	Bore dia.	No. of teeth	Pitch diameter	Outside dia.
R1042.019-06-AL	Ø6	19	24.10	25.65
R1042.020-06-AL	Ø6	20	25.37	26.92
R1042.022-06-AL	Ø6	22	27.90	29.46
R1042.024-06-AL	Ø6	24	30.44	32.00
R1042.025-06-AL	Ø6	25	31.71	33.27
R1042.026-06-AL	Ø6	26	32.98	34.54
R1042.028-06-AL	Ø6	28	35.51	37.08
R1042.030-06-AL	Ø6	30	38.05	39.62
R1042.032-06-AL	Ø6	32	40.59	42.16
R1042.035-06-AL	Ø6	35	44.39	45.95
R1042.036-06-AL	Ø6	36	45.66	47.22
R1042.040-06-AL	Ø6	40	50.73	52.30
R1042.012-08-AL	Ø8	12 ¹²	15.33	16.79
R1042.013-08-AL	Ø8	13 ¹²	16.49	18.06
R1042.014-08-AL	Ø8	14 ¹²	17.76	19.33
R1042.015-08-AL	Ø8	15 ¹	19.02	20.57
R1042.016-08-AL	Ø8	16	20.29	21.87
R1042.017-08-AL	Ø8	17	21.56	23.11
R1042.018-08-AL	Ø8	18	22.83	24.38
R1042.019-08-AL	Ø8	19	24.10	25.65
R1042.020-08-AL	Ø8	20	25.37	26.92
R1042.022-08-AL	Ø8	22	27.90	29.46
R1042.024-08-AL	Ø8	24	30.44	32.00
R1042.025-08-AL	Ø8	25	31.71	33.27
R1042.026-08-AL	Ø8	26	32.98	34.54
R1042.028-08-AL	Ø8	28	35.51	37.08
R1042.030-08-AL	Ø8	30	38.05	39.62
R1042.032-08-AL	Ø8	32	40.59	42.16
R1042.035-08-AL	Ø8	35	44.39	45.95
R1042.036-08-AL	Ø8	36	45.66	47.22
R1042.040-08-AL	Ø8	40	50.73	52.30
R1042.045-08-AL	Ø8	45	57.08	58.65
R1042.050-08-AL	Ø8	50	63.42	64.97
R1042.055-08-AL	Ø8	55	69.76	71.32
R1042.060-08-AL	Ø8	60	76.10	77.67
R1042.065-08-AL	Ø8	65	82.44	84.00
R1042.070-08-AL	Ø8	70	88.79	90.35
R1042.075-08-AL	Ø8	75	95.13	96.70
R1042.080-08-AL	Ø8	80	101.47	103.20
R1042.045-06-AL	Ø6	45	57.08	58.65
R1042.050-06-AL	Ø6	50	63.42	64.97
R1042.055-06-AL	Ø6	55	69.76	71.32
R1042.060-06-AL	Ø6	60	76.10	77.67
R1042.065-06-AL	Ø6	65	82.44	84.00
R1042.070-06-AL	Ø6	70	88.79	90.35
R1042.075-06-AL	Ø6	75	95.13	96.70
R1042.080-06-AL	Ø6	80	101.47	103.20



Double Sprockets

4mm nominal circular pitch

Chains, Belts & Pulleys



R1040.3

CHAINS, BELTS & PULLEYS

Material

Aluminium DIN 3,1355 anodized.

recommended for idler use only.

² for 12-14 teeth, hub diameter equals 12,9.

Other no.'s of teeth available on request.

Stainless steel equivalent available.

Important Notes

Operate with R1040 series chain.

Technical Notes

¹ sprockets with Ø19.0 PD and smaller are

Order No.	Bore dia.	No. of teeth	Pitch diameter	Outside dia.
R1040.012-08-AL	Ø8	12 ^{1,2}	15.33	16.79
R1040.013-08-AL	Ø8	13 ^{1,2}	16.49	18.06
R1040.014-08-AL	Ø8	14 ^{1,2}	17.76	19.33
R1040.015-08-AL	Ø8	15 ¹	19.02	20.57
R1040.016-08-AL	Ø8	16	20.29	21.87
R1040.017-08-AL	Ø8	17	21.56	23.11
R1040.018-08-AL	Ø8	18	22.83	24.38
R1040.019-08-AL	Ø8	19	24.10	25.65
R1040.020-08-AL	Ø8	20	25.37	26.92
R1040.022-08-AL	Ø8	22	27.90	29.46
R1040.024-08-AL	Ø8	24	30.44	32.00
R1040.025-08-AL	Ø8	25	31.71	33.27
R1040.026-08-AL	Ø8	26	32.98	34.54
R1040.028-08-AL	Ø8	28	35.51	37.08
R1040.030-08-AL	Ø8	30	38.05	39.62
R1040.032-08-AL	Ø8	32	40.59	42.16
R1040.035-08-AL	Ø8	35	44.39	45.95
R1040.036-08-AL	Ø8	36	45.66	47.22
R1040.040-08-AL	Ø8	40	50.73	52.30
R1040.045-08-AL	Ø8	45	57.08	58.65
R1040.050-08-AL	Ø8	50	63.42	64.97
R1040.055-08-AL	Ø8	55	69.76	71.32
R1040.060-08-AL	Ø8	60	76.10	77.67
R1040.065-08-AL	Ø8	65	82.44	84.00
R1040.070-08-AL	Ø8	70	88.79	90.35
R1040.075-08-AL	Ø8	75	95.13	96.70
R1040.080-08-AL	Ø8	80	101.47	103.20
R1040.045-06-AL	Ø6	45	57.08	58.65
R1040.050-06-AL	Ø6	50	63.42	64.97
R1040.055-06-AL	Ø6	55	69.76	71.32
R1040.060-06-AL	Ø6	60	76.10	77.67
R1040.065-06-AL	Ø6	65	82.44	84.00
R1040.070-06-AL	Ø6	70	88.79	90.35
R1040.075-06-AL	Ø6	75	95.13	96.70

Double Sprockets

4mm nominal circular pitch



Order No.
R1040.080-06-AL

Bore dia.
Ø6

No. of teeth
80

Pitch diameter
101.47

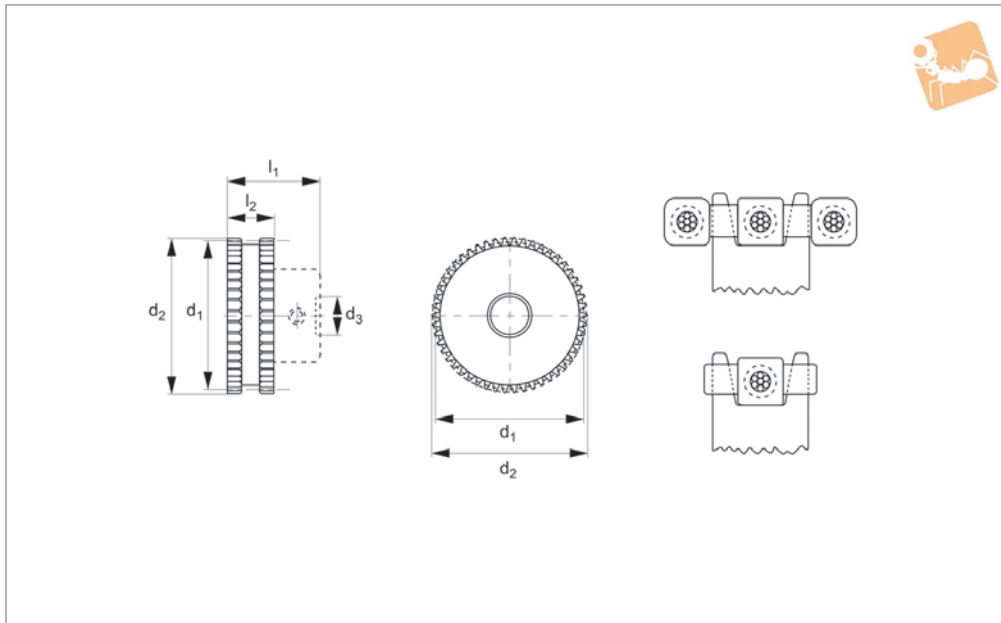
Outside dia.
103.20



Hubless Double Sprockets

4mm nominal circular pitch

Chains, Belts & Pulleys



R1043

CHAINS, BELTS & PULLEYS

Material

Aluminium DIN 3,1355 anodized.

recommended for idler use only.

Other no.'s of teeth available on request.

Stainless steel equivalent available.

Important Notes

Operate with R1040 and R1041 series chain.

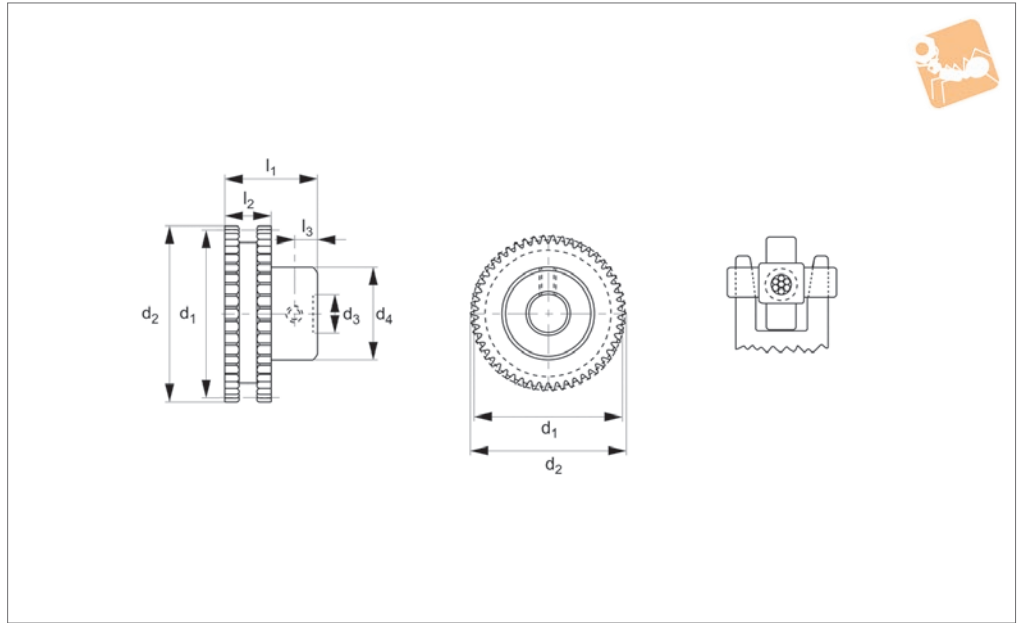
Technical Notes

¹ Sprockets with Ø19,0 PD and smaller are

Order No.	No. of teeth	Pitch diameter	Outside dia.
R1043.014-HL	14 ¹	17.76	19.33
R1043.015-HL	15 ¹	19.02	20.57
R1043.016-HL	16	20.29	21.87
R1043.017-HL	17	21.56	23.11
R1043.018-HL	18	22.83	24.38
R1043.019-HL	19	24.10	25.65
R1043.020-HL	20	25.37	26.92
R1043.022-HL	22	27.90	29.46
R1043.024-HL	24	30.44	32.00
R1043.025-HL	25	31.71	33.27
R1043.026-HL	26	32.98	34.54
R1043.028-HL	28	35.51	37.08
R1043.030-HL	30	38.05	39.62
R1043.032-HL	32	40.59	42.16
R1043.035-HL	35	44.39	45.95
R1043.036-HL	36	45.66	47.22
R1043.040-HL	40	50.73	52.30
R1043.045-HL	45	57.08	58.65
R1043.050-HL	50	63.42	64.97
R1043.055-HL	55	69.76	71.32
R1043.060-HL	60	76.10	77.67
R1043.065-HL	65	82.44	84.00
R1043.070-HL	70	88.79	90.35
R1043.075-HL	75	95.13	96.70
R1043.080-HL	80	101.47	103.02



R1051



Material

Aluminium DIN 3,1355 anodized.

recommended for idler use only.

² For 12-16 teeth, hub diameter equals 10,0.

Other no's of teeth available on request.

Stainless steel version also available.

Important Notes

Operate with R1050 series chain.

Technical Notes

¹ Sprockets with Ø19,0 PD and smaller are

Order No.	Bore dia.	No. of teeth	Pitch dia.	Outside dia.
R1051.012-04-AL	Ø4	12 ^{1 2}	15.22	16.80
R1051.013-04-AL	Ø4	13 ^{1 2}	16.49	18.07
R1051.014-04-AL	Ø4	14 ^{1 2}	17.76	19.34
R1051.015-04-AL	Ø4	15 ^{1 2}	19.03	20.61
R1051.016-04-AL	Ø4	16 ²	20.29	21.87
R1051.017-04-AL	Ø4	17	21.56	23.14
R1051.018-04-AL	Ø4	18	22.83	24.41
R1051.019-04-AL	Ø4	19	24.10	25.68
R1051.020-04-AL	Ø4	20	25.37	26.95
R1051.022-04-AL	Ø4	22	27.90	29.48
R1051.024-04-AL	Ø4	24	30.44	32.02
R1051.025-04-AL	Ø4	25	31.71	33.26
R1051.026-04-AL	Ø4	26	32.98	34.56
R1051.028-04-AL	Ø4	28	35.51	37.09
R1051.030-04-AL	Ø4	30	38.05	39.63
R1051.032-04-AL	Ø4	32	40.59	42.17
R1051.035-04-AL	Ø4	35	44.39	45.97
R1051.036-04-AL	Ø4	36	45.66	47.24
R1051.040-04-AL	Ø4	40	50.47	52.32
R1051.045-04-AL	Ø4	45	57.10	58.66
R1051.050-04-AL	Ø4	50	63.42	65.00
R1051.055-04-AL	Ø4	55	69.76	71.34
R1051.060-04-AL	Ø4	60	76.10	77.68
R1051.065-04-AL	Ø4	65	82.45	84.02
R1051.070-04-AL	Ø4	70	88.79	90.37
R1051.075-04-AL	Ø4	75	95.13	96.71
R1051.080-04-AL	Ø4	80	101.47	103.05
R1051.012-06-AL	Ø6	12 ^{1 2}	15.22	16.80
R1051.013-06-AL	Ø6	13 ^{1 2}	16.49	18.07
R1051.014-06-AL	Ø6	14 ^{1 2}	17.76	19.34
R1051.015-06-AL	Ø6	15 ^{1 2}	19.03	20.61
R1051.016-06-AL	Ø6	16 ²	20.29	21.87
R1051.017-06-AL	Ø6	17	21.56	23.14
R1051.018-06-AL	Ø6	18	22.83	24.41



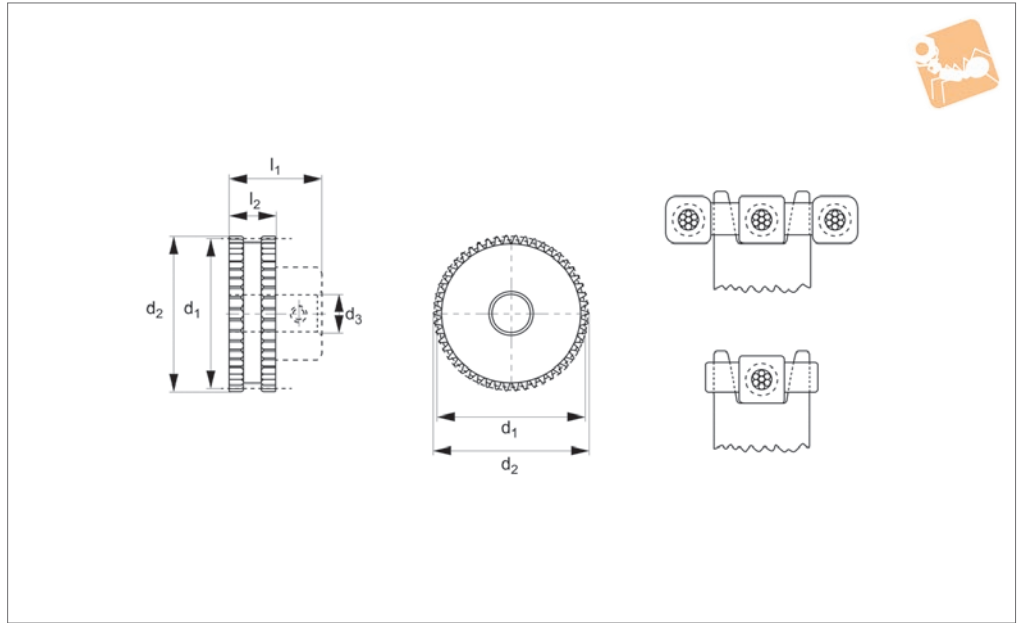
3-D Pulleys, aluminium, pin hub 4mm nominal circular pitch

Chains, Belts &
Pulleys

Order No.	Bore dia.	No. of teeth	Pitch dia.	Outside dia.
R1051.019-06-AL	Ø6	19	24.10	25.68
R1051.020-06-AL	Ø6	20	25.37	26.95
R1051.022-06-AL	Ø6	22	27.90	29.48
R1051.024-06-AL	Ø6	24	30.44	32.02
R1051.025-06-AL	Ø6	25	31.71	33.26
R1051.026-06-AL	Ø6	26	32.98	34.56
R1051.028-06-AL	Ø6	28	35.51	37.09
R1051.030-06-AL	Ø6	30	38.05	39.63
R1051.032-06-AL	Ø6	32	40.59	42.17
R1051.035-06-AL	Ø6	35	44.39	45.97
R1051.036-06-AL	Ø6	36	45.66	47.24
R1051.040-06-AL	Ø6	40	50.47	52.32
R1051.045-06-AL	Ø6	45	57.10	58.66
R1051.050-06-AL	Ø6	50	63.42	65.00
R1051.055-06-AL	Ø6	55	69.76	71.34
R1051.060-06-AL	Ø6	60	76.10	77.68
R1051.065-06-AL	Ø6	65	82.45	84.02
R1051.070-06-AL	Ø6	70	88.79	90.37
R1051.075-06-AL	Ø6	75	95.13	96.71
R1051.080-06-AL	Ø6	80	101.47	103.05
R1051.012-08-AL	Ø8	12 ^{1 2}	15.22	16.80
R1051.013-08-AL	Ø8	13 ^{1 2}	16.49	18.07
R1051.014-08-AL	Ø8	14 ^{1 2}	17.76	19.34
R1051.015-08-AL	Ø8	15 ^{1 2}	19.03	20.61
R1051.016-08-AL	Ø8	16 ²	20.29	21.87
R1051.017-08-AL	Ø8	17	21.56	23.14
R1051.018-08-AL	Ø8	18	22.83	24.41
R1051.019-08-AL	Ø8	19	24.10	25.68
R1051.020-08-AL	Ø8	20	25.37	26.95
R1051.022-08-AL	Ø8	22	27.90	29.48
R1051.024-08-AL	Ø8	24	30.44	32.02
R1051.025-08-AL	Ø8	25	31.71	33.26
R1051.026-08-AL	Ø8	26	32.98	34.56
R1051.028-08-AL	Ø8	28	35.51	37.09
R1051.030-08-AL	Ø8	30	38.05	39.63
R1051.032-08-AL	Ø8	32	40.59	42.17
R1051.035-08-AL	Ø8	35	44.39	45.97
R1051.036-08-AL	Ø8	36	45.66	47.24
R1051.040-08-AL	Ø8	40	50.47	52.32
R1051.045-08-AL	Ø8	45	57.10	58.66
R1051.050-08-AL	Ø8	50	63.42	65.00
R1051.055-08-AL	Ø8	55	69.76	71.34
R1051.060-08-AL	Ø8	60	76.10	77.68
R1051.065-08-AL	Ø8	65	82.45	84.02
R1051.070-08-AL	Ø8	70	88.79	90.37
R1051.075-08-AL	Ø8	75	95.13	96.71
R1051.080-08-AL	Ø8	80	101.47	103.05



R1052



Material

Aluminium DIN 3,1355 anodized.

Stainless steel equivalent available.

Technical Notes

Other no's of teeth available on request.

Important Notes

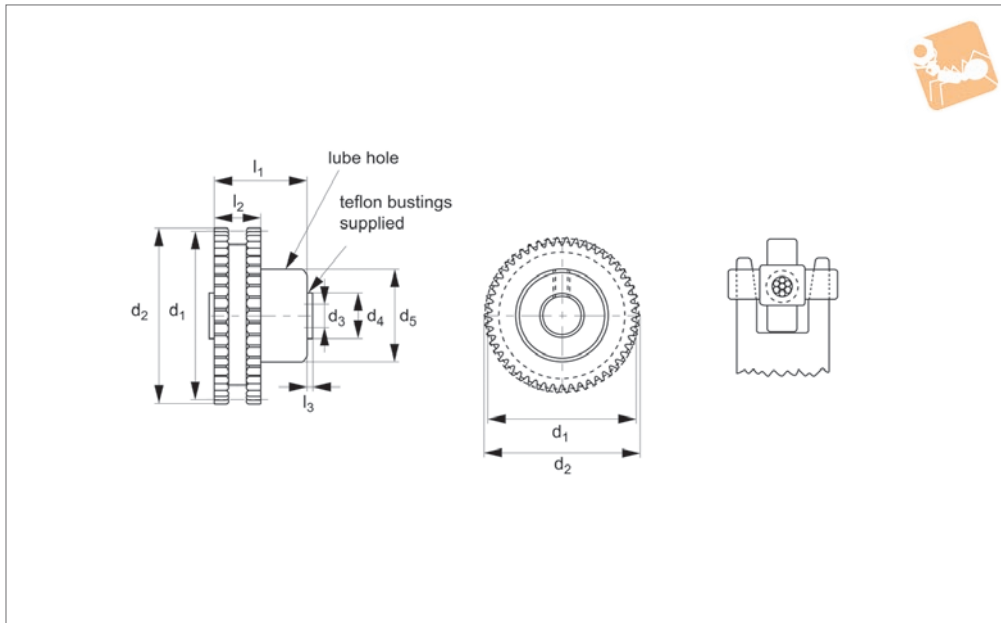
Operate with R1050 series chain.

Order No.	No. of teeth	Pitch dia.	Outside dia.
R1052.A014-H	14	17.76	19.34
R1052.A015-H	15	19.03	20.61
R1052.A016-H	16	20.29	21.87
R1052.A017-H	17	21.56	23.14
R1052.A018-H	18	22.83	24.41
R1052.A019-H	19	24.10	25.68
R1052.A020-H	20	25.37	26.95
R1052.A022-H	22	27.90	29.48
R1052.A024-H	24	30.44	32.02
R1052.A025-H	25	31.71	33.26
R1052.A026-H	26	32.98	34.56
R1052.A028-H	28	35.51	37.09
R1052.A030-H	30	38.05	39.63
R1052.A032-H	32	40.59	42.17
R1052.A035-H	35	44.39	45.97
R1052.A036-H	36	45.66	47.24
R1052.A040-H	40	50.47	52.32
R1052.A045-H	45	57.10	58.66
R1052.A050-H	50	63.41	65.00
R1052.A055-H	55	69.76	71.34
R1052.A060-H	60	76.10	77.68
R1052.A065-H	65	82.45	84.02
R1052.A070-H	70	88.79	90.37
R1052.A075-H	75	95.13	96.71
R1052.A080-H	80	101.47	103.05



Idler 3-D Pulleys - aluminium, pin

4mm nominal circular pitch



R1053

Material

Aluminium pulley with teflon bushings.

Technical Notes

d2 for Ø4 = 8mm

d2 for Ø6 = 12mm

d2 for Ø8 = 16mm

Other no's of teeth are available on

request.

Important Notes

Operate with R1050 series chain.

Order No.	Bore dia.	No. of teeth	Pitch dia.	Outside dia.
R1053.030-04-PH	Ø4	30	38.05	39.62
R1053.025-04-PH	Ø4	25	31.71	33.27
R1053.026-04-PH	Ø4	26	32.98	34.54
R1053.028-04-PH	Ø4	28	35.51	37.08
R1053.032-04-PH	Ø4	32	40.59	40.64
R1053.034-04-PH	Ø4	34	43.13	44.70
R1053.035-04-PH	Ø4	35	44.39	45.95
R1053.036-04-PH	Ø4	36	45.66	47.22
R1053.038-04-PH	Ø4	38	48.20	49.78
R1053.040-04-PH	Ø4	40	50.74	52.30
R1053.045-04-PH	Ø4	45	57.08	58.65
R1053.050-04-PH	Ø4	50	63.42	64.97
R1053.055-04-PH	Ø4	55	69.76	71.12
R1053.060-04-PH	Ø4	60	76.10	77.67
R1053.065-04-PH	Ø4	65	82.45	84.02
R1053.070-04-PH	Ø4	70	88.79	90.37
R1053.075-04-PH	Ø4	75	95.13	96.70
R1053.080-04-PH	Ø4	80	101.47	103.05
R1053.025-06-PH	Ø6	25	31.71	33.27
R1053.026-06-PH	Ø6	26	32.98	34.54
R1053.028-06-PH	Ø6	28	35.51	37.08
R1053.030-06-PH	Ø6	30	38.05	39.62
R1053.032-06-PH	Ø6	32	40.59	40.64
R1053.034-06-PH	Ø6	34	43.13	44.70
R1053.035-06-PH	Ø6	35	44.39	45.95
R1053.036-06-PH	Ø6	36	45.66	47.22
R1053.038-06-PH	Ø6	38	48.20	49.78
R1053.040-06-PH	Ø6	40	50.74	52.30
R1053.045-06-PH	Ø6	45	57.08	58.65
R1053.050-06-PH	Ø6	50	63.42	64.97
R1053.055-06-PH	Ø6	55	69.76	71.12
R1053.060-06-PH	Ø6	60	76.10	77.67
R1053.065-06-PH	Ø6	65	82.45	84.02
R1053.070-06-PH	Ø6	70	88.79	90.37



Order No.	Bore dia.	No. of teeth	Pitch dia.	Outside dia.
R1053.075-06-PH	Ø6	75	95.13	96.70
R1053.080-06-PH	Ø6	80	101.47	103.05
R1053.025-08-PH	Ø8	25	31.71	33.27
R1053.026-08-PH	Ø8	26	32.98	34.54
R1053.028-08-PH	Ø8	28	35.51	37.08
R1053.030-08-PH	Ø8	30	38.05	39.62
R1053.032-08-PH	Ø8	32	40.59	40.64
R1053.034-08-PH	Ø8	34	43.13	44.70
R1053.035-08-PH	Ø8	35	44.39	45.95
R1053.036-08-PH	Ø8	36	45.66	47.22
R1053.038-08-PH	Ø8	38	48.20	49.78
R1053.040-08-PH	Ø8	40	50.74	52.30
R1053.045-08-PH	Ø8	45	57.08	58.65
R1053.050-08-PH	Ø8	50	63.42	64.97
R1053.055-08-PH	Ø8	55	69.76	71.12
R1053.060-08-PH	Ø8	60	76.10	77.67
R1053.065-08-PH	Ø8	65	82.45	84.02
R1053.070-08-PH	Ø8	70	88.79	90.37
R1053.075-08-PH	Ø8	75	95.13	96.70
R1053.080-08-PH	Ø8	80	101.47	103.05