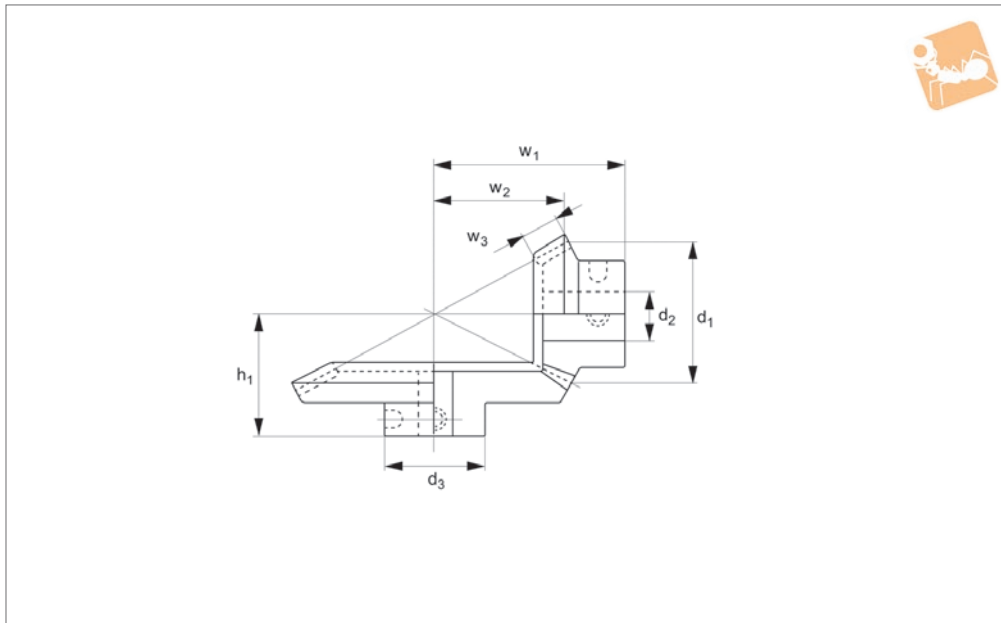




# 1,5 Module Mitre & Bevel gears stainless/aluminium



**R2100**

OTHER PRECISION GEARS

**Material**

Stainless steel (DIN 1,4305) or aluminium (DIN 3,1355).

Quality class DIN 7, AGMA 10.

**Tips**

Gears will only mesh at right angles when used as sets described in chart.

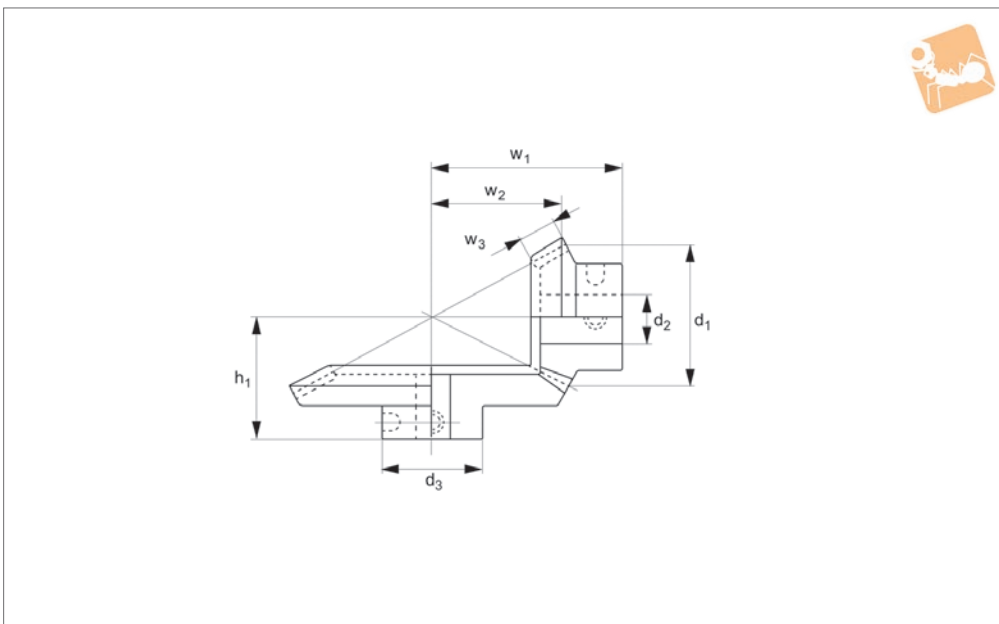
**Technical Notes**

20° pressure angle.

Order No.	d <sub>1</sub> (gear)	d <sub>1</sub> (pinion)	d <sub>2</sub> tol. H7	d <sub>3</sub>	Ratio	No. of teeth (pinion)	No. of teeth (gear)	w <sub>1</sub>	w <sub>2</sub> (gear)	w <sub>2</sub> (pinion)	w <sub>3</sub>	h <sub>1</sub>	Material (pinion)	Material (gear)
R2100.001	30	30	Ø12	26	1 to 1	20	20	32,0	13,94	13,94	8	32	Stainless	Aluminium
R2100.001S	30	30	Ø12	26	1 to 1	20	20	32,0	13,94	13,94	8	32	Stainless	Stainless
R2100.001A	30	30	Ø12	26	1 to 1	20	20	32,0	13,94	13,94	8	32	Aluminium	Aluminium
R2100.002	60	30	Ø12	26	1 to 2	20	40	47,5	14,12	29,10	8	32	Stainless	Aluminium
R2100.003	90	30	Ø12	26	1 to 3	20	60	63,5	14,16	44,33	8	32	Stainless	Aluminium
R2100.001P		30	Ø12	26	1 to 1	20		32,0		13,94	8	32	Stainless	
R2100.001G	30		Ø12	26	1 to 1		20	32,0	13,94		8	32		Aluminium



R2102



**Material**

Stainless steel (DIN 1,4305) or aluminium (DIN 3,1355).

Quality class DIN 7, AGMA 10.

**Tips**

Gears will only mesh at right angles when used as sets described in chart.

**Technical Notes**

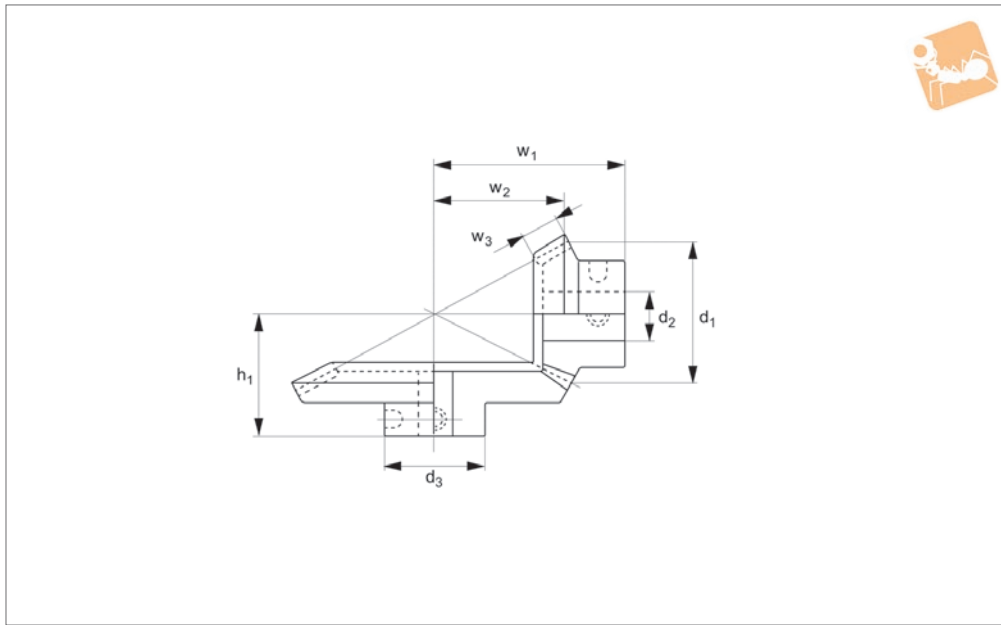
20° pressure angle.

Order No.	d <sub>1</sub> (gear)	d <sub>1</sub> (pinion)	d <sub>2</sub> tol. H7	d <sub>3</sub>	Ratio	No. of teeth (pinion)	No. of teeth (gear)	w <sub>1</sub>	w <sub>2</sub> (gear)	w <sub>2</sub> (pinion)	w <sub>3</sub>	h <sub>1</sub>	Material (pinion)	Material (gear)
R2102.001	24	24	Ø10	19	1 to 1	24	24	25,5	11,29	11,29	7	25,5	Stainless	Aluminium
R2102.001S		24	Ø10	19	1 to 1	24	24	25,5	11,29	11,29	7	25,5	Stainless	Stainless
R2102.001A	24	24	Ø10	19	1 to 1	24	24	25,5	11,29	11,29	7	25,5	Aluminium	Aluminium
R2102.002	58	24	Ø10	19	1 to 2	24	48	38,0	11,42	23,40	7	25,5	Stainless	Aluminium
R2102.003	72	24	Ø10	19	1 to 3	24	72	51,0	11,44	35,56	7	25,5	Stainless	Aluminium
R2102.004	96	24	Ø10	19	1 to 4	24	96	63,5	11,45	47,65	7	25,5	Stainless	Aluminium
R2102.001P		24	Ø10	19	1 to 1	24		25,5		11,29	7	25,5	Stainless	
R2102.001G	24		Ø10	19	1 to 1		24	25,5	11,29		7	25,5		Aluminium



# 0,8 Module Mitre & Bevel gears stainless/aluminium

Other Precision  
Gears



**R2104**

OTHER PRECISION GEARS

**Material**

Stainless steel (DIN 1,4305) or aluminium (DIN 3,1355).

Quality class DIN 7, AGMA 10.

**Tips**

Gears will only mesh at right angles when used as sets described in chart.

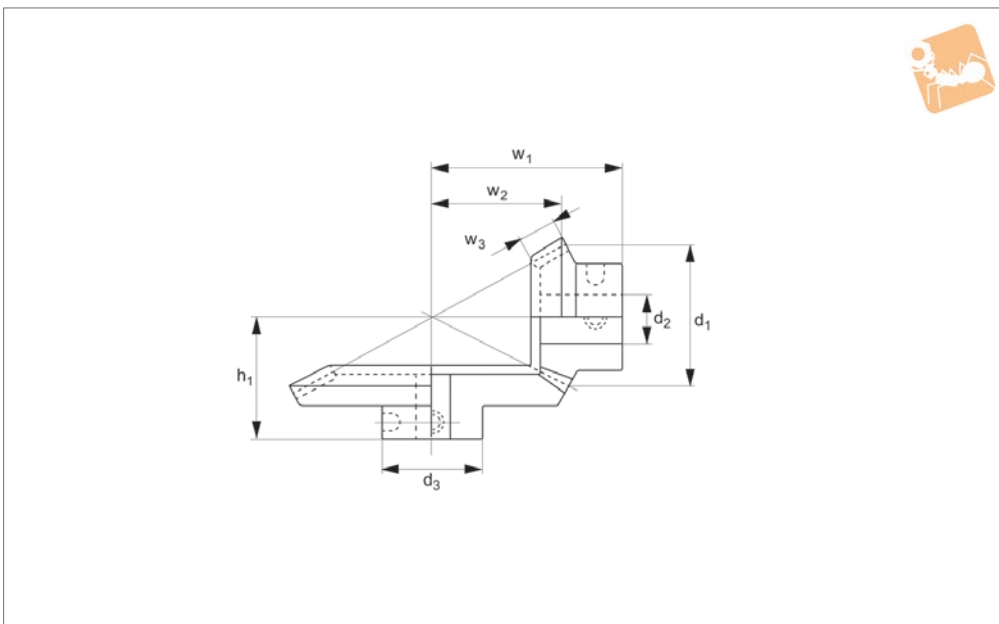
**Technical Notes**

20° pressure angle.

Order No.	d <sub>1</sub> (gear)	d <sub>1</sub> (pinion)	d <sub>2</sub> tol. H7	d <sub>3</sub>	Ratio	No. of teeth (pinion)	No. of teeth (gear)	w <sub>1</sub>	w <sub>2</sub> (gear)	w <sub>2</sub> (pinion)	w <sub>3</sub>	h <sub>1</sub>	Material (pinion)	Material (gear)
R2104.001	19,20	19,20	Ø8	16	1 to 1	24	24	19,0	9,03	9,03	7	19	Stainless	Aluminium
R2104.001S		19,20	Ø8	16	1 to 1	24	24	19,0	9,03	9,03	7	19	Stainless	Stainless
R2104.001A	19,20	19,20	Ø8	16	1 to 1	24	24	19,0	9,03	9,03	7	19	Aluminium	Aluminium
R2104.002	38,40	19,20	Ø8	16	1 to 2	24	48	28,5	9,13	18,72	7	19	Stainless	Aluminium
R2104.003	57,60	19,20	Ø8	16	1 to 3	24	72	38,0	9,15	28,44	7	19	Stainless	Aluminium
R2104.004	76,80	19,20	Ø8	16	1 to 4	24	96	47,5	9,16	38,12	7	19	Stainless	Aluminium
R2104.001P		19,20	Ø8	16	1 to 1	24		19,0		9,03	7	19	Stainless	
R2104.001G	19,20		Ø8	16	1 to 1		24	19,0	9,03		7	19		Aluminium



R2106



Material

Stainless steel (DIN 1,4305) or aluminium (DIN 3,1355).

Quality class DIN 7, AGMA 10.

Tips

Gears will only mesh at right angles when used as sets described in chart.

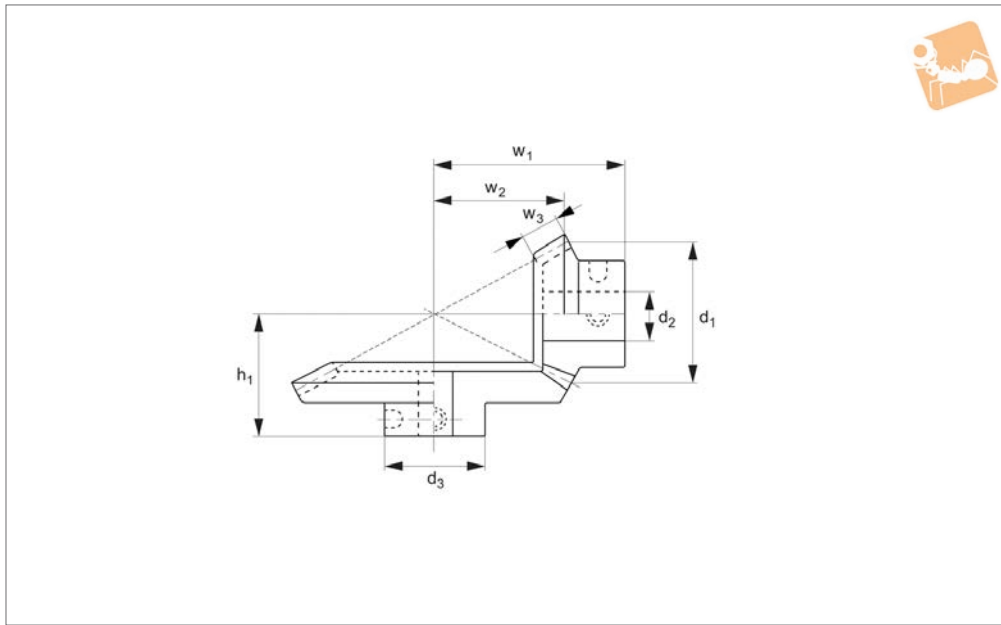
Technical Notes

20° pressure angle.

Order No.	d <sub>1</sub> (gear)	d <sub>1</sub> (pinion)	d <sub>2</sub> tol. H7	d <sub>3</sub>	Ratio	No. of teeth (pinion)	No. of teeth (gear)	w <sub>1</sub>	w <sub>2</sub> (gear)	w <sub>2</sub> (pinion)	w <sub>3</sub>	h <sub>1</sub>	Material (pinion)	Material (gear)
R2106.001	18	18	Ø8	13	1 to 1	30	30	18	8,58	8,58	5	18	Stainless	Aluminium
R2106.001S	18	18	Ø8	13	1 to 1	30	30	18	8,58	8,58	5	18	Stainless	Stainless
R2106.001A	18	18	Ø8	13	1 to 1	30	30	18	8,58	8,58	5	18	Aluminium	Aluminium
R2106.002	36	18	Ø8	13	1 to 2	30	60	26	8,65	17,64	5	18	Stainless	Aluminium
R2106.003	54	18	Ø8	13	1 to 3	30	90	36	8,66	26,73	5	18	Stainless	Aluminium
R2106.004	72	18	Ø8	13	1 to 4	30	120	44	8,67	35,79	5	18	Stainless	Aluminium
R2106.001P		18	Ø8	13	1 to 1	30		18		8,58	5	18	Stainless	
R2106.001G	18		Ø8	13	1 to 1		30	18	8,58		5	18		Aluminium



# 0,5 Module Mitre & Bevel gears stainless/aluminium



**R2108**

OTHER PRECISION GEARS

**Material**

Stainless steel (DIN 1,4305) or aluminium (DIN 3,1355).

Quality class DIN 7, AGMA 10.

**Tips**

Gears will only mesh at right angles when used as sets described in chart.

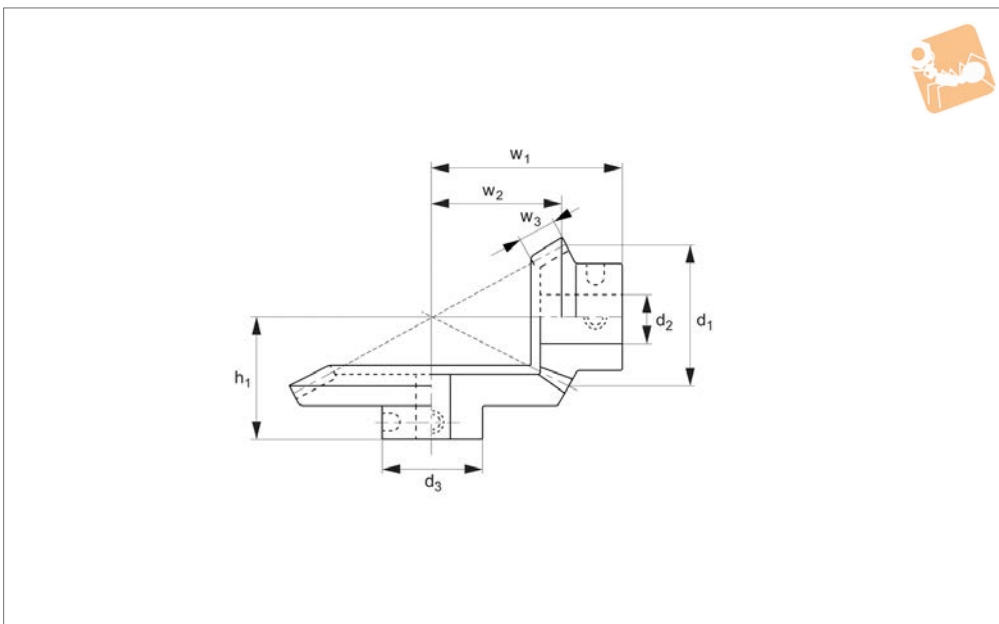
**Technical Notes**

20° pressure angle.

Order No.	d <sub>1</sub> (gear)	d <sub>1</sub> (pinion)	d <sub>2</sub> tol. H7	d <sub>3</sub>	Ratio	No. of teeth (pinion)	No. of teeth (gear)	w <sub>1</sub>	w <sub>2</sub> (gear)	w <sub>2</sub> (pinion)	w <sub>3</sub>	h <sub>1</sub>	Material (pinion)	Material (gear)
R2108.01	16	16	Ø5	10	1 to 1	30	30	15	7,65	7,65	4	15	Stainless	Aluminium
R2108.01S	16	16	Ø5	10	1 to 1	30	30	15	7,65	7,65	4	15	Stainless	Stainless
R2108.01A	16	16	Ø5	10	1 to 1	30	30	15	7,65	7,65	4	15	Aluminium	Aluminium
R2108.02	32	16	Ø5	10	1 to 2	30	60	23	7,71	15,70	4	15	Stainless	Aluminium
R2108.03	48	16	Ø5	10	1 to 3	30	90	32	7,72	23,78	4	15	Stainless	Aluminium
R2108.04	64	16	Ø5	10	1 to 4	30	120	39	7,72	31,83	4	15	Stainless	Stainless
R2108.01P		16	Ø5	10	1 to 1	30		15		7,65	4	15	Stainless	
R2108.01G	16		Ø5	10	1 to 1		30	15	7,65		4	15		Aluminium



R2110



Material

Stainless steel (DIN 1,4305) or aluminium (DIN 3,1355).

Quality class DIN 7, AGMA 10.

Tips

Gears will only mesh at right angles when used as sets described in chart.

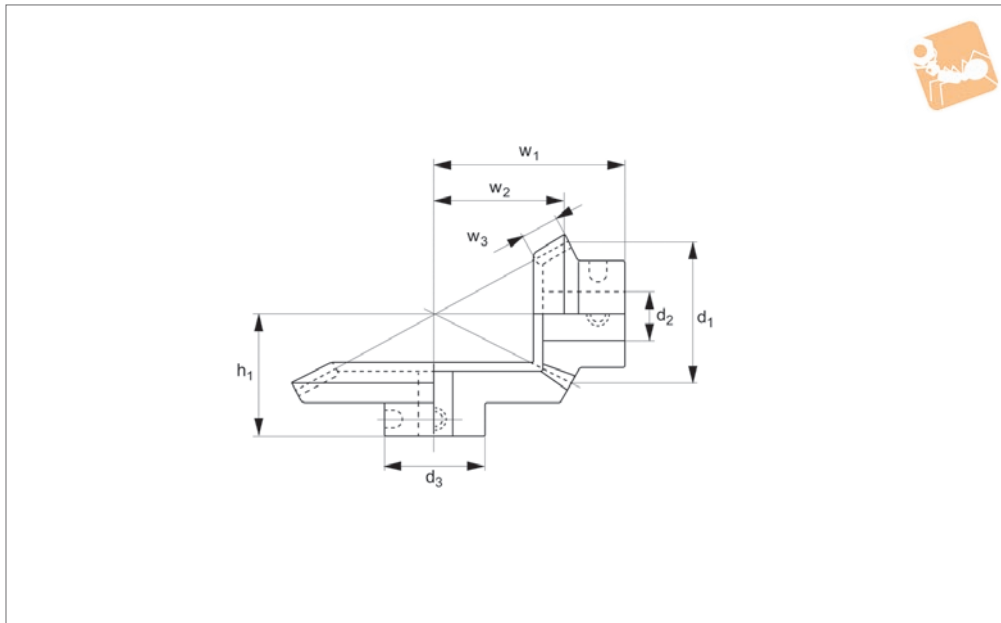
Technical Notes

20° pressure angle.

Order No.	d <sub>1</sub> (gear)	d <sub>1</sub> (pinion)	d <sub>2</sub> tol. H7	d <sub>3</sub>	Ratio	No. of teeth (pinion)	No. of teeth (gear)	w <sub>1</sub>	w <sub>2</sub> (gear)	w <sub>2</sub> (pinion)	w <sub>3</sub>	h <sub>1</sub>	Material (pinion)	Material (gear)
R2110.001	14,40	14,40	Ø5	10	1 to 1	36	36	15,0	6,92	6,92	4	15	Stainless	Aluminium
R2110.001S	14,40	14,40	Ø5	10	1 to 1	36	36	15,0	6,92	6,92	4	15	Stainless	Stainless
R2110.001A	14,40	14,40	Ø5	10	1 to 1	36	36	15,0	6,92	6,92	4	15	Aluminium	Aluminium
R2110.002	28,80	14,40	Ø5	10	1 to 2	36	72	22	6,97	14,16	4	15	Stainless	Aluminium
R2110.003	43,20	14,40	Ø5	10	1 to 3	36	108	29,5	6,97	21,42	4	15	Stainless	Aluminium
R2110.001P		14,40	Ø5	10	1 to 1	36		15,0		6,92	4	15	Stainless	
R2110.001G	14,40		Ø5	10	1 to 1		36	15,0	6,92		4	15		Aluminium



# 0,3 Module Mitre & Bevel gears stainless/aluminium



**R2112**

OTHER PRECISION GEARS

**Material**

Stainless steel (DIN 1,4305) or aluminium (DIN 3,1355).

Quality class DIN 7, AGMA 10.

**Tips**

Gears will only mesh at right angles when used as sets described in chart.

**Technical Notes**

20° pressure angle.

Order No.	d <sub>1</sub> (gear)	d <sub>1</sub> (pinion)	d <sub>2</sub> tol. H7	d <sub>3</sub>	Ratio	No. of teeth (pinion)	No. of teeth (gear)	w <sub>1</sub>	w <sub>2</sub> (gear)	w <sub>2</sub> (pinion)	w <sub>3</sub>	h <sub>1</sub>	Material (pinion)	Material (gear)
R2112.001	10,80	10,80	Ø3	8	1 to 1	36	36	13,0	5,19	5,19	3	13	Stainless	Aluminium
R2112.001S	10,80	10,80	Ø3	8	1 to 1	36	36	13,0	5,19	5,19	3	13	Stainless	Stainless
R2112.001A	10,80	10,80	Ø3	8	1 to 1	36	36	13,0	5,19	5,19	3	13	Aluminium	Aluminium
R2112.002	21,60	10,80	Ø3	8	1 to 2	36	72	18,5	5,23	10,62	3	13	Stainless	Aluminium
R2112.003	32,40	10,80	Ø3	8	1 to 3	36	108	24,0	5,23	16,07	3	13	Stainless	Aluminium
R2112.001P	10,80	10,80	Ø3	8	1 to 1	36	36	13,0	5,19	5,19	3	13	Stainless	Stainless
R2112.001G	10,80	10,80	Ø3	8	1 to 1	36	36	13,0	5,19	5,19	3	13	Aluminium	Aluminium

