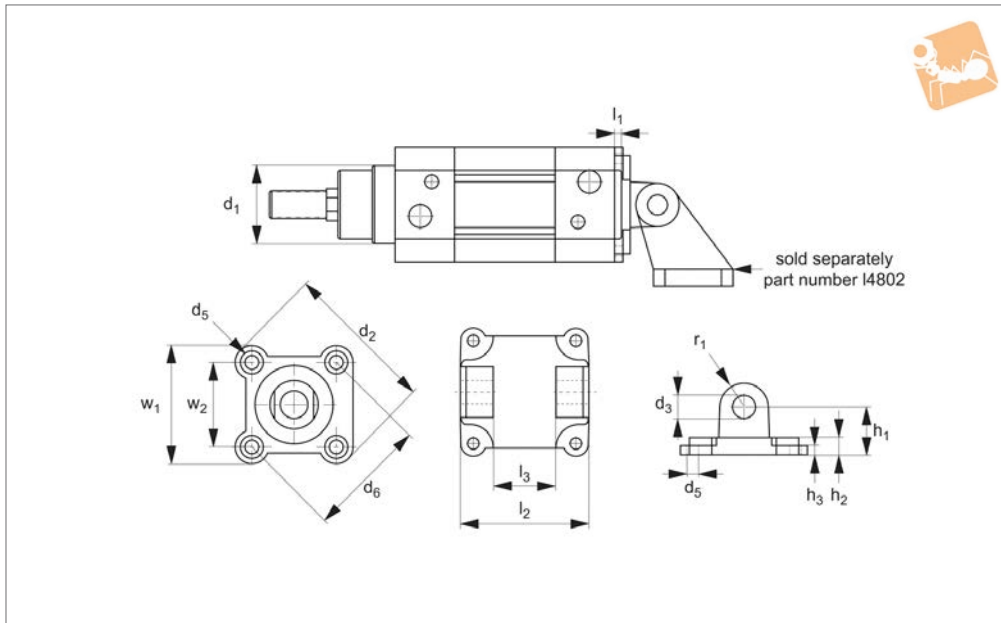




# Air Cylinder Mounts - ISO Series

swivel flange

## Cylinders



**L4800**

CYLINDERS

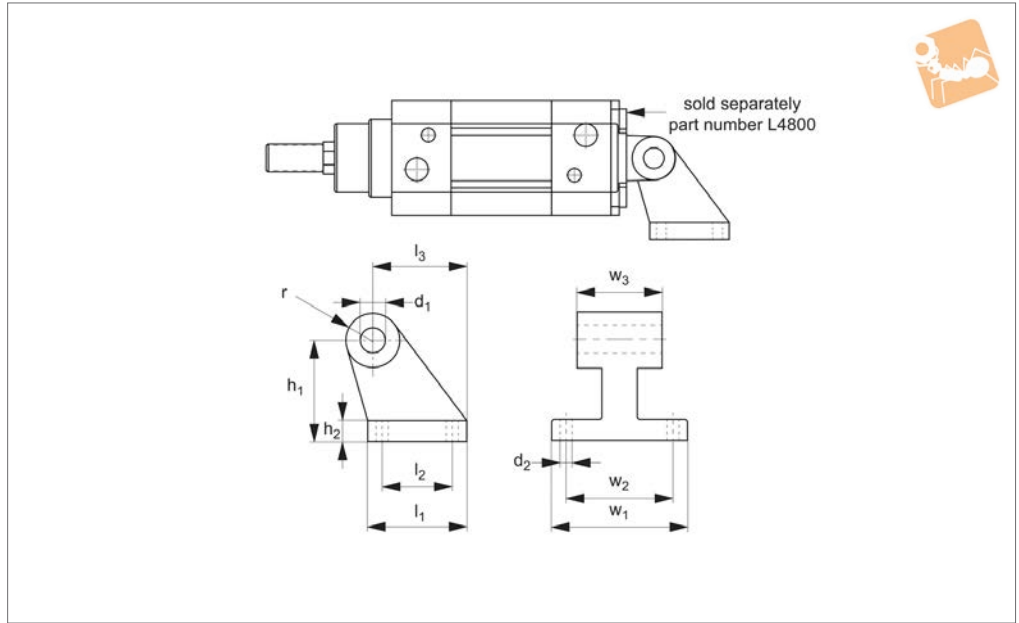
**Material**  
Steel (DIN 1040).

**Technical Notes**  
ISO 15552

Order No.	Cylinder dia.	$d_1$	$d_2$	$d_3$	$d_4$	$d_5$	$d_6$	$r_1$	$l_1$	$l_2$	$l_3$	$w_1$	$w_2$	$h_1$	$h_2$	$h_3$
L4800.032	32	30	59.0	10	7	11	46.0	10	4	45	26	45	32.5	22	10	6.5
L4800.040	40	35	70.2	12	7	11	53.7	12	4	52	28	54	38.0	25	10	7.0
L4800.050	50	40	84.2	12	9	15	65.7	13	4	60	32	65	46.5	27	11	5.5
L4800.063	63	45	99.5	16	9	15	80.0	16	4	70	40	76	56.5	32	11	6.5
L4800.080	80	45	123.8	16	11	18	101.8	16	5	90	50	94	72.0	36	14	7.0
L4800.100	100	55	148.8	20	11	18	125.9	19	6	110	60	112	89.0	41	14	7.0
L4800.125	125	60	179.5	25	13	20	155.5	25	7	130	70	134	110.0	50	20	10.0
L4800.160	160	65	252.0	30	17	26	198.0	32	8	170	90	186	140.0	55	20	15.0



**L4802**



**Material**  
Steel (DIN 1040).

**Technical Notes**  
ISO series

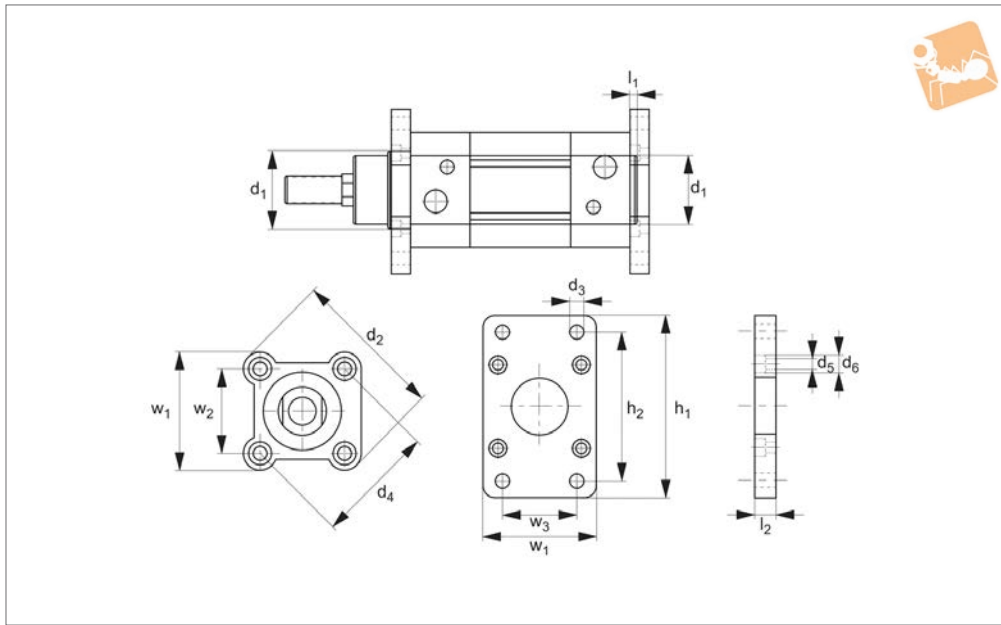
Order No.	Cylinder dia.	d <sub>1</sub>	d <sub>2</sub>	r	l <sub>1</sub>	l <sub>2</sub>	l <sub>3</sub>	w <sub>1</sub>	w <sub>2</sub>	w <sub>3</sub>	h <sub>1</sub>	h <sub>2</sub>
L4802.032	32	10	7	10.0	31	18	27.5	51	38	26	32	8
L4802.040	40	12	7	11.0	35	22	30.5	54	41	28	36	10
L4802.050	50	12	9	13.0	45	30	40.5	65	50	32	45	12
L4802.063	63	16	9	15.0	50	35	44.5	67	52	40	50	12
L4802.080	80	16	11	15.0	60	40	57.0	86	66	50	63	14
L4802.100	100	20	11	20.0	70	50	65.0	96	76	60	71	15
L4802.125	125	25	13	22.5	90	60	85.0	124	94	70	90	20
L4802.160	160	30	14	31.5	126	88	116.0	156	118	90	115	25



# Air Cylinder Mounts - ISO Series

## mounting flange

Cylinders



**L4804**

CYLINDERS

### Material

Steel (DIN 1040).

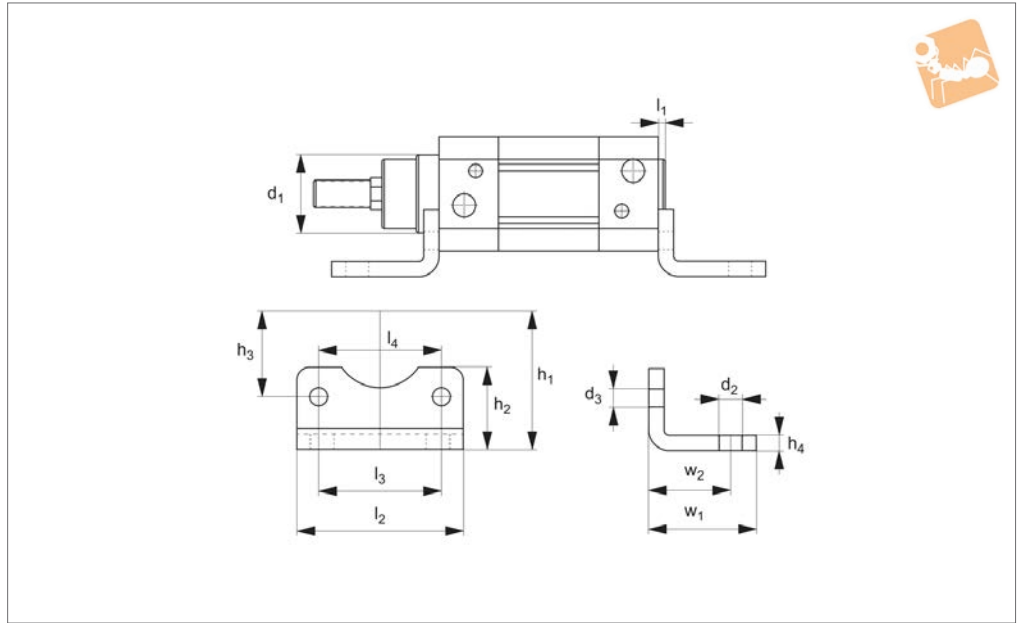
### Technical Notes

ISO series

Order No.	Cylinder dia.	d <sub>1</sub>	d <sub>2</sub>	d <sub>3</sub>	d <sub>4</sub>	d <sub>5</sub>	d <sub>6</sub>	l <sub>1</sub>	l <sub>2</sub>	w <sub>1</sub>	w <sub>2</sub>	w <sub>3</sub>	h <sub>1</sub>	h <sub>2</sub>
L4804.032	32	30	59.0	7	46.0	7	11	4	10	46	32.5	32	77	64
L4804.040	40	35	70.2	9	53.7	7	11	4	10	54	38.0	36	90	72
L4804.050	50	40	84.2	9	65.7	9	15	4	12	65	46.5	45	110	90
L4804.063	63	45	99.5	9	80.0	9	15	4	12	80	56.5	50	120	100
L4804.080	80	45	123.8	12	101.8	11	18	5	16	94	72.0	63	150	126
L4804.100	100	55	148.8	14	125.9	11	18	6	16	112	89.0	75	175	150
L4804.125	125	60	179.5	16	155.5	13	20	7	20	140	110.0	90	220	180
L4804.160	160	65	252.0	18	198.0	17	26	8	20	186	140.0	115	280	230



**L4806**



**Material**  
Steel (DIN 1040).

**Technical Notes**  
ISO series

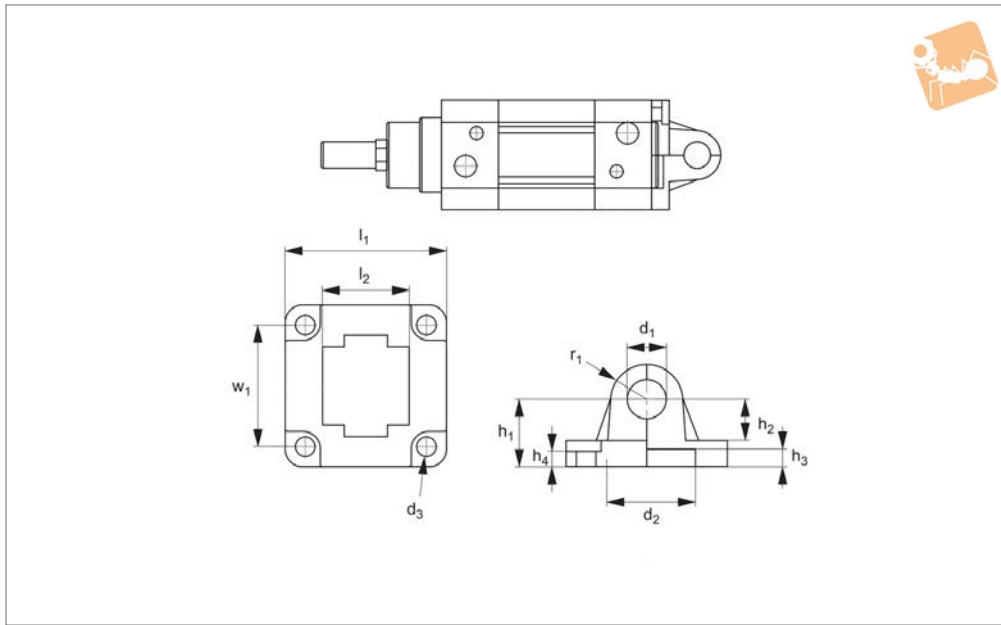
Order No.	Cylinder dia.	d <sub>1</sub>	d <sub>2</sub>	d <sub>3</sub>	l <sub>1</sub>	l <sub>2</sub>	l <sub>3</sub>	l <sub>4</sub>	w <sub>1</sub>	w <sub>2</sub>	h <sub>1</sub>	h <sub>2</sub>	h <sub>3</sub>	h <sub>4</sub>
L4806.032	32	30	7	7	4	45	32	32.5	35	24	32	31.0	16.3	4
L4806.040	40	35	9	7	4	52	36	38.0	36	28	36	31.5	19.0	4
L4806.050	50	40	9	9	4	65	45	46.5	47	32	45	37.0	23.3	5
L4806.063	63	45	9	9	4	75	50	56.5	45	32	50	36.0	28.3	5
L4806.080	80	45	12	1	5	95	63	72.0	53	41	63	47.8	36.0	6
L4806.100	100	55	14	1	6	115	75	89.0	56	41	71	53.0	44.5	6
L4806.125	125	60	16	13	7	139	90	110.0	70	45	90	80.5	55.0	8
L4806.160	160	65	18	17	8	186	115	140.0	85	60	115	100.0	70.0	10



# Air Cylinder Mounts - ISO Series

## EBX mounting foot

Cylinders



**L4808**

CYLINDERS

### Material

Steel (DIN 1040).

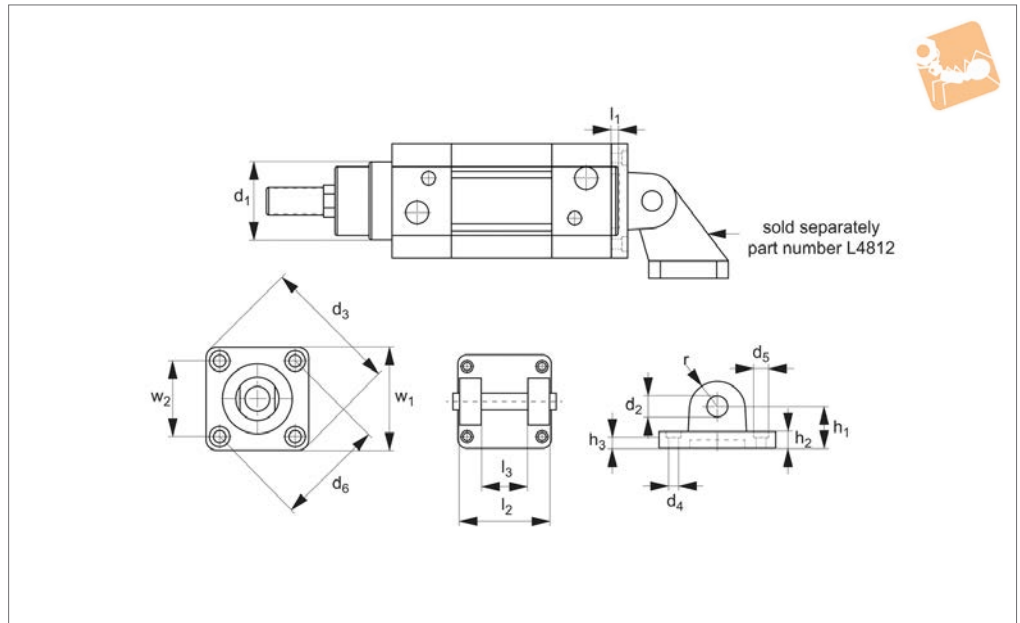
### Technical Notes

ISO series

Order No.	Cylinder dia.	d <sub>1</sub>	d <sub>2</sub>	d <sub>3</sub>	r <sub>1</sub>	l <sub>1</sub>	l <sub>2</sub>	w <sub>1</sub>	h <sub>1</sub>	h <sub>2</sub>	h <sub>3</sub>	h <sub>4</sub>
L4808.032	32	10	30	7	10	45	26	32.5	22	11	4.5	7.0
L4808.040	40	12	35	7	12	52	28	38.0	25	16	4.5	6.0
L4808.050	50	12	40	9	13	64	32	46.5	27	16	4.5	8.0
L4808.063	63	16/18	45	9	16	78	40	56.5	32	20	6.5	6.5
L4808.080	80	16	45	11	16	96	50	72.0	36	22	6.5	10.0
L4808.100	100	20	55	11	20	115	60	89.0	41	27	8.0	10.0
L4808.125	125	25	60	13	25	136	70	110.0	55	30	11.0	13.0



**L4810**



**Material**  
Steel (DIN 1040).

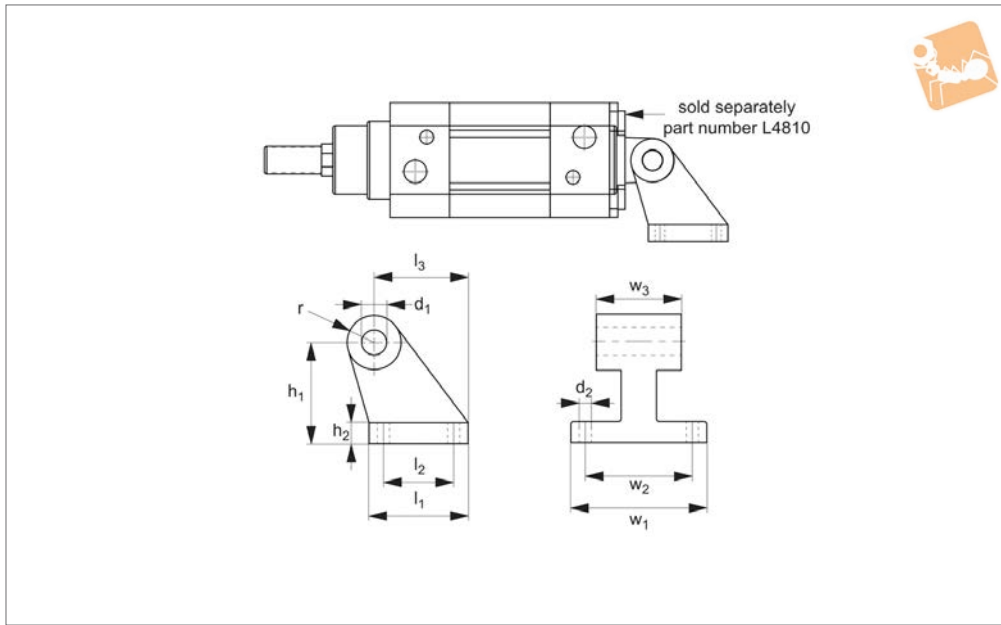
**Technical Notes**  
CETOP Series

Order No.	Cylinder dia.	d <sub>1</sub>	d <sub>2</sub>	d <sub>3</sub>	d <sub>4</sub>	d <sub>5</sub>	d <sub>6</sub>	R	l <sub>1</sub>	l <sub>2</sub>	l <sub>3</sub>	w <sub>1</sub>	w <sub>2</sub>	h <sub>1</sub>	h <sub>2</sub>	h <sub>3</sub>
L4810.032	32	30	10	58	7	11	46	10	4	45	26	45	32.5	22	8	3
L4810.040	40	35	12	71	7	11	56	13	5	52	28	54	39.6	25	9	4
L4810.050	50	40	12	85	9	15	68	16	5	60	32	65	48.0	27	11	5
L4810.063	63	42	16	105	9	15	84	18	6	70	40	80	59.4	35	12	5
L4810.080	80	48	16	125	11	18	100	18	6	90	50	96	70.7	38	14	6
L4810.100	100	56	20	166	11	18	132	23	7	110	60	126	93.4	43	15	7
L4810.125	125	63	25	190	13	20	150	30	10	130	70	140	106.0	55	20	8
L4810.160	160	80	30	252	17	26	190	32	10	170	90	180	134.4	60	22	8



# Air Cylinder Mounts - CETOP Series

clevis mounting foot



**L4812**

CYLINDERS

**Material**

Steel (DIN 1040).

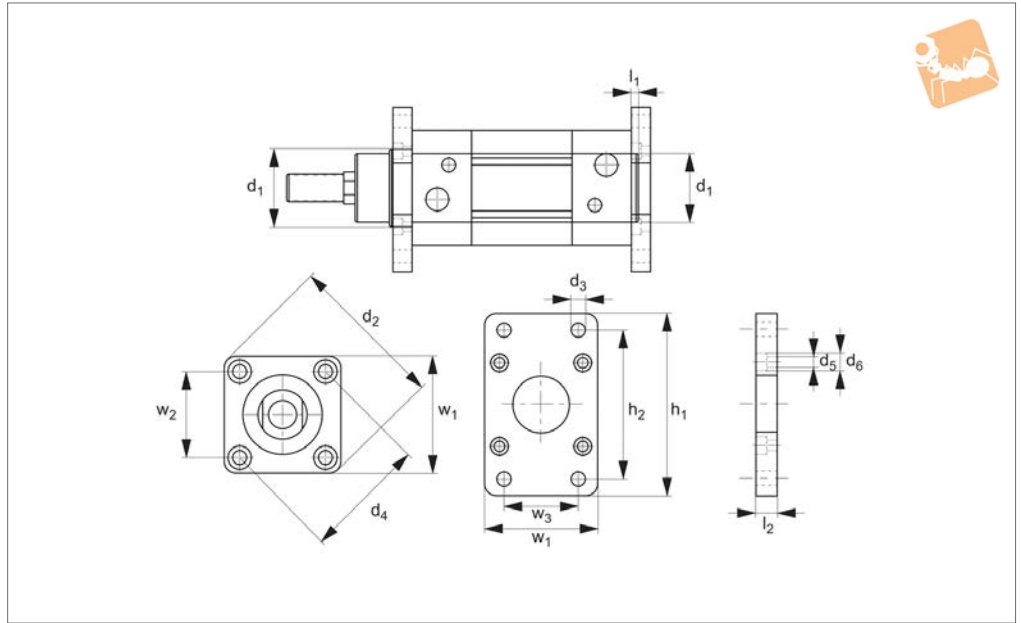
**Technical Notes**

CETOP Series

Order No.	Cylinder dia.	d <sub>1</sub>	d <sub>2</sub>	r	l <sub>1</sub>	l <sub>2</sub>	l <sub>3</sub>	w <sub>1</sub>	w <sub>2</sub>	w <sub>3</sub>	h <sub>1</sub>	h <sub>2</sub>
L4812.032	32	10	5.5	10.0	31	18	27.5	51	38	26	32	8
L4812.040	40	12	5.5	11.0	35	22	30.5	54	41	28	36	10
L4812.050	50	12	6.5	13.0	45	30	40.5	65	50	32	45	12
L4812.063	63	16	6.5	15.0	50	35	44.5	67	52	40	50	12
L4812.080	80	16	9.0	15.0	60	40	57	86	66	50	63	14
L4812.100	100	20	9.0	20.0	70	50	65	96	76	60	71	15
L4812.125	125	25	11.0	22.5	90	60	85	124	94	70	90	20
L4812.160	160	30	14.0	31.5	126	88	116	156	118	90	115	25



**L4814**



**Material**  
Steel (DIN 1040).

**Technical Notes**  
CETOP Series

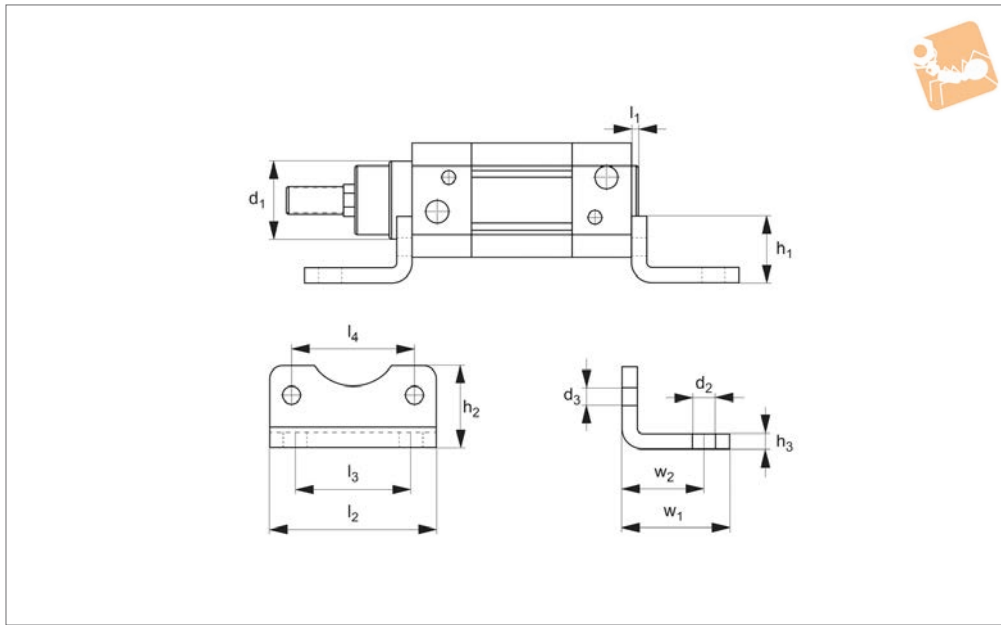
Order No.	Cylinder dia.	d <sub>1</sub>	d <sub>2</sub>	d <sub>3</sub>	d <sub>4</sub>	d <sub>5</sub>	d <sub>6</sub>	l <sub>1</sub>	l <sub>2</sub>	w <sub>1</sub>	w <sub>2</sub>	w <sub>3</sub>	h <sub>1</sub>	h <sub>2</sub>
L4814.032	32	30	58	7	46	6	11	4	10	46	32.5	32	77	64
L4814.040	40	35	71	9	56	6	11	5	10	54	39.6	36	90	72
L4814.050	50	40	85	9	68	7	15	5	12	65	48.0	45	110	90
L4814.063	63	42	105	9	84	7	15	6	15	80	59.4	50	125	100
L4814.080	80	48	125	12	100	9	18	6	18	94	70.7	63	154	126
L4814.100	100	56	166	14	132	9	18	7	18	125	93.4	75	186	150
L4814.125	125	63	190	16	150	13	20	10	25	140	106.0	90	220	180
L4814.160	160	80	252	18	190	15	26	10	25	186	134.4	115	280	230





# Air Cylinder Mounts - CETOP Series

clevis foot bracket



**L4816**

CYLINDERS

**Material**

Steel (DIN 1040).

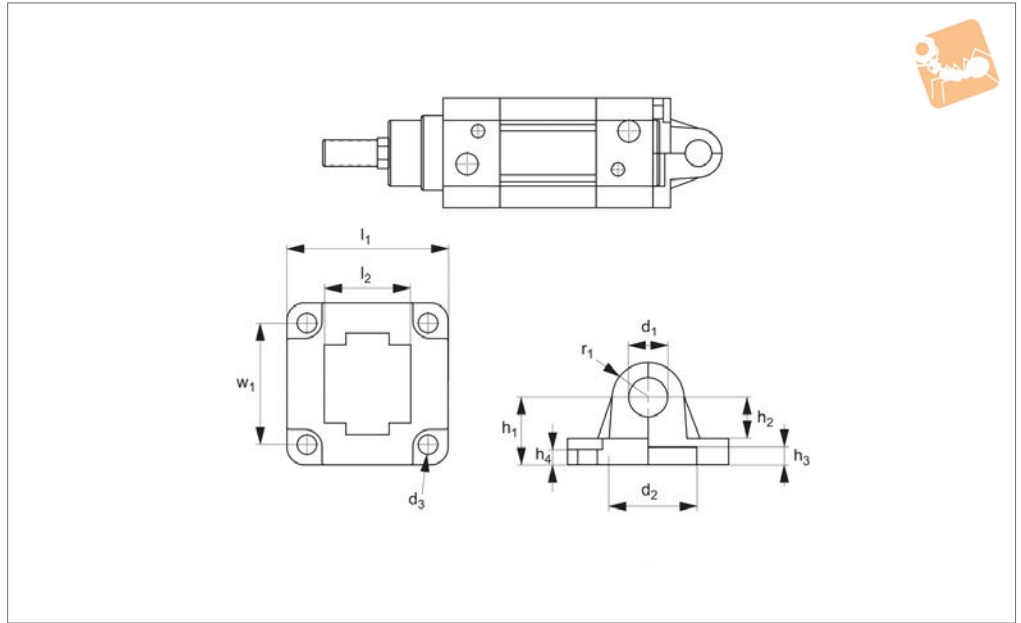
**Technical Notes**

CETOP Series

Order No.	Cylinder dia.	d <sub>1</sub>	d <sub>2</sub>	d <sub>3</sub>	l <sub>1</sub>	l <sub>2</sub>	l <sub>3</sub>	l <sub>4</sub>	w <sub>1</sub>	w <sub>2</sub>	h <sub>1</sub>	h <sub>2</sub>	h <sub>3</sub>
L4816.032	32	30	7	6	4	45	32	32.5	32	24	32	24	4
L4816.040	40	35	9	6	5	54	36	39.6	38	28	36	25	5
L4816.050	50	40	9	7	5	65	45	48.0	42	32	45	32	6
L4816.063	63	42	9	7	6	80	50	59.4	50	35	50	36	6
L4816.080	80	48	12	9	6	96	63	70.7	60	43	63	47	8
L4816.100	100	56	14	9	7	126	75	93.4	57	43	71	54	8
L4816.125	125	63	16	13	10	140	90	106.0	69	50	90	55	11
L4816.160	160	80	18	15	10	180	115	134.4	87	65	115	70	13



**L4818**



**Material**  
Steel (DIN 1040).

**Technical Notes**  
CETOP Series

Order No.	Cylinder dia.	$d_1$	$d_2$	$d_3$	$r_1$	$l_1$	$l_2$	$w_1$	$h_1$	$h_2$	$h_3$	$h_4$
L4818.032	32	10	30	6	10	45	26	32.5	22	14	4.5	7.0
L4818.040	40	12	35	6	12	52	28	39.6	25	16	4.5	6.0
L4818.050	50	12	40	7	12	64	32	48.0	27	16	4.5	7.0
L4818.063	63	16/18	42	7	16	78	40	59.4	32	23	6.5	6.5
L4818.080	80	16/18	48	9	16	95	50	70.7	36	24	6.5	10.0
L4818.100	100	20	56	9	20	115	60	93.4	43	28	7.0	10.0
L4818.125	125	25	63	11	30	136	70	106.0	55	35	10.0	13.0