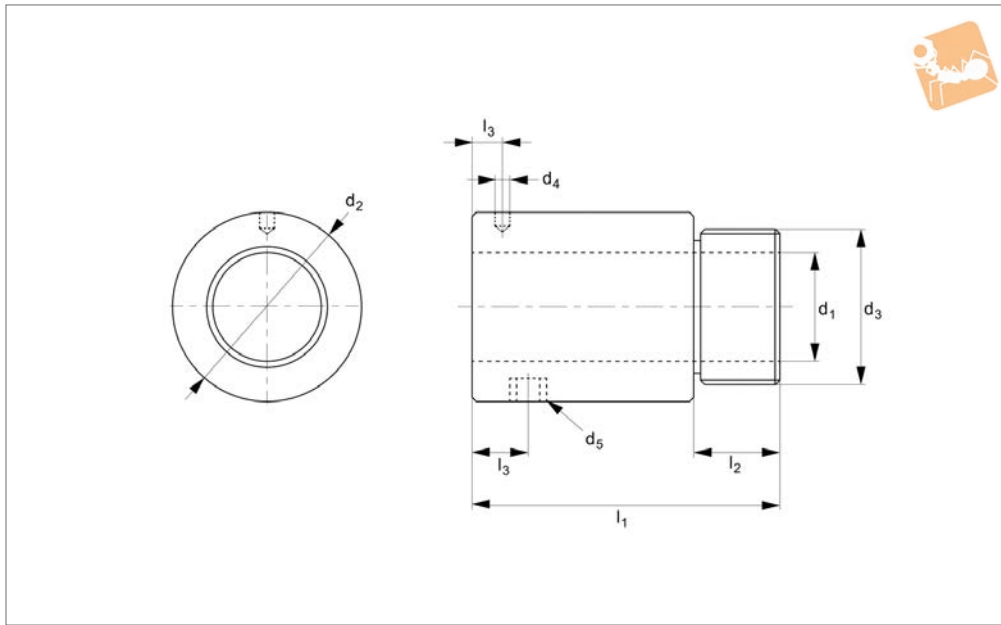




# Cylindrical Ball Nuts with thread

## Ball Screw & Nuts



**L1374**

BALL SCREW & NUTS

### Material

Steel (16MnCr5 or 100Cr6), with Vulkolan seals.

### Technical Notes

Axial play for 5mm pitch = 0,05mm; for 10mm pitch = 0,10mm; for multi-starts = 0,20mm.  
Preload max. 5% of max. dynamic load.

For axial run-out, concentricity and parallelism figures see technical pages.  
With lubrication and fixing holes.  
For use with ball screws no. L1375.

### Tips

For miniature ball screws Ø6 to Ø14 see part no. L1379.

### Important Notes

Fit ball nut to screw using the sleeve provided. Offer up the ball nut to the screw and slide carefully on. Do not remove the ball nut from the sleeve provided - the ball bearings can come loose rendering the ball nut unusable.

Order No.	d <sub>1</sub> for screw	Pitch	d <sub>2</sub> tol. G6	d <sub>3</sub>	d <sub>4</sub>	d <sub>5</sub>	l <sub>1</sub> ±0.15	l <sub>2</sub>	l <sub>3</sub>	l <sub>4</sub>	No. of circuits	Ball dia.	Dyn. load C max. kN	Static load C <sub>0</sub> max. kN	Stiffness N/µm
L1374.16-05	16	5	32,5	M26x1,5P	3,0		42	12	19,25		3x1	3,175	10,56	22,44	245
L1374.16-10	16	10	32,0	M26x1,5P	4,0	M 4	50	12	3,00	3	2x1	3,175	6,61	11,09	245
L1374.20-05	20	5	38,0	M35x1,5P	3,0		45	15	20,30		3x1	3,175	11,87	28,49	294
L1374.25-05	25	5	43,0	M40x1,5P	3,0	M 6	69	19	32,11	8	4x1	3,175	16,90	48,08	363
L1374.25-10	25	10	43,0	M40x1,5P	6,0	M 6	84	19	8,00	8	4x1	3,175	28,96	71,53	363