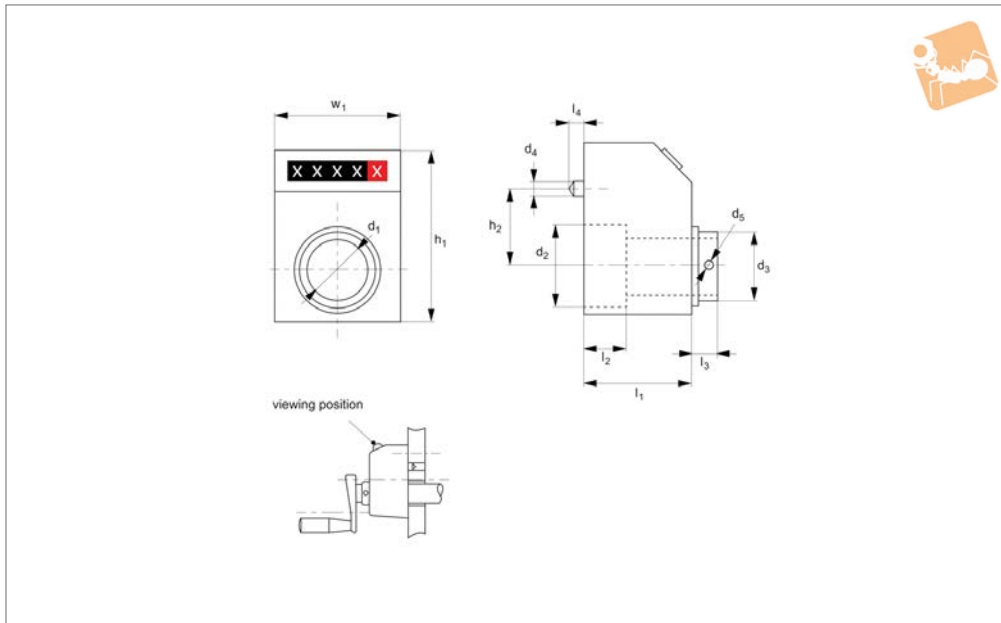




# Position Counters

4 digit display

# Lead Screws & Nuts



**L1470**

LEAD SCREWS & NUTS

**Material**

Black thermoplastic, burnished steel bushing.

**Technical Notes**

Max. temperature +70°C.

Other ratios and spacers available on request. Different location of position indicator on counter available on request. Four digit readout, red indicates decimals.

**Tips**

Clockwise rotation: part numbers end with -C.  
Anti-Clockwise rotation: part numbers end with -A.

Order No.	Ratio	Pitch	Counter after one revolution	d <sub>1</sub> tol. H7	d <sub>2</sub>	d <sub>3</sub>	d <sub>4</sub>	d <sub>5</sub>	l <sub>1</sub>
L1470.005-C	1:05	0.5	0005	14	26	20	6	M4	24
L1470.010-C	1:10	1.0	0010	14	26	20	6	M4	24
L1470.015-C	1:15	1.5	0015	14	26	20	6	M4	24
L1470.020-C	1:20	2.0	0020	14	26	20	6	M4	24
L1470.025-C	1:25	2.5	0025	14	26	20	6	M4	24
L1470.030-C	1:30	3.0	0030	14	26	20	6	M4	24
L1470.040-C	1:40	4.0	0040	14	26	20	6	M4	24
L1470.050-C	1:50	5.0	0050	14	26	20	6	M4	24
L1470.060-C	1:60	6.0	0060	14	26	20	6	M4	24
L1470.100-C	1:100	10.0	0100	14	26	20	6	M4	24
L1470.005-A	1:05	0.5	0005	14	26	20	6	M4	24
L1470.010-A	1:10	1.0	0010	14	26	20	6	M4	24
L1470.015-A	1:15	1.5	0015	14	26	20	6	M4	24
L1470.020-A	1:20	2.0	0020	14	26	20	6	M4	24
L1470.025-A	1:25	2.5	0025	14	26	20	6	M4	24
L1470.030-A	1:30	3.0	0030	14	26	20	6	M4	24
L1470.040-A	1:40	4.0	0040	14	26	20	6	M4	24
L1470.050-A	1:50	5.0	0050	14	26	20	6	M4	24
L1470.060-A	1:60	6.0	0060	14	26	20	6	M4	24
L1470.100-A	1:100	10.0	0100	14	26	20	6	M4	24

Order No.	l <sub>2</sub>	l <sub>3</sub>	w <sub>1</sub>	h <sub>1</sub>	h <sub>2</sub>	h <sub>3</sub>	Speed rpm max.	Revolution
L1470.005-C	7.5	6.5	33	45	16.5	22	500	Clockwise
L1470.010-C	7.5	6.5	33	45	16.5	22	300	Clockwise
L1470.015-C	7.5	6.5	33	45	16.5	22	300	Clockwise
L1470.020-C	7.5	6.5	33	45	16.5	22	300	Clockwise
L1470.025-C	7.5	6.5	33	45	16.5	22	300	Clockwise
L1470.030-C	7.5	6.5	33	45	16.5	22	300	Clockwise
L1470.040-C	7.5	6.5	33	45	16.5	22	200	Clockwise
L1470.050-C	7.5	6.5	33	45	16.5	22	200	Clockwise



Order No.	l <sub>2</sub>	l <sub>3</sub>	w <sub>1</sub>	h <sub>1</sub>	h <sub>2</sub>	h <sub>3</sub>	Speed rpm max.	Revolution
L1470.060-C	7.5	6.5	33	45	16.5	22	200	Clockwise
L1470.100-C	7.5	6.5	33	45	16.5	22	150	Clockwise
L1470.005-A	7.5	6.5	33	45	16.5	22	500	Anti-clockwise
L1470.010-A	7.5	6.5	33	45	16.5	22	300	Anti-clockwise
L1470.015-A	7.5	6.5	33	45	16.5	22	300	Anti-clockwise
L1470.020-A	7.5	6.5	33	45	16.5	22	300	Anti-clockwise
L1470.025-A	7.5	6.5	33	45	16.5	22	300	Anti-clockwise
L1470.030-A	7.5	6.5	33	45	16.5	22	300	Anti-clockwise
L1470.040-A	7.5	6.5	33	45	16.5	22	200	Anti-clockwise
L1470.050-A	7.5	6.5	33	45	16.5	22	200	Anti-clockwise
L1470.060-A	7.5	6.5	33	45	16.5	22	200	Anti-clockwise
L1470.100-A	7.5	6.5	33	45	16.5	22	150	Anti-clockwise