

## L1707

LINEAR BEARINGS

### Material

Hardened and ground body from bearing steel. Single body resin retainer (POM). Supplied with nitrile rubber (NBR) end-seals -UU as standard.

### Technical Notes

For use with hardened shafts only (see part

nos. L1770 - L1772) - tolerance h6. Perpendicularity . A is better than 15μ. Temperature range: -20°C to +80°C. Steel ball retainers can be supplied for higher temperature applications up to +120°C - with no end seals. Please advise at time of ordering if this is required.

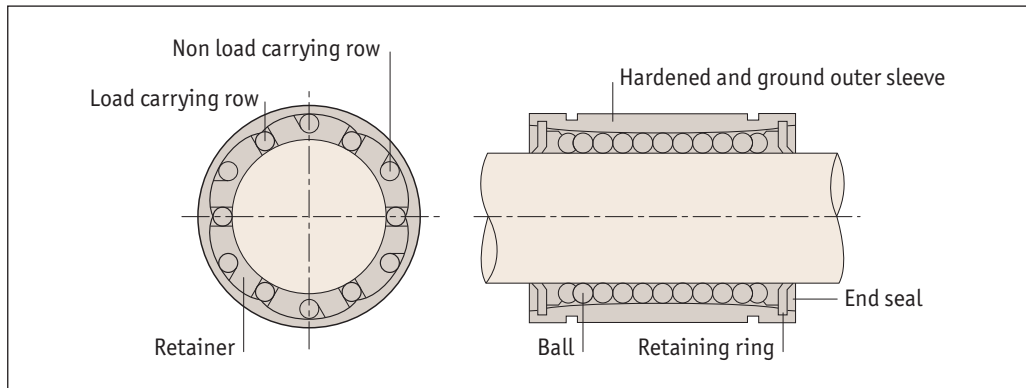
### Tips

$d_2$  is the dimension before the bush has been slotted. Superball linear bearings are also available (3 x load rating of standard bushings and 27 x travel life see part nos. L1740 and L1742.)

Order No.	$d_1$ tol. h6	$d_2$ tol. h6	$l_1$ +0 -0.3	$d_3$	$l_2$ +0 -0.3	$l_3$	$w_1$	$\alpha$ °	No. of ball circuits	Dyn. load C N max.	Static load $C_0$ N max.	Weight g
L1707.012	12	22	32	21.0	22.9	1.30	7.3	78°	3	410	590	41
L1707.016	16	26	36	24.9	24.9	1.30	10.0	78°	4	770	1170	57
L1707.020	20	32	45	30.3	31.5	1.60	10.0	60°	5	860	1370	91
L1707.025	25	40	58	37.5	44.1	1.85	12.5	60°	6	980	1560	215
L1707.030	30	47	68	44.5	52.1	1.85	12.5	50°	6	1560	2740	325
L1707.040	40	62	80	59.0	60.6	2.15	16.8	50°	6	2150	4010	705
L1707.050	50	75	100	72.0	77.6	2.65	21.0	50°	6	3820	7930	1130
L1707.060	60	90	125	86.5	101.7	3.15	27.2	54°	6	4700	9990	2220



### Linear ball bushings



#### Applications

- Computers and peripheral equipment.
- Recording equipment.
- Linear motion systems.
- Multi-axis drilling machine.
- Printing machines.
- Food packaging machines.
- Punching presses.
- Tool grinders.
- Assembly systems.
- Card selectors.

#### Interchangeability

Our linear bushing systems are designed to have full interchangeability, with other manufacturers' parts. **For shafting see part numbers L1770 to L1785.**

#### High precision retainer

The single body retainer guides 4-6 ball circuits. It precisely guides the balls with a smooth motion.

#### Tolerance of housing bore

Normal fit is standard, pressed fit is for without clearance.

Type	Case	
	Normal fit	Pressed fit
Part no.		
L1706 to L1733	H7	K6, J6
L1706... <sup>-1</sup> to L1733... <sup>-1</sup>	H7	J7

#### Rigid outer sleeve

The hardened and precisely ground outer sleeve is made of bearing steel.

#### L1750 bushing carriages

Consists of light aluminium case and L1706 type linear bushing, so the installation can be finished simply by bolting. Longer life can be obtained by adjusting the orientation of the ball circuits in the linear carriage element against the direction of load.

#### Tolerance of shaft

Type	Shaft	
	Normal fit	Tight fit
Part no.		
L1706 to L1733	h6	k6
L1706... <sup>-1</sup> to L1733... <sup>-1</sup>	f6, g6	h6



# Technical Information

## Load rating important information



### Basic dynamic load rating C

The basic dynamic load rating is defined as the constant load both in direction and magnitude under which a group of identical linear bushings are individually operated. 90% of the units can travel 50KM without failing due to rolling contact fatigue.

### Basic static load rating C<sub>0</sub>

If a linear bushing is subject to an excessive load or impact, a permanent deformation occurs between the raceway and the rolling element. The basic static load rating is defined as the static load that gives a prescribed constant contact stress at the centre of the contact area between the rolling element and raceway receiving the maximum load.

### Relationships between load ratings and the position of ball circuits

Load ratings of linear bushing are affected by the position of the ball circuits as shown below.

Load ratings and orientation of balls.

No of ball rows	Orientation of balls	
	Maximum load rating	Minimum load rating
4		
	$F = 1.41 \times C$	$F = C$
5		
	$F = 1.46 \times C$	$F = C$
6		
	$F = 1.26 \times C$	$F = C$



When designing a linear motion system it is necessary to consider how the application will affect performance. The following examples demonstrate how the position of the load and the centre of gravity can influence product selection. When evaluating your application, review each of the forces acting on your system and determine the product that best suits your needs.

#### Horizontal application

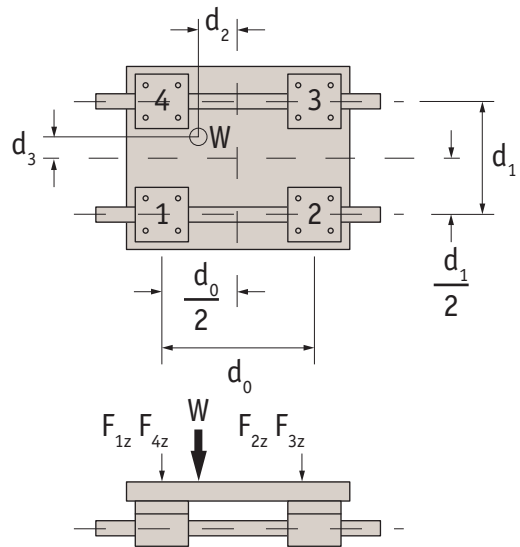
For uniform speed or when stopped.

$$F_{1z} = \frac{W}{4} + \left( \frac{W}{2} \cdot \frac{d_2}{d_0} \right) - \left( \frac{W}{2} \cdot \frac{d_3}{d_1} \right)$$

$$F_{2z} = \frac{W}{4} - \left( \frac{W}{2} \cdot \frac{d_2}{d_0} \right) - \left( \frac{W}{2} \cdot \frac{d_3}{d_1} \right)$$

$$F_{3z} = \frac{W}{4} - \left( \frac{W}{2} \cdot \frac{d_2}{d_0} \right) + \left( \frac{W}{2} \cdot \frac{d_3}{d_1} \right)$$

$$F_{4z} = \frac{W}{4} + \left( \frac{W}{2} \cdot \frac{d_2}{d_0} \right) + \left( \frac{W}{2} \cdot \frac{d_3}{d_1} \right)$$



#### Horizontal application

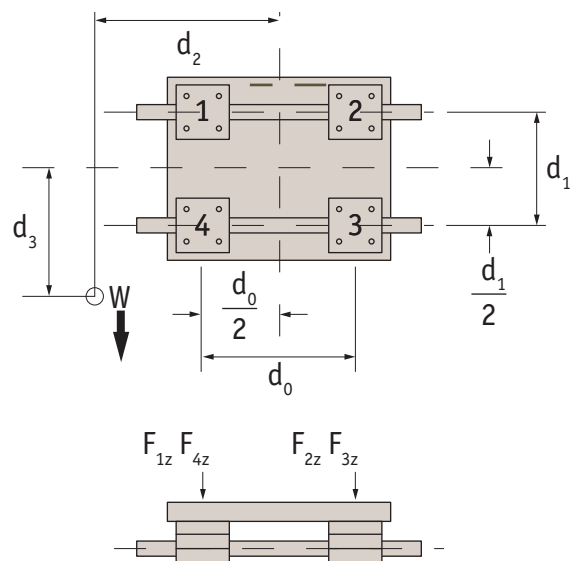
For uniform speed or when stopped.

$$F_{1z} = \frac{W}{4} + \left( \frac{W}{2} \cdot \frac{d_2}{d_0} \right) - \left( \frac{W}{2} \cdot \frac{d_3}{d_1} \right)$$

$$F_{2z} = \frac{W}{4} - \left( \frac{W}{2} \cdot \frac{d_2}{d_0} \right) - \left( \frac{W}{2} \cdot \frac{d_3}{d_1} \right)$$

$$F_{3z} = \frac{W}{4} - \left( \frac{W}{2} \cdot \frac{d_2}{d_0} \right) + \left( \frac{W}{2} \cdot \frac{d_3}{d_1} \right)$$

$$F_{4z} = \frac{W}{4} + \left( \frac{W}{2} \cdot \frac{d_2}{d_0} \right) + \left( \frac{W}{2} \cdot \frac{d_3}{d_1} \right)$$





**Side mounted application**

For uniform speed or when stopped.

$$F_{1Y} \sim F_{4Y} = \left( \frac{W}{2} \cdot \frac{d_3}{d_0} \right)$$

$$F_{1Z} = F_{4Z} = \frac{W}{4} + \left( \frac{W}{2} \cdot \frac{d_2}{d_0} \right)$$

$$F_{2Z} = F_{3Z} = \frac{W}{4} + \left( \frac{W}{2} \cdot \frac{d_2}{d_0} \right)$$

**Vertical application**

For uniform speed or when stopped. On start up/stop the load varies due to inertia in the system.

$$F_{1X} \sim F_{4X} = \left( \frac{W}{2} \cdot \frac{d_2}{d_0} \right)$$

$$F_{1Y} \sim F_{4Y} = \left( \frac{W}{2} \cdot \frac{d_3}{d_0} \right)$$

$$F_{1X} + F_{4X} \sim F_{2X} + F_{3X}$$

$$F_{1Y} + F_{4Y} \sim F_{2Y} + F_{3Y}$$

ov-linear-ball-bushings-load-rating-c-rmh - Updated - 22-02-2023