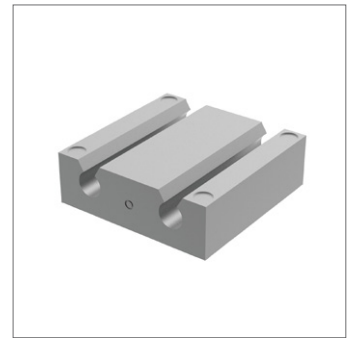
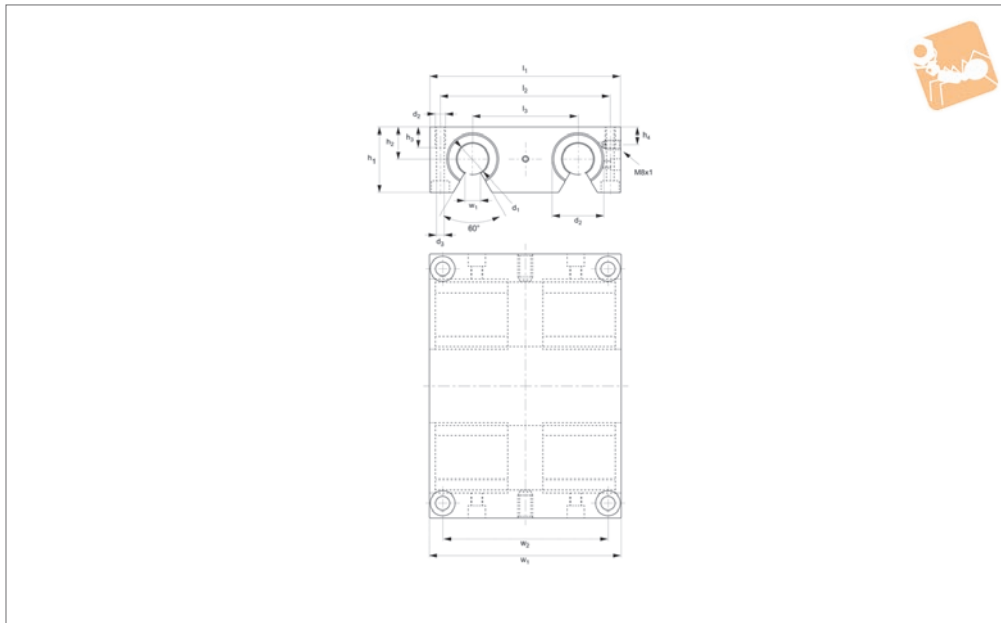




Quadro Carriages

open type bearings

Linear Bearings



L1759

LINEAR BEARINGS

Material

Aluminium alloy body.
Steel bearings with plastic ball retainer and end seals.

bearings with two integral seals and lubrication hole.

Bearings are fixed in the housing by retaining rings (DIN 472).

For use with hardened shafts only (see part no.s L1770 - L1772). Load ratings apply for hardened and ground shafts only.

Temperature range: -20°C to +80°C.

For applications requiring higher tempera-

tures we can make the bushings suitable for use up to +120°C by changing the ball retainers, end plates, and seals. Please advise at time of ordering if this is required.

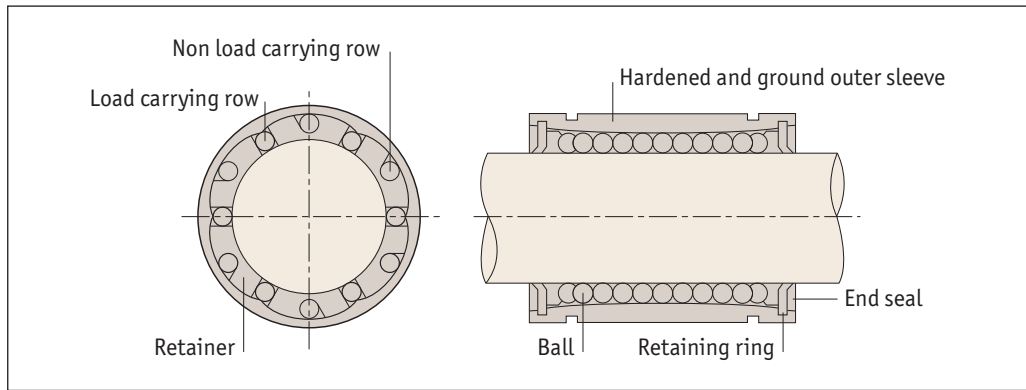
Technical Notes

Quadruple, closed, self-aligning linear ball

| Order No. | d_1 for h_7 | d_2 tol. h_6 | w | w_1 | h_1 | h_2 $+0.01 -0.02$ | h_3 | h_4 | l_1 | l_2 & w_2 | l_3 ± 0.02 | d_3 | d_4 | Dyn. load C kN max. | Static load C_0 kN max. | Weight kg |
|-----------|-----------------|---------------------|------|-------|-------|------------------------|-------|-------|-------|---------------|---------------------|-------|-------|---------------------------|---------------------------------|--------------|
| L1759.012 | 12 | 22 | 7.0 | 85 | 30 | 18 | 13 | 13 | 85 | 73 | 42 | 5.3 | M 6 | 1.3 | 2.0 | 0.59 |
| L1759.016 | 16 | 26 | 9.4 | 100 | 35 | 22 | 13 | 15 | 100 | 88 | 54 | 5.3 | M 6 | 1.4 | 2.2 | 0.92 |
| L1759.020 | 20 | 32 | 10.2 | 130 | 42 | 25 | 18 | 19 | 130 | 115 | 72 | 6.8 | M 8 | 3.2 | 4.9 | 1.82 |
| L1759.025 | 25 | 40 | 12.9 | 160 | 51 | 30 | 22 | 24 | 160 | 140 | 88 | 9.0 | M10 | 5.5 | 8.5 | 3.46 |
| L1759.030 | 30 | 47 | 13.9 | 180 | 60 | 35 | 26 | 27 | 180 | 158 | 96 | 10.5 | M12 | 6.2 | 9.5 | 5.19 |
| L1759.040 | 40 | 62 | 18.2 | 230 | 77 | 45 | 34 | 35 | 230 | 202 | 122 | 13.5 | M16 | 10.5 | 14.0 | 10.78 |



Linear ball bushings



Applications

- Computers and peripheral equipment.
- Recording equipment.
- Linear motion systems.
- Multi-axis drilling machine.
- Printing machines.
- Food packaging machines.
- Punching presses.
- Tool grinders.
- Assembly systems.
- Card selectors.

Interchangeability

Our linear bushing systems are designed to have full interchangeability, with other manufacturers' parts. **For shafting see part numbers L1770 to L1785.**

High precision retainer

The single body retainer guides 4-6 ball circuits. It precisely guides the balls with a smooth motion.

Tolerance of housing bore

Normal fit is standard, pressed fit is for without clearance.

| Type | Case | |
|--|------------|-------------|
| | Normal fit | Pressed fit |
| Part no. | | |
| L1706 to L1733 | H7 | K6, J6 |
| L1706... ⁻¹ to L1733... ⁻¹ | H7 | J7 |

Rigid outer sleeve

The hardened and precisely ground outer sleeve is made of bearing steel.

L1750 bushing carriages

Consists of light aluminium case and L1706 type linear bushing, so the installation can be finished simply by bolting. Longer life can be obtained by adjusting the orientation of the ball circuits in the linear carriage element against the direction of load.

Tolerance of shaft

| Type | Shaft | |
|--|------------|-----------|
| | Normal fit | Tight fit |
| Part no. | | |
| L1706 to L1733 | h6 | k6 |
| L1706... ⁻¹ to L1733... ⁻¹ | f6, g6 | h6 |



Technical Information

Load rating important information



Basic dynamic load rating C

The basic dynamic load rating is defined as the constant load both in direction and magnitude under which a group of identical linear bushings are individually operated. 90% of the units can travel 50KM without failing due to rolling contact fatigue.

Basic static load rating C₀

If a linear bushing is subject to an excessive load or impact, a permanent deformation occurs between the raceway and the rolling element. The basic static load rating is defined as the static load that gives a prescribed constant contact stress at the centre of the contact area between the rolling element and raceway receiving the maximum load.

Relationships between load ratings and the position of ball circuits

Load ratings of linear bushing are affected by the position of the ball circuits as shown below.

Load ratings and orientation of balls.

| No of ball rows | Orientation of balls | |
|-----------------|----------------------|---------------------|
| | Maximum load rating | Minimum load rating |
| 4 | | |
| | $F = 1.41 \times C$ | $F = C$ |
| 5 | | |
| | $F = 1.46 \times C$ | $F = C$ |
| 6 | | |
| | $F = 1.26 \times C$ | $F = C$ |



When designing a linear motion system it is necessary to consider how the application will affect performance. The following examples demonstrate how the position of the load and the centre of gravity can influence product selection. When evaluating your application, review each of the forces acting on your system and determine the product that best suits your needs.

Horizontal application

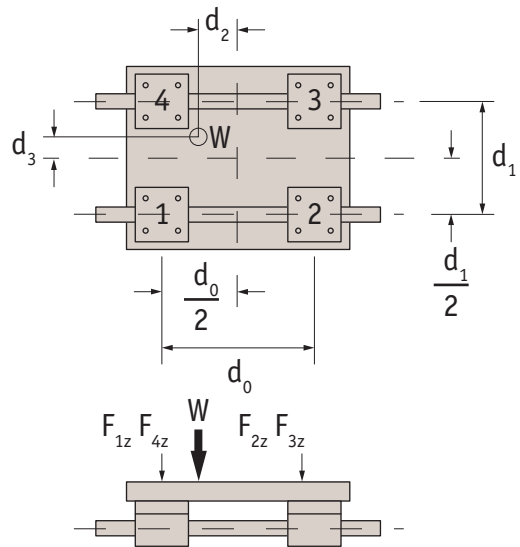
For uniform speed or when stopped.

$$F_{1z} = \frac{W}{4} + \left(\frac{W}{2} \cdot \frac{d_2}{d_0} \right) - \left(\frac{W}{2} \cdot \frac{d_3}{d_1} \right)$$

$$F_{2z} = \frac{W}{4} - \left(\frac{W}{2} \cdot \frac{d_2}{d_0} \right) - \left(\frac{W}{2} \cdot \frac{d_3}{d_1} \right)$$

$$F_{3z} = \frac{W}{4} - \left(\frac{W}{2} \cdot \frac{d_2}{d_0} \right) + \left(\frac{W}{2} \cdot \frac{d_3}{d_1} \right)$$

$$F_{4z} = \frac{W}{4} + \left(\frac{W}{2} \cdot \frac{d_2}{d_0} \right) + \left(\frac{W}{2} \cdot \frac{d_3}{d_1} \right)$$



Horizontal application

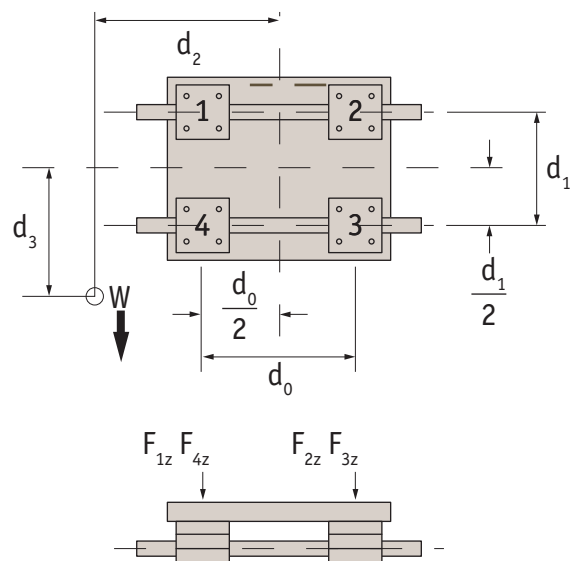
For uniform speed or when stopped.

$$F_{1z} = \frac{W}{4} + \left(\frac{W}{2} \cdot \frac{d_2}{d_0} \right) - \left(\frac{W}{2} \cdot \frac{d_3}{d_1} \right)$$

$$F_{2z} = \frac{W}{4} - \left(\frac{W}{2} \cdot \frac{d_2}{d_0} \right) - \left(\frac{W}{2} \cdot \frac{d_3}{d_1} \right)$$

$$F_{3z} = \frac{W}{4} - \left(\frac{W}{2} \cdot \frac{d_2}{d_0} \right) + \left(\frac{W}{2} \cdot \frac{d_3}{d_1} \right)$$

$$F_{4z} = \frac{W}{4} + \left(\frac{W}{2} \cdot \frac{d_2}{d_0} \right) + \left(\frac{W}{2} \cdot \frac{d_3}{d_1} \right)$$





$$F_{1Y} \sim F_{4Y} = \left(\frac{W}{2} \cdot \frac{d_3}{d_0} \right)$$

$$F_{1Z} = F_{4Z} = \frac{W}{4} + \left(\frac{W}{2} \cdot \frac{d_2}{d_0} \right)$$

$$F_{2Z} = F_{3Z} = \frac{W}{4} + \left(\frac{W}{2} \cdot \frac{d_2}{d_0} \right)$$

Side mounted application

For uniform speed or when stopped.

$$F_{1X} \sim F_{4X} = \left(\frac{W}{2} \cdot \frac{d_2}{d_0} \right)$$

$$F_{1Y} \sim F_{4Y} = \left(\frac{W}{2} \cdot \frac{d_3}{d_0} \right)$$

$$F_{1X} + F_{4X} \sim F_{2X} + F_{3X}$$

$$F_{1Y} + F_{4Y} \sim F_{2Y} + F_{3Y}$$

Vertical application

For uniform speed or when stopped. On start up/stop the load varies due to inertia in the system.