

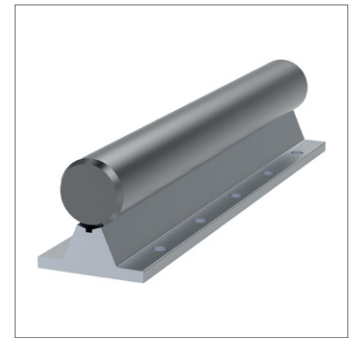
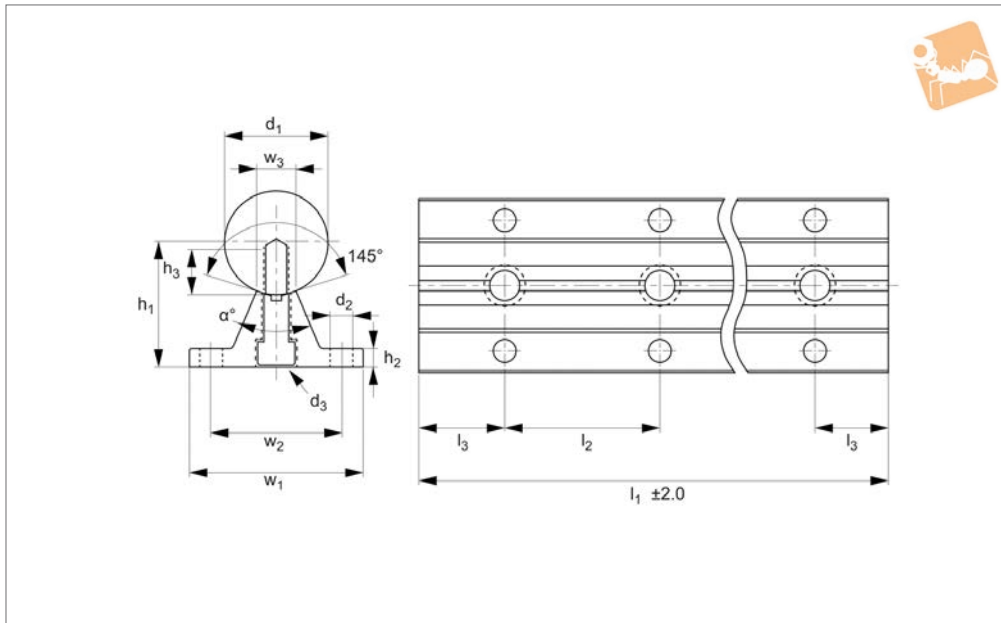


30Ø Shaft Support Rails

complete steel shaft and aluminium support



Linear Shaft Supports



L1780.30

LINEAR SHAFT SUPPORTS

Material

Hardened and ground carbon steel shaft (070M55, Cf53 - DIN 1.1213), aluminium alloy support rail.
Surface hardness of steel shaft 60-65 HRC.

Technical Notes

For open linear bushings, ensures a very rigid and stiff system.

The shaft is pre-mounted to the shaft support rail.

Standard lengths are shown which allow the distance to the first and last hole to be equal (ie $l_2/2$). Different holes pitches available on request.

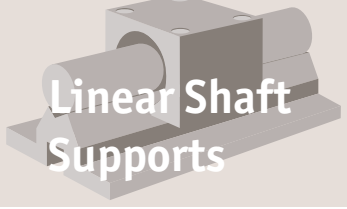
Straightness: $\pm 0.1\text{mm/metre}$.

Tips

For linear carriages see part no. L1755 (flanged) or L1752 (unflanged).
Stainless steel carriages also available, see part no. L1756 (flanged) or L1753 (unflanged).

On request a stainless steel (usually 440C) shaft can be mounted on the support rail.

Order No.	d_1 tol. h6	d_2	d_3	l_1	l_2	l_3	w_1	w_2	w_3	h_1 ± 0.02	h_2	h_3	α
L1780.30-0400	30	9	M10x35	400	200	100	69	51	11	42	7	17	50
L1780.30-0600	30	9	M10x35	600	200	100	69	51	11	42	7	17	50
L1780.30-0800	30	9	M10x35	800	200	100	69	51	11	42	7	17	50
L1780.30-1000	30	9	M10x35	1000	200	100	69	51	11	42	7	17	50
L1780.30-1200	30	9	M10x35	1200	200	100	69	51	11	42	7	17	50
L1780.30-1400	30	9	M10x35	1400	200	100	69	51	11	42	7	17	50
L1780.30-1600	30	9	M10x35	1600	200	100	69	51	11	42	7	17	50
L1780.30-1800	30	9	M10x35	1800	200	100	69	51	11	42	7	17	50
L1780.30-2000	30	9	M10x35	2000	200	100	69	51	11	42	7	17	50
L1780.30-2200	30	9	M10x35	2200	200	100	69	51	11	42	7	17	50
L1780.30-2400	30	9	M10x35	2400	200	100	69	51	11	42	7	17	50
L1780.30-2600	30	9	M10x35	2600	200	100	69	51	11	42	7	17	50
L1780.30-2800	30	9	M10x35	2800	200	100	69	51	11	42	7	17	50
L1780.30-3000	30	9	M10x35	3000	200	100	69	51	11	42	7	17	50
L1780.30-3200	30	9	M10x35	3200	200	100	69	51	11	42	7	17	50
L1780.30-3400	30	9	M10x35	3400	200	100	69	51	11	42	7	17	50
L1780.30-3600	30	9	M10x35	3600	200	100	69	51	11	42	7	17	50
L1780.30-3800	30	9	M10x35	3800	200	100	69	51	11	42	7	17	50
L1780.30-4000	30	9	M10x35	4000	200	100	69	51	11	42	7	17	50
L1780.30-4200	30	9	M10x35	4200	200	100	69	51	11	42	7	17	50
L1780.30-4400	30	9	M10x35	4400	200	100	69	51	11	42	7	17	50
L1780.30-4600	30	9	M10x35	4600	200	100	69	51	11	42	7	17	50
L1780.30-4800	30	9	M10x35	4800	200	100	69	51	11	42	7	17	50
L1780.30-5000	30	9	M10x35	5000	200	100	69	51	11	42	7	17	50
L1780.30-5200	30	9	M10x35	5200	200	100	69	51	11	42	7	17	50
L1780.30-5400	30	9	M10x35	5400	200	100	69	51	11	42	7	17	50
L1780.30-5600	30	9	M10x35	5600	200	100	69	51	11	42	7	17	50
L1780.30-5800	30	9	M10x35	5800	200	100	69	51	11	42	7	17	50
L1780.30-6000	30	9	M10x35	6000	200	100	69	51	11	42	7	17	50



Linear Shaft Supports

30Ø Shaft Support Rails

complete steel shaft and aluminium support



LINEAR SHAFT SUPPORTS

