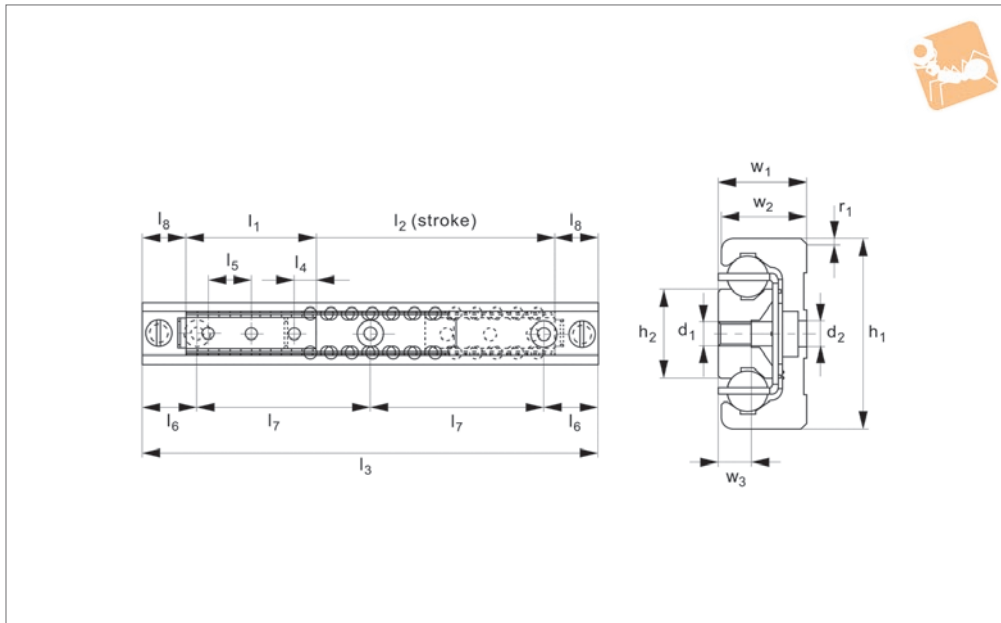




Easy Slide - Size 63

Long Linear Rails



L1972.63

LONG LINEAR RAILS

Material

Cold drawn steel, zinc plated (excluding raceways). Induction hardened raceways. High precision, bearing steel balls with steel cages.

accessible l_1 must be $< (l_3 / 2) - (2 \times l_8)$. To ensure proper smooth movement the stroke, l_2 must be $< \times l_1$.

Tips

- Must be mounted to a rigid structure.
- Stroke end stops must be fitted.
- Only to be used for horizontal movements.

Technical Notes

To ensure all fixing holes in the rail are

Order No.	l_1	l_2	l_3	h_1	w_1	d_1	Load $C_{0\text{ax}}$ N max.	Load $C_{0\text{rad}}$ N max.	M_x Nm	M_y Nm	M_z Nm	l_4
L1972.SN63-130-0400-0610	130	400	610	63	29	M8	18200	26000	238,8	394	563	25
L1972.SN63-130-0480-0690	130	480	690	63	29	M8	18200	26000	238,8	394	563	25
L1972.SN63-130-0560-0770	130	560	770	63	29	M8	18200	26000	238,8	394	563	25
L1972.SN63-130-0640-0850	130	640	850	63	29	M8	18200	26000	238,8	394	563	25
L1972.SN63-130-0720-0930	130	720	930	63	29	M8	18200	26000	238,8	394	563	25
L1972.SN63-130-0800-1010	130	800	1010	63	29	M8	18200	26000	238,8	394	563	25
L1972.SN63-210-0320-0610	210	320	610	63	29	M8	29400	42000	385,8	1029	1470	25
L1972.SN63-210-0400-0690	210	400	690	63	29	M8	29400	42000	385,8	1029	1470	25
L1972.SN63-210-0480-0770	210	480	770	63	29	M8	29400	42000	385,8	1029	1470	25
L1972.SN63-210-0560-0850	210	560	850	63	29	M8	29400	42000	385,8	1029	1470	25
L1972.SN63-210-0640-0930	210	640	930	63	29	M8	29400	42000	385,8	1029	1470	25
L1972.SN63-210-0720-1010	210	720	1010	63	29	M8	29400	42000	385,8	1029	1470	25
L1972.SN63-210-0880-1170	210	880	1170	63	29	M8	29400	42000	385,8	1029	1470	25
L1972.SN63-210-1040-1330	210	1040	1330	63	29	M8	29400	42000	385,8	1029	1470	25
L1972.SN63-210-1200-1490	210	1200	1490	63	29	M8	29400	42000	385,8	1029	1470	25
L1972.SN63-210-1360-1650	210	1360	1650	63	29	M8	29400	42000	385,8	1029	1470	25
L1972.SN63-290-0240-0610	290	240	610	63	29	M8	40600	58000	532,8	1962	2803	25
L1972.SN63-290-0320-0690	290	320	690	63	29	M8	40600	58000	532,8	1962	2803	25
L1972.SN63-290-0400-0770	290	400	770	63	29	M8	40600	58000	532,8	1962	2803	25
L1972.SN63-290-0480-0850	290	480	850	63	29	M8	40600	58000	532,8	1962	2803	25
L1972.SN63-290-0560-0930	290	560	930	63	29	M8	40600	58000	532,8	1962	2803	25
L1972.SN63-290-0640-1010	290	640	1010	63	29	M8	40600	58000	532,8	1962	2803	25
L1972.SN63-290-0800-1170	290	800	1170	63	29	M8	40600	58000	532,8	1962	2803	25
L1972.SN63-290-0960-1330	290	960	1330	63	29	M8	40600	58000	532,8	1962	2803	25
L1972.SN63-290-1120-1490	290	1120	1490	63	29	M8	40600	58000	532,8	1962	2803	25
L1972.SN63-290-1280-1650	290	1280	1650	63	29	M8	40600	58000	532,8	1962	2803	25
L1972.SN63-370-0320-0770	370	320	770	63	29	M8	51800	74000	679,8	3194	4563	25
L1972.SN63-370-0400-0850	370	400	850	63	29	M8	51800	74000	679,8	3194	4563	25
L1972.SN63-370-0480-0930	370	480	930	63	29	M8	51800	74000	679,8	3194	4563	25



LONG LINEAR RAILS

Order No.	l ₁	l ₂	l ₃	h ₁	w ₁	d ₁	Load C _{0 ax} N max.	Load C _{0 rad} N max.	M _x Nm	M _y Nm	M _z Nm	l ₄
L1972.SN63-370-0560-1010	370	560	1010	63	29	M8	74000	74000	679,8	3194	4563	25
L1972.SN63-370-0720-1170	370	720	1170	63	29	M8	51800	74000	679,8	3194	4563	25
L1972.SN63-370-0880-1330	370	880	1330	63	29	M8	51800	74000	679,8	3194	4563	25
L1972.SN63-370-1040-1490	370	1040	1490	63	29	M8	51800	74000	679,8	3194	4563	25
L1972.SN63-370-1200-1650	370	1200	1650	63	29	M8	51800	74000	679,8	3194	4563	25
L1972.SN63-370-1360-1810	370	1360	1810	63	29	M8	51800	74000	679,8	3194	4563	25
L1972.SN63-450-0400-0930	450	400	930	63	29	M8	63000	90000	826,7	4725	6750	25
L1972.SN63-450-0480-1010	450	480	1010	63	29	M8	63000	90000	826,7	4725	6750	25
L1972.SN63-450-0640-1170	450	640	1170	63	29	M8	63000	90000	826,7	4725	6750	25
L1972.SN63-450-0800-1330	450	800	1330	63	29	M8	63000	90000	826,7	4725	6750	25
L1972.SN63-450-0960-1490	450	960	1490	63	29	M8	63000	90000	826,7	4725	6750	25
L1972.SN63-450-1120-1650	450	1120	1650	63	29	M8	63000	90000	826,7	4725	6750	25
L1972.SN63-450-1280-1810	450	1280	1810	63	29	M8	63000	90000	826,7	4725	6750	25
L1972.SN63-530-0560-1170	530	560	1170	63	29	M8	74200	106000	937,7	6554	9363	25
L1972.SN63-530-0720-1330	530	720	1330	63	29	M8	74200	106000	937,7	6554	9363	25
L1972.SN63-530-0880-1490	530	880	1490	63	29	M8	74200	106000	937,7	6554	9363	25
L1972.SN63-530-1040-1650	530	1040	1650	63	29	M8	74200	106000	937,7	6554	9363	25
L1972.SN63-530-1200-1810	530	1200	1810	63	29	M8	74200	106000	937,7	6554	9363	25
L1972.SN63-530-1360-1970	530	1360	1970	63	29	M8	74200	106000	937,7	6554	74200	25
L1972.SN63-610-0640-1330	610	640	1330	63	29	M8	85400	122000	1120,7	8682	12403	25
L1972.SN63-610-0800-1490	610	800	1490	63	29	M8	85400	122000	1120,7	8682	12403	25
L1972.SN63-610-0960-1650	610	960	1650	63	29	M8	85400	122000	1120,7	8682	12403	25
L1972.SN63-610-1120-1810	610	1120	1810	63	29	M8	85400	122000	1120,7	8682	12403	25
L1972.SN63-610-1280-1970	610	1280	1970	63	29	M8	85400	122000	1120,7	8682	12403	25

Order No.	l ₅	Holes/ slider	l ₆	l ₇	l ₈	h ₂	w ₂	w ₃	R
L1972.SN63-130-0400-0610	80	2	25	80	40	29.3	28	10.5	2 x 45
L1972.SN63-130-0480-0690	80	2	25	80	40	29.3	28	10.5	2 x 45
L1972.SN63-130-0560-0770	80	2	25	80	40	29.3	28	10.5	2 x 45
L1972.SN63-130-0640-0850	80	2	25	80	40	29.3	28	10.5	2 x 45
L1972.SN63-130-0720-0930	80	2	25	80	40	29.3	28	10.5	2 x 45
L1972.SN63-130-0800-1010	80	2	25	80	40	29.3	28	10.5	2 x 45
L1972.SN63-210-0320-0610	80	3	25	80	40	29.3	28	10.5	2 x 45
L1972.SN63-210-0400-0690	80	3	25	80	40	29.3	28	10.5	2 x 45
L1972.SN63-210-0480-0770	80	3	25	80	40	29.3	28	10.5	2 x 45
L1972.SN63-210-0560-0850	80	3	25	80	40	29.3	28	10.5	2 x 45
L1972.SN63-210-0640-0930	80	3	25	80	40	29.3	28	10.5	2 x 45
L1972.SN63-210-0720-1010	80	3	25	80	40	29.3	28	10.5	2 x 45
L1972.SN63-210-0880-1170	80	3	25	80	40	29.3	28	10.5	2 x 45
L1972.SN63-210-1040-1330	80	3	25	80	40	29.3	28	10.5	2 x 45
L1972.SN63-210-1200-1490	80	3	25	80	40	29.3	28	10.5	2 x 45
L1972.SN63-210-1360-1650	80	3	25	80	40	29.3	28	10.5	2 x 45
L1972.SN63-290-0240-0610	80	4	25	80	40	29.3	28	10.5	2 x 45
L1972.SN63-290-0320-0690	80	4	25	80	40	29.3	28	10.5	2 x 45
L1972.SN63-290-0400-0770	80	4	25	80	40	29.3	28	10.5	2 x 45
L1972.SN63-290-0480-0850	80	4	25	80	40	29.3	28	10.5	2 x 45



Easy Slide - Size 63



Long Linear Rails

Order No.	l ₅	Holes/ slider	l ₆	l ₇	l ₈	h ₂	w ₂	w ₃	R
L1972.SN63-290-0560-0930	80	4	25	80	40	29.3	28	10.5	2 x 45
L1972.SN63-290-0640-1010	80	4	25	80	40	29.3	28	10.5	2 x 45
L1972.SN63-290-0800-1170	80	4	25	80	40	29.3	28	10.5	2 x 45
L1972.SN63-290-0960-1330	80	4	25	80	40	29.3	28	10.5	2 x 45
L1972.SN63-290-1120-1490	80	4	25	80	40	29.3	28	10.5	2 x 45
L1972.SN63-290-1280-1650	80	4	25	80	40	29.3	28	10.5	2 x 45
L1972.SN63-370-0320-0770	80	5	25	80	40	29.3	28	10.5	2 x 45
L1972.SN63-370-0400-0850	80	5	25	80	40	29.3	28	10.5	2 x 45
L1972.SN63-370-0480-0930	80	5	25	80	40	29.3	28	10.5	2 x 45
L1972.SN63-370-0560-1010	80	5	25	80	40	29.3	28	10.5	2 x 45
L1972.SN63-370-0720-1170	80	5	25	80	40	29.3	28	10.5	2 x 45
L1972.SN63-370-0880-1330	80	5	25	80	40	29.3	28	10.5	2 x 45
L1972.SN63-370-1040-1490	80	5	25	80	40	29.3	28	10.5	2 x 45
L1972.SN63-370-1200-1650	80	5	25	80	40	29.3	28	10.5	2 x 45
L1972.SN63-370-1360-1810	80	5	25	80	40	29.3	28	10.5	2 x 45
L1972.SN63-450-0400-0930	80	6	25	80	40	29.3	28	10.5	2 x 45
L1972.SN63-450-0480-1010	80	6	25	80	40	29.3	28	10.5	2 x 45
L1972.SN63-450-0640-1170	80	6	25	80	40	29.3	28	10.5	2 x 45
L1972.SN63-450-0800-1330	80	6	25	80	40	29.3	28	10.5	2 x 45
L1972.SN63-450-0960-1490	80	6	25	80	40	29.3	28	10.5	2 x 45
L1972.SN63-450-1120-1650	80	6	25	80	40	29.3	28	10.5	2 x 45
L1972.SN63-450-1280-1810	80	6	25	80	40	29.3	28	10.5	2 x 45
L1972.SN63-530-0560-1170	80	7	25	80	40	29.3	28	10.5	2 x 45
L1972.SN63-530-0720-1330	80	7	25	80	40	29.3	28	10.5	2 x 45
L1972.SN63-530-0880-1490	80	7	25	80	40	29.3	28	10.5	2 x 45
L1972.SN63-530-1040-1650	80	7	25	80	40	29.3	28	10.5	2 x 45
L1972.SN63-530-1200-1810	80	7	25	80	40	29.3	28	10.5	2 x 45
L1972.SN63-530-1360-1970	80	7	25	80	40	29.3	28	10.5	2 x 45
L1972.SN63-610-0640-1330	80	8	25	80	40	29.3	28	10.5	2 x 45
L1972.SN63-610-0800-1490	80	8	25	80	40	29.3	28	10.5	2 x 45
L1972.SN63-610-0960-1650	80	8	25	80	40	29.3	28	10.5	2 x 45
L1972.SN63-610-1120-1810	80	8	25	80	40	29.3	28	10.5	2 x 45
L1972.SN63-610-1280-1970	80	8	25	80	40	29.3	28	10.5	2 x 45

LONG LINEAR RAILS