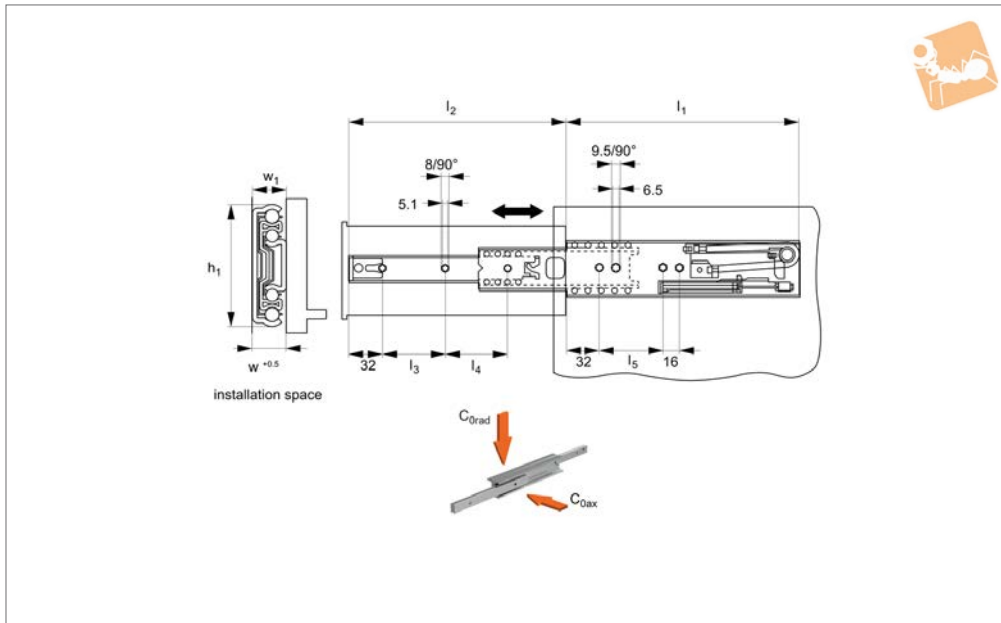
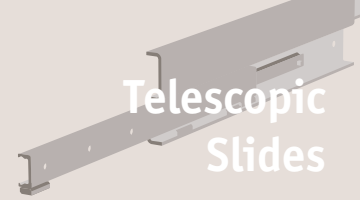




Soft-Close Drawer Slide



L2011

TELESCOPIC SLIDES

Material

Galvanized steel. Hardened steel balls with zinc-plated cage.

Technical Notes

C_{0rad} is the load rating for a single drawer slide and based on 100,000 cycles, uniform

load distribution and use of all fixing holes to mount the slide.

Flat installation not suited due to the soft-close damping system.

Tips

Soft close over last 50mm, for smooth full

retraction to closed position.

Fix inner rail with M4 countersunk screws (head height 2,2 mm).

Fix outer rail with M5 countersunk screws (head height 2,5 mm).

Order No.	l_1	l_2 stroke	h_1	w_1	l_3	l_4	l_5	Load (per rail) C_{0rad} N max.	Weight kg
L2011.0400	400	434	57.5	16.0	128	128	224	200	1.10
L2011.0450	450	484	57.5	16.0	160	160	256	250	1.25
L2011.0500	500	534	57.5	16.0	160	192	320	275	1.40
L2011.0550	550	584	57.5	16.0	192	192	320	300	1.55