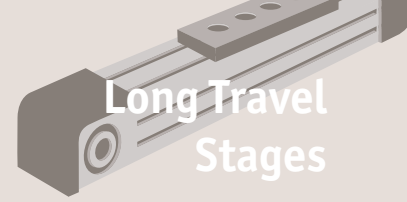


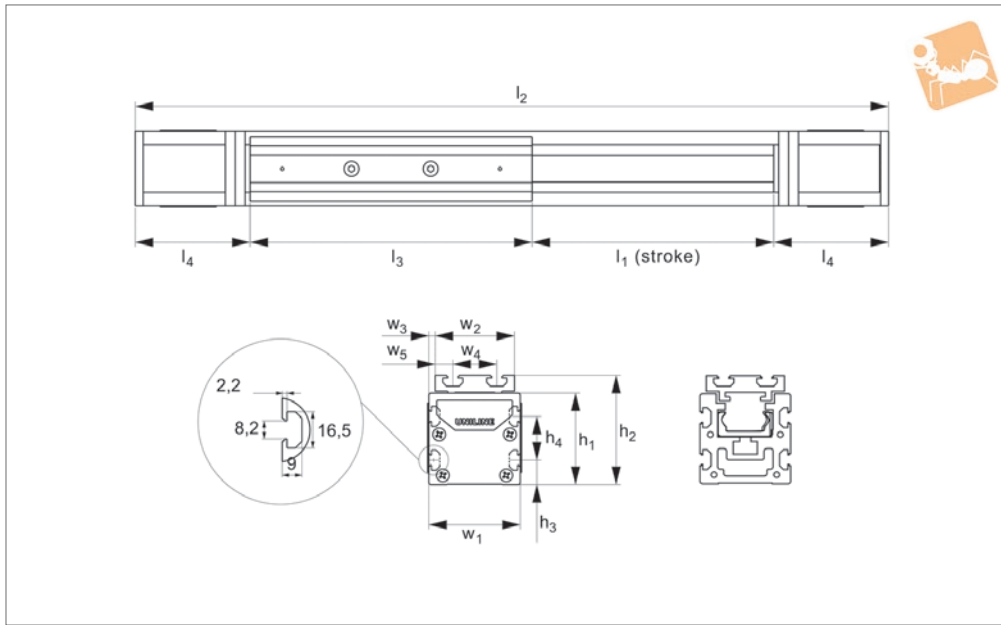


Medium Duty Belt Driven Unit

size 55



Long Travel Stages



L3001.A55

LONG TRAVEL STAGES

Material

Special sliders on a single hardened steel rail, encased in an aluminium profile.

Technical Notes

Any length overall stroke unit can be supplied (up to 3,0 metres in a single section) for the A55 series. Longer strokes

available.

Longer carriages and double carriages are available which increase the load capacity of the units.

Tips

See technical pages for more information on belt specification, long carriages,

double carriages and motor connections. Can easily be combined to make an XY, XYZ or other set up gantry system.

Important Notes

For loads with low moment loads.

Order No.	l_1	l_2	l_3	h_1 & w_1	h_2	h_3	h_4	l_4	w_2	w_3	w_4	w_5	C_{0ax} N	C_{0rad} N	M_x Nm	M_y Nm	M_z Nm
L3001.A55-0100	100	516	200	55	71	15	25	108	52	1.5	28	12	750	2175	11.5	21.7	54.5
L3001.A55-0200	200	616	200	55	71	15	25	108	52	1.5	28	12	750	2175	11.5	21.7	54.5
L3001.A55-0300	300	716	200	55	71	15	25	108	52	1.5	28	12	750	2175	11.5	21.7	54.5
L3001.A55-0400	400	816	200	55	71	15	25	108	52	1.5	28	12	750	2175	11.5	21.7	54.5
L3001.A55-0500	500	916	200	55	71	15	25	108	52	1.5	28	12	750	2175	11.5	21.7	54.5
L3001.A55-0600	600	1016	200	55	71	15	25	108	52	1.5	28	12	750	2175	11.5	21.7	54.5
L3001.A55-0700	700	1116	200	55	71	15	25	108	52	1.5	28	12	750	2175	11.5	21.7	54.5
L3001.A55-0800	800	1216	200	55	71	15	25	108	52	1.5	28	12	750	2175	11.5	21.7	54.5
L3001.A55-0900	900	1316	200	55	71	15	25	108	52	1.5	28	12	750	2175	11.5	21.7	54.5
L3001.A55-1000	1000	1416	200	55	71	15	25	108	52	1.5	28	12	750	2175	11.5	21.7	54.5
L3001.A55-1100	1100	1516	200	55	71	15	25	108	52	1.5	28	12	750	2175	11.5	21.7	54.5
L3001.A55-1200	1200	1616	200	55	71	15	25	108	52	1.5	28	12	750	2175	11.5	21.7	54.5
L3001.A55-1300	1300	1716	200	55	71	15	25	108	52	1.5	28	12	750	2175	11.5	21.7	54.5
L3001.A55-1400	1400	1816	200	55	71	15	25	108	52	1.5	28	12	750	2175	11.5	21.7	54.5
L3001.A55-1500	1500	1916	200	55	71	15	25	108	52	1.5	28	12	750	2175	11.5	21.7	54.5
L3001.A55-1600	1600	2016	200	55	71	15	25	108	52	1.5	28	12	750	2175	11.5	21.7	54.5
L3001.A55-1700	1700	2116	200	55	71	15	25	108	52	1.5	28	12	750	2175	11.5	21.7	54.5
L3001.A55-1800	1800	2216	200	55	71	15	25	108	52	1.5	28	12	750	2175	11.5	21.7	54.5
L3001.A55-1900	1900	2316	200	55	71	15	25	108	52	1.5	28	12	750	2175	11.5	21.7	54.5
L3001.A55-2000	2000	2416	200	55	71	15	25	108	52	1.5	28	12	750	2175	11.5	21.7	54.5
L3001.A55-2100	2100	2516	200	55	71	15	25	108	52	1.5	28	12	750	2175	11.5	21.7	54.5
L3001.A55-2200	2200	2616	200	55	71	15	25	108	52	1.5	28	12	750	2175	11.5	21.7	54.5
L3001.A55-2300	2300	2716	200	55	71	15	25	108	52	1.5	28	12	750	2175	11.5	21.7	54.5
L3001.A55-2400	2400	2816	200	55	71	15	25	108	52	1.5	28	12	750	2175	11.5	21.7	54.5
L3001.A55-2500	2500	2916	200	55	71	15	25	108	52	1.5	28	12	750	2175	11.5	21.7	54.5
L3001.A55-2600	2600	3016	200	55	71	15	25	108	52	1.5	28	12	750	2175	11.5	21.7	54.5
L3001.A55-2700	2700	3116	200	55	71	15	25	108	52	1.5	28	12	750	2175	11.5	21.7	54.5
L3001.A55-2800	2800	3216	200	55	71	15	25	108	52	1.5	28	12	750	2175	11.5	21.7	54.5
L3001.A55-2900	2900	3316	200	55	71	15	25	108	52	1.5	28	12	750	2175	11.5	21.7	54.5
L3001.A55-3000	3000	3416	200	55	71	15	25	108	52	1.5	28	12	750	2175	11.5	21.7	54.5