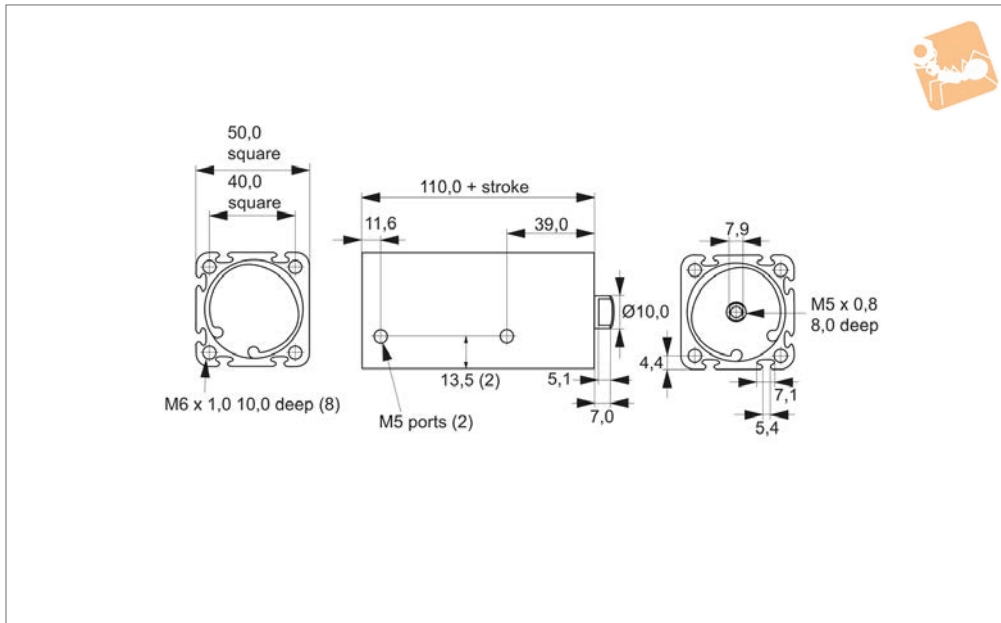




Anti-Stiction Air Cylinder - 32mm front/rear mount



L4558

CYLINDERS

Material

Carbon/graphite piston. Stainless steel rod (AISI 303). Stainless steel outer tube (AISI 304). Nickel plated aluminium cylinder heads and piston/rod coupling. Graphite filled bronze pivot bushing.

Technical Notes

Ultra low friction.
Corrosion resistant, no need for lubrication.

Operating temp range: -55°C to +150°C.

For applications operating below -20°C please add -ET to part number. NOT suitable for vacuum actuation.
Piston area = 830mm².
Force output at max pressure on rear side = 581N.
Force output at max pressure on rod side = 526N.
Piston friction as % of load (without side

load) = 1% - 2%.
Min pressure differential required for actuation = <0.0035 MPa.
Force factor rear side = 830N.
Force factor rod side = 751N.
(factor x pressure (MPa) = force output (N)).
* max leak measured at pressure of 0.34 MPa.

| Order No. | Bore dia. | Stroke | Length | Pressure MPa max. | Leak rate by piston max. SL/min | Leak rate by rod max. SL/min | Weight g |
|-----------|-----------|--------|--------|-------------------|---------------------------------|------------------------------|----------|
| L4558.012 | 32.5 | 12.5 | 122.5 | 0.7 | 2.2 | 2.0 | 661.75 |
| L4558.025 | 32.5 | 25.0 | 135 | 0.7 | 2.2 | 2.0 | 707.50 |
| L4558.050 | 32.5 | 50.0 | 160 | 0.7 | 2.2 | 2.0 | 799.00 |
| L4558.075 | 32.5 | 75.0 | 185 | 0.7 | 2.2 | 2.0 | 890.50 |
| L4558.100 | 32.5 | 100.0 | 210 | 0.7 | 2.2 | 2.0 | 982.00 |