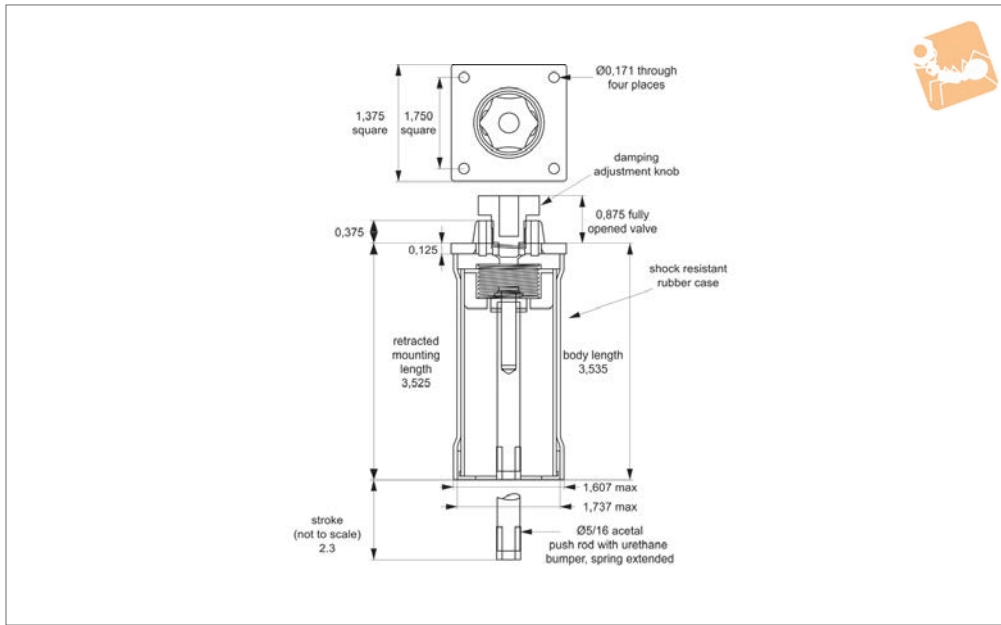




# Shock Absorber

1.281" bore

## Cylinders



**L4624**

CYLINDERS

### Material

Shock resistant rubber case.  
Urethane push rod.  
Pyrex glass cylinder.

+150°C.

(Please advise if operating at temperatures over +70°C).

Piston friction force without side load = less than 4 grams.

Level of shock absorption adjustable by hand.

### Technical Notes

Max operating temperature: -55°C to

Order No.	Stroke	Energy capacity ft·lb	Spring force extended lb	Spring force retracted lb	Push rod reset time with valve fully open m/s	Push rod reset time with valve fully closed m/s	Friction coefficient
L4624.1281	2,3"	0-3	0,25	0,5	70	150	0,2