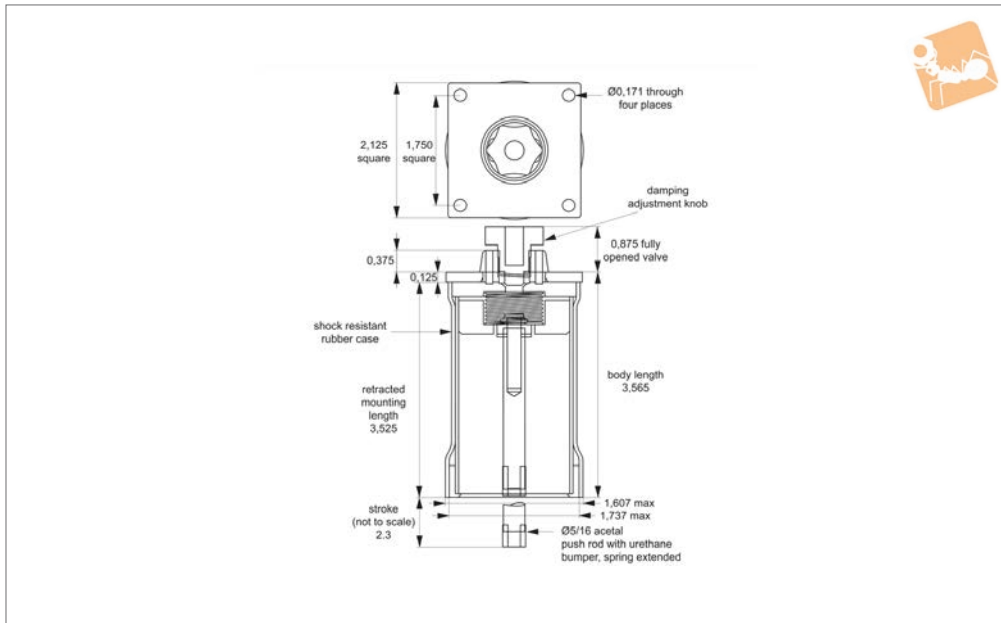




Shock Absorber

1,750 bore

Cylinders



L4626

CYLINDERS

Material

Shock resistant rubber case.
Urethane push rod.
Pyrex glass cylinder.

+150°C.

(Please advise if operating at temperatures over +70°C).

Piston friction force without side load = less than 8 gram.

Level of shock absorption adjustable by hand.

Technical Notes

Max operating temperature: -55°C to

Order No.	Stroke	Energy capacity ft·lb	Spring force extended lb	Spring force retracted lb	Push rod reset time with valve fully open m/s	Push rod reset time with valve fully closed m/s	Friction coefficient
L4626.1750	2,3"	0-7	0,25	0,5	161	430	0,2