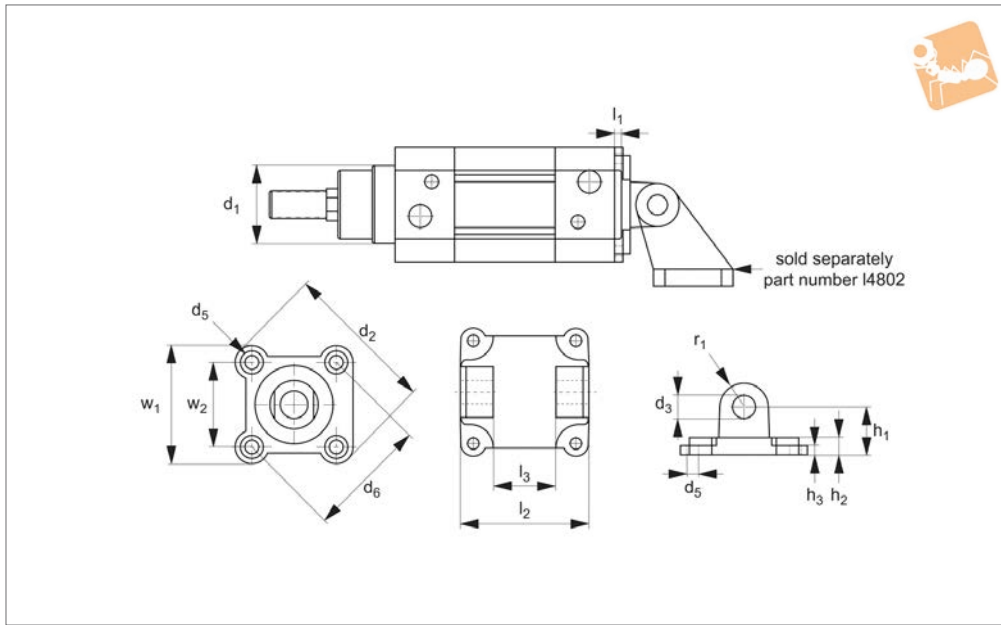




Air Cylinder Mounts - ISO Series

swivel flange

Cylinders



L4800

CYLINDERS

Material

Steel (DIN 1040).

Technical Notes

ISO 15552

Order No.	Cylinder dia.	d_1	d_2	d_3	d_4	d_5	d_6	r_1	l_1	l_2	l_3	w_1	w_2	h_1	h_2	h_3
L4800.032	32	30	59.0	10	7	11	46.0	10	4	45	26	45	32.5	22	10	6.5
L4800.040	40	35	70.2	12	7	11	53.7	12	4	52	28	54	38.0	25	10	7.0
L4800.050	50	40	84.2	12	9	15	65.7	13	4	60	32	65	46.5	27	11	5.5
L4800.063	63	45	99.5	16	9	15	80.0	16	4	70	40	76	56.5	32	11	6.5
L4800.080	80	45	123.8	16	11	18	101.8	16	5	90	50	94	72.0	36	14	7.0
L4800.100	100	55	148.8	20	11	18	125.9	19	6	110	60	112	89.0	41	14	7.0
L4800.125	125	60	179.5	25	13	20	155.5	25	7	130	70	134	110.0	50	20	10.0
L4800.160	160	65	252.0	30	17	26	198.0	32	8	170	90	186	140.0	55	20	15.0