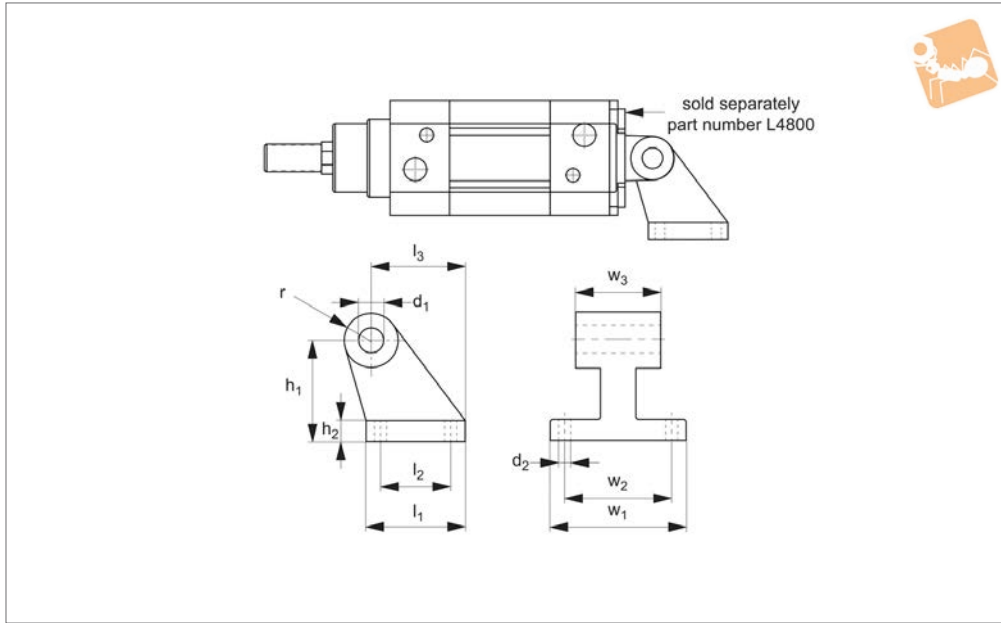




Air Cylinder Mounts - ISO Series

clevis foot mounting

Cylinders



L4802

CYLINDERS

Material

Steel (DIN 1040).

Technical Notes

ISO series

Order No.	Cylinder dia.	d ₁	d ₂	r	l ₁	l ₂	l ₃	w ₁	w ₂	w ₃	h ₁	h ₂
L4802.032	32	10	7	10.0	31	18	27.5	51	38	26	32	8
L4802.040	40	12	7	11.0	35	22	30.5	54	41	28	36	10
L4802.050	50	12	9	13.0	45	30	40.5	65	50	32	45	12
L4802.063	63	16	9	15.0	50	35	44.5	67	52	40	50	12
L4802.080	80	16	11	15.0	60	40	57.0	86	66	50	63	14
L4802.100	100	20	11	20.0	70	50	65.0	96	76	60	71	15
L4802.125	125	25	13	22.5	90	60	85.0	124	94	70	90	20
L4802.160	160	30	14	31.5	126	88	116.0	156	118	90	115	25