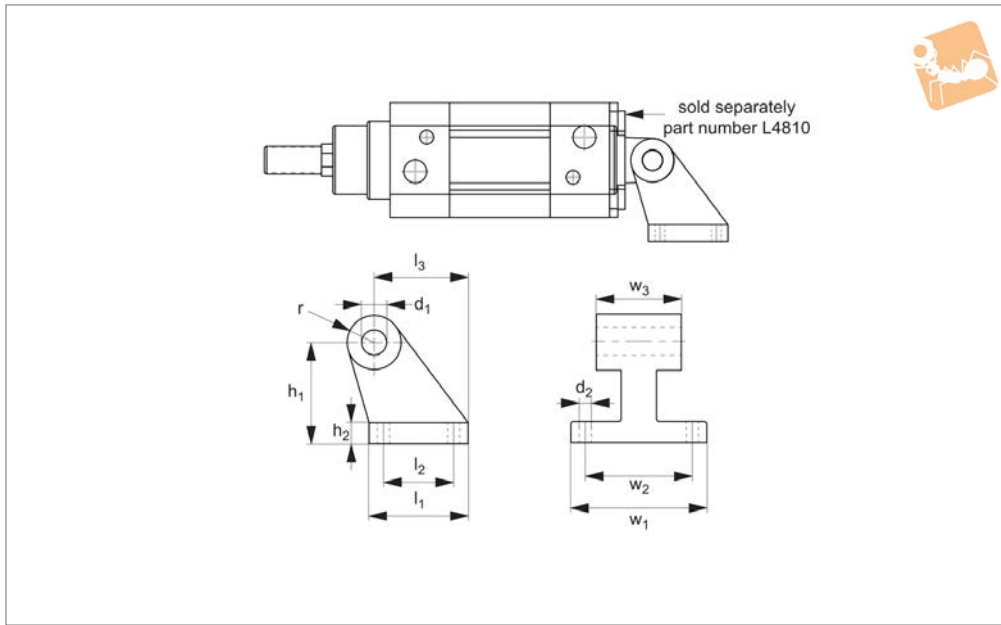




Air Cylinder Mounts - CETOP Series

clevis mounting foot



L4812

CYLINDERS

Material

Steel (DIN 1040).

Technical Notes

CETOP Series

Order No.	Cylinder dia.	d ₁	d ₂	r	l ₁	l ₂	l ₃	w ₁	w ₂	w ₃	h ₁	h ₂
L4812.032	32	10	5.5	10.0	31	18	27.5	51	38	26	32	8
L4812.040	40	12	5.5	11.0	35	22	30.5	54	41	28	36	10
L4812.050	50	12	6.5	13.0	45	30	40.5	65	50	32	45	12
L4812.063	63	16	6.5	15.0	50	35	44.5	67	52	40	50	12
L4812.080	80	16	9.0	15.0	60	40	57	86	66	50	63	14
L4812.100	100	20	9.0	20.0	70	50	65	96	76	60	71	15
L4812.125	125	25	11.0	22.5	90	60	85	124	94	70	90	20
L4812.160	160	30	14.0	31.5	126	88	116	156	118	90	115	25