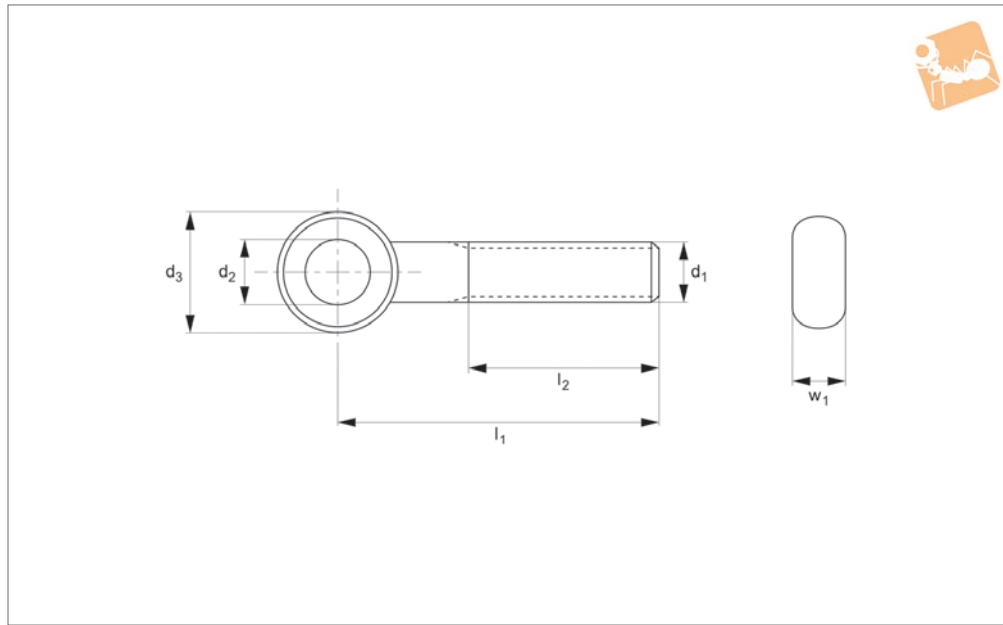




# Swing Bolts

A4 stainless

# Lifting Pins, Lifting Bolts &



**P0070.A4**

LIFTING PINS, LIFTING BOLTS & SWING BOLTS

### Material

Stainless steel (A4, AISI 316).

### Technical Notes

To DIN 444 B.

Order No.	d <sub>1</sub> tol. H9	l <sub>1</sub>	d <sub>2</sub> tol. H7	d <sub>3</sub>	l <sub>2</sub>	w <sub>1</sub> max.
P0070.060-030-A4	M6	30	6	14	18	7
P0070.060-040-A4	M6	40	6	14	18	7
P0070.060-050-A4	M6	50	6	14	18	7
P0070.060-060-A4	M6	60	6	14	18	7
P0070.080-030-A4	M8	30	8	18	22	9
P0070.080-040-A4	M8	40	8	18	22	9
P0070.080-050-A4	M8	50	8	18	22	9
P0070.080-060-A4	M8	60	8	18	22	9
P0070.080-070-A4	M8	70	8	18	22	9
P0070.080-080-A4	M8	80	8	18	22	9
P0070.080-090-A4	M8	90	8	18	22	9
P0070.080-100-A4	M8	100	8	18	22	9
P0070.100-040-A4	M10	40	10	20	26	12
P0070.100-050-A4	M10	50	10	20	26	12
P0070.100-060-A4	M10	60	10	20	26	12
P0070.100-070-A4	M10	70	10	20	26	12
P0070.100-080-A4	M10	80	10	20	26	12
P0070.100-090-A4	M10	90	10	20	26	12
P0070.100-100-A4	M10	100	10	20	26	12
P0070.120-040-A4	M12	40	12	25	30	14
P0070.120-050-A4	M12	50	12	25	30	14
P0070.120-060-A4	M12	60	12	25	30	14
P0070.120-070-A4	M12	70	12	25	30	14
P0070.120-080-A4	M12	80	12	25	30	14
P0070.120-090-A4	M12	90	12	25	30	14
P0070.120-100-A4	M12	100	12	25	30	14
P0070.120-120-A4	M12	120	12	25	30	14
P0070.120-130-A4	M12	130	12	25	30	14
P0070.120-150-A4	M12	150	12	25	30	14
P0070.160-070-A4	M16	70	16	32	38	17
P0070.160-080-A4	M16	80	16	32	38	17
P0070.160-090-A4	M16	90	16	32	38	17
P0070.160-100-A4	M16	100	16	32	38	17
P0070.160-120-A4	M16	120	16	32	38	17



Order No.	d <sub>1</sub> tol. H9	l <sub>1</sub>	d <sub>2</sub> tol. H7	d <sub>3</sub>	l <sub>2</sub>	w <sub>1</sub> max.
P0070.160-130-A4	M16	130	16	32	38	17
P0070.200-080-A4	M20	80	18	40	46	22
P0070.200-090-A4	M20	90	18	40	46	22
P0070.200-100-A4	M20	100	18	40	46	22
P0070.200-120-A4	M20	120	18	40	46	22
P0070.240-100-A4	M24	100	22	45	54	25
P0070.240-120-A4	M24	120	22	45	54	25
P0070.240-140-A4	M24	140	22	45	54	25