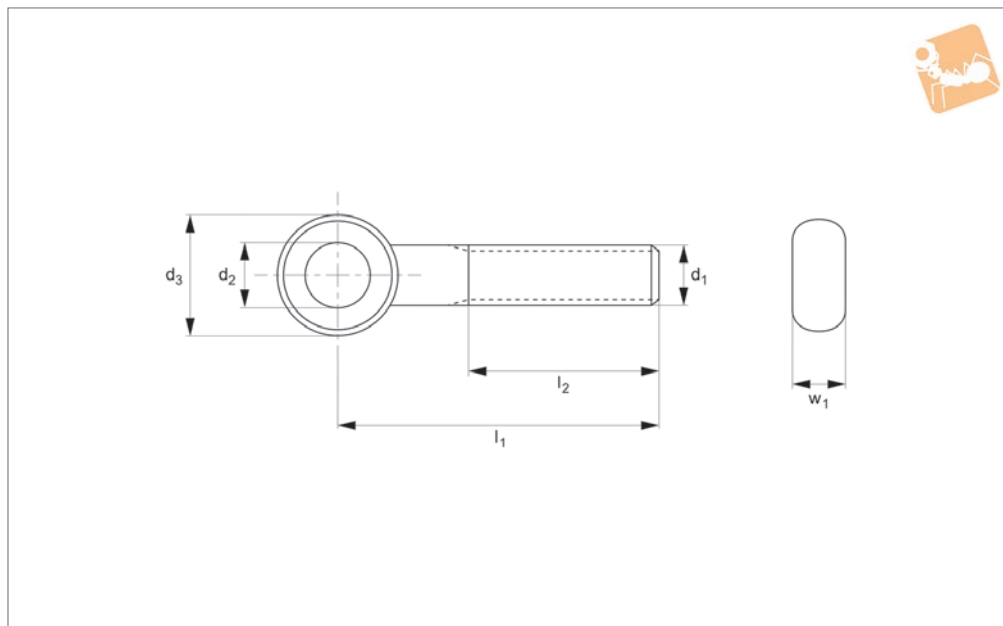




Swing Bolts

Brass

Lifting Pins, Lifting Bolts &



P0070.BR

LIFTING PINS, LIFTING BOLTS & SWING BOLTS

Material
Brass.

Technical Notes
To DIN 444 B.

Order No.	d ₁ tol. H9	l ₁	d ₂ tol. H7	d ₃	l ₂	w ₁ max.
P0070.060-030-BR	M6	30	6	14	18	7
P0070.060-040-BR	M6	40	6	14	18	7
P0070.060-050-BR	M6	50	6	14	18	7
P0070.060-060-BR	M6	60	6	14	18	7
P0070.080-030-BR	M8	30	8	18	22	9
P0070.080-040-BR	M8	40	8	18	22	9
P0070.080-050-BR	M8	50	8	18	22	9
P0070.080-060-BR	M8	60	8	18	22	9
P0070.080-080-BR	M8	80	8	18	22	9
P0070.080-100-BR	M8	100	8	18	22	9
P0070.100-050-BR	M10	50	10	20	26	12
P0070.100-060-BR	M10	60	10	20	26	12
P0070.100-080-BR	M10	80	10	20	26	12
P0070.100-120-BR	M10	100	10	20	26	12
P0070.100-100-BR	M10	120	10	20	26	12
P0070.120-040-BR	M12	40	12	25	30	14
P0070.120-050-BR	M12	50	12	25	30	14
P0070.120-060-BR	M12	60	12	25	30	14
P0070.120-080-BR	M12	80	12	25	30	14
P0070.120-100-BR	M12	100	12	25	30	14
P0070.120-120-BR	M12	120	12	25	30	14
P0070.160-060-BR	M16	60	16	32	38	17
P0070.160-080-BR	M16	80	16	32	38	17
P0070.160-100-BR	M16	100	16	32	38	17
P0070.160-120-BR	M16	120	16	32	38	17
P0070.200-100-BR	M20	100	18	40	46	22
P0070.200-120-BR	M20	120	18	40	46	22
P0070.200-140-BR	M20	140	18	40	46	22
P0070.200-160-BR	M20	160	18	40	46	22