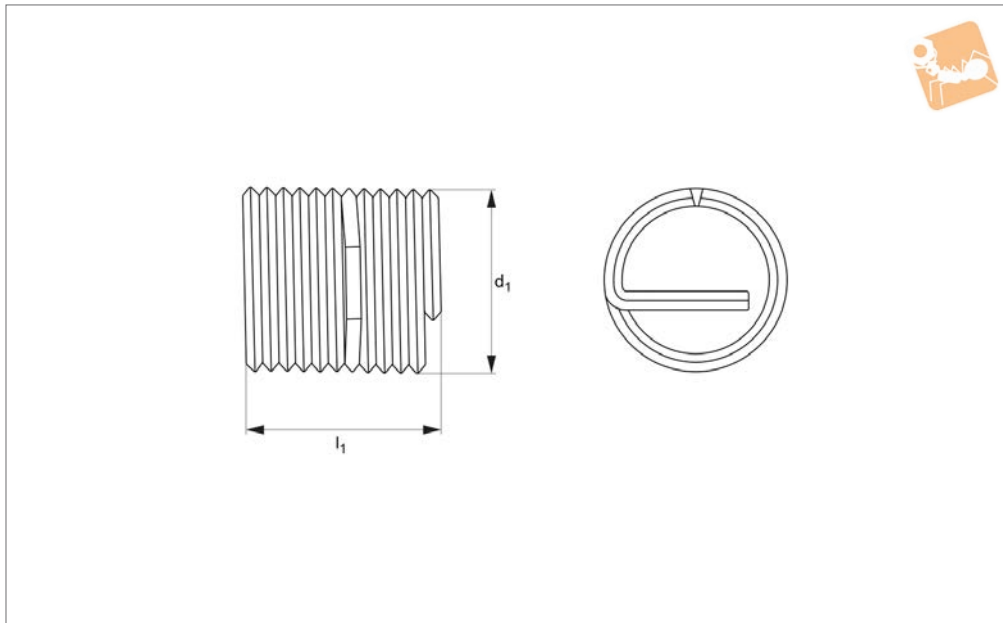
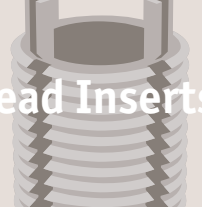




Wire Thread Inserts - Screw Lock

A2 stainless

Thread Inserts



P0081

THREAD INSERTS

Material

Stainless steel (A2, AISI 304).

Technical Notes

To DIN 8140-1A

These inserts are used for the repair and reinforcement of cracked and damaged threads. Thread inserts are oversized so that when installed they are kept in position by the pressure between the sides of the hole and the coils. These „screw lock“ thread inserts (prevailing torque) are

useful in applications where there is cyclic vibration or impact. A portion of the thread in the mid area of the insert has polygonal threads and these exert radial pressure on the male thread. It is recommended to use „close fit“ thread tolerance male bolts or screws.

Threads are metric coarse threads, other pitches available on request.

Temperature range for use -160° C to +420° C and can withstand temperature

surges up to +500° C.

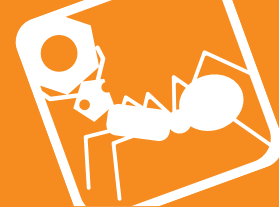
Tips

A special tap is required to install these inserts.

The installation procedure includes the following steps:

1. Drill Hole
2. Tap with wire insert tap
3. Check hole with gauge
4. Install insert
5. Remove tang
6. Check thread ‚go:no-go‘.

Order No.	d ₁ x pitch	Drill dia. d ₂	C'bore dia. d ₃	l ₁
P0081.020-1.0-A2	M2 x0,4	2.1	2,52 - 2,61	2.0
P0081.020-1.5-A2	M2 x0,4	2.1	2,52 - 2,61	3.0
P0081.020-2.0-A2	M2 x0,4	2.1	2,52 - 2,61	4.0
P0081.020-2.5-A2	M2 x0,4	2.1	2,52 - 2,61	5.0
P0081.020-3.0-A2	M2 x0,4	2.1	2,52 - 2,61	6.0
P0081.030-1.0-A2	M3 x0,5	3.2	3,65 - 4,35	3.0
P0081.030-1.5-A2	M3 x0,5	3.2	3,65 - 4,35	4.5
P0081.030-2.0-A2	M3 x0,5	3.2	3,65 - 4,35	6.0
P0081.030-2.5-A2	M3 x0,5	3.2	3,65 - 4,35	7.5
P0081.030-3.0-A2	M3 x0,5	3.2	3,65 - 4,35	9.0
P0081.025-1.0-A2	M2,5x0,45	2.6	3,08 - 3,18	2.5
P0081.025-1.5-A2	M2,5x0,45	2.6	3,08 - 3,18	3.75
P0081.025-2.0-A2	M2,5x0,45	2.6	3,08 - 3,18	5.0
P0081.025-2.5-A2	M2,5x0,45	2.6	3,08 - 3,18	6.25
P0081.025-3.0-A2	M2,5x0,45	2.6	3,08 - 3,18	7.5
P0081.040-1.0-A2	M4 x0,7	4.2	4,9 - 5,06	4.0
P0081.040-1.5-A2	M4 x0,7	4.2	4,9 - 5,06	6.0
P0081.040-2.0-A2	M4 x0,7	4.2	4,9 - 5,06	8.0
P0081.040-2.5-A2	M4 x0,7	4.2	4,9 - 5,06	10.0
P0081.040-3.0-A2	M4 x0,7	4.2	4,9 - 5,06	12.0
P0081.050-1.0-A2	M5 x0,8	5.2	6,04 - 6,21	5.0
P0081.050-1.5-A2	M5 x0,8	5.2	6,04 - 6,21	7.5
P0081.050-2.0-A2	M5 x0,8	5.2	6,04 - 6,21	10.0
P0081.050-2.5-A2	M5 x0,8	5.2	6,04 - 6,21	12.5
P0081.050-3.0-A2	M5 x0,8	5.2	6,04 - 6,21	15.0
P0081.060-1.0-A2	M6 x1,0	6.3	7,3 - 7,51	6.0



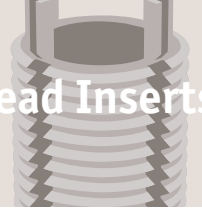
Order No.	d ₁ x pitch	Drill dia. d ₂	C'bore dia. d ₃	l ₁
P0081.060-1.5-A2	M6 x1,0	6.3	7,3 - 7,51	9.0
P0081.060-2.0-A2	M6 x1,0	6.3	7,3 - 7,51	12.0
P0081.060-2.5-A2	M6 x1,0	6.3	7,3 - 7,51	15.0
P0081.060-3.0-A2	M6 x1,0	6.3	7,3 - 7,51	18.0
P0081.080-1.0-A2	M8 x1,25	8.3	9,62 - 9,89	8.0
P0081.080-1.5-A2	M8 x1,25	8.3	9,62 - 9,89	12.0
P0081.080-2.0-A2	M8 x1,25	8.3	9,62 - 9,89	16.0
P0081.080-2.5-A2	M8 x1,25	8.3	9,62 - 9,89	20.0
P0081.080-3.0-A2	M8 x1,25	8.3	9,62 - 9,89	24.0
P0081.100-1.0-A2	M10x1,5	10.4	11,95 - 12,27	10.0
P0081.100-1.5-A2	M10x1,5	10.4	11,95 - 12,27	15.0
P0081.100-2.0-A2	M10x1,5	10.4	11,95 - 12,27	20.0
P0081.100-2.5-A2	M10x1,5	10.4	11,95 - 12,27	25.0
P0081.100-3.0-A2	M10x1,5	10.4	11,95 - 12,27	30.0
P0081.120-1.0-A2	M12x1,75	12.5	14,27 - 14,65	12.0
P0081.120-1.5-A2	M12x1,75	12.5	14,27 - 14,65	18.0
P0081.120-2.0-A2	M12x1,75	12.5	14,27 - 14,65	24.0
P0081.120-2.5-A2	M12x1,75	12.5	14,27 - 14,65	30.0
P0081.120-3.0-A2	M12x1,75	12.5	14,27 - 14,65	36.0
P0081.140-1.0-A2	M14x2,0	14.5	16,60 - 17,03	14.0
P0081.140-1.5-A2	M14x2,0	14.5	16,60 - 17,03	21.0
P0081.140-2.0-A2	M14x2,0	14.5	16,60 - 17,03	28.0
P0081.140-2.5-A2	M14x2,0	14.5	16,60 - 17,03	35.0
P0081.140-3.0-A2	M14x2,0	14.5	16,60 - 17,03	42.0
P0081.160-1.0-A2	M16x2,0	16.5	18,60 - 19,03	16.0
P0081.160-1.5-A2	M16x2,0	16.5	18,60 - 19,03	24.0
P0081.160-2.0-A2	M16x2,0	16.5	18,60 - 19,03	32.0
P0081.160-2.5-A2	M16x2,0	16.5	18,60 - 19,03	40.0
P0081.160-3.0-A2	M16x2,0	16.5	18,60 - 19,03	48.0
P0081.180-1.0-A2	M18x2,5	18.8	21,25 - 21,79	18.0
P0081.180-1.5-A2	M18x2,5	18.8	21,25 - 21,79	27.0
P0081.180-2.0-A2	M18x2,5	18.8	21,25 - 21,79	36.0
P0081.180-2.5-A2	M18x2,5	18.8	21,25 - 21,79	45.0
P0081.180-3.0-A2	M18x2,5	18.8	21,25 - 21,79	54.0
P0081.200-1.0-A2	M20x2,5	20.8	23,25 - 23,79	20.0
P0081.200-1.5-A2	M20x2,5	20.8	23,25 - 23,79	30.0
P0081.200-2.0-A2	M20x2,5	20.8	23,25 - 23,79	40.0
P0081.200-2.5-A2	M20x2,5	20.8	23,25 - 23,79	50.0
P0081.200-3.0-A2	M20x2,5	20.8	23,25 - 23,79	60.0
P0081.220-1.0-A2	M22x2,5	22.8	25,25 - 25,79	22.0
P0081.220-1.5-A2	M22x2,5	22.8	25,25 - 25,79	33.0
P0081.220-2.0-A2	M22x2,5	22.8	25,25 - 25,79	44.0
P0081.220-2.5-A2	M22x2,5	22.8	25,25 - 25,79	55.0
P0081.220-3.0-A2	M22x2,5	22.8	25,25 - 25,79	66.0
P0081.240-1.0-A2	M24x3,0	25.0	27,90 - 28,54	24.0
P0081.240-1.5-A2	M24x3,0	25.0	27,90 - 28,54	36.0
P0081.240-2.0-A2	M24x3,0	25.0	27,90 - 28,54	48.0
P0081.240-2.5-A2	M24x3,0	25.0	27,90 - 28,54	60.0
P0081.240-3.0-A2	M24x3,0	25.0	27,90 - 28,54	72.0
P0081.270-1.0-A2	M27x3,0	28.0	30,90 - 31,54	27.0
P0081.270-1.5-A2	M27x3,0	28.0	30,90 - 31,54	40.5
P0081.270-2.0-A2	M27x3,0	28.0	30,90 - 31,54	54.0
P0081.270-2.5-A2	M27x3,0	28.0	30,90 - 31,54	67.5
P0081.270-3.0-A2	M27x3,0	28.0	30,90 - 31,54	81.0
P0081.300-1.0-A2	M30x3,5	31.0	34,55 - 35,30	30.0
P0081.300-1.5-A2	M30x3,5	31.0	34,55 - 35,30	45.0
P0081.300-2.0-A2	M30x3,5	31.0	34,55 - 35,30	60.0
P0081.300-2.5-A2	M30x3,5	31.0	34,55 - 35,30	60.0
P0081.300-3.0-A2	M30x3,5	31.0	34,55 - 35,30	90.0
P0081.330-1.0-A2	M33x3,5	34.0	37,55 - 38,30	33.0
P0081.330-1.5-A2	M33x3,5	34.0	37,55 - 38,30	49.5
P0081.330-2.0-A2	M33x3,5	34.0	37,55 - 38,30	66.0
P0081.330-2.5-A2	M33x3,5	34.0	37,55 - 38,30	82.5
P0081.330-3.0-A2	M33x3,5	34.0	37,55 - 38,30	99.0
P0081.360-1.0-A2	M36x4,0	37.0	41,20 - 42,06	36.0
P0081.360-1.5-A2	M36x4,0	37.0	41,20 - 42,06	54.0
P0081.360-2.0-A2	M36x4,0	37.0	41,20 - 42,06	72.0
P0081.360-2.5-A2	M36x4,0	37.0	41,20 - 42,06	90.0
P0081.360-3.0-A2	M36x4,0	37.0	41,20 - 42,06	108.0



Wire Thread Inserts - Screw Lock

A2 stainless

Thread Inserts



Order No.	d ₁ x pitch	Drill dia. d ₂	C'bore dia. d ₃	l ₁
P0081.390-1.0-A2	M39x4,0	40.0	44,20 - 45.06	39.0
P0081.390-1.5-A2	M39x4,0	40.0	44,20 - 45.06	58.5
P0081.390-2.0-A2	M39x4,0	40.0	44,20 - 45.06	78.0
P0081.390-2.5-A2	M39x4,0	40.0	44,20 - 45.06	97.5
P0081.390-3.0-A2	M39x4,0	40.0	44,20 - 45.06	117.0
P0081.420-1.0-A2	M42x4,5	43.0	47,85 - 48,82	42.0
P0081.420-1.5-A2	M42x4,5	43.0	47,85 - 48,82	63.0
P0081.420-2.0-A2	M42x4,5	43.0	47,85 - 48,82	84.0
P0081.420-2.5-A2	M42x4,5	43.0	47,85 - 48,82	105.0
P0081.420-3.0-A2	M42x4,5	43.0	47,85 - 48,82	126.0

THREAD INSERTS