



# Vented Screws - Cap Head

hex. drive - 304 stainless

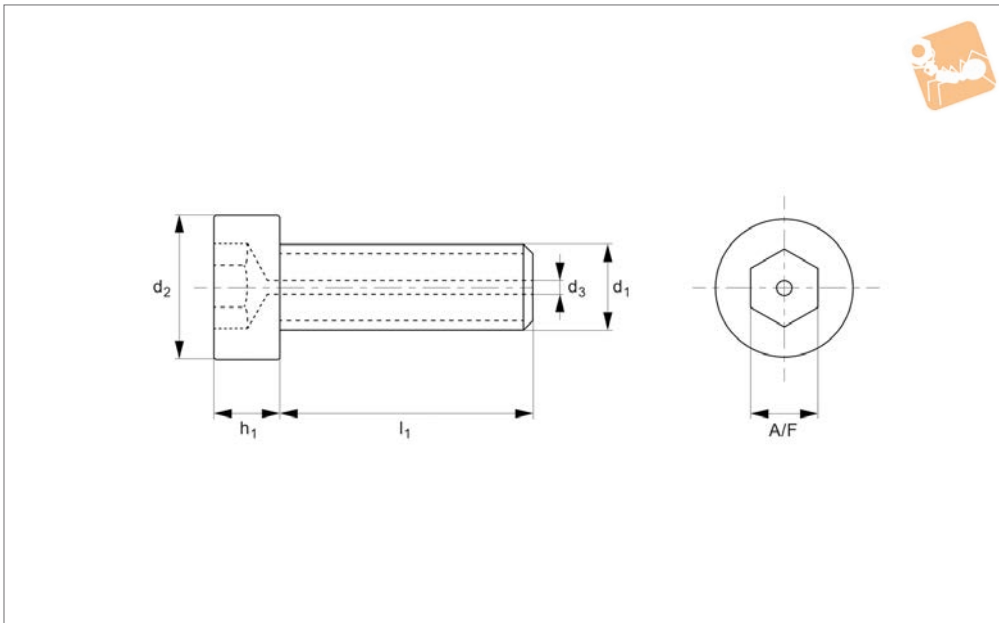
## Vented Screws



MADE IN BRITAIN

P0090.A2

VENTED SCREWS



### Material

Stainless steel (AISI 304, 1.4301), strength class 60.  
Ultrasonically cleaned.

### Technical Notes

To DIN 912 (with central vent), precision

cleaned. Other sizes available on request.

### Tips

These products help eliminate virtual leaks from high vacuum (HV and UHV) systems, thereby improving pump-down times. Trapped gases at the bottom of a tapped

hole are able to escape via the central vent in the middle of the screw.

Order No.	$l_1$	$d_1$	$d_2$	$d_3$	$h_1$	A/F
P0090.020-004-A2	4	M 2	3.8	0.7	2.0	1.5
P0090.020-005-A2	5	M 2	3.8	0.7	2.0	1.5
P0090.020-006-A2	6	M 2	3.8	0.7	2.0	1.5
P0090.020-008-A2	8	M 2	3.8	0.7	2.0	1.5
P0090.020-010-A2	10	M 2	3.8	0.7	2.0	1.5
P0090.020-012-A2	12	M 2	3.8	0.7	2.0	1.5
P0090.020-016-A2	16	M 2	3.8	0.7	2.0	1.5
P0090.025-004-A2	4	M 2,5	4.5	0.9	2.5	2.0
P0090.025-005-A2	5	M 2,5	4.5	0.9	2.5	2.0
P0090.025-006-A2	6	M 2,5	4.5	0.9	2.5	2.0
P0090.025-008-A2	8	M 2,5	4.5	0.9	2.5	2.0
P0090.025-010-A2	10	M 2,5	4.5	0.9	2.5	2.0
P0090.025-012-A2	12	M 2,5	4.5	0.9	2.5	2.0
P0090.025-016-A2	16	M 2,5	4.5	0.9	2.5	2.0
P0090.025-020-A2	20	M 2,5	4.5	0.9	2.5	2.0
P0090.030-005-A2	5	M 3	5.5	1.0	3.0	2.5
P0090.030-006-A2	6	M 3	5.5	1.0	3.0	2.5
P0090.030-008-A2	8	M 3	5.5	1.0	3.0	2.5
P0090.030-010-A2	10	M 3	5.5	1.0	3.0	2.5
P0090.030-012-A2	12	M 3	5.5	1.0	3.0	2.5
P0090.030-016-A2	16	M 3	5.5	1.0	3.0	2.5
P0090.040-005-A2	5	M 4	7.0	1.0	4.0	3.0
P0090.040-006-A2	6	M 4	7.0	1.0	4.0	3.0
P0090.040-008-A2	8	M 4	7.0	1.0	4.0	3.0
P0090.040-010-A2	10	M 4	7.0	1.0	4.0	3.0
P0090.040-012-A2	12	M 4	7.0	1.0	4.0	3.0
P0090.040-016-A2	16	M 4	7.0	1.0	4.0	3.0
P0090.040-020-A2	20	M 4	7.0	1.0	4.0	3.0
P0090.040-025-A2	25	M 4	7.0	1.0	4.0	3.0
P0090.040-030-A2	30	M 4	7.0	1.0	4.0	3.0
P0090.040-035-A2	35	M 4	7.0	1.0	4.0	3.0
P0090.050-006-A2	6	M 5	8.5	1.3	5.0	4.0



VENTED SCREWS

Order No.	l <sub>1</sub>	d <sub>1</sub>	d <sub>2</sub>	d <sub>3</sub>	h <sub>1</sub>	A/F
P0090.050-008-A2	8	M 5	8.5	1.3	5.0	4.0
P0090.050-010-A2	10	M 5	8.5	1.3	5.0	4.0
P0090.050-012-A2	12	M 5	8.5	1.3	5.0	4.0
P0090.050-016-A2	16	M 5	8.5	1.3	5.0	4.0
P0090.050-020-A2	20	M 5	8.5	1.3	5.0	4.0
P0090.050-025-A2	25	M 5	8.5	1.3	5.0	4.0
P0090.050-030-A2	30	M 5	8.5	1.3	5.0	4.0
P0090.050-035-A2	35	M 5	8.5	1.3	5.0	4.0
P0090.050-040-A2	40	M 5	8.5	1.3	5.0	4.0
P0090.060-008-A2	8	M 6	10.0	1.6	6.0	5.0
P0090.060-010-A2	10	M 6	10.0	1.6	6.0	5.0
P0090.060-012-A2	12	M 6	10.0	1.6	6.0	5.0
P0090.060-016-A2	16	M 6	10.0	1.6	6.0	5.0
P0090.060-020-A2	20	M 6	10.0	1.6	6.0	5.0
P0090.060-025-A2	25	M 6	10.0	1.6	6.0	5.0
P0090.060-030-A2	30	M 6	10.0	1.6	6.0	5.0
P0090.060-035-A2	35	M 6	10.0	1.6	6.0	5.0
P0090.060-040-A2	40	M 6	10.0	1.6	6.0	5.0
P0090.060-045-A2	45	M 6	10.0	1.6	6.0	5.0
P0090.060-050-A2	50	M 6	10.0	1.6	6.0	5.0
P0090.080-012-A2	12	M 8	13.0	1.8	8.0	6.0
P0090.080-016-A2	16	M 8	13.0	1.8	8.0	6.0
P0090.080-020-A2	20	M 8	13.0	1.8	8.0	6.0
P0090.080-025-A2	25	M 8	13.0	1.8	8.0	6.0
P0090.080-030-A2	30	M 8	13.0	1.8	8.0	6.0
P0090.080-035-A2	35	M 8	13.0	1.8	8.0	6.0
P0090.080-040-A2	40	M 8	13.0	1.8	8.0	6.0
P0090.080-045-A2	45	M 8	13.0	1.8	8.0	6.0
P0090.080-050-A2	50	M 8	13.0	1.8	8.0	6.0
P0090.080-060-A2	60	M 8	13.0	1.8	8.0	6.0
P0090.100-016-A2	16	M10	16.0	1.8	10.0	8.0
P0090.100-020-A2	20	M10	16.0	1.8	10.0	8.0
P0090.100-025-A2	25	M10	16.0	1.8	10.0	8.0
P0090.100-030-A2	30	M10	16.0	1.8	10.0	8.0
P0090.100-035-A2	35	M10	16.0	1.8	10.0	8.0
P0090.100-040-A2	40	M10	16.0	1.8	10.0	8.0
P0090.100-045-A2	45	M10	16.0	1.8	10.0	8.0
P0090.100-050-A2	50	M10	16.0	1.8	10.0	8.0
P0090.100-060-A2	60	M10	16.0	1.8	10.0	8.0
P0090.120-020-A2	20	M12	18.0	1.8	12.0	10.0
P0090.120-025-A2	25	M12	18.0	1.8	12.0	10.0
P0090.120-030-A2	30	M12	18.0	1.8	12.0	10.0
P0090.120-035-A2	35	M12	18.0	1.8	12.0	10.0
P0090.120-040-A2	40	M12	18.0	1.8	12.0	10.0
P0090.120-045-A2	45	M12	18.0	1.8	12.0	10.0
P0090.120-050-A2	50	M12	18.0	1.8	12.0	10.0
P0090.120-060-A2	60	M12	18.0	1.8	12.0	10.0
P0090.160-025-A2	25	M16	24.0	1.8	16.0	14.0
P0090.160-030-A2	30	M16	24.0	1.8	16.0	14.0
P0090.160-035-A2	35	M16	24.0	1.8	16.0	14.0
P0090.160-040-A2	40	M16	24.0	1.8	16.0	14.0
P0090.160-045-A2	45	M16	24.0	1.8	16.0	14.0
P0090.160-050-A2	50	M16	24.0	1.8	16.0	14.0
P0090.160-060-A2	60	M16	24.0	1.8	16.0	14.0