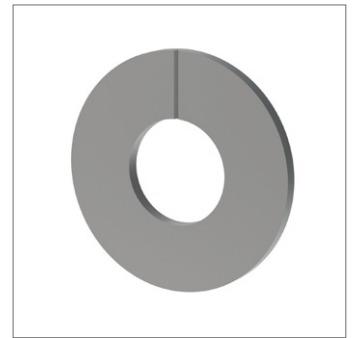
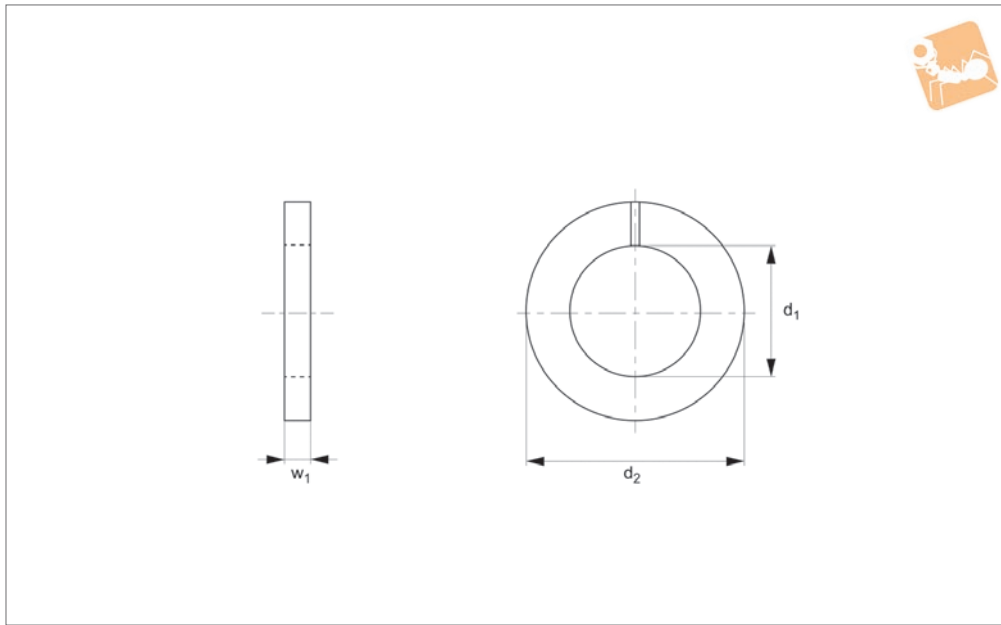




# Stainless Vented Washers

303 stainless

## Vented Screws



**P0097.A2**

VENTED SCREWS

### Material

Stainless steel (AISI 303, 1.4305).  
Ultrasonically cleaned.

### Technical Notes

To DIN 125A (with vent). Coatings

available: silver, gold, nickel and others.

### Tips

Vented flat washers are key components in helping to eliminate virtual leaks from high vacuum (HV and UHV) systems. They

prevent gases being trapped beneath a fastener head along the screw shaft.

Order No.	For thread	d <sub>1</sub>	d <sub>2</sub>	w <sub>1</sub>
P0097.020-A2	M 2,0	2.2	5.0	0.3
P0097.025-A2	M 2,5	2.7	6.0	0.5
P0097.030-A2	M 3,0	3.2	7.0	0.5
P0097.040-A2	M 4,0	4.3	9.0	0.8
P0097.050-A2	M 5,0	5.3	10.0	1.0
P0097.060-A2	M 6,0	6.4	12.0	1.6
P0097.080-A2	M 8,0	8.4	16.0	1.6
P0097.100-A2	M10,0	10.5	20.0	2.0
P0097.120-A2	M12,0	13.0	24.0	2.5
P0097.160-A2	M16,0	17.0	30.0	3.0
P0097.200-A2	M20,0	21.0	37.0	3.0