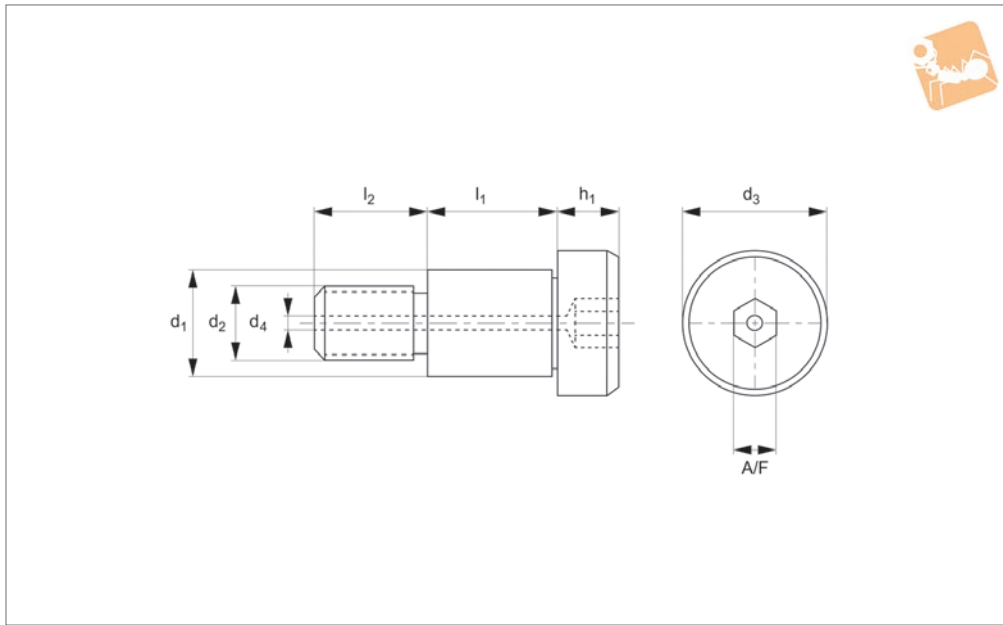




Vented Shoulder Screws - Cap Head

hex. drive - 303 stainless

Vented Screws



P0098.A2

VENTED SCREWS

Material

Stainless steel (AISI 303, 1.4305), strength class 60.
Ultrasonically cleaned.

Technical Notes

Other sizes available on request.

Tips

These products help eliminate virtual leaks from high vacuum (HV and UHV) systems, thereby improving pump-down times. Trapped gases at the bottom of a tapped hole are able to escape via the central vent

down the middle of the screw.

Order No.	l_1 +0.05 -0.0	d_1 +0 -0.025	d_2	d_3	d_4	h_1	l_2	A/F
P0098.030-010-A2	10	3	M 2	5.0	0.7	2.0	4.0	2
P0098.030-016-A2	16	3	M 2	5.0	0.7	2.0	4.0	2
P0098.030-020-A2	20	3	M 2	5.0	0.7	2.0	4.0	2
P0098.040-004-A2	4	4	M 3	6.0	1.0	3.0	4.0	2
P0098.040-005-A2	5	4	M 3	6.0	1.0	3.0	4.0	2
P0098.040-006-A2	6	4	M 3	6.0	1.0	3.0	4.0	2
P0098.040-008-A2	8	4	M 3	6.0	1.0	3.0	4.0	2
P0098.040-010-A2	10	4	M 3	6.0	1.0	3.0	4.0	2
P0098.040-012-A2	12	4	M 3	6.0	1.0	3.0	4.0	2
P0098.040-016-A2	16	4	M 3	6.0	1.0	3.0	4.0	2
P0098.040-020-A2	20	4	M 3	6.0	1.0	3.0	4.0	2
P0098.040-035-A2	35	4	M 3	6.0	1.0	3.0	4.0	2
P0098.050-004-A2	4	5	M 4	8.0	1.0	4.0	5.0	3
P0098.050-005-A2	5	5	M 4	8.0	1.0	4.0	5.0	3
P0098.050-006-A2	6	5	M 4	8.0	1.0	4.0	5.0	3
P0098.050-007-A2	7	5	M 4	8.0	1.0	4.0	5.0	3
P0098.050-008-A2	8	5	M 4	8.0	1.0	4.0	5.0	3
P0098.050-010-A2	10	5	M 4	8.0	1.0	4.0	5.0	3
P0098.050-012-A2	12	5	M 4	8.0	1.0	4.0	5.0	3
P0098.050-014-A2	14	5	M 4	8.0	1.0	4.0	5.0	3
P0098.050-016-A2	16	5	M 4	8.0	1.0	4.0	5.0	3
P0098.050-020-A2	20	5	M 4	8.0	1.0	4.0	5.0	3
P0098.050-025-A2	25	5	M 4	8.0	1.0	4.0	5.0	3
P0098.050-030-A2	30	5	M 4	8.0	1.0	4.0	5.0	3
P0098.060-004-A2	4	6	M 5	10.0	1.3	5.0	6.0	3
P0098.060-005-A2	5	6	M 5	10.0	1.3	5.0	6.0	3
P0098.060-006-A2	6	6	M 5	10.0	1.3	5.0	6.0	3
P0098.060-008-A2	8	6	M 5	10.0	1.3	5.0	6.0	3
P0098.060-010-A2	10	6	M 5	10.0	1.3	5.0	6.0	3
P0098.060-012-A2	12	6	M 5	10.0	1.3	5.0	6.0	3
P0098.060-014-A2	14	6	M 5	10.0	1.3	5.0	6.0	3



VENTED SCREWS

Order No.	l_1 +0.05 -0.0	d_1 +0 -0.025	d_2	d_3	d_4	h_1	l_2	A/F
P0098.060-020-A2	20	6	M 5	10.0	1.3	5.0	6.0	3
P0098.060-025-A2	25	6	M 5	10.0	1.3	5.0	6.0	3
P0098.060-030-A2	30	6	M 5	10.0	1.3	5.0	6.0	3
P0098.080-005-A2	5	8	M 6	12.0	1.6	6.0	11.0	4
P0098.080-006-A2	6	8	M 6	12.0	1.6	6.0	11.0	4
P0098.080-008-A2	8	8	M 6	12.0	1.6	6.0	11.0	4
P0098.080-010-A2	10	8	M 6	12.0	1.6	6.0	11.0	4
P0098.080-012-A2	12	8	M 6	12.0	1.6	6.0	11.0	4
P0098.080-014-A2	14	8	M 6	12.0	1.6	6.0	11.0	4
P0098.080-016-A2	16	8	M 6	12.0	1.6	6.0	11.0	4
P0098.080-020-A2	20	8	M 6	12.0	1.6	6.0	11.0	4
P0098.080-025-A2	25	8	M 6	12.0	1.6	6.0	11.0	4
P0098.080-045-A2	45	8	M 6	12.0	1.6	6.0	11.0	4
P0098.100-008-A2	8	10	M 8	14.0	1.8	7.0	12.0	5
P0098.100-010-A2	10	10	M 8	14.0	1.8	7.0	12.0	5
P0098.100-012-A2	12	10	M 8	14.0	1.8	7.0	12.0	5
P0098.100-016-A2	16	10	M 8	14.0	1.8	7.0	12.0	5
P0098.100-020-A2	20	10	M 8	14.0	1.8	7.0	12.0	5
P0098.100-030-A2	30	10	M 8	14.0	1.8	7.0	12.0	5
P0098.120-012-A2	12	12	M10	20.0	1.8	8.0	16.0	6
P0098.120-025-A2	25	12	M10	20.0	1.8	8.0	16.0	6
P0098.160-100-A2	100	16	M12	24.0	1.8	11.0	18.0	8