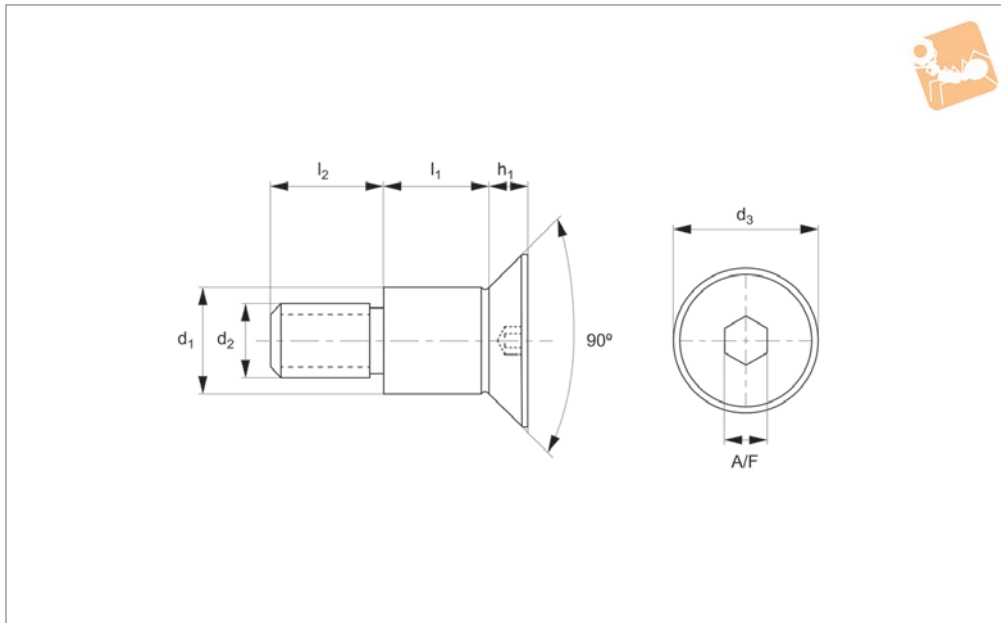




# Shoulder Screws - Countersunk

hex drive - 303 stainless - blackened

## Shoulder Screws



**P0128.B2**

SHOULDER SCREWS

**Material**

Stainless steel (AISI 303, 1.4305), blackened.

Tensile strength 550 N/mm<sup>2</sup>.

Proof stress min. 190 N/mm<sup>2</sup>, austenitic

stainless steel.

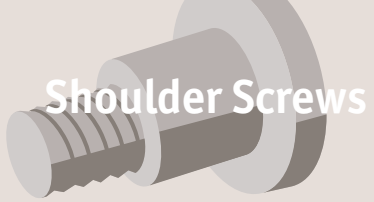
**Technical Notes**

303 stainless steel provides good resistance to corrosion, it is soft and mildly

magnetic.

Blackening provides some further corrosion resistance

Order No.	d <sub>1</sub> +0.000 -0.025	l <sub>1</sub> +0.05 -0.00	d <sub>2</sub> tol. G6	d <sub>3</sub>	l <sub>2</sub> +0.05 -0.00	h <sub>1</sub> +0.00 -0.05	A/F
P0128.040-010-B2	4	10	M 3	8	4	2.0	2
P0128.040-012-B2	4	12	M 3	8	4	2.0	2
P0128.040-014-B2	4	14	M 3	8	4	2.0	2
P0128.040-016-B2	4	16	M 3	8	4	2.0	2
P0128.040-018-B2	4	18	M 3	8	4	2.0	2
P0128.040-020-B2	4	20	M 3	8	4	2.0	2
P0128.040-025-B2	4	25	M 3	8	4	2.0	2
P0128.040-030-B2	4	30	M 3	8	4	2.0	2
P0128.050-010-B2	5	10	M 4	10	5	2.5	2.5
P0128.050-012-B2	5	12	M 4	10	5	2.5	2.5
P0128.050-016-B2	5	16	M 4	10	5	2.5	2.5
P0128.050-020-B2	5	20	M 4	10	5	2.5	2.5
P0128.050-025-B2	5	25	M 4	10	5	2.5	2.5
P0128.050-030-B2	5	30	M 4	10	5	2.5	2.5
P0128.050-035-B2	5	35	M 4	10	5	2.5	2.5
P0128.050-040-B2	5	40	M 4	10	5	2.5	2.5
P0128.060-010-B2	6	10	M 5	12	6	3.0	3
P0128.060-012-B2	6	12	M 5	12	6	3.0	3
P0128.060-016-B2	6	16	M 5	12	6	3.0	3
P0128.060-020-B2	6	20	M 5	12	6	3.0	3
P0128.060-025-B2	6	25	M 5	12	6	3.0	3
P0128.060-030-B2	6	30	M 5	12	6	3.0	3
P0128.060-035-B2	6	35	M 5	12	6	3.0	3
P0128.060-040-B2	6	40	M 5	12	6	3.0	3
P0128.080-010-B2	8	10	M 6	16	11	4.0	4
P0128.080-012-B2	8	12	M 6	16	11	4.0	4
P0128.080-016-B2	8	16	M 6	16	11	4.0	4
P0128.080-020-B2	8	20	M 6	16	11	4.0	4
P0128.080-025-B2	8	25	M 6	16	11	4.0	4
P0128.080-030-B2	8	30	M 6	16	11	4.0	4
P0128.080-035-B2	8	35	M 6	16	11	4.0	4
P0128.080-040-B2	8	40	M 6	16	11	4.0	4
P0128.100-012-B2	10	12	M 8	20	12	5.0	5



# Shoulder Screws

## Shoulder Screws - Countersunk

hex drive - 303 stainless - blackened



SHOULDER SCREWS

Order No.	$d_1$ +0.000 -0.025	$l_1$ +0.05 -0.00	$d_2$ tol. G6	$d_3$	$l_2$ +0.05 -0.00	$h_1$ +0.00 -0.05	A/F
P0128.100-016-B2	10	16	M 8	20	12	5.0	5
P0128.100-020-B2	10	20	M 8	20	12	5.0	5
P0128.100-025-B2	10	25	M 8	20	12	5.0	5
P0128.100-030-B2	10	30	M 8	20	12	5.0	5
P0128.100-040-B2	10	40	M 8	20	12	5.0	5
P0128.100-050-B2	10	50	M 8	20	12	5.0	5
P0128.120-012-B2	12	12	M10	24	16	6.0	6
P0128.120-016-B2	12	16	M10	24	16	6.0	6
P0128.120-020-B2	12	20	M10	24	16	6.0	6
P0128.120-025-B2	12	25	M10	24	16	6.0	6
P0128.120-030-B2	12	30	M10	24	16	6.0	6
P0128.120-040-B2	12	40	M10	24	16	6.0	6
P0128.120-050-B2	12	50	M10	24	16	6.0	6