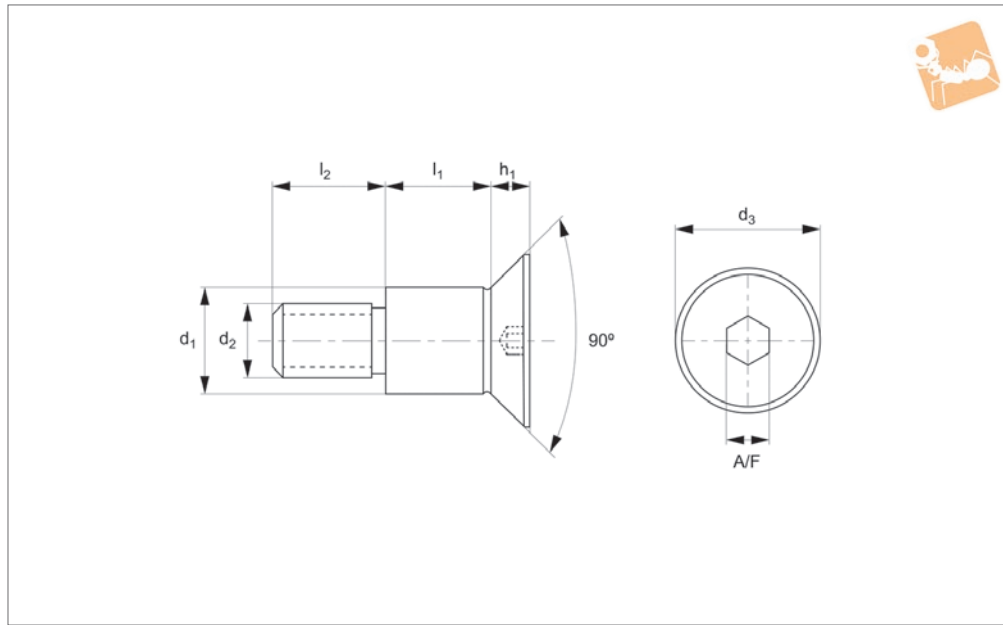




Shoulder Screws - Countersunk

hex drive - 316 stainless - blackened

Shoulder Screws



P0128.B4

SHOULDER SCREWS

Material

Stainless steel (AISI 316, 1.440), blackened.

Tensile strength 480 N/mm².

Proof stress min. 200 N/mm², austenitic stainless steel.

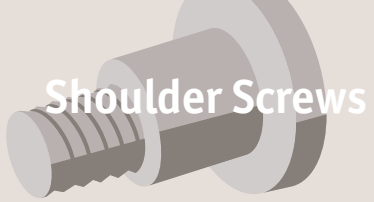
Technical Notes

316 Stainless provides excellent corrosion resistance for use in highly caustic or marine environments. For more standard applications please see our A2 range which is more cost effective.

Non-magnetic.

Blackening provides some further corrosion resistance

Order No.	d ₁ +0.000 -0.025	l ₁ +0.05 -0.00	d ₂ tol. G6	d ₃	l ₂ +0.05 -0.00	h ₁ +0.00 -0.05	A/F
P0128.040-010-B4	4	10	M 3	8	4	2.0	2
P0128.040-012-B4	4	12	M 3	8	4	2.0	2
P0128.040-014-B4	4	14	M 3	8	4	2.0	2
P0128.040-016-B4	4	16	M 3	8	4	2.0	2
P0128.040-018-B4	4	18	M 3	8	4	2.0	2
P0128.040-020-B4	4	20	M 3	8	4	2.0	2
P0128.040-025-B4	4	25	M 3	8	4	2.0	2
P0128.040-030-B4	4	30	M 3	8	4	2.0	2
P0128.050-010-B4	5	10	M 4	10	5	2.5	2.5
P0128.050-012-B4	5	12	M 4	10	5	2.5	2.5
P0128.050-016-B4	5	16	M 4	10	5	2.5	2.5
P0128.050-020-B4	5	20	M 4	10	5	2.5	2.5
P0128.050-025-B4	5	25	M 4	10	5	2.5	2.5
P0128.050-030-B4	5	30	M 4	10	5	2.5	2.5
P0128.050-035-B4	5	35	M 4	10	5	2.5	2.5
P0128.050-040-B4	5	40	M 4	10	5	2.5	2.5
P0128.060-010-B4	6	10	M 5	12	6	3.0	3
P0128.060-012-B4	6	12	M 5	12	6	3.0	3
P0128.060-016-B4	6	16	M 5	12	6	3.0	3
P0128.060-020-B4	6	20	M 5	12	6	3.0	3
P0128.060-025-B4	6	25	M 5	12	6	3.0	3
P0128.060-030-B4	6	30	M 5	12	6	3.0	3
P0128.060-035-B4	6	35	M 5	12	6	3.0	3
P0128.060-040-B4	6	40	M 5	12	6	3.0	3
P0128.080-010-B4	8	10	M 6	16	11	4.0	4
P0128.080-012-B4	8	12	M 6	16	11	4.0	4
P0128.080-016-B4	8	16	M 6	16	11	4.0	4
P0128.080-020-B4	8	20	M 6	16	11	4.0	4
P0128.080-025-B4	8	25	M 6	16	11	4.0	4
P0128.080-030-B4	8	30	M 6	16	11	4.0	4
P0128.080-035-B4	8	35	M 6	16	11	4.0	4
P0128.080-040-B4	8	40	M 6	16	11	4.0	4



Shoulder Screws

Shoulder Screws - Countersunk

hex drive - 316 stainless - blackened



SHOULDER SCREWS

Order No.	d_1 +0.000 -0.025	l_1 +0.05 -0.00	d_2 tol. G6	d_3	l_2 +0.05 -0.00	h_1 +0.00 -0.05	A/F
P0128.100-012-B4	10	12	M 8	20	12	5.0	5
P0128.100-016-B4	10	16	M 8	20	12	5.0	5
P0128.100-020-B4	10	20	M 8	20	12	5.0	5
P0128.100-025-B4	10	25	M 8	20	12	5.0	5
P0128.100-030-B4	10	30	M 8	20	12	5.0	5
P0128.100-040-B4	10	40	M 8	20	12	5.0	5
P0128.100-050-B4	10	50	M 8	20	12	5.0	5
P0128.120-012-B4	12	12	M10	24	16	6.0	6
P0128.120-016-B4	12	16	M10	24	16	6.0	6
P0128.120-020-B4	12	20	M10	24	16	6.0	6
P0128.120-025-B4	12	25	M10	24	16	6.0	6
P0128.120-030-B4	12	30	M10	24	16	6.0	6
P0128.120-040-B4	12	40	M10	24	16	6.0	6
P0128.120-050-B4	12	50	M10	24	16	6.0	6