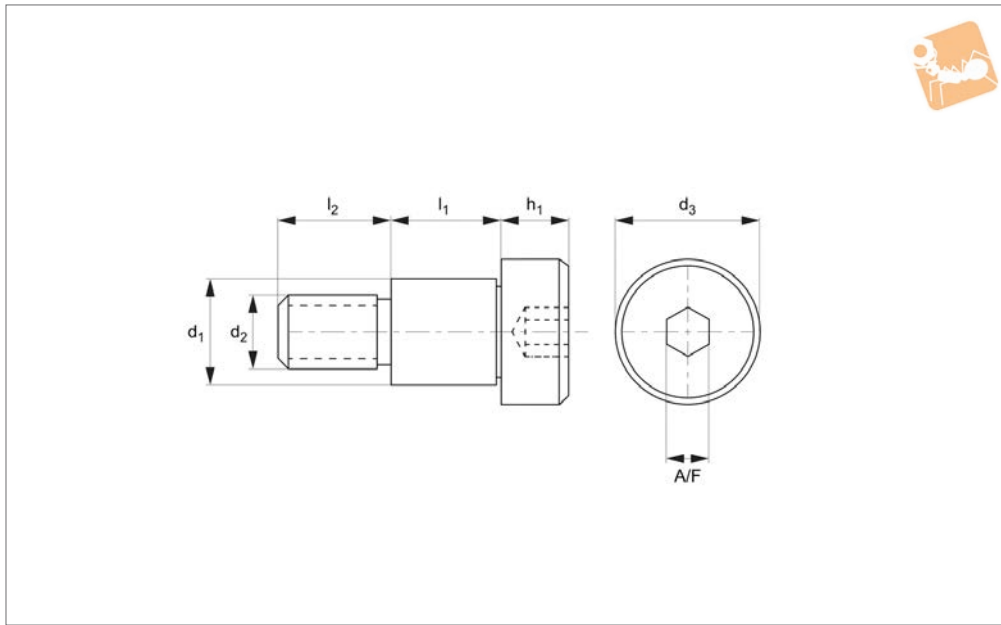




Shoulder Screws - Cap Head

hex drive - grade 5 titanium

Shoulder Screws



P0130.T5

SHOULDER SCREWS

Material

Titanium alloy (ATSM B348 grade 5; Ti6Al4V). Tensile strength 895-1100 N/mm², yield strength 820 N/mm², hardness 334HB/36Rc.

Technical Notes

Titanium has a lower density than stainless

steel and excellent corrosion resistance properties.

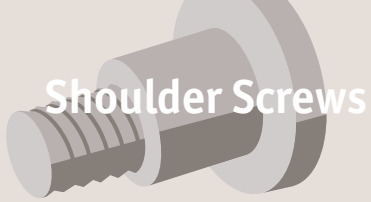
Titanium has a high strength:weight ratio - per unit weight titanium is 45% stronger than stainless steel. Ideal for use in light-weight applications in the automobile, aerospace, medical and robotic industries.

Grade 5 titanium alloy is stronger than grade 2 (pure) titanium. Withstands temperatures of up to 400 °C.

Tips

Special lengths and diameters produced to drawings.

Order No.	d_1 +0.000 -0.025	l_1 +0.05 -0.00	d_2	d_3	l_2	h_1	A/F
P0130.030-002-T5	3	2	M 2	5	4	2	1.5
P0130.030-003-T5	3	3	M 2	5	4	2	1.5
P0130.030-004-T5	3	4	M 2	5	4	2	1.5
P0130.030-005-T5	3	5	M 2	5	4	2	1.5
P0130.030-006-T5	3	6	M 2	5	4	2	1.5
P0130.030-007-T5	3	7	M 2	5	4	2	1.5
P0130.030-008-T5	3	8	M 2	5	4	2	1.5
P0130.030-010-T5	3	10	M 2	5	4	2	1.5
P0130.030-012-T5	3	12	M 2	5	4	2	1.5
P0130.030-014-T5	3	14	M 2	5	4	2	1.5
P0130.030-016-T5	3	16	M 2	5	4	2	1.5
P0130.030-018-T5	3	18	M 2	5	4	2	1.5
P0130.030-020-T5	3	20	M 2	5	4	2	1.5
P0130.030-025-T5	3	25	M 2	5	4	2	1.5
P0130.040-002-T5	4	2	M 3	6	4	3	2.0
P0130.040-003-T5	4	3	M 3	6	4	3	2.0
P0130.040-004-T5	4	4	M 3	6	4	3	2.0
P0130.040-005-T5	4	5	M 3	6	4	3	2.0
P0130.040-006-T5	4	6	M 3	6	4	3	2.0
P0130.040-007-T5	4	7	M 3	6	4	3	2.0
P0130.040-008-T5	4	8	M 3	6	4	3	2.0
P0130.040-010-T5	4	10	M 3	6	4	3	2.0
P0130.040-012-T5	4	12	M 3	6	4	3	2.0
P0130.040-014-T5	4	14	M 3	6	4	3	2.0
P0130.040-016-T5	4	16	M 3	6	4	3	2.0
P0130.040-018-T5	4	18	M 3	6	4	3	2.0
P0130.040-020-T5	4	20	M 3	6	4	3	2.0
P0130.040-025-T5	4	25	M 3	6	4	3	2.0
P0130.040-030-T5	4	30	M 3	6	4	3	2.0
P0130.040-035-T5	4	35	M 3	6	4	3	2.0



Shoulder Screws

Shoulder Screws - Cap Head

hex drive - grade 5 titanium



SHOULDER SCREWS

Order No.	d ₁ +0.000 -0.025	l ₁ +0.05 -0.00	d ₂	d ₃	l ₂	h ₁	A/F
P0130.040-040-T5	4	40	M 3	6	4	3	2.0
P0130.040-045-T5	4	45	M 3	6	4	3	2.0
P0130.040-050-T5	4	50	M 3	6	4	3	2.0
P0130.050-002-T5	5	2	M 4	8	5	4	2.5
P0130.050-003-T5	5	3	M 4	8	5	4	2.5
P0130.050-004-T5	5	4	M 4	8	5	4	2.5
P0130.050-005-T5	5	5	M 4	8	5	4	2.5
P0130.050-006-T5	5	6	M 4	8	5	4	2.5
P0130.050-007-T5	5	7	M 4	8	5	4	2.5
P0130.050-008-T5	5	8	M 4	8	5	4	2.5
P0130.050-010-T5	5	10	M 4	8	5	4	2.5
P0130.050-012-T5	5	12	M 4	8	5	4	2.5
P0130.050-014-T5	5	14	M 4	8	5	4	2.5
P0130.050-016-T5	5	16	M 4	8	5	4	2.5
P0130.050-018-T5	5	18	M 4	8	5	4	2.5
P0130.050-020-T5	5	20	M 4	8	5	4	2.5
P0130.050-025-T5	5	25	M 4	8	5	4	2.5
P0130.050-030-T5	5	30	M 4	8	5	4	2.5
P0130.050-035-T5	5	35	M 4	8	5	4	2.5
P0130.050-040-T5	5	40	M 4	8	5	4	2.5
P0130.050-045-T5	5	45	M 4	8	5	4	2.5
P0130.050-050-T5	5	50	M 4	8	5	4	2.5
P0130.060-002-T5	6	2	M 5	10	6	5	3.0
P0130.060-003-T5	6	3	M 5	10	6	5	3.0
P0130.060-004-T5	6	4	M 5	10	6	5	3.0
P0130.060-005-T5	6	5	M 5	10	6	5	3.0
P0130.060-006-T5	6	6	M 5	10	6	5	3.0
P0130.060-007-T5	6	7	M 5	10	6	5	3.0
P0130.060-008-T5	6	8	M 5	10	6	5	3.0
P0130.060-010-T5	6	10	M 5	10	6	5	3.0
P0130.060-012-T5	6	12	M 5	10	6	5	3.0
P0130.060-014-T5	6	14	M 5	10	6	5	3.0
P0130.060-016-T5	6	16	M 5	10	6	5	3.0
P0130.060-018-T5	6	18	M 5	10	6	5	3.0
P0130.060-020-T5	6	20	M 5	10	6	5	3.0
P0130.060-025-T5	6	25	M 5	10	6	5	3.0
P0130.060-030-T5	6	30	M 5	10	6	5	3.0
P0130.060-035-T5	6	35	M 5	10	6	5	3.0
P0130.060-040-T5	6	40	M 5	10	6	5	3.0
P0130.060-045-T5	6	45	M 5	10	6	5	3.0
P0130.060-050-T5	6	50	M 5	10	6	5	3.0
P0130.060-055-T5	6	55	M 5	10	6	5	3.0
P0130.060-060-T5	6	60	M 5	10	6	5	3.0
P0130.060-070-T5	6	70	M 5	10	6	5	3.0
P0130.060-080-T5	6	80	M 5	10	6	5	3.0
P0130.060-090-T5	6	90	M 5	10	6	5	3.0
P0130.060-100-T5	6	100	M 5	10	6	5	3.0
P0130.080-004-T5	8	4	M 6	12	11	6	4.0
P0130.080-005-T5	8	5	M 6	12	11	6	4.0
P0130.080-006-T5	8	6	M 6	12	11	6	4.0
P0130.080-007-T5	8	7	M 6	12	11	6	4.0
P0130.080-008-T5	8	8	M 6	12	11	6	4.0
P0130.080-010-T5	8	10	M 6	12	11	6	4.0
P0130.080-012-T5	8	12	M 6	12	11	6	4.0
P0130.080-014-T5	8	14	M 6	12	11	6	4.0
P0130.080-016-T5	8	16	M 6	12	11	6	4.0
P0130.080-018-T5	8	18	M 6	12	11	6	4.0
P0130.080-020-T5	8	20	M 6	12	11	6	4.0
P0130.080-025-T5	8	25	M 6	12	11	6	4.0
P0130.080-030-T5	8	30	M 6	12	11	6	4.0
P0130.080-035-T5	8	35	M 6	12	11	6	4.0
P0130.080-040-T5	8	40	M 6	12	11	6	4.0
P0130.080-045-T5	8	45	M 6	12	11	6	4.0
P0130.080-050-T5	8	50	M 6	12	11	6	4.0
P0130.080-055-T5	8	55	M 6	12	11	6	4.0
P0130.080-060-T5	8	60	M 6	12	11	6	4.0
P0130.080-065-T5	8	65	M 6	12	11	6	4.0
P0130.080-070-T5	8	70	M 6	12	11	6	4.0



Shoulder Screws - Cap Head

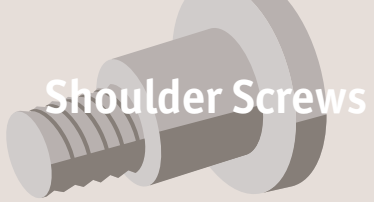
hex drive - grade 5 titanium

Shoulder Screws



Order No.	d ₁ +0.000 -0.025	l ₁ +0.05 -0.00	d ₂	d ₃	l ₂	h ₁	A/F
P0130.080-075-T5	8	75	M 6	12	11	6	4.0
P0130.080-080-T5	8	80	M 6	12	11	6	4.0
P0130.080-090-T5	8	90	M 6	12	11	6	4.0
P0130.080-100-T5	8	100	M 6	12	11	6	4.0
P0130.100-008-T5	10	8	M 8	14	12	7	5.0
P0130.100-010-T5	10	10	M 8	14	12	7	5.0
P0130.100-012-T5	10	12	M 8	14	12	7	5.0
P0130.100-014-T5	10	14	M 8	14	12	7	5.0
P0130.100-016-T5	10	16	M 8	14	12	7	5.0
P0130.100-018-T5	10	18	M 8	14	12	7	5.0
P0130.100-020-T5	10	20	M 8	14	12	7	5.0
P0130.100-025-T5	10	25	M 8	14	12	7	5.0
P0130.100-030-T5	10	30	M 8	14	12	7	5.0
P0130.100-035-T5	10	35	M 8	14	12	7	5.0
P0130.100-040-T5	10	40	M 8	14	12	7	5.0
P0130.100-045-T5	10	45	M 8	14	12	7	5.0
P0130.100-050-T5	10	50	M 8	14	12	7	5.0
P0130.100-055-T5	10	55	M 8	14	12	7	5.0
P0130.100-060-T5	10	60	M 8	14	12	7	5.0
P0130.100-065-T5	10	65	M 8	14	12	7	5.0
P0130.100-070-T5	10	70	M 8	14	12	7	5.0
P0130.100-080-T5	10	80	M 8	14	12	7	5.0
P0130.100-090-T5	10	90	M 8	14	12	7	5.0
P0130.100-100-T5	10	100	M 8	14	12	7	5.0
P0130.120-008-T5	12	8	M 10	20	16	8	6.0
P0130.120-010-T5	12	10	M 10	20	16	8	6.0
P0130.120-012-T5	12	12	M 10	20	16	8	6.0
P0130.120-014-T5	12	14	M 10	20	16	8	6.0
P0130.120-016-T5	12	16	M 10	20	16	8	6.0
P0130.120-018-T5	12	18	M 10	20	16	8	6.0
P0130.120-020-T5	12	20	M 10	20	16	8	6.0
P0130.120-025-T5	12	25	M 10	20	16	8	6.0
P0130.120-030-T5	12	30	M 10	20	16	8	6.0
P0130.120-035-T5	12	35	M 10	20	16	8	6.0
P0130.120-040-T5	12	40	M 10	20	16	8	6.0
P0130.120-045-T5	12	45	M 10	20	16	8	6.0
P0130.120-050-T5	12	50	M 10	20	16	8	6.0
P0130.120-055-T5	12	55	M 10	20	16	8	6.0
P0130.120-060-T5	12	60	M 10	20	16	8	6.0
P0130.120-065-T5	12	65	M 10	20	16	8	6.0
P0130.120-070-T5	12	70	M 10	20	16	8	6.0
P0130.120-075-T5	12	75	M 10	20	16	8	6.0
P0130.120-080-T5	12	80	M 10	20	16	8	6.0
P0130.120-090-T5	12	90	M 10	20	16	8	6.0
P0130.120-100-T5	12	100	M 10	20	16	8	6.0
P0130.160-025-T5	16	25	M 12	24	18	11	8.0
P0130.160-030-T5	16	30	M 12	24	18	11	8.0
P0130.160-035-T5	16	35	M 12	24	18	11	8.0
P0130.160-040-T5	16	40	M 12	24	18	11	8.0
P0130.160-045-T5	16	45	M 12	24	18	11	8.0
P0130.160-050-T5	16	50	M 12	24	18	11	8.0
P0130.160-055-T5	16	55	M 12	24	18	11	8.0
P0130.160-060-T5	16	60	M 12	24	18	11	8.0
P0130.160-065-T5	16	65	M 12	24	18	11	8.0
P0130.160-070-T5	16	70	M 12	24	18	11	8.0
P0130.160-075-T5	16	75	M 12	24	18	11	8.0
P0130.160-080-T5	16	80	M 12	24	18	11	8.0
P0130.160-090-T5	16	90	M 12	24	18	11	8.0
P0130.160-100-T5	16	100	M 12	24	18	11	8.0
P0130.200-030-T5	20	30	M16	30	22	14	10.0
P0130.200-035-T5	20	35	M16	30	22	14	10.0
P0130.200-040-T5	20	40	M16	30	22	14	10.0
P0130.200-045-T5	20	45	M16	30	22	14	10.0
P0130.200-050-T5	20	50	M16	30	22	14	10.0
P0130.200-055-T5	20	55	M16	30	22	14	10.0
P0130.200-060-T5	20	60	M16	30	22	14	10.0
P0130.200-065-T5	20	65	M16	30	22	14	10.0
P0130.200-070-T5	20	70	M16	30	22	14	10.0

SHOULDER SCREWS



Shoulder Screws

Shoulder Screws - Cap Head hex drive - grade 5 titanium



Order No.	d_1 +0.000 -0.025	l_1 +0.05 -0.00	d_2	d_3	l_2	h_1	A/F
P0130.200-075-T5	20	75	M16	30	22	14	10.0
P0130.200-080-T5	20	80	M16	30	22	14	10.0
P0130.200-090-T5	20	90	M16	30	22	14	10.0
P0130.200-100-T5	20	100	M16	30	22	14	10.0

SHOULDER SCREWS