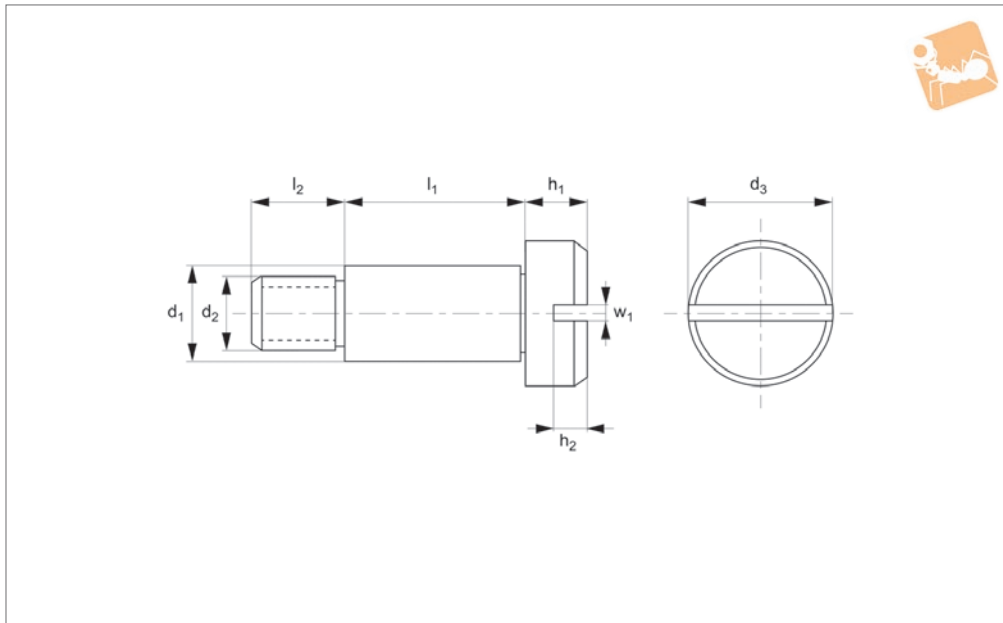




Shoulder Screw - Cap Head slot drive - 303 stainless, blackened

Shoulder Screws



P0132.B2

SHOULDER SCREWS

Material

Stainless steel (AISI 303, 1.4305) black oxide coating. Tensile strength 550 N/mm². Proof stress min. 190 N/mm², austenitic stainless steel.

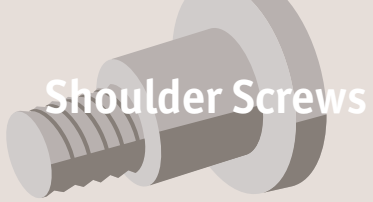
Technical Notes

303 series stainless steel provides good

resistance to corrosion. It is mildly magnetic. These shoulder screws are less expensive than the 416 steel grade (see part no. P0133), which are harder but less resistant to corrosion.

For Ø16 (and above) stainless steel shoulder screws see part no. P0137. Special lengths and diameters produced to drawings.

Order No.	d ₁ +0 -0.025	l ₁ +0.05 -0.0	d ₂	d ₃	l ₂	h ₁	h ₂	w ₁
P0132.040-004-B2	4	4	M 3	6	4.0	3	0.9	0.8
P0132.040-005-B2	4	5	M 3	6	4.0	3	0.9	0.8
P0132.040-006-B2	4	6	M 3	6	4.0	3	0.9	0.8
P0132.040-008-B2	4	8	M 3	6	4.0	3	0.9	0.8
P0132.040-010-B2	4	10	M 3	6	4.0	3	0.9	0.8
P0132.040-012-B2	4	12	M 3	6	4.0	3	0.9	0.8
P0132.040-016-B2	4	16	M 3	6	4.0	3	0.9	0.8
P0132.040-020-B2	4	20	M 3	6	4.0	3	0.9	0.8
P0132.050-004-B2	5	4	M 4	8	5.0	4	1.2	1.0
P0132.050-005-B2	5	5	M 4	8	5.0	4	1.2	1.0
P0132.050-006-B2	5	6	M 4	8	5.0	4	1.2	1.0
P0132.050-008-B2	5	8	M 4	8	5.0	4	1.2	1.0
P0132.050-010-B2	5	10	M 4	8	5.0	4	1.2	1.0
P0132.050-012-B2	5	12	M 4	8	5.0	4	1.2	1.0
P0132.050-014-B2	5	14	M 4	8	5.0	4	1.2	1.0
P0132.050-016-B2	5	16	M 4	8	5.0	4	1.2	1.0
P0132.050-020-B2	5	20	M 4	8	5.0	4	1.2	1.0
P0132.050-025-B2	5	25	M 4	8	5.0	4	1.2	1.0
P0132.050-030-B2	5	30	M 4	8	5.0	4	1.2	1.0
P0132.060-004-B2	6	4	M 5	10	6.0	5	1.3	1.2
P0132.060-005-B2	6	5	M 5	10	6.0	5	1.3	1.2
P0132.060-006-B2	6	6	M 5	10	6.0	5	1.3	1.2
P0132.060-008-B2	6	8	M 5	10	6.0	5	1.3	1.2
P0132.060-010-B2	6	10	M 5	10	6.0	5	1.3	1.2
P0132.060-012-B2	6	12	M 5	10	6.0	5	1.3	1.2
P0132.060-014-B2	6	14	M 5	10	6.0	5	1.3	1.2
P0132.060-016-B2	6	16	M 5	10	6.0	5	1.3	1.2
P0132.060-020-B2	6	20	M 5	10	6.0	5	1.3	1.2
P0132.060-025-B2	6	25	M 5	10	6.0	5	1.3	1.2
P0132.060-030-B2	6	30	M 5	10	6.0	5	1.3	1.2



Shoulder Screws

Shoulder Screw - Cap Head slot drive - 303 stainless, blackened



SHOULDER SCREWS

Order No.	d_1 +0 -0.025	l_1 +0.05 -0.0	d_2	d_3	l_2	h_1	h_2	w_1
P0132.080-006-B2	8	6	M 6	12	11.0	6	1.5	1.6
P0132.080-008-B2	8	8	M 6	12	11.0	6	1.5	1.6
P0132.080-010-B2	8	10	M 6	12	11.0	6	1.5	1.6
P0132.080-012-B2	8	12	M 6	12	11.0	6	1.5	1.6
P0132.080-016-B2	8	16	M 6	12	11.0	6	1.5	1.6
P0132.080-020-B2	8	20	M 6	12	11.0	6	1.5	1.6
P0132.100-008-B2	10	8	M 6	14	11.0	6	1.5	1.6
P0132.100-012-B2	10	12	M 6	14	11.0	6	1.5	1.6
P0132.101-008-B2	10	8	M 8	14	12.0	7	1.9	2.0
P0132.101-010-B2	10	10	M 8	14	12.0	7	1.9	2.0
P0132.101-012-B2	10	12	M 8	14	12.0	7	1.9	2.0
P0132.101-016-B2	10	16	M 8	14	12.0	7	1.9	2.0
P0132.120-008-B2	12	8	M10	20	16.0	8	2.4	2.5
P0132.120-010-B2	12	10	M10	20	16.0	8	2.4	2.5
P0132.120-012-B2	12	12	M10	20	16.0	8	2.4	2.5
P0132.120-016-B2	12	16	M10	20	16.0	8	2.4	2.5
P0132.120-020-B2	12	20	M10	20	16.0	8	2.4	2.5
P0132.120-025-B2	12	25	M10	20	16.0	8	2.4	2.5