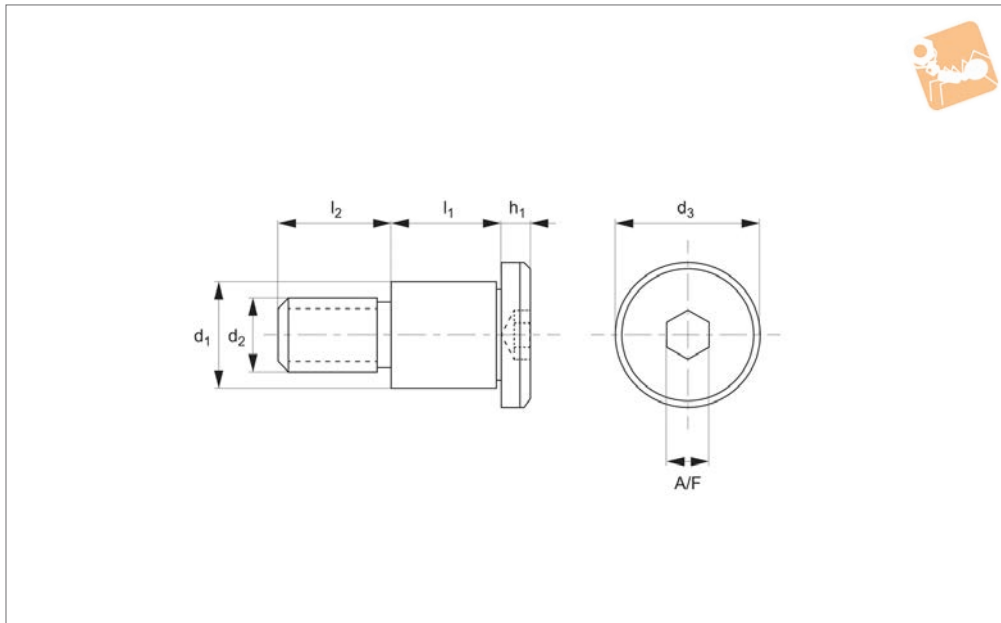




Ultra Low Head - Shoulder Screw

hex drive - 303 stainless, blackened

Shoulder Screws



P0134.B2

SHOULDER SCREWS

Material

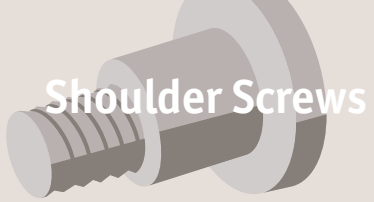
Stainless steel (AISI 303, 1.4305), black oxide coating. Tensile strength 550 N/mm². Proof stress min. 190 N/mm², austenitic stainless steel.

Technical Notes

These very low profile socket shoulder screws have a head height approximately 1/3 that of normal shoulder screws (P0130).

303 Series stainless is suitable for pharmaceutical and other applications. Stainless steel suitable for marine and other applications.

Order No.	d ₁ +0 -0.025	l ₁ +0.05 -0.0	d ₂	d ₃	l ₂	h ₁	A/F
P0134.040-004-B2	4	4	M 3	6	4	1.3	2
P0134.040-005-B2	4	5	M 3	6	4	1.3	2
P0134.040-006-B2	4	6	M 3	6	4	1.3	2
P0134.040-008-B2	4	8	M 3	6	4	1.3	2
P0134.040-010-B2	4	10	M 3	6	4	1.3	2
P0134.040-012-B2	4	12	M 3	6	4	1.3	2
P0134.040-016-B2	4	16	M 3	6	4	1.3	2
P0134.040-020-B2	4	20	M 3	6	4	1.3	2
P0134.050-004-B2	5	4	M 4	9	5	1.3	2.5
P0134.050-005-B2	5	5	M 4	9	5	1.3	2.5
P0134.050-006-B2	5	6	M 4	9	5	1.3	2.5
P0134.050-008-B2	5	8	M 4	9	5	1.3	2.5
P0134.050-010-B2	5	10	M 4	9	5	1.3	2.5
P0134.050-012-B2	5	12	M 4	9	5	1.3	2.5
P0134.050-016-B2	5	16	M 4	9	5	1.3	2.5
P0134.050-020-B2	5	20	M 4	9	5	1.3	2.5
P0134.050-025-B2	5	25	M 4	9	5	1.3	2.5
P0134.050-030-B2	5	30	M 4	9	5	1.3	2.5
P0134.050-040-B2	5	40	M 4	9	5	1.3	2.5
P0134.060-004-B2	6	4	M 5	10	6	1.7	3
P0134.060-005-B2	6	5	M 5	10	6	1.7	3
P0134.060-006-B2	6	6	M 5	10	6	1.7	3
P0134.060-008-B2	6	8	M 5	10	6	1.7	3
P0134.060-010-B2	6	10	M 5	10	6	1.7	3
P0134.060-012-B2	6	12	M 5	10	6	1.7	3
P0134.060-016-B2	6	16	M 5	10	6	1.7	3
P0134.060-020-B2	6	20	M 5	10	6	1.7	3
P0134.060-025-B2	6	25	M 5	10	6	1.7	3
P0134.060-030-B2	6	30	M 5	10	6	1.7	3
P0134.060-040-B2	6	40	M 5	10	6	1.7	3
P0134.080-006-B2	8	6	M 6	13	11	2.0	4
P0134.080-008-B2	8	8	M 6	13	11	2.0	4
P0134.080-010-B2	8	10	M 6	13	11	2.0	4



Shoulder Screws

Ultra Low Head - Shoulder Screw

hex drive - 303 stainless, blackened



SHOULDER SCREWS

Order No.	d ₁ +0 -0.025	l ₁ +0.05 -0.0	d ₂	d ₃	l ₂	h ₁	A/F
P0134.080-012-B2	8	12	M 6	13	11	2.0	4
P0134.080-016-B2	8	16	M 6	13	11	2.0	4
P0134.080-020-B2	8	20	M 6	13	11	2.0	4
P0134.080-025-B2	8	25	M 6	13	11	2.0	4
P0134.080-030-B2	8	30	M 6	13	11	2.0	4
P0134.080-040-B2	8	40	M 6	13	11	2.0	4
P0134.100-008-B2	10	8	M 8	14	12	2.7	5
P0134.100-010-B2	10	10	M 8	14	12	2.7	5
P0134.100-012-B2	10	12	M 8	14	12	2.7	5
P0134.100-016-B2	10	16	M 8	14	12	2.7	5
P0134.100-020-B2	10	20	M 8	14	12	2.7	5
P0134.100-025-B2	10	25	M 8	14	12	2.7	5
P0134.100-030-B2	10	30	M 8	14	12	2.7	5
P0134.100-040-B2	10	40	M 8	14	12	2.7	5
P0134.100-050-B2	10	50	M 8	14	12	2.7	5
P0134.120-010-B2	12	10	M10	20	16	3.5	6
P0134.120-012-B2	12	12	M10	20	16	3.5	6
P0134.120-016-B2	12	16	M10	20	16	3.5	6
P0134.120-020-B2	12	20	M10	20	16	3.5	6
P0134.120-025-B2	12	25	M10	20	16	3.5	6
P0134.120-030-B2	12	30	M10	20	16	3.5	6
P0134.120-040-B2	12	40	M10	20	16	3.5	6
P0134.120-050-B2	12	50	M10	20	16	3.5	6