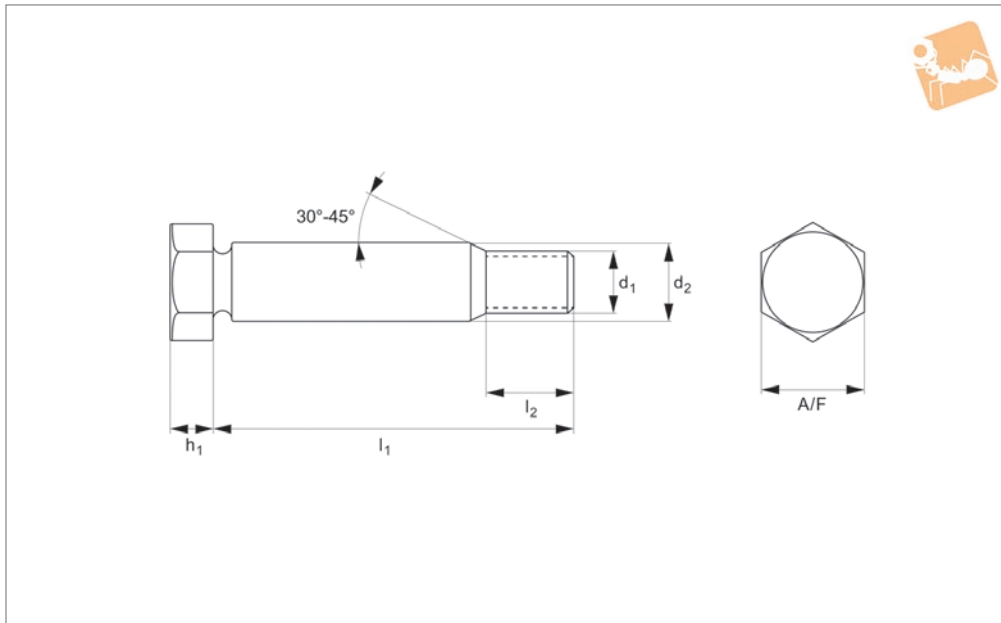




Stainless Shoulder Bolts - Hex. Head

short thread, A2 stainless

Shoulder Screws



P0140.A2

SHOULDER SCREWS

Material

Stainless steel (A2, AISI 303).
Tensile strength 550 N/mm².

(DIN 609). Mildly magnetic.

Tips

Do not tighten to standard strength class 8,8 torque; as the tightening torque is limited,

by the presence of the reduced diameter undercut under the head and at the shoulder/thread area.
Drill hole to H7 tolerance.

Technical Notes

To DIN 610. Shorter thread than P0138

Order No.	d ₁	l ₁	d ₂ tol. k6	l ₂	h ₁	A/F
P0140.080-025-A2	M 8	25	9	11.5	5.3	13
P0140.080-030-A2	M 8	30	9	11.5	5.3	13
P0140.080-040-A2	M 8	40	9	11.5	5.3	13
P0140.080-045-A2	M 8	45	9	11.5	5.3	13
P0140.100-040-A2	M10	40	11	13.5	6.4	16
P0140.100-045-A2	M10	45	11	13.5	6.4	16
P0140.100-050-A2	M10	50	11	13.5	6.4	16
P0140.100-060-A2	M10	60	11	15.5	6.4	16
P0140.100-080-A2	M10	80	11	15.5	6.4	16
P0140.100-100-A2	M10	100	11	15.5	6.4	16
P0140.120-030-A2	M12	30	13	15.5	10.0	18
P0140.120-035-A2	M12	35	13	15.5	10.0	18
P0140.120-040-A2	M12	40	13	15.5	10.0	18
P0140.120-045-A2	M12	45	13	15.5	10.0	18
P0140.120-050-A2	M12	50	13	15.5	10.0	18
P0140.120-080-A2	M12	80	13	17.5	10.0	18
P0140.120-120-A2	M12	120	13	17.5	10.0	18
P0140.160-040-A2	M16	40	17	19.0	11.5	24
P0140.160-045-A2	M16	45	17	19.0	11.5	24
P0140.160-050-A2	M16	50	17	19.0	11.5	24
P0140.160-055-A2	M16	55	17	21.0	11.5	24
P0140.160-060-A2	M16	60	17	21.0	11.5	24
P0140.160-065-A2	M16	65	17	21.0	11.5	24
P0140.160-070-A2	M16	70	17	21.0	11.5	24
P0140.160-080-A2	M16	80	17	21.0	11.5	24