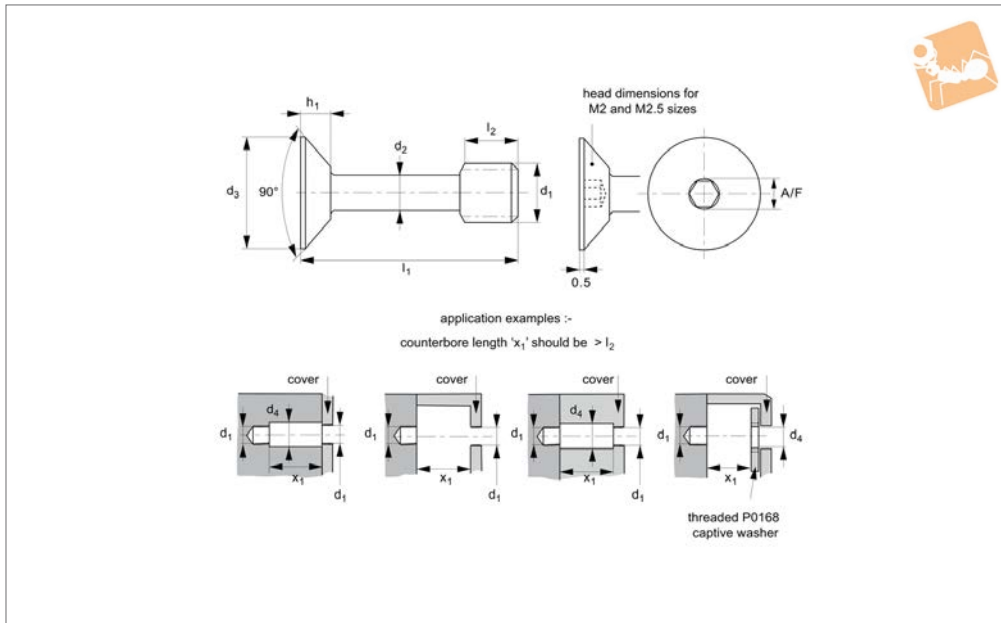




Captive Screws - Countersunk

hex drive - titanium



P0153.Ti

CAPTIVE SCREWS

Material

Titanium grade 2 (tensile strength 345 N/mm²), or grade 5 (tensile strength 900 N/mm²).

Also available on request in steel (anodised, black oxide or zinc plated), brass, aluminium etc.

Technical Notes

Used to comply with the Machinery Direc-

tive 2006/42/EC. Often used with our captive washers (P0168) or retaining flanges (P0169 - for sheet metal applications). The use of our captive washers should be considered when fitted in panels with unthreaded hole.

Important Notes

Please note that these screws have a reduced diameter shank and should not be

tightened to the recommended torque for an equivalent machine screw of size d_1 . To accommodate the slight undercut at the top of the shank, the hex socket is smaller than on a similar threaded machine screw.

Order No.	d_1	l_1 ± 0.25	d_2 ± 0.12	l_2 ± 0.25	d_3 max.	d_4 min.	h_1 max.	A/F	Material
P0153.020-010-T2	M 2	10	1.2	3.5	3.8	2.5	1.20	1.0	Grade 2
P0153.020-012-T2	M 2	12	1.2	3.5	3.8	2.5	1.20	1.0	Grade 2
P0153.020-016-T2	M 2	16	1.2	3.5	3.8	2.5	1.20	1.0	Grade 2
P0153.020-020-T2	M 2	20	1.2	3.5	3.8	2.5	1.20	1.0	Grade 2
P0153.025-010-T2	M 2,5	10	1.7	3.7	4.7	2.8	1.80	1.3	Grade 2
P0153.025-012-T2	M 2,5	12	1.7	3.7	4.7	2.8	1.80	1.3	Grade 2
P0153.025-016-T2	M 2,5	16	1.7	3.7	4.7	2.8	1.80	1.3	Grade 2
P0153.025-020-T2	M 2,5	20	1.7	3.7	4.7	2.8	1.80	1.3	Grade 2
P0153.030-008-T2	M 3	8	2.0	4.5	5.6	3.5	1.65	1.5	Grade 2
P0153.030-010-T2	M 3	10	2.0	4.5	5.6	3.5	1.65	1.5	Grade 2
P0153.030-012-T2	M 3	12	2.0	4.5	5.6	3.5	1.65	1.5	Grade 2
P0153.030-016-T2	M 3	16	2.0	4.5	5.6	3.5	1.65	1.5	Grade 2
P0153.030-020-T2	M 3	20	2.0	4.5	5.6	3.5	1.65	1.5	Grade 2
P0153.030-025-T2	M 3	25	2.0	4.5	5.6	3.5	1.65	1.5	Grade 2
P0153.030-030-T2	M 3	30	2.0	4.5	5.6	3.5	1.65	1.5	Grade 2
P0153.030-035-T2	M 3	35	2.0	4.5	5.6	3.5	1.65	1.5	Grade 2
P0153.030-040-T2	M 3	40	2.0	4.5	5.6	3.5	1.65	1.5	Grade 2
P0153.040-010-T2	M 4	10	2.8	6.0	7.5	4.5	2.20	2.0	Grade 2
P0153.040-012-T2	M 4	12	2.8	6.0	7.5	4.5	2.20	2.0	Grade 2
P0153.040-014-T2	M 4	14	2.8	6.0	7.5	4.5	2.20	2.0	Grade 2
P0153.040-016-T2	M 4	16	2.8	6.0	7.5	4.5	2.20	2.0	Grade 2
P0153.040-020-T2	M 4	20	2.8	6.0	7.5	4.5	2.20	2.0	Grade 2
P0153.040-025-T2	M 4	25	2.8	6.0	7.5	4.5	2.20	2.0	Grade 2
P0153.040-030-T2	M 4	30	2.8	6.0	7.5	4.5	2.20	2.0	Grade 2
P0153.040-035-T2	M 4	35	2.8	6.0	7.5	4.5	2.20	2.0	Grade 2
P0153.040-040-T2	M 4	40	2.8	6.0	7.5	4.5	2.20	2.0	Grade 2
P0153.040-050-T2	M 4	50	2.8	6.0	7.5	4.5	2.20	2.0	Grade 2
P0153.040-060-T2	M 4	60	2.8	6.0	7.5	4.5	2.20	2.0	Grade 2



CAPTIVE SCREWS

Order No.	d ₁	l ₁ ±0.25	d ₂ ±0.12	l ₂ ±0.25	d ₃ max.	d ₄ min.	h ₁ max.	A/F	Material
P0153.050-012-T2	M 5	12	3.7	7.5	9.2	5.5	2.50	2.5	Grade 2
P0153.050-014-T2	M 5	14	3.7	7.5	9.2	5.5	2.50	2.5	Grade 2
P0153.050-016-T2	M 5	16	3.7	7.5	9.2	5.5	2.50	2.5	Grade 2
P0153.050-020-T2	M 5	20	3.7	7.5	9.2	5.5	2.50	2.5	Grade 2
P0153.050-025-T2	M 5	25	3.7	7.5	9.2	5.5	2.50	2.5	Grade 2
P0153.050-030-T2	M 5	30	3.7	7.5	9.2	5.5	2.50	2.5	Grade 2
P0153.050-035-T2	M 5	35	3.7	7.5	9.2	5.5	2.50	2.5	Grade 2
P0153.050-040-T2	M 5	40	3.7	7.5	9.2	5.5	2.50	2.5	Grade 2
P0153.050-050-T2	M 5	50	3.7	7.5	9.2	5.5	2.50	2.5	Grade 2
P0153.050-060-T2	M 5	60	3.7	7.5	9.2	5.5	2.50	2.5	Grade 2
P0153.060-016-T2	M 6	16	4.2	8.0	11.0	6.5	3.00	3.0	Grade 2
P0153.060-020-T2	M 6	20	4.2	8.0	11.0	6.5	3.00	3.0	Grade 2
P0153.060-025-T2	M 6	25	4.2	8.0	11.0	6.5	3.00	3.0	Grade 2
P0153.060-030-T2	M 6	30	4.2	8.0	11.0	6.5	3.00	3.0	Grade 2
P0153.060-035-T2	M 6	35	4.2	8.0	11.0	6.5	3.00	3.0	Grade 2
P0153.060-040-T2	M 6	40	4.2	8.0	11.0	6.5	3.00	3.0	Grade 2
P0153.060-050-T2	M 6	50	4.2	8.0	11.0	6.5	3.00	3.0	Grade 2
P0153.060-060-T2	M 6	60	4.2	8.0	11.0	6.5	3.00	3.0	Grade 2
P0153.080-020-T2	M 8	20	6.0	10.0	15.0	8.5	4.10	4.0	Grade 2
P0153.080-025-T2	M 8	25	6.0	10.0	15.0	8.5	4.10	4.0	Grade 2
P0153.080-030-T2	M 8	30	6.0	10.0	15.0	8.5	4.10	4.0	Grade 2
P0153.080-040-T2	M 8	40	6.0	10.0	15.0	8.5	4.10	4.0	Grade 2
P0153.080-050-T2	M 8	50	6.0	10.0	15.0	8.5	4.10	4.0	Grade 2
P0153.080-060-T2	M 8	60	6.0	10.0	15.0	8.5	4.10	4.0	Grade 2
P0153.020-010-T5	M 2	10	1.2	3.5	3.8	2.5	1.20	1.0	Grade 5
P0153.020-012-T5	M 2	12	1.2	3.5	3.8	2.5	1.20	1.0	Grade 5
P0153.020-016-T5	M 2	16	1.2	3.5	3.8	2.5	1.20	1.0	Grade 5
P0153.020-020-T5	M 2	20	1.2	3.5	3.8	2.5	1.20	1.0	Grade 5
P0153.025-010-T5	M 2,5	10	1.7	3.7	4.7	2.8	1.80	1.3	Grade 5
P0153.025-012-T5	M 2,5	12	1.7	3.7	4.7	2.8	1.80	1.3	Grade 5
P0153.025-016-T5	M 2,5	16	1.7	3.7	4.7	2.8	1.80	1.3	Grade 5
P0153.025-020-T5	M 2,5	20	1.7	3.7	4.7	2.8	1.80	1.3	Grade 5
P0153.030-008-T5	M 3	8	2.0	4.5	5.6	3.5	1.65	1.5	Grade 5
P0153.030-010-T5	M 3	10	2.0	4.5	5.6	3.5	1.65	1.5	Grade 5
P0153.030-012-T5	M 3	12	2.0	4.5	5.6	3.5	1.65	1.5	Grade 5
P0153.030-016-T5	M 3	16	2.0	4.5	5.6	3.5	1.65	1.5	Grade 5
P0153.030-020-T5	M 3	20	2.0	4.5	5.6	3.5	1.65	1.5	Grade 5
P0153.030-025-T5	M 3	25	2.0	4.5	5.6	3.5	1.65	1.5	Grade 5
P0153.030-030-T5	M 3	30	2.0	4.5	5.6	3.5	1.65	1.5	Grade 5
P0153.030-035-T5	M 3	35	2.0	4.5	5.6	3.5	1.65	1.5	Grade 5
P0153.030-040-T5	M 3	40	2.0	4.5	5.6	3.5	1.65	1.5	Grade 5
P0153.040-010-T5	M 4	10	2.8	6.0	7.5	4.5	2.20	2.0	Grade 5
P0153.040-012-T5	M 4	12	2.8	6.0	7.5	4.5	2.20	2.0	Grade 5
P0153.040-014-T5	M 4	14	2.8	6.0	7.5	4.5	2.20	2.0	Grade 5
P0153.040-016-T5	M 4	16	2.8	6.0	7.5	4.5	2.20	2.0	Grade 5
P0153.040-020-T5	M 4	20	2.8	6.0	7.5	4.5	2.20	2.0	Grade 5
P0153.040-025-T5	M 4	25	2.8	6.0	7.5	4.5	2.20	2.0	Grade 5
P0153.040-030-T5	M 4	30	2.8	6.0	7.5	4.5	2.20	2.0	Grade 5
P0153.040-035-T5	M 4	35	2.8	6.0	7.5	4.5	2.20	2.0	Grade 5
P0153.040-040-T5	M 4	40	2.8	6.0	7.5	4.5	2.20	2.0	Grade 5
P0153.040-050-T5	M 4	50	2.8	6.0	7.5	4.5	2.20	2.0	Grade 5
P0153.040-060-T5	M 4	60	2.8	6.0	7.5	4.5	2.20	2.0	Grade 5
P0153.050-012-T5	M 5	12	3.7	7.5	9.2	5.5	2.50	2.5	Grade 5
P0153.050-014-T5	M 5	12	3.7	7.5	9.2	5.5	2.50	2.5	Grade 5
P0153.050-016-T5	M 5	16	3.7	7.5	9.2	5.5	2.50	2.5	Grade 5
P0153.050-020-T5	M 5	20	3.7	7.5	9.2	5.5	2.50	2.5	Grade 5
P0153.050-025-T5	M 5	25	3.7	7.5	9.2	5.5	2.50	2.5	Grade 5
P0153.050-030-T5	M 5	30	3.7	7.5	9.2	5.5	2.50	2.5	Grade 5
P0153.050-035-T5	M 5	35	3.7	7.5	9.2	5.5	2.50	2.5	Grade 5
P0153.050-040-T5	M 5	40	3.7	7.5	9.2	5.5	2.50	2.5	Grade 5
P0153.050-050-T5	M 5	50	3.7	7.5	9.2	5.5	2.50	2.5	Grade 5
P0153.050-060-T5	M 5	60	3.7	7.5	9.2	5.5	2.50	2.5	Grade 5
P0153.060-016-T5	M 6	16	4.2	8.0	11.0	6.5	3.00	3.0	Grade 5
P0153.060-020-T5	M 6	20	4.2	8.0	11.0	6.5	3.00	3.0	Grade 5
P0153.060-025-T5	M 6	25	4.2	8.0	11.0	6.5	3.00	3.0	Grade 5
P0153.060-030-T5	M 6	30	4.2	8.0	11.0	6.5	3.00	3.0	Grade 5
P0153.060-035-T5	M 6	35	4.2	8.0	11.0	6.5	3.00	3.0	Grade 5
P0153.060-040-T5	M 6	40	4.2	8.0	11.0	6.5	3.00	3.0	Grade 5



Captive Screws - Countersunk

hex drive - titanium

Captive Screws



Order No.	d ₁	l ₁ ±0.25	d ₂ ±0.12	l ₂ ±0.25	d ₃ max.	d ₄ min.	h ₁ max.	A/F	Material
P0153.060-050-T5	M 6	50	4.2	8.0	11.0	6.5	3.00	3.0	Grade 5
P0153.060-060-T5	M 6	60	4.2	8.0	11.0	6.5	3.00	3.0	Grade 5
P0153.080-020-T5	M 8	20	6.0	10.0	15.0	8.5	4.10	4.0	Grade 5
P0153.080-025-T5	M 8	25	6.0	10.0	15.0	8.5	4.10	4.0	Grade 5
P0153.080-030-T5	M 8	30	6.0	10.0	15.0	8.5	4.10	4.0	Grade 5
P0153.080-040-T5	M 8	40	6.0	10.0	15.0	8.5	4.10	4.0	Grade 5
P0153.080-050-T5	M 8	50	6.0	10.0	15.0	8.5	4.10	4.0	Grade 5
P0153.080-060-T5	M 8	60	6.0	10.0	15.0	8.5	4.10	4.0	Grade 5

CAPTIVE SCREWS