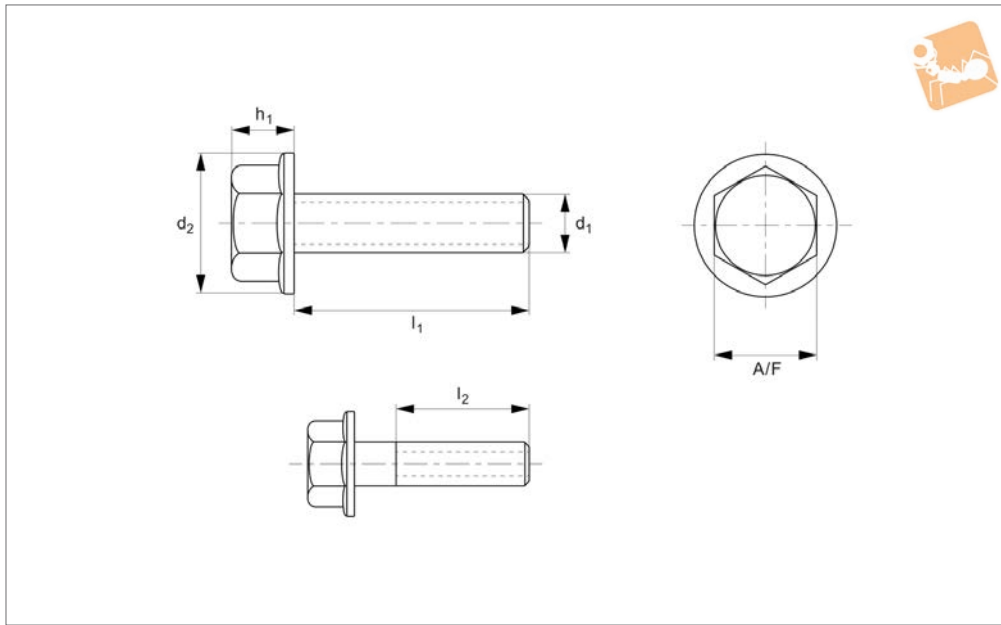
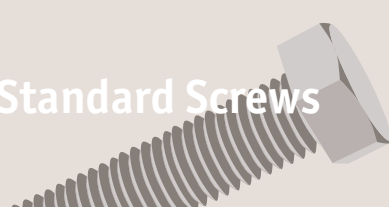




# Flanged Hexagon Bolts

Flanged - A2 stainless

Standard Screws



**P0266.A2**

STANDARD SCREWS

### Material

Stainless steel (A2).

See technical page for tightening torques.

### Technical Notes

To DIN 6921.

Order No.	d <sub>1</sub>	l <sub>1</sub>	h <sub>1</sub>	l <sub>2</sub>	d <sub>2</sub>	A/F
P0266.050-010-A2	M 5	10	5.4	-	11.8	8
P0266.050-012-A2	M 5	12	5.4	-	11.8	8
P0266.050-016-A2	M 5	16	5.4	16	11.8	8
P0266.050-020-A2	M 5	20	5.4	16	11.8	8
P0266.050-025-A2	M 5	25	5.4	16	11.8	8
P0266.050-030-A2	M 5	30	5.4	16	11.8	8
P0266.050-035-A2	M 5	35	5.4	16	11.8	8
P0266.050-040-A2	M 5	40	5.4	16	11.8	8
P0266.060-010-A2	M 6	10	6.6	-	14.2	10
P0266.060-012-A2	M 6	12	6.6	-	14.2	10
P0266.060-016-A2	M 6	16	6.6	-	14.2	10
P0266.060-020-A2	M 6	20	6.6	18	14.2	10
P0266.060-025-A2	M 6	25	6.6	18	14.2	10
P0266.060-030-A2	M 6	30	6.6	18	14.2	10
P0266.060-035-A2	M 6	35	6.6	18	14.2	10
P0266.060-040-A2	M 6	40	6.6	18	14.2	10
P0266.060-045-A2	M 6	45	6.6	18	14.2	10
P0266.060-050-A2	M 6	50	6.6	18	14.2	10
P0266.060-060-A2	M 6	60	6.6	18	14.2	10
P0266.080-030-A2	M 8	30	8.1	-	18.0	13
P0266.080-035-A2	M 8	35	8.1	-	18.0	13
P0266.080-040-A2	M 8	40	8.1	22	18.0	13
P0266.080-045-A2	M 8	45	8.1	22	18.0	13
P0266.080-050-A2	M 8	50	8.1	22	18.0	13
P0266.080-055-A2	M 8	55	8.1	22	18.0	13
P0266.080-060-A2	M 8	60	8.1	22	18.0	13
P0266.080-065-A2	M 8	65	8.1	22	18.0	13
P0266.080-070-A2	M 8	70	8.1	22	18.0	13
P0266.100.016-A2	M 10	16	9.2	-	22.3	15
P0266.100.020-A2	M 10	20	9.2	-	22.3	15
P0266.100.025-A2	M 10	25	9.2	-	22.3	15
P0266.100.030-A2	M 10	30	9.2	26	22.3	15
P0266.100.035-A2	M 10	35	9.2	26	22.3	15
P0266.100.040-A2	M 10	40	9.2	26	22.3	15



Order No.	d <sub>1</sub>	l <sub>1</sub>	h <sub>1</sub>	l <sub>2</sub>	d <sub>2</sub>	A/F
P0266.100.045-A2	M 10	45	9.2	26	22.3	15
P0266.100.050-A2	M 10	50	9.2	26	22.3	15
P0266.010.060-A2	M 10	60	9.2	26	22.3	15
P0266.120.025-A2	M12	25	11.5	-	26.6	16
P0266.120.030-A2	M12	30	11.5	30	26.6	16
P0266.120.035-A2	M 12	35	11.5	30	26.6	16
P0266.120.040-A2	M 12	40	11.5	30	26.6	16
P0266.120.045-A2	M 12	45	11.5	30	26.6	16
P0266.120.050-A2	M 12	50	11.5	30	26.6	16
P0266.120.060-A2	M12	60	11.5	30	26.6	16
P0266.160.030-A2	M16	30	14.4	-	35.0	21
P0266.160.035-A2	M16	35	14.4	-	35.0	21
P0266.160.040-A2	M16	40	14.4	38	35.0	21
P0266.160.045-A2	M16	45	14.4	38	35.0	21
P0266.160.050-A2	M16	50	14.4	38	35.0	21
P0266.160.060-A2	M16	60	14.4	38	35.0	21
P0266.160.070-A2	M16	70	14.4	38	35.0	21