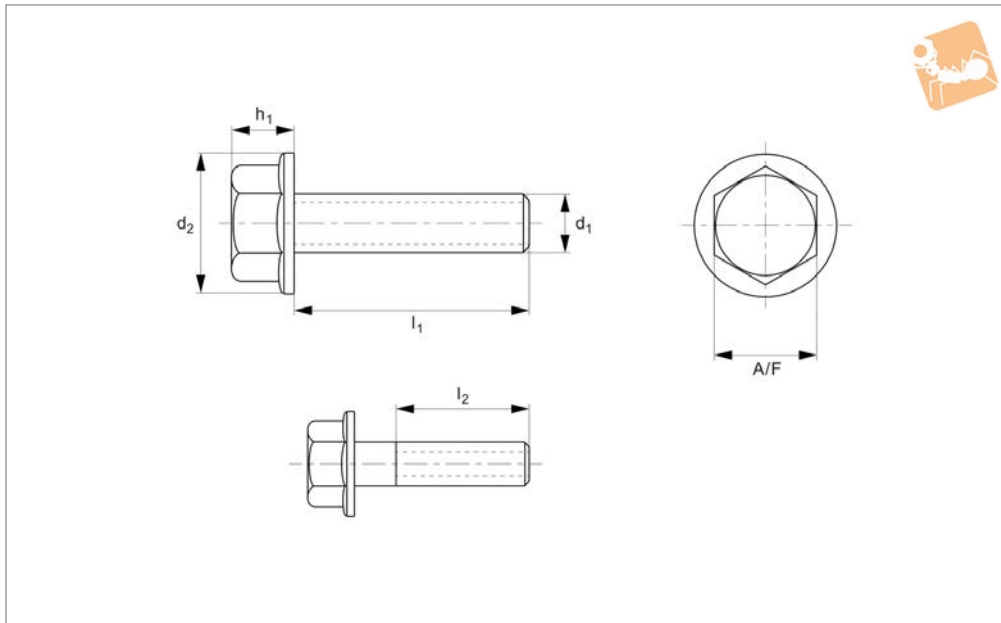




# Flanged Hexagon Bolts

Flanged - steel, zinc-plated

Standard Screws



**P0266.ZP**

STANDARD SCREWS

**Material**

Steel, zinc-plated (grade 8.8).

**Technical Notes**

To DIN 6921.

Order No.	d <sub>1</sub>	l <sub>1</sub>	h <sub>1</sub>	l <sub>2</sub>	d <sub>2</sub>	A/F
P0266.050-010-ZP	M 5	10	5.4	-	11.8	8
P0266.050-012-ZP	M 5	12	5.4	-	11.8	8
P0266.050-016-ZP	M 5	16	5.4	16	11.8	8
P0266.050-020-ZP	M 5	20	5.4	16	11.8	8
P0266.050-025-ZP	M 5	25	5.4	16	11.8	8
P0266.050-030-ZP	M 5	30	5.4	16	11.8	8
P0266.050-035-ZP	M 5	35	5.4	16	11.8	8
P0266.050-040-ZP	M 5	40	5.4	16	11.8	8
P0266.060-010-ZP	M 6	10	6.6	-	14.2	10
P0266.060-012-ZP	M 6	12	6.6	-	14.2	10
P0266.060-016-ZP	M 6	16	6.6	-	14.2	10
P0266.060-020-ZP	M 6	20	6.6	18	14.2	10
P0266.060-025-ZP	M 6	25	6.6	18	14.2	10
P0266.060-030-ZP	M 6	30	6.6	18	14.2	10
P0266.060-035-ZP	M 6	35	6.6	18	14.2	10
P0266.060-040-ZP	M 6	40	6.6	18	14.2	10
P0266.060-045-ZP	M 6	45	6.6	18	14.2	10
P0266.060-050-ZP	M 6	50	6.6	18	14.2	10
P0266.060-060-ZP	M 6	60	6.6	18	14.2	10
P0266.080-016-ZP	M 8	16	8.1	-	18.0	13
P0266.080-020-ZP	M 8	20	8.1	-	18.0	13
P0266.080-025-ZP	M 8	25	8.1	22	18.0	13
P0266.080-030-ZP	M 8	30	8.1	22	18.0	13
P0266.080-035-ZP	M 8	35	8.1	22	18.0	13
P0266.080-040-ZP	M 8	40	8.1	22	18.0	13
P0266.080-045-ZP	M 8	45	8.1	22	18.0	13
P0266.080-050-ZP	M 8	50	8.1	22	18.0	13
P0266.080-060-ZP	M 8	60	8.1	22	18.0	13
P0266.100-016-ZP	M10	16	9.2	-	22.3	15
P0266.100-020-ZP	M10	20	9.2	-	22.3	15
P0266.100-025-ZP	M10	25	9.2	-	22.3	15
P0266.100-030-ZP	M10	30	9.2	26	22.3	15
P0266.100-035-ZP	M10	35	9.2	26	22.3	15
P0266.100-040-ZP	M10	40	9.2	26	22.3	15
P0266.100-045-ZP	M10	45	9.2	26	22.3	15



Order No.	d <sub>1</sub>	l <sub>1</sub>	h <sub>1</sub>	l <sub>2</sub>	d <sub>2</sub>	A/F
P0266.100-050-ZP	M10	50	9.2	26	22.3	15
P0266.100-060-ZP	M10	60	9.2	26	22.3	15
P0266.120-025-ZP	M12	25	11.5	-	26.6	16
P0266.120-030-ZP	M12	30	11.5	30	26.6	16
P0266.120-035-ZP	M12	35	11.5	30	26.6	16
P0266.120-040-ZP	M12	40	11.5	30	26.6	16
P0266.120-045-ZP	M12	45	11.5	30	26.6	16
P0266.120-050-ZP	M12	50	11.5	30	26.6	16
P0266.120-055-ZP	M12	55	11.5	30	26.6	16
P0266.120-060-ZP	M12	60	11.5	30	26.6	16
P0266.160-030-ZP	M16	30	14.4	-	35.0	21
P0266.160-035-ZP	M16	35	14.4	-	35.0	21
P0266.160-040-ZP	M16	40	14.4	38	35.0	21
P0266.160-045-ZP	M16	45	14.4	38	35.0	21
P0266.160-050-ZP	M16	50	14.4	38	35.0	21
P0266.160-055-ZP	M16	55	14.4	38	35.0	21
P0266.160-060-ZP	M16	60	14.4	38	35.0	21
P0266.160-070-ZP	M16	70	14.4	38	35.0	21