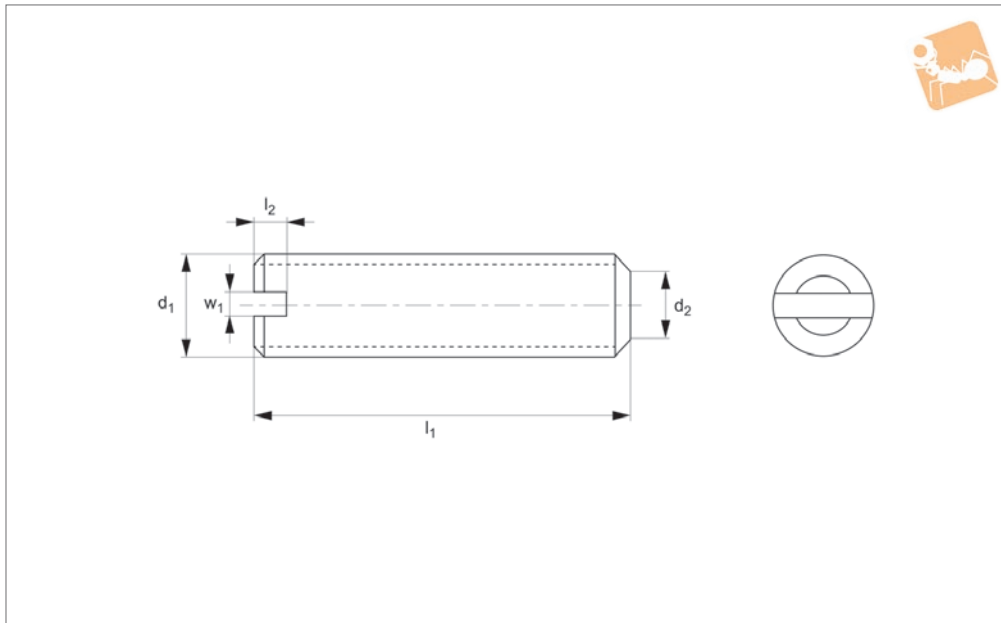




# Slotted Set Screws Flat Point

Flat Point - A2 stainless

Standard Screws



**P0277.A2**

STANDARD SCREWS

### Material

Stainless steel (A2).

See technical page for tightening torques.

### Technical Notes

To DIN 551, flat point.

| Order No.        | d <sub>1</sub> | l <sub>1</sub> | d <sub>2</sub> | l <sub>2</sub><br>min. | w <sub>1</sub> | Size     |
|------------------|----------------|----------------|----------------|------------------------|----------------|----------|
| P0277.016-002-A2 | M1,6           | 2              | 0.55           | 0.74                   | 0.25           | 0,16X0,8 |
| P0277.016-003-A2 | M1,6           | 3              | 0.55           | 0.74                   | 0.25           | 0,16X0,8 |
| P0277.016-004-A2 | M1,6           | 4              | 0.55           | 0.74                   | 0.25           | 0,16X0,8 |
| P0277.016-005-A2 | M1,6           | 5              | 0.55           | 0.74                   | 0.25           | 0,16X0,8 |
| P0277.016-006-A2 | M1,6           | 6              | 0.55           | 0.74                   | 0.25           | 0,16X0,8 |
| P0277.016-008-A2 | M1,6           | 8              | 0.55           | 0.74                   | 0.25           | 0,16X0,8 |
| P0277.016-010-A2 | M1,6           | 10             | 0.55           | 0.74                   | 0.25           | 0,16X0,8 |
| P0277.020-002-A2 | M 2            | 2              | 0.75           | 0.84                   | 0.25           | 0,25X1,2 |
| P0277.020-003-A2 | M 2            | 3              | 0.75           | 0.84                   | 0.25           | 0,25X1,2 |
| P0277.020-004-A2 | M 2            | 4              | 0.75           | 0.84                   | 0.25           | 0,25X1,2 |
| P0277.020-005-A2 | M 2            | 5              | 0.75           | 0.84                   | 0.25           | 0,25X1,2 |
| P0277.020-006-A2 | M 2            | 6              | 0.75           | 0.84                   | 0.25           | 0,25X1,2 |
| P0277.020-008-A2 | M 2            | 8              | 0.75           | 0.84                   | 0.25           | 0,25X1,2 |
| P0277.020-010-A2 | M 2            | 10             | 0.75           | 0.84                   | 0.25           | 0,25X1,2 |
| P0277.025-003-A2 | M2,5           | 3              | 1.25           | 0.95                   | 0.40           | 0,4X2,0  |
| P0277.025-004-A2 | M2,5           | 4              | 1.25           | 0.95                   | 0.40           | 0,4X2,0  |
| P0277.025-005-A2 | M2,5           | 5              | 1.25           | 0.95                   | 0.40           | 0,4X2,0  |
| P0277.025-006-A2 | M2,5           | 6              | 1.25           | 0.95                   | 0.40           | 0,4X2,0  |
| P0277.025-008-A2 | M2,5           | 8              | 1.25           | 0.95                   | 0.40           | 0,4X2,0  |
| P0277.025-010-A2 | M2,5           | 10             | 1.25           | 0.95                   | 0.40           | 0,4X2,0  |
| P0277.030-003-A2 | M 3            | 3              | 1.75           | 1.05                   | 0.40           | 0,4X2,0  |
| P0277.030-004-A2 | M 3            | 4              | 1.75           | 1.05                   | 0.40           | 0,4X2,0  |
| P0277.030-005-A2 | M 3            | 5              | 1.75           | 1.05                   | 0.40           | 0,4X2,0  |
| P0277.030-006-A2 | M 3            | 6              | 1.75           | 1.05                   | 0.40           | 0,4X2,0  |
| P0277.030-008-A2 | M 3            | 8              | 1.75           | 1.05                   | 0.40           | 0,4X2,0  |
| P0277.030-010-A2 | M 3            | 10             | 1.75           | 1.05                   | 0.40           | 0,4X2,0  |
| P0277.030-012-A2 | M 3            | 12             | 1.75           | 1.05                   | 0.40           | 0,4X2,0  |
| P0277.030-016-A2 | M 3            | 16             | 1.75           | 1.05                   | 0.40           | 0,4X2,0  |
| P0277.030-020-A2 | M 3            | 20             | 1.75           | 1.05                   | 0.40           | 0,4X2,0  |
| P0277.040-004-A2 | M 4            | 4              | 2.25           | 1.42                   | 0.60           | 0,6X3,5  |
| P0277.040-005-A2 | M 4            | 5              | 2.25           | 1.42                   | 0.60           | 0,6X3,5  |
| P0277.040-006-A2 | M 4            | 6              | 2.25           | 1.42                   | 0.60           | 0,6X3,5  |
| P0277.040-008-A2 | M 4            | 8              | 2.25           | 1.42                   | 0.60           | 0,6X3,5  |
| P0277.040-010-A2 | M 4            | 10             | 2.25           | 1.42                   | 0.60           | 0,6X3,5  |



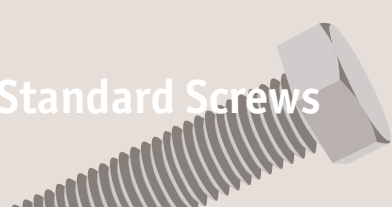
| Order No.        | d <sub>1</sub> | l <sub>1</sub> | d <sub>2</sub> | l <sub>2</sub><br>min. | w <sub>1</sub> | Size     |
|------------------|----------------|----------------|----------------|------------------------|----------------|----------|
| P0277.040-012-A2 | M 4            | 12             | 2.25           | 1.42                   | 0.60           | 0,6X3,5  |
| P0277.040-016-A2 | M 4            | 16             | 2.25           | 1.42                   | 0.60           | 0,6X3,5  |
| P0277.040-020-A2 | M 4            | 20             | 2.25           | 1.42                   | 0.60           | 0,6X3,5  |
| P0277.040-025-A2 | M 4            | 25             | 2.25           | 1.42                   | 0.60           | 0,6X3,5  |
| P0277.040-030-A2 | M 4            | 30             | 2.25           | 1.42                   | 0.60           | 0,6X3,5  |
| P0277.040-035-A2 | M 4            | 35             | 2.25           | 1.42                   | 0.60           | 0,6X3,5  |
| P0277.040-040-A2 | M 4            | 40             | 2.25           | 1.42                   | 0.60           | 0,6X3,5  |
| P0277.040-045-A2 | M 4            | 45             | 2.25           | 1.42                   | 0.60           | 0,6X3,5  |
| P0277.040-050-A2 | M 4            | 50             | 2.25           | 1.42                   | 0.60           | 0,6X3,5  |
| P0277.050-005-A2 | M 5            | 5              | 3.20           | 1.63                   | 0.80           | 0,8X4,0  |
| P0277.050-006-A2 | M 5            | 6              | 3.20           | 1.63                   | 0.80           | 0,8X4,0  |
| P0277.050-008-A2 | M 5            | 8              | 3.20           | 1.63                   | 0.80           | 0,8X4,0  |
| P0277.050-010-A2 | M 5            | 10             | 3.20           | 1.63                   | 0.80           | 0,8X4,0  |
| P0277.050-012-A2 | M 5            | 12             | 3.20           | 1.63                   | 0.80           | 0,8X4,0  |
| P0277.050-016-A2 | M 5            | 16             | 3.20           | 1.63                   | 0.80           | 0,8X4,0  |
| P0277.050-020-A2 | M 5            | 20             | 3.20           | 1.63                   | 0.80           | 0,8X4,0  |
| P0277.050-025-A2 | M 5            | 25             | 3.20           | 1.63                   | 0.80           | 0,8X4,0  |
| P0277.050-030-A2 | M 5            | 30             | 3.20           | 1.63                   | 0.80           | 0,8X4,0  |
| P0277.050-035-A2 | M 5            | 35             | 3.20           | 1.63                   | 0.80           | 0,8X4,0  |
| P0277.050-040-A2 | M 5            | 40             | 3.20           | 1.63                   | 0.80           | 0,8X4,0  |
| P0277.050-045-A2 | M 5            | 45             | 3.20           | 1.63                   | 0.80           | 0,8X4,0  |
| P0277.050-050-A2 | M 5            | 50             | 3.20           | 1.63                   | 0.80           | 0,8X4,0  |
| P0277.060-006-A2 | M 6            | 6              | 3.70           | 2.00                   | 1.00           | 1,0X5,5  |
| P0277.060-008-A2 | M 6            | 8              | 3.70           | 2.00                   | 1.00           | 1,0X5,5  |
| P0277.060-010-A2 | M 6            | 10             | 3.70           | 2.00                   | 1.00           | 1,0X5,5  |
| P0277.060-012-A2 | M 6            | 12             | 3.70           | 2.00                   | 1.00           | 1,0X5,5  |
| P0277.060-016-A2 | M 6            | 16             | 3.70           | 2.00                   | 1.00           | 1,0X5,5  |
| P0277.060-020-A2 | M 6            | 20             | 3.70           | 2.00                   | 1.00           | 1,0X5,5  |
| P0277.060-025-A2 | M 6            | 25             | 3.70           | 2.00                   | 1.00           | 1,0X5,5  |
| P0277.060-030-A2 | M 6            | 30             | 3.70           | 2.00                   | 1.00           | 1,0X5,5  |
| P0277.060-035-A2 | M 6            | 35             | 3.70           | 2.00                   | 1.00           | 1,0X5,5  |
| P0277.060-040-A2 | M 6            | 40             | 3.70           | 2.00                   | 1.00           | 1,0X5,5  |
| P0277.060-050-A2 | M 6            | 50             | 3.70           | 2.00                   | 1.00           | 1,0X5,5  |
| P0277.060-060-A2 | M 6            | 60             | 3.70           | 2.00                   | 1.00           | 1,0X5,5  |
| P0277.080-008-A2 | M 8            | 8              | 5.20           | 2.50                   | 1.20           | 1,2X7,0  |
| P0277.080-010-A2 | M 8            | 10             | 5.20           | 2.50                   | 1.20           | 1,2X7,0  |
| P0277.080-012-A2 | M 8            | 12             | 5.20           | 2.50                   | 1.20           | 1,2X7,0  |
| P0277.080-016-A2 | M 8            | 16             | 5.20           | 2.50                   | 1.20           | 1,2X7,0  |
| P0277.080-020-A2 | M 8            | 20             | 5.20           | 2.50                   | 1.20           | 1,2X7,0  |
| P0277.080-025-A2 | M 8            | 25             | 5.20           | 2.50                   | 1.20           | 1,2X7,0  |
| P0277.080-030-A2 | M 8            | 30             | 5.20           | 2.50                   | 1.20           | 1,2X7,0  |
| P0277.080-035-A2 | M 8            | 35             | 5.20           | 2.50                   | 1.20           | 1,2X7,0  |
| P0277.080-040-A2 | M 8            | 40             | 5.20           | 2.50                   | 1.20           | 1,2X7,0  |
| P0277.080-045-A2 | M 8            | 45             | 5.20           | 2.50                   | 1.20           | 1,2X7,0  |
| P0277.080-050-A2 | M 8            | 50             | 5.20           | 2.50                   | 1.20           | 1,2X7,0  |
| P0277.080-055-A2 | M 8            | 55             | 5.20           | 2.50                   | 1.20           | 1,2X7,0  |
| P0277.080-060-A2 | M 8            | 60             | 5.20           | 2.50                   | 1.20           | 1,2X7,0  |
| P0277.080-070-A2 | M 8            | 70             | 5.20           | 2.50                   | 1.20           | 1,2X7,0  |
| P0277.100-010-A2 | M10            | 10             | 6.64           | 3.00                   | 1.60           | 1,6X9,0  |
| P0277.100-012-A2 | M10            | 12             | 6.64           | 3.00                   | 1.60           | 1,6X9,0  |
| P0277.120-012-A2 | M12            | 12             | 8.14           | 3.60                   | 2.00           | 2,0X12,0 |
| P0277.120-016-A2 | M12            | 16             | 8.14           | 3.60                   | 2.00           | 2,0X12,0 |
| P0277.120-020-A2 | M12            | 20             | 8.14           | 3.60                   | 2.00           | 2,0X12,0 |
| P0277.120-025-A2 | M12            | 25             | 8.14           | 3.60                   | 2.00           | 2,0X12,0 |
| P0277.120-030-A2 | M12            | 30             | 8.14           | 3.60                   | 2.00           | 2,0X12,0 |
| P0277.120-035-A2 | M12            | 35             | 8.14           | 3.60                   | 2.00           | 2,0X12,0 |
| P0277.120-040-A2 | M12            | 40             | 8.14           | 3.60                   | 2.00           | 2,0X12,0 |
| P0277.120-045-A2 | M12            | 45             | 8.14           | 3.60                   | 2.00           | 2,0X12,0 |
| P0277.120-050-A2 | M12            | 50             | 8.14           | 3.60                   | 2.00           | 2,0X12,0 |
| P0277.120-055-A2 | M12            | 55             | 8.14           | 3.60                   | 2.00           | 2,0X12,0 |
| P0277.120-060-A2 | M12            | 60             | 8.14           | 3.60                   | 2.00           | 2,0X12,0 |
| P0277.120-070-A2 | M12            | 70             | 8.14           | 3.60                   | 2.00           | 2,0X12,0 |
| P0277.120-080-A2 | M12            | 80             | 8.14           | 3.60                   | 2.00           | 2,0X12,0 |
| P0277.100-016-A2 | M10            | 16             | 6.64           | 3.00                   | 1.60           | 1,6X9,0  |
| P0277.100-020-A2 | M10            | 20             | 6.64           | 3.00                   | 1.60           | 1,6X9,0  |
| P0277.100-025-A2 | M10            | 25             | 6.64           | 3.00                   | 1.60           | 1,6X9,0  |
| P0277.100-030-A2 | M10            | 30             | 6.64           | 3.00                   | 1.60           | 1,6X9,0  |
| P0277.100-035-A2 | M10            | 35             | 6.64           | 3.00                   | 1.60           | 1,6X9,0  |



# Slotted Set Screws Flat Point

Flat Point - A2 stainless

Standard Screws



| Order No.        | d <sub>1</sub> | l <sub>1</sub> | d <sub>2</sub> | l <sub>2</sub><br>min. | w <sub>1</sub> | Size    |
|------------------|----------------|----------------|----------------|------------------------|----------------|---------|
| P0277.100-040-A2 | M10            | 40             | 6.64           | 3.00                   | 1.60           | 1,6X9,0 |
| P0277.100-045-A2 | M10            | 45             | 6.64           | 3.00                   | 1.60           | 1,6X9,0 |
| P0277.100-050-A2 | M10            | 50             | 6.64           | 3.00                   | 1.60           | 1,6X9,0 |
| P0277.100-055-A2 | M10            | 55             | 6.64           | 3.00                   | 1.60           | 1,6X9,0 |
| P0277.100-060-A2 | M10            | 60             | 6.64           | 3.00                   | 1.60           | 1,6X9,0 |
| P0277.100-070-A2 | M10            | 70             | 6.64           | 3.00                   | 1.60           | 1,6X9,0 |
| P0277.100-080-A2 | M10            | 80             | 6.64           | 3.00                   | 1.60           | 1,6X9,0 |

STANDARD SCREWS